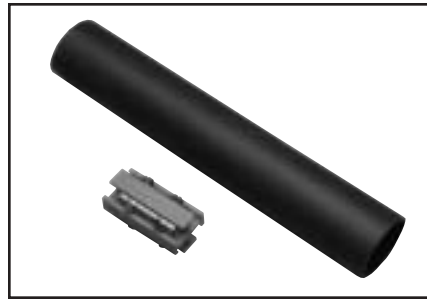


TYPE UGSKIT8

UF DIRECT BURIAL SPLICE KIT

A-32

Type UGS UF Splice Kit consists of a UF splice connector and a heavy wall heat-shrink sleeve. The UF splice connector can accommodate up to four UF conductors and is installed with common installation tools. The heavy wall heat shrink sleeve is lined with an adhesive material, providing a watertight splice that can withstand abrasions that may occur during direct burial applications. Heat shrink sleeve installed with standard propane torch, or electric heat gun.



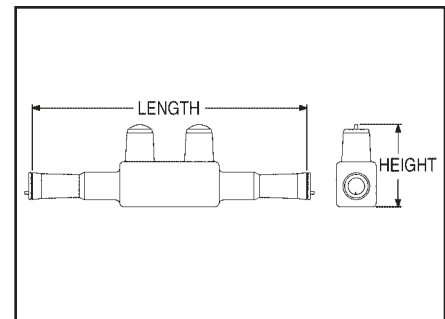
| | |
|-------------------|---------------|
| Catalog Number | Wire Range |
| | Copper |
| UGSKIT8* | 8 AWG -14 AWG |

*UL486D Listed for Direct Burial

TYPE UGS350ULDB

IN-LINE SPLICE/REDUCER

For Direct Burial



Features and Benefits

- EPDM rubber covered 6061-T6 aluminum connector.
- Dual rated AL9CU for copper or aluminum conductor.
- UL Listed and CSA Certified for Direct Burial.
- Broad range taking capability.
- Low installation cost.

| CATALOG NUMBER | WIRE RANGE | LENGTH In. [mm] | HEIGHT In. [mm] | HEX SIZE | TORQUE (In. Lbs.) |
|----------------|--------------------|--------------------|--------------------|----------|----------------------|
| UGS350ULDB | 10 AWG - 350 kcmil | 8.50 [216] | 2.81 [71.4] | 5/16" | 350 |

Dimensions in brackets [] are in millimeters.