

# C-TR-\*-FP22 Series

LED Flat Panel - 2' x 2'

Replaces 2 x F32T8/U6

**C-LITE**  
LED LIGHTING BY CREE

## LOW PROFILE DESIGN, EASY INSTALLATION, FULLY BACKED BY CREE

Reliable, versatile and stylish – that's C-Lite LED Flat Panels. C-Lite LED Flat Panels deliver brighter light and bigger savings, and are fully tested and backed by Cree!



## PRODUCT SPECIFICATIONS

### OVERVIEW

- Initial Delivered Lumens: 4,000
- CRI: 80
- CCT: Warm White 3500K, Neutral White 4000K, Cool White 5000K
- Mounting: Recessed
- Input Power: 40 Watts
- Dimmable: Yes
- Operating Range: -20°C (-4°F) - 40°C (104°)
- Lifespan: Estimated >100,000 Hours
- Power Factor: > 0.9
- Total Harmonic Distortion: < 20%
- Limited Warranty: 5-Years\*
- Replaces 2 x F32T8/U6

FEATURES	BENEFITS	RECOMMENDED USE
<ul style="list-style-type: none"><li>• Pre-installed driver</li><li>• White powder coated aluminum frame</li><li>• Opaque white acrylic lens</li></ul>	<ul style="list-style-type: none"><li>• IC Rated for direct contact with insulation</li><li>• Fits in low-clearance drop ceilings</li><li>• Fully tested and backed by Cree</li></ul>	<ul style="list-style-type: none"><li>• Offices</li><li>• Educational &amp; Retail</li><li>• Commercial &amp; Institutional</li></ul>

## ORDERING INFORMATION

Example: C-TR-A-FP22-40L-35K-WH

C-TR		FP22	40L		WH
PRODUCT	SERIES	STYLE	LUMEN PACKAGE	CCT	COLOR
C-TR	<b>A</b> - 35K & 40K Only <b>B</b> - 50K Only	FP22 Flat Panel 2' x 2'	40L 4,000 Lumens 40W	<b>35K</b> Warm White (3500K) <b>40K</b> Neutral White (4000K) <b>50K</b> Cool White (5000K)	WH White

## CERTIFICATIONS:

US: [www.c-lite.com](http://www.c-lite.com)

T (800) 236-6800 F (262) 504-5415

Canada: [www.cree.com/canada](http://www.cree.com/canada)

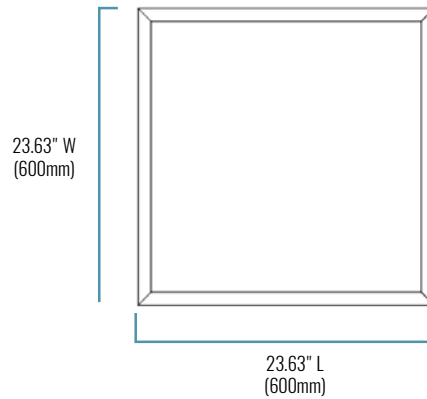
T (800) 473-1234 F (800) 890-7507

Rev. Date: V4 10/29/2018

For informational purposes only. Content is subject to change. \*See [lighting.cree.com/warranty](http://lighting.cree.com/warranty) for details



# C-TR-\* -FP22 Series



## SERIES OVERVIEW

DIMENSIONS	PRODUCT WEIGHT	MOUNTING HEIGHT	SPACING
23.63" (600mm) L x 23.63" (600mm) W x 0.5" (13mm) H (Panel) 23.63" (600mm) L x 23.63" (600mm) W x 1.75" (44mm) H (w/Driver)	7.6 lbs.	8 to 12 feet	8' x 8' – 10' x 10'

## FIXTURE SPECIFICATIONS

<b>HOUSING</b>	Durable aluminum construction White polyester powder-coat Sealed, maintenance-free fixture design
<b>LENS ASSEMBLY</b>	Precision engineered acrylic lens and polymethyl methacrylate (PMMA) diffuser prevents hot spots, shadows and glare, while providing uniform illumination
<b>MOUNTING</b>	Recessed Installs into conventional grid ceiling Pre-installed driver Requires minimum 90°C supply conductors

## ELECTRICAL PERFORMANCE

OPERATING RANGE	LIFESPAN L <sub>70</sub> AT 25°C (77°F)	POWER FACTOR	TOTAL HARMONIC DISTORTION	DIMMABLE
-20°C (-4°F) - 40°C (104°F)	Estimated >100,000 Hours	> 0.9	< 20%	0-10V
<b>INPUT VOLTAGE</b>	<b>120V</b>	<b>208V</b>	<b>240V</b>	<b>277V</b>
<b>CURRENT DRAW (Amps)</b>	0.33A	0.19A	0.17A	0.14A

## WARRANTY & CERTIFICATIONS

WARRANTY	ETL LISTED	DLC
5-Year Limited*	Damp Locations	DLC Qualified Please refer to <a href="http://www.designlights.org/QPL">www.designlights.org/QPL</a> for most current information


**CA RESIDENTS WARNING:** Cancer and Reproductive Harm –  
[www.p65warnings.ca.gov](http://www.p65warnings.ca.gov)

US: [www.c-lite.com](http://www.c-lite.com) T (800) 236-6800 F (262) 504-5415 Canada: [www.cree.com/canada](http://www.cree.com/canada) T (800) 473-1234 F (800) 890-7507  
Rev. Date: V4 10/29/2018 For informational purposes only. Content is subject to change. \*See [lighting.cree.com/warranty](http://lighting.cree.com/warranty) for details

**C-LITE**  
LED LIGHTING BY CREE

# C-TR-\* -FP22 Series

## ACCESSORIES

	DRYWALL GRID ADAPTER
	SKU: <b>DGA22-WHT</b> (single-pack) <b>DGA22-WHT-10PK</b> (10-pack) USE: For use when mounting in drywall ceilings

© 2018 Cree, Inc. and/or one of its subsidiaries. All rights reserved. For informational purposes only. Content is subject to change. Patent [www.cree.com/patents](http://www.cree.com/patents). C-LITE™ and C-LITE LED Lighting by Cree logo are trademarks of Cree, Inc. The ETL Listed Intertek logo is a trademark of Intertek Testing Services NA, Inc. The DLC QPL logo is a registered trademark of Efficiency Forward, Inc.

US: [c-lite.com](http://c-lite.com) T (800) 236-6800 F (262) 504-5415

Canada: [www.cree.com/canada](http://www.cree.com/canada) T (800) 473-1234 F (800) 890-7507

Rev. Date: V4 10/29/2018

For informational purposes only. Content is subject to change. \*See [lighting.cree.com/warranty](http://lighting.cree.com/warranty) for details

**C-LITE**  
LED LIGHTING BY CREE