

**DESCRIPTION**

The CFP offers edge-lit LED technology in a sleek, modern, flat panel design. Light classrooms, offices, medical facilities, cleanrooms and general public spaces using edge-to-edge illumination, without pixelation or bright spots.

**CONSTRUCTION**

Extruded aluminum frame has a matte white finish and smooth frame-to-lens transition.

**FEATURES**

- 1x4, 2x2, and 2x4 sizes
- 80 CRI
- 0-10V dimming
- Recessed, Surface, or Cable Mount
- T-bar clips for secure mounting
- Universal voltage (120-277V)
- IC rated
- 60,000 hour LEDs at L70 (up to 180,000 projected life) for reduced maintenance
- Unique curved 1 1/8" frame
- Suitable for ISO Class 5-9 positive pressure cleanrooms



tradeSELECT®



**STANDARDS, CERTIFICATION AND COMPLIANCE**

All luminaires are built to UL1598 standards and bear appropriate ETL labels. Damp location label standard. Tested in accordance with ISO 14644-1; suitable for ISO Class 5-9 positive pressure cleanrooms. DLC® (DesignLights Consortium) Qualified, with some Premium Qualified configurations. Please refer to the DLC website for specific product qualifications at [www.designlights.org](http://www.designlights.org).

**WARRANTY**

Five year warranty. Terms and conditions apply.

**ORDERING GUIDE**

Catalog Number	Description	Lumens	Watts	LPW	Qty on Pallet
<b>CFP14-4035<sup>1</sup></b>	1x4 Edge-Lit Flat Panel, 4000lm, 3500K	3951	39	101	48
<b>CFP14-4040<sup>1</sup></b>	1x4 Edge-Lit Flat Panel, 4000lm, 4000K	4102	39	105	48
<b>CFP22-3335<sup>1</sup></b>	2x2 Edge-Lit Flat Panel, 3300lm, 3500K	3382	32	106	36
<b>CFP22-3335-HE<sup>2</sup></b>	2x2 Edge-Lit Flat Panel, 3300lm, 3500K, High Efficacy	3299	26	125	36
<b>CFP22-3340<sup>1</sup></b>	2x2 Edge-Lit Flat Panel, 3300lm, 4000K	3475	32	109	36
<b>CFP22-3340-HE<sup>2</sup></b>	2x2 Edge-Lit Flat Panel, 3300lm, 4000K, High Efficacy	3430	27	127	36
<b>CFP22-4035<sup>1</sup></b>	2x2 Edge-Lit Flat Panel, 4000lm, 3500K	4302	41	105	36
<b>CFP22-4040<sup>1</sup></b>	2x2 Edge-Lit Flat Panel, 4000lm, 4000K	4074	40	102	36
<b>CFP24-4135<sup>1</sup></b>	2x4 Edge-Lit Flat Panel, 4100lm, 3500K	4307	40	107	24
<b>CFP24-4135-HE<sup>2</sup></b>	2x4 Edge-Lit Flat Panel, 4100lm, 3500K, High Efficacy	4229	34	124	24
<b>CFP24-4140<sup>1</sup></b>	2x4 Edge-Lit Flat Panel, 4100lm, 4000K	4123	40	103	24
<b>CFP24-4140-HE<sup>2</sup></b>	2x4 Edge-Lit Flat Panel, 4100lm, 4000K, High Efficacy	4334	34	127	24
<b>CFP24-5535<sup>1</sup></b>	2x4 Edge-Lit Flat Panel, 5500lm, 3500K	5447	49	110	24
<b>CFP24-5540<sup>1</sup></b>	2x4 Edge-Lit Flat Panel, 5500lm, 4000K	5608	50	112	24

**Accessories (Order Separately)**

<b>PLD10M</b>	Dual-Lite® Emergency LED Battery Pack, field installed
<b>FK14</b>	1' x 4' Single Flange Kit
<b>FK22</b>	2' x 2' Single Flange Kit
<b>FK24</b>	2' x 4' Single Flange Kit
<b>CFPSMK-14</b>	1' x 4' CFP Surface Mount Kit
<b>CFPSMK-22</b>	2' x 2' CFP Surface Mount Kit
<b>CFPSMK-24</b>	2' x 4' CFP Surface Mount Kit
<b>CFPCM36YSC5F-KIT</b>	36" Cable Mount Kit for 1' or 2' wide Cable Mount fixtures, 5 Wire

<sup>1</sup> DLC® (DesignLights Consortium) Qualified - see [www.designlights.org](http://www.designlights.org)  
<sup>2</sup> DLC® (DesignLights Consortium) Premium Qualified - see [www.designlights.org](http://www.designlights.org)

**PHOTOMETRIC DATA**

Test #17.01571 Test Date 5/25/2017

**LUMINAIRE DATA**

Luminaire	CFP22-3335 CFP, Recessed 2' x 2' Flat Panel LED
Ballast	WPC-40U-40-MT-0950
Ballast Factor	1.00
Lamp	LED
Fixture Lumens	3384
Watts	32.03
Mounting	Recessed
Shielding Angle	0° = 90 90° = 90
Spacing Criterion	0° = 1.24 90° = 1.27
Luminous Opening in Feet	Length: 1.80 Width: 1.80 Height: 0.00

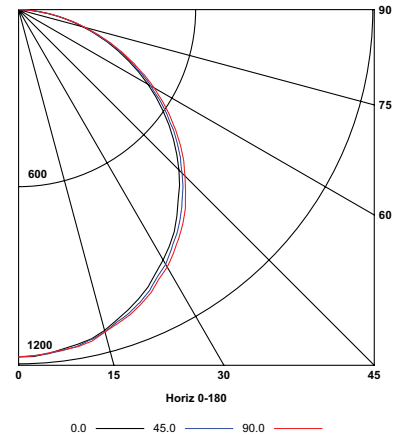
**ZONAL LUMEN SUMMARY**

Zone	Lumens	% Lamp	% Fixt.
0-30	914	27.0	27.0
0-40	1497	44.2	44.2
0-60	2649	78.3	78.3
0-90	3384	100.0	100.0
0-180	3384	100.0	100.0

**ENERGY DATA**

Total Luminaire Efficiency	100.0%
Total Lumens per Watt	106
IESNA RP-1-2004 Compliance	Non-Compliant
Comparative Yearly Lighting Energy Cost per 1000 Lumens	\$2.26 based on 3000 hrs. and \$0.08 per KWH

**INDOOR CANDELA PLOT**



**LUMINAIRE DATA**

Luminaire	CFP24-4135 CFP, Recessed 2' x 4' Flat Panel LED
Ballast	WPC-40U-40-MT-1000
Ballast Factor	1.00
Lamp	LED
Fixture Lumens	4309
Watts	40.43
Mounting	Recessed
Shielding Angle	0° = 90 90° = 90
Spacing Criterion	0° = 1.25 90° = 1.27
Luminous Opening in Feet	Length: 3.80 Width: 1.79 Height: 0.00

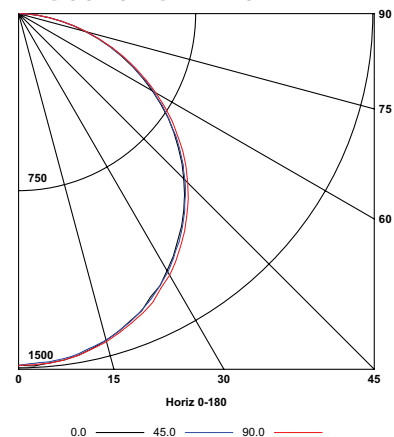
**ZONAL LUMEN SUMMARY**

Zone	Lumens	% Lamp	% Fixt.
0-30	1160	26.9	26.9
0-40	1901	44.1	44.1
0-60	3369	78.2	78.2
0-90	4309	100.0	100.0
0-180	4309	100.0	100.0

**ENERGY DATA**

Total Luminaire Efficiency	100.0%
Total Lumens per Watt	107
IESNA RP-1-2004 Compliance	Non-Compliant
Comparative Yearly Lighting Energy Cost per 1000 Lumens	\$2.22 based on 3000 hrs. and \$0.08 per KWH

**INDOOR CANDELA PLOT**



Test #17.01569 Test Date 5/25/2017

**LUMINAIRE DATA**

Luminaire	CFP24-5540 CFP, Recessed 2' x 4' Flat Panel LED
Ballast	WPC-60U-40-MT-1200
Ballast Factor	1.00
Lamp	LED
Fixture Lumens	5611
Watts	49.90
Mounting	Recessed
Shielding Angle	0° = 90 90° = 90
Spacing Criterion	0° = 1.24 90° = 1.27
Luminous Opening in Feet	Length: 3.79 Width: 0.96 Height: 0.04

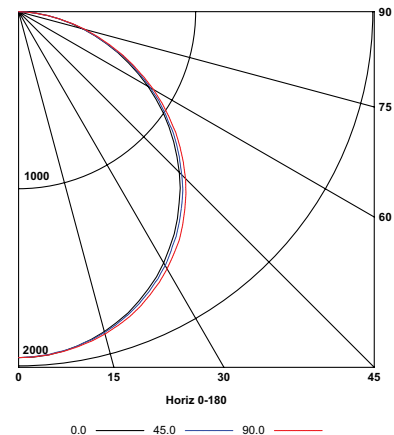
**ZONAL LUMEN SUMMARY**

Zone	Lumens	% Lamp	% Fixt.
0-30	1518	27.1	27.1
0-40	2489	44.4	44.4
0-60	4404	78.5	78.5
0-90	5611	100.0	100.0
0-180	5611	100.0	100.0

**ENERGY DATA**

Total Luminaire Efficiency	100.0%
Total Lumens per Watt	112
IESNA RP-1-2004 Compliance	Non-Compliant
Comparative Yearly Lighting Energy Cost per 1000 Lumens	\$2.14 based on 3000 hrs. and \$0.08 per KWH

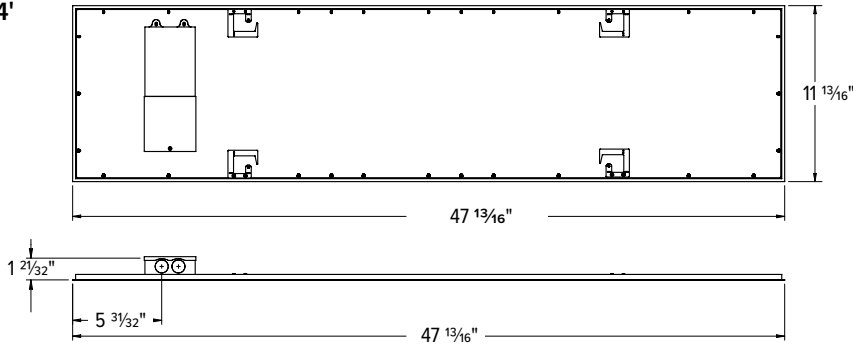
**INDOOR CANDELA PLOT**



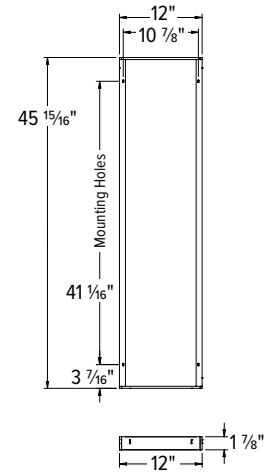
Test #17.02370 Test Date 8/25/2017

**DIMENSIONAL DATA**

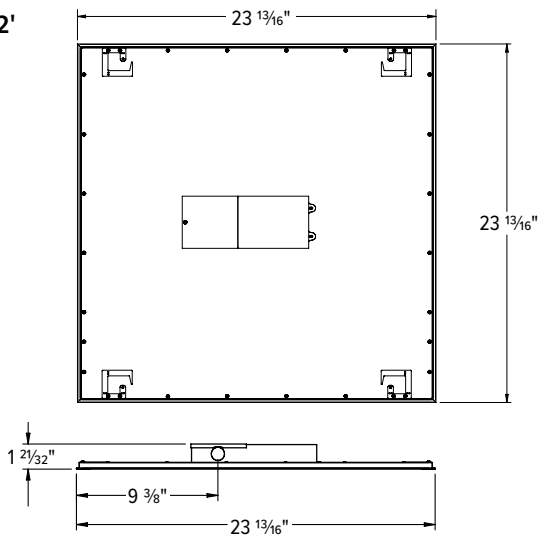
1' X 4'



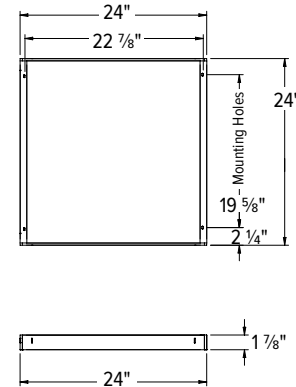
**SURFACE MOUNT**



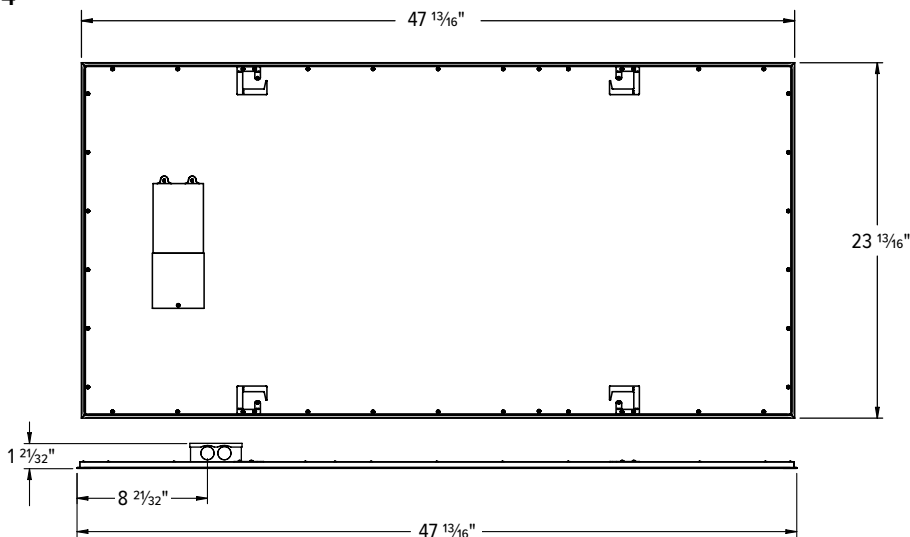
2' X 2'



**SURFACE MOUNT**



2' X 4'



**SURFACE MOUNT**

