

Bryant 50 Amp Locking Devices



OEM APPLICATIONS



FEATURES AND BENEFITS

Features	Benefits
Screw-less strain relief	Integral strain relief requires no dis-assembly; Screw-less design eliminates the need for screwdrivers to clamp down on cable jacket
Ratcheting strain relief nut	Resists loosening from cable twist or vibration
Socket head termination screws	Allen wrench tightening allows higher torque to prevent overheating and terminal loosening
Cable compatible layout	Terminal layout corresponds to commercial cable conductor patterns eliminating the need to cross conductors when wiring
Visible terminal markings	Color coded wiring symbols simplify wiring
Stainless steel plug shroud	Resistant to the corrosive effects of outdoor environments
Closed locking key	Provides structural support to the plug shroud preventing damage that would impair mating
Covered inlet version	Integral UL Enclosure Type 3R environmental protection eliminates the need for a supplemental weatherproof cover

BRYANT®

Bryant 50 Amp Locking Devices



Ordering Information

50A Locking Devices



Description	Catalog Number	
Connector	CS6364L	CS8364L
Plug	CS6365L	CS8365L
Receptacle	CS6369L	CS8369L
Flanged inlet	CS6375L	CS8375L
Flanged inlet; covered; UL 3R	CS6375LC	CS8375LC

Note: Corrosion resistant devices are available by request. Consult your Bryant representative for more information.

For 30 pc. bulk packs, add M1 to suffix. Ex. **CS6364LM1**.

Accessories

Description	Catalog Number
50A receptacle cover plate; gray thermoplastic	7774CR
50A inlet cover plate; black thermoplastic*	7780

Note: * Not CSA Certified.

Certifications

Listed to UL Standard 498

Certified to CSA Standard C22.2 No. 42

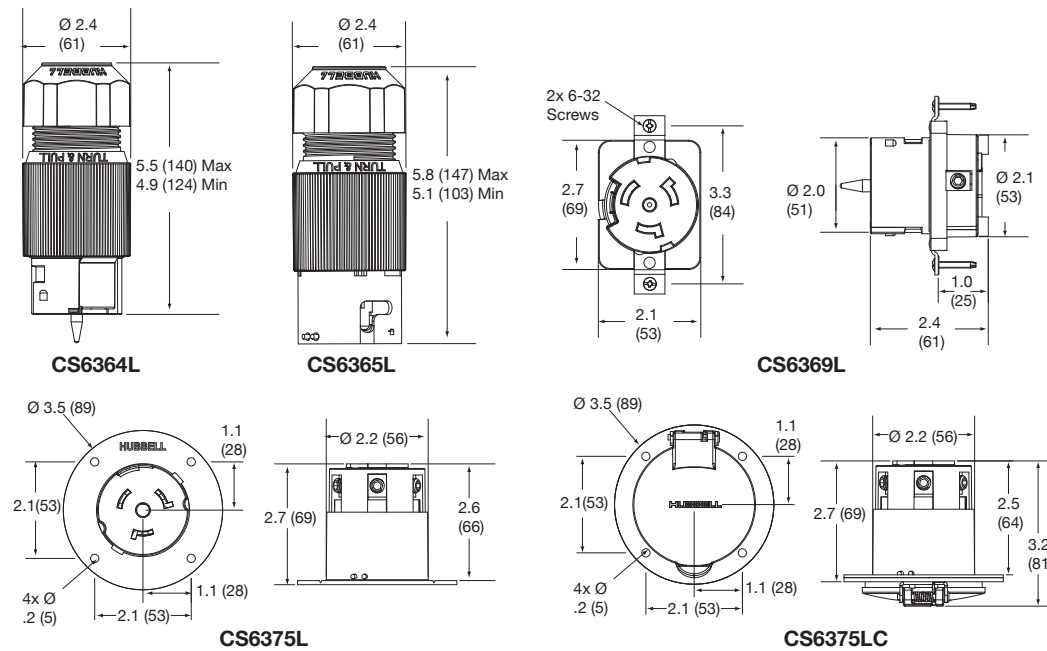
RoHS compliant

Performance

Terminal Accommodation: Receptacle and Inlet: #10 AWG. - #4 AWG
Connector and Plug: #8 AWG. - #4 AWG

Cord Grip Range .830" to 1.250" max

Dimensions inches (mm)



CS6364L



CS6365L



CS6369L



CS6375L



CS6375LC



7774CR



7780

BRYANT[®]

www.bryant-electric.com



Bryant[®] Electric • Hubbell Incorporated (Delaware) • 40 Waterview Drive • Shelton, CT 06484 • Phone (800) 323-2792 • FAX (800) 543-0538

Printed in U.S.A. Specifications subject to change without notice.

* is a registered trademarks of Hubbell Incorporated.

BLDSL001 7/11