



FEATURES

- LED technology in a lensed striplight
- Long life 50,000 hour LEDs at L80 for reduced maintenance
- Up to 144 lumens per watt
- Choice of four LED color temperatures
- Superior color consistency within a 3-step MacAdam ellipse and greater than 80 CRI
- Choice of four lumen packages per size
- Available in 2', 4' or 8' lengths
- Optional integral emergency battery pack
- Heavy die-formed steel channel with 100% acrylic formed diffuser
- Fully assembled fixture for quick installation
- LED boards and driver accessible for future maintenance or upgrades
- Modular replaceable LED components
- Surface mount, wall mount or suspended
- Maximum temperature 25°C on all lumen packages
- DLC® (DesignLights Consortium) Qualified, with some Premium Qualified configurations - see www.designlights.org
- Five year warranty

PROJECT INFORMATION

Project Name _____

Type _____

Catalog No. _____

Date _____

CONSTRUCTION

Housing, wireway, and ends are formed from code-gauge steel. Housing components act as heat sink for LED heat dissipation. Knockouts are provided for electrical access and mounting. Shielded with 100% frosted prismatic acrylic lens.

FINISH

White painted parts are treated with a five-stage phosphate bonding process and finished with high reflectance baked enamel. For a post-painted housing finish select PAF option.

ELECTRICAL

Long-life LEDs are rated for 50,000 hours at L80 lumen maintenance. Driver options include fixed output for on/off function, step dimming (high/low/off) or continuous 0-10V dimming.

CERTIFICATION

All luminaires are built to UL 1598 and 2108 standards, and bear appropriate CSA c/US labels. Damp location labeling is standard. Emergency equipped fixtures labeled UL924. Adheres to LM70, LM80, and TM21 industry standards. DLC® (DesignLights Consortium) Qualified, with some Premium Qualified configurations. Please refer to the DLC website for specific product qualifications at www.designlights.org.

WARRANTY

Five year warranty (Terms and Conditions apply).

ORDERING INFORMATION

EXAMPLE LCL4-40HL-EU

LCL							-		-		-	
MODEL	SIZE	COLOR TEMP	LUMEN OUTPUT	DRIVER	VOLTAGE	OPTIONS						
LCL LED Striplight	2 2'¹	30 3000K	LW Low Watt	E Fixed Output	U 120V-277V	ELL14 Emergency Battery Pack, 1400 Lumens²³ GLR Fast Blow Fuse PAF Paint After Fabrication						
	4 4'	35 3500K	ML Medium Lumen	ESD Step Dimming⁴	347 347V (E,ED,ED1 only)							
	8 8'	40 4000K	HL High Lumen	ED 0-10V Dimming	480 480V⁵							
		50 5000K	VL Very High Lumen See Product Availability Table below.	ED1 0-10V 1% Dimming								
				LUTH Hi-lume 1% EcoSystem LED driver with Soft-on, Fade-to-Black dimming technology								
				LUTS 5-Series EcoSystem LED driver								

ACCESSORIES (ORDER SEPARATELY)

S18 18" Stem, Canopy

SS18 18" Swivel Stem—45° Swivel

CSHC Chain Hanger Assembly

LCLWG4 4' Wire Guard, 2 Required for 8' Fixture

¹ Available in ML lumen output only.
 ² For compatibility with Dual-Lite LiteGear® inverters in lieu of installed battery pack, contact Hubbell Lighting representative.
 ³ Not available in 2 ft size.
 ⁴ Only available in 4' ML, HL & VL packages.
 ⁵ Consult factory for LW lumen package.

Product Availability			
Lumen Package	Lumens	Watts	LPW
LCL2-30ML-EU	2713	24	115
LCL2-35ML-EU	2805	24	119
LCL2-40ML-EU	2849	24	121
LCL2-50ML-EU	2925	24	124
LCL4-30LW-EU	2491	19	133
LCL4-35LW-EU	2576	19	138
LCL4-40LW-EU	2616	19	140
LCL4-50LW-EU	2686	19	144
LCL4-30ML-EU	5154	42	123
LCL4-35ML-EU	5329	42	127
LCL4-40ML-EU	5411	42	129
LCL4-50ML-EU	5556	42	132
LCL4-30HL-EU	6185	52	119
LCL4-35HL-EU	6395	52	123
LCL4-40HL-EU	6494	52	125
LCL4-50HL-EU	6667	52	128
LCL4-30VL-EU	9904	85	116
LCL4-35VL-EU	10241	85	120
LCL4-40VL-EU	10400	85	122
LCL4-50VL-EU	10677	85	125
LCL8-30LW-EU	4983	38	131
LCL8-35LW-EU	5152	38	138
LCL8-40LW-EU	5232	38	140
LCL8-50LW-EU	5371	38	144
LCL8-30ML-EU	10308	84	123
LCL8-35ML-EU	10658	84	127
LCL8-40ML-EU	10823	84	129
LCL8-50ML-EU	11111	84	132
LCL8-30HL-EU	12369	104	119
LCL8-35HL-EU	12790	104	123
LCL8-40HL-EU	12988	104	125
LCL8-50HL-EU	13334	104	128
LCL8-30VL-EU	19809	170	116
LCL8-35VL-EU	20482	170	120
LCL8-40VL-EU	20799	170	122
LCL8-50VL-EU	21354	170	125

Lumens vary according to color temperature and other factors.
See specific photometric test(s).

Test #17788 Test Date 12/14/2016

PHOTOMETRIC DATA

LUMINAIRE DATA

Luminaire	LCL4-40HL-EU LCL LED Lensed Utility Channel, Industrial 48" x 4½ x 3¼" LED with frosted linear prisms lens
Ballast	XI054C150V054BST1
Ballast Factor	1.00
Lamp	LED
Fixture Lumens	6494
Watts	51.90
Shielding Angle	0° = 90 90° = 90
Spacing Criterion	0° = 1.20 90° = 1.28
Luminous Opening in Feet	Length: 4.00 Width: 0.38 Height: 0.15

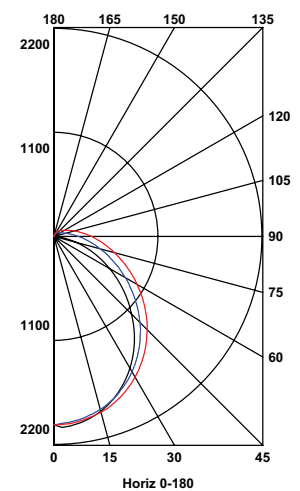
ZONAL LUMEN SUMMARY

Zone	Lumens	Lamp	Fixt.
0-30	1535	23.6	23.6
0-40	2500	38.5	38.5
0-60	4385	67.5	67.5
0-90	5944	91.5	91.5
0-180	6494	100.0	100.0

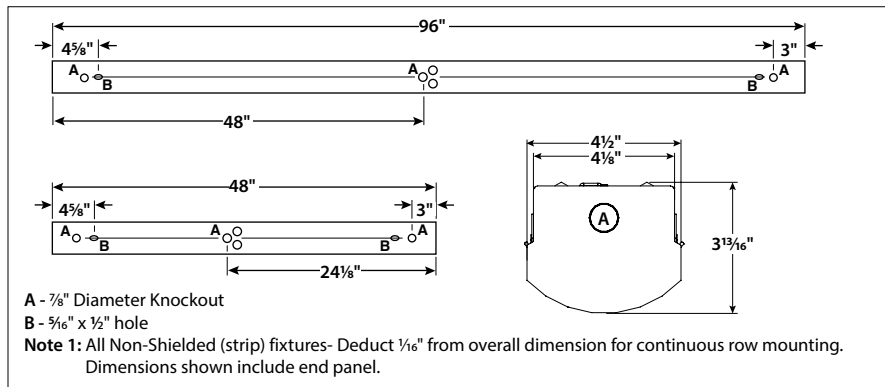
ENERGY DATA

Total Luminaire Efficiency	100.0
Total Lumens per Watt	125
ANSI/IESNA RP-1-2004 Compliance	Noncompliant
Comparative Yearly Lighting Energy Cost per 1000 Lumens	\$1.92 based on 3000 hrs. and \$0.08 per KWH

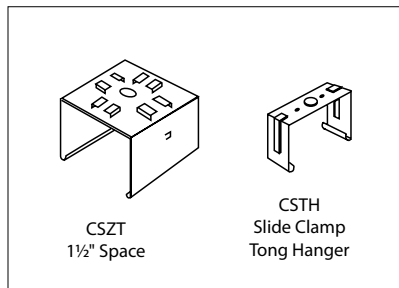
INDOOR CANDELA PLOT



DIMENSIONAL DATA



MOUNTING ACCESSORIES



NOTE: All dimensions are in inches; dimensions and specifications are subject to change without notice. Please consult factory or check sample for verification.