

LED HID Replacement : Medium



27-54
watts

3,645-
7,290
lumens

140
lpw

E26/
EX39
base

Features

- LED replacement for high wattage HID fixtures from 125W to 200W
- Consumes up to 80% less energy than conventional HID systems
- State-of-the-art LED light sources deliver over 140 lumens per watt
- Lasts 3x longer than metal halide or HPS HID lamps
- Choice of 3000K, 4000K or 5000K CCT
- Eliminates maintenance costs for over 10 years; no expensive HID lamps or ballasts to replace
- Shatter resistant for reduced risk of injury & breakage
- Integral driver, eliminates the need for external driver or ballast
- Environmentally friendly: contains no glass, mercury, or lead
- E26/E39/EX39: Suitable for use in open or totally enclosed fixtures



IP64

RoHS
Compliant



Performance

- 3000K, 4000K, 5000K
- 140 lpw
- 80+ CRI
- 50,000 hour life @ L70
- Ballast bypass; direct line only, 120-277V or 347V
- No ballast required, disconnect or remove
- Power Factor > 0.9
- Non-dimmable
- Universal mounting position: vertical base-up/base-down or horizontal
- UL1598C – Existing fixtures retain UL certification
- cULus - damp location rated
- Operating temperature: -40°F to 140°F (-40°C to 60°C)
- Built-in 4kV surge protection included

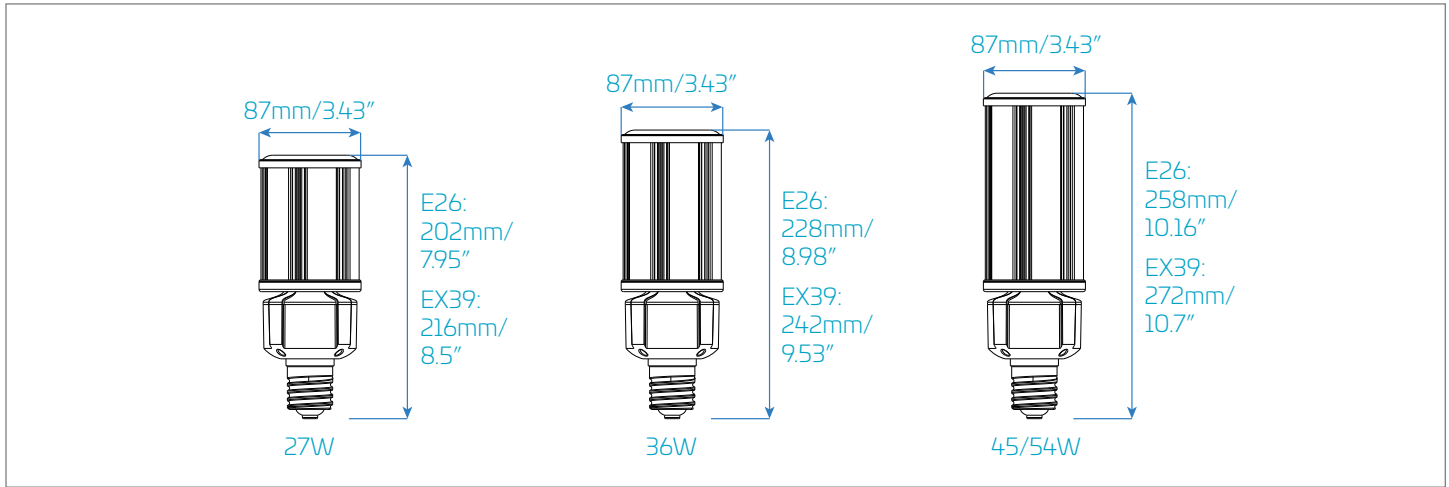
Applications

- Industrial
- Commercial



LED HID Replacement : Medium

Dimensions



Ordering Information

	Order Code	Item #	Lm	W	CCT	CRI	V	Life/Hrs	Base	Replaces HID	DLC	LDL
Medium Base	09635	LED27WPT30KMED-G7	3,510	27W	3000K	80+	100-277V	50K	E26	125W		
	09374	LED27WPT40KMED-G7	3,510	27W	4000K	80+	100-277V	50K	E26	125W		✘
	09376	LED27WPT50KMED-G7	3,645	27W	5000K	80+	100-277V	50K	E26	125W		✘
	09637	LED36WPT30KMED-G7	4,860	36W	3000K	80+	100-277V	50K	E26	150W		
	09378	LED36WPT40KMED-G7	4,860	36W	4000K	80+	100-277V	50K	E26	150W		✘
	09380	LED36WPT50KMED-G7	4,860	36W	5000K	80+	100-277V	50K	E26	150W		✘
	09639	LED45WPT30KMED-G7	5,850	45W	3000K	80+	100-277V	50K	E26	175W		
	09382	LED45WPT40KMED-G7	5,850	45W	4000K	80+	100-277V	50K	E26	175W		✘
	09384	LED45WPT50KMED-G7	6,075	45W	5000K	80+	100-277V	50K	E26	175W		✘
	09641	LED54WPT30KMED-G7	7,020	54W	3000K	80+	100-277V	50K	E26	200W		
Mogul Base	09386	LED54WPT40KMED-G7	7,020	54W	4000K	80+	100-277V	50K	E26	200W		✘
	09388	LED54WPT50KMED-G7	7,290	54W	5000K	80+	100-277V	50K	E26	200W		
	09636	LED27WPT30KMOG-G7	3,510	27W	3000K	80+	100-277V	50K	EX39	125W	✓	
	09375	LED27WPT40KMOG-G7	3,510	27W	4000K	80+	100-277V	50K	EX39	125W	✓	
	09377	LED27WPT50KMOG-G7	3,645	27W	5000K	80+	100-277V	50K	EX39	125W	✓	
	09638	LED36WPT30KMOG-G7	4,860	36W	3000K	80+	100-277V	50K	EX39	150W	✓	
	09379	LED36WPT40KMOG-G7	4,860	36W	4000K	80+	100-277V	50K	EX39	150W	✓	
	09381	LED36WPT50KMOG-G7	4,860	36W	5000K	80+	100-277V	50K	EX39	150W	✓	
	09640	LED45WPT30KMOG-G7	5,850	45W	3000K	80+	100-277V	50K	EX39	175W	✓	
	09383	LED45WPT40KMOG-G7	5,850	45W	4000K	80+	100-277V	50K	EX39	175W	✓	
09385	LED45WPT50KMOG-G7	6,075	45W	5000K	80+	100-277V	50K	EX39	175W	✓		
09642	LED54WPT30KMOG-G7	7,020	54W	3000K	80+	100-277V	50K	EX39	200W	✓		
09387	LED54WPT40KMOG-G7	7,020	54W	4000K	80+	100-277V	50K	EX39	200W	✓		
09389	LED54WPT50KMOG-G7	7,290	54W	5000K	80+	100-277V	50K	EX39	200W	✓		

NOTE: Use order code when ordering.

✓ DesignLights Consortium® Qualified

✘ Lighting Design Lab Qualified

watch > like > follow



LED HID Replacement : Medium

Ordering Information

347 Volt : Canada Only

	Order Code	Item #	Lm	W	CCT	CRI	V	Life/Hrs	Base	Replaces HID	DLC
Medium Base	09835	LED27WPT40KMED-347V-G7*	3,240	27W	4000K	80+	347V	50K	E26	125W	
	09836	LED27WPT50KMED-347V-G7*	3,375	27W	5000K	80+	347V	50K	E26	125W	
	09837	LED36WPT40KMED-347V-G7*	4,320	36W	4000K	80+	347V	50K	E26	150W	
	09838	LED36WPT50KMED-347V-G7*	4,500	36W	5000K	80+	347V	50K	E26	150W	
	09839	LED45WPT40KMED-347V-G7*	5,400	45W	4000K	80+	347V	50K	E26	175W	
	09840	LED45WPT50KMED-347V-G7*	5,625	45W	5000K	80+	347V	50K	E26	175W	
Mogul Base	09829	LED27WPT40KMOG-347V-G7*	3,240	27W	4000K	80+	347V	50K	E39	125W	✓
	09830	LED27WPT50KMOG-347V-G7*	3,375	27W	5000K	80+	347V	50K	E39	125W	✓
	09831	LED36WPT40KMOG-347V-G7*	4,320	36W	4000K	80+	347V	50K	E39	150W	✓
	09832	LED36WPT50KMOG-347V-G7*	4,500	36W	5000K	80+	347V	50K	E39	150W	✓
	09833	LED45WPT40KMOG-347V-G7*	5,400	45W	4000K	80+	347V	50K	E39	175W	✓
	09834	LED45WPT50KMOG-347V-G7*	5,625	45W	5000K	80+	347V	50K	E39	175W	✓
	09428	LED54WPT40KMOG-347V-G7*	6,480	54W	4000K	80+	347V	50K	E39	200W	✓
	09450	LED54WPT50KMOG-347V-G7*	6,750	54W	5000K	80+	347V	50K	E39	200W	✓

NOTE: Use order code when ordering.

*Canada only

✓ DesignLights Consortium® Qualified

watch > like > follow

