



Catalog Number
Notes
Type

Contractor Select™

# ERE

## Remote Lamps

The Lithonia Lighting® ERE LED Remotes are suitable for indoor and outdoor emergency lighting applications illuminating the path of egress. These remotes are available with single and twin fully adjustable LED lamps, and are suitable for wall or ceiling mounting.

**FEATURES:**

- Compatible with EU2L REM, ECC REM and EU2C HO lighting units
- UL Listed with approved Lithonia Lighting products
- UL damp and wet location listed



ERE T



ERE GY T WP



ERE SGL



ERE GY SGL WP



Catalog Number	UPC	Description	Voltage	Wattage (per lamp head)	Pallet Qty	Carton Qty
ERE SGL M24	191848041314	Single, indoor remote head, white	3.6V	.75W	648	24
ERE T M24	191848036716	Twin, indoor remote head, white	3.6V	1.5W	648	24
ERE GY SGL WP M12	191848036785	Single, weather-proof remote head, gray	3.6V, 6V, 9.6V & 12V	1W	432	12
ERE GY T WP M12	191848036815	Twin, weather-proof remote head, gray	3.6V, 6V, 9.6V & 12V	2W	192	12

**Compatible Product**

Type	ERE SGL	ERE T	ERE SGL WP	ERE T WP
EU2L REM	2	1	1	0
ECC R REM ECC G REM	2	1	2	1
EU2C HO	2	1	2	1

\* Remotes are in addition to the lamp heads on the product.

<b>Accessories:</b> Order as separate catalog number.	
ELA WG2	Wireguard for single and twin remotes, 15-1/8" W x 14-3/8" H x 8-5/8" D. See spec sheet <a href="#">ELA-WG</a> .



## Specifications

### INTENDED USE:

Single and twin LED remote lamps for indoor and outdoor applications, for use as part of an emergency lighting system, providing light for path of egress.

### CONSTRUCTION:

Indoor remote heads are injection-molded, engineering-grade, 5VA flame retardant, high-impact resistant, thermoplastic, white finish.

Weather-proof (WP) are engineering grade, high-impact resistant polycarbonate, sealed and gasketed, gray finish.

For use in damp or wet location areas.

Compatible with EU2L REM, ECC REM and EU2C HO (see Compatible Product table).

Fully adjustable lamp heads.

### OPTICS:

The typical life of the LED is 10 years.

Indoor remotes (ERE) have one, 0.75W white LED per lamp head.

Weather-proof (ERE WP) have eight, 1W total, white LEDs per lamp head.

### ELECTRICAL:

ERE indoor remote to be powered from low-voltage power sources (3.6V only).

ERE WP weather-proof remote to be powered from a 3.6V-12V sensing power source.

### INSTALLATION:

Back mount. Universal mounting base plate included with mounting hardware.

### LISTINGS:

UL Listed with approved Lithonia Lighting products.

Meets UL924, NFPA 101 (current Life Safety Code), NEC, OSHA, Local and State Codes.

Indoor damp location listed (ERE) 50°F to 104°F (10°C to 40°C).

Wet location listed (ERE WP) -4°F to 122°F (-20°C to 50°C).

### WARRANTY:

2-year limited warranty. Complete warranty terms located at:

[www.acuitybrands.com/CustomerResources/Terms\\_and\\_conditions.aspx](http://www.acuitybrands.com/CustomerResources/Terms_and_conditions.aspx)

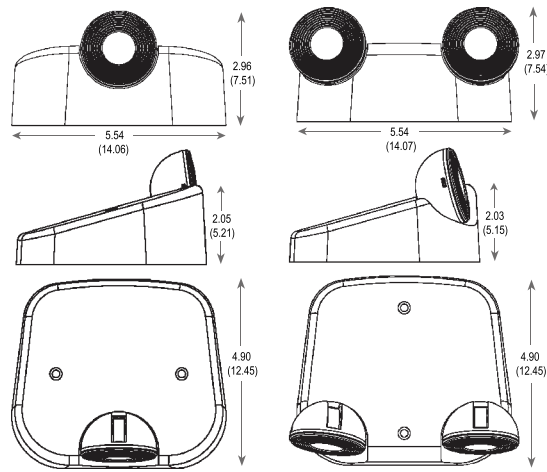
**Note:** Actual performance may differ as a result of end-user environment and application.

All values are design or typical values, measured under laboratory conditions at 25 °C.

Specifications subject to change without notice.

## Dimensions

All dimensions are inches (centimeters) unless otherwise indicated.



### INDOOR SINGLE REMOTE (ERE SGL)

Length: 5.54 (14.06)

Depth: 2.05 (5.21)

Height: 4.90 (12.45)

Weight: .55 lbs (.25 kgs)

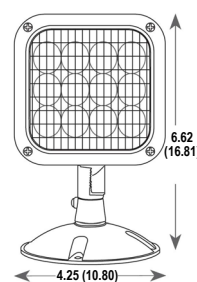
### INDOOR TWIN REMOTE (ERE T)

Length: 5.54 (14.06)

Depth: 2.03 (5.15)

Height: 4.90 (12.45)

Weight: .60 lbs (.27 kgs)



### WEATHER PROOF SINGLE REMOTE (ERE SGL WP)

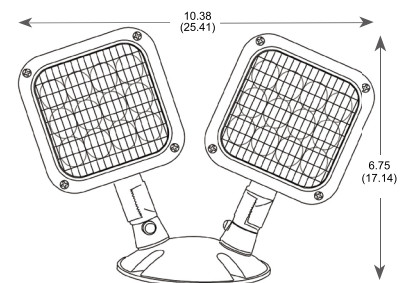
Length: 4.25 (10.80)

Depth (head): 2.25 (5.71)

Depth (base): .87 (2.20)

Height: 6.62 (16.81)

Weight: .65 lbs (.29 kgs)



### WEATHER PROOF SINGLE REMOTE (ERE T WP)

Length: 10.38 (26.37)

Depth (head): 2.25 (5.71)

Depth (base): .87 (2.20)

Height: 6.8 (17.27)

Weight: 1.3 lbs (.54 kgs)