

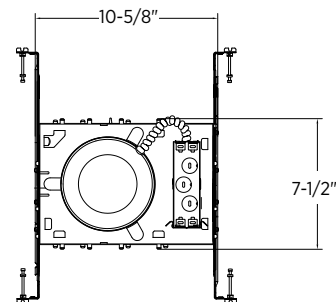
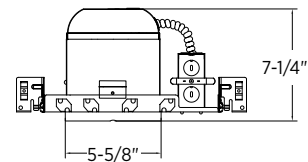
# 5" RECESSED

The 5 inch recessed housing is ideal for new construction residential applications. It can also be used in most light commercial applications. The 5 inch housing is IC rated and meets the ASTM-E283 Air-Tight requirements. The trims use a friction springs to attach to the housing to provide a flush fit against the ceiling.



## P851-ICAT NEW CONSTRUCTION, IC RATED, AIR-TIGHT HOUSING

- Rated for direct contact with insulated ceiling
- Adjustable housing to accommodate ceiling thickness
- Meets ASTM-E283 air flow requirements
- Bar hangers with integral nail, can be installed up to 24" joists
- Use with compatible items only



## TRIMS FOR P851-ICAT

6-1/2" outside diameter.



### STEP BAFFLE

**P876-28** White  
75w PAR30  
Trims are only compatible with **P851-ICAT**



### EYEBALL

**P868-28** White  
50w PAR30 / R30  
Trims are only compatible with **P851-ICAT**



### SHOWER TRIM

**P867WL-28** White  
50w PAR30  
Trims are only compatible with **P851-ICAT**  
Wet Location listed when used with an outdoor rated PAR30 lamp