

Flush Service Floor Boxes

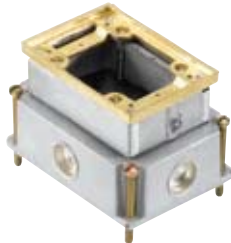
Multi-Gang Floor Boxes for Power and Communications

Features — 640 Series

- Cast iron, watertight body, fully adjustable
- Painted silver enamel inside and out for additional corrosion resistance
- Interior and exterior leveling screws permit adjustment to meet finished floor
- Removable partitions for large capacity requirements on 2-, 3- and 4- gang
- Shipped complete with expendable cap to prevent ingress of concrete during pour
- 3/4 in. threaded conduit openings are standard
- Uses P64 Series MopTite™ covers (one cover per gang)

Features — 840 Series (shallow)

- Cast iron, watertight body, fully adjustable
- Painted silver enamel inside and out for additional corrosion resistance
- Exterior leveling screws for adjustment to finished floor
- Removable partitions for large capacity requirements on 2- and 3- gang
- Shipped complete with expendable cap to prevent ingress of concrete during pour
- 3/4 in. threaded conduit openings are standard
- Uses P64 Series MopTite™ covers (one cover per gang)
- For brushed aluminum, add AL after catalogue number



641



842SC

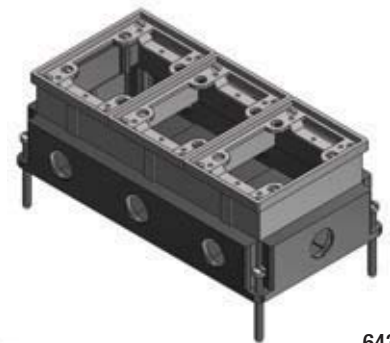


640 and 840 Series Floor Boxes provide flush service for power, communications and data. Multiple-gang boxes enable the user to place high- and low-voltage in a single floor box. Floor boxes up to four-gangs are available. 640 and 840 Series boxes can be used for either **carpet or tile applications**.

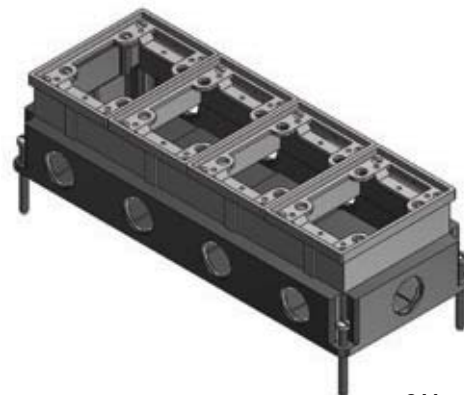
Cat. No.	Description	Std. Ctn.
641	Single-Gang Floor Box with 3/4 in. Conduit Tapping	4
641-1	Single-Gang Floor Box with 1 in. Conduit Tapping	
641-AL	Single-Gang with Aluminum Trim	
SP-641-1-AL*	Single-Gang Floor Box with 1 in. Conduit Tapping and Aluminum Tile Trim	
642	Two-Gang Floor Box with 3/4 in. Conduit Tapping	2
642-1	Two-Gang Floor Box with 1 in. Conduit Tapping	
642-AL	Two-Gang with Aluminum Trim	
SP-642-1-AL*	Two-Gang Floor Box with 1 in. Conduit Tapping and Aluminum Tile Trim	
643	Three-Gang Floor Box with 3/4 in. Conduit Tapping	1
643-1	Three-Gang Floor Box with 1 in. Conduit Tapping	
643-AL	Three-Gang Floor Box with Aluminum Trim	
SP-643-1-AL*	Three-Gang Floor Box with 1 in. Conduit Tapping and Aluminum Tile Trim	
644	Four-Gang Floor Box with 3/4 in. Conduit Tapping	4
841-SC	Single-Gang Floor Box with 3/4 in. Conduit Tapping	
841-AL	Single-Gang Floor Box with Aluminum Trim	
842-SC	Two-Gang Floor Box with 3/4 in. Conduit Tapping	2
842-AL-SC	Two-Gang Floor Box with Aluminum Trim	
843-SC	Three-Gang Floor Box with 3/4 in. Conduit Tapping	1
843-AL-SC	Three-Gang Floor Box with Aluminum Trim	

* Not CSA Certified

Boxes supplied with brass tile trim unless otherwise specified



643



644

Flush Service Floor Boxes

MopTite™ Cover Plates for 640 and 840 Series

- Polished brass finish
- Furnished complete with sealing gasket and 8-32 x 7/16 in. brass screws
- 3 in. x 4-1/2 in. outside dimensions
- For brushed aluminum, add AL after catalogue number

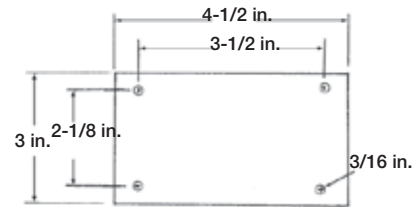
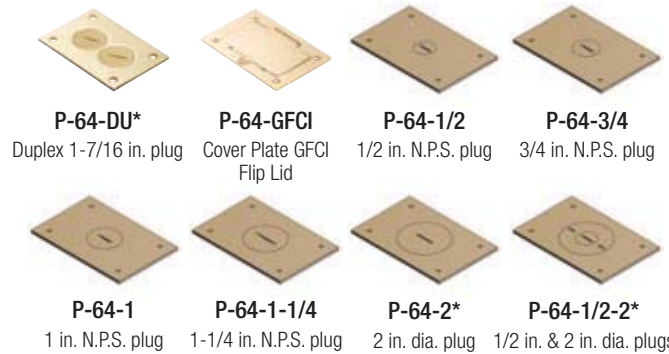
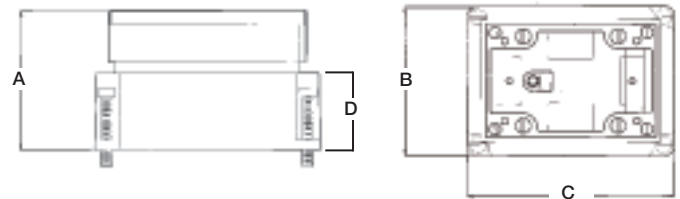


Plate Dimensions

Cat. No.	Description	Finish	Std. Ctn.
P-64-1/2	Cover Plate 1/2 in. N.P.S. Plug	Brass	4
P-64-1/2-AL		Aluminum	
P-64-3/4	Cover Plate 3/4 in. N.P.S. Plug	Brass	
P-64-3/4-AL		Aluminum	
P-64-1	Cover Plate 1 in. N.P.S. Plug	Brass	
P-64-1-AL		Aluminum	
P-64-1-1/4	Cover Plate 1-1/4 in. N.P.S. Plug	Brass	
P-64-1-1/4-AL		Aluminum	
P-64-2	Cover Plate 2 in. UN Plug	Brass	
P-64-2-AL		Aluminum	
P-64-1/2-2	Cover Plate 1/2 & 2 in. UN Plug	Brass	
P-64-1/2-2-AL		Aluminum	
P-64-3/4-2	Cover Plate 3/4 & 2 in. UN Plug	Brass	
P-64-3/4-2-AL		Aluminum	
P-64-2-5/8	Cover Plate 2-5/8 in. UN Plug	Brass	
P-64-2-5/8-AL		Aluminum	
P-64-DU	Cover Plate Duplex 1-7/16 in. Plugs	Brass	
P-64-DU-AL		Aluminum	
P-64-DS	Cover Plate Duplex Lift Lid	Brass	
P-64-DS-AL		Aluminum	
P-64-GFCI	Cover Plate GFCI Flip Lid	Brass	
P-64-GFCI-AL		Aluminum	



*Also includes seating plate for receptacle like others



New MopTite™ Covers exceeds UL scrub-water exclusion requirements for 514A, 514C

Engineering Data — 640 and 840 Series



Cat. No.	Dimensions (in.)				Before Pour Adj. (in.)	After Pour Adj. (in.)	Number of Gangs	Maximum Capacity KOS (cu. in.)	Standard Conduit Tapping (in.)	Maximum Conduit Tapping (in.)	
	A	B	C	D						w/Bushing	w/o Bushing
641	3-5/8	4	5-1/2	1-7/8	2-1/2	5/8	1	35	3/4	1	1-1/4
642		7					2	37 per gang			
643		10					3	37 per gang			
644	1/2	12-15/16	2	1-11/16	1-1/2	-	4	37 per gang	3/4	3/4	3/4
841-SC	2	4					1	15			
842-SC		7					2	16.5 per gang			
843-SC		10	3	16.5 per gang							

For replacement parts, please refer to pages C86 – C87
Use P64 Series covers and carpet plates. Wiring Device: Duplex, single or voice/data plates

Flush Service Floor Boxes

Metallic Carpet Plates for 640 and 840 Series



P64-CP



P64-2G-CP



P64-3G-CP



P64-4G-CP

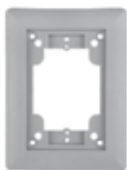


Cat. No.	Number of Gangs	Outside Dimension (in.)	Finish	Std. Ctn.
P64-CP	1	4-5/8 x 6-1/8	Brass	4
P64-CP-AL	1		Aluminum	
P64-2G-CP	2	7-5/8 x 6-1/8	Brass	
P64-2G-CP-AL	2		Aluminum	
P64-3G-CP	3	10-5/8 x 6-1/8	Brass	
P64-3G-CP-AL	3		Aluminum	
P64-4G-CP	4	13-5/8 x 6-1/8	Brass	
P64-4G-CP-AL	4		Aluminum	

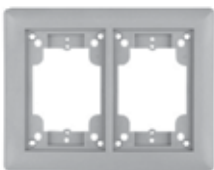
Nonmetallic Carpet Plates for 640 and 840 Series

- Translucent polycarbonate material
- Textured finish

- To install LCP Series Plates, remove trim ring and place inside. Replace trim ring on box.



P64P-CP



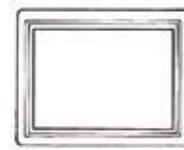
P64P-2G-CP



P64P-3G-CP



P64-LCP



P64-2LCP



P64-3LCP



Cat. No.	Number of Gangs	Description	Colour	Std. Ctn.
P64-CP-BLK*	1	Single Gang Carpet Plate	Black	4
P64-CP-GRY*			Grey	
P64-2G-BGE*			Beige	
P64P-2G-CP-BLK	2	Two Gang Carpet Plate	Black	
P64P-2G-CP-GRY			Grey	
P64P-2G-CP-BGE			Beige	
P64P-3G-CP-BLK	3	Three Gang Carpet Plate	Black	
P64P-3G-CP-GRY			Grey	
P64P-3G-CP-BGE			Beige	
P64-LCP	1	Single Gang Carpet Plate	Clear	
P64-2LCP	2	Two Gang Carpet Plate		
P64-3LCP	3	Three Gang Carpet Plate		

*Not CSA Certified

For replacement parts please refer to pages C86 – C87