

A Complete Floor Box System for Concrete

Leviton has it all.

From the floor box itself to the devices inside, our system delivers superior electrical power, AV and networking solutions.



Delivering The Power You Need, Where You Need It

This is not just a floor box. Leviton delivers the whole solution; providing access to power connectivity and high-performance network infrastructures for every commercial setting.

To be used with finished floors made of:

- Wood
- Vinyl
- Carpet
- Tile
- Terrazzo
- Concrete

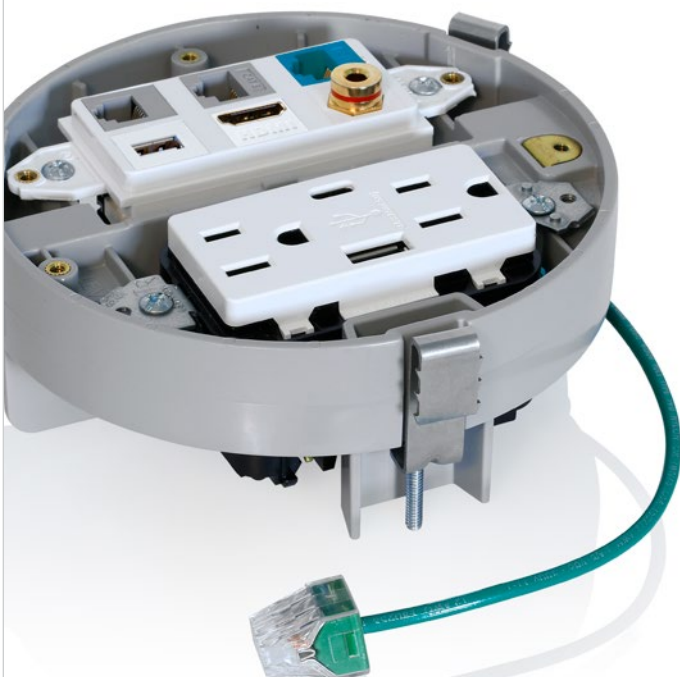
Ease of Adjustment

Leveling ring allows for adjustment up to 3/4" after installation



Maximum Compatibility

Accommodates any standard or Decora, single or duplex receptacle or QuickPort® insert



Superior Performance

Forged brass ultra heavy-duty cover plates can withstand a beating



LIMITED
25
— YEAR —
WARRANTY





Education

Floor boxes are utilized in various areas of schools such as classrooms, libraries, auditoriums and gymnasiums.

- Provide students with access to the latest technologies
- Broad selection of wiring devices from USB charging receptacles to AFCI and GFCI solutions that enhance student safety
- Network solutions devices provide high-bandwidth infrastructure that support an enhanced learning curriculum

Offices & Health Care Facilities

Floor boxes connect people to commercial grade electrical and data networking devices in lobbies and meeting rooms, where access to power is otherwise limited.

- Provide connectivity to a variety of data and AV networks
- Enable USB charging capabilities



Hospitality

Floor boxes provide access to wiring devices which offer hotel guests unsurpassed comfort and convenience.

- Full power and data connectivity from USB charging receptacles to durable Cat 6 and 5e panels and modules
- Unparalleled selection of structured wiring solutions for networking, audio, video, and more

Retail

Add style, convenience and comfort for customers in public spaces with Leviton floor boxes and wiring devices.

- Unsurpassed safety and convenience
- Access to USB charging receptacles for common areas
- Provide electrical outlets in areas that enhance lighting capabilities



PHASE 1: FROM CONCRETE



The Box System

- 2-Gang PVC Box
- Conduit Reducers
- Protective Cover
- Low Voltage Divider

Protective cover seals box with pre-installed screws leading to better protection against debris during concrete pour

Ordering Information

Cat No.	Description
FBBOX-GY	Box System

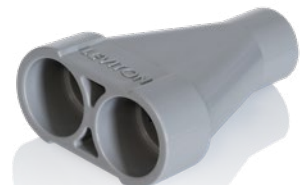


Replacement Parts & Accessories

Cat No.	Description
FBDIV-GY	Low voltage divider
FBRPW-GY	Power conduit reducers
FBRDT-GY	Data conduit reducers
FBYAD-GY	'Y' conduit adapter
FB2DE-001	2-Port Decora recessed data strap
FB2DU-001	2-Port Duplex recessed data strap



Recessed straps required for taller jacks



"Y" adapter is used to split power conduit

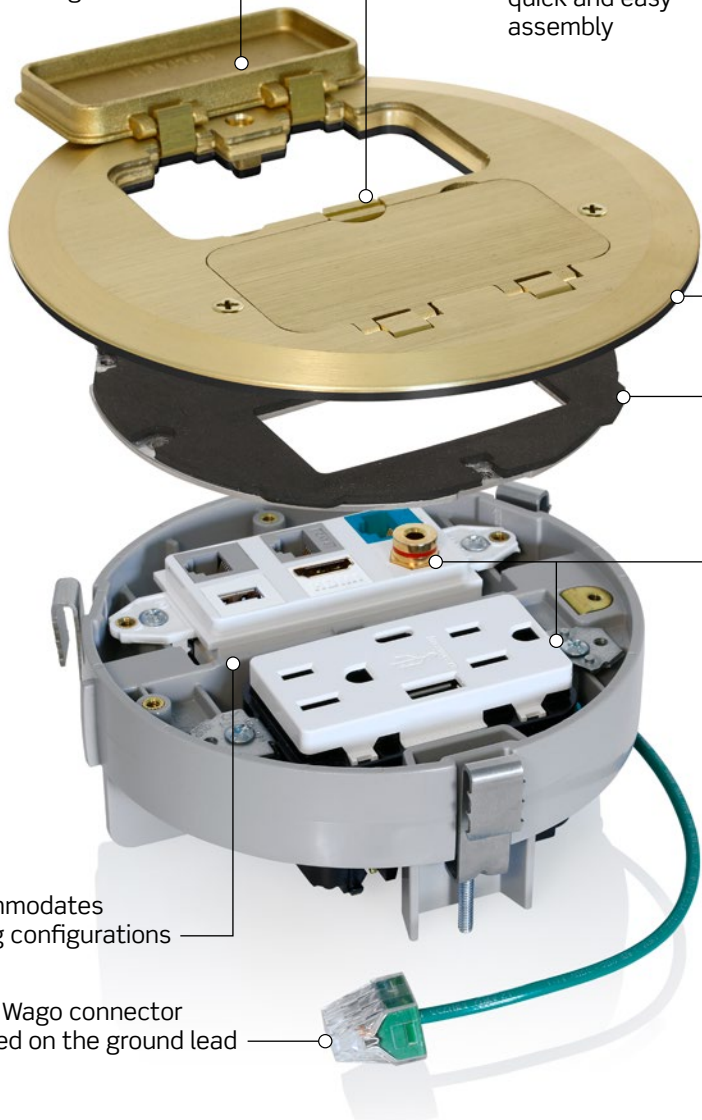


PHASE 2: TO FLOORING

Lid locks ensure the doors are flush to the plate and floor

Flip-lid cover plates with double hinged design allows doors to open 180 degrees

Pre-assembled gaskets for quick and easy assembly



Accommodates 2 gang configurations

6 port Wago connector included on the ground lead

Cover Plate

Available in solid, forged brass with clear coat or nickel plating. Multiple plate configurations accommodate all your power, data and AV needs.

Ordering Information

Cat No.	Description
FBC1F-B, -N	1 Decora Flip Lid & 1 Data Cap
FBC2F-B, -N	2 Decora Flip Lids
FBC1S-B, -N	1 Screw Cap & 2 Data Caps
FBC1X-B, -N	2 Screw Caps & 1 Data Cap

-B Brass -N Nickel

Devices sold separately

Leveling Ring

Offering a completely grounded system, the leveling ring features adjustability and ease of installation along with brass, corrosion resistant mounting inserts for easy change out/replacement.

Ordering Information

Cat No.	Description
FBLEV-GY	Leveling ring

A Variety of Configurations



FBC1F-B

FBC2F-B

FBC1S-B

FBC1X-B

FBC1F-N

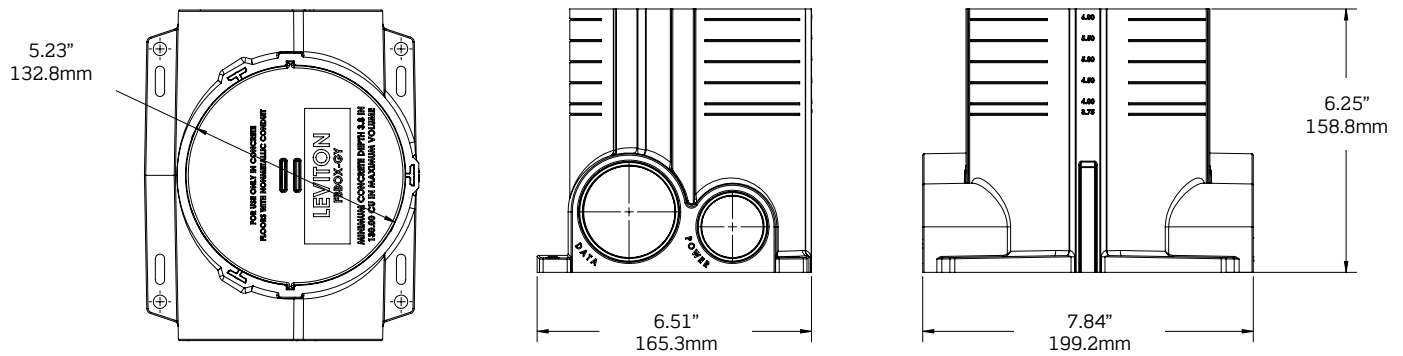
FBC2F-N

FBC1S-N

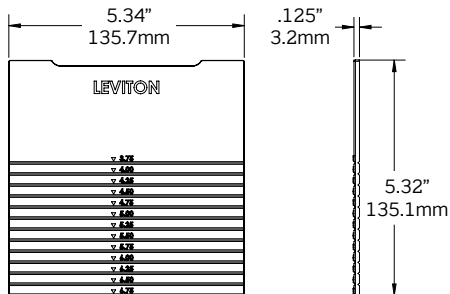
FBC1X-N

Dimensions

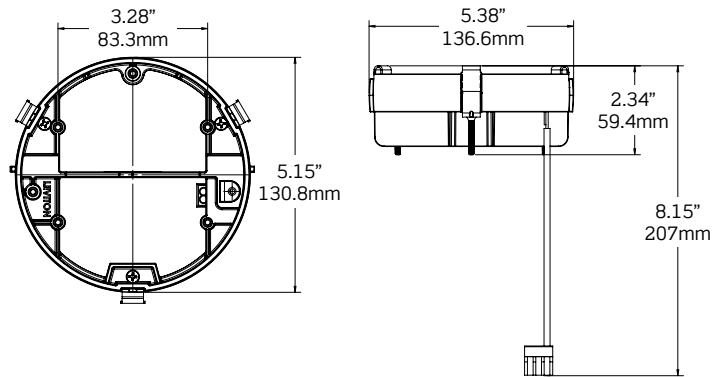
Floor Box (FBBOX)



Low Voltage Divider (FBDIV)



Leveling Ring (FBLEV)



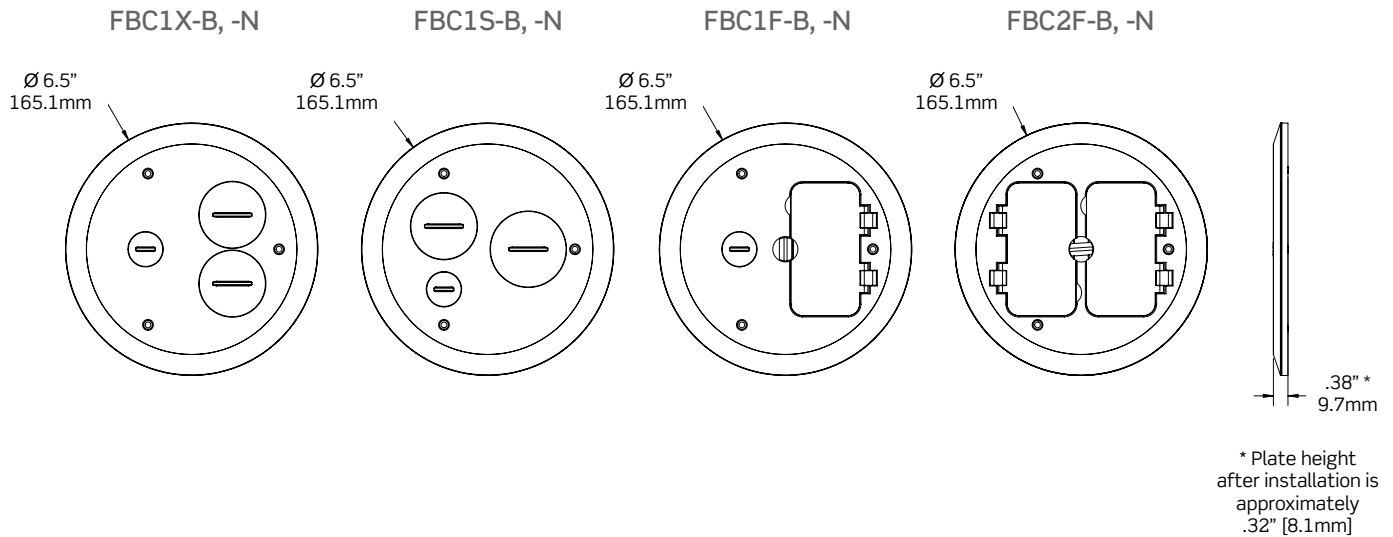
Specifications

PLASTIC COMPONENTS

Catalog #	FBBOX	FBDIV	FBLEV	FBRPW (not shown)	FBRDT (not shown)	FBYAD (not shown)
Description	Round non-metallic floor box	Low-Voltage Divider	Leveling Ring	Power Conduit Reducers: Two 1.25" to 1.0" and Two 1.25" to 0.75"	Data Conduit Reducers: Two 2.0" to 1.50" and Two 2.0" to 1.25"	Y-Adapter
Environmental Specifications						
Flammability	UL94, 5VA					
Operating Temperature	-35° C to 75° C					
Material Specifications						
Material	PVC	PVC	PVC	PVC	PVC	PVC
Color	Gray (Concrete Cover is Yellow)	Gray	Gray	Gray	Gray	Gray
Mechanical Specifications						
Minimum Depth of Pour	3.75"	NA	NA	NA	NA	NA
Cubic Inch (cm3) Capacity	131.2 cubic inches	NA	NA	NA	NA	NA
Conduit Feeds	Parallel	NA	NA	NA	NA	NA
Data Hub Size/Opening	2.0"	NA	NA	NA	NA	NA
Power Hub Size/Opening	1.25"	NA	NA	NA	NA	NA
Conduit Selection	Accepts 0.75", 1.0", 1.25", 1.5" and 2.0" schedule 40 and schedule 80 rigid PVC conduit	NA	NA	NA	NA	NA
Standards & Certifications						
UL File No.	E13397					
Certification Listing	cULus					
Applicable Standards	UL514C, UL 486 A-B, CSA C22.2 No. 85-14					

*ALL COMPONENTS COME WITH A 25 YEAR LIMITED WARRANTY

Dimensions



Specifications

COVER PLATES

Catalog #	FBC1X-B, -N	FBC1S-B, -N	FBC1F-B, -N	FBC2F-B, -N
Description	Cover Plate - Duplex Receptacle Screw Caps + 1 Data Cap	Cover Plate - Single Receptacle Screw Cap + 2 Data Caps	Cover Plate - 1 Decora Flip Lid & 1 Data Cap	Cover Plate - 2 Decora Flip Lids
Environmental Specifications				
Operating Temperature	-40°C to 70°C			
Material Specifications				
Material	Forged Brass	Forged Brass	Forged Brass	Forged Brass
Finish (Satin)	Brass or Nickel-plated brass	Brass or Nickel-plated brass	Brass or Nickel-plated brass	Brass or Nickel-plated brass
Mechanical Specifications				
Dimensions	Ø 6.50" x 0.38" (*PLATE HEIGHT AFTER INSTALLATION IS APPROXIMATELY 0.32")			
Product Features				
Openings	Screw Cap, Ø 0.50" & (2) Ø 1.25" (NPT)	Screw Cap, Ø 0.50", Ø 1.25" & Ø 1.50" (NPT)	Flip Lid	Flip Lid
Coating	Clear coat	Clear coat	Clear coat	Clear coat
Gasket	Pre-installed on plate O-rings included with screw caps	Pre-installed on plate O-rings included with screw caps	Pre-installed on plate	Pre-installed on plate
Ground Plate Included	Yes	Yes	Yes, with pre-installed gasket	Yes, with pre-installed gasket
Receptacle Compatibility	Any standard duplex receptacle	Any standard single receptacle	Any standard or Decora, single or duplex receptacle QuickPort® Inserts	Any standard or Decora, single or duplex receptacle QuickPort® Inserts
Standards & Certifications				
UL File No.	E13397			
Certifications	cULus			
Applicable Standards	UL514C, CSA C22.2 No. 85-14			

*ALL COMPONENTS COME WITH A 25 YEAR LIMITED WARRANTY

Also Available!

A Complete Floor Box System for Wood Frame Construction*

Perfect for carpet, wood, tile, and vinyl finished flooring

Key Features

- Brass plate and screw cap resist abuse and prevent foreign contaminants from entering device
- Tamper-Resistant Receptacles meet National Electrical Code® 2014 Article 406.12 requirements
- Plate gasket and rubber O-ring combine to seal out moisture and air-borne particles
- Single receptacle is ideal for applications that require a dedicated circuit
- Meets NEC 2014 Article 314.27B for Floor Boxes
- The flange height of 0.27" meets Americans with Disabilities Act (ADA) standards for accessible design section 4.3.8
- Nickel-plated brass configurations also available
- Low-Voltage 2-gang configurations compatible with the QuickPort® line of audio/visual connectors and adapters

Each Floor Box includes the following:

- Cover Plate with Screw Caps
- Heavy-Duty Specification Grade Receptacle(s)
- Duplex QuickPort® Insert (where specified)
- UL Listed 3-1/2" Deep Electrical Box
- Associated Mounting Hardware & Gaskets

Meets or Exceeds UL514A Requirements Including Scrub Water Test



Common Applications

- Residential
- Health Care Facilities
- Great Rooms
- Conference Rooms
- Stages

*Not for use with concrete flooring.

Visit our Website at:
www.leviton.com/floorboxes
email: commercial@leviton.com

Q-1128B

110818

Leviton Manufacturing Co., Inc.

201 N Service Rd, Melville, NY 11747
Telephone: 1-800-323-8920 • FAX: 1-800-832-9538
Tech Line (8:30AM-7:30PM E.S.T. Monday-Friday): 1-800-824-3005

© 2018 Leviton Manufacturing Co., Inc. All rights reserved.

