

Project Name:	Type:
Part Number:	Date:

EXTERNAL DRIVER T5

FEATURES

- Replaces 2' / 3' / 4' T5 & 4' T5HO Fluorescent lamp
- **Compatible with GREEN CREATIVE external drivers only**
- Utilizes existing lamp holders – shunted or non-shunted
- Ultra-high efficacy up to 155 LPW
- Opaque plastic lens reduces glare
- 270° wide light emitting area
- 0-10V dimming
- Class P rated driver
- Class 2 rated driver prevents electrical shock during installation
- Suitable for use in enclosed fixture and damp location
- Meets NSF Requirements
- Temperature rating: -4°F/-20°C - 95°F/35°C
- Rated lifetime (L70): 50,000hrs
- 5 years limited warranty
- Suitable for indoor general lighting & industrial high bay application



SPECIFICATIONS - LAMP

Product	Model	Nominal Length	Equiv.	Wattage	Lumens	CCT	CRI	Efficacy (LPW)	Beam Angle
98321	22T5HO/4F/830/EXT/R	4'	54W	22	3200	3000K	82	145	120°
98322	22T5HO/4F/835/EXT/R	4'	54W	22	3200	3500K	82	145	120°
98323	22T5HO/4F/840/EXT/R	4'	54W	22	3400	4000K	82	155	120°
98324	22T5HO/4F/850/EXT/R	4'	54W	22	3400	5000K	82	155	120°
98312	13.5T5HE/4F/830/EXT/R	4'	28W	13.5	1800	3000K	82	133	120°
98313	13.5T5HE/4F/835/EXT/R	4'	28W	13.5	1850	3500K	82	137	120°
98314	13.5T5HE/4F/840/EXT/R	4'	28W	13.5	2000	4000K	82	148	120°
98309	11T5HE/3F/830/EXT/R	3'	21W	11	1500	3000K	82	136	120°
98310	11T5HE/3F/835/EXT/R	3'	21W	11	1550	3500K	82	141	120°
98311	11T5HE/3F/840/EXT/R	3'	21W	11	1650	4000K	82	150	120°
98306	9.5T5HE/2F/830/EXT/R	2'	14W	9.5	1350	3000K	82	142	120°
98307	9.5T5HE/2F/835/EXT/R	2'	14W	9.5	1400	3500K	82	147	120°
98308	9.5T5HE/2F/840/EXT/R	2'	14W	9.5	1500	4000K	82	158	120°

SPECIFICATIONS - EXTERNAL DRIVER

Product	Model	Max. Lamp Quantity	Input Voltage (V)	Input Freq. (Hz)	Max. Input Current (A)	Output Voltage (V)	Output Current (A)	Dim.	Max Case Temperature (°C/°F)	Power Factor	THD
98259	15T8T5HEDRIVER/2CH/R	2	120-277	50/60	0.31	DC 30-48	0.30 * 2	0-10V	90/194	0.9	<20%
98260	15T8T5HEDRIVER/4CH/R	4	120-277	50/60	0.60	DC 30-48	0.30 * 4	0-10V	90/194	0.9	<20%
98261	24T5HODRIVER/2CH/R	2	120-277	50/60	0.48	DC 24-42	0.55 * 2	0-10V	90/194	0.9	<20%
98262	24T5HODRIVER/4CH/R	4	120-277	50/60	0.94	DC 24-42	0.55 * 4	0-10V	85/185	0.9	<20%



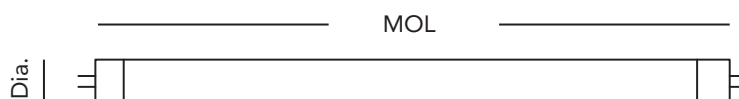
EXTERNAL DRIVER T5

SPECIFICATIONS - LAMP & DRIVER SYSTEM

External Driver Information			98259				98260			
			15T8T5HEDRIVER/2CH/R				15T8T5HEDRIVER/4CH/R			
			1 Lamp		2 Lamps		3 Lamps		4 Lamps	
Product	Model	CCT	System Power	Flux	System Power	Flux	System Power	Flux	System Power	Flux
98312	13.5T5HE/4F/830/EXT/R	3000K	15	1800	30	3600	45	5400	60	7200
98313	13.5T5HE/4F/835/EXT/R	3500K	15	1850	30	3700	45	5550	60	7400
98314	13.5T5HE/4F/840/EXT/R	4000K	15	2000	30	4000	45	6000	60	8000
98309	11T5HE/3F/830/EXT/R	3000K	13	1500	26	3000	39	4500	52	6000
98310	11T5HE/3F/835/EXT/R	3500K	13	1550	26	3100	39	4650	52	6200
98311	11T5HE/3F/840/EXT/R	4000K	13	1650	26	3300	39	4950	52	6600
98306	9.5T5HE/2F/830/EXT/R	3000K	12	1350	24	2700	36	4050	48	5400
98307	9.5T5HE/2F/835/EXT/R	3500K	12	1400	24	2800	36	4200	48	5600
98308	9.5T5HE/2F/840/EXT/R	4000K	12	1500	24	3000	36	4500	48	6000

External Driver Information			98261				98262			
			24T5HODRIVER/2CH/R				24T5HODRIVER/4CH/R			
			1 Lamp		2 Lamps		3 Lamps		4 Lamps	
Product	Model	CCT	System Power	Flux	System Power	Flux	System Power	Flux	System Power	Flux
98321	22T5HO/4F/830/EXT/R	3000K	26	3200	52	6400	78	9600	104	12800
98322	22T5HO/4F/835/EXT/R	3500K	26	3200	52	6400	78	9600	104	12800
98323	22T5HO/4F/840/EXT/R	4000K	26	3400	52	6800	78	10200	104	13600
98324	22T5HO/4F/850/EXT/R	5000K	26	3400	52	6800	78	10200	104	13600

DIMENSION & WEIGHT



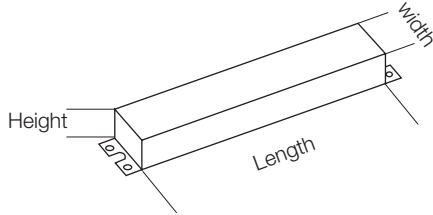
Model	9.5T5HE/2F/xxx/EXT/R	11T5HE/3F/xxx/EXT/R	13.5T5HE/4F/xxx/EXT/R 22T5HO/4F/xxx/EXT/R
Base	G5	G5	G5
MOL	22"	34"	45-3/4"
Dia.	11/16"	11/16"	11/16"
Weight	0.17lb	0.26lb	0.33lb

Where xxx means 824-965 which indicates CRI and color temperature



EXTERNAL DRIVER T5

DIMENSION & WEIGHT



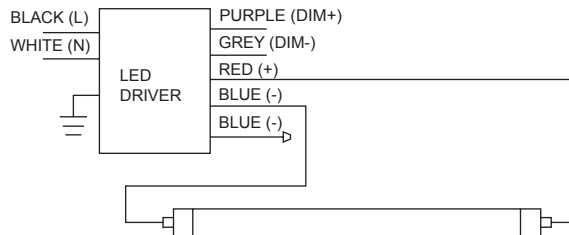
Model	15T8T5HEDRIVER/2CH/R 15T8T5HEDRIVER/4CH/R 24T5HODRIVER/2CH/R	24T5HODRIVER/4CH/R
Length	9-1/2"	9-1/2"
Width	1-5/16"	1-3/4"
Height	1-3/16"	1-3/16"
Weight	1.0 lb	1.4 lb

INSTALLATION

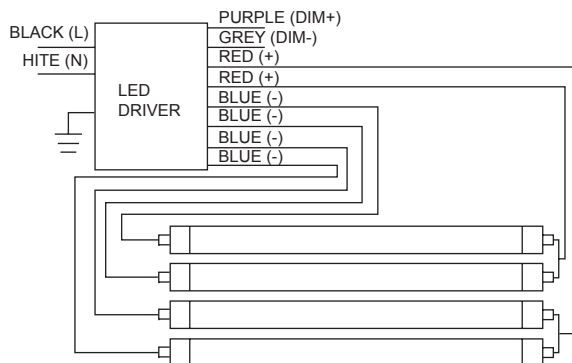
Double-ended Installation

- For shunted & non-shunted lamp holders
- Not polarity sensitive, lamps can be wired at either end

1 LAMP



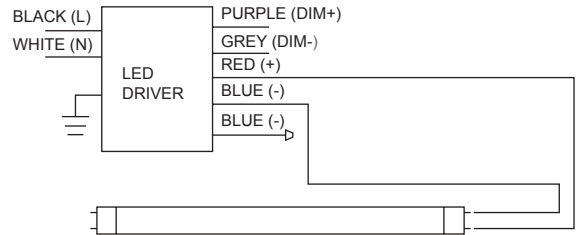
4 LAMPS



Single-ended Installation

- For non-shunted lamp holders only
- Not polarity sensitive, lamps can be wired at either end

1 LAMP



4 LAMPS

