

RAB | Lamps

HID Replacements



Post Tops | High Bays | Wallpacks | Shoeboxes

How to order lamps from **RAB**

Our model numbers are easy to build and understand. Simply choose from the descriptions below each section of a matrix as seen below, and be sure to include any hyphens shown. No confusing, company-specific coding. Just basic logic that continues to "make it easy" for you.

HID LAMPS

Category	Lamp power	Base Type	CRI	CCT	Installation Type	Lamp Type
HID	100	EX39	8	50	BYP	PT
HID	12 = 50W 18 = 75W 27 = 125W 36 = 150W 45 = 175W	54 = 200W 63 = 250W 80 = 320W 100 = 400W	E26 EX39	8 = 80 9 = 90	30 = 3000 40 = 4000 50 = 5000	Ballast Bypass PT = Post Top HB = High Bay WP = Wallpack SB = Shoebox



POST TOPS



HIGH BAYS



SHOEBOXES



WALLPACKS






Post Tops | HID Replacements

Post Top or "corn cob" lamps replace conventional metal halide and high pressure sodium, and feature a conical design that emits light in all directions.

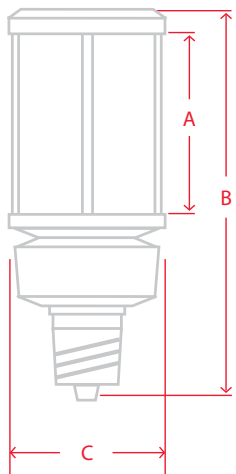
Primarily used in outdoor post top lighting for parking lots, streets or pathways, these lamps replace 50 - 400W MH with energy savings of up to 76%. All are Type B, which allow the installer to bypass the ballast and reduce maintenance costs. Suitable for both enclosed and open fixtures and IP65 rated, these lamps can be used nearly anywhere. Compact design also allows these lamps to fit into most fixtures in the market.

FEATURES

-  **Ballast bypass**
Operates directly on 120-277V line voltage
-  **Use anywhere**
Water and dust resistant, for use in open and enclosed fixtures
-  **Thermal management**
Integrated heat sink dissipates heat quickly without an on-board fan

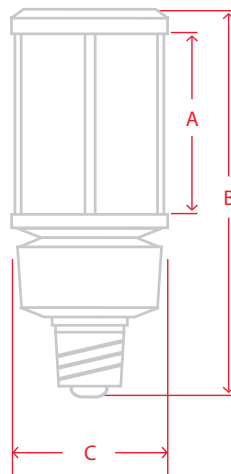


DIMENSIONS EX39 BASE



Wattage EQ	A	B	C
400W	5 13/16"	12 5/8"	5 1/8"
320W	4 5/8"	11 1/2"	5 1/8"
250W	5 11/16"	10 3/16"	3 3/8"
200W	5 1/8"	9 9/16"	3 3/8"
175W	5 1/8"	9 9/16"	3 3/8"
150W	3 15/16"	8 3/8"	3 3/8"
125W	3 3/8"	7 1/4"	2 3/8"

DIMENSIONS E26 BASE



Wattage EQ	A	B	C
175W	5 1/8"	9 1/16"	3 3/8"
150W	3 15/16"	7 13/16"	3 3/8"
125W	3 3/8"	6 9/16"	2 3/8"
75W	2 3/8"	5 11/16"	2 3/8"
50W	1 5/8"	4 15/16"	5 1/8"

	Wattage EQ	Model Name	Input Voltage	Power Factor	Lifespan (Hrs.)	CRI ²	Lumens ²	Lamp Power ² (W)	Efficacy ² (lm/W)	CCT
E26	175W	HID-45-E26-8cc-BYP-PT	100-277V	0.9	50k	80	6750	45	150	●●●
	150W	HID-36-E26-8cc-BYP-PT	100-277V	0.9	50k	80	5400	36	150	●●●
	125W	HID-27-E26-8cc-BYP-PT	100-277V	0.9	50k	80	4050	27	150	●●●
	75W	HID-18-E26-8cc-BYP-PT	100-277V	0.9	50k	80	2610	18	145	●●●
	50W	HID-12-E26-8cc-BYP-PT	100-277V	0.9	50k	80	1740	12	145	●●●
EX39	400W	HID-100-EX39-8cc-BYP-PT	100-277V	0.9	50k	80	13500	100	135	●●●
	320W	HID-80-EX39-8cc-BYP-PT	100-277V	0.9	50k	80	10800	80	135	●●●
	250W	HID-63-EX39-8cc-BYP-PT	100-277V	0.9	50k	80	9450	63	150	●●●
	200W	HID-54-EX39-8cc-BYP-PT	100-277V	0.9	50k	80	8100	54	150	●●●
	175W	HID-45-EX39-8cc-BYP-PT	100-277V	0.9	50k	80	6750	45	150	●●●
	150W	HID-36-EX39-8cc-BYP-PT	100-277V	0.9	50k	80	5400	36	150	●●●
	125W	HID-27-EX39-8cc-BYP-PT	100-277V	0.9	50k	80	3915	27	145	●●●

Color Temperature






² Margin of error +/-10%

High Bays | HID Replacements

High bay lamps replace conventional metal halide and high pressure sodium, and feature a circular design for optimal light distribution in large, high-traffic spaces.

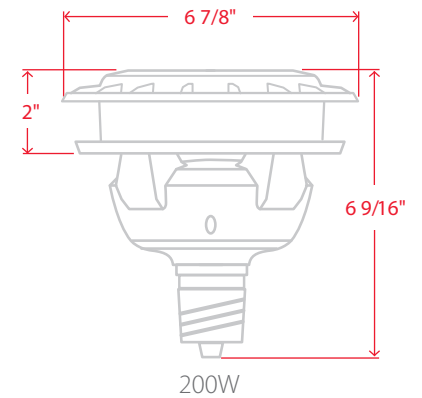
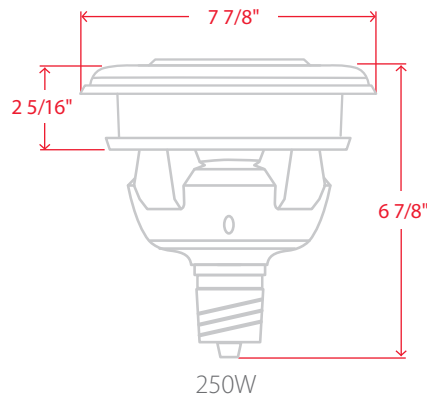
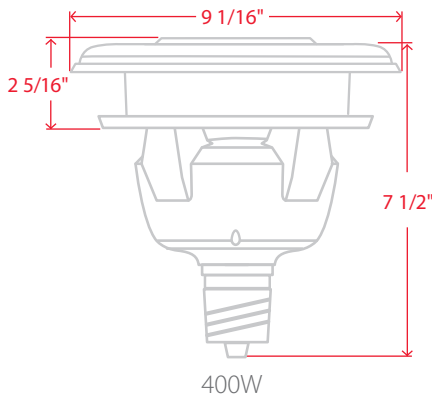
Primarily used to light warehouses, manufacturing/industrial facilities, retail spaces and gymnasiums, these vertical lamps replace 200 - 400W HID with energy savings of up to 76%. All are Type B, which allow the installer to bypass the ballast. That, along with a 50,000-hour lifespan, significantly reduces maintenance costs in hard-to-reach places. 10% uplight reduces the "cave effect".

FEATURES

-  **50,000-Hour lifespan**
Reduce maintenance costs of relamping in high areas
-  **Thermal management**
Integrated heat sink dissipates heat quickly without an on-board fan
-  **Uplighting**
10% uplight helps reduce dark ceiling spots (the "cave effect")



DIMENSIONS



	Wattage EQ	Model Name	Input Voltage	Power Factor	Lifespan (Hrs.)	CRI ²	Lumens ²	Lamp Power ² (W)	Efficacy ² (lm/W)	CCT
EX39	400W	HID-115-V-EX39-8cc-BYP-HB	100-277V	0.9	50k	80	15500	115	135	●●
	250W	HID-80-V-EX39-8cc-BYP-HB	100-277V	0.9	50k	80	10800	80	135	●●
	200W	HID-60-V-EX39-8cc-BYP-HB	100-277V	0.9	50k	80	8000	60	133	●●

Color Temperature



² Margin of error +/-10%

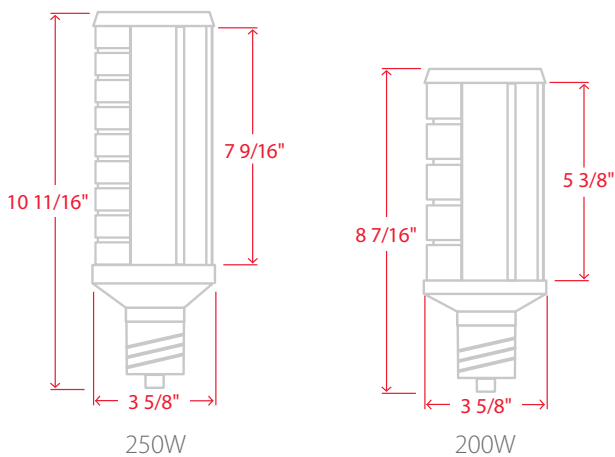




Wallpacks | HID Replacements

Wallpack lamps replace conventional metal halide lamps and feature a horizontal design that helps light perimeters and façades effectively.

DIMENSIONS



Most commonly found in entrances, commercial building exteriors, loading docks and walkways, these wallpack lamps use up to 76% less energy than the metal halide they replace. All are Type B, which allow the installer to bypass the ballast, and all are designed with a 350° rotatable base that puts light where you need it. An IP65 rating protects against ingress of water and dust.

FEATURES

- Ballast bypass**
Allows you to avoid using old ballasts that will eventually fail
- IP65**
Protected against water/dust ingress for use indoors or outdoors
- Rotatable base**
350° rotation allows you to aim the light where it's needed



	Wattage EQ	Model Name	Input Voltage	Power Factor	Lifespan (Hrs.)	CRI ²	Lumens ²	Lamp Power ² (W)	Efficacy ² (lm/W)	CCT
EX39	250W	HID-60-H-EX39-8cc-BYP-WP	100-277V	0.9	50k	80	9000	60	150	●●
	200W	HID-40-H-EX39-8cc-BYP-WP	100-277V	0.9	50k	80	6000	40	150	●●

Color Temperature



² Margin of error +/-10%

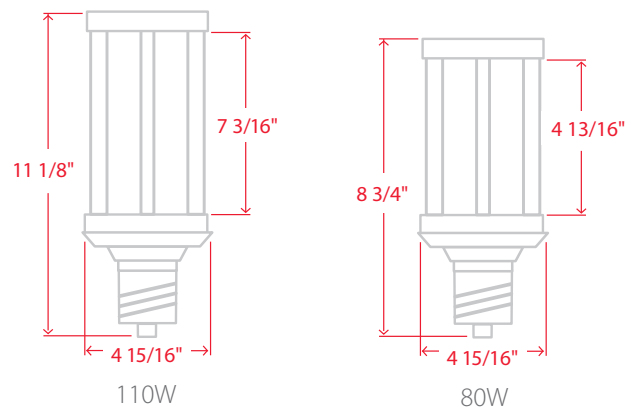
¹The RAB 5-year, no-compromise warranty covers light output, color stability, driver performance and paint finish. RAB's warranty is subject to all terms and conditions found at rablighting.com/warranty.

Shoeboxes | HID Replacements




Shoebox lamps replace conventional metal halide or high pressure sodium lamps and feature a wide rectangular design that serves to illuminate large open spaces.

The perfect solution for replacing outdated parking lot lighting or area lights, these lamps replace 250 - 400W HID and significantly reduce maintenance costs with a 50,000-hour lifespan. All are Type B, which allow the installer to bypass the ballast, and all are designed with a 350° rotatable base that puts light where you need it. An IP65 rating protects against ingress of water and dust. This product also has flaps that fold down to ensure no lost light in the back of the fixture.

DIMENSIONS



FEATURES

-  **Ballast bypass**
Allows you to avoid using old ballasts that will eventually fail
-  **IP65**
Protected against water/dust ingress for use indoors or outdoors
-  **Rotatable base**
350° rotation allows you to aim the light where it's needed



	Wattage EQ	Model Name	Input Voltage	Power Factor	Lifespan (Hrs.)	CRI ²	Lumens ²	Lamp Power ² (W)	Efficacy ² (lm/W)	CCT
EX39	400W	HID-110-H-EX39-8cc-BYP-SB	100-277V	0.9	50k	80	13200	110	120	●●
	320/250W	HID-80-H-EX39-8cc-BYP-SB	100-277V	0.9	50k	80	9600	80	120	●●

Color Temperature



² Margin of error +/-10%



RAB | Lamps

© 2018 RAB Lighting Inc.
Northvale, New Jersey 07647
rablighting.com | sales@rablighting.com