

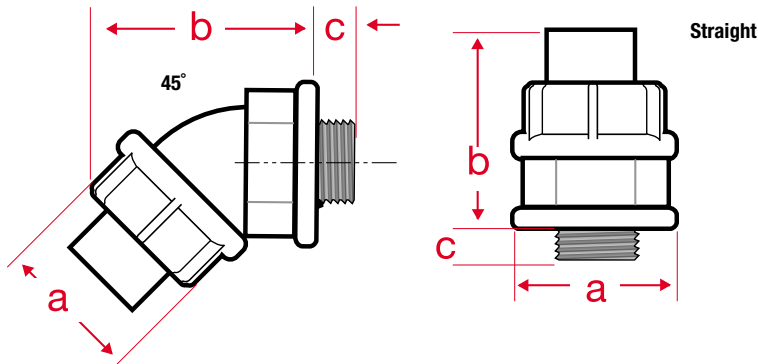
## LIQUID TIGHT CONNECTORS

### STRAIGHT CONNECTOR

Pipe Size	FERROUS Catalog #	A	B	C	Nominal Weight	Aluminum Catalog #
<input type="checkbox"/> 3/8"	PR5331	1.24	1.88	0.56	0.2	PR5231AL
<input type="checkbox"/> 1/2"	PR5332	1.46	2.06	0.56	0.2	PR5232AL
<input type="checkbox"/> 3/4"	PR5333	1.74	2.38	0.56	0.3	PR5233AL
<input type="checkbox"/> 1"	PR5334	1.96	3.06	0.75	0.4	PR5234AL
<input type="checkbox"/> 1-1/4"	PR5335	2.36	3.75	0.81	0.8	PR5235AL
<input type="checkbox"/> 1-1/2"	PR5336	2.80	4.19	0.81	0.9	PR5236AL
<input type="checkbox"/> 2"	PR5337	3.33	5.06	0.88	1.7	PR5237AL
<input type="checkbox"/> 2-1/2"	PR5338	3.83	6.13	1.00	3.0	PR5238AL
<input type="checkbox"/> 3"	PR5339	4.58	6.25	1.00	4.2	PR5239AL
<input type="checkbox"/> 4"	PR5340	5.58	6.50	1.13	6.2	PR5240AL

### STRAIGHT CONNECTOR WITH GROUND

Pipe Size	FERROUS Catalog #	A	B	C	Ground Wire	Nominal Weight	Aluminum Catalog #
<input type="checkbox"/> 3/8"	PR5331GR	1.24	1.88	0.56	14-8	0.2	PR5231GRAL
<input type="checkbox"/> 1/2"	PR5332GR	1.46	2.06	0.56	14-8	0.2	PR5232GRAL
<input type="checkbox"/> 3/4"	PR5333GR	1.74	2.38	0.56	14-4	0.3	PR5233GRAL
<input type="checkbox"/> 1"	PR5334GR	1.96	3.06	0.75	14-4	0.4	PR5234GRAL
<input type="checkbox"/> 1-1/4"	PR5335GR	2.33	3.75	0.81	8/2/04	0.8	PR5235GRAL
<input type="checkbox"/> 1-1/2"	PR5336GR	3.33	4.19	0.81	4/3/04	0.9	PR5236GRAL
<input type="checkbox"/> 2"	PR5337GR	3.89	5.06	0.88	4/3/04	1.7	PR5237GRAL
<input type="checkbox"/> 2-1/2"	PR5338GR	4.52	6.13	1.00	2/5/04	3.0	PR5238GRAL
<input type="checkbox"/> 3"	PR5339GR	5.27	6.25	1.00	2/5/04	4.2	PR5239GRAL
<input type="checkbox"/> 4"	PR5340GR	6.21	6.50	1.13	2/5/04	6.2	PR5240GRAL



### 45° CONNECTOR

Pipe Size	FERROUS Catalog #	A	B	C	Nominal Weight
<input type="checkbox"/> 3/8"	PR5341	1.24	1.94	0.56	0.3
<input type="checkbox"/> 1/2"	PR5342	1.46	2.38	0.56	0.3
<input type="checkbox"/> 3/4"	PR5343	1.74	2.88	0.56	0.4
<input type="checkbox"/> 1"	PR5344	1.96	3.25	0.75	0.5
<input type="checkbox"/> 1-1/4"	PR5345	2.36	4.00	0.81	1.5
<input type="checkbox"/> 1-1/2"	PR5346	2.80	4.88	0.81	1.2
<input type="checkbox"/> 2"	PR5347	3.33	5.88	0.88	2.0
<input type="checkbox"/> 2-1/2"	PR5348	3.83	6.25	1.00	3.0
<input type="checkbox"/> 3"	PR5349	4.58	6.25	1.00	4.2
<input type="checkbox"/> 4"	PR5350	5.58	6.63	1.13	6.2

### 45° CONNECTOR WITH GROUND

Pipe Size	FERROUS Catalog #	A	B	C	Ground Wire	Nominal Weight
<input type="checkbox"/> 3/8"	PR5341GR	1.24	1.94	0.56	14-8	0.3
<input type="checkbox"/> 1/2"	PR5342GR	1.46	2.38	0.56	14-8	0.3
<input type="checkbox"/> 3/4"	PR5343GR	1.74	2.88	0.56	14-4	0.4
<input type="checkbox"/> 1"	PR5344GR	1.96	3.25	0.75	14-4	0.5
<input type="checkbox"/> 1-1/4"	PR5345GR	3.33	4.63	0.81	4/3/04	1.5
<input type="checkbox"/> 1-1/2"	PR5346GR	3.33	4.88	0.81	4/3/04	1.2
<input type="checkbox"/> 2"	PR5347GR	3.89	5.88	0.88	4/3/04	2.0
<input type="checkbox"/> 2-1/2"	PR5348GR	4.52	6.25	1.00	2/5/04	3.0
<input type="checkbox"/> 3"	PR5349GR	5.27	6.25	1.00	2/5/04	4.2
<input type="checkbox"/> 4"	PR5350GR	6.21	6.63	1.13	2/5/04	6.2

### 90° CONNECTOR

Pipe Size	FERROUS Catalog #	A	B	C	Nominal Weight	Aluminum Catalog #
<input type="checkbox"/> 3/8"	PR5351	1.24	1.80	0.56	0.3	PR5251AL
<input type="checkbox"/> 1/2"	PR5352	1.46	2.10	0.56	0.3	PR5252AL
<input type="checkbox"/> 3/4"	PR5353	1.74	2.54	0.56	0.4	PR5253AL
<input type="checkbox"/> 1"	PR5354	1.96	3.23	0.75	0.6	PR5254AL
<input type="checkbox"/> 1-1/4"	PR5355	2.36	4.04	0.81	1.0	PR5255AL
<input type="checkbox"/> 1-1/2"	PR5356	2.80	4.48	0.81	1.7	PR5256AL
<input type="checkbox"/> 2"	PR5357	3.33	5.48	0.88	2.7	PR5257AL
<input type="checkbox"/> 2-1/2"	PR5358	3.83	10.92	1.00	3.8	-
<input type="checkbox"/> 3"	PR5359	4.58	12.29	1.00	4.2	-
<input type="checkbox"/> 4"	PR5360	5.58	14.67	1.13	6.2	-

### 90° CONNECTOR WITH GROUND

Pipe Size	FERROUS Catalog #	A	B	C	Ground Wire	Nominal Weight	Aluminum Catalog #
<input type="checkbox"/> 3/8"	PR5351GR	1.10	1.55	0.56	14-8	0.3	PR5251GRAL
<input type="checkbox"/> 1/2"	PR5352GR	1.46	1.98	0.56	14-8	0.3	PR5252GRAL
<input type="checkbox"/> 3/4"	PR5353GR	1.96	2.85	0.75	14-4	0.4	PR5253GRAL
<input type="checkbox"/> 1"	PR5354GR	1.96	3.10	0.75	14-4	0.6	PR5254GRAL
<input type="checkbox"/> 1-1/4"	PR5355GR	2.33	3.79	0.81	8/2/04	1.0	PR5255GRAL
<input type="checkbox"/> 1-1/2"	PR5356GR	3.33	4.48	0.81	4/3/04	1.7	PR5256GRAL
<input type="checkbox"/> 2"	PR5357GR	3.89	5.48	0.88	4/3/04	2.7	PR5257GRAL
<input type="checkbox"/> 2-1/2"	PR5358GR	4.52	10.92	1.00	2/5/04	3.8	-
<input type="checkbox"/> 3"	PR5359GR	5.27	12.29	1.00	2/5/04	4.2	-
<input type="checkbox"/> 4"	PR5360GR	6.21	14.67	1.13	2/5/04	6.2	-

**APPROVAL STAMP**

# PLASTI-BOND REDH<sub>2</sub>O<sub>T</sub> LIQUID TIGHT CONNECTORS

Return To Index

Print This Page

## LIQUID TIGHT CONNECTORS



PR5352



PR5352GR

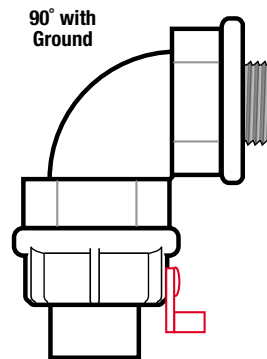
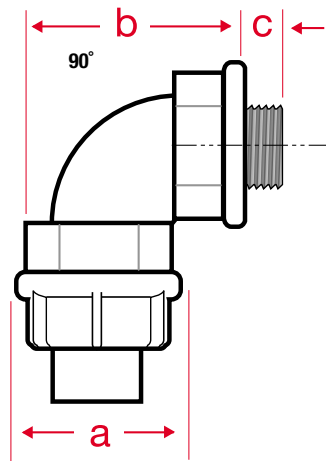


5332



PR5342

### Liquid Tight Connectors Configurations



### Liquid Tight Connectors Specifications

#### APPLICATION

PLASTI-BOND REDH<sub>2</sub>O<sub>T</sub> liquid tight connectors are used with liquid tight conduit to wire motors, transformers, processing equipment, pumps, etc.. The flexible conduit and the PVC coated connector work together to seal out water and other corrosive liquids, protecting the conductors from damage.

#### FEATURES

- 40 mil gray PVC exterior coating
- 2 mil red urethane interior coating
- 13 trade sizes from 3/8" through 6".
- Sealing sleeves on all conduit openings
- Available in straight, 45° or 90° body configurations
- Available with an external grounding lug

#### COMPLIANCES

- UL Standard 514B
- CSA Standard: C22.2 No. 18

APPROVAL STAMP