

Thin-line LED Down Lights

Thin-line LED Down Lights are a breakthrough in LED downlight technology. Clever placement of 2835 LEDs around our diffusing glass lens provide brilliant and efficient LED lighting from a fixture that is only 1/2" (13mm) thick. Thin-line LED Down Lights are designed for retrofit and new construction installations and are very simple to install. They are ideal for shallow ceiling plenums since no IC can or box is required above the fixture.



DIMMABLE

We carry the widest selection of LED Down Light fixtures on the market!

UL2108 Certified



Features

- Energy Star rated - up to 80% energy savings
- Dimmable to 5% with most standard dimmers
- 120° beam spread
- Warm White and Neutral White color temperatures
- Two spring loaded clips to attach to any ceiling material
- 4 trim finishes available
- Suitable for wet location
- No IC can required, for direct contact with insulation and combustible materials
- Connects directly to 120V power supply
- Optional 277V Step-Down Transformer (non-dimmable)
- 50,000 hour life
- Airtight
- cETLus and Energy Star listed
- 5 year limited warranty

Residential Applications

- Kitchens
- Pantries
- Laundry rooms
- Bathrooms
- In showers
- Under soffits (outdoor)

Commercial Applications

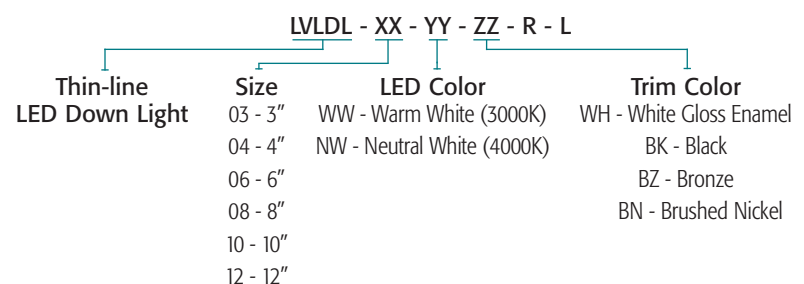
- Lobbies
- Hallways
- Banquet halls
- Elevators
- Stairways
- Retail
- Restaurants
- Office lighting
- Under cabinet
- In cabinet
- Wall mount for egress lighting
- Under soffits (outdoor)

Specifications

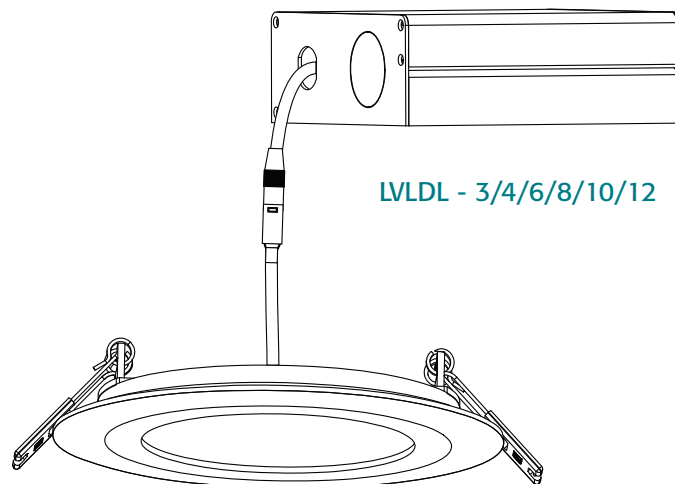
Electrical	Input: AC 100 – 120V 3" = 6W, 21V DC, 300mA constant current 4" = 9W, 21V DC, 320mA constant current 6" = 12W, 30V DC, 320mA constant current 8" = 15W, 18V DC, 700mA constant current 10" = 20W, 24V DC, 700mA constant current 12" = 24W, 42V DC, 600mA constant current
Number of SMD2835 LEDs	3" = 28 4" = 40 6" = 50 8" = 60 10" = 80 12" = 120
LED Life	50,000 hours
Lumen Output WW = Warm White NW = Neutral White	3" = 400 WW, 450 NW 4" = 575 WW, 600 NW 6" = 800 WW, 900 NW 8" = 1200 WW, 1300 NW 10" = 1700 WW, 1800 NW 12" = 1872 WW, 2110 NW
Lumen Efficacy (LPW) WW = Warm White NW = Neutral White	3" = 67 WW, 75 NW 4" = 64 WW, 67 NW 6" = 67 WW, 75 NW 8" = 80 WW, 87 NW 10" = 89 WW, 95 NW 12" = 78 WW, 88 NW
Color Temperature	Warm White 3000K, Neutral White 4000K
CRI	> 80
Approvals	cETLus listed for wet locations, Energy Star rated

NOTE: Each fixture requires one constant current power supply.

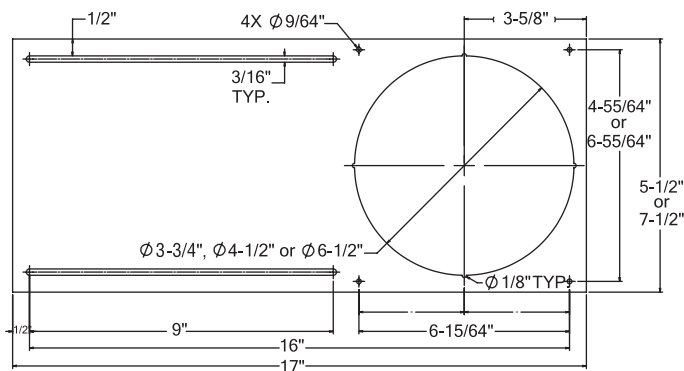
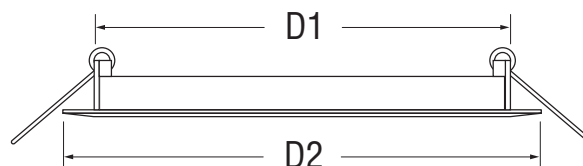
Product Codes



NOTE: WH, BZ and BN are stock, BK is special order, MOQ required.



Size	D1	D2
3"	3.35"	4"
4"	4.33"	4.875"
6"	6.3"	6.875"
8"	8.07"	8.78"
10"	10.39"	10.63"
12"	11.34"	11.81"



High Power Thin-line LED Down Lights

High Power Thin-line LED Down Lights are a breakthrough in LED downlight technology. Clever placement of SMD2835 LEDs around our diffusing glass lens provide brilliant and efficient LED lighting from a fixture that is only 1" (25mm) thick. High Power Thin-line LED Down Lights are designed for retrofit and new construction installations and are very simple to install. They are ideal for shallow ceiling plenums since no IC can or box is required above the fixture.



DIMMABLE



UL2108 Certified



Features

- Energy Star rated - up to 80% energy savings
- Dimmable to 5% with most standard dimmers
- 120° beam spread
- Warm White and Neutral White color temperatures
- Two spring loaded clips to attach to any ceiling material
- cETLus listed for damp locations
- No IC can required, for direct contact with insulation and combustible materials
- Connects directly to 120V power supply
- Optional 277V Step-Down Transformer (non-dimmable)
- 50,000 hour life
- 5 year limited warranty
- Airtight
- cETLus and Energy Star listed

Residential Applications

- Kitchens
- Pantries
- Laundry rooms
- Under soffits (outdoor)

Commercial Applications

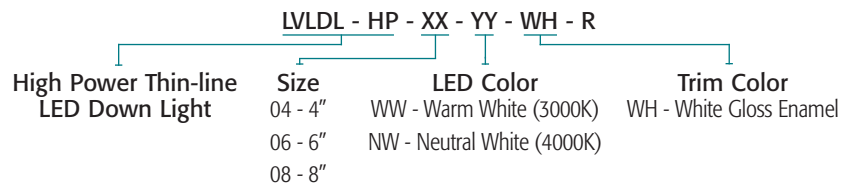
- Lobbies
- Hallways
- Banquet halls
- Elevators
- Stairways
- Retail
- Restaurants
- Office lighting
- Under cabinet
- In cabinet
- Wall mount for egress lighting
- Under soffits (outdoor)

Specifications

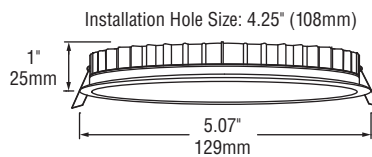
Electrical	Input: AC100 – 120V 4" = 11W, 42V DC, 280mA constant current 6" = 15W, 42V DC, 350mA constant current 8" = 25W, 42V DC, 500mA constant current
Number of SMD2835 LEDs	4" = 72 6" = 120 8" = 192
LED Life	50,000 hours
Lumen Output WW = Warm White NW = Neutral White	4" = 1068 WW, 1072 NW 6" = 1425 WW, 1483 NW 8" = 2575 WW, 2648 NW
Lumen Efficacy (LPW) WW = Warm White NW = Neutral White	4" = 97 WW, 97 NW 6" = 95 WW, 99 NW 8" = 103 WW, 106 NW
Color Temperature	Warm White 3000K, Neutral White 4000K
CRI	> 80
Approvals	cETLus listed for damp locations, Energy Star rated

NOTE: Each fixture requires one constant current power supply.

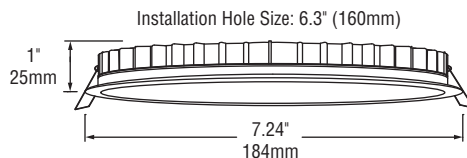
Product Codes



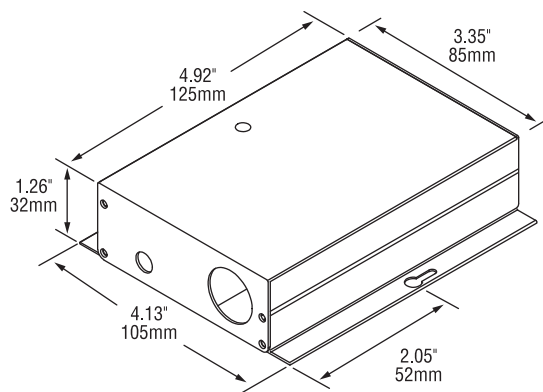
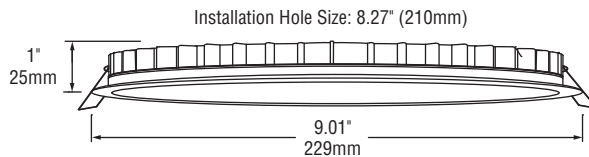
4" High Power Thin-line LED Down Light



6" High Power Thin-line LED Down Light



8" High Power Thin-line LED Down Light



High Power Remote Driver

Thin-Line Square LED Down Lights

The Thin-line Square Down Lights are rated for wet locations and designed for new construction and retrofit installations. They are ideal for shallow ceiling plenums since no IC can or box is required above the fixture.



DIMMABLE

UL2108 Certified



Features

- Low profile, perfect for shallow ceiling plenums
- No IC can required, for direct contact with insulation and combustible materials
- 80+ CRI
- Two spring loaded clips to attach to any ceiling material
- 120 degrees beam spread
- Edge lit technology eliminates hot spots
- 50,000 hours life
- Dimmable with most standard dimmers
- cETLus listed for wet locations
- 5 year limited warranty

Residential Applications

- Kitchens
- Pantries
- Laundry rooms
- Bathrooms
- In showers
- Under soffits (outdoor)

Commercial Applications

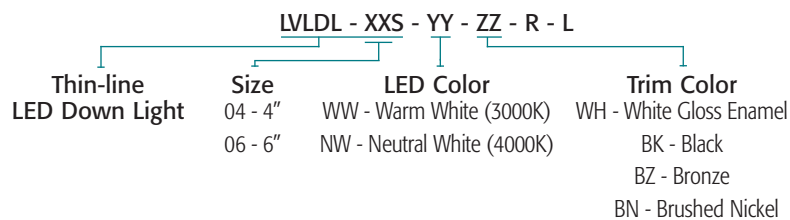
- Lobbies
- Hallways
- Banquet halls
- Elevators
- Stairways
- Retail
- Restaurants
- Office lighting
- Under cabinet
- In cabinet
- Wall mount for egress lighting
- Under soffits (outdoor)

Specifications

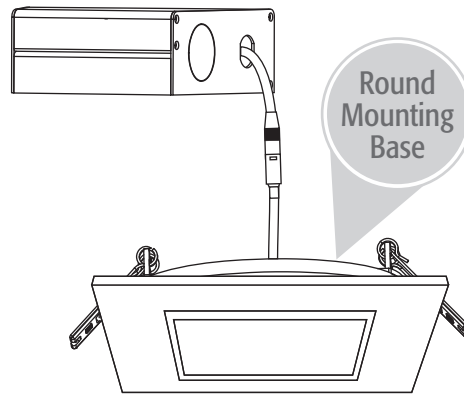
Electrical	Input: AC 100 – 120V 4"= 9W, 21V DC, 320mA constant current 6"= 12W, 30V DC, 320mA constant current
Power Factor	0.95
LEDs	Epistar
LED Life	50,000 hours
Lumen Output WW = Warm White NW = Neutral White	4" = 575 WW, 600 NW 6" = 800 WW, 900 NW
Lumen Efficacy (LPW) WW = Warm White NW = Neutral White	4" = 64 WW, 67 NW 6" = 67 WW, 75 NW
Color Temperature	Warm White 3000K, Neutral White 4000K
CRI	≥ 80
Appearance Size (L x W x H)	4" = 5.08" x 5.08" x 0.5" (129mm x 129mm x 13mm) 6" = 7.16" x 7.16" x 0.5" (182mm x 182mm x 13mm)
Dimensions (J-Box) (L x W x H)	4" = 3.31" x 3.31" x 1.14" (84mm x 84mm x 29mm) 6" = 3.31" x 3.31" x 1.14" (84mm x 84mm x 29mm)
Approvals	cETLus listed for wet locations, Energy Star rated

NOTE: Each fixture requires one constant current power supply.

Product Codes

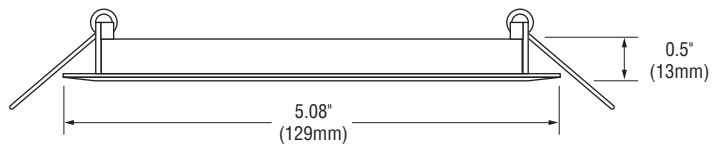


NOTE: WH, BZ, and BN are stock, BK is special order, MOQ required.



4" Thin-line Square Down Light

Installation Hole Size: 4.65" (118mm)



6" Thin-line Square Down Light

Installation Hole Size: 6.15" (156mm)

