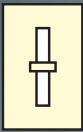
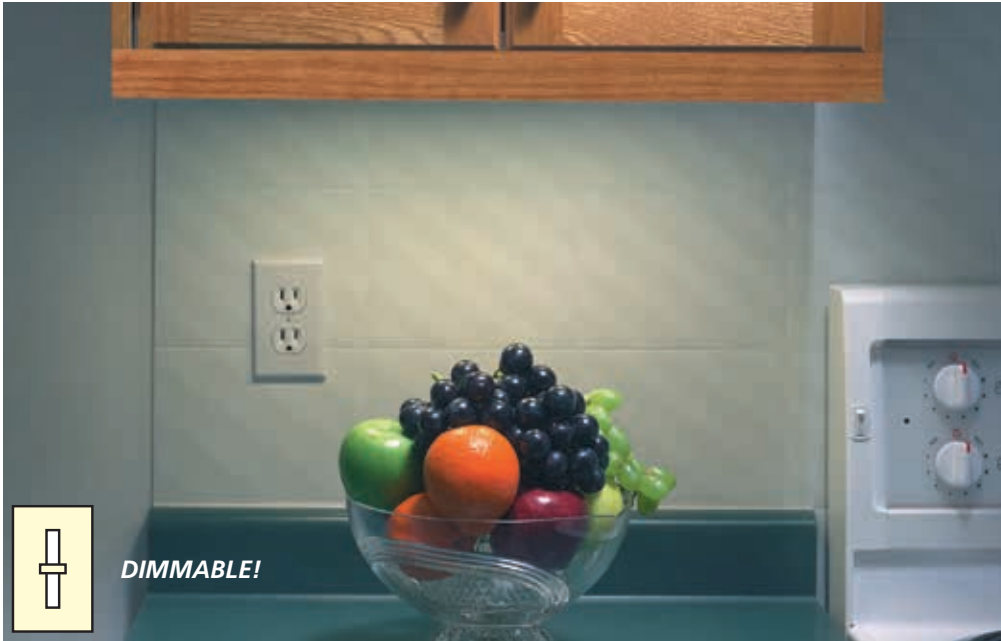


Xenon Task Light

NSL

Xenon bulbs burn significantly cooler, have four times the lamp life and are half the cost of halogen.



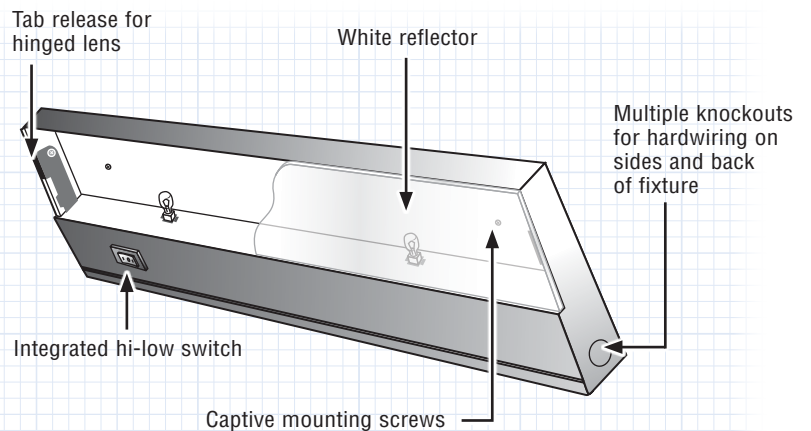
DIMMABLE!



Xenon Task Light (XTL) is the perfect affordable solution for under cabinet, counter and shelf lighting. XTL utilizes an 18 watt xenon lamp that provides a better quality light (color rendering index RA = 100 and color temperature of 2750 Kelvin), longer lamp life (10,000 hours) and a cooler burning lamp when compared to traditional halogen products.

Features

- ✓ Safety – low pressure 18 watt xenon lamps that burn cooler than halogen
- ✓ 10,000 hour lamp life
- ✓ Easily dimmable
- ✓ Fast and easy installation – push in terminals for wire connection, snap on covers
- ✓ 120 volt through wiring
- ✓ Available in 1, 2, 3, 4 & 5 lamp units
- ✓ Hinged lens for easy relamping
- ✓ Captive mounting screws included in bulb compartment
- ✓ Available in 4 colors: White, Bronze, Black and Brushed Aluminum
- ✓ 5' pre-installed cord and plug also available
- ✓ 1 year limited warranty



Available in 1, 2, 3, 4 and 5 module units.

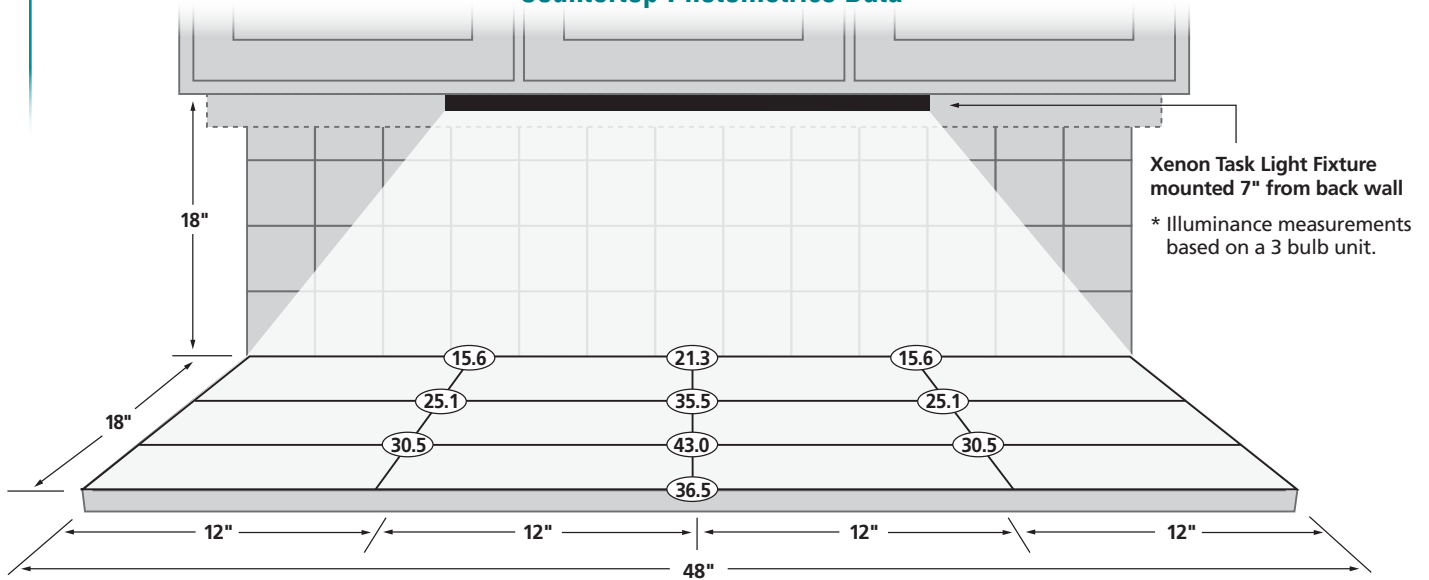
Applications

- Under cabinet task light
- Over cabinet accent light
- Display cases and exhibits
- Merchandising
- Indirect accent light
- Wall units and bars
- Office work stations

Xenon Task Light

NSL

Countertop Photometrics Data



(X.X) Illuminance in footcandles

Specifications

Operating Voltage	120 Volt
Weight	XTL-1 = 350g XTL-2 = 760g XTL-3 = 1100g XTL-4 = 1450g XTL-5 = 1680g
Product Material	Aluminum body, ABS end covers
Product Finish	Black & White: Powder Coating Aluminum, Bronze: Anodized
Product Color	Black, White, Aluminum, Bronze
Lens	Frosted Glass
Cover Finish	Side Cover (Black, White & Bronze): Plastic Injection Side Cover (Aluminum): Vacuum Plating
Replacement Lamp	12 V, 18 W, product code XTL-BULB



Available in white or black (powder coated finish) and a brushed aluminum or bronze finish (anodized).

Hardwire units can be daisy chained up to 66 bulbs or 1188 watts

Product Code

Code	Description	Energy Usage*	Dimension (L x W x H)
XTL-1-HW/xx	Xenon Task Light, 1 Lamp	18W	9" x 4 5/8" x 1 1/2" (229mm x 113mm x 39mm)
XTL-2-HW/xx	Xenon Task Light, 2 Lamp	36W	17 1/2" x 4 5/8" x 1 1/2" (445mm x 113mm x 39mm)
XTL-3-HW/xx	Xenon Task Light, 3 Lamp	54W	26" x 4 5/8" x 1 1/2" (659mm x 113mm x 39mm)
XTL-4-HW/xx	Xenon Task Light, 4 Lamp	72W	34 1/2" x 4 5/8" x 1 1/2" (875mm x 113mm x 39mm)
XTL-5-HW/xx	Xenon Task Light, 5 Lamp	90W	38 1/2" x 4 5/8" x 1 1/2" (967mm x 113mm x 39mm)

Wiring options: Replace HW (hardwire) with PC for plug and cord version
xx = finish color: AL - Aluminum, BK - Black, BZ - Bronze, WH - White