

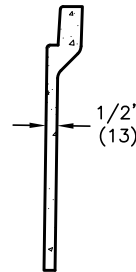
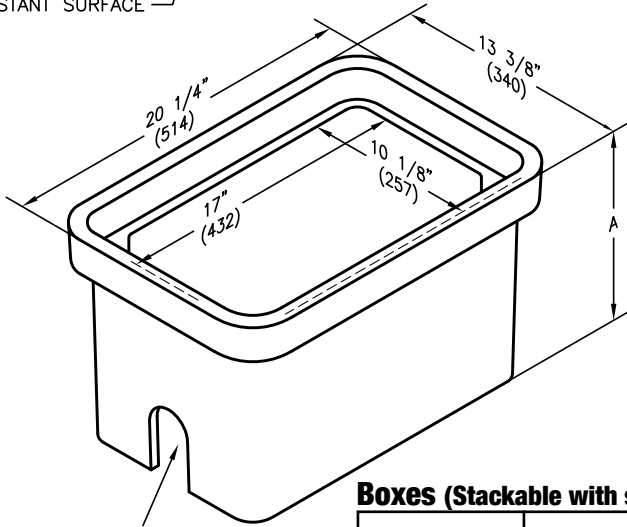
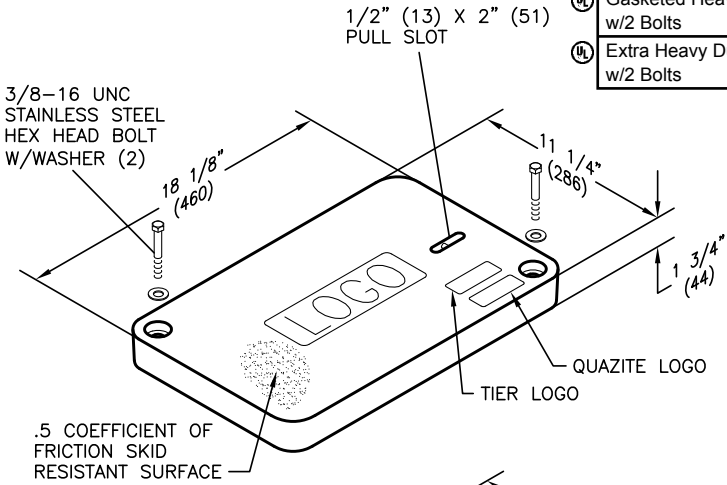
SPECIFICATIONS/DATA

11" x 18" PG Style (Stackable) Assembly

Covers (Blank unless logo is specified)

DESCRIPTION	PART NO.	WEIGHT #	DESIGN/TEST LOAD #	ANSI TIER*
Ⓛ W/2 Bolts	PG1118CA00	27 (12.2 kg)	8,000 / 12,000	8
Ⓛ Gasketed w/2 Bolts	PG1118CG00	27 (12.2 kg)	8,000 / 12,000	8
Ⓛ No Bolts	PG1118WA00	27 (12.2 kg)	8,000 / 12,000	8
Ⓛ Heavy Duty w/2 Bolts	PG1118HA00	27 (12.2 kg)	15,000 / 22,500	15
Ⓛ Gasketed Heavy Duty w/2 Bolts	PG1118HG00	27 (12.2 kg)	15,000 / 22,500	15
Ⓛ Extra Heavy Duty w/2 Bolts	PG1118HH00	27 (12.2 kg)	22,500 / 33,750	22

- Covers with meter lids available upon request. See page 12 or page 57 for meter lid cover load rating explanation.
- Gasketed covers and bolt grommets must be used with a gasketed box. Gaskets reduce the inflow of fluids but do not make the enclosure water tight.



2X 2 1/2" (64) X 4" (102) MOUSEHOLES (PG1118BB only)

Boxes (Stackable with self-aligning, replaceable EZ-Nut)

DESCRIPTION	PART NO.	WEIGHT #	DIMENSION A	DESIGN/TEST LOAD #	ANSI TIER*
Ⓛ Open Bottom	PG1118BA12	40 (18 kg)	12" (305 mm)	22,500 / 33,750	22
	PG1118BA18	53 (24 kg)	18" (457 mm)	22,500 / 33,750	22
Ⓛ Open Bottom w/ Gasket	PG1118BG12	40 (18 kg)	12" (305 mm)	22,500 / 33,750	22
	PG1118BG18	53 (24 kg)	18" (457 mm)	22,500 / 33,750	22
Ⓛ Open Bottom w/ 2 Mouseholes	PG1118BB12	40 (18 kg)	12" (305 mm)	22,500 / 33,750	22
	PG1118BB18	53 (24 kg)	18" (457 mm)	22,500 / 33,750	22
Ⓛ Solid Bottom	PG1118DA12	43 (19.5 kg)	12 1/2" (318 mm)	22,500 / 33,750	22
	PG1118DA18	60 (27 kg)	18 1/2" (470 mm)	22,500 / 33,750	22
Ⓛ Solid Bottom w/ Gasket	PG1118DG12	43 (19.5 kg)	12 1/2" (318 mm)	22,500 / 33,750	22
	PG1118DG18	60 (27 kg)	18 1/2" (470 mm)	22,500 / 33,750	22
Ⓛ Footed Box	PG1118JA12	41 (19 kg)	12 1/2" (318 mm)	22,500 / 33,750	22
	PG1118JA18	55 (25 kg)	18 1/2" (470 mm)	22,500 / 33,750	22

Dimensions & weights in parentheses are metric equivalent.
 * Loadings comply with ANSI/SCTE 77 (see page 9).

ENCLOSURE DRAWINGS