



FZ8647



FCL-GF Type

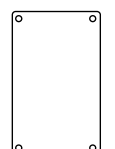
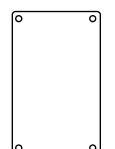
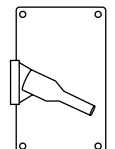
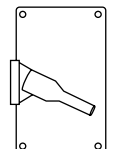
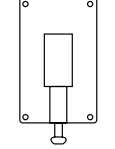
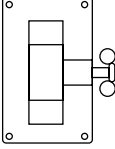
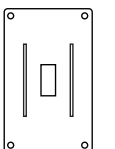


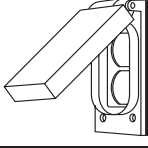
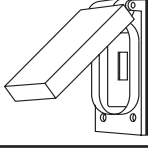
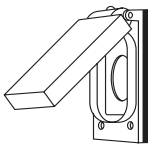
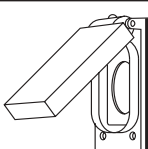
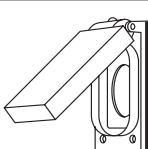
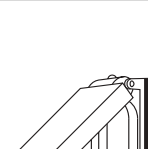
FST Type

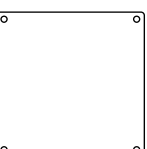
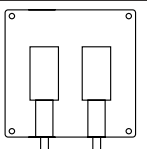
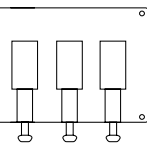
 Listed File No. E 3397
 Certified File No. LR11852

FEATURES-SPECIFICATIONS

- Cast metallic covers with electrostatically applied powder coating

CAST DEVICE COVERS— SINGLE GANG (GASKETS INCLUDED)		
CATALOG NUMBER	DESCRIPTION	
FSBC	Blank for Single Gang Boxes	
FSBCM	Iron Blank for Single Gang Boxes	
FZ8648	Square Toggle Lock in ON or OFF Position	
FZ8647	Square Toggle (Long Throw — Such as Manual Starters)	
FST	1 Toggle Switch	
FSPT	For Toggle Switch	
FSTG	Toggle Switch Guarded	

CAST DEVICE COVERS— SINGLE GANG (GASKETS INCLUDED)		
CATALOG NUMBER	DESCRIPTION	
FCLA	Duplex Receptacle	
FCLT	Toggle Switch	
FCLR	Round Receptacle 1.406" Dia.	
FCLG	Round Receptacle 1.625" Dia.	
FCLM	Round Receptacle 1.750" Dia.	
FCLN	Round Receptacle 2.156" Dia.	
FCL-GF	Device Cover for Most Manufacturers' GFI Devices Includes Gaskets and Screws	
FCL-VG	Replacement Vellumoid Gasket	

CAST DEVICE COVERS—TWO AND THREE GANG (GASKETS INCLUDED)		
CATALOG NUMBER	DESCRIPTION	
2FSBC	Blank for 2 Gang Boxes	
2FSBCM	Iron Blank for 2 Gang Boxes	
2FST	2 Toggle Switches	
3FST	3 Toggle Switches	
3FSBC	Blank for 3 Gang Boxes	