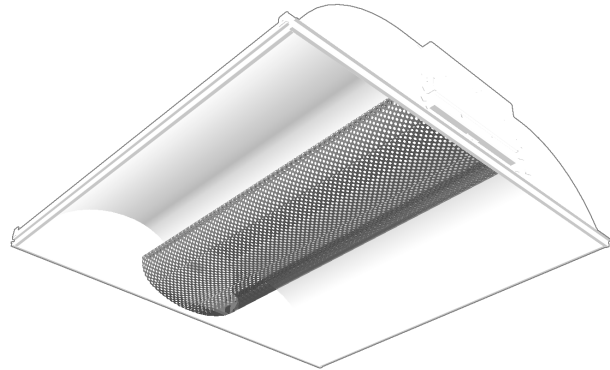
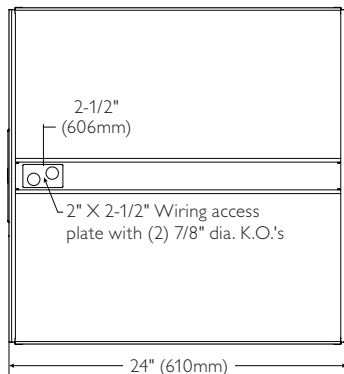
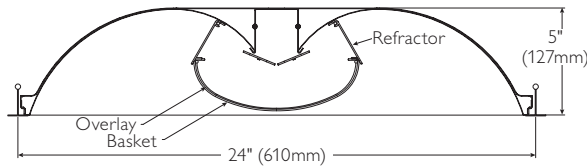


## Recessed 2'X2' Luminaire, LED

Catalog number:

Notes:

Type:



### Ordering information

Coffaire	Body style	Fixture width	Ceiling type	Lens type	Lumen category	Color	Voltage	Driver type	Options
<b>CF</b>	<b>S</b>	<b>22</b>	<b>G</b>				<b>U</b>		-
Direct-Indirect Recessed Luminaire	<b>S</b> = Static	<b>22</b> = 2' X 2' (Nominal size)	<b>G</b> = Both standard and slot grid (Consult factory for other ceiling systems)		<b>21L</b> = 2100 lumens <b>25L</b> = 2500 lumens <b>28L</b> = 2800 lumens 4000K represented (Approximate delivered values. Consult IES file)	<b>40</b> = 4000K <b>35</b> = 3500K Consult representative for other color temperature options. (Approximate values. Consult IES file)	<b>U</b> = Universal 120-277v	<b>LAG</b> = LED driver <b>DZT</b> = 0-10v dimming <b>SZT</b> = Step dimming	Add appropriate suffix to catalog no., i.e.: ( <b>C</b> )
			<b>GPF</b> = Perforated mesh shield with Acrylic Overlay <b>GPG</b> = Perforated mesh shield with Dust Shield <b>GPD</b> = Perforated mesh shield with Insect Shield						

### Features

- Direct/indirect lamp shield appearance with soft contoured interior.
- Perforated mesh lamp shield with white acrylic overlay.
- Separate impact resistant acrylic top refractors enclose LED compartment, minimizing penetration of dust and insects.
- Contoured body and ends.
- Only 5" deep.
- Field replaceable LED array and drivers accessible from below.
- Integrated thermal management system conducts heat away from LEDs and transfers it to the surrounding environment.
- Intelligent driver technology, our LED platform, is a factory calibrated system providing the customer multiple lumen outputs to balance energy savings with lighting application needs.
- High efficiency LEDs have 50,000 hour rated life at L70.

- Delivers 2820 lumens with just 46.9 input watts.
- Predicted L<sub>70</sub> lifetime is based on LED manufacturer's supplied LM-80 data and in-situ laboratory testing.
- Tension screws secure ends to body.
- Perforated lamp shield hinges from either side.
- Same fixture fits both G and Slot T ceiling types.
- Fits flush to face of slot grid (T) ceiling types.
- Suitable for continuous row mounting.
- Built-in earthquake clips.
- Construction to meet NYC Code or Chicago Plenum available.
- Five-year warranty on luminaire, LED boards and driver.



## Recessed 2'X2' Luminaire, LED

### Additional ordering information – 4000K CCT

Catalog Number	Delivered Lumens	Input Watts	Lumens per Watt	Average initial 8'X8' footcandles	8'X8' Watts per sq. foot	Average initial 8'X10' footcandles	8'X10' Watts per sq. foot
<b>CFS22GPG21L40ULAG</b>	2055	31.3	65.7	32	0.49	26	0.39
<b>CFS22GPG25L40ULAG</b>	2543	40.6	62.6	40	0.63	32	0.51
<b>CFS22GPG28L40ULAG</b>	2820	46.9	60.3	44	0.73	35	0.59

### Specifications

**Materials: Chassis parts**—Die-formed code gauge cold rolled steel.

**Finish: Chassis exterior**—white baked polyester enamel. **Cavity**—white baked polyester enamel. Rust preventative undercoating.

**Refractors:** Clear impact resistant acrylic.

**Lamp shield:** Steel perforated mesh lamp shield with white acrylic overlay.

**Electrical:** LED boards and drivers are RoHS (Restriction of Hazardous Substances) compliant.

**Labels:** I.B.E.W., cUus listed. cULus listed for damp locations.

### Options & Accessories

**Emergency options:** 1. Philips Lightolier LMI Mini-Inverter Series,

**LM1100**— 100 watt load capacity

**LM1250**— 250 watt load capacity

(order as a separate line item)

2. Integral Emergency pack available (consult factory).

**Electrical wiring options:** Consult factory.

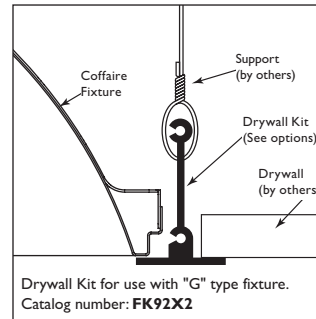
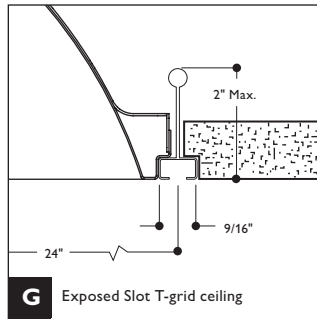
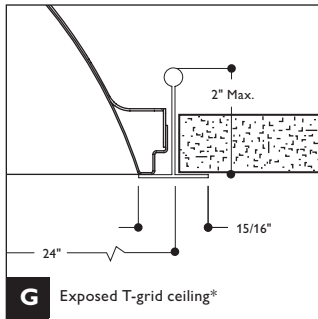
**Fusing:** Internal fast blow fusing: Suffix: **A**.

Internal slow blow fusing: Suffix: **C**.

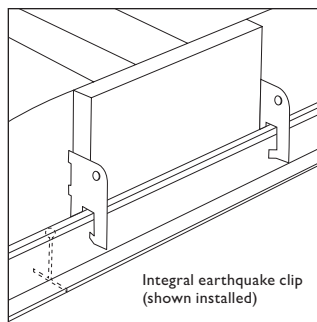
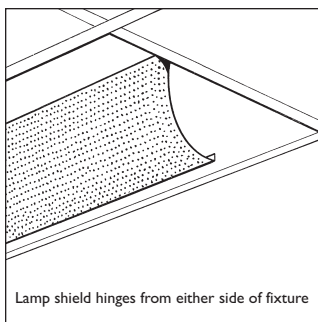
**Drywall Kit:** Order Catalog Number: **FK92X2**.

**Chicago Plenum:** Suffix: **C**.

### Mounting methods



\* For flush mounting when using 9/16" Exposed T-Grid ceiling system consult factory



## Recessed 2'X2' Luminaire, LED

### Photometry – 4000K CCT

Report number <sup>1</sup> :	G2012327	
Catalog number:	CFS22GPG28L40ULAG	
Delivered lumens:	2820	
Color <sup>2</sup> :	4000K	
Input watts:	46.8	
Efficacy:	60.3 lm/w	
CRI:	83.8	
Lamp:	LED	
Luminaire:	Coffaire Recessed LED 2' x 2' fixture with perforated basket.	
CIE Type:	Direct	
Plane:	0-Deg.	90-Deg.
Spacing criteria:	1.2	1.3
Plane:	0-Deg.	90-Deg.
Luminous length:	23.040	23.040

### Candela distribution

Vertical Angle	Horizontal Angle			Zonal Lumens
	0°	45°	90°	
0	1020	1020	1020	96
5	1012	1014	1018	96
15	958	972	987	274
25	865	895	929	413
35	740	791	846	496
45	594	666	738	513
55	428	522	602	463
65	258	361	413	344
75	128	172	201	179
85	28	35	36	40
90	3	3	3	

<sup>1</sup> Tested using absolute photometry as specified in LM79: IESNA Approved Method for the Electrical and Photometric Measurements of Solid-State Lighting Products.

<sup>2</sup> Correlated Color Temperature within specs as defined in ANSL\_NEMA\_ANSLG C78.377-2008: Specifications for the Chromaticity of Solid State Lighting Products.

### Coefficients of utilization

Ceiling	80%			50%			30%			
	70	50	30	50	30	10	50	30	10	
RC	Zonal Cavity Method									
RW	Effective Floor Reflectance = 20%									
Room Cavity Ratio	1	109	104	100	98	95	92	94	91	89
2	99	91	84	86	80	76	82	78	74	
3	90	80	72	75	69	64	73	67	62	
4	83	71	62	67	60	54	65	58	53	
5	76	63	54	60	53	47	58	51	46	
6	70	57	48	54	47	41	52	46	41	
7	65	52	43	49	42	36	48	41	36	
8	61	47	39	45	38	32	44	37	32	
9	57	43	35	41	34	29	40	34	29	
10	53	40	32	38	31	27	37	31	26	

### Zonal lumen summary\*

Zone	Lumens	% Lamp	% Fixt.
0-30	784	27.8	27.8
0-40	1280	45.4	45.4
0-60	2256	80.0	80.0
0-90	2820	100.0	100.0
90-180	0	0	0
0-180	2820	100.0	100.0

\*Total Efficiency

### Avg. Luminance (cd/m<sup>2</sup>)

Vertical Angle	Horizontal Angle		
	0°	45°	90°
45	2452.	2749.	3046.
55	2178.	2656.	3063.
65	1782.	2493.	2852.
75	1444.	1940.	2267.
85	938.	1172.	1206.

