

Malleable Iron Insulated Grounding Bushings

For Threaded Rigid Conduit and IMC

Application:

Used with a locknut to terminate **threaded** rigid and IMC conduit to a box or enclosure and to provide a smooth pulling surface. Thermoplastic liner prevents damage to wire insulation. Liner rated at 150°C.

Features:

- The plastic liner won't chip, crack, swell or shrink. It resists corrosion, chemicals, and temperature extremes.
- Set-screw provided with each fitting locks bushing in any desired position.
- UL Listed for use with Copper or Aluminum Grounding Conductors.

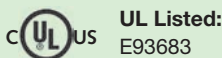
Standard Materials:

Malleable Iron/Open side tin plated aluminum lug.

Standard Finish:

Zinc plated

Optional Lug: Available with copper lug; use suffix C instead of L. Example 20BI4C.



Optional Finish:
For additional corrosion protection, specify Hot Dip Galvanized.

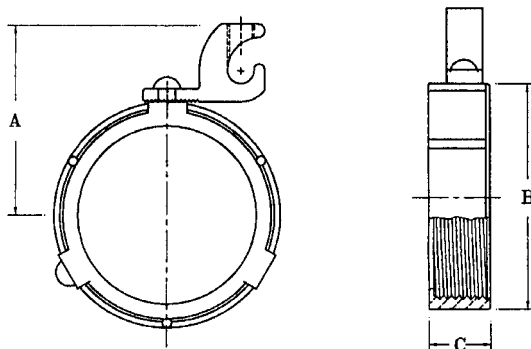
Add suffix "G" to Malleable Iron Catalog Number.

Example: 20BI4LG

Please call factory for pricing and availability.



Type 25BI4L



CATALOG NUMBER	TRADE SIZE	GROUNDING LUG CAPACITY	DIM A	DIM B	DIM C	UNIT PACK	STANDARD PACK	WEIGHT (LBS.) PER 100 PCS.	NAED MFG #78-5994 UPC/DCI #
Threaded									
20BI4L	1/2"	#14 - #4	1.34	1.19	0.61	100	1000	7	20006
21BI4L	3/4"	#14 - #4	1.47	1.45	0.64	50	500	11	20013
22BI4L	1"	#14 - #4	1.63	1.76	0.72	25	250	15	20019
23BI4L	1-1/4"	#14 - #4	1.80	2.10	0.74	25	250	18	20025
24BI4L	1-1/2"	#14 - #4	2.11	2.33	0.80	25	250	23	20033
25BI0L	2"	#14 - #2/0	2.55	2.79	0.85	25	250	32	25012
25BI4L	2"	#14 - #4	2.34	2.79	0.85	25	250	28	25011
26BI0L	2-1/2"	#14 - #2/0	2.84	3.33	1.10	-	10	57	25017
26BI40L	2-1/2"	#6 - #250MCM	3.47	3.33	1.10	-	10	70	25018
27BI0L	3"	#14 - #2/0	3.11	3.87	1.10	-	10	73	25029
27BI40L	3"	#6 - #250MCM	3.74	3.87	1.10	-	10	85	25030
28BI0L	3-1/2"	#14 - #2/0	3.38	4.42	1.10	-	10	88	28043
28BI40L	3-1/2"	#6 - #250MCM	4.02	4.42	1.10	-	10	90	28044
29BI0L	4"	#14 - #2/0	3.62	4.89	1.10	-	10	118	28055
29BI40L	4"	#6 - #250MCM	4.25	4.89	1.10	-	10	121	28056
30BI40L	5"	#6 - #250MCM	4.80	6.00	1.13	-	10	165	28067
31BI40L	6"	#6 - #250MCM	5.46	7.31	1.13	-	10	203	28068