

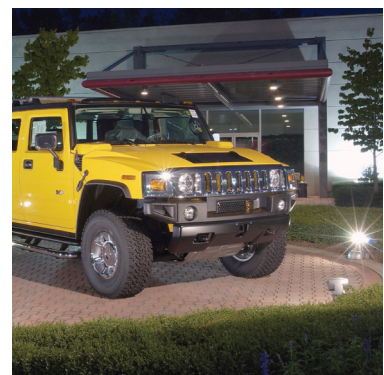


INVUE

Invue specification-grade architectural outdoor lighting solutions include area-site, wall mount and floodlighting luminaires that bring together leading-edge form and unmatched performance.



Invue offers reliable luminaires that blend with their environments while providing controlled illumination to enhance them. With a commitment to superior design, Invue luminaires reduce glare, improve visibility and optimize efficiency to harmoniously affect the surrounding environment.



AREA - SITE



ICS Icon Site Small
Page 18-5



ICM Icon Site Medium LED
Page 18-6



ICM Icon Site Medium
Page 18-7



FLS Flite
Page 18-8



SDS Slide Site Small
Page 18-9



SDM1 Slide Site Medium LED
Page 18-10



SDM1 Slide Site Medium
Page 18-11



SDM2 Slide Site Medium LED
Page 18-12



SDM2 Slide Site Medium
Page 18-13



VXS Vision Site Small LED
Page 18-14



VXS Vision Site Small
Page 18-15



VXM Vision Site Medium LED
Page 18-16



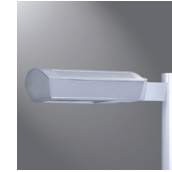
VXM Vision Site Medium
Page 18-17



EXS X-Form Site Small
Page 18-18



EXM X-Form Site Medium
Page 18-19



AES Ascent Site Small
Page 18-20

DECORATIVE



AEM Ascent Site Medium
Page 18-21



STS Strut Site Small
Page 18-22



STM Strut Site Medium
Page 18-23



MSA Mesa LED
Page 18-24



MSA Mesa
Page 18-25



EMM Epic Modern Medium LED
Page 18-26



EMM Epic Modern Medium
Page 18-27



EML Epic Modern Large
Page 18-28

WALL MOUNT



ECM Epic Classical Medium LED
Page 18-29



ECM Epic Classical Medium
Page 18-30



ECL Epic Classical Large
Page 18-31



ENC Entri Round Clean LED
Page 18-34



ENC Entri Round Clean
Page 18-35



ENV Entri Round Reveals LED
Page 18-36



ENV Entri Round Reveals
Page 18-37

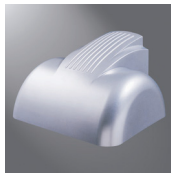


ENT Entri Triangle Reveals LED
Page 18-38

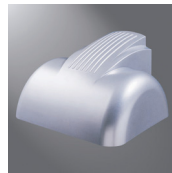
FLOODLIGHTING



ENT Entri Triangle Reveals
Page 18-39



VWS Vision Wall Small
Page 18-40



VWM Vision Wall Medium
Page 18-41



PHQ Phocus Flood Halogen
Page 18-42



PHH Phocus Flood HID
Page 18-43



VFS Vision Flood Small LED
Page 18-44

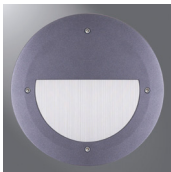


VFS Vision Flood Small
Page 18-45



VFM Vision Flood Medium
Page 18-46

LOW LEVEL



SRF Solas Round Flush
Page 18-48



SRS Solas Series Round Scoop
Page 18-49



SQF Solas Series Square Flush
Page 18-50



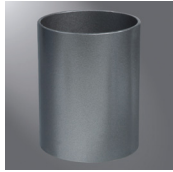
SQS Solas Series Square Scoop
Page 18-51



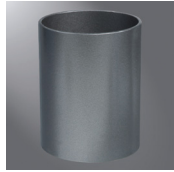
VXB Vision Bollard
Page 18-52

BOLLARDS

STEEL POLES



SRX Steel Round
Straight
Page 18-53



SRT Steel Round
Tapered
Page 18-54



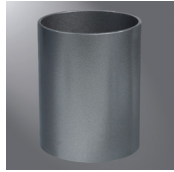
SSX Steel Square
Straight
Page 18-55



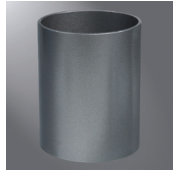
SST Steel Square
Tapered
Page 18-56



SHT Steel Hinged
Tapered
Page 18-57



ARX Aluminum Round
Straight
Page 18-58



ART Aluminum Round
Tapered
Page 18-59



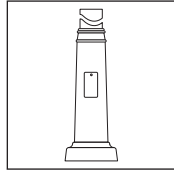
ASX Aluminum Square
Straight
Page 18-60

ALUMINUM POLES

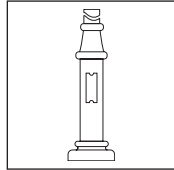
DECORATIVE POLES



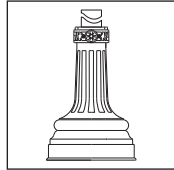
ACF Aluminum
Cruciform
Page 18-61



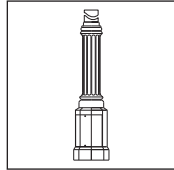
ASP Aspen
Page 18-62



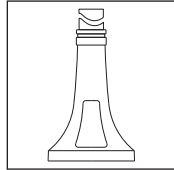
BWR Broadway
Page 18-62



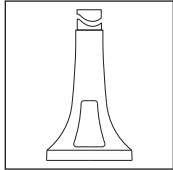
CHI Charleston
Page 18-62



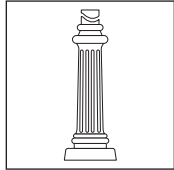
CPR Chesapeake
Page 18-62



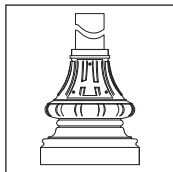
STL Seattle
Page 18-63



TAM Tampa
Page 18-63



UBN Utica
Page 18-63



WA3 Washington
Page 18-63



FEATURES

- One-piece heavy-wall, die-cast aluminum housing and door
- Two push-release, recessed latches for tool-less access
- Choice of five high-efficiency segmented optical distributions
- Optics feature quick-disconnects and are field rotatable
- Impact-resistant tempered glass or optional frosted flat glass lens
- Swing-down, removable power tray for ease of maintenance
- Two-arm configurations and structural option available
- Standard with mogul-base socket

EPA: 0.47 (Single Arm) / 0.56 (Single Arm with Structural Option)

Compliances may not apply to all product configurations. Please consult the product spec sheet for compliance details.

COMPLIANCES: UL/cUL Listed - Wet Location, IP65 Rated, 25°C Ambient Temperature Rating, Dark Sky Compliant, 3G Vibration Tested

ICS ICON SITE SMALL

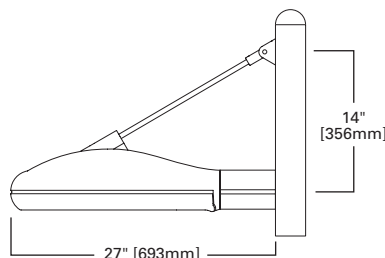
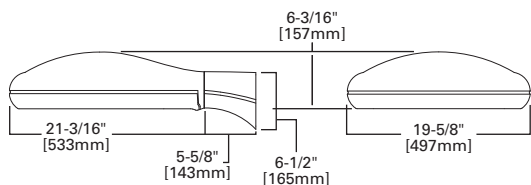


ORDERING INFORMATION

SAMPLE NUMBER: ICS-150-MP-MT-3S-BZ-PRCPS-L

Product Family	Lamp Wattage	Lamp Type	Voltage	Optical System	Color	Structural Options
ICS=Icon Site Small	Compact Fluorescent 42=42W 57=57W	CF =Compact Fluorescent HPS =High Pressure Sodium MH =Metal Halide MP =Pulse Start Metal Halide	UNV =120-277V Universal Electronic Ballast 120 =120V 208 =208V 240 =240V 277 =277V 347 =347V 480 =480V DT =Dual-Tap wired 277V MT =Multi-Tap wired 277V TT =Triple-Tap wired 347V	2S =Type II 3S =Type III 4S =Type IV 5S =Type V SL =Forward Throw with Spill Light Eliminator	AP =Grey BK =Black BZ =Bronze DP =Dark Platinum GM =Graphite Metallic WH =White	Pole Mount PRCPR =Strut Rod and Clevis Set for Round Pole ¹ PRCPS =Strut Rod and Clevis Set for Square Pole ¹ PRCSR =Stainless Steel Strut Rod and Clevis Set for Round Pole ² PRCSS =Stainless Steel Strut Rod and Clevis Set for Square Pole ² Wall Mount WRCP =Strut Rod and Clevis Set ¹ WRCS =Stainless Steel Strut Rod and Clevis Set ²
	HPS 70=70W 100=100W 150=150W MH 175=175W MP 70=70W 100=100W 150=150W					
Options (Add as Suffix) ³			Accessories (Order Separately)			
PC =Button Type Photocontrol (Specify voltage) F =Single Fuse (120, 277 or 347V. Specify voltage) FF =Double Fuse (208, 240 or 480V. Specify voltage) R =NEMA Twistlock Photocontrol Receptacle EM =Quartz Restrike with Time Delay (Also strikes at cold start) EM/SC =Quartz Emergency Separate Circuit Q =Quartz Restrike 42CF/EM =Emergency Battery Backup HS =House Side Shield VS =Polycarbonate Vandal Shield FR =Frosted Flat Glass Lens L =Lamp Included			OA/RA1016 =NEMA Twistlock Photocontrol - Multi-Tap OA/RA1027 =NEMA Twistlock Photocontrol - 480V OA/RA1201 =NEMA Twistlock Photocontrol - 347V VA1001-XX =Wall Mount Kit with Upsweep Arm VA1002-XX =Wall Mount Kit with Linear Arm VA1005-XX =Upsweep Arm for Square Pole VA1006-XX =Upsweep Arm for Round Pole VA1008-XX =Linear Arm for Square Pole VA1009-XX =Linear Arm for Round Pole VA1013-XX =ICS Structural Mount Wall Mount Arm VA1017-XX =Mast Arm Adapter Kit VA1019-XX =Single-arm Tenon Adapter for 2-3/8" O.D. Tenon VA1020-XX =2 at 180° Tenon Adapter for 2-3/8" O.D. Tenon VA1021-XX =3 at 120° Tenon Adapter for 2-3/8" O.D. Tenon VA1022-XX =4 at 90° Tenon Adapter for 2-3/8" O.D. Tenon VA1023-XX =2 at 90° Tenon Adapter for 2-3/8" O.D. Tenon VA1024-XX =3 at 90° Tenon Adapter for 2-3/8" O.D. Tenon VA1025-XX =2 at 120° Tenon Adapter for 2-3/8" O.D. Tenon VA1026-XX =Single-arm Tenon Adapter for 3-1/2" O.D. Tenon VA1027-XX =2 at 180° Tenon Adapter for 3-1/2" O.D. Tenon VA1028-XX =3 at 120° Tenon Adapter for 3-1/2" O.D. Tenon VA1029-XX =4 at 90° Tenon Adapter for 3-1/2" O.D. Tenon VA1030-XX =2 at 90° Tenon Adapter for 3-1/2" O.D. Tenon VA1031-XX =3 at 90° Tenon Adapter for 3-1/2" O.D. Tenon VA1032-XX =2 at 120° Tenon Adapter for 3-1/2" O.D. Tenon			

NOTES: 1. Painted to match fixture. Does not include arm. 2. Clevis painted to match fixture. Does not include arm. 3. Not all options and configurations are compatible and restrictions may apply. Reference specification sheets for additional details.



Specifications and dimensions subject to change without notice. Consult your Cooper Lighting Representative or visit www.cooperlighting.com for available options, accessories and ordering information.

FEATURES

- One-piece heavy-wall, die-cast aluminum housing and door
- Two push-release, recessed latches for tool-less access
- Choice of 12 LED optical distributions
- Standard in 4000K (+/- 275K) CCT and nominal 70 CRI
- Suitable for operation in -30°C to 40°C ambient environments
- Two-arm configurations and structural option available
- Five-year warranty

EPA: 0.73 (Single Arm) / 0.84 (Single Arm with Structural Option)

Compliances may not apply to all product configurations. Please consult the product spec sheet for compliance details.

COMPLIANCES: UL/cUL Listed - Wet Location, ARRA Compliant, Dark Sky Compliant, LM79 / LM80 Compliant, 3G Vibration Tested



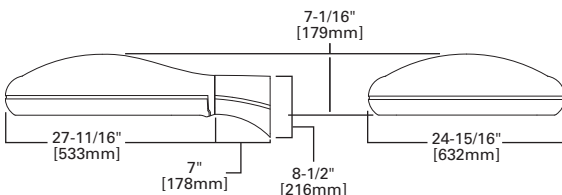
ICM ICON SITE MEDIUM LED

ORDERING INFORMATION

SAMPLE NUMBER: ICM-B06-LED-E1-T3-GM

Product Family	Number of LightBARs	Lamp Type	Voltage	Distribution	Color	Structural Options
ICM=Icon Site Medium	B01 =(1) 21 LED LightBAR B02 =(2) 21 LED LightBARs B03 =(3) 21 LED LightBARs B04 =(4) 21 LED LightBARs B05 =(5) 21 LED LightBARs B06 =(6) 21 LED LightBARs C01 =(1) 7 LED LightBAR C02 =(2) 7 LED LightBARs C03 =(3) 7 LED LightBARs C04 =(4) 7 LED LightBARs C05 =(5) 7 LED LightBARs C06 =(6) 7 LED LightBARs	LED =Solid State Light-Emitting Diodes	E1 =Electronic (120-277V) 347 =347V 480 =480V	5MQ =Type V Square Medium 5WQ =Type V Square Wide 5XQ =Type V Square Extra Wide RW =Rectangular Wide SL2 =Type II with Spill Control SL3 =Type III with Spill Control SL4 =Type IV with Spill Control SLL =90° Spill Light Eliminator Left SLR =90° Spill Light Eliminator Right T2 =Type II T3 =Type III T4 =Type IV	AP =Grey BK =Black BZ =Bronze DP =Dark Platinum GM =Graphite Metallic WH =White	Pole Mount PRCPR =Strut Rod and Clevis Set for Round Pole ¹ PRCPS =Strut Rod and Clevis Set for Square Pole ¹ PRCSR =Stainless Strut Rod and Clevis Set for Round Pole ² PRCSS =Stainless Strut Rod and Clevis Set for Square Pole ² Wall Mount WRCP =Strut Rod and Clevis Set ¹ WRCS =Stainless Strut Rod and Clevis Set ²
Options (Add as Suffix) ³		Accessories (Order Separately)				
PC =Button Type Photocontrol (Specify voltage) R =NEMA Twistlock Photocontrol Receptacle 2L =Two Circuits LCF =LightBAR Cover Plate Matches Housing Finish 7060 =70 CRI/6000K CCT 8030 =80 CRI/3000K CCT MS/X-LXX =Motion Sensor for Bi-level Operation ⁴ MS-LXX =Motion Sensor for On/Off Operation ⁵		MA1253 =10kV Circuit Module Replacement OA/RA1016 =NEMA Twistlock Photocontrol - Multi-Tap OA/RA1027 =NEMA Twistlock Photocontrol - 480V OA/RA1201 =NEMA Twistlock Photocontrol - 347V VA1003-XX =Wall Mount Kit with Upsweep Arm VA1004-XX =Wall Mount Kit with Linear Arm VA1011-XX =Upsweep Arm for Square Pole VA1012-XX =Upsweep Arm for Round Pole VA1014-XX =Linear Arm for Square Pole VA1015-XX =Linear Arm for Round Pole VA1018-XX =Mast Arm Adapter Kit VA1033-XX =Single-arm Tenon Adapter for 2-3/8" O.D. Tenon VA1034-XX =2 at 180° Tenon Adapter for 2-3/8" O.D. Tenon VA1035-XX =3 at 120° Tenon Adapter for 2-3/8" O.D. Tenon VA1036-XX =4 at 90° Tenon Adapter for 2-3/8" O.D. Tenon VA1037-XX =2 at 90° Tenon Adapter for 2-3/8" O.D. Tenon VA1038-XX =3 at 90° Tenon Adapter for 2-3/8" O.D. Tenon VA1039-XX =2 at 120° Tenon Adapter for 2-3/8" O.D. Tenon VA1040-XX =Single-arm Tenon Adapter for 3-1/2" O.D. Tenon VA1041-XX =2 at 180° Tenon Adapter for 3-1/2" O.D. Tenon VA1042-XX =3 at 120° Tenon Adapter for 3-1/2" O.D. Tenon VA1043-XX =4 at 90° Tenon Adapter for 3-1/2" O.D. Tenon VA1044-XX =2 at 90° Tenon Adapter for 3-1/2" O.D. Tenon VA1045-XX =3 at 90° Tenon Adapter for 3-1/2" O.D. Tenon VA1046-XX =2 at 120° Tenon Adapter for 3-1/2" O.D. Tenon VA1074-XX =ICM Structural Mount Wall Mount Arm				

NOTES: 1. Painted to match fixture. Does not include arm. 2. Clevis painted to match fixture. Does not include arm. 3. Not all options and configurations are compatible and restrictions may apply. Reference specification sheets for additional details. 4. Available in B02-B06 and C02-C06 configurations. Replace X with number of bars operating in low output mode and replace XX with mounting height in feet for proper lens selection, (i.e., MS/3-L25). Consult factory for additional information. 5. Available in B01-B06 and C01-C06 configurations. Replace XX with mounting height in feet for proper lens selection, (i.e., MS-L25). Consult factory for additional information.





FEATURES

- One-piece heavy-wall, die-cast aluminum housing and door
- Two push-release, recessed latches for tool-less access
- Choice of five high-efficiency optical distributions
- Swing-down, removable power tray for ease of maintenance
- Two-arm configurations and structural option available

EPA: 0.73 (Single Arm) / 0.84 (Single Arm with Structural Option)

Compliances may not apply to all product configurations. Please consult the product spec sheet for compliance details.

COMPLIANCES: UL/cUL Listed - Wet Location, IP65 Rated, 25°C Ambient Temperature Rating, EISA Compliant, Dark Sky Compliant, 3G Vibration Tested

ICM ICON SITE MEDIUM

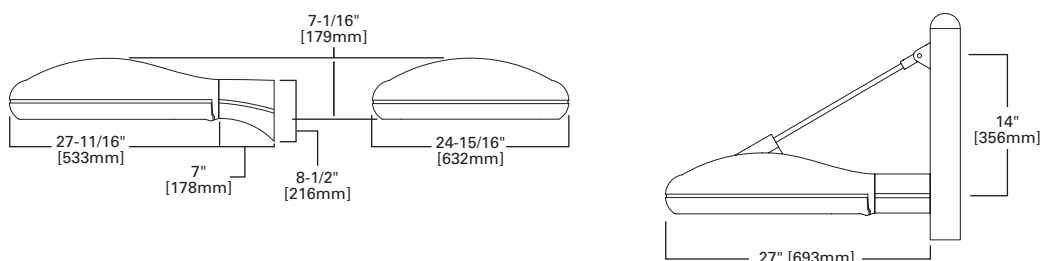


ORDERING INFORMATION

SAMPLE NUMBER: ICM-400-MP-MT-3S-BK-PRCPS-L

Product Family	Lamp Wattage	Lamp Type	Voltage	Optical System	Color	Structural Options
ICM=Icon Site Medium	Compact Fluorescent 84=(2) 42W 114=(2) 57W	CF=Compact Fluorescent HPS=High Pressure Sodium MH=Metal Halide MP=Pulse Start Metal Halide	UNV=120-277V Universal Electronic Ballast 120=120V 208=208V 240=240V 277=277V 347=347V 480=480V DT=Dual-Tap wired 277V MT=Multi-Tap wired 277V TT=Triple-Tap wired 347V	2S=Type II 3S=Type III 4S=Type IV 5S=Type V SL=Forward Throw with Spill Light Eliminator	AP=Grey BK=Black BZ=Bronze DP=Dark Platinum GM=Graphite Metallic WH=White	Pole Mount PRCPR=Strut Rod and Clevis Set for Round Pole ¹ PRCPS=Strut Rod and Clevis Set for Square Pole PRCSR=Stainless Steel Strut Rod and Clevis Set for Round Pole ² PRCSS=Stainless Steel Strut Rod and Clevis Set for Square Pole ² Wall Mount WRCP=Strut Rod and Clevis Set ¹ WRCS=Stainless Steel Strut Rod and Clevis Set ²
	HPS 150=150W 250=250W 400=400W MH 175=175W 250=250W 400=400W MP 150=150W 175=175W 250=250W 320=320W 350=350W 400=400W					
Options (Add as Suffix)³			Accessories (Order Separately)			
PC=Button Type Photocontrol (Specify voltage) F=Single Fuse (120, 277 or 347V. Specify voltage) FF=Double Fuse (208, 240 or 480V. Specify voltage) R=NEMA Twistlock Photocontrol Receptacle EM=Quartz Restrike with Time Delay (Also strikes at cold start) EM/SC=Quartz Emergency Separate Circuit Q=Quartz Restrike DS=Dual Fluorescent Switching Control HS=House Side Shield FR=Frosted Flat Glass Lens L=Lamp Included			OA/RA1016=NEMA Twistlock Photocontrol - Multi-Tap OA/RA1027=NEMA Twistlock Photocontrol - 480V OA/RA1201=NEMA Twistlock Photocontrol - 347V VA1003-XX=Wall Mount Kit with Upsweep Arm VA1004-XX=Wall Mount Kit with Linear Arm VA1011-XX=Upsweep Arm for Square Pole VA1012-XX=Upsweep Arm for Round Pole VA1014-XX=Linear Arm for Square Pole VA1015-XX=Linear Arm for Round Pole VA1018-XX=Mast Arm Adapter Kit VA1033-XX=Single-arm Tenon Adapter for 2-3/8" O.D. Tenon VA1034-XX=2 at 180° Tenon Adapter for 2-3/8" O.D. Tenon VA1035-XX=3 at 120° Tenon Adapter for 2-3/8" O.D. Tenon			VA1036-XX=4 at 90° Tenon Adapter for 2-3/8" O.D. Tenon VA1037-XX=2 at 90° Tenon Adapter for 2-3/8" O.D. Tenon VA1038-XX=3 at 90° Tenon Adapter for 2-3/8" O.D. Tenon VA1039-XX=2 at 120° Tenon Adapter for 2-3/8" O.D. Tenon VA1040-XX=Single-arm Tenon Adapter for 3-1/2" O.D. Tenon VA1041-XX=2 at 180° Tenon Adapter for 3-1/2" O.D. Tenon VA1042-XX=3 at 120° Tenon Adapter for 3-1/2" O.D. Tenon VA1043-XX=4 at 90° Tenon Adapter for 3-1/2" O.D. Tenon VA1044-XX=2 at 90° Tenon Adapter for 3-1/2" O.D. Tenon VA1045-XX=3 at 90° Tenon Adapter for 3-1/2" O.D. Tenon VA1046-XX=2 at 120° Tenon Adapter for 3-1/2" O.D. Tenon VA1074-XX=ICM Structural Mount Wall Mount Arm

NOTES: 1. Painted to match fixture. Does not include arm. 2. Clevis painted to match fixture. Does not include arm. 3. Not all options and configurations are compatible and restrictions may apply. Reference specification sheets for additional details.



Specifications and dimensions subject to change without notice. Consult your Cooper Lighting Representative or visit www.cooperlighting.com for available options, accessories and ordering information.

FEATURES

- One-piece heavy-wall, die-cast aluminum housing and door
- Two push-release, recessed latches for tool-less access
- Continuous silicone gasket provides exceptional ingress protection
- Choice of five high-efficiency segmented optical distributions
- Optics feature quick-disconnects and are field rotatable
- Impact-resistant tempered glass or optional frosted flat glass lens
- Swing-down, removable power tray for ease of maintenance
- Standard with medium-base socket
- Arm slipfits over standard 4" O.D. tenon or pole top

EPA: 1.05 (Single) / 1.59 (Dual)

Compliances may not apply to all product configurations. Please consult the product spec sheet for compliance details.
COMPLIANCES: UL/cUL Listed - Wet Location, IP65 Rated, 25°C Ambient Temperature Rating, Dark Sky Compliant, 3G Vibration Tested



FLS FLITE

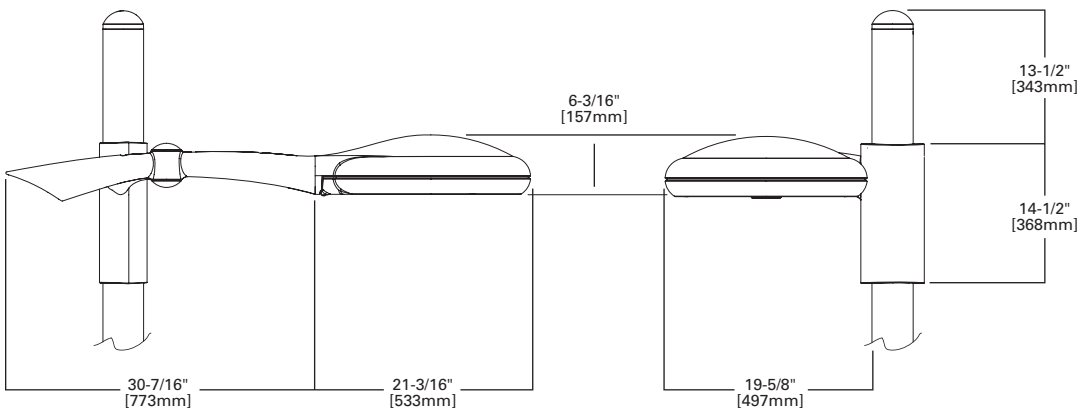


ORDERING INFORMATION

SAMPLE NUMBER: FLS-150-MP-120-3S-BZ-L

Product Family	Lamp Wattage	Lamp Type	Voltage	Optical System	Color
FLS=Flite Site Small	Compact Fluorescent 42=42W 57=57W HPS 70=70W 100=100W 150=150W MH 175=175W MP 70=70W 100=100W 150=150W	CF =Compact Fluorescent HPS =High Pressure Sodium MH =Metal Halide MP =Pulse Start Metal Halide	UNV =120-277V Universal Electronic Ballast 120=120V 208=208V 240=240V 277=277V 347=347V 480=480V DT =Dual-Tap wired 277V MT =Multi-Tap wired 277V TT =Triple-Tap wired 347V	2S =Type II 3S =Type III 4S =Type IV 5S =Type V SL =Forward Throw with Spill Light Eliminator	AP =Grey BK =Black BZ =Bronze DP =Dark Platinum GM =Graphite Metallic WH =White
Options (Add as Suffix) ¹			Accessories (Order Separately)		
PC =Button Type Photocontrol (Specify voltage) F =Single Fuse (120, 277 or 347V. Specify voltage) FF =Double Fuse (208, 240 or 480V. Specify voltage) R =NEMA Twistlock Photocontrol Receptacle EM =Quartz Restrike with Time Delay (Also strikes at cold start) EM/SC =Quartz Emergency Separate Circuit Q =Quartz Restrike 42CF/EM =Emergency Battery Backup HS =House Side Shield VS =Polycarbonate Vandal Shield FR =Frosted Flat Glass Lens L =Lamp Included			OA/RA1016 =NEMA Twistlock Photocontrol - Multi-Tap OA/RA1027 =NEMA Twistlock Photocontrol - 480V OA/RA1201 =NEMA Twistlock Photocontrol - 347V		

NOTES: 1. Not all options and configurations are compatible and restrictions may apply. Reference specification sheets for additional details.



Specifications and dimensions subject to change without notice. Consult your Cooper Lighting Representative or visit www.cooperlighting.com for available options, accessories and ordering information.



FEATURES

- One-piece heavy-wall, die-cast aluminum housing and door
- Two push-release, recessed latches for tool-less access
- Choice of five high-efficiency optical distributions
- Swing-down, removable power tray for ease of maintenance
- Two-arm configurations and structural option available

EPA: 1.44

Compliances may not apply to all product configurations. Please consult the product spec sheet for compliance details.

COMPLIANCES: UL/cUL Listed - Wet Location, IP65 Rated, 25°C Ambient Temperature Rating, Dark Sky Compliant, 3G Vibration Tested

SDS SLIDE SITE SMALL

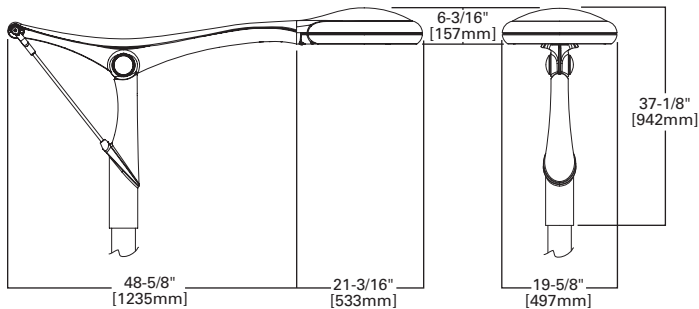


ORDERING INFORMATION

SAMPLE NUMBER: SDS-150-MP-MT-3S-BK-L

Product Family	Lamp Wattage	Lamp Type	Voltage	Optical System	Color
SDS=Slide Site Small	Compact Fluorescent 42=42W 57=57W HPS 70=70W 100=100W 150=150W MH 175=175W MP 70=70W 100=100W 150=150W	CF =Compact Fluorescent HPS =High Pressure Sodium MH =Metal Halide MP =Pulse Start Metal Halide	UNV =120-277V Universal Electronic Ballast 120 =120V 208 =208V 240 =240V 277 =277V 347 =347V 480 =480V DT =Dual-Tap wired 277V MT =Multi-Tap wired 277V TT =Triple-Tap wired 347V	2S =Type II 3S =Type III 4S =Type IV 5S =Type V SL =Forward Throw with Spill Light Eliminator	AP =Grey BK =Black BZ =Bronze DP =Dark Platinum GM =Graphite Metallic WH =White
Options (Add as Suffix) ¹			Accessories (Order Separately)		
PC =Button Type Photocontrol (Specify voltage) F =Single Fuse (120, 277 or 347V. Specify voltage) FF =Double Fuse (208, 240 or 480V. Specify voltage) R =NEMA Twistlock Photocontrol Receptacle EM =Quartz Restrike with Time Delay (Also strikes at cold start) EM/SC =Quartz Emergency Separate Circuit Q =Quartz Restrike 42CF/EM =Emergency Battery Backup HS =House Side Shield VS =Polycarbonate Vandal Shield FR =Frosted Flat Glass Lens L =Lamp Included			OA/RA1016 =NEMA Twistlock Photocontrol - Multi-Tap OA/RA1027 =NEMA Twistlock Photocontrol - 480V OA/RA1201 =NEMA Twistlock Photocontrol - 347V		

NOTES: 1. Not all options and configurations are compatible and restrictions may apply. Reference specification sheets for additional details.



Specifications and dimensions subject to change without notice. Consult your Cooper Lighting Representative or visit www.cooperlighting.com for available options, accessories and ordering information.

FEATURES

- One-piece heavy-wall, die-cast aluminum housing and door
- Two push-release, recessed latches for tool-less access
- Choice of 12 LED optical distributions
- Standard in 4000K (+/- 275K) CCT and nominal 70 CRI
- Suitable for operation in -30°C to 40°C ambient environments
- Two-arm configurations and structural option available
- Five-year warranty

EPA: 3.74

Compliances may not apply to all product configurations. Please consult the product spec sheet for compliance details.

COMPLIANCES: UL/cUL Listed - Wet Location, ARRA Compliant, Dark Sky Compliant, LM79 / LM80 Compliant, 1.5G Vibration Tested



SDM1 SLIDE SITE MEDIUM LED

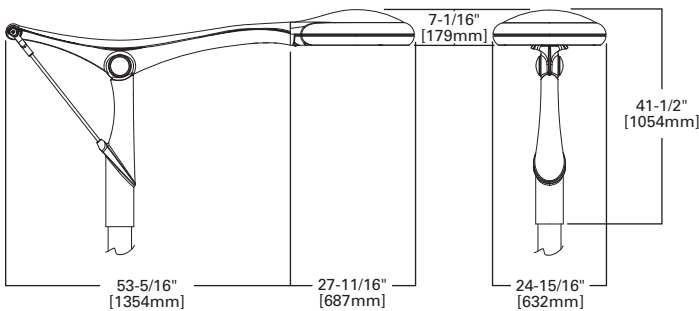


ORDERING INFORMATION

SAMPLE NUMBER: SDM1-B06-LED-E1-T3-GM

Product Family	Number of LightBARs	Lamp Type	Voltage	Distribution	Color
SDM1 =Slide Medium Single Head and Arm Assembly	B01 =(1) 21 LED LightBARs B02 =(2) 21 LED LightBARs B03 =(3) 21 LED LightBARs B04 =(4) 21 LED LightBARs B05 =(5) 21 LED LightBARs B06 =(6) 21 LED LightBARs C01 =(1) 7 LED LightBARs C02 =(2) 7 LED LightBARs C03 =(3) 7 LED LightBARs C04 =(4) 7 LED LightBARs C05 =(5) 7 LED LightBARs C06 =(6) 7 LED LightBARs	LED =Solid State Light-Emitting Diodes	E1 =Electronic (120-277V) 347 =347V 480 =480V	5MQ =Type V Square Medium 5WQ =Type V Square Wide 5XQ =Type V Square Extra Wide RW =Rectangular Wide SL2 =Type II with Spill Control SL3 =Type III with Spill Control SL4 =Type IV with Spill Control SLL =90° Spill Light Eliminator Left SLR =90° Spill Light Eliminator Right T2 =Type II T3 =Type III T4 =Type IV	AP =Grey BK =Black BZ =Bronze DP =Dark Platinum GM =Graphite Metallic WH =White
Options (Add as Suffix) ¹		Accessories (Order Separately)			
PC =Button Type Photocontrol (Specify voltage) R =NEMA Twistlock Photocontrol Receptacle 2L =Two Circuits LCF =LightBAR Cover Plate Matches Housing Finish 7060 =70 CRI/6000K CCT 8030 =80 CRI/3000K CCT MS/X-LXX =Motion Sensor for Bi-level Operation ² MS-LXX =Motion Sensor for On/Off Operation ³		OA/RA1016 =NEMA Twistlock Photocontrol - Multi-Tap OA/RA1027 =NEMA Twistlock Photocontrol - 480V OA/RA1201 =NEMA Twistlock Photocontrol - 347V			

NOTES: 1. Not all options and configurations are compatible and restrictions may apply. Reference specification sheets for additional details. 2. Available in B02-B06 and C02-C06 configurations. Replace X with number of bars operating in low output mode and replace XX with mounting height in feet for proper lens selection, (i.e., MS/3-L25). Consult factory for additional information. 3. Available in B01-B06 and C01-C06 configurations. Replace XX with mounting height in feet for proper lens selection, (i.e., MS-L25). Consult factory for additional information.





FEATURES

- One-piece heavy-wall, die-cast aluminum housing and door
- Two push-release, recessed latches for tool-less access
- Choice of five high-efficiency optical distributions
- Swing-down, removable power tray for ease of maintenance
- Two-arm configurations and structural option available

EPA: 3.74

Compliances may not apply to all product configurations. Please consult the product spec sheet for compliance details.

COMPLIANCES: UL/cUL Listed - Wet Location, IP65 Rated, 25°C Ambient Temperature Rating, EISA Compliant, Dark Sky Compliant, 3G Vibration Tested

SDM1 SLIDE SITE MEDIUM

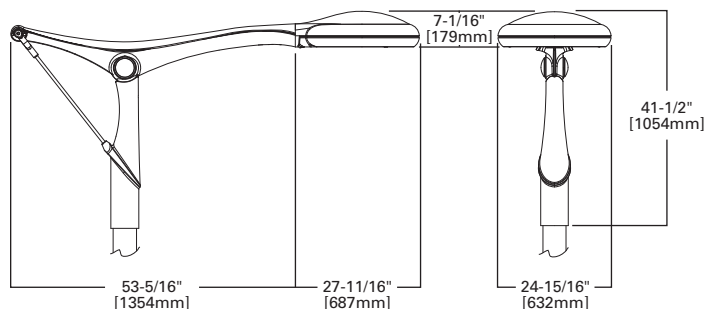


ORDERING INFORMATION

SAMPLE NUMBER: SDM1-400-MP-MT-3S-BK-L

Product Family	Lamp Wattage	Lamp Type	Voltage	Optical System	Color
SDM1 =Slide Medium Single Head and Arm Assembly	Compact Fluorescent 84=(2) 42W 114=(2) 57W HPS 150=150W 250=250W 400=400W MH 175=175W 250=250W 400=400W MP 150=150W 175=175W 250=250W 320=320W 350=350W 400=400W	CF =Compact Fluorescent HPS =High Pressure Sodium MH =Metal Halide MP =Pulse Start Metal Halide	UNV =120-277V Universal Electronic Ballast 120=120V 208=208V 240=240V 277=277V 347=347V 480=480V DT =Dual-Tap wired 277V MT =Multi-Tap wired 277V TT =Triple-Tap wired 347V	2S =Type II 3S =Type III 4S =Type IV 5S =Type V SL =Forward Throw with Spill Light Eliminator	AP =Grey BK =Black BZ =Bronze DP =Dark Platinum GM =Graphite Metallic WH =White
Options (Add as Suffix)¹		Accessories (Order Separately)			
PC =Button Type Photocontrol (Specify voltage) F =Single Fuse (120, 277 or 347V. Specify voltage) FF =Double Fuse (208, 240 or 480V. Specify voltage) R =NEMA Twistlock Photocontrol Receptacle EM =Quartz Restrike with Time Delay (Also strikes at cold start) EM/SC =Quartz Emergency Separate Circuit Q =Quartz Restrike 42CF/EM =Emergency Battery Backup HS =House Side Shield FR =Frosted Flat Glass Lens L =Lamp Included		OA/RA1016 =NEMA Twistlock Photocontrol - Multi-Tap OA/RA1027 =NEMA Twistlock Photocontrol - 480V OA/RA1201 =NEMA Twistlock Photocontrol - 347V			

NOTES: 1. Not all options and configurations are compatible and restrictions may apply. Reference specification sheets for additional details.



Specifications and dimensions subject to change without notice. Consult your Cooper Lighting Representative or visit www.cooperlighting.com for available options, accessories and ordering information.

FEATURES

- One-piece heavy-wall, die-cast aluminum housing and door
- Two push-release, recessed latches for tool-less access
- Choice of 12 LED optical distributions
- Standard in 4000K (+/- 275K) CCT and nominal 70 CRI
- Suitable for operation in -30°C to 40°C ambient environments
- Two-arm configurations and structural option available
- Five-year warranty

EPA: 4.9

Compliances may not apply to all product configurations. Please consult the product spec sheet for compliance details.

COMPLIANCES: UL/cUL Listed - Wet Location, ARRA Compliant, LM79 / LM80 Compliant, 1.5G Vibration Tested, Dark Sky Compliant



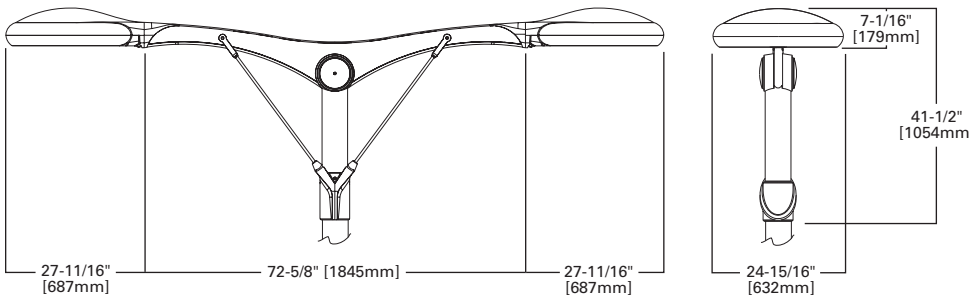
SDM2 SLIDE SITE MEDIUM LED

ORDERING INFORMATION

SAMPLE NUMBER: SDM2-B06-LED-E1-T3-GM

Product Family	Lamp Wattage	Lamp Type	Voltage	Distribution	Color
SDM2 =Slide Medium Dual Head and Arm Assembly	B01 =(1) 21 LED LightBAR B02 =(2) 21 LED LightBARs B03 =(3) 21 LED LightBARs B04 =(4) 21 LED LightBARs B05 =(5) 21 LED LightBARs B06 =(6) 21 LED LightBARs C01 =(1) 7 LED LightBAR C02 =(2) 7 LED LightBARs C03 =(3) 7 LED LightBARs C04 =(4) 7 LED LightBARs C05 =(5) 7 LED LightBARs C06 =(6) 7 LED LightBARs	LED =Solid State Light-Emitting Diodes	E1 =Electronic (120-277V) 347 =347V 480 =480V	5MQ =Type V Square Medium 5WQ =Type V Square Wide 5XQ =Type V Square Extra Wide RW =Rectangular Wide SL2 =Type II with Spill Control SL3 =Type III with Spill Control SL4 =Type IV with Spill Control SLL =90° Spill Light Eliminator Left SLR =90° Spill Light Eliminator Right T2 =Type II T3 =Type III T4 =Type IV	AP =Grey BK =Black BZ =Bronze DP =Dark Platinum GM =Graphite Metallic WH =White
Options (Add as Suffix) ¹		Accessories (Order Separately)			
PC =Button Type Photocontrol (Specify voltage) R =NEMA Twistlock Photocontrol Receptacle 2L =Two Circuits LCF =LightBAR Cover Plate Matches Housing Finish 7060 =70 CRI/6000K CCT 8030 =80 CRI/3000K CCT MS/X-LXX =Motion Sensor for Bi-level Operation ² MS-LXX =Motion Sensor for On/Off Operation ³		OA/RA1016 =NEMA Twistlock Photocontrol - Multi-Tap OA/RA1027 =NEMA Twistlock Photocontrol - 480V OA/RA1201 =NEMA Twistlock Photocontrol - 347V			

NOTES: 1. Not all options and configurations are compatible and restrictions may apply. Reference specification sheets for additional details. 2. Available in B02-B06 and C02-C06 configurations. Replace X with number of bars operating in low output mode and replace XX with mounting height in feet for proper lens selection, (i.e., MS/3-L25). Consult factory for additional information. 3. Available in B01-B06 and C01-C06 configurations. Replace XX with mounting height in feet for proper lens selection, (i.e., MS-L25). Consult factory for additional information.





FEATURES

- One-piece heavy-wall, die-cast aluminum housing and door
- Two push-release, recessed latches for tool-less access
- Choice of five high-efficiency HID optical distributions
- Swing-down, removable power tray for ease of maintenance

EPA: 4.9

Compliances may not apply to all product configurations. Please consult the product spec sheet for compliance details.

COMPLIANCES: UL/cUL Listed, IP65 Rated, 25°C Ambient Temperature Rating, Dark Sky Compliant, 3G Vibration Tested



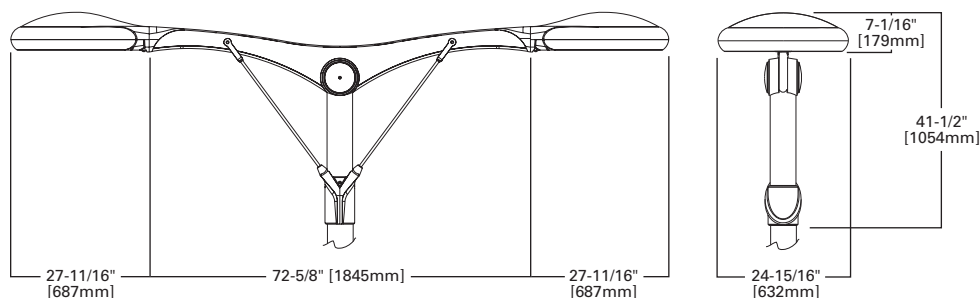
SDM2 SLIDE SITE MEDIUM

ORDERING INFORMATION

SAMPLE NUMBER: SDM2-400-MP-MT-3S-BK-L

Product Family	Lamp Wattage	Lamp Type	Voltage	Optical System	Color
SDM2 =Slide Medium Dual Head and Arm Assembly	Compact Fluorescent 84=(2) 42W 114=(2) 57W HPS 150=150W 250=250W 400=400W MH 175=175W 250=250W 400=400W MP 150=150W 175=175W 250=250W 320=320W 350=350W 400=400W	CF =Compact Fluorescent HPS =High Pressure Sodium MH =Metal Halide MP =Pulse Start Metal Halide	UNV =120-277V Universal Electronic Ballast 120=120V 208=208V 240=240V 277=277V 347=347V 480=480V DT =Dual-Tap wired 277V MT =Multi-Tap wired 277V TT =Triple-Tap wired 347V	2S =Type II 3S =Type III 4S =Type IV 5S =Type V SL =Forward Throw with Spill Light Eliminator	AP =Grey BK =Black BZ =Bronze DP =Dark Platinum GM =Graphite Metallic WH =White
Options (Add as Suffix)¹		Accessories (Order Separately)			
PC =Button Type Photocontrol (Specify voltage) F =Single Fuse (120, 277 or 347V. Specify voltage) FF =Double Fuse (208, 240 or 480V. Specify voltage) R =NEMA Twistlock Photocontrol Receptacle EM =Quartz Restrike with Time Delay (Also strikes at cold start) EM/SC =Quartz Emergency Separate Circuit Q =Quartz Restrike 42CF/EM =Emergency Battery Backup HS =House Side Shield FR =Frosted Flat Glass Lens L =Lamp Included		OA/RA1016 =NEMA Twistlock Photocontrol - Multi-Tap OA/RA1027 =NEMA Twistlock Photocontrol - 480V OA/RA1201 =NEMA Twistlock Photocontrol - 347V			

NOTES: 1. Not all options and configurations are compatible and restrictions may apply. Reference specification sheets for additional details.



Specifications and dimensions subject to change without notice. Consult your Cooper Lighting Representative or visit www.cooperlighting.com for available options, accessories and ordering information.

FEATURES

- One-piece heavy-wall, die-cast aluminum housing and door
- One flush-mounted quick-release latch for tool-less access
- Standard in 4000K (+/- 275K) CCT and nominal 70 CRI
- 120-277V 50/60Hz, 347V 60Hz or 480V 60Hz operation
- Choice of 12 high-efficiency, patented AccuLED Optics™
- Suitable for operation in -30°C to 40°C ambient environments
- Proprietary circuit module withstands 10kV transient line surge
- Available in arm- and wall-mount configurations and optional strut rod
- Five-year warranty

EPA: 1.18 (Single Arm) / 1.27 (Single Arm with Structural Option)

Compliances may not apply to all product configurations. Please consult the product spec sheet for compliance details.

COMPLIANCES: UL/cUL Listed - Wet Location, ARRA Compliant, Dark Sky Compliant, LM79 / LM80 Compliant, 1.5G Vibration Tested



VXS VISION SITE SMALL LED

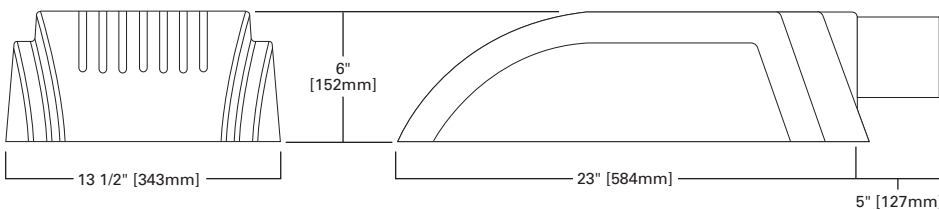


ORDERING INFORMATION

SAMPLE NUMBER: VXS-B04-LED-E1-T3-GM

Product Family	Number of LightBARs	Lamp Type	Voltage	Distribution	Color	Structural Options
VXS=Vision Site Small	B01=(1) 21 LED LightBAR B02=(2) 21 LED LightBARs B03=(3) 21 LED LightBARs B04=(4) 21 LED LightBARs C01=(1) 7 LED LightBAR C02=(2) 7 LED LightBARs C03=(3) 7 LED LightBARs C04=(4) 7 LED LightBARs	LED=Solid State Light-Emitting Diode	347=347V 480=480V E1=Electronic (120-277V)	5MQ=Type V Square Medium 5WQ=Type V Square Wide 5XQ=Type V Square Wide RW=Rectangular Wide SL2=Type II with Spill Control SL3=Type III with Spill Control SL4=Type IV with Spill Control SLL=90° Spill Light Eliminator Left SLR=90° Spill Light Eliminator Right T2=Type II T3=Type III T4=Type IV	AP=Grey BK=Black BZ=Bronze DP=Dark Platinum GM=Graphite Metallic WH=White	Pole Mount PRCPR=Strut Rod and Clevis Set for Round Pole ¹ PRCPSP=Strut Rod and Clevis Set for Square Pole ¹ PRCSR=Stainless Strut Rod and Clevis Set for Round Pole ² PRCSS=Stainless Strut Rod and Clevis Set for Square Pole ² Wall Mount WRCP=Strut Rod and Clevis Set ¹ WRCS=Stainless Steel Strut Rod and Clevis Set ²
Options (Add as Suffix) ³			Accessories (Order Separately)			
PC=Button Type Photocontrol (Specify Voltage) 2L=Two Circuits LCF=LightBAR Cover Plate Matches Housing Finish 7060=70 CRI/6000K CCT 8030=80 CRI/3000K CCT ICB=Integral Cold Weather Battery Pack (Specify 120 or 277V) L90=Optics Rotated Left 90° R90=Optics Rotated Right 90°			MA1071-XX=5" Arm for Square Pole MA1073-XX=Direct Mount for Square Pole MA1074-XX=5" Arm for Round Pole MA1076-XX=Direct Mount for Round Pole MA1077-XX=Wall Bracket with 5" Arm MA1101-XX=Single-arm Tenon Adapter for 2-3/8" O.D. Tenon MA1102-XX=2 at 180° Tenon Adapter for 2-3/8" O.D. Tenon MA1103-XX=3 at 120° Tenon Adapter for 2-3/8" O.D. Tenon MA1104-XX=4 at 90° Tenon Adapter for 2-3/8" O.D. Tenon MA1105-XX=2 at 90° Tenon Adapter for 2-3/8" O.D. Tenon MA1106-XX=3 at 90° Tenon Adapter for 2-3/8" O.D. Tenon		MA1107-XX=2 at 120° Tenon Adapter for 2-3/8" O.D. Tenon MA1108-XX=Single-arm Tenon Adapter for 3-1/2" O.D. Tenon MA1109-XX=2 at 180° Tenon Adapter for 3-1/2" O.D. Tenon MA1110-XX=3 at 120° Tenon Adapter for 3-1/2" O.D. Tenon MA1111-XX=4 at 90° Tenon Adapter for 3-1/2" O.D. Tenon MA1112-XX=2 at 90° Tenon Adapter for 3-1/2" O.D. Tenon MA1113-XX=3 at 90° Tenon Adapter for 3-1/2" O.D. Tenon MA1114-XX=2 at 120° Tenon Adapter for 3-1/2" O.D. Tenon MA1200-XX=Direct Wall Mount Kit MA1253=10kV Circuit Module Replacement	

NOTES: 1. Painted to match fixture. Does not include arm. 2. Clevis painted to match fixture. Does not include arm. 3. Not all options and configurations are compatible and restrictions may apply. Reference specification sheets for additional details.



Specifications and dimensions subject to change without notice. Consult your Cooper Lighting Representative or visit www.cooperlighting.com for available options, accessories and ordering information.



FEATURES

- One-piece, die-cast aluminum housing and door
- One flush-mounted quick-release latch for tool-less access
- Continuous extruded silicone gasket
- Choice of five high-efficiency optical distributions

EPA: 1.18 (Single Arm) / 1.27 (Single Arm with Structural Option)

Compliances may not apply to all product configurations. Please consult the product spec sheet for compliance details.

COMPLIANCES: UL Listed - Wet Location, IP66 Rated, 40°C Ambient Temperature Rating, Dark Sky Compliant, 1.5G Vibration Tested



**VX5 VISION SITE
SMALL**

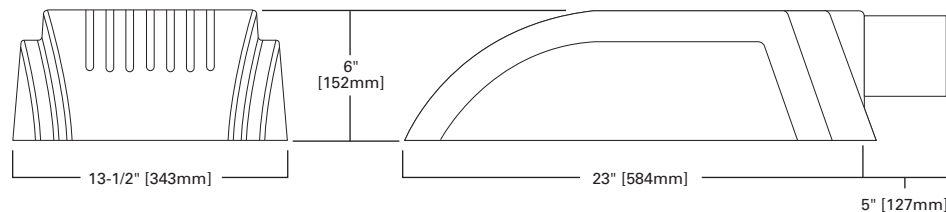
ORDERING INFORMATION

SAMPLE NUMBER: VX5-70-MP-MT-3S-DP-PRCPS-L

Product Family	Lamp Wattage	Lamp Type	Voltage	Optical System	Color	Structural Options
VX5=Vision Site Small	Compact Fluorescent 42=42W ¹ 57=57W HPS 70=70W 100=100W 150=150W MH 175=175W MP 70=70W 100=100W 150=150W	CF =Compact Fluorescent HPS =High Pressure Sodium MH =Metal Halide MP =Pulse Start Metal Halide	UNV =120-277V Universal Electronic Ballast 120 =120V 208 =208V 240 =240V 277 =277V 347 =347V 480 =480V DT =Dual-Tap wired 277V MT =Multi-Tap wired 277V TT =Triple-Tap wired 347V	2S =Type II 3S =Type III 4S =Type IV 5S =Type V SL =Forward Throw with Spill Light Eliminator	AP =Grey BK =Black BZ =Bronze DP =Dark Platinum GM =Graphite Metallic WH =White	Pole Mount PRCPR =Strut Rod and Clevis Set for Round Pole ² PRCPS =Strut Rod and Clevis Set for Square Pole ² PRCSR =Stainless Steel Strut Rod and Clevis Set for Round Pole ³ PRCSS =Stainless Steel Strut Rod and Clevis Set for Square Pole ³ Wall Mount WRCP =Strut Rod and Clevis Set ² WRCS =Stainless Steel Strut Rod and Clevis Set ³

Options (Add as Suffix) ⁴	Accessories (Order Separately)
PC =Button Type Photocontrol (Specify voltage) F =Single Fuse (120, 277 or 347V. Specify voltage) FF =Double Fuse (208, 240 or 480V. Specify voltage) EM =Quartz Restrike with Time Delay (Also strikes at cold start) EM/SC =Quartz Emergency Separate Circuit Q =Quartz Restrike 42CF/EM =Emergency Battery Backup HS =House Side Shield VS =Polycarbonate Vandal Shield L =Lamp Included	MA1071-XX =5" Arm for Square Pole MA1073-XX =Direct Mount for Square Pole MA1074-XX =5" Arm for Round Pole MA1076-XX =Direct Mount for Round Pole MA1077-XX =Wall Bracket with 5" Arm MA1101-XX =Single-arm Tenon Adapter for 2-3/8" O.D. Tenon MA1102-XX =2 at 180° Tenon Adapter for 2-3/8" O.D. Tenon MA1103-XX =3 at 120° Tenon Adapter for 2-3/8" O.D. Tenon MA1104-XX =4 at 90° Tenon Adapter for 2-3/8" O.D. Tenon MA1105-XX =2 at 90° Tenon Adapter for 2-3/8" O.D. Tenon MA1106-XX =3 at 90° Tenon Adapter for 2-3/8" O.D. Tenon MA1107-XX =2 at 120° Tenon Adapter for 2-3/8" O.D. Tenon MA1108-XX =Single-arm Tenon Adapter for 3-1/2" O.D. Tenon MA1109-XX =2 at 180° Tenon Adapter for 3-1/2" O.D. Tenon MA1110-XX =3 at 120° Tenon Adapter for 3-1/2" O.D. Tenon MA1111-XX =4 at 90° Tenon Adapter for 3-1/2" O.D. Tenon MA1112-XX =2 at 90° Tenon Adapter for 3-1/2" O.D. Tenon MA1113-XX =3 at 90° Tenon Adapter for 3-1/2" O.D. Tenon MA1114-XX =2 at 120° Tenon Adapter for 3-1/2" O.D. Tenon MA1200-XX =Direct Wall Mount Kit

NOTES: 1. Available in Type 3S, 4S, and 5S distributions only. 2. Painted to match fixture. Does not include arm. 3. Clevis painted to match fixture. Does not include arm. 4. Not all options and configurations are compatible and restrictions may apply. Reference specification sheets for additional details.



Specifications and dimensions subject to change without notice. Consult your Cooper Lighting Representative or visit www.cooperlighting.com for available options, accessories and ordering information.

FEATURES

- One-piece heavy-wall, die-cast aluminum housing and door
- Flush-mounted quick release latches for tool-less access
- Standard in 4000K (+/- 275K) CCT and nominal 70 CRI
- 120-277V 50/60Hz, 347V 60Hz or 480V 60Hz operation
- Choice of 12 high-efficiency, patented AccuLED Optics™
- Suitable for operation in -30°C to 40°C ambient environments
- Proprietary circuit module withstands 10kV transient line surge
- Available in arm- and wall-mount configurations and optional strut rod
- Five-year warranty

EPA: 1.89 (Single Arm) / 2.09 (Single Arm with Structural Option)

Compliances may not apply to all product configurations. Please consult the product spec sheet for compliance details.

COMPLIANCES: UL/cUL Listed - Wet Location, ARRA Compliant, Dark Sky Compliant, LM79 / LM80 Compliant, 1.5G Vibration Tested



**VXM VISION SITE
MEDIUM LED**

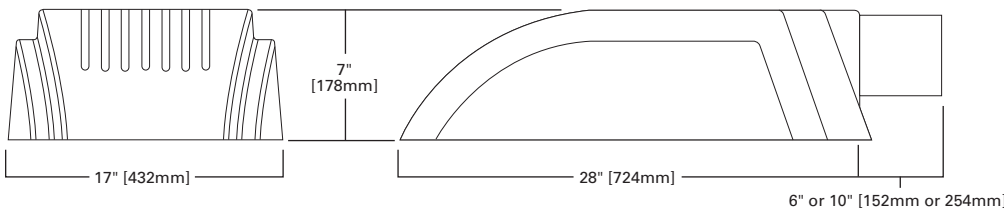


ORDERING INFORMATION

SAMPLE NUMBER: VXM-B06-LED-E1-T3-GM

Product Family	Number of LightBARs	Lamp Type	Voltage	Distribution	Color	Structural Options
VXM =Vision Site Medium	B01 =(1) 21 LED LightBAR B02 =(2) 21 LED LightBARs B03 =(3) 21 LED LightBARs B04 =(4) 21 LED LightBARs B05 =(5) 21 LED LightBARs B06 =(6) 21 LED LightBARs C01 =(1) 7 LED LightBAR C02 =(2) 7 LED LightBARs C03 =(3) 7 LED LightBARs C04 =(4) 7 LED LightBARs C05 =(5) 7 LED LightBARs C06 =(6) 7 LED LightBARs	LED =Solid State Light-Emitting Diodes	347 =347V 480 =480V E1 =Electronic (120-277V)	5MQ =Type V Square Medium 5WQ =Type V Square Wide 5XQ =Type V Square Extra Wide RW =Rectangular Wide SL2 =Type II with Spill Control SL3 =Type III with Spill Control SL4 =Type IV with Spill Control SLL =90° Spill Light Eliminator Left SLR =90° Spill Light Eliminator Right T2 =Type II T3 =Type III T4 =Type IV	AP =Grey BK =Black BZ =Bronze DP =Dark Platinum GM =Graphite Metallic WH =White	Pole Mount PRCPR =Strut Rod and Clevis Set for Round Pole ¹ PRCPS =Strut Rod and Clevis Set for Square Pole ¹ PRCSR =Stainless Strut Rod and Clevis Set for Round Pole ² PRCSS =Stainless Strut Rod and Clevis Set for Square Pole ² Wall Mount WRCP =Strut Rod and Clevis Set ¹ WRCS =Stainless Strut Rod and Clevis Set ²
Options (Add as Suffix) ³			Accessories (Order Separately)			
PC =Button Type Photocontrol (Specify voltage) R =NEMA Twistlock Photocontrol Receptacle 2L =Two Circuits LCF =LightBAR Cover Plate Matches Housing Finish 7060 =70 CRI/6000K CCT 8030 =80 CRI/3000K CCT ICB =Integral Cold Weather Battery Pack (Specify 120 or 277V) T =Terminal Block			MA1010-XX =Single-arm Tenon Adapter for 3-1/2" O.D. Tenon MA1011-XX =2 at 180° Tenon Adapter for 3-1/2" O.D. Tenon MA1012-XX =3 at 120° Tenon Adapter for 3-1/2" O.D. Tenon MA1013-XX =4 at 90° Tenon Adapter for 3-1/2" O.D. Tenon MA1014-XX =2 at 90° Tenon Adapter for 3-1/2" O.D. Tenon MA1015-XX =2 at 120° Tenon Adapter for 3-1/2" O.D. Tenon MA1016-XX =3 at 90° Tenon Adapter for 3-1/2" O.D. Tenon MA1017-XX =Single-arm Tenon Adapter for 2-3/8" O.D. Tenon MA1018-XX =2 at 180° Tenon Adapter for 2-3/8" O.D. Tenon MA1019-XX =3 at 120° Tenon Adapter for 2-3/8" O.D. Tenon MA1045-XX =4 at 90° Tenon Adapter for 2-3/8" O.D. Tenon MA1048-XX =2 at 90° Tenon Adapter for 2-3/8" O.D. Tenon MA1050-XX =6" Arm for Square Pole MA1051-XX =10" Arm for Square Pole		MA1052-XX =6" Arm for Round Pole MA1053-XX =10" Arm for Round Pole MA1054-XX =Wall Bracket with 6" Arm MA1056-XX =Direct Mount for Square Pole MA1057-XX =Direct Mount for Round Pole MA1115-XX =3 at 90° Tenon Adapter for 2-3/8" O.D. Tenon MA1116-XX =2 at 120° Tenon Adapter for 2-3/8" O.D. Tenon MA1201-XX =Direct Wall Mount Kit MA1207-XX =Mast Arm Adapter MA1231-XX =VXM Structural Mount Wall Mount Arm MA1253 =10kV Circuit Module Replacement OA/RA1016 =NEMA Twistlock Photocontrol - Multi-Tap OA/RA1027 =NEMA Twistlock Photocontrol - 480V OA/RA1201 =NEMA Twistlock Photocontrol - 347V	

NOTES: 1. Painted to match fixture. Does not include arm. 2. Clevis painted to match fixture. Does not include arm. 3. Not all options and configurations are compatible and restrictions may apply. Reference specification sheets for additional details.





FEATURES

- One-piece heavy-wall, die-cast aluminum housing and door
- Two flush-mounted, quick-release latches for tool-less access
- Continuous extruded silicone gasket
- Choice of nine high-efficiency optical distributions

EPA: 1.89 (Single Arm) / 2.09 (Single Arm with Structural Option)

Compliances may not apply to all product configurations. Please consult the product spec sheet for compliance details.

COMPLIANCES: UL/cUL Listed - Wet Location, 40°C Ambient Temperature Rating, EISA Compliant, Dark Sky Compliant, 1.5G Vibration Tested



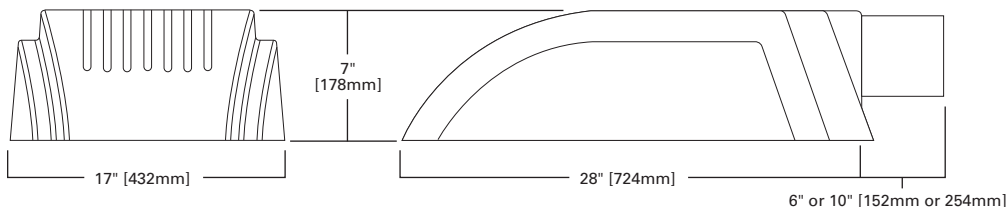
VXM VISION SITE MEDIUM

ORDERING INFORMATION

SAMPLE NUMBER: VXM-400-MP-MT-3S-BK-PRCPS-L

Product Family	Lamp Wattage	Lamp Type	Voltage	Optical System	Color	Structural Options
VXM= Vision Site Medium	Compact Fluorescent 114=(2) 57W 84=(2) 42W HPS 150=150W 250=250W 400=400W MH 175=175W 250=250W 400=400W MP 150=150W 175=175W 250=250W 320=320W 350=350W 400=400W	CF= Compact Fluorescent HPS= High Pressure Sodium MH= Metal Halide MP= Pulse Start Metal Halide	120=120V 208=208V 240=240V 277=277V 347=347V 480=480V DT=Dual-Tap wired 277V MT=Multi-Tap wired 277V TT=Triple-Tap wired 347V UNV=120-277V Universal Electronic Ballast	2F=Design 20 Formed 2S=Type II 3F=Design 30 Formed 3S=Type III 4F=Design 40 Formed 4S=Type IV 5F=Design 50 Formed 5S=Type V SL=Forward Throw with Spill Light Eliminator	AP=Grey BK=Black BZ=Bronze DP=Dark Platinum GM=Graphite Metallic WH=White	Pole Mount PRCPR=Strut Rod and Clevis Set for Round Pole ¹ PRCPS=Strut Rod and Clevis Set for Square Pole ¹ PRCSR=Stainless Steel Strut Rod and Clevis Set for Round Pole ² PRCSS=Stainless Steel Strut Rod and Clevis Set for Square Pole ² Wall Mount WRCP=Strut Rod and Clevis Set ¹ WRCS=Stainless Steel Strut Rod and Clevis Set ²
Options (Add as Suffix) ³			Accessories (Order Separately)			
PC=Button Type Photocontrol (Specify voltage) F=Single Fuse (120, 277 or 347V. Specify voltage) FF=Double Fuse (208, 240 or 480V. Specify voltage) R=NEMA Twistlock Photocontrol Receptacle EM=Quartz Restrike with Time Delay (Also strikes at cold start) EM/SC=Quartz Emergency Separate Circuit Q=Quartz Restrike DS=Dual Fluorescent Switching Control HS=House Side Shield VS=Polycarbonate Vandal Shield L=Lamp Included T=Terminal Block			MA1010-XX=Single-arm Tenon Adapter for 3-1/2" O.D. Tenon MA1011-XX=2 at 180° Tenon Adapter for 3-1/2" O.D. Tenon MA1012-XX=3 at 120° Tenon Adapter for 3-1/2" O.D. Tenon MA1013-XX=4 at 90° Tenon Adapter for 3-1/2" O.D. Tenon MA1014-XX=2 at 90° Tenon Adapter for 3-1/2" O.D. Tenon MA1015-XX=2 at 120° Tenon Adapter for 3-1/2" O.D. Tenon MA1016-XX=3 at 90° Tenon Adapter for 3-1/2" O.D. Tenon MA1017-XX=Single-arm Tenon Adapter for 2-3/8" O.D. Tenon MA1018-XX=2 at 180° Tenon Adapter for 2-3/8" O.D. Tenon MA1019-XX=3 at 120° Tenon Adapter for 2-3/8" O.D. Tenon MA1045-XX=4 at 90° Tenon Adapter for 2-3/8" O.D. Tenon MA1048-XX=2 at 90° Tenon Adapter for 2-3/8" O.D. Tenon MA1050-XX=6" Arm for Square Pole MA1051-XX=10" Arm for Square Pole		MA1052-XX=6" Arm for Round Pole MA1053-XX=10" Arm for Round Pole MA1054-XX=Wall Bracket with 6" Arm MA1056-XX=Direct Mount for Square Pole MA1057-XX=Direct Mount for Round Pole MA1115-XX=3 at 90° Tenon Adapter for 2-3/8" O.D. Tenon MA1116-XX=2 at 120° Tenon Adapter for 2-3/8" O.D. Tenon MA1201-XX=Direct Wall Mount Kit MA1207-XX=Mast Arm Adapter MA1231-XX=VXM Structural Mount Wall Mount Arm OA/RA1016=NEMA Twistlock Photocontrol - Multi-Tap OA/RA1027=NEMA Twistlock Photocontrol - 480V OA/RA1201=NEMA Twistlock Photocontrol - 347V	

NOTES: 1. Painted to match fixture. Does not include arm. 2. Clevis painted to match fixture. Does not include arm. 3. Not all options and configurations are compatible and restrictions may apply. Reference specification sheets for additional details.



Specifications and dimensions subject to change without notice. Consult your Cooper Lighting Representative or visit www.cooperlighting.com for available options, accessories and ordering information.

FEATURES

- Extruded aluminum housing and door
- Stainless steel latches and hinges allow for tool-less access
- Choice of five high-efficiency segmented optical distributions
- Optics feature quick-disconnects and are field rotatable
- Swing-down, removable power tray for ease of maintenance
- Optional tray-mounted fuse connections
- Convex tempered or flat glass lens
- Robust, one-piece molded silicone gasket
- Arm or wall-mount configurations

EPA: 1.45 (With Arm and Flat Glass)

Compliances may not apply to all product configurations. Please consult the product spec sheet for compliance details.
COMPLIANCES: UL/cUL Listed - Wet Location, IP65 Rated, 25°C Ambient Temperature Rating, Dark Sky Compliant, 3G Vibration Tested



EXS X-FORM SITE SMALL

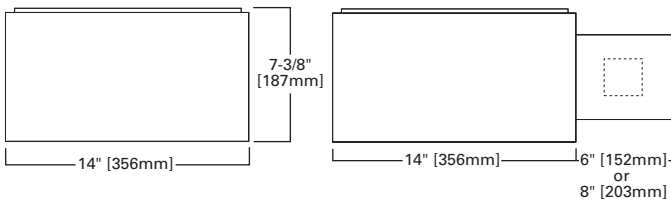


ORDERING INFORMATION

SAMPLE NUMBER: EXS-150-MP-MT-3S-FG-BK-L

Product Family	Lamp Wattage	Lamp Type	Voltage	Optical System	Lens Type	Color
EXS =X-Form Extruded Site Small	Compact Fluorescent 42=42W 57=57W HPS 70=70W 100=100W 150=150W 175=175W MH 175=175W MP 70=70W 100=100W 150=150W	CF =Compact Fluorescent HPS =High Pressure Sodium MH =Metal Halide MP =Pulse Start Metal Halide	UNV =120-277V Universal Electronic Ballast 120=120V 208=208V 240=240V 277=277V 347=347V 480=480V DT =Dual-Tap wired 277V MT =Multi-Tap wired 277V TT =Triple-Tap wired 347V	2S =Type II 3S =Type III 4S =Type IV 5S =Type V SL =Forward Throw with Spill Light Eliminator	FG =Flat Glass SG =Sag Glass VS =Polycarbonate Vandal Shield	AP =Grey BK =Black BZ =Bronze DP =Dark Platinum GM =Graphite Metallic WH =White Optional Anodized Colors ABK =Anodized Brushed Black Aluminum ABZ =Anodized Brushed Bronze Aluminum ANA =Anodized Brushed Natural Aluminum
Options (Add as Suffix) ¹			Accessories (Order Separately)			
PC =Button Type Photocontrol (Specify voltage) F =Single Fuse (120, 277 or 347V. Specify voltage) FF =Double Fuse (208, 240 or 480V. Specify voltage) R =NEMA Twistlock Photocontrol Receptacle EM =Quartz Restrike with Time Delay (Also strikes at cold start) EM/SC =Quartz Emergency Separate Circuit Q =Quartz Restrike 42CF/EM =Emergency Battery Backup HS =House Side Shield L =Lamp Included			MA1080-XX =Direct Wall Mount Kit MA1081-XX =Wall Mount Kit with 6" Arm MA1084-XX =6" Arm for Square Pole MA1085-XX =8" Arm for Square Pole MA1086-XX =6" Arm for Round Pole MA1087-XX =8" Arm for Round Pole MA1093-XX =0-30° Adjustable Arm for Square Pole (EPA 0.5) MA1094-XX =0-30° Adjustable Arm for Round Pole (EPA 0.5) MA1099-XX =Mast Arm Adapter Kit MA1101-XX =Single-arm Tenon Adapter for 2-3/8" O.D. Tenon MA1102-XX =2 at 180° Tenon Adapter for 2-3/8" O.D. Tenon MA1103-XX =3 at 120° Tenon Adapter for 2-3/8" O.D. Tenon MA1104-XX =4 at 90° Tenon Adapter for 2-3/8" O.D. Tenon		MA1105-XX =2 at 90° Tenon Adapter for 2-3/8" O.D. Tenon MA1106-XX =3 at 90° Tenon Adapter for 2-3/8" O.D. Tenon MA1107-XX =2 at 120° Tenon Adapter for 2-3/8" O.D. Tenon MA1108-XX =Single-arm Tenon Adapter for 3-1/2" O.D. Tenon MA1109-XX =2 at 180° Tenon Adapter for 3-1/2" O.D. Tenon MA1110-XX =3 at 120° Tenon Adapter for 3-1/2" O.D. Tenon MA1111-XX =4 at 90° Tenon Adapter for 3-1/2" O.D. Tenon MA1112-XX =2 at 90° Tenon Adapter for 3-1/2" O.D. Tenon MA1113-XX =3 at 90° Tenon Adapter for 3-1/2" O.D. Tenon MA1114-XX =2 at 120° Tenon Adapter for 3-1/2" O.D. Tenon OA/RA1016 =NEMA Twistlock Photocontrol - Multi-Tap OA/RA1027 =NEMA Twistlock Photocontrol - 480V OA/RA1201 =NEMA Photocontrol - 347V	

NOTES: 1. Not all options and configurations are compatible and restrictions may apply. Reference specification sheets for additional details.



Specifications and dimensions subject to change without notice. Consult your Cooper Lighting Representative or visit www.cooperlighting.com for available options, accessories and ordering information.



FEATURES

- One-piece, extruded aluminum housing and door
- Stainless steel latches and hinges allow for tool-less access
- Choice of five high-efficiency segmented optical distributions
- Optics feature quick-disconnects and are field rotatable
- Swing-down, removable power tray for ease of maintenance
- Optional tray-mounted fuse connections
- Convex tempered or flat glass lens
- Robust, one-piece molded silicone gasket
- Arm or wall-mount configurations

EPA: 2.7

Compliances may not apply to all product configurations. Please consult the product spec sheet for compliance details.

COMPLIANCES: UL/cUL Listed - Wet Location, IP65 Rated, 25°C Ambient Temperature Rating, EISA Compliant, Dark Sky Compliant, 2G Vibration Tested



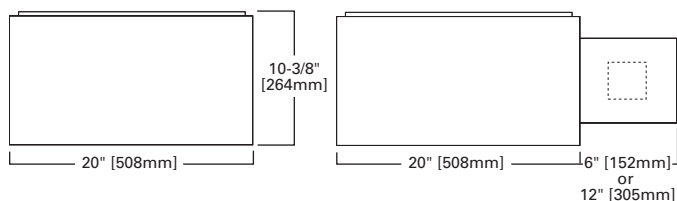
EXM X-FORM SITE MEDIUM

ORDERING INFORMATION

SAMPLE NUMBER: EXM-400-MP-MT-3S-FG-BK-L

Product Family	Lamp Wattage	Lamp Type	Voltage	Optical System	Lens Type	Color
EXM=X-Form Extruded Site Medium	<p>Compact Fluorescent 84=(2) 42W 114=(2) 57W</p> <p>HPS 150=150W 250=250W 400=400W</p> <p>MH 175=175W 250=250W 400=400W</p> <p>MP 150=150W 175=175W 250=250W 320=320W 350=350W 400=400W</p>	<p>CF=Compact Fluorescent HPS=High Pressure Sodium MH=Metal Halide MP=Pulse Start Metal Halide</p>	<p>UNV=120-277V Universal Electronic Ballast 120=120V 208=208V 240=240V 277=277V 347=347V 480=480V DT=Dual-Tap wired 277V MT=Multi-Tap wired 277V TT=Triple-Tap wired 347V</p>	<p>2S=Type II 3S=Type III 4S=Type IV 5S=Type V SL=Forward Throw with Spill Light Eliminator</p>	<p>FG=Flat Glass SG=Sag Glass VS=Polycarbonate Vandal Shield</p>	<p>AP=Grey BK=Black BZ=Bronze DP=Dark Platinum GM=Graphite Metallic WH=White</p> <p>Optional Anodized Colors ABK=Anodized Brushed Black Aluminum ABZ=Anodized Brushed Bronze Aluminum ANA=Anodized Brushed Natural Aluminum</p>
Options (Add as Suffix) ¹		Accessories (Order Separately)				
<p>F=Single Fuse (120, 277 or 347V. Specify voltage) FF=Double Fuse (208, 240 or 480V. Specify voltage) R=NEMA Twistlock Photocontrol Receptacle EM=Quartz Restrike with Time Delay (Also strikes at cold start) EM/SC=Quartz Emergency Separate Circuit Q=Quartz Restrike DS=Dual Fluorescent Switching Control HS=House Side Shield L=Lamp Included</p>		<p>MA1010-XX=Single-arm Tenon Adapter for 3-1/2" O.D. Tenon MA1011-XX=2 at 180° Tenon Adapter for 3-1/2" O.D. Tenon MA1012-XX=3 at 120° Tenon Adapter for 3-1/2" O.D. Tenon MA1013-XX=4 at 90° Tenon Adapter for 3-1/2" O.D. Tenon MA1014-XX=2 at 90° Tenon Adapter for 3-1/2" O.D. Tenon MA1015-XX=2 at 120° Tenon Adapter for 3-1/2" O.D. Tenon MA1016-XX=3 at 90° Tenon Adapter for 3-1/2" O.D. Tenon MA1017-XX=Single-arm Tenon Adapter for 2-3/8" O.D. Tenon MA1018-XX=2 at 180° Tenon Adapter for 2-3/8" O.D. Tenon MA1019-XX=3 at 120° Tenon Adapter for 2-3/8" O.D. Tenon MA1045-XX=4 at 90° Tenon Adapter for 2-3/8" O.D. Tenon MA1048-XX=2 at 90° Tenon Adapter for 2-3/8" O.D. Tenon MA1082-XX=Direct Wall Mount Kit</p> <p>MA1083-XX=Wall Mount Kit with 6" Arm MA1088-XX=6" Arm for Square Pole MA1089-XX=12" Arm for Square Pole MA1090-XX=6" Arm for Round Pole MA1092-XX=12" Arm for Round Pole MA1096-XX=0-30° Adjustable Arm for Square Pole (EPA 0.86) MA1098-XX=0-30° Adjustable Arm for Round Pole (EPA 0.86) MA1100-XX=Mast Arm Adapter Kit MA1115-XX=3 at 90° Tenon Adapter for 2-3/8" O.D. Tenon MA1116-XX=2 at 120° Tenon Adapter for 2-3/8" O.D. Tenon OA/RA1016=NEMA Twistlock Photocontrol - Multi-Tap OA/RA1027=NEMA Twistlock Photocontrol - 480V OA/RA1201=NEMA Twistlock Photocontrol - 347V</p>				

NOTES: 1. Not all options and configurations are compatible and restrictions may apply. Reference specification sheets for additional details.



Specifications and dimensions subject to change without notice. Consult your Cooper Lighting Representative or visit www.cooperlighting.com for available options, accessories and ordering information.

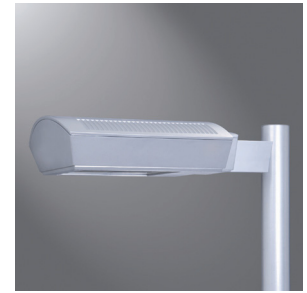
FEATURES

- Two-piece heavy-wall, die-cast aluminum housing and door
- Two flush-mounted, quick-release latches for tool-less access
- Choice of five high-efficiency segmented optical distributions
- Optics feature quick-disconnects and are field rotatable
- Impact-resistant tempered glass or optional frosted flat glass lens
- Swing-down, removable power tray for ease of maintenance
- Standard with medium-base socket
- Arm or wall-mount configurations

EPA: 1.0

Compliances may not apply to all product configurations. Please consult the product spec sheet for compliance details.

COMPLIANCES: UL/cUL Listed - Wet Location, IP66 Rated, 40°C Ambient Temperature Rating, Dark Sky Compliant, 3G Vibration Tested



AES ASCENT SMALL

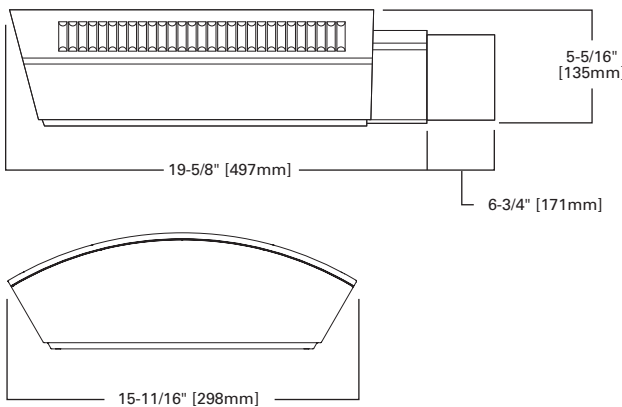


ORDERING INFORMATION

SAMPLE NUMBER: AES-150-MP-MT-3S-BK-L

Product Family	Lamp Wattage	Lamp Type	Voltage	Optical System	Color
AES=Ascent Site Small	Compact Fluorescent 42=42W 57=57W HPS 70=70W 100=100W 150=150W MH 175=175W MP 70=70W 100=100W 150=150W	CF =Compact Fluorescent HPS =High Pressure Sodium MH =Metal Halide MP =Pulse Start Metal Halide	UNV =120-277V Universal Electronic Ballast 120=120V 208=208V 240=240V 277=277V 347=347V 480=480V DT =Dual-Tap wired 277V MT =Multi-Tap wired 277V TT =Triple-Tap wired 347V	2S =Type II 3S =Type III 4S =Type IV 5S =Type V SL =Forward Throw with Spill Light Eliminator	AP =Grey BK =Black BZ =Bronze DP =Dark Platinum GM =Graphite Metallic WH =White
Options (Add as Suffix) ¹		Accessories (Order Separately)			
PC =Button Type Photocontrol (Specify voltage) F =Single Fuse (120, 277 or 347V. Specify voltage) FF =Double Fuse (208, 240 or 480V. Specify voltage) R =NEMA Twistlock Photocontrol Receptacle EM =Quartz Restrike with Time Delay (Also strikes at cold start) EM/SC =Quartz Emergency Separate Circuit Q =Quartz Restrike HS =House Side Shield VS =Polycarbonate Vandal Shield FR =Frosted Flat Glass Lens L =Lamp Included		OA/RA1016 =NEMA Twistlock Photocontrol - Multi-Tap OA/RA1027 =NEMA Twistlock Photocontrol - 480V OA/RA1201 =NEMA Twistlock Photocontrol - 347V VA1017-XX =Mast Arm Adapter Kit VA1019-XX =Single-arm Tenon Adapter for 2-3/8" O.D. Tenon VA1020-XX =2 at 180° Tenon Adapter for 2-3/8" O.D. Tenon VA1021-XX =3 at 120° Tenon Adapter for 2-3/8" O.D. Tenon VA1022-XX =4 at 90° Tenon Adapter for 2-3/8" O.D. Tenon VA1023-XX =2 at 90° Tenon Adapter for 2-3/8" O.D. Tenon VA1024-XX =3 at 90° Tenon Adapter for 2-3/8" O.D. Tenon VA1025-XX =2 at 120° Tenon Adapter for 2-3/8" O.D. Tenon		VA1026-XX =Single-arm Tenon Adapter for 3-1/2" O.D. Tenon VA1027-XX =2 at 180° Tenon Adapter for 3-1/2" O.D. Tenon VA1028-XX =3 at 120° Tenon Adapter for 3-1/2" O.D. Tenon VA1029-XX =4 at 90° Tenon Adapter for 3-1/2" O.D. Tenon VA1030-XX =2 at 90° Tenon Adapter for 3-1/2" O.D. Tenon VA1031-XX =3 at 90° Tenon Adapter for 3-1/2" O.D. Tenon VA1032-XX =2 at 120° Tenon Adapter for 3-1/2" O.D. Tenon VA1047-XX =Direct Wall Mount Kit VA1048-XX =Wall Mount Kit with 6-3/4" Arm VA1051-XX =6-3/4" Arm for Square Pole VA1053-XX =6-3/4" Arm for Round Pole	

NOTES: 1. Not all options and configurations are compatible and restrictions may apply. Reference specification sheets for additional details.



Specifications and dimensions subject to change without notice. Consult your Cooper Lighting Representative or visit www.cooperlighting.com for available options, accessories and ordering information.



FEATURES

- Two-piece heavy-wall, die-cast aluminum housing and door
- Two flush-mounted, quick-release latches for tool-less access
- Choice of five high-efficiency segmented optical distributions
- Optics feature quick-disconnects and are field rotatable
- Impact-resistant tempered glass or optional frosted flat glass lens
- Swing-down, removable power tray for ease of maintenance
- Standard with medium-base socket
- Arm or wall-mount configurations

EPA: 1.57

Compliances may not apply to all product configurations. Please consult the product spec sheet for compliance details.

COMPLIANCES: UL/cUL Listed - Wet Location, IP66 Rated, 40°C Ambient Temperature Rating, EISA Compliant, Dark Sky Compliant, 3G Vibration Tested



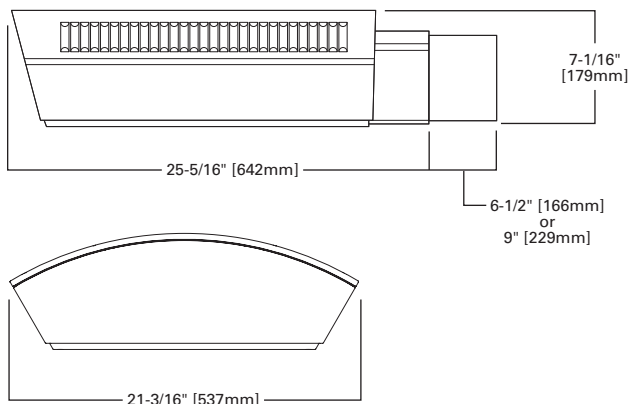
AEM ASCENT MEDIUM

ORDERING INFORMATION

SAMPLE NUMBER: AEM-400-MP-MT-3S-BK-L

Product Family	Lamp Wattage	Lamp Type	Voltage	Optical System	Color
AEM=Ascent Site Medium	<p>Compact Fluorescent 84=(2) 42W 114=(2) 57W</p> <p>HPS 150=150W 250=250W 400=400W</p> <p>MH 175=175W 250=250W 400=400W</p> <p>MP 150=150W 175=175W 250=250W 320=320W 350=350W 400=400W</p>	<p>CF=Compact Fluorescent HPS=High Pressure Sodium MH=Metal Halide MP=Pulse Start Metal Halide</p>	<p>UNV=120-277V Universal Electronic Ballast 120=120V 208=208V 240=240V 277=277V 347=347V 480=480V DT=Dual-Tap wired 277V MT=Multi-Tap wired 277V TT=Triple-Tap wired 347V</p>	<p>2S=Type II 3S=Type III 4S=Type IV 5S=Type V SL=Forward Throw with Spill Light Eliminator</p>	<p>AP=Grey BK=Black BZ=Bronze DP=Dark Platinum GM=Graphite Metallic WH=White</p>
Options (Add as Suffix) ¹		Accessories (Order Separately)			
<p>PC=Button Type Photocontrol (Specify voltage) F=Single Fuse (120, 277 or 347V. Specify voltage) FF=Double Fuse (208, 240 or 480V. Specify voltage) R=NEMA Twistlock Photocontrol Receptacle EM=Quartz Restrike with Time Delay (Also strikes at cold start) EM/SC=Quartz Emergency Separate Circuit Q=Quartz Restrike DS=Dual Fluorescent Switching Control HS=House Side Shield FR=Frosted Flat Glass Lens L=Lamp Included</p>		<p>OA/RA1016=NEMA Twistlock Photocontrol - Multi-Tap OA/RA1027=NEMA Twistlock Photocontrol - 480V OA/RA1201=NEMA Twistlock Photocontrol - 347V VA1018-XX=Mast Arm Adapter Kit VA1033-XX=Single-arm Tenon Adapter for 2-3/8" O.D. Tenon VA1034-XX=2 at 180° Tenon Adapter for 2-3/8" O.D. Tenon VA1035-XX=3 at 120° Tenon Adapter for 2-3/8" O.D. Tenon VA1036-XX=4 at 90° Tenon Adapter for 2-3/8" O.D. Tenon VA1037-XX=2 at 90° Tenon Adapter for 2-3/8" O.D. Tenon VA1038-XX=3 at 90° Tenon Adapter for 2-3/8" O.D. Tenon VA1039-XX=2 at 120° Tenon Adapter for 2-3/8" O.D. Tenon VA1040-XX=Single-arm Tenon Adapter for 3-1/2" O.D. Tenon</p>		<p>VA1041-XX=2 at 180° Tenon Adapter for 3-1/2" O.D. Tenon VA1042-XX=3 at 120° Tenon Adapter for 3-1/2" O.D. Tenon VA1043-XX=4 at 90° Tenon Adapter for 3-1/2" O.D. Tenon VA1044-XX=2 at 90° Tenon Adapter for 3-1/2" O.D. Tenon VA1045-XX=3 at 90° Tenon Adapter for 3-1/2" O.D. Tenon VA1046-XX=2 at 120° Tenon Adapter for 3-1/2" O.D. Tenon VA1049-XX=Direct Wall Mount Kit VA1050-XX=Wall Mount Kit with 6-1/2" Arm VA1055-XX=6-1/2" Arm for Square Pole VA1056-XX=9" Arm for Square Pole VA1057-XX=6-1/2" Arm for Round Pole VA1059-XX=9" Arm for Round Pole</p>	

NOTES: 1. Not all options and configurations are compatible and restrictions may apply. Reference specification sheets for additional details.



Specifications and dimensions subject to change without notice. Consult your Cooper Lighting Representative or visit www.cooperlighting.com for available options, accessories and ordering information.

FEATURES

- Two-piece heavy-wall, die-cast aluminum housing and door
- Two flush-mounted, quick-release latches for tool-less access
- Choice of five high-efficiency segmented optical distributions
- Optics feature quick-disconnects and are field rotatable
- Impact-resistant tempered glass or optional frosted flat glass lens
- Swing-down, removable power tray for ease of maintenance
- Standard with mogul-base socket
- Arm or wall-mount configurations

EPA: 0.92

Compliances may not apply to all product configurations. Please consult the product spec sheet for compliance details.
COMPLIANCES: UL/cUL Listed - Wet Location, IP66 Rated, 40°C Ambient Temperature Rating, Dark Sky Compliant, 3G Vibration Tested



STS STRUT SITE SMALL

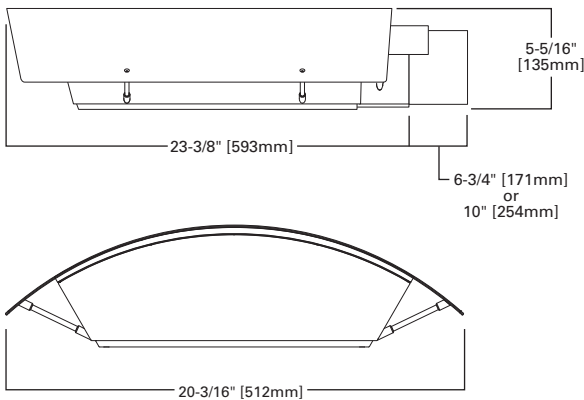


ORDERING INFORMATION

SAMPLE NUMBER: STS-150-MP-MT-3S-BK-STR-L

Product Family	Lamp Wattage	Lamp Type	Voltage	Optical System	Color	Structural Options
STS=Strut Site Small	Compact Fluorescent 42=42W 57=57W HPS 70=70W 100=100W 150=150W MH 175=175W MP 70=70W 100=100W 150=150W	CF =Compact Fluorescent HPS =High Pressure Sodium MH =Metal Halide MP =Pulse Start Metal Halide	UNV =120-277V Universal Electronic Ballast 120=120V 208=208V 240=240V 277=277V 347=347V 480=480V DT =Dual-Tap wired 277V MT =Multi-Tap wired 277V TT =Triple-Tap wired 347V	2S =Type II 3S =Type III 4S =Type IV 5S =Type V SL =Forward Throw with Spill Light Eliminator	AP =Grey BK =Black BZ =Bronze DP =Dark Platinum GM =Graphite Metallic WH =White	STR =Strut Rod Supports ¹
Options (Add as Suffix) ²		Accessories (Order Separately)				
PC =Button Type Photocontrol (Specify voltage) F =Single Fuse (120, 277 or 347V. Specify voltage) FF =Double Fuse (208, 240 or 480V. Specify voltage) R =NEMA Twistlock Photocontrol Receptacle EM =Quartz Restrike with Time Delay (Also strikes at cold start) EM/SC =Quartz Emergency Separate Circuit Q =Quartz Restrike HS =House Side Shield VS =Polycarbonate Vandal Shield FR =Frosted Flat Glass Lens L =Lamp Included		OA/RA1016 =NEMA Twistlock Photocontrol - Multi-Tap OA/RA1027 =NEMA Twistlock Photocontrol - 480V OA/RA1201 =NEMA Twistlock Photocontrol - 347V VA1017-XX =Mast Arm Adapter Kit VA1019-XX =Single-arm Tenon Adapter for 2-3/8" O.D. Tenon VA1020-XX =2 at 180° Tenon Adapter for 2-3/8" O.D. Tenon VA1021-XX =3 at 120° Tenon Adapter for 2-3/8" O.D. Tenon VA1022-XX =4 at 90° Tenon Adapter for 2-3/8" O.D. Tenon VA1023-XX =2 at 90° Tenon Adapter for 2-3/8" O.D. Tenon VA1024-XX =3 at 90° Tenon Adapter for 2-3/8" O.D. Tenon VA1025-XX =2 at 120° Tenon Adapter for 2-3/8" O.D. Tenon VA1026-XX =Single-arm Tenon Adapter for 3-1/2" O.D. Tenon			VA1027-XX =2 at 180° Tenon Adapter for 3-1/2" O.D. Tenon VA1028-XX =3 at 120° Tenon Adapter for 3-1/2" O.D. Tenon VA1029-XX =4 at 90° Tenon Adapter for 3-1/2" O.D. Tenon VA1030-XX =2 at 90° Tenon Adapter for 3-1/2" O.D. Tenon VA1031-XX =3 at 90° Tenon Adapter for 3-1/2" O.D. Tenon VA1032-XX =2 at 120° Tenon Adapter for 3-1/2" O.D. Tenon VA1048-XX =Wall Mount Kit with 6-3/4" Arm VA1051-XX =6-3/4" Arm for Square Pole VA1053-XX =6-3/4" Arm for Round Pole VA1065-XX =10" Arm for Square Pole VA1067-XX =10" Arm for Round Pole	

NOTES: 1. Painted to match fixture. 2. Not all options and configurations are compatible and restrictions may apply. Reference specification sheets for additional details.



Specifications and dimensions subject to change without notice. Consult your Cooper Lighting Representative or visit www.cooperlighting.com for available options, accessories and ordering information.



FEATURES

- Two-piece heavy-wall, die-cast aluminum housing and door
- Two flush-mounted, quick-release latches for tool-less access
- Choice of five high-efficiency segmented optical distributions
- Optics feature quick-disconnects and are field rotatable
- Impact-resistant tempered glass or optional frosted flat glass lens
- Swing-down, removable power tray for ease of maintenance
- Standard with mogul-base socket
- Arm or wall-mount configurations

EPA: 1.39

Compliances may not apply to all product configurations. Please consult the product spec sheet for compliance details.

COMPLIANCES: UL/cUL Listed - Wet Location, IP66 Rated, 40°C Ambient Temperature Rating, Dark Sky Compliant, 3G Vibration Tested

STM STRUT SITE MEDIUM

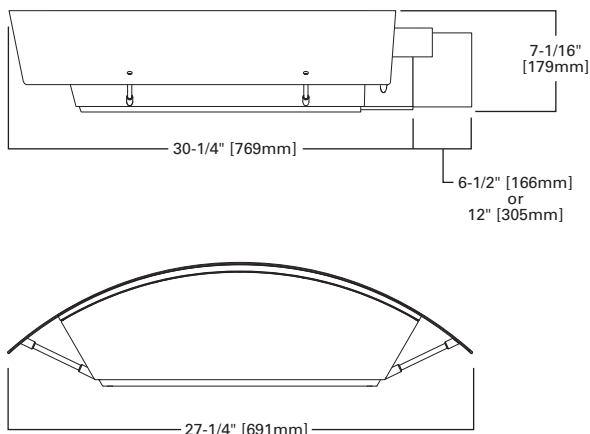


ORDERING INFORMATION

SAMPLE NUMBER: STM-400-MP-MT-3S-BK-STR-L

Product Family	Lamp Wattage	Lamp Type	Voltage	Optical System	Color	Structural Options	
STM=Strut Site Medium	<p>Compact Fluorescent 84=(2) 42W 114=(2) 57W</p> <p>HPS 150=150W 250=250W 400=400W</p> <p>MH 175=175W 250=250W 400=400W</p> <p>MP 150=150W 175=175W 250=250W 320=320W 350=350W 400=400W</p>	<p>CF=Compact Fluorescent HPS=High Pressure Sodium MH=Metal Halide MP=Pulse Start Metal Halide</p>	<p>UNV=120-277V Universal Electronic Ballast 120=120V 208=208V 240=240V 277=277V 347=347V 480=480V DT=Dual-Tap wired 277V MT=Multi-Tap wired 277V TT=Triple-Tap wired 347V</p>	<p>2S=Type II 3S=Type III 4S=Type IV 5S=Type V SL=Forward Throw with Spill Light Eliminator</p>	<p>AP=Grey BK=Black BZ=Bronze DP=Dark Platinum GM=Graphite Metallic WH=White</p>	STR =Strut Rod Supports ¹	
Options (Add as Suffix)²		Accessories (Order Separately)					
<p>PC=Button Type Photocontrol (Specify voltage) F=Single Fuse (120, 277 or 347V. Specify voltage) FF=Double Fuse (208, 240 or 480V. Specify voltage) R=NEMA Twistlock Photocontrol Receptacle EM=Quartz Restrike with Time Delay (Also strikes at cold start) EM/SC=Quartz Emergency Separate Circuit Q=Quartz Restrike DS=Dual Fluorescent Switching Control HS=House Side Shield FR=Frosted Flat Glass Lens L=Lamp Included</p>		<p>OA/RA1016=NEMA Twistlock Photocontrol - Multi-Tap OA/RA1027=NEMA Twistlock Photocontrol - 480V OA/RA1201=NEMA Twistlock Photocontrol - 347V VA1018-XX=Mast Arm Adapter Kit VA1033-XX=Single-arm Tenon Adapter for 2-3/8" O.D. Tenon VA1034-XX=2 at 180° Tenon Adapter for 2-3/8" O.D. Tenon VA1035-XX=3 at 120° Tenon Adapter for 2-3/8" O.D. Tenon VA1036-XX=4 at 90° Tenon Adapter for 2-3/8" O.D. Tenon VA1037-XX=2 at 90° Tenon Adapter for 2-3/8" O.D. Tenon VA1038-XX=3 at 90° Tenon Adapter for 2-3/8" O.D. Tenon VA1039-XX=2 at 120° Tenon Adapter for 2-3/8" O.D. Tenon VA1040-XX=Single-arm Tenon Adapter for 3-1/2" O.D. Tenon</p>			<p>VA1041-XX=2 at 180° Tenon Adapter for 3-1/2" O.D. Tenon VA1042-XX=3 at 120° Tenon Adapter for 3-1/2" O.D. Tenon VA1043-XX=4 at 90° Tenon Adapter for 3-1/2" O.D. Tenon VA1044-XX=2 at 90° Tenon Adapter for 3-1/2" O.D. Tenon VA1045-XX=3 at 90° Tenon Adapter for 3-1/2" O.D. Tenon VA1046-XX=2 at 120° Tenon Adapter for 3-1/2" O.D. Tenon VA1050-XX=Wall Mount Kit with 6-1/2" Arm VA1055-XX=6-1/2" Arm for Square Pole VA1057-XX=6-1/2" Arm for Round Pole VA1069-XX=12" Arm for Square Pole VA1072-XX=12" Arm for Round Pole</p>		

NOTES: 1. Painted to match fixture. 2. Not all options and configurations are compatible and restrictions may apply. Reference specification sheets for additional details.



Specifications and dimensions subject to change without notice. Consult your Cooper Lighting Representative or visit www.cooperlighting.com for available options, accessories and ordering information.

FEATURES

- Die-cast aluminum housing and door
- Tool-less, removable power module for ease of maintenance
- Choice of 12 LED optical distributions
- Base casting slipfits over standard 3" O.D. tenon
- Wall, single and dual-mount configurations available
- Standard in 4000K (+/- 275K) CCT and nominal 70 CRI
- Five-year warranty

EPA: 1.1

Compliances may not apply to all product configurations. Please consult the product spec sheet for compliance details.

COMPLIANCES: UL/cUL Listed - Wet Location, ARRA Compliant, Dark Sky Compliant, LM79 / LM80 Compliant, 2G Vibration Tested



MSA MESA LED

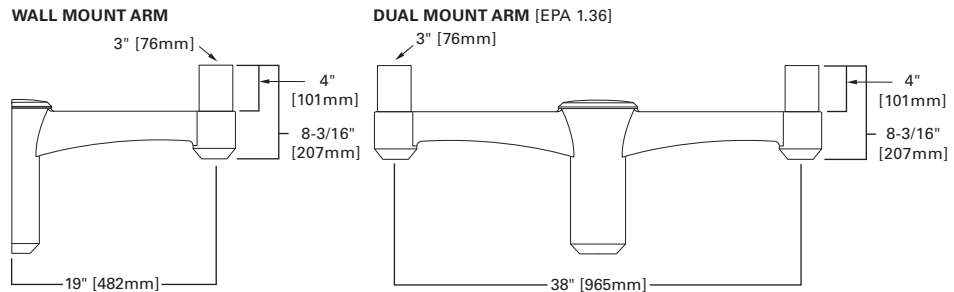
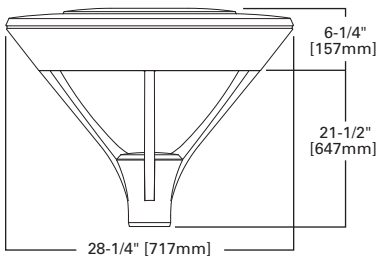


ORDERING INFORMATION

SAMPLE NUMBER: MSA-B06-LED-E1-5WQ-BK

Product Family	Number of LightBARs	Lamp Type	Voltage	Distribution	Color
MSA=Mesa ¹	B01=(1) 21 LED LightBAR B02=(2) 21 LED LightBARs B03=(3) 21 LED LightBARs B04=(4) 21 LED LightBARs B05=(5) 21 LED LightBARs B06=(6) 21 LED LightBARs C01=(1) 7 LED LightBAR C02=(2) 7 LED LightBARs C03=(3) 7 LED LightBARs C04=(4) 7 LED LightBARs C05=(5) 7 LED LightBARs C06=(6) 7 LED LightBARs	LED=Solid State Light-Emitting Diodes	E1=Electronic (120-277V)	5MQ=Type V Square Medium 5WQ=Type V Square Wide 5XQ=Type V Square Extra Wide RW=Rectangular Wide SL2=Type II with Spill Control SL3=Type III with Spill Control SL4=Type IV with Spill Control SLL=90° Spill Light Eliminator Left SLR=90° Spill Light Eliminator Right T2=Type II T3=Type III T4=Type IV	AP=Grey BK=Black BZ=Bronze DP=Dark Platinum GM=Graphite Metallic WH=White
Options (Add as Suffix)²			Accessories (Order Separately)		
PC=Button Type Photocontrol (Specify Voltage) R=NEMA Twistlock Photocontrol Receptacle 2L=Two Circuits LCF=LightBAR Cover Plate Matches Housing Finish 7060=70 CRI/6000K CCT 8030=80 CRI/3000K CCT ICB=Integral Cold Weather Battery Pack (Specify 120 or 277V) MS/X-LXX=Motion Sensor for Bi-level Operation ³ MS-LXX=Motion Sensor for On/Off Operation ⁴			MA1253=10kV Circuit Module Replacement OA/RA1016=NEMA Twistlock Photocontrol - Multi-Tap OA/RA1027=NEMA Twistlock Photocontrol - 480V OA/RA1201=NEMA Twistlock Photocontrol - 347V VA6028-XX=Dual Mount Arm (EPA 1.36) VA6029-XX=Wall Mount Arm		

NOTES: 1. Slip-fits over 3" O.D. Tenon 2. Not all options and configurations are compatible and restrictions may apply. Reference specification sheets for additional details. 3. Available in B02-B06 and C02-C06 configurations. Replace X with number of bars operating in low output mode and replace XX with mounting height in feet for proper lens selection, (i.e., MS/3-L25). Consult factory for additional information. 4. Available in B01-B06 and C01-C06 configurations. Replace XX with mounting height in feet for proper lens selection, (i.e., MS-L25). Consult factory for additional information.





FEATURES

- Die-cast aluminum housing and door
- Tool-less, removable power module for ease of maintenance
- Choice of five high-efficiency optical distributions
- Optics feature quick-disconnects and are field rotatable
- Base casting slipfits over standard 3" O.D. tenon
- Wall, single and dual-mount configurations available

EPA: 1.1

Compliances may not apply to all product configurations. Please consult the product spec sheet for compliance details.
COMPLIANCES: UL/cUL Listed, 25°C Ambient Temperature Rating, EISA Compliant, Dark Sky Compliant, 2G Vibration Tested

MSA MESA

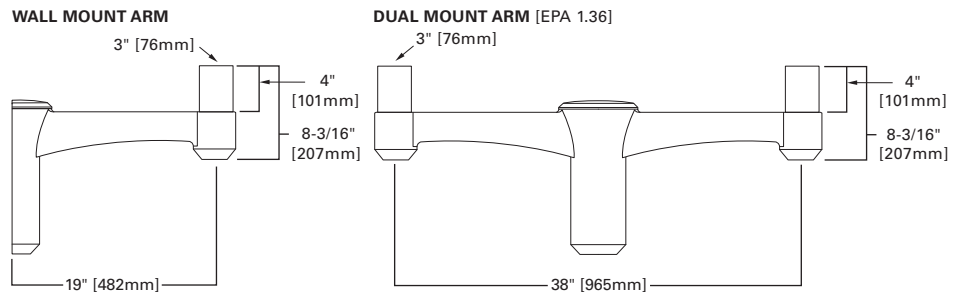
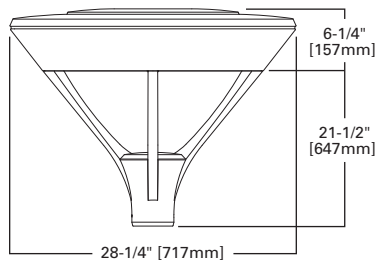


ORDERING INFORMATION

SAMPLE NUMBER: MSA-400-MP-MT-3S-FG-BK-L

Product Family	Lamp Wattage	Lamp Type	Voltage	Optical System	Lens Type	Color
MSA=Mesa ¹	Compact Fluorescent 42=42W 57=57W 84=(2) 42W 114=(2) 57W HPS 50=50W 70=70W 100=100W 150=150W 250=250W 400=400W MH 175=175W 250=250W 400=400W MP 50=50W 70=70W 100=100W 150=150W 175=175W 250=250W 320=320W 350=350W 400=400W	CF =Compact Fluorescent HPS =High Pressure Sodium MH =Metal Halide MP =Pulse Start Metal Halide	UNV =120-277V Universal Electronic Ballast 120=120V 208=208V 240=240V 277=277V 347=347V 480=480V DT =Dual-Tap wired 277V MT =Multi-Tap wired 277V TT =Triple-Tap wired 347V	2S =Type II 3S =Type III 4S =Type IV 5S =Type V SL =Forward Throw with Spill Light Eliminator	FG =Flat Glass FR =Frosted Flat Glass FRS =Frosted Sag Glass SG =Sag Glass VS =Polycarbonate Vandal Shield	AP =Grey BK =Black BZ =Bronze DP =Dark Platinum GM =Graphite Metallic GN =Hartford Green WH =White
Options (Add as Suffix)²			Accessories (Order Separately)			
PC =Button Type Photocontrol (Specify voltage) F =Single Fuse (120, 277 or 347V. Specify voltage) FF =Double Fuse (208, 240 or 480V. Specify voltage) R =NEMA Twistlock Photocontrol Receptacle EM =Quartz Restrike with Time Delay (Also strikes at cold start) EM/SC =Quartz Emergency Separate Circuit Q =Quartz Restrike 42CF/EM =Emergency Battery Backup DS =Dual Fluorescent Switching Control HS =House Side Shield L =Lamp Included			OA/RA1016 =NEMA Twistlock Photocontrol - Multi-Tap OA/RA1027 =NEMA Twistlock Photocontrol - 480V OA/RA1201 =NEMA Twistlock Photocontrol - 347V VA6028-XX =Dual Mount Arm (EPA 1.36) VA6029-XX =Wall Mount Arm			

NOTES: 1. Slip-fits over 3" O.D. Tenon 2. Not all options and configurations are compatible and restrictions may apply. Reference specification sheets for additional details.



Specifications and dimensions subject to change without notice. Consult your Cooper Lighting Representative or visit www.cooperlighting.com for available options, accessories and ordering information.

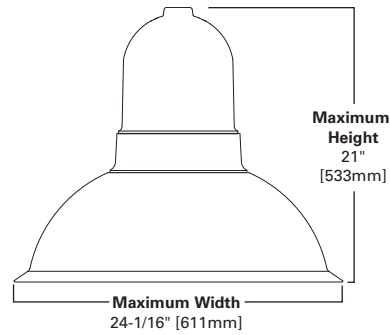
FEATURES

- Modular design for many unique combinations
- Heavy-gauge, precision-spun aluminum shades
- One-piece silicone gasket to prevent moisture and dust entry
- Base casting slipfits over standard 4" pole or 4" x 6" O.D. tenon
- Choice of 12 high-efficiency, patented AccuLED Optics™
- Standard in 4000K (+/- 275K) CCT and nominal 70 CRI
- Suitable for operation in -30°C to 40°C ambient environments
- Five-year warranty

EPA: 0.84

Compliances may not apply to all product configurations. Please consult the product spec sheet for compliance details.

COMPLIANCES: UL/cUL Listed, 40°C Ambient Temperature Rating, Dark Sky Compliant, 3G Vibration Rated



**EMM EPIC
MODERN MEDIUM
LED**

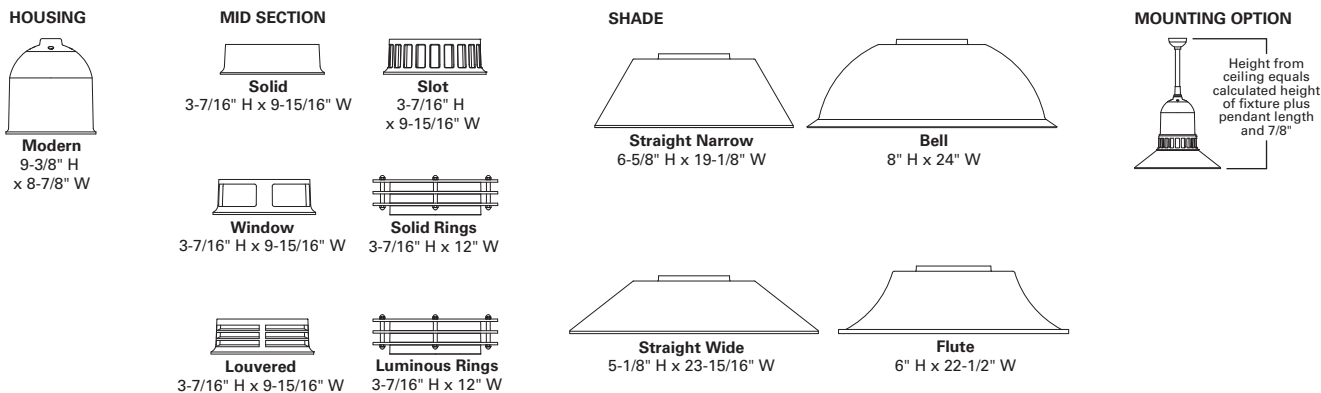
See configurations for more detailed information.

ORDERING INFORMATION

SAMPLE NUMBER: EMM-B04-LED-E1-T2-SO-BK-2L

Product Family	Number of LightBARs	Lamp Type	Voltage	Distribution	Shade Type	Color	
EMM=Epic Modern Medium	B01=(1) 21 LED LightBAR B02=(2) 21 LED LightBARs B03=(3) 21 LED LightBARs B04=(4) 21 LED LightBARs C01=(1) 7 LED LightBAR C02=(2) 7 LED LightBARs C03=(3) 7 LED LightBARs C04=(4) 7 LED LightBARs	LED=Solid State Light-Emitting Diodes	347=347V 480=480V E1=Electronic (120-277V)	5MQ=Type V Square Medium 5WQ=Type V Square Wide 5XQ=Type V Square Extra Wide RW=Rectangular Wide SL2=Type II with Spill Control SL3=Type III with Spill Control SL4=Type IV with Spill Control SLL=90° Spill Light Eliminator Left SLR=90° Spill Light Eliminator Right T2=Type II T3=Type III T4=Type IV	BL=Bell FL=Flute SN=Straight Narrow SW=Straight Wide	AP=Grey BK=Black BZ=Bronze DP=Dark Platinum GM=Graphite Metallic GN=Hartford Green WH=White	
Options (Add as Suffix) ¹		Accessories (Order Separately)					
2L=Two Circuits LCF=LightBAR Cover Plate Matches Housing Finish 7060=70 CRI/6000K CCT 8030=80 CRI/3000K CCT MS/X-LXX=Motion Sensor for Bi-level Operation ² MS-LXX=Motion Sensor for On/Off Operation ³ PM48=Pendant Mount 48" Length or Specify Pendant Length Inches (XX)		OA/RA1016=NEMA Twistlock Photocontrol - Multi-Tap OA/RA1027=NEMA Twistlock Photocontrol - 480V OA/RA1201=NEMA Twistlock Photocontrol - 347V VA6150-XX=Bishop Wall Mount Arm VA6151-XX=Bishop Wall Mount Arm with Cross Rod VA6152-XX=Traditional Wall Mount Arm VA6153-XX=Traditional Wall Mount Arm with 45° Strap VA6154-XX=Bishop Single Pole Mount Arm VA6155-XX=Bishop Single Pole Mount Arm with Cross Rod VA6156-XX=Bishop Twin Pole Mount Arm VA6157-XX=Bishop Twin Pole Mount Arm with Cross Rods VA6158-XX=Traditional Single Pole Mount Arm VA6159-XX=Traditional Single Pole Mount Arm with Rounded Upper Bar VA6160-XX=Traditional Single Pole Mount Arm with Rounded Lower Bar VA6161-XX=Traditional Single Pole Mount Arm with 45° Upper Bar VA6162-XX=Traditional Single Pole Mount Arm with 45° Lower Bar			VA6163-XX=Traditional Single Pole Mount Arm with 45° Upper Strap VA6165-XX=Traditional Twin Pole Mount Arm VA6166-XX=Traditional Twin Pole Mount Arm with Rounded Upper Bars VA6167-XX=Traditional Twin Pole Mount Arm with Rounded Lower Bars VA6168-XX=Traditional Twin Pole Mount Arm with 45° Upper Bars VA6169-XX=Traditional Twin Pole Mount Arm with 45° Lower Bars VA6170-XX=Traditional Twin Pole Mount Arm with 45° Upper Straps VA6171-XX=ECM Mast Arm Adapter Accessory Options A=Architectural Finial M=Modern Finial N=Nostalgic Finial R=NEMA Twistlock Photocell Receptacle V=Victorian Finial		

NOTES: 1. Not all options and configurations are compatible and restrictions may apply. Reference specification sheets for additional details. 2. Available in B02-B04 and C02-C04 configurations. Replace X with number of bars operating in low output mode and replace XX with mounting height in feet for proper lens selection, (i.e., MS/3-L25). Consult factory for additional information. 3. Available in B01-B04 and C01-C04 configurations. Replace XX with mounting height in feet for proper lens selection, (i.e., MS-L25). Consult factory for additional information.



Specifications and dimensions subject to change without notice. Consult your Cooper Lighting Representative or visit www.cooperlighting.com for available options, accessories and ordering information.



**EMM EPIC
MODERN MEDIUM**

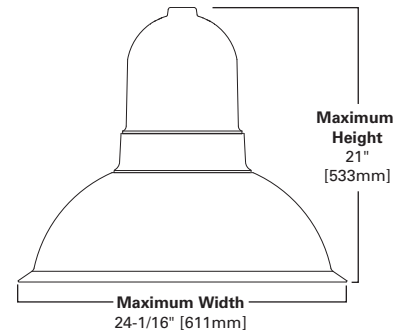
FEATURES

- Modular design for many unique combinations
- Heavy-gauge, precision-spun aluminum shades
- One-piece silicone gasket to prevent moisture and dust entry
- Base casting slipfits over standard 4" pole or 4" x 6" O.D. tenon
- Choice of five high-efficiency optical distributions

EPA: 0.84 (Flat Glass)

Compliances may not apply to all product configurations. Please consult the product spec sheet for compliance details.

COMPLIANCES: UL/cUL Listed - Wet Location, IP66 Rated, 40°C Ambient Temperature Rating, Dark Sky Compliant, 2G Vibration Tested



See configurations for more detailed information.

ORDERING INFORMATION

SAMPLE NUMBER: EMM-150-MP-MT-3S-FG-LV-FL-BK-L

Product Family	Lamp Wattage	Lamp Type	Voltage	Optical System	Lens Type	Mid Section Type	Shade Type	Color
EMM=Epic Modern Medium	Compact Fluorescent 42=42W 57=57W HPS 50=50W 70=70W 100=100W 150=150W MH 175=175W MP 50=50W 70=70W 100=100W 150=150W	CF =Compact Fluorescent HPS =High Pressure Sodium MH =Metal Halide MP =Pulse Start Metal Halide	UNV =120-270V Universal Electronic Ballast 120 =120V 208 =208V 240 =240V 277 =277V 347 =347V 480 =480V DT =Dual-Tap wired 277V MT =Multi-Tap wired 277V TT =Triple-Tap wired 347V	Horizontal Lamp 2S =Type II 3S =Type III 4S =Type IV 5S =Type V SL =Forward Throw with Spill Light Eliminator Vertical Lamp 3R =Type III Glass Refractor 5R =Type V Glass Refractor MA =Milky White Acrylic Jar	Horizontal Lamp FG =Flat Glass FR =Frosted Flat Glass FRS =Frosted Sag Glass SG =Sag Glass VS =Polycarbonate Vandal Shield Vertical Lamp X =No Lens	LR =Luminous Rings LV =Louvered SO =Solid SR =Solid Rings ST =Slot WN =Window Optional Mid Section Type LRB =Luminous Rings - Bright Blue LRG =Luminous Rings - Deep Green LRO =Luminous Rings - Warm Orange LRR =Luminous Rings - Red	BL =Bell FL =Flute SN =Straight Narrow SW =Straight Wide	AP =Grey BK =Black BZ =Bronze DP =Dark Platinum GM =Graphite Metallic GN =Hartford Green WH =White
Options (Add as Suffix) ¹			Accessories (Order Separately)					
F =Single Fuse (120, 277 or 347V. Specify voltage) FF =Double Fuse (208, 240 or 480V. Specify voltage) EM =Quartz Restrike with Time Delay (Also strikes at cold start) EM/SC =Quartz Emergency Separate Circuit Q =Quartz Restrike HS =House Side Shield PM48 =Pendant Mount 48" Length or Specify Pendant Length Inches (XX) NG =No Glow Luminous Mid Section L =Lamp Included WG =Wire Guard			OA/RA1016 =NEMA Twistlock Photocontrol - Multi-Tap OA/RA1027 =NEMA Twistlock Photocontrol - 480V OA/RA1201 =NEMA Twistlock Photocontrol - 347V VA6101-XX =Bishop Wall Mount Arm VA6102-XX =Bishop Wall Mount Arm with Cross Rod VA6103-XX =Traditional Wall Mount Arm VA6104-XX =Traditional Wall Mount Arm with 45° Strap VA6105-XX =Bishop Single Pole Mount Arm VA6106-XX =Bishop Single Pole Mount Arm with Cross Rod VA6107-XX =Bishop Twin Pole Mount Arm VA6108-XX =Bishop Twin Pole Mount Arm with Cross Rods VA6109-XX =Traditional Single Pole Mount Arm VA6110-XX =Traditional Single Pole Mount Arm with Rounded Upper Bar VA6111-XX =Traditional Single Pole Mount Arm with Rounded Lower Bar VA6112-XX =Traditional Single Pole Mount Arm with 45° Upper Bar VA6113-XX =Traditional Single Pole Mount Arm with 45° Lower Bar VA6114-XX =Traditional Single Pole Mount Arm with 45° Upper Strap VA6116-XX =Traditional Twin Pole Mount Arm VA6117-XX =Traditional Twin Pole Mount Arm with Rounded Upper Bars VA6118-XX =Traditional Twin Pole Mount Arm with Rounded Lower Bars VA6119-XX =Traditional Twin Pole Mount Arm with 45° Upper Bars VA6120-XX =Traditional Twin Pole Mount Arm with 45° Lower Bars VA6121-XX =Traditional Twin Pole Mount Arm with 45° Upper Straps VA6122-XX =EMM Mast Arm Adapter Accessory Options A =Architectural Finial M =Modern Finial N =Nostalgic Finial R =NEMA Twistlock Photocontrol Receptacle ² V =Victorian Finial					

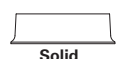
NOTES: 1. Not all options and configurations are compatible and restrictions may apply. Reference specification sheets for additional details. 2. Not compatible with finials, wall mount bishop arms or pendant mounting.

HOUSING



Modern
9-3/8" H
x 8-7/8" W

MID SECTION



Solid
3-7/16" H x 9-15/16" W



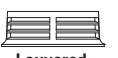
Slot
3-7/16" H
x 9-15/16" W



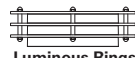
Window
3-7/16" H x 9-15/16" W



Solid Rings
3-7/16" H x 12" W

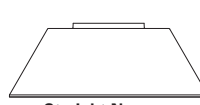


Louvered
3-7/16" H x 9-15/16" W

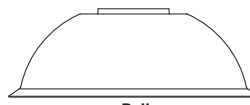


Luminous Rings
3-7/16" H x 12" W

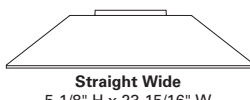
SHADE



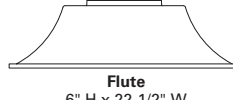
Straight Narrow
6-5/8" H x 19-1/8" W



Bell
8" H x 24" W

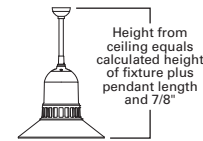


Straight Wide
5-1/8" H x 23-15/16" W



Flute
6" H x 22-1/2" W

MOUNTING OPTION



Height from ceiling equals calculated height of fixture plus pendant length and 7/8"

Specifications and dimensions subject to change without notice. Consult your Cooper Lighting Representative or visit www.cooperlighting.com for available options, accessories and ordering information.

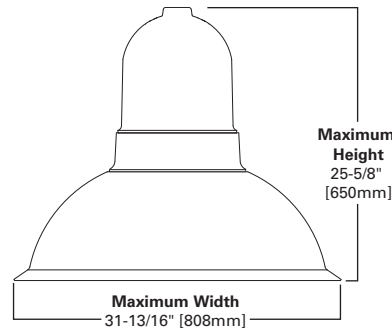
FEATURES

- Modular design for many unique combinations
- Heavy-gauge, precision-spun aluminum shades
- One-piece silicone gasket to prevent moisture and dust entry
- Base casting slipfits over standard 4" pole or 4" x 6" O.D. tenon
- Choice of five high-efficiency segmented optics

EPA: 1.38 (Flat Glass)

Compliances may not apply to all product configurations. Please consult the product spec sheet for compliance details.

COMPLIANCES: UL/cUL Listed - Wet Location, IP66 Rated, 40°C Ambient Temperature Rating, EISA Compliant, Dark Sky Compliant, 2G Vibration Tested



**EML EPIC
MODERN LARGE**

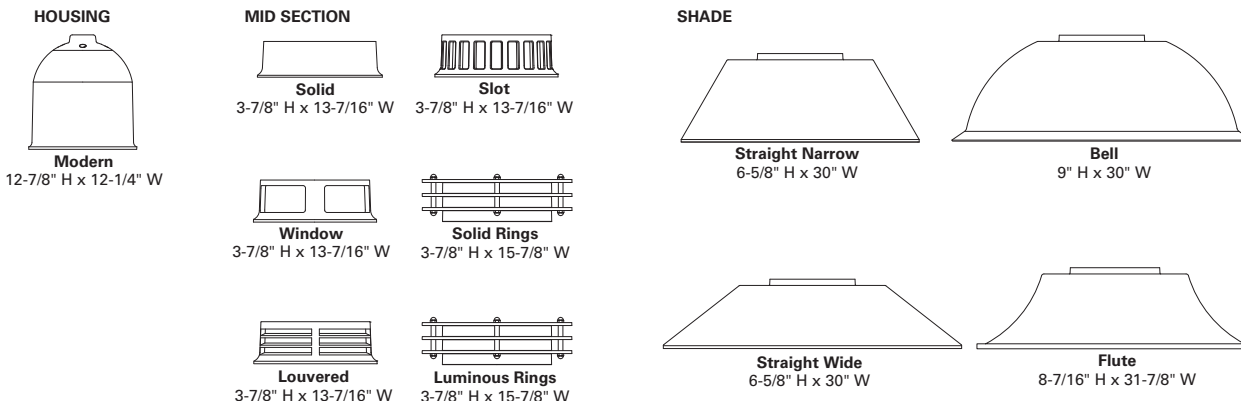
See configurations for more detailed information.

ORDERING INFORMATION

SAMPLE NUMBER: EML-400-MP-MT-3S-FG-LV-FL-BK-L

Product Family	Lamp Wattage	Lamp Type	Voltage	Optical System	Lens Type	Mid Section Type	Shade Type	Color
EML=Epic Modern Large	Compact Fluorescent 70=70W 84=(2) 42W 114=(2) 57W	CF=Compact Fluorescent HPS=High Pressure Sodium MH=Metal Halide MP=Pulse Start Metal Halide	UNV=120-277V Universal Electronic Ballast 120=120V 208=208V 240=240V 277=277V 347=347V 480=480V DT=Dual-Tap wired 277V MT=Multi-Tap wired 277V TT=Triple-Tap wired 347V	Horizontal Lamp 2S=Type II 3S=Type III 4S=Type IV 5S=Type V SL=Forward Throw with Spill Light Eliminator Vertical Lamp MA=Milky White Acrylic Jar	Horizontal Lamp FG=Flat Glass FR=Frosted Flat Glass FRS=Frosted Sag Glass SG=Sag Glass Vertical Lamp X=No Lens	LR=Luminous Rings LV=Louvered SO=Solid SR=Solid Rings ST=Slot WN=Window Optional Mid Section Type LRB=Luminous Rings - Bright Blue LRG=Luminous Rings - Deep Green LRO=Luminous Rings - Warm Orange LRR=Luminous Rings - Red	BL=Bell FL=Flute SW=Straight Wide	AP=Grey BK=Black BZ=Bronze DP=Dark Platinum GM=Graphite Metallic GN=Hartford Green WH=White
	HPS 150=150W 250=250W 400=400W MH 175=175W 250=250W 400=400W MP 150=150W 175=175W 250=250W 320=320W 350=350W 400=400W							
Options (Add as Suffix) ¹			Accessories (Order Separately) ¹					
F=Single Fuse (120, 277 or 347V. Specify voltage) FF=Double Fuse (208, 240 or 480V. Specify voltage) EM=Quartz Restrike with Time Delay (Also strikes at cold start) EM/SC=Quartz Emergency Separate Circuit Q=Quartz Restrike DS=Dual Fluorescent Switching Control HS=House Side Shield NG=No Glow Luminous Mid Section L=Lamp Included			OA/RA1016=NEMA Twistlock Photocontrol - Multi-Tap OA/RA1027=NEMA Twistlock Photocontrol - 480V OA/RA1201=NEMA Twistlock Photocontrol - 347V VA6001-XX=Bishop Wall Mount Arm VA6002-XX=Bishop Wall Mount Arm with Cross Rod VA6003-XX=Traditional Wall Mount Arm VA6004-XX=Traditional Wall Mount Arm with 45° Strap VA6005-XX=Bishop Single Pole Mount Arm VA6006-XX=Bishop Single Pole Mount Arm with Cross Rod VA6007-XX=Bishop Twin Pole Mount Arm VA6008-XX=Bishop Twin Pole Mount Arm with Cross Rods VA6009-XX=Traditional Single Pole Mount Arm VA6010-XX=Traditional Single Pole Mount Arm with Rounded Upper Bar VA6011-XX=Traditional Single Pole Mount Arm with Rounded Lower Bar VA6012-XX=Traditional Single Pole Mount Arm with 45° Upper Bar VA6013-XX=Traditional Single Pole Mount Arm with 45° Lower Bar VA6014-XX=Traditional Single Pole Mount Arm with 45° Upper Strap VA6016-XX=Traditional Twin Pole Mount Arm VA6017-XX=Traditional Twin Pole Mount Arm with Rounded Upper Bars VA6018-XX=Traditional Twin Pole Mount Arm with Rounded Lower Bars VA6019-XX=Traditional Twin Pole Mount Arm with 45° Upper Bars VA6020-XX=Traditional Twin Pole Mount Arm with 45° Lower Bars VA6021-XX=Traditional Twin Pole Mount Arm with 45° Upper Straps VA6022-XX=EML Mast Arm Adapter Accessory Options A=Architectural Finial M=Modern Finial N=Nostalgic Finial R=NEMA Twistlock Photocontrol Receptacle V=Victorian Finial					

NOTES: 1. Not all options and configurations are compatible and restrictions may apply. Reference specification sheets for additional details.



Specifications and dimensions subject to change without notice. Consult your Cooper Lighting Representative or visit www.cooperlighting.com for available options, accessories and ordering information.



ECM EPIC CLASSICAL MEDIUM LED

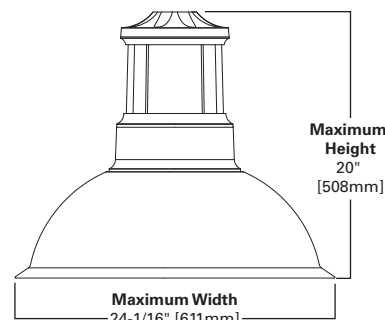
FEATURES

- Modular design for many unique combinations
- Heavy-gauge, precision-spun aluminum shades
- One-piece silicone gasket to prevent moisture and dust entry
- Standard in 4000K (+/- 275K) CCT and nominal 70 CRI
- Suitable for operation in -30°C to 40°C ambient environments
- Base casting slipfits over standard 4" pole or 4" x 6" O.D. tenon
- Five-year warranty
- Choice of 12 high-efficiency, patented AccuLED Optics™

EPA: 0.79

Compliances may not apply to all product configurations. Please consult the product spec sheet for compliance details.

COMPLIANCES: UL/cUL Listed - Wet Location, ARRA Compliant, Dark Sky Compliant, LM79 / LM80 Compliant, 3G Vibration Rated



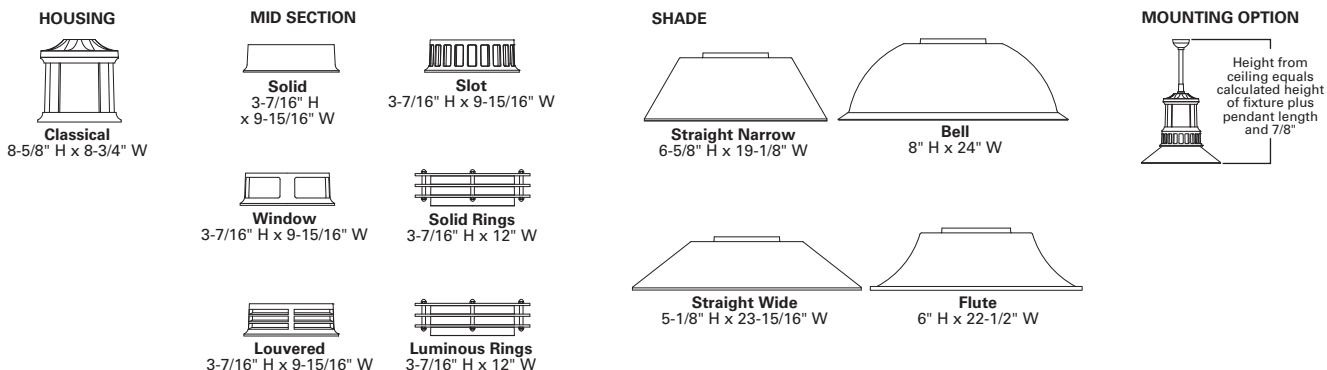
See configurations for more detailed information.

ORDERING INFORMATION

SAMPLE NUMBER: ECM-B04-LED-E1-T2-FL-BK-2L

Product Family	Number of LightBARs	Lamp Type	Voltage	Distribution	Mid Section Type	Shade Type	Color
ECM =Epic Classic Medium	B01 =(1) 21 LED LightBARs B02 =(2) 21 LED LightBARs B03 =(3) 21 LED LightBARs B04 =(4) 21 LED LightBARs C01 =(1) 7 LED LightBAR C02 =(2) 7 LED LightBARs C03 =(3) 7 LED LightBARs C04 =(4) 7 LED LightBARs	LED =Solid State Light-Emitting Diodes	347 =347V 480 =480V E1 =Electronic (120-277V)	5MQ =Type V Square Medium 5WQ =Type V Square Wide 5XQ =Type V Square Extra Wide RW =Rectangular Wide SL2 =Type II with Spill Control SL3 =Type III with Spill Control SL4 =Type IV with Spill Control SLL =90° Spill Light Eliminator Left SLR =90° Spill Light Eliminator Right T2 =Type II T3 =Type III T4 =Type IV	LV =Louvered SO =Solid SR =Solid Rings ST =Slot WN =Window	BL =Bell FL =Flute SN =Straight Narrow SW =Straight Wide	AP =Grey BK =Black BZ =Bronze DP =Dark Platinum GM =Graphite Metallic GN =Hartford Green WH =White
Options (Add as Suffix) ¹		Accessories (Order Separately)					
2L =Two Circuits LCF =LightBAR Cover Plate Matches Housing Finish 7060 =70 CRI/6000K CCT 8030 =80 CRI/3000K CCT MS/X-LXX =Motion Sensor for Bi-level Operation ² MS-LXX =Motion Sensor for On/Off Operation ³ PM48 =Pendant Mount 48" Length or Specify Pendant Length Inches (XX)		OA/RA1016 =NEMA Twistlock Photocontrol - Multi-Tap OA/RA1027 =NEMA Twistlock Photocontrol - 480V OA/RA1201 =NEMA Twistlock Photocontrol - 347V VA6150-XX =Bishop Wall Mount Arm VA6151-XX =Bishop Wall Mount Arm with Cross Rod VA6152-XX =Traditional Wall Mount Arm VA6153-XX =Traditional Wall Mount Arm with 45° Strap VA6154-XX =Bishop Single Pole Mount Arm VA6155-XX =Bishop Single Pole Mount Arm with Cross Rod VA6156-XX =Bishop Twin Pole Mount Arm VA6157-XX =Bishop Twin Pole Mount Arm with Cross Rods VA6158-XX =Traditional Single Pole Mount Arm VA6159-XX =Traditional Single Pole Mount Arm with Rounded Upper Bar VA6160-XX =Traditional Single Pole Mount Arm with Rounded Lower Bar VA6161-XX =Traditional Single Pole Mount Arm with 45° Upper Bar VA6162-XX =Traditional Single Pole Mount Arm with 45° Lower Bar				VA6163-XX =Traditional Single Pole Mount Arm with 45° Upper Strap VA6165-XX =Traditional Twin Pole Mount Arm VA6166-XX =Traditional Twin Pole Mount Arm with Rounded Upper Bars VA6167-XX =Traditional Twin Pole Mount Arm with Rounded Lower Bars VA6168-XX =Traditional Twin Pole Mount Arm with 45° Upper Bars VA6169-XX =Traditional Twin Pole Mount Arm with 45° Lower Bars VA6170-XX =Traditional Twin Pole Mount Arm with 45° Upper Straps VA6171-XX =ECM Mast Arm Adapter Accessory Options⁴ A =Architectural Finial M =Modern Finial N =Nostalgic Finial R =NEMA Twistlock Photocell Receptacle V =Victorian Finial	

NOTES: 1. Not all options and configurations are compatible and restrictions may apply. Reference specification sheets for additional details. 2. Available in B02-B04 and C02-C04 configurations. Replace X with number of bars operating in low output mode and replace XX with mounting height in feet for proper lens selection, (i.e., MS/3-L25). Consult factory for additional information. 3. Available in B01-B04 and C01-C04 configurations. Replace XX with mounting height in feet for proper lens selection, (i.e., MS-L25). Consult factory for additional information. 4. Add as suffix to accessory. Example: VA6158-BK-R. Finials compatible with Traditional Arms only.



Specifications and dimensions subject to change without notice. Consult your Cooper Lighting Representative or visit www.cooperlighting.com for available options, accessories and ordering information.

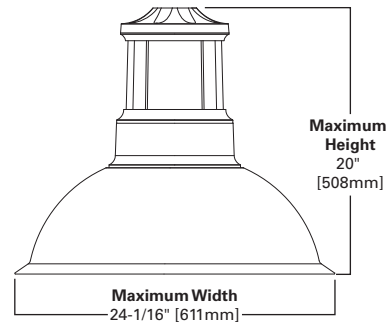
FEATURES

- Modular design for many unique combinations
- Heavy-gauge, precision-spun aluminum shades
- One-piece silicone gasket to prevent moisture and dust entry
- Base casting slipfits over standard 4" pole or 4" x 6" O.D. tenon
- Choice of five high-efficiency segmented optical distributions

EPA: 0.79 (Flat Glass)

Compliances may not apply to all product configurations. Please consult the product spec sheet for compliance details.

COMPLIANCES: UL/cUL Listed - Wet Location, 40°C Ambient Temperature Rating, Dark Sky Compliant, 2G Vibration Tested



See configurations for more detailed information.



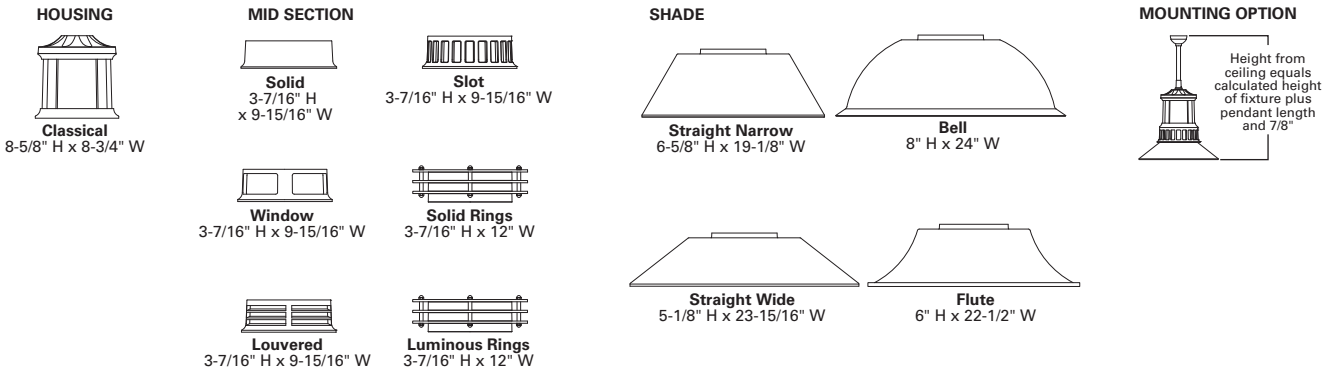
ECM EPIC CLASSICAL MEDIUM

ORDERING INFORMATION

SAMPLE NUMBER: ECM-150-MP-MT-3S-FG-LV-FL-BK

Product Family	Lamp Wattage	Lamp Type	Voltage	Optical System	Lens Type	Mid Section Type	Shade Type	Color	
ECM=Epic Classic Medium	Compact Fluorescent 42=42W 57=57W	CF =Compact Fluorescent HPS =High Pressure Sodium MH =Metal Halide MP =Pulse Start Metal Halide	UNV =120-270V Universal Electronic Ballast 120 =120V 208 =208V 240 =240V 277 =277V 347 =347V 480 =480V DT =Dual-Tap wired 277V MT =Multi-Tap wired 277V TT =Triple-Tap wired 347V	Horizontal Lamp 2S =Type II 3S =Type III 4S =Type IV 5S =Type V SL =Forward Throw with Spill Light Eliminator Vertical Lamp 3R =Type III Glass Refractor 5R =Type V Glass Refractor MA =Milky White Acrylic Jar	Horizontal Lamp FG =Flat Glass FR =Frosted Flat Glass FRS =Frosted Sag Glass SG =Sag Glass VS =Polycarbonate Vandal Shield Vertical Lamp X =No Lens	LR =Luminous Rings LV =Louvered SO =Solid SR =Solid Rings ST =Slot WN =Window Optional Mid Section Type LRB =Luminous Rings - Bright Blue LRG =Luminous Rings - Deep Green LRO =Luminous Rings - Warm Orange LRR =Luminous Rings - Red	BL =Bell FL =Flute SN =Straight Narrow SW =Straight Wide	AP =Grey BK =Black BZ =Bronze DP =Dark Platinum GM =Graphite Metallic GN =Hartford Green WH =White	
	HPS 50=50W 70=70W 100=100W 150=150W								
	MH 175=175W								
	MP 50=50W 70=70W 100=100W 150=150W								
Options (Add as Suffix)¹			Accessories (Order Separately)						
F =Single Fuse (120, 277 or 347V. Specify voltage) FF =Double Fuse (208, 240 or 480V. Specify voltage) EM =Quartz Restrike with Time Delay (Also strikes at cold start) EM/SC =Quartz Emergency Separate Circuit Q =Quartz Restrike HS =House Side Shield PM48 =Pendant Mount 48" Length or Specify Pendant Length Inches (XX) NG =No Glow Luminous Mid Section L =Lamp Included WG =Wire Guard			OA/RA1016 =NEMA Twistlock Photocontrol - Multi-Tap OA/RA1027 =NEMA Twistlock Photocontrol - 480V OA/RA1201 =NEMA Twistlock Photocontrol - 347V VA6101-XX =Bishop Wall Mount Arm VA6102-XX =Bishop Wall Mount Arm with Cross Rod VA6103-XX =Traditional Wall Mount Arm VA6104-XX =Traditional Wall Mount Arm with 45° Strap VA6105-XX =Bishop Single Pole Mount Arm VA6106-XX =Bishop Single Pole Mount Arm with Cross Rod VA6107-XX =Bishop Twin Pole Mount Arm VA6108-XX =Bishop Twin Pole Mount Arm with Cross Rods VA6109-XX =Traditional Single Pole Mount Arm VA6110-XX =Traditional Single Pole Mount Arm with Rounded Upper Bar VA6111-XX =Traditional Single Pole Mount Arm with Rounded Lower Bar VA6112-XX =Traditional Single Pole Mount Arm with 45° Upper Bar VA6113-XX =Traditional Single Pole Mount Arm with 45° Lower Bar VA6114-XX =Traditional Single Pole Mount Arm with 45° Upper Strap VA6116-XX =Traditional Twin Pole Mount Arm VA6117-XX =Traditional Twin Pole Mount Arm with Rounded Upper Bars VA6118-XX =Traditional Twin Pole Mount Arm with Rounded Lower Bars VA6119-XX =Traditional Twin Pole Mount Arm with 45° Upper Bars VA6120-XX =Traditional Twin Pole Mount Arm with 45° Lower Bars VA6121-XX =Traditional Twin Pole Mount Arm with 45° Upper Straps VA6122-XX =EMM Mast Arm Adapter Accessory Options² A =Architectural Finial M =Modern Finial N =Nostalgic Finial R =NEMA Twistlock Photocontrol Receptacle ³ V =Victorian Finial						

NOTES: 1. Not all options and configurations are compatible and restrictions may apply. Reference specification sheets for additional details. 2. Add as suffix to accessory. Example: VA6158-BK-R. Finials compatible with Traditional Arms only. 3. Not compatible with finials, wall mount bishop arms or pendant mounting.



Specifications and dimensions subject to change without notice. Consult your Cooper Lighting Representative or visit www.cooperlighting.com for available options, accessories and ordering information.



ECL EPIC CLASSICAL LARGE

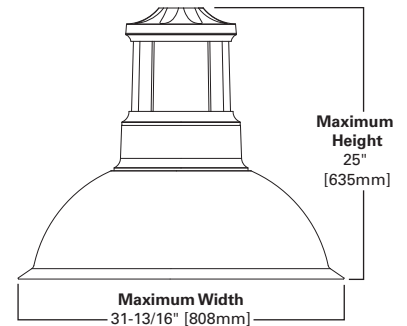
FEATURES

- Modular design for many unique combinations
- Heavy-gauge, precision-spun aluminum shades
- One-piece silicone gasket to prevent moisture and dust entry
- Base casting slipfits over standard 4" pole or 4" x 6" O.D. tenon
- Choice of five high-efficiency segmented optical systems

EPA: 1.3 (Flat Glass) / 1.75 (Sag Glass)

Compliances may not apply to all product configurations. Please consult the product spec sheet for compliance details.

COMPLIANCES: UL/cUL Listed - Wet Location, IP66 Rated, 40°C Ambient Temperature Rating, EISA Compliant, Dark Sky Compliant, 2G Vibration Tested



See configurations for more detailed information.

ORDERING INFORMATION

SAMPLE NUMBER: ECL-400-MP-MT-3S-FG-LV-FL-BK-L

Product Family	Lamp Wattage	Lamp Type	Voltage	Optical System	Lens Type	Mid Section Type	Shade Type	Color
ECL=Epic Classic Large	Compact Fluorescent 70=70W 84=(2) 42W 114=(2) 57W	CF =Compact Fluorescent HPS =High Pressure Sodium MH =Metal Halide MP =Pulse Start Metal Halide	UNV =120-277V Universal Electronic Ballast 120 =120V 208 =208V 240 =240V 277 =277V 347 =347V 480 =480V DT =Dual-Tap wired 277V MT =Multi-Tap wired 277V TT =Triple-Tap wired 347V	Horizontal Lamp 2S =Type II 3S =Type III 4S =Type IV 5S =Type V SL =Forward Throw with Spill Light Eliminator Vertical Lamp MA =Milky White Acrylic Jar	Horizontal Lamp FG =Flat Glass FR =Frosted Flat Glass FRS =Frosted Sag Glass SG =Sag Glass Vertical Lamp X =No Lens	LR =Luminous Rings LV =Louvered SO =Solid SR =Solid Rings ST =Slot WN =Window Optional Mid Section Type LRB =Luminous Rings - Bright Blue LRG =Luminous Rings - Deep Green LRO =Luminous Rings - Warm Orange LRR =Luminous Rings - Red	BL =Bell FL =Flute SW =Straight Wide	AP =Grey BK =Black BZ =Bronze DP =Dark Platinum GM =Graphite Metallic GN =Hartford Green WH =White
	HPS 150=150W 250=250W 400=400W MH 175=175W 250=250W 400=400W MP 150=150W 175=175W 250=250W 320=320W 350=350W 400=400W							

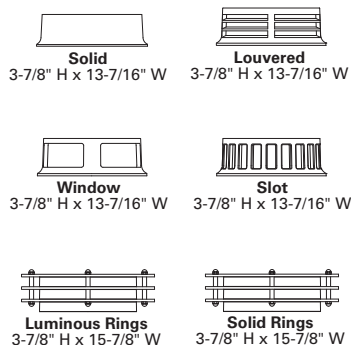
Options (Add as Suffix) ¹	Accessories (Order Separately)
F =Single Fuse (120, 277 or 347V. Specify voltage) FF =Double Fuse (208, 240 or 480V. Specify voltage) EM =Quartz Restrike with Time Delay (Also strikes at cold start) EM/SC =Quartz Emergency Separate Circuit Q =Quartz Restrike DS =Dual Fluorescent Switching Control HS =House Side Shield NG =No Glow Luminous Mid Section L =Lamp Included	OA/RA1016 =NEMA Twistlock Photocontrol - Multi-Tap OA/RA1027 =NEMA Twistlock Photocontrol - 480V OA/RA1201 =NEMA Twistlock Photocontrol - 347V VA6050-XX =Bishop Wall Mount Arm VA6051-XX =Bishop Wall Mount Arm with Cross Rod VA6052-XX =Traditional Wall Mount Arm VA6053-XX =Traditional Wall Mount Arm with 45° Strap VA6054-XX =Bishop Single Pole Mount Arm VA6055-XX =Bishop Single Pole Mount Arm with Cross Rod VA6056-XX =Bishop Twin Pole Mount Arm VA6057-XX =Bishop Twin Pole Mount Arm with Cross Rods VA6058-XX =Traditional Single Pole Mount Arm VA6059-XX =Traditional Single Pole Mount Arm with Rounded Upper Bar VA6060-XX =Traditional Single Pole Mount Arm with Rounded Lower Bar VA6061-XX =Traditional Single Pole Mount Arm with 45° Upper Bar VA6062-XX =Traditional Single Pole Mount Arm with 45° Lower Bar VA6063-XX =Traditional Single Pole Mount Arm with 45° Upper Strap VA6065-XX =Traditional Twin Pole Mount Arm VA6066-XX =Traditional Twin Pole Mount Arm with Rounded Upper Bars VA6067-XX =Traditional Twin Pole Mount Arm with Rounded Lower Bars VA6068-XX =Traditional Twin Pole Mount Arm with 45° Upper Bars VA6069-XX =Traditional Twin Pole Mount Arm with 45° Lower Bars VA6070-XX =Traditional Twin Pole Mount Arm with 45° Upper Straps VA6071-XX =ECL Mast Arm Adapter Accessory Options A =Architectural Finial M =Modern Finial N =Nostalgic Finial R =NEMA Twistlock Photocontrol Receptacle ² V =Victorian Finial

NOTES: 1. Not all options and configurations are compatible and restrictions may apply. Reference specification sheets for additional details. 2. Not compatible with finials, wall mount bishop arms or pendant mounting.

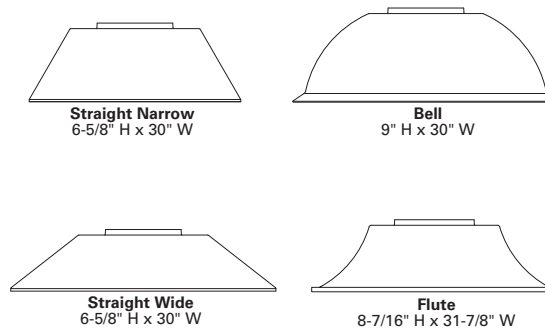
HOUSING



MID SECTION



SHADE

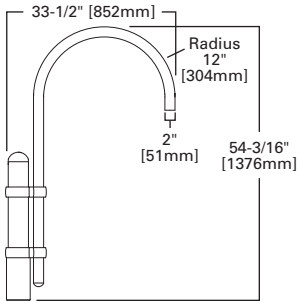


Specifications and dimensions subject to change without notice. Consult your Cooper Lighting Representative or visit www.cooperlighting.com for available options, accessories and ordering information.

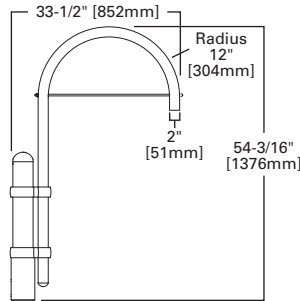
EPIC COLLECTION ARM SPECIFICATIONS

Pole mount arms are designed to fit both medium EMM/ECM and large EML/ECL series housings. Arms feature a precision welded cast aluminum mounting hub for attachment of fixture head to arm with four stainless steel fasteners. Wall mount arms compliment pole mount luminaires and attractively transition fixture scale in lower mounting height pedestrian environments. Wall mount arms are designed to fit both medium EMM/ECM and large EML/ECL series housings. Arms feature a precision welded cast aluminum mounting hub for attachment of fixture head to arm with four stainless steel fasteners.

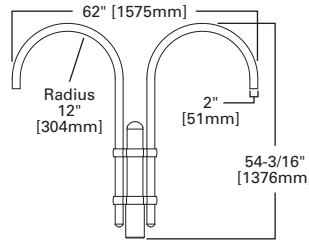
POLE MOUNT ACCESSORIES¹



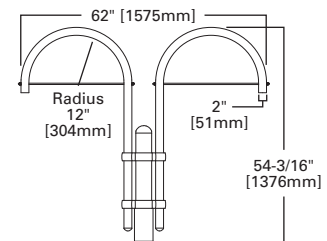
BISHOP SINGLE POLE MOUNT ARM
 (VA6105, VA6154, VA6005, VA6054)
 Slipfits over 4" round straight pole, or 4" O.D. by 6" tall tenon.
 Weight: 24 lbs. E.P.A.: 0.92



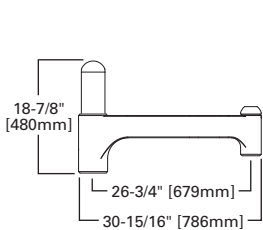
BISHOP SINGLE POLE MOUNT ARM WITH CROSS ROD
 (VA6106, VA6155, VA6006, VA6055)
 Slipfits over 4" round straight pole, or 4" O.D. by 6" tall tenon.
 Weight: 25 lbs. E.P.A.: 0.98



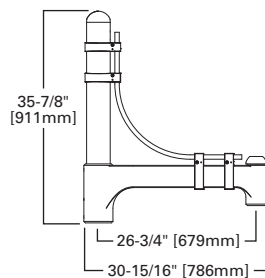
BISHOP TWIN POLE MOUNT ARM
 (VA6107, VA6156, VA6007, VA6056)
 Slipfits over 4" round straight pole, or 4" O.D. by 6" tall tenon.
 Weight: 37 lbs. E.P.A.: 1.43



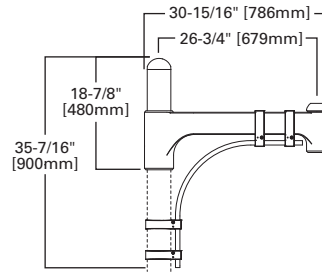
BISHOP TWIN POLE MOUNT ARM WITH CROSS RODS
 (VA6108, VA6157, VA6008, VA6057)
 Slipfits over 4" round straight pole, or 4" O.D. by 6" tall tenon.
 Weight: 39 lbs. E.P.A.: 1.55



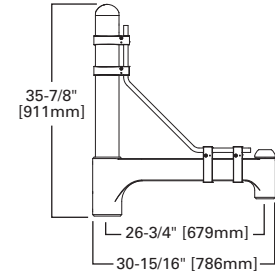
TRADITIONAL SINGLE POLE MOUNT ARM
 (VA6109, VA6158, VA6009, VA6058)
 Slipfits over 4" round straight pole, or 4" O.D. by 6" tall tenon.
 Weight: 20 lbs. E.P.A.: 0.86



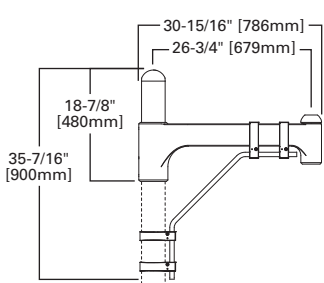
TRADITIONAL SINGLE POLE MOUNT ARM WITH ROUNDED UPPER BAR
 (VA6110, VA6159, VA6010, VA6059)
 Slipfits over 4" round straight pole, or 4" O.D. by 6" tall tenon.
 Weight: 28 lbs. E.P.A.: 1.4



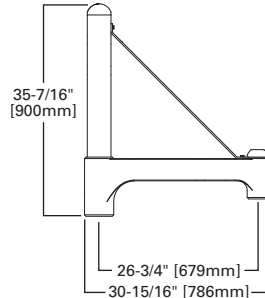
TRADITIONAL SINGLE POLE MOUNT ARM WITH ROUNDED LOWER BAR¹
 (VA6111, VA6160, VA6011, VA6060)
 Slipfits over 4" round straight pole, or 4" O.D. by 6" tall tenon.
 Weight: 25 lbs. E.P.A.: 1.16



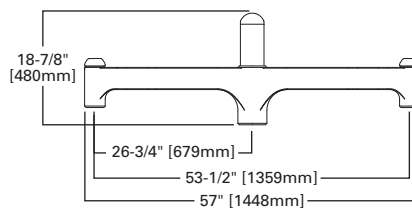
TRADITIONAL SINGLE POLE MOUNT ARM WITH 45° UPPER BAR
 (VA6112, VA6161, VA6012, VA6061)
 Slipfits over 4" round straight pole, or 4" O.D. by 6" tall tenon.
 Weight: 28 lbs. E.P.A.: 1.38



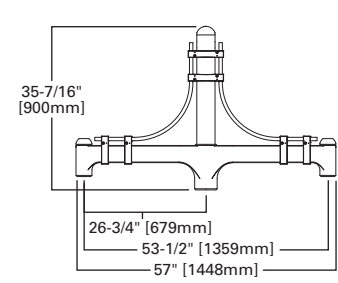
TRADITIONAL SINGLE POLE MOUNT ARM WITH 45° LOWER BAR¹
 (VA6113, VA6162, VA6013, VA6062)
 Slipfits over 4" round straight pole, or 4" O.D. by 6" tall tenon.
 Weight: 24 lbs. E.P.A.: 1.17



TRADITIONAL SINGLE POLE MOUNT ARM WITH 45° UPPER STRAP
 (VA6114, VA6163, VA6014, VA6063)
 Slipfits over 4" round straight pole, or 4" O.D. by 6" tall tenon.
 Weight: 24 lbs. E.P.A.: 1.17



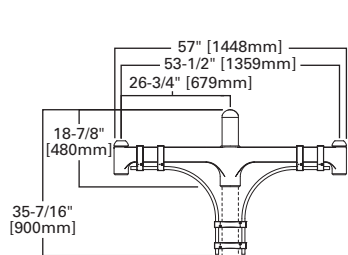
TRADITIONAL TWIN POLE MOUNT ARM
 (VA6116, VA6165, VA6016, VA6065)
 Slipfits over 4" round straight pole, or 4" O.D. by 6" tall tenon.
 Weight: 30 lbs. E.P.A.: 1.44



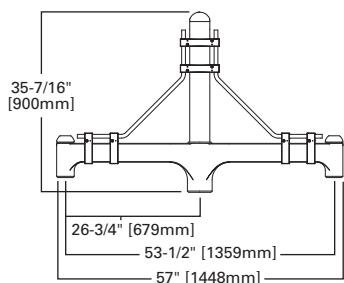
TRADITIONAL TWIN POLE MOUNT ARM WITH ROUNDED UPPER BARS
 (VA6117, VA6166, VA6017, VA6066)
 Slipfits over 4" round straight pole, or 4" O.D. by 6" tall tenon.
 Weight: 43 lbs. E.P.A.: 2.28

NOTE: 1 Pole mount arms require use of 4" round straight pole.

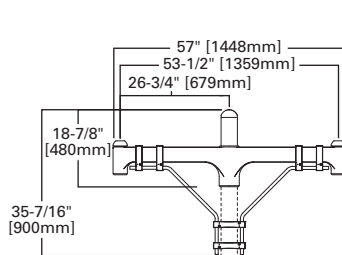
Specifications and dimensions subject to change without notice. Consult your Cooper Lighting Representative or visit www.cooperlighting.com for available options, accessories and ordering information.



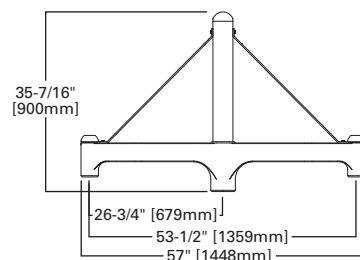
TRADITIONAL TWIN POLE MOUNT ARM WITH ROUNDED LOWER BARS ¹
 (VA6118, VA6167, VA6018, VA6067)
 Slipfits over 4" round straight pole, or 4" O.D. by 6" tall tenon.
 Weight: 40 lbs. E.P.A: 2.04



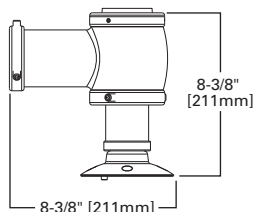
TRADITIONAL TWIN POLE MOUNT ARM WITH 45° UPPER BARS
 (VA6119, VA6168, VA6019, VA6068)
 Slipfits over 4" round straight pole, or 4" O.D. by 6" tall tenon.
 Weight: 43 lbs. E.P.A: 2.24



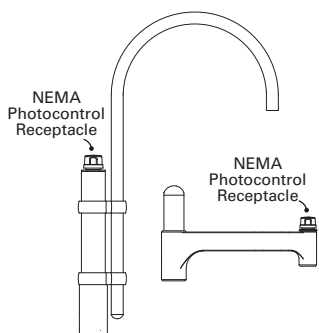
TRADITIONAL TWIN POLE MOUNT ARM WITH 45° LOWER BARS ¹
 (VA6120, VA6169, VA6020, VA6069)
 Slipfits over 4" round straight pole, or 4" O.D. by 6" tall tenon.
 Weight: 40 lbs. E.P.A: 2.0



TRADITIONAL TWIN POLE MOUNT ARM WITH 45° UPPER STRAPS
 (VA6121, VA6170, VA6021, VA6070)
 Slipfits over 4" round straight pole, or 4" O.D. by 6" tall tenon.
 Weight: 37 lbs. E.P.A: 1.81

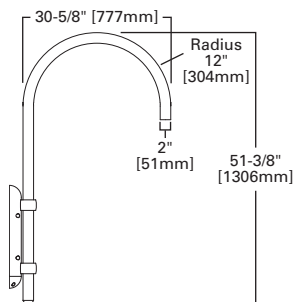


MAST ARM ADAPTER
 (VA6122, VA6171, VA6022, VA6071)
 Secures fixture to nominal 2" pipe (2-3/8" horizontal O.D.)
 Weight: 4 lbs.

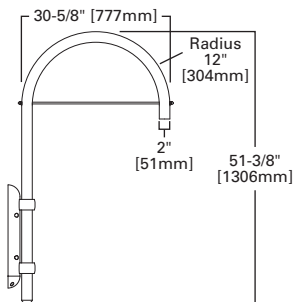


NEMA TWISTLOCK PHOTOCONTROL (R)
 Order separately (Not compatible with finials or wall mount bishop arms)

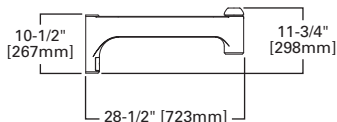
WALL MOUNT ACCESSORIES



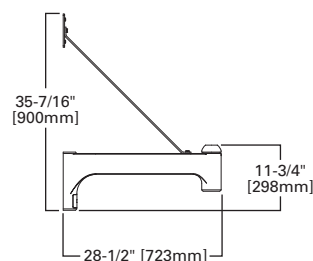
BISHOP WALL MOUNT ARM
 (VA6101, VA6150, VA6001, VA6050)
 Mounts to wall with four (4) stainless steel lag bolts (provided by other).
 Weight: 16 lbs.



BISHOP WALL MOUNT ARM WITH CROSS ROD
 (VA6102, VA6151, VA6002, VA6051)
 Mounts to wall with four (4) stainless steel lag bolts (provided by other).
 Weight: 17 lbs.



TRADITIONAL WALL MOUNT ARM
 (VA6103, VA6152, VA6003, VA6052)
 Mounts to wall with four (4) stainless steel lag bolts (provided by other).
 Weight: 17 lbs.

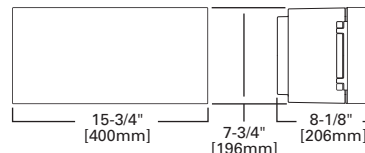


TRADITIONAL WALL MOUNT ARM WITH 45° STRAP
 (VA6104, VA6153, VA6004, VA6053)
 Mounts to wall with four (4) stainless steel lag bolts (provided by other).
 Weight: 18 lbs.

Specifications and dimensions subject to change without notice. Consult your Cooper Lighting Representative or visit www.cooperlighting.com for available options, accessories and ordering information.

FEATURES

- One-piece, die-cast aluminum housing and door
- Flush-mounted, die-cast tool-less latch for ease of maintenance
- Choice of six LED optical distributions
- Fits 4" j-box and secured via two concealed stainless steel fasteners
- Optional uplight and colored or clear luminous window
- Optional die-cast aluminum adapter box for occupancy sensor and egress
- Proprietary circuit module withstands 10kV transient line surge
- Standard in 4000K (+/- 275K) CCT and nominal 70 CRI
- Five-year warranty



**ENC ENTRI
ROUND CLEAN
LED**

Compliances may not apply to all product configurations. Please consult the product spec sheet for compliance details.

COMPLIANCES: UL/cUL Listed - Wet Location, ARRA Compliant, Dark Sky Compliant, LM79 / LM80 Compliant



ORDERING INFORMATION

SAMPLE NUMBER: ENC-B02-LED-E1-BL3-GM

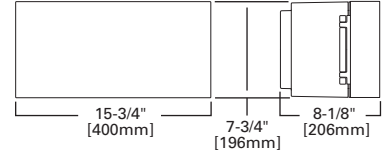
Product Family	Number of LightBARs	Lamp Type	Voltage	Distribution	Color
ENC =Entri Round Clean	B01 =(1) 21 LED LightBAR B02 =(2) 21 LED LightBARs C01 =(1) 7 LED LightBAR C02 =(2) 7 LED LightBARs	LED =Solid State Light-Emitting Diodes	347 =347V 480 =480V E1 =Electronic (120-277V)	BL2 =Type II with Back Light Control BL3 =Type III with Back Light Control BL4 =Type IV with Back Light Control GZW =Wall Grazer Wide SLL =90° Spill Light Eliminator Left SLR =90° Spill Light Eliminator Right	AP =Grey BK =Black BZ =Bronze DP =Dark Platinum GM =Graphite Metallic WH =White
Options (Add as Suffix) ¹			Accessories (Order Separately)		
PC =Button Type Photocontrol (Specify voltage) 2L =Two Circuits LCF =LightBAR Cover Plate Matches Housing Finish 7060 =70 CRI/6000K CCT 8030 =80 CRI/3000K CCT OSB =Occupancy Sensor with Back Box BBB =Battery Pack with Back Box (Specify 120 or 277V) CWB =Cold Weather Battery Pack with Back Box (Specify 120 or 277V) TP =Tamper-resistant Hardware ULG =Uplight Glow WG =Wire Guard			MA1253 =10kV Circuit Module Replacement VA2001-XX =Thruway Conduit Adapter Box VA6172 =Wire Guard VA6173 =Tamper-resistant Driver Bits		

NOTES: 1. Not all options and configurations are compatible and restrictions may apply. Reference specification sheets for additional details.



FEATURES

- One-piece, die-cast aluminum housing and door
- Flush-mounted, die-cast tool-less latch for ease of maintenance
- Choice of 12 high-efficiency optical distributions
- Fits 4" j-box and secured via two concealed stainless steel fasteners
- Optional upright and colored or clear luminous window
- Optional die-cast aluminum adapter box for occupancy sensor and egress



Compliances may not apply to all product configurations. Please consult the product spec sheet for compliance details.

COMPLIANCES: UL/cUL Listed - Wet Location, IP66 Rated, 40°C Ambient Temperature Rating, Dark Sky Compliant



**ENC ENTRI
ROUND CLEAN**

ORDERING INFORMATION

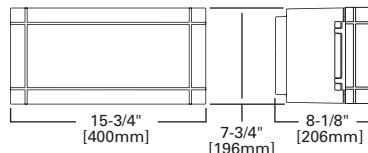
SAMPLE NUMBER: ENC-150-MP-120-EB-3S-BK-LG-L

Product Family	Lamp Wattage	Lamp Type	Voltage	Ballast	Optical System	Color
ENC=Entri Round Clean	Compact Fluorescent 26=26W 32=32W 42=42W 52=(2) 26W 57=57W 64=(2) 32W 84=(2) 42W Halogen 100=100W 150=150W 250=250W MP 39=39W 70=70W 100=100W 150=150W WS 100=100W	CF=Compact Fluorescent HL=Quartz Halogen MP=Pulse Start Metal Halide WS=White SON® High Pressure Sodium	UNV=120-277V Universal Electronic Ballast 120=120V 208=208V 240=240V 277=277V 347=347V 480=480V DT=Dual-Tap wired 277V MT=Multi-Tap wired 277V TT=Triple-Tap wired 347V	EB=Electronic Ballast MB=Magnetic Ballast	Compact Fluorescent CFG=90% Main with 10% Secondary Glow CFM=100% Main, Up or Downlighting Downlight and Uplight (HID and Halogen) 3SG=Type III, 90% Main with 10% Secondary Glow 3SP=Type III with Pencil Secondary FTG=Forward Throw, 90% Main with 10% Secondary Glow FTP=Forward Throw with Pencil Secondary FXF=Wall Grazing Optic, 50% Up and 50% Down TSF=Tight Spot, 50% Up with 50% Down Downlight or Uplight (HID or Halogen) 3S=Type III FT=Forward Throw FX=Wall Grazing Optic TS=Tight Spot	AP=Grey BK=Black BZ=Bronze DP=Dark Platinum GM=Graphite Metallic WH=White
Optional Luminous Faceplate Insert		Options (Add as Suffix) ¹		Accessories (Order Separately)		
LG=Luminous Glass Insert LGB=Luminous Glass Insert with Bright Blue Gel LGQ=Luminous Glass Insert with Deep Green Gel LGO=Luminous Glass Insert with Warm Orange Gel LGR=Luminous Glass Insert with Red Gel		PC=Button Type Photocontrol (Specify voltage) F=Single Fuse (120, 277 or 347V. Specify voltage) FF=Double Fuse (208, 240 or 480V. Specify voltage) DSAB=Dual Fluorescent Switching Control Adapter Box QAB=Quartz Restrike Adapter Box EM/SCAB=Quartz Emergency Separate Circuit Adapter Box EMAB=Quartz Restrike with Delay Adapter Box (Also strikes at cold start) CF/EMAB=Emergency Battery Backup Adapter Box FRM=Frosted Main Flat Glass FRS=Frosted Secondary Flat Glass L=Lamp Included (Standard for all Halogen lamps) WG=Wire Guard		VA2001-XX=Thruway Box VA2002=Wire Guard Kit		

NOTES: 1. Not all options and configurations are compatible and restrictions may apply. Reference specification sheets for additional details.

FEATURES

- One-piece, die-cast aluminum housing and door
- One flush-mounted, die-cast, tool-less latch for ease of maintenance
- Choice of six LED optical distributions
- Fits 4" j-box and secured via two concealed stainless steel fasteners
- Optional uplight and colored or clear luminous window
- Optional die-cast aluminum adapter box for occupancy sensor and egress
- Proprietary circuit module withstands 10kV transient line surge
- Standard in 4000K (+/- 275K) CCT and nominal 70 CRI
- Five-year warranty



ENV ENTRI ROUND REVEALS LED

Compliances may not apply to all product configurations. Please consult the product spec sheet for compliance details.

COMPLIANCES: UL/cUL Listed - Wet Location, ARRA Compliant, Dark Sky Compliant, LM79 / LM80 Compliant



ORDERING INFORMATION

SAMPLE NUMBER: ENV-B02-LED-E1-BL3-GM

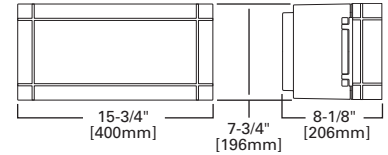
Product Family	Number of LightBARs	Lamp Type	Voltage	Distribution	Color
ENV=Entri Round Reveals	B01=(1) 21 LED LightBAR B02=(2) 21 LED LightBARs C01=(1) 7 LED LightBAR C02=(2) 7 LED LightBARs	LED=Solid State Light-Emitting Diodes	347=347V 480=480V E1=Electronic (120-277V)	BL2=Type II with Back Light Control BL3=Type III with Back Light Control BL4=Type IV with Back Light Control GZW=Wall Grazer Wide SLL=90° Spill Light Eliminator Left SLR=90° Spill Light Eliminator Right	AP=Grey BK=Black BZ=Bronze DP=Dark Platinum GM=Graphite Metallic WH=White
Options (Add as Suffix) ¹			Accessories (Order Separately)		
PC=Button Type Photocontrol (Specify voltage) 2L=Two Circuits LCF=LightBAR Cover Plate Matches Housing Finish 7060=70 CRI/6000K CCT 8030=80 CRI/3000K CCT OSB=Occupancy Sensor with Back Box BBB=Battery Pack with Back Box (Specify 120 or 277V) CWB=Cold Weather Battery Pack with Back Box (Specify 120 or 277V) TP=Tamper-resistant Hardware ULG=Uplight Glow WG=Wire Guard			MA1253=10kV Circuit Module Replacement VA2001-XX=Thruway Conduit Adapter Box VA6172=Wire Guard VA6173=Tamper-resistant Driver Bits		

NOTES: 1. Not all options and configurations are compatible and restrictions may apply. Reference specification sheets for additional details.



FEATURES

- One-piece, die-cast aluminum housing and door
- One flush-mounted, die-cast, tool-less latch for ease of maintenance
- Choice of 12 high-efficiency optical distributions
- Fits 4" j-box and secured via two concealed stainless steel fasteners
- Optional upright and colored or clear luminous window
- Optional die-cast aluminum adapter box for occupancy sensor and egress



Compliances may not apply to all product configurations. Please consult the product spec sheet for compliance details.

COMPLIANCES: UL/cUL Listed - Wet Location, IP66 Rated, 40°C Ambient Temperature Rating, Dark Sky Compliant



ENV ENTRI ROUND REVEALS

ORDERING INFORMATION

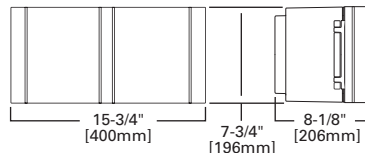
SAMPLE NUMBER: ENV-150-MP-120-EB-3S-BK-LG-L

Product Family	Lamp Wattage	Lamp Type	Voltage	Ballast	Optical System	Color
ENV=Entri Round Reveals	Compact Fluorescent 26=26W 32=32W 42=42W 52=(2) 26W 57=57W 64=(2) 32W 84=(2) 42W Halogen 100=100W 150=150W 250=250W MP 39=39W 70=70W 100=100W 150=150W WS 100=100W	CF =Compact Fluorescent HL =Quartz Halogen MP =Pulse Start Metal Halide WS =White SON® High Pressure Sodium	UNV =120-277V Universal Electronic Ballast 120=120V 208=208V 240=240V 277=277V 347=347V 480=480V DT =Dual-Tap wired 277V MT =Multi-Tap wired 277V TT =Triple-Tap wired 347V	EB =Electronic Ballast MB =Magnetic Ballast	Compact Fluorescent CFG =90% Main with 10% Secondary Glow CFM =100% Main, Up or Downlighting Downlight and Uplight (HID and Halogen) 3SG =Type III, 90% Main with 10% Secondary Glow 3SP =Type III with Pencil Secondary FTG =Forward Throw, 90% Main with 10% Secondary Glow FTP =Forward Throw with Pencil Secondary FXF =Wall Grazing Optic, 50% Up and 50% Down TSF =Tight Spot, 50% Up with 50% Down Downlight or Uplight (HID or Halogen) 3S =Type III FT =Forward Throw FX =Wall Grazing Optic TS =Tight Spot	AP =Grey BK =Black BZ =Bronze DP =Dark Platinum GM =Graphite Metallic WH =White
Optional Luminous Faceplate Insert		Options (Add as Suffix) ¹		Accessories (Order Separately)		
LG =Luminous Glass Insert LGB =Luminous Glass Insert with Bright Blue Gel LGG =Luminous Glass Insert with Deep Green Gel LGO =Luminous Glass Insert with Warm Orange Gel LGR =Luminous Glass Insert with Red Gel		PC =Button Type Photocontrol (Specify voltage) F =Single Fuse (120, 277 or 347V. Specify voltage) FF =Double Fuse (208, 240 or 480V. Specify voltage) DSAB =Dual Fluorescent Switching Control Adapter Box QAB =Quartz Restrike Adapter Box EM/SCAB =Quartz Emergency Separate Circuit Adapter Box EMAB =Quartz Restrike with Delay Adapter Box (Also strikes at cold start) CF/EMAB =Emergency Battery Backup Adapter Box FRM =Frosted Main Flat Glass FRS =Frosted Secondary Flat Glass L =Lamp Included (Standard for all Halogen lamps) WG =Wire Guard		VA2001-XX =Thruway Box VA2002 =Wire Guard Kit		

NOTES: 1. Not all options and configurations are compatible and restrictions may apply. Reference specification sheets for additional details.

FEATURES

- One-piece, die-cast aluminum housing and door
- One flush-mounted, die-cast, tool-less latch for ease of maintenance
- Choice of six LED optical distributions
- Fits 4" j-box and secured via two concealed stainless steel fasteners
- Optional uplight and colored or clear luminous window
- Optional die-cast aluminum adapter box for occupancy sensor and egress
- Proprietary circuit module withstands 10kV transient line surge
- Standard in 4000K (+/- 275K) CCT and nominal 70 CRI
- Five-year warranty



ENT ENTRI
TRIANGLE
REVEALS LED

Compliances may not apply to all product configurations. Please consult the product spec sheet for compliance details.

COMPLIANCES: UL/cUL Listed - Wet Location, ARRA Compliant, Dark Sky Compliant, LM79 / LM80 Compliant



ORDERING INFORMATION

SAMPLE NUMBER: ENT-C02-LED-E1-BL3-GM

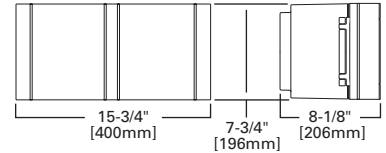
Product Family	Number of LightBARs	Lamp Type	Voltage	Distribution	Color
ENT=Entri Triangle Reveals	B01 =(1) 21 LED LightBAR B02 =(2) 21 LED LightBARs C01 =(1) 7 LED LightBAR C02 =(2) 7 LED LightBARs	LED =Solid State Light-Emitting Diodes	347 =347V 480 =480V E1 =Electronic (120-277V)	BL2 =Type II with Back Light Control BL3 =Type III with Back Light Control BL4 =Type IV with Back Light Control GZW =Wall Grazer Wide SLL =90° Spill Light Eliminator Left SLR =90° Spill Light Eliminator Right	AP =Grey BK =Black BZ =Bronze DP =Dark Platinum GM =Graphite Metallic WH =White
Options (Add as Suffix) ¹			Accessories (Order Separately)		
PC =Button Type Photocontrol (Specify voltage) 2L =Two Circuits LCF =LightBAR Cover Plate Matches Housing Finish 7060 =70 CRI/6000K CCT 8030 =80 CRI/3000K CCT OSB =Occupancy Sensor with Back Box BBB =Battery Pack with Back Box (Specify 120 or 277V) CWB =Cold Weather Battery Pack with Back Box (Specify 120 or 277V) TP =Tamper-resistant Hardware ULG =Uplight Glow WG =Wire Guard			MA1253 =10kV Circuit Module Replacement VA2001-XX =Thruway Conduit Adapter Box VA6172 =Wire Guard VA6173 =Tamper-resistant Driver Bits		

NOTES: 1. Not all options and configurations are compatible and restrictions may apply. Reference specification sheets for additional details.



FEATURES

- One-piece, die-cast aluminum housing and door
- One flush-mounted, die-cast, tool-less latch for ease of maintenance
- Choice of 12 high-efficiency optical distributions
- Fits 4" j-box and secured via two concealed stainless steel fasteners
- Optional upright and colored or clear luminous window
- Optional die-cast aluminum adapter box for occupancy sensor and egress



Compliances may not apply to all product configurations. Please consult the product spec sheet for compliance details.

COMPLIANCES: UL/cUL Listed - Wet Location, IP66 Rated, 40°C Ambient Temperature Rating, Dark Sky Compliant



ENT ENTRI TRIANGLE REVEALS

ORDERING INFORMATION

SAMPLE NUMBER: ENT-150-MP-120-EB-3S-BK-LG-L

Product Family	Lamp Wattage	Lamp Type	Voltage	Ballast	Optical System	Color
ENT=ENTRI Triangle Reveals	Compact Fluorescent 26=26W 32=32W 42=42W 52=(2) 26W 57=57W 64=(2) 32W 84=(2) 42W Halogen 100=100W 150=150W 250=250W MP 39=39W 70=70W 100=100W 150=150W WS 100=100W	CF =Compact Fluorescent HL =Quartz Halogen MP =Pulse Start Metal Halide WS =White SON® High Pressure Sodium	UNV =120-277V Universal Electronic Ballast 120=120V 208=208V 240=240V 277=277V 347=347V 480=480V DT =Dual-Tap wired 277V MT =Multi-Tap wired 277V TT =Triple-Tap wired 347V	EB =Electronic Ballast MB =Magnetic Ballast	Compact Fluorescent CFG =90% Main with 10% Secondary Glow CFM =100% Main, Up or Downlighting Downlight and Uplight (HID and Halogen) 3SG =Type III, 90% Main with 10% Secondary Glow 3SP =Type III with Pencil Secondary FTG =Forward Throw, 90% Main with 10% Secondary Glow FTP =Forward Throw with Pencil Secondary FXF =Wall Grazing Optic, 50% Up and 50% Down TSF =Tight Spot, 50% Up with 50% Down Downlight or Uplight (HID or Halogen) 3S =Type III FT =Forward Throw FX =Wall Grazing Optic TS =Tight Spot	AP =Grey BK =Black BZ =Bronze DP =Dark Platinum GM =Graphite Metallic WH =White
Optional Luminous Faceplate Insert	Options (Add as Suffix) ¹			Accessories (Order Separately)		
LG =Luminous Glass Insert LGB =Luminous Glass Insert with Bright Blue Gel LGG =Luminous Glass Insert with Deep Green Gel LGO =Luminous Glass Insert with Warm Orange Gel LGR =Luminous Glass Insert with Red Gel	PC =Button Type Photocontrol (Specify voltage) F =Single Fuse (120, 277 or 347V. Specify voltage) FF =Double Fuse (208, 240 or 480V. Specify voltage) DSAB =Dual Fluorescent Switching Control Adapter Box QAB =Quartz Restrike Adapter Box EM/SCAB =Quartz Emergency Separate Circuit Adapter Box EMAB =Quartz Restrike with Delay Adapter Box (Also strikes at cold start) CF/EMAB =Emergency Battery Backup Adapter Box FRM =Frosted Main Flat Glass FRS =Frosted Secondary Flat Glass L =Lamp Included (Standard for all Halogen lamps) WG =Wire Guard			VA2001-XX =Thruway Box VA2002 =Wire Guard Kit		

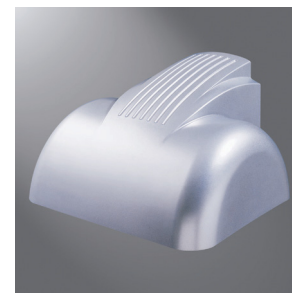
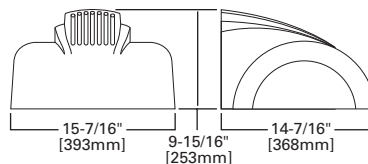
NOTES: 1. Not all options and configurations are compatible and restrictions may apply. Reference specification sheets for additional details.

FEATURES

- One-piece, die-cast aluminum construction
- Door frame hinged and secured via four stainless steel fasteners
- Impact-resistant, 1/8" thick, tempered, clear lens
- Premium 95% reflective anodized aluminum sheet
- All reflector modules feature tool-less removal
- Optical systems secured to internal rotating assembly
- Five-stage premium TGIC polyester powder coat paint

Compliances may not apply to all product configurations. Please consult the product spec sheet for compliance details.

COMPLIANCES: UL/cUL Listed - Wet Location, IP65 Rated, 25°C Ambient Temperature Rating, Dark Sky Compliant



VWS VISION WALL SMALL

ORDERING INFORMATION

SAMPLE NUMBER: VWS-150-MP-MT-3S-BK-L

Product Family	Lamp Wattage	Lamp Type	Voltage	Optical System	Color
VWS=Vision Wall Small	Compact Fluorescent 26=26W 32=32W 42=42W 57=57W HPS 50=50W 70=70W 100=100W 150=150W MH 175=175W MP 50=50W 70=70W 100=100W 150=150W	CF =Compact Fluorescent HPS =High Pressure Sodium MH =Metal Halide MP =Pulse Start Metal Halide	UNV =120-277V Universal Electronic Ballast 120=120V 208=208V 240=240V 277=277V 347=347V 480=480V DT =Dual-Tap wired 277V MT =Multi-Tap wired 277V TT =Triple-Tap wired 347V	2S =Type II 3S =Type III 4S =Type IV FX =Wall Grazing Optic TS =Tight Spot	AP =Grey BK =Black BZ =Bronze DP =Dark Platinum GM =Graphite Metallic WH =White
Options (Add as Suffix) ¹			Accessories (Order Separately)		
PC =Button Type Photocontrol (Specify voltage) F =Single Fuse (120, 277 or 347V. Specify voltage) FF =Double Fuse (208, 240 or 480V. Specify voltage) EM =Quartz Restrike with Time Delay (Also strikes at cold start) EM/SC =Quartz Emergency Separate Circuit Q =Quartz Restrike HS =House Side Shield VS =Polycarbonate Vandal Shield FR =Frosted Flat Glass Lens L =Lamp Included			VWS/EM =Embedded Mount VWS/TB-XX =Thruway Box VWS/WG-XX =Wire Guard		

NOTES: 1. Not all options and configurations are compatible and restrictions may apply. Reference specification sheets for additional details.

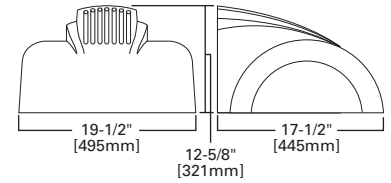


FEATURES

- One-piece, die-cast aluminum construction
- Door frame hinged and secured via four stainless steel fasteners
- Impact-resistant, 1/8" thick, tempered, clear lens
- Premium 95% reflective anodized aluminum sheet
- All reflector modules feature tool-less removal
- Optical systems secured to internal rotating assembly
- Five-stage premium TGIC polyester powder coat paint

Compliances may not apply to all product configurations. Please consult the product spec sheet for compliance details.

COMPLIANCES: UL/cUL Listed - Wet Location, IP65 Rated, 25°C Ambient Temperature Rating, EISA Compliant, Dark Sky Compliant



VWM VISION WALL MEDIUM



ORDERING INFORMATION

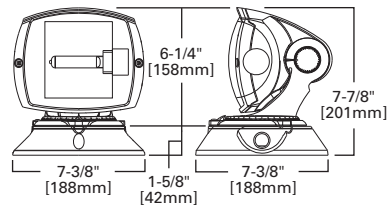
SAMPLE NUMBER: VWM-400-MP-MT-3S-BK-L

Product Family	Lamp Wattage	Lamp Type	Voltage	Optical System	Color
VWM=Vision Wall Medium	Compact Fluorescent 84=(2) 42W 114=(2) 57W 140=(2) 70W HPS 150=150W 250=250W 400=400W MH 175=175W 250=250W 400=400W MP 150=150W 175=175W 250=250W 320=320W 350=350W 400=400W	CF =Compact Fluorescent HPS =High Pressure Sodium MH =Metal Halide MP =Pulse Start Metal Halide	UNV =120-277V Universal Electronic Ballast 120=120V 208=208V 240=240V 277=277V 347=347V 480=480V DT =Dual-Tap wired 277V MT =Multi-Tap wired 277V TT =Triple-Tap wired 347V	2S =Type II 3S =Type III 4S =Type IV FX =Wall Grazing Optic TS =Tight Spot	AP =Grey BK =Black BZ =Bronze DP =Dark Platinum GM =Graphite Metallic WH =White
Options (Add as Suffix)¹			Accessories (Order Separately)		
PC =Button Type Photocontrol (Specify voltage) F =Single Fuse (120, 277 or 347V. Specify voltage) FF =Double Fuse (208, 240 or 480V. Specify voltage) EM =Quartz Restrike with Time Delay (Also strikes at cold start) EM/SC =Quartz Emergency Separate Circuit Q =Quartz Restrike DS =Dual Fluorescent Switching Control HS =House Side Shield VS =Polycarbonate Vandal Shield FR =Frosted Flat Glass Lens L =Lamp Included			VWM/EM =Embedded Mount VWM/TB-XX =Thruway Box VWM/WG-XX =Wire Guard		

NOTES: 1. Not all options and configurations are compatible and restrictions may apply. Reference specification sheets for additional details.

FEATURES

- Die-cast aluminum housing, door, and base assembly
- Cast-in aiming indicator for precise vertical aiming control
- Two tamper-resistant, recessed stainless steel fasteners
- One-piece molded silicone gasket
- Heavy-duty, die-cast arm utilizes a taper-lock adjustment mechanism
- Integral ballast box attaches via (2) 3/8" stainless steel lag bolts
- Choice of seven high-efficiency optical distributions
- Wall, ground and ceiling-mount configurations



**PHQ PHOCUS
FLOOD HALOGEN**

Compliances may not apply to all product configurations. Please consult the product spec sheet for compliance details.
COMPLIANCES: UL/cUL Listed - Wet Location, IP66 Rated, 25°C Ambient Temperature Rating, 2G Vibration Tested



ORDERING INFORMATION

SAMPLE NUMBER: PHQ-150-HL-120-HNF-GD-BK-L

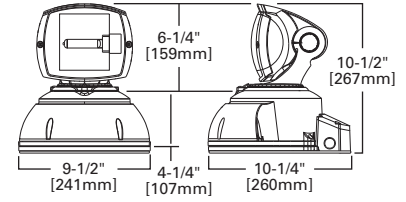
Product Family	Lamp Wattage	Lamp Type	Voltage	Optical System	Mounting	Color
PHQ=Phocus Quartz Halogen	PAR30 Halogen Lamps 50=50W 60=60W 75=75W T4 Halogen Lamps 100=100W 150=150W	HL=Quartz Halogen	120=120V	PAR30 Halogen Lamps FL25=25° Flood FL35=35° Flood FL40=40° Flood SP10=10° Spot T4 Halogen Lamps HMF=Horizontal Medium Flood HNF=Horizontal Narrow Flood HWF=Horizontal Wide Flood NS=Narrow Spot VMF=Vertical Medium Flood VNF=Vertical Narrow Flood VWF=Vertical Wide Flood	Ground Mount GD=Direct Ground Mount GS=Spike Mount Wall/Ceiling Mount WD=Direct Wall Mount	AP=Grey BK=Black BZ=Bronze DP=Dark Platinum GM=Graphite Metallic VR=Verde Green WH=White
Options (Add as Suffix)¹			Accessories (Order Separately)			
FR=Frosted Flat Glass Lens L=Lamp Included (Standard)			VA3001-XX=Top Visor VA3002-XX=Four Sided Shield VA3003-XX=Color Filter Adapter with Red Gel VA3004-XX=Color Filter Adapter with Bright Blue Gel VA3005-XX=Color Filter Adapter with Deep Green Gel VA3006-XX=Color Filter Adapter with Warm Orange Gel VA3007-XX=Wire Guard			

NOTES: 1. Not all options and configurations are compatible and restrictions may apply. Reference specification sheets for additional details.



FEATURES

- Die-cast aluminum housing, door, base assembly, and ballast box
- Cast-in aiming indicator for precise vertical aiming control
- Two tamper-resistant, recessed stainless steel fasteners
- One-piece molded silicone gasket
- Heavy-duty, die-cast arm utilizes a taper-lock adjustment mechanism
- Integral ballast box attaches via (2) 3/8" stainless steel lag bolts
- Choice of seven high-efficiency optical distributions
- Wall, ground and ceiling-mount configurations
- Choice of magnetic or electronic ballast



Compliances may not apply to all product configurations. Please consult the product spec sheet for compliance details.

COMPLIANCES: UL/cUL Listed - Wet Location, IP66 Rated, 25°C Ambient Temperature Rating, 2G Vibration Tested

**PHH PHOCUS
FLOOD HID**



ORDERING INFORMATION

SAMPLE NUMBER: PHH-150-MP-120-MB-HNF-GIB-BK-L

Product Family	Lamp Wattage	Lamp Type	Voltage	Ballast	Optical System	Mounting	Color
PHH=Phocus HID	MP PAR Lamps 39=39W	MP =Pulse Start Metal Halide MPT6 =Pulse Start Metal Halide T6	UNV =120-277V Universal Electronic Ballast 120 =120V 208 =208V 240 =240V 277 =277V 347 =347V DT =Dual-Tap wired 277V MT =Multi-Tap wired 277V TT =Triple-Tap wired 347V	EB =Electronic Ballast MB =Magnetic Ballast	HID PAR Lamps FL30 =30° Flood SP10 =10° Spot	Ground Mount GBB =Direct Inground Mount ¹ GIB =Integral Ballast Box GRB =Remote Mount ² GRNB =Remote Mount ³ GSR =Spike Mount ² Wall/Ceiling Mount WIB =Integral Ballast Box WRNB =Remote Mount ³	AP =Grey BK =Black BZ =Bronze DP =Dark Platinum GM =Graphite Metallic VR =Verde Green WH =White
	HID T6 Lamps HMF =Horizontal Medium Flood HNF =Horizontal Narrow Flood HWF =Horizontal Wide Flood NS =Narrow Spot VMF =Vertical Medium Flood VNF =Vertical Narrow Flood VWF =Vertical Wide Flood						
Options (Add as Suffix)⁴			Accessories (Order Separately)				
F =Single Fuse (120, 277 or 347V. Specify voltage) FF =Double Fuse (208, 240 or 480V. Specify voltage) FR =Frosted Flat Glass Lens L =Lamp Included			VA3001-XX =Top Visor VA3002-XX =Four Sided Shield VA3003-XX =Color Filter Adapter with Red Gel VA3004-XX =Color Filter Adapter with Bright Blue Gel VA3005-XX =Color Filter Adapter with Deep Green Gel VA3006-XX =Color Filter Adapter with Warm Orange Gel VA3007-XX =Wire Guard				

NOTES: 1. Supplied with inground box and ballast. 2. Supplied with remote inground box and ballast. 3. Requires remote potted ballast and ballast box by others. 4. Not all options and configurations are compatible and restrictions may apply. Reference specification sheets for additional details.

Specifications and dimensions subject to change without notice. Consult your Cooper Lighting Representative or visit www.cooperlighting.com for available options, accessories and ordering information.

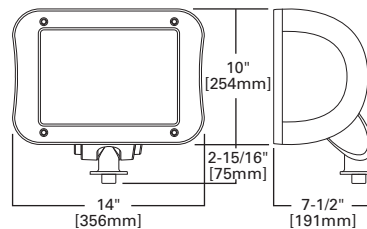
FEATURES

- One-piece, die-cast aluminum housing and door
- Choice of seven LED high-efficiency optical distributions
- Continuous extruded silicone gasket
- Suitable for operation in -30°C to 40°C ambient environments
- Continuous extruded silicone gasket
- Heavy-duty, die-cast aluminum knuckle utilizes a taper-lock mechanism
- Four tamper-resistant, recessed stainless steel fasteners
- Knuckle adjustment made via one captive stainless steel fastener
- Five-year warranty

EPA: 1.19

Compliances may not apply to all product configurations. Please consult the product spec sheet for compliance details.

COMPLIANCES: UL/cUL Listed, IP66 Rated, 40°C Ambient Temperature Rating, ARRA Compliant, LM79 / LM80 Compliant, 3G Vibration Tested



VFS VISION FLOOD SMALL LED



ORDERING INFORMATION

SAMPLE NUMBER: VFS-K-A40-5-LED-E1-MST-GM

Product Family	Mounting Type	Number of LEDs / Drive Current	Lamp Type	Voltage	Distribution	Color
VFS=Vision Flood Small	K=Knuckle Mount	A20-3 =20 LEDs at 350mA A20-5 =20 LEDs at 525mA A20-7 =20 LEDs at 700mA A40-3 =40 LEDs at 350mA A40-5 =40 LEDs at 525mA A40-7 =40 LEDs at 700mA ¹	LED=Light-Emitting Diodes	D1 =Electronic Dimming (120-277V) E1 =Electronic (120-277V) 347 =347V 480 =480V	MSR =Medium Symmetric Round MST =Medium Symmetric Rectangular NSR =Narrow Symmetric Round TS =Tight Spot TSB =Tight Spot Baffle VAT =Vertical Asymmetric Rectangular WST =Wide Symmetric Rectangular	AP =Grey BK =Black BZ =Bronze DP =Dark Platinum GM =Graphite Metallic WH =White
Options (Add as Suffix) ²		Accessories (Order Separately)				
PC =Button Photocell (Specify voltage) 2L =Two Circuits SG =Softening Glass		JB-XX =Architectural J-Box with (2) 3/4" NPT Entries PM1-XX =Post Mount Extension Single (EPA 0.12) PM2-XX =Post Mount Extension Double (EPA 0.12) SF-XX =Slipfitter SM-XX =Stanchion Mount SMT-XX =Surface Mount Tenon ST-XX =Stanchion Mount Tenon TMA-XX =Twin Mount Arm (EPA 0.35) TMT-XX =Twin Mount Arm Tenon Mount (EPA 0.42) VA6174 =Tamper-proof Driver Bit CPR Cap Screw VFS-BD-XX =Barn Doors (EPA 1.01) VFS-CFB-XX =Color Filter Adapter with Bright Blue Gel VFS-CFG-XX =Color Filter Adapter with Deep Green Gel VFS-CFO-XX =Color Filter Adapter with Warm Orange Gel VFS-CFR-XX =Color Filter Adapter with Red Gel VFS-TV-XX =Top Visor (EPA 0.6) WM-XX =Wall Mount WMA-XX =Wall Mount Arm WMT-XX =Wall Mount Arm Tenon Mount				

NOTES: 1. 40 LEDs at 700mA (A40-7) limited to 25°C ambient conditions. 2. Not all options and configurations are compatible and restrictions may apply. Reference specification sheets for additional details.



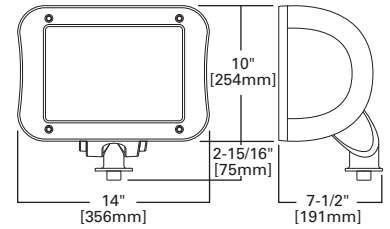
FEATURES

- One-piece, die-cast aluminum housing and door
- Choice of six high-efficiency optical distributions
- Continuous extruded silicone gasket
- Heavy-duty, die-cast aluminum knuckle utilizes a taper-lock mechanism
- Four tamper-resistant, recessed stainless steel fasteners
- Knuckle adjustment made via one captive stainless steel fastener
- Choice of ten mounting and four shielding configurations

EPA: 1.19

Compliances may not apply to all product configurations. Please consult the product spec sheet for compliance details.

COMPLIANCES: UL/cUL Listed - Wet Location, IP65 Rated, 40°C Ambient Temperature Rating, 3G Vibration Tested



VFS VISION FLOOD SMALL



ORDERING INFORMATION

SAMPLE NUMBER: VFS-K-150-MP-120-NF-DP

Product Family	Mounting Type	Lamp Wattage	Lamp Type	Voltage	Optical System	Color
VFS=Vision Flood Small	K=Knuckle Mount	HPS 50=50W 70=70W 100=100W 150=150W MH 175=175W MP 50=50W 70=70W 100=100W 150=150W	HPS =High Pressure Sodium MH =Metal Halide MP =Pulse Start Metal Halide	120 =120V 208 =208V 240 =240V 277 =277V 347 =347V 480 =480V DT =Dual-Tap wired 277V MT =Multi-Tap wired 277V TT =Triple-Tap wired 347V	HS =Horizontal Spot MF =Medium Flood NF =Narrow Flood NS =Narrow Spot VF =Vertical Flood WF =Wide Flood	AP =Grey BK =Black BZ =Bronze DP =Dark Platinum GM =Graphite Metallic VR =Verde Green WH =White
Options (Add as Suffix) ¹		Accessories (Order Separately)				
PC =Button Type Photocontrol (Specify voltage) F =Single Fuse (120, 277 or 347V. Specify voltage) FF =Double Fuse (208, 240 or 480V. Specify voltage) L =Lamp Included		JB-XX =Architectural J-Box with (2) 3/4" NPT Entries PM1-XX =Post Mount Extension Single (EPA 0.12) PM2-XX =Post Mount Extension Double (EPA 0.12) SF-XX =Slipfitter SM-XX =Stanchion Mount SMT-XX =Surface Mount Tenon ST-XX =Stanchion Mount Tenon TMA-XX =Twin Mount Arm (EPA 0.35) TMT-XX =Twin Mount Arm Tenon Mount (EPA 0.42) VFS-BD-XX =Barn Doors (EPA 1.01) VFS-CFB-XX =Color Filter Adapter with Bright Blue Gel VFS-CFG-XX =Color Filter Adapter with Deep Green Gel VFS-CFO-XX =Color Filter Adapter with Warm Orange Gel VFS-CFR-XX =Color Filter Adapter with Red Gel VFS-GL1 =External Grid Louver (NS and NF optics only) VFS-GL2 =External Grid Louver (MF, WF, VF and HS optics only) VFS-TV-XX =Top Visor (EPA 0.6) VFS-VS =Vandal Shield WM-XX =Wall Mount WMA-XX =Wall Mount Arm WMTX-XX =Wall Mount Arm Tenon Mount				

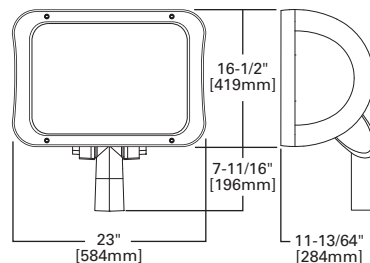
NOTES: 1. Not all options and configurations are compatible and restrictions may apply. Reference specification sheets for additional details.

FEATURES

- One-piece, die-cast aluminum housing and door
- Choice of six high-efficiency optical distributions
- Continuous extruded silicone gasket
- Heavy-duty, die-cast aluminum knuckle utilizes a taper-lock mechanism
- Four tamper-resistant, recessed stainless steel fasteners
- Knuckle adjustment made via one captive stainless steel fastener
- Choice of three mounting and four shielding configurations

EPA: 3.24

Compliances may not apply to all product configurations. Please consult the product spec sheet for compliance details.
COMPLIANCES: UL/cUL Listed - Wet Location, IP66 Rated, 25°C Ambient Temperature Rating, EISA Compliant, 3G Vibration Tested



**VFM VISION
FLOOD MEDIUM**



ORDERING INFORMATION

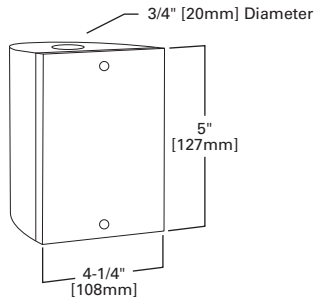
SAMPLE NUMBER: VFM-K-400-MP-120-NF-DP

Product Family	Mounting Type	Lamp Wattage	Lamp Type	Voltage	Optical System	Color
VFM=Vision Flood Medium	K=Knuckle Mount	HPS 150=150W 250=250W 400=400W MH 175=175W 250=250W 400=400W 1000=1000W MP 150=150W 175=175W 250=250W 320=320W 350=350W 400=400W 750=750W 1000=1000W	HPS =High Pressure Sodium MH =Metal Halide MP =Pulse Start Metal Halide	120=120V 208=208V 240=240V 277=277V 347=347V 480=480V DT=Dual-Tap wired 277V MT=Multi-Tap wired 277V	HS =Horizontal Spot MF =Medium Flood NF =Narrow Flood NS =Narrow Spot VF =Vertical Flood WF =Wide Flood	AP =Grey BK =Black BZ =Bronze DP =Dark Platinum GM =Graphite Metallic VR =Verde Green WH =White
Options (Add as Suffix)¹		Accessories (Order Separately)				
PC=Button Type Photocontrol (Specify voltage) F=Single Fuse (120, 277 or 347V. Specify voltage) FF=Double Fuse (208, 240 or 480V. Specify voltage) EM=Quartz Restrike with Time Delay (Also strikes at cold start) EM/SC=Quartz Emergency Separate Circuit Q=Quartz Restrike L=Lamp Included		SMT-XX=Surface Mount Tenon ST-XX=Stanchion Mount Tenon VFM-4S-XX=Four-Sided Shield VFM-BD-XX=Barn Doors VFM-CFB-XX=Color Filter Adapter with Bright Blue Gel VFM-CFG-XX=Color Filter Adapter with Deep Green Gel VFM-CFO-XX=Color Filter Adapter with Warm Orange Gel VFM-CFR-XX=Color Filter Adapter with Red Gel VFM-GL=External Grid Louvers VFM-TMT-XX=Twin Arm Mount Tenon (EPA 0.58) VFM-TV-XX=Top Visor VFM-VS=Vandal Shield WMT-XX=Wall Mount Arm Tenon Mount				

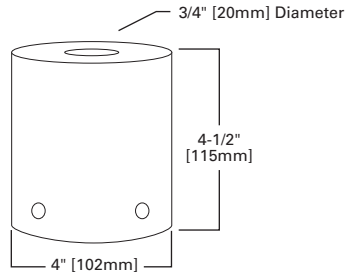
NOTES: 1. Not all options and configurations are compatible and restrictions may apply. Reference specification sheets for additional details.

VISION FLOOD SMALL ACCESSORIES

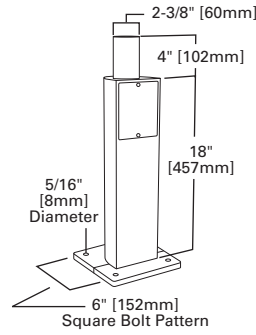
JUNCTION BOX [JB]



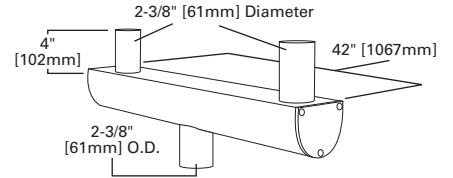
SLIPFITTER [SF]



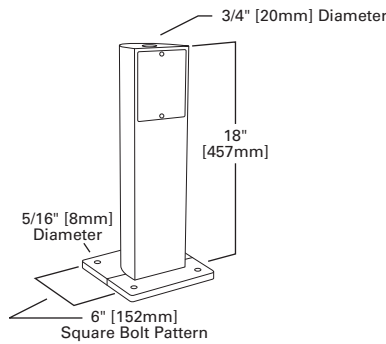
STANCHION MOUNT TENON [ST]



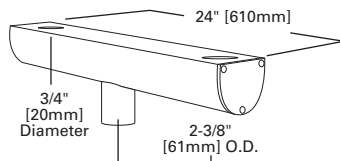
TWIN ARM MOUNT TENON [TMT]



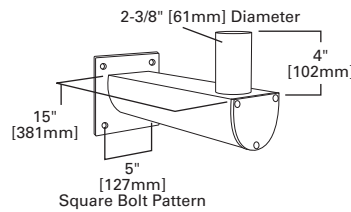
STANCHION MOUNT [SM]



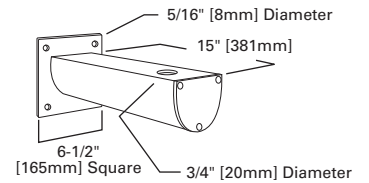
TWIN ARM MOUNT [TMA]



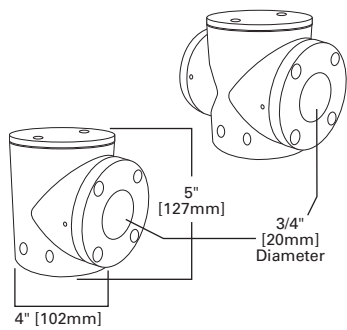
WALL MOUNT ARM TENON [WMT]



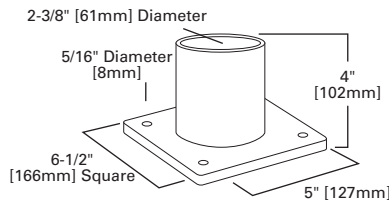
WALL MOUNT ARM [WMA]



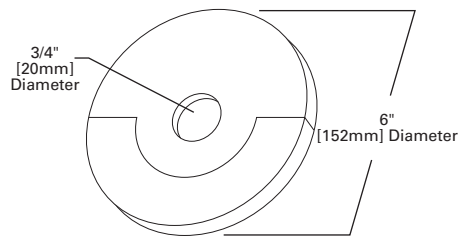
POST MOUNT EXTENSION [PM1 / PM2]



SURFACE MOUNT TENON [SMT]

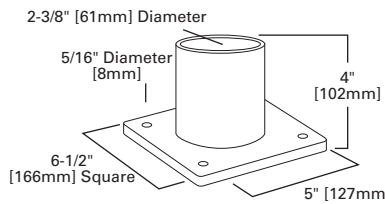


WALL MOUNT [WM]

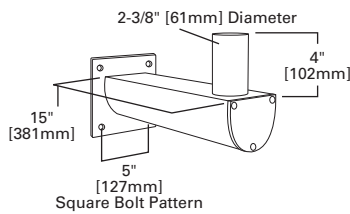


VISION FLOOD MEDIUM ACCESSORIES

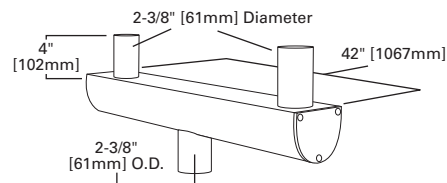
SURFACE MOUNT TENON [SMT]



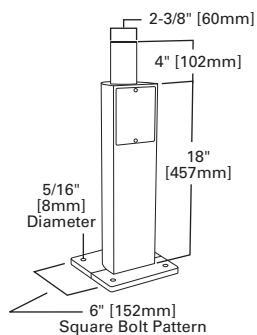
WALL MOUNT ARM TENON [WMT]



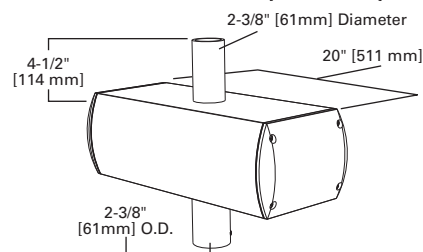
TWIN ARM MOUNT TENON [VFM-TMT]



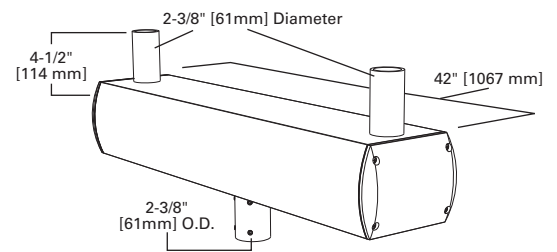
STANCHION MOUNT TENON [ST]



REMOTE SINGLE MOUNT TENON [750HPS-RSLT]



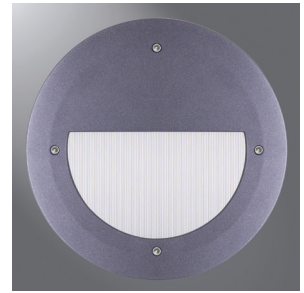
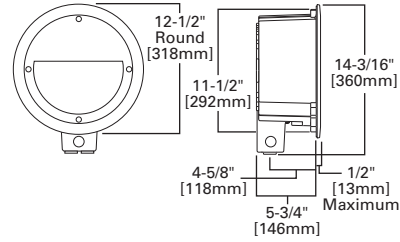
REMOTE TWIN ARM MOUNT TENON [750HPS-RTMT]



Specifications and dimensions subject to change without notice. Consult your Cooper Lighting Representative or visit www.cooperlighting.com for available options, accessories and ordering information.

FEATURES

- One-piece, die-cast aluminum housing and faceplate
- Frosted, clear prismatic spread and polycarbonate white lens available
- Tool-less, removable power module for ease of maintenance
- Available with magnetic or electronic ballast
- Six colored LED options
- Maximum depth back housing protrudes into wall is 5-3/4"
- Silicone wire-way in back of housing prevents moisture and dust entry
- Ideal for indoor and outdoor applications



**SRF SOLAS
SERIES ROUND
FLUSH**

Compliances may not apply to all product configurations. Please consult the product spec sheet for compliance details.
COMPLIANCES: UL/cUL Listed - Wet Location, IP66 Rated, 25°C Ambient Temperature Rating, ADA Compliant



ORDERING INFORMATION

SAMPLE NUMBER: SRF-M-39-MPT6-MT-MB-PC-BK

Product Family	Wall Type	Lamp Wattage	Lamp Type	Voltage	Ballast	Lens Type	Color
SRF=Solas Series Round Flush	C=Concrete Pour D=Dry Wall ^{1,2} M=Masonry Wall	Compact Fluorescent	CF=Compact Fluorescent HPS=High Pressure Sodium LEDBL=LED Blue Lamps LEDCN=LED Cyan Lamps LEDGN=LED Green Lamps LEDOR=LED Orange Lamps LEDRD=LED Red Lamps LEDWH=LED White Lamps MP= Pulse Start Metal Halide MPT6= Pulse Start Metal Halide T6	120=120V 208=208V 240=240V 277=277V 347=347V 480=480V DT=Dual-Tap wired 277V MT=Multi-Tap wired 277V TT=Triple-Tap wired 347V UNV=120-277V Universal Electronic Ballast	EB=Electronic Ballast MB=Magnetic Ballast	Flush Faceplate FR=Frosted Flat Glass PC=Polycarbonate Lens, Translucent White SL=Clear Prismatic Spread Lens	AP=Grey BK=Black BZ=Bronze DP=Dark Platinum GM=Graphite Metallic WH=White
		HPS 35=35W 50=50W 70=70W					
		LED H.O. 18=18W					
		MP 50=50W 70=70W 100=100W					
		MP T6 Lamps 39=39W 70=70W					
Options (Add as Suffix)³			Accessories (Order Separately)				
F=Single Fuse (120, 277 or 347V. Specify voltage) FF=Double Fuse (208, 240 or 480V. Specify voltage) CF/EM=Emergency Battery Pack EM/SC=Quartz Emergency Separate Circuit L=Lamp Included TP=Tamper-proof Hardware (TORX® Center Pin Reject)			CURFC=Copper Round Flush Cover (Used only with SRF faceplate) SSRFC=Stainless Steel Round Flush Cover (Used only with SRF faceplate) LED BL/RK=Blue LED Lamp Replacement Kit LED CN/RK=Cyan LED Lamp Replacement Kit LED GN/RK=Green LED Lamp Replacement Kit LED OR/RK=Orange LED Lamp Replacement Kit LED RD/RK=Red LED Lamp Replacement Kit LED WH/RK=White LED Lamp Replacement Kit				

NOTES: 1. If insulation material is used, it must be kept minimum 3" away from luminaire on all sides. 2. All HID units intended for drywall or combustible applications will require use of insulation detector as required by Code. 3. Not all options and configurations are compatible and restrictions may apply. Reference specification sheets for additional details.

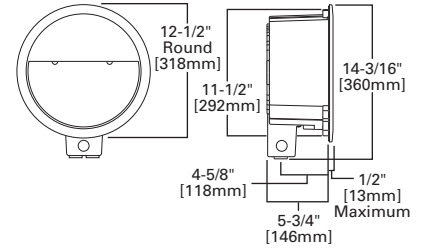


FEATURES

- One-piece, die-cast aluminum housing and faceplate
- Tool-less removable power module for ease of maintenance
- Available with magnetic or electronic ballast
- Tool-less, removable power module for ease of maintenance
- Available with magnetic or electronic ballast
- Six colored LED options
- Maximum depth back housing protrudes into wall is 5-3/4"
- Silicone wire-way in back of housing prevents moisture and dust entry
- Ideal for indoor and outdoor applications

Compliances may not apply to all product configurations. Please consult the product spec sheet for compliance details.

COMPLIANCES: UL/cUL Listed - Wet Location, IP66 Rated, 25°C Ambient Temperature Rating, ADA Compliant



**SRS SOLAS
SERIES ROUND
SCOOP**



ORDERING INFORMATION

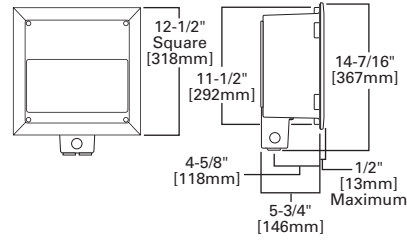
SAMPLE NUMBER: SRS-M-39-MPT6-MT-MB-PC-BK

Product Family	Wall Type	Lamp Wattage	Lamp Type	Voltage	Ballast	Lens Type	Color
SRS=Solas Series Round Scoop	C=Concrete Pour D=Dry Wall ^{1,2} M=Masonry Wall	Compact Fluorescent	CF=Compact Fluorescent HPS=High Pressure Sodium LEDBL=LED Blue Lamps LEDCN=LED Cyan Lamps LEDGN=LED Green Lamps LEDOR=LED Orange Lamps LEDRD=LED Red Lamps LEDWH=LED White Lamps MP=Pulse Start Metal Halide MPT6=Pulse Start Metal Halide T6	UNV=120-277V Universal Electronic Ballast 120=120V 208=208V 240=240V 277=277V 347=347V 480=480V DT=Dual-Tap wired 277V MT=Multi-Tap wired 277V TT=Triple-Tap wired 347V	EB=Electronic Ballast MB=Magnetic Ballast	Flush Faceplate	AP=Grey BK=Black BZ=Bronze DP=Dark Platinum GM=Graphite Metallic WH=White
		26=26W 32=32W 42=42W 52=(2) 26W 57=57W 64=(2) 32W 84=(2) 42W HPS 35=35W 50=50W 70=70W LED H.O. 18=18W MP 50=50W 70=70W 100=100W MP T6 Lamps 39=39W 70=70W				FR =Frosted Flat Glass PC =Polycarbonate Lens, Translucent White SL =Clear Prismatic Spread Lens Scoop Faceplate FR =Frosted Flat Glass	
Options (Add as Suffix)³			Accessories (Order Separately)				
F=Single Fuse (120, 277 or 347V. Specify voltage) FF=Double Fuse (208, 240 or 480V. Specify voltage) CF/EM=Emergency Battery Pack EM/SC=Quartz Emergency Separate Circuit L=Lamp Included TP=Tamper-proof Hardware (TORX® Center Pin Reject)			LED BL/RK=Blue LED Lamp Replacement Kit LED CN/RK=Cyan LED Lamp Replacement Kit LED GN/RK=Green LED Lamp Replacement Kit LED OR/RK=Orange LED Lamp Replacement Kit LED RD/RK=Red LED Lamp Replacement Kit LED WH/RK=White LED Lamp Replacement Kit				

NOTES: 1. If insulation material is used, it must be kept minimum 3" away from luminaire on all sides. 2. All HID units intended for drywall or combustible applications will require use of insulation detector as required by Code. 3. Not all options and configurations are compatible and restrictions may apply. Reference specification sheets for additional details.

FEATURES

- One-piece, die-cast aluminum housing and faceplate
- Frosted, clear prismatic spread and polycarbonate white lens available
- Tool-less, removable power module for ease of maintenance
- Available with magnetic or electronic ballast
- Six colored LED options
- Maximum depth back housing protrudes into wall is 5-3/4"
- Silicone wire-way in back of housing prevents moisture and dust entry
- Ideal for indoor and outdoor applications



**SQF SOLAS
SERIES SQUARE
FLUSH**

Compliances may not apply to all product configurations. Please consult the product spec sheet for compliance details.
COMPLIANCES: UL/cUL Listed - Wet Location, IP66 Rated, 25°C Ambient Temperature Rating, ADA Compliant



ORDERING INFORMATION

SAMPLE NUMBER: SQF-M-39-MPT6-MT-MB-PC-BK

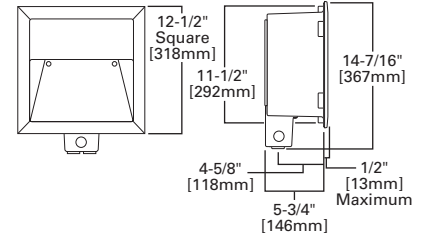
Product Family	Wall Type	Lamp Wattage	Lamp Type ¹	Voltage	Ballast	Lens Type	Color
SQF =Solas Series Square Flush	C =Concrete Pour D =Dry Wall M =Masonry Wall	Compact Fluorescent 26=26W 32=32W 42=42W 52=(2) 26W 57=57W 60=60W 64=(2) 32W 84=(2) 42W HPS 35=35W 50=50W 70=70W LED H.O. 18=18W MP 50=50W 70=70W 100=100W MP T6 Lamps 39=39W 70=70W	CF =Compact Fluorescent HPS =High Pressure Sodium LEDBL =LED Blue Lamps LEDCN =LED Cyan Lamps LEDGN =LED Green Lamps LEDOR =LED Orange Lamps LEDRD =LED Red Lamps LEDWH =LED White Lamps MP =Pulse Start Metal Halide MPT6 =Pulse Start Metal Halide T6	120 =120V 208 =208V 240 =240V 277 =277V 347 =347V 480 =480V DT =Dual-Tap wired 277V MT =Multi-Tap wired 277V TT =Triple-Tap wired 347V UNV =120-277V Universal Electronic Ballast	EB =Electronic Ballast MB =Magnetic Ballast	Flush Faceplate FR =Frosted Flat Glass PC =Polycarbonate Lens, Translucent White SL =Clear Prismatic Spread Lens	AP =Grey BK =Black BZ =Bronze DP =Dark Platinum GM =Graphite Metallic WH =White
Options (Add as Suffix)²			Accessories (Order Separately)				
F =Single Fuse (120, 277 or 347V. Specify voltage) FF =Double Fuse (208, 240 or 480V. Specify voltage) CF/EM =Emergency Battery Pack EM/SC =Quartz Emergency Separate Circuit L =Lamp Included TP =Tamper-proof Hardware (TORX® Center Pin Reject)			CUSFC =Copper Square Flush Cover SSSFC =Stainless Steel Square Flush Cover LED WH/RK =White LED Lamp Replacement Kit LED BL/RK =Blue LED Lamp Replacement Kit LED CN/RK =Cyan LED Lamp Replacement Kit LED GN/RK =Green LED Lamp Replacement Kit LED OR/RK =Orange LED Lamp Replacement Kit LED RD/RK =Red LED Lamp Replacement Kit				

NOTES: 1. All HID units intended for drywall or combustible applications will require use of insulation detector as required by Code. 2. Not all options and configurations are compatible and restrictions may apply. Reference specification sheets for additional details.



FEATURES

- One-piece, die-cast aluminum housing and faceplate
- Tool-less removable power module for ease of maintenance
- Available with magnetic or electronic ballast
- Tool-less, removable power module for ease of maintenance
- Available with magnetic or electronic ballast
- Six colored LED options
- Maximum depth back housing protrudes into wall is 5-3/4"
- Silicone wire-way in back of housing prevents moisture and dust entry
- Ideal for indoor and outdoor applications



Compliances may not apply to all product configurations. Please consult the product spec sheet for compliance details.

COMPLIANCES: UL/cUL Listed - Wet Location, IP66 Rated, 25°C Ambient Temperature Rating, ADA Compliant

**SQS SOLAS
SERIES SQUARE
SCOOP**



ORDERING INFORMATION

SAMPLE NUMBER: SQS-M-39-MPT6-MT-MB-PC-BK

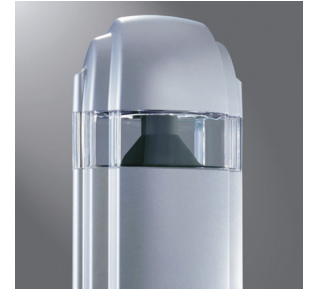
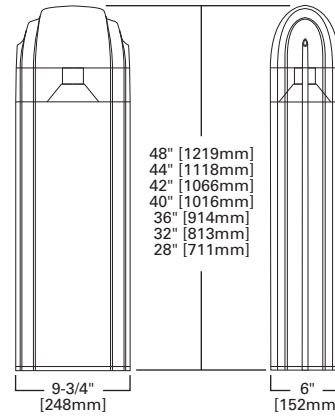
Product Family	Wall Type	Lamp Wattage	Lamp Type	Voltage	Ballast	Lens Type	Color
SQS=Solas Series Square Scoop	C=Concrete Pour D=Dry Wall ^{1,2} M=Masonry Wall	Compact Fluorescent	CF=Compact Fluorescent HPS=High Pressure Sodium LEDBL=LED Blue Lamps LEDCN=LED Cyan Lamps LEDGN=LED Green Lamps LEDOR=LED Orange Lamps LEDRD=LED Red Lamps LEDWH=LED White Lamps MP=Pulse Start Metal Halide MPT6=Pulse Start Metal Halide T6	UNV=120-277V Universal Electronic Ballast 120=120V 208=208V 240=240V 277=277V 347=347V 480=480V DT=Dual-Tap wired 277V MT=Multi-Tap wired 277V TT=Triple-Tap wired 347V	EB=Electronic Ballast MB=Magnetic Ballast	Flush Faceplate FR=Frosted Flat Glass PC=Polycarbonate Lens, Translucent White SL=Clear Prismatic Spread Lens Scoop Faceplate FR=Frosted Flat Glass	AP=Grey BK=Black BZ=Bronze DP=Dark Platinum GM=Graphite Metallic WH=White
		26=26W 32=32W 42=42W 52=(2) 26W 57=57W 60=60W 64=(2) 32W 84=(2) 42W HPS 35=35W 50=50W 70=70W LED H.O. 18=18W MP 50=50W 70=70W 100=100W MP T6 Lamps 39=39W 70=70W					
Options (Add as Suffix)³			Accessories (Order Separately)				
F=Single Fuse (120, 277 or 347V. Specify voltage) FF=Double Fuse (208, 240 or 480V. Specify voltage) CF/EM=Emergency Battery Pack EM/SC=Quartz Emergency Separate Circuit L=Lamp Included TP=Tamper-proof Hardware (TORX® Center Pin Reject)			LED BL/RK=Blue LED Lamp Replacement Kit LED CN/RK=Cyan LED Lamp Replacement Kit LED GN/RK=Green LED Lamp Replacement Kit LED OR/RK=Orange LED Lamp Replacement Kit LED RD/RK=Red LED Lamp Replacement Kit LED WH/RK=White LED Lamp Replacement Kit				

NOTES: 1. If insulation material is used, it must be kept minimum 3" away from luminaire on all sides. 2. All HID units intended for drywall or combustible applications will require use of insulation detector as required by Code. 3. Not all options and configurations are compatible and restrictions may apply. Reference specification sheets for additional details.

FEATURES

- Die-cast aluminum top, base, and extruded aluminum housing
- Impact- and UV-resistant polycarbonate lens
- Glare-free, fully concealed fluted-aluminum reflector system
- Optional button photocontrol mounts on extrusion 18" above grade
- Quick-connect ballast assembly mounted to base for ease of maintenance
- Base mounts onto foundation via four 3/8" anchor bolts
- Base includes factory installed leveling vials for proper alignment
- Available in 28", 32", 36", 40", 42", 44" and 48" heights

Compliances may not apply to all product configurations. Please consult the product spec sheet for compliance details.
COMPLIANCES: UL/cUL Listed - Wet Location, IP44 Rated, 25°C Ambient Temperature Rating



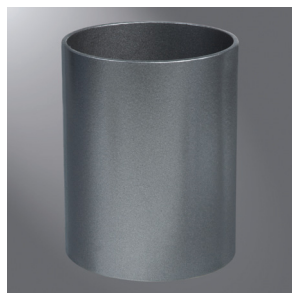
VXB VISION BOLLARD

ORDERING INFORMATION

SAMPLE NUMBER: VXB-48-100-MP-120-BZ-L

Product Family	Fixture Height	Lamp Wattage	Lamp Type	Voltage	Color
VXB=Vision Bollard	28=28" 32=32" 36=36" 40=40" 42=42" 44=44" 48=48"	Compact Fluorescent 26=26W 32=32W 42=42W HPS 35=35W 50=50W 70=70W 100=100W MP 50=50W 70=70W 100=100W	CF =Compact Fluorescent HPS =High Pressure Sodium MP =Pulse Start Metal Halide	UNV =120-277V Universal Electronic Ballast 120 =120V 208 =208V 240 =240V 277 =277V DT =Dual-Tap wired 277V MT =Multi-Tap wired 277V TT =Triple-Tap wired 347V	AP =Grey BK =Black BZ =Bronze DP =Dark Platinum GM =Graphite Metallic WH =White
Options (Add as Suffix) ¹		Accessories (Order Separately)			
PC =Button Type Photocontrol (Specify voltage) F =Single Fuse (120, 277 or 347V. Specify voltage) FF =Double Fuse (208, 240 or 480V. Specify voltage) PL =Polycarbonate Lens L =Lamp Included		VXBABKIT =Anchor Bolt Kit			

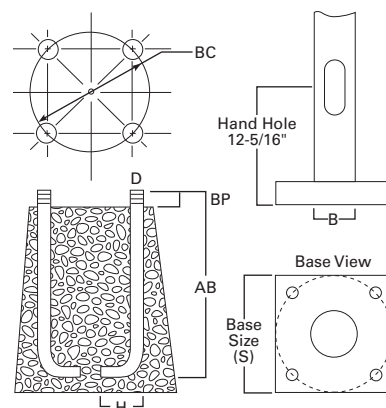
NOTES: 1. Not all options and configurations are compatible and restrictions may apply. Reference specification sheets for additional details.



SRX STEEL ROUND STRAIGHT

FEATURES

- ASTM Grade steel base plate with ASTM A366 base cover
- Hand hole assembly 3" x 5" on 5" and 6" poles, 2" x 4" on 4" poles
- 10'-30' mounting heights
- Drilled or tenon (specify)



See technical information.

ORDERING INFORMATION

SAMPLE NUMBER: SRX4A20SGMCXG

Product Family	Shaft Size (Inches) ¹	Wall Thickness (Inches)	Mounting Height (Feet)	Base Type	Finish	
SRX=Steel Round Straight	4=4" 5=5" 6=6"	A=0.120" M=0.188"	10=10' 15=15' 20=20' 25=25' 30=30'	S=Square Steel Base	AP=Grey BK=Black BZ=Bronze DP=Dark Platinum GM=Graphite Metallic GN=Hartford Green WH=White	
Mounting Type			Number and Location of Arms	Options (Add as Suffix)		
2=2-3/8" O.D. Tenon (4" long) 3=3-1/2" O.D. Tenon (5" long) 4=4" O.D. Tenon (6" long) - Slide/Flite/Epic 5=3" O.D. Tenon (4" long) - Mesa 6=2-3/8" O.D. Tenon (6" long) 7=4" O.D. Tenon (10" long) - SDM1/SDM2 A=Icon and Ascent Small Drill Pattern C=Icon and Ascent Medium Drill Pattern			E=Vision Site and X-Form Small Drill Pattern F=Vision Site Structural Mount G=Vision Site Medium Structural Mount J=Icon Small Structural Drill Pattern K=Icon Medium Structural Drill Pattern M=Vision Site and X-Form Medium Drill Pattern X=None	1=Single 2=2 at 180° 3=Triple ² 4=4 at 90° 5=2 at 90° 6=3 at 90° 7=2 at 120° X=None	A=1/2" Tapped Hub (Specify location desired) B=3/4" Tapped Hub (Specify location desired) C=Convenience Outlet ³ G=Ground Lug H=Additional Hand Hole ⁴ E=GFCI Convenience Outlet ³ V=Vibration Dampener	

NOTES: 1. All shaft sizes nominal. 2. Square poles are 3 at 90°, round poles are 3 at 120°. 3. Outlet is located 4' above base and on same side of pole as hand hole, unless specified otherwise. Receptacle not included, provision only. 4. Additional hand hole is located 12" below pole top and 90° from standard hand hole location, unless otherwise specified.

TECHNICAL INFORMATION

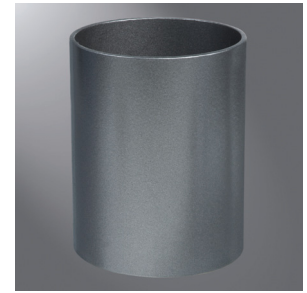
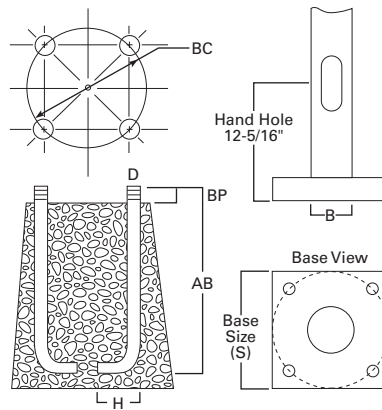
Mounting Height (Feet)	Catalog Number	Wall Thickness (Inches)	Base Square (Inches)	Bolt Circle Diameter (Inches)	Bolt Projection (Inches)	Shaft Diameter (Inches)	Anchor Bolt Diameter x Length x Hook	Net Weight (Pounds)
MH			S	BC	BP	B	D x AB x H	
10	SRX4A10S	0.120	10-1/2	11	4-1/2	4	3/4 x 25 x 3	82
15	SRX4A15S	0.120	10-1/2	11	4-1/2	4	3/4 x 25 x 3	113
20	SRX4A20S	0.120	10-1/2	11	4-1/2	4	3/4 x 25 x 3	144
20	SRX5M20S	0.188	10-1/2	11	4-1/2	5	3/4 x 25 x 3	26
25	SRX5M25S	0.188	10-1/2	11	4-1/2	5	3/4 x 25 x 3	288
30	SRX6M30S	0.188	12-1/2	12-1/2	5	6	1 x 36 x 4	419

WARNING: The use of unauthorized accessories such as banners, signs, cameras or pennants for which the pole was not designed voids the Cooper Lighting Pole Warranty and may result in pole failure causing serious injury or property damage. Upon request, Cooper Lighting will supply information regarding total loading capacity. Cooper Lighting's Pole Warranty is void unless poles are used and installed as a complete pole/luminaire combination. This warranty specifically excludes failure as the result of a third party act or omission, misuse, unanticipated uses, fatigue failure or similar phenomena resulting from induced vibration, harmonic oscillation or resonance associated with movement of air currents around the product.

Specifications and dimensions subject to change without notice. Consult your Cooper Lighting Representative or visit www.cooperlighting.com for available options, accessories and ordering information.

FEATURES

- ASTM Grade steel base plate with ASTM A366 base cover
- Hand hole assembly 3" x 5" on SRT poles
- 20'-50' mounting heights
- Drilled or tenon (specify)



SRT STEEL ROUND TAPERED

See technical information.

ORDERING INFORMATION

SAMPLE NUMBER: SRT8A30SGMA2G

Product Family	Shaft Size (Inches) ¹	Wall Thickness (Inches)	Mounting Height (Feet)	Base Type	Finish	
SRT=Steel Round Tapered	6=6" 7=7" 8=8" 9=9" Steel; 6-3/4" Aluminum 0=10"	A=0.120" D=0.180"	20=20' 25=25' 30=30' 35=35' 39=39' 45=45' 50=50'	S=Square Steel Base	AP=Grey BK=Black BZ=Bronze DP=Dark Platinum GM=Graphite Metallic GN=Hartford Green WH=White	
Mounting Type		Number and Location of Arms		Options (Add as Suffix)		
2=2-3/8" O.D. Tenon (4" long) 3=3-1/2" O.D. Tenon (5" long) 4=4" O.D. Tenon (6" long) - Slide/Flite/Epic 5=3" O.D. Tenon (4" long) - Mesa 6=2-3/8" O.D. Tenon (6" long) 7=4" O.D. Tenon (10" long) - SDM1/SDM2 A=Icon and Ascent Small Drill Pattern C=Icon and Ascent Medium Drill Pattern		E=Vision Site and X-Form Small Drill Pattern F=Vision Site Structural Mount G=Vision Site Medium Structural Mount J=Icon Small Structural Drill Pattern K=Icon Medium Structural Drill Pattern M=Vision Site and X-Form Medium Drill Pattern X=None		1=Single 2=2 at 180° 3=Triple ² 4=4 at 90° 5=2 at 90° 6=3 at 90° 7=2 at 120° X=None		A=1/2" Tapped Hub (Specify location desired) B=3/4" Tapped Hub (Specify location desired) C=Convenience Outlet ³ G=Ground Lug H=Additional Hand Hole ⁴ E=GFCl Convenience Outlet ³ V=Vibration Dampener

NOTES: 1. All shaft sizes nominal. 2. Square poles are 3 at 90°, round poles are 3 at 120°. 3. Outlet is located 4' above base and on same side of pole as hand hole, unless specified otherwise. Receptacle not included, provision only. 4. Additional hand hole is located 12" below pole top and 90° from standard hand hole location, unless otherwise specified.

TECHNICAL INFORMATION

Mounting Height (Feet)	Catalog Number	Wall Thickness (Inches)	Base Square (Inches)	Bolt Circle Diameter (Inches)	Bolt Projection (Inches)	Shaft Diameter at Base (Inches)	Shaft Diameter at Top (Inches)	Anchor Bolt Diameter x Length x Hook	Net Weight (Pounds)
MH			S	BC	BP	B		D x AB x H	
20	SRT6A20S	0.120	10-1/2	11	4-1/2	6.3	3.5	3/4 x 25 x 3	173
25	SRT7A25S	0.120	10-1/2	11	4-1/2	7	3.5	3/4 x 25 x 3	214
30	SRT8A30S	0.120	12-1/2	12-1/2	5	7.7	3.5	1 x 36 x 4	290
35	SRT8A35S	0.120	12-1/2	12-1/2	5	8.4	3.5	1 x 36 x 4	342
35	SRT9D35S	0.180	12-1/2	12-1/2	5	8.4	3.5	1 x 36 x 4	482
39	SRT9A39S	0.120	12-1/2	12-1/2	5	8.9	3.5	1 x 36 x 4	341
39	SRT9D39S	0.180	12-1/2	12-1/2	5	8.9	3.5	1 x 36 x 4	536
45	SRT0A45S*	0.120	13-1/2	13-1/2	5	10.2	4.2	1 x 36 x 4	546
45	SRT0D45S*	0.180	13-1/2	13-1/2	6	10.2	4.2	1-1/4 x 42 x 6	682
50	SRT0A50S*	0.120	13-1/2	13-1/2	5	10.2	3.5	1 x 36 x 4	550
50	SRT0D50S*	0.180	13-1/2	13-1/2	6	10.2	3.5	1-1/4 x 42 x 6	719

NOTE: * 2-piece pole.

WARNING: The use of unauthorized accessories such as banners, signs, cameras or pennants for which the pole was not designed voids the Cooper Lighting Pole Warranty and may result in pole failure causing serious injury or property damage. Upon request, Cooper Lighting will supply information regarding total loading capacity. Cooper Lighting's Pole Warranty is void unless poles are used and installed as a complete pole/luminaire combination. This warranty specifically excludes failure as the result of a third party act or omission, misuse, unanticipated uses, fatigue failure or similar phenomena resulting from induced vibration, harmonic oscillation or resonance associated with movement of air currents around the product.

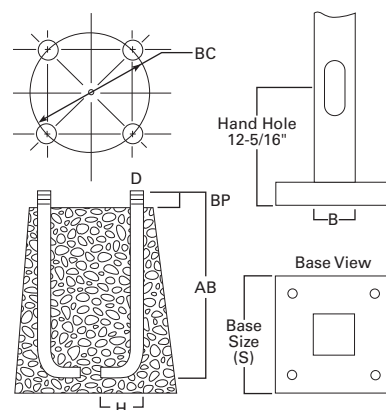
Specifications and dimensions subject to change without notice. Consult your Cooper Lighting Representative or visit www.cooperlighting.com for available options, accessories and ordering information.



SSX STEEL SQUARE STRAIGHT

FEATURES

- ASTM Grade steel base plate with ASTM A366 base cover
- Hand hole assembly 3" x 5" on 5" and 6" pole; and 2" x 4" on 4" pole
- 10'-39' mounting heights
- Drilled or tenon (specify)



See technical information.

ORDERING INFORMATION

SAMPLE NUMBER: SSX5A20SGMM1G

Product Family	Shaft Size (Inches) ¹	Wall Thickness (Inches)	Mounting Height (Feet)	Base Type	Finish
SSX=Steel Square Straight	4=4" 5=5" 6=6"	A=0.120" M=0.188" X=0.250"	10=10' 15=15' 20=20' 25=25' 30=30' 35=35' 39=39'	S=Square Steel Base	AP=Grey BK=Black BZ=Bronze DP=Dark Platinum GM=Graphite Metallic GN=Hartford Green WH=White
Mounting Type			Number and Location of Arms	Options (Add as Suffix)	
2=2-3/8" O.D. Tenon (4" long) 3=3-1/2" O.D. Tenon (5" long) 4=4" O.D. Tenon (6" long) - Slide/Flite/Epic 5=3" O.D. Tenon (4" long) - Mesa 6=2-3/8" O.D. Tenon (6" long) 7=4" O.D. Tenon (10" long) - SDM1/SDM2 A=Icon and Ascent Small Drill Pattern C=Icon and Ascent Medium Drill Pattern			E=Vision Site and X-Form Small Drill Pattern F=Vision Site Structural Mount G=Vision Site Medium Structural Mount J=Icon Small Structural Drill Pattern K=Icon Medium Structural Drill Pattern M=Vision Site and X-Form Medium Drill Pattern X=None	1=Single 2=2 at 180° 3=Triple ² 4=4 at 90° 5=2 at 90° X=None	
				A=1/2" Tapped Hub (Specify location desired) B=3/4" Tapped Hub (Specify location desired) C=Convenience Outlet ³ E=GFCI Convenience Outlet ³ G=Ground Lug H=Additional Hand Hole ⁴ V=Vibration Dampener	

NOTES: 1. All shaft sizes nominal. 2. Square poles are 3 at 90°, round poles are 3 at 120°. 3. Outlet is located 4' above base and on same side of pole as hand hole, unless specified otherwise. Receptacle not included, provision only. 4. Additional hand hole is located 12" below pole top and 90° from standard hand hole location, unless otherwise specified.

TECHNICAL INFORMATION

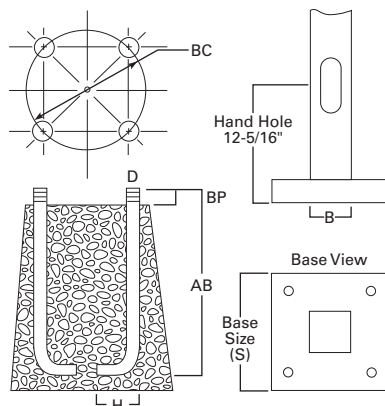
Mounting Height (Feet)	Catalog Number	Wall Thickness (Inches)	Base Square (Inches)	Bolt Circle Diameter (Inches)	Bolt Projection (Inches)	Shaft Size (Inches)	Anchor Bolt Diameter x Length x Hook	Net Weight (Pounds)
MH			S	BC	BP	B	D x AB x H	
10	SSX4A10S	0.120	10-1/2	11	4-1/2	4	3/4 x 25 x 3	96
15	SSX4A15S	0.120	10-1/2	11	4-1/2	4	3/4 x 25 x 3	133
20	SSX4A20S	0.120	10-1/2	11	4-1/2	4	3/4 x 25 x 3	152
25	SSX4A25S	0.120	10-1/2	11	4-1/2	4	3/4 x 25 x 3	208
20	SSX5A20S	0.120	10-1/2	11	4-1/2	5	3/4 x 25 x 3	202
25	SSX5A25S	0.120	10-1/2	11	4-1/2	5	3/4 x 25 x 3	248
30	SSX5A30S	0.120	10-1/2	11	4-1/2	5	3/4 x 25 x 3	293
35	SSX5M35S	0.188	10-1/2	11	4-1/2	5	3/4 x 25 x 3	480
25	SSX6A25S	0.120	12-1/2	12-1/2	5	6	1 x 36 x 4	295
30	SSX6A30S	0.120	12-1/2	12-1/2	5	6	1 x 36 x 4	347
30	SSX6M30S	0.188	12-1/2	12-1/2	5	6	1 x 36 x 4	505
35	SSX6M35S	0.188	12-1/2	12-1/2	5	6	1 x 36 x 4	584
35	SSX6X35S	0.250	12-1/2	12-1/2	5	6	1 x 36 x 4	696
39	SSX6M39S	0.188	12-1/2	12-1/2	5	6	1 x 36 x 4	647
39	SSX6X39S	0.250	12-1/2	12-1/2	5	6	1 x 36 x 4	822

WARNING: The use of unauthorized accessories such as banners, signs, cameras or pennants for which the pole was not designed voids the Cooper Lighting Pole Warranty and may result in pole failure causing serious injury or property damage. Upon request, Cooper Lighting will supply information regarding total loading capacity. Cooper Lighting's Pole Warranty is void unless poles are used and installed as a complete pole/luminaire combination. This warranty specifically excludes failure as the result of a third party act or omission, misuse, unanticipated uses, fatigue failure or similar phenomena resulting from induced vibration, harmonic oscillation or resonance associated with movement of air currents around the product.

Specifications and dimensions subject to change without notice. Consult your Cooper Lighting Representative or visit www.cooperlighting.com for available options, accessories and ordering information.

FEATURES

- ASTM Grade steel base plate with ASTM A366 base cover
- Hand hole assembly 3" x 5" on SST poles
- 20'-50' mounting heights
- Drilled or tenon (specify)



SST STEEL SQUARE TAPERED

See technical information.

ORDERING INFORMATION

SAMPLE NUMBER: SST7A30SGMM1G

Product Family	Shaft Size (Inches) ¹	Wall Thickness (Inches)	Mounting Height (Feet)	Base Type	Finish	
SST=Steel Square Tapered	5=5" 6=6" 7=7" 8=8" 9=9" Steel; 6-3/4" Aluminum	A=0.120" D=0.180"	20=20' 25=25' 30=30' 35=35' 39=39' 45=45' 50=50'	S=Square Steel Base	AP=Grey BK=Black BZ=Bronze DP=Dark Platinum GM=Graphite Metallic GN=Hartford Green WH=White	
Mounting Type		Number and Location of Arms		Options (Add as Suffix)		
2=2-3/8" O.D. Tenon (4" long) 3=3-1/2" O.D. Tenon (5" long) 4=4" O.D. Tenon (6" long) - Slide/Flite/Epic 5=3" O.D. Tenon (4" long) - Mesa 6=2-3/8" O.D. Tenon (6" long) 7=4" O.D. Tenon (10" long) - SDM1/SDM2 A=Icon and Ascent Small Drill Pattern C=Icon and Ascent Medium Drill Pattern		E=Vision Site and X-Form Small Drill Pattern F=Vision Site Structural Mount G=Vision Site Medium Structural Mount J=Icon Small Structural Drill Pattern K=Icon Medium Structural Drill Pattern M=Vision Site and X-Form Medium Drill Pattern X=None		1=Single 2=2 at 180° 3=Triple ² 4=4 at 90° 5=2 at 90° X=None		A=1/2" Tapped Hub (Specify location desired) B=3/4" Tapped Hub (Specify location desired) C=Convenience Outlet ³ G=Ground Lug H=Additional Hand Hole ⁴ E=GFCl Convenience Outlet ³ V=Vibration Dampener

NOTES: 1. All shaft sizes nominal. 2. Square poles are 3 at 90°, round poles are 3 at 120°. 3. Outlet is located 4' above base and on same side of pole as hand hole, unless specified otherwise. Receptacle not included, provision only. 4. Additional hand hole is located 12" below pole top and 90° from standard hand hole location, unless otherwise specified.

TECHNICAL INFORMATION

Mounting Height (Feet)	Catalog Number	Wall Thickness (Inches)	Base Square (Inches)	Bolt Circle Diameter (Inches)	Bolt Projection (Inches)	Shaft Diameter at Base (Inches)	Shaft Taper (Inches/Feet)	Anchor Bolt Diameter x Length x Hook	Net Weight (Pounds)
MH			S	BC	BP	B		D x AB x H	
20	SST5A20S	0.120	10-3/4	10-3/4	4	5.25	0.11	1 x 36 x 4	155
25	SST6A25S	0.120	11-1/2	12	4-1/8	6	0.11	1 x 36 x 4	205
30	SST6A30S	0.120	11-7/8	12-1/2	4-1/8	6.41	0.11	1 x 36 x 4	260
30	SST7D30S	0.180	12-5/8	13-1/2	4-1/2	7.13	0.11	1 x 36 x 4	431
35	SST7A35S	0.120	12-1/4	13	4-1/8	6.81	0.11	1 x 36 x 4	305
35	SST7D35S	0.180	12-5/8	13-1/2	4-1/2	7.13	0.11	1 x 36 x 4	475
39	SST7A39S	0.120	12-5/8	13-1/2	4-1/8	7.18	0.11	1 x 36 x 4	345
39	SST7D39S	0.180	12-5/8	13-1/2	4-1/2	7.13	0.11	1 x 36 x 4	500
45	SST8D45S	0.180	13-3/8	14-1/2	4-1/2	7.88	0.11	1 x 36 x 4	620
50	SST9D50S	0.180	15-1/2	16	5	8.81	0.11	1-1/4 x 42 x 6	780

WARNING: The use of unauthorized accessories such as banners, signs, cameras or pennants for which the pole was not designed voids the Cooper Lighting Pole Warranty and may result in pole failure causing serious injury or property damage. Upon request, Cooper Lighting will supply information regarding total loading capacity. Cooper Lighting's Pole Warranty is void unless poles are used and installed as a complete pole/luminaire combination. This warranty specifically excludes failure as the result of a third party act or omission, misuse, unanticipated uses, fatigue failure or similar phenomena resulting from induced vibration, harmonic oscillation or resonance associated with movement of air currents around the product.

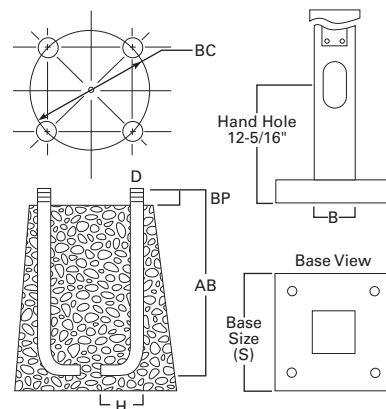
Specifications and dimensions subject to change without notice. Consult your Cooper Lighting Representative or visit www.cooperlighting.com for available options, accessories and ordering information.



SHT STEEL HINGED TAPERED

FEATURES

- ASTM Grade steel base plate with ASTM A366 base cover
- Hand hole assembly 3" x 5" on all SHT poles
- 20'-39' mounting heights
- Drilled or tenon (specify)



See technical information.

ORDERING INFORMATION

SAMPLE NUMBER: SHT6B30SGMM2G

Product Family	Shaft Size (Inches) ¹	Wall Thickness (Inches)	Mounting Height (Feet)	Base Type	Finish
SHT=Steel Hinged Tapered	6=6" 7=7"	A=0.120" D=0.180"	20=20' 25=25' 30=30' 35=35' 39=39'	S=Square Steel Base	AP=Grey BK=Black BZ=Bronze DP=Dark Platinum GM=Graphite Metallic GN=Hartford Green WH=White
Mounting Type			Number and Location of Arms	Options (Add as Suffix)	
2=2-3/8" O.D. Tenon (4" long) 3=3-1/2" O.D. Tenon (5" long) 4=4" O.D. Tenon (6" long) - Slide/Flite/Epic 5=3" O.D. Tenon (4" long) - Mesa 6=2-3/8" O.D. Tenon (6" long) 7=4" O.D. Tenon (10" long) - SDM1/SDM2 A=Icon and Ascent Small Drill Pattern C=Icon and Ascent Medium Drill Pattern E=Vision Site and X-Form Small Drill Pattern			1=Single 2=2 at 180° 3=Triple ² 4=4 at 90° 5=2 at 90° X=None	A=1/2" Tapped Hub (Specify location desired) B=3/4" Tapped Hub (Specify location desired) C=Convenience Outlet ³ G=Ground Lug H=Additional Hand Hole ⁴ V=Vibration Dampener E=GFCl Convenience Outlet ³ HSSLDW=Lowering Device	

NOTES: 1. All shaft sizes nominal. 2. Square poles are 3 at 90°, round poles are 3 at 120°. 3. Outlet is located 4' above base and on same side of pole as hand hole, unless specified otherwise. Receptacle not included, provision only. 4. Additional hand hole is located 12" below pole top and 90° from standard hand hole location, unless otherwise specified.

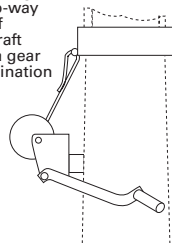
TECHNICAL INFORMATION

Mounting Height (Feet)	Catalog Number	Wall Thickness (Inches)	Base Square (Inches)	Bolt Circle Diameter (Inches)	Bolt Projection (Inches)	Shaft Size at Base (Inches)	Shaft Taper (Inches/Feet)	Anchor Bolt Diameter x Length x Hook	Net Weight (Pounds)
MH			S	BC	BP	B		D x AB x H	
25	SHT6A25S	0.120	11-7/8	12-1/2	4-1/8	6.41	0.11	1 x 36 x 4	355
30	SHT6A30S	0.120	11-7/8	12-1/2	4-1/8	6.41	0.11	1 x 36 x 4	440
35	SHT7A35S	0.120	12-5/8	13-1/2	4-1/8	7.18	0.11	1 x 36 x 4	540
35	SHT7D35S	0.180	12-5/8	13-1/2	4-1/2	7.13	0.11	1 x 36 x 4	700
39	SHT7A39S	0.120	12-5/8	13-1/2	4-1/8	7.18	0.11	1 x 36 x 4	555
39	SHT7D39S	0.180	12-5/8	13-1/2	4-1/2	7.13	0.11	1 x 36 x 4	740

LOWERING DEVICE

HSSLDW

Lowering Device No. HSSLDW is required for use with all Cooper Lighting hinged poles. This Device consist of a winch, arm and a rotating steel drum with a two-way ratchet lock and 35' of stranded flexible aircraft cable. The drum has a gear ratio of 51 to 1. Combination arm, gear and lever provide a mechanical advantage of 30 to 1 and permits a direct load lift of up to 1300 pounds.



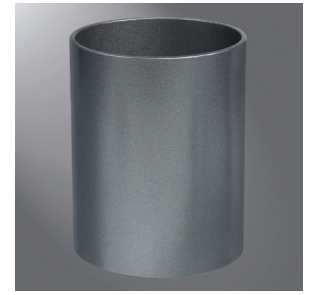
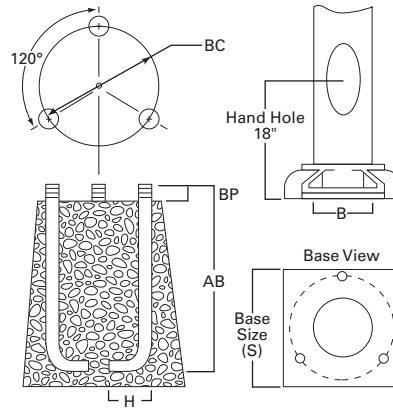
Net Wt. (pounds) 11.5

WARNING: The use of unauthorized accessories such as banners, signs, cameras or pennants for which the pole was not designed voids the Cooper Lighting Pole Warranty and may result in pole failure causing serious injury or property damage. Upon request, Cooper Lighting will supply information regarding total loading capacity. Cooper Lighting's Pole Warranty is void unless poles are used and installed as a complete pole/luminaire combination. This warranty specifically excludes failure as the result of a third party act or omission, misuse, unanticipated uses, fatigue failure or similar phenomena resulting from induced vibration, harmonic oscillation or resonance associated with movement of air currents around the product.

Specifications and dimensions subject to change without notice. Consult your Cooper Lighting Representative or visit www.cooperlighting.com for available options, accessories and ordering information.

FEATURES

- Straight round shaft 6063-T6 aluminum alloy polished
- Cast aluminum alloy base with aluminum bolt covers
- Anchor bolt per ASTM A576
- Three and four-bolt anchorage configurations
- 8'-20' mounting heights
- Drilled or tenon (specify)



ARX ALUMINUM ROUND STRAIGHT

See technical information.

ORDERING INFORMATION

SAMPLE NUMBER: ARX4T08NGMA1V

Product Family	Shaft Size (Inches) ¹	Wall Thickness (Inches)	Mounting Height (Feet)	Base Type	Finish		
ARX=Aluminum Round Straight	4=4" 5=5"	T=0.125" M=0.188"	08=8' 10=10' 12=12' 15=15' 18=18' 20=20'	A=Aluminum (Round 4-Bolt Pole) ² N=Aluminum (Round 3-Bolt Pole)	AP=Grey BA=Anodized Bronze BK=Black BZ=Bronze CA=Anodized Clear DA=Anodized Black DP=Dark Platinum GM=Graphite Metallic GN=Hartford Green WH=White		
Mounting Type		Number and Location of Arms		Options (Add as Suffix)			
2=2-3/8" O.D. Tenon (4" long) 3=3-1/2" O.D. Tenon (5" long) 4=4" O.D. Tenon (6" long) - Slide/Flite/Epic 5=3" O.D. Tenon (4" long) - Mesa 6=2-3/8" O.D. Tenon (6" long) 7=4" O.D. Tenon (10" long) - SDM1/SDM2 A=Icon and Ascent Small Drill Pattern C=Icon and Ascent Medium Drill Pattern		E=Vision Site and X-Form Small Drill Pattern F=Vision Site Structural Mount G=Vision Site Medium Structural Mount J=Icon Small Structural Drill Pattern K=Icon Medium Structural Drill Pattern M=Vision Site and X-Form Medium Drill Pattern X=None		1=Single 2=2 at 180° 3=Triple ³ 4=4 at 90° 5=2 at 90° 6=3 at 90° 7=2 at 120° X=None		A=1/2" Tapped Hub (Specify location desired) B=3/4" Tapped Hub (Specify location desired) C=Convenience Outlet ⁴ E=GFCI Convenience Outlet ⁴ F=Vibration Pad G=Ground Lug H=Additional Hand Hole ⁵ V=Vibration Dampener	

NOTES: 1. All shaft sizes nominal. 2. Base cover not included (order as option). 3. Square poles are 3 at 90°, round poles are 3 at 120°. 4. Outlet is located 4" above base and on same side of pole as hand hole, unless specified otherwise. Receptacle not included, provision only. 5. Additional hand hole is located 12" below pole top and 90° from standard hand hole location, unless otherwise specified.

TECHNICAL INFORMATION

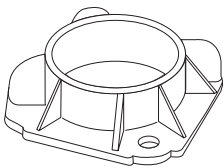
Mounting Height (Feet)	Catalog Number	Wall Thickness (Inches)	Bolt Circle Diameter (Inches)	Bolt Projection (Inches)	Shaft Size (Inches)	Anchor Bolt Diameter x Length x Hook	Net Weight (Pounds)
MH			BC	BP	B	D x AB x H	
8	ARX4T08N	0.125	6-3/4	3-1/4	4	3/4 x 17 x 3	20
10	ARX4T10N	0.125	6-3/4	3-1/4	4	3/4 x 17 x 3	24
12	ARX4T12N	0.125	6-3/4	3-1/4	4	3/4 x 17 x 3	27
12	ARX5T12N	0.125	7-3/4	3-1/4	5	3/4 x 17 x 3	33
15	ARX4T15N	0.125	6-3/4	3-1/4	4	3/4 x 17 x 3	33
15	ARX5T15N	0.125	7-3/4	3-1/4	5	3/4 x 17 x 3	40
18	ARX4M18N	0.188	6-3/4	3-1/4	4	3/4 x 17 x 3	54
18	ARX5M18N	0.188	7-3/4	3-1/4	5	3/4 x 17 x 3	66
20	ARX5M20N	0.188	7-3/4	3-1/4	5	3/4 x 17 x 3	73

STANDARD BASE

(Round aluminum poles only.)

TYPE "A"

6", 7", 8" or 10"



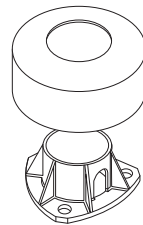
STANDARD BASE

(Round aluminum poles only.)

TYPE "N"

(Standard with base cover.)

4", 5" or 6"



WARNING: The use of unauthorized accessories such as banners, signs, cameras or pennants for which the pole was not designed voids the Cooper Lighting Pole Warranty and may result in pole failure causing serious injury or property damage. Upon request, Cooper Lighting will supply information regarding total loading capacity. Cooper Lighting's Pole Warranty is void unless poles are used and installed as a complete pole/luminaire combination. This warranty specifically excludes failure as the result of a third party act or omission, misuse, unanticipated uses, fatigue failure or similar phenomena resulting from induced vibration, harmonic oscillation or resonance associated with movement of air currents around the product.

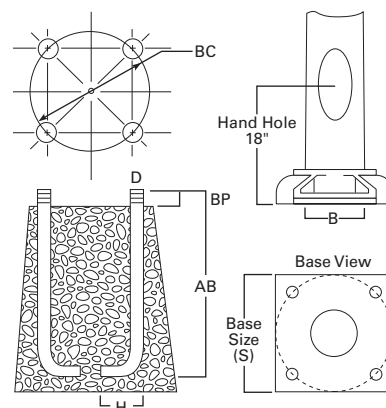
Specifications and dimensions subject to change without notice. Consult your Cooper Lighting Representative or visit www.cooperlighting.com for available options, accessories and ordering information.



ART ALUMINUM ROUND TAPERED

FEATURES

- Tapered aluminum shaft with polished finish
- Anchor bolt per ASTM A576 with (1) nut, (1) flat washer
- Cast aluminum alloy base with aluminum bolt covers
- Three and four-bolt anchorage configurations
- 10'-45' mounting heights
- Drilled or tenon (specify)



See technical information.

ORDERING INFORMATION

SAMPLE NUMBER: ART9M20NGMA2V

Product Family	Shaft Size (Inches) ¹	Wall Thickness (Inches)	Mounting Height (Feet)	Base Type	Finish
ART=Aluminum Round Tapered	4=4" 5=5" 6=6" 7=7" 8=8" 0=10"	T=0.125" L=0.156" M=0.188" X=0.250"	10=10' 12=12' 15=15' 18=18' 20=20' 25=25' 30=30' 35=35' 40=40' 45=45'	A=Aluminum (Round 4-Bolt Pole) ² N=Aluminum (Round 3-Bolt Pole)	B=Clear Anodized C=Dark Bronze Anodized D=Black Anodized E=Medium Bronze Anodized F=Dark Bronze V=Grey Powder Coat W=White Powder Coat Y=Black Powder Coat
Mounting Type			Number and Location of Arms	Options (Add as Suffix)	
2=2-3/8" O.D. Tenon (4" long) 3=3-1/2" O.D. Tenon (5" long) 4=4" O.D. Tenon (6" long) - Slide/Flite/Epic 5=3" O.D. Tenon (4" long) - Mesa 6=2-3/8" O.D. Tenon (6" long) 7=4" O.D. Tenon (10" long) - SDM1/SDM2 A=Icon and Ascent Small Drill Pattern C=Icon and Ascent Medium Drill Pattern			1=Single 2=2 at 180° 3=Triple ³ 4=4 at 90° 5=2 at 90° 6=3 at 90° 7=2 at 120° X=None	A=1/2" Tapped Hub (Specify location desired) B=3/4" Tapped Hub (Specify location desired) C=Convenience Outlet ⁴ D=Base Cover ("A" Base Only) E=GFCI Convenience Outlet ⁴ F=Vibration Pad G=Ground Lug H=Additional Hand Hole ⁵ V=Vibration Dampener	

NOTES: 1. All shaft sizes nominal. 2. Base cover not included (order as option). 3. Square poles are 3 at 90°, round poles are 3 at 120°. 4. Outlet is located 4' above base and on same side of pole as hand hole, unless specified otherwise. Receptacle not included, provision only. 5. Additional hand hole is located 12" below pole top and 90° from standard hand hole location, unless otherwise specified.

TECHNICAL INFORMATION

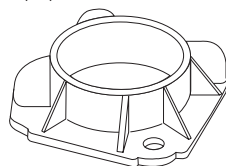
Mtg. Height (Feet)	Catalog Number	Wall Thickness (Inches)	Base Square (Inches)	Bolt Circle Diameter (Inches)	Bolt Projection (Inches)	Shaft Diameter at Base (Inches)	Shaft Diameter at Top (Inches)	Anchor Bolt Diameter x Length x Hook	Net Weight (Pounds)
MH			S	BC	BP	B		D x AB x H	
10	ART4T10N	0.125	9-1/4	6-3/4	3-1/4	4	3	3/4 x 17 x 3	22
12	ART4T12N	0.125	9-1/4	6-3/4	3-1/4	4	3	3/4 x 17 x 3	25
15	ART4T15N	0.125	9-1/4	6-3/4	3-1/4	4	3	3/4 x 17 x 3	30
15	ART5T15N	0.125	10-1/2	7-3/4	3-1/4	5	3	3/4 x 17 x 3	33
18	ART5T18N	0.125	10-1/2	7-3/4	3-1/4	5	3	3/4 x 17 x 3	39
18	ART6L18A	0.156	10-5/16	9-3/8	3-1/2	6	4	3/4 x 17 x 3	57
20	ART5T20N	0.125	10-1/2	7-3/4	3-1/4	5	3	3/4 x 17 x 3	43
20	ART6L20A	0.156	10-5/16	9-3/8	3-1/2	6	4	3/4 x 17 x 3	64
25	ART6L25A	0.156	10-5/16	9-3/8	3-1/2	6	4	3/4 x 17 x 3	81
25	ART8L25A	0.156	12-1/16	11-1/2	4-1/8	8	4-1/2	1 x 36 x 4	106
30	ART7L30A	0.156	11-1/4	10-1/2	4-1/8	7	4	1 x 36 x 4	108
30	ART8L30A	0.156	12-1/16	11-1/2	4-1/8	8	4-1/2	1 x 36 x 4	117
30	ART0L30A	0.156	13-3/16	14-1/2	4-3/4	10	6	1 x 36 x 4	152
35	ART8L35A	0.156	12-1/16	11-1/2	4-1/8	8	4-1/2	1 x 36 x 4	140
35	ART0L35A	0.156	13-3/16	14-1/2	4-3/4	10	6	1 x 36 x 4	180
40	ART8M40A	0.188	12-1/16	11-1/2	4-1/8	8	4-1/2	1 x 36 x 4	210
40	ART0L40A	0.156	13-3/16	14-1/2	4-3/4	10	6	1 x 36 x 4	209
45	ART0L45A	0.156	13-3/16	14-1/2	4-3/4	10	6	1 x 36 x 4	247
45	ART0X45A	0.250	14	14-1/2	5-1/4	10	6	1-1/4 x 42 x 6	350

STANDARD BASE

(Round aluminum poles only.)

TYPE "A"

6", 7", 8" or 10"

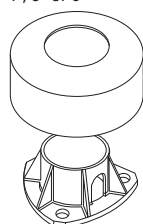


STANDARD BASE

(Round aluminum poles only.)

TYPE "N"

(Standard with base cover.)
4", 5" or 6"

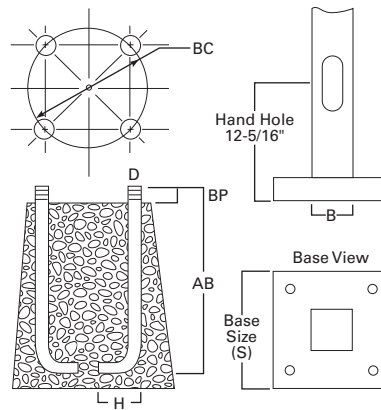


WARNING: The use of unauthorized accessories such as banners, signs, cameras or pennants for which the pole was not designed voids the Cooper Lighting Pole Warranty and may result in pole failure causing serious injury or property damage. Upon request, Cooper Lighting will supply information regarding total loading capacity. Cooper Lighting's Pole Warranty is void unless poles are used and installed as a complete pole/luminaire combination. This warranty specifically excludes failure as the result of a third party act or omission, misuse, unanticipated uses, fatigue failure or similar phenomena resulting from induced vibration, harmonic oscillation or resonance associated with movement of air currents around the product.

Specifications and dimensions subject to change without notice. Consult your Cooper Lighting Representative or visit www.cooperlighting.com for available options, accessories and ordering information.

FEATURES

- Straight square shaft 6005-T6 aluminum alloy polished
- 356-T6 cast aluminum alloy base with aluminum knock-in bolt covers
- 8'-35' mounting heights
- Drilled or tenon (specify)



ASX ALUMINUM SQUARE STRAIGHT

See technical information.

ORDERING INFORMATION

SAMPLE NUMBER: ASX4T08WGMM1G

Product Family	Shaft Size (Inches) ¹	Wall Thickness (Inches)	Mounting Height (Feet)	Base Type	Finish
ASX=Aluminum Square Straight	4=4" 5=5" 6=6" 9=9" Steel; 6-3/4" Aluminum	T=0.125" M=0.188" X=0.250"	8=8' 10=10' 12=12' 15=15' 18=18' 20=20' 25=25' 30=30' 35=35'	W=Aluminum (Square and Cruciform Invue)	B=Clear Anodized C=Dark Bronze Anodized D=Black Anodized E=Medium Bronze Anodized F=Dark Bronze V=Grey Powder Coat W=White Powder Coat Y=Black Powder Coat
Mounting Type			Number and Location of Arms	Options (Add as Suffix)	
2=2-3/8" O.D. Tenon (4" long) 3=3-1/2" O.D. Tenon (5" long) 4=4" O.D. Tenon (6" long) - Slide/Flite/Epic 5=3" O.D. Tenon (4" long) - Mesa 6=2-3/8" O.D. Tenon (6" long) 7=4" O.D. Tenon (10" long) - SDM1/SDM2 A=Icon and Ascent Small Drill Pattern C=Icon and Ascent Medium Drill Pattern			1=Single 2=2 at 180° 3=Triple ² 4=4 at 90° 5=2 at 90° X=None	A=1/2" Tapped Hub (Specify location desired) B=3/4" Tapped Hub (Specify location desired) G=Ground Lug H=Additional Hand Hole ³ V=Vibration Dampener C=Convenience Outlet ⁴ E=GFCI Convenience Outlet ⁴ F=Vibration Pad	

NOTES: 1. All shaft sizes nominal. 2. Square poles are 3 at 90°, round poles are 3 at 120°. 3. Additional hand hole is located 12" below pole top and 90° from standard hand hole location, unless otherwise specified. 4. Outlet is located 4' above base and on same side of pole as hand hole, unless specified otherwise. Receptacle not included, provision only.

TECHNICAL INFORMATION

Mounting Height (Feet)	Catalog Number	Wall Thickness (Inches)	Base Square (Inches)	Bolt Circle Diameter (Inches)	Bolt Projection (Inches)	Shaft Size (Inches)	Anchor Bolt Diameter x Length x Hook	Net Weight (Pounds)
MH			S	BC	BP	B	D x AB x H	
8	ASX4T08W	0.125	10	9	3-1/8	4	3/4 x 17 x 3	23
12	ASX4T12W	0.125	10	9	3-1/8	4	3/4 x 17 x 3	32
15	ASX4T15W	0.125	10	9	3-1/8	4	3/4 x 17 x 3	39
15	ASX4M15W	0.188	10	9	3-1/8	4	3/4 x 17 x 3	55
15	ASX5T15W	0.125	11-9/16	11	3-1/4	5	3/4 x 17 x 3	52
18	ASX4T18W	0.125	10	9	3-1/8	4	3/4 x 17 x 3	46
18	ASX4M18W	0.188	10	9	3-1/8	4	3/4 x 17 x 3	66
18	ASX5T18W	0.125	11-9/16	11	3-1/4	5	3/4 x 17 x 3	61
18	ASX5M18W	0.188	11-9/16	11	3-1/4	5	3/4 x 17 x 3	85
20	ASX4M20W	0.188	10	9	3-1/8	4	3/4 x 17 x 3	72
20	ASX5T20W	0.125	11-9/16	11	3-1/4	5	3/4 x 17 x 3	66
20	ASX5M20W	0.188	11-9/16	11-1/8	3-1/4	5	3/4 x 17 x 3	94
25	ASX5M25W	0.188	11-1/2	11	3-1/4	5	3/4 x 17 x 3	115
25	ASX6M25W	0.188	12-3/4	12-1/2	4	6	1 x 36 x 4	140
30	ASX6X30W	0.250	12-3/4	12-1/2	4	6	1 x 36 x 4	215
30	ASX9X30W	0.250	15-1/8	14-5/8	4-1/8	6-3/4	1 x 36 x 4	237
35	ASX9X35W	0.250	15-1/8	14-5/8	4-1/8	6-3/4	1 x 36 x 4	274

WARNING: The use of unauthorized accessories such as banners, signs, cameras or pennants for which the pole was not designed voids the Cooper Lighting Pole Warranty and may result in pole failure causing serious injury or property damage. Upon request, Cooper Lighting will supply information regarding total loading capacity. Cooper Lighting's Pole Warranty is void unless poles are used and installed as a complete pole/luminaire combination. This warranty specifically excludes failure as the result of a third party act or omission, misuse, unanticipated uses, fatigue failure or similar phenomena resulting from induced vibration, harmonic oscillation or resonance associated with movement of air currents around the product.

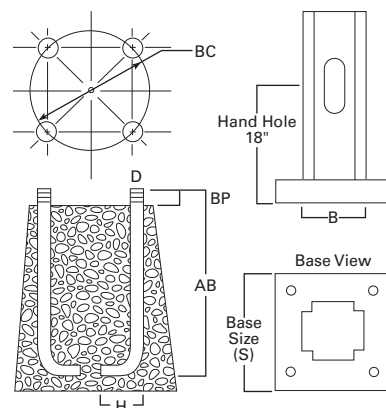
Specifications and dimensions subject to change without notice. Consult your Cooper Lighting Representative or visit www.cooperlighting.com for available options, accessories and ordering information.



ACF ALUMINUM CRUCIFORM

FEATURES

- 356-T6 cast aluminum alloy base with aluminum knock-in bolt covers
- 8'-30' mounting height
- Drilled or tenon (specify)



See technical information.

ORDERING INFORMATION

SAMPLE NUMBER: ACF4T08WGMM1G

Product Family	Shaft Size (Inches) ¹	Wall Thickness (Inches)	Mounting Height (Feet)	Base Type	Finish
ACF=Aluminum Cruciform	4=4" 6=6"	M=0.188" X=0.250"	08=8' 10=10' 12=12' 15=15' 18=18' 20=20' 25=25' 30=30'	W=Aluminum (Square and Cruciform Invue)	AP=Grey BA=Anodized Bronze BK=Black BZ=Bronze CA=Anodized Clear DA=Anodized Black DP=Dark Platinum GM=Graphite Metallic GN=Hartford Green WH=White
Mounting Type			Number and Location of Arms	Options (Add as Suffix)	
2=2-3/8" O.D. Tenon (4" long) 3=3-1/2" O.D. Tenon (5" long) 4=4" O.D. Tenon (6" long) - Slide/Flite/Epic 5=3" O.D. Tenon (4" long) - Mesa 6=2-3/8" O.D. Tenon (6" long) 7=4" O.D. Tenon (10" long) - SDM1/SDM2 A=Icon and Ascent Small Drill Pattern C=Icon and Ascent Medium Drill Pattern			E=Vision Site and X-Form Small Drill Pattern F=Vision Site Structural Mount G=Vision Site Medium Structural Mount J=Icon Small Structural Drill Pattern K=Icon Medium Structural Drill Pattern M=Vision Site and X-Form Medium Drill Pattern X=None	1=Single 2=2 at 180° 3=Triple ² 4=4 at 90° 5=2 at 90° X=None	
				A=1/2" Tapped Hub (Specify location desired) B=3/4" Tapped Hub (Specify location desired) G=Ground Lug H=Additional Hand Hole ³ V=Vibration Dampener C=Convenience Outlet ⁴ E=GFCl Convenience Outlet ⁴ F=Vibration Pad	

NOTES: 1. All shaft sizes nominal. 2. Square poles are 3 at 90°, round poles are 3 at 120°. 3. Additional hand hole is located 12" below pole top and 90° from standard hand hole location, unless otherwise specified. 4. Outlet is located 4" above base and on same side of pole as hand hole, unless specified otherwise. Receptacle not included, provision only.

TECHNICAL INFORMATION

Mounting Height (Feet)	Catalog Number	Wall Thickness (Inches)	Base Square (Inches)	Bolt Circle Diameter (Inches)	Bolt Projection (Inches)	Shaft Diameter (Inches)	Anchor Bolt Diameter x Length x Hook	Net Weight (Pounds)
MH			S	BC	BP	B	D x AB x H	
8	ACF4M08W	0.188	9-15/16	9	3-1/8	4	3/4 x 17 x 3	32
10	ACF4M10W	0.188	9-15/16	9	3-1/8	4	3/4 x 17 x 3	39
12	ACF4M12W	0.188	9-15/16	9	3-1/8	4	3/4 x 17 x 3	45
15	ACF4M15W	0.188	9-15/16	9	3-1/8	4	3/4 x 17 x 3	55
18	ACF4M18W	0.188	9-15/16	9	3-1/8	4	3/4 x 17 x 3	66
18	ACF6M18W	0.188	12-3/4	12-1/2	4	6	1 x 36 x 4	104
20	ACF4M20W	0.188	9-15/16	9	3-1/8	4	3/4 x 17 x 3	72
20	ACF6M20W	0.188	12-3/4	12-1/2	4	6	1 x 36 x 4	115
25	ACF6M25W	0.188	12-3/4	12-1/2	4	6	1 x 36 x 4	140
30	ACF6M30W	0.188	12-3/4	12-1/2	4	6	1 x 36 x 4	215

WARNING: The use of unauthorized accessories such as banners, signs, cameras or pennants for which the pole was not designed voids the Cooper Lighting Pole Warranty and may result in pole failure causing serious injury or property damage. Upon request, Cooper Lighting will supply information regarding total loading capacity. Cooper Lighting's Pole Warranty is void unless poles are used and installed as a complete pole/luminaire combination. This warranty specifically excludes failure as the result of a third party act or omission, misuse, unanticipated uses, fatigue failure or similar phenomena resulting from induced vibration, harmonic oscillation or resonance associated with movement of air currents around the product.

Specifications and dimensions subject to change without notice. Consult your Cooper Lighting Representative or visit www.cooperlighting.com for available options, accessories and ordering information.

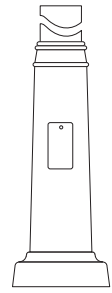
ORDERING INFORMATION

SAMPLE NUMBER: ASP0840RS5BK

Base Type	Mounting Height (Feet)	Shaft Size at Base (Inches)	Wall Thickness (Inches)	Shaft Type	Luminaire	Color	Options (Add as Suffix)
ASP=Aspen	08=8' 10=10' 12=12' 14=14' 16=16' 18=18'	5=5"	2=0.188" 3=0.250"	RS=Round Straight SF=Straight Fluted	4=4" O.D. Tenon ¹ 5=3" O.D. Tenon	AP=Grey BK=Black BZ=Bronze DP=Dark Platinum GM=Graphite Metallic GN=Hartford Green WH=White	C=Provision for Convenience Outlet E=GFI Convenience Outlet G=Ground Lug

NOTES: 1. Provides 4" tenon on 5" shafts or no tenon on 4" shafts allowing slip over of Epic Collection, Slide and Flite arm accessories. See individual product specifications for additional information.

BASE HEIGHT: 40"
BOLT CIRCLE: 15"



ASP ASPEN

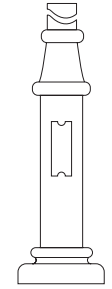
ORDERING INFORMATION

SAMPLE NUMBER: BWR0841RS5BK

Base Type	Mounting Height (Feet)	Shaft Size at Base (Inches)	Wall Thickness (Inches)	Shaft Type	Luminaire	Color	Options (Add as Suffix)
BWR=Broadway	08=8' 10=10' 12=12' 14=14' 16=16' 18=18' 20=20' 25=25' 30=30'	8=8" ¹	1=0.156 2=0.188" 3=0.250"	RT=Round Tapered	5=3" O.D. Tenon	AP=Grey BK=Black BZ=Bronze DP=Dark Platinum GM=Graphite Metallic GN=Hartford Green WH=White	C=Provision for Convenience Outlet E=GFI Convenience Outlet G=Ground Lug

NOTES: 1. Pole tapers to 4" at pole top.

BASE HEIGHT: 42"
BOLT CIRCLE: 12"



BWR BROADWAY

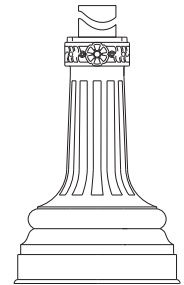
ORDERING INFORMATION

SAMPLE NUMBER: CHI0840RS5BK

Base Type	Mounting Height (Feet)	Shaft Size at Base (Inches) ¹	Wall Thickness (Inches)	Shaft Type	Luminaire	Color	Options (Add as Suffix)
CHI=Charleston	08=8' 10=10' 12=12' 14=14' 16=16' 18=18'	4=4" 5=5" 6=6"	0=0.125" 2=0.188"	RS=Round Straight SF=Straight Fluted	4=4" O.D. Tenon ² 5=3" O.D. Tenon	AP=Grey BK=Black BZ=Bronze DP=Dark Platinum GM=Graphite Metallic GN=Hartford Green WH=White	C=Provision for Convenience Outlet E=GFI Convenience Outlet G=Ground Lug

NOTES: 1. 4" shaft size available in 8', 10' and 12' mounting heights. 5" shaft size available in 8', 10', 12', 14' and 16' mounting heights. 6" shaft size available in 12', 14', 16' and 18' mounting heights. 2. Provides 4" tenon on 5" shafts or no tenon on 4" shafts allowing slip over of Epic Collection, Slide and Flite arm accessories. See individual product specifications for additional information.

BASE HEIGHT: 32"
BOLT CIRCLE: 10-3/4"



CHI CHARLESTON

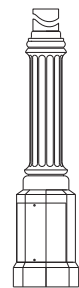
ORDERING INFORMATION

SAMPLE NUMBER: CPR0840RS5BK

Base Type	Mounting Height (Feet)	Shaft Size at Base (Inches)	Wall Thickness (Inches)	Shaft Type	Luminaire	Color	Options (Add as Suffix)
CPR=Chesapeake	08=8' 10=10' 12=12' 14=14'	4=4" 5=5"	0=0.125" 2=0.188"	RS=Round Straight SF=Straight Fluted	4=4" O.D. Tenon ¹ 5=3" O.D. Tenon	AP=Grey BK=Black BZ=Bronze DP=Dark Platinum GM=Graphite Metallic GN=Hartford Green WH=White	C=Provision for Convenience Outlet E=GFI Convenience Outlet G=Ground Lug

NOTES: 1. Provides 4" tenon on 5" shafts or no tenon on 4" shafts allowing slip over of Epic Collection, Slide and Flite arm accessories. See individual product specifications for additional information.

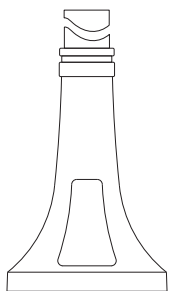
BASE HEIGHT: 46-5/8"
BOLT CIRCLE: 13-1/4"



CPR CHESAPEAKE

WARNING: The use of unauthorized accessories such as banners, signs, cameras or pennants for which the pole was not designed voids the Cooper Lighting Pole Warranty and may result in pole failure causing serious injury or property damage. Upon request, Cooper Lighting will supply information regarding total loading capacity. Cooper Lighting's Pole Warranty is void unless poles are used and installed as a complete pole/luminaire combination. This warranty specifically excludes failure as the result of a third party act or omission, misuse, unanticipated uses, fatigue failure or similar phenomena resulting from induced vibration, harmonic oscillation or resonance associated with movement of air currents around the product.

Specifications and dimensions subject to change without notice. Consult your Cooper Lighting Representative or visit www.cooperlighting.com for available options, accessories and ordering information.



STL SEATTLE

ORDERING INFORMATION

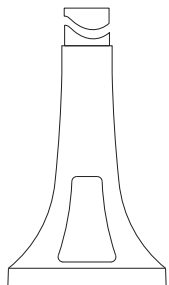
SAMPLE NUMBER: STL0842RS5BK

Base Type	Mounting Height (Feet)	Shaft Size at Base (Inches)	Wall Thickness (Inches)	Shaft Type	Luminaire	Color	Options (Add as Suffix)
STL=Seattle	08=8' 10=10' 12=12' 14=14' 16=16'	5=5"	2=0.188" 3=0.250"	RS=Round Straight SF=Straight Fluted	4=4" O.D. Tenon ¹ 5=3" O.D. Tenon	AP=Grey BK=Black BZ=Bronze DP=Dark Platinum GM=Graphite Metallic GN=Hartford Green WH=White	C=Provision for Convenience Outlet E=GFI Convenience Outlet G=Ground Lug

NOTES: 1. Provides 4" tenon on 5" shafts or no tenon on 4" shafts allowing slip over of Epic Collection, Slide and Flite arm accessories. See individual product specifications for additional information.

BASE HEIGHT: 23"

BOLT CIRCLE: 8"



TAM TAMPA

ORDERING INFORMATION

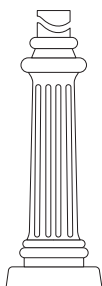
SAMPLE NUMBER: TAM1041RS5BK

Base Type	Mounting Height (Feet)	Shaft Size at Base (Inches)	Wall Thickness (Inches)	Shaft Type	Luminaire	Color	Options (Add as Suffix)
TAM=Tampa	10=10' 12=12' 14=14' 16=16' 18=18'	5=5"	1=0.156 2=0.188"	RS=Round Straight SF=Straight Fluted	4=4" O.D. Tenon ¹ 5=3" O.D. Tenon	AP=Grey BK=Black BZ=Bronze DP=Dark Platinum GM=Graphite Metallic GN=Hartford Green WH=White	C=Provision for Convenience Outlet E=GFI Convenience Outlet G=Ground Lug

NOTES: 1. Provides 4" tenon on 5" shafts or no tenon on 4" shafts allowing slip over of Epic Collection, Slide and Flite arm accessories. See individual product specifications for additional information.

BASE HEIGHT: 30"

BOLT CIRCLE: 8-1/2"



UBN UTICA

ORDERING INFORMATION

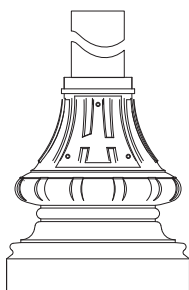
SAMPLE NUMBER: UBN0840RS5BK

Base Type	Mounting Height (Feet)	Shaft Size at Base (Inches)	Wall Thickness (Inches)	Shaft Type	Luminaire	Color	Options (Add as Suffix)
UBN=Utica	08=8' 10=10' 12=12'	4=4" 5=5"	0=0.125" 2=0.188"	RS=Round Straight SF=Straight Fluted	4=4" O.D. Tenon ¹ 5=3" O.D. Tenon	AP=Grey BK=Black BZ=Bronze DP=Dark Platinum GM=Graphite Metallic GN=Hartford Green WH=White	C=Provision for Convenience Outlet E=GFI Convenience Outlet G=Ground Lug

NOTES: 1. Provides 4" tenon on 5" shafts or no tenon on 4" shafts allowing slip over of Epic Collection, Slide and Flite arm accessories. See individual product specifications for additional information.

BASE HEIGHT: 31-3/8"

BOLT CIRCLE: 12-1/2"



WA3 WASHINGTON

ORDERING INFORMATION

SAMPLE NUMBER: WA30840RS5BK

Base Type	Mounting Height (Feet)	Shaft Size at Base (Inches) ¹	Wall Thickness (Inches)	Shaft Type	Luminaire	Color	Options (Add as Suffix)
WA3=Washington 3	08=8' 10=10' 12=12' 14=14' 16=16' 18=18'	4=4" 5=5" 6=6"	0=0.125" 2=0.188"	RS=Round Straight SF=Straight Fluted	4=4" O.D. Tenon ² 5=3" O.D. Tenon	AP=Grey BK=Black BZ=Bronze DP=Dark Platinum GM=Graphite Metallic GN=Hartford Green WH=White	C=Provision for Convenience Outlet E=GFI Convenience Outlet G=Ground Lug

NOTES: 1. 4" shaft size available in 8', 10' and 12' mounting heights. 5" shaft size available in 8', 10', 12', 14' and 16' mounting heights. 6" shaft size available in 12', 14', 16' and 18' mounting heights. 2. Provides 4" tenon on 5" shafts or no tenon on 4" shafts allowing slip over of Epic Collection, Slide and Flite arm accessories. See individual product specifications for additional information.

BASE HEIGHT: 21"

BOLT CIRCLE: 10-3/4"

WARNING: The use of unauthorized accessories such as banners, signs, cameras or pennants for which the pole was not designed voids the Cooper Lighting Pole Warranty and may result in pole failure causing serious injury or property damage. Upon request, Cooper Lighting will supply information regarding total loading capacity. Cooper Lighting's Pole Warranty is void unless poles are used and installed as a complete pole/luminaire combination. This warranty specifically excludes failure as the result of a third party act or omission, misuse, unanticipated uses, fatigue failure or similar phenomena resulting from induced vibration, harmonic oscillation or resonance associated with movement of air currents around the product.

Specifications and dimensions subject to change without notice. Consult your Cooper Lighting Representative or visit www.cooperlighting.com for available options, accessories and ordering information.

Private Residence, Beverly Hills, CA

Lighting Design: Kaplan Gehring McCarroll Architectural
Lighting, El Segundo, CA

Photography: Erhard Pfeiffer

Cooper Lighting SOURCE Awards Winner



Innovation you can rely on