

Plasti-Bond REDH₂OT

PVC Coated Rigid Metal Conduit

PR-113

PRODUCT CATALOG & BUYER'S GUIDE



PERFORMANCE MATTERS!

Table of Contents

Table of Contents

Introduction

Performance Matters!	4-15
Corrosion Protection	16

Conduit

PVC Coated Conduit	17
PVC Coated Nipples	18
PVC Coated Couplings	19

Elbows

PVC Coated Elbows	20-21
-------------------------	-------

Conduit Boxes

Cast Device Boxes and Covers	22-27
------------------------------------	-------

General Service Fittings

Conduit Bodies and Covers (Form 7 & Form 8)	28-32
Encapsulated Screws	32
Pulling Elbows	33
Mogul Style Conduit Bodies and Covers	34-35
Knockout Hubs	36-37
Liquid Tight Connectors	38-39
TECK Series Cable Fittings	40-41
Grounding Bushings	42
Split Couplings	42
Reducing Couplings	43
Reducing Bushings	43
Plugs	43
XJG Type Conduit Expansion Joints	44

Hazardous Location Fittings

Conduit Unions UNF & UNY Unions	45
Service Entrance Elbows	46
Malleable Elbows	47
GUA Style Conduit Outlet Boxes	48-49
Sealing Fittings	50-53
EC Series Couplings	54-55
OE Series Conduit Outlet Boxes	56

Support Products

PVC Coated Pipe Straps	57
PVC Coated Clamp Hangers	57
PVC Coated Clamp Back Spacer	57
PVC Coated Thread Rods	57
PVC Coated Strut Straps & J Hangers	58
PVC Coated Struts	58
PVC Coated Strut Nuts	58
PVC Coated Beam Clamps	59

Installation Tools

Spin-It	60
Plasti-Socket	60
Z-Wrench	60
JAWS 3	60
Half Shell Clamps	60
Hickey	60
Touch Up Compounds	60
Installer Certification	61

Technical Information

Urethane Interior Coating Chemical Resistance Chart	62
PVC Exterior Coating Chemical Resistance Chart	63
Plasti-Bond REDH ₂ O Performance Standards/Descriptions	64

Unless subject to another written agreement between the parties, the terms of which will be deemed to supersede this agreement, Robroy Industries-Texas, LLC retains all exclusive right, power and authority as to purchaser or any subsequent purchaser to grant any right in and to any trademarks appearing on the goods or used in connection with any services supplied by Robroy Industries-Texas, LLC to purchaser (hereafter, "trademarks"). By purchasing any goods or services from Robroy Industries-Texas, LLC, purchaser does not acquire any independent right to use any trademarks appearing on the goods or used in connection with any services. Robroy Industries-Texas, LLC reserves the right, subject to reasonable notice, to request an audit and/or written verification to ensure that purchaser is not misusing any trademarks. Without first obtaining the prior written authorization from Robroy Industries-Texas, LLC, Purchaser cannot remove any trademarks from any goods or services supplied pursuant to this agreement, nor can purchaser add the trademarks to any other goods or use any trademarks in connection with any services not supplied by Robroy Industries-Texas, LLC.



Contact us:
customerservice@plastibond.com

Visit www.plastibond.com
For more information

1

Reason One

PERFORMANCE MATTERS!

Seven reasons why you should trust the proven value of Plasti-Bond PVC-coated galvanized rigid conduit.

Reason One:

Plasti-Bond ensures premium corrosion protection without a premium price.

You deserve the corrosion protection you pay for.

ETL PVC-001 Verified Plasti-Bond has been independently proven to provide ten or more times the protective product service life when compared to other brands – and at no added cost.

Ten times the proven protection from the high cost of corrosion damage.

AT NO ADDED COST.

Ten times the proven protection against huge risks from premature product or system failures caused by subpar conduit quality.

AT NO ADDED COST.



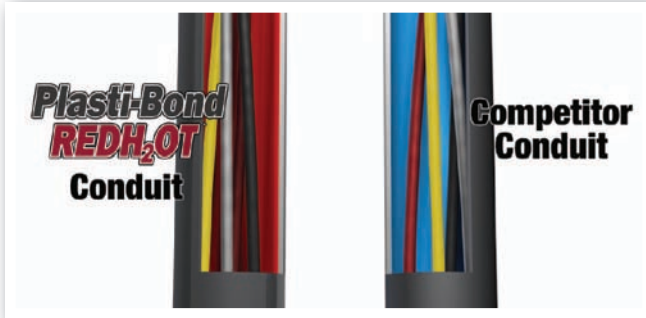
Why Adhesion is Critical

2

Reason Two

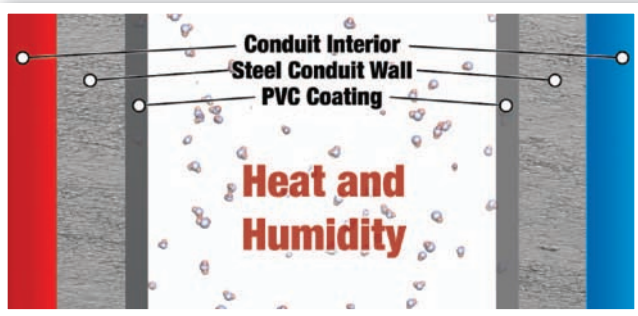
PERFORMANCE MATTERS!

Plasti-Bond works because its coating adheres. Not all brands can make that claim.

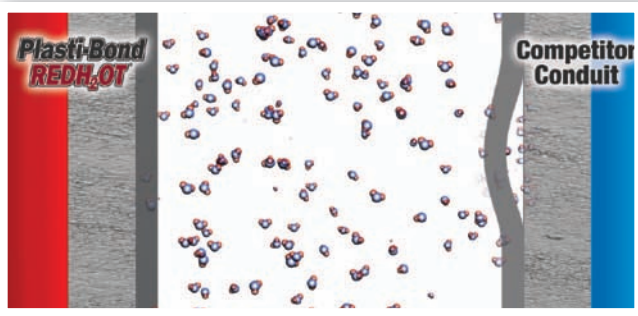


When the PVC coating on galvanized rigid conduit adheres – the product will successfully protect the steel substrate from corrosion damage.

When the PVC coating doesn't adhere properly the product will fail. It's as simple as that.



All coatings are permeable, but those that have a strong adhesive bond will not allow the substrate to be exposed to the environmental elements.



This graphic illustrates the tendency of the competitive coating to lose adhesion. The result is that moisture penetrates, creates voids or pockets, and puts the metal substrate in direct contact with corrosive elements.



This pocket actually accelerates corrosion because it traps the contaminants between the coating and substrate. The life span of coated conduit becomes limited and failure is only a matter of time. Don't allow this to happen to your conduit.

PERFORMANCE MATTERS!

Plasti-Bond works because its coating adheres. Not all brands can make that claim.

Although there's a clear distinction between success and failure, **not all manufacturers have achieved a consistent level of reliable bonding.**

Plasti-Bond has.

Need proof? Seeing is believing.

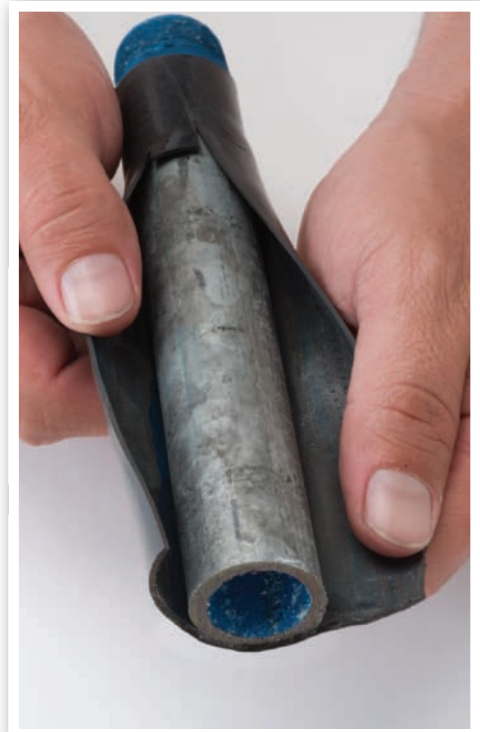
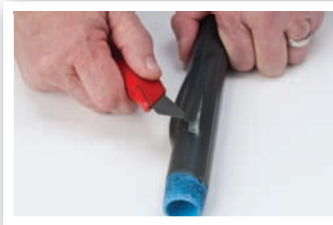
In side-by-side performance comparisons these two conduit samples were exposed for the same number of test hours in boiling water.

Why boiling water?

Because the single most important measure of product success is whether or not the PVC coating will adhere to the steel substrate of the

conduit, thereby protecting it from corrosion. ASTM-accepted accelerated tests in environments such as the boiling water clearly differentiate which coatings perform best. Plasti-Bond has been proven reliable even in such extreme environments, so imagine how well it will perform in diverse on-the-job applications.

When cuts are made in the PVC of the competitor's sample — and the tab of coating is then pulled with pliers — the adhesive bonding fails entirely and separates completely from the steel substrate it is supposed to protect.



FAILURE

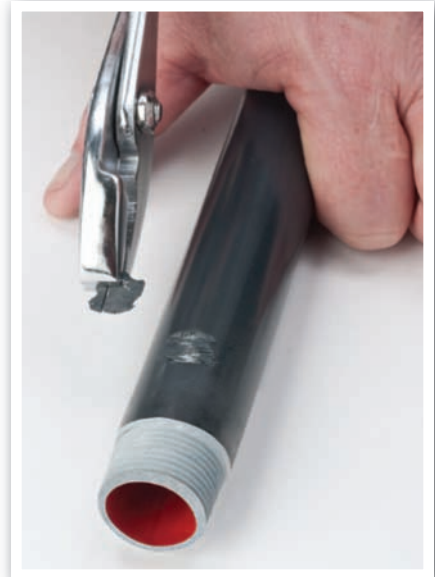
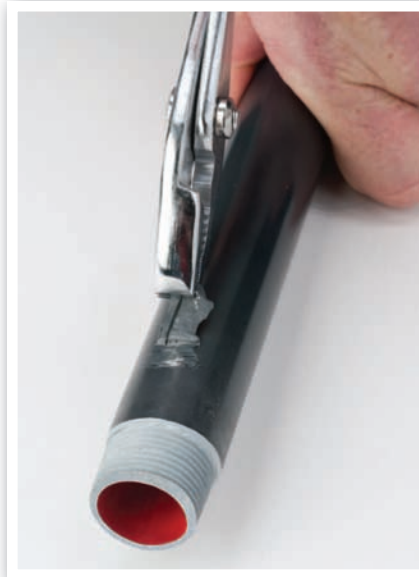
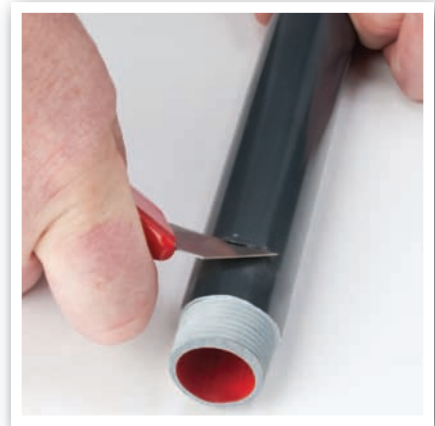
Why Adhesion is Critical

PERFORMANCE MATTERS!

Plasti-Bond works because its coating adheres.
Not all brands can make that claim.

Plasti-Bond REDH₂O^T

When the same procedure is applied to Plasti-Bond (right), the PVC breaks away from itself and **does not expose the substrate** – thereby preserving the all-important bond that fights corrosion.



SUCCESS



Contact us:
customerservice@plastibond.com



Visit www.plastibond.com
For more information

3

Reason Three

PERFORMANCE MATTERS!

Plasti-Bond is both UL6 listed and ETL PVC-001 Verified. Others are not.

All major brands of PVC-coated galvanized rigid conduit meet exactly the same standards established in UL, and are authorized to carry an identical UL listing label for PVC-coated galvanized rigid conduit.

However – not all brands are ETL PVC-001 Verified.

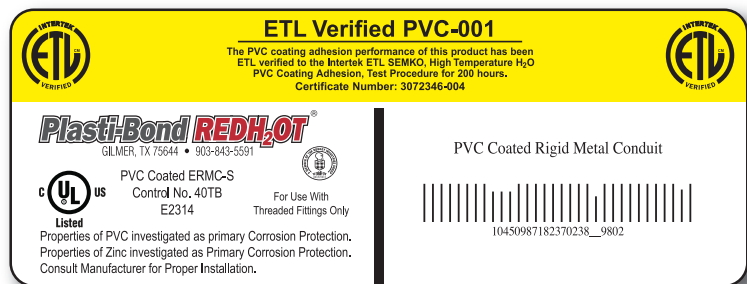
Plasti-Bond is. Others are not.

Why is this of critical importance?

UL6 is an important standard that addresses safety for rigid metal conduit. It is not, however, a performance standard.

ETL PVC-001 Verified is an internationally recognized listing based on performance evaluations and on predicting service life.

It is on the basis of independent, objective product comparisons by ETL that Plasti-Bond has been proven to provide ten or more times the protective service life of brands that are not authorized to carry the ETL PVC-001 label.



Here are some additional facts that you should know:

- ETL PVC-001 validates the coating performance of PVC-coated galvanized rigid conduit based on ASTM D870 and ASTM D1151/ASTM D2247 – the accepted ASTM tests for predicting product service life. These tests are not intended to replicate a specific environment. Rather, **they are designed to predict the service life** of a coating under the two most common conditions that affect adhesive bonds: heat and humidity.
- Plasti-Bond re-earns its ETL PVC-001 label on a quarterly basis by repeatedly and successfully passing the stringent performance tests required for verification.
- ETL verification is an “open standard”. Testing is open to any manufacturer who believes that the quality of its protective coating can consistently meet ETL verification requirements. If you do not see an ETL label on a brand of PVC-coated galvanized rigid conduit, you have every right to ask “why not?”



Reason Four

PERFORMANCE MATTERS!

Risk of premature PVC-coated galvanized rigid conduit failure.

Specifying ETL PVC-001 Verified Plasti-Bond protects you, and those to whom you are responsible, from the enormous risk of premature PVC-coated galvanized rigid conduit failure.

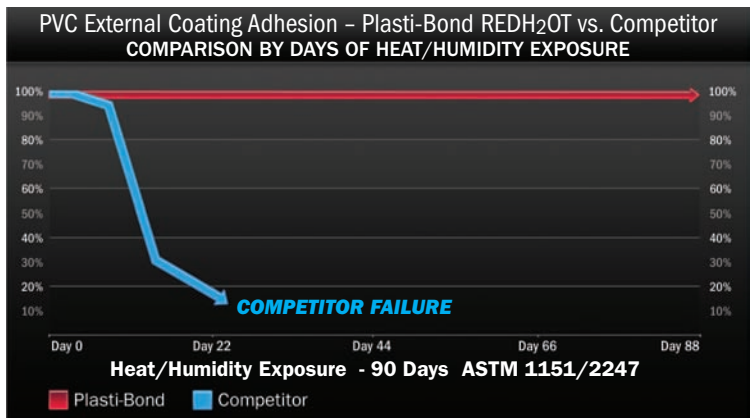
The risk of premature product failure can have an enormous impact on costs including downtime, safety, legal and environmental.

That fact needs to be addressed in job specifications by written mandates requiring ETL PVC-001 Verification.

To review the vital reasons why:

- All major PVC-coated conduit brands comply with standards as established by UL6.
- There exists only one definitive difference between brands of PVC-coated galvanized rigid conduit: ETL PVC-001 Verification of product performance and predictability of service life.

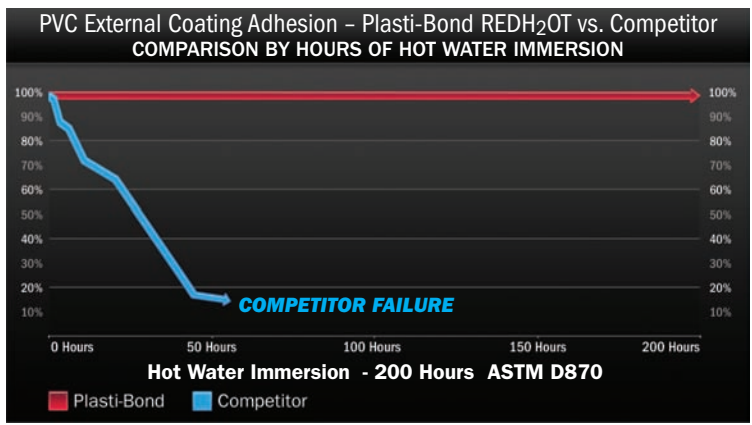
Therefore, if reliability of product service life is important to engineering design, avoidance of costly or catastrophic product or system failure, it should be assumed in the specification process that only PVC-coated galvanized conduit carrying the ETL verification label will meet the standards established by all relevant ASTM tests, including those predicting product service life.



Graphic representation of ETL test results of Plasti-Bond compared to competitor.

ETL quantified the adhesion performance of the two products in the same heat and humidity test at 150°F and 95% relative humidity. Plasti-Bond testing was stopped after 90 days with zero adhesion loss.

The competitor's coating began to delaminate after 9 days and had complete delamination at approximately 20 days.



In the hot water immersion test, the competitor's coating adhesion failed almost immediately.

Plasti-Bond coating was tested for 200 hours with zero failure.



Contact us: customerservice@plastibond.com

Visit www.plastibond.com For more information

5

Reason Five

PERFORMANCE MATTERS!

Unsurpassed manufacturing explains why Plasti-Bond has "No Equal."

Not all PVC-coated galvanized rigid conduit is created equal.

As the original pioneer of this product, Plasti-Bond has maintained and evolved its position of technological leadership in many key ways:

Unmatched bonding adhesion for unmatched conduit protection.

As one of the original authors of NEMA RN-1 our company thoroughly understands and conforms to the voluntary, non-regulated guidelines of this standard. This is especially true with regard to how we prepare the zinc surface of conduit to enable a degree of coating adhesion not achieved by other manufacturers.



In accomplishing this we remove surface oxidation and, through a special technology called **AEP (Adhesion Enhancement Process)**, we rough the outer surface of the zinc without harming or eroding it.

In that way, not only do we comply with NEMA RN-1, but we exceed it. Our hot dipped galvanized conduit and fittings outperform the competition because we have prepared the surface of our products for maximum bonding reliability.



Manufacturing Performance!

Nothing can touch our threads!

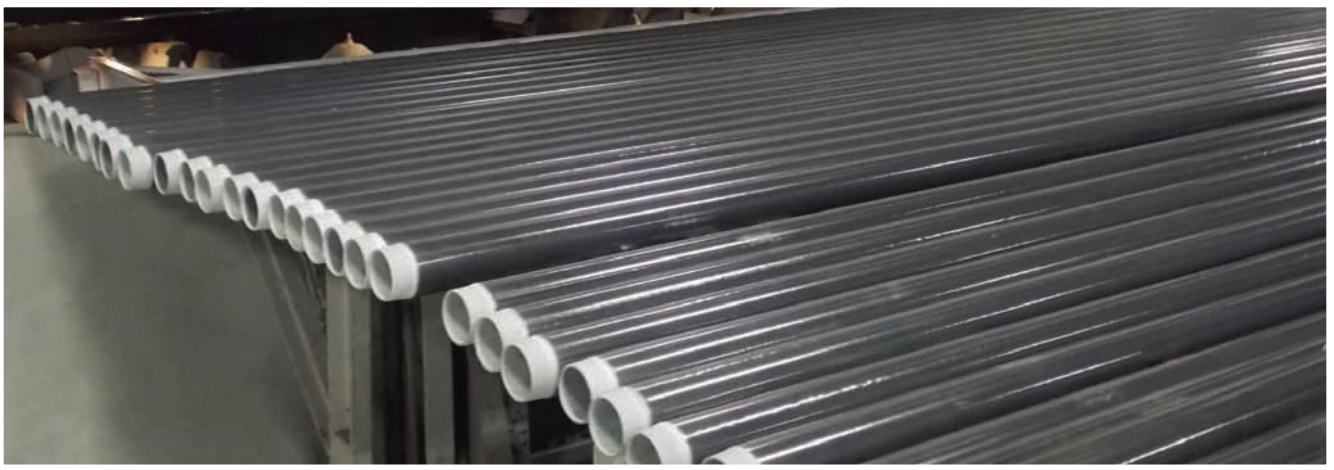
Our multimillion dollar **ProTECH™** system provides our **conduit threads with unsurpassed corrosion protection.**

After PVC coating of the conduit, the automated process begins with a trimming operation to remove excess PVC from the conduit ends.

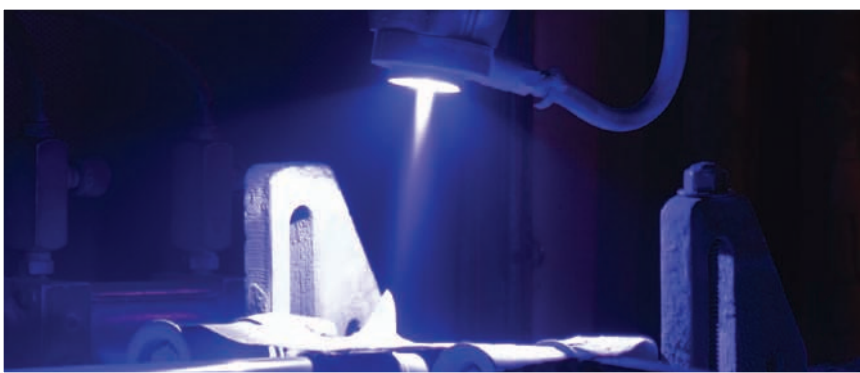
Next is mechanical surface preparation of the previously chemically cleaned conduit threads. This is critical because surface preparation is the key to any good bond.

Then, the clean pipe threads are hot-galvanized using specially designed equipment, including 3-axis robotic arms.

Through the final manufacturing process **nothing touches the zinc coating of our threads!**



Our manufacturing process is open to our customers.
Come see for yourself and compare to what our competitors don't do.



Plasti-Bond
"No Equal"



Contact us:
customerservice@plastibond.com



Visit www.plastibond.com
For more information

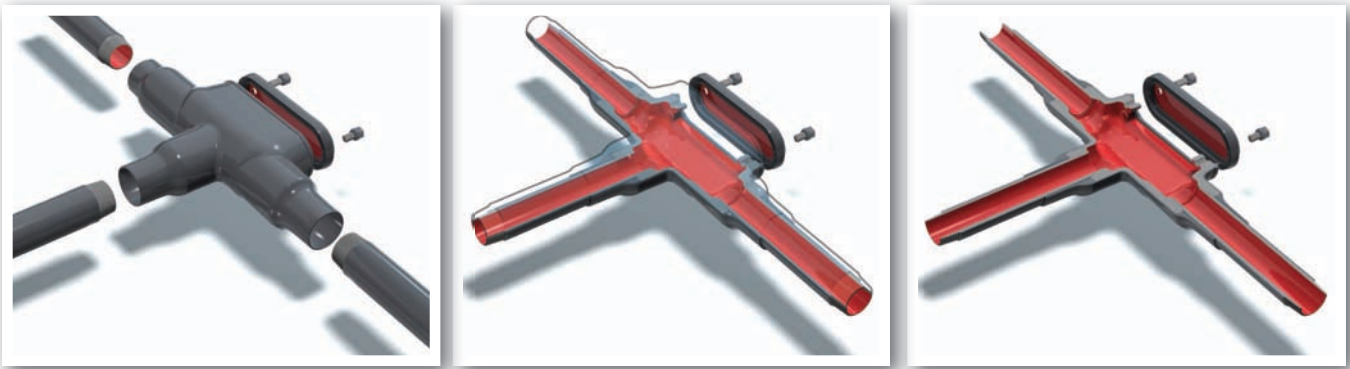
6

Reason Six

PERFORMANCE MATTERS!

Plasti-Bond provides you value-added differentiators.

Plasti-Bond is not simply a product — it is a key link in a system designed to beat the high cost of corrosion damage. The following graphic illustrates how the beneficial differentiators of Plasti-Bond provide added value in making the system work.

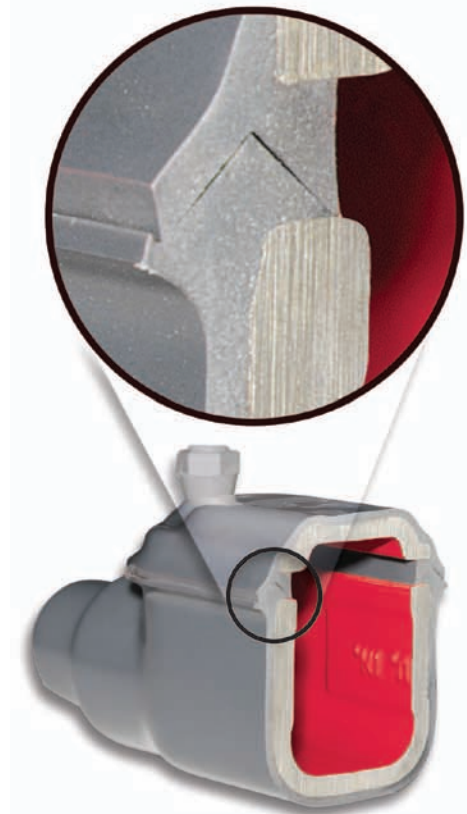


OUR UNIQUE V-SEAL

Our V-Seal® gasket — with special interlocking “V” groove — is the most effective way of preventing corrosion damage by sealing PVC coated Form 8 Conduit Bodies, sizes 1/2" to 4".

WANT MORE GOOD NEWS?

You won't have to pay more for the best available protection than you would for a standard fitting. It's all part of the unequalled value provided to you through Plasti-Bond.



Value-Added Benefits

Chemical resistance...

...to a wide range of corrosive chemicals, preventing exposure of the metal to damaging environments.

UV stabilized PVC formulation...

...developed exclusively for us to dramatically reduce UV degradation in outdoor applications.

Clamps designed for PVC-coated conduit...

...includes coated pipe straps, clamps and clamp back spacers that are specially designed to fit Plasti-Bond for ease of installation.

V-SEAL® Form 8 fittings...

...patented, unique interlocking V-groove covers effectively seal out corrosive environments.

PVC sealing sleeves...

...sized to fit tightly over the coated conduit when assembled, thereby keeping corrosive elements from the threaded joints.

Molded ribbed couplings...

...allow for easier installation of the conduit system by providing enhanced gripping.

Comprehensive line of factory nipples and elbows (standard and special radius)...

...ready for quick shipment and designed to provide lower labor costs via faster installation.

Installer Certification...

Proper installation is essential to ensure the highest possible performance and provide maximum life for a conduit system. Only installers who are able to present authorized credentials of having passed our instruction and examination are officially certified to install Plasti-Bond's top quality products. Installer certification is free of charge and available at the job site, contractor's shop, factory, or wherever it is convenient to you! Contact Plasti-Bond at **903.843.5591**.

Five year Plasti-Bond warranty...

...for peace of mind.

Polyurethane coatings...

...specially formulated to protect the interior of our conduit from corrosion and chemicals while also allowing optimum durability and friction-reduced ease of wire-pulls.

PVC gasket seals...

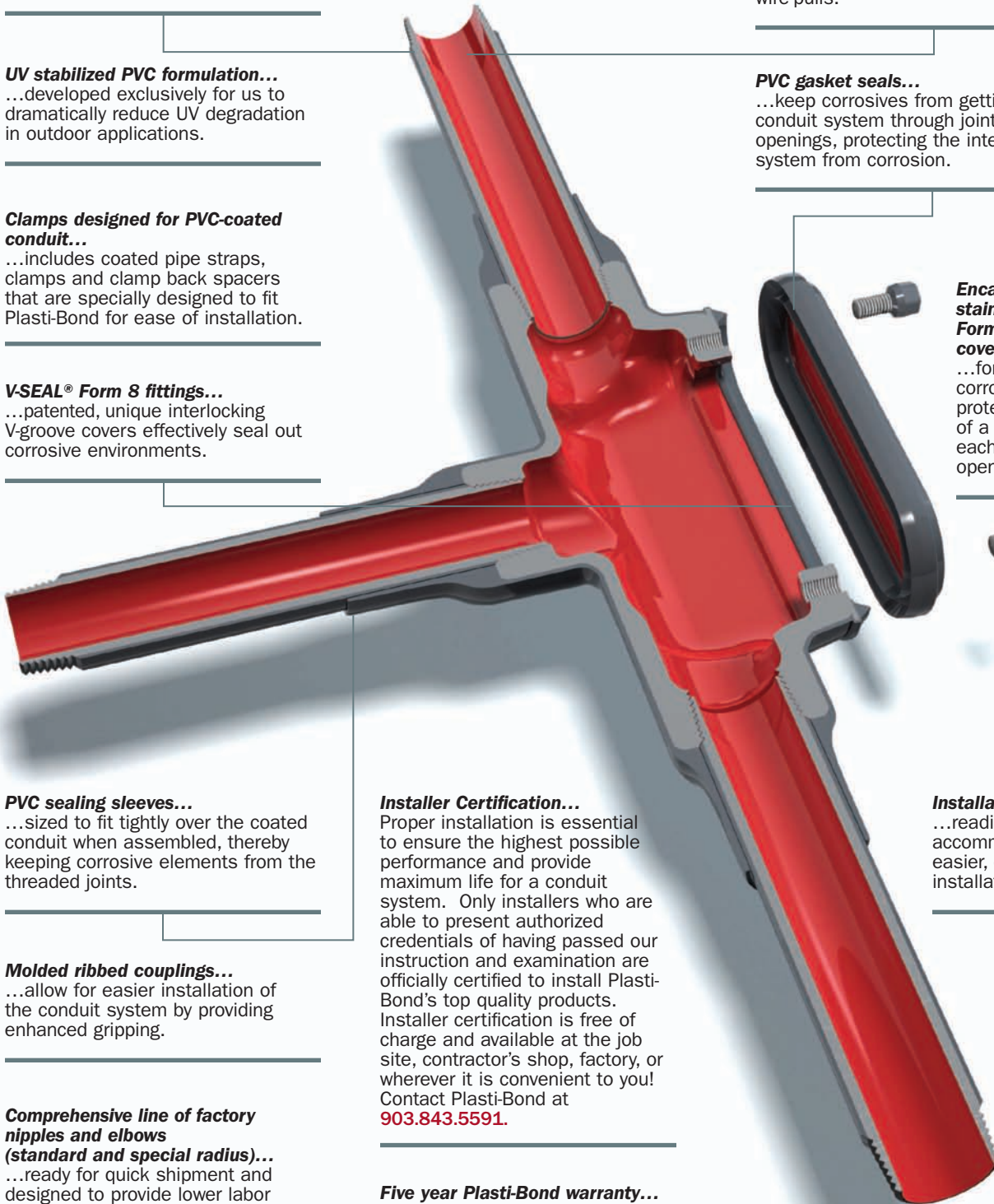
...keep corrosives from getting into the conduit system through joints and openings, protecting the interior of the system from corrosion.

Encapsulated stainless steel Form 8 conduit cover screws...

...for maximum corrosion protection by way of a seal around each screw opening.

Installation tools...

...readily available to accommodate faster, easier, damage-free installation.



Contact us:
customerservice@plastibond.com



Visit www.plastibond.com
For more information

7

Reason Seven

PERFORMANCE MATTERS!

Just look for the combined ETL PVC-001 and UL label and you'll know you're protected!

Use Plasti-Bond and you will benefit from objective, independently-proven anti-corrosion performance. Just look for the combined ETL PVC-001 and UL label and you'll know you're protected!

Myths & Truths

There are myths about PVC-coated galvanized rigid conduit. There are truths about PVC-coated galvanized rigid conduit. Here's how you can separate fact from fiction.

Myth

All PVC-coated galvanized rigid conduit is the same. As long as it's UL-listed that's all that matters.

Truth

All PVC-coated galvanized rigid conduit is NOT created equal.

All major brands of PVC-coated galvanized rigid conduit do in fact carry the UL6 listing. That's great. It's important to know, however, that this is a safety-related listing. It is NOT a performance or service life listing. In fact, UL6 does not differentiate between the performance of coatings. It considers zinc and PVC as equal alternatives and does not suggest the appropriateness of a specific coating for a specific environment.

The truth is: Plasti-Bond also carries the ETL PVC-001 verification label demonstrating that in performance, the reliable, protective service life of Plasti-Bond is at least ten times longer than other brands. ETL is a regulated standard that is re-tested every quarter to verify performance. Ongoing compliance assures a consistent quality in the manufacturing of our product.

Plasti-Bond gives you the peace of mind made possible by carrying BOTH the UL and ETL labels – at no added cost to you.

Myth

ETL testing evaluates the performance of PVC-coated galvanized rigid conduit in boiling water. That isn't relevant because no one boils conduit in real applications.

Truth

The testing methods chosen by ETL are nationally recognized ASTM accelerated life cycle test methods to evaluate the effectiveness of a coating under the two most common environmental conditions of heat and humidity. These are not application tests. They are accelerated tests to compare two or more products in the same environment at the same time.

In hot water immersion other brands' coating began to fail within the first hour and completely after 50. Plasti-Bond's coating maintained its integrity for 200 hours. In the humidity test, the other coatings began delaminating after 9 days. Plasti-Bond's coating showed no adhesion loss even after 90 days.

These were exact comparisons.

The superior PVC coating is clear.

Plasti-Bond.

Myths and Truths



Myth

Plasti-Bond paid for ETL testing so the results are marketing hype.

Truth

The first part is true. Plasti-Bond paid for ETL testing.

Just like every manufacturer pays for product testing or UL testing and listings.

As to marketing hype:

- ETL is one of the foremost recognized testing and evaluation services in the world. Its results and verifications are internationally accepted as objective standards for diverse industries. Even our competitor accepts the importance of ETL because many of the other products manufactured by its parent company carry the ETL label.
- Our competition is welcome at any time to submit their PVC-coated galvanized rigid conduit for similar evaluation. ETL PVC-001 is an open standard. We have to assume that the only reason others do not have an ETL label is because their product does not meet the minimum thresholds for service life requirements.

Not all PVC-coated galvanized rigid conduit is created equal.

If product performance and service life are important to you... look for the ETL PVC-001 Verification label.

If your PVC-coated galvanized rigid conduit doesn't carry an ETL PVC-001 label you risk premature product failure and the consequences of costs related to downtime as well as safety, legal and environmental issues.

Plasti-Bond... “No Equal.”



Contact us:
customerservice@plastibond.com



Visit www.plastibond.com
For more information

Corrosion and Harsh Environment Protection

Overview

Harsh Chemicals	CHEMICAL RESISTANCE PERFORMANCE RATING				
	316 STAINLESS STEEL	304 STAINLESS STEEL	ALUMINUM	CAST IRON	PVC COATED
Acetic Acid (20%)	B	B	B	D	B
Chlorine, Anhydrous Liquid	D	D	D	D	D
Chlorine Water	D	D	D	D	A
Citric Acid	A	B	C	D	A
Diethylene Glycol	A	A	B	A	B
Fruit Juice	A	A	B	D	A
Hydrogen Peroxide (30%)	B	B	A	B	A
Phosphoric Acid (Crude)	C	D	D	D	A
Phosphoric Acid (>40%)	A	B	D	D	A
Sodium Carbonate	A	B	C	B	A
Sodium Chloride	C	B	C	D	A
Sodium Hydroxide (50%)	B	A	D	D	A
Sodium Metasilicate	A	A	B	A	A
Sodium Silicate	B	A	C	B	A
Sulfuric Acid (10-75%)	D	D	D	D	A

Chemical Resistance Performance Rating Key

A Excellent
 B Good
 C Fair
 D Not Recommended

The chart above will guide you in the selection of the best anti-corrosion products for your specific applications. There is a direct correlation between every corrosive environment and products installed to protect against the high cost of corrosion damage. Consequently, product performance and product life cycles are critical to successful protection. In that regard not all PVC-coated galvanized rigid conduit is created equal.

All such conduit is authorized to carry an identical UL listing label related to safety, but only some manufacturers, such as Plasti-Bond have earned the right to carry the ETL-Verified PVC-001 label based on independent product performance tests proving that ETL-Verified PVC-coated galvanized rigid conduit provides reliable protection against corrosion 10 or more times longer than brands that have not been ETL-Verified.

PVC Coated Conduit



PVC Coated Conduit

Description:

PVC coated galvanized rigid conduit with red urethane interior coating protects conductors from mechanical damage and corrosive attack. Electrical continuity is maintained across assembled joints.

Features:

- 40 mil gray PVC exterior coating
- 2 mil red urethane interior coating
- PROTECH threads – A clear urethane coating over hot galvanized threads
- 12 trade sizes from 1/2" through 6"
- Shipped in 10' lengths with coupling
- Plastic thread protector caps are color coded for quick identification of conduit size
- **One “no charge” coupling is included with each 10' length of conduit**

Thread Protector Cap Colors:

- Black - for 1/2" sizes, 1/2", 1-1/2", 2-1/2", 3-1/2"
- Red - for 1/4" sizes, 3/4", 1-1/4"
- Blue - for even sizes, 1", 2", 3", 4", 5", 6"

Standards:

Steel and Aluminum

- UL 6 (E2314); UL 6A (E98405)
- CSA C22.2 No. 45
- Both PVC and zinc coatings have been investigated as primary protection against corrosion. Restricted for use with threaded fittings only.

Coated Conduit Technical Data

COATED CONDUIT

METRIC SIZE DESIGNATORS	PIPE SIZE INCHES	CATALOG NUMBER	OUTSIDE WALL THICKNESS INCHES	DIAMETER WITH COATING INCHES	INTERNAL INSIDE DIAMETER INCHES	TRAVERSE AREA SQ. INCHES	NOMINAL WEIGHT	ALUMINUM CATALOG #
16	1/2"	PRHCONDUIT-1/2	.104"	.920"	0.632"	0.314"	85.0	PRCONDUIT-AL-1/2
21	3/4"	PRHCONDUIT-3/4	.107"	1.130"	0.836"	0.549"	112.0	PRCONDUIT-AL-3/4
27	1"	PRHCONDUIT-1	.126"	1.395"	1.063"	0.887"	164.0	PRCONDUIT-AL-1
35	1-1/4"	PRHCONDUIT-1-1/4	.133"	1.740"	1.394"	1.526"	217.0	PRCONDUIT-AL-1-1/4
41	1-1/2"	PRHCONDUIT-1-1/2	.138"	1.980"	1.624"	2.071"	268.0	PRCONDUIT-AL-1-1/2
53	2"	PRHCONDUIT-2	.146"	2.455"	2.083"	3.408"	358.0	PRCONDUIT-AL-2
63	2-1/2"	PRHCONDUIT-2-1/2	.193"	2.955"	2.489"	4.866"	546.0	PRCONDUIT-AL-2-1/2
78	3"	PRHCONDUIT-3	.205"	3.580"	3.090"	7.499"	708.0	PRCONDUIT-AL-3
91	3-1/2"	PRHCONDUIT-3-1/2	.215"	4.080"	3.570"	10.010"	851.0	PRCONDUIT-AL-3-1/2
103	4"	PRHCONDUIT-4	.225"	4.580"	4.050"	12.882"	1009.0	PRCONDUIT-AL-4
129	5"	PRHCONDUIT-5	.245"	5.643"	5.073"	20.212"	1337.0	PRCONDUIT-AL-5
155	6"	PRHCONDUIT-6	.266"	6.705"	6.093"	29.158"	1993.0	PRCONDUIT-AL-6



Contact us:
customerservice@plastibond.com



Visit www.plastibond.com
For more information



Nipples

Description:

Plasti-Bond REDH₂OT factory threaded nipples save you time and money in the field. Electrical continuity is maintained across assembled joints.

**The exteriors of certain short nipples are coated with urethane in lieu of PVC. This is dictated by the manufacturing process as well as assembly considerations.*

Features:

- 40 mil gray PVC exterior coating
- 2 mil red urethane interior coating
- 12 trade sizes from 1/2" through 6"
- 11 standard lengths in available: Close, 2" to 12"
- Made to order lengths available – Call for quote
- Plastic thread protector caps are color coded for quick identification of conduit size.

Thread Protector Cap Colors:

Black - for 1/2" sizes, 1/2", 1-1/2", 2-1/2", 3-1/2"

Red - for 1/4" sizes, 3/4", 1-1/4"

Blue - for even sizes, 1", 2", 3", 4", 5", 6"

Standards:

Steel and Aluminum

- UL 6 (E2314); UL 6A (E98405)
- CSA C22.2 No. 45
- Both PVC and zinc coatings have been investigated as primary protection against corrosion. Restricted for use with threaded fittings only.

Simple Steps To Ordering

To order the Plasti-Bond coated nipples, follow this simple formula to create your Plasti-Bond catalog number.

Use the size exactly as shown in the chart, including the hyphen and slash symbols.

TRADE SIZE (INCH)

- 1/2
- 3/4
- 1
- 1-1/4
- 1-1/2
- 2
- 2-1/2
- 3
- 3-1/2
- 4
- 5
- 6

For steel conduit nipples:

PRHNIP

- SIZE X LENGTH

The catalog number for a Plasti-Bond coated steel, 1-1/2" nipple with a length of 12": **PRHNIP-1-1/2X12**

For aluminum conduit nipples:

PRNIP-AL

- SIZE X LENGTH

3" nipple with a length of 4": **PRNIP-AL-3X4**

TRY IT!

Enter "PRHNIP" for Standard Nipple Prefix
or "PRNIP-AL" for Aluminum Nipple Prefix

Enter Trade Size

Enter Desired Nipple Length

PRHNIP or PRNIP-AL

-

X

This number can then be looked up in the listing of pricing to determine price and availability.

Call 903.843.5591 for custom orders, customer service, and more information on Plasti-Bond REDH₂OT.

PVC Coated Couplings



All female pipe openings are provided with a PVC sleeve sized to fit tightly over the PVC coated conduit when assembled. This prevents corrosives from contacting threaded joints.



PVC Coated Couplings

Description:

PVC coated rigid metal conduit couplings with red urethane interior coating connects coated conduit sections. Electrical continuity is maintained across assembled joints. PVC sleeves on couplings seal off on conduit PVC coating when assembled to prevent corrosive liquids and vapors from attacking threaded joints.

Features:

- 40 mil gray PVC exterior coating
- 2 mil red urethane interior coating over galvanized threads
- 12 trade sizes from 1/2" through 6"
- Sealing sleeves on both ends
- Molded external ribs on 1/2" – 4" to prevent tool damage during assembly
- Couplings are straight tapped

Standards:

Steel and Aluminum

- UL 6 (E2314); UL 6A (E98405)
- CSA C22.2 No. 45

Thread and Coupling Technical Data

COUPLING

METRIC SIZE DESIGNATORS	PIPE SIZE INCHES	STEEL CATALOG #	NOMINAL WEIGHT PER 100 (POUNDS)	OUTSIDE DIAMETER WITH RIBS INCHES	THREADS PER INCH	THREADS			ALUMINUM CATALOG #
						EFFECTIVE LENGTH L ₂	TOTAL LENGTH OF THREADS TO VANISH POINT L ₄	PITCH AT END OF THREAD 3/4 IN. TAPER E ₀	
16	1/2"	PRCPLG-1/2	19	1.344"	14	.5337"	.7815"	.7584"	PRCPLG-AL-1/2
21	3/4"	PRCPLG-3/4	32	1.531"	14	.5457"	.7935"	.9677"	PRCPLG-AL-3/4
27	1"	PRCPLG-1	40	1.781"	11-1/2	.6828"	.9845"	1.2136"	PRCPLG-AL-1
35	1-1/4"	PRCPLG-1-1/4	50	2.156"	11-1/2	.7068"	1.0085"	1.5571"	PRCPLG-AL-1-1/4
41	1-1/2"	PRCPLG-1-1/2	69	2.469"	11-1/2	.7235"	1.0252"	1.7961"	PRCPLG-AL-1-1/2
53	2"	PRCPLG-2	93	2.969"	11-1/2	.7565"	1.0582"	2.2690"	PRCPLG-AL-2
63	2-1/2"	PRCPLG-2-1/2	123	3.594"	8	1.1375"	1.5712"	2.7195"	PRCPLG-AL-2-1/2
78	3"	PRCPLG-3	217	4.250"	8	1.2000"	1.6337"	3.3406"	PRCPLG-AL-3
91	3-1/2"	PRCPLG-3-1/2	422	4.875"	8	1.2500"	1.6837"	3.8375"	PRCPLG-AL-3-1/2
103	4"	PRCPLG-4	391	5.250"	8	1.3000"	1.7337"	4.3344"	PRCPLG-AL-4
129	5"	PRCPLG-5	550	6.080"	8	1.4063"	1.8400"	5.3907"	PRCPLG-AL-5
155	6"	PRCPLG-6	884	7.280"	8	1.5125"	1.9462"	6.4461"	PRCPLG-AL-6

Couplings are straight tapped.

Tolerance, thread length = ± 1 thread.

Plus or minus 1 turn is the maximum variation permitted from the gauging face of the working thread gauges.

This is equivalent to plus or minus 1 and 1-1/2 turns from the basic dimensions, since the variation of plus or minus 1/2 turn from basic dimension is permitted in working gauges.



Contact us:
customerservice@plastibond.com



Visit www.plastibond.com
For more information



PVC Coated Elbows

Description:

Plasti-Bond REDH₂OT factory bent standard radius elbows are available and ready to ship. Factory bent elbows are more accurate, quicker to install, and more economical, because they save field bending time and do not waste materials. Electrical continuity is maintained across assembled joints.

Features:

- 40 mil gray PVC exterior coating
- 2 mil red urethane interior coating
- 12 trade sizes from 1/2" through 6"
- Available in standard sizes 90°, 60°, 45°, 30° bends
- Plastic thread protector caps are color coded for quick identification of conduit size.

Thread Protector Cap Colors:

Black - for 1/2" sizes, 1/2", 1-1/2", 2-1/2", 3-1/2"
 Red - for 1/4" sizes, 3/4", 1-1/4"
 Blue - for even sizes, 1", 2", 3", 4", 5", 6"

Standards:

Steel and Aluminum

- UL 6 (E2314); UL 6A (E98405)
- CSA C22.2 No. 45
- Both PVC and zinc coatings have been investigated as primary protection against corrosion. Restricted for use with threaded fittings only.

Simple Steps To Ordering

To order the Plasti-Bond coated elbows, follow this simple formula to create your Plasti-Bond catalog number.

Use the size exactly as shown in the chart, including the hyphen and slash symbols.

TRADE SIZE (INCH)

- 1/2
- 3/4
- 1
- 1-1/4
- 1-1/2
- 2
- 2-1/2
- 3
- 3-1/2
- 4
- 5
- 6

For steel conduit elbows:

PRHELB

- SIZE X LENGTH

The catalog number for a Plasti-Bond coated steel, 3-1/2" elbow with a 90° bend: **PRHELB-3-1/2X90**

For aluminum conduit elbows:

PRELB-AL

- SIZE X LENGTH

4" aluminum with a 45° bend and a 30" special radius: **PRELB-AL-4X45X30**

TRY IT!

Enter "PRHELB" for Standard Elbow Prefix or "PRELB-AL" for Aluminum Elbow Prefix	Enter Trade Size	Enter the Degree of Bend	For Large Radius Elbows Enter Radius
PRHELB or PRELB-AL	-	X	X

This number can then be looked up in the listing of pricing to determine price and availability.

Call 903.843.5591 for custom orders, customer service, and more information on Plasti-Bond REDH₂OT.

PVC Coated Elbows

Dimensions

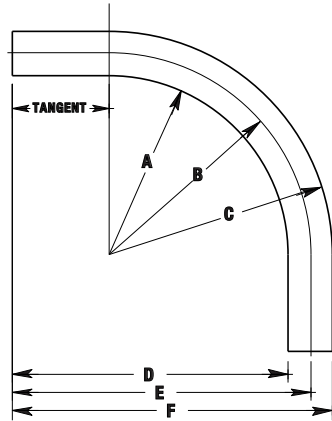


DIAGRAM LEGEND

- A = Radius at inside of bend.
- B = Radius at center line of bend.
- C = Radius at outside of bend.
- D = Offset at inside of bend.
- E = Offset at center of bend.
- F = Offset at outside of bend.

Standard Radius Elbows

METRIC SIZE DESIGNATORS	NOMINAL SIZE INCHES	DIAMETERS		NIPPLE LENGTHS INCHES	RADIOI (STANDARD)			OFFSET			TANGENT INCHES
		EXTERNAL INCHES	INTERNAL INCHES		A INCHES	B INCHES	C INCHES	D INCHES	E INCHES	F INCHES	
16	1/2"	0.920"	0.632"	11-1/4"	3.79"	4.25"	4.71"	6.040"	6.500"	6.960"	2.250"
21	3/4"	1.130"	0.836"	12-1/2"	3.94"	4.50"	5.07"	6.685"	7.250"	7.815"	2.750"
27	1"	1.395"	1.063"	14-3/4"	5.05"	5.75"	6.45"	7.928"	8.625"	9.323"	2.875"
35	1-1/4"	1.740"	1.394"	17-3/4"	6.38"	7.25"	8.12"	9.567"	10.437"	11.307"	3.187"
41	1-1/2"	1.980"	1.624"	19-3/4"	7.26"	8.25"	9.24"	10.635"	11.625"	12.615"	3.375"
53	2"	2.455"	2.083"	22-1/2"	8.27"	9.50"	10.73"	12.086"	13.313"	14.541"	3.813"
63	2-1/2"	2.955"	2.489"	28"	9.02"	10.50"	11.98"	14.776"	16.253"	17.731"	5.753"
78	3"	3.580"	3.080"	32"	11.21"	13.00"	14.79"	17.000"	18.790"	20.580"	5.790"
91	3-1/2"	4.080"	3.570"	39-1/2"	12.96"	15.00"	17.04"	20.920"	22.960"	25.000"	7.960"
103	4"	4.580"	4.050"	39-1/2"	13.71"	16.00"	18.29"	20.890"	23.180"	25.470"	7.180"
129	5"	5.643"	5.073"	59-1/2"	21.18"	24.00"	26.82"	32.079"	34.900"	37.722"	10.900"
155	6"	6.705"	6.093"	76"	26.65"	30.00"	33.35"	41.088"	44.440"	47.793"	14.440"

Special Radius Elbows

Plasti-Bond REDH₂O_T factory bent elbows are also available in larger than standard radii to accommodate your special needs. Simply follow the four steps for standard radius elbows on the previous page, then continue with Steps 5 and 6 for large radius elbows. Refer to the table below to determine which radius is available for the size of conduit you need.

To use the Long or Special Radius Elbow table, find the elbow radius required in the first row. Then look down the column to determine which conduit sizes are available in that radius. Use this information in Steps 5 and 6 on the previous page to build a catalog number.

Radius in Inches	12"	15"	18"	18"	24"	24"	30"	30"	36"	36"	36"	42"	42"	48"	48"	48"
E Offset	1'5-1/2"	1'9-1/4"	2'1/4"	2'3"	2'8"	2'10"	3'4"	3'5"	3'11"	3'11-1/4"	4'3-1/4"	4'5"	4'6"	5'1/4"	5'1-1/4"	5'3-1/4"
Nipple Length	2'6"	3'0"	3'5"	3'10"	4'6"	4'9"	5'6"	5'9"	6'7"	6'7"	7'3"	7'4"	7'6"	8'4"	8'6"	8'10"
Tangent	5-1/2"	6-1/4"	6-1/4"	9"	8"	10"	10"	11"	11"	11-1/4"	15-1/4"	11"	12"	12-1/4"	13-1/4"	15-1/4"
Available Pipe & Sizes	1" to 2"	2"	1"	1-1/2" to 3"	3/4" to 2"	2-1/2" to 5"	2" to 3"	4" to 5"	3/4" to 4"	5"	6"	4"	5"	1-1/2" to 4"	5"	6"



Contact us:
customerservice@plastibond.com



Visit www.plastibond.com
For more information



Cast Device Boxes

Description:

Plasti-Bond device boxes and covers are available in several configurations and may be used in coated conduit systems to accommodate wiring devices, to serve as pull boxes for conductors, or to allow for splices and taps in conductors. Covers are available separately. Electrical continuity of the conduit system is maintained across assembled joints.

Features:

- 40 mil gray PVC exterior coating
- 2 mil red urethane interior coating
- 3 trade sizes from 1/2" through 1"
- Available in Standard (FS) and Deep (FD) Styles
- Internal grounding screw is standard
- Sealing sleeves on all conduit openings

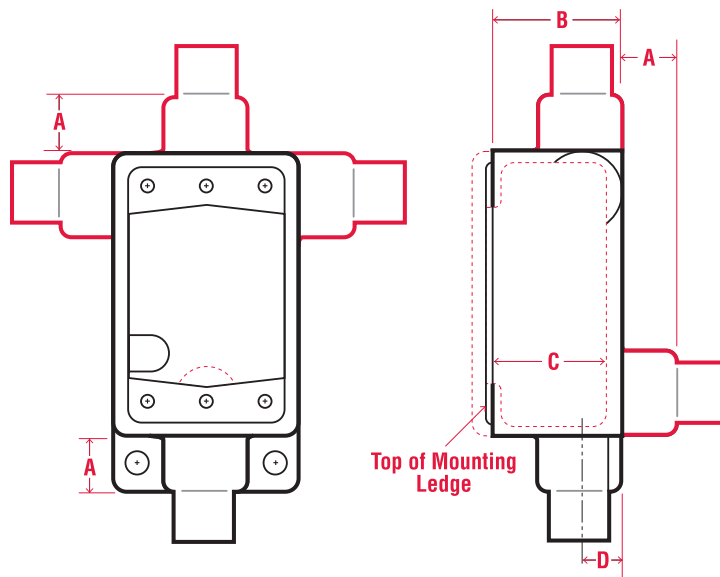
Standards:

Steel and Aluminum

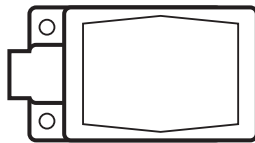
- UL 514A, 514D (E231035)
- CSA C22.2 No. 18, CSA C22.2 No. 42

Cast Device Boxes – Single Gang

Single Gang FS/FD Series – Technical Data

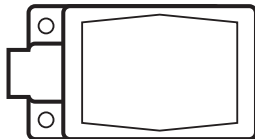


All configurations offered in both 'FS' or 'FD' box depths. FS prefix: Shallow configuration, FD prefix: Deep configuration



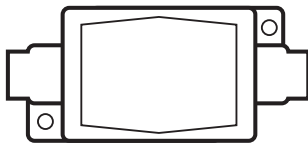
FS SERIES (SHALLOW BOX) – SINGLE GANG DEAD END

PIPE SIZE	FERROUS CATALOG #	NOMINAL WEIGHT	A	B	C	D	ALUMINUM CATALOG #
1/2"	PRFS1	3.2	0.88	1.92	1.69	0.67	PRFS1SA*
3/4"	PRFS2	3.3	0.88	1.92	1.69	0.79	PRFS2SA*
1"	PRFS3	3.5	1.00	1.92	1.69	0.92	PRFS3SA*



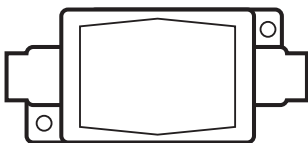
FD SERIES (DEEP BOX) – SINGLE GANG DEAD END

PIPE SIZE	FERROUS CATALOG #	NOMINAL WEIGHT	A	B	C	D	ALUMINUM CATALOG #
1/2"	PRFD1	2.7	0.88	2.69	2.50	0.67	PRFD1SA*
3/4"	PRFD2	2.8	0.88	2.69	2.50	0.79	PRFD2SA*
1"	PRFD3	3.1	1.00	2.69	2.50	0.92	PRFD3SA*



FSC SERIES (SHALLOW BOX) – SINGLE GANG THROUGH FEED

PIPE SIZE	FERROUS CATALOG #	NOMINAL WEIGHT	A	B	C	D	ALUMINUM CATALOG #
1/2"	PRFSC1	2.2	0.88	1.92	1.69	0.67	PRFSC1SA*
3/4"	PRFSC2	2.4	0.88	1.92	1.69	0.79	PRFSC2SA*
1"	PRFSC3	2.7	1.00	1.92	1.69	0.92	PRFSC3SA*



FDC SERIES (DEEP BOX) – SINGLE GANG THROUGH FEED

PIPE SIZE	FERROUS CATALOG #	NOMINAL WEIGHT	A	B	C	D	ALUMINUM CATALOG #
1/2"	PRFDC1	2.7	0.88	2.69	2.50	0.67	PRFDC1SA*
3/4"	PRFDC2	2.8	0.88	2.69	2.50	0.79	PRFDC2SA*
1"	PRFDC3	3.1	1.00	2.69	2.50	0.92	PRFDC3SA*

* Available in copper free aluminum

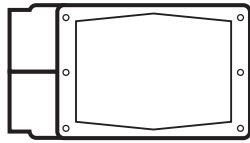


Contact us:
customerservice@plastibond.com



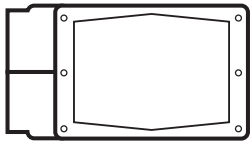
Visit www.plastibond.com
For more information

Single Gang FS/FD Series – Technical Data



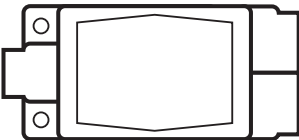
FSS SERIES

PIPE SIZE	FERROUS CATALOG #	NOMINAL WEIGHT	A	B	C	D	ALUMINUM CATALOG #
1/2"	PRFSS1	3.2	0.88	1.92	1.69	0.67	PRFSS1SA*
3/4"	PRFSS2	3.3	0.88	1.92	1.69	0.79	PRFSS2SA*
1"	PRFSS3	3.5	1.00	1.92	1.69	0.92	-



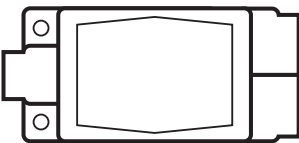
FDD SERIES

PIPE SIZE	FERROUS CATALOG #	NOMINAL WEIGHT	A	B	C	D	ALUMINUM CATALOG #
1/2"	PRFDD1	2.7	0.88	2.69	2.50	0.67	-
3/4"	PRFDD2	2.8	0.88	2.69	2.50	0.79	PRFDD2SA*
1"	PRFDD3	3.1	1.00	2.69	2.50	0.92	-



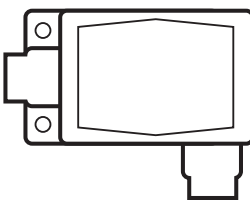
FSCC SERIES

PIPE SIZE	FERROUS CATALOG #	NOMINAL WEIGHT	A	B	C	D
1/2"	PRFSCC1	2.0	0.88	1.92	1.69	0.67
3/4"	PRFSCC2	2.2	0.88	1.92	1.69	0.79



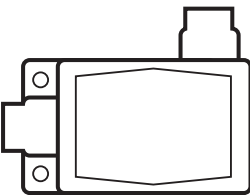
FDCC SERIES

PIPE SIZE	FERROUS CATALOG #	NOMINAL WEIGHT	A	B	C	D	ALUMINUM CATALOG #
1/2"	PRFDCC1	2.7	0.88	2.69	2.50	0.67	PRFDCC1SA*
3/4"	PRFDCC2	2.8	0.88	2.69	2.50	0.79	PRFDCC2SA*



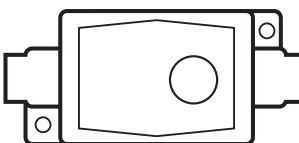
FDL SERIES

PIPE SIZE	FERROUS CATALOG #	NOMINAL WEIGHT	A	B	C	D
1/2"	PRFDL1	3.1	0.88	2.69	2.50	0.67
3/4"	PRFDL2	3.3	0.88	2.69	2.50	0.79



FDR SERIES

PIPE SIZE	FERROUS CATALOG #	NOMINAL WEIGHT	A	B	C	D
1/2"	PRFDR1	3.2	0.88	2.69	2.50	0.67
3/4"	PRFDR2	3.3	0.88	2.69	2.50	0.79



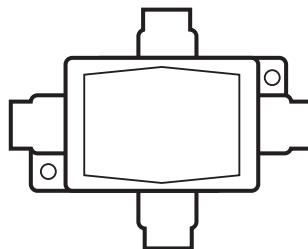
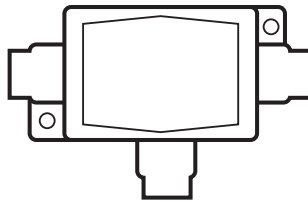
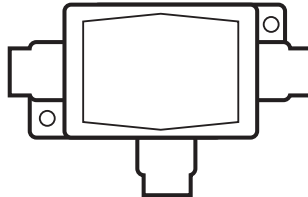
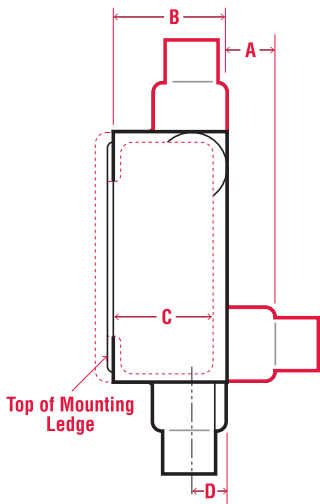
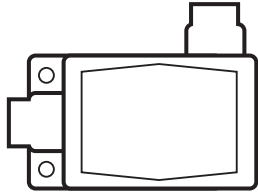
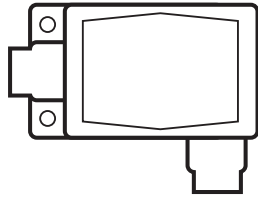
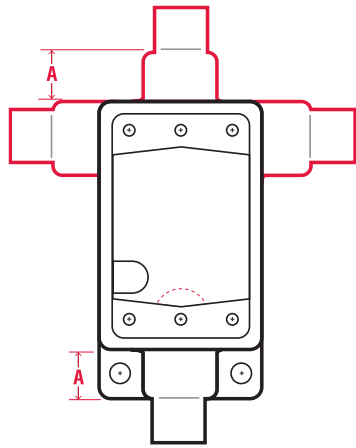
FSQA SERIES

PIPE SIZE	FERROUS CATALOG #	NOMINAL WEIGHT	A	B	C	D
1/2"	PRFSQA1	2.5	0.88	1.92	1.69	0.67
3/4"	PRFSQA2	3.5	0.88	1.92	1.69	0.79

* Available in copper free aluminum

Cast Device Boxes – Single Gang

Single Gang FS/FD Series – Technical Data *(continued)*



FSL SERIES

PIPE SIZE	CATALOG #	NOMINAL WEIGHT	A	B	C	D
1/2"	PRFSL1	2.5	0.88	1.92	1.69	0.67
3/4"	PRFSL2	2.7	0.88	1.92	1.69	0.79

FSR SERIES

PIPE SIZE	CATALOG #	NOMINAL WEIGHT	A	B	C	D
1/2"	PRFSR1	2.0	0.88	1.92	1.69	0.67
3/4"	PRFSR2	2.2	0.88	1.92	1.69	0.79

FDCT SERIES

PIPE SIZE	CATALOG #	NOMINAL WEIGHT	A	B	C	D
1/2"	PRFDCT1	3.1	0.88	2.69	2.50	0.67
3/4"	PRFDCT2	3.4	0.88	2.69	2.50	0.79
1"	PRFDCT3	3.9	1.00	2.69	2.50	0.92

FSCT SERIES

PIPE SIZE	CATALOG #	NOMINAL WEIGHT	A	B	C	D
1/2"	PRFSCT1	2.2	0.88	1.92	1.69	0.67
3/4"	PRFSCT2	2.5	0.88	1.92	1.69	0.79
1"	PRFSCT3	2.8	1.00	1.92	1.69	0.92

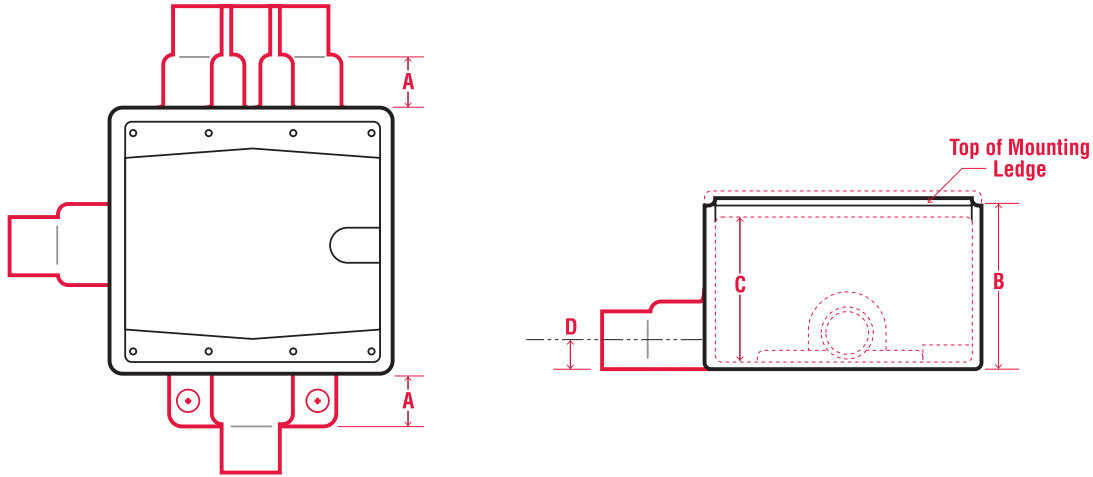
FSX SERIES

PIPE SIZE	CATALOG #	NOMINAL WEIGHT	A	B	C	D
1/2"	PRFSX1	2.5	0.88	1.92	1.69	0.67
3/4"	PRFSX2	2.7	0.88	1.92	1.69	0.79

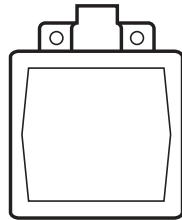
FDX SERIES

PIPE SIZE	CATALOG #	NOMINAL WEIGHT	A	B	C	D
1/2"	PRFDX1	2.5	0.88	2.69	2.50	0.67
3/4"	PRFDX2	2.7	0.88	2.69	2.50	0.79
1"	PRFDX3	2.5	1.00	2.69	2.50	0.92

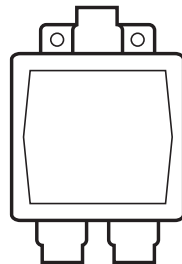
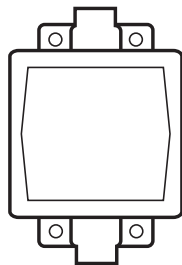
Two Gang FS/FD Series – Technical Data



All configurations offered in both 'FS' or 'FD' box depths. FS prefix: Shallow configuration, FD prefix: Deep configuration



FS/FD
(Two Gang)



FS SERIES (SHALLOW BOX) – TWO GANG DEAD END

PIPE SIZE	FERROUS CATALOG #	NOMINAL WEIGHT	A	B	C	D	ALUMINUM CATALOG #
1/2"	PRFS12	3.3	0.88	1.92	1.69	0.67	PRFS12SA*
3/4"	PRFS22	3.4	0.88	1.92	1.69	0.79	PRFS22SA*
1"	PRFS32	3.6	1.00	1.92	1.69	0.92	-

FD SERIES (DEEP BOX) – TWO GANG

PIPE SIZE	FERROUS CATALOG #	NOMINAL WEIGHT	A	B	C	D	ALUMINUM CATALOG #
1/2"	PRFD12	3.3	0.88	2.69	2.50	0.67	-
3/4"	PRFD22	3.3	0.88	2.69	2.50	0.79	PRFD22SA*
1"	PRFD32	3.6	1.00	2.69	2.50	0.92	-

FSC SERIES (SHALLOW BOX) – TWO GANG THROUGH FEED

PIPE SIZE	FERROUS CATALOG #	NOMINAL WEIGHT	A	B	C	D	ALUMINUM CATALOG #
1/2"	PRFSC12	3.3	0.88	1.92	1.69	0.67	-
3/4"	PRFSC22	3.6	0.88	1.92	1.69	0.79	-
1"	PRFSC32	4.0	1.00	1.92	1.69	0.92	-

FSD SERIES

PIPE SIZE	CATALOG #	NOMINAL WEIGHT	A	B	C	D	2 BOTTOM HUBS
3/4"	PRFSD212	2.5	0.88	2.69	1.69	.79	1/2"

* Available in copper free aluminum

Cast Device Box Covers

FS/FD SINGLE GANG COVER CONFIGURATIONS



FS/FD 2 GANG COVER CONFIGURATIONS



FERROUS COVERS - ONE GANG

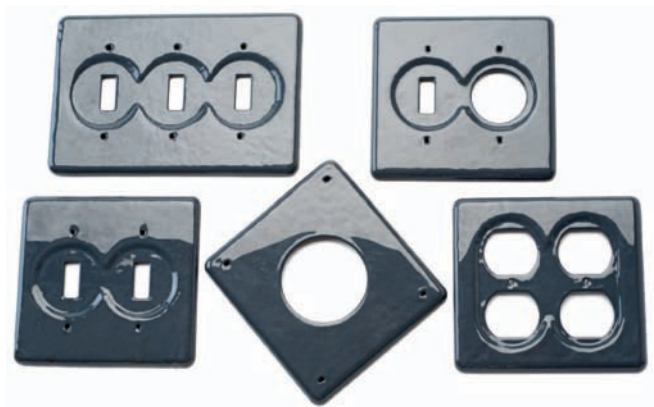
CATALOG #	DESCRIPTION	NOMINAL WEIGHT
PBDS32	GENERAL USE SNAP ON OR TOGGLE (S)	0.4
PBDS23G	DUPLEX CONVENIENCE RECEPTACLE (S,F)	0.4
PBDS35	PLUG RECEPTACLE 1 5/8" DIAMETER (S)	0.4
PBDS21	3P 2W GROUNDING ROUND FLUSH RECEPTACLES (S)	0.3
PBDS21G	3P 2W GROUNDING ROUND FLUSH RECEPTACLES (S,F)	0.3
PBDS23	DUPLEX CONVENIENCE RECEPTACLE (S)	0.3
PBDS32G	SQUARE HANDLE SNAP OR TOGGLE (S, F)	0.4

FERROUS COVERS - TWO GANG

CATALOG #	DESCRIPTION	NOMINAL WEIGHT
PBS1002	BLANK COVER SHEET STEEL (S)	1.0
PBS1002G	BLANK COVER IRON ALLOY (S,F)	1.0
PBS21232	ROUND RECEPTACLE + DUPLEX CONVENIENCE	1.2
PBS232	DUPLEX CONVENIENCE (S)	1.2
PBS322	SNAP SWITCH (S)	1.0
PBS32212	ROUND RECEPTACLE + SNAP SWITCH (S)	1.2
PBS212	TWO ROUND RECEPTACLES (S)	2.0
PBS612	20 AMP, 250 VOLT RECEPTACLE (S)	1.2
PBS322G	SNAP SWITCHES IRON ALLOY (S,F)	1.2

ALUMINUM COVERS - ONE GANG

CATALOG #	DESCRIPTION	NOMINAL WEIGHT
PBDS23SA	DUPLEX CONVENIENCE RECEPTACLE (S)	0.1
PBDS100	BLANK COVER (S)	0.1
PBDS128	SNAP SWITCH	0.5
PBDS100G	BLANK COVER CAST (S,F)	0.3
PBWLRD1	SPRING DOOR DUPLEX COVER 1 3/8" (F)	0.4
PBWLR1	SPRING DOOR SINGLE COVER 1 3/8" (F)	0.3
PBWLR2	SPRING DOOR SINGLE COVER 1 1/2" (F)	0.3
PRWLG-FS	SPRING DOOR COVER FOR GFCI (S) - HORIZONTAL	0.5
PRWLG-FSV	SPRING DOOR COVER FOR GFCI (S) - VERTICAL	0.5
PRWLG-F	SPRING DOOR COVER FOR GFCI (F) - HORIZONTAL	0.5



Contact us:
customerservice@plastibond.com

Visit www.plastibond.com
For more information



Conduit Bodies and Covers for General Service Locations

Description:

Plasti-Bond REDH₂OT conduit bodies with covers are offered in Form 8 and Form 7 styles, each with numerous configurations to provide a complete coated conduit system. May be used to make 90° bends, for pull outlets, to provide for taps or splices, to act as a mounting outlet for wiring devices or lighting fixtures, etc. Form 8 style fittings 1/2" – 4" have an integral V-Seal gasket for superior corrosion protection. Electrical continuity of the conduit system is maintained across assembled joints.

Features:

- 40 mil gray PVC exterior coating
- 2 mil red urethane interior coating
- 10 trade sizes from 1/2" through 4"
- Sealing sleeves on all conduit openings
- Form 7 style cover uses retained stainless screw and wedge clip design
- Form 8 style cover uses plastic encapsulated stainless steel screws with retainers built into covers for trade sizes 1/2" through 2"
- Integral V-Seal gasket on Form 8 style, sizes 1/2" through 4"

Standards:

Steel and Aluminum

- UL 514A, 514D (E231035)
- CSA C22.2 No. 18, CSA C22.2 No. 42

Form 8 & Mark 9 Fittings – 1/2" – 4"

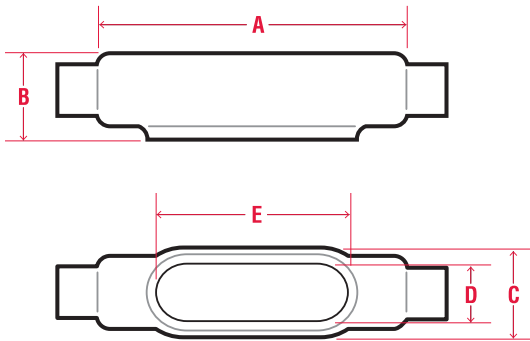
- IEC IP69
- UL Type 4X

Note: Form 7 fittings are not available with encapsulated screws.

All cover screws are stainless steel.

Conduit Bodies and Covers

Conduit Bodies Technical Data



C FORM 7

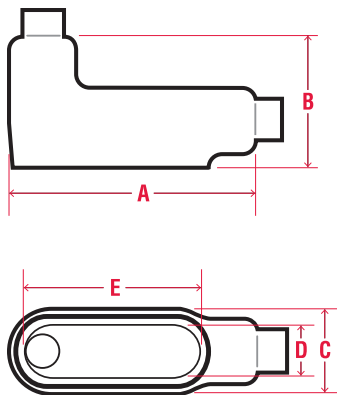
PIPE SIZE	FERROUS CATALOG #	NOMINAL WEIGHT	A	B	C	D	E	ALUMINUM CATALOG #
1/2"	PRC17	1.0	5.38	1.42	1.46	0.94	3.19	PRC17SA
3/4"	PRC27	1.4	6.00	1.67	1.64	1.13	3.81	PRC27SA
1"	PRC37	2.2	7.00	1.92	1.83	1.38	4.50	PRC37SA
1-1/4"	PRC47	2.7	7.44	2.35	2.27	1.75	5.00	PRC47SA
1-1/2"	PRC57	4.0	8.19	2.60	2.52	1.94	5.44	PRC57SA
2"	PRC67	5.5	9.19	3.17	3.08	2.44	6.38	PRC67SA
2-1/2"	PRC77	10.0	12.00	3.67	4.33	3.56	8.38	PRC77SA
3"	PRC87	11.8	11.75	4.42	4.33	3.56	8.38	PRC87SA

C FORM 8

PIPE SIZE	FERROUS CATALOG #	NOMINAL WEIGHT	A	B	C	D	E
1/2"	PRHC18	2.0	5.69	1.48	1.46	1.00	3.31
3/4"	PRHC28	2.3	6.28	1.73	1.27	1.19	3.94
1"	PRHC38	2.8	7.31	1.98	1.83	1.38	4.56
1-1/4"	PRHC448	4.5	8.50	2.42	2.27	1.75	5.31
1-1/2"	PRHC58	6.5	10.38	2.82	2.83	2.13	6.50
2"	PRHC68	10.3	12.25	3.60	3.83	3.00	8.56
2-1/2"	PRC78	18.0	15.63	4.48	5.08	4.25	10.88
3"	PRC88	20.5	15.63	4.85	5.08	4.25	10.88

C MARK 9

PIPE SIZE	NOMINAL WEIGHT	A	B	C	D	E	ALUMINUM CATALOG #
1/2"	2.0	5.00	1.42	1.46	1.19	3.31	PRC19
3/4"	2.3	5.69	1.67	1.64	1.38	3.94	PRC29
1"	2.8	6.59	1.92	1.83	1.50	4.56	PRC39
1-1/4"	4.5	7.50	2.54	2.27	1.94	5.31	PRC49
1-1/2"	6.5	8.25	2.79	2.58	2.25	6.00	PRC59
2"	10.3	10.50	3.48	3.27	2.88	8.06	PRC69
2-1/2"	18.0	15.63	4.48	5.08	4.25	10.88	PRC789
3"	20.5	15.63	4.85	5.08	4.25	10.88	PRC889
3-1/2"	10.0	18.75	5.73	6.33	5.44	13.44	PRC989
4"	12.0	18.75	5.98	6.33	5.44	13.44	PRC1089



LB FORM 7

PIPE SIZE	FERROUS CATALOG #	NOMINAL WEIGHT	A	B	C	D	E	ALUMINUM CATALOG #
1/2"	PRLB17	1.1	4.60	2.25	1.46	0.94	3.19	PRLB17SA
3/4"	PRLB27	1.7	5.24	2.50	1.64	1.13	3.81	PRLB27SA
1"	PRLB37	2.2	6.04	2.88	1.83	1.38	4.50	PRLB37SA
1-1/4"	PRLB47	3.1	6.54	3.31	2.27	1.75	5.00	PRLB47SA
1-1/2"	PRLB57	3.8	7.17	3.69	2.52	1.94	5.44	PRLB57SA
2"	PRLB67	5.2	8.17	4.25	3.08	2.44	6.38	PRLB67SA
2-1/2"	PRLB777	10.0	10.54	5.13	4.33	3.56	8.38	PRLB777SA
3"	PRLB87	13.0	10.54	5.88	4.33	3.56	8.38	PRLB87SA
3-1/2"	PRLB97	19.0	12.73	6.56	5.33	4.50	10.25	PRLB97SA
4"	PRLB107	18.5	12.73	7.06	5.33	4.50	10.25	PRLB107SA

LB FORM 8

PIPE SIZE	FERROUS CATALOG #	NOMINAL WEIGHT	A	B	C	D	E
1/2"	PRHLB18	1.5	4.98	2.22	1.46	1.00	3.31
3/4"	PRHLB28	2.0	5.60	2.44	1.64	1.19	3.94
1"	PRHLB38	2.9	6.51	2.81	1.83	1.38	4.56
1-1/4"	PRHLB448	4.1	7.57	3.34	2.27	1.75	5.31
1-1/2"	PRHLB58	6.5	9.17	4.03	2.83	2.13	6.50
2"	PRHLB68	8.2	11.04	4.81	3.83	3.00	8.56
2-1/2"	PRLB78	18.2	13.98	6.13	5.08	4.25	10.88
3"	PRLB888	21.2	13.98	6.50	5.08	4.25	10.88
3-1/2"	PRLB98	31.2	16.92	7.56	6.33	5.44	13.44
4"	PRLB108	32.0	16.92	7.81	6.33	5.44	13.44

LB MARK 9

PIPE SIZE	NOMINAL WEIGHT	A	B	C	D	E	ALUMINUM CATALOG #
1/2"	1.5	4.63	2.13	1.46	1.19	3.31	PRLB19
3/4"	2.0	5.29	2.41	1.64	1.38	3.94	PRLB29
1"	2.9	6.13	2.84	1.83	1.50	4.56	PRLB39
1-1/4"	4.1	7.07	3.47	2.27	1.94	5.31	PRLB49
1-1/2"	6.5	7.79	3.75	2.58	2.25	6.00	PRLB59
2"	8.2	10.07	4.47	3.27	2.88	8.06	PRLB69
2-1/2"	18.2	13.98	6.13	5.08	4.25	10.88	PRLB789
3"	21.2	13.98	6.50	5.08	4.25	10.88	PRLB889
3-1/2"	31.2	16.92	7.56	6.33	5.44	13.44	PRLB989
4"	32.0	16.92	7.81	6.33	5.44	13.44	PRLB1089

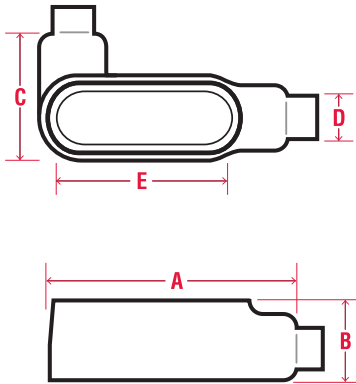


Contact us:
customerservice@plastibond.com



Visit www.plastibond.com
For more information

Conduit Bodies Technical Data



LL FORM 7

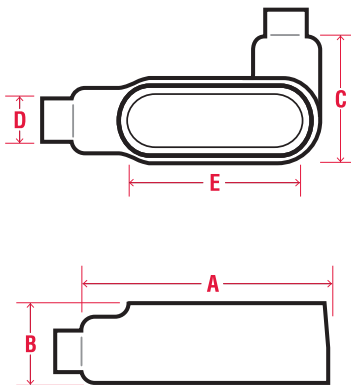
PIPE SIZE	FERROUS CATALOG #	NOMINAL WEIGHT	A	B	C	D	E	ALUMINUM CATALOG #
1/2"	PRL17	1.2	4.60	1.42	2.29	0.94	3.19	PRL17SA
3/4"	PRL27	1.6	5.23	1.67	2.48	1.13	3.81	PRL27SA
1"	PRL37	2.1	6.04	1.92	2.79	1.38	4.50	PRL37SA
1-1/4"	PRL47	3.0	6.54	2.35	3.23	1.75	5.00	PRL47SA
1-1/2"	PRL57	4.1	7.17	2.60	3.60	1.94	5.44	PRL57SA
2"	PRL67	5.7	8.17	3.17	4.17	2.44	6.38	PRL67SA
2-1/2"	PRL777	10.0	10.54	3.67	5.79	3.56	8.38	PRL777SA
3"	PRL87	12.7	10.54	4.42	5.79	3.56	8.38	PRL87SA
3-1/2"	PRL97	19.0	12.73	4.92	6.98	4.50	10.25	PRL97SA
4"	PRL107	19.0	12.73	5.42	6.98	4.50	10.25	PRL107SA

LL FORM 8

PIPE SIZE	FERROUS CATALOG #	NOMINAL WEIGHT	A	B	C	D	E
1/2"	PRHLL18	1.4	4.98	1.48	2.20	1.00	3.31
3/4"	PRHLL28	2.1	5.60	1.73	2.35	1.19	3.94
1"	PRHLL38	2.6	6.51	1.98	2.67	1.38	4.56
1-1/4"	PRHLL448	4.2	7.61	2.42	3.20	1.75	5.31
1-1/2"	PRHLL58	6.2	9.17	2.82	4.04	2.13	6.50
2"	PRHLL68	10.5	11.04	3.60	5.04	3.00	8.56
2-1/2"	PRL78	19.0	13.98	4.48	6.73	4.25	10.88
3"	PRL888	21.5	13.98	4.85	6.73	4.25	10.88

LL MARK 9

PIPE SIZE	NOMINAL WEIGHT	A	B	C	D	E	ALUMINUM CATALOG #
1/2"	1.4	4.63	1.42	2.17	1.19	3.31	PRL19
3/4"	2.1	5.29	1.67	2.42	1.38	3.94	PRL29
1"	2.6	6.13	1.92	2.67	1.50	4.56	PRL39
1-1/4"	4.2	7.07	2.54	3.13	1.94	5.31	PRL49
1-1/2"	6.2	7.79	2.79	3.48	2.25	6.00	PRL59
2"	10.5	10.07	3.48	4.17	2.88	8.06	PRL69
2-1/2"	19.0	13.98	4.48	6.73	4.25	10.88	PRL789
3"	21.5	13.98	4.85	6.73	4.25	10.88	PRL889
3-1/2"	21.5	16.92	5.73	8.17	5.44	13.44	PRL989
4"	24.5	16.92	5.98	8.17	5.44	13.44	PRL1089



LR FORM 7

PIPE SIZE	FERROUS CATALOG #	NOMINAL WEIGHT	A	B	C	D	E	ALUMINUM CATALOG #
1/2"	PRLR17	1.2	4.60	1.42	2.29	0.94	3.19	PRLR17SA
3/4"	PRLR27	1.6	5.23	1.67	2.48	1.13	3.81	PRLR27SA
1"	PRLR37	2.1	6.04	1.92	2.79	1.38	4.50	PRLR37SA
1-1/4"	PRLR47	3.0	6.54	2.35	3.23	1.75	5.00	PRLR47SA
1-1/2"	PRLR57	4.1	7.17	2.60	3.60	1.94	5.44	PRLR57SA
2"	PRLR67	5.7	8.17	3.17	4.17	2.44	6.38	PRLR67SA
2-1/2"	PRLR777	10.0	10.54	3.67	5.79	3.56	8.38	PRLR777SA
3"	PRLR87	12.7	10.54	4.42	5.79	3.56	8.38	PRLR87SA
3-1/2"	PRLR97	19.0	12.73	4.92	6.98	4.50	10.25	PRLR97SA
4"	PRLR107	19.0	12.73	5.42	6.98	4.50	10.25	PRLR107SA

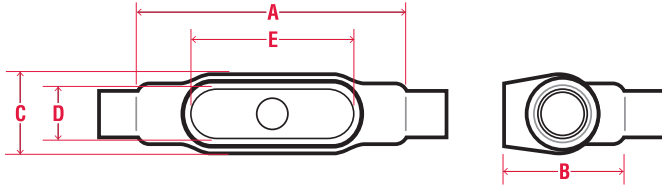
LR FORM 8

PIPE SIZE	FERROUS CATALOG #	NOMINAL WEIGHT	A	B	C	D	E
1/2"	PRHLR18	1.4	4.98	1.48	2.20	1.00	3.31
3/4"	PRHLR28	2.1	5.60	1.73	2.35	1.19	3.94
1"	PRHLR38	2.6	6.51	1.98	2.67	1.38	4.56
1-1/4"	PRHLR448	4.5	7.61	2.42	3.20	1.75	5.31
1-1/2"	PRHLR58	6.2	9.17	2.82	4.04	2.13	6.50
2"	PRHLR68	10.7	11.04	3.60	5.04	3.00	8.56
2-1/2"	PRLR78	17.7	13.98	4.48	6.73	4.25	10.88
3"	PRLR888	18.0	13.98	4.85	6.73	4.25	10.88

LR MARK 9

PIPE SIZE	NOMINAL WEIGHT	A	B	C	D	E	ALUMINUM CATALOG #
1/2"	1.4	4.63	1.42	2.17	1.19	3.31	PRLR19
3/4"	2.1	5.29	1.67	2.42	1.38	3.94	PRLR29
1"	2.6	6.13	1.92	2.67	1.50	4.56	PRLR39
1-1/4"	4.5	7.07	2.54	3.13	1.94	5.31	PRLR49
1-1/2"	6.2	7.79	2.79	3.48	2.25	6.00	PRLR59
2"	10.7	10.07	3.48	4.17	2.88	8.06	PRLR69
2-1/2"	17.7	13.98	4.48	6.73	4.25	10.88	PRLR789
3"	18.0	13.98	4.85	6.73	4.25	10.88	PRLR889
3-1/2"	21.0	16.92	5.73	8.17	5.44	13.44	PRLR989
4"	24.0	16.92	5.98	8.17	5.44	13.44	PRLR1089

Conduit Bodies and Covers



TB FORM 8

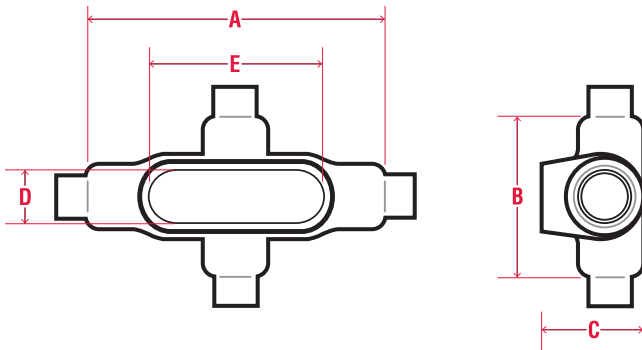
PIPE SIZE	FERROUS CATALOG #	NOMINAL WEIGHT	A	B	C	D	E
1/2"	PRHTB18	2.0	5.69	2.53	1.46	1.00	3.31
3/4"	PRHTB28	2.3	6.28	2.75	1.64	1.19	3.94
1"	PRHTB38	3.1	7.31	3.13	1.83	1.38	4.56
1-1/4"	PRHTB448	5.2	8.50	3.34	2.27	1.75	5.31
1-1/2"	PRHTB58	7.0	10.38	4.03	2.83	2.13	6.50
2"	PRHTB68	11.0	12.25	4.81	3.83	3.00	8.56

TB FORM 7

PIPE SIZE	FERROUS CATALOG #	NOMINAL WEIGHT	A	B	C	D	E	ALUMINUM CATALOG #
1/2"	PRTB17	1.6	5.63	2.63	1.64	0.94	3.19	PRTB17SA
3/4"	PRTB27	2.1	6.25	2.88	1.83	1.13	3.81	PRTB27SA
1"	PRTB37	2.7	7.25	3.25	2.08	1.38	4.50	PRTB37SA
1-1/4"	PRTB47	3.7	7.44	3.31	2.27	1.75	5.00	PRTB47SA
1-1/2"	PRTB57	4.7	8.19	5.00	2.52	1.94	5.44	PRTB57SA
2"	PRTB67	7.0	9.19	6.13	3.08	2.44	6.38	PRTB67SA

TB MARK 9

PIPE SIZE	NOMINAL WEIGHT	A	B	C	D	E	ALUMINUM CATALOG #
1/2"	2.0	5.00	2.13	1.46	1.19	3.31	PRTB19
3/4"	2.3	5.69	2.41	1.64	1.38	3.94	PRTB29
1"	3.1	6.59	2.84	1.83	1.50	4.56	PRTB39
1-1/4"	5.2	7.50	3.47	2.27	1.94	5.31	PRTB49
1-1/2"	7.0	8.34	3.88	2.58	2.16	5.88	PRTB59
2"	11.0	10.63	4.59	3.30	2.81	8.09	PRTB69



X FORM 8

PIPE SIZE	FERROUS CATALOG #	NOMINAL WEIGHT	A	B	C	D	E
1/2"	PRHX18	2.0	5.69	2.91	1.79	1.00	3.31
3/4"	PRHX28	2.6	6.28	3.06	2.04	1.19	3.94
1"	PRHX38	3.1	7.31	3.50	2.29	1.38	4.56
1-1/4"	PRHX448	5.2	8.50	4.13	2.67	1.75	5.31
1-1/2"	PRHX58	7.5	10.38	5.25	2.51	2.13	6.50
2"	PRHX68	11.7	12.25	6.25	3.60	3.00	8.56

X FORM 7

PIPE SIZE	FERROUS CATALOG #	NOMINAL WEIGHT	A	B	C	D	E	ALUMINUM CATALOG #
1/2"	PRX17	1.7	5.63	3.31	1.79	0.94	3.19	PRX17SA
3/4"	PRX27	2.4	6.25	3.50	2.04	1.13	3.81	PRX27SA
1"	PRX37	2.7	7.25	4.00	2.29	1.38	4.50	PRX37SA
1-1/4"	PRX47	3.6	7.44	4.13	2.35	1.75	5.00	PRX47SA
1-1/2"	PRX57	5.0	8.19	4.63	2.60	1.94	5.44	PRX57SA
2"	PRX67	7.5	9.19	5.19	3.17	2.44	6.38	PRX67SA

X MARK 9

PIPE SIZE	NOMINAL WEIGHT	A	B	C	D	E	ALUMINUM CATALOG #
1/2"	2.0	5.69	2.91	1.79	1.00	3.31	PRX19
3/4"	2.6	6.28	3.06	2.04	1.19	3.94	PRX29
1"	3.1	7.31	3.50	2.29	1.38	4.56	PRX39

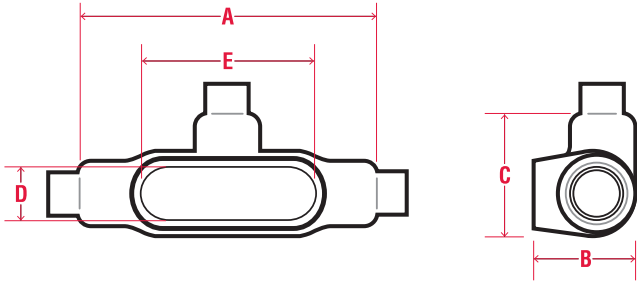


Contact us:
customerservice@plastibond.com



Visit www.plastibond.com
For more information

Conduit Bodies Technical Data



T FORM 8

PIPE SIZE	FERROUS CATALOG #	NOMINAL WEIGHT	A	B	C	D	E
1/2"	PRHT18	1.8	5.69	1.79	2.20	1.00	3.31
3/4"	PRHT28	2.5	6.28	2.04	2.35	1.19	3.94
1"	PRHT38	3.3	7.31	2.29	2.67	1.38	4.56
1-1/4"	PRHT448	4.9	8.50	2.67	3.20	1.75	5.31
1-1/2"	PRHT58	7.5	10.38	2.82	4.04	2.13	6.50
2"	PRHT68	11.7	12.25	3.60	5.04	3.00	8.56
2-1/2"	PRT78	19.8	15.63	4.48	6.73	4.25	10.88
3"	PRT88	23.5	15.63	4.85	6.73	4.25	10.88

T FORM 7

PIPE SIZE	FERROUS CATALOG #	NOMINAL WEIGHT	A	B	C	D	E	ALUMINUM CATALOG #
1/2"	PRT17	1.5	5.63	1.79	2.48	0.94	3.19	PRT17SA
3/4"	PRT27	2.1	6.25	2.04	2.67	1.13	3.81	PRT27SA
1"	PRT37	2.9	7.25	2.29	3.04	1.38	4.50	PRT37SA
1-1/4"	PRT47	3.6	7.44	2.35	3.23	1.75	5.00	PRT47SA
1-1/2"	PRT57	4.5	8.19	2.60	3.60	1.94	5.44	PRT57SA
2"	PRT67	6.5	9.19	3.17	4.17	2.44	6.38	PRT67SA
2-1/2"	PRT77	10.7	12.00	3.67	5.79	3.56	8.38	PRT77SA
3"	PRT87	15.4	12.06	4.42	5.79	3.56	8.38	PRT87SA
3-1/2"	PRT97	19.0	14.31	4.92	6.98	4.50	10.25	PRT97SA
4"	PRT107	21.0	14.31	5.42	6.98	4.50	10.25	PRT107SA

T MARK 9

PIPE SIZE	NOMINAL WEIGHT	A	B	C	D	E	ALUMINUM CATALOG #
1/2"	1.8	5.00	1.42	2.17	1.19	3.31	PRT19
3/4"	2.5	5.69	1.92	2.42	1.38	3.31	PRT29
1"	3.3	6.59	1.92	2.67	1.50	4.56	PRT39
1-1/4"	4.9	7.50	2.54	3.13	1.94	5.31	PRT49
1-1/2"	7.5	8.25	2.79	3.48	2.25	6.00	PRT59
2"	11.7	10.50	3.48	4.17	2.88	8.06	PRT69
2-1/2"	19.8	15.63	4.48	6.73	4.25	10.88	PRT789
3"	23.5	15.63	4.85	6.73	4.25	10.88	PRT889
3-1/2"	21.0	18.75	5.73	8.17	5.44	13.44	PRT989
4"	24.0	18.75	5.98	8.17	5.44	13.44	PRT1089

REPLACEMENT SCREW KITS

CATALOG #	DESCRIPTION
PBSCREW-KIT-1	1/2" and 3/4" FORM 8 ENCAP SCREWS
PBSCREW-KIT-2	1" and 1-1/4" FORM 8 ENCAP SCREWS
PBSCREW-KIT-3	1-1/2" FORM 8 ENCAP SCREWS
PBSCREW-KIT-4	2" FORM 8 ENCAP SCREWS
PBSCREW-KIT-5	2-1/2" and 3" FORM 8 ENCAP SCREWS
PBSCREW-KIT-6	3-1/2" and 4" FORM 8 ENCAP SCREWS
PBSCREW-KIT-7	1/2" OE ENCAP SCREWS
PBSCREW-KIT-8	3/4" OE ENCAP SCREWS
PBSCREW-KIT-9	1-1/4" LBD ENCAP SCREWS
PBSCREW-KIT-10	1-1/2" LBD ENCAP SCREWS
PBSCREW-KIT-11	2" LBD ENCAP SCREWS
PBSCREW-KIT-12	2-1/2" and 3" LBD ENCAP SCREWS
PBSCREW-KIT-13	2-1/2" and 3" MARK 9 ENCAP SCREWS
PBSCREW-KIT-14	3-1/2" and 4" MARK 9 ENCAP SCREWS

Pulling Elbows



Pulling Elbows

Description:

Plasti-Bond REDH₂O_T LBD conduit bodies are used at 90° bends in conduit runs to allow straight pulls at bends, to serve as pull outlets for stiff conductors, to allow for service entrance into buildings, or to allow conductor entrance into motors. Electrical continuity of the conduit system is maintained across assembled joints.

Features:

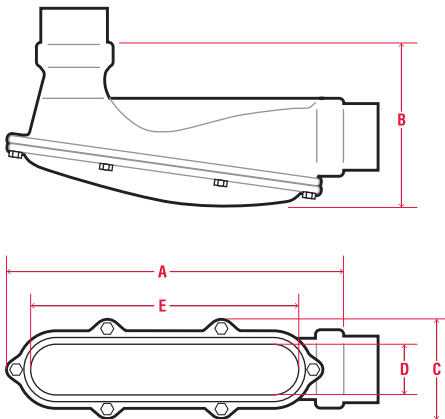
- 40 mil gray PVC exterior coating
- 2 mil red urethane interior coating
- 10 trade sizes from 1/2" through 4"
- Sealing sleeves on all conduit openings
- Molded-in seal between body and cover
- Domed covers allow gentle bends of conductors
- Shipped with covers
- Angled covers allow straight pulling in either direction

Standards:

Steel Fittings Only

- UL 514B (E200413)

Pulling Elbows Technical Data



PULLING ELBOWS LBD

PIPE SIZE	FERROUS CATALOG #	NOMINAL WEIGHT	A	B	C	D	E	ALUMINUM CATALOG #
1/2"	PRLBD1100	1.2	5.00	2.35	1.39	1.00	3.34	PRLBD1100SA
3/4"	PRLBD2200	2.0	6.25	2.67	1.64	1.25	4.53	PRLBD2200SA
1"	PRLBD3300	2.5	6.25	2.98	1.89	1.50	4.34	PRLBD3300SA
1-1/4"	PRLBD4400	6.0	8.63	4.29	3.58	1.81	7.19	PRLBD4400SA
1-1/2"	PRLBD5500	11.5	12.44	5.48	4.71	2.63	10.88	PRLBD5500SA
2"	PRLBD6600	18.0	12.44	5.48	4.71	2.63	10.88	PRLBD6600SA
2-1/2"	PRLBD7700	22.0	19.69	9.60	5.71	3.00	15.75	PRLBD7700SA
3"	PRLBD8800	35.0	19.69	9.60	5.71	3.00	15.75	PRLBD8800SA
3-1/2"	PRLBD9900	60.0	20.88	10.92	7.83	4.75	19.89	-
3-1/2"	-	60.0	27.81	11.92	7.21	4.00	24.00	PRLBD9900SA
4"	PRLBD10900	70.0	20.88	10.92	7.83	4.75	19.89	-
4"	-	70.0	27.81	11.92	7.21	4.00	24.00	PRLBD10900SA



Contact us:
customerservice@plastibond.com



Visit www.plastibond.com
 For more information



Mogul Style Conduit Bodies

Description:

Plasti-Bond REDH₂OT mogul style conduit bodies are offered in numerous configurations to provide a complete coated conduit system. Mogul BG Covers are sold separately. Mogul style fitting bodies have long openings and may be used to make bends in conduit runs, for pull outlets for stiff conductors, to provide additional room for taps or splices, etc.. Electrical continuity of the conduit system is maintained across assembled joints.

Features:

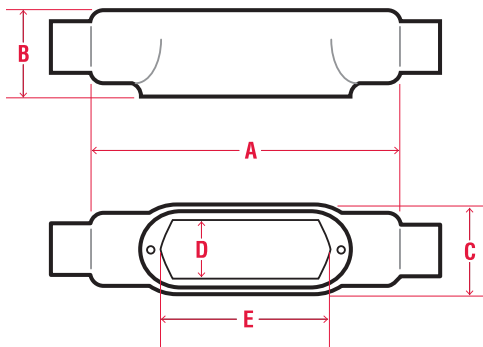
- 40 mil gray PVC exterior coating
- 2 mil red urethane interior coating
- 8 trade sizes from 1" through 4"
- Sealing sleeves on all conduit openings
- Molded-in seal between bodies and covers
- Large cover openings provide ample room

Standards:

Steel and Aluminum

- UL 514A, 514D (E231035)
- CSA C22.2 No. 18, CSA C22.2 No. 42

Conduit Bodies – Mogul Technical Data



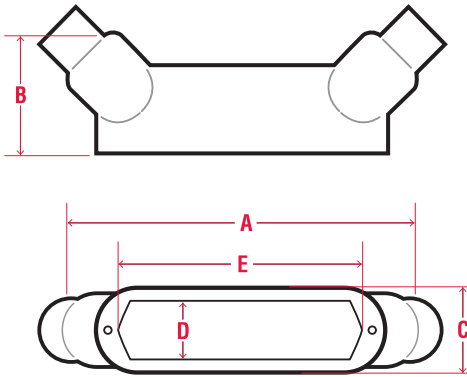
BC

PIPE SIZE	FERROUS CATALOG #	NOMINAL WEIGHT	A	B	C	D	E	ALUMINUM CATALOG #
1"	PRBC3	3.2	9.56	1.92	2.27	1.88	6	PRBC3SA
1-1/4"	PRBC4	4.2	9.56	2.35	2.27	1.88	6	PRBC4SA
1-1/2"	PRBC5	6.0	13.75	2.60	3.08	2.63	10	PRBC5SA
2"	PRBC6	7.0	13.75	3.17	3.08	2.63	10	PRBC6SA
2-1/2"	PRBC7	13.8	18.38	3.67	4.33	3.81	15	PRBC7SA
3"	PRBC8	17.5	18.38	4.42	4.33	3.81	15	PRBC8SA
3-1/2"	PRBC9	25.0	23.75	4.92	5.33	4.75	20	PRBC9SA
4"	PRBC10	28.0	23.75	5.42	5.33	4.75	20	PRBC10SA

(cover sold separately)

Conduit Bodies and Covers

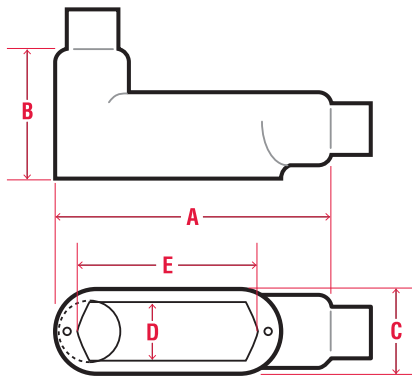
Conduit Bodies – Mogul Technical Data



BUB

PIPE SIZE	FERROUS CATALOG #	NOMINAL WEIGHT	A	B	C	D	E	ALUMINUM CATALOG #
1"	PRBUB3	3.2	9.19	2.69	2.27	1.88	6	PRBUB3SA
1-1/4"	PRBUB4	4.0	9.31	3.19	2.27	1.88	6	PRBUB4SA
1-1/2"	PRBUB5	5.9	13.50	3.50	3.08	2.63	10	PRBUB5SA
2"	PRBUB6	7.8	13.50	4.13	3.08	2.63	10	PRBUB6SA
2-1/2"	PRBUB7	12.5	17.75	4.81	4.33	3.81	15	PRBUB7SA
3"	PRBUB8	17.0	17.88	5.63	4.33	3.81	15	PRBUB8SA
3-1/2"	PRBUB9	25.0	23.38	6.38	5.33	4.75	20	PRBUB9SA
4"	PRBUB10	28.0	23.25	6.81	5.33	4.75	20	PRBUB10SA

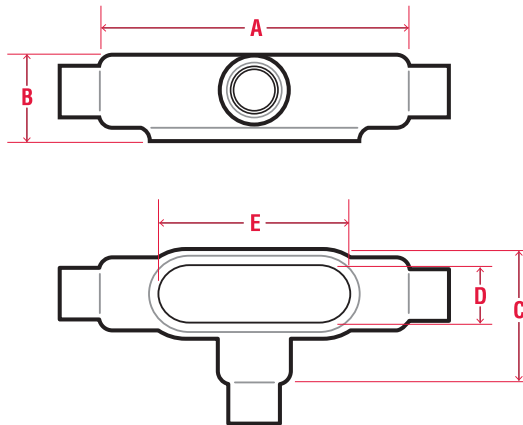
(cover sold separately)



BLB

PIPE SIZE	FERROUS CATALOG #	NOMINAL WEIGHT	A	B	C	D	E	ALUMINUM CATALOG #
1"	PRBLB3	3.2	8.63	2.84	2.27	1.88	6	PRBLB3SA
1-1/4"	PRBLB4	4.2	8.63	3.28	2.27	1.88	6	PRBLB4SA
1-1/2"	PRBLB5	6.0	12.73	3.63	3.08	2.63	10	PRBLB5SA
2"	PRBLB6	7.0	12.73	4.19	3.08	2.63	10	PRBLB6SA
2-1/2"	PRBLB7	13.8	16.95	5.09	4.33	3.81	15	PRBLB7SA
3"	PRBLB8	17.5	16.95	5.84	4.33	3.81	15	PRBLB8SA
3-1/2"	PRBLB9	25.0	22.17	6.50	5.33	4.75	20	PRBLB9SA
4"	PRBLB10	28.0	22.17	7.00	5.33	4.75	20	PRBLB10SA

(cover sold separately)



BT

PIPE SIZE	FERROUS CATALOG #	NOMINAL WEIGHT	A	B	C	D	E	ALUMINUM CATALOG #
1"	PRBT3	3.2	9.56	1.92	3.24	1.88	6	PRBT3SA
1-1/4"	PRBT4	3.6	9.56	2.35	3.24	1.88	6	PRBT4SA
1-1/2"	PRBT5	7.5	13.75	2.60	4.14	2.63	10	PRBT5SA
2"	PRBT6	9.0	13.75	3.17	4.14	2.63	10	PRBT6SA
2-1/2"	PRBT7	15.0	18.38	3.67	5.67	3.81	15	PRBT7SA
3"	PRBT8	19.0	18.38	4.42	5.80	3.81	15	PRBT8SA
3-1/2"	PRBT9	29.0	23.75	4.92	6.96	4.75	20	PRBT9SA
4"	PRBT10	32.0	23.75	5.42	6.96	4.75	20	PRBT10SA

(cover sold separately)

BG COVERS (body sold separately)

FERROUS CATALOG #	DESCRIPTION	NOMINAL WEIGHT	ALUMINUM CATALOG #
PRBG48	1 - 1 1/4 BG COVER MOGUL	2.5	PRBG48SA
PRBG68	1 1/2 - 2 BG COVER MOGUL	3.2	PRBG68SA
PRBG88	2 1/2 - 3 BG COVER MOGUL	6.4	PRBG88SA
PRBG98	3 1/2 - 4 BG COVER MOGUL	9.8	PRBG98SA



Contact us:
customerservice@plastibond.com



Visit www.plastibond.com
For more information



Knockout Hubs

Description:

Plasti-Bond REDH₂OT ST style knockout hubs are used to terminate conduit runs through the wall of a sheet metal electrical enclosure. They are available with or without grounding lug. STTB style hubs are "Through-Bulkhead" fittings used to pass conduit runs through firewalls or bulkheads up to 1/8" thick. STTTB style hubs perform the same function for unlimited wall thicknesses, (furnished without nipples).

Features:

- 40 mil gray PVC exterior coating
- ST available in 12 trade sizes from 1/2" through 6"
- STTB available in 10 trade sizes from 1/2" through 4"
- STTTB available in 6 trade sizes from 1/2" through 2"
- Sealing sleeves on conduit side of hub
- Molded PVC gasket seals flush with enclosure wall
- O-ring gasket provides additional seal

Standards:

Steel Only: ST, STG

- UL 514B (E200413)
- NEC/CEC:
 - Class I, Division 2
 - Class II, Division 1 & 2
 - Class III, Division 1 & 2

NOTE:

- All Screw-tight Hubs are listed for NEMA and UL type enclosures 2, 3, 3R, 4, 4x, 11 and 12
- Grounding and Bonding Hubs are listed for NEMA Enclosures 2, 3, 3R, 4 and 12

Knockout Hubs

Knockout Hubs Technical Data

ST

PIPE SIZE	CATALOG #	NOMINAL WEIGHT	A	B	C	MAX WALL THICK	ALUMINUM CATALOG #
1/2"	PRST1	0.2	1.34	2.00	0.81	0.19	PRSTA1
3/4"	PRST2	0.3	1.47	2.25	0.91	0.19	PRSTA2
1"	PRST3	0.4	1.66	2.50	1.03	0.25	PRSTA3
1-1/4"	PRST4	0.4	1.69	3.25	1.03	0.25	PRSTA4
1-1/2"	PRST5	0.6	1.69	3.50	1.03	0.25	PRSTA5
2"	PRST6	1.2	1.75	4.25	1.09	0.25	PRSTA6
2-1/2"	PRST7	1.5	2.22	4.75	1.28	0.25	PRSTA7
3"	PRST8	2.1	2.31	5.25	1.38	0.25	PRSTA8
3-1/2"	PRST9	3.0	2.38	5.50	1.44	0.25	PRSTA9
4"	PRST10	3.5	2.44	6.25	1.50	0.25	PRSTA10
5"	PRST11	5.4	2.94	7.50	2.00	0.25	PRSTA11
6"	PRST12	6.9	3.00	8.50	2.00	0.31	PRSTA12

STG

PIPE SIZE	CATALOG #	NOMINAL WEIGHT	A	B	C	MAX WALL THICK	ALUMINUM CATALOG #
1/2"	PRSTG1	0.2	1.34	2.00	0.81	0.19	PRSTAG1
3/4"	PRSTG2	0.3	1.47	2.25	0.91	0.19	PRSTAG2
1"	PRSTG3	0.4	1.66	2.50	1.03	0.25	PRSTAG3
1-1/4"	PRSTG4	0.4	1.69	3.25	1.03	0.25	PRSTAG4
1-1/2"	PRSTG5	0.6	1.69	3.50	1.03	0.25	PRSTAG5
2"	PRSTG6	1.2	1.75	4.25	1.09	0.25	PRSTAG6
2-1/2"	PRSTG7	1.5	2.22	4.75	1.28	0.25	PRSTAG7
3"	PRSTG8	2.1	2.31	5.25	1.38	0.25	PRSTAG8
3-1/2"	PRSTG9	3.0	2.38	5.50	1.44	0.25	PRSTAG9
4"	PRSTG10	3.5	2.44	6.25	1.50	0.25	PRSTAG10
5"	PRSTG11	5.4	2.94	7.50	2.00	0.25	PRSTAG11
6"	PRSTG12	6.9	3.00	8.50	2.00	0.31	PRSTAG12

KNOCKOUT HUB CONFIGURATIONS



STTB

PIPE SIZE	CATALOG #	NOMINAL WEIGHT	A	B	MAX WALL THICK	ALUMINUM CATALOG #
1/2"	PRSTTB1	0.5	1.34	2.00	0.19	PRSTTB1
3/4"	PRSTTB2	0.5	1.47	2.25	0.19	PRSTTB2
1"	PRSTTB3	0.7	1.66	2.50	0.25	PRSTTB3
1-1/4"	PRSTTB4	1.0	1.69	3.25	0.25	PRSTTB4
1-1/2"	PRSTTB5	1.2	1.69	3.50	0.25	PRSTTB5
2"	PRSTTB6	1.7	1.75	4.25	0.25	PRSTTB6
2-1/2"	PRSTTB7	2.5	2.22	4.75	0.25	PRSTTB7
3"	PRSTTB8	3.0	2.31	5.25	0.25	PRSTTB8
3-1/2"	PRSTTB9	4.2	2.38	5.50	0.25	-
4"	PRSTTB10	5.9	2.44	6.25	0.25	-

STTTB

PIPE SIZE	CATALOG #	NOMINAL WEIGHT	A	B	MAX WALL THICK	ALUMINUM CATALOG #
1/2"	PRSTTTB1	1.0	1.34	2.00	*	PRSTTTB1
3/4"	PRSTTTB2	1.0	1.47	2.25	*	PRSTTTB2
1"	PRSTTTB3	1.4	1.66	2.50	*	PRSTTTB3
1-1/4"	PRSTTTB4	2.0	1.69	3.25	*	PRSTTTB4
1-1/2"	PRSTTTB5	2.4	1.69	3.50	*	PRSTTTB5
2"	PRSTTTB6	3.4	1.75	4.25	*	PRSTTTB6

* Unlimited wall thickness - determined by nipple used.



Liquid Tight Connectors

Description:

Plasti-Bond REDH₂OT liquid tight connectors are used with liquid tight conduit to wire motors, transformers, processing equipment, pumps, etc. The flexible conduit and the PVC coated connector work together to seal out water and other corrosive liquids, protecting the conductors from damage.

Features:

- 40 mil gray PVC exterior coating
- 2 mil red urethane interior coating
- 13 trade sizes from 3/8" through 6"
- Sealing sleeves on all conduit openings
- Available in straight, 45° or 90° body configurations
- Available with an external grounding lug

Standards:

Steel Fittings Only

- UL 514B (E200413), UL 467 (E217890)

LIQUID TIGHT CONNECTORS CONFIGURATIONS



Liquid Tight Connectors

STRAIGHT CONNECTOR

PIPE SIZE	FERROUS CATALOG #	A	B	C	NOMINAL WEIGHT	ALUMINUM CATALOG #
3/8"	PR5331	1.24	1.50	0.56	0.2	PR5231AL
1/2"	PR5332	1.46	1.56	0.56	0.2	PR5232AL
3/4"	PR5333	1.74	1.63	0.56	0.3	PR5233AL
1"	PR5334	1.96	2.06	0.75	0.4	PR5234AL
1-1/4"	PR5335	2.36	2.50	0.81	0.8	PR5235AL
1-1/2"	PR5336	2.80	2.69	0.81	0.9	PR5236AL
2"	PR5337	3.33	3.06	0.88	1.7	PR5237AL
2-1/2"	PR5338	3.83	4.13	1.00	3.0	PR5238AL
3"	PR5339	4.58	4.25	1.00	4.2	PR5239AL
4"	PR5340	5.58	4.50	1.13	6.2	PR5240AL



STRAIGHT CONNECTOR WITH GROUND

PIPE SIZE	FERROUS CATALOG #	A	B	C	GROUND WIRE	NOMINAL WEIGHT	ALUMINUM CATALOG #
3/8"	PR5331GR	1.24	1.50	0.56	14-8	0.2	PR5231GRAL
1/2"	PR5332GR	1.46	1.56	0.56	14-8	0.2	PR5232GRAL
3/4"	PR5333GR	1.74	1.63	0.56	14-4	0.3	PR5233GRAL
1"	PR5334GR	1.96	2.06	0.75	14-4	0.4	PR5234GRAL
1-1/4"	PR5335GR	2.33	2.50	0.81	8/2/04	0.8	PR5235GRAL
1-1/2"	PR5336GR	3.33	2.69	0.81	4/3/04	0.9	PR5236GRAL
2"	PR5337GR	3.89	3.06	0.88	4/3/04	1.7	PR5237GRAL
2-1/2"	PR5338GR	4.52	4.13	1.00	2/5/04	3.0	PR5238GRAL
3"	PR5339GR	5.27	4.25	1.00	2/5/04	4.2	PR5239GRAL
4"	PR5340GR	6.21	4.50	1.13	2/5/04	6.2	PR5240GRAL



45° CONNECTOR

PIPE SIZE	FERROUS CATALOG #	A	B	C	NOMINAL WEIGHT
3/8"	PR5341	1.24	1.56	0.56	0.3
1/2"	PR5342	1.46	1.88	0.56	0.3
3/4"	PR5343	1.74	2.13	0.56	0.4
1"	PR5344	1.96	2.25	0.75	0.5
1-1/4"	PR5345	2.36	2.75	0.81	1.5
1-1/2"	PR5346	2.80	3.38	0.81	1.2
2"	PR5347	3.33	3.88	0.88	2.0
2-1/2"	PR5348	3.83	4.25	1.00	3.0
3"	PR5349	4.58	4.25	1.00	4.2
4"	PR5350	5.58	4.63	1.13	6.2

45° CONNECTOR WITH GROUND

PIPE SIZE	FERROUS CATALOG #	A	B	C	GROUND WIRE	NOMINAL WEIGHT
3/8"	PR5341GR	1.24	1.56	0.56	14-8	0.3
1/2"	PR5342GR	1.46	1.88	0.56	14-8	0.3
3/4"	PR5343GR	1.74	2.13	0.56	14-4	0.4
1"	PR5344GR	1.96	2.25	0.75	14-4	0.5
1-1/4"	PR5345GR	2.33	2.75	0.81	4/3/04	1.5
1-1/2"	PR5346GR	3.33	3.38	0.81	4/3/04	1.2
2"	PR5347GR	3.89	3.88	0.88	4/3/04	2.0
2-1/2"	PR5348GR	4.52	4.25	1.00	2/5/04	3.0
3"	PR5349GR	5.27	4.25	1.00	2/5/04	4.2
4"	PR5350GR	6.21	4.63	1.13	2/5/04	6.2

90° CONNECTOR

PIPE SIZE	FERROUS CATALOG #	A	B	C	NOMINAL WEIGHT	ALUMINUM CATALOG #
3/8"	PR5351	1.24	1.38	0.56	0.3	PR5251AL
1/2"	PR5352	1.46	1.56	0.56	0.3	PR5252AL
3/4"	PR5353	1.74	1.75	0.56	0.4	PR5253AL
1"	PR5354	1.96	2.19	0.75	0.6	PR5254AL
1-1/4"	PR5355	2.36	2.75	0.81	1.0	PR5255AL
1-1/2"	PR5356	2.80	2.94	0.81	1.7	PR5256AL
2"	PR5357	3.33	3.44	0.88	2.7	PR5257AL
2-1/2"	PR5358	3.83	8.88	1.00	3.8	-
3"	PR5359	4.58	10.25	1.00	4.2	-
4"	PR5360	5.58	12.63	1.13	6.2	-

90° CONNECTOR WITH GROUND

PIPE SIZE	FERROUS CATALOG #	A	B	C	GROUND WIRE	NOMINAL WEIGHT	ALUMINUM CATALOG #
3/8"	PR5351GR	1.24	1.25	0.56	14-8	0.3	PR5251GRAL
1/2"	PR5352GR	1.46	1.44	0.56	14-8	0.3	PR5252GRAL
3/4"	PR5353GR	1.74	1.81	0.56	14-4	0.4	PR5253GRAL
1"	PR5354GR	1.96	2.06	0.75	14-4	0.6	PR5254GRAL
1-1/4"	PR5355GR	2.33	2.50	0.81	8/2/04	1.0	PR5255GRAL
1-1/2"	PR5356GR	3.33	2.94	0.81	4/3/04	1.7	PR5256GRAL
2"	PR5357GR	3.89	3.44	0.88	4/3/04	2.7	PR5257GRAL
2-1/2"	PR5358GR	4.52	8.88	1.00	2/5/04	3.8	-
3"	PR5359GR	5.27	10.25	1.00	2/5/04	4.2	-
4"	PR5360GR	6.21	12.63	1.13	2/5/04	6.2	-



Contact us:
customerservice@plastibond.com



Visit www.plastibond.com
For more information

TECK Series Armored Cable Fittings

Description:

Plasti-Bond REDH₂OT TECK Series cable fittings are designed for use with jacketed TECK cable with aluminum or steel armor. TECK series cable fittings are installed to provide a means for passing TECK type cable into an enclosure, panel board, or other equipment, to form a mechanical watertight and dust tight termination, and to provide ground continuity between the cable armour and metal enclosures.

Features:

- 40 mil gray PVC exterior coating with cable sleeve and sealing gland
- Standard material is aluminum
- Stainless steel copper-plated spring provides grounding continuity of cable armour (TECK cable only)
- Watertight seal on outer sheath of cable
- Standard neoprene seal suitable for use in operating temperatures -25° to 60°C
- An integral o-ring seal on entry threads
- Available with NPT threads

Gland Type:

- Armoured

Cable Type:

- TECK Armoured

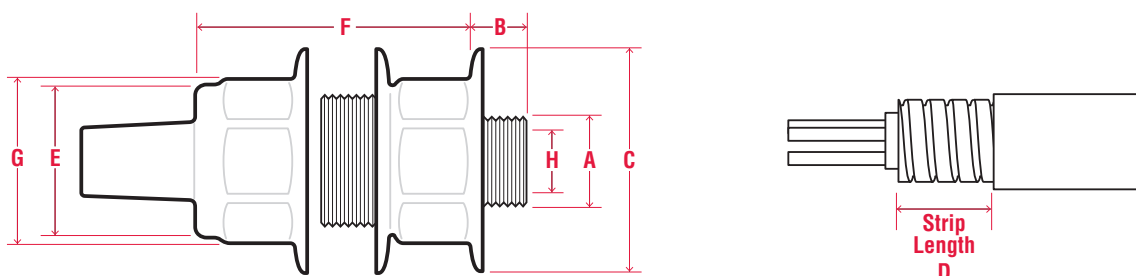
Standards:

- CSA Certified Class II, Div. 1 & 2, Groups E, F, G; Class III – CSA File LR13046
- Type 4 and IP56
- Wet locations



TECK Series Cable Fittings

TECK Series – Technical Data



TECK SERIES

PVC COATED ALUMINUM CATALOG #	ENTRY THREAD SIZE A NPT SIZE	THREAD LENGTH B NPT	CABLE ACCEPTANCE				GLAND LENGTH F (LESS ENTRY)	HEXAGON DIMENSIONS			
			ARMOR RANGE H MIN	ARMOR RANGE H MAX	OUTER SHEATH E MIN	OUTER SHEATH E MAX		ACROSS FLATS	ACROSS CORNERS G	SEALING GLAND C	STRIP LENGTH D
PBTECK-050-1	1/2"	0.630	0.415	0.570	0.525	0.650	2.300	1.250	1.350	1.925	1-1/4"
PBTECK-050-2	1/2"	0.630	0.490	0.680	0.600	0.760	2.300	1.375	1.500	1.925	1-1/4"
PBTECK-050-3	1/2"	0.630	0.615	0.805	0.725	0.885	2.300	1.500	1.600	1.925	1-1/4"
PBTECK-050-4	1/2"	0.630	0.715	0.905	0.825	0.985	2.300	1.500	1.600	1.925	1-1/4"
PBTECK-075-5	3/4"	0.630	0.770	0.985	0.880	1.065	2.500	2.000	2.125	2.000	1-1/4"
PBTECK-075-6	3/4"	0.630	0.915	1.125	1.025	1.205	2.500	2.000	2.125	2.000	1-1/4"
PBTECK-100-7	1"	0.750	1.077	1.295	1.187	1.375	2.625	2.250	2.400	2.370	1-1/4"
PBTECK-125-8	1-1/4"	0.800	1.240	1.545	1.350	1.625	3.500	3.000	3.125	2.370	1-3/4"
PBTECK-125-9	1-1/4"	0.800	1.390	1.545	1.500	1.625	3.400	3.000	3.125	2.370	1-3/4"
PBTECK-125-10	1-1/4"	0.800	1.490	1.795	1.600	1.875	3.500	3.000	3.125	2.870	1-3/4"
PBTECK-150-11	1-1/2"	0.800	1.590	1.885	1.700	1.965	3.800	3.750	3.600	3.250	1-3/4"
PBTECK-150-12	1-1/2"	0.800	1.790	2.107	1.900	2.187	3.900	3.500	3.750	3.250	1-3/4"
PBTECK-200-13	2"	0.825	1.790	2.107	1.900	2.187	4.000	3.750	4.000	3.750	1-3/4"
PBTECK-200-14	2"	0.825	1.990	2.280	2.100	2.375	4.000	3.750	4.000	3.750	1-3/4"
PBTECK-200-15	2"	0.875	2.190	2.485	2.300	2.565	4.000	4.125	4.400	3.750	1-3/4"
PBTECK-200-16	2"	0.875	2.390	2.656	2.500	2.750	4.000	4.125	4.400	3.750	1-3/4"
PBTECK-250-17	2-1/2"	1.300	2.240	2.560	2.380	2.640	5.000	4.500	4.750	4.500	2-1/2"
PBTECK-250-18	2-1/2"	1.300	2.440	2.750	2.580	2.840	5.000	4.500	4.750	4.500	2-1/2"
PBTECK-300-19	3"	1.400	2.640	2.970	2.790	3.060	5.000	4.600	4.900	5.000	2-1/2"
PBTECK-300-20	3"	1.400	2.870	3.190	3.000	3.270	5.000	4.900	5.250	5.000	2-1/2"
PBTECK-300-21	3"	1.400	3.042	3.390	3.210	3.480	5.000	5.000	5.250	5.000	2-1/2"
PBTECK-350-22	3-1/2"	1.400	3.270	3.590	3.420	3.690	5.000	5.600	5.900	5.500	2-1/2"
PBTECK-350-23	3-1/2"	1.400	3.440	3.770	3.610	3.870	5.000	5.500	5.900	5.500	2-1/2"
PBTECK-400-24	4"	1.400	3.600	3.930	3.810	4.030	5.000	6.125	6.500	6.100	2-1/2"
PBTECK-400-25	4"	1.400	3.755	4.065	3.965	4.185	5.000	6.125	6.500	6.100	2-1/2"
PBTECK-400-26	4"	1.400	3.910	4.220	4.120	4.340	5.000	6.125	6.500	6.100	2-1/2"



Contact us:
customerservice@plastibond.com



Visit www.plastibond.com
For more information

Grounding Bushings and Split Couplings

Grounding Bushings

Description:

Plasti-Bond REDH₂OT grounding bushings are used on threaded PVC-coated rigid conduit to provide a means of grounding conduit through an insulated bushing.

Features:

- 40 mil gray PVC exterior coating
- 2 mil red urethane interior coating
- 10 trade sizes from 1/2" through 4"
- Aluminum lug for copper or aluminum grounding conductor



GROUNDING BUSHINGS

PIPE SIZE	FERROUS CATALOG #	NOMINAL WEIGHT
1/2"	PBGLL1	0.1
3/4"	PBGLL2	0.1
1"	PBGLL3	0.1
1-1/4"	PBGLL4	0.2
1-1/2"	PBGLL5	0.2
2"	PBGLL6	0.3
2-1/2"	PBGLL7	0.5
3"	PBGLL8	0.7
3-1/2"	PBGLL9	1.0
4"	PBGLL10	1.1

Split Couplings

Description:

Plasti-Bond REDH₂OT split couplings are used to connect two pieces of conduit where the conduit can't be turned because of limited clearance between runs or a wall or other obstruction.

Features:

- 40 mil gray PVC exterior coating
- 2 mil red urethane interior coating
- 12 trade sizes from 1/2" through 6"
- Sealing sleeves on all conduit openings



SPLIT COUPLINGS

PIPE SIZE	FERROUS CATALOG #	NOMINAL WEIGHT
1/2"	PRSSP50	0.2
3/4"	PRSSP75	0.3
1"	PRSSP100	0.4
1-1/4"	PRSSP125	0.6
1-1/2"	PRSSP150	0.7
2"	PRSSP200	1.0
2-1/2"	PRSSP250	2.3
3"	PRSSP300	3.0
3-1/2"	PRSSP350	3.8
4"	PRSSP400	4.1
5"	PRSSP500	6.0
6"	PRSSP600	8.6

Reducing Bushings, Reducing Couplings, and Plugs

Reducing Bushings, Reducing Couplings, and Plugs

RE = Reducers

RE style reducers reduce conduit hubs to a smaller size. They are provided with an integral bushing to prevent conductor damage and full, clean cut threads for ease of assembly. **All RE reducers are coated inside and out with red polyurethane for corrosion protection.**

REC = Reducing Couplings

Plasti-Bond REDH₂O_T reducing couplings are used to connect two pieces of conduit of different size.

PLG = Plugs

PLG style plugs are used to close unused conduit hubs. They are available with either recessed square drive sockets or raised square drive heads. **All PLG plugs are completely coated with polyurethane for corrosion protection.**

REDUCING BUSHINGS

PIPE SIZE	FERROUS CATALOG #	NOMINAL WEIGHT	ALUMINUM CATALOG #
3/4" - 1/2"	* PRRE21	0.2	PRRE21SA
1" - 1/2"	* PRRE31	0.7	PRRE31SA
1" - 3/4"	* PRRE32	0.5	PRRE32SA
1-1/4" - 1/2"	* PRRE41	0.8	PRRE41SA
1-1/4" - 3/4"	* PRRE42	0.8	PRRE42SA
1-1/4" - 1"	* PRRE43	0.8	PRRE43SA
1-1/2" - 1/2"	* PRRE51	0.9	PRRE51SA
1-1/2" - 3/4"	* PRRE52	0.9	PRRE52SA
1-1/2" - 1"	* PRRE53	0.9	PRRE53SA
1 1/2" - 1-1/4"	* PRRE54	0.9	PRRE54SA
2" - 1/2"	* PRRE61	1.1	PRRE61SA
2" - 3/4"	* PRRE62	1.1	PRRE62SA
2" - 1"	* PRRE63	1.2	PRRE63SA
2" - 1-1/4"	* PRRE64	1.3	PRRE64SA
2" - 1-1/2"	* PRRE65	1.6	PRRE65SA
2-1/2" - 1"	* PRRE73	1.6	PRRE73SA
2 1/2" - 1-1/4"	* PRRE74	1.6	PRRE74SA
2-1/2" - 1-1/2"	* PRRE75	1.6	PRRE75SA
2-1/2" - 2"	* PRRE76	1.7	PRRE76SA
3" - 1"	* PRRE83	1.7	PRRE83SA
3" - 1-1/4"	* PRRE84	2.3	PRRE84SA
3" - 1-1/2"	* PRRE85	2.4	PRRE85SA
3" - 2"	* PRRE86	2.5	PRRE86SA
3" - 2-1/2"	* PRRE87	4.0	PRRE87SA
3-1/2" - 2"	* PRRE96	4.6	PRRE96SA
3-1/2" - 2-1/2"	* PRRE97	4.7	PRRE97SA
3-1/2" - 3"	* PRRE98	4.8	PRRE98SA
4" - 2"	* PRRE106	5.0	PRRE106SA
4" - 2-1/2"	* PRRE107	5.2	PRRE107SA
4" - 3"	* PRRE108	6.0	PRRE108SA
4" - 3-1/2"	* PRRE109	6.1	PRRE109SA
5" - 4"	PRRE01210	7.4	PRRE01210SA
6" - 5"	PRRE01412	8.0	PRRE01412SA

Standards:

- NEC/CEC:
 - Class I, Division 1 & 2, Groups A, B, C, D
 - Class II, Division 1, Groups E, F, G
 - Class II, Division 2, Groups F, G
 - Class III

All REC, RE, and PLGs meet Class I, Division 1 & 2, Groups C, D. REs & PLGs meet the above standards only when used in conjunction with hazardous location fittings.

REDUCING COUPLINGS

PIPE SIZE	FERROUS CATALOG #	NOMINAL WEIGHT	ALUMINUM CATALOG #
3/4" - 1/2"	* PRREC21	0.2	PRREC21SA
1" - 1/2"	* PRREC31	0.7	PRREC31SA
1" - 3/4"	PRREC32	0.5	PRREC32SA
1-1/4" - 3/4"	PRREC42	1.0	PRREC42SA
1-1/4" - 1"	PRREC43	0.8	PRREC43SA
1-1/2" - 3/4"	PRREC52	1.4	PRREC52SA
1-1/2" - 1"	PRREC53	1.2	PRREC53SA
1-1/2" - 1-1/4"	PRREC54	1.3	PRREC54SA
2" - 3/4"	PRREC602	1.5	PRREC602SA
2" - 1"	PRREC603	2.3	PRREC603SA
2" - 1-1/4"	PRREC604	2.6	PRREC604SA
2" - 1-1/2"	PRREC605	2.8	PRREC605SA
2-1/2" - 1-1/2"	PRREC75	3.2	-
3" - 2"	PRREC86	3.7	PRREC86SA
3-1/2" - 2-1/2"	PRREC97	4.6	-
4" - 3"	PRREC108	5.9	-
5" - 4"	PRREC01210	7.4	-

SQUARE HEAD PLUGS

PIPE SIZE	FERROUS CATALOG #	NOMINAL WEIGHT
1/2"	* PRPLG15	0.5
3/4"	* PRPLG25	0.6
1"	* PRPLG35	0.2
1-1/4"	† PRPLG45	0.3
1-1/2"	† PRPLG55	0.3
2"	† PRPLG65	0.4
2-1/2"	PRPLG75	0.4
3"	PRPLG85	0.5
3-1/2"	PRPLG95	0.5
4"	PRPLG105	0.6

RECESSED PLUGS

PIPE SIZE	FERROUS CATALOG #	NOMINAL WEIGHT
1/2"	* PRPLG1	0.2
3/4"	* PRPLG2	0.2
1"	* PRPLG3	0.3
1-1/4"	† PRPLG4	0.3
1-1/2"	† PRPLG5	0.3
2"	† PRPLG6	0.3
2-1/2"	† PRPLG7	0.3
3"	† PRPLG8	0.4
3-1/2"	† PRPLG9	0.4
4"	† PRPLG10	0.5

*Suitable for Groups A & B. †Suitable for Group B.



Contact us:
customerservice@plastibond.com



Visit www.plastibond.com
For more information

Conduit Expansion Joints

Description:

Plasti-Bond REDH₂OT XJG type expansion joints are used to connect two lengths of conduit subject to longitudinal movement, including that caused in long runs by thermal expansion and contraction.

Features:

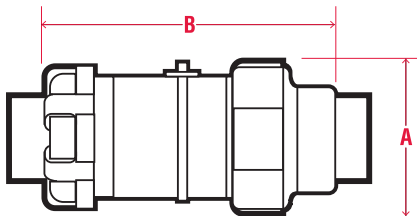
- 40 mil gray PVC exterior coating
- 2 mil red urethane interior coating
- 10 trade sizes from 1/2" through 4"
- Sealing sleeves on all conduit openings
- Available with either 4" or 8" maximum movement
- Internally Grounded

Standards:

- NEC Article 250-77
- NEC Article 300-7 (b)
- NEMA FB1



Expansion Joints Technical Data



4" TRAVEL XJG SERIES

PIPE SIZE	FERROUS CATALOG #	A	B	NOMINAL WEIGHT	ALUMINUM CATALOG #
1/2"	PRXJG14	1.83	6.75	1.5	PRXJG14SA
3/4"	PRXJG24	2.20	6.75	2.9	PRXJG24SA
1"	PRXJG34	2.51	7.25	3.6	PRXJG34SA
1-1/4"	PRXJG44	3.27	7.56	3.8	PRXJG44SA
1-1/2"	PRXJG54	3.76	7.87	6.2	PRXJG54SA
2"	PRXJG64	4.83	8.25	7.3	PRXJG64SA
2-1/2"	PRXJG74	4.95	9.31	9.8	-
3"	PRXJG84	5.45	10.00	13.6	PRXJG84SA
3-1/2"	PRXJG94	6.70	9.81	16.1	PRXJG94SA
4"	PRXJG104	6.70	9.81	22.5	PRXJG104SA

8" TRAVEL XJG SERIES

PIPE SIZE	FERROUS CATALOG #	A	B	NOMINAL WEIGHT	ALUMINUM CATALOG #
1/2"	PRXJG18	1.83	10.75	1.9	PRXJG18SA
3/4"	PRXJG28	2.20	10.75	3.0	PRXJG28SA
1"	PRXJG38	2.51	11.25	3.3	PRXJG38SA
1-1/4"	PRXJG48	3.27	11.56	4.7	PRXJG48SA
1-1/2"	PRXJG58	3.76	11.87	7.3	PRXJG58SA
2"	PRXJG68	4.83	12.25	10.7	PRXJG68SA
2-1/2"	PRXJG78	4.95	13.31	14.4	PRXJG78SA
3"	PRXJG88	5.45	14.00	15.9	PRXJG88SA
3-1/2"	PRXJG98	6.70	13.81	23.8	PRXJG98SA
4"	PRXJG108	6.70	13.81	25.7	PRXJG108SA

Conduit Unions



Conduit Unions

Description:

Plasti-Bond REDH₂OT UNF unions are used to connect conduit to conduit or to allow for future changes to the conduit system. Female threads are provided at each end. Plasti-Bond REDH₂OT UNY unions are used to connect conduit to a conduit fitting, junction box, or device enclosure. One end is a male thread and the other is female.

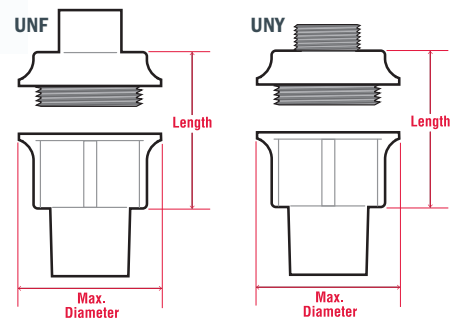
Features:

- 40 mil gray PVC exterior coating
- 2 mil red urethane interior coating
- 13 trade sizes from 1/2" through 6"
- Sealing sleeves on all conduit openings
- Molded PVC gasket seals fitting

Standards:

- UL 1203 (E476062)
- CSA C22.2 No. 30
- NEC/CEC:
 - UNF/UNY 1/2" through 1"
 - Class I, Division 1 & 2, Groups A, B, C, D
 - Class II, Division 1, Groups E, F, G
 - Class II, Division 2, Groups F, G
 - Class III
 - UNF/UNY 905, 1005
 - Class I, Division 1 & 2, Groups B, C, D
 - Class II, Division 1, Groups E, F, G
 - Class II, Division 2, Groups F, G
 - Class III
 - UNF, UNY - all sizes
 - Class I, Division 1 & 2, Groups C, D
 - Class II, Division 1, Groups E, F, G
 - Class II, Division 2, Groups F, G
 - Class III

Conduit Union Technical Data



UNF

PIPE SIZE	FERROUS CATALOG #	NOMINAL WEIGHT	LENGTH	MAX DIA.	ALUMINUM CATALOG #
1/2"	PRUNF105	0.3	1.81	2.00	PRUNF105SA
3/4"	PRUNF205	0.5	1.75	2.25	PRUNF205SA
3/4" - 1/2"	PRUNF215	0.6	1.75	2.25	-
1"	PRUNF305	0.7	2.00	2.75	PRUNF305SA
1-1/4"	PRUNF405	1.5	2.25	3.00	PRUNF405SA
1-1/2"	PRUNF505	2.3	2.63	3.50	PRUNF505SA
2"	PRUNF605	3.6	2.56	4.50	PRUNF605SA
2-1/2"	PRUNF705	5.0	3.19	4.75	PRUNF705SA
3"	PRUNF805	6.5	3.44	5.50	PRUNF805SA
3-1/2"	PRUNF905	8.2	4.13	6.50	PRUNF905SA
4"	PRUNF1005	10.0	4.13	7.00	PRUNF1005SA
5"	PRUNF012	12.5	3.81	9.00	-
6"	PRUNF014	14.8	3.81	10.25	-

UNY

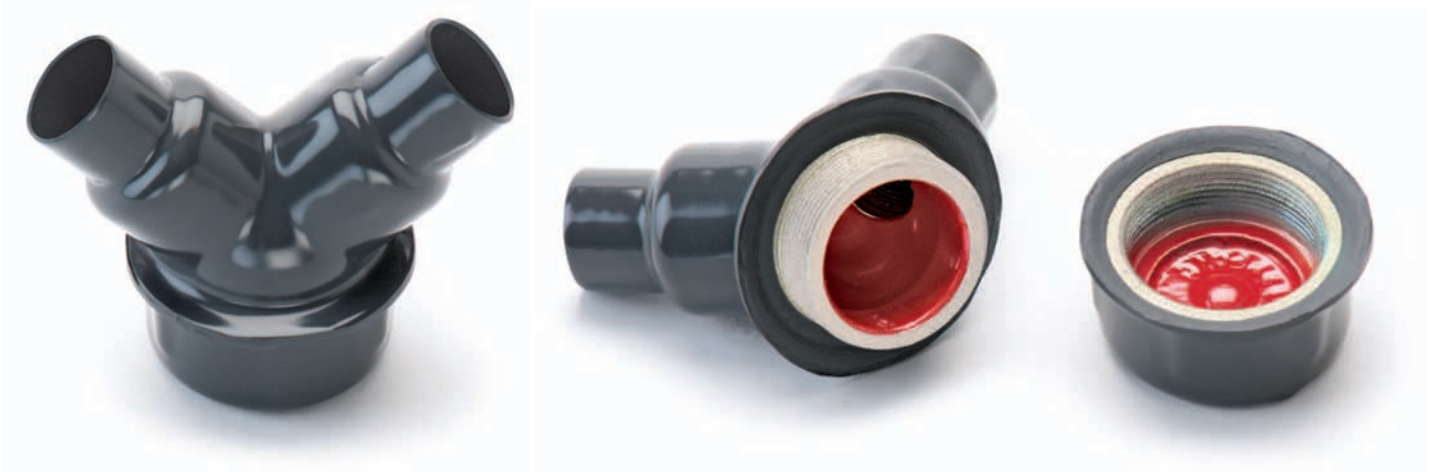
PIPE SIZE	FERROUS CATALOG #	NOMINAL WEIGHT	LENGTH	MAX DIA.	ALUMINUM CATALOG #
1/2"	PRUNY105	0.4	2.38	2.00	PRUNY105SA
3/4"	PRUNY205	0.7	2.44	2.25	PRUNY205SA
3/4" - 1/2"	PRUNY215	0.8	2.44	2.25	-
1"	PRUNY305	1.3	2.75	2.75	PRUNY305SA
1-1/4"	PRUNY405	2.6	3.19	3.00	PRUNY405SA
1-1/2"	PRUNY505	3.9	3.56	3.50	PRUNY505SA
2"	PRUNY605	4.2	3.75	4.50	PRUNY605SA
2-1/2"	PRUNY705	5.5	4.63	4.75	PRUNY705SA
3"	PRUNY805	7.5	5.00	5.50	PRUNY805SA
3-1/2"	PRUNY905	8.4	5.50	6.50	PRUNY905SA
4"	PRUNY1005	10.5	5.63	7.00	PRUNY1005SA
5"	PRUNY012	12.0	5.25	9.00	-
6"	PRUNY014	14.9	5.38	10.25	-



Contact us:
customerservice@plastibond.com



Visit www.plastibond.com
For more information



LBY Series Service Entrance Elbows for Hazardous Locations

Description:

Plasti-Bond REDH₂OT LBY type elbows are used as service entrance elbows between service entrance and vertical weatherhead conduit runs, to change direction of a conduit run 90° when space is limited, and for pull outlets. They may be used for general service or hazardous locations.

Features:

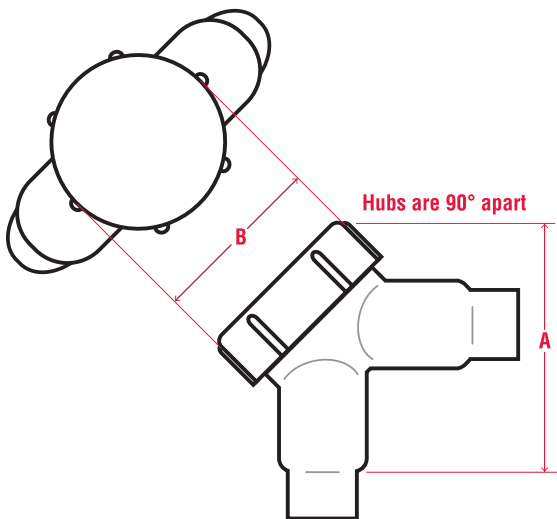
- 40 mil gray PVC exterior coating
- 2 mil red urethane interior coating
- 5 trade sizes from 1/2" through 1-1/2"
- Sealing sleeves on all conduit openings
- Molded PVC gasket seals fitting cover to body

Standards:

Series PRLBY15 through PRLBY55

- NEC/CEC
 - Class I, Division 1 & 2, Groups C, D
 - Class II, Division 1, Groups E, F, G
 - Class II, Division 2, Groups F, G
 - Class III

LBY Series Technical Data



LBY SERIES – FOR HAZARDOUS LOCATIONS

PIPE SIZE	FERROUS CATALOG #	A	B	NOMINAL WEIGHT	ALUMINUM CATALOG #
1/2"	PRLBY15	2.81	2.08	1.0	PRLBY15SA
3/4"	PRLBY25	3.19	2.33	1.2	PRLBY25SA
1"	PRLBY35	3.25	2.58	1.7	PRLBY35SA
1-1/4"	PRLBY45	3.78	3.02	2.5	PRLBY45SA
1-1/2"	PRLBY55	4.50	3.46	2.7	PRLBY55SA

Malleable Elbows



Malleable Elbows

Description:

Plasti-Bond REDH₂O_T EL style malleable elbows are used in a conduit run to change direction 90° or to terminate at a fitting or box. They are available with male threads only, female threads only, or male and female threads.

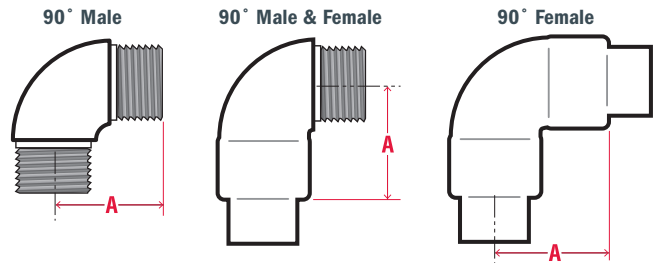
Features:

- 40 mil gray PVC exterior coating
- 2 mil red urethane interior coating
- Various configurations in 10 trade sizes from 1/2" through 4"
- Sealing sleeves on all conduit openings

Standards:

- NEC/CEC:
1/2", 3/4", 1"
Class I, Division 1 & 2, Groups A, B, C, D
Class II, Division 1, Groups E, F, G
Class II, Division 2, Groups F, G
Class III
- All sizes
Class I, Division 1 & 2, Groups C, D
Class II, Division 1, Groups E, F, G
Class II, Division 2, Groups F, G
Class III

Malleable Elbows Technical Data



MALLEABLE ELBOWS – 90° MALE-MALE

PIPE SIZE	FERROUS CATALOG #	A	NOMINAL WEIGHT
1/2"	PREL195	1.44	0.3
3/4"	PREL295	1.63	0.5
1"	PREL395	1.88	0.7

MALLEABLE ELBOWS – 90° MALE-FEMALE

PIPE SIZE	FERROUS CATALOG #	A	NOMINAL WEIGHT	ALUMINUM CATALOG #
1/2"	PREL196	1.53	0.3	PREL196SA
3/4"	PREL296	1.63	0.5	PREL296SA
1"	PREL396	1.88	1.2	PREL396SA
1-1/4"	PREL496	2.13	2.8	-

MALLEABLE ELBOWS – 90° FEMALE-FEMALE

PIPE SIZE	FERROUS CATALOG #	A	NOMINAL WEIGHT	ALUMINUM CATALOG #
1/2"	PREL19	1.53	0.7	PREL19SA
3/4"	PREL29	1.75	0.9	PREL29SA
1"	PREL39	2.00	1.2	PREL39SA
1-1/4"	PREL49	2.25	2.4	PREL49SA
1-1/2"	PREL59	4.00	3.0	PREL59SA
2"	PREL69	5.00	6.0	PREL69SA
2-1/2"	PREL79	6.44	7.9	-

GUA Series Conduit Outlet Boxes for Hazardous Locations

Description:

Plasti-Bond REDH₂OT GUA series conduit outlet boxes are installed in hazardous location conduit systems to serve as pull and splice boxes, to change the direction of a conduit run, to connect runs of conduit, or to provide access to conductors. They are provided with covers as standard. Inquire about special covers to allow use to mount lighting fixtures or as sealing fittings. Electrical continuity of the conduit system is maintained across assembled joints.

Features:

- 40 mil gray PVC exterior coating
- 2 mil red urethane interior coating
- Trade sizes from 1/2" through 2" in various styles and configurations
- Sealing sleeves on all conduit openings
- Neoprene O-ring is standard
- Molded-in PVC seal preserves venting characteristics of fitting but seals out corrosives
- Standard material is a cast iron alloy body with a copper-free aluminum cover. Consult Factory for availability of cast iron covers
- Internal green grounding screw is standard

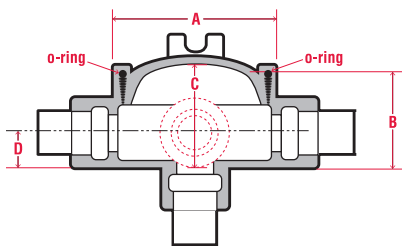


Standards:

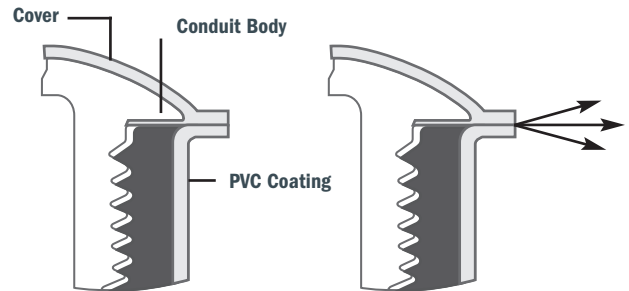
Steel and Aluminum

- UL 1203 (E495357)
- CSA C22.2 No. 30
- UL 514A, 514D (E231035)
- CSA C22.2 No. 18, CSA C22.2 No. 42
- NEC/CEC:
 - Class I, Division 1 & 2, Groups C, D
 - Class II, Division 1, Groups E, F, G
 - Class II, Division 2, Groups F, G
 - Class III
- ANSI Standard C-33.27
- NEMA/EEMAC 3,4

GUA SERIES DIMENSIONS

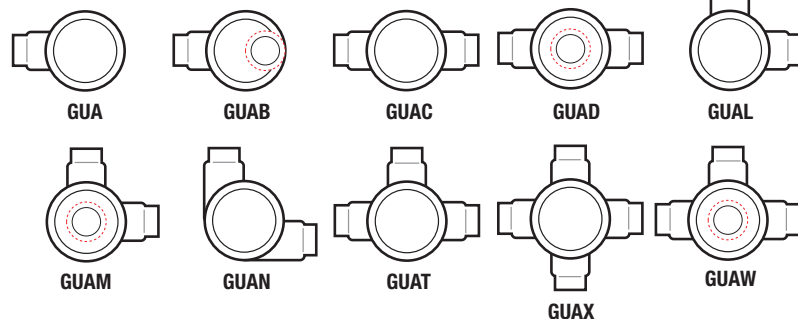


Variables referenced to the technical data charts



An integral PVC gasket on GUA type fittings preserves the venting characteristics of the uncoated fitting but prevents corrosive liquids from entering from the outside.

GUA SERIES CONFIGURATIONS



GUA Series Outlet Boxes

GUA Series – Technical Data

GUA

PIPE SIZE	FERROUS CATALOG #	COVER OPENING	ALUMINUM CATALOG #	PRODUCT DIMENSIONS			
				A	B	C	D
1/2"	PRGUA14	2"	-	2.58	1.85	1.75	0.67
3/4"	PRGUA24	2"	-	2.58	2.04	2.00	0.79
1/2"	PRGUA16	3"	-	3.58	2.04	1.88	0.67
3/4"	PRGUA26	3"	PRGUA26SA	3.58	2.04	1.88	0.79
1"	PRGUA36	3"	-	3.58	2.35	2.19	0.92
1-1/4"	PRGUA47	3-5/8"	-	4.33	2.73	2.75	1.13
1-1/2"	PRGUA59	5"	-	5.83	3.85	3.75	1.32

GUAC

PIPE SIZE	FERROUS CATALOG #	COVER OPENING	NOMINAL WEIGHT	ALUMINUM CATALOG #	PRODUCT DIMENSIONS			
					A	B	C	D
1/2"	PRGUAC14	2"	3.5	PRGUAC14SA	2.58	2.29	2.19	0.67
1/2"	PRGUAC16	3"	2.0	PRGUAC16SA	3.58	2.04	1.88	0.67
3/4"	PRGUAC24	2"	3.5	PRGUAC24SA	2.58	2.04	2.00	0.79
3/4"	PRGUAC26	3"	2.0	PRGUAC26SA	3.58	2.04	1.88	0.79
1"	PRGUAC36	3"	3.9	PRGUAC36SA	3.58	2.35	2.19	0.92
1-1/4"	PRGUAC47	3-5/8"	5.2	PRGUAC47SA	4.33	2.73	2.75	1.13
1-1/4"	PRGUAC49	5"	9.5	-	5.83	3.85	3.75	1.20
1-1/2"	PRGUAC59	5"	11.0	PRGUAC59SA	5.83	3.85	3.75	1.32
2"	PRGUAC69	5"	11.0	PRGUAC69SA	5.83	4.10	4.00	1.60

GUAL

PIPE SIZE	FERROUS CATALOG #	COVER OPENING	NOMINAL WEIGHT	ALUMINUM CATALOG #	PRODUCT DIMENSIONS			
					A	B	C	D
1/2"	PRGUAL14	2"	2.0	PRGUAL14SA	2.58	1.85	1.75	0.67
1/2"	PRGUAL16	3"	2.1	PRGUAL16SA	3.58	2.04	1.88	0.67
3/4"	PRGUAL24	2"	3.2	PRGUAL24SA	2.58	2.04	2.00	0.79
3/4"	PRGUAL26	3"	2.5	PRGUAL26SA	3.58	2.04	1.88	0.79
1"	PRGUAL36	3"	3.7	PRGUAL36SA	3.58	2.35	2.19	0.92
1-1/4"	PRGUAL47	3-5/8"	5.2	PRGUAL47SA	4.33	2.73	2.75	1.13
1-1/4"	PRGUAL49	5"	8.5	PRGUAL49SA	5.83	3.85	3.75	1.20
1-1/2"	PRGUAL59	5"	11.2	PRGUAL59SA	5.83	3.85	3.75	1.32
2"	PRGUAL69	5"	12.5	PRGUAL69SA	5.83	4.10	4.00	1.60

GUAN

PIPE SIZE	CATALOG #	COVER OPENING	NOMINAL WEIGHT	PRODUCT DIMENSIONS			
				A	B	C	D
1/2"	PRGUAN14	2"	2.0	2.58	2.17	2.06	0.67
1/2"	PRGUAN16	3"	3.8	3.58	2.04	1.88	0.67
3/4"	PRGUAN24	2"	2.5	2.58	2.35	2.25	0.79
3/4"	PRGUAN26	3"	3.5	3.58	2.04	1.88	0.79
1"	PRGUAN36	3"	3.0	3.58	2.35	2.38	0.92
1-1/4"	PRGUAN47	3-5/8"	5.2	4.33	2.73	2.75	1.13
1-1/2"	PRGUAN59	5"	9.5	5.83	4.10	4.00	1.32
2"	PRGUAN69	5"	12.0	5.83	4.10	4.00	1.60

GUAW

PIPE SIZE	CATALOG #	COVER OPENING	NOMINAL WEIGHT	ALUMINUM CATALOG #	PRODUCT DIMENSIONS			
					A	B	C	D
1/2"	PRGUAW14	2"	2.0	-	2.58	1.85	1.75	0.67
1/2"	PRGUAW16	3"	2.0	-	3.58	2.04	1.88	0.67
3/4"	PRGUAW24	2"	3.0	-	2.58	2.04	2.00	0.79
3/4"	PRGUAW26	3"	3.0	PRGUAW26SA	3.58	2.04	1.88	0.79

GUAB

PIPE SIZE	FERROUS CATALOG #	COVER OPENING	NOMINAL WEIGHT	ALUMINUM CATALOG #	PRODUCT DIMENSIONS			
					A	B	C	D
1/2"	PRGUAB14	2"	2.0	PRGUAB14SA	2.58	2.29	2.19	0.67
1/2"	PRGUAB16	3"	3.2	PRGUAB16SA	3.58	2.04	1.88	0.67
3/4"	PRGUAB24	2"	2.2	-	2.58	2.54	2.44	0.79
3/4"	PRGUAB26	3"	3.3	PRGUAB26SA	3.58	2.04	1.88	0.79
1"	PRGUAB36	3"	3.8	PRGUAB36SA	3.58	2.35	2.19	0.92
1-1/4"	PRGUAB47	3-5/8"	5.0	PRGUAB47SA	4.33	2.73	2.75	1.13
1-1/2"	PRGUAB59	5"	8.1	PRGUAB59SA	5.83	3.85	3.75	1.32
2"	PRGUAB69	5"	9.1	PRGUAB69SA	5.83	4.10	4.00	1.60

GUAD

PIPE SIZE	CATALOG #	COVER OPENING	NOMINAL WEIGHT	ALUMINUM CATALOG #	PRODUCT DIMENSIONS			
					A	B	C	D
1/2"	PRGUAD14	2"	2.0	-	2.58	1.85	1.75	0.67
1/2"	PRGUAD16	3"	3.2	-	3.58	2.04	1.88	0.67
3/4"	PRGUAD24	2"	3.5	-	2.58	2.04	2.00	0.79
3/4"	PRGUAD26	3"	3.8	PRGUAD26SA	3.58	2.04	1.88	0.79
1"	PRGUAD36	3"	3.8	PRGUAD36SA	3.58	2.35	2.19	0.92
1-1/4"	PRGUAD49	5"	10.9	-	5.83	3.85	3.75	1.13

GUAM

PIPE SIZE	FERROUS CATALOG #	COVER OPENING	NOMINAL WEIGHT	ALUMINUM CATALOG #	PRODUCT DIMENSIONS			
					A	B	C	D
1/2"	PRGUAM14	2"	2.0	PRGUAM14SA	2.58	1.85	1.75	0.67
3/4"	PRGUAM24	2"	2.2	-	2.58	2.04	2.00	0.79
1/2"	PRGUAM16	3"	3.2	-	3.58	2.04	1.88	0.67
3/4"	PRGUAM26	3"	3.3	-	3.58	2.04	1.88	0.79
1"	PRGUAM36	3"	3.8	-	3.58	2.35	2.19	0.92
1-1/4"	PRGUAM47	3-5/8"	5.0	-	4.33	2.73	2.75	1.13
2"	PRGUAM69	5"	9.1	-	5.83	4.10	4.00	1.60

GUAT

PIPE SIZE	FERROUS CATALOG #	COVER OPENING	NOMINAL WEIGHT	ALUMINUM CATALOG #	PRODUCT DIMENSIONS			
					A	B	C	D
1/2"	PRGUAT14	2"	2.0	PRGUAT14SA	2.58	2.29	2.19	0.67
1/2"	PRGUAT16	3"	2.8	PRGUAT16SA	3.58	2.04	1.88	0.67
3/4"	PRGUAT24	2"	2.2	PRGUAT24SA	2.58	2.04	2.00	0.79
3/4"	PRGUAT26	3"	3.5	PRGUAT26SA	3.58	2.04	1.88	0.79
1"	PRGUAT36	3"	3.2	PRGUAT36SA	3.58	2.35	2.19	0.92
1-1/4"	PRGUAT47	3-5/8"	5.7	PRGUAT47SA	4.33	2.73	2.75	1.13
1-1/2"	PRGUAT59	5"	9.1	PRGUAT59SA	5.83	3.85	3.75	1.32
2"	PRGUAT69	5"	10.0	PRGUAT69SA	5.83	4.10	4.00	1.60

GUAX

PIPE SIZE	FERROUS CATALOG #	COVER OPENING	NOMINAL WEIGHT	ALUMINUM CATALOG #	PRODUCT DIMENSIONS			
					A	B	C	D
1/2"	PRGUAX14	2"	2.0	-	2.58	1.85	1.75	0.67
1/2"	PRGUAX16	3"	3.8	PRGUAX16SA	3.58	2.04	1.88	0.67
3/4"	PRGUAX24	2"	2.5	PRGUAX24SA	2.58	2.04	2.00	0.79
3/4"	PRGUAX26	3"	2.8	PRGUAX26SA	3.58	2.04	1.88	0.79
1"	PRGUAX36	3"	4.2	PRGUAX36SA	3.58	2.35	2.19	0.92
1-1/4"	PRGUAX47	3-5/8"	4.8	PRGUAX47SA	4.33	2.73	2.75	1.13
1-1/2"	PRGUAX59	5"	11.7	PRGUAX59SA	5.83	3.85	3.75	1.32
2"	PRGUAX69	5"	12.5	PRGUAX69SA	5.83	4.10	4.00	1.60



Contact us:
customerservice@plastibond.com



Visit www.plastibond.com
For more information



These Plasti-Bond REDH₂OT sealing fittings should be used with a suitable system of sealing compound, such as Chico A, Chico X or Chico A-P from Crouse-Hinds. Chico Speed Seal may be used on EYS or EYD sizes 1/2" - 2". Follow the installation instructions included with the sealing compound and properly tag after installation to ensure correct classification ratings.

Sealing Fittings

Description:

Plasti-Bond REDH₂OT Sealing Fittings are used in conduit runs to stop gasses, vapors or flames from migrating from one part of the conduit system to another. This limits the spread of any potential explosion, enhancing safety. The PVC and urethane coatings of the fittings protects them from corrosive atmospheres so they can continue to function in hazardous locations. These fittings are available in several different configurations and with optional breathers and drains to accommodate installation in a variety of locations and positions. The EYD, EYDX and EZD styles of fittings are for installation in vertical conduit runs. The EYS and EYSX style fittings are for installation in either vertical or horizontal runs. The EZS style fitting may be used in any angle of conduit run.

Features:

- 40 mil gray PVC exterior coating
- 2 mil red urethane interior coating
- 10 trade sizes from 1/2" through 4"
- Sealing sleeves on all conduit openings
- P5SA™ Plug Verification to ensure proper plug engagement
- EYDX and EYSX seals have 40% wire fill capacity
- EYD and EZD fittings include a drain for condensate
- EZD fittings may be used at any conduit angle and include drain

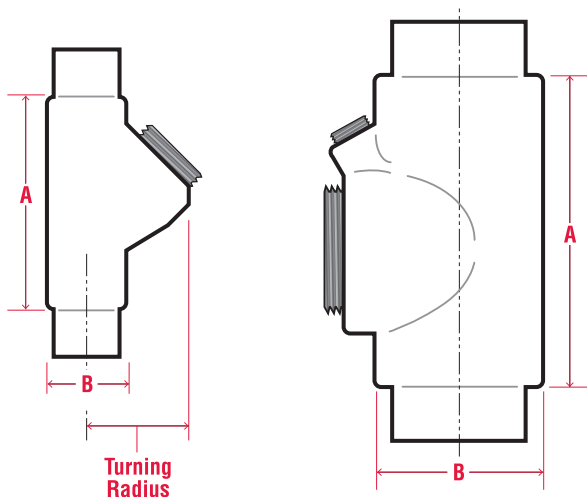
Standards:

- UL 1203 (E476062)
- CSA C22.2 No. 30
- NEC/CEC:
 - EYS 1-3, 11-31, 16-36, 116-316
 - Class I, Division 1 & 2, Groups A, B, C, D
 - Class II, Division 1, Groups E, F, G
 - Class II, Division 2, Groups F, G
 - Class III
 - EYS 41-61, 416-1016, EYSX 11-81, EYDX 11-81
 - Class I, Division 1 & 2, Groups B, C, D
 - Class II, Division 1, Groups E, F, G
 - Class II, Division 2, Groups F, G
 - Class III
 - EYS 29, 4-10, 46-106, EZS 1-8, 16-86, EYD 1-10, 16-106, EZD 10-60, 111-611
 - Class I, Division 1 & 2, Groups C, D
 - Class II, Division 1, Groups F, G
 - Class II, Division 2, Groups F, G
 - Class III
 - EYSX 9-10
 - Class I, Division 1 & 2, Groups C, D
 - Class II, Division 1, Groups E, F, G
 - Class II, Division 2, Groups F, G
 - Class III

Sealing Fittings

Sealing Fittings Technical Data

These Plasti-Bond REDH₂O_T sealing fittings should be used with a suitable system of sealing compound, such as Chico A, Chico X or Chico A-P from Crouse-Hinds. Chico Speed Seal may be used on EYS or EYD sizes 1/2" - 2". Follow the installation instructions included with the sealing compound and properly tag after installation to ensure correct classification ratings.



EYSX - EXPANDED FILL FEMALE HUBS FOR SEALING IN VERTICAL OR HORIZONTAL POSITIONS

PIPE SIZE	FERROUS CATALOG #	NOMINAL WEIGHT	A	B	TURNING RADIUS	ALUMINUM CATALOG #
1/2"	PREYSX11	1.5	3.69	1.58	1.25	PREYSX1SA
3/4"	PREYSX21	2.1	4.31	1.83	1.38	PREYSX2SA
1"	PREYSX31	2.7	5.06	2.27	1.72	PREYSX3SA
1-1/4"	PREYSX41	3.7	6.25	3.08	2.31	PREYSX4SA
1-1/2"	PREYSX51	4.7	6.25	3.08	2.31	PREYSX5SA
2"	PREYSX61	6.7	8.50	4.33	3.31	PREYSX6SA
2-1/2"	PREYSX71	7.7	9.19	4.83	3.44	PREYSX7SA
3"	PREYSX81	8.7	9.75	5.33	3.69	PREYSX8SA
3-1/2"	PREYSX9	9.7	11.06	6.58	4.59	PREYSX9SA
4"	PREYSX10	10.7	11.06	6.58	4.59	PREYSX10SA

EYS - FEMALE HUBS

FOR SEALING IN VERTICAL POSITIONS ONLY

PIPE SIZE	FERROUS CATALOG #	NOMINAL WEIGHT	A	B	TURNING RADIUS	ALUMINUM CATALOG #
1/2"	PREYS1	1.0	3.28	1.33	1.63	PREYS1SA
3/4"	PREYS2	1.5	3.75	1.58	1.91	PREYS2SA
1"	PREYS3	2.1	4.31	1.83	2.38	PREYS3SA

FOR SEALING IN VERTICAL OR HORIZONTAL POSITIONS

1-1/4"	PREYS4	2.7	5.06	2.27	1.72	PREYS4SA
1-1/2"	PREYS5	3.7	5.50	2.52	2.06	PREYS5SA
2"	PREYS6	4.7	6.25	3.08	2.31	PREYS6SA
2-1/2"	PREYS7	10.0	7.50	3.58	2.69	PREYS7SA
3"	PREYS8	11.2	8.50	4.33	3.31	PREYS8SA
3-1/2"	PREYS9	14.5	9.19	4.83	3.44	PREYS9SA
4"	PREYS10	16.0	9.75	5.33	3.69	PREYS10SA

EYS - MALE/FEMALE HUBS

FOR SEALING IN VERTICAL POSITIONS ONLY

PIPE SIZE	FERROUS CATALOG #	NOMINAL WEIGHT	A	B	TURNING RADIUS	ALUMINUM CATALOG #
1/2"	PREYS16	1.5	3.28	1.33	1.63	PREYS16SA
3/4"	PREYS26	1.5	3.75	1.58	1.91	PREYS26SA
1"	PREYS36	2.3	4.31	1.83	2.38	PREYS36SA

EYS - FEMALE HUBS

FOR SEALING IN VERTICAL OR HORIZONTAL POSITIONS

PIPE SIZE	FERROUS CATALOG #	NOMINAL WEIGHT	A	B	TURNING RADIUS	ALUMINUM CATALOG #
1/2"	PREYS11	1.3	3.69	1.33	1.16	PREYS11SA
3/4"	PREYS21	1.1	3.69	1.58	1.25	PREYS21SA
1"	PREYS31	2.2	4.31	1.83	1.38	PREYS31SA
1-1/4"	PREYS41	3.0	5.06	2.27	1.72	-
1-1/2"	PREYS51	3.8	5.50	2.52	2.06	-
2"	PREYS61	5.5	6.25	3.08	2.31	-

EYS - MALE/FEMALE HUBS FOR SEALING IN VERTICAL OR HORIZONTAL POSITIONS

PIPE SIZE	FERROUS CATALOG #	NOMINAL WEIGHT	A	B	TURNING RADIUS	ALUMINUM CATALOG #
1/2"	PREYS116	1.5	3.69	1.33	1.16	PREYS116SA
3/4"	PREYS216	1.2	3.69	1.58	1.25	PREYS216SA
1"	PREYS316	2.6	4.31	1.83	1.38	PREYS316SA
1-1/4"	PREYS46	2.8	5.06	2.27	1.72	PREYS46SA
1-1/2"	PREYS56	3.7	5.50	2.52	2.06	PREYS56SA
2"	PREYS66	5.6	6.25	3.08	2.31	PREYS66SA
2-1/2"	PREYS76	13.2	7.50	3.58	2.69	PREYS76SA
3"	PREYS86	11.2	8.50	4.33	3.31	PREYS86SA
3-1/2"	PREYS96	14.5	9.19	4.83	3.44	PREYS96SA
4"	PREYS106	1.5	9.75	5.33	3.69	PREYS106SA

Sealing Fittings continued on following pages...



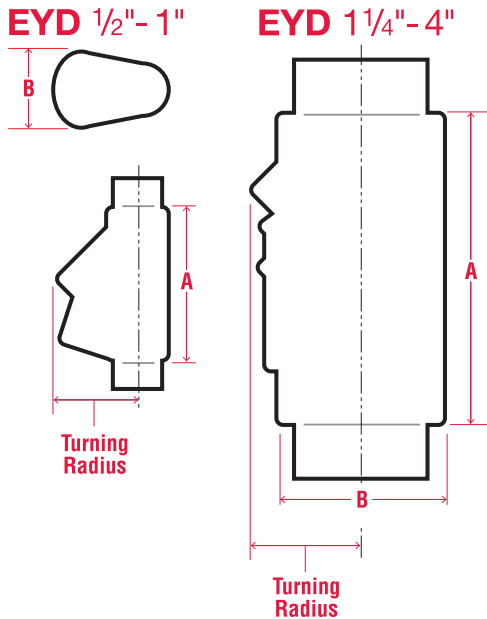
Contact us:
customerservice@plastibond.com



Visit www.plastibond.com
For more information

Sealing Fittings Technical Data

These Plasti-Bond REDH₂OT sealing fittings should be used with a suitable system of sealing compound, such as Chico A, Chico X or Chico A-P from Crouse-Hinds. Chico Speed Seal may be used on EYS or EYD sizes 1/2" - 2". Follow the installation instructions included with the sealing compound and properly tag after installation to ensure correct classification ratings.



EYD - FEMALE HUBS WITH DRAIN.

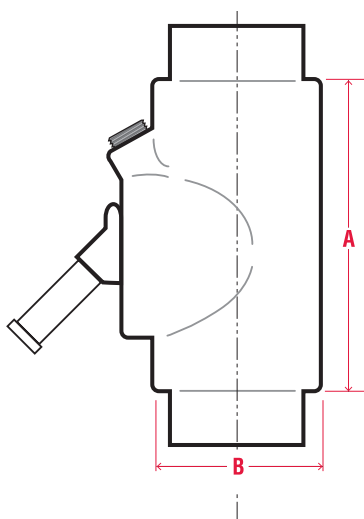
FOR SEALING IN VERTICAL POSITIONS ONLY.

PIPE SIZE	FERROUS CATALOG #	NOMINAL WEIGHT	A	B	TURNING RADIUS	ALUMINUM CATALOG #
1/2"	PREYD1	1.4	3.28	1.33	1.63	PREYD1SA
3/4"	PREYD2	1.7	3.69	1.58	1.91	PREYD2SA
1"	PREYD3	2.3	4.31	2.27	2.38	PREYD3SA
1-1/4"	PREYD4	2.5	5.06	2.27	1.84	PREYD4SA
1-1/2"	PREYD5	4.0	5.50	2.52	2.06	PREYD5SA
2"	PREYD6	4.7	6.25	3.08	2.31	PREYD6SA
2-1/2"	PREYD7	9.0	7.50	3.58	2.69	PREYD7SA
3"	PREYD8	10.2	8.50	4.33	3.31	PREYD8SA
3-1/2"	PREYD9	10.5	9.19	4.83	3.44	PREYD9SA
4"	PREYD10	4.0	9.75	5.33	3.50	PREYD10SA

EYD - MALE/FEMALE HUBS WITH DRAIN.

FOR SEALING IN VERTICAL POSITIONS ONLY.

PIPE SIZE	FERROUS CATALOG #	NOMINAL WEIGHT	A	B	TURNING RADIUS	ALUMINUM CATALOG #
1/2"	PREYD16	2.7	3.28	1.33	1.63	PREYD16SA
3/4"	PREYD26	2.8	3.69	1.58	1.91	PREYD26SA
1"	PREYD36	2.9	4.31	2.27	2.38	PREYD36SA
1-1/4"	PREYD46	2.6	5.06	2.27	1.84	PREYD46SA
1-1/2"	PREYD56	3.7	5.50	2.52	2.06	PREYD56SA
2"	PREYD66	5.2	6.25	3.08	2.31	PREYD66SA
2-1/2"	PREYD76	9.5	7.50	3.58	2.69	PREYD76SA
3"	PREYD86	11.3	8.50	4.33	3.31	PREYD86SA
3-1/2"	PREYD96	12.5	9.19	4.83	3.44	PREYD96SA
4"	PREYD106	16.7	9.75	5.33	3.50	PREYD106SA



EYDX - EXPANDED FILL FEMALE HUBS WITH DRAIN.

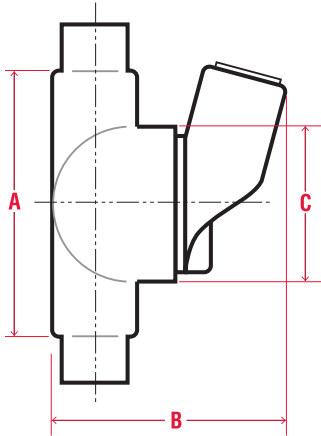
FOR SEALING IN VERTICAL POSITIONS ONLY.

PIPE SIZE	FERROUS CATALOG #	NOMINAL WEIGHT	A	B	TURNING RADIUS	ALUMINUM CATALOG #
1/2"	PREYDX11	1.7	3.69	1.83	1.91	PREYDX1SA
3/4"	PREYDX21	2.3	4.31	2.27	2.38	PREYDX2SA
1"	PREYDX31	2.5	5.06	2.27	1.84	PREYDX3SA
1-1/4"	PREYDX41	4.0	6.25	3.08	2.31	PREYDX4SA
1-1/2"	PREYDX51	4.7	6.25	3.08	2.31	PREYDX5SA
2"	PREYDX61	9.0	8.50	4.33	3.31	PREYDX6SA
2-1/2"	PREYDX71	10.2	9.19	4.83	3.44	PREYDX7SA
3"	PREYDX81	10.5	9.75	5.33	3.50	PREYDX8SA

Sealing Fittings

Sealing Fittings Technical Data

These Plasti-Bond REDH₂OT sealing fittings should be used with a suitable system of sealing compound, such as Chico A, Chico X or Chico A-P from Crouse-Hinds. Chico Speed Seal may be used on EYS or EYD sizes 1/2" - 2". Follow the installation instructions included with the sealing compound and properly tag after installation to ensure correct classification ratings.



EZS - FEMALE HUBS.

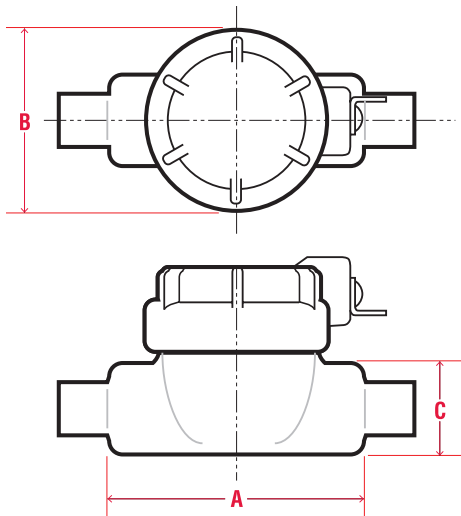
FOR SEALING IN ANY POSITION.

PIPE SIZE	FERROUS CATALOG #	NOMINAL WEIGHT	A	B	C	TURNING RADIUS
1/2"	PREZS1	2.0	4.19	3.71	2.58	1.88
3/4"	PREZS2	2.3	4.19	3.71	2.58	1.88
1"	PREZS3	2.7	4.94	4.05	3.08	2.13
1-1/4"	PREZS4	3.5	5.06	4.49	3.08	2.31
1-1/2"	PREZS5	4.0	5.19	4.64	3.33	2.34
2"	PREZS6	8.2	7.06	5.49	5.27	3.28
2-1/2"	PREZS7	8.5	7.94	5.92	5.27	3.38
3"	PREZS8	9.0	8.63	6.58	5.96	3.88

EZS - MALE/FEMALE HUBS WITH DRAIN.

FOR SEALING IN ANY POSITION.

PIPE SIZE	FERROUS CATALOG #	NOMINAL WEIGHT	A	B	C	TURNING RADIUS
1/2"	PREZS16	2.0	4.19	3.71	2.58	1.88
3/4"	PREZS26	2.4	4.19	3.71	2.58	1.88
1"	PREZS36	3.0	4.94	4.05	3.08	2.13
1-1/4"	PREZS46	4.0	5.06	4.49	3.08	2.31
1-1/2"	PREZS56	4.6	5.19	4.64	3.33	2.34
2"	PREZS66	6.9	7.06	5.49	5.27	3.28
2-1/2"	PREZS76	9.2	7.94	5.92	5.27	3.38
3"	PREZS86	8.7	8.63	6.58	5.96	3.88



EZD - FEMALE HUBS.

WITH DRAIN AND INSPECTION COVER.

PIPE SIZE	FERROUS CATALOG #	A	B	C	TURNING RADIUS
1/2"	PREZD111	4.19	3.08	3.46	2.06
3/4"	PREZD211	4.19	3.08	3.71	2.19
1"	PREZD311	4.94	3.58	3.96	2.44
1-1/4"	PREZD411	4.94	3.58	4.39	2.63
1-1/2"	PREZD511	5.19	3.58	4.64	2.69
2"	PREZD611	7.13	5.64	5.33	3.69



Contact us:
customerservice@plastibond.com



Visit www.plastibond.com
For more information



EC Series Couplings

Description:

EC Series Couplings are used in hazardous areas where a flexible member is required in a conduit system to accomplish difficult bends or to allow for movement or vibration of connected equipment or units.

Features:

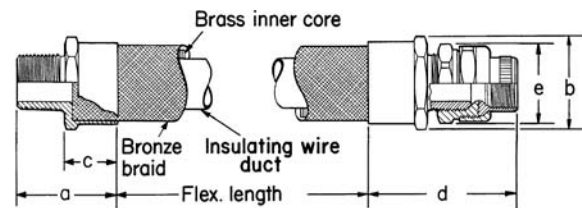
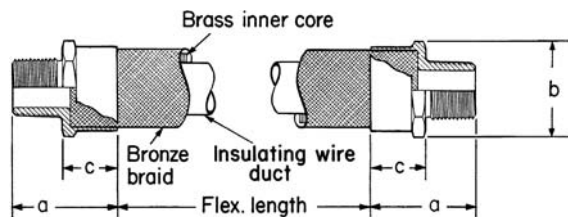
- 40 mil gray PVC exterior coating
- Rugged design to withstand explosive pressure (Class I) and mechanical abuse
- Liquidtight for wet locations
- For use where lack of space makes use of rigid conduit difficult
- Wire duct liner in sizes 1/2" to 2" insulates against grounds and burn-through from short circuit
- No bonding jumpers required; metallic braid provides continuous electrical path
- ECGJH combination has two threaded male end fittings
- ECLK combination has one female union and one male threaded end fitting

Standards:

- UL1203 (E476062)
- CSA C22.2 No. 30
- NEC/CEC
 - 1/2" and 3/4": Class I, Division 1, Groups A, B, C, D
 - 1" to 2": Class I, Division 1, Groups C, D
 - All sizes for use in Class II, Division 1, Groups E, F, G; Class III

Standard Materials and Fittings

- End fittings – 1/2" to 2": forged brass, natural; 2 1/2" to 4": stainless steel, natural
- Female unions – 1/2" to 1": steel, electrogalvanized with PVC coating; 1 1/4" to 4": Feraloy® iron alloy, electrogalvanized with PVC coating
- 1/2" to 2" have bronze braid covering and flexible brass inner core; packing is woven cotton braid impregnated with asphalt
- 2 1/2" to 4" have a Type 304 stainless steel braid



DIMENSIONS (IN INCHES)

HUB SIZE	A	B	C	D	E
1/2"	1-7/8	1-1/2	1-1/8	3	1-9/16
3/4"	2-1/16	1-7/8	1-3/16	3-1/4	1-13/16
1"	2-1/2	2-1/8	1-1/2	3-5/8	1-7/8
1-1/4"	2-7/8	2-15/16	1-7/8	4-3/16	2-3/4
1-1/2"	3-5/16	3-1/2	1-7/8	5-3/16	3-1/16
2"	3-1/4	4-1/4	2	5-1/16	3-13/16
2-1/2"	3	4-7/16	1-5/8	5-1/16	4-5/16
3"	3-1/8	4-9/16	1-3/4	5-3/8	5-1/16
4"	4-5/8	4-15/16	3-1/4	7-1/2	6-3/16

MINIMUM RECOMMENDED RADIUS OF BEND

HUB SIZE	RADIUS
1/2"	10
3/4"	12
1"	14
1-1/4"	14
1-1/2"	16
2"	16
2-1/2"	16
3"	18
4"	30

EC Series Couplings

ECGJH ORDERING INFORMATION

FLEXIBLE LENGTH	HUB SIZE	CATALOG #	FLEXIBLE LENGTH	HUB SIZE	CATALOG #	FLEXIBLE LENGTH	HUB SIZE	CATALOG #
4	1/2	PRECGJH14	18	1	PRECGJH318	27	2-1/2	PRECGJH727
4	3/4	PRECGJH24	18	1-1/4	PRECGJH418	27	3	PRECGJH827
6	1/2	PRECGJH16	18	1-1/2	PRECGJH518	27	4	PRECGJH1027
6	3/4	PRECGJH26	18	2	PRECGJH618	30	1/2	PRECGJH130
6	1	PRECGJH36	18	2-1/2	PRECGJH718	30	3/4	PRECGJH230
8	1/2	PRECGJH18	18	3	PRECGJH818	30	1	PRECGJH330
8	3/4	PRECGJH28	18	4	PRECGJH1018	30	1-1/4	PRECGJH430
8	1	PRECGJH38	21	1/2	PRECGJH121	30	1-1/2	PRECGJH530
10	1/2	PRECGJH110	21	3/4	PRECGJH221	30	2	PRECGJH630
10	3/4	PRECGJH210	21	1	PRECGJH321	30	2-1/2	PRECGJH730
10	1	PRECGJH310	21	1-1/4	PRECGJH421	30	3	PRECGJH830
12	1/2	PRECGJH112	21	1-1/2	PRECGJH521	30	4	PRECGJH1030
12	3/4	PRECGJH212	21	2	PRECGJH621	33	1/2	PRECGJH133
12	1	PRECGJH312	21	2-1/2	PRECGJH721	33	3/4	PRECGJH233
12	1-1/4	PRECGJH412	21	3	PRECGJH821	33	1	PRECGJH333
12	1-1/2	PRECGJH512	21	4	PRECGJH1021	33	1-1/4	PRECGJH433
12	2	PRECGJH612	24	1/2	PRECGJH124	33	1-1/2	PRECGJH533
12	2-1/2	PRECGJH712	24	3/4	PRECGJH224	33	2	PRECGJH633
12	3	PRECGJH812	24	1	PRECGJH324	33	2-1/2	PRECGJH733
12	4	PRECGJH1012	24	1-1/4	PRECGJH424	33	3	PRECGJH833
15	1/2	PRECGJH115	24	1-1/2	PRECGJH524	33	4	PRECGJH1033
15	3/4	PRECGJH215	24	2	PRECGJH624	36	1/2	PRECGJH136
15	1	PRECGJH315	24	2-1/2	PRECGJH724	36	3/4	PRECGJH236
15	1-1/4	PRECGJH415	24	3	PRECGJH824	36	1	PRECGJH336
15	1-1/2	PRECGJH515	24	4	PRECGJH1024	36	1-1/4	PRECGJH436
15	2	PRECGJH615	27	1/2	PRECGJH127	36	1-1/2	PRECGJH536
15	2-1/2	PRECGJH715	27	3/4	PRECGJH227	36	2	PRECGJH636
15	3	PRECGJH815	27	1	PRECGJH327	36	2-1/2	PRECGJH736
15	4	PRECGJH1015	27	1-1/4	PRECGJH427	36	3	PRECGJH836
18	1/2	PRECGJH118	27	1-1/2	PRECGJH527	36	4	PRECGJH1036
18	3/4	PRECGJH218	27	2	PRECGJH627			

ECLK ORDERING INFORMATION

FLEXIBLE LENGTH	HUB SIZE	CATALOG #	FLEXIBLE LENGTH	HUB SIZE	CATALOG #	FLEXIBLE LENGTH	HUB SIZE	CATALOG #
4	1/2	PRECLK14	18	1	PRECLK318	27	2-1/2	PRECLK727
4	3/4	PRECLK24	18	1-1/4	PRECLK418	27	3	PRECLK827
6	1/2	PRECLK16	18	1-1/2	PRECLK518	27	4	PRECLK1027
6	3/4	PRECLK26	18	2	PRECLK618	30	1/2	PRECLK130
6	1	PRECLK36	18	2-1/2	PRECLK718	30	3/4	PRECLK230
8	1/2	PRECLK18	18	3	PRECLK818	30	1	PRECLK330
8	3/4	PRECLK28	18	4	PRECLK1018	30	1-1/4	PRECLK430
8	1	PRECLK38	21	1/2	PRECLK121	30	1-1/2	PRECLK530
10	1/2	PRECLK110	21	3/4	PRECLK221	30	2	PRECLK630
10	3/4	PRECLK210	21	1	PRECLK321	30	2-1/2	PRECLK730
10	1	PRECLK310	21	1-1/4	PRECLK421	30	3	PRECLK830
12	1/2	PRECLK112	21	1-1/2	PRECLK521	30	4	PRECLK1030
12	3/4	PRECLK212	21	2	PRECLK621	33	1/2	PRECLK133
12	1	PRECLK312	21	2-1/2	PRECLK721	33	3/4	PRECLK233
12	1-1/4	PRECLK412	21	3	PRECLK821	33	1	PRECLK333
12	1-1/2	PRECLK512	21	4	PRECLK1021	33	1-1/4	PRECLK433
12	2	PRECLK612	24	1/2	PRECLK124	33	1-1/2	PRECLK533
12	2-1/2	PRECLK712	24	3/4	PRECLK224	33	2	PRECLK633
12	3	PRECLK812	24	1	PRECLK324	33	2-1/2	PRECLK733
12	4	PRECLK1012	24	1-1/4	PRECLK424	33	3	PRECLK833
15	1/2	PRECLK115	24	1-1/2	PRECLK524	33	4	PRECLK1033
15	3/4	PRECLK215	24	2	PRECLK624	36	1/2	PRECLK136
15	1	PRECLK315	24	2-1/2	PRECLK724	36	3/4	PRECLK236
15	1-1/4	PRECLK415	24	3	PRECLK824	36	1	PRECLK336
15	1-1/2	PRECLK515	24	4	PRECLK1024	36	1-1/4	PRECLK436
15	2	PRECLK615	27	1/2	PRECLK127	36	1-1/2	PRECLK536
15	2-1/2	PRECLK715	27	3/4	PRECLK227	36	2	PRECLK636
15	3	PRECLK815	27	1	PRECLK327	36	2-1/2	PRECLK736
15	4	PRECLK1015	27	1-1/4	PRECLK427	36	3	PRECLK836
18	1/2	PRECLK118	27	1-1/2	PRECLK527	36	4	PRECLK1036
18	3/4	PRECLK218	27	2	PRECLK627			



Contact us:
customerservice@plastibond.com

Visit www.plastibond.com
For more information



OE Series Conduit Outlet Boxes for Hazardous Locations

Description:

Plasti-Bond REDH₂OT OE Series Conduit Outlet Boxes are installed in hazardous location conduit systems to serve as pulling and splicing fittings, to connect runs of conduit, to change the direction of a conduit run, or to provide access to conductors. They are provided with covers. Electrical continuity of the conduit system is maintained across assembled joints.

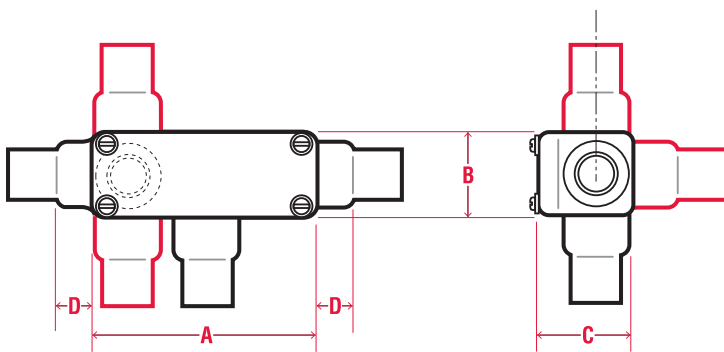
Features:

- 40 mil gray PVC exterior coating
- 2 mil red urethane interior coating
- Available in 1/2" or 3/4" trade sizes
- Molded in PVC cover to body gasket seals corrosives out
- Sealing sleeves on all conduit openings
- Compact design saves space
- Encapsulated stainless steel cover screws

Standards:

- NEC/CEC:
 - Class I, Division 1 & 2, Groups C, D
 - Class II, Division 1, Groups E, F, G
 - Class II, Division 2, Groups F, G
 - Class III

OE Series – Technical Data



OELB OUTLET BOXES

PIPE SIZE	FERROUS CATALOG #	NOMINAL WEIGHT	A	B	C	D
1/2"	PROELB1	2.2	4.14	1.64	1.89	0.69
3/4"	PROELB2	3.0	4.39	1.96	2.14	0.69

OET OUTLET BOXES

PIPE SIZE	FERROUS CATALOG #	NOMINAL WEIGHT	A	B	C	D
1/2"	PROET1	2.2	4.14	1.64	1.89	0.69
3/4"	PROET2	3.0	4.39	1.96	2.14	0.69

Support Products

Pipe Straps

Plasti-Bond PVC coated pipe straps are used to securely mount conduit to a wall or other structure for support. They are available in two styles: a one-hole malleable iron strap or a two-hole stamped steel strap. Mounting hardware not provided.

Features:

- 20 mil gray PVC exterior coating
- 10 trade sizes from 1/2" through 4"



CONDUIT PIPE STRAP 1 HOLE

PIPE SIZE	FERROUS CATALOG #	NOMINAL WT. FOR 100
1/2"	PBPS11M	11
3/4"	PBPS22M	14
1"	PBPS33M	12
1-1/4"	PBPS44M	25
1-1/2"	PBPS55M	36
2"	PBPS66M	71
2-1/2"	PBPS77M	111
3"	PBPS88M	134
3-1/2"	PBPS99M	166
4"	PBPS100M	256

CONDUIT PIPE STRAP 2 HOLE

PIPE SIZE	FERROUS CATALOG #	NOMINAL WT. FOR 100
1/2"	PBPS11S-2	2.0
3/4"	PBPS22S-2	3.0
1"	PBPS33S-2	4.0
1-1/4"	PBPS44S-2	4.5
1-1/2"	PBPS55S-2	5.0
2"	PBPS66S-2	10.0
2-1/2"	PBPS77S-2	13.0
3"	PBPS88S-2	17.0
3-1/2"	PBPS99S-2	20.0
4"	PBPS100S-2	25.0

Clamp Back Spacers

Plasti-Bond PVC coated clamp back spacers are used with malleable or stamped pipe straps to provide a mounting stand-off for a conduit from a wall or other structure.

Features:

- 20 mil gray PVC exterior coating
- 10 trade sizes from 1/2" through 4"



CONDUIT CLAMP BACK SPACER

PIPE SIZE	FERROUS CATALOG #	NOMINAL WT. EACH
1/2"	PBCLB-M50	0.1
3/4"	PBCLB-M75	0.1
1"	PBCLB-M100	0.1
1-1/4"	PBCLB-M125	0.2
1-1/2"	PBCLB-M150	0.2
2"	PBCLB-M200	0.3
2-1/2"	PBCLB-M250	1.0
3"	PBCLB-M300	1.7
4"	PBCLB-M400	2.0

Conduit Clamp Hangers

Plasti-Bond PVC coated conduit clamp hangers are used with threaded rod to securely suspend conduit runs supported from above. They are provided with stainless steel hardware.

Features:

- 20 mil gray PVC exterior coating
- 10 trade sizes from 1/2" through 4"



CONDUIT HANGER

PIPE SIZE	CATALOG #	NOMINAL WEIGHT
1/2"	PB6H0B	0.1
3/4"	PB6H1B	0.1
1"	PB6H2B	0.1
1-1/4"	PB6H3B	0.1
1-1/2"	PB6H4B	0.2
2"	PB6H5B	0.3
2-1/2"	PB6H6B	0.4
3"	PB6H7B	0.5
3-1/2"	PB6H8B	0.6
4"	PB6H9B	0.7

Thread Rods

Plasti-Bond PVC coated all thread rod is used with coated conduit hangers and coated strut to securely suspend conduit runs supported from above. It is provided in 3/8" and 1/2" sizes and three standard lengths, 3', 6' and 10'.

Features:

- 20 mil gray PVC exterior coating
- 2 trade sizes and 3 standard lengths



THREAD RODS

SIZE	CATALOG #
3/8" X 3'	PBH193-3/8X3
3/8" X 6'	PBH193-3/8X6
3/8" X 10'	PBH193-3/8X10
1/2" X 3'	PBH193-1/2X3
1/2" X 6'	PBH193-1/2X6
1/2" X 10'	PBH193-1/2X10



Contact us:
customerservice@plastibond.com



Visit www.plastibond.com
For more information

PVC Coated Strut Straps and J Hangers

Plasti-Bond PVC coated strut straps & J hangers are used with coated strut to support conduit installations in a variety of configurations. Strut straps may be used in either vertical or horizontal positions to support conduit. Both are provided with stainless steel hardware. Conduit spacing may be as close together as allowed by the couplings. J hangers may be used with hanger rods or other means of support to securely fasten conduit runs.

Features:

- 20 mil gray PVC exterior coating
- Available in 11 trade sizes



J Hanger



Strut Straps

PVC COATED J HANGERS

SIZE	FERROUS CATALOG #	WEIGHT FOR 100 PCS	STD PACK
1/2"	PBC149-1/2	18	25
3/4"	PBC149-3/4	21	25
1"	PBC149-1	22	25
1-1/4"	PBC149-1-1/4	25	25
1-1/2"	PBC149-1-1/2	27	25
2"	PBC149-2	29	25
2-1/2"	PBC149-2-1/2	64	25
3"	PBC149-3	72	25
3-1/2"	PBC149-3-1/2	84	25
4"	PBC149-4	138	10
5"	PBC149-5	162	10

PVC COATED STRUT STRAPS

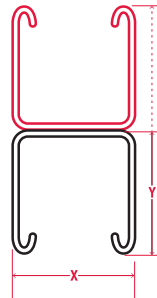
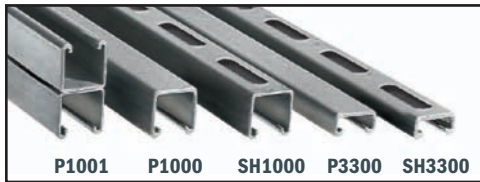
SIZE	FERROUS CATALOG #	GAUGE METAL	WEIGHT FOR 100 PCS	STD PACK
1/2"	PBC105-1/2	14	13.0	100
3/4"	PBC105-3/4	14	15.0	100
1"	PBC105-1	14	17.0	100
1-1/4"	PBC105-1-1/4	12	19.5	100
1-1/2"	PBC105-1-1/2	12	28.0	100
2"	PBC105-2	12	31.0	50
2-1/2"	PBC105-2-1/2	12	36.0	50
3"	PBC105-3	12	42.0	50
3-1/2"	PBC105-3-1/2	11	56.0	25
4"	PBC105-4	11	64.0	25
5"	PBC105-5	10	76.0	25

PVC Coated Ferrous Struts

Plasti-Bond PVC coated strut is a versatile system of structural elements that can be used to build supports for a variety of applications. When combined with coated conduit hangers and other accessories, coated strut is a versatile and economical way to provide reliable support for conduit runs and other electrical and mechanical installations.

Features:

- 20 mil gray PVC exterior coating
- 2 trade sizes and 3 standard styles



PVC COATED STRUT

FERROUS CATALOG #	STYLE	NOMINAL WT. PER 100 FT.	X	Y	STRUT THICKNESS
PBP1000-10	Channel	200.0	1.67	1.67	12 ga.
PBSH1000-10	Channel Slotted	185.0	1.67	1.67	12 ga.
PBP1001-10	Channel Back to Back	380.0	1.67	3.29	12 ga.
PBP3300-10	Channel Shallow	135.0	1.67	0.92	12 ga.
PBSH3300-10	Channel Shallow Slotted	130.0	1.67	0.92	12 ga.

PVC COATED STRUT CUT-TO-LENGTH

FERROUS CATALOG #	DESCRIPTION	X	Y	LENGTH IN FT.	STRUT THICKNESS
PBP1000-1	1-5/8 CHANNEL	1.67	1.67	1	12 ga.
PBP1000-1-1/2	1-5/8 CHANNEL	1.67	1.67	1-1/2	12 ga.
PBP1000-2	1-5/8 CHANNEL	1.67	1.67	2	12 ga.
PBP1000-2-1/2	1-5/8 CHANNEL	1.67	1.67	2-1/2	12 ga.
PBP1000-3	1-5/8 CHANNEL	1.67	1.67	3	12 ga.

CHANNELS WITH SLOTTED HOLES

PBSH1000-1	1-5/8 CHANNEL	1.67	1.67	1	12 ga.
PBSH1000-1-1/2	1-5/8 CHANNEL	1.67	1.67	1-1/2	12 ga.
PBSH1000-2	1-5/8 CHANNEL	1.67	1.67	2	12 ga.
PBSH1000-2-1/2	1-5/8 CHANNEL	1.67	1.67	2-1/2	12 ga.
PBSH1000-3	1-5/8 CHANNEL	1.67	1.67	3	12 ga.

PVC Coated Strut Nuts

Plasti-Bond PVC coated strut nuts are used to assemble strut components and to secure coated all thread rod in a section of strut. These are available with or without a spring to aid in placement and assembly.

Features:

- 20 mil gray PVC exterior coating
- 10 trade sizes from 1/2" through 4"



PBB910



PBB911



PBB914

COATED STRUT NUT

PIPE SIZE	FERROUS CATALOG #
3/8"	PBB910-3/8
1/2"	PBB910-1/2
3/8"	PBB911-3/8
1/2"	PBB911-1/2
3/8"	PBB914-3/8
1/2"	PBB914-1/2

Support Products

Beam Clamps and U-Bolts

Plasti-Bond PVC coated beam clamps are used to securely support conduit runs by attaching them to beams, angles, trusses and other structural members. They are available in the following styles:

Window Clamp - To attach strut at a 90° angle to a beam or structural member.

Parallel - to attach the conduit run parallel to a beam or structural member.

Edge - to attach the conduit run at a 90° angle to a thin beam or structural member.

Right Angle - to attach the conduit run at a 90° angle to a beam or structural member.

U-Bolt - To attach the conduit run to a structural member or support.

Hanger Rod Beam Clamp - to attach a single all thread rod to a beam or structural member.

Features:

- 20 mil minimum gray PVC exterior coating on all types of beam clamps
- Right angle clamps supplied with plastic encapsulated screws
- All clamps specifically sized to fit PVC coated conduit
- Right angle and parallel clamps available in 10 trade sizes 1/2" through 4"
- Edge clamps available in 3 trade sizes 1/2" through 1"
- Hanger rod beam clamps available with 5 different jaw openings 15/16" through 2-1/8"



STRUT WINDOW BEAM CLAMPS

FERROUS CATALOG #	NOMINAL WEIGHT
PBB441-22	0.9
PBB441-22A	0.9

PVC COATED NUTS

FERROUS CATALOG #	DESCRIPTION
PBNUT-KIT-1	5/16" ENC NUTS-RA, UBLT 1/2" to 1-1/4"
PBNUT-KIT-2	3/8" ENC NUTS-RA, UBLT 1-1/2" to 6"



Parallel Beam Clamp



Edge Beam Clamp



Right Angle Beam Clamp



U-Bolt

PARALLEL CONDUIT CLAMP

PIPE SIZE	FERROUS CATALOG #	NOMINAL WEIGHT
1/2"	PBPAR-1/2	46.8
3/4"	PBPAR-3/4	63.0
1"	PBPAR-1	67.0
1-1/4"	PBPAR-1-1/4	100.0
1-1/2"	PBPAR-1-1/2	130.0
2"	PBPAR-2	158.0
2-1/2"	PBPAR-2-1/2	175.0
3"	PBPAR-3	200.0
3-1/2"	PBPAR-3-1/2	250.0
4"	PBPAR-4	275.0

EDGE STYLE CONDUIT CLAMP

PIPE SIZE	FERROUS CATALOG #	NOMINAL WEIGHT
1/2"	PBEDGE-1/2	74.0
3/4"	PBEDGE-3/4	90.0
1"	PBEDGE-1	100.0

RIGHT ANGLE CONDUIT CLAMP

PIPE SIZE	FERROUS CATALOG #	NOMINAL WEIGHT
1/2"	PBRA-1/2	49.0
3/4"	PBRA-3/4	53.0
1"	PBRA-1	61.0
1-1/4"	PBRA-1-1/4	65.0
1-1/2"	PBRA-1-1/2	92.0
2"	PBRA-2	100.0
2-1/2"	PBRA-2-1/2	125.0
3"	PBRA-3	150.0
3-1/2"	PBRA-3-1/2	175.0
4"	PBRA-4	198.0

CONDUIT U-BOLT

PIPE SIZE	FERROUS CATALOG #	NOMINAL WEIGHT
1/2"	PBU-BOLT-1/2	17.0
3/4"	PBU-BOLT-3/4	18.0
1"	PBU-BOLT-1	20.0
1-1/4"	PBU-BOLT-1-1/4	20.0
1-1/2"	PBU-BOLT-1-1/2	31.0
2"	PBU-BOLT-2	34.0
2-1/2"	PBU-BOLT-2-1/2	39.0
3"	PBU-BOLT-3	44.0
3-1/2"	PBU-BOLT-3-1/2	45.0
4"	PBU-BOLT-4	49.0
5"	PBU-BOLT-5	100.0
6"	PBU-BOLT-6	130.0



BEAM CLAMPS

PIPE SIZE	FERROUS CATALOG #	A	B	C	D	E	F	NOMINAL WEIGHT	MAXIMUM LOAD
1"	PB500	1/4-20	5/16-1-1/8	1-5/8	7/8	1-1/2	1-1/4	25	500
1-1/4"	PB501	5/16-1-1/8	3/8-16	1-3/4	1	1-5/8	1-5/8	50	800
1-1/2"	PB502	3/8-16	1/2-13	2-1/8	1-1/4	2-1/16	2-1/16	90	2000
2"	PB503	1/2-13	1/2-13	2-5/8	1-1/2	2-1/4	2-1/2	195	2000
2-1/2"	PB508	1/2-13	1/2-13	3-3/8	2-1/4	2-1/2	2-5/8	25	4000



Contact us:
customerservice@plastibond.com



Visit www.plastibond.com
For more information

Spin-It



With the Plasti-Bond **Spin-It**, Plasti-Bond REDH₂OT can be tightened much faster than with conventional tools. Because the **Spin-It** never touches the coating, damage to the conduit is eliminated.

CATALOG #	DESCRIPTION
SPSPIN-IT-3/4	3/4" Spin-It
SPSPIN-IT-1	1" Spin-It
SPSPIN-IT-1-1/4	1-1/4" Spin-It
SPSPIN-IT-1-1/2	1-1/2" Spin-It
SPSPIN-IT-2	2" Spin-It

Plasti-Socket



Plasti-Socket is a fiber-glass encapsulated 3/8" drive socket for use with the square fiberglass encapsulated U bolt and beam clamp nuts used in the Plasti-Bond RED-H₂OT conduit support system. The **Plasti-Socket** helps avoid coating damage from metal sockets, pliers or wrenches.

CATALOG #	DESCRIPTION
PSPLASTISOCKET-3/8	3/8" Plasti-Socket

Z-Wrench



Z-Wrench features extra wide jaws which spread the clamping force, enabling the tool to grip without marring the surface of the conduit. The "V" shaped upper jaw allows **Z-Wrench** to accommodate a wide range of conduit sizes. Shallow grooves in the upper and lower jaws provide an excellent grip.

CATALOG #	DESCRIPTION
SPJPZ1	1/2" - 1-1/4" Z-Wrench
SPJPZ2	1-1/2" - 2-1/2" Z-Wrench

JAWS 3



JAWS 3 are a set of aluminum-nickel-bronze vise jaws designed to replace the regular jaws in a RIGID #23 or #40-A pipe vise. They completely protect the exterior coating from damage caused by the vise jaws when cutting or threading.

CATALOG #	DESCRIPTION
JWJAWS3-#23	JAWS3 #23 Pipe Vise
JWJAWS3-#40-A	JAWS3 #40-A Tripod Pipe Vise

Half Shell Clamps



Half Shell Clamps are designed to cover a large surface area when clamping conduit, especially in a chain vise. This allows for a strong grip without damaging the exterior coating.

CATALOG #	DESCRIPTION
JWHLF-SHL-CLP2	2" Half-Shell Conduit Clamp
JWHLF-SHL-CLP2-1/2	2-1/2" Half-Shell Conduit Clamp
JWHLF-SHL-CLP3	3" Half-Shell Conduit Clamp
JWHLF-SHL-CLP3-1/2	3-1/2" Half-Shell Conduit Clamp
JWHLF-SHL-CLP4	4" Half-Shell Conduit Clamp
JWHLF-SHL-CLP5	5" Half-Shell Conduit Clamp
JWHLF-SHL-CLP6	6" Half-Shell Conduit Clamp

Hickey



The **Plasti-Bond Hickey** is a special bending tool with a 40 mil PVC coating which reduces the possibility of damage during conduit bending.

CATALOG #	DESCRIPTION
PBHICKEY	1/2" & 3/4" Conduit Bender

Touch Up Compounds

Plasti-Bond REDH₂OT Touchup Compounds are available to repair minor damage to the exterior PVC factory coating. The exterior PVC touchup compound is gray and available in a 12 oz. aerosol can, and a pint can with brush-top applicator. The approved thread compound touchup compound is available in a pint can with a brush-top applicator. See the installation section of the buyers' guide for more information on using the Plasti-Bond touchup compounds.

PLASTI-BOND TOUCH UP COMPOUNDS

CATALOG #	DESCRIPTION	SIZE
PBTOUCHUP-SPRAY	Exterior Spray Type (Gray)	12 oz.
PBTOUCHUP-GRAY-PT	Exterior Non-Spray with Brush-Top (Gray)	1 pt.
PBTHREAD-COMPOUND	Approved Conductive Compound-Brush-Top Pint	1 pt.



Installer Certification

Installer Certification

Plasti-Bond REDH₂O_T is a system providing the best available exterior and interior protection against corrosion. Proper installation is essential to ensure the best possible service life for a conduit system. To ensure the best possible PVC coated conduit installation it is recommended that installers are certified.

Qualified installation provides these benefits:

Everyone benefits!

- **The End User...**
...receives optimum installation quality and best possible service life.
- **The Professional...**
... benefits because of obvious concern for providing only the best to the end-user.
- **The Contractor...**
... achieves more cost-effective installation.

Plasti-Bond Installer Certification is based upon training that includes classroom and hands-on instruction encompassing:

- Proper installation techniques and tools.
- Hands-on instruction for clamping, cutting, threading, bending, and assembly of PVC coated conduit.
- Interactive discussion of techniques and troubleshooting.

Only installers who are able to present the authorized, unexpired credentials of having passed our instruction and examination are officially certified to install Plasti-Bond's top quality products.

Installer certification is free of charge and available at the job site, contractor's shop, factory, or wherever it is convenient to you! For more information about Installer Certification, contact Plasti-Bond at 903.843.5591.

Plasti-Bond Certified Installer	
On _____, 20__	CERTIFIED INSTALLER
John Doe	PB000000
<i>NAME</i>	successfully completed the Installer Certification Exam and is hereby designated a Certified Installer for PVC coated conduit.
<i>SIGNED</i>	<i>EXPIRATION DATE</i>
Plasti-Bond: 1100 US Highway 271 South • Gilmer, TX 75644 Tel: 903/843-5591 • Fax: 903/843-2655 • www.plastibond.com	



Contact us:
customerservice@plastibond.com

Visit www.plastibond.com
For more information

Urethane Interior Coating Chemical Resistance Chart

SOLUTIONS	CONC.	TEMP.	RECOMMENDED EXPOSURE		
			FUMES	SPLASH	IMMERSION
Acetic Acid	10%	75° F	YES	YES	NO
Acid Copper Plating Sol.	Any	75° F	YES	YES	NO
Alkaline Cleaners	Any	75° F	YES	YES	NO
Aluminum Chloride	Sat'd	75° F	YES	YES	NO
Aluminum Sulfate	Sat'd	75° F	YES	YES	NO
Alums	Sat'd	75° F	YES	YES	NO
Ammonium Chloride	Sat'd	75° F	YES	YES	NO
Ammonium Hydroxide	28%	75° F	YES	YES	NO
Ammonium Hydroxide	10%	75° F	YES	YES	NO
Ammonium Sulfate	Sat'd	75° F	YES	YES	NO
Ammonium Thiocyanate	Sat'd	75° F	YES	YES	NO
Amyl Alcohol	Sat'd	75° F	YES	YES	YES
Arsenic Acids	Any	75° F	YES	YES	NO
Barium Sulfide	Sat'd	75° F	YES	YES	NO
Black Liquor	Sat'd	75° F	YES	YES	NO
Benzoic Acid	Sat'd	75° F	YES	YES	NO
Brass Plating Solution	Sat'd	75° F	YES	YES	NO
Bromine Water	Sat'd	75° F	YES	YES	NO
Butyl Alcohol	Any	75° F	YES	YES	NO
Cadmium Plating Sol.	Any	75° F	YES	YES	NO
Cadmium Bisulfate	Any	75° F	YES	YES	NO
Calcium Chloride	Sat'd	75° F	YES	YES	NO
Calcium Hypochlorite	Sat'd	75° F	YES	YES	NO
Carbonic Acid	Sat'd	75° F	YES	YES	NO
Casein	Any	75° F	YES	YES	NO
Castor Oil	Any	75° F	YES	YES	YES
Caustic Soda	35%	75° F	YES	YES	NO
Caustic Soda	10%	75° F	YES	YES	NO
Caustic Potash	35%	75° F	YES	YES	NO
Caustic Potash	10%	75° F	YES	YES	NO
Chlorine Water	Sat'd	75° F	YES	YES	NO
Chromium Plating Sol.	Any	75° F	YES	YES	NO
Citric Acid	Sat'd	75° F	YES	YES	NO
Copper Chloride	Sat'd	75° F	YES	YES	NO
Copper Cyanide Plating Sol.	Any	75° F	YES	YES	NO
Copper Sulfate	Sat'd	75° F	YES	YES	NO
Coconut Oil	Sat'd	75° F	YES	YES	YES
Cottonseed Oil	Sat'd	75° F	YES	YES	YES
Disodium Phosphate	Sat'd	75° F	YES	YES	NO
Ethyl Alcohol	Any	75° F	YES	YES	NO
Ethylene Glycol	Any	75° F	YES	YES	YES
Ferrous Sulfate	Sat'd	75° F	YES	YES	NO
Fluoboric Acid	Any	75° F	YES	YES	NO
Formaldehyde	37%	75° F	YES	YES	NO
Formic Acid	85%	75° F	YES	YES	NO
Gallic Acid	Sat'd	75° F	YES	YES	NO
Glucose	Any	75° F	YES	YES	YES
Glycerine	Any	75° F	YES	YES	YES
Gold Plating Solution	Any	75° F	YES	YES	NO
Hydrochloric Acid	10%	75° F	YES	YES	NO
Hydrochloric Acid	21.5%	75° F	YES	YES	NO
Hydrochloric Acid	37.5%	75° F	YES	YES	NO
Hydrofluoric Acid	4%	75° F	YES	YES	NO
Hydrofluoric Acid	10%	75° F	YES	YES	NO
Hydrofluoric Acid	48%	75° F	YES	YES	NO
Hydrogen Peroxide	30%	75° F	YES	YES	NO
Hydroquinone	Any	75° F	YES	YES	NO
Indium Plating Solution	Any	75° F	YES	YES	NO
Lactic Acid	Any	75° F	YES	YES	NO
Lead Plating Solution	Any	75° F	YES	YES	NO

SOLUTIONS	CONC.	TEMP.	RECOMMENDED EXPOSURE		
			FUMES	SPLASH	IMMERSION
Malic Acid	Any	75° F	YES	YES	NO
Methyl Alcohol	Any	75° F	YES	YES	NO
Mineral Oils	Any	75° F	YES	YES	YES
Nickel Acetate	Sat'd	75° F	YES	YES	NO
Nickel Plating Solution	Any	75° F	YES	YES	NO
Nickel Salts	Sat'd	75° F	YES	YES	NO
Nitric Acid	35%	75° F	YES	YES	NO
Nitric Acid	40%	75° F	YES	YES	NO
Nitric Acid	60%	75° F	YES	YES	NO
Nitric/Hydrofluoric Acid	15%/4%	75° F	YES	YES	NO
Nitric Acid/ Sodium Dichromate Water	16%/13%/71%	75° F	YES	YES	NO
Oleic Acid	Any	75° F	YES	YES	NO
Oxalic Acid	Any	75° F	YES	YES	NO
Phenol	Sat'd	75° F	YES	YES	NO
Phosphoric Acid	75%	75° F	YES	YES	NO
Phosphoric Acid	85%	75° F	YES	YES	NO
Potassium Acid Sulfate	Sat'd	75° F	YES	YES	NO
Potassium Antimonate	Sat'd	75° F	YES	YES	NO
Potassium Bisulfite	Sat'd	75° F	YES	YES	NO
Potassium Chloride	Sat'd	75° F	YES	YES	NO
Potassium Cuprocyanide	Sat'd	75° F	YES	YES	NO
Potassium Cyanide	Sat'd	75° F	YES	YES	NO
Potassium Dichromate	Sat'd	75° F	YES	YES	NO
Potassium Hypochlorate	Sat'd	75° F	YES	YES	NO
Potassium Sulfide	Sat'd	75° F	YES	YES	NO
Potassium Thiosulfate	Sat'd	75° F	YES	YES	NO
Propyl Alcohol	Sat'd	75° F	YES	YES	NO
Rhodium Plating Solution	Sat'd	75° F	YES	YES	NO
Silver Plating Solution	Sat'd	75° F	YES	YES	NO
Soaps	Any	75° F	YES	YES	NO
Sodium Acid Sulfate	Sat'd	75° F	YES	YES	NO
Sodium Antimonate	Sat'd	75° F	YES	YES	NO
Sodium Bicarbonate	Sat'd	75° F	YES	YES	NO
Sodium Bisulfite	Sat'd	75° F	YES	YES	NO
Sodium Chloride	Sat'd	75° F	YES	YES	NO
Sodium Cyanide	Sat'd	75° F	YES	YES	NO
Sodium Dichromate	Sat'd	75° F	YES	YES	NO
Sodium Hydroxide	10%	75° F	YES	YES	NO
Sodium Hydroxide	35%	75° F	YES	YES	NO
Sodium Hydroxide	73%	75° F	YES	YES	NO
Sodium Hypochlorite	Sat'd	75° F	YES	YES	NO
Sodium Hypochlorite	15%	75° F	YES	YES	NO
Sodium Sulfide	Sat'd	75° F	YES	YES	NO
Sodium Thiosulfate	Sat'd	75° F	YES	YES	NO
Sulfuric Acid	15%	75° F	YES	YES	NO
Sulfuric Acid	50%	75° F	YES	YES	NO
Sulfuric Acid	70%	75° F	YES	YES	NO
Sulfuric Acid	98%	75° F	YES	YES	NO
Sulfurous Acid	2%	75° F	YES	YES	NO
Sulfurous Acid	4%	75° F	YES	YES	NO
Tannic Acid	Sat'd	75° F	YES	YES	NO
Tartaric Acid	Sat'd	75° F	YES	YES	NO
Tin Chloride	Sat'd	75° F	YES	YES	NO
Tin Plating Solution	Sat'd	75° F	YES	YES	NO
Triethanolamine	Sat'd	75° F	YES	YES	NO
Trisodium Phosphate	Sat'd	75° F	YES	YES	NO
White Liquor	Sat'd	75° F	YES	YES	NO
Zinc Plating Solution	Sat'd	75° F	YES	YES	NO
Zinc Sulfate	Sat'd	75° F	YES	YES	NO

Technical Information

Technical Information

PVC Exterior Coating Chemical Resistance Chart

SOLUTIONS	CONC.	TEMP.	RECOMMENDED EXPOSURE		
			FUMES	SPLASH	IMMERSION
Acetic Acid	10%	120	NO	NO	NO
Acid Copper Plating Sol.		160	YES	YES	YES
Alkaline Cleaners		160	YES	YES	YES
Aluminum Chloride	Sat'd	160	YES	YES	YES
Aluminum Sulfate	Sat'd	160	YES	YES	YES
Alums	Sat'd	160	YES	YES	YES
Ammonium Chloride	Sat'd	160	YES	YES	YES
Ammonium Hydroxide	28%	120	YES	YES	YES
Ammonium Hydroxide	10%	120	YES	YES	YES
Ammonium Sulfate	Sat'd	160	YES	YES	YES
Ammonium Thiocyanate	Sat'd	160	YES	YES	YES
Amyl Alcohol	Any	90	YES	YES	YES
Arsenic Acids	Any	150	YES	YES	YES
Barium Sulfide	Sat'd	160	YES	YES	YES
Black Liquor	Sat'd	90	YES	YES	YES
Benzoic Acid	Sat'd	160	YES	YES	YES
Brass Plating Solution	Any	160	YES	YES	YES
Bromine Water	Sat'd	120	YES	YES	YES
Butyl Alcohol	Any	90	YES	YES	YES
Cadmium Plating Sol.	Any	150	YES	YES	YES
Cadmium Bisulfate	Any	150	YES	YES	YES
Calcium Chloride	Sat'd	160	YES	YES	YES
Calcium Hypochlorite	Sat'd	120	YES	YES	YES
Carbonic Acid	Sat'd	160	YES	YES	YES
Casein	Any	90	YES	YES	YES
Castor Oil	Any	90	YES	YES	YES
Caustic Soda	35%	120	YES	YES	YES
Caustic Soda	10%	150	YES	YES	YES
Caustic Potash	35%	120	YES	YES	YES
Caustic Potash	10%	150	YES	YES	YES
Chlorine Water	Sat'd	90	YES	YES	YES
Chromium Plating Sol.	Any	150	YES	YES	YES
Citric Acid	Sat'd	160	YES	YES	YES
Copper Chloride	Sat'd	160	YES	YES	YES
Copper Cyanide Plating Sol. (High Speed)	Any	160	YES	YES	YES
(with Alkali Cyanides)	Sat'd	160	YES	YES	YES
Copper Sulfate	Sat'd	160	YES	YES	YES
Coconut Oil	Sat'd	90	YES	YES	YES
Cottonseed Oil	Sat'd	90	YES	YES	YES
Disodium Phosphate	Sat'd	160	YES	YES	YES
Ethyl Alcohol	Any	90	YES	YES	YES
Ethylene Glycol	Any	90	YES	YES	NO
Ferric Chloride	45%	120	YES	YES	YES
Ferrous Sulfate	Sat'd	150	YES	YES	YES
Fluoboric Acid	Any	150	YES	YES	YES
Formaldehyde	37%	120	YES	YES	YES
Formic Acid	85%	100	NO	NO	NO
Gallic Acid	Sat'd	150	YES	NO	NO
Glucose	Any	150	YES	YES	YES
Glycerine	Any	90	YES	YES	YES
Gold Plating Solution	Any	150	YES	YES	YES
Hydrochloric Acid	10%	120	YES	YES	YES
Hydrochloric Acid	21.5%	120	YES	YES	YES
Hydrochloric Acid	37.5%	120	YES	YES	NO
Hydrochloric Acid	37.5%	90	YES	YES	NO
Hydrofluoric Acid	4%	140	YES	YES	NO
Hydrofluoric Acid	10%	120	YES	YES	NO
Hydrofluoric Acid	48%	120	YES	YES	NO
Hydrogen Peroxide	30%	120	YES	YES	YES
Hydrogen Sulfide	Sat'd	120	YES	YES	YES
Hydroquinone	Any	90	YES	YES	YES
Indium Plating Solution	Any	150	YES	YES	YES

SOLUTIONS	CONC.	TEMP.	RECOMMENDED EXPOSURE		
			FUMES	SPLASH	IMMERSION
Lactic Acid	50%	120	YES	YES	YES
Lactic Acid	Any	90	YES	YES	YES
Lead Plating Solution	Any	150	YES	YES	YES
Malic Acid	Any	90	YES	YES	YES
Methyl Alcohol	Any	90	YES	YES	YES
Mineral Oils	Any	90	YES	YES	YES
Nickel Acetate	Sat'd	160	YES	YES	YES
Nickel Plating Solution		160	YES	YES	YES
Nickel Salts	Sat'd	160	YES	YES	YES
Nitric Acid	35%	120	YES	YES	NO
Nitric Acid	40%	90	YES	YES	NO
Nitric Acid	60%	120	YES	YES	NO
Nitric/Hydrofluoric Acid	15%/4%	140	YES	YES	YES
Nitric Acid/Sodium Dichromate Water	16%/13%/71%	130	YES	YES	YES
Oleic Acid	Any	90	YES	YES	YES
Oxalic Acid		90	YES	YES	YES
Phenol	Sat'd	120	NO	NO	NO
Phosphoric Acid	75%	150	YES	YES	YES
Phosphoric Acid	85%	120	YES	YES	YES
Potassium Acid Sulfate	Sat'd	150	YES	YES	YES
Potassium Antimonate	Sat'd	150	YES	YES	YES
Potassium Bisulfite	Sat'd	90	YES	YES	YES
Potassium Chloride	Sat'd	160	YES	YES	YES
Potassium Cuprocyanide	Sat'd	150	YES	YES	YES
Potassium Cyanide	Sat'd	160	YES	YES	YES
Potassium Dichromate	Sat'd	160	YES	YES	YES
Potassium Hypochlorate	Sat'd	90	YES	YES	NO
Potassium Sulfide	Sat'd	150	YES	YES	YES
Potassium Thiosulfate	Sat'd	150	YES	YES	YES
Propyl Alcohol	Sat'd	150	YES	YES	YES
Rhodium Plating Solution	Sat'd	150	YES	YES	YES
Silver Plating Solution	Sat'd	150	YES	YES	YES
Soaps	Any	90	YES	YES	YES
Sodium Acid Sulfate	Sat'd	160	YES	YES	YES
Sodium Antimonate	Sat'd	150	YES	YES	YES
Sodium Bicarbonate	Sat'd	160	YES	YES	YES
Sodium Bisulfite	Sat'd	90	YES	YES	YES
Sodium Chloride	Sat'd	160	YES	YES	YES
Sodium Cyanide	Sat'd	160	YES	YES	YES
Sodium Dichromate	Sat'd	160	YES	YES	YES
Sodium Hydroxide	10%	150	YES	YES	NO
Sodium Hydroxide	35%	120	YES	YES	NO
Sodium Hydroxide	73%	160	NO	NO	NO
Sodium Hypochlorite	Sat'd	90	YES	YES	NO
Sodium Hypochlorite	15%	120	YES	YES	NO
Sodium Sulfide	Sat'd	150	YES	YES	YES
Sodium Thiosulfate	Sat'd	150	YES	YES	YES
Sulfuric Acid	15%	120	YES	YES	YES
Sulfuric Acid	50%	120	YES	YES	YES
Sulfuric Acid	70%	90	YES	YES	NO
Sulfuric Acid	98%	100	YES	NO	NO
Sulfurous Acid	2%	120	YES	YES	NO
Sulfurous Acid	6%	120	YES	YES	NO
Tannic Acid	Sat'd	90	YES	YES	YES
Tartaric Acid	Sat'd	90	YES	YES	YES
Tin Chloride	Sat'd	150	YES	YES	YES
Tin Plating Solution	Sat'd	150	YES	YES	YES
Triethanolamine	Sat'd	150	YES	YES	YES
Trisodium Phosphate	Sat'd	150	YES	YES	YES
White Liquor	Sat'd	90	YES	YES	YES
Zinc Plating Solution		160	YES	YES	YES
Zinc Sulfate	Sat'd	160	YES	YES	YES

Plasti-Bond REDH₂OT Performance Standards/Descriptions

Exterior PVC and interior urethane coating performance shall be confirmed by the characteristics and tests listed below. Test samples shall be selected at random.

FLAMMABILITY

The PVC coating will burn if subjected to sustained flame or heat above 400°F, however, it will self extinguish upon removal of the heat source or flame.

TOXICITY

Prolonged exposure to heat greater than 200°F or exposure to fire may cause the PVC coating to release harmful emissions which could pose a potential health hazard. Therefore, PVC use is not recommended in areas exposed to sustained temperatures above 200°F. If exposed to fire, particularly in closed areas, users should be aware and observe proper caution.

BOIL TEST

Acceptable conduit coating bonds shall be confirmed if there is no disbondment after a minimum average of 200 hours in boiling water or exposure to steam vapor at one atmosphere. The periodic increments between bond tests shall not exceed 5 hours for the first 25 hours, then it may be lengthened by mutual consent. The RN1 Bond Test and the Standard Method for Measuring Adhesion by Tape Test shall be utilized.

Exterior Adhesion

A 6" length of conduit test specimen shall be placed in boiling water. The specimen shall be periodically removed, cooled to ambient temperature and immediately tested according to the bond test (RN1). When the PVC coating separates from the substrate, the boil time to failure in hours shall be recorded. ASTM D870 describes this test method for accelerated testing of coating adhesive bonds.

Interior Adhesion

A 6" conduit test specimen shall be cut in half longitudinally and placed in boiling water or directly above boiling water with the urethane surface facing down. The specimen shall be periodically removed, cooled to ambient temperature and tested in accordance with the Standard Method of Adhesion by Tape Test (ASTM D3359). When the coating disbands, the time to failure in hours shall be recorded.

HEAT/HUMIDITY TEST

Acceptable conduit coating bonds shall be confirmed by a minimum average of 30 days in the Heat and Humidity Test. The periodic increment between bond tests shall not exceed 5 days for the first 30 days, then may be lengthened by mutual consent. The RN1 Bond Test and the Standard Method for Measuring Adhesion by Tape Test shall be utilized.

Exterior Adhesion

Conduit specimens shall be placed in a heat and humidity environment where the temperature is maintained at 150°F (66°C) and 95% relative humidity. The specimens shall be periodically removed and a bond test (RN1) performed. When the PVC coating separates from the substrate, the exposure time to failure in days shall be recorded. ASTM D1151, D1735, D2247 AND D4585 are the basis for this accelerated method of evaluating adhesive bonding.

Interior Adhesion

The conditions for interior adhesion testing of conduit specimens are the same as those for external adhesion. ASTM D3359 is used to determine adhesive failure.

ETL-VERIFIED PVC-001:

The PVC coating adhesion performance of this product has been ETL verified to the Interek ETL SEMKO High Temperature H2O PVC Coating Adhesion Test Procedure for 200 hours.

CHEMICAL RESISTANCE TEST

No trace of the internal coating shall be visible on a white cloth following six wipes over the coating which has been wetted with acetone (ASTM D1308).

POLYURETHANE

The supplier shall confirm that the internal coating which meets the above condition is a polyurethane.

Plasti-Bond has used the American Society for Testing and Materials (ASTM) standards to provide comparable and consistent test data. A list of ASTM standards referenced in the Plasti-Bond REDH₂OT Coated Conduit Specification appears below.

ASTM B1117

Standard Practice for Operating Salt Spray (Fog) Apparatus

ASTM D149

Test Methods for Dielectric Breakdown Voltage and Dielectric Strength of Solid Electrical Insulating Materials at Commercial Power Frequencies

ASTM D638

Test Method for Tensile Properties of Plastics

ASTM D746

Test Method for Brittleness Temperature of Plastics and Elastomers by Impact

ASTM D870

Method for Water Immersion Test of Organic Coatings on Steel

ASTM D1151

Test Method for Effect of Moisture and Temperature on Adhesive Bonds

ASTM D1654

Standard Test Method for Evaluation of Painted or Coated Specimens Subjected to Corrosive Environments

ASTM D1735

Method for Water Fog Testing of Organic Coatings

ASTM D2240

Test Method for Rubber Property-Durometer Hardness

ASTM D2247

Method of Testing Coated Metal Specimens at 100% Relative Humidity

ASTM D2444

Standard Test Method for Determination of the Impact Resistance of Thermoplastic Pipe and Fittings by Means of a Tap (Falling Weight)

ASTM D3359

Method for Measuring Adhesion by Tape Test

ASTM D4585

Testing Water Resistance of Coatings Using Controlled Condensation

ASTM D1308

Effect of Chemicals on Clear and Pigmented Organic Finishes

ASTM G153

Standard Practice for Operating Enclosed Carbon Arc Light Apparatus for Exposure of Non-Metallic Materials

ASTM G155

Standard Practice for Operating Xenon Arc Light Apparatus for Exposure of Non-Metallic Materials

Price: \$5.00

Plasti-Bond REDH₂OT

Executive Offices:
1100 US Highway 271 South
Gilmer, Texas 75644
Phone: 903.843.5591
Fax: 903.843.5595
Sales Department Fax: 903.843.2516

PR-113

©2017 Robroy Industries Electrical Products Division
Effective Date: 10/17
Order Item: 10PR-113



Plasti-Bond PVC-coated galvanized rigid conduit and fittings provide unequalled corrosion protection. Manufactured in the U.S.A., ISO 9001-certified Plasti-Bond complies with all standards mandated by UL6, NEMA RN-1 and ANSI C80.1. Plus – Plasti-Bond is ETL-Verified for product performance and reliable longevity ten or more times longer than brands that are not ETL-Verified. Look for the combined ETL/UL label to be sure you are receiving the protection you've paid for!