

Commercial Boxes and Enclosures

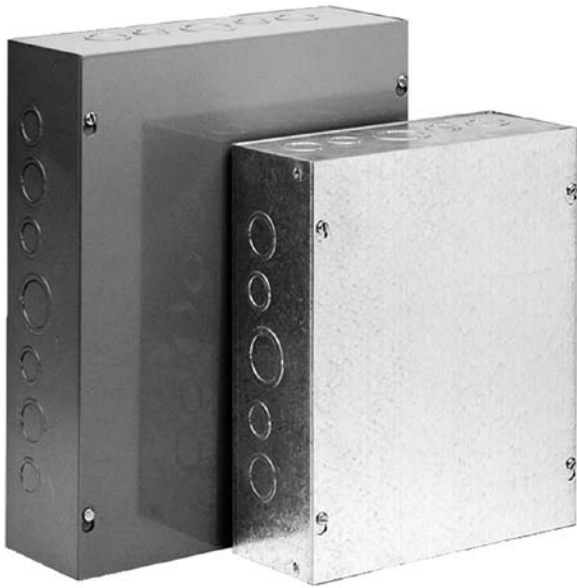
Count on Hoffman to provide you with off-the-shelf innovation—features to save you time and money. Perforated panels make component layout and mounting fast, easy, and flexible. Integral wood panels simplify reconfiguration of communications hardware. Accessories such as the WeatherFlo™ finger-guarded fan and the Type I Locking Window Pull Box balance protection and convenience.



INDEX

CT Mounting Base	COM-56
Current Transformer Cabinets	COM-62
Current Transformer Cabinets, 400-800 Amp	COM-58
Current Transformer Cabinets, Hinged Cover	COM-54
Current Transformer Cabinets, Screw Cover	COM-52
Gasketed Boxes, Screw Cover	COM-36
Metering Cabinets	COM-68
Outdoor Pad-Mount Enclosures, WeatherPro™	COM-44
Perforated Panels	COM-22
Splitter Block Assemblies	COM-73
Type I Cutout Boxes, Hinged Cover	COM-10
Type I Enclosures, Large	COM-16
Type I Enclosures, Medium	COM-14
Type I Enclosures, Small	COM-12
Type I Locking Integrated Perforated Panel Enclosure (Control Box)	COM-18
Type I Locking Utility Cabinets (Fuse Cabinets)	COM-20
Type I Locking Window Pull Box Accessory	COM-8
Type I Pull Boxes, Screw Cover	COM-2
Type I Splitter Trough	COM-70
Type I Telephone Cabinets	COM-48
Type 3R CT Cabinet Three-Phase 400-1200 Amp with Mechanical Lugs	COM-60
Type 3R Enclosures, Galvanized Screw Cover	COM-34
Type 3R Enclosures, Screw Cover	COM-30
Type 3R Hinged Cover Lift-Off Enclosures	COM-42
Type 3R Hinged Cover Medium Enclosures	COM-40
Type 3R Hinged Cover Small Enclosures	COM-38
Type 3R Horizontal-Mount Boxes	COM-28
Type 3R Telephone Cabinets, T3-Box	COM-50
Type 3R Terminal Box	COM-66
Type 3R Vented Enclosure with Fan, WeatherFlo™	COM-24

Screw Cover Type I Pull Boxes

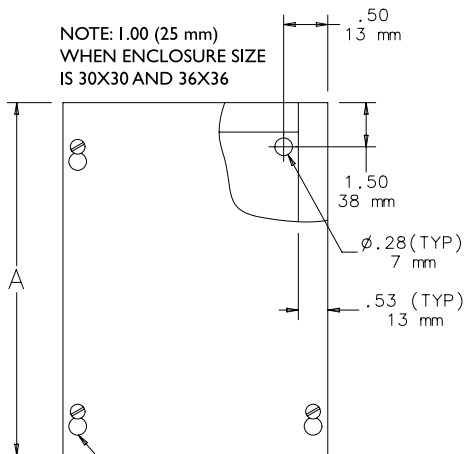
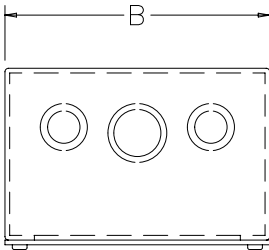


Application

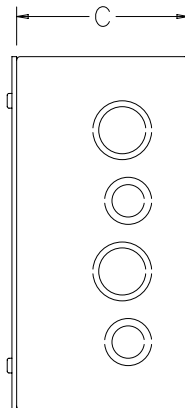
Designed for use as a junction box and pull box in commercial and general industrial applications. Flush covers and door frames must be ordered separately for flush installations.

Features

- Unique keyhole screw slots in the cover permit removal of the cover without extracting the screws
- Available with or without knockouts. Various sizes of easily removable concentric knockouts on all four sides of standard boxes with knockouts.



KEYHOLE SCREW SLOTS
(ROUND HOLES ON ENCLOSURES
WHERE B>24.00)
610 mm



- Optional flush-mounted door frame available
- Optional flush covers are designed to mount on enclosures for flush installations

Construction

- 16, 14, or 12 gauge steel or galvanized steel
- Flat, removable covers fastened with plated steel screws
- Provision for grounding
- Mounting holes on back of box

Finish

ANSI 61 gray polyester powder paint finish inside and out. Unless otherwise specified, all custom pull boxes are finished with ANSI 61 gray polyester powder paint.

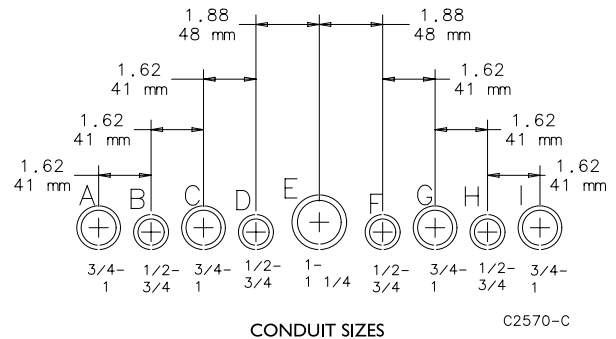
Industry Standards

UL 50, File No. E27525, Type I
NEMA/EEMAC Type I
cUL CSA C22.2 No. 40, File No. E27525, Type I
IEC 60529, IP30

Accessories

See also *Accessories chapter*.

- Flush Covers
- Flush-Mounted Door Frame
- Grounding Device
- Locking Window
- Touch-Up Paint (ATPPY61)



Knockout Pattern
(from outside of box)

Screw Cover Type I Pull Boxes

Standard Sizes Screw Cover Pull Boxes

Catalog Number	A x B x C in. (mm)	Style	Number of Cover Screws	Knockout Pattern along "A" Sides	Knockout Pattern along "B" Sides
ASE4X4X3	4.00 x 4.00 x 3.00 (102 x 102 x 76)	Painted with Knockouts	2	B-C	B-C
ASG4X4X3	4.00 x 4.00 x 3.00 (102 x 102 x 76)	Galvanized with Knockouts	2	B-C	B-C
ASE4X4X3NK	4.00 x 4.00 x 3.00 (102 x 102 x 76)	Painted without Knockouts	2	—	—
ASG4X4X3NK	4.00 x 4.00 x 3.00 (102 x 102 x 76)	Galvanized without Knockouts	2	—	—
ASE6X6X3	6.00 x 6.00 x 3.00 (152 x 152 x 76)	Painted with Knockouts	2	B-C-D	B-C-D
ASG6X6X3	6.00 x 6.00 x 3.00 (152 x 152 x 76)	Galvanized with Knockouts	2	B-C-D	B-C-D
ASE6X6X3NK	6.00 x 6.00 x 3.00 (152 x 152 x 76)	Painted without Knockouts	2	—	—
ASG6X6X3NK	6.00 x 6.00 x 3.00 (152 x 152 x 76)	Galvanized without Knockouts	2	—	—
ASE8X6X3	8.00 x 6.00 x 3.00 (203 x 152 x 76)	Painted with Knockouts	2	F-G-H-I	B-C-D
ASG8X6X3	8.00 x 6.00 x 3.00 (203 x 152 x 76)	Galvanized with Knockouts	2	F-G-H-I	B-C-D
ASE8X6X3NK	8.00 x 6.00 x 3.00 (203 x 152 x 76)	Painted without Knockouts	2	—	—
ASG8X6X3NK	8.00 x 6.00 x 3.00 (203 x 152 x 76)	Galvanized without Knockouts	2	—	—
ASE16X14X3	16.00 x 14.00 x 3.00 (406 x 356 x 76)	Painted with Knockouts	4	B-C-D-E-F-G-H	B-C-D-E-F-G-H
ASE16X14X3NK	16.00 x 14.00 x 3.00 (406 x 356 x 76)	Painted without Knockouts	4	—	—
ASE18X14X3	18.00 x 14.00 x 3.00 (457 x 356 x 76)	Painted with Knockouts	4	A-B-C-D-E-F-G-H-I	B-C-D-E-F-G-H
ASE20X14X3NK	20.00 x 14.00 x 3.00 (508 x 356 x 76)	Painted without Knockouts	4	—	—
ASE4X4X4	4.00 x 4.00 x 4.00 (102 x 102 x 102)	Painted with Knockouts	2	B-C	B-C
ASG4X4X4	4.00 x 4.00 x 4.00 (102 x 102 x 102)	Galvanized with Knockouts	2	B-C	B-C
ASE4X4X4NK	4.00 x 4.00 x 4.00 (102 x 102 x 102)	Painted without Knockouts	2	—	—
ASG4X4X4NK	4.00 x 4.00 x 4.00 (102 x 102 x 102)	Galvanized without Knockouts	2	—	—
ASE6X4X4	6.00 x 4.00 x 4.00 (152 x 102 x 102)	Painted with Knockouts	2	B-C-D	B-C
ASG6X4X4	6.00 x 4.00 x 4.00 (152 x 102 x 102)	Galvanized with Knockouts	2	B-C-D	B-C
ASE6X4X4NK	6.00 x 4.00 x 4.00 (152 x 102 x 102)	Painted without Knockouts	2	—	—
ASG6X4X4NK	6.00 x 4.00 x 4.00 (152 x 102 x 102)	Galvanized without Knockouts	2	—	—
ASE6X6X4	6.00 x 6.00 x 4.00 (152 x 152 x 102)	Painted with Knockouts	2	B-C-D	B-C-D
ASG6X6X4	6.00 x 6.00 x 4.00 (152 x 152 x 102)	Galvanized with Knockouts	2	B-C-D	B-C-D
ASE6X6X4NK	6.00 x 6.00 x 4.00 (152 x 152 x 102)	Painted without Knockouts	2	—	—
ASG6X6X4NK	6.00 x 6.00 x 4.00 (152 x 152 x 102)	Galvanized without Knockouts	2	—	—
ASE8X6X4	8.00 x 6.00 x 4.00 (203 x 152 x 102)	Painted with Knockouts	2	F-G-H-I	B-C-D
ASG8X6X4	8.00 x 6.00 x 4.00 (203 x 152 x 102)	Galvanized with Knockouts	2	F-G-H-I	B-C-D
ASE8X6X4NK	8.00 x 6.00 x 4.00 (203 x 152 x 102)	Painted without Knockouts	2	—	—
ASG8X6X4NK	8.00 x 6.00 x 4.00 (203 x 152 x 102)	Galvanized without Knockouts	2	—	—
ASE8X8X4	8.00 x 8.00 x 4.00 (203 x 203 x 102)	Painted with Knockouts	4	F-G-H-I	F-G-H-I
ASG8X8X4	8.00 x 8.00 x 4.00 (203 x 203 x 102)	Galvanized with Knockouts	4	F-G-H-I	F-G-H-I
ASE8X8X4NK	8.00 x 8.00 x 4.00 (203 x 203 x 102)	Painted without Knockouts	4	—	—
ASG8X8X4NK	8.00 x 8.00 x 4.00 (203 x 203 x 102)	Galvanized without Knockouts	4	—	—
ASE10X6X4NK	10.00 x 6.00 x 4.00 (254 x 152 x 102)	Painted without Knockouts	4	—	—
ASG10X6X4NK	10.00 x 6.00 x 4.00 (254 x 152 x 102)	Galvanized without Knockouts	4	—	—
ASE10X8X4	10.00 x 8.00 x 4.00 (254 x 203 x 102)	Painted with Knockouts	4	F-G-H-I	F-G-H-I
ASG10X8X4	10.00 x 8.00 x 4.00 (254 x 203 x 102)	Galvanized with Knockouts	4	F-G-H-I	F-G-H-I
ASE10X8X4NK	10.00 x 8.00 x 4.00 (254 x 203 x 102)	Painted without Knockouts	4	—	—
ASG10X8X4NK	10.00 x 8.00 x 4.00 (254 x 203 x 102)	Galvanized without Knockouts	4	—	—
ASE10X10X4	10.00 x 10.00 x 4.00 (254 x 254 x 102)	Painted with Knockouts	4	F-G-H-I	C-D-E-F-G
ASG10X10X4	10.00 x 10.00 x 4.00 (254 x 254 x 102)	Galvanized with Knockouts	4	F-G-H-I	C-D-E-F-G
ASE10X10X4NK	10.00 x 10.00 x 4.00 (254 x 254 x 102)	Painted without Knockouts	4	—	—
ASG10X10X4NK	10.00 x 10.00 x 4.00 (254 x 254 x 102)	Galvanized without Knockouts	4	—	—
ASE12X6X4NK	12.00 x 6.00 x 4.00 (305 x 152 x 102)	Painted without Knockouts	4	—	—
ASG12X6X4NK	12.00 x 6.00 x 4.00 (305 x 152 x 102)	Galvanized without Knockouts	4	—	—
ASE12X8X4	12.00 x 8.00 x 4.00 (305 x 203 x 102)	Painted with Knockouts	4	C-D-E-F-G	F-G-H-I
ASG12X8X4	12.00 x 8.00 x 4.00 (305 x 203 x 102)	Galvanized with Knockouts	4	C-D-E-F-G	F-G-H-I
ASE12X8X4NK	12.00 x 8.00 x 4.00 (305 x 203 x 102)	Painted without Knockouts	4	—	—
ASG12X8X4NK	12.00 x 8.00 x 4.00 (305 x 203 x 102)	Galvanized without Knockouts	4	—	—
ASE12X10X4	12.00 x 10.00 x 4.00 (305 x 254 x 102)	Painted with Knockouts	4	C-D-E-F-G	C-D-E-F-G
ASG12X10X4	12.00 x 10.00 x 4.00 (305 x 254 x 102)	Galvanized with Knockouts	4	C-D-E-F-G	C-D-E-F-G
ASE12X10X4NK	12.00 x 10.00 x 4.00 (305 x 254 x 102)	Painted without Knockouts	4	—	—
ASG12X10X4NK	12.00 x 10.00 x 4.00 (305 x 254 x 102)	Galvanized without Knockouts	4	—	—
ASE12X12X4	12.00 x 12.00 x 4.00 (305 x 305 x 102)	Painted with Knockouts	4	C-D-E-F-G	C-D-E-F-G
ASG12X12X4	12.00 x 12.00 x 4.00 (305 x 305 x 102)	Galvanized with Knockouts	4	C-D-E-F-G	C-D-E-F-G
ASE12X12X4NK	12.00 x 12.00 x 4.00 (305 x 305 x 102)	Painted without Knockouts	4	—	—
ASG12X12X4NK	12.00 x 12.00 x 4.00 (305 x 305 x 102)	Galvanized without Knockouts	4	—	—
ASE15X15X4NK	15.00 x 15.00 x 4.00 (381 x 381 x 102)	Painted without Knockouts	4	—	—
ASG15X15X4NK	15.00 x 15.00 x 4.00 (381 x 381 x 102)	Galvanized without Knockouts	4	—	—

**Commercial Boxes
and Enclosures**

Screw Cover Type I Pull Boxes

Standard Sizes Screw Cover Pull Boxes (Cont.)

Catalog Number	A x B x C in. (mm)	Style	Number of Cover Screws	Knockout Pattern along "A" Sides	Knockout Pattern along "B" Sides
ASE16X12X4	16.00 x 12.00 x 4.00 (406 x 305 x 102)	Painted with Knockouts	4	B-C-D-E-F-G-H	C-D-E-F-G
ASG16X12X4	16.00 x 12.00 x 4.00 (406 x 305 x 102)	Galvanized with Knockouts	4	B-C-D-E-F-G-H	C-D-E-F-G
ASE16X12X4NK	16.00 x 12.00 x 4.00 (406 x 305 x 102)	Painted without Knockouts	4	—	—
ASG16X12X4NK	16.00 x 12.00 x 4.00 (406 x 305 x 102)	Galvanized without Knockouts	4	—	—
ASE18X12X4	18.00 x 12.00 x 4.00 (457 x 305 x 102)	Painted with Knockouts	4	A-B-C-D-E-F-G-H-I	C-D-E-F-G
ASG18X12X4	18.00 x 12.00 x 4.00 (457 x 305 x 102)	Galvanized with Knockouts	4	A-B-C-D-E-F-G-H-I	C-D-E-F-G
ASE18X12X4NK	18.00 x 12.00 x 4.00 (457 x 305 x 102)	Painted without Knockouts	4	—	—
ASG18X12X4NK	18.00 x 12.00 x 4.00 (457 x 305 x 102)	Galvanized without Knockouts	4	—	—
ASE18X15X4NK	18.00 x 15.00 x 4.00 (457 x 381 x 102)	Painted without Knockouts	4	—	—
ASE18X18X4	18.00 x 18.00 x 4.00 (457 x 457 x 102)	Painted with Knockouts	4	A-B-C-D-E-F-G-H-I	A-B-C-D-E-F-G-H-I
ASG18X18X4	18.00 x 18.00 x 4.00 (457 x 457 x 102)	Galvanized with Knockouts	4	A-B-C-D-E-F-G-H-I	A-B-C-D-E-F-G-H-I
ASE18X18X4NK	18.00 x 18.00 x 4.00 (457 x 457 x 102)	Painted without Knockouts	4	—	—
ASG18X18X4NK	18.00 x 18.00 x 4.00 (457 x 457 x 102)	Galvanized without Knockouts	4	—	—
ASE24X12X4	24.00 x 12.00 x 4.00 (610 x 305 x 102)	Painted with Knockouts	4	A-B-C-D-E-F-G-H-I	C-D-E-F-G
ASE24X12X4NK	24.00 x 12.00 x 4.00 (610 x 305 x 102)	Painted without Knockouts	4	—	—
ASE24X18X4NK	24.00 x 18.00 x 4.00 (610 x 457 x 102)	Painted without Knockouts	4	—	—
ASG24X18X4NK	24.00 x 18.00 x 4.00 (610 x 457 x 102)	Galvanized without Knockouts	4	—	—
ASE24X24X4	24.00 x 24.00 x 4.00 (610 x 610 x 102)	Painted with Knockouts	4	A-B-C-D-E-F-G-H-I	A-B-C-D-E-F-G-H-I
ASG24X24X4	24.00 x 24.00 x 4.00 (610 x 610 x 102)	Galvanized with Knockouts	4	A-B-C-D-E-F-G-H-I	A-B-C-D-E-F-G-H-I
ASE24X24X4NK	24.00 x 24.00 x 4.00 (610 x 610 x 102)	Painted without Knockouts	4	—	—
ASG24X24X4NK	24.00 x 24.00 x 4.00 (610 x 610 x 102)	Galvanized without Knockouts	4	—	—
ASE30X24X4	30.00 x 24.00 x 4.00 (762 x 610 x 102)	Painted with Knockouts	6	A-B-C-D-E-F-G-H-I	A-B-C-D-E-F-G-H-I
ASE30X24X4NK	30.00 x 24.00 x 4.00 (762 x 610 x 102)	Painted without Knockouts	6	—	—
ASE30X30X4NK	30.00 x 30.00 x 4.00 (762 x 762 x 102)	Painted without Knockouts	8	—	—
ASE6X6X6	6.00 x 6.00 x 6.00 (152 x 152 x 152)	Painted with Knockouts	2	B-C-D	B-C-D
ASG6X6X6	6.00 x 6.00 x 6.00 (152 x 152 x 152)	Galvanized with Knockouts	2	B-C-D	B-C-D
ASE6X6X6NK	6.00 x 6.00 x 6.00 (152 x 152 x 152)	Painted without Knockouts	2	—	—
ASG6X6X6NK	6.00 x 6.00 x 6.00 (152 x 152 x 152)	Galvanized without Knockouts	2	—	—
ASE8X6X6	8.00 x 6.00 x 6.00 (203 x 152 x 152)	Painted with Knockouts	2	F-G-H-I	B-C-D
ASE8X6X6NK	8.00 x 6.00 x 6.00 (203 x 152 x 152)	Painted without Knockouts	2	—	—
ASG8X6X6NK	8.00 x 6.00 x 6.00 (203 x 152 x 152)	Galvanized without Knockouts	2	—	—
ASE8X8X6	8.00 x 8.00 x 6.00 (203 x 203 x 152)	Painted with Knockouts	4	F-G-H-I	F-G-H-I
ASG8X8X6	8.00 x 8.00 x 6.00 (203 x 203 x 152)	Galvanized with Knockouts	4	F-G-H-I	F-G-H-I
ASE8X8X6NK	8.00 x 8.00 x 6.00 (203 x 203 x 152)	Painted without Knockouts	4	—	—
ASG8X8X6NK	8.00 x 8.00 x 6.00 (203 x 203 x 152)	Galvanized without Knockouts	4	—	—
ASE10X8X6	10.00 x 8.00 x 6.00 (254 x 203 x 152)	Painted with Knockouts	4	F-G-H-I	F-G-H-I
ASG10X8X6	10.00 x 8.00 x 6.00 (254 x 203 x 152)	Galvanized with Knockouts	4	F-G-H-I	F-G-H-I
ASE10X8X6NK	10.00 x 8.00 x 6.00 (254 x 203 x 152)	Painted without Knockouts	4	—	—
ASG10X8X6NK	10.00 x 8.00 x 6.00 (254 x 203 x 152)	Galvanized without Knockouts	4	—	—
ASE10X10X6	10.00 x 10.00 x 6.00 (254 x 254 x 152)	Painted with Knockouts	4	F-G-H-I	C-D-E-F-G
ASG10X10X6	10.00 x 10.00 x 6.00 (254 x 254 x 152)	Galvanized with Knockouts	4	F-G-H-I	C-D-E-F-G
ASE10X10X6NK	10.00 x 10.00 x 6.00 (254 x 254 x 152)	Painted without Knockouts	4	—	—
ASG10X10X6NK	10.00 x 10.00 x 6.00 (254 x 254 x 152)	Galvanized without Knockouts	4	—	—
ASE12X6X6NK	12.00 x 6.00 x 6.00 (305 x 152 x 152)	Painted without Knockouts	4	—	—
ASE12X8X6NK	12.00 x 8.00 x 6.00 (305 x 203 x 152)	Painted without Knockouts	4	—	—
ASG12X8X6NK	12.00 x 8.00 x 6.00 (305 x 203 x 152)	Galvanized without Knockouts	4	—	—
ASE12X10X6	12.00 x 10.00 x 6.00 (305 x 254 x 152)	Painted with Knockouts	4	C-D-E-F-G	C-D-E-F-G
ASG12X10X6	12.00 x 10.00 x 6.00 (305 x 254 x 152)	Galvanized with Knockouts	4	C-D-E-F-G	C-D-E-F-G
ASE12X10X6NK	12.00 x 10.00 x 6.00 (305 x 254 x 152)	Painted without Knockouts	4	—	—
ASG12X10X6NK	12.00 x 10.00 x 6.00 (305 x 254 x 152)	Galvanized without Knockouts	4	—	—
ASE12X12X6	12.00 x 12.00 x 6.00 (305 x 305 x 152)	Painted with Knockouts	4	C-D-E-F-G	C-D-E-F-G
ASG12X12X6	12.00 x 12.00 x 6.00 (305 x 305 x 152)	Galvanized with Knockouts	4	C-D-E-F-G	C-D-E-F-G
ASE12X12X6NK	12.00 x 12.00 x 6.00 (305 x 305 x 152)	Painted without Knockouts	4	—	—
ASG12X12X6NK	12.00 x 12.00 x 6.00 (305 x 305 x 152)	Galvanized without Knockouts	4	—	—
ASE16X12X6	16.00 x 12.00 x 6.00 (406 x 305 x 152)	Painted with Knockouts	4	B-C-D-E-F-G-H	C-D-E-F-G
ASG16X12X6	16.00 x 12.00 x 6.00 (406 x 305 x 152)	Galvanized with Knockouts	4	B-C-D-E-F-G-H	C-D-E-F-G
ASE16X12X6NK	16.00 x 12.00 x 6.00 (406 x 305 x 152)	Painted without Knockouts	4	—	—
ASG16X12X6NK	16.00 x 12.00 x 6.00 (406 x 305 x 152)	Galvanized without Knockouts	4	—	—
ASE16X16X6	16.00 x 16.00 x 6.00 (406 x 406 x 152)	Painted with Knockouts	4	B-C-D-E-F-G-H	B-C-D-E-F-G-H
ASG16X16X6	16.00 x 16.00 x 6.00 (406 x 406 x 152)	Galvanized with Knockouts	4	B-C-D-E-F-G-H	B-C-D-E-F-G-H
ASE16X16X6NK	16.00 x 16.00 x 6.00 (406 x 406 x 152)	Painted without Knockouts	4	—	—
ASG16X16X6NK	16.00 x 16.00 x 6.00 (406 x 406 x 152)	Galvanized without Knockouts	4	—	—

Screw Cover Type I Pull Boxes

Standard Sizes Screw Cover Pull Boxes (Cont.)

Catalog Number	A x B x C in. (mm)	Style	Number of Cover Screws	Knockout Pattern along "A" Sides	Knockout Pattern along "B" Sides
ASE18X12X6	18.00 x 12.00 x 6.00 (457 x 305 x 152)	Painted with Knockouts	4	A-B-C-D-E-F-G-H-I	C-D-E-F-G
ASG18X12X6	18.00 x 12.00 x 6.00 (457 x 305 x 152)	Galvanized with Knockouts	4	A-B-C-D-E-F-G-H-I	C-D-E-F-G
ASE18X12X6NK	18.00 x 12.00 x 6.00 (457 x 305 x 152)	Painted without Knockouts	4	—	—
ASG18X12X6NK	18.00 x 12.00 x 6.00 (457 x 305 x 152)	Galvanized without Knockouts	4	—	—
ASE18X18X6	18.00 x 18.00 x 6.00 (457 x 457 x 152)	Painted with Knockouts	4	A-B-C-D-E-F-G-H-I	A-B-C-D-E-F-G-H-I
ASG18X18X6	18.00 x 18.00 x 6.00 (457 x 457 x 152)	Galvanized with Knockouts	4	A-B-C-D-E-F-G-H-I	A-B-C-D-E-F-G-H-I
ASE18X18X6NK	18.00 x 18.00 x 6.00 (457 x 457 x 152)	Painted without Knockouts	4	—	—
ASG18X18X6NK	18.00 x 18.00 x 6.00 (457 x 457 x 152)	Galvanized without Knockouts	4	—	—
ASE24X12X6NK	24.00 x 12.00 x 6.00 (610 x 305 x 152)	Painted without Knockouts	4	—	—
ASG24X12X6NK	24.00 x 12.00 x 6.00 (610 x 305 x 152)	Galvanized without Knockouts	4	—	—
ASE24X18X6	24.00 x 18.00 x 6.00 (610 x 457 x 152)	Painted with Knockouts	4	A-B-C-D-E-F-G-H-I	A-B-C-D-E-F-G-H-I
ASG24X18X6	24.00 x 18.00 x 6.00 (610 x 457 x 152)	Galvanized with Knockouts	4	A-B-C-D-E-F-G-H-I	A-B-C-D-E-F-G-H-I
ASE24X18X6NK	24.00 x 18.00 x 6.00 (610 x 457 x 152)	Painted without Knockouts	4	—	—
ASG24X18X6NK	24.00 x 18.00 x 6.00 (610 x 457 x 152)	Galvanized without Knockouts	4	—	—
ASE24X20X6NK	24.00 x 20.00 x 6.00 (610 x 508 x 152)	Painted without Knockouts	4	—	—
ASG24X20X6NK	24.00 x 20.00 x 6.00 (610 x 508 x 152)	Galvanized without Knockouts	4	—	—
ASE24X24X6	24.00 x 24.00 x 6.00 (610 x 610 x 152)	Painted with Knockouts	4	A-B-C-D-E-F-G-H-I	A-B-C-D-E-F-G-H-I
ASG24X24X6	24.00 x 24.00 x 6.00 (610 x 610 x 152)	Galvanized with Knockouts	4	A-B-C-D-E-F-G-H-I	A-B-C-D-E-F-G-H-I
ASE24X24X6NK	24.00 x 24.00 x 6.00 (610 x 610 x 152)	Painted without Knockouts	4	—	—
ASG24X24X6NK	24.00 x 24.00 x 6.00 (610 x 610 x 152)	Galvanized without Knockouts	4	—	—
ASE30X24X6	30.00 x 24.00 x 6.00 (762 x 610 x 152)	Painted with Knockouts	6	A-B-C-D-E-F-G-H-I	A-B-C-D-E-F-G-H-I
ASG30X24X6	30.00 x 24.00 x 6.00 (762 x 610 x 152)	Galvanized with Knockouts	6	A-B-C-D-E-F-G-H-I	A-B-C-D-E-F-G-H-I
ASE30X24X6NK	30.00 x 24.00 x 6.00 (762 x 610 x 152)	Painted without Knockouts	6	—	—
ASG30X24X6NK	30.00 x 24.00 x 6.00 (762 x 610 x 152)	Galvanized without Knockouts	6	—	—
ASE30X30X6NK	30.00 x 30.00 x 6.00 (762 x 762 x 152)	Painted without Knockouts	8	—	—
ASG30X30X6NK	30.00 x 30.00 x 6.00 (762 x 762 x 152)	Galvanized without Knockouts	8	—	—
ASE36X24X6	36.00 x 24.00 x 6.00 (914 x 610 x 152)	Painted with Knockouts	6	A-B-C-D-E-F-G-H-I	A-B-C-D-E-F-G-H-I
ASG36X24X6	36.00 x 24.00 x 6.00 (914 x 610 x 152)	Galvanized with Knockouts	6	A-B-C-D-E-F-G-H-I	A-B-C-D-E-F-G-H-I
ASE36X24X6NK	36.00 x 24.00 x 6.00 (914 x 610 x 152)	Painted without Knockouts	6	—	—
ASG36X24X6NK	36.00 x 24.00 x 6.00 (914 x 610 x 152)	Galvanized without Knockouts	6	—	—
ASE36X30X6NK	36.00 x 30.00 x 6.00 (914 x 762 x 152)	Painted without Knockouts	8	—	—
ASG36X30X6NK	36.00 x 30.00 x 6.00 (914 x 762 x 152)	Galvanized without Knockouts	8	—	—
ASE8X8X8	8.00 x 8.00 x 8.00 (203 x 203 x 203)	Painted with Knockouts	4	F-G-H-I	F-G-H-I
ASE8X8X8NK	8.00 x 8.00 x 8.00 (203 x 203 x 203)	Painted without Knockouts	4	—	—
ASG8X8X8NK	8.00 x 8.00 x 8.00 (203 x 203 x 203)	Galvanized without Knockouts	4	—	—
ASE10X10X8NK	10.00 x 10.00 x 8.00 (254 x 254 x 203)	Painted without Knockouts	4	—	—
ASG10X10X8NK	10.00 x 10.00 x 8.00 (254 x 254 x 203)	Galvanized without Knockouts	4	—	—
ASE12X10X8NK	12.00 x 10.00 x 8.00 (305 x 254 x 203)	Painted without Knockouts	4	—	—
ASE12X12X8	12.00 x 12.00 x 8.00 (305 x 305 x 203)	Painted with Knockouts	4	C-D-E-F-G	C-D-E-F-G
ASG12X12X8	12.00 x 12.00 x 8.00 (305 x 305 x 203)	Galvanized with Knockouts	4	C-D-E-F-G	C-D-E-F-G
ASE12X12X8NK	12.00 x 12.00 x 8.00 (305 x 305 x 203)	Painted without Knockouts	4	—	—
ASG12X12X8NK	12.00 x 12.00 x 8.00 (305 x 305 x 203)	Galvanized without Knockouts	4	—	—
ASE16X12X8	16.00 x 12.00 x 8.00 (406 x 305 x 203)	Painted with Knockouts	4	B-C-D-E-F-G-H	C-D-E-F-G
ASE16X12X8NK	16.00 x 12.00 x 8.00 (406 x 305 x 203)	Painted without Knockouts	4	—	—
ASE18X12X8	18.00 x 12.00 x 8.00 (457 x 305 x 203)	Painted with Knockouts	4	A-B-C-D-E-F-G-H-I	C-D-E-F-G
ASE18X12X8NK	18.00 x 12.00 x 8.00 (457 x 305 x 203)	Painted without Knockouts	4	—	—
ASG18X12X8NK	18.00 x 12.00 x 8.00 (457 x 305 x 203)	Galvanized without Knockouts	4	—	—
ASE18X18X8NK	18.00 x 18.00 x 8.00 (457 x 457 x 203)	Painted without Knockouts	4	—	—
ASG18X18X8NK	18.00 x 18.00 x 8.00 (457 x 457 x 203)	Galvanized without Knockouts	4	—	—
ASE24X12X8	24.00 x 12.00 x 8.00 (610 x 305 x 203)	Painted with Knockouts	4	A-B-C-D-E-F-G-H-I	C-D-E-F-G
ASE24X12X8NK	24.00 x 12.00 x 8.00 (610 x 305 x 203)	Painted without Knockouts	4	—	—
ASG24X12X8NK	24.00 x 12.00 x 8.00 (610 x 305 x 203)	Galvanized without Knockouts	4	—	—
ASE24X18X8	24.00 x 18.00 x 8.00 (610 x 457 x 203)	Painted with Knockouts	4	A-B-C-D-E-F-G-H-I	A-B-C-D-E-F-G-H-I
ASE24X18X8NK	24.00 x 18.00 x 8.00 (610 x 457 x 203)	Painted without Knockouts	4	—	—
ASG24X18X8NK	24.00 x 18.00 x 8.00 (610 x 457 x 203)	Galvanized without Knockouts	4	—	—
ASE24X20X8NK	24.00 x 20.00 x 8.00 (610 x 508 x 203)	Painted without Knockouts	4	—	—
ASG24X20X8NK	24.00 x 20.00 x 8.00 (610 x 508 x 203)	Galvanized without Knockouts	4	—	—
ASE24X24X8	24.00 x 24.00 x 8.00 (610 x 610 x 203)	Painted with Knockouts	4	A-B-C-D-E-F-G-H-I	A-B-C-D-E-F-G-H-I
ASE24X24X8NK	24.00 x 24.00 x 8.00 (610 x 610 x 203)	Painted without Knockouts	4	—	—
ASG24X24X8NK	24.00 x 24.00 x 8.00 (610 x 610 x 203)	Galvanized without Knockouts	4	—	—
ASE30X24X8NK	30.00 x 24.00 x 8.00 (762 x 610 x 203)	Painted without Knockouts	6	—	—

Commercial Boxes
and Enclosures

Screw Cover Type I Pull Boxes

Standard Sizes Screw Cover Pull Boxes (Cont.)

Catalog Number	A x B x C in. (mm)	Style	Number of Cover Screws	Knockout Pattern along "A" Sides	Knockout Pattern along "B" Sides
ASG30X24X8NK	30.00 x 24.00 x 8.00 (762 x 610 x 203)	Galvanized without Knockouts	6	—	—
ASE30X30X8NK	30.00 x 30.00 x 8.00 (762 x 762 x 203)	Painted without Knockouts	8	—	—
ASG30X30X8NK	30.00 x 30.00 x 8.00 (762 x 762 x 203)	Galvanized without Knockouts	6	—	—
ASE36X24X8	36.00 x 24.00 x 8.00 (914 x 610 x 203)	Painted with Knockouts	6	A-B-C-D-E-F-G-H-I	A-B-C-D-E-F-G-H-I
ASE36X24X8NK	36.00 x 24.00 x 8.00 (914 x 610 x 203)	Painted without Knockouts	6	—	—
ASG36X24X8NK	36.00 x 24.00 x 8.00 (914 x 610 x 203)	Galvanized without Knockouts	6	—	—
ASE36X36X8NK	36.00 x 36.00 x 8.00 (914 x 914 x 203)	Painted without Knockouts	8	—	—
ASG36X36X8NK	36.00 x 36.00 x 8.00 (914 x 914 x 203)	Galvanized without Knockouts	8	—	—
ASE12X12X10NK	12.00 x 12.00 x 10.00 (305 x 305 x 254)	Painted without Knockouts	4	—	—
ASG12X12X10NK	12.00 x 12.00 x 10.00 (305 x 305 x 254)	Galvanized without Knockouts	4	—	—
ASE18X12X10	18.00 x 12.00 x 10.00 (457 x 305 x 254)	Painted with Knockouts	4	A-B-C-D-E-F-G-H-I	C-D-E-F-G
ASE18X12X10NK	18.00 x 12.00 x 10.00 (457 x 305 x 254)	Painted without Knockouts	4	—	—
ASE18X18X10	18.00 x 18.00 x 10.00 (457 x 457 x 254)	Painted with Knockouts	4	A-B-C-D-E-F-G-H-I	A-B-C-D-E-F-G-H-I
ASE18X18X10NK	18.00 x 18.00 x 10.00 (457 x 457 x 254)	Painted without Knockouts	4	—	—
ASG18X18X10NK	18.00 x 18.00 x 10.00 (457 x 457 x 254)	Galvanized without Knockouts	4	—	—
ASE24X12X10	24.00 x 12.00 x 10.00 (610 x 305 x 254)	Painted with Knockouts	4	A-B-C-D-E-F-G-H-I	C-D-E-F-G
ASE24X12X10NK	24.00 x 12.00 x 10.00 (610 x 305 x 254)	Painted without Knockouts	4	—	—
ASE24X18X10	24.00 x 18.00 x 10.00 (610 x 457 x 254)	Painted with Knockouts	4	A-B-C-D-E-F-G-H-I	A-B-C-D-E-F-G-H-I
ASE24X18X10NK	24.00 x 18.00 x 10.00 (610 x 457 x 254)	Painted without Knockouts	4	—	—
ASE24X24X10	24.00 x 24.00 x 10.00 (610 x 610 x 254)	Painted with Knockouts	4	A-B-C-D-E-F-G-H-I	A-B-C-D-E-F-G-H-I
ASE24X24X10NK	24.00 x 24.00 x 10.00 (610 x 610 x 254)	Painted without Knockouts	4	—	—
ASG24X24X10NK	24.00 x 24.00 x 10.00 (610 x 610 x 254)	Galvanized without Knockouts	4	—	—
ASE30X24X10NK	30.00 x 24.00 x 10.00 (762 x 610 x 254)	Painted without Knockouts	6	—	—
ASE30X30X10NK	30.00 x 30.00 x 10.00 (762 x 762 x 254)	Painted without Knockouts	8	—	—
ASG30X30X10NK	30.00 x 30.00 x 10.00 (762 x 762 x 254)	Galvanized without Knockouts	8	—	—
ASE36X24X10	36.00 x 24.00 x 10.00 (914 x 610 x 254)	Painted with Knockouts	6	A-B-C-D-E-F-G-H-I	A-B-C-D-E-F-G-H-I
ASE36X24X10NK	36.00 x 24.00 x 10.00 (914 x 610 x 254)	Painted without Knockouts	6	—	—
ASG36X24X10NK	36.00 x 24.00 x 10.00 (914 x 610 x 254)	Galvanized without Knockouts	6	—	—
ASE36X36X10NK	36.00 x 36.00 x 10.00 (914 x 914 x 254)	Painted without Knockouts	8	—	—
ASG36X36X10NK	36.00 x 36.00 x 10.00 (914 x 914 x 254)	Galvanized without Knockouts	8	—	—
ASE12X12X12NK	12.00 x 12.00 x 12.00 (305 x 305 x 305)	Painted without Knockouts	4	—	—
ASG12X12X12NK	12.00 x 12.00 x 12.00 (305 x 305 x 305)	Galvanized without Knockouts	4	—	—
ASE24X12X12	24.00 x 12.00 x 12.00 (610 x 305 x 305)	Painted with Knockouts	4	A-B-C-D-E-F-G-H-I	C-D-E-F-G
ASE24X12X12NK	24.00 x 12.00 x 12.00 (610 x 305 x 305)	Painted without Knockouts	4	—	—
ASG24X12X12NK	24.00 x 12.00 x 12.00 (610 x 305 x 305)	Galvanized without Knockouts	4	—	—
ASE18X18X12	18.00 x 18.00 x 12.00 (457 x 457 x 305)	Painted with Knockouts	4	A-B-C-D-E-F-G-H-I	A-B-C-D-E-F-G-H-I
ASE18X18X12NK	18.00 x 18.00 x 12.00 (457 x 457 x 305)	Painted without Knockouts	4	—	—
ASG18X18X12NK	18.00 x 18.00 x 12.00 (457 x 457 x 305)	Galvanized without Knockouts	4	—	—
ASE24X18X12	24.00 x 18.00 x 12.00 (610 x 457 x 305)	Painted with Knockouts	4	A-B-C-D-E-F-G-H-I	A-B-C-D-E-F-G-H-I
ASE24X18X12NK	24.00 x 18.00 x 12.00 (610 x 457 x 305)	Painted without Knockouts	4	—	—
ASE24X24X12	24.00 x 24.00 x 12.00 (610 x 610 x 305)	Painted with Knockouts	4	A-B-C-D-E-F-G-H-I	A-B-C-D-E-F-G-H-I
ASE24X24X12NK	24.00 x 24.00 x 12.00 (610 x 610 x 305)	Painted without Knockouts	4	—	—
ASG24X24X12NK	24.00 x 24.00 x 12.00 (610 x 610 x 305)	Galvanized without Knockouts	4	—	—
ASE30X24X12	30.00 x 24.00 x 12.00 (762 x 610 x 305)	Painted with Knockouts	6	A-B-C-D-E-F-G-H-I	A-B-C-D-E-F-G-H-I
ASE30X24X12NK	30.00 x 24.00 x 12.00 (762 x 610 x 305)	Painted without Knockouts	6	—	—
ASE30X30X12NK	30.00 x 30.00 x 12.00 (762 x 762 x 305)	Painted without Knockouts	8	—	—
ASG30X30X12NK	30.00 x 30.00 x 12.00 (762 x 762 x 305)	Galvanized without Knockouts	8	—	—
ASE36X24X12	36.00 x 24.00 x 12.00 (914 x 610 x 305)	Painted with Knockouts	6	A-B-C-D-E-F-G-H-I	A-B-C-D-E-F-G-H-I
ASE36X24X12NK	36.00 x 24.00 x 12.00 (914 x 610 x 305)	Painted without Knockouts	6	—	—
ASG36X24X12NK	36.00 x 24.00 x 12.00 (914 x 610 x 305)	Galvanized without Knockouts	6	—	—
ASE36X36X12NK	36.00 x 36.00 x 12.00 (914 x 914 x 305)	Painted without Knockouts	8	—	—
ASG36X36X12NK	36.00 x 36.00 x 12.00 (914 x 914 x 305)	Galvanized without Knockouts	8	—	—
ASE48X48X12NK	48.00 x 48.00 x 12.00 (1219 x 1219 x 305)	Painted without Knockouts	12	—	—
ASG48X48X12NK	48.00 x 48.00 x 12.00 (1219 x 1219 x 305)	Galvanized without Knockouts	12	—	—
ASE30X30X16NK	30.00 x 30.00 x 16.00 (762 x 762 x 406)	Painted without Knockouts	8	—	—
ASE36X36X16NK	36.00 x 36.00 x 16.00 (914 x 914 x 406)	Painted without Knockouts	8	—	—
ASG36X36X16NK	36.00 x 36.00 x 16.00 (914 x 914 x 406)	Galvanized without Knockouts	8	—	—
ASE48X48X16NK	48.00 x 48.00 x 16.00 (1219 x 1219 x 406)	Painted without Knockouts	12	—	—
ASG48X48X16NK	48.00 x 48.00 x 16.00 (1219 x 1219 x 406)	Galvanized without Knockouts	12	—	—

Screw Cover Type I Pull Boxes

Flush Covers



Designed to mount on enclosure for flush installations. Cover is 16 or 14 gauge steel finished with ANSI 61 gray polyester powder paint.

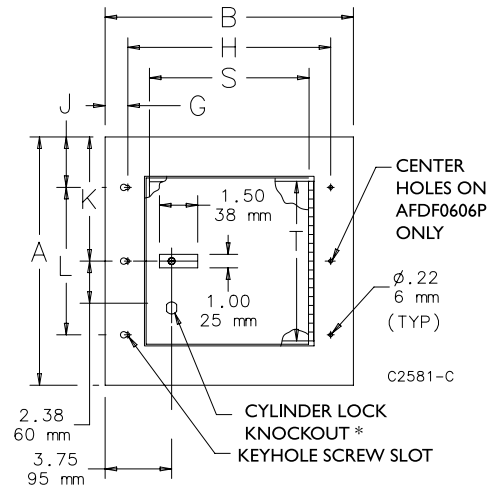
Catalog Number	A x B in. (mm)	Fits Box Size		Cover Gauge
		A x B (in.)	A x B (mm)	
AFE6X6	7.50 x 7.50 (191 x 191)	6.00 x 6.00	152 x 152	16
AFE8X6	9.50 x 7.50 (241 x 191)	8.00 x 6.00	203 x 152	16
AFE8X8	9.50 x 9.50 (241 x 241)	8.00 x 8.00	203 x 203	16
AFE10X8	11.50 x 9.50 (292 x 241)	10.00 x 8.00	254 x 203	16
AFE12X8	13.50 x 9.50 (343 x 241)	12.00 x 8.00	305 x 203	16
AFE10X10	11.50 x 11.50 (292 x 292)	10.00 x 10.00	254 x 254	16
AFE12X12	13.50 x 13.50 (343 x 343)	12.00 x 12.00	305 x 305	16
AFE18X12	19.50 x 13.50 (495 x 343)	18.00 x 12.00	457 x 305	16
AFE18X18	19.50 x 19.50 (495 x 495)	18.00 x 18.00	457 x 457	16
AFE24X18	25.50 x 19.50 (648 x 495)	24.00 x 18.00	610 x 457	14
AFE24X24	25.50 x 25.50 (648 x 648)	24.00 x 24.00	610 x 610	14

Flush-Mounted Door Frames



For use in Screw Cover Pull Box telephone cabinet installations or in communication wiring and signal systems. Also as a junction or pull box and switch enclosure.

- Continuous hinge
- 14 gauge steel door frame with ANSI 61 gray polyester powder paint finish
- Rugged black composite slide latch
- Optional tamper-resistant lock kit includes cylinder lock, tamper-resistant screws, and special driver bitLock Kit (ACLFDF)



* Not available on AFDF0606P

Catalog Number	Frame Size A x B (in.)	Frame Size A x B (mm)	Door Size T (in.)	Door Size T (mm)	Door Size S (in.)	Door Size S (mm)	Fits Box Size A x B (in.)	Fits Box Size A x B (mm)	G (in.)	G (mm)	H (in.)	H (mm)	J (in.)	J (mm)	K (in.)	K (mm)	L (in.)	L (mm)
AFDF0606P	8.00 x 8.00	203 x 203	3.00	76	3.00	76	6.00 x 6.00	152 x 152	1.28	32	5.44	138	N/A	N/A	4.00	102	N/A	N/A
AFDF1212P	14.00 x 14.00	356 x 356	9.00	229	9.00	229	12.00 x 12.00	305 x 305	1.28	32	11.44	291	2.84	72	7.00	178	8.31	211
AFDF1812P	20.00 x 14.00	508 x 356	15.00	381	9.00	229	18.00 x 12.00	457 x 305	1.28	32	11.44	291	2.84	72	10.00	254	14.31	364
AFDF1818P	20.00 x 20.00	508 x 508	15.00	381	15.00	381	18.00 x 18.00	457 x 457	1.28	32	17.44	443	2.84	72	10.00	254	14.31	364
AFDF2418P	26.00 x 20.00	660 x 508	21.00	533	15.00	381	24.00 x 18.00	610 x 457	1.28	32	17.44	443	2.84	72	13.00	330	20.31	516
AFDF2424P	26.00 x 26.00	660 x 660	21.00	533	21.00	533	24.00 x 24.00	610 x 610	1.30	33	23.41	595	2.84	72	13.00	330	20.31	516
AFDF3024P	32.00 x 26.00	813 x 660	27.00	686	21.00	533	30.00 x 24.00	762 x 610	1.30	33	23.41	595	2.84	72	16.00	406	26.31	668

Type I locking Window Pull Box Accessory



Application

Secure lighting switches and controls not for public access behind the locking window accessory kit. It has a removable aluminum dead-front mounting surface that provides a flexible and easy means to create component cutouts. This is a flush- or surface-mount cover accessory that fits a standard Type I pull box.

Features

- Hinged door with 3/16-in. polycarbonate window
- Includes 4 torx-head screws to secure to pull box
- Removable 1/8-in. aluminum dead-front panel for easy device cutout
- 1/2-in. overhang for flush- or surface-mount applications
- Cylinder key lock to access dead front

Construction

- 16 gauge steel

Finish

Black polyester powder paint finish inside and out over phosphatized surfaces

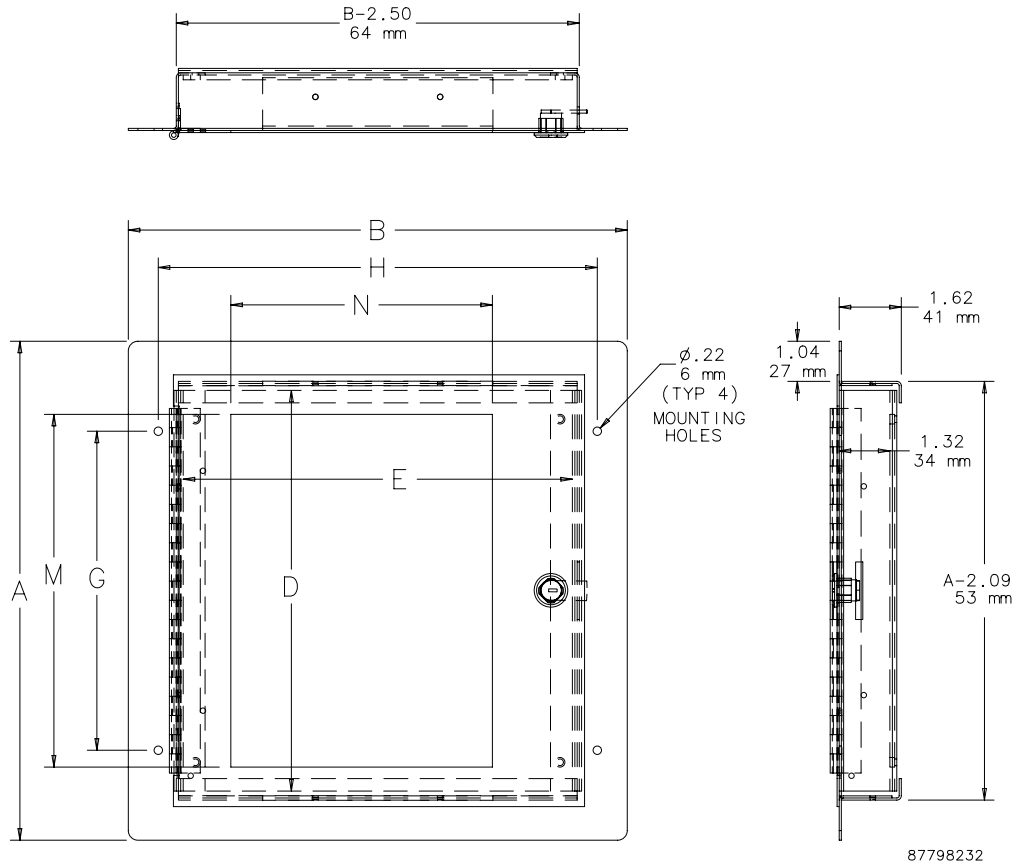
Industry Standards

NEMA/EEMAC Type I
IEC 60529, IP30

Standard Sizes Type I Locking Window Pull Box Accessory

Catalog Number	Frame Size A x B (in.)	Frame Size A x B (mm)	Dead Front Panel Size D x E (in.)	Dead Front Panel Size D x E (mm)	Mounting Holes G x H (in.)	Mounting Holes G x H (mm)	Window Size M x N (in.)	Window Size M x N (mm)	Fits Pull Box Catalog Number
ALDF88W	9.00 x 9.00	229 x 293	6.00 x 6.14	152 x 99	4.31 x 7.44	109 x 189	6.25 x 3.88	164 x 156	ASE8X8X4
ALDF1212W	13.00 x 13.00	330 x 330	10.00 x 10.14	254 x 200	8.31 x 11.44	211 x 291	10.25 x 7.88	265 x 258	ASE12X12X4
ALDF1812W	19.00 x 13.00	483 x 330	16.00 x 10.14	406 x 200	14.31 x 11.44	363 x 291	16.25 x 7.88	418 x 258	ASE18X12X4
ALDF1818W	19.00 x 19.00	483 x 483	16.00 x 16.14	406 x 353	14.31 x 17.44	363 x 443	16.25 x 13.88	418 x 410	ASE18X18X4
ALDF2424W	25.00 x 25.00	635 x 635	22.00 x 22.14	559 x 505	20.31 x 23.44	516 x 595	22.25 x 19.88	579 x 562	ASE24X24X4

Type I locking Window Pull Box Accessory



Hinged Cover Type I Cutout Boxes



Application

Designed for use as a surface-mounted junction box, service box, switch box, and cutout box.

Features

- Various sizes of easily removable concentric knockouts on all four sides

Construction

- 16 or 14 gauge steel
- Butt hinges
- Mounting holes on back of box
- Provision for grounding

Finish

ANSI 61 gray polyester powder paint finish inside and out over phosphatized surfaces. Unless otherwise specified, all custom cutout boxes are finished with ANSI 61 gray polyester paint.

Industry Standards

UL 50, File No. E27525 Type I
NEMA/EEMAC Type I
CSA, File No. 42184, Type I
IEC 60529, IP30

Accessories

See also *Accessories chapter*.

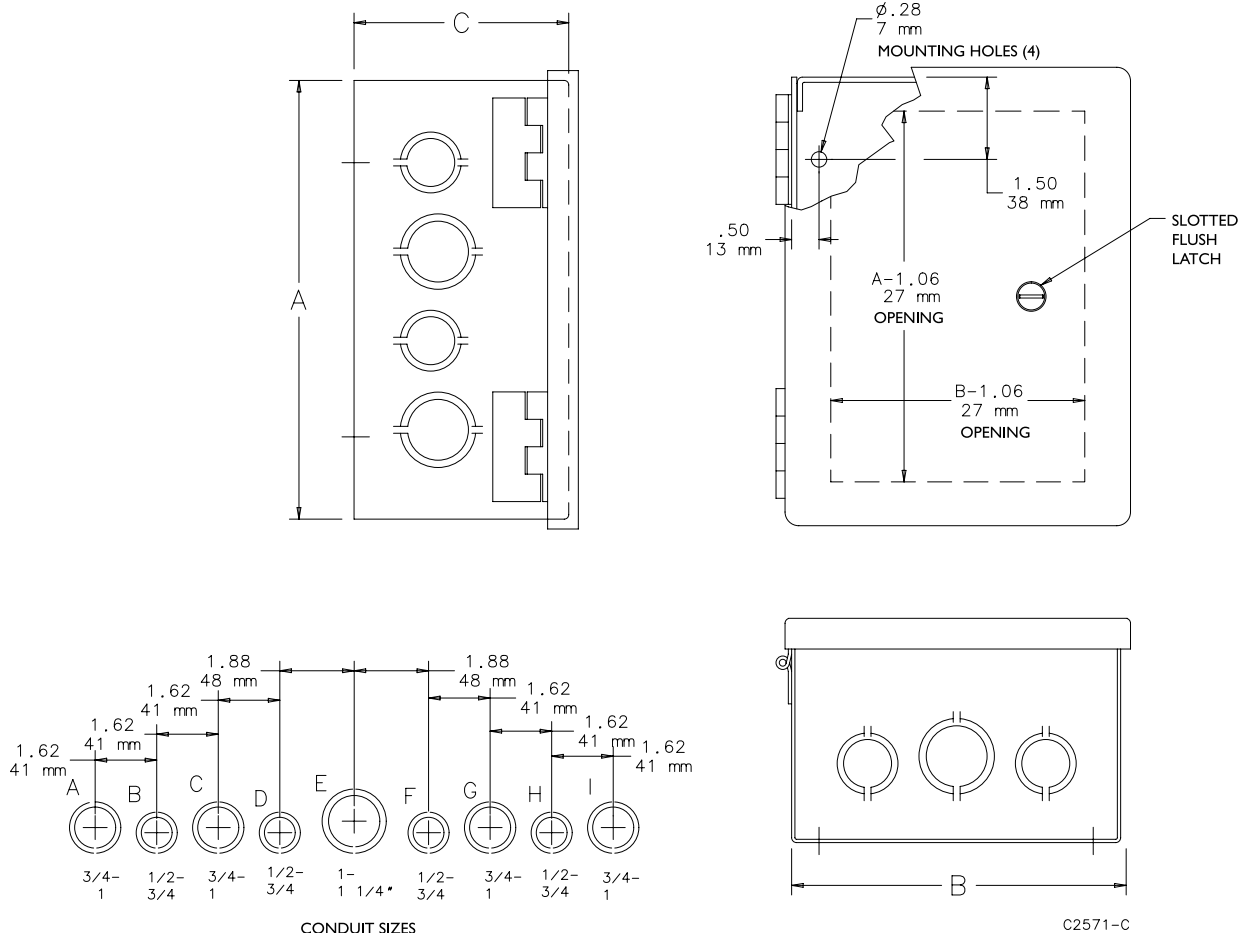
Cylinder Lock Kit (AL12AR)
Grounding Device
Padlock Kit (APLKJIC)
"T" Handle Latch Kit (AL7A)
Touch-Up Paint (ATPPY6I)

Hinged Cover Type I Cutout Boxes

Standard Sizes Hinged Cover Cutout Boxes

Catalog Number	A x B x C in. (mm)	Knockout Pattern along "A" Sides	Knockout Pattern along "B" Sides
AHE6X4X4	6.00 x 4.00 x 4.00 (152 x 102 x 102)	B-C-D	B-C
AHE6X6X4	6.00 x 6.00 x 4.00 (152 x 152 x 102)	B-C-D	B-C-D
AHE8X6X4	8.00 x 6.00 x 4.00 (203 x 152 x 102)	F-G-H-I	B-C-D
AHE8X8X4	8.00 x 8.00 x 4.00 (203 x 203 x 102)	F-G-H-I	F-G-H-I
AHE10X8X4	10.00 x 8.00 x 4.00 (254 x 203 x 102)	F-G-H-I	F-G-H-I
AHE10X10X4	10.00 x 10.00 x 4.00 (254 x 254 x 102)	F-G-H-I	C-D-E-F-G
AHE12X8X4	12.00 x 8.00 x 4.00 (305 x 203 x 102)	C-D-E-F-G	F-G-H-I
AHE12X10X4	12.00 x 10.00 x 4.00 (305 x 254 x 102)	C-D-E-F-G	C-D-E-F-G
AHE12X12X4	12.00 x 12.00 x 4.00 (305 x 305 x 102)	C-D-E-F-G	C-D-E-F-G
AHE16X12X4	16.00 x 12.00 x 4.00 (406 x 305 x 102)	B-C-D-E-F-G-H	C-D-E-F-G
AHE18X12X4	18.00 x 12.00 x 4.00 (457 x 305 x 102)	A-B-C-D-E-F-G-H-I	C-D-E-F-G
AHE6X6X6	6.00 x 6.00 x 6.00 (152 x 152 x 152)	B-C-D	B-C-D
AHE8X8X6	8.00 x 8.00 x 6.00 (203 x 203 x 152)	F-G-H-I	F-G-H-I
AHE10X8X6	10.00 x 8.00 x 6.00 (254 x 203 x 152)	F-G-H-I	F-G-H-I
AHE10X10X6	10.00 x 10.00 x 6.00 (254 x 254 x 152)	F-G-H-I	C-D-E-F-G
AHE12X10X6	12.00 x 10.00 x 6.00 (305 x 254 x 152)	C-D-E-F-G	C-D-E-F-G
AHE12X12X6	12.00 x 12.00 x 6.00 (305 x 305 x 152)	C-D-E-F-G	C-D-E-F-G
AHE16X12X6	16.00 x 12.00 x 6.00 (406 x 305 x 152)	B-C-D-E-F-G-H	C-D-E-F-G
AHE16X16X6	16.00 x 16.00 x 6.00 (406 x 406 x 152)	B-C-D-E-F-G-H	B-C-D-E-F-G-H
AHE18X12X6	18.00 x 12.00 x 6.00 (457 x 305 x 152)	A-B-C-D-E-F-G-H-I	C-D-E-F-G
AHE18X18X6	18.00 x 18.00 x 6.00 (457 x 457 x 152)	A-B-C-D-E-F-G-H-I	A-B-C-D-E-F-G-H-I
AHE24X18X6	24.00 x 18.00 x 6.00 (610 x 457 x 152)	A-B-C-D-E-F-G-H-I	A-B-C-D-E-F-G-H-I
AHE24X24X6	24.00 x 24.00 x 6.00 (610 x 610 x 152)	A-B-C-D-E-F-G-H-I	A-B-C-D-E-F-G-H-I
AHE30X24X6	30.00 x 24.00 x 6.00 (762 x 610 x 152)	A-B-C-D-E-F-G-H-I	A-B-C-D-E-F-G-H-I
AHE36X24X6	36.00 x 24.00 x 6.00 (914 x 610 x 152)	A-B-C-D-E-F-G-H-I	A-B-C-D-E-F-G-H-I
AHE36X24X8	36.00 x 24.00 x 8.00 (914 x 610 x 203)	A-B-C-D-E-F-G-H-I	A-B-C-D-E-F-G-H-I

Commercial Boxes and Enclosures



CONDUIT SIZES
Knockout Pattern
(from outside of box)

NOTE: Refer to table for applicable knockout pattern.

Small Type I Enclosures



Application

Designed for use in control and instrumentation applications in areas which do not require oiltight and dusttight specifications.

Features

- Flush slotted latch operated with a screwdriver. Optional latches available
- Weldnuts provided for mounting optional panels

Construction

- 16 gauge steel
- Butt hinges
- Mounting holes on back of enclosure

Finish

ANSI 61 gray polyester powder paint finish inside and out over phosphatized surfaces. Optional solid panels are white and optional perforated panels are gray.

Industry Standards

UL 50, File No. E27567, Type I
NEMA/EEMAC Type I
CSA, File No. 42184, Type I
IEC 60529, IP30

Accessories

See also Accessories chapter.

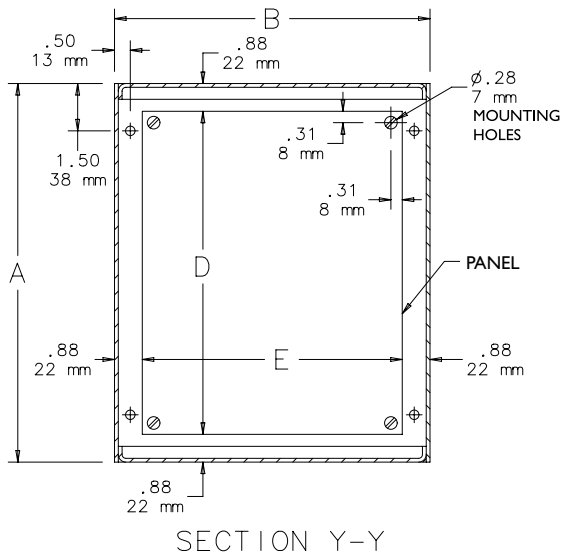
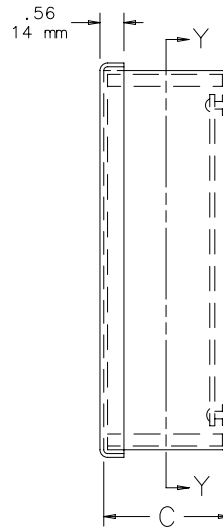
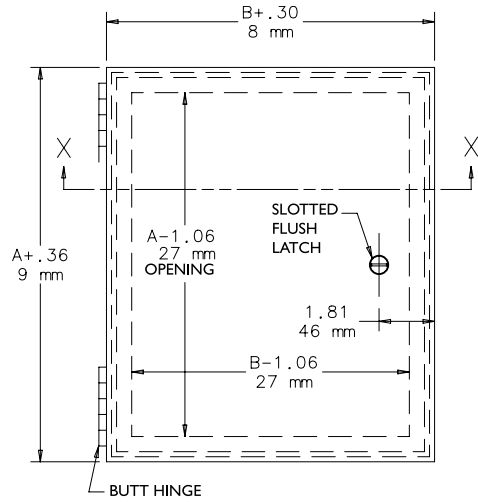
- Cylinder Lock Kit (AL12AR)
- Grounding Device
- Padlock Kit (APLKJIC)
- Panels
- "T" Handle Latch Kit (AL7A)
- Touch-Up Paint (ATPPY6I)
- Window Kit

Standard Sizes Small Type I Enclosures

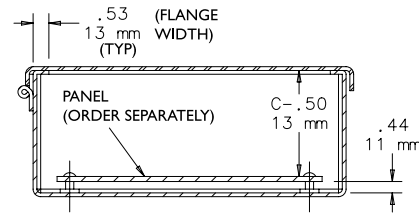
Catalog Number	A x B x C in. (mm)	Panel Catalog Number	Perforated Panel Catalog Number	Panel Size D x E (in.)	Panel Size D x E (mm)
A6N64	6.00 x 6.00 x 4.00 (152 x 152 x 102)	A6N6P	A6N6PP	4.25 x 4.25	108 x 108
A8N64	8.00 x 6.00 x 4.00 (203 x 152 x 102)	A8N6P	A8N6PP	6.25 x 4.25	159 x 108
A8N84	8.00 x 8.00 x 4.00 (203 x 203 x 102)	A8N8P	A8N8PP	6.25 x 6.25	159 x 159
A10N84	10.00 x 8.00 x 4.00 (254 x 203 x 102)	A10N8P	A10N8PP	8.25 x 6.25	210 x 159
A10N104	10.00 x 10.00 x 4.00 (254 x 254 x 102)	A10N10P	A10N10PP	8.25 x 8.25	210 x 210
A12N104	12.00 x 10.00 x 4.00 (305 x 254 x 102)	A12N10P	A12N10PP	10.25 x 8.25	260 x 210
A12N124	12.00 x 12.00 x 4.00 (305 x 305 x 102)	A12N12P	A12N12PP	10.25 x 10.25	260 x 260
A14N124	14.00 x 12.00 x 4.00 (356 x 305 x 102)	A14N12P	A14N12PP	12.25 x 10.25	311 x 260
A8N66	8.00 x 6.00 x 6.00 (203 x 152 x 152)	A8N6P	A8N6PP	6.25 x 4.25	159 x 108
A8N86	8.00 x 8.00 x 6.00 (203 x 203 x 152)	A8N8P	A8N8PP	6.25 x 6.25	159 x 159
A10N86	10.00 x 8.00 x 6.00 (254 x 203 x 152)	A10N8P	A10N8PP	8.25 x 6.25	210 x 159
A10N106	10.00 x 10.00 x 6.00 (254 x 254 x 152)	A10N10P	A10N10PP	8.25 x 8.25	210 x 210
A12N106	12.00 x 10.00 x 6.00 (305 x 254 x 152)	A12N10P	A12N10PP	10.25 x 8.25	260 x 210
A12N126	12.00 x 12.00 x 6.00 (305 x 305 x 152)	A12N12P	A12N12PP	10.25 x 10.25	260 x 260
A14N126	14.00 x 12.00 x 6.00 (356 x 305 x 152)	A14N12P	A14N12PP	12.25 x 10.25	311 x 260
A16N126	16.00 x 12.00 x 6.00 (406 x 305 x 152)	A16N12P	A16N12PP	14.25 x 10.25	362 x 260
A20N126	20.00 x 12.00 x 6.00 (508 x 305 x 152)	A20N12P	A20N12PP	18.25 x 10.25	464 x 260
A12N128	12.00 x 12.00 x 8.00 (305 x 305 x 203)	A12N12P	A12N12PP	10.25 x 10.25	260 x 260
A14N128	14.00 x 12.00 x 8.00 (356 x 305 x 203)	A14N12P	A14N12PP	12.25 x 10.25	311 x 260

Purchase panels separately.

Small Type I Enclosures

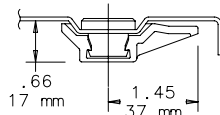
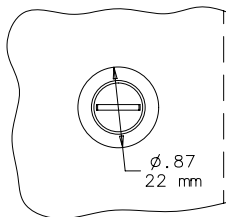


NOTE: 1. Panels are 14 gauge steel.
2. Panel screws have #10-32 threads.

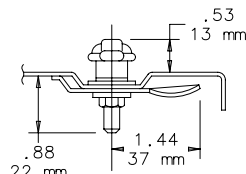
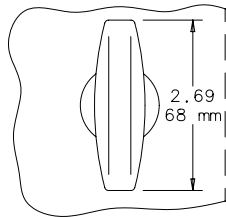


SECTION X-X

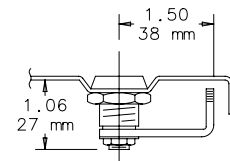
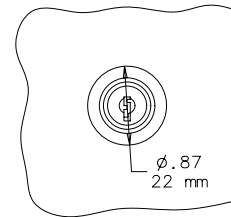
Optional Latches



**Standard Slotted
Flush Latch**



**"T" Handle Latch Kit
AL7A**



**Cylinder Lock Kit
AL12AR**

C2572-C

**Commercial Boxes
and Enclosures**

Medium Type I Enclosures



Construction

- 16 or 14 gauge steel
- Mounting holes on back of enclosure

Finish

ANSI 61 gray polyester powder paint finish inside and out over phosphatized surfaces. Optional solid panels are white and optional perforated panels are gray.

Industry Standards

UL 50, File No. E27567, Type I
NEMA/EEMAC Type I
CSA, File No. 42184, Type I
IEC 60529, IP30

Accessories

See also *Accessories chapter*.

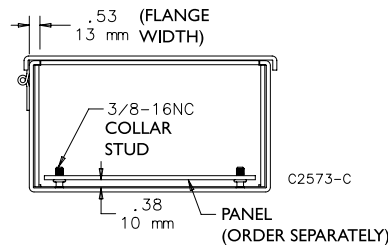
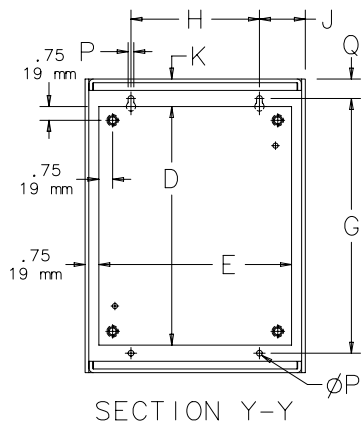
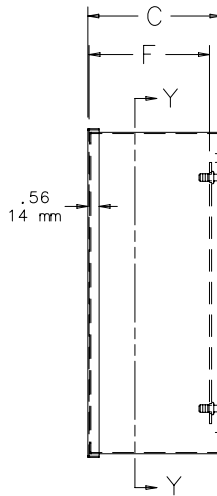
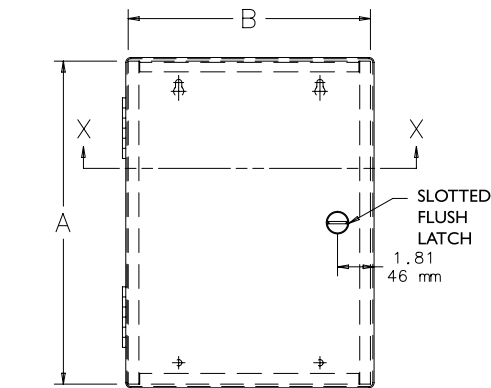
- Cylinder Lock Kit (AL12AR)
- Electric Heater
- Electrical Interlock
- Grounding Device
- Panels
- Rack Mounting Angle Kit
- "T" Handle Latch Kit (AL7A)
- Touch-Up Paint (ATPPY61)
- Window Kit

Application

Designed for use in control and instrumentation applications in areas which do not require oiltight and dusttight specifications.

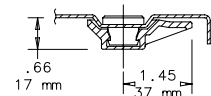
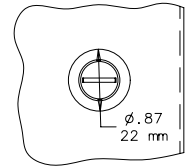
Features

- Doors have butt hinges
- Collar studs provided for mounting optional panel
- Slotted flush latches. Optional latches available.

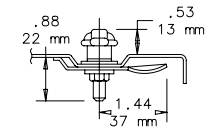
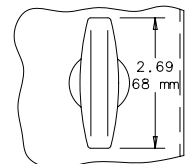


SECTION X-X

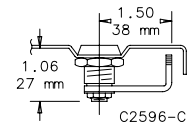
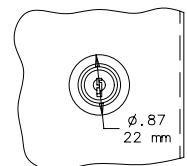
Standard Slotted
Flush Latch



"T" Handle
Latch Kit
AL7A (optional)



Cylinder Lock Kit
AL12AR (optional)



Medium Type I Enclosures

Standard Sizes Medium Type I Enclosures

Catalog Number	A x B x C in. (mm)	Panel Catalog Number	Perforated Panel Catalog Number	Panel Size D x E in. (mm)	Panel Ga.	G (in.)	G (mm)	H (in.)	H (mm)	J (in.)	J (mm)	Q (in.)	Q (mm)	P (in.)	P (mm)	F (in.)	F (mm)	K (in.)	K (mm)
A16N12ALP	16.00 x 12.00 x 6.62 (406 x 305 x 168)	A16N12MP	A16N12MPP	13.00 x 10.50 (330 x 267)	14	13.88	353	7.00	178	2.50	64	1.06	27	0.31	8	6.00	152	1.50	38
A16N16ALP	16.00 x 16.00 x 6.62 (406 x 406 x 168)	A16N16MP	A16N16MPP	13.00 x 14.50 (330 x 368)	14	13.88	353	11.00	279	2.50	64	1.06	27	0.31	8	6.00	152	1.50	38
A16N20ALP	16.00 x 20.00 x 6.62 (406 x 508 x 168)	A16N20MP	A16N20MPP	13.00 x 18.50 (330 x 470)	14	13.88	353	15.00	381	2.50	64	1.06	27	0.31	8	6.00	152	1.50	38
A20N16ALP	20.00 x 16.00 x 6.62 (508 x 406 x 168)	A20N16MP	A20N16MPP	17.00 x 14.50 (432 x 368)	14	17.88	454	11.00	279	2.50	64	1.06	27	0.31	8	6.00	152	1.50	38
A20N20ALP	20.00 x 20.00 x 6.62 (508 x 508 x 168)	A20N20MP	A20N20MPP	17.00 x 18.50 (432 x 470)	14	17.88	454	15.00	381	2.50	64	1.06	27	0.31	8	6.00	152	1.50	38
A24N16ALP	24.00 x 16.00 x 6.62 (610 x 406 x 168)	A24N16MP	A24N16MPP	21.00 x 14.50 (533 x 368)	14	21.88	556	11.00	279	2.50	64	1.06	27	0.31	8	6.00	152	1.50	38
A24N20ALP	24.00 x 20.00 x 6.62 (610 x 508 x 168)	A24N20MP	A24N20MPP	21.00 x 18.50 (533 x 470)	14	21.88	556	15.00	381	2.50	64	1.06	27	0.31	8	6.00	152	1.50	38
A24N24ALP	24.00 x 24.00 x 6.62 (610 x 610 x 168)	A24N24MP	A24N24MPP*	21.00 x 22.50 (533 x 572)	12	21.88	556	19.00	483	2.50	64	1.06	27	0.31	8	6.00	152	1.50	38
A30N24ALP	30.00 x 24.00 x 6.62 (762 x 610 x 168)	A30N24MP	A30N24MPP*	26.00 x 22.50 (660 x 572)	12	27.50	699	16.75	425	3.62	92	1.25	32	0.44	11	6.00	152	2.00	51
A36N24ALP	36.00 x 24.00 x 6.62 (914 x 610 x 168)	A36N24MP	A36N24MPP*	32.00 x 22.50 (813 x 572)	12	33.50	851	16.75	425	3.62	92	1.25	32	0.44	11	6.00	152	2.00	51
A36N30ALP	36.00 x 30.00 x 6.62 (914 x 762 x 168)	A36N30MP	A36N30MPP*	32.00 x 28.50 (813 x 724)	12	33.50	851	22.75	578	3.62	92	1.25	32	0.44	11	6.00	152	2.00	51
A16N12BLP	16.00 x 12.00 x 8.62 (406 x 305 x 219)	A16N12MP	A16N12MPP	13.00 x 10.50 (330 x 267)	14	13.88	353	7.00	178	2.50	64	1.06	27	0.31	8	8.00	203	1.50	38
A20N12BLP	20.00 x 12.00 x 8.62 (508 x 305 x 219)	A20N12MP	A20N12MPP	17.00 x 10.50 (432 x 267)	14	17.88	454	7.00	178	2.50	64	1.06	27	0.31	8	8.00	203	1.50	38
A20N16BLP	20.00 x 16.00 x 8.62 (508 x 406 x 219)	A20N16MP	A20N16MPP	17.00 x 14.50 (432 x 368)	14	17.88	454	11.00	279	2.50	64	1.06	27	0.31	8	8.00	203	1.50	38
A20N20BLP	20.00 x 20.00 x 8.62 (508 x 508 x 219)	A20N20MP	A20N20MPP	17.00 x 18.50 (432 x 470)	14	17.88	454	15.00	381	2.50	64	1.06	27	0.31	8	8.00	203	1.50	38
A24N20BLP	24.00 x 20.00 x 8.62 (610 x 508 x 219)	A24N20MP	A24N20MPP	21.00 x 18.50 (533 x 470)	14	21.88	556	15.00	381	2.50	64	1.06	27	0.31	8	8.00	203	1.50	38
A24N24BLP	24.00 x 24.00 x 8.62 (610 x 610 x 219)	A24N24MP	A24N24MPP*	21.00 x 22.50 (533 x 572)	12	21.88	556	19.00	483	2.50	64	1.06	27	0.31	8	8.00	203	1.50	38
A30N20BLP	30.00 x 20.00 x 8.62 (762 x 508 x 219)	A30N20MP	A30N20MPP*	26.00 x 18.50 (660 x 470)	12	27.50	699	15.00	381	2.50	64	1.25	32	0.44	11	8.00	203	2.00	51
A30N24BLP	30.00 x 24.00 x 8.62 (762 x 610 x 219)	A30N24MP	A30N24MPP*	26.00 x 22.50 (660 x 572)	12	27.50	699	16.75	425	3.62	92	1.25	32	0.44	11	8.00	203	2.00	51
A30N30BLP	30.00 x 30.00 x 8.62 (762 x 762 x 219)	A30N30MP	A30N30MPP*	26.00 x 28.50 (660 x 724)	12	27.50	699	22.75	578	3.62	92	1.25	32	0.44	11	8.00	203	2.00	51
A36N24BLP	36.00 x 24.00 x 8.62 (914 x 610 x 219)	A36N24MP	A36N24MPP*	32.00 x 22.50 (813 x 572)	12	33.50	851	16.75	425	3.62	92	1.25	32	0.44	11	8.00	203	2.00	51
A36N30BLP	36.00 x 30.00 x 8.62 (914 x 762 x 219)	A36N30MP	A36N30MPP*	32.00 x 28.50 (813 x 724)	12	33.50	851	22.75	578	3.62	92	1.25	32	0.44	11	8.00	203	2.00	51
A18N18CLP	18.00 x 18.00 x 10.62 (441 x 441 x 270)	A18N18MP	A18N18MPP	15.00 x 16.50 (381 x 419)	14	15.88	403	13.00	330	2.50	64	1.06	27	0.31	8	10.00	254	1.50	38
A24N20CLP	24.00 x 20.00 x 10.62 (610 x 508 x 270)	A24N20MP	A24N20MPP	21.00 x 18.50 (533 x 470)	14	21.88	556	15.00	381	2.50	64	1.06	27	0.31	8	10.00	254	1.50	38
A30N24CLP	30.00 x 24.00 x 10.62 (762 x 610 x 270)	A30N24MP	A30N24MPP	21.00 x 22.50 (533 x 572)	12	27.50	699	16.75	425	3.62	92	1.25	32	0.44	11	10.00	254	2.00	51
A24N24DLP	24.00 x 24.00 x 12.62 (610 x 610 x 321)	A24N24MP	A24N24MPP*	21.00 x 22.50 (533 x 572)	12	21.88	556	19.00	483	2.50	64	1.06	27	0.31	8	12.00	305	1.50	38
A30N24DLP	30.00 x 24.00 x 12.62 (762 x 610 x 321)	A30N24MP	A30N24MPP*	26.00 x 22.50 (660 x 724)	12	27.50	699	16.75	425	3.62	92	1.25	32	0.44	11	12.00	305	2.00	51
A36N30DLP	36.00 x 30.00 x 12.62 (914 x 762 x 321)	A36N30MP	A36N30MPP*	32.00 x 28.50 (813 x 724)	12	33.50	851	22.75	578	3.62	92	1.25	32	0.44	11	12.00	305	2.00	51

Purchase panels separately.
* Flanged on all four sides.

Commercial Boxes
and Enclosures

Large Type I Enclosures



Application

Designed for use in control and instrumentation applications in areas which do not require oiltight and dusttight specifications.

Features

- Continuous hinge on door
- Slotted flush latch. Optional latches available.
- Collar studs provided for mounting optional panels

Construction

- 14 gauge steel
- Mounting holes on back of enclosure. Optional mounting bracket kit is available (AMFLNI).

Finish

ANSI 61 gray polyester powder paint finish inside and out over phosphatized surfaces. Optional panels are white.

Industry Standards

UL 50, File No. E27567, Type I
NEMA/EEMAC Type I
CSA, File No. 42184, Type I
IEC 60529, IP30

Accessories

See also *Accessories chapter*.

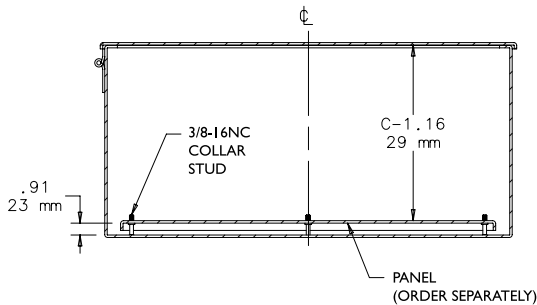
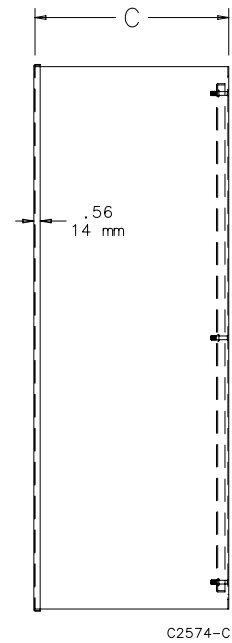
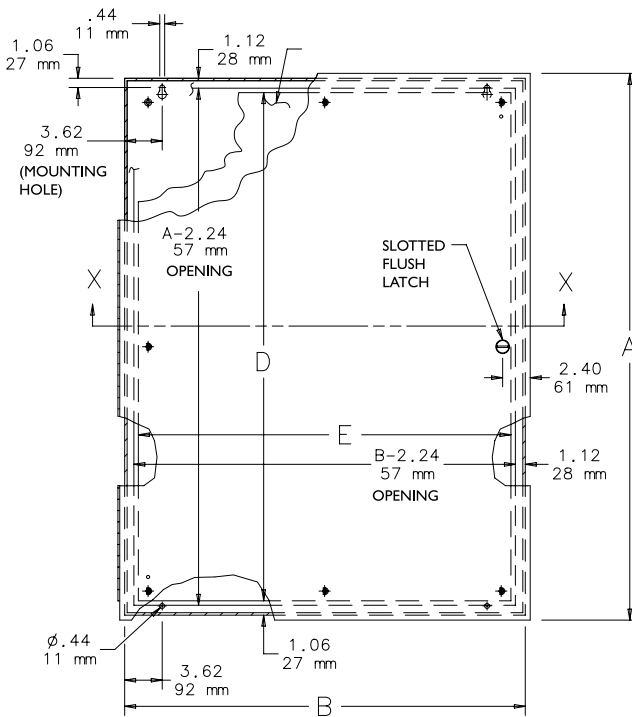
Cylinder Lock Kit (AL12AR)
Electric Heater
Electrical Interlock
Grounding Device
Panel Support Kit (APS3)
Panels
Swing-Out Panel Kit
"T" Handle Latch Kit (AL7A)
Terminal Kit Assembly
Touch-Up Paint (ATPPY61)
Window Kit

Standard Sizes Large Type I Enclosures

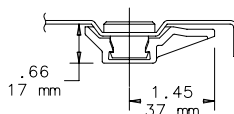
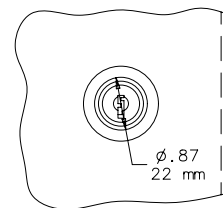
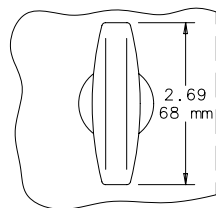
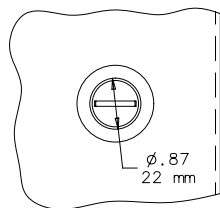
Catalog Number	A x B x C in. (mm)	Panel Catalog Number	Panel Size D x E (in.)	Panel Size D x E (mm)	Mounting Bracket Kit
A42N3009	42.00 x 30.00 x 9.25 (1067 x 762 x 235)	A42P30	39.00 x 27.00	991 x 686	AMFLN1
A42N3609	42.00 x 36.00 x 9.25 (1067 x 914 x 235)	A42P36	39.00 x 33.00	991 x 838	AMFLN1
A48N3609	48.00 x 36.00 x 9.25 (1219 x 914 x 235)	A48P36	45.00 x 33.00	1143 x 838	AMFLN1
A48N3611	48.00 x 36.00 x 11.25 (1219 x 914 x 286)	A48P36	45.00 x 33.00	1143 x 838	AMFLN1
A42N3013	42.00 x 30.00 x 13.25 (1067 x 762 x 337)	A42P30	39.00 x 27.00	991 x 686	AMFLN1
A42N3613	42.00 x 36.00 x 13.25 (1067 x 914 x 337)	A42P36	39.00 x 33.00	991 x 838	AMFLN1
A48N3613	48.00 x 36.00 x 13.25 (1219 x 914 x 337)	A48P36	45.00 x 33.00	1143 x 838	AMFLN1
A48N3617	48.00 x 36.00 x 17.25 (1219 x 914 x 438)	A48P36	45.00 x 33.00	1143 x 838	AMFLN1

Purchase panels separately. Optional aluminum panels are available for most sizes. See *Accessories chapter*.
Order Mounting Bracket Kit separately.

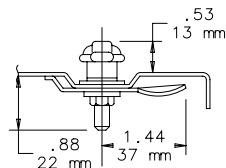
Large Type I Enclosures



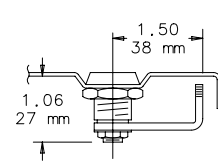
SECTION X-X



**Standard Slotted
Flush Latch**



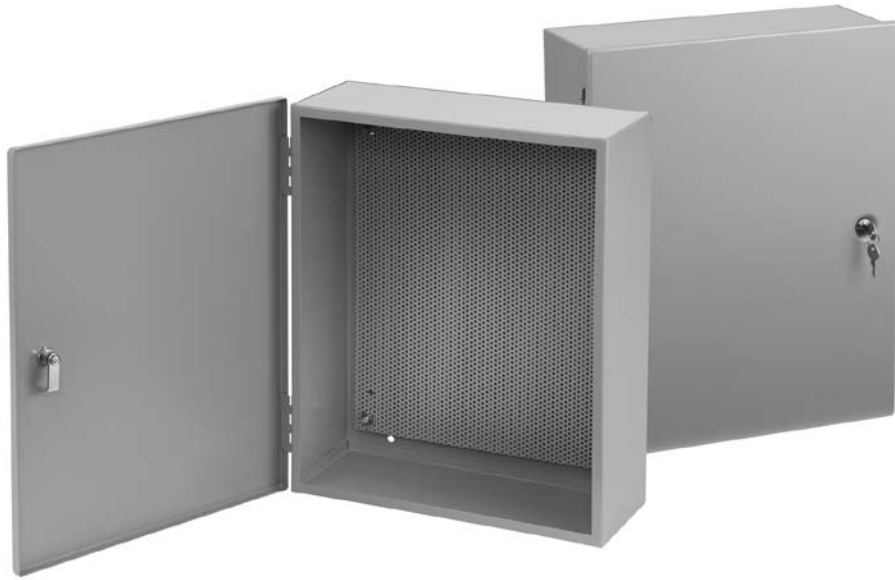
**"T" Handle Latch Kit
AL7A
(optional)**



**Cylinder Lock Kit
AL12AR
(optional)**

**Commercial Boxes
and Enclosures**

Type I Locking Integrated Perforated Panel Enclosure (Control Box)



Example of Integrated Panel; wiring devices not included.

Application

This convenient combination enclosure with a Perforated Panel assembly provides a ready solution for mounting electrical control gear. The enclosed panel is perforated to reduce the time required to mount components. Use a self-tapping screw to attach components directly onto the panel, eliminating the need to measure, mark, and drill.

Features

- Door has key lock quarter-turn latch; two keys included
- Select models have concentric knockouts on four sides

Construction

- 14 and 16 gauge steel
- Includes removable 16 gauge gray perforated panel

Finish

ANSI 61 gray polyester powder paint finish inside and out over phosphatized surfaces.

Industry Standards

UL 50, File No. E27567: Type I
cUL CSA C22.2 No. 40, File No. E27567: Type I
NEMA/EEMAC Type I
IEC 60529, IP30

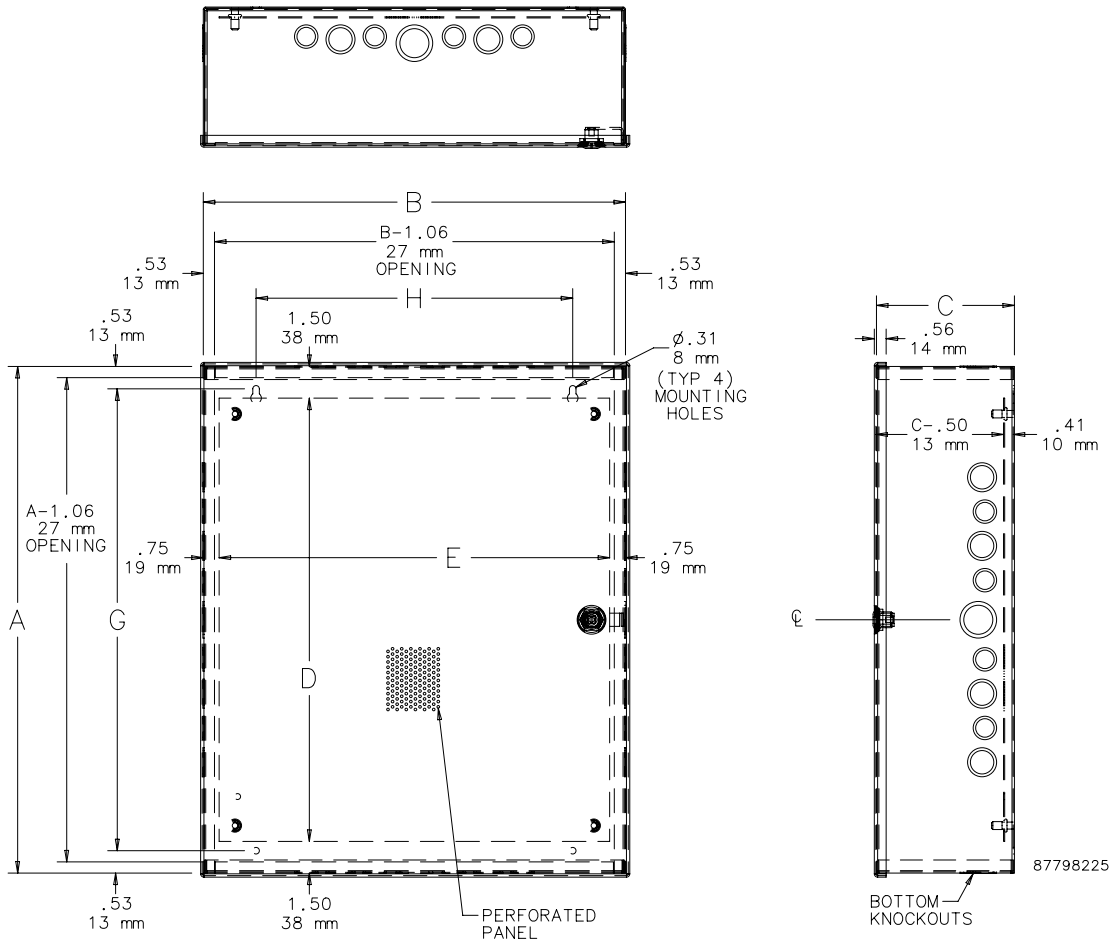
Accessories

Touch-Up Paint (ATPPY61)

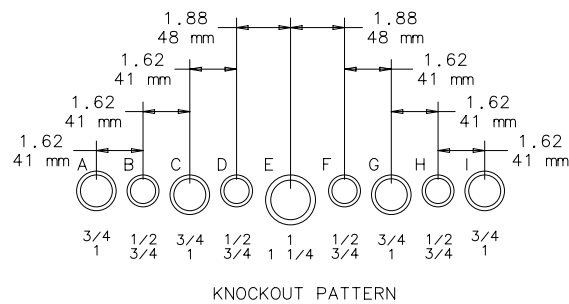
Standard Sizes Type I Locking Integrated Perforated Panel Enclosure (Control Box)

Catalog Number	A x B x C in. (mm)	Panel Size D x E (in.)	Panel Size D x E (mm)	Mounting Holes G x H (in.)	Mounting Holes G x H (mm)	Knockout Pattern A-Sides	Knockout Pattern B-Sides
A12126T1PP	12.00 x 12.00 x 6.00 (305 x 305 x 152)	10.25 x 10.25	260 x 260	9.00 x 11.00	229 x 279	C-D-E-F-G	C-D-E-F-G
A16126T1PP	16.00 x 12.00 x 6.00 (406 x 305 x 152)	14.25 x 10.25	362 x 260	13.00 x 11.00	330 x 279	B-C-D-E-F-G-H	C-D-E-F-G
A2016AT1PP	20.00 x 16.00 x 6.62 (508 x 406 x 168)	17.00 x 14.50	432 x 368	17.88 x 11.00	454 x 279	A-B-C-D-E-F-G-H-I	B-C-D-E-F-G-H
A2420AT1PP	24.00 x 20.00 x 6.62 (610 x 508 x 168)	22.50 x 18.50	572 x 470	21.88 x 15.00	556 x 381	A-B-C-D-E-F-G-H-I	A-B-C-D-E-F-G-H-I
A3624AT1PP	36.00 x 24.00 x 6.62 (914 x 610 x 168)	32.00 x 22.50	813 x 572	33.50 x 16.75	851 x 425	—	—
A3630AT1PP	36.00 x 30.00 x 6.62 (914 x 762 x 168)	32.00 x 31.50	813 x 800	33.50 x 22.75	851 x 578	—	—

Type I Locking Integrated Perforated Panel Enclosure (Control Box)



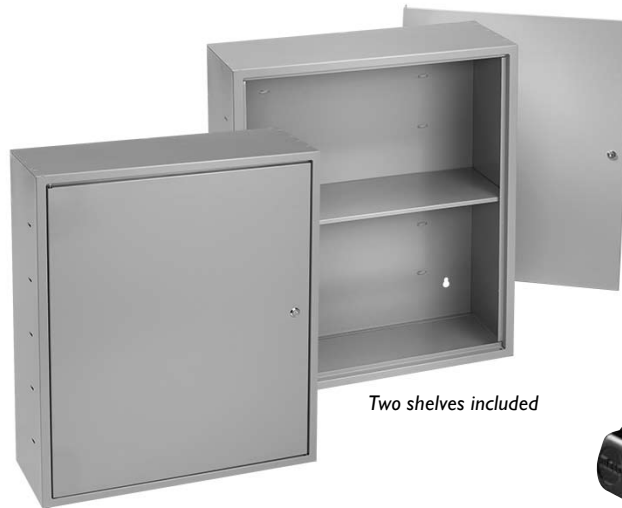
**Commercial Boxes
and Enclosures**



Type I Locking Utility Cabinets (Fuse Cabinets)



A12122UC, A24244UC



Two shelves included

A242412UC, A302412UC,
A362412UC, A363012UC



Reversible Hinge
(shelf models only)



Knob, Locking Handle with
3-Digit Combination Lock
Accessory

Application

Shelf Models A242412UC, A302412UC, A362412UC, A363012UC
Shelf cabinets provide a level of security for storage of equipment, fuses, and other components.

Key Hook Models A24244UC, A12122UC

Use as key cabinets or a hanging locker to organize items that require a level of security.

Features

- Four mounting keyholes in back of enclosure
- Removable door with reversible hinge. Door can hinge from either left or right side and can be changed without tools.
- Door has quarter-turn key lock; two keys included
- Combination lock is available as an accessory and is interchangeable with standard cutout and latch cam
- Two shelves included with shelf models are easily adjusted without tools by placing tabs in slots located on enclosure sides
- Additional shelves are available as an accessory
- Key hook models have integral hooks assembled in door and back of enclosure

Construction

- 16 or 14 gauge steel
- Retractable spring hinge
- No gasketing

Finish

ANSI 61 gray polyester powder paint finish inside and out

Industry Standards

UL 50, File Number E27567: Type I
NEMA/EEMAC: Type I
cUL C22.2 No. 40, File Number E27567: Type I
IEC 60529, IP30

Accessories

See *Accessories chapter* for the catalog numbers shown.

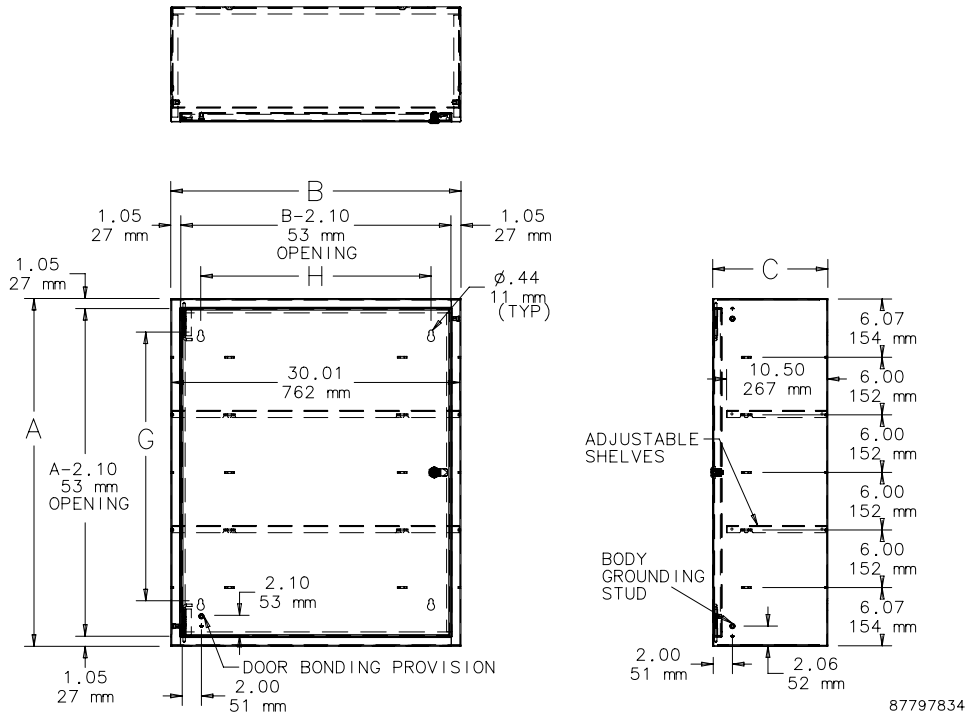
Touch-Up Paint (ATPPY6I)
Shelf Accessory (A24S12UC, A30S12UC)
Combination Lock (PTLCMB3B)

Standard Sizes Type I Locking Utility Cabinets

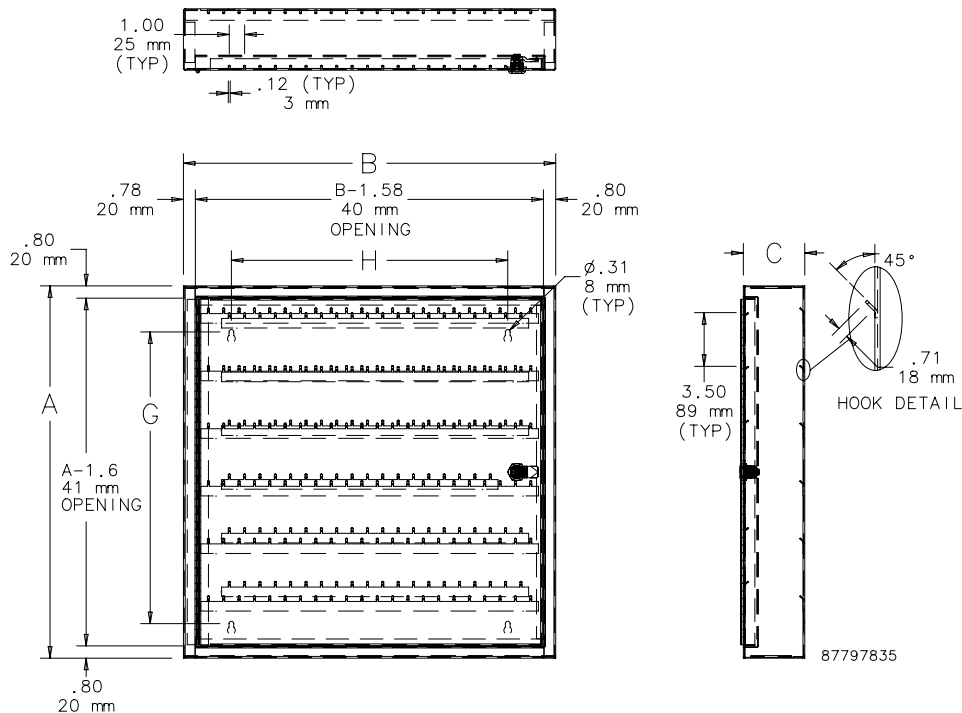
Catalog Number	Description	A x B x C (in.)	A x B x C (mm)	Mounting Holes G (in.)	Mounting Holes G (mm)	Mounting Holes H (in.)	Mounting Holes H (mm)	Maximum No. Shelf Locations/Hooks
A12122UC	Hook Model	12.25 x 12.25 x 2.50	311 x 311 x 57	7.00	178	7.25	184	52 Hooks
A24244UC	Hook Model	24.25 x 24.25 x 4.00	616 x 616 x 102	16.00	406	18.00	457	250 Hooks
A242412UC	Shelf Model	24.25 x 24.25 x 12.00	616 x 616 x 305	16.00	406	18.00	457	3 Shelves
A302412UC	Shelf Model	30.25 x 24.25 x 12.00	768 x 616 x 305	22.00	559	18.00	457	4 Shelves
A362412UC	Shelf Model	36.25 x 24.25 x 12.00	921 x 616 x 305	28.00	711	18.00	457	5 Shelves
A363012UC	Shelf Model	36.25 x 30.25 x 12.00	921 x 768 x 305	28.00	711	24.00	610	5 Shelves

Type I Locking Utility Cabinets (Fuse Cabinets)

Shelf Model

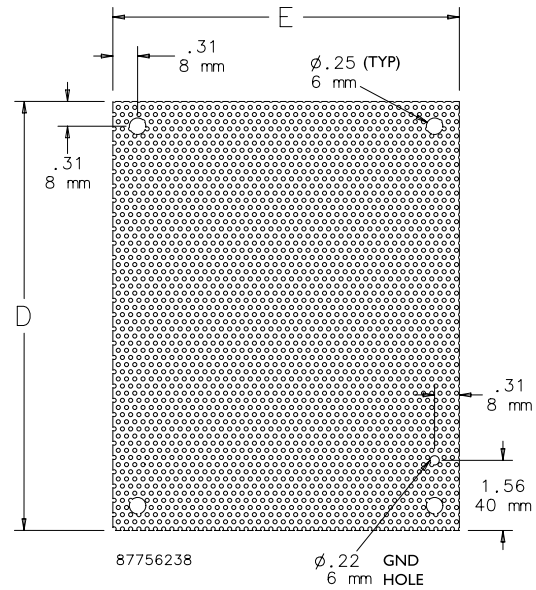
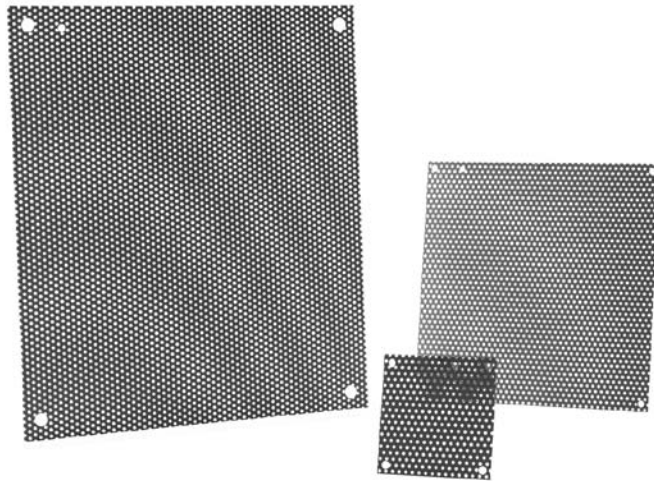


Key Cabinet



**Commercial Boxes
and Enclosures**

Perforated Panels



Application

Perforated panels for small and medium Type I panel enclosures and small Type 3R boxes are designed for mounting lightweight control components.

Construction

- 16 gauge steel
- 1/8 inch diameter holes, 1/4 inch staggered centers
- Mounting holes sized for #8 self-tapping screws

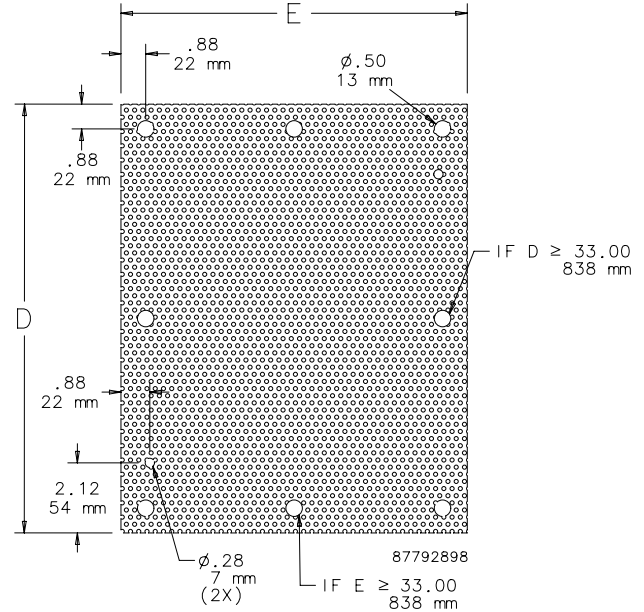
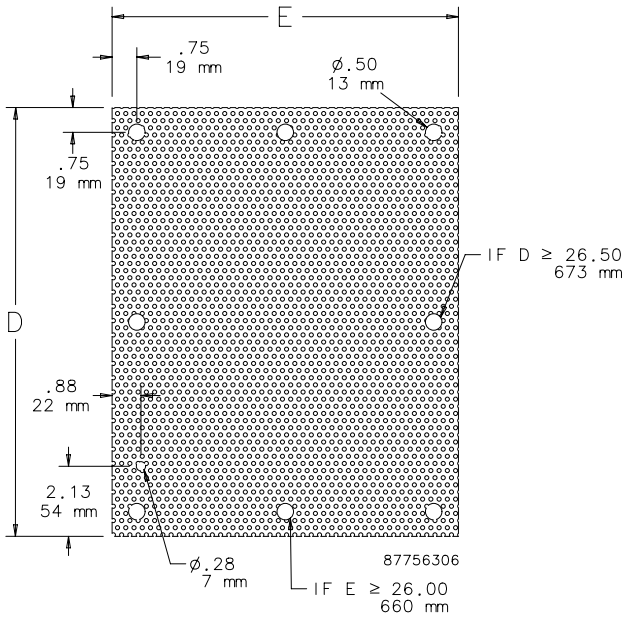
Finish

ANSI 61 gray polyester powder paint finish.

Standard Sizes Perforated Panels (Small Type I Panel Enclosures and Small Type 3R Boxes)

Catalog Number	Panel Gauge	Panel Size D x E (in.)	Panel Size D x E (mm)
A6N6PP	16	4.25 x 4.25	108 x 108
A8N6PP	16	6.25 x 4.25	159 x 108
A8N8PP	16	6.25 x 6.25	159 x 159
A10N8PP	16	8.25 x 6.25	210 x 159
A10N10PP	16	8.25 x 8.25	210 x 210
A12N10PP	16	10.25 x 8.25	260 x 210
A12N12PP	16	10.25 x 10.25	260 x 260
A14N12PP	16	12.25 x 10.25	311 x 260
A16N12PP	16	14.25 x 10.25	362 x 260
A20N12PP	16	18.25 x 10.25	464 x 260

Perforated Panels



Standard Sizes Perforated Panels (Medium Type I Panel Enclosures)

Catalog Number	Panel Gauge	Panel Size D x E (in.)	Panel Size D x E (mm)
A16N12MPP	16	10.50 x 13.00	267 x 330
A16N16MPP	16	14.50 x 13.00	368 x 330
A16N20MPP	16	18.50 x 13.00	470 x 330
A18N18MPP	16	16.50 x 15.00	419 x 381
A20N12MPP	16	10.50 x 17.00	267 x 432
A20N16MPP	16	14.50 x 17.00	368 x 432
A20N20MPP	16	18.50 x 17.00	470 x 432
A24N16MPP	16	14.50 x 21.00	368 x 533
A24N20MPP	16	18.50 x 21.00	470 x 533
A24N24MPP	16	22.50 x 21.00	572 x 533
A30N20MPP	16	18.50 x 26.00	470 x 660
A30N24MPP	16	22.50 x 26.00	572 x 660
A30N30MPP	16	28.50 x 26.00	724 x 660
A36N24MPP	16	22.50 x 32.00	572 x 813
A36N30MPP	16	26.50 x 32.00	724 x 813

A24N24MPP, A30N20MPP, A30N24MPP, A36N24MPP, A30N30MPP, and A36N30MPP are flanged on all four sides.

Standard Sizes Perforated Panels (Medium Type 3R Hinged Cover Panel Enclosures)

Catalog Number	Panel Gauge	Panel Size D x E (in.)	Panel Size D x E (mm)
A16P12PP	16	13.00 x 9.00	330 x 229
A16P16PP	16	13.00 x 13.00	330 x 330
A20P16PP	16	17.00 x 13.00	432 x 330
A18P18PP	16	15.00 x 15.00	381 x 381
A20P20PP	16	17.00 x 17.00	432 x 732
A24P20PP	16	21.00 x 17.00	533 x 432
A24P24PP	16	21.00 x 21.00	533 x 533
A30P24PP	16	27.00 x 21.00	686 x 533
A36P24PP	16	33.00 x 21.00	838 x 533
A30P30PP	16	27.00 x 27.00	686 x 686
A36P30PP	16	33.00 x 27.00	838 x 686
A36P36PP	16	33.00 x 33.00	838 x 838

A24P24PP, A30P24PP, A30P30PP, A36P24PP, A36P30PP, and A36P36PP are flanged on all four sides.

Commercial Boxes
and Enclosures

WeatherFlo™ Type 3R Vented Enclosure with Fan and Technical Information



Application

This enclosure has a forced-air ventilation system for cooling drives or other high-heat producing control equipment in applications that require outdoor protection. Ideal for use in irrigation, wastewater, and HVAC motor speed control for air-handling equipment and pumps. The environment control system of the WeatherFlo enclosure uses TempGuard™ Cooling Technology.

TempGuard innovative cooling technology provides a predictable climate control solution for harsh outdoor environments:

- White polyester powder finish with low solar absorption reduces the solar heat load 55-70 percent compared to traditional gray or green outdoor enclosure finishes
- Integrated solar shield top and intake cover provide an additional 25 percent solar reduction
- Fan and vent placement optimizes heat removal by drawing ambient air into the bottom of the enclosure and exhausting at the top, making the entire enclosure an air duct
- Gasket and filter protect against contaminants entering the enclosure
- Adjustable thermostat (70°-140°F) allows the fan to operate only when needed

Features

- Active cooling ventilation system with factory-installed fan and filter (115 VAC)
- Multiple enclosure sizes with airflow designed for nominal horsepower ratings
- Terminal power connection for fan
- Easy access washable expanded metal filter
- Top front hood exhaust and door intake minimize footprint
- Lift-off hinged door for easy configuration of components
- Quarter-turn latch for easy access with padlock for security
- External mounting brackets
- Collar studs provided to mount the optional panel

- Largest two sizes constructed of aluminum to provide approximately 100-pound weight reduction
- Grounding provision on door and body

Construction

- 16 and 14 gauge galvanized steel
- Largest two sizes constructed of aluminum
- Door gasket

Finish

RAL 9003 white polyester powder texturized finish inside and out.

Industry Standards

UL 508A, File Number E61997: Type 3R
cUL C22.2 No. 94, File Number E61997: Type 3R
NEMA/EEMAC Type 3R
IEC 60529, IP32

Accessories

See attached tables for accessory information.

Door Stop (ADSTOPK)

Fans

Filter

Heater

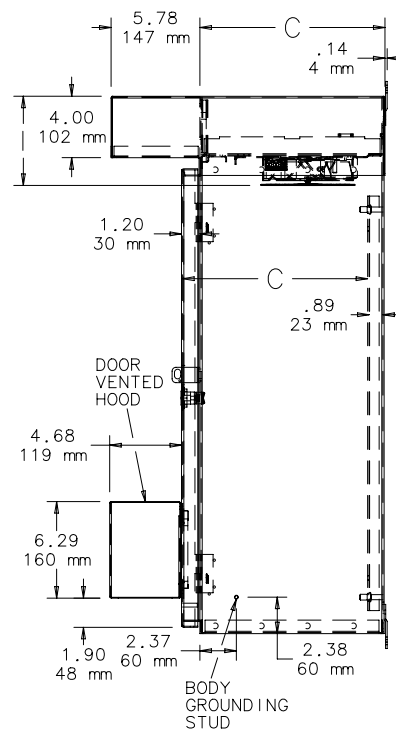
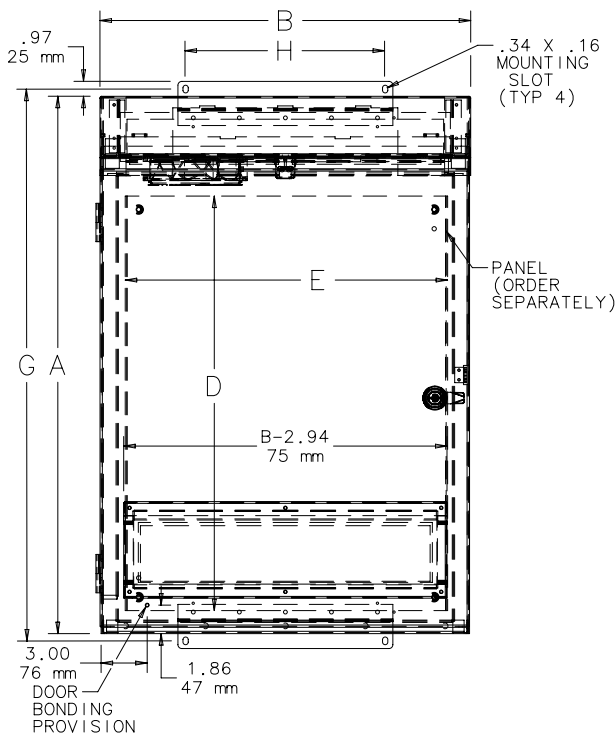
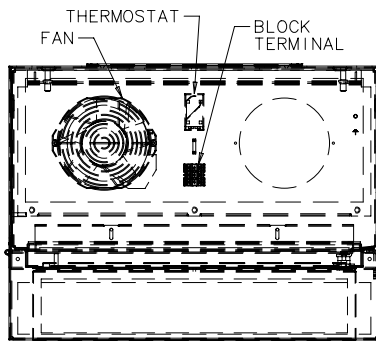
Panel

Swing-Out Panel Kit (ANADFK) Purchase aluminum panels for use as swing-out panels in models WF75LP and WF100LP.

WeatherFlo™ Type 3R Vented Enclosure with Fan and Technical Information

Standard Sizes WeatherFlo Type 3R Vented Enclosure with Fan

Catalog Number	Drive Horsepower	Enclosure Size A x B x C (in.)	Enclosure Size A x B x C (mm)	Panel Catalog Number	Panel Size D x E (in.)	Panel Size D x E (mm)	Mounting Holes G x H (in.)	Mounting Holes G x H (mm)	I (in.)	I (mm)
WF3LP	3	29.00 x 24.00 x 12.00	737 x 610 x 305	A24P24	21.00 x 21.00	533 x 533	29.94 x 13.00	760 x 330	5.59	142
WF10LP	10	35.00 x 24.00 x 12.00	889 x 610 x 305	A30P24	27.00 x 21.00	686 x 533	35.94 x 13.00	913 x 330	5.81	148
WF25LP	25	41.00 x 24.00 x 12.00	1041 x 610 x 305	A36P24	33.00 x 21.00	838 x 533	41.94 x 13.00	1065 x 330	5.81	148
WF40LP	40	47.00 x 24.00 x 14.00	1194 x 610 x 356	A42P24	39.00 x 21.00	991 x 533	47.94 x 13.00	1218 x 330	5.81	148
WF75LP	75	55.00 x 36.00 x 16.00	1397 x 914 x 406	A48P36	45.00 x 33.00	1143 x 838	55.94 x 27.00	1421 x 686	7.43	189
WF100LP	100	67.00 x 36.00 x 16.00	1702 x 914 x 706	A60P36	57.00 x 33.00	1448 x 838	67.94 x 27.00	1726 x 686	7.43	189



87798234

Commercial Boxes
and Enclosures

WeatherFlo™ Type 3R Vented Enclosure with Fan and Technical Information

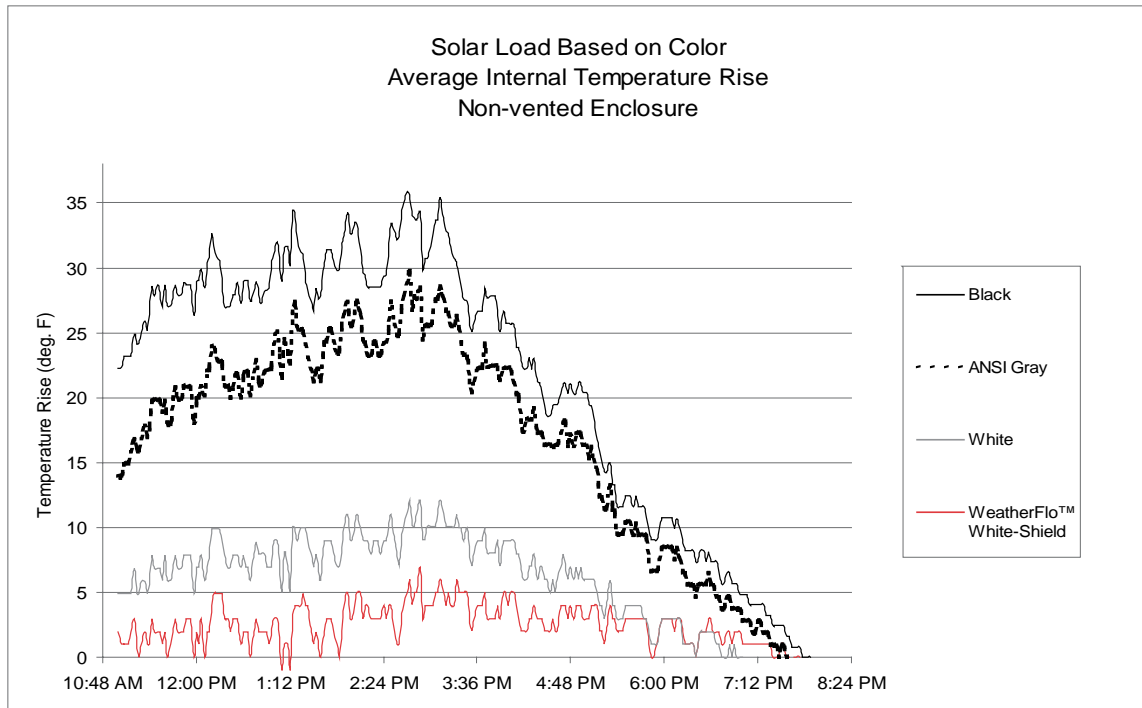
Technical Information

This information is for guidance only; user is responsible for load values to evaluate the system.

Catalog Number	Drive Horsepower	Fan Catalog Number	Fan Size	Fan VAC	Fan Amps 50/60 Hz	System CFM	Replacement Filter Catalog Number
WF3LP	3	A4AXFN	4 inch	115	.26/.21	75	WFF1
WF10LP	10	A6AXFN	6 inch	115	.45/.36	160	WFF1
WF25LP	25	A6AXFN	6 inch	115	.45/.36	160	WFF1
WF40LP	40	A6AXFN	6 inch (2x)	115	.90/.72	200	WFF1
WF75LP	75	A10EFN	10 inch	115	.58/.70	400	WFF2
WF100LP	100	A10EFN	10 inch (2x)	115	1.16/1.40	500	WFF2

Solar Consideration

The WeatherFlo enclosure's glossy white finish and solar shield top shroud minimize the heat load caused by the sun. If the allowable temperature rise is greater than 5°F, the solar load can be neglected because the transmitted load of the illuminated sides would be equal to the energy dissipated on the sides not exposed to the sun.



WeatherFlo™ Type 3R Vented Enclosure with Fan and Technical Information

Critical Parameters (upper temperature limit)

	Variables	Typical Values
Maximum ambient temperature	T _{amb}	104°F
Maximum internal temperature	T _{int}	122°F
Typical temperature rise	(T _{int} -T _{amb})	15°F
Full-load drive power	HP	—
Motor efficiency*	E _M	.80-.96
Drive efficiency*	E _D	.96-.98
Drive heat loss	W _D	—
Total heat loss	W _T	—
Required airflow	CFM	—

* Use full-load efficiency. Motor and drive efficiency will vary based on HP and voltage.

Enclosure Heat Load Calculations

Drive heat:

$$W_D = \frac{HP \times (745.7 \text{ Watts/HP})}{E_M} \times (1 - E_D) \text{ [Watts]}$$

Total heat:

Estimate an additional 25%^a for wire connections and other components.

$$W_T = W_D \times 1.25^a \text{ [Watts]}$$

Required airflow:

$$CFM = \frac{W_T \times 3.16}{T_{int} - T_{amb}} \text{ [Ft}^3 \text{ / Min]}$$

Sample Values

Drive Horsepower [hp]	Typical Full Load Rating		Drive Heat Loss W _D [Watts]	Additional Heat Loss ^a [Watts]	Total Heat Loss W _T [Watts]	Airflow when T _{int} -T _{amb} = 15°F [CFM]
	Motor Efficiency	Drive Efficiency				
3	.86	.97	78	20	98	21
10	.90	.97	249	62	311	65
25	.91	.97	615	154	768	162
40	.92	.98	648	162	811	171
75	.93	.98	1203	301	1503	317
100	.94	.98	1587	397	1983	418

^a This is an estimated factor. Further investigation is necessary to obtain actual total heat dissipated in enclosure.

Critical Parameters (lower temperature limits)

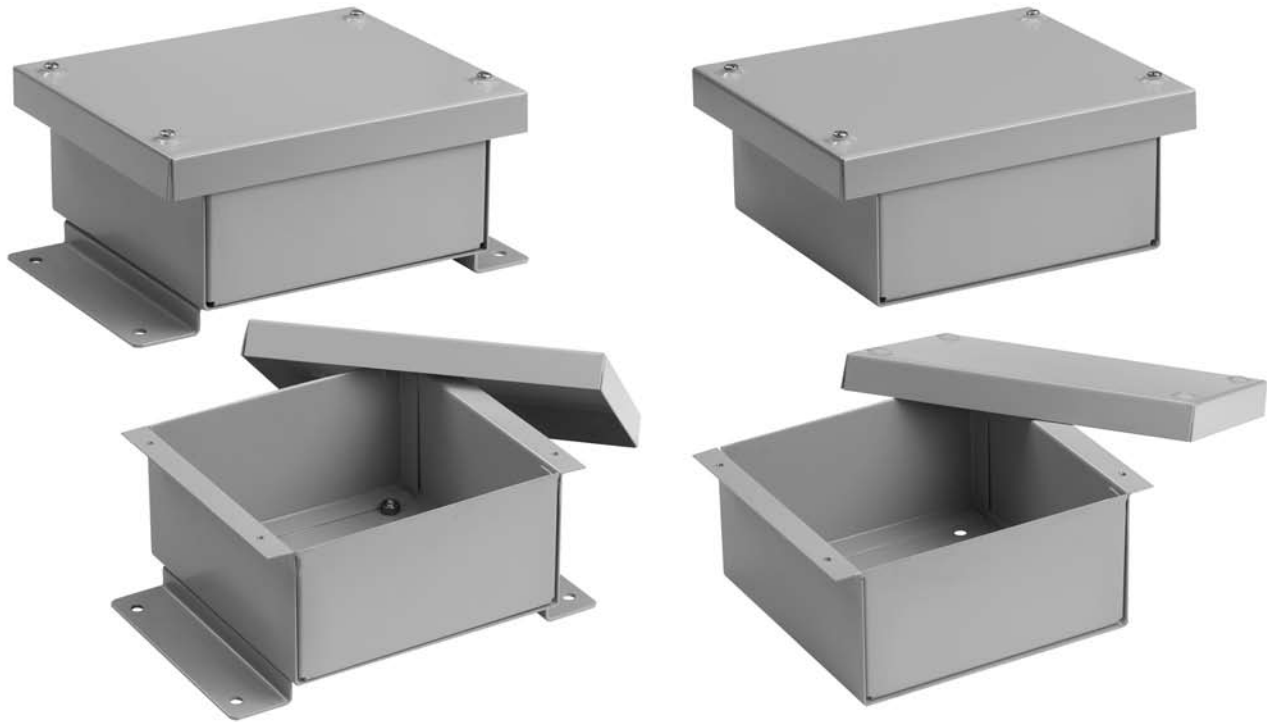
Determine the ambient operating temperature range of the drive. A typical operating range is from 14° to 122°F (-10° to 50°C). For outdoor assemblies in northern climates, the lower operating temperature may be below the lower temperature limit. To ensure that cold starts are not below the low limit temperature, the addition of a heater is recommended.

Hoffman has 100, 200, 400, and 800 Watt heaters available with adjustable thermostats from 0°-100°F. For additional information, see the Thermal Management section of the Hoffman Specifier's Guide.



WeatherFlo Catalog Number	Recommended Heater Catalog Number		Heater Size [Watts]	Estimated Temperature Rise Above Ambient [°F]
	115 VAC	230 VAC		
WF3LP	DAH2001A	DAH2002A	200	55
WF10LP	DAH2001A	DAH2002A	200	46
WF25LP	DAH2001A	DAH2002A	200	40
WF40LP	DAH2001A	DAH2002A	200	33
WF75LP	DAH4001A	DAH4002A	400	41
WF100LP	DAH4001A	DAH4002A	400	34

Type 3R Horizontal-Mount Boxes



Application

Designed for use as a wiring, junction, or pull box for outdoor horizontal-mounting applications such as on rooftops or pads. Vertical structure for mounting is not required. Enclosure provides protection in outdoor installations against rain, sleet, and snow.

Features

- The screw cover is the drip shield providing 3/4-inch overhang on each side for outdoor protection
- Screw locations on cover are embossed so water does not collect
- Enclosure body flange is formed outward so that cover hole locations are outside of enclosure walls, preventing water that might get through cover mounting holes from dripping inside enclosure
- Mounting holes on back for direct mounting through the back to strut or mounting surface
- Optional mounting brackets (included) provide a 1-inch clearance off surface for protection against pooling water

Construction

- 16 or 12 gauge galvanized steel
- No gasketing

Finish

ANSI 61 gray polyester powder paint finish inside and out over phosphatized surfaces.

Industry Standards

Maintains Type 3R rating when mounted horizontally. Maintains Type 1 rating when mounted vertically.

UL 50, File No. E27525: Type 3R
NEMA/EEMAC Type 3R
cUL CSA C22.2 No. 94, File No. E27525: Type 3R
IEC 60529, IP32

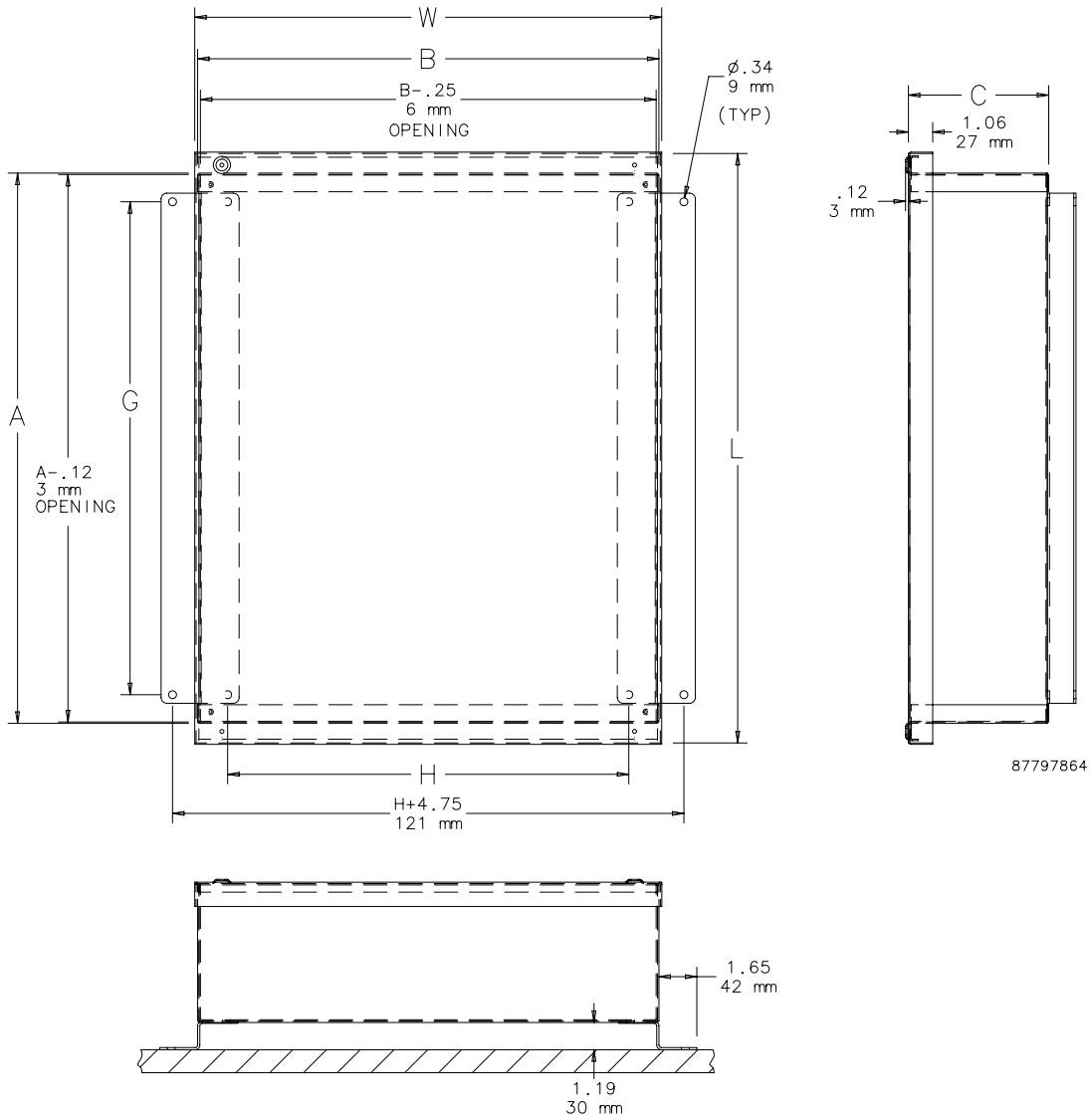
Accessories

Touch-Up Paint (ATPPY61)

Standard Sizes Type 3R Horizontal-Mount Boxes

Catalog Number	A x B x C (in.)	A x B x C (mm)	G (in.)	G (mm)	H (in.)	H (mm)	L (in.)	L (mm)	W (in.)	W (mm)
A8R84HM	8.00 x 8.00 x 4.00	203 x 203 x 102	5.50	140	5.50	140	9.83	250	8.38	213
A10R104HM	10.00 x 10.00 x 4.00	254 x 254 x 102	5.50	140	7.50	191	11.83	300	10.38	264
A12R126HM	12.00 x 12.00 x 6.00	305 x 305 x 152	5.50	140	9.50	241	13.83	351	12.38	314
A24R206HM	24.00 x 20.00 x 6.00	610 x 508 x 152	21.50	546	17.50	445	25.83	656	20.38	518

Type 3R Horizontal-Mount Boxes



**Commercial Boxes
and Enclosures**

Screw Cover Type 3R Enclosures



Application

Designed for use as a wiring box and junction box. Enclosure provides protection in outdoor installations against rain, sleet, and snow, or indoors against dripping water.

Features

- Drip shield top and seam-free sides, front, and back
- Slip-on removable cover fastened with plated steel screws along bottom edge
- Handles on larger size covers (see tables)

Construction

- 16, 14, or 12 gauge galvanized steel
- Embossed mounting holes on back of enclosure
- Knockouts in bottom of 16 and 14 gauge enclosures
- Provision for padlocking
- No gasketing

Finish

ANSI 61 gray polyester powder paint finish inside and out over phosphatized surfaces.

Industry Standards

UL 50, File No. E27525, Type 3R
NEMA/EEMAC Type 3R
cUL CSA C22.2 No. 94, File No. E27525, Type 3R
IEC 60529, IP32

Accessories

See also *Accessories* chapter.

Corrosion Inhibitors
Electric Heater
Grounding Device
Mounting Bracket Kit
Touch-Up Paint (ATPPY61)

Standard Sizes Screw Cover Type 3R Enclosures

Catalog Number	A x B x C in. (mm)	Body Style	D (in.)	D (mm)	Mounting H (in.)	Mounting H (mm)	Mounting J (in.)	Mounting J (mm)	Knockout Pattern
A4R44	4.00 x 4.00 x 4.00 (102 x 102 x 102)	A	—	—	1.88	48	2.00	51	B-C
A6R44	6.00 x 4.00 x 4.00 (152 x 102 x 102)	A	—	—	1.88	48	1.06	27	B-C
A12R44	12.00 x 4.00 x 4.00 (305 x 102 x 102)	A	—	—	1.88	48	1.06	27	B-C
A6R64	6.00 x 6.00 x 4.00 (152 x 152 x 102)	A	—	—	2.25	57	1.06	27	B-C-D
A8R64	8.00 x 6.00 x 4.00 (203 x 152 x 102)	A	—	—	2.25	57	1.06	27	B-C-D
A8R84	8.00 x 8.00 x 4.00 (203 x 203 x 102)	A	—	—	2.25	57	1.06	27	F-G-H-I
A10R84	10.00 x 8.00 x 4.00 (254 x 203 x 102)	A	—	—	2.25	57	1.06	27	F-G-H-I
A12R84	12.00 x 8.00 x 4.00 (305 x 203 x 102)	A	—	—	2.25	57	1.06	27	F-G-H-I
A10R104	10.00 x 10.00 x 4.00 (254x 254x 102)	A	—	—	2.25	57	1.06	27	C-D-E-F-G
A12R104	12.00 x 10.00 x 4.00 (305 x 254 x 102)	A	—	—	2.25	57	1.06	27	C-D-E-F-G
A12R124	12.00 x 12.00 x 4.00 (305 x 305 x 102)	A	—	—	2.25	57	1.06	27	C-D-E-F-G
A18R124	18.00 x 12.00 x 4.00 (457 x 305 x 102)	A	—	—	2.25	57	1.06	27	C-D-E-F-G
A18R184	18.00 x 18.00 x 4.00 (457 x 457 x 102)	B	—	—	13.00	330	1.12	28	A-B-C-D-E-F-G-H-I
A4R44NK	4.00 x 4.00 x 4.00 (102 x 102 x 102)	A	—	—	1.88	48	2.00	51	N/A
A12R44NK	12.00 x 4.00 x 4.00 (305 x 102 x 102)	A	—	—	1.88	48	1.06	27	N/A
A6R64NK	6.00 x 6.00 x 4.00 (152 x 152 x 102)	A	—	—	2.25	57	1.06	27	N/A
A8R64NK	8.00 x 6.00 x 4.00 (203 x 152 x 102)	A	—	—	2.25	57	1.06	27	N/A
A8R84NK	8.00 x 8.00 x 4.00 (203 x 203 x 102)	A	—	—	2.25	57	1.06	27	N/A
A10R84NK	10.00 x 8.00 x 4.00 (254 x 203 x 102)	A	—	—	2.25	57	1.06	27	N/A
A12R84NK	12.00 x 8.00 x 4.00 (305 x 203 x 102)	A	—	—	2.25	57	1.06	27	N/A
A10R104NK	10.00 x 10.00 x 4.00 (254 x 254 x 102)	A	—	—	2.25	57	1.06	27	N/A
A12R104NK	12.00 x 10.00 x 4.00 (305 x 254 x 102)	A	—	—	2.25	57	1.06	27	N/A
A12R124NK	12.00 x 12.00 x 4.00 (305 x 305 x 102)	A	—	—	2.25	57	1.06	27	N/A
A18R184NK	18.00 x 18.00 x 4.00 (457 x 457 x 102)	B	—	—	13.00	330	1.12	28	N/A
A6R66	6.00 x 6.00 x 6.00 (152 x 152 x 152)	A	—	—	2.25	57	1.06	27	B-C-D

Screw Cover Type 3R Enclosures

Standard Sizes Screw Cover Type 3R Enclosures (Cont.)

Catalog Number	A x B x C in. (mm)	Body Style	D (in.)	D (mm)	Mounting H (in.)	Mounting H (mm)	Mounting J (in.)	Mounting J (mm)	Knockout Pattern
A8R86	8.00 x 8.00 x 6.00 (203 x 203 x 152)	A	—	—	2.25	57	1.06	27	F-G-H-I
A10R86	10.00 x 8.00 x 6.00 (254 x 203 x 152)	A	—	—	2.25	57	1.06	27	F-G-H-I
A10R106	10.00 x 10.00 x 6.00 (254 x 254 x 152)	A	—	—	2.25	57	1.06	27	C-D-E-F-G
A12R86	12.00 x 8.00 x 6.00 (305 x 203 x 152)	A	—	—	2.25	57	1.06	27	F-G-H-I
A12R106	12.00 x 10.00 x 6.00 (305 x 254 x 152)	A	—	—	2.25	57	1.06	27	C-D-E-F-G
A12R126	12.00 x 12.00 x 6.00 (305 x 305 x 152)	A	—	—	2.25	57	1.06	27	C-D-E-F-G
A15R126	15.00 x 12.00 x 6.00 (381 x 305 x 152)	A	—	—	2.25	57	1.06	27	C-D-E-F-G
A16R126	16.00 x 12.00 x 6.00 (406 x 305 x 152)	A	—	—	2.25	57	1.06	27	C-D-E-F-G
A18R126	18.00 x 12.00 x 6.00 (457 x 305 x 152)	A	—	—	2.25	57	1.06	27	C-D-E-F-G
A18R186	18.00 x 18.00 x 6.00 (457 x 457 x 152)	B	—	—	13.00	330	1.12	28	A-B-C-D-E-F-G-H-I
A24R126	24.00 x 12.00 x 6.00 (610 x 305 x 152)	B	—	—	13.00	330	1.12	28	C-D-E-F-G
A24R186	24.00 x 18.00 x 6.00 (610 x 457 x 152)	B	—	—	13.00	330	1.12	28	A-B-C-D-E-F-G-H-I
A24R246	24.00 x 24.00 x 6.00 (610 x 610 x 152)	B	—	—	13.00	330	1.12	28	A-B-C-D-E-F-G-H-I
A6R66NK	6.00 x 6.00 x 6.00 (152 x 152 x 152)	A	—	—	2.25	57	1.06	27	N/A
A18R66NK	18.00 x 6.00 x 6.00 (457 x 152 x 152)	A	—	—	2.25	57	1.06	27	N/A
A8R86NK	8.00 x 8.00 x 6.00 (203 x 203 x 152)	A	—	—	2.25	57	1.06	27	N/A
A10R86NK	10.00 x 8.00 x 6.00 (254 x 203 x 152)	A	—	—	2.25	57	1.06	27	N/A
A10R106NK	10.00 x 10.00 x 6.00 (254 x 254 x 152)	A	—	—	2.25	57	1.06	27	N/A
A12R106NK	12.00 x 10.00 x 6.00 (305 x 254 x 152)	A	—	—	2.25	57	1.06	27	N/A
A12R126NK	12.00 x 12.00 x 6.00 (305 x 305 x 152)	A	—	—	2.25	57	1.06	27	N/A
A15R126NK	15.00 x 12.00 x 6.00 (381 x 305 x 152)	A	—	—	2.25	57	1.06	27	N/A
A16R126NK	16.00 x 12.00 x 6.00 (406 x 305 x 152)	A	—	—	2.25	57	1.06	27	N/A
A18R126NK	18.00 x 12.00 x 6.00 (457 x 305 x 152)	A	—	—	2.25	57	1.06	27	N/A
A18R186NK	18.00 x 18.00 x 6.00 (457 x 457 x 152)	B	—	—	13.00	330	1.12	28	N/A
A24R186NK	24.00 x 18.00 x 6.00 (610 x 457 x 152)	B	—	—	13.00	330	1.12	28	N/A
A24R246NK	24.00 x 24.00 x 6.00 (610 x 610 x 152)	B	—	—	13.00	330	1.12	28	N/A
A8R88	8.00 x 8.00 x 8.00 (203 x 203 x 203)	A	—	—	2.25	57	1.06	27	F-G-H-I
A12R128	12.00 x 12.00 x 8.00 (305 x 305 x 203)	A	—	—	2.25	57	1.06	27	C-D-E-F-G
A15R128	15.00 x 12.00 x 8 (381 x 305 x 203)	A	—	—	2.25	57	1.06	27	C-D-E-F-G
A18R128	18.00 x 12.00 x 8.00 (457 x 305 x 203)	A	—	—	2.25	57	1.12	28	C-D-E-F-G
A24R168	24.00 x 16.00 x 8.00 (610 x 407 x 203)	B	—	—	13.00	330	1.12	28	C-D-E-F-G
A18R188	18.00 x 18.00 x 8.00 (457 x 457 x 203)	B	—	—	13.00	330	1.12	28	A-B-C-D-E-F-G-H-I
A24R188	24.00 x 18.00 x 8.00 (610 x 457 x 203)	B	—	—	13.00	330	1.12	28	A-B-C-D-E-F-G-H-I
A24R208	24.00 x 20.00 x 8.00 (610 x 508 x 203)	B	—	—	13.00	330	1.12	28	A-B-C-D-E-F-G-H-I
A24R248	24.00 x 24.00 x 8.00 (610 x 610 x 203)	C	12.19	310	13.00	330	1.12	28	A-B-C-D-E-F-G-H-I
A30R248	30.00 x 24.00 x 8.00 (762 x 610 x 203)	C	15.19	386	13.00	330	1.12	28	A-B-C-D-E-F-G-H-I
A48R368	48.00 x 36.00 x 8.00 (1219 x 914 x 203)	C	24.19	614	33.00	838	1.50	38	A-B-C-D-E-F-G-H-I
A8R88NK	8.00 x 8.00 x 8.00 (203 x 203 x 203)	A	—	—	2.25	1.06	1.06	27	N/A
A24R88NK	24.00 x 8.00 x 8.00 (610 x 203 x 203)	A	—	—	2.25	1.06	1.06	27	N/A
A12R128NK	12.00 x 12.00 x 8.00 (305 x 305 x 203)	A	—	—	2.25	57	1.06	27	N/A
A15R128NK	15.00 x 12.00 x 8.00 (381 x 305 x 203)	A	—	—	2.25	57	1.06	27	N/A
A18R128NK	18.00 x 12.00 x 8.00 (457 x 305 x 203)	A	—	—	2.25	57	1.12	28	N/A
A18R188NK	18.00 x 18.00 x 8.00 (457 x 457 x 203)	B	—	—	13.00	330	1.12	28	N/A
A24R188NK	24.00 x 18.00 x 8.00 (610 x 457 x 203)	B	—	—	13.00	330	1.12	28	N/A
A24R208NK	24.00 x 20.00 x 8.00 (610 x 508 x 203)	B	—	—	13.00	330	1.12	28	N/A
A24R248NK	24.00 x 24.00 x 8.00 (610 x 610 x 203)	C	12.19	310	13.00	330	1.12	28	N/A
A30R248NK	30.00 x 24.00 x 8.00 (762 x 610 x 203)	C	15.19	386	13.00	330	1.12	28	N/A
A48R368NK	48.00 x 36.00 x 8.00 (1220 x 915 x 203)	C	24.19	614	33.00	838	1.50	38	N/A

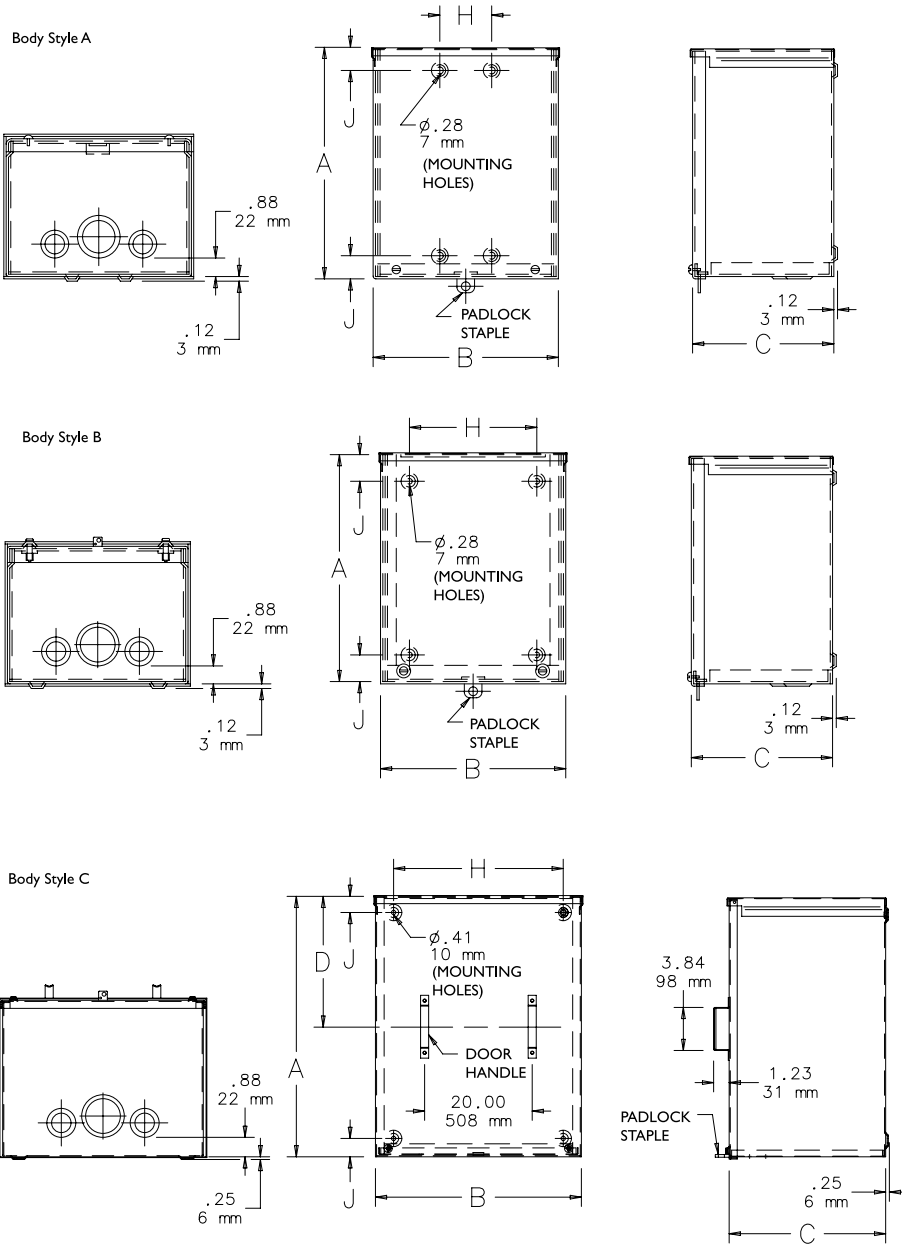
Commercial Boxes
and Enclosures

Screw Cover Type 3R Enclosures

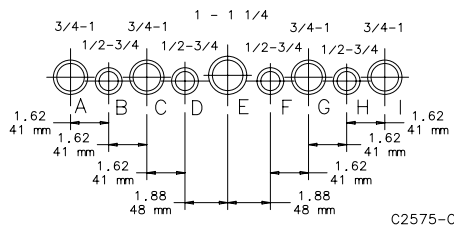
Standard Sizes Screw Cover Type 3R Enclosures (Cont.)

Catalog Number	A x B x C in. (mm)	Body Style	D (in.)	D (mm)	Mounting H (in.)	Mounting H (mm)	Mounting J (in.)	Mounting J (mm)	Knockout Pattern
A18R1810	18.00 x 18.00 x 10.00 (457 x 457 x 254)	B	—	—	13.00	330	1.12	28	A-B-C-D-E-F-G-H-I
A24R1810	24.00 x 18.00 x 10.00 (610 x 457 x 254)	B	—	—	13.00	330	1.12	28	A-B-C-D-E-F-G-H-I
A24R2410	24.00 x 24.00 x 10.00 (610 x 610 x 254)	C	12.19	310	13.00	330	1.12	28	A-B-C-D-E-F-G-H-I
A30R2410	30.00 x 24.00 x 10.00 (762 x 610 x 254)	C	15.19	386	13.00	330	1.50	38	A-B-C-D-E-F-G-H-I
A24R2410NK	24.00 x 24.00 x 10.00 (610 x 610 x 254)	C	12.19	310	13.00	330	1.12	28	N/A
A24R2412	24.00 x 24.00 x 12.00 (610 x 610 x 305)	C	12.19	310	13.00	330	1.12	28	A-B-C-D-E-F-G-H-I
A30R3012	30.00 x 30.00 x 12.00 (762 x 762 x 305)	C	15.19	386	27.00	686	1.50	38	A-B-C-D-E-F-G-H-I
A36R3012	36.00 x 30.00 x 12.00 (914 x 762 x 305)	C	18.19	462	27.00	686	1.50	38	A-B-C-D-E-F-G-H-I
A36R3612	36.00 x 36.00 x 12.00 (914 x 914 x 305)	C	18.19	462	33.00	838	1.50	38	A-B-C-D-E-F-G-H-I
A24R2412NK	24.00 x 24.00 x 12.00 (610 x 610 x 305)	C	12.19	310	13.00	330	1.12	28	N/A
A30R3012NK	30.00 x 30.00 x 12.00 (762 x 762 x 305)	C	15.19	386	27.00	686	1.50	38	N/A
A36R3012NK	36.00 x 30.00 x 12.00 (914 x 762 x 305)	C	18.19	462	27.00	686	1.50	38	N/A
A36R3612NK	36.00 x 36.00 x 12.00 (914 x 914 x 305)	C	18.19	462	33.00	838	1.50	38	N/A
A30R3016	30.00 x 30.00 x 16.00 (762 x 762 x 406)	C	15.19	386	27.00	686	1.50	38	A-B-C-D-E-F-G-H-I
A48R3616	48.00 x 36.00 x 16.00 (1219 x 914 x 406)	C	24.19	614	33.00	838	1.50	38	A-B-C-D-E-F-G-H-I
A30R3016NK	30.00 x 30.00 x 16.00 (762 x 762 x 406)	C	15.19	386	27.00	686	1.50	38	N/A
A48R3616NK	48.00 x 36.00 x 16.00 (1219 x 915 x 406)	C	24.19	614	33.00	838	1.50	38	N/A

Screw Cover Type 3R Enclosures



**Commercial Boxes
and Enclosures**



Galvanized Screw Cover Type 3R Enclosures



Application

Designed for use as a wiring box and junction box. Enclosure provides protection in outdoor installations against rain, sleet, and snow, or indoors against dripping water.

Features

- Drip-shield top and seam-free sides, front, and back
- Slip-on removable cover fastened with plated steel screws along bottom edge
- Door handles on larger sides (body style C; see table)

Construction

- 16 or 14 gauge galvanized steel
- Embossed mounting holes on back of enclosure
- See table for knock pattern
- Provision for padlocking
- No gasketing

Finish

Unpainted galvanized steel

Industry Standards

UL50, File No. E27525: Type 3R
NEMA/EEMAC Type 3R
cUL CSA C22.2 No. 94, File No. E27525: Type 3R
IEC 60529, IP32

Accessories

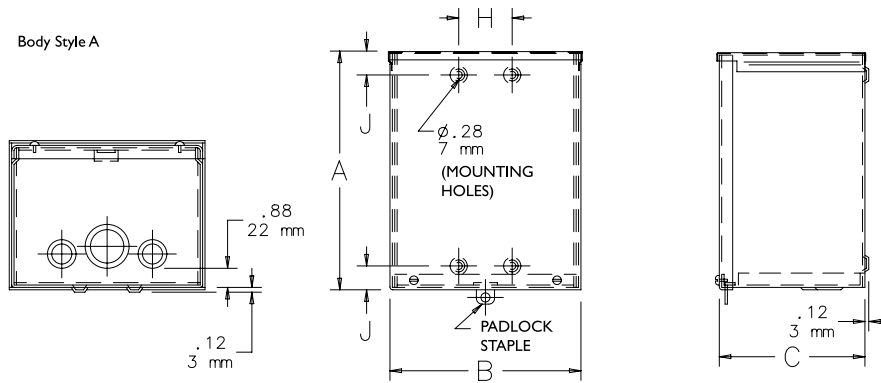
Corrosion Inhibitors
Electric Heater
Grounding Device
Mounting Bracket Kit

Standard Sizes Galvanized Screw Cover Type 3R Enclosures

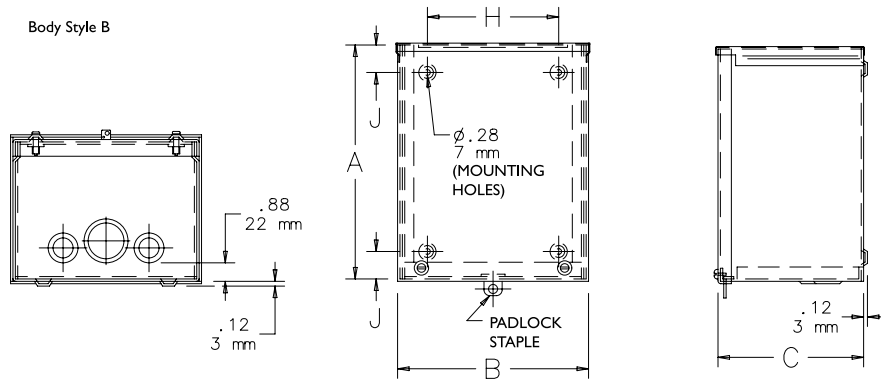
Catalog Number	Body Style	Enclosure Size A x B x C		D		Mounting H		Mounting J		Knockout Pattern
		in.	mm	in.	mm	in.	mm	in.	mm	
A4R44GV	A	4.00 x 4.00 x 4.00	102 x 102 x 102	—	—	1.88	48	2.00	51	B-C
A6R64GV	A	6.00 x 4.00 x 4.00	152 x 102 x 102	—	—	1.88	48	1.06	27	B-C
A8R84GV	A	8.00 x 8.00 x 4.00	203 x 203 x 102	—	—	2.25	57	1.06	27	B-C-D
A10R104GV	A	10.00 x 10.00 x 4.00	254 x 254 x 102	—	—	2.25	57	1.06	27	C-D-E-F-G
A12R124GV	A	12.00 x 12.00 x 4.00	305 x 305 x 102	—	—	2.25	57	1.06	27	C-D-E-F-G
A6R66GV	A	6.00 x 6.00 x 6.00	152 x 152 x 152	—	—	2.25	57	1.06	27	B-C-D
A8R86GV	A	8.00 x 8.00 x 6.00	203 x 203 x 152	—	—	2.25	57	1.06	27	F-G-H-I
A10R106GV	A	10.00 x 10.00 x 6.00	254 x 254 x 152	—	—	2.25	57	1.06	27	C-D-E-F-G
A12R126GV	A	12.00 x 12.00 x 6.00	305 x 305 x 152	—	—	2.25	57	1.06	57	C-D-E-F-G
A18R186GV	B	18.00 x 18.00 x 6.00	457 x 457 x 152	—	—	13.00	330	1.12	28	A-B-C-D-E-F-G-H-I
A8R88GV	A	8.00 x 8.00 x 8.00	203 x 203 x 203	—	—	2.25	57	1.06	27	F-G-H-I
A8R88GVNK	A	8.00 x 8.00 x 8.00	203 x 203 x 203	—	—	2.25	57	1.06	27	—
A10R108GVNK	A	10.00 x 10.00 x 8.00	254 x 254 x 203	—	—	2.25	57	1.06	27	—
A12R128GV	A	12.00 x 12.00 x 8.00	305 x 305 x 203	—	—	2.25	57	1.06	27	C-D-E-F-G
A24R248GV	C	24.00 x 24.00 x 8.00	610 x 610 x 203	12.19	310	13.00	330	1.12	28	A-B-C-D-E-F-G-H-I
A24R2410GV	C	24.00 x 24.00 x 10.00	610 x 610 x 254	12.19	310	13.00	330	1.12	28	A-B-C-D-E-F-G-H-I

Galvanized Screw Cover Type 3R Enclosures

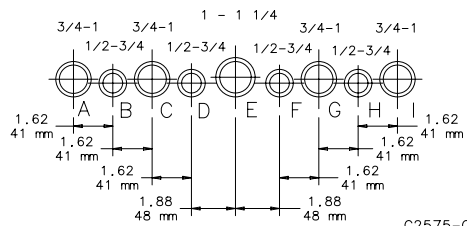
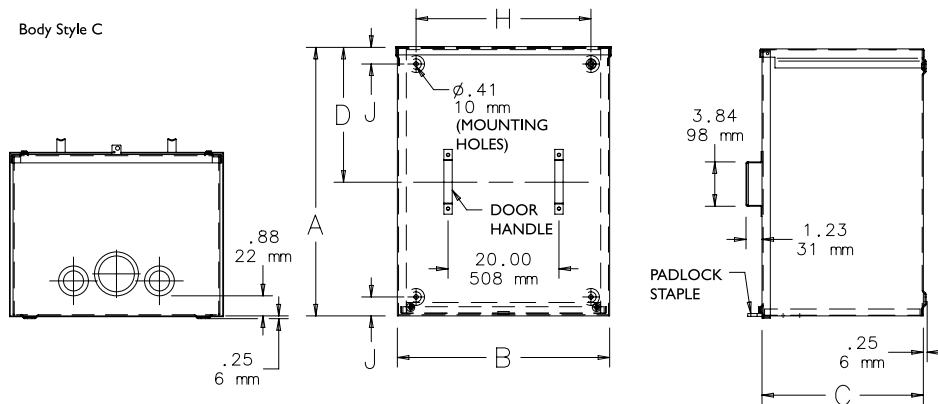
Body Style A



Body Style B



Body Style C



**Commercial Boxes
and Enclosures**

Screw Cover Gasketed Boxes



Application

Designed for use as a wiring box, junction box, pull box, and terminal box in many indoor or outdoor applications where dust or moisture is a problem.

Features

- Captivated stainless steel cover screws thread into sealed wells
- Oil-resistant gasket and adhesive

Construction

- 14 or 12 gauge G-90 grade galvanized steel bodies
- 12 or 10 gauge G-90 grade galvanized steel covers
- Seams continuously welded and ground smooth
- No holes or knockouts
- Grounding stud on inside back of box

Finish

Cover has galvanized finish. Body finish is ANSI 61 gray polyester powder inside and out over plated steel.

Industry Standards

UL 508A, File No. E61997: Type 3 and 12
NEMA/EEMAC Type 3 and 12 (except for mounting provisions)
CSA, File No. 42184: Type 4 and 12
IEC 60529, IP66

Accessories

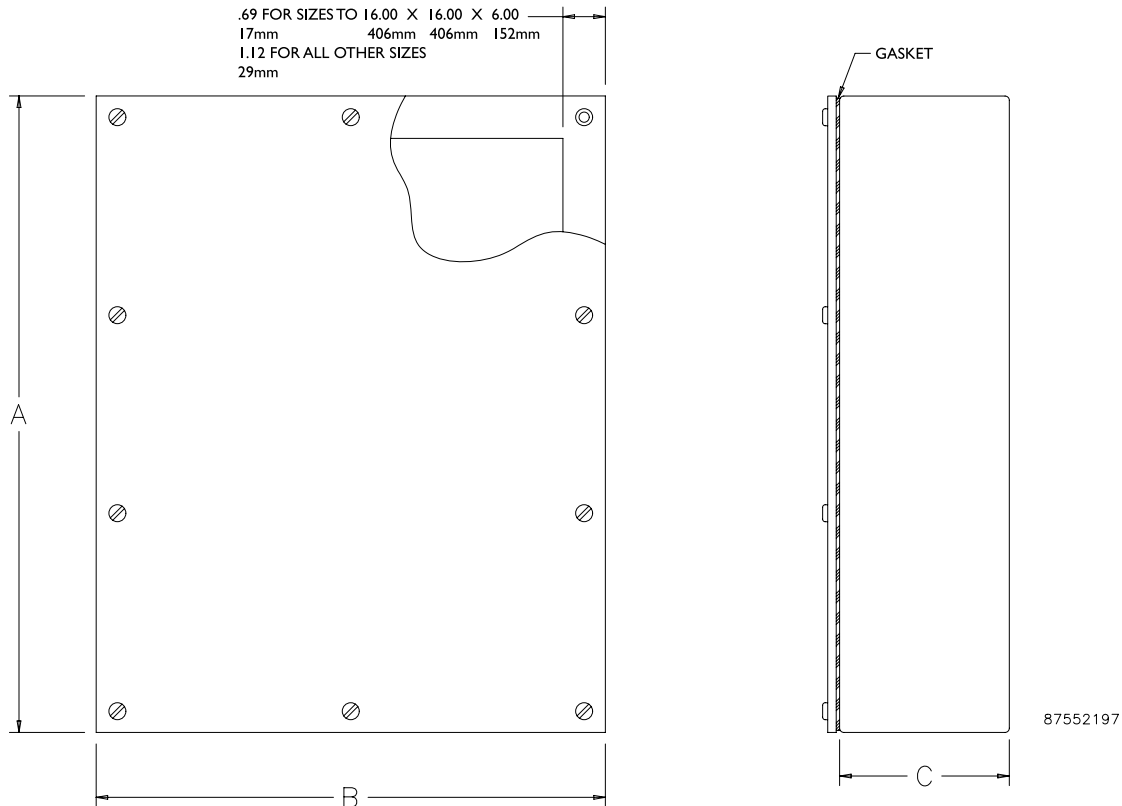
See also *Accessories chapter*.
Corrosion Inhibitors
Electric Heater
Grounding Device
Mounting Bracket Kit

Screw Cover Gasketed Boxes

Standard Sizes Screw Cover Gasketed Boxes

Catalog Number	A x B x C in. (mm)	Body Gauge	Cover Gauge	Number of Cover Screws
A664GSC	6.00 x 6.00 x 4.00 (152 x 152 x 102)	14	12	4
A864GSC	8.00 x 6.00 x 4.00 (203 x 152 x 102)	14	12	4
A884GSC	8.00 x 8.00 x 4.00 (203 x 203 x 102)	14	12	4
A1084GSC	10.00 x 8.00 x 4.00 (254 x 203 x 102)	14	12	6
A10104GSC	10.00 x 10.00 x 4.00 (254 x 254 x 102)	14	12	8
A12124GSC	12.00 x 12.00 x 4.00 (305 x 305 x 102)	14	12	8
A666GSC	6.00 x 6.00 x 6.00 (152 x 152 x 152)	14	12	4
A886GSC	8.00 x 8.00 x 6.00 (203 x 203 x 152)	14	12	4
A10106GSC	10.00 x 10.00 x 6.00 (254 x 254 x 152)	14	12	8
A12106GSC	12.00 x 10.00 x 6.00 (305 x 254 x 152)	14	12	8
A12126GSC	12.00 x 12.00 x 6.00 (305 x 305 x 152)	14	12	8
A16126GSC	16.00 x 12.00 x 6.00 (406 x 305 x 152)	14	12	8
A16166GSC	16.00 x 16.00 x 6.00 (406 x 406 x 152)	14	10	8
A18186GSC	18.00 x 18.00 x 6.00 (457 x 457 x 152)	14	10	8
A20166GSC	20.00 x 16.00 x 6.00 (508 x 406 x 152)	14	10	8
A24246GSC	24.00 x 24.00 x 6.00 (610 x 610 x 152)	14	10	12
A888GSC	8.00 x 8.00 x 8.00 (203 x 203 x 203)	14	12	4
A10108GSC	10.00 x 10.00 x 8.00 (254 x 254 x 203)	14	12	8
A12128GSC	12.00 x 12.00 x 8.00 (305 x 305 x 203)	14	12	8
A16168GSC	16.00 x 16.00 x 8.00 (406 x 406 x 203)	14	10	8
A20208GSC	20.00 x 20.00 x 8.00 (508 x 508 x 203)	14	10	8
A24208GSC	24.00 x 20.00 x 8.00 (610 x 508 x 203)	14	10	10
A24248GSC	24.00 x 24.00 x 8.00 (610 x 610 x 203)	14	10	12
A30248GSC	30.00 x 24.00 x 8.00 (762 x 610 x 203)	14	10	12
A242410GSC	24.00 x 24.00 x 10.00 (610 x 610 x 254)	14	10	12
A121212GSC	12.00 x 12.00 x 12.00 (305 x 305 x 305)	14	12	8
A161612GSC	16.00 x 16.00 x 12.00 (406 x 406 x 305)	14	10	8
A202012GSC	20.00 x 20.00 x 12.00 (508 x 508 x 305)	14	10	8
A242412GSC	24.00 x 24.00 x 12.00 (610 x 610 x 305)	14	10	12
A303012GSC	30.00 x 30.00 x 12.00 (762 x 762 x 305)	12	10	12
A363612GSC	36.00 x 36.00 x 12.00 (914 x 914 x 305)	12	10	16

Commercial Boxes and Enclosures



Hinged Cover Type 3R Small Enclosures



Features

- Drip-shield top and seam-free sides, front, and back
- Plated steel hinge has stainless steel pin
- Weldnuts provided for mounting optional panels

Construction

- 16 gauge galvanized steel
- Provisions for padlocking on zinc-plated draw pull catch
- Knockouts on bottom of enclosure
- No gasketing

Finish

ANSI 61 gray polyester powder paint finish inside and out over galvanized steel. Unless otherwise specified, all custom hinged cover Type 3R small enclosures are finished with ANSI 61 gray polyester powder paint. Optional solid panels are white and optional perforated panels are gray.

Industry Standards

UL 50, File No. E27567, Type 3R
NEMA/EEMAC Type 3R
cUL CSA C22.2 No. 94, File No. E27567, Type 3R
IEC 60529, IP32

Accessories

See also *Accessories* chapter.

Corrosion Inhibitors
Grounding Device
Panels (see Table)
Touch-Up Paint (ATPPY61)

Application

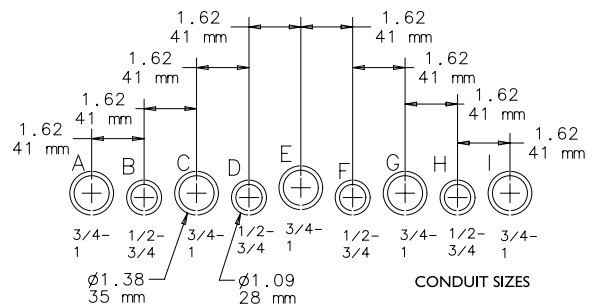
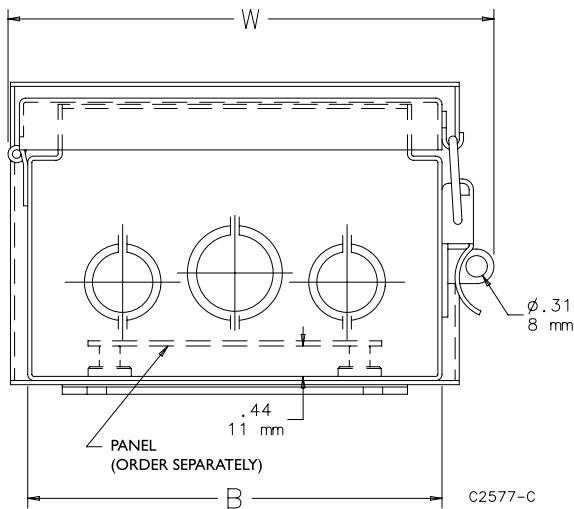
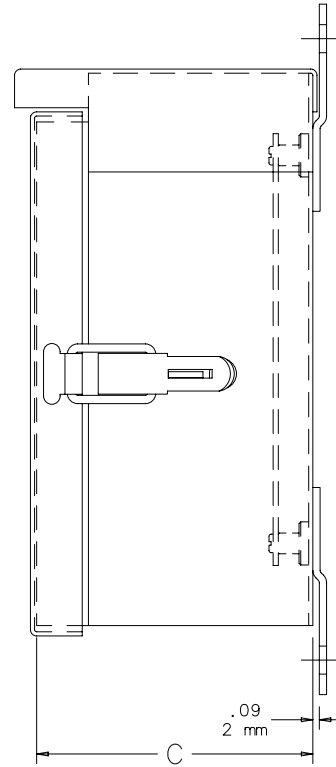
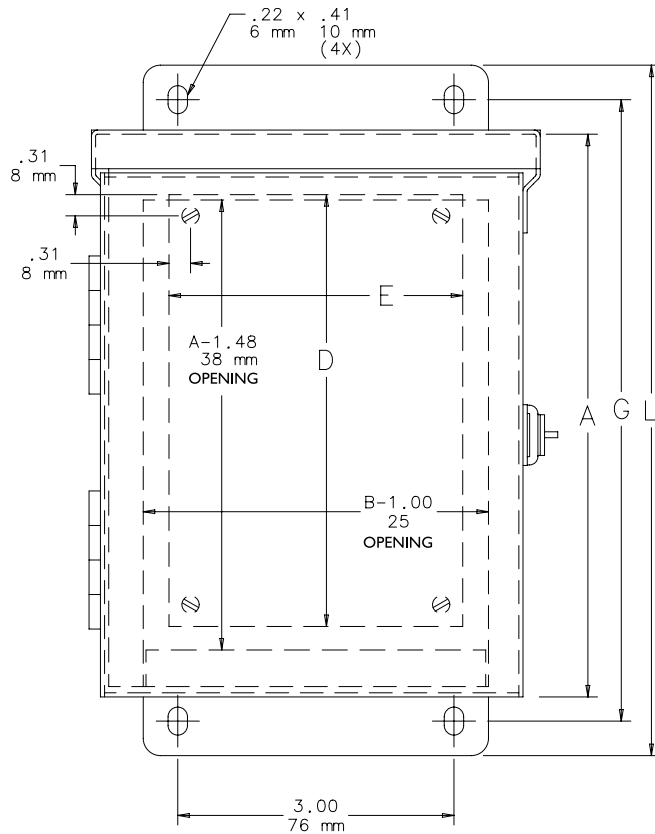
Designed for use as a wiring box and junction box. Enclosure provides protection in outdoor installations against rain, sleet, and snow, or indoors against dripping water.

Standard Sizes Hinged Cover Type 3R Small Enclosures

Catalog Number	A x B x C in. (mm)	Panel Catalog Number	Perforated Panel Catalog Number	Panel Size D x E (in.)	Panel Size D x E (mm)	Mounting G (in.)	Mounting G (mm)	Overall L x W (in.)	Overall L x W (mm)	Knockout Pattern
A6R44HCR	6.00 x 4.00 x 4.00 (152 x 102 x 102)	A6N4P	A6N4PP	4.25 x 2.25	108 x 57	7.00	178	8.00 x 4.81	203 x 122	B-C-D
A6R64HCR	6.00 x 6.00 x 4.00 (152 x 152 x 102)	A6N6P	A6N6PP	4.25 x 4.25	108 x 108	7.00	178	8.00 x 6.81	203 x 173	B-C-D
A8R64HCR	8.00 x 6.00 x 4.00 (203 x 152 x 102)	A8N6P	A8N6PP	6.25 x 4.25	159 x 108	9.00	229	10.00 x 6.81	254 x 173	B-C-D
A8R86HCR	8.00 x 8.00 x 6.00 (203 x 203 x 152)	A8N8P	A8N8PP	6.25 x 6.25	159 x 159	9.00	229	10.00 x 8.81	254 x 224	F-G-H-I
A10R86HCR	10.00 x 8.00 x 6.00 (254 x 203 x 152)	A10N8P	A10N8PP	8.25 x 6.25	210 x 159	11.0	279	12.00 x 8.81	305 x 224	F-G-H-I
A12R106HCR	12.00 x 10.00 x 6.00 (305 x 254 x 152)	A12N10P	A12N10PP	10.25 x 8.25	260 x 210	13.0	330	14.00 x 10.81	356 x 275	C-D-E-F-G
A12R126HCR	12.00 x 12.00 x 6.00 (305 x 305 x 152)	A12N12P	A12N12PP	10.25 x 10.25	260 x 260	13.0	330	14.00 x 12.81	356 x 325	C-D-E-F-G
A12R1210HCR	12.00 x 12.00 x 10.00 (305 x 305 x 254)	A12N12P	A12N12PP	10.25 x 10.25	260 x 260	13.00	330	14.00 x 12.81	356 x 325	C-D-E-F-G

Purchase panels separately.

Hinged Cover Type 3R Small Enclosures



Knockout Pattern
(from outside of box)

NOTE: Refer to table for applicable knockout pattern.

**Commercial Boxes
and Enclosures**

Hinged Cover Type 3R Medium Enclosures



Application

Designed for use as a wiring box and junction box. Enclosure provides protection in outdoor installations against rain, sleet, and snow, or indoors against dripping water.

Features

- Drip shield top and seam-free sides, front, and back protect from rain, snow, or sleet
- 16 gauge plated steel continuous hinge has stainless steel pin
- Cover fastened securely with captive plated steel screws
- Collar studs provided for mounting optional panels

Construction

- 16 or 14 gauge galvanized steel
- Hasp and staple provided for padlocking
- No gasketing or knockouts

Finish

ANSI 61 gray polyester powder paint finish inside and out over galvanized steel. Optional solid panels are white.

Industry Standards

UL 50, File No. E27567, Type 3R
NEMA/EEMAC Type 3R
cUL CSA C22.2 No. 94, File No. E27567, Type 3R
IEC 60529, IP32

Accessories

See also *Accessories chapter*.

Corrosion Inhibitors
Electric Heater
Grounding Device
Panel Support Kit (APS3)
Panels
Rack Mounting Angle Kit
Terminal Kit Assembly
Touch-Up Paint (ATPPY61)
Window Kit

Standard Sizes Hinged Cover Type 3R Medium Enclosures

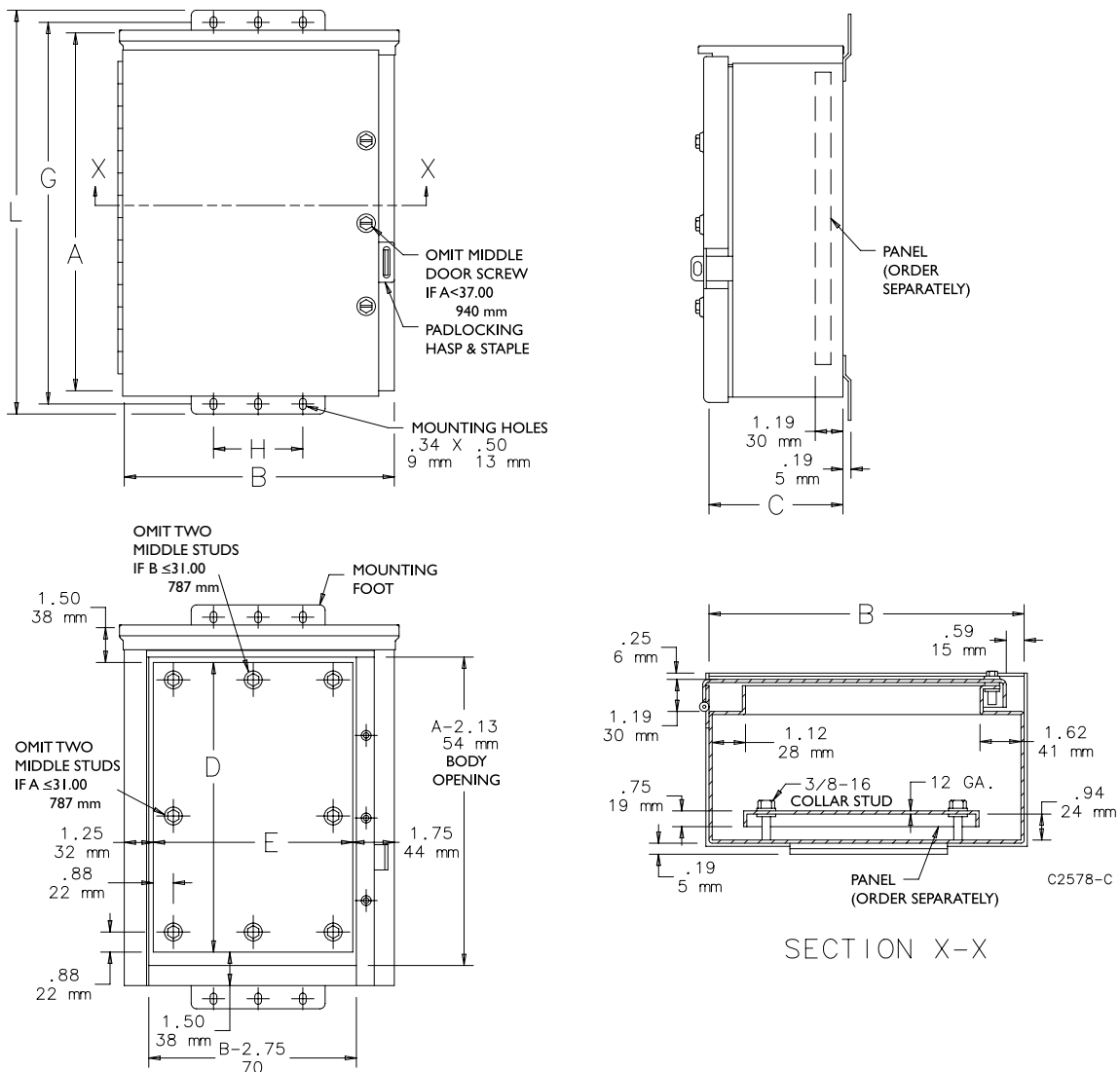
Catalog Number	A x B x C in. (mm)	Panel Catalog Number	Perforated Panel Catalog No.	Panel Size D x E (in.)	Panel Size D x E (mm)	Mounting G x H (in.)	Mounting G x H (mm)	Overall L (in.)	Overall L (mm)
A16R126HCR	16.00 x 12.00 x 6.00 (406 x 305 x 152)	A16P12	A16P12PP	13.00 x 9.00	330 x 229	17.00 x 5.00	432 x 127	18.00	457
A16R166HCR	16.00 x 16.00 x 6.00 (406 x 406 x 152)	A16P16	A16P16PP	13.00 x 13.00	330 x 330	17.00 x 13.00	432 x 330	18.00	457
A18R186HCR	18.00 x 18.00 x 6.00 (457 x 457 x 152)	A18P18	A18P18PP	15.00 x 15.00	381 x 381	19.00 x 13.00	483 x 330	20.00	508
A20R166HCR	20.00 x 16.00 x 6.00 (508 x 406 x 152)	A20P16	A20P16PP	17.00 x 13.00	432 x 330	21.00 x 13.00	533 x 330	22.00	559
A20R208HCR	20.00 x 20.00 x 8.00 (508 x 508 x 203)	A20P20	A20P20PP	17.00 x 17.00	432 x 432	21.00 x 13.00	533 x 330	22.00	559
A24R208HCR	24.00 x 20.00 x 8.00 (610 x 508 x 203)	A24P20	A24P20PP	21.00 x 17.00	533 x 432	25.00 x 13.00	635 x 330	26.00	660
A24R248HCR	24.00 x 24.00 x 8.00 (610 x 610 x 203)	A24P24	A24P24PP ^a	21.00 x 21.00	533 x 533	25.00 x 13.00	635 x 330	26.00	660
A30R248HCR	30.00 x 24.00 x 8.00 (762 x 610 x 203)	A30P24	A30P24PP ^a	27.00 x 21.00	686 x 533	31.00 x 13.00	787 x 330	32.00	813
A30R308HCR	30.00 x 30.00 x 8.00 (762 x 762 x 203)	A30P30	A30P30PP ^a	27.00 x 27.00	686 x 686	31.00 x 27.00	787 x 686	32.00	813
A18R1810HCR	18.00 x 18.00 x 10.00 (457 x 457 x 254)	A18P18	A18P18PP	15.00 x 15.00	381 x 381	19.00 x 13.00	483 x 330	20.00	508
A24R2410HCR	24.00 x 24.00 x 10.00 (610 x 610 x 254)	A24P24	A24P24PP ^a	21.00 x 21.00	533 x 533	25.00 x 13.00	635 x 330	26.00	660
A30R2410HCR	30.00 x 24.00 x 10.00 (762 x 610 x 254)	A30P24	A30P24PP ^a	27.00 x 21.00	686 x 533	31.00 x 13.00	787 x 330	32.00	813
A36R3610HCR	36.00 x 36.00 x 10.00 (914 x 914 x 254)	A36P36	A36P36PP ^a	33.00 x 33.00	838 x 838	37.00 x 30.00	940 x 762	38.00	965
A30R3012HCR	30.00 x 30.00 x 12.00 (762 x 762 x 305)	A30P30	A30P30PP ^a	27.00 x 27.00	686 x 686	31.00 x 27.00	787 x 686	32.00	813

Hinged Cover Type 3R Medium Enclosures

Standard Sizes Hinged Cover Type 3R Medium Enclosures (Cont.)

Catalog Number	A x B x C in. (mm)	Panel Catalog Number	Perforated Panel Catalog No.	Panel Size D x E (in.)	Panel Size D x E (mm)	Mounting G x H (in.)	Mounting G x H (mm)	Overall L (in.)	Overall L (mm)
A36R2412HCR	36.00 x 24.00 x 12.00 (914 x 610 x 305)	A36P24	A36P24PP ^a	33.00 x 21.00	838 x 533	37.00 x 13.00	940 x 330	38.00	965
A36R3012HCR	36.00 x 30.00 x 12.00 (914 x 914 x 305)	A36P30	A36P30PP ^a	33.00 x 27.00	838 x 686	37.00 x 27.00	940 x 686	38.00	965
A36R3612HCR	36.00 x 36.00 x 12.00 (914 x 914 x 305)	A36P36	A36P36PP ^a	33.00 x 33.00	838 x 838	37.00 x 27.00	940 x 686	38.00	965
A42R3012HCR	42.00 x 30.00 x 12.00 (1067 x 914 x 305)	A42P30	—	39.00 x 27.00	991 x 686	43.00 x 27.00	1092 x 686	44.00	1118
A42R3612HCR	42.00 x 36.00 x 12.00 (1067 x 914 x 305)	A42P36	—	39.00 x 33.00	991 x 838	43.00 x 27.00	1092 x 686	44.00	1118
A48R3612HCR	48.00 x 36.00 x 12.00 (1219 x 914 x 305)	A48P36	—	45.00 x 33.00	1143 x 838	49.00 x 27.00	1245 x 686	50.00	1270
A60R3612HCR	60.00 x 36.00 x 12.00 (1524 x 914 x 305)	A60P36	—	57.00 x 33.00	1448 x 838	61.00 x 27.00	1549 x 686	62.00	1575
A30R3016HCR	30.00 x 30.00 x 16.00 (762 x 762 x 406)	A30P30	A30P30PP ^a	27.00 x 27.00	686 x 686	31.00 x 27.00	787 x 686	32.00	813
A48R3616HCR	48.00 x 36.00 x 16.00 (1219 x 914 x 406)	A48P36	—	45.00 X 33.00	1143 X 838	49.00 X 27.00	1245 X 686	50.00	1270

^a Flanged on all four sides.
Purchase panels separately. Optional aluminum panels are available for most sizes. See Accessories chapter.
Purchase perforated panels separately.



**Commercial Boxes
and Enclosures**

Hinged Cover Lift-Off Type 3R Enclosures



Application

Designed for use as a wiring box and junction box. Enclosure provides protection in outdoor installations against rain, sleet, and snow, or indoors against dripping water.

Features

- Drip-shield top and seam-free sides, front and back
- Galvanized steel lift-off hinges with stainless steel pins

Construction

- 16 or 14 gauge galvanized steel
- 16 gauge cover fastened securely with draw pull catch
- Provisions for padlocking on each draw pull catch
- Embossed mounting holes on back of enclosure
- Gasketing along top of door
- No knockouts

Finish

ANSI 61 gray polyester powder paint finish inside and out over galvanized steel. Optional panels are white.

Industry Standards

UL 50, File No. E27567: Type 3R
NEMA/EEMAC Type 3R
CSA, 42184: Type 3R
IEC 60529, IP32

Accessories

See also *Accessories chapter*.

Corrosion Inhibitors
Electric Heater
Grounding Device
Mounting Bracket Kit (see Table)
Panel Mounting Kit (see Table)
Panel Support Kit
Panels (see Table)
Swing-Out Panel Kit
Terminal Kit Assembly
Touch-Up Paint (ATPPY61)
Window Kit

Standard Sizes Hinged Cover Lift-Off Type 3R Enclosures

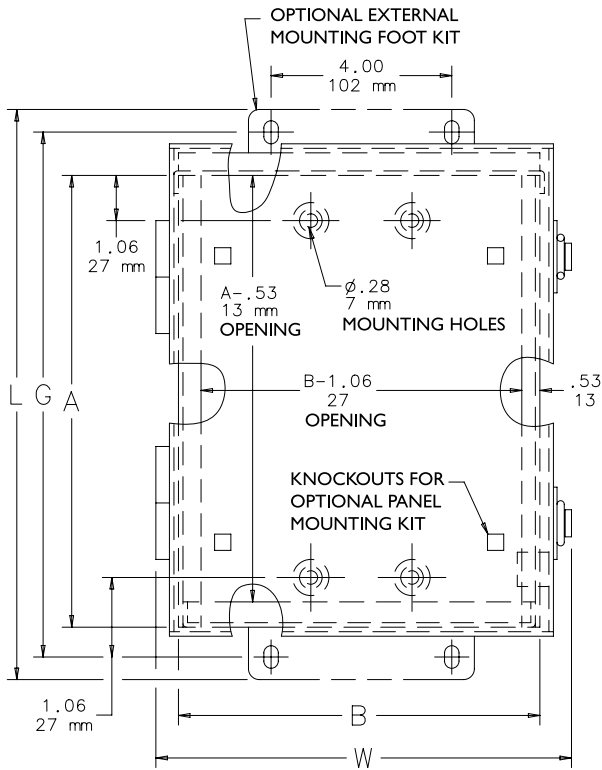
Catalog Number	A x B x C in. (mm)	Body Ga.	Panel Catalog Number	Panel Size D x E in. (mm)	Mnt. G in. (mm)	Overall L x W in. (mm)	Panel Mounting Kit	Mounting Bracket Kit	Gauge of Bracket	Overall Width of Bracket in. (mm)	Hole Spacing for Bracket in. (mm)
A8R64HCLO	8.00 x 6.00 x 4.00 (203 x 152 x 102)	16	A6P6	4.88 x 4.88 (124 x 124)	9.12 (232)	10.12 x 7.25 (257 x 184)	APMK3RL016	AMFK3RL016	14	5.00 (127)	4.00 (102)
A8R86HCLO	8.00 x 8.00 x 6.00 (203 x 203 x 152)	16	A8P6	6.75 x 4.88 (171 x 124)	9.12 (232)	10.12 x 9.25 (257 x 235)	APMK3RL016	AMFK3RL016	14	5.00 (127)	4.00 (102)
A10R86HCLO	10.00 x 8.00 x 6.00 (254 x 203 x 152)	16	A8P8	6.75 x 6.88 (171 x 175)	11.12 (282)	12.12 x 9.25 (308 x 235)	APMK3RL016	APMK3RL016	14	5.00 (127)	4.00 (102)
A12R106HCLO	12.00 x 10.00 x 6.00 (305 x 254 x 152)	16	A10P10	8.75 x 8.88 (222 x 226)	13.12 (333)	14.12 x 11.25 (359 x 286)	APMK3RL016	AMFK3RL016	14	5.00 (127)	4.00 (102)
A12R126HCLO	12.00 x 12.00 x 6.00 (305 x 305 x 152)	16	A12P10	10.75 x 8.88 (273 x 226)	13.12 (333)	14.12 x 13.25 (359 x 337)	APMK3RL016	AMFK3RL016	14	5.00 (127)	4.00 (102)
A16R126HCLO	16.00 x 12.00 x 6.00 (406 x 305 x 152)	16	A14P12	12.75 x 10.88 (324 x 276)	17.12 (435)	18.12 x 13.25 (460 x 337)	APMK3RL016	AMFK3RL016	14	5.00 (127)	4.00 (102)
A16R166HCLO	16.00 x 16.00 x 6.00 (406 x 406 x 152)	16	A16P16	13.00 x 13.00 (330 x 330)	17.31 (440)	18.31 x 17.25 (465 x 438)	APMK3RL014	AMFK3RL014	12	14.00 (356)	13.00 (330)
A20R166HCLO	20.00 x 16.00 x 6.00 (508 x 406 x 152)	16	A20P16	17.00 x 13.00 (432 x 330)	21.31 (541)	22.31 x 17.25 (567 x 438)	APMK3RL014	AMFK3RL014	12	14.00 (356)	13.00 (330)
A20R208HCLO	20.00 x 20.00 x 8.00 (508 x 508 x 203)	14	A20P20	17.00 x 17.00 (432 x 432)	21.31 (541)	22.31 x 21.25 (567 x 540)	APMK3RL014	AMFK3RL014	12	14.00 (356)	13.00 (330)
A24R208HCLO	24.00 x 20.00 x 8.00 (610 x 508 x 203)	14	A24P20	21.00 x 17.00 (533 x 432)	25.31 (643)	26.31 x 21.25 (668 x 540)	APMK3RL014	AMFK3RL014	12	14.00 (356)	13.00 (330)
A24R248HCLO	24.00 x 24.00 x 8.00 (610 x 610 x 203)	14	A24P24	21.00 x 21.00 (533 x 533)	25.31 (643)	26.31 x 25.25 (668 x 641)	APMK3RL014	AMFK3RL014	12	14.00 (356)	13.00 (330)
A30R248HCLO	30.00 x 24.00 x 8.00 (762 x 610 x 203)	14	A30P24	27.00 x 21.00 (686 x 533)	31.31 (795)	32.31 x 25.25 (821 x 641)	APMK3RL014	AMFK3RL014	12	14.00 (356)	13.00 (330)

Purchase panels separately.

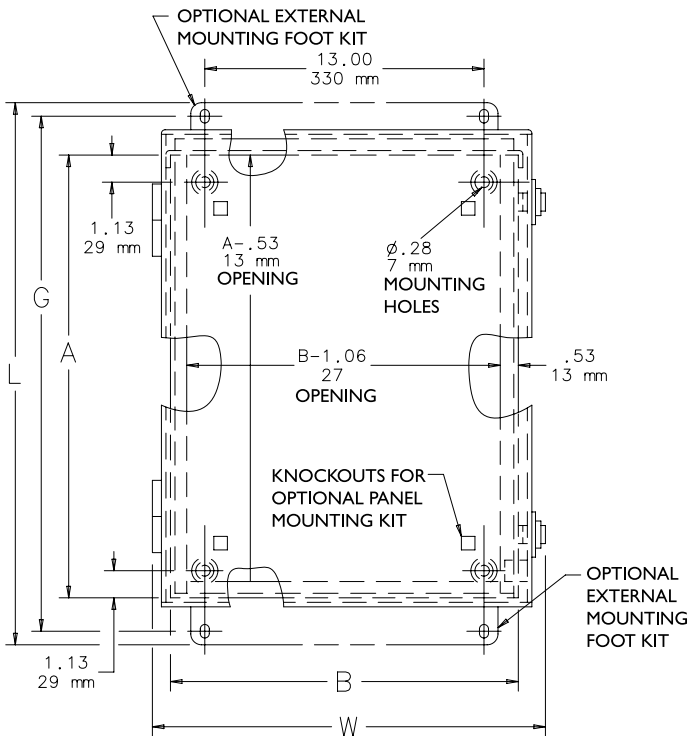
Order Panel Mounting Kit and Mounting Bracket Kit separately. (A Panel Mounting Kit must be ordered to install panel.)

Hinged Cover Lift-Off Type 3R Enclosures

16 Gauge Enclosures



14 Gauge Enclosures



NOTE: Enclosures with A=800 have one latch.

**Commercial Boxes
and Enclosures**

WeatherPro™ Outdoor Pad-Mount Enclosures



Application

These large outdoor pad-mount Type 3R general use enclosures meet outdoor commercial or industrial power distribution and control requirements. They are used to house controls, drives, power distribution components, and contactors.

Features

- 3-point latching system with heavy duty handle provides secure, leak-resistant door closure
- Padlock provision in handle for convenient locking
- Open bottom with pre-punched mounting hole flange for convenient installation
- Drip edge overhang on top helps keep moisture out of enclosure
- Louvered overhang with a closure plate seals enclosure interior
- Insect screen, purchased separately, replaces closure plate to provide ventilation; requires one for single-door and two for two-door enclosures
- Light gray paint finish provides solar reflectance
- Studs included for mounting optional panels on threaded bolts

Construction

- Manufactured from 14 gauge galvanized steel
- Welded body construction
- Sturdy 7 gauge lifting tabs
- Overlapping doors with no center post on two-door models
- Bonding provision on each door
- Bolted hinges on doors

Finish

RAL 7035 light gray polyester powder paint inside and outside. Optional panels are white.

Industry Standards

UL 508A, File No. E61997: Type 3R
NEMA/EEMAC Type 3R
cUL/CSA C22.2 No. 94, File No. E61997: Type 3R
IEC 60529, IP32

Accessories

See also *Accessories* chapter.

Hinged Wall-Mount Panel
Fixed Wall-Mount Rack
Insect Screen
Fan Shroud Kits

Modification Services Program

You can customize this product to your unique requirements by specifying from these options:

- Enclosure height, width, depth
- Over 100 standard finish colors and textures
- Holes and cutouts in body, doors, subpanels
- Tapped holes, fasteners in enclosure or subpanel
- Mounting
- Doors
- Environmental control (louvers, fans, filters)
- Windows
- Standard accessories

To order, contact your local Hoffman sales representative.

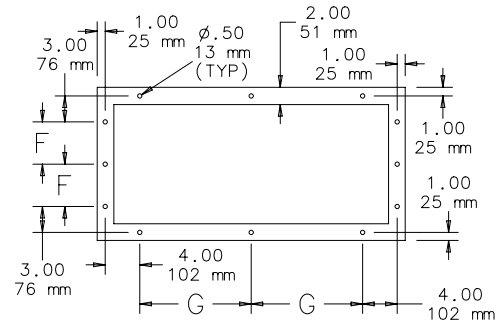
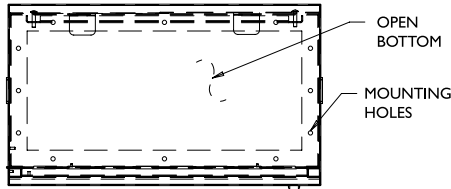
NOTE: For information about modifications outside the scope of the Modification Services program, contact your Hoffman sales representative.

Standard Sizes WeatherPro Outdoor Pad-Mount Type 3R Single Door Enclosures

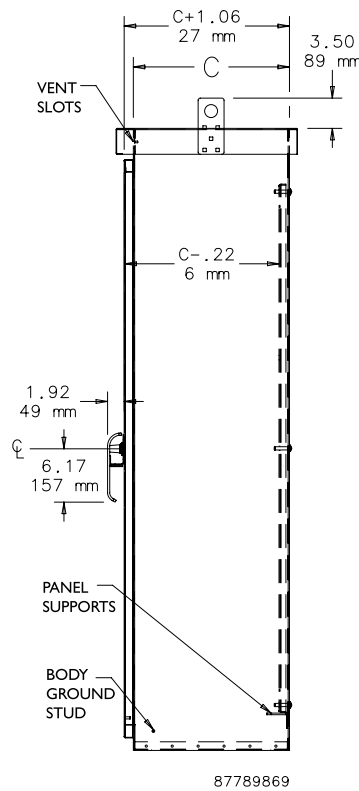
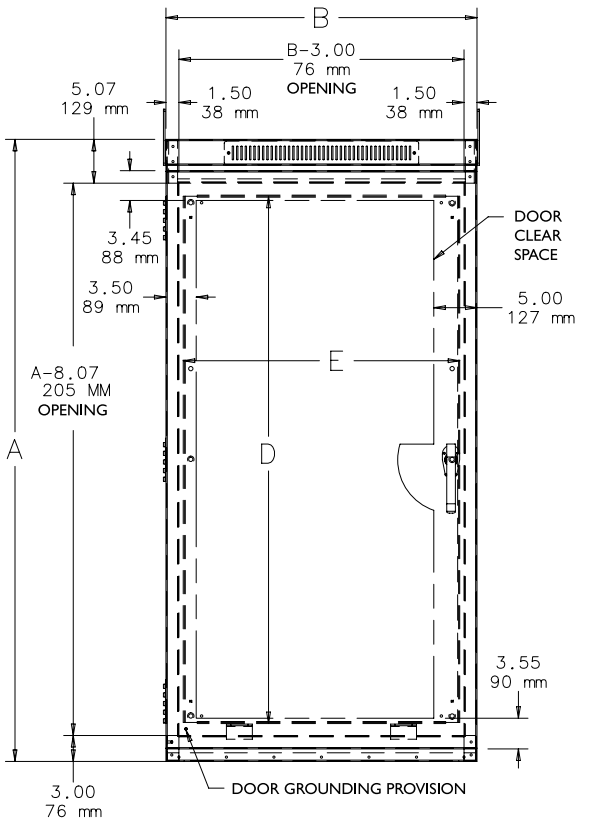
Catalog Number	A x B x C in. (mm)	Panel Catalog Number	Panel Size D x E (in.)	Panel Size D x E (mm)	Mounting Dimensions F x G (in.)	Mounting Dimensions F x G (mm)
A60R2518FSLP	60.00 x 25.00 x 18.00 (1524 x 635 x 457)	A49P21N	49.16 x 21.50	1249 x 546	4.90 x 7.40	124 x 188
A60R2524FSLP	60.00 x 25.00 x 24.00 (1524 x 635 x 610)	A49P21N	49.16 x 21.50	1249 x 546	7.90 x 7.40	201 x 188
A72R2518FSLP	72.00 x 25.00 x 18.00 (1829 x 635 x 457)	A61P21N	61.16 x 21.50	1553 x 546	4.90 x 7.40	124 x 188
A60R3618FSLP	60.00 x 36.00 x 18.00 (1524 x 914 x 457)	A49P32N	49.16 x 32.00	1249 x 813	4.90 x 12.90	124 x 328
A72R3618FSLP	72.00 x 36.00 x 18.00 (1829 x 914 x 457)	A61P32N	61.16 x 32.00	1553 x 813	4.90 x 12.90	124 x 328
A72R3624FSLP	72.00 x 36.00 x 24.00 (1829 x 914 x 610)	A61P32N	61.16 x 32.00	1553 x 813	7.90 x 12.90	201 x 328

Purchase panels separately.

Single Door Enclosures



BOTTOM MOUNTING HOLES



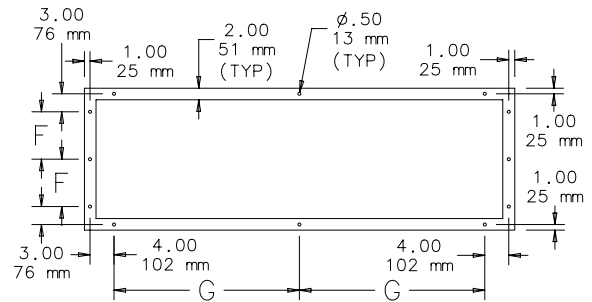
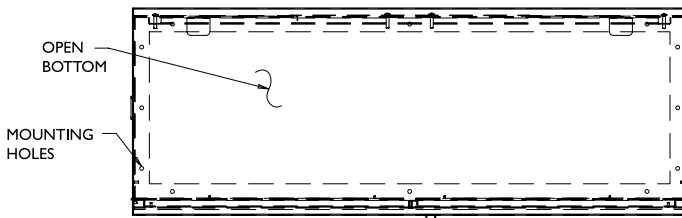
87789869

Standard Sizes WeatherPro Outdoor Pad-Mount Type 3R Two-Door Enclosures

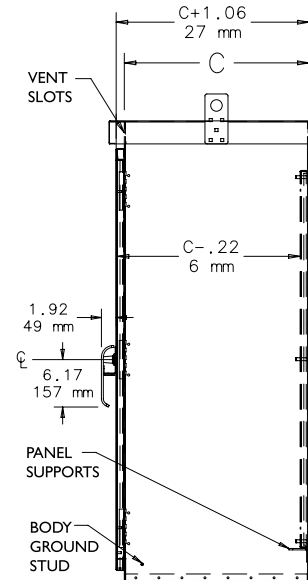
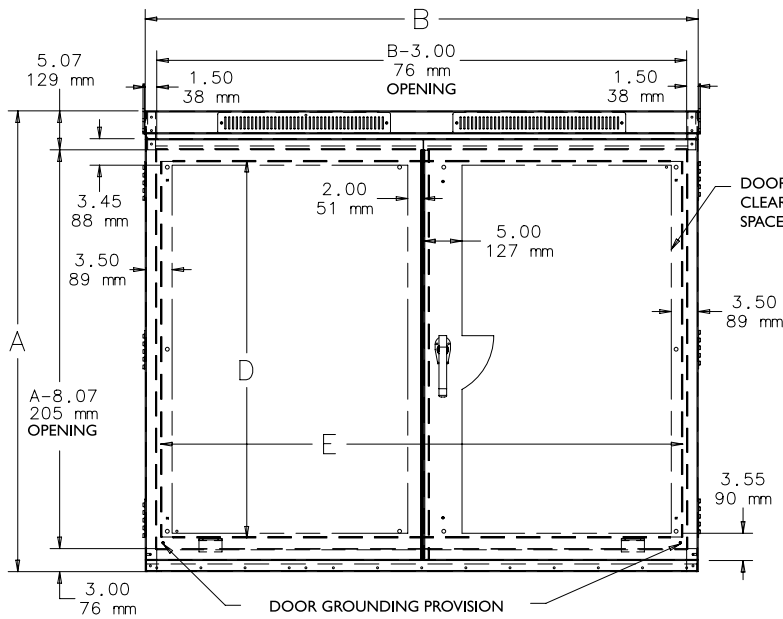
Catalog Number	A x B x C in. (mm)	Panel Catalog Number	Panel Size D x E (in.)	Panel Size D x E (mm)	Mounting Dimensions F x G (in.)	Mounting Dimensions F x G (mm)
A60R5218FSLP	60.00 x 52.00 x 18.00 (1524 x 1321 x 457)	A49P48N	49.16 x 48.00	1249 x 1219	4.90 x 20.90	124 x 531
A60R5224FSLP	60.00 x 52.00 x 24.00 (1524 x 1321 x 610)	A49P48N	49.16 x 48.00	1249 x 1219	7.90 x 20.90	201 x 531
A60R7224FSLP	60.00 x 72.00 x 24.00 (1524 x 1829 x 610)	A49P68N	49.16 x 68.00	1249 x 1727	7.90 x 30.90	201 x 785
A72R7218FSLP	72.00 x 72.00 x 18.00 (1829 x 1829 x 457)	A61P68N	61.16 x 68.00	1553 x 1727	4.90 x 30.90	124 x 785
A72R7224FSLP	72.00 x 72.00 x 24.00 (1829 x 1829 x 610)	A61P68N	61.16 x 68.00	1553 x 1727	7.90 x 30.90	201 x 785

Purchase panels separately.

Two-Door Enclosures



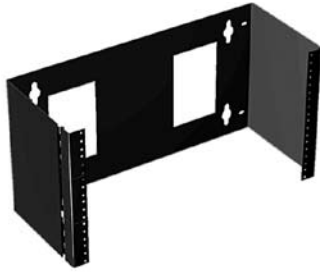
BOTTOM MOUNTING HOLES



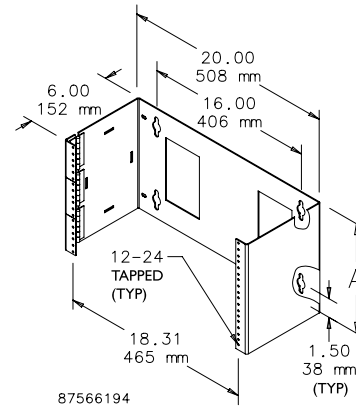
87789871

WeatherPro™ Outdoor Pad-Mount Enclosures

19 in. Hinged Wall-Mount Panel



12 gauge steel. Heavy duty hinges are welded to frame. Hinge provided for every two rack unit spacing for partial network installations. One rack unit model has half-size hinge. All units can be mounted with hinges on left or right side. Shipped fully assembled.



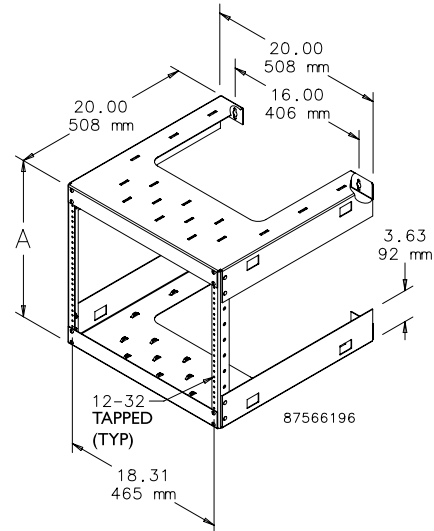
Catalog Number	A (in.)	A (mm)	Load Rating (lb.)	Load Rating (kg)	No. Rack Units
E19HPM1U	1.75	44	25	11.3	1
E19HPM2U	3.50	89	50	22.7	2
E19HPM4U	8.00	203	100	45.4	4
E19HPM6U	10.50	267	150	68.0	6
E19HPM8U	14.00	356	200	90.7	8

19 in. Fixed Wall-Mount Rack



16 gauge steel. Low cost solution for banks of small networking equipment. Integral Velcro™ cable tiedown slots facilitate cable routing. Shipped in four easy-to-assemble sections.

Velcro is a trademark of Velcro Industries B.V.



Catalog Number	A (in.)	A (mm)	Load Rating (lb.)	Load Rating (kg)	No. Rack Units
E19FWM12U20	23.00	584	150	68.0	12
E19FWM20U20	37.00	940	150	68.0	20
E19FWM25U20	45.75	1162	150	68.0	25
E19FWM32U20	58.00	1473	150	68.0	32

Insect Screens



Fastens over ventilation slot with two screws provided. Requires one for single-door enclosure and two for two-door enclosure. Purchase insect screen separately.

Catalog Number	Description	Requires
A3PMIS	Insect Screen	One for one-door enclosure and two for two-door enclosure

Fan Shroud Kits



Fan shroud kits are available for outdoor enclosure ventilation applications requiring Type 3R protection from falling rain, sleet, and snow.

Catalog Number	Material	Height x Width (in.)	Height x Width (mm)
T4S3R	Steel	6.00 x 6.00	152 x 152
T6S3R	Steel	8.00 x 8.00	203 x 203
T10S3R	Steel	12.00 x 12.00	305 x 305
T4S3RSS	Stainless Steel	6.00 x 6.00	152 x 152
T6S3RSS	Stainless Steel	8.00 x 8.00	203 x 203
T10S3RSS	Stainless Steel	12.00 x 12.00	305 x 305

Commercial Boxes and Enclosures

Type I Telephone Cabinets



Application

Designed as a housing for telephone and communication cable termination. Can also be used for electrical controls and instruments. Additional applications include use as a wiring box, junction box, or pull box.

Construction

- 16, 14, or 12 gauge galvanized steel body, mild steel door
- Continuous hinge
- Tumbler lock with key
- Flush or surface mounting
- 3/4-inch-thick plywood panel included

Finish

ANSI 61 gray polyester powder paint on front only

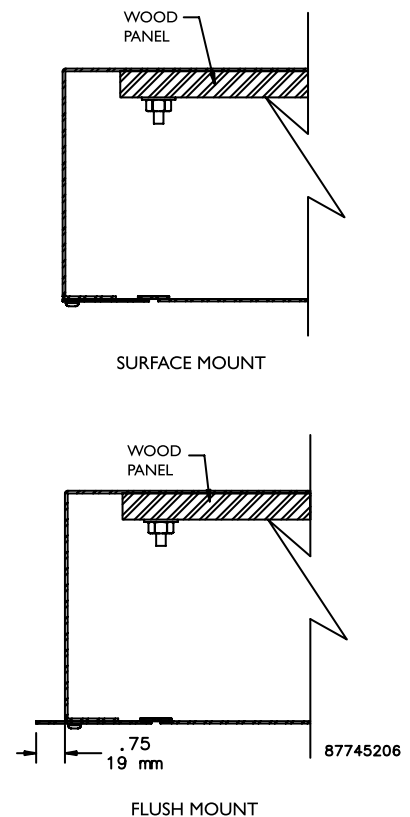
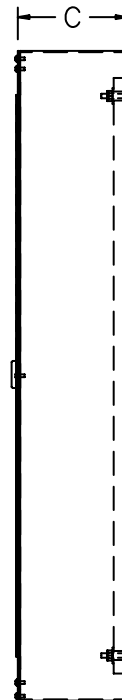
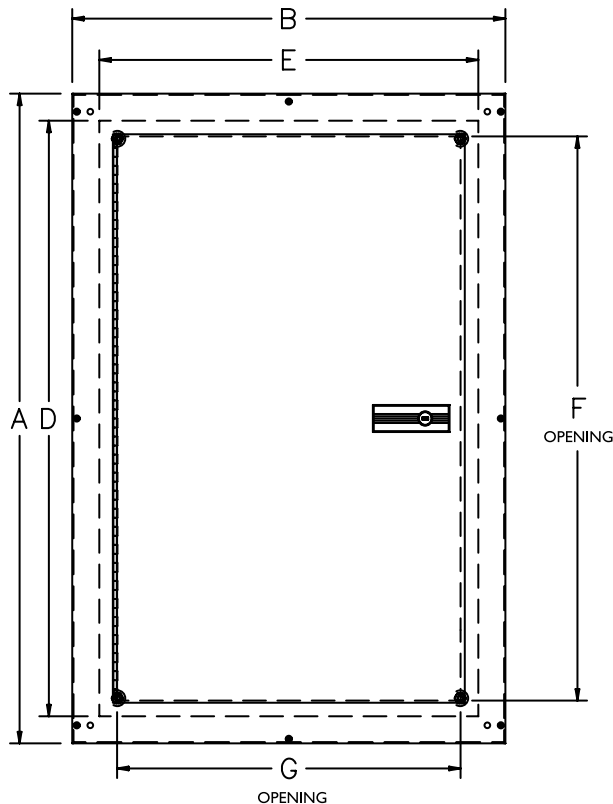
Industry Standards

UL/CUL 50 File No. E27567: Type I
cUL CSA C22.2 No. 40, File No. E27567: Type I
NEMA/EEMAC Type I
IEC 60529, IP30

Accessories

See also *Accessories chapter*.

Replacement tumbler lock (ATCL)



Type I Telephone Cabinets

Standard Sizes Type I Telephone Cabinets

Catalog Number	A x B x C in. (mm)	Mounted	Panel Size D x E (in.)	Panel Size D x E (mm)	Nominal Door Size F (in.)	Nominal Door Size F (mm)	Nominal Door Size G (in.)	Nominal Door Size G (mm)
ATC10104S	10.00 x 10.00 x 4.00 (254 x 254 x 102)	Surface	7.00 x 7.00	178 x 178	6.80	173	6.75	171
ATC10104F	10.00 x 10.00 x 4.00 (254 x 254 x 102)	Flush	7.00 x 7.00	178 x 178	6.80	173	6.75	171
ATC12124S	12.00 x 12.00 x 4.00 (305 x 305 x 102)	Surface	9.00 x 9.00	229 x 229	8.30	211	8.25	210
ATC12124F	12.00 x 12.00 x 4.00 (305 x 305 x 102)	Flush	9.00 x 9.00	229 x 229	8.30	211	8.25	210
ATC18124S	18.00 x 12.00 x 4.00 (455 x 305 x 102)	Surface	15.00 x 9.00	381 x 229	14.30	363	8.25	210
ATC18124F	18.00 x 12.00 x 4.00 (455 x 305 x 102)	Flush	15.00 x 9.00	381 x 229	14.30	363	8.25	210
ATC18184S	18.00 x 18.00 x 4.00 (455 x 455 x 102)	Surface	15.00 x 15.00	381 x 381	14.30	363	14.25	362
ATC18184F	18.00 x 18.00 x 4.00 (455 x 455 x 102)	Flush	15.00 x 15.00	381 x 381	14.30	363	14.25	362
ATC24184S	24.00 x 18.00 x 4.00 (610 x 455 x 102)	Surface	21.00 x 15.00	533 x 381	20.30	516	14.25	362
ATC24184F	24.00 x 18.00 x 4.00 (610 x 455 x 102)	Flush	21.00 x 15.00	533 x 381	20.30	516	14.25	362
ATC24244S	24.00 x 24.00 x 4.00 (610 x 610 x 102)	Surface	21.00 x 21.00	533 x 533	19.30	490	19.14	486
ATC24244F	24.00 x 24.00 x 4.00 (610 x 610 x 102)	Flush	21.00 x 21.00	533 x 533	19.30	490	19.14	486
ATC30244S	30.00 x 24.00 x 4.00 (762 x 610 x 102)	Surface	27.00 x 21.00	686 x 533	25.30	643	19.14	486
ATC30244F	30.00 x 24.00 x 4.00 (762 x 610 x 102)	Flush	27.00 x 21.00	686 x 533	25.30	643	19.14	486
ATC30304S	30.00 x 30.00 x 4.00 (762 x 762 x 102)	Surface	27.00 x 27.00	686 x 686	25.30	643	25.14	639
ATC36244S	36.00 x 24.00 x 4.00 (914 x 610 x 102)	Surface	33.00 x 21.00	838 x 533	31.30	795	19.14	486
ATC36244F	36.00 x 24.00 x 4.00 (914 x 610 x 102)	Flush	33.00 x 21.00	838 x 533	31.30	795	19.14	486
ATC36304F	36.00 x 30.00 x 4.00 (914 x 762 x 102)	Flush	33.00 x 27.00	838 x 686	31.30	795	25.14	639
ATC36364S	36.00 x 36.00 x 4.00 (914 x 914 x 102)	Surface	33.00 x 33.00	838 x 838	31.30	795	31.14	791
ATC36364F	36.00 x 36.00 x 4.00 (914 x 914 x 102)	Flush	33.00 x 33.00	838 x 838	31.30	795	31.14	791
ATC12126S	12.00 x 12.00 x 6.00 (305 x 305 x 152)	Surface	9.00 x 9.00	229 x 229	8.30	211	8.25	210
ATC12126F	12.00 x 12.00 x 6.00 (305 x 305 x 152)	Flush	9.00 x 9.00	229 x 229	8.30	211	8.25	210
ATC18126S	18.00 x 12.00 x 6.00 (455 x 305 x 152)	Surface	15.00 x 9.00	381 x 229	14.30	363	8.25	210
ATC18126F	18.00 x 12.00 x 6.00 (455 x 305 x 152)	Flush	15.00 x 9.00	381 x 229	14.30	363	8.25	210
ATC18186S	18.00 x 18.00 x 6.00 (455 x 455 x 152)	Surface	15.00 x 15.00	381 x 381	14.30	363	14.25	362
ATC18186F	18.00 x 18.00 x 6.00 (455 x 455 x 152)	Flush	15.00 x 15.00	381 x 381	14.30	363	14.25	362
ATC24186S	24.00 x 18.00 x 6.00 (610 x 455 x 152)	Surface	21.00 x 15.00	533 x 381	20.30	516	14.25	362
ATC24186F	24.00 x 18.00 x 6.00 (610 x 455 x 152)	Flush	21.00 x 15.00	533 x 381	20.30	516	14.25	362
ATC24246S	24.00 x 24.00 x 6.00 (610 x 610 x 152)	Surface	21.00 x 21.00	533 x 533	19.30	490	19.14	486
ATC24246F	24.00 x 24.00 x 6.00 (610 x 610 x 152)	Flush	21.00 x 21.00	533 x 533	19.30	490	19.14	486
ATC30246S	30.00 x 24.00 x 6.00 (762 x 610 x 152)	Surface	27.00 x 21.00	686 x 533	25.30	643	19.14	486
ATC30246F	30.00 x 24.00 x 6.00 (762 x 610 x 152)	Flush	27.00 x 21.00	686 x 533	25.30	643	19.14	486
ATC30306S	30.00 x 30.00 x 6.00 (762 x 762 x 152)	Surface	27.00 x 27.00	686 x 686	25.30	643	25.14	639
ATC30306F	30.00 x 30.00 x 6.00 (762 x 762 x 152)	Flush	27.00 x 27.00	686 x 686	25.30	643	25.14	639
ATC36246S	36.00 x 24.00 x 6.00 (914 x 610 x 152)	Surface	33.00 x 21.00	838 x 533	31.30	795	19.14	486
ATC36246F	36.00 x 24.00 x 6.00 (914 x 610 x 152)	Flush	33.00 x 21.00	838 x 533	31.30	795	19.14	486
ATC36306S	36.00 x 30.00 x 6.00 (914 x 762 x 152)	Surface	33.00 x 27.00	838 x 686	31.30	795	25.14	639
ATC36306F	36.00 x 30.00 x 6.00 (914 x 762 x 152)	Flush	33.00 x 27.00	838 x 686	31.30	795	25.14	639
ATC36366S	36.00 x 36.00 x 6.00 (914 x 914 x 152)	Surface	33.00 x 33.00	838 x 838	31.30	795	31.14	791
ATC36366F	36.00 x 36.00 x 6.00 (914 x 914 x 152)	Flush	33.00 x 33.00	838 x 838	31.30	795	31.14	791
ATC36308S	36.00 x 30.00 x 8.00 (914 x 762 x 203)	Surface	33.00 x 27.00	838 x 686	31.30	795	25.14	639
ATC36308F	36.00 x 30.00 x 8.00 (914 x 762 x 203)	Flush	33.00 x 27.00	838 x 686	31.30	795	25.14	639

Commercial Boxes
and Enclosures

T3-Box Type 3R Telephone Cabinets

Bulletin
T90R3



Application

Designed as a wall-mount telephone termination cabinet that is suitable for outdoor or indoor use. These cabinets also are used for mounting and protecting telecommunications circuit accessories, cross-connect terminal block assemblies, maintenance terminal modules, cable-splice enclosures, network interface devices, wire-guide assemblies, and telephone protectors.

Features

- Lift-off hinges
- 4-position grounding bar #14-2/0
- Tamper-resistant quarter-turn latch
- 7mm square drive. Use key accessory CLKSM7 or 5/16 I2-point socket
- Padlock hasp
- Standard knockouts

Construction

- 16, 14, or 12 gauge galvanized steel
- 3/4-inch-thick plywood panel

Finish

ANSI 61 gray polyester powder paint inside and outside.

Industry Standards

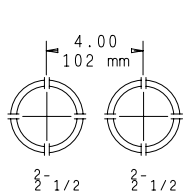
UL 50, File No. E27567: Type 3R
UL 497, UL 1863: File No. E230874
NEMA Type 3R
cUL CSA C22.2 No. 94, File No. E27567: Type 3R
IEC 60529 IP32

Accessories

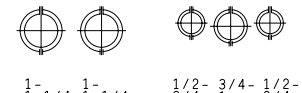
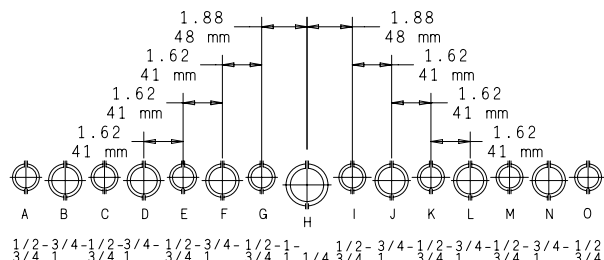
See also *Accessories chapter*.
Locking T-handle (ALTC3R)
Doorstop (ALGDSTOP2)
Square 7mm key (CLKSM7)
Touch-Up Paint (ATPPY61)

Standard Sizes T3-Box Type 3R Telephone Cabinets

Catalog Number	A x B x C in. (mm)	Door	F (in.)	F (mm)	Panel Size D x E (in.)	Panel Size D x E (mm)	Conduit Pattern
ATC12R145	12.00 x 14.00 x 5.00 (305 x 356 x 127)	Single	4.00	102	9.00 x 11.00	229 x 279	G-H-I
ATC36R366	36.00 x 36.00 x 6.00 (914 x 914 x 152)	Single	13.50	343	33.00 x 33.00	838 x 838	C-D-E-F-G-H-I-J-K-L-M
ATC26R248	26.00 x 24.00 x 8.00 (660 x 610 x 203)	Single	7.50	191	23.00 x 21.00	584 x 533	E-F-G-H-I-J-K
ATC36R248	36.00 x 24.00 x 8.00 (914 x 610 x 203)	Single	7.50	191	33.00 x 21.00	838 x 533	E-F-G-H-I-J-K
ATC36R308	36.00 x 30.00 x 8.00 (914 x 763 x 203)	Single	10.50	267	33.00 x 27.00	838 x 686	D-E-F-G-H-I-J-K-L
ATC36R369	36.00 x 36.00 x 9.00 (914 x 914 x 229)	Single	13.50	343	33.00 x 33.00	838 x 838	C-D-E-F-G-H-I-J-K-L-M
ATC42R369	42.00 x 36.00 x 9.00 (1066 x 914 x 229)	Double	13.50	343	39.00 x 33.00	911 x 838	C-D-E-F-G-H-I-J-K-L-M
ATC48R369	48.00 x 36.00 x 9.00 (1220 x 914 x 229)	Double	13.50	343	45.00 x 33.00	1143 x 838	C-D-E-F-G-H-I-J-K-L-M
ATC48R489	48.00 x 48.00 x 9.00 (1219 x 1219 x 229)	Double	19.50	495	45.00 x 45.00	1143 x 1143	A-B-C-D-E-F-G-H-I-J-K-L-M-N-O
ATC36R3612	36.00 X 36.00 X 12.00 (914 X 914 X 305)	Single	13.50	343	33.00 X 33.00	838 X 838	C-D-E-F-G-H-I-J-K-L-M



CONDUIT SIZES
EXCEPT ATC12R145



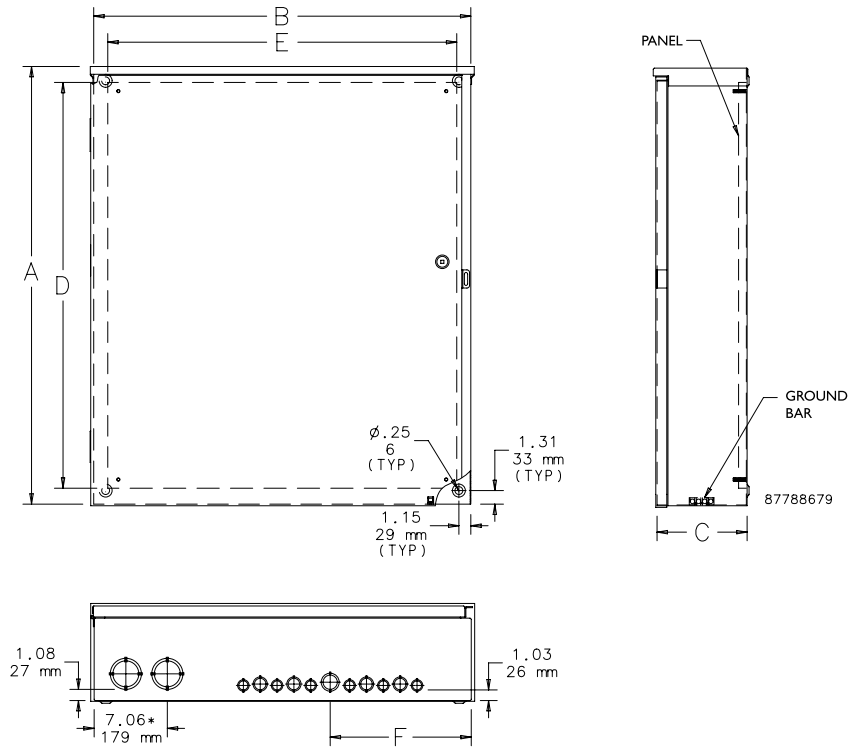
CONDUIT SIZES
ATC12R145

87788681

T3-Box Type 3R Telephone Cabinets

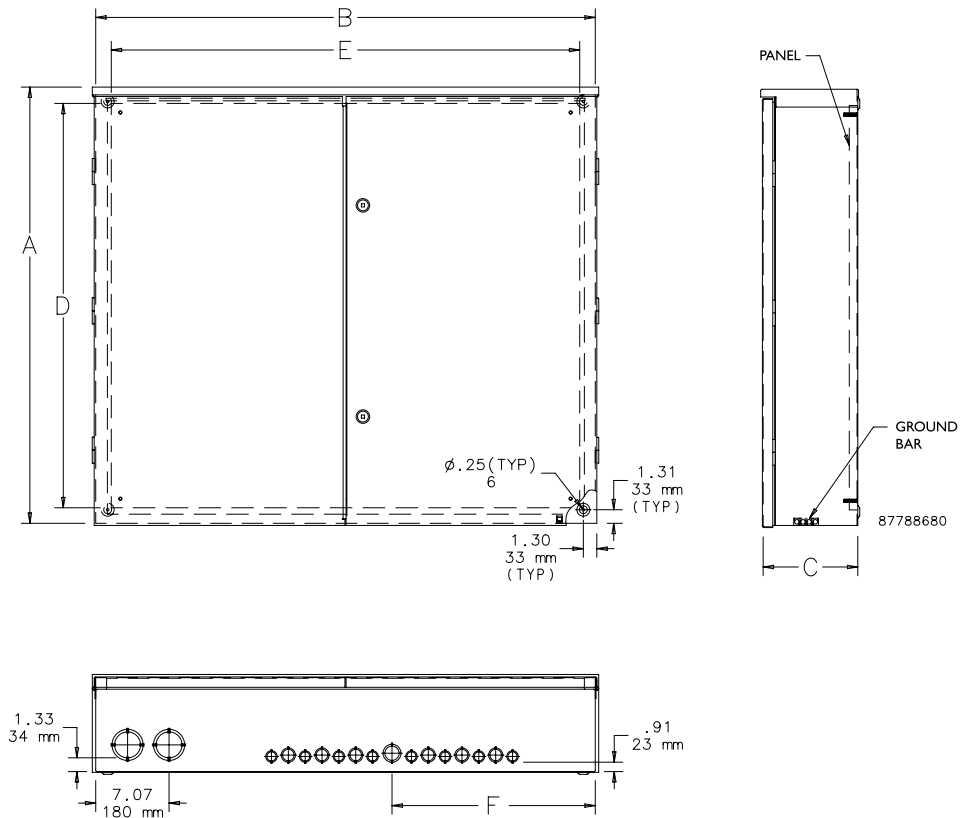
Bulletin
T90R3

T3-Box Single-Door Wall-Mount Type 3R Telephone Cabinet



* CATALOG NO. ATC12R145 IS 4.56 (116 mm)

T3-Box Double-Door Wall-Mount Type 3R Telephone Cabinet



**Commercial Boxes
and Enclosures**

Current Transformer Screw Cover Cabinets



Application

Designed as a housing for instrument current transformers which are frequently required for transformer-rated watt-hour metering. Additional applications include use as a junction or service box and meter, transformer, relay, or terminal assembly housing. Enclosure provides protection in outdoor installations against rain, sleet, and snow, or indoors against dripping water.

Features

- Dripshield top and seam-free sides, front, and back
- Slip-on removable cover fastened with captivated plated steel screws along bottom edge
- Mounting studs on enclosure body are provided for utility current transformer mounting equipment

Construction

- 16, 14, or 12 gauge plated steel
- Mounting holes on back of enclosure
- Door handles provided
- Provisions for padlocking
- No gasketing or knockouts
- Ground lug

Finish

ANSI 61 gray polyester powder paint finish inside and out over plated surfaces.

Industry Standards

UL 50, File No. E27525: Type 3R
NEMA Type 3R
cUL CSA C22.2 No. 94, File No. E27525: Type 3R
IEC 60529, IP32

Accessories

See also *Accessories chapter*.
Corrosion Inhibitors
Grounding Device
Touch-Up Paint (ATPPY61)

Standard Sizes Current Transformer Screw Cover Cabinets

Catalog Number	A x B x C in. (mm)	D (in.)	D (mm)	E (in.)	E (mm)	F (in.)	F (mm)	G (in.)	G (mm)	H (in.)	H (mm)
A242411CT	24.00 x 24.00 x 11.00 (610 x 610 x 279)	12.19	310	9.00	229	8.00	203	8.00	203	—	—
A303011CT	30.00 x 30.00 x 11.00 (762 x 762 x 279)	15.19	386	12.00	305	7.00	178	8.00	203	8.00	203
A363011CT	36.00 x 30.00 x 11.00 (914 x 762 x 279)	18.19	462	15.00	381	7.00	178	8.00	203	8.00	203
A363611CT	36.00 x 36.00 x 11.00 (914 x 914 x 279)	18.19	462	15.00	381	10.00	254	8.00	203	8.00	203
A483611CT	48.00 x 36.00 x 11.00 (1219 x 914 x 279)	24.19	614	21.00	533	10.00	254	8.00	203	8.00	203

Current Transformer Hinged Cover Cabinets



Double Door (A484814HCT only)

Application

Designed as a housing for instrument current transformers which are frequently required for transformer-rated watt-hour metering. Additional applications include use as a junction or service box and meter, transformer, relay, or terminal assembly housing. Enclosure provides protection in outdoor installations against rain, sleet, and snow, or indoors against dripping water.

Features

- Dripshield top and seam-free sides, front, and back
- Mounting holes on back of enclosure
- Mounting studs are provided on the enclosure body for utility current transformer mounting equipment
- Cover is removable in the open position

Construction

- 14 or 12 gauge galvanized steel
- Door handles provided
- Provisions for padlocking
- No gasketing or knockouts
- Ground lug
- Mounting provisions for optional door stop

Finish

ANSI 61 gray polyester powder paint finish inside and out over galvanized surfaces.

Industry Standards

UL 50, File No. E27567: Type 3R
NEMA Type 3R
cUL CSA C22.2 No. 94, File No. E27567, Type 3R
IEC 60529, IP32

Accessories

See also *Accessories chapter*.

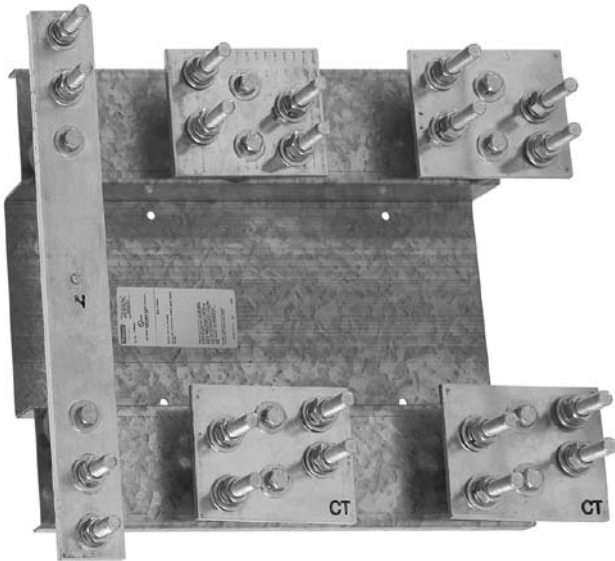
Corrosion Inhibitors
Grounding Device
Touch-Up Paint (ATPPY61)
Large Enclosure Door Stop Kit (ALGDSTOP)

Standard Sizes Current Transformer Hinged Cover Cabinets

Catalog Number	A x B x C in. (mm)	Gauge	D (in.)	D (mm)	E (in.)	E (mm)	F (in.)	F (mm)	G (in.)	G (mm)	H (in.)	H (mm)
A362011HCT	36.00 x 20.00 x 11.00 (914 x 508 x 279)	14	18.75	476	15.00	381	6.67	169	8.00	203	—	—
A302411HCT	30.00 x 24.00 x 11.00 (762 x 610 x 279)	14	15.75	400	12.00	305	8.00	203	8.00	203	—	—
A482411HCT	48.00 x 24.00 x 11.00 (1219 x 610 x 279)	14	24.75	629	21.00	533	8.00	203	8.00	203	—	—
A363011HCT	36.00 x 30.00 x 11.00 (914 x 762 x 279)	12	18.75	476	15.00	381	7.00	178	8.00	203	8.00	203
A483011HCT	48.00 x 30.00 x 11.00 (1219 x 762 x 279)	12	24.75	629	21.00	533	7.00	178	8.00	203	8.00	203
A363611HCT	36.00 x 36.00 x 11.00 (914 x 914 x 279)	12	18.75	476	15.00	381	10.00	254	8.00	203	8.00	203
A483611HCT	48.00 x 36.00 x 11.00 (1219 x 914 x 279)	12	24.75	629	21.00	533	10.00	254	8.00	203	8.00	203
A484814HCT	48.00 x 48.00 x 14.00 (1220 x 1220 x 356)	12	—	—	21.00	533	16.00	406	8.00	203	8.00	203

A484814HCT is a double-door cabinet.

CT Mounting Base



CTMB8001

Application

Designed to be used with current transformer enclosures. The pre-punched mounting base holes align with the studs in the CT enclosure. The mounting base has mounting provisions for bar-type current transformers that conform to ANSI I2.11. There are three variations of conductor connection styles to select from: 1/2-inch studs on 1-3/4 inch centers, a version with mechanical lugs, or lugs on one side and studs on the other to accommodate the preference difference between line and load connections.

Features

- Spacing for bar-type current transformer that conforms to ANSI I2.11
- Conductor provisions: either mechanical lugs or 1/2 inch bolt on 1-3/4 inch centers with nut, spring, and flat washer

Construction

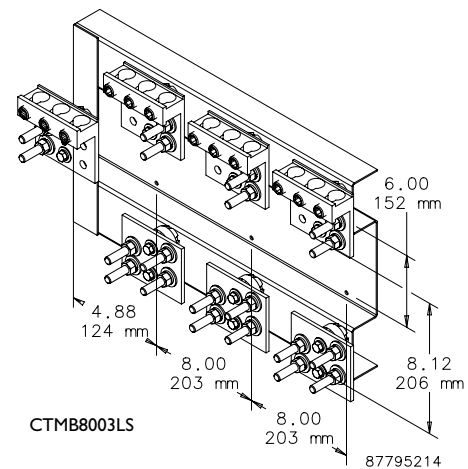
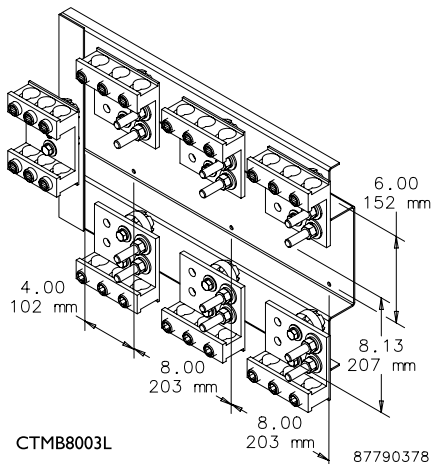
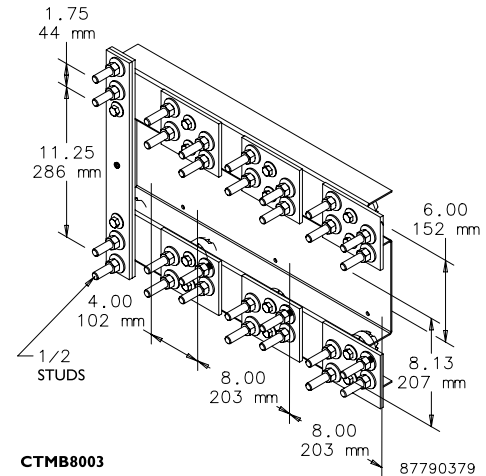
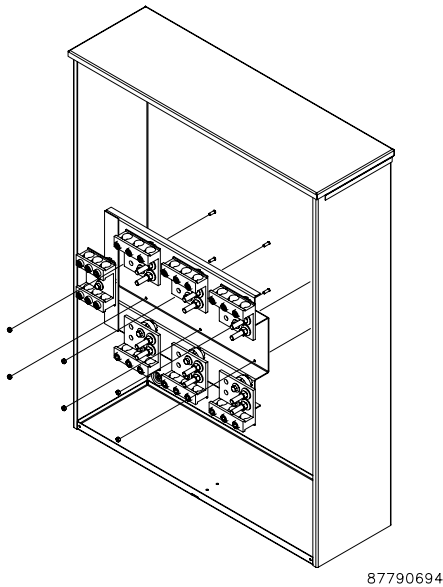
- 12-gauge galvanized formed base has electrically isolated mount/termination platform
- Neutral bar with 10-32 tap screw

Finish

Galvanized (mounting plate only)

Industry Standards

UL 414, File E240312



CT Mounting Base

Standard Sizes CT Mounting Base

Catalog Number	A.I.C. Rating	Ampacity	Voltage Max VAC	Service Type	No. of CT Provisions	Connection
CTMB8001	50,000	400-800	600	1Ø3W	2	Studs
CTMB8003	50,000	400-800	600	3Ø4W	3	Studs
CTMB4001L	50,000	400	600	1Ø3W	2	Lugs ^a
CTMB8001L	50,000	800	600	1Ø3W	2	Lugs ^a
CTMB4003L	50,000	400	600	3Ø4W	3	Lugs ^a
CTMB8003L	50,000	800	600	3Ø4W	3	Lugs ^a
CTMB4001LS	50,000	400	600	1Ø3W	2	Lugs and Studs ^a
CTMB4003LS	50,000	400	600	3Ø4W	3	Lugs and Studs ^a
CTMB8001LS	50,000	800	600	1Ø3W	2	Lugs and Studs ^a
CTMB8003LS	50,000	800	600	3Ø4W	3	Lugs and Studs ^a

^a Wire range per phase (3) 750MCM to 1/0 or (6) 250MCM to 1/0

Wire Bend Space

CT Enclosure Catalog Number	A x B x C in. (mm)	CT Mounting Base Style			
		CTMB8001 CTMB8001LS CTMB4001LS in. (mm)	CTMB8003 CTMB8003LS CTMB4003LS in. (mm)	CTMB8001L CTMB4001L in. (mm)	CTMB8003L CTMB4003L in. (mm)
A303011CT	30.00 x 30.00 x 11.00 (762 x 762 x 279)	6.75 (171)	6.75 (171)	7.25 (184)	7.25 (184)
A363011CT	36.00 x 30.00 x 11.00 (914 x 762 x 279)	9.75 (248)	9.75 (248)	10.25 (260)	10.25 (260)
A363611CT	36.00 x 36.00 x 11.00 (914 x 914 x 279)	9.75 (248)	9.75 (248)	10.25 (260)	10.25 (260)
A483611CT	48.00 x 36.00 x 11.00 (1219 x 914 x 279)	15.75 (400)	15.75 (400)	16.25 (413)	10.25 (260)
A302411HCT	30.00 x 24.00 x 11.00 (762 x 610 x 279)	6.75 (171)	—	7.25 (184)	—
A482411HCT	48.00 x 24.00 x 11.00 (1219 x 610 x 279)	15.75 (400)	—	16.25 (413)	—
A363011HCT	36.00 x 30.00 x 11.00 (914 x 762 x 279)	9.75 (248)	9.24 (235)	10.25 (260)	10.25 (260)
A483011HCT	48.00 x 30.00 x 11.00 (1219 x 762 x 279)	15.75 (400)	15.75 (400)	16.25 (413)	16.25 (413)
A363611HCT	36.00 x 36.00 x 11.00 (914 x 914 x 279)	9.75 (248)	9.75 (248)	10.25 (260)	10.25 (260)
A483611HCT	48.00 x 36.00 x 11.00 (1219 x 914 x 279)	15.75 (400)	15.75 (400)	16.25 (413)	16.25 (413)

Consult UL414 for minimum space requirements based on the wire size and the number of wires per terminal.

400-800 Amp Current Transformer Cabinets (for Window-Type Current Transformers)



Application

These Current Transformer Cabinets provide Type 3R protection and a factory-installed wiring buss for 400-800 Amp, 600 VAC current transformers. The assembly has a 10k AIC rating. The cabinets protect against rain, sleet, and snow outdoors and against dripping water indoors.

Features

- Lift-off, hinged door, and screw cover models available
- Used with window-type current transformer
- Drip-shield top and seam-free sides, front, and back
- Includes door handles

Construction

- Cabinet and door or cover manufactured from 14 gauge plated steel
- Three removable copper buss bars
- Buss bar cross section 3.00 in. x 0.25 in. (76mm x 6mm)
- Neutral bar
- Aluminum mechanical lugs dual rated (Cu/Al), two conductor
- Maximum conductor size 600 kcmil
- Insulating bar mounting bracket of 12 gauge painted steel
- Mounting holes on back of enclosure

- Provision for padlocking
- No gasketing or knockouts
- Ground stud provided

Finish

Cabinet galvanized steel painted with ANSI 61 gray polyester powder paint.

Industry Standards

UL 414, File No. E240312: Type 3R
NEMA Type 3R
IEC 60529, IP32

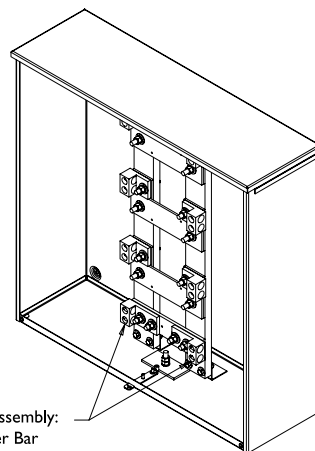
Electrical Specifications

400-800 Amp, 10k AIC, 600 VAC

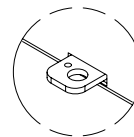
Accessories

See Accessories chapter.
Touch-up Paint (ATPPY61)

Buss Assembly



Neutral Assembly:
(1) Copper Bar
(2) Aluminum Mechanical Lugs,
Dual Rated, 2 Conductor (600 KCMIL)
1/2" Hardware



Padlocking Staple

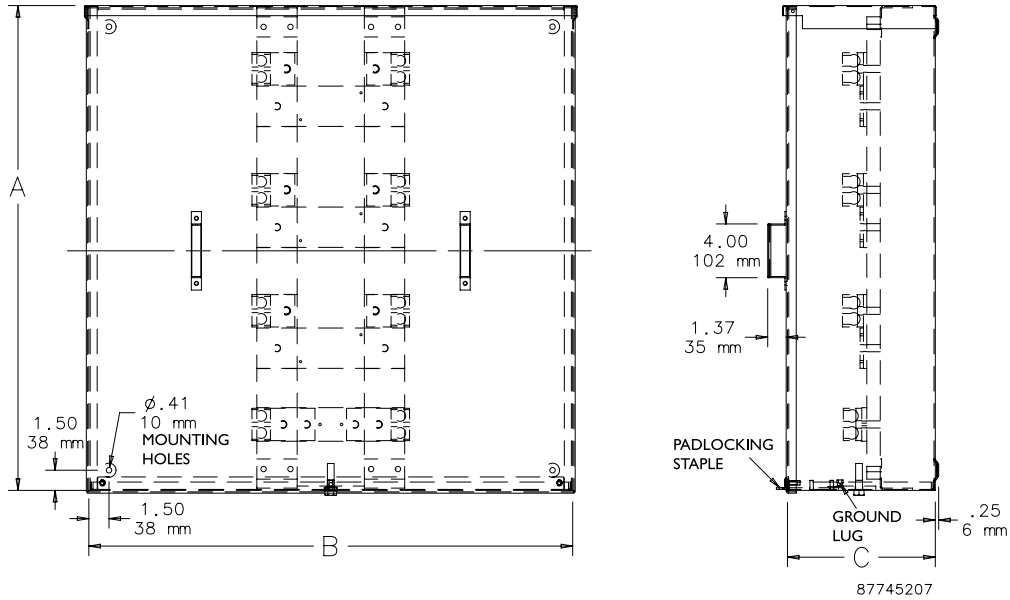
87785434

400-800 Amp Current Transformer Cabinets (for Window-Type Current Transformers)

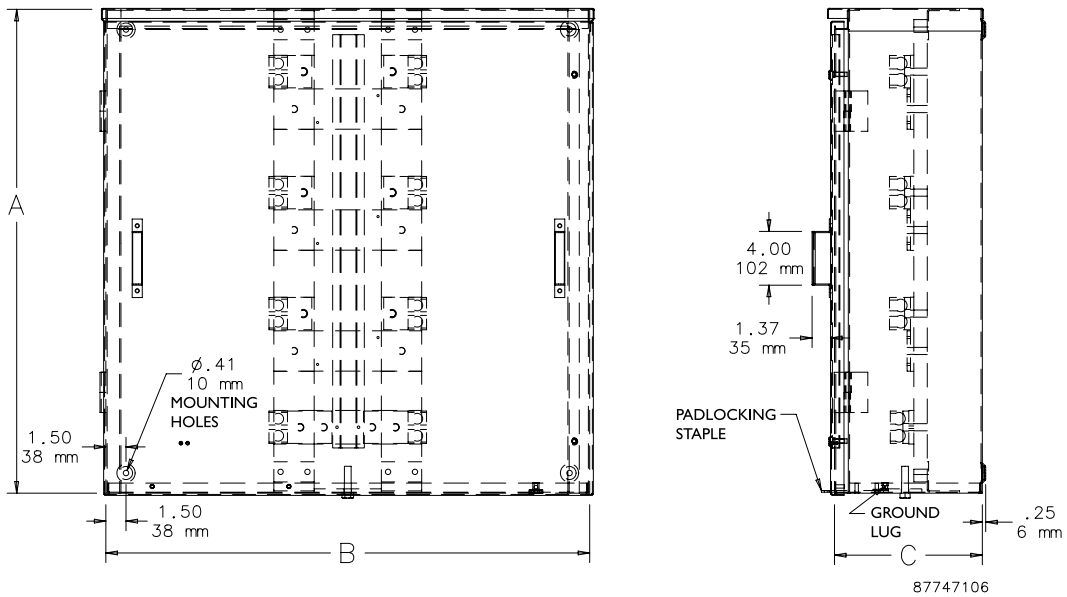
Standard Sizes 400-800 Amp Current Transformer Cabinets (For Window-Type Current Transformers)

Catalog Number	A x B x C in. (mm)	Style
A800CT1	36.00 x 36.00 x 11.00 (914 x 914 x 279)	Screw Cover
A800HCT1	36.00 x 36.00 x 11.00 (914 x 914 x 279)	Hinged Door

Screw Cover Cabinet

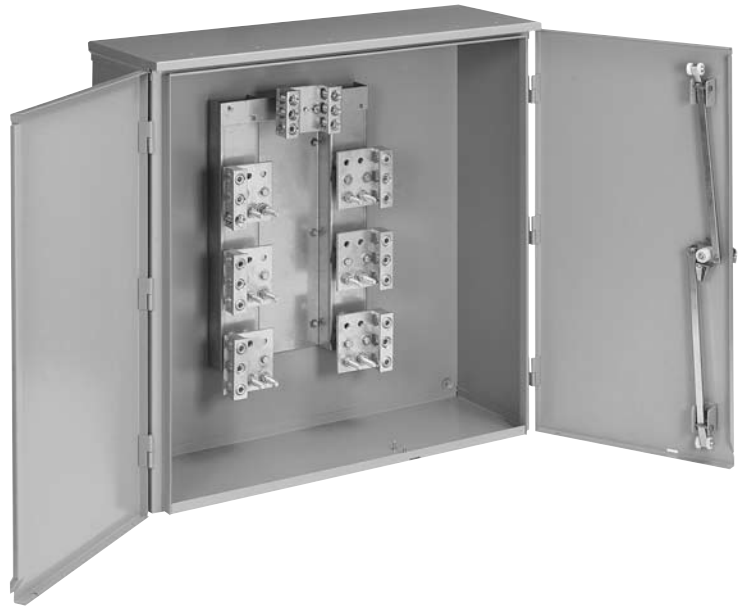


Hinged Door Cabinet



Commercial Boxes
and Enclosures

Type 3R CT Cabinet Three-Phase 400-1200 Amp with Mechanical Lugs



Application

These indoor or outdoor current transformer (CT) cabinets provide an assembly solution for three-phase service from 400-1200 Amps. Cabinets include line load terminations for each phase and neutral. Hardware is provided to mount a bar-style current transformer.

Features

- Double door with 3-point latch includes padlock feature
- Lift-off hinges for removable doors
- Mechanical lugs provided for three-phase line-load connections plus neutral
- Ground lug
- Catalog number A1200NECT includes panel-mounting provisions for voltage transformer (VT)

Construction

- Enclosure body and cover constructed of galvanized steel
- Embossed mounting holes
- No gasketing or knockouts

Finish

ANSI 61 gray polyester powder paint finish inside and out over phosphatized surfaces.

Industry Standards

UL 414, File E240312
UL 50, File No. E27525: Type 3R
NEMA Type 3R
IEC 60529, IP 32

Accessories

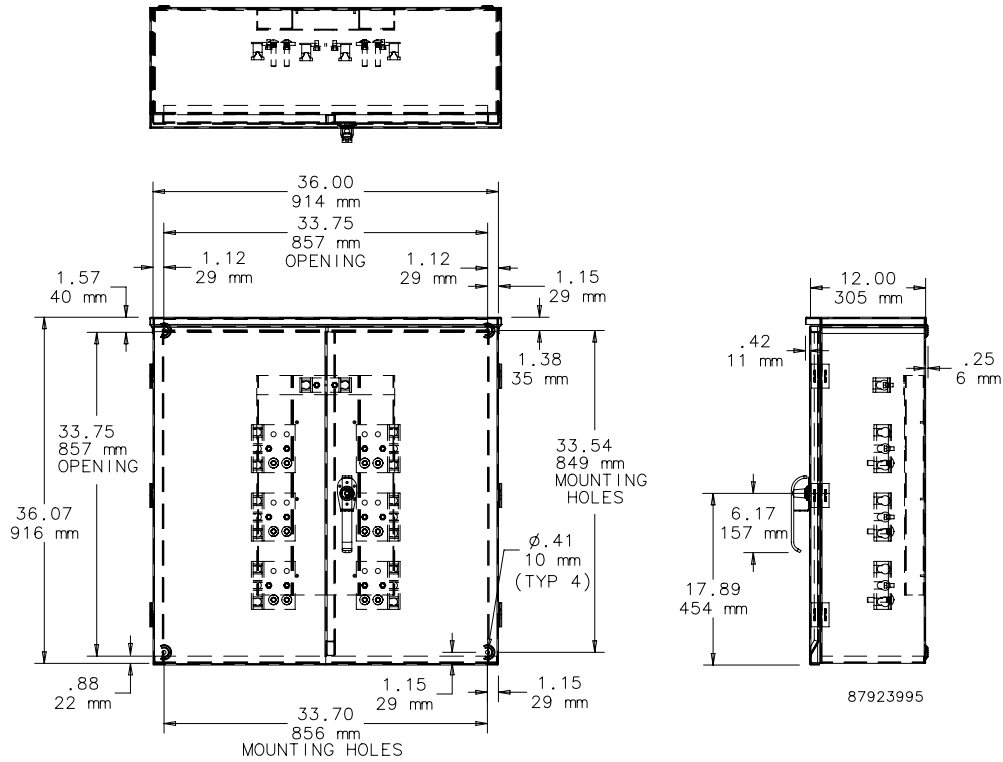
See Accessories chapter.
Touch-up Paint (ATPPY61)

Standard Sizes Type 3R CT Cabinet, Three-Phase 400-1200 Amp with Mechanical Lugs

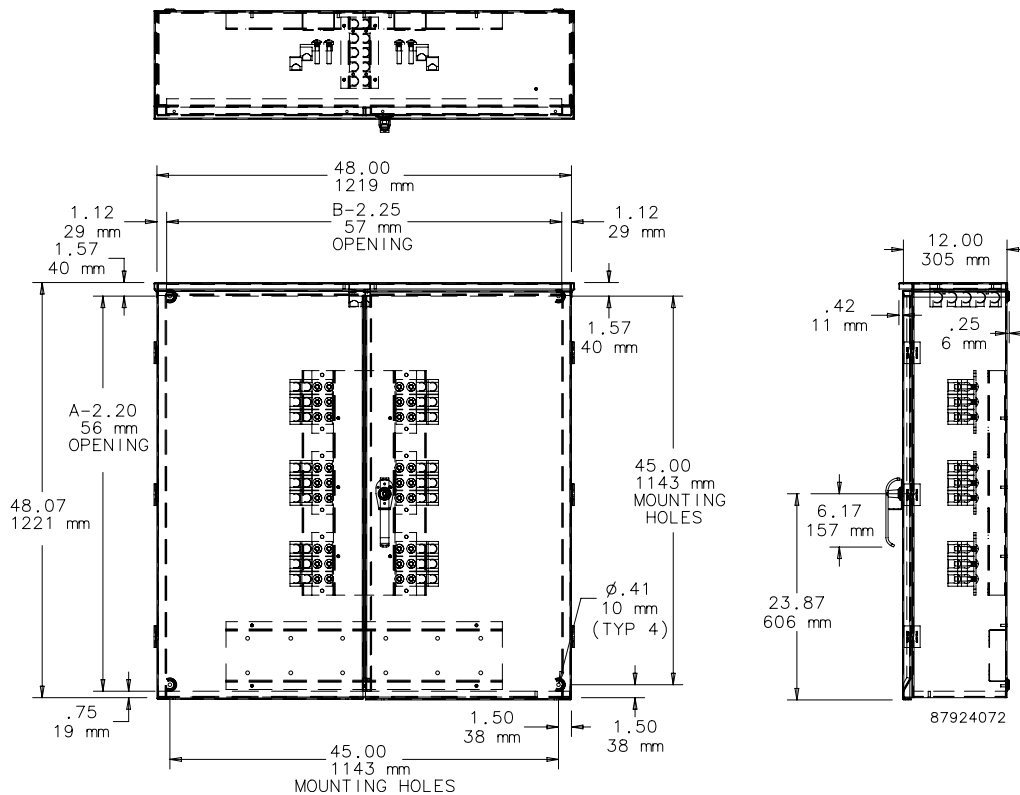
Catalog Number	Dimensions A x B x C		Service	Mechanical Lug Capacity
	(in.)	(mm)		
A800NECT	36.00 x 36.00 x 12.00	914 x 914 x 305	208Y/120-400 and 800 Amp	Each Phase (3) 750MCM-1/0
A1200NECT	48.00 x 48.00 x 12.00	1219 x 1219 x 305	208Y/120-480Y/277-800 and 1200 Amp	Each Phase (6) 750MCM-1/0

Type 3R CT Cabinet Three-Phase 400-1200 Amp with Mechanical Lugs

A800NECT



A1200NECT



Commercial Boxes
and Enclosures

Current Transformer Cabinets



Application

These cabinets offer varied solutions for cabinet size, construction, and mounting of instrument current transformers. All cabinets are rated for outdoor use.

Features

- Drip-shield top and seam-free sides, front, and back
- Welded-in collar studs supply provisions for mounting panel

Construction

- Enclosure body and cover constructed of 14 gauge galvanized steel
- Enclosure bottom of 16 gauge galvanized steel
- Provision for padlocking
- Ground lug on body
- Mounting holes on back of enclosure
- No gasketing or knockouts

Finish

ANSI 61 gray polyester power paint inside and out over phosphatized surfaces.

Industry Standards

UL 50, File No. E27525, E27567: Type 3R

NEMA Type 3R

cUL CSA C22.2 No. 94, File No. E27525

IEC 60529, IP32

Models with termination lugs are also rated UL 414, File No. E240312

Accessories

See Accessories chapter.

Touch-up Paint (ATPPY61)

Current Transformer Cabinets

Screw Cover Current Transformer with Steel Foot Mount Panel



Features

- Cover with handles and captivated screws
- 12 guage plated mounting panel
- Panel studs allow for either vertical or horizontal panel mounting

Standard Sizes Current Transformer Cabinets: Screw Cover with Steel Foot Mount Panel

Catalog Number	A x B x C in. (mm)	CT Panel D x E (in.)	CT Panel D x E (mm)
A303012CTCJ	30.07 x 30.00 x 12.00 (764 x 762 x 305)	29.00 x 7.25	737 x 184
A363614CTCJ	36.07 x 36.00 x 14.00 (916 x 914 x 356)	35.00 x 7.25	889 x 184
A424214CTCJ	42.07 x 42.00 x 14.00 (1069 x 1067 x 356)	41.00 x 7.25	1041 x 184
A484814CTCJ	46.81 x 48.00 x 14.00 (1189 x 1219 x 356)	45.73 x 7.25	1162 x 184

Commercial Boxes
and Enclosures

Lift-Off Cover Current Transformer with Wood Panel



Features

- Includes 3/4 inch plywood panel
- Screw cover with two padlock or sealing locations

Standard Sizes Current Transformer Cabinets: Lift-Off Cover with Wood Panel

Catalog Number	A x B x C	CT Panel D x E (in.)	CT Panel D x E (mm)
A243212CTDP	24.32 x 32.50 x 13.00 (618 x 826 x 330)	21.00 x 21.00	533 x 533

Screw Cover Current Transformer with Steel Panel



Features

- Includes steel panel
- Center sealing locations

Standard Sizes Current Transformer Cabinets: Screw Cover with Steel Panel

Catalog Number	A x B x C in. (mm)	CT Panel D x E (in.)	CT Panel D x E (mm)
A243210CTC	24.00 x 32.00 x 10.00 (610 x 813 x 254)	21.00 x 29.25	533 x 743
A304410CTC	30.00 x 44.00 x 10.00 (762 x 1118 x 254)	27.00 x 41.25	686 x 1048

Lift-Off Cover Current Transformer with Wood Panel



Features

- Includes 3/4-inch plywood panel
- Three-point latch with seal or padlock

Standard Sizes Current Transformer Cabinets: Hinged Double Door with Three-Point Latch

Catalog Number	A x B x C in. (mm)	CT Panel D x E (in.)	CT Panel D x E (mm)
A404014CTDP	40.07 x 40.00 x 14.00 (1018 x 1016 x 356)	33.00 x 27.00	838 x 686

Current Transformer Cabinets

400 and 800 Amp Bar-Type Current Transformer Mount with Line/Load Lugs



Features

- Lift-off hinges
- Doorstop
- Line and load lugs
- Staple for seal of padlock
- 1/4-turn latch

Standard Sizes Current Transformer Cabinets: 400 and 800 Amp Bar Type CT Mount with Line/Load Lugs

Catalog Number	A x B x C in. (mm)	Phase	Wire Range per Phase
A400HCTB	48.07 x 30.00 x 11.00 (1221 x 762 x 279)	3 Ø	(1) 1/0-750MCM or (2) 1/0-250MCM
A800HCTB	48.07 x 30.00 x 11.00 (1221 x 762 x 279)	3 Ø	(3) 1/0-750MCM or (6) 1/0-250MCM

Vented Double Door



Features

- Double door with 3-point latch that includes padlock feature
- Lift-off hinges for removable doors
- Ventilating louvers with insect barrier
- Welded 1.625 x 1.625 inch mounting channel

Bulletin
ARCT

Standard Sizes Current Transformer Cabinets: Hinged Double Door with Three-Point Latch

Catalog Number	A x B x C in. (mm)	Construction
A203012BGECT	20.00 x 30.00 x 12.00 (508 x 762 x 305)	Galvanized; spot-welded
A364214BGECT	36.00 x 42.00 x 14.00 (914 x 1067 x 356)	Aluminum; riveted
A423614BGECT	42.00 x 36.00 x 14.00 (1067 x 914 x 356)	Aluminum; riveted

Type 3R Terminal Box



Application

Designed for use as a wire splice box. Available in three- or four-wire configurations in sizes up to 400 Amps. Commercial and industrial applications include feeder tap to branch circuits. Enclosure provides protection in outdoor installations against rain, sleet, and snow or indoors against dripping water.

Features

- Drip-shield top and seam-free sides, front, and back
- Removable cover
- Distribution lugs installed (see table for sizes)
- Hub opening with cover at top

Construction

- 16 gauge galvanized steel
- Provisions for padlocking or seal
- Knockouts on bottom of enclosure
- Grounding provisions

Finish

ANSI 61 gray polyester powder paint finish inside and out over galvanized steel.

Industry Standards

UL 1773, File No. E256098: Type 3R
NEMA/EEMAC Type 3R
cUL CSA C22.2 No. 94, File No. E27525: Type 3R
IEC 60529, IP32

Accessories

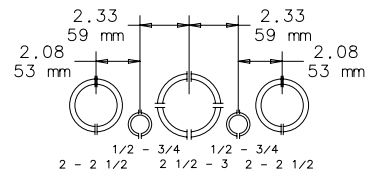
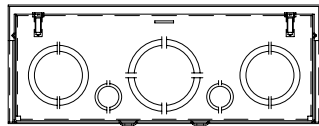
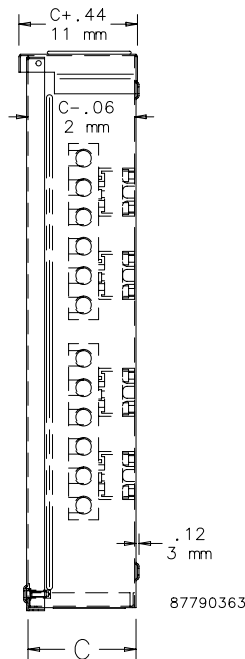
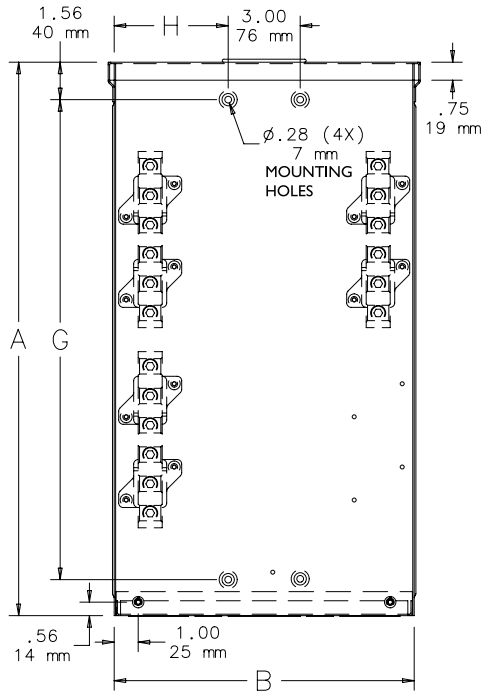
See also *Accessories* chapter.
Touch-Up Paint (ATPPY61)
Bolt-On Conduit Hub
Lug Replacement

Standard Sizes Type 3R Terminal Box

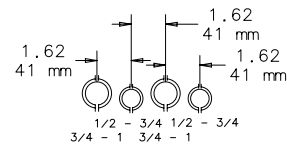
Catalog Number	A x B x C in. (mm)	Volts	Phase	Amps	Number of Bars	Wire Range	G (in.)	G (mm)	H (in.)	H (mm)
TB3R101	18.00 x 10.75 x 4.50 (457 x 273 x 114)	120/240	1Ø	100	3	(6) #14-2/0	15.00	381	3.88	99
TB3R103	18.00 x 10.75 x 4.50 (457 x 273 x 114)	600	3Ø	100	4	(6) #14-2/0	15.00	381	3.88	99
TB3R103240	18.00 x 10.75 x 4.50 (457 x 273 x 114)	120/240	3Ø	100	4	(6) #14-2/0	15.00	381	3.88	99
TB3R201	23.00 x 14.00 x 4.50 (584 x 356 x 114)	120/240	1Ø	200	3	(6) #6-350MCM	20.00	508	5.50	140
TB3R203	23.00 x 14.00 x 4.50 (584 x 356 x 114)	600	3Ø	200	4	(6) #6-350MCM	20.00	508	5.50	140
TB3R203240	23.00 x 14.00 x 4.50 (584 x 356 x 114)	120/240	3Ø	200	4	(6) #6-350MCM	20.00	508	5.50	140
TB3R401	27.00 x 20.50 x 6.00 (686 x 521 x 152)	120/240	1Ø	400	3	(6) #4-600MCM	24.00	610	8.75	222
TB3R403	27.00 x 20.50 x 6.00 (686 x 521 x 152)	600	3Ø	400	4	(6) #4-600MCM	24.00	610	8.75	222

TB3R401—UL and cUL for copper conductor only.

Type 3R Terminal Box



TB3R210, TB3R203, TB3R401, TB3R403



TB3R101, TB3R103
KNOCKOUTS

Interchangeable Bolt-on Hub



Catalog Number	Fits Conduit Size (in.)	Fits Conduit Size (mm)
TBHUB10	1.00	25
TBHUB12	1.25	32
TBHUB15	1.50	38
TBHUB20	2.00	51
TBHUB25	2.50	64

Lug Assembly

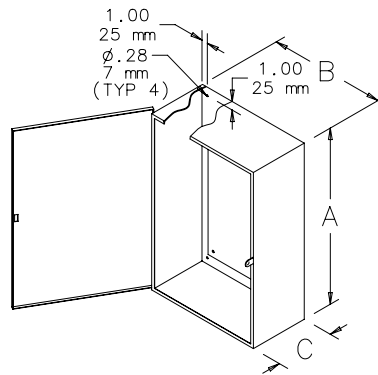


Catalog Number	Wire Range
TBL100	(6) #14-2/0
TBL200	(6) #6-350 MCM
TBL400	(6) #4-600 MCM

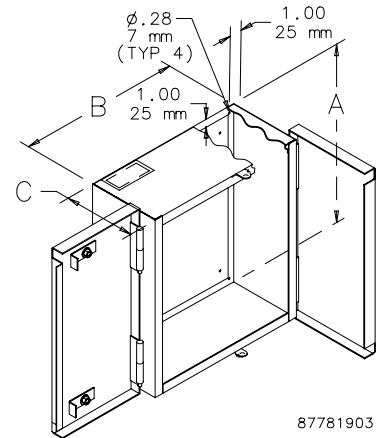
Metering Cabinets



Single-Door Enclosures



Two-Door Enclosures



87781903

Application

These cabinets are used in indoor applications to house metering transformers and instrument assemblies. HQ models meet Hydro-Québec requirements. HQ models include:

- A set of prepunched panels—one accessory panel, one potential transformer panel, and one current transformer panel
- Four-lug splitter block

Features

- Gland plates on top of two-door enclosure for meter connection
- Hinged door with pull latch and provision for padlocking
- Single panel included with standard models

Construction

- 14 or 16 gauge steel
- Mounting holes in back

Finish

ANSI 61 gray polyester powder paint finish inside and out

Industry Standards

CSA File Number 42184: Type I
NEMA/EEMAC Type I
IEC 60529, IP30

Accessories

See *Accessories* chapter.
Touch-Up Paint (ATPPY61)

Standard Sizes Metering Cabinets

Catalog Number	A x B x C in. (mm)	Panel Dimensions D x E (in.)	Panel Dimension D x E (mm)	Door
AMC271310R	27.00 x 13.00 x 10.00 (686 x 330 x 254)	22.75 x 8.75	578 x 222	Single
AMC302010R	30.00 x 20.00 x 10.00 (762 x 508 x 254)	25.75 x 15.75	654 x 400	Single
AMC303010R	30.00 x 30.00 x 10.00 (762 x 762 x 254)	25.75 x 25.75	654 x 654	Double
AMC363612R	36.00 x 36.00 x 12.00 (915 x 915 x 305)	31.75 x 31.75	806 x 806	Double
AMC484812R	48.00 x 48.00 x 12.00 (1220 x 1220 x 305)	43.75 x 43.75	1111 x 1111	Double

Standard Sizes UG-Series Cabinets (No panel or panel provisions; no gland plates)

Catalog Number	A x B x C in. (mm)	Door
AMC202010UG	20.00 x 20.00 x 10.00 (508 x 508 x 254)	Single
AMC303010UG	30.00 x 30.00 x 10.00 (762 x 762 x 254)	Double
AMC363612UG	36.00 x 36.00 x 12.00 (914 x 914 x 305)	Double
AMC484812UG	48.00 x 48.00 x 12.00 (1219 x 1219 x 305)	Double

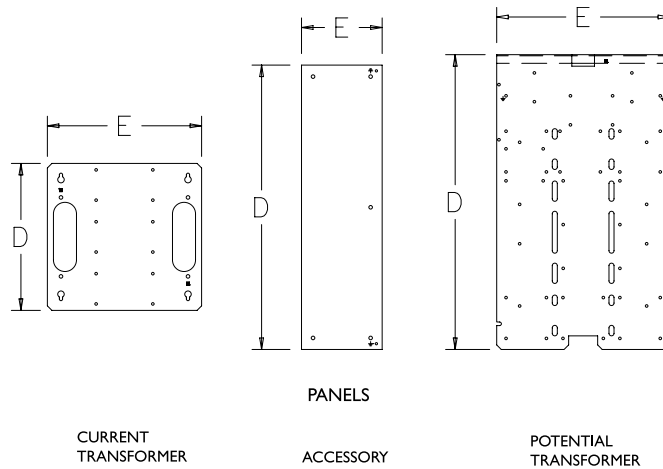
Metering Cabinets

Standard Sizes Metering Cabinets Meeting Hydro-Québec Requirements

Catalog Number	A (in.)	A (mm)	B (in.)	B (mm)	C (in.)	C (mm)	Door
AMC303010HQ	30.00	762	30.00	762	10.00	254	Double
AMC363612HQ	36.00	914	36.00	914	12.00	305	Double
AMC484812HQ	48.00	1219	48.00	1219	12.00	305	Double

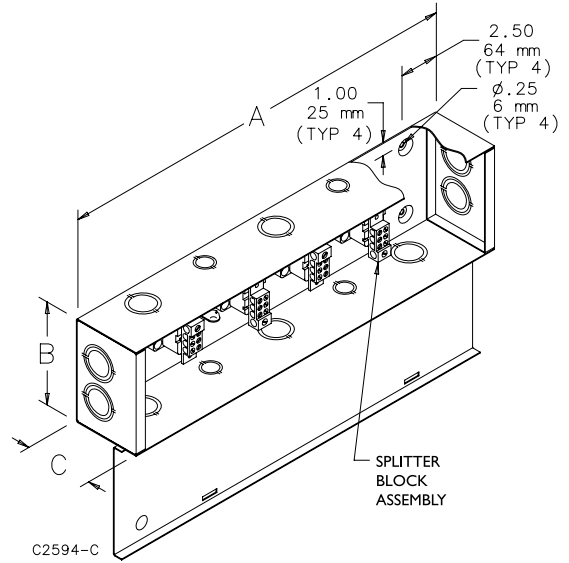
Panels Included with Hydro-Québec Cutouts

Catalog Number	Panel with Cutouts for	D (in.)	D (mm)	E (in.)	E (mm)
A32N34HQ	Current Transformer	12.76	324	13.39	340
A62N17HQ	Accessory	24.69	627	7.01	178
A65N38HQ	Main and Potential Transformer	25.59	650	15.00	381



87781904

Type I Splitter Trough



Application

Used in indoor applications for cabling electrical power distribution, allowing feeder circuit conductors to be split into multiple branch circuit conductors. Terminal blocks are pre-installed for both three- and four-wire power distribution systems.

Features

- Various size knockouts on each side for wire entry and exit
- Hinged covers

Construction

- 16 or 14 gauge steel
- Mounting holes in back
- Includes single-point ground lug
- Ground Splitter (ground bar) accessory available

Finish

ANSI 61 gray polyester powder paint finish inside and out

Industry Standards

CSA C22.2 No. 76, File No. 42184: Type I
NEMA/EEMAC Type I
IEC 60529, IP30

Accessories

- Ground Splitter (ground bar)
- Splitter Blocks
- Touch-Up Paint (ATPPY61)

Knockout Sizing and Spacing

Amp Rating	Qty.	End Knockout Size	Spacing (in.)	Spacing (mm)	Side Knockout Size and Position	Spacing (in.)	Spacing (mm)
85	2	1-3/4 - 2	2.75	70	Alternating 1/2 - 3/4 and 1 - 1-1/4	4.50	114
125	2	1-3/4 - 2	2.75	70	Alternating 1/2 - 3/4 and 1 - 1-1/4	4.50	114
225	2	2-1/5 - 3	4.06	103	Alternating 1/2 - 3/4 and 1 - 1-1/4	4.50	114
400	2	3 - 3-1/2	4.91	125	Alternating 1/2 - 3/4 and 1 - 1-1/4	4.50	114
600	2	3 - 3-1/2	4.91	125	Alternating 1/2 - 3/4 and 1 - 1-1/4	4.50	114

Type I Splitter Trough

Standard Sizes Type I Splitter Trough

Catalog Number	A x B x C in. (mm)	Number of Wires	Main Lugs: AMPS CU	Main Lugs: Wire Size Range	Main Lugs: Qty.	Branch Lugs: AMPS CU	Branch Lugs: Wire Size Range	Branch Lugs: Qty.
AST283R	24.00 x 6.00 x 4.50 (610 x 152 x 114)	3	85	14-1	1	55	14-6	6
AST284R	24.00 x 6.00 x 4.50 (610 x 152 x 114)	4	85	14-1	1	55	14-6	6
AST383R	36.00 x 6.00 x 4.50 (914 x 152 x 114)	3	85	14-1	1	55	14-6	6
AST384R	36.00 x 6.00 x 4.50 (914 x 152 x 114)	4	85	14-1	1	55	14-6	6
AST483R	48.00 x 6.00 x 4.50 (1219 x 152 x 114)	3	85	14-1	1	55	14-6	6
AST484R	48.00 x 6.00 x 4.50 (1219 x 152 x 114)	4	85	14-1	1	55	14-6	6
AST2123R	24.00 x 6.00 x 4.50 (610 x 152 x 114)	3	125	14-1/0	1	110	14-2	6
AST2124R	24.00 x 6.00 x 4.50 (610 x 152 x 114)	4	125	14-1/0	1	110	14-2	6
AST3123R	36.00 x 6.00 x 4.50 (914 x 152 x 114)	3	125	14-1/0	1	110	14-2	6
AST3124R	36.00 x 6.00 x 4.50 (914 x 152 x 114)	4	125	14-1/0	1	110	14-2	6
AST4123R	48.00 x 6.00 x 4.50 (1219 x 152 x 114)	3	125	14-1/0	1	110	14-2	6
AST4124R	48.00 x 6.00 x 4.50 (1219 x 152 x 114)	4	125	14-1/0	1	110	14-2	6
AST3223R	36.00 x 8.25 x 4.50 (914 x 210 x 114)	3	225	6-300MCM	1	150	14-2/0	6
AST3224R	36.00 x 8.25 x 4.50 (914 x 210 x 114)	4	225	6-300MCM	1	150	14-2/0	6
AST4223R	48.00 x 8.25 x 4.50 (1219 x 210 x 114)	3	225	6-300MCM	1	150	14-2/0	6
AST4224R	48.00 x 8.25 x 4.50 (1219 x 210 x 114)	4	225	6-300MCM	1	150	14-2/0	6
AST5223R	60.00 x 8.25 x 4.50 (1524 x 210 x 114)	3	225	6-300MCM	1	150	14-2/0	6
AST5224R	60.00 x 8.25 x 4.50 (1524 x 210 x 114)	4	225	6-300MCM	1	150	14-2/0	6
AST6223R	72.00 x 8.25 x 4.50 (1829 x 210 x 114)	3	225	6-300MCM	1	150	14-2/0	6
AST6224R	72.00 x 8.25 x 4.50 (1829 x 210 x 114)	4	225	6-300MCM	1	150	14-2/0	6
AST3403R	36.00 x 10.00 x 6.00 (914 x 254 x 152)	3	400	1/0-250MCM: 4-600MCM	2 1	175	6-4/0 and 14-3/0 ^a	4 ^a 2
AST4403R	48.00 x 10.00 x 6.00 (1219 x 254 x 152)	3	400	1/0-250MCM: 4-600MCM	2 1	175	6-4/0 and 14-3/0 ^a	4 ^a 2
AST4404R	48.00 x 10.00 x 6.00 (1219 x 254 x 152)	4	400	1/0-250MCM: 4-600MCM	2 1	175	6-4/0 and 14-3/0 ^a	4 ^a 2
AST5403R	60.00 x 10.00 x 6.00 (1524 x 254 x 152)	3	400	1/0-250MCM: 4-600MCM	2 1	175	6-4/0 and 14-3/0 ^a	4 ^a 2
AST5404R	60.00 x 10.00 x 6.00 (1524 x 254 x 152)	4	400	1/0-250MCM: 4-600MCM	2 1	175	6-4/0 and 14-3/0 ^a	4 ^a 2
AST6403R	72.00 x 10.00 x 6.00 (1829 x 254 x 152)	3	400	1/0-250MCM: 4-600MCM	2 1	175	6-4/0 and 14-3/0 ^a	4 ^a 2
AST6404R	72.00 x 10.00 x 6.00 (1829 x 254 x 152)	4	400	1/0-250MCM: 4-600MCM	2 1	175	6-4/0 and 14-3/0 ^a	4 ^a 2
AST4603R	48.00 x 11.00 x 6.50 (1219 x 279 x 165)	3	600	1/0-250MCM: 4-600MCM	4 2	175	6-4/0 and 14-3/0 ^a	4 ^a 2
AST4604R	48.00 x 11.00 x 6.50 (1219 x 279 x 165)	4	600	1/0-250MCM: 4-600MCM	4 2	175	6-4/0 and 14-3/0 ^a	4 ^a 2
AST5603R	60.00 x 11.00 x 6.50 (1524 x 279 x 165)	3	600	1/0-250MCM: 4-600MCM	4 2	175	6-4/0 and 14-3/0 ^a	4 ^a 2
AST5604R	60.00 x 11.00 x 6.50 (1524 x 279 x 165)	4	600	1/0-250MCM: 4-600MCM	4 2	175	6-4/0 and 14-3/0 ^a	4 ^a 2
AST6603R	72.00 x 11.00 x 6.50 (1829 x 279 x 165)	3	600	1/0-250MCM: 4-600MCM	4 2	175	6-4/0 and 14-3/0 ^a	4 ^a 2
AST6604R	72.00 x 11.00 x 6.50 (1829 x 279 x 165)	4	600	1/0-250MCM: 4-600MCM	4 2	175	6-4/0 and 14-3/0 ^a	4 ^a 2

^aSix total branch lugs: (4) 6-4/0 and (2) 14-3/0

**Commercial Boxes
and Enclosures**

Type I Splitter Boxes



Application

Used in indoor applications for cabling electrical power distribution, allowing feeder circuit conductors to be split into multiple branch circuit conductors. Terminal blocks are pre-installed for both three- and four-wire power distribution systems.

Features

- Various numbers and sizes of combination knockouts are provided on all four sides: see Knockout Size and Spacing Table
- Hinged covers

Construction

- 16 or 14 gauge steel
- Mounting holes in back
- Includes single point ground lug
- Ground Splitter (ground bar) accessory available

Finish

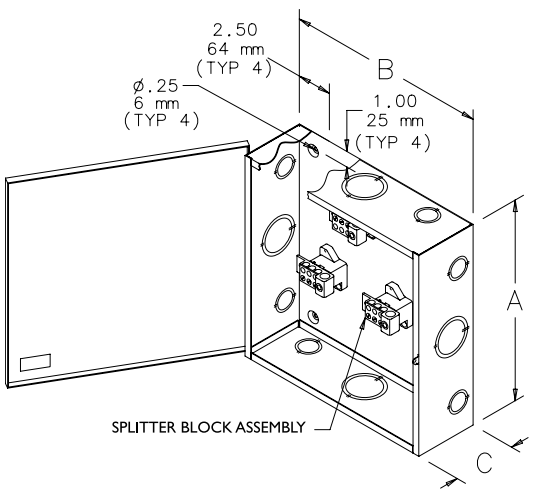
ANSI 61 gray polyester powder paint finish inside and out

Industry Standards

CSA C22.2 No. 76, File No. 42184: Type I
NEMA/EEMAC Type I
IEC 60529, IP30

Accessories

Splitter Blocks
Touch-Up Paint (ATPPY61)



C2595-C

Knockout Size and Spacing from Outside Enclosure^a

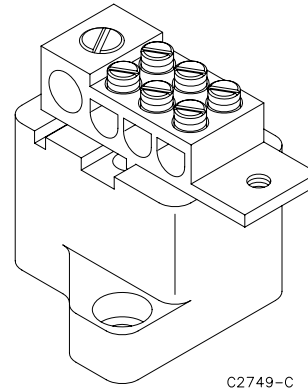
Amp Rating	Qty.	Knockout Size	Spacing (in.)	Spacing (mm)
85	21	1 3/4 - 2	2.00	51
		2 - 2-1/2	4.00	102
125	21	1 3/4 - 2	2.00	51
		2 - 2-1/2	4.00	102
225	21	1 3/4 - 2	2.00	51
		2-1/2 - 3	6.00	152
400	21	2 - 2-1/2	2.00	51
		3 - 3-1/2	6.00	152

^a Knockouts viewed from outside enclosure. Pattern and sizes same on all four sides.

Standard Sizes Type I Splitter Boxes, 600 Volt

Catalog Number	A x B x C in. (mm)	Number of Wires	Main Lugs: Amp CU	Main Lugs: Wire Size Range	Main Lugs: Qty.	Branch Lugs: Amp CU	Branch Lugs: Wire Size Range	Branch Lugs: Qty.
ASB83R	12.00 x 12.00 x 4.00 (305 x 305 x 102)	3	85	14-1	1	55	14-6	3
ASB84R	12.00 x 12.00 x 4.00 (305 x 305 x 102)	4	85	14-1	1	55	14-6	3
ASB123R	12.00 x 12.00 x 4.00 (305 x 305 x 102)	3	125	14-2/0	1	110	14-2/0	3
ASB124R	12.00 x 12.00 x 4.00 (305 x 305 x 102)	4	125	14-2/0	1	110	14-2/0	3
ASB223R	16.00 x 16.00 x 5.00 (406 x 406 x 127)	3	225	6-300MCM	1	175	14-2/0	3
ASB224R	16.00 x 16.00 x 5.00 (406 x 406 x 127)	4	225	6-300MCM	1	175	14-2/0	3
ASB403R	22.00 x 22.00 x 6.00 (559 x 559 x 152)	3	400	4-600MCM	2	285	4-600MCM	2
ASB404R	22.00 x 22.00 x 6.00 (559 x 559 x 152)	4	400	4-600MCM	2	285	4-600MCM	2

Splitter Block Assemblies

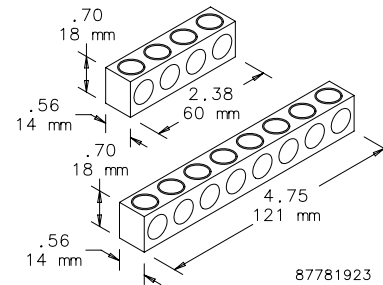


Application

Designed for use in standard splitter boxes and troughs. Blocks are used for tapping branch circuits off of feeders. Each block includes a main lug and branch lugs. Copper/aluminum (CU/AL) connectors are secured to insulators. Blocks are rated to 600 volts.

Industry Standards

CSA Certified



Commercial Boxes
and Enclosures

Standard Sizes Splitter Box Block Assemblies

Catalog Number	Main: Amps	Main: Qty.	Main: Wire Size Range	Branch: Amps	Branch: Qty.	Branch: Wire Size Range
ASBB85	85	1	14-1	40	3	14-6
ASBB125	125	1	14-2/0	85	3	14-2/0
ASBB225	225	1	6-300MCM	125	3	14-2/0
ASBB400R	400	2	4-600MCM	225	2	4-600MCM

Standard Sizes Splitter Trough Block Assemblies

Catalog Number	Main: Amps	Main: Qty.	Main: Wire Size Range	Branch: Amps	Branch: Qty.	Branch: Wire Size Range
ASTB85	85	1	14-1	40	6	14-6
ASTB125	125	1	14-1/0	85	6	14-2
ASTB225	225	1	6-300MCM	125	6	14-2/0
ASTB400	400	1:2	4-600MCM:1/0-250	125	4 + 2 ^a	6-4/0 and 14-3/0 ^a
ASTB600	600	2:4	4-600MCM:1/0-250	125	4 + 2 ^a	6-4/0 and 14-3/0 ^a

^aSix total branch lugs: (4) 6-4/0 and (2) 14-3/0

Catalog Number	C (in.)	C (mm)	Lug Qty.	Wire Size Range	Application
ASG4	2.38	60	4	14-2/0	Splitter Box or Splitter Trough
ASG8	4.75	121	8	14-2/0	Splitter Trough