

Industrial Heavy Duty Non-hazardous Areas

Applications:

Arktime circuit breaking plugs and receptacles are used:

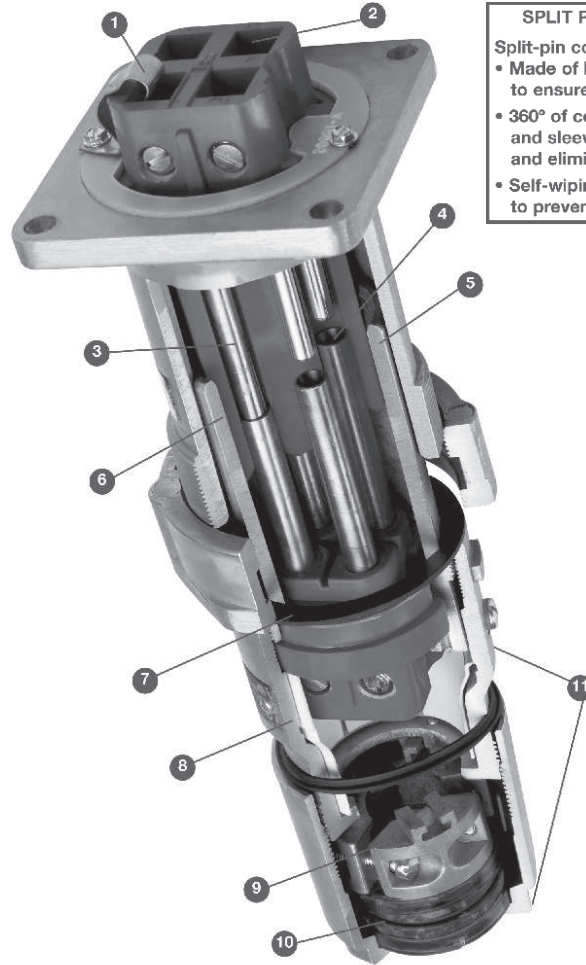
- To supply power to portable electrically operated devices such as motor-generator sets, compressors, heating and cooling units, welders, conveyors, lighting systems and similar equipment
- Where temporary power is needed, such as at trailers, building units, heavy machinery and similar equipment
- Wherever electrical loads must be quickly disconnected from power source
- In a typical installation, where a large machine utilizes a number of electrical motor drives and for ease of adjustment, removal, maintenance and replacement, each motor is connected by portable cord and Arktime receptacles rather than permanently wired
- In areas where dust, dirt, moisture and corrosion are a problem
- Indoors and outdoors in non-hazardous areas of chemical plants, process industry facilities, meat packing plants, manufacturing plants and similar industrial locations

Features:

- Circuit breaking: plugs through 100 ampere rating may be disconnected under load; 150-400 ampere units are for service disconnect use only.
- Receptacles accept only plugs of the same amperage rating, style and number of poles, making it impossible to mismatch, and provides for positive polarization.
- Extra wide electrical spacing allows for maximum safety.
- Insulator materials are the result of intensive testing. Selection has been made based on highest dielectric strength, maximum mechanical and impact resistance, lowest moisture absorption and highest arc tracking resistance.
- A variety of installations is possible due to the availability of several types of back boxes.
- Designed to withstand rough usage and the effects of adverse environments.
- Reversible interiors, 30, 60 and 100 ampere (except 30 and 60 ampere, 5-pole) Arktime plug and receptacle interiors are interchangeable using a screwdriver. This makes it possible to feed a normally de-energized receptacle from an energized plug with usual Arktime safety; no energized contacts are exposed.

Certifications and Compliances:

- UL Standards: 1682, 514; 1010 (APJ and NPJ plugs only)
- CSA Standard: C22.2 No. 182.1



SPLIT PIN CONTACT DESIGN

Split-pin contacts:

- Made of high grade naval brass to ensure long life
- 360° of contact between the pin and sleeve to reduce heat rise and eliminate arcing
- Self-wiping at every insertion to prevent contamination



• The additional features below are called out in the illustration on this page

- 1 The ground contact is bonded to the receptacle housing (Style 2)
- 2 Easy access terminals make wiring simple
- 3 Grounding contacts that make-first and break-last in the unlikely event of keyway failure
- 4 An arc formed when the plug is being removed is instantly snuffed in the deep confined insulated arcing chamber
- 5 A detent spring forms a parallel grounding path through the metallic plug sleeve and receptacle housing and is the first contact to make and the last to break
- 6 The plug sleeve is keyed to the receptacle to prevent mispolarization
- 7 The gasketing system provides unsurpassed watertight integrity (NEMA 4)
- 8 All aluminum Uni-Shell™ construction provides superior strength in abusive environments
- 9 The Tri-Lock™ cable grip has three clamps which provide even gripping and superior cord clamping
- 10 The unique Sure-Seal™ cable gland provides a complete environmental seal around the cable (NEMA 4)
- 11 Wrenching surfaces make Arktime plugs quick and easy to assemble

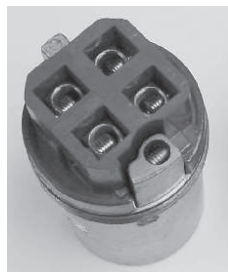
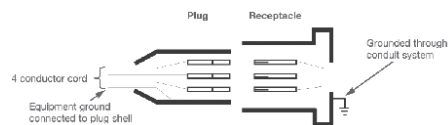
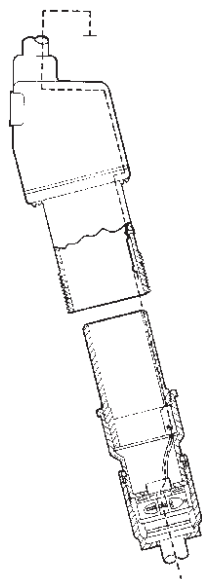
Industrial Heavy Duty Non-hazardous Areas

Grounding: Style 1 vs. Style 2

Cooper Crouse-Hinds Arktite devices utilize two methods, or styles, for completing the grounding circuit in plugs and receptacles. NEC reference 250.138 (A) & (B).

Style 1 – Metallic

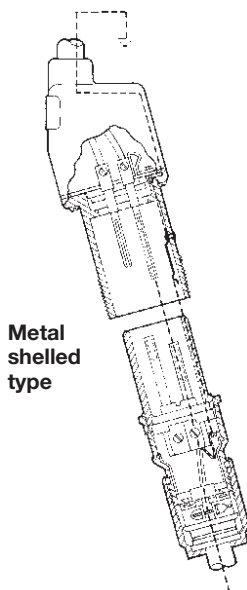
A Style 1 plug is one in which the grounding conductor in the flexible cable is bonded to the plug sleeve by a pressure connector. A Style 1 receptacle is one which is grounded by virtue of the fact that it is an integral part of a grounded conduit system. On insertion, the plug sleeve makes contact with detent springs of the grounded receptacle housing before line and load poles engage, and on withdrawal, remains in contact until after line and load poles disengage. Therefore, exposed metal parts of the portable equipment or plug are suitably grounded.



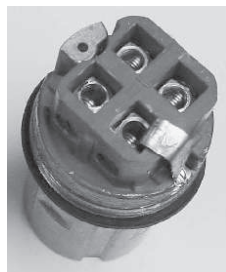
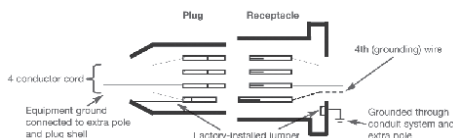
Style 1
Ground conductor attaches to shell.

Style 2 – Metallic

A Style 2 metallic housing plug is one in which the grounding conductor in the flexible cable is bonded to the extra (grounding) pole and metal plug sleeve by a pressure connector. A Style 2 metallic housing receptacle is one in which the extra (grounding) pole is electrically connected to the equipment grounding conductor and the metal receptacle housing which itself is grounded by virtue of the fact that it is an integral part of a grounded conduit system. In Style 2, non-metallic housing plugs and receptacles, the extra pole is used for grounding since the housings are non-conductive.



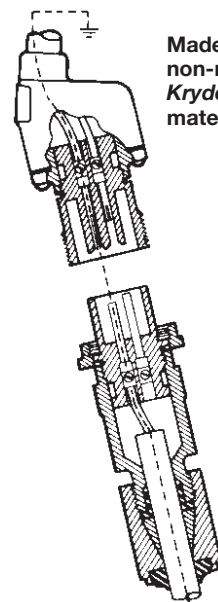
Metal shelled type



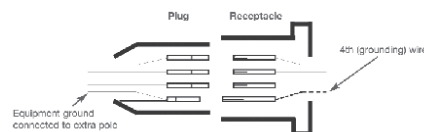
Style 2
Ground conductor attaches to contact, which is bonded to shell.

Style 2 – Non-metallic

In a Style 2 receptacle, the grounding connection is made before line and load poles engage, and is broken after the line load poles disengage. Furthermore, upon insertion, the plug sleeve of metal shelled units makes contact with detent springs of the grounded receptacle housing before line and load poles engage, and on withdrawal, remains in contact until after line and load poles disengage. Therefore, exposed metal parts of the portable equipment or plug are suitably grounded.



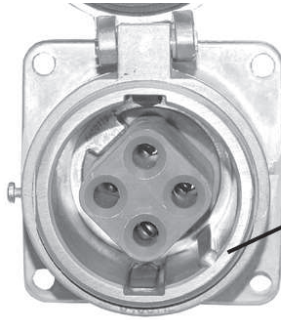
Made of non-metallic Krydon material



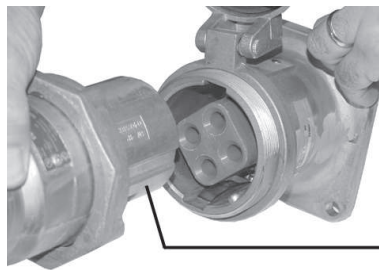
Industrial Heavy Duty Non-hazardous Areas

Standard Materials:

- Metallic receptacle housings, plug and cord connector bodies – high impact strength copper-free aluminum
- Non-metallic receptacles, plugs and cord connectors – *Krydon*® fiberglass-reinforced polyester material
- Back boxes: 20, 30, 60, 100, 150 and 200 ampere – cast aluminum; 400 ampere – *Feraloy*® iron alloy
- Insulation (metallic products): (2-, 3-, and 4-pole) 30, 60, 100, 200, 400 ampere – fiberglass-reinforced polyester; 20, 30 ampere (5-pole) – melamine
- Contacts: pressure, solder, binding screw – brass; crimp/solder 20, 30, 60, 100 ampere – leaded red brass; crimp/solder 150, 200, 400 ampere – tellurium copper



Arktite receptacles have a cast raised rib located inside the receptacle sleeve. The location of the rib is in a specific relationship to the receptacle insulator that houses the contacts.



The mating plug has a cast groove located on the outside of the plug sleeve. This groove lines up with the raised rib.

Standard Finishes:

- *Feraloy* – electrogalvanized and aluminum acrylic paint
- Aluminum – natural
- *Krydon* fiberglass-reinforced polyester material – gray
- Fiberglass-reinforced polyester insulation – (red)
- Melamine – natural (brown)
- Brass – natural
- Leaded red brass – electro-tin-plate

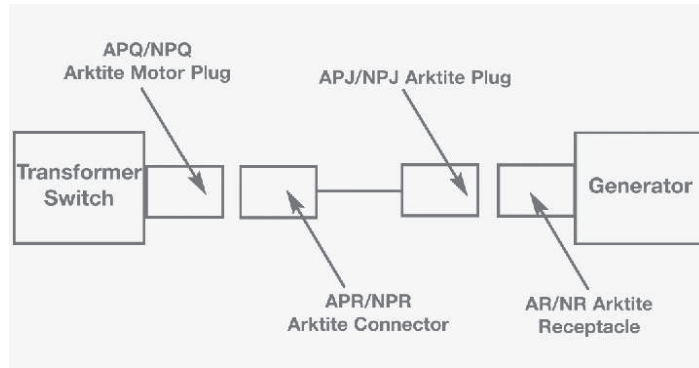
Accessories:

- Accessories include a variety of angle adapters, panel adapters and back boxes for *Arktite* receptacles. See pages 1250–1253.
- Included throughout 1P are wire mesh cable grips and protective caps for *Arktite* plugs.

Options:

The following special options are available from factory by adding the suffix to the Cat. #:

- | Description | Suffix |
|---|--------|
| • Reversed contacts. Receptacle assembled with plug interior (exposed contacts), plug assembled with receptacle interior (recessed contacts). For applications where plug is energized to feed normally de-energized receptacle. Available on 30 through 400 ampere units... S22 | |
| • Special polarity. For use where two or more receptacles of the same ampere rating, style and number of poles are to be installed in the same area for use on different voltages and/or frequencies. Prevents insertion of a plug in a receptacle with different electrical rating. Available on 20 through 400 ampere units as follows: | |
| • Receptacle interior rotated 22½° to right and plug changed to match (see photo to right)..... S4 | |
| • Corro-free™ epoxy powder finish for added corrosion resistance..... S752 | |



Typical Installation

Arktite® Heavy Duty Circuit Breaking§ Plugs and Receptacles

NEMA 4 Watertight

1P

Industrial Heavy Duty Non-hazardous Areas

Arktite Horsepower Ratings Locked-Rotor Interrupting

Ampere Rating Plug and Receptacle	Motor Horsepower†			
	120 Volts	240 Volts	480 Volts	600 Volts
Single-phase Electrical System				
30	2	3	7.5	10
60	5	10	25	20
100	10	20		
200	15	40		
Three-phase Electrical System				
30	3	5	10	10
60	10	20	40	50
100	15	30	40	25
200	30	60	25	15

Maximum Horsepower for Plug and Receptacle Combinations by Input Voltage*

Following values are typical horsepower ratings based on NEC Article 430 tables.

HP Ratings are based on the largest conductor size for each plug and receptacle combination per the Wire Size table below.

Ampere Rating Plug and Receptacle	Motor Horsepower‡		
	240 Volts	480 Volts	600 Volts
30	15	30	40
60	20	40	50
100	30	60	75
150	40	75	100
200	60	125	150

Wire Sizes:

The table below lists the diameter of the wire recess in *Arktite* plug and receptacle contacts so that maximum size of bare conductor can be figured. Range of wire sizes shown in table is intended only as a guide. Depending on type of wire used (building wire, flexible or extra flexible cable) and its construction (number and size of strands), bare copper diameters vary widely.

Diameter of Wire Recess in Plug and Receptacle Contacts

Ampere Rating	Contact Type	Diameter of Recess	Wire Size‡	
			Building	Extra Flex
20	Binding Screw	N/A	#14-#12	#14-#12
30 (2, 3, & 4-pole)	Pressure	.281	#10-#6	#10-#8
30 (2, 3, & 4-pole)	Crimp/Solder	.180	#10-#8**	#10-#8
30 (5-pole)	Solder	.188	#12-#6	#12-#8
60 (2, 3, 4 & 5-pole)	Pressure	.312	#6-#4	#8-#4
60 (3 & 4-pole)	Crimp/Solder	.277	#6-#4**	#8-#4
100 (2, 3 & 4-pole)	Pressure	.390	#4-#1	#4-#2
100 (3 & 4-pole)	Crimp/Solder	.390	#2-#1**	#2-#2
150 (4-pole)	Pressure	.390	#2-2/0	#2-1/0
200 (3 & 4-pole)	Pressure	.687	2/0-4/0	2/0-3/0
200 (Std. 3 & 4-pole)	Crimp/Solder	.560	#1-4/0	#1-3/0
200 (Lg. 3 & 4-pole)	Crimp/Solder	.750	4/0-250MCM	3/0-250MCM
400 (Std. 3 & 4-pole)	Crimp/Solder	.840	250-500MCM	250-400MCM
400 (Lg. 3 & 4-pole)	Crimp/Solder	1.25	500-1000MCM	400-750MCM

§150A, 200A and 400A rated units are for service disconnect use only.

† Horsepower ratings are based on Cooper Crouse-Hinds testing in which locked-rotor currents were interrupted by withdrawing the plug from the receptacle. It is highly recommended, however, that such use be limited to emergency conditions only; and that a horsepower rated switch be used for motor disconnect.

* This guide is for reference only. Consult your local electrical codes before installation.

‡ Cooper Crouse-Hinds does not recommend our plug and receptacle be used for disconnect under load.

**Smaller sizes may be used with well reducers – information available upon request.

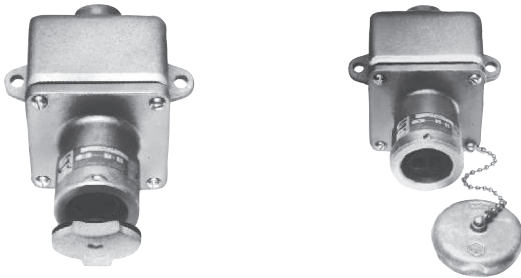
‡Do not use wire size smaller than minimum size recommended.

Arktite® Heavy Duty Circuit Breaking Receptacles, Plugs and Connectors

NEMA 4 Watertight

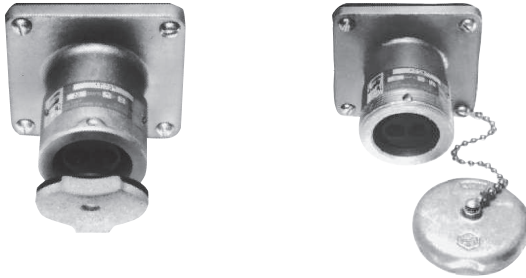
1P

20 A, 600 VAC/250 VDC, 50** – 400 hertz



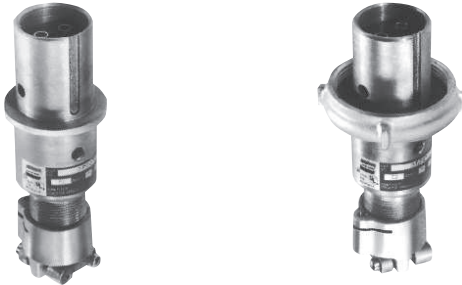
Receptacle with Back Box

Config.	Hub Size	Descrip.	Cat. #
2W 2P	1/2	Spring Door	ARE2211
	1/2	Threaded Cap	ARE2271
2W 2P	3/4	Spring Door	ARE2212
	3/4	Threaded Cap	ARE2272



Receptacle

Config.	Descrip.	Cat. #
2W 2P	Spring Door	AR221
	Threaded Cap	AR227



Plug

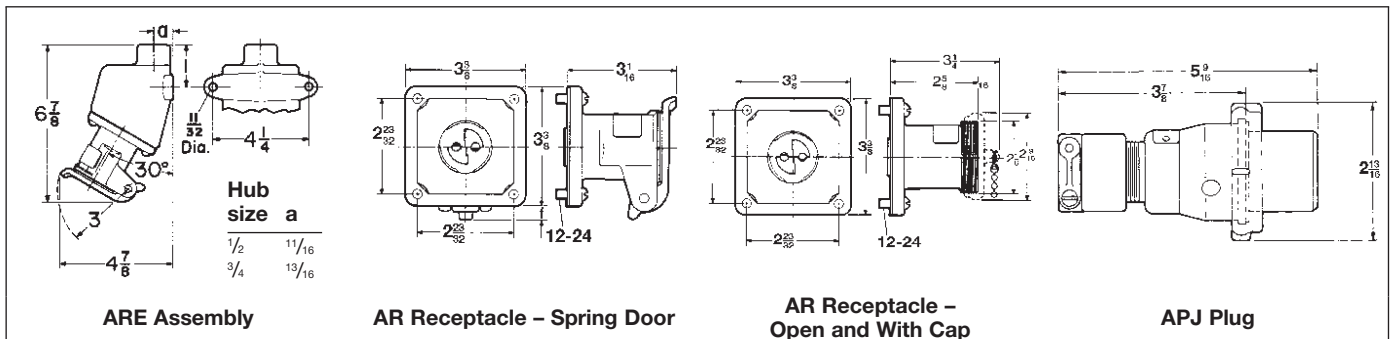
Config.	Cable Dia.	Descrip.	Cat. #
2W 2P	.250–.500	Fastening Ring	APJ2271
	.250–.500	Without Fastening Ring	APJ2251
2W 2P	.500–.875	Fastening Ring	APJ2273
	.500–.875	Without Fastening Ring	APJ2253



Connector

Config.	Cable Dia.	Descrip.	Cat. #
2W 2P	.250–.500	Connector	APR2251
	.500–.850	Connector	APR2253

Dimensions In Inches:



Note: For listing of additional back boxes, see page 1251.

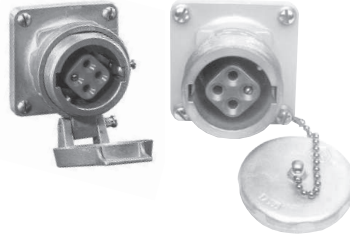
**When used on systems less than 60 hertz, the receptacles, plugs and connectors are for disconnect use only.

30 A, 600 VAC/250 VDC, 50† – 400 hertz

Ordering Information:



Receptacle Assembly



Receptacle



Mating Plug



Mating Connector

With ARE Back Boxes

Receptacle Housings Only

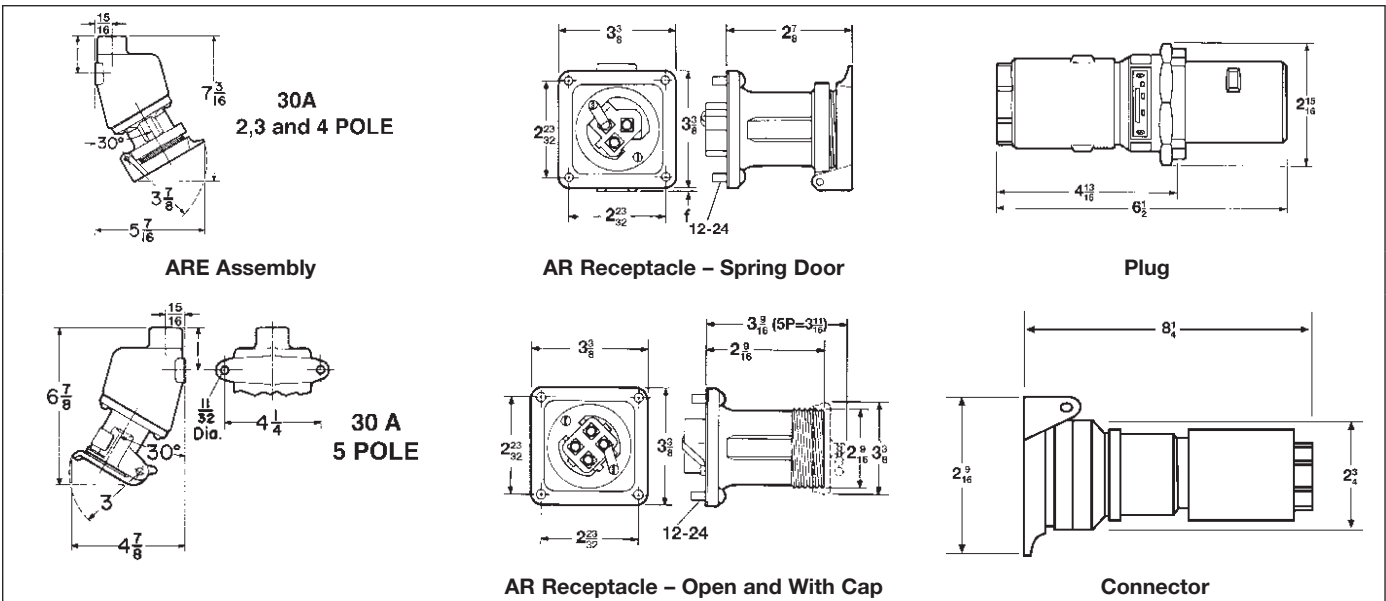
Mating APJ Plugs†

Mating APR Connectors

Description	Hub Size (In.)	Spring Door Cat. #	Spring Door Cat. #	Threaded Cap Only Cat. #	Cat. #	Cable Dia.	Cat. #	Cable Dia.
Style 1								
2-wire, 2-pole } 3-wire, 3-pole }	1/2 3/4	ARE3211 ARE3212	AR321	AR327	APJ3275	0.39 to 1.20	APR3255	0.39 to 1.20
4-wire, 4-pole } 5-wire, 5-pole }	3/4 1	ARE3312 ARE3313	AR331	AR337	APJ3375	0.39 to 1.20	APR3355	0.39 to 1.20
4-wire, 4-pole } 5-wire, 5-pole }	3/4 1	ARE3412 ARE3413	AR341	AR347	APJ3475	0.39 to 1.20	APR3455	0.87 to 1.20
5-wire, 5-pole }	1	ARE3513	AR351		APJ3573	.500 to .875	APR3553	.500 to .875
Style 2								
2-wire, 3-pole } 3-wire, 4-pole }	3/4 1	ARE3322 ARE3323	AR332	AR338	APJ3385	.0.39 to 1.20	APR3365	.0.39 to 1.20
4-wire, 5-pole }	1	ARE3422 ARE3423	AR342	AR348	APJ3485	0.39 to 1.20	APR3465	0.39 to 1.20
4-wire, 5-pole }	1	ARE3523	AR352		APJ3583 APJ3585	.500 to .875 .875 to 1.375	APR3563 APR3565	.500 to .875 .875 to 1.375

Dimensions

In Inches:



†For use on systems less than 60 hertz the receptacles, plugs and connectors are for disconnect use only.

Arktite® Heavy Duty Circuit Breaking Receptacle Assemblies and Housings

NEMA 4 Watertight

1P

30 A, 600 VAC/250 VDC, 50† – 400 hertz

Plug Closure Caps:

Applications:

- CPK caps for Arktite plugs are used:
- Where portable equipment is on a standby basis and plugs are not in use
 - To effectively protect insulation and contacts from excessive moisture, dirt, dust and corrosion
 - With 30, 60, 100, 150 and 200 ampere plugs with fastening ring and standard 200 ampere plugs for the clamp door housing



Ordering Information:

Config.	Cat. #
2P & 3P & 4P	CPK13
5P	CPK32

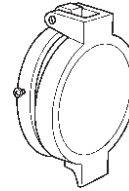
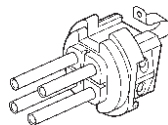
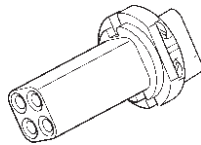
Standard Materials:

- Copper-free aluminum

Standard Finishes:

- Natural

Replacement Parts:



Config.	Receptacle Interior	Plug Interior	Spring Door	Screw Cap
2W 2P	ATP275	ATP270	QE50	QE13
2W 3P	ATP278	ATP273		
3W 3P	ATP276	ATP271		
3W 4P	ATP279	ATP274		
4W 4P	ATP277	ATP272	N/A	N/A
4W 5P	ATP125	ATP109		
5W 5P	ATP94	ATP73		

Replacement Pin & Sleeve Contacts:

Description	Recep	Plug
Available as a kit only. 5 phase contacts & 1 ground contact included.	AR30CONKIT	AP30CONKIT

60 A, 600 VAC/250 VDC, 50† – 400 hertz

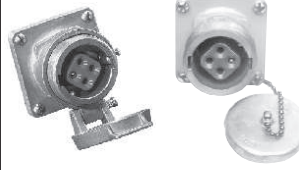
Ordering Information:



Receptacle Assembly



Receptacle



Receptacle Housing Only



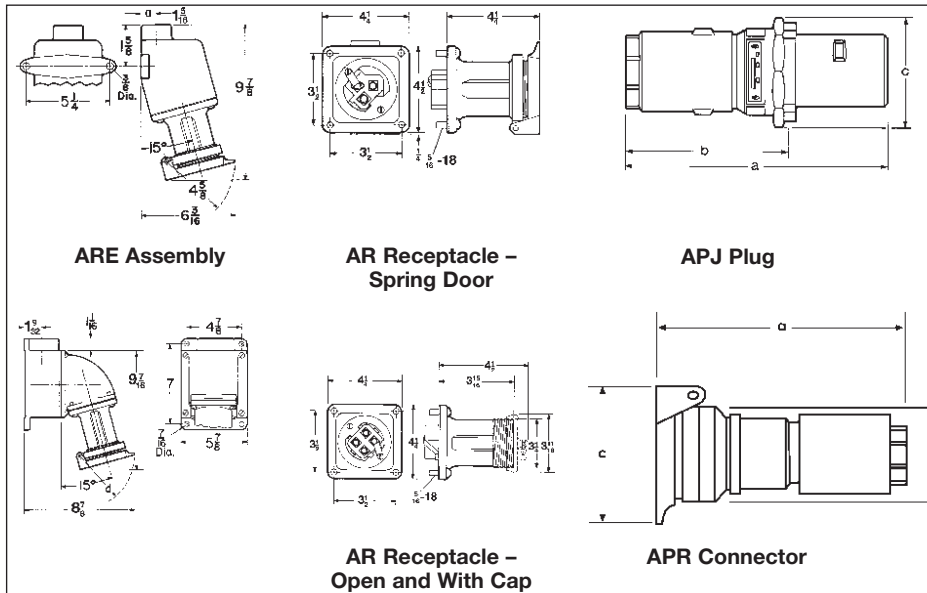
Mating Plug



Mating Connector

Description	With AJ Back Boxes and Angle Adapters			With ARE Back Boxes		Cable Dia.	Cat. #	Cat. #	
	Hub Size (In.)	Spring Door Cat. #	Threaded Cap Only Cat. #	Spring Door Cat. #	Spring Door Cat. #				
Style 1									
2-wire, 2-pole }	1	AREA6213	AREA6574 AREA6575	ARE6213	AR621	0.50 to 1.45	APJ6275	APR6255	
	1 1/4	AREA6214		ARE6214	AR627				
3-wire, 3-pole }	1	AREA6313	AREA6574 AREA6575	ARE6313	AR631	0.50 to 1.45	APJ6375	APR6355	
	1 1/4	AREA6314		ARE6314	AR637				
4-wire, 4-pole }	1 1/4	AREA6414	AREA6574 AREA6575	ARE6414	AR641	0.50 to 1.45	APJ6475	APR6455	
	1 1/2	AREA6415		ARE6415	AR647				
5-wire, 5-pole }	1 1/4		AREA6574 AREA6575			0.50 to 1.45	APJ6575		
	1 1/2				AR657				
Style 2									
2-wire, 3-pole }	1	AREA6323	AREA6584 AREA6585	ARE6323	AR632	0.50 to 1.45	APJ6385	APR6365	
	1 1/4	AREA6324		ARE6324	AR638				
3-wire, 4-pole }	1 1/4	AREA6424	AREA6584 AREA6585	ARE6424	AR642	0.50 to 1.45	APJ6485	APR6465	
	1 1/2	AREA6425		ARE6425	AR648				
4-wire, 5-pole }	1 1/4		AREA6584 AREA6585			0.75 to 1.45	APJ6585	APR6585 APR6567	
	1 1/2				AR658				

Dimensions (In Inches):



Config.	Plug			Connector		
	a	b	c	a	b	c
2P or 3P	8 1/2	5 3/4	3 3/8	6 1/2	3 3/8	2 15/16
4P	8 1/2	5 13/16	3 3/4	8 1/4	3 3/8	2 15/16
5P	9	6 7/16	4 7/16	8 1/4	3 3/8	3 1/4

†For use on systems less than 60 hertz the receptacles, plugs and connectors are for disconnect use only.

Arktite® Heavy Duty Circuit Breaking Receptacle Assemblies and Housings

NEMA 4 Watertight

1P

60 A, 600 VAC/250 VDC, 50† – 400 hertz

Plug Closure Caps:

Applications:

CPK caps for Arktite plugs are used:

- Where portable equipment is on a standby basis and plugs are not in use
- To effectively protect insulation and contacts from excessive moisture, dirt, dust and corrosion
- With 30, 60, 100, 150 and 200 ampere plugs with fastening ring and standard 200 ampere plugs for the clamp door housing



Ordering Information:

Config.	Cat. #
2P & 3P	CPK32
4P	CPK34

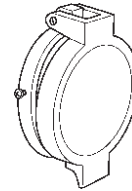
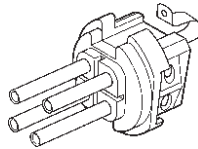
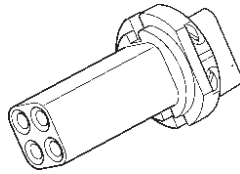
Standard Materials:

- Copper-free aluminum

Standard Finishes:

- Natural

Replacement Parts:



Config.	Receptacle Interior	Plug Interior	Spring Door	Screw Cap
2W 2P	ATP295	ATP290	QE51	QE32
2W 3P	ATP298	ATP293		
3W 3P	ATP296	ATP291	QE52	QE34
3W 4P	ATP299	ATP294		
4W 4P	ATP297	ATP292	N/A	AR:11393B
4W 5P	ATP385	ATP387		
5W 5P	ATP384	ATP386	N/A	

Replacement Pin & Sleeve Contacts:

Description	Recep	Plug
Available as a kit only. 5 phase contacts & 1 ground contact included.	AR60CONKIT	AP60CONKIT

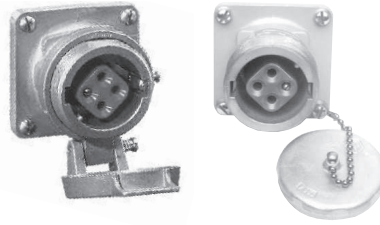
†For use on systems less than 60 hertz the receptacles, plugs and connectors are for disconnect use only.

100 A, 600 VAC/250 VDC, 50† – 400 hertz
 150 A, 600 VAC/250 VDC, 50† – 400 hertz

Ordering Information:



Receptacle Assembly



Receptacle

Receptacle Housings Only



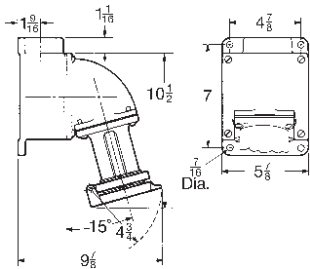
Mating Plug



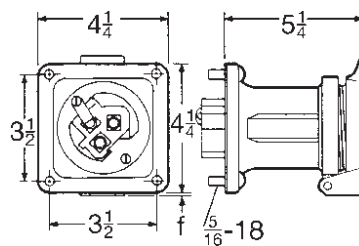
Mating Connector

Description	Hub Size (In.)	Spring Door Cat. #	Spring Door Cat. #	Threaded Cap Only Cat. #	Cable Dia.	Cat. #	Cat. #
100A - Style 1							
2-wire, 2-pole } 3-wire, 3-pole }	1 1/4 1 1/2	AREA10214 AREA10215	AR1021	AR1027	0.875 to 1.70	APJ10277	APR10257
4-wire, 4-pole }	1 1/4 2	AREA10314 AREA10315 AREA10415 AREA10416	AR1031	AR1037 AR1047	0.875 to 1.70	APJ10377 APJ10477	APR10357 APR10457
100 A - Style 2							
2-wire, 3-pole }	1 1/4 1 1/2	AREA10324 AREA10325	AR1032	AR1038	0.875 to 1.70	APJ10387	APR10367
3-wire, 4-pole }	1 1/2 2	AREA10425 AREA10426	AR1042	AR1048	0.875 to 1.70	APJ10487	APR10467
150 A - Style 2 *							
3-wire, 4-pole }			AR1542	AR1548	0.875 to 1.70	APJ15487	

Dimensions (In Inches):

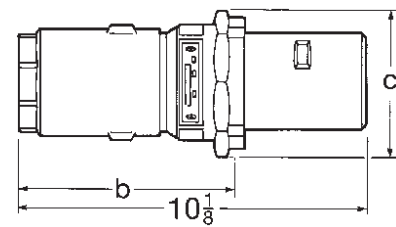


ARE Assembly



AR Receptacle - Spring Door

No. Poles	f
2 or 3	9/32
4	13/32

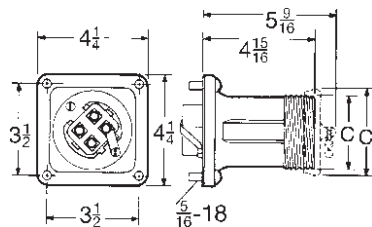


APJ Plug

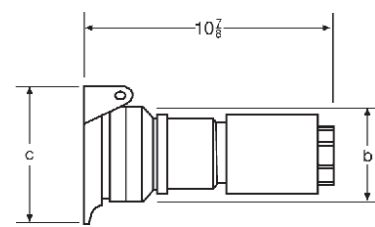
No. Poles	b	c
3	6 9/16	3 3/4
4	6 5/8	4 1/8

No. Poles	Housing	c
2 or 3	open	3 3/16
4	open	3 7/16
2 or 3	with cap	3 11/16
4	with cap	3 5/8

No. Poles	b	c
3	3 3/8	3 3/16
4	3 1/2	3 7/16



AR Receptacle - Open and With Cap



APR Connector

† For use on systems less than 60 hertz the receptacles, plugs and connectors are for disconnect use only.
 * For 150A - Consult factory for additional options and configurations. Consult factory for certifications information.

Arktite® Heavy Duty Circuit Breaking Receptacle Assemblies and Housings

NEMA 4 Watertight

1P

100 A, 600 VAC/250 VDC, 50† – 400 hertz
150 A, 600 VAC/250 VDC, 50† – 400 hertz

Plug Closure Caps:

Applications:

CPK caps for *Arktite* plugs are used:

- Where portable equipment is on a standby basis and plugs are not in use
- To effectively protect insulation and contacts from excessive moisture, dirt, dust and corrosion
- With 30, 60, 100, 150 and 200 ampere plugs with fastening ring and standard 200 ampere plugs for the clamp door housing



Ordering Information

Config.	Cat. #
2P & 3P	CPK62
4P	CPK64

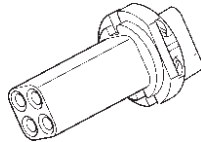
Standard Materials:

- Copper-free aluminum

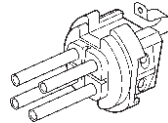
Standard Finishes:

- Natural

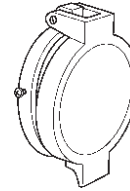
Replacement Parts:



Receptacle Interior



Plug Interior



Spring Door



Screw Cap

Config.	Receptacle Interior	Plug Interior	Spring Door	Screw Cap
2W 2P	ATP315	ATP310	QE53	QE62
2W 3P	ATP318	ATP313		
3W 3P	ATP316	ATP311	QE54	QE64
3W 4P	ATP319	ATP314		
4W 4P	ATP317	ATP312	N/A	N/A
4W 5P	N/A	N/A		
5W 5P	N/A	N/A		

Replacement Pin & Sleeve Contacts:

Description	Recep	Plug
Available as a kit only. 5 phase contacts & 1 ground contact included.	AR100CONKIT	AP100CONKIT

† For use on systems less than 60 hertz the receptacles, plugs and connectors are for disconnect use only.

200 A, 600 VAC/250 VDC, 50† – 400 hertz

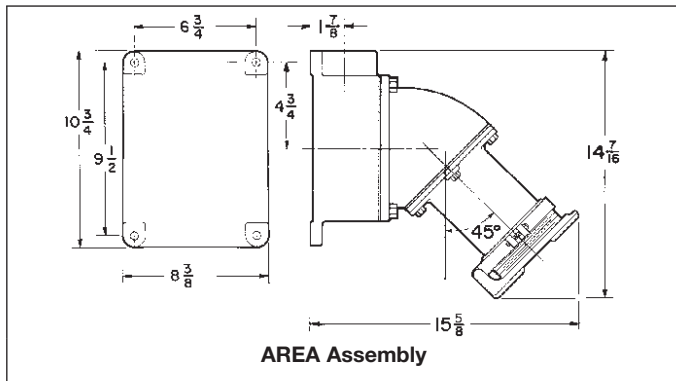
See pages 1230–1233 for general Application, Features, Grounding, Standard Materials, Standard Finishes, Options, Accessories, Compliances, Electrical Rating Ranges, and Wire Sizes.

Features:

- Grounding contact wire terminators will accommodate ground wire of same size as phase wire
- Spring band contact design provides multiple points of electrical contact. Improves electrical reliability and significantly reduces effort required for insertion and withdrawal
- Crimp/solder and mechanical lug type contacts are available
- Large wire wells are available for "extra flexible" wire
- Larger wire well size connectors will interchange with connectors of other wire well size of same amperage and contact configuration
- Mechanical lug connectors will interchange with crimp/solder connectors of the same amperage and contact configuration
- Self-closing spring doors on receptacles and cord connectors provide environmental sealing
- Threaded nuts provide positive plug retention
- Two piece plug and cord connector design provide easy installation

1. For listing of additional back boxes, see page 1251.
2. S22 suffix for reverse interiors is available from factory only. Field conversion cannot be done.
3. Replacement interiors for standard units vs. S22 units vary in length. Specify the unit type when ordering parts.

Dimensions In Inches:



Plug Closure Caps:

Applications:

- CPK caps for Arktite plugs are used:
 - Where portable equipment is on a standby basis and plugs are not in use
 - To effectively protect insulation and contacts from excessive moisture, dirt, dust and corrosion
 - With 30, 60, 100, 150 and 200 ampere plugs with fastening ring and standard 200 ampere plugs for the clamp door housing



Ordering Information:

Config.	Cat. #
3P	CPK102
4P	CPK104

Standard Materials:

- Copper-free aluminum

Standard Finishes:

- Natural

Wire Mesh Grips:

Applications:

- Wire mesh grips are used:
 - To provide secure cable termination
 - To extend cable life
 - With 20, 200 and 400 ampere plugs



Features:

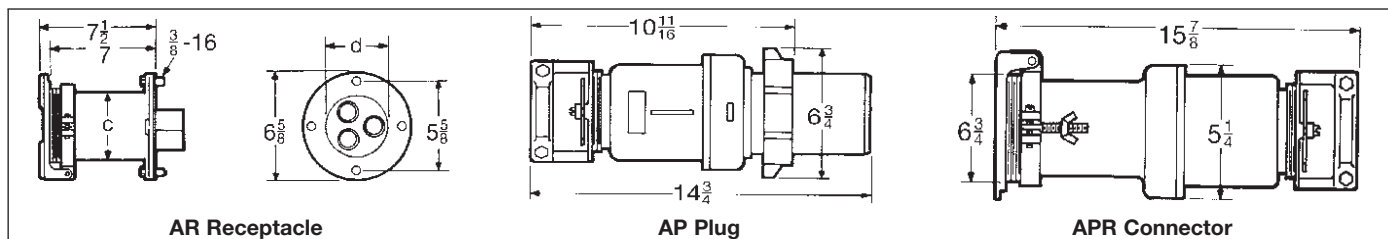
- Eliminate sharp radius of cable bend at the point where cable enters plug, thereby reducing cable failure
- Absorb longitudinal stresses placed on the point of termination caused by pulling the cable
- Gripping action increases in direct proportion to amount of tension applied to cable

Standard Material and Finishes:

- Stainless steel wire braid – Natural

Ordering Information:

Plug Cable Range	Grip Range	Nominal Grip Length-Inches	Grip Cat. #
1.375 to 1.875	1.375 to 1.625	8	K163
	1.625 to 1.875	11	K188
1.875 to 2.500	1.875 to 2.000	10	K200
	2.000 to 2.250	11 3/4	K225



No. Poles	c	d
3	4 3/16	3 1/4
4	4 9/16	3 5/8

†For use on system less than 60 hertz the receptacles, plugs and connectors are for disconnect use only.

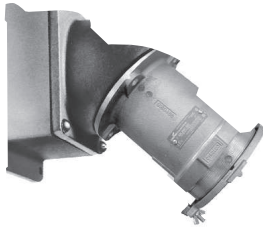
Arktite® Heavy Duty Circuit Breaking Receptacle Assemblies

NEMA 3R

1P

200 A, 600 VAC/250 VDC, 50† – 400 hertz

Ordering Information - Mechanical Lug Termination:



Receptacle Assembly

Receptacle Assembly with AJ Back Boxes and Angle Adapters



Receptacle w/ Mechanical Lug



Mating Plug



Mating Connector

Receptacle Assembly with AJ Back Boxes and Angle Adapters			Receptacle Housings only		Plug Cat. #	Connector Cat. #
Description	Hub Size (In.)	Cat. #	Cat. #	Cable Dia.		
Style 1 – Wire Well Takes 0.687" Maximum Conductor Size						
3-wire, 3-pole	1½	AREAL20315	ARL2031	0.875 to 1.375	APL20355 APL20357 APL20358	APRL20315 APRL20317 APRL20318
	2	AREAL20316		1.375 to 1.875		
	2½	AREAL20317		1.875 to 2.500		
4-wire, 4-pole	2	AREAL20416	ARL2041	0.875 to 1.375	APL20455 APL20457 APL20458 APL20451	APRL20415 APRL20417 APRL20418 APRL204113
	2½	AREAL20417		1.375 to 1.875		
				1.875 to 2.500 2.500 to 3.000		
Style 2 – Wire Well Takes 0.687" Maximum Conductor Size						
2-wire, 3-pole	1½	AREAL20325	ARL2032	0.875 to 1.375	APL20365 APL20367 APL20368	APRL20325 APRL20327 APRL20328
	2	AREAL20326		1.375 to 1.875		
	2½	AREAL20327		1.875 to 2.500		
3-wire, 4-pole	1½	AREAL20425	ARL2042	0.875 to 1.375	APL20465 APL20467 APL20468	APRL20425 APRL20427 APRL20428
	2	AREAL20426		1.375 to 1.875		
	2½	AREAL20427		1.875 to 2.500		

Ordering Information - Crimp/Solder Termination:

Receptable Assembly with AJ Back Boxes and Angle Adapters

Receptacle Housings only

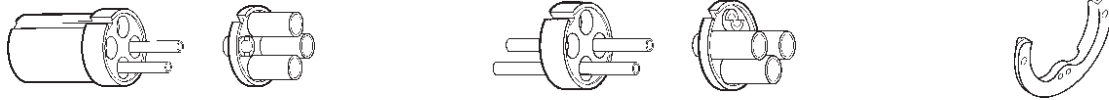
Description	Hub Size (In.)	Cat. #	Cat. #	Cable Dia.	Plug Cat. #	Connector Cat. #
Style 1 – Wire Well Takes 0.56" Maximum Conductor Size						
3-wire, 3-pole	1½	AREA20315	AR2031	0.875 to 1.375	AP20355 AP20357 AP20358	APR20315 APR20317 APR20318
	2	AREA20316		1.375 to 1.875		
	2½	AREA20317		1.875 to 2.500		
4-wire, 4-pole	2	AREA20416	AR2041	0.875 to 1.375	AP20455 AP20457 AP20458	APR20415 APR20417 APR20418
	2½	AREA20417		1.375 to 1.875		
				1.875 to 2.500		
Style 1 – Wire Well Takes 0.75" Maximum Conductor Size						
3-wire, 3-pole	1½	AREA203125	AR20312	1.375 to 1.875	AP203511 AP203512	APR203111 APR203112
	2	AREA203126		1.875 to 2.500		
	2½	AREA203127		1.375 to 1.875		
4-wire, 4-pole	2	AREA204126	AR20412	1.875 to 2.500	AP204511 AP204512 AP204513	APR204111 APR204112 APR204113
	2½	AREA204127		2.500 to 3.000		
Style 2 – Wire Well Takes 0.56" Maximum Conductor Size						
2-wire, 3-pole	1½	AREA20325	AR2032	0.875 to 1.375	AP20365 AP20367 AP20368	APR20325 APR20327 APR20328
	2	AREA20326		1.375 to 1.875		
	2½	AREA20327		1.875 to 2.500		
3-wire, 4-pole	1½	AREA20425	AR2042	0.875 to 1.375	AP20465 AP20467 AP20468	APR20425 APR20427 APR20428
	2	AREA20426		1.375 to 1.875		
	2½	AREA20427		1.875 to 2.500		
Style 2 – Wire Well Takes 0.75" Maximum Conductor Size						
2-wire, 3-pole	1½	AREA203225	AR20322	0.875 to 1.375	AP203610 AP203611 AP203612	APR203210 APR203211 APR203212
	2	AREA203226		1.375 to 1.875		
	2½	AREA203227		1.875 to 2.500		
3-wire, 4-pole	1½	AREA204225	AR20422	1.375 to 1.875	AP204611 AP204612	APR204211 APR204212
	2	AREA204226		1.875 to 2.500		
	2½	AREA204227				

†For use on system less than 60 hertz the receptacles, plugs and connectors are for disconnect use only.

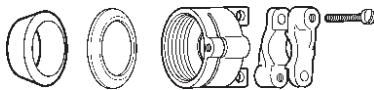
1P

200 A, 600 VAC/250 VDC, 50† – 400 hertz

200A Replacement Parts



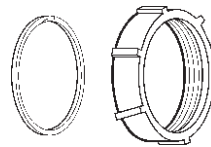
Config.	Receptacle Interior		Plug Interior		Brass Retaining Shoe	
	.56 wire well Cat. #	.75 wire well Cat. #	.56 wire well Cat. #	.75 wire well Cat. #	.56 wire well Cat. #	.75 wire well Cat. #
200A Standard and S4						
2W 3P	ATP401	ATP402	ATP433	ATP434	0490335	0490335
3W 3P	ATP397	ATP398	ATP429	ATP430	0490327	0490328
3W 4P	ATP403	ATP404	ATP435	ATP436	0490337	0490337
4W 4P	ATP399	ATP400	ATP431	ATP432	0490331	0490332
200A ST22 and S4 S22						
2W 3P	ATP417	ATP418	ATP449	ATP450	0490335	0490335
3W 3P	ATP413	ATP414	ATP445	ATP446	0490327	0490328
3W 4P	ATP419	ATP420	ATP451	ATP452	0490337	0490337
4W 4P	ATP415	ATP416	ATP447	ATP448	0490331	0490332



Cord Grip Assembly

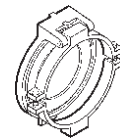
Cord Diameter Range

.875 – 1.375	AP2 KIT1 M80
1.375 – 1.875	AP2 KIT2 M80
1.875 – 2.500	AP2 KIT3 M80



Plug Clamp Nut

2W 3P	AP:0401965
3W 3P	
2W 3P	AP:0401964
3W 4P	

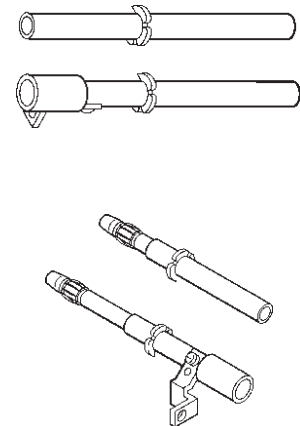


Rec Spring Door

AR:0401502-2
AR:0401502-1

Replacement Pin & Sleeve Contacts:

Type	Receptacle		Plug	
	Cat. #	Cat. #	Cat. #	Cat. #
200A Standard & S4	.56 wire well	.75 wire well	.56 wire well	.75 wire well
Phase Contact	0490339	0490340	0490319	0490320
Ground Contact	0490343	0490344	0490323	0490324
200A S22 & S4 S22	.56 wire well	.75 wire well	.56 wire well	.75 wire well
Phase Contact	0490351	0490352	0490355T	0490356
Ground Contact	0490347	0490348	0490359	0490360
200A Mechanical Lug	.687 wire well		.687 wire well	
Phase Contact	0403688		0403678	
Ground Contact	0403687		0403677	



†For use on system less than 60 hertz the receptacles, plugs and connectors are for disconnect use only.

Arktite® Heavy Duty Receptacle Assemblies

Weatherproof

1P

400 A, 600 VAC/250 VDC, 50–400 hertz

Features:

- Grounding contact wire terminators will accommodate ground wire of same size as phase wire
 - Spring band contact design provides multiple points of electrical contact. Improves electrical reliability and significantly reduces effort required for insertion and withdrawal
 - Crimp/solder type contacts are standard
 - Large wire wells are available for "extra flexible" wire
 - Larger wire well size connectors will interchange with connectors of other wire well size of same amperage and contact configuration
 - Self-closing spring doors on receptacles and cord connectors provide environmental sealing
 - Threaded nuts provide positive plug retention
 - Two piece plug and cord connector design provide easy installation
 - For disconnect use only – not for current interrupting
1. For listing of additional back boxes, see page 1251. Illustration shows 3 blank plates and 1 hub plate.
 2. S22 suffix for reverse interiors is available from factory only. Field conversion cannot be done.
 3. Replacement interiors for standard units vs. S22 units vary in length. Specify the unit type when ordering parts.

Wire Mesh Grips:

Applications:

- Wire mesh grips are used:
- To provide secure cable termination
 - To extend cable life
 - With 20, 200 and 400 ampere plugs



Features:

- Eliminate sharp radius of cable bend at the point where cable enters plug, thereby reducing cable failure
- Absorb longitudinal stresses placed on the point of termination caused by pulling the cable
- Gripping action increases in direct proportion to amount of tension applied to cable

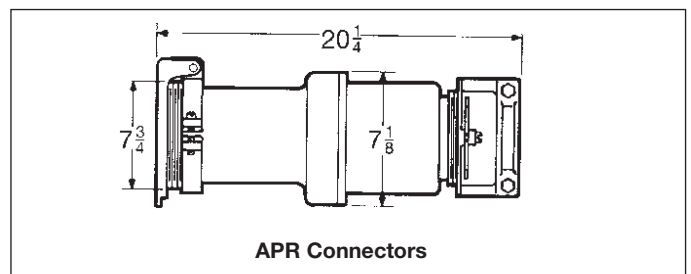
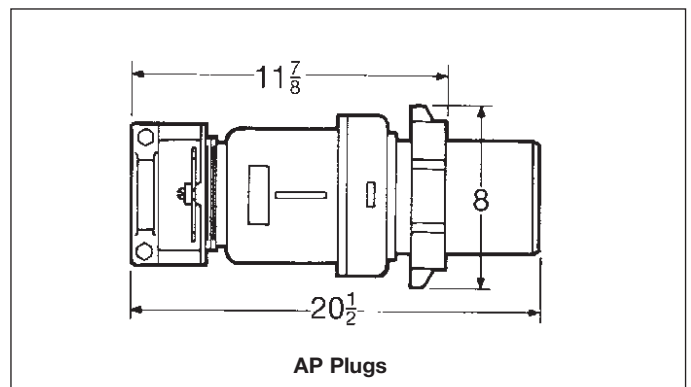
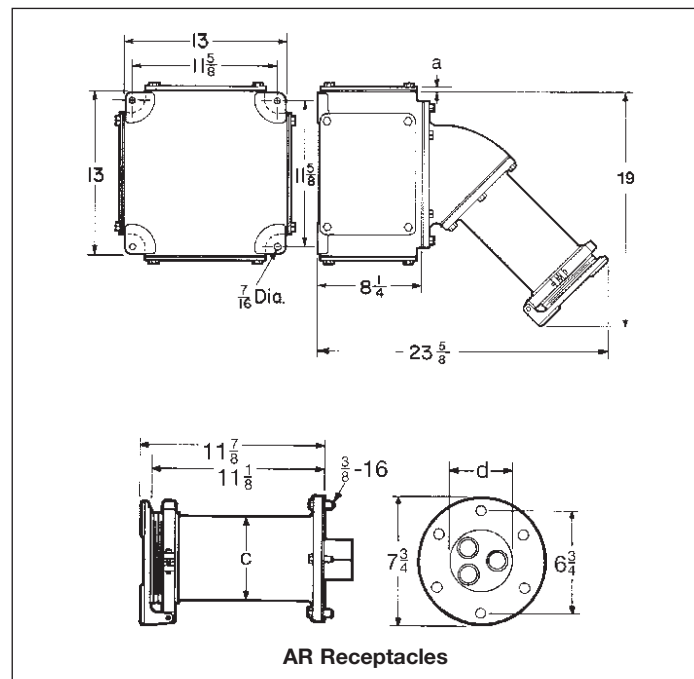
Standard Material and Finishes:

- Stainless steel wire braid – Natural

Ordering Information:

Plug Cable Range	Grip Range	Nominal Grip Length-Inches	Grip Cat. #
1.375 to 1.875	1.375 to 1.625	8	K163
	1.625 to 1.875	11	K188
1.875 to 2.500	1.875 to 2.000	10	K200
	2.000 to 2.250	11 ³ / ₄	K225

Dimensions In Inches:

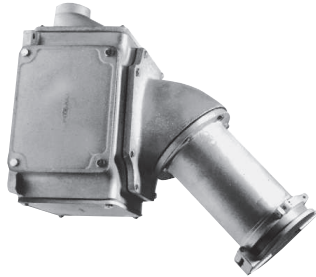


AREX Assemblies

Description	a	No. Poles	c	d
With blank hub plate	5/16	3	5 ³ / ₁₆	4 ³ / ₁₆
With hub plate max.	4 ⁵ / ₈	4	5 ¹³ / ₁₆	4 ¹¹ / ₁₆

400 A, 600 VAC/250 VDC, 50–400 hertz

Ordering Information:



Receptacle Assembly



Receptacle



Mating Plug



Mating Connector

With AJ Back Boxes and Angle Adapters‡

Receptacle Housings only

Description	Hub Size (In.)	Spring Door Cover Cat. #	Spring Door Cat. #	Cable Dia.	Plug Cat. #	Connector Cat. #
Style 1 – Wire Well Takes .84" Maximum Conductor Size						
3-wire, 3-pole	2½ 3	AREX40317 AREX40318	AR4031	1.375 to 1.875 1.875 to 2.500	AP40357 AP40358	APR40317 APR40318
4-wire, 4-pole	2½ 3	AREX40417 AREX40418	AR4041	1.375 to 1.875 1.875 to 2.500	AP40457 AP40458	APR40417 APR40418
Style 1 – Wire Well Takes 1.25" Maximum Conductor Size						
3-wire, 3-pole	3 3½ 4	AREX403128 AREX403129 AREX4031210	AR40312	2.500 to 3.000 3.000 to 3.800	AP403510 AP403512	APR403110 APR403112
4-wire, 4-pole	4 5	AREX4041210 AREX4041212	AR40412	2.500 to 3.000 3.000 to 3.800	AP404510 AP404512	APR404110 APR404112
Style 2 – Wire Well Takes .84" Maximum Conductor Size						
2-wire, 3-pole	2 2½ 3	AREX40326 AREX40327 AREX40328	AR4032	1.375 to 1.875 1.875 to 2.500	AP40367 AP40368	APR40327 APR40328
3-wire, 4-pole	2½ 3	AREX40427 AREX40428	AR4042	1.375 to 1.875 1.875 to 2.500	AP40467 AP40468	APR40427 APR40428
Style 2 – Wire Well Takes 1.25" Maximum Conductor Size						
2-wire, 3-pole	3 3½ 4	AREX403228 AREX403229 AREX4032210	AR40322	2.500 to 3.000 3.000 to 3.500	AP403610 AP403612	APR403210 APR403212
3-wire, 4-pole	4 5	AREX4042210 AREX4042212	AR40422	2.500 to 3.000 3.000 to 3.500	AP404610 AP404612	APR404210 APR404212

‡Hub plates and blank plates may be interchanged to permit conduit feed from bottom or sides.

Non-metallic Arktite® Heavy Duty Circuit Breaking Plugs and Receptacles

Watertight§
Corrosion-Resistant
NEMA 4X

1P

Made of Krydon® Material, 600 VAC/250 VDC, 50–400 hertz

Applications:

Arktite circuit breaking plugs, receptacles, cord connectors and motor plugs are used:

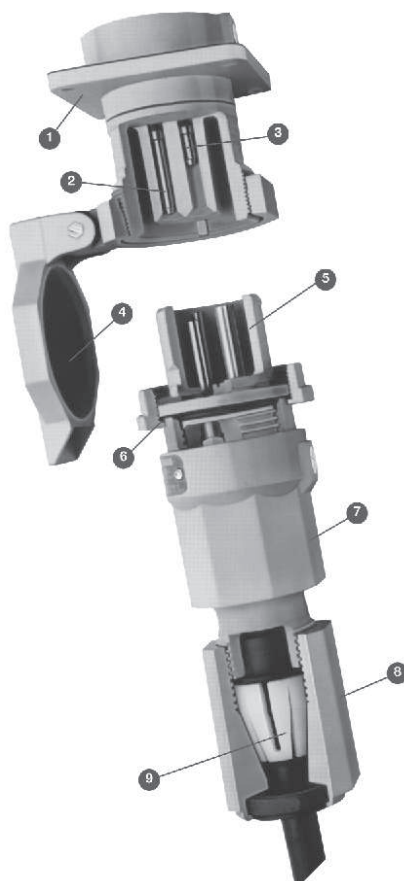
- To supply power to portable electrical devices such as welders, motors, pumps, conveyors and other similar equipment
- Where electrical loads must be quickly disconnected from power sources
- In areas where severe corrosion hose down, moisture, dirt and dust are problems
- Indoors and outdoors in non-hazardous areas of chemical plants, sewage treatment facilities, cement plants, pulp and paper plants, food processing plants and other similar industries

Features:

- Plugs, receptacles, cord connectors, and motor plugs are molded of Krydon fiberglass-reinforced polyester material which is highly resistant to corrosion, heat, weathering and physical abuse
- ① Molded of Krydon fiberglass-reinforced non-metallic material which is highly resistant to corrosion, heat, weathering, and physical abuse
- ② Grounding contacts that make-first and break-last in the unlikely event of a keyway failure
- ③ Split-pin contact design provides 360° of electrical contact
- ④ Spring door provides environmental protection of receptacle (NEMA 4)
- ⑤ Keyed for a perfect match in the molded one-piece insulator housing
- ⑥ Sealing gaskets at all critical points inside Arktite plugs and receptacles protect against dust, dirt, mud, water, and corrosive contaminants
- ⑦ Plugs can be used in both hazardous and non-hazardous areas when used with appropriately rated Arktite receptacles
- ⑧ Total interchangeability with all existing Arktite products for comparable ratings and configurations
- ⑨ A unique patented strain relief design prevents stress from reaching wire terminations at the contacts

Certifications and Compliances:

- UL Standard: 1682
- UL 1010 hazardous locations (NPJ plug only)
- Wet and damp locations, watertight
- CSA Standard C22.2 No. 182.1



Grounding:

- NPJ plugs are Style 2, which includes a grounding conductor in the flexible cord or cable that is electrically connected to the extra (grounding) pole.
- NR receptacles are Style 2, in which the ground connection is made before line and load poles engage, and is broken after line and load poles disengage.
- The National Electrical Code® and Canadian Electrical Code requires that under conditions favorable to corrosion, the grounding conductor for enclosures and equipment be of copper or other corrosion-resistant material in alternating current systems. This necessitates running another conductor, usually of copper, back to the common grounding electrode. This may be run through the conduit containing the circuit conductors. At the receptacle, this grounding conductor should be connected to the extra (grounding) pole by the pressure connector provided for that purpose. Where such an extra ground conductor is required, Style 2 receptacles should be used.

Interchangeability of Plugs With Other Non-hazardous and Hazardous Location Receptacles:

- Plugs listed for use with NRE/NREA assemblies are standard NPJ Arktite plugs. Other standard APJ and CPH plugs of the same rating, style and number of poles may be used with NR receptacles, as well as with AR and AREA, receptacles listed in Section 1P, with DR receptacles listed in Section 2P, with DBR, NBR, NSR, WSR, CSR, WSQC, and WSRD receptacles listed in Section 3P and with FSQ, EPC, FSQC, W2SR, C2SR and EPCB receptacles listed in Section 4P.
- Portable equipment, suitable for locations and equipped with the proper NPJ plug, can be used with non-hazardous AR receptacles; with DBR and WSR interlocked receptacles located in non-hazardous locations; with EPC, EPCB and FSQC receptacles for Class I, Groups B, C, D hazardous locations; with DR and DBR receptacles for Class II, Groups F, G hazardous locations; and with NBR/NSR, CSR interlocked receptacles for hose down and corrosive locations.

Standard Materials:

- Housing, interiors, spring doors, clamping rings – Krydon fiberglass-reinforced polyester material
- Gaskets and o-rings – neoprene
- Cable clamping basket – nylon
- Contacts – pressure – brass; crimp/solder – leaded brass
- Snap-on cap – molded elastomer
- Back boxes – copper-free aluminum

Standard Finishes:

- Krydon material – natural (gray)
- Neoprene – natural
- Elastomer – natural
- Brass – natural
- Leaded red brass – electro-tin-plated
- Aluminum – natural
- Stainless steel – natural

Options:

Description	Suffix
• Alternate polarization (4-pole plugs and receptacles only) – receptacle interior rotated 22½° to right and plug changed to match.....	S4
• Crimp/solder terminals.....	T
• Corro-free™ epoxy powder coat on back boxes and angle adapters.....	Information on request

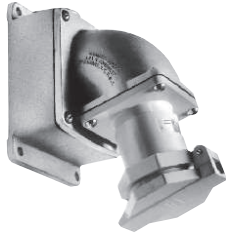
§Wet and damp locations when used with spring door or snap-on cap, watertight when used with QE threaded cap.

Non-metallic Arktite® Heavy Duty Circuit Breaking Plugs and Receptacles

Watertight§
Corrosion-Resistant
NEMA 4X

Made of Krydon® Material, 30 A, 60 A and 100 A
600 VAC/250 VDC, 50 ■ – 400 hertz

Ordering Information:



NREA



NRE



Receptacle



Mating Plugs



Mating Connectors



Motor Plugs

Receptacle Assembly

Amps	Description	Hub Size (In.)	Snap-on Cap/ Spring Door Cat. #†	Snap-on Cap/ Spring Door Cat. #†	Cord Dia.	Plug Cat. #	Cord Connector Cat. #	Motor Plug Cat. #
30	2-wire, 3-pole	3/4	NRE3322	NR332	0.55–0.70	NPJ3383	NPR3363	NPQ338
		1	NRE3323		0.70–0.85	NPJ3384	NPR3364	
	3-wire, 4-pole	3/4	NRE3422	NR342	0.55–0.70	NPJ3483	NPR3463	NPQ348
		1	NRE3423		0.70–0.85	NPJ3484	NPR3464	
60	2-wire, 3-pole	1	NRE6323	NR632	0.75–1.07	NPJ6384	NPR6364	NPQ638
		1 1/4	NRE6324		1.07–1.35	NPJ6385	NPR6365	
	3-wire, 4-pole	1 1/4	NRE6424	NR642	0.75–1.07	NPJ6484	NPR6464	NPQ648
		1 1/2	NRE6425		1.07–1.35	NPJ6485	NPR6465	
100	2-wire, 3-pole	1 1/4	NREA10324‡	NR1032	0.93–1.21	NPJ10386	NPR10366	NPQ1038
		1 1/2	NREA10325‡		1.21–1.50	NPJ10387	NPR10367	
	3-wire, 4-pole	1 1/2	NREA10425‡	NR1042	0.93–1.21	NPJ10486	NPR10466	NPQ1048
		2	NREA10426‡		1.21–1.50	NPJ10487	NPR10467	

■ For use on systems less than 60 hertz the receptacles, plugs and connectors are for disconnect use only.
§Wet and damp locations when used with spring door or snap-on cap, watertight when used with QE threaded cap.
†Krydon Arktite Receptacles are supplied with both a spring door and snap-on cap.
‡AJ back boxes are square, making it possible to install with hub in several positions.

Non-metallic Arktite® Heavy Duty Circuit Breaking Plugs and Receptacles

Made of Krydon® Material, 30 A, 60 A and 100 A
600 VAC/250 VDC, 50 – 400 hertz

Dimensions In Inches:

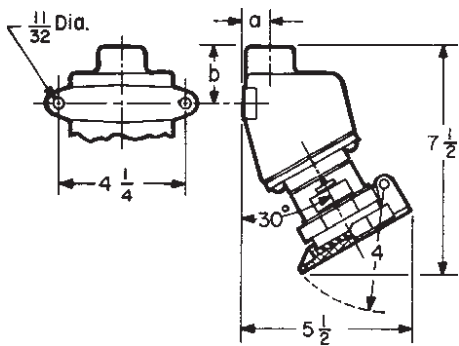


Fig. 1 - 30 A Receptacle Assemblies

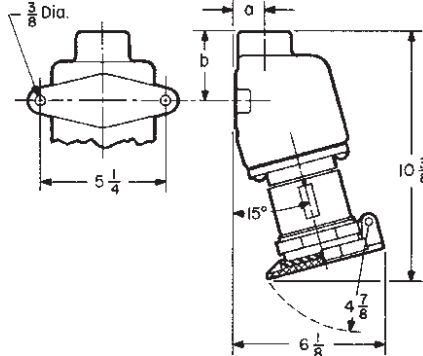


Fig. 2 - 60 A Receptacle Assemblies

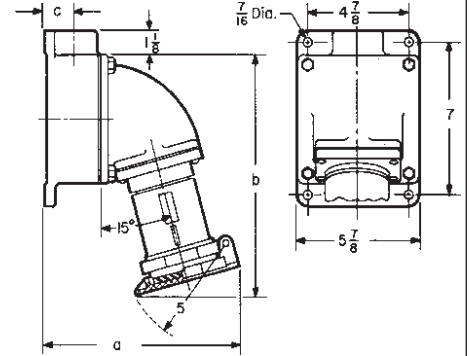


Fig. 3 - 60 and 100 A Receptacle Assemblies

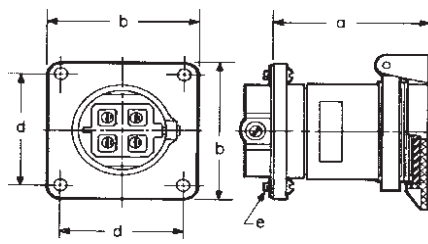


Fig. 4 - Spring Door Housings

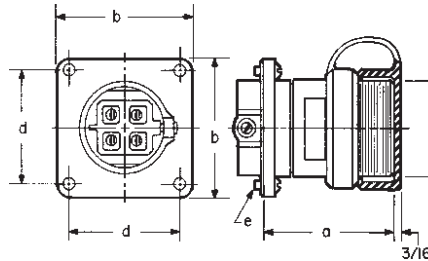


Fig. 5 - Housings with Cap

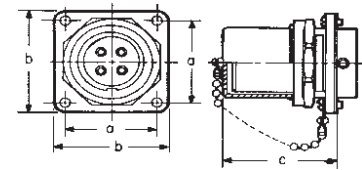


Fig. 6 - NPQ Motor Plugs

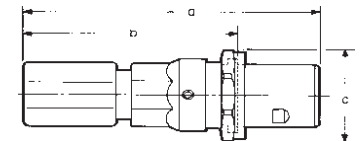


Fig. 7 - NPJ Plugs

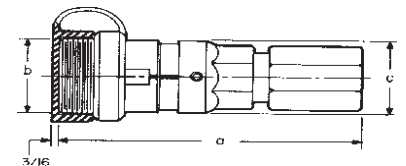


Fig. 8 - NPR Cord Connectors

NRE 30 and 60 A Assemblies - Fig. 1 and 2

Hub Size	Dimension a		Dimension b	
	30 A	60 A	30 A	60 A
3/4	13/16		1 7/8	
1	15/16	15/16	2	2 9/16
1 1/4		1 3/16		2 5/8
1 1/2		1 5/16		2 11/16

NREA 60 and 100 A Assemblies - Fig. 3

Dim.	60 A Hub Size		100 A Hub Size
	1, 1 1/4, 1 1/2	1 1/4, 1 1/2	2
a	9	9 1/4	9 13/16
b	11	12	12
c	1 15/16	1 9/16	1 9/16

Housings - Fig. 4 and 5

Amps	No. Poles	Housing	a	b	c	d	e
30	3 or 4	Spring Door	3/4	3 3/8	—	2 3/4	12-24
	3 or 4	Open	2 13/16	3 3/8	2 9/16	2 3/4	12-24
60	3	Spring Door	4 1/2	4 1/4	—	3 1/2	5/16-18
	4	Spring Door	4 1/2	4 1/4	—	3 1/2	5/16-18
	3	Open	4 1/16	4 1/4	2 15/16	3 1/2	5/16-18
	4	Open	4 1/16	4 1/4	3 1/4	3 1/2	5/16-18
100	3	Spring Door	5 3/4	4 1/4	—	3 1/2	5/16-18
	4	Spring Door	5 3/4	4 1/4	—	3 1/2	5/16-18
	3	Open	5 5/16	4 1/4	3 3/16	3 1/2	5/16-18
	4	Open	5 5/16	4 1/4	3 7/16	3 1/2	5/16-18

NPQ Motor Plugs - Fig. 6

Amps/Poles	a	b	c
30 / 3 or 4	2 3/4	3 3/8	2 15/16
60 / 3 or 4	3 1/2	4 1/4	4 5/16
100 / 3 or 4	3 1/2	4 1/4	5 1/16

NPJ Plugs - Fig. 7

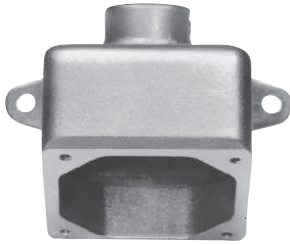
Amps/Poles	a	b	c
30 / 3 or 4	8 1/2	7	3 7/16
60 / 3	9 1/2	6 13/16	3 5/8
60 / 4	9 1/2	6 13/16	4
100 / 3	11 1/4	7 3/4	4
100 / 4	11 1/4	7 3/4	4 1/4

NPR Cord Connectors - Fig. 8

Amps/Poles	a	b	c
30 / 3 or 4	8 7/8	2 9/16	2 5/8
60 / 3	9 3/4	2 15/16	2 15/16
60 / 4	9 3/4	3 1/4	2 15/16
100 / 3	11 1/2	3 3/8	3 5/16
100 / 4	11 1/2	3 7/16	3 5/16

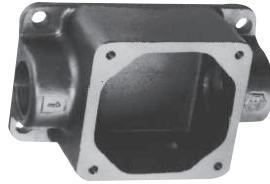
■ For use on systems less than 60 hertz the receptacles, plugs and disconnectors are for disconnect use only.

ARE



Hub Size	20 / 30 A Cat. #	60 A Cat. #
1/2	ARE13	
3/4	ARE23	
1	ARE33	ARE36
1 1/4		ARE46
1 1/2		ARE56

ARRC



Hub Size	20 / 30 A Cat. #	60 A Cat. #
1/2	ARRC13	
3/4	ARRC23	
1	ARRC33	ARRC36
1 1/4		ARRC46
1 1/2		ARRC56

AR 15° Angle Adapter



For ARRH and ARRC back boxes

For steel panel or cabinet

Mounts On	Takes AR Receptacle Housings	Cat. #
ARRH and ARRC back boxes	20 and 30 amp.	AR30
ARRH and ARRC back boxes	60 amp.	AR60
Steel panel or cabinet	60, 100 and 150 amp.	AR610

ARRH



Hub Size	20 / 30 A Cat. #	60 A Cat. #
1/2	ARRH13	
3/4	ARRH23	
1	ARRH33	ARRH36
1 1/4		ARRH46
1 1/2		ARRH56

ARD



Hub Size	20 / 30 A Cat. #	60 A Cat. #
1/2	ARD13	
3/4	ARD23	
1	ARD33	ARD36
1 1/4		ARD46
1 1/2		ARD56

Spring Door Assembly



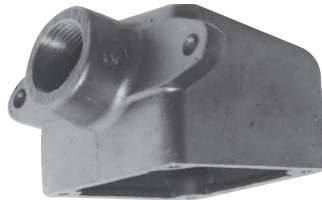
Used With	Cat. #
30 amp, 2, 3 & 4-pole	QE50
60 amp, 2 & 3-pole	QE51
60 amp, 4-pole	QE52
100 and 150 amp, 2 & 3-pole	QE53
100 and 150 amp, 4-pole	QE54

ARJ



Hub Size	20 / 30 A Cat. #	60 A Cat. #
1/2	ARJ13	
3/4	ARJ23	
1	ARJ33	ARJ36
1 1/4		ARJ46
1 1/2		ARJ56

ARJG



Hub Size	20 / 30 A Cat. #	60 A Cat. #
1/2	ARJG13	
3/4	ARJG23	
1	ARJG33	ARJG36
1 1/4		ARJG46
1 1/2		ARJG56

Cap and Chain



Used With	Cat. #
30 amp, 2, 3 & 4-pole	QE13
60 amp, 2 & 3-pole	QE32
60 amp, 4-pole	QE34
100 and 150 amp, 2 & 3-pole	QE62
100 and 150 amp, 4-pole	QE64

AJ and AJC Back Boxes with Angle Adapters for 60, 100, 200 & 400 A Receptacle Housings

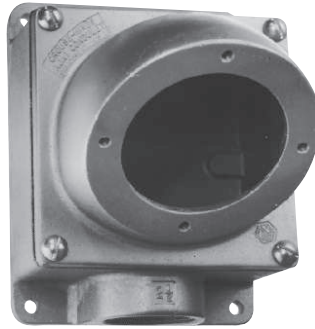
AJX Assemblies and Component Parts For 200 and 400 A Receptacle Housings

Dimensions
see pages 1252–1253

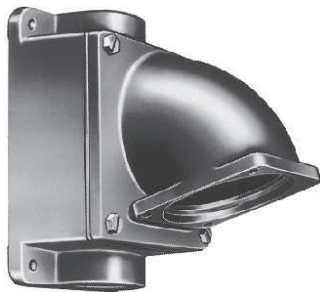
1P



AJ Back Box with 60 / 100 / 150 A Angle Adapter



AJ Back Box with 200 / 400 A Angle Adapter



AJC Back Box with 60 / 100 / 150 A AJA Angle Adapter



AJC Back Box with 200 A AJA Angle Adapter

AJX Assemblies

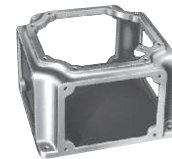
Back Box with Angle Adapter, 3 Blank Plates and 1 Hub Plate



Hub Size	400 A Cat. #
2	AJX69
2½	AJX79
3	AJX89
3½	AJX929
4	AJX9210
5	AJX9212

AJX Component Parts

For use in making up assemblies with arrangements of hub plates (4 required) other than those listed.



Back Box



Angle Adapter

Type	Cat. #
Back Box 400 A	AJX99
Angle Adapter 400 A	AJ245

AJ and AJC Back Boxes[†]

		60, 100 & 150 A		200 A		400 A	
Hub Size	Type	Box Only	Box & Adapter Assembly	Box Only	Box & Adapter Assembly	Box Only	Box & Adapter Assembly
1"	One Hub Feed Thru	AJ56* AJC56*	AJ37 AJC37				
1¼"	One Hub Feed Thru	AJ56* AJC56*	AJ47 AJC47				
1½"	One Hub Feed Thru	AJ56* AJC56*	AJ57 AJC57	AJ71*	AJ58		
2"	One Hub Feed Thru	AJ66 AJC66	AJ67 AJC67	AJ71*	AJ68	AJ82*	AJ69‡
2½"	One Hub Feed Thru			AJ71* AJC71	AJ78 AJC78	AJ82*	AJ79‡
3"	One Hub Feed Thru					AJ82*	AJ89‡
Angle Adapter		AJA6		AJA1		AJA2	



Hub Plate



Blank Plate

Hub Size	Hub Plate 400 A Cat. #	Blank Plate 400 A Cat. #
2	YYP96	YYP900
2½	YYP97	
3	YYP98	
3½	YYP99	
4	YYP910	
5	YYP9012	

*Reducer supplied with assembly.

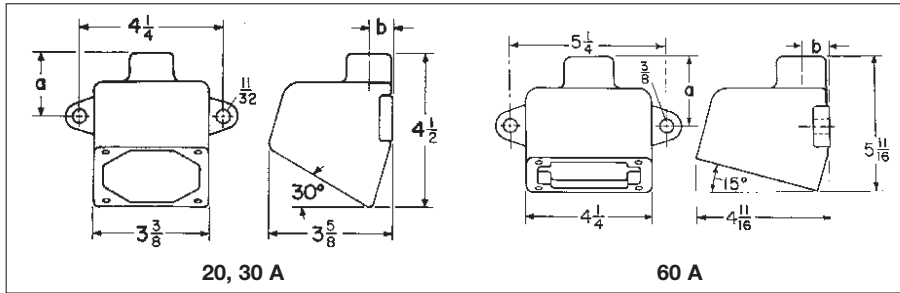
†AJ and AJC back boxes are square, making it possible to install with hub in several positions.

‡Use AJ69, AJ79 or AJ89 for cables up to 2 – #350MCM, 3 – #300MCM or 4 – #250MCM. For larger cables, use AJX69, etc., listed under assemblies.

1P Back Boxes

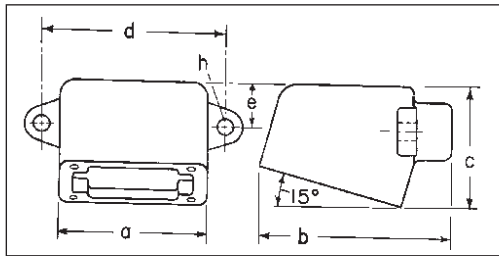
Dimensions

Dimensions (In Inches): ARE Back Boxes



Cat. #	Rating	Size	a	b
13	20, 30 A	1/2	1 ²⁷ / ₃₂	1 ¹¹ / ₁₆
23	20, 30 A	3/4	1 ²⁷ / ₃₂	1 ⁹ / ₁₆
33	20, 30 A	1	1 ³¹ / ₃₂	1 ⁵ / ₁₆
36	60 A	1	2 ⁹ / ₁₆	1 ⁵ / ₁₆
46	60 A	1 1/4	2 ⁵ / ₈	1 ³ / ₁₆
56	60 A	1 1/2	2 ¹¹ / ₁₆	1 ⁵ / ₁₆

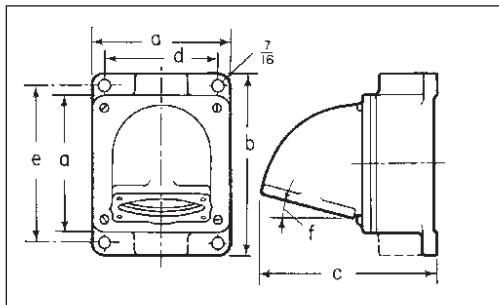
ARJG Back Boxes



Cat. #	Rating	Size	a	b	c	d	e	h Dia.
13	20, 30 A	1/2	3 ³ / ₈	4 ¹⁵ / ₃₂	2 ³ / ₄	4 ¹ / ₄	1 ³ / ₈	1 ¹¹ / ₃₂
23	20, 30 A	3/4	3 ³ / ₈	4 ¹⁵ / ₃₂	2 ³ / ₄	4 ¹ / ₄	1 ³ / ₈	1 ¹¹ / ₃₂
33	20, 30 A	1	3 ³ / ₈	4 ¹⁹ / ₃₂	2 ³ / ₄	4 ¹ / ₄	1 ³ / ₈	1 ¹¹ / ₃₂
36	60 A	1	4 ¹ / ₄	5 ⁵ / ₈	4 ¹¹ / ₁₆	5 ¹ / ₄	1 ⁵ / ₈	3 ³ / ₈
46	60 A	1 1/4	4 ¹ / ₄	5 ¹¹ / ₁₆	4 ¹¹ / ₁₆	5 ¹ / ₄	1 ⁵ / ₈	3 ³ / ₈
56	60 A	1 1/2	4 ¹ / ₄	5 ³ / ₄	4 ¹¹ / ₁₆	5 ¹ / ₄	1 ⁵ / ₈	3 ³ / ₈

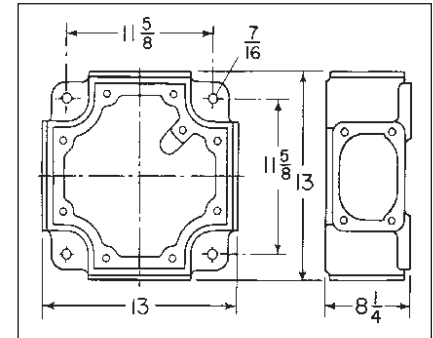
AJ and AJC

With 60, 100, 150, 200 and 400 Ampere Angle Adapters

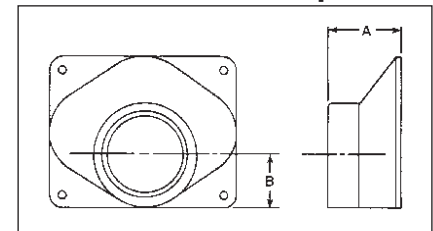


Cat. #	Rating	Size	a	b	c	d	e	f
37, 47, 57	60, 100 A	1, 1 1/4, 1 1/2	5 ⁷ / ₈	8	7 ⁷ / ₁₆	4 ⁷ / ₈	7	15°
67	60, 100 A	2	5 ⁷ / ₈	8	8	4 ⁷ / ₈	7	15°
58, 68, 78	200 A	1 1/2, 2, 2 1/2	8	10 ³ / ₄	9 ⁷ / ₈	6 ³ / ₄	9 1/2	45°
69, 79, 89	400 A	2, 2 1/2, 3	9	11 ⁵ / ₈	11 ¹³ / ₁₆	7 ³ / ₄	10 ⁵ / ₈	45°

AJX Back Body - 400 Amperes

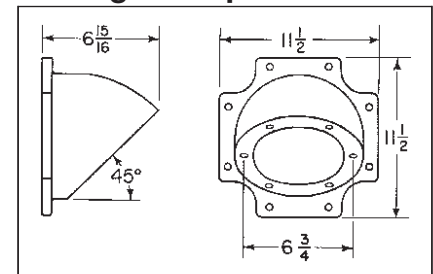


Hub Plate - 400 Amperes



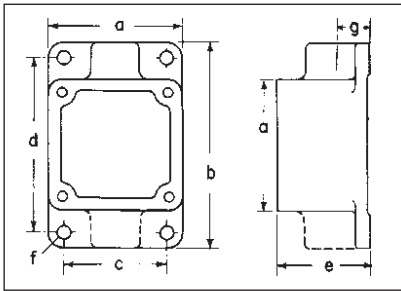
Cat. #	Hub Size	"A"	"B"
YYP96	2	3 ³ / ₄	1 ¹¹ / ₁₆
YYP97	2 1/2	3 ³ / ₈	2 ⁵ / ₁₆
YYP98	3	3 ³ / ₈	2 ⁵ / ₁₆
YYP99	3 1/2	3 ³ / ₈	2 ⁹ / ₁₆
YYP910	4	3 ³ / ₈	2 ¹³ / ₁₆
YYP9012	5	4 ⁵ / ₈	3 ⁷ / ₁₆

AJ Angle Adapter



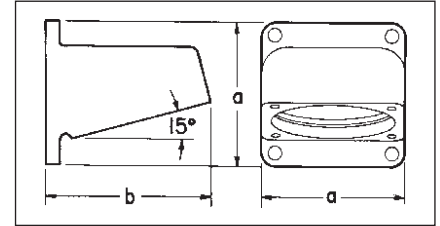
Dimensions

ARRC and ARRH Back Boxes



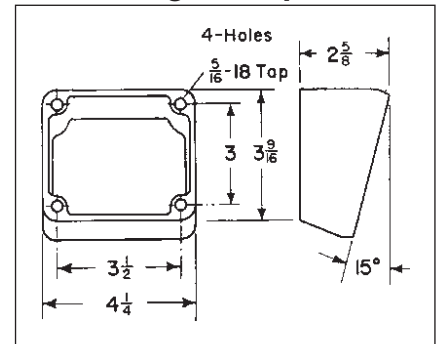
Cat. #	Rating	Size	a	b	c	d	e	f Dia.	g
13	20 / 30 A	1/2	3 3/8	5 5/16	2 5/8	4 9/16	2 1/4	1 1/32	1 1/16
23	20 / 30 A	3/4	3 3/8	5 5/16	2 5/8	4 9/16	2 1/4	1 1/32	1 3/16
33	20 / 30 A	1	3 3/8	5 5/16	2 5/8	4 9/16	2 1/4	1 1/32	1 5/16
36	60 A	1	4 1/4	6 1/2	3 1/2	5 3/4	3 3/8	7/16	1 3/8
46	60 A	1 1/4	4 1/4	6 1/2	3 1/2	5 3/4	3 3/8	7/16	1 3/8
56	60 A	1 1/2	4 1/4	6 1/2	3 1/2	5 3/4	3 3/8	7/16	1 3/8

AR30 and AR60 Angle Adapters

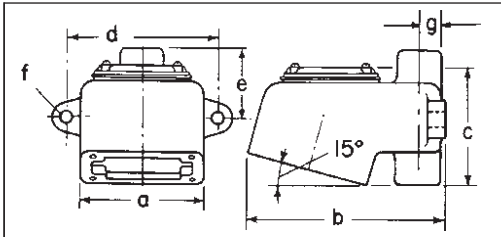


Cat. #	Rating	a	b
AR30	20 / 30 A	3 3/8	4 1/8
AR60	60 A	4 1/4	4 15/16

AR610 Angle Adapter

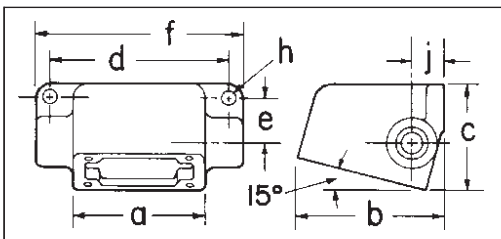


ARD Back Boxes



Cat. #	Rating	Size	a	b	c	d	e	f Dia.	g
13	20 / 30 A	1/2	3 3/8	5 5/16	3 23/32	4 1/4	1 27/32	1 1/32	1 1/16
23	20 / 30 A	3/4	3 3/8	5 5/16	3 23/32	4 1/4	1 27/32	1 1/32	1 3/16
33	20 / 30 A	1	3 3/8	5 5/16	3 23/32	4 1/4	1 27/32	1 1/32	1 5/16
36	60 A	1	4 1/4	7 1/16	5 3/4	5 5/8	2 3/4	3/8	1 5/16
46	60 A	1 1/4	4 1/4	7 1/16	5 3/4	5 5/8	2 3/4	3/8	1 5/16
56	60 A	1 1/2	4 1/4	7 1/16	5 3/4	5 5/8	2 3/4	3/8	1 5/16

ARJ Back Boxes



Cat. #	Rating	Size	a	b	c	d	e	f	h Dia.	j
13	20 / 30 A	1/2	3 3/8	3 5/8	2 3/4	4 5/8	1 1/32	5 5/16	1 1/32	1 5/16
23	20 / 30 A	3/4	3 3/8	3 5/8	2 3/4	4 5/8	1 1/32	5 5/16	1 1/32	1 5/16
33	20 / 30 A	1	3 3/8	3 5/8	2 3/4	4 5/8	1 1/32	5 5/16	1 1/32	1 5/16
36	60 A	1	4 1/4	4 11/16	4 11/16	5	1 23/32	6 3/8	3/8	1 5/16
46	60 A	1 1/4	4 1/4	4 11/16	4 11/16	5	1 23/32	6 3/8	3/8	1 5/16
56	60 A	1 1/2	4 1/4	4 11/16	4 11/16	5	1 23/32	6 3/8	3/8	1 5/16

30/60/100/200 A, 600 VAC/250 VDC

Applications:

- AR round flange receptacle housings are designed specifically for semi-flush mounting in sheet metal panels or cabinets.

Features:

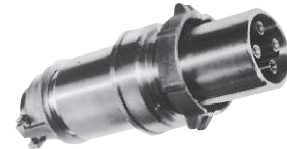
- Back boxes are not needed for these receptacle assemblies.
- Where wiring behind a panel is exposed and subject to either mechanical injury or contact by personnel, suitable shields or guards should be provided.



AR Receptacle housings with round flange and threaded cap



APJ Plugs with cable grip, neoprene bushing and fastening ring



APJ Plugs with cable grip, neoprene bushing and fastening ring

Certifications and Compliances:

- UL Standard: 1682

Standard Materials:

- Receptacle housings – copper-free aluminum
- Plug exteriors – copper-free aluminum
- Insulation: 30, 60, 100, 200 ampere – fiberglass-reinforced polyester
- Pressure and solder contacts – brass
- Crimp/solder contacts – leaded red brass

Standard Finishes:

- Copper-free aluminum – natural
- Brass – natural
- Fiberglass-reinforced polyester – natural (red)
- Leaded red brass – electro-tin-plate

Options:

Description	Suffix
Available with these assemblies are:	
• Reversed interiors.....	S22
• Special polarity.....	S4

See page 1232 for details.

For general information on application, features and grounding, see pages 1230-1233.

AR Arktite® Circuit Breaking Round Flange Receptacle Housings for Panel Mounting

Weatherproof
For use with APJ and AP Plugs

1P

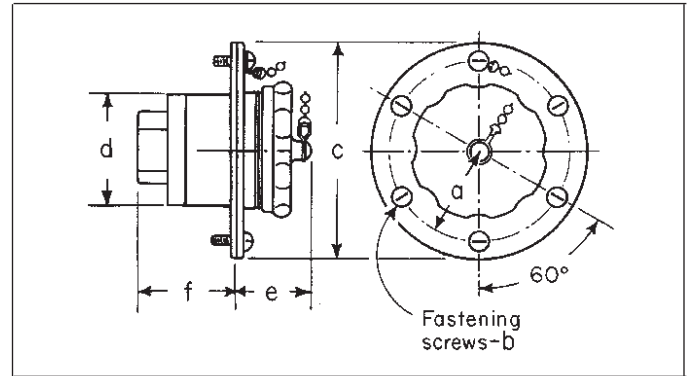
30/60/100/200 A, 600 VAC/250 VDC

Ordering Information:

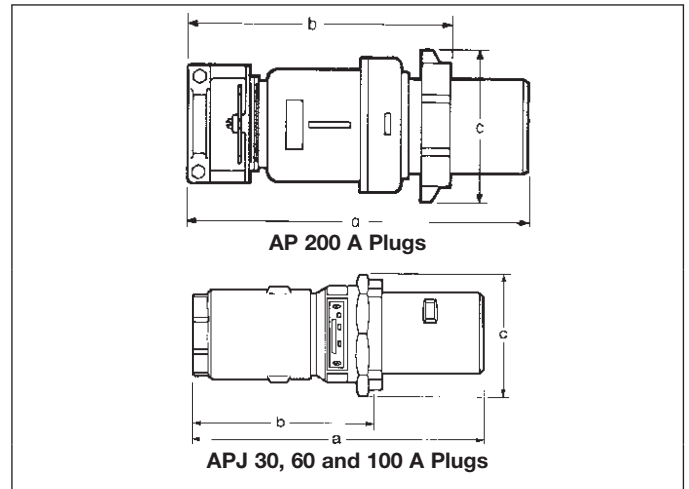
Amps	Style‡	Description	Recept. Cat. #	Cable Dia.	Plug Cat. #
30	1	3-wire, 3-pole*	AR6337	0.60 to 1.20	APJ3375
		4-wire, 4-pole*			
	2	3-wire, 4-pole*	AR6348	0.60 to 1.20	APJ3485
		4-wire, 4-pole*			
60	1	3-wire, 3-pole*	AR6637	0.75 to 1.45	APJ6375
		4-wire, 4-pole*			
	2	3-wire, 4-pole*	AR6648	0.75 to 1.45	APJ6485
		4-wire, 4-pole*			
100	1	3-wire, 3-pole*	AR61037	1.00 to 1.70	APJ10377
		4-wire, 4-pole*			
	2	3-wire, 4-pole*	AR61048	1.00 to 1.70	APJ10487
		4-wire, 4-pole*			
200	1	3-wire, 3-pole	AR62031§	.875 to 1.375	AP20355
				1.875 to 2.500	
	2	2-wire, 3-pole	AR62032§	.875 to 1.375	AP20365
				1.875 to 2.500	

‡Style 1 – Grounded through shell. Style 2 – Grounded through extra pole and shell.
§200 ampere size is provided with clamp cover.
*Pressure connectors are standard. Crimp/solder type terminators are optionally available for 2, 3 and 4-pole 30 ampere, 3 and 4-pole 60 and 100 ampere. For details, see page 1233. To specify, add the suffix "T" to the catalog number.
For example: APJ3375-T (Plug) AR6337-T (Receptacle).

Dimensions (In Inches): AR Round Flange Receptacles



Description	a	b	c	d	e	f
30 amp. 2, 3, 4-pole	2	12-24	4 ³ / ₄	2 ⁷ / ₁₆	1 ⁵ / ₈	2 ¹ / ₄
60 amp. 2, 3-pole	2	12-24	4 ³ / ₄	2 ¹³ / ₁₆	1 ⁷ / ₈	3 ³ / ₈
60 amp. 4-pole	2	12-24	4 ³ / ₄	3 ¹ / ₈	1 ⁷ / ₈	3 ³ / ₈
100 amp. 2, 3-pole	2	12-24	4 ³ / ₄	3 ⁷ / ₁₆	1 ⁷ / ₈	4 ⁹ / ₁₆
100 amp. 4-pole	2	12-24	4 ³ / ₄	3 ⁷ / ₁₆	1 ⁷ / ₈	4 ⁹ / ₁₆
200 amp. 3-pole	3 ³ / ₈	3 ¹ / ₈ -16	7 ³ / ₄	4 ⁹ / ₁₆	2 ⁷ / ₈	5 ¹ / ₈



Amps	No. Poles	a	b	c
30	2, 3 or 4	6 ¹ / ₂	4 ¹³ / ₁₆	2 ¹⁵ / ₁₆
60	2 or 3	8 ¹ / ₂	5 ³ / ₄	3 ⁵ / ₈
60	4	8 ¹ / ₂	5 ⁹ / ₁₆	3 ³ / ₄
100	2 or 3	10 ¹ / ₈	6 ⁹ / ₁₆	3 ³ / ₄
100	4	10 ¹ / ₈	6 ⁷ / ₈	4 ¹ / ₈
200	3	14 ³ / ₄	10 ¹¹ / ₁₆	6 ³ / ₄

These dimensions are approximate and vary with cable size.

APJ Plugs, APR Cable Connector Receptacles 30/60/100 A, 250 VDC/600 VAC, 50† – 400 hertz

Applications:

- APQ motor plugs are used:
- On portable electric equipment

Features:

- Eliminates problem of storing and protecting a long length of portable cord and plug on portable device
- Connection to fixed receptacle used as power source is made with cord sets which may be hung on wall, out of the way
- Cord sets are made up using an APR receptacle at one end and an APJ plug at the other
- Cord sets may be used singly or connected together to provide longer lengths when needed
- With spare cord sets on hand, portable equipment may be kept in service while normal cord replacement is being made
- Where design of portable equipment permits, APQ motor plugs can be attached directly to a sheet metal panel or cabinet
- May be mounted on AR and AJ back boxes for conduit connection
- See typical installation diagram on next page



APQ Motor Plugs
with square flange, gaskets, fastening ring, and exposed contacts.



APR Cable Connector Receptacles with cable grip, neoprene bushing, and protected contacts.



APJ Plugs
with cable grip, neoprene bushing, exposed contacts, and fastening ring.

Certifications and Complies:

- UL Standards: 1682
- CSA Standard: C22.2 No. 182.1

Standard Materials:

- Motor plugs: mounting plate – *Feraloy*®, iron alloy; protective sleeve – copper-free aluminum
- Plug and receptacle exteriors – copper-free aluminum
- Back boxes – copper-free aluminum
- Insulation – fiberglass-reinforced polyester
- Pressure and solder contacts – brass
- Crimp/solder contacts – leaded red brass

Standard Finishes:

- *Feraloy* – electrogalvanized and aluminum acrylic paint
- Copper-free aluminum – natural
- Brass – natural
- Fiberglass-reinforced polyester – natural (red)
- Leaded red brass – electro-tin-plate

Options:

Available with these assemblies are:

Description	Suffix
Special polarity	S4
See page 1232 for details.	

Ordering Information:

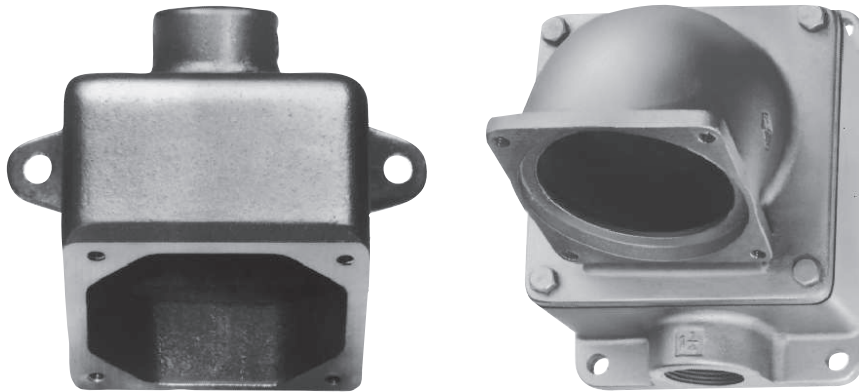
Amps	Style‡	Description	Plug Cat. #	Cable Dia.	Cable Connector Receptacle Cat. #	Motor Plug Cat. #
30	1	2-wire,* 2-pole	APJ3275	0.87 to 1.02	APR3255	APQ327
		3-wire,* 3-pole	APJ3375	0.87 to 1.02	APR3355	APQ337
	2	4-wire,* 4-pole	APJ3475	0.87 to 1.02	APR3455	APQ347
		2-wire,* 3-pole	APJ3385	0.87 to 1.02	APR3365	APQ338
60	1	3-wire,* 4-pole	APJ3485	0.87 to 1.02	APR3465	APQ348
		2-wire,* 2-pole	APJ6275	0.87 to 1.37	APR6255	APQ627
	2	3-wire,* 3-pole	APJ6375	0.87 to 1.37	APR6355	APQ637
		4-wire,* 4-pole	APJ6475	0.87 to 1.37	APR6455	APQ647
	1	2-wire,* 3-pole	APJ6385	0.87 to 1.37	APR6365	APQ638
		3-wire,* 4-pole	APJ6485	0.87 to 1.37	APR6465	APQ648
100	1	2-wire,* 2-pole	APJ10277	1.37 to 1.50	APR10257	APQ1027
		3-wire,* 3-pole	APJ10377	1.37 to 1.50	APR10357	APQ1037
	2	4-wire,* 4-pole	APJ10477	1.37 to 1.50	APR10457	APQ1047
		2-wire,* 3-pole	APJ10387	1.37 to 1.50	APR10367	APQ1038
		3-wire,* 4-pole	APJ10487	1.37 to 1.50	APR10467	APQ1048

‡Style 1 – Grounded through shell. Style 2 – Grounded through extra pole and shell.

*Pressure connectors are standard. Crimp/solder type terminators are optionally available for 2, 3 and 4-pole 30 ampere, 3 and 4-pole 60 and 100 ampere. For details, see page 1233. To specify, add the suffix "T" to the catalog number. For example: APJ3375-T (Plug) AR6337-T (Receptacle).

†For use on systems less than 60 hertz the receptacles, plugs and connectors are for disconnect use only.

For APQ Arktite® Circuit Breaking Motor Plugs



Typical back boxes used with APQ Motor Plugs

ARE

For APQ 30 Amp.

Hub Size	Cat. #
1/2	ARE13
3/4	ARE23
1	ARE33

For APQ 60 Amp.

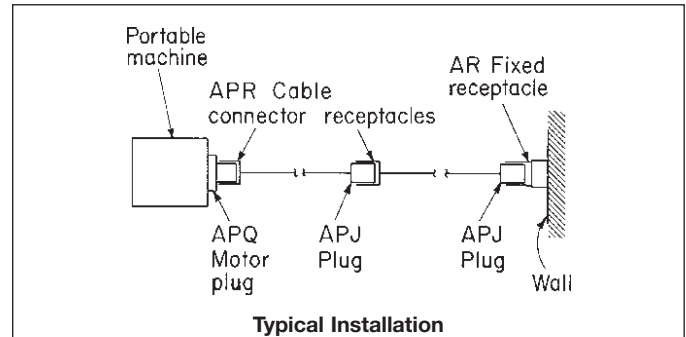
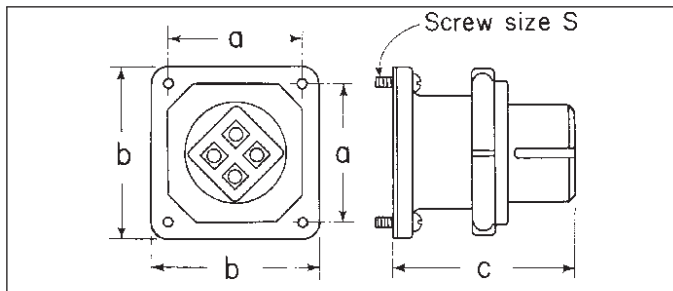
Hub Size	Cat. #
1	ARE36
1 1/4	ARE46
1 1/2	ARE56

AJ

For APQ 60 and 100 Amp.

Hub Size	Cat. #
1	AJ37
1 1/4	AJ47
1 1/2	AJ57
2	AJ67

Dimensions In Inches:



APQ Motor Plugs

Amps	a	b	c	s
30	2 3/4	3 3/8	3 5/8	12-24
60	3 1/2	4 1/4	4 7/8	5/16-18
100 (2 & 3-pole)	3 1/2	4 1/4	6 1/8	5/16-18
100 (4-pole)	3 1/2	4 1/4	6 7/16	5/16-18

For additional back box listings, see pages 1250-1253.
For back box dimensions, see pages 1252-1253.