



**RECESSED LIGHTING**

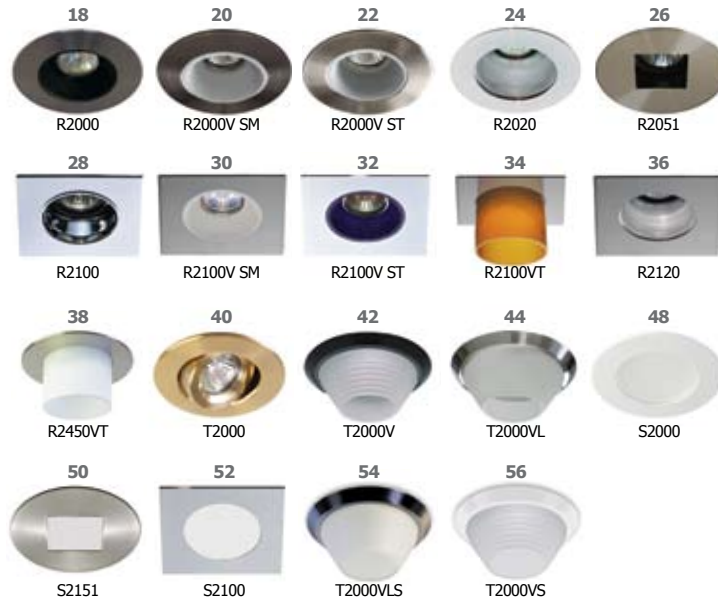
# CONTRAST



# MR16 & MR11



4"



4 1/4"

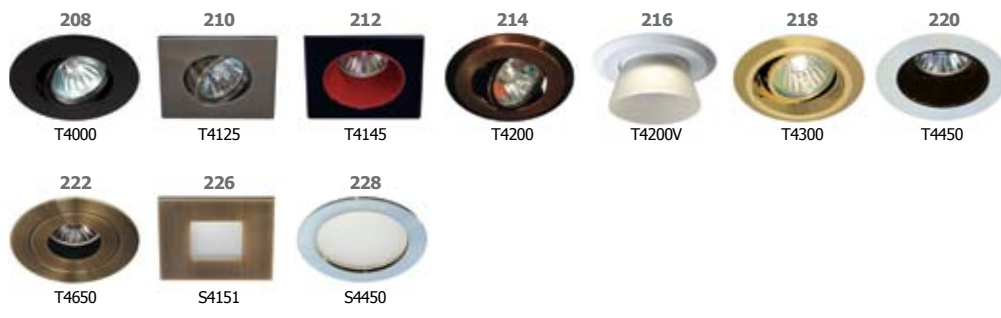


3 1/2"

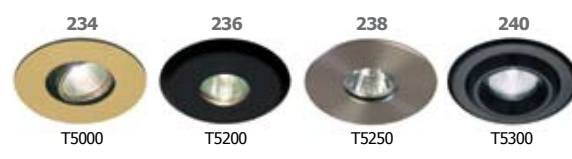




3 1/2"



3"

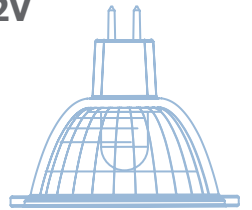


2 1/2"



## 2000 Series

low voltage **4"**  
MR16  
12V





# downlight and adjustable



T2000-03P

See page 42 for more details



4"

MR16



R2000

# R2000



R2000-08



## Adjustable



### Damp location



**Low voltage** : MR16 20-50W, MR16 IR 37-50W

Available with a magnetic or an electronic transformer.

### Lenses

**Standard: UV clear lens** (1<sup>15</sup>/<sub>16</sub>" - 49mm).

Colored and frosted lenses are available. See pages 250-251 for details.



### Reflector



**Standard: Black**

Semi Glossy Black



W

**White** trim is available with White reflector.

Ex.: R2000-01W



White



W

**Matte White** trim is available with Matte White reflector.

Ex.: R2000-11W



Matte White



S

All trim finishes are available with **specular** reflector.

Ex. : R2000-05S

Specular

Our trims can be assembled in different Contrast color combinations.

Contact our customer service for complete details

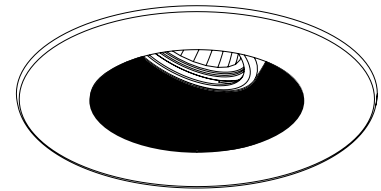
Ex.: R2000-01-12BR (Adjustable trim, White with Brushed Nickel reflector)

### Trim finishes



Ex.: R2000-06

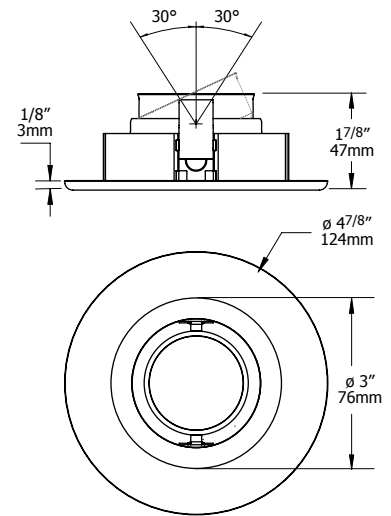
For exterior use and Wet Locations, **MARINE GRADE** treatment is recommended. May be applied on finishes: -01, -02, -05, -06, -11, -14 and -15. See page 252 for more details. Add **MG** to code. Ex.: R2000-11MG



## R2000 Specs and codification

### Trim codification R2000-05SMG

MODEL	TRIM FINISH	REFLECTOR	MARINE GRADE
<b>R2000</b>	<b>-05</b>	<b>S</b>	<b>MG</b>
-01	-01 -02 -03 -04 -04BR -05 -06 -07 -08 -11 -12BR -13 -14 -15 -16	STANDARD: BLACK	MG May be applied on finishes: -01, -02, -05, -06, -11, -14 and -15.
-02		S Specular	
-03			
-04			
-04BR		W White trim is available with White reflector.	
-05			
-06			
-07			
-08			
-11		W Matte White trim is available with matte White reflector.	
-12BR			
-13			
-14			
-15			
-16			



### Housings Specifications Low voltage : MR16



New Construction	W	HOLE CUT	LENGTH	WIDTH	HEIGHT
NW2000 <b>CE</b> <sup>1</sup>	42W	4 1/4" (108mm)	15 3/8" (391mm) x 10"	(254mm) x 3 11/16" (94mm)	
NW2000 <b>CM</b> <sup>1</sup>	50W	4 1/4" (108mm)	15 3/8" (391mm) x 10"	(254mm) x 3 11/16" (94mm)	
NW2000 <b>E</b> <sup>1</sup>	50W	4 1/4" (108mm)	15 3/8" (391mm) x 10"	(254mm) x 4 1/2" (114mm)	
NW2000 <b>LM</b> <sup>1</sup>	75W	4 1/4" (108mm)	15 3/8" (391mm) x 10"	(254mm) x 5 1/2" (140mm)	



Remodel	W	HOLE CUT	LENGTH	WIDTH	HEIGHT
IT2000 <b>CE</b> <sup>1</sup>	42W	4 1/4" (108mm)	13" (330mm) x 5 1/4" (134mm)	(134mm) x 3 11/16" (94mm)	
IT2000 <b>CM</b> <sup>1</sup>	42W	4 1/4" (108mm)	13" (330mm) x 5 1/4" (134mm)	(134mm) x 3 11/16" (94mm)	
IT2000 <b>E</b> <sup>1</sup>	50W	4 1/4" (108mm)	13 3/4" (350mm) x 5 1/8" (130mm)	(130mm) x 6" (152mm)	
IT2000 <b>M</b> <sup>1</sup>	50W	4 1/4" (108mm)	13 3/4" (350mm) x 5 1/8" (130mm)	(130mm) x 6" (152mm)	



Insulated Ceiling (IC)	W	HOLE CUT	LENGTH	WIDTH	HEIGHT
ISMR2000 <b>E35</b> <sup>1</sup>	35W	4 1/4" (108mm)	15 3/16" (386mm) x 8 1/8" (207mm)	(207mm) x 7 7/8" (200mm)	
ISMR2000 <b>M</b> <sup>1</sup>	50W	4 1/4" (108mm)	19 3/8" (492mm) x 10" (254mm)	(254mm) x 7 1/16" (179mm)	
ISMR2000 <b>M35</b> <sup>1</sup>	35W	4 1/4" (108mm)	19 3/8" (492mm) x 10" (254mm)	(254mm) x 7 1/16" (179mm)	
ISMR2000 <b>M37</b> <sup>1</sup>	37W	4 1/4" (108mm)	15 5/16" (389mm) x 10" (254mm)	(254mm) x 7 1/8" (181mm)	

- C** Short housing
- L** Long housing
- E** Electronic transformer (120/277V)
- M** Magnetic transformer

<sup>1</sup> May be available in **277 Volts and/or 347 Volts**. Add **2** (277V) or **3** (347V) at the end of the housing code.

Ex.: IT2000**M2**  
Consult factory for availabilities.

**\*277 Volts: USA**  
**\*347 Volts: Canada and Magnetic transformer only**

#### Chicago Plenum

Add **P** at the end of the code to enhance your **IC** housing to meet Chicago Plenum requirements.  
Ex.: ISMR2000**MP**

#### California Title 24

Add **W** at the end of the code to enhance your **IC** housing to meet California Title 24 requirements.  
Ex.: ISMR2000**MW**

#### AIRTIGHT

IC housings meet ASTM E283 standard. These housings may be used in insulated ceilings and be covered with insulation material.





4"

MR16



# R2000V



R2030V-13SM

R2010V-12BRSM

R2000V-08SM



## R2000V SM

R2010V SM  
R2030V SM

### Downlight



**Damp location**



**Low voltage** : MR16 20-50W, MR16 IR 37-50W  
Available with a magnetic or an electronic transformer.

### Lenses

**Standard: UV clear lens** (1<sup>15</sup>/<sub>16</sub>" - 49mm).

Colored and frosted lenses are available. See pages 250-251 for details.



### Glass Reflectors

**Available in 3 different colors:**

Natural : R2000V-XXSM

Cobalt Blue : R2010V-XXSM

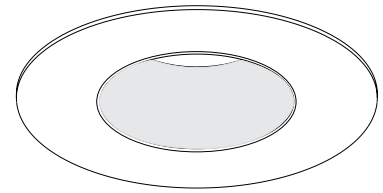
Green : R2030V-XXSM

### Trim finishes



Ex.: R2010V-04SM

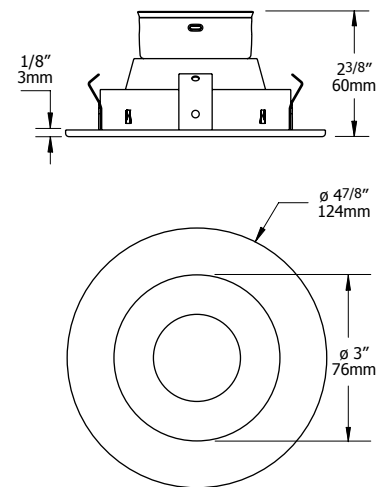
For exterior use and Wet Locations, **MARINE GRADE** treatment is recommended. May be applied on finishes: -01, -02, -05, -06, -11, -14 and -15. See page 252 for more details. Add **MG** to code.Ex.: R2030V-14SMMG



## R2000V SM Specs and codification

### Trim codification R2000V-06SMMG

MODEL	TRIM FINISH	REFLECTOR	MARINE GRADE
<b>R2000V</b>	<b>-06</b>	<b>SM</b>	<b>MG</b>
R2000V R2010V R2030V	-01 -02 -03 -04 -04BR -05 -06 -07 -08 -11 -12BR -13 -14 -15 -16	Smooth reflector	MG May be applied on finishes: -01, -02, -05, -06, -11, -14 and -15.



### Housings Specifications Low voltage : MR16

New Construction	W	HOLE CUT	LENGTH	WIDTH	HEIGHT
NW2000E <sup>1</sup>	50W	4 1/4" (108mm)	15 3/8" (391mm) x 10"	(254mm) x 4 1/2"	(114mm)
NW2000LM <sup>1</sup>	50W	4 1/4" (108mm)	15 3/8" (391mm) x 10"	(254mm) x 5 1/2"	(140mm)
Remodel					
IT2000E <sup>1</sup>	50W	4 1/4" (108mm)	13 3/4" (350mm) x 5 1/8"	(130mm) x 6"	(152mm)
IT2000M <sup>1</sup>	50W	4 1/4" (108mm)	13 3/4" (350mm) x 5 1/8"	(130mm) x 6"	(152mm)
Insulated Ceiling (IC)					
ISMR2000E35 <sup>1</sup>	35W	4 1/4" (108mm)	15 5/16" (386mm) x 8 1/8"	(207mm) x 7 7/8"	(200mm)
ISMR2000M <sup>1</sup>	50W	4 1/4" (108mm)	19 3/8" (492mm) x 10"	(254mm) x 7 1/16"	(179mm)
ISMR2000M35 <sup>1</sup>	35W	4 1/4" (108mm)	19 3/8" (492mm) x 10"	(254mm) x 7 1/16"	(179mm)
ISMR2000M37 <sup>1</sup>	37W	4 1/4" (108mm)	15 5/16" (389mm) x 10"	(254mm) x 7 1/8"	(181mm)

**C** Short housing  
**L** Long housing  
**E** Electronic transformer (120/277V)  
**M** Magnetic transformer

<sup>1</sup> May be available in **277 Volts and/or 347 Volts**. Add **2** (277V) or **3** (347V) at the end of the housing code.  
 Ex.: IT2000M**2**  
 Consult factory for availabilities.  
**\*277 Volts: USA**  
**\*347 Volts: Canada and Magnetic transformer only**

**Chicago Plenum**  
 Add **P** at the end of the code to enhance your **IC** housing to meet Chicago Plenum requirements.  
 Ex.: ISMR2000MP

**California Title 24**  
 Add **W** at the end of the code to enhance your **IC** housing to meet California Title 24 requirements.  
 Ex.: ISMR2000MW

**AIRTIGHT**  
 IC housings meet ASTM E283 standard. These housings may be used in insulated ceilings and be covered with insulation material.



4"

MR16



R2010V-08ST

R2000V-13ST

R2010V ST

# R2000V ST

R2010V ST  
R2030V ST



R2030V-07ST

## Downlight



**Damp location**



**Low voltage** : MR16 20-50W, MR16 IR 37-50W  
Available with a magnetic or an electronic transformer.

### Lenses

**Standard: UV clear lens** (1<sup>15</sup>/<sub>16</sub>" - 49mm).

Colored and frosted lenses are available. See pages 250-251 for details.



### Glass Reflectors

**Available in 3 different colors:**

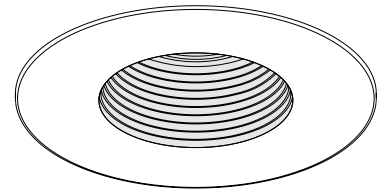
- Natural : R2000V-XXST
- Cobalt Blue : R2010V-XXST
- Green : R2030V-XXST

### Trim finishes



Ex.: R2000V-04ST

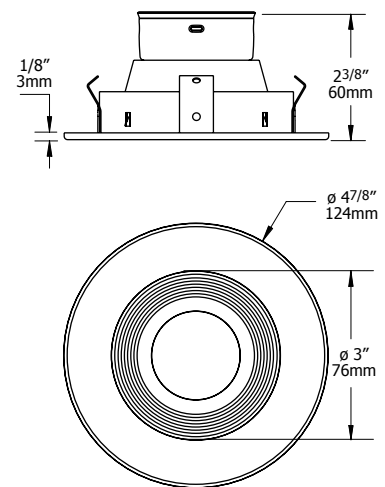
For exterior use and Wet Locations, **MARINE GRADE** treatment is recommended. May be applied on finishes: -01, -02, -05, -06, -11, -14 and -15. See page 252 for more details. Add **MG** to code. Ex.: R2010V-11STMG



## R2000V ST Specs and codification

### Trim codification R2010V-08ST

MODEL	TRIM FINISH	REFLECTOR	MARINE GRADE
<b>R2010V</b>	<b>-08</b>	<b>ST</b>	
R2000V R2010V R2030V	-01 -02 -03 -04 -04BR -05 -06 -07 -08 -11 -12BR -13 -14 -15 -16	Stepped reflector	MG May be applied on finishes: -01, -02, -05, -06, -11, -14 and -15.



### Housings Specifications Low voltage : MR16

New Construction	W	HOLE CUT	LENGTH	WIDTH	HEIGHT
NW2000E <sup>1</sup>	50W	4 <sup>1</sup> / <sub>4</sub> " (108mm)	15 <sup>3</sup> / <sub>8</sub> " (391mm) x 10"	(254mm) x 4 <sup>1</sup> / <sub>2</sub> "	(114mm)
NW2000LM <sup>1</sup>	50W	4 <sup>1</sup> / <sub>4</sub> " (108mm)	15 <sup>3</sup> / <sub>8</sub> " (391mm) x 10"	(254mm) x 5 <sup>1</sup> / <sub>2</sub> "	(140mm)
Remodel					
IT2000E <sup>1</sup>	50W	4 <sup>1</sup> / <sub>4</sub> " (108mm)	13 <sup>3</sup> / <sub>4</sub> " (350mm) x 5 <sup>1</sup> / <sub>8</sub> "	(130mm) x 6"	(152mm)
IT2000M <sup>1</sup>	50W	4 <sup>1</sup> / <sub>4</sub> " (108mm)	13 <sup>3</sup> / <sub>4</sub> " (350mm) x 5 <sup>1</sup> / <sub>8</sub> "	(130mm) x 6"	(152mm)
Insulated Ceiling (IC)					
ISMR2000E35 <sup>1</sup>	35W	4 <sup>1</sup> / <sub>4</sub> " (108mm)	15 <sup>3</sup> / <sub>16</sub> " (386mm) x 8 <sup>1</sup> / <sub>8</sub> "	(207mm) x 7 <sup>7</sup> / <sub>8</sub> "	(200mm)
ISMR2000M <sup>1</sup>	50W	4 <sup>1</sup> / <sub>4</sub> " (108mm)	19 <sup>3</sup> / <sub>8</sub> " (492mm) x 10"	(254mm) x 7 <sup>1</sup> / <sub>16</sub> "	(179mm)
ISMR2000M35 <sup>1</sup>	35W	4 <sup>1</sup> / <sub>4</sub> " (108mm)	19 <sup>3</sup> / <sub>8</sub> " (492mm) x 10"	(254mm) x 7 <sup>1</sup> / <sub>16</sub> "	(179mm)
ISMR2000M37 <sup>1</sup>	37W	4 <sup>1</sup> / <sub>4</sub> " (108mm)	15 <sup>5</sup> / <sub>16</sub> " (389mm) x 10"	(254mm) x 7 <sup>1</sup> / <sub>8</sub> "	(181mm)

**C** Short housing  
**L** Long housing  
**E** Electronic transformer (120/277V)  
**M** Magnetic transformer

<sup>1</sup> May be available in **277 Volts and/or 347 Volts**. Add **2** (277V) or **3** (347V) at the end of the housing code.  
 Ex.: IT2000M**2**  
 Consult factory for availabilities.  
**\*277 Volts: USA**  
**\*347 Volts: Canada and Magnetic transformer only**

**Chicago Plenum**  
 Add **P** at the end of the code to enhance your **IC** housing to meet Chicago Plenum requirements.  
 Ex.: ISMR2000MP

**California Title 24**  
 Add **W** at the end of the code to enhance your **IC** housing to meet California Title 24 requirements.  
 Ex.: ISMR2000MW

**AIRTIGHT**  
 IC housings meet ASTM E283 standard. These housings may be used in insulated ceilings and be covered with insulation material.



4"

MR16



R2020

# R2020



R2020-04BR



## Downlight



### Damp location



**Low voltage** : MR16 20-50W, MR16 IR 37-50W

Available with a magnetic or an electronic converter transformer.

### Lenses

**Standard: UV clear lens** (1<sup>15</sup>/<sub>16</sub>" - 49mm).

Colored and frosted lenses are available. See pages 251-252 for details.



### Reflector



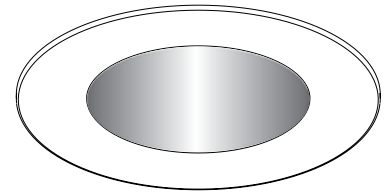
**Standard: semi-specular low iridescence aluminum**

### Trim finishes



Ex.: R2020-08

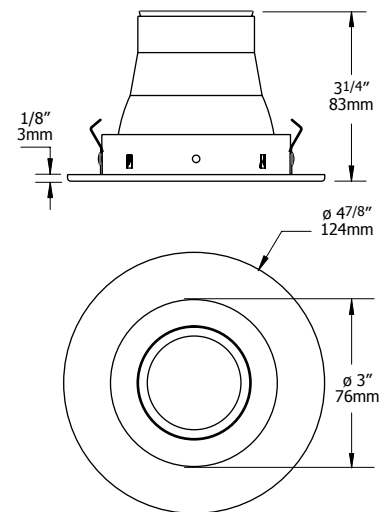
For exterior use and Wet Locations, **MARINE GRADE** treatment is recommended. May be applied on finishes: -01, -02, -05, -06, -11, -14 and -15. See page 252 for more details. Add **MG** to code. Ex.: R2020-11**MG**



## R2020 Specs and codification

### Trim codification R2020-02MG

MODEL	TRIM FINISH	MARINE GRADE
<b>R2020</b>	<b>-02</b>	<b>MG</b>
	-01 -02 -03 -04 -04BR -05 -06 -07 -08 -11 -12BR -13 -14 -15 -16	MG May be applied on finishes: -01, -02, -05, -06, -11, -14 and 15.



### Housings Specifications Low voltage : MR16

New Construction	W	HOLE CUT	LENGTH	WIDTH	HEIGHT
NW2000E <sup>1</sup>	50W	4 1/4" (108mm)	15 3/8" (391mm) x 10"	(254mm) x 4 1/2"	(114mm)
NW2000LM <sup>1</sup>	50W	4 1/4" (108mm)	15 3/8" (391mm) x 10"	(254mm) x 5 1/2"	(140mm)
Remodel					
IT2000E <sup>1</sup>	50W	4 1/4" (108mm)	13 3/4" (350mm) x 5 1/8"	(130mm) x 6"	(152mm)
IT2000M <sup>1</sup>	50W	4 1/4" (108mm)	13 3/4" (350mm) x 5 1/8"	(130mm) x 6"	(152mm)
Insulated Ceiling (IC)					
ISMR2000M <sup>1</sup>	50W	4 1/4" (108mm)	19 3/8" (492mm) x 10"	(254mm) x 7 1/16"	(179mm)
ISMR2000M37 <sup>1</sup>	37W	4 1/4" (108mm)	15 5/16" (389mm) x 10"	(254mm) x 7 1/8"	(181mm)

**C** Short housing  
**L** Long housing  
**E** Electronic transformer (120/277V)  
**M** Magnetic transformer

<sup>1</sup> May be available in **277 Volts and/or 347 Volts**. Add **2** (277V) or **3** (347V) at the end of the housing code.

Ex.: IT2000M**2**  
 Consult factory for availabilities.

**\*277 Volts: USA**  
**\*347 Volts: Canada and Magnetic transformer only**

#### Chicago Plenum

Add **P** at the end of the code to enhance your **IC** housing to meet Chicago Plenum requirements.  
 Ex.: ISMR2000MP

#### California Title 24

Add **W** at the end of the code to enhance your **IC** housing to meet California Title 24 requirements.  
 Ex.: ISMR2000MW

#### AIRTIGHT

IC housings meet ASTM E283 standard. These housings may be used in insulated ceilings and be covered with insulation material.



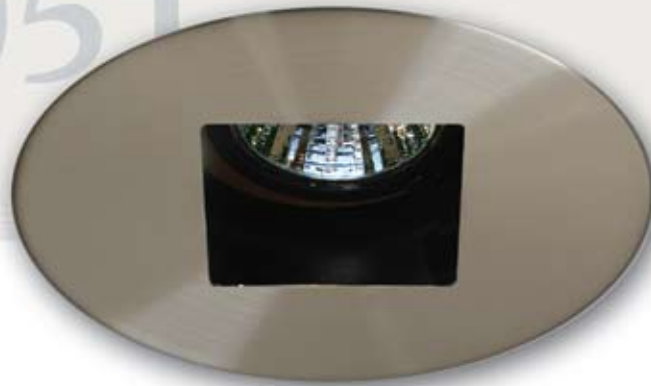
4"

MR16



R2051

R2051



R2051-13



## Adjustable Pinhole



**Damp location**



**Low voltage** : MR16 20-50W, MR16 IR 37-50W

Available with a magnetic or an electronic transformer.

### Lenses

**Standard: UV clear lens** (1<sup>15</sup>/<sub>16</sub>" - 49mm).

Colored and frosted lenses are available. See pages 250-251 for details.



### Reflector



**Standard: Black**

Painted Black



W

**White** trim is available with White reflector.

Ex.: R2051-01**W**



White



W

**Matte White** trim is available with matte White reflector.

Ex.: R2051-11**W**



Matte White



S

All trim finishes are available with **specular** reflector.

Ex. : R2051-04**S**

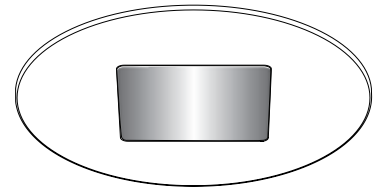
Specular

### Trim finishes



Ex.: R2051-0**3**

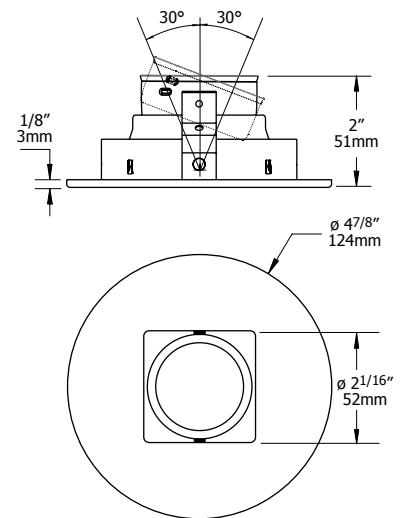
For exterior use and Wet Locations, **MARINE GRADE** treatment is recommended. May be applied on finishes: -01, -02, -05, -06, -11, -14 and -15. See page 252 for more details. Add **MG** to code. Ex.: R2051-11**MG**



## R2051 Specs and codification

### Trim codification R2051-11W

MODEL	TRIM FINISH	REFLECTOR	MARINE GRADE
<b>R2051</b>	<b>-11</b>	<b>W</b>	
-01		STANDARD:	MG
-02		BLACK	May be applied on
-03		S Specular	finishes:
-04			-01, -02, -05, -06,
-04BR		W White trim is	-11, -14 and -15.
-05		available with	
-06		White reflector.	
-07			
-08		W Matte White	
-11		trim is available	
-12BR		with matte White	
-13		reflector.	
-14			
-15			
-16			



### Housings Specifications Low voltage : MR16

	New Construction	W	HOLE CUT	LENGTH	WIDTH	HEIGHT
	NW2000 <b>CE</b> <sup>1</sup>	42W	4 <sup>1</sup> / <sub>4</sub> " (108mm)	15 <sup>3</sup> / <sub>8</sub> " (391mm) x 10"	(254mm) x 3 <sup>11</sup> / <sub>16</sub> " (94mm)	
	NW2000 <b>CM</b> <sup>1</sup>	50W	4 <sup>1</sup> / <sub>4</sub> " (108mm)	15 <sup>3</sup> / <sub>8</sub> " (391mm) x 10"	(254mm) x 3 <sup>11</sup> / <sub>16</sub> " (94mm)	
	NW2000 <b>E</b> <sup>1</sup>	50W	4 <sup>1</sup> / <sub>4</sub> " (108mm)	15 <sup>3</sup> / <sub>8</sub> " (391mm) x 10"	(254mm) x 4 <sup>1</sup> / <sub>2</sub> " (114mm)	
	NW2000 <b>LM</b> <sup>1</sup>	50W	4 <sup>1</sup> / <sub>4</sub> " (108mm)	15 <sup>3</sup> / <sub>8</sub> " (391mm) x 10"	(254mm) x 5 <sup>1</sup> / <sub>2</sub> " (140mm)	
	Remodel					
	IT2000 <b>CE</b> <sup>1</sup>	42W	4 <sup>1</sup> / <sub>4</sub> " (108mm)	13" (330mm) x 5 <sup>1</sup> / <sub>4</sub> " (134mm)	x 3 <sup>11</sup> / <sub>16</sub> " (94mm)	
	IT2000 <b>CM</b> <sup>1</sup>	42W	4 <sup>1</sup> / <sub>4</sub> " (108mm)	13" (330mm) x 5 <sup>1</sup> / <sub>4</sub> " (134mm)	x 3 <sup>11</sup> / <sub>16</sub> " (94mm)	
	IT2000 <b>E</b> <sup>1</sup>	50W	4 <sup>1</sup> / <sub>4</sub> " (108mm)	13 <sup>3</sup> / <sub>4</sub> " (350mm) x 5 <sup>1</sup> / <sub>8</sub> " (130mm)	x 6" (152mm)	
	IT2000 <b>M</b> <sup>1</sup>	50W	4 <sup>1</sup> / <sub>4</sub> " (108mm)	13 <sup>3</sup> / <sub>4</sub> " (350mm) x 5 <sup>1</sup> / <sub>8</sub> " (130mm)	x 6" (152mm)	
	Insulated Ceiling (IC)					
	ISMR2000 <b>M</b> <sup>1</sup>	50W	4 <sup>1</sup> / <sub>4</sub> " (108mm)	19 <sup>3</sup> / <sub>8</sub> " (492mm) x 10"	(254mm) x 7 <sup>1</sup> / <sub>16</sub> " (179mm)	
	ISMR2000 <b>M37</b> <sup>1</sup>	37W	4 <sup>1</sup> / <sub>4</sub> " (108mm)	15 <sup>5</sup> / <sub>16</sub> " (389mm) x 10"	(254mm) x 7 <sup>1</sup> / <sub>8</sub> " (181mm)	

**C** Short housing  
**L** Long housing  
**E** Electronic transformer (120/277V)  
**M** Magnetic transformer

<sup>1</sup> May be available in **277 Volts and/or 347 Volts**. Add **2** (277V) or **3** (347V) at the end of the housing code.  
 Ex.: IT2000**M2**  
 Consult factory for availabilities.  
**\*277 Volts: USA**  
**\*347 Volts: Canada and Magnetic transformer only**

**Chicago Plenum**  
 Add **P** at the end of the code to enhance your **IC** housing to meet Chicago Plenum requirements.  
 Ex.: ISMR2000**MP**

**California Title 24**  
 Add **W** at the end of the code to enhance your **IC** housing to meet California Title 24 requirements.  
 Ex.: ISMR2000**MW**

**AIRTIGHT**  
 IC housings meet ASTM E283 standard. These housings may be used in insulated ceilings and be covered with insulation material.





4"

MR16



R2100

# R2100



R2100-04S



## Adjustable



### Damp location

**Low voltage** : MR16 20-50W, MR16 IR 37-50W  
Available with a magnetic or an electronic transformer.

### Lenses

**Standard: UV clear lens** (1<sup>15</sup>/<sub>16</sub>" - 49mm).  
Colored and frosted lenses are available. See pages 250-251 for details.



### Reflector



**Standard: Black**

Painted Black



W

**White** trim is available with White reflector.  
Ex.: R2100-01**W**

White



W

**Matte White** trim is available with matte White reflector.  
Ex.: R2100-11**W**

Matte White



S

All trim finishes are available with **specular** reflector.  
Ex. : R2100-04**S**

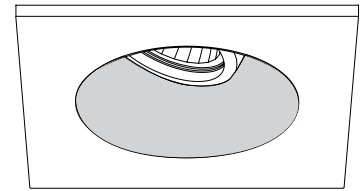
Specular

### Trim finishes



Ex.: R2100-04

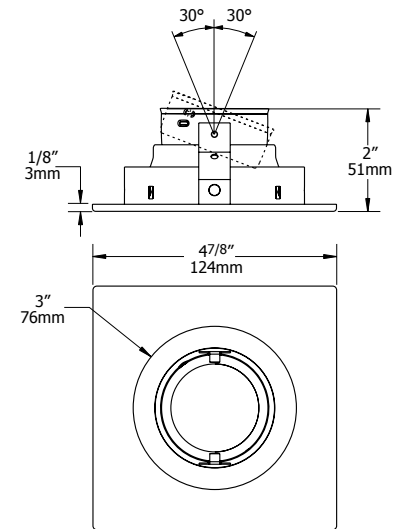
For exterior use and Wet Locations, **MARINE GRADE** treatment is recommended. May be applied on finishes: -01, -02, -05, -06, -11, -14 and -15. See page 252 for more details. Add **MG** to code. Ex.: R2100-15**MG**



## R2100 Specs and codification

### Trim codification R2100-16S

MODEL	TRIM FINISH	REFLECTOR	MARINE GRADE
<b>R2100</b>	<b>-16</b>	<b>S</b>	
-01		STANDARD:	MG
-02		BLACK	May be applied on
-03		S Specular	finishes:
-04			-01, -02, -05, -06,
-04BR	W	White trim is available with White reflector.	-11, -14 and -15.
-05			
-06			
-07			
-08	W	Matte White trim is available with matte White reflector.	
-11			
-12BR			
-13			
-14			
-15			
-16			



### Housings Specifications Low voltage : MR16

	New Construction	W	HOLE CUT	LENGTH	WIDTH	HEIGHT
	NW2000 <b>CE</b> <sup>1</sup>	42W	4 1/4" (108mm)	15 3/8" (391mm) x 10"	(254mm) x 3 11/16" (94mm)	
	NW2000 <b>CM</b> <sup>1</sup>	50W	4 1/4" (108mm)	15 3/8" (391mm) x 10"	(254mm) x 3 11/16" (94mm)	
	NW2000 <b>E</b> <sup>1</sup>	50W	4 1/4" (108mm)	15 3/8" (391mm) x 10"	(254mm) x 4 1/2" (114mm)	
	NW2000 <b>LM</b> <sup>1</sup>	50W	4 1/4" (108mm)	15 3/8" (391mm) x 10"	(254mm) x 5 1/2" (140mm)	
	Remodel					
	IT2000 <b>CE</b> <sup>1</sup>	42W	4 1/4" (108mm)	13" (330mm) x 5 1/4" (134mm)	x 3 11/16" (94mm)	
	IT2000 <b>CM</b> <sup>1</sup>	42W	4 1/4" (108mm)	13" (330mm) x 5 1/4" (134mm)	x 3 11/16" (94mm)	
	IT2000 <b>E</b> <sup>1</sup>	50W	4 1/4" (108mm)	13 3/4" (350mm) x 5 1/8" (130mm)	x 6" (152mm)	
	IT2000 <b>M</b> <sup>1</sup>	50W	4 1/4" (108mm)	13 3/4" (350mm) x 5 1/8" (130mm)	x 6" (152mm)	
	Insulated Ceiling (IC)					
	ISMR2000 <b>M</b> <sup>1</sup>	50W	4 1/4" (108mm)	19 3/8" (492mm) x 10"	(254mm) x 7 1/16" (179mm)	
	ISMR2000 <b>M37</b> <sup>1</sup>	37W	4 1/4" (108mm)	15 5/16" (389mm) x 10"	(254mm) x 7 1/8" (181mm)	

- C** Short housing
- L** Long housing
- E** Electronic transformer (120/277V)
- M** Magnetic transformer

<sup>1</sup> May be available in **277 Volts and/or 347 Volts**. Add **2** (277V) or **3** (347V) at the end of the housing code.  
 Ex.: IT2000**M2**  
 Consult factory for availabilities.  
**\*277 Volts: USA**  
**\*347 Volts: Canada and Magnetic transformer only**

**Chicago Plenum**  
 Add **P** at the end of the code to enhance your **IC** housing to meet Chicago Plenum requirements.  
 Ex.: ISMR2000**MP**

**California Title 24**  
 Add **W** at the end of the code to enhance your **IC** housing to meet California Title 24 requirements.  
 Ex.: ISMR2000**MW**

**AIRTIGHT**  
 IC housings meet ASTM E283 standard. These housings may be used in insulated ceilings and be covered with insulation material.



4"

MR16



R2100V

# R2100V SM

R2110V SM  
R2130V SM



R2110V-12BRSM



R2130V-02SM



R2100V-12BRSM



## Downlight



**Damp location**



**Low voltage** : MR16 20-50W, MR16 IR 37-50W  
Available with a magnetic or an electronic transformer.

### Lenses

**Standard: UV clear lens** (1<sup>15</sup>/<sub>16</sub>" - 49mm).

Colored and frosted lenses are available. See pages 250-251 for details.



### Glass Reflectors

**Available in 3 different colors:**

Natural : R2100V-XXSM

Cobalt Blue : R2110V-XXSM

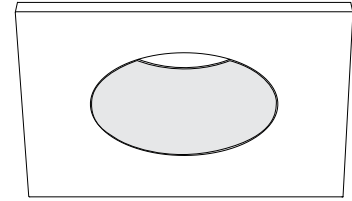
Green : R2130V-XXSM

### Trim finishes



Ex.: R2100V-04SM

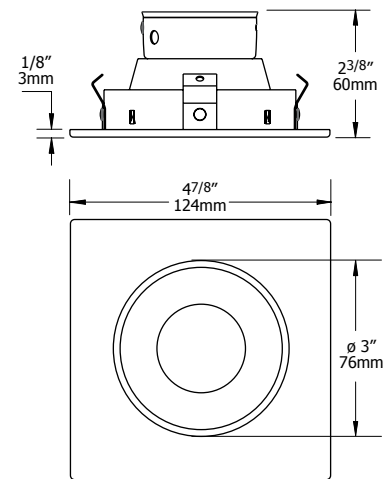
For exterior use and Wet Locations, **MARINE GRADE** treatment is recommended. May be applied on finishes: -01, -02, -05, -06, -11, -14 and -15. See page 252 for more details. Add **MG** to code.Ex.: R2130V-14SMMG



## R2100V SM Specs and codification

### Trim codification R2100V-08SM

MODEL	TRIM FINISH	REFLECTOR	MARINE GRADE
<b>R2100V</b>	<b>-08</b>	<b>SM</b>	
R2100V R2110V R2130V	-01 -02 -03 -04 -04BR -05 -06 -07 -08 -11 -12BR -13 -14 -15 -16	Smooth reflector	MG May be applied on finishes: -01, -02, -05, -06, -11, -14 and -15.



### Housings Specifications Low voltage : MR16

New Construction	W	HOLE CUT	LENGTH	WIDTH	HEIGHT
NW2000 <b>CE</b> <sup>1</sup>	42W	4 1/4" (108mm)	15 3/8" (391mm) x 10"	(254mm) x 3 11/16" (94mm)	
NW2000 <b>CM</b> <sup>1</sup>	50W	4 1/4" (108mm)	15 3/8" (391mm) x 10"	(254mm) x 3 11/16" (94mm)	
NW2000 <b>E</b> <sup>1</sup>	50W	4 1/4" (108mm)	15 3/8" (391mm) x 10"	(254mm) x 4 1/2" (114mm)	
NW2000 <b>LM</b> <sup>1</sup>	50W	4 1/4" (108mm)	15 3/8" (391mm) x 10"	(254mm) x 5 1/2" (140mm)	
Remodel					
IT2000 <b>CE</b> <sup>1</sup>	42W	4 1/4" (108mm)	13" (330mm) x 5 1/4" (134mm)	x 3 11/16" (94mm)	
IT2000 <b>CM</b> <sup>1</sup>	42W	4 1/4" (108mm)	13" (330mm) x 5 1/4" (134mm)	x 3 11/16" (94mm)	
IT2000 <b>E</b> <sup>1</sup>	50W	4 1/4" (108mm)	13 3/4" (350mm) x 5 1/8" (130mm)	x 6" (152mm)	
IT2000 <b>M</b> <sup>1</sup>	50W	4 1/4" (108mm)	13 3/4" (350mm) x 5 1/8" (130mm)	x 6" (152mm)	
Insulated Ceiling (IC)					
ISMR2000 <b>M</b> <sup>1</sup>	50W	4 1/4" (108mm)	19 3/8" (492mm) x 10"	(254mm) x 7 1/16" (179mm)	
ISMR2000 <b>M37</b> <sup>1</sup>	37W	4 1/4" (108mm)	15 5/16" (389mm) x 10"	(254mm) x 7 1/8" (181mm)	

**C** Short housing  
**L** Long housing  
**E** Electronic transformer (120/277V)  
**M** Magnetic transformer

<sup>1</sup> May be available in **277 Volts and/or 347 Volts**. Add **2** (277V) or **3** (347V) at the end of the housing code.

Ex.: IT2000**M2**  
 Consult factory for availabilities.

**\*277 Volts: USA**  
**\*347 Volts: Canada and Magnetic transformer only**

**Chicago Plenum**  
 Add **P** at the end of the code to enhance your **IC** housing to meet Chicago Plenum requirements.  
 Ex.: ISMR2000**MP**

**California Title 24**  
 Add **W** at the end of the code to enhance your **IC** housing to meet California Title 24 requirements.  
 Ex.: ISMR2000**MW**

**AIRTIGHT**  
 IC housings meet ASTM E283 standard. These housings may be used in insulated ceilings and be covered with insulation material.



4"

MR16



# R2100V

R2100V-05ST



## R2100V ST

R2110V ST  
R2130V ST



R2110V-04ST



R2130V-04BRST



## Downlight



**Damp location**



**Low voltage** : MR16 20-50W, MR16 IR 37-50W  
Available with a magnetic or an electronic transformer.

### Lenses

**Standard: UV clear lens** (1<sup>15</sup>/<sub>16</sub>" - 49mm).

Colored and frosted lenses are available. See pages 250-251 for details.



### Glass Reflectors

**Available in 3 different colors:**

Natural : R2100V-XXST

Cobalt Blue : R2110V-XXST

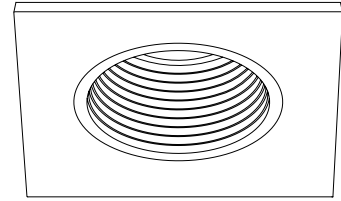
Green : R2130V-XXST

### Trim finishes



Ex.: R2100V-06ST

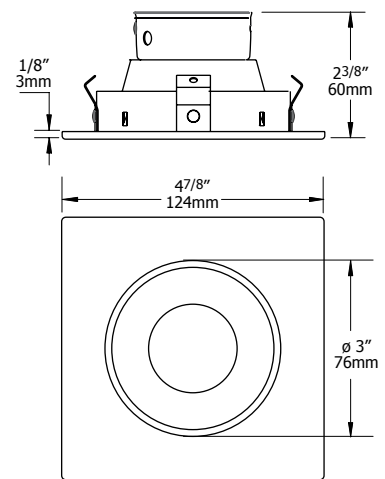
For exterior use and Wet Locations, **MARINE GRADE** treatment is recommended. May be applied on finishes: -01, -02, -05, -06, -11, -14 and -15. See page 252 for more details. Add **MG** to code. Ex.: R2110V-11STMG



## R2100V ST Specs and codification

### Trim codification R2130V-03ST

MODEL	TRIM FINISH	REFLECTOR	MARINE GRADE
<b>R2130V</b>	<b>-03</b>	<b>ST</b>	
R2100V R2110V R2130V	-01 -02 -03 -04 -04BR -05 -06 -07 -08 -11 -12BR -13 -14 -15 -16	Stepped reflector	MG May be applied on finishes: -01, -02, -05, -06, -11, -14 and -15.



### Housings Specifications Low voltage : MR16

New Construction	W	HOLE CUT	LENGTH	WIDTH	HEIGHT
NW2000 <b>CE</b> <sup>1</sup>	42W	4 <sup>1</sup> / <sub>4</sub> " (108mm)	15 <sup>3</sup> / <sub>8</sub> " (391mm) x 10"	(254mm) x 3 <sup>11</sup> / <sub>16</sub> " (94mm)	
NW2000 <b>CM</b> <sup>1</sup>	50W	4 <sup>1</sup> / <sub>4</sub> " (108mm)	15 <sup>3</sup> / <sub>8</sub> " (391mm) x 10"	(254mm) x 3 <sup>11</sup> / <sub>16</sub> " (94mm)	
NW2000 <b>E</b> <sup>1</sup>	50W	4 <sup>1</sup> / <sub>4</sub> " (108mm)	15 <sup>3</sup> / <sub>8</sub> " (391mm) x 10"	(254mm) x 4 <sup>1</sup> / <sub>2</sub> " (114mm)	
NW2000 <b>LM</b> <sup>1</sup>	50W	4 <sup>1</sup> / <sub>4</sub> " (108mm)	15 <sup>3</sup> / <sub>8</sub> " (391mm) x 10"	(254mm) x 5 <sup>1</sup> / <sub>2</sub> " (140mm)	
Remodel					
IT2000 <b>CE</b> <sup>1</sup>	42W	4 <sup>1</sup> / <sub>4</sub> " (108mm)	13" (330mm) x 5 <sup>1</sup> / <sub>4</sub> " (134mm)	(134mm) x 3 <sup>11</sup> / <sub>16</sub> " (94mm)	
IT2000 <b>CM</b> <sup>1</sup>	42W	4 <sup>1</sup> / <sub>4</sub> " (108mm)	13" (330mm) x 5 <sup>1</sup> / <sub>4</sub> " (134mm)	(134mm) x 3 <sup>11</sup> / <sub>16</sub> " (94mm)	
IT2000 <b>E</b> <sup>1</sup>	50W	4 <sup>1</sup> / <sub>4</sub> " (108mm)	13 <sup>3</sup> / <sub>4</sub> " (350mm) x 5 <sup>1</sup> / <sub>8</sub> " (130mm)	(130mm) x 6" (152mm)	
IT2000 <b>M</b> <sup>1</sup>	50W	4 <sup>1</sup> / <sub>4</sub> " (108mm)	13 <sup>3</sup> / <sub>4</sub> " (350mm) x 5 <sup>1</sup> / <sub>8</sub> " (130mm)	(130mm) x 6" (152mm)	
Insulated Ceiling (IC)					
ISMR2000 <b>M</b> <sup>1</sup>	50W	4 <sup>1</sup> / <sub>4</sub> " (108mm)	19 <sup>3</sup> / <sub>8</sub> " (492mm) x 10"	(254mm) x 7 <sup>1</sup> / <sub>16</sub> " (179mm)	
ISMR2000 <b>M37</b> <sup>1</sup>	37W	4 <sup>1</sup> / <sub>4</sub> " (108mm)	15 <sup>5</sup> / <sub>16</sub> " (389mm) x 10"	(254mm) x 7 <sup>1</sup> / <sub>8</sub> " (181mm)	

**C** Short housing  
**L** Long housing  
**E** Electronic transformer (120/277V)  
**M** Magnetic transformer

<sup>1</sup> May be available in **277 Volts and/or 347 Volts**. Add **2** (277V) or **3** (347V) at the end of the housing code.

Ex.: IT2000**M2**  
 Consult factory for availabilities.

**\*277 Volts: USA**  
**\*347 Volts: Canada and Magnetic transformer only**

**Chicago Plenum**  
 Add **P** at the end of the code to enhance your **IC** housing to meet Chicago Plenum requirements.  
 Ex.: ISMR2000**MP**

**California Title 24**  
 Add **W** at the end of the code to enhance your **IC** housing to meet California Title 24 requirements.  
 Ex.: ISMR2000**MW**

**AIRTIGHT**  
 IC housings meet ASTM E283 standard. These housings may be used in insulated ceilings and be covered with insulation material.

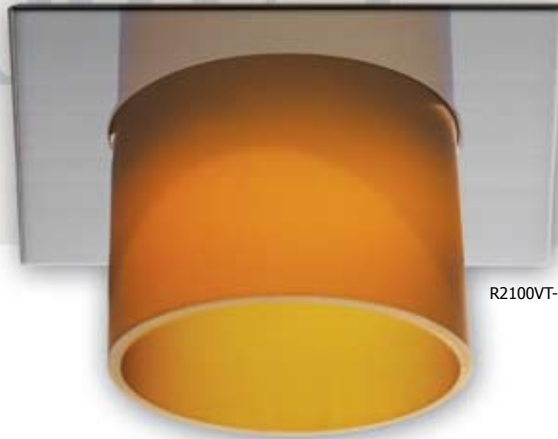


4

MR16



R2100VT



R2100VT-12BR-MFF03



## R2100VT

### Downlight with Decorative Glass



**Damp location**



**Low voltage** : MR16 20-50W, MR16 IR 37-50W

Available with a magnetic or an electronic transformer.

#### Glass Tube Colors

Available in 7 different colors.

Ex.: R2100VT-01-NFF07

COLORS	Eggplant	Blue	Green	Amber	Natural	Red	White
CODES	-A	-B	-G	-M	-N	-R	-W

#### Glass Tube Textures

Available in 3 different textures.

Ex.: R2100VT-01-NFF07

TEXTURES	Clear	Frosted interior	Frosted int./ext.
CODES	C	F	FF

#### Glass Tube Lengths

Available in 5 different lengths.

Ex.: R2100VT-01-NFF07

LENGTHS	3" (76mm)	4" (102mm)	5" (127mm)	6" (152mm)	7" (178mm)
CODES	03	04	05	06	07

#### Lenses

**Standard: UV clear lens** (1<sup>5</sup>/<sub>16</sub>" - 49mm).

Colored and frosted lenses are available. See pages 250-251 for details.

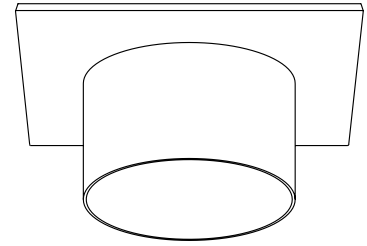


#### Trim finishes



Ex.: R2100VT-04-MFF03

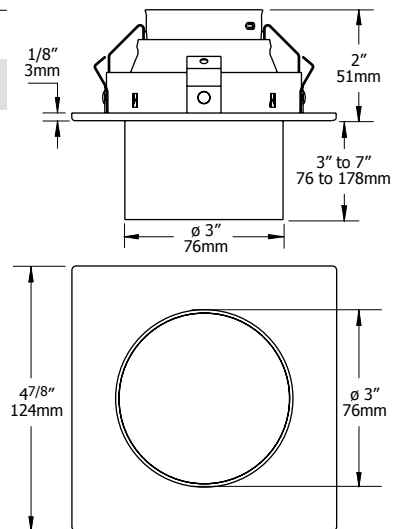
For exterior use and Wet Locations, **MARINE GRADE** treatment is recommended. May be applied on finishes: -01, -02, -05, -06, -11, -14 and -15. See page 252 for more details. Add **MG** to code. Ex.: R2100VT-01MG-BC05



## R2100VT Specs and codification

### Trim codification R2100VT-12BR-BC05

MODEL	TRIM FINISH	MARINE GRADE	GLASS COLOR	TEXTURE	GLASS LENGTH
<b>R2100VT</b>	<b>-12BR</b>		<b>-B</b>	<b>C</b>	<b>05</b>
	-01	MG	-A	C	03
	-02	May be applied on	-B	F	04
	-03	finishes:	-G	FF	05
	-04	-01, -02, -05, -06,	-M		06
	-04BR	-11, -14 and -15.	-N		07
	-05		-R		
	-06		-W		
	-07				
	-08				
	-11				
	-12BR				
	-13				
	-14				
	-15				
	-16				



### Housings Specifications Low voltage : MR16

New Construction	W	HOLE CUT	LENGTH	WIDTH	HEIGHT
NW2000 <b>CE</b> <sup>1</sup>	42W	4 1/4" (108mm)	15 3/8" (391mm) x 10"	(254mm) x 3 11/16" (94mm)	
NW2000 <b>CM</b> <sup>1</sup>	50W	4 1/4" (108mm)	15 3/8" (391mm) x 10"	(254mm) x 3 11/16" (94mm)	
NW2000 <b>E</b> <sup>1</sup>	50W	4 1/4" (108mm)	15 3/8" (391mm) x 10"	(254mm) x 4 1/2" (114mm)	
NW2000 <b>LM</b> <sup>1</sup>	50W	4 1/4" (108mm)	15 3/8" (391mm) x 10"	(254mm) x 5 1/2" (140mm)	
Remodel					
IT2000 <b>CE</b> <sup>1</sup>	42W	4 1/4" (108mm)	13" (330mm) x 5 1/4" (134mm)	x 3 11/16" (94mm)	
IT2000 <b>CM</b> <sup>1</sup>	42W	4 1/4" (108mm)	13" (330mm) x 5 1/4" (134mm)	x 3 11/16" (94mm)	
IT2000 <b>E</b> <sup>1</sup>	50W	4 1/4" (108mm)	13 3/4" (350mm) x 5 1/8" (130mm)	x 6" (152mm)	
IT2000 <b>M</b> <sup>1</sup>	50W	4 1/4" (108mm)	13 3/4" (350mm) x 5 1/8" (130mm)	x 6" (152mm)	
Insulated Ceiling (IC)					
ISMR2000 <b>M</b> <sup>1</sup>	50W	4 1/4" (108mm)	19 3/8" (492mm) x 10"	(254mm) x 7 1/16" (179mm)	
ISMR2000 <b>M37</b> <sup>1</sup>	37W	4 1/4" (108mm)	15 5/16" (389mm) x 10"	(254mm) x 7 1/8" (181mm)	

**C** Short housing  
**L** Long housing  
**E** Electronic transformer (120/277V)  
**M** Magnetic transformer

<sup>1</sup> May be available in **277 Volts and/or 347 Volts**. Add **2** (277V) or **3** (347V) at the end of the housing code.

Ex.: IT2000**M2**  
 Consult factory for availabilities.

**\*277 Volts: USA**  
**\*347 Volts: Canada and Magnetic transformer only**

**Chicago Plenum**  
 Add **P** at the end of the code to enhance your **IC** housing to meet Chicago Plenum requirements.  
 Ex.: ISMR2000**MP**

**California Title 24**  
 Add **W** at the end of the code to enhance your **IC** housing to meet California Title 24 requirements.  
 Ex.: ISMR2000**MW**

**AIRTIGHT**  
 IC housings meet ASTM E283 standard. These housings may be used in insulated ceilings and be covered with insulation material.





4"

MR16



R2120



R2120

R2120-12BR

## Downlight



**Damp location**



**Low voltage** : MR16 20-50W, MR16 IR 37-50W  
Available with a magnetic or an electronic transformer.

### Lenses

**Standard: UV clear lens** (1<sup>15</sup>/<sub>16</sub>" - 49mm).

Colored and frosted lenses are available. See pages 250-251 for details.



**Reflector**



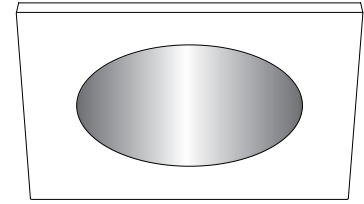
**Standard: semi-specular low iridescence aluminum**

### Trim finishes



Ex.: R2120-07

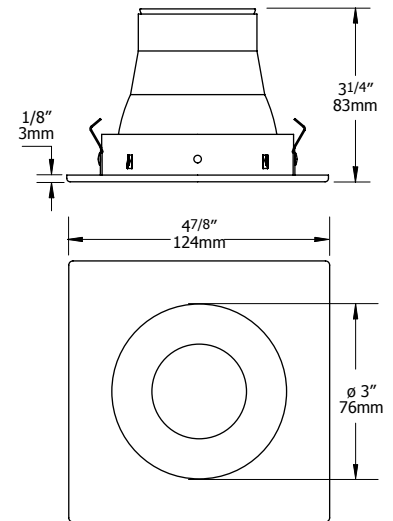
For exterior use and Wet Locations, **MARINE GRADE** treatment is recommended. May be applied on finishes: -01, -02, -05, -06, -11, -14 and -15. See page 252 for more details. Add **MG** to code. Ex.: R2120-05**MG**



## R2120 Specs and codification

### Trim codification R2120-05MG

MODEL	TRIM FINISH	REFLECTOR	MARINE GRADE
<b>R2120</b>	<b>-05</b>		<b>MG</b>
	-01 -02 -03 -04 -04BR -05 -06 -07 -08 -11 -12BR -13 -14 -15 -16	STANDARD (no code): SEMI-SPECULAR LOW IRIDESCENCE ALUMINUM	MG May be applied on finishes: -01, -02, -05, -06, -11, -14 and -15.



### Housings Specifications Low voltage : MR16

	New Construction	W	HOLE CUT	LENGTH	WIDTH	HEIGHT
	NW2000E <sup>1</sup>	50W	4 1/4" (108mm)	15 3/8" (391mm) x 10"	(254mm) x 4 1/2"	(114mm)
	NW2000LM <sup>1</sup>	50W	4 1/4" (108mm)	15 3/8" (391mm) x 10"	(254mm) x 5 1/2"	(140mm)
	Remodel					
	IT2000E <sup>1</sup>	50W	4 1/4" (108mm)	13 3/4" (350mm) x 5 1/8"	(130mm) x 6"	(152mm)
	IT2000M <sup>1</sup>	50W	4 1/4" (108mm)	13 3/4" (350mm) x 5 1/8"	(130mm) x 6"	(152mm)
	Insulated Ceiling (IC)					
	ISMR2000M <sup>1</sup>	50W	4 1/4" (108mm)	19 3/8" (492mm) x 10"	(254mm) x 7 1/16"	(179mm)
	ISMR2000M37 <sup>1</sup>	37W	4 1/4" (108mm)	15 5/16" (389mm) x 10"	(254mm) x 7 1/8"	(181mm)

**C** Short housing  
**L** Long housing  
**E** Electronic transformer (120/277V)  
**M** Magnetic transformer

<sup>1</sup> May be available in **277 Volts and/or 347 Volts. Add 2 (277V) or 3 (347V)** at the end of the housing code.  
 Ex.: IT2000M**2**  
 Consult factory for availabilities.  
**\*277 Volts: USA**  
**\*347 Volts: Canada and Magnetic transformer only**

**Chicago Plenum**  
 Add **P** at the end of the code to enhance your **IC** housing to meet Chicago Plenum requirements.  
 Ex.: ISMR2000MP

**California Title 24**  
 Add **W** at the end of the code to enhance your **IC** housing to meet California Title 24 requirements.  
 Ex.: ISMR2000MW

**AIRTIGHT**  
 IC housings meet ASTM E283 standard. These housings may be used in insulated ceilings and be covered with insulation material.



4"

MR16



R245



# R2450VT

R2450VT-04BR-NFF04

## Downlight with Decorative Glass



### Damp location



**Low voltage** : MR16 20-50W, MR16 IR 37-50W  
Available with a magnetic or an electronic transformer.

### Glass Tube Colors

Available in 7 different colors.  
Ex.: R2450VT-01-NFF07

COLORS	Eggplant	Blue	Green	Amber	Natural	Red	White
CODES	-A	-B	-G	-M	-N	-R	-W

### Glass Tube Textures

Available in 3 different textures.  
Ex.: R2450VT-01-NFF07

TEXTURES	Clear	Frosted interior	Frosted int./ext.
CODES	C	F	FF

### Glass Tube Lengths

Available in 5 different lengths.  
Ex.: R2450VT-01-NFF07

LENGTHS	3" (76mm)	4" (102mm)	5" (127mm)	6" (152mm)	7" (178mm)
CODES	03	04	05	06	07

### Lenses

**Standard: UV clear lens** (1<sup>15</sup>/<sub>16</sub>" - 49mm).  
Colored and frosted lenses are available. See pages 250-251 for details.

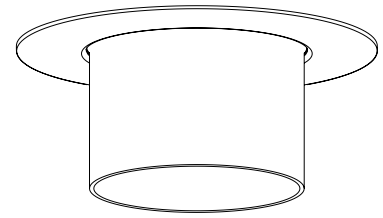


### Trim finishes



Ex.: R2450VT-05-MC05

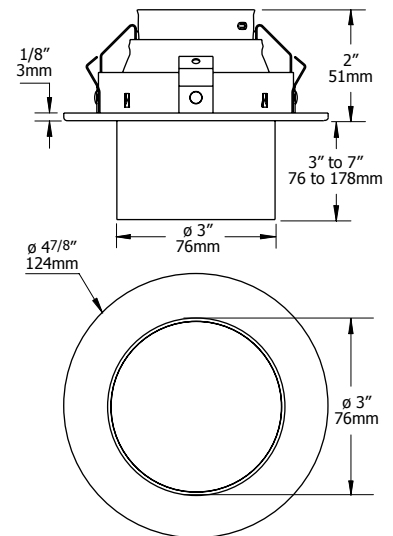
For exterior use and Wet Locations, **MARINE GRADE** treatment is recommended. May be applied on finishes: -01, -02, -05, -06, -11, -14 and -15. See page 252 for more details. Add **MG** to code. Ex.: R2450VT-14**MG**-RF03



## R2450VT Specs and codification

### Trim codification R2450VT-12BR-BF04

MODEL	TRIM FINISH	MARINE GRADE	GLASS COLOR	TEXTURE	GLASS LENGTH
<b>R2450VT</b>	<b>-12BR</b>		<b>-B</b>	<b>F</b>	<b>04</b>
	-01 -02 -03 -04 -04BR -05 -06 -07 -08 -11 -12BR -13 -14 -15 -16	MG May be applied on finishes: -01, -02, -05, -06, -11, -14 and -15.	-A -B -G -M -N -R -W	C F FF	03 04 05 06 07



### Housings Specifications Low voltage : MR16

New Construction	W	HOLE CUT	LENGTH	WIDTH	HEIGHT
NW2000 <b>CE</b> <sup>1</sup>	42W	4 1/4" (108mm)	15 3/8" (391mm) x 10"	(254mm) x 3 11/16" (94mm)	
NW2000 <b>CM</b> <sup>1</sup>	50W	4 1/4" (108mm)	15 3/8" (391mm) x 10"	(254mm) x 3 11/16" (94mm)	
NW2000 <b>E</b> <sup>1</sup>	50W	4 1/4" (108mm)	15 3/8" (391mm) x 10"	(254mm) x 4 1/2" (114mm)	
NW2000 <b>LM</b> <sup>1</sup>	75W	4 1/4" (108mm)	15 3/8" (391mm) x 10"	(254mm) x 5 1/2" (140mm)	
Remodel					
IT2000 <b>CE</b> <sup>1</sup>	42W	4 1/4" (108mm)	13" (330mm) x 5 1/4" (134mm)	x 3 11/16" (94mm)	
IT2000 <b>CM</b> <sup>1</sup>	42W	4 1/4" (108mm)	13" (330mm) x 5 1/4" (134mm)	x 3 11/16" (94mm)	
IT2000 <b>E</b> <sup>1</sup>	50W	4 1/4" (108mm)	13 3/4" (350mm) x 5 1/8" (130mm)	x 6" (152mm)	
IT2000 <b>M</b> <sup>1</sup>	50W	4 1/4" (108mm)	13 3/4" (350mm) x 5 1/8" (130mm)	x 6" (152mm)	
Insulated Ceiling (IC)					
ISMR2000 <b>E35</b> <sup>1</sup>	35W	4 1/4" (108mm)	15 3/16" (386mm) x 8 1/8" (207mm)	x 7 7/8" (200mm)	
ISMR2000 <b>M</b> <sup>1</sup>	50W	4 1/4" (108mm)	19 3/8" (492mm) x 10" (254mm)	x 7 1/16" (179mm)	
ISMR2000 <b>M35</b> <sup>1</sup>	35W	4 1/4" (108mm)	19 3/8" (492mm) x 10" (254mm)	x 7 1/16" (179mm)	

**C** Short housing  
**L** Long housing  
**E** Electronic transformer (120/277V)  
**M** Magnetic transformer

<sup>1</sup> May be available in **277 Volts and/or 347 Volts**. Add **2** (277V) or **3** (347V) at the end of the housing code.

Ex.: IT2000**M2**  
 Consult factory for availabilities.

**\*277 Volts: USA**  
**\*347 Volts: Canada and Magnetic transformer only**

#### Chicago Plenum

Add **P** at the end of the code to enhance your **IC** housing to meet Chicago Plenum requirements.  
 Ex.: ISMR2000**MP**

#### California Title 24

Add **W** at the end of the code to enhance your **IC** housing to meet California Title 24 requirements.  
 Ex.: ISMR2000**MW**

#### AIRTIGHT

IC housings meet ASTM E283 standard. These housings may be used in insulated ceilings and be covered with insulation material.



4"

MR16



T2000

T2000



T2000-03P



## Adjustable



**Damp location**



**Low voltage** : MR16 20-50W, MR16 IR 37-50W

Available with a magnetic or an electronic transformer.

## Lenses

**Standard: UV clear lens** (1<sup>15</sup>/<sub>16</sub>" - 49mm).

Colored and frosted lenses are available. See pages 250-251 for details.



## Center specification

**Standard: striated center with 24K Gold plated and Chrome finishes.**

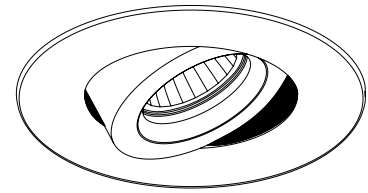
For a polish center, add «P» to code. Ex.: T2000-03P

## Trim finishes



Ex.: T2000-13

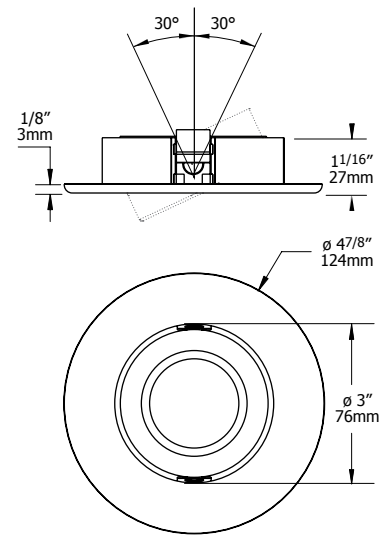
For exterior use and Wet Locations, **MARINE GRADE** treatment is recommended. May be applied on finishes: -01, -02, -05, -06, -11, -14 and -15. See page 252 for more details. Add **MG** to code. Ex.: T2000-06MG



## T2000 Specs and codification

### Trim codification T2000-04P

MODEL	TRIM FINISH	CENTER	MARINE GRADE
<b>T2000</b>	<b>-04</b>	<b>P</b>	
	-01 -02 -03 -04 -04BR -05 -06 -07 -08 -11 -12BR -13 -14 -15 -16	24K GOLD PLATED AND CHROME: Standard: striated center For a polished center add <b>P</b> to code.	MG May be applied on finishes: -01, -02, -05, -06, -11, -14 and -15.



### Housings Specifications Low voltage : MR16



New Construction	W	HOLE CUT	LENGTH	WIDTH	HEIGHT
NW2000 <b>CE</b> <sup>1</sup>	42W	4 1/4" (108mm)	15 3/8" (391mm) x 10"	(254mm) x 3 11/16" (94mm)	
NW2000 <b>CM</b> <sup>1</sup>	50W	4 1/4" (108mm)	15 3/8" (391mm) x 10"	(254mm) x 3 11/16" (94mm)	
NW2000 <b>E</b> <sup>1</sup>	50W	4 1/4" (108mm)	15 3/8" (391mm) x 10"	(254mm) x 4 1/2" (114mm)	
NW2000 <b>LM</b> <sup>1</sup>	75W	4 1/4" (108mm)	15 3/8" (391mm) x 10"	(254mm) x 5 1/2" (140mm)	



Remodel	W	HOLE CUT	LENGTH	WIDTH	HEIGHT
IT2000 <b>CE</b> <sup>1</sup>	42W	4 1/4" (108mm)	13" (330mm) x 5 1/4" (134mm)	(134mm) x 3 11/16" (94mm)	
IT2000 <b>CM</b> <sup>1</sup>	42W	4 1/4" (108mm)	13" (330mm) x 5 1/4" (134mm)	(134mm) x 3 11/16" (94mm)	
IT2000 <b>E</b> <sup>1</sup>	50W	4 1/4" (108mm)	13 3/4" (350mm) x 5 1/8" (130mm)	(130mm) x 6" (152mm)	
IT2000 <b>M</b> <sup>1</sup>	50W	4 1/4" (108mm)	13 3/4" (350mm) x 5 1/8" (130mm)	(130mm) x 6" (152mm)	



Insulated Ceiling (IC)	W	HOLE CUT	LENGTH	WIDTH	HEIGHT
ISMR2000 <b>E35</b> <sup>1</sup>	35W	4 1/4" (108mm)	15 3/16" (386mm) x 8 1/8" (207mm)	(207mm) x 7 7/8" (200mm)	
ISMR2000 <b>M</b> <sup>1</sup>	50W	4 1/4" (108mm)	19 3/8" (492mm) x 10" (254mm)	(254mm) x 7 1/16" (179mm)	
ISMR2000 <b>M35</b> <sup>1</sup>	35W	4 1/4" (108mm)	19 3/8" (492mm) x 10" (254mm)	(254mm) x 7 1/16" (179mm)	
ISMR2000 <b>M37</b> <sup>1</sup>	37W	4 1/4" (108mm)	15 5/16" (389mm) x 10" (254mm)	(254mm) x 7 1/8" (181mm)	

- C** Short housing
- L** Long housing
- E** Electronic transformer (120/277V)
- M** Magnetic transformer

<sup>1</sup> May be available in **277 Volts and/or 347 Volts**. Add **2** (277V) or **3** (347V) at the end of the housing code.  
Ex.: IT2000**M2**  
Consult factory for availabilities.  
**\*277 Volts: USA**  
**\*347 Volts: Canada and Magnetic transformer only**

**Chicago Plenum**  
Add **P** at the end of the code to enhance your **IC** housing to meet Chicago Plenum requirements.  
Ex.: ISMR2000**MP**

**California Title 24**  
Add **W** at the end of the code to enhance your **IC** housing to meet California Title 24 requirements.  
Ex.: ISMR2000**MW**

**AIRTIGHT**  
IC housings meet ASTM E283 standard. These housings may be used in insulated ceilings and be covered with insulation material.



4"

MR16



T2000V



T2000V-02



T2010V-02



# T2000V

T2010V

## Downlight



**Damp location**



**Low voltage** : MR16 20-50W, MR16 IR 37-50W  
Available with a magnetic or an electronic transformer.

### Lenses

**Standard: UV clear lens** (1<sup>15</sup>/<sub>16</sub>" - 49mm).  
Colored and frosted lenses are available. See pages 250-251 for details.



### Glass

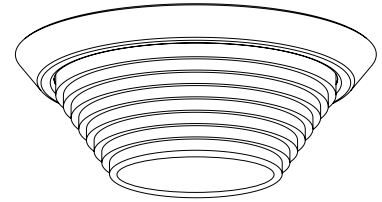
The glass is available in 2 colors.  
**Natural** (T2000V)  
**Cobalt Blue** (T2010V).

### Trim finishes



Ex.: T2000V-08

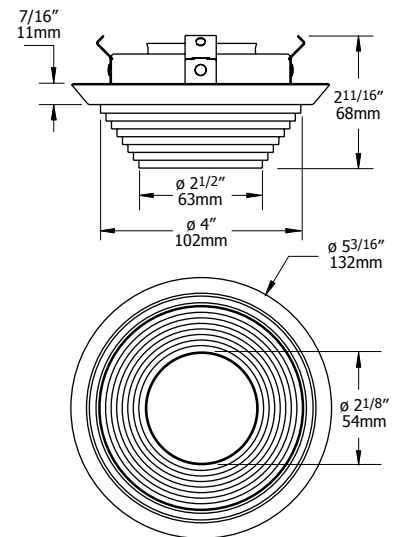
For exterior use and Wet Locations, **MARINE GRADE** treatment is recommended. May be applied on finishes: -01, -02, -05, -06, -11, -14 and -15. See page 252 for more details. Add **MG** to code. Ex.: T2010V-11MG



## T2000V Specs and codification

### Trim codification T2010V-01-MG

MODEL	TRIM FINISH	MARINE GRADE
<b>T2010V</b>	<b>-01</b>	<b>MG</b>
T2000V T2010V	-01 -02 -03 -04 -04BR -05 -06 -07 -08 -11 -12BR -13 -14 -15 -16	MG May be applied on finishes: -01, -02, -05, -06, -11, -14 and -15.



### Housings Specifications Low voltage : MR16

New Construction	W	HOLE CUT	LENGTH	WIDTH	HEIGHT
NW2000CE <sup>1</sup>	42W	4 1/4" (108mm)	15 3/8" (391mm) x 10"	(254mm) x 3 11/16" (94mm)	
NW2000CM <sup>1</sup>	50W	4 1/4" (108mm)	15 3/8" (391mm) x 10"	(254mm) x 3 11/16" (94mm)	
NW2000E <sup>1</sup>	50W	4 1/4" (108mm)	15 3/8" (391mm) x 10"	(254mm) x 4 1/2" (114mm)	
NW2000LM <sup>1</sup>	75W	4 1/4" (108mm)	15 3/8" (391mm) x 10"	(254mm) x 5 1/2" (140mm)	
Remodel					
IT2000CE <sup>1</sup>	42W	4 1/4" (108mm)	13" (330mm) x 5 1/4" (134mm)	x 3 11/16" (94mm)	
IT2000CM <sup>1</sup>	42W	4 1/4" (108mm)	13" (330mm) x 5 1/4" (134mm)	x 3 11/16" (94mm)	
IT2000E <sup>1</sup>	50W	4 1/4" (108mm)	13 3/4" (350mm) x 5 1/8" (130mm)	x 6" (152mm)	
IT2000M <sup>1</sup>	50W	4 1/4" (108mm)	13 3/4" (350mm) x 5 1/8" (130mm)	x 6" (152mm)	
Insulated Ceiling (IC)					
ISMR2000E35 <sup>1</sup>	35W	4 1/4" (108mm)	15 3/16" (386mm) x 8 1/8" (207mm)	x 7 7/8" (200mm)	
ISMR2000M <sup>1</sup>	50W	4 1/4" (108mm)	19 3/8" (492mm) x 10" (254mm)	x 7 1/16" (179mm)	
ISMR2000M35 <sup>1</sup>	35W	4 1/4" (108mm)	19 3/8" (492mm) x 10" (254mm)	x 7 1/16" (179mm)	
ISMR2000M37 <sup>1</sup>	37W	4 1/4" (108mm)	15 5/16" (389mm) x 10" (254mm)	x 7 1/8" (181mm)	

**C** Short housing  
**L** Long housing  
**E** Electronic transformer (120/277V)  
**M** Magnetic transformer

<sup>1</sup> May be available in **277 Volts and/or 347 Volts**. Add **2** (277V) or **3** (347V) at the end of the housing code.

Ex.: IT2000M**2**  
 Consult factory for availabilities.

**\*277 Volts: USA**  
**\*347 Volts: Canada and Magnetic transformer only**

#### Chicago Plenum

Add **P** at the end of the code to enhance your **IC** housing to meet Chicago Plenum requirements.  
 Ex.: ISMR2000MP

#### California Title 24

Add **W** at the end of the code to enhance your **IC** housing to meet California Title 24 requirements.  
 Ex.: ISMR2000MW

#### AIRTIGHT

IC housings meet ASTM E283 standard. These housings may be used in insulated ceilings and be covered with insulation material.





4"

MR16



# T2000VL

## T2000VL

T2010VL



T2010VL-12BR



T2000VL-04BR

## Downlight



### Damp location



**Low voltage** : MR16 20-50W, MR16 IR 37-50W

Available with a magnetic or an electronic transformer.

### Lenses

**Standard: UV clear lens** (1<sup>15</sup>/<sub>16</sub>" - 49mm).

Colored and frosted lenses are available. See pages 250-251 for details.



### Glass

The glass is available in 2 colors.

**Natural** (T2000VL)

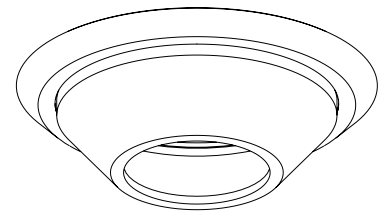
**Cobalt Blue** (T2010VL).

### Trim finishes



Ex.: T2000VL-13

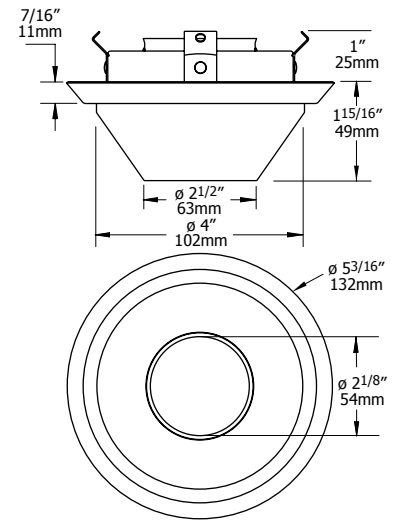
For exterior use and Wet Locations, **MARINE GRADE** treatment is recommended. May be applied on finishes: -01, -02, -05, -06, -11, -14 and -15. See page 252 for more details. Add **MG** to code. Ex.: T2010VL-14**MG**



## T2000VL Specs and codification

### Trim codification T2010VL-13

MODEL	TRIM FINISH	MARINE GRADE
<b>T2010VL</b>	<b>-13</b>	
T2000VL T2010VL	-01 -02 -03 -04 -04BR -05 -06 -07 -08 -11 -12BR -13 -14 -15 -16	MG May be applied on finishes: -01, -02, -05, -06, -11, -14 and -15.



### Housings Specifications Low voltage : MR16

New Construction	W	HOLE CUT	LENGTH	WIDTH	HEIGHT
NW2000CE <sup>1</sup>	42W	4 1/4" (108mm)	15 3/8" (391mm) x 10"	(254mm) x 3 11/16" (94mm)	
NW2000CM <sup>1</sup>	50W	4 1/4" (108mm)	15 3/8" (391mm) x 10"	(254mm) x 3 11/16" (94mm)	
NW2000E <sup>1</sup>	50W	4 1/4" (108mm)	15 3/8" (391mm) x 10"	(254mm) x 4 1/2" (114mm)	
NW2000LM <sup>1</sup>	50W	4 1/4" (108mm)	15 3/8" (391mm) x 10"	(254mm) x 5 1/2" (140mm)	
Remodel					
IT2000CE <sup>1</sup>	42W	4 1/4" (108mm)	13" (330mm) x 5 1/4" (134mm)	x 3 11/16" (94mm)	
IT2000CM <sup>1</sup>	42W	4 1/4" (108mm)	13" (330mm) x 5 1/4" (134mm)	x 3 11/16" (94mm)	
IT2000E <sup>1</sup>	50W	4 1/4" (108mm)	13 3/4" (350mm) x 5 1/8" (130mm)	x 6" (152mm)	
IT2000M <sup>1</sup>	50W	4 1/4" (108mm)	13 3/4" (350mm) x 5 1/8" (130mm)	x 6" (152mm)	
Insulated Ceiling (IC)					
ISMR2000E35 <sup>1</sup>	35W	4 1/4" (108mm)	15 3/16" (386mm) x 8 1/8" (207mm)	x 7 7/8" (200mm)	
ISMR2000M <sup>1</sup>	50W	4 1/4" (108mm)	19 3/8" (492mm) x 10" (254mm)	x 7 1/16" (179mm)	
ISMR2000M35 <sup>1</sup>	35W	4 1/4" (108mm)	19 3/8" (492mm) x 10" (254mm)	x 7 1/16" (179mm)	
ISMR2000M37 <sup>1</sup>	37W	4 1/4" (108mm)	15 5/16" (389mm) x 10" (254mm)	x 7 1/8" (181mm)	

**C** Short housing  
**L** Long housing  
**E** Electronic transformer (120/277V)  
**M** Magnetic transformer

<sup>1</sup> May be available in **277 Volts and/or 347 Volts. Add 2** (277V) or **3** (347V) at the end of the housing code.  
 Ex.: IT2000M**2**  
 Consult factory for availabilities.  
**\*277 Volts: USA**  
**\*347 Volts: Canada and Magnetic transformer only**

**Chicago Plenum**  
 Add **P** at the end of the code to enhance your **IC** housing to meet Chicago Plenum requirements.  
 Ex.: ISMR2000MP

**California Title 24**  
 Add **W** at the end of the code to enhance your **IC** housing to meet California Title 24 requirements.  
 Ex.: ISMR2000MW

**AIRTIGHT**  
 IC housings meet ASTM E283 standard. These housings may be used in insulated ceilings and be covered with insulation material.







# shower



S2000-11

See next page for more details

4"

MR16



# S2000

## S2000



S2000-11



### Shower



**Wet location**



**Low voltage** : MR16 20-50W, MR16 IR 37-50W

Available with a magnetic or an electronic transformer.

### Lenses

**Standard: UV frosted lens** (3 1/4" - 83mm).

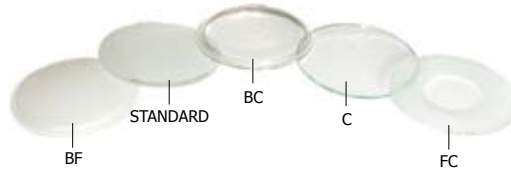
**Frosted convex:** S2000BF

**Clear convex:** S2000BC

**Clear:** S2000C

**Frosted with clear center:** S2000FC

See page 251 for more details.



**Optional UV MR16 lens** (49mm).

Colored lenses are available. See pages 250-251 for details.

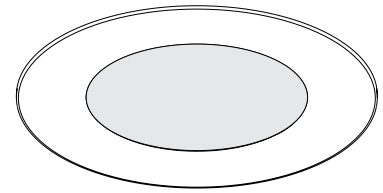


### Trim finishes



Ex.: S2000-08

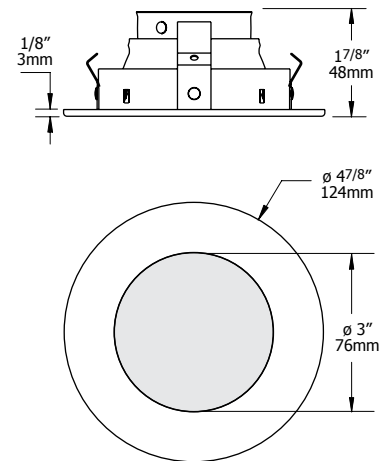
For exterior use and Wet Locations, **MARINE GRADE** treatment is recommended. May be applied on finishes: -01, -02, -05, -06, -11, -14 and -15. See page 252 for more details. Add **MG** to code.Ex.: S2000-06MG



## S2000 Specs and codification

### Trim codification S2000FC-01MG

MODEL	LENS	TRIM FINISH	MARINE GRADE
<b>S2000</b>	<b>FC</b>	<b>-01</b>	<b>MG</b>
	STANDARD: FROSTED C FC BC BF	-01 -02 -03 -04 -04BR -05 -06 -07 -08 -11 -12BR -13 -14 -15 -16	MG May be applied on finishes: -01, -02, -05, -06, -11, -14 and -15.



### Housings Specifications Low voltage : MR16

New Construction	W	HOLE CUT	LENGTH	WIDTH	HEIGHT
NW2000 <b>CE</b> <sup>1</sup>	42W	4 1/4" (108mm)	15 3/8" (391mm) x 10"	(254mm)	x 3 11/16" (94mm)
NW2000 <b>CM</b> <sup>1</sup>	50W	4 1/4" (108mm)	15 3/8" (391mm) x 10"	(254mm)	x 3 11/16" (94mm)
NW2000 <b>E</b> <sup>1</sup>	50W	4 1/4" (108mm)	15 3/8" (391mm) x 10"	(254mm)	x 4 1/2" (114mm)
NW2000 <b>LM</b> <sup>1</sup>	50W	4 1/4" (108mm)	15 3/8" (391mm) x 10"	(254mm)	x 5 1/2" (140mm)
Remodel					
IT2000 <b>CE</b> <sup>1</sup>	42W	4 1/4" (108mm)	13" (330mm) x 5 1/4" (134mm)		x 3 11/16" (94mm)
IT2000 <b>CM</b> <sup>1</sup>	42W	4 1/4" (108mm)	13" (330mm) x 5 1/4" (134mm)		x 3 11/16" (94mm)
IT2000 <b>E</b> <sup>1</sup>	50W	4 1/4" (108mm)	13 3/4" (350mm) x 5 1/8" (130mm)		x 6" (152mm)
IT2000 <b>M</b> <sup>1</sup>	50W	4 1/4" (108mm)	13 3/4" (350mm) x 5 1/8" (130mm)		x 6" (152mm)
Insulated Ceiling (IC)					
ISMR2000 <b>M</b> <sup>1</sup>	50W	4 1/4" (108mm)	19 3/8" (492mm) x 10"	(254mm)	x 7 1/16" (179mm)

**C** Short housing  
**L** Long housing  
**E** Electronic transformer (120/277V)  
**M** Magnetic transformer

<sup>1</sup> May be available in **277 Volts and/or 347 Volts**. Add **2** (277V) or **3** (347V) at the end of the housing code.  
 Ex.: IT2000**M2**  
 Consult factory for availabilities.  
**\*277 Volts: USA**  
**\*347 Volts: Canada and Magnetic transformer only**

**Chicago Plenum**  
 Add **P** at the end of the code to enhance your **IC** housing to meet Chicago Plenum requirements.  
 Ex.: ISMR2000**MP**

**California Title 24**  
 Add **W** at the end of the code to enhance your **IC** housing to meet California Title 24 requirements.  
 Ex.: ISMR2000**MW**

**AIRTIGHT**  
 IC housings meet ASTM E283 standard. These housings may be used in insulated ceilings and be covered with insulation material.



4"

MR16



S2051

# S2051



S2051-13



## Shower



**Wet location**



**Low voltage** : MR16 20-50W, MR16 IR 37-50W

Available with a magnetic or an electronic transformer.

## Lenses

**Standard: UV frosted lens** (3 1/4" - 83mm).

**Clear:** S2051C

See page 251 for more details.



**Optional UV MR16 lens** (49mm).

Colored lenses are available. See pages 250-251 for details.

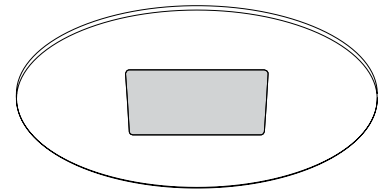


## Trim finishes



Ex.: S2051-04

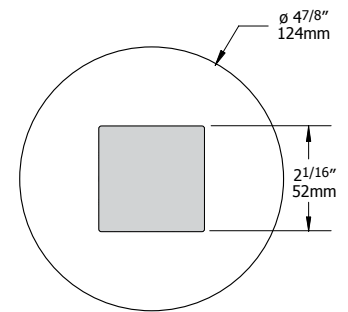
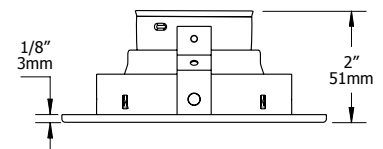
For exterior use and Wet Locations, **MARINE GRADE** treatment is recommended. May be applied on finishes: -01, -02, -05, -06, -11, -14 and -15. See page 252 for more details. Add **MG** to code.Ex.: S2051-11**MG**



## S2051 Specs and codification

### Trim codification S2051C-08

MODEL	LENS	TRIM FINISH	MARINE GRADE
<b>S2051</b>	<b>C</b>	<b>-08</b>	
	STANDARD: FROSTED C	-01 -02 -03 -04 -04BR -05 -06 -07 -08 -11 -12BR -13 -14 -15 -16	MG May be applied on finishes: -01, -02, -05, -06, -11, -14 and -15.



### Housings Specifications Low voltage : MR16

New Construction	W	HOLE CUT	LENGTH	WIDTH	HEIGHT
NW2000 <b>CE</b> <sup>1</sup>	42W	4 <sup>1</sup> / <sub>4</sub> " (108mm)	15 <sup>3</sup> / <sub>8</sub> " (391mm) x 10"	(254mm) x 3 <sup>11</sup> / <sub>16</sub> " (94mm)	
NW2000 <b>CM</b> <sup>1</sup>	50W	4 <sup>1</sup> / <sub>4</sub> " (108mm)	15 <sup>3</sup> / <sub>8</sub> " (391mm) x 10"	(254mm) x 3 <sup>11</sup> / <sub>16</sub> " (94mm)	
NW2000 <b>E</b> <sup>1</sup>	50W	4 <sup>1</sup> / <sub>4</sub> " (108mm)	15 <sup>3</sup> / <sub>8</sub> " (391mm) x 10"	(254mm) x 4 <sup>1</sup> / <sub>2</sub> " (114mm)	
NW2000 <b>LM</b> <sup>1</sup>	50W	4 <sup>1</sup> / <sub>4</sub> " (108mm)	15 <sup>3</sup> / <sub>8</sub> " (391mm) x 10"	(254mm) x 5 <sup>1</sup> / <sub>2</sub> " (140mm)	
Remodel					
IT2000 <b>CE</b> <sup>1</sup>	42W	4 <sup>1</sup> / <sub>4</sub> " (108mm)	13" (330mm) x 5 <sup>1</sup> / <sub>4</sub> " (134mm)	x 3 <sup>11</sup> / <sub>16</sub> " (94mm)	
IT2000 <b>CM</b> <sup>1</sup>	42W	4 <sup>1</sup> / <sub>4</sub> " (108mm)	13" (330mm) x 5 <sup>1</sup> / <sub>4</sub> " (134mm)	x 3 <sup>11</sup> / <sub>16</sub> " (94mm)	
IT2000 <b>E</b> <sup>1</sup>	50W	4 <sup>1</sup> / <sub>4</sub> " (108mm)	13 <sup>3</sup> / <sub>4</sub> " (350mm) x 5 <sup>1</sup> / <sub>8</sub> " (130mm)	x 6" (152mm)	
IT2000 <b>M</b> <sup>1</sup>	50W	4 <sup>1</sup> / <sub>4</sub> " (108mm)	13 <sup>3</sup> / <sub>4</sub> " (350mm) x 5 <sup>1</sup> / <sub>8</sub> " (130mm)	x 6" (152mm)	
Insulated Ceiling (IC)					
ISMR2000 <b>M</b> <sup>1</sup>	50W	4 <sup>1</sup> / <sub>4</sub> " (108mm)	19 <sup>3</sup> / <sub>8</sub> " (492mm) x 10"	(254mm) x 7 <sup>1</sup> / <sub>16</sub> " (179mm)	
ISMR2000 <b>M37</b> <sup>1</sup>	37W	4 <sup>1</sup> / <sub>4</sub> " (108mm)	15 <sup>5</sup> / <sub>16</sub> " (389mm) x 10"	(254mm) x 7 <sup>1</sup> / <sub>8</sub> " (181mm)	

- C** Short housing
- L** Long housing
- E** Electronic transformer (120/277V)
- M** Magnetic transformer

<sup>1</sup> May be available in **277 Volts and/or 347 Volts. Add 2** (277V) or **3** (347V) at the end of the housing code.  
Ex.: IT2000**M2**  
Consult factory for availabilities.  
**\*277 Volts: USA**  
**\*347 Volts: Canada and Magnetic transformer only**

**Chicago Plenum**  
Add **P** at the end of the code to enhance your **IC** housing to meet Chicago Plenum requirements.  
Ex.: ISMR2000**MP**

**California Title 24**  
Add **W** at the end of the code to enhance your **IC** housing to meet California Title 24 requirements.  
Ex.: ISMR2000**MW**

**AIRTIGHT**  
IC housings meet ASTM E283 standard. These housings may be used in insulated ceilings and be covered with insulation material.





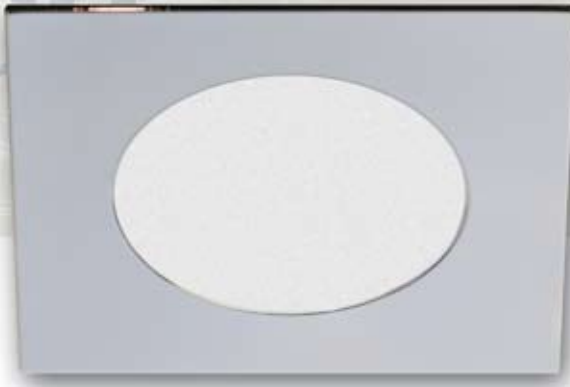
4"

MR16



S2100

# S2100



S2100-04BR



## Shower



**Wet location**

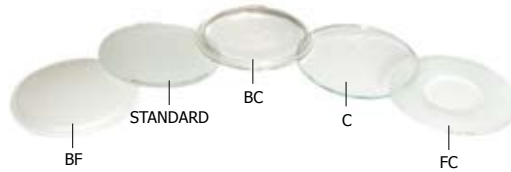


**Low voltage** : MR16 20-50W, MR16 IR 37-50W  
Available with a magnetic or an electronic transformer.

### Lenses

**Standard: UV frosted lens** (3 1/4" - 83mm).

- Frosted convex:** S2100BF
- Clear convex:** S2100BC
- Clear:** S2100C
- Frosted with clear center:** S2100FC



See page 251 for more details.

**Optional UV MR16 lens** (49mm).

Colored lenses are available. See pages 250-251 for details.

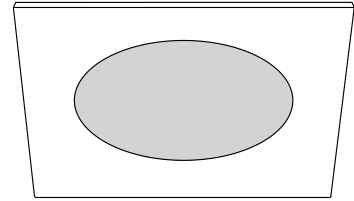


### Trim finishes



Ex.: S2100-04

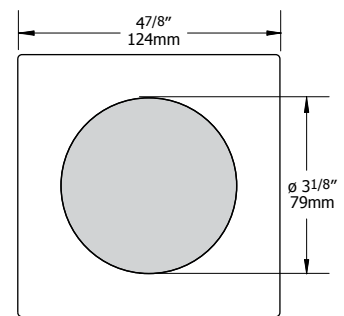
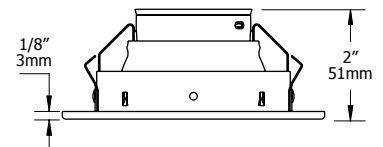
For exterior use and Wet Locations, **MARINE GRADE** treatment is recommended. May be applied on finishes: -01, -02, -05, -06, -11, -14 and -15. See page 252 for more details. Add **MG** to code. Ex.: S2100-11**MG**



## S2100 Specs and codification

### Trim codification S2100FC-05MG

MODEL	LENS	TRIM FINISH	MARINE GRADE
<b>S2100</b>	<b>FC</b>	<b>-05</b>	
	STANDARD: FROSTED C FC	-01 -02 -03 -04 -04BR -05 -06 -07 -08 -11 -12BR -13 -14 -15 -16	MG May be applied on finishes: -01, -02, -05, -06, -11, -14 and -15.



### Housings Specifications Low voltage : MR16

New Construction	W	HOLE CUT	LENGTH	WIDTH	HEIGHT
NW2000 <b>CE</b> <sup>1</sup>	42W	4 1/4" (108mm)	15 3/8" (391mm) x 10"	(254mm) x 3 11/16" (94mm)	
NW2000 <b>CM</b> <sup>1</sup>	50W	4 1/4" (108mm)	15 3/8" (391mm) x 10"	(254mm) x 3 11/16" (94mm)	
NW2000 <b>E</b> <sup>1</sup>	50W	4 1/4" (108mm)	15 3/8" (391mm) x 10"	(254mm) x 4 1/2" (114mm)	
NW2000 <b>LM</b> <sup>1</sup>	50W	4 1/4" (108mm)	15 3/8" (391mm) x 10"	(254mm) x 5 1/2" (140mm)	
Remodel					
IT2000 <b>CE</b> <sup>1</sup>	42W	4 1/4" (108mm)	13" (330mm) x 5 1/4" (134mm)	(134mm) x 3 11/16" (94mm)	
IT2000 <b>CM</b> <sup>1</sup>	42W	4 1/4" (108mm)	13" (330mm) x 5 1/4" (134mm)	(134mm) x 3 11/16" (94mm)	
IT2000 <b>E</b> <sup>1</sup>	50W	4 1/4" (108mm)	13 3/4" (350mm) x 5 1/8" (130mm)	(130mm) x 6" (152mm)	
IT2000 <b>M</b> <sup>1</sup>	50W	4 1/4" (108mm)	13 3/4" (350mm) x 5 1/8" (130mm)	(130mm) x 6" (152mm)	
Insulated Ceiling (IC)					
ISMR2000 <b>M</b> <sup>1</sup>	50W	4 1/4" (108mm)	19 3/8" (492mm) x 10"	(254mm) x 7 1/16" (179mm)	
ISMR2000 <b>M37</b> <sup>1</sup>	37W	4 1/4" (108mm)	15 5/16" (389mm) x 10"	(254mm) x 7 1/8" (181mm)	

**C** Short housing  
**L** Long housing  
**E** Electronic transformer (120/277V)  
**M** Magnetic transformer

<sup>1</sup> May be available in **277 Volts and/or 347 Volts**. Add **2** (277V) or **3** (347V) at the end of the housing code.

Ex.: IT2000**M2**  
 Consult factory for availabilities.

**\*277 Volts: USA**  
**\*347 Volts: Canada and Magnetic transformer only**

**Chicago Plenum**  
 Add **P** at the end of the code to enhance your **IC** housing to meet Chicago Plenum requirements.  
 Ex.: ISMR2000**MP**

**California Title 24**  
 Add **W** at the end of the code to enhance your **IC** housing to meet California Title 24 requirements.  
 Ex.: ISMR2000**MW**

**AIRTIGHT**  
 IC housings meet ASTM E283 standard. These housings may be used in insulated ceilings and be covered with insulation material.



4"

MR16



T2000VLS

# T2000VLS

T2010VLS



T2000VLS-13



T2010VLS-02

## Shower



**Wet location**



**Low voltage** : MR16 20-50W, MR16 IR 37-50W

Available with a magnetic or an electronic transformer.

## Lenses

**Standard: UV frosted lens** (49 mm).

Colored and frosted lenses are available. See pages 250-251 for details.



## Glass

The glass is available in 2 colors.

**Natural** (T2000VLS)

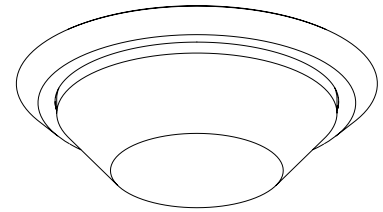
**Cobalt Blue** (T2010VLS).

## Trim finishes



Ex.: T2000VLS-04

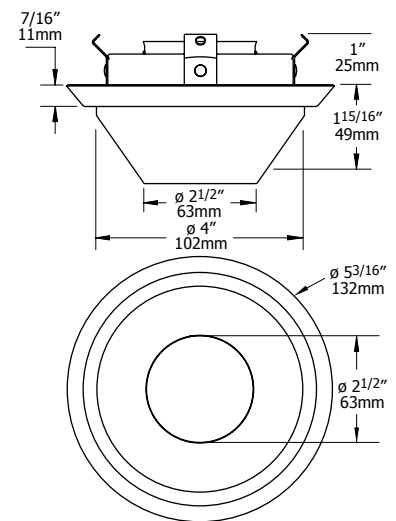
For exterior use and Wet Locations, **MARINE GRADE** treatment is recommended. May be applied on finishes: -01, -02, -05, -06, -11, -14 and -15. See page 252 for more details. Add **MG** to code. Ex.: T2010VLS-14**MG**



## T2000VLS Specs and codification

### Trim codification T2000VLS-04BR

MODEL	TRIM FINISH	MARINE GRADE
<b>T2000VLS</b>	<b>-04BR</b>	
	-01 -02 -03 -04 -04BR -05 -06 -07 -08 -11 -12BR -13 -14 -15 -16	MG May be applied on finishes: -01, -02, -05, -06, -11, -14 and -15.



### Housings Specifications Low voltage : MR16

New Construction	W	HOLE CUT	LENGTH	WIDTH	HEIGHT
NW2000 <b>CE</b> <sup>1</sup>	42W	4 1/4" (108mm)	15 3/8" (391mm) x 10"	(254mm)	x 3 11/16" (94mm)
NW2000 <b>CM</b> <sup>1</sup>	50W	4 1/4" (108mm)	15 3/8" (391mm) x 10"	(254mm)	x 3 11/16" (94mm)
NW2000 <b>E</b> <sup>1</sup>	50W	4 1/4" (108mm)	15 3/8" (391mm) x 10"	(254mm)	x 4 1/2" (114mm)
NW2000 <b>LM</b> <sup>1</sup>	50W	4 1/4" (108mm)	15 3/8" (391mm) x 10"	(254mm)	x 5 1/2" (140mm)
Remodel					
IT2000 <b>CE</b> <sup>1</sup>	42W	4 1/4" (108mm)	13" (330mm) x 5 1/4" (134mm)		x 3 11/16" (94mm)
IT2000 <b>CM</b> <sup>1</sup>	42W	4 1/4" (108mm)	13" (330mm) x 5 1/4" (134mm)		x 3 11/16" (94mm)
IT2000 <b>E</b> <sup>1</sup>	50W	4 1/4" (108mm)	13 3/4" (350mm) x 5 1/8" (130mm)		x 6" (152mm)
IT2000 <b>M</b> <sup>1</sup>	50W	4 1/4" (108mm)	13 3/4" (350mm) x 5 1/8" (130mm)		x 6" (152mm)
Insulated Ceiling (IC)					
ISMR2000 <b>M</b> <sup>1</sup>	50W	4 1/4" (108mm)	19 3/8" (492mm) x 10"	(254mm)	x 7 1/16" (179mm)

**C** Short housing  
**L** Long housing  
**E** Electronic transformer (120/277V)  
**M** Magnetic transformer

<sup>1</sup> May be available in **277 Volts and/or 347 Volts. Add 2** (277V) or **3** (347V) at the end of the housing code.

Ex.: IT3000LM2  
 Consult factory for availabilities.

**\*277 Volts: USA**  
**\*347 Volts: Canada and Magnetic transformer only**

#### Chicago Plenum

Add **P** at the end of the code to enhance your **IC** housing to meet Chicago Plenum requirements.  
 Ex.: ISMR3000MP

#### California Title 24

Add **W** at the end of the code to enhance your **IC** housing to meet California Title 24 requirements.  
 Ex.: ISMR3000MW

#### AIRTIGHT

IC housings meet ASTM E283 standard. These housings may be used in insulated ceilings and be covered with insulation material.



4"

MR16



T2000VS

# T2000VS

T2010VS



## Shower



**Wet location**



**Low voltage** : MR16 20-50W, MR16 IR 37-50W  
Available with a magnetic or an electronic transformer.

## Lenses

**Standard: UV frosted lens** (49 mm).  
Colored and frosted lenses are available. See pages 250-251 for details.



## Glass

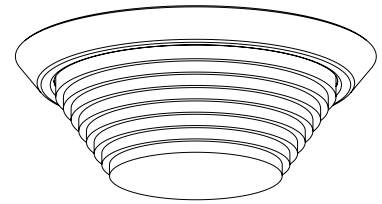
The glass is available in 2 colors.  
**Natural** (T2000VS)  
**Cobalt Blue** (T2010VS).

## Trim finishes



Ex.: T2000VS-07

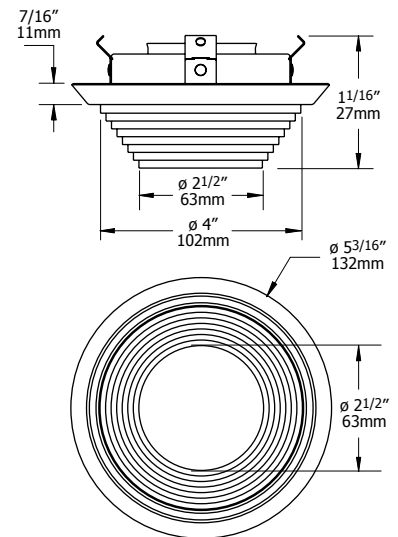
For exterior use and Wet Locations, **MARINE GRADE** treatment is recommended. May be applied on finishes: -01, -02, -05, -06, -11, -14 and -15. See page 252 for more details. Add **MG** to code. Ex.: T2000VS-11**MG**



## T2000VS Specs and codification

### Trim codification T2010VS-06MG

MODEL	TRIM FINISH	MARINE GRADE
<b>T2010VS</b>	<b>-06</b>	<b>MG</b>
T2000VS T2010VS	-01 -02 -03 -04 -04BR -05 -06 -07 -08 -11 -12BR -13 -14 -15 -16	MG May be applied on finishes: -01, -02, -05, -06, -11, -14 and -15.



### Housings Specifications Low voltage : MR16

 New Construction	W	HOLE CUT	LENGTH	WIDTH	HEIGHT
NW2000CE <sup>1</sup>	42W	4 1/4" (108mm)	15 3/8" (391mm) x 10"	(254mm) x 3 11/16" (94mm)	
NW2000CM <sup>1</sup>	50W	4 1/4" (108mm)	15 3/8" (391mm) x 10"	(254mm) x 3 11/16" (94mm)	
NW2000E <sup>1</sup>	50W	4 1/4" (108mm)	15 3/8" (391mm) x 10"	(254mm) x 4 1/2" (114mm)	
NW2000LM <sup>1</sup>	50W	4 1/4" (108mm)	15 3/8" (391mm) x 10"	(254mm) x 5 1/2" (140mm)	
 Remodel					
IT2000CE <sup>1</sup>	42W	4 1/4" (108mm)	13" (330mm) x 5 1/4" (134mm)	x 3 11/16" (94mm)	
IT2000CM <sup>1</sup>	42W	4 1/4" (108mm)	13" (330mm) x 5 1/4" (134mm)	x 3 11/16" (94mm)	
IT2000E <sup>1</sup>	50W	4 1/4" (108mm)	13 3/4" (350mm) x 5 1/8" (130mm)	x 6" (152mm)	
IT2000M <sup>1</sup>	50W	4 1/4" (108mm)	13 3/4" (350mm) x 5 1/8" (130mm)	x 6" (152mm)	
 Insulated Ceiling (IC)					
ISMR2000M <sup>1</sup>	50W	4 1/4" (108mm)	19 3/8" (492mm) x 10"	(254mm) x 7 1/16" (179mm)	

**C** Short housing  
**L** Long housing  
**E** Electronic transformer (120/277V)  
**M** Magnetic transformer

<sup>1</sup> May be available in **277 Volts and/or 347 Volts**. Add **2** (277V) or **3** (347V) at the end of the housing code.

Ex.: IT3000LM2  
 Consult factory for availabilities.

**\*277 Volts: USA**  
**\*347 Volts: Canada and Magnetic transformer only**

#### Chicago Plenum

Add **P** at the end of the code to enhance your **IC** housing to meet Chicago Plenum requirements.  
 Ex.: ISMR3000MP

#### California Title 24

Add **W** at the end of the code to enhance your **IC** housing to meet California Title 24 requirements.  
 Ex.: ISMR3000MW

#### AIRTIGHT

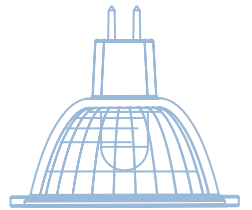
IC housings meet ASTM E283 standard. These housings may be used in insulated ceilings and be covered with insulation material.





**7000 Series**

**low voltage** **4 1/4"**  
**MR16**  
**12V**









adjustable



T7024-01

See next page for more details

4 1/4"

MR16



T702

# T7024



T7024-01



## Adjustable



**Damp location**



**Low voltage** : MR16 20-50W, MR16 IR 37-50W  
Available with a magnetic or an electronic transformer.

## Lenses

**Standard: UV clear lens** (1 7/8" - 47mm).

Colored and frosted lenses are available. See pages 250-251 for details.



## Trim finishes

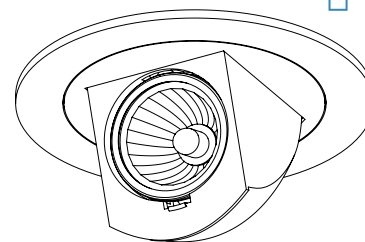


Ex.: T7024-04

The 7000, die cast Aluminium series does not require « Marine Grade » treatment.

4 1/4"

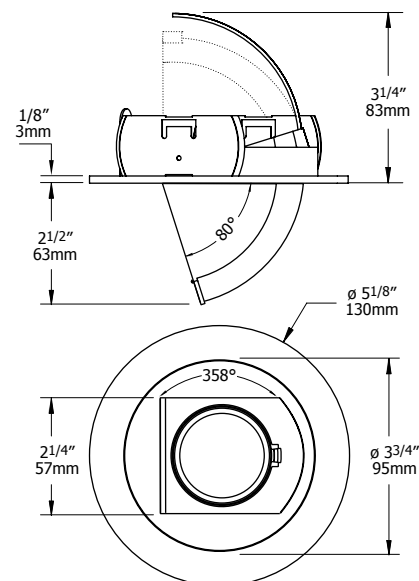
MR16



## T7024 Specs and codification

### Trim codification T7024-12BR

MODEL	TRIM FINISH
<b>T7024</b>	<b>-12BR</b>
	-01
	-02
	-03
	-04
	-04BR
	-05
	-06
	-07
	-08
	-11
	-12BR
	-13
	-14
	-15
	-16



### Housings Specifications Low voltage : MR16

 New Construction	W	HOLE CUT	LENGTH	WIDTH	HEIGHT
NW7000M <sup>1</sup>	50W	4 5/16" (110mm)	15 3/8" (391mm)	10" (254mm)	4 3/4" (121mm)
NW7000E <sup>1</sup>	50W	4 5/16" (110mm)	15 3/8" (391mm)	10" (254mm)	4 3/4" (121mm)
 Remodel					
IT7000M <sup>1</sup>	50W	4 5/16" (110mm)	13 3/8" (340mm)	5 1/4" (134mm)	6 1/16" (154mm)
IT7000E <sup>1</sup>	50W	4 5/16" (110mm)	13 3/8" (340mm)	5 1/4" (134mm)	6 1/16" (154mm)
 Insulated Ceiling (IC)					
ISMR7000E35 <sup>1</sup>	35W	4 5/16" (110mm)	19 3/8" (492mm)	10" (254mm)	7 1/16" (179mm)
ISMR7000M35 <sup>1</sup>	35W	4 5/16" (110mm)	19 3/8" (492mm)	10" (254mm)	7 1/16" (179mm)

- C** Short housing
- L** Long housing
- E** Electronic transformer (120/277V)
- M** Magnetic transformer

<sup>1</sup> May be available in **277 Volts and/or 347 Volts**. Add **2** (277V) or **3** (347V) at the end of the housing code.

Ex.: IT7000M**2**  
Consult factory for availabilities.  
**\*277 Volts: USA**  
**\*347 Volts: Canada and Magnetic transformer only**

#### Chicago Plenum

Add **P** at the end of the code to enhance your **IC** housing to meet Chicago Plenum requirements.  
Ex.: ISMR7000MP

#### California Title 24

Add **W** at the end of the code to enhance your **IC** housing to meet California Title 24 requirements.  
Ex.: ISMR7000MW

#### AIRTIGHT

IC housings meet ASTM E283 standard. These housings may be used in insulated ceilings and be covered with insulation material.



4 1/4"

MR16



T7025



T7025-04BR



# T7025

## Adjustable



**Damp location**



**Low voltage** : MR16 20-50W, MR16 IR 37-50W  
Available with a magnetic or an electronic transformer.

## Lenses

**Standard: UV clear lens** (1 7/8" - 47mm).  
Colored and frosted lenses are available. See pages 250-251 for details.



## Trim finishes

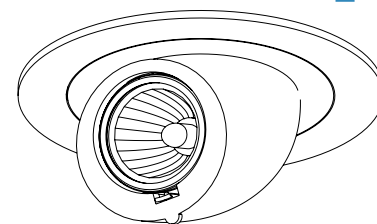


Ex.: T7025-08

The 7000, die cast Aluminium series does not require « Marine Grade » treatment.

4 1/4"

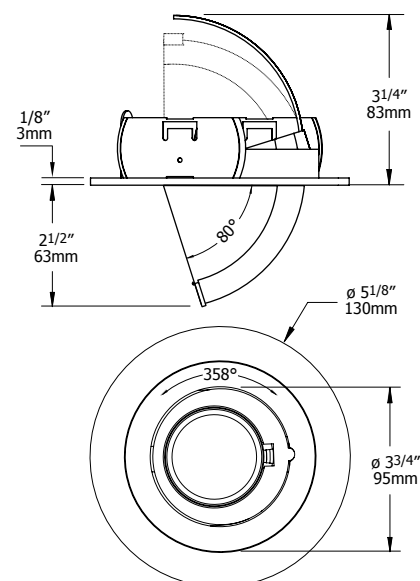
MR16



## T7025 Specs and codification

### Trim codification T7025-12BR

MODEL	TRIM FINISH
<b>T7025</b>	<b>-12BR</b>
	-01
	-02
	-03
	-04
	-04BR
	-05
	-06
	-07
	-08
	-11
	-12BR
	-13
	-14
	-15
	-16



### Housings Specifications Low voltage : MR16

 New Construction	W	HOLE CUT	LENGTH	WIDTH	HEIGHT
NW7000M <sup>1</sup>	50W	4 5/16" (110mm)	15 3/8" (391mm)	10" (254mm)	4 3/4" (121mm)
NW7000E <sup>1</sup>	50W	4 5/16" (110mm)	15 3/8" (391mm)	10" (254mm)	4 3/4" (121mm)
 Remodel					
IT7000M <sup>1</sup>	50W	4 5/16" (110mm)	13 3/8" (340mm)	5 1/4" (134mm)	6 1/16" (154mm)
IT7000E <sup>1</sup>	50W	4 5/16" (110mm)	13 3/8" (340mm)	5 1/4" (134mm)	6 1/16" (154mm)
 Insulated Ceiling (IC)					
ISMR7000E35 <sup>1</sup>	35W	4 5/16" (110mm)	19 3/8" (492mm)	10" (254mm)	7 1/16" (179mm)
ISMR7000M35 <sup>1</sup>	35W	4 5/16" (110mm)	19 3/8" (492mm)	10" (254mm)	7 1/16" (179mm)

- C** Short housing
- L** Long housing
- E** Electronic transformer (120/277V)
- M** Magnetic transformer

<sup>1</sup> May be available in **277 Volts and/or 347 Volts**. Add **2** (277V) or **3** (347V) at the end of the housing code.

Ex.: IT7000M**2**  
Consult factory for availabilities.  
**\*277 Volts: USA**  
**\*347 Volts: Canada and Magnetic transformer only**

#### Chicago Plenum

Add **P** at the end of the code to enhance your **IC** housing to meet Chicago Plenum requirements.  
Ex.: ISMR7000MP

#### California Title 24

Add **W** at the end of the code to enhance your **IC** housing to meet California Title 24 requirements.  
Ex.: ISMR7000MW

#### AIRTIGHT

IC housings meet ASTM E283 standard. These housings may be used in insulated ceilings and be covered with insulation material.



4 1/4"

MR16



T7800



T7800

T7800-11

## Ajustable



Damp location



Low voltage : MR16

Available with a magnetic or an electronic transformer.

## Lenses

Standard: UV clear lens (1 7/8" - 47mm).

Colored and frosted lenses are available. See pages 250-251 for details.



## Trim finishes

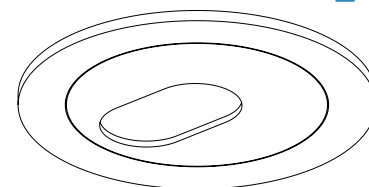


Ex.: T7800-13

The 7000, die cast Aluminium series does not require « Marine Grade » treatment.

4 1/4"

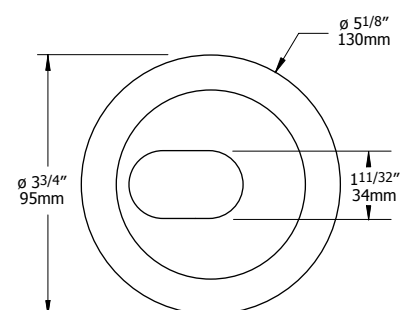
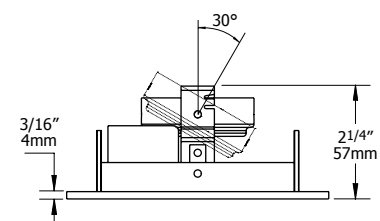
MR16




## T7800 Specs and codification

### Trim codification T7800-05

MODEL	TRIM FINISH
<b>T7800</b>	<b>-05</b>
	-01
	-02
	-03
	-04
	-04BR
	-05
	-06
	-07
	-08
	-11
	-12BR
	-13
	-14
	-15
	-16



### Housings Specifications Low voltage : MR16

 New Construction	W	HOLE CUT	LENGTH	WIDTH	HEIGHT
NW7000M <sup>1</sup>	37W	4 5/16" (110mm)	15 3/8" (391mm)	10" (254mm)	4 3/4" (121mm)
NW7000E <sup>1</sup>	37W	4 5/16" (110mm)	15 3/8" (391mm)	10" (254mm)	4 3/4" (121mm)
 Remodel					
IT7000M <sup>1</sup>	37W	4 5/16" (110mm)	13 3/8" (340mm)	5 1/4" (134mm)	6 1/16" (154mm)
IT7000E <sup>1</sup>	37W	4 5/16" (110mm)	13 3/8" (340mm)	5 1/4" (134mm)	6 1/16" (154mm)

- C** Short housing
- L** Long housing
- E** Electronic transformer (120/277V)
- M** Magnetic transformer

<sup>1</sup> May be available in **277 Volts and/or 347 Volts**. Add **2** (277V) or **3** (347V) at the end of the housing code.  
 Ex.: IT7000M**2**  
 Consult factory for availabilities.  
**\*277 Volts: USA**  
**\*347 Volts: Canada and Magnetic transformer only**



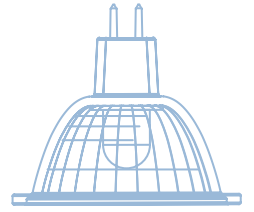






**3000 Series**

**low voltage** **3 1/2"**  
**MR16**  
**12V**





# downlight and adjustable



R3151-12BR

See next page for more details



3 1/2"

MR16



R3151

# R3151



R3151-12BR



## Pinhole



**Damp location**



**Low voltage** : MR16 20-50W, MR16 IR 37-50W

Available with a magnetic or an electronic transformer.

## Lenses

**Standard: UV clear lens** (1<sup>15</sup>/<sub>16</sub>" - 49mm).

Colored and frosted lenses are available. See pages 250-251 for details.



## Reflector finishes



**Standard: anodized aluminum**

### ANODIZED



Ex.: R3151-01**IG**

### SPECULAR



Ex.: R3151-05**CL**

### PAINTED



Ex.: R3151-11-**11**

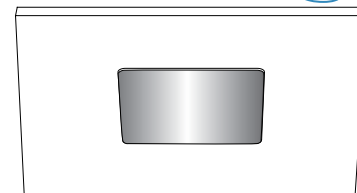
## Trim finishes



Ex.: R3151-**04**

For exterior use and Wet Locations, **MARINE GRADE** treatment is recommended. May be applied on finishes: -01, -02, -05, -06, -11, -14 and -15. See page 252 for more details. Add **MG** to code. Ex.: R3151-14**MG**

3 1/2"

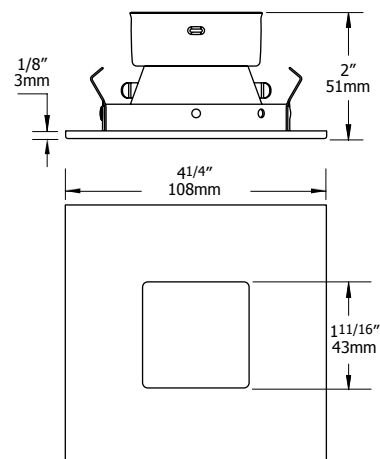


MR16

## R3151 Specs and codification

### Trim codification R3151-06-02MG

MODEL	TRIM FINISH	REFLECTOR	MARINE GRADE
<b>R3151</b>	<b>-06</b>	<b>-02</b>	<b>MG</b>
	-01 -02 -03 -04 -04BR -05 -06 -07 -08 -11 -12BR -13 -14 -15 -16	ANODIZED ALUMINUM (STANDARD) AZ BO IG RU CB SPECULAR CL BK CH PAINTED -01 -02 -11	MG May be applied on finishes: -01, -02, -05, -06, -11, -14 and -15.



### Housings Specifications Low voltage : MR16

 New Construction	W	HOLE CUT	LENGTH	WIDTH	HEIGHT
NW3000CE <sup>1</sup>	50W	3 5/8" (92mm)	15 3/8" (391mm) x 10"	(254mm) x 3 11/16" (94mm)	
NW3000CM <sup>1</sup>	50W	3 5/8" (92mm)	15 3/8" (391mm) x 10"	(254mm) x 3 11/16" (94mm)	
NW3000LE <sup>1</sup>	50W	3 5/8" (92mm)	15 3/8" (391mm) x 10"	(254mm) x 5 1/2" (140mm)	
NW3000LM <sup>1</sup>	50W	3 5/8" (92mm)	15 3/8" (391mm) x 10"	(254mm) x 5 1/2" (140mm)	
 Remodel					
IT3000LE <sup>1</sup>	50W	3 5/8" (92mm)	13 3/8" (340mm) x 4 5/8" (117mm)	x 7 1/16" (179mm)	
IT3000LM <sup>1</sup>	50W	3 5/8" (92mm)	13 3/8" (340mm) x 4 5/8" (117mm)	x 7 1/16" (179mm)	
 Insulated Ceiling (IC)					
ISMR3000E20 <sup>1</sup>	20W	3 5/8" (92mm)	15 3/16" (386mm) x 8 1/8" (207mm)	x 7 7/8" (200mm)	
ISMR3000E35 <sup>1</sup>	35W	3 5/8" (92mm)	15 3/16" (386mm) x 8 1/8" (207mm)	x 7 7/8" (200mm)	
ISMR3000M <sup>1</sup>	35W	3 5/8" (92mm)	19 3/8" (492mm) x 10"	(254mm) x 7 1/16" (179mm)	
ISMR3000M20 <sup>1</sup>	20W	3 5/8" (92mm)	15 3/16" (386mm) x 8 1/8" (207mm)	x 7 7/8" (200mm)	
ISMR3000M35 <sup>1</sup>	35W	3 5/8" (92mm)	19 3/8" (492mm) x 10"	(254mm) x 7 1/16" (179mm)	

**C** Short housing  
**L** Long housing  
**E** Electronic transformer (120/277V)  
**M** Magnetic transformer

<sup>1</sup> May be available in **277 Volts and/or 347 Volts**. Add **2** (277V) or **3** (347V) at the end of the housing code.

Ex.: IT3000LM2

Consult factory for availabilities.

**\*277 Volts: USA**  
**\*347 Volts: Canada and Magnetic transformer only**

#### Chicago Plenum

Add **P** at the end of the code to enhance your **IC** housing to meet Chicago Plenum requirements.  
 Ex.: ISMR3000MP

#### California Title 24

Add **W** at the end of the code to enhance your **IC** housing to meet California Title 24 requirements.  
 Ex.: ISMR3000MW

#### AIRTIGHT

IC housings meet ASTM E283 standard. These housings may be used in insulated ceilings and be covered with insulation material.



3 1/2"

MR16



R3151K

# R3151K



R3151K-11-02



## Pinhole



### Damp location



**Low voltage** : MR16 20-50W, MR16 IR 37-50W  
Available with a magnetic or an electronic transformer.

## Lenses

**Standard: UV clear lens** (1 15/16" - 49mm).  
Colored and frosted lenses are available. See pages 250-251 for details.



## Reflector finishes



**Standard: anodized aluminum**

ANODIZED				
AZ	BO	IG	RU	CB
Azur	Burnt Orange	Inca Gold	Rubis	Cobalt Blue

Ex.: R3151K-13AZ

SPECULAR		
CL	BK	CH
Clear	Black	Champagne

Ex.: R3151K1-02CL

PAINTED		
-01	-02	-11
White	Black	Matte White

Ex.: R3151K-03-02

## Trim finishes

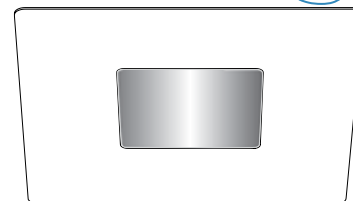
-01	-02	-03	-04	-04BR	-05	-06	-07	-08	-11	-12BR	-13	-14	-15	-16
White	Black	Gold Plated 24k	Chrome	Brushed Chrome	Architectural Bronze	Antique Copper	Antique Brass	Antique Silver	Matte White	Brushed Nickel	Satin Nickel	Almond	Metallic Grey	Satin Chrome

Ex.: R3151K-04

For exterior use and Wet Locations, **MARINE GRADE** treatment is recommended. May be applied on finishes: -01, -02, -05, -06, -11, -14 and -15. See page 252 for more details. Add **MG** to code. Ex.: R3151K-05MG

3 1/2"

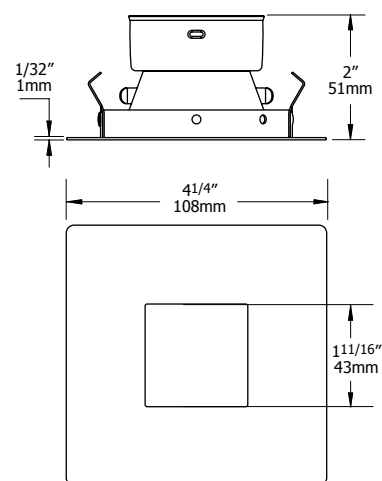
MR16



## R3151K Specs and codification

### Trim codification R3151K-04

MODEL	TRIM FINISH	REFLECTOR	MARINE GRADE
<b>R3151K</b>	<b>-04</b>		
	-01	ANODIZED	MG
	-02	ALUMINUM (STANDARD)	May be applied on
	-03	AZ	finishes:
	-04	BO	-01, -02, -05, -06,
	-04BR	IG	-11, -14 and -15.
	-05	RU	
	-06	CB	
	-07	SPECULAR	
	-08	CL	
	-11	BK	
	-12BR	CH	
	-13	PAINTED	
	-14	-01	
	-15	-02	
	-16	-11	



### Housings Specifications Low voltage : MR16



New Construction	W	HOLE CUT	LENGTH	WIDTH	HEIGHT
NW3000CE <sup>1</sup>	50W	3 5/8" (92mm)	15 3/8" (391mm) x 10"	(254mm) x 3 11/16" (94mm)	
NW3000CM <sup>1</sup>	50W	3 5/8" (92mm)	15 3/8" (391mm) x 10"	(254mm) x 3 11/16" (94mm)	
NW3000LE <sup>1</sup>	50W	3 5/8" (92mm)	15 3/8" (391mm) x 10"	(254mm) x 5 1/2" (140mm)	
NW3000LM <sup>1</sup>	50W	3 5/8" (92mm)	15 3/8" (391mm) x 10"	(254mm) x 5 1/2" (140mm)	

- C** Short housing
- L** Long housing
- E** Electronic transformer (120/277V)
- M** Magnetic transformer

<sup>1</sup> May be available in **277 Volts and/or 347 Volts**. Add **2** (277V) or **3** (347V) at the end of the housing code.  
Ex.: IT3000LM2  
Consult factory for availabilities.  
**\*277 Volts: USA**  
**\*347 Volts: Canada and Magnetic transformer only**





3 1/2"

MR16



R3152

# R3152



R3152-13



## Pinhole



**Damp location**



**Low voltage** : MR16 20-50W, MR16 IR 37-50W

Available with a magnetic or an electronic transformer.

## Lenses

**Standard: UV clear lens** (1<sup>15</sup>/<sub>16</sub>" - 49mm).

Colored and frosted lenses are available. See pages 250-251 for details.



## Reflector finishes



**Standard: anodized aluminum**



Ex.: R3152-07IG



Ex.: R3152-02CL



Ex.: R3152-13-02

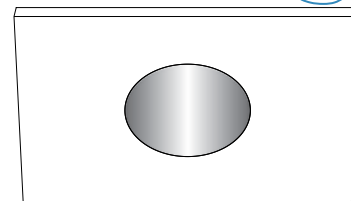
## Trim finishes



Ex.: R3152-04BR

For exterior use and Wet Locations, **MARINE GRADE** treatment is recommended. May be applied on finishes: -01, -02, -05, -06, -11, -14 and -15. See page 252 for more details. Add **MG** to code. Ex.: R3152-02MG

3 1/2"

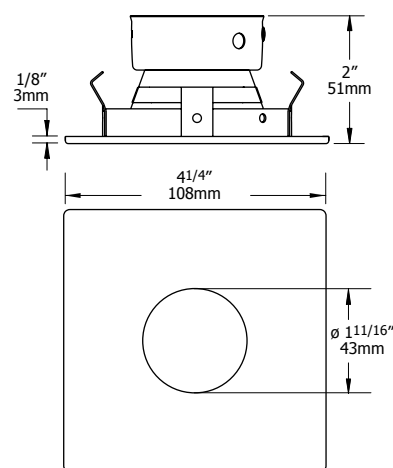


MR16

## R3152 Specs and codification

### Trim codification R3152-12BRAZ

MODEL	TRIM FINISH	REFLECTOR	MARINE GRADE
<b>R3152</b>	<b>-012BR</b>	<b>AZ</b>	
	-01 -02 -03 -04 -04BR -05 -06 -07 -08 -11 -12BR -13 -14 -15 -16	ANODIZED ALUMINUM (STANDARD) AZ BO IG RU CB SPECULAR CL BK CH PAINTED -01 -02 -11	MG May be applied on finishes: -01, -02, -05, -06, -11, -14 and -15.



### Housings Specifications Low voltage : MR16

New Construction	W	HOLE CUT	LENGTH	WIDTH	HEIGHT
NW3000CE <sup>1</sup>	37W	3 5/8" (92mm)	15 3/8" (391mm) x 10"	(254mm) x 3 11/16" (94mm)	
NW3000CM <sup>1</sup>	37W	3 5/8" (92mm)	15 3/8" (391mm) x 10"	(254mm) x 3 11/16" (94mm)	
NW3000LE <sup>1</sup>	50W	3 5/8" (92mm)	15 3/8" (391mm) x 10"	(254mm) x 5 1/2" (140mm)	
NW3000LM <sup>1</sup>	50W	3 5/8" (92mm)	15 3/8" (391mm) x 10"	(254mm) x 5 1/2" (140mm)	
Remodel					
IT3000LE <sup>1</sup>	50W	3 5/8" (92mm)	13 3/8" (340mm) x 4 5/8" (117mm)	7 1/16" (179mm)	
IT3000LM <sup>1</sup>	50W	3 5/8" (92mm)	13 3/8" (340mm) x 4 5/8" (117mm)	7 1/16" (179mm)	
Insulated Ceiling (IC)					
ISMR3000E20 <sup>1</sup>	20W	3 5/8" (92mm)	15 3/16" (386mm) x 8 1/8" (207mm)	7 7/8" (200mm)	
ISMR3000E35 <sup>1</sup>	35W	3 5/8" (92mm)	15 3/16" (386mm) x 8 1/8" (207mm)	7 7/8" (200mm)	
ISMR3000M <sup>1</sup>	35W	3 5/8" (92mm)	19 3/8" (492mm) x 10" (254mm)	7 1/16" (179mm)	
ISMR3000M20 <sup>1</sup>	20W	3 5/8" (92mm)	15 3/16" (386mm) x 8 1/8" (207mm)	7 7/8" (200mm)	
ISMR3000M35 <sup>1</sup>	35W	3 5/8" (92mm)	19 3/8" (492mm) x 10" (254mm)	7 1/16" (179mm)	

**C** Short housing  
**L** Long housing  
**E** Electronic transformer (120/277V)  
**M** Magnetic transformer

<sup>1</sup> May be available in **277 Volts and/or 347 Volts**. Add **2** (277V) or **3** (347V) at the end of the housing code.

Ex.: IT3000LM2  
 Consult factory for availabilities.

**\*277 Volts: USA**  
**\*347 Volts: Canada and Magnetic transformer only**

**Chicago Plenum**  
 Add **P** at the end of the code to enhance your **IC** housing to meet Chicago Plenum requirements.  
 Ex.: ISMR3000MP

**California Title 24**  
 Add **W** at the end of the code to enhance your **IC** housing to meet California Title 24 requirements.  
 Ex.: ISMR3000MW

**AIRTIGHT**  
 IC housings meet ASTM E283 standard. These housings may be used in insulated ceilings and be covered with insulation material.



3 1/2"

MR16



R3171

# R3171



R3171-04BR-02



## Pinhole



### Damp location



**Low voltage** : MR16 20-50W, MR16 IR 37-50W

Available with a magnetic or an electronic transformer.

## Lenses

**Standard: UV clear lens** (1<sup>15</sup>/<sub>16</sub>" - 49mm).

Colored and frosted lenses are available. See pages 250-251 for details.



## Reflector finishes



**Standard: anodized aluminum**

### ANODIZED



Ex.: R3171-05AZ

### SPECULAR



Ex.: R3171-01CH

### PAINTED



Ex.: R3171-12BR-02

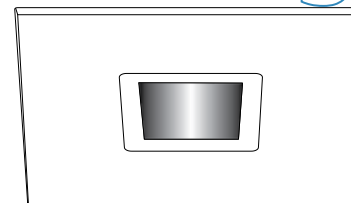
## Trim finishes



Ex.: R3171-06

For exterior use and Wet Locations, **MARINE GRADE** treatment is recommended. May be applied on finishes: -01, -02, -05, -06, -11, -14 and -15. See page 252 for more details. Add **MG** to code. Ex.: R3171-11MG

3 1/2"

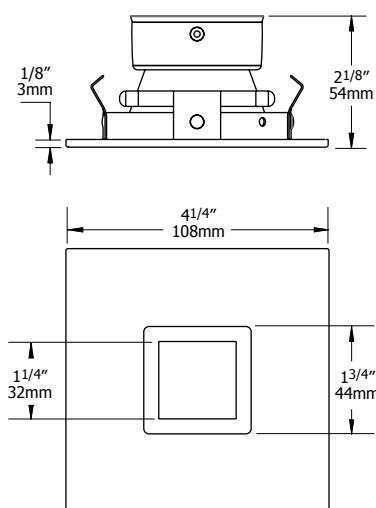


MR16

## R3171 Specs and codification

### Trim codification R3171-04CL

MODEL	TRIM FINISH	REFLECTOR	MARINE GRADE
<b>R3171</b>	<b>-04</b>	<b>CL</b>	
	-01	ANODIZED	MG
	-02	ALUMINUM (STANDARD)	May be applied on
	-03	AZ	finishes:
	-04	BO	-01, -02, -05, -06,
	-04BR	IG	-11, -14 and -15.
	-05	RU	
	-06	CB	
	-07	SPECULAR	
	-08	CL	
	-11	BK	
	-12BR	CH	
	-13	PAINTED	
	-14	-01	
	-15	-02	
	-16	-11	



### Housings Specifications Low voltage : MR16

 New Construction	W	HOLE CUT	LENGTH	WIDTH	HEIGHT
NW3000CE <sup>1</sup>	37W	3 5/8" (92mm)	15 3/8" (391mm) x 10"	(254mm) x 3 1/16" (94mm)	
NW3000CM <sup>1</sup>	37W	3 5/8" (92mm)	15 3/8" (391mm) x 10"	(254mm) x 3 1/16" (94mm)	
NW3000LE <sup>1</sup>	50W	3 5/8" (92mm)	15 3/8" (391mm) x 10"	(254mm) x 5 1/2" (140mm)	
NW3000LM <sup>1</sup>	50W	3 5/8" (92mm)	15 3/8" (391mm) x 10"	(254mm) x 5 1/2" (140mm)	
 Remodel					
IT3000E <sup>1</sup>	37W	3 5/8" (92mm)	13 3/8" (340mm) x 4 5/8" (117mm)	x 6 1/16" (154mm)	
IT3000M <sup>1</sup>	37W	3 5/8" (92mm)	13 3/8" (340mm) x 4 5/8" (117mm)	x 6 1/16" (154mm)	
IT3000LE <sup>1</sup>	50W	3 5/8" (92mm)	13 3/8" (340mm) x 4 5/8" (117mm)	x 7 1/16" (179mm)	
IT3000LM <sup>1</sup>	50W	3 5/8" (92mm)	13 3/8" (340mm) x 4 5/8" (117mm)	x 7 1/16" (179mm)	
 Insulated Ceiling (IC)					
ISMR3000M <sup>1</sup>	37W	3 5/8" (92mm)	19 3/8" (492mm) x 10"	(254mm) x 7 1/16" (179mm)	

**C** Short housing  
**L** Long housing  
**E** Electronic transformer (120/277V)  
**M** Magnetic transformer

<sup>1</sup> May be available in **277 Volts and/or 347 Volts**. Add **2** (277V) or **3** (347V) at the end of the housing code.  
 Ex.: IT3000LM2  
 Consult factory for availabilities.  
**\*277 Volts: USA**  
**\*347 Volts: Canada and Magnetic transformer only**

**Chicago Plenum**  
 Add **P** at the end of the code to enhance your **IC** housing to meet Chicago Plenum requirements.  
 Ex.: ISMR3000MP

**California Title 24**  
 Add **W** at the end of the code to enhance your **IC** housing to meet California Title 24 requirements.  
 Ex.: ISMR3000MW

**AIRTIGHT**  
 IC housings meet ASTM E283 standard. These housings may be used in insulated ceilings and be covered with insulation material.



3 1/2"

MR16



R3450D

# R3450D



R3450D-13BK



## Adjustable



Damp location



Low voltage : MR16 20-50W, MR16 IR 37-50W

Available with a magnetic or an electronic transformer.

## Lenses

Standard: UV clear lens (1<sup>15</sup>/<sub>16</sub>" - 49mm).

Colored and frosted lenses are available. See pages 250-251 for details.



## Reflector finishes



Standard: anodized aluminum

### ANODIZED



Ex.: R3450D-03BO

### SPECULAR



Ex.: R3450D-08CL

### PAINTED



Ex.: R3450D-11-02

## Trim finishes

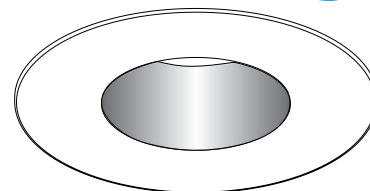


Ex.: R3450D-07

For exterior use and Wet Locations, **MARINE GRADE** treatment is recommended. May be applied on finishes: -01, -02, -05, -06, -11, -14 and -15. See page 252 for more details. Add **MG** to code. Ex.: R3450D-05MG

# 3 1/2"

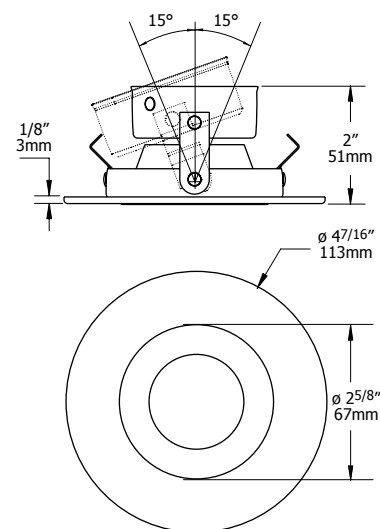
MR16



## R3450D Specs and codification

### Trim codification R3450D-06MG

MODEL	TRIM FINISH	REFLECTOR	MARINE GRADE
<b>R3450D</b>	<b>-06</b>		<b>MG</b>
	-01	ANODIZED	MG
	-02	ALUMINUM (STANDARD)	May be applied on
	-03	AZ	finishes:
	-04	BO	-01, -02, -05, -06,
	-04BR	IG	-11, -14 and -15.
	-05	RU	
	-06	CB	
	-07	SPECULAR	
	-08	CL	
	-11	BK	
	-12BR	CH	
	-13	PAINTED	
	-14	-01	
	-15	-02	
	-16	-11	



### Housings Specifications Low voltage : MR16

 New Construction	W	HOLE CUT	LENGTH	WIDTH	HEIGHT
NW3000 <b>CE</b> <sup>1</sup>	37W	3 5/8" (92mm)	15 3/8" (391mm) x 10"	(254mm) x 3 1/2"	(89mm)
NW3000 <b>CM</b> <sup>1</sup>	37W	3 5/8" (92mm)	15 3/8" (391mm) x 10"	(254mm) x 3 1/2"	(89mm)
NW3000 <b>LE</b> <sup>1</sup>	50W	3 5/8" (92mm)	15 3/8" (391mm) x 10"	(254mm) x 5 1/2"	(140mm)
NW3000 <b>LM</b> <sup>1</sup>	50W	3 5/8" (92mm)	15 3/8" (391mm) x 10"	(254mm) x 5 1/2"	(140mm)
 Remodel					
IT3000 <b>CE</b> <sup>1</sup>	37W	3 5/8" (92mm)	13" (330mm) x 4 3/4"	(121mm) x 3 11/16"	(94mm)
IT3000 <b>CM</b> <sup>1</sup>	37W	3 5/8" (92mm)	13" (330mm) x 4 3/4"	(121mm) x 3 11/16"	(94mm)
IT3000 <b>E</b> <sup>1</sup>	37W	3 5/8" (92mm)	13 3/8" (340mm) x 4 5/8"	(117mm) x 6 1/16"	(154mm)
IT3000 <b>M</b> <sup>1</sup>	37W	3 5/8" (92mm)	13 3/8" (340mm) x 4 5/8"	(117mm) x 6 1/16"	(154mm)
IT3000 <b>LE</b> <sup>1</sup>	50W	3 5/8" (92mm)	13 3/8" (340mm) x 4 5/8"	(117mm) x 7 1/16"	(179mm)
IT3000 <b>LM</b> <sup>1</sup>	50W	3 5/8" (92mm)	13 3/8" (340mm) x 4 5/8"	(117mm) x 7 1/16"	(179mm)
 Insulated Ceiling (IC)					
ISMR3000 <b>M</b> <sup>1</sup>	50W	3 5/8" (92mm)	19 3/8" (492mm) x 10"	(254mm) x 7 1/16"	(179mm)

**C** Short housing  
**L** Long housing  
**E** Electronic transformer (120/277V)  
**M** Magnetic transformer

<sup>1</sup> May be available in **277 Volts and/or 347 Volts. Add 2** (277V) or **3** (347V) at the end of the housing code.  
 Ex.: IT3000LM2  
 Consult factory for availabilities.  
**\*277 Volts: USA**  
**\*347 Volts: Canada and Magnetic transformer only**

**Chicago Plenum**  
 Add **P** at the end of the code to enhance your **IC** housing to meet Chicago Plenum requirements.  
 Ex.: ISMR3000MP

**California Title 24**  
 Add **W** at the end of the code to enhance your **IC** housing to meet California Title 24 requirements.  
 Ex.: ISMR3000MW

**AIRTIGHT**  
 IC housings meet ASTM E283 standard. These housings may be used in insulated ceilings and be covered with insulation material.



3 1/2"

MR16



R3470

R3470



R3470-13BK



## Downlight



Damp location



Low voltage : MR16 20-50W, MR16 IR 37-50W

Available with a magnetic or an electronic transformer.

### Lenses

Standard: UV clear lens (1<sup>15</sup>/<sub>16</sub>" - 49mm).

Colored and frosted lenses are available. See pages 250-251 for details.



### Reflector finishes



Standard: anodized aluminum

#### ANODIZED



Ex.: R3470-03BO

#### SPECULAR



Ex.: R3470-08CL

#### PAINTED



Ex.: R3470-11-02

### Trim finishes

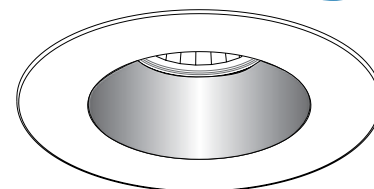


Ex.: R3470-04

For exterior use and Wet Locations, **MARINE GRADE** treatment is recommended. May be applied on finishes: -01, -02, -05, -06, -11, -14 and -15. See page 252 for more details. Add **MG** to code. Ex.: R3470-14MG

3 1/2"

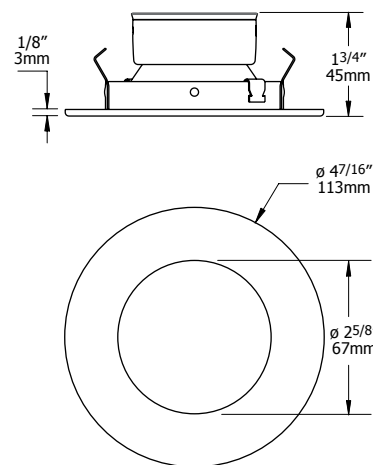
MR16



## R3470 Specs and codification

### Trim codification R3470-08-11

MODEL	TRIM FINISH	REFLECTOR	MARINE GRADE
<b>R3470</b>	<b>-08</b>	<b>-11</b>	
	-01 -02 -03 -04 -04BR -05 -06 -07 -08 -11 -12BR -13 -14 -15 -16	ANODIZED ALUMINUM (STANDARD) AZ BO IG RU CB SPECULAR CL BK CH PAINTED -01 -02 -11	MG May be applied on finishes: -01, -02, -05, -06, -11, -14 and -15.



### Housings Specifications Low voltage : MR16

 New Construction	W	HOLE CUT	LENGTH	WIDTH	HEIGHT
NW3000 <b>CE</b> <sup>1</sup>	37W	3 5/8" (92mm)	15 3/8" (391mm) x 10"	(254mm) x 3 11/16" (94mm)	
NW3000 <b>CM</b> <sup>1</sup>	37W	3 5/8" (92mm)	15 3/8" (391mm) x 10"	(254mm) x 3 11/16" (94mm)	
NW3000 <b>LE</b> <sup>1</sup>	50W	3 5/8" (92mm)	15 3/8" (391mm) x 10"	(254mm) x 5 1/2" (140mm)	
NW3000 <b>LM</b> <sup>1</sup>	50W	3 5/8" (92mm)	15 3/8" (391mm) x 10"	(254mm) x 5 1/2" (140mm)	
 Remodel					
IT3000 <b>CE</b> <sup>1</sup>	37W	3 5/8" (92mm)	13" (330mm) x 4 3/4" (121mm)	(121mm) x 3 11/16" (94mm)	
IT3000 <b>CM</b> <sup>1</sup>	37W	3 5/8" (92mm)	13" (330mm) x 4 3/4" (121mm)	(121mm) x 3 11/16" (94mm)	
IT3000 <b>E</b> <sup>1</sup>	37W	3 5/8" (92mm)	13 3/8" (340mm) x 4 5/8" (117mm)	(117mm) x 6 1/16" (154mm)	
IT3000 <b>M</b> <sup>1</sup>	37W	3 5/8" (92mm)	13 3/8" (340mm) x 4 5/8" (117mm)	(117mm) x 6 1/16" (154mm)	
IT3000 <b>LE</b> <sup>1</sup>	50W	3 5/8" (92mm)	13 3/8" (340mm) x 4 5/8" (117mm)	(117mm) x 7 1/16" (180mm)	
IT3000 <b>LM</b> <sup>1</sup>	50W	3 5/8" (92mm)	13 3/8" (340mm) x 4 5/8" (117mm)	(117mm) x 7 1/16" (180mm)	
 Insulated Ceiling (IC)					
ISMR3000 <b>M</b> <sup>1</sup>	50W	3 5/8" (92mm)	19 3/8" (492mm) x 10"	(254mm) x 7 1/16" (179mm)	

**C** Short housing  
**L** Long housing  
**E** Electronic transformer (120/277V)  
**M** Magnetic transformer  
<sup>1</sup> May be available in **277 Volts and/or 347 Volts. Add 2 (277V) or 3 (347V)** at the end of the housing code.  
 Ex.: IT3000LM2  
 Consult factory for availabilities.  
**\*277 Volts: USA**  
**\*347 Volts: Canada and Magnetic transformer only**

**Chicago Plenum**  
 Add **P** at the end of the code to enhance your **IC** housing to meet Chicago Plenum requirements.  
 Ex.: ISMR3000MP

**California Title 24**  
 Add **W** at the end of the code to enhance your **IC** housing to meet California Title 24 requirements.  
 Ex.: ISMR3000MW

**AIRTIGHT**  
 IC housings meet ASTM E283 standard. These housings may be used in insulated ceilings and be covered with insulation material.





3 1/2"

MR16



R3601

R3601



R3601-01



## Pinhole



Damp location



Low voltage : MR16 20-50W, MR16 IR 37-50W

Available with a magnetic or an electronic transformer.

## Lenses

Standard: UV clear lens (1<sup>15</sup>/<sub>16</sub>" - 49mm).

Colored and frosted lenses are available. See pages 250-251 for details.



## Reflector finishes



Standard: anodized aluminum

### ANODIZED



Ex.: R3601-01RU

### SPECULAR



Ex.: R3601-03CH

### PAINTED



Ex.: R3601-08-01

## Trim finishes

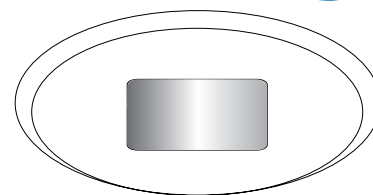


Ex.: R3601-03

For exterior use and Wet Locations, **MARINE GRADE** treatment is recommended. May be applied on finishes: -01, -02, -05, -06, -11, -14 and -15. See page 252 for more details. Add **MG** to code. Ex.: R3601-05MG

# 3 1/2"

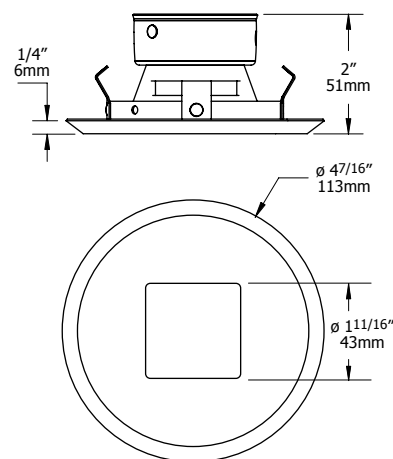
MR16



## R3601 Specs and codification

### Trim codification R3601-05-11MG

MODEL	TRIM FINISH	REFLECTOR	MARINE GRADE
<b>R3601</b>	<b>-05</b>	<b>-11</b>	<b>MG</b>
	-01 -02 -03 -04 -04BR -05 -06 -07 -08 -11 -12BR -13 -14 -15 -16	ANODIZED ALUMINUM (STANDARD) AZ BO IG RU CB SPECULAR CL BK CH PAINTED -01 -02 -11	MG May be applied on finishes: -01, -02, -05, -06, -11, -14 and -15.



### Housings Specifications Low voltage : MR16

 New Construction	W	HOLE CUT	LENGTH	WIDTH	HEIGHT
NW3000CE <sup>1</sup>	50W	3 5/8" (92mm)	15 3/8" (391mm) x 10"	(254mm)	x 3 11/16" (94mm)
NW3000CM <sup>1</sup>	50W	3 5/8" (92mm)	15 3/8" (391mm) x 10"	(254mm)	x 3 11/16" (94mm)
NW3000LE <sup>1</sup>	50W	3 5/8" (92mm)	15 3/8" (391mm) x 10"	(254mm)	x 5 1/2" (140mm)
NW3000LM <sup>1</sup>	50W	3 5/8" (92mm)	15 3/8" (391mm) x 10"	(254mm)	x 5 1/2" (140mm)
 Remodel					
IT3000LE <sup>1</sup>	50W	3 5/8" (92mm)	13 3/8" (340mm) x 4 5/8" (117mm)		x 7 1/16" (179mm)
IT3000LM <sup>1</sup>	50W	3 5/8" (92mm)	13 3/8" (340mm) x 4 5/8" (117mm)		x 7 1/16" (179mm)
 Insulated Ceiling (IC)					
ISMR3000E20 <sup>1</sup>	20W	3 5/8" (92mm)	15 3/16" (386mm) x 8 1/8" (207mm)		x 7 7/8" (200mm)
ISMR3000E35 <sup>1</sup>	35W	3 5/8" (92mm)	15 3/16" (386mm) x 8 1/8" (207mm)		x 7 7/8" (200mm)
ISMR3000M <sup>1</sup>	35W	3 5/8" (92mm)	19 3/8" (492mm) x 10"	(254mm)	x 7 1/16" (179mm)
ISMR3000M20 <sup>1</sup>	20W	3 5/8" (92mm)	15 3/16" (386mm) x 8 1/8" (207mm)		x 7 7/8" (200mm)
ISMR3000M35 <sup>1</sup>	35W	3 5/8" (92mm)	19 3/8" (492mm) x 10"	(254mm)	x 7 1/16" (179mm)

**C** Short housing  
**L** Long housing  
**E** Electronic transformer (120/277V)  
**M** Magnetic transformer

<sup>1</sup> May be available in **277 Volts and/or 347 Volts. Add 2 (277V) or 3 (347V)** at the end of the housing code.

Ex.: IT3000LM2  
 Consult factory for availabilities.  
**\*277 Volts: USA**  
**\*347 Volts: Canada and Magnetic transformer only**

**Chicago Plenum**  
 Add **P** at the end of the code to enhance your **IC** housing to meet Chicago Plenum requirements.  
 Ex.: ISMR3000MP

**California Title 24**  
 Add **W** at the end of the code to enhance your **IC** housing to meet California Title 24 requirements.  
 Ex.: ISMR3000MW

**AIRTIGHT**  
 IC housings meet ASTM E283 standard. These housings may be used in insulated ceilings and be covered with insulation material.



3 1/2"

MR16



R3602

# R3602



R3602-01



## Pinhole



**Damp location**



**Low voltage** : MR16 20-50W, MR16 IR 37-50W  
Available with a magnetic or an electronic transformer.

## Lenses

**Standard: UV clear lens** (1 15/16" - 49mm).  
Colored and frosted lenses are available. See pages 250-251 for details.



## Reflector finishes



**Standard: anodized aluminum**

ANODIZED				
AZ	BO	IG	RU	CB
Azur	Burnt Orange	Inca Gold	Rubis	Cobalt Blue

Ex.: R3602-04BO

SPECULAR		
CL	BK	CH
Clear	Black	Champagne

Ex.: R3602-13CH

PAINTED		
-01	-02	-11
White	Black	Matte White

Ex.: R3602-11-11

## Trim finishes

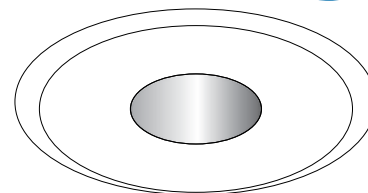
-01	-02	-03	-04	-04BR	-05	-06	-07	-08	-11	-12BR	-13	-14	-15	-16
White	Black	Gold Plated 24k	Chrome	Brushed Chrome	Architectural Bronze	Antique Copper	Antique Brass	Antique Silver	Matte White	Brushed Nickel	Satin Nickel	Almond	Metallic Grey	Satin Chrome

Ex.: R3602-07

For exterior use and Wet Locations, **MARINE GRADE** treatment is recommended. May be applied on finishes: -01, -02, -05, -06, -11, -14 and -15. See page 252 for more details. Add **MG** to code. Ex.: R3602-14MG

3 1/2"

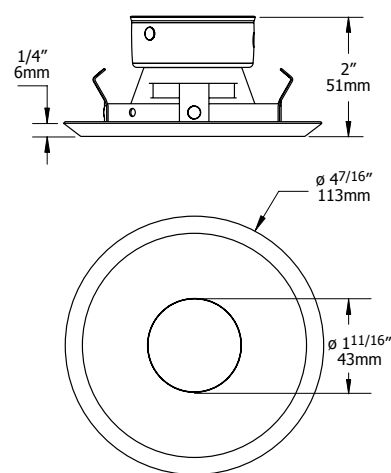
MR16



## R3602 Specs and codification

### Trim codification R3602-13BO

MODEL	TRIM FINISH	REFLECTOR	MARINE GRADE
<b>R3602</b>	<b>-13</b>	<b>BO</b>	
	-01 -02 -03 -04 -04BR -05 -06 -07 -08 -11 -12BR -13 -14 -15 -16	ANODIZED ALUMINUM (STANDARD) AZ BO IG RU CB SPECULAR CL BK CH PAINTED -01 -02 -11	MG May be applied on finishes: -01, -02, -05, -06, -11, -14 and -15.



### Housings Specifications Low voltage : MR16

 New Construction	W	HOLE CUT	LENGTH	WIDTH	HEIGHT
NW3000CE <sup>1</sup>	37W	3 5/8" (92mm)	15 3/8" (391mm) x 10"	(254mm) x 3 11/16" (94mm)	
NW3000CM <sup>1</sup>	37W	3 5/8" (92mm)	15 3/8" (391mm) x 10"	(254mm) x 3 11/16" (94mm)	
NW3000LE <sup>1</sup>	50W	3 5/8" (92mm)	15 3/8" (391mm) x 10"	(254mm) x 5 1/2" (140mm)	
NW3000LM <sup>1</sup>	50W	3 5/8" (92mm)	15 3/8" (391mm) x 10"	(254mm) x 5 1/2" (140mm)	
 Remodel					
IT3000LE <sup>1</sup>	50W	3 5/8" (92mm)	13 3/8" (340mm) x 4 5/8" (117mm)	x 7 1/16" (179mm)	
IT3000LM <sup>1</sup>	50W	3 5/8" (92mm)	13 3/8" (340mm) x 4 5/8" (117mm)	x 7 1/16" (179mm)	
 Insulated Ceiling (IC)					
ISMR3000E20 <sup>1</sup>	20W	3 5/8" (92mm)	15 3/16" (386mm) x 8 1/8" (207mm)	x 7 7/8" (200mm)	
ISMR3000E35 <sup>1</sup>	35W	3 5/8" (92mm)	15 3/16" (386mm) x 8 1/8" (207mm)	x 7 7/8" (200mm)	
ISMR3000M <sup>1</sup>	35W	3 5/8" (92mm)	19 3/8" (492mm) x 10"	(254mm) x 7 1/16" (179mm)	
ISMR3000M20 <sup>1</sup>	20W	3 5/8" (92mm)	15 3/16" (386mm) x 8 1/8" (207mm)	x 7 7/8" (200mm)	
ISMR3000M35 <sup>1</sup>	35W	3 5/8" (92mm)	19 3/8" (492mm) x 10"	(254mm) x 7 1/16" (179mm)	

**C** Short housing  
**L** Long housing  
**E** Electronic transformer (120/277V)  
**M** Magnetic transformer

<sup>1</sup> May be available in **277 Volts and/or 347 Volts. Add 2 (277V) or 3 (347V)** at the end of the housing code.

Ex.: IT3000LM2  
 Consult factory for availabilities.

**\*277 Volts: USA**  
**\*347 Volts: Canada and Magnetic transformer only**

**Chicago Plenum**  
 Add **P** at the end of the code to enhance your **IC** housing to meet Chicago Plenum requirements.  
 Ex.: ISMR3000MP

**California Title 24**  
 Add **W** at the end of the code to enhance your **IC** housing to meet California Title 24 requirements.  
 Ex.: ISMR3000MW

**AIRTIGHT**  
 IC housings meet ASTM E283 standard. These housings may be used in insulated ceilings and be covered with insulation material.



3 1/2"

MR16



R3651

# R3651



R3651-02-02

## Pinhole



### Damp location



**Low voltage** : MR16 20-50W, MR16 IR 37-50W

Available with a magnetic or an electronic transformer.

## Lenses

**Standard: UV clear lens** (1<sup>15</sup>/<sub>16</sub>" - 49mm).

Colored and frosted lenses are available. See pages 250-251 for details.



## Reflector finishes



**Standard: anodized aluminum**

### ANODIZED



Ex.: R3651-01**RU**

### SPECULAR



Ex.: R3651-08**CH**

### PAINTED



Ex.: R3651-13-**11**

## Trim finishes

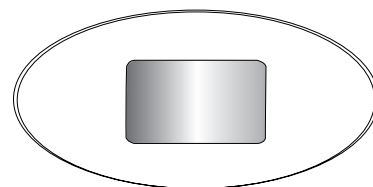


Ex.: R3651-**07**

For exterior use and Wet Locations, **MARINE GRADE** treatment is recommended. May be applied on finishes: -01, -02, -05, -06, -11, -14 and -15. See page 252 for more details. Add **MG** to code. Ex.: R3651-02**MG**

3 1/2"

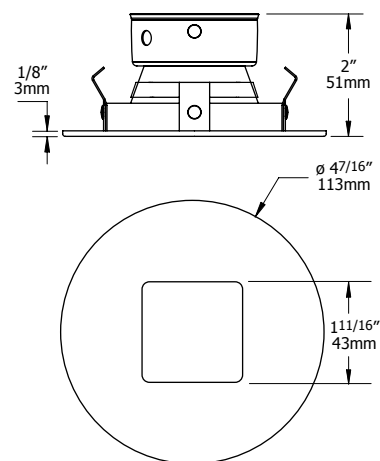
MR16



## R3651 Specs and codification

### Trim codification R3651-11-11MG

MODEL	TRIM FINISH	REFLECTOR	MARINE GRADE
<b>R3651</b>	<b>-11</b>	<b>-11</b>	<b>MG</b>
	-01 -02 -03 -04 -04BR -05 -06 -07 -08 -11 -12BR -13 -14 -15 -16	ANODIZED ALUMINUM (STANDARD) AZ BO IG RU CB SPECULAR CL BK CH PAINTED -01 -02 -11	MG May be applied on finishes: -01, -02, -05, -06, -11, -14 and -15.



### Housings Specifications Low voltage : MR16

 New Construction	W	HOLE CUT	LENGTH	WIDTH	HEIGHT
NW3000CE <sup>1</sup>	50W	3 5/8" (92mm)	15 3/8" (391mm) x 10"	(254mm) x 3 11/16" (94mm)	
NW3000CM <sup>1</sup>	50W	3 5/8" (92mm)	15 3/8" (391mm) x 10"	(254mm) x 3 11/16" (94mm)	
NW3000LE <sup>1</sup>	50W	3 5/8" (92mm)	15 3/8" (391mm) x 10"	(254mm) x 5 1/2" (140mm)	
NW3000LM <sup>1</sup>	50W	3 5/8" (92mm)	15 3/8" (391mm) x 10"	(254mm) x 5 1/2" (140mm)	
 Remodel					
IT3000LE <sup>1</sup>	50W	3 5/8" (92mm)	13 3/8" (340mm) x 4 5/8" (117mm)	x 7 1/16" (179mm)	
IT3000LM <sup>1</sup>	50W	3 5/8" (92mm)	13 3/8" (340mm) x 4 5/8" (117mm)	x 7 1/16" (179mm)	
 Insulated Ceiling (IC)					
ISMR3000E20 <sup>1</sup>	20W	3 5/8" (92mm)	15 3/16" (386mm) x 8 1/8" (207mm)	x 7 7/8" (200mm)	
ISMR3000E35 <sup>1</sup>	35W	3 5/8" (92mm)	15 3/16" (386mm) x 8 1/8" (207mm)	x 7 7/8" (200mm)	
ISMR3000M <sup>1</sup>	35W	3 5/8" (92mm)	19 3/8" (492mm) x 10"	(254mm) x 7 1/16" (179mm)	
ISMR3000M20 <sup>1</sup>	20W	3 5/8" (92mm)	15 3/16" (386mm) x 8 1/8" (207mm)	x 7 7/8" (200mm)	
ISMR3000M35 <sup>1</sup>	35W	3 5/8" (92mm)	19 3/8" (492mm) x 10"	(254mm) x 7 1/16" (179mm)	

**C** Short housing  
**L** Long housing  
**E** Electronic transformer (120/277V)  
**M** Magnetic transformer

<sup>1</sup> May be available in **277 Volts and/or 347 Volts. Add 2** (277V) or **3** (347V) at the end of the housing code.

Ex.: IT3000LM2  
 Consult factory for availabilities.

**\*277 Volts: USA**  
**\*347 Volts: Canada and Magnetic transformer only**

**Chicago Plenum**  
 Add **P** at the end of the code to enhance your **IC** housing to meet Chicago Plenum requirements.  
 Ex.: ISMR3000MP

**California Title 24**  
 Add **W** at the end of the code to enhance your **IC** housing to meet California Title 24 requirements.  
 Ex.: ISMR3000MW

**AIRTIGHT**  
 IC housings meet ASTM E283 standard. These housings may be used in insulated ceilings and be covered with insulation material.



3 1/2"

MR16



R3652

# R3652



R3652-04BR-02



## Pinhole



**Damp location**



**Low voltage** : MR16 20-50W, MR16 IR 37-50W  
Available with a magnetic or an electronic transformer.

## Lenses

**Standard: UV clear lens** (1<sup>15</sup>/<sub>16</sub>" - 49mm).  
Colored and frosted lenses are available. See pages 250-251 for details.



## Reflector finishes



**Standard: anodized aluminum**

### ANODIZED



Ex.: R3652-04**AZ**

### SPECULAR



Ex.: R3652-06**CL**

### PAINTED



Ex.: R3652-03-**02**

## Trim finishes

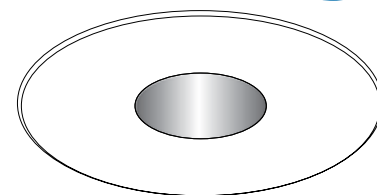


Ex.: R3652-**04**

For exterior use and Wet Locations, **MARINE GRADE** treatment is recommended. May be applied on finishes: -01, -02, -05, -06, -11, -14 and -15. See page 252 for more details. Add **MG** to code. Ex.: R3652-14**MG**

# 3 1/2"

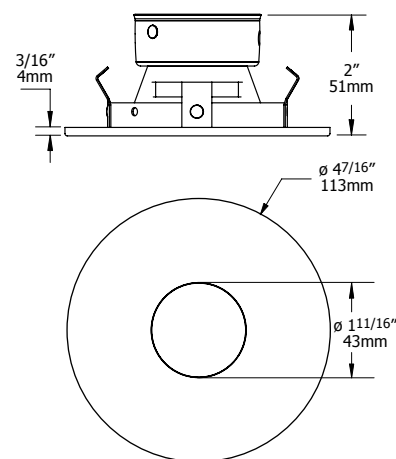
MR16



## R3652 Specs and codification

### Trim codification R3652-02-11MG

MODEL	TRIM FINISH	REFLECTOR	MARINE GRADE
<b>R3652</b>	<b>-02</b>	<b>-11</b>	<b>MG</b>
	-01 -02 -03 -04 -04BR -05 -06 -07 -08 -11 -12BR -13 -14 -15 -16	ANODIZED ALUMINUM (STANDARD) AZ BO IG RU CB SPECULAR CL BK CH PAINTED -01 -02 -11	MG May be applied on finishes: -01, -02, -05, -06, -11, -14 and -15.



### Housings Specifications Low voltage : MR16

 New Construction	W	HOLE CUT	LENGTH	WIDTH	HEIGHT
NW3000CE <sup>1</sup>	37W	3 5/8" (92mm)	15 3/8" (391mm) x 10"	(254mm)	x 3 11/16" (94mm)
NW3000CM <sup>1</sup>	37W	3 5/8" (92mm)	15 3/8" (391mm) x 10"	(254mm)	x 3 11/16" (94mm)
NW3000LE <sup>1</sup>	50W	3 5/8" (92mm)	15 3/8" (391mm) x 10"	(254mm)	x 5 1/2" (140mm)
NW3000LM <sup>1</sup>	50W	3 5/8" (92mm)	15 3/8" (391mm) x 10"	(254mm)	x 5 1/2" (140mm)
 Remodel					
IT3000LE <sup>1</sup>	50W	3 5/8" (92mm)	13 3/8" (340mm) x 4 5/8" (117mm)		x 7 1/16" (179mm)
IT3000LM <sup>1</sup>	50W	3 5/8" (92mm)	13 3/8" (340mm) x 4 5/8" (117mm)		x 7 1/16" (179mm)
 Insulated Ceiling (IC)					
ISMR3000E20 <sup>1</sup>	20W	3 5/8" (92mm)	15 3/16" (386mm) x 8 1/8" (207mm)		x 7 7/8" (200mm)
ISMR3000E35 <sup>1</sup>	35W	3 5/8" (92mm)	15 3/16" (386mm) x 8 1/8" (207mm)		x 7 7/8" (200mm)
ISMR3000M <sup>1</sup>	35W	3 5/8" (92mm)	19 3/8" (492mm) x 10"	(254mm)	x 7 1/16" (179mm)
ISMR3000M20 <sup>1</sup>	20W	3 5/8" (92mm)	15 3/16" (386mm) x 8 1/8" (207mm)		x 7 7/8" (200mm)
ISMR3000M35 <sup>1</sup>	35W	3 5/8" (92mm)	19 3/8" (492mm) x 10"	(254mm)	x 7 1/16" (179mm)

**C** Short housing  
**L** Long housing  
**E** Electronic transformer (120/277V)  
**M** Magnetic transformer

<sup>1</sup> May be available in **277 Volts and/or 347 Volts. Add 2** (277V) or **3** (347V) at the end of the housing code.

Ex.: IT3000LM2  
 Consult factory for availabilities.

**\*277 Volts: USA**  
**\*347 Volts: Canada and Magnetic transformer only**

**Chicago Plenum**  
 Add **P** at the end of the code to enhance your **IC** housing to meet Chicago Plenum requirements.  
 Ex.: ISMR3000MP

**California Title 24**  
 Add **W** at the end of the code to enhance your **IC** housing to meet California Title 24 requirements.  
 Ex.: ISMR3000MW

**AIRTIGHT**  
 IC housings meet ASTM E283 standard. These housings may be used in insulated ceilings and be covered with insulation material.





3 1/2"

MR16



T3000

T3000



T3000-12BR  
304826

## Adjustable



Damp location



Low voltage : MR16 20-50W, MR16 IR 37-50W

Available with a magnetic or an electronic transformer.

## Lenses

Standard: UV clear lens (1<sup>15</sup>/<sub>16</sub>" - 49mm).

Colored and frosted lenses are available. See pages 250-251 for details.



## Trim finishes

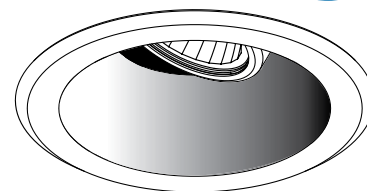


Ex.: T3000-03

For exterior use and Wet Locations, **MARINE GRADE** treatment is recommended. May be applied on finishes: -01, -02, -05, -06, -11, -14 and -15. See page 252 for more details. Add **MG** to code. Ex.: T3000-06**MG**

3 1/2"

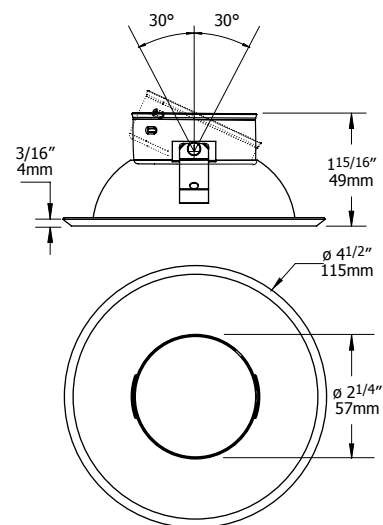
MR16




## T3000 Specs and codification


### Trim codification T3000-02MG


MODEL	TRIM FINISH	MARINE GRADE
<b>T3000</b>	<b>-02</b>	<b>MG</b>
	-01 -02 -03 -04 -04BR -05 -06 -07 -08 -11 -12BR -13 -14 -15 -16	MG May be applied on finishes: -01, -02, -05, -06, -11, -14 and -15.



### Housings Specifications Low voltage : MR16

 New Construction	W	HOLE CUT	LENGTH	WIDTH	HEIGHT
NW3000 <b>CE</b> <sup>1</sup>	50W	3 5/8" (92mm)	15 3/8" (391mm) x 10"	(254mm) x 3 11/16" (94mm)	
NW3000 <b>CM</b> <sup>1</sup>	50W	3 5/8" (92mm)	15 3/8" (391mm) x 10"	(254mm) x 3 11/16" (94mm)	
NW3000 <b>LE</b> <sup>1</sup>	50W	3 5/8" (92mm)	15 3/8" (391mm) x 10"	(254mm) x 5 1/2" (140mm)	
NW3000 <b>LM</b> <sup>1</sup>	50W	3 5/8" (92mm)	15 3/8" (391mm) x 10"	(254mm) x 5 1/2" (140mm)	

 Remodel	W	HOLE CUT	LENGTH	WIDTH	HEIGHT
IT3000 <b>CE</b> <sup>1</sup>	35W	3 5/8" (92mm)	13" (330mm) x 4 3/4" (121mm)	(121mm) x 3 11/16" (94mm)	
IT3000 <b>CM</b> <sup>1</sup>	35W	3 5/8" (92mm)	13" (330mm) x 4 3/4" (121mm)	(121mm) x 3 11/16" (94mm)	
IT3000 <b>E</b> <sup>1</sup>	42W	3 5/8" (92mm)	13 3/8" (340mm) x 4 5/8" (117mm)	(117mm) x 6 1/16" (154mm)	
IT3000 <b>M</b> <sup>1</sup>	42W	3 5/8" (92mm)	13 3/8" (340mm) x 4 5/8" (117mm)	(117mm) x 6 1/16" (154mm)	
IT3000 <b>LE</b> <sup>1</sup>	50W	3 5/8" (92mm)	13 3/8" (340mm) x 4 5/8" (117mm)	(117mm) x 7 1/16" (179mm)	
IT3000 <b>LM</b> <sup>1</sup>	50W	3 5/8" (92mm)	13 3/8" (340mm) x 4 5/8" (117mm)	(117mm) x 7 1/16" (179mm)	

 Insulated Ceiling (IC)	W	HOLE CUT	LENGTH	WIDTH	HEIGHT
ISMR3000 <b>E20</b> <sup>1</sup>	20W	3 5/8" (92mm)	15 3/16" (386mm) x 8 1/8" (207mm)	(207mm) x 7 7/8" (200mm)	
ISMR3000 <b>E35</b> <sup>1</sup>	35W	3 5/8" (92mm)	15 3/16" (386mm) x 8 1/8" (207mm)	(207mm) x 7 7/8" (200mm)	
ISMR3000 <b>M</b> <sup>1</sup>	50W	3 5/8" (92mm)	19 3/8" (492mm) x 10" (254mm)	(254mm) x 7 1/16" (179mm)	
ISMR3000 <b>M20</b> <sup>1</sup>	20W	3 5/8" (92mm)	15 3/16" (386mm) x 8 1/8" (207mm)	(207mm) x 7 7/8" (200mm)	
ISMR3000 <b>M35</b> <sup>1</sup>	35W	3 5/8" (92mm)	19 3/8" (492mm) x 10" (254mm)	(254mm) x 7 1/16" (179mm)	

**C** Short housing  
**L** Long housing  
**E** Electronic transformer (120/277V)  
**M** Magnetic transformer

<sup>1</sup> May be available in **277 Volts and/or 347 Volts. Add 2** (277V) or **3** (347V) at the end of the housing code.  
 Ex.: IT3000LM2  
 Consult factory for availabilities.  
**\*277 Volts: USA**  
**\*347 Volts: Canada and Magnetic transformer only**

**Chicago Plenum**  
 Add **P** at the end of the code to enhance your **IC** housing to meet Chicago Plenum requirements.  
 Ex.: ISMR3000MP

**California Title 24**  
 Add **W** at the end of the code to enhance your **IC** housing to meet California Title 24 requirements.  
 Ex.: ISMR3000MW

**AIRTIGHT**  
 IC housings meet ASTM E283 standard. These housings may be used in insulated ceilings and be covered with insulation material.



MR16 3 1/2"



T3100

# T3100



T3100-01



## Adjustable



**Damp location**



**Low voltage** : MR16 20-50W, MR16 IR 37-50W  
Available with a magnetic or an electronic transformer.

## Lenses

**Standard: UV clear lens** (1<sup>15</sup>/<sub>16</sub>" - 49mm).  
Colored and frosted lenses are available. See pages 250-251 for details.



## Center specification

**Standard: striated center with 24K Gold plated and Chrome finishes.**  
For a polish center, add «P» to code. Ex.: T3100-04P

## Trim finishes

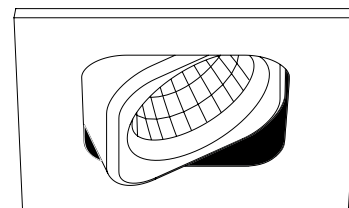


Ex.: T3100-04

For exterior use and Wet Locations, **MARINE GRADE** treatment is recommended. May be applied on finishes: -01, -02, -05, -06, -11, -14 and -15. See page 252 for more details. Add **MG** to code. Ex.: T3100-02**MG**

# 3 1/2"

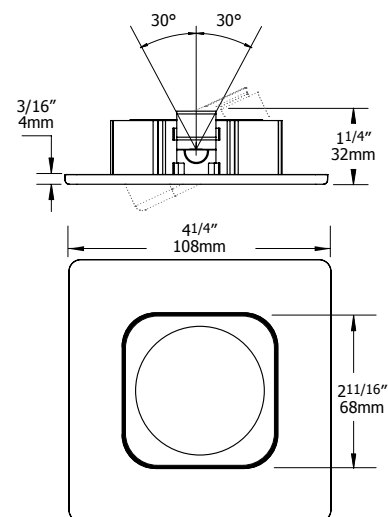
MR16



## T3100 Specs and codification

### Trim codification T3100-06MG

MODEL	TRIM FINISH	CENTER	MARINE GRADE
<b>T3100</b>	<b>-06</b>		<b>MG</b>
	-01 -02 -03 -04 -04BR -05 -06 -07 -08 -11 -12BR -13 -14 -15 -16	24K GOLD PLATED AND CHROME: Standard: striated center For a polished center add <b>P</b> to code.	MG May be applied on finishes: -01, -02, -05, -06, -11, -14 and -15.



### Housings Specifications Low voltage : MR16

New Construction	W	HOLE CUT	LENGTH	WIDTH	HEIGHT
NW3000 <b>CE</b> <sup>1</sup>	50W	3 5/8" (92mm)	15 3/8" (391mm) x 10"	(254mm) x 3 11/16" (94mm)	
NW3000 <b>CM</b> <sup>1</sup>	50W	3 5/8" (92mm)	15 3/8" (391mm) x 10"	(254mm) x 3 11/16" (94mm)	
NW3000 <b>LE</b> <sup>1</sup>	50W	3 5/8" (92mm)	15 3/8" (391mm) x 10"	(254mm) x 5 1/2" (140mm)	
NW3000 <b>LM</b> <sup>1</sup>	50W	3 5/8" (92mm)	15 3/8" (391mm) x 10"	(254mm) x 5 1/2" (140mm)	
Remodel					
IT3000 <b>CE</b> <sup>1</sup>	35W	3 5/8" (92mm)	13" (330mm) x 4 3/4" (121mm)	x 3 11/16" (94mm)	
IT3000 <b>CM</b> <sup>1</sup>	35W	3 5/8" (92mm)	13" (330mm) x 4 3/4" (121mm)	x 3 11/16" (94mm)	
IT3000 <b>E</b> <sup>1</sup>	42W	3 5/8" (92mm)	13 3/8" (340mm) x 4 5/8" (117mm)	x 6 1/16" (154mm)	
IT3000 <b>M</b> <sup>1</sup>	42W	3 5/8" (92mm)	13 3/8" (340mm) x 4 5/8" (117mm)	x 6 1/16" (154mm)	
IT3000 <b>LE</b> <sup>1</sup>	50W	3 5/8" (92mm)	13 3/8" (340mm) x 4 5/8" (117mm)	x 7 1/16" (179mm)	
IT3000 <b>LM</b> <sup>1</sup>	50W	3 5/8" (92mm)	13 3/8" (340mm) x 4 5/8" (117mm)	x 7 1/16" (179mm)	
Insulated Ceiling (IC)					
ISMR3000 <b>E20</b> <sup>1</sup>	20W	3 5/8" (92mm)	15 3/16" (386mm) x 8 1/8" (207mm)	x 7 7/8" (200mm)	
ISMR3000 <b>E35</b> <sup>1</sup>	35W	3 5/8" (92mm)	15 3/16" (386mm) x 8 1/8" (207mm)	x 7 7/8" (200mm)	
ISMR3000 <b>M</b> <sup>1</sup>	50W	3 5/8" (92mm)	19 3/8" (492mm) x 10" (254mm)	x 7 1/16" (179mm)	
ISMR3000 <b>M20</b> <sup>1</sup>	20W	3 5/8" (92mm)	15 3/16" (386mm) x 8 1/8" (207mm)	x 7 7/8" (200mm)	
ISMR3000 <b>M35</b> <sup>1</sup>	35W	3 5/8" (92mm)	19 3/8" (492mm) x 10" (254mm)	x 7 1/16" (179mm)	

**C** Short housing  
**L** Long housing  
**E** Electronic transformer (120/277V)  
**M** Magnetic transformer  
<sup>1</sup> May be available in **277 Volts and/or 347 Volts**. Add **2** (277V) or **3** (347V) at the end of the housing code.  
 Ex.: IT3000LM**2**  
 Consult factory for availabilities.  
**\*277 Volts: USA**  
**\*347 Volts: Canada and Magnetic transformer only**

**Chicago Plenum**  
 Add **P** at the end of the code to enhance your **IC** housing to meet Chicago Plenum requirements.  
 Ex.: ISMR3000**MP**

**California Title 24**  
 Add **W** at the end of the code to enhance your **IC** housing to meet California Title 24 requirements.  
 Ex.: ISMR3000**MW**

**AIRTIGHT**  
 IC housings meet ASTM E283 standard. These housings may be used in insulated ceilings and be covered with insulation material.



3 1/2"

MR16



T3125



T3125-04BR



# T3125

## Adjustable



**Damp location**



**Low voltage** : MR16 20-50W, MR16 IR 37-50W  
Available with a magnetic or an electronic transformer.

## Lenses

**Standard: UV clear lens** (1<sup>15</sup>/<sub>16</sub>" - 49mm).  
Colored and frosted lenses are available. See pages 250-251 for details.



## Center specification

**Standard: striated center with 24K Gold plated and Chrome finishes.**  
For a polish center, add «P» to code. Ex.: T3125-03P

## Trim finishes

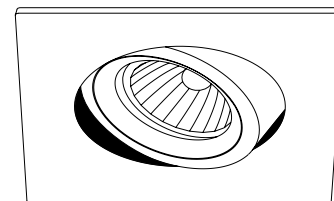


Ex.: T3125-07

For exterior use and Wet Locations, **MARINE GRADE** treatment is recommended. May be applied on finishes: -01, -02, -05, -06, -11, -14 and -15. See page 252 for more details. Add **MG** to code. Ex.: T3125-06**MG**

3 1/2"

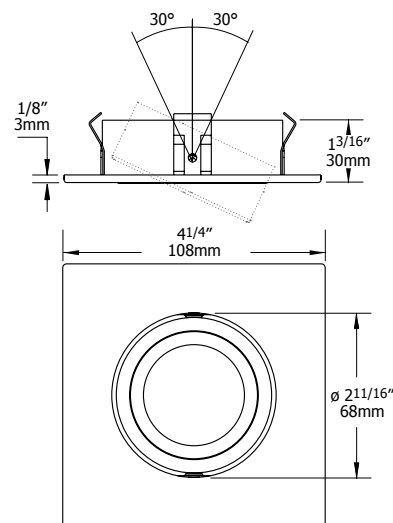
MR16



## T3125 Specs and codification

### Trim codification T3125-06MG

MODEL	TRIM FINISH	CENTER	MARINE GRADE
<b>T3125</b>	<b>-06</b>		<b>MG</b>
	-01 -02 -03 -04 -04BR -05 -06 -07 -08 -11 -12BR -13 -14 -15 -16	24K GOLD PLATED AND CHROME: Standard: striated center For a polished center add <b>P</b> to code.	MG May be applied on finishes: -01, -02, -05, -06, -11, -14 and -15.



### Housings Specifications Low voltage : MR16

	New Construction	W	HOLE CUT	LENGTH	WIDTH	HEIGHT
	NW3000 <b>CE</b> <sup>1</sup>	50W	3 5/8" (92mm)	15 3/8" (391mm) x 10"	(254mm) x 3 11/16" (94mm)	
	NW3000 <b>CM</b> <sup>1</sup>	50W	3 5/8" (92mm)	15 3/8" (391mm) x 10"	(254mm) x 3 11/16" (94mm)	
	NW3000 <b>LE</b> <sup>1</sup>	50W	3 5/8" (92mm)	15 3/8" (391mm) x 10"	(254mm) x 5 1/2" (140mm)	
	NW3000 <b>LM</b> <sup>1</sup>	50W	3 5/8" (92mm)	15 3/8" (391mm) x 10"	(254mm) x 5 1/2" (140mm)	
	Remodel	W	HOLE CUT	LENGTH	WIDTH	HEIGHT
	IT3000 <b>CE</b> <sup>1</sup>	35W	3 5/8" (92mm)	13" (330mm) x 4 3/4" (121mm)	(121mm) x 3 11/16" (94mm)	
	IT3000 <b>CM</b> <sup>1</sup>	35W	3 5/8" (92mm)	13" (330mm) x 4 3/4" (121mm)	(121mm) x 3 11/16" (94mm)	
	IT3000 <b>E</b> <sup>1</sup>	42W	3 5/8" (92mm)	13 3/8" (340mm) x 4 5/8" (117mm)	(117mm) x 6 1/16" (154mm)	
	IT3000 <b>M</b> <sup>1</sup>	42W	3 5/8" (92mm)	13 3/8" (340mm) x 4 5/8" (117mm)	(117mm) x 6 1/16" (154mm)	
	IT3000 <b>LE</b> <sup>1</sup>	50W	3 5/8" (92mm)	13 3/8" (340mm) x 4 5/8" (117mm)	(117mm) x 7 1/16" (179mm)	
	IT3000 <b>LM</b> <sup>1</sup>	50W	3 5/8" (92mm)	13 3/8" (340mm) x 4 5/8" (117mm)	(117mm) x 7 1/16" (179mm)	
	Insulated Ceiling (IC)	W	HOLE CUT	LENGTH	WIDTH	HEIGHT
	ISMR3000 <b>E20</b> <sup>1</sup>	20W	3 5/8" (92mm)	15 3/16" (386mm) x 8 1/8" (207mm)	(207mm) x 7 7/8" (200mm)	
	ISMR3000 <b>E35</b> <sup>1</sup>	35W	3 5/8" (92mm)	15 3/16" (386mm) x 8 1/8" (207mm)	(207mm) x 7 7/8" (200mm)	
	ISMR3000 <b>M</b> <sup>1</sup>	50W	3 5/8" (92mm)	19 3/8" (492mm) x 10" (254mm)	x 7 1/16" (179mm)	
	ISMR3000 <b>M20</b> <sup>1</sup>	20W	3 5/8" (92mm)	15 3/16" (386mm) x 8 1/8" (207mm)	(207mm) x 7 7/8" (200mm)	
	ISMR3000 <b>M35</b> <sup>1</sup>	35W	3 5/8" (92mm)	19 3/8" (492mm) x 10" (254mm)	x 7 1/16" (179mm)	

**C** Short housing  
**L** Long housing  
**E** Electronic transformer (120/277V)  
**M** Magnetic transformer

<sup>1</sup> May be available in **277 Volts and/or 347 Volts**. Add **2** (277V) or **3** (347V) at the end of the housing code.  
 Ex.: IT3000LM2  
 Consult factory for availabilities.  
**\*277 Volts: USA**  
**\*347 Volts: Canada and Magnetic transformer only**

**Chicago Plenum**  
 Add **P** at the end of the code to enhance your **IC** housing to meet Chicago Plenum requirements.  
 Ex.: ISMR3000MP

**California Title 24**  
 Add **W** at the end of the code to enhance your **IC** housing to meet California Title 24 requirements.  
 Ex.: ISMR3000MW

**AIRTIGHT**  
 IC housings meet ASTM E283 standard. These housings may be used in insulated ceilings and be covered with insulation material.



3 1/2"

MR16



T3145



T3145-12BR



## Downlight



**Damp location**



**Low voltage** : MR16 20-50W, MR16 IR 37-50W  
Available with a magnetic or an electronic transformer.

### Lenses

**Standard: UV clear lens** (1<sup>15</sup>/<sub>16</sub>" - 49mm).  
Colored and frosted lenses are available. See pages 250-251 for details.



### Reflector finishes



**Standard: anodized aluminum**



Ex.: T3145-12BR**CB**



Ex.: T3145-07**CH**



Ex.: T3145-03-**01**

### Trim finishes

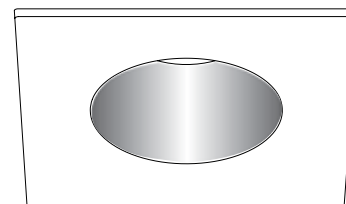


Ex.: T3145-**04BR**

For exterior use and Wet Locations, **MARINE GRADE** treatment is recommended. May be applied on finishes: -01, -02, -05, -06, -11, -14 and -15. See page 252 for more details. Add **MG** to code. Ex.: T3145-05**MG**

3 1/2"

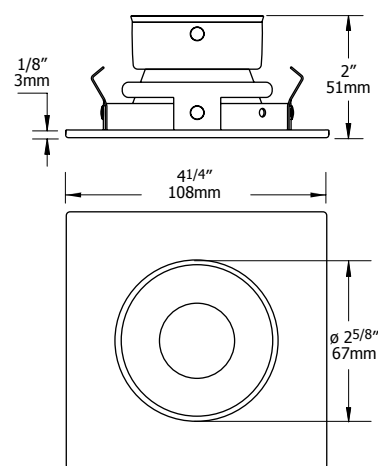
MR16



## T3145 Specs and codification

### Trim codification T3145-04CL

MODEL	TRIM FINISH	REFLECTOR	MARINE GRADE
<b>T3145</b>	<b>-04</b>	<b>CL</b>	
	-01 -02 -03 -04 -04BR -05 -06 -07 -08 -11 -12BR -13 -14 -15 -16	ANODIZED ALUMINUM (STANDARD) AZ BO IG RU CB SPECULAR CL BK CH PAINTED -01 -02 -11	MG May be applied on finishes: -01, -02, -05, -06, -11, -14 and -15.



### Housings Specifications Low voltage : MR16

 New Construction	W	HOLE CUT	LENGTH	WIDTH	HEIGHT
NW3000CE <sup>1</sup>	50W	3 5/8" (92mm)	15 3/8" (391mm) x 10"	(254mm) x 3 1/16" (94mm)	
NW3000CM <sup>1</sup>	50W	3 5/8" (92mm)	15 3/8" (391mm) x 10"	(254mm) x 3 1/16" (94mm)	
NW3000LE <sup>1</sup>	50W	3 5/8" (92mm)	15 3/8" (391mm) x 10"	(254mm) x 5 1/2" (140mm)	
NW3000LM <sup>1</sup>	50W	3 5/8" (92mm)	15 3/8" (391mm) x 10"	(254mm) x 5 1/2" (140mm)	
 Remodel					
IT3000E <sup>1</sup>	50W	3 5/8" (92mm)	13 3/8" (340mm) x 4 5/8" (117mm)	x 6 1/16" (154mm)	
IT3000M <sup>1</sup>	50W	3 5/8" (92mm)	13 3/8" (340mm) x 4 5/8" (117mm)	x 6 1/16" (154mm)	
IT3000LE <sup>1</sup>	50W	3 5/8" (92mm)	13 3/8" (340mm) x 4 5/8" (117mm)	x 7 1/16" (179mm)	
IT3000LM <sup>1</sup>	50W	3 5/8" (92mm)	13 3/8" (340mm) x 4 5/8" (117mm)	x 7 1/16" (179mm)	
 Insulated Ceiling (IC)					
ISMR3000E20 <sup>1</sup>	20W	3 5/8" (92mm)	15 3/16" (386mm) x 8 1/8" (207mm)	x 7 7/8" (200mm)	
ISMR3000E35 <sup>1</sup>	35W	3 5/8" (92mm)	15 3/16" (386mm) x 8 1/8" (207mm)	x 7 7/8" (200mm)	
ISMR3000M <sup>1</sup>	50W	3 5/8" (92mm)	19 3/8" (492mm) x 10"	(254mm) x 7 1/16" (179mm)	
ISMR3000M20 <sup>1</sup>	20W	3 5/8" (92mm)	15 3/16" (386mm) x 8 1/8" (207mm)	x 7 7/8" (200mm)	
ISMR3000M35 <sup>1</sup>	35W	3 5/8" (92mm)	19 3/8" (492mm) x 10"	(254mm) x 7 1/16" (179mm)	

**C** Short housing  
**L** Long housing  
**E** Electronic transformer (120/277V)  
**M** Magnetic transformer

<sup>1</sup> May be available in **277 Volts and/or 347 Volts. Add 2 (277V) or 3 (347V)** at the end of the housing code.  
 Ex.: IT3000LM2  
 Consult factory for availabilities.  
**\*277 Volts: USA**  
**\*347 Volts: Canada and Magnetic transformer only**

**Chicago Plenum**  
 Add **P** at the end of the code to enhance your **IC** housing to meet Chicago Plenum requirements.  
 Ex.: ISMR3000MP

**California Title 24**  
 Add **W** at the end of the code to enhance your **IC** housing to meet California Title 24 requirements.  
 Ex.: ISMR3000MW

**AIRTIGHT**  
 IC housings meet ASTM E283 standard. These housings may be used in insulated ceilings and be covered with insulation material.





MR16 3 1/2"



# T3145D SM



T3145D-04BR



## T3145D SM

### Adjustable



**Damp location**



**Low voltage** : MR16 20-50W, MR16 IR 37-50W

Available with a magnetic or an electronic transformer.

### Lenses

**Standard: UV clear lens** (1<sup>15</sup>/<sub>16</sub>" - 49mm).

Colored and frosted lenses are available. See pages 250-251 for details.



### Reflector finishes



**Standard: anodized aluminum**

#### ANODIZED



Ex.: T3145D-04-RUSM

#### SPECULAR



Ex.: T3145D-02-CHSM

#### PAINTED



Ex.: T3145D-02-01SM

### Trim finishes

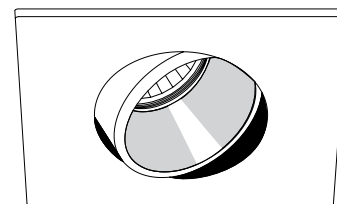


Ex.: T3145D-04SM

For exterior use and Wet Locations, **MARINE GRADE** treatment is recommended. May be applied on finishes: -01, -02, -05, -06, -11, -14 and -15. See page 252 for more details. Add **MG** to code. Ex.: T3145D-14SMMG

# 3 1/2"

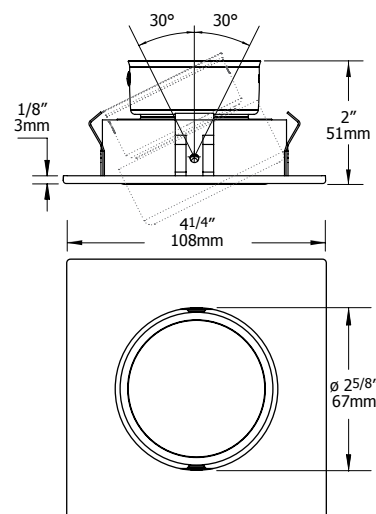
MR16



## T3145D SM Specs and codification

### Trim codification T3145D-03-AZSM

MODEL	TRIM FINISH	REFLECTOR	MARINE GRADE
<b>T3145D</b>	<b>-03</b>	<b>-AZ</b>	<b>SM</b>
	-01 -02 -03 -04 -04BR -05 -06 -07 -08 -11 -12BR -13 -14 -15 -16	ANODIZED ALUMINUM (STANDARD) -AZ -BO -IG -RU -CB SPECULAR -CL -BK -CH PAINTED -01 -02 -11	Smooth reflector MG May be applied on finishes: -01, -02, -05, -06, -11, -14 and -15.



### Housings Specifications Low voltage : MR16

 New Construction	W	HOLE CUT	LENGTH	WIDTH	HEIGHT
NW3000CE <sup>1</sup>	50W	3 5/8" (92mm)	15 3/8" (391mm) x 10"	(254mm) x 3 1/16" (94mm)	
NW3000CM <sup>1</sup>	50W	3 5/8" (92mm)	15 3/8" (391mm) x 10"	(254mm) x 3 1/16" (94mm)	
NW3000LE <sup>1</sup>	50W	3 5/8" (92mm)	15 3/8" (391mm) x 10"	(254mm) x 5 1/2" (140mm)	
NW3000LM <sup>1</sup>	50W	3 5/8" (92mm)	15 3/8" (391mm) x 10"	(254mm) x 5 1/2" (140mm)	
 Remodel					
IT3000E <sup>1</sup>	50W	3 5/8" (92mm)	13 3/8" (340mm) x 4 5/8" (117mm)	x 6 1/16" (154mm)	
IT3000M <sup>1</sup>	50W	3 5/8" (92mm)	13 3/8" (340mm) x 4 5/8" (117mm)	x 6 1/16" (154mm)	
IT3000LE <sup>1</sup>	50W	3 5/8" (92mm)	13 3/8" (340mm) x 4 5/8" (117mm)	x 7 1/16" (179mm)	
IT3000LM <sup>1</sup>	50W	3 5/8" (92mm)	13 3/8" (340mm) x 4 5/8" (117mm)	x 7 1/16" (179mm)	
 Insulated Ceiling (IC)					
ISMR3000E20 <sup>1</sup>	20W	3 5/8" (92mm)	15 3/16" (386mm) x 8 1/8" (207mm)	x 7 7/8" (200mm)	
ISMR3000E35 <sup>1</sup>	35W	3 5/8" (92mm)	15 3/16" (386mm) x 8 1/8" (207mm)	x 7 7/8" (200mm)	
ISMR3000M <sup>1</sup>	50W	3 5/8" (92mm)	19 3/8" (492mm) x 10"	(254mm) x 7 1/16" (179mm)	
ISMR3000M20 <sup>1</sup>	20W	3 5/8" (92mm)	15 3/16" (386mm) x 8 1/8" (207mm)	x 7 7/8" (200mm)	
ISMR3000M35 <sup>1</sup>	35W	3 5/8" (92mm)	19 3/8" (492mm) x 10"	(254mm) x 7 1/16" (179mm)	

**C** Short housing  
**L** Long housing  
**E** Electronic transformer (120/277V)  
**M** Magnetic transformer

<sup>1</sup> May be available in **277 Volts and/or 347 Volts**. Add **2** (277V) or **3** (347V) at the end of the housing code.  
 Ex.: IT3000LM2  
 Consult factory for availabilities.  
**\*277 Volts: USA**  
**\*347 Volts: Canada and Magnetic transformer only**

**Chicago Plenum**  
 Add **P** at the end of the code to enhance your **IC** housing to meet Chicago Plenum requirements.  
 Ex.: ISMR3000MP

**California Title 24**  
 Add **W** at the end of the code to enhance your **IC** housing to meet California Title 24 requirements.  
 Ex.: ISMR3000MW

**AIRTIGHT**  
 IC housings meet ASTM E283 standard. These housings may be used in insulated ceilings and be covered with insulation material.



3 1/2"

MR16



T3145D ST



# T3145D ST

T3145D-04BR-02ST

## Adjustable



### Damp location



**Low voltage** : MR16 20-50W, MR16 IR 37-50W

Available with a magnetic or an electronic transformer.

## Lenses

**Standard: UV clear lens** (1<sup>15</sup>/<sub>16</sub>" - 49mm).

Colored and frosted lenses are available. See pages 250-251 for details.



## Reflector finishes

### PAINTED



Ex.: T3145D-02-01ST

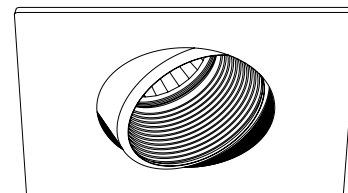
## Trim finishes



Ex.: T3145D-04ST

For exterior use and Wet Locations, **MARINE GRADE** treatment is recommended. May be applied on finishes: -01, -02, -05, -06, -11, -14 and -15. See page 252 for more details. Add **MG** to code. Ex.: T3145D-11-11STMG

3 1/2"

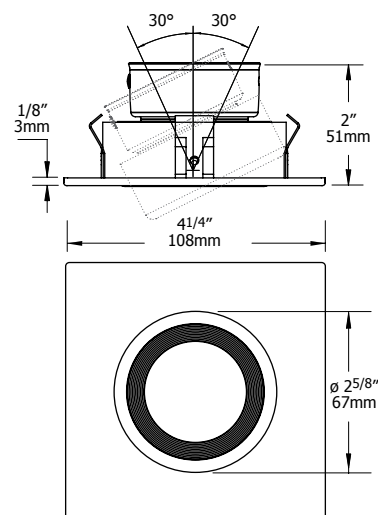


MR16

## T3145D ST Specs and codification

### Trim codification T3145D-04-02ST

MODEL	TRIM FINISH	REFLECTOR	MARINE GRADE
<b>T3145D</b>	<b>-04</b>	<b>-02</b>	<b>ST</b>
	-01 -02 -03 -04 -04BR -05 -06 -07 -08 -11 -12BR -13 -14 -15 -16	PAINTED -01 -02 -11	Stepped reflector  MG May be applied on finishes: -01, -02, -05, -06, -11, -14 and -15.



### Housings Specifications Low voltage : MR16

 New Construction	W	HOLE CUT	LENGTH	WIDTH	HEIGHT
NW3000CE <sup>1</sup>	50W	3 5/8" (92mm)	15 3/8" (391mm) x 10"	(254mm) x 3 1/16" (94mm)	
NW3000CM <sup>1</sup>	50W	3 5/8" (92mm)	15 3/8" (391mm) x 10"	(254mm) x 3 1/16" (94mm)	
NW3000LE <sup>1</sup>	50W	3 5/8" (92mm)	15 3/8" (391mm) x 10"	(254mm) x 5 1/2" (140mm)	
NW3000LM <sup>1</sup>	50W	3 5/8" (92mm)	15 3/8" (391mm) x 10"	(254mm) x 5 1/2" (140mm)	
 Remodel					
IT3000E <sup>1</sup>	50W	3 5/8" (92mm)	13 3/8" (340mm) x 4 5/8" (117mm)	x 6 1/16" (154mm)	
IT3000M <sup>1</sup>	50W	3 5/8" (92mm)	13 3/8" (340mm) x 4 5/8" (117mm)	x 6 1/16" (154mm)	
IT3000LE <sup>1</sup>	50W	3 5/8" (92mm)	13 3/8" (340mm) x 4 5/8" (117mm)	x 7 1/16" (179mm)	
IT3000LM <sup>1</sup>	50W	3 5/8" (92mm)	13 3/8" (340mm) x 4 5/8" (117mm)	x 7 1/16" (179mm)	
 Insulated Ceiling (IC)					
ISMR3000E20 <sup>1</sup>	20W	3 5/8" (92mm)	15 3/16" (386mm) x 8 1/8" (207mm)	x 7 7/8" (200mm)	
ISMR3000E35 <sup>1</sup>	35W	3 5/8" (92mm)	15 3/16" (386mm) x 8 1/8" (207mm)	x 7 7/8" (200mm)	
ISMR3000M <sup>1</sup>	50W	3 5/8" (92mm)	19 3/8" (492mm) x 10"	(254mm) x 7 1/16" (179mm)	
ISMR3000M20 <sup>1</sup>	20W	3 5/8" (92mm)	15 3/16" (386mm) x 8 1/8" (207mm)	x 7 7/8" (200mm)	
ISMR3000M35 <sup>1</sup>	35W	3 5/8" (92mm)	19 3/8" (492mm) x 10"	(254mm) x 7 1/16" (179mm)	

**C** Short housing  
**L** Long housing  
**E** Electronic transformer (120/277V)  
**M** Magnetic transformer

<sup>1</sup> May be available in **277 Volts and/or 347 Volts**. Add **2** (277V) or **3** (347V) at the end of the housing code.  
 Ex.: IT3000LM2  
 Consult factory for availabilities.  
**\*277 Volts: USA**  
**\*347 Volts: Canada and Magnetic transformer only**

**Chicago Plenum**  
 Add **P** at the end of the code to enhance your **IC** housing to meet Chicago Plenum requirements.  
 Ex.: ISMR3000MP

**California Title 24**  
 Add **W** at the end of the code to enhance your **IC** housing to meet California Title 24 requirements.  
 Ex.: ISMR3000MW

**AIRTIGHT**  
 IC housings meet ASTM E283 standard. These housings may be used in insulated ceilings and be covered with insulation material.



3 1/2"

MR16



T3145DG



T3145DG-08



# T3145DG

## Double Gimbal



**Damp location**



**Low voltage** : MR16 20-50W, MR16 IR 37-50W  
Available with a magnetic or an electronic transformer.

### Lenses

**Standard: UV clear lens** (1<sup>15</sup>/<sub>16</sub>" - 49mm).  
Colored and frosted lenses are available. See pages 250-251 for details.

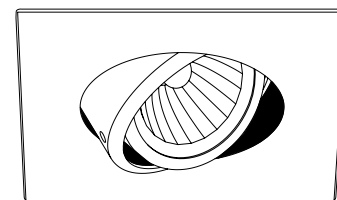


### Trim finishes



Ex.: T3145DG-04

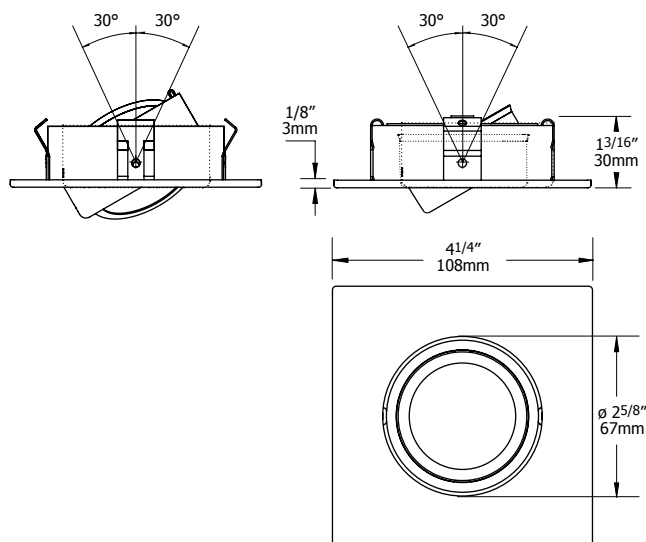
For exterior use and Wet Locations, **MARINE GRADE** treatment is recommended. May be applied on finishes: -01, -02, -05, -06, -11, -14 and -15. See page 252 for more details. Add **MG** to code. Ex.: T3145DG-14MG



## T3145DG Specs and codification

### Trim codification T3145DG-07

MODEL	TRIM FINISH	MARINE GRADE
<b>T3145DG</b>	<b>-07</b>	
	-01 -02 -03 -04 -04BR -05 -06 -07 -08 -11 -12BR -13 -14 -15 -16	MG May be applied on finishes: -01, -02, -05, -06, -11, -14 and -15.



### Housings Specifications Low voltage : MR16

	New Construction	W	HOLE CUT	LENGTH	WIDTH	HEIGHT
	NW3000 <b>CE</b> <sup>1</sup>	37W	3 5/8" (92mm)	15 3/8" (391mm) x 10"	(254mm) x 3 11/16" (94mm)	
	NW3000 <b>CM</b> <sup>1</sup>	37W	3 5/8" (92mm)	15 3/8" (391mm) x 10"	(254mm) x 3 11/16" (94mm)	
	NW3000 <b>LE</b> <sup>1</sup>	50W	3 5/8" (92mm)	15 3/8" (391mm) x 10"	(254mm) x 5 1/2" (140mm)	
	NW3000 <b>LM</b> <sup>1</sup>	50W	3 5/8" (92mm)	15 3/8" (391mm) x 10"	(254mm) x 5 1/2" (140mm)	
	Remodel					
	IT3000 <b>CE</b> <sup>1</sup>	37W	3 5/8" (92mm)	13" (330mm) x 4 3/4" (121mm)	x 3 11/16" (94mm)	
	IT3000 <b>CM</b> <sup>1</sup>	37W	3 5/8" (92mm)	13" (330mm) x 4 3/4" (121mm)	x 3 11/16" (94mm)	
	IT3000 <b>E</b> <sup>1</sup>	50W	3 5/8" (92mm)	13 3/8" (340mm) x 4 5/8" (117mm)	x 6 1/16" (154mm)	
	IT3000 <b>M</b> <sup>1</sup>	50W	3 5/8" (92mm)	13 3/8" (340mm) x 4 5/8" (117mm)	x 6 1/16" (154mm)	
	IT3000 <b>LE</b> <sup>1</sup>	50W	3 5/8" (92mm)	13 3/8" (340mm) x 4 5/8" (117mm)	x 7 1/16" (179mm)	
	IT3000 <b>LM</b> <sup>1</sup>	50W	3 5/8" (92mm)	13 3/8" (340mm) x 4 5/8" (117mm)	x 7 1/16" (179mm)	
	Insulated Ceiling (IC)					
	ISMR3000 <b>M</b> <sup>1</sup>	50W	3 5/8" (92mm)	19 3/8" (492mm) x 10"	(254mm) x 7 1/16" (179mm)	

**C** Short housing  
**L** Long housing  
**E** Electronic transformer (120/277V)  
**M** Magnetic transformer

<sup>1</sup> May be available in **277 Volts and/or 347 Volts. Add 2** (277V) or **3** (347V) at the end of the housing code.  
 Ex.: IT3000LM2  
 Consult factory for availabilities.  
**\*277 Volts: USA**  
**\*347 Volts: Canada and Magnetic transformer only**

**Chicago Plenum**  
 Add **P** at the end of the code to enhance your **IC** housing to meet Chicago Plenum requirements.  
 Ex.: ISMR3000MP

**California Title 24**  
 Add **W** at the end of the code to enhance your **IC** housing to meet California Title 24 requirements.  
 Ex.: ISMR3000MW

**AIRTIGHT**  
 IC housings meet ASTM E283 standard. These housings may be used in insulated ceilings and be covered with insulation material.



3 1/2"

MR16



T3152

# T3152



T3152-02



## Downlight



**Damp location**



**Low voltage** : MR16 20-50W, MR16 IR 37-50W  
Available with a magnetic or an electronic transformer.

### Lenses

**Standard: UV clear lens** (1 15/16" - 49mm).  
Colored and frosted lenses are available. See pages 250-251 for details.



### Trim finishes

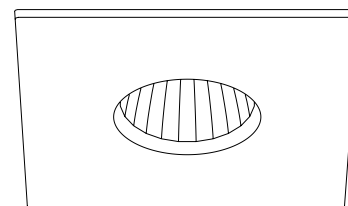


Ex.: T3152-04

For exterior use and Wet Locations, **MARINE GRADE** treatment is recommended. May be applied on finishes: -01, -02, -05, -06, -11, -14 and -15. See page 252 for more details. Add **MG** to code. Ex.: T3152-06**MG**

3 1/2"

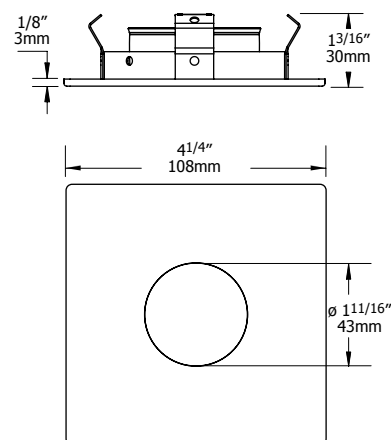
MR16



## T3152 Specs and codification

### Trim codification T3152-05MG

MODEL	TRIM FINISH	MARINE GRADE
<b>T3152</b>	<b>-05</b>	<b>MG</b>
	-01 -02 -03 -04 -04BR -05 -06 -07 -08 -11 -12BR -13 -14 -15 -16	MG May be applied on finishes: -01, -02, -05, -06, -11, -14 and -15.



### Housings Specifications Low voltage : MR16

New Construction	W	HOLE CUT	LENGTH	WIDTH	HEIGHT
NW3000CE <sup>1</sup>	37W	3 5/8" (92mm)	15 3/8" (391mm) x 10"	(254mm) x 3 11/16" (94mm)	
NW3000CM <sup>1</sup>	37W	3 5/8" (92mm)	15 3/8" (391mm) x 10"	(254mm) x 3 11/16" (94mm)	
NW3000LE <sup>1</sup>	50W	3 5/8" (92mm)	15 3/8" (391mm) x 10"	(254mm) x 5 1/2" (140mm)	
NW3000LM <sup>1</sup>	50W	3 5/8" (92mm)	15 3/8" (391mm) x 10"	(254mm) x 5 1/2" (140mm)	
Remodel					
IT3000LE <sup>1</sup>	50W	3 5/8" (92mm)	13 3/8" (340mm) x 4 5/8" (117mm)	7 1/16" (179mm)	
IT3000LM <sup>1</sup>	50W	3 5/8" (92mm)	13 3/8" (340mm) x 4 5/8" (117mm)	7 1/16" (179mm)	
Insulated Ceiling (IC)					
ISMR3000E20 <sup>1</sup>	20W	3 5/8" (92mm)	15 3/16" (386mm) x 8 1/8" (207mm)	7 7/8" (200mm)	
ISMR3000E35 <sup>1</sup>	35W	3 5/8" (92mm)	15 3/16" (386mm) x 8 1/8" (207mm)	7 7/8" (200mm)	
ISMR3000M <sup>1</sup>	35W	3 5/8" (92mm)	19 3/8" (492mm) x 10" (254mm)	7 1/16" (179mm)	
ISMR3000M20 <sup>1</sup>	20W	3 5/8" (92mm)	15 3/16" (386mm) x 8 1/8" (207mm)	7 7/8" (200mm)	
ISMR3000M35 <sup>1</sup>	35W	3 5/8" (92mm)	19 3/8" (492mm) x 10" (254mm)	7 1/16" (179mm)	

**C** Short housing  
**L** Long housing  
**E** Electronic transformer (120/277V)  
**M** Magnetic transformer

<sup>1</sup> May be available in **277 Volts and/or 347 Volts**. Add **2** (277V) or **3** (347V) at the end of the housing code.

Ex.: IT3000LM2  
 Consult factory for availabilities.

**\*277 Volts: USA**  
**\*347 Volts: Canada and Magnetic transformer only**

**Chicago Plenum**  
 Add **P** at the end of the code to enhance your **IC** housing to meet Chicago Plenum requirements.  
 Ex.: ISMR3000MP

**California Title 24**  
 Add **W** at the end of the code to enhance your **IC** housing to meet California Title 24 requirements.  
 Ex.: ISMR3000MW

**AIRTIGHT**  
 IC housings meet ASTM E283 standard. These housings may be used in insulated ceilings and be covered with insulation material.





MR16 3 1/2"



T3165

# T3165



T3165-12BR



## Pinhole



**Damp location**



**Low voltage** : MR16 20-50W, MR16 IR 37-50W  
Available with a magnetic or an electronic transformer.

## Lenses

**Standard: UV clear lens** (1 15/16" - 49mm).  
Colored and frosted lenses are available. See pages 250-251 for details.



## Reflector finishes



**Standard: anodized aluminum**

ANODIZED				
AZ	BO	IG	RU	CB
Azur	Burnt Orange	Inca Gold	Rubis	Cobalt Blue

Ex.: T3165-12BR**CB**

SPECULAR		
CL	BK	CH
Clear	Black	Champagne

Ex.: T3165-07**CH**

PAINTED		
-01	-02	-11
White	Black	Matte White

Ex.: T3165-03-**01**

## Trim finishes

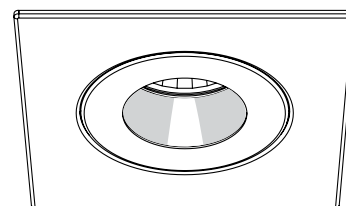
-01	-02	-03	-04	-04BR	-05	-06	-07	-08	-11	-12BR	-13	-14	-15	-16
White	Black	Gold Plated 24k	Chrome	Brushed Chrome	Architectural Bronze	Antique Copper	Antique Brass	Antique Silver	Matte White	Brushed Nickel	Satin Nickel	Almond	Metallic Grey	Satin Chrome

Ex.: T3165-**04**

For exterior use and Wet Locations, **MARINE GRADE** treatment is recommended. May be applied on finishes: -01, -02, -05, -06, -11, -14 and -15. See page 252 for more details. Add **MG** to code. Ex.: T3165-11**MG**

# 3 1/2"

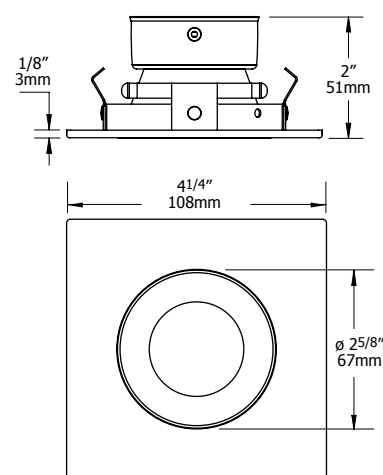
MR16



## T3165 Specs and codification

### Trim codification T3165-04BR

MODEL	TRIM FINISH	REFLECTOR	MARINE GRADE
<b>T3165</b>	<b>-04BR</b>		
	-01	ANODIZED	MG
	-02	ALUMINUM (STANDARD)	May be applied on
	-03	AZ	finishes:
	-04	BO	-01, -02, -05, -06,
	-04BR	IG	-11, -14 and -15.
	-05	RU	
	-06	CB	
	-07	SPECULAR	
	-08	CL	
	-11	BK	
	-12BR	CH	
	-13	PAINTED	
	-14	-01	
	-15	-02	
	-16	-11	



### Housings Specifications Low voltage : MR16

New Construction	W	HOLE CUT	LENGTH	WIDTH	HEIGHT
NW3000CE <sup>1</sup>	50W	3 5/8" (92mm)	15 3/8" (391mm) x 10" (254mm)	3 11/16" (94mm)	
NW3000CM <sup>1</sup>	50W	3 5/8" (92mm)	15 3/8" (391mm) x 10" (254mm)	3 11/16" (94mm)	
NW3000LE <sup>1</sup>	50W	3 5/8" (92mm)	15 3/8" (391mm) x 10" (254mm)	5 1/2" (140mm)	
NW3000LM <sup>1</sup>	50W	3 5/8" (92mm)	15 3/8" (391mm) x 10" (254mm)	5 1/2" (140mm)	
Remodel					
IT3000LE <sup>1</sup>	50W	3 5/8" (92mm)	13 3/8" (340mm) x 4 5/8" (117mm)	7 1/16" (179mm)	
IT3000LM <sup>1</sup>	50W	3 5/8" (92mm)	13 3/8" (340mm) x 4 5/8" (117mm)	7 1/16" (179mm)	
Insulated Ceiling (IC)					
ISMR3000E20 <sup>1</sup>	20W	3 5/8" (92mm)	15 3/16" (386mm) x 8 1/8" (207mm)	7 7/8" (200mm)	
ISMR3000M <sup>1</sup>	35W	3 5/8" (92mm)	19 3/8" (492mm) x 10" (254mm)	7 1/16" (179mm)	
ISMR3000M20 <sup>1</sup>	20W	3 5/8" (92mm)	15 3/16" (386mm) x 8 1/8" (207mm)	7 7/8" (200mm)	

**C** Short housing  
**L** Long housing  
**E** Electronic transformer (120/277V)  
**M** Magnetic transformer  
<sup>1</sup> May be available in **277 Volts and/or 347 Volts. Add 2 (277V) or 3 (347V)** at the end of the housing code.  
 Ex.: IT3000LM2  
 Consult factory for availabilities.  
**\*277 Volts: USA**  
**\*347 Volts: Canada and Magnetic transformer only**

**Chicago Plenum**  
 Add **P** at the end of the code to enhance your **IC** housing to meet Chicago Plenum requirements.  
 Ex.: ISMR3000MP

**California Title 24**  
 Add **W** at the end of the code to enhance your **IC** housing to meet California Title 24 requirements.  
 Ex.: ISMR3000MW

**AIRTIGHT**  
 IC housings meet ASTM E283 standard. These housings may be used in insulated ceilings and be covered with insulation material.



3 1/2"

MR16



T3185



T3185-12BR



# T3185

## Adjustable



**Damp location**



**Low voltage** : MR16 20-50W, MR16 IR 37-50W  
Available with a magnetic or an electronic transformer.

## Lenses

**Standard: UV clear lens** (1<sup>15</sup>/<sub>16</sub>" - 49mm).  
Colored and frosted lenses are available. See pages 250-251 for details.



## Trim finishes

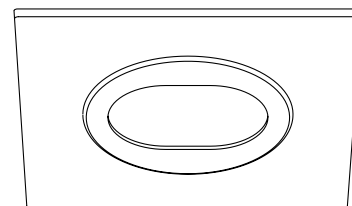


Ex.: T3185-05

For exterior use and Wet Locations, **MARINE GRADE** treatment is recommended. May be applied on finishes: -01, -02, -05, -06, -11, -14 and -15. See page 252 for more details. Add **MG** to code. Ex.: T3185-05**MG**

# 3 1/2"

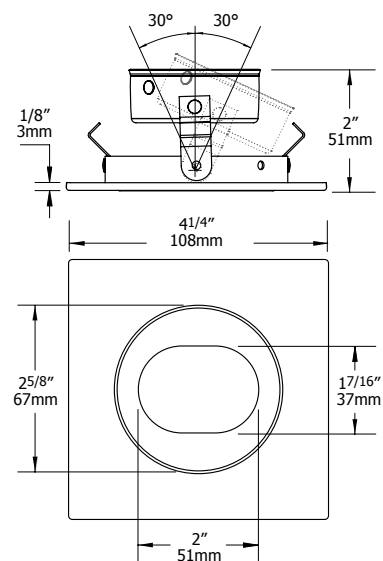
MR16



## T3185 Specs and codification

### Trim codification T3185-07

MODEL	TRIM FINISH	MARINE GRADE
<b>T3185</b>	<b>-07</b>	
	-01 -02 -03 -04 -04BR -05 -06 -07 -08 -11 -12BR -13 -14 -15 -16	MG May be applied on finishes: -01, -02, -05, -06, -11, -14 and -15.



### Housings Specifications Low voltage : MR16

 New Construction	W	HOLE CUT	LENGTH	WIDTH	HEIGHT
NW3000CE <sup>1</sup>	50W	3 5/8" (92mm)	15 3/8" (391mm) x 10"	(254mm) x 3 11/16" (94mm)	
NW3000CM <sup>1</sup>	50W	3 5/8" (92mm)	15 3/8" (391mm) x 10"	(254mm) x 3 11/16" (94mm)	
NW3000LE <sup>1</sup>	50W	3 5/8" (92mm)	15 3/8" (391mm) x 10"	(254mm) x 5 1/2" (140mm)	
NW3000LM <sup>1</sup>	50W	3 5/8" (92mm)	15 3/8" (391mm) x 10"	(254mm) x 5 1/2" (140mm)	
 Remodel					
IT3000LE <sup>1</sup>	50W	3 5/8" (92mm)	13 3/8" (340mm) x 4 5/8" (117mm)	x 7 1/16" (179mm)	
IT3000LM <sup>1</sup>	50W	3 5/8" (92mm)	13 3/8" (340mm) x 4 5/8" (117mm)	x 7 1/16" (179mm)	
 Insulated Ceiling (IC)					
ISMR3000E20 <sup>1</sup>	20W	3 5/8" (92mm)	15 3/16" (386mm) x 8 1/8" (207mm)	x 7 7/8" (200mm)	
ISMR3000M <sup>1</sup>	35W	3 5/8" (92mm)	19 3/8" (492mm) x 10" (254mm)	x 7 1/16" (179mm)	
ISMR3000M20 <sup>1</sup>	20W	3 5/8" (92mm)	15 3/16" (386mm) x 8 1/8" (207mm)	x 7 7/8" (200mm)	

**C** Short housing  
**L** Long housing  
**E** Electronic transformer (120/277V)  
**M** Magnetic transformer

<sup>1</sup> May be available in **277 Volts and/or 347 Volts. Add 2 (277V) or 3 (347V)** at the end of the housing code.

Ex.: IT3000LM2  
 Consult factory for availabilities.

**\*277 Volts: USA**  
**\*347 Volts: Canada and Magnetic transformer only**

**Chicago Plenum**  
 Add **P** at the end of the code to enhance your **IC** housing to meet Chicago Plenum requirements.  
 Ex.: ISMR3000MP

**California Title 24**  
 Add **W** at the end of the code to enhance your **IC** housing to meet California Title 24 requirements.  
 Ex.: ISMR3000MW

**AIRTIGHT**  
 IC housings meet ASTM E283 standard. These housings may be used in insulated ceilings and be covered with insulation material.



3 1/2"

MR16



# T3200

## T3200



T3200-01



### Adjustable



**Damp location**



**Low voltage** : MR16 20-50W, MR16 IR 37-50W

Available with a magnetic or an electronic transformer.

### Lenses

**Standard: UV clear lens** (1<sup>15</sup>/<sub>16</sub>" - 49mm).

Colored and frosted lenses are available. See pages 250-251 for details.



### Trim finishes

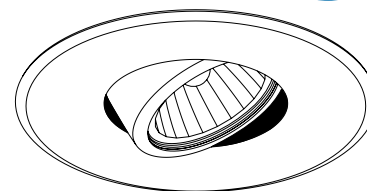


Ex.: T3200-01

For exterior use and Wet Locations, **MARINE GRADE** treatment is recommended. May be applied on finishes: -01, -02, -05, -06, -11, -14 and -15. See page 252 for more details. Add **MG** to code. Ex.: T3200-01**MG**

# 3 1/2"

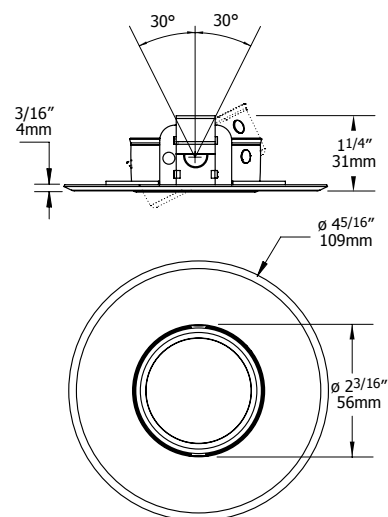
MR16



## T3200 Specs and codification

### Trim codification T3200-01MG

MODEL	TRIM FINISH	MARINE GRADE
<b>T3200</b>	<b>-01</b>	<b>MG</b>
	-01 -02 -03 -04 -04BR -05 -06 -07 -08 -11 -12BR -13 -14 -15 -16	MG May be applied on finishes: -01, -02, -05, -06, -11, -14 and -15.



### Housings Specifications Low voltage : MR16

New Construction	W	HOLE CUT	LENGTH	WIDTH	HEIGHT
NW3000 <b>CE</b> <sup>1</sup>	50W	3 5/8" (92mm)	15 3/8" (391mm) x 10"	(254mm) x 3 11/16" (94mm)	
NW3000 <b>CM</b> <sup>1</sup>	50W	3 5/8" (92mm)	15 3/8" (391mm) x 10"	(254mm) x 3 11/16" (94mm)	
NW3000 <b>LE</b> <sup>1</sup>	50W	3 5/8" (92mm)	15 3/8" (391mm) x 10"	(254mm) x 5 1/2" (140mm)	
NW3000 <b>LM</b> <sup>1</sup>	50W	3 5/8" (92mm)	15 3/8" (391mm) x 10"	(254mm) x 5 1/2" (140mm)	
Remodel					
IT3000 <b>CE</b> <sup>1</sup>	35W	3 5/8" (92mm)	13" (330mm) x 4 3/4" (121mm)	x 3 11/16" (94mm)	
IT3000 <b>CM</b> <sup>1</sup>	35W	3 5/8" (92mm)	13" (330mm) x 4 3/4" (121mm)	x 3 11/16" (94mm)	
IT3000 <b>E</b> <sup>1</sup>	42W	3 5/8" (92mm)	13 3/8" (340mm) x 4 5/8" (117mm)	x 6 1/16" (154mm)	
IT3000 <b>M</b> <sup>1</sup>	42W	3 5/8" (92mm)	13 3/8" (340mm) x 4 5/8" (117mm)	x 6 1/16" (154mm)	
IT3000 <b>LE</b> <sup>1</sup>	50W	3 5/8" (92mm)	13 3/8" (340mm) x 4 5/8" (117mm)	x 7 1/16" (179mm)	
IT3000 <b>LM</b> <sup>1</sup>	50W	3 5/8" (92mm)	13 3/8" (340mm) x 4 5/8" (117mm)	x 7 1/16" (179mm)	
Insulated Ceiling (IC)					
ISMR3000 <b>E20</b> <sup>1</sup>	20W	3 5/8" (92mm)	15 3/16" (386mm) x 8 1/8" (207mm)	x 7 7/8" (200mm)	
ISMR3000 <b>E35</b> <sup>1</sup>	35W	3 5/8" (92mm)	15 3/16" (386mm) x 8 1/8" (207mm)	x 7 7/8" (200mm)	
ISMR3000 <b>M</b> <sup>1</sup>	50W	3 5/8" (92mm)	19 3/8" (492mm) x 10" (254mm)	x 7 1/16" (179mm)	
ISMR3000 <b>M20</b> <sup>1</sup>	20W	3 5/8" (92mm)	15 3/16" (386mm) x 8 1/8" (207mm)	x 7 7/8" (200mm)	
ISMR3000 <b>M35</b> <sup>1</sup>	35W	3 5/8" (92mm)	19 3/8" (492mm) x 10" (254mm)	x 7 1/16" (179mm)	

- C** Short housing
- L** Long housing
- E** Electronic transformer (120/277V)
- M** Magnetic transformer

<sup>1</sup> May be available in **277 Volts and/or 347 Volts. Add 2** (277V) or **3** (347V) at the end of the housing code.  
Ex.: IT3000LM2  
Consult factory for availabilities.  
**\*277 Volts: USA**  
**\*347 Volts: Canada and Magnetic transformer only**

**Chicago Plenum**  
Add **P** at the end of the code to enhance your **IC** housing to meet Chicago Plenum requirements.  
Ex.: ISMR3000MP

**California Title 24**  
Add **W** at the end of the code to enhance your **IC** housing to meet California Title 24 requirements.  
Ex.: ISMR3000MW

**AIRTIGHT**  
IC housings meet ASTM E283 standard. These housings may be used in insulated ceilings and be covered with insulation material.



MR16 3 1/2"



# T3250

## T3250



T3250-03



### Adjustable



**Damp location**



**Low voltage** : MR16 20-50W, MR16 IR 37-50W  
Available with a magnetic or an electronic transformer.

### Lenses

**Standard: UV clear lens** (1<sup>15</sup>/<sub>16</sub>" - 49mm).  
Colored and frosted lenses are available. See pages 250-251 for details.



### Center specification

**Standard: striated center with 24K Gold plated and Chrome finishes.**  
For a polish center, add «P» to code. Ex.: T3250-03P

### Trim finishes

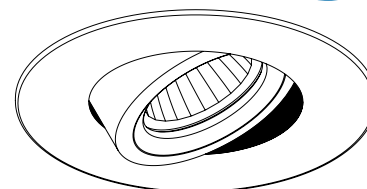


Ex.: T3250-06

For exterior use and Wet Locations, **MARINE GRADE** treatment is recommended. May be applied on finishes: -01, -02, -05, -06, -11, -14 and -15. See page 252 for more details. Add **MG** to code. Ex.: T3250-05**MG**

# 3 1/2"

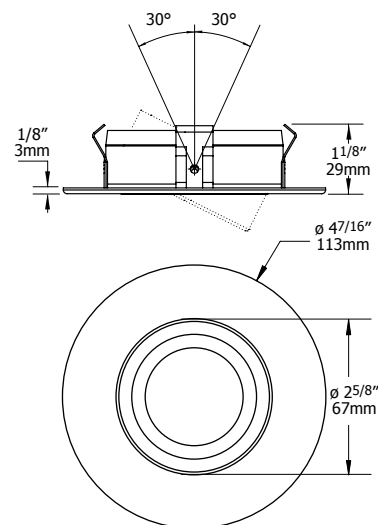
MR16






## T3250 Specs and codification

### Trim codification T3250-03P

MODEL	TRIM FINISH	CENTER	MARINE GRADE
<b>T3250</b>	<b>-03</b>	<b>P</b>	
	-01 -02 -03 -04 -04BR -05 -06 -07 -08 -11 -12BR -13 -14 -15 -16	24K GOLD PLATED AND CHROME: Standard: striated center For a polished center add <b>P</b> to code.	MG May be applied on finishes: -01, -02, -05, -06, -11, -14 and -15.



### Housings Specifications Low voltage : MR16

 New Construction	W	HOLE CUT	LENGTH	WIDTH	HEIGHT
NW3000 <b>CE</b> <sup>1</sup>	50W	3 5/8" (92mm)	15 3/8" (391mm) x 10"	(254mm) x 3 11/16" (94mm)	
NW3000 <b>CM</b> <sup>1</sup>	50W	3 5/8" (92mm)	15 3/8" (391mm) x 10"	(254mm) x 3 11/16" (94mm)	
NW3000 <b>LE</b> <sup>1</sup>	50W	3 5/8" (92mm)	15 3/8" (391mm) x 10"	(254mm) x 5 1/2" (140mm)	
NW3000 <b>LM</b> <sup>1</sup>	50W	3 5/8" (92mm)	15 3/8" (391mm) x 10"	(254mm) x 5 1/2" (140mm)	
 Remodel					
IT3000 <b>CE</b> <sup>1</sup>	35W	3 5/8" (92mm)	13" (330mm) x 4 3/4" (121mm)	x 3 11/16" (94mm)	
IT3000 <b>CM</b> <sup>1</sup>	35W	3 5/8" (92mm)	13" (330mm) x 4 3/4" (121mm)	x 3 11/16" (94mm)	
IT3000 <b>E</b> <sup>1</sup>	42W	3 5/8" (92mm)	13 3/8" (340mm) x 4 5/8" (117mm)	x 6 1/16" (154mm)	
IT3000 <b>M</b> <sup>1</sup>	42W	3 5/8" (92mm)	13 3/8" (340mm) x 4 5/8" (117mm)	x 6 1/16" (154mm)	
IT3000 <b>LE</b> <sup>1</sup>	50W	3 5/8" (92mm)	13 3/8" (340mm) x 4 5/8" (117mm)	x 7 1/16" (179mm)	
IT3000 <b>LM</b> <sup>1</sup>	50W	3 5/8" (92mm)	13 3/8" (340mm) x 4 5/8" (117mm)	x 7 1/16" (179mm)	
 Insulated Ceiling (IC)					
ISMR3000 <b>E20</b> <sup>1</sup>	20W	3 5/8" (92mm)	15 3/16" (386mm) x 8 1/8" (207mm)	x 7 7/8" (200mm)	
ISMR3000 <b>E35</b> <sup>1</sup>	35W	3 5/8" (92mm)	15 3/16" (386mm) x 8 1/8" (207mm)	x 7 7/8" (200mm)	
ISMR3000 <b>M</b> <sup>1</sup>	50W	3 5/8" (92mm)	19 3/8" (492mm) x 10" (254mm)	x 7 1/16" (179mm)	
ISMR3000 <b>M20</b> <sup>1</sup>	20W	3 5/8" (92mm)	15 3/16" (386mm) x 8 1/8" (207mm)	x 7 7/8" (200mm)	
ISMR3000 <b>M35</b> <sup>1</sup>	35W	3 5/8" (92mm)	19 3/8" (492mm) x 10" (254mm)	x 7 1/16" (179mm)	

- C** Short housing
- L** Long housing
- E** Electronic transformer (120/277V)
- M** Magnetic transformer

<sup>1</sup> May be available in **277 Volts and/or 347 Volts. Add 2** (277V) or **3** (347V) at the end of the housing code.  
Ex.: IT3000LM2  
Consult factory for availabilities.  
**\*277 Volts: USA**  
**\*347 Volts: Canada and Magnetic transformer only**

**Chicago Plenum**  
Add **P** at the end of the code to enhance your **IC** housing to meet Chicago Plenum requirements.  
Ex.: ISMR3000MP

**California Title 24**  
Add **W** at the end of the code to enhance your **IC** housing to meet California Title 24 requirements.  
Ex.: ISMR3000MW

**AIRTIGHT**  
IC housings meet ASTM E283 standard. These housings may be used in insulated ceilings and be covered with insulation material.





3 1/2"

MR16



T3250DG

# T3250DG



T3250DG-12BR



## Double Gimbal



**Damp location**



**Low voltage** : MR16 20-50W, MR16 IR 37-50W  
Available with a magnetic or an electronic transformer.

## Lenses

**Standard: UV clear lens** (1<sup>15</sup>/<sub>16</sub>" - 49mm).  
Colored and frosted lenses are available. See pages 250-252 for details.



## Trim finishes

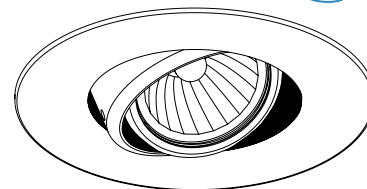


Ex.: T3250DG-06

For exterior use and Wet Locations, **MARINE GRADE** treatment is recommended. May be applied on finishes: -01, -02, -05, -06, -11, -14 and -15. See page 252 for more details. Add **MG** to code. Ex.: T3250DG-06MG

3 1/2"

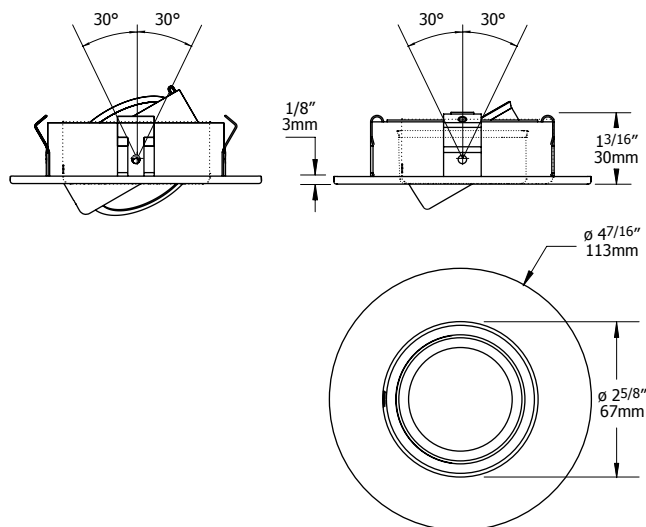
MR16



## T3250DG Specs and codification

### Trim codification T3250DG-14MG

MODEL	TRIM FINISH	MARINE GRADE
<b>T3250DG</b>	<b>-14</b>	<b>MG</b>
	-01 -02 -03 -04 -04BR -05 -06 -07 -08 -11 -12BR -13 -14 -15 -16	MG May be applied on finishes: -01, -02, -05, -06, -11, -14 and -15.



### Housings Specifications Low voltage : MR16

 New Construction	W	HOLE CUT	LENGTH	WIDTH	HEIGHT
NW3000 <b>CE</b> <sup>1</sup>	37W	3 5/8" (92mm)	15 3/8" (391mm) x 10"	(254mm) x 3 11/16" (94mm)	
NW3000 <b>CM</b> <sup>1</sup>	37W	3 5/8" (92mm)	15 3/8" (391mm) x 10"	(254mm) x 3 11/16" (94mm)	
NW3000 <b>LE</b> <sup>1</sup>	50W	3 5/8" (92mm)	15 3/8" (391mm) x 10"	(254mm) x 5 1/2" (140mm)	
NW3000 <b>LM</b> <sup>1</sup>	50W	3 5/8" (92mm)	15 3/8" (391mm) x 10"	(254mm) x 5 1/2" (140mm)	
 Remodel					
IT3000 <b>CE</b> <sup>1</sup>	37W	3 5/8" (92mm)	13" (330mm) x 4 3/4" (121mm)	(121mm) x 3 11/16" (94mm)	
IT3000 <b>CM</b> <sup>1</sup>	37W	3 5/8" (92mm)	13" (330mm) x 4 3/4" (121mm)	(121mm) x 3 11/16" (94mm)	
IT3000 <b>E</b> <sup>1</sup>	50W	3 5/8" (92mm)	13 3/8" (340mm) x 4 5/8" (117mm)	(117mm) x 6 1/16" (154mm)	
IT3000 <b>M</b> <sup>1</sup>	50W	3 5/8" (92mm)	13 3/8" (340mm) x 4 5/8" (117mm)	(117mm) x 6 1/16" (154mm)	
IT3000 <b>LE</b> <sup>1</sup>	50W	3 5/8" (92mm)	13 3/8" (340mm) x 4 5/8" (117mm)	(117mm) x 7 1/16" (179mm)	
IT3000 <b>LM</b> <sup>1</sup>	50W	3 5/8" (92mm)	13 3/8" (340mm) x 4 5/8" (117mm)	(117mm) x 7 1/16" (179mm)	
 Insulated Ceiling (IC)					
ISMR3000 <b>M</b> <sup>1</sup>	50W	3 5/8" (92mm)	19 3/8" (386mm) x 10"	(254mm) x 7 1/16" (179mm)	

**C** Short housing  
**L** Long housing  
**E** Electronic transformer (120/277V)  
**M** Magnetic transformer

<sup>1</sup> May be available in **277 Volts and/or 347 Volts**. Add **2** (277V) or **3** (347V) at the end of the housing code.  
 Ex.: IT3000LM**2**  
 Consult factory for availabilities.  
**\*277 Volts: USA**  
**\*347 Volts: Canada and Magnetic transformer only**

**Chicago Plenum**  
 Add **P** at the end of the code to enhance your **IC** housing to meet Chicago Plenum requirements.  
 Ex.: ISMR3000**MP**

**California Title 24**  
 Add **W** at the end of the code to enhance your **IC** housing to meet California Title 24 requirements.  
 Ex.: ISMR3000**MW**

**AIRTIGHT**  
 IC housings meet ASTM E283 standard. These housings may be used in insulated ceilings and be covered with insulation material.



3 1/2"

MR16



T3260

T3260



T3260-08



## Adjustable



Damp location



Low voltage : MR16 20-50W, MR16 IR 37-50W

Available with a magnetic or an electronic transformer.

## Lenses

Standard: UV clear lens (1<sup>15</sup>/<sub>16</sub>" - 49mm).

Colored and frosted lenses are available. See pages 250-251 for details.



## Center specification

Standard: striated center with 24K Gold plated and Chrome finishes.

For a polish center, add «P» to code. Ex.: T3260-03P

## Trim finishes

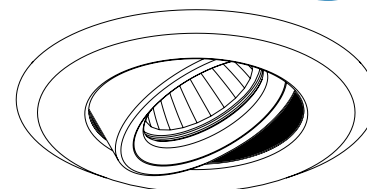


Ex.: T3260-07

For exterior use and Wet Locations, **MARINE GRADE** treatment is recommended. May be applied on finishes: -01, -02, -05, -06, -11, -14 and -15. See page 252 for more details. Add **MG** to code. Ex.: T3260-11**MG**

# 3 1/2"

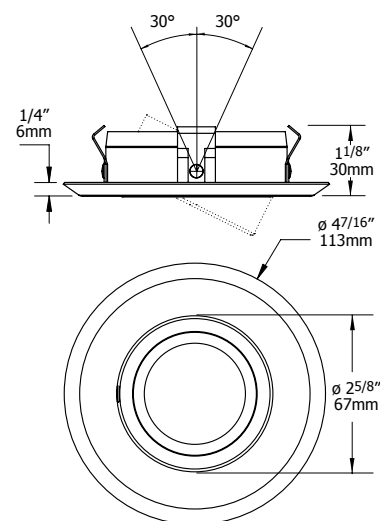
MR16



## T3260 Specs and codification

### Trim codification T3260-04BR

MODEL	TRIM FINISH	CENTER	MARINE GRADE
<b>T3260</b>	<b>-04BR</b>		
	-01	24K GOLD PLATED AND CHROME: Standard: striated center For a polished center add <b>P</b> to code.	MG May be applied on finishes: -01, -02, -05, -06, -11, -14 and -15.
	-02		
	-03		
	-04		
	-04BR		
	-05		
	-06		
	-07		
	-08		
	-11		
	-12BR		
	-13		
	-14		
	-15		
	-16		



### Housings Specifications Low voltage : MR16

New Construction	W	HOLE CUT	LENGTH	WIDTH	HEIGHT
NW3000 <b>CE</b> <sup>1</sup>	50W	3 5/8" (92mm)	15 3/8" (391mm) x 10"	(254mm) x 3 11/16" (94mm)	
NW3000 <b>CM</b> <sup>1</sup>	50W	3 5/8" (92mm)	15 3/8" (391mm) x 10"	(254mm) x 3 11/16" (94mm)	
NW3000 <b>LE</b> <sup>1</sup>	50W	3 5/8" (92mm)	15 3/8" (391mm) x 10"	(254mm) x 5 1/2" (140mm)	
NW3000 <b>LM</b> <sup>1</sup>	50W	3 5/8" (92mm)	15 3/8" (391mm) x 10"	(254mm) x 5 1/2" (140mm)	
Remodel					
IT3000 <b>CE</b> <sup>1</sup>	35W	3 5/8" (92mm)	13" (330mm) x 4 3/4" (121mm)	x 3 11/16" (94mm)	
IT3000 <b>CM</b> <sup>1</sup>	35W	3 5/8" (92mm)	13" (330mm) x 4 3/4" (121mm)	x 3 11/16" (94mm)	
IT3000 <b>E</b> <sup>1</sup>	42W	3 5/8" (92mm)	13 3/8" (340mm) x 4 5/8" (117mm)	x 6 1/16" (154mm)	
IT3000 <b>M</b> <sup>1</sup>	42W	3 5/8" (92mm)	13 3/8" (340mm) x 4 5/8" (117mm)	x 6 1/16" (154mm)	
IT3000 <b>LE</b> <sup>1</sup>	50W	3 5/8" (92mm)	13 3/8" (340mm) x 4 5/8" (117mm)	x 7 1/16" (179mm)	
IT3000 <b>LM</b> <sup>1</sup>	50W	3 5/8" (92mm)	13 3/8" (340mm) x 4 5/8" (117mm)	x 7 1/16" (179mm)	
Insulated Ceiling (IC)					
ISMR3000 <b>E20</b> <sup>1</sup>	20W	3 5/8" (92mm)	15 3/16" (386mm) x 8 1/8" (207mm)	x 7 7/8" (200mm)	
ISMR3000 <b>E35</b> <sup>1</sup>	35W	3 5/8" (92mm)	15 3/16" (386mm) x 8 1/8" (207mm)	x 7 7/8" (200mm)	
ISMR3000 <b>M</b> <sup>1</sup>	50W	3 5/8" (92mm)	19 3/8" (492mm) x 10" (254mm)	x 7 1/16" (179mm)	
ISMR3000 <b>M20</b> <sup>1</sup>	20W	3 5/8" (92mm)	15 3/16" (386mm) x 8 1/8" (207mm)	x 7 7/8" (200mm)	
ISMR3000 <b>M35</b> <sup>1</sup>	35W	3 5/8" (92mm)	19 3/8" (492mm) x 10" (254mm)	x 7 1/16" (179mm)	

- C** Short housing
- L** Long housing
- E** Electronic transformer (120/277V)
- M** Magnetic transformer

<sup>1</sup> May be available in **277 Volts and/or 347 Volts**. Add **2** (277V) or **3** (347V) at the end of the housing code.  
Ex.: IT3000LM**2**  
Consult factory for availabilities.  
**\*277 Volts: USA**  
**\*347 Volts: Canada and Magnetic transformer only**

**Chicago Plenum**  
Add **P** at the end of the code to enhance your **IC** housing to meet Chicago Plenum requirements.  
Ex.: ISMR3000**MP**

**California Title 24**  
Add **W** at the end of the code to enhance your **IC** housing to meet California Title 24 requirements.  
Ex.: ISMR3000**MW**

**AIRTIGHT**  
IC housings meet ASTM E283 standard. These housings may be used in insulated ceilings and be covered with insulation material.



MR16 3 1/2"



# T3300

## T3300



T3300-08



### Adjustable



**Damp location**



**Low voltage** : MR16 20-50W, MR16 IR 37-50W  
Available with a magnetic or an electronic transformer.

### Lenses

**Standard: UV clear lens** (1 15/16" - 49mm).  
Colored and frosted lenses are available. See pages 250-251 for details.



### Trim finishes

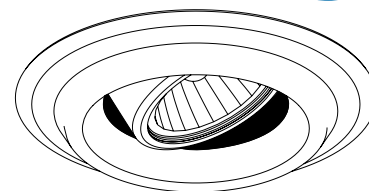


Ex.: T3300-06

For exterior use and Wet Locations, **MARINE GRADE** treatment is recommended. May be applied on finishes: -01, -02, -05, -06, -11, -14 and -15. See page 252 for more details. Add **MG** to code. Ex.: T3300-06**MG**

# 3 1/2"

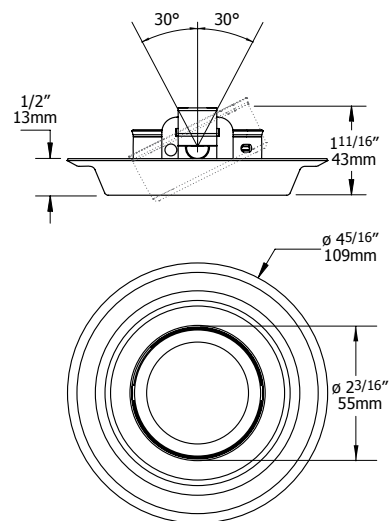
MR16






## T3300 Specs and codification

### Trim codification T3300-06MG

MODEL	TRIM FINISH	MARINE GRADE
<b>T3300</b>	<b>-06</b>	<b>MG</b>
	-01 -02 -03 -04 -04BR -05 -06 -07 -08 -11 -12BR -13 -14 -15 -16	MG May be applied on finishes: -01, -02, -05, -06, -11, -14 and -15.



### Housings Specifications Low voltage : MR16

 New Construction	W	HOLE CUT	LENGTH	WIDTH	HEIGHT
NW3000 <b>CE</b> <sup>1</sup>	50W	3 5/8" (92mm)	15 3/8" (391mm) x 10"	(254mm) x 3 11/16" (94mm)	
NW3000 <b>CM</b> <sup>1</sup>	50W	3 5/8" (92mm)	15 3/8" (391mm) x 10"	(254mm) x 3 11/16" (94mm)	
NW3000 <b>LE</b> <sup>1</sup>	50W	3 5/8" (92mm)	15 3/8" (391mm) x 10"	(254mm) x 5 1/2" (140mm)	
NW3000 <b>LM</b> <sup>1</sup>	50W	3 5/8" (92mm)	15 3/8" (391mm) x 10"	(254mm) x 5 1/2" (140mm)	
 Remodel					
IT3000 <b>CE</b> <sup>1</sup>	35W	3 5/8" (92mm)	13" (330mm) x 4 3/4" (121mm)	x 3 11/16" (94mm)	
IT3000 <b>CM</b> <sup>1</sup>	35W	3 5/8" (92mm)	13" (330mm) x 4 3/4" (121mm)	x 3 11/16" (94mm)	
IT3000 <b>E</b> <sup>1</sup>	42W	3 5/8" (92mm)	13 3/8" (340mm) x 4 5/8" (117mm)	x 6 1/16" (154mm)	
IT3000 <b>M</b> <sup>1</sup>	42W	3 5/8" (92mm)	13 3/8" (340mm) x 4 5/8" (117mm)	x 6 1/16" (154mm)	
IT3000 <b>LE</b> <sup>1</sup>	50W	3 5/8" (92mm)	13 3/8" (340mm) x 4 5/8" (117mm)	x 7 1/16" (179mm)	
IT3000 <b>LM</b> <sup>1</sup>	50W	3 5/8" (92mm)	13 3/8" (340mm) x 4 5/8" (117mm)	x 7 1/16" (179mm)	
 Insulated Ceiling (IC)					
ISMR3000 <b>E20</b> <sup>1</sup>	20W	3 5/8" (92mm)	15 3/16" (386mm) x 8 1/8" (207mm)	x 7 7/8" (200mm)	
ISMR3000 <b>E35</b> <sup>1</sup>	35W	3 5/8" (92mm)	15 3/16" (386mm) x 8 1/8" (207mm)	x 7 7/8" (200mm)	
ISMR3000 <b>M</b> <sup>1</sup>	50W	3 5/8" (92mm)	19 3/8" (492mm) x 10" (254mm)	x 7 1/16" (179mm)	
ISMR3000 <b>M20</b> <sup>1</sup>	20W	3 5/8" (92mm)	15 3/16" (386mm) x 8 1/8" (207mm)	x 7 7/8" (200mm)	
ISMR3000 <b>M35</b> <sup>1</sup>	35W	3 5/8" (92mm)	19 3/8" (492mm) x 10" (254mm)	x 7 1/16" (179mm)	

- C** Short housing
- L** Long housing
- E** Electronic transformer (120/277V)
- M** Magnetic transformer

<sup>1</sup> May be available in **277 Volts and/or 347 Volts**. Add **2** (277V) or **3** (347V) at the end of the housing code.  
Ex.: IT3000LM**2**  
Consult factory for availabilities.  
**\*277 Volts: USA**  
**\*347 Volts: Canada and Magnetic transformer only**

**Chicago Plenum**  
Add **P** at the end of the code to enhance your **IC** housing to meet Chicago Plenum requirements.  
Ex.: ISMR3000**MP**

**California Title 24**  
Add **W** at the end of the code to enhance your **IC** housing to meet California Title 24 requirements.  
Ex.: ISMR3000**MW**

**AIRTIGHT**  
IC housings meet ASTM E283 standard. These housings may be used in insulated ceilings and be covered with insulation material.



3 1/2"

MR16



# T3400



## T3400



T3400-12BR

### Downlight



**Damp location**



**Low voltage** : MR16 20-50W, MR16 IR 37-50W  
Available with a magnetic or an electronic transformer.

### Lenses

**Standard: UV clear lens** (1 15/16" - 49mm).  
Colored and frosted lenses are available. See pages 250-251 for details.



### Reflector finishes



**Standard: anodized aluminum**



Ex.: T3400-02RU



Ex.: T3400-13CL



Ex.: T3400-14-02

### Trim finishes

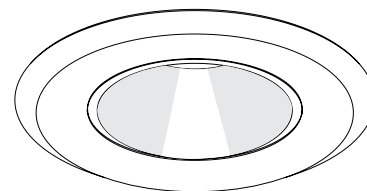


Ex.: T3400-08

For exterior use and Wet Locations, **MARINE GRADE** treatment is recommended. May be applied on finishes: -01, -02, -05, -06, -11, -14 and -15. See page 252 for more details. Add **MG** to code. Ex.: T3400-06MG

3 1/2"

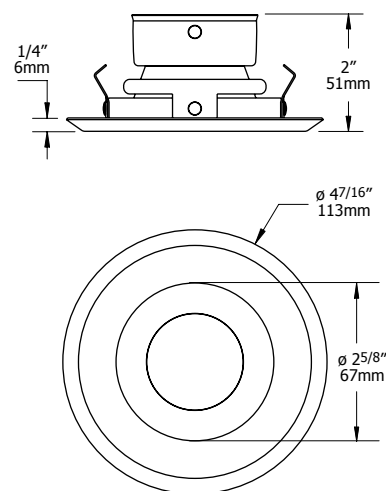
MR16



## T3400 Specs and codification

### Trim codification T3400-13CH

MODEL	TRIM FINISH	REFLECTOR	MARINE GRADE
<b>T3400</b>	<b>-13</b>	<b>CH</b>	
	-01 -02 -03 -04 -04BR -05 -06 -07 -08 -11 -12BR -13 -14 -15 -16	ANODIZED ALUMINUM (STANDARD) AZ BO IG RU CB SPECULAR CL BK CH PAINTED -01 -02 -11	MG May be applied on finishes: -01, -02, -05, -06, -11, -14 and -15.



### Housings Specifications Low voltage : MR16

 New Construction	W	HOLE CUT	LENGTH	WIDTH	HEIGHT
NW3000CE <sup>1</sup>	50W	3 5/8" (92mm)	15 3/8" (391mm) x 10"	(254mm) x 3 1/16" (94mm)	
NW3000CM <sup>1</sup>	50W	3 5/8" (92mm)	15 3/8" (391mm) x 10"	(254mm) x 3 1/16" (94mm)	
NW3000LE <sup>1</sup>	50W	3 5/8" (92mm)	15 3/8" (391mm) x 10"	(254mm) x 5 1/2" (140mm)	
NW3000LM <sup>1</sup>	50W	3 5/8" (92mm)	15 3/8" (391mm) x 10"	(254mm) x 5 1/2" (140mm)	
 Remodel					
IT3000E <sup>1</sup>	50W	3 5/8" (92mm)	13 3/8" (340mm) x 4 5/8" (117mm)	x 6 1/16" (154mm)	
IT3000M <sup>1</sup>	50W	3 5/8" (92mm)	13 3/8" (340mm) x 4 5/8" (117mm)	x 6 1/16" (154mm)	
IT3000LE <sup>1</sup>	50W	3 5/8" (92mm)	13 3/8" (340mm) x 4 5/8" (117mm)	x 7 1/16" (179mm)	
IT3000LM <sup>1</sup>	50W	3 5/8" (92mm)	13 3/8" (340mm) x 4 5/8" (117mm)	x 7 1/16" (179mm)	
 Insulated Ceiling (IC)					
ISMR3000E20 <sup>1</sup>	20W	3 5/8" (92mm)	15 3/16" (386mm) x 8 1/8" (207mm)	x 7 7/8" (200mm)	
ISMR3000E35 <sup>1</sup>	35W	3 5/8" (92mm)	15 3/16" (386mm) x 8 1/8" (207mm)	x 7 7/8" (200mm)	
ISMR3000M <sup>1</sup>	50W	3 5/8" (92mm)	19 3/8" (492mm) x 10"	(254mm) x 7 1/16" (179mm)	
ISMR3000M20 <sup>1</sup>	20W	3 5/8" (92mm)	15 3/16" (386mm) x 8 1/8" (207mm)	x 7 7/8" (200mm)	
ISMR3000M35 <sup>1</sup>	35W	3 5/8" (92mm)	19 3/8" (492mm) x 10"	(254mm) x 7 1/16" (179mm)	

**C** Short housing  
**L** Long housing  
**E** Electronic transformer (120/277V)  
**M** Magnetic transformer

<sup>1</sup> May be available in **277 Volts and/or 347 Volts. Add 2 (277V) or 3 (347V)** at the end of the housing code.  
 Ex.: IT3000LM2  
 Consult factory for availabilities.  
**\*277 Volts: USA**  
**\*347 Volts: Canada and Magnetic transformer only**

**Chicago Plenum**  
 Add **P** at the end of the code to enhance your **IC** housing to meet Chicago Plenum requirements.  
 Ex.: ISMR3000MP

**California Title 24**  
 Add **W** at the end of the code to enhance your **IC** housing to meet California Title 24 requirements.  
 Ex.: ISMR3000MW

**AIRTIGHT**  
 IC housings meet ASTM E283 standard. These housings may be used in insulated ceilings and be covered with insulation material.





3 1/2"

MR16



T3400D SM



## T3400D SM

T3400D-08-CLSM

### Adjustable



#### Damp location



**Low voltage** : MR16 20-50W, MR16 IR 37-50W

Available with a magnetic or an electronic transformer.

### Lenses

**Standard: UV clear lens** (1<sup>15</sup>/<sub>16</sub>" - 49mm).

Colored and frosted lenses are available. See pages 250-251 for details.



### Reflector finishes



**Standard: anodized aluminum**

#### ANODIZED



Ex.: T3400D-02-RUSM

#### SPECULAR



Ex.: T3400D-02-BKSM

#### PAINTED



Ex.: T3400D-02-11SM

### Trim finishes

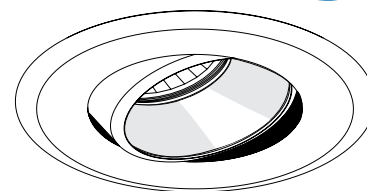


Ex.: T3400D-02SM

For exterior use and Wet Locations, **MARINE GRADE** treatment is recommended. May be applied on finishes: -01, -02, -05, -06, -11, -14 and -15. See page 252 for more details. Add **MG** to code. Ex.: T3400D-06SMMG

# 3 1/2"

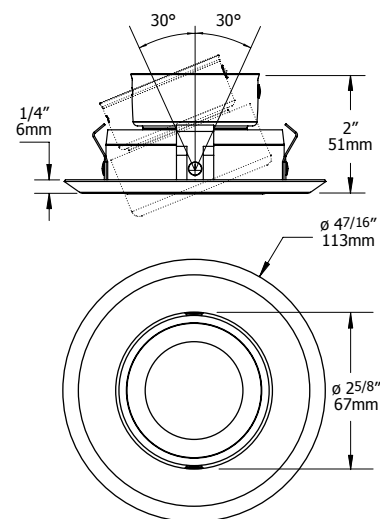
MR16




## T3400D SM Specs and codification

### Trim codification T3400D-13-CBSM

MODEL	TRIM FINISH	REFLECTOR	MARINE GRADE
<b>T3400D</b>	<b>-13</b>	<b>-CB</b> <b>SM</b>	
	-01 -02 -03 -04 -04BR -05 -06 -07 -08 -11 -12BR -13 -14 -15 -16	ANODIZED ALUMINUM (STANDARD) -AZ -BO -IG -RU -CB SPECULAR -CL -BK -CH PAINTED -01 -02 -11	Smooth reflector MG May be applied on finishes: -01, -02, -05, -06, -11, -14 and -15.



### Housings Specifications Low voltage : MR16

 New Construction	W	HOLE CUT	LENGTH	WIDTH	HEIGHT
NW3000 <b>CE</b> <sup>1</sup>	50W	3 5/8" (92mm)	15 3/8" (391mm) x 10"	(254mm) x 3 11/16" (94mm)	
NW3000 <b>CM</b> <sup>1</sup>	50W	3 5/8" (92mm)	15 3/8" (391mm) x 10"	(254mm) x 3 11/16" (94mm)	
NW3000 <b>LE</b> <sup>1</sup>	50W	3 5/8" (92mm)	15 3/8" (391mm) x 10"	(254mm) x 5 1/2" (140mm)	
NW3000 <b>LM</b> <sup>1</sup>	50W	3 5/8" (92mm)	15 3/8" (391mm) x 10"	(254mm) x 5 1/2" (140mm)	
 Remodel					
IT3000 <b>CE</b> <sup>1</sup>	35W	3 5/8" (92mm)	13" (330mm) x 4 3/4" (121mm)	x 3 11/16" (94mm)	
IT3000 <b>CM</b> <sup>1</sup>	35W	3 5/8" (92mm)	13" (330mm) x 4 3/4" (121mm)	x 3 11/16" (94mm)	
IT3000 <b>E</b> <sup>1</sup>	50W	3 5/8" (92mm)	13 3/8" (340mm) x 4 5/8" (117mm)	x 6 1/16" (154mm)	
IT3000 <b>M</b> <sup>1</sup>	50W	3 5/8" (92mm)	13 3/8" (340mm) x 4 5/8" (117mm)	x 6 1/16" (154mm)	
IT3000 <b>LE</b> <sup>1</sup>	50W	3 5/8" (92mm)	13 3/8" (340mm) x 4 5/8" (117mm)	x 7 1/16" (179mm)	
IT3000 <b>LM</b> <sup>1</sup>	50W	3 5/8" (92mm)	13 3/8" (340mm) x 4 5/8" (117mm)	x 7 1/16" (179mm)	
 Insulated Ceiling (IC)					
ISMR3000 <b>E20</b> <sup>1</sup>	20W	3 5/8" (92mm)	15 3/16" (386mm) x 8 1/8" (207mm)	x 7 7/8" (200mm)	
ISMR3000 <b>E35</b> <sup>1</sup>	35W	3 5/8" (92mm)	15 3/16" (386mm) x 8 1/8" (207mm)	x 7 7/8" (200mm)	
ISMR3000 <b>M</b> <sup>1</sup>	50W	3 5/8" (92mm)	19 3/8" (492mm) x 10" (254mm)	x 7 1/16" (179mm)	
ISMR3000 <b>M20</b> <sup>1</sup>	20W	3 5/8" (92mm)	15 3/16" (386mm) x 8 1/8" (207mm)	x 7 7/8" (200mm)	
ISMR3000 <b>M35</b> <sup>1</sup>	35W	3 5/8" (92mm)	19 3/8" (492mm) x 10" (254mm)	x 7 1/16" (179mm)	

**C** Short housing  
**L** Long housing  
**E** Electronic transformer (120/277V)  
**M** Magnetic transformer

<sup>1</sup> May be available in **277 Volts and/or 347 Volts. Add 2 (277V) or 3 (347V)** at the end of the housing code.  
 Ex.: IT3000LM2  
 Consult factory for availabilities.  
**\*277 Volts: USA**  
**\*347 Volts: Canada and Magnetic transformer only**

**Chicago Plenum**  
 Add **P** at the end of the code to enhance your **IC** housing to meet Chicago Plenum requirements.  
 Ex.: ISMR3000MP

**California Title 24**  
 Add **W** at the end of the code to enhance your **IC** housing to meet California Title 24 requirements.  
 Ex.: ISMR3000MW

**AIRTIGHT**  
 IC housings meet ASTM E283 standard. These housings may be used in insulated ceilings and be covered with insulation material.



3 1/2"

MR16



T3400D ST

# T3400D ST



T3400D-01-02ST



## Adjustable



**Damp location**



**Low voltage** : MR16 20-50W, MR16 IR 37-50W

Available with a magnetic or an electronic transformer.

## Lenses

**Standard: UV clear lens** (1 15/16" - 49mm).

Colored and frosted lenses are available. See pages 250-251 for details.



## Reflector finishes

### PAINTED



Ex.: T3400D-01-02ST

## Trim finishes

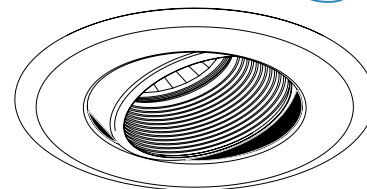


Ex.: T3400D-04ST

For exterior use and Wet Locations, **MARINE GRADE** treatment is recommended. May be applied on finishes: -01, -02, -05, -06, -11, -14 and -15. See page 252 for more details. Add **MG** to code. Ex.: T3400D-06STMG

# 3 1/2"

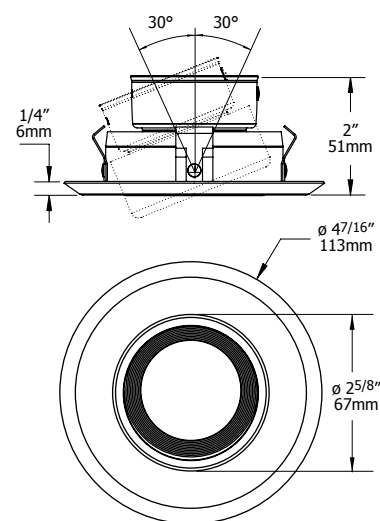
MR16





## T3400D ST Specs and codification

### Trim codification T3400D-01-02STMG

MODEL	TRIM FINISH	REFLECTOR	MARINE GRADE
<b>T3400D</b>	<b>-01</b>	<b>-02</b>	<b>ST</b>
	-01 -02 -03 -04 -04BR -05 -06 -07 -08 -11 -12BR -13 -14 -15 -16	PAINTED -01 -02 -11	Stepped reflector MG May be applied on finishes: -01, -02, -05, -06, -11, -14 and -15.



### Housings Specifications Low voltage : MR16

 New Construction	W	HOLE CUT	LENGTH	WIDTH	HEIGHT
NW3000 <b>CE</b> <sup>1</sup>	50W	3 5/8" (92mm)	15 3/8" (391mm) x 10"	(254mm) x 3 11/16" (94mm)	
NW3000 <b>CM</b> <sup>1</sup>	50W	3 5/8" (92mm)	15 3/8" (391mm) x 10"	(254mm) x 3 11/16" (94mm)	
NW3000 <b>LE</b> <sup>1</sup>	50W	3 5/8" (92mm)	15 3/8" (391mm) x 10"	(254mm) x 5 1/2" (140mm)	
NW3000 <b>LM</b> <sup>1</sup>	50W	3 5/8" (92mm)	15 3/8" (391mm) x 10"	(254mm) x 5 1/2" (140mm)	
 Remodel					
IT3000 <b>CE</b> <sup>1</sup>	35W	3 5/8" (92mm)	13" (330mm) x 4 3/4" (121mm)	x 3 11/16" (94mm)	
IT3000 <b>CM</b> <sup>1</sup>	35W	3 5/8" (92mm)	13" (330mm) x 4 3/4" (121mm)	x 3 11/16" (94mm)	
IT3000 <b>E</b> <sup>1</sup>	50W	3 5/8" (92mm)	13 3/8" (340mm) x 4 5/8" (117mm)	x 6 1/16" (154mm)	
IT3000 <b>M</b> <sup>1</sup>	50W	3 5/8" (92mm)	13 3/8" (340mm) x 4 5/8" (117mm)	x 6 1/16" (154mm)	
IT3000 <b>LE</b> <sup>1</sup>	50W	3 5/8" (92mm)	13 3/8" (340mm) x 4 5/8" (117mm)	x 7 1/16" (179mm)	
IT3000 <b>LM</b> <sup>1</sup>	50W	3 5/8" (92mm)	13 3/8" (340mm) x 4 5/8" (117mm)	x 7 1/16" (179mm)	
 Insulated Ceiling (IC)					
ISMR3000 <b>E20</b> <sup>1</sup>	20W	3 5/8" (92mm)	15 3/16" (386mm) x 8 1/8" (207mm)	x 7 7/8" (200mm)	
ISMR3000 <b>E35</b> <sup>1</sup>	35W	3 5/8" (92mm)	15 3/16" (386mm) x 8 1/8" (207mm)	x 7 7/8" (200mm)	
ISMR3000 <b>M</b> <sup>1</sup>	50W	3 5/8" (92mm)	19 3/8" (492mm) x 10" (254mm)	x 7 1/16" (179mm)	
ISMR3000 <b>M20</b> <sup>1</sup>	20W	3 5/8" (92mm)	15 3/16" (386mm) x 8 1/8" (207mm)	x 7 7/8" (200mm)	
ISMR3000 <b>M35</b> <sup>1</sup>	35W	3 5/8" (92mm)	19 3/8" (492mm) x 10" (254mm)	x 7 1/16" (179mm)	

- C** Short housing
- L** Long housing
- E** Electronic transformer (120/277V)
- M** Magnetic transformer

<sup>1</sup> May be available in **277 Volts and/or 347 Volts**. Add **2** (277V) or **3** (347V) at the end of the housing code.  
Ex.: IT3000LM**2**  
Consult factory for availabilities.  
**\*277 Volts: USA**  
**\*347 Volts: Canada and Magnetic transformer only**

**Chicago Plenum**  
Add **P** at the end of the code to enhance your **IC** housing to meet Chicago Plenum requirements.  
Ex.: ISMR3000**MP**

**California Title 24**  
Add **W** at the end of the code to enhance your **IC** housing to meet California Title 24 requirements.  
Ex.: ISMR3000**MW**

**AIRTIGHT**  
IC housings meet ASTM E283 standard. These housings may be used in insulated ceilings and be covered with insulation material.



3 1/2"

MR16



# T3450

## T3450



T3450-12BR



### Downlight



**Damp location**



**Low voltage** : MR16 20-50W, MR16 IR 37-50W  
Available with a magnetic or an electronic transformer.

### Lenses

**Standard: UV clear lens** (1<sup>15</sup>/<sub>16</sub>" - 49mm).  
Colored and frosted lenses are available. See pages 250-251 for details.



### Reflector finishes



**Standard: anodized aluminum**

ANODIZED					SPECULAR			PAINTED		
AZ	BO	IG	RU	CB	CL	BK	CH	-01	-02	-11
Azur	Burnt Orange	Inca Gold	Rubis	Cobalt Blue	Clear	Black	Champagne	White	Black	Matte White
Ex.: T3450-06BO					Ex.: T3450-07CH			Ex.: T3450-11-01		

### Trim finishes

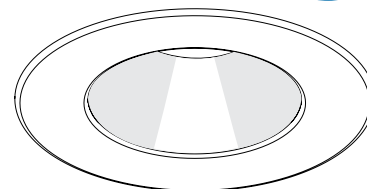
-01	-02	-03	-04	-04BR	-05	-06	-07	-08	-11	-12BR	-13	-14	-15	-16
White	Black	Gold Plated 24k	Chrome	Brushed Chrome	Architectural Bronze	Antique Copper	Antique Brass	Antique Silver	Matte White	Brushed Nickel	Satin Nickel	Almond	Metallic Grey	Satin Chrome

Ex.: T3450-04BR

For exterior use and Wet Locations, **MARINE GRADE** treatment is recommended. May be applied on finishes: -01, -02, -05, -06, -11, -14 and -15. See page 252 for more details. Add **MG** to code. Ex.: T3450-02MG

# 3 1/2"

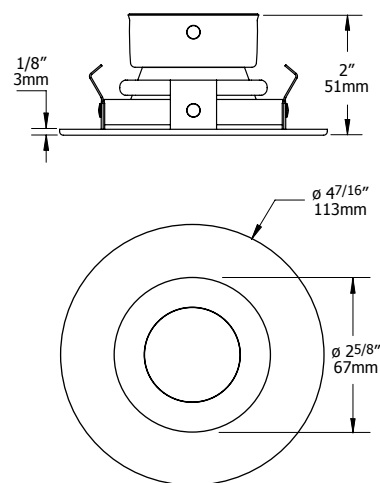
MR16



## T3450 Specs and codification

### Trim codification T3450-05-11MG

MODEL	TRIM FINISH	REFLECTOR	MARINE GRADE
<b>T3450</b>	<b>-05</b>	<b>-11</b>	<b>MG</b>
	-01 -02 -03 -04 -04BR -05 -06 -07 -08 -11 -12BR -13 -14 -15 -16	ANODIZED ALUMINUM (STANDARD) AZ BO IG RU CB SPECULAR CL BK CH PAINTED -01 -02 -11	MG May be applied on finishes: -01, -02, -05, -06, -11, -14 and -15.



### Housings Specifications Low voltage : MR16

New Construction	W	HOLE CUT	LENGTH	WIDTH	HEIGHT
NW3000 <b>CE</b> <sup>1</sup>	50W	3 5/8" (92mm)	15 3/8" (391mm) x 10"	(254mm) x 3 1/16" (94mm)	
NW3000 <b>CM</b> <sup>1</sup>	50W	3 5/8" (92mm)	15 3/8" (391mm) x 10"	(254mm) x 3 1/16" (94mm)	
NW3000 <b>LE</b> <sup>1</sup>	50W	3 5/8" (92mm)	15 3/8" (391mm) x 10"	(254mm) x 5 1/2" (140mm)	
NW3000 <b>LM</b> <sup>1</sup>	50W	3 5/8" (92mm)	15 3/8" (391mm) x 10"	(254mm) x 5 1/2" (140mm)	
Remodel					
IT3000 <b>E</b> <sup>1</sup>	50W	3 5/8" (92mm)	13 3/8" (340mm) x 4 5/8" (117mm)	x 6 1/16" (154mm)	
IT3000 <b>M</b> <sup>1</sup>	50W	3 5/8" (92mm)	13 3/8" (340mm) x 4 5/8" (117mm)	x 6 1/16" (154mm)	
IT3000 <b>LE</b> <sup>1</sup>	50W	3 5/8" (92mm)	13 3/8" (340mm) x 4 5/8" (117mm)	x 7 1/16" (179mm)	
IT3000 <b>LM</b> <sup>1</sup>	50W	3 5/8" (92mm)	13 3/8" (340mm) x 4 5/8" (117mm)	x 7 1/16" (179mm)	
Insulated Ceiling (IC)					
ISMR3000 <b>E20</b> <sup>1</sup>	20W	3 5/8" (92mm)	15 3/16" (386mm) x 8 1/8" (207mm)	x 7 7/8" (200mm)	
ISMR3000 <b>E35</b> <sup>1</sup>	35W	3 5/8" (92mm)	15 3/16" (386mm) x 8 1/8" (207mm)	x 7 7/8" (200mm)	
ISMR3000 <b>M</b> <sup>1</sup>	50W	3 5/8" (92mm)	19 3/8" (492mm) x 10"	(254mm) x 7 1/16" (179mm)	
ISMR3000 <b>M20</b> <sup>1</sup>	20W	3 5/8" (92mm)	15 3/16" (386mm) x 8 1/8" (207mm)	x 7 7/8" (200mm)	
ISMR3000 <b>M35</b> <sup>1</sup>	35W	3 5/8" (92mm)	19 3/8" (492mm) x 10"	(254mm) x 7 1/16" (179mm)	

**C** Short housing  
**L** Long housing  
**E** Electronic transformer (120/277V)  
**M** Magnetic transformer

<sup>1</sup> May be available in **277 Volts and/or 347 Volts. Add 2 (277V) or 3 (347V)** at the end of the housing code.  
 Ex.: IT3000LM2  
 Consult factory for availabilities.  
**\*277 Volts: USA**  
**\*347 Volts: Canada and Magnetic transformer only**

**Chicago Plenum**  
 Add **P** at the end of the code to enhance your **IC** housing to meet Chicago Plenum requirements.  
 Ex.: ISMR3000MP

**California Title 24**  
 Add **W** at the end of the code to enhance your **IC** housing to meet California Title 24 requirements.  
 Ex.: ISMR3000MW

**AIRTIGHT**  
 IC housings meet ASTM E283 standard. These housings may be used in insulated ceilings and be covered with insulation material.



3 1/2"

MR16



T3450D SM



T3450D-13-CLSM



# T3450D SM

## Adjustable



Damp location



**Low voltage** : MR16 20-50W, MR16 IR 37-50W  
Available with a magnetic or an electronic transformer.

## Lenses

**Standard: UV clear lens** (1<sup>15</sup>/<sub>16</sub>" - 49mm).  
Colored and frosted lenses are available. See pages 250-251 for details.



## Reflector finishes



**Standard: anodized aluminum**

ANODIZED				
-AZ	-BO	-IG	-RU	-CB
Azur	Burnt Orange	Inca Gold	Rubis	Cobalt Blue

Ex.: T3450D-08-CBSM

SPECULAR		
-CL	-BK	-CH
Clear	Black	Champagne

Ex.: T3450D-04-CHSM

PAINTED		
-01	-02	-11
White	Black	Matte White

Ex.: T3450D-01-11SM

## Trim finishes

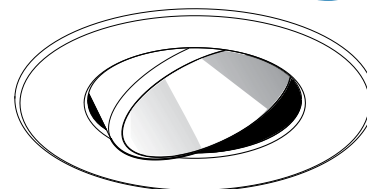
-01	-02	-03	-04	-04BR	-05	-06	-07	-08	-11	-12BR	-13	-14	-15	-16
White	Black	Gold Plated 24k	Chrome	Brushed Chrome	Architectural Bronze	Antique Copper	Antique Brass	Antique Silver	Matte White	Brushed Nickel	Satin Nickel	Almond	Metallic Grey	Satin Chrome

Ex.: T3450D-02SM

For exterior use and Wet Locations, **MARINE GRADE** treatment is recommended. May be applied on finishes: -01, -02, -05, -06, -11, -14 and -15. See page 252 for more details. Add **MG** to code. Ex.: T3450D-01SMMG

# 3 1/2"

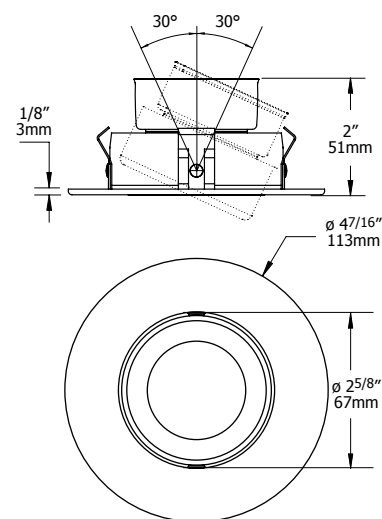
MR16






## T3450D SM Specs and codification

### Trim codification T3450D-12BRSM

MODEL	TRIM FINISH	REFLECTOR	MARINE GRADE
<b>T3450D</b>	<b>-12BR</b>	<b>SM</b>	
	-01 -02 -03 -04 -04BR -05 -06 -07 -08 -11 -12BR -13 -14 -15 -16	ANODIZED ALUMINUM (STANDARD) -AZ -BO -IG -RU -CB SPECULAR -CL -BK -CH PAINTED -01 -02 -11	Smooth reflector MG May be applied on finishes: -01, -02, -05, -06, -11, -14 and -15.



### Housings Specifications Low voltage : MR16

 New Construction	W	HOLE CUT	LENGTH	WIDTH	HEIGHT
NW3000 <b>CE</b> <sup>1</sup>	50W	3 5/8" (92mm)	15 3/8" (391mm) x 10"	(254mm) x 3 11/16" (94mm)	
NW3000 <b>CM</b> <sup>1</sup>	50W	3 5/8" (92mm)	15 3/8" (391mm) x 10"	(254mm) x 3 11/16" (94mm)	
NW3000 <b>LE</b> <sup>1</sup>	50W	3 5/8" (92mm)	15 3/8" (391mm) x 10"	(254mm) x 5 1/2" (140mm)	
NW3000 <b>LM</b> <sup>1</sup>	50W	3 5/8" (92mm)	15 3/8" (391mm) x 10"	(254mm) x 5 1/2" (140mm)	
 Remodel					
IT3000 <b>CE</b> <sup>1</sup>	35W	3 5/8" (92mm)	13" (330mm) x 4 3/4" (121mm)	x 3 11/16" (94mm)	
IT3000 <b>CM</b> <sup>1</sup>	35W	3 5/8" (92mm)	13" (330mm) x 4 3/4" (121mm)	x 3 11/16" (94mm)	
IT3000 <b>E</b> <sup>1</sup>	50W	3 5/8" (92mm)	13 3/8" (340mm) x 4 5/8" (117mm)	x 6 1/16" (154mm)	
IT3000 <b>M</b> <sup>1</sup>	50W	3 5/8" (92mm)	13 3/8" (340mm) x 4 5/8" (117mm)	x 6 1/16" (154mm)	
IT3000 <b>LE</b> <sup>1</sup>	50W	3 5/8" (92mm)	13 3/8" (340mm) x 4 5/8" (117mm)	x 7 1/16" (179mm)	
IT3000 <b>LM</b> <sup>1</sup>	50W	3 5/8" (92mm)	13 3/8" (340mm) x 4 5/8" (117mm)	x 7 1/16" (179mm)	
 Insulated Ceiling (IC)					
ISMR3000 <b>E20</b> <sup>1</sup>	20W	3 5/8" (92mm)	15 3/16" (386mm) x 8 1/8" (207mm)	x 7 7/8" (200mm)	
ISMR3000 <b>E35</b> <sup>1</sup>	35W	3 5/8" (92mm)	15 3/16" (386mm) x 8 1/8" (207mm)	x 7 7/8" (200mm)	
ISMR3000 <b>M</b> <sup>1</sup>	50W	3 5/8" (92mm)	19 3/8" (492mm) x 10" (254mm)	x 7 1/16" (179mm)	
ISMR3000 <b>M20</b> <sup>1</sup>	20W	3 5/8" (92mm)	15 3/16" (386mm) x 8 1/8" (207mm)	x 7 7/8" (200mm)	
ISMR3000 <b>M35</b> <sup>1</sup>	35W	3 5/8" (92mm)	19 3/8" (492mm) x 10" (254mm)	x 7 1/16" (179mm)	

- C** Short housing
- L** Long housing
- E** Electronic transformer (120/277V)
- M** Magnetic transformer

<sup>1</sup> May be available in **277 Volts and/or 347 Volts**. Add **2** (277V) or **3** (347V) at the end of the housing code.  
Ex.: IT3000LM**2**  
Consult factory for availabilities.  
**\*277 Volts: USA**  
**\*347 Volts: Canada and Magnetic transformer only**

**Chicago Plenum**  
Add **P** at the end of the code to enhance your **IC** housing to meet Chicago Plenum requirements.  
Ex.: ISMR3000**MP**

**California Title 24**  
Add **W** at the end of the code to enhance your **IC** housing to meet California Title 24 requirements.  
Ex.: ISMR3000**MW**

**AIRTIGHT**  
IC housings meet ASTM E283 standard. These housings may be used in insulated ceilings and be covered with insulation material.





3 1/2"

MR16



T3450D ST



# T3450D ST

T3450D-11-11ST

## Adjustable



**Damp location**



**Low voltage** : MR16 20-50W, MR16 IR 37-50W  
Available with a magnetic or an electronic transformer.

## Lenses

**Standard: UV clear lens** (1<sup>15</sup>/<sub>16</sub>" - 49mm).  
Colored and frosted lenses are available. See pages 250-251 for details.



## Reflector finishes

### PAINTED



Ex.: T3450D-11-11ST

## Trim finishes

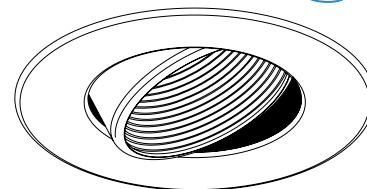


Ex.: T3450D-07-02ST

For exterior use and Wet Locations, **MARINE GRADE** treatment is recommended. May be applied on finishes: -01, -02, -05, -06, -11, -14 and -15. See page 252 for more details. Add **MG** to code. Ex.: T3450D-11-11STMG

# 3 1/2"

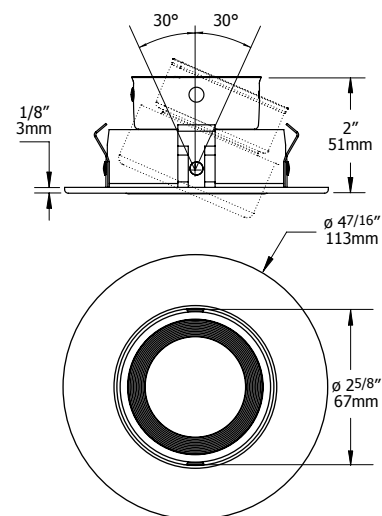
MR16






## T3450D ST Specs and codification

### Trim codification T3450D-08-01ST

MODEL	TRIM FINISH	REFLECTOR	MARINE GRADE
<b>T3450D</b>	<b>-08</b>	<b>-01</b>	<b>ST</b>
	-01 -02 -03 -04 -04BR -05 -06 -07 -08 -11 -12BR -13 -14 -15 -16	PAINTED -01 -02 -11	Stepped reflector  MG May be applied on finishes: -01, -02, -05, -06, -11, -14 and -15.



### Housings Specifications Low voltage : MR16

 New Construction	W	HOLE CUT	LENGTH	WIDTH	HEIGHT
NW3000 <b>CE</b> <sup>1</sup>	50W	3 5/8" (92mm)	15 3/8" (391mm) x 10"	(254mm) x 3 11/16" (94mm)	
NW3000 <b>CM</b> <sup>1</sup>	50W	3 5/8" (92mm)	15 3/8" (391mm) x 10"	(254mm) x 3 11/16" (94mm)	
NW3000 <b>LE</b> <sup>1</sup>	50W	3 5/8" (92mm)	15 3/8" (391mm) x 10"	(254mm) x 5 1/2" (140mm)	
NW3000 <b>LM</b> <sup>1</sup>	50W	3 5/8" (92mm)	15 3/8" (391mm) x 10"	(254mm) x 5 1/2" (140mm)	
 Remodel					
IT3000 <b>CE</b> <sup>1</sup>	35W	3 5/8" (92mm)	13" (330mm) x 4 3/4" (121mm)	x 3 11/16" (94mm)	
IT3000 <b>CM</b> <sup>1</sup>	35W	3 5/8" (92mm)	13" (330mm) x 4 3/4" (121mm)	x 3 11/16" (94mm)	
IT3000 <b>E</b> <sup>1</sup>	50W	3 5/8" (92mm)	13 3/8" (340mm) x 4 5/8" (117mm)	x 6 1/16" (154mm)	
IT3000 <b>M</b> <sup>1</sup>	50W	3 5/8" (92mm)	13 3/8" (340mm) x 4 5/8" (117mm)	x 6 1/16" (154mm)	
IT3000 <b>LE</b> <sup>1</sup>	50W	3 5/8" (92mm)	13 3/8" (340mm) x 4 5/8" (117mm)	x 7 1/16" (179mm)	
IT3000 <b>LM</b> <sup>1</sup>	50W	3 5/8" (92mm)	13 3/8" (340mm) x 4 5/8" (117mm)	x 7 1/16" (179mm)	
 Insulated Ceiling (IC)					
ISMR3000 <b>E20</b> <sup>1</sup>	20W	3 5/8" (92mm)	15 3/16" (386mm) x 8 1/8" (207mm)	x 7 7/8" (200mm)	
ISMR3000 <b>E35</b> <sup>1</sup>	35W	3 5/8" (92mm)	15 3/16" (386mm) x 8 1/8" (207mm)	x 7 7/8" (200mm)	
ISMR3000 <b>M</b> <sup>1</sup>	50W	3 5/8" (92mm)	19 3/8" (492mm) x 10" (254mm)	x 7 1/16" (179mm)	
ISMR3000 <b>M20</b> <sup>1</sup>	20W	3 5/8" (92mm)	15 3/16" (386mm) x 8 1/8" (207mm)	x 7 7/8" (200mm)	
ISMR3000 <b>M35</b> <sup>1</sup>	35W	3 5/8" (92mm)	19 3/8" (492mm) x 10" (254mm)	x 7 1/16" (179mm)	

- C** Short housing
- L** Long housing
- E** Electronic transformer (120/277V)
- M** Magnetic transformer

<sup>1</sup> May be available in **277 Volts and/or 347 Volts**. Add **2** (277V) or **3** (347V) at the end of the housing code.  
Ex.: IT3000LM**2**  
Consult factory for availabilities.  
**\*277 Volts: USA**  
**\*347 Volts: Canada and Magnetic transformer only**

**Chicago Plenum**  
Add **P** at the end of the code to enhance your **IC** housing to meet Chicago Plenum requirements.  
Ex.: ISMR3000**MP**

**California Title 24**  
Add **W** at the end of the code to enhance your **IC** housing to meet California Title 24 requirements.  
Ex.: ISMR3000**MW**

**AIRTIGHT**  
IC housings meet ASTM E283 standard. These housings may be used in insulated ceilings and be covered with insulation material.



3 1/2"

MR16



T3450K

# T3450K



T3450K-12BRBK



## Downlight



**Damp location**



**Low voltage** : MR16 20-50W, MR16 IR 37-50W  
Available with a magnetic or an electronic transformer.

### Lenses

**Standard: UV clear lens** (1<sup>15</sup>/<sub>16</sub>" - 49mm).  
Colored and frosted lenses are available. See pages 250-251 for details.



### Reflector finishes



**Standard: anodized aluminum**

ANODIZED				
AZ	BO	IG	RU	CB
Azur	Burnt Orange	Inca Gold	Rubis	Cobalt Blue

Ex.: T3450K-05RU

SPECULAR		
CL	BK	CH
Clear	Black	Champagne

Ex.: T3450K-06CL

PAINTED		
-01	-02	-11
White	Black	Matte White

Ex.: T3450K-14-02

### Trim finishes

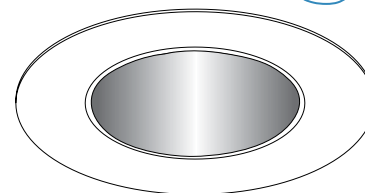
-01	-02	-03	-04	-04BR	-05	-06	-07	-08	-11	-12BR	-13	-14	-15	-16
White	Black	Gold Plated 24k	Chrome	Brushed Chrome	Architectural Bronze	Antique Copper	Antique Brass	Antique Silver	Matte White	Brushed Nickel	Satin Nickel	Almond	Metallic Grey	Satin Chrome

Ex.: T3450K-04

For exterior use and Wet Locations, **MARINE GRADE** treatment is recommended. May be applied on finishes: -01, -02, -05, -06, -11, -14 and -15. See page 252 for more details. Add **MG** to code. Ex.: T3450K-11MG

3 1/2"

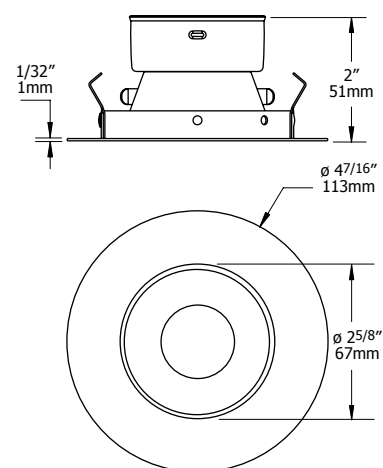
MR16



## T3450K Specs and codification

### Trim codification T3450K-01CH

MODEL	TRIM FINISH	REFLECTOR	MARINE GRADE
<b>T3450K</b>	<b>-01</b>	<b>CH</b>	
	-01	ANODIZED	MG
	-02	ALUMINUM (STANDARD)	May be applied on
	-03	AZ	finishes:
	-04	BO	-01, -02, -05, -06,
	-04BR	IG	-11, -14 and -15.
	-05	RU	
	-06	CB	
	-07	SPECULAR	
	-08	CL	
	-11	BK	
	-12BR	CH	
	-13	PAINTED	
	-14	-01	
	-15	-02	
	-16	-11	



### Housings Specifications Low voltage : MR16



New Construction	W	HOLE CUT	LENGTH	WIDTH	HEIGHT
NW3000CE <sup>1</sup>	50W	3 5/8" (92mm)	15 3/8" (391mm) x 10"	(254mm) x 3 11/16" (94mm)	
NW3000CM <sup>1</sup>	50W	3 5/8" (92mm)	15 3/8" (391mm) x 10"	(254mm) x 3 11/16" (94mm)	
NW3000LE <sup>1</sup>	50W	3 5/8" (92mm)	15 3/8" (391mm) x 10"	(254mm) x 5 1/2" (140mm)	
NW3000LM <sup>1</sup>	50W	3 5/8" (92mm)	15 3/8" (391mm) x 10"	(254mm) x 5 1/2" (140mm)	

- C** Short housing
- L** Long housing
- E** Electronic transformer (120/277V)
- M** Magnetic transformer

<sup>1</sup> May be available in **277 Volts and/or 347 Volts**. Add **2** (277V) or **3** (347V) at the end of the housing code.  
 Ex.: NW3000LM2  
 Consult factory for availabilities.  
**\*277 Volts: USA**  
**\*347 Volts: Canada and Magnetic transformer only**



3 1/2"

MR16



T3500

T3500



T3500-11CL



## Downlight



Damp location



Low voltage : MR16 20-50W, MR16 IR 37-50W

Available with a magnetic or an electronic transformer.

### Lenses

Standard: UV clear lens (1<sup>15</sup>/<sub>16</sub>" - 49mm).

Colored and frosted lenses are available. See pages 250-251 for details.



### Reflector finishes



Standard: anodized aluminum

#### ANODIZED



Ex.: T3500-11**CB**

#### SPECULAR



Ex.: T3500-14**BK**

#### PAINTED



Ex.: T3500-08-**02**

### Trim finishes

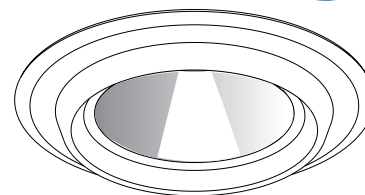


Ex.: T3500-**04**

For exterior use and Wet Locations, **MARINE GRADE** treatment is recommended. May be applied on finishes: -01, -02, -05, -06, -11, -14 and -15. See page 252 for more details. Add **MG** to code. Ex.: T3500-11**MG**

3 1/2"

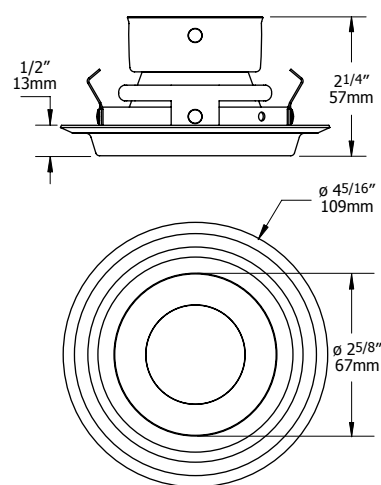
MR16



## T3500 Specs and codification

### Trim codification T3500-03-02

MODEL	TRIM FINISH	REFLECTOR	MARINE GRADE
<b>T3500</b>	<b>-03</b>	<b>-02</b>	
	-01 -02 -03 -04 -04BR -05 -06 -07 -08 -11 -12BR -13 -14 -15 -16	ANODIZED ALUMINUM (STANDARD) AZ BO IG RU CB SPECULAR CL BK CH PAINTED -01 -02 -11	MG May be applied on finishes: -01, -02, -05, -06, -11, -14 and -15.



### Housings Specifications Low voltage : MR16

 New Construction	W	HOLE CUT	LENGTH	WIDTH	HEIGHT
NW3000CE <sup>1</sup>	50W	3 5/8" (92mm)	15 3/8" (391mm) x 10"	(254mm) x 3 11/16" (94mm)	
NW3000CM <sup>1</sup>	50W	3 5/8" (92mm)	15 3/8" (391mm) x 10"	(254mm) x 3 11/16" (94mm)	
NW3000LE <sup>1</sup>	50W	3 5/8" (92mm)	15 3/8" (391mm) x 10"	(254mm) x 5 1/2" (140mm)	
NW3000LM <sup>1</sup>	50W	3 5/8" (92mm)	15 3/8" (391mm) x 10"	(254mm) x 5 1/2" (140mm)	
 Remodel					
IT3000E <sup>1</sup>	50W	3 5/8" (92mm)	13 3/8" (340mm) x 4 5/8" (117mm)	x 6 1/16" (154mm)	
IT3000M <sup>1</sup>	50W	3 5/8" (92mm)	13 3/8" (340mm) x 4 5/8" (117mm)	x 6 1/16" (154mm)	
IT3000LE <sup>1</sup>	50W	3 5/8" (92mm)	13 3/8" (340mm) x 4 5/8" (117mm)	x 7 1/16" (179mm)	
IT3000LM <sup>1</sup>	50W	3 5/8" (92mm)	13 3/8" (340mm) x 4 5/8" (117mm)	x 7 1/16" (179mm)	
 Insulated Ceiling (IC)					
ISMR3000E20 <sup>1</sup>	20W	3 5/8" (92mm)	15 3/16" (386mm) x 8 1/8" (207mm)	x 7 7/8" (200mm)	
ISMR3000E35 <sup>1</sup>	35W	3 5/8" (92mm)	15 3/16" (386mm) x 8 1/8" (207mm)	x 7 7/8" (200mm)	
ISMR3000M <sup>1</sup>	50W	3 5/8" (92mm)	19 3/8" (492mm) x 10"	(254mm) x 7 1/16" (179mm)	
ISMR3000M20 <sup>1</sup>	20W	3 5/8" (92mm)	15 3/16" (386mm) x 8 1/8" (207mm)	x 7 7/8" (200mm)	
ISMR3000M35 <sup>1</sup>	35W	3 5/8" (92mm)	19 3/8" (492mm) x 10"	(254mm) x 7 1/16" (179mm)	

**C** Short housing  
**L** Long housing  
**E** Electronic transformer (120/277V)  
**M** Magnetic transformer

<sup>1</sup> May be available in **277 Volts and/or 347 Volts. Add 2 (277V) or 3 (347V)** at the end of the housing code.  
 Ex.: IT3000LM2  
 Consult factory for availabilities.  
**\*277 Volts: USA**  
**\*347 Volts: Canada and Magnetic transformer only**

**Chicago Plenum**  
 Add **P** at the end of the code to enhance your **IC** housing to meet Chicago Plenum requirements.  
 Ex.: ISMR3000MP

**California Title 24**  
 Add **W** at the end of the code to enhance your **IC** housing to meet California Title 24 requirements.  
 Ex.: ISMR3000MW

**AIRTIGHT**  
 IC housings meet ASTM E283 standard. These housings may be used in insulated ceilings and be covered with insulation material.



3 1/2"

MR16



T3500D SM

# T3500D SM



T3500D-12BR-BKSM



## Adjustable



Damp location



**Low voltage** : MR16 20-50W, MR16 IR 37-50W  
Available with a magnetic or an electronic transformer.

## Lenses

**Standard: UV clear lens** (1<sup>15</sup>/<sub>16</sub>" - 49mm).  
Colored and frosted lenses are available. See pages 250-251 for details.



## Reflector finishes



**Standard: anodized aluminum**

### ANODIZED



Ex.: T3500D-08-**BO**SM

### SPECULAR



Ex.: T3500D-04-**CH**SM

### PAINTED



Ex.: T3500D-11-**11**SM

## Trim finishes

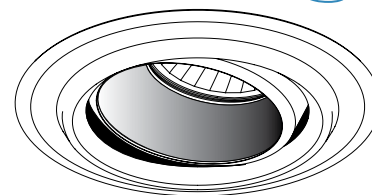


Ex.: T3500D-**07**SM

For exterior use and Wet Locations, **MARINE GRADE** treatment is recommended. May be applied on finishes: -01, -02, -05, -06, -11, -14 and -15. See page 252 for more details. Add **MG** to code. Ex.: T3500D-14**SMMG**

# 3 1/2"

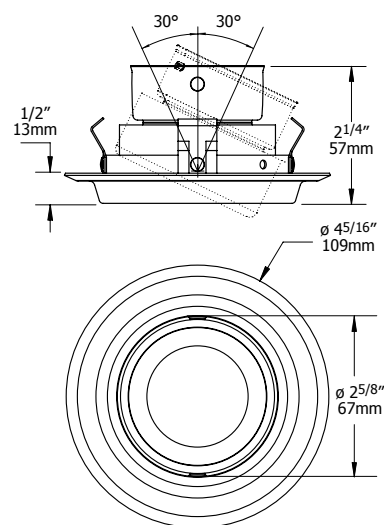
MR16



## T3500D SM Specs and codification

### Trim codification T3500D-06-CLSMMG

MODEL	TRIM FINISH	REFLECTOR	MARINE GRADE
<b>T3500D</b>	<b>-06</b>	<b>-CL</b> <b>SM</b>	<b>MG</b>
	-01 -02 -03 -04 -04BR -05 -06 -07 -08 -11 -12BR -13 -14 -15 -16	ANODIZED ALUMINUM (STANDARD) -AZ -BO -IG -RU -CB SPECULAR -CL -BK -CH PAINTED -01 -02 -11	Stepped reflector MG May be applied on finishes: -01, -02, -05, -06, -11, -14 and -15.



### Housings Specifications Low voltage : MR16

New Construction	W	HOLE CUT	LENGTH	WIDTH	HEIGHT
NW3000 <b>CE</b> <sup>1</sup>	50W	3 5/8" (92mm)	15 3/8" (391mm) x 10"	(254mm) x 3 11/16" (94mm)	
NW3000 <b>CM</b> <sup>1</sup>	50W	3 5/8" (92mm)	15 3/8" (391mm) x 10"	(254mm) x 3 11/16" (94mm)	
NW3000 <b>LE</b> <sup>1</sup>	50W	3 5/8" (92mm)	15 3/8" (391mm) x 10"	(254mm) x 5 1/2" (140mm)	
NW3000 <b>LM</b> <sup>1</sup>	50W	3 5/8" (92mm)	15 3/8" (391mm) x 10"	(254mm) x 5 1/2" (140mm)	
Remodel					
IT3000 <b>CE</b> <sup>1</sup>	35W	3 5/8" (92mm)	13" (330mm) x 4 3/4" (121mm)	(121mm) x 3 11/16" (94mm)	
IT3000 <b>CM</b> <sup>1</sup>	35W	3 5/8" (92mm)	13" (330mm) x 4 3/4" (121mm)	(121mm) x 3 11/16" (94mm)	
IT3000 <b>E</b> <sup>1</sup>	50W	3 5/8" (92mm)	13 3/8" (340mm) x 4 5/8" (117mm)	(117mm) x 6 1/16" (154mm)	
IT3000 <b>M</b> <sup>1</sup>	50W	3 5/8" (92mm)	13 3/8" (340mm) x 4 5/8" (117mm)	(117mm) x 6 1/16" (154mm)	
IT3000 <b>LE</b> <sup>1</sup>	50W	3 5/8" (92mm)	13 3/8" (340mm) x 4 5/8" (117mm)	(117mm) x 7 1/16" (179mm)	
IT3000 <b>LM</b> <sup>1</sup>	50W	3 5/8" (92mm)	13 3/8" (340mm) x 4 5/8" (117mm)	(117mm) x 7 1/16" (179mm)	
Insulated Ceiling (IC)					
ISMR3000 <b>E20</b> <sup>1</sup>	20W	3 5/8" (92mm)	15 3/16" (386mm) x 8 1/8" (207mm)	(207mm) x 7 7/8" (200mm)	
ISMR3000 <b>E35</b> <sup>1</sup>	35W	3 5/8" (92mm)	15 3/16" (386mm) x 8 1/8" (207mm)	(207mm) x 7 7/8" (200mm)	
ISMR3000 <b>M</b> <sup>1</sup>	50W	3 5/8" (92mm)	19 3/8" (492mm) x 10" (254mm)	(254mm) x 7 1/16" (179mm)	
ISMR3000 <b>M20</b> <sup>1</sup>	20W	3 5/8" (92mm)	15 3/16" (386mm) x 8 1/8" (207mm)	(207mm) x 7 7/8" (200mm)	
ISMR3000 <b>M35</b> <sup>1</sup>	35W	3 5/8" (92mm)	19 3/8" (492mm) x 10" (254mm)	(254mm) x 7 1/16" (179mm)	

- C** Short housing
- L** Long housing
- E** Electronic transformer (120/277V)
- M** Magnetic transformer

<sup>1</sup> May be available in **277 Volts and/or 347 Volts**. Add **2** (277V) or **3** (347V) at the end of the housing code.  
Ex.: IT3000LM**2**  
Consult factory for availabilities.  
**\*277 Volts: USA**  
**\*347 Volts: Canada and Magnetic transformer only**

**Chicago Plenum**  
Add **P** at the end of the code to enhance your **IC** housing to meet Chicago Plenum requirements.  
Ex.: ISMR3000**MP**

**California Title 24**  
Add **W** at the end of the code to enhance your **IC** housing to meet California Title 24 requirements.  
Ex.: ISMR3000**MW**

**AIRTIGHT**  
IC housings meet ASTM E283 standard. These housings may be used in insulated ceilings and be covered with insulation material.





3 1/2"

MR16



T3500D ST

# T3500D ST



T3500D-01-01ST



## Adjustable



**Damp location**



**Low voltage** : MR16 20-50W, MR16 IR 37-50W

Available with a magnetic or an electronic transformer.

## Lenses

**Standard: UV clear lens** (1 15/16" - 49mm).

Colored and frosted lenses are available. See pages 250-251 for details.



## Reflector finishes

### PAINTED

-01   -02   -11



White   Black   Matte White

Ex.: T3500D-03-**02**ST

## Trim finishes

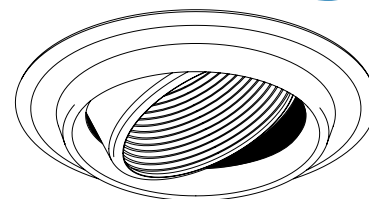


Ex.: T3500D-**04BR**-11ST

For exterior use and Wet Locations, **MARINE GRADE** treatment is recommended. May be applied on finishes: -01, -02, -05, -06, -11, -14 and -15. See page 252 for more details. Add **MG** to code. Ex.: T3500D-14-01**STMG**

# 3 1/2"

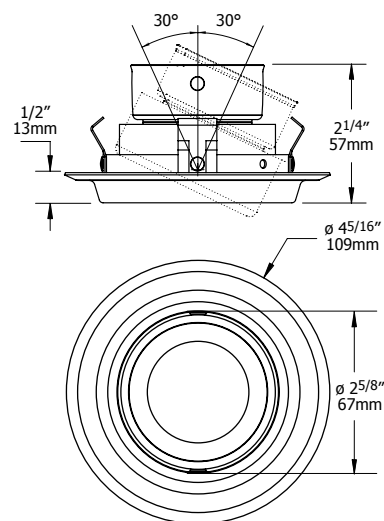
MR16



## T3500D ST Specs and codification

### Trim codification T3500D-07-02ST

MODEL	TRIM FINISH	REFLECTOR
<b>T3500D</b>	<b>-07</b>	<b>-02</b> <b>ST</b>
	-01 -02 -03 -04 -04BR -05 -06 -07 -08 -11 -12BR -13 -14 -15 -16	PAINTED -01 -02 -11 Stepped reflector



### Housings Specifications Low voltage : MR16

New Construction	W	HOLE CUT	LENGTH	WIDTH	HEIGHT
NW3000 <b>CE</b> <sup>1</sup>	50W	3 5/8" (92mm)	15 3/8" (391mm) x 10"	(254mm) x 3 11/16" (94mm)	
NW3000 <b>CM</b> <sup>1</sup>	50W	3 5/8" (92mm)	15 3/8" (391mm) x 10"	(254mm) x 3 11/16" (94mm)	
NW3000 <b>LE</b> <sup>1</sup>	50W	3 5/8" (92mm)	15 3/8" (391mm) x 10"	(254mm) x 5 1/2" (140mm)	
NW3000 <b>LM</b> <sup>1</sup>	50W	3 5/8" (92mm)	15 3/8" (391mm) x 10"	(254mm) x 5 1/2" (140mm)	
Remodel					
IT3000 <b>CE</b> <sup>1</sup>	35W	3 5/8" (92mm)	13" (330mm) x 4 3/4" (121mm)	3 11/16" (94mm)	
IT3000 <b>CM</b> <sup>1</sup>	35W	3 5/8" (92mm)	13" (330mm) x 4 3/4" (121mm)	3 11/16" (94mm)	
IT3000 <b>E</b> <sup>1</sup>	50W	3 5/8" (92mm)	13 3/8" (340mm) x 4 5/8" (117mm)	6 1/16" (154mm)	
IT3000 <b>M</b> <sup>1</sup>	50W	3 5/8" (92mm)	13 3/8" (340mm) x 4 5/8" (117mm)	6 1/16" (154mm)	
IT3000 <b>LE</b> <sup>1</sup>	50W	3 5/8" (92mm)	13 3/8" (340mm) x 4 5/8" (117mm)	7 1/16" (179mm)	
IT3000 <b>LM</b> <sup>1</sup>	50W	3 5/8" (92mm)	13 3/8" (340mm) x 4 5/8" (117mm)	7 1/16" (179mm)	
Insulated Ceiling (IC)					
ISMR3000 <b>E20</b> <sup>1</sup>	20W	3 5/8" (92mm)	15 3/16" (386mm) x 8 1/8" (207mm)	7 7/8" (200mm)	
ISMR3000 <b>E35</b> <sup>1</sup>	35W	3 5/8" (92mm)	15 3/16" (386mm) x 8 1/8" (207mm)	7 7/8" (200mm)	
ISMR3000 <b>M</b> <sup>1</sup>	50W	3 5/8" (92mm)	19 3/8" (492mm) x 10" (254mm)	7 1/16" (179mm)	
ISMR3000 <b>M20</b> <sup>1</sup>	20W	3 5/8" (92mm)	15 3/16" (386mm) x 8 1/8" (207mm)	7 7/8" (200mm)	
ISMR3000 <b>M35</b> <sup>1</sup>	35W	3 5/8" (92mm)	19 3/8" (492mm) x 10" (254mm)	7 1/16" (179mm)	

**C** Short housing  
**L** Long housing  
**E** Electronic transformer (120/277V)  
**M** Magnetic transformer  
<sup>1</sup> May be available in **277 Volts and/or 347 Volts. Add 2 (277V) or 3 (347V)** at the end of the housing code.  
 Ex.: IT3000LM2  
 Consult factory for availabilities.  
**\*277 Volts: USA**  
**\*347 Volts: Canada and Magnetic transformer only**

**Chicago Plenum**  
 Add **P** at the end of the code to enhance your **IC** housing to meet Chicago Plenum requirements.  
 Ex.: ISMR3000MP

**California Title 24**  
 Add **W** at the end of the code to enhance your **IC** housing to meet California Title 24 requirements.  
 Ex.: ISMR3000MW

**AIRTIGHT**  
 IC housings meet ASTM E283 standard. These housings may be used in insulated ceilings and be covered with insulation material.



3 1/2"

MR16



# T3600

## T3600



T3600-12BRCH



### Pinhole



**Damp location**



**Low voltage** : MR16 20-50W, MR16 IR 37-50W  
Available with a magnetic or an electronic transformer.

### Lenses

**Standard: UV clear lens** (1<sup>15</sup>/<sub>16</sub>" - 49mm).  
Colored and frosted lenses are available. See pages 250-251 for details.



### Reflector finishes



**Standard: anodized aluminum**



Ex.: T3600-05IG

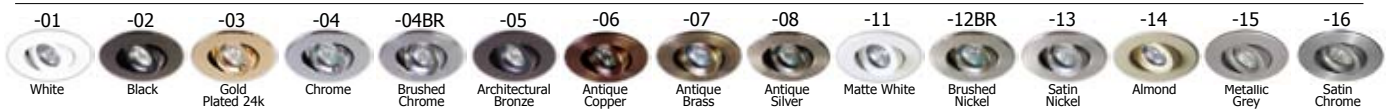


Ex.: T3600-03CH



Ex.: T3600-08-11

### Trim finishes

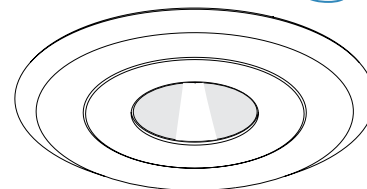


Ex.: T3600-08

For exterior use and Wet Locations, **MARINE GRADE** treatment is recommended. May be applied on finishes: -01, -02, -05, -06, -11, -14 and -15. See page 252 for more details. Add **MG** to code. Ex.: T3600-06MG

3 1/2"

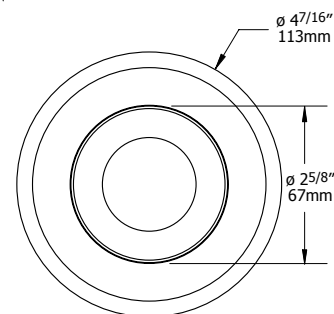
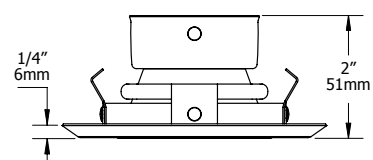
MR16



## T3600 Specs and codification

### Trim codification T3600-05CBMG

MODEL	TRIM FINISH	REFLECTOR	MARINE GRADE
<b>T3600</b>	<b>-05</b>	<b>CB</b>	<b>MG</b>
	-01 -02 -03 -04 -04BR -05 -06 -07 -08 -11 -12BR -13 -14 -15 -16	ANODIZED ALUMINUM (STANDARD) AZ BO IG RU CB SPECULAR CL BK CH PAINTED -01 -02 -11	MG May be applied on finishes: -01, -02, -05, -06, -11, -14 and -15.



### Housings Specifications Low voltage : MR16

	New Construction	W	HOLE CUT	LENGTH	WIDTH	HEIGHT
	NW3000CE <sup>1</sup>	50W	3 5/8" (92mm)	15 3/8" (391mm) x 10"	(254mm) x 3 11/16" (94mm)	
	NW3000CM <sup>1</sup>	50W	3 5/8" (92mm)	15 3/8" (391mm) x 10"	(254mm) x 3 11/16" (94mm)	
	NW3000LE <sup>1</sup>	50W	3 5/8" (92mm)	15 3/8" (391mm) x 10"	(254mm) x 5 1/2" (140mm)	
	NW3000LM <sup>1</sup>	50W	3 5/8" (92mm)	15 3/8" (391mm) x 10"	(254mm) x 5 1/2" (140mm)	
	Remodel					
	IT3000LE <sup>1</sup>	50W	3 5/8" (92mm)	13 3/8" (340mm) x 4 5/8" (117mm)	x 7 1/16" (179mm)	
	IT3000LM <sup>1</sup>	50W	3 5/8" (92mm)	13 3/8" (340mm) x 4 5/8" (117mm)	x 7 1/16" (179mm)	
	Insulated Ceiling (IC)					
	ISMR3000E20 <sup>1</sup>	20W	3 5/8" (92mm)	15 3/16" (386mm) x 8 1/8" (207mm)	x 7 7/8" (200mm)	
	ISMR3000E35 <sup>1</sup>	35W	3 5/8" (92mm)	15 3/16" (386mm) x 8 1/8" (207mm)	x 7 7/8" (200mm)	
	ISMR3000M <sup>1</sup>	35W	3 5/8" (92mm)	19 3/8" (492mm) x 10" (254mm)	x 7 1/16" (179mm)	
	ISMR3000M20 <sup>1</sup>	20W	3 5/8" (92mm)	15 3/16" (386mm) x 8 1/8" (207mm)	x 7 7/8" (200mm)	
	ISMR3000M35 <sup>1</sup>	35W	3 5/8" (92mm)	19 3/8" (492mm) x 10" (254mm)	x 7 1/16" (179mm)	

**C** Short housing  
**L** Long housing  
**E** Electronic transformer (120/277V)  
**M** Magnetic transformer

<sup>1</sup> May be available in **277 Volts and/or 347 Volts. Add 2 (277V) or 3 (347V)** at the end of the housing code.

Ex.: IT3000LM2  
 Consult factory for availabilities.

**\*277 Volts: USA**  
**\*347 Volts: Canada and Magnetic transformer only**

**Chicago Plenum**  
 Add **P** at the end of the code to enhance your **IC** housing to meet Chicago Plenum requirements.  
 Ex.: ISMR3000MP

**California Title 24**  
 Add **W** at the end of the code to enhance your **IC** housing to meet California Title 24 requirements.  
 Ex.: ISMR3000MW

**AIRTIGHT**  
 IC housings meet ASTM E283 standard. These housings may be used in insulated ceilings and be covered with insulation material.



3 1/2"

MR16



# T3602

## T3602



T3602-01



### Downlight



**Damp location**



**Low voltage** : MR16 20-50W, MR16 IR 37-50W  
Available with a magnetic or an electronic transformer.

### Lenses

**Standard: UV clear lens** (1<sup>15</sup>/<sub>16</sub>" - 49mm).  
Colored and frosted lenses are available. See pages 250-251 for details.



### Trim finishes

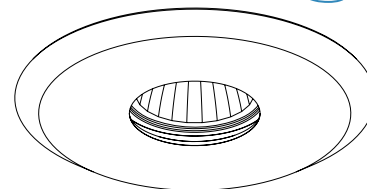


Ex.: T3602-07

For exterior use and Wet Locations, **MARINE GRADE** treatment is recommended. May be applied on finishes: -01, -02, -05, -06, -11, -14 and -15. See page 252 for more details. Add **MG** to code. Ex.: T3602-01**MG**

3 1/2"

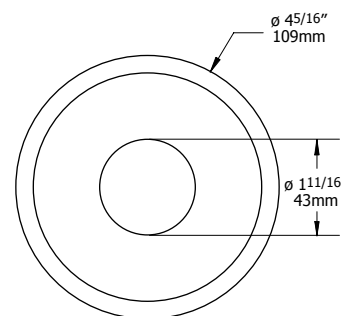
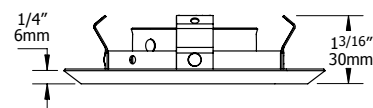
MR16



## T3602 Specs and codification

### Trim codification T3602-08

MODEL	TRIM FINISH	MARINE GRADE
<b>T3602</b>	<b>-08</b>	
	-01 -02 -03 -04 -04BR -05 -06 -07 -08 -11 -12BR -13 -14 -15 -16	MG May be applied on finishes: -01, -02, -05, -06, -11, -14 and -15.



### Housings Specifications Low voltage : MR16

 New Construction	W	HOLE CUT	LENGTH	WIDTH	HEIGHT
NW3000CE <sup>1</sup>	37W	3 5/8" (92mm)	15 3/8" (391mm) x 10"	(254mm) x 3 11/16" (94mm)	
NW3000CM <sup>1</sup>	37W	3 5/8" (92mm)	15 3/8" (391mm) x 10"	(254mm) x 3 11/16" (94mm)	
NW3000LE <sup>1</sup>	50W	3 5/8" (92mm)	15 3/8" (391mm) x 10"	(254mm) x 5 1/2" (140mm)	
NW3000LM <sup>1</sup>	50W	3 5/8" (92mm)	15 3/8" (391mm) x 10"	(254mm) x 5 1/2" (140mm)	
 Remodel					
IT3000LE <sup>1</sup>	50W	3 5/8" (92mm)	13 3/8" (340mm) x 4 5/8" (117mm)	7 1/16" (179mm)	
IT3000LM <sup>1</sup>	50W	3 5/8" (92mm)	13 3/8" (340mm) x 4 5/8" (117mm)	7 1/16" (179mm)	
 Insulated Ceiling (IC)					
ISMR3000E20 <sup>1</sup>	20W	3 5/8" (92mm)	15 3/16" (386mm) x 8 1/8" (207mm)	7 7/8" (200mm)	
ISMR3000E35 <sup>1</sup>	35W	3 5/8" (92mm)	15 3/16" (386mm) x 8 1/8" (207mm)	7 7/8" (200mm)	
ISMR3000M20 <sup>1</sup>	20W	3 5/8" (92mm)	15 3/16" (386mm) x 8 1/8" (207mm)	7 7/8" (200mm)	
ISMR3000M35 <sup>1</sup>	35W	3 5/8" (92mm)	19 3/8" (492mm) x 10"	(254mm) x 7 1/16" (179mm)	

**C** Short housing  
**L** Long housing  
**E** Electronic transformer (120/277V)  
**M** Magnetic transformer

<sup>1</sup> May be available in **277 Volts and/or 347 Volts**. Add **2** (277V) or **3** (347V) at the end of the housing code.

Ex.: IT3000LM2

Consult factory for availabilities.

**\*277 Volts: USA**  
**\*347 Volts: Canada and Magnetic transformer only**

#### Chicago Plenum

Add **P** at the end of the code to enhance your **IC** housing to meet Chicago Plenum requirements.  
 Ex.: ISMR3000MP

#### California Title 24

Add **W** at the end of the code to enhance your **IC** housing to meet California Title 24 requirements.  
 Ex.: ISMR3000MW

#### AIRTIGHT

IC housings meet ASTM E283 standard. These housings may be used in insulated ceilings and be covered with insulation material.

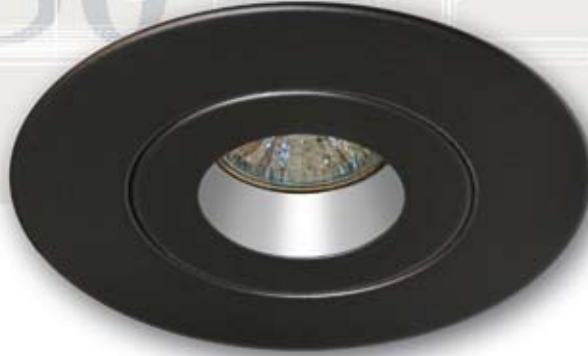


MR16 3 1/2"



# T3650

## T3650



T3650-02



### Pinhole



#### Damp location



**Low voltage** : MR16 20-50W, MR16 IR 37-50W  
Available with a magnetic or an electronic transformer.

### Lenses

**Standard: UV clear lens** (1<sup>15</sup>/<sub>16</sub>" - 49mm).  
Colored and frosted lenses are available. See pages 250-251 for details.



### Reflector finishes



**Standard: anodized aluminum**

#### ANODIZED



Ex.: T3650-01RU

#### SPECULAR



Ex.: T3650-07CL

#### PAINTED



Ex.: T3650-03-02

### Trim finishes

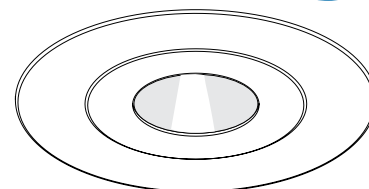


Ex.: T3650-04

For exterior use and Wet Locations, **MARINE GRADE** treatment is recommended. May be applied on finishes: -01, -02, -05, -06, -11, -14 and -15. See page 252 for more details. Add **MG** to code. Ex.: T3650-06MG

3 1/2"

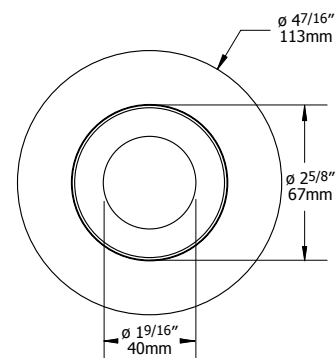
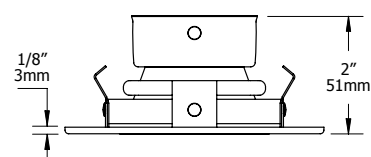
MR16



## T3650 Specs and codification

### Trim codification T3650-04BRCL

MODEL	TRIM FINISH	REFLECTOR	MARINE GRADE
<b>T3650</b>	<b>-04BR</b>	<b>CL</b>	
	-01 -02 -03 -04 -04BR -05 -06 -07 -08 -11 -12BR -13 -14 -15 -16	ANODIZED ALUMINUM (STANDARD) AZ BO IG RU CB SPECULAR CL BK CH PAINTED -01 -02 -11	MG May be applied on finishes: -01, -02, -05, -06, -11, -14 and -15.



### Housings Specifications Low voltage : MR16

 New Construction	W	HOLE CUT	LENGTH	WIDTH	HEIGHT
NW3000CE <sup>1</sup>	50W	3 5/8" (92mm)	15 3/8" (391mm) x 10"	(254mm) x 3 11/16" (94mm)	
NW3000CM <sup>1</sup>	50W	3 5/8" (92mm)	15 3/8" (391mm) x 10"	(254mm) x 3 11/16" (94mm)	
NW3000LE <sup>1</sup>	50W	3 5/8" (92mm)	15 3/8" (391mm) x 10"	(254mm) x 5 1/2" (140mm)	
NW3000LM <sup>1</sup>	50W	3 5/8" (92mm)	15 3/8" (391mm) x 10"	(254mm) x 5 1/2" (140mm)	
 Remodel					
IT3000LE <sup>1</sup>	50W	3 5/8" (92mm)	13 3/8" (340mm) x 4 5/8" (117mm)	x 7 1/16" (179mm)	
IT3000LM <sup>1</sup>	50W	3 5/8" (92mm)	13 3/8" (340mm) x 4 5/8" (117mm)	x 7 1/16" (179mm)	
 Insulated Ceiling (IC)					
ISMR3000E20 <sup>1</sup>	20W	3 5/8" (92mm)	15 3/16" (386mm) x 8 1/8" (207mm)	x 7 7/8" (200mm)	
ISMR3000E35 <sup>1</sup>	35W	3 5/8" (92mm)	15 3/16" (386mm) x 8 1/8" (207mm)	x 7 7/8" (200mm)	
ISMR3000M <sup>1</sup>	35W	3 5/8" (92mm)	19 3/8" (492mm) x 10" (254mm)	x 7 1/16" (179mm)	
ISMR3000M20 <sup>1</sup>	20W	3 5/8" (92mm)	15 3/16" (386mm) x 8 1/8" (207mm)	x 7 7/8" (200mm)	
ISMR3000M35 <sup>1</sup>	35W	3 5/8" (92mm)	19 3/8" (492mm) x 10" (254mm)	x 7 1/16" (179mm)	

**C** Short housing  
**L** Long housing  
**E** Electronic transformer (120/277V)  
**M** Magnetic transformer

<sup>1</sup> May be available in **277 Volts and/or 347 Volts. Add 2 (277V) or 3 (347V)** at the end of the housing code.

Ex.: IT3000LM2  
 Consult factory for availabilities.

**\*277 Volts: USA**  
**\*347 Volts: Canada and Magnetic transformer only**

#### Chicago Plenum

Add **P** at the end of the code to enhance your **IC** housing to meet Chicago Plenum requirements.  
 Ex.: ISMR3000MP

#### California Title 24

Add **W** at the end of the code to enhance your **IC** housing to meet California Title 24 requirements.  
 Ex.: ISMR3000MW

#### AIRTIGHT

IC housings meet ASTM E283 standard. These housings may be used in insulated ceilings and be covered with insulation material.





3 1/2"

MR16



T3652

T3652



T3652-13



## Downlight



**Damp location**



**Low voltage** : MR16 20-50W, MR16 IR 37-50W  
Available with a magnetic or an electronic transformer.

### Lenses

**Standard: UV clear lens** (1 15/16" - 49mm).  
Colored and frosted lenses are available. See pages 250-251 for details.



### Trim finishes

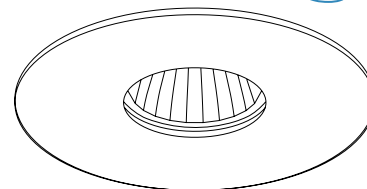


Ex.: T3652-11

For exterior use and Wet Locations, **MARINE GRADE** treatment is recommended. May be applied on finishes: -01, -02, -05, -06, -11, -14 and -15. See page 252 for more details. Add **MG** to code. Ex.: T3652-05**MG**

3 1/2"

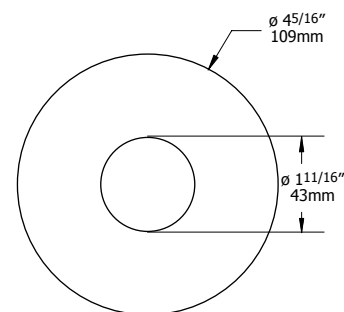
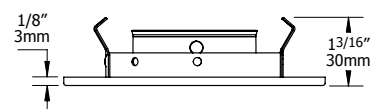
MR16



## T3652 Specs and codification

### Trim codification T3652-06MG

MODEL	TRIM FINISH	MARINE GRADE
<b>T3652</b>	<b>-06</b>	<b>MG</b>
	-01 -02 -03 -04 -04BR -05 -06 -07 -08 -11 -12BR -13 -14 -15 -16	MG May be applied on finishes: -01, -02, -05, -06, -11, -14 and -15.



### Housings Specifications Low voltage : MR16

	New Construction	W	HOLE CUT	LENGTH	WIDTH	HEIGHT
	NW3000CE <sup>1</sup>	37W	3 5/8" (92mm)	15 3/8" (391mm) x 10"	(254mm) x 3 11/16" (94mm)	
	NW3000CM <sup>1</sup>	37W	3 5/8" (92mm)	15 3/8" (391mm) x 10"	(254mm) x 3 11/16" (94mm)	
	NW3000LE <sup>1</sup>	50W	3 5/8" (92mm)	15 3/8" (391mm) x 10"	(254mm) x 5 1/2" (140mm)	
	NW3000LM <sup>1</sup>	50W	3 5/8" (92mm)	15 3/8" (391mm) x 10"	(254mm) x 5 1/2" (140mm)	
	Remodel					
	IT3000LE <sup>1</sup>	50W	3 5/8" (92mm)	13 3/8" (340mm) x 4 5/8" (117mm)	x 7 1/16" (179mm)	
	IT3000LM <sup>1</sup>	50W	3 5/8" (92mm)	13 3/8" (340mm) x 4 5/8" (117mm)	x 7 1/16" (179mm)	
	Insulated Ceiling (IC)					
	ISMR3000E20 <sup>1</sup>	20W	3 5/8" (92mm)	15 3/16" (386mm) x 8 1/8" (207mm)	x 7 7/8" (200mm)	
	ISMR3000E35 <sup>1</sup>	35W	3 5/8" (92mm)	15 3/16" (386mm) x 8 1/8" (207mm)	x 7 7/8" (200mm)	
	ISMR3000M <sup>1</sup>	35W	3 5/8" (92mm)	19 3/8" (492mm) x 10" (254mm)	x 7 1/16" (179mm)	
	ISMR3000M20 <sup>1</sup>	20W	3 5/8" (92mm)	15 3/16" (386mm) x 8 1/8" (207mm)	x 7 7/8" (200mm)	
	ISMR3000M35 <sup>1</sup>	35W	3 5/8" (92mm)	19 3/8" (492mm) x 10" (254mm)	x 7 1/16" (179mm)	

**C** Short housing  
**L** Long housing  
**E** Electronic transformer (120/277V)  
**M** Magnetic transformer

<sup>1</sup> May be available in **277 Volts and/or 347 Volts**. Add **2** (277V) or **3** (347V) at the end of the housing code.

Ex.: IT3000LM2  
 Consult factory for availabilities.

**\*277 Volts: USA**  
**\*347 Volts: Canada and Magnetic transformer only**

**Chicago Plenum**  
 Add **P** at the end of the code to enhance your **IC** housing to meet Chicago Plenum requirements.  
 Ex.: ISMR3000MP

**California Title 24**  
 Add **W** at the end of the code to enhance your **IC** housing to meet California Title 24 requirements.  
 Ex.: ISMR3000MW

**AIRTIGHT**  
 IC housings meet ASTM E283 standard. These housings may be used in insulated ceilings and be covered with insulation material.



3 1/2"

MR16



T3671

# T3671



T3671-04BRBK



## Pinhole



**Damp location**



**Low voltage** : MR16 20-50W, MR16 IR 37-50W  
Available with a magnetic or an electronic transformer.

## Lenses

**Standard: UV clear lens** (1<sup>15</sup>/<sub>16</sub>" - 49mm).  
Colored and frosted lenses are available. See pages 250-251 for details.



## Reflector finishes



**Standard: anodized aluminum**

### ANODIZED



Ex.: T3671-03BO

### SPECULAR



Ex.: T3671-08CL

### PAINTED



Ex.: T3671-11-02

## Trim finishes

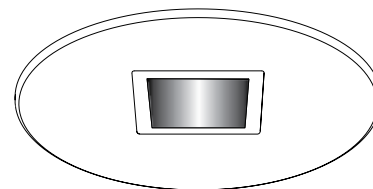


Ex.: T3671-04

For exterior use and Wet Locations, **MARINE GRADE** treatment is recommended. May be applied on finishes: -01, -02, -05, -06, -11, -14 and -15. See page 252 for more details. Add **MG** to code. Ex.: T3671-11MG

3 1/2"

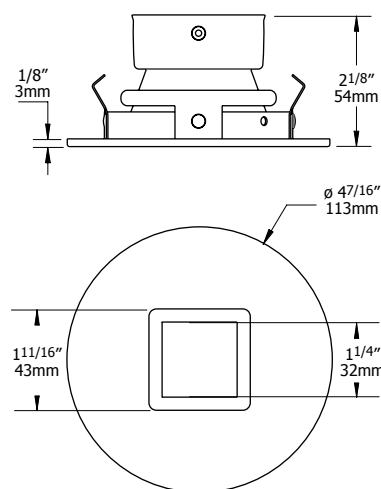
MR16



## T3671 Specs and codification

### Trim codification T3671-02RU

MODEL	TRIM FINISH	REFLECTOR	MARINE GRADE
<b>T3671</b>	<b>-02</b>	<b>RU</b>	
	-01	ANODIZED	MG
	-02	ALUMINUM (STANDARD)	May be applied on
	-03	AZ	finishes:
	-04	BO	-01, -02, -05, -06,
	-04BR	IG	-11, -14 and -15.
	-05	RU	
	-06	CB	
	-07	SPECULAR	
	-08	CL	
	-11	BK	
	-12BR	CH	
	-13	PAINTED	
	-14	-01	
	-15	-02	
	-16	-11	



### Housings Specifications Low voltage : MR16

New Construction	W	HOLE CUT	LENGTH	WIDTH	HEIGHT
NW3000CE <sup>1</sup>	37W	3 5/8" (92mm)	15 3/8" (391mm) x 10"	(254mm) x 3 1/16" (94mm)	
NW3000CM <sup>1</sup>	37W	3 5/8" (92mm)	15 3/8" (391mm) x 10"	(254mm) x 3 1/16" (94mm)	
NW3000LE <sup>1</sup>	50W	3 5/8" (92mm)	15 3/8" (391mm) x 10"	(254mm) x 5 1/2" (140mm)	
NW3000LM <sup>1</sup>	50W	3 5/8" (92mm)	15 3/8" (391mm) x 10"	(254mm) x 5 1/2" (140mm)	
Remodel					
IT3000E <sup>1</sup>	37W	3 5/8" (92mm)	13 3/8" (340mm) x 4 5/8" (117mm)	x 6 1/16" (154mm)	
IT3000M <sup>1</sup>	37W	3 5/8" (92mm)	13 3/8" (340mm) x 4 5/8" (117mm)	x 6 1/16" (154mm)	
IT3000LE <sup>1</sup>	50W	3 5/8" (92mm)	13 3/8" (340mm) x 4 5/8" (117mm)	x 7 1/16" (179mm)	
IT3000LM <sup>1</sup>	50W	3 5/8" (92mm)	13 3/8" (340mm) x 4 5/8" (117mm)	x 7 1/16" (179mm)	
Insulated Ceiling (IC)					
ISMR3000M <sup>1</sup>	37W	3 5/8" (92mm)	19 3/8" (386mm) x 10"	(254mm) x 7 1/16" (179mm)	

**C** Short housing  
**L** Long housing  
**E** Electronic transformer (120/277V)  
**M** Magnetic transformer  
<sup>1</sup> May be available in **277 Volts and/or 347 Volts. Add 2 (277V) or 3 (347V)** at the end of the housing code.  
 Ex.: IT3000LM2  
 Consult factory for availabilities.  
**\*277 Volts: USA**  
**\*347 Volts: Canada and Magnetic transformer only**

**Chicago Plenum**  
 Add **P** at the end of the code to enhance your **IC** housing to meet Chicago Plenum requirements.  
 Ex.: ISMR3000MP

**California Title 24**  
 Add **W** at the end of the code to enhance your **IC** housing to meet California Title 24 requirements.  
 Ex.: ISMR3000MW

**AIRTIGHT**  
 IC housings meet ASTM E283 standard. These housings may be used in insulated ceilings and be covered with insulation material.



3 1/2"

MR16



# T3700

## T3700



T3700-04BR-11



### Pinhole



**Damp location**



**Low voltage** : MR16 20-50W, MR16 IR 37-50W  
Available with a magnetic or an electronic transformer.

### Lenses

**Standard: UV clear lens** (1<sup>15</sup>/<sub>16</sub>" - 49mm).  
Colored and frosted lenses are available. See pages 250-251 for details.



### Reflector finishes



**Standard: anodized aluminum**

#### ANODIZED



Ex.: T3700-01RU

#### SPECULAR



Ex.: T3700-07CL

#### PAINTED



Ex.: T3700-03-02

### Trim finishes

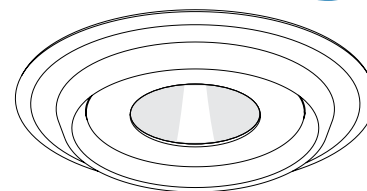


Ex.: T3700-04

For exterior use and Wet Locations, **MARINE GRADE** treatment is recommended. May be applied on finishes: -01, -02, -05, -06, -11, -14 and -15. See page 252 for more details. Add **MG** to code. Ex.: T3700-01MG

3 1/2"

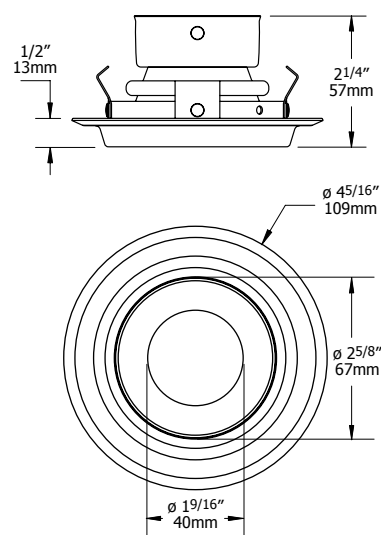
MR16



## T3700 Specs and codification

### Trim codification T3700-03-02

MODEL	TRIM FINISH	REFLECTOR	MARINE GRADE
<b>T3700</b>	<b>-03</b>	<b>-02</b>	
	-01 -02 -03 -04 -04BR -05 -06 -07 -08 -11 -12BR -13 -14 -15 -16	ANODIZED ALUMINUM (STANDARD) AZ BO IG RU CB SPECULAR CL BK CH PAINTED -01 -02 -11	MG May be applied on finishes: -01, -02, -05, -06, -11, -14 and -15.



### Housings Specifications Low voltage : MR16

New Construction	W	HOLE CUT	LENGTH	WIDTH	HEIGHT
NW3000CE <sup>1</sup>	37W	3 5/8" (92mm)	15 3/8" (391mm) x 10"	(254mm) x 3 11/16" (94mm)	
NW3000CM <sup>1</sup>	37W	3 5/8" (92mm)	15 3/8" (391mm) x 10"	(254mm) x 3 11/16" (94mm)	
NW3000LE <sup>1</sup>	50W	3 5/8" (92mm)	15 3/8" (391mm) x 10"	(254mm) x 5 1/2" (140mm)	
NW3000LM <sup>1</sup>	50W	3 5/8" (92mm)	15 3/8" (391mm) x 10"	(254mm) x 5 1/2" (140mm)	
Remodel					
IT3000LE <sup>1</sup>	50W	3 5/8" (92mm)	13 3/8" (340mm) x 4 5/8" (117mm)	7 1/16" (179mm)	
IT3000LM <sup>1</sup>	50W	3 5/8" (92mm)	13 3/8" (340mm) x 4 5/8" (117mm)	7 1/16" (179mm)	
Insulated Ceiling (IC)					
ISMR3000E20 <sup>1</sup>	20W	3 5/8" (92mm)	15 3/16" (386mm) x 8 1/8" (207mm)	7 7/8" (200mm)	
ISMR3000E35 <sup>1</sup>	35W	3 5/8" (92mm)	15 3/16" (386mm) x 8 1/8" (207mm)	7 7/8" (200mm)	
ISMR3000M20 <sup>1</sup>	20W	3 5/8" (92mm)	15 3/16" (386mm) x 8 1/8" (207mm)	7 7/8" (200mm)	
ISMR3000M35 <sup>1</sup>	35W	3 5/8" (92mm)	19 3/8" (492mm) x 10"	(254mm) x 7 1/16" (179mm)	

**C** Short housing  
**L** Long housing  
**E** Electronic transformer (120/277V)  
**M** Magnetic transformer

<sup>1</sup> May be available in **277 Volts and/or 347 Volts. Add 2 (277V) or 3 (347V)** at the end of the housing code.

Ex.: IT3000LM2  
 Consult factory for availabilities.

**\*277 Volts: USA**  
**\*347 Volts: Canada and Magnetic transformer only**

**Chicago Plenum**  
 Add **P** at the end of the code to enhance your **IC** housing to meet Chicago Plenum requirements.  
 Ex.: ISMR3000MP

**California Title 24**  
 Add **W** at the end of the code to enhance your **IC** housing to meet California Title 24 requirements.  
 Ex.: ISMR3000MW

**AIRTIGHT**  
 IC housings meet ASTM E283 standard. These housings may be used in insulated ceilings and be covered with insulation material.



MR16 3 1/2"



# T3800

## T3800



T3800-11  
103104



### Slot Aperture



**Damp location**



**Low voltage** : MR16 20-50W, MR16 IR 37-50W  
Available with a magnetic or an electronic transformer.

### Lenses

**Standard: UV clear lens** (1<sup>15</sup>/<sub>16</sub>" - 49mm).  
Colored and frosted lenses are available. See pages 250-251 for details.



### Trim finishes

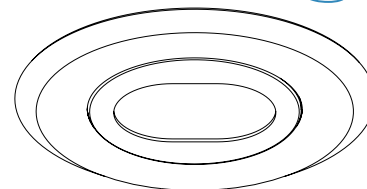


Ex.: T3800-13

For exterior use and Wet Locations, **MARINE GRADE** treatment is recommended. May be applied on finishes: -01, -02, -05, -06, -11, -14 and -15. See page 252 for more details. Add **MG** to code. Ex.: T3800-02**MG**

# 3 1/2"

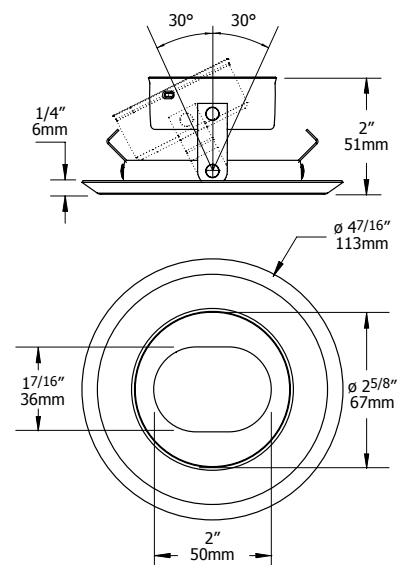
MR16



## T3800 Specs and codification

### Trim codification T3800-11MG

MODEL	TRIM FINISH	MARINE GRADE
<b>T3800</b>	<b>-11</b>	<b>MG</b>
	-01 -02 -03 -04 -04BR -05 -06 -07 -08 -11 -12BR -13 -14 -15 -16	MG May be applied on finishes: -01, -02, -05, -06, -11, -14 and -15.



### Housings Specifications Low voltage : MR16

New Construction	W	HOLE CUT	LENGTH	WIDTH	HEIGHT
NW3000CE <sup>1</sup>	37W	3 5/8" (92mm)	15 3/8" (391mm) x 10"	(254mm) x 3 11/16" (94mm)	
NW3000CM <sup>1</sup>	37W	3 5/8" (92mm)	15 3/8" (391mm) x 10"	(254mm) x 3 11/16" (94mm)	
NW3000LE <sup>1</sup>	50W	3 5/8" (92mm)	15 3/8" (391mm) x 10"	(254mm) x 5 1/2" (140mm)	
NW3000LM <sup>1</sup>	50W	3 5/8" (92mm)	15 3/8" (391mm) x 10"	(254mm) x 5 1/2" (140mm)	
Remodel					
IT3000LE <sup>1</sup>	50W	3 5/8" (92mm)	13 3/8" (340mm) x 4 5/8" (117mm)	x 7 1/16" (179mm)	
IT3000LM <sup>1</sup>	50W	3 5/8" (92mm)	13 3/8" (340mm) x 4 5/8" (117mm)	x 7 1/16" (179mm)	
Insulated Ceiling (IC)					
ISMR3000E20 <sup>1</sup>	20W	3 5/8" (92mm)	15 3/16" (386mm) x 8 1/8" (207mm)	x 7 7/8" (200mm)	
ISMR3000M <sup>1</sup>	35W	3 5/8" (92mm)	19 3/8" (492mm) x 10" (254mm)	x 7 1/16" (179mm)	
ISMR3000M20 <sup>1</sup>	20W	3 5/8" (92mm)	15 3/16" (386mm) x 8 1/8" (207mm)	x 7 7/8" (200mm)	

- C** Short housing
- L** Long housing
- E** Electronic transformer (120/277V)
- M** Magnetic transformer

<sup>1</sup> May be available in **277 Volts and/or 347 Volts**. Add **2** (277V) or **3** (347V) at the end of the housing code.

Ex.: IT3000LM2  
Consult factory for availabilities.

**\*277 Volts: USA**  
**\*347 Volts: Canada and Magnetic transformer only**

#### Chicago Plenum

Add **P** at the end of the code to enhance your **IC** housing to meet Chicago Plenum requirements.  
Ex.: ISMR3000MP

#### California Title 24

Add **W** at the end of the code to enhance your **IC** housing to meet California Title 24 requirements.  
Ex.: ISMR3000MW

#### AIRTIGHT

IC housings meet ASTM E283 standard. These housings may be used in insulated ceilings and be covered with insulation material.





3 1/2"

MR16



T3850

T3850



T3850-06



## Slot Aperture



**Damp location**



**Low voltage** : MR16 20-50W, MR16 IR 37-50W

Available with a magnetic or an electronic transformer.

## Lenses

**Standard: UV clear lens** (1<sup>15</sup>/<sub>16</sub>" - 49mm).

Colored and frosted lenses are available. See pages 250-251 for details.



## Trim finishes

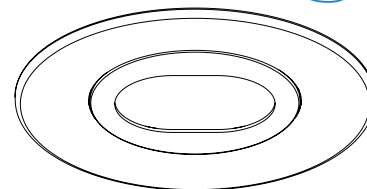


Ex.: T3850-04

For exterior use and Wet Locations, **MARINE GRADE** treatment is recommended. May be applied on finishes: -01, -02, -05, -06, -11, -14 and -15. See page 252 for more details. Add **MG** to code. Ex.: T3850-01**MG**

# 3 1/2"

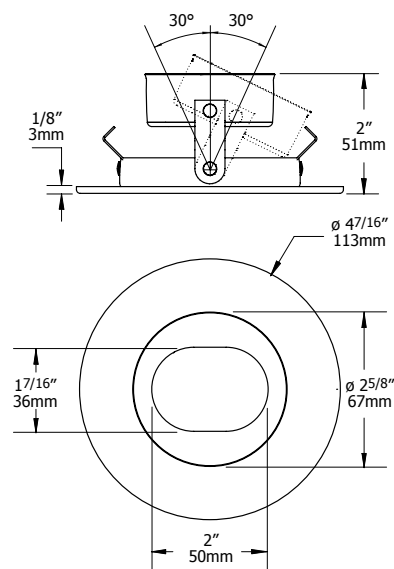
MR16



## T3850 Specs and codification

### Trim codification T3850-07

MODEL	TRIM FINISH	MARINE GRADE
<b>T3850</b>	<b>-07</b>	
	-01	MG May be applied on finishes: -01, -02, -05, -06, -11, -14 and -15.
	-02	
	-03	
	-04	
	-04BR	
	-05	
	-06	
	-07	
	-08	
	-11	
	-12BR	
	-13	
	-14	
	-15	
	-16	



### Housings Specifications Low voltage : MR16

	New Construction	W	HOLE CUT	LENGTH	WIDTH	HEIGHT
	NW3000CE <sup>1</sup>	37W	3 5/8" (92mm)	15 3/8" (391mm) x 10"	(254mm) x 3 11/16" (94mm)	
	NW3000CM <sup>1</sup>	37W	3 5/8" (92mm)	15 3/8" (391mm) x 10"	(254mm) x 3 11/16" (94mm)	
	NW3000LE <sup>1</sup>	50W	3 5/8" (92mm)	15 3/8" (391mm) x 10"	(254mm) x 5 1/2" (140mm)	
	NW3000LM <sup>1</sup>	50W	3 5/8" (92mm)	15 3/8" (391mm) x 10"	(254mm) x 5 1/2" (140mm)	
	Remodel					
	IT3000LE <sup>1</sup>	50W	3 5/8" (92mm)	13 3/8" (340mm) x 4 5/8" (117mm)	x 7 1/16" (179mm)	
	IT3000LM <sup>1</sup>	50W	3 5/8" (92mm)	13 3/8" (340mm) x 4 5/8" (117mm)	x 7 1/16" (179mm)	
	Insulated Ceiling (IC)					
	ISMR3000E20 <sup>1</sup>	20W	3 5/8" (92mm)	15 3/16" (386mm) x 8 1/8" (207mm)	x 7 7/8" (200mm)	
	ISMR3000M <sup>1</sup>	20W	3 5/8" (92mm)	19 3/8" (492mm) x 10" (254mm)	x 7 1/16" (179mm)	
	ISMR3000M20 <sup>1</sup>	20W	3 5/8" (92mm)	15 3/16" (386mm) x 8 1/8" (207mm)	x 7 7/8" (200mm)	

**C** Short housing  
**L** Long housing  
**E** Electronic transformer (120/277V)  
**M** Magnetic transformer  
<sup>1</sup> May be available in **277 Volts and/or 347 Volts. Add 2** (277V) or **3** (347V) at the end of the housing code.  
 Ex.: IT3000LM2  
 Consult factory for availabilities.  
**\*277 Volts: USA**  
**\*347 Volts: Canada and Magnetic transformer only**

**Chicago Plenum**  
 Add **P** at the end of the code to enhance your **IC** housing to meet Chicago Plenum requirements.  
 Ex.: ISMR3000MP

**California Title 24**  
 Add **W** at the end of the code to enhance your **IC** housing to meet California Title 24 requirements.  
 Ex.: ISMR3000MW

**AIRTIGHT**  
 IC housings meet ASTM E283 standard. These housings may be used in insulated ceilings and be covered with insulation material.



3 1/2"

MR16



T3900

T3900



T3900-04



## Slot Aperture



Damp location



Low voltage : MR16 20-50W, MR16 IR 37-50W  
Available with a magnetic or an electronic transformer.

## Lenses

Standard: UV clear lens (1<sup>15</sup>/<sub>16</sub>" - 49mm).  
Colored and frosted lenses are available. See pages 250-251 for details.



## Trim finishes

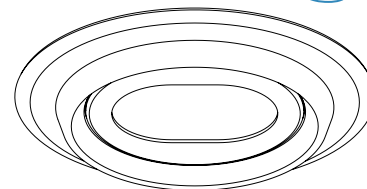


Ex.: T3900-01

For exterior use and Wet Locations, **MARINE GRADE** treatment is recommended. May be applied on finishes: -01, -02, -05, -06, -11, -14 and -15. See page 252 for more details. Add **MG** to code. Ex.: T3900-06**MG**

3 1/2"

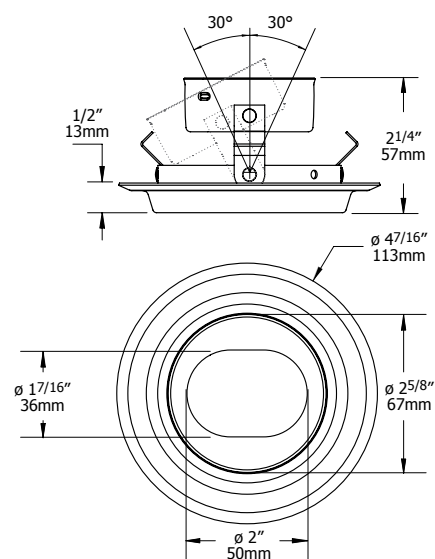
MR16



## T3900 Specs and codification

### Trim codification T3900-14MG

MODEL	TRIM FINISH	MARINE GRADE
<b>T3900</b>	<b>-14</b>	<b>MG</b>
	-01 -02 -03 -04 -04BR -05 -06 -07 -08 -11 -12BR -13 -14 -15 -16	MG May be applied on finishes: -01, -02, -05, -06, -11, -14 and -15.



### Housings Specifications Low voltage : MR16

New Construction	W	HOLE CUT	LENGTH	WIDTH	HEIGHT
NW3000CE <sup>1</sup>	37W	3 5/8" (92mm)	15 3/8" (391mm) x 10"	(254mm) x 3 11/16" (94mm)	
NW3000CM <sup>1</sup>	37W	3 5/8" (92mm)	15 3/8" (391mm) x 10"	(254mm) x 3 11/16" (94mm)	
NW3000LE <sup>1</sup>	50W	3 5/8" (92mm)	15 3/8" (391mm) x 10"	(254mm) x 5 1/2" (140mm)	
NW3000LM <sup>1</sup>	50W	3 5/8" (92mm)	15 3/8" (391mm) x 10"	(254mm) x 5 1/2" (140mm)	
Remodel					
IT3000LE <sup>1</sup>	50W	3 5/8" (92mm)	13 3/8" (340mm) x 4 5/8" (117mm)	x 7 1/16" (179mm)	
IT3000LM <sup>1</sup>	50W	3 5/8" (92mm)	13 3/8" (340mm) x 4 5/8" (117mm)	x 7 1/16" (179mm)	
Insulated Ceiling (IC)					
ISMR3000E20 <sup>1</sup>	20W	3 5/8" (92mm)	15 3/16" (386mm) x 8 1/8" (207mm)	x 7 7/8" (200mm)	
ISMR3000M <sup>1</sup>	35W	3 5/8" (92mm)	19 3/8" (492mm) x 10" (254mm)	x 7 1/16" (179mm)	
ISMR3000M20 <sup>1</sup>	20W	3 5/8" (92mm)	15 3/16" (386mm) x 8 1/8" (207mm)	x 7 7/8" (200mm)	

**C** Short housing  
**L** Long housing  
**E** Electronic transformer (120/277V)  
**M** Magnetic transformer

<sup>1</sup> May be available in **277 Volts and/or 347 Volts. Add 2** (277V) or **3** (347V) at the end of the housing code.

Ex.: IT3000LM2  
 Consult factory for availabilities.

**\*277 Volts: USA**  
**\*347 Volts: Canada and Magnetic transformer only**

**Chicago Plenum**  
 Add **P** at the end of the code to enhance your **IC** housing to meet Chicago Plenum requirements.  
 Ex.: ISMR3000MP

**California Title 24**  
 Add **W** at the end of the code to enhance your **IC** housing to meet California Title 24 requirements.  
 Ex.: ISMR3000MW

**AIRTIGHT**  
 IC housings meet ASTM E283 standard. These housings may be used in insulated ceilings and be covered with insulation material.



# Reflectors

For MR16 in the 3<sup>1/2</sup>" (3000) series.

## Anodized



## Specular



## Painted



## Compatible with following trims

### LEGEND

- Anodized smooth reflector
- Specular smooth reflector
- Painted smooth reflector
- Painted stepped reflector

### MR16 in the 3<sup>1/2</sup>" (3000) series

Downlight & Adjustable	Shower
<span style="color: grey;">●</span> R3151	<span style="color: grey;">●</span> S3145
<span style="color: grey;">●</span> R3151K	<span style="color: grey;">●</span> S3151
<span style="color: grey;">●</span> R3152	<span style="color: grey;">●</span> S3400
<span style="color: grey;">●</span> R3171	<span style="color: grey;">●</span> S3450
<span style="color: grey;">●</span> R3470	<span style="color: grey;">●</span> S3500
<span style="color: grey;">●</span> R3601	<span style="color: grey;">●</span> S3601
<span style="color: grey;">●</span> R3602	<span style="color: grey;">●</span> S3651
<span style="color: grey;">●</span> R3651	
<span style="color: grey;">●</span> R3652	
<span style="color: grey;">●</span> T3145	
<span style="color: blue;">●</span> <span style="color: grey;">●</span> T3145D	
<span style="color: grey;">●</span> T3165	
<span style="color: grey;">●</span> T3400	
<span style="color: blue;">●</span> <span style="color: grey;">●</span> T3400D	
<span style="color: grey;">●</span> T3450	
<span style="color: blue;">●</span> <span style="color: grey;">●</span> T3450D	
<span style="color: grey;">●</span> T3450K	
<span style="color: grey;">●</span> T3500	
<span style="color: blue;">●</span> <span style="color: grey;">●</span> T3500D	
<span style="color: grey;">●</span> T3600	
<span style="color: grey;">●</span> T3650	
<span style="color: grey;">●</span> T3671	
<span style="color: grey;">●</span> T3700	







# shower



S3145-12BR

See next page for more details



3 1/2"

MR16



S3145

# S3145



S3145-07



## Shower



**Wet location**



**Low voltage** : MR16 20-50W, MR16 IR 37-50W

Available with a magnetic or an electronic transformer.

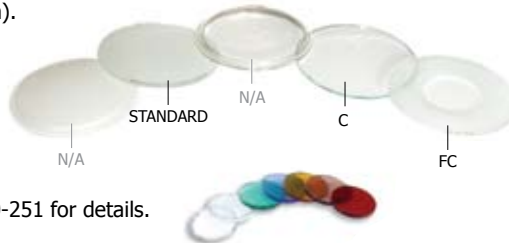
### Lenses

**Standard: UV frosted lens** (27/8" - 73mm).

**Clear:** S3145C

**Frosted with clear center:** S3145FC

See page 251 for more details.



**Optional UV MR16 lens** (49mm).

Colored lenses are available. See pages 250-251 for details.

### Reflector finishes



**Standard: anodized aluminum**

Order your trim with a clear lens to see the color of the reflector.



Ex.: S3145C-11AZ



Ex.: S3145C-04BRCH



Ex.: S3145C-06-01

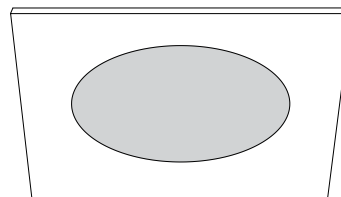
### Trim finishes



Ex.: S3145-03

For exterior use and Wet Locations, **MARINE GRADE** treatment is recommended. May be applied on finishes: -01, -02, -05, -06, -11, -14 and -15. See page 252 for more details. Add **MG** to code. Ex.: S3145-02MG

3 1/2"



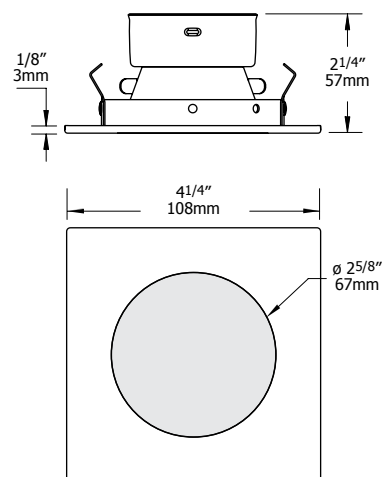
MR16



## S3145 Specs and codification

### Trim codification S3145C-13-11

MODEL	LENS	TRIM FINISH	REFLECTOR	MARINE GRADE
<b>S3145</b>	<b>C</b>	<b>-13</b>	<b>-11</b>	
	STANDARD: FROSTED C FC	-01 -02 -03 -04 -04BR -05 -06 -07 -08 -11 -12BR -13 -14 -15 -16	ANODIZED ALUMINUM (STANDARD) AZ BO IG RU CB SPECULAR CL BK CH PAINTED -01 -02 -11	MG May be applied on finishes: -01, -02, -05, -06, -11, -14 and -15.



### Housings Specifications Low voltage : MR16

	New Construction	W	HOLE CUT	LENGTH	WIDTH	HEIGHT
	NW3000CE <sup>1</sup>	37W	3 5/8" (92mm)	15 3/8" (391mm) x 10"	(254mm) x 3 11/16" (94mm)	
	NW3000CM <sup>1</sup>	37W	3 5/8" (92mm)	15 3/8" (391mm) x 10"	(254mm) x 3 11/16" (94mm)	
	NW3000LE <sup>1</sup>	50W	3 5/8" (92mm)	15 3/8" (391mm) x 10"	(254mm) x 5 1/2" (140mm)	
	NW3000LM <sup>1</sup>	50W	3 5/8" (92mm)	15 3/8" (391mm) x 10"	(254mm) x 5 1/2" (140mm)	
	Remodel					
	IT3000LE <sup>1</sup>	50W	3 5/8" (92mm)	13 3/8" (340mm) x 4 5/8" (117mm)	x 7 1/16" (179mm)	
	IT3000LM <sup>1</sup>	50W	3 5/8" (92mm)	13 3/8" (340mm) x 4 5/8" (117mm)	x 7 1/16" (179mm)	
	Insulated Ceiling (IC)					
	ISMR3000E20 <sup>1</sup>	20W	3 5/8" (92mm)	15 3/16" (386mm) x 8 1/8" (207mm)	x 7 7/8" (200mm)	
	ISMR3000E35 <sup>1</sup>	35W	3 5/8" (92mm)	15 3/16" (386mm) x 8 1/8" (207mm)	x 7 7/8" (200mm)	
	ISMR3000M <sup>1</sup>	35W	3 5/8" (92mm)	19 3/8" (492mm) x 10" (254mm)	x 7 1/16" (179mm)	
	ISMR3000M20 <sup>1</sup>	20W	3 5/8" (92mm)	15 3/16" (386mm) x 8 1/8" (207mm)	x 7 7/8" (200mm)	
	ISMR3000M35 <sup>1</sup>	35W	3 5/8" (92mm)	19 3/8" (492mm) x 10" (254mm)	x 7 1/16" (179mm)	

**C** Short housing  
**L** Long housing  
**E** Electronic transformer (120/277V)  
**M** Magnetic transformer

<sup>1</sup> May be available in **277 Volts and/or 347 Volts**. Add **2** (277V) or **3** (347V) at the end of the housing code.

Ex.: IT3000LM2  
 Consult factory for availabilities.

**\*277 Volts: USA**  
**\*347 Volts: Canada and Magnetic transformer only**

**Chicago Plenum**  
 Add **P** at the end of the code to enhance your **IC** housing to meet Chicago Plenum requirements.  
 Ex.: ISMR3000MP

**California Title 24**  
 Add **W** at the end of the code to enhance your **IC** housing to meet California Title 24 requirements.  
 Ex.: ISMR3000MW

**AIRTIGHT**  
 IC housings meet ASTM E283 standard. These housings may be used in insulated ceilings and be covered with insulation material.



3 1/2"

MR16



S3145D

# S3145D



S3145D-12BR



## Shower



**Wet location**



**Low voltage** : MR16

Available with a magnetic or an electronic transformer.

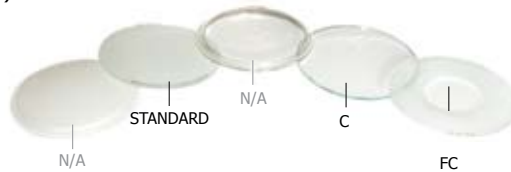
### Lenses

**Standard: UV frosted lens** (2 7/8" - 73mm).

**Clear:** S3145DC

**Frosted with clear center:** S3145DFC

See page 251 for more details.



**Optional UV MR16 lens** (49mm).

Colored lenses are available. See pages 250-251 for details.



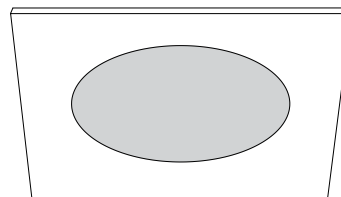
### Trim finishes



Ex.: S3145D-08

For exterior use and Wet Locations, **MARINE GRADE** treatment is recommended. May be applied on finishes: -01, -02, -05, -06, -11, -14 and -15. See page 252 for more details. Add **MG** to code. Ex.: S3145D-11MG

# 3 1/2"



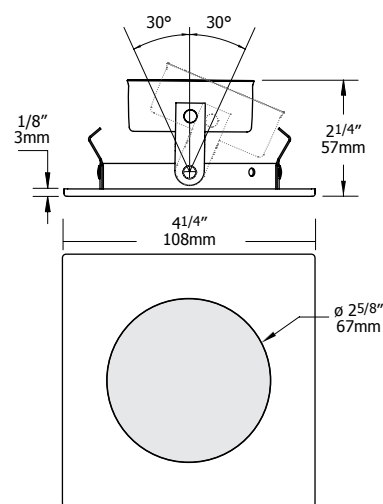
MR16



## S3145D Specs and codification

### Trim codification S3145DC-04BR

MODEL	LENS	TRIM FINISH	MARINE GRADE
<b>S3145D</b>	<b>C</b>	<b>-04BR</b>	
	STANDARD: FROSTED C FC	-01 -02 -03 -04 -04BR -05 -06 -07 -08 -11 -12BR -13 -14 -15 -16	MG May be applied on finishes: -01, -02, -05, -06, -11, -14 and -15.



### Housings Specifications Low voltage : MR16

	New Construction	W	HOLE CUT	LENGTH	WIDTH	HEIGHT
	NW3000 <b>CE</b> <sup>1</sup>	37W	3 5/8" (92mm)	15 3/8" (391mm) x 10"	(254mm) x 3 11/16" (94mm)	
	NW3000 <b>CM</b> <sup>1</sup>	37W	3 5/8" (92mm)	15 3/8" (391mm) x 10"	(254mm) x 3 11/16" (94mm)	
	NW3000 <b>LE</b> <sup>1</sup>	42W	3 5/8" (92mm)	15 3/8" (391mm) x 10"	(254mm) x 5 1/2" (140mm)	
	NW3000 <b>LM</b> <sup>1</sup>	42W	3 5/8" (92mm)	15 3/8" (391mm) x 10"	(254mm) x 5 1/2" (140mm)	
	Remodel					
	IT3000 <b>LE</b> <sup>1</sup>	42W	3 5/8" (92mm)	13 3/8" (340mm) x 4 5/8" (117mm)	x 7 1/16" (179mm)	
	IT3000 <b>LM</b> <sup>1</sup>	42W	3 5/8" (92mm)	13 3/8" (340mm) x 4 5/8" (117mm)	x 7 1/16" (179mm)	
	Insulated Ceiling (IC)					
	ISMR3000 <b>E20</b> <sup>1</sup>	20W	3 5/8" (92mm)	15 3/16" (386mm) x 8 1/8" (207mm)	x 7 7/8" (200mm)	
	ISMR3000 <b>E35</b> <sup>1</sup>	35W	3 5/8" (92mm)	15 3/16" (386mm) x 8 1/8" (207mm)	x 7 7/8" (200mm)	
	ISMR3000 <b>M</b> <sup>1</sup>	35W	3 5/8" (92mm)	19 3/8" (492mm) x 10" (254mm)	x 7 1/16" (179mm)	
	ISMR3000 <b>M20</b> <sup>1</sup>	20W	3 5/8" (92mm)	15 3/16" (386mm) x 8 1/8" (207mm)	x 7 7/8" (200mm)	
	ISMR3000 <b>M35</b> <sup>1</sup>	35W	3 5/8" (92mm)	19 3/8" (492mm) x 10" (254mm)	x 7 1/16" (179mm)	

**C** Short housing  
**L** Long housing  
**E** Electronic transformer (120/277V)  
**M** Magnetic transformer

<sup>1</sup> May be available in **277 Volts and/or 347 Volts**. Add **2** (277V) or **3** (347V) at the end of the housing code.

Ex.: IT3000LM2  
 Consult factory for availabilities.

**\*277 Volts: USA**  
**\*347 Volts: Canada and Magnetic transformer only**

#### Chicago Plenum

Add **P** at the end of the code to enhance your **IC** housing to meet Chicago Plenum requirements.  
 Ex.: ISMR3000MP

#### California Title 24

Add **W** at the end of the code to enhance your **IC** housing to meet California Title 24 requirements.  
 Ex.: ISMR3000MW

#### AIRTIGHT

IC housings meet ASTM E283 standard. These housings may be used in insulated ceilings and be covered with insulation material.



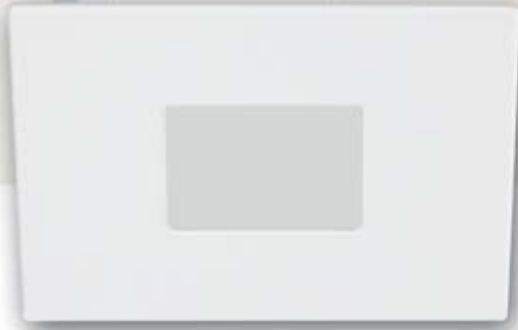
3 1/2"

MR16



S3151

# S3151



S3151-11



## Shower



**Wet location**



**Low voltage** : MR16 20-50W, MR16 IR 37-50W

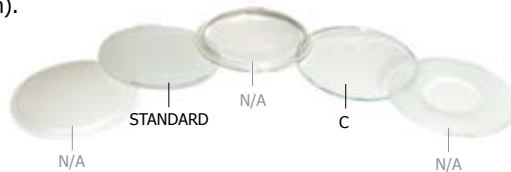
Available with a magnetic or an electronic transformer.

### Lenses

**Standard: UV frosted lens** (2 7/8" - 73mm).

**Clear:** S3151C

See page 251 for more details.



**Optional UV MR16 lens** (49mm).

Colored lenses are available. See pages 250-251 for details.



### Reflector finishes



**Standard: anodized aluminum**

Order your trim with a clear lens to see the color of the reflector.



Ex.: S3151C-11**AZ**



Ex.: S3151C-04**BRCH**



Ex.: S3151C-06-**01**

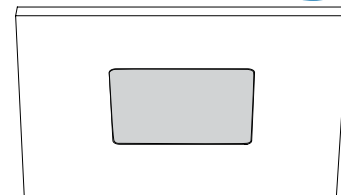
### Trim finishes



Ex.: S3151-**04BR**

For exterior use and Wet Locations, **MARINE GRADE** treatment is recommended. May be applied on finishes: -01, -02, -05, -06, -11, -14 and -15. See page 252 for more details. Add **MG** to code. Ex.: S3151-01**MG**

3 1/2"



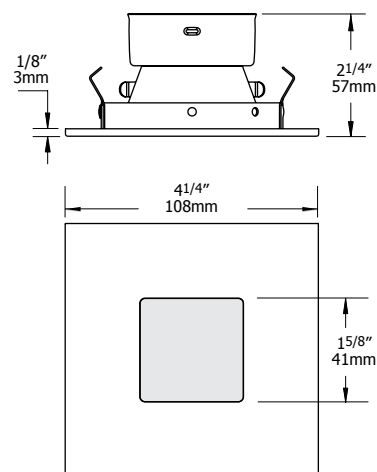
MR16



## S3151 Specs and codification

### Trim codification S3151C-11RUMG

MODEL	LENS	TRIM FINISH	REFLECTOR	MARINE GRADE
<b>S3151</b>	<b>C</b>	<b>-11</b>	<b>RU</b>	<b>MG</b>
	STANDARD: FROSTED C	-01 -02 -03 -04 -04BR -05 -06 -07 -08 -11 -12BR -13 -14 -15 -16	ANODIZED ALUMINUM (STANDARD) AZ BO IG RU CB SPECULAR CL BK CH PAINTED -01 -02 -11	MG May be applied on finishes: -01, -02, -05, -06, -11, -14 and -15.



### Housings Specifications Low voltage : MR16

New Construction	W	HOLE CUT	LENGTH	WIDTH	HEIGHT
NW3000 <b>CE</b> <sup>1</sup>	37W	3 5/8" (92mm)	15 3/8" (391mm) x 10"	(254mm) x 3 11/16" (94mm)	
NW3000 <b>CM</b> <sup>1</sup>	37W	3 5/8" (92mm)	15 3/8" (391mm) x 10"	(254mm) x 3 11/16" (94mm)	
NW3000 <b>LE</b> <sup>1</sup>	50W	3 5/8" (92mm)	15 3/8" (391mm) x 10"	(254mm) x 5 1/2" (140mm)	
NW3000 <b>LM</b> <sup>1</sup>	50W	3 5/8" (92mm)	15 3/8" (391mm) x 10"	(254mm) x 5 1/2" (140mm)	
Remodel					
IT3000 <b>LE</b> <sup>1</sup>	50W	3 5/8" (92mm)	13 3/8" (340mm) x 4 5/8" (117mm)	7 1/16" (179mm)	
IT3000 <b>LM</b> <sup>1</sup>	50W	3 5/8" (92mm)	13 3/8" (340mm) x 4 5/8" (117mm)	7 1/16" (179mm)	
Insulated Ceiling (IC)					
ISMR3000 <b>E20</b> <sup>1</sup>	20W	3 5/8" (92mm)	15 3/16" (386mm) x 8 1/8" (207mm)	7 7/8" (200mm)	
ISMR3000 <b>E35</b> <sup>1</sup>	35W	3 5/8" (92mm)	15 3/16" (386mm) x 8 1/8" (207mm)	7 7/8" (200mm)	
ISMR3000 <b>M</b> <sup>1</sup>	35W	3 5/8" (92mm)	19 3/8" (492mm) x 10" (254mm)	7 1/16" (179mm)	
ISMR3000 <b>M20</b> <sup>1</sup>	20W	3 5/8" (92mm)	15 3/16" (386mm) x 8 1/8" (207mm)	7 7/8" (200mm)	
ISMR3000 <b>M35</b> <sup>1</sup>	35W	3 5/8" (92mm)	19 3/8" (492mm) x 10" (254mm)	7 1/16" (179mm)	

**C** Short housing  
**L** Long housing  
**E** Electronic transformer (120/277V)  
**M** Magnetic transformer

<sup>1</sup> May be available in **277 Volts and/or 347 Volts**. Add **2** (277V) or **3** (347V) at the end of the housing code.

Ex.: IT3000LM2  
 Consult factory for availabilities.  
**\*277 Volts: USA**  
**\*347 Volts: Canada and Magnetic transformer only**

**Chicago Plenum**  
 Add **P** at the end of the code to enhance your **IC** housing to meet Chicago Plenum requirements.  
 Ex.: ISMR3000MP

**California Title 24**  
 Add **W** at the end of the code to enhance your **IC** housing to meet California Title 24 requirements.  
 Ex.: ISMR3000MW

**AIRTIGHT**  
 IC housings meet ASTM E283 standard. These housings may be used in insulated ceilings and be covered with insulation material.



3 1/2"

MR16



# S3400

## S3400



S3400-11



### Shower



**Wet location**



**Low voltage** : MR16 20-50W, MR16 IR 37-50W

Available with a magnetic or an electronic transformer.

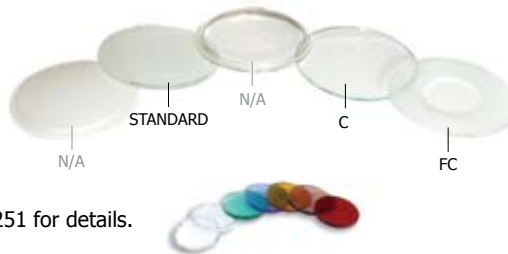
### Lenses

**Standard: UV frosted lens** (27/8" - 73mm)

**Clear:** S3400C

**Frosted with clear center:** S3400FC

See page 251 for more details.



**Optional UV MR16 lens** (49mm).

Colored lenses are available. See pages 250-251 for details.

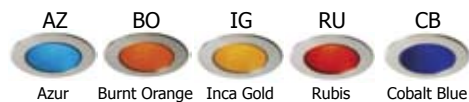
### Reflector finishes



**Standard: anodized aluminum**

Order your trim with a clear lens to see the color of the reflector.

#### ANODIZED



Ex.: S3400C-11**AZ**

#### SPECULAR



Ex.: S3400C-04**BRCH**

#### PAINTED



Ex.: S3400C-06-**01**

### Trim finishes

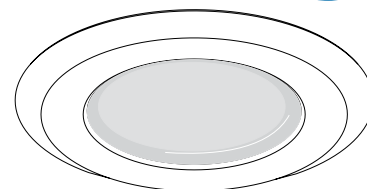


Ex.: S3400-**01**

For exterior use and Wet Locations, **MARINE GRADE** treatment is recommended. May be applied on finishes: -01, -02, -05, -06, -11, -14 and -15. See page 252 for more details. Add **MG** to code. Ex.: S3400-01**MG**

# 3 1/2"

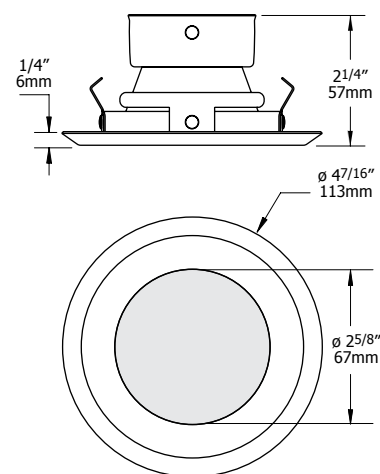
MR16



## S3400 Specs and codification

### Trim codification S3400-11MG

MODEL	LENS	TRIM FINISH	REFLECTOR	MARINE GRADE
<b>S3400</b>		<b>-11</b>		<b>MG</b>
	STANDARD: FROSTED C FC	-01 -02 -03 -04 -04BR -05 -06 -07 -08 -11 -12BR -13 -14 -15 -16	ANODIZED ALUMINUM (STANDARD) AZ BO IG RU CB SPECULAR CL BK CH PAINTED -01 -02 -11	MG May be applied on finishes: -01, -02, -05, -06, -11, -14 and -15.



### Housings Specifications Low voltage : MR16

New Construction	W	HOLE CUT	LENGTH	WIDTH	HEIGHT
NW3000CE <sup>1</sup>	37W	3 5/8" (92mm)	15 3/8" (391mm) x 10"	(254mm) x 3 11/16" (94mm)	
NW3000CM <sup>1</sup>	37W	3 5/8" (92mm)	15 3/8" (391mm) x 10"	(254mm) x 3 11/16" (94mm)	
NW3000LE <sup>1</sup>	50W	3 5/8" (92mm)	15 3/8" (391mm) x 10"	(254mm) x 5 1/2" (140mm)	
NW3000LM <sup>1</sup>	50W	3 5/8" (92mm)	15 3/8" (391mm) x 10"	(254mm) x 5 1/2" (140mm)	
Remodel					
IT3000LE <sup>1</sup>	50W	3 5/8" (92mm)	13 3/8" (340mm) x 4 5/8" (117mm)	7 1/16" (179mm)	
IT3000LM <sup>1</sup>	50W	3 5/8" (92mm)	13 3/8" (340mm) x 4 5/8" (117mm)	7 1/16" (179mm)	
Insulated Ceiling (IC)					
ISMR3000E20 <sup>1</sup>	20W	3 5/8" (92mm)	15 3/16" (386mm) x 8 1/8" (207mm)	7 7/8" (200mm)	
ISMR3000E35 <sup>1</sup>	35W	3 5/8" (92mm)	15 3/16" (386mm) x 8 1/8" (207mm)	7 7/8" (200mm)	
ISMR3000M <sup>1</sup>	35W	3 5/8" (92mm)	19 3/8" (492mm) x 10" (254mm)	7 1/16" (179mm)	
ISMR3000M20 <sup>1</sup>	20W	3 5/8" (92mm)	15 3/16" (386mm) x 8 1/8" (207mm)	7 7/8" (200mm)	
ISMR3000M35 <sup>1</sup>	35W	3 5/8" (92mm)	19 3/8" (492mm) x 10" (254mm)	7 1/16" (179mm)	

**C** Short housing  
**L** Long housing  
**E** Electronic transformer (120/277V)  
**M** Magnetic transformer

<sup>1</sup> May be available in **277 Volts and/or 347 Volts. Add 2 (277V) or 3 (347V)** at the end of the housing code.

Ex.: IT3000LM2  
 Consult factory for availabilities.

**\*277 Volts: USA**  
**\*347 Volts: Canada and Magnetic transformer only**

**Chicago Plenum**  
 Add **P** at the end of the code to enhance your **IC** housing to meet Chicago Plenum requirements.  
 Ex.: ISMR3000MP

**California Title 24**  
 Add **W** at the end of the code to enhance your **IC** housing to meet California Title 24 requirements.  
 Ex.: ISMR3000MW

**AIRTIGHT**  
 IC housings meet ASTM E283 standard. These housings may be used in insulated ceilings and be covered with insulation material.





3 1/2"

MR16



S3400D

# S3400D



S3400D-04BR



## Shower



**Wet location**



**Low voltage** : MR16

Available with a magnetic or an electronic transformer.

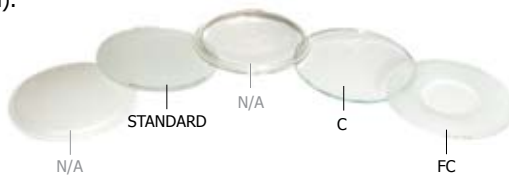
## Lenses

**Standard: UV frosted lens** (2 7/8" - 73mm).

**Clear:** S3400DC

**Frosted with clear center:** S3400DFC

See page 251 for more details.



**Optional UV MR16 lens** (49mm).

Colored lenses are available. See pages 250-251 for details.



## Trim finishes

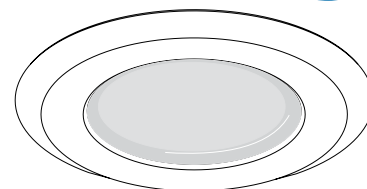


Ex.: S3400D-04

For exterior use and Wet Locations, **MARINE GRADE** treatment is recommended. May be applied on finishes: -01, -02, -05, -06, -11, -14 and -15. See page 252 for more details. Add **MG** to code. Ex.: S3400D-14MG

# 3 1/2"

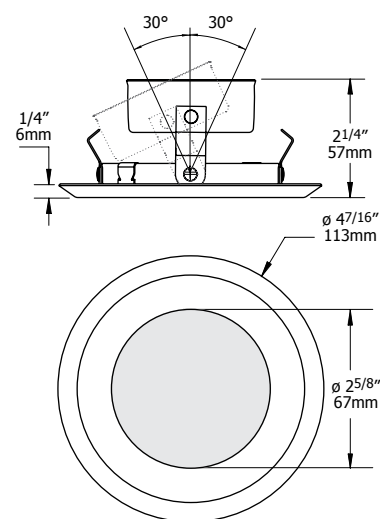
MR16



## S3400D Specs and codification

### Trim codification S3400DFC-04BR

MODEL	LENS	TRIM FINISH	MARINE GRADE
<b>S3400D</b>	<b>FC</b>	<b>-04BR</b>	
	STANDARD: FROSTED C FC	-01 -02 -03 -04 -04BR -05 -06 -07 -08 -11 -12BR -13 -14 -15 -16	MG May be applied on finishes: -01, -02, -05, -06, -11, -14 and -15.



### Housings Specifications Low voltage : MR16

New Construction	W	HOLE CUT	LENGTH	WIDTH	HEIGHT
NW3000CE <sup>1</sup>	37W	3 5/8" (92mm)	15 3/8" (391mm) x 10"	(254mm) x 3 11/16" (94mm)	
NW3000CM <sup>1</sup>	37W	3 5/8" (92mm)	15 3/8" (391mm) x 10"	(254mm) x 3 11/16" (94mm)	
NW3000LE <sup>1</sup>	42W	3 5/8" (92mm)	15 3/8" (391mm) x 10"	(254mm) x 5 1/2" (140mm)	
NW3000LM <sup>1</sup>	42W	3 5/8" (92mm)	15 3/8" (391mm) x 10"	(254mm) x 5 1/2" (140mm)	
Remodel					
IT3000LE <sup>1</sup>	42W	3 5/8" (92mm)	13 3/8" (340mm) x 4 5/8" (117mm)	7 1/16" (179mm)	
IT3000LM <sup>1</sup>	42W	3 5/8" (92mm)	13 3/8" (340mm) x 4 5/8" (117mm)	7 1/16" (179mm)	
Insulated Ceiling (IC)					
ISMR3000E20 <sup>1</sup>	20W	3 5/8" (92mm)	15 3/16" (386mm) x 8 1/8" (207mm)	7 7/8" (200mm)	
ISMR3000E35 <sup>1</sup>	35W	3 5/8" (92mm)	15 3/16" (386mm) x 8 1/8" (207mm)	7 7/8" (200mm)	
ISMR3000M <sup>1</sup>	35W	3 5/8" (92mm)	19 3/8" (492mm) x 10"	(254mm) x 7 1/16" (179mm)	
ISMR3000M20 <sup>1</sup>	20W	3 5/8" (92mm)	15 3/16" (386mm) x 8 1/8" (207mm)	7 7/8" (200mm)	
ISMR3000M35 <sup>1</sup>	35W	3 5/8" (92mm)	19 3/8" (492mm) x 10"	(254mm) x 7 1/16" (179mm)	

**C** Short housing  
**L** Long housing  
**E** Electronic transformer (120/277V)  
**M** Magnetic transformer

<sup>1</sup> May be available in **277 Volts and/or 347 Volts**. Add **2** (277V) or **3** (347V) at the end of the housing code.

Ex.: IT3000LM2  
 Consult factory for availabilities.

**\*277 Volts: USA**  
**\*347 Volts: Canada and Magnetic transformer only**

**Chicago Plenum**  
 Add **P** at the end of the code to enhance your **IC** housing to meet Chicago Plenum requirements.  
 Ex.: ISMR3000MP

**California Title 24**  
 Add **W** at the end of the code to enhance your **IC** housing to meet California Title 24 requirements.  
 Ex.: ISMR3000MW

**AIRTIGHT**  
 IC housings meet ASTM E283 standard. These housings may be used in insulated ceilings and be covered with insulation material.



3 1/2"

MR16



S3450

# S3450



S3450-05



## Shower



**Wet location**



**Low voltage** : MR16 20-50W, MR16 IR 37-50W

Available with a magnetic or an electronic transformer.

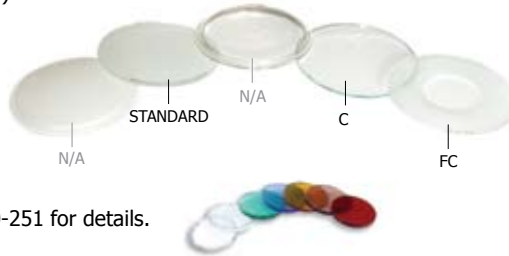
### Lenses

**Standard: UV frosted lens** (27/8" - 73mm).

**Clear:** S3450C

**Frosted with clear center:** S3450FC

See page 251 for more details.



**Optional UV MR16 lens** (49mm).

Colored lenses are available. See pages 250-251 for details.

### Reflector finishes



**Standard: anodized aluminum**

Order your trim with a clear lens to see the color of the reflector.

#### ANODIZED



Ex.: S3450C-11**AZ**

#### SPECULAR



Ex.: S3450C-04**BRCH**

#### PAINTED



Ex.: S3450C-06-**01**

### Trim finishes

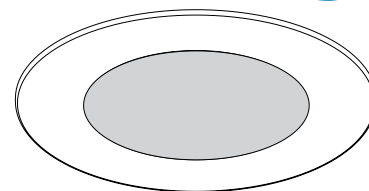


Ex.: S3450-**05**

For exterior use and Wet Locations, **MARINE GRADE** treatment is recommended. May be applied on finishes: -01, -02, -05, -06, -11, -14 and -15. See page 252 for more details. Add **MG** to code. Ex.: S3450-11**MG**

3 1/2"

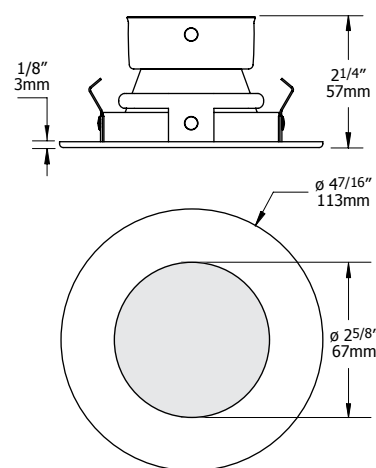
MR16



## S3450 Specs and codification

### Trim codification S3450C-13AZ

MODEL	LENS	TRIM FINISH	REFLECTOR	MARINE GRADE
<b>S3450</b>	<b>C</b>	<b>-13</b>	<b>AZ</b>	
	STANDARD: FROSTED C FC	-01 -02 -03 -04 -04BR -05 -06 -07 -08 -11 -12BR -13 -14 -15 -16	ANODIZED ALUMINUM (STANDARD) AZ BO IG RU CB SPECULAR CL BK CH PAINTED -01 -02 -11	MG May be applied on finishes: -01, -02, -05, -06, -11, -14 and -15.



### Housings Specifications Low voltage : MR16

New Construction	W	HOLE CUT	LENGTH	WIDTH	HEIGHT
NW3000CE <sup>1</sup>	37W	3 5/8" (92mm)	15 3/8" (391mm) x 10"	(254mm) x 3 1/16" (94mm)	
NW3000CM <sup>1</sup>	37W	3 5/8" (92mm)	15 3/8" (391mm) x 10"	(254mm) x 3 1/16" (94mm)	
NW3000LE <sup>1</sup>	50W	3 5/8" (92mm)	15 3/8" (391mm) x 10"	(254mm) x 5 1/2" (140mm)	
NW3000LM <sup>1</sup>	50W	3 5/8" (92mm)	15 3/8" (391mm) x 10"	(254mm) x 5 1/2" (140mm)	
Remodel					
IT3000LE <sup>1</sup>	50W	3 5/8" (92mm)	13 3/8" (340mm) x 4 5/8" (117mm)	7 1/16" (179mm)	
IT3000LM <sup>1</sup>	50W	3 5/8" (92mm)	13 3/8" (340mm) x 4 5/8" (117mm)	7 1/16" (179mm)	
Insulated Ceiling (IC)					
ISMR3000E20 <sup>1</sup>	20W	3 5/8" (92mm)	15 3/16" (386mm) x 8 1/8" (207mm)	7 7/8" (200mm)	
ISMR3000E35 <sup>1</sup>	35W	3 5/8" (92mm)	15 3/16" (386mm) x 8 1/8" (207mm)	7 7/8" (200mm)	
ISMR3000M <sup>1</sup>	35W	3 5/8" (92mm)	19 3/8" (492mm) x 10" (254mm)	7 1/16" (179mm)	
ISMR3000M20 <sup>1</sup>	20W	3 5/8" (92mm)	15 3/16" (386mm) x 8 1/8" (207mm)	7 7/8" (200mm)	
ISMR3000M35 <sup>1</sup>	35W	3 5/8" (92mm)	19 3/8" (492mm) x 10" (254mm)	7 1/16" (179mm)	

**C** Short housing  
**L** Long housing  
**E** Electronic transformer (120/277V)  
**M** Magnetic transformer  
<sup>1</sup> May be available in **277 Volts and/or 347 Volts. Add 2 (277V) or 3 (347V)** at the end of the housing code.  
 Ex.: IT3000LM2  
 Consult factory for availabilities.  
**\*277 Volts: USA**  
**\*347 Volts: Canada and Magnetic transformer only**

**Chicago Plenum**  
 Add **P** at the end of the code to enhance your **IC** housing to meet Chicago Plenum requirements.  
 Ex.: ISMR3000MP

**California Title 24**  
 Add **W** at the end of the code to enhance your **IC** housing to meet California Title 24 requirements.  
 Ex.: ISMR3000MW

**AIRTIGHT**  
 IC housings meet ASTM E283 standard. These housings may be used in insulated ceilings and be covered with insulation material.



3 1/2"

MR16



S3450D

# S3450D



S3450D-13



## Shower



**Wet location**



**Low voltage** : MR16

Available with a magnetic or an electronic transformer.

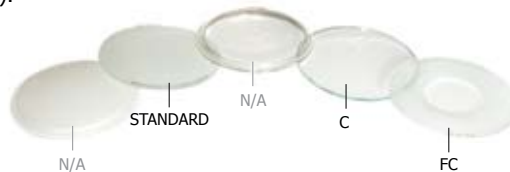
## Lenses

**Standard: UV frosted lens** (2 7/8" - 73mm).

**Clear:** S3450DC

**Frosted with clear center:** S3450DFC

See page 251 for more details.



**Optional UV MR16 lens** (49mm).

Colored lenses are available. See pages 250-251 for details.



## Trim finishes

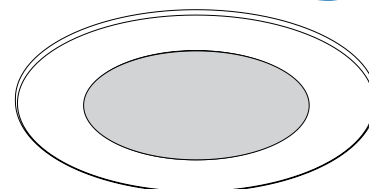


Ex.: S3450D-13

For exterior use and Wet Locations, **MARINE GRADE** treatment is recommended. May be applied on finishes: -01, -02, -05, -06, -11, -14 and -15. See page 252 for more details. Add **MG** to code. Ex.: S3450D-06**MG**

# 3 1/2"

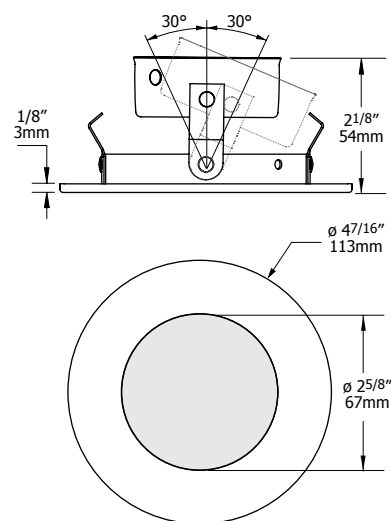
MR16



## S3450D Specs and codification

### Trim codification S3450D-03

MODEL	LENS	TRIM FINISH	MARINE GRADE
<b>S3450D</b>		<b>-03</b>	
	STANDARD: FROSTED C FC	-01 -02 -03 -04 -04BR -05 -06 -07 -08 -11 -12BR -13 -14 -15 -16	MG May be applied on finishes: -01, -02, -05, -06, -11, -14 and -15.



### Housings Specifications Low voltage : MR16

New Construction	W	HOLE CUT	LENGTH	WIDTH	HEIGHT
NW3000 <b>CE</b> <sup>1</sup>	37W	3 5/8" (92mm)	15 3/8" (391mm) x 10"	(254mm) x 3 11/16" (94mm)	
NW3000 <b>CM</b> <sup>1</sup>	37W	3 5/8" (92mm)	15 3/8" (391mm) x 10"	(254mm) x 3 11/16" (94mm)	
NW3000 <b>LE</b> <sup>1</sup>	42W	3 5/8" (92mm)	15 3/8" (391mm) x 10"	(254mm) x 5 1/2" (140mm)	
NW3000 <b>LM</b> <sup>1</sup>	42W	3 5/8" (92mm)	15 3/8" (391mm) x 10"	(254mm) x 5 1/2" (140mm)	
Remodel					
IT3000 <b>LE</b> <sup>1</sup>	42W	3 5/8" (92mm)	13 3/8" (340mm) x 4 5/8" (117mm)	7 1/16" (179mm)	
IT3000 <b>LM</b> <sup>1</sup>	42W	3 5/8" (92mm)	13 3/8" (340mm) x 4 5/8" (117mm)	7 1/16" (179mm)	
Insulated Ceiling (IC)					
ISMR3000 <b>E20</b> <sup>1</sup>	20W	3 5/8" (92mm)	15 3/16" (386mm) x 8 1/8" (207mm)	7 7/8" (200mm)	
ISMR3000 <b>E35</b> <sup>1</sup>	35W	3 5/8" (92mm)	15 3/16" (386mm) x 8 1/8" (207mm)	7 7/8" (200mm)	
ISMR3000 <b>M</b> <sup>1</sup>	35W	3 5/8" (92mm)	19 3/8" (492mm) x 10"	(254mm) x 7 1/16" (179mm)	
ISMR3000 <b>M20</b> <sup>1</sup>	20W	3 5/8" (92mm)	15 3/16" (386mm) x 8 1/8" (207mm)	7 7/8" (200mm)	
ISMR3000 <b>M35</b> <sup>1</sup>	35W	3 5/8" (92mm)	19 3/8" (492mm) x 10"	(254mm) x 7 1/16" (179mm)	

**C** Short housing  
**L** Long housing  
**E** Electronic transformer (120/277V)  
**M** Magnetic transformer

<sup>1</sup> May be available in **277 Volts and/or 347 Volts. Add 2** (277V) or **3** (347V) at the end of the housing code.

Ex.: IT3000LM2  
 Consult factory for availabilities.

**\*277 Volts: USA**  
**\*347 Volts: Canada and Magnetic transformer only**

**Chicago Plenum**  
 Add **P** at the end of the code to enhance your **IC** housing to meet Chicago Plenum requirements.  
 Ex.: ISMR3000MP

**California Title 24**  
 Add **W** at the end of the code to enhance your **IC** housing to meet California Title 24 requirements.  
 Ex.: ISMR3000MW

**AIRTIGHT**  
 IC housings meet ASTM E283 standard. These housings may be used in insulated ceilings and be covered with insulation material.



3 1/2"

MR16



S3500

S3500



S3500-03



## Shower



**Wet location**



**Low voltage** : MR16 20-50W, MR16 IR 37-50W

Available with a magnetic or an electronic transformer.

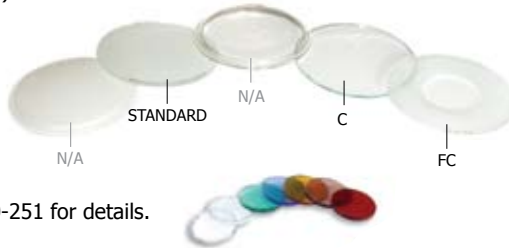
### Lenses

**Standard: UV frosted lens** (27/8" - 73mm).

**Clear:** S3500C

**Frosted with clear center:** S3500FC

See page 251 for more details.



**Optional UV MR16 lens** (49mm).

Colored lenses are available. See pages 250-251 for details.

### Reflector finishes



**Standard: anodized aluminum**

Order your trim with a clear lens to see the color of the reflector.

#### ANODIZED



Ex.: S3500C-11**AZ**

#### SPECULAR



Ex.: S3500C-04**BRCH**

#### PAINTED



Ex.: S3500C-06-**01**

### Trim finishes

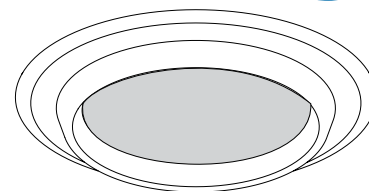


Ex.: S3500-**03**

For exterior use and Wet Locations, **MARINE GRADE** treatment is recommended. May be applied on finishes: -01, -02, -05, -06, -11, -14 and -15. See page 252 for more details. Add **MG** to code. Ex.: S3500-**03**

# 3 1/2"

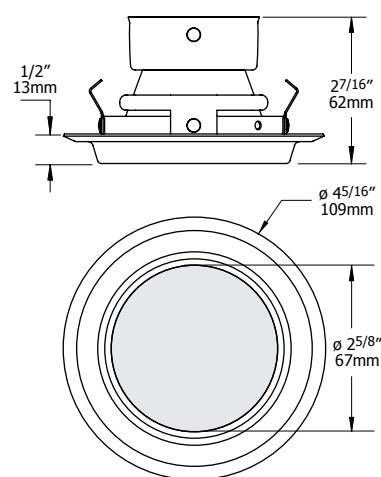
MR16



## S3500 Specs and codification

### Trim codification S3500-14MG

MODEL	LENS	TRIM FINISH	REFLECTOR	MARINE GRADE
<b>S3500</b>		<b>-14</b>		<b>MG</b>
	STANDARD: FROSTED C FC	-01 -02 -03 -04 -04BR -05 -06 -07 -08 -11 -12BR -13 -14 -15 -16	ANODIZED ALUMINUM (STANDARD) AZ BO IG RU CB SPECULAR CL BK CH PAINTED -01 -02 -11	MG May be applied on finishes: -01, -02, -05, -06, -11, -14 and -15.



### Housings Specifications Low voltage : MR16

New Construction	W	HOLE CUT	LENGTH	WIDTH	HEIGHT
NW3000 <b>CE</b> <sup>1</sup>	37W	3 5/8" (92mm)	15 3/8" (391mm) x 10"	(254mm) x 3 11/16" (94mm)	
NW3000 <b>CM</b> <sup>1</sup>	37W	3 5/8" (92mm)	15 3/8" (391mm) x 10"	(254mm) x 3 11/16" (94mm)	
NW3000 <b>LE</b> <sup>1</sup>	50W	3 5/8" (92mm)	15 3/8" (391mm) x 10"	(254mm) x 5 1/2" (140mm)	
NW3000 <b>LM</b> <sup>1</sup>	50W	3 5/8" (92mm)	15 3/8" (391mm) x 10"	(254mm) x 5 1/2" (140mm)	
Remodel					
IT3000 <b>LE</b> <sup>1</sup>	50W	3 5/8" (92mm)	13 3/8" (340mm) x 4 5/8" (117mm)	x 7 1/16" (179mm)	
IT3000 <b>LM</b> <sup>1</sup>	50W	3 5/8" (92mm)	13 3/8" (340mm) x 4 5/8" (117mm)	x 7 1/16" (179mm)	
Insulated Ceiling (IC)					
ISMR3000 <b>E20</b> <sup>1</sup>	20W	3 5/8" (92mm)	15 3/16" (386mm) x 8 1/8" (207mm)	x 7 7/8" (200mm)	
ISMR3000 <b>E35</b> <sup>1</sup>	35W	3 5/8" (92mm)	15 3/16" (386mm) x 8 1/8" (207mm)	x 7 7/8" (200mm)	
ISMR3000 <b>M</b> <sup>1</sup>	35W	3 5/8" (92mm)	19 3/8" (492mm) x 10" (254mm)	x 7 1/16" (179mm)	
ISMR3000 <b>M20</b> <sup>1</sup>	20W	3 5/8" (92mm)	15 3/16" (386mm) x 8 1/8" (207mm)	x 7 7/8" (200mm)	
ISMR3000 <b>M35</b> <sup>1</sup>	35W	3 5/8" (92mm)	19 3/8" (492mm) x 10" (254mm)	x 7 1/16" (179mm)	

**C** Short housing  
**L** Long housing  
**E** Electronic transformer (120/277V)  
**M** Magnetic transformer  
<sup>1</sup> May be available in **277 Volts and/or 347 Volts. Add 2 (277V) or 3 (347V)** at the end of the housing code.  
 Ex.: IT3000LM2  
 Consult factory for availabilities.  
**\*277 Volts: USA**  
**\*347 Volts: Canada and Magnetic transformer only**

**Chicago Plenum**  
 Add **P** at the end of the code to enhance your **IC** housing to meet Chicago Plenum requirements.  
 Ex.: ISMR3000MP

**California Title 24**  
 Add **W** at the end of the code to enhance your **IC** housing to meet California Title 24 requirements.  
 Ex.: ISMR3000MW

**AIRTIGHT**  
 IC housings meet ASTM E283 standard. These housings may be used in insulated ceilings and be covered with insulation material.





3 1/2"

MR16



S3500D



# S3500D



S3500D-11

## Shower



**Wet location**



**Low voltage** : MR16

Available with a magnetic or an electronic transformer.

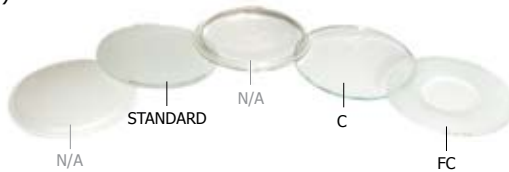
## Lenses

**Standard: UV frosted lens** (2 7/8" - 73mm).

**Clear:** S3500DC

**Frosted with clear center:** S3500DFC

See page 251 for more details.



**Optional UV MR16 lens** (49mm).

Colored lenses are available. See pages 250-251 for details.



## Trim finishes

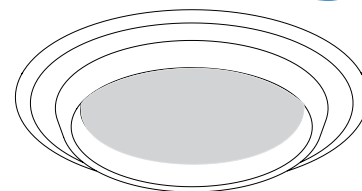


Ex.: S3500D-07

For exterior use and Wet Locations, **MARINE GRADE** treatment is recommended. May be applied on finishes: -01, -02, -05, -06, -11, -14 and -15. See page 252 for more details. Add **MG** to code. Ex.: S3500D-11**MG**

# 3 1/2"

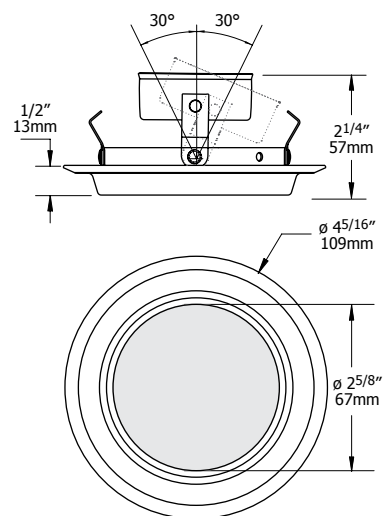
MR16



## S3500D Specs and codification

### Trim codification S3500DFC-12BR

MODEL	LENS	TRIM FINISH	MARINE GRADE
<b>S3500D</b>	<b>FC</b>	<b>-12BR</b>	
	STANDARD: FROSTED C FC	-01 -02 -03 -04 -04BR -05 -06 -07 -08 -11 -12BR -13 -14 -15 -16	MG May be applied on finishes: -01, -02, -05, -06, -11, -14 and -15.



### Housings Specifications Low voltage : MR16

New Construction	W	HOLE CUT	LENGTH	WIDTH	HEIGHT
NW3000 <b>CE</b> <sup>1</sup>	37W	3 5/8" (92mm)	15 3/8" (391mm) x 10"	(254mm) x 3 11/16" (94mm)	
NW3000 <b>CM</b> <sup>1</sup>	37W	3 5/8" (92mm)	15 3/8" (391mm) x 10"	(254mm) x 3 11/16" (94mm)	
NW3000 <b>LE</b> <sup>1</sup>	42W	3 5/8" (92mm)	15 3/8" (391mm) x 10"	(254mm) x 5 1/2" (140mm)	
NW3000 <b>LM</b> <sup>1</sup>	42W	3 5/8" (92mm)	15 3/8" (391mm) x 10"	(254mm) x 5 1/2" (140mm)	
Remodel					
IT3000 <b>LE</b> <sup>1</sup>	42W	3 5/8" (92mm)	13 3/8" (340mm) x 4 5/8" (117mm)	(117mm) x 7 1/16" (179mm)	
IT3000 <b>LM</b> <sup>1</sup>	42W	3 5/8" (92mm)	13 3/8" (340mm) x 4 5/8" (117mm)	(117mm) x 7 1/16" (179mm)	
Insulated Ceiling (IC)					
ISMR3000 <b>E20</b> <sup>1</sup>	20W	3 5/8" (92mm)	15 3/16" (386mm) x 8 1/8" (207mm)	(207mm) x 7 7/8" (200mm)	
ISMR3000 <b>E35</b> <sup>1</sup>	35W	3 5/8" (92mm)	15 3/16" (386mm) x 8 1/8" (207mm)	(207mm) x 7 7/8" (200mm)	
ISMR3000 <b>M</b> <sup>1</sup>	35W	3 5/8" (92mm)	19 3/8" (492mm) x 10"	(254mm) x 7 1/16" (179mm)	
ISMR3000 <b>M20</b> <sup>1</sup>	20W	3 5/8" (92mm)	15 3/16" (386mm) x 8 1/8" (207mm)	(207mm) x 7 7/8" (200mm)	
ISMR3000 <b>M35</b> <sup>1</sup>	35W	3 5/8" (92mm)	19 3/8" (492mm) x 10"	(254mm) x 7 1/16" (179mm)	

**C** Short housing  
**L** Long housing  
**E** Electronic transformer (120/277V)  
**M** Magnetic transformer  
<sup>1</sup> May be available in **277 Volts and/or 347 Volts**. Add **2** (277V) or **3** (347V) at the end of the housing code.  
 Ex.: IT3000LM**2**  
 Consult factory for availabilities.  
**\*277 Volts: USA**  
**\*347 Volts: Canada and Magnetic transformer only**

**Chicago Plenum**  
 Add **P** at the end of the code to enhance your **IC** housing to meet Chicago Plenum requirements.  
 Ex.: ISMR3000**MP**

**California Title 24**  
 Add **W** at the end of the code to enhance your **IC** housing to meet California Title 24 requirements.  
 Ex.: ISMR3000**MW**

**AIRTIGHT**  
 IC housings meet ASTM E283 standard. These housings may be used in insulated ceilings and be covered with insulation material.



3 1/2"

MR16



S3601

# S3601



S3601-01



## Shower



**Wet location**



**Low voltage** : MR16 20-50W, MR16 IR 37-50W

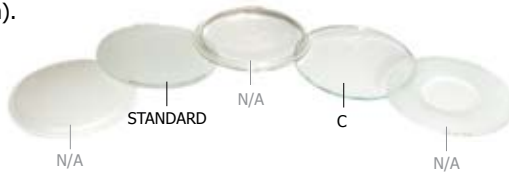
Available with a magnetic or an electronic transformer.

### Lenses

**Standard: UV frosted lens** (27/8" - 73mm).

**Clear:** S3601C

See page 251 for more details.



**Optional UV MR16 lens** (49mm).

Colored lenses are available. See pages 250-251 for details.



### Reflector finishes



**Standard: anodized aluminum**

Order your trim with a clear lens to see the color of the reflector.

#### ANODIZED



Ex.: S3601C-11**AZ**

#### SPECULAR



Ex.: S3601C-04**BRCH**

#### PAINTED



Ex.: S3601C-06-**01**

### Trim finishes

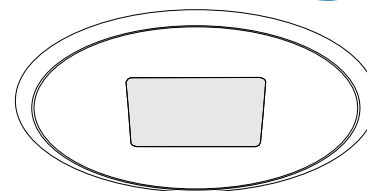


Ex.: S3601-**05**

For exterior use and Wet Locations, **MARINE GRADE** treatment is recommended. May be applied on finishes: -01, -02, -05, -06, -11, -14 and -15. See page 252 for more details. Add **MG** to code. Ex.: S3601-14**MG**

# 3 1/2"

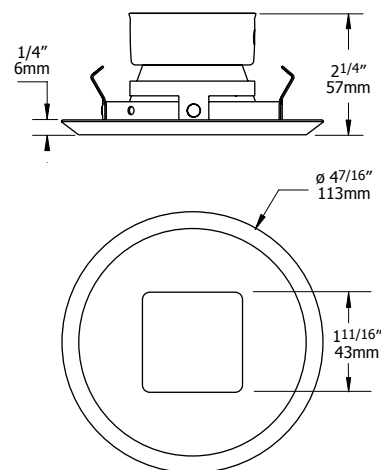
MR16



## S3601 Specs and codification

### Trim codification S3601C-01CBMG

MODEL	LENS	TRIM FINISH	REFLECTOR	MARINE GRADE
<b>S3601</b>	<b>C</b>	<b>-01</b>	<b>CB</b>	<b>MG</b>
	STANDARD: FROSTED C	-01 -02 -03 -04 -04BR -05 -06 -07 -08 -11 -12BR -13 -14 -15 -16	ANODIZED ALUMINUM (STANDARD) AZ BO IG RU CB SPECULAR CL BK CH PAINTED -01 -02 -11	MG May be applied on finishes: -01, -02, -05, -06, -11, -14 and -15.



### Housings Specifications Low voltage : MR16

New Construction	W	HOLE CUT	LENGTH	WIDTH	HEIGHT
NW3000 <b>CE</b> <sup>1</sup>	37W	3 5/8" (92mm)	15 3/8" (391mm) x 10"	(254mm) x 3 1/16" (94mm)	
NW3000 <b>CM</b> <sup>1</sup>	37W	3 5/8" (92mm)	15 3/8" (391mm) x 10"	(254mm) x 3 1/16" (94mm)	
NW3000 <b>LE</b> <sup>1</sup>	50W	3 5/8" (92mm)	15 3/8" (391mm) x 10"	(254mm) x 5 1/2" (140mm)	
NW3000 <b>LM</b> <sup>1</sup>	50W	3 5/8" (92mm)	15 3/8" (391mm) x 10"	(254mm) x 5 1/2" (140mm)	
Remodel					
IT3000 <b>LE</b> <sup>1</sup>	50W	3 5/8" (92mm)	13 3/8" (340mm) x 4 5/8" (117mm)	7 1/16" (179mm)	
IT3000 <b>LM</b> <sup>1</sup>	50W	3 5/8" (92mm)	13 3/8" (340mm) x 4 5/8" (117mm)	7 1/16" (179mm)	
Insulated Ceiling (IC)					
ISMR3000 <b>E20</b> <sup>1</sup>	20W	3 5/8" (92mm)	15 3/16" (386mm) x 8 1/8" (207mm)	7 7/8" (200mm)	
ISMR3000 <b>E35</b> <sup>1</sup>	35W	3 5/8" (92mm)	15 3/16" (386mm) x 8 1/8" (207mm)	7 7/8" (200mm)	
ISMR3000 <b>M</b> <sup>1</sup>	35W	3 5/8" (92mm)	19 3/8" (492mm) x 10" (254mm)	7 1/16" (179mm)	
ISMR3000 <b>M20</b> <sup>1</sup>	20W	3 5/8" (92mm)	15 3/16" (386mm) x 8 1/8" (207mm)	7 7/8" (200mm)	
ISMR3000 <b>M35</b> <sup>1</sup>	35W	3 5/8" (92mm)	19 3/8" (492mm) x 10" (254mm)	7 1/16" (179mm)	

**C** Short housing  
**L** Long housing  
**E** Electronic transformer (120/277V)  
**M** Magnetic transformer

<sup>1</sup> May be available in **277 Volts and/or 347 Volts. Add 2 (277V) or 3 (347V)** at the end of the housing code.

Ex.: IT3000LM2  
 Consult factory for availabilities.

**\*277 Volts: USA**  
**\*347 Volts: Canada and Magnetic transformer only**

**Chicago Plenum**  
 Add **P** at the end of the code to enhance your **IC** housing to meet Chicago Plenum requirements.  
 Ex.: ISMR3000MP

**California Title 24**  
 Add **W** at the end of the code to enhance your **IC** housing to meet California Title 24 requirements.  
 Ex.: ISMR3000MW

**AIRTIGHT**  
 IC housings meet ASTM E283 standard. These housings may be used in insulated ceilings and be covered with insulation material.



3 1/2"

MR16



S3651

S3651



S3651-11



## Shower



**Wet location**



**Low voltage** : MR16 20-50W, MR16 IR 37-50W

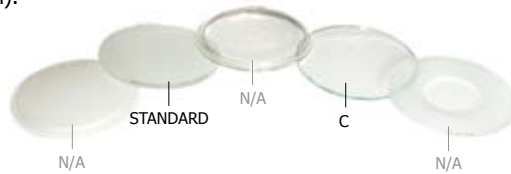
Available with a magnetic or an electronic transformer.

### Lenses

**Standard: UV frosted lens** (2 7/8" - 73mm).

**Clear:** S3651C

See page 251 for more details.



**Optional UV MR16 lens** (49mm).

Colored lenses are available. See pages 250-251 for details.



### Reflector finishes



**Standard: anodized aluminum**

Order your trim with a clear lens to see the color of the reflector.

#### ANODIZED



Ex.: S3651C-11**AZ**

#### SPECULAR



Ex.: S3651C-04**BRCH**

#### PAINTED



Ex.: S3651C-06-**01**

### Trim finishes

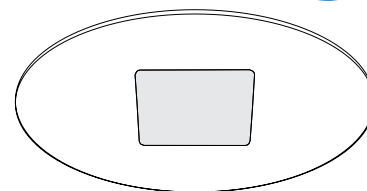


Ex.: S3651-**04BR**

For exterior use and Wet Locations, **MARINE GRADE** treatment is recommended. May be applied on finishes: -01, -02, -05, -06, -11, -14 and -15. See page 252 for more details. Add **MG** to code. Ex.: S3651-11**MG**

# 3 1/2"

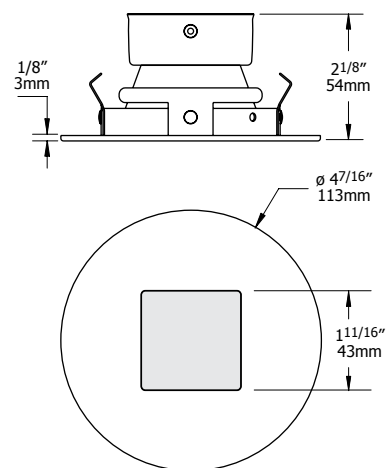
MR16



## S3651 Specs and codification

### Trim codification S3651C-01MG

MODEL	LENS	TRIM FINISH	REFLECTOR	MARINE GRADE
<b>S3651</b>	<b>C</b>	<b>-01</b>		<b>MG</b>
	STANDARD: FROSTED C	-01 -02 -03 -04 -04BR -05 -06 -07 -08 -11 -12BR -13 -14 -15 -16	ANODIZED ALUMINUM (STANDARD) AZ BO IG RU CB SPECULAR CL BK CH PAINTED -01 -02 -11	MG May be applied on finishes: -01, -02, -05, -06, -11, -14 and -15.



### Housings Specifications Low voltage : MR16

New Construction	W	HOLE CUT	LENGTH	WIDTH	HEIGHT
NW3000 <b>CE</b> <sup>1</sup>	37W	3 5/8" (92mm)	15 3/8" (391mm) x 10"	(254mm) x 3 11/16" (94mm)	
NW3000 <b>CM</b> <sup>1</sup>	37W	3 5/8" (92mm)	15 3/8" (391mm) x 10"	(254mm) x 3 11/16" (94mm)	
NW3000 <b>LE</b> <sup>1</sup>	50W	3 5/8" (92mm)	15 3/8" (391mm) x 10"	(254mm) x 5 1/2" (140mm)	
NW3000 <b>LM</b> <sup>1</sup>	50W	3 5/8" (92mm)	15 3/8" (391mm) x 10"	(254mm) x 5 1/2" (140mm)	
Remodel					
IT3000 <b>LE</b> <sup>1</sup>	50W	3 5/8" (92mm)	13 3/8" (340mm) x 4 5/8" (117mm)	7 1/16" (179mm)	
IT3000 <b>LM</b> <sup>1</sup>	50W	3 5/8" (92mm)	13 3/8" (340mm) x 4 5/8" (117mm)	7 1/16" (179mm)	
Insulated Ceiling (IC)					
ISMR3000 <b>E20</b> <sup>1</sup>	20W	3 5/8" (92mm)	15 3/16" (386mm) x 8 1/8" (207mm)	7 7/8" (200mm)	
ISMR3000 <b>E35</b> <sup>1</sup>	35W	3 5/8" (92mm)	15 3/16" (386mm) x 8 1/8" (207mm)	7 7/8" (200mm)	
ISMR3000 <b>M</b> <sup>1</sup>	35W	3 5/8" (92mm)	19 3/8" (492mm) x 10" (254mm)	7 1/16" (179mm)	
ISMR3000 <b>M20</b> <sup>1</sup>	20W	3 5/8" (92mm)	15 3/16" (386mm) x 8 1/8" (207mm)	7 7/8" (200mm)	
ISMR3000 <b>M35</b> <sup>1</sup>	35W	3 5/8" (92mm)	19 3/8" (492mm) x 10" (254mm)	7 1/16" (179mm)	

**C** Short housing  
**L** Long housing  
**E** Electronic transformer (120/277V)  
**M** Magnetic transformer  
<sup>1</sup> May be available in **277 Volts and/or 347 Volts. Add 2 (277V) or 3 (347V)** at the end of the housing code.  
 Ex.: IT3000LM2  
 Consult factory for availabilities.  
**\*277 Volts: USA**  
**\*347 Volts: Canada and Magnetic transformer only**

**Chicago Plenum**  
 Add **P** at the end of the code to enhance your **IC** housing to meet Chicago Plenum requirements.  
 Ex.: ISMR3000MP

**California Title 24**  
 Add **W** at the end of the code to enhance your **IC** housing to meet California Title 24 requirements.  
 Ex.: ISMR3000MW

**AIRTIGHT**  
 IC housings meet ASTM E283 standard. These housings may be used in insulated ceilings and be covered with insulation material.





# wall washer



R3601W-01BK

See page 192 for more details





3 1/2"

MR16



R3151W

# R3151W



R3151W-11-02



## Wall Washer



**Damp location**



**Low voltage** : MR16 20-50W, MR16 IR 37-50W

Available with a magnetic or an electronic transformer.

### Lenses

**Standard: UV clear lens** (1<sup>15</sup>/<sub>16</sub>" - 49mm).

Colored and frosted lenses are available. See pages 250-251 for details.



### Reflector finishes



**Standard: anodized aluminum**

ANODIZED					SPECULAR			PAINTED		
AZ	BO	IG	RU	CB	CL	BK	CH	-01	-02	-11
Azur	Burnt Orange	Inca Gold	Rubis	Cobalt Blue	Clear	Black	Champagne	White	Black	Matte White
Ex.: R3151W-02BO					Ex.: R3151W-07BK			Ex.: R3151W-01-01		

### Trim finishes

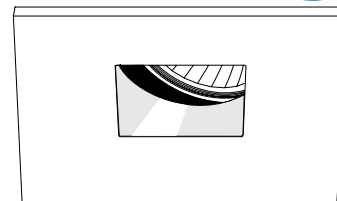
-01	-02	-03	-04	-04BR	-05	-06	-07	-08	-11	-12BR	-13	-14	-15	-16
White	Black	Gold Plated 24k	Chrome	Brushed Chrome	Architectural Bronze	Antique Copper	Antique Brass	Antique Silver	Matte White	Brushed Nickel	Satin Nickel	Almond	Metallic Grey	Satin Chrome

Ex.: R3151W-13

For exterior use and Wet Locations, **MARINE GRADE** treatment is recommended. May be applied on finishes: -01, -02, -05, -06, -11, -14 and -15. See page 252 for more details. Add **MG** to code. Ex.: R3151W-05MG

# 3 1/2"

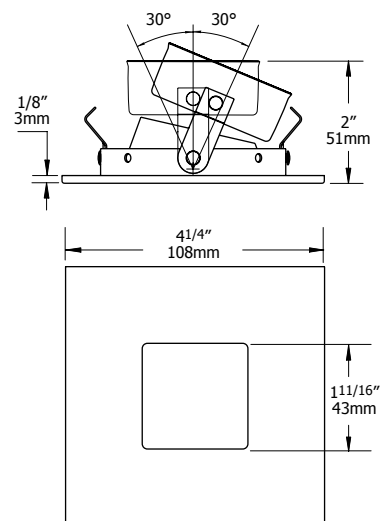
MR16



## R3151W Specs and codification

### Trim codification R3151W-04BRAZ

MODEL	TRIM FINISH	REFLECTOR	MARINE GRADE
<b>R3151W</b>	<b>-04BR</b>	<b>AZ</b>	
	-01	ANODIZED	MG
	-02	ALUMINUM (STANDARD)	May be applied on
	-03	AZ	finishes:
	-04	BO	-01, -02, -05, -06,
	-04BR	IG	-11, -14 and -15.
	-05	RU	
	-06	CB	
	-07	SPECULAR	
	-08	CL	
	-11	BK	
	-12BR	CH	
	-13	PAINTED	
	-14	-01	
	-15	-02	
	-16	-11	



### Housings Specifications Low voltage : MR16

	New Construction	W	HOLE CUT	LENGTH	WIDTH	HEIGHT
	NW3000CE <sup>1</sup>	50W	3 5/8" (92mm)	15 3/8" (391mm) x 10"	(254mm) x 3 11/16" (94mm)	
	NW3000CM <sup>1</sup>	50W	3 5/8" (92mm)	15 3/8" (391mm) x 10"	(254mm) x 3 11/16" (94mm)	
	NW3000LE <sup>1</sup>	50W	3 5/8" (92mm)	15 3/8" (391mm) x 10"	(254mm) x 5 1/2" (140mm)	
	NW3000LM <sup>1</sup>	50W	3 5/8" (92mm)	15 3/8" (391mm) x 10"	(254mm) x 5 1/2" (140mm)	
	Remodel	W	HOLE CUT	LENGTH	WIDTH	HEIGHT
	IT3000LE <sup>1</sup>	50W	3 5/8" (92mm)	13 3/8" (340mm) x 4 5/8" (117mm)	x 7 1/16" (179mm)	
	IT3000LM <sup>1</sup>	50W	3 5/8" (92mm)	13 3/8" (340mm) x 4 5/8" (117mm)	x 7 1/16" (179mm)	
	Insulated Ceiling (IC)	W	HOLE CUT	LENGTH	WIDTH	HEIGHT
	ISMR3000E20 <sup>1</sup>	20W	3 5/8" (92mm)	15 3/16" (386mm) x 8 1/8" (207mm)	x 7 7/8" (200mm)	
	ISMR3000E35 <sup>1</sup>	35W	3 5/8" (92mm)	15 3/16" (386mm) x 8 1/8" (207mm)	x 7 7/8" (200mm)	
	ISMR3000M <sup>1</sup>	35W	3 5/8" (92mm)	19 3/8" (492mm) x 10" (254mm)	x 7 1/16" (179mm)	
	ISMR3000M20 <sup>1</sup>	20W	3 5/8" (92mm)	15 3/16" (386mm) x 8 1/8" (207mm)	x 7 7/8" (200mm)	
	ISMR3000M35 <sup>1</sup>	35W	3 5/8" (92mm)	19 3/8" (492mm) x 10" (254mm)	x 7 1/16" (179mm)	

**C** Short housing  
**L** Long housing  
**E** Electronic transformer (120/277V)  
**M** Magnetic transformer

<sup>1</sup> May be available in **277 Volts and/or 347 Volts**. Add **2** (277V) or **3** (347V) at the end of the housing code.

Ex.: IT3000LM2  
 Consult factory for availabilities.

**\*277 Volts: USA**  
**\*347 Volts: Canada and Magnetic transformer only**

#### Chicago Plenum

Add **P** at the end of the code to enhance your **IC** housing to meet Chicago Plenum requirements.  
 Ex.: ISMR3000MP

#### California Title 24

Add **W** at the end of the code to enhance your **IC** housing to meet California Title 24 requirements.  
 Ex.: ISMR3000MW

#### AIRTIGHT

IC housings meet ASTM E283 standard. These housings may be used in insulated ceilings and be covered with insulation material.



3 1/2"

MR16



# R3151WK

## R3151WK



R3151WK-02



### Wall Washer



**Damp location**



**Low voltage** : MR16 20-50W, MR16 IR 37-50W  
Available with a magnetic or an electronic transformer.

### Lenses

**Standard: UV clear lens** (1<sup>15</sup>/<sub>16</sub>" - 49mm).  
Colored and frosted lenses are available. See pages 250-251 for details.



### Reflector finishes



**Standard: anodized aluminum**

#### ANODIZED



Ex.: R3151WK-02**BO**

#### SPECULAR



Ex.: R3151WK-07**BK**

#### PAINTED



Ex.: R3151WK-01-**01**

### Trim finishes

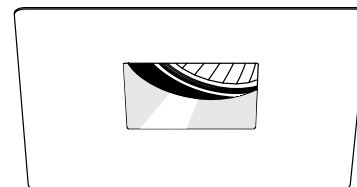


Ex.: R3151WK-**16**

For exterior use and Wet Locations, **MARINE GRADE** treatment is recommended. May be applied on finishes: -01, -02, -05, -06, -11, -14 and -15. See page 252 for more details. Add **MG** to code. Ex.: R3151WK-15**MG**

3 1/2"

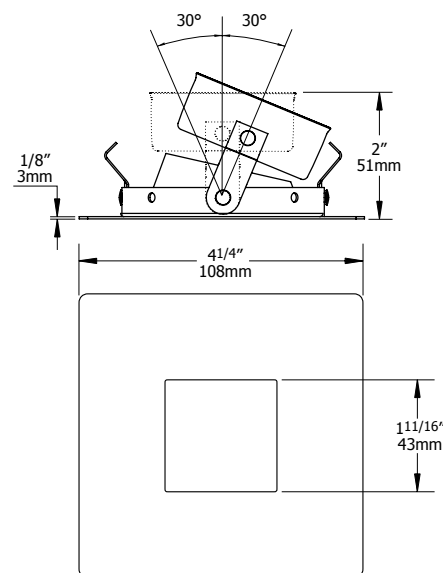
MR16



## R3151WK Specs and codification

### Trim codification R3151WK-16RU

MODEL	TRIM FINISH	REFLECTOR	MARINE GRADE
<b>R3151WK</b>	<b>-16</b>	<b>RU</b>	
	-01	ANODIZED	MG
	-02	ALUMINUM (STANDARD)	May be applied on
	-03	AZ	finishes:
	-04	BO	-01, -02, -05, -06,
	-04BR	IG	-11, -14 and -15.
	-05	RU	
	-06	CB	
	-07	SPECULAR	
	-08	CL	
	-11	BK	
	-12BR	CH	
	-13	PAINTED	
	-14	-01	
	-15	-02	
	-16	-11	



### Housings Specifications Low voltage : MR16



New Construction	W	HOLE CUT	LENGTH	WIDTH	HEIGHT
NW3000CE <sup>1</sup>	50W	3 5/8" (92mm)	15 3/8" (391mm) x 10"	(254mm) x 3 11/16" (94mm)	
NW3000CM <sup>1</sup>	50W	3 5/8" (92mm)	15 3/8" (391mm) x 10"	(254mm) x 3 11/16" (94mm)	
NW3000LE <sup>1</sup>	50W	3 5/8" (92mm)	15 3/8" (391mm) x 10"	(254mm) x 5 1/2" (140mm)	
NW3000LM <sup>1</sup>	50W	3 5/8" (92mm)	15 3/8" (391mm) x 10"	(254mm) x 5 1/2" (140mm)	

- C** Short housing
- L** Long housing
- E** Electronic transformer (120/277V)
- M** Magnetic transformer

<sup>1</sup> May be available in **277 Volts and/or 347 Volts**. Add **2** (277V) or **3** (347V) at the end of the housing code.  
Ex.: IT3000LM2  
Consult factory for availabilities.  
**\*277 Volts: USA**  
**\*347 Volts: Canada and Magnetic transformer only**



3 1/2"

MR16



# R3601W

## R3601W



R3601W-01-02

### Wall Washer



**Damp location**



**Low voltage** : MR16 20-50W, MR16 IR 37-50W  
Available with a magnetic or an electronic transformer.

### Lenses

**Standard: UV clear lens** (1<sup>15</sup>/<sub>16</sub>" - 49mm).  
Colored and frosted lenses are available. See pages 250-251 for details.



### Reflector finishes



**Standard: anodized aluminum**

#### ANODIZED



Ex.: R3601W-01**CB**

#### SPECULAR



Ex.: R3601W-05**CL**

#### PAINTED



Ex.: R3601W-08-**11**

### Trim finishes

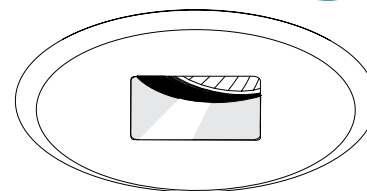


Ex.: R3601W-04**BR**

For exterior use and Wet Locations, **MARINE GRADE** treatment is recommended. May be applied on finishes: -01, -02, -05, -06, -11, -14 and -15. See page 252 for more details. Add **MG** to code. Ex.: R3601W-11**MG**

3 1/2"

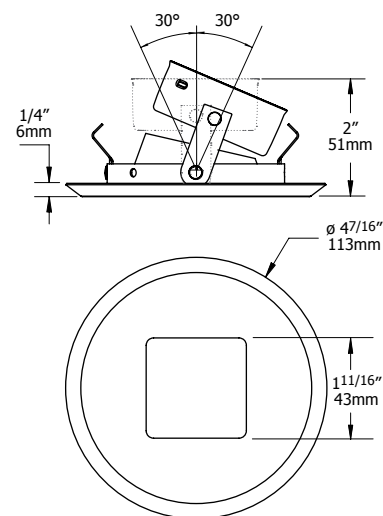
MR16



## R3601W Specs and codification

### Trim codification R3601W-04BRCL

MODEL	TRIM FINISH	REFLECTOR	MARINE GRADE
<b>R3601W</b>	<b>-04BR</b>	<b>CL</b>	
	-01	ANODIZED	MG
	-02	ALUMINUM (STANDARD)	May be applied on
	-03	AZ	finishes:
	-04	BO	-01, -02, -05, -06,
	-04BR	IG	-11, -14 and -15.
	-05	RU	
	-06	CB	
	-07	SPECULAR	
	-08	CL	
	-11	BK	
	-12BR	CH	
	-13	PAINTED	
	-14	-01	
	-15	-02	
	-16	-11	



### Housings Specifications Low voltage : MR16

 New Construction	W	HOLE CUT	LENGTH	WIDTH	HEIGHT
NW3000CE <sup>1</sup>	50W	3 5/8" (92mm)	15 3/8" (391mm) x 10"	(254mm) x 3 11/16" (94mm)	
NW3000CM <sup>1</sup>	50W	3 5/8" (92mm)	15 3/8" (391mm) x 10"	(254mm) x 3 11/16" (94mm)	
NW3000LE <sup>1</sup>	50W	3 5/8" (92mm)	15 3/8" (391mm) x 10"	(254mm) x 5 1/2" (140mm)	
NW3000LM <sup>1</sup>	50W	3 5/8" (92mm)	15 3/8" (391mm) x 10"	(254mm) x 5 1/2" (140mm)	
 Remodel					
IT3000LE <sup>1</sup>	50W	3 5/8" (92mm)	13 3/8" (340mm) x 4 5/8" (117mm)	x 7 1/16" (179mm)	
IT3000LM <sup>1</sup>	50W	3 5/8" (92mm)	13 3/8" (340mm) x 4 5/8" (117mm)	x 7 1/16" (179mm)	
 Insulated Ceiling (IC)					
ISMR3000E20 <sup>1</sup>	20W	3 5/8" (92mm)	15 3/16" (386mm) x 8 1/8" (207mm)	x 7 7/8" (200mm)	
ISMR3000E35 <sup>1</sup>	35W	3 5/8" (92mm)	15 3/16" (386mm) x 8 1/8" (207mm)	x 7 7/8" (200mm)	
ISMR3000M <sup>1</sup>	35W	3 5/8" (92mm)	19 3/8" (492mm) x 10"	(254mm) x 7 1/16" (179mm)	
ISMR3000M20 <sup>1</sup>	20W	3 5/8" (92mm)	15 3/16" (386mm) x 8 1/8" (207mm)	x 7 7/8" (200mm)	
ISMR3000M35 <sup>1</sup>	35W	3 5/8" (92mm)	19 3/8" (492mm) x 10"	(254mm) x 7 1/16" (179mm)	

**C** Short housing  
**L** Long housing  
**E** Electronic transformer (120/277V)  
**M** Magnetic transformer

<sup>1</sup> May be available in **277 Volts and/or 347 Volts**. Add **2** (277V) or **3** (347V) at the end of the housing code.

Ex.: IT3000LM2  
 Consult factory for availabilities.

**\*277 Volts: USA**  
**\*347 Volts: Canada and Magnetic transformer only**

**Chicago Plenum**  
 Add **P** at the end of the code to enhance your **IC** housing to meet Chicago Plenum requirements.  
 Ex.: ISMR3000MP

**California Title 24**  
 Add **W** at the end of the code to enhance your **IC** housing to meet California Title 24 requirements.  
 Ex.: ISMR3000MW

**AIRTIGHT**  
 IC housings meet ASTM E283 standard. These housings may be used in insulated ceilings and be covered with insulation material.



3 1/2"

MR16



# R3651W

## R3651W



R3651W-13-11

### Wall Washer



**Damp location**



**Low voltage** : MR16 20-50W, MR16 IR 37-50W  
Available with a magnetic or an electronic transformer.

### Lenses

**Standard: UV clear lens** (1<sup>15</sup>/<sub>16</sub>" - 49mm).  
Colored and frosted lenses are available. See pages 250-251 for details.



### Reflector finishes



**Standard: anodized aluminum**

ANODIZED				
AZ	BO	IG	RU	CB
Azur	Burnt Orange	Inca Gold	Rubis	Cobalt Blue

Ex.: R3651W-04**RU**

SPECULAR		
CL	BK	CH
Clear	Black	Champagne

Ex.: R3651W-02**CH**

PAINTED		
-01	-02	-11
White	Black	Matte White

Ex.: R3651W-01-**01**

### Trim finishes

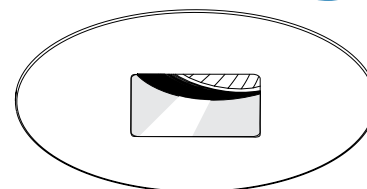
-01	-02	-03	-04	-04BR	-05	-06	-07	-08	-11	-12BR	-13	-14	-15	-16
White	Black	Gold Plated 24k	Chrome	Brushed Chrome	Architectural Bronze	Antique Copper	Antique Brass	Antique Silver	Matte White	Brushed Nickel	Satin Nickel	Almond	Metallic Grey	Satin Chrome

Ex.: R3651W-04

For exterior use and Wet Locations, **MARINE GRADE** treatment is recommended. May be applied on finishes: -01, -02, -05, -06, -11, -14 and -15. See page 252 for more details. Add **MG** to code. Ex.: R3651W-02**MG**

3 1/2"

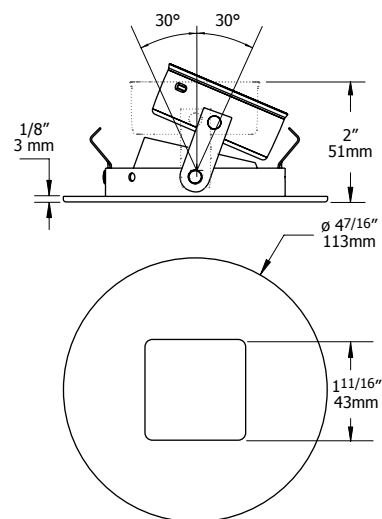
MR16



## R3651W Specs and codification

### Trim codification R3651W-02MG

MODEL	TRIM FINISH	REFLECTOR	MARINE GRADE
<b>R3651W</b>	<b>-02</b>		<b>MG</b>
	-01	ANODIZED	MG
	-02	ALUMINUM (STANDARD)	May be applied on
	-03	AZ	finishes:
	-04	BO	-01, -02, -05, -06,
	-04BR	IG	-11, -14 and -15.
	-05	RU	
	-06	CB	
	-07	SPECULAR	
	-08	CL	
	-11	BK	
	-12BR	CH	
	-13	PAINTED	
	-14	-01	
	-15	-02	
	-16	-11	



### Housings Specifications Low voltage : MR16

 New Construction	W	HOLE CUT	LENGTH	WIDTH	HEIGHT
NW3000CE <sup>1</sup>	50W	3 5/8" (92mm)	15 3/8" (391mm) x 10"	(254mm) x 3 11/16" (94mm)	
NW3000CM <sup>1</sup>	50W	3 5/8" (92mm)	15 3/8" (391mm) x 10"	(254mm) x 3 11/16" (94mm)	
NW3000LE <sup>1</sup>	50W	3 5/8" (92mm)	15 3/8" (391mm) x 10"	(254mm) x 5 1/2" (140mm)	
NW3000LM <sup>1</sup>	50W	3 5/8" (92mm)	15 3/8" (391mm) x 10"	(254mm) x 5 1/2" (140mm)	
 Remodel					
IT3000LE <sup>1</sup>	50W	3 5/8" (92mm)	13 3/8" (340mm) x 4 5/8" (117mm)	x 7 1/16" (179mm)	
IT3000LM <sup>1</sup>	50W	3 5/8" (92mm)	13 3/8" (340mm) x 4 5/8" (117mm)	x 7 1/16" (179mm)	
 Insulated Ceiling (IC)					
ISMR3000E20 <sup>1</sup>	20W	3 5/8" (92mm)	15 3/16" (386mm) x 8 1/8" (207mm)	x 7 7/8" (200mm)	
ISMR3000E35 <sup>1</sup>	35W	3 5/8" (92mm)	15 3/16" (386mm) x 8 1/8" (207mm)	x 7 7/8" (200mm)	
ISMR3000M <sup>1</sup>	20W	3 5/8" (92mm)	19 3/8" (492mm) x 10"	(254mm) x 7 1/16" (179mm)	
ISMR3000M20 <sup>1</sup>	20W	3 5/8" (92mm)	15 3/16" (386mm) x 8 1/8" (207mm)	x 7 7/8" (200mm)	
ISMR3000M35 <sup>1</sup>	35W	3 5/8" (92mm)	19 3/8" (492mm) x 10"	(254mm) x 7 1/16" (179mm)	

**C** Short housing  
**L** Long housing  
**E** Electronic transformer (120/277V)  
**M** Magnetic transformer

<sup>1</sup> May be available in **277 Volts and/or 347 Volts. Add 2 (277V) or 3 (347V)** at the end of the housing code.

Ex.: IT3000LM2  
 Consult factory for availabilities.  
**\*277 Volts: USA**  
**\*347 Volts: Canada and Magnetic transformer only**

**Chicago Plenum**  
 Add **P** at the end of the code to enhance your **IC** housing to meet Chicago Plenum requirements.  
 Ex.: ISMR3000MP

**California Title 24**  
 Add **W** at the end of the code to enhance your **IC** housing to meet California Title 24 requirements.  
 Ex.: ISMR3000MW

**AIRTIGHT**  
 IC housings meet ASTM E283 standard. These housings may be used in insulated ceilings and be covered with insulation material.





3 1/2"

MR16



T3145W

# T3145W



T3145W-11



## Wall Washer



**Damp location**



**Low voltage** : MR16 20-50W, MR16 IR 37-50W  
Available with a magnetic or an electronic transformer.

### Lenses

**Standard: UV clear lens** (1<sup>15</sup>/<sub>16</sub>" - 49mm).  
Colored and frosted lenses are available. See pages 250-251 for details.



### Reflector finishes



**Standard: anodized aluminum**

ANODIZED					SPECULAR			PAINTED		
AZ	BO	IG	RU	CB	CL	BK	CH	-01	-02	-11
Azur	Burnt Orange	Inca Gold	Rubis	Cobalt Blue	Clear	Black	Champagne	White	Black	Matte White
Ex.: T3145W-05 <b>BO</b>					Ex.: T3145W-01 <b>CL</b>			Ex.: T3145W-02- <b>02</b>		

### Trim finishes

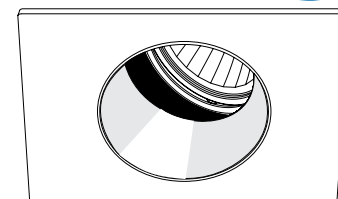
-01	-02	-03	-04	-04BR	-05	-06	-07	-08	-11	-12BR	-13	-14	-15	-16
White	Black	Gold Plated 24k	Chrome	Brushed Chrome	Architectural Bronze	Antique Copper	Antique Brass	Antique Silver	Matte White	Brushed Nickel	Satin Nickel	Almond	Metallic Grey	Satin Chrome

Ex.: T3145W-06

For exterior use and Wet Locations, **MARINE GRADE** treatment is recommended. May be applied on finishes: -01, -02, -05, -06, -11, -14 and -15. See page 252 for more details. Add **MG** to code. Ex.: T3145W-11**MG**

3 1/2"

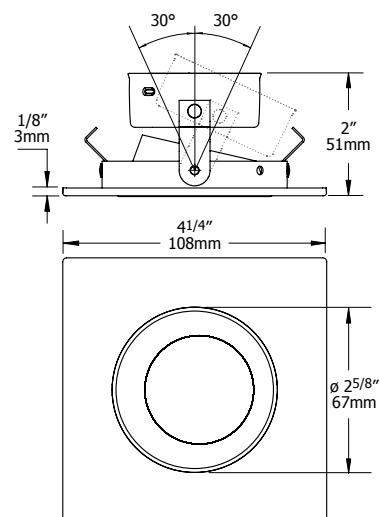
MR16



## T3145W Specs and codification

### Trim codification T3145W-05-01MG

MODEL	TRIM FINISH	REFLECTOR	MARINE GRADE
<b>T3145W</b>	<b>-05</b>	<b>-01</b>	<b>MG</b>
	-01 -02 -03 -04 -04BR -05 -06 -07 -08 -11 -12BR -13 -14 -15 -16	ANODIZED ALUMINUM (STANDARD) AZ BO IG RU CB SPECULAR CL BK CH PAINTED -01 -02 -11	MG May be applied on finishes: -01, -02, -05, -06, -11, -14 and -15.



### Housings Specifications Low voltage : MR16

New Construction	W	HOLE CUT	LENGTH	WIDTH	HEIGHT
NW3000 <b>CE</b> <sup>1</sup>	50W	3 5/8" (92mm)	15 3/8" (391mm) x 10"	(254mm) x 3 11/16" (94mm)	
NW3000 <b>CM</b> <sup>1</sup>	50W	3 5/8" (92mm)	15 3/8" (391mm) x 10"	(254mm) x 3 11/16" (94mm)	
NW3000 <b>LE</b> <sup>1</sup>	50W	3 5/8" (92mm)	15 3/8" (391mm) x 10"	(254mm) x 5 1/2" (140mm)	
NW3000 <b>LM</b> <sup>1</sup>	50W	3 5/8" (92mm)	15 3/8" (391mm) x 10"	(254mm) x 5 1/2" (140mm)	
Remodel					
IT3000 <b>LE</b> <sup>1</sup>	50W	3 5/8" (92mm)	13 3/8" (340mm) x 4 1/2" (114mm)	x 7 1/16" (179mm)	
IT3000 <b>LM</b> <sup>1</sup>	50W	3 5/8" (92mm)	13 3/8" (340mm) x 4 1/2" (114mm)	x 7 1/16" (179mm)	
Insulated Ceiling (IC)					
ISMR3000 <b>E20</b> <sup>1</sup>	20W	3 5/8" (92mm)	15 3/16" (386mm) x 8 1/8" (207mm)	x 7 7/8" (200mm)	
ISMR3000 <b>E35</b> <sup>1</sup>	35W	3 5/8" (92mm)	15 3/16" (386mm) x 8 1/8" (207mm)	x 7 7/8" (200mm)	
ISMR3000 <b>M</b> <sup>1</sup>	50W	3 5/8" (92mm)	19 3/8" (492mm) x 10" (254mm)	x 7 1/16" (179mm)	
ISMR3000 <b>M20</b> <sup>1</sup>	20W	3 5/8" (92mm)	15 3/16" (386mm) x 8 1/8" (207mm)	x 7 7/8" (200mm)	
ISMR3000 <b>M35</b> <sup>1</sup>	35W	3 5/8" (92mm)	19 3/8" (492mm) x 10" (254mm)	x 7 1/16" (179mm)	

**C** Short housing  
**L** Long housing  
**E** Electronic transformer (120/277V)  
**M** Magnetic transformer

<sup>1</sup> May be available in **277 Volts and/or 347 Volts**. Add **2** (277V) or **3** (347V) at the end of the housing code.

Ex.: IT3000LM2  
 Consult factory for availabilities.

**\*277 Volts: USA**  
**\*347 Volts: Canada and Magnetic transformer only**

**Chicago Plenum**  
 Add **P** at the end of the code to enhance your **IC** housing to meet Chicago Plenum requirements.  
 Ex.: ISMR3000MP

**California Title 24**  
 Add **W** at the end of the code to enhance your **IC** housing to meet California Title 24 requirements.  
 Ex.: ISMR3000MW

**AIRTIGHT**  
 IC housings meet ASTM E283 standard. These housings may be used in insulated ceilings and be covered with insulation material.



3 1/2"

MR16



# T3400W

## T3400W



T3400W-13



### Wall Washer



**Damp location**



**Low voltage** : MR16 20-50W, MR16 IR 37-50W

Available with a magnetic or an electronic transformer.

### Lenses

**Standard: UV clear lens** (1<sup>15</sup>/<sub>16</sub>" - 49mm).

Colored and frosted lenses are available. See pages 250-251 for details.

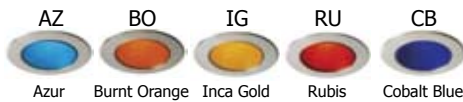


### Reflector finishes



**Standard: anodized aluminum**

#### ANODIZED



Ex.: T3400W-01**IG**

#### SPECULAR



Ex.: T3400W-05**CL**

#### PAINTED



Ex.: T3400W-11-**11**

### Trim finishes

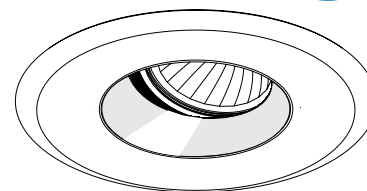


Ex.: T3400W-**04**

For exterior use and Wet Locations, **MARINE GRADE** treatment is recommended. May be applied on finishes: -01, -02, -05, -06, -11, -14 and -15. See page 252 for more details. Add **MG** to code. Ex.: T3400W-05**MG**

# 3 1/2"

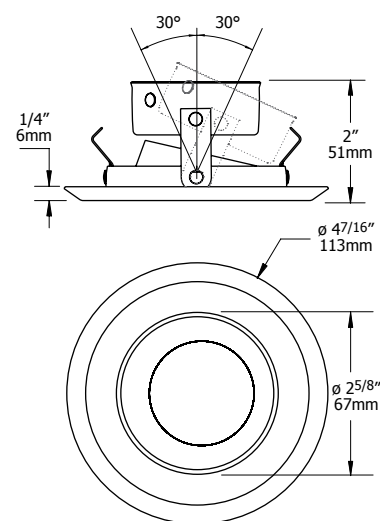
MR16



## T3400W Specs and codification

### Trim codification T3400W-04AZ

MODEL	TRIM FINISH	REFLECTOR	MARINE GRADE
<b>T3400W</b>	<b>-04</b>	<b>AZ</b>	
	-01	ANODIZED	MG
	-02	ALUMINUM (STANDARD)	May be applied on
	-03	AZ	finishes:
	-04	BO	-01, -02, -05, -06,
	-04BR	IG	-11, -14 and -15.
	-05	RU	
	-06	CB	
	-07	SPECULAR	
	-08	CL	
	-11	BK	
	-12BR	CH	
	-13	PAINTED	
	-14	-01	
	-15	-02	
	-16	-11	



### Housings Specifications Low voltage : MR16

	New Construction	W	HOLE CUT	LENGTH	WIDTH	HEIGHT
	NW3000CE <sup>1</sup>	50W	3 5/8" (92mm)	15 3/8" (391mm) x 10"	(254mm) x 3 11/16" (94mm)	
	NW3000CM <sup>1</sup>	50W	3 5/8" (92mm)	15 3/8" (391mm) x 10"	(254mm) x 3 11/16" (94mm)	
	NW3000LE <sup>1</sup>	50W	3 5/8" (92mm)	15 3/8" (391mm) x 10"	(254mm) x 5 1/2" (140mm)	
	NW3000LM <sup>1</sup>	50W	3 5/8" (92mm)	15 3/8" (391mm) x 10"	(254mm) x 5 1/2" (140mm)	
	Remodel					
	IT3000LE <sup>1</sup>	50W	3 5/8" (92mm)	13 3/8" (340mm) x 4 5/8" (117mm)	x 7 1/16" (179mm)	
	IT3000LM <sup>1</sup>	50W	3 5/8" (92mm)	13 3/8" (340mm) x 4 5/8" (117mm)	x 7 1/16" (179mm)	
	Insulated Ceiling (IC)					
	ISMR3000E20 <sup>1</sup>	20W	3 5/8" (92mm)	15 3/16" (386mm) x 8 1/8" (207mm)	x 7 7/8" (200mm)	
	ISMR3000E35 <sup>1</sup>	35W	3 5/8" (92mm)	15 3/16" (386mm) x 8 1/8" (207mm)	x 7 7/8" (200mm)	
	ISMR3000M <sup>1</sup>	50W	3 5/8" (92mm)	19 3/8" (492mm) x 10"	(254mm) x 7 1/16" (179mm)	
	ISMR3000M20 <sup>1</sup>	20W	3 5/8" (92mm)	15 3/16" (386mm) x 8 1/8" (207mm)	x 7 7/8" (200mm)	
	ISMR3000M35 <sup>1</sup>	35W	3 5/8" (92mm)	19 3/8" (492mm) x 10"	(254mm) x 7 1/16" (179mm)	

**C** Short housing  
**L** Long housing  
**E** Electronic transformer (120/277V)  
**M** Magnetic transformer

<sup>1</sup> May be available in **277 Volts and/or 347 Volts**. Add **2** (277V) or **3** (347V) at the end of the housing code.

Ex.: IT3000LM2  
 Consult factory for availabilities.

**\*277 Volts: USA**  
**\*347 Volts: Canada and Magnetic transformer only**

**Chicago Plenum**  
 Add **P** at the end of the code to enhance your **IC** housing to meet Chicago Plenum requirements.  
 Ex.: ISMR3000MP

**California Title 24**  
 Add **W** at the end of the code to enhance your **IC** housing to meet California Title 24 requirements.  
 Ex.: ISMR3000MW

**AIRTIGHT**  
 IC housings meet ASTM E283 standard. These housings may be used in insulated ceilings and be covered with insulation material.



3 1/2"

MR16



# T3450W

## T3450W



T3450W-11



### Wall Washer



**Damp location**



**Low voltage** : MR16 20-50W, MR16 IR 37-50W  
Available with a magnetic or an electronic transformer.

### Lenses

**Standard: UV clear lens** (1<sup>15</sup>/<sub>16</sub>" - 49mm).  
Colored and frosted lenses are available. See pages 250-251 for details.



### Reflector finishes



**Standard: anodized aluminum**

ANODIZED					SPECULAR			PAINTED		
AZ	BO	IG	RU	CB	CL	BK	CH	-01	-02	-11
Azur	Burnt Orange	Inca Gold	Rubis	Cobalt Blue	Clear	Black	Champagne	White	Black	Matte White
Ex.: T3450W-11RU					Ex.: T3450W-03BK			Ex.: T3450W-08-01		

### Trim finishes

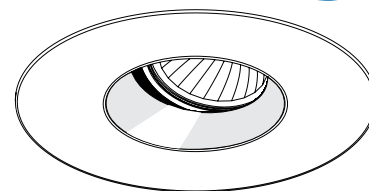
-01	-02	-03	-04	-04BR	-05	-06	-07	-08	-11	-12BR	-13	-14	-15	-16
White	Black	Gold Plated 24k	Chrome	Brushed Chrome	Architectural Bronze	Antique Copper	Antique Brass	Antique Silver	Matte White	Brushed Nickel	Satin Nickel	Almond	Metallic Grey	Satin Chrome

Ex.: T3450W-08

For exterior use and Wet Locations, **MARINE GRADE** treatment is recommended. May be applied on finishes: -01, -02, -05, -06, -11, -14 and -15. See page 252 for more details. Add **MG** to code. Ex.: T3450W-14MG

# 3 1/2"

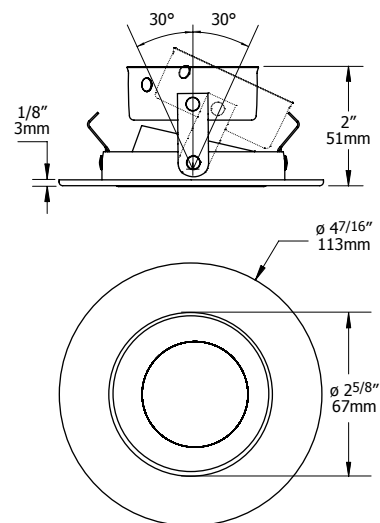
MR16



## T3450W Specs and codification

### Trim codification T3450W-08-11

MODEL	TRIM FINISH	REFLECTOR	MARINE GRADE
<b>T3450W</b>	<b>-08</b>	<b>-11</b>	
	-01 -02 -03 -04 -04BR -05 -06 -07 -08 -11 -12BR -13 -14 -15 -16	ANODIZED ALUMINUM (STANDARD) AZ BO IG RU CB SPECULAR CL BK CH PAINTED -01 -02 -11	MG May be applied on finishes: -01, -02, -05, -06, -11, -14 and -15.



### Housings Specifications Low voltage : MR16

 New Construction	W	HOLE CUT	LENGTH	WIDTH	HEIGHT
NW3000CE <sup>1</sup>	50W	3 5/8" (92mm)	15 3/8" (391mm) x 10"	(254mm) x 3 11/16" (94mm)	
NW3000CM <sup>1</sup>	50W	3 5/8" (92mm)	15 3/8" (391mm) x 10"	(254mm) x 3 11/16" (94mm)	
NW3000LE <sup>1</sup>	50W	3 5/8" (92mm)	15 3/8" (391mm) x 10"	(254mm) x 5 1/2" (140mm)	
NW3000LM <sup>1</sup>	50W	3 5/8" (92mm)	15 3/8" (391mm) x 10"	(254mm) x 5 1/2" (140mm)	
 Remodel					
IT3000LE <sup>1</sup>	50W	3 5/8" (92mm)	13 3/8" (340mm) x 4 5/8" (117mm)	7 1/16" (179mm)	
IT3000LM <sup>1</sup>	50W	3 5/8" (92mm)	13 3/8" (340mm) x 4 5/8" (117mm)	7 1/16" (179mm)	
 Insulated Ceiling (IC)					
ISMR3000E20 <sup>1</sup>	20W	3 5/8" (92mm)	15 3/16" (386mm) x 8 1/8" (207mm)	7 7/8" (200mm)	
ISMR3000E35 <sup>1</sup>	35W	3 5/8" (92mm)	15 3/16" (386mm) x 8 1/8" (207mm)	7 7/8" (200mm)	
ISMR3000M <sup>1</sup>	50W	3 5/8" (92mm)	19 3/8" (492mm) x 10"	(254mm) x 7 1/16" (179mm)	
ISMR3000M20 <sup>1</sup>	20W	3 5/8" (92mm)	15 3/16" (386mm) x 8 1/8" (207mm)	7 7/8" (200mm)	
ISMR3000M35 <sup>1</sup>	35W	3 5/8" (92mm)	19 3/8" (492mm) x 10"	(254mm) x 7 1/16" (179mm)	

**C** Short housing  
**L** Long housing  
**E** Electronic transformer (120/277V)  
**M** Magnetic transformer

<sup>1</sup> May be available in **277 Volts and/or 347 Volts. Add 2** (277V) or **3** (347V) at the end of the housing code.

Ex.: IT3000LM2  
 Consult factory for availabilities.

**\*277 Volts: USA**  
**\*347 Volts: Canada and Magnetic transformer only**

**Chicago Plenum**  
 Add **P** at the end of the code to enhance your **IC** housing to meet Chicago Plenum requirements.  
 Ex.: ISMR3000MP

**California Title 24**  
 Add **W** at the end of the code to enhance your **IC** housing to meet California Title 24 requirements.  
 Ex.: ISMR3000MW

**AIRTIGHT**  
 IC housings meet ASTM E283 standard. These housings may be used in insulated ceilings and be covered with insulation material.



3 1/2"

MR16



# T3500W

## T3500W



T3500W-08BK



### Wall Washer



**Damp location**



**Low voltage** : MR16 20-50W, MR16 IR 37-50W

Available with a magnetic or an electronic transformer.

### Lenses

**Standard: UV clear lens** (1<sup>15</sup>/<sub>16</sub>" - 49mm).

Colored and frosted lenses are available. See pages 250-251 for details.



### Reflector finishes



**Standard: anodized aluminum**

#### ANODIZED



Ex.: T3500W-02**BO**

#### SPECULAR



Ex.: T3500W-03**BK**

#### PAINTED



Ex.: T3500W-07-**01**

### Trim finishes

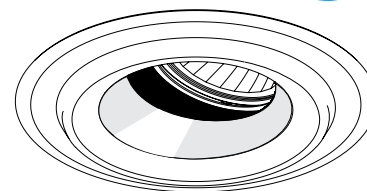


Ex.: T3500W-**12BR**

For exterior use and Wet Locations, **MARINE GRADE** treatment is recommended. May be applied on finishes: -01, -02, -05, -06, -11, -14 and -15. See page 252 for more details. Add **MG** to code. Ex.: T3500W-01**MG**

# 3 1/2"

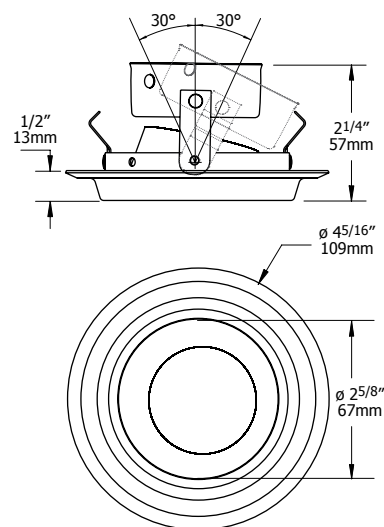
MR16



## T3500W Specs and codification

### Trim codification T3500W-04BRCH

MODEL	TRIM FINISH	REFLECTOR	MARINE GRADE
<b>T3500W</b>	<b>-04BR</b>	<b>CH</b>	
	-01	ANODIZED	MG
	-02	ALUMINUM (STANDARD)	May be applied on
	-03	AZ	finishes:
	-04	BO	-01, -02, -05, -06,
	-04BR	IG	-11, -14 and -15.
	-05	RU	
	-06	CB	
	-07	SPECULAR	
	-08	CL	
	-11	BK	
	-12BR	CH	
	-13	PAINTED	
	-14	-01	
	-15	-02	
	-16	-11	



### Housings Specifications Low voltage : MR16

	New Construction	W	HOLE CUT	LENGTH	WIDTH	HEIGHT
	NW3000CE <sup>1</sup>	50W	3 5/8" (92mm)	15 3/8" (391mm) x 10"	(254mm) x 3 11/16" (94mm)	
	NW3000CM <sup>1</sup>	50W	3 5/8" (92mm)	15 3/8" (391mm) x 10"	(254mm) x 3 11/16" (94mm)	
	NW3000LE <sup>1</sup>	50W	3 5/8" (92mm)	15 3/8" (391mm) x 10"	(254mm) x 5 1/2" (140mm)	
	NW3000LM <sup>1</sup>	50W	3 5/8" (92mm)	15 3/8" (391mm) x 10"	(254mm) x 5 1/2" (140mm)	
	Remodel					
	IT3000LE <sup>1</sup>	50W	3 5/8" (92mm)	13 3/8" (340mm) x 4 5/8" (117mm)	x 7 1/16" (179mm)	
	IT3000LM <sup>1</sup>	50W	3 5/8" (92mm)	13 3/8" (340mm) x 4 5/8" (117mm)	x 7 1/16" (179mm)	
	Insulated Ceiling (IC)					
	ISMR3000E20 <sup>1</sup>	20W	3 5/8" (92mm)	15 3/16" (386mm) x 8 1/8" (207mm)	x 7 7/8" (200mm)	
	ISMR3000E35 <sup>1</sup>	35W	3 5/8" (92mm)	15 3/16" (386mm) x 8 1/8" (207mm)	x 7 7/8" (200mm)	
	ISMR3000M <sup>1</sup>	50W	3 5/8" (92mm)	19 3/8" (492mm) x 10" (254mm)	x 7 1/16" (179mm)	
	ISMR3000M20 <sup>1</sup>	20W	3 5/8" (92mm)	15 3/16" (386mm) x 8 1/8" (207mm)	x 7 7/8" (200mm)	
	ISMR3000M35 <sup>1</sup>	35W	3 5/8" (92mm)	19 3/8" (492mm) x 10" (254mm)	x 7 1/16" (179mm)	

**C** Short housing  
**L** Long housing  
**E** Electronic transformer (120/277V)  
**M** Magnetic transformer

<sup>1</sup> May be available in **277 Volts and/or 347 Volts. Add 2** (277V) or **3** (347V) at the end of the housing code.

Ex.: IT3000LM2  
 Consult factory for availabilities.

**\*277 Volts: USA**  
**\*347 Volts: Canada and Magnetic transformer only**

**Chicago Plenum**  
 Add **P** at the end of the code to enhance your **IC** housing to meet Chicago Plenum requirements.  
 Ex.: ISMR3000MP

**California Title 24**  
 Add **W** at the end of the code to enhance your **IC** housing to meet California Title 24 requirements.  
 Ex.: ISMR3000MW

**AIRTIGHT**  
 IC housings meet ASTM E283 standard. These housings may be used in insulated ceilings and be covered with insulation material.





# Reflectors

For MR16 in the 3<sup>1/2</sup>" (3000) and 3" (4000) series.

## Anodized



## Specular



## Painted



## Compatible with following trims

### LEGEND

- Anodized smooth reflector
- Specular smooth reflector
- Painted smooth reflector
- Painted stepped reflector

### MR16 in the 3<sup>1/2</sup>" (3000) series

Downlight & Adjustable	Shower
<span style="color: grey;">●</span> R3151	<span style="color: grey;">●</span> S3145
<span style="color: grey;">●</span> R3151K	<span style="color: grey;">●</span> S3151
<span style="color: grey;">●</span> R3152	<span style="color: grey;">●</span> S3400
<span style="color: grey;">●</span> R3171	<span style="color: grey;">●</span> S3450
<span style="color: grey;">●</span> R3470	<span style="color: grey;">●</span> S3500
<span style="color: grey;">●</span> R3601	<span style="color: grey;">●</span> S3601
<span style="color: grey;">●</span> R3602	<span style="color: grey;">●</span> S3651
<span style="color: grey;">●</span> R3651	
<span style="color: grey;">●</span> R3652	
<span style="color: grey;">●</span> T3145	
<span style="color: blue;">●</span> T3145D	
<span style="color: grey;">●</span> T3165	
<span style="color: grey;">●</span> T3400	
<span style="color: blue;">●</span> T3400D	
<span style="color: grey;">●</span> T3450	
<span style="color: blue;">●</span> T3450D	
<span style="color: grey;">●</span> T3450K	
<span style="color: grey;">●</span> T3500	
<span style="color: blue;">●</span> T3500D	
<span style="color: grey;">●</span> T3600	
<span style="color: grey;">●</span> T3650	
<span style="color: grey;">●</span> T3671	
<span style="color: grey;">●</span> T3700	

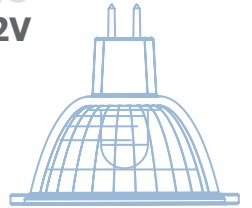
### MR16 in the 3" (4000) series

Downlight & Adjustable	Shower
<span style="color: grey;">●</span> T4145	<span style="color: grey;">●</span> S4151
<span style="color: grey;">●</span> T4450	<span style="color: grey;">●</span> S4450
<span style="color: grey;">●</span> T4650	



## 4000 Series

low voltage **3"**  
MR16  
12V







# downlight and adjustable



T4000-02

See next page for more details

MR16 3"



# T4000



## T4000

T4000-02

### Adjustable



**Damp location**



**Low voltage** : MR16

Available with a magnetic or an electronic transformer.

### Lenses

**Standard: UV clear lens** (1<sup>15</sup>/<sub>16</sub>" - 49mm).

Colored and frosted lenses are available. See pages 250-251 for details.

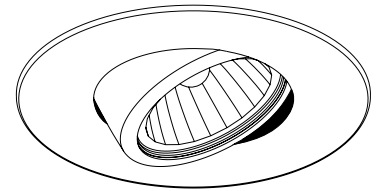


### Trim finishes



Ex.: T4000-04

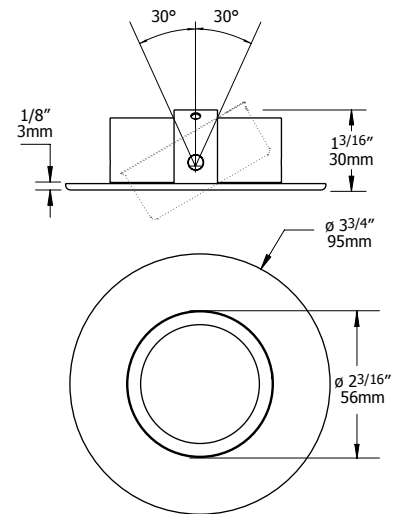
For exterior use and Wet Locations, **MARINE GRADE** treatment is recommended. May be applied on finishes: -01, -02, -05, -06, -11, -14 and -15. See page 252 for more details. Add **MG** to code. Ex.: T4000-01**MG**



## T4000 Specs and codification

### Trim codification T4000-03

MODEL	TRIM FINISH	MARINE GRADE
<b>T4000</b>	<b>-03</b>	
	-01	MG
	-02	May be applied on
	-03	finishes:
	-04	-01, -02, -05, -06,
	-04BR	-11, -14 and -15.
	-05	
	-06	
	-07	
	-08	
	-11	
	-12BR	
	-13	
	-14	
	-15	
	-16	



### Housings Specifications Low voltage : MR16

New Construction	W	HOLE CUT	LENGTH	WIDTH	HEIGHT
NW4000E <sup>1</sup>	35W	3 <sup>1</sup> / <sub>4</sub> " (82mm)	15 <sup>3</sup> / <sub>8</sub> " (391mm) x 10"	(254mm) x 4 <sup>1</sup> / <sub>2</sub> "	(114mm)
NW4000M <sup>1</sup>	35W	3 <sup>1</sup> / <sub>4</sub> " (82mm)	15 <sup>3</sup> / <sub>8</sub> " (391mm) x 10"	(254mm) x 4 <sup>1</sup> / <sub>2</sub> "	(114mm)
Remodel					
IT4000CE <sup>1</sup>	20W	3 <sup>1</sup> / <sub>4</sub> " (82mm)	12 <sup>1</sup> / <sub>4</sub> " (311mm) x 4 <sup>3</sup> / <sub>8</sub> "	(112mm) x 3 <sup>1</sup> / <sub>4</sub> "	(83mm)
IT4000CM	20W	3 <sup>1</sup> / <sub>4</sub> " (82mm)	12 <sup>1</sup> / <sub>4</sub> " (311mm) x 4 <sup>3</sup> / <sub>8</sub> "	(112mm) x 3 <sup>1</sup> / <sub>4</sub> "	(83mm)
IT4000E <sup>1</sup>	35W	3 <sup>1</sup> / <sub>4</sub> " (82mm)	13 <sup>7</sup> / <sub>16</sub> " (342mm) x 4 <sup>1</sup> / <sub>4</sub> "	(108mm) x 6"	(152mm)
IT4000M	35W	3 <sup>1</sup> / <sub>4</sub> " (82mm)	13 <sup>7</sup> / <sub>16</sub> " (342mm) x 4 <sup>1</sup> / <sub>4</sub> "	(108mm) x 6"	(152mm)
Insulated Ceiling (IC)					
ISMR4000M <sup>1</sup>	20W	3 <sup>1</sup> / <sub>4</sub> " (82mm)	15 <sup>5</sup> / <sub>16</sub> " (389mm) x 10"	(254mm) x 6 <sup>1</sup> / <sub>16</sub> "	(154mm)

- C** Short housing
- L** Long housing
- E** Electronic transformer (120/277V)
- M** Magnetic transformer

<sup>1</sup> May be available in **277 Volts and/or 347 Volts**. Add **2** (277V) or **3** (347V) at the end of the housing code.

Ex.: IT4000M2

Consult factory for availabilities.

**\*277 Volts: USA**

Ex.: IT4000E2

**\*347 Volts: Canada and Magnetic transformer only**

Ex.: NW4000M3

#### Chicago Plenum

Add **P** at the end of the code to enhance your **IC** housing to meet Chicago Plenum requirements.  
Ex.: ISMR4000MP

#### California Title 24

Add **W** at the end of the code to enhance your **IC** housing to meet California Title 24 requirements.  
Ex.: ISMR4000MW

#### AIRTIGHT

IC housings meet ASTM E283 standard. These housings may be used in insulated ceilings and be covered with insulation material.



MR16 3"



T4125



T4125-08



# T4125

## Adjustable



**Damp location**



**Low voltage** : MR16

Available with a magnetic or an electronic transformer.

## Lenses

**Standard: UV clear lens** (1<sup>15</sup>/<sub>16</sub>" - 49mm).

Colored and frosted lenses are available. See pages 250-251 for details.

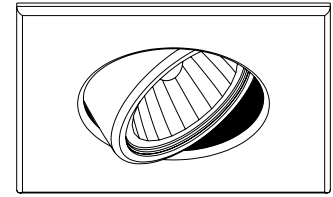


## Trim finishes



Ex.: T4125-04

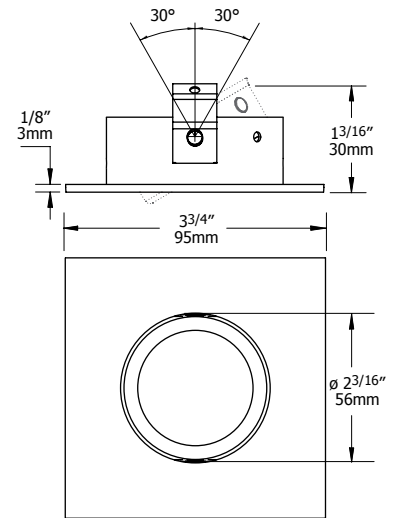
For exterior use and Wet Locations, **MARINE GRADE** treatment is recommended. May be applied on finishes: -01, -02, -05, -06, -11, -14 and -15. See page 252 for more details. Add **MG** to code. Ex.: T4125-06**MG**



## T4125 Specs and codification

### Trim codification T4125-05MG

MODEL	TRIM FINISH	MARINE GRADE
<b>T4125</b>	<b>-05</b>	<b>MG</b>
	-01 -02 -03 -04 -04BR -05 -06 -07 -08 -11 -12BR -13 -14 -15 -16	MG May be applied on finishes: -01, -02, -05, -06, -11, -14 and -15.



### Housings Specifications Low voltage : MR16

New Construction	W	HOLE CUT	LENGTH	WIDTH	HEIGHT
NW4000E <sup>1</sup>	35W	3 1/4" (82mm)	15 3/8" (391mm) x 10"	(254mm) x 4 1/2"	(114mm)
NW4000M <sup>1</sup>	35W	3 1/4" (82mm)	15 3/8" (391mm) x 10"	(254mm) x 4 1/2"	(114mm)
Remodel					
IT4000CE <sup>1</sup>	20W	3 1/4" (82mm)	12 1/4" (311mm) x 4 3/8"	(112mm) x 3 1/4"	(83mm)
IT4000CM	20W	3 1/4" (82mm)	12 1/4" (311mm) x 4 3/8"	(112mm) x 3 1/4"	(83mm)
IT4000E <sup>1</sup>	35W	3 1/4" (82mm)	13 7/16" (342mm) x 4 1/4"	(108mm) x 6"	(152mm)
IT4000M	35W	3 1/4" (82mm)	13 7/16" (342mm) x 4 1/4"	(108mm) x 6"	(152mm)
Insulated Ceiling (IC)					
ISMR4000M <sup>1</sup>	20W	3 1/4" (82mm)	15 5/16" (389mm) x 10"	(254mm) x 6 1/16"	(154mm)

- C** Short housing
- L** Long housing
- E** Electronic transformer (120/277V)
- M** Magnetic transformer

<sup>1</sup> May be available in **277 Volts and/or 347 Volts**. Add **2** (277V) or **3** (347V) at the end of the housing code.

Ex.: IT4000M2  
Consult factory for availabilities.

**\*277 Volts: USA**

Ex.: IT4000E2

**\*347 Volts: Canada and Magnetic transformer only**

Ex.: NW4000M3

#### Chicago Plenum

Add **P** at the end of the code to enhance your **IC** housing to meet Chicago Plenum requirements.  
Ex.: ISMR4000MP

#### California Title 24

Add **W** at the end of the code to enhance your **IC** housing to meet California Title 24 requirements.  
Ex.: ISMR4000MW

#### AIRTIGHT

IC housings meet ASTM E283 standard. These housings may be used in insulated ceilings and be covered with insulation material.





3"

MR16



# T4145



T4145-02RU



## T4145

### Downlight



**Damp location**



**Low voltage** : MR16

Available with a magnetic or an electronic transformer.

### Lenses

**Standard: UV clear lens** (1<sup>15</sup>/<sub>16</sub>" - 49mm).

Colored and frosted lenses are available. See pages 250-251 for details.



### Reflector finishes



**Standard: anodized aluminum**

#### ANODIZED



Ex.: T4145-01IG

#### SPECULAR



Ex.: T4145-05CL

#### PAINTED



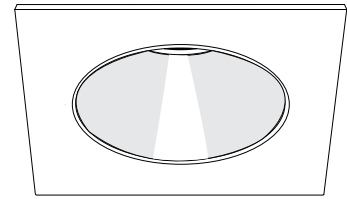
Ex.: T4145-11-11

### Trim finishes



Ex.: T4145-04

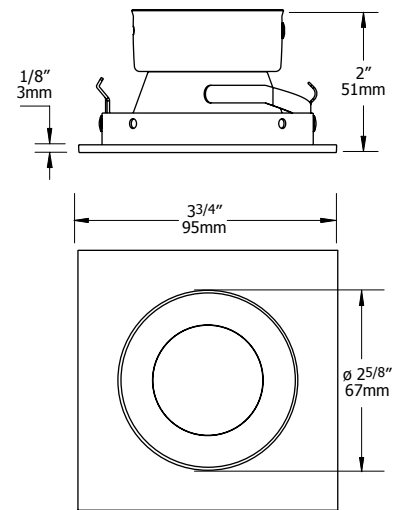
For exterior use and Wet Locations, **MARINE GRADE** treatment is recommended. May be applied on finishes: -01, -02, -05, -06, -11, -14 and -15. See page 252 for more details. Add **MG** to code. Ex.: T4145-02MG



## T4145 Specs and codification

### Trim codification T4145-08-02

MODEL	TRIM FINISH	REFLECTOR	MARINE GRADE
<b>T4145</b>	<b>-08</b>	<b>-02</b>	
	-01	ANODIZED	MG
	-02	ALUMINUM (STANDARD)	May be applied on
	-03	AZ	finishes:
	-04	BO	-01, -02, -05, -06,
	-04BR	IG	-11, -14 and -15.
	-05	RU	
	-06	CB	
	-07	SPECULAR	
	-08	CL	
	-11	BK	
	-12BR	CH	
	-13	PAINTED	
	-14	-01	
	-15	-02	
	-16	-11	



### Housings Specifications Low voltage : MR16

New Construction	W	HOLE CUT	LENGTH	WIDTH	HEIGHT
NW4000E <sup>1</sup>	20W	3 <sup>1</sup> / <sub>4</sub> " (82mm)	15 <sup>3</sup> / <sub>8</sub> " (391mm) x 10"	(254mm) x 4 <sup>1</sup> / <sub>2</sub> "	(114mm)
NW4000M <sup>1</sup>	20W	3 <sup>1</sup> / <sub>4</sub> " (82mm)	15 <sup>3</sup> / <sub>8</sub> " (391mm) x 10"	(254mm) x 4 <sup>1</sup> / <sub>2</sub> "	(114mm)
Remodel					
IT4000E <sup>1</sup>	20W	3 <sup>1</sup> / <sub>4</sub> " (82mm)	13 <sup>7</sup> / <sub>16</sub> " (342mm) x 4 <sup>1</sup> / <sub>4</sub> "	(108mm) x 6"	(152mm)
IT4000M	20W	3 <sup>1</sup> / <sub>4</sub> " (82mm)	13 <sup>7</sup> / <sub>16</sub> " (342mm) x 4 <sup>1</sup> / <sub>4</sub> "	(108mm) x 6"	(152mm)
Insulated Ceiling (IC)					
ISMR4000M	20W	3 <sup>1</sup> / <sub>4</sub> " (82mm)	15 <sup>5</sup> / <sub>16</sub> " (389mm) x 10"	(254mm) x 6 <sup>1</sup> / <sub>16</sub> "	(154mm)

- C** Short housing
- L** Long housing
- E** Electronic transformer (120/277V)
- M** Magnetic transformer

<sup>1</sup> May be available in **277 Volts and/or 347 Volts**. Add **2** (277V) or **3** (347V) at the end of the housing code.

Ex.: IT4000M2  
Consult factory for availabilities.

**\*277 Volts: USA**

Ex.: IT4000E2

**\*347 Volts: Canada and Magnetic transformer only**

Ex.: NW4000M3

#### Chicago Plenum

Add **P** at the end of the code to enhance your **IC** housing to meet Chicago Plenum requirements.  
Ex.: ISMR4000MP

#### California Title 24

Add **W** at the end of the code to enhance your **IC** housing to meet California Title 24 requirements.  
Ex.: ISMR4000MW

#### AIRTIGHT

IC housings meet ASTM E283 standard. These housings may be used in insulated ceilings and be covered with insulation material.



3"

MR16



# T4200

## T4200



T4200-02



### Adjustable



**Damp location**



**Low voltage** : MR16

Available with a magnetic or an electronic transformer.

### Lenses

**Standard: UV clear lens** (1<sup>15</sup>/<sub>16</sub>" - 49mm).

Colored and frosted lenses are available. See pages 250-251 for details.

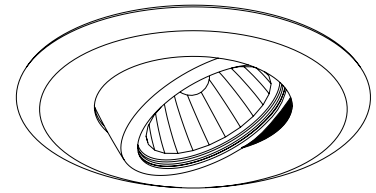


### Trim finishes



Ex.: T4200-04

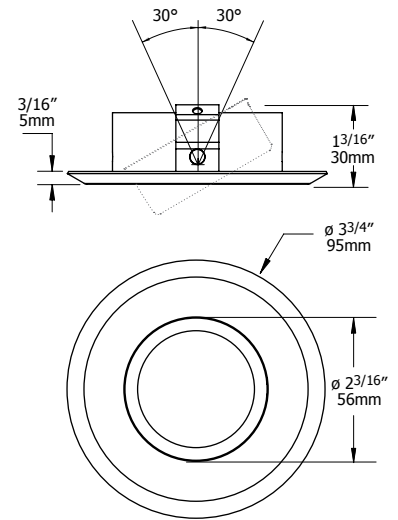
For exterior use and Wet Locations, **MARINE GRADE** treatment is recommended. May be applied on finishes: -01, -02, -05, -06, -11, -14 and -15. See page 252 for more details. Add **MG** to code. Ex.: T4200-14**MG**



## T4200 Specs and codification

### Trim codification T4200-02MG

MODEL	TRIM FINISH	MARINE GRADE
<b>T4200</b>	<b>-02</b>	<b>MG</b>
	-01	MG
	-02	May be applied on
	-03	finishes:
	-04	-01, -02, -05, -06,
	-04BR	-11, -14 and -15.
	-05	
	-06	
	-07	
	-08	
	-11	
	-12BR	
	-13	
	-14	
	-15	
	-16	



### Housings Specifications Low voltage : MR16

New Construction	W	HOLE CUT	LENGTH	WIDTH	HEIGHT
NW4000E <sup>1</sup>	35W	3 <sup>1</sup> / <sub>4</sub> " (82mm)	15 <sup>3</sup> / <sub>8</sub> " (391mm) x 10"	(254mm) x 4 <sup>1</sup> / <sub>2</sub> "	(114mm)
NW4000M <sup>1</sup>	35W	3 <sup>1</sup> / <sub>4</sub> " (82mm)	15 <sup>3</sup> / <sub>8</sub> " (391mm) x 10"	(254mm) x 4 <sup>1</sup> / <sub>2</sub> "	(114mm)
Remodel					
IT4000CE <sup>1</sup>	20W	3 <sup>1</sup> / <sub>4</sub> " (82mm)	12 <sup>1</sup> / <sub>4</sub> " (311mm) x 4 <sup>3</sup> / <sub>8</sub> "	(112mm) x 3 <sup>1</sup> / <sub>4</sub> "	(83mm)
IT4000CM	20W	3 <sup>1</sup> / <sub>4</sub> " (82mm)	12 <sup>1</sup> / <sub>4</sub> " (311mm) x 4 <sup>3</sup> / <sub>8</sub> "	(112mm) x 3 <sup>1</sup> / <sub>4</sub> "	(83mm)
IT4000E <sup>1</sup>	35W	3 <sup>1</sup> / <sub>4</sub> " (82mm)	13 <sup>7</sup> / <sub>16</sub> " (342mm) x 4 <sup>1</sup> / <sub>4</sub> "	(108mm) x 6"	(152mm)
IT4000M	35W	3 <sup>1</sup> / <sub>4</sub> " (82mm)	13 <sup>7</sup> / <sub>16</sub> " (342mm) x 4 <sup>1</sup> / <sub>4</sub> "	(108mm) x 6"	(152mm)
Insulated Ceiling (IC)					
ISMR4000M <sup>1</sup>	20W	3 <sup>1</sup> / <sub>4</sub> " (82mm)	15 <sup>5</sup> / <sub>16</sub> " (389mm) x 10"	(254mm) x 6 <sup>1</sup> / <sub>16</sub> "	(154mm)

- C** Short housing
- L** Long housing
- E** Electronic transformer (120/277V)
- M** Magnetic transformer

<sup>1</sup> May be available in **277 Volts and/or 347 Volts**. Add **2** (277V) or **3** (347V) at the end of the housing code.

Ex.: IT4000M2  
Consult factory for availabilities.

**\*277 Volts: USA**

Ex.: IT4000E2

**\*347 Volts: Canada and Magnetic transformer only**

Ex.: NW4000M3

#### Chicago Plenum

Add **P** at the end of the code to enhance your **IC** housing to meet Chicago Plenum requirements.  
Ex.: ISMR4000MP

#### California Title 24

Add **W** at the end of the code to enhance your **IC** housing to meet California Title 24 requirements.  
Ex.: ISMR4000MW

#### AIRTIGHT

IC housings meet ASTM E283 standard. These housings may be used in insulated ceilings and be covered with insulation material.



MR16 3"



# T4200V

## T4200V

T4210V



T4200V-01

T4210V-08



### Downlight



**Damp location**



**Low voltage** : MR16

Available with a magnetic or an electronic transformer.

### Lenses

**Standard: UV clear lens** (1<sup>15</sup>/<sub>16</sub>" - 49mm).

Colored and frosted lenses are available. See pages 250-251 for details.



### Glass

The glass is available in 2 colors.

**Natural** (T4000V)

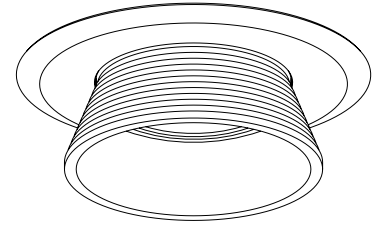
**Cobalt Blue** (T4010V).

### Trim finishes



Ex.: T4200V-02

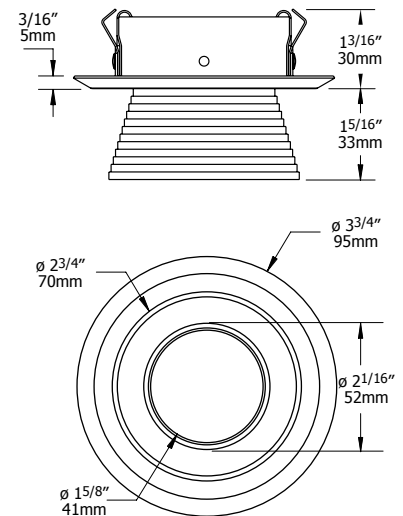
For exterior use and Wet Locations, **MARINE GRADE** treatment is recommended. May be applied on finishes: -01, -02, -05, -06, -11, -14 and -15. See page 252 for more details. Add **MG** to code. Ex.: T4200V-01**MG**



## T4200V Specs and codification

### Trim codification T4210V-08

MODEL	TRIM FINISH	MARINE GRADE
<b>T4210V</b>	<b>-08</b>	
T4200V T4210V	-01 -02 -03 -04 -04BR -05 -06 -07 -08 -11 -12BR -13 -14 -15 -16	MG May be applied on finishes: -01, -02, -05, -06, -11, -14 and -15.



### Housings Specifications Low voltage : MR16

 New Construction	W	HOLE CUT	LENGTH	WIDTH	HEIGHT
NW4000E <sup>1</sup>	35W	3 <sup>1</sup> / <sub>4</sub> " (82mm)	15 <sup>3</sup> / <sub>8</sub> " (391mm) x 10"	(254mm) x 4 <sup>1</sup> / <sub>2</sub> "	(114mm)
NW4000M <sup>1</sup>	35W	3 <sup>1</sup> / <sub>4</sub> " (82mm)	15 <sup>3</sup> / <sub>8</sub> " (391mm) x 10"	(254mm) x 4 <sup>1</sup> / <sub>2</sub> "	(114mm)
 Remodel					
IT4000CE <sup>1</sup>	20W	3 <sup>1</sup> / <sub>4</sub> " (82mm)	12 <sup>1</sup> / <sub>4</sub> " (311mm) x 4 <sup>3</sup> / <sub>8</sub> "	(112mm) x 3 <sup>1</sup> / <sub>4</sub> "	(83mm)
IT4000CM	20W	3 <sup>1</sup> / <sub>4</sub> " (82mm)	12 <sup>1</sup> / <sub>4</sub> " (311mm) x 4 <sup>3</sup> / <sub>8</sub> "	(112mm) x 3 <sup>1</sup> / <sub>4</sub> "	(83mm)
IT4000E <sup>1</sup>	35W	3 <sup>1</sup> / <sub>4</sub> " (82mm)	13 <sup>7</sup> / <sub>16</sub> " (342mm) x 4 <sup>1</sup> / <sub>4</sub> "	(108mm) x 6"	(152mm)
IT4000M	35W	3 <sup>1</sup> / <sub>4</sub> " (82mm)	13 <sup>7</sup> / <sub>16</sub> " (342mm) x 4 <sup>1</sup> / <sub>4</sub> "	(108mm) x 6"	(152mm)
 Insulated Ceiling (IC)					
ISMR4000M <sup>1</sup>	20W	3 <sup>1</sup> / <sub>4</sub> " (82mm)	15 <sup>5</sup> / <sub>16</sub> " (389mm) x 10"	(254mm) x 6 <sup>1</sup> / <sub>16</sub> "	(154mm)

**C** Short housing  
**L** Long housing  
**E** Electronic transformer (120/277V)  
**M** Magnetic transformer

<sup>1</sup> May be available in **277 Volts and/or 347 Volts**. Add **2** (277V) or **3** (347V) at the end of the housing code.

Ex.: IT4000M2  
 Consult factory for availabilities.

**\*277 Volts: USA**

Ex.: IT4000E2

**\*347 Volts: Canada and Magnetic transformer only**

Ex.: NW4000M3

#### Chicago Plenum

Add **P** at the end of the code to enhance your **IC** housing to meet Chicago Plenum requirements.  
 Ex.: ISMR4000MP

#### California Title 24

Add **W** at the end of the code to enhance your **IC** housing to meet California Title 24 requirements.  
 Ex.: ISMR4000MW

#### AIRTIGHT

IC housings meet ASTM E283 standard. These housings may be used in insulated ceilings and be covered with insulation material.



3"

MR16



# T4300

## T4300



T4300-13



### Adjustable



**Damp location**



**Low voltage** : MR16

Available with a magnetic or an electronic transformer.

### Lenses

**Standard: UV clear lens** (1<sup>15</sup>/<sub>16</sub>" - 49mm).

Colored and frosted lenses are available. See pages 250-251 for details.

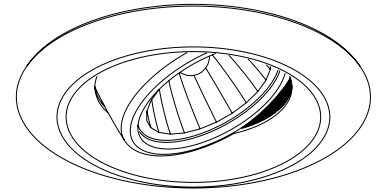


### Trim finishes



Ex.: T4300-13

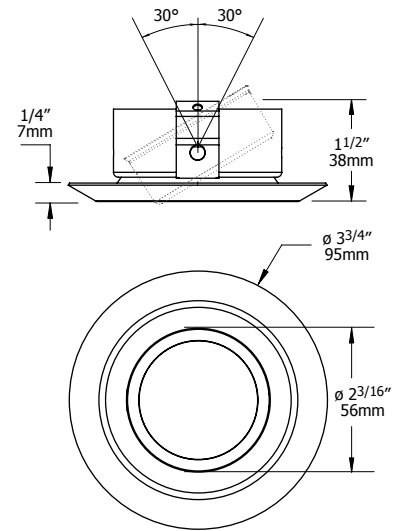
For exterior use and Wet Locations, **MARINE GRADE** treatment is recommended. May be applied on finishes: -01, -02, -05, -06, -11, -14 and -15. See page 252 for more details. Add **MG** to code. Ex.: T4300-05**MG**



## T4300 Specs and codification

### Trim codification T4300-12BR

MODEL	TRIM FINISH	MARINE GRADE
<b>T4300</b>	<b>-12BR</b>	
	-01	MG
	-02	May be applied on
	-03	finishes:
	-04	-01, -02, -05, -06,
	-04BR	-11, -14 and -15.
	-05	
	-06	
	-07	
	-08	
	-11	
	-12BR	
	-13	
	-14	
	-15	
	-16	



### Housings Specifications Low voltage : MR16

New Construction	W	HOLE CUT	LENGTH	WIDTH	HEIGHT
NW4000E <sup>1</sup>	35W	3 1/4" (82mm)	15 3/8" (391mm) x 10"	(254mm) x 4 1/2"	(114mm)
NW4000M <sup>1</sup>	35W	3 1/4" (82mm)	15 3/8" (391mm) x 10"	(254mm) x 4 1/2"	(114mm)
Remodel					
IT4000CE <sup>1</sup>	20W	3 1/4" (82mm)	12 1/4" (311mm) x 4 3/8"	(112mm) x 3 1/4"	(83mm)
IT4000CM	20W	3 1/4" (82mm)	12 1/4" (311mm) x 4 3/8"	(112mm) x 3 1/4"	(83mm)
IT4000E <sup>1</sup>	35W	3 1/4" (82mm)	13 7/16" (342mm) x 4 1/4"	(108mm) x 6"	(152mm)
IT4000M	35W	3 1/4" (82mm)	13 7/16" (342mm) x 4 1/4"	(108mm) x 6"	(152mm)
Insulated Ceiling (IC)					
ISMR4000M	20W	3 1/4" (82mm)	15 5/16" (389mm) x 10"	(254mm) x 6 1/16"	(154mm)

- C** Short housing
- L** Long housing
- E** Electronic transformer (120/277V)
- M** Magnetic transformer

<sup>1</sup> May be available in **277 Volts and/or 347 Volts**. Add **2** (277V) or **3** (347V) at the end of the housing code.

Ex.: IT4000M2

Consult factory for availabilities.

**\*277 Volts: USA**

Ex.: IT4000E2

**\*347 Volts: Canada and Magnetic transformer only**

Ex.: NW4000M3

#### Chicago Plenum

Add **P** at the end of the code to enhance your **IC** housing to meet Chicago Plenum requirements.  
Ex.: ISMR4000MP

#### California Title 24

Add **W** at the end of the code to enhance your **IC** housing to meet California Title 24 requirements.  
Ex.: ISMR4000MW

#### AIRTIGHT

IC housings meet ASTM E283 standard. These housings may be used in insulated ceilings and be covered with insulation material.





3"

MR16



# T4450

## T4450



T4450-11BK



### Downlight



**Damp location**



**Low voltage** : MR16

Available with a magnetic or an electronic transformer.

### Lenses

**Standard: UV clear lens** (1<sup>15</sup>/<sub>16</sub>" - 49mm).

Colored and frosted lenses are available. See pages 250-251 for details.



### Reflector finishes



**Standard: anodized aluminum**

#### ANODIZED



Ex.: T4450-02**BO**

#### SPECULAR



Ex.: T4450-01**CH**

#### PAINTED



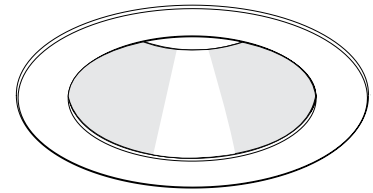
Ex.: T4450-02-**02**

### Trim finishes



Ex.: T4450-**07**

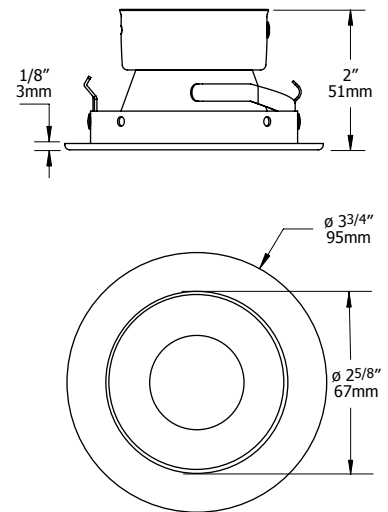
For exterior use and Wet Locations, **MARINE GRADE** treatment is recommended. May be applied on finishes: -01, -02, -05, -06, -11, -14 and -15. See page 252 for more details. Add **MG** to code. Ex.: T4450-06**MG**



## T4450 Specs and codification

### Trim codification T4450-01AZMG

MODEL	TRIM FINISH	REFLECTOR	MARINE GRADE
<b>T4450</b>	<b>-01</b>	<b>AZ</b>	<b>MG</b>
	-01	ANODIZED	MG
	-02	ALUMINUM (STANDARD)	May be applied on
	-03	AZ	finishes:
	-04	BO	-01, -02, -05, -06,
	-04BR	IG	-11, -14 and -15.
	-05	RU	
	-06	CB	
	-07	SPECULAR	
	-08	CL	
	-11	BK	
	-12BR	CH	
	-13	PAINTED	
	-14	-01	
	-15	-02	
	-16	-11	



### Housings Specifications Low voltage : MR16

New Construction	W	HOLE CUT	LENGTH	WIDTH	HEIGHT
NW4000E <sup>1</sup>	20W	3 <sup>1</sup> / <sub>4</sub> " (82mm)	15 <sup>3</sup> / <sub>8</sub> " (391mm) x 10"	(254mm) x 4 <sup>1</sup> / <sub>2</sub> "	(114mm)
NW4000M <sup>1</sup>	20W	3 <sup>1</sup> / <sub>4</sub> " (82mm)	15 <sup>3</sup> / <sub>8</sub> " (391mm) x 10"	(254mm) x 4 <sup>1</sup> / <sub>2</sub> "	(114mm)
Remodel					
IT4000E <sup>1</sup>	20W	3 <sup>1</sup> / <sub>4</sub> " (82mm)	13 <sup>7</sup> / <sub>16</sub> " (342mm) x 4 <sup>1</sup> / <sub>4</sub> "	(108mm) x 6"	(152mm)
IT4000M	20W	3 <sup>1</sup> / <sub>4</sub> " (82mm)	13 <sup>7</sup> / <sub>16</sub> " (342mm) x 4 <sup>1</sup> / <sub>4</sub> "	(108mm) x 6"	(152mm)
Insulated Ceiling (IC)					
ISMR4000M	20W	3 <sup>1</sup> / <sub>4</sub> " (82mm)	15 <sup>5</sup> / <sub>16</sub> " (389mm) x 10"	(254mm) x 6 <sup>1</sup> / <sub>16</sub> "	(154mm)

**C** Short housing  
**L** Long housing  
**E** Electronic transformer (120/277V)  
**M** Magnetic transformer

<sup>1</sup> May be available in **277 Volts and/or 347 Volts**. Add **2** (277V) or **3** (347V) at the end of the housing code.

Ex.: IT4000M2  
 Consult factory for availabilities.

**\*277 Volts: USA**

Ex.: IT4000E2

**\*347 Volts: Canada and Magnetic transformer only**

Ex.: NW4000M3

#### Chicago Plenum

Add **P** at the end of the code to enhance your **IC** housing to meet Chicago Plenum requirements.  
 Ex.: ISMR4000MP

#### California Title 24

Add **W** at the end of the code to enhance your **IC** housing to meet California Title 24 requirements.  
 Ex.: ISMR4000MW

#### AIRTIGHT

IC housings meet ASTM E283 standard. These housings may be used in insulated ceilings and be covered with insulation material.



# T4650

## T4650




T4650-07BK



### Pinhole

 **Damp location**

 **Low voltage** : MR16  
Available with a magnetic or an electronic transformer.

### Lenses

**Standard: UV clear lens** (1<sup>15</sup>/<sub>16</sub>" - 49mm).  
Colored and frosted lenses are available. See pages 250-251 for details.



### Reflector finishes

 **Standard: anodized aluminum**

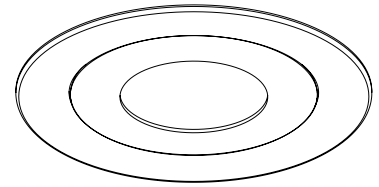
ANODIZED					SPECULAR			PAINTED		
AZ	BO	IG	RU	CB	CL	BK	CH	-01	-02	-11
Azur	Burnt Orange	Inca Gold	Rubis	Cobalt Blue	Clear	Black	Champagne	White	Black	Matte White
Ex.: T4650-08RU					Ex.: T4650-01BK			Ex.: T4650-11-11		

### Trim finishes

-01	-02	-03	-04	-04BR	-05	-06	-07	-08	-11	-12BR	-13	-14	-15	-16
White	Black	Gold Plated 24k	Chrome	Brushed Chrome	Architectural Bronze	Antique Copper	Antique Brass	Antique Silver	Matte White	Brushed Nickel	Satin Nickel	Almond	Metallic Grey	Satin Chrome

Ex.: T4650-13

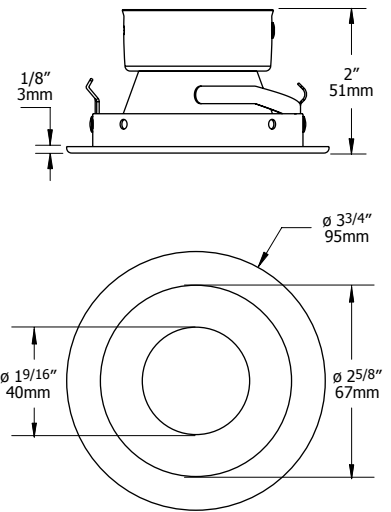
For exterior use and Wet Locations, **MARINE GRADE** treatment is recommended. May be applied on finishes: -01, -02, -05, -06, -11, -14 and -15. See page 252 for more details. Add **MG** to code. Ex.: T4650-02MG



## T4650 Specs and codification

### Trim codification T4650-13CL

MODEL	TRIM FINISH	REFLECTOR	MARINE GRADE
<b>T4650</b>	<b>-13</b>	<b>CL</b>	
	-01	ANODIZED	MG
	-02	ALUMINUM (STANDARD)	May be applied on
	-03	AZ	finishes:
	-04	BO	-01, -02, -05, -06,
	-04BR	IG	-11, -14 and -15.
	-05	RU	
	-06	CB	
	-07	SPECULAR	
	-08	CL	
	-11	BK	
	-12BR	CH	
	-13	PAINTED	
	-14	-01	
	-15	-02	
	-16	-11	



### Housings Specifications Low voltage : MR16

New Construction	W	HOLE CUT	LENGTH	WIDTH	HEIGHT
NW4000E <sup>1</sup>	20W	3 1/4" (82mm)	15 3/8" (391mm) x 10"	(254mm) x 4 1/2"	(114mm)
NW4000M <sup>1</sup>	20W	3 1/4" (82mm)	15 3/8" (391mm) x 10"	(254mm) x 4 1/2"	(114mm)
Remodel					
IT4000E <sup>1</sup>	20W	3 1/4" (82mm)	13 7/16" (342mm) x 4 1/4"	(108mm) x 6"	(152mm)
IT4000M	20W	3 1/4" (82mm)	13 7/16" (342mm) x 4 1/4"	(108mm) x 6"	(152mm)
Insulated Ceiling (IC)					
ISMR4000M	20W	3 1/4" (82mm)	15 5/16" (389mm) x 10"	(254mm) x 6 1/16"	(154mm)

- C** Short housing
- L** Long housing
- E** Electronic transformer (120/277V)
- M** Magnetic transformer

<sup>1</sup> May be available in **277 Volts and/or 347 Volts**. Add **2** (277V) or **3** (347V) at the end of the housing code.

Ex.: IT4000M2  
Consult factory for availabilities.

**\*277 Volts: USA**

Ex.: IT4000E2

**\*347 Volts: Canada and Magnetic transformer only**

Ex.: NW4000M3

#### Chicago Plenum

Add **P** at the end of the code to enhance your **IC** housing to meet Chicago Plenum requirements.  
Ex.: ISMR4000MP

#### California Title 24

Add **W** at the end of the code to enhance your **IC** housing to meet California Title 24 requirements.  
Ex.: ISMR4000MW

#### AIRTIGHT

IC housings meet ASTM E283 standard. These housings may be used in insulated ceilings and be covered with insulation material.







shower



S4450-04

See page 228 for more details

3"

MR16



S4151

# S4151



S4151-07



## Shower



**Wet location**



**Low voltage** : MR16

Available with a magnetic or an electronic transformer.

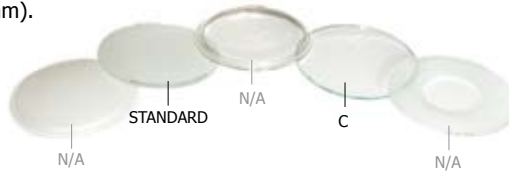
### Lenses

**Standard: UV frosted lens** (2<sup>13</sup>/<sub>16</sub>" - 71mm).

Also Available:

**Clear:** S4151C

See page 251 for more details.



### Reflector finishes



**Standard: anodized aluminum**

Order your trim with a clear lens to see the color of the reflector.

#### ANODIZED



Ex.: S4151C-07**IG**

#### SPECULAR



Ex.: S4151C-04**BRCL**

#### PAINTED



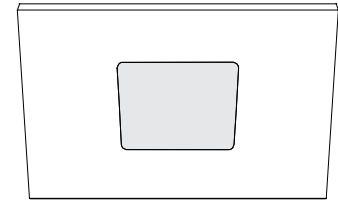
Ex.: S4151C-02-**11**

### Trim finishes



Ex.: S4151-**05**

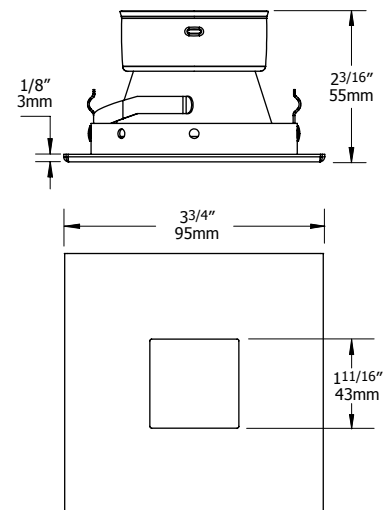
For exterior use and Wet Locations, **MARINE GRADE** treatment is recommended. May be applied on finishes: -01, -02, -05, -06, -11, -14 and -15. See page 252 for more details. Add **MG** to code. Ex.: S4151-14**MG**



## S4151 Specs and codification

### Trim codification S4151-08-01

MODEL	LENS	TRIM FINISH	REFLECTOR	MARINE GRADE
<b>S4151</b>	<b>C</b>	<b>-08</b>	<b>-01</b>	
	STANDARD: FROSTED C	-01 -02 -03 -04 -04BR -05 -06 -07 -08 -11 -12BR -13 -14 -15 -16	ANODIZED ALUMINUM (STANDARD) AZ BO IG RU CB  SPECULAR CL BK CH  PAINTED -01 -02 -11	MG May be applied on finishes: -01, -02, -05, -06, -11, -14 and -15.



### Housings Specifications Low voltage : MR16

New Construction	W	HOLE CUT	LENGTH	WIDTH	HEIGHT
NW4000E <sup>1</sup>	20W	3 <sup>1</sup> / <sub>4</sub> " (82mm)	15 <sup>3</sup> / <sub>8</sub> " (391mm) x 10"	(254mm) x 4 <sup>1</sup> / <sub>2</sub> "	(114mm)
NW4000M <sup>1</sup>	20W	3 <sup>1</sup> / <sub>4</sub> " (82mm)	15 <sup>3</sup> / <sub>8</sub> " (391mm) x 10"	(254mm) x 4 <sup>1</sup> / <sub>2</sub> "	(114mm)
Remodel					
IT4000E <sup>1</sup>	20W	3 <sup>1</sup> / <sub>4</sub> " (82mm)	13 <sup>7</sup> / <sub>16</sub> " (342mm) x 4 <sup>1</sup> / <sub>4</sub> "	(108mm) x 6"	(152mm)
IT4000M	20W	3 <sup>1</sup> / <sub>4</sub> " (82mm)	13 <sup>7</sup> / <sub>16</sub> " (342mm) x 4 <sup>1</sup> / <sub>4</sub> "	(108mm) x 6"	(152mm)
Insulated Ceiling (IC)					
ISMR4000M	20W	3 <sup>1</sup> / <sub>4</sub> " (82mm)	15 <sup>5</sup> / <sub>16</sub> " (389mm) x 10"	(254mm) x 6 <sup>1</sup> / <sub>16</sub> "	(154mm)

**C** Short housing  
**L** Long housing  
**E** Electronic transformer (120/277V)  
**M** Magnetic transformer  
<sup>1</sup> May be available in **277 Volts and/or 347 Volts**. Add **2** (277V) or **3** (347V) at the end of the housing code.  
 Ex.: IT4000M2  
 Consult factory for availabilities.  
**\*277 Volts: USA**  
 Ex.: IT4000E2  
**\*347 Volts: Canada and Magnetic transformer only**  
 Ex.: NW4000M3

**Chicago Plenum**  
 Add **P** at the end of the code to enhance your **IC** housing to meet Chicago Plenum requirements.  
 Ex.: ISMR4000MP

**California Title 24**  
 Add **W** at the end of the code to enhance your **IC** housing to meet California Title 24 requirements.  
 Ex.: ISMR4000MW

**AIRTIGHT**  
 IC housings meet ASTM E283 standard. These housings may be used in insulated ceilings and be covered with insulation material.





3"

MR16



# S4450

## S4450



S4450-04



### Shower



**Wet location**



**Low voltage** : MR16

Available with a magnetic or an electronic transformer.

### Lenses

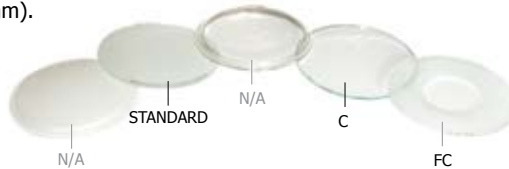
**Standard: UV frosted lens** (2<sup>13</sup>/<sub>16</sub>" - 71mm).

Also Available:

**Clear:** S4450C

**Frosted with clear center:** S4450FC

See page 251 for more details.



### Reflector finishes



**Standard: anodized aluminum**

Order your trim with a clear lens to see the color of the reflector.

#### ANODIZED



Ex.: S4450C-04**BO**

#### SPECULAR



Ex.: S4450C-06**BK**

#### PAINTED



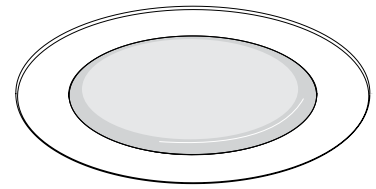
Ex.: S4450C-01-**01**

### Trim finishes



Ex.: S4450-**04**

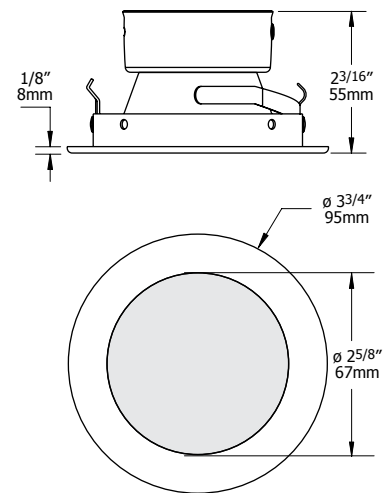
For exterior use and Wet Locations, **MARINE GRADE** treatment is recommended. May be applied on finishes: -01, -02, -05, -06, -11, -14 and -15. See page 252 for more details. Add **MG** to code. Ex.: S4450-11**MG**



## S4450 Specs and codification

### Trim codification S4450-01-01MG

MODEL	LENS	TRIM FINISH	REFLECTOR	MARINE GRADE
<b>S4450</b>		<b>-01</b>	<b>-01</b>	<b>MG</b>
	STANDARD: FROSTED C	-01 -02 -03 -04 -04BR -05 -06 -07 -08 -11 -12BR -13 -14 -15 -16	ANODIZED ALUMINUM (STANDARD) AZ BO IG RU CB SPECULAR CL BK CH PAINTED -01 -02 -11	MG May be applied on finishes: -01, -02, -05, -06, -11, -14 and -15.



### Housings Specifications Low voltage : MR16

New Construction	W	HOLE CUT	LENGTH	WIDTH	HEIGHT
NW4000E <sup>1</sup>	20W	3 1/4" (82mm)	15 3/8" (391mm) x 10"	(254mm) x 4 1/2"	(114mm)
NW4000M <sup>1</sup>	20W	3 1/4" (82mm)	15 3/8" (391mm) x 10"	(254mm) x 4 1/2"	(114mm)
Remodel					
IT4000E <sup>1</sup>	20W	3 1/4" (82mm)	13 7/16" (342mm) x 4 1/4"	(108mm) x 6"	(152mm)
IT4000M	20W	3 1/4" (82mm)	13 7/16" (342mm) x 4 1/4"	(108mm) x 6"	(152mm)
Insulated Ceiling (IC)					
ISMR4000M	20W	3 1/4" (82mm)	15 5/16" (389mm) x 10"	(254mm) x 6 1/16"	(154mm)

**C** Short housing  
**L** Long housing  
**E** Electronic transformer (120/277V)  
**M** Magnetic transformer  
<sup>1</sup> May be available in **277 Volts and/or 347 Volts**. Add **2** (277V) or **3** (347V) at the end of the housing code.  
 Ex.: IT4000M2  
 Consult factory for availabilities.  
**\*277 Volts: USA**  
 Ex.: IT4000E2  
**\*347 Volts: Canada and Magnetic transformer only**  
 Ex.: NW4000M3

**Chicago Plenum**  
 Add **P** at the end of the code to enhance your **IC** housing to meet Chicago Plenum requirements.  
 Ex.: ISMR4000MP

**California Title 24**  
 Add **W** at the end of the code to enhance your **IC** housing to meet California Title 24 requirements.  
 Ex.: ISMR4000MW

**AIRTIGHT**  
 IC housings meet ASTM E283 standard. These housings may be used in insulated ceilings and be covered with insulation material.





**5000 Series**

**low voltage** **2 1/2"**  
**MR11**  
**12V**





# downlight and adjustable



T5250-13

See page 238 for more details



2 1/2"

MR11



# T5000



## T5000



T5000-07

### Adjustable



**Damp location**



**Low voltage** : MR11

Available with a magnetic or an electronic transformer.

### Lenses

**Standard: UV clear lens** (1 3/8" - 35mm).

Colored and frosted lenses are available. See pages 250-251 for details.



### Trim finishes

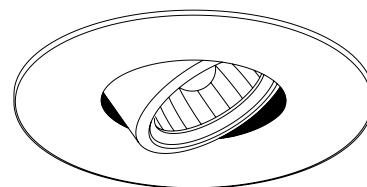


Ex.: T5000-12BR

For exterior use and up to Wet Location conditions, **MARINE GRADE** treatment is recommended. May be applied on finishes: -01, -02, -05, -06, -11, -14 and 15. See page 252 for more details. Add **MG** to code. Ex.: T5000-02MG

2 1/2"

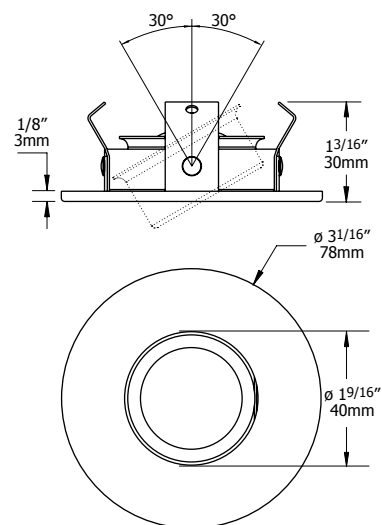
MR11



## T5000 Specs and codification

### Trim codification T5000-08

MODEL	TRIM FINISH	MARINE GRADE
<b>T5000</b>	<b>-08</b>	
	-01	MG
	-02	May be applied on
	-03	finishes:
	-04	-01, -02, -05, -06,
	-04BR	-11, -14 and -15.
	-05	
	-06	
	-07	
	-08	
	-11	
	-12BR	
	-13	
	-14	
	-15	
	-16	



### Housings Specifications Low voltage : MR11



Remodel	W	HOLE CUT	LENGTH	WIDTH	HEIGHT
IT5000 <b>CE</b> <sup>1</sup>	20W	2 5/8" (67mm)	12 1/8" (308mm) x	3 3/4" (96mm) x	3 11/16" (94mm)
IT5000 <b>CM</b>	20W	2 5/8" (67mm)	12 1/8" (308mm) x	3 3/4" (96mm) x	3 11/16" (94mm)

**C** Short housing  
**L** Long housing  
**E** Electronic transformer (120/277V)  
**M** Magnetic transformer

<sup>1</sup> May be available in **277 Volts**  
 Add **2** (277V) at the end  
 of the housing code.  
 Consult factory for availabilities.  
**\*277 Volts: USA**  
 Ex.: IT5000CE2





2 1/2"

MR11



# T5200

## T5200



T5200-02



### Downlight



**Damp location**



**Low voltage** : MR11

Available with a magnetic or an electronic transformer.

### Lenses

**Standard: UV clear lens** (1 3/8" - 35mm).

Colored and frosted lenses are available. See pages 250-251 for details.



### Trim finishes

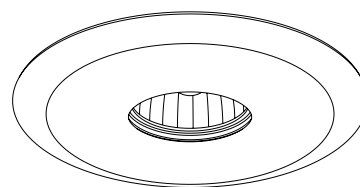


Ex.: T5200-07

For exterior use and up to Wet Location conditions, **MARINE GRADE** treatment is recommended. May be applied on finishes: -01, -02, -05, -06, -11, -14 and -15. See page 252 for more details. Add **MG** to code. Ex.: T5200-01**MG**

2 1/2"

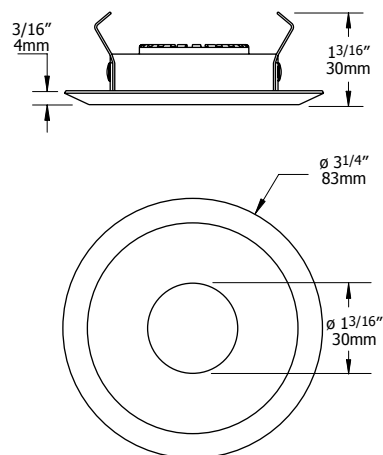
MR11



## T5200 Specs and codification

### Trim codification T5200-02MG

MODEL	TRIM FINISH	MARINE GRADE
<b>T5200</b>	<b>-02</b>	<b>MG</b>
	-01 -02 -03 -04 -04BR -05 -06 -07 -08 -11 -12BR -13 -14 -15 -16	MG May be applied on finishes: -01, -02, -05, -06, -11, -14 and -15.



### Housings Specifications Low voltage : MR11



Remodel	W	HOLE CUT	LENGTH	WIDTH	HEIGHT
IT5000 <b>CE</b> <sup>1</sup>	20W	2 <sup>5</sup> / <sub>8</sub> " (67mm)	12 <sup>1</sup> / <sub>8</sub> " (308mm) x	3 <sup>3</sup> / <sub>4</sub> " (96mm) x	3 <sup>11</sup> / <sub>16</sub> " (94mm)
IT5000 <b>CM</b>	20W	2 <sup>5</sup> / <sub>8</sub> " (67mm)	12 <sup>1</sup> / <sub>8</sub> " (308mm) x	3 <sup>3</sup> / <sub>4</sub> " (96mm) x	3 <sup>11</sup> / <sub>16</sub> " (94mm)

**C** Short housing  
**L** Long housing  
**E** Electronic transformer (120/277V)  
**M** Magnetic transformer  
<sup>1</sup> May be available in **277 Volts**  
 Add **2** (277V) at the end of the housing code.  
 Consult factory for availabilities.  
**\*277 Volts: USA**  
 Ex.: IT5000CE2



2 1/2"

MR11



# T5250

## T5250



T5250-13



### Downlight



**Damp location**



**Low voltage** : MR11

Available with a magnetic or an electronic transformer.

### Lenses

**Standard: UV clear lens** (1 3/8" - 35mm).

Colored and frosted lenses are available. See pages 250-251 for details.



### Trim finishes

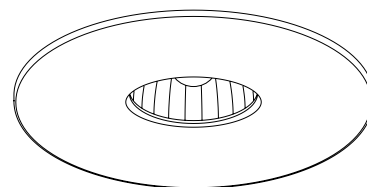


Ex.: T5250-04BR

For exterior use and up to Wet Location conditions, **MARINE GRADE** treatment is recommended. May be applied on finishes: -01, -02, -05, -06, -11, -14 and -15. See page 252 for more details. Add **MG** to code. Ex.: T5250-14**MG**

2 1/2"

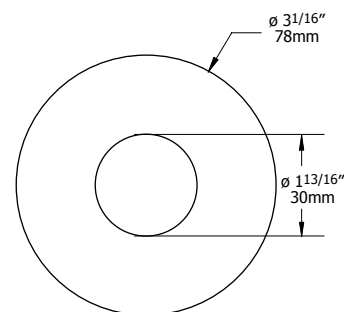
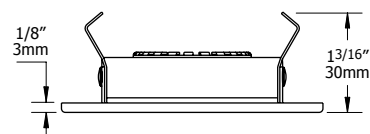
MR11



## T5250 Specs and codification

### Trim codification T5250-06MG

MODEL	TRIM FINISH	MARINE GRADE
<b>T5250</b>	<b>-06</b>	<b>MG</b>
	-01 -02 -03 -04 -04BR -05 -06 -07 -08 -11 -12BR -13 -14 -15 -16	MG May be applied on finishes: -01, -02, -05, -06, -11, -14 and -15.



### Housings Specifications Low voltage : MR11



Remodel	W	HOLE CUT	LENGTH	WIDTH	HEIGHT
IT5000 <b>CE</b> <sup>1</sup>	20W	2 <sup>5</sup> / <sub>8</sub> " (67mm)	12 <sup>1</sup> / <sub>8</sub> " (308mm) x	3 <sup>3</sup> / <sub>4</sub> " (96mm) x	3 <sup>11</sup> / <sub>16</sub> " (94mm)
IT5000 <b>CM</b>	20W	2 <sup>5</sup> / <sub>8</sub> " (67mm)	12 <sup>1</sup> / <sub>8</sub> " (308mm) x	3 <sup>3</sup> / <sub>4</sub> " (96mm) x	3 <sup>11</sup> / <sub>16</sub> " (94mm)

**C** Short housing  
**L** Long housing  
**E** Electronic transformer (120/277V)  
**M** Magnetic transformer  
<sup>1</sup> May be available in **277 Volts**  
 Add **2** (277V) at the end of the housing code.  
 Consult factory for availabilities.  
**\*277 Volts: USA**  
 Ex.: IT5000CE2



2 1/2"

MR11



# T5300

## T5300



T5300-13



### Downlight



**Damp location**



**Low voltage** : MR11

Available with a magnetic or an electronic transformer.

### Lenses

**Standard: UV clear lens** (1 3/8" - 35mm).

Colored and frosted lenses are available. See pages 250-251 for details.



### Trim finishes

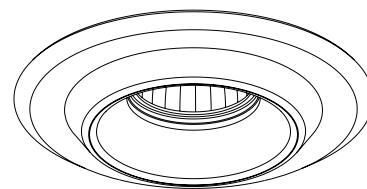


Ex.: T5300-04

For exterior use and up to Wet Location conditions, **MARINE GRADE** treatment is recommended. May be applied on finishes: -01, -02, -05, -06, -11, -14 and -15. See page 252 for more details. Add **MG** to code. Ex.: T5300-05**MG**

2 1/2"

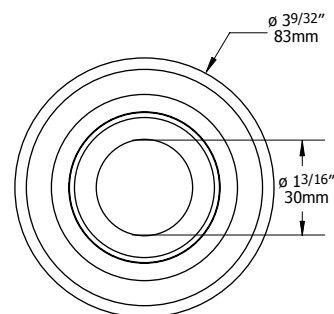
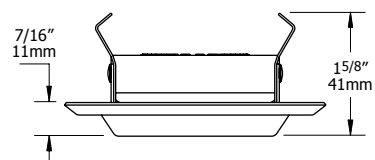
MR11



## T5300 Specs and codification

### Trim codification T5300-03

MODEL	TRIM FINISH	MARINE GRADE
<b>T5300</b>	<b>-03</b>	
	-01	MG
	-02	May be applied on
	-03	finishes:
	-04	-01, -02, -05, -06,
	-04BR	-11, -14 and -15.
	-05	
	-06	
	-07	
	-08	
	-11	
	-12BR	
	-13	
	-14	
	-15	
	-16	



### Housings Specifications Low voltage : MR11



Remodel	W	HOLE CUT	LENGTH	WIDTH	HEIGHT
IT5000 <b>CE</b> <sup>1</sup>	20W	2 <sup>5</sup> / <sub>8</sub> " (67mm)	12 <sup>1</sup> / <sub>8</sub> " (308mm) x	3 <sup>3</sup> / <sub>4</sub> " (96mm) x	3 <sup>11</sup> / <sub>16</sub> " (94mm)
IT5000 <b>CM</b>	20W	2 <sup>5</sup> / <sub>8</sub> " (67mm)	12 <sup>1</sup> / <sub>8</sub> " (308mm) x	3 <sup>3</sup> / <sub>4</sub> " (96mm) x	3 <sup>11</sup> / <sub>16</sub> " (94mm)

**C** Short housing  
**L** Long housing  
**E** Electronic transformer (120/277V)  
**M** Magnetic transformer

<sup>1</sup> May be available in **277 Volts**  
 Add **2** (277V) at the end  
 of the housing code.  
 Consult factory for availabilities.  
**\*277 Volts: USA**  
 Ex.: IT5000CE2

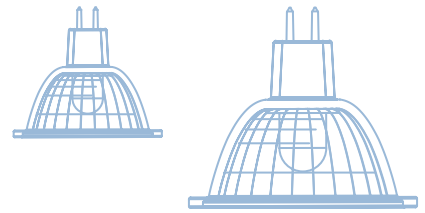






## Housings

### MR11 & MR16





# REMODEL

## «NON IC» Low Voltage

PRODUCTS CODES	HOLE CUT	LENGTH	WIDTH	HEIGHT
IT2000CE	∅ 4 1/4" (108mm)	13" (330mm)	5 1/4" (134mm)	3 11/16" (94mm)
IT2000CM	∅ 4 1/4" (108mm)	13" (330mm)	4 11/16" (119mm)	3 11/16" (94mm)
IT2000E	∅ 4 1/4" (108mm)	13 3/4" (350mm)	5 1/8" (130mm)	6" (152mm)
IT2000M	∅ 4 1/4" (108mm)	13 3/4" (350mm)	5 1/8" (130mm)	6" (152mm)
IT3000CE	∅ 3 5/8" (92mm)	13" (330mm)	4 3/4" (121mm)	3 11/16" (94mm)
IT3000CM	∅ 3 5/8" (92mm)	13" (330mm)	4 3/4" (121mm)	3 11/16" (94mm)
IT3000E	∅ 3 5/8" (92mm)	13 3/8" (340mm)	4 5/8" (117mm)	6 1/16" (154mm)
IT3000LE	∅ 3 5/8" (92mm)	13 3/8" (340mm)	4 5/8" (117mm)	7 1/16" (179mm)
IT3000LM	∅ 3 5/8" (92mm)	13 3/8" (340mm)	4 5/8" (117mm)	7 1/16" (179mm)
IT3000M	∅ 3 5/8" (92mm)	13 3/8" (340mm)	4 5/8" (117mm)	6 1/16" (154mm)
IT4000CE	∅ 3 1/4" (82mm)	12 1/4" (311mm)	4 3/8" (112mm)	3 1/4" (83mm)
IT4000CM	∅ 3 1/4" (82mm)	12 1/4" (311mm)	4 3/8" (112mm)	3 1/4" (83mm)
IT4000E	∅ 3 1/4" (82mm)	13 7/16" (342mm)	4 1/4" (108mm)	6" (152mm)
IT4000M	∅ 3 1/4" (82mm)	13 7/16" (342mm)	4 1/4" (108mm)	6" (152mm)
IT5000CE	∅ 2 5/8" (67mm)	12 1/8" (308mm)	3 3/4" (96mm)	3 11/16" (94mm)
IT5000CM	∅ 2 5/8" (67mm)	12 1/8" (308mm)	3 3/4" (96mm)	3 11/16" (94mm)
IT7000E	∅ 4 5/16" (109mm)	13 3/8" (340mm)	5 1/4" (134mm)	6 1/16" (154mm)
IT7000M	∅ 4 5/16" (109mm)	13 3/8" (340mm)	5 1/4" (134mm)	6 1/16" (154mm)



- Remodel Housings accept 7/8" ceiling thickness.
- Below Ceiling Accessibility
- Thermally Protected Housings





## NEW CONSTRUCTION «NON IC» Low Voltage

PRODUCTS CODES	HOLE CUT	LENGTH	WIDTH	HEIGHT
NW2000CE	ø 4 1/4" (108mm)	15 3/8" (391mm)	10" (254mm)	3 11/16" (94mm)
NW2000CM	ø 4 1/4" (108mm)	15 3/8" (391mm)	10" (254mm)	3 11/16" (94mm)
NW2000E	ø 4 1/4" (108mm)	15 3/8" (391mm)	10" (254mm)	4 1/2" (114mm)
NW2000LM	ø 4 1/4" (108mm)	15 3/8" (391mm)	10" (254mm)	5 1/2" (140mm)
NW3000CE	ø 3 5/8" (92mm)	15 3/8" (391mm)	10" (254mm)	3 11/16" (94mm)
NW3000CM	ø 3 5/8" (92mm)	15 3/8" (391mm)	10" (254mm)	3 11/16" (94mm)
NW3000LE	ø 3 5/8" (92mm)	15 3/8" (391mm)	10" (254mm)	5 1/2" (140mm)
NW3000LM	ø 3 5/8" (92mm)	15 3/8" (391mm)	10" (254mm)	5 1/2" (140mm)
NW4000E	ø 3 1/4" (82mm)	15 3/8" (391mm)	10" (254mm)	4 1/2" (114mm)
NW4000M	ø 3 1/4" (82mm)	15 3/8" (391mm)	10" (254mm)	4 1/2" (114mm)
NW7000E	ø 4 5/16" (109mm)	15 3/8" (391mm)	10" (254mm)	4 3/4" (121mm)
NW7000M	ø 4 5/16" (109mm)	15 3/8" (391mm)	10" (254mm)	4 3/4" (121mm)

## INSULATED CEILING «IC» Low Voltage

PRODUCTS CODES	HOLE CUT	LENGTH	WIDTH	HEIGHT
ISMR2000E35	ø 4 1/4" (108mm)	15 3/16" (386mm)	8 1/8" (207mm)	7 7/8" (200mm)
ISMR2000M	ø 4 1/4" (108mm)	19 3/8" (492mm)	10" (254mm)	7 1/16" (179mm)
ISMR2000M35	ø 4 1/4" (108mm)	19 3/8" (492mm)	10" (254mm)	7 1/16" (179mm)
ISMR2000M37	ø 4 1/4" (108mm)	15 5/16" (389mm)	10" (254mm)	7 1/8" (181mm)
ISMR3000E20	ø 3 5/8" (92mm)	15 3/16" (386mm)	8 1/8" (207mm)	7 7/8" (200mm)
ISMR3000E35	ø 3 5/8" (92mm)	15 3/16" (386mm)	8 1/8" (207mm)	7 7/8" (200mm)
ISMR3000M	ø 3 5/8" (92mm)	19 3/8" (492mm)	10" (254mm)	7 1/16" (179mm)
ISMR3000M20	ø 3 5/8" (92mm)	15 3/16" (386mm)	8 1/8" (207mm)	7 7/8" (200mm)
ISMR3000M35	ø 3 5/8" (92mm)	19 3/8" (492mm)	10" (254mm)	7 1/16" (179mm)
ISMR3000M37	ø 3 5/8" (92mm)	15 5/16" (389mm)	10" (254mm)	7 1/8" (181mm)
ISMR4000M	ø 3 1/4" (82mm)	15 5/16" (389mm)	10" (254mm)	6 1/16" (154mm)
ISMR7000E35	ø 4 5/16" (109mm)	19 3/8" (492mm)	10" (254mm)	7 1/16" (179mm)
ISMR7000M35	ø 4 5/16" (109mm)	19 3/8" (492mm)	10" (254mm)	7 1/16" (179mm)

- New Construction Housings accept 1 1/2" ceiling thickness.
- Below Ceiling Accessibility
- Thermally Protected Housings



- Insulated Housings accept 7/8" ceiling thickness.
- Below Ceiling Accessibility
- Thermally Protected Housings

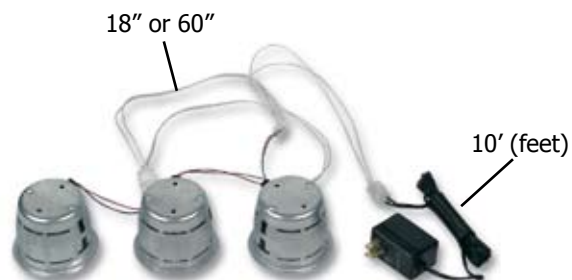


## Housings for cabinets

For MR11 and MR16 in the 3<sup>1/2</sup>" (3000), 3" (4000) and 2<sup>1/2</sup>" (5000) series.

### Class 2 60W AC 120 Volts Plug In Electronic Transformer

DOUBLE	TRIPLE	OPENING	DISTANCE between lights
CAB3000D	CAB3000T	3-5/8" (92 mm)	18" (457 mm)
CAB4000D	CAB4000T	3-1/4" (82mm)	18" (457 mm)
CAB5000D	CAB5000T	2-5/8" (67 mm)	18" (457 mm)
CAB3000D60	CAB3000T60	3-5/8" (92 mm)	60" (1524 mm)
CAB4000D60	CAB4000T60	3-1/4" (82mm)	60" (1524 mm)
CAB5000D60	CAB5000T60	2-5/8" (67 mm)	60" (1524 mm)



Distance between transformer and first light: 10 feet

### 3000 series

Damp Location

MR16 12V- 2 or 3 X 20W max.

For use with trims R3450, T3000, T3100, T3125, T3145, T3145DG, T3200, T3250, T3260, T3300, T3400, T3400D, T3450, T3450D, T3500 and T3500D.

3<sup>1/2</sup>" "Non-IC" type double or triple housing with electronic transformer (for areas w/o insulation)

### 4000 series

Damp Location

MR16 12V- 2 or 3 X 20W max.

For use with trims T4000, T4200, T4200V, T4210V and T4300.

3" "Non-IC" type double or triple housing with electronic transformer (for areas w/o insulation)

### 5000 series

Damp Location

MR11 12V- 2 or 3 X 20W max.

For use with trims T5000, T5200, T5250 and T5300.

2<sup>1/2</sup>" "Non-IC" type double or triple housing with electronic transformer (for areas w/o insulation)





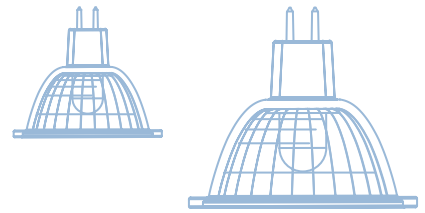




## Parts and Accessories

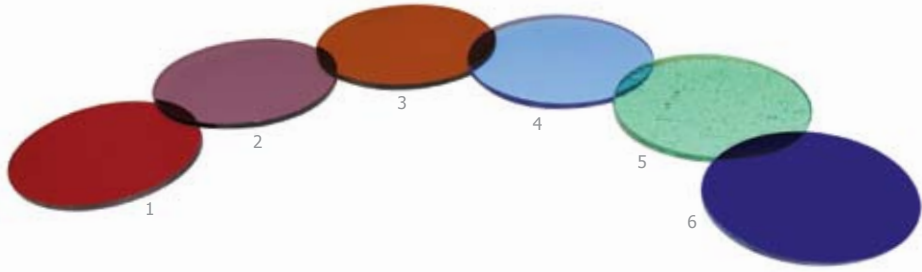
---

### MR11 & MR16



## Colored Lenses

For MR11 and MR16 in the 4" (2000), 3<sup>1/2</sup>" (3000), 3" (4000) and 2<sup>1/2</sup>" (5000) series.



There are dozens of special applications for colored light beams. Create felted, jazzy, lounge, modern, unique ambiance... Customize your own decor!

The correction blue lens cools down lightly the natural MR16 light color, to a bluish white beam similar to a fluorescent lamp.



COLOR LENSES	Lenses for MR11	Lenses for MR16
	2 <sup>1/2</sup> " - 5000 series (35mm)	3" - 4000 series, 3 <sup>1/2</sup> " - 3000 series, 4" - 2000 series (49mm)
1 Red	103078	103079
2 Pink	103080	103081
3 Medium Amber	103082	103083
4 Blue Correction	103084	103085
5 Mercury Vapor Green	103086	103087
6 Cobalt Blue	103148	101535

These lenses are sold separately.

## Natural Clear and Frosted Lenses

For MR11 and MR16 in the 4" (2000), 3<sup>1/2</sup>" (3000), 3" (4000), 2<sup>1/2</sup>" (5000) and 4<sup>1/4</sup>" (7000) series.



LENSES	Lenses for MR11	Lenses for MR16	Lenses for MR16
	2 <sup>1/2</sup> " - 5000 series (35mm)	4 <sup>1/4</sup> " - 7000 series (47mm)	3" - 4000 series, 3 <sup>1/2</sup> " - 3000 series, 4" - 2000 series (49mm)
*Natural Clear	103102	103103	103104
Natural Frosted	304825	312652	304826

\*This lens is factory installed.

Natural frosted lens: sold separately.



## Shower Lenses

For MR16 shower trims.



LENSES	Lenses for MR16 4" - 2000 series (83mm)	Lenses for MR16 3 1/2" - 3000 series (73mm)	Lenses for MR16 3" - 4000 series (71mm)
Clear / convex	312650	N / A	N / A
Frosted / convex	312651	N / A	N / A
Clear	103108	103105	102878
*Frosted	103109	304827	102588
Frosted / clear center	103110	103107	311457

\*Frosted lens is factory installed. The other lenses are sold separately.

## Linear, Prismatic and Solite Spread Lenses

For MR11 and MR16 in the 4" (2000), 3 1/2" (3000), 3" (4000), 2 1/2" (5000) and 4 1/4" (7000) series.



The linear lens directs the lamp beam to create a strip of light.  
The prismatic lens diffuses and spreads the light in an even overall pattern.  
The solite lens softens the light in an even overall spread.

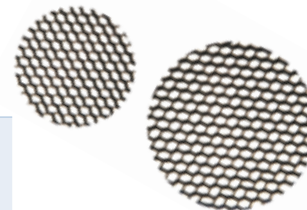
LENSES	Lenses for MR11 2 1/2" - 5000 series (35mm)	Lenses for MR16 4 1/4" - 7000 series (47mm)	Lenses for MR16 3" - 4000 series, 3 1/2" - 3000 series, 4" - 2000 series (49mm)
Linear lens	103090	103091	103092
Solite lens	103096	103097	103098
Prismatic lens	103093	103094	103095

These spread lenses are sold separately.

## Honeycomb Lenses

For MR11 and MR16 in the 4" (2000), 3 1/2" (3000), 3" (4000) and 2 1/2" (5000) series.

The honeycomb metallic lens reduces glare.



Honeycombs for MR11 2 1/2" - 5000 series (35mm)	Honeycombs for MR16 3" - 4000 series, 3 1/2" - 3000 series, 4" - 2000 series (49mm)
103088	103089

These honeycomb lenses are sold separately.





## Goof Rings

For 4" (2000), 3<sup>1</sup>/<sub>2</sub>" (3000) and 3" (4000) series.



When the outside diameter cut is larger than necessary or if the gypsum cracked or broke in the surrounding area of the hole, the goof ring will come in handy.

SERIES	CODES	DIMENSIONS	
		Outside diameter	Inside diameter
4" - 2000	RON <b>2000</b>	∅ 6 <sup>1</sup> / <sub>8</sub> "	∅ 4 <sup>1</sup> / <sub>8</sub> "
3 <sup>1</sup> / <sub>2</sub> " - 3000 series	RON <b>3000</b>	∅ 6 <sup>1</sup> / <sub>8</sub> "	∅ 3 <sup>5</sup> / <sub>8</sub> "
3" - 4000 series	RON <b>4000</b>	∅ 4 <sup>1</sup> / <sub>2</sub> "	∅ 3 <sup>1</sup> / <sub>4</sub> "
		Outside	Inside diameter
4" - 2000 series (square trim)	RON <b>2100</b>	5 <sup>1</sup> / <sub>2</sub> " x 5 <sup>1</sup> / <sub>2</sub> "	∅ 4 <sup>1</sup> / <sub>8</sub> "
3 <sup>1</sup> / <sub>2</sub> " - 3000 series (square trim)	RON <b>3100</b>	5" x 5"	∅ 3 <sup>5</sup> / <sub>8</sub> "

All goof rings are available in Contrast finishes. Add finish color code at the end.

Ex.: RON2100-**12BR**

## Opening Adaptor

For 3<sup>1</sup>/<sub>2</sub>" (3000) series.

Can lip adaptor for 3<sup>1</sup>/<sub>2</sub>" Pot in a 4<sup>1</sup>/<sub>4</sub>" (108mm) opening.

Color N/A (galvanized steel)

Code: **312296**

DIMENSIONS	
Outside diameter	Inside diameter
∅ 4 <sup>5</sup> / <sub>16</sub> " (110mm)	∅ 3 <sup>5</sup> / <sub>8</sub> " (92mm)



## Marine Grade Treatment

**Available for Contrast trims.**

This treatment is offered with our trim collection of finishes -01, -02, -05, -06, -11, -14 and -15. Unless otherwise indicated, all trim series are for interior use only. For exterior use, «Marine Grade» treatment is recommended. This procedure increases rust resistance up to 5 times more than the untreated galvanized steel. Furthermore, the high temperature powder coated paint process provides a durable finish.

The «Marine Grade» treatment is recommended for very high level humidity locations and is particularly efficient in high salinity areas such as coastal regions. It may be used for outdoors such as soffits and porches, or for indoors, in high humidity or wet areas such as spas, saunas, showers, pool, etc. This treatment is offered with a Contrast limited warranty of two (2) years.



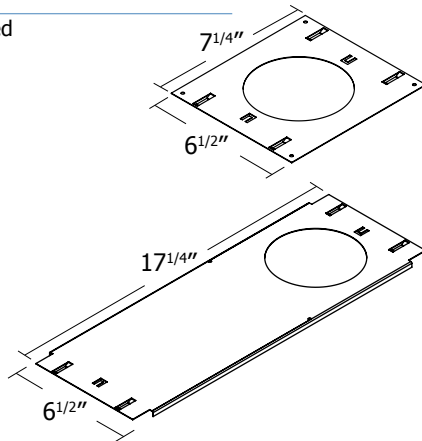
## Plates and Mounting Bars for use with «NON-IC» Type Housing

The mounting plates and mounting bars are used to facilitate the installation of the Remodel recessed fixture in a non-drywall ceiling:

- Suspended Ceiling Tiles
- Sofites
- Soft Stretch Ceilings

### Mounting Plates

Mounting bars required

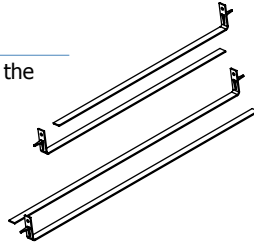


MODEL	HOLE CUT
<b>P2000/P7000</b>	∅ 4 <sup>5</sup> / <sub>16</sub> " (109mm)
<b>P2550/3600</b>	∅ 3 <sup>3</sup> / <sub>4</sub> " (95mm)
<b>P4000</b>	∅ 3 <sup>5</sup> / <sub>16</sub> " (84mm)
<b>P5000</b>	∅ 2 <sup>3</sup> / <sub>4</sub> " (70mm)

MODEL	HOLE CUT
<b>P2000L</b>	∅ 4 <sup>5</sup> / <sub>16</sub> " (109mm)
<b>P2550L</b>	∅ 3 <sup>3</sup> / <sub>4</sub> " (95mm)
<b>P4000L</b>	∅ 3 <sup>5</sup> / <sub>16</sub> " (84mm)
<b>P5000L</b>	∅ 2 <sup>3</sup> / <sub>4</sub> " (70mm)

### Adjustable Mounting Bars

Choose the mounting bars according to the distance in between the joists.



#### Short Bars adjustable - 2 units

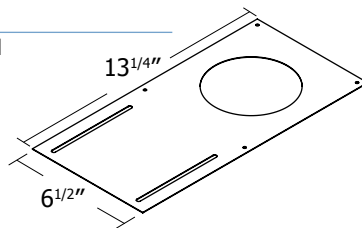
**BARS** From 13<sup>1</sup>/<sub>2</sub>" to 21<sup>3</sup>/<sub>4</sub>" (343mm to 553mm)

#### Long Bars adjustable - 2 units

**BARL** From 19<sup>1</sup>/<sub>2</sub>" to 34" (495mm to 863mm)

### Mounting Plates

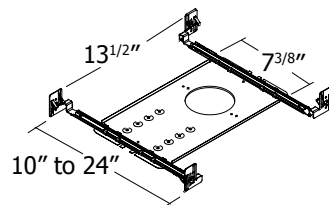
Mounting bars NOT required



MODEL	HOLE CUT
<b>P2000N/P7000N</b>	∅ 4 <sup>5</sup> / <sub>16</sub> " (109mm)
<b>P2550N/3600N</b>	∅ 3 <sup>3</sup> / <sub>4</sub> " (95mm)
<b>P4000N</b>	∅ 3 <sup>5</sup> / <sub>16</sub> " (84mm)
<b>P5000N</b>	∅ 2 <sup>3</sup> / <sub>4</sub> " (70mm)

### New Construction Mounting Plates

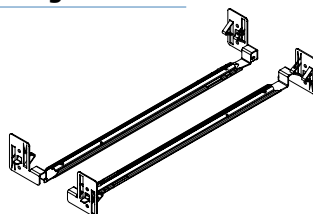
Mounting bars INCLUDED



MODEL	HOLE CUT
<b>P2000NW/P7000NW</b>	∅ 4 <sup>5</sup> / <sub>16</sub> " (109mm)
<b>P2550NW</b>	∅ 3 <sup>3</sup> / <sub>4</sub> " (95mm)
<b>P4000NW</b>	∅ 3 <sup>5</sup> / <sub>16</sub> " (84mm)

### New Construction Mounting Bars

Used in «NW» housings



#### Interlocking adjustable Bars - 2 pairs

**BARK** From 10" to 24<sup>1</sup>/<sub>2</sub>" (254mm to 662mm)

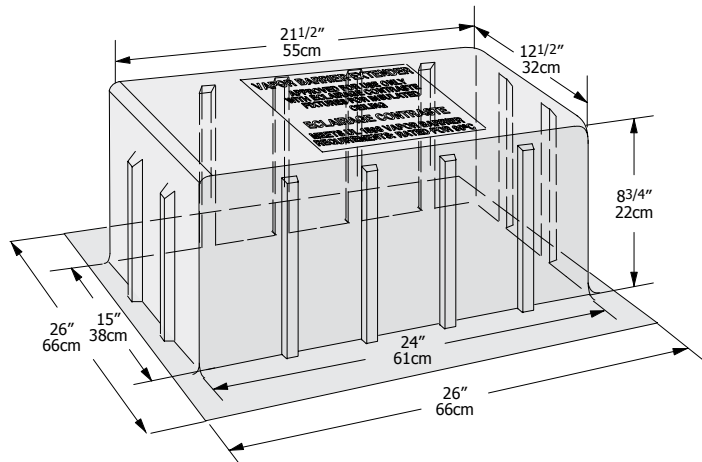


## Vapour Barrier (VAPBAR)

### THERMOPLASTIC MOISTURE PROTECTOR

For insulated housing (IC type)

Compatible with all Contrast Lighting «IC» Rated box.



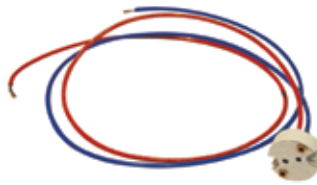
## Sockets

### SOCMR11-14



MR11 socket for  
G4 lamp base  
Length: 14" (356mm)  
**1 Year Warranty**

### SOCMR16-XX



MR16 socket for  
GX5.3 lamp base  
Length: 12 different lengths available  
10" (254mm) 18" (457mm) 30" (762mm)  
12" (305mm) 20" (508mm) 36" (914mm)  
14" (356mm) 22" (559mm) 48" (1219mm)  
16" (406mm) 24" (610mm) 72" (1829mm)

**5 Year limited Warranty on MR16 sockets manufactured by Contrast and used with Contrast products.**

## Contrast Dimmable Magnetic Transformers

### FEATURES OF CONTRAST TRANSFORMERS



- Minimum 94% efficiency and excellent voltage regulation.
- 10 Year limited Warranty on transformers manufactured by Contrast and used with Contrast products.
- Reliable
- Efficient
- Quiet
- Compatible with Low Voltage Magnetic Dimmer

<b>TRAM020EC</b>	Magnetic transformer	20 VA 120V/12V
<b>TRAM035EC</b>	Magnetic transformer	35 VA 120V/12V
<b>TRAM050EC</b>	Magnetic transformer	50 VA 120V/12V
<b>TRAM050EC2</b>	Magnetic transformer	50 VA 277V/12V
<b>TRAM050EC3</b>	Magnetic transformer	50 VA 347V/12V
<b>TRAM075EC</b>	Magnetic transformer	75 VA 120V/12V
<b>TRAM075EC2</b>	Magnetic transformer	75 VA 277V/12V
<b>TRAM075EC3</b>	Magnetic transformer	75 VA 347V/12V
<b>TRAM100EC</b>	Magnetic transformer	100 VA 120V/12V




## Remote Magnetic Transformers

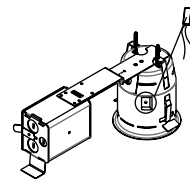
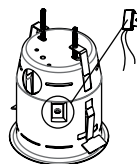
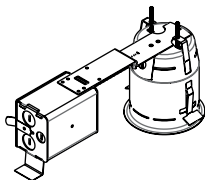
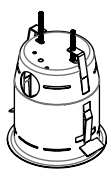
All transformers are equipped with a primary manual reset thermal protector. A second (optional) breaker is available upon request. Dimmable with a low voltage magnetic dimmer.

**5 Year limited Warranty on the remote magnetic transformers.**

**IMPORTANT:**

These installations require field inspection for cULus certification

			H	W	D
	<b>TRAM150R</b>	150W 120V-12V 150VA 12V	5 <sup>5</sup> / <sub>8</sub> " 142mm	5 <sup>5</sup> / <sub>8</sub> " 142mm	2 <sup>7</sup> / <sub>8</sub> " 73mm
	<b>TRAM3002R</b>	300W 120V-12/24V 2 X 150VA-12V, 1 X 300VA-12V or 1 X 300VA-24V Output circuits	6 <sup>3</sup> / <sub>8</sub> " 162mm	3 <sup>3</sup> / <sub>8</sub> " 85mm	3" 76mm
	<b>TRAM300R6</b>	300W 120V-6 x 12V 6 X 50W CLASS II Output circuits	6 <sup>3</sup> / <sub>8</sub> " 162mm	7 <sup>1</sup> / <sub>8</sub> " 180mm	3" 76mm
	<b>TRAM6002R</b>	600W 120V-12/24V 2 X 300VA-12V or 1 X 600VA 24V Output circuits	6 <sup>3</sup> / <sub>4</sub> " 171mm	4 <sup>3</sup> / <sub>4</sub> " 120mm	4 <sup>3</sup> / <sub>8</sub> " 110mm



Housing with hooks and socket	Housing with hooks and socket + junction box	Housing with hooks and socket + thermal protection	Housing with hooks and socket + thermal protection + junction box
REM-2000	REM-J2000	REM-T2000	REM-TJ2000
REM-2000C	REM-J2000C	REM-T2000C	REM-TJ2000C
REM-3000	REM-J3000	REM-T3000	REM-TJ3000
REM-3000C	REM-J3000C	REM-T3000C	REM-TJ3000C
REM-3000L	REM-J3000L	REM-T3000L	REM-TJ3000L
REM-4000	REM-J4000	REM-T4000	REM-TJ4000
REM-4000C	REM-J4000C	REM-T4000C	REM-TJ4000C
REM-5000C	REM-J5000C	REM-T5000C	REM-TJ5000C
REM-7000	REM-J7000	REM-T7000	REM-TJ7000



## Electronic Transformer



<b>TRAE075</b>	Electronic transformer	75W 120V / 12V
<b>TRAE0752</b>	Electronic transformer	75W 277V / 12V
<b>TRAE060</b>	Electronic transformer	CLASS II 60W 120V / 12V
<b>TRAE150</b>	Electronic transformer	150W 120V / 12V
<b>2 Year Warranty</b>		

## Remote Electronic Transformer

### FEATURES FOR REMOTE ELECTRONIC



- Compact and light weight aluminum case design.
- Waterproof potting guarantees silent and reliable operation.
- Dimmable
- Auto-reset electronic short-circuit and overload protection.

		<b>H</b>	<b>W</b>	<b>D</b>
<b>TRAE150R</b>	150 VA 120V-12V	1 <sup>7</sup> / <sub>16</sub> " 36mm	6 <sup>1</sup> / <sub>2</sub> " 165mm	1 <sup>3</sup> / <sub>8</sub> " 35mm
<b>TRAE300R</b>	300 VA 120V-12V	1 <sup>9</sup> / <sub>16</sub> " 40mm	9 <sup>3</sup> / <sub>8</sub> " 237mm	1 <sup>7</sup> / <sub>16</sub> " 26mm

**2 Year Warranty**

**IMPORTANT:** To minimize voltage drop, the transformer should be located as close to the fixture as possible.

### MAXIMUM NUMBER OF FEET IN A RUN TO KEEP VOLTAGE DROP UNDER 3%

Wire Gauge	Power						
	20W	35W	50W	75W	100W	150W	300W
18	14	8	5	4	3	-	-
16	23	11	9	6	4	3	-
14	35	18	14	9	7	4	-
12	55	30	21	14	10	7	4
10	73	47	34	23	16	10	5
8	115	72	54	36	26	18	9

Example: Using a 12 gauge wire, with a total of 100 watts, the fixtures may be located up to 10 feet from the remote transformer.

