

EZ-RJ45® Cat 5e Plug and Crimp Tool

APPLICATION

Leviton EZ-RJ45 Plug and EZ-RJ45 Crimp Tool support quick, cost-effective UTP wire terminations. The connectors feature openings that allow wires to be inserted and extended out the front to provide increased performance, wire-sequence verification, and no wasted connectors, crimps, or bad terminations. Plugs exceed Category 5e standards when terminated using the Leviton high-quality EZ-RJ45 Crimp Tool.

The crimp tool features a built-in cutter and stripper that crimps and cuts wires in one operation. It accommodates EZ-RJ45 Plugs, and most standard RJ-45 and RJ-11 connectors. This craft-friendly tool features precision ground crimp dies, a full-cycle ratcheting mechanism, and steel construction for strength and durability.

EZ-RJ45 Cat 5e Plug



SPECIFICATION

The EZ-RJ45 Plug shall meet ANSI/TIA-1096-A and Category 5e requirements (when used with the Leviton EZ-RJ45 Crimp Tool). It shall be constructed with phosphor bronze contacts and a polycarbonate body. It shall allow UTP wires to extend through the body and out the front to verify wire sequence prior to termination. The manufacturer shall provide a one-year limited product warranty.

FEATURES

- Clear housing for easy wire-sequence verification
- Crimp Tool crimps and cuts wires in one operation.

DESIGN CONSIDERATIONS

- Exceeds Category 5e performance requirements
- Insert/extraction life: 1000 cycles
- Terminates solid and stranded cable

STANDARDS COMPLIANCE

- ANSI/TIA-1096-A (formerly FCC part 68)

PHYSICAL SPECIFICATIONS

Dimensions: See page two

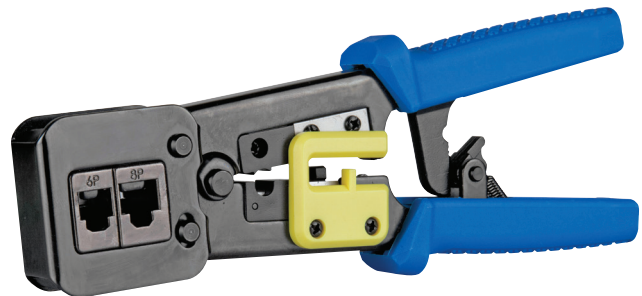
Materials: Polycarbonate body and phosphor bronze contacts

COUNTRY OF ORIGIN

USA

WARRANTY INFORMATION

For a copy of Leviton product warranties, visit www.leviton.com/warranty.



EZ-RJ45 Crimp Tool

Leviton Network Solutions

2222 - 222nd St. SE
Bothell, WA 98021-4416

tel 1-800-824-3005
tel +1-425-486-2222
appeng@leviton.com
www.leviton.com

Asia / Pacific

T +1.631.812.6228
E infoasean@leviton.com

Europe

T +33.6.8869.1380
E infoeurope@leviton.com

Canada

T +1.514.954.1840
E pcservice@leviton.com

India / SAARC

T +971.4.886.4722
E infoindia@leviton.com

Caribbean

T +1.954.593.1896
E infocaribbean@leviton.com

Mexico

T +52.55.5082.1040
E lsamarketing@leviton.com

China

T +852.2774.9876
E infochina@leviton.com

Middle East & Africa

T +971.4.886.4722
E lmeinfo@leviton.com

Colombia

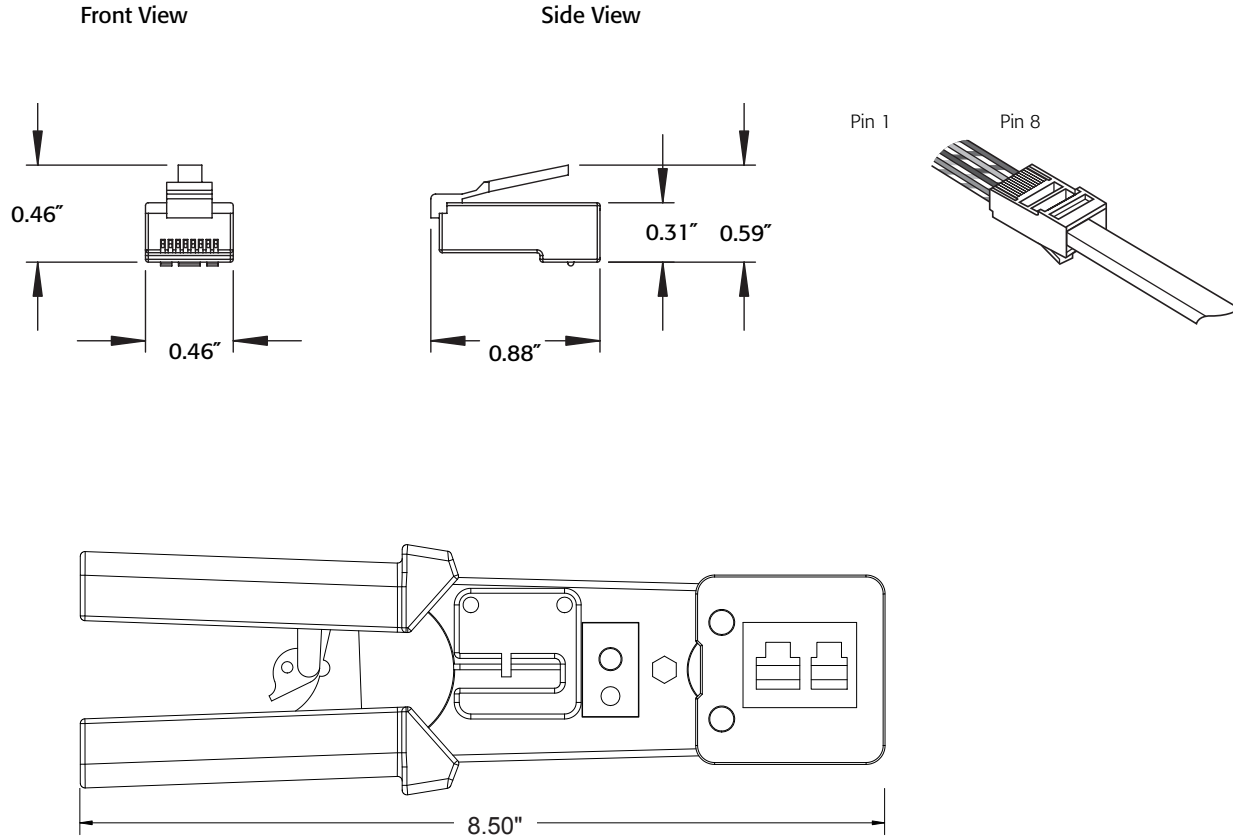
T +57.1.743.6045
E infocolombia@leviton.com

South Korea

T +82.2.3273.9963
E infokorea@leviton.com

ELECTRONIC FILES

For CAD files, typical specs, or technical drawings (.DXF, .DWG), visit www.leviton.com.



47613-EZx, 40989-ACT

PART NUMBERS

Description	Part No.
EZ-RJ45® Cat 5e Plug, quantity of 50	47613-EZC
EZ-RJ45 Cat 5e Plug, quantity of 10	47613-EZR
EZ-RJ45 Crimp Tool	40989-ACT

Note: EZ-RJ45 is a trademark of SullStar Technologies, Inc.



Leviton Network Solutions
 2222 - 222nd St. SE
 Bothell, WA 98021-4416

Asia / Pacific
 T +1.631.812.6228
 E infoasean@leviton.com

Canada
 T +1.514.954.1840
 E pcservice@leviton.com

Caribbean
 T +1.954.593.1896
 E infocaribbean@leviton.com

China
 T +852.2774.9876
 E infochina@leviton.com

Colombia
 T +57.1.743.6045
 E infocolombia@leviton.com

tel 1-800-824-3005
 tel +1-425-486-2222
appeng@leviton.com
www.leviton.com

Europe
 T +33.6.8869.1380
 E infoeurope@leviton.com

India / SAARC
 T +971.4.886.4722
 E infoindia@leviton.com

Mexico
 T +52.55.5082.1040
 E Isamarketing@leviton.com

Middle East & Africa
 T +971.4.886.4722
 E lmeinfo@leviton.com

South Korea
 T +82.2.3273.9963
 E infokorea@leviton.com