

Single and Dual-Gang Surface-Mount Back Boxes

APPLICATION

Single- and dual-gang back boxes are used for surface-mount installation in hard-wall or open-office environments. Compatible with all Leviton QuickPort® and MOS flush-mount wallplates. Accommodates various raceway types. Available in two depths (1.45 and 1.89 inches) and in four colors (white, ivory, grey, and black).



SPECIFICATION

Surface-mount back boxes shall accept NEMA compliant flush-mount plates. Both side and rear cable entry must be provided with rear cable knockout sized to facilitate cable bend-radius. Back boxes shall have removable base and accommodate two sizes of raceway on sides, top, and bottom. Matching shallow and deep versions shall be available. Colors and configurations to be specified per schedule on plan. Back boxes shall be constructed of high-impact, fire-retardant plastic rated UL 94V-0, and be UL Listed and compliant with ANSI/TIA-568-C.0 specifications.

FEATURES

- Back boxes have tie-wrap anchors at each inside raceway entry point
- Dual-gang back box has four fiber storage tie-wrap anchors located on base surface
- Screws and tape provided for mounting; optional magnet retention (41030-SMJ)
- Compatible with all Leviton multimedia wallplates, including QuickPort wallplates
- Two-piece construction
- Designed with rear and side cable access breakouts
- Larger breakouts in single-gang bases accommodate a larger cable bend radius
- Available in four colors (white, ivory, grey, and black)

DESIGN CONSIDERATIONS

- Single-gang back box accepts Leviton MOS, QuickPort wallplates, and any Leviton single-gang wallplate
- Dual-gang back box accepts mounting of fiber ring (41290-DRx), MOS, QuickPort dual-gang wallplates, and any Leviton dual-gang NEMA style wallplate
- Back boxes include two-magnet retainers for optional surface mounting with magnets
- Side breakouts accept Wiremold and Panduit raceway or equivalent
- Rear and side cable access breakouts
- Available in two depths (1.45 and 1.89 inches)

STANDARDS COMPLIANCE

- UL Listed
- CSA Certified
- ANSI/TIA-568-C.0

PHYSICAL SPECIFICATIONS

Dimensions: See page two
Materials: Fire-retardant plastic rated 94V-O
Mounting: Use screws (included), adhesive tape (included), or optional magnet mount (41030-SMJ)
Colors: White, ivory, grey, and black

COUNTRY OF ORIGIN

Mexico

WARRANTY INFORMATION

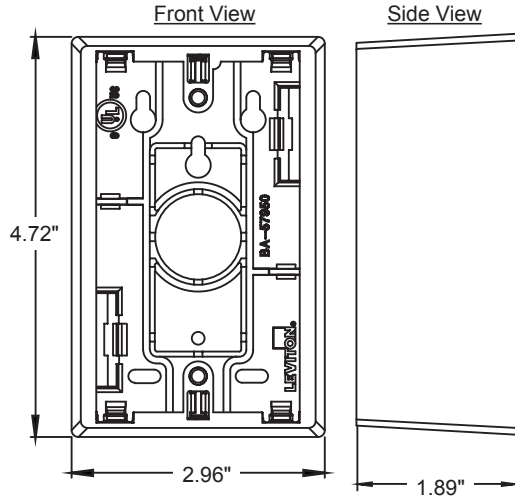
For a copy of Leviton product warranties, visit www.leviton.com/warranty.

42777-1XX, 42777-2XX

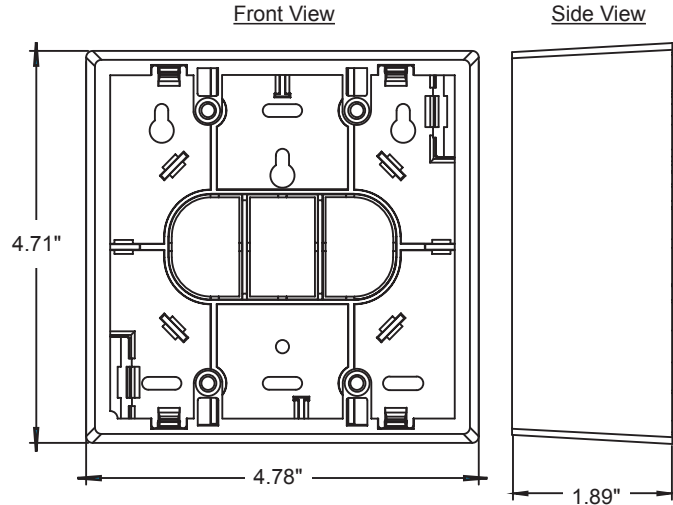
ELECTRONIC FILES

For CAD files, typical specs, or technical drawings (.DXF, .DWG), visit www.leviton.com.

Single Gang

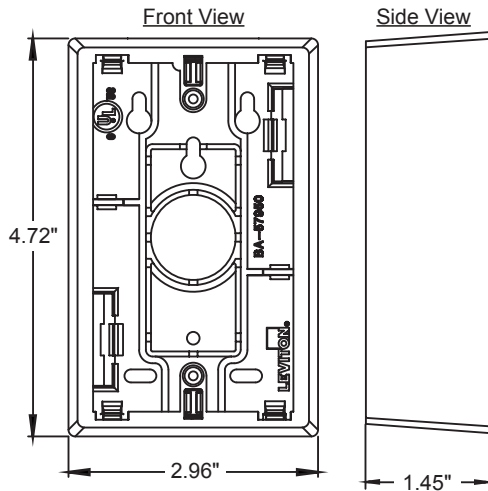


Dual Gang

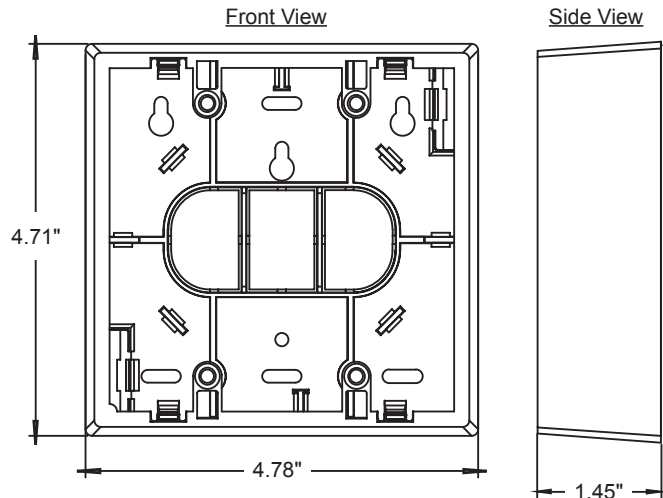


42777-1XX, 42777-2XX

Single Gang



Dual Gang



PART NUMBERS

| Description | WHITE | IVORY | GREY | BLACK |
|--|-----------|-----------|-----------|-----------|
| Single-Gang Surface-Mount Back Boxes, 1.89-inches deep | 42777-1WA | 42777-1IA | 42777-1GA | 42777-1EA |
| Single-Gang Surface-Mount Back Boxes, 1.45-inches deep | 42777-1WB | 42777-1IB | 42777-1GB | 42777-1EB |
| Dual-Gang Surface-Mount Back Boxes, 1.89-inches deep | 42777-2WA | 42777-2IA | 42777-2GA | 42777-2EA |
| Dual-Gang Surface-Mount Back Boxes, 1.45-inches deep | 42777-2WB | 42777-2IB | 42777-2GB | 42777-2EB |



Leviton Network Solutions
2222 - 222nd St. SE
Bothell, WA 98021-4416

Asia / Pacific
T +1.631.812.6228
E infoasean@leviton.com

Canada
T +1.514.954.1840
E pcservice@leviton.com

Caribbean
T +1.954.593.1896
E infocaribbean@leviton.com

China
T +852.2774.9876
E infochina@leviton.com

Colombia
T +57.1.743.6045
E infocolombia@leviton.com

tel 1-800-824-3005
tel +1-425-486-2222
appeng@leviton.com
www.leviton.com

Europe
T +33.6.8869.1380
E infoeurope@leviton.com

India / SAARC
T +971.4.886.4722
E infoindia@leviton.com

Mexico
T +52.55.5082.1040
E Isamarketing@leviton.com

Middle East & Africa
T +971.4.886.4722
E lmeinfo@leviton.com

South Korea
T +82.2.3273.9963
E infokorea@leviton.com