

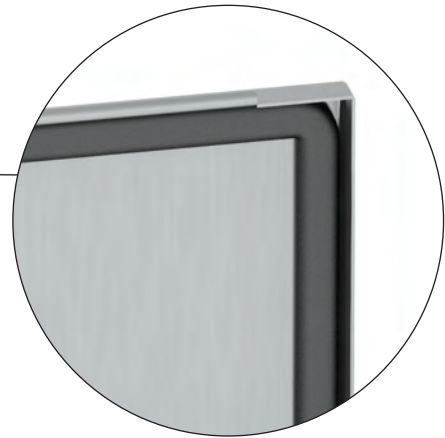
Type 4X Panel Enclosures



JIC Enclosures Type 4X Lift-Off Cover	194-195
JIC Enclosures Type 4X Lift-Off Cover, Aluminum	196-197
JIC Enclosures Type 4X JIC Continuous Hinge Cover	198-199
JIC Enclosures Type 4X JIC Continuous Hinge Cover Aluminum	200-201
JIC Enclosures Type 4X JIC Continuous Hinge Cover Quarter-Turn Latches	202-203
Wall-Mount Enclosures Type 4X Single-Door	204-205
Wall-Mount Enclosures Type 4X Single-Door, Aluminum	206-207
Wall-Mount Enclosures Type 4X Premier™ Quarter-Turn Latches	208-211
Premier™ Series Accessories	212-217
Wall-Mount Enclosures Type 4X Single-Door 3-Point Locking	218-219
Wall-Mount Enclosures Type 4X Double-Door 3-Point Locking	220-221
Ground-Mount Enclosures Type 4X Double-Door Floor Standing	222-223
Ground-Mount Enclosures Type 4X Double-Door Floor-Standing Quarter-Turn Latches	224-225
Ground-Mount Enclosures Type 4X Double-Door Floor-Standing 3-Point Locking	226-227
Ground-Mount Enclosures Type 4X Single-Door Free-Standing	228-229
Ground-Mount Enclosures Type 4X Single-Door Free-Standing Quarter-Turn Latches	230-231
Ground-Mount Enclosures Type 4X Single-Door Free-Standing 3-Point Locking	232-233
Ground-Mount Enclosures Type 4X Single-Door Dual Access Free-Standing 3-Point Locking	234-235
Ground-Mount Enclosures Type 4X Double-Door Free-Standing 3-Point Locking	236-237
Ground-Mount Enclosures Type 4X Double-Door Dual Access Free-Standing 3-Point Locking	238-239
Ground-Mount Enclosures Type 4X Double-Door EnviroShield™ Free-Standing 3-Point Locking	240-241
Free-Standing Enclosure Accessories	242-253

Type 4X Panel Enclosures

JIC Enclosures Type 4X Lift-Off Cover Data Sheet



Seamless, poured in-place gasket

Application

- Houses electrical controls and instruments
- Intended for indoor or outdoor use where a corrosive environment exists
- Protects against corrosion, windblown dust and rain, splashing water and hose directed water

Standards

- UL 508A listed, Type 4X, Type 4, Type 12 and Type 13
- CSA C22.2 No.94 certified, Type 4X, Type 4, Type 12 and Type 13
- Conforms to NEMA standard for Type 4X, Type 4, Type 12 and Type 13

Finish

- Cover and sides of body have a smooth #4 brushed finish

Accessories

- Panels
- JIC terminal strap kit
- JIC terminal strip kit
- Terminal blocks
- See Accessories section

Construction

- Enclosure and cover are fabricated from (16) gauge, Type 304 or Type 316L stainless steel
- All continuous welded seams are finished smooth
- Cover is secured to the body with easy-to-operate stainless steel screw clamps mounted on all four sides
- Cover has a seamless poured in-place gasket
- #10-32 weld nuts are provided for mounting optional panel on 6" x 4" and larger enclosures
- Ground stud provided on cover
- External mounting feet are provided for secure wall mounting

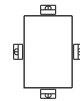
Discount Schedule: C2

**Subclass: DD0 (Type 304)
D10 (Type 316L)**

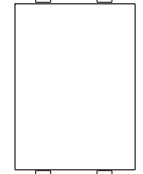
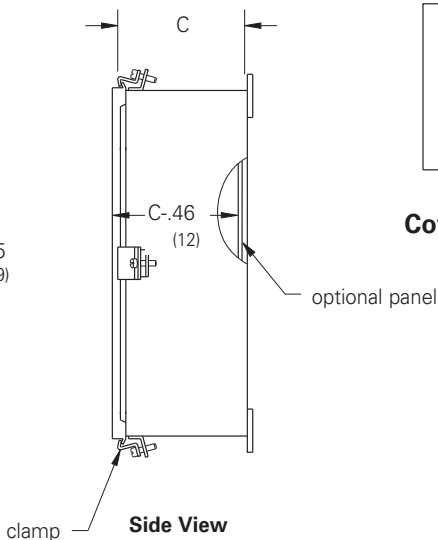
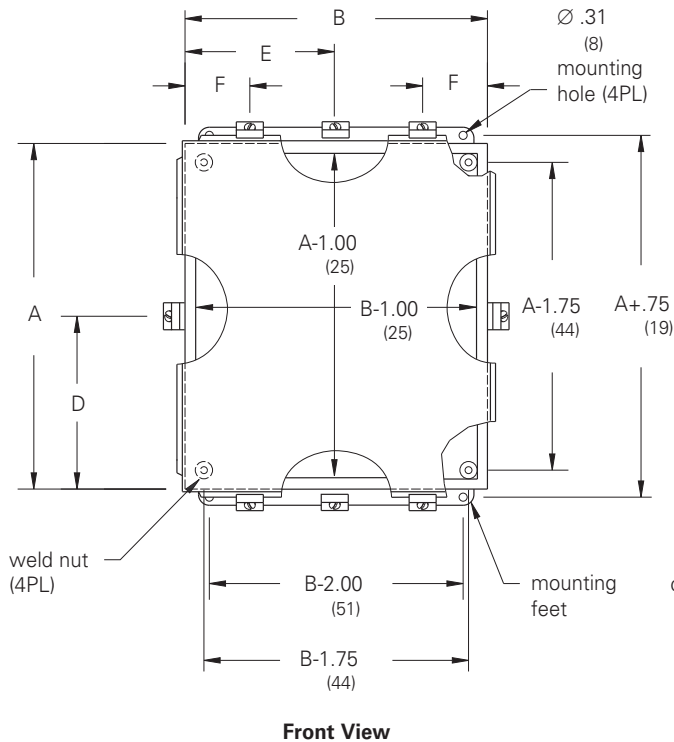
Notes: We can provide special sizes, finishes and other modifications. Consult the factory for your special requirements.

JIC Enclosures Type 4X Lift-Off Cover Illustration Sheet and Catalog Number

Enclosure Catalog Number Stainless Steel		Enclosure Size Height x Width x Depth A x B x C		D	E	F	Panel Catalog Number		Panel Size Height x Width		
Type 304	Type 316L	in.	mm	in.	mm	in.	mm	Steel	Conductive	in.	mm
443-4XSLC	443-4XSS6LC	4.00 x 4.00 x 3.00	102 x 102 x 76	2.00	51	2.00	51	-	-	-	-
643-4XSLC	643-4XSS6LC	6.00 x 4.00 x 3.00	152 x 102 x 76	3.00	76	2.00	51	AW64P	AW64GP	4.87 x 2.87	124 x 73
664-4XSLC	664-4XSS6LC	6.00 x 6.00 x 4.00	152 x 152 x 102	3.00	76	3.00	76	AW66P	AW66GP	4.87 x 4.87	124 x 124
864-4XSLC	864-4XSS6LC	8.00 x 6.00 x 4.00	203 x 152 x 102	-	-	-	-	AW86P	AW86GP	6.87 x 4.87	174 x 124
884-4XSLC	884-4XSS6LC	8.00 x 8.00 x 4.00	203 x 203 x 102	-	-	-	-	AW88P	AW88GP	6.87 x 6.87	174 x 174
1084-4XSLC	1084-4XSS6LC	10.00 x 8.00 x 4.00	254 x 203 x 102	-	-	-	-	AW108P	AW108GP	8.87 x 6.87	225 x 174
12105-4XSLC	12105-4XSS6LC	12.00 x 10.00 x 5.00	305 x 254 x 127	-	-	-	-	AW1210P	AW1210GP	10.87 x 8.87	276 x 225
14126-4XSLC	14126-4XSS6LC	14.00 x 12.00 x 6.00	356 x 305 x 152	-	-	-	-	AW1412P	AW1412GP	12.87 x 10.87	327 x 276
16146-4XSLC	16146-4XSS6LC	16.00 x 14.00 x 6.00	406 x 356 x 152	-	-	-	-	AW1614P	AW1614GP	14.87 x 12.87	378 x 327



443-4XSLC
643-4XSLC
664-4XSLC



864-4XSLC
884-4XSLC
1084-4XSLC
12105-4XSLC
14126-4XSLC
16146-4XSLC

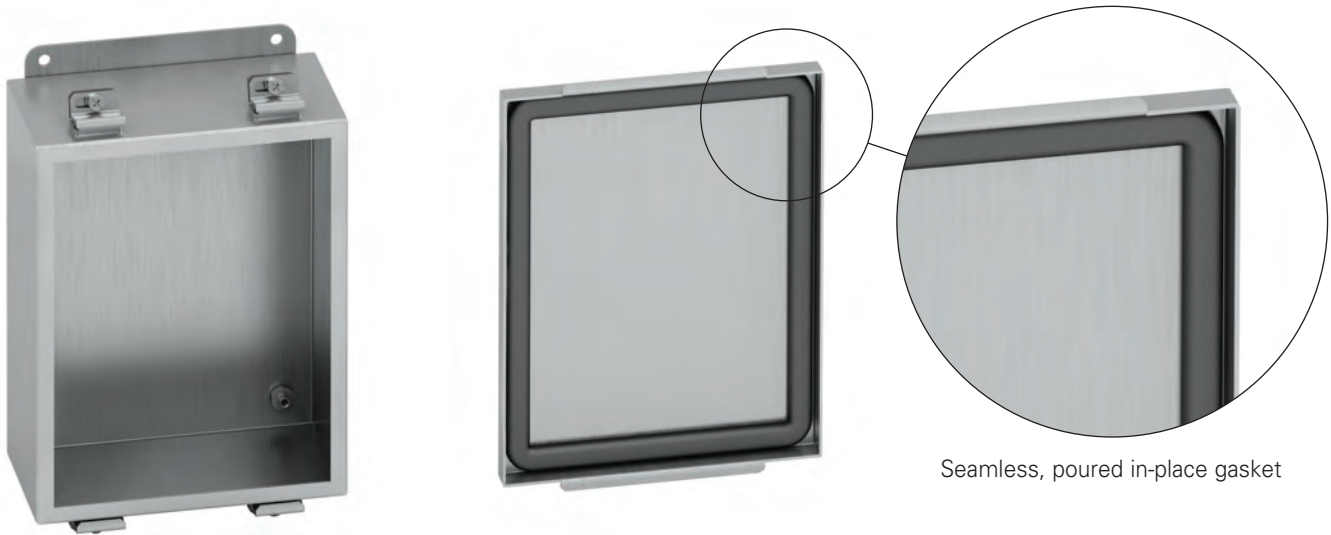
Cover Clamp Layout

optional panel

Notes: Dimensions are in inches. Millimeters shown are for reference only. Data subject to change without notice.

Type 4X Panel Enclosures

JIC Enclosures Type 4X Lift-Off Cover, Aluminum Data Sheet



Seamless, poured in-place gasket

Application

- Houses electrical controls and instruments
- Intended for indoor or outdoor use where a corrosive environment exists
- Protects against corrosion, windblown dust and rain, splashing water and hose directed water

Standards

- UL 508A listed, Type 4, Type 4X, Type 12 and Type 13
- CSA C22.2 No.94 certified, Type 4, Type 4X, Type 12 and Type 13
- Conforms to NEMA standard for Type 4, Type 4X, Type 12 and Type 13

Finish

- Cover and sides of body have a smooth #4 brushed finish

Accessories

- Panels
- JIC terminal strap kit
- JIC terminal strip kit
- Terminal blocks
- See Accessories section

Construction

- Enclosure and cover are fabricated from (14) gauge, Type 5052-H32 aluminum
- All continuous welded seams are finished smooth
- Cover is secured to the body with easy-to-operate stainless steel screw clamps mounted on all four sides
- Each door has a print pocket and padlock hasp with sealing hole provision
- Cover has a seamless poured in-place gasket
- #10-32 weld nuts are provided for mounting optional panel on 6" x 4" and larger enclosures
- External mounting feet are provided for secure wall mounting

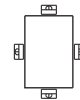
Discount Schedule: C2

Subclass: DDA

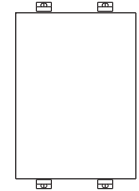
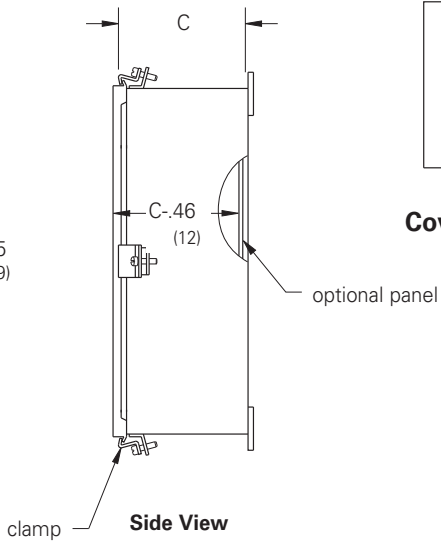
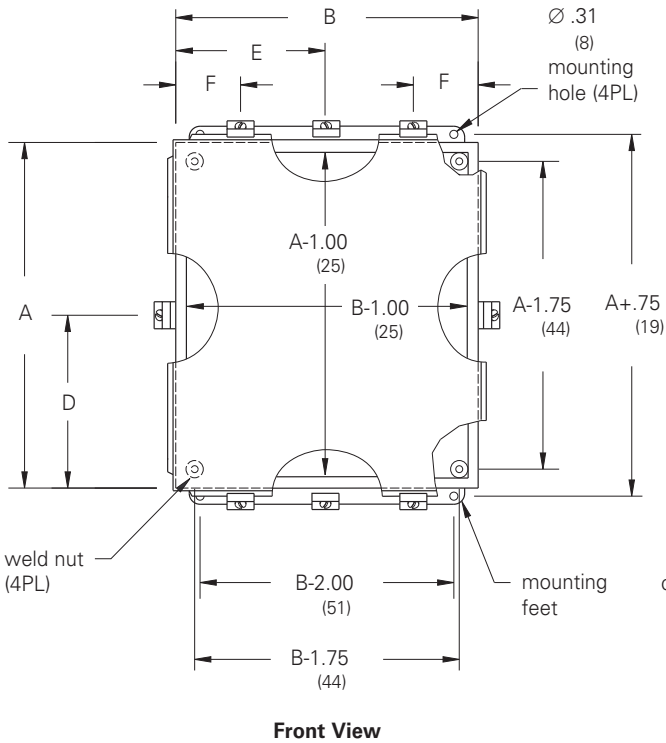
Notes: We can provide special sizes, finishes and other modifications. Consult the factory for your special requirements.

JIC Enclosures Type 4X Lift-Off Cover, Aluminum Illustration Sheet and Catalog Number

Enclosure Catalog Number	Enclosure Size Height x Width x Depth A x B x C		D in. mm	E in. mm	F in. mm	Panel Catalog Number		Panel Size Height x Width	
	in.	mm				Steel	Conductive	in.	mm
443-4XALC	4.00 x 4.00 x 3.00	102 x 102 x 76	2.00 51	2.00 51	- -	-	-	-	-
643-4XALC	6.00 x 4.00 x 3.00	152 x 102 x 76	3.00 76	2.00 51	- -	AW64P	AW64GP	4.87 x 2.87	124 x 73
664-4XALC	6.00 x 6.00 x 4.00	152 x 152 x 102	3.00 76	3.00 76	- -	AW66P	AW66GP	4.87 x 4.87	124 x 124
864-4XALC	8.00 x 6.00 x 4.00	203 x 152 x 102	- -	- -	2.00 51	AW86P	AW86GP	6.87 x 4.87	174 x 124
884-4XALC	8.00 x 8.00 x 4.00	203 x 203 x 102	- -	- -	2.00 51	AW88P	AW88GP	6.87 x 6.87	174 x 174
1084-4XALC	10.00 x 8.00 x 4.00	254 x 203 x 102	- -	- -	2.00 51	AW108P	AW108GP	8.87 x 6.87	225 x 174
12105-4XALC	12.00 x 10.00 x 5.00	305 x 254 x 127	- -	- -	3.00 76	AW1210P	AW1210GP	10.87 x 8.87	276 x 225
14126-4XALC	14.00 x 12.00 x 6.00	356 x 305 x 152	- -	- -	3.00 76	AW1412P	AW1412GP	12.87 x 10.87	327 x 276
16146-4XALC	16.00 x 14.00 x 6.00	406 x 356 x 152	- -	- -	3.00 76	AW1614P	AW1614GP	14.87 x 12.87	378 x 327



443-4XALC
643-4XALC
664-4XALC



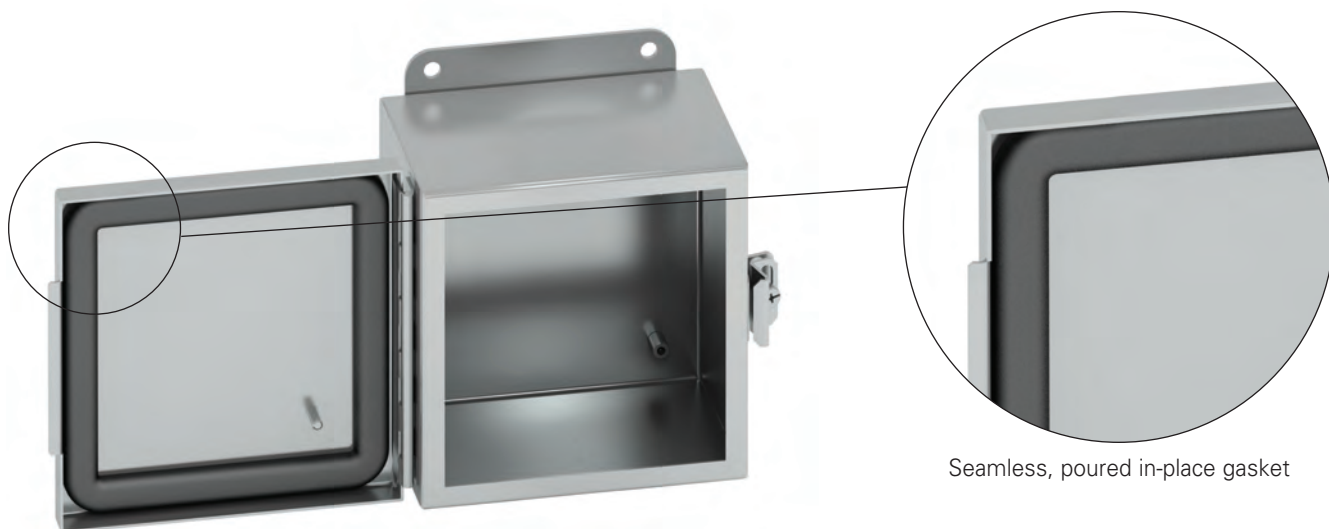
864-4XALC
884-4XALC
1084-4XALC
12105-4XALC
14126-4XALC
16146-4XALC

Cover Clamp Layout

Notes: Dimensions are in inches. Millimeters shown are for reference only. Data subject to change without notice.

Type 4X Panel Enclosures

JIC Enclosures Type 4X Continuous Hinge Cover Data Sheet



Seamless, poured in-place gasket

Application

- Houses electrical controls and instruments
- Intended for indoor or outdoor use where a corrosive environment exists
- Protects against corrosion, windblown dust and rain, splashing water and hose directed water

Standards

- UL 508A listed, Type 4, Type 4X, Type 12 and Type 13
- CSA C22.2 No.94 certified, Type 4, Type 4X, Type 12 and Type 13
- Conforms to NEMA standard for Type 4, Type 4X, Type 12 and Type 13

Finish

- Cover and sides of body have a smooth #4 brushed finish

Accessories

- Panels
- JIC terminal strap kit
- JIC terminal strip kit
- Terminal blocks
- See Accessories section

Construction

- Enclosure and cover are fabricated from (16) gauge, Type 304 or Type 316L stainless steel
- All continuous welded seams are finished smooth
- Cover is secured to the body with a stainless steel continuous hinge and pin on one side and easy-to-operate stainless steel screw clamps mounted to the opposite side
- Cover has a seamless poured in-place gasket
- Ground stud provided on cover
- #10-32 weld nuts are provided for mounting optional panel
- External mounting feet are provided for secure wall mounting

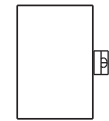
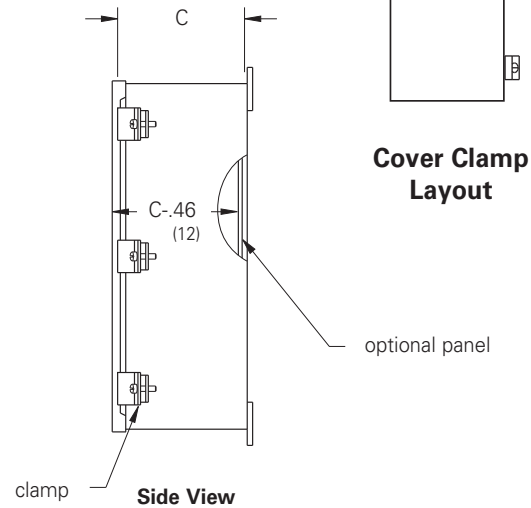
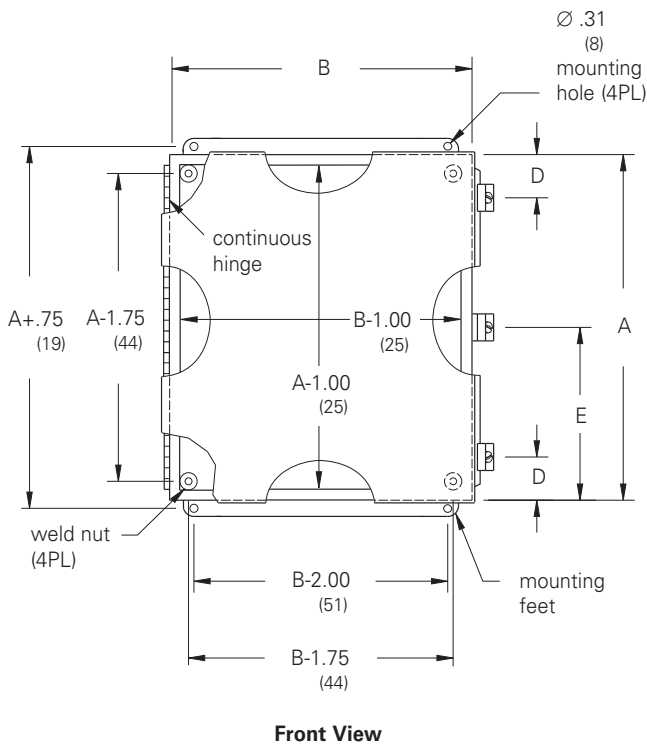
Discount Schedule: C2

**Subclass: DDO (Type 304)
D10 (Type 316L)**

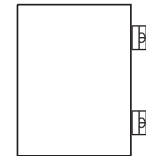
Notes: We can provide special sizes, finishes and other modifications. Consult the factory for your special requirements.

JIC Enclosures Type 4X Continuous Hinge Cover Illustration Sheet and Catalog Number

Enclosure Catalog Number		Enclosure Size		D		E		Panel Catalog Number		Panel Size	
Stainless Steel		Height x Width x Depth								Height x Width	
Type 304	Type 316L	in.	mm	in.	mm	in.	mm	Steel	Conductive	in.	mm
644-4XSCHC	644-4XSS6CHC	6.00 x 4.00 x 4.00	152 x 102 x 102	-	-	3.00	76	AW64P	AW64GP	4.87 x 2.87	124 x 73
664-4XSCHC	664-4XSS6CHC	6.00 x 6.00 x 4.00	152 x 152 x 102	-	-	3.00	76	AW66P	AW66GP	4.87 x 4.87	124 x 124
864-4XSCHC	864-4XSS6CHC	8.00 x 6.00 x 4.00	203 x 152 x 102	2.00	51	-	-	AW86P	AW86GP	6.87 x 4.87	174 x 124
884-4XSCHC	884-4XSS6CHC	8.00 x 8.00 x 4.00	203 x 203 x 102	2.00	51	-	-	AW88P	AW88GP	6.87 x 6.87	174 x 174
1084-4XSCHC	1084-4XSS6CHC	10.00 x 8.00 x 4.00	254 x 203 x 102	2.00	51	-	-	AW108P	AW108GP	8.87 x 6.87	225 x 174
12106-4XSCHC	12106-4XSS6CHC	12.00 x 10.00 x 6.00	305 x 254 x 152	3.00	76	-	-	AW1210P	AW1210GP	10.87 x 8.87	276 x 225
12126-4XSCHC	12126-4XSS6CHC	12.00 x 12.00 x 6.00	305 x 305 x 152	3.00	76	-	-	AW1212P	AW1212GP	10.87 x 10.87	276 x 276
14126-4XSCHC	14126-4XSS6CHC	14.00 x 12.00 x 6.00	356 x 305 x 152	3.00	76	-	-	AW1412P	AW1412GP	12.87 x 10.87	327 x 276
16146-4XSCHC	16146-4XSS6CHC	16.00 x 14.00 x 6.00	406 x 356 x 152	3.00	76	-	-	AW1614P	AW1614GP	14.87 x 12.87	376 x 327



644-4XSCHC
664-4XSCHC



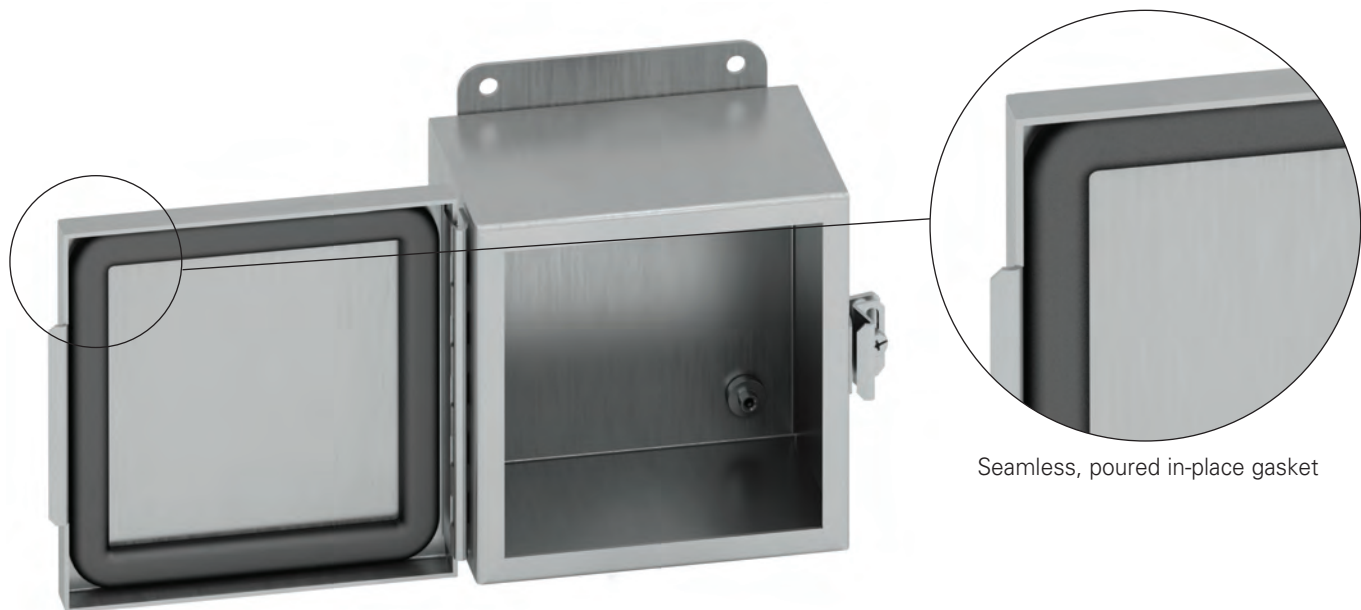
864-4XSCHC
884-4XSCHC
1084-4XSCHC
12106-4XSCHC
12126-4XSCHC
14126-4XSCHC
16146-4XSCHC

Cover Clamp Layout

Notes: Dimensions are in inches. Millimeters shown are for reference only. Data subject to change without notice.

Type 4X Panel Enclosures

JIC Enclosures Type 4X Continuous Hinge Cover, Aluminum Data Sheet



Seamless, poured in-place gasket

Application

- Houses electrical controls and instruments
- Intended for indoor or outdoor use where a corrosive environment exists
- Protects against corrosion, windblown dust and rain, splashing water and hose directed water

Standards

- UL 508A listed, Type 4, Type 4X, Type 12 and Type 13
- CSA C22.2 No.94 certified, Type 4, Type 4X, Type 12 and Type 13
- Conforms to NEMA standard for Type 4, Type 4X, Type 12 and Type 13

Finish

- Cover and sides of body have a smooth #4 brushed finish

Accessories

- Panels
- JIC terminal strap kit
- JIC terminal strip kit
- Terminal blocks
- See Accessories section

Construction

- Enclosure and cover are fabricated from (14) gauge, Type 5052-H32 aluminum
- All continuous welded seams are finished smooth
- Cover is secured to the body with an aluminum continuous hinge and pin on one side and easy-to-operate stainless steel screw clamps mounted to the opposite side
- Cover has a seamless poured in-place gasket
- #10-32 weld nuts are provided for mounting optional panel
- External mounting feet are provided for secure wall mounting

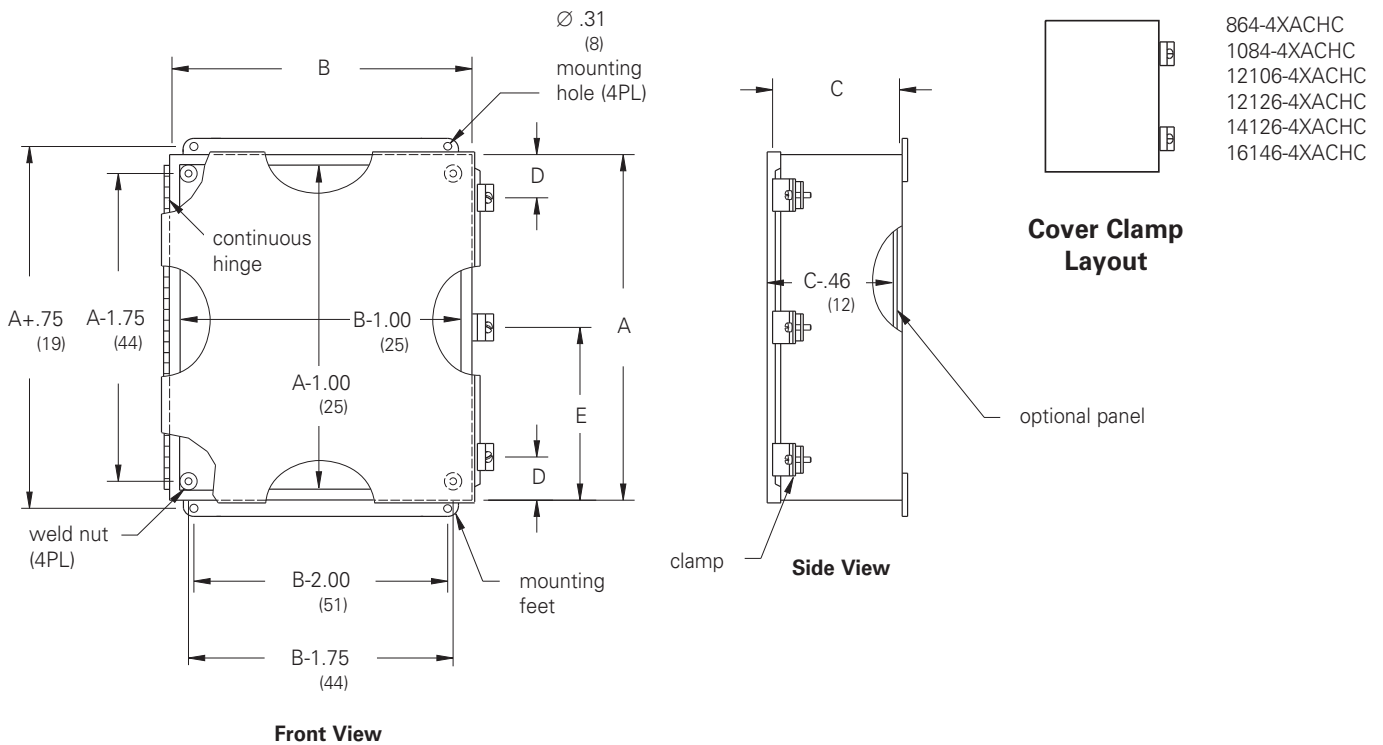
Discount Schedule: C2

Subclass: DDA

Notes: We can provide special sizes, finishes and other modifications. Consult the factory for your special requirements.

JIC Enclosures Type 4X Continuous Hinge Cover, Aluminum Illustration Sheet and Catalog Number

Enclosure Catalog Number	Enclosure Size Height x Width x Depth A x B x C		D		E		Panel Catalog Number		Panel Size Height x Width	
	in.	mm	in.	mm	in.	mm	Steel	Conductive	in.	mm
	644-4XACHC	6.00 x 4.00 x 4.00	152 x 102 x 102	-	-	3.00	76	AW64P	AW64GP	4.87 x 2.87
664-4XACHC	6.00 x 6.00 x 4.00	152 x 152 x 102	-	-	3.00	76	AW66P	AW66GP	4.87 x 4.87	124 x 124
864-4XACHC	8.00 x 6.00 x 4.00	203 x 152 x 102	2.00	51	-	-	AW86P	AW86GP	6.87 x 4.87	174 x 124
1084-4XACHC	10.00 x 8.00 x 4.00	254 x 203 x 102	2.00	51	-	-	AW108P	AW108GP	8.87 x 6.87	225 x 174
12106-4XACHC	12.00 x 10.00 x 6.00	305 x 254 x 152	3.00	76	-	-	AW1210P	AW1210GP	10.87 x 8.87	276 x 225
12126-4XACHC	12.00 x 12.00 x 6.00	305 x 305 x 152	3.00	76	-	-	AW1212P	AW1212GP	10.87 x 10.87	276 x 276
14126-4XACHC	14.00 x 12.00 x 6.00	356 x 305 x 152	3.00	76	-	-	AW1412P	AW1412GP	12.87 x 10.87	327 x 276
16146-4XACHC	16.00 x 14.00 x 6.00	406 x 356 x 152	3.00	76	-	-	AW1614P	AW1614GP	14.87 x 12.87	378 x 327



Notes: Dimensions are in inches. Millimeters shown are for reference only. Data subject to change without notice.

Type 4X Panel Enclosures

JIC Enclosures

Type 4X Continuous Hinge Cover with Quarter-Turn Latches

Data Sheet



Application

- Houses electrical controls and instruments
- Intended for indoor or outdoor use where a corrosive environment exists
- Protects against windblown dust and rain, splashing water and hose directed water

Standards

- UL 508A Listed, Type 3R, Type 4, Type 4X, Type 12
- CSA C22.2 No.94 certified, Type 3R, Type 4, Type 4X, Type 12
- Conforms to NEMA Standards for Type 3, Type 3R, Type 4, Type 4X, Type 12

Finish

- Cover and sides of body have a smooth #4 brushed finish

Accessories

- Panels
- Swing-out panel kits
- JIC terminal kits
- Window kits
- Locks and latches

Construction

- Enclosure and cover are fabricated from (16) gauge stainless steel
- All continuous welded seams are finished smooth
- Stainless steel continuous hinge and pin
- Slotted quarter-turn flush latch(es)
- Cover has a seamless poured in-place gasket
- Ground stud provided on cover
- #10-32 weld nuts are provided for mounting optional panel
- External mounting feet

Discount Schedule: C2

Subclass: DDO

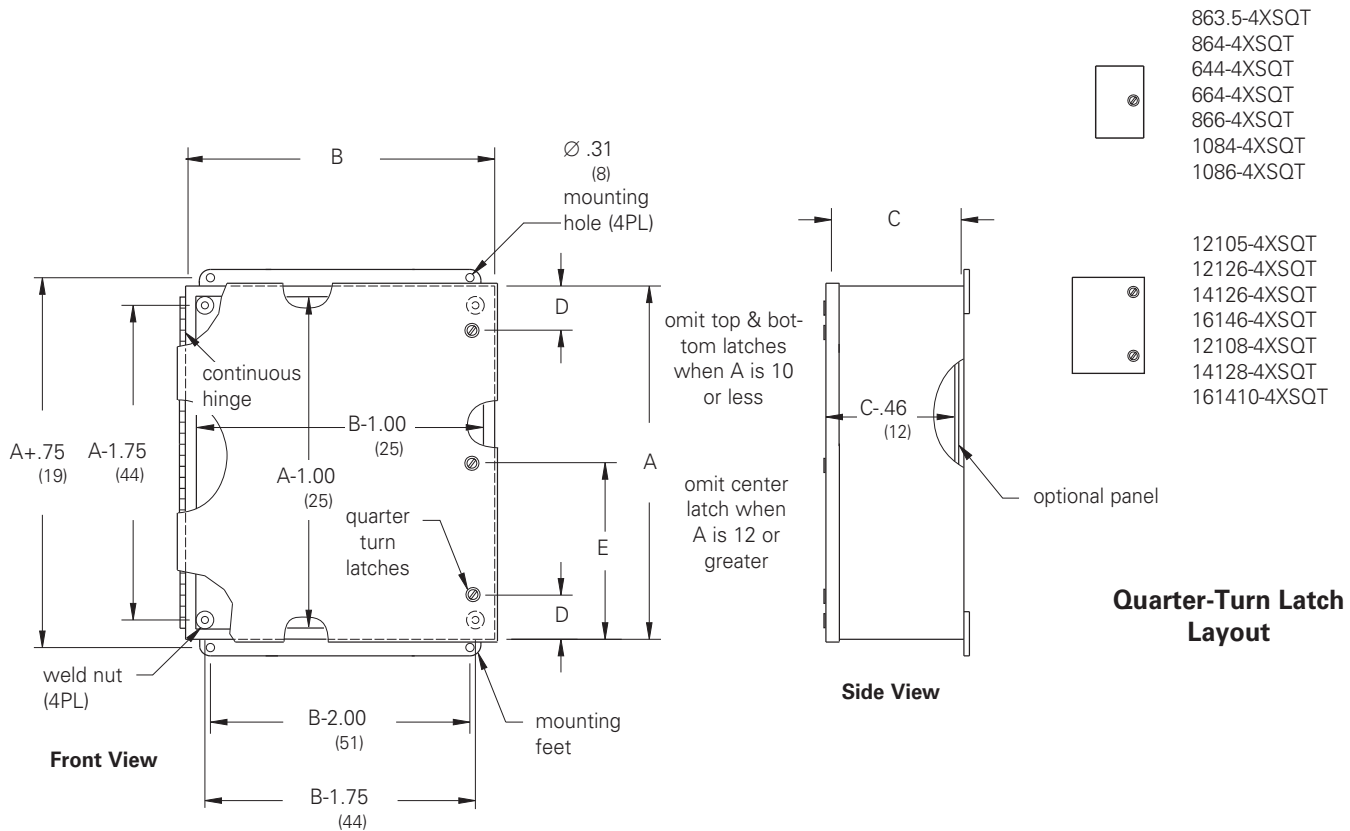
Notes: We can provide special sizes, finishes and other modifications. Consult the factory for your special requirements.

JIC Enclosures

Type 4X Continuous Hinge Cover with Quarter-Turn Latches

Illustration Sheet and Catalog Number

Enclosure Catalog Number	Enclosure Size Height x Width x Depth A x B x C		D		E		Panel Catalog Number		Panel Size Height x Width	
	in.	mm	in.	mm	in.	mm	Steel	Conductive	in.	mm
644-4XSQT	6.00 x 4.00 x 4.00	152 x 102 x 102	-	-	3.00	76	AW64P	AW64GP	4.87 x 2.87	124 x 73
664-4XSQT	6.00 x 6.00 x 4.00	152 x 152 x 102	-	-	3.00	76	AW66P	AW66GP	4.87 x 4.87	124 x 124
863.5-4XSQT	8.00 x 6.00 x 3.50	203 x 152 x 89	-	-	4.00	101	AW86P	AW86GP	6.87 x 4.87	174 x 124
864-4XSQT	8.00 x 6.00 x 4.00	203 x 152 x 102	-	-	4.00	101	AW86P	AW86GP	6.87 x 4.87	174 x 124
1084-4XSQT	10.00 x 8.00 x 4.00	254 x 203 x 102	-	-	5.00	127	AW108P	AW108GP	8.87 x 6.87	225 x 174
12105-4XSQT	12.00 x 10.00 x 5.00	305 x 254 x zzz	3.00	76	-	-	AW1210P	AW1210GP	10.87 x 8.87	276 x 225
866-4XSQT	8.00 x 6.00 x 6.00	203 x 152 x 152	-	-	4.00	101	AW86P	AW86GP	6.87 x 4.87	174 x 124
1086-4XSQT	10.00 x 8.00 x 6.00	254 x 203 x 152	-	-	5.00	127	AW108P	AW108GP	8.87 x 6.87	225 x 174
12126-4XSQT	12.00 x 12.00 x 6.00	305 x 305 x 152	3.00	76	-	-	AW1212P	AW1212GP	10.87 x 10.87	276 x 276
14126-4XSQT	14.00 x 12.00 x 6.00	355 x 305 x 152	3.00	76	-	-	AW1412P	AW1412GP	12.87 x 10.87	327 x 276
16146-4XSQT	16.00 x 14.00 x 6.00	406 x 355 x 152	3.00	76	-	-	AW1614P	AW1614GP	14.87 x 12.87	377 x 327
12108-4XSQT	12.00 x 10.00 x 8.00	305 x 254 x 203	3.00	76	-	-	AW1210P	AW1210GP	10.87 x 8.87	276 x 225
14128-4XSQT	14.00 x 12.00 x 8.00	355 x 305 x 203	3.00	76	-	-	AW1412P	AW1412GP	12.87 x 10.87	327 x 276
161410-4XSQT	16.00 x 14.00 x 10.00	406 x 355 x 254	3.00	76	-	-	AW1614P	AW1614GP	14.87 x 12.87	377 x 327



Notes: Dimensions are in inches. Millimeters shown are for reference only. Data subject to change without notice.

Type 4X Panel Enclosures

Wall-Mount Enclosures Type 4X Single-Door Data and Illustration Sheet



Application

- Houses electrical controls and instruments
- Intended for indoor or outdoor use where a corrosive environment exists
- Protects against corrosion, windblown dust and rain, splashing water and hose directed water

Standards

- UL 508A listed, Type 4, Type 4X, Type 12 and Type 13
- CSA C22.2 No.94 certified, Type 4, Type 4X, Type 12 and Type 13
- Conforms to NEMA standard for Type 4, Type 4X, Type 12 and Type 13

Construction

- Enclosure and door are fabricated from (14) gauge, Type 304 or Type 316L stainless steel
- All continuous welded seams are finished smooth
- Doors are secured to the body with a heavy-duty, stainless steel continuous hinge and pin on one side and easy to release stainless steel door clamps mounted to the other three sides
- Each door has a padlock hasp with sealing hole provision
- Print pocket provided
- Door has a seamless poured in-place gasket
- Ground stud provided on door and body
- Formed lip around enclosure opening diverts liquids and contaminants
- .375-16 collar studs are provided for mounting optional panel
- External mounting feet are provided for secure wall mounting

Finish

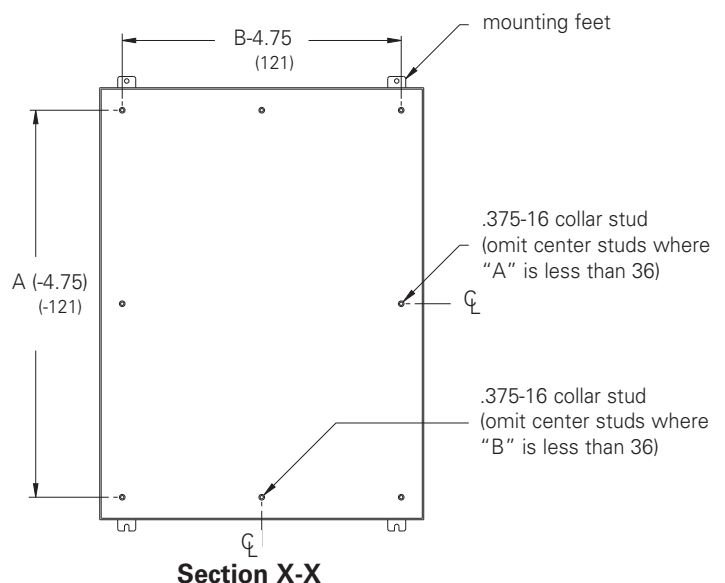
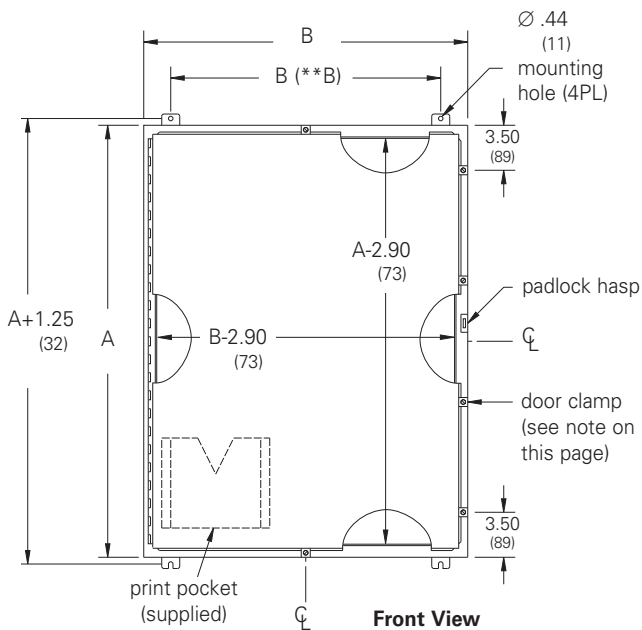
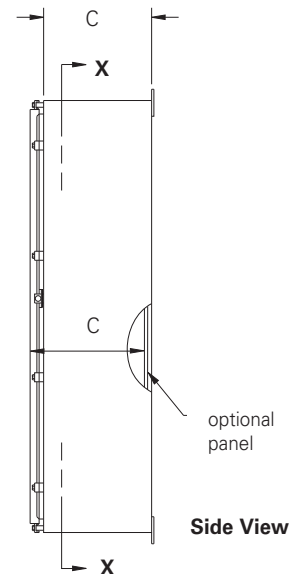
- Door and sides of body have a smooth #4 brushed finish

Accessories

- Panels
- NEMA terminal strap kit
- Terminal blocks
- Floor stand kit
- See Accessories section

Discount Schedule: C2

**Subclass: DG0 (Type 304)
D00 (Type 316L)**



Notes: Dimensions: **B = (-2.50) if 12 inches wide; (-6.00) if wider than 12 inches.
We can provide special sizes, finishes and other modifications. Consult the factory for your special requirements.

Wall-Mount Enclosures Type 4X Single-Door Catalog Number

Enclosure Catalog Number Stainless Steel		Enclosure Size Height x Width x Depth A x B x C		Panel Catalog Number		Panel Size Height x Width	
Type 304	Type 316L	in.	mm	Steel	Conductive	in.	mm
16126-4XS	16126-4XSS6	16.00 x 12.00 x 6.00	406 x 305 x 152	AW1612P	AW1612GP	13.00 x 9.00	330 x 229
16166-4XS	16166-4XSS6	16.00 x 16.00 x 6.00	406 x 406 x 152	AW1616P	AW1616GP	13.00 x 13.00	330 x 330
16206-4XS	16206-4XSS6	16.00 x 20.00 x 6.00	406 x 508 x 152	AW2016P	AW2016GP	17.00 x 13.00	432 x 330
20166-4XS	20166-4XSS6	20.00 x 16.00 x 6.00	208 x 406 x 152	AW2016P	AW2016GP	17.00 x 13.00	432 x 330
20206-4XS	20206-4XSS6	20.00 x 20.00 x 6.00	508 x 508 x 152	AW2020P	AW2020GP	17.00 x 17.00	432 x 432
24126-4XS	24126-4XSS6	24.00 x 12.00 x 6.00	610 x 305 x 152	AW2412P	--	21.00 x 9.00	533 x 229
24166-4XS	24166-4XSS6	24.00 x 16.00 x 6.00	610 x 406 x 152	AW2416P	AW2416GP	21.00 x 13.00	533 x 330
24206-4XS	24206-4XSS6	24.00 x 20.00 x 6.00	610 x 508 x 152	AW2420P	AW2420GP	20.87 x 16.87	530 x 428
24246-4XS	24246-4XSS6	24.00 x 24.00 x 6.00	610 x 610 x 152	AW2424P	AW2424GP	20.87 x 20.87	530 x 530
30246-4XS	30246-4XSS6	30.00 x 24.00 x 6.00	762 x 610 x 152	AW3024P	AW3024GP	26.87 x 20.87	682 x 530
36246-4XS	36246-4XSS6	36.00 x 24.00 x 6.00	914 x 610 x 152	AW3624P	AW3624GP	32.87 x 20.87	835 x 530
16128-4XS	16128-4XSS6	16.00 x 12.00 x 8.00	406 x 305 x 203	AW1612P	AW1612GP	13.00 x 9.00	330 x 229
20168-4XS	20168-4XSS6	20.00 x 16.00 x 8.00	508 x 406 x 203	AW2016P	AW2016GP	17.00 x 13.00	432 x 330
20208-4XS	20208-4XSS6	20.00 x 20.00 x 8.00	508 x 508 x 203	AW2020P	AW2020GP	17.00 x 17.00	432 x 432
20248-4XS	20248-4XSS6	20.00 x 24.00 x 8.00	508 x 610x203	AW2420P	AW2420GP	32.87 x 26.87	835 x 682
24168-4XS	24168-4XSS6	24.00 x 16.00 x 8.00	610 x 406 x 203	AW2416P	AW2416GP	21.00 x 13.00	533 x 330
24208-4XS	24208-4XSS6	24.00 x 20.00 x 8.00	610 x 508 x 203	AW2420P	AW2420GP	20.87 x 16.87	530 x 428
24248-4XS	24248-4XSS6	24.00 x 24.00 x 8.00	610 x 610 x 203	AW2424P	AW2424GP	20.87 x 20.87	530 x 530
24308-4XS	24308-4XSS6	24.00 x 30.00 x 8.00	610 x 762 x 203	AW3024P	AW3024GP	26.87 x 20.87	682 x 530
30208-4XS	30208-4XSS6	30.00 x 20.00 x 8.00	762 x 508 x 203	AW3020P	AW3020GP	26.87 x 16.87	682 x 428
30248-4XS	30248-4XSS6	30.00 x 24.00 x 8.00	762 x 610 x 203	AW3024P	AW3024GP	26.87 x 20.87	682 x 530
30308-4XS	30308-4XSS6	30.00 x 30.00 x 8.00	762 x 762 x 203	AW3030P	AW3030GP	26.87 x 26.87	682 x 682
36248-4XS	36248-4XSS6	36.00 x 24.00 x 8.00	914 x 610 x 203	AW3624P	AW3624GP	32.87 x 20.87	835 x 530
36308-4XS	36308-4XSS6	36.00 x 30.00 x 8.00	914 x 762 x 203	AW3630P	AW3630GP	32.87 x 26.87	835 x 682
42308-4XS	42308-4XSS6	42.00 x 30.00 x 8.00	1067 x 762 x 203	AW4230P	AW4230GP	38.87 x 26.87	987 x 682
42368-4XS	42368-4XSS6	42.00 x 36.00 x 8.00	1067 x 914 x 203	AW4236P	AW4236GP	38.87 x 32.87	987 x 835
48368-4XS	48368-4XSS6	48.00 x 36.00 x 8.00	1219 x 914 x 203	AW4836P	AW4836GP	44.87 x 32.87	1140 x 835
201610-4XS	201610-4XSS6	20.00 x 16.00 x 10.00	508 x 406 x 254	AW2016P	AW2016GP	17.00 x 13.00	432 x 330
242010-4XS	242010-4XSS6	24.00 x 20.00 x 10.00	610 x 508 x 254	AW2420P	AW2420GP	20.87 x 16.87	530 x 428
302410-4XS	302410-4XSS6	30.00 x 24.00 x 10.00	762 x 610 x 254	AW3024P	AW3024GP	26.87 x 20.87	682 x 530
362410-4XS	362410-4XSS6	36.00 x 24.00 x 10.00	914 x 610 x 254	AW3624P	AW3624GP	32.87 x 20.87	835 x 530
363010-4XS	363010-4XSS6	36.00 x 30.00 x 10.00	914 x 762 x 254	AW3630P	AW3630GP	32.87 x 26.87	835 x 682
423010-4XS	423010-4XSS6	42.00 x 30.00 x 10.00	1067 x 762 x 254	AW4230P	AW4230GP	38.87 x 26.87	987 x 682
483010-4XS	483010-4XSS6	48.00 x 30.00 x 10.00	1219 x 762 x 254	AW4830P	AW4830GP	44.87 x 26.87	1140 x 682
483610-4XS	483610-4XSS6	48.00 x 36.00 x 10.00	1219 x 914 x 254	AW4836P	AW4836GP	44.87 x 32.87	1140 x 835
603610-4XS	603610-4XSS6	60.00 x 36.00 x 10.00	1524 x 914 x 254	AW6036P	AW6036GP	56.87 x 32.87	1444 x 835
242412-4XS	242412-4XSS6	24.00 x 24.00 x 12.00	610 x 610 x 305	AW2424P	AW2424GP	20.87 x 20.87	530 x 530
302412-4XS	302412-4XSS6	30.00 x 24.00 x 12.00	762 x 610 x 305	AW3024P	AW3024GP	26.87 x 20.87	682 x 530
363012-4XS	363012-4XSS6	36.00 x 30.00 x 12.00	914 x 762 x 305	AW3630P	AW3630GP	32.87 x 26.87	835 x 682
363612-4XS	363612-4XSS6	36.00 x 36.00 x 12.00	914 x 914 x 305	AW3636P	--	32.87 x 32.87	835 x 835
483612-4XS	483612-4XSS6	48.00 x 36.00 x 12.00	1219 x 914 x 305	AW4836P	AW4836GP	44.87 x 32.87	1140 x 835
603612-4XS	603612-4XSS6	60.00 x 36.00 x 12.00	1524 x 914 x 305	AW6036P	AW6036GP	56.87 x 32.87	1444 x 835
302416-4XS	302416-4XSS6	30.00 x 24.00 x 16.00	762 x 610 x 406	AW3024P	AW3024GP	26.87 x 20.87	682 x 530
363016-4XS	363016-4XSS6	36.00 x 30.00 x 16.00	914 x 762 x 406	AW3630P	AW3630GP	32.87 x 26.87	835 x 682
483616-4XS	483616-4XSS6	48.00 x 36.00 x 16.00	1219 x 914 x 406	AW4836P	AW4836GP	44.87 x 32.87	1140 x 835
603616-4XS	603616-4XSS6	60.00 x 36.00 x 16.00	1524 x 914 x 406	AW6036P	AW6036GP	56.87 x 32.87	1444 x 835

Type 4X Panel Enclosures

Notes: Clamps are mounted along three sides of the enclosure door. Spacing between clamps along side opposite the hinge does not exceed 15 inches. Dimensions are in inches. Millimeters shown are for reference only. Data subject to change without notice.

Type 4X Panel Enclosures

Wall-Mount Enclosures Type 4X Single-Door, Aluminum Data Sheet and Catalog Number



Application

- Houses electrical controls and instruments
- Intended for indoor or outdoor use where a corrosive environment exists
- Protects against corrosion, windblown dust and rain, splashing water and hose directed water

Standards

- UL 508A listed, Type 4, Type 4X, Type 12 and Type 13
- CSA C22.2 No.94 certified, Type 4, Type 4X, Type 12 and Type 13
- Conforms to NEMA standard for Type 4, Type 4X, Type 12 and Type 13

Finish

- Door and sides of body have a smooth #4 brushed finish

Accessories

- Panels
- NEMA terminal strap kit
- Terminal blocks
- Floor stand kit
- See Accessories section

Construction

- Enclosure and door are fabricated from (14) gauge, Type 5052-H32 aluminum
- All continuous welded seams are finished smooth
- Doors are secured to the body with a heavy-duty, aluminum continuous hinge and pin on one side and easy to operate stainless steel door clamps mounted to the other three sides
- Each door has a padlock hasp with sealing hole provision
- Print pocket provided
- Door has a seamless poured in-place gasket
- Formed lip around enclosure opening diverts liquids and contaminants
- .375-16 collar studs are provided for mounting optional panel
- External mounting feet are provided for secure wall mounting

Discount Schedule: C2

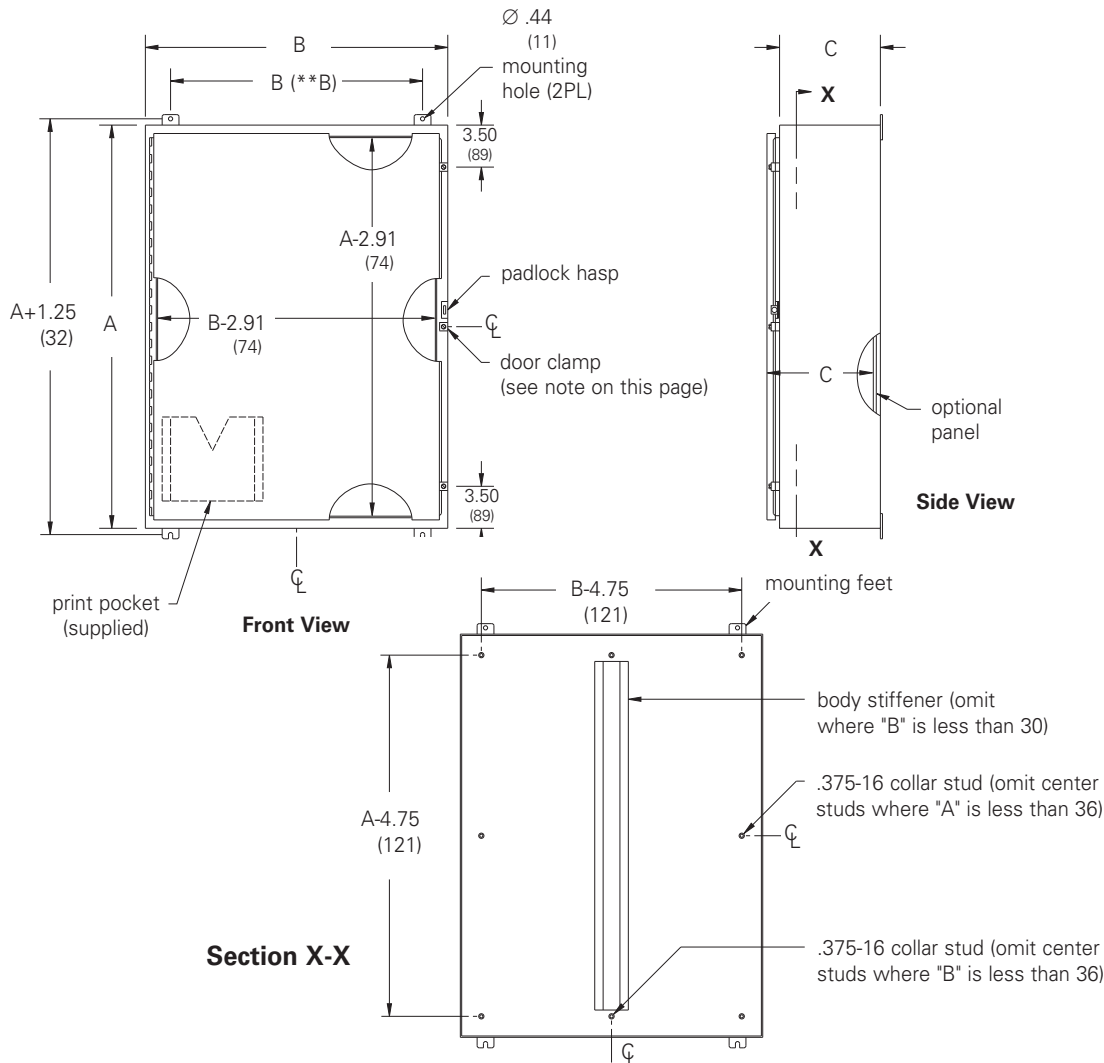
Subclass: DGA

Enclosure Catalog Number	Enclosure Size Height x Width x Depth A x B x C		Panel Catalog Number		Panel Size Height x Width	
	in.	mm	Steel	Conductive	in.	mm
16126-4XA	16.00 x 12.00 x 6.00	406 x 305 x 152	AW1612P	AW1612GP	13.00 x 9.00	330 x 229
16166-4XA	16.00 x 16.00 x 6.00	406 x 406 x 152	AW1616P	AW1616GP	13.00 x 13.00	330 x 330
20166-4XA	20.00 x 16.00 x 6.00	508 x 406 x 152	AW2016P	AW2016GP	17.00 x 13.00	432 x 330
20206-4XA	20.00 x 20.00 x 6.00	508 x 508 x 152	AW2020P	AW2020GP	17.00 x 17.00	432 x 432
24206-4XA	24.00 x 20.00 x 6.00	610 x 508 x 152	AW2420P	AW2420GP	20.87 x 16.87	530 x 428
16128-4XA	16.00 x 12.00 x 8.00	406 x 305 x 203	AW1612P	AW1612GP	13.00 x 9.00	330 x 229
20168-4XA	20.00 x 16.00 x 8.00	508 x 406 x 203	AW2016P	AW2016GP	17.00 x 13.00	432 x 330
24168-4XA	24.00 x 16.00 x 8.00	610 x 406 x 203	AW2416P	AW2416GP	21.00 x 13.00	533 x 330
24208-4XA	24.00 x 20.00 x 8.00	610 x 508 x 203	AW2420P	AW2420GP	20.87 x 16.87	530 x 428
24248-4XA	24.00 x 24.00 x 8.00	610 x 610 x 203	AW2424P	AW2424GP	20.87 x 20.87	530 x 530
24308-4XA	24.00 x 30.00 x 8.00	610 x 762 x 203	AW3024P	AW3024GP	26.87 x 20.87	682 x 530
30208-4XA	30.00 x 20.00 x 8.00	762 x 508 x 203	AW3020P	AW3020GP	26.87 x 16.87	682 x 428
30248-4XA	30.00 x 24.00 x 8.00	762 x 610 x 203	AW3024P	AW3024GP	26.87 x 20.87	682 x 530
30308-4XA	30.00 x 30.00 x 8.00	762 x 762 x 203	AW3030P	AW3030GP	26.87 x 26.87	682 x 682
36248-4XA	36.00 x 24.00 x 8.00	914 x 610 x 203	AW3624P	AW3624GP	32.87 x 20.87	835 x 530
36308-4XA	36.00 x 30.00 x 8.00	914 x 762 x 203	AW3630P	AW3630GP	32.87 x 26.87	835 x 682
42368-4XA	42.00 x 36.00 x 8.00	1067 x 914 x 203	AW4236P	AW4236GP	38.87 x 32.87	987 x 835
48368-4XA	48.00 x 36.00 x 8.00	1219 x 914 x 203	AW4836P	AW4836GP	44.87 x 32.87	1140 x 835

Notes: We can provide special sizes, finishes and other modifications. Consult the factory for your special requirements.

Wall-Mount Enclosures Type 4X Single-Door, Aluminum Illustration Sheet and Catalog Number

Enclosure Catalog Number	Enclosure Size Height x Width x Depth A x B x C		Panel Catalog Number		Panel Size Height x Width	
	in.	mm	Steel	Conductive	in.	mm
201610-4XA	20.00 x 16.00 x 10.00	508 x 406 x 254	AW2016P	AW2016GP	17.00 x 13.00	432 x 330
242010-4XA	24.00 x 20.00 x 10.00	610 x 508 x 254	AW2420P	AW2420GP	20.87 x 16.87	530 x 428
362410-4XA	36.00 x 24.00 x 10.00	914 x 610 x 254	AW3624P	AW3624GP	32.87 x 20.87	835 x 530
363010-4XA	36.00 x 30.00 x 10.00	914 x 762 x 254	AW3630P	AW3630GP	32.87 x 26.87	835 x 682
423010-4XA	42.00 x 30.00 x 10.00	1067 x 762 x 254	AW4230P	AW4230GP	38.87 x 26.87	987 x 682
242412-4XA	24.00 x 24.00 x 12.00	610 x 610 x 305	AW2424P	AW2424GP	20.87 x 20.87	530 x 530
302412-4XA	30.00 x 24.00 x 12.00	762 x 610 x 305	AW3024P	AW3024GP	26.87 x 20.87	682 x 530
363012-4XA	36.00 x 30.00 x 12.00	914 x 762 x 305	AW3630P	AW3630GP	32.87 x 26.87	835 x 682
483612-4XA	48.00 x 36.00 x 12.00	1219 x 914 x 305	AW4836P	AW4836GP	44.87 x 32.87	1140 x 835
603612-4XA	60.00 x 36.00 x 12.00	1524 x 914 x 305	AW6036P	AW6036GP	56.87 x 32.87	1444 x 835
362416-4XA	36.00 x 24.00 x 16.00	914 x 610 x 406	AW3624P	AW3624GP	32.87 x 20.87	835 x 530
363016-4XA	36.00 x 30.00 x 16.00	914 x 762 x 406	AW3630P	AW3630GP	32.87 x 26.87	835 x 682
483616-4XA	48.00 x 36.00 x 16.00	1219 x 914 x 406	AW4836P	AW4836GP	44.87 x 32.87	1140 x 835



Notes: Dimensions: **B = (-2.50) if 12 inches wide; (-6.00) if wider than 12 inches. Clamps are mounted along three sides of the enclosure door. Spacing between clamps along side opposite the hinge does not exceed 15 inches. Dimensions are in inches. Millimeters shown are for reference only. Data subject to change without notice.

Type 4X Panel Enclosures

Wall-Mount Enclosures Type 4X Premier™ Series with Quarter-Turn Latches Data Sheet



Application

- Houses electrical controls and instruments
- Intended for indoor or outdoor use where a corrosive environment exists
- Protects against corrosion, circulating and windblown dust, falling dirt, dripping non-corrosive liquids, rain, splashing water and hose directed water

Standards

- UL 508A Listed, Type 4X, Type 4 and Type 12
- cUL Listed, Type 4X, Type 4 and Type 12
- Conforms to NEMA standard for Type 4X, Type 4 and 12
- Wall-mounting brackets required to maintain UL/CSA external mounting requirements

Finish

- Door and sides of body have a smooth #4 brushed finish

Accessories

- Premier panels
- NEMA panel adapters
- Depth adjustment brackets
- Print pockets
- Padlockable or keyed handles
- Security latch inserts
- Mounting foot kits
- EIA/TIA rack mounting angles
- Swing-out panels
- See Premier Series Accessories pages, 212-217

Construction

- Enclosure and door are fabricated from code gauge Type 304 or Type 316L stainless steel (see pages 209 & 210)
- All continuous welded seams are finished smooth
- Hardware kit provided contains grounding hardware, .312-18 flanged hex nuts for panel mounting, and sealing washers for body mounting holes

Body Construction

- Body flange trough design is formed around body opening to divert liquid contaminants away from door opening
- Reduced width flange design increases enclosure opening
- Ground stud provided on enclosure body and door
- .312-18 collar studs are provided for mounting optional Premier panels
- Enclosure mounting holes in body provided for direct mounting or optional mounting feet

Door Construction

- Doors are secured to the body with a concealed hinge design on one side and slotted quarter-turn flush latch(es) on the opposite side
- Doors are easily removed and interchangeable
- Door has a seamless poured in-place gasket
- Door opens 180° for easy access
- Window-door enclosures feature flush-mounted clear polycarbonate window

Discount Schedule: C2

Subclass: TE0

Notes: We can provide special sizes, finishes and other modifications. Consult the factory for your special requirements.

Type 4X Panel Enclosures

Wall-Mount Enclosures Type 4X Premier™ Series with Quarter-Turn Latches Catalog Number

Enclosure Catalog Number <small>Type 316L Stainless Steel Solid Door</small>	Enclosure Size A x B x C		Door/ Body Gauge	Steel Panel Catalog Number	Stainless Steel Panel* Catalog Number	Panel Size H x W		Mounting D x E		Latch Qty.	J	
	in.	mm				in.	mm	in.	mm		in.	mm
	1084-SDSS6	10 x 8 x 4				254 x 203 x 102	16/16	108P	108PSS4		8.00 x 6.00	203 x 152
1086-SDSS6	10 x 8 x 6	254 x 203 x 152	16/16	108P	108PSS4	8.00 x 6.00	203 x 152	8.50 x 6.37	216 x 162	1	5.00	127
12106-SDSS6	12 x 10 x 6	305 x 254 x 152	16/16	1210P	1210PSS4	10.00 x 8.00	254 x 203	10.50 x 8.37	267 x 213	1	6.00	152
12126-SDSS6	12 x 12 x 6	305 x 305 x 152	16/16	1212P	1212PSS4	10.00 x 10.00	254 x 254	10.50 x 10.37	267 x 264	1	6.00	152
16126-SDSS6	16 x 12 x 6	406 x 305 x 152	16/16	1612P	1612PSS4	14.00 x 10.00	356 x 254	14.50 x 10.37	368 x 264	1	8.00	203
16166-SDSS6	16 x 16 x 6	406 x 406 x 152	16/16	1616P	1616PSS4	14.00 x 14.00	356 x 356	14.50 x 14.37	368 x 365	1	8.00	203
20166-SDSS6	20 x 16 x 6	508 x 406 x 152	16/16	2016P	2016PSS4	18.00 x 14.00	457 x 356	18.50 x 14.37	470 x 365	1	10.00	254
20206-SDSS6	20 x 20 x 6	508 x 508 x 152	16/16	2020P	2020PSS4	18.00 x 18.00	457 x 457	18.50 x 18.37	470 x 467	1	10.00	254
16128-SDSS6	16 x 12 x 8	406 x 305 x 203	16/16	1612P	1612PSS4	14.00 x 10.00	356 x 254	14.50 x 10.37	368 x 264	1	8.00	203
16168-SDSS6	16 x 16 x 8	406 x 406 x 203	16/16	1616P	1616PSS4	14.00 x 14.00	356 x 356	14.50 x 14.37	368 x 365	1	8.00	203
16208-SDSS6	16 x 20 x 8	406 x 508 x 203	16/16	2016P	2016PSS4	14.00 x 18.00	356 x 457	14.50 x 18.37	368 x 467	1	8.00	203
20168-SDSS6	20 x 16 x 8	508 x 406 x 203	16/16	2016P	2016PSS4	18.00 x 14.00	457 x 356	18.50 x 14.37	470 x 365	1	10.00	254
20208-SDSS6	20 x 20 x 8	508 x 508 x 203	16/16	2020P	2020PSS4	18.00 x 18.00	457 x 457	18.50 x 18.37	470 x 467	1	10.00	254
24168-SDSS6	24 x 16 x 8	610 x 406 x 203	16/16	2416P	2416PSS4	22.00 x 14.00	559 x 356	22.50 x 14.37	572 x 365	1	5.00	127
24208-SDSS6	24 x 20 x 8	610 x 508 x 203	16/16	2420P	2420PSS4	22.00 x 18.00	559 x 457	22.50 x 18.37	572 x 467	1	5.00	127
24248-SDSS6	24 x 24 x 8	610 x 610 x 203	14/16	2424P	2424PSS4	22.00 x 22.00	559 x 559	22.50 x 22.37	572 x 568	2	5.00	127
30248-SDSS6	30 x 24 x 8	762 x 610 x 203	14/16	3024P	3024PSS4	28.00 x 22.00	711 x 559	28.50 x 22.37	724 x 568	2	5.00	127
30308-SDSS6	30 x 30 x 8	762 x 762 x 203	14/14	3030P	3030PSS4	28.00 x 28.00	711 x 711	28.50 x 28.37	724 x 721	2	5.00	127
36248-SDSS6	36 x 24 x 8	914 x 610 x 203	14/16	3624P	3624PSS4	34.00 x 22.00	864 x 559	34.50 x 22.37	876 x 568	2	5.00	127
36308-SDSS6	36 x 30 x 8	914 x 762 x 203	14/14	3630P	3630PSS4	34.00 x 28.00	864 x 711	34.50 x 28.37	876 x 721	2	5.00	127
36368-SDSS6	36 x 36 x 8	914 x 914 x 203	14/14	3636P	3636PSS4	34.00 x 34.00	864 x 864	34.50 x 34.37	876 x 873	2	5.00	127
201610-SDSS6	20 x 16 x 10	508 x 406 x 254	14/14	2016P	2016PSS4	18.00 x 14.00	457 x 356	18.50 x 14.37	470 x 365	1	10.00	254
302010-SDSS6	30 x 20 x 10	762 x 508 x 254	14/14	3020P	3020PSS4	28.00 x 18.00	711 x 457	28.50 x 18.37	724 x 467	2	5.00	127
423010-SDSS6	42 x 30 x 10	1067 x 762 x 254	14/14	4230P	4230PSS4	40.00 x 28.00	1016 x 711	40.50 x 28.37	1029 x 721	3	5.00	127
202012-SDSS6	20 x 20 x 12	508 x 508 x 305	14/14	2020P	2020PSS4	18.00 x 18.00	457 x 457	18.50 x 18.37	470 x 467	1	10.00	254
242012-SDSS6	24 x 20 x 12	610 x 508 x 305	14/14	2420P	2420PSS4	22.00 x 18.00	559 x 457	22.50 x 18.37	572 x 467	2	5.00	127
242412-SDSS6	24 x 24 x 12	610 x 610 x 305	14/14	2424P	2424PSS4	22.00 x 22.00	559 x 559	22.50 x 22.37	572 x 568	2	5.00	127
302412-SDSS6	30 x 24 x 12	762 x 610 x 305	14/14	3024P	3024PSS4	28.00 x 22.00	711 x 559	28.50 x 22.37	724 x 568	2	5.00	127
362412-SDSS6	36 x 24 x 12	914 x 610 x 305	14/14	3624P	3624PSS4	34.00 x 22.00	864 x 559	34.50 x 22.37	876 x 568	2	5.00	127
303012-SDSS6	30 x 30 x 12	762 x 762 x 305	14/14	3030P	3030PSS4	28.00 x 28.00	711 x 711	28.50 x 28.37	724 x 724	2	5.00	127
363012-SDSS6	36 x 30 x 12	914 x 762 x 305	14/14	3630P	3630PSS4	34.00 x 28.00	864 x 711	34.50 x 28.37	876 x 721	2	5.00	127
363612-SDSS6	36 x 36 x 12	914 x 914 x 305	14/14	3636P	3636PSS4	34.00 x 34.00	864 x 864	34.50 x 34.37	876 x 873	2	5.00	127
423612-SDSS6	42 x 36 x 12	1067 x 914 x 305	14/14	4236P	4236PSS4	40.00 x 34.00	1016 x 864	40.50 x 34.37	1029 x 873	3	5.00	127
483612-SDSS6	48 x 36 x 12	1219 x 914 x 305	14/14	4836P	4836PSS4	46.00 x 34.00	1168 x 559	46.50 x 34.37	1181 x 873	3	5.00	127
603612-SDSS6	60 x 36 x 12	1524 x 914 x 305	14/14	6036P	6036PSS4	58.00 x 34.00	1473 x 559	58.50 x 34.37	1486 x 873	3	5.00	127
242416-SDSS6	24 x 24 x 16	610 x 610 x 406	14/14	2424P	2424PSS4	22.00 x 22.00	559 x 559	22.50 x 22.37	572 x 568	2	5.00	127
302416-SDSS6	30 x 24 x 16	762 x 610 x 406	14/14	3024P	3024PSS4	28.00 x 22.00	711 x 559	28.50 x 22.37	724 x 568	2	5.00	127
423616-SDSS6	42 x 36 x 16	1067 x 914 x 406	14/14	4236P	4236PSS4	40.00 x 34.00	1016 x 864	40.50 x 34.37	1029 x 873	3	5.00	127
483616-SDSS6	48 x 36 x 16	1219 x 914 x 406	14/14	4836P	4836PSS4	46.00 x 34.00	1168 x 864	46.50 x 34.37	1181 x 873	3	5.00	127
603616-SDSS6	60 x 36 x 16	1524 x 914 x 406	14/14	6036P	6036PSS4	58.00 x 34.00	1473 x 864	58.50 x 34.37	1486 x 873	3	5.00	127

See dimensional drawings on page 211.

* See page 212 for other panel information.

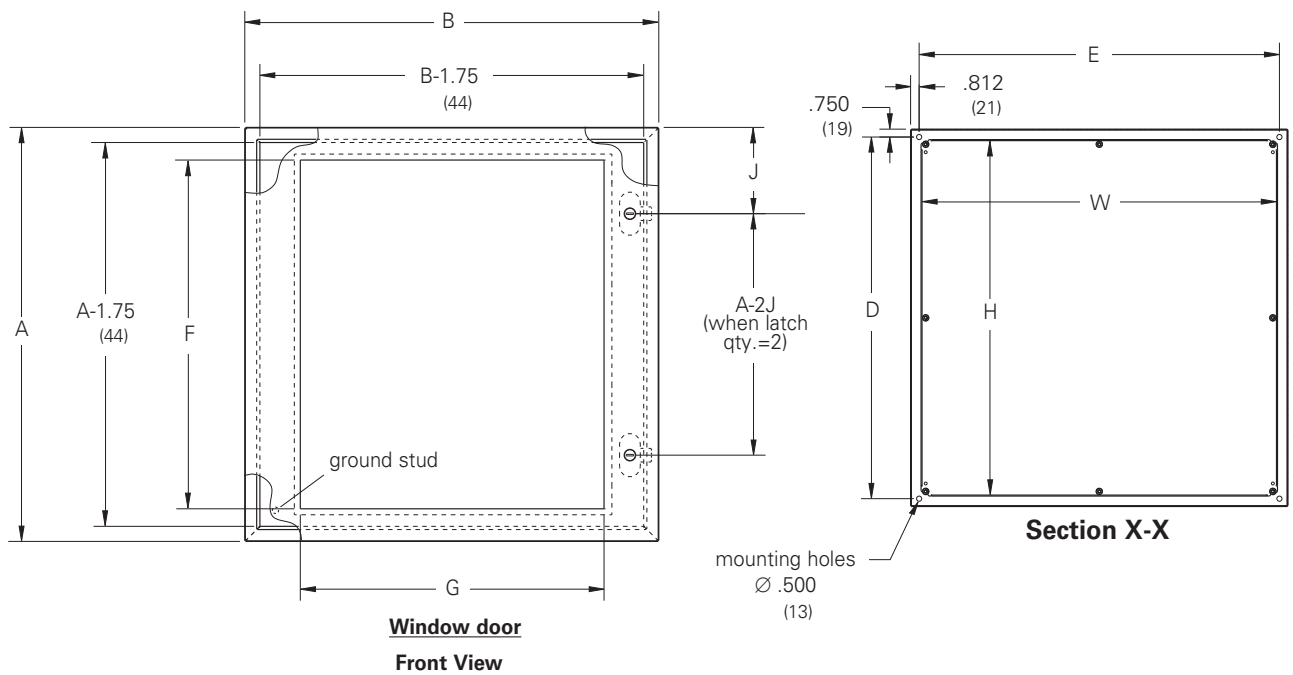
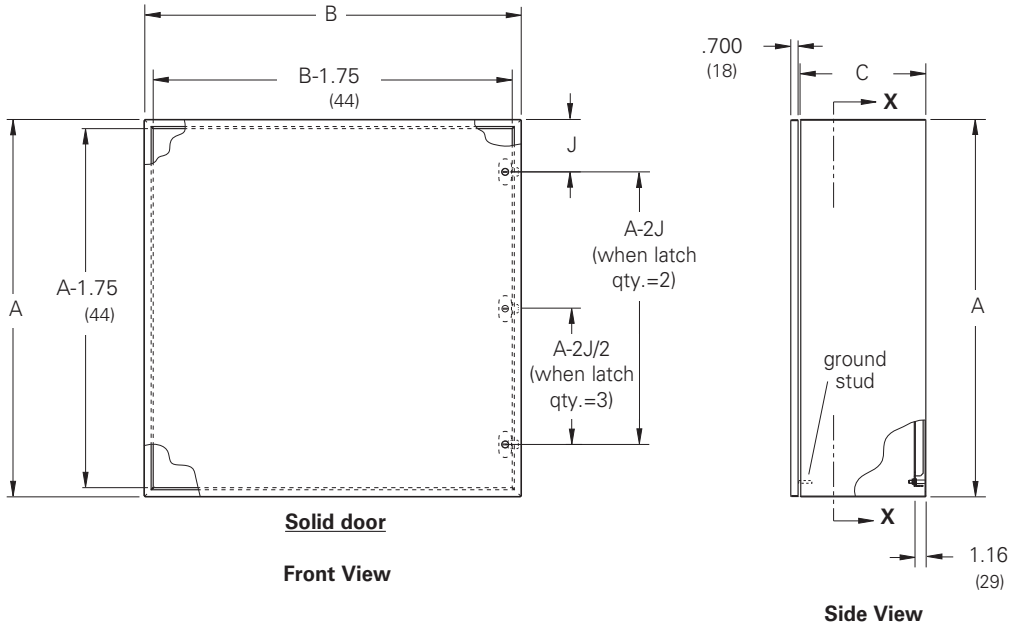
Notes: Dimensions are in inches. Millimeters shown are for reference only. Data subject to change without notice.

Wall-Mount Enclosures

Type 4X Premier™ Series, Stainless Steel With Quarter-Turn Latches

Illustration Sheet

See pages 207 & 208 for dimensions.



Type 4X Panel Enclosures

Notes: Dimensions are in inches. Millimeters shown are for reference only. Data subject to change without notice.

Type 4X Panel Enclosures

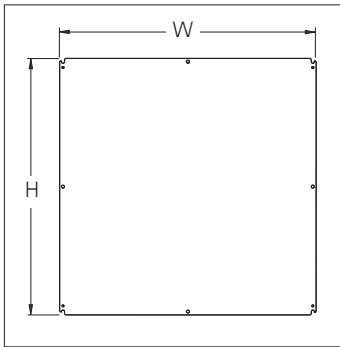
Premier™ Series Accessories

Discount Schedule: C2

Subclass: see below

Panels - Subclass: TDP

Premier panels can be installed in any Premier series enclosure and are up to 20% larger than standard NEMA panels. Panels above 24" are flanged. Steel panels have a white polyester powder paint finish. Stainless Steel and conductive galvanized sizes are available as shown in chart.



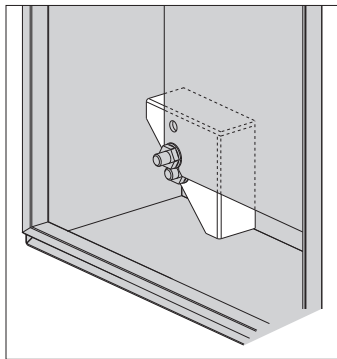
Conductive	Catalog Number		Panel Size H x W		Gauge
	Steel	Stainless	in.	mm	
108GP	108P	108PSS4	8.00 x 6.00	203 x 152	14
1210GP	1210P	1210PSS4	10.00 x 8.00	254 x 203	14
1212GP	1212P	1212PSS4	10.00 x 10.00	254 x 254	14
1612GP	1612P	1612PSS4	14.00 x 10.00	356 x 254	14
1616GP	1616P	1616PSS4	14.00 x 14.00	356 x 356	12
2016GP	2016P	2016PSS4	18.00 x 14.00	457 x 356	12
2020GP	2020P	2020PSS4	18.00 x 18.00	457 x 457	12
2416GP	2416P	2416PSS4	22.00 x 14.00	559 x 356	12
2420GP	2420P	2420PSS4	22.00 x 18.00	559 x 457	12
2424GP	2424P	2424PSS4	22.00 x 22.00	559 x 559	12
2442GP	2442P	2442PSS4	22.00 x 40.00	559 x 1016	12
3020GP	3020P	3020PSS4	28.00 x 18.00	711 x 457	12
3024GP	3024P	3024PSS4	28.00 x 22.00	711 x 559	12
3030GP	3030P	3030PSS4	28.00 x 28.00	711 x 711	12
3048GP	3048P	3048PSS4	28.00 x 46.00	711 x 1168	12
3060GP	3060P	3060PSS4	28.00 x 58.00	711 x 1473	12
3624GP	3624P	3624PSS4	34.00 x 22.00	864 x 559	12
3630GP	3630P	3630PSS4	34.00 x 28.00	864 x 711	12
3636GP	3636P	3636PSS4	34.00 x 34.00	864 x 864	12
4230GP	4230P	4230PSS4	40.00 x 28.00	1016 x 711	12
4236GP	4236P	4236PSS4	40.00 x 34.00	1016 x 864	12
4824GP	4824P	4824PSS4	46.00 x 22.00	1168 x 559	12
4836GP	4836P	4836PSS4	46.00 x 34.00	1168 x 864	12
6036GP	6036P	6036PSS4	58.00 x 34.00	1473 x 864	12

NEMA Panel Adapters - Subclass: TD0

NEMA panel adapters allow standard NEMA panels to be used in Premier series enclosures. Decreased height and width of NEMA panels increase space around panel for wire management. Kit includes four adapters and four .375-16 flanged hex nuts.

Finish: Zinc Plated

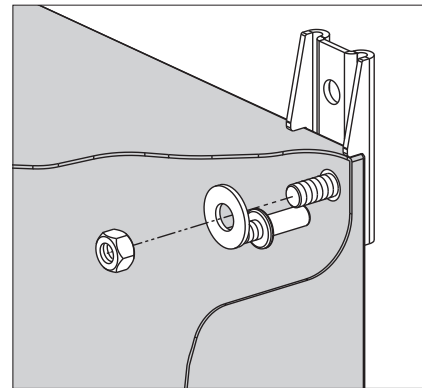
(Note: Cannot be used with enclosures 12" x 12" (305 mm x 305 mm) or smaller)



Catalog Number	Qty.	For use with Premier Enclosures
PCK4	4	30" x 30" or smaller

Mounting Foot Kits - Subclass: TD0

Mounting foot kits are available in stainless steel. Four feet and hardware are included.



Catalog Number	Qty.	Description
WMKSS6	4	Type 316 Stainless Steel

Notes: Dimensions are in inches. Millimeters shown are for reference only. Data subject to change without notice.

Premier™ Series Accessories

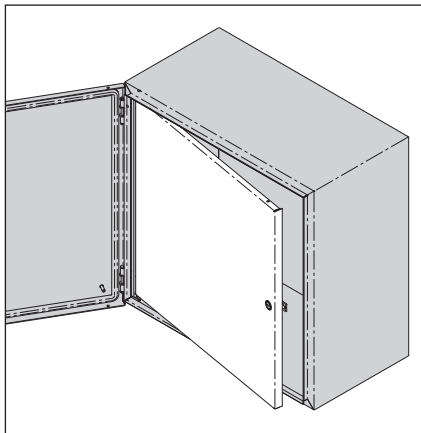
Discount Schedule: C2

Subclass: TD0

Swing-Out Panels

Swing-out panels offer a means for mounting user components and equipment near the front of an enclosure opening. Panel pivots from front of enclosure to allow easy access to internal equipment. Swing-out panels are 14 gauge with a white polyester powder finish and includes all hardware for mounting to front flange of enclosure.

(Note: Cannot be used in conjunction with depth adjustment brackets).



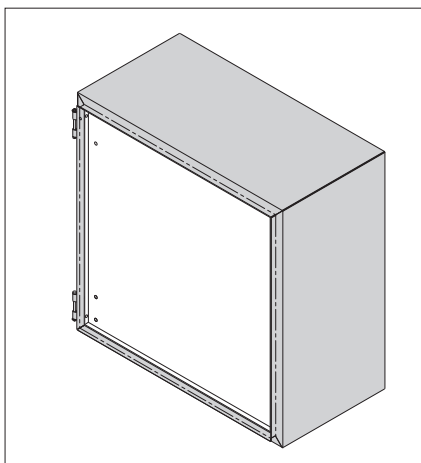
Note: Swing-out panel distance from panel face to inside of enclosure cover equals 1¹/₄".

Catalog Number	Panel Size Height x Width		For use with Premier Enclosures A x B
	in.	mm	
1212SP	9.78 x 9.84	248 x 250	12"x12"
1612SP	13.78 x 9.84	350 x 250	16"x12"
1616SP	13.78 x 13.84	350 x 352	16"x16"
1620SP	13.78 x 17.84	350 x 453	16"x20"
2016SP	17.78 x 13.84	452 x 352	20"x16"
2020SP	17.78 x 17.84	452 x 453	20"x20"
2024SP	17.78 x 21.84	452 x 555	20"x24"
2416SP	21.78 x 13.84	553 x 352	24"x16"
2420SP	21.78 x 17.84	553 x 453	24"x20"
2424SP	21.78 x 21.84	553 x 555	24"x24"
3020SP	27.78 x 17.84	706 x 453	30"x20"
3024SP	27.78 x 21.84	706 x 555	30"x24"
3030SP	27.78 x 27.84	706 x 707	30"x30"
3624SP	33.78 x 21.84	858 x 555	36"x24"
3630SP	33.78 x 27.84	858 x 707	36"x30"
3636SP	33.78 x 33.84	858 x 860	36"x36"

Dead Front Panels

Dead front kits offer a means for mounting user components and equipment near the front of an enclosure opening. Also creates a barrier and controls access to the enclosure interior. Kit includes ANSI 61 gray panel and all hardware for mounting to enclosures.

(Note: Cannot be used in conjunction with depth adjustment brackets).



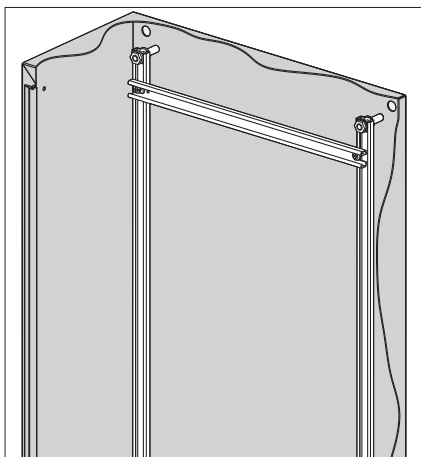
Note: Dead front panel distance from panel face to inside of enclosure cover equals 1¹/₄".

Catalog Number	For use with Premier Enclosures A x B
1212DF	12"x12"
1612DF	16"x12"
2016DF	20"x16"
2020DF	20"x20"
2420DF	24"x20"
2424DF	24"x24"
3024DF	30"x24"

Mounting Channels

Mounting channels create a vertical or horizontal framework for DIN rail, flexible mounting straps, or other component attachment. Two channels provided for mounting on enclosure collar studs.

Finish: Zinc Plated



Catalog Number	Qty.	For use with Premier Enclosures
12MC	2	12" height or width
16MC	2	16" height or width
20MC	2	20" height or width
24MC	2	24" height or width
30MC	2	30" height or width
36MC	2	36" height or width
42MC	2	42" height or width
48MC	2	48" height or width
60MC	2	60" height or width

Notes: Dimensions are in inches. Millimeters shown are for reference only. Data subject to change without notice.

Type 4X Panel Enclosures

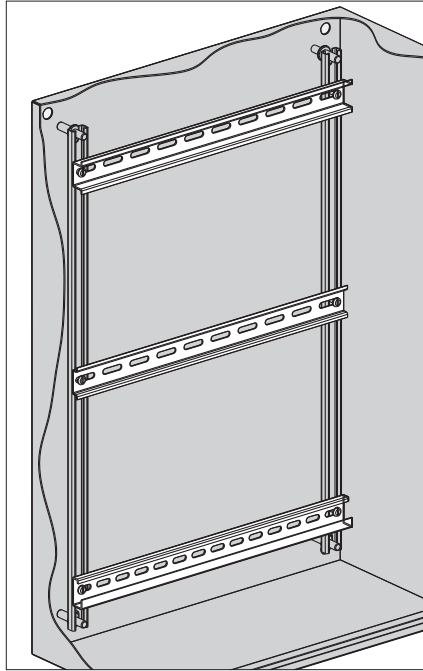
Premier™ Series Accessories

Discount Schedule: C2

Subclass: TD0

DIN Rail Kits

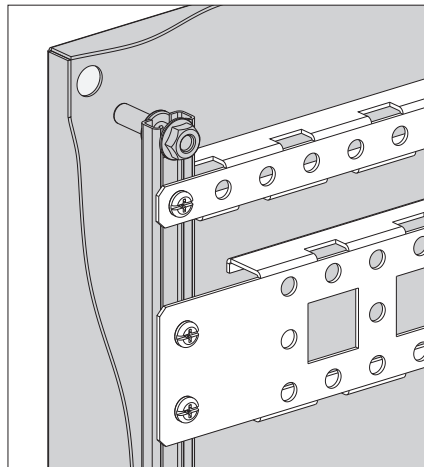
DIN rail kits provide flexibility for mounting DIN type snap-on equipment. Three styles; TS32x15, slotted; TS35x7.5, slotted; TS35x15, slotted all attach to collar studs either horizontally or vertically. Three DIN rails, screws and channel nuts are provided. Finish: Yellow Zinc



Catalog Number	Description	For use with Premier Enclosures
12DR1P	TS32 x 15, slotted	12" height or width
16DR1P	TS32 x 15, slotted	16" height or width
20DR1P	TS32 x 15, slotted	20" height or width
24DR1P	TS32 x 15, slotted	24" height or width
12DR3P	TS35 x 7.5, slotted	12" height or width
16DR3P	TS35 x 7.5, slotted	16" height or width
20DR3P	TS35 x 7.5, slotted	20" height or width
24DR3P	TS35 x 7.5, slotted	24" height or width
12DRCP	TS35 x 15, slotted	12" height or width
16DRCP	TS35 x 15, slotted	16" height or width
20DRCP	TS35 x 15, slotted	20" height or width
24DRCP	TS35 x 15, slotted	24" height or width

Flexible Mounting Straps

Flexible mounting straps offer a versatile, horizontal or vertical mounting method inside enclosure body. Two designs; 1-hole or 3-hole pattern increase mounting flexibility and attach to enclosure collar studs. Flexible mounting strap kit contains two straps and hardware. Finish: Zinc Plated



Catalog Number	Description	Fits Premier Enclosures
12GS1	1 hole	12" height or width
16GS1	1 hole	16" height or width
20GS1	1 hole	20" height or width
24GS1	1 hole	24" height or width
30GS1	1 hole	30" height or width
36GS3	3 hole	36" height or width
42GS3	3 hole	42" height or width
48GS3	3 hole	48" height or width
60GS3	3 hole	60" height or width

Notes: Dimensions are in inches. Millimeters shown are for reference only. Data subject to change without notice.

Premier™ Series Accessories

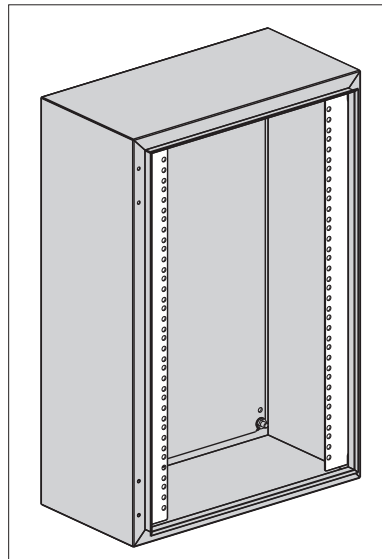
Discount Schedule: C2

Subclass: TD0

Rack Mounting Angles

Relay rack angles are designed for mounting EIA 19" rack mount equipment inside 24" wide enclosures. Fabricated from 14 gauge steel and zinc plated. Rack angles are mounted to enclosure flange with hardware provided. Rack mount angles are untapped and require screws and cage nuts for equipment mounting (order separately).

Finish: Zinc Plated



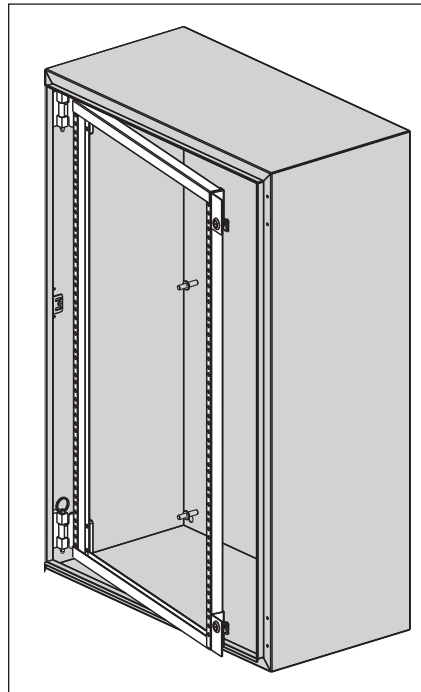
Catalog Number	For use with Premier Enclosures	Mounting Units
10URMA	20" height	10
12URMA	24" height	12
16URMA	30" height	16
19URMA	36" height	19
26URMA	48" height	26

Universal Spacing [5/8" (16mm), 5/8" (16mm), 1/2" (13mm)]

Swing-Out Rack Frames

Swing-out rack frames allow mounting of EIA 19" rack mount equipment. Flexible pivoting framework provides access to back of equipment or other internal components. Designed for use with 24" wide Premier series enclosures. Mounting hardware included. Swing-out rack frame holes are untapped and require screws and cage nuts for equipment mounting (order separately).

(Note: Cannot be used in conjunction with depth adjustment brackets).
Finish: ANSI Gray Polyester Powder



Catalog Number	For use with Premier Enclosures	Mounting Units
2424SF	24" x 24"	11
3024SF	30" x 24"	15
3624SF	36" x 24"	18

Universal Spacing [(5/8" (16mm), 5/8" (16mm), 1/2" (13mm)]

Notes: Dimensions are in inches. Millimeters shown are for reference only. Data subject to change without notice.

Type 4X Panel Enclosures

Premier™ Series Accessories

Discount Schedule: C2

Subclass: TD0

Handles

Padlocking, key-locking or non-locking handles are interchangeable with standard slotted quarter-turn flush latch on Premier series enclosures. Available keyed alike or keyed different, please specify when ordering.



Catalog Number	Description
WMHNL	Wall-mount handle, non-locking
WMHK-01	Wall-mount handle, key-locking - keyed 01
WMHK-02	Wall-mount handle, key-locking - keyed 02
WMHK-03	Wall-mount handle, key-locking - keyed 03
WMHK-04	Wall-mount handle, key-locking - keyed 04
WMHPTO	Wall-mount handle, padlockable

Security Latch Inserts

Security latch inserts interchange with slotted quarter-turn flush latch and provide security and control access to interior of enclosure. Inserts include matching key.



7MTLK

Catalog Number	Description
7MTLK	7mm triangular latch insert
7MSLK	7mm square latch insert
3MDBLK	3mm double bit latch insert



7MSLK



3MDBLK

Type 4X Panel Enclosures

Print Pockets

Print pockets provide a convenient place to store operation manuals, diagrams, or other documents inside the enclosure. Thermoplastic pockets are gray and have cut away areas for viewing contents. Pockets have adhesive backing for mounting inside on enclosure door.



Catalog Number	Length x Width
32170	6" x 6"
32171	10" x 10"

Notes: Dimensions are in inches. Millimeters shown are for reference only. Data subject to change without notice.

Premier™ Series Accessories

Discount Schedule: C2

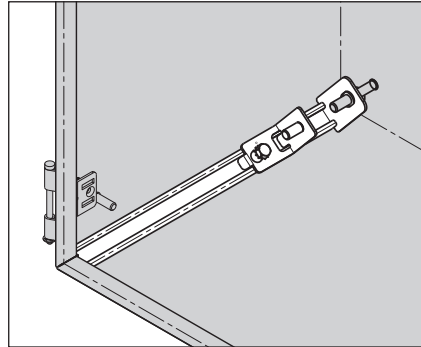
Subclass: TD0

Depth Adjustment Brackets

Depth adjustment brackets allow variable depth mounting of premier accessories. Designed for use with 6", 8" or 12" deep enclosures. Kit is available in quantities of 4 or 2 and includes mounting channel, adjustable mechanism and hardware. When enclosure has 6 collar studs, use two kits.

(**Note:** Not for use with swing-out rack frame, dead front panel or swing-out panel).

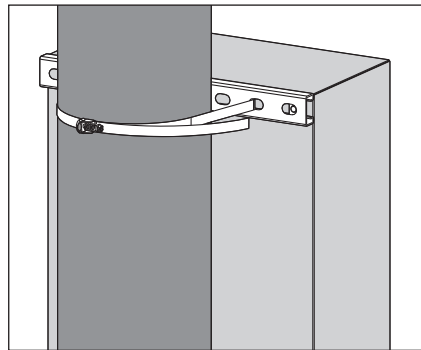
Finish: Zinc Plated



Catalog Number	Qty.	For use with Premier Enclosures
64AMK	4	6" depth or greater
84AMK	4	8" depth or greater
82AMK	2	8" depth or greater
124AMK	4	12" depth or greater
122AMK	2	12" depth or greater

Pole Mounting Kits

Pole mounting kits allow installation of enclosure on round or rectangular poles. Kit includes hot dip galvanized after fabrication strut channel, stainless steel band and hardware for top and bottom mounting of enclosure.



Note: Pole diameter range 4" minimum to 12" maximum.

Catalog Number	For use with Premier Enclosures
12PMK	12" width
16PMK	16" width
20PMK	20" width
24PMK	24" width
30PMK	30" width

Hardware

Phillips head screws and cage nuts are available in #10-32, #12-24 or M6 and allow mounting of equipment to untapped holes in rack mounting angles and swing-out rack frame.



Catalog Number	Screw Type
E2-MA-1032-PHMS-100	#10-32 Phillips
E2-MA-1224-PHMS-100	#12-24 Phillips
E2-MA-M6-PHMS-100	M6 Phillips

Catalog Number	Cage Nut Type
E2-MA-CN-1032-100	#10-32 Tapped
E2-MA-CN-1224-100	#12-24 Tapped
E2-MA-CN-M6-100	M6 Tapped

Sold in bags of 100 pieces.

Notes: Dimensions are in inches. Millimeters shown are for reference only. Data subject to change without notice.

Type 4X Panel Enclosures

Wall-Mount Enclosures Type 4X Single-Door with 3-Point Locking Data Sheet and Catalog Number



Application

- Houses electrical controls and instruments
- Intended for indoor or outdoor use where a corrosive environment exists
- Protects against windblown dust and rain, splashing water and hose directed water

Standards

- UL 508A Listed, Type 3R, 4, 4X, 12
- CSA C22.2 No.94 certified, Type 3R, 4, 4X, 12
- Conforms to NEMA Standards for Type 3, 3R, 4, 4X, 12

Finish

- Door and sides of body have a smooth #4 brushed finish

Accessories

- Panels
- Swing-out panel kits
- NEMA terminal kits
- Window kits
- Floor stand kit
- Replacement handle, BD-PKHSS, see page 429

Construction

- Enclosure and door are fabricated from (14) gauge stainless steel
- All continuous welded seams are finished smooth
- Stainless Steel continuous hinge and pin
- Internal 3-point latching with a stainless padlocking handle
- Door has a seamless poured in-place gasket
- Formed lip around enclosure opening diverts liquids and contaminants
- Ground stud provided on door and body
- Print pocket provided
- .375-16 colar studs are provided for mounting optional panel
- External mounting feet

Discount Schedule: C2

Subclass: DG3

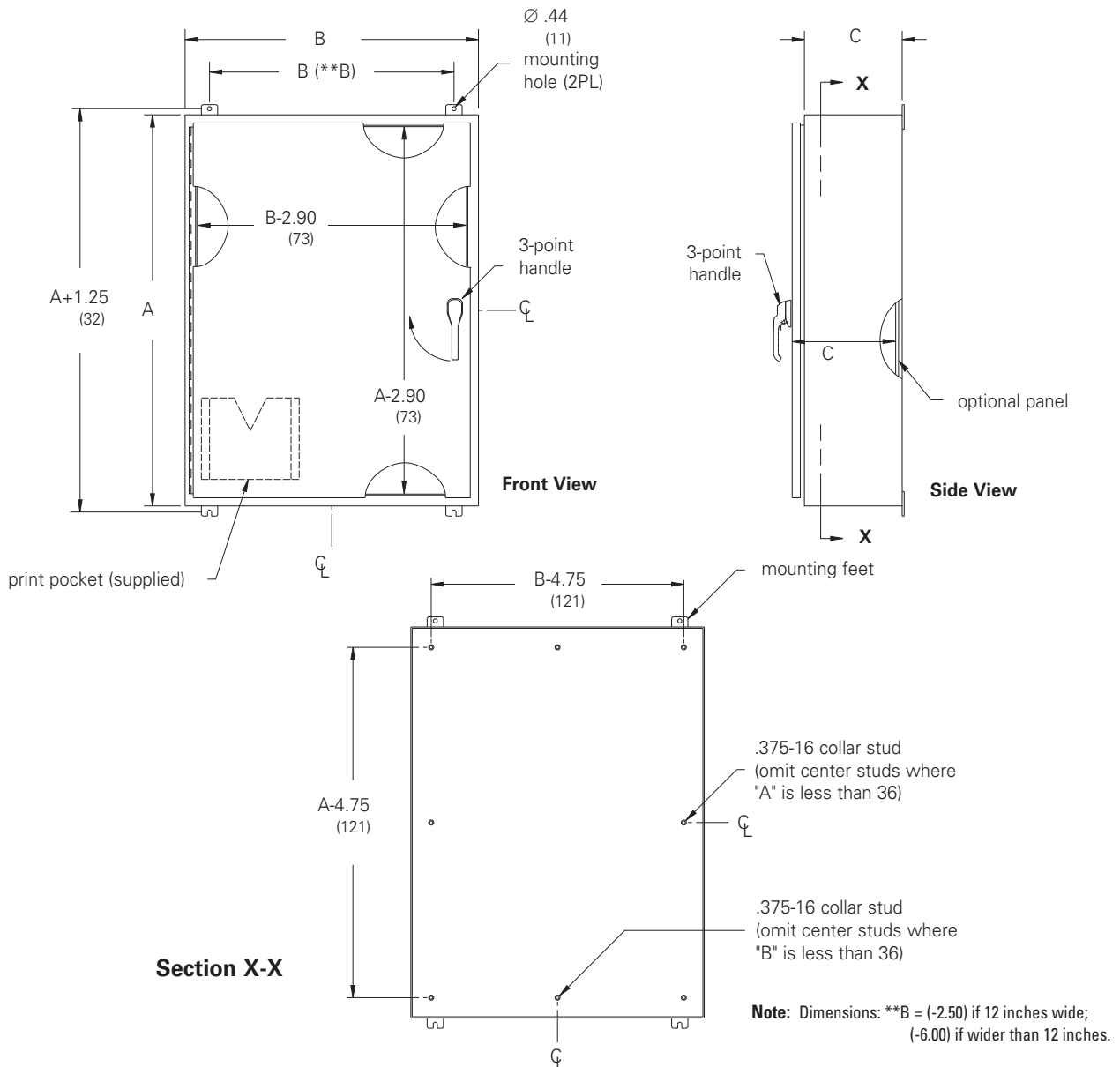
Enclosure		Enclosure Size Height x Width x Depth A x B x C		Panel	Conductive Panel	Panel Size	
Type 304 Catalog Number	Type 316L Catalog Number	in.	mm	Catalog Number	Catalog Number	Height in.	Width mm
24206-4XS3PT	24206-4XSS63PT	24 x 20 x 6	609 x 508 x 152	AW2420P	AW2420GP	20.87 x 16.87	530 x 428
24208-4XS3PT	24208-4XSS63PT	24 x 20 x 8	609 x 508 x 203	AW2420P	AW2420GP	20.87 x 16.87	530 x 428
24248-4XS3PT	24248-4XSS63PT	24 x 24 x 8	609 x 609 x 203	AW2424P	AW2424GP	20.87 x 20.87	530 x 530
30248-4XS3PT	30248-4XSS63PT	30 x 24 x 8	762 x 609 x 203	AW3024P	AW3024GP	26.87 x 20.87	682 x 530
30308-4XS3PT	30308-4XSS63PT	30 x 30 x 8	762 x 762 x 203	AW3030P	AW3030GP	26.87 x 26.87	682 x 682
36248-4XS3PT	36248-4XSS63PT	36 x 24 x 8	914 x 609 x 203	AW3624P	AW3624GP	32.87 x 20.87	835 x 530
36308-4XS3PT	36308-4XSS63PT	36 x 30 x 8	914 x 762 x 203	AW3630P	AW3630GP	32.87 x 26.87	835 x 682
48368-4XS3PT	48368-4XSS63PT	48 x 36 x 8	1219 x 914 x 203	AW4836P	AW4836GP	44.87 x 32.87	1139 x 835
242010-4XS3PT	242010-4XSS63PT	24 x 20 x 10	609 x 508 x 254	AW2420P	AW2420GP	20.87 x 16.87	530 x 428
363010-4XS3PT	363010-4XSS63PT	36 x 30 x 10	914 x 762 x 254	AW3630P	AW3630GP	32.87 x 26.87	835 x 682
423010-4XS3PT	423010-4XSS63PT	42 x 30 x 10	1067 x 762 x 254	AW4230P	AW4230GP	38.87 x 26.87	987 x 682
483610-4XS3PT	483610-4XSS63PT	48 x 36 x 10	1219 x 914 x 254	AW4836P	AW4836GP	44.87 x 32.87	1139 x 835

Continued on following page

Notes: We can provide special sizes, finishes and other modifications. Consult the factory for your special requirements.

Wall-Mount Enclosures Type 4X Single-Door with 3-Point Locking Illustration Sheet and Catalog Number

Enclosure		Enclosure Size Height x Width x Depth A x B x C		Panel	Conductive Panel	Panel Size	
Type 304 Catalog Number	Type 316L Catalog Number	in.	mm	Catalog Number	Catalog Number	Height x Width in.	mm
242412-4XS3PT	242412-4XSS63PT	24 x 24 x 12	609 x 609 x 305	AW2424P	AW2424GP	20.87 x 20.87	530 x 530
302412-4XS3PT	302412-4XSS63PT	30 x 24 x 12	762 x 609 x 305	AW3024P	AW3024GP	26.87 x 20.87	682 x 530
363012-4XS3PT	363012-4XSS63PT	36 x 30 x 12	914 x 762 x 305	AW3630P	AW3630GP	32.87 x 26.87	835 x 682
363612-4XS3PT	363612-4XSS63PT	36 x 36 x 12	914 x 914 x 305	AW3636P	AW3636GP	32.87 x 32.87	835 x 835
423612-4XS3PT	423612-4XSS63PT	42 x 36 x 12	1067 x 914 x 305	AW4236P	AW4236GP	38.87 x 32.87	987 x 835
483612-4XS3PT	483612-4XSS63PT	48 x 36 x 12	1219 x 914 x 305	AW4836P	AW4836GP	44.87 x 32.87	1139 x 835
603612-4XS3PT	603612-4XSS63PT	60 x 36 x 12	1524 x 914 x 305	AW6036P	AW6036GP	56.87 x 32.87	1444 x 835
483616-4XS3PT	483616-4XSS63PT	48 x 36 x 16	1219 x 914 x 406	AW4836P	AW4836GP	44.87 x 32.87	1139 x 835
603616-4XS3PT	603616-4XSS63PT	60 x 36 x 16	1524 x 914 x 406	AW6036P	AW6036GP	56.87 x 32.87	1444 x 835



Notes: Dimensions are in inches. Millimeters shown are for reference only. Data subject to change without notice.

Type 4X Panel Enclosures

Wall-Mount Enclosures Type 4X Double-Door with 3-Point Locking Data Sheet and Catalog Number



Application

- Houses electrical controls and instruments
- Intended for indoor or outdoor use where a corrosive environment exists
- Protects against corrosion, windblown dust and rain, splashing water and hose directed water

Standards

- UL 508A Listed, Type 3R, 4, 4X, 12
- CSA C22.2 No.94 certified, Type 3R, 4, 4X, 12
- Conforms to NEMA Standards for Type 3, 3R, 4, 4X, 12

Finish

- Door and sides of body have a smooth #4 brushed finish

Accessories

- Panels
- Swing-out panel kits
- Window kits
- Floor stand kit
- Lights
- Replacement handle, BD-PKHSS, see page 429

Construction

- Enclosure and cover are fabricated from (14) Gauge Stainless Steel
- All continuous welded seams are finished smooth
- Stainless steel continuous hinge and pin
- Internal 3-point latching with stainless padlocking handles
- Removable centerpost for easy panel installation
- Doors have a seamless poured in-place gasket
- Formed lip around enclosure opening diverts liquids and contaminants
- Ground stud provided on doors and body
- Print pocket provided
- .375-16 colar studs are provided for mounting optional panel
- External mounting feet

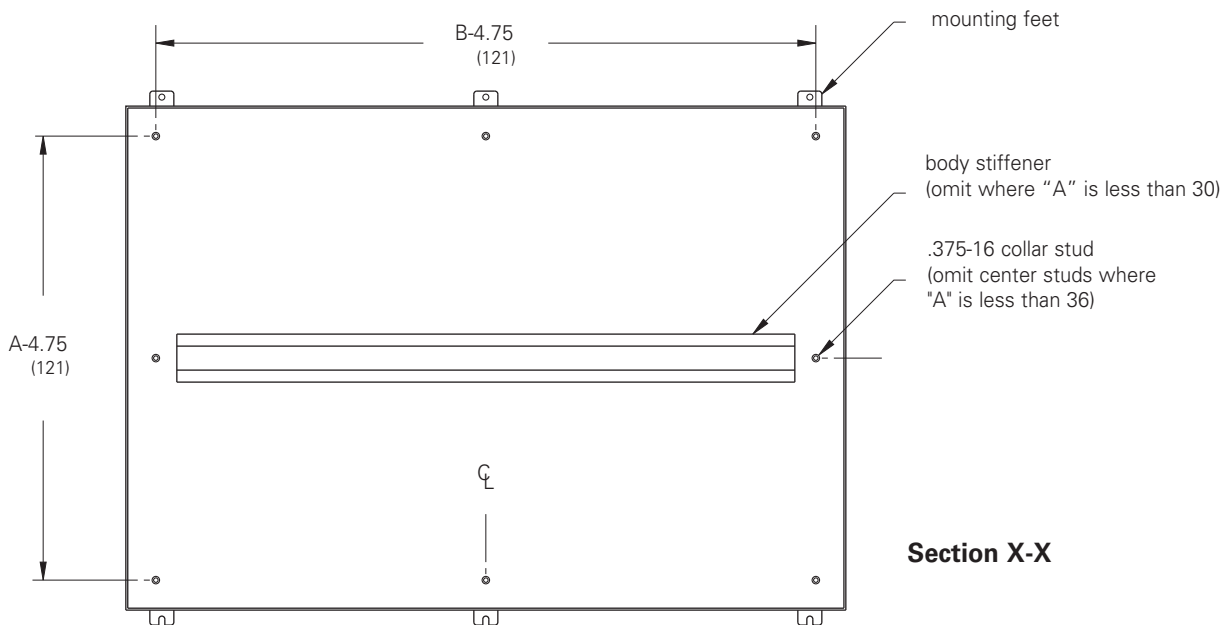
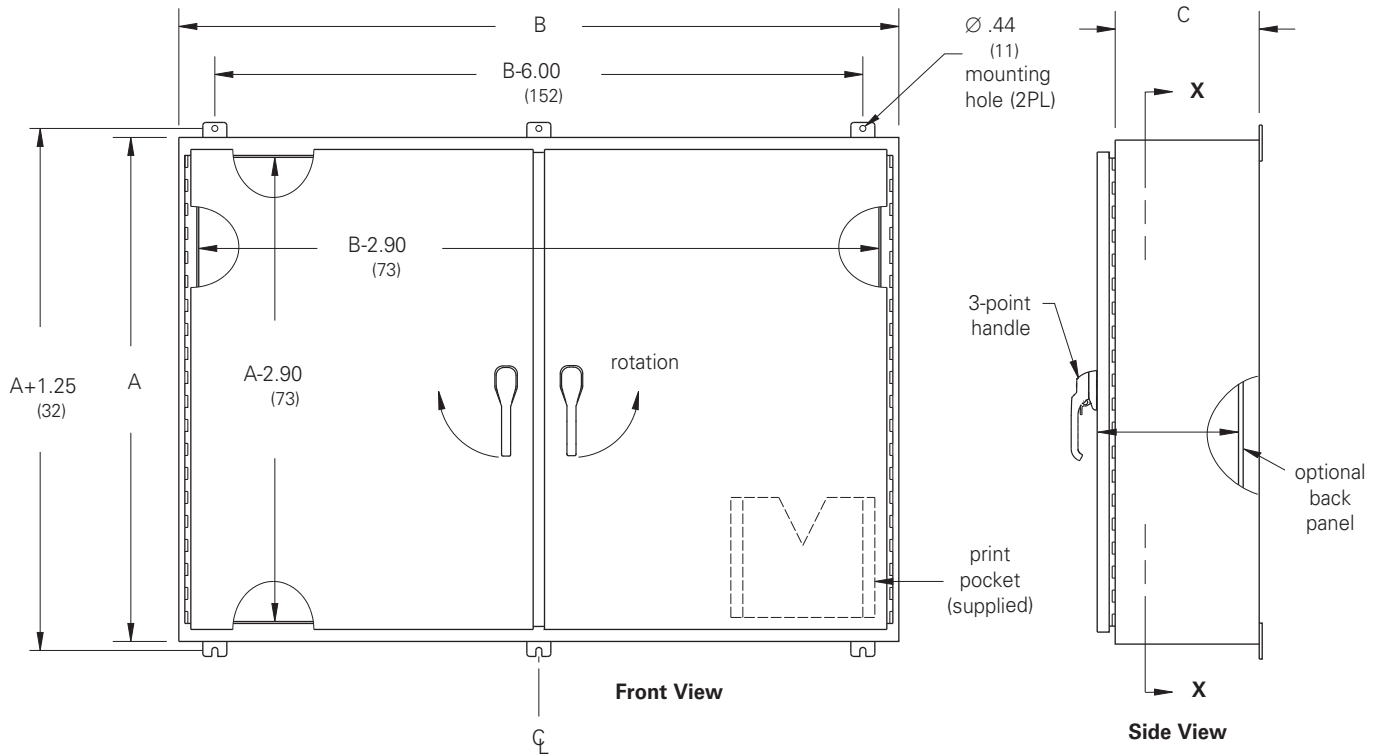
Discount Schedule: C2

Subclass: DG3

Enclosure Catalog Number	Enclosure Size Height x Width x Depth A x B x C		Panel Catalog Number	Conductive Panel Catalog Number	Panel Size Height x Width	
	in.	mm			in.	mm
24428-4XSD3PT	24 x 42 x 8	609 x 1067 x 203	AW4224P	--	38.87 x 20.87	987 x 530
24488-4XSD3PT	24 x 48 x 8	609 x 1219 x 203	AW4824P	--	44.87 x 20.87	1139 x 530
304210-4XSD3PT	30 x 42 x 10	762 x 1067 x 254	AW4230P	AW4230GP	38.87 x 26.87	987 x 682
304810-4XSD3PT	30 x 48 x 10	762 x 1219 x 254	AW4830P	AW4830GP	44.87 x 26.87	1139 x 682
306010-4XSD3PT	30 x 60 x 10	762 x 1524 x 254	AW6030P	--	56.87 x 26.87	1444 x 682
364212-4XSD3PT	36 x 42 x 12	914 x 1067 x 305	AW4236P	AW4236GP	38.87 x 32.87	987 x 835
364812-4XSD3PT	36 x 48 x 12	914 x 1219 x 305	AW4836P	AW4836GP	44.87 x 32.87	1139 x 835
366012-4XSD3PT	36 x 60 x 12	914 x 1524 x 305	AW6036P	AW6036GP	56.87 x 32.87	1444 x 835
424212-4XSD3PT	42 x 42 x 12	1067 x 1067 x 305	AW4242P	--	38.87 x 38.87	987 x 987
424812-4XSD3PT	42 x 48 x 12	1067 x 1219 x 305	AW4842P	AW4842GP	44.87 x 38.87	1139 x 987
426012-4XSD3PT	42 x 60 x 12	1067 x 1524 x 305	AW6042P	--	56.87 x 38.87	1444 x 987
484812-4XSD3PT	48 x 48 x 12	1219 x 1219 x 305	AW4848P	--	44.87 x 44.87	1139 x 1139

Notes: We can provide special sizes, finishes and other modifications. Consult the factory for your special requirements.

Wall-Mount Enclosures Type 4X Double-Door with 3-Point Locking Illustration Sheet



Notes: Dimensions are in inches. Millimeters shown are for reference only. Data subject to change without notice.

Type 4X Panel Enclosures

Ground-Mount Enclosures Type 4X Double-Door Floor-Standing Data Sheet and Catalog Number



Application

- Houses electrical controls and instruments
- Intended for indoor or outdoor use where a corrosive environment exists
- Protects against corrosion, windblown dust and rain, splashing water and hose directed water

Standards

- UL 508A listed, Type 4, Type 4X, and Type 12
- CSA C22.2 No.94 certified, Type 4, Type 4X, and Type 12
- Conforms to NEMA standard for Type 4, Type 4X, and Type 12

Finish

- Doors and sides of body have a smooth #4 brushed finish

Accessories

- Panels
- Leg stabilizer kit
- See Accessories section

Construction

- Enclosure and door are fabricated from (12) gauge, Type 304 or Type 316L stainless steel
- All continuous welded seams are finished smooth
- Doors are secured to the body with removable concealed stainless hinges and easy to remove stainless steel door clamps on three (3) sides
- Modern bevel profile on hinge side of enclosure doors
- Print pocket provided
- Each door has a padlock hasp with sealing hole provision
- Doors have a seamless, poured in-place gasket
- Ground stud provided on doors and body
- Removable center post for complete front access
- Heavy gauge angle supports and .375-16 collar studs are provided for mounting optional panel
- Large lifting eyebolts are supplied
- Hole seals are provided to seal enclosure after removal of lifting eyebolts
- Mounting legs are provided for floor mounting

Discount Schedule: C2

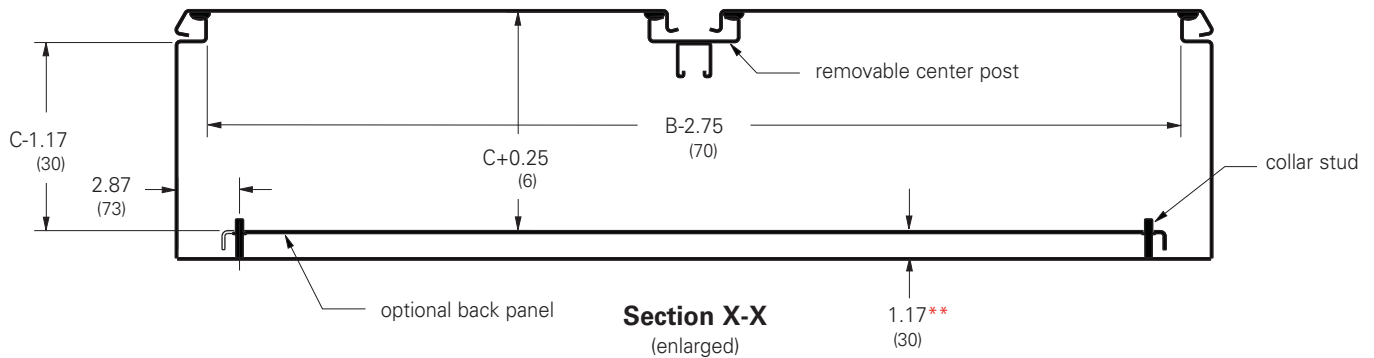
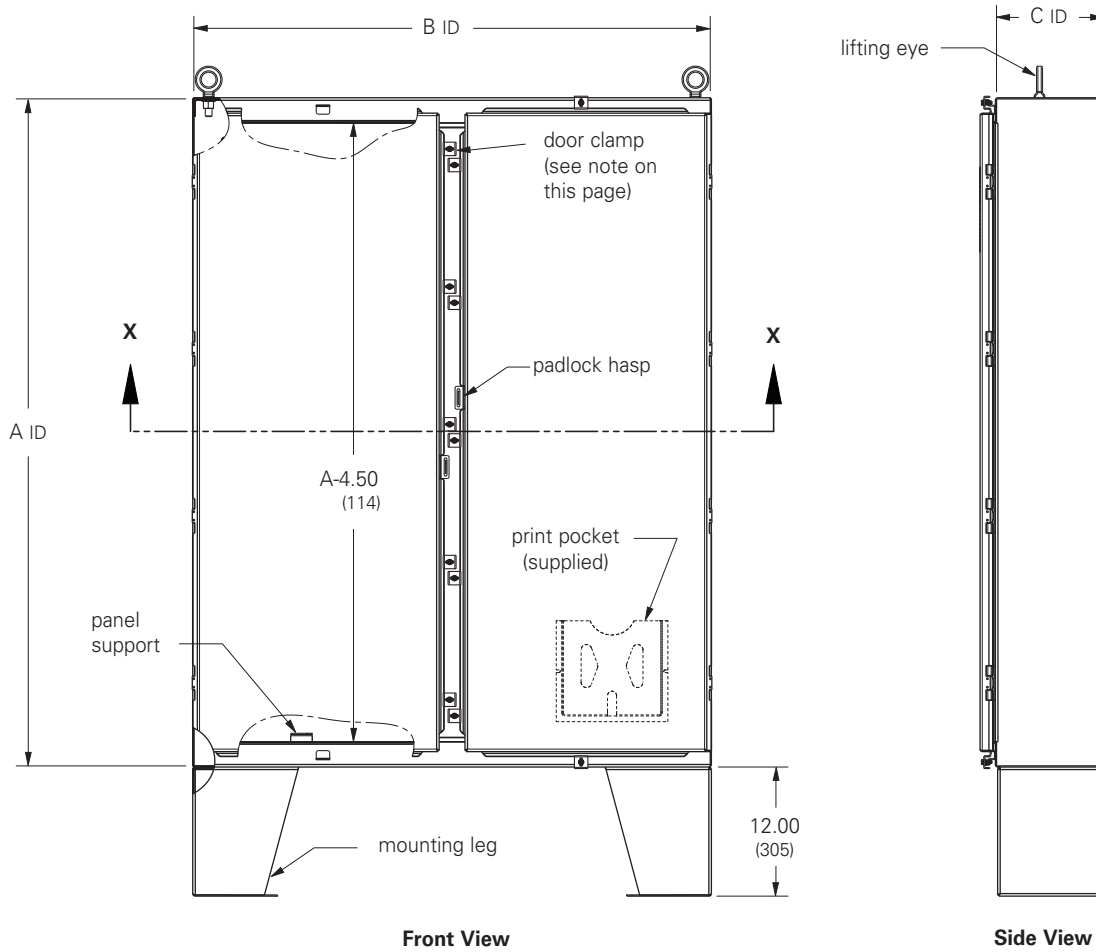
**Subclass: DJ0 (Type 304)
TU0 (Type 316L)**

Enclosure Catalog Number Stainless Steel		Enclosure Size Height x Width x Depth A x B x C		Panel Catalog Number	Panel Size Height x Width	
Type 304	Type 316L	in.	mm	Steel	in.	mm
624810-4XSFD	624810-4XSS6FD	62.00 x 48.00 x 10.00	1575 x 1219 x 254	AW6048P	55.87 x 43.87	1419 x 1114
624812-4XSFD	624812-4XSS6FD	62.00 x 48.00 x 12.00	1575 x 1219 x 305	AW6048P	55.87 x 43.87	1419 x 1114
626012-4XSFD	626012-4XSS6FD	62.00 x 60.00 x 12.00	1575 x 1524 x 305	AW6060P	55.87 x 55.87	1419 x 1419
746012-4XSFD	746012-4XSS6FD	74.00 x 60.00 x 12.00	1880 x 1524 x 305	AW7260P	67.87 x 55.87	1724 x 1419
747212-4XSFD	747212-4XSS6FD	74.00 x 72.00 x 12.00	1880 x 1829 x 305	AW7272P	67.87 x 67.87	1724 x 1724
747224-4XSFD	747224-4XSS6FD	74.00 x 72.00 x 24.00	1880 x 1829 x 610	AW7272P	67.87 x 67.87	1724 x 1724

Notes: We can provide special sizes, finishes and other modifications. Consult the factory for your special requirements. Dimensions are in inches. Millimeters shown are for reference only. Data subject to change without notice.

Ground-Mount Enclosures Type 4X Double-Door Floor-Standing Illustration Sheet

ID = Inside Dimension



** From top of panel stud flange to inside of enclosure

Notes: Clamps are mounted along three sides of the enclosure door. Spacing between clamps along side opposite the hinge does not exceed 15 inches. Four lifting eyes are furnished when C dimension is 24" (609 mm). Dimensions are in inches. Millimeters shown are for reference only. Data subject to change without notice.

Type 4X Panel Enclosures

Ground-Mount Enclosures

Type 4X Double-Door Floor-Standing with Quarter-Turn Latches

Data Sheet and Catalog Number



Application

- Houses electrical controls and instruments
- Intended for indoor or outdoor use where a corrosive environment exists
- Protects against corrosion, windblown dust and rain, splashing water and hose directed water

Standards

- UL 508A listed, Type Type 3R, 4, Type 4X, Type 12
- CSA C22.2 No.94 certified, Type 3R, Type 4, Type 4X, Type 12
- Conforms to NEMA standard for Type 3, Type 3R, Type 4, Type 4X, Type 12

Finish

- Door and sides of body have a smooth #4 brushed finish

Accessories

- Panels
- Panel Support Kit
- Panel Lifting Kit
- Leg stabilizer kit
- Lights
- Window kits

Construction

- Enclosure body (12) gauge and doors (14) gauge are fabricated from Type 304 stainless steel
- All continuous welded seams are finished smooth
- Doors are secured to the body with removable concealed stainless hinges and quarter-turn flush latches on three (3) sides
- Modern bevel profile on both sides of enclosure doors
- Doors have a seamless poured in-place gasket
- Removable centerpost for easy panel installation
- Formed lip around enclosure opening diverts liquids and contaminants
- Ground stud provided on doors and body
- Print pocket provided
- Heavy gauge angle supports and .375-16 collar studs are provided for mounting optional panel
- Large lifting eyebolts
- Hole seals are provided to seal enclosure after removal of lifting eyebolts
- Mounting legs

Discount Schedule: C2

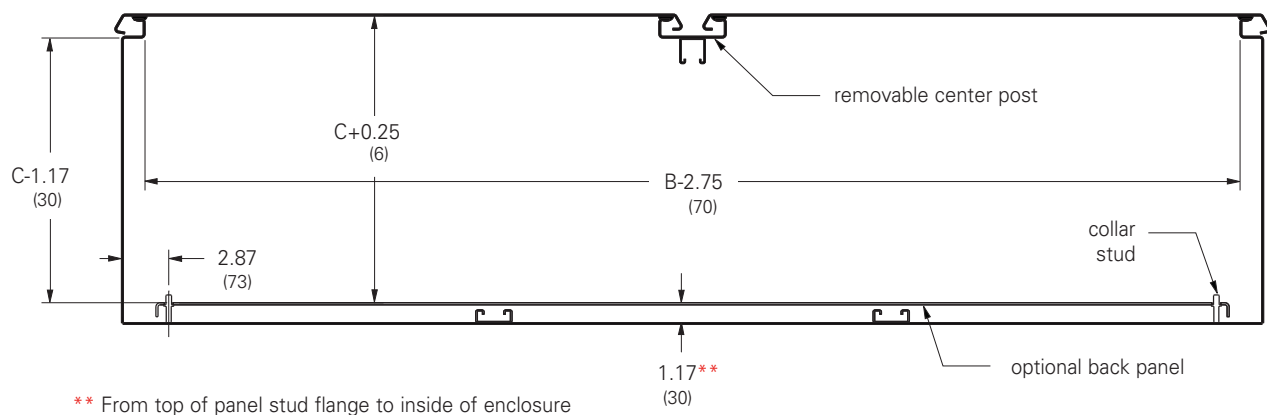
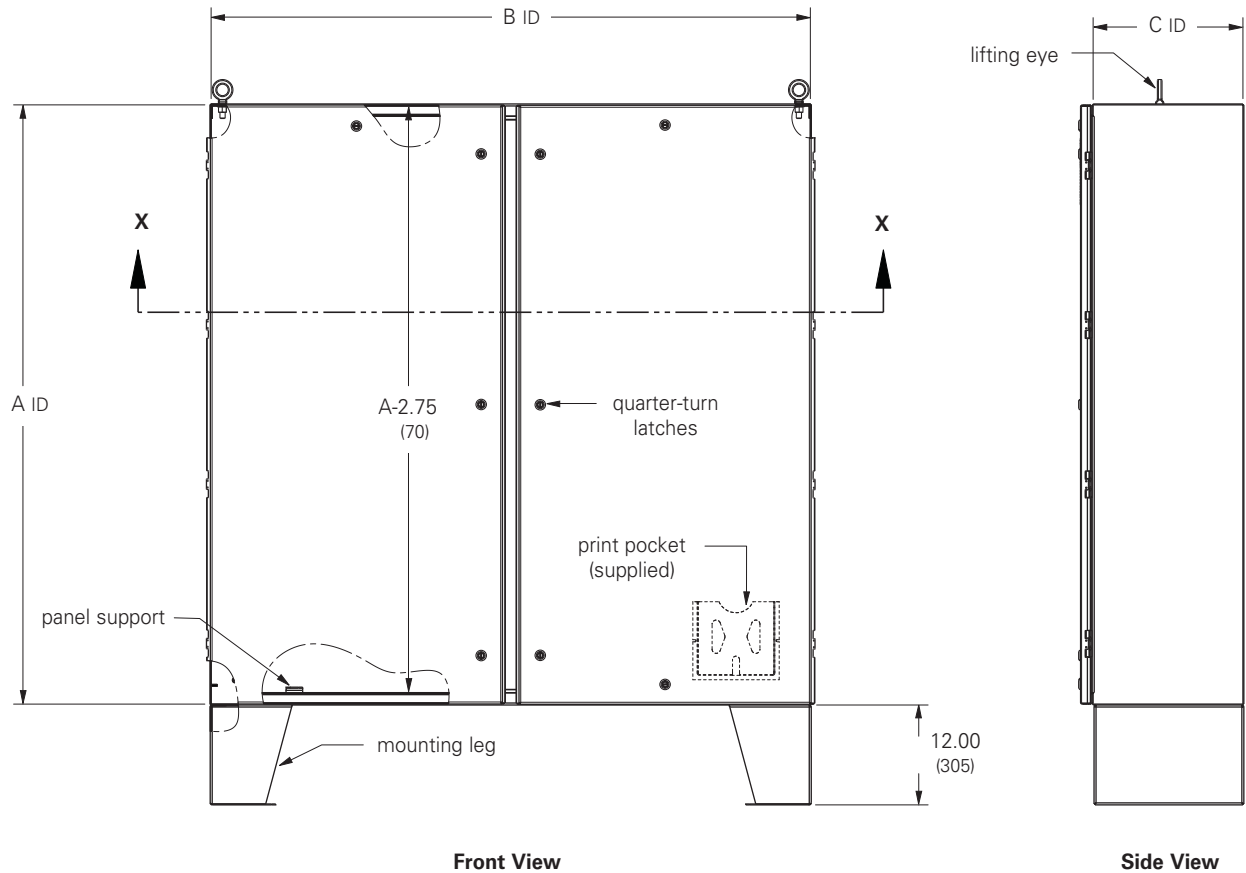
Subclass: DJ2

Enclosure Catalog Number	Enclosure Size Height x Width x Depth A x B x C		Panel Catalog Number Steel	Panel Size Height x Width	
	in.	mm		in.	mm
604812-4XSFQQT	60.00 x 48.00 x 12.00	1524 x 1219 x 305	AW6048P	55.87 x 43.87	1419 x 1114
606012-4XSFQQT	60.00 x 60.00 x 12.00	1524 x 1524 x 305	AW6060P	55.87 x 55.87	1419 x 1419
726012-4XSFQQT	72.00 x 60.00 x 12.00	1829 x 1524 x 305	AW7260P	67.87 x 55.87	1724 x 1419
727212-4XSFQQT	72.00 x 72.00 x 12.00	1829 x 1829 x 305	AW7272P	67.87 x 67.87	1724 x 1724
604818-4XSFQQT	60.00 x 48.00 x 18.00	1524 x 1219 x 457	AW6048P	55.87 x 43.87	1419 x 1114
606018-4XSFQQT	60.00 x 60.00 x 18.00	1524 x 1524 x 457	AW6060P	55.87 x 55.87	1419 x 1419
726018-4XSFQQT	72.00 x 60.00 x 18.00	1829 x 1524 x 457	AW7260P	67.87 x 55.87	1724 x 1419
727218-4XSFQQT	72.00 x 72.00 x 18.00	1829 x 1829 x 457	AW7272P	67.87 x 67.87	1724 x 1724
727224-4XSFQQT	72.00 x 72.00 x 24.00	1829 x 1829 x 609	AW7272P	67.87 x 67.87	1724 x 1724

Notes: We can provide special sizes, finishes and other modifications. Consult the factory for your special requirements. Dimensions are in inches. Millimeters shown are for reference only. Data subject to change without notice.

Ground-Mount Enclosures Type 4X Double-Door Floor-Standing with Quarter-Turn Latches Illustration Sheet

ID = Inside Dimension



Notes: Four lifting eyes are furnished when C dimension is 24" (609 mm).
Dimensions are in inches. Millimeters shown are for reference only. Data subject to change without notice.

Type 4X Panel Enclosures

Ground-Mount Enclosures Type 4X Double-Door Floor-Standing with 3-Point Locking Data Sheet and Catalog Number



Application

- Houses electrical controls and instruments
- Intended for indoor or outdoor use where a corrosive environment exists
- Protects against corrosion, windblown dust and rain, splashing water and hose directed water

Standards

- UL 508A listed, Type 3R, Type 4, Type 4X, Type 12
- CSA C22.2 No.94 certified, Type 3R, Type 4, Type 4X, Type 12
- Conforms to NEMA standard for Type 3, Type 3R, Type 4, Type 4X, Type 12

Finish

- Door and sides of body have a smooth #4 brushed finish

Accessories

- Panels
- Panel Support Kit
- Panel Lifting Kit
- Leg stabilizer kit
- Lights
- Window kits
- See page 429 for replacement handles
black handle for Type 304 enclosure, BD-PKHB
stainless steel handle for Type 316L enclosure, BD-PKHSS

Construction

- Enclosure and doors are fabricated from (12) gauge Type 304 or Type 316L stainless steel
- All continuous welded seams are finished smooth
- Doors are secured to the body with removable concealed stainless hinges and a center locating 3-point key-locking and padlock black handle mechanism
- Modern bevel profile on both sides of enclosure doors
- Stainless handles provided on 316L stainless steel enclosures
- Additional quarter-turn latches provided top and bottom on all enclosure doors
- Doors have a seamless poured in-place gasket
- Removable centerpost for easy panel installation
- Formed lip around enclosure opening diverts liquids and contaminants
- Ground stud provided on doors and body
- Print pocket provided
- Heavy gauge angle supports and .375-16 collar studs are provided for mounting optional panel
- Large lifting eyebolts
- Hole seals are provided to seal enclosure after removal of lifting eyebolts
- Mounting legs

Discount Schedule: C2

Subclass: DJ3

Enclosure Catalog Number Stainless Steel		Enclosure Size Height x Width x Depth A x B x C		Panel Catalog Number	Panel Size Height x Width	
Type 304 *	Type 316L **	in.	mm	Steel	in.	mm
624812-4XSF3PT	624812-4XSS6FD3PT	62.00 x 48.00 x 12.00	1575 x 1219 x 305	AW6048P	55.87 x 43.87	1419 x 1114
626012-4XSF3PT	626012-4XSS6FD3PT	62.00 x 60.00 x 12.00	1575 x 1524 x 305	AW6060P	55.87 x 55.87	1419 x 1419
746012-4XSF3PT	746012-4XSS6FD3PT	74.00 x 60.00 x 12.00	1879 x 1524 x 305	AW7260P	67.87 x 55.87	1724 x 1419
747212-4XSF3PT	747212-4XSS6FD3PT	74.00 x 72.00 x 12.00	1879 x 1829 x 305	AW7272P	67.87 x 67.87	1724 x 1724
624818-4XSF3PT	624818-4XSS6FD3PT	62.00 x 48.00 x 18.00	1575 x 1219 x 457	AW6048P	55.87 x 43.87	1419 x 1114
747224-4XSF3PT	747224-4XSS6FD3PT	74.00 x 72.00 x 24.00	1879 x 1829 x 609	AW7272P	67.87 x 67.87	1724 x 1724

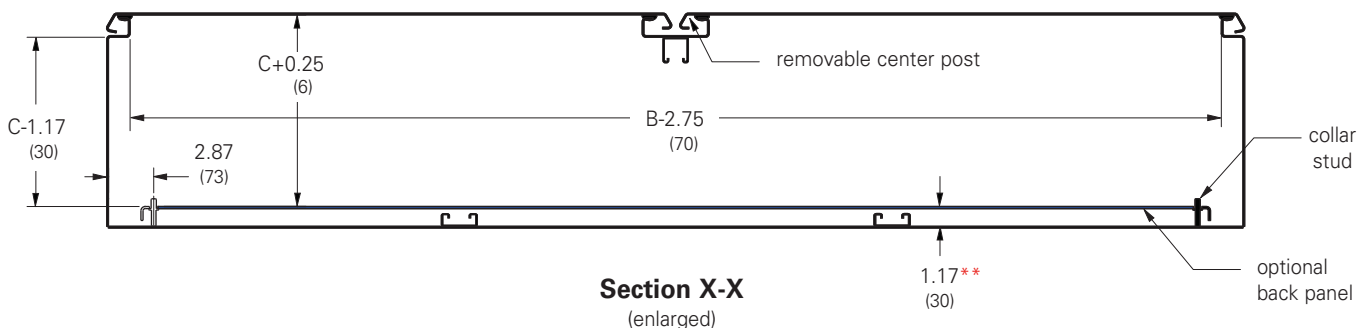
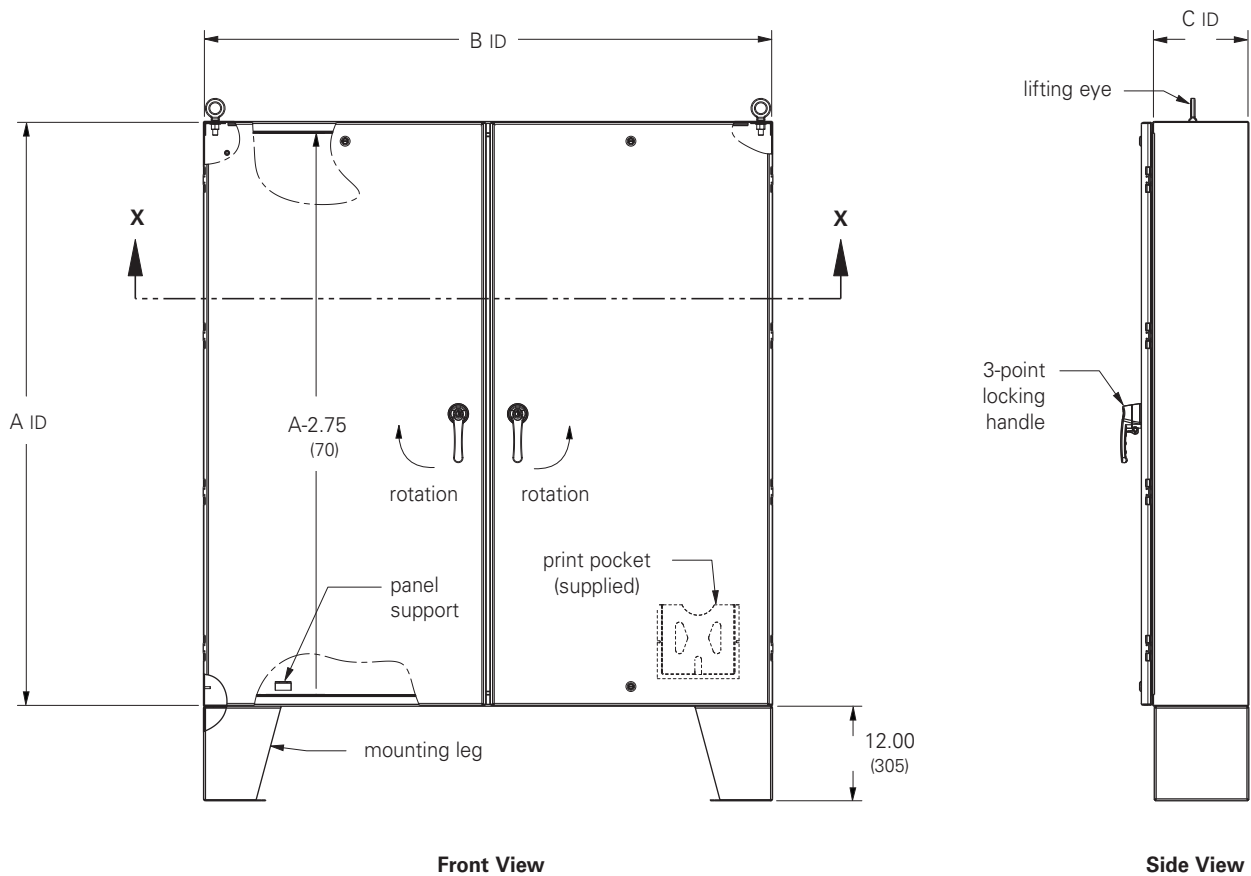
* Type 304 enclosures come with black handles ** Type 316L enclosures come with stainless steel handle

Notes: We can provide special sizes, finishes and other modifications. Consult the factory for your special requirements.
Dimensions are in inches. Millimeters shown are for reference only. Data subject to change without notice.

Type 4X Panel Enclosures

Ground-Mount Enclosures Type 4X Double-Door Floor-Standing with 3-Point Locking Illustration Sheet

ID = Inside Dimension



** From top of panel stud flange to inside of enclosure

Notes: Four lifting eyes are furnished when C dimension is 24" (609 mm).
Dimensions are in inches. Millimeters shown are for reference only. Data subject to change without notice.
Additional quarter-turn latch provided on top and bottom of all enclosures.

Type 4X Panel Enclosures

Ground-Mount Enclosures Type 4X Single-Door Free-Standing Data Sheet



Application

- Houses electrical controls and instruments
- Easy access fixed or swing panels for mounting optional equipment
- Intended for indoor or outdoor use
- Protects against corrosion, windblown dust and rain, splashing water and hose directed water

Standards

- UL 508A listed, Type 4, Type 4X, and Type 12
- CSA C22.2 No.94 certified, Type 4, Type 4X, and Type 12
- Conforms to NEMA standard for Type 4, Type 4X, and Type 12
- E.I.A. RS-310-D

Finish

- Door and sides of body have a smooth #4 brushed finish

Accessories

- Full and half panels
- Side and swing panels
- Channel mounting hardware
- Equipment rack mounts
- Touch-up paint
- See Accessories section

Construction

- Enclosure and door are fabricated from (12) gauge, Type 304 or Type 316L stainless steel
- All continuous welded seams are finished smooth
- Door is secured to the body with removable concealed stainless hinges and easy to remove stainless steel door clamps on three (3) sides
- Modern bevel profile on hinge side of enclosure door
- Door has a seamless poured in-place gasket
- Ground stud provided on door and body
- Each door has a padlock hasp with sealing hole provision
- Print pocket provided
- Large lifting eyebolts are supplied
- Hole seals are provided to seal enclosure after removal of lifting eyebolts
- Mounting channels are welded inside for locating panels or rack mount equipment along enclosure depth
- A variety of optional panels and accessories are available (see accessories pages 242-253)

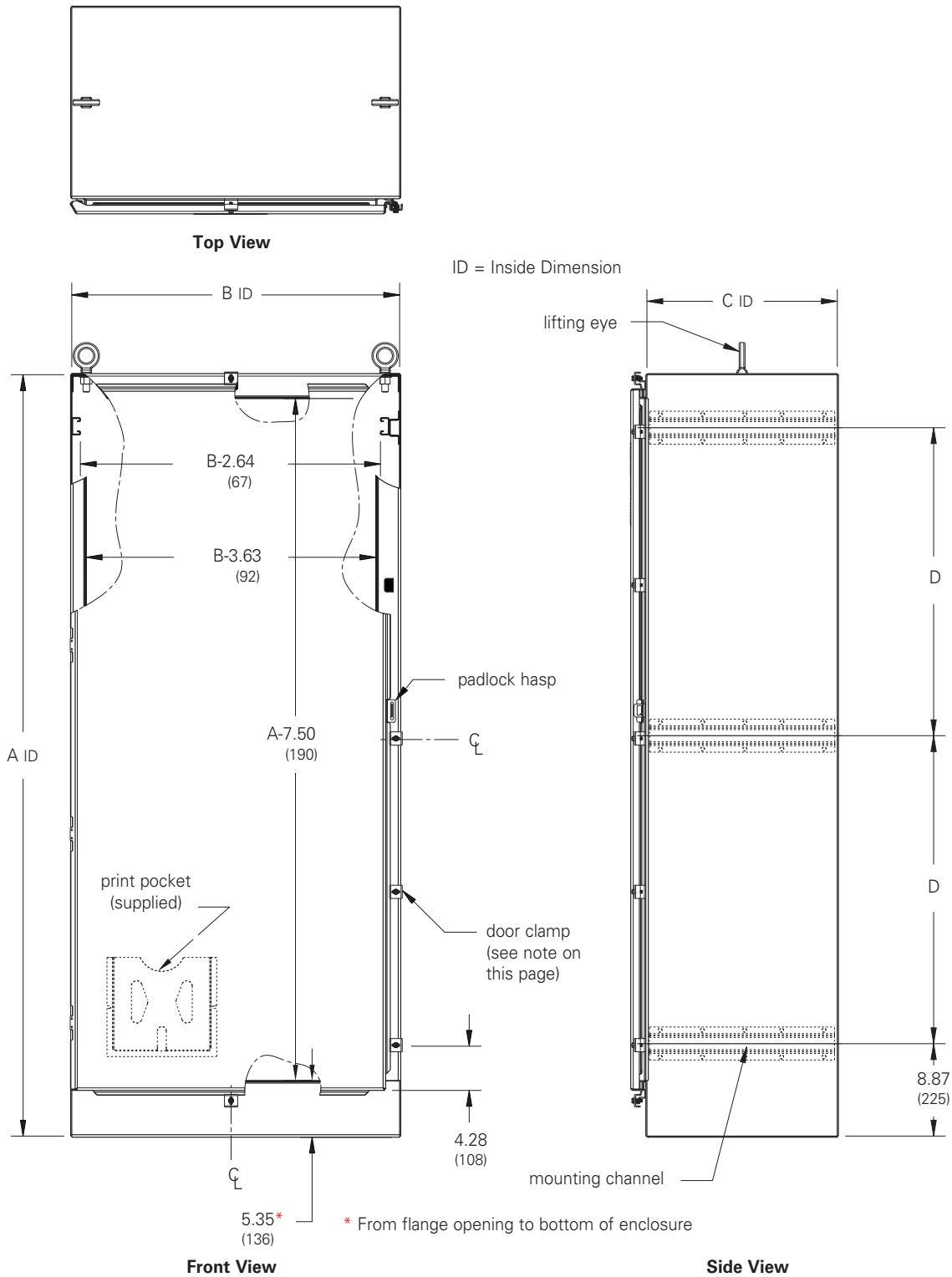
Discount Schedule: C2

Subclass: U40

Enclosure Catalog Number		Enclosure Size Height x Width x Depth A x B x C		D	
Type 304	Type 316L	in.	mm	in.	mm
722518-4XSFS	722518-4XSS6FS	72.00 x 25.00 x 18.00	1829 x 635 x 457	29.12	740
723118-4XSFS	723118-4XSS6FS	72.00 x 31.00 x 18.00	1829 x 787 x 457	29.12	740
723718-4XSFS	723718-4XSS6FS	72.00 x 37.00 x 18.00	1829 x 940 x 457	29.12	740
722524-4XSFS	722524-4XSS6FS	72.00 x 25.00 x 24.00	1829 x 635 x 610	29.12	740
723124-4XSFS	723124-4XSS6FS	72.00 x 31.00 x 24.00	1829 x 787 x 610	29.12	740
723724-4XSFS	723724-4XSS6FS	72.00 x 37.00 x 24.00	1829 x 940 x 610	29.12	740

Notes: We can provide special sizes, finishes and other modifications. Consult the factory for your special requirements.

Ground-Mount Enclosures Type 4X Single-Door Free-Standing Catalog Number and Illustration Sheet



Type 4X Panel Enclosures

Notes: Clamps are mounted along three sides of the enclosure door. Spacing between clamps along side opposite the hinge does not exceed 15 inches. Two lifting eyes are furnished on each enclosure. Dimensions are in inches. Millimeters shown are for reference only. Data subject to change without notice.

Type 4X Panel Enclosures

Ground-Mount Enclosures

Type 4X Single-Door Free-Standing with Quarter-Turn Latches

Data Sheet and Catalog Number



Application

- Houses electrical controls and instruments
- Easy access panels or rack mounts for housing optional equipment
- Intended for indoor or outdoor use
- Protects against corrosion, windblown dust and rain, splashing water and hose directed water

Standards

- UL 508A listed, Type 3R, Type 4, Type 4X, Type 12
- CSA C22.2 No.94 certified, Type 3R, Type 4, Type 4X, Type 12
- Conforms to NEMA standard for Type 3, Type 3R, Type 4, Type 4X, Type 12
- E.I.A. RS-310-D

Finish

- Door and sides of body have a smooth #4 brushed finish

Accessories

- Full and half panels
- Side and swing panels
- Panel Support Kit
- Panel Lifting Kit
- Channel mounting hardware
- Equipment Rack Mounts
- Lights
- Window kits

Construction

- Enclosure body (12) gauge and door (14) gauge are fabricated from Type 304 stainless steel
- All continuous welded seams are finished smooth
- Door is secured to the body with removable concealed stainless hinges and quarter-turn flush latches on three (3) sides
- Modern bevel profile on both sides of enclosure door
- Door has a seamless poured in-place gasket
- Formed lip around enclosure opening diverts liquids and contaminants
- Ground stud provided on door and body
- Print pocket provided
- Mounting channels are welded inside for locating panels or rack-mount equipment along enclosure depth
- Provision for mounting fluorescent light
- Large lifting eyebolts
- Hole seals are provided to seal enclosure after removal of lifting eyebolts

Discount Schedule: C2

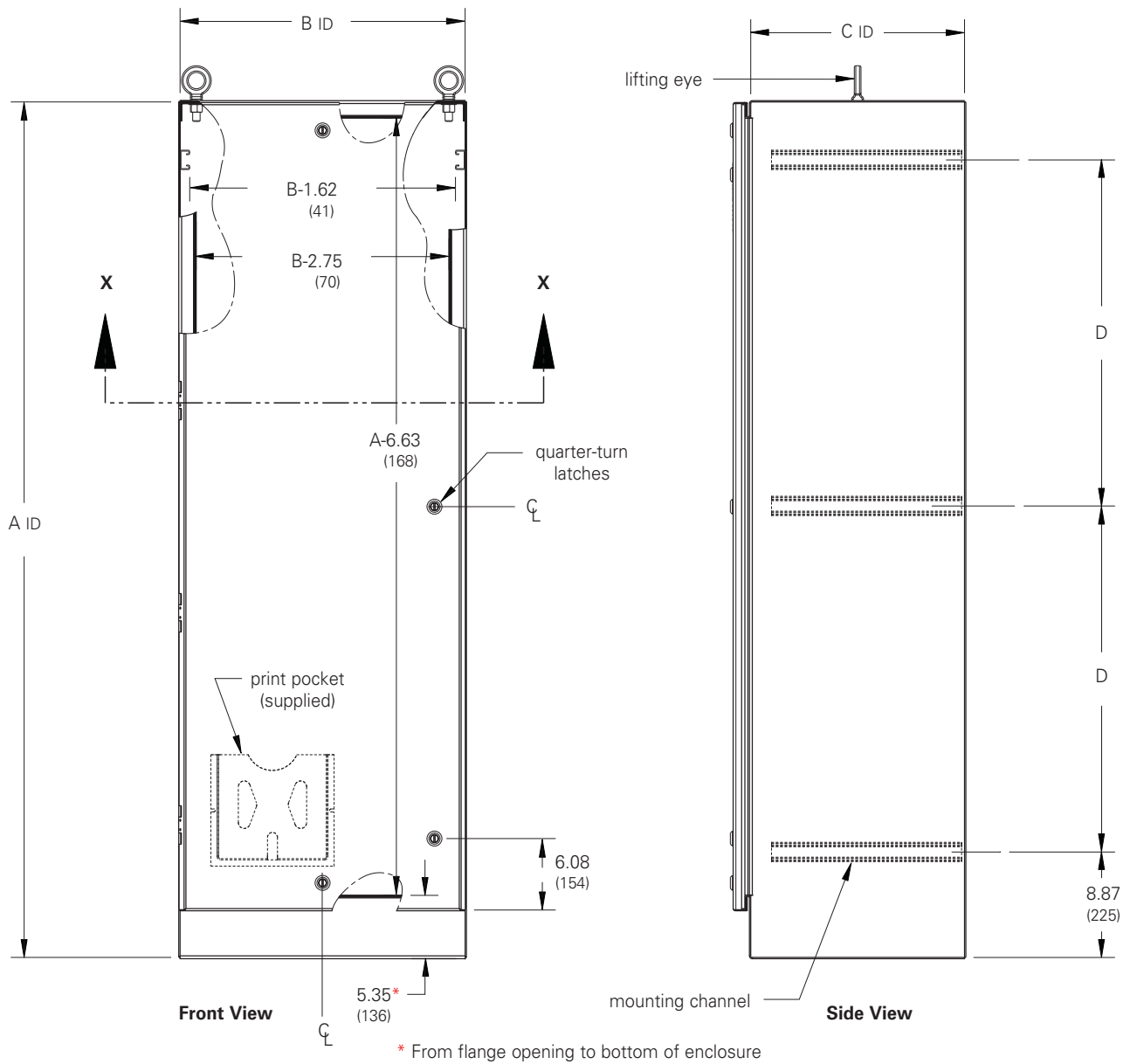
Subclass: U42

Enclosure Catalog Number	Enclosure Size Height x Width x Depth A x B x C		D	
	in.	mm	in.	mm
722418-4XSFSQT	72.00 x 24.00 x 18.00	1829 x 609 x 457	29.12	739
723024-4XSFSQT	72.00 x 30.00 x 24.00	1829 x 762 x 609	29.12	739
723624-4XSFSQT	72.00 x 36.00 x 24.00	1829 x 914 x 609	29.12	739

Notes: We can provide special sizes, finishes and other modifications. Consult the factory for your special requirements. Dimensions are in inches. Millimeters shown are for reference only. Data subject to change without notice.

Ground-Mount Enclosures Type 4X Single-Door Free-Standing with Quarter-Turn Latches Illustration Sheet

ID = Inside Dimension



Type 4X Panel Enclosures

Notes: Two lifting eyes are furnished on each enclosure).
Dimensions are in inches. Millimeters shown are for reference only. Data subject to change without notice.

Type 4X Panel Enclosures

Ground-Mount Enclosures Type 4X Single-Door Free-Standing with 3-Point Locking Data Sheet



Accessories

- Full and half panels
- Side and swing panels
- Panel Support Kit
- Panel Lifting Kit
- Channel mounting hardware
- Equipment Rack Mounts
- Lights
- Window kits
- Replacement handle (black), BD-PKHB, see page 429

Construction

- Enclosure and doors are fabricated from (12) gauge Type 304 stainless steel
- All continuous welded seams are finished smooth
- Door is secured to the body with removable concealed stainless hinges and a center locating 3-point key-locking and padlock handle mechanism
- Modern bevel profile on both sides of enclosure door
- Additional quarter-turn latches provided top and bottom on all enclosure doors
- Door has a seamless poured in-place gasket
- Formed lip around enclosure opening diverts liquids and contaminants
- Ground stud provided on door and body
- Print pocket provided
- Mounting channels are welded inside for locating panels or rack-mount equipment along enclosure depth
- Provision for mounting fluorescent light
- Large lifting eyebolts
- Hole seals are provided to seal enclosure after removal of lifting eyebolts

Application

- Houses electrical controls and instruments
- Easy access panels or rack mounts for housing optional equipment
- Intended for indoor or outdoor use
- Protects against corrosion, windblown dust and rain, splashing water and hose directed water

Standards

- UL 508A listed, Type 3R, Type 4, Type 4X, Type 12
- CSA C22.2 No.94 certified, Type 3R, Type 4, Type 4X, Type 12
- Conforms to NEMA standard for Type 3, Type 3R, Type 4, Type 4X, Type 12
- E.I.A. RS-310-D

Finish

- Door and sides of body have a smooth #4 brushed finish

Discount Schedule: C2

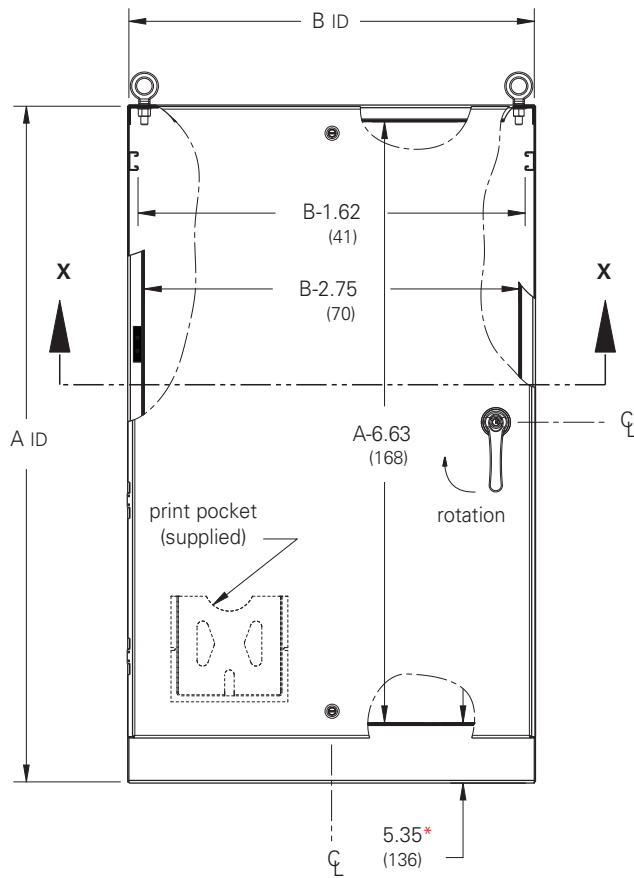
Subclass: U43

Enclosure Catalog Number	Enclosure Size Height x Width x Depth A x B x C		D	
	in.	mm	in.	mm
602418-4XSFS3PT	60.00 x 24.00 x 18.00	1524 x 609 x 457	23.12	587
722418-4XSFS3PT	72.00 x 24.00 x 18.00	1829 x 609 x 457	29.12	739
723018-4XSFS3PT	72.00 x 30.00 x 18.00	1829 x 762 x 457	29.12	739
723618-4XSFS3PT	72.00 x 36.00 x 18.00	1829 x 914 x 457	29.12	739
902420-4XSFS3PT	90.00 x 24.00 x 20.00	2286 x 609 x 508	38.12	968
903620-4XSFS3PT	90.00 x 36.00 x 20.00	2286 x 914 x 508	38.12	968
603624-4XSFS3PT	60.00 x 36.00 x 24.00	1524 x 914 x 609	23.12	587
722424-4XSFS3PT	72.00 x 24.00 x 24.00	1829 x 609 x 609	29.12	739
723024-4XSFS3PT	72.00 x 30.00 x 24.00	1829 x 762 x 609	29.12	739
723624-4XSFS3PT	72.00 x 36.00 x 24.00	1829 x 914 x 609	29.12	739
903624-4XSFS3PT	90.00 x 36.00 x 24.00	2286 x 914 x 609	38.12	968
723630-4XSFS3PT	72.00 x 36.00 x 30.00	1829 x 914 x 762	29.12	739
723636-4XSFS3PT	72.00 x 36.00 x 36.00	1829 x 914 x 914	29.12	739
903636-4XSFS3PT	90.00 x 36.00 x 36.00	2286 x 914 x 914	38.12	968

Notes: We can provide special sizes, finishes and other modifications. Consult the factory for your special requirements. Dimensions are in inches. Millimeters shown are for reference only. Data subject to change without notice.

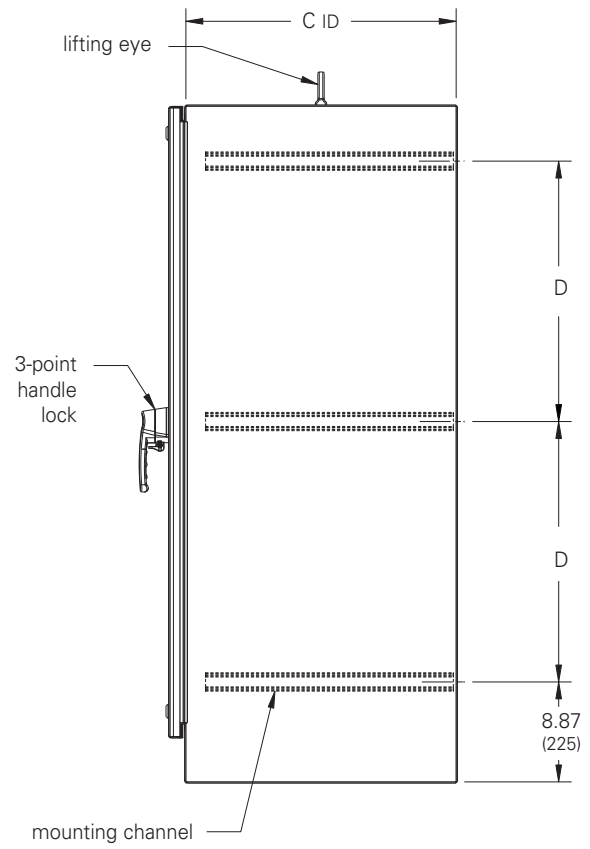
Ground-Mount Enclosures Type 4X Single-Door Free-Standing with 3-Point Locking Illustration Sheet and Catalog Number

ID = Inside Dimension

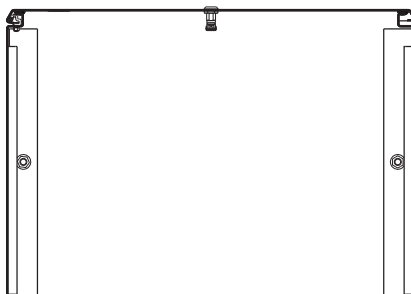


Front View

* From flange opening to bottom of enclosure



Side View



Section X-X

Notes: Four lifting eyes are furnished when C dimension is 30" (762 mm).
Dimensions are in inches. Millimeters shown are for reference only. Data subject to change without notice.
Additional quarter-turn latch provided on top and bottom of all enclosures.

Type 4X Panel Enclosures

Ground-Mount Enclosures

Type 4X Single-Door Dual Access Free-Standing with 3-Point Locking

Data Sheet



Application

- Houses electrical controls and instruments
- Easy access panels or rack mounts for housing optional equipment
- Intended for indoor or outdoor use
- Protects against corrosion, windblown dust and rain, splashing water and hose directed water

Standards

- UL 508A listed, Type 3R, Type 4, Type 4X, Type 12
- CSA C22.2 No.94 certified, Type 3R, Type 4, Type 4X, Type 12
- Conforms to NEMA standard for Type 3, Type 3R, Type 4, Type 4X, Type 12
- E.I.A. RS-310-D

Finish

- Door and sides of body have a smooth #4 brushed finish

Accessories

- Full and half panels
- Side and swing panels
- Panel Support Kit
- Panel Lifting Kit
- Channel mounting hardware
- Equipment Rack Mounts
- Lights
- Window kits
- Replacement handle (black), BD-PKHB, see page 429

Construction

- Enclosure and doors are fabricated from (12) gauge Type 304 stainless steel
- All continuous welded seams are finished smooth
- Doors are secured to the body with removable concealed hinges and a center locating 3-point key-locking and padlock handle mechanism
- Modern bevel profile on both sides of enclosure door
- Additional quarter-turn latches provided top and bottom on all enclosure doors
- Doors have a seamless poured in-place gasket
- Formed lip around enclosure openings to divert liquids and contaminants
- Dual-access construction available for back-to-back panel and equipment mounting
- Ground studs provided on doors and body
- Print pockets provided
- Mounting channels are welded inside for locating panels or rack-mount equipment along enclosure depth
- Provisions for mounting fluorescent light
- Large lifting eyebolts
- Hole seals are provided to seal enclosure after removal of lifting eyebolts

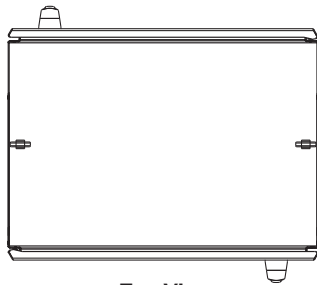
Discount Schedule: C2

Subclass: U43

Notes: We can provide special sizes, finishes and other modifications. Consult the factory for your special requirements. Dimensions are in inches. Millimeters shown are for reference only. Data subject to change without notice.

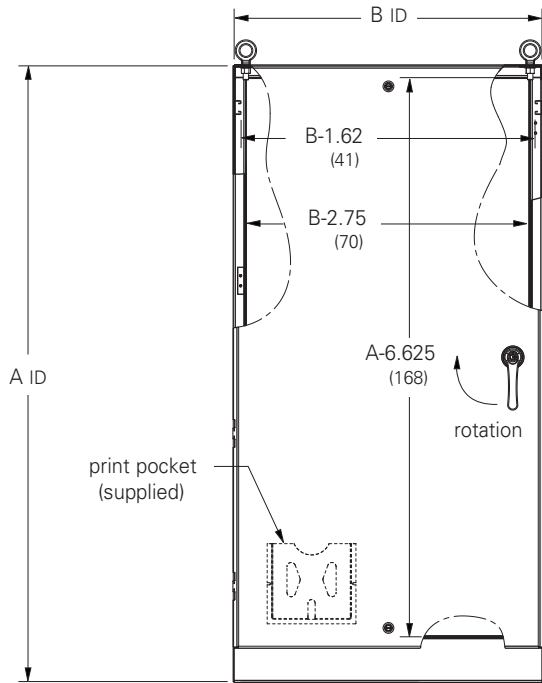
Ground-Mount Enclosures Type 4X Single-Door Dual Access Free-Standing with 3-Point Locking Illustration Sheet and Catalog Number

Enclosure Catalog Number	Enclosure Size Height x Width x Depth A x B x C		D	
	in.	mm	in.	mm
	722424-4XSFSDA3PT	72.00 x 24.00 x 24.00	1829 x 609 x 609	29.12
723024-4XSFSDA3PT	72.00 x 30.00 x 24.00	1829 x 762 x 609	29.12	739
723624-4XSFSDA3PT	72.00 x 36.00 x 24.00	1829 x 914 x 609	29.12	739
903624-4XSFSDA3PT	90.00 x 36.00 x 24.00	2286 x 914 x 609	38.12	968
722430-4XSFSDA3PT	72.00 x 24.00 x 30.00	1829 x 609 x 762	29.12	739
722436-4XSFSDA3PT	72.00 x 24.00 x 36.00	1829 x 609 x 914	29.12	739
723636-4XSFSDA3PT	72.00 x 36.00 x 36.00	1829 x 914 x 914	29.12	739
903636-4XSFSDA3PT	90.00 x 36.00 x 36.00	2286 x 914 x 914	38.12	968



Top View

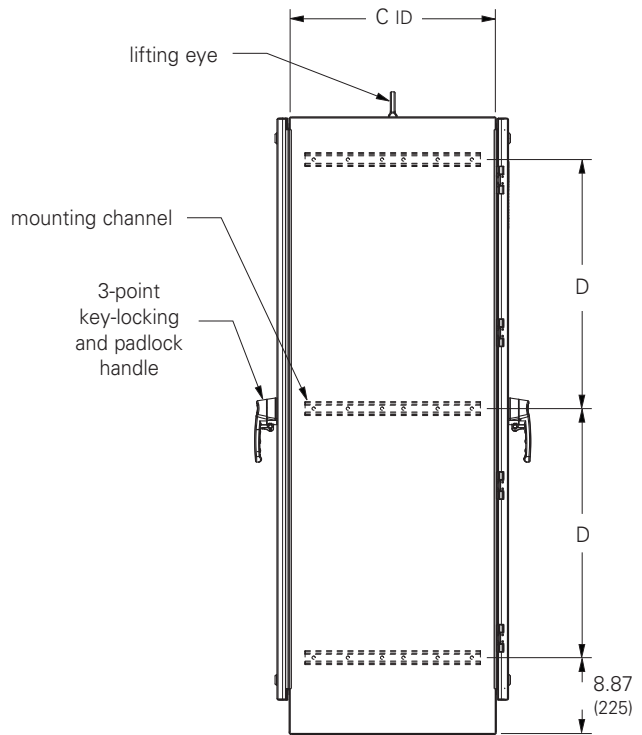
ID = Inside Dimension



5.35*
(136)

* From flange opening to bottom of enclosure

Front View



Side View

Type 4X Panel Enclosures

Notes: Four lifting eyes are furnished when C dimension is 30" (762 mm) or larger.
Dimensions are in inches. Millimeters shown are for reference only. Data subject to change without notice.
Additional quarter-turn latch provided on top and bottom of all enclosures.

Type 4X Panel Enclosures

Ground-Mount Enclosures Type 4X Double-Door Free-Standing with 3-Point Locking Data Sheet



Application

- Houses electrical controls and instruments
- Easy access panels or rack mounts for housing optional equipment
- Intended for indoor or outdoor use
- Protects against corrosion, windblown dust and rain, splashing water and hose directed water

Standards

- UL 508A listed, Type 3R, Type Type 4, Type 4X, Type 12
- CSA C22.2 No.94 certified, Type 3R, Type 4, Type 4X, Type 12
- Conforms to NEMA standard for Type 3, Type 3R, Type 4, Type 4X, Type 12
- E.I.A. RS-310-D

Finish

- Doors and sides of body have a smooth #4 brushed finish

Accessories

- Full and half panels
- Side and swing panels
- Panel Support Kit
- Panel Lifting Kit
- Channel mounting hardware
- Equipment Rack Mounts
- Lights
- Window kits
- Replacement handle (black), BD-PKHB, see page 429

Construction

- Enclosure and doors are fabricated from (12) gauge Type 304 stainless steel
- All continuous welded seams are finished smooth
- Doors are secured to the body with removable concealed stainless hinges and a center locating 3-point key-locking and padlock handle mechanism
- Modern bevel profile on both sides of enclosure doors
- Additional quarter-turn latches provided top and bottom on all enclosure doors
- Doors have a seamless poured in-place gasket
- Formed lip around enclosure openings to divert liquids and contaminants
- Ground studs provided on doors and body
- Removable centerpost for easy panel installation
- Print pockets provided
- Mounting channels are welded inside for locating panels or rack-mount equipment along enclosure depth
- Provisions for mounting fluorescent light
- Large lifting eyebolts
- Hole seals are provided to seal enclosure after removal of lifting eyebolts

Discount Schedule: C2

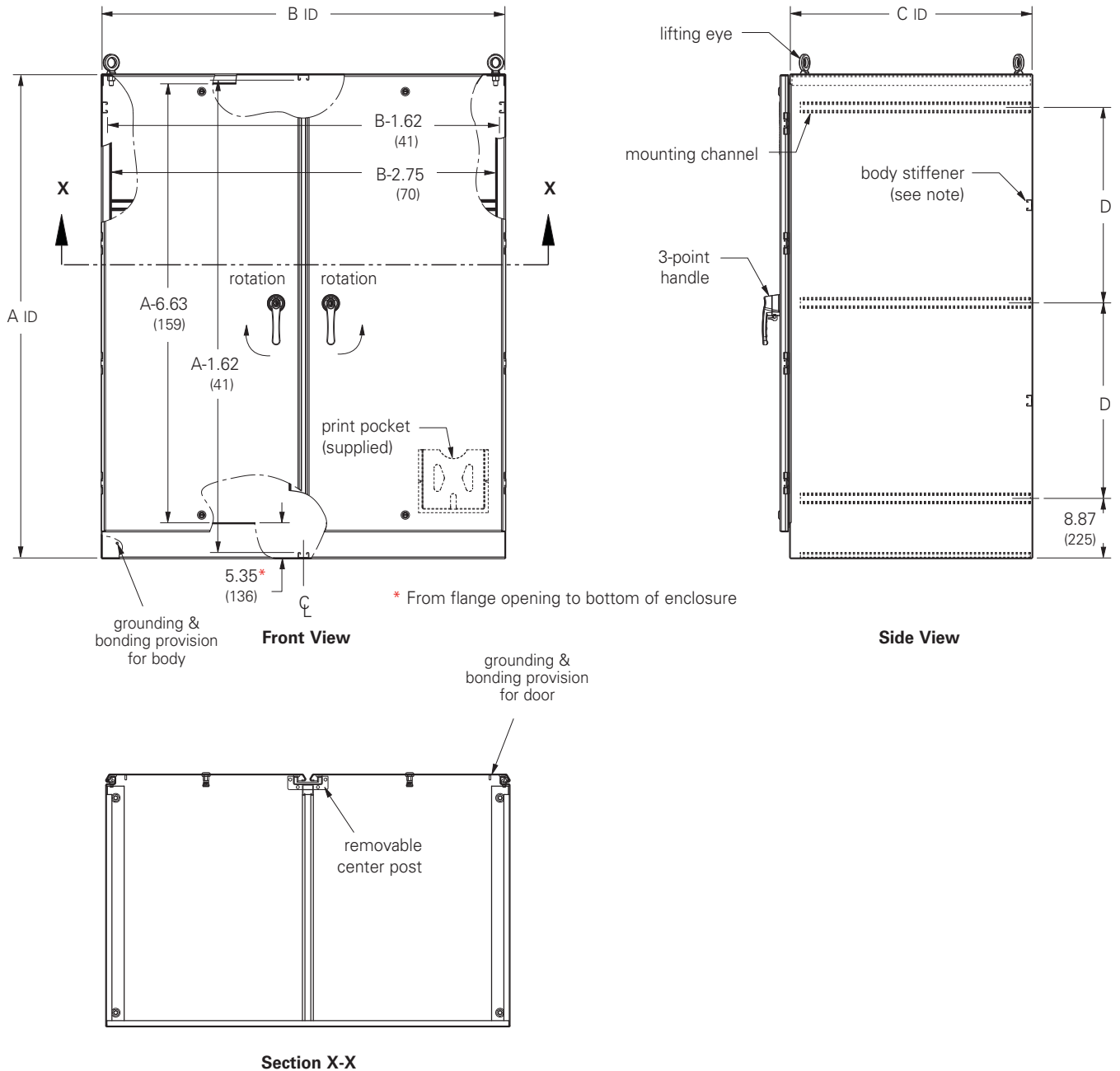
Subclass: U43

Enclosure Catalog Number	Enclosure Size Height x Width x Depth A x B x C		D	
	in.	mm	in.	mm
604818-4XSFS3PT	60.00 x 48.00 x 18.00	1524 x 1219 x 457	23.12	587
724818-4XSFS3PT	72.00 x 48.00 x 18.00	1829 x 1219 x 457	29.12	739
726018-4XSFS3PT	72.00 x 60.00 x 18.00	1829 x 1524 x 457	29.12	739
727218-4XSFS3PT	72.00 x 72.00 x 18.00	1829 x 1829 x 457	29.12	739
904820-4XSFS3PT	90.00 x 48.00 x 20.00	2286 x 1219 x 508	38.12	968
907220-4XSFS3PT	90.00 x 72.00 x 20.00	2286 x 1829 x 508	38.12	968
724824-4XSFS3PT	72.00 x 48.00 x 24.00	1829 x 1219 x 609	29.12	739
726024-4XSFS3PT	72.00 x 60.00 x 24.00	1829 x 1524 x 609	29.12	739
727224-4XSFS3PT	72.00 x 72.00 x 24.00	1829 x 1829 x 609	29.12	739
907224-4XSFS3PT	90.00 x 72.00 x 24.00	2286 x 1829 x 609	38.12	968
726036-4XSFS3PT	72.00 x 60.00 x 36.00	1829 x 1524 x 914	29.12	739
907236-4XSFS3PT	90.00 x 72.00 x 36.00	2286 x 1829 x 914	38.12	968

Notes: We can provide special sizes, finishes and other modifications. Consult the factory for your special requirements.

Ground-Mount Enclosures Type 4X Double-Door Free-Standing with 3-Point Locking Illustration Sheet and Catalog Number

ID = Inside Dimension



Notes: Four lifting eyes are furnished when C dimension is 24" (609 mm) or larger.
Dimensions are in inches. Millimeters shown are for reference only. Data subject to change without notice.
Additional quarter-turn latch provided on top and bottom of all enclosures.

Type 4X Panel Enclosures

Ground-Mount Enclosures

Type 4X Double-Door Dual Access Free-Standing with 3-Point Locking

Data Sheet



Application

- Houses electrical controls and instruments
- Easy access panels or rack mounts for housing optional equipment
- Intended for indoor or outdoor use
- Protects against corrosion, windblown dust and rain, splashing water and hose directed water

Standards

- UL 508A listed, Type 3R, 4, 4X, 12
- CSA C22.2 No.94 certified, Type 3R, 4, 4X, 12
- Conforms to NEMA standard for Type 3, 3R, 4, 4X, 12
- E.I.A. RS-310-D

Finish

- Doors and sides of body have a smooth #4 brushed finish

Accessories

- Full and half panels
- Side and swing panels
- Panel Support Kit
- Panel Lifting Kit
- Channel mounting hardware
- Equipment Rack Mounts
- Lights
- Window kits
- Replacement handle (black), BD-PKHB, see page 429

Construction

- Enclosure and doors are fabricated from (12) gauge Type 304 stainless steel
- All continuous welded seams are finished smooth
- Doors are secured to the body with removable concealed stainless hinges and a center locating 3-point key-locking and padlock handle mechanism
- Modern bevel profile on both sides of enclosure doors
- Additional quarter-turn latches provided top and bottom on all enclosure doors
- Doors have a seamless poured in-place gasket
- Formed lip around enclosure openings to divert liquids and contaminants
- Ground studs provided on doors and body
- Removable centerpost for easy panel installation
- Dual-access construction available for back-to-back panel and equipment mounting
- Print pockets provided
- Mounting channels are welded inside for locating panels or rack-mount equipment along enclosure depth
- Provisions for mounting fluorescent light
- Large lifting eyebolts
- Hole seals are provided to seal enclosure after removal of lifting eyebolts

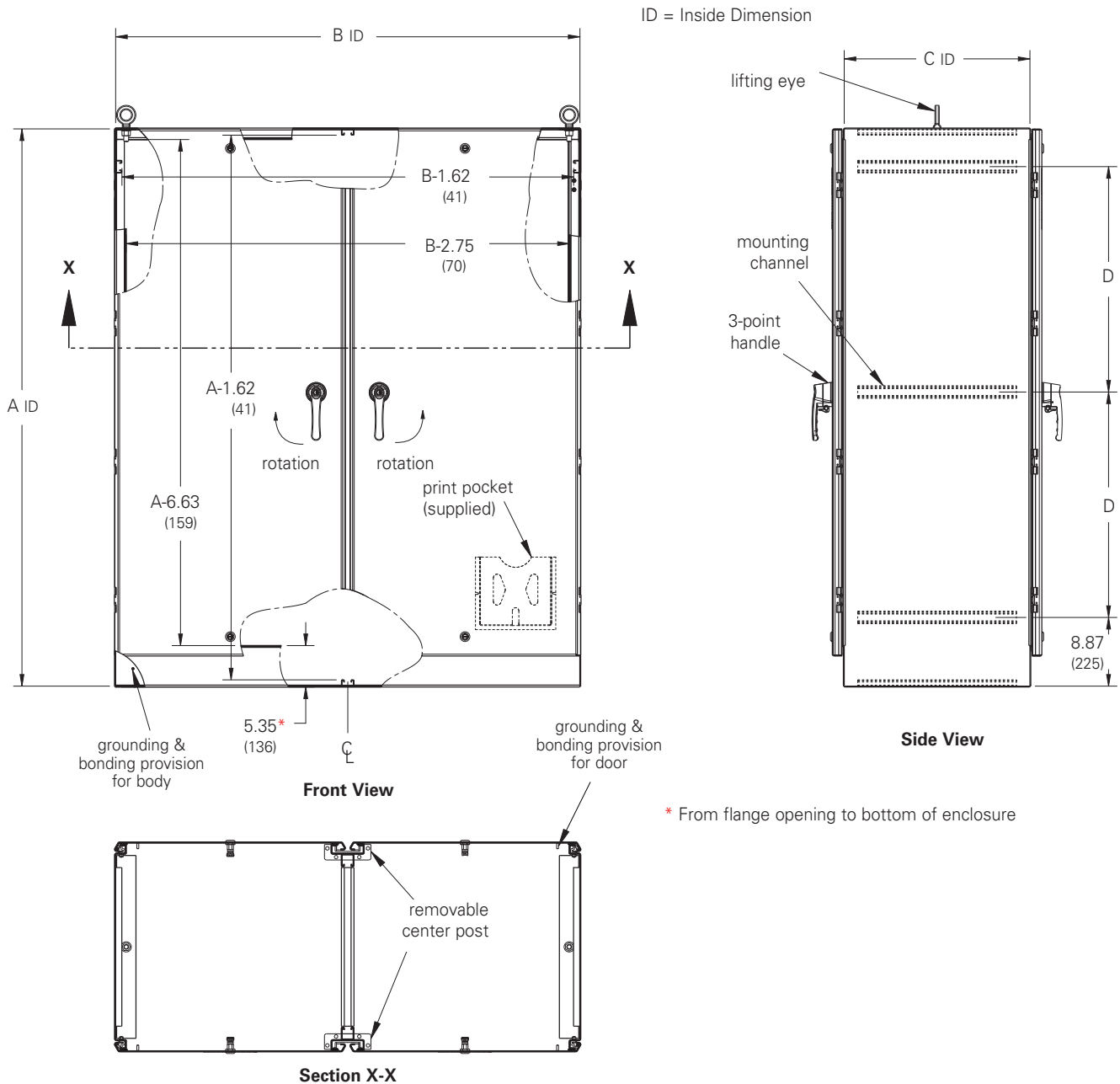
Discount Schedule: C2

Subclass: U43

Notes: We can provide special sizes, finishes and other modifications. Consult the factory for your special requirements.

Ground-Mount Enclosures Type 4X Double-Door Dual Access Free-Standing with 3-Point Locking Illustration Sheet and Catalog Number

Enclosure Catalog Number	Enclosure Size Height x Width x Depth A x B x C		D	
	in.	mm	in.	mm
724824-4XSFSDDA3PT	72.00 x 48.00 x 24.00	1829 x 1219 x 609	29.12	739
726024-4XSFSDDA3PT	72.00 x 60.00 x 24.00	1829 x 1524 x 609	29.12	739
727224-4XSFSDDA3PT	72.00 x 72.00 x 24.00	1829 x 1829 x 609	29.12	739
907224-4XSFSDDA3PT	90.00 x 72.00 x 24.00	2286 x 1829 x 609	38.12	968
726036-4XSFSDDA3PT	72.00 x 60.00 x 36.00	1829 x 1524 x 609	29.12	739



Notes: Four lifting eyes are furnished when C dimension is 30" (762 mm) or larger.
Dimensions are in inches. Millimeters shown are for reference only. Data subject to change without notice.
Additional quarter-turn latch provided on top and bottom of all enclosures.

Type 4X Panel Enclosures

Ground-Mount Enclosures

Type 4X Double-Door EnviroShield™ Free-Standing with 3-Point Locking

Data Sheet



Application

- Houses electrical controls and electrical instruments in harsh environments
- Provides quick and easy access indoors and out
- Protects against circulating dust, falling dirt, dripping non-corrosive liquids, rain, sleet, ice, splashing and hose directed water

Standards

- UL 508A listed, Type 3R, 4, 4X, 12
- CSA C22.2 No.94 certified, Type 3R, 4, 4X, 12
- Conforms to NEMA standard for Type 3, 3R, 4, 4X, 12
- E.I.A. RS-310-D
- NSF Criteria C-2

Finish

- Doors and sides of body have a smooth #4 brushed finish

Accessories

- Full and half panels
- Side panels
- Swing panels
- Touch-up paint
- Mounting legs
- Rack mounting angles
- Swing out mounting frames
- Replacement handle, BD-PKHSS, see page 429
- See Accessories section

Construction

- Enclosure and door are fabricated from (12) gauge Type 304 or Type 316L stainless steel
- All continuous welded seams are finished smooth
- Doors are secured to the body with removable concealed stainless hinges and a center locating 3-point key-locking and padlock stainless steel handle mechanism
- Modern bevel profile on both sides of enclosure doors
- Removable center post
- Doors have a fixed, neoprene IV2 closed cell gasket
- Ground stud provided on doors and body
- Print pocket provided
- Large bolt-on lifting eyes are mounted to the sides of the enclosure
- Mounting channels are welded inside for locating panels or rack mounts along enclosure depth, as well as mounting studs for fixed panels
- Swing panels, single full and single half panels can be installed in double-door enclosures when the center post is used
- A variety of optional panels and accessories are available, (see pages 242 - 253)

Discount Schedule: C2

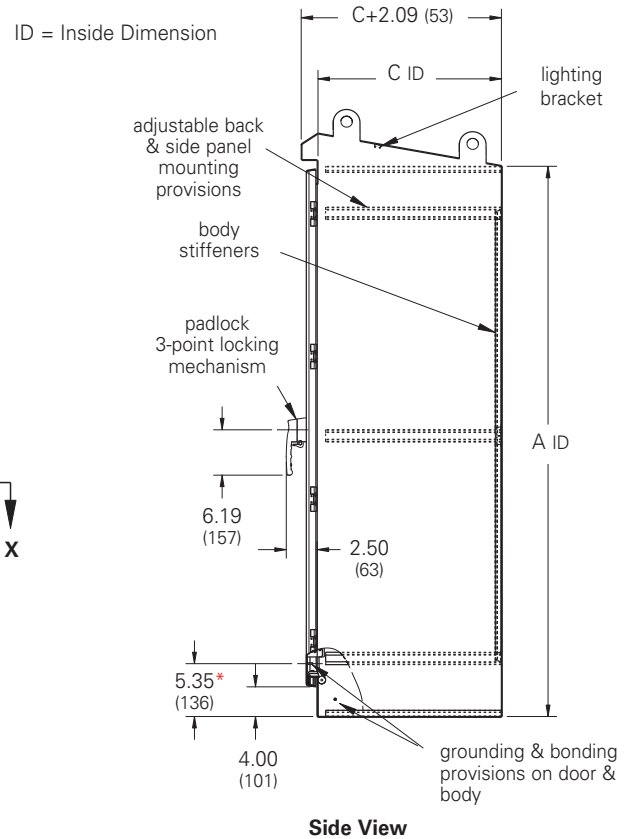
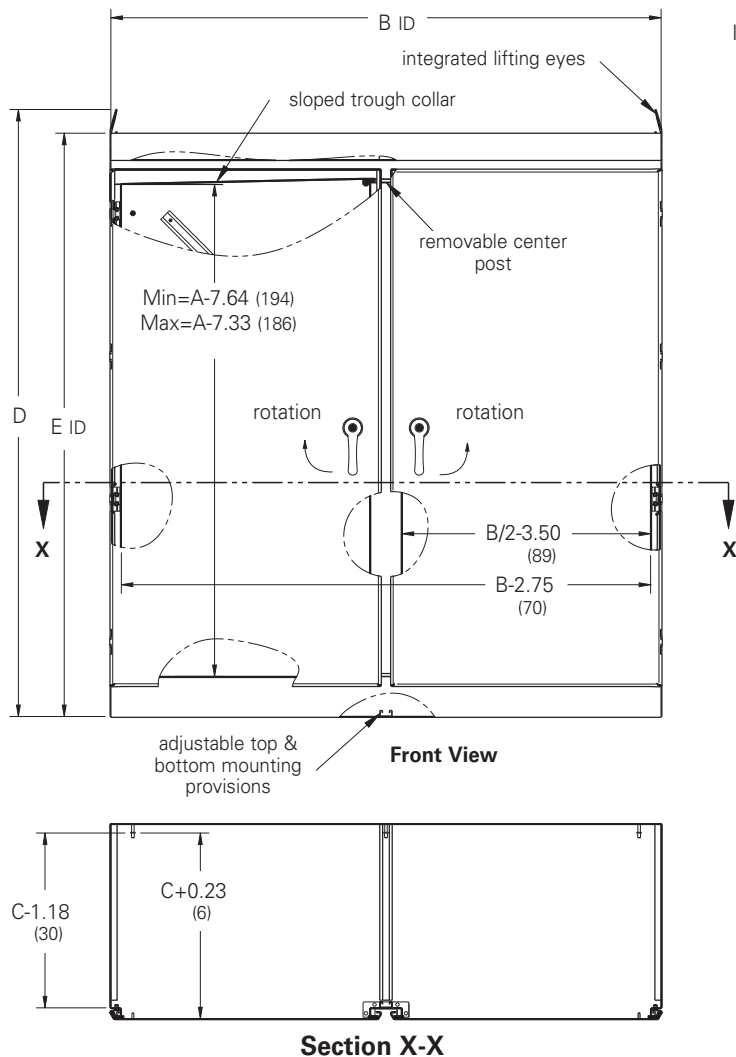
Subclass: VSO (Type 304)

VTO (Type 316L)

Notes: We can provide special sizes, finishes and other modifications. Consult the factory for your special requirements.

Ground-Mount Enclosures Type 4X Double-Door EnviroShield™ Free-Standing with 3-Point Locking Illustration Sheet and Catalog Number

Enclosure Catalog Number		Enclosure Size Height x Width x Depth A x B x C		D		E	
Type 304 Stainless Steel	Type 316L Stainless Steel	in.	mm	in.	mm	in.	mm
ES-604812-4XS	ES-604812-4XSS6	60.00 x 48.00 x 12.00	1524 x 1219 x 305	65.87	1673	64.44	1637
ES-604816-4XS	ES-604816-4XSS6	60.00 x 48.00 x 16.00	1524 x 1219 x 406	65.87	1673	64.44	1637
ES-604820-4XS	ES-604820-4XSS6	60.00 x 48.00 x 20.00	1524 x 1219 x 508	65.87	1673	64.44	1637
ES-604824-4XS	ES-604824-4XSS6	60.00 x 48.00 x 24.00	1524 x 1219 x 609	65.87	1673	64.44	1637
ES-606012-4XS	ES-606012-4XSS6	60.00 x 60.00 x 12.00	1524 x 1524 x 305	65.87	1673	64.44	1637
ES-606016-4XS	ES-606016-4XSS6	60.00 x 60.00 x 16.00	1524 x 1524 x 406	65.87	1673	64.44	1637
ES-606020-4XS	ES-606020-4XSS6	60.00 x 60.00 x 20.00	1524 x 1524 x 508	65.87	1673	64.44	1637
ES-606024-4XS	ES-606024-4XSS6	60.00 x 60.00 x 24.00	1524 x 1524 x 609	67.87	1724	64.44	1637
ES-726012-4XS	ES-726012-4XSS6	72.00 x 60.00 x 12.00	1829 x 1524 x 305	77.87	1978	76.44	1941
ES-726016-4XS	ES-726016-4XSS6	72.00 x 60.00 x 16.00	1829 x 1524 x 406	77.87	1978	76.44	1941
ES-726020-4XS	ES-726020-4XSS6	72.00 x 60.00 x 20.00	1829 x 1524 x 508	77.87	1978	76.44	1941
ES-726024-4XS	ES-726024-4XSS6	72.00 x 60.00 x 24.00	1829 x 1524 x 609	77.87	1978	76.44	1941
ES-727212-4XS	ES-727212-4XSS6	72.00 x 72.00 x 12.00	1829 x 1829 x 305	77.87	1978	76.44	1941
ES-727216-4XS	ES-727216-4XSS6	72.00 x 72.00 x 16.00	1829 x 1829 x 406	77.87	1978	76.44	1941
ES-727220-4XS	ES-727220-4XSS6	72.00 x 72.00 x 20.00	1829 x 1829 x 508	77.87	1978	76.44	1941
ES-727224-4XS	ES-727224-4XSS6	72.00 x 72.00 x 24.00	1829 x 1829 x 609	79.87	2028	76.44	1941



* From flange opening to bottom of enclosure

Notes: Dimensions are in inches. Millimeters shown are for reference only. Data subject to change without notice.

Type 4X Panel Enclosures

Free-Standing Enclosure Accessories Type 4X Single-Door Full and Half Panel Illustration Sheet and Catalog Number

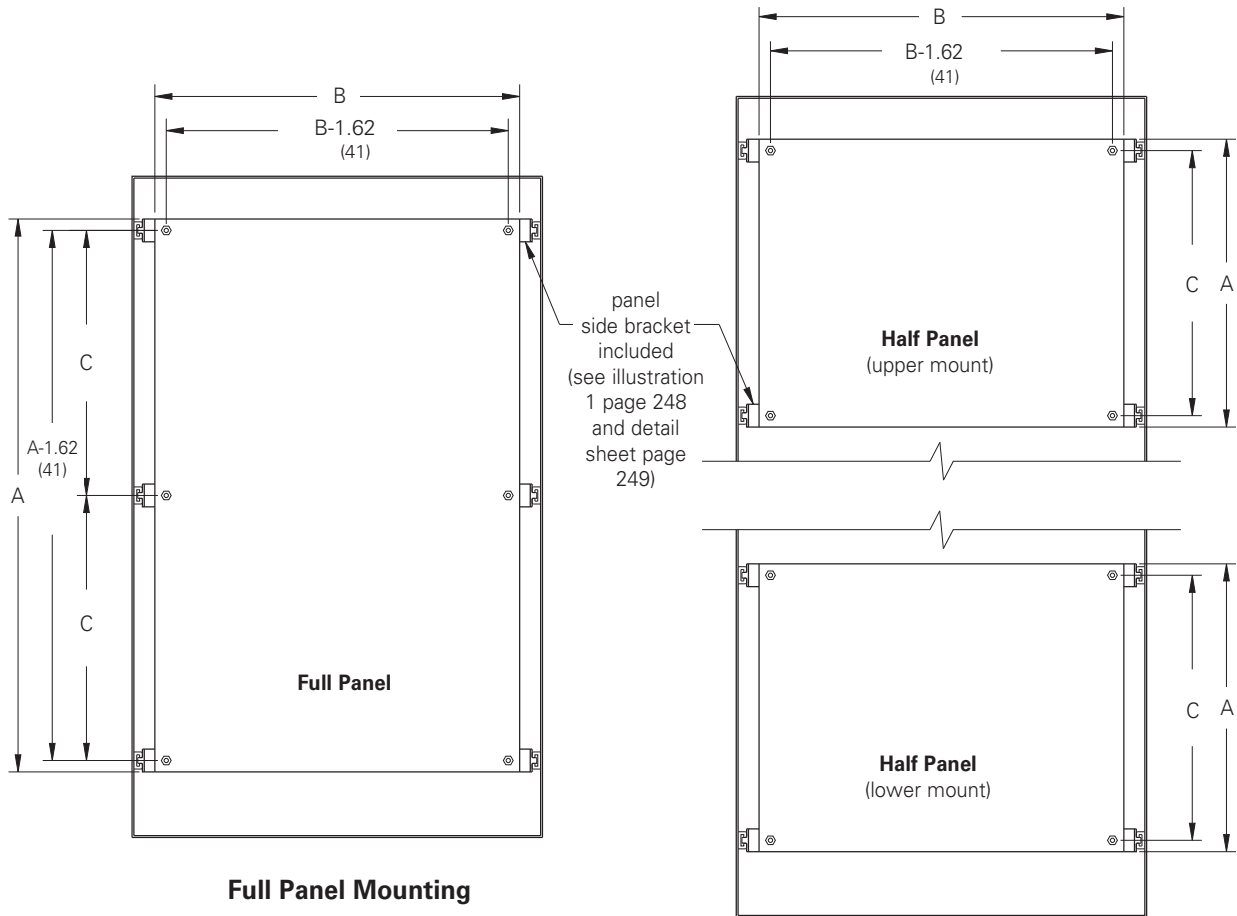
Discount Schedule: C2
Subclass: DSD

Full Swing Panel (Single-Door)

Panel Catalog Number	Panel Size Height x Width A x B		C		Fits Enclosure Height x Width			
	in.	mm	in.	mm	in.	mm		
AF6024P	47.87	19.87	1216	505	23.12	587	60.00 x 24.00	1524 x 610
AF6036P	47.87	31.87	1216	809	23.12	587	60.00 x 36.00	1524 x 914
AF7224P	59.87	19.87	1521	505	29.12	740	72.00 x 24.00	1829 x 610
AF7230P	59.87	25.87	1521	657	29.12	740	72.00 x 30.00	1829 x 762
AF7236P	59.87	31.87	1521	809	29.12	740	72.00 x 36.00	1829 x 914
AF9024P	77.87	19.87	1978	505	38.12	968	90.00 x 24.00	2286 x 610
AF9036P	77.87	31.87	1978	809	38.12	968	90.00 x 36.00	2286 x 914

Half Swing Panel (Single-Door)

Panel Catalog Number	Panel Size Height x Width A x B		C		Fits Enclosure Height x Width			
	in.	mm	in.	mm	in.	mm		
AF6024HP	24.75	19.87	629	505	23.12	587	60.00 x 24.00	1524 x 610
AF6036HP	24.75	31.87	629	809	23.12	587	60.00 x 36.00	1524 x 914
AF7224HP	30.75	19.87	781	505	29.12	587	72.00 x 24.00	1829 x 610
AF7230HP	30.75	25.87	781	657	29.12	587	72.00 x 30.00	1829 x 762
AF7236HP	30.75	31.87	781	809	29.12	587	72.00 x 36.00	1829 x 914
AF9024HP	39.75	19.87	1010	505	38.12	968	90.00 x 24.00	2286 x 610
AF9036HP	39.75	31.87	1010	809	38.12	968	90.00 x 36.00	2286 x 914



Type 4X Panel Enclosures

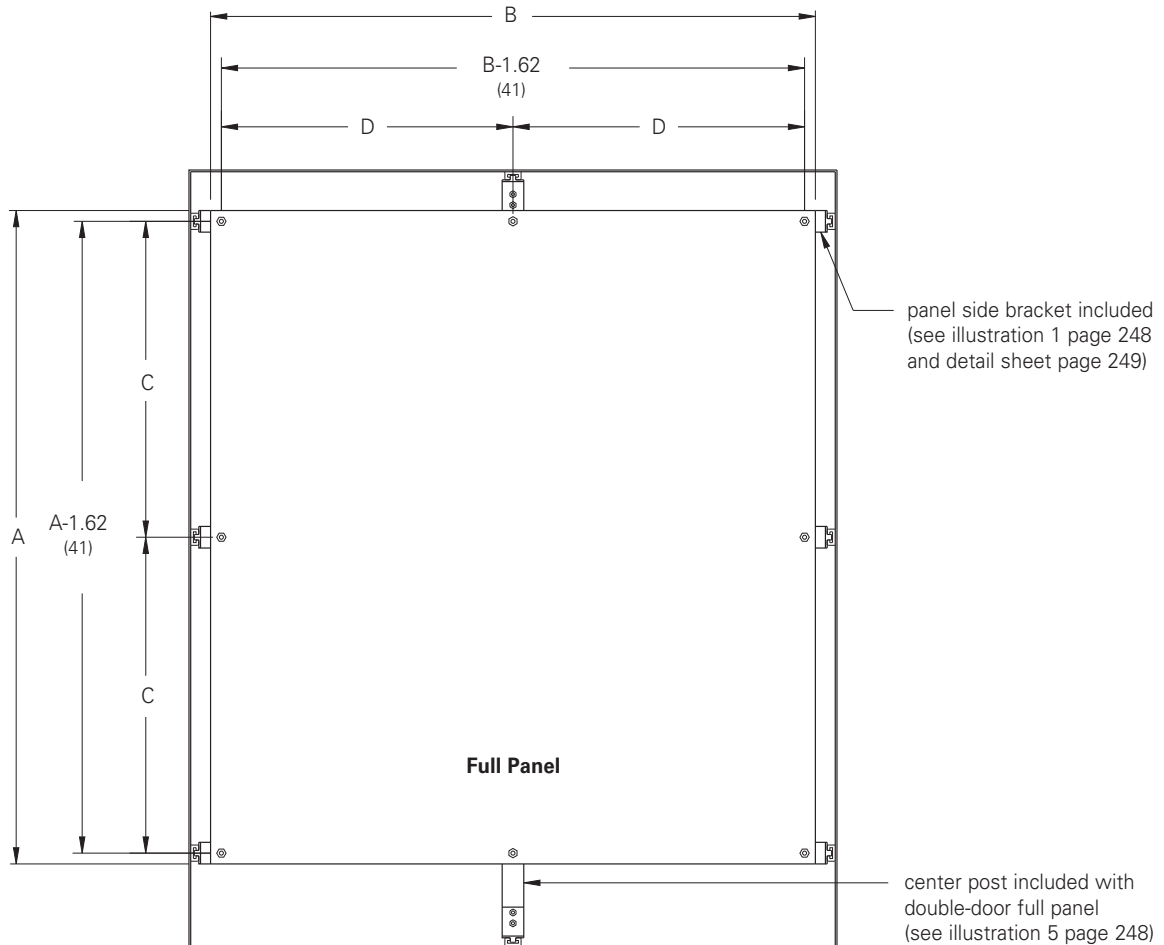
Note: Full and Half panel for single-door, single and dual-access enclosures are (12) gauge steel and furnished with panel side brackets and all hardware necessary for channel and panel mounting. Half Panels can be mounted in either the upper or lower portion of the enclosure. Free standing design permits the panel to adjust along the depth of the enclosure. With dual-access enclosures, Full and Half panels can be mounted back-to-back.

Notes: Dimensions are in inches. Millimeters shown are for reference only. Data subject to change without notice.

Free-Standing Enclosure Accessories Type 4X Double-Door Full Panel Illustration Sheet and Catalog Number

Discount Schedule: C2
Subclass: DSD

Panel Catalog Number	Panel Size				Fits Enclosure			
	Height x Width A x B		C		D		Height x Width	
	in.	mm	in.	mm	in.	mm	in.	mm
AF6048P	47.87 x 43.87	1216 x 1114	23.12	587	21.12	530	60.00 x 48.00	1524 x 1219
AF6060P	47.87 x 55.87	1216 x 1419	23.12	587	27.12	689	60.00 x 60.00	1524 x 1524
AF7248P	59.87 x 43.87	1521 x 1114	29.12	740	21.12	530	72.00 x 48.00	1829 x 1219
AF7260P	59.87 x 55.87	1521 x 1419	29.12	740	27.12	689	72.00 x 60.00	1829 x 1524
AF7272P	59.87 x 67.87	1521 x 1724	29.12	740	33.12	841	72.00 x 72.00	1829 x 1829
AF9048P	77.87 x 43.87	1978 x 1114	38.12	968	21.12	530	90.00 x 48.00	2286 x 1219
AF9072P	77.87 x 67.87	1978 x 1724	38.12	968	33.12	841	90.00 x 72.00	2286 x 1829



Full Panel Mounting

Notes: Full Panel for double-door, single and dual-access enclosures are (10) gauge steel and furnished with Panel Brackets, Center Post assembly, panel handle kit and all hardware necessary for channel and panel mounting. The Center Post assembly offers additional support of panel and equipment. Free-standing design permits the panel to adjust along the depth of the enclosure. With dual-access enclosures, Full and Half Panels can be mounted back-to-back.

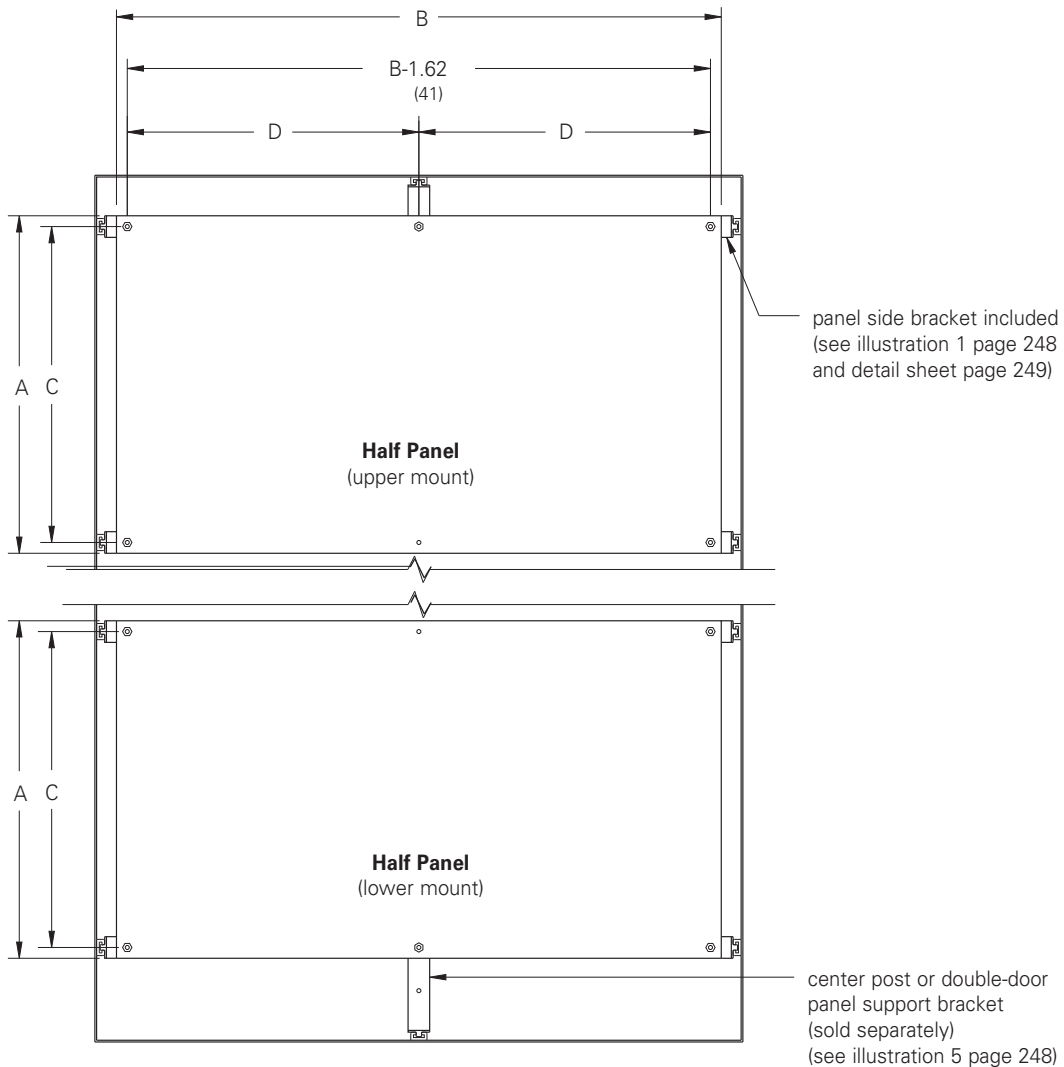
Notes: Dimensions are in inches. Millimeters shown are for reference only. Data subject to change without notice.

Type 4X Panel Enclosures

Free-Standing Enclosure Accessories Type 4X Double-Door Half Panel Illustration Sheet and Catalog Number

Discount Schedule: C2
Subclass: DSD

Panel Catalog Number	Panel Size Height x Width A x B		C		D		Fits Enclosure Height x Width	
	in.	mm	in.	mm	in.	mm	in.	mm
AF6048HP	24.75 x 43.87	629 x 1114	23.12	587	21.12	536	60.00 x 48.00	1524 x 1219
AF7248HP	30.75 x 43.87	781 x 1114	29.12	740	21.12	536	72.00 x 48.00	1829 x 1219
AF7260HP	30.75 x 55.87	781 x 1419	29.12	740	7.12	181	72.00 x 60.00	1829 x 1524
AF7272HP	30.75 x 67.87	781 x 1724	29.12	740	33.12	841	72.00 x 72.00	1829 x 1829
AF9048HP	39.75 x 43.87	1010 x 1114	38.12	968	21.12	536	90.00 x 48.00	2286 x 1219
AF9072HP	39.85 x 67.87	1012 x 1724	38.12	968	33.12	841	90.00 x 72.00	2286 x 1829



Half Panel Mounting

Note: Half panel for double-door, single and dual-access enclosures are (12) gauge steel and furnished with Panel Brackets and all hardware necessary for channel and panel mounting. **A Center Post assembly or a double-door panel support bracket (catalog number AFSUP2) for additional support of the panel is optional and sold separately.** Free-standing design permits the panel to adjust along the depth of the enclosure. With dual-access enclosures, Full and Half Panels can be mounted back-to-back.

Notes: Dimensions are in inches. Millimeters shown are for reference only. Data subject to change without notice.

Free-Standing Enclosure Accessories Type 4X Side Panel And Center Post Illustration Sheet and Catalog Number

Discount Schedule: C2

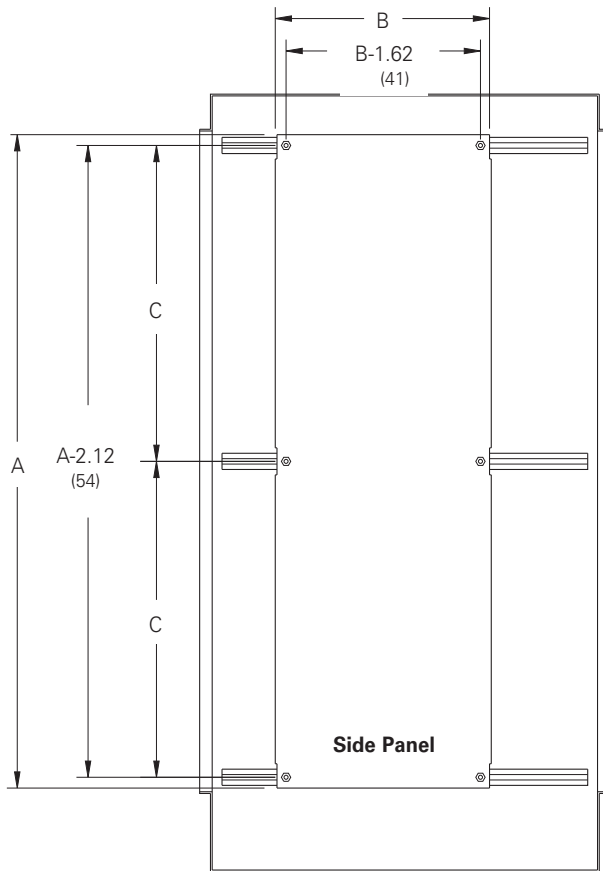
Side Panel - Subclass: DSD

Panel Catalog Number	Panel Size Height x Width A x B		C		Fits Enclosure Height		Depth*	
	in.	mm	in.	mm	in.	mm	in.	mm
AF6018SP	48.37	1229	23.12	587	60.00	1524	18.00	457
AF7218SP	60.37	1533	29.12	740	72.00	1829	18.00	457
AF7224SP	60.37	1533	29.12	740	72.00	1829	24.00	610
AF9018SP	78.37	1991	38.12	968	90.00	2286	18.00	457
AF9024SP	78.37	1991	38.12	968	90.00	2286	24.00	457

Center Post - Subclass: DSO

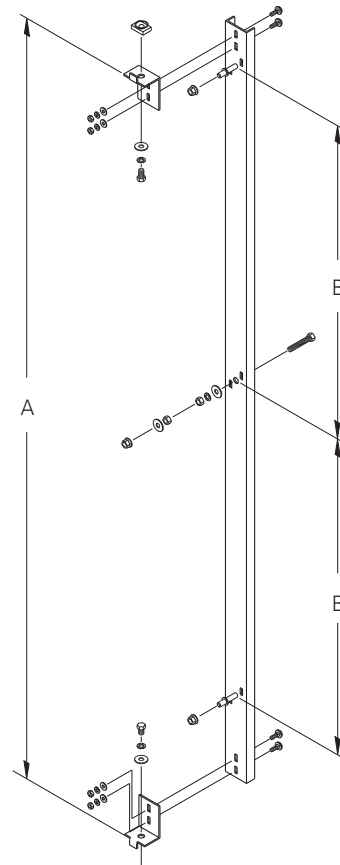
Center Post Catalog Number	A		B		Fits Enclosure Height	
	in.	mm	in.	mm	in.	mm
AF60CPS	58.37	1483	23.12	587	60.00	1524
AF72CPS	70.37	1787	29.12	740	72.00	1829
AF90CPS	88.37	2245	38.12	968	90.00	2286

* Back panels restrict the movement of side panels and will prohibit mounting in some depths. See detail sheet for back panel spacing.



Side Panel Mounting

Side Panels are (12) gauge steel and furnished with hardware necessary for channel mounting. They will fit any width enclosure and are adjustable along its depth, however, when Full or Half Panels are installed, movement will be restricted and with some depths make side mounting prohibitive.



Center Post Assembly

Center Post assembly is furnished with all double-door Full Panels and includes hardware necessary for channel and panel mounting. The Center Post is optional on double-door Half Panels and Swing Panel mounting and must be ordered separately. It attaches to the top and bottom channels making it adjustable along the depth of the enclosure. See illustration #5 on the Detail Sheet-page 248.

Notes: Dimensions are in inches. Millimeters shown are for reference only. Data subject to change without notice.

Type 4X Panel Enclosures

Free-Standing Enclosure Accessories Type 4X Single-Door Full and Half Swing Panel Illustration Sheet and Catalog Number

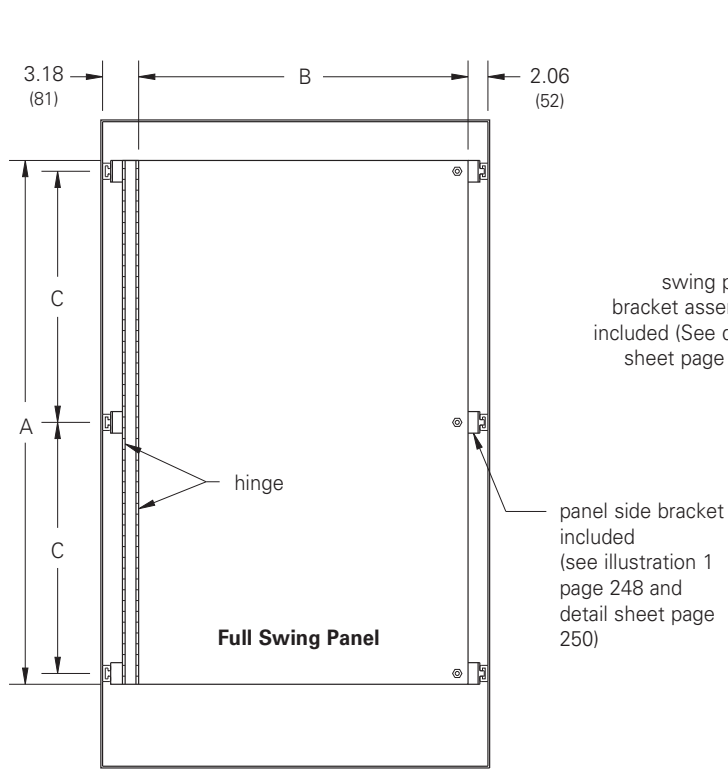
Discount Schedule: C2
Subclass: DSD

Full Swing Panel (Single-Door)

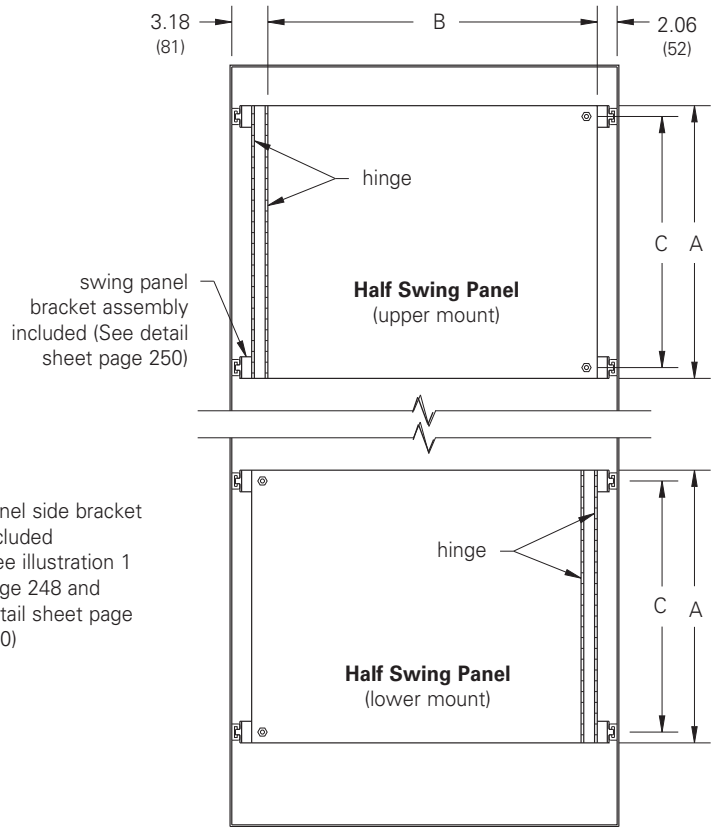
Panel Catalog Number	Panel Size Height x Width A x B		C		Fits Enclosure Height x Width	
	in.	mm	in.	mm	in.	mm
AF6024SWP	47.87	1216	23.12	587	60.00	1524
AF6036SWP	47.87	1216	23.12	587	60.00	1524
AF7224SWP	59.87	1521	29.12	740	72.00	1829
AF7230SWP	59.87	1521	29.12	740	72.00	1829
AF7236SWP	59.87	1521	29.12	740	72.00	1829
AF9024SWP	77.87	1978	38.12	968	90.00	2286
AF9036SWP	77.87	1978	38.12	968	90.00	2286

Half Swing Panel (Single-Door)

Panel Catalog Number	Panel Size Height x Width A x B		C		Fits Enclosure Height x Width	
	in.	mm	in.	mm	in.	mm
AF6024HWP	24.75	629	23.12	587	60.00	1524
AF6036HWP	24.75	629	23.12	587	60.00	1524
AF7224HWP	30.75	781	29.12	740	72.00	1829
AF7230HWP	30.75	781	29.12	740	72.00	1829
AF7236HWP	30.75	781	29.12	740	72.00	1829
AF9024HWP	39.75	1010	38.12	968	90.00	2286
AF9036HWP	39.75	1010	38.12	968	90.00	2286



Full Swing Panel Mounting



Half Swing Panel Mounting

Note: Full Swing Panel and Half Swing Panel for single-door, single and dual-access enclosures are (12) gauge steel, have a dual hinge swing panel bracket and furnished with Panel Brackets and all hardware necessary for channel and panel mounting. Panels can be installed so they hinge on either the left or right side. In addition, Half Panels can be mounted in either the upper or lower portion of the enclosure. Free-standing design permits the panel to be adjustable along the depth of the enclosure. The dual hinge will allow the inner panel to swing completely out of the door opening when within 5.50 inches of the front. With dual-access enclosures, Full and Half Swing Panels can be mounted back-to-back.

Notes: Dimensions are in inches. Millimeters shown are for reference only. Data subject to change without notice.

Free-Standing Enclosure Accessories Type 4X Double-Door Full and Half Swing Panel Illustration Sheet and Catalog Number

Discount Schedule: C2

Subclass: DSD

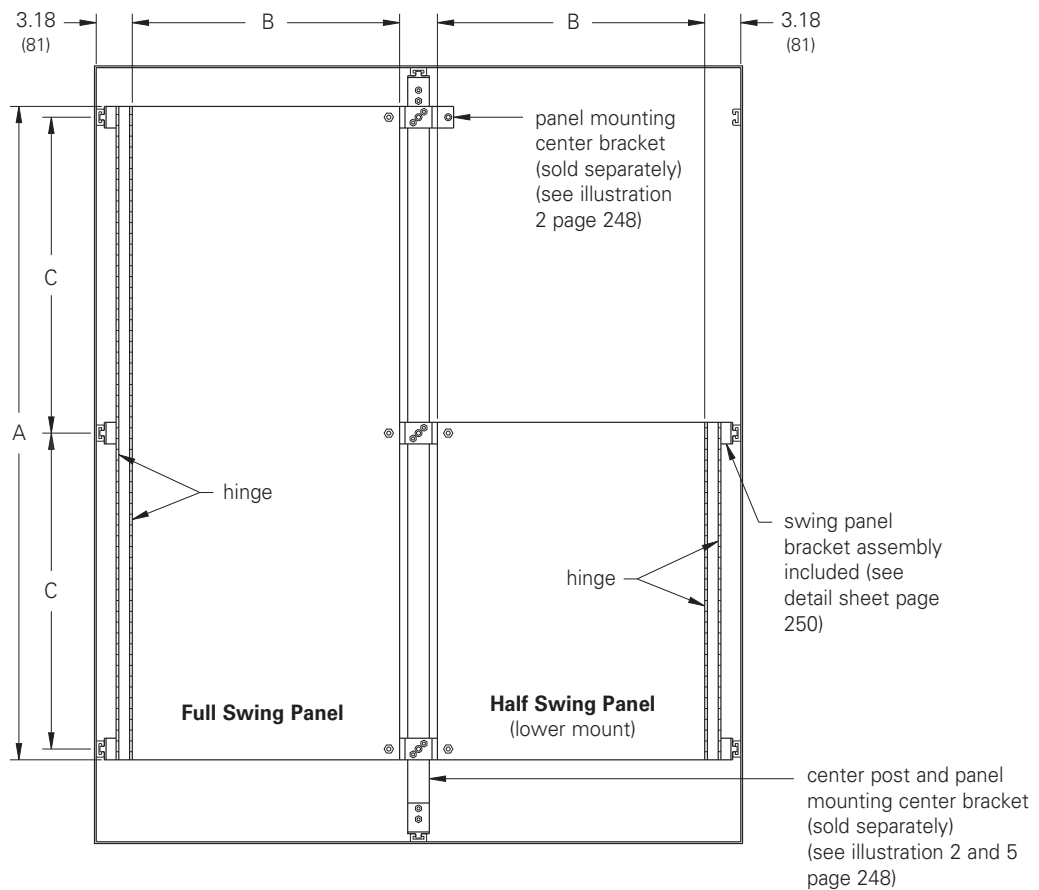
Full Swing Panel (Single-Door)

Panel Catalog Number	Panel Size Height x Width A x B		C		Fits Enclosure Height x Width	
	in.	mm	in.	mm	in.	mm
AF6024SWP	47.87 x 18.75	1216 x 476	23.12	587	60.00 x 48.00	1524 x 1219
AF7224SWP	59.87 x 18.75	1521 x 476	29.12	740	72.00 x 48.00	1829 x 1219
AF7230SWP	59.87 x 24.75	1521 x 629	29.12	740	72.00 x 60.00	1829 x 1524
AF7236SWP	59.87 x 30.75	1521 x 781	29.12	740	72.00 x 72.00	1829 x 1829
AF9024SWP	77.87 x 18.75	1978 x 781	38.12	968	90.00 x 48.00	2286 x 1219
AF9036SWP	77.87 x 30.75	1978 x 781	38.12	968	90.00 x 72.00	2286 x 1829

Half Swing Panel (Single-Door)

Panel Catalog Number	Panel Size Height x Width A x B		C		Fits Enclosure Height x Width	
	in.	mm	in.	mm	in.	mm
AF6024HSWP	24.75 x 18.75	629 x 476	23.12	587	60.00 x 48.00	1524 x 1219
AF7224HSWP	30.75 x 18.75	781 x 476	29.12	740	72.00 x 48.00	1829 x 1219
AF7230HSWP	30.75 x 24.75	781 x 629	29.12	740	72.00 x 60.00	1829 x 1524
AF7236HSWP	30.75 x 30.75	781 x 781	29.12	740	72.00 x 72.00	1829 x 1829
AF9024HSWP	39.75 x 18.75	1010 x 476	38.12	968	90.00 x 48.00	2286 x 1219
AF9036HSWP	39.75 x 30.75	1010 x 781	38.12	968	90.00 x 72.00	2286 x 1829

A Center Post assembly and Center Bracket must be ordered separately.



Swing Panel Mounting

Note: Full Swing Panel and Half Swing Panel for double-door, single and dual-access enclosures are (12) gauge steel, have a dual hinge swing panel bracket, and furnished with hardware necessary for side channel mounting. **A Center Post assembly and Center Bracket must be ordered separately.** Panels can be installed so they hinge either on the left or right side. In addition, Half Panels can be mounted in either the upper or lower portion of the enclosure. Free-standing design permits the panel to adjust along the depth of the enclosure. The dual hinge will allow the inner panel to swing completely out of the door opening when within 5.50 inches of the front. With dual-access enclosures, Full and Half Swing Panels can be mounted back-to-back.

Notes: Dimensions are in inches. Millimeters shown are for reference only. Data subject to change without notice.

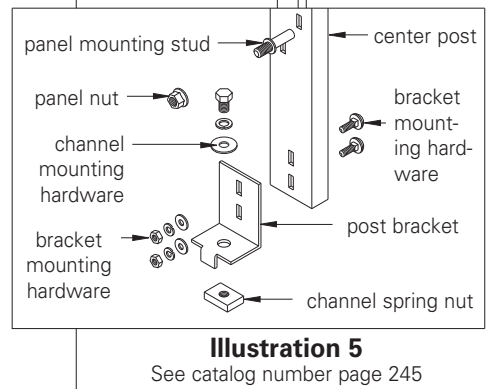
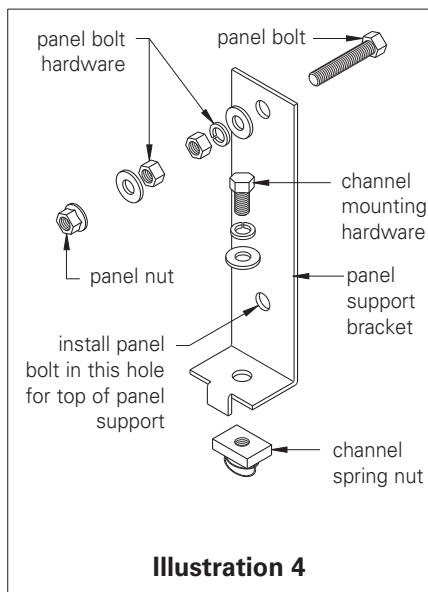
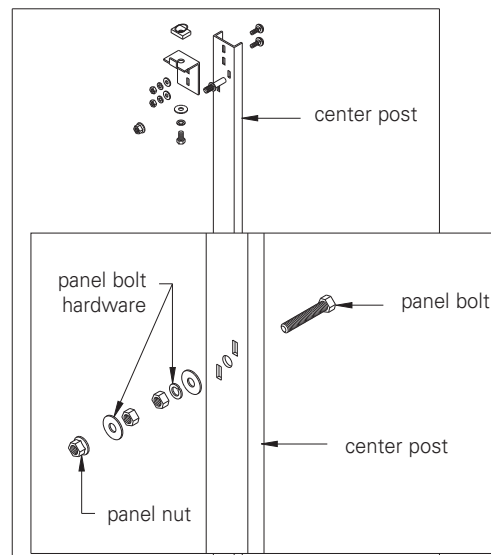
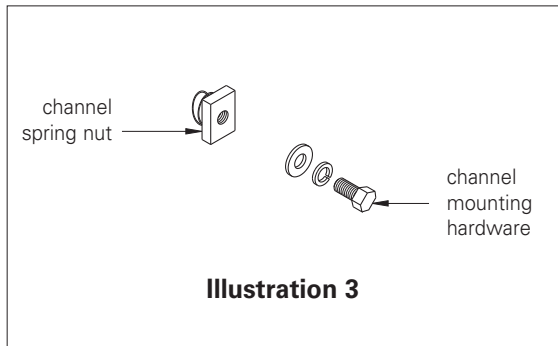
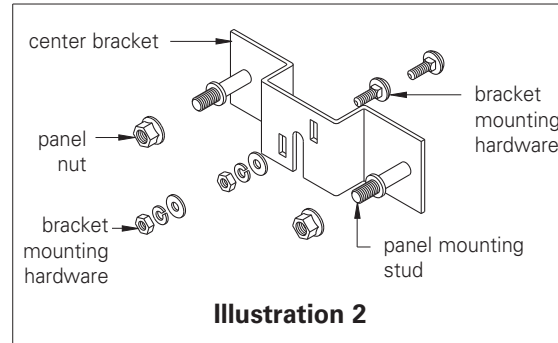
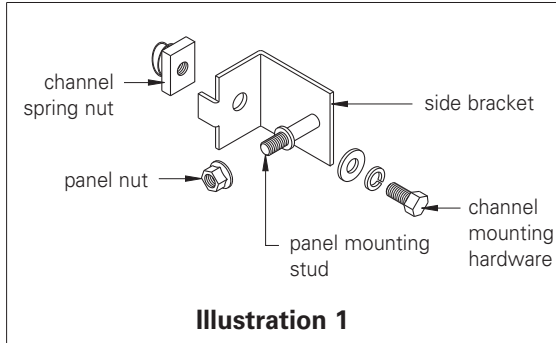
Type 4X Panel Enclosures

Free-Standing Enclosure Accessories Type 4X Miscellaneous Accessories Illustration Sheet and Catalog Number

Discount Schedule: C2
Subclass: DSO

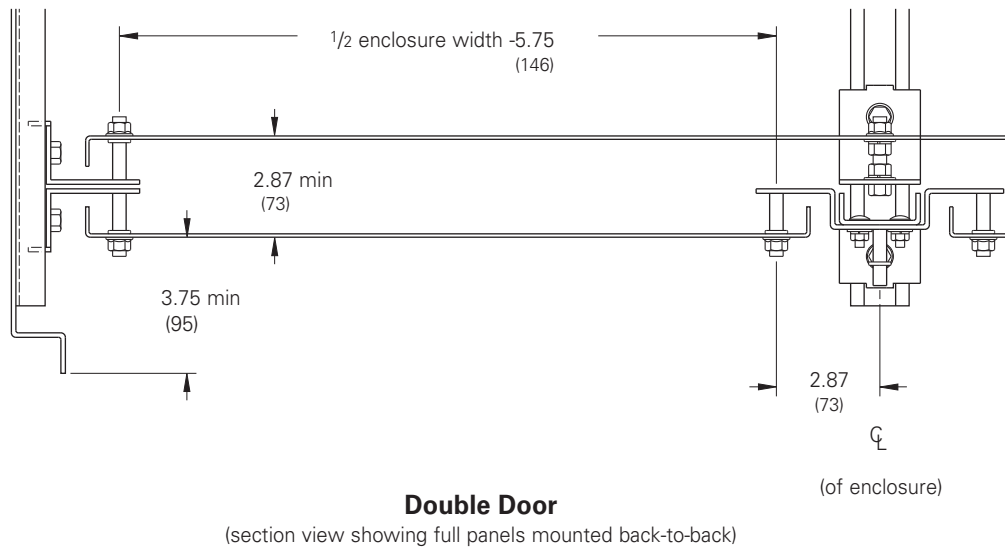
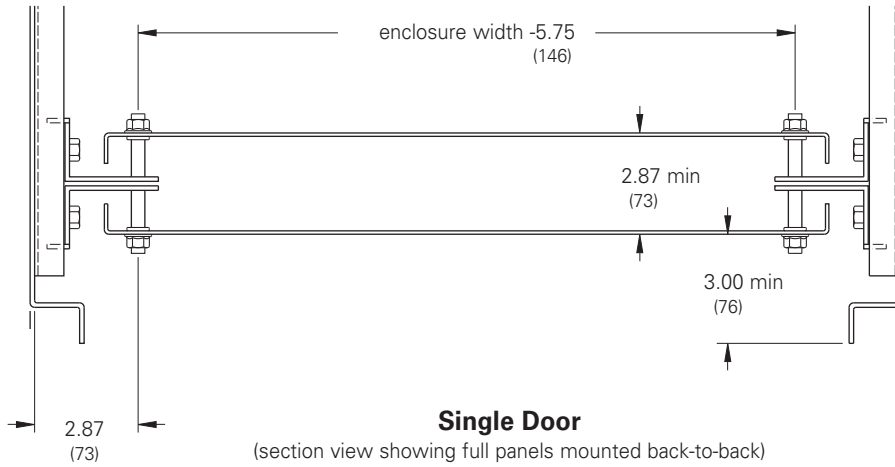
Miscellaneous Accessories

Catalog Number	Description	Illustration	Quantity
AFSBRKT1	Panel mounting side bracket	1	1
AFCBRKT3	Panel mounting center bracket	2	3
AFCMH3	Channel mounting hardware	3	3
AFPSUP2	Double-door panel support bracket	4	2



Notes: Dimensions are in inches. Millimeters shown are for reference only. Data subject to change without notice.

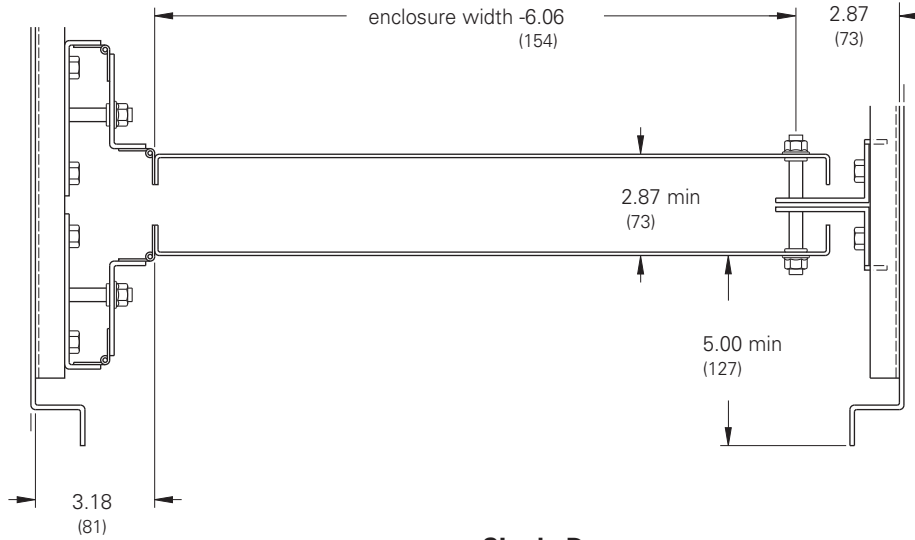
Free-Standing Enclosure Details Type 4X Panel and Enclosure Detail Sheet



Notes: Dimensions are in inches. Millimeters shown are for reference only. Data subject to change without notice.

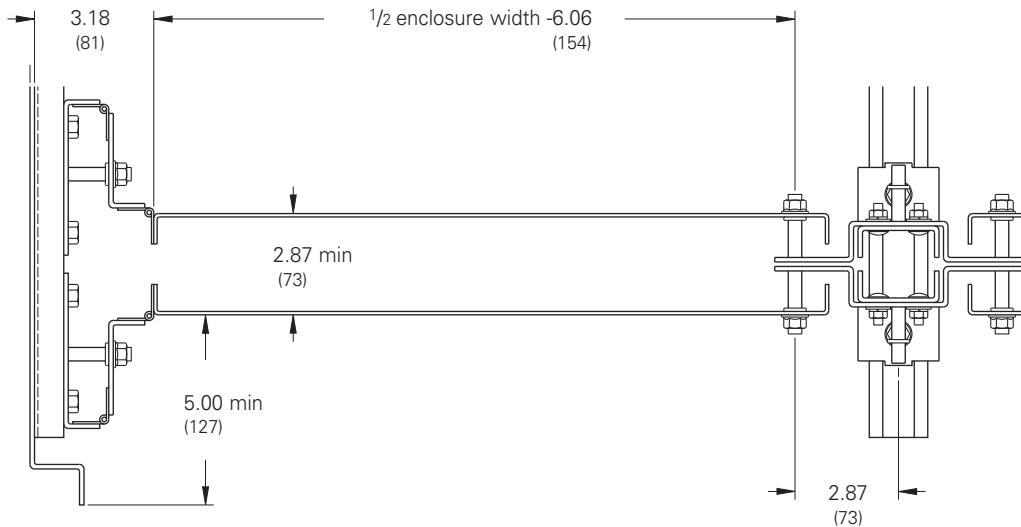
Type 4X Panel Enclosures

Free-Standing Enclosure Details Type 4X Swing Panel and Enclosure Detail Sheet



Single Door

(section view showing swing panels mounted back-to-back)



Double Door

(section view showing swing panels mounted back-to-back)

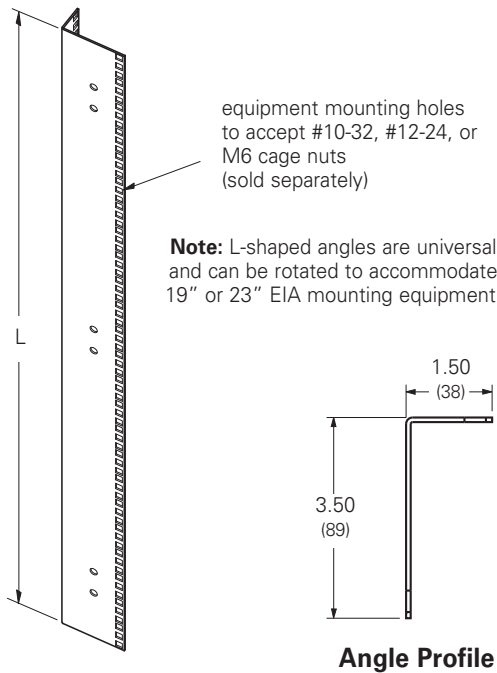
⌀
(of enclosure)

Notes: Dimensions are in inches. Millimeters shown are for reference only. Data subject to change without notice.

Free-Standing Enclosures Accessories Rack Mounting Angles Illustration Sheet and Catalog Number

Discount Schedule: C2
Subclass: DSO

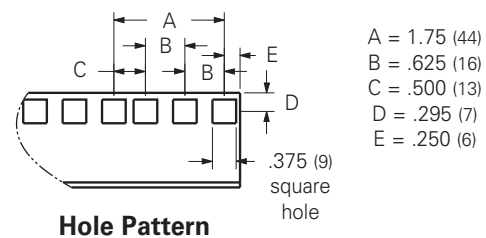
Heavy Duty Rack Mounting Angles are designed for mounting 19" (482mm) equipment in free-standing enclosures. **A Center Post Assembly, "AFxxCPS" on page 245, and a Panel Mounting Center Bracket, "AFCBK3" on page 248, (each sold separately) are required when mounting in any double door enclosure.** Mounting holes are spaced at the 19" "EIA" Standard and are provided to accept #10-32, #12-24, or M6 cage nuts (sold in packages of 100), on page 252.



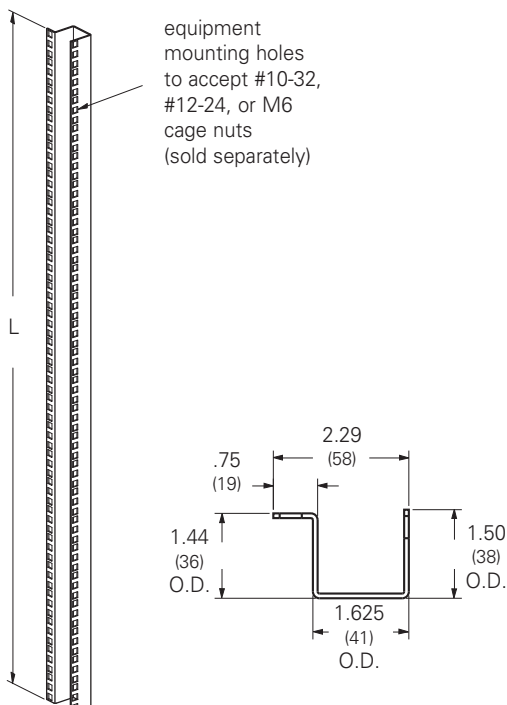
'L' Shaped Mounting Angles

Catalog Number	Fits Enclosure Height		L		Mounting U's
	in.	mm	in.	mm	
ES-48RMA-L	48	1219	42.00	1067	24
ES-60RMA-L	60	1524	54.25	1378	31
ES-72RMA-L	72	1829	66.50	1689	38
ES-90RMA-L	90	2286	78.75	2000	45

Kit contains two (2) full length 'L' angles, installation instructions, and hardware necessary to mount in single-door enclosures. Yellow Zinc finish.



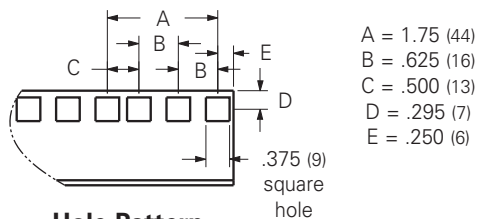
Hole Pattern



'U' Shaped Mounting Angles

Catalog Number	Fits Enclosure Height		L		Mounting U's
	in.	mm	in.	mm	
ES-48RMA-U	48	1219	42.00	1067	24
ES-60RMA-U	60	1524	54.25	1378	31
ES-72RMA-U	72	1829	66.50	1689	38
ES-90RMA-U	90	2286	78.75	2000	45

Kit contains two (2) full length 'U' angles, installation instructions, and hardware necessary to mount in single-door enclosures. Yellow Zinc finish.



Hole Pattern

Notes: Dimensions are in inches. Millimeters shown are for reference only. Data subject to change without notice.

Type 4X Panel Enclosures

Free-Standing Enclosures Accessories Frames & Fasteners

Illustration Sheet and Catalog Number

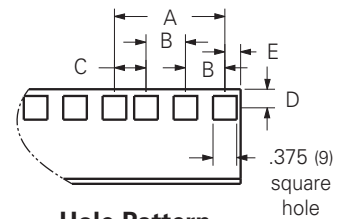
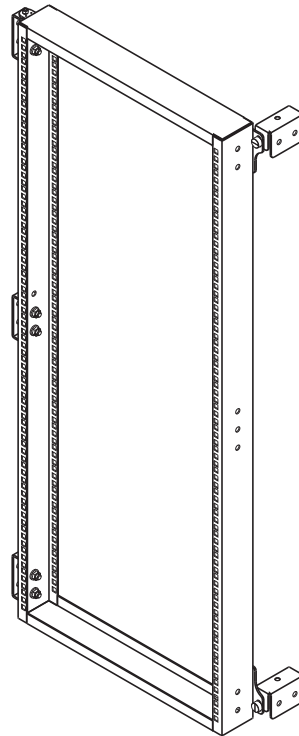
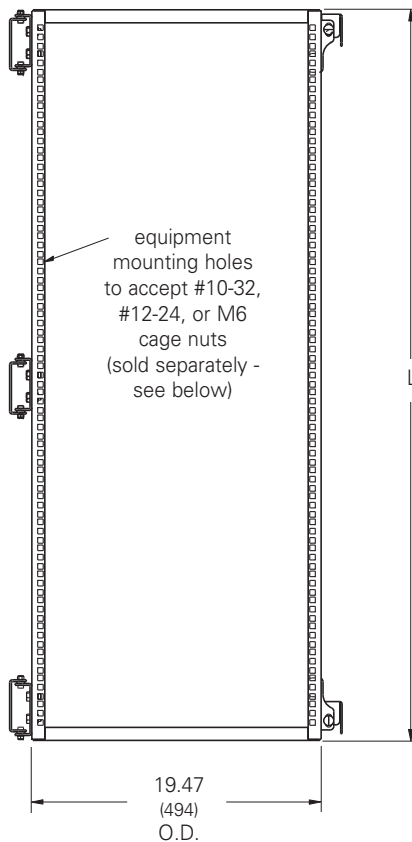
Discount Schedule: C2

Subclass: DSO

Swing-Out Rack Mounted Frame

Catalog Number	Fits Enclosure Height		L	
	in.	mm	in.	mm
ES-48SORMF	48	1219	36.91	937
ES-60SORMF	60	1524	49.16	1248
ES-72SORMF	72	1829	59.66	1515
ES-90SORMF	90	2286	77.18	1960

Heavy Duty Swing-Out Rack Mounting Frames are designed for mounting 19" (482mm) equipment in free standing enclosures. **A Center Post Assembly, "AFxxCPS" on page 245, and a Panel Mounting Center Bracket, "AFCBRKT3" on page 248, (each sold separately) are required when mounting in any double door enclosure.** Mounting holes are spaced per the "EIA" Standard and are provided to accept #10-32, #12-24, or M6 cage nuts (sold in packages of 100). Swing-Out Rack Mounting frames have white powder coated finish.



Hole Pattern

- A = 1.75 (44)
- B = .625 (16)
- C = .500 (13)
- D = .295 (7)
- E = .250 (6)

Screws & Cage Nuts

Catalog Number	Description	Finish
Screws		
E2MA1032PHMS100	#10-32 Phillips	Clear Zinc
E2MA1224PHMS100	#12-24 Phillips	Clear Zinc
E2MAM6PHMS100	M6 Phillips	Yellow Zinc
Cage Nuts		
E2MACN1032100	#10-32 Threads	Clear Zinc
E2MACN1224100	#12-24 Threads	Clear Zinc
E2MACNM6100	M6 Threads	Yellow Zinc

Sold in bags of (100)



Screws



Cage Nuts

Notes: We can provide special sizes, finishes and other modifications. Consult the factory for your special requirements. Dimensions are in inches. Millimeters shown are for reference only. Data subject to change without notice.

Free-Standing Enclosures Accessories Floor Stand & Enclosure Stabilizer Kits Illustration Sheet and Catalog Number

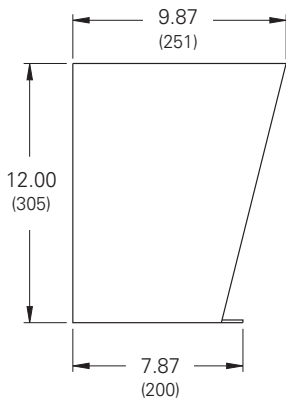
Discount Schedule: C2
Subclass: DSO



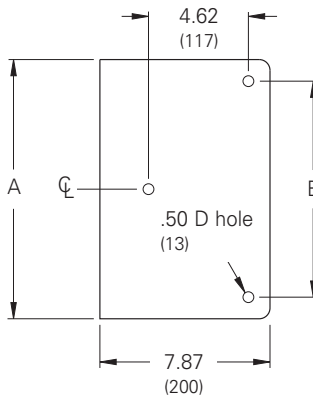
Floor Stand Kits

Catalog Number	A		B		C	
	in.	mm	in.	mm	in.	mm
MFK12XS	12.0	305	10.06	256	-	-
MFK16XS	16.0	406	14.06	357	-	-
MFK18XS	18.0	457	16.06	408	7.00	178
MFK20XS	20.0	508	18.06	459	8.00	203
MFK24XS	24.0	610	22.06	560	10.00	254

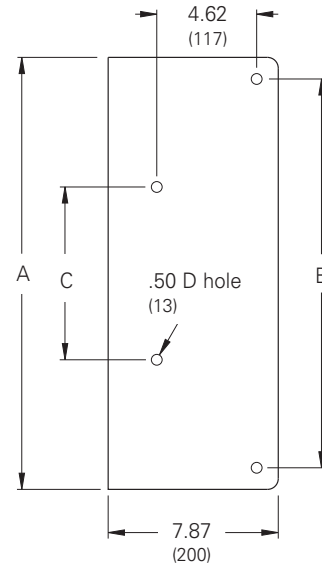
Floor Stand Kits are intended for use with Enviro Shield Type 4X, Type 4 and Type 12 Enclosures where floor support is required. Each kit consists of two (10) gauge legs and hardware for mounting. At the base of each leg is a prepunched plate (see drawing). Steel kits have a gray polyester powder paint finish. Stainless steel kits are fabricated from 304 stainless steel. Standard Floor Stand Kits are 12 inches (305 mm) high. For special heights, special material or non-standard construction consult the factory.



Floor Stand Kit



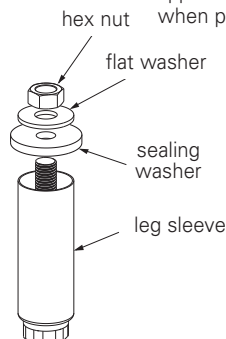
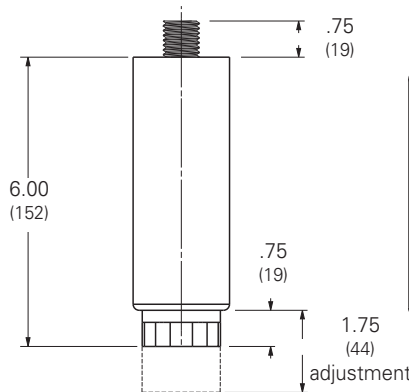
Base 12 - 16 Deep



Base 18 - 24 Deep
Sanitary Leg Kit

Catalog Number	Description
ES-SMFK6	Set of four (4) legs

Kit allows space between enclosure and floor for compliance in NSF environments 1³/₄" (44mm) adjustment provides flexibility in all applications. Four (4) legs per kit, maintains UL/cUL Type 4X rating when properly installed.



Notes: Dimensions are in inches. Millimeters shown are for reference only. Data subject to change without notice.

