

**PHILIPS
LIGHTOLIER**



Track Lighting

Comprehensive
product offering

Exceeding standards
in innovation, flexibility,
and performance

January 2017 product offering

Our lighting story

Exceeding standards

The Philips Lightolier track story began over fifty years ago with Lytespan, a forward-thinking track line which allowed customers to easily adapt lighting to their specific needs. Today, Philips Lightolier is part of a global design network who work to maximize the power of light. Our product lines represent the apex of industry leading flexibility, functionality and quality. We continue to design our track products to perform in the most difficult applications with unprecedented performance to create the ultimate track lighting portfolio.

Contents

History Track through the years 2	Choosing a solution Performance. Selection. Quality. 4	A versatile three-part system Reliable. Variety. Customizable. 5	Technology Optics, CBCP and CrispWhite 6
Track luminaires LED and Conventional 8	CorePro LED Mini cylinder 10	OmniSpot LED Cylinder 12	Spot LED 4, 9 and 12 LED array configurations 14
Spot LED Recessed multiple 16	Alcyon LED Vertical cylinder 18	Alcyon LED Vertical cylinder recessed multiple 20	Alcyon LED Horizontal cylinder 22
LightFlood LED Linear flood 23	Gimbal LED PAR30 and PAR38 24	Alcyon Line voltage and low voltage 26	Sof-Tech Line voltage and low voltage 27
Par-Tech Low profile and hinged 28	Tangent Line voltage and low voltage 30	Tangent Surface mount and suspensions 31	Traditionals and Miniforms Line voltage and low voltage 33
Track systems Radius, Basic, and Advent 34	Radius One circuit One neutral 36	Basic One circuit One neutral 37	Advent Two circuit One neutral 37
Accessories Radius, Basic, and Advent 38	Options Suspended beam and Recessed housing 40	PowerTrip Current limiting device 41	Application guide Building track systems 42

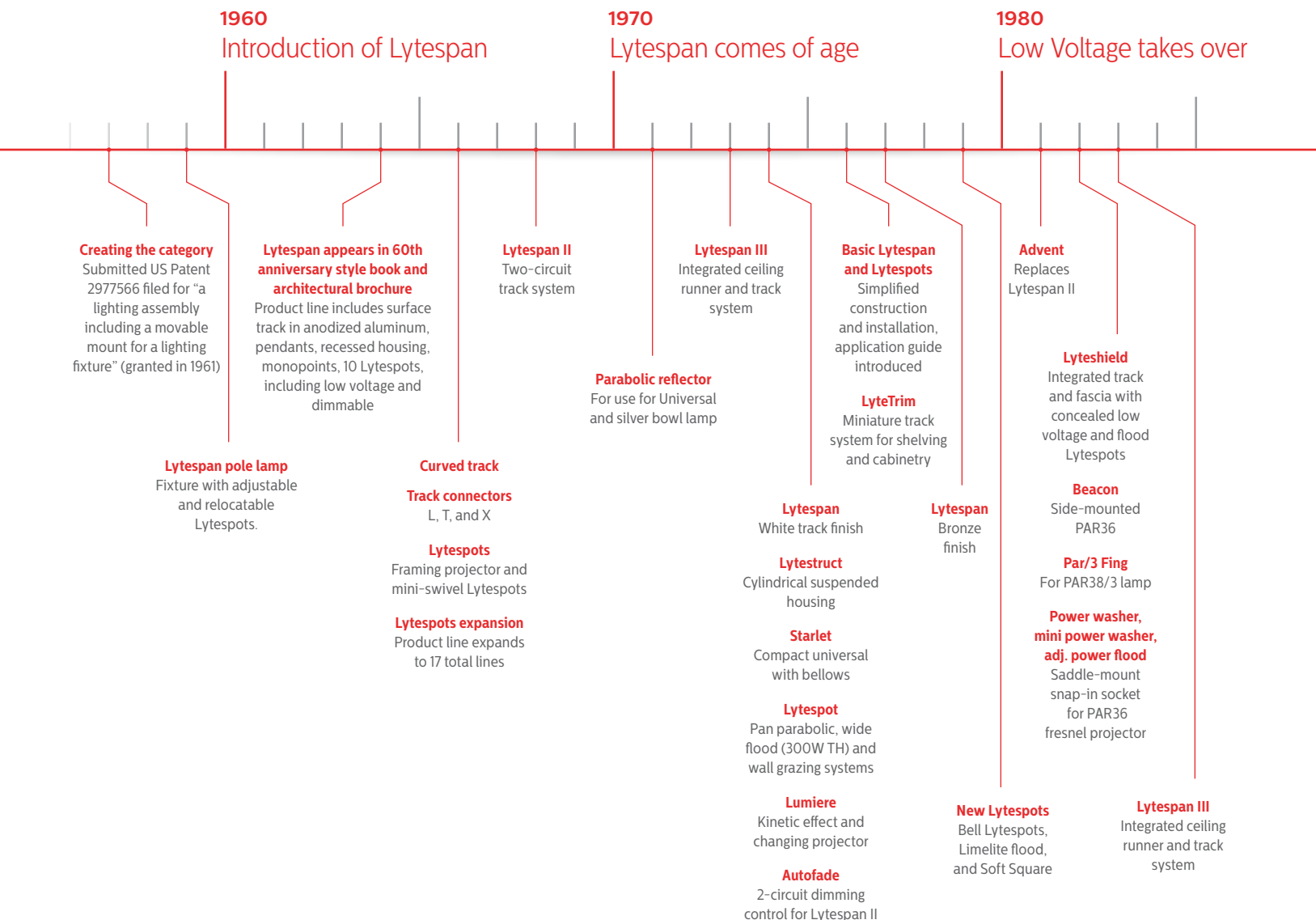
History

The inventors of track lighting

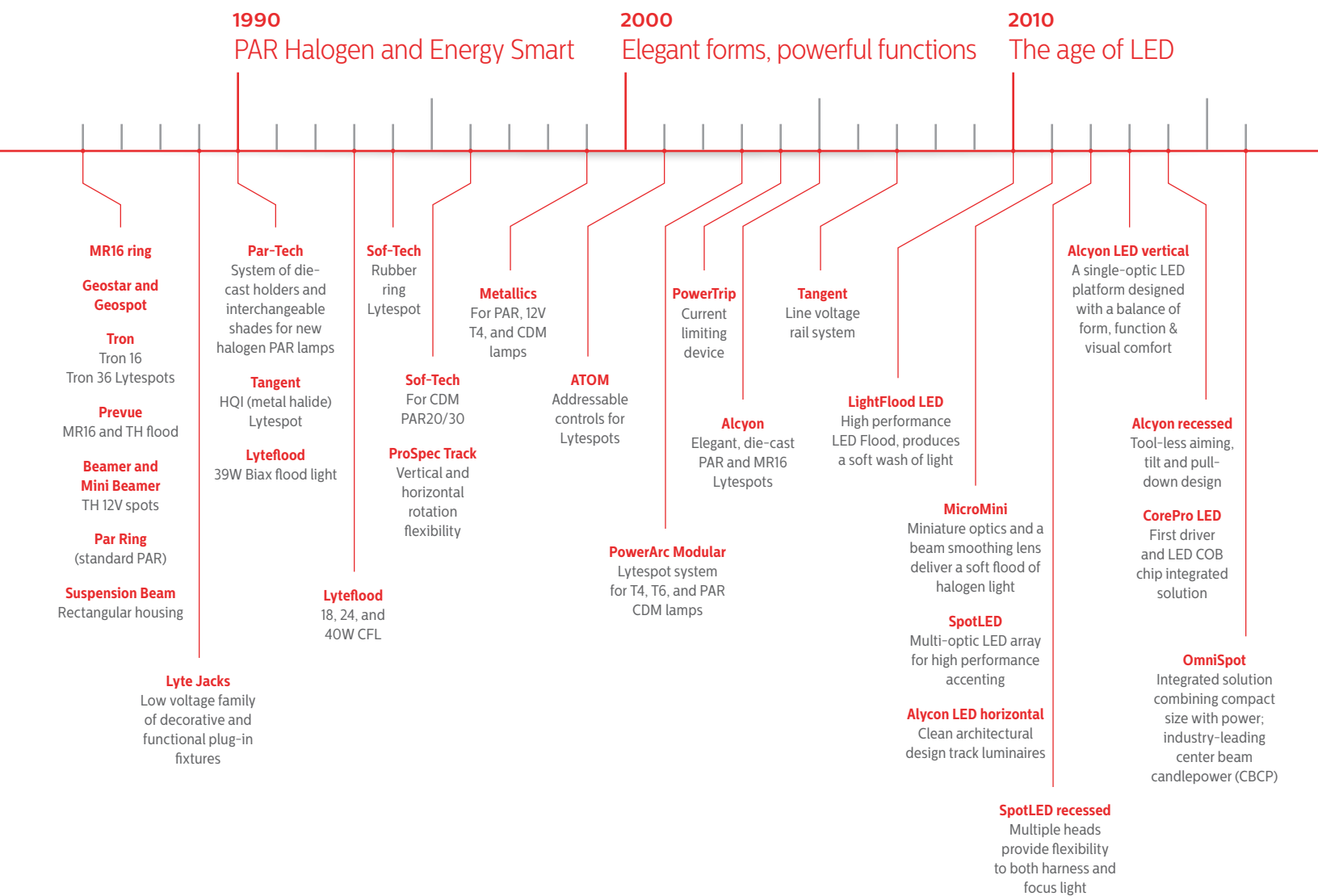
In 1957, Philips Lightolier recognized the potential of the spring-loaded pole lamp and introduced a vertical wall mounted track called Lytespan. The product line featured track luminaires called Lytespots that could be individually moved and adjusted anywhere on the track pole. In 1961, Philips Lightolier saw the market need for more effective overhead lighting so Lytespan was adapted for ceiling applications. Originally intended for commercial use in museums and retail, Lytespan

track lighting was soon in homes across America as people realized the flexibility that track offered to adapt lighting quickly to their needs.

Today, Philips Lightolier maintains the same Lytespan track system that was created in 1961 and any new product released is compatible with it. No matter how advanced the track luminaire technology becomes, we make a commitment to our customers to maintain compatibility and flexibility with our track systems to our customers.

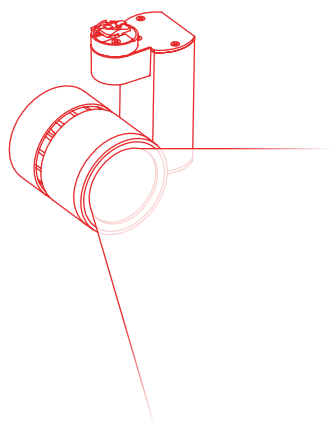


Every Philips Lightolier track luminaire today will work on the very first piece of track we ever produced.



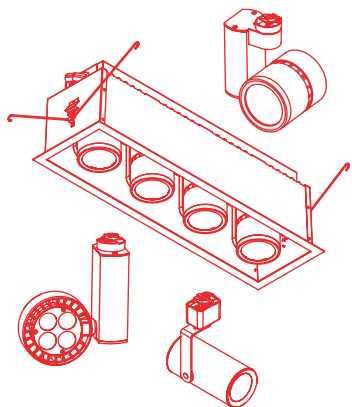
Choosing a solution

Performance. Selection. Quality.



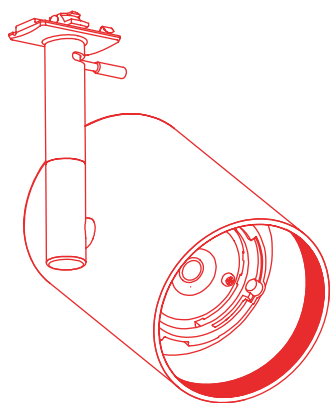
Unsurpassed **Performance**

From architectural-grade Alcyon to cost-effective CorePro, Philips Lightolier delivers great performance at every level and application to fit your need. Combined with dynamic architectural finishes, our track looks as superior as it performs. By always using the most advanced technology, we maintain high efficacy and high center beam candlepower. From retail stores to office spaces and residential areas, Philips Lightolier delivers over 50 years of high performance track lighting for every application.



Comprehensive **Selection**

As the innovator of track lighting, it is no surprise that Philips Lightolier continues to offer the widest assortment of track lighting product available. Offering multiple lumen packages, a variety of CRI/CCT options, and many track accessories, our track lighting offers the end user an infinite combination of lighting solutions. From budget oriented products to the most advanced technology, we provide the right product at the right price for any retail, commercial, or residential application.

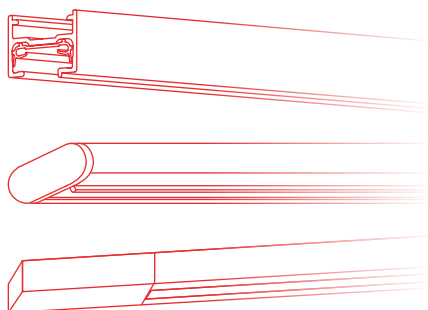


Reputation for **Quality**

Backed by over 50 years of design innovation and excellence, Philips Lightolier track lighting is an investment in quality. To uphold our reputation for quality, Philips Lightolier constructs all track product families and systems. Important details such as extruded aluminum track, long-lasting materials, advanced optical designs, and built-in two-circuit compatibility make Philips Lightolier products stand out from the competition.

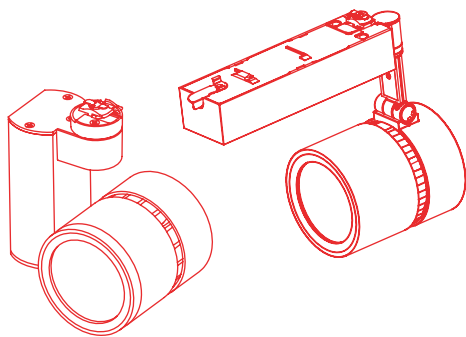
A **versatile** three-part system

Reliable. Variety. Customizable.



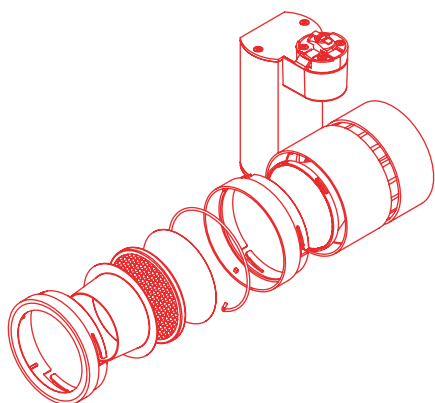
1. **Reliable** track systems

Philips Lightolier track systems provide the electrical distribution and mechanical connection point for track luminaires. Track is offered in a wide variety: surface, recessed, suspended, one or two circuit, and a variety of finishes and connector options. Basic, Radius, and Advent are the three main track system options.



2. **Variety** of track luminaires

Philips Lightolier track luminaires provide the lighting, optical, and aiming effects. From residential to retail, there are plenty of product options to fit your exact needs. All track product families are compatible with Basic, Radius, and Advent track systems.



3. **Customizable** accessories

Accessories allow the specifier to customize the installation by shaping, tinting, and diffusing light to the desired effect. Choose from a wide assortment of filters, screens, lenses, adapters, and louvers to create custom effects that make a unique statement.

Technology

The end user no longer has to choose between higher lumens, compact size, or high energy efficiency – they can now have it all.

As LED technology evolves, Philips Lightolier is able to make integrated LED track solutions even smaller to mimic the look of conventional track products. Our track lighting solutions are getting smaller while maintaining energy efficiency, maximum light performance and rated lifetime.

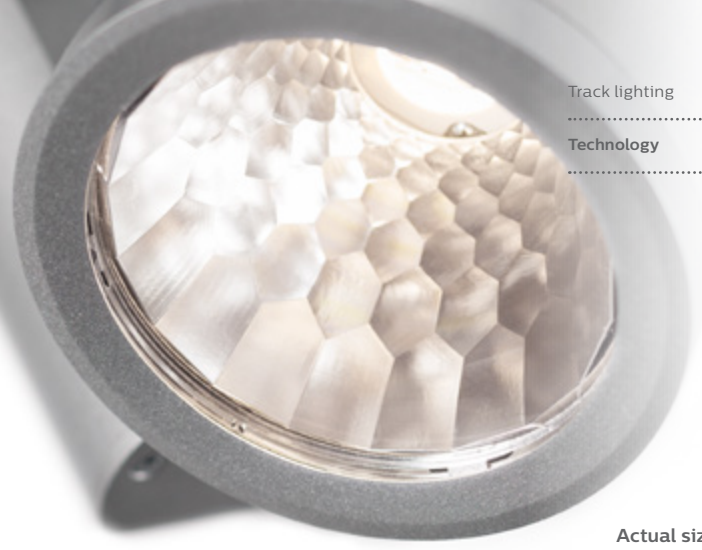


LED vs. Conventional

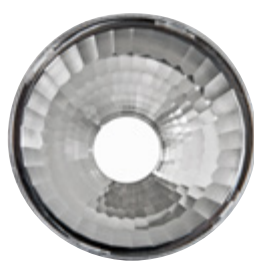
Product	Flux	Power	Efficacy	Beam	CBCP	Rated Life
CorePro integrated LED track fixture	633lm	8.7W	73lm/W	20°	2,926 cd	50,000 hr
MR16 LED Lamp	660lm	8.5W	78lm/W	25°	3,250 cd	25,000hr
MR16 Halogen Lamp	700lm	50+W	14lm/W	20°	4,200 cd	4,000hr
OmniSpot integrated LED track fixture	1000lm	12W	83lm/W	11°	13,863 cd	50,000 hr
PAR30 LED Lamp	900lm	12W	75lm/W	15°	7,900 cd	25,000hr
PAR30 Halogen Lamp	1100lm	75W	15lm/W	9°	14,000 cd	2,500hr
SpotLED integrated LED track fixture	3000lm	39W	77lm/W	8°	82,000 cd	50,000 hr
PAR38 LED Lamp	2800lm	32W	88lm/W	15°	30,000 cd	25,000hr
PAR38 CMH Lamp	4800lm	70W	69lm/W	10°	50,000 cd	1,000hr

Note: Above CBCP refers to center beam candlepower and cd refers to candelas.





Actual size
LLAV01/ LLAV11



Narrow Spot (10°)



Spot (18°)



Narrow Flood (24°)



Flood (36°)

Optics

Reflector design and beam performance

Tailoring the light to merchandise, displays or an object within a space is extremely important in accent lighting applications. The luminaire's optical system plays a central role in ensuring the quality and efficiency of the chosen lighting solution. With Philips Lightolier interchangeable reflectors and beam pattern precision, designers have a creative license to design with light.



Depicted with a diffused film option.

Center Beam Candlepower

The optic design objective is to focus on the Center Beam Candlepower (CBCP) punch rather than the amount of lumens projected onto the object. In this illustration, the light output is intensified in the center to better accent the merchandise or highlight areas within an object to create the emotion draw from the shopper.



CrispWhite

The Lumileds 90 CRI CrispWhite technology combines the warm, saturated colors of high CRI with crisp and vibrant whites. The small form factor and high quality of light make this an impactful option for retail display areas.

Learn more at: www.lumileds.com/products/luxeon-cob-with-crispwhite

Track luminaires



We offer a wide variety of track luminaires to fit any of your project needs: from retail to residential to commercial.

As the LED technology continues to evolve, Philips Lightolier integrated LED track luminaires are more compact and versatile than ever before. From general lighting to accent lighting, there are a variety of product families to choose from that can provide the right lighting for the right application, all with the trusted Philips Lightolier quality.

All LED track luminaires feature a rated lifetime of 50,000 hours at 70% lumen maintenance along with a five year limited warranty. All product families are UL Listed and most configurations comply with ENERGY STAR®. All track luminaires have the option for aluminum, matte white and matte black finishes.



CorePro LED

An affordable, compact, integrated LED solution to easily replace MR16 track luminaire.

Applications: Residential, Retail, Hospitality
Lumens (Watts): 700lm (9W)
Efficacy: Up to 80lm/W

CBCP*: 2,926cd (at 20°), 1,537cd (at 35°)
Beam spreads: Narrow Flood (20°), Wide Flood (35°)
Special options: CrispWhite, Competitor Adapters



OmniSpot LED

Small form factor combined with superior performance; disappearing in the ceiling at less than 1" from the track when mounted.

Applications: Retail, Hospitality, Grocery
Lumens (Watts): 600lm (6W), 1000lm (12W),
 2000lm (25W)
Efficacy: Up to 108lm/W

CBCP*: 29,997cd (at 2000lm with 10°)
Beam spreads: Narrow Spot (10°), Spot (18°),
 Narrow Flood (24°), Flood (36°)
Special options: CrispWhite, Competitor Adapters



Spot LED

A multi-optic vertically mounted track luminaire with market leading center beam candlepower (CBCP) punch.

Applications: Retail, Grocery, High Ceilings
Lumens (Watts): 600lm (10W), 1000lm (14W),
 2000lm (28W), 3000lm (39W)
Efficacy: Up to 78lm/W

CBCP*: 82,000cd (at 3000lm with 8°)
Beam spreads: Spot (8°), Narrow Flood (20°), Flood (36°)
Special options: Competitor Adapters



Alcyon LED vertical

Single optic vertically mounted track luminaire with a clean, architectural design, and a large variety of beam spreads.

Applications: Retail, Hospitality, Grocery
Lumens (Watts): 600lm (10W), 1000lm (15W),
 2000lm (28W), 3000lm (34W)
Efficacy: Up to 93lm/W

CBCP*: 47,724cd (at 3000lm with 10°)
Beam spreads: Narrow Spot (10°), Spot (18°),
 Narrow Flood (24°), Flood (36°)
Special options: CrispWhite, Competitor Adapters



Alcyon LED horizontal

Single optic track luminaire with a clean, architectural design and horizontally mounted so it appears even smaller in the ceiling.

Applications: Retail, Hospitality, Grocery
Lumens (Watts): 1100lm (15W)
Efficacy: Up to 78lm/W

CBCP*: 11,711cd (at 13°)
Beam spreads: Spot (13°), Narrow Flood (22°), Flood (28°)
Special options: CrispWhite



LightFlood LED

A linear LED flood fixture that delivers a powerful, uniform beam at high efficacy.

Applications: Retail, Commercial
Lumens (Watts): 2000lm (23W), 4000lm (45W)
Efficacy: Up to 100lm/W

CBCP*: 881cd (at 100°), 1,434 (at 111°)
Beam spreads: 100° (23W), 111° (45W)

* Above CBCP refers to center beam candlepower and cd refers to candelas.

CorePro LED

A completely integrated LED luminaire

This mini cylinder delivers both lumen and CBCP performance equivalent to that of most 50 W MR16 halogen luminaires while consuming 82% less energy and providing easy maintenance. The completely integrated driver, thermal management, and unitized optics provide sleek aesthetics while delivering a uniform beam, making it the easy choice for many retail, residential, and hospitality accent lighting needs.



Features

- Efficacy: Up to 80 lm/W at 3000K
- Lumens (Watts): 700lm (9 W)
- Correlated Color Temp. (CCT): 2700K, 3000K
- Color Rendering Index (CRI): 80 -90
- Beam spreads: Narrow Flood, Wide Flood
- Finishes: Aluminum, Matte White, Matte Black
- Dimming: Trailing edge (ELV)
- CrispWhite: 90CRI/3000K combination

Components

1. Adapter
2. Fixture
3. Optic

Fixture

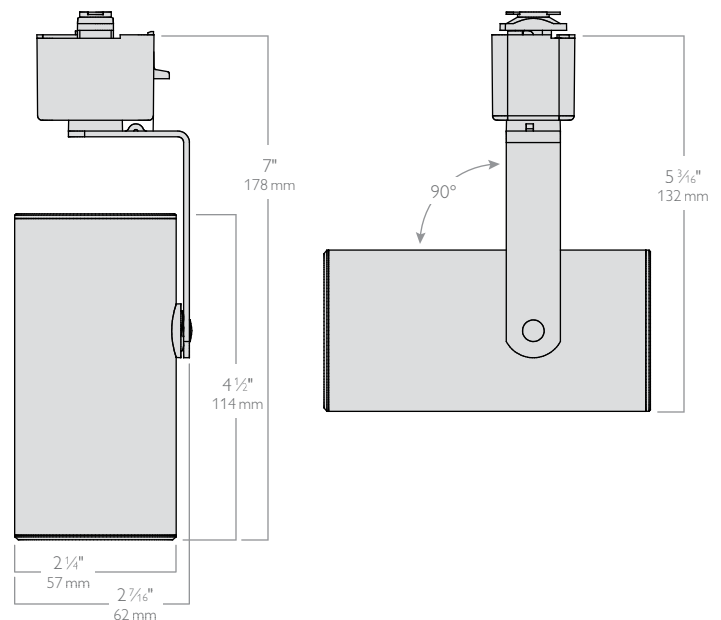
example: LT08RNF930WHCW

Series	Adapters	Lumens (Watts)	Beam spreads	CRI/CCT	Finishes	Options
LT	<input type="checkbox"/>	08	<input type="checkbox"/>	<input type="checkbox"/>	<input type="checkbox"/>	<input type="checkbox"/>
LT CorePro LED mini cylinder	<ul style="list-style-type: none"> – Lightolier C Capri¹ H Halo J Juno 	08 700lm (9W)	<ul style="list-style-type: none"> RNF 20° Narrow Flood RWF 35° Wide Flood 	<ul style="list-style-type: none"> 827 80CRI/2700K 830 80CRI/3000K 927 90CRI/2700K 930 90CRI/3000K² 	<ul style="list-style-type: none"> AL Aluminum¹ WH Matte White BK Matte Black 	<ul style="list-style-type: none"> – None (leave blank) CW CrispWhite²

1. The Capri (C) adapter is not available with an Aluminum (AL) finish.
2. The CrispWhite (CW) option is only available for the 90 CRI / 3000K (930) CRI / CCT configuration.
For other configurations and variations please contact the factory.

Designed with **simplicity** in mind

Constructed of extruded aluminum and steel with a powder-coated finish. Available beam patterns include 20° narrow and 35° wide floods. By combining the optics, light source, thermal management system and driver into a single housing, this luminaire provides a sleek look suitable for lower mounting heights and smaller spaces. Additional design features includes ELV dimming and compatible track adapters.





Actual size

LT08

700lm (9W)



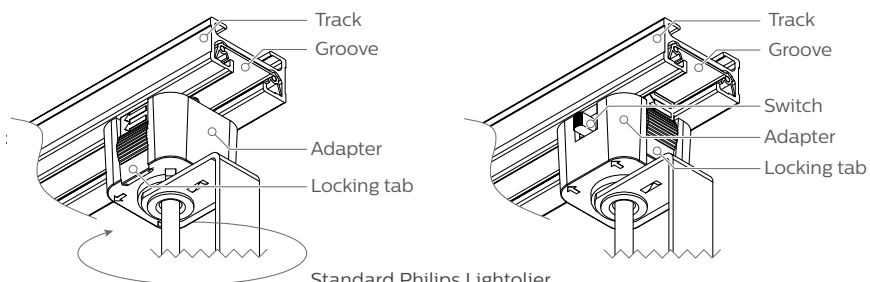
- Aluminum
- Matte White
- Matte Black



Philips Lightolier, Halo and Capri track adapters depicted above (Juno adapter also available).

Track Adapters

The product line offers a range of competitor adapters for retrofit and renovation projects to improve ROI by not replacing existing track installations and limiting down time during the install.



Standard Philips Lightolier track adapter depicted above.

OmniSpot LED

Small is the new big

The smooth, contemporary style eliminates the need for heat sink fins to complement accent lighting designs from subtle to bold. Unlike all other track luminaires, OmniSpot's driver is integrated directly in the housing, for sleek compactness without distracting bulkiness.



Accommodates multiple accessories.

Features

- Efficacy: Up to 108 lm/W at 3000K
- Lumens (Watts): 600lm (6W), 1000lm (12W), 2000lm (25W)
- Correlated Color Temp. (CCT): 2700K, 3000K, 3500K, 4000K
- Color Rendering Index (CRI): 80-90
- Beam spreads: Narrow Spot, Spot, Narrow Flood, Flood
- Finishes: Aluminum, Matte White, Matte Black
- Dimming: Trailing edge (ELV)
- CrispWhite: 90CRI/3000K combination

Components

1. Adapter
2. Fixture
3. Optic

Fixture

example: LC10930ALTECW

Series	Adapters	Lumens	CRI/CCT	Finishes	Dimming	Options
LC	<input type="checkbox"/>	<input type="checkbox"/>	<input type="checkbox"/>	<input type="checkbox"/>	TE	<input type="checkbox"/>
LC OmniSpot LED cylinder	<ul style="list-style-type: none"> — Lightolier C Capri¹ H Halo J Juno P Prospec¹ GT Global TEK 	<ul style="list-style-type: none"> 06 600lm 10 1000lm 20 2000lm 	<ul style="list-style-type: none"> 827 80CRI/2700K 830 80CRI/3000K 835 80CRI/3500K 840 80CRI/4000K 927 90CRI/2700K 930 90CRI/3000K 	<ul style="list-style-type: none"> AL Aluminum¹ W Matte White BK Matte Black 	<ul style="list-style-type: none"> TE Trailing edge (ELV) 	<ul style="list-style-type: none"> — None (leave blank)
			930 90CRI/3000K	See above for finishes	TE Trailing edge (ELV)	CW CrispWhite

Reflector (order separately)

example: LLMRNS

Series	Beam spreads
<input type="checkbox"/>	<input type="checkbox"/>
<ul style="list-style-type: none"> LLM for 600lm & 1000lm LLAV11 for 2000lm 	<ul style="list-style-type: none"> RNS 11°/12° Narrow Spot² RS 18° Spot RNF 24° Narrow Flood RF 36° Flood

OmniSpot is currently the only track luminaire to feature a sleek one-arm mount that attaches easily to almost any manufacturer's track rail, and provides less than one inch of space between the track head and track rail.

Accessories³ (order separately)

example: LC10AHWH

Series	Finishes
<input type="checkbox"/>	<input type="checkbox"/>
Diffusion films	
<ul style="list-style-type: none"> LC10 for 600lm & 1000lm LC20 for 2000lm 	<ul style="list-style-type: none"> SY Symmetrical spread SF Soft focus LS Linear spread FR Frosted etched
Snoots	
<ul style="list-style-type: none"> LC10SN for 600lm & 1000lm LC20SN for 2000lm 	<ul style="list-style-type: none"> AL Aluminum WH Matte White BK Matte Black
Accessory holders⁴	
<ul style="list-style-type: none"> LC10AH for 600lm & 1000lm LC20AH for 2000lm 	<ul style="list-style-type: none"> AL Aluminum WH Matte White BK Matte Black

Hex cell louvers⁵ (matte black only)

7472	for 600lm & 1000lm
LC20HC	for 2000lm

1. Prospec and Capri adapters are not available with aluminum finish. Capri adapter will be available in May 2017.
 2. Reflector LLM has a 12° and LLAV11 has a 11° Narrow Spot.
 3. Aperture ring on the fixture can hold a max of 1 film and 1 snoot.
 4. Accessory holder can hold a max of 1 hex cell, 1 film, and 1 snoot.
 5. Hex cell louver needs to be ordered with an Accessory holder.
 12 Philips Lightolier

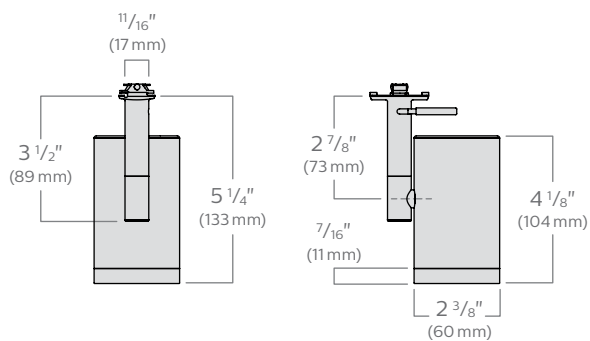


Actual size

Philips Lightolier OmniSpot LED track luminaires are ideal for new projects or as retrofits onto a variety of existing track rail systems, and are convenient alternatives to invasive recessed multiples, limited gimbal systems and wasteful halogen lamps. Moving and adjusting the track luminaire is simple and quick, without the need for specialized equipment or training. With reliable, focused optics, it's easy to use accent lighting to create spaces that set you apart from the crowd.

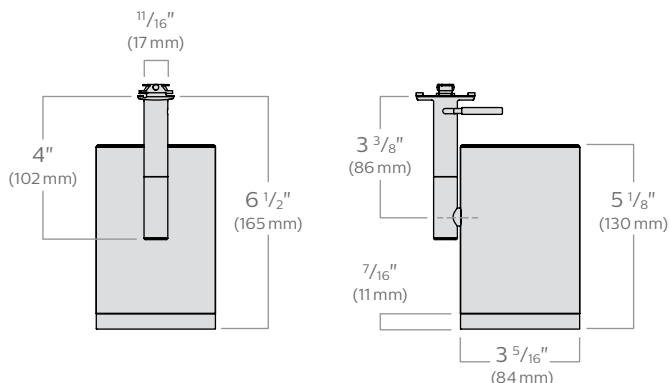
LC06 & LC10

600lm (6W) & 1000lm (12W)



LC20

2000lm (25W)



Spot LED

The perfect balance between energy savings and visual performance

A high brightness LED track solution in a multi-optic LED design. Ideal for customers concerned with energy, beam quality and visual performance. Multiple accessories available to customize the light output and visual appearance of the fixture.



Features

- Efficacy: Up to 78 lm/W at 3000K
- Lumens (Watts): 600lm (10W), 1000lm (14W), 2000lm (28W), 3000lm (39W)
- Correlated Color Temp. (CCT): 2700K, 3000K, 4000K
- Color Rendering Index (CRI): 80-85
- Beam spreads: Spot, Narrow Flood, Flood
- Finishes: Aluminum, Matte White, Matte Black
- Dimming: Trailing edge (ELV)

Components

1. Fixture
2. Diffusion filter
3. Hex cell louver
4. Snoot
5. Accessory holder

Fixture

example: LLAB030RSALVA

Series	Lumens(W)	CCT	Beam spreads	Adapters	Finishes ¹	Version
LLAB	<input type="checkbox"/>	<input type="checkbox"/>	<input type="checkbox"/>	<input type="checkbox"/>	<input type="checkbox"/>	<input type="checkbox"/>
LLAB Spot LED	S 600lm (10W)	27 2700K 30 3000K	RS 9° Spot RNF 20° N. Flood RF 36° Flood	— Lightolier H Halo J Juno GG GES ² GT GTek GH HTek	AL Alum. WH White BK Black	VA Version A (not applicable to any LLABS configurations - leave blank)
	O 1000lm (14W)	27 2700K 30 3000K 40 4000K	RS 9° Spot RNF 20° N. Flood RF 36° Flood			
	1 2000lm (28W)	27 2700K 30 3000K 40 4000K	RS 8° Spot RNF 20° N. Flood RF 38° Flood			
	3 3000lm (39W)	27 2700K 30 3000K 40 4000K	RS 8° Spot RNF 23° N. Flood RF 40° Flood			

1. All fixtures are painted with matte finishes.
2. GES adapter is not available with LLABS.

3. Accessories are not ENERGY STAR[®] qualified.
4. Accessory 8595 comes in black; for white add WH.
5. Color filters will project colored light on ceiling.

Customization

Compatible with 4, 9 & 12 LED array track luminaires



Shown with matte black accessory holder, aluminum snoot and hex cell louver.



Shown with matte black accessory holder and hex cell louver.



Shown with matte black accessory holder and aluminum snoot.

Accessories³

example: 23NT6AL

Series	Finishes
<input type="checkbox"/>	<input type="checkbox"/>
Accessory holders	
LLABSAH for 10W & 14W series	WH Matte White
8595 for 28W ⁴	BK Matte Black
LLAB1AH for 39W series	
Snoots	
23N30 for 10W & 14W series	AL Aluminum
23NT6 for 28W & 39W series	WH Matte White BK Matte Black

Diffusion filters

- AF3** for 10W & 14W series
AF4 for 28W & 39W series

Color filters⁵

- ADF3** for 10W & 14W series
ADF4 for 28W & 39W series

Hex cell louvers (matte black)

- AL3HC** for 10W & 14W series
AL4HC for 28W & 39W series



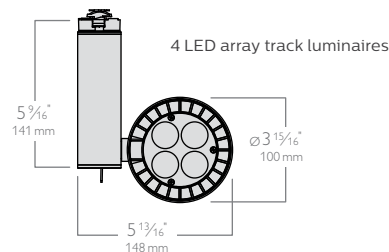
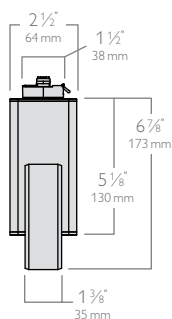
Actual size

LLABS & LLABO

600lm (10W) & 1000lm (14W)

The 9° Spot (RS) delivers 16,586 CBCP in the 600lm and 28,696 in the 1000lm.

- Aluminum
- Matte White
- Matte Black

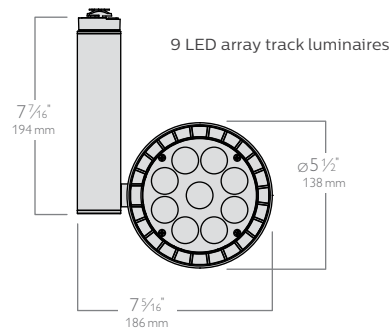
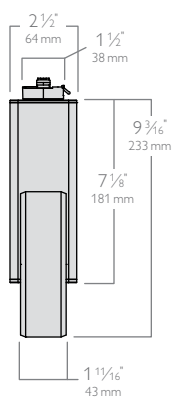


LLAB1

2000lm (28W)

The 8° Spot (RS) delivers 54,726 CBCP.

- Aluminum
- Matte White
- Matte Black

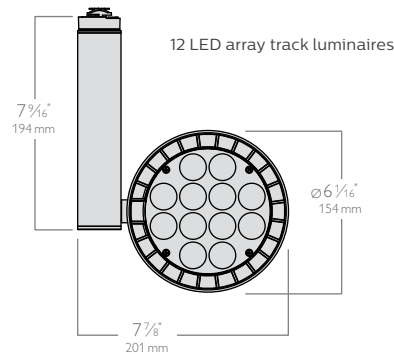
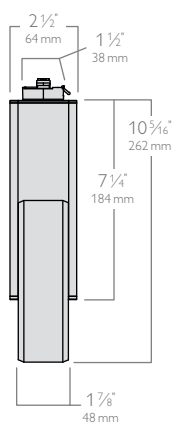


LLAB3

3000lm (39W)

The 8° Spot (RS) delivers more than 82,040 CBCP.

- Aluminum
- Matte White
- Matte Black



Spot LED recessed multiple

The perfect balance between energy savings and visual performance

Spot LED recessed is a two-part system that offers a high-performing architectural approach to demanding accent lighting needs. Multiple heads provide 360° rotation and 90° tilt with the flexibility to both harness and focus light in the built environment.



Accommodates multiple accessories.

Features

- Efficacy: Up to 84 lm/W at 3000K
- Lumens (Watts): 1000lm (13W), 1600lm (22W)
- Correlated Color Temp. (CCT): 2700K, 3000K, 4000K
- Color Rendering Index (CRI): 80-85
- Beam spreads: Spot, Narrow Flood, Flood
- Finishes: Matte White, Matte Black

Components

1. Frame
2. Trim
3. Diffusion filter
4. Hex cell louver
5. Snoot
6. Accessory holder

Frame

example: LLABR24WH130H3RSVA

Series	Lengths	Finishes	Lumens (Watts)	CCT	Heads	Beam spreads	Version
LLABR	<input type="checkbox"/>	<input type="checkbox"/>	<input type="checkbox"/>	<input type="checkbox"/>	<input type="checkbox"/>	<input type="checkbox"/>	VA
LLABR Spot LED recessed multiple	9 9" for 1 head 17 17" for 2 head 24 24" for 3 head 32 32" for 4 head	WH Matte White BK Matte Black	0 1000lm (13W) 9 LED array 1 1600lm (22W) 12 LED array	27 2700K 30 3000K 40 4000K ¹	H1 1 head H2 2 head H3 3 head H4 4 head	RS 10° Spot RNF 22° Narrow flood RF 36° Flood	VA Version A

Trim

example: LLABR24WHW

Series	Lengths	Finishes	Flanges
LLABR	<input type="checkbox"/>	<input type="checkbox"/>	<input type="checkbox"/>
LLABR Spot LED recessed multiple	9 9" for 1 head 17 17" for 2 head 24 24" for 3 head 32 32" for 4 head	WH Matte White BK Matte Black	W With flange FT Flangeless trim

Accessories²

example: LLAB1AHWH

Series	Finishes
<input type="checkbox"/>	<input type="checkbox"/>
Accessory holders	
8595 for 13W series LLAB1AH for 22W series	WH Matte White BK Matte Black
Snoots	
23SNT6 for 13W & 22W series	WH Matte White BK Matte Black
Diffusion filters	
AF4 for 13W & 22W series	LS Linear Spread SY Symmetrical Spread SF Soft Focus FR Frosted Etched
Color filters³	
ADF4 for 13W & 22W series	
Hex cell louvers (matte black)	
AL4HC for 13W & 22W series	

Mud-in kit

example: LLABR24MK

Series	Lengths	Options
LLABR	<input type="checkbox"/>	MK
LLABR Spot LED recessed multiple	9 9" for 1 head 17 17" for 2 head 24 24" for 3 head 32 32" for 4 head	MK Mud-in kit is only available with flangeless trim (FT) option

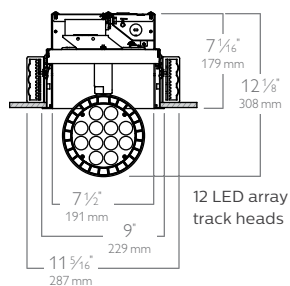
1. Consult factory for 4000K (40) CCT option availability.
2. Accessories are not ENERGY STAR[®] qualified.
3. Color filters will project colored light on ceiling.

Actual size

LLABR9

1000lm (13W)

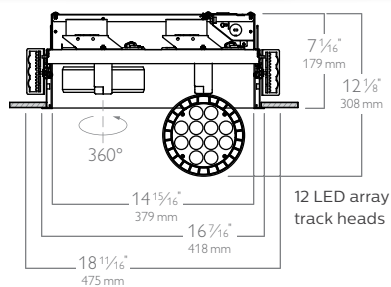
- Matte White
- Matte Black



LLABR17

1000lm (13W)

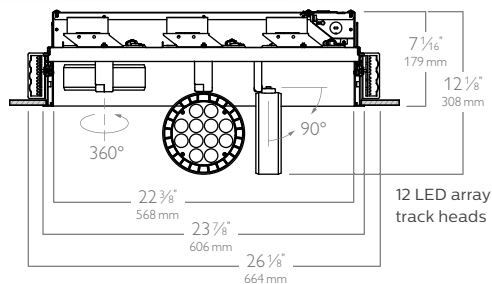
- Matte White
- Matte Black



LLABR24

1000lm (13W)

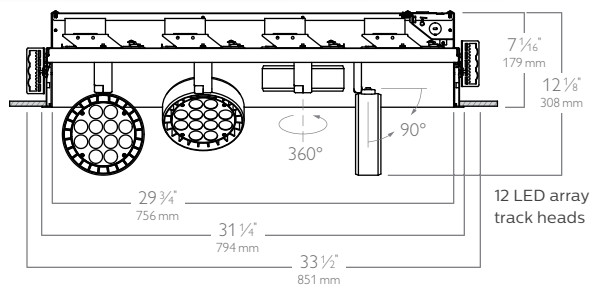
- Matte White
- Matte Black



LLABR32

1000lm (13W)

- Matte White
- Matte Black



Alcyon LED vertical

Taking LED accent lighting to the next level

Alcyon LED vertical is a single-optic LED platform designed with a balance of form, function and visual comfort. Its industry leading efficacy and candlepower levels offer customers a low energy consumption solution that provides maximum light output at minimum watts per square foot.



Accommodates multiple accessories.

Features

- Efficacy: Up to 93 lm/W at 3000K
- Lumens (Watts): 600lm (10W), 1000lm (15W), 2000lm (28W), 3000lm (34W)
- Correlated Color Temp. (CCT): 2700K, 3000K, 4000K
- Color Rendering Index (CRI): 80-90
- Beam spreads: Narrow Spot, Spot, Narrow Flood, Flood
- Finishes: Aluminum, Matte White, Matte Black
- Dimming: Trailing edge (ELV)
- CrispWhite: 90CRI/3000K combination

Components

1. Fixture
2. Reflector
3. Accessory holder
4. Accessory spring
5. Diffusion filters
6. Hex cell louver
7. Snoot
8. Aperture ring

Fixture

example: LLA30930BKCW

Series	Lumens (W)	CRI/CCT	Adapters	Finishes ¹	Options
LLAV	<input type="checkbox"/>	<input type="checkbox"/>	<input type="checkbox"/>	<input type="checkbox"/>	<input type="checkbox"/>
LLAV Alcyon LED vertical	01 600lm (10W)	27 80CRI/2700K	— Lightolier H Halo J Juno P Prospec ²	AL Alum. WH White BK Black	— None (leave blank)
	11 1000lm (15W)	30 80CRI/3000K			
	20 2000lm (28W)	40 80CRI/4000K			
	30 3000lm (34W)	927 90CRI/2700K 930 90CRI/3000K ¹	— Lightolier H Halo J Juno P Prospec ²	AL Alum. WH White BK Black	CW CrispWhite ³

1. All fixtures are painted with matte finishes.
2. Prospec is only offered in White (WH) and Black (BK).
3. CrispWhite (CW) is only available with 90CRI / 3000K CCT (930).

Reflector

example: LLA12RF

Series	Lumens (Watts)	Beam spreads	Interchangeable reflectors along with the widest range of accessories help designers customize the light output to create the perfect environment and to offer added flexibility.
LLAV	<input type="checkbox"/>	<input type="checkbox"/>	
LLAV Alcyon LED vertical	11 600lm (10W) 1000lm (15W) 2000lm (28W)	RNS 10° Narrow Spot RS 18° Spot RNF 24° Narrow Flood RF 36° Flood	
	12 3000lm (34W)	RNS 11° Narrow Spot RS 17° Spot RNF 24° Narrow Flood RF 36° Flood	



Narrow Spot

Spot

Narrow Flood

Flood

Accessories

example: 23SNT6BK

Series	Finishes
<input type="checkbox"/>	<input type="checkbox"/>
Accessory holders	
LLAV11AH for 10W, 15W & 28W series	AL Aluminum WH Matte White BK Matte Black
LLAV12AH for 34W series	BK Matte Black
Snoots	
LLA11SN for 10W, 15W & 28W series	AL Aluminum WH Matte White BK Matte Black
23SNT6 for 34W series	BK Matte Black
Diffusion filters	
LLAV11 for 10W, 15W & 28W series	LS Linear Spread SY Symmetrical Spread
LLAV12 for 34W series	SF Soft Focus FR Frosted Etched

Color filters

ADF4 for 34W series

Hex cell louvers (matte black)

LLAHCA11 for 10W, 15W, & 28W series
AL4HC for 34W series

Mounting

Compatible with all Monopoint, Multipoint, recessed track, suspension track, suspension stems, sloped ceiling adapters as well as Basic, Advent and Radius track systems. Ceiling and horizontal or vertical wall mounted.

Flexibility in lumen output and beam angle allows for optimal lighting designs including extremely tight accent applications.

Actual size

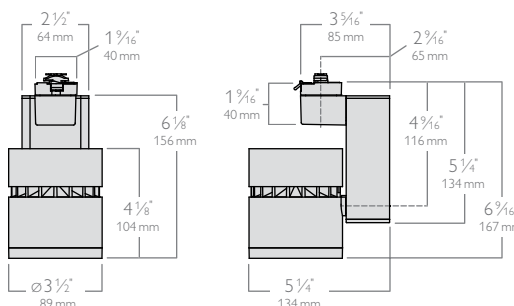


LLAV01 & LLAV11

600lm (10W) & 1000lm (15W)



- Aluminum
- Matte White
- Matte Black



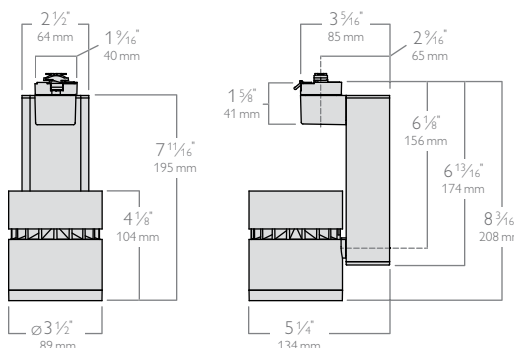
1000lm 10° RNS (Narrow Spot) delivers more than 24,000 CBCP (Center Beam Candlepower) for excellent visual punch.

LLAV20

2000lm (28W)



- Aluminum
- Matte White
- Matte Black

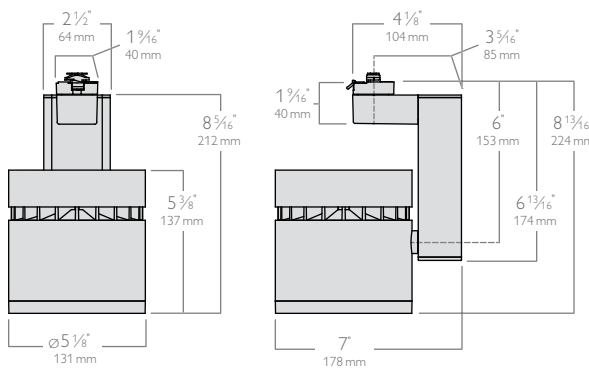


LLAV30

3000lm (34W)



- Aluminum
- Matte White
- Matte Black



Alcyon LED vertical recessed multiple

Taking LED accent lighting to the next level.

Alcyon LED vertical recessed is a three-part system designed to offer high-performing, target illumination to meet today's accent lighting needs. This recessed lighting utilizes the same LED technology and reflectors as the track heads, providing performance consistency and design continuity within a space.



Accommodates multiple accessories.

Features

- Efficacy: Up to 60 lm/W at 3000K
- Lumens (Watts): 600lm (10W), 1000lm (20W), 2000lm (30W)
- Correlated Color Temp. (CCT): 2700K, 3000K, 4000K
- Color Rendering Index (CRI): 80-85
- Beam spreads: Narrow Spot, Spot, Narrow Flood, Flood
- Finishes: Matte White, Matte Black
- Aiming: Tool-less aiming, tilt and pull-down design
- Seamless ceiling integration: Semi-recessed or Fully-recessed

Components

1. Frame
2. Fixture
3. Reflector
4. Accessory holder
5. Accessory spring
6. Diffusion filter
7. Hex cell louver
8. Snoot
9. Aperture ring

Frame

example: LLAVRM12H1120

Series	Lumens (Watts)	Heads	Voltages
LLAVRM	<input type="checkbox"/>	<input type="checkbox"/>	<input type="checkbox"/>
LLAVRM Alcyon LED vertical recessed multiple	11 600lm (10W) & 1000lm (20W) 12 2000lm (30W)	H1 1 head H2 2 head H3 3 head H4 4 head	120 120V 277 277V

Fixture

example: LLAVRMWH1230H1

Series	Finishes ¹	Lumens (Watts)	CCT	Heads
LLAVRM	<input type="checkbox"/>	<input type="checkbox"/>	<input type="checkbox"/>	<input type="checkbox"/>
LLAVRM Alcyon LED vertical recessed multiple	WH White BK Black	01 600lm (10W) 11 1000lm (20W) 12 2000lm (30W)	27 2700K 30 3000K 40 4000K	H1 1 head H2 2 head H3 3 head H4 4 head

Reflector

example: LLAV12RNS

Series	Lumens (Watts)	Beam spreads
LLAV	<input type="checkbox"/>	<input type="checkbox"/>
LLAV Alcyon LED vertical recessed multiple	11 600lm (10W) & 1000lm (20W) 12 2000lm (30W)	RNS 10° Narrow Spot RS 18° Spot RNF 24° Narrow Flood RF 36° Flood



Narrow Spot

Spot

Narrow Flood

Flood

Accessories

example: 23SNT6BK

Series	Finishes
<input type="checkbox"/>	<input type="checkbox"/>
Accessory holders	
LLAV11AH for 10W & 20W series LLAV12AH for 30W series	WH Matte White BK Matte Black
Snoots	
LLA11SN for 10W & 20W series 23SNT6 for 30W series	WH Matte White BK Matte Black
Diffusion filters	
LLAV11 for 10W & 20W series LLAV12 for 30W series	LS Linear Spread SY Symmetrical Spread SF Soft Focus FR Frosted Etched
Color filters	
— for 10W & 20W series ADF4 for 30W series (or provided by others)	
Hex cell louvers (matte black)	
LLAHCA11 for 10W & 20W series AL4HC for 30W series	

1. All fixtures are painted with matte finishes.

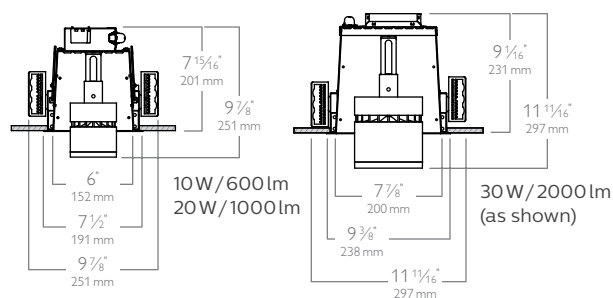
Track lighting
 Alcyon LED vertical
 recessed multiple

Actual size

LLAVRM-H1



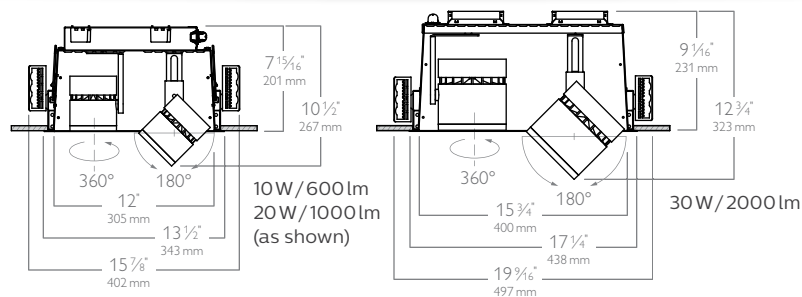
White
 Black



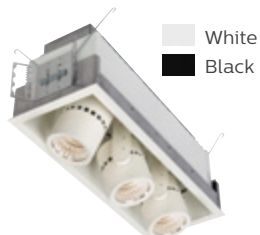
LLAVRM-H2



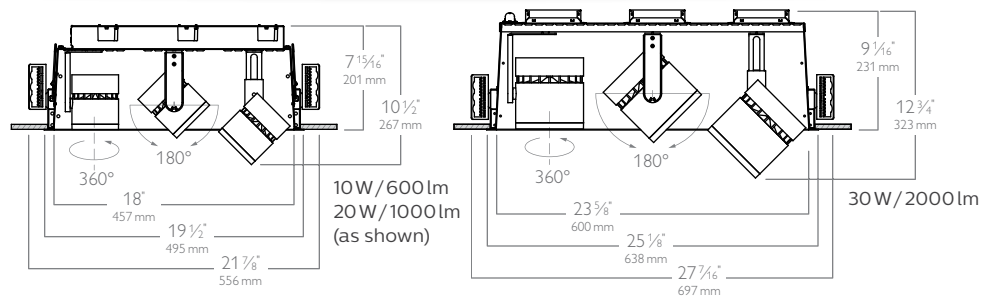
White
 Black



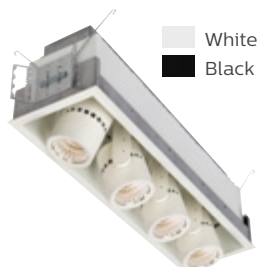
LLAVRM-H3



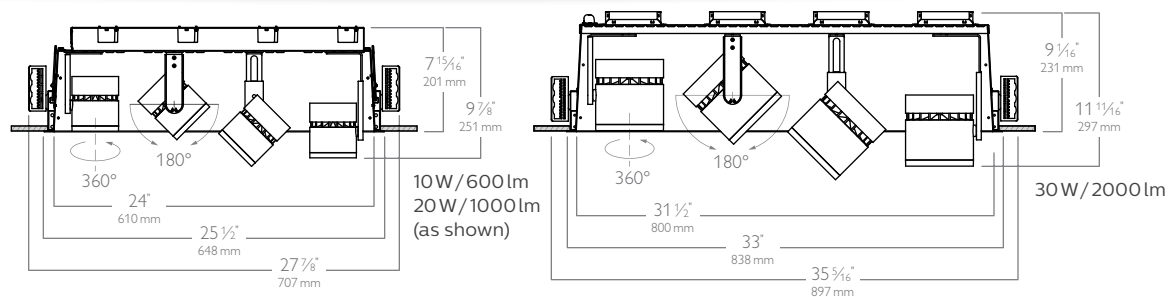
White
 Black



LLAVRM-H4



White
 Black



See specification sheet LLAVRM for additional drawings and information.

Alcyon LED horizontal

Clean architectural design

Alcyon LED horizontal is ideal for display, accent, and task lighting. This track luminaire offers higher efficiency than conventional sources providing energy savings.

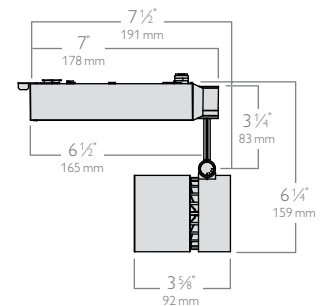
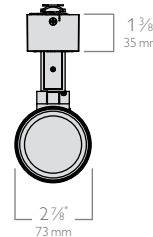


Actual size

Features

- Efficacy: Up to 78 lm/W at 3000K
- Lumens (Watts): 1100lm (15W)
- Correlated Color Temp. (CCT): 2700K, 3000K, 3500K, 4000K
- Color Rendering Index (CRI): 80-90
- Beam spreads: Spot, Narrow Flood, Flood
- Finishes: Aluminum, Matte White, Matte Black
- Dimming: Trailing edge (ELV)
- CrispWhite: 90CRI/3000K combination

LLAH



- Aluminum
- Matte White
- Matte Black

Fixture

example: LLAH11835BTECW

Series	Lumens (W)	CRI/CCT	Finishes	Dimming	Options
LLAH	11				
LLAH Alcyon LED horizontal	11 1100lm (15W)	830 80CRI/3000K 835 80CRI/3500K 840 80CRI/4000K 927 90CRI/2700K 930 90CRI/3000K	A Aluminum W Matte White B Matte Black	TE Triac/ELV	— None (leave blank) CW CrispWhite*

* CrispWhite can only be ordered with 90/30 CRI/CCT combination. For other configurations and variations please contact the factory.

Reflector

example: LLRS

Series	Beam spreads
LL	
LL Alcyon LED horizontal	RS 13° Spot RNF 22° Narrow Flood RF 28° Flood



LightFlood LED linear flood

Delivers a powerful, uniform punch of light

LightFlood LED is a linear flood fixture that delivers a powerful, uniform beam and high efficacy for wall washing.

Track lighting
.....
Alcyon LED
horizontal &
LightFlood LED
.....

Accommodates
multiple accessories.

Actual size



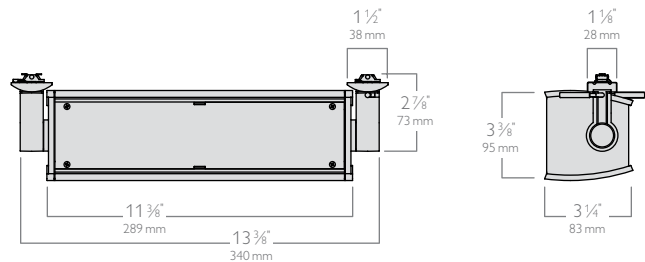
Features

- Efficacy: Up to 100 lm/W at 3000K
- Lumens (Watts): 2000lm (23W), 4000lm (45W)
- Correlated Color Temp. (CCT): 2700K, 3000K, 4000K
- Color Rendering Index (CRI): 80
- Finishes: Aluminum, Matte White, Matte Black
- Dimming: Trailing edge (ELV) and Triac

LLF



- Aluminum
- Matte White
- Matte Black



Fixture

Series	Lumens (Watts)	CCT	Finishes
LLF	<input type="checkbox"/>	<input type="checkbox"/>	<input type="checkbox"/>
LLF LightFlood LED	2 2000lm (23W) 4 4000lm (45W)	27 2700K* 30 3000K 40 4000K	AL Aluminum WH Matte White BK Matte Black

* Consult with factory for 2700K.

Mounting

For use with Radius, Basic and Advent track. For monopoint applications refer to specification sheet **6170** and **6190** (will require two monopoints). Not compatible with extension wands, multipoint, ProSpec track, clamp-on monopoint or sloped ceiling adapter.

Accessories

Series	Finishes
<input type="checkbox"/>	<input type="checkbox"/>
LLF2LV Louver: designed to provide additional light shielding and reduce lamp glare when needed.	BK Matte Black
LLF2VS Visor: designed with interior reflector to direct light toward surface to create a washing effect.	AL Aluminum WH Matte White BK Matte Black

Gimbal LED

Clean design for a close fit

Gimbal LED offers a specifically designed form to create a close fit with LED lamps featuring a miniaturized detailed yoke and ring-shaped lampholder.



Actual size

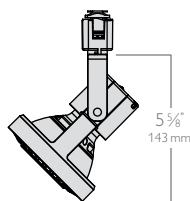
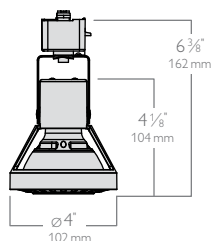
Features

- Finishes: Aluminum, Matte White, Matte Black
- Lamping: Front re-lamping for easy maintenance
- Adjustments: Adjusts horizontally up to 350° and vertically up to 90°

9030N



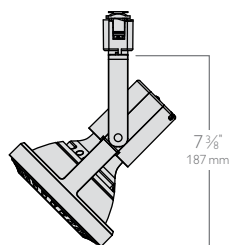
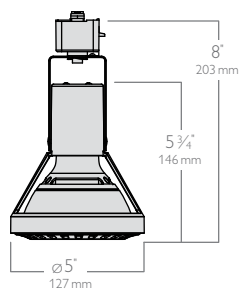
- Aluminum
- Matte White
- Matte Black



9038N



- Aluminum
- Matte White
- Matte Black



Fixture

example: 9030NWH

Series	Finishes
<input type="text"/>	<input type="text"/>
9030N LED gimbal ring track luminaire PAR30	AL Aluminum
9038N LED gimbal ring track luminaire PAR38	WH Matte White
	BK Matte Black

Order lamp separately: 75W PAR30 maximum and 120W PAR38 maximum.

Track lighting
.....
Gimbal LED
.....



Alcyon Low & Line Voltage track luminaires

Alcyon is unsurpassed in function, design and quality; from new construction to renovation, from residential to retail, from accent lighting to wall washing. Perfecting the application of line voltage and brilliant low voltage light sources, Alcyon is the ideal solution for a wide spectrum of interior lighting applications.

Low Voltage

Economical and easily dimmable, delivering the drama and impact of lighting using MR16 and T4 bi-pin LED and traditional lamps in the smallest envelope currently available.

Available finishes

- WH White
- AL Aluminum
- BK Black



Line Voltage

Delivers high levels of illumination that are easily dimmable using PAR20, PAR30, PAR38 and T4 LED and traditional lamps.

Available finishes

- WH White
- AL Aluminum
- BK Black



Sof-Tech Low & Line Voltage track luminaires



Low Voltage

This series of low voltage units features die-cast elements combined with silicone rubber components and a vertical electronic transformer for a sleek, compact look.



- Aluminum
- Matte White
- Matte Black

75W MR16 max



- Matte White
- Matte Black

50W PAR36 max



- Aluminum
- Matte White
- Matte Black

50W MR16 max



- Aluminum
- Matte White
- Matte Black

75W AR111 max

Line Voltage

An innovative line of halogen fixtures designed specifically for the PAR16, PAR20, PAR30, and PAR38 lamps. The minimal silhouette has the look of low voltage without the need for transformers. The marriage of die-cast aluminum components with heat-resistant silicone rubber elements results in a refined appearance. A wide silicone band surrounds the lamp ring and the socket cup is enclosed in an articulated silicone housing to provide a comfortable grip for aiming and relamping. These units are engineered to ensure cool operation over the life of the product. Painted finishes include Matte White, Matte Black and Metallic Aluminum.



Spot
8416

- Aluminum
- Matte White
- Matte Black

50W PAR20 max



Spot
8420

- Aluminum
- Matte White
- Matte Black

50W PAR20 max



Spot
8430

- Aluminum
- Matte White
- Matte Black

75W PAR30 max



Ring
8320

- Aluminum
- Matte White
- Matte Black

50W PAR20 max



Ring
8330

- Aluminum
- Matte White
- Matte Black

75W PAR30 max



Ring
8338

- Aluminum
- Matte White
- Matte Black

250W PAR38 max

Par-Tech Low Profile track luminaires

Complete unit = adapter + shade (ex: 8201 + 8215)

Mesh Shade



- Matte White
- Matte Black

PAR20, PAR30, PAR38



50W PAR20 max



75W PAR30 max

8201

75W R20 max
100W R30 max

75W PAR16 max
50W PAR20 max
75W PAR30 max
150W PAR38 max

Low Profile Adapter

Ring Shade



- Matte White
- Matte Black

PAR20, PAR30, PAR38



75W PAR16 max



50W PAR20 max



75W PAR30 max

Bezel Shade



- Matte White
- Matte Black

PAR16, PAR20, PAR30, PAR38



60W PAR16 max



50W PAR20 max



75W PAR30 max



150W PAR38 max

Cylinder Shade



- Matte White
- Matte Black

PAR16, PAR20, PAR30



75W PAR16 max



50W PAR20 max



75W PAR30 max

Cone Shade



- Matte White
- Matte Black

PAR16, PAR20, PAR30



75W PAR16 max



50W PAR20 max



75W PAR30 max

Par-Tech Hinged track luminaires

Complete unit = adapter + shade (ex: 8202 + 8215)

Mesh Shade



- Matte White
- Matte Black

PAR20, PAR30, PAR38



8202

Hinged Adapter

- 75W R20 max
- 100W R30 max
- 75W PAR16 max
- 50W PAR20 max
- 75W PAR30 max
- 150W PAR38 max

Ring Shade



- Matte White
- Matte Black

PAR20, PAR30, PAR38



Bezel Shade



- Matte White
- Matte Black

PAR16, PAR20, PAR30, PAR38



Cylinder Shade



- Matte White
- Matte Black

PAR16, PAR20, PAR30



Cone Shade



- Matte White
- Matte Black

PAR16, PAR20, PAR30



Tangent Low & Line Voltage track luminaires

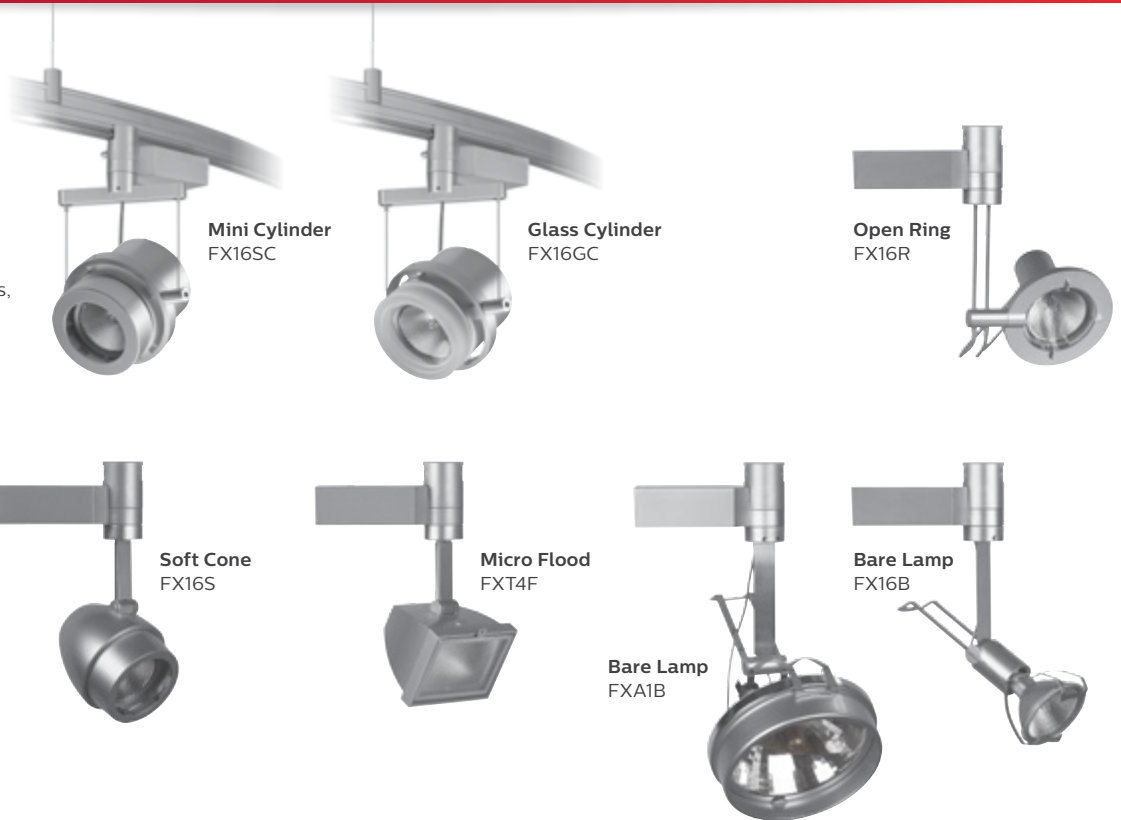
Tangent delivers the performance and convenience of line voltage in a profile no larger than most low voltage rail systems and is ideal for commercial, retail, and residential applications. Tangent may be surface mounted or suspended, in straight runs or in sweeping architectural curves.

Low Voltage

Each Tangent luminaire is designed and constructed for superior performance, clean architectural styles and quality. Low voltage utilizes a wide variety of lamps including MR16, AR111, and T3. Fixture options include spots, floods, adjustable suspended spots, and miniature decorative pendants.

Available finish

■ AL Aluminum



Line Voltage

Line voltage utilizes a variety of lamps including MR16 and T4 options. Tangent features minimal styling, and simple, easy relamping. There is an infinite horizontal rotation.

Available finish

■ AL Aluminum



Tangent Surface Mount track systems

Surface Mount



Innovative side by side buss-bars minimize overall height and allow Tangent to be mounted directly to ceilings and walls without bulky stand-offs. Tangent line voltage track is rated for a full 20 amps at 120V. Tangent may be installed in an infinite variety of configurations. Surface mounted on ceilings or walls, or suspended from wire or stems, in straight or curved patterns. Tangent may be field bent to a minimum radius of 3 feet allowing for a diverse variety of custom configurations for any application.



Bending machine
 FX100 Silver

Allows Tangent surface track, suspension beam and truss to be precisely field bent down to a minimum radius of 3 feet. Scratch resistant nylon rollers are specifically designed to accept all three track profiles. Assembled from durable steel, requires no power. Tool clamps easily to table or work surface.

Bending machine

- FX04 Silver, plain surface 4' track
- FX08 Silver, plain surface 8' track
- FX12 Silver, plain surface 12' track

For mounting directly to ceilings or walls. Extruded aluminum/polycarbonate construction. Includes two end caps as shown. Anchors/mounting clips not included (order separately).



Note: Surface mount anchors or clips are required a minimum of every 3 feet on surface mount track. Anchors/clips are available in packs of 5; order accordingly. Consult specification sheet #FX for installation details.



Surface mounting anchor
 FX25 Silver

Mounts track to hard ceilings/walls. Pack of 5 anchors with hex wrench.



Power feed
 FX48 Silver

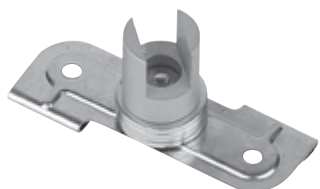
Surface power feed supplies power anywhere along track. For direct wiring without a j-box.



In-line connector

- FX54 Silver, electrical/mechanical
 Connects surface track in straight runs with continuous power.
- FX55 Silver, mechanical only
 Connects surface track in straight runs without continuous power.

Note: Not a power feed device.



Regressed-edge clips
 FX87 Silver

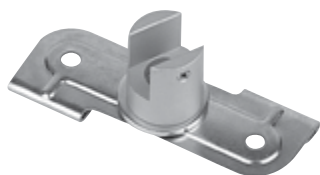
For regressed-edge grid ceilings. Pack of 5 clips with hex wrench.



Surface power feed

- FX61 Silver
- FX61WH White

Surface power feed from J-Box. Supplies power anywhere along track. Includes canopy cover for j-box.



Square-edge clips
 FX89 Silver

For square-edge grid ceilings. Pack of 5 clips with hex wrench.



Surface power feed

- FX96 Silver
- FX96WH White

Grid ceiling power feed. Supplies power anywhere along track. Mounts directly to grid ceiling runners. Includes canopy cover for J-box.



Variable angle connector

- FX53 Silver, electrical/mechanical
- FX52 Silver, mechanical only

Connects surface track to provide flexibility when creating patterns with continuous power.

Note: Not a power feed device.



Surface Powertrip

- FX99 Silver

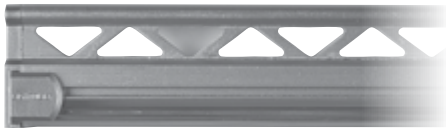
Powertrip feed kit for surface track. Compatible with PLD plug in breakers.

Tangent Suspension track systems



Suspension Truss and Beam

Crisp architectural design is ideal for suspended applications where a larger profile is desired. Tangent perforated truss makes a dramatic statement in suspended applications with a unique “engineered” aesthetic. Tangent may be field bent to a minimum radius of 3 feet allowing for an infinite variety of custom configurations in any application when using tangent bending machine.



Suspension truss

FXT08 Silver, clear anodized plain 8' truss

For suspension from cable or stem kits. Extruded aluminum/polycarbonate construction. Includes two end caps as shown. Power feed and suspension kits sold separately.



Suspension beam

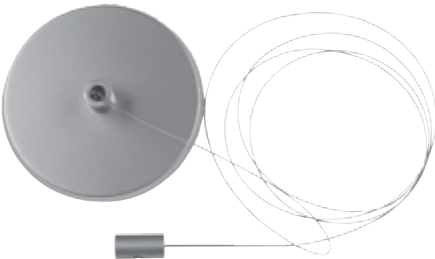
FXS04 Clear anodized plain beam 4' track
 FXS08 Clear anodized plain beam 8' track
 FXS12 Clear anodized plain beam 12' track



Note:
 Not a power
 feed device.

In-line connector

FXS54 Silver, electrical/mechanical
 Connects suspension beam or truss
 in straight runs with continuous power.



Cable suspension

FXS68 Silver, 8' adjustable stainless steel aircraft cable. Installs on hard or grid ceilings. Ceiling canopy included.

Note: Not a power feed device. For suspension only. Cable Kits are required a minimum of every 6 feet on Suspended Beam or Truss track. Cable Kits include one suspension point each; order accordingly. Consult specification sheet #FXS for installation details.

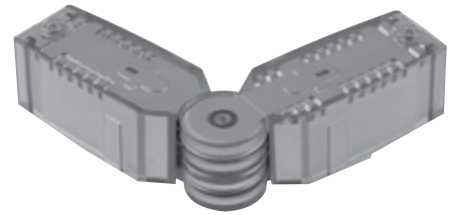


Stems may be
 field shortened.

Stem suspension

FXS84 Silver, 18" Stem suspension kit
 FXS86 Silver, 48" Stem suspension kit

Note: Not a power feed device. For suspension only. Stem Kits are required a minimum of every 6 feet on Suspended Beam or Truss track. Stem Kits include one suspension point each; order accordingly. Consult specification sheet #FXS for installation details. The 1/4" diameter solid steel stem install on hard or grid ceilings. Ceiling canopy included.



Variable angle connector

FXS53 Silver, electrical/mechanical
 FXS52 Silver, mechanical only

Connects surface track to provide flexibility when creating patterns with continuous power.

Note: Not a power feed device.



Power feed

FXS67 Silver, 20A feed supplies power anywhere along track

The 10' power cable may be field shortened. Includes canopy cover for J-box.

Note: Not a power suspension device. For power feed only.



Suspended Powertrip

FXS99 Silver

Powertrip feed kit for suspended track. Compatible with PLD plug in breakers.

Traditionals Line voltage track luminaires

Mini Universal
9021



- Aluminum
- Matte White
- Matte Black

PAR16, R20, PAR20,
PAR30 and PAR38
from 30W to 250W.

Universal
6320/6322



- Matte White
- Matte Black

PAR16 75W Max.
All R20, PAR38, ER30
and R40 screw base
lamps from 30W to 300W.
All R20, PAR20, PAR30,
PAR38 and R40.

Ring
6278



- Matte White
- Matte Black

PAR20 50W Max.

Ring
6282/6283



- Matte White
- Matte Black

PAR30 75W Max.

Ring
6284/6285



- Matte White
- Matte Black

PAR38 250W Max.

Miniforms Low voltage track luminaires

Mini Cylinder
9173B



- Aluminum
- Matte White
- Matte Black

50W MR16 max

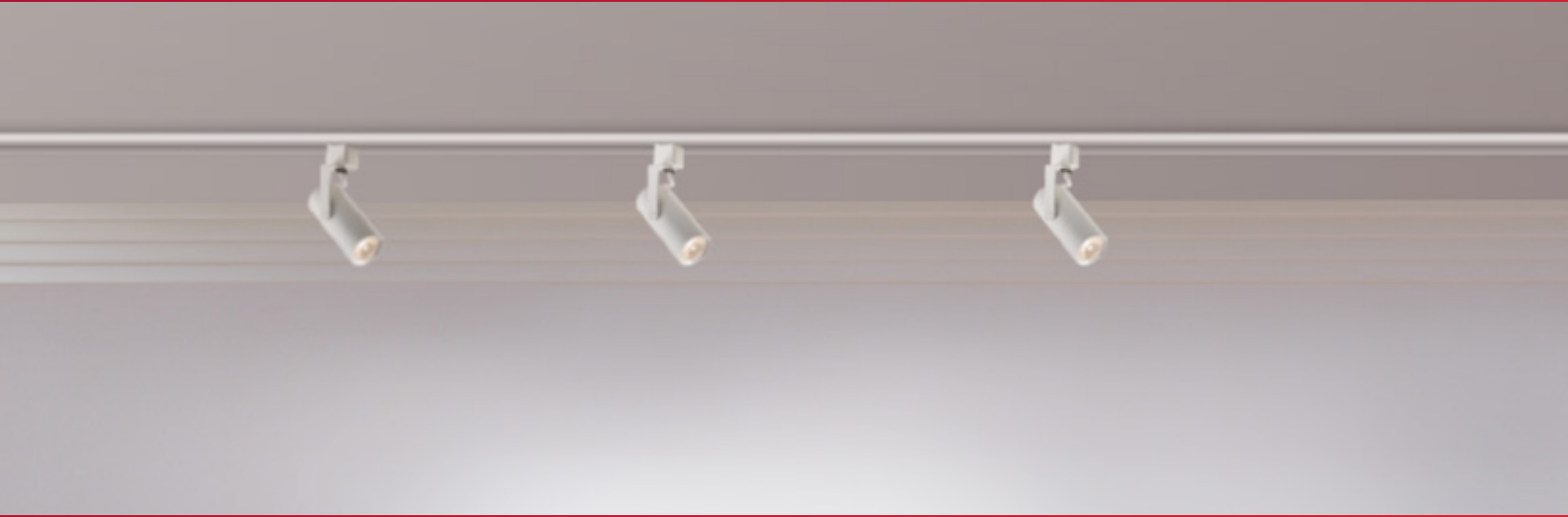
Shallow Ring
9175N



- Aluminum
- Matte White
- Matte Black

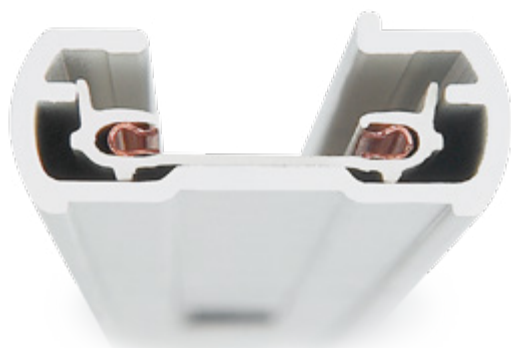
50W MR16 max

Track systems



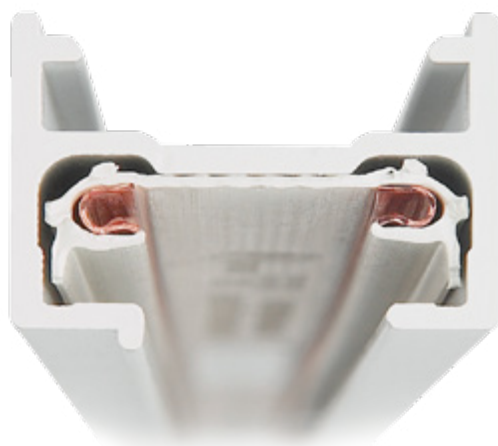
While continually improved over the years, our original track design from 1961 remains intact. Every Philips Lightolier track luminaire today will work on the very first piece of track we ever produced.

We use the original design because of the unique "C" channel conductor which allows for robust connectivity and longer durability, making Lightolier track superior to any competitor. The conductor prevents arcing - when the track luminaire loses connection to the track. Lytespan track has three standard track system options: Radius, Basic, and Advent.



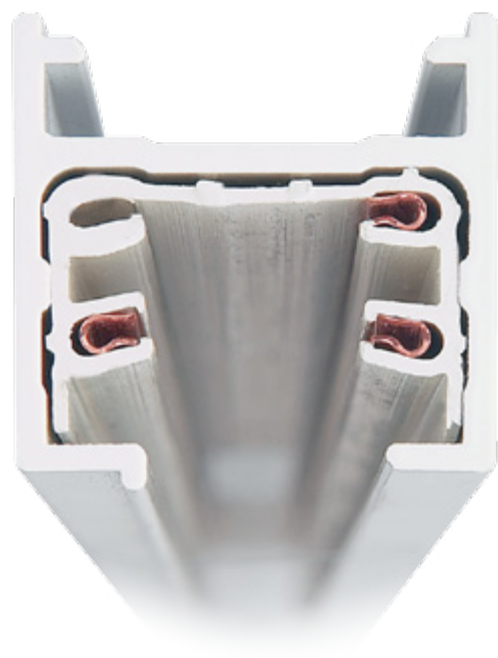
Radius

One Circuit
One Neutral



Basic

One Circuit
One Neutral



Advent

Two Circuit
One Neutral

Radius

Sleek and streamlined

Radius is the slimmest track option that allows it to virtually disappear into the ceiling and blend easily into any decor.



- Aluminum (RA)
- Matte White (WH)
- Matte Black (BK)

1-3/8" W by 1/2" H

Plain Track

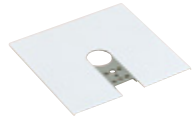
- 9102 (2-foot)
- 9104 (4-foot)
- 9106 (6-foot)
- 9108 (8-foot)

Includes one dead end cover and hardware.

Features

- Single circuit with capacity of 20 amps at 120V
- Surface or stem mount options
- Can be used in runs or patterns
- Can be field cut

Outlet Box Cover 9060 (BK & WH)



Mounts directly on connector.

For use with Feed L/In-Line Connector 9155, 9150 and 9151.

Surface Feed (live end included) 9147 (BK & WH)



For feeding power from surface conduit with 1/2 - 14 IPS connector (by others).

Live End Power Feed 9148 (BK & WH)



Electrifies track from beginning of run.

Mini-Coupler 9149 (BK & WH)



Invisible spline for joining two track sections. Not a power feed point.

Flush Non-Feed 9150 (BK & WH)



Includes both straight & 90° cover

T-Feed 9151 (BK & WH)



Variable Angle Connector 9153 (BK & WH)



Not a power feed point.

Adjusts 90° in both directions.

Flush Feed 9155 (BK & WH)



Includes both straight & 90° cover

Live End Canopy 9160 (BK & WH)



Includes Live End. Junction box feed.

Cord & Plug (not U.L. listed) 9162 (BK & WH)



Capacity, 7 amps at 120V.

Includes 15' 2-conductor cord and plug set with in-line switch.

Saddle Canopy 9163 (BK & WH)



Includes a dead end cover.

Mounts to any point along track for power feed from 3" or 4" octagonal outlet box.

T-Bar Canopy 9196 (BK & WH)

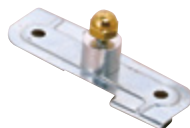


Includes Live End. Suspended ceiling feed.

Replacement Dead End Cover 56430 (BK & WH)



T-Bar Mounting Clips (set of 9) 9188 for Square-edge ceiling panels 9189 for Regressed-edge ceiling panels



Available in zinc (standard) and WH finishes.

Basic

Advent

Unparalleled design integrity

Basic Track is a one circuit one neutral track that allows for many additional options.

Unparalleled design integrity

Advent Track is a two circuit one neutral, allowing for additional load capacity.



Aluminum
 Matte White
 Matte Black
 1-3/16" W by 3/4" H



Aluminum
 Matte White
 Matte Black
 1-3/16" W by 1-1/8" H

Features

- Basic: Single circuit with capacity of 20 amps at 120V
- Advent: Double circuit with capacity of 40 amps at 120/240V
- Can be installed vertically or horizontal on walls
- Can be field cut
- Use with suspension beam or recessed housings

Basic Ind. Track
 6000N (2-foot)
 6001N (4-foot)
 6002N (8-foot)

Advent Ind. Track
 6101N (2-foot)

 6102N (8-foot)

Basic Joiner
 6003N (8-foot)

Advent Joiner
 6103N (8-foot)

Basic Plain Track
 6004N (45-1/4")
 6008N (93-1/4")
 6012N (141-1/4")

Advent Plain Track
 6104N (43-1/2")
 6108N (91-1/2")
 6112N (139-1/2")

Basic replacement dead end cover
 56475N Matte White
 56476 Aluminum
 56491 Matte Black

Advent replacement dead end cover
 56308NWH Matte White
 56309NAL Aluminum
 56312NBK Matte Black



Aluminum
 Matte White
 Matte Black

Aluminum
 Matte White
 Matte Black

Aluminum
 Matte White
 Matte Black

Includes Live End, Dead End Cover and hardware.

Includes concealed Mini-Coupler and hardware.

Includes Dead End Cover and hardware.

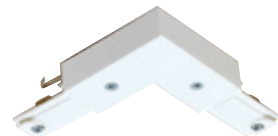
In-Line Connectors

6054N Basic 6154N Advent
 (BK, WH & AL) (BK, WH & AL)



Basic "L" Connectors

6050N Basic 6150N Advent
 (BK, WH & AL) (BK, WH & AL)



"T" Connector

6051N Basic 6151N Advent
 (BK, WH & AL) (BK, WH & AL)



"X" Connector

6052N Basic 6152N Advent
 (BK, WH & AL) (BK, WH & AL)



Above In-Line, "L", "T", and "X" Connectors can be fed directly with electrical connector.

Variable Angle Connector

6053N Basic 6153N Advent
 (BK, WH & AL) (BK, WH & AL)



Flexes 90° in all directions.

Power Extension Connector

6046N Basic 6146N Advent
 (BK, WH & AL) (BK, WH & AL)



Use opposite Live End to power other track sections when obstructions exist.

Live End Connector

6048N Basic 6148N Advent
 (BK, WH & AL) (BK, WH & AL)



Electrifies track from beginning of run (Included in Individual Track).

Mini Coupler (included in joiner)

6049N Basic 6149N Advent
 (BK, WH & AL) (BK, WH & AL)



Invisible spline for joining two track units. Not a power feed point.

Basic & Advent track accessories

End Feed Canopy kits
6060 4 1/2" square



- Aluminum
- Matte White
- Matte Black

Mounts above feed connectors.

Floating Canopy kits
6061N 4 1/2" square



- Aluminum
- Matte White
- Matte Black

Mounts above track.

Grid Ceiling Canopy kits
6096N 4 1/2" square



- Matte White

Outlet box included.

Saddle Canopy kits
6063 4 1/2" square (Basic only)



- Aluminum
- Matte White
- Matte Black

For power feed from 4" junction box.

18" Stem mounting kits
7584AL Aluminum
7584 Matte White
7683 Matte Black

48" Stem mounting kits
7586 Matte White
7681 Matte Black

48" Stem extension kits
7582AL Aluminum
7582 Matte White
7680 Matte Black

48" Stem swivel kits
7480AL Aluminum
7480 Matte White
7481 Matte Black

(0°-90° adjustment for sloped ceilings)



- Aluminum
- Matte White
- Matte Black

Conduit Adapter
7596 Zinc plated (Basic only)



For feeding power to Basic Track from surface conduit with 1/2" - 14 IPS connector.

Replacement Stem Hanger Assembly
56417 Zinc plated (Basic or Advent)



Included with Stem Mounted Kits. For use with 1/4" - 18NPSM Threaded Stem.

Grid Ceiling Mounting Clips
6087 Zinc plated (set of 9)



- Matte White

For Regressed-Edge Panels and 9/16" or 15/16" T-Bar runners.

Grid Ceiling Mounting Clips
6088 Zinc plated (set of 9)



- Matte White

For Regressed-Edge Panels and Slotted Grid runners in ceiling systems.

Grid Ceiling Mounting Clips
6089 Zinc plated (set of 9)



- Matte White

For Square-Edge Panels and 9/16" or 15/16" T-Bar runners.

Sloped Ceiling Adapter
6079 (Basic, Advent or Radius)

Can be used alone or with extension wands.

4 1/8" overall length



- Matte White
- Matte Black

Use to adjust Lytespots from 0 - 90° on monopoint or track for sloped and cathedral ceilings.

Surface Track Mounting Clips
56451 Zinc plated (set of 10).
Stands track off ceiling 1/16".



- Matte White
- Matte Black

Replacement clips, included with Basic and Advent Track. Stands track off ceiling 1/16".

Pendant Adapter
7599 (Basic, Advent or Radius)



- Matte White
- Matte Black

Supports cord mounted fixtures up to 10 lbs. and stem or chain mounted fixtures to 25 lbs 6 amps.

Basic & Advent track accessories

Basic Monopoint

6190 4 5/8" dia. x 1/4"D



- Aluminum
- Matte White
- Matte Black

Ultra shallow mounts fixtures to 3 1/2" or 4" octagon outlet box. Use 90°C min. supply wire.

Rectangular Monopoint

6170 5 5/8"L x 4 1/2"W x 1/4"D



- Aluminum
- Matte White
- Matte Black

Ultra shallow mounts fixtures to 3 1/2" or 4" octagon outlet box. Use 90°C min. supply wire.

Multipoint

7619 11 5/8"L x 4 1/2"W x 9/16"D



- Matte White
- Matte Black

Surface mounts of up to 3 average sized Lytespots, depending on fixture size, over any standard outlet box. Use 90°C min. supply wire.

Convenience Outlet

6085 Capacity 6 amps (WH)



- Matte White

Provides auxiliary source for plug-in equipment. Also compatible with Radius track. (Not UL listed.)

Attachment Fitting

7589 Capacity 6 amps (WH)

7589BK Capacity 6 amps (BK)

- Matte White
- Matte Black

Supports cord mounted fixtures up to 10 lbs. and stem or chain mounted fixtures to 25 lbs. Chain not included.



Cord and Plug

6062 (Basic only)



- Matte White
- Matte Black

For Basic one-circuit track only. Includes 15-foot, two-conductor cord and plug set with in-line switch. Capacity 7 amps at 120V. Not UL Listed.

Extension Wands

6074 18" length, Stem dia. 1/2" (not available in AL)

6075 36" length, Stem dia. 1/2"

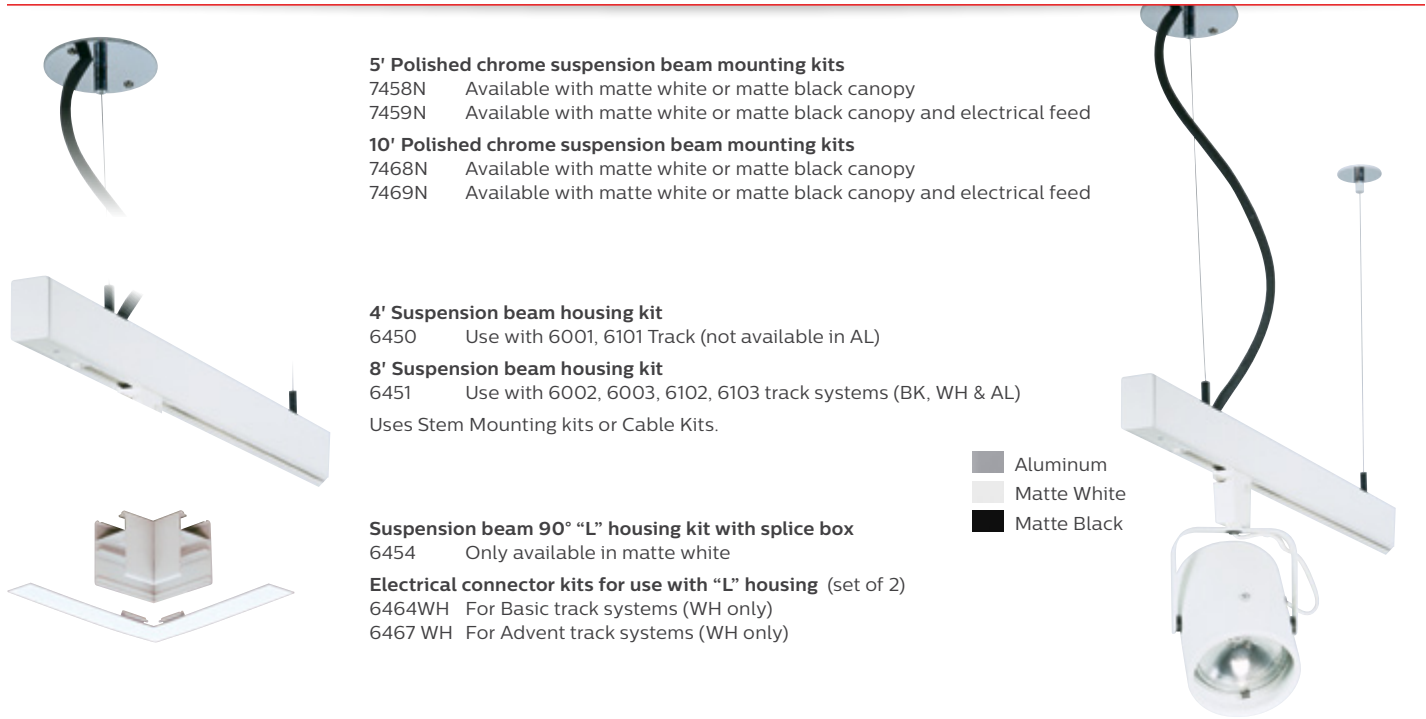
6076 48" length, Stem dia. 1/2"

Extends track luminaire below track system. Can be connected together with an 8' max. Compatible with Radius track system. May not be field cut.

- Aluminum
- Matte White
- Matte Black



Suspension beam track systems



5' Polished chrome suspension beam mounting kits
 7458N Available with matte white or matte black canopy
 7459N Available with matte white or matte black canopy and electrical feed

10' Polished chrome suspension beam mounting kits
 7468N Available with matte white or matte black canopy
 7469N Available with matte white or matte black canopy and electrical feed

4' Suspension beam housing kit
 6450 Use with 6001, 6101 Track (not available in AL)

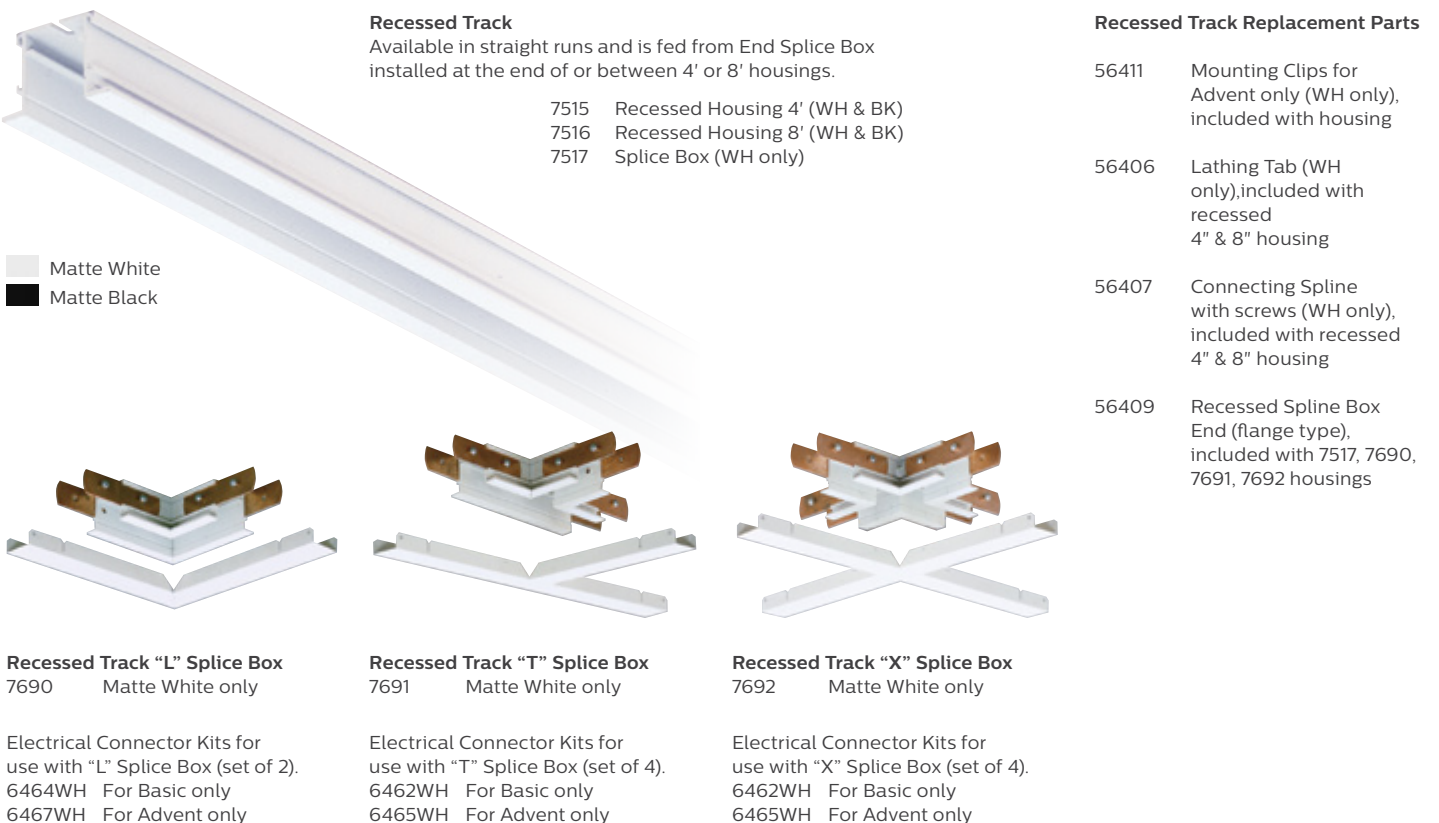
8' Suspension beam housing kit
 6451 Use with 6002, 6003, 6102, 6103 track systems (BK, WH & AL)
 Uses Stem Mounting kits or Cable Kits.

Suspension beam 90° "L" housing kit with splice box
 6454 Only available in matte white

Electrical connector kits for use with "L" housing (set of 2)
 6464WH For Basic track systems (WH only)
 6467 WH For Advent track systems (WH only)

Legend:
 Aluminum
 Matte White
 Matte Black

Recessed housing track systems



Recessed Track
 Available in straight runs and is fed from End Splice Box installed at the end of or between 4' or 8' housings.

Legend:
 Matte White
 Matte Black

Recessed Track "L" Splice Box
 7690 Matte White only

Recessed Track "T" Splice Box
 7691 Matte White only

Recessed Track "X" Splice Box
 7692 Matte White only

Recessed Track Replacement Parts

- 56411 Mounting Clips for Advent only (WH only), included with housing
- 56406 Lathing Tab (WH only), included with recessed 4" & 8" housing
- 56407 Connecting Spline with screws (WH only), included with recessed 4" & 8" housing
- 56409 Recessed Spline Box End (flange type), included with 7517, 7690, 7691, 7692 housings

Electrical Connector Kits for use with "L" Splice Box (set of 2)
 6464WH For Basic only
 6467WH For Advent only

Electrical Connector Kits for use with "T" Splice Box (set of 4)
 6462WH For Basic only
 6465WH For Advent only

Electrical Connector Kits for use with "X" Splice Box (set of 4)
 6462WH For Basic only
 6465WH For Advent only

PowerTrip

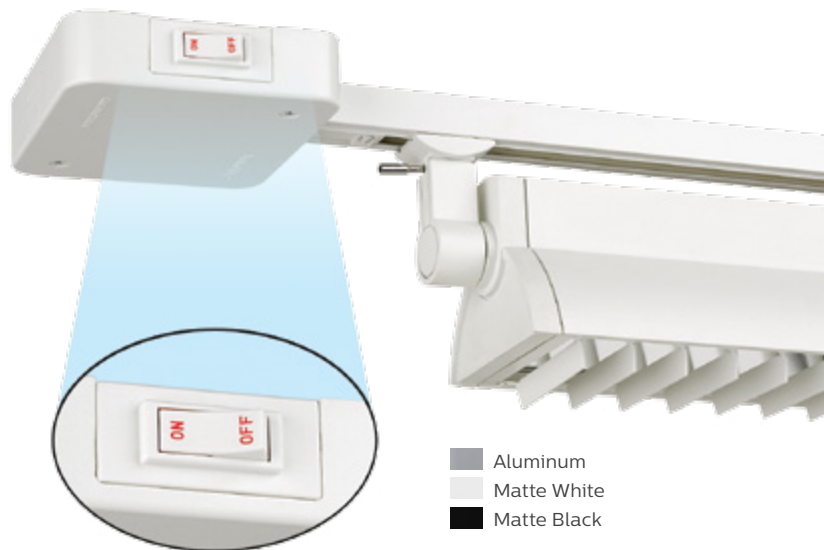
Current limiting device

The first integral current limiting device for line voltage track lighting.



Height: 1³/₁₆"

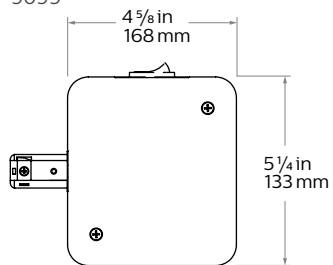
Philips Lightolier PowerTrip is a current limiting device designed for use with Radius, Basic and Advent tracks systems. It works by minimizing the impact of current and pending state and federal energy legislation that penalizes the use of track lighting; particularly with fluorescent or metal halide light sources in retail applications. Under Title 24 of the CA Energy Code, or ASHRAE 90.1, the actual wattage of fixtures on a given circuit of track is typically exceeded by the higher value of the "default" load as defined in the code. These codes force the use of the default load for power consumption calculations unless an integral current limiting device is installed on the track.



- Aluminum
- Matte White
- Matte Black

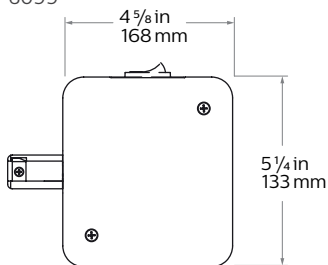
Radius

Live End Kit
9099



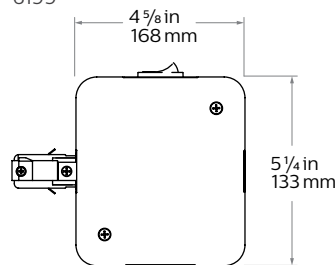
Basic

Live End Kit
6099



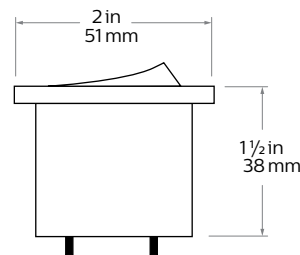
Advent

Live End Kit
6199

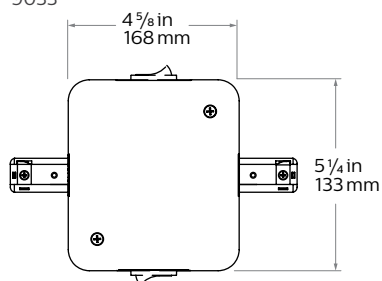


Breaker modules

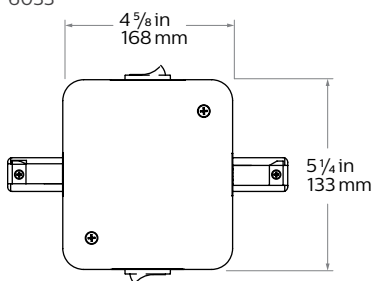
Short circuit rating (AIC): 1kA



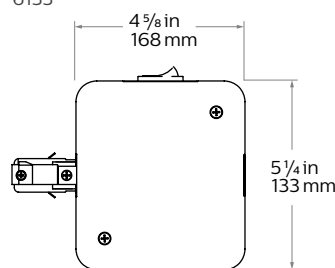
In-Line Kit
9033



In-Line Kit
6033



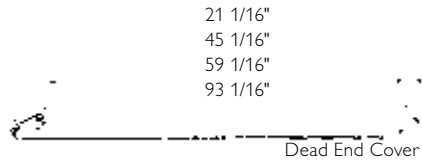
In-Line Kit
6133



PowerTrip for Advent & Basic are available in AL (aluminum), WH (matte white), or BK (matte black). PowerTrip for Radius and Breaker modules are available in WH (matte white), or BK (matte black) only.

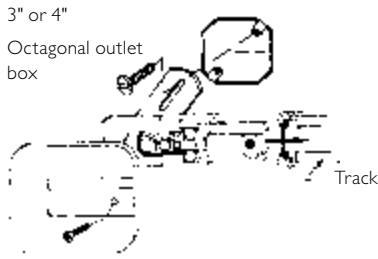
Note: Add AL (aluminum), WH (matte white), or BK (matte black) suffix to specify finishes.

Radius application guide

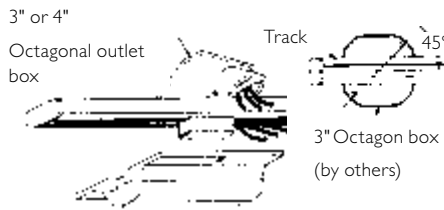


Radius Track is available in 2', 4', 6' and 8' lengths. It may be cut in the field. Toggle bolts and nylon insulators, supplied, mount the track to a ceiling or wall through existing holes in the track. Do not exceed 4' spacing of track supports. Concealed mini-coupler (order separately) connects tracks mechanically and electrically in a straight run

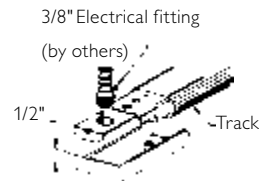
Power feeds



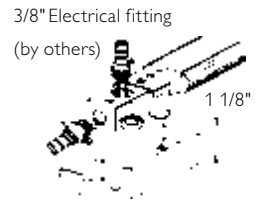
Use live end canopy kit for power feed from an outlet box mounted over the end of the track.



Use Saddle canopy for power feed from an outlet box mounted anywhere along the track. When mounting to a 3" octagon box the track must be oriented at 45 degrees to the mounting holes. Includes extra dead end cover.

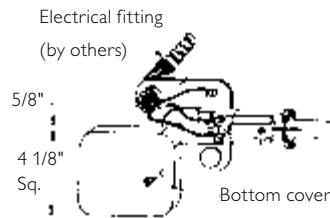
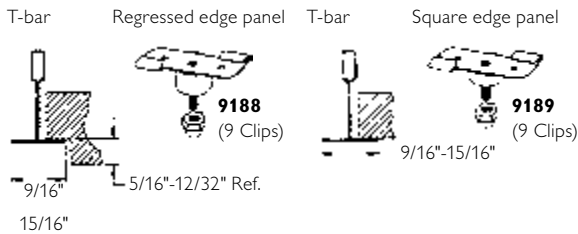


Use live end power feed for direct power feed from overhead conduit or cable terminating in a 3/8" electrical fitting.



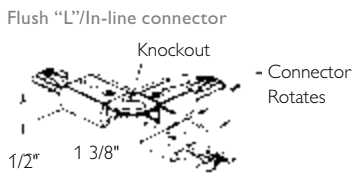
Use surface feed connector for power feed from surface conduit terminating in a 3/8" electrical fitting. It may also be used for direct power feed from overhead conduit or cable.

Mounting track to T-bar ceilings

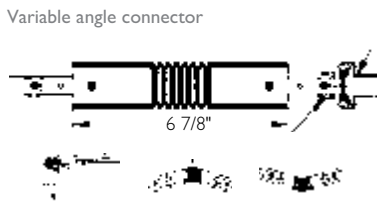
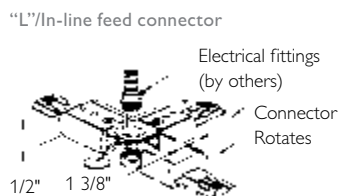


Use T-bar canopy to feed power from conduit or cable to track mounted to a "t" bar ceiling.

Track patterns

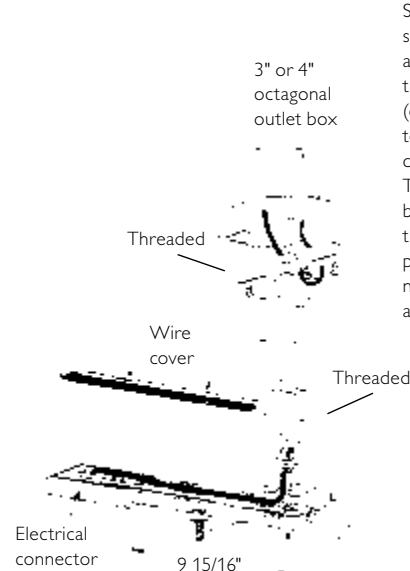


The "L"/in-line connector, both feed and non-feed, may be installed straight or may be rotated to form a right angle. They are polarized and are prewired for power continuity and will accept power feed wires from an adjoining stem. The deeper Feed "L"/in-line connector accepts a 3/8" electrical fitting for direct power feed from conduit or cable or with an optional Radius outlet box cover 9060WH, BK it may be used for power feed from a 3" or 4" octagon outlet box.



The variable angle connector is polarized and prewired for power continuity. It can flex up to 90 degrees in all directions. Power cannot be fed into this connector.

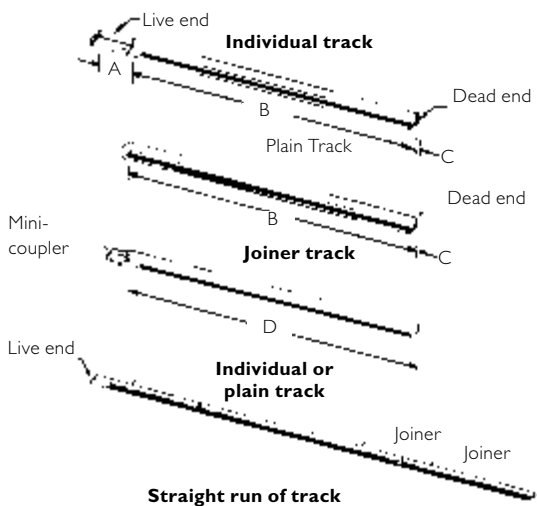
Stem mounting



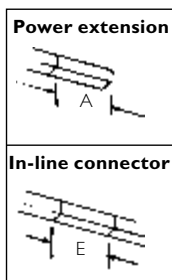
Stem kits (18" or 48") are used to suspend track from a ceiling. They attach through existing holes in the track. With the stem wire cover (order separately) they may be used to feed power to a live end, "L"/in-line connector or surface feed connector. The stem used for power feed must be located 9 5/16" from the end of the track for the wireway cover to fit properly. Stems for Radius track may not be cut in the field because they are threaded at both ends.

Basic & Advent application guide

Surface or stem mounted



Single track
 Use individual track or plain track plus live end. May be cut in the field. Live end contains terminals for connection to power feed wires.



Straight run of track

Start with individual track (or plain track plus live end) of length desired and add as many 8' joiner tracks as required. May be cut in the field. Concealed mini-coupler connects track sections mechanically and electrically. Replace mini-coupler with in-line connector for power feed-in between track units. Power extension replaces dead end to permit power take-off from or power feed into end of track opposite live end. Power extension accepts same power feed kits as live end.

	A	B	C	D	E
Basic	2 23/32"	21 1/16"	3/32"	95 29/32"	4 1/8"
		45 1/16"			
		93 1/16"			
		141 1/16"			
Advent	4 1/2"	43 9/32"	3/32"	95 29/32"	4 1/2"
		91 9/32"			
		139 9/32"			

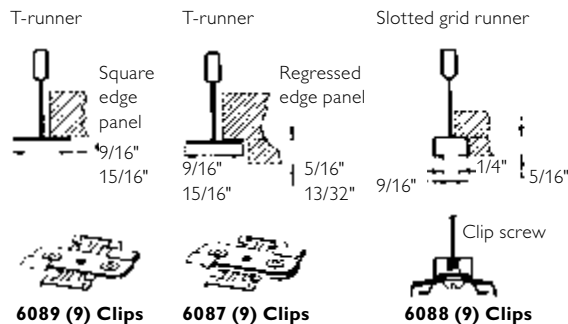
Surface mounting track



Direct mounting
 Toggle bolts with nylon insulators, supplied with track, can be used to mount track to a wall or ceiling through existing holes in the track.

With track mounting clips
 Mounting clips, provided with track, attach to track at any point. Use only for ceiling mounting.

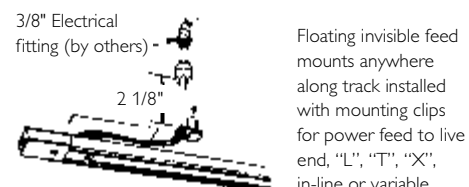
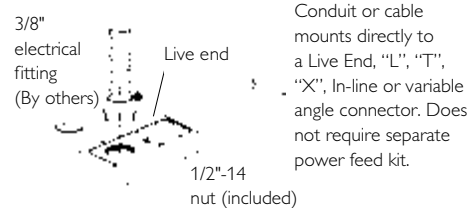
Mounting to exposed grid suspended ceilings



Use grid ceiling mounting clips above for ceilings shown. Use grid ceiling canopy kit for power feed.

Do not exceed 4' spacing of track supports.

Power feed to surface mounted track from conduit or cable

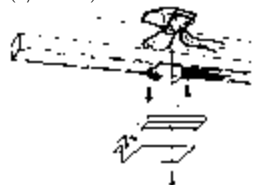


Conduit or cable mounts directly to a Live End, "L", "T", "X", In-line or variable angle connector. Does not require separate power feed kit.

Floating invisible feed mounts anywhere along track installed with mounting clips for power feed to live end, "L", "T", "X", in-line or variable angle connector. May be located up to 4' from power feed-in point.

Power feed to surface mounted track from outlet box

3" or 4" octagon outlet box (by others)



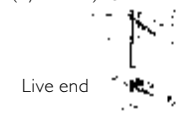
Saddle canopy kit mounts at any point along basic track for power feed directly to track conductors. Includes extra dead end cover to replace live end.

3" or 4" Octagon outlet box (by others)

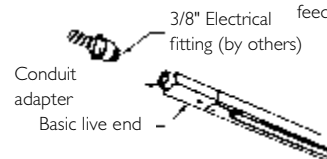
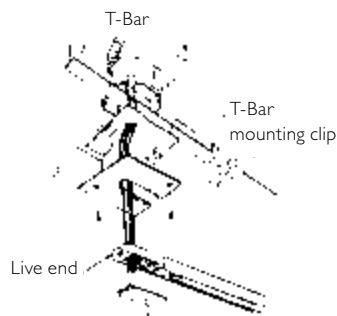
Live end

Floating canopy kit mounts anywhere along track installed with mounting clips for power feed to live end, "L", "T", "X", in-line or variable angle connector. May be located up to 4' from power feed-in point.

3" or 4" octagon outlet box (By others)



End feed canopy kit mounts directly to live end, "L", "T", "X", In-Line or variable angle connector.

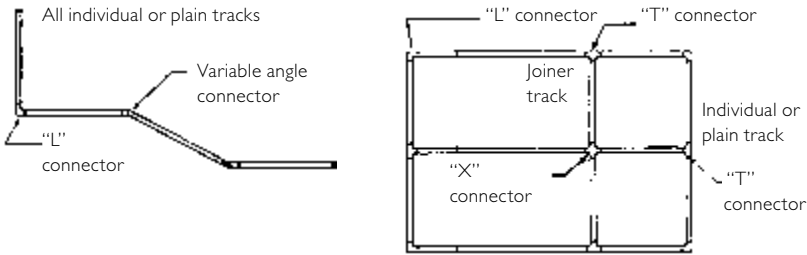


Conduit adapter attaches to Live End of Basic Track for power feed from surface conduit terminating in 1/2-14 threaded electrical fitting. Not required for Advent Track.

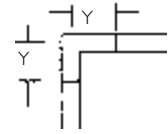
Use grid ceiling canopy kit to feed power to the live end, "L", "T", "X", In-line or variable angle connector of track mounted to a grid ceiling. Its special outlet box mounts along a t-bar runner or at the intersection of t-bar runners.

Basic & Advent application guide

Track patterns



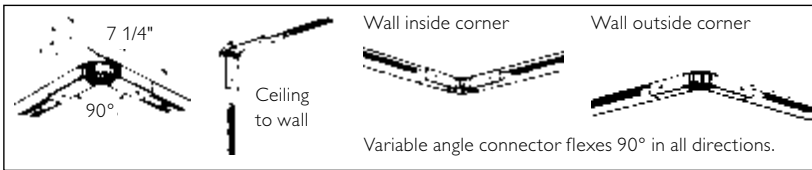
Use "L," "T," "X," In-line, and variable angle connectors to turn corners or form "T" or "X" intersections. Power may be fed into the connectors. "L," In-Line, and variable angle connectors are polarized, "T" and "X" connectors are not. The "L" connector may be rotated for left or right angle turns. Jumper wires are provided for power continuity. Use plain track (or individual track with live end removed) and as many joiner tracks as required for each straight run of track between connectors. Connectors may be attached to cut track.



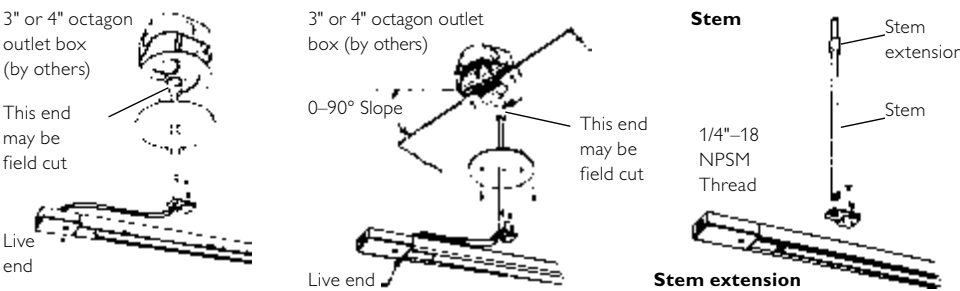
Add length (Y) to each track length to determine total length in patterns.

"L," "T," or "X" Connectors

(Y) Basic	(Y) Advent
2 1/16"	2 3/4"



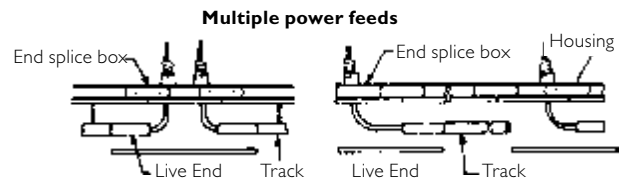
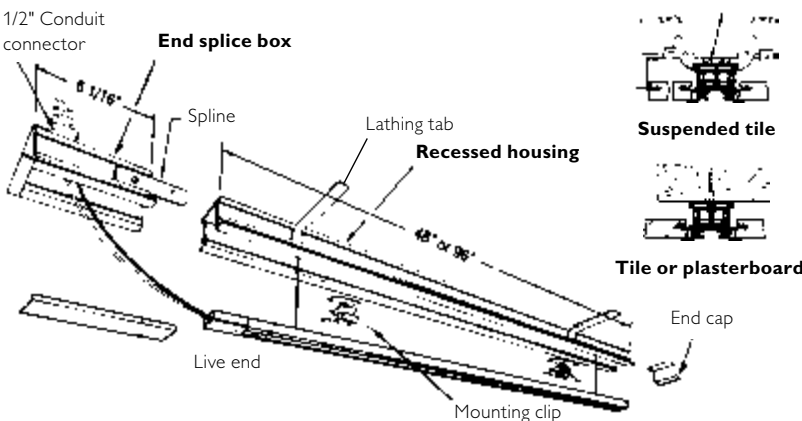
Stem mounting track



Swivel stem

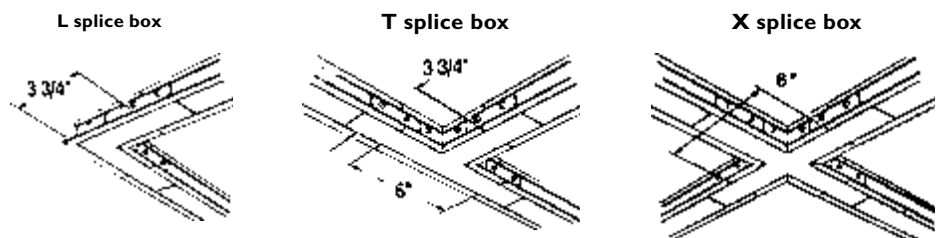
Stems (18" or 48") and swivel stems (48") attach to the track at any point, may be spaced up to 4' apart and may be cut in the field. 4' wire way cover provided with stems. **The stem extension kit** extends stem length 48" but may not be cut in the field because it is threaded at both ends. Stems can be used to feed power to a live end, "L," "T," "X," In-Line, or Variable Angle Connector; use stem closest to feed-in point. Not recommended for wall mounting.

Recessing track



Basic and Advent track can be recessed in **4' or 8' recessed housings**. The housings may be installed individually or in straight runs and may be cut in the field. Use an individual track with a single housing. Use an individual track and as many joiner tracks as required for a run of housings. Lathing tabs, splines, and mounting clips are supplied with housings. Splines secure housings together. The **end splice box** is used for power feed and may be installed at the end of or between housings. End caps are provided with splice boxes.

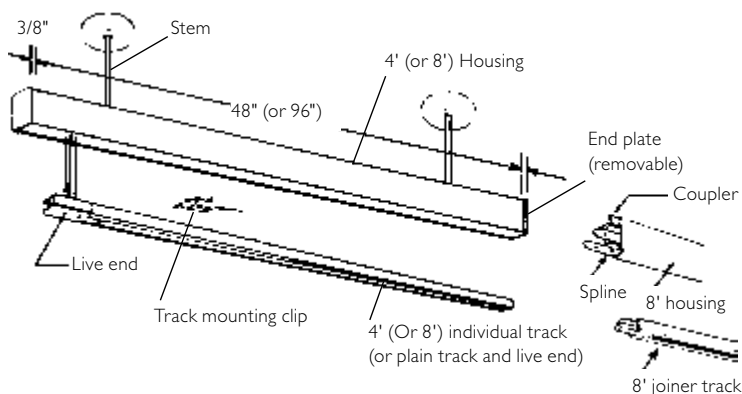
"L," "T," and "X" Splice boxes permit recessed track to be installed in patterns. Each straight run of track between splice boxes is started with a plain track or individual track with live end removed and as many joiner tracks as required. 7/8" K.O.'S are provided for power feed. **Electrical connector kits** (order separately) are used for power feed or power continuity at corners and intersections. "L," "T," or "X" track connectors used for surface or stem mounted track cannot be used with recessed track.



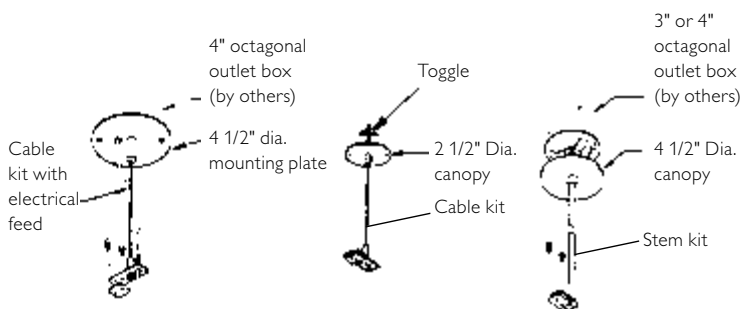
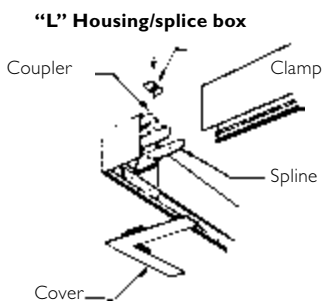
Suspension beam application guide

Suspension beam

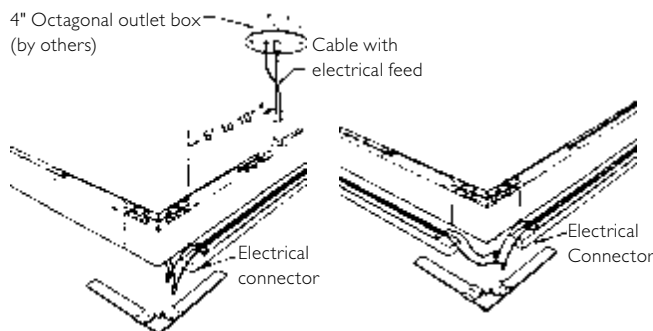
4' and 8' Suspension beam housings are designed to enclose **Basic** or **Advent** track. They may be installed individually or in straight runs and may be cut in the field. **End plates** and **track mounting clips** are furnished with 4' and 8' housings; couplers and splines are only provided with 8' housings.



Electrical connector kit
The I housing/splice box is used to form a right angle corner with suspension beam housing. **Electrical connector kits** (order separately) are required for power feed or power continuity at corners.

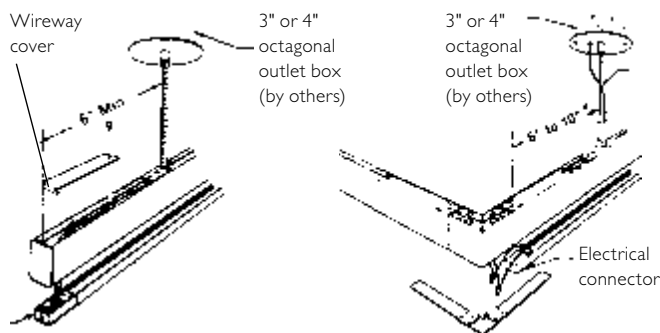


Housings are suspended by **stems** or **cables**. Both attach to the housings at any point (except at wireway cover), may be spaced up to 8' apart, and may be shortened in the field. Stems may be lengthened with a **stem extension**. Stems can be used for housings in straight runs or patterns. Cables are only recommended for patterns.



Feed-in to corner with cable **Power continuity at corner**

Stems or cables with electrical feed are used to feed power to a live end or an electrical connector at a corner. Electrical connectors at corners are spliced together for power continuity.



Feed-in to straight run with stem **Feed-in to corner with stem**



© 2016 Philips Lighting Holding B.V. All rights reserved. Philips reserves the right to make changes in specifications and/or to discontinue any product at any time without notice or obligation and will not be liable for any consequences resulting from the use of this publication.

PLI-1641BR 01/17 www.philips.com/luminaires

Philips Lighting
North America Corporation
200 Franklin Square Drive
Somerset, NJ 08873
Tel. 855-486-2216

Philips Lighting Canada Ltd.
281 Hillmount Rd,
Markham, ON,
Canada L6C 2S3
Tel. 800-668-9008