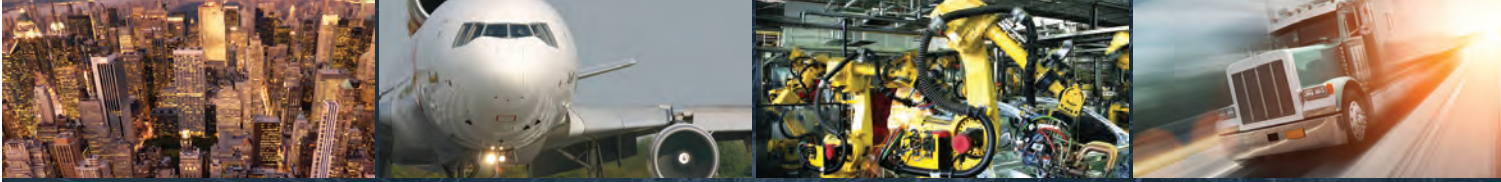


4DimensionTM strut & accessories





Energizing a world that demands more.

We deliver:

- **Electrical solutions** that use less energy, improve power reliability and make the places we live and work safer and more comfortable
- **Hydraulic and electrical solutions** that enable machines to deliver more productivity without wasting power
- **Aerospace solutions** that make aircraft lighter, safer and less costly to operate, and help airports operate more efficiently
- **Vehicle drivetrain and powertrain solutions** that deliver more power to cars, trucks and buses, while reducing fuel consumption and emissions

Discover today's Eaton.

Powering business worldwide

As a global power management company, we help customers worldwide manage the power needed for buildings, aircraft, trucks, cars, machinery and businesses.

Eaton's innovative technologies help customers manage electrical, hydraulic and mechanical power more reliably, efficiently, safely and sustainably.

We provide integrated solutions that help make energy, in all its forms, more practical and accessible.

With 2014 sales of \$22.6 billion, Eaton has approximately 100,000 employees around the world and sells products in more than 175 countries.

Eaton.com

EATON

Powering Business Worldwide

Eaton is a leading manufacturer and fabricator of steel and aluminum B-Line series products which are used in support of equipment for industrial, commercial, utility, and OEM installations. We are proud of the exacting standards of research, design, engineering, and manufacturing that go into each and every product that comprise our strut product line. Our customers have access to the most complete support systems offered in the industry, including metal framing, cable tray, pipe hangers, slotted angle, and fasteners.

Many of our products are listed by the Underwriter's Laboratories, Inc. All of our products are manufactured to meet or exceed Metal Framing Manufacturers Association (MFMA) and other industry standards set for their design and manufacture.



Metal Framing Manufacturers Association

Eaton has also developed a comprehensive B-Line series 4Dimension™ resource webpage that complements the product information provided in this catalog. This content is available to view online and for download. These resources are useful for training, calculating savings, engineering support, cross-reference and ordering.

These electronic resources include:

- One-page Flyer
- Tri-fold Value Prop Brochure
- Common Applications
- Cross-reference / Stock Recommendation
- List prices for all 4Dimension™ materials
- Savings Calculator
- Engineering information & submittals
- Instruction Sheets
- Training Presentation
- Overview Video
- Value Prop Video
- Instructional Videos
- FAQ
- 4Dimension™ Catalog

B-Line Division
509 West Monroe Street
Highland, Illinois 62249-0326
Phone: 800-851-7415
Fax: 800-257-4312

www.cooperblineline.com/4dimension

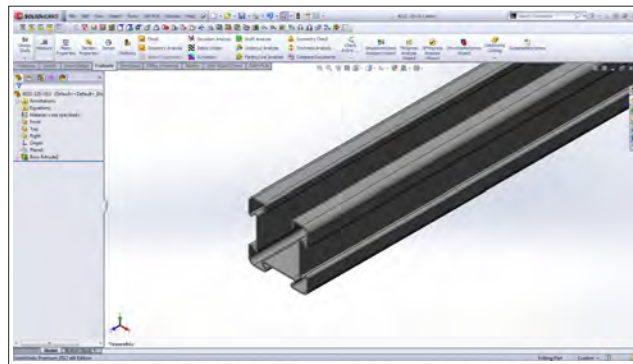
CoSPEC, the Specifier Center, is designed to help you easily SELECT, VIEW and DOWNLOAD Eaton's B-Line Series product design content in any one of nearly one hundred non-proprietary and proprietary CAD, BIM, PDMS, and graphics formats, which helps speed the integration of the content into your design project.

Features

- Easy integration and configuration
- Comprehensive library of 2D drawings and 3D models for CAD, BIM, PDMS, SP3D, and graphics output
- The most up to date software versions and product data information are always available
- Submittals and specification sheets in PDF format
- Proprietary file format outputs are native to the chosen software

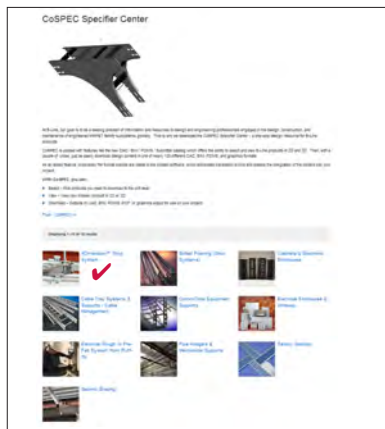
Nearly a Hundred Download Options

- AVEVA PDMS and Intergraph SmartPlant SP3D (on select products) content
- Autodesk Revit output available
- Proprietary formats from AutoCAD to SolidWorks to Catia
- Non-proprietary formats like DXF and STEP, and more
- Graphics files in a number of formats including EPS

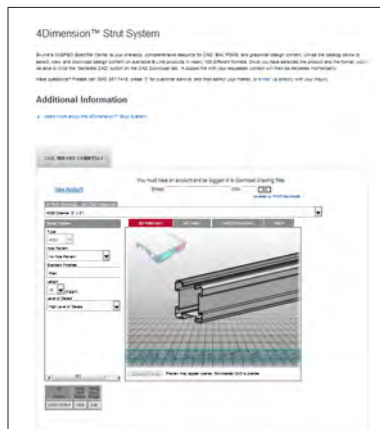


To get started planning your next project,
visit www.cooperblineline.com/CoSPEC

Select



View



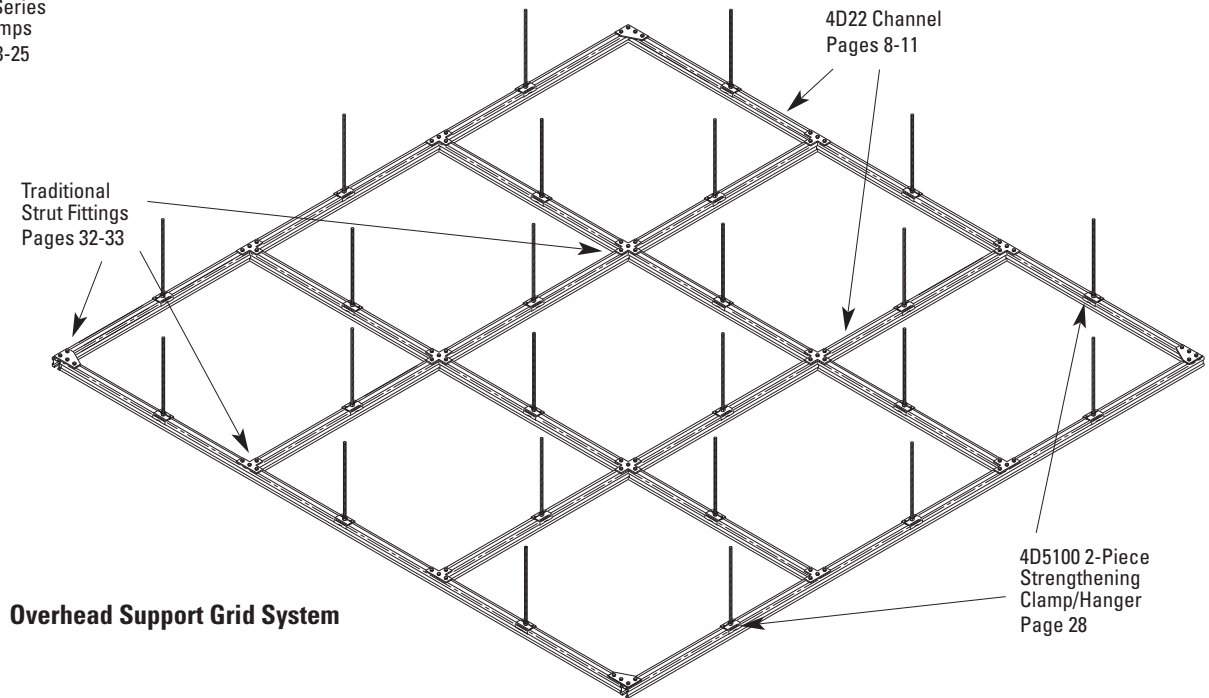
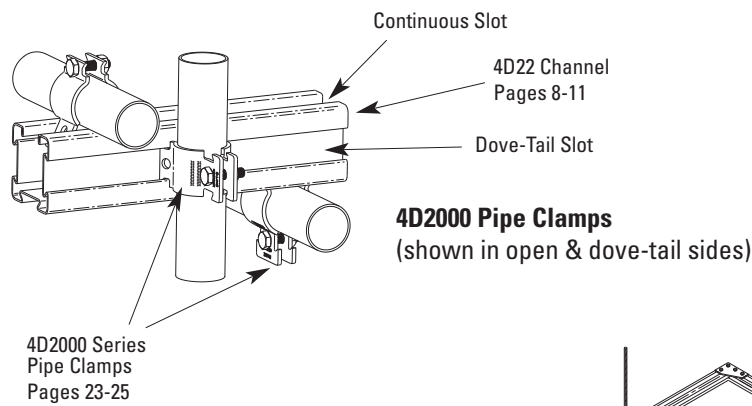
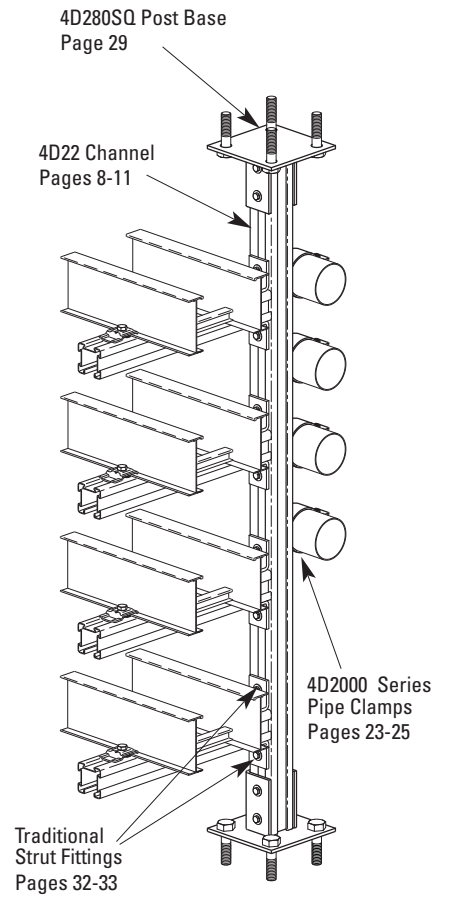
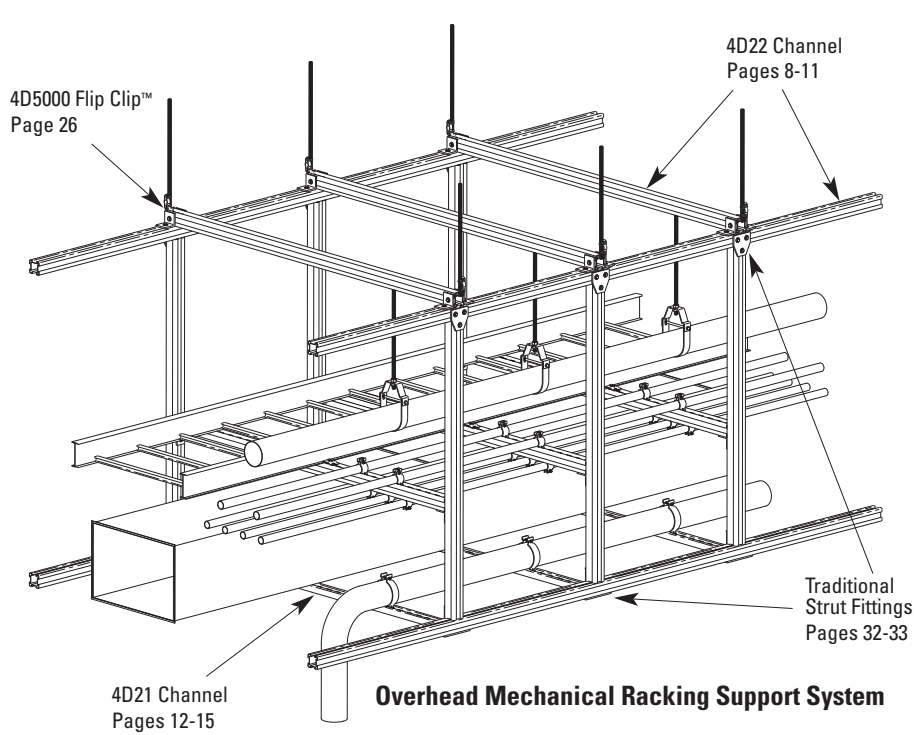
Download

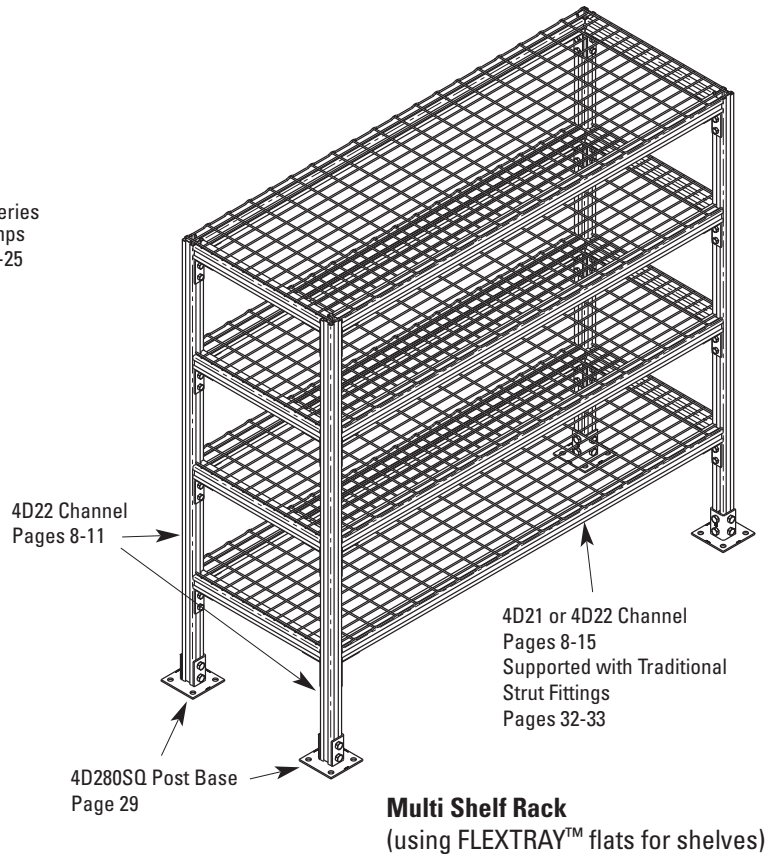
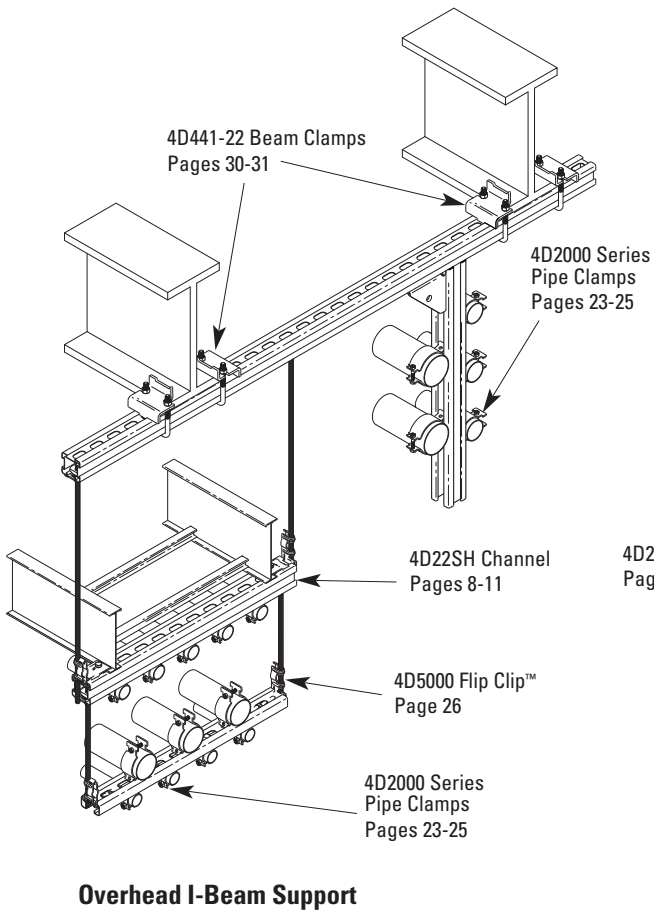
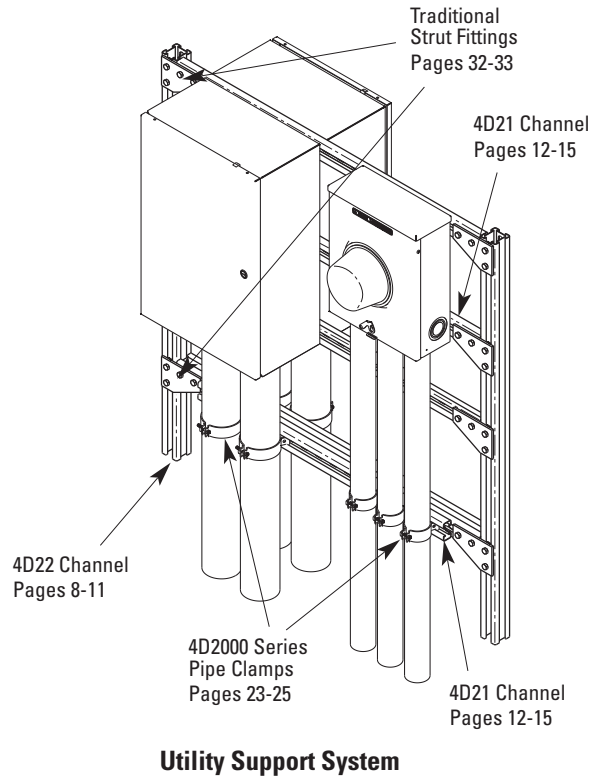
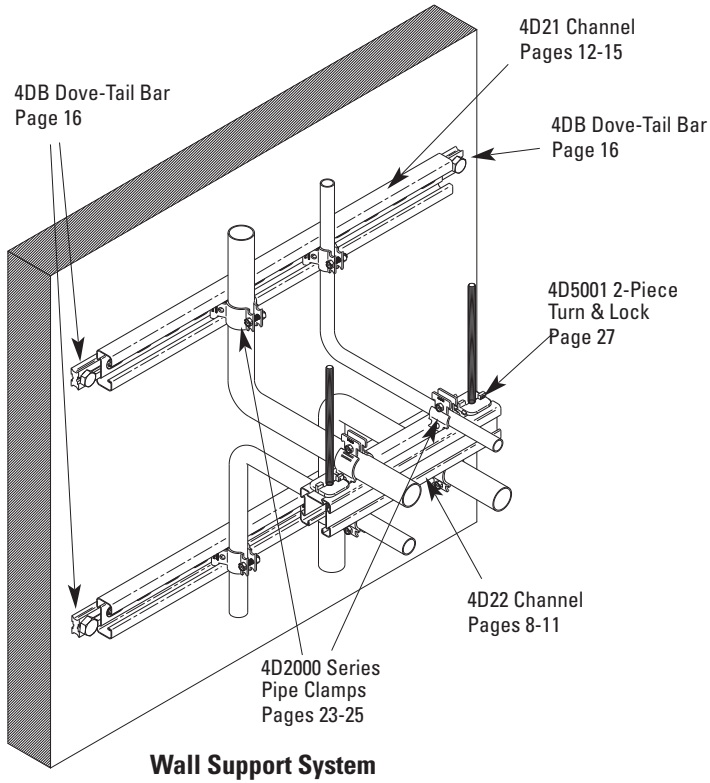


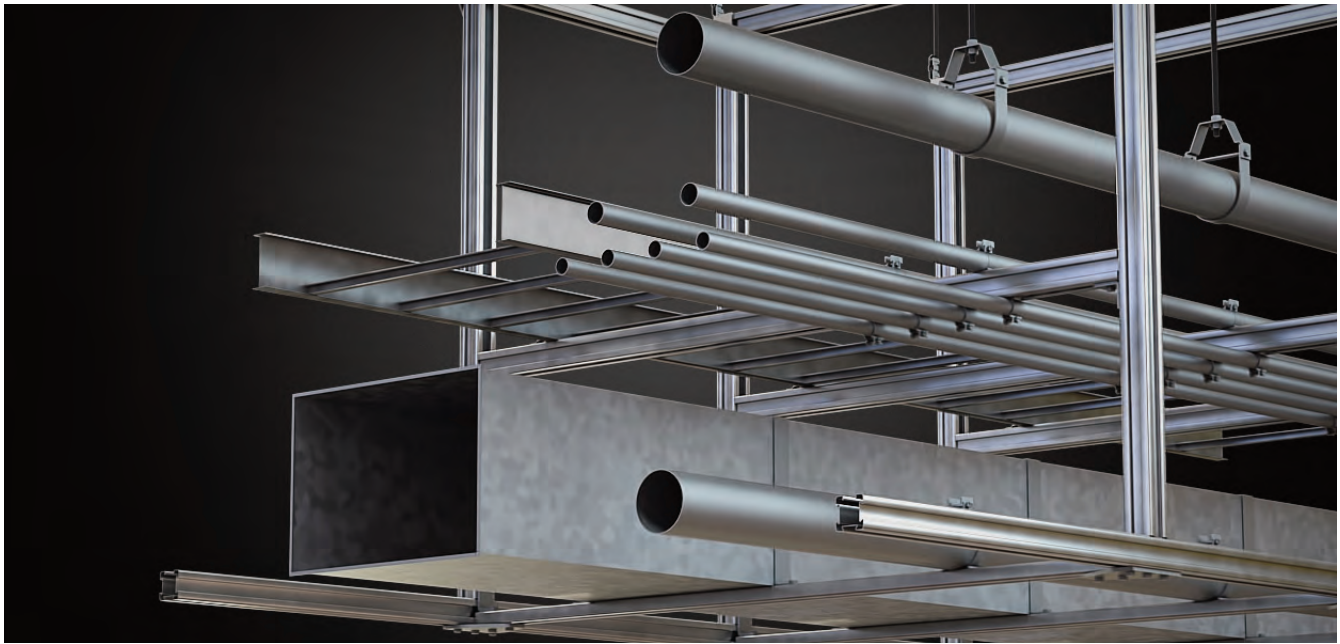
Introduction	1
CoSPEC™ Specifier Center	2
Table of Contents	3
4Dimension Applications	4 - 5
4Dimension Channels	
Specifications & Selection Charts	6 - 7
4D22 Channel	
Section Properties & Load Charts	8 - 11
4D21 Channel	
Section Properties & Load Charts	12 - 15
4Dimension Accessories	
Dove-Tail Bars	16
Dual Dove-Tail Nut, Back-To-Back Snap On Clamp	17
Channel Nut Selection Guide	18
Dove-Tail Twirl-Nut™, Dove-Tail Slide-In Nut	19
Wire Wing Channel Nut, Dove-Tail Combo Nut Washer	20
Combo Nut Washer, Spring Nut	21
Spring Nut w/o Spring, Twirl-Nut™	22
Universal Pipe Clamps	23-25
Flip Clip™ Trapeze Hanger	26
2-Piece Turn & Lock Trapeze Hanger.	27
2-Piece Strengthening Clamp.	28
Post Bases for 4D22 & 4D21	29
Universal Beam Clamps	30 - 31
End Caps	31
Hydraulic Strut Cutter	32
Compatible Strut Fittings	33
4Dimension UPC Number Chart	34 - 36
4Dimension Index	37

NOTICE

Eaton's B-Line Business reserves the right to change the specifications, materials, equipment, prices or the availability of products at any time without prior notice. While every effort has been made to assure the accuracy of information contained in this catalog at the time of publication, we are not responsible for inaccuracies resulting from undetected errors or omissions.







Channel

4Dimension channel is cold formed on our modern rolling mills from 18 Ga. (1.2mm) low carbon steel. A continuous slot with returned lips and up to three dovetail designed sides provide the ability to make attachments on multiple sides of channel.

Lengths & Tolerances

All channels excluding SH style: $\pm 1/8"$ (3.2mm) on 10' (3.05m) and $\pm 3/16"$ (4.76mm) on 20' (6.09m)

All 'SH' channels only: $\pm 1/4"$ (6.35mm) on 10' (3.05m) and $\pm 1/2"$ (12.70mm) on 20' (6.09m)

Custom lengths are available upon request.

Slots

Slotted series of channels offer full flexibility. A variety of pre-punched slot patterns eliminate the need for precise field measuring for hole locations. Slots offer wide adjustments in the alignment and bolt sizing.

Dove-Tail Sides

A variety of pre-punched $9/16"$ (14.3 mm) diameter hole patterns are available in our channels. These hole patterns provide an economical alternative to costly field drilling required for many applications.

Materials & Finishes (Unless otherwise noted)

Steel: Plain & Pre-galvanized

18 Ga. (1.2mm)

Note: A minimum order may apply on special material and finishes.

Design Load (Steel & Stainless Steel)

The design loads given for strut beam loads are based on a simple beam condition. This allowable stress results in a safety factor of 1.68.

Metric

Metric dimensions are shown in parentheses. Unless noted, all metric dimensions are in millimeters.

Compatibility of strut products with 4Dimension Strut System

Throughout the catalog, strut products that are compatible with the 4Dimension strut system will be flagged with the following symbol.



Recommended Torque (as shown in tables)

Note: Refer to bottom of page 7 for special torquing note of 4D21SH and 4D22SH or 4D21S and 4D22S trapeze assemblies.

Finish Code	Finish	Specification
PLN	Plain	ASTM A1011, 50,000 PSI min. yield
GRN	DURA GREEN™	
GLV	Pre-Galvanized	ASTM A653 50,000 PSI min. yield
HDG	Hot-Dipped Galvanized	ASTM A123
YZN	Yellow Zinc Chromate	ASTM B633 SC3 Type II
SS4	Stainless Steel Type 304	ASTM A240
SS6	Stainless Steel Type 316	ASTM A240

Bolt Size	1/4"-20	5/16"-18	3/8"-16	1/2"-13
Foot/Lbs.	6	11	19	50
Nm	8	15	26	68

Bolt Size	M6x1	M8 x1.25	M10 x 1.5	M12x1.75
Nm	12	17	36	62
Foot/Lbs.	9	13	27	46

Selection Chart for Channels, Materials and Hole Patterns

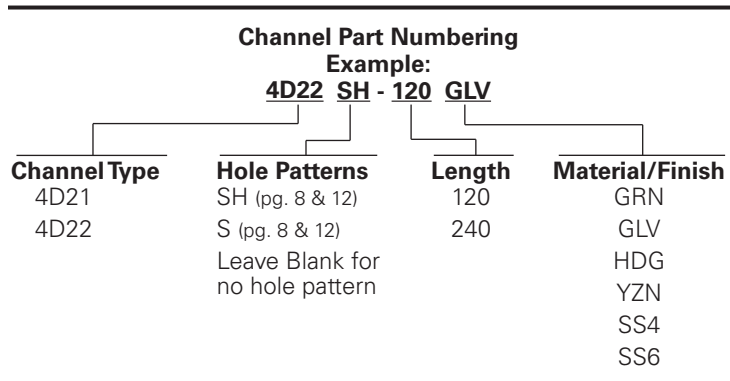
Channel Type	Channel Dimensions		Material & Thickness *			Channel Hole Pattern	
	Height	Width	Steel	Stainless Steel Type 304	Type 316	SH $\frac{5}{8}$ " x $1\frac{1}{4}$ " slots on 2" centers	S $\frac{13}{32}$ " x 3" slots
4D21	1 $\frac{1}{16}$ " (26.7)	2 $\frac{1}{8}$ " (53.5)	18 Ga.	18 Ga.	18 Ga.	<u>1</u> <u>2</u> <u>3</u>	<u>1</u> <u>2</u> <u>3</u>
4D22	2 $\frac{1}{8}$ " (53.5)	2 $\frac{1}{8}$ " (53.5)	18 Ga.	18 Ga.	18 Ga.	<u>1</u> <u>2</u> <u>3</u>	<u>1</u> <u>2</u> <u>3</u>

The selection has been prepared to provide a reference for available channel, materials and hole patterns. Material types available for various hole patterns are defined by numbers 1 thru 3.

*Metric equivalent for thicknesses:
18 Ga. = 1.2 mm

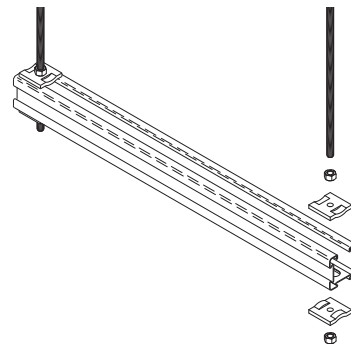
Properties may vary due to commercial tolerances of the material.

- 1 Steel
- 2 Type 304 Stainless Steel
- 3 Type 316 Stainless Steel



Recommended Torque (4D21SH & 4D22SH or 4D21S & 4D22S trapeze assemblies)

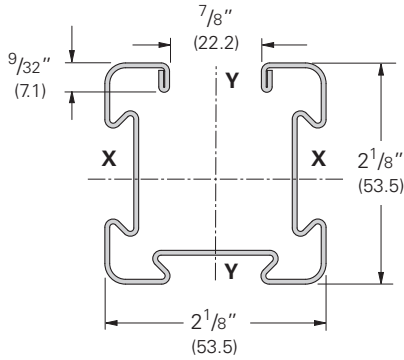
Recommended torque on 4Dimension trapeze hangers using 4D21SH and 4D22SH or 4D21S and 4D22S channel and traditional hardware (B200 series square washer, hex nuts, and lock washers) is 10 ft./lbs. (13Nm) for $\frac{5}{16}$ ", $\frac{3}{8}$ ", and $\frac{1}{2}$ " ATR.



Dimensions are in inches unless otherwise noted. Metric dimensions are in parentheses and are in millimeters unless otherwise noted.

4Dimension™ Channel

4D22 Channel - 2¹/₈" (53.5mm) x 2¹/₈" (53.5mm)



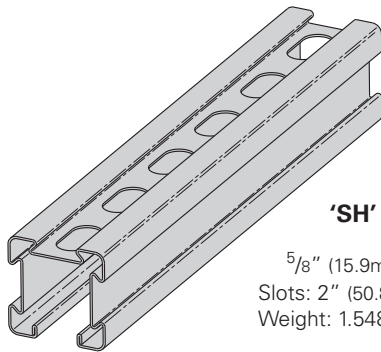
- Thickness: 18 Gauge (1.2mm)
- Standard Lengths:
10' (3.05m) & 20' (6.09m)
- Finish: Plain, DURA GREEN™, Pre-Galvanized, HDG, SS4, SS6
- Bundle Size: 320 ft. (97.6m)
- Bundle Dimensions:
10ft - 11" (279.4mm) x 10¹¹/₁₆" (271.5mm)
20ft - 11" (279.4mm) x 6³/₈" (161.9mm)
- Patent Pending



4D22 Section Properties

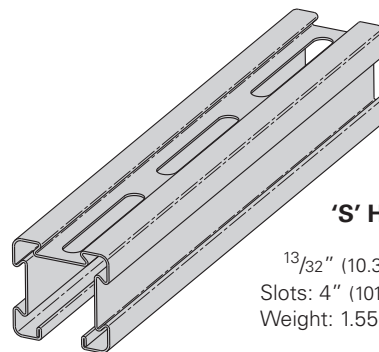
Channel	Weight lbs./ft. kg/m	Areas of Section in. ² (cm ²)	X - X Axis			Y - Y Axis		
			Moment of Inertia (I) in. ⁴ (cm ⁴)	Section Modulus (S) in. ³ (cm ³)	Radius of Gyration (r) in. (cm)	Moment of Inertia (I) in. ⁴ (cm ⁴)	Section Modulus (S) in. ³ (cm ³)	Radius of Gyration (r) in. (cm)
4D22	1.603 (2.39)	0.470 (3.03)	0.262 (10.91)	0.236 (3.87)	0.747 (1.90)	0.280 (11.65)	0.266 (4.36)	0.772 (1.96)
4D22A	3.206 (4.78)	0.940 (6.06)	1.453 (60.47)	0.690 (11.31)	1.243 (3.16)	0.560 (23.30)	0.532 (8.72)	0.772 (1.96)

Calculations of section properties are based on metal thicknesses as determined by the AISI Cold-Formed Steel Design Manual.



'SH' Hole Pattern

5/8" (15.9mm) x 1¹/₄" (31.8mm)
Slots: 2" (50.8mm) centers
Weight: 1.548 lbs./ft. (2.30kg/m)

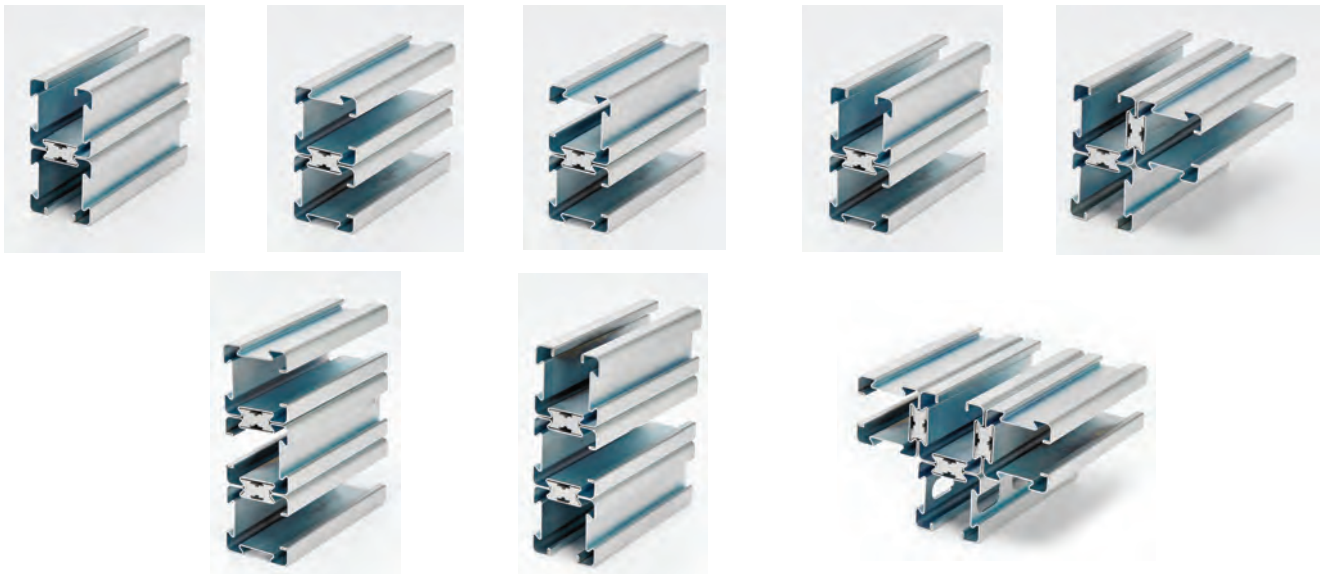


'S' Hole Pattern

1³/₃₂" (10.3mm) x 3" (76.2mm)
Slots: 4" (101.6mm) centers
Weight: 1.556 lbs./ft. (2.32kg/m)

Sample Combinations

Various combinations, as shown below, can be assembled in the field by using the 4DB (dove-tail bar) or the 4D5101 (snap-on clamp).



Dimensions are in inches unless otherwise noted. Metric dimensions are in parentheses and are in millimeters unless otherwise noted.

4D22 Channel - 2¹/₈" (53.5mm) x 2¹/₈" (53.5mm) Load Data

Beam Load Data

4D22 Beam Span In. (mm)	Uniform Load		Deflection		Uniform Load @ Deflection =			
	Lbs.	(kN)	In.	(mm)	1/240 Span		1/360 Span	
	Lbs.	(kN)	In.	(mm)	Lbs.	(kN)	Lbs.	(kN)
12 (305)	2871	(12.77)	0.05	(1.27)	2871	(12.77)	2523	(11.22)
24 (609)	1872	(8.33)	0.10	(2.54)	1872	(8.33)	1645	(7.31)
36 (914)	1249	(5.55)	0.17	(4.32)	1249	(5.55)	866	(3.85)
48 (1219)	936	(4.16)	0.22	(5.59)	936	(4.16)	649	(2.88)
60 (1524)	749	(3.33)	0.43	(10.92)	480	(2.13)	244	(1.08)
72 (1829)	624	(2.77)	0.52	(13.21)	400	(1.78)	203	(0.90)
84 (2133)	535	(2.38)	0.70	(17.78)	309	(1.37)	184	(0.82)
96 (2438)	468	(2.08)	0.80	(20.32)	270	(1.20)	161	(0.71)
108 (2743)	416	(1.85)	1.00	(25.40)	230	(1.02)	148	(0.66)
120 (3048)	374	(1.66)	1.12	(28.45)	207	(0.92)	133	(0.59)

Based on simple beam condition using test methods according to MFMA standards. To determine concentrated load capacity at mid-span, multiply uniform load by 0.5 and corresponding deflection by 0.8.

Column Load Data

4D22 Unbraced Height In. (mm)	Max. Column Loading K = .80				Max. Column Loading (Loaded @ C.G.)					
	Loaded@ C.G.		Loaded@ Slot Face		K = .65		K = 1.0		K = 1.2	
	Lbs.	(kN)	Lbs.	(kN)	Lbs.	(kN)	Lbs.	(kN)	Lbs.	(kN)
12 (305)	12105	(53.84)	4900	(21.79)	12177	(54.16)	11888	(52.88)	11502	(51.16)
24 (609)	10690	(47.55)	4623	(20.56)	11321	(50.35)	9791	(43.55)	8940	(39.76)
36 (914)	8792	(39.10)	4087	(18.18)	9829	(43.72)	7210	(32.07)	6113	(27.19)
48 (1219)	7110	(31.62)	3499	(15.56)	8326	(37.03)	5356	(23.82)	4256	(18.93)
60 (1524)	5290	(23.53)	2930	(13.03)	6915	(30.76)	4099	(18.23)	3306	(14.70)
72 (1829)	4188	(18.63)	2508	(11.15)	5400	(24.02)	3344	(14.87)	2676	(11.90)
84 (2133)	3536	(15.73)	2237	(9.95)	4599	(20.45)	2545	(11.32)	2074	(9.22)
96 (2438)	3145	(13.99)	1839	(8.18)	3614	(16.07)	2114	(9.40)	1692	(7.52)
108 (2743)	2381	(10.59)	1607	(7.15)	3024	(13.45)	1807	(8.04)	1417	(6.30)
120 (3048)	1955	(8.69)	1325	(5.89)	2519	(11.20)	1524	(6.78)	1163	(5.17)

**Where the slenderness ratio $\frac{KL}{r}$ exceeds 200, and K = end fixity factor, L = actual length and r = radius of gyration.

Dimensions are in inches unless otherwise noted. Metric dimensions are in parentheses and are in millimeters unless otherwise noted.

Back-To-Back - 4D22 Channel - 2¹/₈" (53.5mm) x 4¹/₄" (107.0mm) Load Data

Beam Load Data

4D22 Beam Span In. (mm)	Assembly Style	Uniform Load		Deflection		Uniform Load @ 1/240 Span		Uniform Load @ 1/360 Span	
		Lbs.	(kN)	In.	(mm)	Lbs.	(kN)	Lbs.	(kN)
12 (305)	4DB3	2610	(11.61)	0.07	(1.78)	2490	(11.07)	1282	(5.70)
	4DDN	2610	(11.61)	0.06	(1.52)	2610	(11.61)	2004	(8.91)
	4D5101	2088	(9.29)	0.07	(1.78)	2088	(9.29)	1549	(6.89)
24 (609)	4DB3	2610	(11.61)	0.13	(3.30)	2490	(11.07)	1282	(5.70)
	4DDN	2610	(11.61)	0.11	(2.79)	2610	(11.61)	2004	(8.91)
	4D5101	2088	(9.29)	0.14	(3.55)	2088	(9.29)	1549	(6.89)
36 (914)	4DB3	2610	(11.61)	0.26	(6.60)	1771	(7.88)	957	(4.25)
	4DDN	2610	(11.61)	0.23	(5.84)	2142	(9.53)	1414	(6.29)
	4D5101	2088	(9.29)	0.20	(5.08)	1998	(8.89)	1279	(5.69)
48 (1219)	4DB3	2405	(10.70)	0.35	(8.89)	1632	(7.26)	882	(3.92)
	4DDN	2405	(10.70)	0.31	(7.87)	1974	(8.78)	1303	(5.79)
	4D5101	1924	(8.56)	0.26	(6.60)	1841	(8.19)	1179	(5.24)
60 (1524)	4DB3	1924	(8.56)	0.49	(12.44)	1191	(5.30)	763	(3.39)
	4DDN	1924	(8.56)	0.50	(12.70)	1234	(5.89)	828	(3.68)
	4D5101	1539	(6.84)	0.40	(10.16)	1198	(5.33)	796	(3.54)
72 (1829)	4DB3	1602	(7.12)	0.59	(14.98)	992	(4.41)	636	(2.83)
	4DDN	1603	(7.13)	0.60	(15.24)	1028	(4.57)	690	(3.07)
	4D5101	1282	(5.70)	0.48	(12.19)	998	(4.44)	663	(2.95)
84 (2133)	4DDN	1374	(6.11)	0.87	(22.10)	810	(3.60)	549	(2.44)
	4D5101	1099	(4.89)	0.71	(18.03)	771	(3.43)	513	(2.28)
96 (2438)	4DDN	1202	(5.34)	0.99	(25.14)	620	(2.31)	420	(1.87)
	4D5101	962	(4.28)	0.81	(20.57)	590	(2.62)	393	(1.75)
108 (2743)	4DDN	1069	(4.75)	1.35	(34.29)	511	(2.27)	342	(1.52)
	4D5101	855	(3.80)	1.10	(27.94)	490	(2.18)	325	(1.44)
120 (3048)	4DDN	962	(4.28)	1.50	(38.10)	414	(1.84)	277	(1.23)
	4D5101	770	(3.42)	1.22	(30.99)	397	(1.76)	263	(1.17)

Note: Loading based on 4DB3, 4DDN and 4D5101 installed on 24" (609mm) intervals using the 4D22A configuration.



4DB3 Assembly
(see page 16 for
product information)



4DDN Assembly
(see page 17 for
product information)



4D5101 Assembly
(see page 17 for
product information)

Dimensions are in inches unless otherwise noted. Metric dimensions are in parentheses and are in millimeters unless otherwise noted.

Back-To-Back - 4D22 Channel - 2¹/₈" (53.5mm) x 4¹/₄" (107.0mm) Load Data

Column Load Data

4D22 Unbraced Height In. (mm)	Assembly Style	Max. Column Loading K = .80		Max. Column Loading (Loaded @ C.G.)							
		Loaded @ C.G.		Loaded @ Slot Face		K = .65		K = 1.0		K = 1.2	
		Lbs.	(kN)	Lbs.	(kN)	Lbs.	(kN)	Lbs.	(kN)	Lbs.	(kN)
12 (305)	See Note	25322	(112.64)	8286	(36.86)	25188	(112.04)	26265	(112.38)	25013	(111.26)
24 (609)	See Note	24634	(109.58)	8112	(36.08)	24878	(110.66)	24380	(108.44)	23660	(105.28)
36 (914)	See Note	23701	(105.43)	7737	(34.42)	24391	(108.49)	22876	(101.76)	21767	(96.82)
48 (1219)	See Note	22259	(99.01)	6701	(29.81)	23019	(102.39)	20792	(92.49)	18624	(82.84)
60 (1524)	See Note	20541	(91.37)	5292	(23.54)	21957	(97.67)	18086	(80.45)	15045	(66.92)
72 (1829)	See Note	18803	(83.64)	4234	(18.83)	21029	(93.54)	15059	(66.98)	11008	(48.97)
84 (2133)	See Note	15966	(71.02)	3409	(15.16)	19131	(85.10)	11406	(50.73)	7971	(35.46)
96 (2438)	See Note	13469	(59.91)	2661	(11.84)	17157	(76.32)	8672	(38.57)	6107	(27.16)
108 (2743)	See Note	10675	(47.48)	2233	(9.93)	15412	(68.56)	6869	(30.55)	4745	(21.11)
120 (3048)	See Note	8564	(38.09)	1735	(7.71)	13014	(57.89)	5495	(24.44)	3805	(16.93)

Note: Loading based on 4DB3, 4DDN or 4D5101 installed on 24" (609mm) intervals using the 4D22A configuration.



4DB3 Assembly
(see page 16 for
product information)



4DDN Assembly
(see page 17 for
product information)

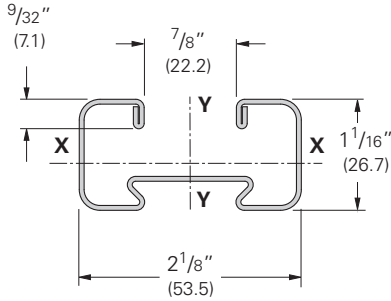


4D5101 Assembly
(see page 17 for
product information)

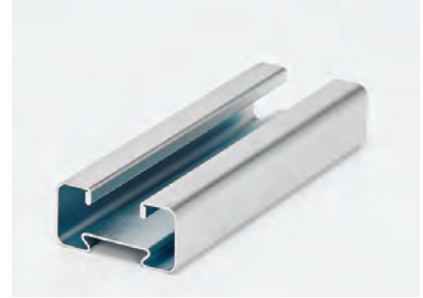
Dimensions are in inches unless otherwise noted. Metric dimensions are in parentheses and are in millimeters unless otherwise noted.

4Dimension™ Channels

4D21 Channel - 2 1/8" (53.5mm) x 1 1/16" (26.7mm)



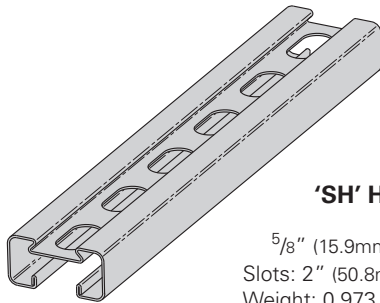
- Thickness: 18 Gauge (1.2mm)
- Standard Lengths:
10' (3.05m) & 20' (6.09m)
- Finish: Plain, DURA GREEN™, Pre-Galvanized, HDG, SS4, SS6
- Bundle Size: 320 ft. (97.6m)
- Bundle Dimensions:
10ft - 11" (279.4mm) x 6 1/2" (165.1mm)
20ft - 11" (279.4mm) x 4 5/16" (109.5mm)
- Patent Pending



4D21 Section Properties

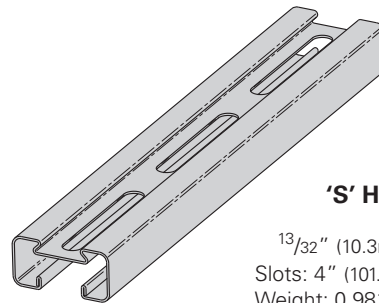
				X - X Axis			Y - Y Axis		
Channel	Weight lbs./ft. kg/m	Areas of Section in. ² (cm ²)		Moment of Inertia (I) in. ⁴ (cm ⁴)	Section Modulus (S) in. ³ (cm ³)	Radius of Gyration (r) in. (cm)	Moment of Inertia (I) in. ⁴ (cm ⁴)	Section Modulus (S) in. ³ (cm ³)	Radius of Gyration (r) in. (cm)
4D21	1.032 (1.54)	0.302 (1.95)		0.042 (1.76)	0.077 (1.26)	0.374 (0.95)	0.167 (6.97)	0.159 (2.60)	0.744 (1.89)
4D21A	2.064 (3.08)	0.605 (3.90)		0.238 (9.89)	0.226 (3.70)	0.627 (1.59)	0.335 (13.95)	0.318 (5.21)	0.744 (1.89)

Calculations of section properties are based on metal thicknesses as determined by the AISI Cold-Formed Steel Design Manual.



'SH' Hole Pattern

5/8" (15.9mm) x 1 1/4" (31.8mm)
Slots: 2" (50.8mm) centers
Weight: 0.973 lbs./ft. (1.45kg/m)



'S' Hole Pattern

13/32" (10.3mm) x 3" (76.2mm)
Slots: 4" (101.6mm) centers
Weight: 0.981 lbs./ft. (1.46kg/m)

Sample Combinations

Various combinations, as shown below, can be assembled in the field by using the 4DB (dove-tail bar).



Dimensions are in inches unless otherwise noted. Metric dimensions are in parentheses and are in millimeters unless otherwise noted.

4D21 Channel - 2¹/₈" (53.5mm) x 1¹/₁₆" (26.7mm) Load Data

Beam Load Data

4D21 Beam Span In. (mm)	Uniform Load		Deflection		Uniform Load @ Deflection =			
	Lbs.	(kN)	Lbs.	(kN)	1/240 Span		1/360 Span	
					Lbs.	(kN)	Lbs.	(kN)
12 (305)	1402	(6.24)	0.10	(2.54)	1085	(4.82)	514	(2.28)
24 (609)	700	(3.11)	0.21	(5.33)	542	(2.41)	257	(1.14)
36 (914)	468	(2.08)	0.34	(8.64)	386	(1.72)	204	(0.91)
48 (1219)	351	(1.56)	0.47	(11.94)	230	(1.02)	150	(0.67)
60 (1524)	280	(1.25)	0.72	(18.29)	173	(0.77)	104	(0.46)
72 (1829)	234	(1.04)	0.96	(24.38)	115	(0.51)	57	(0.25)
84 (2133)	200	(0.89)	1.32	(33.53)	91	(0.40)	45	(0.20)
96 (2438)	175	(0.78)	1.68	(42.67)	67	(0.30)	33	(0.15)
108 (2743)	156	(0.69)	2.15	(54.61)	57	(0.25)	29	(0.13)
120 (3048)	140	(0.62)	2.61	(66.29)	47	(0.21)	24	(0.11)

Based on simple beam condition using test methods according to MFMA standards. To determine concentrated load capacity at mid-span, multiply uniform load by 0.5 and corresponding deflection by 0.8.

Column Load Data

4D21 Unbraced Height In. (mm)	Max. Column Loading K = .80 Loaded @ C.G.		Max. Column Loading (Loaded @ C.G.)							
	Lbs.	(kN)	Lbs.	(kN)	K = .65		K = 1.0		K = 1.2	
					Lbs.	(kN)	Lbs.	(kN)	Lbs.	(kN)
12 (305)	9365	(41.65)	3493	(15.53)	9465	(42.10)	9166	(40.77)	8917	(39.66)
24 (609)	8367	(37.21)	3084	(13.72)	8715	(38.76)	7200	(32.02)	5986	(26.62)
36 (914)	6045	(26.89)	2410	(10.72)	7430	(33.05)	3998	(17.78)	2792	(12.42)
48 (1219)	3555	(15.81)	1744	(7.76)	5286	(23.51)	2254	(10.02)	1574	(7.00)
60 (1524)	2277	(10.13)	1296	(5.76)	3413	(15.18)	1453	(6.46)	1009	(4.49)
72 (1829)	1585	(7.05)	1006	(4.47)	2424	(10.78)	1020	(4.53)	703**	(3.12)
84 (2133)	1182	(5.26)	797	(3.54)	1762	(7.84)	756**	(3.36)	520**	(2.31)
96 (2438)	896**	(3.98)	639	(2.84)	1365	(6.07)	567**	(2.52)	--	(-)
108 (2743)	703**	(3.12)	535	(2.38)	1081	(4.81)	--	(-)	--	(-)
120 (3048)	578**	(2.57)	443	(1.97)	863**	(3.84)	--	(-)	--	(-)

**Where the slenderness ratio $\frac{KL}{r}$ exceeds 200, and K = end fixity factor, L = actual length and r = radius of gyration.

Back-To-Back - 4D21 Channel - 2¹/₈" (53.5mm) x 2¹/₈" (153.5mm) Load Data

Beam Load Data

4D21 Beam Span In. (mm)	Assembly Style	Uniform Load		Deflection		Uniform Load @ 1/240 Span		Uniform Load @ 1/360 Span	
		Lbs.	(kN)	In.	(mm)	Lbs.	(kN)	Lbs.	(kN)
12 (305)	4DB3	1270	(5.65)	0.11	(2.79)	572	(2.54)	328	(1.46)
	4DDN	1270	(5.65)	0.10	(2.54)	752	(3.34)	454	(2.02)
24 (609)	4DB3	1270	(5.65)	0.22	(5.59)	572	(2.54)	328	(1.46)
	4DDN	1270	(5.65)	0.19	(4.82)	752	(3.34)	454	(2.02)
36 (914)	4DB3	1013	(4.50)	0.41	(10.41)	422	(1.88)	262	(1.16)
	4DDN	1013	(4.50)	0.41	(10.41)	424	(1.88)	256	(1.14)
48 (1219)	4DB3	759	(3.37)	0.55	(13.97)	316	(1.40)	196	(0.87)
	4DDN	759	(3.37)	0.55	(13.87)	318	(1.41)	192	(0.85)
60 (1524)	4DB3	608	(2.70)	0.88	(22.35)	199	(0.88)	127	(0.56)
	4DDN	608	(2.70)	0.84	(21.33)	242	(1.07)	168	(0.75)
72 (1829)	4DB3	506	(2.25)	1.06	(26.92)	166	(0.74)	106	(0.47)
	4DDN	506	(2.25)	1.01	(25.65)	201	(0.89)	140	(0.62)
84 (2133)	4DDN	434	(1.93)	1.53	(38.86)	165	(0.73)	112	(0.50)
96 (2438)	4DDN	380	(1.69)	1.75	(44.45)	126	(0.56)	86	(0.38)
108 (2743)	4DDN	338	(1.50)	2.47	(62.74)	101	(0.45)	69	(0.30)
120 (3048)	4DDN	304	(1.35)	2.74	(69.59)	82	(0.36)	56	(0.25)

Note: Loading based on 4DB3 and 4DDN installed on 24" (609mm) intervals using the 4D21A configuration.



4DB3 Assembly
(see page 16 for
product information)



4DDN Assembly
(see page 17 for
product information)

Dimensions are in inches unless otherwise noted. Metric dimensions are in parentheses and are in millimeters unless otherwise noted.

Back-To-Back - 4D21 Channel - 2¹/₈" (53.5mm) x 2¹/₈" (53.5mm) Load Data

Column Load Data

4D21 Unbraced Height In. (mm)	Assembly Style	Max. Column Loading K = .80				Max. Column Loading (Loaded @ C.G.)					
		Loaded @ C.G.		Loaded @ Slot Face		K = .65		K = 1.0		K = 1.2	
		Lbs.	(kN)	Lbs.	(kN)	Lbs.	(kN)	Lbs.	(kN)	Lbs.	(kN)
12 (305)	See Note	21287	(94.69)	5930	(26.38)	21601	(96.09)	21123	(93.96)	20584	(91.56)
24 (609)	See Note	19501	(86.74)	5577	(24.80)	20267	(90.15)	18462	(82.12)	17259	(76.77)
36 (914)	See Note	17030	(75.75)	4982	(22.16)	18383	(81.77)	15088	(67.11)	12502	(55.61)
48 (1219)	See Note	14343	(63.80)	4413	(19.63)	16280	(72.41)	10941	(48.67)	7621	(33.90)
60 (1524)	See Note	11290	(50.22)	3944	(17.54)	14430	(64.19)	7191	(31.98)	4907	(21.83)
72 (1829)	See Note	7750	(34.47)	3271	(14.55)	11666	(51.89)	5037	(22.41)	3476	(15.46)
84 (2133)	See Note	5672	(25.23)	2727	(12.13)	8563	(38.09)	3647	(16.22)	2533	(11.27)
96 (2438)	See Note	4411	(19.62)	2292	(10.19)	6685	(29.73)	2805	(11.48)	1941	(8.63)
108 (2743)	See Note	3479	(15.48)	1958	(8.71)	5234	(23.28)	2204	(9.80)	1542**	(6.86)
120 (3048)	See Note	2834	(12.60)	1700	(7.56)	4258	(18.94)	1806	(8.03)	1325**	(5.89)

Note: Loading based on 4DB3 or 4DDN installed on 24" (609mm) intervals using the 4D21A configuration.

**Where the slenderness ratio $\frac{KL}{r}$ exceeds 200, and K = end fixity factor, L = actual length and r = radius of gyration.



4DB3 Assembly
(see page 16 for
product information)



4DDN Assembly
(see page 17 for
product information)

Dimensions are in inches unless otherwise noted. Metric dimensions are in parentheses and are in millimeters unless otherwise noted.

4Dimension™ Back-To-Back Accessories

4DB - Dove-Tail Bar (Exclusively for 4Dimension Strut - Dove-Tail Sides)



- For horizontal applications only
- Recommend $\frac{3}{8}$ "-16 x $\frac{1}{2}$ " (12.7mm) long cone point set screw for threaded hole - torque to 4 ft/lbs. (5Nm)
- Bar thickness - $\frac{1}{2}$ " (12.7mm)
- $\frac{1}{4}$ "-20 or $\frac{3}{8}$ "-16 threaded hole; $\frac{17}{32}$ " (13.5mm) clearance hole
- Spring that locks into slot on 4Dimension channels for easy installation
- Aluminum - clear anodized
- Patent Pending

Part No.	Thread Size	Pull-Out Strength		Trapeze Loading		Wt./C	
		Lbs.	(kN)	Lbs.	(kN)	Lbs.	(kg)
4DB3-1/4	$\frac{1}{4}$ "-20	690	(3.07)	465	(2.07)	11	(4.99)
4DB3-3/8	$\frac{3}{8}$ "-16	690	(3.07)	465	(2.07)	11	(4.99)
4DB5-1/4	$\frac{1}{4}$ "-20	490	(2.18)	500	(2.22)	19	(8.62)
4DB5-3/8	$\frac{3}{8}$ "-16	490	(2.18)	500	(2.22)	19	(8.62)
4DB7-1/4	$\frac{1}{4}$ "-20	460	(2.04)	435	(1.93)	27	(12.25)
4DB7-3/8	$\frac{3}{8}$ "-16	460	(2.04)	435	(1.93)	27	(12.25)

Safety Factor of 2.5
Loading based on 24" (609mm) span

Back-To-Back Installation



Wall Mount Installation



Dimensions are in inches unless otherwise noted. Metric dimensions are in parentheses and are in millimeters unless otherwise noted.

4DDN - Dual Dove-Tail Nut (Exclusively for 4Dimension Strut - Dove-Tail Sides)



- One 4Dimension channel must have 'SH' slot pattern
- Torque to 19 ft./lbs. (26Nm)
- Zinc plated steel or Stainless Steel Type 316 (add SS6 to part number)
- Hex head wrench size - $\frac{9}{16}$ "
- Patent Pending

Part No.	Pull-Out Strength		Slip Strength		Wt./C	
	Lbs.	(kN)	Lbs.	(kN)	Lbs.	(kg)
4DDN228	490	(2.18)	55	(0.24)	11.4	(5.17)

Safety Factor of 2.5

Installation



4D5101 - Back-To-Back Snap On Clamp (Exclusively for 4Dimension Strut)



- Works with 4D22 strut only
- Can be adjusted/removed with a flat head screwdriver
- Length - 2" (50.8mm)
- Recommended use in pairs
- Zinc plated steel
- For horizontal applications only
- Patent Pending

Part No.	Pull-Out Strength		Wt./C	
	Lbs.	(kN)	Lbs.	(kg)
4D5101	400	(1.78)	2.9	(1.31)

Safety Factor of 2.5

Dove-Tail Sides Installation



Dimensions are in inches unless otherwise noted. Metric dimensions are in parentheses and are in millimeters unless otherwise noted.

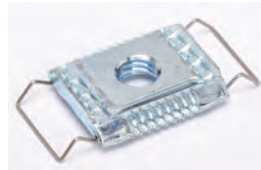
4Dimension™ Channel Nuts

Nut Type	4Dimension Channel		Thread Size			
	4D21	4D22	1/4"-20	5/16"-18	3/8"-16	1/2"-13
4DTN	✓	✓	✓	✓	✓	--
4DSN	✓	✓	✓	✓	✓	--
4DWN *	✓	✓	✓	✓	✓	✓
4DNW	✓	✓	✓	✓	✓	--
NW Series *	✓	✓	✓	✓	✓	✓
N Series *	✓	✓	✓	✓	✓	✓
N-WO Series *	✓	✓	✓	✓	✓	✓
TN Series *	✓	✓	✓	✓	✓	✓

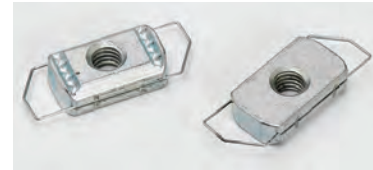
* Can only be used on open side of 4Dimension channel.



4DTN
Dove-Tail Twirl-Nut™
(page 19)



4DSN
Dove-Tail Slide-In Nut
(page 19)



4DWN
Wire Wing Channel Nut
(page 20)



4DNW
Dove-Tail Combo Nut Washer
(page 20)



NW Series
Combo Nut Washer
(page 21)



N-Series
Spring Nut
(page 21)



N-WO Series
Nut Without Spring
(page 22)



TN Series
Twirl-Nut™
(page 22)

Dimensions are in inches unless otherwise noted. Metric dimensions are in parentheses and are in millimeters unless otherwise noted.

4DTN - Dove-Tail Twirl-Nut™ (Exclusively for 4Dimension Strut - Dove-Tail Sides)



Patent Pending

- Used in dove-tail sides only
- Installs with quarter turn
- Recommended bolt length in dove-tail side - 1/2" (12.7mm)
- Zinc plated steel or Stainless Steel Type 316 (add SS6 to part number)
- Safety Factor 3.0

* Use 85% load factor for stainless steel parts

** Use 50% load factor for stainless steel dove tail sides

Part No.	Thread Size	Nut Thickness In. (mm)	Pull-Out Strength		Slip Strength		Wt./C	
			Lbs.	(kN)	Lbs.	(kN)	Lbs.	(kg)
4DTN224	1/4"-20	15/64" (5.9)	400	(1.78)	300	(1.33)	4.4	(1.99)
4DTN223	5/16"-18	15/64" (5.9)	490	(2.18)	300	(1.33)	4.2	(1.90)
4DTN228	3/8"-16	15/64" (5.9)	490	(2.18)	350	(1.55)	4.1	(1.86)

To achieve catalog load rating, total thread engagement is required.

Dove-Tail Sides Installation



4DSN - Dove-Tail Slide-In Nut (Exclusively for 4Dimension Strut - All Sides)



Patent Pending

- Can be used in dove-tail sides (4D21 & 4D22) and open side (4D22)
- Recommended bolt length in dove-tail side - 1/2" (12.7mm)
- Can be used in traditional channel by bending wire down
- Zinc plated steel or Stainless Steel Type 316 (add SS6 to part number)
- Safety Factor 3.0
- Reference instruction sheet for proper assembly and installation

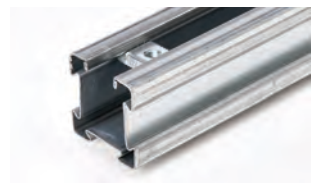
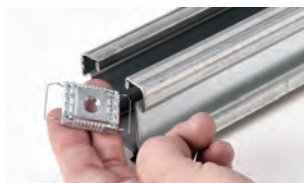
* Use 85% load factor for stainless steel

** Use 30% load factor for stainless steel open side and 50% for dove tail sides

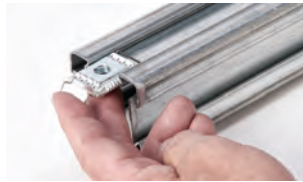
Part No.	Thread Size	Nut Thickness In. (mm)	Pull-Out Strength		Slip Strength		Wt./C Lbs. (kg)
			Open Lbs. (kN)	Dove-Tail Lbs. (kN)	Open Lbs. (kN)	Dove-Tail Lbs. (kN)	
4DSN224	1/4"-20	1/4" (6.3)	450 (2.00)	281 (1.25)	330 (1.47)	300 (1.33)	7.1 (3.22)
4DSN223	5/16"-18	1/4" (6.3)	867 (3.85)	489 (2.17)	767 (3.41)	300 (1.33)	7.0 (3.17)
4DSN228	3/8"-16	1/4" (6.3)	883 (3.93)	446 (1.98)	1067 (4.74)	300 (1.33)	6.8 (3.08)

To achieve catalog load rating, total thread engagement is required.

Open Side Installation



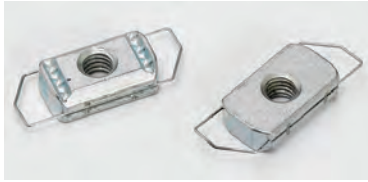
Dove-Tail Sides Installation



Dimensions are in inches unless otherwise noted. Metric dimensions are in parentheses and are in millimeters unless otherwise noted.

4Dimension™ Channel Nuts

4DWN - Wire Wing Channel Nut (Exclusively for 4Dimension Strut - Open Side)



Patent Pending

- Used in open side only (4D21 & 4D22)
- Can be used in traditional channel by bending wire down
- Zinc plated steel or Stainless Steel Type 316 (add SS6 to part number)
- Safety Factor 3
- * Use 85% load factor for stainless steel
- ** Use 30% load factor for stainless steel

Part No.	Thread Size	Nut Thickness In. (mm)	Pull-Out Strength		Slip Strength		Wt./C	
			Lbs.	(kN)	Lbs.	(kN)	Lbs.	(kg)
4DWN224	1/4"-20	23/64" (9.1)	450	(2.00)	330	(1.47)	8.1	(3.67)
4DWN223	5/16"-18	23/64" (9.1)	750	(3.33)	450	(2.00)	7.9	(3.58)
4DWN228	3/8"-16	23/64" (9.1)	850	(3.78)	800	(3.56)	7.7	(3.49)
4DWN225	1/2"-13	23/64" (9.1)	1020	(4.53)	1250	(5.56)	7.0	(3.17)

Open Side Installation



4DNW - Dove-Tail Combo Nut Washer (Exclusively for 4Dimension Strut - Dove-Tail Side)



Patent Pending

- Used in dove-tail side only
- Installs with quarter turn
- To lock combo nut washer in place a hex nut (sold separately) is required
- Zinc plated steel or Stainless Steel Type 316 (add SS6 to part number)
- Safety Factor 3
- * Use 85% load factor for stainless steel
- ** Use 50% load factor for stainless steel dove tail sides

Part No.	Thread Size	Nut Thickness In. (mm)	Pull-Out Strength		Slip Strength		Wt./C	
			Lbs.	(kN)	Lbs.	(kN)	Lbs.	(kg)
4DNW224	1/4-20	15/64" (5.9)	400	(1.78)	300	(1.33)	15.3	(6.94)
4DNW223	5/16-18	15/64" (5.9)	490	(2.18)	300	(1.33)	15.1	(6.85)
4DNW228	3/8-16	15/64" (5.9)	490	(2.18)	350	(1.55)	14.7	(66.7)

Dove-Tail Side Installation



Dimensions are in inches unless otherwise noted. Metric dimensions are in parentheses and are in millimeters unless otherwise noted.

NW Series - Combo Nut Washer (Traditional Strut & 4Dimension Strut - Open Side)



- Used in open side only
- Zinc plated steel or Stainless Steel Type 316 (add SS6 to part number)
- To lock combo nut washer in place a hex nut (sold separately) is required
- Safety Factor 3
- Patent # 7,604,444

* Use 85% load factor for stainless steel

** Use 30% load factor for stainless steel

Part No.	Thread Size	Nut Thickness In. (mm)	Pull-Out Strength Lbs. (kN)	Slip Strength Lbs. (kN)	Wt./C	
					Lbs.	(kg)
NW524	1/4"-20	1/4" (6.3)	450 (2.00)	330 (1.47)	11.9	(5.40)
NW528	3/8"-16	3/8" (9.5)	1100 (4.89)	800 (3.56)	13.8	(6.26)
NW525	1/2"-13	3/8" (9.5)	1275 (5.67)	1500 (6.67)	13.1	(5.94)

Open Side Installation



N Series - Spring Nut (Traditional Strut & 4Dimension Strut - Open Side)



- Used in open side only
- Zinc plated steel or Stainless Steel Type 316 (add SS6 to part number)
- Safety Factor 3

* Use 85% load factor for stainless steel

** Use 30% load factor for stainless steel

Part No.	Thread Size	Nut Thickness In. (mm)	Pull-Out Strength Lbs. (kN)	Slip Strength Lbs. (kN)	Wt./C	
					Lbs.	(kg)
N224	1/4"-20	1/4" (6.3)	450 (2.00)	330 (1.47)	6.7	(3.04)
N228	3/8"-16	3/8" (9.5)	1100 (4.89)	800 (3.56)	9.3	(4.22)
N225	1/2"-13	1/2" (12.7)	1275 (5.67)	1500 (6.67)	11.6	(5.26)

Open Side Installation



Dimensions are in inches unless otherwise noted. Metric dimensions are in parentheses and are in millimeters unless otherwise noted.

4Dimension™ Channel Nuts

N-WO Series - Spring Nut without Spring (Traditional Strut & 4Dimension Strut - Open Side)



- Used in open side only
- Zinc plated steel or Stainless Steel Type 316 (add SS6 to part number)
- Safety Factor 3
- * Use 85% load factor for stainless steel
- ** Use 30% load factor for stainless steel

Part No.	Thread Size	Nut Thickness		Pull-Out Strength		Slip Strength		Wt./C	
		In.	(mm)	Lbs.	(kN)	Lbs.	(kN)	Lbs.	(kg)
N224WO	1/4"-20	1/4"	(6.3)	450	(2.00)	330	(1.47)	6.7	(3.04)
N228WO	3/8"-16	3/8"	(9.5)	1100	(4.89)	800	(3.56)	9.3	(4.22)
N225WO	1/2"-13	1/2"	(12.7)	1275	(5.67)	1500	(6.67)	11.6	(5.26)

TN Series - Twirl-Nut™ (Traditional Strut & 4Dimension Strut - Open Side)



- Used in open side only
- Zinc plated steel
- Safety Factor 3

Part No.	Thread Size	Nut Thickness		Pull-Out Strength		Slip Strength		Wt./C	
		In.	(mm)	Lbs.	(kN)	Lbs.	(kN)	Lbs.	(kg)
TN224	1/4"-20	1/4"	(6.3)	450	(2.00)	330	(1.47)	6.7	(3.04)
TN228	3/8"-16	3/8"	(9.5)	1100	(4.89)	800	(3.56)	9.3	(4.22)
TN225	1/2"-13	1/2"	(12.7)	1275	(5.67)	1500	(6.67)	11.6	(5.26)

Open Side Installation

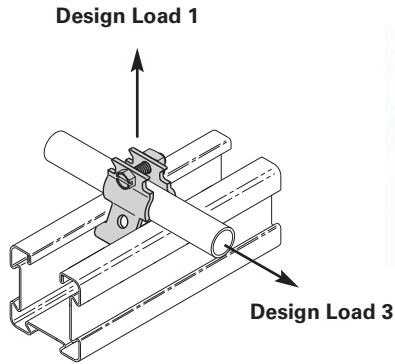
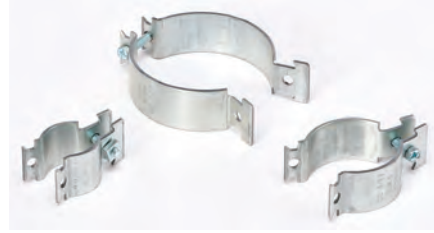


Dimensions are in inches unless otherwise noted. Metric dimensions are in parentheses and are in millimeters unless otherwise noted.

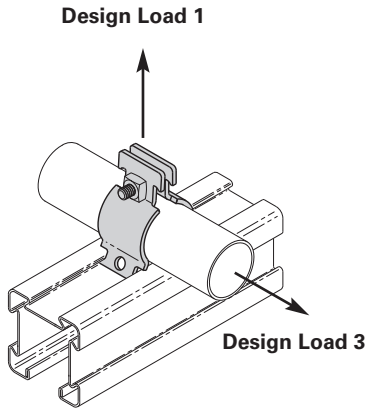
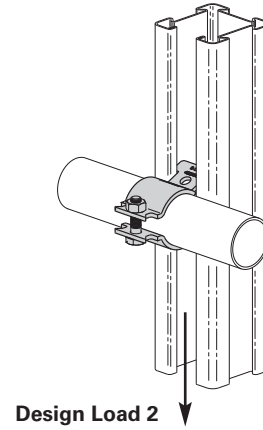
4D2000 Series O.D. Pipe & Conduit Clamps

- Safety Factor of 3 (open side)
Safety Factor of 3 (dove-tail side)
- Add PA to suffix for pre-assembled pipe clamps
- Includes Combination Recess Hex Head Machine Screw and Square Nut.
- Material: 12 Ga. (2.6mm)
ASTM A1011 33,000 PSI min. yield
- Standard finishes: ZN, HDG, SS4, SS6, DCU, AL
- Patent Pending

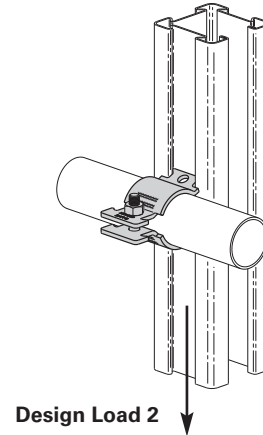
Universal Pipe Clamps (Interchangeable With 4Dimension & Traditional Strut In Dove-Tail & Open Sides)



Open Side
Design Loads



Dove-Tail Side
Design Loads



Open Side Installation



Dove-Tail Side Installation



Dimensions are in inches unless otherwise noted. Metric dimensions are in parentheses and are in millimeters unless otherwise noted.

4Dimension™ Pipe Clamps

Universal Pipe Clamps

(Interchangeable With 4Dimension & Traditional Strut
In Dove-Tail & Open Sides)

Part No.	O.D. Tubing Size		EMT Conduit Size		Rigid Conduit Size		Copper Tubing Size		Hardware Size	Clamp Weight Per 100 Pair	*† Wt. Per 100 ft. (30.5m)		** Wt. Per 100 ft. (30.5m)		
	in.	(mm)	in.	(mm)	in.	(mm)	in.	(mm)			Lbs.	(kg)	Lbs.	(kg)	Lbs.
4D2023	1/4"	(6.3)	--	--	--	--	--	--	1/4"-20	8	(3.6)	15.0†	(6.8)	--	(--)
4D2024	3/8"	(9.5)	--	--	--	--	1/4"	(6)	1/4"-20	8	(3.6)	27.4†	(12.4)	17.7	(8.0)
4D2025	1/2"	(12.7)	--	--	--	--	3/8"	(10)	1/4"-20	9	(4.1)	50.2†	(22.8)	32.4	(14.7)
4D2026	5/8"	(15.9)	--	--	--	--	1/2"	(15)	1/4"-20	10	(4.5)	69.5†	(31.5)	43.9	(19.0)
4D2000	--	--	3/8"	(10)	--	--	--	--	1/4"-20	10	(4.5)	36.6*	(16.6)	--	(--)
4D2001	--	--	1/2"	(15)	3/8"	(10)	--	--	1/4"-20	10	(4.5)	65.1*	(29.5)	--	(--)
4D2027	3/4"	(19.0)	--	--	--	--	--	--	1/4"-20	10	(4.5)	89.5†	(40.6)	--	(--)
4D2008	7/8"	(22.2)	--	--	1/2"	(15)	3/4"	(20)	1/4"-20	11	(5.0)	101.1*	(45.9)	83.0	(37.6)
4D2002	--	--	3/4"	(20)	--	--	--	--	1/4"-20	11	(5.0)	84.3*	(38.2)	--	(--)
4D2009	1"	(25.4)	--	--	3/4"	(20)	--	--	1/4"-20	15	(6.8)	145.8*	(66.1)	--	(--)
4D2030	1 1/8"	(28.6)	--	--	--	--	1"	(25)	1/4"-20	15	(6.8)	166.8†	(75.6)	117.7	(53.3)
4D2003	--	--	1"	(25)	--	--	--	--	1/4"-20	16	(7.2)	130.3*	(59.1)	--	(--)
4D2031	1 1/4"	(31.7)	--	--	--	--	--	--	1/4"-20	16	(7.2)	192.5†	(87.3)	--	(--)
4D2010	1 3/8"	(34.9)	--	--	1"	(25)	1 1/4"	(32)	1/4"-20	17	(7.7)	219.3*	(99.5)	156.8	(71.1)
4D2004	1 1/2"	(38.1)	1 1/4"	(32)	--	--	--	--	1/4"-20	19	(8.6)	212.3*	(96.3)	--	(--)
4D2011	1 5/8"	(41.3)	--	--	1 1/4"	(32)	1 1/2"	(40)	1/4"-20	19	(8.6)	318.3*	(144.4)	210.7	(95.6)
4D2005	1 3/4"	(44.4)	1 1/2"	(40)	--	--	--	--	1/4"-20	28	(12.7)	269.8*	(122.4)	--	(--)
4D2012	1 7/8"	(47.6)	--	--	1 1/2"	(40)	--	--	1/4"-20	30	(13.6)	408.8*	(185.4)	--	(--)
4D2037	2"	(50.8)	--	--	--	--	--	--	1/4"-20	30	(13.6)	370.8†	(168.2)	--	(--)
4D2038	2 1/8"	(54.0)	--	--	--	--	2"	(50)	1/4"-20	32	(14.5)	451.5†	(204.8)	336.6	(152.7)
4D2006	--	--	2"	(50)	--	--	--	--	1/4"-20	33	(14.9)	401.8*	(182.3)	--	(--)
4D2039	2 1/4"	(57.1)	--	--	--	--	--	--	1/4"-20	32	(14.5)	476.8†	(216.3)	--	(--)
4D2013	2 3/8"	(60.3)	--	--	2"	(50)	--	--	1/4"-20	34	(15.4)	593.8*	(269.3)	--	(--)
4D2041	2 1/2"	(63.5)	--	--	--	--	--	--	1/4"-20	35	(15.9)	553.5†	(251.0)	--	(--)
4D2042	2 5/8"	(66.7)	--	--	--	--	2 1/2"	(65)	1/4"-20	35	(15.9)	593.5†	(269.2)	491.4	(222.9)
4D2043	2 3/4"	(69.8)	--	--	--	--	--	--	1/4"-20	38	(17.2)	634.3†	(287.7)	--	(--)
4D2014	2 7/8"	(73.0)	--	--	2 1/2"	(65)	--	--	1/4"-20	38	(17.2)	901.0*	(408.7)	--	(--)
4D2045	3"	(76.2)	--	--	--	--	--	--	1/4"-20	38	(17.2)	874.1†	(396.5)	--	(--)
4D2046	3 1/8"	(79.4)	--	--	--	--	3"	(80)	1/4"-20	39	(17.7)	925.4†	(419.7)	695.9	(315.7)
4D2047	3 1/4"	(82.5)	--	--	--	--	--	--	1/4"-20	41	(18.6)	978.0†	(443.6)	--	(--)
4D2048	3 3/8"	(85.7)	--	--	--	--	--	--	1/4"-20	43	(19.5)	1115.7†	(506.1)	--	(--)
4D2015	3 1/2"	(88.9)	--	--	3"	(80)	--	--	1/4"-20	44	(20.0)	1259.0*	(571.1)	--	(--)
4D2050	3 5/8"	(92.1)	--	--	--	--	3 1/2"	(90)	1/4"-20	54	(24.5)	1233.5†	(559.5)	902.1	(409.3)
4D2051	3 3/4"	(95.1)	--	--	--	--	--	--	1/4"-20	57	(25.8)	1294.0†	(586.9)	--	(--)
4D2052	3 7/8"	(98.4)	--	--	--	--	--	--	1/4"-20	55	(25.0)	1355.6†	(614.9)	--	(--)
4D2016	4"	(101.6)	--	--	3 1/2"	(90)	--	--	1/4"-20	57	(25.8)	1674.8*	(759.6)	--	(--)
4D2017	4 1/2"	(113.3)	--	--	4"	(100)	--	--	1/4"-20	60	(27.2)	1967.0*	(892.2)	--	(--)

* Weight of conduit/tubing and conductors per 100 ft. (30.5m). Where clamp size fits multiple conduit/pipe sizes the weight is for the heaviest size.

** Weight of copper tubing and water per 100 ft. (30.5m).

† Weight of OD tubing and water per 100 ft. (30.5m) based on the mid-range tubing thicknesses.

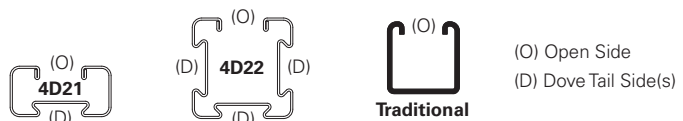
Dimensions are in inches unless otherwise noted. Metric dimensions are in parentheses and are in millimeters unless otherwise noted.

4Dimension™ Pipe Clamps

Universal Pipe Clamps (Interchangeable With 4Dimension & Traditional Strut In Dove-Tail & Open Sides)

Part No.	Design Load 1†		Design Load 2†		Design Load 3†	
	Open Side Lbs. (kN)	Dove-Tail Side Lbs. (kN)	Open Side Lbs. (kN)	Dove-Tail Side Lbs. (kN)	Open Side Lbs. (kN)	Dove-Tail Side Lbs. (kN)
4D2023	800 (3.56)	375 (1.67)	70 (0.31)	70 (0.31)	80 (0.35)	70 (0.31)
4D2024	800 (3.56)	375 (1.67)	70 (0.31)	70 (0.31)	80 (0.35)	70 (0.31)
4D2025	800 (3.56)	375 (1.67)	70 (0.31)	70 (0.31)	80 (0.35)	70 (0.31)
4D2026	800 (3.56)	375 (1.67)	70 (0.31)	70 (0.31)	80 (0.35)	70 (0.31)
4D2000	800 (3.56)	375 (1.67)	70 (0.31)	70 (0.31)	80 (0.35)	70 (0.31)
4D2001	800 (3.56)	375 (1.67)	70 (0.31)	70 (0.31)	80 (0.35)	70 (0.31)
4D2027	800 (3.56)	375 (1.67)	70 (0.31)	70 (0.31)	80 (0.35)	70 (0.31)
4D2008	800 (3.56)	375 (1.67)	70 (0.31)	70 (0.31)	80 (0.35)	70 (0.31)
4D2002	800 (3.56)	375 (1.67)	70 (0.31)	70 (0.31)	80 (0.35)	70 (0.31)
4D2009	800 (3.56)	375 (1.67)	80 (0.35)	80 (0.35)	80 (0.35)	70 (0.31)
4D2030	800 (3.56)	375 (1.67)	80 (0.35)	80 (0.35)	80 (0.35)	70 (0.31)
4D2003	800 (3.56)	375 (1.67)	80 (0.35)	80 (0.35)	80 (0.35)	70 (0.31)
4D2031	800 (3.56)	375 (1.67)	80 (0.35)	80 (0.35)	80 (0.35)	70 (0.31)
4D2010	800 (3.56)	375 (1.67)	80 (0.35)	80 (0.35)	80 (0.35)	70 (0.31)
4D2004	800 (3.56)	375 (1.67)	80 (0.35)	80 (0.35)	80 (0.35)	70 (0.31)
4D2011	800 (3.56)	375 (1.67)	80 (0.35)	80 (0.35)	80 (0.35)	70 (0.31)
4D2005	800 (3.56)	375 (1.67)	80 (0.35)	80 (0.35)	80 (0.35)	70 (0.31)
4D2012	800 (3.56)	375 (1.67)	80 (0.35)	80 (0.35)	80 (0.35)	70 (0.31)
4D2037	800 (3.56)	375 (1.67)	80 (0.35)	80 (0.35)	80 (0.35)	70 (0.31)
4D2038	800 (3.56)	375 (1.67)	80 (0.35)	80 (0.35)	80 (0.35)	70 (0.31)
4D2006	800 (3.56)	375 (1.67)	80 (0.35)	80 (0.35)	80 (0.35)	70 (0.31)
4D2039	800 (3.56)	375 (1.67)	80 (0.35)	80 (0.35)	80 (0.35)	70 (0.31)
4D2013	800 (3.56)	375 (1.67)	80 (0.35)	80 (0.35)	80 (0.35)	70 (0.31)
4D2041	800 (3.56)	375 (1.67)	70 (0.31)	70 (0.31)	80 (0.35)	70 (0.31)
4D2042	800 (3.56)	375 (1.67)	70 (0.31)	70 (0.31)	80 (0.35)	70 (0.31)
4D2043	800 (3.56)	375 (1.67)	70 (0.31)	70 (0.31)	80 (0.35)	70 (0.31)
4D2014	800 (3.56)	375 (1.67)	70 (0.31)	70 (0.31)	80 (0.35)	70 (0.31)
4D2045	800 (3.56)	375 (1.67)	50 (0.22)	50 (0.22)	80 (0.35)	70 (0.31)
4D2046	800 (3.56)	375 (1.67)	50 (0.22)	50 (0.22)	80 (0.35)	70 (0.31)
4D2047	800 (3.56)	375 (1.67)	50 (0.22)	50 (0.22)	80 (0.35)	70 (0.31)
4D2048	800 (3.56)	375 (1.67)	50 (0.22)	50 (0.22)	80 (0.35)	70 (0.31)
4D2015	800 (3.56)	375 (1.67)	50 (0.22)	50 (0.22)	80 (0.35)	70 (0.31)
4D2050	800 (3.56)	375 (1.67)	40 (0.18)	40 (0.18)	80 (0.35)	70 (0.31)
4D2051	800 (3.56)	375 (1.67)	40 (0.18)	40 (0.18)	80 (0.35)	70 (0.31)
4D2052	800 (3.56)	375 (1.67)	40 (0.18)	40 (0.18)	80 (0.35)	70 (0.31)
4D2016	800 (3.56)	375 (1.67)	40 (0.18)	40 (0.18)	80 (0.35)	70 (0.31)
4D2017	800 (3.56)	375 (1.67)	30 (0.13)	30 (0.13)	50 (0.22)	50 (0.22)

† Safety factor of 3 on open slot and dove tail slot.
Applies to 4D2000 series Universal Pipe Clamps
used in 4D21, 4D22, or traditional strut channels



Dimensions are in inches unless otherwise noted. Metric dimensions are in parentheses and are in millimeters unless otherwise noted.

4Dimension™ Accessories

4D5000 - Flip Clip™ Trapeze Hanger

(Exclusively for 4Dimension Strut)

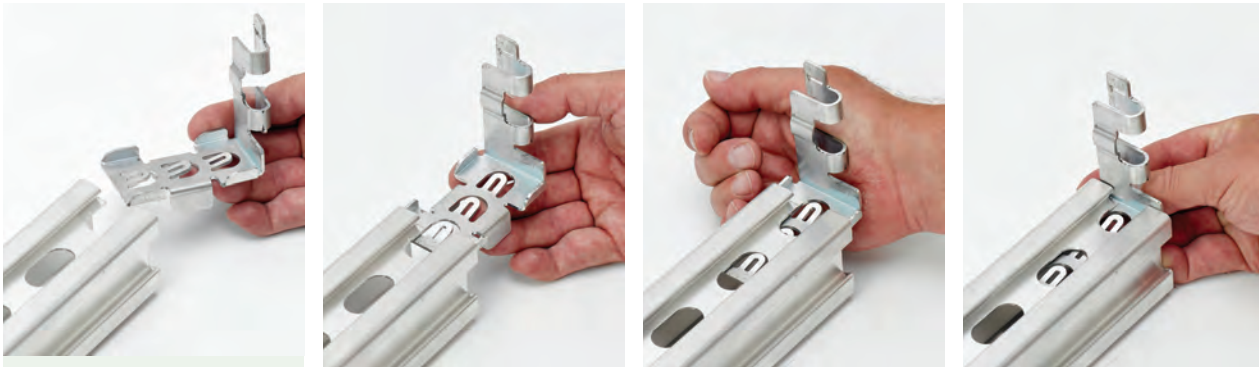


- Mechanically locks in place when used with 4Dimension SH hole pattern channel *
- Recommend a self-tapping set screw when used in 4Dimension solid channel or S hole pattern channel
- Requires hex nut for location placement on ATR
- Provides more usable area for trapeze application
- Sold in pieces (when used as trapeze hangers, two pieces are required)
- Loading Safety Factor: 2.5
- Zinc plated steel or Stainless Steel Type 316 (add SS6 to part number)
- Patent Pending

Part No.	Rod Size	Design Load		Wt./C	
		Lbs.	(kN)	Lbs.	(kg)
4D5000-3/8	3/8"-16	770	(3.42)	23.8	(10.79)
4D5000-1/2	1/2"-13	880	(3.56)	25.3	(11.47)

Design load when used in pairs as a trapeze solution.
Consult beam loading charts for channel loading.

Installation (shown in the upright position)



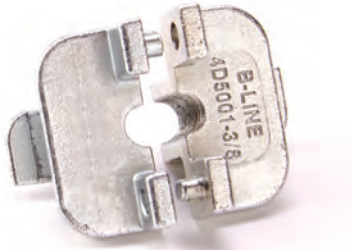
Ensure both top and bottom lock tabs are bent to secure All Threaded Rod.

* Ensure the tab on the horizontal side is bent to engage in the SH slot.

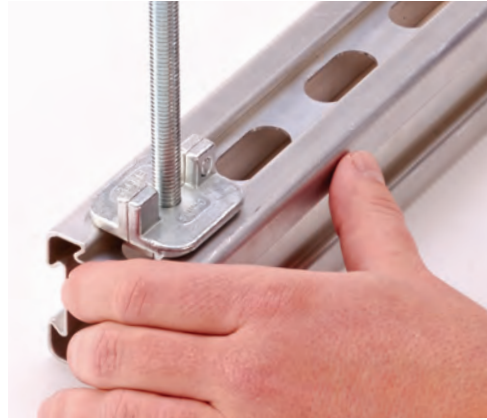
Dimensions are in inches unless otherwise noted. Metric dimensions are in parentheses and are in millimeters unless otherwise noted.

4D5001 - 2-Piece Turn & Lock Trapeze Hanger (Exclusively for 4Dimension Strut)

- Can be installed in any desired position on the ATR, helping eliminate the need to thread hex nuts up along ATR
- No additional hardware required
- Used in 'SH' slot with open face of channel facing up or down
- Interlocking/alignment tabs on top of part for easy assembly, installation, and adjustment
- Sold in pairs as shown below (one left side and one right side)
- When used as trapeze hangers, two sets are required
- Loading Safety Factor: 2.5
- Patent Pending



**Left & Right Sides
(one pair as shown)**

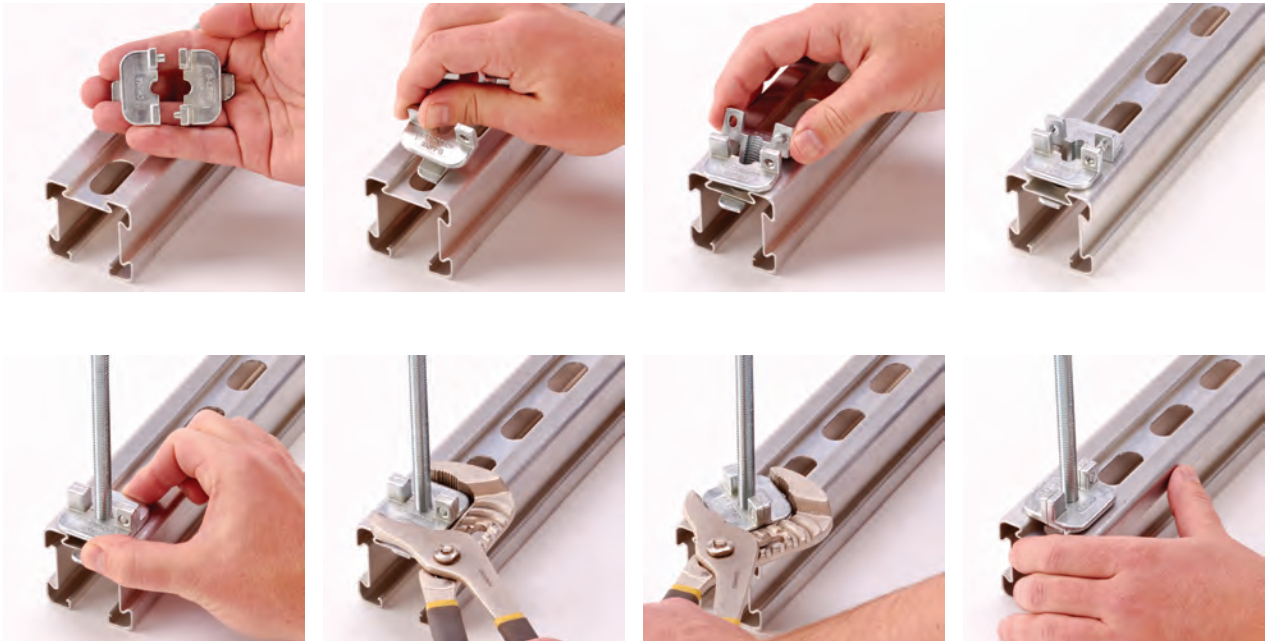


Note:
Not to be used in continuous open slot or solid dove-tail slot.

Part No.	Thread Size	Loading		Wt./C	
		Lbs.	(kN)	Lbs.	(kg)
4D5001	$3/8''$ -16	1155	(5.14)	24.8	(11.25)

Design load when used in pairs as a trapeze solution.
Consult beam loading charts for channel loading.

Installation



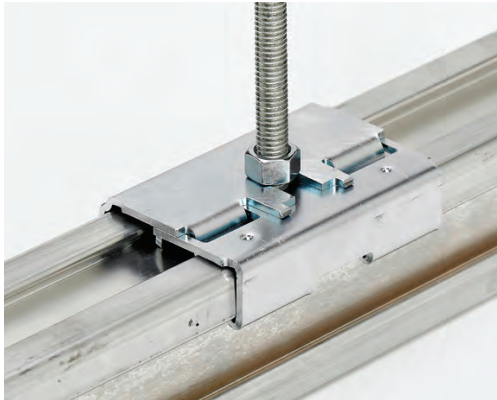
Dimensions are in inches unless otherwise noted. Metric dimensions are in parentheses and are in millimeters unless otherwise noted.

4Dimension™ Accessories

4D5100 - 2 Piece Strengthening Clamp (Exclusively for 4Dimension Strut)



- For use on 4D22 channel only
- Shipped as one piece that can be snapped apart for installation
- Also designed to be used as a rod hanger
- Loading Safety Factor: 2.5
- Pre-Galv steel or Stainless Steel
Type 316 (add SS6 to part number)
- Patent Pending



Part No.	Thread Size	Wt./C	
		Lbs.	(kg)
4D5100-3/8	3/8"-16	44.1	(20.00)
4D5100-1/2	1/2"-13	43.9	(19.91)

Part No.	Loading	
	Lbs.	(kN)
4D5100-3/8	785	(3.49)
4D5100-1/2	935	(4.16)

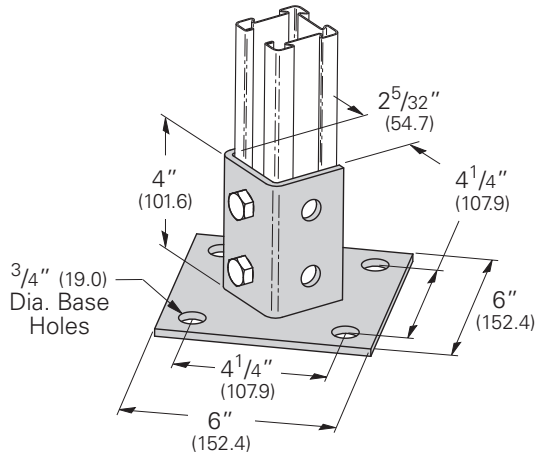
Design load when used individually.
Consult beam loading charts for channel loading.

Installation



Dimensions are in inches unless otherwise noted. Metric dimensions are in parentheses and are in millimeters unless otherwise noted.

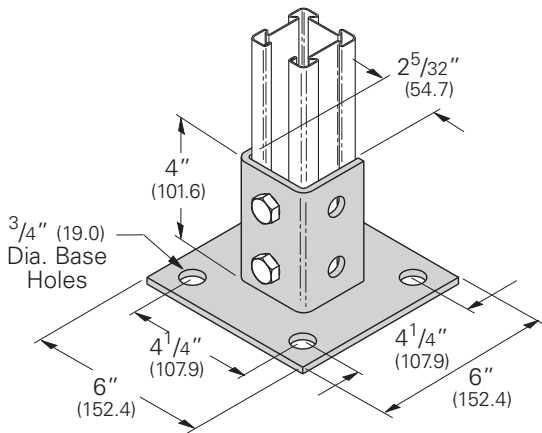
4D280 Post Bases (Exclusively for 4Dimension Strut)



- Standard finishes: ZN, GRN, HDG, SS4
- Used with 4D22 and 4D21
- Weight Per 100: 365 lbs. (165.5kg)

Part No.	Wt./C	
	Lbs.	kg
4D280	365	(165.5)

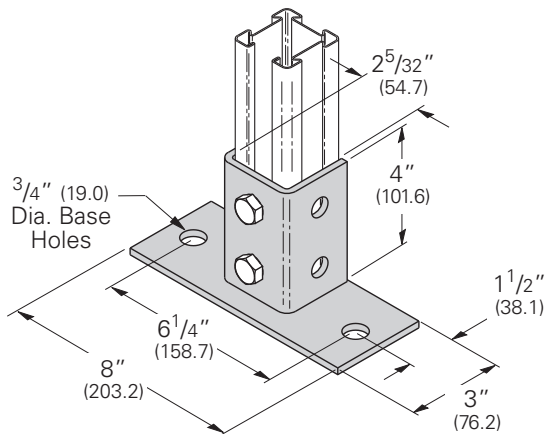
4D280SQ Post Bases (Exclusively for 4Dimension Strut)



- Standard finishes: ZN, GRN, HDG, SS4
- Used with 4D22 and 4D21
- Weight Per 100: 365 lbs. (165.5kg)

Part No.	Wt./C	
	Lbs.	kg
4D280SQ	365	(165.5)

4D280FL Post Bases (Exclusively for 4Dimension Strut)



- Standard finishes: ZN, GRN, HDG, SS4
- Used with 4D22 and 4D21
- Weight Per 100: 296 lbs. (134.2kg)

Part No.	Wt./C	
	Lbs.	kg
4D280FL	296	(134.2)

Dimensions are in inches unless otherwise noted. Metric dimensions are in parentheses and are in millimeters unless otherwise noted.

4Dimension™ Accessories

4D441 Series - Universal Beam Clamps (Interchangeable With 4Dimension & Traditional Strut)

Part No.	Fits Channel Sizes	U-Bolt Length		Wt./C	
		in.	(mm)	Lbs.	(kg)
4D441-21	4D21, B52, B54, B56	3 ⁵ / ₃₂ "	(80.1)	102	(46.3)
4D441-22	4D22 & 4D21A Style B22, B24, B26, B52A, B54A, B56A	4 ⁵ / ₃₂ "	(105.5)	107	(48.5)
4D441-22A	4D22 Back-To-Back Style B22A, B24A, B26A, B11	6 ¹ / ₃₂ "	(153.2)	116	(52.6)



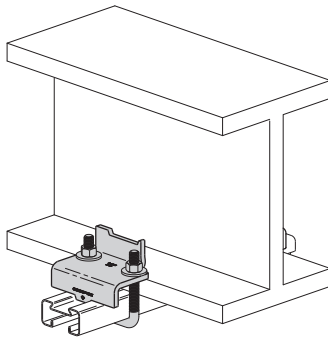
For Use With 4Dimension Strut



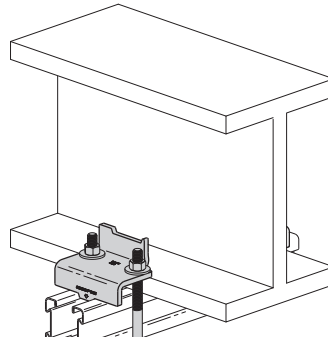
For Use With Traditional Strut

- Designed to be used with 4Dimension and traditional strut
- Design Load 1200 lbs. (5.34kN) when used in pairs
- Safety Factor of 3
- ³/₄" (19.0mm) maximum flange thickness
- Recommended torque: 150 in-lbs. (16.9N•m)
- U-Bolt comes pre-assembled with hardware
- Sold in pieces
- Standard finishes: Zinc Plated, HDG, SS4
- Patent Pending

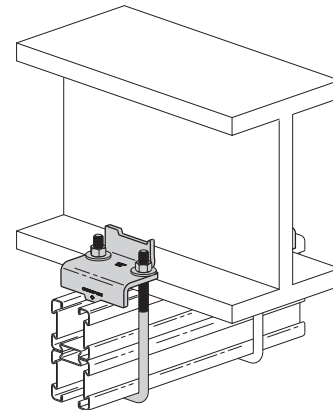
4Dimension Strut



4D441-21

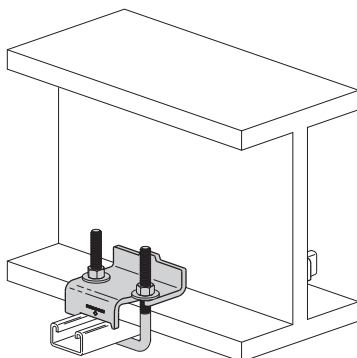


4D441-22

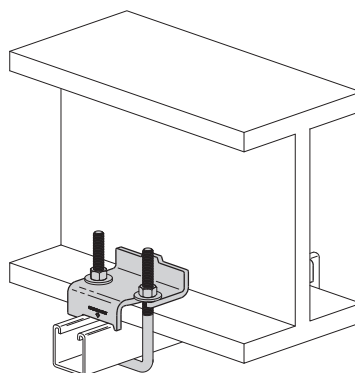


4D441-22A

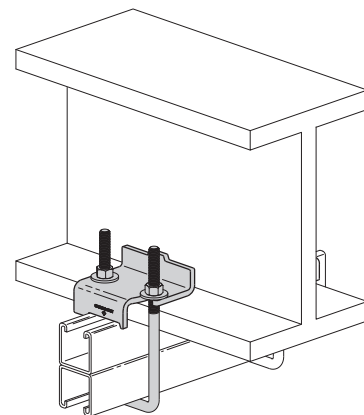
Traditional Strut



4D441-21



4D441-22



4D441-22A

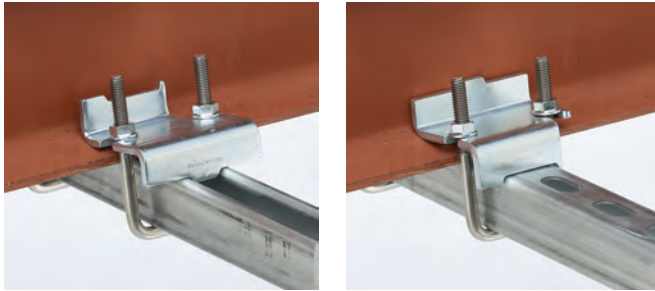
Dimensions are in inches unless otherwise noted. Metric dimensions are in parentheses and are in millimeters unless otherwise noted.

4D441 Series - Universal Beam Clamps (Interchangeable With 4Dimension & Traditional Strut) cont.

Installation



Compatible with Traditional Strut



Ensure that the U-Bolt is fully secured/nested in beam clamp slot.

4D822 & 4D821 - End Caps

- Sized for 4D22 and 4D21 channels
- Available in: White (W), Black (BLK), Green (GRN), Red (RED), Yellow (Y), Gray (GRY)
- Material: PVC/Vinyl/Polyvinyl Chloride
- Withstands intermittent temperatures up to 350° F (177°C) and 200°F (93°C) continuous
- Packaging quantities: 50 per box



4D822

4D821

Part No.	Use With	Wt./C	
		Lbs.	(kg)
4D821	4D21	1.5	(0.68)
4D822	4D22	2.0	(0.91)

Dimensions are in inches unless otherwise noted. Metric dimensions are in parentheses and are in millimeters unless otherwise noted.

4Dimension™ Compatible Strut Fittings

Hydraulic Strut Cutter

(For 4Dimension Strut & Various Traditional Channels)

- Patented **esp**[†] hydraulic strut cutter easily cuts 4Dimension strut and a variety of B-Line strut profiles to size in seconds
- Produces clean cuts without burrs or sharp edges
- Lightweight, black anodized 7075-T651 aluminum frame is portable to the jobsite - 65 lbs. (29.4kg)
- Collapsible handle creates a sturdy operations platform
- 10,000psi hydraulic power source and hose with universal coupling required for operation
- Adjustable material rest* feeds strut sections straight into cutter
- Adjustable backstop* provides for easy production cutting
- Blade sets available for cutting 4D21, 4D22, B22, B24, B26, B52, B54, B56 strut profiles
- Blade life: thousands of cuts from a single set of blades

*requires two (2) sections of 1" OD tubing - sold separately



† **esp** (edwards strut pro) is a product logo used by Edwards Manufacturing Company



Part No.	Description	Wt./Each Lbs. (kg)
BHSC100	esp cutter with the three (3) blade sets BHSC100B22 (installed), BHSC1004D22, BCSH1004D21, material rests (2), backstop, SPX power unit, and 6 foot hydraulic hose	172 (78.0)
BHSC1001***	esp cutter with the BHSC100B22 blade set, backstop, and material rest	77 (34.9)
BHSC1002***	esp cutter with the BHSC1004D21 blade set, backstop, and material rest	77 (34.9)
BHSC1003***	esp cutter with the BHSC1004D22 blade set, backstop, and material rest	77 (34.9)

Die Sets & Material Rest for Channel Listed

BHSC100B22	Blade set for B22, B24, B26, B52, B54, B56	12 (5.4)
BHSC1004D22**	Blade set for 4D22	12 (5.4)
BHSC1004D21**	Blade set for 4D21	12 (5.4)
BHSC4DMRA	Material Rest for 4D21 & 4D22 only	2 (0.9)

** If ordering the BHSC1004D22 or BHSC1004D21 blade sets for the first time, a BHSC4DMRA Material Rest (specifically designed for 4D22 and 4D21 channel) must also be ordered separately.

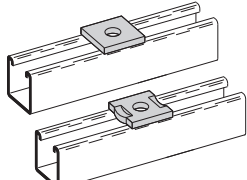
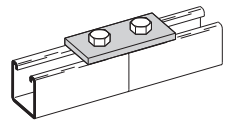
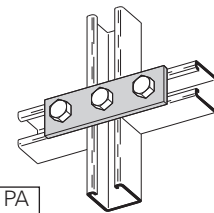
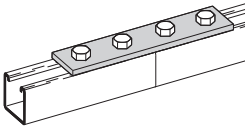
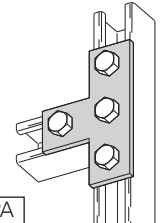
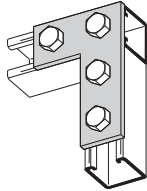
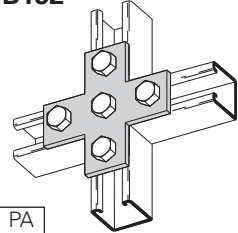
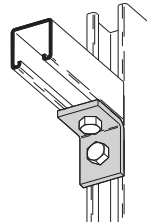
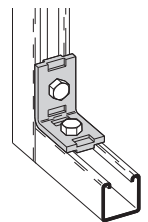
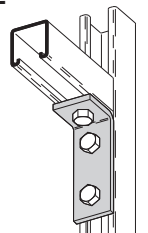
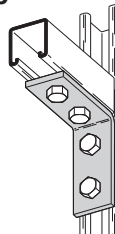
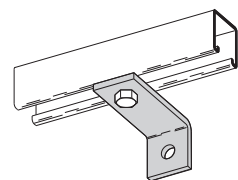
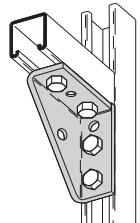
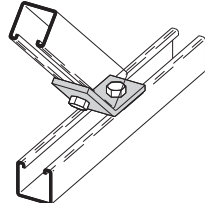
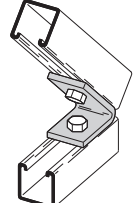
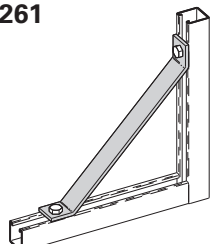
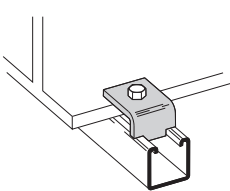
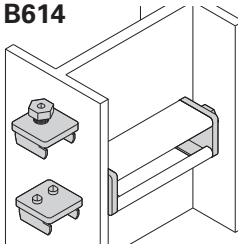
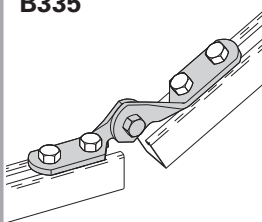
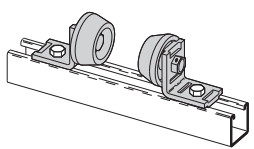
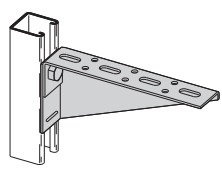
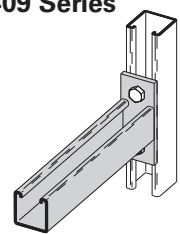
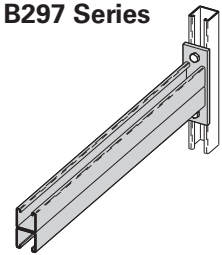
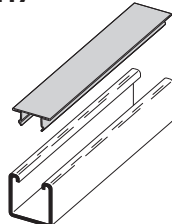
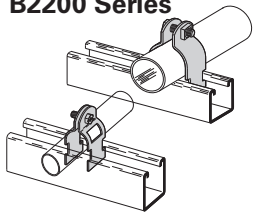
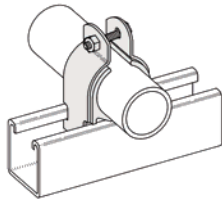
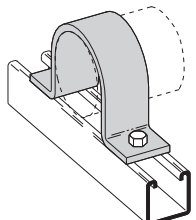
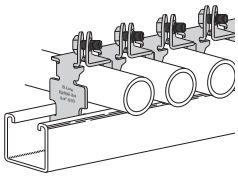
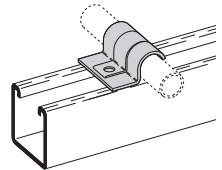
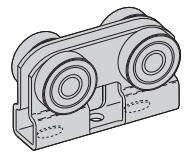
*** Does not include SPX power unit and hydraulic hose



4Dimension™ Compatible Strut Fittings

Compatible Strut Fittings

Most other strut fittings, except for wrap-around fittings, can be used with the 4D22 and 4D21 Strut channel. For more information, contact your local Eaton's B-Line Business Representative.

B200 Series B200D Series 	B129  <div style="border: 1px solid black; padding: 2px; width: fit-content; margin-left: 10px;">PA</div>	B141  <div style="border: 1px solid black; padding: 2px; width: fit-content; margin-left: 10px;">PA</div>	B341  <div style="border: 1px solid black; padding: 2px; width: fit-content; margin-left: 10px;">PA</div>	B133  <div style="border: 1px solid black; padding: 2px; width: fit-content; margin-left: 10px;">PA</div>
B143  <div style="border: 1px solid black; padding: 2px; width: fit-content; margin-left: 10px;">PA</div>	B132  <div style="border: 1px solid black; padding: 2px; width: fit-content; margin-left: 10px;">PA</div>	B230  <div style="border: 1px solid black; padding: 2px; width: fit-content; margin-left: 10px;">PA</div>	B231  <div style="border: 1px solid black; padding: 2px; width: fit-content; margin-left: 10px;">PA</div>	B232  <div style="border: 1px solid black; padding: 2px; width: fit-content; margin-left: 10px;">PA</div>
B115  <div style="border: 1px solid black; padding: 2px; width: fit-content; margin-left: 10px;">PA</div>	B361  	B844  	B154  	B155  <div style="border: 1px solid black; padding: 2px; width: fit-content; margin-left: 10px;">PA</div>
B261  	B355  	B614  	B335  	B218 
B174SH - B186SH  	B409 Series  	B297 Series  	B217  	B2000 Series B2200 Series 
BVT Series  	B2400 Series  	B2601-B2610  	B2084-B2091  	B478 

PA Also available as pre-assembled fitting.

4Dimension™ UPC Number Chart

Part Number	Finish / Material UPC Number									
	PLN	GLV	HDG	GRN	SS4	SS6	YZN	ZN	AL	DCU
4D21-120	79903858229	79903858228	79903858230	79903858231	79903858233	79903858234	79903858232	--	--	--
4D21-240	79903858236	79903858235	79903858237	79903858238	79903858240	79903858241	79903858239	--	--	--
4D21S-120	79903858243	79903858242	79903858244	79903858245	79903858247	79903858248	79903858246	--	--	--
4D21S-240	79903858250	79903858249	79903858251	79903858252	79903858254	79903858255	79903858253	--	--	--
4D21SH-120	79903858257	79903858256	79903858258	79903858259	79903858261	79903858262	79903858260	--	--	--
4D21SH-240	79903858264	79903858263	79903858265	79903858266	79903858268	79903858269	79903858267	--	--	--
4D22-120	79903858271	79903858270	79903858272	79903858273	79903858275	79903858276	79903858274	--	--	--
4D22-240	79903858278	79903858277	79903858279	79903858280	79903858282	79903858283	79903858281	--	--	--
4D22S-120	79903858285	79903858284	79903858286	79903858287	79903858289	79903858290	79903858288	--	--	--
4D22S-240	79903858292	79903858291	79903858293	79903858294	79903858296	79903858297	79903858295	--	--	--
4D22SH-120	79903858299	79903858298	79903858300	79903858301	79903858303	79903858304	79903858302	--	--	--
4D22SH-240	79903858306	79903858305	79903858308	79903858308	79903858310	79903858311	79903858309	--	--	--
4D2000	--	--	79903858352	--	79903858353	79903858354	--	79903858351	79903858355	--
4D2000PA	--	--	79903858507	--	79903858508	79903858509	--	79903858506	79903858510	--
4D2001	--	--	79903858357	--	79903858358	79903858359	--	79903858356	79903858360	--
4D2001PA	--	--	79903858512	--	79903858513	79903858514	79903858516	79903858511	79903858515	--
4D2002	--	--	79903858362	--	79903858363	79903858364	--	79903858361	79903858365	--
4D2002PA	--	--	79903858518	--	79903858519	79903858520	79903858522	79903858517	79903858521	--
4D2003	--	--	79903858367	--	79903858368	79903858369	--	79903858366	79903858370	--
4D2003PA	--	--	79903858524	--	79903858525	79903858526	79903858528	79903858523	79903858527	--
4D2004	--	--	79903858372	--	79903858373	79903858374	--	79903858371	79903858375	--
4D2004PA	--	--	79903858530	--	79903858531	79903858532	--	79903858529	79903858533	--
4D2005	--	--	79903858377	--	79903858378	79903858379	--	79903858376	79903858380	--
4D2005PA	--	--	79903858777	--	79903858778	79903858779	--	79903858776	79903858780	--
4D2006	--	--	79903858382	--	79903858383	79903858384	--	79903858381	79903858385	--
4D2006PA	--	--	79903858535	--	79903858536	79903858537	--	79903858534	79903858538	--
4D2008	--	--	79903858387	--	79903858388	79903858389	--	79903858386	79903858390	79903858438
4D2008PA	--	--	79903858540	--	79903858541	79903858542	--	79903858539	79903858543	79903858588
4D2009	--	--	79903858392	--	79903858393	79903858394	79903858396	79903858391	79903858395	--
4D2009PA	--	--	79903858545	--	79903858546	79903858547	--	79903858544	79903858548	--
4D2010	--	--	79903858398	--	79903858399	79903858400	79903858402	79903858397	79903858401	79903858440
4D2010PA	--	--	79903858550	--	79903858551	79903858552	--	79903858549	79903858553	79903858590
4D2011	--	--	79903858404	--	79903858405	79903858406	--	79903858403	79903858407	79903858441
4D2011PA	--	--	79903858555	--	79903858556	79903858557	--	79903858554	79903858558	79903858591
4D2012	--	--	79903858409	--	79903858410	79903858411	--	79903858408	79903858412	--
4D2012PA	--	--	79903858560	--	79903858561	79903858562	--	79903858559	79903858563	--
4D2013	--	--	79903858414	--	79903858415	79903858416	79903858418	79903858413	79903858417	--
4D2013PA	--	--	79903858565	--	79903858566	79903858567	--	79903858564	79903858568	--
4D2014	--	--	79903858420	--	79903858421	79903858422	--	79903858419	79903858423	--
4D2014PA	--	--	79903858570	--	79903858571	79903858572	--	79903858569	79903858573	--
4D2015	--	--	79903858425	--	79903858426	79903858427	--	79903858424	79903858428	--
4D2015PA	--	--	79903858575	--	79903858576	79903858577	--	79903858574	79903858578	--
4D2016	--	--	79903858430	--	79903858431	79903858432	--	79903858429	79903858433	--
4D2016PA	--	--	79903858580	--	79903858581	79903858582	--	79903858579	79903858583	--
4D2017	--	--	79903865476	--	--	--	--	79903864496	--	--
4D2017PA	--	--	79903865477	--	--	--	--	79903864497	--	--

4Dimension™ UPC Number Chart

Part Number	Finish / Material UPC Number									
	PLN	GLV	HDG	GRN	SS4	SS6	YZN	ZN	AL	DCU
4D2023	--	--	79903858447	--	79903858448	--	--	79903858446	--	--
4D2023PA	--	--	79903858597	--	79903858598	--	--	79903858596	--	--
4D2024	--	--	79903858450	--	79903858451	--	--	79903858449	--	79903858434
4D2024PA	--	--	79903858600	--	79903858601	--	--	79903858599	--	79903858584
4D2025	--	--	79903858453	--	79903858454	--	--	79903858452	--	79903858435
4D2025PA	--	--	79903858603	--	79903858604	--	--	79903858602	--	79903858585
4D2026	--	--	79903858456	--	79903858457	--	--	79903858455	--	79903858436
4D2026PA	--	--	79903858606	--	79903858607	--	--	79903858605	--	79903858586
4D2027	--	--	79903858459	--	79903858460	--	--	79903858458	--	79903858437
4D2027PA	--	--	79903858609	--	79903858610	--	--	79903858608	--	79903858587
4D2030	--	--	79903858462	--	79903858463	--	--	79903858461	--	79903858439
4D2030PA	--	--	79903858612	--	79903858613	--	--	79903858611	--	79903858589
4D2031	--	--	79903858465	--	79903858466	--	--	79903858464	--	--
4D2031PA	--	--	79903858615	--	79903858616	--	--	79903858614	--	--
4D2037	--	--	79903858468	--	79903858469	--	--	79903858467	--	--
4D2037PA	--	--	79903858618	--	79903858619	--	--	79903858617	--	--
4D2038	--	--	79903858471	--	79903858472	--	--	79903858470	--	79903858442
4D2038PA	--	--	79903858621	--	79903858622	--	--	79903858620	--	79903858592
4D2039	--	--	79903858474	--	79903858475	--	--	79903858473	--	--
4D2039PA	--	--	79903858624	--	79903858625	--	--	79903858623	--	--
4D2041	--	--	79903858477	--	79903858478	--	--	79903858476	--	--
4D2041PA	--	--	79903858627	--	79903858628	--	--	79903858626	--	--
4D2042	--	--	79903858480	--	79903858481	--	--	79903858479	--	79903858443
4D2042PA	--	--	79903858630	--	79903858631	--	--	79903858629	--	79903858593
4D2043	--	--	79903858483	--	79903858484	--	--	79903858482	--	--
4D2043PA	--	--	79903858633	--	79903858634	--	--	79903858632	--	--
4D2045	--	--	79903858486	--	79903858487	--	--	79903858485	--	--
4D2045PA	--	--	79903858636	--	79903858637	--	--	79903858635	--	--
4D2046	--	--	79903858489	--	79903858490	--	--	79903858488	--	79903858444
4D2046PA	--	--	79903858639	--	79903858640	--	--	79903858638	--	79903858594
4D2047	--	--	79903858492	--	79903858493	--	--	79903858491	--	--
4D2047PA	--	--	79903858642	--	79903858643	--	--	79903858641	--	--
4D2048	--	--	79903858495	--	79903858496	--	--	79903858494	--	--
4D2048PA	--	--	79903858645	--	79903858646	--	--	79903858644	--	--
4D2050	--	--	79903858498	--	79903858499	--	--	79903858497	--	79903858445
4D2050PA	--	--	79903858648	--	79903858649	--	--	79903858647	--	79903858595
4D2051	--	--	79903858501	--	79903858502	--	--	79903858500	--	--
4D2051PA	--	--	79903858651	--	79903858652	--	--	79903858650	--	--
4D2052	--	--	79903858504	--	79903858505	--	--	79903858503	--	--
4D2052PA	--	--	79903858654	--	79903858655	--	--	79903858653	--	--
4D280	--	--	79903858667	79903858666	79903858668	79903858669	--	79903858665	--	--
4D280FL	--	--	79903858677	79903858676	79903858678	79903858679	--	79903858675	--	--
4D280SQ	--	--	79903858672	79903858671	79903858673	79903858674	--	79903858670	--	--
4D441-21	--	--	--	79903858660	--	--	--	79903858659	--	--
4D441-22	--	--	79903858688	79903858662	79903858701	79903858702	--	79903858661	--	--
4D441-22A	--	--	79903858703	79903858664	79903858704	79903858705	--	79903858663	--	--

4Dimension™ UPC Number Chart

Part Number	Finish / Material UPC Number									
	PLN	GLV	HDG	GRN	SS4	SS6	YZN	ZN	AL	DCU
4D5000-1/2	--	--	--	--	--	79903858683	--	79903858682	--	--
4D5000-3/8	--	--	--	--	--	79903858681	--	79903858680	--	--
4D5001-3/8	--	--	79903858685	--	--	--	--	79903858684	--	--
4D5100-1/2	--	79903858342	--	--	--	79903858343	--	--	--	--
4D5100-3/8	--	79903858340	--	--	--	79903858341	--	--	--	--
4D5101	--	--	--	--	--	--	--	79903858350	--	--
4DB-3-1/4	--	--	--	--	--	--	--	--	79903858344	--
4DB-3-3/8	--	--	--	--	--	--	--	--	79903858345	--
4DB-5-1/4	--	--	--	--	--	--	--	--	79903858346	--
4DB-5-3/8	--	--	--	--	--	--	--	--	79903858347	--
4DB-7-1/4	--	--	--	--	--	--	--	--	79903858348	--
4DB-7-3/8	--	--	--	--	--	--	--	--	79903858349	--
4DDN228	--	--	--	--	--	79903858325	--	79903858324	--	--
4DNW223	--	--	--	--	--	79903858321	--	79903858320	--	--
4DNW224	--	--	--	--	--	79903858319	--	79903858318	--	--
4DNW228	--	--	--	--	--	79903858323	--	79903858322	--	--
4DSN223	--	--	--	--	--	79903858329	--	79903858328	--	--
4DSN224	--	--	--	--	--	79903858327	--	79903858326	--	--
4DSN228	--	--	--	--	--	79903858331	--	79903858330	--	--
4DTN223	--	--	--	--	--	79903858315	--	79903858314	--	--
4DTN224	--	--	--	--	--	79903858313	--	79903858312	--	--
4DTN228	--	--	--	--	--	79903858317	--	79903858316	--	--
4DWN223	--	--	--	--	--	79903858335	--	79903858334	--	--
4DWN224	--	--	--	--	--	79903858333	--	79903858332	--	--
4DWN225	--	--	--	--	--	79903858339	--	79903858338	--	--
4DWN228	--	--	--	--	--	79903858337	--	79903858336	--	--

Part Number	Color / Material UPC Number					
	White	Black	Green	Yellow	Gray	Red
4D821	79903863833	79903863835	79903863836	79903863834	79903863837	79903866042
4D822	79903863828	79903863830	79903863832	79903863829	79903863831	79903866041

Part Number	Material Number
BHSC4DMRA	79903866206
BHSC100	79903866207
BHSC100B22	79903866208
BHSC1001	79903866209
BHSC1002	79903866210
BHSC1003	79903866211
BHSC1004D21	79903866212
BHSC1004D22	79903866213

Part Number	Page	Part Number	Page	Part Number	Page
4D21	12-15	4D2026	23-25	4D821	31
4D21S	12-15	4D2026PA	23-25	4D822	31
4D21SH	12-15	4D2027	23-25	4DB-3- ¹ / ₄	16
4D22	8-11	4D2027PA	23-25	4DB-3- ³ / ₈	16
4D22S	8-11	4D2030	23-25	4DB-5- ¹ / ₄	16
4D22SH	8-11	4D2030PA	23-25	4DB-5- ³ / ₈	16
4D2000	23-25	4D2031	23-25	4DB-7- ¹ / ₄	16
4D2000PA	23-25	4D2031PA	23-25	4DB-7- ³ / ₈	16
4D2001	23-25	4D2037	23-25	4DDN228	17
4D2001PA	23-25	4D2037PA	23-25	4DNW223	20
4D2002	23-25	4D2038	23-25	4DNW224	20
4D2002PA	23-25	4D2038PA	23-25	4DNW228	20
4D2003	23-25	4D2039	23-25	4DSN223	19
4D2003PA	23-25	4D2039PA	23-25	4DSN224	19
4D2004	23-25	4D2041	23-25	4DSN228	19
4D2004PA	23-25	4D2041PA	23-25	4DTN223	19
4D2005	23-25	4D2042	23-25	4DTN224	19
4D2005PA	23-25	4D2042PA	23-25	4DTN228	19
4D2006	23-25	4D2043	23-25	4DWN223	20
4D2006PA	23-25	4D2043PA	23-25	4DWN224	20
4D2008	23-25	4D2045	23-25	4DWN225	20
4D2008PA	23-25	4D2045PA	23-25	4DWN228	20
4D2009	23-25	4D2046	23-25	BHSC4DMRA	32
4D2009PA	23-25	4D2046PA	23-25	BHSC100	32
4D2010	23-25	4D2047	23-25	BHSC100B22	32
4D2010PA	23-25	4D2047PA	23-25	BHSC1001	32
4D2011	23-25	4D2048	23-25	BHSC1002	32
4D2011PA	23-25	4D2048PA	23-25	BHSC1003	32
4D2012	23-25	4D2050	23-25	BHSC1004D21	32
4D2012PA	23-25	4D2050PA	23-25	BHSC1004D22	32
4D2013	23-25	4D2051	23-25	N223	21
4D2013PA	23-25	4D2051PA	23-25	N223W0	22
4D2014	23-25	4D2052	23-25	N224	21
4D2014PA	23-25	4D2052PA	23-25	N224W0	22
4D2015	23-25	4D280	29	N225	21
4D2015PA	23-25	4D280FL	29	N225W0	22
4D2016	23-25	4D280SQ	29	N228	21
4D2016PA	23-25	4D441-21	30-31	N228W0	22
4D2017	23-25	4D441-22	30-31	NW524	21
4D2017PA	23-25	4D441-22A	30-31	NW528	21
4D2023	23-25	4D5000- ¹ / ₂	26	NW525	21
4D2023PA	23-25	4D5000- ³ / ₈	26	TN224	22
4D2024	23-25	4D5001- ³ / ₈	27	TN225	22
4D2024PA	23-25	4D5100- ¹ / ₂	28	TN228	22
4D2025	23-25	4D5100- ³ / ₈	28		
4D2025PA	23-25	4D5101	17		

U.S. Customer Service Center is staffed Monday through Friday from 7 a.m. to 5:00 p.m. Central Standard Time.

For more information, visit
www.cooperbline.com/datacenters.

Eaton
United States
509 West Monroe Street
Highland, IL 62249
United States
Phone: (800) 851-7415
www.cooperbline.com/contactus

Eaton
Canada
5925 McLaughlin Road
Mississauga, ON L5R 1B8
Canada
Phone: (800) 569-3660
www.cooperbline.com/contactca

Eaton
1000 Eaton Boulevard
Cleveland, OH 44122
United States
Eaton.com

B-Line Division
509 West Monroe Street
Highland, IL 62249
Phone: 800-851-7415
Fax: 618-654-1917
www.bline.com

© 2015 Eaton
All Rights Reserved
Printed in USA
Publication No. CA300001EN
December 2015 20M (4DS-15R)

Eaton is a registered trademark
All other trademarks are property
of their respective owners.

Follow us on social media to get the
latest product and support information.

