

TERMS AND CONDITIONS OF SALE

ORDER ACCEPTANCE

LaMar Lighting Co. Inc. (LaMar) offers to sell and deliver lighting products in accordance with the terms and conditions set forth herein. Acceptance of this offer is expressly limited to such terms. LaMar hereby objects to and rejects any additional or alternative terms proposed by Buyer, including those contained in Buyer's purchase order, unless Lamar expressly agrees to such terms in writing. All orders are subject to credit approval and acceptance by LaMar. Credit availability is granted at the discretion of LaMar. We reserve the right to refuse to manufacture any item that is not in stock, or in the event that the order is too small to run on a production basis.

TERMS OF PAYMENT

If LaMar extends credit to Buyer, payment terms shall be net thirty (30) days from date of invoice, unless otherwise stated on quotation. LaMar may change or withdraw credit amounts or payment terms at any time for any reason. If the products are delivered in installments, Buyer shall pay for each installment in accordance with the above payment terms. If Buyer fails to make any payment when due, LaMar reserves the right to suspend or cancel performance under any agreements in which LaMar has extended credit to Buyer. Suspension of performance may result in rescheduling delays. If, in LaMar's judgment, Buyer's financial condition does not justify the payment terms specified herein, then LaMar reserves the right to terminate this contract unless Buyer immediately pays for all products that have been delivered and pays in advance for all products to be delivered. Termination in accordance with this clause shall not affect LaMar's right to pursue any other available remedies.

No deductions from invoices will be allowed without authorization, in writing, from LaMar. LaMar maintains the right to charge a 1.5% per month service charge on all past due balances, as well as reasonable collection costs and fees, including, but not limited to attorney, filing fees, and other associated costs of collection. The laws of the STATE OF NEW YORK shall be applicable to all suits arising between LaMar and the Buyer, and in the event of litigation, the venue will be Suffolk County, New York.

PRICING

Prices and specifications are subject to change without notice. If the prices of fuels, metals, raw materials, equipment or other production costs increase significantly, LaMar shall have the right, and Buyer shall have the obligation to renegotiate the price of all products not yet shipped. If an agreement is not reached, Lamar reserves the right to terminate any unshipped orders without liability.

QUOTATIONS, DATA SHEETS, SPECIFICATIONS

Prices are firm for thirty (30) days unless otherwise specified. All quotes on equals substituted by LaMar require customer approval after submittal of cuts. We cannot guarantee approval. LaMar is not responsible for misinterpretation. Specifications and dimensions of all products are subject to normal manufacturing tolerances and may change without prior notice. Fixture design and specification sheets may be updated and or modified as necessary and it is the Buyer's responsibility to obtain from LaMar and verify the latest catalog sheets to confirm dimensions, mounting details, knockouts, holes etc... LaMar will not be responsible for any costs associated with non-conformity to outdated published material, including that obtained from LaMar's website. Catalog numbers and cuts are merely indicative of what we manufacture. This does not necessarily mean that all items are carried in stock.

MINIMUM ORDER

Minimum billing per order - \$300.

LAMPS & MOUNTING HARDWARE

Lamps and mounting hardware, unless specified, are not included in the price of the lighting equipment.

FREIGHT

All prices F.O.B. our plant - Farmingdale, New York. Normal transportation costs will be prepaid and added to invoice. FREIGHT ALLOWANCES may apply on shipments based upon the order value and destination (continental U.S. locations only). Please contact your local LaMar sales agent or the factory for requirements. Certain items are excluded from this freight policy. Please consult factory. Unauthorized deductions will be charged back. Routing is at the discretion of LaMar. If customer will assume any additional charges, LaMar will ship in the manner selected by the customer. Fuel surcharges assessed by the carrier will be passed on to the purchaser and are not subject to the freight policy. Fuel surcharges are to be paid NET, and are not discountable for any reason. Any additional charges levied by the trucking company (ie: call before, liftgate, residential delivery) will incur additional fees. LaMar Lighting Co., Inc. is not responsible for the duties and taxes on items shipped out of the United States. The duties, taxes and Custom fees are the sole responsibility of the intended consignee. Orders shipped out of the United States may take an additional amount of time for delivery due to Customs clearance. All shipments that incur storage charges due to delays in providing the freight carrier with the necessary information and contact information necessary to clear Customs is the responsibility of the consignee.

DELIVERIES

LaMar will not be liable for ANY penalties or charge backs resulting from delayed deliveries.

TRANSPORTATION

All product is shipped F.O.B. Factory in good condition with title of the merchandise passing to the Buyer upon delivery to the common carrier, regardless of party responsible for charges. For all damages in transit, Buyer is responsible for the timely filing of all claims, and for all storage, handling, notification, COD, redelivery or other charges. The Buyer has responsibility for immediately inspecting goods upon delivery. Visible damage or shortage MUST be noted on the carrier bill of lading at time of delivery. Claims for damages to plastic diffusers must be made within 5 days of receipt. The sole remedy will be the issuance of a replacement part upon return of damaged goods. Claims for concealed damage must be reported to the carrier within 48 hours of receipt. In the event of concealed damage, carrier should be notified immediately and an inspection requested. All damaged goods must be held with packing material intact until inspection is completed. Any damage or shortage of material must be reported to LaMar within 48 HOURS of delivery. LaMar will not honor any claims submitted beyond that time. Orders quoted with prepaid freight are based on one complete shipment to destination. Requests for multiple shipments will incur additional shipping charges.

RETURN GOODS

No merchandise may be returned without prior authorization and will be refused at loading dock if the Return Goods Authorization (RGA) Number is not clearly marked on the outside of the carton(s). An RGA Number is valid for thirty (30) days only. Material must be shipped prepaid. Refunds will be in the form of credit toward future purchases only. No refund checks will be issued. Material must be received by LaMar in good condition, within three (3) months of original invoice date. There will be a deduction for freight out and the return is subject to a minimum 25% restocking fee as well as a reconditioning charge if necessary. Special finishes or custom orders may not be returned.

HOLD ORDERS

Orders marked "Hold for Release" or "Hold for Shipping Date" will not be manufactured until release date is given. We reserve the right to renegotiate pricing at time of release if the release extends beyond the stipulated time on our quotation and/or acknowledgement.

TERMS AND CONDITIONS OF SALE

LIMITED WARRANTY

All equipment is warranted for a period of one year, excluding plastic lenses and diffusers. A replacement part will be furnished in exchange for any part in a fixture, excluding lamps, which under normal use and service proves defective within one year after purchase. All lighting fixtures should be inspected prior to installation. Any missing parts or defects should be reported immediately to LaMar prior to installation of the item(s). All lighting products are intended to be installed by qualified licensed electricians. Any defects caused by improper installation, including but not limited to; faulty wire connections, connection to wrong supply voltage, failure to properly ground units, damage caused by rough handling, and diffusers damaged during installation, are specifically not covered under this limited warranty.

This warranty is null and void if fixtures are installed in an abnormal manner including but not limited to the following: subjected to abnormal stresses, such as an ambient room temperature or ceiling plenum temperature exceeding 90°F; or if the voltage is more than 5% above the rated line voltage of the ballast; or if "insulating blankets" are installed closer than 1" from recessed fixtures sides and tops; or if surface units are mounted to low density combustible ceilings, thus causing overheating and ballast failure. Many fixtures are not intended to operate in temperatures below 60°F. Consult factory if application requires low operating temperatures. Many fixture and ballast types have specific temperature limits as defined by the manufacturer. It is up to the end user to determine suitability for a specific application. Please consult factory if fixtures are to be mounted in areas of extreme high or low ambient temperatures. Some fixtures are intended for suspended mounting only to assure proper operation. Failures due to misapplication of product are not covered under any warranty.

This warranty is applicable only to the replacement of a defective fixture or components with positively no labor allowance unless specifically authorized in writing by LaMar before work is begun. Charge backs or deductions for unauthorized repairs will not be accepted.

LaMar makes no warranty whatsoever-either expressed or implied, with regard to lamps, ballasts or specular reflector materials. The respective manufacturers of these products warrant these materials directly to the end user. Further, LaMar makes no claims or warranty with regard to minimum useful life or performance of any material or product past the one year limited warranty.

Repair or replacement of defective parts is the Buyer's sole and exclusive remedy and the limit of LaMar's liability, and in no case shall exceed the wholesale purchase price of the product. No other claims will be allowed. Under no circumstances will LaMar be liable for labor, incidental, or consequential damages in connection with or arising out of the purchase or use of any LaMar product.

Any legal claims arising from this limited warranty shall be subject to the laws and jurisdiction of the State of New York. This is LaMar's sole warranty. No employee or agent of the corporation is authorized to add, modify, or delete from it.

CANCELLATIONS

Orders for Factory Stocked items may be cancelled prior to shipping without charge. All other orders cannot be cancelled unless LaMar is reimbursed for work already performed and for special material purchased or on order with our Vendors. If an order is cancelled after shipment, or refused at destination, restocking charges of up to 100% (applies to built to order, custom, or non-cancelable items) warehousing fees, delivery and return costs will be charged to the customer.

BALLAST WARRANTY

The ballasts used by our Company are those of recognized manufacturers and are warranted by their respective manufacturer only. Orders calling for specific brand names or models of ballasts will be handled on a quotation basis only. Any claims for defects in ballasts occurring outside of LaMar's limited warranty period should be directed to the respective ballast manufacturer. Copies of manufacturers warranties are available upon request. In no event shall LaMar Lighting accept any charge backs or labor invoices without express written consent from the factory prior to any work being performed. Should there be a ballast failure within LaMar's one-year warranty period, advise LaMar immediately and we will notify the ballast manufacturer of the difficulty. They in turn will notify you as to disposition of this problem. Do not proceed with repairs until authorization is received from the ballast manufacturer. We will accept defective ballast for exchange within one year from date of fixture purchase provided that ballast wires are 6" or longer. Under no circumstances will we replace a ballast with any lead wire cut under 6".

FIELD SERVICE AND REPAIR

If we elect to provide field inspection or repair, it will be done strictly as a courtesy and convenience to the end user. It is the facilities responsibility to identify specific products and locations of products claimed defective, provide safe accessibility to the lighting equipment, including providing any ladders, scaffolds, or other equipment necessary, as well as providing adequate protection to prevent damage to building or it's interior, obtaining union or other cooperation regarding free access to the site for field service personnel, and turning power on and off as required. Any field service work will be performed only during normal weekday working hours. LaMar reserves the right to supply non-union labor as necessary to provide any warranty related repairs. LaMar will not be responsible for any costs incurred in providing access to the lighting equipment.

Our performance of any services in no way is an extension of our liability beyond our Terms and Conditions of Sale and Limited Warranty contained herein.

ELECTRICAL COMPONENTS

All fixtures are wired for 120 Volt, 60 cycle AC operation. Ballasts with special voltage ratings, or specific test approvals other than U.L., must be specifically ordered for the job. These ballast additions must be added to the cost of the unit.

ERRORS, OMISSIONS AND STYLE CHANGES

All catalog and illustrative material from LaMar has been carefully proofread. We assume no responsibility if an error or an omission does occur. In the event that a style is changed, or it becomes necessary to use parts or materials other than shown in the catalog, we reserve the right to ship the item closest to the original designation.

CERTIFICATIONS & AFFILIATIONS:

All items are IBEW union made and UL listed.



Effective: 5/1/06

Scan QR code
to be directed
to our
home page!



LaMar
Lighting
Company, Inc.

VO SERIES CUSTOM LUMINAIRES VOYAGER

Job Name	
Catalog Number	
Notes	Type

Scan QR code to be directed to this product on the web!



features

- A unique bi-level luminaire controlled by an integral ultra-sonic motion sensor, designed to provide safe, dependable illumination while conserving energy. Suitable for ceiling or wall mounting
- Bi-level fixtures operate at a low standby light level, offering energy savings, safety and security with full light output instantly upon occupancy with areas fully lit only as needed
- Ideal for stairwells, restrooms, laundry rooms and other areas where maximum light levels are not required on a constant basis
- The ultra-sonic sensor features enhanced sensitivity and a lamp conditioning circuit (patented) that keeps new lamps on for 100 hours to assure long lamp life and proper operation
- For safety and compliance purposes in areas designated as emergency egress, we recommend choosing a standby light level that will provide minimum code compliant light levels while in the standby mode. In most municipalities, this is 1 FC average. See back for options
- A 2 lamp 4' T8 fixture uses only 14 watts in standby mode

construction

- Housings are die-formed of code gauge steel, with riveted socket supports
- Quality construction throughout for long-term dependable service
- New York City Department of Buildings calendar number #43525
- Ends are die formed for a clean, smooth look
- Ample knockouts are provided for convenient mounting with recessed or surface power feeds
- Premium lamp holders with rotary lock standard
- Meets ADA requirements for wall mounting
- All fixtures are U.L. listed and IBEW union made

diffuser

- One-piece extruded linear ribbed clear, light stabilized acrylic is standard, 100% DR acrylic available
- Features a linear refractive pattern for even illumination
- Grooved formation on the edges allow for a tight, no light leak attachment to the body
- Optional white powder coated perforated steel diffuser

electrical

- All electrical components are U.L. listed
- Electronic Class P ballasts standard, CEE approved
- Optional battery backup available for one or two light emergency operation at various output levels. Please consult factory for your specific emergency pack requirements

finish

- Prior to painting, all metal parts are treated with a multi-stage phosphate bonding process to ensure adhesion and inhibit rusting
- Painted with a lighting grade baked white enamel, having a reflectance factor exceeding 87% for premium quality and durability

sensor

- High frequency, extremely sensitive ultra-sonic, internally mounted
- LED status indicator light
- Exclusive lamp conditioning circuit (patented)
- Fail-safe feature switches light level to high (100%) if sensor is physically damaged
- 5 minute walk-test feature, easy-set time and sensitivity controls, compact design

**LaMar
Lighting**
Company, Inc.

Protected by one or more US
Patents Nos. 7,271,543 &
7,081,715

occu-smart[®]
technology

All units are U.L. listed as emergency power and lighting equipment (U.L.-924) when equipped with optional battery back-up and meet requirements of the life safety code/NFPA101, NEC/OSHA and most state and local codes.

Occu-smart is a registered trademark of LaMar Lighting Co., Inc.

ordering guide

NOTE: SOME ORDERING OPTIONS APPEAR ON PRODUCT LINE FOR OTHER OPTIONS, SEE LIST AT RIGHT

VO SERIES

VOYAGER

SAMPLE ORDER NUMBER



SERIES NO. WATTAGE TANDEM BALLAST VOLTAGE LENS LIGHTING OPTION DIMENSIONS LAMP TYPE
LAMPS TYPE OPTION OPTION

T-8 ORDERING GUIDE										
VO	1	31U		C8	U	PA,PF	FO, AS		8" x 24"	FB31T8
VO	1	17		C8	U	PA, PF	FO, AS		8" x 24"	F17T8
VO	1	25		C8	U	PA, PF	FO, AS		8" x 36"	F25T8
VO	1	25	T	C8	U	PA, PF	2C, FO, AS		8" x 72"	F25T8
VO	1	32		C8	U	PA, PF	FO, AS		8" x 48"	F32T8
VO	1	32	T	C8	U	PA, PF	2C, FO, AS		8" x 96"	F32T8
VO	2	17		C8	U	PA, PF	2C, FO, AS		8" x 24"	F17T8
VO	2	25		C8	U	PA, PF	2C, FO, AS		8" x 36"	F25T8
VO	2	25	T	C8	U	PA, PF	2C, FO, AS		8" x 72"	F25T8
VO	2	32		C8	U	PA, PF	2C, FO, AS		8" x 48"	F32T8
VO	2	32	T	C8	U	PA, PF	2C, FO, AS		8" x 96"	F32T8
VO	2/1	32/17*		C8	U	PA, PF			8" x 48"	(2)F32T8/(1)F17T8
T-5 ORDERING GUIDE										
VO	1	14		E5	U	PA	FO, BL		8" x 24"	F14T5
VO	2	14		E5	U	PA	2C, FO, BL		8" x 24"	F14T5
VO	1	21		E5	U	PA	FO, BL		8" x 36"	F21T5
VO	2	21		E5	U	PA	2C, FO, BL		8" x 36"	F21T5
VO	1	28		E5	U	PA	FO, BL		8" x 48"	F28T5
VO	2	28		E5	U	PA	2C, FO, BL		8" x 48"	F28T5

NOTE: TANDEM UNITS CONTAIN DOUBLE THE AMOUNT OF LAMPS SHOWN

NOTE: STANDBY OPTION "AS" - UNIVERSAL VOLTAGE STANDARD

*(1)17W lamp on full time, (2)32W lamps cycled on/off with occupancy

options

OPTIONS: INSERT APPROPRIATE CODE FOR CUSTOMIZED ORDERING

BALLAST

C8 CEE listed high performance T8
E5 Electronic T5
Program rapid start ballasts are used for lamps that are cycled on/off or dimmed
Instant start ballasts are used for lamps that are not cycled or dimmed

Most non-dimming models may be used to operate reduced wattage 4' T8 lamps (25/28W) limited to operation above 60°F ambient temperature - Consult factory or specific ballast manufacturer

VOLTAGE

U Universal 120-277V

DIFFUSER OPTIONS

PA Clear ribbed acrylic
DR 100% DR Acrylic (consult factory)
PF Perforated metal - white

LIGHTING OPTIONS

2C 1 lamp on constantly/1 lamp sensed
FO All lamps on/off, All lamps sensed on
AS User selectable standby options
5, 10, 20 & 30% Nominal Light Output

GENERAL OPTIONS

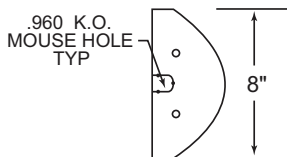
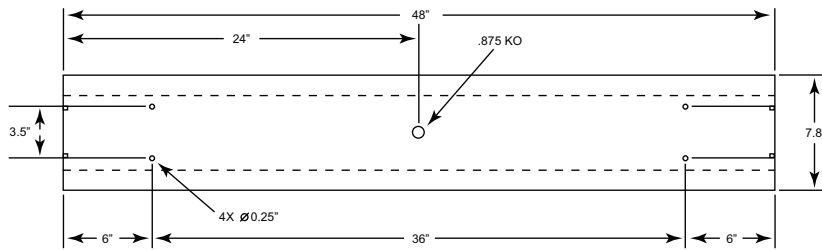
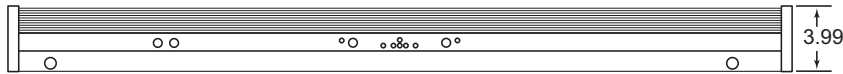
LW Low watt ballast
EM Emergency pack, 1 lamp
90 min. up to 500 lu.
GS Green Light Savers self illuminating strip (factory installed) - consult factory for availability

Consult Factory for higher lumen battery pack availability and additional options not shown or listed

dimensional data

NOTE: SPECIFICATIONS AND DIMENSIONAL DATA ARE SUBJECT TO CHANGE WITHOUT NOTICE

cross sections



(2) F32T8@10%=14W	(1) F32T8@10%=8W
(2) F32T8@100%=68W	(1) F32T8@100%=35W
(2) F17T8@10%=11W	(1) F17T8@10%=7W
(2) F17T8@100%=36W	(1) F17T8@100%=20W

accessories

LAMP OPTIONS

12 T8 741K
15 T8 735K
10 T8 730K
13 T8 841K
16 T8 835K
11 T8 830K

BEFORE INSTALLATION, PLEASE CONSULT YOUR LOCAL ORDINANCES AND BUILDING CODES FOR COMPLIANCE

occu-smart[®]
technology

Protected by one or more US Patents
Nos. 7,271,543 & 7,081,715

Scan QR code to be directed to our home page!



Lamar
Lighting
Company, Inc.

Revised
7/12

LAMAR LIGHTING 485 Smith Street, Farmingdale, NY 11735 • Tel (631) 777-7700
Fax (631) 777-7705 • Outside NY (800) 724-7743 • www.lamarlighting.com

VOC F SERIES

VOYAGER COMPACT FLUORESCENT

Scan QR code
to be directed to
this product
on the web!



Job Name	
Catalog Number	
Notes	Type



features

- A unique bi-level luminaire controlled by an integral ultra-sonic motion sensor, designed to provide safe, dependable illumination while conserving energy. Suitable for ceiling or wall mounting
- Bi-level fixtures operate at a low standby light level, offering energy savings, safety and security with full light output instantly upon occupancy with areas fully lit only as needed
- Ideal for stairwells, restrooms, laundry rooms and other areas where maximum light levels are not required on a constant basis
- The ultra-sonic sensor features enhanced sensitivity and a lamp conditioning circuit (patented) that keeps new lamps on for 100 hours to assure long lamp life and proper operation
- For safety and compliance purposes in areas designated as emergency egress, we recommend choosing a standby light level that will provide minimum code compliant light levels while in the standby mode. In most municipalities, this is 1 FC average. See back for options

construction

- Housings are die-formed of code gauge steel, with riveted end plates and socket supports
- Quality construction throughout for long-term dependable service
- New York City Department of Buildings calendar number #43525
- Ample knockouts are provided for convenient mounting with recessed or surface power feeds
- Meets ADA requirements for wall mounting
- All fixtures are U.L. listed and IBEW union made

diffuser

- One-piece extruded linear ribbed clear, light stabilized acrylic is standard, 100% DR acrylic available
- Features a linear refractive pattern for even illumination
- Grooved formation on the edges allow for a tight, no light leak attachment to the body
- Optional white powder coated perforated steel diffuser

All units are U.L. listed as emergency power and lighting equipment (U.L.-924) when equipped with optional battery back-up and meet requirements of the life safety code/NFPA101, NEC/OSHA and most state and local codes.

electrical

- All electrical components are U.L. listed
- Electronic Class P ballasts standard, CEE approved
- Optional battery backup available for operation at various output levels. Please consult factory for your specific emergency pack requirements

finish

- Prior to painting, all metal parts are treated with a multi-stage phosphate bonding process to ensure adhesion and inhibit rusting
- Painted with a lighting grade baked white enamel, having a reflectance factor exceeding 87% for premium quality and durability

sensor

- High frequency, extremely sensitive ultra-sonic, internally mounted
- LED status indicator light
- Exclusive lamp conditioning circuit (patented)
- Fail-safe feature switches light level to high (100%) if sensor is physically damaged
- 5 minute walk-test feature, easy-set time and sensitivity controls, compact design

LaMar
Lighting
Company, Inc.

occu-smart
technology

Occu-smart is a registered trademark of LaMar Lighting Co., Inc.

Protected by one or more US
Patents Nos. 7,271,543 & 7,081,715

VOCF SERIES

VOYAGER
COMPACT FLUORESCENT

ordering guide

NOTE: SOME ORDERING OPTIONS APPEAR ON PRODUCT LINE FOR OTHER OPTIONS, SEE LIST AT RIGHT

SAMPLE ORDER NUMBER



SERIES NO. WATTAGE LENGTH BALLAST VOLTAGE LENS LIGHTING OPTION DIMENSIONS LAMP TYPE
LAMPS TYPE OPTION OPTION TYPE

COMPACT FLUORESCENT ORDERING GUIDE

VOCF	1, 2	7	16	PN, MP, EP	1, 7, U	PA, PF	2C, FO		8" x 16"	CFL7
VOCF	1, 2	9	16	PN, MP, EP	1, 7, U	PA, PF	2C, FO		8" x 16"	CFL9
VOCF	1, 2	13	16	PN, MP, EQ, EP	1, 7, U	PA, PF	2C, FO, AS		8" x 16"	CFL13
VOCF	1, 2	18	16	EQ	1, 7, U	PA, PF	2C, FO, AS		8" x 16"	CFL18
VOCF	1, 2	26	16	EQ	1, 7, U	PA, PF	2C, FO, AS		8" x 16"	CFL26
VOCF	1, 2	18	16	EB	1, 7, U	PA, PF	2C, FO, AS		8" x 16"	FT18/2G11

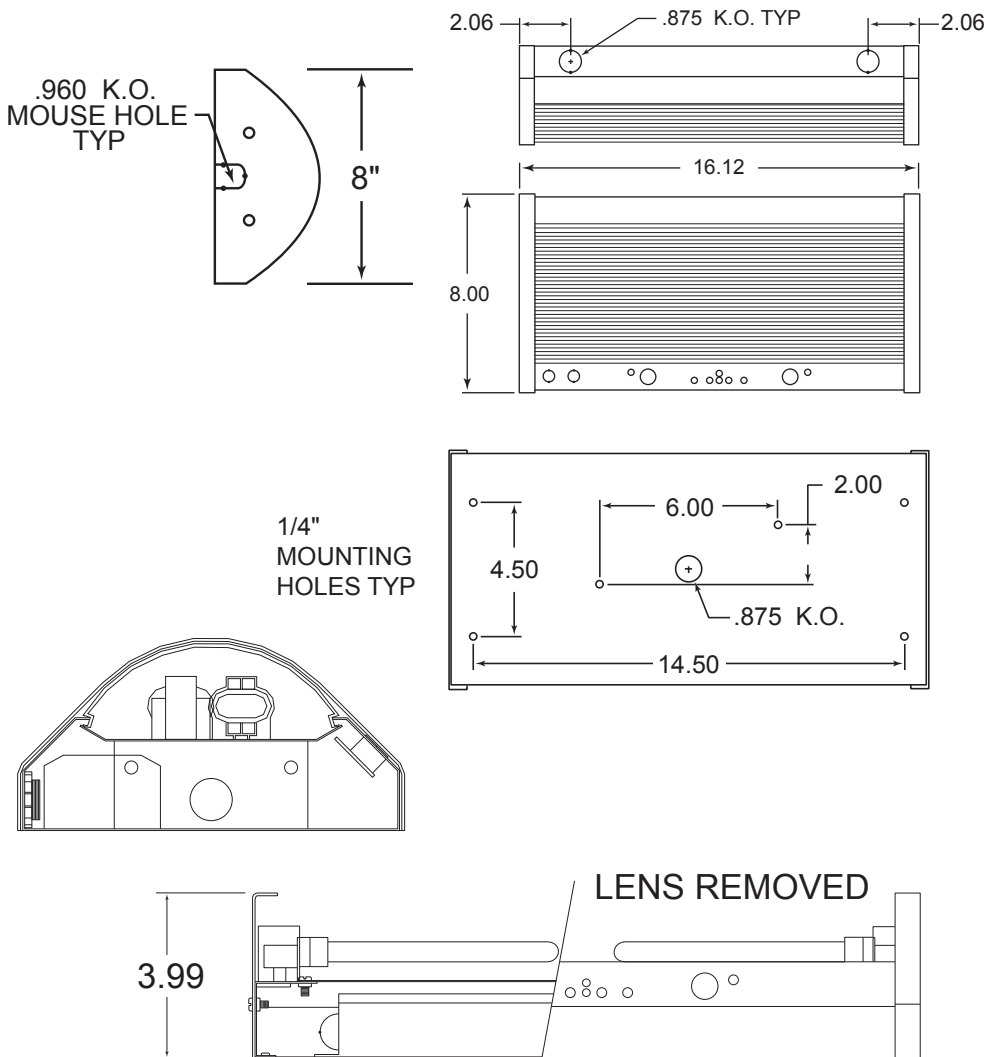
NOTE: DIMMING OPTIONS ARE AVAILABLE PER SPECIFIC BALLAST TYPE - CONSULT FACTORY

NOTE: STANDBY OPTION "AS" - UNIVERSAL VOLTAGE STANDARD (EQ, EB ONLY)

dimensional data

NOTE: SPECIFICATIONS AND DIMENSIONAL DATA ARE SUBJECT TO CHANGE WITHOUT NOTICE

cross sections



options

OPTIONS: INSERT APPROPRIATE CODE FOR CUSTOMIZED ORDERING

BALLAST

PN CFL Normal Power Factor *
MP CFL High Power Factor *
EQ Electronic CFL Quad (4P)
EP Electronic CFL (4P) 2G7, 2GX7 Base
EB Electronic bias

* No dimming options

Program rapid start ballasts are used for lamps that are cycled on/off or dimmed
Instant start ballasts are used for lamps that are not cycled or dimmed

VOLTAGE

1 120V
7 277V
U Universal 120-277V

DIFFUSER OPTIONS

PA Clear ribbed acrylic
DR 100% DR acrylic (consult factory)
PF Perforated metal - white

LIGHTING OPTIONS

2C 1 lamp on constantly/1 lamp sensed
FO All lamps on/off, All lamps sensed on
AS User selectable standby options
5, 10, 20 & 75% Nominal Light Output

GENERAL OPTIONS

EM Emergency pack, 1 lamp
90 min. up to 500 lu.

Consult Factory for additional options not shown or listed

Not all lamps types are dimmable, consult factory for your specific application

BEFORE INSTALLATION, PLEASE CONSULT YOUR LOCAL ORDINANCES AND BUILDING CODES FOR COMPLIANCE

occu-smart[®]
technology

Protected by one or more US Patents
Nos. 7,271,543 & 7,081,715

Revised
7/12

LAMAR LIGHTING 485 Smith Street, Farmingdale, NY 11735 • Tel (631) 777-7700
Fax (631) 777-7705 • Outside NY (800) 724-7743 • www.lamarlighting.com

Scan QR code to be directed to our home page!



**Lamar
Lighting**
Company, Inc.

C 2 SERIES CORDELIA

Job Name	
Catalog Number	
Notes	Type

Scan QR code to be directed to this product on the web!



features

- A unique bi-level luminaire controlled by an integral ultra-sonic motion sensor, designed to provide safe, dependable illumination while conserving energy. Suitable for ceiling or wall mounting
- Bi-level fixtures operate at a low standby light level, offering energy savings, safety and security with full light output instantly upon occupancy with areas fully lit only as needed
- Ideal for stairwells, restrooms, laundry rooms and other areas where maximum light levels are not required on a constant basis
- The ultra-sonic sensor features enhanced sensitivity and a lamp conditioning circuit (patented) that keeps new lamps on for 100 hours to assure long lamp life and proper operation
- For safety and compliance purposes in areas designated as emergency egress, we recommend choosing a standby light level that will provide minimum code compliant light levels while in the standby mode. In most municipalities, this is 1 FC average. See back for options

construction

- Housings are die-formed of code gauge steel, with riveted end plates and socket supports
- Quality construction throughout for long-term dependable service
- Vandal resistant options including heavy gauge end plates, tamper-proof screws and hi-impact diffusers
- Ample knockouts are provided for convenient mounting with recessed or surface power feeds
- New York City Department of Buildings calendar #4525
- All fixtures are U.L. listed and IBEW union made
- Premium lamp holders with rotary lock standard

diffuser

- One-piece extruded clear, light stabilized acrylic is standard
- Features a linear refractive pattern for even illumination
- Grooved formation on the edges allow for a tight, no light leak attachment to the body
- Optional polycarbonate lens

All units are U.L. listed as emergency power and lighting equipment (U.L.-924) when equipped with optional battery back-up and meet requirements of the life safety code/NFPA101, NEC/OSHA and most state and local codes.

electrical

- All electrical components are U.L. listed
- Electronic Class P ballasts standard, CEE approved
- Optional battery backup available for one or two light emergency operation at various output levels. Please consult factory for your specific emergency pack requirements

finish

- Painted with a lighting grade baked white enamel, having a reflectance factor exceeding 87% for premium quality and durability
- Prior to painting, all metal parts are treated with a multi-stage phosphate bonding process to ensure adhesion and inhibit rusting

sensor

- High frequency, extremely sensitive ultra-sonic, internally mounted
- LED status indicator light
- Exclusive lamp conditioning circuit (patented)
- Fail-safe feature switches light level to high (100%) if sensor is physically damaged
- 5 minute walk-test feature, easy-set time and sensitivity controls, compact design

**LaMar
Lighting**
Company, Inc.

occu-smart[®]
technology

Occu-smart is a registered trademark of LaMar Lighting Co., Inc.

Protected by one or more US Patents
Nos. 7,271,543 & 7,081,715

C 2 SERIES

CORDELIA

ordering guide

NOTE: SOME ORDERING OPTIONS APPEAR ON PRODUCT LINE FOR OTHER OPTIONS, SEE LIST AT RIGHT

SAMPLE ORDER NUMBER



SERIES NO. WATTAGE TANDEM BALLAST VOLTAGE LENS LIGHTING OPTION DIMENSIONS LAMP TYPE
LAMPS LAMPS TYPE OPTION OPTION OPTION

T-8 ORDERING GUIDE

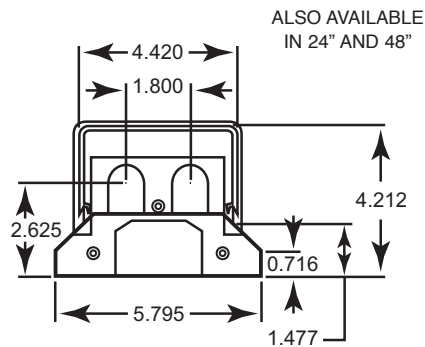
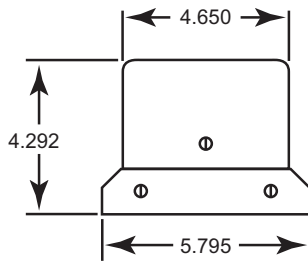
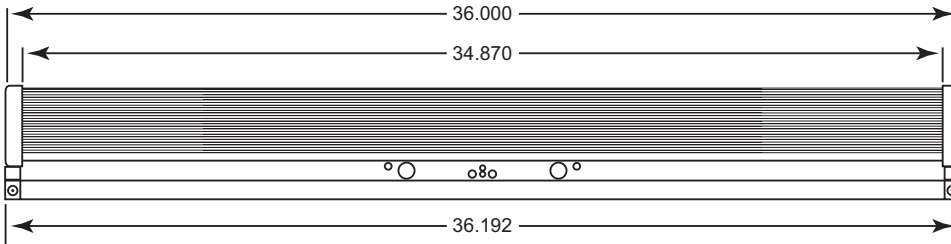
C2	1	17		C8	U	PA, PF, PC	FO, AS			6" x 24"	F17T8
C2	1	25		C8	U	PA, PF, PC	FO, AS			6" x 36"	F25T8
C2	1	25	T	C8	U	PA, PF, PC	2C, FO, AS			6" x 72"	F25T8
C2	1	32		C8	U	PA, PF, PC	FO, AS			6" x 48"	F32T8
C2	1	32	T	C8	U	PA, PF, PC	2C, FO, AS			6" x 96"	F32T8
C2	2	17		C8	U	PA, PF, PC	2C, FO, AS			6" x 24"	F17T8
C2	2	25		C8	U	PA, PF, PC	2C, FO, AS			6" x 36"	F25T8
C2	2	25	T	C8	U	PA, PF, PC	2C, FO, AS			6" x 36"	F25T8
C2	2	32		C8	U	PA, PF, PC	2C, FO, AS			6" x 48"	F32T8
C2	2	32	T	C8	U	PA, PF, PC	2C, FO, AS			6" x 96"	F32T8

NOTE: TANDEM UNITS CONTAIN DOUBLE THE AMOUNT OF LAMPS SHOWN

dimensional data

NOTE: SPECIFICATIONS AND DIMENSIONAL DATA ARE SUBJECT TO CHANGE WITHOUT NOTICE

cross sections



ALSO AVAILABLE IN 24" AND 48"

(2) F32T8@10%=14W	(1) F32T8@10%=8W
(2) F32T8@100%=68W	(1) F32T8@100%=35W
(2) F17T8@10%=11W	(1) F17T8@10%=7W
(2) F17T8@100%=36W	(1) F17T8@100%=20W

occu-smart[®]
technology

Protected by one or more US Patents
Nos. 7,271,543 & 7,081,715

Revised
7/12

LAMAR LIGHTING 485 Smith Street, Farmingdale, NY 11735 • Tel (631) 777-7700
Fax (631) 777-7705 • Outside NY (800) 724-7743 • www.lamarlighting.com

options

OPTIONS: INSERT APPROPRIATE CODE FOR CUSTOMIZED ORDERING

BALLAST

C8 CEE listed high performance T8 Program rapid start ballasts are used for lamps that are cycled on/off or dimmed Instant start ballasts are used for lamps that are not cycled or dimmed

Most non-dimming models may be used to operate reduced wattage 4' T8 lamps (25/28W) limited to operation above 60°F ambient temperature - Consult factory or specific ballast manufacturer

VOLTAGE

U Universal 120-277V

DIFFUSER OPTIONS

PA Prismatic acrylic
PC Polycarbonate
PF Perforated metal

LIGHTING OPTIONS

2C 1 lamp on constantly/1 lamp sensed
FO All lamps on/off, All lamps sensed on
AS User selectable standby options 5, 10, 20 & 40% Nominal Light Output

GENERAL OPTIONS

LW Low watt ballast
EM Emergency pack, 1 lamp 90 min. up to 500 lu.
TP Heavy gauge ends, tamper-proof screws

Consult Factory for higher lumen battery pack availability and additional options not shown or listed

accessories

LAMP OPTIONS

12 T8 741K
15 T8 735K
10 T8 730K
13 T8 841K
16 T8 835K
11 T8 830K

BEFORE INSTALLATION, PLEASE CONSULT YOUR LOCAL ORDINANCES AND BUILDING CODES FOR COMPLIANCE

Scan QR code to be directed to our home page!



Lamar
Lighting
Company, Inc.

OR SERIES WALL/CORNER MOUNT ORION

Scan QR code
to be directed to
this product
on the web!



Job Name	
Catalog Number	
Notes	Type



Shown with optional upright diffusers

features

- A unique bi-level luminaire controlled by an integral ultra-sonic motion sensor, designed to provide safe, dependable illumination while conserving energy. Suitable for wall or corner mounting
- Bi-level fixtures operate at a low standby light level, offering energy savings, safety and security with full light output instantly upon occupancy with areas fully lit only as needed
- Ideal for stairwells, restrooms, laundry rooms and other areas where maximum light levels are not required on a constant basis
- The ultra-sonic sensor features enhanced sensitivity and a lamp conditioning circuit (patented) that keeps new lamps on for 100 hours to assure long lamp life and proper operation
- For safety and compliance purposes in areas designated as emergency egress, we recommend choosing a standby light level that will provide minimum code compliant light levels while in the standby mode. In most municipalities, this is 1 FC average. See back for options

construction

- Housings are die-formed of code gauge steel, with riveted socket supports
- Quality construction throughout for long-term dependable service
- New York City Department of Buildings calendar number #43525
- Meets ADA requirements for wall mounting
- Ends are die formed for a clean, smooth look
- Ample knockouts are provided for convenient mounting with recessed or surface power feeds
- Premium lamp holders with rotary lock standard
- All fixtures are U.L. listed and IBEW union made

diffuser

- One-piece extruded linear ribbed clear, light stabilized acrylic is standard
- Features a linear refractive pattern for even illumination
- Grooved formation on the edges allow for a tight, no light leak attachment to the body
- Optional upright diffusers

electrical

- All electrical components are U.L. listed
- Electronic Class P ballasts standard, CEE approved
- Optional battery backup available for one or two light emergency operation at various output levels. Please consult factory for your specific emergency pack requirements

finish

- Prior to painting, all metal parts are treated with a multi-stage phosphate bonding process to ensure adhesion and inhibit rusting
- Painted with a lighting grade baked white enamel, having a reflectance factor exceeding 87% for premium quality and durability

sensor

- High frequency, extremely sensitive ultra-sonic, internally mounted
- LED status indicator light
- Exclusive lamp conditioning circuit (patented)
- Fail-safe feature switches light level to high (100%) if sensor is physically damaged
- 5 minute walk-test feature, easy-set time and sensitivity controls, compact design

**LaMar
Lighting**
Company, Inc.

Protected by one or
more US Patents Nos.
7,271,543 & 7,081,715

occu-smart[®]
technology

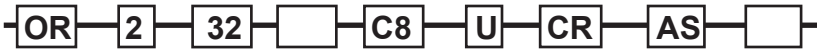
All units are U.L. listed as emergency power and lighting equipment (U.L.-924) when equipped with optional battery back-up and meet requirements of the life safety code/NFPA101, NEC/OSHA and most state and local codes.

Occu-smart is a registered trademark of LaMar Lighting Co., Inc.

ordering guide

NOTE: SOME ORDERING OPTIONS APPEAR ON PRODUCT LINE FOR OTHER OPTIONS, SEE LIST AT RIGHT

SAMPLE ORDER NUMBER



SERIES NO. WATTAGE TANDEM BALLAST VOLTAGE LENS LIGHTING OPTION DIMENSIONS LAMP TYPE
LAMPS TYPE TYPE OPTION OPTION TYPE

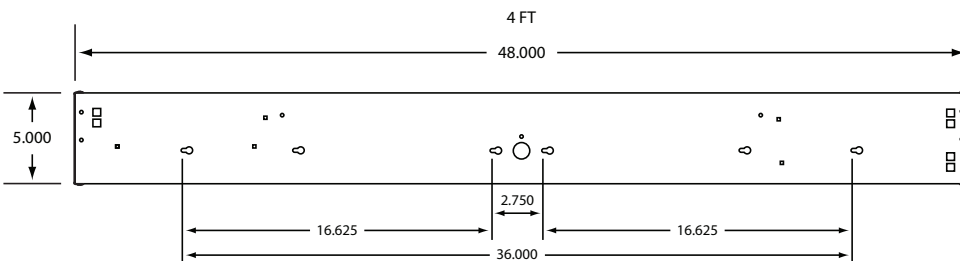
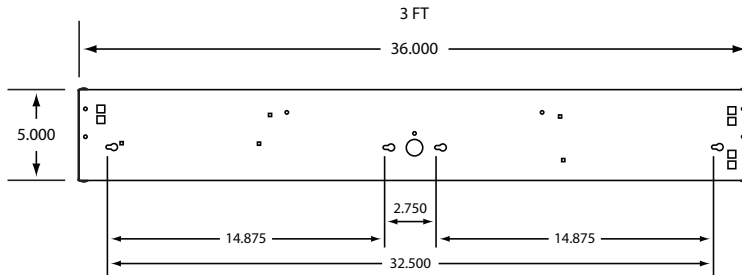
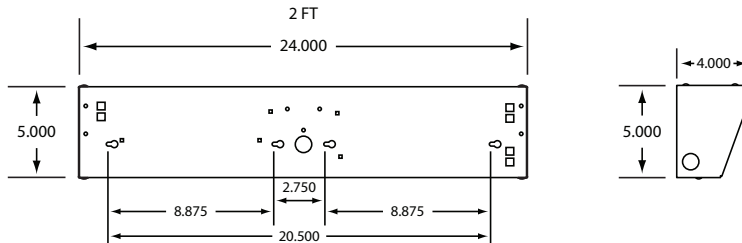
T-8 ORDERING GUIDE

OR	1	17		C8	U	CR	FO, AS		5" x 24"	F17T8
OR	1	25		C8	U	CR	FO, AS		5" x 36"	F25T8
OR	1	32		C8	U	CR	FO, AS		5" x 48"	F32T8
OR	2	17		C8	U	CR	2C, FO, AS		5" x 24"	F17T8
OR	2	25		C8	U	CR	2C, FO, AS		5" x 36"	F25T8
OR	2	32		C8	U	CR	2C, FO, AS		5" x 48"	F32T8

dimensional data

NOTE: SPECIFICATIONS AND DIMENSIONAL DATA ARE SUBJECT TO CHANGE WITHOUT NOTICE

cross sections



(2) F32T8@10%=14W	(1) F32T8@10%=8W
(2) F32T8@100%=68W	(1) F32T8@100%=35W
(2) F17T8@10%=11W	(1) F17T8@10%=7W
(2) F17T8@100%=36W	(1) F17T8@100%=20W



Protected by one or more US Patents
Nos. 7,271,543 & 7,081,715

Revised
7/12

LAMAR LIGHTING 485 Smith Street, Farmingdale, NY 11735 • Tel (631) 777-7700
Fax (631) 777-7705 • Outside NY (800) 724-7743 • www.lamarlighting.com

OR SERIES WALL / CORNER MOUNT ORION

options

OPTIONS: INSERT APPROPRIATE CODE FOR CUSTOMIZED ORDERING

BALLAST

C8 CEE listed high performance T8 Program rapid start ballasts are used for lamps that are cycled on/off or dimmed Instant start ballasts are used for lamps that are not cycled or dimmed

Most non-dimming models may be used to operate reduced wattage 4' T8 lamps (25/28W) limited to operation above 60°F ambient temperature - Consult factory or specific ballast manufacturer

VOLTAGE

U Universal 120-277V

DIFFUSER OPTIONS

CR Clear ribbed acrylic
U With uplight diffusers

LIGHTING OPTIONS

2C 1 lamp on constantly/1 lamp sensed
FO All lamps on/off, All lamps sensed on
AS User selectable standby options
5, 10, 20 & 40% Nominal Light Output

GENERAL OPTIONS

LW Low watt ballast
EM Emergency pack, 1 lamp
90 min. up to 500 lu.

Consult Factory for higher lumen battery pack availability and additional options not shown or listed

accessories

LAMP OPTIONS

12 T8 741K
15 T8 735K
10 T8 730K
13 T8 841K
16 T8 835K
11 T8 830K

BEFORE INSTALLATION, PLEASE CONSULT YOUR LOCAL ORDINANCES AND BUILDING CODES FOR COMPLIANCE

Scan QR code to be directed to our home page!



M N 2 S E R I E S

M E N S A 2

Scan QR code
to be directed to
this product
on the web!



Job Name	
Catalog Number	
Notes	Type



f e a t u r e s

- A unique bi-level luminaire controlled by an integral ultra-sonic motion sensor, designed to provide safe, dependable illumination while conserving energy. Suitable for ceiling or wall mounting
- Bi-level fixtures operate at a low standby light level, offering energy savings, safety and security with full light output instantly upon occupancy with areas fully lit only as needed
- Ideal for stairwells, restrooms, laundry rooms and other areas where maximum light levels are not required on a constant basis
- The ultra-sonic sensor features enhanced sensitivity and a lamp conditioning circuit (patented) that keeps new lamps on for 100 hours to assure long lamp life and proper operation
- For safety and compliance purposes in areas designated as emergency egress, we recommend choosing a standby light level that will provide minimum code compliant light levels while in the standby mode. In most municipalities, this is 1 FC average. See back for options

c o n s t r u c t i o n

- The MN2 series is a premium grade of fluorescent fixture designed for long-term, dependable service
- Manufactured from code gauge steel for premium strength and rigidity
- Ample knockouts are provided on back and ends for convenient installation
- Premium lamp holders with rotary lock standard
- Meets ADA requirements for wall mounting
- All fixtures are U.L. listed and IBEW union made

s e n s o r

- High frequency, extremely sensitive ultra-sonic, internally mounted
- LED status indicator light
- Exclusive lamp conditioning circuit (patented)
- Integral directional cones to optimize detection range in corridors
- Fail-safe feature switches light level to high (100%) if sensor is physically damaged
- 5 minute walk-test feature, easy-set time and sensitivity controls, compact design

e l e c t r i c a l

- All electrical components are U.L. listed
- Electronic Class P ballasts standard, CEE approved
- Numerous options are available, see ordering information on back or consult factory
- Optional battery backup available for one or two light emergency operation at various output levels. Please consult factory for your specific emergency pack requirements

d i f f u s e r

- One-piece extruded white, light stabilized acrylic is standard
- Features a linear refractive pattern for even illumination

f i n i s h

- Grooved formation on the edges allow for a tight, no light leak attachment to the body
- Prior to painting, all metal parts are treated with a multi-stage phosphate bonding process to ensure adhesion and inhibit rusting
- Painted with a lighting grade baked white enamel, having a reflectance factor exceeding 87% for premium quality and durability

**LaMar
Lighting**
Company, Inc.

All units are U.L. listed as emergency power and lighting equipment (U.L.-924) when equipped with optional battery back-up and meet requirements of the life safety code/NFPA101, NEC/OSHA and most state and local codes.

Protected by one or more US
Patents Nos. 7,271,543 & 7,081,715

occu-smart[®]
technology

Occu-smart is a registered trademark of LaMar Lighting Co., Inc.

MN2 SERIES

MENSA 2

ordering guide

NOTE: SOME ORDERING OPTIONS APPEAR ON PRODUCT LINE FOR OTHER OPTIONS, SEE LIST AT RIGHT

SAMPLE ORDER NUMBER



T-8 ORDERING GUIDE								
SERIES	NO. LAMPS	WATTAGE	BALLAST TYPE	VOLTAGE	LIGHTING OPTION	DIMENSIONS	LAMP TYPE	
MN2	2	17	C8	U	2C, FO, AS	9" x 24"	F17T8	
MN2	2	25	C8	U	2C, FO, AS	9" x 36"	F25T8	
MN2	2	32	C8	U	2C, FO, AS	9" x 48"	F32T8	

options

OPTIONS: INSERT APPROPRIATE CODE FOR CUSTOMIZED ORDERING

BALLAST

C8 CEE listed high performance T8 Program rapid start ballasts are used for lamps that are cycled on/off or dimmed Instant start ballasts are used for lamps that are not cycled or dimmed

Most non-dimming models may be used to operate reduced wattage 4' T8 lamps (25/28W) limited to operation above 60°F ambient temperature - Consult factory or specific ballast manufacturer

VOLTAGE

U Universal 120 - 277V

LIGHTING OPTIONS

- 2C 1 lamp on constantly/1 lamp sensed
- FO All lamps on/off, All lamps sensed on
- AS User selectable standby options 5, 10, 20 & 40% Nominal Light Output

GENERAL OPTIONS

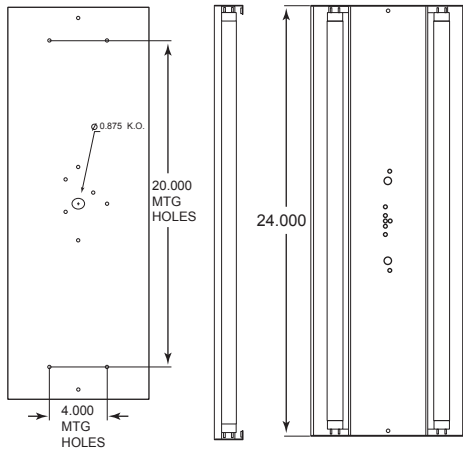
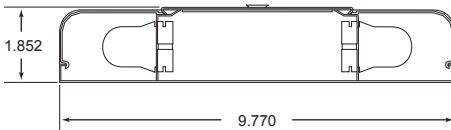
- LW Low watt ballast
- EM Emergency pack, 1 lamp 90 min. up to 500 lu.

Consult Factory for additional options not shown or listed

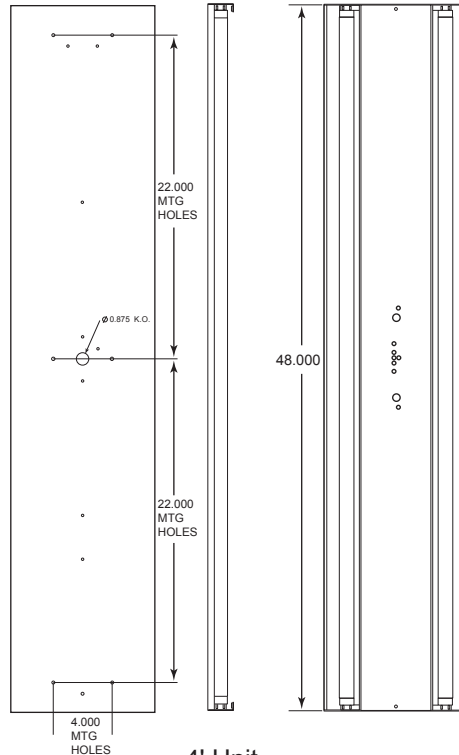
dimensional data

NOTE: SPECIFICATIONS AND DIMENSIONAL DATA ARE SUBJECT TO CHANGE WITHOUT NOTICE

cross sections



2' Unit



4' Unit

(2) F32T8@10%=14W	(1) F32T8@10%=8W
(2) F32T8@100%=68W	(1) F32T8@100%=35W
(2) F17T8@10%=11W	(1) F17T8@10%=7W
(2) F17T8@100%=36W	(1) F17T8@100%=20W

accessories

LAMP OPTIONS

- 12 T8 741K
- 15 T8 735K
- 10 T8 730K
- 13 T8 841K
- 16 T8 835K
- 11 T8 830K

BEFORE INSTALLATION, PLEASE CONSULT YOUR LOCAL ORDINANCES AND BUILDING CODES FOR COMPLIANCE

occu-smart[®]
technology

Protected by one or more US Patents
Nos. 7,271,543 & 7,081,715

Revised
7/12

LAMAR LIGHTING 485 Smith Street, Farmingdale, NY 11735 • Tel (631) 777-7700
Fax (631) 777-7705 • Outside NY (800) 724-7743 • www.lamarlighting.com

Scan QR code to be directed to our home page!



LaMar
Lighting
Company, Inc.

OP SERIES

OPHELIA

SHOWN WITH OVAL LENS IN CUSTOM
STAINLESS STEEL FINISH



Job Name	
Catalog Number	
Notes	Type

SHOWN WITH ROUND LENS (1/2" END)



Scan QR code
to be directed to
this product
on the web!



features

- A unique bi-level luminaire controlled by an integral ultra-sonic motion sensor, designed to provide safe, dependable illumination while conserving energy. Suitable for ceiling or wall mounting
- Bi-level fixtures operate at a low standby light level, offering energy savings, safety and security with full light output instantly upon occupancy with areas fully lit only as needed
- Ideal for stairwells, restrooms, laundry rooms and other areas where maximum light levels are not required on a constant basis
- The ultra-sonic sensor features enhanced sensitivity and a lamp conditioning circuit (patented) that keeps new lamps on for 100 hours to assure long lamp life and proper operation
- For safety and compliance purposes in areas designated as emergency egress, we recommend choosing a standby light level that will provide minimum code compliant light levels while in the standby mode. In most municipalities, this is 1 FC average. See back for options

construction

- Housings are die-formed of code gauge steel, with welded end plates and riveted socket supports
- Quality construction throughout for long-term dependable service
- New York City Department of Buildings calendar #4525
- All fixtures are U.L. listed and IBEW union made

diffuser

- Smooth white, clear fluted or white fluted acrylic lens available in round, clear fluted or white fluted acrylic lens available in oval
- End Cap - Round - Available in 1/2" or 1 1/2" widths from basic opaque to a family of marble effects. 1 1/2" end caps available with optional chrome or brass accent trims
- End Cap - Oval - Available in standard white or optional brass or chrome finish

electrical

- All electrical components are U.L. listed
- Electronic Class P ballasts standard, CEE approved
- Optional battery backup available for one or two light emergency operation at various output levels. Please consult factory for your specific emergency pack requirements

finish

- Painted with a lighting grade baked white enamel, having a reflectance factor exceeding 87% for premium quality and durability
- Prior to painting, all metal parts are treated with a multi-stage phosphate bonding process to ensure adhesion and inhibit rusting

sensor

- High frequency, extremely sensitive ultra-sonic, internally mounted
- LED status indicator light
- Exclusive lamp conditioning circuit (patented)
- Fail-safe feature switches light level to high (100%) if sensor is physically damaged
- 5 minute walk-test feature, easy-set time and sensitivity controls, compact design

Protected by one or more US Patents
Nos. 7,271,543 & 7,081,715

LaMar
Lighting
Company, Inc.

occu-smart[®]
technology

Occu-smart is a registered trademark of LaMar Lighting Co., Inc.

OP SERIES

OPHELIA

ordering guide

NOTE: SOME ORDERING OPTIONS APPEAR ON PRODUCT LINE FOR OTHER OPTIONS, SEE LIST AT RIGHT

SAMPLE ORDER NUMBER

OPR-2-32-C8-U-SW-WM-AS

SERIES NO. LAMPS WATTAGE BALLAST TYPE VOLTAGE LENS OPTION END COLOR LIGHTING OPTION DIMENSIONS LAMP TYPE

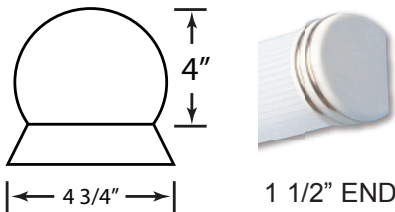
T-8 ORDERING GUIDE									
OPR	1	17	C8	U	SW, FC, FW	See Chart	FO, AS	4 3/4" x 24"	F17T8
OPR	2	17	C8	U	SW, FC, FW	See Chart	2C, FO, AS	4 3/4" x 24"	F17T8
OPR	1	25	C8	U	SW, FC, FW	See Chart	FO, AS	4 3/4" x 36"	F25T8
OPR	2	25	C8	U	SW, FC, FW	See Chart	2C, FO, AS	4 3/4" x 36"	F25T8
OPR	1	32	C8	U	SW, FC, FW	See Chart	FO, AS	4 3/4" x 48"	F32T8
OPR	2	32	C8	U	SW, FC, FW	See Chart	2C, FO, AS	4 3/4" x 48"	F32T8

NOTE: FOR CUSTOM BODY COLORS, CONSULT FACTORY

dimensional data

NOTE: SPECIFICATIONS AND DIMENSIONAL DATA ARE SUBJECT TO CHANGE WITHOUT NOTICE

cross sections



LENS OPTIONS

SW Smooth White
FC Fluted Clear
FW Fluted White

END COLORS 1/2" & 1-1/2" ROUND

SW Smooth White - Standard
IV Ivory Marble
BM Black Marble
VG Green Marble
PM Peach Marble
AL Alabaster
WM White Marble

OPTIONAL TRIM ACCENT (1-1/2" ONLY)

BT Brass Trim
CT Chrome Trim

FINISHES FOR ROUND LENSES ONLY



Black Marble White Marble Green Marble



Alabaster Peach Marble Ivory Marble

NOTE: SMOOTH WHITE STANDARD

MINIMUM QUANTITIES MAY APPLY - CONSULT FACTORY

CONSULT FACTORY FOR OPTIONAL LENSES AND COLORS

SAMPLE ORDER NUMBER

OPO-2-32-E8-U-FW-W-AS

SERIES NO. LAMPS WATTAGE BALLAST TYPE VOLTAGE LENS OPTION END COLOR LIGHTING OPTION DIMENSIONS LAMP TYPE

T-8 ORDERING GUIDE									
OPO	1	17	E8	U	FC, FW	See Chart	FO, AS, ES	4 3/4" x 24"	F17T8
OPO	2	17	E8	U	FC, FW	See Chart	2C, FO, AS	4 3/4" x 24"	F17T8
OPO	1	25	E8	U	FC, FW	See Chart	FO, AS	4 3/4" x 36"	F25T8
OPO	2	25	E8	U	FC, FW	See Chart	2C, FO, AS	4 3/4" x 36"	F25T8
OPO	1	32	E8	U	FC, FW	See Chart	FO, AS	4 3/4" x 48"	F32T8
OPO	2	32	E8	U	FC, FW	See Chart	2C, FO, AS	4 3/4" x 48"	F32T8

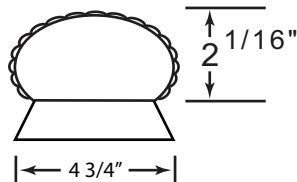
NOTE: FOR CUSTOM BODY COLORS, CONSULT FACTORY

LENS OPTIONS

FC Fluted Clear
FW Fluted White

END COLORS OVAL LENS

W White
C Chrome
B Brass



Protected by one or more US Patents
Nos. 7,271,543 & 7,081,715



Revised
7/12

LAMAR LIGHTING 485 Smith Street, Farmingdale, NY 11735 • Tel (631) 777-7700
Fax (631) 777-7705 • Outside NY (800) 724-7743 • www.lamarlighting.com

options

OPTIONS: INSERT APPROPRIATE CODE FOR CUSTOMIZED ORDERING

BALLAST

C8 CEE listed high performance T8 Program rapid start ballasts are used for lamps that are cycled on/off or dimmed Instant start ballasts are used for lamps that are not cycled or dimmed

Most non-dimming models may be used to operate reduced wattage 4' T8 lamps (25/28W) limited to operation above 60°F ambient temperature - Consult factory or specific ballast manufacturer

VOLTAGE

U Universal 120-277V

LIGHTING OPTIONS

2C 1 lamp on constantly/1 lamp sensed
FO All lamps on/off, All lamps sensed on
AS User selectable standby options 5, 10, 20 & 40% Nominal Light Output

GENERAL OPTIONS

LW Low watt ballast
EM Emergency pack, 1 lamp 90 min. up to 500 lu.

Consult Factory for higher lumen battery pack availability and additional options not shown or listed

accessories

LAMP OPTIONS

12 T8 741K
15 T8 735K
10 T8 730K
13 T8 841K
16 T8 835K
11 T8 830K

BEFORE INSTALLATION, PLEASE CONSULT YOUR LOCAL ORDINANCES AND BUILDING CODES FOR COMPLIANCE

(2) F32T8@10%=14W	(1) F32T8@10%=8W
(2) F32T8@100%=68W	(1) F32T8@100%=35W
(2) F17T8@10%=11W	(1) F17T8@10%=7W
(2) F17T8@100%=36W	(1) F17T8@100%=20W

Scan QR code to be directed to our home page!



**Lamar
Lighting**
Company, Inc.

PROS SERIES

PULSAR

Job Name

Catalog Number

Notes

Type

Scan QR code
to be directed to
this product
on the web!



features

- A unique bi-level luminaire controlled by an integral ultra-sonic motion sensor, designed to provide safe, dependable illumination while conserving energy
- Bi-level fixtures operate at a low standby light level, offering energy savings, safety and security with full light output instantly upon occupancy with areas fully lit only as needed
- Ideally suited for corridors in office buildings, hotels and apartment complexes where maximum light levels are not required on a constant basis
- The ultra-sonic sensor features enhanced sensitivity and a lamp conditioning circuit (patented) that keeps new lamps on for 100 hours to assure long lamp life and proper operation
- For safety and compliance purposes in areas designated as emergency egress, we recommend choosing a standby light level that will provide minimum code compliant light levels while in the standby mode. In most municipalities, this is 1 FC average. See back for options

construction

- The PROS series is a premium grade fluorescent luminaire specifically designed for long-term, dependable service with the benefits of indirect lighting
- Features a direct/indirect wide beam perforated diffuser for uniform ceiling illumination providing a glowing, low brightness luminance combined with a semi-specular louver for aesthetic appeal
- Suspension mount options to suit your application; standard stem & canopies or aircraft cable
- Convenient top re-lamping, no need to remove perforated baskets or louver
- Unique top hanging mount allows luminaire to be hung without the need for custom hangers
- Premium lamp holders with rotary lock standard
- All fixtures are U.L. listed and IBEW union made

electrical

- All electrical components are U.L. listed
- Electronic Class P ballasts standard, CEE approved

finish

- Prior to painting, all metal parts are treated with a multi-stage phosphate bonding process to ensure adhesion and inhibit rusting
- Ends and perforated baskets powder coated with lighting grade white, having a reflectance factor exceeding 87% for premium quality and durability
- Custom colors are available, consult factory for minimum quantities and lead-time

sensor

- High frequency, extremely sensitive ultra-sonic, internally mounted
- LED status indicator light
- Exclusive lamp conditioning circuit (patented)
- Integral directional cones to optimize detection range in corridors
- Fail-safe feature switches light level to high (100%) if sensor is physically damaged
- 5 minute walk-test feature, easy-set time and sensitivity controls, compact design

Protected by one or more US
Patents Nos. 7,271,543 & 7,081,715

LaMar
Lighting
Company, Inc.

occu-smart
technology

Occu-smart is a registered trademark of LaMar Lighting Co., Inc.

PROS SERIES

PULSAR

ordering guide

NOTE: SOME ORDERING OPTIONS APPEAR ON PRODUCT LINE FOR OTHER OPTIONS, SEE LIST AT RIGHT

SAMPLE ORDER NUMBER



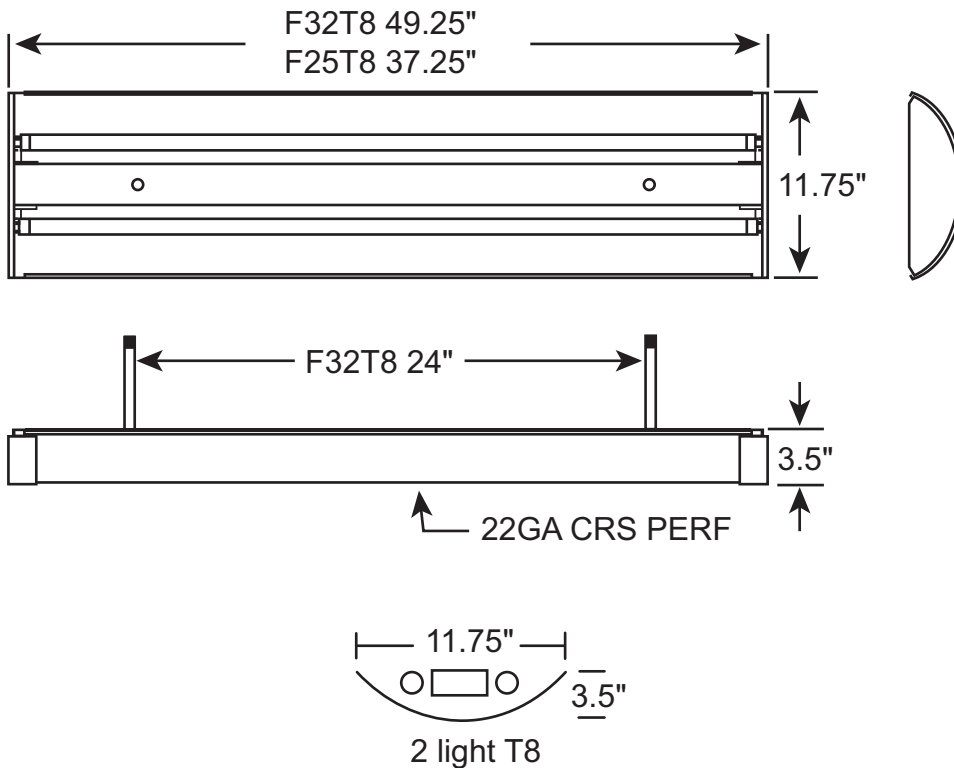
T-8 ORDERING GUIDE

PROS	2	25		C8	U	2C, FO, AS			11 3/4" x 37 1/4"	F25T8
PROS	2	32		C8	U	2C, FO, AS			11 3/4" x 49 1/4"	F32T8

dimensional data

NOTE: SPECIFICATIONS AND DIMENSIONAL DATA ARE SUBJECT TO CHANGE WITHOUT NOTICE

cross sections



(2) F32T8@10%=14W	(1) F32T8@10%=8W
(2) F32T8@100%=68W	(1) F32T8@100%=35W

options

OPTIONS: INSERT APPROPRIATE CODE FOR CUSTOMIZED ORDERING

BALLAST

C8 CEE listed high performance T8 Program rapid start ballasts are used for lamps that are cycled on/off or dimmed Instant start ballasts are used for lamps that are not cycled or dimmed

Most non-dimming models may be used to operate reduced wattage 4' T8 lamps (25/28W) limited to operation above 60°F ambient temperature - Consult factory or specific ballast manufacturer

VOLTAGE

U Universal 120-277V

LIGHTING OPTIONS

2C 1 lamp on constantly/1 lamp sensed
FO All lamps on/off, All lamps sensed on
AS User selectable standby options 5, 10, 20 & 40% Nominal Light Output

GENERAL OPTIONS

LW Low watt ballast
EM Emergency pack, 1 lamp 90 min. up to 500 lu.

Consult Factory for higher lumen battery pack availability and additional options not shown or listed

accessories

LAMP OPTIONS

12 T8 741K
15 T8 735K
10 T8 730K
13 T8 841K
16 T8 835K
11 T8 830K

BEFORE INSTALLATION, PLEASE CONSULT YOUR LOCAL ORDINANCES AND BUILDING CODES FOR COMPLIANCE

occu-smart[®]
technology

Protected by one or more US Patents
Nos. 7,271,543 & 7,081,715

Revised
7/12



Scan QR code to be directed to our home page!

**Lamar
Lighting**
Company, Inc.

LAMAR LIGHTING 485 Smith Street, Farmingdale, NY 11735 • Tel (631) 777-7700
Fax (631) 777-7705 • Outside NY (800) 724-7743 • www.lamarlighting.com

MTRN SERIES SURFACE MOUNT MONITOR

Job Name	
Catalog Number	
Notes	Type

Scan QR code
to be directed to
this product
on the web!



features

- Occusmart technology optimized for corridor applications. A new decorative round luminaire featuring our exclusive motion sensor controlled bi-level technology
- The sensor is fully integrated into this contemporary design, providing lower, energy saving light levels when areas are unoccupied, and instantaneous full light output upon occupancy
- Ideal for corridors, restrooms, stairwells and other areas where maximum light levels are not needed on a constant basis
- The ultra-sonic sensor features enhanced sensitivity and a lamp conditioning circuit (patented) that keeps new lamps on for 100 hours to assure long lamp life and proper operation
- For safety and compliance purposes in areas designated as emergency egress, we recommend choosing a standby light level that will provide minimum code compliant light levels while in the standby mode. In most municipalities, this is 1 FC average. See back for options

construction

- Housing is formed of code gauge steel
- Quality construction throughout for long-term dependable service
- Ample mounting holes are provided for convenience with power feeds
- Meets ADA requirements for wall mounting
- All fixtures are U.L. listed and IBEW union made

sensor

- High frequency, extremely sensitive ultra-sonic, internally mounted
- LED status indicator light
- Exclusive lamp conditioning circuit (patented)
- Integral directional cones to optimize detection range in corridors
- Fail-safe feature switches light level to high (100%) if sensor is physically damaged
- 5 minute walk-test feature, easy-set time and sensitivity controls, compact design

electrical

- All electrical components are U.L. listed
- Electronic Class P ballasts standard
- Numerous bi-level options are available, see ordering information on back or consult factory
- Optional battery backup available. Please consult factory for your specific emergency pack requirements

finish

- Steel accent rings feature a satin nickel finish
- Internal housing painted with a lighting grade baked white enamel, having a reflectance factor exceeding 87% for premium quality and durability

diffuser

- One-piece symmetrically contoured vacuum formed acrylic
- Smooth white standard
- Secured by decorative accent rings
- Safety tether secures diffuser during relamping

LaMar
Lighting
Company, Inc.

occu-smart
technology

Occu-smart is a registered trademark of LaMar Lighting Co., Inc.

Protected by one or more US
Patents Nos. 7,271,543 & 7,081,715

MTRN SERIES

MONITOR
SURFACE WALL/CEILING

ordering guide

NOTE: SOME ORDERING OPTIONS APPEAR ON PRODUCT LINE
FOR OTHER OPTIONS, SEE LIST AT RIGHT

SAMPLE ORDER NUMBER

MTRN 2 13 18 EQ U SW AS

SERIES NO. WATTAGE SIZE BALLAST VOLTAGE LENS LIGHTING OPTION DIMENSIONS LAMP
LAMPS TYPE TYPE OPTION OPTION TYPE

COMPACT FLUORESCENT ORDERING GUIDE

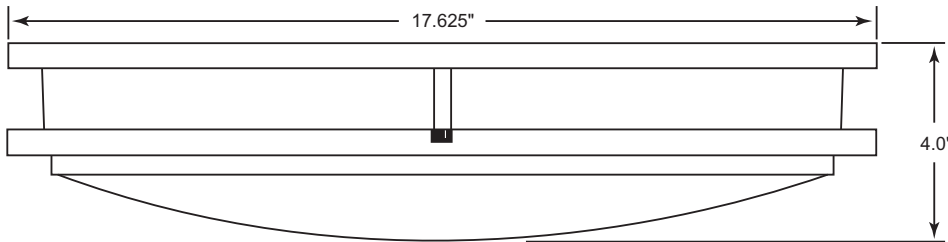
MTRN	2	13	18	EQ	1, U	SW	2C, FO, AS	17 5/8" x 4"	CFL13
MTRN	2	18	18	EQ	1, U	SW	2C, FO, AS	17 5/8" x 4"	CFL18
MTRN	1	40	18	E5	1, U	SW	FO, AS	17 5/8" x 4"	FPC40T5

NOTE: STANDBY OPTION "AS" - UNIVERSAL VOLTAGE STANDARD

dimensional data

NOTE: SPECIFICATIONS AND DIMENSIONAL DATA ARE
SUBJECT TO CHANGE WITHOUT NOTICE

cross sections



WATTAGE CHART

Option:	2C	FO	AS-5%
(2) PL-13-4P:	32 - 16W	29 - 0W	33 - 10W
(2) PL-18-4P:	38 - 19W	35 - 0W	41 - 11W
(2) PL-26-4P:	54 - 27W	51 - 0W	53 - 13W
FPC40T5:	NA	42 - 0W	45 - 8W

options

OPTIONS: INSERT APPROPRIATE
CODE FOR CUSTOMIZED ORDERING

BALLAST

EQ Electronic CFL Quad (4P)
E5 Electronic T5 Circline

Program rapid start ballasts are used for
lamps that are cycled on/off or dimmed
Instant start ballasts are used for lamps
that are not cycled or dimmed

VOLTAGE

1 120V
U Universal 120-277V

DIFFUSER OPTIONS

SW Smooth white acrylic

LIGHTING OPTIONS

2C 1 lamp on constantly/1 lamp
sensored
FO All lamps on/off, All lamps sensed
on
AS User selectable standby options
5, 10, 20 & 75% Nominal Light Output

GENERAL OPTIONS

EM Emergency pack, 1 lamp
up to 500 lu. (Consult Factory)
EM Pack may require additional collar
(add 1⁵/₁₆" to overall height)

Consult Factory for additional options
not shown or listed

Not all lamps types are
dimnable, consult factory for
your specific application

accessories

LAMP OPTIONS

17 827K
11 830K
16 835K
13 841K

BEFORE INSTALLATION, PLEASE
CONSULT YOUR LOCAL ORDINANCES
AND BUILDING CODES FOR
COMPLIANCE

occu-smart[®]
technology

Protected by one or more US Patents
Nos. 7,271,543 & 7,081,715

Revised
7/12

LAMAR LIGHTING 485 Smith Street, Farmingdale, NY 11735 • Tel (631) 777-7700
Fax (631) 777-7705 • Outside NY (800) 724-7743 • www.lamarlighting.com

Scan QR code
to be directed
to our
home page!



Lamar
Lighting
Company, Inc.

DROS SERIES

DURADO

Scan QR code
to be directed to
this product
on the web!

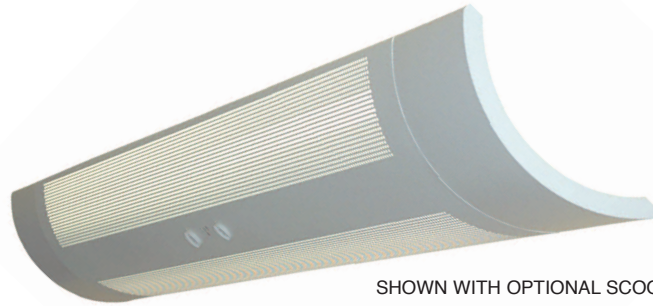


Job Name

Catalog Number

Notes

Type



SHOWN WITH OPTIONAL SCOOP END

features

- Attractive and versatile direct/indirect luminaire offers a broad range of configurations, and may accommodate up to (4) T8 lamps to provide maximum uplite with diffused downlight for a balanced appearance
- Suspended mount as individual units or continuous rows
- A unique bi-level luminaire controlled by an integral ultra-sonic motion sensor, designed to provide safe, dependable illumination while conserving energy
- Bi-level fixtures operate at a low standby light level, offering energy savings, safety and security with full light output instantly upon occupancy with areas fully lit only as needed
- Ideally suited for corridors in office buildings, hotels and apartment complexes where maximum light levels are not required on a constant basis
- The ultra-sonic sensor features enhanced sensitivity and a lamp conditioning circuit (patented) that keeps new lamps on for 100 hours to assure long lamp life and proper operation
- For safety and compliance purposes in areas designated as emergency egress, we recommend choosing a standby light level that will provide minimum code compliant light levels while in the standby mode. In most municipalities, this is 1 FC average. See back for options

construction

- The DROS series is a premium grade fluorescent luminaire specifically designed for long-term, dependable service
- Features durable cold rolled steel body, semi-perforated diffuser, quality paint finish and superior electrical components
- Electrical compartment manufactured from code gauge steel for premium strength and rigidity
- Utilizing interlocking ends, continuous runs of any length may be constructed
- 50" Adjustable aircraft cable kit included, may be stem mounted - consult factory
- Individual units are available up to 8' in length
- Choice of flat or scoop style end caps
- Premium lamp holders with rotary lock standard
- All fixtures are U.L. listed and IBEW union made

finish

- Prior to painting, all metal parts are treated with a multi-stage phosphate bonding process to ensure adhesion and inhibit rusting
- All exterior parts are finished with white powder coat for durability and a clean finished appearance
- Custom colors and textures are available, consult factory for minimum quantities and lead-time

electrical

- All electrical components are U.L. listed
- Electronic Class P ballasts standard, CEE approved
- Numerous options are available, including Emergency battery pack see ordering information on back

baffle

- Lateral light distribution through side perforations for soft downlight
- Full indirect is available, consult factory

sensor

- High frequency, extremely sensitive ultra-sonic, internally mounted
- LED status indicator light
- Exclusive lamp conditioning circuit (patented)
- Integral directional cones to optimize detection range in corridors
- Fail-safe feature switches light level to high (100%) if sensor is physically damaged
- 5 minute walk-test feature, easy-set time and sensitivity controls, compact design

Protected by one or more US Patents
Nos. 7,271,543 & 7,081,715



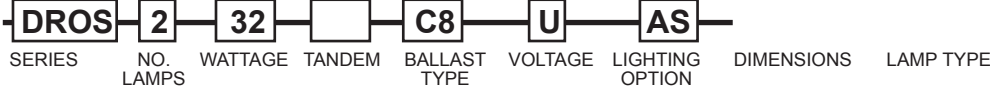
Occu-smart is a registered trademark of LaMar Lighting Co., Inc.



ordering guide

NOTE: SOME ORDERING OPTIONS APPEAR ON PRODUCT LINE FOR OTHER OPTIONS, SEE LIST AT RIGHT

SAMPLE ORDER NUMBER



T-8 ORDERING GUIDE

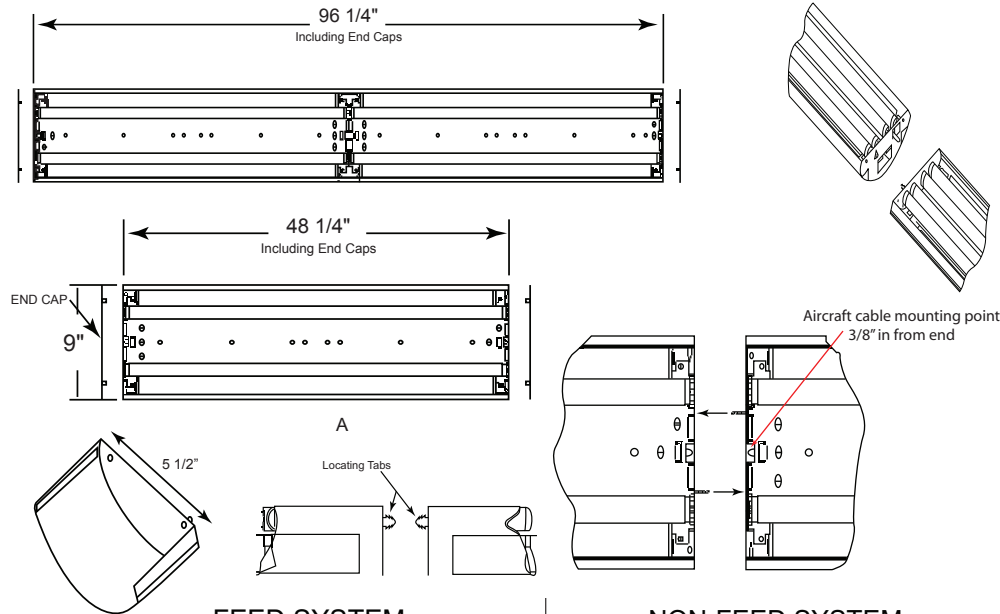
DROS	2, 3, 4	32		C8	U	2C, FO, AS	9" x 48"	F32T8
DROS	2, 3, 4	32	T	C8	U	2C, FO, AS	9" x 96"	F32T8

Note: Tandem units contain double the amount of lamps shown

dimensional data

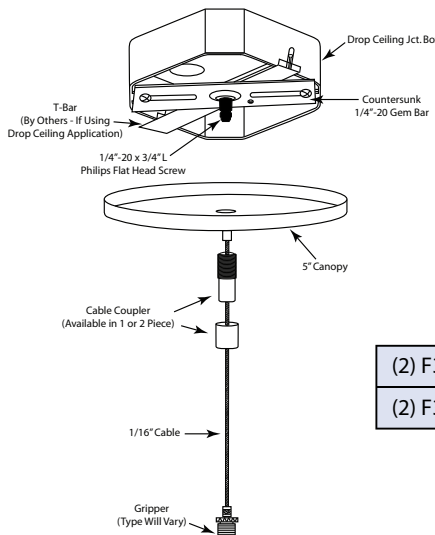
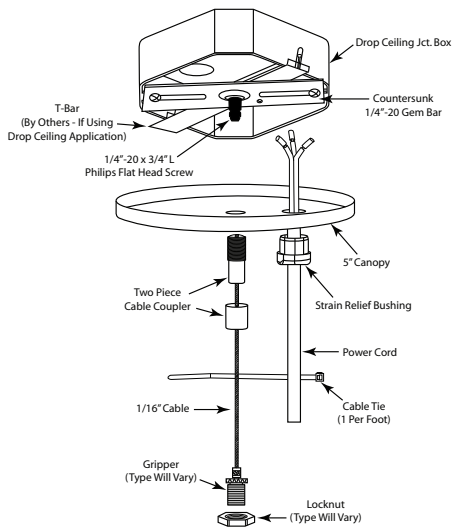
NOTE: SPECIFICATIONS AND DIMENSIONAL DATA ARE SUBJECT TO CHANGE WITHOUT NOTICE

cross sections



FEED SYSTEM

NON-FEED SYSTEM



DROS SERIES

SUSPENDED
INDIRECT/DIRECT

options

OPTIONS: INSERT APPROPRIATE CODE FOR CUSTOMIZED ORDERING

BALLAST

C8 CEE listed high performance T8 Program rapid start ballasts are used for lamps that are cycled on/off or dimmed Instant start ballasts are used for lamps that are not cycled or dimmed

Most non-dimming models may be used to operate reduced wattage 4' T8 lamps (25/28W) limited to operation above 60°F ambient temperature - Consult factory or specific ballast manufacturer

VOLTAGE

U Universal 120 - 277V

LIGHTING OPTIONS

2C 1 lamp on constantly/1 lamp sensed
FO All lamps on/off, All lamps sensed on
AS User selectable standby options
5, 10, 20 & 40% Nominal Light Output

GENERAL OPTIONS

LW Low watt ballast
EM Emergency pack, 1 lamp
90 min. up to 500 lu.
SB Solid body (uplite only)
XEFL Flat end cap
XESC Scoop end cap

Consult Factory for additional options not shown or listed

accessories

LAMP OPTIONS

12 T8 741K
15 T8 735K
10 T8 730K
13 T8 841K
16 T8 835K
11 T8 830K

Note: Consult factory for optional hanging hardware including Tee Bar adapters

BEFORE INSTALLATION, PLEASE CONSULT YOUR LOCAL ORDINANCES AND BUILDING CODES FOR COMPLIANCE

(2) F32T8@10%=14W

(1) F32T8@10%=8W

(2) F32T8@100%=68W

(1) F32T8@100%=35W



Protected by one or more US Patents
Nos. 7,271,543 & 7,081,715

Revised
7/12

LAMAR LIGHTING 485 Smith Street, Farmingdale, NY 11735 • Tel (631) 777-7700
Fax (631) 777-7705 • Outside NY (800) 724-7743 • www.lamarlighting.com

Scan QR code to be directed to our home page!



LICOS SERIES

RECESSED
DIRECT / INDIRECT

Scan QR code
to be directed to
this product
on the web!



Job Name

Catalog Number

Notes

Type



features

- A unique recessed bi-level luminaire controlled by an integral ultra-sonic motion sensor, designed to provide safe, dependable illumination while conserving energy. Perforated metal center basket provides soft, even illumination and a comfortable environment
- Bi-level fixtures operate at a low standby light level, offering energy savings, safety and security with full light output instantly upon occupancy with areas fully lit only as needed
- Ideal for corridors, offices and other areas where maximum light levels are not required on a constant basis
- The ultra-sonic sensor features enhanced sensitivity and a lamp conditioning circuit (patented) that keeps new lamps on for 100 hours to assure long lamp life and proper operation
- For safety and compliance purposes in areas designated as emergency egress, we recommend choosing a standby light level that will provide minimum code compliant light levels while in the standby mode. In most municipalities, this is 1 FC average. See back for option

construction

- Housings are die-formed of code gauge steel, with riveted end plates and socket supports
- Quality construction throughout for long-term dependable service
- New York City Department of Buildings calendar number #43525
- Ample knockouts are provided on back and sides for convenient installation
- Premium lamp holders with rotary lock standard
- All fixtures are U.L. listed and IBEW union made

basket/reflector

- Reflector is constructed of high reflective non-yellowing matte white sheet aluminum for soft, indirect illumination
- Standard center basket is perforated formed steel with approximately 45% light transmission
- Basket is retained in fixture by four concealed studs for easy removal when cleaning or re-lamping

Protected by one or more US
Patents Nos. 7,271,543 & 7,081,715

occu-smart[®]
technology

Occu-smart is a registered trademark of LaMar Lighting Co., Inc.

electrical

- All electrical components are U.L. listed
- Electronic Class P ballasts standard, CEE approved
- Optional battery backup available for one or two light emergency operation at various output levels. Please consult factory for your specific emergency pack requirements

finish

- Prior to painting, all metal parts are treated with a multi-stage phosphate bonding process to ensure adhesion and inhibit rusting
- Painted with a lighting grade baked white enamel, having a reflectance factor exceeding 87% for premium quality and durability

sensor

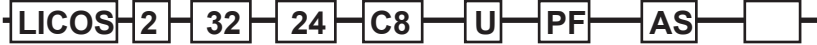
- High frequency, extremely sensitive ultra-sonic, internally mounted
- LED status indicator light
- Exclusive lamp conditioning circuit (patented)
- Fail-safe feature switches light level to high (100%) if sensor is physically damaged
- 5 minute walk-test feature, easy-set time and sensitivity controls, compact design

LaMar
Lighting
Company, Inc.

ordering guide

NOTE: SOME ORDERING OPTIONS APPEAR ON PRODUCT LINE FOR OTHER OPTIONS, SEE LIST AT RIGHT

SAMPLE ORDER NUMBER



SERIES NO. WATTAGE TANDEM BALLAST VOLTAGE LENS LIGHTING OPTION DIMENSIONS LAMP TYPE
LAMPS TYPE

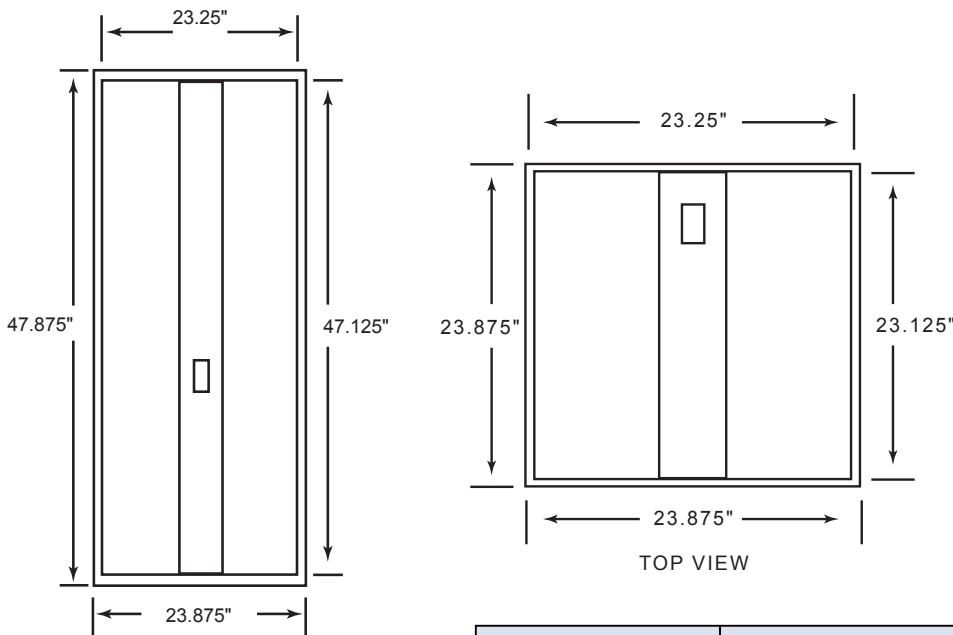
T-8 ORDERING GUIDE

LICOS	2	17	22	C8	U	PF	2C, FO, AS	24" x 24"	F17T8
LICOS	2	32	24	C8	U	PF	2C, FO, AS	24" x 48"	F32T8

dimensional data

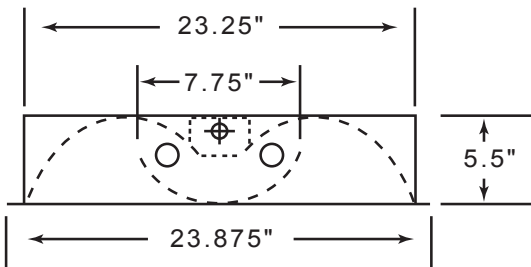
NOTE: SPECIFICATIONS AND DIMENSIONAL DATA ARE SUBJECT TO CHANGE WITHOUT NOTICE

cross sections



TOP VIEW

END VIEW
T8



(2) F32T8@10%=14W	(1) F32T8@10%=8W
(2) F32T8@100%=68W	(1) F32T8@100%=35W
(2) F17T8@10%=11W	(1) F17T8@10%=7W
(2) F17T8@100%=36W	(1) F17T8@100%=20W

LICOS

SERIES

RECESSED
DIRECT/INDIRECT

options

OPTIONS: INSERT APPROPRIATE CODE FOR CUSTOMIZED ORDERING

BALLAST

C8 CEE listed high performance T8 Program rapid start ballasts are used for lamps that are cycled on/off or dimmed Instant start ballasts are used for lamps that are not cycled or dimmed

Most non-dimming models may be used to operate reduced wattage 4' T8 lamps (25/28W) limited to operation above 60°F ambient temperature - Consult factory or specific ballast manufacturer

VOLTAGE

U Universal 120-277V

DIFFUSER OPTIONS

PF Perforated metal - white (std)

LIGHTING OPTIONS

2C 1 lamp on constantly/1 lamp sensed
FO All lamps on/off, All lamps sensed on
AS User selectable standby options
5, 10, 20 & 40% Nominal Light Output

GENERAL OPTIONS

LW Low watt ballast
EM Emergency pack, 1 lamp
90 min. up to 500 lu.

Consult Factory for higher lumen battery pack availability and additional options not shown or listed

accessories

LAMP OPTIONS

12 T8 741K
15 T8 735K
10 T8 730K
13 T8 841K
16 T8 835K
11 T8 830K

BEFORE INSTALLATION, PLEASE CONSULT YOUR LOCAL ORDINANCES AND BUILDING CODES FOR COMPLIANCE



Protected by one or more US Patents
Nos. 7,271,543 & 7,081,715

Revised
7/12

LAMAR LIGHTING 485 Smith Street, Farmingdale, NY 11735 • Tel (631) 777-7700
Fax (631) 777-7705 • Outside NY (800) 724-7743 • www.lamarlighting.com

Scan QR code to be directed to our home page!



QRWOS SERIES

QUAZAR WALL MOUNT

Scan QR code
to be directed to
this product
on the web!



Job Name	
Catalog Number	
Notes	Type



features

- Attractive and versatile direct/indirect luminaire offers a broad range of configurations, and may accommodate up to (2) T8 lamps to provide maximum uplite with diffused downlight for a balanced appearance
- Mount as individual units or continuous rows (Consult Factory)
- A unique bi-level luminaire controlled by an integral ultra-sonic motion sensor, designed to provide safe, dependable illumination while conserving energy
- Bi-level fixtures operate at a low standby light level, offering energy savings, safety and security with full light output instantly upon occupancy with areas fully lit only as needed
- Ideally suited for corridors in office buildings, hotels and apartment complexes where maximum light levels are not required on a constant basis
- The ultra-sonic sensor features enhanced sensitivity and a lamp conditioning circuit (patented) that keeps new lamps on for 100 hours to assure long lamp life and proper operation
- For safety and compliance purposes in areas designated as emergency egress, we recommend choosing a standby light level that will provide minimum code compliant light levels while in the standby mode. In most municipalities, this is 1 FC average. See back for options

construction

- The QRWOS series is a premium grade fluorescent luminaire specifically designed for long-term, dependable service
- Features durable cold rolled steel body, semi-perforated diffuser, quality paint finish and superior electrical components
- Electrical compartment manufactured from code gauge steel for premium strength and rigidity
- Individual units are available up to 8' in length
- Premium lamp holders with rotary lock standard
- All fixtures are U.L. listed and IBEW union made

finish

- Prior to painting, all metal parts are treated with a multi-stage phosphate bonding process to ensure adhesion and inhibit rusting
- All exterior parts are finished with white powder coat for durability and a clean finished appearance

electrical

- All electrical components are U.L. listed
- Electronic Class P ballasts standard, CEE approved
- Numerous options are available, including Emergency battery pack see ordering information on back

baffle

- Lateral light distribution through side perforations for soft downlight
- Full indirect is available, consult factory

sensor

- High frequency, extremely sensitive ultra-sonic, internally mounted
- LED status indicator light
- Exclusive lamp conditioning circuit (patented)
- Integral directional cones to optimize detection range in corridors
- Fail-safe feature switches light level to high (100%) if sensor is physically damaged
- 5 minute walk-test feature, easy-set time and sensitivity controls, compact design

Protected by one or more US
Patents Nos. 7,271,543 & 7,081,715

occu-smart[®]
technology

LaMar
Lighting
Company, Inc.

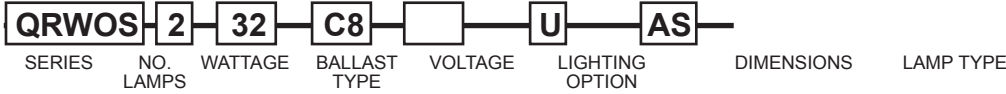
QRWOS SERIES

WALL MOUNT

ordering guide

NOTE: SOME ORDERING OPTIONS APPEAR ON PRODUCT LINE FOR OTHER OPTIONS, SEE LIST AT RIGHT

SAMPLE ORDER NUMBER

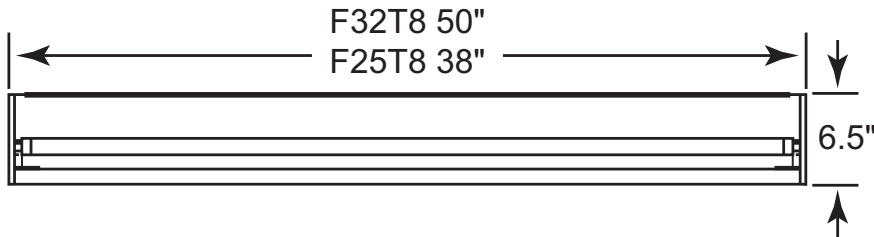


T-8 ORDERING GUIDE							
QRWOS	1, 2	32	C8	U	2C, FO, AS	6.5" x 50"	F32T8
QRWOS	1, 2	25	C8	U	2C, FO, AS	6.5" x 38"	F25T8

dimensional data

NOTE: SPECIFICATIONS AND DIMENSIONAL DATA ARE SUBJECT TO CHANGE WITHOUT NOTICE

cross sections



MOUNTING CENTERS



(2) F32T8@10%=14W	(1) F32T8@10%=8W
(2) F32T8@100%=68W	(1) F32T8@100%=35W

options

OPTIONS: INSERT APPROPRIATE CODE FOR CUSTOMIZED ORDERING

BALLAST

C8 CEE listed high performance T8 Program rapid start ballasts are used for lamps that are cycled on/off or dimmed Instant start ballasts are used for lamps that are not cycled or dimmed

Most non-dimming models may be used to operate reduced wattage 4' T8 lamps (25/28W) limited to operation above 60°F ambient temperature - Consult factory or specific ballast manufacturer

VOLTAGE

U Universal 120 - 277V

LIGHTING OPTIONS

2C 1 lamp on constantly/1 lamp sensed
FO All lamps on/off, All lamps sensed on
AS User selectable standby options
5, 10, 20 & 40% Nominal Light Output

GENERAL OPTIONS

LW Low watt ballast
EM Emergency pack, 1 lamp
90 min. up to 500 lu.
SF Solid front (uplite only)

Consult Factory for additional options not shown or listed including row mounting

accessories

LAMP OPTIONS

12	T8 741K
15	T8 735K
10	T8 730K
13	T8 841K
16	T8 835K
11	T8 830K

BEFORE INSTALLATION, PLEASE CONSULT YOUR LOCAL ORDINANCES AND BUILDING CODES FOR COMPLIANCE

occu-smart[®]
technology

Protected by one or more US Patents
Nos. 7,271,543 & 7,081,715

Revised
7/12

LAMAR LIGHTING 485 Smith Street, Farmingdale, NY 11735 • Tel (631) 777-7700
Fax (631) 777-7705 • Outside NY (800) 724-7743 • www.lamarlighting.com

Scan QR code
to be directed
to our
home page!



Lamar
Lighting
Company, Inc.

BAOS SERIES

BIANCA WALL MOUNT

Scan QR code
to be directed to
this product
on the web!



Semi-Perforated Metal Front



Solid Front

Job Name	
Catalog Number	
Notes	Type

features

- Attractive and versatile direct/indirect luminaire offers a broad range of configurations, and may accommodate (2) T8 or T5 lamps to provide balanced uplight and downlight
- A unique bi-level luminaire controlled by an integral ultra-sonic motion sensor, designed to provide safe, dependable illumination while conserving energy
- Bi-level fixtures operate at a low standby light level, offering energy savings, safety and security with full light output instantly upon occupancy with areas fully lit only as needed
- Ideally suited for corridors and stairwells in office buildings, hotels and apartment complexes where maximum light levels are not required on a constant basis
- The ultra-sonic sensor features enhanced sensitivity and a lamp conditioning circuit (patented) that keeps new lamps on for 100 hours to assure long lamp life and proper operation
- For safety and compliance purposes in areas designated as emergency egress, we recommend choosing a standby light level that will provide minimum code compliant light levels while in the standby mode. In most municipalities, this is 1 FC average. See back for options

construction

- The BAOS series is a premium grade fluorescent luminaire specifically designed for long-term, dependable service
- Features durable cold rolled steel body, semi-perforated or solid diffuser, quality paint finish and superior electrical components
- Electrical compartment manufactured from code gauge steel for premium strength and rigidity
- Individual units are available up to 4' in length
- Premium lamp holders with rotary lock standard
- All fixtures are U.L. listed and IBEW union made

finish

- Prior to painting, all metal parts are treated with a multi-stage phosphate bonding process to ensure adhesion and inhibit rusting
- End plates and baffle are powder-coated white

electrical

- All electrical components are U.L. listed
- Electronic Class P ballasts standard, CEE approved
- Numerous options are available, including Emergency battery pack see ordering information on back

sensor

- High frequency, extremely sensitive ultra-sonic, internally mounted
- LED status indicator light
- Exclusive lamp conditioning circuit (patented)
- Integral directional cones to optimize detection range in corridors
- Fail-safe feature switches light level to high (100%) if sensor is physically damaged
- 5 minute walk-test feature, easy-set time and sensitivity controls, compact design

Protected by one or more US
Patents Nos. 7,271,543 & 7,081,715

occu-smart[®]
technology

LaMar
Lighting
Company, Inc.

BAOS SERIES

WALL MOUNT

ordering guide

NOTE: SOME ORDERING OPTIONS APPEAR ON PRODUCT LINE. FOR OTHER OPTIONS, SEE LIST AT RIGHT.

SAMPLE ORDER NUMBER

BAOS **2** **32** **C8** **U** **AS** **PF**

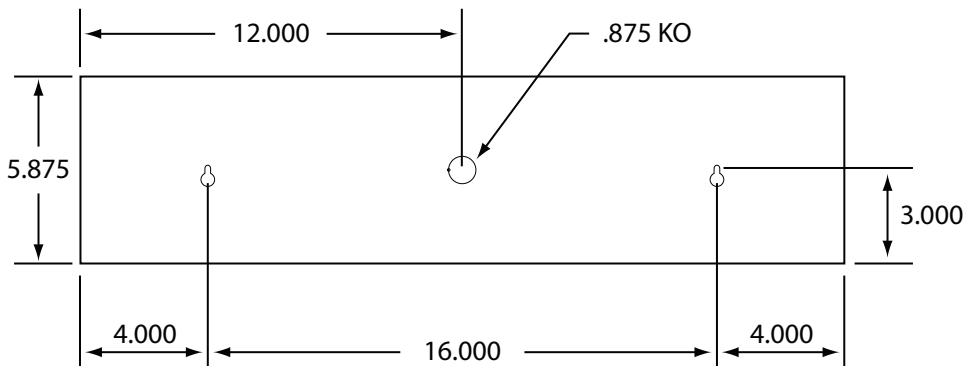
SERIES NO. WATTAGE BALLAST VOLTAGE LIGHTING LENS DIMENSIONS LAMP TYPE
LAMPS TYPE OPTION OPTION

T-8 ORDERING GUIDE								
BAOS	2	17	C8	U	2C, FO, AS	PF, SF	5.875" x 24"	F17T8
BAOS	2	25	C8	U	2C, FO, AS	PF, SF	5.875" x 36"	F25T8
BAOS	2	32	C8	U	2C, FO, AS	PF, SF	5.875" x 48"	F32T8
T-5 ORDERING GUIDE								
BAOS	2	14/24	E5, H5	U	2C, FO	PF, SF	5.875" x 24"	F14T5/F24T5HO
BAOS	2	21/39	E5, H5	U	2C, FO	PF, SF	5.875" x 36"	F21T5/F39T5HO
BAOS	2	28/54	E5, H5	U	2C, FO	PF, SF	5.875" x 48"	F28T5/F54T5HO

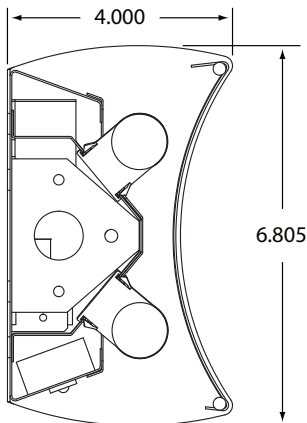
dimensional data

NOTE: SPECIFICATIONS AND DIMENSIONAL DATA ARE SUBJECT TO CHANGE WITHOUT NOTICE

back plans



cross sections



(2) F32T8@10%=14W	(1) F32T8@10%=8W
(2) F32T8@100%=68W	(1) F32T8@100%=35W
(2) F17T8@10%=11W	(1) F17T8@10%=7W
(2) F17T8@100%=36W	(1) F17T8@100%=20W

options

OPTIONS: INSERT APPROPRIATE CODE FOR CUSTOMIZED ORDERING

BALLAST

C8 CEE listed high performance T8
E5 Electronic T5
H5 Electronic T5 high output
Program rapid start ballasts are used for lamps that are cycled on/off or dimmed
Instant start ballasts are used for lamps that are not cycled or dimmed

Most non-dimming models may be used to operate reduced wattage 4' T8 lamps (25/28W) limited to operation above 60°F ambient temperature - Consult factory or specific ballast manufacturer

VOLTAGE

U Universal 120 - 277V

LIGHTING OPTIONS

2C 1 lamp on constantly/1 lamp sensed
FO All lamps on/off, All lamps sensed on
AS User selectable standby options
5, 10, 20 & 40% Nominal Light Output

GENERAL OPTIONS

EM Emergency pack, 1 lamp
90 min. up to 500 lu.
SF Solid front
PF Semi-perforated metal front

Consult Factory for additional options not shown or listed

accessories

LAMP OPTIONS

12 T8 741K
15 T8 735K
10 T8 730K
13 T5/T8 841K
16 T5/T8 835K
11 T5/T8 830K

BEFORE INSTALLATION, PLEASE CONSULT YOUR LOCAL ORDINANCES AND BUILDING CODES FOR COMPLIANCE

occu-smart[®]
technology

Protected by one or more US Patents
Nos. 7,271,543 & 7,081,715

Revised
7/12

LAMAR LIGHTING 485 Smith Street, Farmingdale, NY 11735 • Tel (631) 777-7700
Fax (631) 777-7705 • Outside NY (800) 724-7743 • www.lamarlighting.com

Scan QR code
to be directed
to our
home page!



Lamar
Lighting
Company, Inc.

VTPOS SERIES

ENCLOSED VAPOR-PROOF LUMINAIRE

Scan QR code
to be directed to
this product
on the web!



Job Name	
Catalog Number	
Notes	Type

application

- Versatile moisture, vapor and dust proof enclosed luminaire
- Vandal resistant options are available
- Primarily designed for use in parking garages
- The VTPOS features (2) 32W T8 lamps triggered by an internal high frequency occupancy sensor and (1) 17W T8 lamp which remains on for low level ambient illumination
- Fiberglass housing and latches are permanently finished in an off-white color

finish

- Prior to painting, all metal parts are treated with a multi-stage phosphate bonding process to ensure adhesion and inhibit rusting
- All steel components are painted with a lighting grade baked white enamel, having a reflectance factor exceeding 87% for premium quality and durability

construction

- The VTPOS series is a high quality fluorescent enclosed luminaire specifically designed for long-term, element prone installations
- Features internal steel geartray enclosed in durable fiberglass, quality paint finishes and superior electrical components
- Housing is molded of one-piece impact resistant fiberglass reinforced polyester; self extinguishing, flame resistant and unaffected by many industrial chemicals
- Gasketing is poured in place forming a continuous tight seal with the diffuser
- Celcon cam action retaining latches clamp the diffuser tightly to the housing; tamper proofing and stainless latches are available
- Interior geartray is constructed of heavy gauge steel where all electrical components are mounted for ease of service
- Ample knockouts are provided for convenient installation
- Die cast bushings; end and back mounting brackets are available consult factory
- All fixtures are U.L. listed, IBEW union made and IP65 rated
- All electrical components are U.L. listed

electrical

- Ballasts are class P, thermally protected
- Numerous options are available; see ordering information on back
- One piece thermally formed clear acrylic with 15% DR added for greater strength

diffuser

- Features an internal crepe pattern for a smooth, easy cleaning exterior
- High frequency sensor is completely enclosed and equipped with time delay, sensitivity and daylight holdoff

sensor / reflector

- The 3 piece specular aluminum reflector allows wide distribution illumination during occupancy

Protected by one or more US
Patents Nos. 7,271,543 & 7,081,715



Occu-smart is a registered trademark of LaMar Lighting Co., Inc.



VTPOS SERIES

ENCLOSED VAPOR-PROOF
LUMINAIRE

ordering guide

NOTE: SOME ORDERING OPTIONS APPEAR ON PRODUCT LINE
FOR OTHER OPTIONS, SEE LIST AT RIGHT

SAMPLE ORDER NUMBER

VTPOS **232** **117** **E8** **U** **SA** **1** **2**

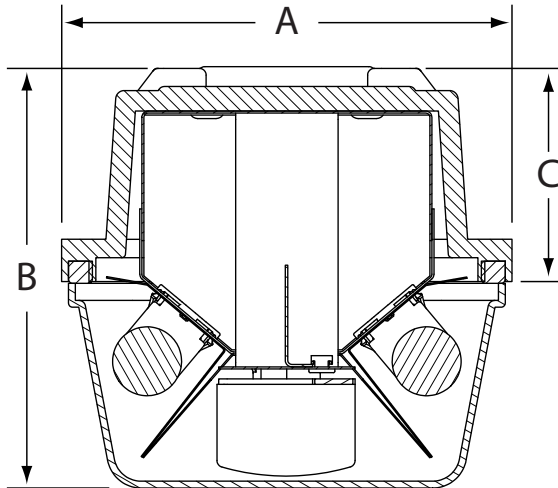
SERIES NO. WATTAGE BALLAST VOLTAGE DIFFUSER OPTIONS DIMENSIONS LAMP TYPE
LAMPS TYPE 1 2

T-8 ORDERING GUIDE									
VTPOS	232	117	E8, H8	U	SA			7" x 49 ⁵ / ₈ "	F32T8/F17T8
T-5 ORDERING GUIDE									
VTPOS	228	114	E5	U	SA			7" x 49 ⁵ / ₈ "	F28T5/F14T5
VTPOS	254	124	H5	U	SA			7" x 49 ⁵ / ₈ "	F54T5HO/F24T5HO

dimensional data

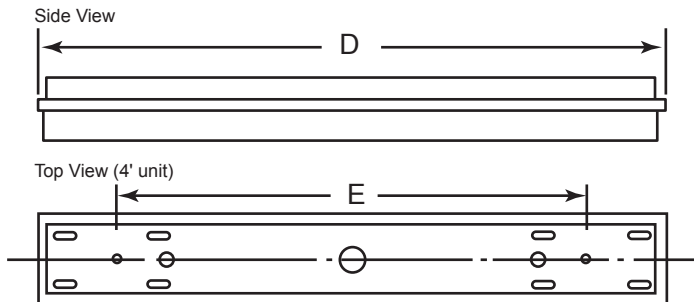
NOTE: SPECIFICATIONS AND DIMENSIONAL DATA ARE
SUBJECT TO CHANGE WITHOUT NOTICE

cross sections



Cat. No.	A	B	C	D	E
VTPOS	7"	5.875"	3.1875"	50"	38.75"

back knockout plans and lengths



options

OPTIONS: INSERT APPROPRIATE
CODE FOR CUSTOMIZED ORDERING

BALLAST

E8 Electronic T8
E5 Electronic T5
H5 Electronic T5 HO
H8 Electronic T8 HO

NOTE: In order to achieve rated lamp
life, fixtures controlled by motion
sensors should be set to minimum time
delay of 15 minutes - Consult Factory

VOLTAGE

U Universal 120 - 277V

GENERAL OPTIONS

EM Emergency pack, 1 lamp
90 min. up to 500 lu.

DIFFUSER OPTIONS

SA Standard crepe acrylic

UL APPROVED FOR WET LOCATIONS

accessories

TP Polycarbonate tamper-proof
latches/screws
TS Tamper-proof stainless steel
latches
MB Mounting brackets (pair)

LAMP OPTIONS

12 T8 741K
15 T8 735K
10 T8 730K
13 T5/T8 841K
16 T5/T8 835K
11 T5/T8 830K

occu-smart[®]
technology

Protected by one or more US Patents
Nos. 7,271,543 & 7,081,715

Revised
7/11

LAMAR LIGHTING 485 Smith Street, Farmingdale, NY 11735 • Tel (631) 777-7700
Fax (631) 777-7705 • Outside NY (800) 724-7743 • www.lamarlighting.com

Scan QR code
to be directed
to our
home page!



Lamar
Lighting
Company, Inc.

DS-LED SERIES



DUAL-SENSOR LED

Scan QR code
to be directed to
this product
on the web!



Job Name	
Catalog Number	
Notes	Type



features

- DS-LED is a unique bi-level LED luminaire controlled by 2 external infrared motion sensors, designed to provide safe, dependable illumination while conserving energy. Suitable for surface or chain mounting
- Bi-level fixtures operate at 20% standby light level, offering energy savings, safety and security with full light output instantly upon occupancy with areas fully lit only as needed
- Ideal for stairwells, utility rooms and other areas where maximum light levels are not required on a constant basis
- Sensors are field adjustable for optimum coverage, range and time delay using optional IR remote control

construction

- Housings are die-formed of code gauge steel
- Ample knockouts are provided for convenient mounting with recessed or surface power feeds
- Meets ADA requirements for wall mounting
- Ships complete with hardware including junction box adapter plate, v-hooks and chain for convenient mounting
- All fixtures are U.L. listed

LED module

- 144 quality Nichia LED's providing a luminous flux of 1800 lm at 5000K

finish

- Powder coated white finish for quality and durability

electrical

- Operating input voltage - 100-277 Vac, 50/60Hz
- Electrical power consumption - 25W when fully on and 5W in standby mode
- Luminous Efficacy - 72lm/W
- Operating temperature: -20°C - 40°C

sensor

- 360°/ 26' detection zone (when mounted at a height of 8' - 10')
- Highly sensitive infrared sensors feature a detection angle of 140° and are field adjustable for optimal detection coverage
- Time delay is factory preset to 5 min and is field adjustable to optional settings of 5, 10 or 30 sec and 1, 5 or 15 min using optional remote control
- Motion sensor range may be set to 20', 30' or 40' using optional remote control

warranty

- 5 years - part replacement only



ordering guide

NOTE: SOME ORDERING OPTIONS APPEAR ON PRODUCT LINE FOR OTHER OPTIONS, SEE LIST AT RIGHT

SAMPLE ORDER NUMBER

DSLED-48

SERIES LENGTH DIMENSIONS

LED ORDERING GUIDE

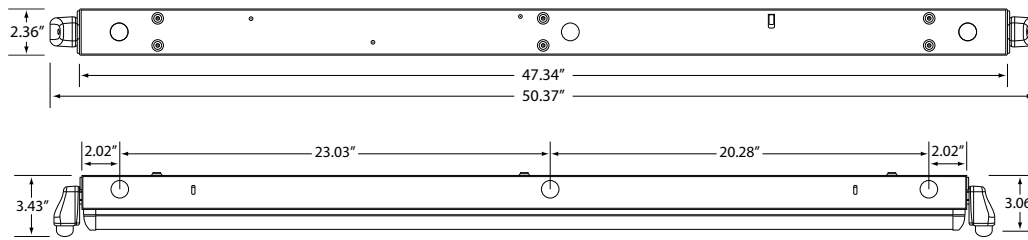
DSLED	48			3" x 48"	
DSLED	24			3" x 24"	~ Coming Soon
DSLED	48	EM		3" x 48"	~ Coming Soon
DSLED	24	EM		3" x 24"	~ Coming Soon

NOTE: EMERGENCY MODELS PROVIDE MINIMUM 90 MIN OF ILLUMINATION DURING POWER OUTAGES

dimensional data

NOTE: SPECIFICATIONS AND DIMENSIONAL DATA ARE SUBJECT TO CHANGE WITHOUT NOTICE

cross sections



photometrics

DS-LED SERIES

DUAL-SENSOR LED

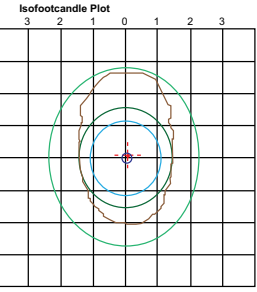
accessories

IRC-LED Infrared remote control

BEFORE INSTALLATION, PLEASE CONSULT YOUR LOCAL ORDINANCES AND BUILDING CODES FOR COMPLIANCE

High Mode - Full Output

LAMP OUTPUT: 1 Lamp(s), RATED LUMENS/LAMP: 1911.4
 INPUT WATTAGE: 23.5
 MAX CD: 524.4 AT HORIZONTAL: 150°, VERTICAL: 1°
 SPACING CRITERION: @ 0 = 1.27
 @ 90 = 1.26



DSLED High Mode Full Output

Illuminance at a Distance

Height (ft)	Footcandle	Beam Spread (ft)		Field Spread (ft)	
		Horizontal	Vertical	Horizontal	Vertical
1.7	187.93 fc	4.8	7.6	17.9	
3.3	46.98 fc	9.7	15.3	35.7	
5.0	20.88 fc	14.5	22.9	53.6	
6.7	11.75 fc	19.4	30.6	71.4	
8.3	7.52 fc	24.2	38.2	89.3	
10.0	5.22 fc	29.0	45.9	107.1	

Beam Angle: 110.9° 132.9° 158.9° 230.1°
 Field Angle: 110.9° 132.9° 158.9° 230.1°

Indoor Photometric Report

DSLED Low Mode 20% Output

Illuminance at a Distance

Height (ft)	Footcandle	Beam Spread (ft)		Field Spread (ft)	
		Horizontal	Vertical	Horizontal	Vertical
1.7	45.87 fc	4.8	7.6	17.5	
3.3	11.47 fc	9.6	15.1	35.0	
5.0	5.10 fc	14.4	22.7	52.5	
6.7	2.87 fc	19.2	30.3	70.1	
8.3	1.83 fc	24.0	37.8	87.6	
10.0	1.27 fc	28.8	45.4	105.1	

Beam Angle: 110.4° 132.5° 158.4° 228.0°
 Field Angle: 110.4° 132.5° 158.4° 228.0°

Indoor Photometric Report

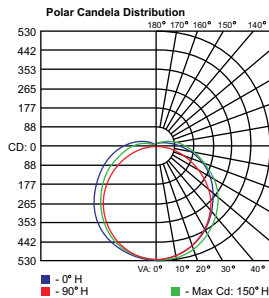
Photometric and Electrical Measurements at 25°C

Voltage (Vac)	Current (A)	Power (W)	Power Factor
120.0	0.2117	23.52	0.9258
Total Luminous Flux (lm)	Luminous Efficacy (lm/W)	Correlated Color Temperature (K)	Color Rendering Index / CRI
1911.4	81.27	4989	71.1
Chromaticity Coordinate x	Chromaticity Coordinate y	Chromaticity Coordinate u'	Chromaticity Coordinate v'
1911.4	81.27	4989	71.1

LM79 Report

High Mode - Full Output

LAMP OUTPUT: 1 Lamp(s), RATED LUMENS/LAMP: 1911.4
 INPUT WATTAGE: 23.5
 MAX CD: 524.4 AT HORIZONTAL: 150°, VERTICAL: 1°
 SPACING CRITERION: @ 0 = 1.27
 @ 90 = 1.26



Coefficients of Utilization - Zonal Cavity Method

RCC %	80				70				50				30				10				0			
	70	50	30	0	70	50	30	0	50	30	20	0	50	30	20	0	50	30	20	0	50	30	20	0
RCR: 0	1.17	1.17	1.17	1.17	1.13	1.13	1.13	.92	1.06	1.06	1.06	1.00	1.00	1.00	.94	.94	.94	.92						
1	1.05	.99	.94	.89	1.01	.96	.91	.73	.90	.86	.83	.85	.82	.79	.80	.77	.75	.72						
2	.94	.85	.78	.71	.91	.83	.76	.60	.78	.72	.67	.73	.68	.64	.69	.65	.61	.59						
3	.86	.74	.65	.58	.82	.72	.64	.50	.68	.61	.55	.64	.58	.53	.60	.55	.51	.49						
4	.78	.65	.56	.49	.75	.63	.55	.43	.60	.52	.47	.56	.50	.45	.53	.48	.43	.41						
5	.72	.58	.49	.42	.69	.57	.48	.37	.53	.46	.40	.51	.44	.39	.48	.42	.38	.35						
6	.66	.52	.43	.36	.64	.51	.42	.32	.48	.40	.35	.46	.39	.34	.43	.37	.33	.31						
7	.61	.47	.38	.32	.59	.46	.37	.29	.44	.36	.31	.41	.35	.30	.39	.34	.29	.27						
8	.57	.43	.34	.28	.55	.42	.34	.26	.40	.33	.27	.38	.31	.27	.36	.30	.26	.24						
9	.53	.39	.31	.25	.51	.38	.30	.23	.37	.29	.24	.35	.29	.24	.33	.28	.23	.21						
10	.50	.36	.28	.23	.48	.35	.28	.21	.34	.27	.22	.32	.26	.22	.31	.25	.21	.19						

Indoor Photometric Report



Revised 7/12

LAMAR LIGHTING 485 Smith Street, Farmingdale, NY 11735 • Tel (631) 777-7700
 Fax (631) 777-7705 • Outside NY (800) 724-7743 • www.lamarlighting.com



N B SERIES

ARCHITECTURAL
STYLING

NEBULA

DIRECT/INDIRECT
PENDANT

Job Name	
Catalog Number	
Notes	Type

Shown with ribbed lens option



Shown with radial baffle option



Shown with perforated steel option

application

- Attractive T5 or T8 luminaire with clean lines and a graceful curve; an appealing alternative to the standard wrap usually used in offices, classrooms, libraries and corridors
- Pendant mount as individual units or continuous rows, also available in surface mount

finish

- Prior to painting, all metal parts are treated with a multi-stage phosphate bonding process to ensure adhesion and inhibit rusting
- All exterior parts are finished with white powder coat for durability and a clean finished appearance
- Custom colors and textures are available, consult factory for minimum quantities and lead-time

construction

- The NB series is a premium grade of fluorescent luminaire specifically designed for long-term, dependable service
- Features durable steel bodies, perforated lens, quality paint finishes and superior electrical components
- Manufactured from code gauge steel for premium strength and rigidity, aluminum construction is available
- Decorative perforated diffuser for low glare applications
- Available in 2, 3 or 4 lamp configurations
- Side uplight apertures standard, solid top also available
- Utilizing internal bulkheads, continuous runs of any length may be constructed
- May be stem, cable or surface mounted, consult ordering guide for options
- Individual units are available up to 8' in length
- All fixtures are U.L. listed and IBEW union made

electrical

- All electrical components are U.L. listed
- Electronic Class P ballasts standard
- Numerous options are available, including T5 HO, Emergency battery backup; please consult factory

lens

- Standard bottom diffuser is perforated steel; optional radial baffle is aluminum with blades 1.5" on center; consult factory
- Bottom diffuser is also available in clear ribbed acrylic lens. Consult factory for additional patterns

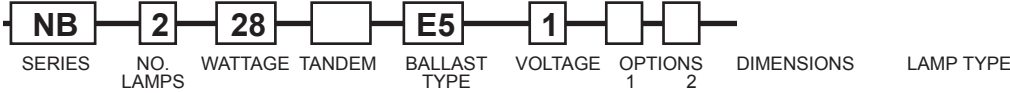
LaMar
Lighting
Company, Inc.

ordering guide

NOTE: SOME ORDERING OPTIONS APPEAR ON PRODUCT LINE FOR OTHER OPTIONS, SEE LIST AT RIGHT



SAMPLE ORDER NUMBER



T-5 ORDERING GUIDE									
NB	2, 3, 4	21/39		E5, H5	U			9.75" x 34"	F21T5/F39T5HO
NB	2, 3, 4	28/54		E5, H5	U			9.75" x 46"	F28T5/F54T5HO
NB	2, 3, 4	21/39	T	E5, H5	U			9.75" x 68"	F21T5/F39T5HO
NB	2, 3, 4	28/54	T	E5, H5	U			9.75" x 92"	F28T5/F54T5HO
T-8 ORDERING GUIDE									
NB	2, 3	25		E8	1, U			9.75" x 36"	F25T8
NB	2, 3	32		E8	1, U			9.75" x 48"	F32T8
NB	2, 3	25	T	E8	U			9.75" x 72"	F25T8
NB	2, 3	32	T	E8	U			9.75" x 96"	F32T8

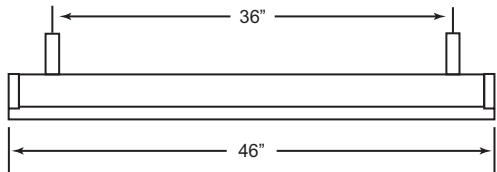
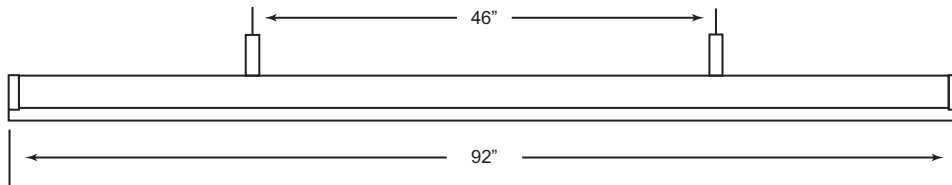
Note: Tandem units contain double the amount of lamps shown

dimensional data

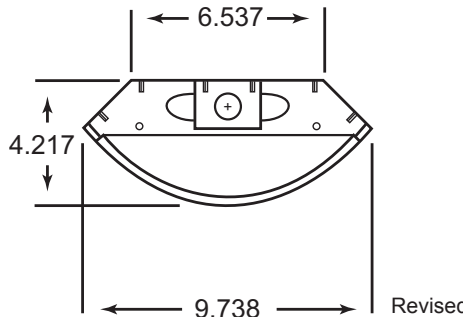
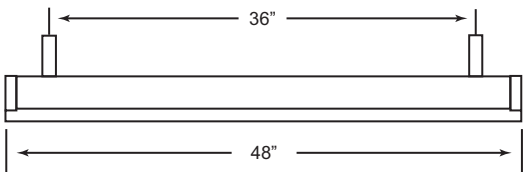
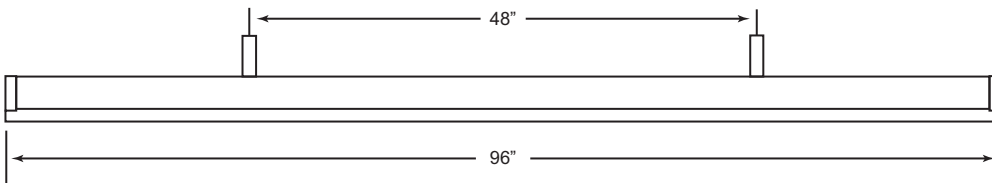
NOTE: SPECIFICATIONS AND DIMENSIONAL DATA ARE SUBJECT TO CHANGE WITHOUT NOTICE

cross sections

T5



T8



Revised 7/09

options

OPTIONS: INSERT APPROPRIATE CODE FOR CUSTOMIZED ORDERING

BALLAST

- E8 Electronic T8
- PS8 Program start T8
- CE8 CEE listed high performance T8 (instant start)
- CP8 CEE listed high performance T8 (program start)
- H8 High lumen output T8
- E5 Electronic T5
- H5 Electronic T5 high output
- ED Electronic dimming (Consult Factory)

NOTE: In order to achieve rated lamp life, fixtures controlled by motion sensors should be ordered with programmed start ballasts when available and minimum time delay should be set to 15 minutes - Consult Factory

VOLTAGE

- 1 120V
- U Universal 120 - 277V

GENERAL OPTIONS

- EM Emergency pack, 1 lamp 90 min. up to 500 lu.
- 2C 2 Circuit
- SMNB Surface Mounting
- STNB Suspended Solid Top
- BF White radial baffle 1.5" O.C.
- CA Linear ribbed acrylic
- PF Perforated basket - standard white
- EOR 1 Finished end for continuous runs
- INT Intermediate (0 finished ends)

For joining units together in continuous runs PLEASE Consult Factory for ordering specifications and information

Consult Factory for additional options not shown or listed

Note: When utilizing Emergency Pack and Factory Supplied Aircraft Cable please specify 4-wire supply cord

accessories

- Canopy Standard white 5" dia., 1 1/2" deep with hardware
- Stem Stem + Length needed (i.e: STEM24)
- AC Aircraft cable & hardware Consult Factory for type and length

LAMP OPTIONS

- 12 T8 741K
- 15 T8 735K
- 10 T8 730K
- 13 T5/T8 841K
- 16 T5/T8 835K
- 11 T5/T8 830K



PR SERIES

ARCHITECTURAL
STYLING

PULSAR

DIRECT/INDIRECT
PENDANT

Job Name	
Catalog Number	
Notes	Type



application

- Attractive and innovative, this T8/T5 luminaire with direct/indirect lighting, offers soft downlighting with an open top to maximize uplight creating a unique ambience ideal for today's modern environment
- Pendant mount as individual units or continuous rows

finish

- Prior to painting, all metal parts are treated with a multi-stage phosphate bonding process to ensure adhesion and inhibit rusting
- All exterior parts are finished with white powder coat for durability and a clean finished appearance
- Custom colors and textures are available, consult factory for minimum quantities and lead-time

construction

- The PR series is a premium grade of fluorescent luminaire specifically designed for long-term, dependable service
- Features durable steel bodies, perforated lens, quality paint finishes and superior electrical components
- Manufactured from code gauge steel for premium strength and rigidity
- Unique design with perforated diffuser and semi-specular louver, also available in white
- Decorative perforated basket provides soft, glare free illumination
- Continuous runs may be constructed - consult factory
- May be stem or cable mounted, consult ordering guide for options
- Individual units are available up to 8' in length
- All fixtures are U.L. listed and IBEW union made

electrical

- All electrical components are U.L. listed
- Electronic Class P ballasts standard
- Numerous options are available, including T5 HO, Emergency battery backup - consult factory

diffuser/louver

- Standard bottom diffuser is perforated formed steel with white acrylic overlay
- Basket is retained by decorative ends and slides out easily for servicing
- Parabolic louver constructed out of semi-specular aluminum providing additional glare free downlight, white parabolic also available

ordering guide

NOTE: SOME ORDERING OPTIONS APPEAR ON PRODUCT LINE. FOR OTHER OPTIONS, SEE LIST AT RIGHT.

PR
SERIES
ARCHITECTURAL
PENDANT MOUNT
DIRECT/INDIRECT

SAMPLE ORDER NUMBER



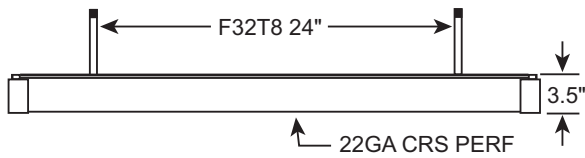
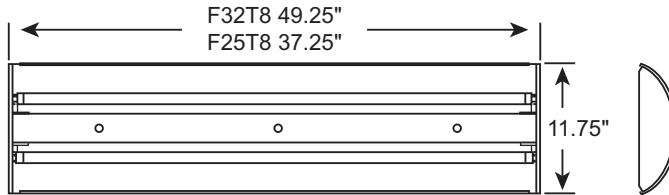
T-5 ORDERING GUIDE									
SERIES	NO. LAMPS	WATTAGE	TANDEM	BALLAST TYPE	VOLTAGE	OPTIONS 1	OPTIONS 2	DIMENSIONS	LAMP TYPE
PR	2, 3	21/39		E5, H5	1, U	P	PS	11.75" x 37.25"	F21T5/F39T5HO
PR	2, 3	28/54		E5, H5	1, U	P	PS	11.75" x 49.25"	F28T5/F54T5HO
PR	2, 3	21/39	T	E5, H5	1, U	P	PS	11.75" x 73.25"	F21T5/F39T5HO
PR	2, 3	28/54	T	E5, H5	1, U	P	PS	11.75" x 97.25"	F28T5/F54T5HO
T-8 ORDERING GUIDE									
SERIES	NO. LAMPS	WATTAGE	TANDEM	BALLAST TYPE	VOLTAGE	OPTIONS 1	OPTIONS 2	DIMENSIONS	LAMP TYPE
PR	2, 3	25		E8	1, U	P	PS	11.75" x 37.25"	F25T8
PR	2, 3	32		E8	1, U	P	PS	11.75" x 49.25"	F32T8
PR	2, 3	25	T	E8	1, U	P	PS	11.75" x 73.25"	F25T8
PR	2, 3	32	T	E8	1, U	P	PS	11.75" x 97.25"	F32T8

Note: Tandem units contain double the amount of lamps shown

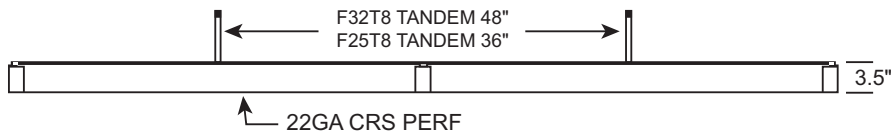
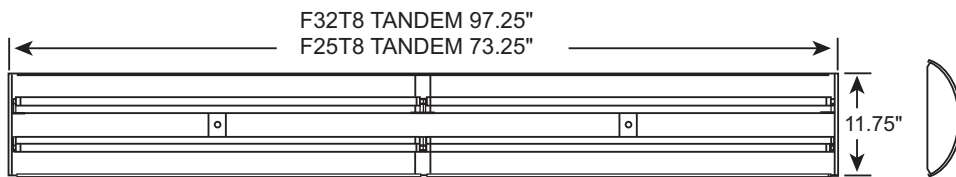
dimensional data

NOTE: SPECIFICATIONS AND DIMENSIONAL DATA ARE SUBJECT TO CHANGE WITHOUT NOTICE

cross sections



T5 Dims same as T8



TANDEM UNITS (SINGLE AND CONTINUOUS RUN)

T5 DIMS SAME AS T8

NOTE: WHEN ADDING 3' OR 4' INTERMEDIATE OR END OF RUN UNITS, STEM SPACING REMAINS CONSTANT

options

OPTIONS: INSERT APPROPRIATE CODE FOR CUSTOMIZED ORDERING

BALLAST

- E8 Electronic T8
- PS8 Program start T8
- CE8 CEE listed high performance T8 (instant start)
- CP8 CEE listed high performance T8 (program start)
- H8 High lumen output T8
- E5 Electronic T5
- H5 Electronic T5 high output
- ED Electronic dimming (Consult Factory)

NOTE: In order to achieve rated lamp life, fixtures controlled by motion sensors should be ordered with programmed start ballasts when available and minimum time delay should be set to 15 minutes - Consult Factory

VOLTAGE

- 1 120V
- U Universal Voltage

GENERAL OPTIONS

- EM Emergency pack, 1 lamp 90 min. up to 500 lu.
- 2C 2 Circuit
- PS Silver Parabolic (center)
- PW White Parabolic (center)

For joining units together in continuous runs PLEASE Consult Factory for ordering specifications and information

Consult Factory for additional options not shown or listed

Note: When utilizing Emergency Pack and Factory Supplied Aircraft Cable please specify 4-wire supply cord

accessories

LAMP OPTIONS

- 10 T8 730K
- 15 T8 735K
- 12 T8 741K
- 11 T5/T8 830K
- 16 T5/T8 835K
- 13 T5/T8 841K

Canopy Standard white 5" dia., 1 1/2" deep with hardware

Stem Stem + Length needed (i.e: STEM24)

AC Aircraft cable & hardware

Consult factory for type and length

Revised
5/09

LAMAR LIGHTING 485 Smith Street, Farmingdale, NY 11735 • Tel (631) 777-7700
 Fax (631) 777-7705 • Outside NY (800) 724-7743 • www.lamarlighting.com



Q A
SERIES

ARCHITECTURAL
 STYLING

Q U A N T U M
 DIRECT/INDIRECT
 PENDANT

Job Name	
Catalog Number	
Notes	Type



application

- Attractive and versatile T5 or T8 direct/indirect luminaire offers a broad range of lamp configurations, and may accommodate up to 4 T5 HO's to provide maximum uplite with diffused downlight for a balanced appearance
- Pendant mount as individual units or continuous rows

finish

- Prior to painting, all metal parts are treated with a multi-stage phosphate bonding process to ensure adhesion and inhibit rusting
- All exterior parts are finished with white powder coat for durability and a clean finished appearance
- Custom colors and textures are available, consult factory for minimum quantities and lead-time

construction

- The QA series is a premium grade fluorescent luminaire specifically designed for long-term, dependable service
- Features durable steel bodies, perforated diffuser, quality paint finishes and superior electrical components
- Manufactured from code gauge steel for premium strength and rigidity, aluminum construction is available
- Decorative perforated basket for low glare applications
- Utilizing internal bulkheads, continuous runs of any length may be constructed - consult factory
- May be stem or cable mounted, consult ordering guide for options
- Individual units are available up to 8' in length
- All fixtures are U.L. listed and IBEW union made

electrical

- All electrical components are U.L. listed
- Electronic Class P, thermally protected ballasts standard
- Numerous options are available, including Emergency battery pack, see ordering information on back

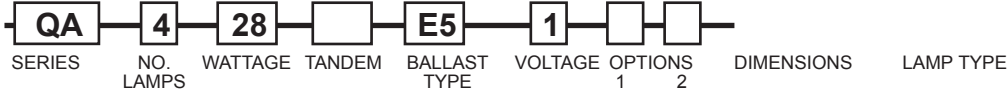
lens

- Standard bottom diffuser is perforated formed steel
- Bottom diffuser is retained by four concealed studs for easy removal when cleaning or re-lamping

ordering guide

NOTE: SOME ORDERING OPTIONS APPEAR ON PRODUCT LINE. FOR OTHER OPTIONS, SEE LIST AT RIGHT.

SAMPLE ORDER NUMBER



T-5 ORDERING GUIDE									
QA	2, 4	28/54		E5, H5	1, U			10.25" x 46"	F28T5/F54T5HO
QA	2, 4	28/54	T	E5, H5	1, U			10.25" x 92"	F28T5/F54T5HO
T-8 ORDERING GUIDE									
QA	2, 4	32		E8	1, U			10.25" x 48"	F32T8
QA	2, 4	25	T	E8	1, U			10.25" x 72"	F25T8
QA	2, 4	32	T	E8	1, U			10.25" x 96"	F32T8

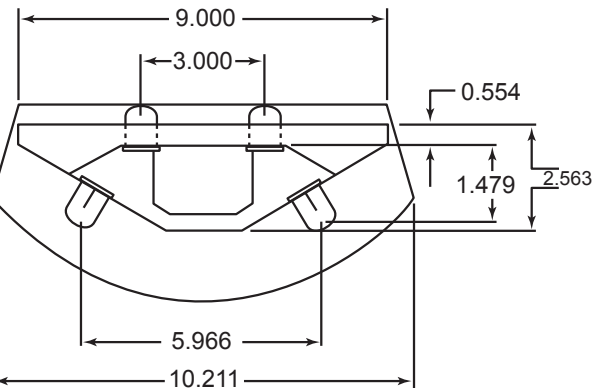
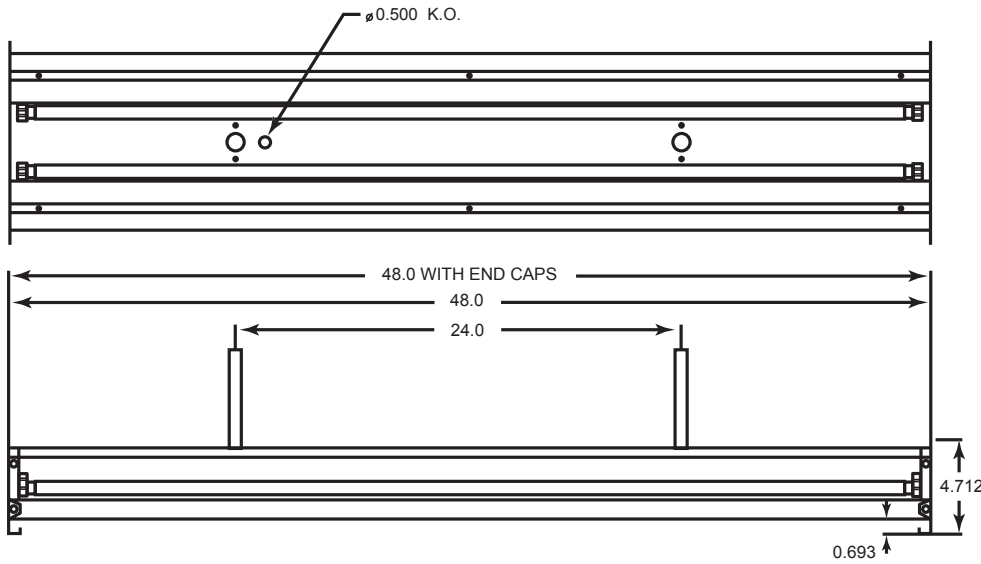
Note: Tandem units contain double the amount of lamps shown

dimensional data

NOTE: SPECIFICATIONS AND DIMENSIONAL DATA ARE SUBJECT TO CHANGE WITHOUT NOTICE

cross sections

4' T8 model shown



8' T8 stem distance - 48." on center

QA SERIES ARCHITECTURAL PENDANT MOUNT INDIRECT/DIRECT

options

OPTIONS: INSERT APPROPRIATE CODE FOR CUSTOMIZED ORDERING

BALLAST

- E8 Electronic T8
- PS8 Program start T8
- CE8 CEE listed high performance T8 (instant start)
- CP8 CEE listed high performance T8 (program start)
- H8 High lumen output T8
- E5 Electronic T5
- H5 Electronic T5 high output
- ED Electronic dimming (Consult Factory)

NOTE: In order to achieve rated lamp life, fixtures controlled by motion sensors should be ordered with programmed start ballasts when available and minimum time delay should be set to 15 minutes - Consult Factory

VOLTAGE

- 1 120V
- U Universal 120 - 277V

GENERAL OPTIONS

- EM Emergency pack, 1 lamp 90 min. up to 500 lu.
- 2C 2 Circuit

For joining units together in continuous runs PLEASE Consult Factory for ordering specifications and information

Consult Factory for additional options not shown or listed

accessories

LAMP OPTIONS

- 12 T8 741K
- 15 T8 735K
- 10 T8 730K
- 13 T5/T8 841K
- 16 T5/T8 835K
- 11 T5/T8 830K

- Canopy Standard white 5" dia., 1 1/2" deep with hardware
- Stem Stem + Length needed (i.e: STEM24)
- AC Aircraft cable & hardware Consult factory for type and length

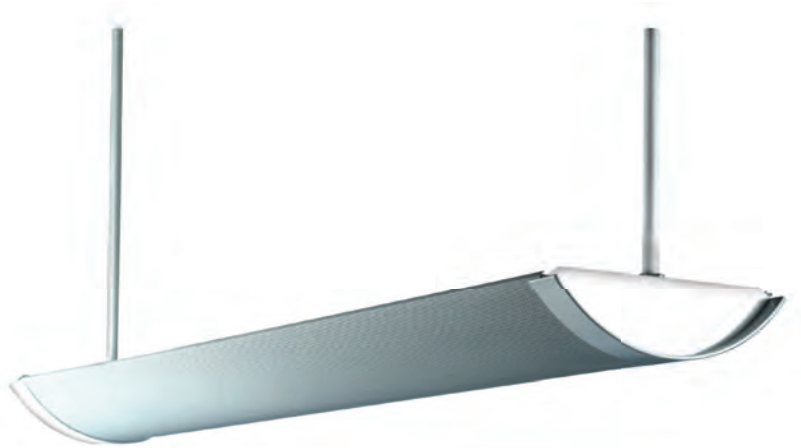
Note: When using Factory Supplied Aircraft Cable please specify whether 3-wire (all lamps on same switch) or 4-wire (suitable for up/down dual switch control) supply cord is required. 4 wire supply required when using Emergency Pack (5 wire for dual switching with EM Pack)

Revised 5/09

Q R SERIES

ARCHITECTURAL
STYLING
QUAZAR
PENDANT MOUNT
DIRECT/INDIRECT

Job Name	
Catalog Number	
Notes	Type



application

- Stylish, clean-lined luminaire, perfect for schools, offices and other spaces utilizing video display terminals or locations requiring a visually comfortable environment
- Able to be cable, or stem mounted individually or in continuous rows
- Available in 2 and 3 light, multiple lengths and numerous lamp/ballast combinations

construction

- The QR series is a premium grade of fluorescent luminaire specifically designed for long-term, dependable service with the benefits of indirect lighting
- Features durable steel bodies, quality paint finishes and superior electrical components
- Manufactured from code gauge steel for premium strength and rigidity
- Features a direct/indirect wide beam perforated diffuser for uniform ceiling illumination for a glowing, low brightness luminance
- Suspension mount options to suit your application; standard stem & canopies or aircraft cable
- All fixtures are U.L. listed and IBEW union made

electrical

- All electrical components are U.L. listed
- Electronic Class P ballasts standard
- Numerous options are available, Biax, T8 electronic, dimming; see ordering information on back

finish

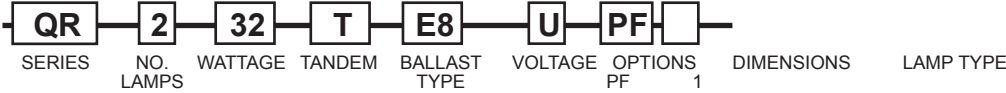
- Prior to painting, all metal parts are treated with a multi-stage phosphate bonding process to ensure adhesion and inhibit rusting
- Powder coated with lighting grade white, having a reflectance factor exceeding 87% for premium quality and durability
- Custom colors are available, consult factory for minimum quantities and lead-time

QR
SERIES
ARCHITECTURAL
PENDANT MOUNT
INDIRECT/DIRECT

ordering guide

NOTE: SOME ORDERING OPTIONS APPEAR ON PRODUCT LINE. FOR OTHER OPTIONS, SEE LIST AT RIGHT.

SAMPLE ORDER NUMBER



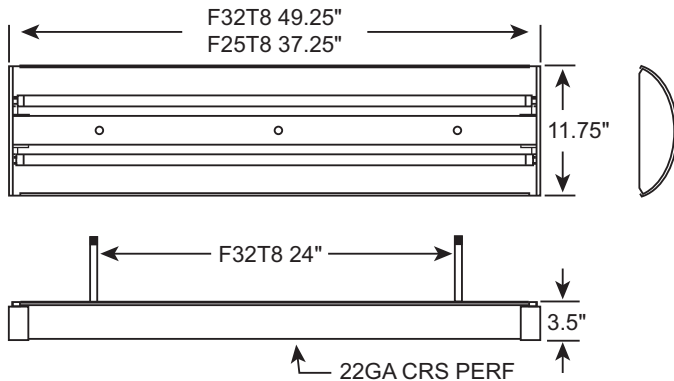
T-8 ORDERING GUIDE									
SERIES	NO. LAMPS	WATTAGE	TANDEM	BALLAST TYPE	VOLTAGE	OPTIONS PF	DIMENSIONS	LAMP TYPE	
QR	2, 3	25		E8	1, U	PF	11 3/4" x 37 1/4"	F25T8	
QR	2, 3	32		E8	1, U	PF	11 3/4" x 49 1/4"	F32T8	
QR	2, 3	25	T	E8	1, U	PF	11 3/4" x 73 1/4"	F25T8	
QR	2, 3	32	T	E8	1, U	PF	11 3/4" x 97 1/4"	F32T8	
T-5 ORDERING GUIDE									
QR	2, 3	21/39		E5, H5	1, U	PF	11 3/4" x 37 1/4"	F21T5/F39T5HO	
QR	2, 3	28/54		E5, H5	1, U	PF	11 3/4" x 49 1/4"	F28T5/F54T5HO	
QR	2, 3	21/39	T	E5, H5	1, U	PF	11 3/4" x 73 1/4"	F21T5/F39T5HO	
QR	2, 3	28/54	T	E5, H5	1, U	PF	11 3/4" x 97 1/4"	F28T5/F54T5HO	

Note: Tandem units contain double the amount of lamps shown

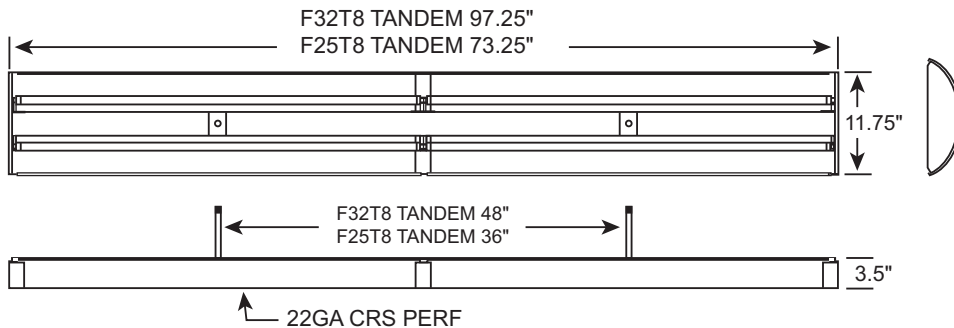
dimensional data

NOTE: SPECIFICATIONS AND DIMENSIONAL DATA ARE SUBJECT TO CHANGE WITHOUT NOTICE

cross sections



T5 Dims same as T8



TANDEM UNITS (SINGLE AND CONTINUOUS RUN)

T5 DIMS SAME AS T8

NOTE: WHEN ADDING 3' OR 4' INTERMEDIATE OR END OF RUN UNITS, STEM SPACING REMAINS CONSTANT

options

OPTIONS: INSERT APPROPRIATE CODE FOR CUSTOMIZED ORDERING

BALLAST

- E8 Electronic T8
- PS8 Program start T8
- CE8 CEE listed high performance T8 (instant start)
- CP8 CEE listed high performance T8 (program start)
- H8 High lumen output T8
- E5 Electronic T5
- H5 Electronic T5 high output
- EB Electronic Biax
- ED Electronic dimming (Consult Factory)

NOTE: In order to achieve rated lamp life, fixtures controlled by motion sensors should be ordered with programmed start ballasts when available and minimum time delay should be set to 15 minutes - Consult Factory

VOLTAGE

- 1 120V
- U Universal 120 - 277V

GENERAL OPTIONS

- EM Emergency pack, 1 lamp 90 min. up to 500 lu.
- 2C 2 Circuit
- SB Solid bottom

Note: Individual units are not suitable for continuous row mounting and cannot be field modified. For joining units together in continuous rows PLEASE Consult Factory for ordering specifications and information.

Note: When utilizing Emergency Pack and Factory Supplied Aircraft Cable please specify 4-wire supply cord.

Consult Factory for additional options not shown or listed

accessories

LAMP OPTIONS

- 12 T8 741K
- 15 T8 735K
- 10 T8 730K
- 13 T5/T8 841K
- 16 T5/T8 835K
- 11 T5/T8 830K

- Canopy Standard white 5" dia., 1 1/2" deep with hardware
- Stem Stem + Length needed (ie: STEM24)
- AC Aircraft cable & hardware
Consult Factory for type and length



Revised 10/10

DR SERIES

ARCHITECTURAL
STYLING
DURADO
DIRECT/INDIRECT
SUSPENDED

Job Name	
Catalog Number	
Notes	Type



*Shown with optional scoop ends

application

- Attractive and versatile T5 or T8 direct/indirect luminaire offers a broad range of lamp configurations, and may accommodate up to (4) T5 HO or 4 T8 lamps to provide maximum uplight with diffused downlight for a balanced appearance
- Suspended mount as individual units or continuous rows

finish

- Prior to painting, all metal parts are treated with a multi-stage phosphate bonding process to ensure adhesion and inhibit rusting
- All exterior parts are finished with white powder coat for durability and a clean finished appearance

construction

- The DR series is a premium grade fluorescent luminaire specifically designed for long-term, dependable service
- Features durable cold rolled steel body, semi-perforated diffuser, quality paint finish and superior electrical components
- Electrical compartment constructed from code gauge steel for premium strength and rigidity
- Utilizing interlocking ends, continuous runs of any length may be constructed
- 50" Adjustable aircraft cable kit included
- Individual units are available up to 8' in length
- All fixtures are U.L. listed and IBEW union made

electrical

- All electrical components are U.L. listed
- Electronic Class P ballasts standard
- Numerous options are available, including Emergency battery pack and dimming, see ordering information on back

baffle

- Lateral light distribution through side perforations for soft downlight
- Full indirect is available, consult factory

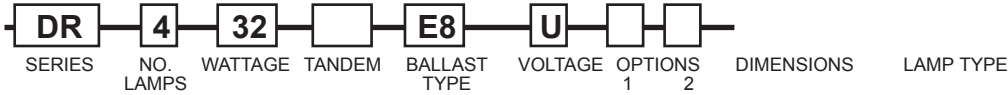
end caps

- Choice of flat or scoop style end caps

ordering guide

NOTE: SOME ORDERING OPTIONS APPEAR ON PRODUCT LINE. FOR OTHER OPTIONS, SEE LIST AT RIGHT.

SAMPLE ORDER NUMBER



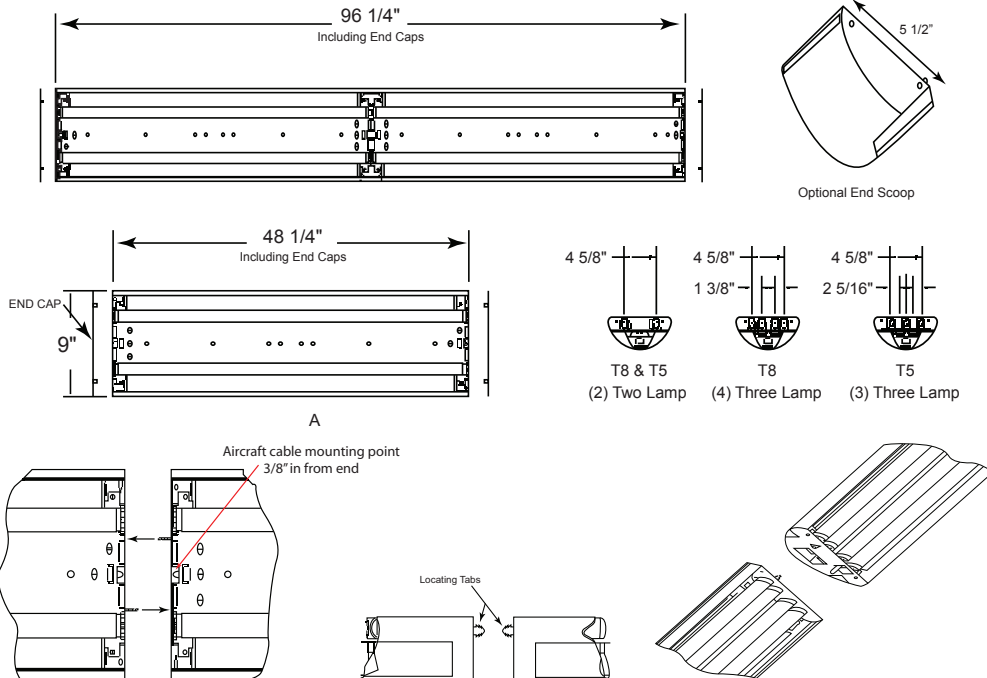
T-5 ORDERING GUIDE									
DR	2, 3, 4	28/54		E5, H5	1, U			9" x 48" x 3"	F28T5/F54T5HO
DR	2, 3, 4	28/54	T	E5, H5	1, U			9" x 96" x 3"	F28T5/F54T5HO
T-8 ORDERING GUIDE									
DR	2, 3, 4	32		E8	1, U			9" x 48" x 3"	F32T8
DR	2, 3, 4	32	T	E8	1, U			9" x 96" x 3"	F32T8

Note: Tandem units contain double the amount of lamps shown

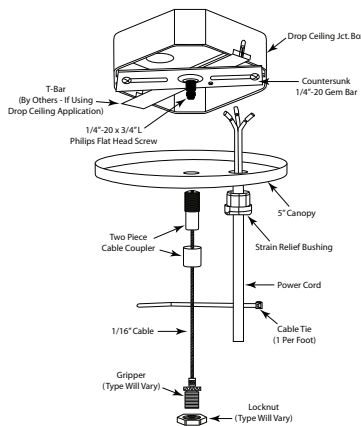
dimensional data

NOTE: SPECIFICATIONS AND DIMENSIONAL DATA ARE SUBJECT TO CHANGE WITHOUT NOTICE.

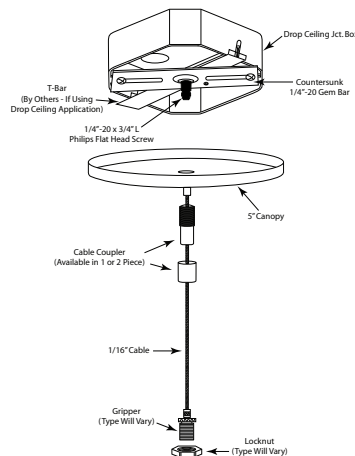
cross sections



FEED SYSTEM



NON-FEED SYSTEM



Revised 5/09

DR SERIES ARCHITECTURAL PENDANT MOUNT INDIRECT/DIRECT

options

OPTIONS: INSERT APPROPRIATE CODE FOR CUSTOMIZED ORDERING

BALLAST

- E8 Electronic T8
- PS8 Program start T8
- CE8 CEE listed high performance T8 (instant start)
- CP8 CEE listed high performance T8 (program start)
- H8 High lumen output T8
- E5 Electronic T5
- H5 Electronic T5 high output
- ED Electronic dimming (Consult Factory)

NOTE: In order to achieve rated lamp life, fixtures controlled by motion sensors should be ordered with programmed start ballasts when available and minimum time delay should be set to 15 minutes - Consult Factory

VOLTAGE

- 1 120V
- U Universal 120 - 277V

GENERAL OPTIONS

- EM Emergency pack, 1 lamp 90 min. up to 500 lu.
- 2C 2 Circuit
- SB Solid body (uplite only)
- XEFL Flat end cap (standard)
- XESC Scoop end cap

Consult Factory for additional options not shown or listed

accessories

Optional stem mount bracket - consult factory

LAMP OPTIONS

- 12 T8 741K
- 15 T8 735K
- 10 T8 730K
- 13 T5/T8 841K
- 16 T5/T8 835K
- 11 T5/T8 830K

Note: Consult factory for optional hanging hardware including Tee Bar adapters

Q R W SERIES

ARCHITECTURAL
STYLING
QUAZAR
WALL MOUNT
DIRECT/INDIRECT

Job Name	
Catalog Number	
Notes	Type



application

- Stylish, wall mount luminaire, perfect for corridors, offices and lobbies. An ideal compliment to our Quazar suspended direct/indirect series
- Indirect illumination provides a soft glare-free environment which is ideal for spaces utilizing video display terminals - Solid front available for total indirect illumination - consult factory
- Available in multiple lengths and lamp/ballast combinations
- Able to be mounted individually or in continuous rows - consult factory

construction

- The QRW series is a premium grade fluorescent luminaire specifically designed for long-term, dependable service with the benefits of indirect lighting
- Features durable steel bodies, quality paint finishes and superior electrical components
- Manufactured from code gauge steel for premium strength and rigidity
- Features a direct/indirect perforated diffuser for soft uniform illumination
- Perforated basket is easily removable for convenient servicing
- Keyslots provided for convenient mounting
- All fixtures are U.L. listed and IBEW union made

electrical

- All electrical components are U.L. listed
- Electronic Class P ballasts standard
- Numerous options are available, Biax, T8/T5 electronic, dimming; see ordering information on back

finish

- Prior to painting, all metal parts are treated with a multi-stage phosphate bonding process to ensure adhesion and inhibit rusting
- Perforated basket is powder coated with lighting grade white, having a reflectance factor exceeding 87% for premium quality and durability
- Custom colors are available, consult factory for minimum quantities and lead-time

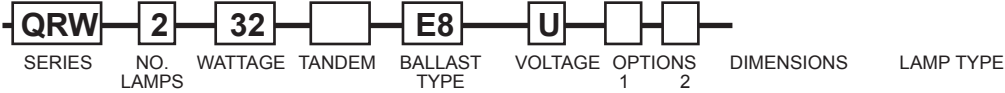
LaMar
Lighting
Company, Inc.

QRW SERIES ARCHITECTURAL WALL MOUNT INDIRECT/DIRECT

ordering guide

NOTE: SOME ORDERING OPTIONS APPEAR ON PRODUCT LINE. FOR OTHER OPTIONS, SEE LIST AT RIGHT.

SAMPLE ORDER NUMBER



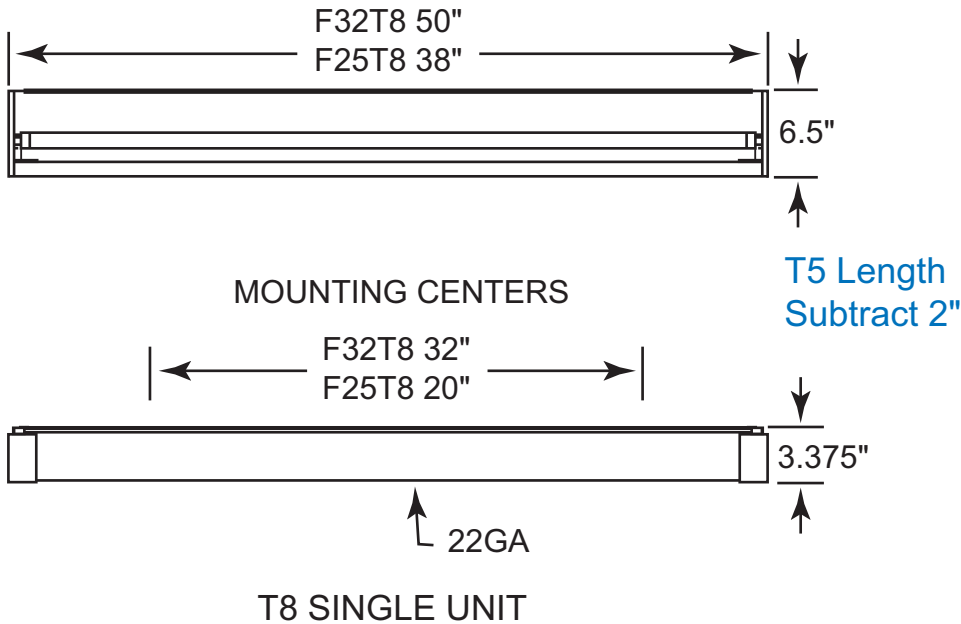
T-8 ORDERING GUIDE									
QRW	1, 2			E8	1, U			6 1/2" x 26"	F17T8
QRW	1, 2	17		E8	1, U			6 1/2" x 38"	F25T8
QRW	1, 2	25		E8	1, U			6 1/2" x 50"	F32T8
QRW	1, 2	32		E8	1, U			6 1/2" x 75"	F25T8
QRW	1, 2	25	T	E8	1, U			6 1/2" x 99"	F32T8
QRW	1, 2	32	T	E8	1, U				
T-5 ORDERING GUIDE									
QRW	1, 2	14		E5	1, U			6 1/2" x 24"	F14T5
QRW	1, 2	21/39		E5, H5	1, U			6 1/2" x 36"	F21T5/F39T5HO
QRW	1, 2	28/54		E5, H5	1, U			6 1/2" x 48"	F28T5/F54T5HO
QRW	1, 2	21/39	T	E5, H5	1, U			6 1/2" x 71"	F21T5/F39T5HO
QRW	1, 2	28/54	T	E5, H5	1, U			6 1/2" x 95"	F28T5/F54T5HO

Note: Tandem units contain double the amount of lamps shown

dimensional data

NOTE: SPECIFICATIONS AND DIMENSIONAL DATA ARE SUBJECT TO CHANGE WITHOUT NOTICE.

cross sections



options

OPTIONS: INSERT APPROPRIATE CODE FOR CUSTOMIZED ORDERING

BALLAST

- E8 Electronic T8
- E5 Electronic T5
- H5 Electronic T5 High output
- EB Electronic ballast
- ED Electronic Dimming (Consult Factory)

NOTE: In order to achieve rated lamp life, fixtures controlled by motion sensors should be ordered with programmed start ballasts when available and minimum time delay should be set to 15 minutes - Consult Factory

VOLTAGE

- 1 120V
- U Universal 120 - 277V

GENERAL OPTIONS

- EM Emergency pack, 1 lamp 90 min. up to 500 lu.
- 2C 2 Circuit
- SF Solid Front

Consult Factory for additional options not shown or listed

accessories

LAMP OPTIONS

- 12 T8 741K
- 15 T8 735K
- 10 T8 730K
- 13 T5/T8 841K
- 16 T5/T8 835K
- 11 T5/T8 830K

Revised
4/11

DRW
SERIES

ARCHITECTURAL
 STYLING

DURADO
 WALL MOUNT
 DIRECT/INDIRECT

Job Name	
Catalog Number	
Notes	Type



application

- Stylish, wall mount luminaire, perfect for corridors, offices and lobbies. An ideal compliment to our Durado suspended direct/indirect series
- Direct/indirect illumination provides a soft glare-free environment which is ideal for spaces utilizing video display terminals - Solid body available for total indirect illumination - consult factory
- Available in multiple lengths and lamp/ballast combinations
- Able to be mounted individually or in continuous rows

construction

- The DRW series is a premium grade fluorescent luminaire specifically designed for long-term, dependable service with the benefits of indirect lighting
- Features durable steel bodies, quality paint finishes and superior electrical components
- Manufactured from code guage steel for premium strength and rigidity
- Features a direct/indirect perforated diffuser for soft uniform illumination
- Keyslots provided for convenient mounting
- All fixtures are U.L. listed and IBEW union made

electrical

- All electrical components are U.L. listed
- Electronic Class P ballasts standard
- Numerous options are available, T8/T5 electronic, dimming; see ordering information on back

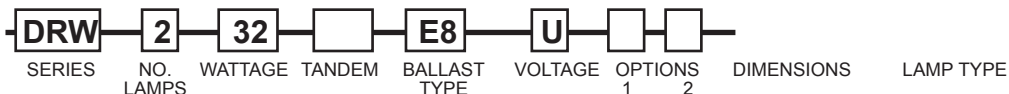
finish

- Prior to painting, all metal parts are treated with a multi-stage phosphate bonding process to ensure adhesion and inhibit rusting

ordering guide

NOTE: SOME ORDERING OPTIONS APPEAR ON PRODUCT LINE. FOR OTHER OPTIONS, SEE LIST AT RIGHT.

SAMPLE ORDER NUMBER



T-8 ORDERING GUIDE

DRW	1, 2	32		E8	1, 7, U			7 1/2" x 48 1/4"	F32T8
DRW	1, 2	32	T	E8	1, 7, U			7 1/2" x 96 3/8"	F32T8

T-5 ORDERING GUIDE

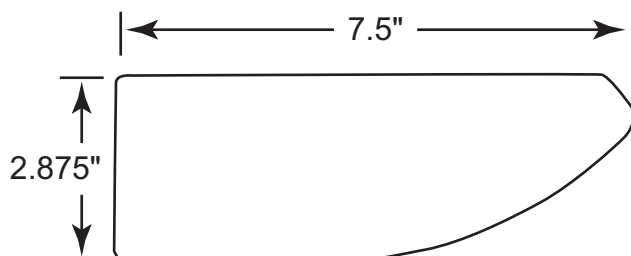
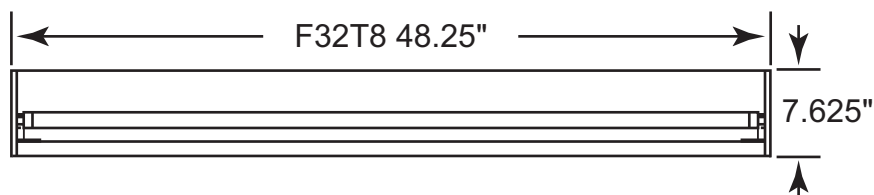
DRW	1, 2	28/54		E5, H5	1, 7, U			7 1/2" x 48 1/4"	F28T5/F54T5HO
DRW	1, 2	28/54	T	E5, H5	1, 7, U			7 1/2" x 96 3/8"	F28T5/F54T5HO

Note: Tandem units contain double the amount of lamps shown

dimensional data

NOTE: SPECIFICATIONS AND DIMENSIONAL DATA ARE SUBJECT TO CHANGE WITHOUT NOTICE.

cross sections



DRW
SERIES
ARCHITECTURAL
WALL MOUNT
DIRECT/INDIRECT

options

OPTIONS: INSERT APPROPRIATE CODE FOR CUSTOMIZED ORDERING

BALLAST

E8	Electronic T8
E5	Electronic T5
H5	Electronic T5 High output
ED	Electronic Dimming
	(Consult Factory)

NOTE: In order to achieve rated lamp life, fixtures controlled by motion sensors should be ordered with programmed start ballasts when available and minimum time delay should be set to 15 minutes - Consult Factory

VOLTAGE

1	120V
U	Universal 120 - 277V

GENERAL OPTIONS

EM	Emergency pack, 1 lamp 90 min. up to 500 lu.
2C	2 Circuit
SB	Solid Body (Uplight Only)

Consult Factory for additional options not shown or listed

accessories

LAMP OPTIONS

12	T8 741K
15	T8 735K
10	T8 730K
13	T5/T8 841K
16	T5/T8 835K
11	T5/T8 830K

Revised
5/09

LAMAR LIGHTING 485 Smith Street, Farmingdale, NY 11735 • Tel (631) 777-7700
Fax (631) 777-7705 • Outside NY (800) 724-7743 • www.lamarlighting.com

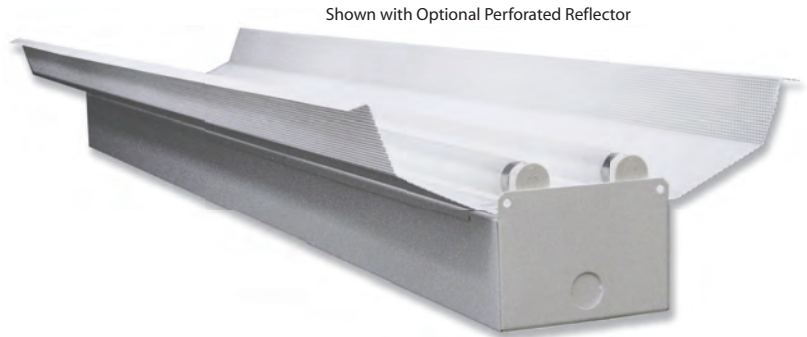
Lamar
Lighting
Company, Inc.

INV SERIES

ARCHITECTURAL
STYLING

INDIRECT
INDUSTRIAL
LOW GLARE

Job Name	
Catalog Number	
Notes	Type



application

- An indirect pendant or cable hung fixture with architectural aspects has soft, low glare illumination making it perfect for retail stores, computer centers or offices
- Able to be mounted individually or in continuous rows
- An attractive alternative to standard industrial lighting or applications where low glare, high comfort lighting is needed
- Available in numerous lengths with lamp and ballast combinations to fit your specific application

construction

- The INV series is a premium pendant suspended unit constructed of heavy gauge steel for durable, long-term use
- Corners are internally overlapped and welded for rigidity and to avoid light leaks
- Smooth, one piece bottom design, without any knockouts or holes for a sharp, clean look
- Features an indirect wide beam shield, solid or perforated, for uniform ceiling illumination
- Available with downlight slots for direct/indirect luminance
- Reflector attaches for easy, no-tool maintenance
- All fixtures are U.L. listed and IBEW union made

electrical

- All electrical components are U.L. listed
- Electronic Class P ballasts standard
- Numerous options available - Consult Factory
- Optional battery back up available for one or two light emergency operation at various output levels. Please consult factory for your specific emergency pack requirements

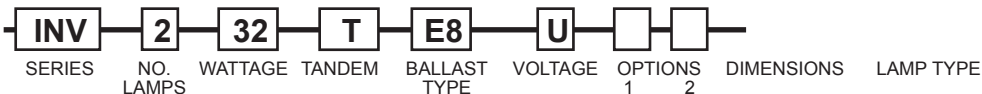
finish

- Prior to painting, all metal parts are treated with a multi-stage phosphate bonding process to ensure adhesion and inhibit rusting
- Painted with a lighting grade baked white enamel, for premium quality and durability, having a reflectance factor exceeding 87%
- Custom colors and finishes are available, consult factory

ordering guide

NOTE: SOME ORDERING OPTIONS APPEAR ON PRODUCT LINE. FOR OTHER OPTIONS, SEE LIST AT RIGHT.

SAMPLE ORDER NUMBER



T-8 ORDERING GUIDE

SERIES	NO. LAMPS	WATTAGE	TANDEM	BALLAST TYPE	VOLTAGE	OPTIONS 1	OPTIONS 2	DIMENSIONS	LAMP TYPE
INV	2, 3	25		E8	1, U			14" x 36"	F25T8
INV	2, 3	32		E8	1, U			14" x 48"	F32T8
INV	2, 3	25	T	E8	1, U			14" x 72"	F25T8
INV	2, 3	32	T	E8	1, U			14" x 96"	F32T8

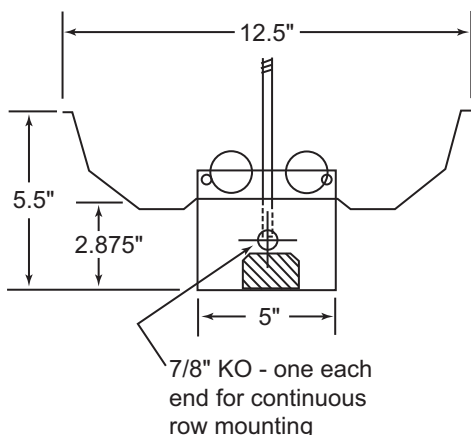
Note: Tandem units contain double the amount of lamps shown

Note: Add 2" to overall length for 3 lamp units

dimensional data

NOTE: SPECIFICATIONS AND DIMENSIONAL DATA ARE SUBJECT TO CHANGE WITHOUT NOTICE.

cross sections



INV
SERIES
ARCHITECTURAL
INDIRECT
INDUSTRIAL

options

OPTIONS: INSERT APPROPRIATE CODE FOR CUSTOMIZED ORDERING

BALLAST

E8 Electronic T8
ED Electronic Dimming

NOTE: In order to achieve rated lamp life, fixtures controlled by motion sensors should be ordered with programmed start ballasts when available and minimum time delay should be set to 15 minutes - Consult Factory

VOLTAGE

1 120V
U Universal 120 - 277V

GENERAL OPTIONS

EM Emergency pack, 1 lamp
90 min. up to 500 lu.
2C 2 Circuit
PF Perforated Reflector
D Reflector with downlight apertures

Consult Factory for additional options not shown or listed

Note: When utilizing Emergency Pack and Factory Supplied Aircraft Cable please specify 4-wire supply cord

accessories

LAMP OPTIONS

12 T8 741K
15 T8 735K
10 T8 730K
13 T8 841K
16 T8 835K
11 T8 830K

Canopy Standard white 5" dia.,
1 1/2" deep with hardware
Stem Stem + Length needed
AC Aircraft cable & hardware
Consult Factory

Revised
5/09

LAMAR LIGHTING 485 Smith Street, Farmingdale, NY 11735 • Tel (631) 777-7700
Fax (631) 777-7705 • Outside NY (800) 724-7743 • www.lamarlighting.com

Lamar
Lighting
Company, Inc.

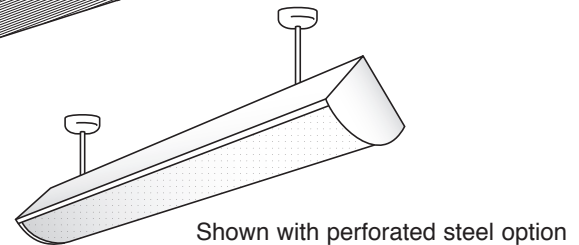
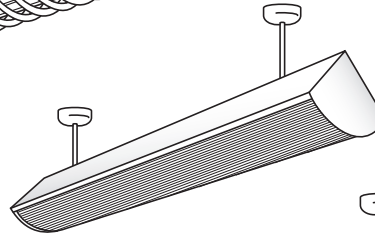
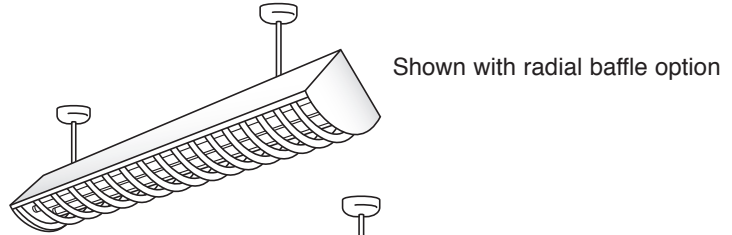
CNS SERIES

ARCHITECTURAL
STYLING

CENTAURS

DIRECT
PENDANT

Job Name	
Catalog Number	
Notes	Type



application

- A distinctively styled pendant mounted downlight featuring a radial baffle to control glare, while allowing maximum down light. Ideally suited for schools, libraries, hallways or corridors with high ceilings or narrow aisles.
- Designed to complement the corner mounted baffle fixture (CNB)
- Pendant mount as individual units or continuous rows

finish

- Prior to painting, all metal parts are treated with a multi-stage phosphate bonding process to ensure adhesion and inhibit rusting
- All exterior parts are finished with white powder coat for durability and a clean finished appearance

construction

- The CNS series is a premium grade of fluorescent luminaire specifically designed for long-term, dependable service
- Features durable steel bodies, powder coated finishes, and superior electrical components
- Manufactured from code gauge steel for premium strength and rigidity
- Features a 1.5" on-center radial baffle for maximum downlight with a controlled angle
- Optional perforated basket for low glare applications is also available
- Utilizing internal bulkheads, continuous runs of any length may be constructed
- May be stem or cable mounted, consult ordering guide for options
- Individual units are available up to 8' in length
- Available with uplight, consult factory for your specific needs
- All fixtures are U.L. listed and IBEW union made

electrical

- All electrical components are U.L. listed
- Electronic Class P ballasts standard
- Numerous options are available, Biax, T5 electronic or T5 HO; see ordering information on back

baffle/louver

- Standard radial baffle is aluminum with blades 1.5" on center, perforated metal basket is available; consult factory
- Louver is retained in fixture by two steel flanges for easy removal when cleaning or re-lamping
- Clear ribbed acrylic diffuser also available

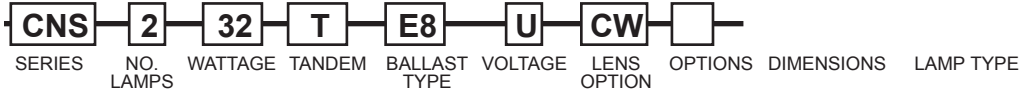
LaMar
Lighting
Company, Inc.

CNS SERIES ARCHITECTURAL PENDANT MOUNT DIRECT

ordering guide

NOTE: SOME ORDERING OPTIONS APPEAR ON PRODUCT LINE. FOR OTHER OPTIONS, SEE LIST AT RIGHT.

SAMPLE ORDER NUMBER



T-8 ORDERING GUIDE

SERIES	NO. LAMPS	WATTAGE	TANDEM	BALLAST TYPE	VOLTAGE	LENS OPTION	DIMENSIONS	LAMP TYPE
CNS	1, 2, 3	17		E8	1, U		7" x 24"	F17T8
CNS	1, 2, 3	25		E8	1, U		7" x 36"	F25T8
CNS	1, 2, 3	32		E8	1, U		7" x 48"	F32T8
CNS	1, 2, 3	25	T	E8	1, U		7" x 72"	F25T8
CNS	1, 2, 3	32	T	E8	1, U		7" x 96"	F32T8

T-5 ORDERING GUIDE

SERIES	NO. LAMPS	WATTAGE	TANDEM	BALLAST TYPE	VOLTAGE	LENS OPTION	DIMENSIONS	LAMP TYPE
CNS	1, 2, 3	14, 24		E5, H5	1, U		7" x 24"	F14T5/F24T5HO
CNS	1, 2, 3	21, 39		E5, H5	1, U		7" x 36"	F21T5/F39T5HO
CNS	1, 2, 3	28, 54		E5, H5	1, U		7" x 48"	F28T5/F54T5HO

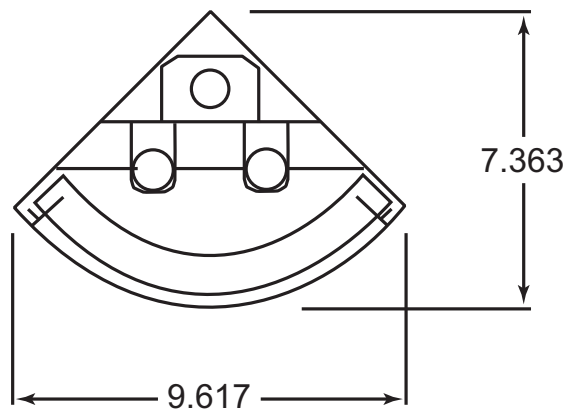
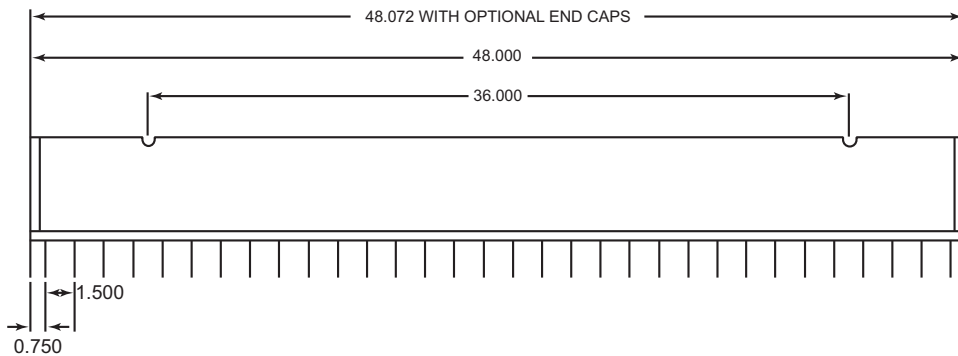
Note: Tandem units contain double the amount of lamps shown

Note: For continuous run mounting, please specify run configuration/length

dimensional data

NOTE: SPECIFICATIONS AND DIMENSIONAL DATA ARE SUBJECT TO CHANGE WITHOUT NOTICE.

cross sections



options

OPTIONS: INSERT APPROPRIATE CODE FOR CUSTOMIZED ORDERING

BALLAST

- E8 Electronic T8
- EB Electronic biax
- E5 Electronic T5
- H5 Electronic T5 High Output
- ED Electronic Dimming (Consult Factory)

NOTE: In order to achieve rated lamp life, fixtures controlled by motion sensors should be ordered with programmed start ballasts when available and minimum time delay should be set to 15 minutes - Consult Factory

VOLTAGE

- 1 120V
- U Universal 120 - 277V

GENERAL OPTIONS

- EM Emergency pack, 1 lamp 90 min. up to 500 lu.
- 2C 2 Circuit
- CW White radial baffle 1.5" O.C.
- PF Perforated basket- standard white
- RA Linear Ribbed Acrylic
- EOR 1 Finished end for continuous runs
- INT Intermediate (0 finished ends)

Consult Factory for additional options not shown or listed

Note: When utilizing Emergency Pack and Factory Supplied Aircraft Cable please specify 4-wire supply cord

accessories

LAMP OPTIONS

- 12 T8 741K
- 15 T8 735K
- 10 T8 730K
- 13 T8 841K
- 16 T8 835K
- 11 T8 830K

- Canopy Standard white 5" dia., 1 1/2" deep with hardware
- Stem Stem + Length needed (ie: STEM24)
- AC Aircraft cable & hardware
Consult Factory for type and length

Revised
5/09

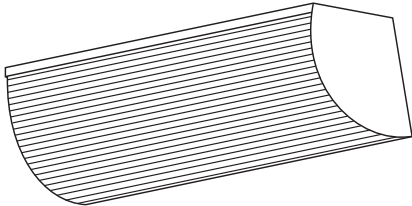
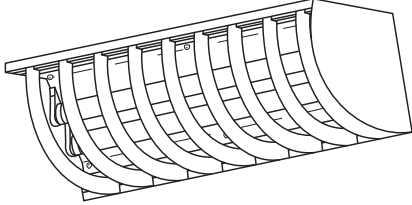
LAMAR LIGHTING 485 Smith Street, Farmingdale, NY 11735 • Tel (631) 777-7700
Fax (631) 777-7705 • Outside NY (800) 724-7743 • www.lamarlighting.com

**Lamar
Lighting**
Company, Inc.

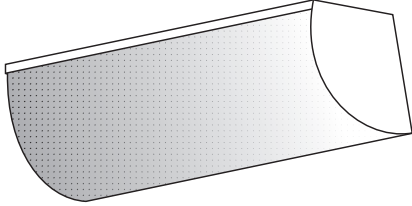
C N B
SERIES
 ARCHITECTURAL
 STYLING
 PREMIUM
 FLUORESCENT
 CORNERMOUNT
 BAFFLE

Job Name	
Catalog Number	
Notes	Type

Shown with radial baffle option



Shown with ribbed lens option



Shown with perforated steel option

application

- Corner mount baffle luminaire, designed for spaces needing adequate illumination with limited ceiling height
- Perfect for soffits, coves, valances or backlighting
- Designed to complement the pendant mounted baffle fixture (CNS)
- Available as 1 or 2 light in numerous lengths and runs with different lamp/ballast combinations

baffle/louver

- Baffle is standard powder coated white, consult factory for other colors, finishes and textures
- Features an easy shift-in mounting style to eliminate the need for tools for relamping or cleaning
- Baffle is 1" wide, 1.5" on center, with a 6" radius; consult factory for other sizes
- Optional white powder coated perforated metal diffuser, flat prismatic acrylic and flat white acrylic also available

construction

- The CNB series is a high quality fluorescent luminaire specifically designed for long-term installations
- Features durable steel bodies, quality paint finishes and superior electrical components
- Features a 1.5" on-center radial baffle for maximum downlight with a controlled angle
- Optional perforated basket for low glare applications is also available
- Utilizing internal bulkheads, continuous runs of any length may be constructed
- Manufactured from code gauge steel for premium strength and rigidity
- Mount individually or in continuous rows, each body has mounting holes for secure positioning, see specifications on back
- Ample knockouts are provided for adequate power feed
- Individual units are available up to 8' in length
- All fixtures are U.L. listed and IBEW union made

electrical

- All electrical components are U.L. listed
- Electronic Class P ballasts standard
- Numerous options are available: T5 HO electronic; see ordering information on back

finish

- Prior to painting, all metal parts are treated with a multi-stage phosphate bonding process to ensure adhesion and inhibit rusting
- Painted with a lighting grade baked white enamel, having a reflectance factor exceeding 87% for premium quality and durability
- Clear ribbed acrylic diffuser also available



ordering guide

NOTE: SOME ORDERING OPTIONS APPEAR ON PRODUCT LINE. FOR OTHER OPTIONS, SEE LIST AT RIGHT.

CNB SERIES ARCHITECTURAL STYLING PREMIUM FLUORESCENT CORNERMOUNT BAFFLE

SAMPLE ORDER NUMBER



SERIES NO. WATTAGE TANDEM BALLAST VOLTAGE DIFFUSER OPTIONS DIMENSIONS LAMP TYPE
LAMPS TYPE OPTION 1 2

T-8 ORDERING GUIDE											
CNB	1, 2, 3	15		E8	1, U					7" x 18"	F15T8
CNB	1, 2, 3	17		E8	1, U					7" x 24"	F17T8
CNB	1, 2, 3	25		E8	1, U					7" x 36"	F25T8
CNB	1, 2, 3	32		E8	1, U					7" x 48"	F32T8
CNB	1, 2, 3	25	T	E8	1, U					7" x 72"	F25T8
CNB	1, 2, 3	32	T	E8	1, U					7" x 96"	F32T8
T-5 ORDERING GUIDE											
CNB	1, 2, 3	14, 24		E5, H5	1, U					7" x 24"	F14T5/F24T5HO
CNB	1, 2, 3	21, 39		E5, H5	1, U					7" x 36"	F21T5/F39T5HO
CNB	1, 2, 3	28, 54		E5, H5	1, U					7" x 48"	F28T5/F54T5HO

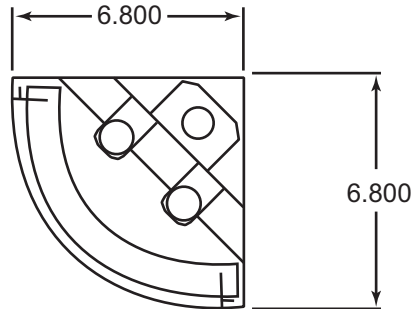
Note: Tandem units contain double the amount of lamps shown

Note: For continuous run mounting, please specify run configuration/length

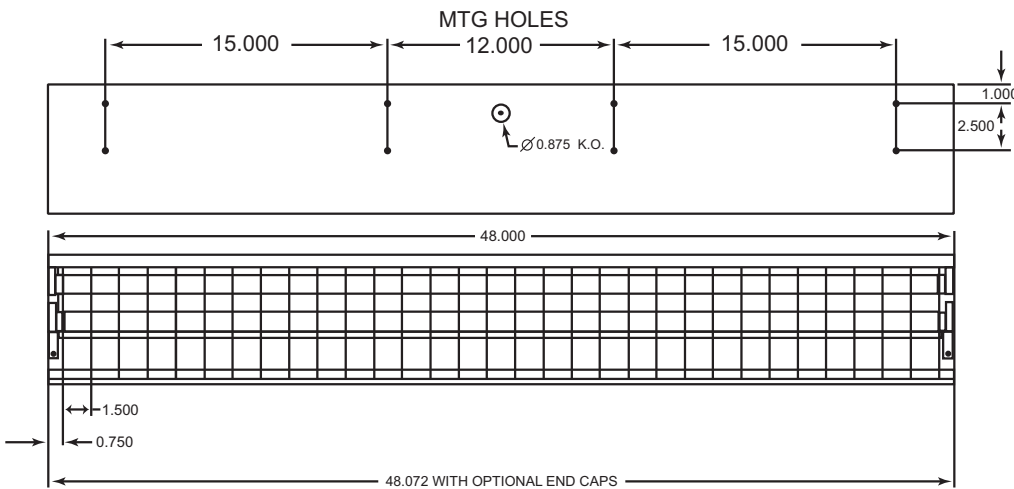
dimensional data

NOTE: SPECIFICATIONS AND DIMENSIONAL DATA ARE SUBJECT TO CHANGE WITHOUT NOTICE

cross sections



back knockout plans and lengths



options

OPTIONS: INSERT APPROPRIATE CODE FOR CUSTOMIZED ORDERING

BALLAST

- E8 Electronic T8
- EB Electronic bias
- E5 Electronic T5
- H5 Electronic T5 High Output
- ED Electronic Dimming (Consult Factory)

NOTE: In order to achieve rated lamp life, fixtures controlled by motion sensors should be ordered with programmed start ballasts when available and minimum time delay should be set to 15 minutes - Consult Factory

VOLTAGE

- 1 120V
- U Universal 120 - 277V

DIFFUSER OPTIONS

- WHI White radial baffle 1.5" O.C.
 - PF Perforated Basket - standard white
 - RCL Linear Ribbed Acrylic
- For custom colors or finishes, consult factory

GENERAL OPTIONS

- EM Emergency pack, 1 lamp 90 min. up to 500 lu.
- 2C 2 Circuit
- EOR 1 Finished end for continuous runs
- BOR 1 Finished end for continuous runs
- INT Intermediate (0 finished ends)

accessories

LAMP OPTIONS

- 12 T8 741K
- 15 T8 735K
- 10 T8 730K
- 13 T5/T8 841K
- 16 T5/T8 835K
- 11 T5/T8 830K

Revised 5/09

LAMAR LIGHTING 485 Smith Street, Farmingdale, NY 11735 • Tel (631) 777-7700
Fax (631) 777-7705 • Outside NY (800) 724-7743 • www.lamarlighting.com

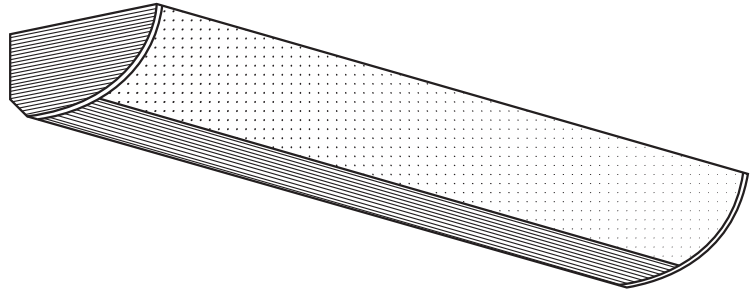


LMELL SERIES

ARCHITECTURAL
STYLING

ELLIPSE
WALL MOUNT

Job Name	
Catalog Number	
Notes	Type



application

- Sleek, modern luminaire utilizing the latest in perforated metals for reducing glare creating a soft, more desirable environment. Perfect for schools, hallways, offices and other spaces desiring the newest style in general lighting
- Wall mount as individual units or in continuous rows

finish

- Prior to painting, all metal parts are treated with a multi-stage phosphate bonding process to ensure adhesion and inhibit rusting
- Powder coated standard lighting grade white, having a reflectance factor exceeding 87%
- Custom colors and textures are available, consult factory for minimum quantities and lead-time

construction

- The LMELL series is a premium grade of fluorescent luminaire specifically designed for long-term, dependable service with the benefits of indirect lighting
- Features durable extruded aluminum bodies, heavy duty steel internal components, quality paint finishes and superior electrical components
- Features a front perforated diffuser for low glare and an open top for maximum uplight. Also available with solid front
- Utilizing internal bulkheads, almost seamless runs can be constructed for any length
- Individual units are available up to 8' in length
- All fixtures are U.L. listed and IBEW union made

electrical

- All electrical components are U.L. listed
- Electronic Class P ballasts standard
- Numerous options are available, see ordering information on back

ordering guide

NOTE: SOME ORDERING OPTIONS APPEAR ON PRODUCT LINE. FOR OTHER OPTIONS, SEE LIST AT RIGHT.

LMELL SERIES ARCHITECTURAL ELLIPSE WALL MOUNT INDIRECT

SAMPLE ORDER NUMBER



SERIES NO. WATTAGE TANDEM BALLAST VOLTAGE OPTIONS DIMENSIONS LAMP
LAMPS TYPE TYPE 1 2 LAMP TYPE

T-8 ORDERING GUIDE

LMELL	1, 2	17		E8	1, U			8" x 24 3/4"	F17T8
LMELL	1, 2	25		E8	1, U			8" x 36 3/4"	F25T8
LMELL	1, 2	25	T	E8	1, U			8" x 72 1/8"	F25T8
LMELL	1, 2	32		E8	1, U			8" x 48 3/4"	F32T8
LMELL	1, 2	32	T	E8	1, U			8" x 97 1/8"	F32T8

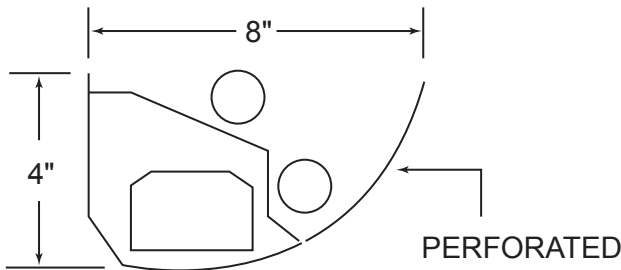
Note: Tandem units contain double the amount of lamps shown

Consult Factory for T5 Lamp Options

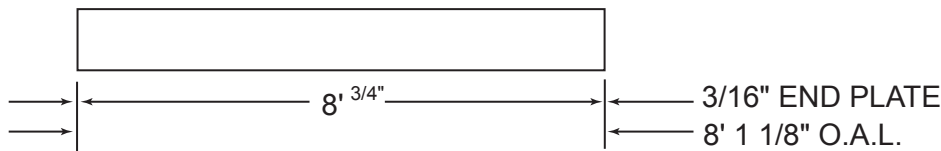
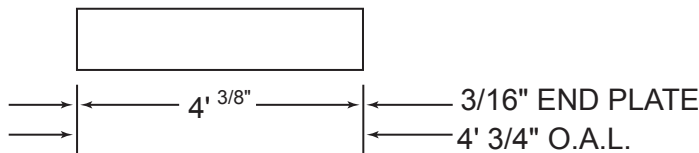
dimensional data

NOTE: SPECIFICATIONS AND DIMENSIONAL DATA ARE SUBJECT TO CHANGE WITHOUT NOTICE

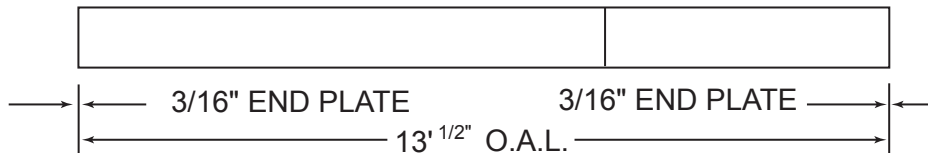
cross sections



INDIVIDUALS



TYPICAL RUN



options

OPTIONS: INSERT APPROPRIATE CODE FOR CUSTOMIZED ORDERING

BALLAST

E8 Electronic T8
ED Electronic Dimming

NOTE: In order to achieve rated lamp life, fixtures controlled by motion sensors should be ordered with programmed start ballasts when available and minimum time delay should be set to 15 minutes - Consult Factory

VOLTAGE

1 120V
U Universal 120 - 277V

GENERAL OPTIONS

EM Emergency pack, 1 lamp
90 min. up to 500 lu.
SF Solid Front (no Perf)
2C 2 Circuit
EOR End of Run
BOR Beginning of Run
INT Intermediate piece

For joining units together in continuous runs PLEASE consult Factory for ordering specifications and information

Consult Factory for custom colors and additional options not shown or listed

accessories

LAMP OPTIONS

12 T8 741K
15 T8 735K
10 T8 730K
13 T8 841K
16 T8 835K
11 T8 830K

Revised
5/09

LAMAR LIGHTING 485 Smith Street, Farmingdale, NY 11735 • Tel (631) 777-7700
Fax (631) 777-7705 • Outside NY (800) 724-7743 • www.lamarlighting.com

**Lamar
Lighting**
Company, Inc.

LMOV SERIES

ARCHITECTURAL
STYLING OVAL

SURFACE / STEM
MOUNT

Job Name	
Catalog Number	
Notes	Type



application

- Sleek, modern luminaire utilizing parabolic louvers for reducing glare creating a soft, more desirable environment. Perfect for schools, hallways, offices and other spaces desiring the architectural styling in general lighting
- Surface or stem mount as individual units or in continuous rows

finish

- Prior to painting, all metal parts are treated with a multi-stage phosphate bonding process to ensure adhesion and inhibit rusting
- Powder coated standard lighting grade white, having a reflectance factor exceeding 87%
- Custom colors and textures are available, consult factory for minimum quantities and lead-time

construction

- The LMOV series is a premium grade of fluorescent luminaire specifically designed for long-term, dependable service with the benefits of indirect lighting
- Features durable extruded aluminum bodies, heavy duty steel interior components, quality paint finishes and superior electrical components
- Available for use with parabolic louver or prismatic acrylic lens in a variety of mounting options for direct or indirect lighting
- Utilizing internal bulkheads, almost seamless runs can be constructed for any length
- Individual units are available up to 8' (99.5") in length
- All fixtures are U.L. listed and IBEW union made

electrical

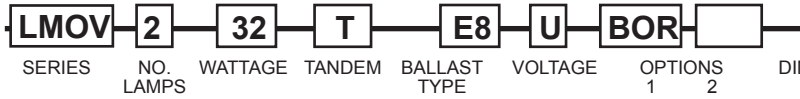
- All electrical components are U.L. listed
- Electronic Class P ballasts standard
- Numerous options are available, see ordering information on back

ordering guide

NOTE: SOME ORDERING OPTIONS APPEAR ON PRODUCT LINE. FOR OTHER OPTIONS, SEE LIST AT RIGHT.

LMOV SERIES ARCHITECTURAL OVAL SURFACE/STEM MOUNT

SAMPLE ORDER NUMBER



T-8 ORDERING GUIDE

LAMP TYPE	DIMENSIONS	OPTIONS	VOLTAGE	BALLAST TYPE	TANDEM	WATTAGE	NO. LAMPS	SERIES
F17T8	9" x 24 1/4"		1, U	E8		17	1, 2	LMOV39
F25T8	9" x 36 1/4"		1, U	E8		25	1, 2	LMOV39
F25T8	9" x 72 1/2"		1, U	E8	T	25	1, 2	LMOV39
F32T8	9" x 48 1/4"		1, U	E8		32	1, 2	LMOV39
F32T8	9" x 96 1/2"		1, U	E8	T	32	1, 2	LMOV39

Note: Tandem units contain double the amount of lamps shown

options

OPTIONS: INSERT APPROPRIATE CODE FOR CUSTOMIZED ORDERING

BALLAST

- E8 Electronic T8
- ED Electronic Dimming (Consult Factory)

NOTE: In order to achieve rated lamp life, fixtures controlled by motion sensors should be ordered with programmed start ballasts when available and minimum time delay should be set to 15 minutes - Consult Factory

VOLTAGE

- 1 120V
- U Universal 120 - 277V

GENERAL OPTIONS

- EM Emergency pack, 1 lamp 90 min. up to 500 lu.
- DP Direct Pendant
- DIP Direct/Indirect Pendant
- IP Indirect Pendant
- SM Surface Ceiling
- 2C 2 Circuit
- EOR End of Run
- BOR Beginning of Run
- INT Intermediate piece
- PA Prismatic Acrylic lens
- TL Top Lens (Indirect Only)
- PS Parabolic Silver Small Cell Louver
- PB Parabolic Cross Baffle

For joining units together in continuous runs **PLEASE** consult Factory for ordering specifications and information

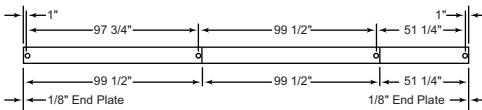
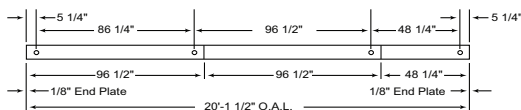
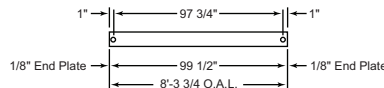
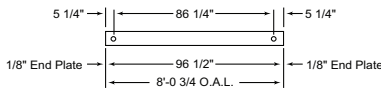
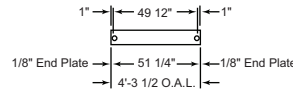
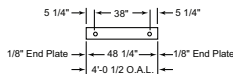
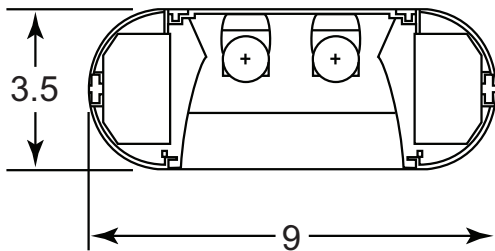
Consult Factory for custom colors and additional options not shown or listed

Note: When utilizing Emergency Pack and Factory Supplied Aircraft Cable please specify 4-wire supply cord

dimensional data

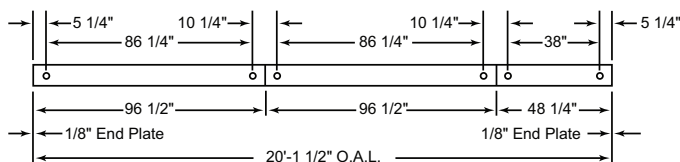
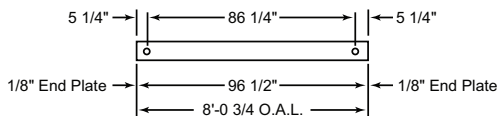
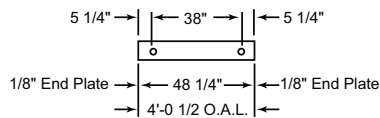
NOTE: SPECIFICATIONS AND DIMENSIONAL DATA ARE SUBJECT TO CHANGE WITHOUT NOTICE

cross sections



Direct/Direct-Indirect Stem

Indirect Stem



Direct Surface

accessories

- Canopy Standard white 5" dia., 1 1/2" deep with hardware
 - Stem Stem + Length needed (ie: STEM24)
 - AC Aircraft cable & hardware
- Consult Factory for type and length**

LAMP OPTIONS

- 12 T8 741K
- 15 T8 735K
- 10 T8 730K
- 13 T8 841K
- 16 T8 835K
- 11 T8 830K

Revised 5/09

CV PERIMETER SERIES

ARCHITECTURAL
STYLING

RECESSED
GRID MOUNT

Job Name	
Catalog Number	
Notes	Type



application

- Open wallwash perimeter series delivers high vertical footcandle levels without glare. For use in corridors, restrooms, conference rooms or anywhere a soft, shadow free wallwash effect is desired
- Recessed grid mounted

finish

- Prior to painting, all metal parts are treated with a multi-stage phosphate bonding process to ensure adhesion and inhibit rusting

reflector

- Specular aluminum reflector is standard
- Optional light controls include parabolic louver, straight blade white louver, prismatic lens, small cell parabolic louvers and many others

construction

- The CV series is a premium grade of fluorescent luminaire specifically designed for long-term, dependable service with the benefits of indirect lighting
- Features durable code gauge steel bodies and interior components, quality paint finishes and superior electrical components
- Utilizing internal bulkheads, almost seamless runs can be constructed for any length
- Unit rests on separate wall mounted rail (included) and is then secured to wall via mounting holes. Additional support provided using integral tabs for wiring to structure above
- Individual units are available up to 8'
- All fixtures are U.L. listed and IBEW union made

electrical

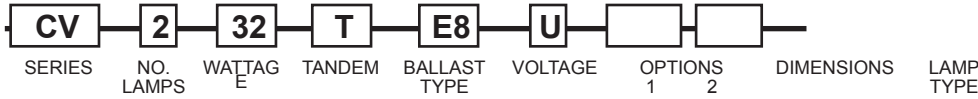
- All electrical components are U.L. listed
- Electronic Class P ballasts standard
- Numerous options are available, see ordering information on back

PERIMETER
SERIES
ARCHITECTURAL
RECESSED GRID MOUNT

ordering guide

NOTE: SOME ORDERING OPTIONS APPEAR ON PRODUCT LINE. FOR OTHER OPTIONS, SEE LIST AT RIGHT.

SAMPLE ORDER NUMBER



T-8 ORDERING GUIDE

CV	1, 2	17		E8	1, U			10" x 24"	F17T8
CV	1, 2	25		E8	1, U			10" x 36"	F25T8
CV	1, 2	25	T	E8	1, U			10" x 72"	F25T8
CV	1, 2	32		E8	1, U			10" x 48"	F32T8
CV	1, 2	32	T	E8	1, U			10" x 96"	F32T8

T-5 ORDERING GUIDE

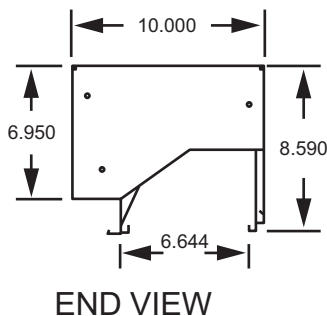
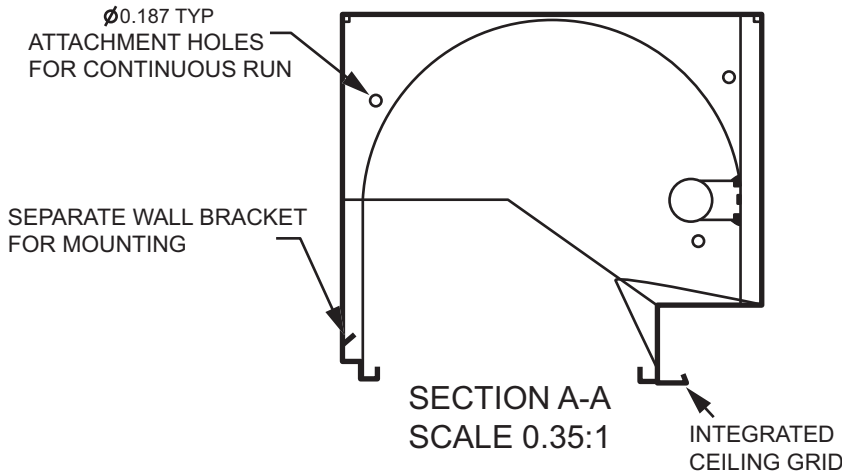
CV	1, 2	14, 24		E5, H5	1, U			10" x 22"	F14/24T5
CV	1, 2	21, 39		E5, H5	1, U			10" x 34"	F21/39T5
CV	1, 2	21, 39	T	E5, H5	1, U			10" x 68"	F21/39T5
CV	1, 2	28, 54		E5, H5	1, U			10" x 46"	F28/54T5
CV	1, 2	28, 54	T	E5, H5	1, U			10" x 92"	F28/54T5

Note: Tandem units contain double the amount of lamps shown

dimensional data

NOTE: SPECIFICATIONS AND DIMENSIONAL DATA ARE SUBJECT TO CHANGE WITHOUT NOTICE.

cross sections



options

OPTIONS: INSERT APPROPRIATE CODE FOR CUSTOMIZED ORDERING

BALLAST

- E8 Electronic T8
- E5 Electronic T5
- H5 Electronic T5 High Output
- ED Electronic Dimming (Consult Factory)

NOTE: In order to achieve rated lamp life, fixtures controlled by motion sensors should be ordered with programmed start ballasts when available and minimum time delay should be set to 15 minutes - Consult Factory

VOLTAGE

- 1 120V
- U Universal 120 - 277V

GENERAL OPTIONS

- EM Emergency pack, 1 lamp 90 min. up to 500 lu.
- 2C 2 Circuit
- PA Prismatic Acrylic Lens
- CW White Cross Baffle
- PS Parabolic Silver Baffle
- S1 Silver .5" x .5" Louver
- S2 Silver 1.5" x 1.5" Louver
- S4 Silver .75" x .75" Louver

Consult Factory for additional options not shown or listed

accessories

LAMP OPTIONS

- 12 T8 741K
- 15 T8 735K
- 10 T8 730K
- 13 T5/T8 841K
- 16 T5/T8 835K
- 11 T5/T8 830K

Revised 5/09

VG SERIES

ARCHITECTURAL
STYLING
VEGA
SURFACE MOUNT
DIRECT/INDIRECT

Job Name	
Catalog Number	
Notes	Type



application

- Stylish, clean-lined luminaire, perfect for schools, offices and other spaces utilizing video display terminals or locations requiring a visually comfortable environment
- Wide winged reflectors effectively direct light while adding a soft glow and presence to the fixture
- The perforated basket and soft white diffuser shield lamp glare while the sloping reflector provides a gentle uplighting effect
- Continuous run joiners are available
- Available in 2', 4' and 8' lengths and numerous lamp/ballast combinations
- Optional clear fluted acrylic diffuser available
- Optional tandem joiner

construction

- The VG series is a premium grade of fluorescent luminaire specifically designed for long-term, dependable service with the benefits of indirect lighting
- Features durable code gauge steel bodies, quality paint finishes and superior electrical components
- Features a direct/indirect wide beam perforated diffuser for a glowing, low brightness luminance
- Perforated basket is easily removed for cleaning and hinges from either side for hassle free relamping
- All fixtures are U.L. listed and IBEW union made

electrical

- All electrical components are U.L. listed
- Electronic Class P ballasts standard
- Numerous options are available, T5, T8 electronic, dimming; see ordering information on back

finish

- Prior to painting, all metal parts are treated with a multi-stage phosphate bonding process to ensure adhesion and inhibit rusting
- Powder coated with lighting grade white, having a reflectance factor exceeding 87% for premium quality and durability

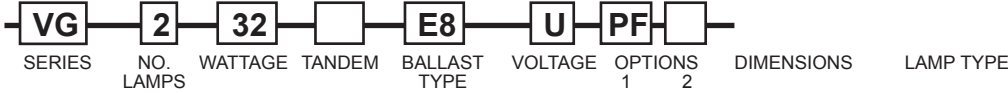
LaMar
Lighting
Company, Inc.

ordering guide

NOTE: SOME ORDERING OPTIONS APPEAR ON PRODUCT LINE. FOR OTHER OPTIONS, SEE LIST AT RIGHT.

V G
SERIES
ARCHITECTURAL
SURFACE MOUNT
INDIRECT/DIRECT

SAMPLE ORDER NUMBER



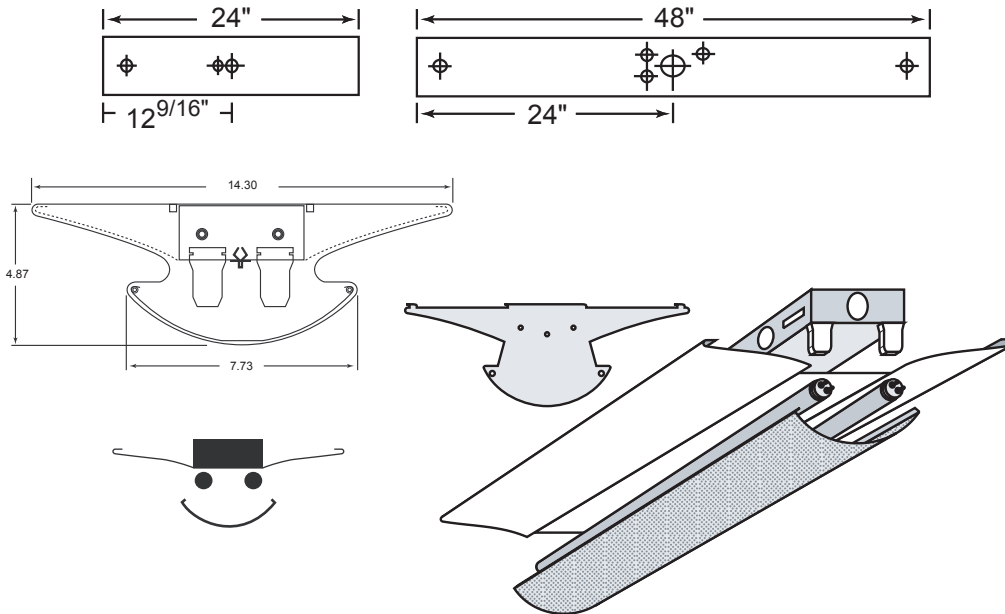
T-8 ORDERING GUIDE									
VG	1, 2	17		E8	1, U			14 1/3" x 24 1/4"	F17T8
VG	1, 2	32		E8	1, U			14 1/3" x 48 1/4"	F32T8
VG	1, 2	32	T	E8	1, U			14 1/3" x 96 3/8"	F32T8
T-5 ORDERING GUIDE									
VG	1, 2	14, 24		E5, H5	1, U			14 1/3" x 24 1/4"	F14T5/F24T5HO
VG	1, 2	28, 54		E5, H5	1, U			14 1/3" x 48 1/4"	F28T5/F54T5HO
VG	1, 2	28, 54	T	E5, H5	1, U			14 1/3" x 96 3/8"	F28T5/F54T5HO

Note: Tandem units contain double the amount of lamps shown

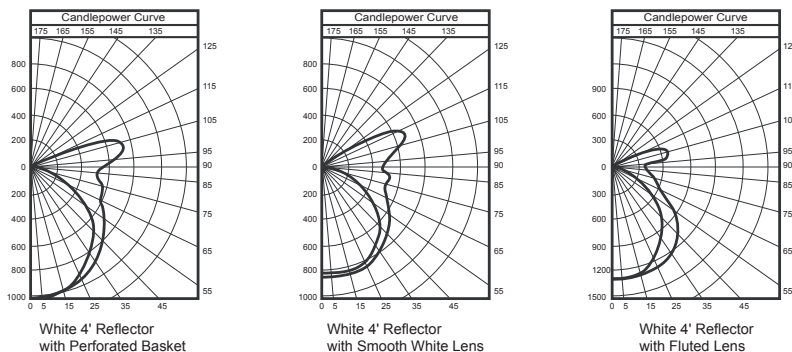
dimensional data

NOTE: SPECIFICATIONS AND DIMENSIONAL DATA ARE SUBJECT TO CHANGE WITHOUT NOTICE

cross sections



photometrics



options

OPTIONS: INSERT APPROPRIATE CODE FOR CUSTOMIZED ORDERING

BALLAST

- E8 Electronic T8
- E5 Electronic T5
- H5 Electronic T5 High output
- ED Electronic Dimming (Consult Factory)

NOTE: In order to achieve rated lamp life, fixtures controlled by motion sensors should be ordered with programmed start ballasts when available and minimum time delay should be set to 15 minutes - Consult Factory

VOLTAGE

- 1 120V
- U Universal 120 - 277V

GENERAL OPTIONS

- EM Emergency pack, 1 lamp 90 min. up to 500 lu.
- 2C 2 Circuit
- PF Perforated metal basket (standard)
- FL Fluted lens
- T Tandem (consult factory)

Consult Factory for additional options not shown or listed

accessories

LAMP OPTIONS

- 12 T8 741K
- 15 T8 735K
- 10 T8 730K
- 13 T5/T8 841K
- 16 T5/T8 835K
- 11 T5/T8 830K

Revised 2/10

LAMAR LIGHTING 485 Smith Street, Farmingdale, NY 11735 • Tel (631) 777-7700
 Fax (631) 777-7705 • Outside NY (800) 724-7743 • www.lamarlighting.com

Lamar
Lighting
 Company, Inc.

M C N
SERIES
 A R C H I T E C T U R A L
 S T Y L I N G
 P R E M I U M
 F L U O R E S C E N T
 W A L L / C O R N E R
 M O U N T

Job Name	
Catalog Number	
Notes	Type



a p p l i c a t i o n

- Wall/Corner mount luminaire, designed for spaces needing adequate illumination with limited ceiling height
- Perfect for soffits, coves, valances or backlighting
- Available as 1 or 2 light in numerous lengths and runs with different lamp/ballast combinations, T8 or T5

d i f f u s e r

- One piece extruded clear, non-yellowing acrylic radial lens
- Features a linear refractive pattern for even illumination
- Grooved formation on the edges allows for a tight, no light leak attachment to the body

b a f f l e / l o u v e r

- Baffle is standard powder coated white, consult factory for other colors, finishes and textures
- Features an easy shift-in mounting style to eliminate the need for tools for relamping or cleaning
- Optional white powder coated perforated metal diffuser

c o n s t r u c t i o n

- The MCN series is a high quality fluorescent luminaire specifically designed for long-term installations
- Features durable steel bodies, quality paint finishes and superior electrical components
- Features a linear acrylic diffuser for maximum downlight
- Optional perforated basket for low glare applications is also available
- Utilizing internal bulkheads, continuous runs of any length may be constructed
- Manufactured from code gauge steel for premium strength and rigidity
- Mount individually or in continuous rows, each body has mounting holes for secure positioning, see specifications on back
- Ample knockouts are provided for adequate power feed
- Individual units are available up to 8' in length
- All fixtures are U.L. listed and IBEW union made

e l e c t r i c a l

- All electrical components are U.L. listed
- Electronic Class P ballasts standard
- Numerous options are available: see ordering information on back

f i n i s h

- Prior to painting, all metal parts are treated with a multi-stage phosphate bonding process to ensure adhesion and inhibit rusting
- Painted with a lighting grade baked white enamel, having a reflectance factor exceeding 87% for premium quality and durability



ordering guide

NOTE: SOME ORDERING OPTIONS APPEAR ON PRODUCT LINE. FOR OTHER OPTIONS, SEE LIST AT RIGHT.

MCN

SERIES
ARCHITECTURAL STYLING
PREMIUM FLUORESCENT
WALL/CORNER MOUNT

SAMPLE ORDER NUMBER



SERIES NO. WATTAGE TANDEM BALLAST VOLTAGE DIFFUSER OPTIONS DIMENSIONS LAMP TYPE
LAMPS TYPE OPTION 1 2

T-8 ORDERING GUIDE

MCN	NO. LAMPS	WATTAGE	TANDEM	BALLAST TYPE	VOLTAGE	DIMENSIONS	LAMP TYPE
MCN	1, 2	17		E8	1, U	4 ⁵ / ₈ " x 24 ¹ / ₈ "	F17T8
MCN	1, 2	25		E8	1, U	4 ⁵ / ₈ " x 36 ¹ / ₈ "	F25T8
MCN	1, 2	32		E8	1, U	4 ⁵ / ₈ " x 48 ¹ / ₈ "	F32T8
MCN	1, 2	25	T	E8	1, U	4 ⁵ / ₈ " x 72 ¹ / ₈ "	F25T8
MCN	1, 2	32	T	E8	1, U	4 ⁵ / ₈ " x 96 ¹ / ₈ "	F32T8

T-5 ORDERING GUIDE

MCN	NO. LAMPS	WATTAGE	TANDEM	BALLAST TYPE	VOLTAGE	DIMENSIONS	LAMP TYPE
MCN	1, 2	14, 24		E5, H5	1, U	4 ⁵ / ₈ " x 24 ¹ / ₈ "	F14T5/F24T5HO
MCN	1, 2	21, 39		E5, H5	1, U	4 ⁵ / ₈ " x 36 ¹ / ₈ "	F21T5/F39T5HO
MCN	1, 2	28, 54		E5, H5	1, U	4 ⁵ / ₈ " x 48 ¹ / ₈ "	F28T5/F54T5HO
MCN	1, 2	21, 39	T	E5, H5	1, U	4 ⁵ / ₈ " x 72 ¹ / ₈ "	F21T5/F39T5HO
MCN	1, 2	28, 54	T	E5, H5	1, U	4 ⁵ / ₈ " x 96 ¹ / ₈ "	F28T5/F54T5HO

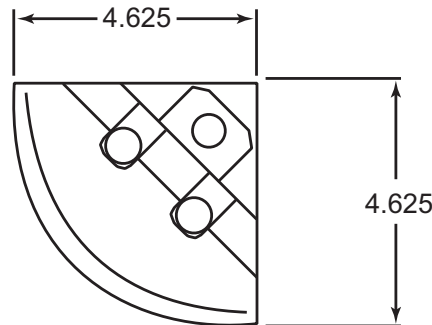
Note: Tandem units contain double the amount of lamps shown

Note: For continuous run mounting, please specify run configuration/length

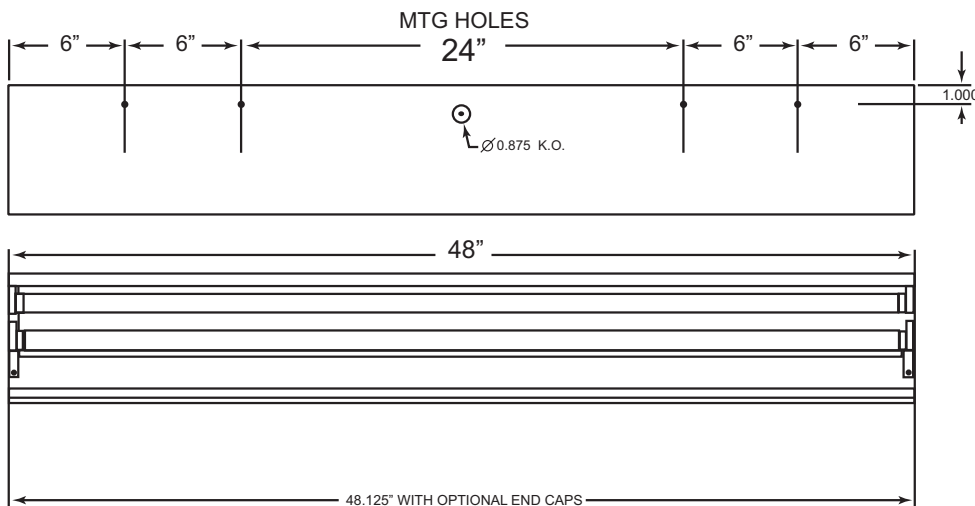
dimensional data

NOTE: SPECIFICATIONS AND DIMENSIONAL DATA ARE SUBJECT TO CHANGE WITHOUT NOTICE

cross sections



back knockout plans and lengths



options

OPTIONS: INSERT APPROPRIATE CODE FOR CUSTOMIZED ORDERING

BALLAST

- E8 Electronic T8
- E5 Electronic T5
- H5 Electronic T5 High Output
- ED Electronic Dimming

NOTE: In order to achieve rated lamp life, fixtures controlled by motion sensors should be ordered with programmed start ballasts when available and minimum time delay should be set to 15 minutes - Consult Factory

VOLTAGE

- 1 120V
- U Universal 120 - 277V

DIFFUSER OPTIONS

- PF Perforated Basket - standard white
- RCL Linear Ribbed Acrylic

GENERAL OPTIONS

- EM Emergency pack, 1 lamp
90 min. up to 500 lu.
- 2C 2 Circuit
- BOR 1 Finished end for continuous runs
- EOR 1 Finished end for continuous runs
- INT Intermediate (0 finished ends)
- U Uplite slots
- FSD Inline fuse
- TS Turn switch
- PS Push switch
- PC Pull chain

For custom colors or finishes - consult factory

accessories

- R Aluminum Reflector

LAMP OPTIONS

- 12 T8 741K
- 15 T8 735K
- 10 T8 730K
- 13 T5/T8 841K
- 16 T5/T8 835K
- 11 T5/T8 830K

Revised
5/09

LAMAR LIGHTING 485 Smith Street, Farmingdale, NY 11735 • Tel (631) 777-7700
Fax (631) 777-7705 • Outside NY (800) 724-7743 • www.lamarlighting.com

Lamar
Lighting
Company, Inc.

BA SERIES

BIANCA WALL MOUNT

Job Name

Catalog Number

Notes

Type

Shown with perforated metal diffuser



Shown with solid front



application

- Stylish, wall mount luminaire, perfect for corridors, offices and lobbies
- Unique, architecturally appealing design offers soft up and downlight with a choice of either a perforated metal diffuser backed by a thin acrylic sheet providing some additional forward illumination or a completely solid front
- Hospital bed light option, factory equipped with center divider, modified perforated metal diffuser and 4 position pull switch
- Available in multiple lengths and lamp/ballast combinations in both T8 and T5

construction

- The BA series is a premium grade fluorescent luminaire specifically designed for long-term, dependable service with the benefits of indirect lighting
- Features durable steel bodies, quality paint finishes and superior electrical components
- Manufactured from code gauge steel for premium strength and rigidity
- Features a direct/indirect perforated diffuser for soft uniform illumination
- Perforated diffuser is easily removable for convenient servicing
- Keyslots provided for convenient mounting
- Shallow profile meets ADA requirements for wall mounting
- Optional center divider allows multiple switching options
- Optional daylight sensor for maximum energy savings
- All fixtures are U.L. listed and IBEW union made

electrical

- All electrical components are U.L. listed
- Electronic Class P ballasts standard
- Numerous options are available, T8/T5 electronic, dimming; see ordering information on back

finish

- Prior to painting, all metal parts are treated with a multi-stage phosphate bonding process to ensure adhesion and inhibit rusting
- Perforated diffuser is powder coated with lighting grade white, having a reflectance factor exceeding 87% for premium quality and durability

LaMar
Lighting
Company, Inc.

BA SERIES

WALL MOUNT

ordering guide

NOTE: SOME ORDERING OPTIONS APPEAR ON PRODUCT LINE. FOR OTHER OPTIONS, SEE LIST AT RIGHT.

SAMPLE ORDER NUMBER

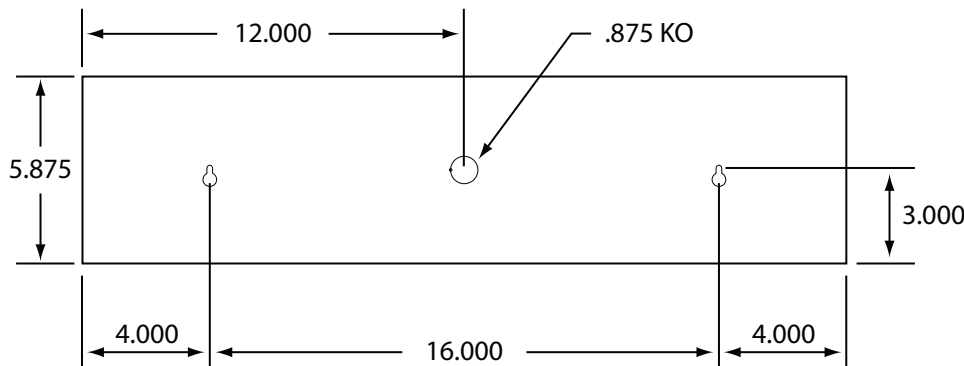


T-8 ORDERING GUIDE							
SERIES	NO. LAMPS	WATTAGE	BALLAST TYPE	VOLTAGE	LENS OPTION	DIMENSIONS	LAMP TYPE
BA	2	17	E8	1, U	PF, SF	5.875" x 24"	F17T8
BA	2	25	E8	1, U	PF, SF	5.875" x 36"	F25T8
BA	2	32	E8	1, U	PF, SF	5.875" x 48"	F32T8
T-5 ORDERING GUIDE							
SERIES	NO. LAMPS	WATTAGE	BALLAST TYPE	VOLTAGE	LENS OPTION	DIMENSIONS	LAMP TYPE
BA	2	14/24	E5, H5	1, U	PF, SF	5.875" x 24"	F14T5/F24T5HO
BA	2	21/39	E5, H5	1, U	PF, SF	5.875" x 36"	F21T5/F39T5HO
BA	2	28/54	E5, H5	1, U	PF, SF	5.875" x 48"	F28T5/F54T5HO

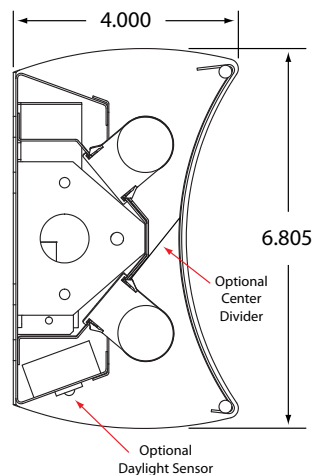
dimensional data

NOTE: SPECIFICATIONS AND DIMENSIONAL DATA ARE SUBJECT TO CHANGE WITHOUT NOTICE

back plans



cross sections



options

OPTIONS: INSERT APPROPRIATE CODE FOR CUSTOMIZED ORDERING

BALLAST

- E8 Electronic T8
- EB Electronic Biax
- E5 Electronic T5
- H5 Electronic T5/HO
- ED Electronic Dimming (Consult Factory)

NOTE: In order to achieve rated lamp life, fixtures controlled by motion sensors should be ordered with programmed start ballasts when available and minimum time delay should be set to 15 minutes - Consult Factory

Most non-dimming models may be used to operate reduced wattage 4' T8 lamps (25/28W) limited to operation above 60°F ambient temperature - Consult factory or specific ballast manufacturer

VOLTAGE

- 1 120V
- U Universal 120 - 277V

GENERAL OPTIONS

- EM Emergency pack, 1 lamp 90 min. up to 500 lu.
- 2C 2 circuit
- SF Solid front
- PF Perforated metal front
- CD Center divider
- DL Daylight sensor
- OS Infrared occupancy sensor
- PC Pull chain (120V)
- TS Turn switch (120V)
- PS Pull switch (120V)
- HB Hospital bedlight (120V) modified perf 4 position pull switch center divider

Consult Factory for additional options not shown or listed

accessories

LAMP OPTIONS

- 12 T8 741K
- 15 T8 735K
- 10 T8 730K
- 13 T5/T8 841K
- 16 T5/T8 835K
- 11 T5/T8 830K

BEFORE INSTALLATION, PLEASE CONSULT YOUR LOCAL ORDINANCES AND BUILDING CODES FOR COMPLIANCE

Revised
2/11

LAMAR LIGHTING 485 Smith Street, Farmingdale, NY 11735 • Tel (631) 777-7700
Fax (631) 777-7705 • Outside NY (800) 724-7743 • www.lamarlighting.com

LMD SERIES

HIGH OUTPUT SUSPENDED UTILITY LUMINAIRE

Job Name	
Catalog Number	
Notes	Type



Shown with optional mounting hook and bottom lens

features

- Energy efficient alternative to H.I.D. utilizing F36/39TT5 fluorescent lamps
- Suitable for a variety of applications including warehouses, gymnasiums, retail stores and other commercial spaces that are normally lit by H.I.D. lighting
- Designed for suspended mounting
- Luminaire efficiency exceeds over 86%
- 38% uplite

finish

- Prior to painting, all metal parts are treated with a multi-stage phosphate bonding process to ensure adhesion and inhibit rusting

design features

- Fixture housing is brake formed of heavy gauge CRS, permanently assembled with rivets
- Standard lampholders are push button style for secure lamp retention
- Ballasts are accessible through a hinged door on the ballast enclosure, allowing the fixture to be easily serviced in place
- All fixtures are U.L. listed and IBEW union made

reflector

- Precision clear acrylic reflector and acrylic bottom lens are standard. Bottom lens is secured with a spring type stainless steel clamp band
- Optional reflectors include clear polycarbonate, metalized acrylic and metalized polycarbonate

electrical

- All electrical components are U.L. listed or recognized
- Electronic Class P ballasts standard
- Standard fluorescent ballast requires no warm-up time, solving a problem common in traditional H.I.D.

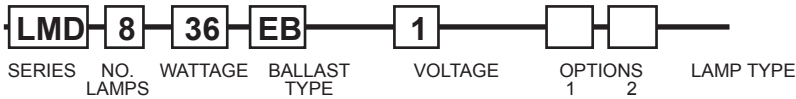
LMD SERIES

HIGH OUTPUT SUSPENDED
UTILITY LUMINAIRE

ordering guide

NOTE: SOME ORDERING OPTIONS APPEAR ON PRODUCT LINE. FOR OTHER OPTIONS, SEE LIST AT RIGHT.

SAMPLE ORDER NUMBER

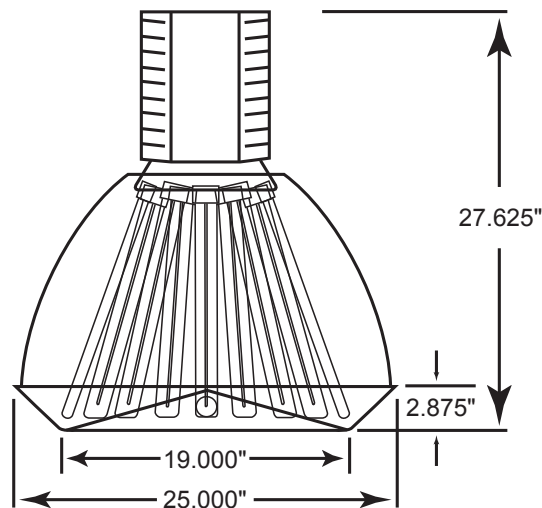


BIAX ORDERING GUIDE						
LMD	4, 6, 8, 9	36, 39	EB	1, 7, U		F36/39TT5

dimensional data

NOTE: SPECIFICATIONS AND DIMENSIONAL DATA ARE SUBJECT TO CHANGE WITHOUT NOTICE

back plans



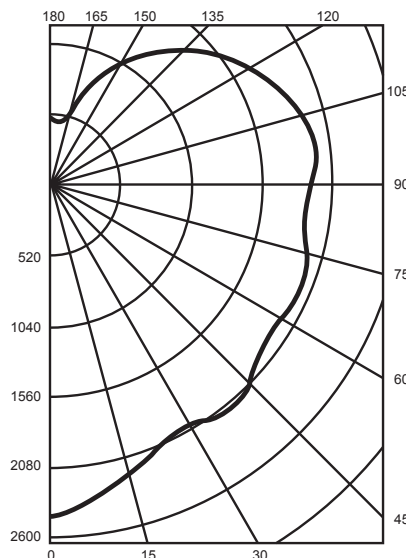
photometrics

Zonal Lumen Summary

LMD936EB1-CMDLBL

Zone	Lumens	%Lamp	%Fixt
0- 30	1805	6.9	8.0
0- 40	3117	11.9	13.9
0- 60	6490	24.9	28.9
0- 90	12615	48.3	56.1
90-120	5979	22.9	26.6
90-130	7431	28.5	33.1
90-150	9234	35.4	41.1
90-180	9856	37.8	43.9
0-180	22472	86.1	100.0

Total luminaire efficiency: 86.1%
CIE type General Diffuse



Revised
5/09

options

OPTIONS: INSERT APPROPRIATE CODE FOR CUSTOMIZED ORDERING

BALLAST

EB Electronic Biax

NOTE: In order to achieve rated lamp life, fixtures controlled by motion sensors should be ordered with programmed start ballasts when available and minimum time delay should be set to 15 minutes - Consult Factory

VOLTAGE

1 120V
7 277V
U Universal 120 - 277V

GENERAL OPTIONS

HK Hook w/ safety screw
C3 36" S-cord single circuit
C6 72" S-cord single circuit
SC Safety cable
EM 1lt emergency ballast
FSD Inline fuse

LENS OPTIONS

LMDLBL Clear acrylic w/ bottom lens
LMDLNL Clear acrylic no bottom lens
LMDPBL Polycarbonate reflector
LMDAML Acrylic metalized w/ bottom lens
LMDAMN Acrylic metalized no bottom lens
LMDPML Polycarbonate metalized

Consult Factory for additional options not shown or listed

accessories

W Wireguard (Covers entire diffuser assembly)

LAMP OPTIONS

13 841K
16 835K
11 830K
85 850K

**Lamar
Lighting**
Company, Inc.

LAMAR LIGHTING 485 Smith Street, Farmingdale, NY 11735 • Tel (631) 777-7700
Fax (631) 777-7705 • Outside NY (800) 724-7743 • www.lamarlighting.com

LHB SERIES

HIGH OUTPUT
SUSPENDED /
SURFACE
UTILITY
LUMINAIRE

Job Name	
Catalog Number	
Notes	Type



features

- High efficiency, high output fluorescent luminaire utilizing efficient T5 or T8 lamps
- Suitable for a variety of applications including warehouses, gymnasiums, retail stores and other commercial spaces that are normally lit by H.I.D. lighting
- Energy efficient alternative to traditional H.I.D. lighting
- White straight blade louver assembly is hinged for easy maintenance
- Designed for surface or suspended mounting
- Highly specular anodized aluminum reflector
- Motion sensor options available
- Available in 2, 3 or 4 lamp configurations with or without uplight
- Units available in 4' or 8' lengths for individual or row mounting using a variety of hanging methods

construction

- Features durable steel bodies, quality paint finishes and superior electrical components
- Die formed from code gauge cold rolled steel for strength and uniformity
- Lampholders constructed of polycarbonate material for high heat resistance and longer lampholder life
- Ample knockouts are provided on back and ends for convenient installation
- All fixtures are U.L. listed and IBEW union made

reflector

- Standard reflectors are solid and are coated with a durable, high reflectance white finish. Optional R95 reflectors are made of specular low iridescence, anodized aluminum with a reflectivity of 95% or better

electrical

- All electrical components are U.L. listed or recognized
- Electronic Class P ballasts standard
- Standard fluorescent ballast requires no warm-up time, solving a problem common in traditional H.I.D.
- Standard output T5, T8, T5HO and dimming are available

finish

- Prior to painting, metal parts are treated with a multi-stage phosphate bonding process to ensure adhesion and inhibit rusting
- Painted with a lighting grade baked white enamel, having a reflectance factor exceeding 87% for premium quality and durability

LaMar
Lighting
Company, Inc.

ordering guide

NOTE: SOME ORDERING OPTIONS APPEAR ON PRODUCT LINE. FOR OTHER OPTIONS, SEE LIST AT RIGHT.

LHB SERIES HIGH OUTPUT SUSPENDED/SURFACE UTILITY LUMINAIRE

SAMPLE ORDER NUMBER



SERIES NO. WATTAGE TANDEM BALLAST VOLTAGE OPTIONS* DIMENSIONS LAMP TYPE
LAMPS TYPE 1 2

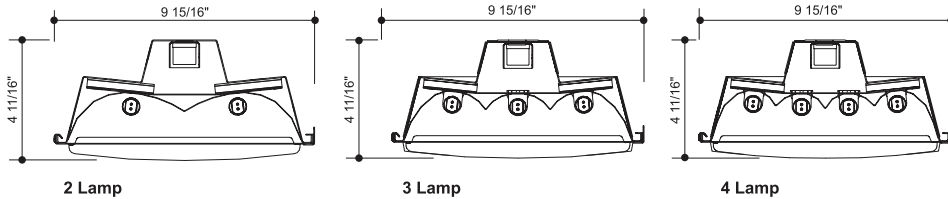
T-5 ORDERING GUIDE								
LHB	2, 3, 4	28/54		E5, H5	1, U, U3		9.938" x 46.063"	F28T5/F54T5HO
LHB	2, 3, 4	28/54	T	E5, H5	1, U, U3		9.938" x 92.063"	F28T5/F54T5HO
T-8 ORDERING GUIDE								
LHB	2, 3, 4	32		E8, H8	1, U		9.938" x 48"	F32T8
LHB	2, 3, 4	32	T	E8, H8	1, U		9.938" x 96"	F32T8

*MUST CHOOSE 1 REFLECTOR OPTION

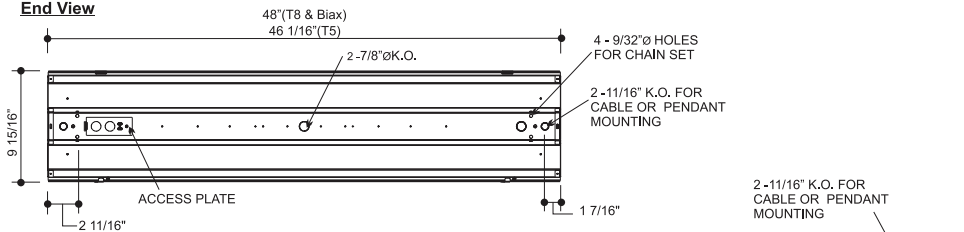
dimensional data

NOTE: SPECIFICATIONS AND DIMENSIONAL DATA ARE SUBJECT TO CHANGE WITHOUT NOTICE

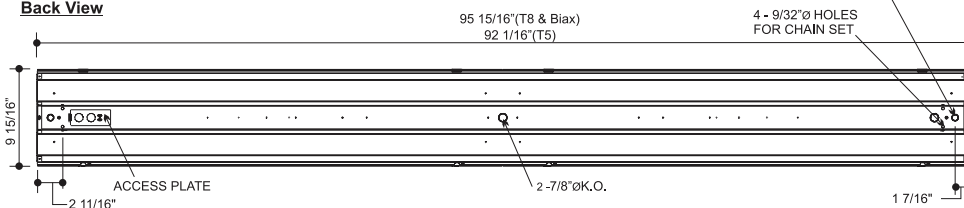
back plans



End View



Back View



Back View



options

OPTIONS: INSERT APPROPRIATE CODE FOR CUSTOMIZED ORDERING

BALLAST

- E5 Electronic T5
- E8 Electronic T8
- H5 High output T5
- H8 High output T8

NOTE: In order to achieve rated lamp life, fixtures controlled by motion sensors should be ordered with programmed start ballasts when available and minimum time delay should be set to 15 minutes - Consult Factory

VOLTAGE

- 1 120V
- U Universal 120 - 277V
- U3 Universal 347 - 480V (T5 only)

GENERAL OPTIONS

- EM Emergency pack, 1 lamp 90 min. up to 500 lu.
- R95 95% Reflector
- RW White reflector (aluminum)
- U Uplight Apertures
- WCB White cross blade
- MS* Motion sensor - 360 deg. coverage or linear coverage

*Note: Specify which lamps to be sensed

Consult Factory for additional options not shown or listed

accessories

- Stem Stem + Length needed
- WG Wireguard
- AC Aircraft Cable (specify size)
- V Chain Hanger (2 per set)

LAMP OPTIONS

- 85 T5 850K
- 13 T5/T8 841K
- 16 T5/T8 835K
- 11 T5/T8 830K
- 10 T8 730K
- 15 T8 735K
- 12 T8 741K

Revised
5/09

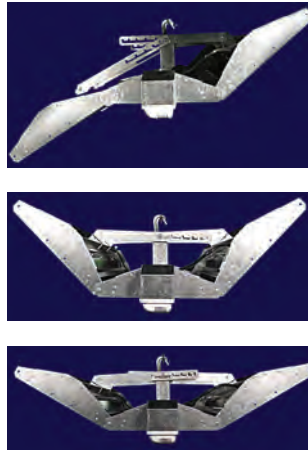
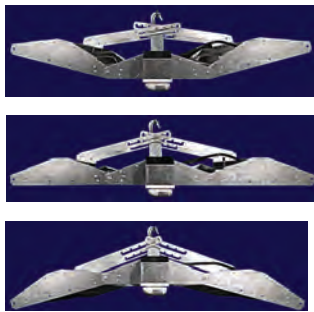


LAMAR LIGHTING 485 Smith Street, Farmingdale, NY 11735 • Tel (631) 777-7700
Fax (631) 777-7705 • Outside NY (800) 724-7743 • www.lamarlighting.com

AWL SERIES

ADJUSTABLE WAREHOUSE LIGHTING

Job Name	
Catalog Number	
Notes	Type



features

- High efficiency, high output fluorescent luminaire utilizing efficient T5 lamps
- Suitable for a variety of applications including warehouses, retail stores and other commercial spaces that are normally lit by H.I.D. lighting
- Energy efficient alternative to traditional H.I.D. lighting
- Designed for suspended mounting only, minimum 6" from ceiling
- Designed to operate at 40°C (104°F) ambient, maximum
- Luminaire efficiency approaches 100%
- Bi-level and motion sensor options available
- Optional lenses and wireguards are available

construction

- Features durable galvanized steel, quality reflector units and superior electrical components
- Formed from galvanized steel for ultra strength and uniformity
- Twist-lock sockets provide secure lamp retention
- Knockouts are provided on back for convenient installation
- All fixtures are U.L. listed and IBEW union made

reflector

- Anodized aluminum reflector offers 95% reflectivity and is designed for maximum efficiency and light output
- Other materials are available - consult factory

electrical

- All electrical components are U.L. listed or recognized
- Electronic Class P ballasts standard
- Fluorescent ballast requires no "warm-up" time, solving a problem common in traditional H.I.D.
- 120V T5 HO program rapid start is standard
- Standard output T5 and dimming are optional
- 277V is also available

finish

- All external parts are galvanized by immersing clean, oxide free steel into molten Zinc that is bonded to the surface, protecting against corrosion by shielding the base steel from the atmosphere. Zinc gives cathodic or sacrificial protection

AWL SERIES

ADJUSTABLE WAREHOUSE
LIGHTING

ordering guide

NOTE: SOME ORDERING OPTIONS APPEAR ON PRODUCT LINE. FOR OTHER OPTIONS, SEE LIST AT RIGHT.

SAMPLE ORDER NUMBER



SERIES NO. WATTAGE BALLAST VOLTAGE OPTIONS DIMENSIONS LAMP TYPE
LAMPS TYPE 1 2

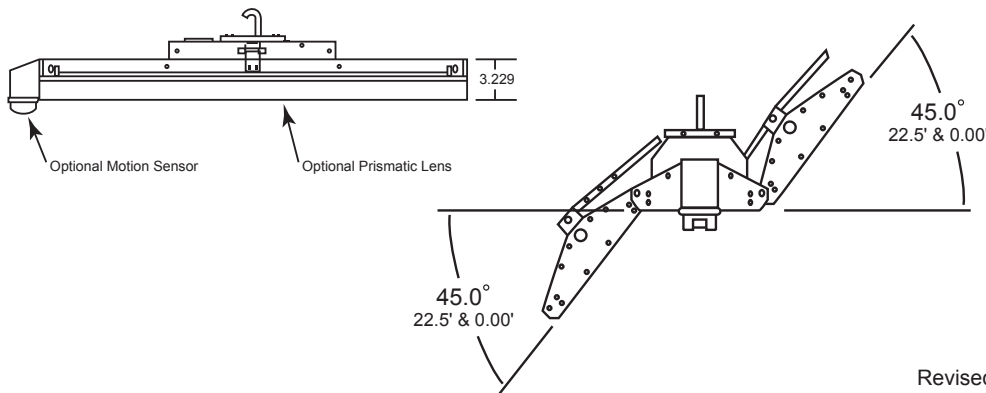
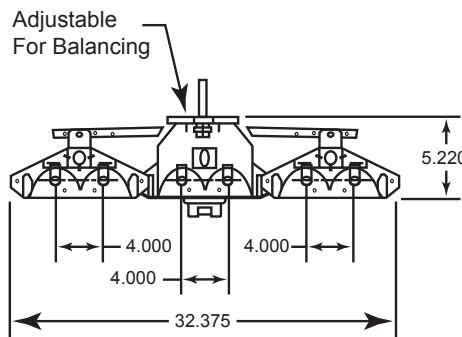
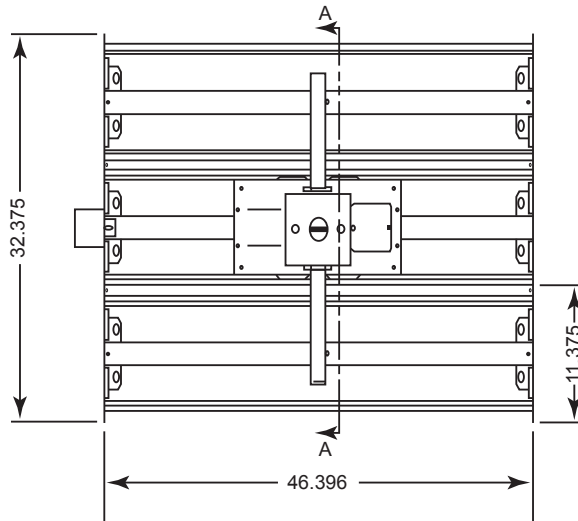
ORDERING GUIDE							
AWL	4, 6	28/54	E5, H5	U		32.375 x 46.396	F28T5/F54T5HO
AWL	4, 6	32	E8, H8	U		32.375 x 46.396	F32T8

dimensional data

NOTE: SPECIFICATIONS AND DIMENSIONAL DATA ARE SUBJECT TO CHANGE WITHOUT NOTICE

back knockout plans and lengths

T5 DIMENSIONS SHOWN



options

OPTIONS: INSERT APPROPRIATE CODE FOR CUSTOMIZED ORDERING

BALLAST

E5 Electronic T5
E8 Electronic T8
H5 High output T5
H8 High output T8

NOTE: In order to achieve rated lamp life, fixtures controlled by motion sensors should be ordered with programmed start ballasts when available and minimum time delay should be set to 15 minutes - Consult Factory

VOLTAGE

U Universal 120 - 277V

GENERAL OPTIONS

EM Emergency pack, 1 lamp
90 min. up to 500 lu.
PA Prismatic Acrylic Lens -
Specify Qty
MS* Motion sensor - 360 deg.
or linear coverage

*Note: Specify which lamps to be sensed

Consult Factory for additional options not shown or listed

accessories

WG Wireguard
HCP Hook, cord & plug - Specify Length

LAMP OPTIONS

13 T5/T8 841K
16 T5/T8 835K
11 T5/T8 830K
12 T8 741K
15 T8 735K
10 T8 730K

Revised
5/09

LAMAR LIGHTING 485 Smith Street, Farmingdale, NY 11735 • Tel (631) 777-7700
Fax (631) 777-7705 • Outside NY (800) 724-7743 • www.lamarlighting.com

**Lamar
Lighting**
Company, Inc.

MO SERIES

HIGH OUTPUT
SURFACE
UTILITY
LUMINAIRE

Job Name	
Catalog Number	
Notes	Type



features

- High efficiency, high output fluorescent luminaire utilizing efficient T5 lamps
- Suitable for a variety of applications including warehouses, retail stores and other commercial spaces that are normally lit by H.I.D. lighting
- Energy efficient alternative to traditional H.I.D. lighting
- Designed for suspended mounting only, minimum 6" from ceiling
- Designed to operate at 40°C (104°F) ambient, maximum
- Luminaire efficiency exceeds 95%
- Highly specular anodized aluminum reflector
- Motion sensor options available
- Optional lenses available

construction

- Features durable steel bodies, quality paint finishes and superior electrical components
- Die formed from code gauge cold rolled steel for strength and uniformity
- Twist-lock sockets provide secure lamp retention
- Ample knockouts are provided on back for convenient installation
- All fixtures are U.L. listed and IBEW union made

reflector

- Anodized aluminum reflector offers 95% reflectivity and is designed for maximum efficiency and light output
- Reflector material options include 95% enhanced specular aluminum, 87% specular aluminum, 90% white aluminum and are designed for maximum efficiency and light output

electrical

- All electrical components are U.L. listed or recognized
- Electronic Class P ballasts standard
- Ballast requires no warm-up time, solving a problem common in traditional H.I.D.
- T8 and dimming are available

finish

- Prior to painting, all metal parts are treated with a multi-stage phosphate bonding process to ensure adhesion and inhibit rusting
- Painted with a lighting grade baked white enamel, having a reflectance factor exceeding 87% for premium quality and durability

MO SERIES

HIGH OUTPUT SURFACE
UTILITY LUMINAIRE

ordering guide

NOTE: SOME ORDERING OPTIONS APPEAR ON PRODUCT LINE. FOR OTHER OPTIONS, SEE LIST AT RIGHT.

SAMPLE ORDER NUMBER



SERIES NO. WATTAGE TANDEM BALLAST VOLTAGE OPTIONS* DIMENSIONS LAMP TYPE
LAMPS TYPE

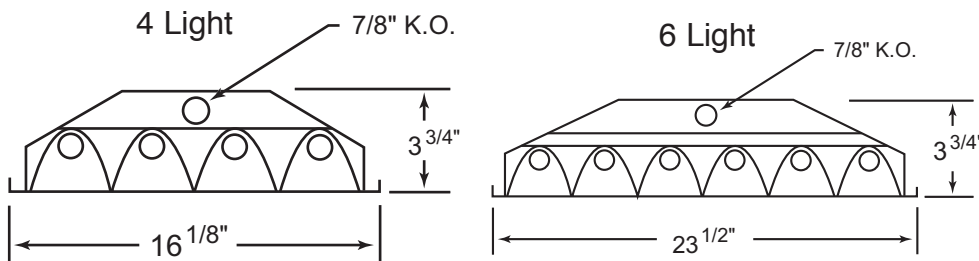
T-8 ORDERING GUIDE								
MO	3, 4, 6	32		E8, H8	1, U		16 1/8" x 48"	F32T8
T-5HO ORDERING GUIDE								
MO	3, 4, 6	54		H5	U, U3		16 1/8" x 48"	F54T5HO

*MUST CHOOSE 1 REFLECTOR OPTION

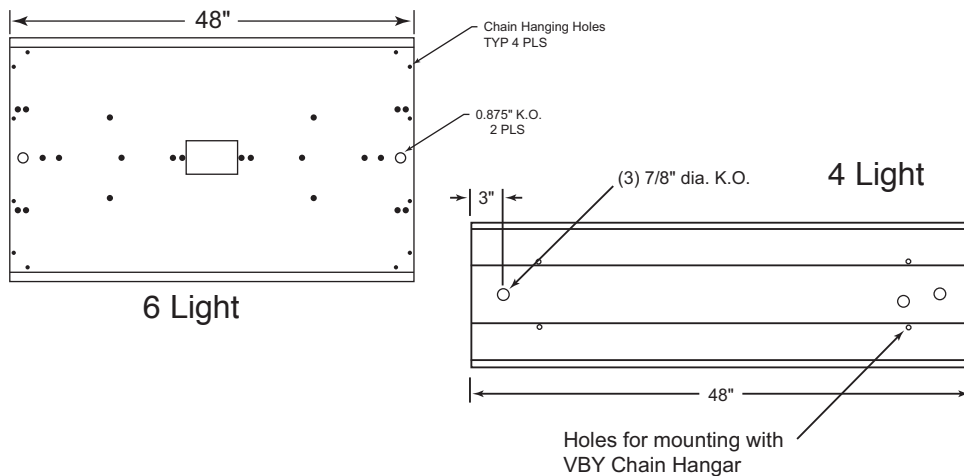
dimensional data

NOTE: SPECIFICATIONS AND DIMENSIONAL DATA ARE SUBJECT TO CHANGE WITHOUT NOTICE

end view



back knockout plans and lengths



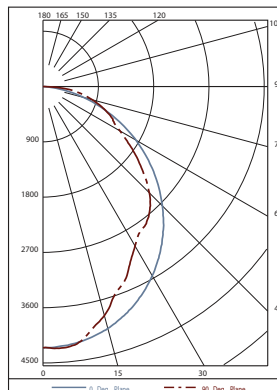
photometrics

MO432E8U

Zonal Lumen Summary

Zone	Lumens	%Lamp	%Fixt
0- 30	3140	27.5	28.9
0- 40	5002	43.9	46.1
0- 60	8563	75.1	78.9
0- 90	10857	95.2	100.0
90-180	0	0	0
0-180	10857	95.2	100.0

Total luminaire efficiency: 95.2%
CIE type: Direct
Plane: 0-Deg 90-Deg
Spacing Criteria: 1.2 1.1
LTL Number: 10045



Revised
5/09

options

OPTIONS: INSERT APPROPRIATE CODE FOR CUSTOMIZED ORDERING

BALLAST

E8 Electronic T8
H5 High output T5
H8 High output T8

NOTE: In order to achieve rated lamp life, fixtures controlled by motion sensors should be ordered with programmed start ballasts when available and minimum time delay should be set to 15 minutes - Consult Factory

VOLTAGE

1 120V
U Universal 120 - 277V
U3 Universal 347 - 480V (T5 only)

GENERAL OPTIONS

EM Emergency pack, 1 lamp
90 min. up to 500 lu.
2C 2 Circuit
R95 95% Reflector
R87 87% Reflector
RW White reflector (aluminum)
PA Prismatic Acrylic Lens
PC Lexan Polycarbonate Lens Clear
MS* Motion Sensor - 360 deg.
or linear coverage

* Additional Lens Options - Consult Factory

*Note: Specify which lamps to be sensed

Consult Factory for additional options not shown or listed

accessories

Stem Stem + Length needed
WG Wireguard
AC Aircraft Cable (specify size)
LGPMB-1 Pendant Bracket
XHEHMR Suspension Hook - Male

LAMP OPTIONS

13 T5/T8 841K
16 T5/T8 835K
11 T5/T8 830K
85 T5 850K
10 T8 730K
15 T8 735K
12 T8 741K

**Lamar
Lighting**
Company, Inc.

LAMAR LIGHTING 485 Smith Street, Farmingdale, NY 11735 • Tel (631) 777-7700
Fax (631) 777-7705 • Outside NY (800) 724-7743 • www.lamarlighting.com

LGN SERIES HIGH OUTPUT SURFACE, PENDANT OR CHAIN MOUNT LUMINAIRE

Job Name	
Catalog Number	
Notes	Type



Shown with optional Pendant Bracket

features

- High efficiency, high output fluorescent luminaire utilizing efficient T5 or T8 lamps
- Suitable for a variety of applications including warehouses, gymnasiums, retail stores and other commercial spaces that are normally lit by H.I.D. lighting
- Energy efficient alternative to traditional H.I.D. lighting
- Designed for surface or suspended mounting
- Luminaire efficiency exceeds 91%
- Highly specular anodized aluminum reflector
- Motion sensor options available
- Available in 2 or 4 lamp configurations

construction

- Features durable steel bodies, quality paint finishes and superior electrical components
- Die formed from code gauge cold rolled steel for strength and uniformity
- Lampholders constructed of polycarbonate material for high heat resistance and longer lampholder life
- Ample knockouts are provided on back for convenient installation
- All fixtures are U.L. listed and IBEW union made

reflector

- Reflector material options include 95% enhanced specular aluminum, 87% specular aluminum, 90% white aluminum and are designed for maximum efficiency and light output

electrical

- All electrical components are U.L. listed or recognized
- Electronic Class P ballasts standard
- Standard fluorescent ballast requires no warm-up time, solving a problem common in traditional H.I.D.
- Standard output T5, T8, T5HO and dimming are optional

finish

- Available in galvanized steel or powder coat white finish
- Prior to painting, metal parts are treated with a multi-stage phosphate bonding process to ensure adhesion and inhibit rusting
- Painted with a lighting grade baked white enamel, having a reflectance factor exceeding 87% for premium quality and durability

LGN SERIES

HIGH OUTPUT SURFACE
UTILITY LUMINAIRE

ordering guide

NOTE: SOME ORDERING OPTIONS APPEAR ON PRODUCT LINE. FOR OTHER OPTIONS, SEE LIST AT RIGHT.

SAMPLE ORDER NUMBER



SERIES NO. WATTAGE BALLAST VOLTAGE OPTIONS* DIMENSIONS LAMP TYPE
LAMPS TYPE 1 2

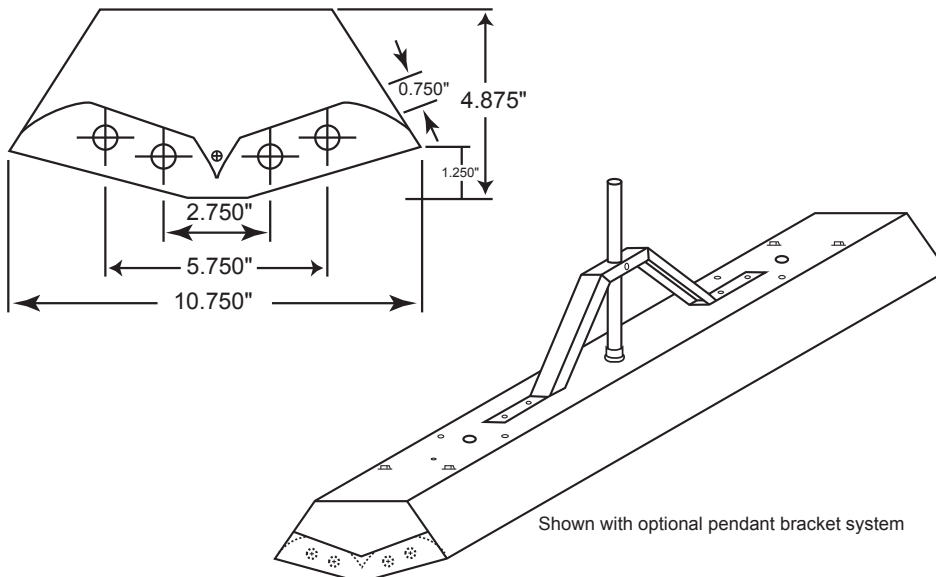
T-5 ORDERING GUIDE							
LGN	2, 4	28/54	E5, H5	1, U, U3		10.75" x 48"	F28T5/F54T5HO
T-8 ORDERING GUIDE							
LGN	2, 4	32	E8, H8	1, U		10.75" x 48"	F32T8

*MUST CHOOSE 1 REFLECTOR OPTION

dimensional data

NOTE: SPECIFICATIONS AND DIMENSIONAL DATA ARE SUBJECT TO CHANGE WITHOUT NOTICE

back plans



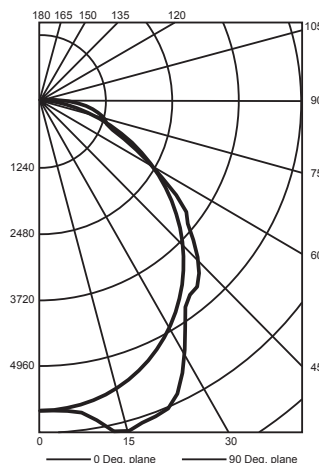
Shown with optional pendant bracket system

photometrics

Zonal Lumen Summary LGN454H5UR95

Zone	Lumens	%Lamp	%Fixt
0- 30	4758	27.0	27.9
0- 40	7786	44.2	45.7
0- 60	13555	77.0	79.5
0- 90	16990	96.5	99.7
90-120	50	0.3	0.3
90-130	50	0.3	0.3
90-150	50	0.3	0.3
90-180	50	0.3	0.3
0-180	17041	96.8	100.0

Total luminaire efficiency: 96.8%
CIE type: Direct
Plane: 0-Deg 90-Deg
Spacing Criteria: 1.3 1.3



Revised
5/09

options

OPTIONS: INSERT APPROPRIATE CODE FOR CUSTOMIZED ORDERING

BALLAST

E5 Electronic T5
E8 Electronic T8
H5 High output T5
H8 High output T8

NOTE: In order to achieve rated lamp life, fixtures controlled by motion sensors should be ordered with programmed start ballasts when available and minimum time delay should be set to 15 minutes - Consult Factory

VOLTAGE

1 120V
U Universal 120 - 277V
U3 Universal 347 - 480V (T5 only)

GENERAL OPTIONS

EM Emergency pack, 1 lamp
90 min. up to 500 lu.
CDP Cord & plug (specify length)
CD3 3' Cord
CD6 6' Cord
R95 95% Reflector
R87 87% Reflector
RW White reflector (aluminum)
MS* Motion sensor - 360 deg. or linear coverage

*Note: Specify which lamps to be sensed

Consult Factory for additional options not shown or listed

accessories

Stem Stem + Length needed
WG Wireguard
AC Aircraft Cable (specify size)
LGPMB-1 Pendant Bracket (specify white or galvanized)
V Chain Hanger (2 per set)
XHEHMR Suspension Hook - Male

LAMP OPTIONS

85 T5 850K
13 T5/T8 841K
16 T5/T8 835K
11 T5/T8 830K
10 T8 730K
15 T8 735K
12 T8 741K

**Lamar
Lighting**
Company, Inc.

LAMAR LIGHTING 485 Smith Street, Farmingdale, NY 11735 • Tel (631) 777-7700
Fax (631) 777-7705 • Outside NY (800) 724-7743 • www.lamarlighting.com

LGU SERIES HIGH OUTPUT SURFACE, PENDANT OR CHAIN MOUNT LUMINAIRE

Job Name	
Catalog Number	
Notes	Type



Shown with optional Pendant Bracket

features

- High efficiency, high output fluorescent luminaire utilizing efficient T5 or T8 lamps
- Suitable for a variety of applications including warehouses, gymnasiums, retail stores and other commercial spaces that are normally lit by H.I.D. lighting
- Energy efficient alternative to traditional H.I.D. lighting
- Designed for surface or suspended mounting
- Luminaire efficiency exceeds 94%
- Highly specular anodized aluminum reflector
- Motion sensor options available
- 12% uplite
- Available in 4, 6, or 8 lamp configurations

construction

- Features durable steel bodies, quality paint finishes and superior electrical components
- Die formed from code gauge cold rolled steel for strength and uniformity
- Lampholders constructed of polycarbonate material for high heat resistance and longer lampholder life
- Ample knockouts are provided on back for convenient installation
- All fixtures are U.L. listed and IBEW union made

reflector

- Reflector material options include 95% enhanced specular aluminum, 87% specular aluminum, 90% white aluminum and are designed for maximum efficiency and light output

electrical

- All electrical components are U.L. listed or recognized
- Electronic Class P ballasts standard
- Standard fluorescent ballast requires no warm-up time, solving a problem common in traditional H.I.D.
- Standard output T5, T8, T5HO and dimming are optional
- Available in galvanized steel or powder coat white finish

finish

- Prior to painting, metal parts are treated with a multi-stage phosphate bonding process to ensure adhesion and inhibit rusting
- Painted with a lighting grade baked white enamel, having a reflectance factor exceeding 87% for premium quality and durability

LGU SERIES

HIGH OUTPUT SURFACE
UTILITY LUMINAIRE

ordering guide

NOTE: SOME ORDERING OPTIONS APPEAR ON PRODUCT LINE. FOR OTHER OPTIONS, SEE LIST AT RIGHT.

SAMPLE ORDER NUMBER



SERIES NO. WATTAGE BALLAST VOLTAGE OPTIONS* DIMENSIONS LAMP TYPE
LAMPS TYPE 1 2

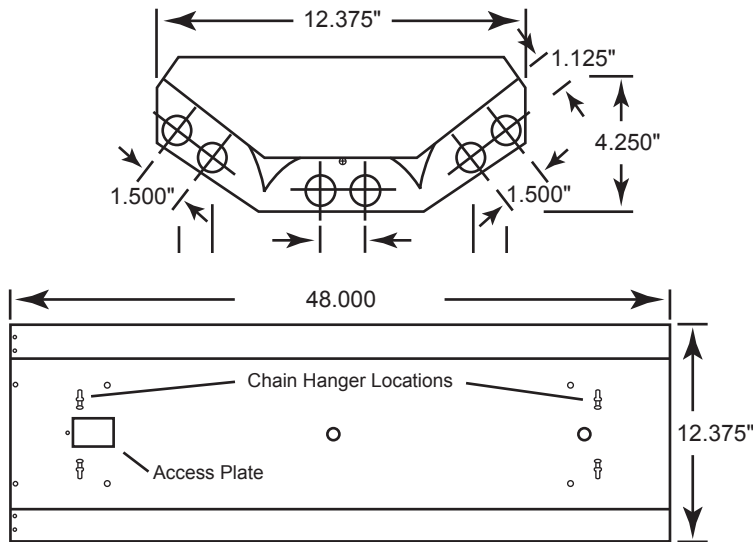
T-5 ORDERING GUIDE							
LGU	4, 6, 8	28, 54	E5, H5	1, U, U3		12.375" x 48"	F28T5/F54T5HO
T-8 ORDERING GUIDE							
LGU	4, 6, 8	32	E8, H8	1, U		12.375" x 48"	F32T8

*MUST CHOOSE 1 REFLECTOR OPTION

dimensional data

NOTE: SPECIFICATIONS AND DIMENSIONAL DATA ARE SUBJECT TO CHANGE WITHOUT NOTICE

back plans

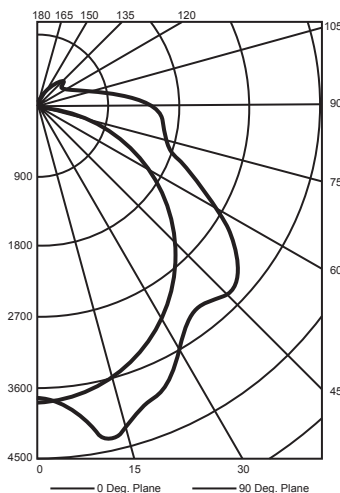


photometrics

Zonal Lumen Summary
LGU632E8UR95

Zone	Lumens	%Lamp	%Fixt
0- 30	3267	19.1	20.3
0- 40	5361	31.3	33.3
0- 60	9907	57.9	61.6
0- 90	14109	82.5	87.7
90-120	1401	8.2	8.7
90-130	1631	9.5	10.1
90-150	1930	11.3	12.0
90-180	1979	11.6	12.3
0-180	16089	94.1	100.0

Total luminaire efficiency: 94.1%
CIE type: Semi-Direct
Plane: 0-Deg 90-Deg
Spacing Criteria: 1.3 1.4



Revised
5/09

**Lamar
Lighting**
Company, Inc.

LAMAR LIGHTING 485 Smith Street, Farmingdale, NY 11735 • Tel (631) 777-7700
Fax (631) 777-7705 • Outside NY (800) 724-7743 • www.lamarlighting.com

options

OPTIONS: INSERT APPROPRIATE CODE FOR CUSTOMIZED ORDERING

BALLAST

E5 Electronic T5
E8 Electronic T8
H5 High output T5
H8 High output T8

NOTE: In order to achieve rated lamp life, fixtures controlled by motion sensors should be ordered with programmed start ballasts when available and minimum time delay should be set to 15 minutes - Consult Factory

VOLTAGE

1 120V
U Universal 120 - 277V
U3 Universal 347 - 480V (T5 only)

GENERAL OPTIONS

EM Emergency pack, 1 lamp
90 min. up to 500 lu.
CDP Cord & plug (specify length)
CD3 3' Cord
CD6 6' Cord
R95 95% Reflector
R87 87% Reflector
RW White reflector (aluminum)
MS* Motion sensor - 360 deg.
or linear coverage

*Note: Specify which lamps to be sensed

Consult Factory for additional options not shown or listed

accessories

Stem Stem + Length needed
WG Wireguard
AC Aircraft Cable (specify size)
LGPMB-1 Pendant Bracket (specify white or galvanized)
V Chain Hanger (2 per set)
XHEHMR Suspension Hook - Male

LAMP OPTIONS

85 T5 850K
13 T5/T8 841K
16 T5/T8 835K
11 T5/T8 830K
10 T8 730K
15 T8 735K
12 T8 741K

LGLU/LGLX SERIES

HIGH OUTPUT
SURFACE, PENDANT
OR
CHAIN MOUNT
LUMINAIRE

Job Name	
Catalog Number	
Notes	Type



Shown with optional Pendant Bracket

features

- High efficiency, high output fluorescent luminaire utilizing efficient T5 or T8 lamps
- Suitable for a variety of applications including warehouses, gymnasiums, retail stores and other commercial spaces that are normally lit by H.I.D. lighting
- Energy efficient alternative to traditional H.I.D. lighting
- Designed for surface or suspended mounting
- Highly specular anodized aluminum reflector
- Motion sensor options available
- 10% uplite (LGLU only)
- Available in 4, 5 or 6 lamp configurations
- .125" thick prismatic lens standard, optional polycarbonate lens available

construction

- Features durable steel bodies, quality paint finishes and superior electrical components
- Die formed from code gauge cold rolled steel for strength and uniformity
- Lampholders constructed of polycarbonate material for high heat resistance and longer lampholder life
- Ample knockouts are provided on back for convenient installation
- All fixtures are U.L. listed and IBEW union made

reflector

- Reflector material options include 95% enhanced specular aluminum, 87% specular aluminum, 90% white aluminum and are designed for maximum efficiency and light output

electrical

- All electrical components are U.L. listed or recognized
- Electronic Class P ballasts standard
- Standard fluorescent ballast requires no warm-up time, solving a problem common in traditional H.I.D.
- Standard output T5, T8, T5HO and dimming are optional
- Available in galvanized steel or powder coat white finish

finish

- Prior to painting, metal parts are treated with a multi-stage phosphate bonding process to ensure adhesion and inhibit rusting
- Painted with a lighting grade baked white enamel, having a reflectance factor exceeding 87% for premium quality and durability

LGLU / LGLX SERIES

HIGH OUTPUT SURFACE
UTILITY LUMINAIRE

ordering guide

NOTE: SOME ORDERING OPTIONS APPEAR ON PRODUCT LINE. FOR OTHER OPTIONS, SEE LIST AT RIGHT.

SAMPLE ORDER NUMBER

LGLU-4-54-H5-1-R95-W

SERIES NO. WATTAGE BALLAST VOLTAGE OPTIONS* DIMENSIONS LAMP TYPE
LAMPS TYPE 1 2

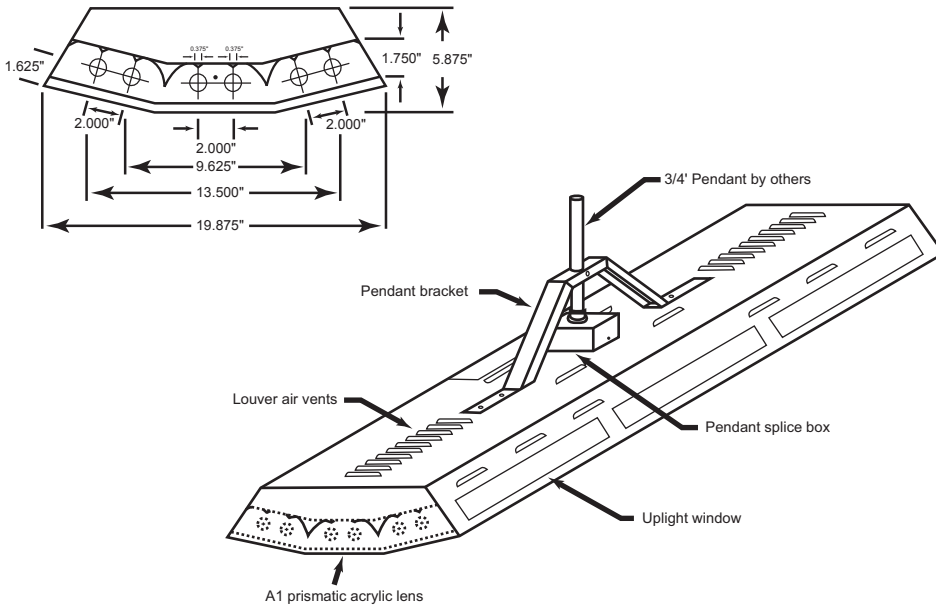
T-5 ORDERING GUIDE							
LGLU	4, 5, 6	28	E5, H5	1, U, U3		19.875" x 48"	F28T5/F54T5HO
LGLX	4, 5, 6	28	E5, H5	1, U, U3		19.875" x 48"	F28T5/F54T5HO
T-8 ORDERING GUIDE							
LGLU	4, 5, 6,	32	E8, H8	1, U		19.875" x 48"	F32T8
LGLX	4, 5, 6,	32	E8, H8	1, U		19.875" x 48"	F32T8

*MUST CHOOSE 1 REFLECTOR OPTION

dimensional data

NOTE: SPECIFICATIONS AND DIMENSIONAL DATA ARE SUBJECT TO CHANGE WITHOUT NOTICE

back plans



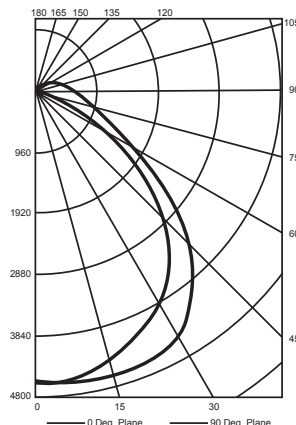
photometrics

Zonal Lumen Summary

LGLU454H5UA1R95

Zone	Lumens	%Lamp	%Fixt
0- 30	3679	21.5	26.5
0- 40	6121	35.8	44.1
0- 60	10491	61.3	75.5
0- 90	12742	74.5	91.7
90-120	761	4.5	5.5
90-130	906	5.3	6.5
90-150	1067	6.2	7.7
90-180	1146	6.7	8.3
0-180	13888	81.2	100.0

Total luminaire efficiency: 81.2%
CIE type Direct
Plane: 0-Deg 90-Deg
Spacing Criteria: 1.3 1.4



Revised
5/09

options

OPTIONS: INSERT APPROPRIATE CODE FOR CUSTOMIZED ORDERING

BALLAST

E5 Electronic T5
E8 Electronic T8
H5 High output T5
H8 High output T8

NOTE: In order to achieve rated lamp life, fixtures controlled by motion sensors should be ordered with programmed start ballasts when available and minimum time delay should be set to 15 minutes - Consult Factory

VOLTAGE

1 120V
U Universal 120 - 277V
U3 Universal 347 - 480V (T5 only)

GENERAL OPTIONS

EM Emergency pack, 1 lamp
90 min. up to 500 lu.
2C 2 Circuit
CDP Cord & plug (specify length)
CD3 3' Cord
CD6 6' Cord
R95 95% Reflector
R87 87% Reflector
RW White reflector (aluminum)
A1 .125" thick prismatic acrylic (standard)
PC Polycarbonate lens
FD Full door
GSK Gasketed
NV Non-vented
MS* Motion sensor - 360 deg. or linear coverage

*Note: Specify which lamps to be sensed

Consult Factory for additional options not shown or listed

accessories

AC Aircraft Cable (specify size)
LGPMB-1 Pendant Bracket (specify white or galvanized)
WG Wireguard
V Chain Hanger (2 per set)
PSB-1 Splice Box
XHEHMR Suspension Hook - Male

LAMP OPTIONS

85 T5 850K
13 T5/T8 841K
16 T5/T8 835K
11 T5/T8 830K
10 T8 730K
15 T8 735K
12 T8 741K

**Lamar
Lighting**
Company, Inc.

LAMAR LIGHTING 485 Smith Street, Farmingdale, NY 11735 • Tel (631) 777-7700
Fax (631) 777-7705 • Outside NY (800) 724-7743 • www.lamarlighting.com

LGL
SERIES
HIGH OUTPUT
SURFACE,
PENDANT
OR
CHAIN MOUNT
LUMINAIRE

Job Name	
Catalog Number	
Notes	Type



Shown with optional Pendant Bracket

features

- High efficiency, high output fluorescent luminaire utilizing efficient T5 or T8 lamps
- Suitable for a variety of applications including warehouses, gymnasiums, retail stores and other commercial spaces that are normally lit by H.I.D. lighting
- Energy efficient alternative to traditional H.I.D. lighting
- Designed for surface or suspended mounting
- Luminaire efficiency approaches 90%
- Highly specular anodized aluminum reflector
- Motion sensor options available
- Available in 4, 5 or 6 lamp configurations

construction

- Features durable steel bodies, quality paint finishes and superior electrical components
- Die formed from code gauge cold rolled steel for strength and uniformity
- Lampholders constructed of polycarbonate material for high heat resistance and longer lampholder life
- Ample knockouts are provided on back for convenient installation
- All fixtures are U.L. listed and IBEW union made

reflector

- Reflector material options include 95% enhanced specular aluminum, 87% specular aluminum, 90% white aluminum and are designed for maximum efficiency and light output

electrical

- All electrical components are U.L. listed or recognized
- Electronic Class P ballasts standard
- Standard fluorescent ballast requires no warm-up time, solving a problem common in traditional H.I.D.
- Standard output T5, T8, T5HO and dimming are optional
- Available in galvanized steel or powder coat white finish

finish

- Prior to painting, metal parts are treated with a multi-stage phosphate bonding process to ensure adhesion and inhibit rusting
- Painted with a lighting grade baked white enamel, having a reflectance factor exceeding 87% for premium quality and durability

LGL SERIES

HIGH OUTPUT SURFACE
UTILITY LUMINAIRE

ordering guide

NOTE: SOME ORDERING OPTIONS APPEAR ON PRODUCT LINE. FOR OTHER OPTIONS, SEE LIST AT RIGHT.

SAMPLE ORDER NUMBER



SERIES NO. WATTAGE BALLAST VOLTAGE OPTIONS* DIMENSIONS LAMP TYPE
LAMPS TYPE 1 2

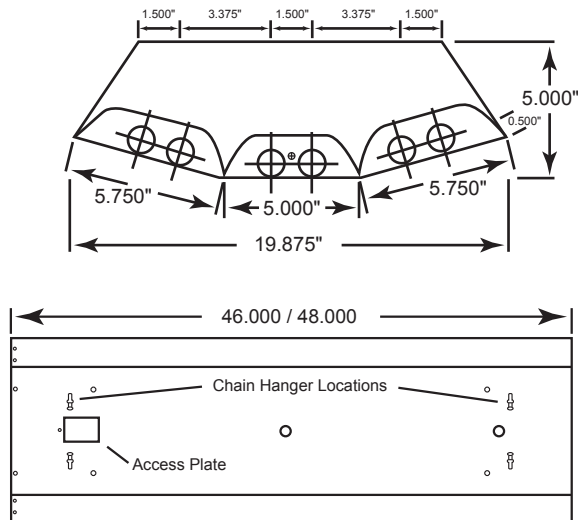
T-5 ORDERING GUIDE						
LGL	4, 5, 6	28, 54	E5, H5	1, U, U3		19.875" x 48"
T-8 ORDERING GUIDE						
LGL	4, 5, 6	32	E8, H8	1, U		19.875" x 48"

*MUST CHOOSE 1 REFLECTOR OPTION

dimensional data

NOTE: SPECIFICATIONS AND DIMENSIONAL DATA ARE SUBJECT TO CHANGE WITHOUT NOTICE

back plans



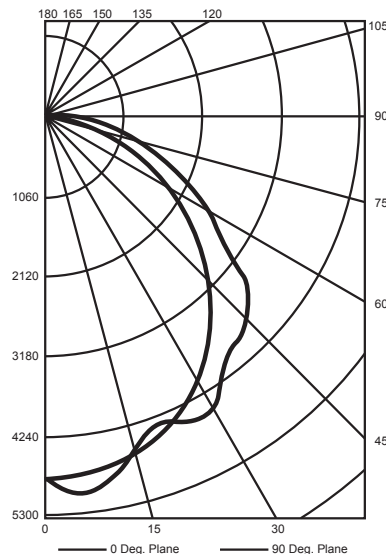
photometrics

Zonal Lumen Summary

LGL632E8RU95

Zone	Lumens	%Lamp	%Fixt
0- 30	3805	22.3	24.8
0- 40	6291	36.8	41.0
0- 60	11440	66.9	74.6
0- 90	15152	88.6	98.8
90-120	178	1.0	1.2
90-130	178	1.0	1.2
90-150	178	1.0	1.2
90-180	178	1.0	1.2
0-180	15330	89.7	100.0

Total luminaire efficiency: 89.7%
CIE type Direct
Plane: 0-Deg 90-Deg
Spacing Criteria: 1.2 1.4



options

OPTIONS: INSERT APPROPRIATE CODE FOR CUSTOMIZED ORDERING

BALLAST

E5 Electronic T5
E8 Electronic T8
H5 High output T5
H8 High output T8

NOTE: In order to achieve rated lamp life, fixtures controlled by motion sensors should be ordered with programmed start ballasts when available and minimum time delay should be set to 15 minutes - Consult Factory

VOLTAGE

1 120V
U Universal 120 - 277V
U3 Universal 347 - 480V (T5 only)

GENERAL OPTIONS

EM Emergency pack, 1 lamp
90 min. up to 500 lu.
2C 2 Circuit
CDP Cord & plug (specify length)
CD3 3' Cord
CD6 6' Cord
R95 95% Reflector
R87 87% Reflector
RW White reflector (aluminum)
MS* Motion Sensor - 360 deg.
or linear coverage

*Note: Specify which lamps to be sensed

Consult Factory for additional options not shown or listed

accessories

Stem Stem + Length needed
WG Wireguard
AC Aircraft Cable (specify size)
LGPMB-1 Pendant Bracket (specify white or galvanized)
V Chain Hanger (2 per set)
XHEHMR Suspension Hook - Male

LAMP OPTIONS

85 T5 850K
13 T5/T8 841K
16 T5/T8 835K
11 T5/T8 830K
10 T8 730K
15 T8 735K
12 T8 741K

Revised
5/09

**Lamar
Lighting**
Company, Inc.

LAMAR LIGHTING 485 Smith Street, Farmingdale, NY 11735 • Tel (631) 777-7700
Fax (631) 777-7705 • Outside NY (800) 724-7743 • www.lamarlighting.com

GL
SERIES
PREMIUM
SURFACE
CEILING
LUMINAIRE

Job Name	
Catalog Number	
Notes	Type



features

- Premium grade surface mounted ceiling luminaire
- Suitable for a variety of applications including gymnasiums, locker rooms and other commercial recreational spaces
- Shallow design, heavy duty construction
- Designed for surface or suspended mounting, individual or continuous rows
- One piece steel housing and ends with white enamel finish
- Available with 2, 3 or 4 lamps
- Optional lenses available

construction

- Features durable steel bodies, quality paint finishes and superior electrical components
- Code gauge steel housing welded for strength and clean appearance
- 11g cold rolled steel wireguard
- Wireguard and optional overlay held within rugged hinged door frame by retaining springs, latched with captive fasteners
- Ample knockouts are provided on back for convenient installation and through wiring
- All fixtures are U.L. listed and IBEW union made

reflector

- Optional anodized aluminum reflector offers 95% reflectivity and is designed for maximum efficiency and light output

electrical

- All electrical components are U.L. listed or recognized
- Electronic Class P ballasts standard
- Available in energy saving T8 with electronic ballast
- EM packs and dimming options are available

finish

- Prior to painting, all metal parts are treated with a multi-stage phosphate bonding process to ensure adhesion and inhibit rusting
- Powder painted white wireguard and housing. High reflectivity coated for improved efficiency

GL
SERIES
PREMIUM SURFACE CEILING
LUMINAIRE

ordering guide

NOTE: SOME ORDERING OPTIONS APPEAR ON PRODUCT LINE. FOR OTHER OPTIONS, SEE LIST AT RIGHT.

SAMPLE ORDER NUMBER

GL-3-32-T-E8-U-PA-EM-R95

SERIES NO. WATTAGE TANDEM BALLAST VOLTAGE OPTIONS DIMENSIONS LAMP TYPE
 LAMPS TYPE 1 2 3

T-8 ORDERING GUIDE

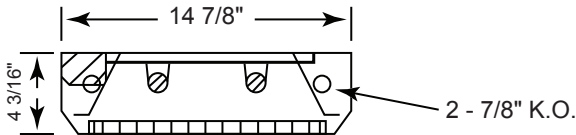
GL	2, 3, 4	32		E8	1, U				14-7/8 x 48	F32T8
GL	2, 3, 4	32	T	E8	1, U				14-7/8 x 96	F32T8

*Note: Tandem units contain double the amount of lamps shown

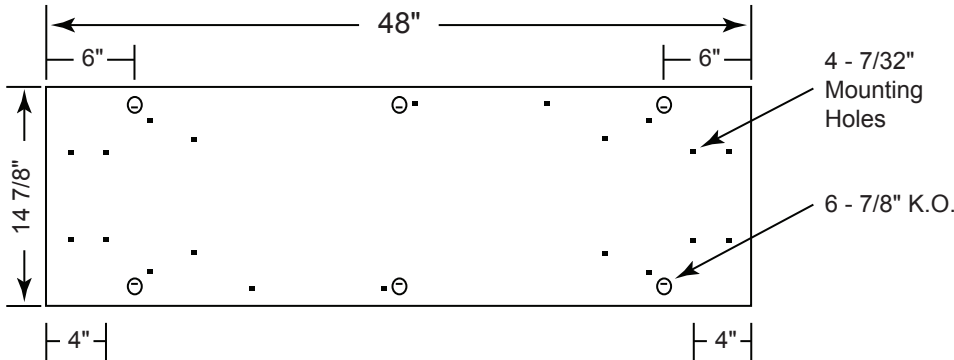
dimensional data

NOTE: SPECIFICATIONS AND DIMENSIONAL DATA ARE SUBJECT TO CHANGE WITHOUT NOTICE

cross sections and back plans



2 LAMP
 END VIEW



BACK VIEW

options

OPTIONS: INSERT APPROPRIATE CODE FOR CUSTOMIZED ORDERING

BALLAST

- E8 Electronic T8
- ED Electronic dimming

NOTE: In order to achieve rated lamp life, fixtures controlled by motion sensors should be ordered with programmed start ballasts when available and minimum time delay should be set to 15 minutes - Consult Factory

* Other dimming ballasts available Consult Factory

VOLTAGE

- 1 120V
- U Universal 120 - 277V

GENERAL OPTIONS

- EM Emergency pack, 1 lamp 90 min. up to 500 lu.
- 2C 2 Circuit
- PA Prismatic acrylic lens
- PC Prismatic polycarbonate lens
- R95 95% reflectance specular aluminum reflector

accessories

LAMP OPTIONS

- 12 T8 741K
- 15 T8 735K
- 10 T8 730K
- 13 T8 841K
- 16 T8 835K
- 11 T8 830K

- Canopy Standard white 5" dia., 1 1/2" deep with hardware
- Stem Stem + Length needed

Stem mounting must be specified when ordering

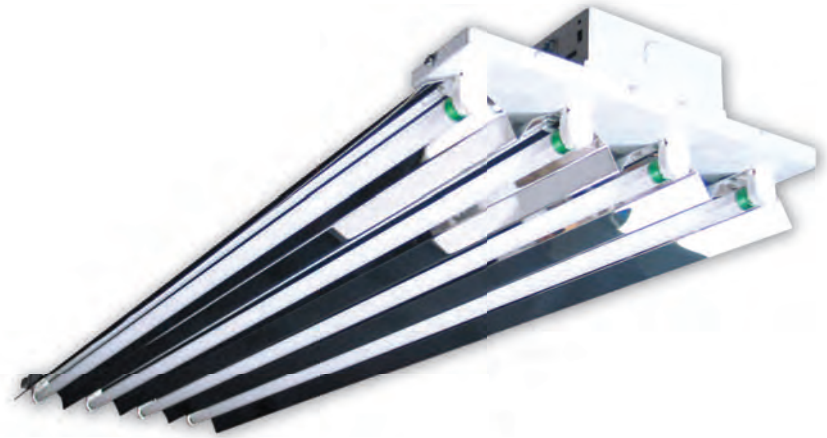
Revised
 5/09

EHB4

SERIES

HIGH OUTPUT
SURFACE
UTILITY
LUMINAIRE

Job Name	
Catalog Number	
Notes	Type



features

- High efficiency, high output fluorescent luminaire utilizing efficient T5 or T8 lamps
- Suitable for a variety of applications including warehouses, retail stores and other commercial spaces that are normally lit by H.I.D. lighting
- Energy efficient alternative to traditional H.I.D. lighting
- May be surface mounted or suspended
- Luminaire efficiencies exceeding 95%
- Highly specular anodized aluminum reflector 95% reflectivity
- Optional high reflectance white reflector reduces lamp imaging and glare
- Motion sensor options available

construction

- Die formed from code gauge cold rolled steel for strength and uniformity
- Twist-lock sockets provide secure lamp retention on T5 models
- Ample knockouts are provided on back for convenient installation
- Painted with a lighting grade baked white enamel, having a reflectance factor exceeding 87% for premium quality and durability
- Reflector material options include:
 - 95% enhanced specular aluminum reflectivity
 - 90% white aluminum reflectivity
 and are designed for maximum efficiency and light output
- Prior to painting, all metal parts are treated with a multi-stage phosphate bonding process to ensure adhesion and inhibit rusting
- All fixtures are U.L. listed and IBEW union made

EHB4 SERIES

HIGH OUTPUT SURFACE
UTILITY LUMINAIRE

ordering guide

NOTE: SOME ORDERING OPTIONS APPEAR ON PRODUCT LINE. FOR OTHER OPTIONS, SEE LIST AT RIGHT.

SAMPLE ORDER NUMBER



SERIES NO. WATTAGE TANDEM BALLAST VOLTAGE OPTIONS* DIMENSIONS LAMP TYPE
LAMPS TYPE

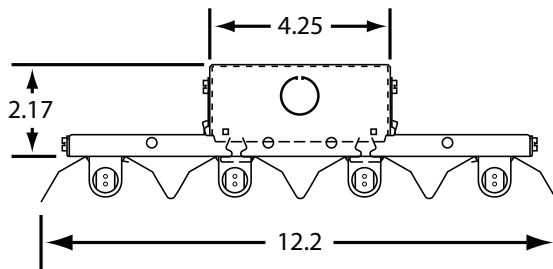
T-8 ORDERING GUIDE									
EHB	4	32		E8, H8	U			12.2" x 48"	F32T8
T-5HO ORDERING GUIDE									
EHB	4	28, 54		E5, H5	U, U3			12.2" x 48"	F28T5/F54T5HO

*MUST CHOOSE 1 REFLECTOR OPTION

dimensional data

NOTE: SPECIFICATIONS AND DIMENSIONAL DATA ARE SUBJECT TO CHANGE WITHOUT NOTICE

back plans

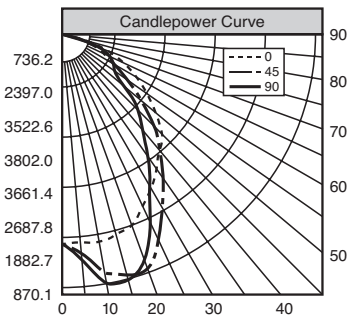


photometrics

4-Lamp T5 High Bay with R95
Lamps: F54T5HO
Rated Lumens: 5000

ZONAL LUMEN SUMMARY

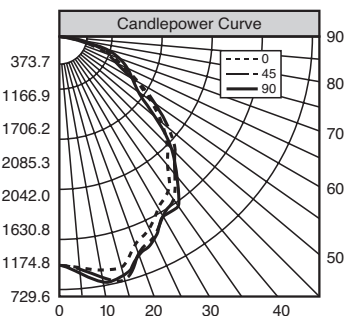
ZONE	LUMENS	%BARELAMP	%LUMINAIRE
0-30	6656	33.3	33.7
0-40	10458	52.3	53.0
0-60	16807	84.0	85.2
0-90	19731	98.7	100.0
90-120	0	0.0	0.0
90-130	0	0.0	0.0
90-150	0	0.0	0.0
90-180	0	0.0	0.0
0-180	19731	98.7	100.0



4-Lamp T8 High Bay with R95
Lamps: F32T8
Rated Lumens: 2950

ZONAL LUMEN SUMMARY

ZONE	LUMENS	%BARELAMP	%LUMINAIRE
0-30	3247	27.5	29.3
0-40	5332	45.2	48.2
0-60	9005	76.3	81.3
0-90	11072	93.8	100.0
90-120	0	0.0	0.0
90-130	0	0.0	0.0
90-150	0	0.0	0.0
90-180	0	0.0	0.0
0-180	11072	93.8	100.0



options

OPTIONS: INSERT APPROPRIATE CODE FOR CUSTOMIZED ORDERING

BALLAST

E5 Electronic T5
E8 Electronic T8
H5 High output T5
H8 High output T8

NOTE: In order to achieve rated lamp life, fixtures controlled by motion sensors should be ordered with programmed start ballasts when available and minimum time delay should be set to 15 minutes - Consult Factory

VOLTAGE

U Universal 120 - 277V
U3 Universal 347 - 480V (T5 only)

GENERAL OPTIONS

EM Emergency pack, 1 lamp
90 min. up to 500 lu.
2C 2 Circuit
R95 95% Reflector
RW White reflector (aluminum)
MS* Motion Sensor - 360 deg.
or linear coverage

*Note: Specify which lamps to be sensed

Consult Factory for additional options not shown or listed

accessories

Stem Stem + Length needed
AC Aircraft Cable (specify size)
VH V Hanger (pair) for chain mounting

LAMP OPTIONS

13 T5/T8 841K
16 T5/T8 835K
11 T5/T8 830K
85 T5 850K
10 T8 730K
15 T8 735K
12 T8 741K

Revised
11/09

**Lamar
Lighting**
Company, Inc.

LAMAR LIGHTING 485 Smith Street, Farmingdale, NY 11735 • Tel (631) 777-7700
Fax (631) 777-7705 • Outside NY (800) 724-7743 • www.lamarlighting.com

EHB6

SERIES

HIGH OUTPUT SURFACE UTILITY LUMINAIRE

Job Name	
Catalog Number	
Notes	Type



*Shown with optional white reflector

features

- High efficiency, high output fluorescent luminaire utilizing efficient T5 or T8 lamps
- Suitable for a variety of applications including warehouses, retail stores and other commercial spaces that are normally lit by H.I.D. lighting
- Energy efficient alternative to traditional H.I.D. lighting
- May be surface mounted or suspended
- Luminaire efficiencies exceeding 95%
- Highly specular anodized aluminum reflector 95% reflectivity
- Optional high reflectance white reflector reduces lamp imaging and glare
- Motion sensor options available

construction

- Die formed from code gauge cold rolled steel for strength and uniformity
- Twist-lock sockets provide secure lamp retention on T5 models
- Ample knockouts are provided on back for convenient installation
- Painted with a lighting grade baked white enamel, having a reflectance factor exceeding 87% for premium quality and durability
- Reflector material options include:
95% enhanced specular aluminum reflectivity
90% white aluminum reflectivity
and are designed for maximum efficiency and light output
- Prior to painting, all metal parts are treated with a multi-stage phosphate bonding process to ensure adhesion and inhibit rusting
- All fixtures are U.L. listed and IBEW union made

EHB6 SERIES

HIGH OUTPUT SURFACE
UTILITY LUMINAIRE

ordering guide

NOTE: SOME ORDERING OPTIONS APPEAR ON PRODUCT LINE. FOR OTHER OPTIONS, SEE LIST AT RIGHT.

SAMPLE ORDER NUMBER



SERIES NO. WATTAGE TANDEM BALLAST VOLTAGE OPTIONS* DIMENSIONS LAMP TYPE
LAMPS TYPE

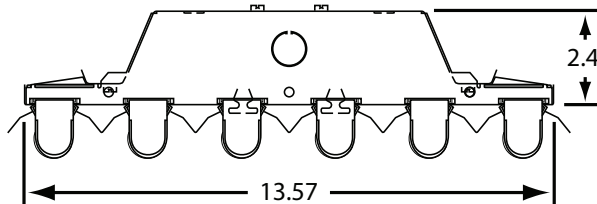
T-8 ORDERING GUIDE								
EHB	6	32		E8, H8	U		13.57" x 48"	F32T8
T-5HO ORDERING GUIDE								
EHB	6	28, 54		E5, H5	U, U3		13.57" x 48"	F28T5/F54T5HO

*MUST CHOOSE 1 REFLECTOR OPTION

dimensional data

NOTE: SPECIFICATIONS AND DIMENSIONAL DATA ARE SUBJECT TO CHANGE WITHOUT NOTICE

back plans

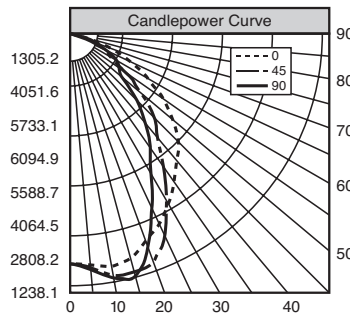


photometrics

6-Lamp T5 High Bay with R95
Lamps: F54T5HO
Rated Lumens: 5000

ZONAL LUMEN SUMMARY

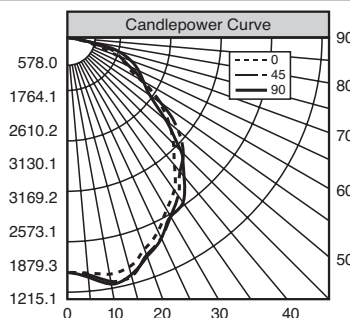
ZONE	LUMENS	%BARELAMP	%LUMINAIRE
0-30	11090	37.0	35.7
0-40	17185	57.3	55.4
0-60	26838	89.5	86.4
0-90	31046	103.5	100.0
90-120	0	0.0	0.0
90-130	0	0.0	0.0
90-150	0	0.0	0.0
90-180	0	0.0	0.0
0-180	31046	103.5	100.0



6-Lamp T8 High Bay with R95
Lamps: F32T8
Rated Lumens: 2950

ZONAL LUMEN SUMMARY

ZONE	LUMENS	%BARELAMP	%LUMINAIRE
0-30	4952	28.0	28.8
0-40	8082	45.7	47.0
0-60	13825	78.1	80.3
0-90	17206	97.2	100.0
90-120	0	0.0	0.0
90-130	0	0.0	0.0
90-150	0	0.0	0.0
90-180	0	0.0	0.0
0-180	17206	97.2	100.0



options

OPTIONS: INSERT APPROPRIATE CODE FOR CUSTOMIZED ORDERING

BALLAST

E5 Electronic T5
E8 Electronic T8
H5 High output T5
H8 High output T8

NOTE: In order to achieve rated lamp life, fixtures controlled by motion sensors should be ordered with programmed start ballasts when available and minimum time delay should be set to 15 minutes - Consult Factory

VOLTAGE

U Universal 120 - 277V
U3 Universal 347 - 480V (T5 only)

GENERAL OPTIONS

EM Emergency pack, 1 lamp
90 min. up to 500 lu.
2C 2 Circuit
R95 95% Reflector
RW White reflector (aluminum)
MS* Motion Sensor - 360 deg.
or linear coverage

*Note: Specify which lamps to be sensed

Consult Factory for additional options not shown or listed

accessories

Stem Stem + Length needed
AC Aircraft Cable (specify size)
VH V Hanger (pair) for chain mounting

LAMP OPTIONS

13 T5/T8 841K
16 T5/T8 835K
11 T5/T8 830K
85 T5 850K
10 T8 730K
15 T8 735K
12 T8 741K

Revised
11/09

**Lamar
Lighting**
Company, Inc.

LAMAR LIGHTING 485 Smith Street, Farmingdale, NY 11735 • Tel (631) 777-7700
Fax (631) 777-7705 • Outside NY (800) 724-7743 • www.lamarlighting.com

66-S

SERIES

PREMIUM
LUMINAIRE
SURFACE OR
PENDANT
MOUNTED

Job Name	
Catalog Number	
Notes	Type



application

- A 6 in. by 6 in. surface mount luminaire designed for distinctive architectural interiors
- Ideal for perimeters, hallways, lobbies or other commercial applications where modern direct or bi-directional lighting may be utilized
- Able to be surface or pendant mounted individually or in continuous rows
- Available in various lamp/ballast combinations, optional bi-directional lighting and numerous louver options

finish

- Prior to painting, all metal parts are treated with a multi-stage phosphate bonding process to ensure adhesion and inhibit rusting
- Painted with a lighting grade baked white enamel, having a reflectance factor exceeding 87% for premium quality and durability
- Custom colors are available, consult factory for minimum quantities and lead-time

construction

- The 66-S series is a premium fluorescent luminaire designed for long-term installations
- Features durable steel bodies, quality paint finishes and superior electrical components
- Bodies are die formed from code gauge cold rolled steel and welded together for strength and uniformity
- Full wireway front is die formed for durability and attaches easily with screws
- Ample knockouts are provided on back and ends for convenient installation and continuous through wiring
- Optional apertures for 12% uplighting or complete indirect lighting is available
- All fixtures are U.L. listed and IBEW union made

electrical

- All electrical components are U.L. listed
- Electronic Class P ballasts standard
- Numerous options are available: see ordering information on back

diffuser

- Low brightness, 100% virgin acrylic clear prismatic lens is standard, consult ordering guide for optional diffusers and louvers
- Standard prismatic lens provides high efficiency with maximum visual comfort and uniform light diffusion
- Easy "lift-and-shift" design for lamping and maintenance

66 - S

SERIES
PREMIUM
LUMINAIRE

SURFACE OR PENDANT MOUNTED

ordering guide

NOTE: SOME ORDERING OPTIONS APPEAR ON PRODUCT LINE. FOR OTHER OPTIONS, SEE LIST AT RIGHT.

SAMPLE ORDER NUMBER



SERIES NO. WATTAGE TANDEM MOUNT BALLAST VOLTAGE LENS OPTIONS DIMENSIONS LAMP
LAMPS OPTIONS TYPE TYPE 1 2 TYPE

T-8 ORDERING GUIDE											
66	1, 2, 3	17		S, SU, SI	E8	1, U	PA			6" x 24"	F17T8
66	1, 2, 3	25		S, SU, SI	E8	1, U	PA			6" x 36"	F25T8
66	1, 2, 3	32		S, SU, SI	E8	1, U	PA			6" x 48"	F32T8
66	1, 2, 3	25	T	S, SU, SI	E8	1, U	PA			6" x 72"	F25T8
66	1, 2, 3	32	T	S, SU, SI	E8	1, U	PA			6" x 96"	F32T8

*Note: Tandem units contain double the amount of lamps shown

options

OPTIONS: INSERT APPROPRIATE CODE FOR CUSTOMIZED ORDERING

BALLAST

E8 Electronic T8
ED Electronic dimming
(Consult Factory)

NOTE: In order to achieve rated lamp life, fixtures controlled by motion sensors should be ordered with programmed start ballasts when available and minimum time delay should be set to 15 minutes - Consult Factory

VOLTAGE

1 120V
U Universal 120 - 277V

GENERAL OPTIONS

EM Emergency pack, 1 lamp
90 min. up to 500 lu.
2C 2 Circuit

LIGHTING OPTIONS

S Standard surface or pendant mount
SU Surface with uplite apertures
SI Surface indirect

LENS & LOUVER OPTIONS

PA Prismatic acrylic
CW White cross baffle
PS Parabolic silver baffle
S1 Nominal .75 X .75 silver louver
S2 Nominal 1.5 X 1.5 silver louver

accessories

Canopy Standard white 5" dia.,
1 1/2" deep with hardware
Stem Stem + Length needed

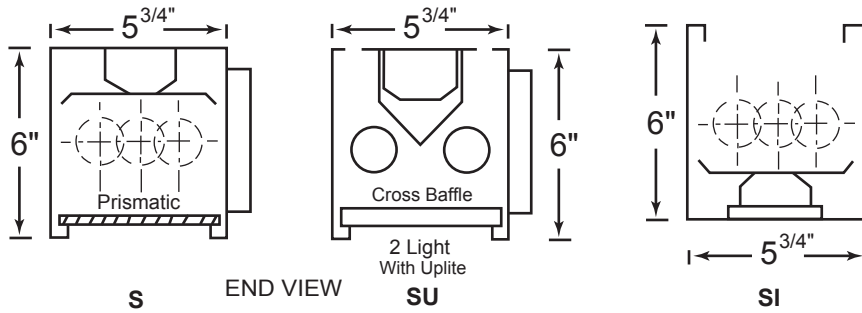
LAMP OPTIONS

12 T8 741K
15 T8 735K
10 T8 730K
13 T8 841K
16 T8 835K
11 T8 830K

dimensional data

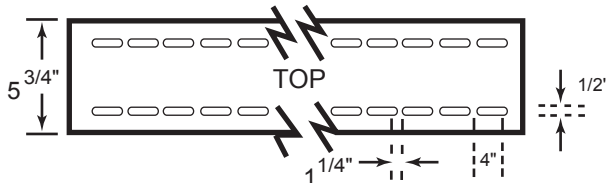
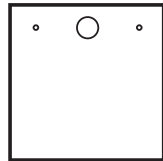
NOTE: SPECIFICATIONS AND DIMENSIONAL DATA ARE SUBJECT TO CHANGE WITHOUT NOTICE

cross sections



back knockout plans and lengths

End View



UPLIGHT PATTERN: AVAILABLE ON FACE DOWN TYPE UNITS ONLY

Revised
5/09

LAMAR LIGHTING 485 Smith Street, Farmingdale, NY 11735 • Tel (631) 777-7700
Fax (631) 777-7705 • Outside NY (800) 724-7743 • www.lamarlighting.com

Lamar
Lighting
Company, Inc.

66-W SERIES PREMIUM LUMINAIRE WALL MOUNT

Job Name	
Catalog Number	
Notes	Type



application

- A 6 in. by 6 in. wall mount luminaire designed for distinctive architectural interiors
- Ideal for perimeters, hallways, lobbies or other commercial applications where modern direct or bi-directional wall wash lighting may be utilized
- Able to be wall mounted vertically or horizontally, individually or in continuous rows
- Available in various lamp/ballast combinations, optional bi-directional lighting and numerous louver options

finish

- Prior to painting, all metal parts are treated with a multi-stage phosphate bonding process to ensure adhesion and inhibit rusting
- Painted with a lighting grade baked white enamel, having a reflectance factor exceeding 87% for premium quality and durability
- Custom colors are available; consult factory for minimum quantities and lead-time

construction

- The 66-W series is a premium fluorescent luminaire designed for long term installations
- Features durable steel bodies, quality paint finishes and superior electrical components
- Bodies are die formed from code gauge cold rolled steel and welded together for strength and uniformity
- Full wireway front is die formed for durability and attaches easily with screws
- Ample knockouts are provided on side and ends for convenient installation and continuous through wiring
- Optional apertures for 12% uplighting, bi-directional for 35% - 50% uplighting or complete indirect lighting are available (Note: bi-directional units are not available in 6 ft. or 8 ft. lengths)
- All fixtures are U.L. listed and IBEW union made

electrical

- All electrical components are U.L. listed
- Electronic Class P ballasts standard
- Numerous options are available: see ordering information on back

diffuser

- Low brightness, 100% virgin acrylic clear prismatic lens is standard; consult ordering guide for optional diffusers and louvers
- Standard prismatic lens provides high efficiency with maximum visual comfort and uniform light diffusion
- Easy "lift-and-shift" design for lamping and maintenance
- Bi-directional and indirect units are supplied without any louvers or lenses for maximum light output

66 - W

SERIES
PREMIUM
LUMINAIRE
WALL MOUNT

ordering guide

NOTE: SOME ORDERING OPTIONS APPEAR ON PRODUCT LINE. FOR OTHER OPTIONS, SEE LIST AT RIGHT.

SAMPLE ORDER NUMBER



SERIES NO. WATTAGE TANDEM LIGHTING BALLAST VOLTAGE LENS OPTIONS DIMENSIONS LAMP
LAMPS OPTIONS TYPE 1 2 TYPE

T-8 ORDERING GUIDE

66	1, 2	17		W, WU, WID	E8	1, U	PA		6" x 24"	F17T8
66	1, 2	25		W, WU, WID	E8	1, U	PA		6" x 36"	F25T8
66	1, 2	32		W, WU, WID	E8	1, U	PA		6" x 48"	F32T8
66	1, 2	25	T	W, WU	E8	1, U	PA		6" x 72"	F25T8
66	1, 2	32	T	W, WU	E8	1, U	PA		6" x 96"	F32T8

*Note: Tandem units contain double the amount of lamps shown

options

OPTIONS: INSERT APPROPRIATE CODE FOR CUSTOMIZED ORDERING

BALLAST

E8 Electronic T8
ED Electronic dimming
(Consult Factory)

NOTE: In order to achieve rated lamp life, fixtures controlled by motion sensors should be ordered with programmed start ballasts when available and minimum time delay should be set to 15 minutes - Consult Factory

VOLTAGE

1 120V
U Universal 120 - 277V

GENERAL OPTIONS

EM Emergency pack, 1 lamp
90 min. up to 500 lu.
2C 2 Circuit

LIGHTING OPTIONS

W Standard wall unit
WU Wall mount with uplite
WID Wall mount with indirect/direct *
* Not available in 6' or 8' units

LENS & LOUVER OPTIONS

PA Prismatic acrylic
CW White cross baffle
PS Parabolic silver baffle
S1 Nominal .75 X .75 silver louver
S2 Nominal 1.5 X 1.5 silver louver

accessories

RF66 Aluminum reflector

LAMP OPTIONS

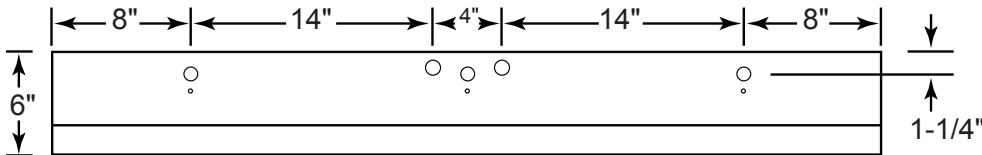
12 T8 741K
15 T8 735K
10 T8 730K
13 T8 841K
16 T8 835K
11 T8 830K

dimensional data

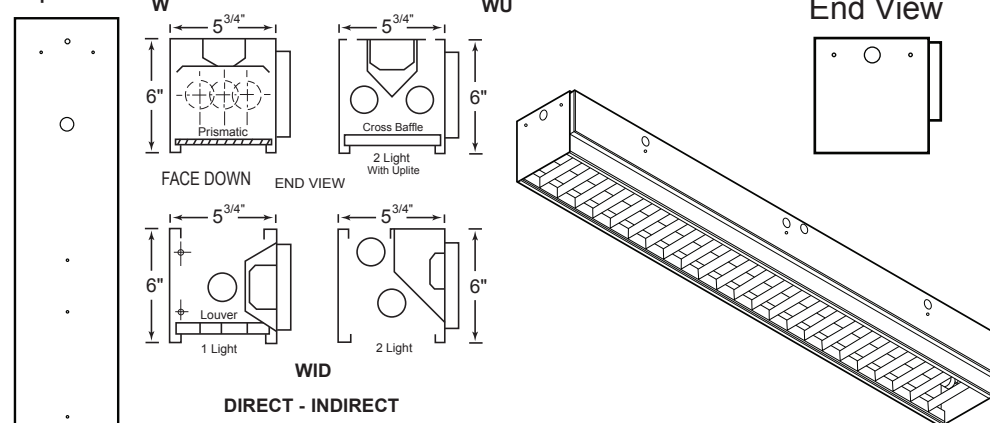
NOTE: SPECIFICATIONS AND DIMENSIONAL DATA ARE SUBJECT TO CHANGE WITHOUT NOTICE

cross sections

Side View (wall)



Top View



back knockout plans and lengths



UPLIGHT PATTERN: AVAILABLE ON FACE DOWN TYPE UNITS ONLY

Revised
5/09

LAMAR LIGHTING 485 Smith Street, Farmingdale, NY 11735 • Tel (631) 777-7700
Fax (631) 777-7705 • Outside NY (800) 724-7743 • www.lamarlighting.com

Lamar
Lighting
Company, Inc.

SCB SERIES

2 X 2, 2 X 4

INDIRECT
SURFACE MOUNT
CENTER BASKET

Job Name	
Catalog Number	
Notes	Type



application

- Versatile, aesthetically appealing surface mount luminaire with a perforated metal diffuser creating a direct/indirect center light source for soft, even illumination
- An attractive alternative to standard recessed lighting or where indirect lighting is desired but ceiling heights are too low for pendant-mounted fixtures
- Available in 2x2 and 2x4 sizes, with lamp and ballast combinations to fit your specific application

finish

- Prior to painting, all metal parts are treated with a multi-stage phosphate bonding process to ensure adhesion and inhibit rusting
- Painted with a lighting grade baked white enamel, having a reflectance factor exceeding 87% for premium quality and durability

construction

- The SCB series is a premium, recessed unit with heavy-duty construction for stylish long-term use
- Manufactured from code gauge steel for strength and uniformity
- Corners are internally overlapped for a crisp appearance, no light leakage
- Superior visual comfort for those who look directly at ceilings or computer terminals where glare is a problem
- Ample knockouts are provided on top for individual mounting and convenient wiring
- Provides exceptional brightness control and balanced light
- All fixtures are U.L. listed and IBEW union made

electrical

- All electrical components are U.L. listed
- Electronic Class P ballasts standard
- Numerous options are available: see ordering information on back
- Optional battery backup available for one or two light emergency operation at various output levels

basket/reflector

- Reflector is constructed of cold rolled steel and painted with a low gloss, high reflective, non-yellowing paint for soft, indirect illumination
- Standard center basket is perforated formed steel with approximately 45% light transmission
- Basket is retained in fixture by concealed studs for easy removal when cleaning or re-lamping

ordering guide

NOTE: SOME ORDERING OPTIONS APPEAR ON PRODUCT LINE. FOR OTHER OPTIONS, SEE LIST AT RIGHT.

SAMPLE ORDER NUMBER



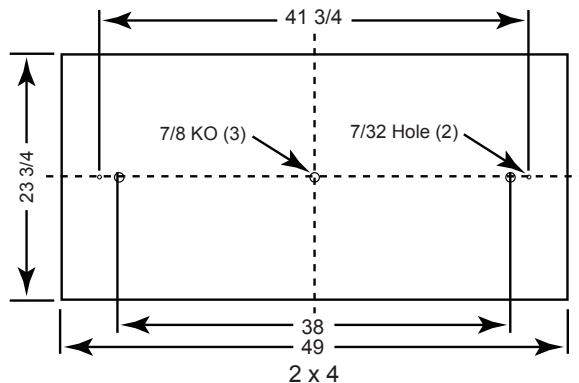
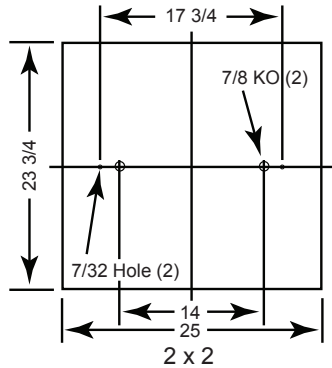
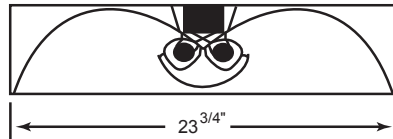
SERIES NO. WATTAGE SIZE BALLAST VOLTAGE OPTIONS DIMENSIONS LAMP TYPE
LAMPS TYPE 1 2

T-8 ORDERING GUIDE									
SCB	2, 3	17	22	E8	1, U			24" x 24"	F17T8
SCB	2, 3	32	24	E8	1, U			24" x 48"	F32T8
BIAX ORDERING GUIDE									
SCB	2	40, 50, 55	22	EB	1, U			24" x 24"	F40TT, F50TT, F55TT
SCB	4	40, 50	24	EB	1, U			24" x 48"	F40TT, F50TT
T5 ORDERING GUIDE									
SCB	2, 3	14, 24	22	E5, H5	1, U			24" x 24"	F14T5/ F24T5HO
SCB	2, 3	28, 54	24	E5, H5	1, U			24" x 48"	F28T5/ F54T5HO

dimensional data

NOTE: SPECIFICATIONS AND DIMENSIONAL DATA ARE SUBJECT TO CHANGE WITHOUT NOTICE

back plans and cross sections



SCB

SERIES

INDIRECT SURFACE MOUNT CENTER BASKET

options

OPTIONS: INSERT APPROPRIATE CODE FOR CUSTOMIZED ORDERING

BALLAST

E5 Electronic T5
H5 Electronic T5 HO
E8 Electronic T8
EB Electronic biax
ED Electronic dimming (Consult Factory)

NOTE: In order to achieve rated lamp life, fixtures controlled by motion sensors should be ordered with programmed start ballasts when available and minimum time delay should be set to 15 minutes - Consult Factory

VOLTAGE

1 120V
U Universal 120 - 277V

GENERAL OPTIONS

EM Emergency pack, 1 lamp 90 min. up to 500 lu.
2C 2 Circuit
PF Round center basket-perforated

Consult Factory for additional options not shown or listed

accessories

LAMP OPTIONS

12 T8 741K
15 T8 735K
10 T8 730K
13 T5/T8 841K
16 T5/T8 835K
11 T5/T8 830K

Revised
5/09

LAMAR LIGHTING 485 Smith Street, Farmingdale, NY 11735 • Tel (631) 777-7700
Fax (631) 777-7705 • Outside NY (800) 724-7743 • www.lamarlighting.com

Lamar
Lighting
Company, Inc.

SCB SERIES

1 X 4

INDIRECT
SURFACE MOUNT
CENTER BASKET

Job Name	
Catalog Number	
Notes	Type



application

- Versatile, aesthetically appealing surface mount luminaire with a perforated metal diffuser creating a direct/indirect center light source for soft, even illumination
- An attractive alternative to standard recessed lighting or where indirect lighting is desired but ceiling heights are too low for pendant-mounted fixtures
- Available with lamp and ballast combinations to fit your specific application

finish

- Prior to painting, all metal parts are treated with a multi-stage phosphate bonding process to ensure adhesion and inhibit rusting
- Painted with a lighting grade baked white enamel, having a reflectance factor exceeding 87% for premium quality and durability

construction

- The SCB series is a premium, recessed unit with heavy-duty construction for stylish long-term use
- Manufactured from code gauge steel for strength and uniformity
- Corners are internally overlapped for a crisp appearance, no light leakage
- Superior visual comfort for those who look directly at ceilings or computer terminals where glare is a problem
- Ample knockouts are provided on top for individual mounting and convenient wiring
- Provides exceptional brightness control and balanced light
- All fixtures are U.L. listed and IBEW union made

electrical

- All electrical components are U.L. listed
- Electronic Class P ballasts standard
- Numerous options are available: see ordering information on back
- Optional battery backup available for one or two light emergency operation at various output levels

basket/reflector

- Reflector is constructed of cold rolled steel and painted with a low gloss, high reflective, non-yellowing paint for soft, indirect illumination
- Standard center basket is perforated formed steel with approximately 45% light transmission
- Basket is retained in fixture by concealed studs for easy removal when cleaning or re-lamping

ordering guide

NOTE: SOME ORDERING OPTIONS APPEAR ON PRODUCT LINE. FOR OTHER OPTIONS, SEE LIST AT RIGHT.

SAMPLE ORDER NUMBER

SCB **2** **32** **14** **E8** **U** **PF** **□**

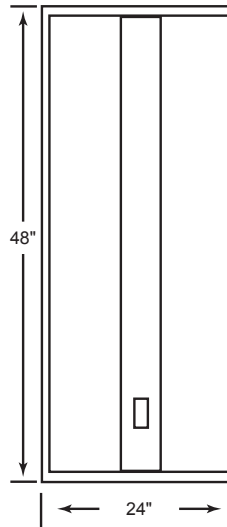
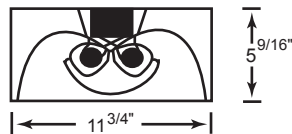
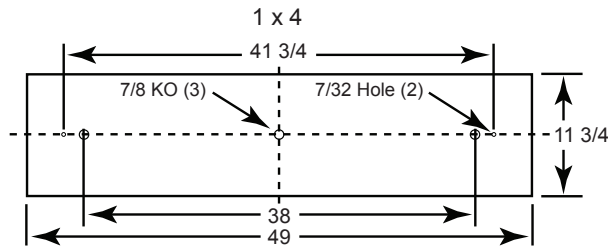
SERIES NO. WATTAGE SIZE BALLAST VOLTAGE OPTIONS DIMENSIONS LAMP TYPE
LAMPS 1 2

T-8 ORDERING GUIDE									
SCB	2, 3	32	14	E8	1, U			12" x 48"	F32T8
BIAx ORDERING GUIDE									
SCB	4	40, 50	14	EB	1, U			12" x 48"	F40TT, F50TT
T5 ORDERING GUIDE									
SCB	2, 3	28, 54	14	E5, H5	1, U			12" x 48"	F28T5/ F54T5HO

dimensional data

NOTE: SPECIFICATIONS AND DIMENSIONAL DATA ARE SUBJECT TO CHANGE WITHOUT NOTICE

back plans and cross sections



TOP VIEW

SCB

SERIES
INDIRECT SURFACE MOUNT
CENTER BASKET

options

OPTIONS: INSERT APPROPRIATE CODE FOR CUSTOMIZED ORDERING

BALLAST

E5 Electronic T5
H5 Electronic T5 HO
E8 Electronic T8
EB Electronic biax
ED Electronic dimming
(Consult Factory)

NOTE: In order to achieve rated lamp life, fixtures controlled by motion sensors should be ordered with programmed start ballasts when available and minimum time delay should be set to 15 minutes - Consult Factory

VOLTAGE

1 120V
U Universal 120 - 277V

GENERAL OPTIONS

EM Emergency pack, 1 lamp
90 min. up to 500 lu.
2C 2 Circuit
PF Round center basket-perforated

Consult Factory for additional options not shown or listed

accessories

LAMP OPTIONS

12 T8 741K
15 T8 735K
10 T8 730K
13 T5/T8 841K
16 T5/T8 835K
11 T5/T8 830K

Revised
5/09

LAMAR LIGHTING 485 Smith Street, Farmingdale, NY 11735 • Tel (631) 777-7700
Fax (631) 777-7705 • Outside NY (800) 724-7743 • www.lamarlighting.com

Lamar
Lighting
Company, Inc.

SCBS

SERIES

2 X 2, 2 X 4

INDIRECT
SURFACE MOUNT
CENTER BASKET
WITH SLOT

Job Name	
Catalog Number	
Notes	Type



application

- Versatile, aesthetically appealing surface mount luminaire with a perforated metal diffuser creating a direct/indirect center light source for soft, even illumination
- An attractive alternative to standard recessed lighting or where indirect lighting is desired but ceiling heights are too low for pendant-mounted fixtures
- Available in 2x2 and 2x4 sizes, with lamp and ballast combinations to fit your specific application

finish

- Prior to painting, all metal parts are treated with a multi-stage phosphate bonding process to ensure adhesion and inhibit rusting
- Painted with a lighting grade baked white enamel, having a reflectance factor exceeding 87% for premium quality and durability

construction

- The SCBS series is a premium, recessed unit with heavy-duty construction for stylish long-term use
- Made from code gauge cold rolled steel
- Corners are internally overlapped for a crisp appearance, no light leakage
- Superior visual comfort for those who look directly at ceilings or computer terminals where glare is a problem
- Ample knockouts are provided on top for individual mounting and convenient wiring
- Provides exceptional brightness control and balanced light
- All fixtures are U.L. listed and IBEW union made

electrical

- All electrical components are U.L. listed
- Electronic Class P ballasts standard
- Numerous options are available: see ordering information on back
- Optional battery backup available for one or two light emergency operation at various output levels

basket/reflector

- Reflector is constructed of cold rolled steel and painted with a low gloss, high reflective, non-yellowing paint for soft, indirect illumination
- Standard center basket is perforated formed steel with approximately 45% light transmission
- Basket is retained in fixture by concealed studs for easy removal when cleaning or re-lamping

ordering guide

NOTE: SOME ORDERING OPTIONS APPEAR ON PRODUCT LINE. FOR OTHER OPTIONS, SEE LIST AT RIGHT.

SAMPLE ORDER NUMBER



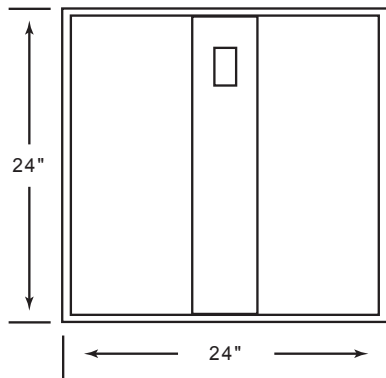
SERIES NO. WATTAGE SIZE BALLAST VOLTAGE OPTIONS DIMENSIONS LAMP TYPE
LAMPS

T-8 ORDERING GUIDE									
SCBS	2, 3	17	22	E8	1, U			24" x 24"	F17T8
SCBS	2, 3	32	24	E8	1, U			24" x 48"	F32T8
BIAX ORDERING GUIDE									
SCBS	2, 3	40, 50, 55	22	EB	1, U			24" x 24"	F40TT, F50TT, F55TT
SCBS	4, 6	40, 50	24	EB	1, U			24" x 48"	F40TT, F50TT
T5 ORDERING GUIDE									
SCBS	2, 3	14, 24	22	E5, H5	1, U			24" x 24"	F14T5/ F24T5HO
SCBS	2, 3	28, 54	24	E5, H5	1, U			24" x 48"	F28T5/ F54T5HO

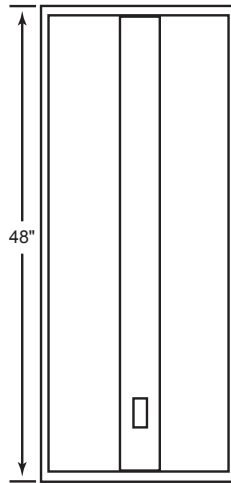
dimensional data

NOTE: SPECIFICATIONS AND DIMENSIONAL DATA ARE SUBJECT TO CHANGE WITHOUT NOTICE

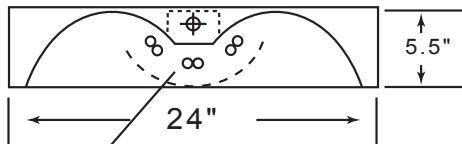
back plans and cross sections



TOP VIEW

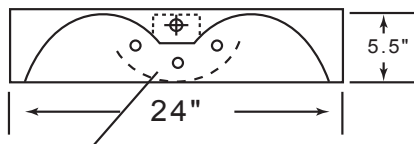


TOP VIEW



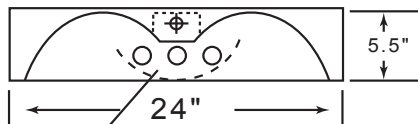
Optional 3rd lamp

END VIEW
Biax



Optional 3rd lamp

END VIEW
T5



Optional 3rd lamp

END VIEW
T8

SCBS

SERIES
INDIRECT SURFACE MOUNT
CENTER BASKET WITH
SLOT

options

OPTIONS: INSERT APPROPRIATE CODE FOR CUSTOMIZED ORDERING

BALLAST

- E5 Electronic T5
- H5 Electronic T5 HO
- E8 Electronic T8
- EB Electronic biax
- ED Electronic dimming (Consult Factory)

NOTE: In order to achieve rated lamp life, fixtures controlled by motion sensors should be ordered with programmed start ballasts when available and minimum time delay should be set to 15 minutes - Consult Factory

VOLTAGE

- 1 120V
- U Universal 120 - 277V

GENERAL OPTIONS

- EM Emergency pack, 1 lamp 90 min. up to 500 lu.
- 2C 2 Circuit
- PF Round center basket-perforated with slot

Consult Factory for additional options not shown or listed

accessories

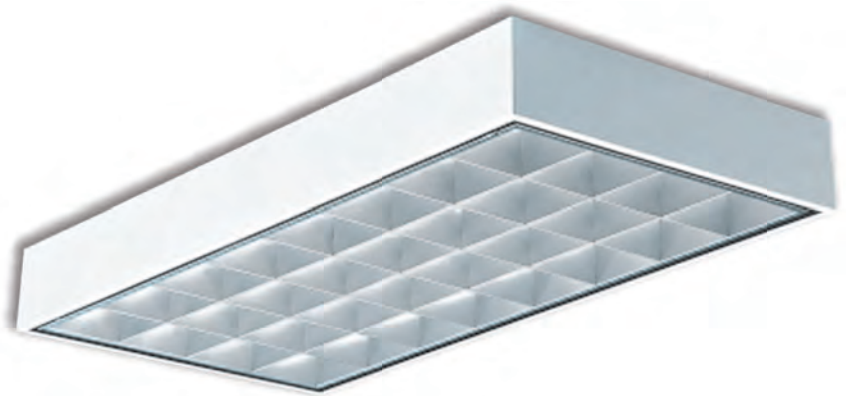
LAMP OPTIONS

- 12 T8 741K
- 15 T8 735K
- 10 T8 730K
- 13 T5/T8 841K
- 16 T5/T8 835K
- 11 T5/T8 830K

Revised
5/09

S B 3
SERIES
PREMIUM
SURFACE MOUNT
PARABOLIC

Job Name	
Catalog Number	
Notes	Type



application

- Clean, architecturally appealing, parabolic unit with superior detailing and finish
- Ideal for commercial and institutional surface mount application
- Able to be surface or pendant mounted individually or in continuous rows
- Available in numerous sizes and lengths, and various lamp/ballast combinations

finish

- Prior to painting, all metal parts are treated with a multi-stage phosphate bonding process to ensure adhesion and inhibit rusting
- Painted with a lighting grade baked white enamel, having a reflectance factor exceeding 87% for premium quality and durability

construction

- The SB3 series is a premium, surface mount parabolic unit with heavy-duty construction for stylish long-term use
- Features durable steel bodies, quality paint finishes and superior electrical components
- Die formed from code gauge cold rolled steel for strength and uniformity
- Corners are internally overlapped and welded for crisp appearance, no light leakage and rigidity
- Ballast covers easily removed without tools
- Knockouts provided on top of housing for individual surface mounting and convenient wiring; optional stem or continuous row mounting available
- All fixtures are U.L. listed and IBEW union made

electrical

- All electrical components are U.L. listed
- Electronic Class P ballasts standard
- Numerous options are available: see ordering information on back

louver

- Constructed of non-corrosive semi-specular anodized aluminum to help reduce glare
- Nominal 3 in. deep louvers provide efficient light distribution and maximize light output in the 30-60 degree zone
- Retained in the fixture by two inconspicuous latches for easy removal when cleaning or relamping
- Latching and hinging is reversible; the louver is removable without tools
- Optional matte black reveal conceals louver hardware and provides a floating effect

ordering guide

NOTE: SOME ORDERING OPTIONS APPEAR ON PRODUCT LINE. FOR OTHER OPTIONS, SEE LIST AT RIGHT.

SAMPLE ORDER NUMBER



SERIE NO. WATTAGE SIZE BALLAST VOLTAGE LOUVER OPTIONS DIMENSIONS LAMP TYPE
LAMPS TYPE

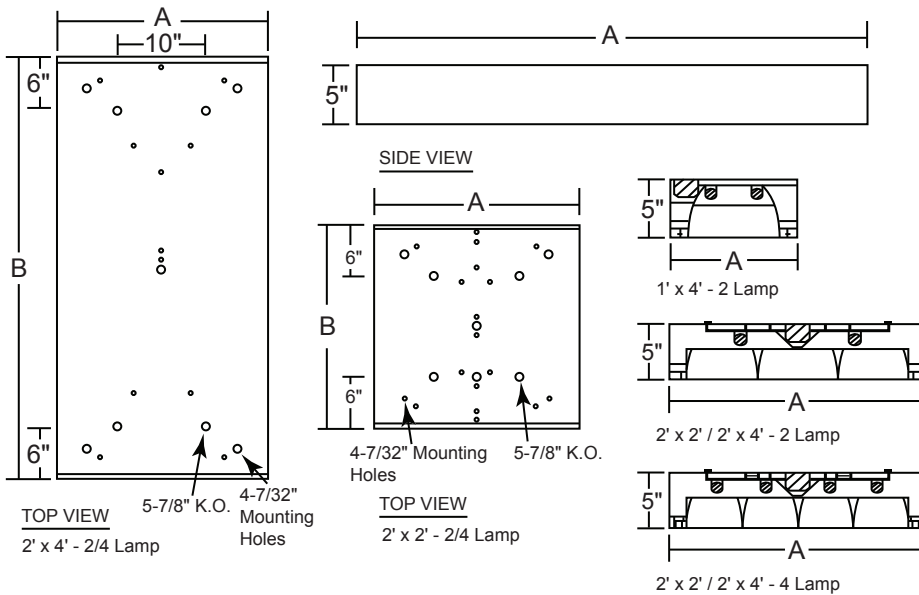
T-5 ORDERING GUIDE										
SB3	2	40	14	E5, H5	1, U	08			12 x 48	F40T12
SB3	2	40	22	E5, H5	1, U	09			24 x 24	FB40T12/6
SB3	2	28, 54	14	E5, H5	1, U	08			12 x 48	F28T5/F54T5HO
SB3	2	14, 24	22	E5, H5	1, U	09			24 x 24	F14T5/F24T5HO
SB3	2	28, 54	24	E5, H5	1, U	18			24 x 48	F28T5/F54T5HO
SB3	2, 3, 4	40	24	E5, H5	1, U	18			24 x 48	F40T12

T-8 ORDERING GUIDE										
SB3	2	32	14	E8	1, U	08			12 x 48	F32T8
SB3	2	32	22	E8	1, U	09			24 x 24	FB32T8/6
SB3	2, 3, 4	32	24	E8	1, U	18			24 x 48	F32T8

dimensional data

NOTE: SPECIFICATIONS AND DIMENSIONAL DATA ARE SUBJECT TO CHANGE WITHOUT NOTICE

cross sections and back plans



MODEL CONFIGURATION	A	B
1 X 4'	12"	48"
2 X 2'	24"	24"
2 X 4'	24"	48"

SB3

SERIES
PREMIUM SURFACE MOUNT
PARABOLIC

options

OPTIONS: INSERT APPROPRIATE CODE FOR CUSTOMIZED ORDERING

BALLAST

- E5 Electronic T5
- H5 Electronic T5 HO
- E8 Electronic T8
- ED Electronic dimming (Consult Factory)

NOTE: In order to achieve rated lamp life, fixtures controlled by motion sensors should be ordered with programmed start ballasts when available and minimum time delay should be set to 15 minutes - Consult Factory

VOLTAGE

- 1 120V
- U Universal 120 - 277V

GENERAL OPTIONS

- EM Emergency pack, 1 lamp 90 min. up to 500 lu.
- 2C 2 Circuit

louver options

- 08 3" deep 1X4 8 cell aluminum louver
- 16 3" deep 1X4 16 cell aluminum louver
- 09 3" deep 2X2 9 cell aluminum louver
- 12 3" deep 2x2 or 2x4 12 cell aluminum louver
- 16 3" deep 2x2 16 cell aluminum louver
- 18 3" deep 2x4 18 cell aluminum louver
- 24 3" deep 2x4 24 cell aluminum louver
- 32 3" deep 2x4 32 cell aluminum louver

White and full specular louvers are available.

Consult Factory for minimum quantities and lead time

accessories

LAMP OPTIONS

- 12 T8 741K
- 15 T8 735K
- 10 T8 730K
- 13 T5/T8 841K
- 16 T5/T8 835K
- 11 T5/T8 830K

- Canopy Standard white 5" dia., 1 1/2" deep with hardware
- Stem Stem + Length needed

Stem mounting must be specified when ordering

Revised
5/09

S B
SERIES
 PREMIUM
 SURFACE
 MOUNT
 LUMINAIRE

Job Name	
Catalog Number	
Notes	Type



application

- Clean, architecturally appealing unit with superior detailing and finish
- Ideal for commercial and institutional surface mount applications
- Able to be surface or pendant mounted individually or in continuous rows
- Available in numerous sizes and lengths, and various lamp/ballast combinations

finish

- Prior to painting, all metal parts are treated with a multi-stage phosphate bonding process to ensure adhesion and inhibit rusting
- Painted with a lighting grade baked white enamel, having a reflectance factor exceeding 87% for premium quality and durability

construction

- The SB series is a premium, low profile, surface mount unit with heavy-duty construction for stylish long-term use
- Features durable steel bodies, quality paint finishes and superior electrical components
- Die formed from code gauge cold rolled steel for strength and uniformity
- Corners are internally overlapped and welded for crisp appearance, no light leakage and rigidity
- Ballast covers easily removed without tools
- Knockouts provided on top of housing for individual surface mounting and convenient wiring; optional stem or continuous row mounting available
- All fixtures are U.L. listed and IBEW union made

electrical

- All electrical components are U.L. listed
- Electronic Class P ballasts standard
- Numerous options are available: see ordering information on back

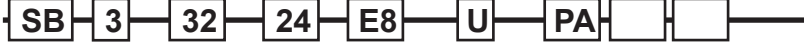
door & diffuser

- Latching and hinging is reversible; the doorframe can also be removed without tools
- Low brightness, 100% virgin acrylic clear prismatic lens is standard, consult ordering guide for optional diffusers and louvers
- Standard door is flush white steel
- Standard prismatic lens provides high efficiency with maximum visual comfort and uniform light diffusion

ordering guide

NOTE: SOME ORDERING OPTIONS APPEAR ON PRODUCT LINE. FOR OTHER OPTIONS, SEE LIST AT RIGHT.

SAMPLE ORDER NUMBER



SERIES NO. WATTAGE SIZE BALLAST TYPE VOLTAGELENS OPTIONS DIMENSIONS LAMP TYPE
LAMPS

T-8 ORDERING GUIDE

SB	2	32	14	E8	1, 7, U	PA			12 3/8" x 48"	F32T8
SB	4	32	14	E8	1, 7, U	PA			12 3/8" x 48"	F32T8
SB	2	32	22	E8	1, 7, U	PA			24 3/8" x 24"	FB32T8/6
SB	2	17	22	E8	1, 7, U	PA			24 3/8" x 24"	F17T8
SB	4	17	22	E8	1, 7, U	PA			24 3/8" x 24"	F17T8
SB	2	32	24	E8	1, 7, U	PA			24 3/8" x 48"	F32T8
SB	3	32	24	E8	1, 7, U	PA			24 3/8" x 48"	F32T8
SB	4	32	24	E8	1, 7, U	PA			24 3/8" x 48"	F32T8

BIAX ORDERING GUIDE

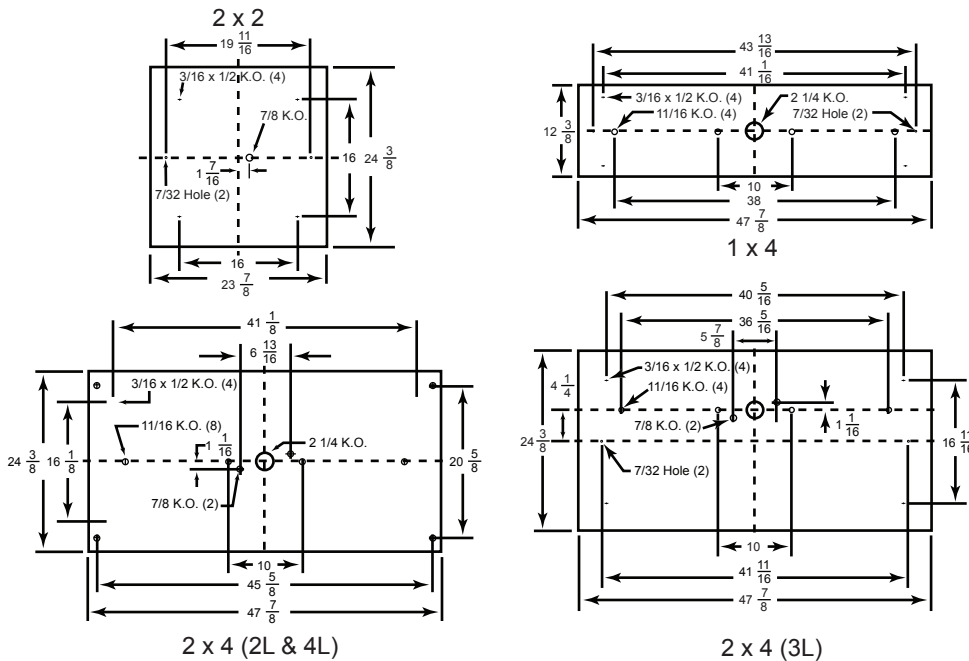
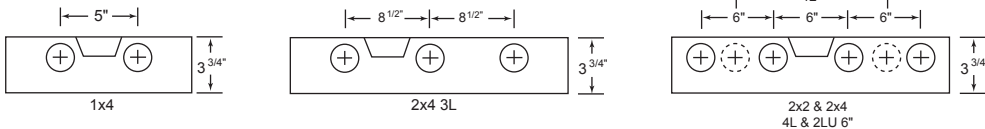
SB	3	40	22	EB	1, 7, U	PA			24 3/8" x 24"	F40TT
----	---	----	----	----	---------	----	--	--	---------------	-------

CONSULT FACTORY FOR T5 LAMP OPTIONS

dimensional data

NOTE: SPECIFICATIONS AND DIMENSIONAL DATA ARE SUBJECT TO CHANGE WITHOUT NOTICE

cross sections and back plans



SB SERIES PREMIUM SURFACE MOUNT LUMINAIRE

options

OPTIONS: INSERT APPROPRIATE CODE FOR CUSTOMIZED ORDERING

BALLAST

- E5 Electronic T5
- H5 Electronic T5 HO
- E8 Electronic T8
- EB Electronic biax
- ED Electronic dimming (Consult Factory)

NOTE: In order to achieve rated lamp life, fixtures controlled by motion sensors should be ordered with programmed start ballasts when available and minimum time delay should be set to 15 minutes - Consult Factory

VOLTAGE

- 1 120V
- U Universal 120 - 277V

GENERAL OPTIONS

- EM Emergency pack, 1 lamp 90 min. up to 500 lu.
- 2C 2 Circuit
- R 87% Reflector
- R95 95% Reflector
- HF High frequency occupancy sensor

lens options

- PA Prismatic acrylic
- A1 .125" Acrylic Pattern 12
- PC Polycarbonate
- DD Drop dish
- S1 Silver .75 x .75 louver
- S2 Silver 1.5" x 1.5" louver
- 08 1.5 deep 1X4
- 16 8 cell aluminum louver
- 16 1.5" deep 1X4
- 09 16 cell aluminum louver
- 12 1.5" deep 2X2 or 2x4
- 12 12 cell aluminum louver
- 16 1.5" deep 2x2
- 16 16 cell aluminum louver
- 18 1.5" deep 2x4
- 18 18 cell aluminum louver
- 24 1.5" deep 2x4
- 24 24 cell aluminum louver
- 32 1.5" deep 2x4
- 32 32 cell aluminum louver
- 78 1.5" deep 2x4
- 78 78 cell aluminum louver

accessories

- WG Wireguard

LAMP OPTIONS

- 12 T8 741K
- 15 T8 735K
- 10 T8 730K
- 13 T5/T8 841K
- 16 T5/T8 835K
- 11 T5/T8 830K

Revised 10/09

LAMAR LIGHTING 485 Smith Street, Farmingdale, NY 11735 • Tel (631) 777-7700
Fax (631) 777-7705 • Outside NY (800) 724-7743 • www.lamarlighting.com



W I
SERIES
PREMIUM
INJECTION
MOLDED
WRAPAROUND

Job Name	
Catalog Number	
Notes	Type



MINIMUM QUANTITIES APPLY - CONSULT FACTORY

application

- Clean, architecturally appealing, luminaire with crisp, square corner detailing and styling
- A low profile design providing energy efficient lighting ideal for offices, conference rooms and other commercial applications
- Available in multiple sizes, numerous lamp/ballast combinations
- Injection molded 100% clear virgin acrylic

diffuser

- Prismatic lens and end caps
- Unique square base conical prisms provide optimum brightness control
- Retained in the fixture by two inconspicuous spring loaded latches for easy removal when cleaning or re-lamping
- Lens assembly hinges from either side with spring loaded release latches

construction

- The WI is a premium wraparound with heavy duty construction and a superior injection molded lens
- Features die-formed steel bodies, quality paint finishes and superior electrical components
- Full length wireway cover is die formed for durability and attach easily without the use of tools
- Ample knockouts are provided on back and ends for convenient installation
- All fixtures are U.L. listed and IBEW union made

electrical

- All electrical components are U.L. listed
- Electronic Class P ballasts standard
- Numerous options are available: see ordering information on back

finish

- Prior to painting, all metal parts are treated with a multi-stage phosphate bonding process to ensure adhesion and inhibit rusting
- Painted with a lighting grade baked white enamel, having a reflectance factor exceeding 87% for premium quality and durability

WI SERIES

INJECTION MOLDED
WRAP AROUND

ordering guide

NOTE: SOME ORDERING OPTIONS APPEAR ON PRODUCT LINE. FOR OTHER OPTIONS, SEE LIST AT RIGHT.

SAMPLE ORDER NUMBER



SERIES NO. WATTAGE TANDEM BALLAST TYPE VOLTAGE OPTIONS DIMENSIONS LAMP TYPE
LAMPS 1 2

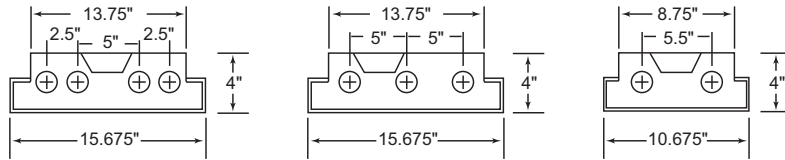
T-8 ORDERING GUIDE								
WI	2	32		E8	1, U		10 5/8" x 48"	F32T8
WI	2	32	T	E8	1, U		10 5/8" x 96"	F32T8
WI	3, 4	32		E8	1, U		15 5/8" x 48"	F32T8
WI	3, 4	32	T	E8	1, U		15 5/8" x 96"	F32T8

Note: Tandem units contain double the amount of lamps shown CONSULT FACTORY FOR T5 LAMP OPTIONS

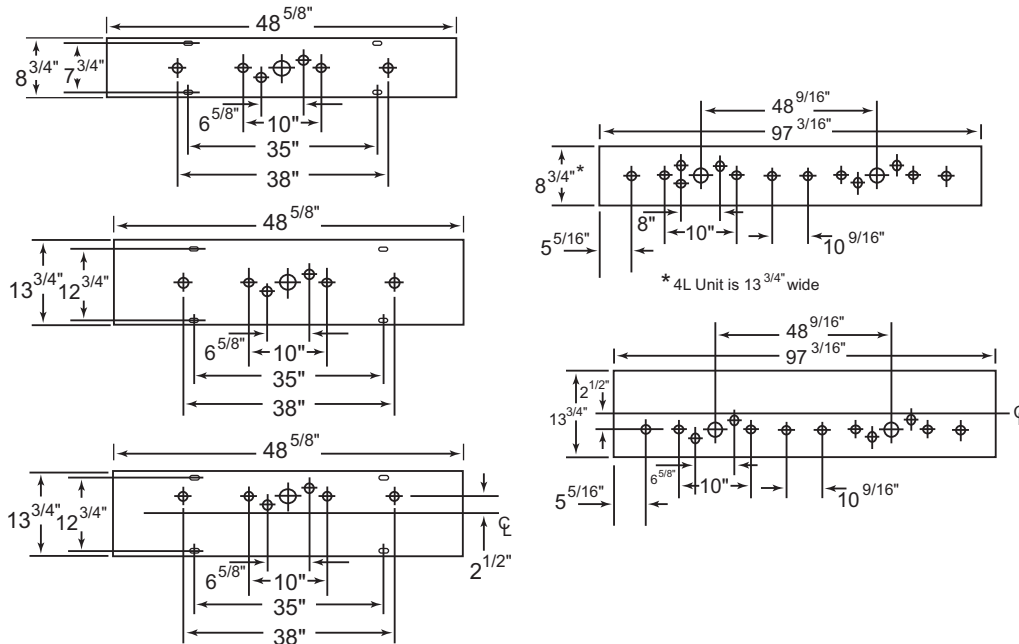
dimensional data

NOTE: SPECIFICATIONS AND DIMENSIONAL DATA ARE SUBJECT TO CHANGE WITHOUT NOTICE

cross sections



back knockout plans and lengths



options

OPTIONS: INSERT APPROPRIATE CODE FOR CUSTOMIZED ORDERING

BALLAST

E5 Electronic T5
H5 Electronic T5 HO
E8 Electronic T8
ED Electronic dimming (Consult Factory)

NOTE: In order to achieve rated lamp life, fixtures controlled by motion sensors should be ordered with programmed start ballasts when available and minimum time delay should be set to 15 minutes - Consult Factory

VOLTAGE

1 120V
U Universal 120 - 277V

GENERAL OPTIONS

EM Emergency pack, 1 lamp 90 min. up to 500 lu.
2C 2 Circuit

accessories

RFWS Aluminum reflector
RFFW Aluminum reflector
Canopy Standard white 5" dia., 1 1/2" deep with hardware
Stem Stem + Length needed

LAMP OPTIONS

12 T8 741K
15 T8 735K
10 T8 730K
13 T5/T8 841K
16 T5/T8 835K
11 T5/T8 830K

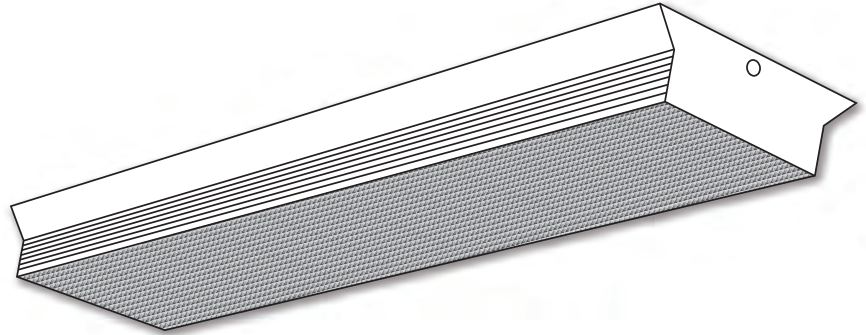
Revised
5/09

LAMAR LIGHTING 485 Smith Street, Farmingdale, NY 11735 • Tel (631) 777-7700
Fax (631) 777-7705 • Outside NY (800) 724-7743 • www.lamarlighting.com

**Lamar
Lighting**
Company, Inc.

WF SERIES WIDE-FOOT WRAPAROUND

Job Name	
Catalog Number	
Notes	Type



application

- A unique wraparound with a wide "footprint" base, medium profile and low brightness diffuser, ideal for schools, offices, showrooms, or any commercial or institutional application
- Also recommended for applications where removal of outdated fixtures has created ceiling imperfections or will cause expensive ceiling repair
- Able to be surface or pendant mounted individually or in rows for a continuous linear look
- Available in 2 or 4 light, multiple lengths and numerous lamp/ballast combinations to maximize luminaire efficiency

diffuser

- One piece extruded 100% clear virgin acrylic prismatic lens
- Features a conical prismatic pattern on the bottom and linear refractive sides for brightness control
- Lift and shift lens for ease of re-lamping and cleaning
- Self-hinging lens hooks onto full length of housing and may hinge from either side
- Joiner band supplied on 6 and 8-ft. units, utilizing two diffusers, for a finished appearance

construction

- The WF series is a high quality fluorescent wraparound specifically designed with a wide base to hide ceiling imperfections from removal of outdated, inefficient fixtures
- Features durable code gauge steel bodies, quality paint finishes and superior electrical components
- Die formed from cold rolled steel for strength and uniformity
- Ample knockouts are provided on back and sides for convenient installation and continuous run mounting
- All fixtures are U.L. listed and IBEW union made

reflector

- Standard reflector cover is white baked enamel
- Optional reflector cover is anodized high reflective aluminum, with minimum reflectivity in excess of 89% and image clarity of 88%
- Optional aluminum reflector covers will not burn, yellow with age, peel, blister or delaminate

electrical

- All electrical components are U.L. listed
- Electronic Class P ballasts standard
- Numerous options are available: see ordering information on back

finish

- Prior to painting, all metal parts are treated with a multi-stage phosphate bonding process to ensure adhesion and inhibit rusting
- Painted with a lighting grade baked white enamel, having a reflectance factor exceeding 87% for premium quality and durability

WF SERIES

WIDE-FOOT WRAPAROUND

ordering guide

NOTE: SOME ORDERING OPTIONS APPEAR ON PRODUCT LINE. FOR OTHER OPTIONS, SEE LIST AT RIGHT.

SAMPLE ORDER NUMBER



SERIES NO. WATTAGE TANDEM BALLAST TYPE VOLTAGE OPTIONS DIMENSIONS LAMP TYPE
LAMPS 1 2

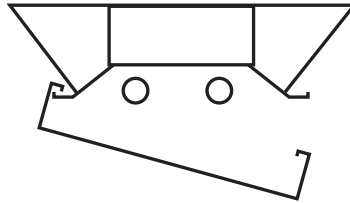
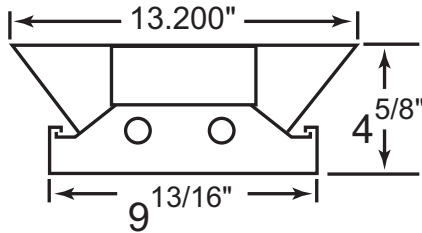
T-5 ORDERING GUIDE									
WF	2, 3, 4	28, 54		E5, H5	1, U			13" x 48"	F28T5/F54T5HO
WF	2, 3, 4	28, 54	T	E5, H5	1, U			13" x 96"	F28T5/F54T5HO
T-8 ORDERING GUIDE									
WF	2, 3, 4	32		E8	1, U			13" x 48"	F32T8
WF	2, 3, 4	32	T	E8	1, U			13" x 96"	F32T8

Note: Tandem units contain double the amount of lamps shown CONSULT FACTORY FOR T5 LAMP OPTIONS

dimensional data

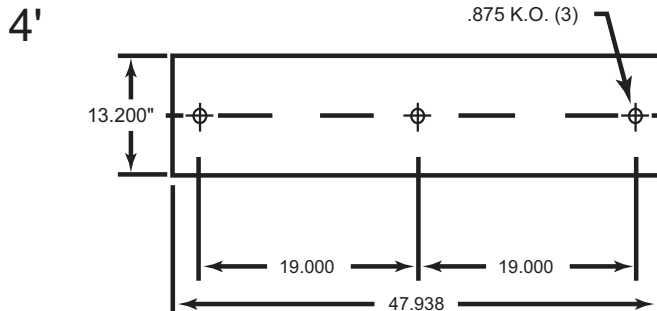
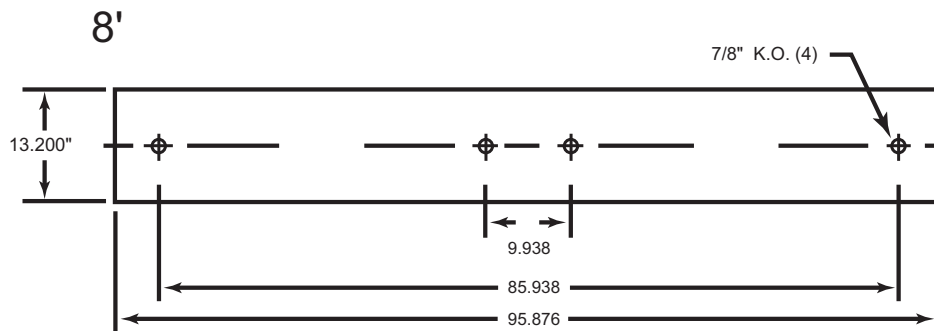
NOTE: SPECIFICATIONS AND DIMENSIONAL DATA ARE SUBJECT TO CHANGE WITHOUT NOTICE

cross sections



Lens hinges full length from either side of Fixture

back knockout plans and lengths



Revised
5/09

options

OPTIONS: INSERT APPROPRIATE CODE FOR CUSTOMIZED ORDERING

BALLAST

E5 Electronic T5
H5 Electronic T5 HO
E8 Electronic T8
ED Electronic dimming
(Consult Factory)

NOTE: In order to achieve rated lamp life, fixtures controlled by motion sensors should be ordered with programmed start ballasts when available and minimum time delay should be set to 15 minutes - Consult Factory

VOLTAGE

1 120V
U Universal 120 - 277V

GENERAL OPTIONS

EM Emergency pack, 1 lamp
90 min. up to 500 lu.
2C 2 Circuit
R Anodized reflector cover

Other sizes available
*Minimum quantities apply; consult factory

All units meet NYC electrical code

accessories

Canopy Standard white 5" dia.,
1 1/2" deep with hardware

LAMP OPTIONS

12 T8 741K
15 T8 735K
10 T8 730K
13 T5/T8 841K
16 T5/T8 835K
11 T5/T8 830K

**Lamar
Lighting**
Company, Inc.

WB
SERIES
HIGH
EFFICIENCY
WRAPAROUND
1, 2 OR 3
LIGHT

Job Name	
Catalog Number	
Notes	Type



application

- Versatile, medium profile wraparound available with a wide variety of high efficiency options, desirable for offices, showrooms, schools and other commercial applications
- Able to be surface or pendant mounted individually or in rows for a continuous linear look
- Available in 1, 2 or 3 light, multiple lengths and numerous optional lamp/ballast combinations to maximize luminaire efficiency

diffuser

- One piece extruded 100% clear virgin acrylic prismatic lens
- Features a conical prismatic pattern on the bottom and linear refractive sides for brightness control
- Lift and shift lens for ease of re-lamping and cleaning
- Self-hinging lens hooks onto full length of housing and may hinge from either side
- Joiner band supplied on 6 and 8-ft. units, utilizing two diffusers, for a finished appearance

construction

- The WB series is a high quality fluorescent wraparound specifically designed for efficient, long-term, installations
- Features durable steel bodies, quality paint finishes and superior electrical components
- Ends are embossed for added strength and fastened securely to the housing by rivets
- Die formed from cold rolled steel for strength and uniformity
- Wireway covers easily attach without the use of tools
- Ample knockouts are provided on back and sides for convenient installation and continuous run mounting
- All fixtures are U.L. listed and IBEW union made

finish

- Prior to painting, all metal parts are treated with a multi-stage phosphate bonding process to ensure adhesion and inhibit rusting
- Painted with a lighting grade baked white enamel, having a reflectance factor exceeding 87% for premium quality and durability

electrical

- All electrical components are U.L. listed
- Electronic Class P ballasts standard
- Numerous options are available: see ordering information on back

reflector

- Optional anodized aluminum reflector is an electro-chemically brightened 99.9% pure anodized aluminum having a minimum reflectivity of 88–91% and image clarity of 88%
- Optional aluminum reflectors will not burn, yellow with age, peel, blister or delaminate
- Other reflective materials are available; please consult Factory

ordering guide

NOTE: SOME ORDERING OPTIONS APPEAR ON PRODUCT LINE. FOR OTHER OPTIONS, SEE LIST AT RIGHT.

SAMPLE ORDER NUMBER



SERIES NO. WATTAGE TANDEM BALLAST TYPE VOLTAGE OPTIONS DIMENSIONS LAMP TYPE
LAMPS 1 2

T-5 ORDERING GUIDE

WB	1, 2, 3	14, 24		E5, H5	1, U			8 3/4" x 24"	F14T5/F24T5HO
WB	1, 2, 3	21, 39		E5, H5	1, U			8 3/4" x 36"	F21T5/F39T5HO
WB	1, 2, 3	28, 54		E5, H5	1, U			8 3/4" x 48"	F28T5/F54T5HO
WB	1, 2, 3	21, 39	T	E5, H5	1, U			8 3/4" x 72"	F21T5/F39T5HO
WB	1, 2, 3	28, 54	T	E5, H5	1, U			8 3/4" x 96"	F28T5/F54T5HO

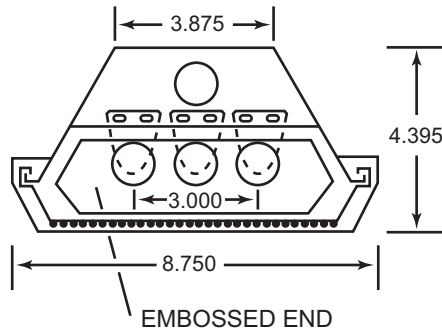
T-8 ORDERING GUIDE

WB	1, 2, 3	17		E8	1, U			8 3/4" x 24"	F17T8
WB	1, 2, 3	25		E8	1, U			8 3/4" x 36"	F25T8
WB	1, 2, 3	32		E8	1, U			8 3/4" x 48"	F32T8
WB	1, 2, 3	25	T	E8	1, U			8 3/4" x 72"	F25T8
WB	1, 2, 3	32	T	E8	1, U			8 3/4" x 96"	F32T8

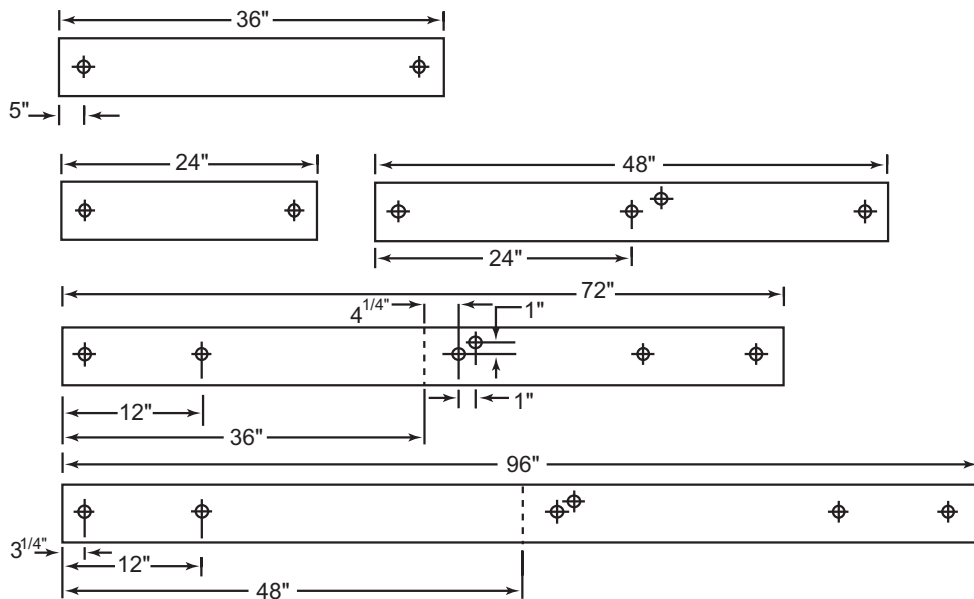
dimensional data

NOTE: SPECIFICATIONS AND DIMENSIONAL DATA ARE SUBJECT TO CHANGE WITHOUT NOTICE

cross sections



back knockout plans and lengths



WB SERIES

HIGH EFFICIECN WRAPAROUND
1, 2 OR 3 LIGHT

options

OPTIONS: INSERT APPROPRIATE CODE FOR CUSTOMIZED ORDERING

BALLAST

E5 Electronic T5
H5 Electronic T5 HO
E8 Electronic T8
ED Electronic dimming
(Consult Factory)

NOTE: In order to achieve rated lamp life, fixtures controlled by motion sensors should be ordered with programmed start ballasts when available and minimum time delay should be set to 15 minutes - Consult Factory

VOLTAGE

1 120V
U Universal 120 - 277V

GENERAL OPTIONS

EM Emergency pack, 1 lamp
90 min. up to 500 lu.
2C 2 Circuit

accessories

RFWB Aluminum reflector
Canopy Standard white 5" dia.,
1 1/2" deep with hardware
Stem Stem + Length needed

LAMP OPTIONS

12 T8 741K
15 T8 735K
10 T8 730K
13 T5/T8 841K
16 T5/T8 835K
11 T5/T8 830K

Revised
5/09

LAMAR LIGHTING 485 Smith Street, Farmingdale, NY 11735 • Tel (631) 777-7700
Fax (631) 777-7705 • Outside NY (800) 724-7743 • www.lamarlighting.com

Lamar
Lighting
Company, Inc.

WS/WW SERIES PREMIUM WRAPAROUND

Job Name	
Catalog Number	
Notes	Type



application

- Versatile, low profile luminaire with a low brightness diffuser, ideal for schools, offices, showrooms and a broad variety of commercial and institutional applications
- Able to be surface or pendant mounted individually or in rows for a continuous linear look
- Available in 2 or 4 light, multiple lengths and numerous lamp/ballast combinations

diffuser

- One piece extruded 100% clear virgin acrylic prismatic lens
- Wide diffuser design provides lower brightness than narrow wrap fixtures
- Features a prismatic pattern on the bottom and linear refractive sides
- Lift and shift lens for ease of re-lamping and cleaning
- Self-hinging lens hooks onto full length of housing and may hinge from either side
- Joiner band supplied on 6 and 8-ft. units, utilizing two diffusers, for a finished appearance

construction

- The WS/WW series is a high quality fluorescent wraparound specifically designed for long-term, heavy-duty installation
- Features durable steel bodies, quality paint finishes and superior electrical components
- Ends are embossed for added strength and fastened securely to the housing by rivets
- Die formed from cold rolled steel for strength and uniformity
- Manufactured from code gauge steel
- Wireway covers easily attach without the use of tools
- Ample knockouts are provided on back and sides for convenient installation
- All fixtures are U.L. listed and IBEW union made

electrical

- All electrical components are U.L. listed
- Electronic Class P ballasts standard
- Numerous options are available: see ordering information on back

finish

- Prior to painting, all metal parts are treated with a multi-stage phosphate bonding process to ensure adhesion and inhibit rusting
- Painted with a lighting grade baked white enamel, having a reflectance factor exceeding 87% for premium quality and durability

WS/WW SERIES

PREMIUM WRAPAROUND

ordering guide

NOTE: SOME ORDERING OPTIONS APPEAR ON PRODUCT LINE. FOR OTHER OPTIONS, SEE LIST AT RIGHT.

SAMPLE ORDER NUMBER



SERIES NO. WATTAGE TANDEM BALLAST TYPE VOLTAGE OPTIONS DIMENSIONS LAMP TYPE
LAMPS 1 2

T-8 ORDERING GUIDE									
WS	2	17		E8	1, U			11 5/16" x 24"	F17T8
WS	2	32		E8	1, U			11 5/16" x 48"	F32T8
WS	2	25	T	E8	1, U			11 5/16" x 72"	F25T8
WS	2	32	T	E8	1, U			11 5/16" x 96"	F32T8
WS	2	96		E8, H8	1, U			11 5/16" x 96"	F96T8/F96T8HO
WW	4	17		E8	1, U			16" x 24"	F17T8
WW	4	32		E8	1, U			16" x 48"	F32T8
WW	4	25	T	E8	1, U			16" x 72"	F25T8
WW	4	32	T	E8	1, U			16" x 96"	F32T8
WW	4	96		E8, H8	1, U			16" x 96"	F96T8/F96T8HO
T-5 ORDERING GUIDE									
WS	2	14, 24		E5, H5	1, U			11 5/16" x 24"	F14T5/F24T5HO
WS	2	28, 54		E5, H5	1, U			11 5/16" x 48"	F28T5/F54T5HO

Note: Tandem units contain double the amount of lamps shown

options

OPTIONS: INSERT APPROPRIATE CODE FOR CUSTOMIZED ORDERING

BALLAST

E5 Electronic T5
H5 Electronic T5 HO
E8 Electronic T8
ED Electronic dimming
(Consult Factory)

NOTE: In order to achieve rated lamp life, fixtures controlled by motion sensors should be ordered with programmed start ballasts when available and minimum time delay should be set to 15 minutes - Consult Factory

VOLTAGE

1 120V
U Universal 120 - 277V

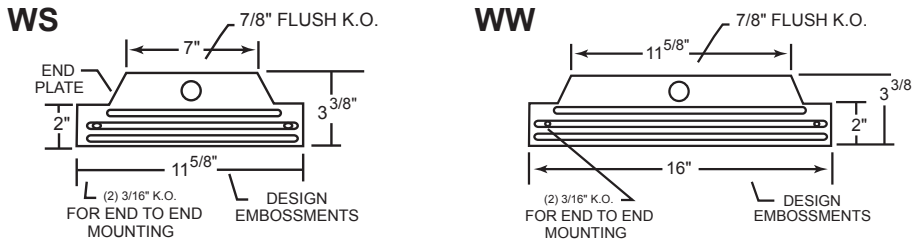
GENERAL OPTIONS

EM Emergency pack, 1 lamp
90 min. up to 500 lu.
2C 2 Circuit
HF High frequency occupancy sensor

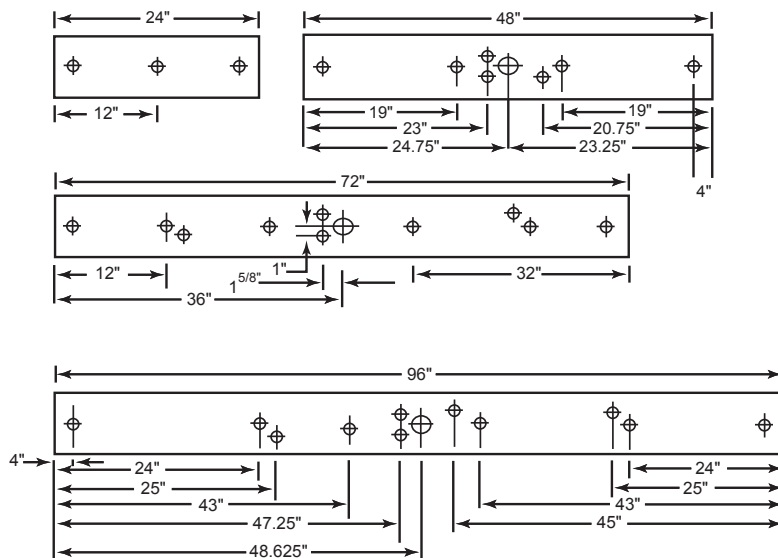
dimensional data

NOTE: SPECIFICATIONS AND DIMENSIONAL DATA ARE SUBJECT TO CHANGE WITHOUT NOTICE

cross sections



back knockout plans and lengths



Revised
5/09

**Lamar
Lighting**
Company, Inc.

LAMAR LIGHTING 485 Smith Street, Farmingdale, NY 11735 • Tel (631) 777-7700
Fax (631) 777-7705 • Outside NY (800) 724-7743 • www.lamarlighting.com

WE/WD SERIES GENERAL PURPOSE WRAPAROUND

Job Name	
Catalog Number	
Notes	Type



application

- Versatile, low profile luminaire, with a low brightness diffuser, ideal for schools, offices, showrooms and a broad variety of commercial and institutional applications
- Able to be surface or pendant mounted individually or in rows
- Available in 2 or 4 light, with various lamp/ballast combinations

diffuser

- One piece extruded 100% clear virgin acrylic prismatic lens
- Features a prismatic pattern on the bottom and linear refractive sides
- Lift and shift lens for ease of re-lamping and cleaning
- Self-hinging lens hooks onto full length of housing and may hinge from either side

construction

- The WE/WD series wraparound is designed for a broad variety of general purpose applications
- Features durable steel bodies, quality paint finishes and superior electrical components
- Die formed from code gauge cold rolled steel for strength and uniformity with rolled side flanges for added rigidity and safety
- Ends are embossed for added strength and fastened securely to the housing by rivets
- Wireway covers easily attach without the use of tools
- Ample knockouts are provided on back and ends for convenient installation and continuous run mounting
- All fixtures are U.L. listed and IBEW union made

electrical

- All electrical components are U.L. listed
- Electronic Class P ballasts standard
- Numerous options are available: see ordering information on back

finish

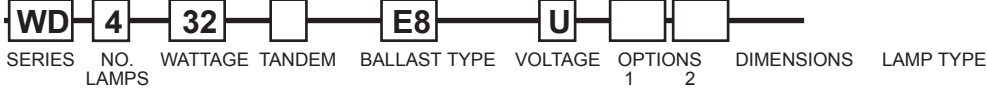
- Prior to painting, all metal parts are treated with a multi-stage phosphate bonding process to ensure adhesion and inhibit rusting
- Painted with a lighting grade baked white enamel, having a reflectance factor exceeding 87% for premium quality and durability

WE/WD SERIES GENERAL PURPOSE WRAPAROUND

ordering guide

NOTE: SOME ORDERING OPTIONS APPEAR ON PRODUCT LINE. FOR OTHER OPTIONS, SEE LIST AT RIGHT.

SAMPLE ORDER NUMBER

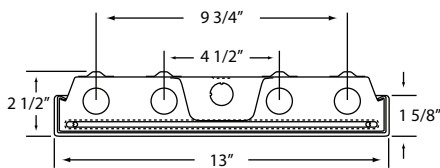


T-8 ORDERING GUIDE								
SERIES	NO. LAMPS	WATTAGE	TANDEM	BALLAST TYPE	VOLTAGE	OPTIONS	DIMENSIONS	LAMP TYPE
WE	2	17		E8	1, U		7 3/4" x 24"	F17T8
WD	4	17		E8	1, U		13" x 24"	F17T8
WE	2	32		E8	1, U		7 3/4" x 48"	F32T8
WD	4	32		E8	1, U		13" x 48"	F32T8

dimensional data

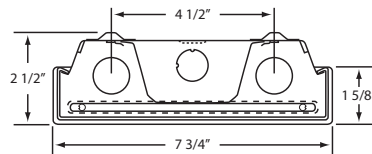
NOTE: SPECIFICATIONS AND DIMENSIONAL DATA ARE SUBJECT TO CHANGE WITHOUT NOTICE

cross sections



4 Light Prismatic

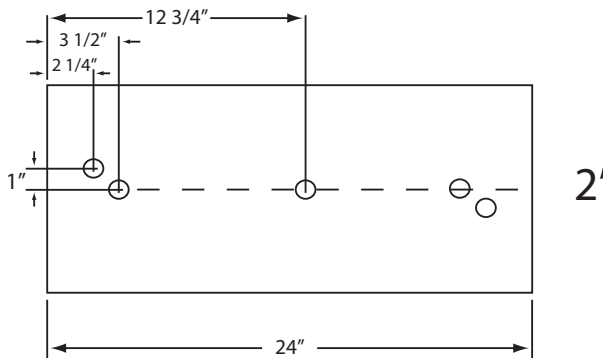
WD



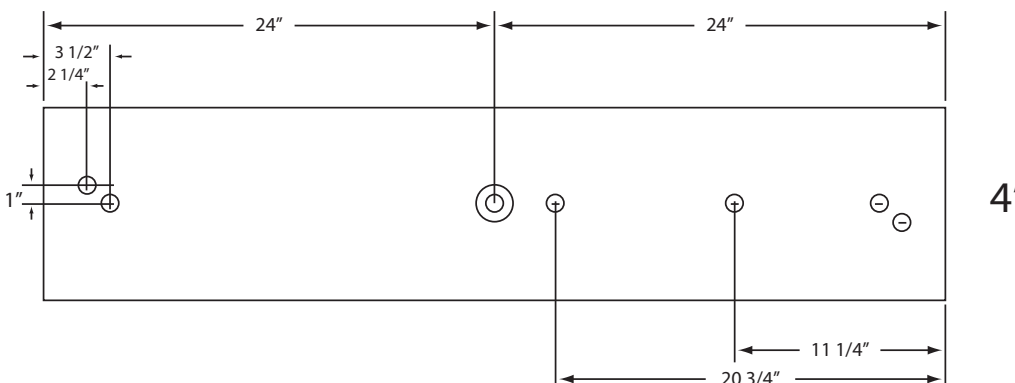
2 Light Prismatic

WE

back knockout plans and lengths



2'



4'

options

OPTIONS: INSERT APPROPRIATE CODE FOR CUSTOMIZED ORDERING

BALLAST

E8 Electronic T8
ED Electronic Dimming
(Consult Factory)

NOTE: In order to achieve rated lamp life, fixtures controlled by motion sensors should be ordered with programmed start ballasts when available and minimum time delay should be set to 15 minutes - Consult Factory

VOLTAGE

1 120V - (NPF)
U Universal Voltage 120 - 277V

GENERAL OPTIONS

EM Emergency pack, 1 lamp
90 min. up to 500 lu.
2C 2 Circuit
HF High frequency occupancy sensor

accessories

Canopy Standard white 5" dia.,
1 1/2" deep with hardware
Stem Stem + Length needed

LAMP OPTIONS

12 T8 741K
15 T8 735K
10 T8 730K
13 T8 841K
16 T8 835K
11 T8 830K

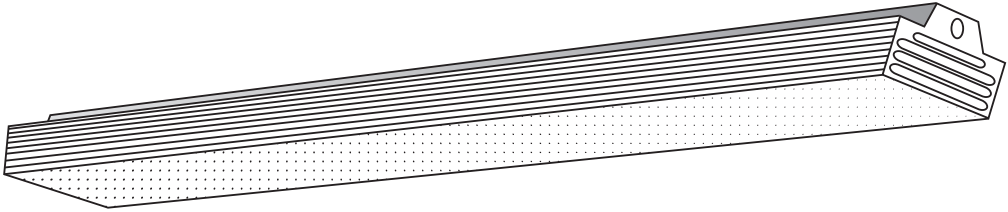
Revised
5/09

LAMAR LIGHTING 485 Smith Street, Farmingdale, NY 11735 • Tel (631) 777-7700
Fax (631) 777-7705 • Outside NY (800) 724-7743 • www.lamarlighting.com

**Lamar
Lighting**
Company, Inc.

W N
SERIES
NARROW
WRAPAROUND

Job Name	
Catalog Number	
Notes	Type



application

- Slender, clean styled narrow wraparound designed for high quality illumination in kitchens, corridors, aisles and other small room applications
- Able to be surface or pendant mounted individually or in rows for a continuous linear look
- Available in 1 or 2 light, multiple lengths and numerous lamp/ballast combinations

diffuser

- One piece extruded 100% clear virgin acrylic prismatic lens
- Features a conical prismatic pattern on the bottom and linear refractive sides for brightness control
- Lift and shift lens for ease of re-lamping and cleaning
- Self-hinging lens hooks onto full length of housing and may hinge from either side
- Joiner band supplied on 6 and 8-ft. units, utilizing two diffusers, for a finished appearance

construction

- The WN series is a high quality fluorescent corridor wraparound specifically designed for long-term, heavy-duty installation
- Features durable steel bodies, quality paint finishes and superior electrical components
- Die formed from code gauge cold rolled steel for strength and uniformity
- Ends are embossed for added strength and fastened securely to the housing by rivets
- Wireway covers easily attach without the use of tools
- Ample knockouts are provided on back for convenient installation
- All fixtures are U.L. listed and IBEW union made

electrical

- All electrical components are U.L. listed
- Electronic Class P ballasts standard
- Numerous options are available: see ordering information on back

finish

- Prior to painting, all metal parts are treated with a multi-stage phosphate bonding process to ensure adhesion and inhibit rusting
- Painted with a lighting grade baked white enamel, having a reflectance factor exceeding 87% for premium quality and durability

WN SERIES

NARROW WRAPAROUND

ordering guide

NOTE: SOME ORDERING OPTIONS APPEAR ON PRODUCT LINE. FOR OTHER OPTIONS, SEE LIST AT RIGHT.

SAMPLE ORDER NUMBER



SERIES NO. WATTAGE TANDEM BALLAST TYPE VOLTAGE OPTIONS DIMENSIONS LAMP TYPE
LAMPS 1 2

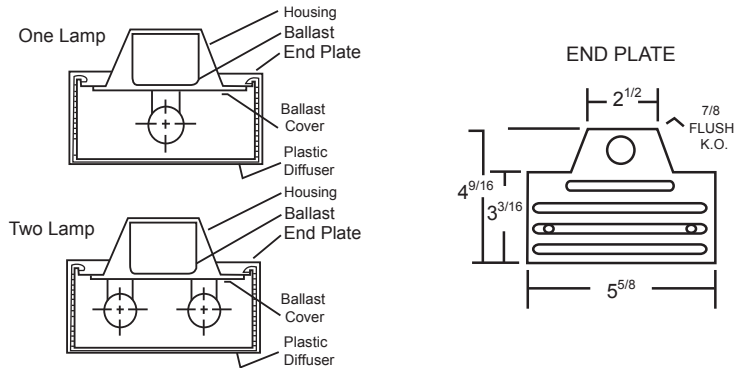
T-5 ORDERING GUIDE								
WN	1, 2	14, 24		E5, H5	1, U		6 3/4" x 24"	F14T5/F24T5HO
WN	1, 2	28, 54		E5, H5	1, U		6 3/4" x 48"	F28T5/F54T5HO
T-8 ORDERING GUIDE								
WN	1, 2	17		E8	1, U		6 3/4" x 24"	F17T8
WN	1, 2	32		E8	1, U		6 3/4" x 48"	F32T8
WN	1, 2	32	T	E8	1, U		6 3/4" x 96"	F32T8

Note: Tandem units contain double the amount of lamps shown

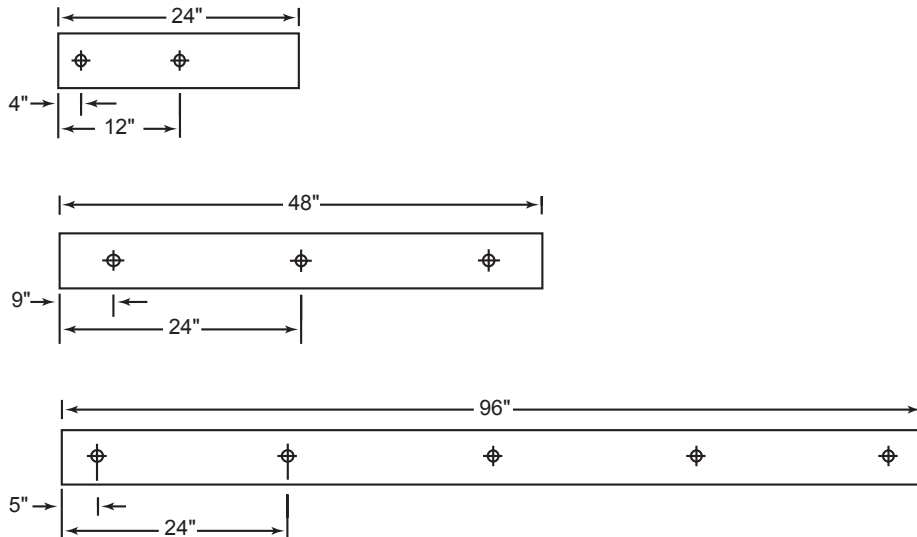
dimensional data

NOTE: SPECIFICATIONS AND DIMENSIONAL DATA ARE SUBJECT TO CHANGE WITHOUT NOTICE

cross sections



back knockout plans and lengths



options

OPTIONS: INSERT APPROPRIATE CODE FOR CUSTOMIZED ORDERING

BALLAST

E5 Electronic T5
H5 Electronic T5 HO
E8 Electronic T8
ED Electronic dimming
(Consult Factory)

NOTE: In order to achieve rated lamp life, fixtures controlled by motion sensors should be ordered with programmed start ballasts when available and minimum time delay should be set to 15 minutes - Consult Factory

VOLTAGE

1 120V
U Universal 120 - 277V

GENERAL OPTIONS

EM Emergency pack, 1 lamp
90 min. up to 500 lu.
2C 2 Circuit
JB Joiner band

accessories

RFWN Aluminum reflector
Canopy Standard white 5" dia.,
1 1/2" deep with hardware
Stem Stem + Length needed

LAMP OPTIONS

12 T8 741K
15 T8 735K
10 T8 730K
13 T5/T8 841K
16 T5/T8 835K
11 T5/T8 830K

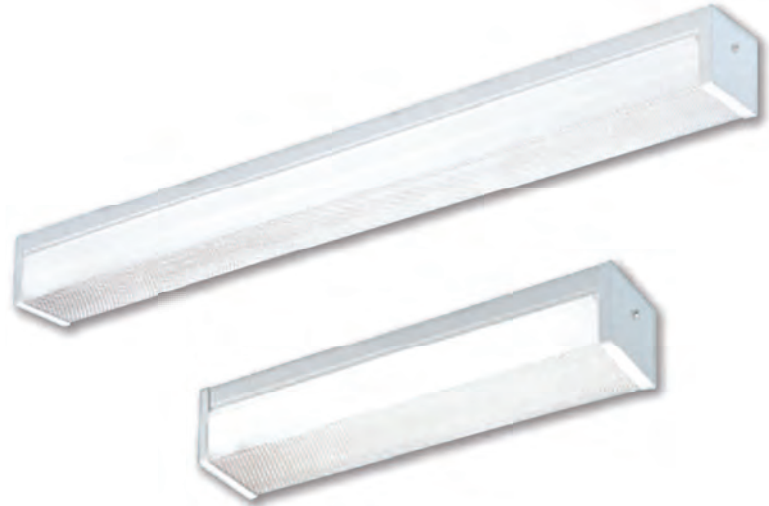
Revised
5/09

LAMAR LIGHTING 485 Smith Street, Farmingdale, NY 11735 • Tel (631) 777-7700
Fax (631) 777-7705 • Outside NY (800) 724-7743 • www.lamarlighting.com

**Lamar
Lighting**
Company, Inc.

H
SERIES
VERSATILE
UTILITY
LUMINAIRE

Job Name	
Catalog Number	
Notes	Type



application

- Decorative all-purpose lensed luminaire, suitable for wall or ceiling mounting in residential, institutional or commercial applications
- Widely used in stairwells and corridors wired with factory installed emergency battery backup
- Able to be surface or pendant mounted individually or in continuous rows
- Available in 1 or 2 light, multiple lengths and numerous lamp/ballast combinations

diffuser

- One piece extruded clear, non-yellowing acrylic prismatic lens
- Features a prismatic pattern on the bottom and linear refractive sides for brightness control and 180° uniform light
- Grooved formation on the edges allows for a tight, no light leak attachment to the body
- Joiner band available for continuous runs, creating a finished appearance, supplied with tandem unit

construction

- The H series is an high quality fluorescent luminaire specifically designed for durable, hi-visibility areas
- Features durable steel bodies, quality paint finishes and superior electrical components
- Die formed from cold rolled steel for strength and uniformity
- Ends are die-formed for added strength
- The ends retain the diffuser with positive engagement reducing vibration hazards
- Wireway covers are die-formed for durability and attach easily and securely with two screws
- Ample knockouts are provided on back for convenient installation
- All fixtures are U.L. listed and IBEW union made

electrical

- All electrical components are U.L. listed
- Electronic Class P ballasts standard
- Numerous options are available: see ordering information on back
- Optional emergency battery backup provides up to 500 lumens for 90 minutes

finish

- Prior to painting, all metal parts are treated with a multi-stage phosphate bonding process to ensure adhesion and inhibit rusting
- Painted with a lighting grade baked white enamel, having a reflectance factor exceeding 87% for premium quality and durability

H SERIES

VERSATILE FLUORESCENT
LUMINAIRE

ordering guide

NOTE: SOME ORDERING OPTIONS APPEAR ON PRODUCT LINE. FOR OTHER OPTIONS, SEE LIST AT RIGHT.

SAMPLE ORDER NUMBER



SERIES COLOR NO. WATTAGE TANDEM BALLAST VOLTAGE OPTIONS DIMENSIONS LAMP TYPE
LAMPS TYPE 1 2

T-8 ORDERING GUIDE										
H	W	1, 2	17		E8	1, U			4 1/2" x 24"	F17T8
H	W	1, 2	25		E8	1, U			4 1/2" x 36"	F25T8
H	W	1, 2	32		E8	1, U			4 1/2" x 48"	F32T8
H	W	1, 2	25	T	E8	1, U			4 1/2" x 72"	F25T8
H	W	1, 2	32	T	E8	1, U			4 1/2" x 96"	F32T8
T5 ORDERING GUIDE										
H	W	1, 2	14/24		E5, H5	1, U			4 1/2" x 24"	F14T5/F24T5HO
H	W	1, 2	21/39		E5, H5	1, U			4 1/2" x 36"	F21T5/F39T5HO
H	W	1, 2	28/54		E5, H5	1, U			4 1/2" x 48"	F28T5/F54T5HO
BIAX ORDERING GUIDE										
H	W	1, 2	36		EB	1, 7, U			4 1/2" x 18"	F36TT
H	W	1, 2	40		EB	1, 7, U			4 1/2" x 24"	F40TT

Note: Tandem units contain double the amount of lamps shown

options

OPTIONS: INSERT APPROPRIATE CODE FOR CUSTOMIZED ORDERING

BALLAST

- E8 Electronic T8
- E5 Electronic T5
- H5 Electronic T5HO
- EB Electronic biax
- ED Electronic dimming
- ES Energy star T8

NOTE: In order to achieve rated lamp life, fixtures controlled by motion sensors should be ordered with programmed start ballasts when available and minimum time delay should be set to 15 minutes - Consult Factory

VOLTAGE

- 1 120V
- 7 277V
- U Universal 120 - 277V

COLOR

- W White

GENERAL OPTIONS

- EM Emergency pack, 1 lamp 90 min. up to 500 lu.
- 2C 2 Circuit
- PS Push switch (120V)
- PC Pull chain (120V)
- TS Turn switch (120V)
- CO Convenience outlet (120V)
- TP Tamper-proof screws
- TB Top baffle
- FB Front baffle
- 3B Top and front baffle
- CD Center Divider

Multiple cord options are available. Consult Factory

accessories

- RFH Aluminum reflector
- Canopy Standard white 5" dia., 1 1/2" deep with hardware
- Stem Stem + Length needed

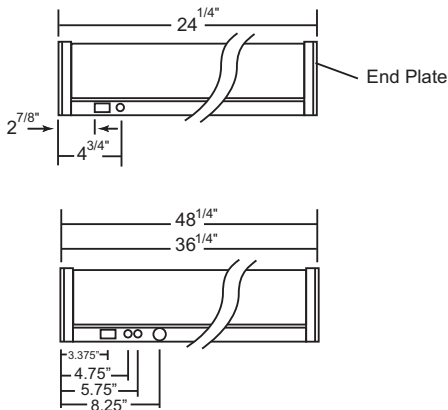
LAMP OPTIONS

- 12 T8 741K
- 15 T8 735K
- 10 T8 730K
- 13 T8/T5 841K
- 16 T8/T5 835K
- 11 T8/T5 830K

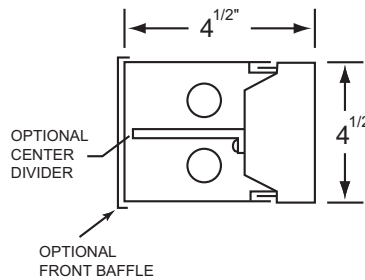
dimensional data

NOTE: SPECIFICATIONS AND DIMENSIONAL DATA ARE SUBJECT TO CHANGE WITHOUT NOTICE

switch and convenience outlets

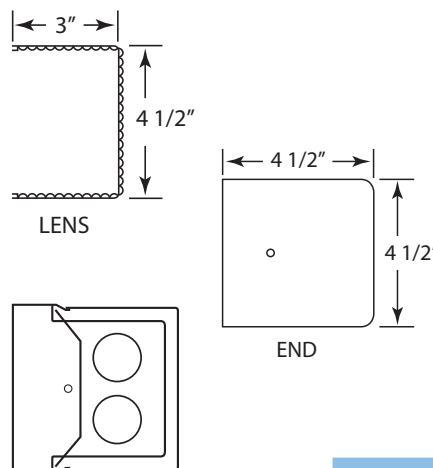
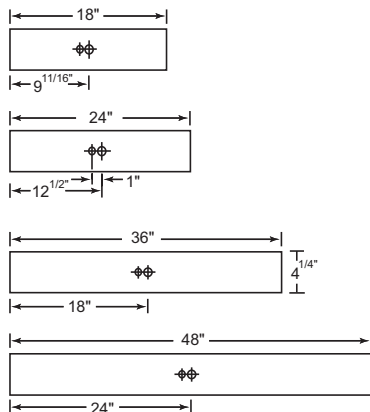


baffle options



Ideal for hospital over bed patient application

back knockout plans and lengths



Revised
4/10

LAMAR LIGHTING 485 Smith Street, Farmingdale, NY 11735 • Tel (631) 777-7700
Fax (631) 777-7705 • Outside NY (800) 724-7743 • www.lamarlighting.com

**Lamar
Lighting**
Company, Inc.

V
SERIES
 VERSATILE
 UTILITY
 LUMINAIRE

Job Name	
Catalog Number	
Notes	Type



application

- Decorative all-purpose luminaire, wall, ceiling or pendant mounted for residential, institutional or commercial applications
- Ideal for schools, hospitals, universities, commercial buildings, retail and food service areas where durability and aesthetics are important
- Available in 1, 2 or 3 light configurations utilizing T8 or T5 lamps up to 8 ft. long
- Available in standard white or optional custom colors

diffuser

- One piece extruded clear, non-yellowing acrylic radial lens
- Features a linear refractive pattern for even illumination
- Grooved formation on the edges allows for a tight, no light leak attachment to the body
- Optional end gasket

construction

- The V series is an high quality fluorescent luminaire specifically designed for durability in hi-visibility areas
- Features durable steel bodies, quality paint finishes and superior electrical components
- Manufactured from code gauge cold rolled steel for strength and uniformity
- Ends are die-formed for added strength and a clean smooth look
- Diffuser retained by continuous groove which locks into body as well as overlapping ends to eliminate vibration hazards
- Wireway covers are die-formed for durability and removed for servicing
- Ample knockouts are provided on back for convenient installation
- All fixtures are U.L. listed and IBEW union made

electrical

- All electrical components are U.L. listed
- Electronic Class P ballasts standard
- Numerous options are available: see ordering information on back

finish

- Prior to painting, all metal parts are treated with a multi-stage phosphate bonding process to ensure adhesion and inhibit rusting
- Painted with a lighting grade baked white enamel, having a reflectance factor exceeding 87% for premium quality and durability
- Optional colors also available utilizing powder coated finishes (painted after fabrication) for premium quality and durability - consult factory

ordering guide

NOTE: SOME ORDERING OPTIONS APPEAR ON PRODUCT LINE. FOR OTHER OPTIONS, SEE LIST AT RIGHT.

SAMPLE ORDER NUMBER



SERIES COLOR NO. WATTAGE TANDEM BALLAST VOLTAGE OPTIONS DIMENSIONS LAMP TYPE
LAMPS TYPE 1 2

T-8 ORDERING GUIDE

V	W	1, 2, 3	17		E8	1, U		8" x 24"	F17T8
V	W	1, 2, 3	25		E8	1, U		8" x 36"	F25T8
V	W	1, 2, 3	32		E8	1, U		8" x 48"	F32T8
V	W	1, 2, 3	25	T	E8	1, U		8" x 72"	F25T8
V	W	1, 2, 3	32	T	E8	1, U		8" x 96"	F32T8

T-5 ORDERING GUIDE

V	W	1, 2, 3	14, 24		E5, H5	1, U		8" x 24"	F14T5/F24T5HO
V	W	1, 2, 3	21, 39		E5, H5	1, U		8" x 36"	F21T5/F39T5HO
V	W	1, 2, 3	28, 54		E5, H5	1, U		8" x 48"	F28T5/F54T5HO
V	W	1, 2, 3	21, 39	T	E5, H5	1, U		8" x 72"	F21T5/F39T5HO
V	W	1, 2, 3	28, 54	T	E5, H5	1, U		8" x 96"	F28T5/F54T5HO

BIAX ORDERING GUIDE

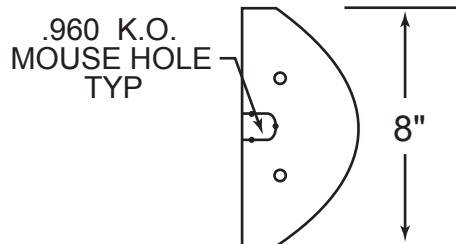
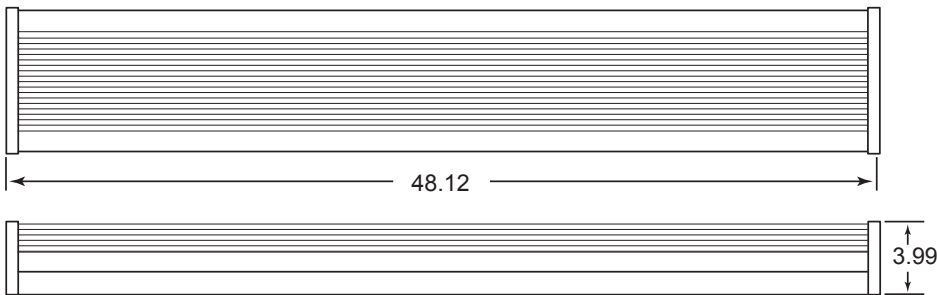
V	W	1	40		EB	1, 7, U		8" x 24"	F40TT
V	W	2	40		EB	1, 7, U		8" x 48"	F40TT

Note: Tandem units contain double the amount of lamps shown

dimensional data

NOTE: SPECIFICATIONS AND DIMENSIONAL DATA ARE SUBJECT TO CHANGE WITHOUT NOTICE

plans and lengths



V SERIES

VERSATILE FLUORESCENT LUMINAIRE

options

OPTIONS: INSERT APPROPRIATE CODE FOR CUSTOMIZED ORDERING

BALLAST

E8 Electronic T8
EB Electronic Biax
E5 Electronic T5
H5 Electronic T5/HO
ED Electronic Dimming
(Consult Factory)

NOTE: In order to achieve rated lamp life, fixtures controlled by motion sensors should be ordered with programmed start ballasts when available and minimum time delay should be set to 15 minutes - Consult Factory

VOLTAGE

1 120V
7 277V
U Universal 120 - 277V

COLOR

W White

GENERAL OPTIONS

EM Emergency pack, 1 lamp
90 min. up to 500 lu.
2C 2 Circuit
GSK End gasket
TP Tamper-proof screws

Multiple cord options are available.
Consult Factory

accessories

R95 Aluminum reflector 95% refl.
Canopy Standard white 5" dia.,
1 1/2" deep with hardware
Stem Stem + Length needed
AC Aircraft cable & hardware -
consult factory

LAMP OPTIONS

12 T8 741K
15 T8 735K
10 T8 730K
13 T5/T8 841K
16 T5/T8 835K
11 T5/T8 830K

Revised
5/09

LAMAR LIGHTING 485 Smith Street, Farmingdale, NY 11735 • Tel (631) 777-7700
Fax (631) 777-7705 • Outside NY (800) 724-7743 • www.lamarlighting.com

Lamar
Lighting
Company, Inc.

W C
SERIES
 NARROW
 CORRIDOR
 WRAPAROUND

Job Name	
Catalog Number	
Notes	Type



application

- Slender, round bottom corridor wraparound designed for high quality illumination in stairwells, corridors, lavatories and other small room applications
- Able to be surface or pendant mounted individually or in continuous rows for a contemporary linear look
- Available in 1 light, multiple lengths and numerous optional lamp/ballast combinations

diffuser

- One piece extruded translucent white, light stabilized acrylic is standard; other diffusers available; consult ordering guide
- Features a linear refractive pattern for even illumination
- Grooved formation on the edges allows for a tight, no light leak attachment to the body
- Joiner band supplied on 6 and 8-ft. units, utilizing two diffusers, for a finished appearance

construction

- The WC series is a high quality fluorescent corridor wraparound specifically designed for long-term, heavy-duty installation
- Features durable steel bodies, quality paint finishes and superior electrical components
- Die formed from code gauge cold rolled steel for strength and uniformity
- Ends are die formed for added strength and fastened securely to the housing by 2 standard screws; tamper proofing is available
- The ends retaining the diffuser, with positive engagement, reduce vibration hazards
- Wireway covers are die formed for durability and attach easily and securely with two screws; tamper proofing is available
- Ample knockouts are provided on back for convenient installation
- All fixtures are U.L. listed and IBEW union made

electrical

- All electrical components are U.L. listed
- Electronic Class P ballasts standard
- Numerous options are available: see ordering information on back

finish

- Prior to painting, all metal parts are treated with a multi-stage phosphate bonding process to ensure adhesion and inhibit rusting
- Painted with a lighting grade baked white enamel, having a reflectance factor exceeding 87% for premium quality and durability

WC SERIES

NARROW CORRIDOR
WRAPAROUND

ordering guide

NOTE: SOME ORDERING OPTIONS APPEAR ON PRODUCT LINE. FOR OTHER OPTIONS, SEE LIST AT RIGHT.

SAMPLE ORDER NUMBER



SERIES NO. WATTAGE TANDEM BALLAST VOLTAGE DIFFUSER OPTION DIMENSIONS LAMP TYPE
LAMPS TYPE

T-5 ORDERING GUIDE

WC	1	28, 54		E5, H5	1, U	RW		4 ^{5/8} " x 48"	F28T5/F54T5HO
WC	1	28, 54	T	E5, H5	1, U	RW		4 ^{5/8} " x 96"	F28T5/F54T5HO

T-8 ORDERING GUIDE

WC	1	17		E8	1, 7, U	RW		4 ^{5/8} " x 24"	F17T8
WC	1	25		E8	1, 7, U	RW		4 ^{5/8} " x 36"	F25T8
WC	1	32		E8	1, 7, U	RW		4 ^{5/8} " x 48"	F32T8
WC	1	25	T	E8	1, 7, U	RW		4 ^{5/8} " x 72"	F25T8
WC	1	32	T	E8	1, 7, U	RW		4 ^{5/8} " x 96"	F32T8

BIAX ORDERING GUIDE

WC	1	40		EB	1, 7, U	RW		4 ^{5/8} " x 24"	F40TT
----	---	----	--	----	---------	----	--	--------------------------	-------

Note: Tandem units contain double the amount of lamps shown

options

OPTIONS: INSERT APPROPRIATE CODE FOR CUSTOMIZED ORDERING

BALLAST

- E5 Electronic T5
- H5 Electronic T5 HO
- E8 Electronic T8
- EB Electronic biax
- ED Electronic dimming (Consult Factory)

NOTE: In order to achieve rated lamp life, fixtures controlled by motion sensors should be ordered with programmed start ballasts when available and minimum time delay should be set to 15 minutes - Consult Factory

VOLTAGE

- 1 120V
- 7 277V
- U Universal 120 - 277V

GENERAL OPTIONS

- EM Emergency pack, 1 lamp 90 min. up to 500 lu.
- 2C 2 Circuit
- TP Tamper-proof screws

DIFFUSER OPTIONS

- CA Clear acrylic diffuser
- RW Ribbed white (standard)

Multiple cord options are available. Consult Factory

accessories

- RFWC Aluminum reflector
- Canopy Standard white 5" dia., 1 1/2" deep with hardware
- Stem Stem + Length needed

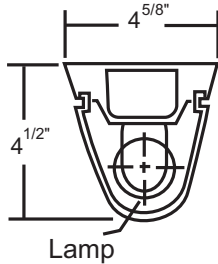
LAMP OPTIONS

- 12 T8 741K
- 15 T8 735K
- 10 T8 730K
- 13 T5/T8 841K
- 16 T5/T8 835K
- 11 T5/T8 830K

dimensional data

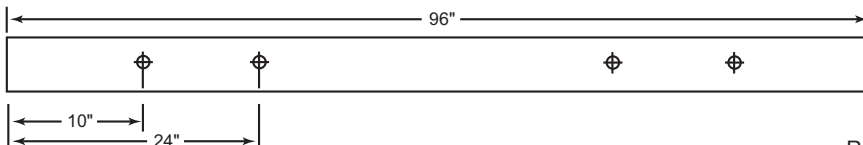
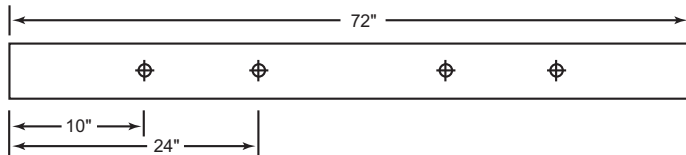
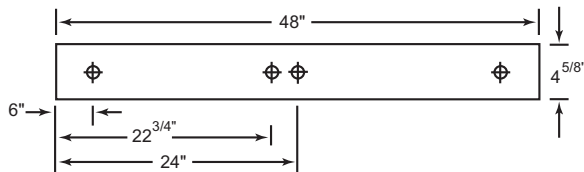
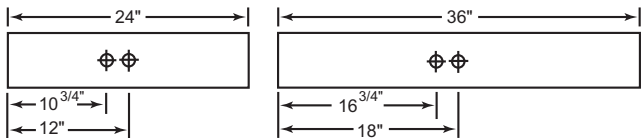
NOTE: SPECIFICATIONS AND DIMENSIONAL DATA ARE SUBJECT TO CHANGE WITHOUT NOTICE

cross sections



JOINER BAND
For continuous runs

back knockout plans and lengths



Revised
5/09

LAMAR LIGHTING 485 Smith Street, Farmingdale, NY 11735 • Tel (631) 777-7700
Fax (631) 777-7705 • Outside NY (800) 724-7743 • www.lamarlighting.com

Lamar
Lighting
Company, Inc.

COR

SERIES
CORNER
SURFACE
MOUNT
LUMINAIRE

Job Name	
Catalog Number	
Notes	Type



application

- Wall mount corner luminaire is perfect for corridors, stairwells, dormitories and other applications with low ceiling height
- Ideal for residential, commercial or institutional applications
- Available with one to three lamps in 2, 3, and 4 foot lengths

construction

- The COR series is a high quality; wall mounted luminaire specifically designed for long-term, heavy-duty installation
- Features durable steel bodies, quality paint finishes and superior electrical components
- Die formed code gauge cold rolled steel for strength and uniformity
- Ample knockouts are provided on back for convenient installation
- Vandal resistant when used with polycarbonate lens and tamper proof screws
- All fixtures are U.L. listed for damp locations and IBEW union made

electrical

- All electrical components are U.L. listed
- Electronic Class P ballasts standard
- Numerous options are available; see ordering information on back

diffuser

- Low brightness, 100% virgin acrylic clear prismatic lens is standard, consult ordering guide for optional diffusers
- Standard prismatic lens provides high efficiency with maximum visual comfort and uniform light diffusion
- Door is flush white steel

ordering guide

NOTE: SOME ORDERING OPTIONS APPEAR ON PRODUCT LINE. FOR OTHER OPTIONS, SEE LIST AT RIGHT.

SAMPLE ORDER NUMBER

COR 2 32 E8 U PA

SERIES NO. WATTAGE BALLAST VOLTAGE LENS OPTIONS DIMENSIONS LAMP TYPE
LAMPS TYPE TYPE 1 2

T-5 ORDERING GUIDE

COR	1, 2, 3	14, 24	E5, H5	1, U	PA			9" x 24"	F14T5/F24T5HO
COR	1, 2, 3	21, 39	E5, H5	1, U	PA			9" x 36"	F21T5/F39T5HO
COR	1, 2, 3	28, 54	E5, H5	1, U	PA			9" x 48"	F28T5/F54T5HO

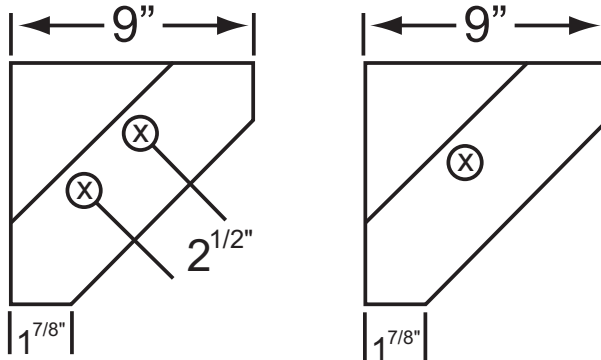
T-8 ORDERING GUIDE

COR	1, 2, 3	17	E8	1, U	PA			9" x 24"	F17T8
COR	1, 2, 3	25	E8	1, U	PA			9" x 36"	F25T8
COR	1, 2, 3	32	E8	1, U	PA			9" x 48"	F32T8

dimensional data

NOTE: SPECIFICATIONS AND DIMENSIONAL DATA ARE SUBJECT TO CHANGE WITHOUT NOTICE

cross sections



COR SERIES

CORNER SURFACE MOUNT
LUMINAIRE

options

OPTIONS: INSERT APPROPRIATE CODE FOR CUSTOMIZED ORDERING

BALLAST

- E8 Electronic T8
- PS8 Program start T8
- CE8 CEE listed high performance T8 (instant start)
- CP8 CEE listed high performance T8 (program start)
- H8 High lumen output T8
- L8 Low watt T8 ballast
- E5 Electronic T5
- H5 Electronic T5 high output
- ED Electronic dimming (Consult Factory)

NOTE: In order to achieve rated lamp life, fixtures controlled by motion sensors should be ordered with programmed start ballasts when available and minimum time delay should be set to 15 minutes - Consult Factory

VOLTAGE

- 1 120V
- U Universal 120 - 277V

GENERAL OPTIONS

- EM Emergency pack, 1 lamp 90 min. up to 500 lu.
- 2C 2 Circuit
- TP Tamperproof hardware

LENS OPTIONS

- PA Prismatic Acrylic (standard)
- A1 .125" Acrylic
- PC Polycarbonate

Consult factory for additional options not shown

accessories

LAMP OPTIONS

- 12 T8 741K
- 15 T8 735K
- 10 T8 730K
- 13 T5/T8 841K
- 16 T5/T8 835K
- 11 T5/T8 830K

Revised
9/10

LAMAR LIGHTING 485 Smith Street, Farmingdale, NY 11735 • Tel (631) 777-7700
Fax (631) 777-7705 • Outside NY (800) 724-7743 • www.lamarlighting.com

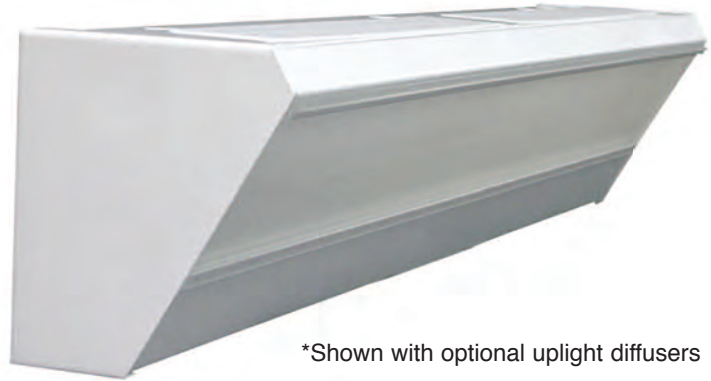
**Lamar
Lighting**
Company, Inc.

CWM

SERIES

CORNER / WALL MOUNT LUMINAIRE

Job Name	
Catalog Number	
Notes	Type



*Shown with optional upright diffusers

application

- Decorative and functional corner/wall mounted luminaire suited for residential, institutional or commercial applications
- Ideal for schools, hospitals, universities and commercial buildings where durability and aesthetics are important
- Available in 1 or 2 light configurations utilizing T8 or T5 lamps up to 4 ft. long
- Available in standard white or optional custom colors

diffuser

- One piece extruded linear ribbed clear, non-yellowing acrylic is standard
- Features a linear refractive pattern for even illumination
- Grooved formation on the edges allows for a tight, no light leak attachment to the body
- Optional upright diffusers

construction

- The CWM series is a high quality fluorescent luminaire specifically designed for durability in hi-visibility areas
- Features durable steel bodies, quality paint finishes and superior electrical components
- Manufactured from code gauge cold rolled steel for strength and uniformity
- Ends are die-formed aluminum for added strength and a clean smooth look
- Diffuser retained by continuous groove which locks into body to eliminate vibration hazards
- No tools required for relamping
- Meets ADA requirements for wall mounting
- Wireway covers are die-formed for durability and easily removed for servicing
- Ample knockouts are provided on back for convenient installation
- All fixtures are U.L. listed and IBEW union made

electrical

- All electrical components are U.L. listed
- Electronic Class P ballasts standard
- Numerous options are available: see ordering information on back

finish

- Prior to painting, all metal parts are treated with a multi-stage phosphate bonding process to ensure adhesion and inhibit rusting
- Painted with a lighting grade baked white enamel, having a reflectance factor exceeding 87% for premium quality and durability
- Optional colors also available utilizing powder coated finishes (painted after fabrication) for premium quality and durability - consult factory

ordering guide

NOTE: SOME ORDERING OPTIONS APPEAR ON PRODUCT LINE. FOR OTHER OPTIONS, SEE LIST AT RIGHT.

SAMPLE ORDER NUMBER

CWM **2** **32** **E8** **U** **CR** **U**

SERIES COLOR NO. WATTAGE BALLAST TYPE VOLTAGE LENS DIMENSIONS LAMP TYPE
LAMPS OPTIONS

T-8 ORDERING GUIDE

CWM		1, 2	17	E8 1, U	CR			5" x 24"	F17T8
CWM		1, 2	25	E8 1, U	CR			5" x 36"	F25T8
CWM		1, 2	32	E8 1, U	CR			5" x 48"	F32T8

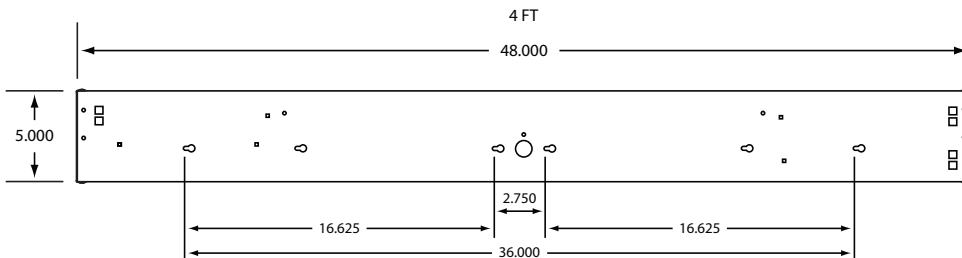
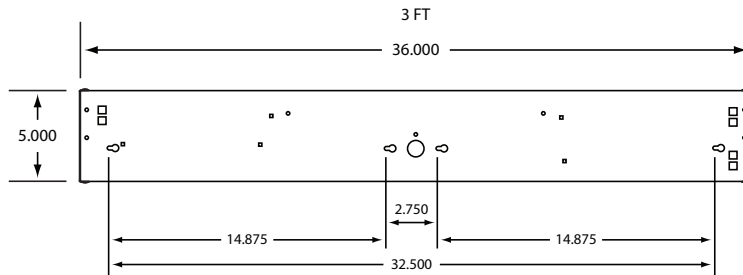
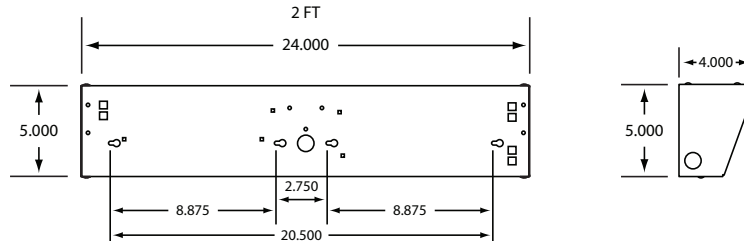
T-5 ORDERING GUIDE

CWM		1, 2	14, 24	E5, H5	1, U	CR		5" x 24"	F14T5/F24T5HO
CWM		1, 2	21, 39	E5, H5	1, U	CR		5" x 36"	F21T5/F39T5HO
CWM		1, 2	28, 54	E5, H5	1, U	CR		5" x 48"	F28T5/F54T5HO

dimensional data

NOTE: SPECIFICATIONS AND DIMENSIONAL DATA ARE SUBJECT TO CHANGE WITHOUT NOTICE

cross sections



CWM SERIES

CORNER / WALL MOUNT
LUMINAIRE

options

OPTIONS: INSERT APPROPRIATE CODE FOR CUSTOMIZED ORDERING

BALLAST

E8 Electronic T8
E5 Electronic T5
H5 Electronic T5/HO
ED Electronic Dimming
(Consult Factory)

NOTE: In order to achieve rated lamp life, fixtures controlled by motion sensors should be ordered with programmed start ballasts when available and minimum time delay should be set to 15 minutes - Consult Factory

VOLTAGE

1 120V
U Universal 120 - 277V

COLOR

W White (Standard)
C Custom Color (Consult Factory)

GENERAL OPTIONS

EM Emergency pack, 1 lamp
90 min. up to 500 lu.
2C 2 Circuit

DIFFUSER OPTIONS

CR Clear Ribbed Acrylic
U Uplight Diffusers

Multiple cord options are available.
Consult Factory

accessories

LAMP OPTIONS

12 T8 741K
15 T8 735K
10 T8 730K
13 T5/T8 841K
16 T5/T8 835K
11 T5/T8 830K

Revised
5/09

LAMAR LIGHTING 485 Smith Street, Farmingdale, NY 11735 • Tel (631) 777-7700
Fax (631) 777-7705 • Outside NY (800) 724-7743 • www.lamarlighting.com

**Lamar
Lighting**
Company, Inc.

LICDS SERIES

RECESSED
STYLING
2 X 2 , 2 X 4
INDIRECT
LAY-IN
DROP CENTER
BASKET WITH SLOT

Job Name	
Catalog Number	
Notes	Type



application

- Versatile, aesthetically appealing recessed lighting fixture with drop perforated metal diffuser with center slot creating a direct/indirect center light source for soft, even illumination
- An attractive alternative to standard recessed lighting or where indirect lighting is desired but ceiling heights are too low for pendant mounted fixtures
- Available with lamp and ballast combinations to fit your specific application

finish

- Prior to painting, all metal parts are treated with a multi-stage phosphate bonding process to ensure adhesion and inhibit rusting
- Painted with a lighting grade baked white enamel, having a reflectance factor exceeding 87% for premium quality and durability

construction

- The LICDS series is a premium, recessed unit with heavy-duty construction for stylish long-term use
- Manufactured from code gauge steel
- End plates are securely attached by rivets
- Ample knockouts are provided on back and sides for convenient installation
- Access plate is provided with two 7/8" KO and provisions for grounding
- All fixtures are U.L. listed and IBEW union made

electrical

- All electrical components are U.L. listed
- Electronic Class P ballasts standard
- Numerous options are available: see ordering information on back
- Optional battery backup available for emergency operation at various output levels; please consult factory for your specific emergency pack requirements

basket/reflector

- Reflector is constructed of high reflective non-yellowing matte white sheet aluminum for soft, indirect illumination
- Standard center basket is perforated formed steel with slot for added direct illumination
- Basket is retained in fixture by four concealed studs for easy removal when cleaning or re-lamping
- Optional 2 piece solid center basket

ordering guide

NOTE: SOME ORDERING OPTIONS APPEAR ON PRODUCT LINE. FOR OTHER OPTIONS, SEE LIST AT RIGHT.

SAMPLE ORDER NUMBER



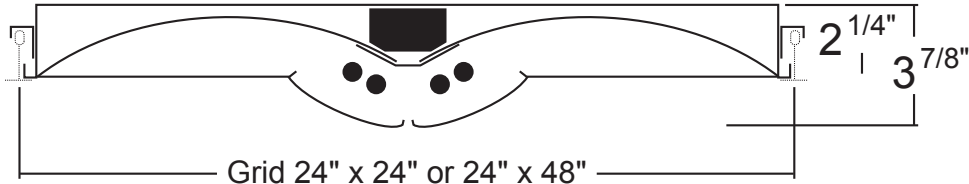
SERIES NO. WATTAGE SIZE BALLAST VOLTAGE OPTIONS DIMENSIONS LAMP TYPE
LAMPS TYPE 1 2

T5 ORDERING GUIDE									
LICDS	2, 4	28	24	E5	1, U			23.75" x 47.75"	F28T5
LICDS	2	14	22	E5	1, U			23.75" x 23.75"	F14T5
LICDS	2, 4	54	24	H5	U			23.75" x 47.75"	F54T5HO
LICDS	2	24	22	H5	U			23.75" x 23.75"	F24T5HO
BIAX ORDERING GUIDE									
LICDS	4	40, 50, 55	24	EB	1, 7, U			23.75" x 47.75"	F40TT, F50TT, F55TT
LICDS	2	40, 50, 55	22	EB	1, 7, U			23.75" x 23.75"	F40TT, F50TT, F55TT

dimensional data

NOTE: SPECIFICATIONS AND DIMENSIONAL DATA ARE SUBJECT TO CHANGE WITHOUT NOTICE.

cross sections



LICDS

SERIES
RECESSED
INDIRECT 2X2, 2X4
LAY-IN

options

OPTIONS: INSERT APPROPRIATE CODE FOR CUSTOMIZED ORDERING

BALLAST

E5 Electronic T5
H5 Electronic T5 HO
EB Electronic Biax
ED Electronic Dimming
(Consult Factory)

NOTE: In order to achieve rated lamp life, fixtures controlled by motion sensors should be ordered with programmed start ballasts when available and minimum time delay should be set to 15 minutes - Consult Factory

VOLTAGE

1 120V
7 277V
U Universal 120 - 277V

GENERAL OPTIONS

EM Emergency pack, 1 lamp
90 min. up to 500 lu.
2C 2 Circuit
SB Solid center basket

Consult Factory for additional options not shown or listed

accessories

W 6 ft. 3-wire whip

LAMP OPTIONS

13 T5 841K
16 T5 835K
11 T5 830K

Revised
5/09

LAMAR LIGHTING 485 Smith Street, Farmingdale, NY 11735 • Tel (631) 777-7700
Fax (631) 777-7705 • Outside NY (800) 724-7743 • www.lamarlighting.com

Lamar
Lighting
Company, Inc.

LICD

SERIES

RECESSED
STYLING
2 X 2 , 2 X 4
INDIRECT
LAY-IN
DROP CENTER
BASKET

Job Name	
Catalog Number	
Notes	Type



application

- Versatile, aesthetically appealing recessed lighting fixture with drop perforated metal diffuser creating a direct/indirect center light source for soft, even illumination
- An attractive alternative to standard recessed lighting or where indirect lighting is desired but ceiling heights are too low for pendant mounted fixtures
- Available with lamp and ballast combinations to fit your specific application

finish

- Prior to painting, all metal parts are treated with a multi-stage phosphate bonding process to ensure adhesion and inhibit rusting
- Painted with a lighting grade baked white enamel, having a reflectance factor exceeding 87% for premium quality and durability

construction

- The LICD series is a premium, recessed unit with heavy-duty construction for stylish long-term use
- Manufactured from code gauge steel
- End plates are securely attached by rivets
- Ample knockouts are provided on back and sides for convenient installation
- Access plate is provided with two 7/8" KO and provisions for grounding
- All fixtures are U.L. listed and IBEW union made

electrical

- All electrical components are U.L. listed
- Electronic Class P ballasts standard
- Numerous options are available: see ordering information on back
- Optional battery backup available for emergency operation at various output levels; please consult factory for your specific emergency pack requirements

basket/reflector

- Reflector is constructed of high reflective non-yellowing matte white sheet aluminum for soft, indirect illumination
- Standard center basket is perforated formed steel
- Basket is retained in fixture by four concealed studs for easy removal when cleaning or re-lamping
- Optional 2 piece solid center basket

ordering guide

NOTE: SOME ORDERING OPTIONS APPEAR ON PRODUCT LINE. FOR OTHER OPTIONS, SEE LIST AT RIGHT.

SAMPLE ORDER NUMBER



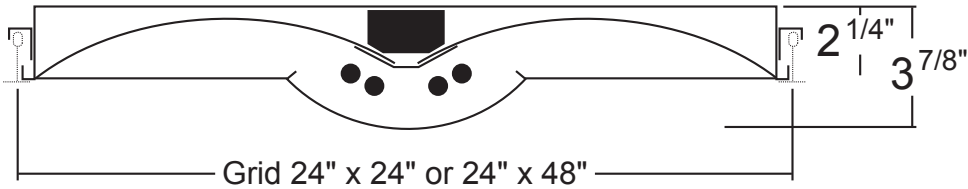
SERIES NO. WATTAGE SIZE BALLAST VOLTAGE OPTIONS DIMENSIONS LAMP TYPE
LAMPS TYPE 1 2

T5 ORDERING GUIDE									
LICD	2, 4	28	24	E5	1, U			23.75" x 47.75"	F28T5
LICD	2	14	22	E5	1, U			23.75" x 23.75"	F14T5
LICD	2, 4	54	24	H5	U			23.75" x 47.75"	F54T5HO
LICD	2	24	22	H5	U			23.75" x 23.75"	F24T5HO
BIAX ORDERING GUIDE									
LICD	4	40, 50, 55	24	EB	1, 7, U			23.75" x 47.75"	F40TT, F50TT, F55TT
LICD	2	40, 50, 55	22	EB	1, 7, U			23.75" x 23.75"	F40TT, F50TT, F55TT

dimensional data

NOTE: SPECIFICATIONS AND DIMENSIONAL DATA ARE SUBJECT TO CHANGE WITHOUT NOTICE

cross sections



LICD

SERIES
RECESSED
INDIRECT 2X2, 2X4
LAY-IN

options

OPTIONS: INSERT APPROPRIATE CODE FOR CUSTOMIZED ORDERING

BALLAST

E5 Electronic T5
H5 Electronic T5 HO
EB Electronic Biax
ED Electronic Dimming
(Consult Factory)

NOTE: In order to achieve rated lamp life, fixtures controlled by motion sensors should be ordered with programmed start ballasts when available and minimum time delay should be set to 15 minutes - Consult Factory

VOLTAGE

1 120V
7 277V
U Universal 120 - 277V

GENERAL OPTIONS

EM Emergency pack, 1 lamp
90 min. up to 500 lu.
2C 2 Circuit
SB Solid center basket

Consult Factory for additional options not shown or listed

accessories

W 6 ft. 3-wire whip

LAMP OPTIONS

13 T5 841K
16 T5 835K
11 T5 830K

Revised
5/09

LAMAR LIGHTING 485 Smith Street, Farmingdale, NY 11735 • Tel (631) 777-7700
Fax (631) 777-7705 • Outside NY (800) 724-7743 • www.lamarlighting.com

Lamar
Lighting
Company, Inc.

LIC
SERIES

RECESSED
 STYLING
 1 X 4
 INDIRECT
 LAY-IN
 CENTER BASKET

Job Name	
Catalog Number	
Notes	Type



application

- Versatile, aesthetically appealing recessed lighting fixture with a perforated metal diffuser creating a direct/indirect center light source for soft, even illumination
- An attractive alternative to standard recessed lighting or where indirect lighting is desired but ceiling heights are too low for pendant-mounted fixtures
- Also available in 2x2 and 2x4 sizes, with lamp and ballast combinations to fit your specific application

finish

- Prior to painting, all metal parts are treated with a multi-stage phosphate bonding process to ensure adhesion and inhibit rusting
- Painted with a lighting grade baked white enamel, having a reflectance factor exceeding 87% for premium quality and durability

construction

- The LIC series is a premium, recessed unit with heavy-duty construction for stylish long-term use
- Manufactured from code gauge steel
- End plates are securely attached by rivets
- Ample knockouts are provided on back and sides for convenient installation
- Access plate is provided with two 7/8" KO and provisions for grounding
- All fixtures are U.L. listed and IBEW union made

electrical

- All electrical components are U.L. listed
- Electronic Class P ballasts standard
- Numerous options are available: see ordering information on back
- Optional battery backup available for emergency operation at various output levels; please consult factory for your specific emergency pack requirements

basket/reflector

- Reflector is constructed of high reflective non-yellowing matte white sheet aluminum for soft, indirect illumination
- Standard center basket is perforated formed steel with approximately 45% light transmission
- Basket is retained in fixture by two concealed studs for easy removal when cleaning or re-lamping



ordering guide

NOTE: SOME ORDERING OPTIONS APPEAR ON PRODUCT LINE. FOR OTHER OPTIONS, SEE LIST AT RIGHT.

SAMPLE ORDER NUMBER

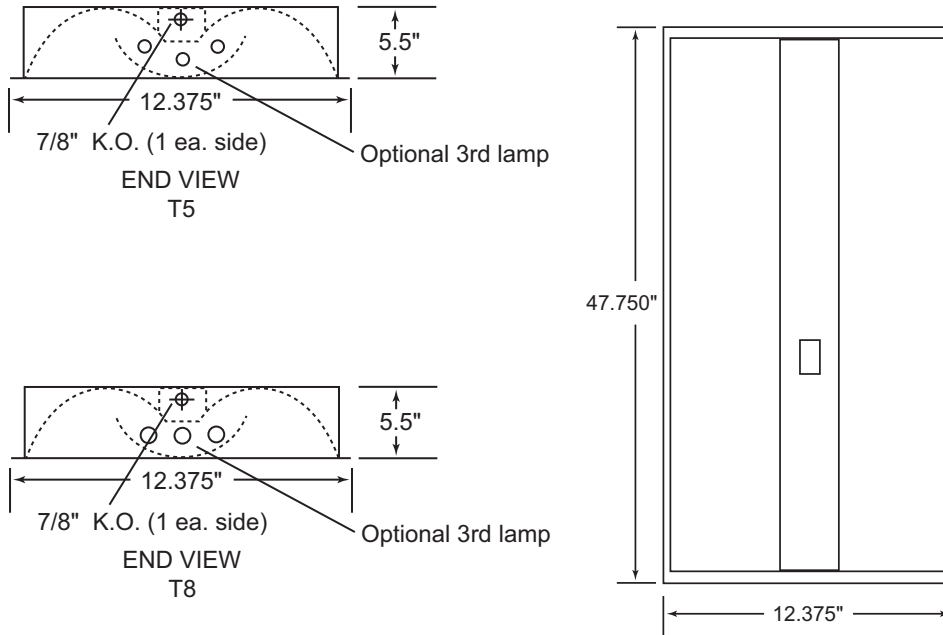


T-8 ORDERING GUIDE								
LIC	2, 3	32	14	E8, H8	1, U		12.375" x 47.25"	F32T8
T5 ORDERING GUIDE								
LIC	2, 3	28, 54	14	E5, H5	1, U		12.375" x 47.25"	F28T5/F54T5HO
BIAx ORDERING GUIDE								
LIC	2, 4	40, 50, 55	14	EB	1, U		12.375" x 47.25"	F40, 50, 55TT

dimensional data

NOTE: SPECIFICATIONS AND DIMENSIONAL DATA ARE SUBJECT TO CHANGE WITHOUT NOTICE

cross sections



LIC
SERIES
RECESSED
INDIRECT 1X4 LAY-IN

options

OPTIONS: INSERT APPROPRIATE CODE FOR CUSTOMIZED ORDERING

BALLAST

E5 Electronic T5
 H5 Electronic T5 HO
 E8 Electronic T8
 H8 Electronic T8 HO
 EB Electronic Biax
 ED Electronic Dimming
 (Consult Factory)

NOTE: In order to achieve rated lamp life, fixtures controlled by motion sensors should be ordered with programmed start ballasts when available and minimum time delay should be set to 15 minutes - Consult Factory

VOLTAGE

1 120V
 U Universal 120 - 277V

GENERAL OPTIONS

EM Emergency pack, 1 lamp
 90 min. up to 500 lu.
 2C 2 Circuit
 PF Round center basket-perforated
 (Standard)

Consult Factory for additional options not shown or listed

accessories

W 6 ft. 3-wire whip

LAMP OPTIONS

12 T8 741K
 15 T8 735K
 10 T8 730K
 13 T5/T8 841K
 16 T5/T8 835K
 11 T5/T8 830K

Revised
 6/11

LAMAR LIGHTING 485 Smith Street, Farmingdale, NY 11735 • Tel (631) 777-7700
 Fax (631) 777-7705 • Outside NY (800) 724-7743 • www.lamarlighting.com

Lamar
Lighting
 Company, Inc.

L I C
SERIES
RECESSED
STYLING

2 X 2
INDIRECT
LAY-IN
CENTER BASKET

Job Name	
Catalog Number	
Notes	Type



application

- Versatile, aesthetically appealing recessed lighting fixture with a perforated metal diffuser creating a direct/indirect center light source for soft, even illumination
- An attractive alternative to standard recessed lighting or where indirect lighting is desired but ceiling heights are too low for pendant mounted fixtures
- Available with lamp and ballast combinations to fit your specific application

finish

- Prior to painting, all metal parts are treated with a multi-stage phosphate bonding process to ensure adhesion and inhibit rusting
- Painted with a lighting grade baked white enamel, having a reflectance factor exceeding 87% for premium quality and durability

construction

- The LIC series is a premium, recessed unit with heavy-duty construction for stylish long-term use
- Manufactured from code gauge steel
- End plates are securely attached by rivets
- Ample knockouts are provided on back and sides for convenient installation
- Access plate is provided with two 7/8" KO and provisions for grounding
- Slot grid construction available - see ordering information on back
- All fixtures are U.L. listed and IBEW union made

electrical

- All electrical components are U.L. listed
- Electronic Class P ballasts standard
- Numerous options are available: see ordering information on back
- Optional battery backup available for emergency operation at various output levels; please consult factory for your specific emergency pack requirements

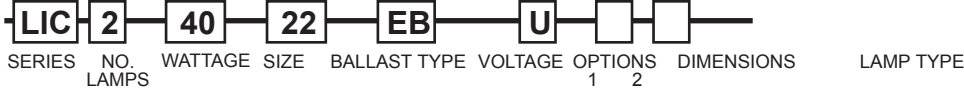
basket/reflector

- Reflector is constructed of high reflective non-yellowing matte white sheet steel for soft, indirect illumination
- Standard center basket is perforated formed steel with approximately 45% light transmission
- Basket is retained in fixture by four concealed studs for easy removal when cleaning or re-lamping
- Optional 1 piece solid center basket

ordering guide

NOTE: SOME ORDERING OPTIONS APPEAR ON PRODUCT LINE. FOR OTHER OPTIONS, SEE LIST AT RIGHT.

SAMPLE ORDER NUMBER

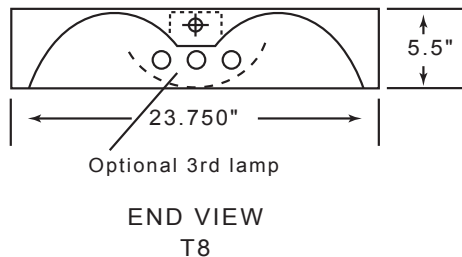
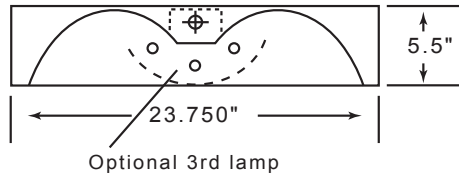
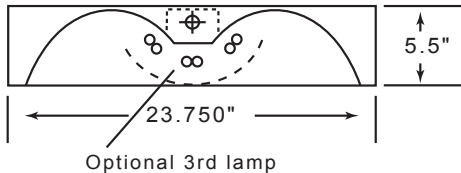
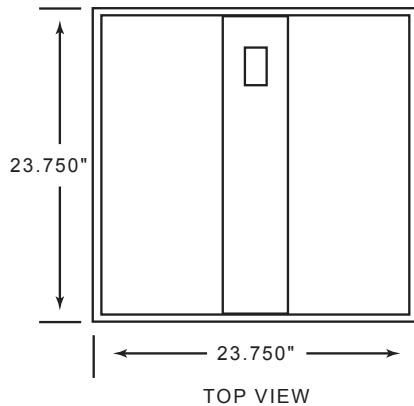


T-8 ORDERING GUIDE									
LIC	2, 3	17	22	E8, H8	1, U			23.75" x 23.75"	F17T8
BIAx ORDERING GUIDE									
LIC	2, 3	40, 50, 55	22	EB	1, U			23.75" x 23.75"	F40TT, F50TT, F55TT
T5 ORDERING GUIDE									
LIC	2, 3	14, 24	22	E5, H5	1, U			23.75" x 23.75"	F14T5/F24T5HO

dimensional data

NOTE: SPECIFICATIONS AND DIMENSIONAL DATA ARE SUBJECT TO CHANGE WITHOUT NOTICE

cross sections



LIC
SERIES
RECESSED
INDIRECT 2X2 LAY-IN

options

OPTIONS: INSERT APPROPRIATE CODE FOR CUSTOMIZED ORDERING

BALLAST

E5	Electronic T5
H5	Electronic T5 HO
E8	Electronic T8
H8	Electronic T8 HO
EB	Electronic Biax
ED	Electronic Dimming (Consult Factory)

NOTE: In order to achieve rated lamp life, fixtures controlled by motion sensors should be ordered with programmed start ballasts when available and minimum time delay should be set to 15 minutes - Consult Factory

VOLTAGE

1	120V
U	Universal 120 - 277V

GENERAL OPTIONS

EM	Emergency pack, 1 lamp 90 min. up to 500 lu.
2C	2 Circuit
PF	Round center basket-perforated (Standard)
SB	Round center basket-solid
SG	Slot grid construction

Consult Factory for additional options not shown or listed

accessories

W 6 ft. 3-wire whip

LAMP OPTIONS

12	T8 741K
15	T8 735K
10	T8 730K
13	T5/T8 841K
16	T5/T8 835K
11	T5/T8 830K

Revised
6/11

LAMAR LIGHTING 485 Smith Street, Farmingdale, NY 11735 • Tel (631) 777-7700
Fax (631) 777-7705 • Outside NY (800) 724-7743 • www.lamarlighting.com

Lamar
Lighting
Company, Inc.

LIC
SERIES

RECESSED
 STYLING
 2 X 4
 INDIRECT
 LAY-IN
 CENTER BASKET

Job Name	
Catalog Number	
Notes	Type



application

- Versatile, aesthetically appealing recessed lighting fixture with a perforated metal diffuser creating a direct/indirect center light source for soft, even illumination
- An attractive alternative to standard recessed lighting or where indirect lighting is desired but ceiling heights are too low for pendant mounted fixtures
- Available with lamp and ballast combinations to fit your specific application

finish

- Prior to painting, all metal parts are treated with a multi-stage phosphate bonding process to ensure adhesion and inhibit rusting
- Painted with a lighting grade baked white enamel, having a reflectance factor exceeding 87% for premium quality and durability

construction

- The LIC series is a premium, recessed unit with heavy-duty construction for stylish long-term use
- Manufactured from code gauge steel
- End plates are securely attached by rivets
- Ample knockouts are provided on back and sides for convenient installation
- Access plate is provided with two 7/8" KO and provisions for grounding
- Slot grid construction available - see ordering information on back
- All fixtures are U.L. listed and IBEW union made

electrical

- All electrical components are U.L. listed
- Electronic Class P ballasts standard
- Numerous options are available: see ordering information on back
- Optional battery backup available for emergency operation at various output levels; please consult factory for your specific emergency pack requirements

basket/reflector

- Reflector is constructed of high reflective non-yellowing matte white sheet steel for soft, indirect illumination
- Standard center basket is perforated formed steel with approximately 45% light transmission
- Basket is retained in fixture by four concealed studs for easy removal when cleaning or re-lamping
- Optional 1 piece solid center basket

ordering guide

NOTE: SOME ORDERING OPTIONS APPEAR ON PRODUCT LINE. FOR OTHER OPTIONS, SEE LIST AT RIGHT.

SAMPLE ORDER NUMBER



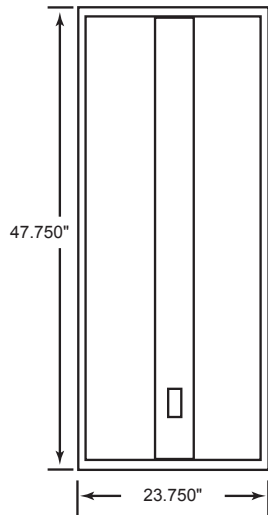
SERIES NO. WATTAGE SIZE BALLAST VOLTAGE OPTIONS DIMENSIONS LAMP TYPE
LAMPS TYPE 1 2

T-8 ORDERING GUIDE									
LIC	2, 3	32	24	E8, H8	1, U			23.75" x 47.75"	F32T8
BIAX ORDERING GUIDE									
LIC	4, 6	40, 50, 55	24	EB	1, U			23.75" x 47.75"	F40TT, F50TT, F55TT
T5 ORDERING GUIDE									
LIC	2, 3	28, 54	24	E5, H5	1, U			23.75" x 47.75"	F28T5/F54T5HO

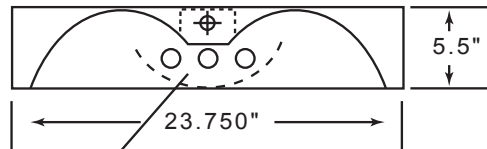
dimensional data

NOTE: SPECIFICATIONS AND DIMENSIONAL DATA ARE SUBJECT TO CHANGE WITHOUT NOTICE

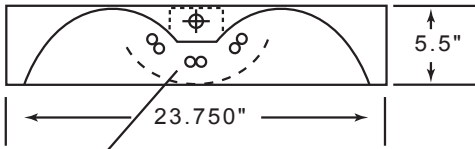
cross sections



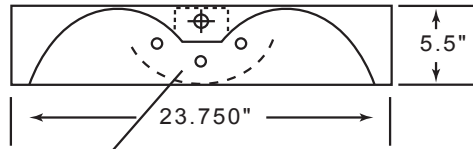
TOP VIEW



END VIEW
T8



END VIEW
Biax



END VIEW
T5

LIC
SERIES
RECESSED
INDIRECT 2X4 LAY-IN

options

OPTIONS: INSERT APPROPRIATE CODE FOR CUSTOMIZED ORDERING

BALLAST

- E5 Electronic T5
- H5 Electronic T5 HO
- E8 Electronic T8
- H8 Electronic T8 HO
- EB Electronic Biax
- ED Electronic Dimming (Consult Factory)

NOTE: In order to achieve rated lamp life, fixtures controlled by motion sensors should be ordered with programmed start ballasts when available and minimum time delay should be set to 15 minutes - Consult Factory

VOLTAGE

- 1 120V
- U Universal 120 - 277V

GENERAL OPTIONS

- EM Emergency pack, 1 lamp 90 min. up to 500 lu.
- 2C 2 Circuit
- PF Round center basket - perforated (Standard)
- SB Round center basket - solid
- SG Slot grid construction

Consult Factory for additional options not shown or listed

accessories

- W 6 ft. 3-wire whip

LAMP OPTIONS

- 12 T8 741K
- 15 T8 735K
- 10 T8 730K
- 13 T5/T8 841K
- 16 T5/T8 835K
- 11 T5/T8 830K

Revised
6/11

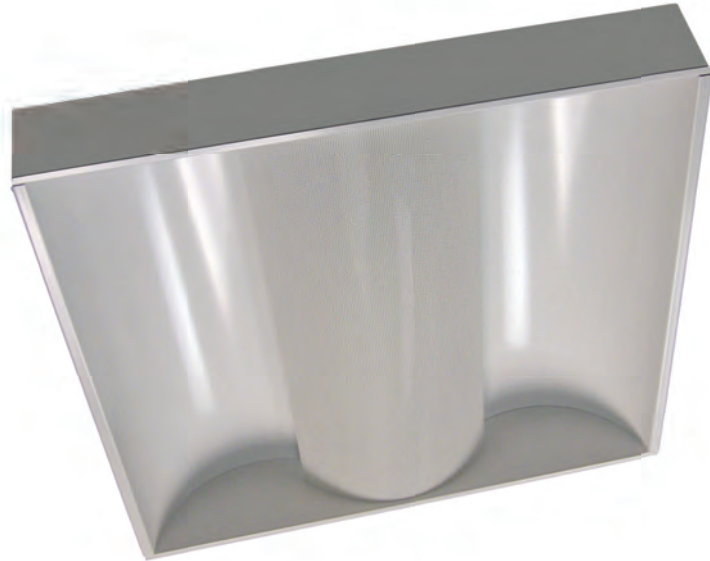
LAMAR LIGHTING 485 Smith Street, Farmingdale, NY 11735 • Tel (631) 777-7700
Fax (631) 777-7705 • Outside NY (800) 724-7743 • www.lamarlighting.com

Lamar
Lighting
Company, Inc.

SLIC SERIES

RECESSED
STYLING
2 X 2 , 2 X 4
INDIRECT
SHALLOW
LAY-IN
CENTER BASKET

Job Name	
Catalog Number	
Notes	Type



application

- Versatile, aesthetically appealing recessed lighting fixture with a perforated metal diffuser creating a direct/indirect center light source for soft, even illumination
- An attractive alternative to standard recessed lighting or where indirect lighting is desired but ceiling heights are too low for pendant mounted fixtures
- Available with lamp and ballast combinations to fit your specific application

finish

- Prior to painting, all metal parts are treated with a multi-stage phosphate bonding process to ensure adhesion and inhibit rusting
- Painted with a lighting grade baked white enamel, having a reflectance factor exceeding 87% for premium quality and durability

construction

- The SLIC series is a premium, recessed unit with heavy-duty construction for stylish long-term use
- Manufactured from code gauge steel
- End plates are securely attached by rivets
- Ample knockouts are provided on back and sides for convenient installation
- Access plate is provided with two 7/8" KO and provisions for grounding
- Shallow profile is only 4" in height allowing for mounting in ceilings with low plenum light
- More efficient than deeper models, providing a soft even glow throughout the fixture
- Slot grid construction available - see ordering information on back
- All fixtures are U.L. listed and IBEW union made

electrical

- All electrical components are U.L. listed
- Electronic Class P ballasts standard
- Numerous options are available: see ordering information on back
- Optional battery backup available for emergency operation at various output levels; please consult factory for your specific emergency pack requirements

basket/reflector

- Reflector is constructed of high reflective non-yellowing matte white sheet steel for soft, indirect illumination
- Standard center basket is perforated formed steel with approximately 45% light transmission
- Basket is retained in fixture by four concealed studs for easy removal when cleaning or re-lamping
- Optional 1 piece solid center basket

ordering guide

NOTE: SOME ORDERING OPTIONS APPEAR ON PRODUCT LINE. FOR OTHER OPTIONS, SEE LIST AT RIGHT.

SAMPLE ORDER NUMBER



SERIES NO. WATTAGE SIZE BALLAST VOLTAGE OPTIONS DIMENSIONS LAMP TYPE
LAMPS TYPE 1 2

BIAX ORDERING GUIDE

SLIC	2, 3	40, 50, 55	22	EB	1, U			24" x 23.75"	F40TT, F50TT, F55TT
SLIC	4, 6	40, 50, 55	24	EB	1, U			24" x 47.75"	F40TT, F50TT, F55TT

T5 ORDERING GUIDE

SLIC	2, 3	14, 24	22	E5, H5	1, U			24" x 23.75"	F14T5/F24T5HO
SLIC	2, 3	28, 54	24	E5, H5	1, U			24" x 47.75"	F28T5/F54T5HO

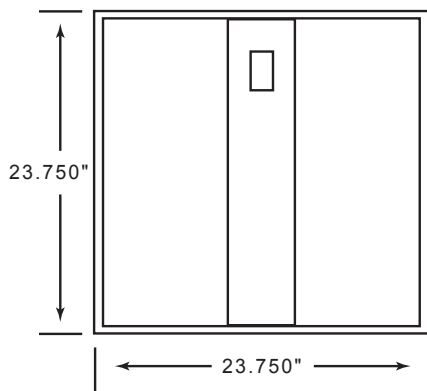
T8 ORDERING GUIDE

SLIC	2	17	22	E8, H8	1, U			24" x 23.75"	F17T8
SLIC	2	32	24	E8, H8	1, U			24" x 47.75"	F32T8

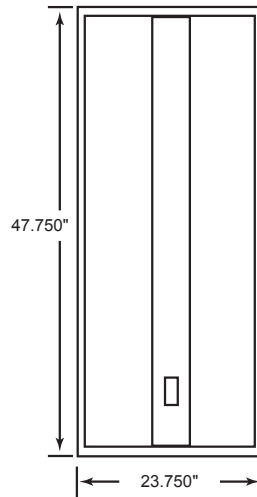
dimensional data

NOTE: SPECIFICATIONS AND DIMENSIONAL DATA ARE SUBJECT TO CHANGE WITHOUT NOTICE

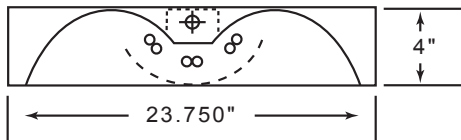
cross sections



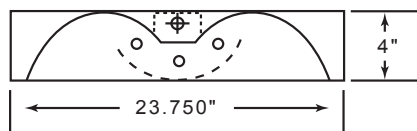
TOP VIEW



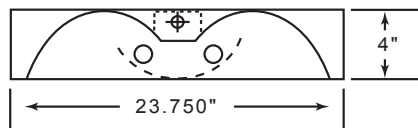
TOP VIEW



END VIEW
Biax



END VIEW
T5



END VIEW
T8

SLIC

SERIES
SHALLOW INDIRECT
2 X 2, 2 X 4 LAY-IN

options

OPTIONS: INSERT APPROPRIATE CODE FOR CUSTOMIZED ORDERING

BALLAST

E5 Electronic T5
E8 Electronic T8
H5 Electronic T5 HO
H8 Electronic T8 HO
EB Electronic Biax
ED Electronic Dimming
(Consult Factory)

NOTE: In order to achieve rated lamp life, fixtures controlled by motion sensors should be ordered with programmed start ballasts when available and minimum time delay should be set to 15 minutes - Consult Factory

VOLTAGE

1 120V
U Universal 120 - 277V

GENERAL OPTIONS

EM Emergency pack, 1 lamp
90 min. up to 500 lu.
2C 2 Circuit
PF Round center basket - perforated
(Standard)
SB Round center basket - solid
SG Slot grid construction

Consult Factory for additional options not shown or listed

accessories

W 6 ft. 3-wire whip

LAMP OPTIONS

12 T8 741K
15 T8 735K
10 T8 730K
13 T5/T8 841K
16 T5/T8 835K
11 T5/T8 830K

Revised
6/11

LAMAR LIGHTING 485 Smith Street, Farmingdale, NY 11735 • Tel (631) 777-7700
Fax (631) 777-7705 • Outside NY (800) 724-7743 • www.lamarlighting.com

Lamar
Lighting
Company, Inc.

L I C S

SERIES RECESSED STYLING

1 X 4
INDIRECT
LAY-IN
CENTER BASKET
WITH SLOT

Job Name

Catalog Number

Notes

Type



application

- Versatile, aesthetically appealing recessed lighting fixture with a perforated metal diffuser creating a direct/indirect center light source for soft, even illumination
- An attractive alternative to standard recessed lighting or where indirect lighting is desired but ceiling heights are too low for pendant mounted fixtures
- Available with lamp and ballast combinations to fit your specific application

finish

- Prior to painting, all metal parts are treated with a multi-stage phosphate bonding process to ensure adhesion and inhibit rusting
- Painted with a lighting grade baked white enamel, having a reflectance factor exceeding 87% for premium quality and durability

construction

- The LICs series is a premium, recessed unit with heavy-duty construction for stylish long-term use
- Manufactured from code gauge steel
- End plates are securely attached by rivets
- Ample knockouts are provided on back and sides for convenient installation
- Access plate is provided with two 7/8" KO and provisions for grounding
- All fixtures are U.L. listed and IBEW union made

electrical

- All electrical components are U.L. listed
- Electronic Class P ballasts standard
- Numerous options are available: see ordering information on back
- Optional battery backup available for emergency operation at various output levels; please consult factory for your specific emergency pack requirements

basket/reflector

- Reflector is constructed of high reflective non-yellowing matte white sheet aluminum for soft, indirect illumination
- 2 piece center basket is perforated formed steel with approximately 45% light transmission
- Basket is retained in fixture by four concealed studs for easy removal when cleaning or re-lamping

LICS

SERIES
RECESSED
INDIRECT 1X4 LAY-IN

ordering guide

NOTE: SOME ORDERING OPTIONS APPEAR ON PRODUCT LINE. FOR OTHER OPTIONS, SEE LIST AT RIGHT.

SAMPLE ORDER NUMBER



SERIES NO. WATTAGE SIZE BALLAST TYPE VOLTAGE OPTIONS DIMENSIONS LAMP TYPE
LAMPS 1 2

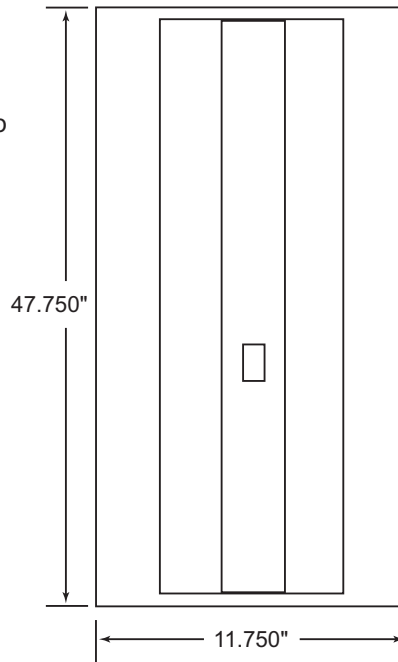
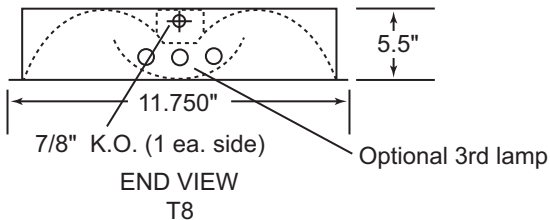
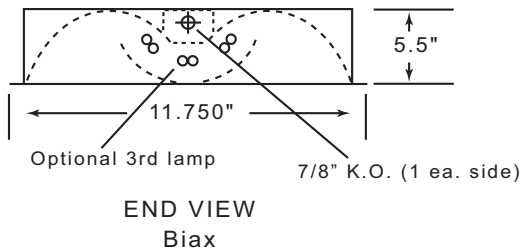
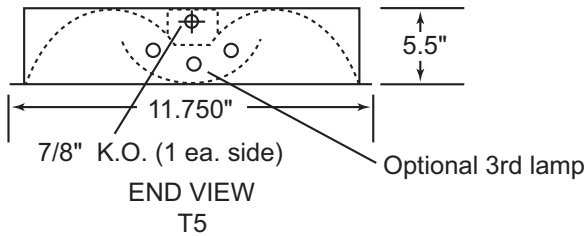
T-8 ORDERING GUIDE							
LICS	2, 3	32	14	E8, H8	1, U		11.75" x 47.25" F32T8
T5 ORDERING GUIDE							
LICS	2, 3	28, 54	14	E5, H5	1, U		11.75" x 47.25" F28T5/F54T5HO
BIAX ORDERING GUIDE							
LICS	2, 4	40, 50, 55	14	EB	1, U		11.75" x 47.25" F40, 50, 55TT

dimensional data

NOTE: SPECIFICATIONS AND DIMENSIONAL DATA ARE SUBJECT TO CHANGE WITHOUT NOTICE

cross sections

TOP VIEW



options

OPTIONS: INSERT APPROPRIATE CODE FOR CUSTOMIZED ORDERING

BALLAST

E5 Electronic T5
H5 Electronic T5 HO
E8 Electronic T8
H8 Electronic T8 HO
EB Electronic Biax
ED Electronic Dimming
(Consult Factory)

NOTE: In order to achieve rated lamp life, fixtures controlled by motion sensors should be ordered with programmed start ballasts when available and minimum time delay should be set to 15 minutes - Consult Factory

VOLTAGE

1 120V
U Universal 120 - 277V

GENERAL OPTIONS

W 6 ft. 3-wire whip
EM Emergency pack, 1 lamp
90 min. up to 500 lu.
2C 2 Circuit
PF Round center basket - perforated
(Standard) (2 piece)

Consult Factory for additional options not shown or listed

accessories

W 6 ft. 3-wire whip

LAMP OPTIONS

12 T8 741K
15 T8 735K
10 T8 730K
13 T5/T8 841K
16 T5/T8 835K
11 T5/T8 830K

Revised
6/11

LAMAR LIGHTING 485 Smith Street, Farmingdale, NY 11735 • Tel (631) 777-7700
Fax (631) 777-7705 • Outside NY (800) 724-7743 • www.lamarlighting.com

Lamar
Lighting
Company, Inc.

L I C S

SERIES RECESSED STYLING

2 X 2
INDIRECT
LAY-IN
CENTER BASKET
WITH SLOT

Job Name	
Catalog Number	
Notes	Type



application

- Versatile, aesthetically appealing recessed lighting fixture with a perforated metal diffuser creating a direct/indirect center light source for soft, even illumination
- An attractive alternative to standard recessed lighting or where indirect lighting is desired but ceiling heights are too low for pendant mounted fixtures
- Available with lamp and ballast combinations to fit your specific application

finish

- Prior to painting, all metal parts are treated with a multi-stage phosphate bonding process to ensure adhesion and inhibit rusting
- Painted with a lighting grade baked white enamel, having a reflectance factor exceeding 87% for premium quality and durability

construction

- The LICS series is a premium, recessed unit with heavy-duty construction for stylish long-term use
- Manufactured from code gauge steel
- End plates are securely attached by rivets
- Ample knockouts are provided on back and sides for convenient installation
- Access plate is provided with two 7/8" KO and provisions for grounding
- Slot grid construction available - see ordering information on back
- All fixtures are U.L. listed and IBEW union made

electrical

- All electrical components are U.L. listed
- Electronic Class P ballasts standard
- Numerous options are available: see ordering information on back
- Optional battery backup available for emergency operation at various output levels; please consult factory for your specific emergency pack requirements

basket/reflector

- Reflector is constructed of high reflective non-yellowing matte white sheet steel for soft, indirect illumination
- 2 piece center basket is perforated formed steel with approximately 45% light transmission
- Basket is retained in fixture by four concealed studs for easy removal when cleaning or re-lamping
- Optional 2 piece solid center baskets

ordering guide

NOTE: SOME ORDERING OPTIONS APPEAR ON PRODUCT LINE. FOR OTHER OPTIONS, SEE LIST AT RIGHT.

SAMPLE ORDER NUMBER



SERIES NO. WATTAGE SIZE BALLAST TYPE VOLTAGE OPTIONS DIMENSIONS LAMP TYPE
LAMPS 1 2

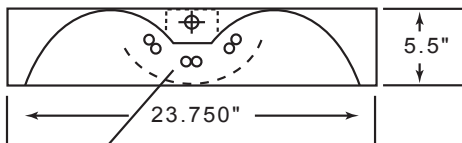
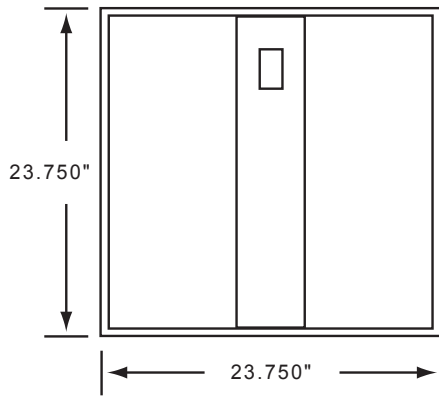
T-8 ORDERING GUIDE								
LICS	2, 3	17	22	E8, H8	1, U		23.75"x 23.75"	F17T8
BIAX ORDERING GUIDE								
LICS	2	40, 50, 55	22	EB	1, U		23.75"x 23.75"	F40TT, F50TT, F55TT
T5 ORDERING GUIDE								
LICS	2, 3	14, 24	22	E5, H5	1, U		23.75"x 23.75"	F14T5/ F24T5HO

dimensional data

NOTE: SPECIFICATIONS AND DIMENSIONAL DATA ARE SUBJECT TO CHANGE WITHOUT NOTICE

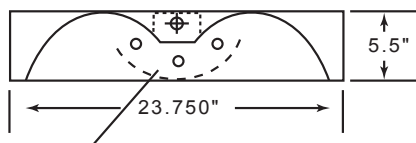
cross sections

TOP VIEW



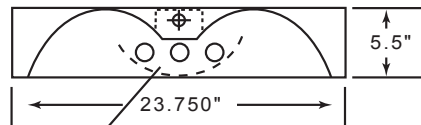
Optional 3rd lamp

END VIEW
Biax



Optional 3rd lamp

END VIEW
T5



Optional 3rd lamp

END VIEW
T8

LICS
SERIES
RECESSED
INDIRECT 2 X 2 LAY-IN

options

OPTIONS: INSERT APPROPRIATE CODE FOR CUSTOMIZED ORDERING

BALLAST

- E5 Electronic T5
- H5 Electronic T5 HO
- E8 Electronic T8
- H8 Electronic T8 HO
- EB Electronic biax
- ED Electronic Dimming (Consult Factory)

NOTE: In order to achieve rated lamp life, fixtures controlled by motion sensors should be ordered with programmed start ballasts when available and minimum time delay should be set to 15 minutes - Consult Factory

VOLTAGE

- 1 120V
- U Universal 120 - 277V

GENERAL OPTIONS

- EM Emergency pack, 1 lamp 90 min. up to 500 lu.
- 2C 2 Circuit
- PF Round center basket - perforated (Standard) (2 pieces)
- SB Round center basket - solid (2 pieces)
- SG Slot grid construction

Consult Factory for additional options not shown or listed

accessories

- W 6 ft. 3-wire whip

LAMP OPTIONS

- 12 T8 741K
- 15 T8 735K
- 10 T8 730K
- 13 T5/T8 841K
- 16 T5/T8 835K
- 11 T5/T8 830K

Revised
6/11

LAMAR LIGHTING 485 Smith Street, Farmingdale, NY 11735 • Tel (631) 777-7700
Fax (631) 777-7705 • Outside NY (800) 724-7743 • www.lamarlighting.com

Lamar
Lighting
Company, Inc.

LICS SERIES

RECESSED
STYLING
2 X 4
INDIRECT
LAY-IN
CENTER
BASKET WITH
SLOT

Job Name	
Catalog Number	
Notes	Type



application

- Versatile, aesthetically appealing recessed lighting fixture with a perforated metal diffuser creating a direct/indirect center light source for soft, even illumination
- An attractive alternative to standard recessed lighting or where indirect lighting is desired but ceiling heights are too low for pendant mounted fixtures
- Available with lamp and ballast combinations to fit your specific application

finish

- Prior to painting, all metal parts are treated with a multi-stage phosphate bonding process to ensure adhesion and inhibit rusting
- Painted with a lighting grade baked white enamel, having a reflectance factor exceeding 87% for premium quality and durability

construction

- The LICS series is a premium, recessed unit with heavy-duty construction for stylish long-term use
- Manufactured from code gauge steel
- End plates are securely attached by rivets
- Ample knockouts are provided on back and sides for convenient installation
- Access plate is provided with two 7/8" KO and provisions for grounding
- Slot grid construction available - see ordering information on back
- All fixtures are U.L. listed and IBEW union made

electrical

- All electrical components are U.L. listed
- Electronic Class P ballasts standard
- Numerous options are available: see ordering information on back
- Optional battery backup available for emergency operation at various output levels; please consult factory for your specific emergency pack requirements

basket/reflector

- Reflector is constructed of high reflective non-yellowing matte white sheet steel for soft, indirect illumination
- 2 piece center basket is perforated formed steel with approximately 45% light transmission
- Basket is retained in fixture by four concealed studs for easy removal when cleaning or re-lamping
- Optional 2 piece solid center baskets

LICS

SERIES
RECESSED
INDIRECT 2X4 LAY-IN

ordering guide

NOTE: SOME ORDERING OPTIONS APPEAR ON PRODUCT LINE. FOR OTHER OPTIONS, SEE LIST AT RIGHT.

SAMPLE ORDER NUMBER



SERIES	NO. LAMPS	WATTAGE	SIZE	BALLAST TYPE	VOLTAGE	OPTIONS 1 2	DIMENSIONS	LAMP TYPE
--------	-----------	---------	------	--------------	---------	-------------	------------	-----------

T-8 ORDERING GUIDE

LICS	2, 3	32	24	E8, H8	1, 7, U		23.75" x 47.75"	F32T8
------	------	----	----	--------	---------	--	-----------------	-------

BIAX ORDERING GUIDE

LICS	4	40, 50, 55	24	EB	1, 7, U		23.75" x 47.75"	F40TT, F50TT, F55TT
------	---	------------	----	----	---------	--	-----------------	---------------------

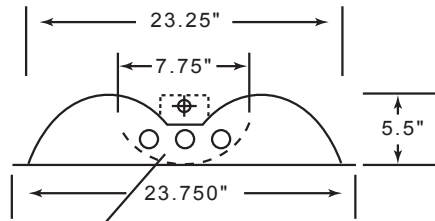
T5 ORDERING GUIDE

LICS	2, 3	28, 54	24	E5, H5	1, 7, U		23.75" x 47.75"	F28T5/F54T5HO
------	------	--------	----	--------	---------	--	-----------------	---------------

dimensional data

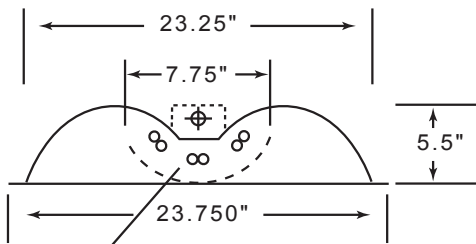
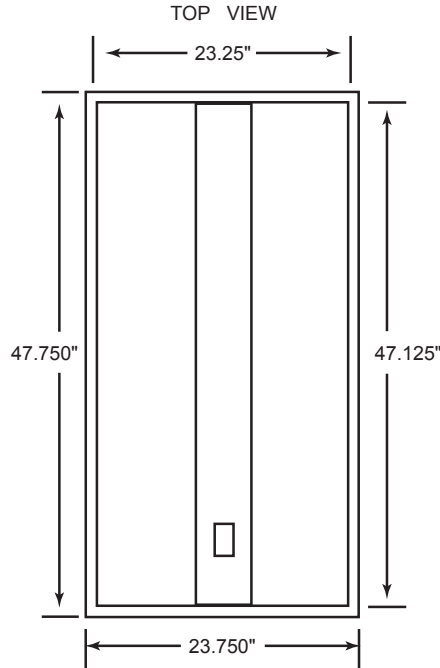
NOTE: SPECIFICATIONS AND DIMENSIONAL DATA ARE SUBJECT TO CHANGE WITHOUT NOTICE

cross sections



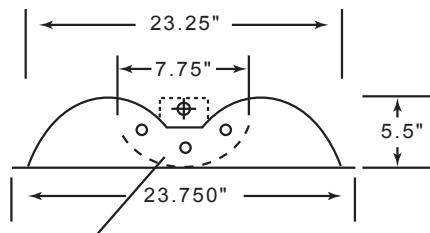
Optional 3rd lamp

END VIEW
T8



Optional 3rd lamp

END VIEW
Biax



Optional 3rd lamp

END VIEW
T5

options

OPTIONS: INSERT APPROPRIATE CODE FOR CUSTOMIZED ORDERING

BALLAST

- E5 Electronic T5
- H5 Electronic T5 HO
- E8 Electronic T8
- H8 Electronic T8 HO
- EB Electronic biax
- ED Electronic Dimming (Consult Factory)

NOTE: In order to achieve rated lamp life, fixtures controlled by motion sensors should be ordered with programmed start ballasts when available and minimum time delay should be set to 15 minutes - Consult Factory

VOLTAGE

- 1 120V
- U Universal 120 - 277V

GENERAL OPTIONS

- EM Emergency pack, 1 lamp 90 min. up to 500 lu.
- 2C 2 Circuit
- PF Round center basket - perforated (Standard) (2 pieces)
- SB Round center basket - solid (2 pieces)
- SG Slot grid construction

Consult Factory for additional options not shown or listed

accessories

- W 6 ft. 3-wire whip

LAMP OPTIONS

- 12 T8 741K
- 15 T8 735K
- 10 T8 730K
- 13 T5/T8 841K
- 16 T5/T8 835K
- 11 T5/T8 830K

Revised
6/11

LAMAR LIGHTING 485 Smith Street, Farmingdale, NY 11735 • Tel (631) 777-7700
Fax (631) 777-7705 • Outside NY (800) 724-7743 • www.lamarlighting.com

Lamar
Lighting
Company, Inc.

SLICS

SERIES

RECESSED
STYLING

2 X 2 , 2 X 4

INDIRECT

SHALLOW

LAY-IN

CENTER BASKET

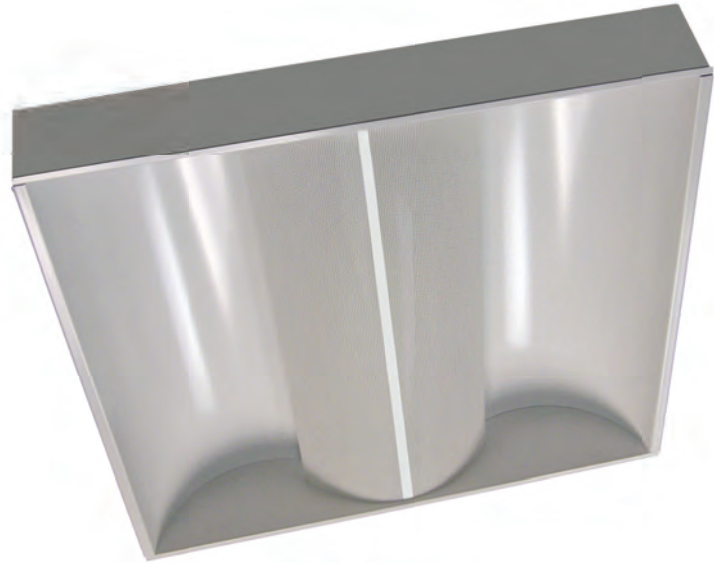
WITH SLOT

Job Name

Catalog Number

Notes

Type



application

- Versatile, aesthetically appealing recessed lighting fixture with a perforated metal diffuser creating a direct/indirect center light source for soft, even illumination
- An attractive alternative to standard recessed lighting or where indirect lighting is desired but ceiling heights are too low for pendant mounted fixtures
- Available with lamp and ballast combinations to fit your specific application

finish

- Prior to painting, all metal parts are treated with a multi-stage phosphate bonding process to ensure adhesion and inhibit rusting
- Painted with a lighting grade baked white enamel, having a reflectance factor exceeding 87% for premium quality and durability

construction

- The SLICS series is a premium, recessed unit with heavy-duty construction for stylish long-term use
- Manufactured from code gauge steel
- End plates are securely attached by rivets
- Ample knockouts are provided on back and sides for convenient installation
- Access plate is provided with two 7/8" KO and provisions for grounding
- Shallow profile is only 4" in height allowing for mounting in ceilings with low plenum light
- More efficient than deeper models, providing a soft even glow throughout the fixture
- Slot grid construction available - see ordering information on back
- All fixtures are U.L. listed and IBEW union made

electrical

- All electrical components are U.L. listed
- Electronic Class P ballasts standard
- Numerous options are available: see ordering information on back
- Optional battery backup available for emergency operation at various output levels; please consult factory for your specific emergency pack requirements

basket/reflector

- Reflector is constructed of high reflective non-yellowing matte white sheet steel for soft, indirect illumination
- 2 piece center basket is perforated formed steel with approximately 45% light transmission
- Basket is retained in fixture by four concealed studs for easy removal when cleaning or re-lamping
- Optional 2 piece solid center basket

SLICS

SERIES
SHALLOW INDIRECT
2 X 2, 2 X 4 LAY-IN

ordering guide

NOTE: SOME ORDERING OPTIONS APPEAR ON PRODUCT LINE. FOR OTHER OPTIONS, SEE LIST AT RIGHT.

SAMPLE ORDER NUMBER

SLICS 2 40 22 EB U PF

SERIES NO. WATTAGE SIZE BALLAST TYPE VOLTAGE OPTIONS DIMENSIONS LAMP TYPE
LAMPS 1 2

BIAX ORDERING GUIDE

SLICS	2	40, 50, 55	22	EB	1, U	24" x 24"	F40TT, F50TT, F55TT
SLICS	4	40, 50, 55	24	EB	1, U	24" x 47.75"	F40TT, F50TT, F55TT

T5 ORDERING GUIDE

SLICS	2, 3	14, 24	22	E5, H5	1, U	24" x 24"	F14T5/ F24T5HO
SLICS	2, 3	28, 54	24	E5, H5	1, U	24" x 47.75"	F28T5/F54T5HO

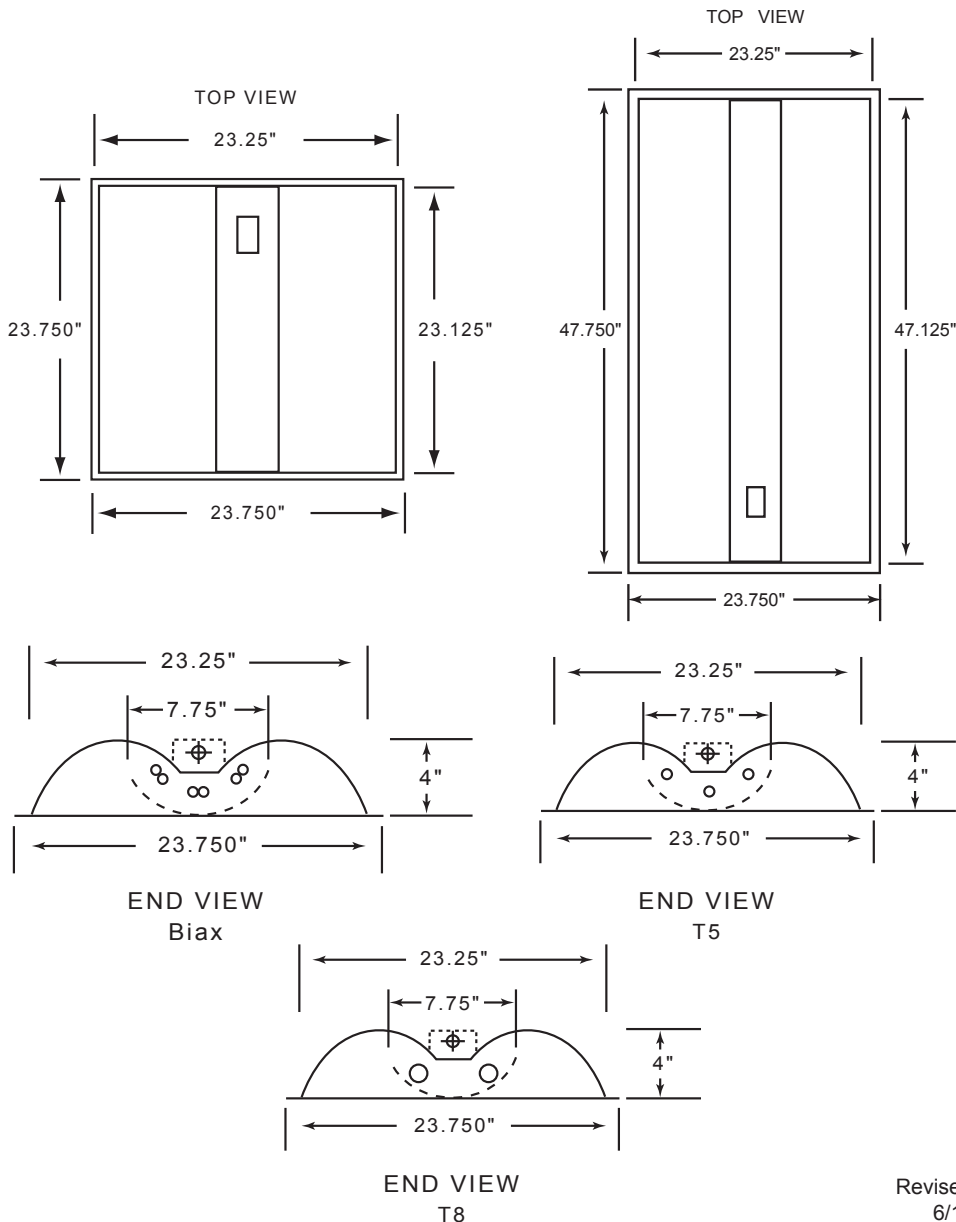
T8 ORDERING GUIDE

SLICS	2	17	22	E8, H8	1, U	24" x 24"	F17T8
SLICS	2	32	24	E8, H8	1, U	24" x 47.75"	F32T8

dimensional data

NOTE: SPECIFICATIONS AND DIMENSIONAL DATA ARE SUBJECT TO CHANGE WITHOUT NOTICE

cross sections



options

OPTIONS: INSERT APPROPRIATE CODE FOR CUSTOMIZED ORDERING

BALLAST

E5 Electronic T5
E8 Electronic T8
H5 Electronic T5 HO
H8 Electronic T8 HO
EB Electronic biax
ED Electronic Dimming
(Consult Factory)

NOTE: In order to achieve rated lamp life, fixtures controlled by motion sensors should be ordered with programmed start ballasts when available and minimum time delay should be set to 15 minutes - Consult Factory

VOLTAGE

1 120V
U Universal 120 - 277V

GENERAL OPTIONS

EM Emergency pack, 1 lamp
90 min. up to 500 lu.
2C 2 Circuit
PF Round center basket - perforated
(Standard) (2 pieces)
SB Round center basket - solid
(2 pieces)
SG Slot grid construction

Consult Factory for additional options not shown or listed

accessories

W 6 ft. 3-wire whip

LAMP OPTIONS

13 T5/T8 841K
16 T5/T8 835K
11 T5/T8 830K

Revised
6/11

LAMAR LIGHTING 485 Smith Street, Farmingdale, NY 11735 • Tel (631) 777-7700
Fax (631) 777-7705 • Outside NY (800) 724-7743 • www.lamarlighting.com

Lamar
Lighting
Company, Inc.

LICB SERIES

RECESSED
STYLING
2 X 2 , 2 X 4
INDIRECT
LAY-IN
CENTER BASKET
WITH BAFFLE

Job Name	
Catalog Number	
Notes	Type



application

- Versatile, aesthetically appealing recessed lighting fixture with a perforated metal diffuser and integral cross-baffle creating a direct/indirect center light source for soft, even illumination
- An attractive alternative to standard recessed lighting or where indirect lighting is desired but ceiling heights are too low for pendant mounted fixtures
- Available with lamp and ballast combinations to fit your specific application

finish

- Prior to painting, all metal parts are treated with a multi-stage phosphate bonding process to ensure adhesion and inhibit rusting
- Painted with a lighting grade baked white enamel, having a reflectance factor exceeding 87% for premium quality and durability

construction

- The LICB series is a premium, recessed unit with heavy-duty construction for stylish long-term use
- Manufactured from code gauge steel
- End plates are securely attached by rivets
- Ample knockouts are provided on back and sides for convenient installation
- Access plate is provided with two 7/8" KO and provisions for grounding
- Slot grid construction available - see ordering information on back
- All fixtures are U.L. listed and IBEW union made

electrical

- All electrical components are U.L. listed
- Electronic Class P ballasts standard
- Numerous options are available: see ordering information on back
- Optional battery backup available for emergency operation at various output levels; please consult factory for your specific emergency pack requirements

basket/reflector

- Reflector is constructed of high reflective non-yellowing matte white sheet steel for soft, indirect illumination
- Standard center basket is perforated formed steel with integral cross baffle for added direct illumination
- Basket is retained in fixture by four concealed studs for easy removal when cleaning or re-lamping

ordering guide

NOTE: SOME ORDERING OPTIONS APPEAR ON PRODUCT LINE. FOR OTHER OPTIONS, SEE LIST AT RIGHT.

SAMPLE ORDER NUMBER

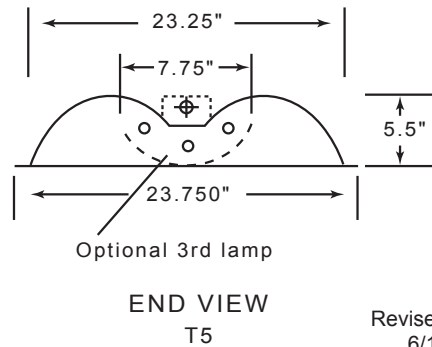
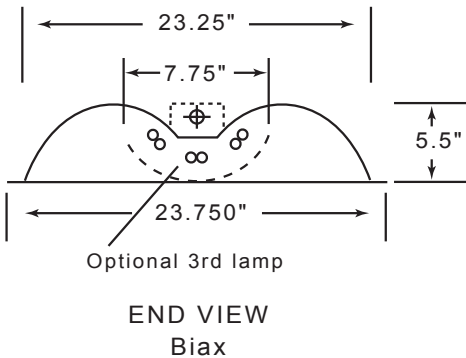
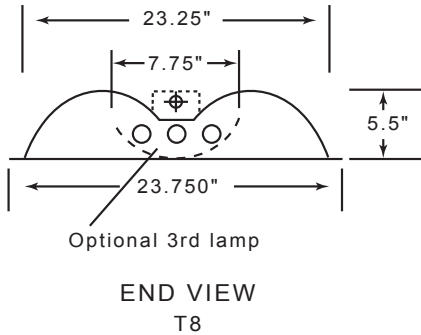
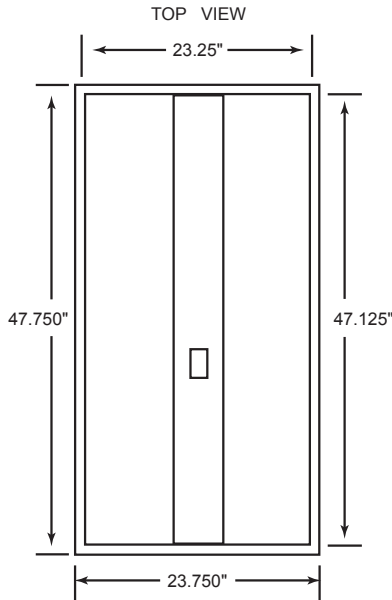
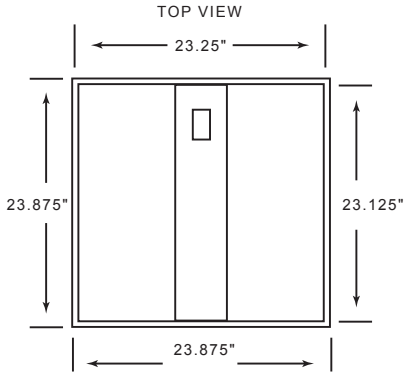


T-8 ORDERING GUIDE									
LICB	2, 3	32	24	E8, H8		1, U		23.75" x 47.75"	F32T8
LICB	2, 3	17	22	E8, H8		1, U		23.75" x 23.75"	F17T8
BIAX ORDERING GUIDE									
LICB	4, 6	40, 50, 55	24	EB		1, U		23.75" x 47.75"	F40TT, F50TT, F55TT
LICB	2, 3	40, 50, 55	22	EB		1, U		23.75" x 23.75"	F40TT, F50TT, F55TT
T5 ORDERING GUIDE									
LICB	2, 3	28, 54	24	E5, H5		1, U		23.75" x 47.75"	F28T5/F54T5HO
LICB	2, 3	14, 24	22	E5, H5		1, U		23.75" x 23.75"	F14T5/F24T5HO

dimensional data

NOTE: SPECIFICATIONS AND DIMENSIONAL DATA ARE SUBJECT TO CHANGE WITHOUT NOTICE

cross sections



Revised 6/11

LICB

SERIES
RECESSED INDIRECT
2X2, 2X4 LAY-IN

options

OPTIONS: INSERT APPROPRIATE CODE FOR CUSTOMIZED ORDERING

BALLAST

- E5 Electronic T5
- H5 Electronic T5 HO
- E8 Electronic T8
- H8 Electronic T8 HO
- EB Electronic biax
- ED Electronic Dimming (Consult Factory)

NOTE: In order to achieve rated lamp life, fixtures controlled by motion sensors should be ordered with programmed start ballasts when available and minimum time delay should be set to 15 minutes - Consult Factory

VOLTAGE

- 1 120V
- U Universal 120 - 277V

GENERAL OPTIONS

- EM Emergency pack, 1 lamp 90 min. up to 500 lu.
- 2C 2 Circuit
- PB Round center basket - perforated w/cross-baffle (Standard)
- SG Slot grid construction

Consult Factory for additional options not shown or listed

accessories

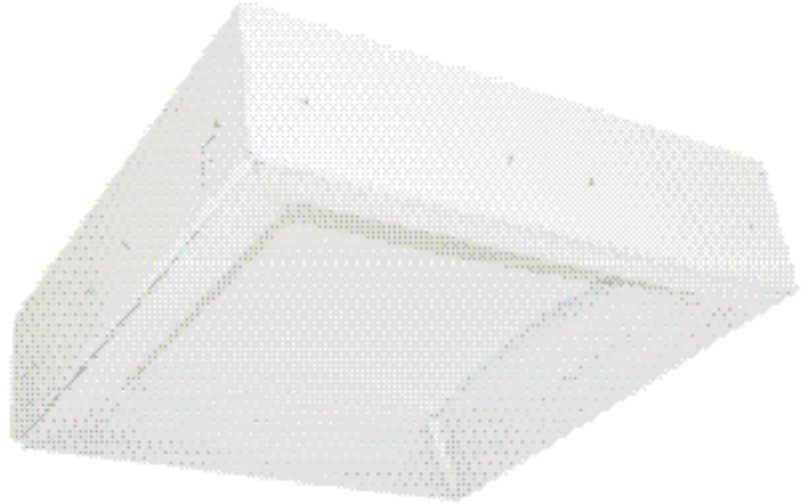
- W 6 ft. 3-wire whip

LAMP OPTIONS

- 12 T8 741K
- 15 T8 735K
- 10 T8 730K
- 13 T5/T8 841K
- 16 T5/T8 835K
- 11 T5/T8 830K

LIQ
SERIES
RECESSED
STYLING
2 X 2, 4 X 4
DIRECT /
INDIRECT
LAY-IN
QUAD SIDE
BASKET

Job Name	
Catalog Number	
Notes	Type



application

- For use in indoor applications where low glare, high quality and ease of installation are required
- Premium-grade, recessed, high performance, lay-in direct/indirect coffered T-bar troffer with modern styling and high visual comfort
- Spring hooks allow for perforated metal shields to lift out for easy relamping and conceal lamps with aesthetic reveal
- Available in 2x2 and 4x4 configurations

construction

- Die formed and riveted, steel housing assembly
- Manufactured from code gauge steel
- All fixtures are U.L. listed and IBEW union made

finish

- Prior to painting, all metal parts are treated with a multi-stage phosphate bonding process to ensure adhesion and inhibit rusting
- Pre-painted white housing assembly, powder painted matte white shielding and reflector

shield/reflector

- The seamless one piece spun dome reflector is contoured to provide soft, low glare general illumination while providing a high level of visual comfort
- Die formed, perforated steel shields are perforated for indirect illumination and contain a translucent white opal acrylic overlay

electrical

- All electrical components are U.L. listed
- Electronic Class P ballasts standard
- Locking lamp holders provided ensure positive lamp retention
- Numerous options are available: see ordering information on back
- Optional battery backup available for emergency operation at various output levels; please consult factory for your specific emergency pack requirements

ordering guide

NOTE: SOME ORDERING OPTIONS APPEAR ON PRODUCT LINE. FOR OTHER OPTIONS, SEE LIST AT RIGHT.

SAMPLE ORDER NUMBER



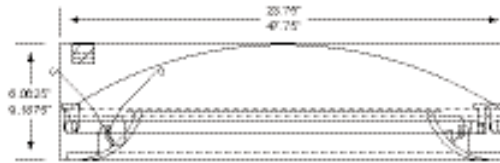
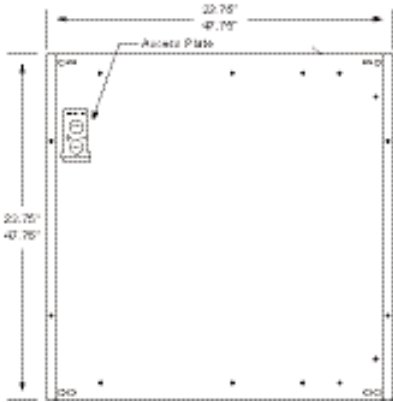
SERIES NO. WATTAGE SIZE BALLAST TYPE VOLTAGE OPTIONS DIMENSIONS LAMP TYPE
LAMPS 1 2

T-5 ORDERING GUIDE								
LIQ	4	14, 24	22	E5, H5	U		23.75" x 23.75"	F14T5/F24T5HO
LIQ	4	28, 54	44	E5, H5	U		47.75" x 47.75"	F28T5/F54T5HO
BIAX ORDERING GUIDE								
LIQ	4	40, 50, 55	22	EB	U		23.75" x 23.75"	FT40/FT50/FT55BX
LIQ	8	40, 50, 55	44	EB	U		47.75" x 47.75"	FT40/FT50/FT55BX

dimensional data

NOTE: SPECIFICATIONS AND DIMENSIONAL DATA ARE SUBJECT TO CHANGE WITHOUT NOTICE

back knockout plans and lengths



photometrics

Candle Power Summary

Zone	Lumens	%Lamp	%Luminaire
0-30	489.47	9.10	23.90
0-40	808.89	15.00	39.50
0-60	1481.19	27.40	72.40
0-90	2047.13	37.90	100.00
40-90	-	-	-
60-90	-	-	-
90-180	-	-	-
0-180	2047.13	37.90	100.00

Luminance Summary

Angle	Along	45	Across
45	1893	1808	1797
55	1982	1850	1842
65	2097	1986	1962
75	2360	2173	2292
85	1848	1778	2088

Candle Distribution



LIQ

SERIES
RECESSED
DIRECT/INDIRECT
2 X 2, 4 X 4 LAY-IN

options

OPTIONS: INSERT APPROPRIATE CODE FOR CUSTOMIZED ORDERING

BALLAST

E5 Electronic T5
H5 Electronic T5 HO
EB Electronic Biax
ED Electronic Dimming
(Consult Factory)

NOTE: In order to achieve rated lamp life, fixtures controlled by motion sensors should be ordered with programmed start ballasts when available and minimum time delay should be set to 15 minutes - Consult Factory

VOLTAGE

U Universal 120 - 277V

GENERAL OPTIONS

EM Emergency pack, 1 lamp
90 min. up to 500 lu.
2C 2 Circuit
PF 1 piece perforated side basket
(Standard)

Consult Factory for additional options not shown or listed

accessories

W 6 ft. 3-wire whip

LAMP OPTIONS

13 T5 841K
16 T5 835K
11 T5 830K

Revised
1/10

LAMAR LIGHTING 485 Smith Street, Farmingdale, NY 11735 • Tel (631) 777-7700
Fax (631) 777-7705 • Outside NY (800) 724-7743 • www.lamarlighting.com

Lamar
Lighting
Company, Inc.

MAX-E SERIES

RECESSED
STYLING
2 X 2 & 2 X 4
DIRECT / INDIRECT
LAY-IN
HIGH PERFORMANCE

Job Name	
Catalog Number	
Notes	Type



application

- Versatile, aesthetically appealing recessed lighting fixture with an extruded acrylic lens creating a direct/indirect light source for soft, even illumination and maximum performance
- An attractive alternative to standard recessed lighting or where indirect lighting is desired but ceiling heights are too low for pendant mounted fixtures
- Featuring a high reflectance, performance enhanced matte white reflector, and custom faceted acrylic diffuser, achieving higher light levels, improved distribution, and efficiencies not normally found in recessed indirect luminaires

finish

- Available with lamp and ballast combinations to fit your specific application
- Prior to painting, all metal parts are treated with a multi-stage phosphate bonding process to ensure adhesion and inhibit rusting
- Painted with a lighting grade thermoset polyester, having a reflectance factor exceeding 91% for premium quality and durability

construction

- The MAX-E series is a premium, recessed unit with heavy-duty construction for stylish long-term use
- Manufactured from code gauge steel
- End plates are securely attached by rivets
- Ample knockouts are provided on back and sides for convenient installation
- Access plate is provided with two 7/8" KO and provisions for grounding
- Slot grid construction available - see ordering information on back
- All fixtures are U.L. listed and IBEW union made

electrical

- All electrical components are U.L. listed
- Electronic Class P ballasts standard
- Numerous options are available: see ordering information on back
- Optional battery backup available for emergency operation at various output levels; please consult factory for your specific emergency pack requirements

reflector / lens

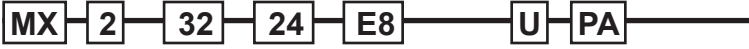
- Reflector is constructed of high reflective non-yellowing white sheet steel for soft, indirect illumination and maximum efficiency
- Multi-faceted high performance extruded acrylic lens

LaMar
Lighting
Company, Inc.

ordering guide

NOTE: SOME ORDERING OPTIONS APPEAR ON PRODUCT LINE. FOR OTHER OPTIONS, SEE LIST AT RIGHT.

SAMPLE ORDER NUMBER



SERIES NO. WATTAGE SIZE BALLAST VOLTAGE LENS DIMENSIONS LAMP TYPE
LAMPS TYPE

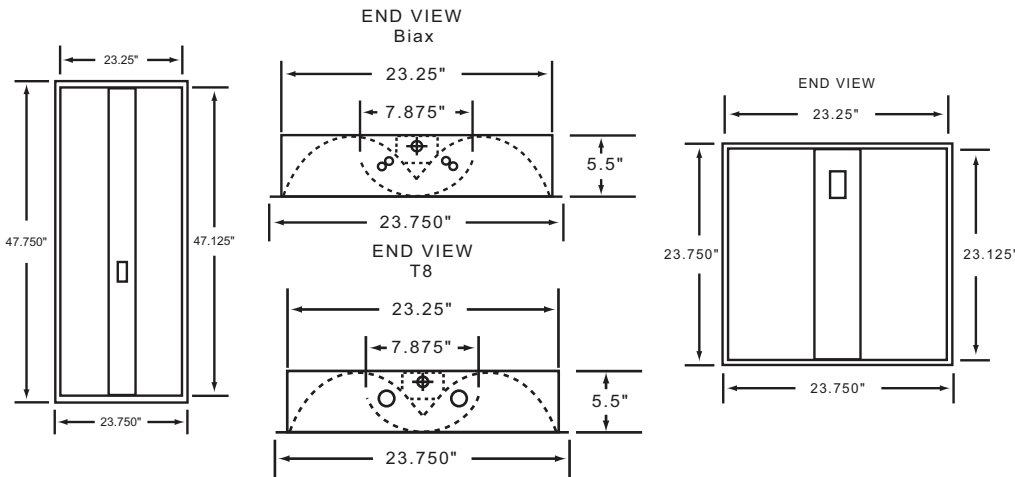
T-8 ORDERING GUIDE									
MXE	2	32	24	E8, H8		1, U	PA	23.875" x 47.875"	F32T8
MXE	2	17	22	E8, H8		1, U	PA	23.875" x 23.875"	F17T8
BIAX ORDERING GUIDE									
MXE	4	40, 50, 55	24	EB		1, U	PA	23.875" x 47.875"	F40TT, F50TT, F55TT
MXE	2	40, 50, 55	22	EB		1, U	PA	23.875" x 23.875"	F40TT, F50TT, F55TT
T5 ORDERING GUIDE									
MXE	2	28, 54	24	E5, H5		1, U	PA	23.875" x 47.875"	F28T5/F54T5HO
MXE	2	14, 24	22	E5, H5		1, U	PA	23.875" x 23.875"	F14T5/F24T5HO

PA High performance extruded acrylic lens

dimensional data

NOTE: SPECIFICATIONS AND DIMENSIONAL DATA ARE SUBJECT TO CHANGE WITHOUT NOTICE

cross sections



photometrics

Zonal Lumen Summary MXE21722E8UPA

Zone	Lumens	%Lamp	%Fixt
0-30	565	20.9	24.8
0-40	941	34.9	41.4
0-60	1730	64.1	76.1
0-90	2274	84.2	100.0
90-180	0	0.0	0.0
0-180	2274	84.2	100.0

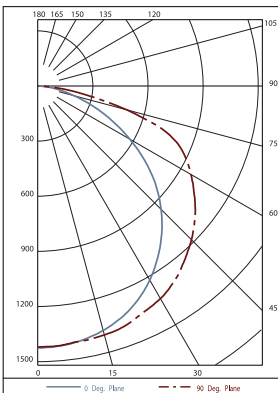
Total luminaire efficiency: 84.2%
CIE type: Direct
Plane: 0-Deg 90-Deg
Spacing Criteria: 1.3 1.4

Zonal Lumen Summary MXE23224E8UPA

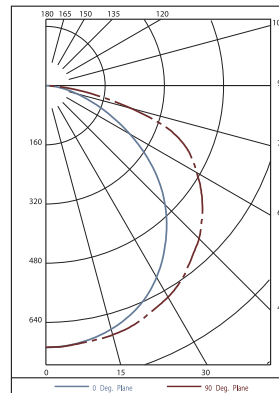
Zone	Lumens	%Lamp	%Fixt
0-30	1140	20.0	24.0
0-40	1908	33.5	40.2
0-60	3540	62.1	74.6
0-90	4744	83.2	100.0
90-180	0	0.0	0.0
0-180	4744	83.2	100.0

Total luminaire efficiency: 83.2%
CIE type: Direct
Plane: 0-Deg 90-Deg
Spacing Criteria: 1.3 1.4

Catalog No: MXE23224E8UPA



Catalog No: MXE21722E8UPA



Revised 6/11

MAX-E

SERIES
HIGH PERFORMANCE
DIRECT/INDIRECT
2 X 2 & 2 X 4 LAY-IN

options

OPTIONS: INSERT APPROPRIATE CODE FOR CUSTOMIZED ORDERING

BALLAST

E5 Electronic T5
H5 Electronic T5 HO
E8 Electronic T8
H8 High output T8
EB Electronic biax
ED Electronic Dimming
(Consult Factory)

NOTE: In order to achieve rated lamp life, fixtures controlled by motion sensors should be ordered with programmed start ballasts when available and minimum time delay should be set to 15 minutes - Consult Factory

VOLTAGE

1 120V
U Universal 120 - 277V

GENERAL OPTIONS

EM Emergency pack, 1 lamp
90 min. up to 500 lu.
2C 2 Circuit
SG Slot grid construction

Consult Factory for additional options not shown or listed

accessories

W 6 ft. 3-wire whip

LAMP OPTIONS

12 T8 741K
15 T8 735K
10 T8 730K
13 T5/T8 841K
16 T5/T8 835K
11 T5/T8 830K

LIS
SERIES

RECESSED
 STYLING
 2 X 2
 INDIRECT
 LAY-IN
 SIDE BASKET

Job Name	
Catalog Number	
Notes	Type



application

- Versatile, aesthetically appealing recessed lighting fixture with a perforated metal diffuser creating a direct/indirect side light source for soft, subtle illumination
- An attractive alternative to standard recessed lighting or where indirect lighting is desired but ceiling heights are too low for pendant-mounted fixtures
- Available with lamp and ballast combinations to fit your specific application

finish

- Prior to painting, all metal parts are treated with a multi-stage phosphate bonding process to ensure adhesion and inhibit rusting
- Painted with a lighting grade baked white enamel, having a reflectance factor exceeding 87% for premium quality and durability

construction

- The LIS series is a premium, recessed unit with heavy-duty construction for stylish long-term use
- Manufactured from code gauge steel
- End plates are securely attached by rivets
- Ample knockouts are provided on back and sides for convenient installation
- Access plate is provided with two 7/8" KO and provisions for grounding
- All fixtures are U.L. listed and IBEW union made

electrical

- All electrical components are U.L. listed
- Electronic Class P ballasts standard
- Numerous options are available: see ordering information on back
- Optional battery backup available for emergency operation at various output levels; please consult factory for your specific emergency pack requirements

basket/reflector

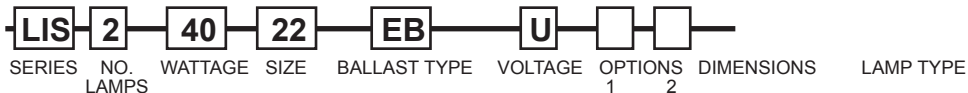
- Reflector is constructed of high reflective non-yellowing matte white sheet aluminum for soft, indirect illumination
- Standard side basket is perforated formed steel with approximately 45% light transmission
- Basket is retained in fixture by four concealed studs for easy removal when cleaning or re-lamping
- Baskets are also available in solid materials, custom colors; consult factory



ordering guide

NOTE: SOME ORDERING OPTIONS APPEAR ON PRODUCT LINE. FOR OTHER OPTIONS, SEE LIST AT RIGHT.

SAMPLE ORDER NUMBER



BIAX ORDERING GUIDE

LIS	2	40, 50, 55	22	EB	1, 7, U		24" x 24"	F40TT, F50TT, F55TT
-----	---	------------	----	----	---------	--	-----------	---------------------

T5 ORDERING GUIDE

LIS	2	14, 24	22	E5, H5	1, 7, U		24" x 24"	F14T5/ F24T5HO
-----	---	--------	----	--------	---------	--	-----------	----------------

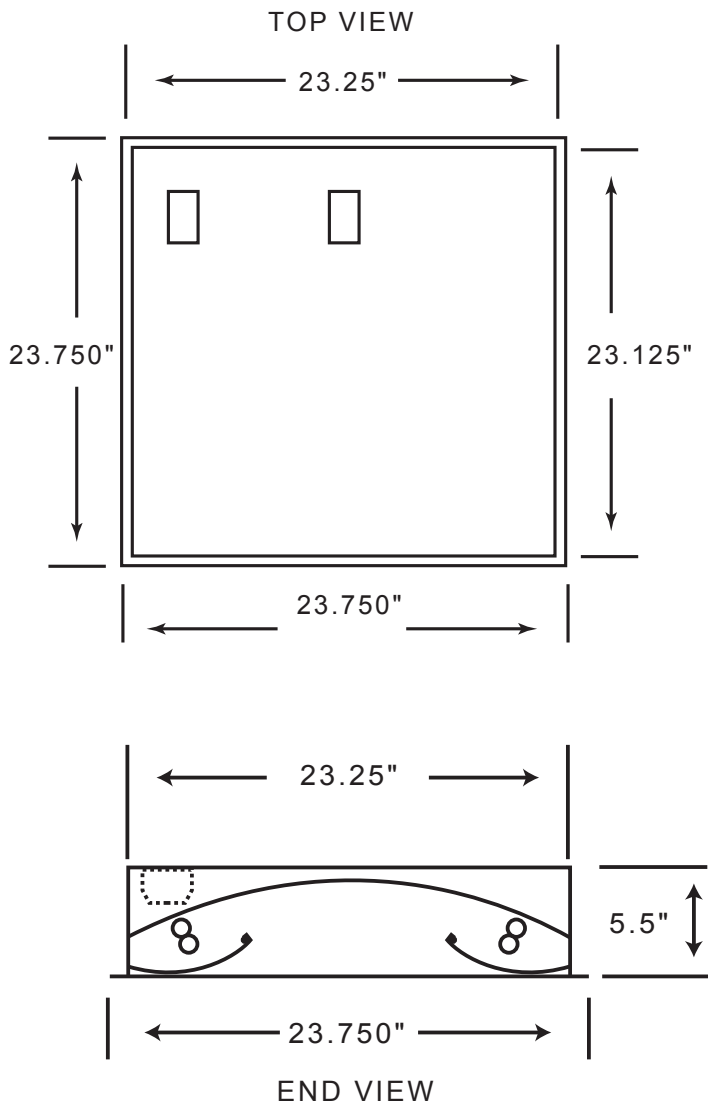
T8 ORDERING GUIDE

LIS	2	17	22	E8	1, 7, U		24" x 24"	F17T8
-----	---	----	----	----	---------	--	-----------	-------

dimensional data

NOTE: SPECIFICATIONS AND DIMENSIONAL DATA ARE SUBJECT TO CHANGE WITHOUT NOTICE

cross sections



LIS
SERIES
RECESSED
INDIRECT 2X2 LAY-IN

options

OPTIONS: INSERT APPROPRIATE CODE FOR CUSTOMIZED ORDERING

BALLAST

- E5 Electronic T5
- H5 Electronic T5 HO
- EB Electronic biax
- E8 Electronic T8
- ED Electronic Dimming (Consult Factory)

NOTE: In order to achieve rated lamp life, fixtures controlled by motion sensors should be ordered with programmed start ballasts when available and minimum time delay should be set to 15 minutes - Consult Factory

VOLTAGE

- 1 120V
- 7 277V
- U Universal 120 - 277V

GENERAL OPTIONS

- EM Emergency pack, 1 lamp 90 min. up to 500 lu.
- 2C 2 Circuit
- PF Round side basket - perforated (Standard)
- SB Round side basket - solid

Consult Factory for additional options not shown or listed

accessories

- W 6 ft. 3-wire whip

LAMP OPTIONS

- 12 T8 741K
- 15 T8 735K
- 10 T8 730K
- 13 T5/T8 841K
- 16 T5/T8 835K
- 11 T5/T8 830K

Revised
10/08

LAMAR LIGHTING 485 Smith Street, Farmingdale, NY 11735 • Tel (631) 777-7700
Fax (631) 777-7705 • Outside NY (800) 724-7743 • www.lamarlighting.com

Lamar
Lighting
Company, Inc.

LIS
SERIES

RECESSED
 STYLING
 2 X 4
 INDIRECT
 LAY-IN
 SIDE BASKET

Job Name	
Catalog Number	
Notes	Type



application

- Versatile, aesthetically appealing recessed lighting fixture with a perforated metal diffuser creating a direct/indirect side light source for soft, subtle illumination
- An attractive alternative to standard recessed lighting or where indirect lighting is desired but ceiling heights are too low for pendant mounted fixtures
- Available with lamp and ballast combinations to fit your specific application

finish

- Prior to painting, all metal parts are treated with a multi-stage phosphate bonding process to ensure adhesion and inhibit rusting
- Painted with a lighting grade baked white enamel, having a reflectance factor exceeding 87% for premium quality and durability

construction

- The LIS series is a premium, recessed unit with heavy-duty construction for stylish long-term use
- Manufactured from code gauge steel
- End plates are securely attached by rivets
- Ample knockouts are provided on back and sides for convenient installation
- Access plate is provided with two 7/8" KO and provisions for grounding
- All fixtures are U.L. listed and IBEW union made

electrical

- All electrical components are U.L. listed
- Electronic Class P ballasts standard
- Numerous options are available: see ordering information on back
- Optional battery backup available for emergency operation at various output levels; please consult factory for your specific emergency pack requirements

basket/reflector

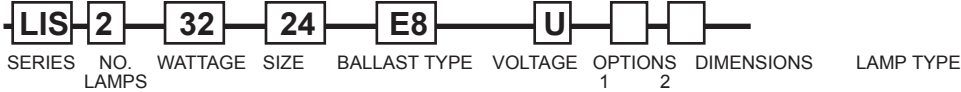
- Reflector is constructed of high reflective non-yellowing matte white sheet aluminum for soft, indirect illumination
- Standard side basket is perforated formed steel with approximately 45% light transmission
- Basket is retained in fixture by four concealed studs for easy removal when cleaning or re-lamping
- Baskets are also available in solid materials, custom colors; consult factory



ordering guide

NOTE: SOME ORDERING OPTIONS APPEAR ON PRODUCT LINE. FOR OTHER OPTIONS, SEE LIST AT RIGHT.

SAMPLE ORDER NUMBER

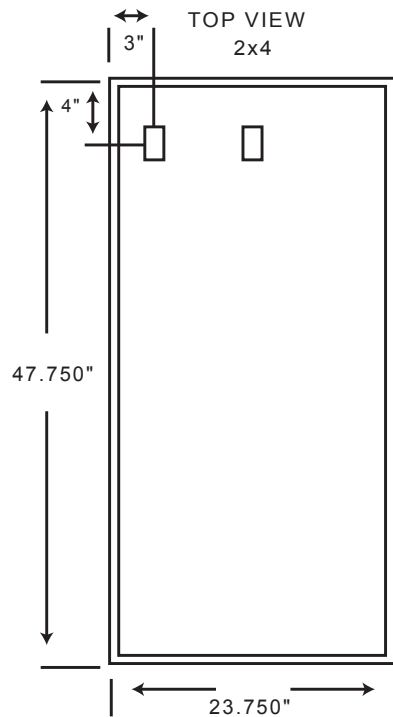


BIAX ORDERING GUIDE									
LIS	4	40, 50, 55	24	EB		1, 7, U		24" x 48"	F40TT, F50TT, F55TT
T5 ORDERING GUIDE									
LIS	2	28, 54	24	E5, H5		1, 7, U		24" x 48"	F28T5/ F54T5HO
T8 ORDERING GUIDE									
LIS	2	32	24	E8		1, 7, U		24" x 48"	F32T8

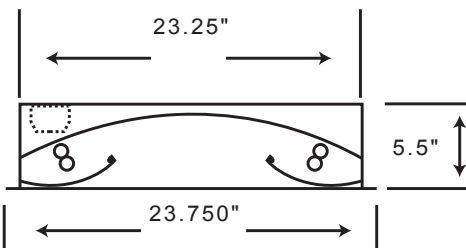
dimensional data

NOTE: SPECIFICATIONS AND DIMENSIONAL DATA ARE SUBJECT TO CHANGE WITHOUT NOTICE

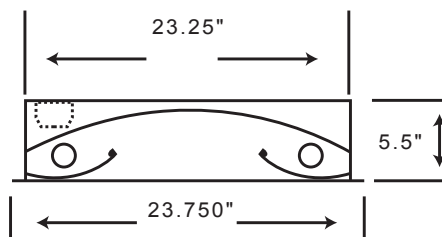
cross sections



END VIEW Biax



END VIEW T5/T8



LIS
SERIES
RECESSED
INDIRECT 2X4 LAY-IN

options

OPTIONS: INSERT APPROPRIATE CODE FOR CUSTOMIZED ORDERING

BALLAST

E5 Electronic T5
H5 Electronic T5 HO
EB Electronic biax
E8 Electronic T8
ED Electronic Dimming
(Consult Factory)

NOTE: In order to achieve rated lamp life, fixtures controlled by motion sensors should be ordered with programmed start ballasts when available and minimum time delay should be set to 15 minutes - Consult Factory

VOLTAGE

1 120V
7 277V
U Universal 120 - 277V

GENERAL OPTIONS

EM Emergency pack, 1 lamp
90 min. up to 500 lu.
2C 2 Circuit
PF Round side basket - perforated
(Standard)
SB Round side basket - solid

Consult Factory for additional options not shown or listed

accessories

W 6 ft. 3-wire whip

LAMP OPTIONS

12 T8 741K
15 T8 735K
10 T8 730K
13 T5/T8 841K
16 T5/T8 835K
11 T5/T8 830K

Revised
10/08

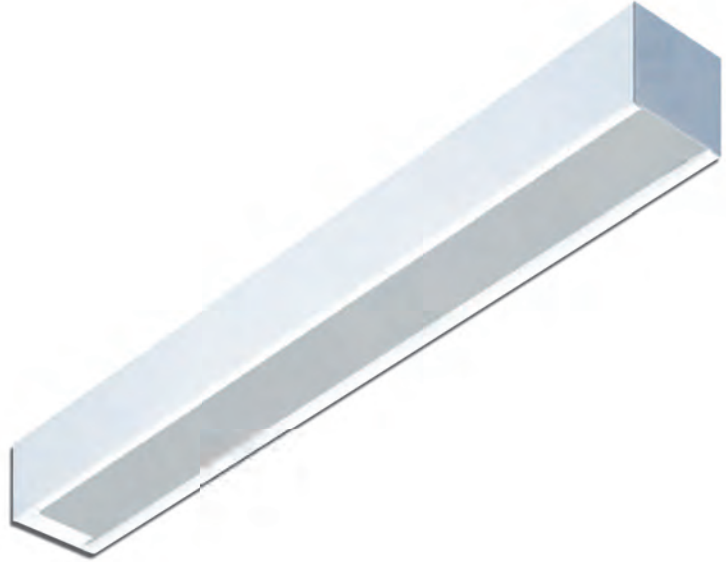
LAMAR LIGHTING 485 Smith Street, Farmingdale, NY 11735 • Tel (631) 777-7700
Fax (631) 777-7705 • Outside NY (800) 724-7743 • www.lamarlighting.com

Lamar
Lighting
Company, Inc.

44 F-G-SG

SERIES PREMIUM RECESSED LUMINAIRE

Job Name	
Catalog Number	
Notes	Type



application

- A narrow 4 in. by 4 in. recessed luminaire designed for distinctive architectural interiors
- Ideal for perimeters, soffits, coves or other commercial applications where modern lighting may be utilized in grid, sheet-rock or concealed-z ceilings
- Able to be mounted individually or in continuous rows
- Available with various louver options and numerous ballast/lamp combinations using either T5 or T5HO lamp technology

finish

- Prior to painting, all metal parts are treated with a multi-stage phosphate bonding process to ensure adhesion and inhibit rusting
- Painted with a lighting grade baked white enamel, having a reflectance factor exceeding 87% for premium quality and durability

construction

- The 44 series are premium fluorescent luminaires designed for long term installations
- Features durable steel bodies, quality paint finishes and superior electrical components
- Bodies are die formed from 20 gauge New York City code cold rolled steel for strength and uniformity
- Full wireway front attaches easily with 1/4 turns
- Ample knockouts are provided on side and ends for convenient installation and continuous through wiring
- The 44F comes with lugs and adjustable end flange trims
- The 44SG comes with grid clips to ensure a proper fit
- All fixtures are U.L. listed and IBEW union made

electrical

- All electrical components are U.L. listed
- Electronic Class P ballasts standard
- Numerous options are available: see ordering information on back

diffuser

- Standard prismatic lens provides high efficiency with maximum visual comfort and uniform light diffusion
- Low brightness, 100% virgin acrylic clear prismatic lens is standard, consult ordering guide for optional diffusers and louvers
- Optional white acrylic overlay for use with louvers available - see ordering guide

44F - G - SG

SERIES
PREMIUM ARCHITECTURAL
LUMINAIRE

ordering guide

NOTE: SOME ORDERING OPTIONS APPEAR ON PRODUCT LINE. FOR OTHER OPTIONS, SEE LIST AT RIGHT.

SAMPLE ORDER NUMBER



SERIES NO. WATTAGE TANDEM MOUNT BALLAST VOLTAGE LENS OPTIONS DIMENSIONS LAMP TYPE
LAMPS OPTIONS TYPE 1 2

T-5 ORDERING GUIDE										
SERIES	NO. LAMPS	WATTAGE	TANDEM	MOUNT OPTIONS	BALLAST TYPE	VOLTAGE	LENS	OPTIONS	DIMENSIONS	LAMP TYPE
44	1, 2	14, 24		F, G, SG	E5, H5	1, U	PA		4" x 24"	F14T5/F24T5HO
44	1, 2	21, 39		F, G, SG	E5, H5	1, U	PA		4" x 36"	F21T5/F39T5HO
44	1, 2	28, 54		F, G, SG	E5, H5	1, U	PA		4" x 48"	F28T5/F54T5HO
44	1, 2	21, 39	T	F, G, SG	E5, H5	1, U	PA		4" x 72"	F21T5/F39T5HO
44	1, 2	28, 54	T	F, G, SG	E5, H5	1, U	PA		4" x 96"	F28T5/F54T5HO
44	3	14, 24	TS	F, G, SG	E5, H5	1, U	PA		4" x 72"	F14T5/F24T5HO
44	3	21, 39	TS	F, G, SG	E5, H5	1, U	PA		4" x 96"	F21T5/F39T5HO

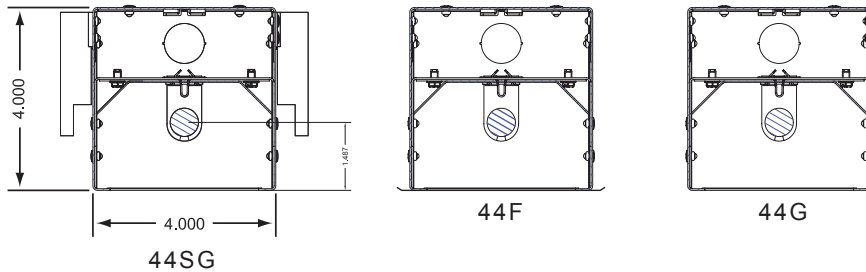
Note: Tandem units contain double the amount of lamps shown **except for TS option** TS - Staggered Lamps

dimensional data

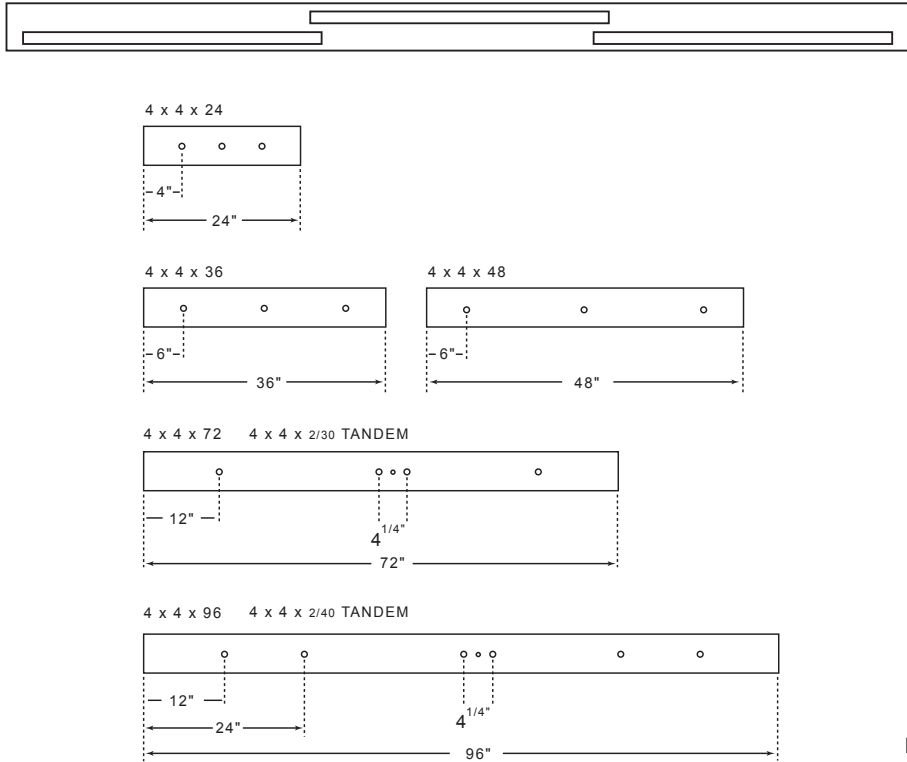
NOTE: SPECIFICATIONS AND DIMENSIONAL DATA ARE SUBJECT TO CHANGE WITHOUT NOTICE

cross sections

END VIEW



back knockout plans lengths



options

OPTIONS: INSERT APPROPRIATE CODE FOR CUSTOMIZED ORDERING

BALLAST

- E5 Electronic T5
- H5 High output T5
- ED Electronic Dimming

NOTE: In order to achieve rated lamp life, fixtures controlled by motion sensors should be ordered with programmed start ballasts when available and minimum time delay should be set to 15 minutes - Consult Factory

VOLTAGE

- 1 120V
- U Universal 120 - 277V

GENERAL OPTIONS

- EM Emergency pack, 1 lamp 90 min. up to 500 lu.
- 2C 2 Circuit

MOUNTING OPTIONS

- G T-bar or grid ceiling
- F Flanged for finished ceiling, sheetrock, plaster, concealed "Z"
- SG Slot grid ceiling

LENS & LOUVER OPTIONS

- PA Prismatic acrylic
- SW Smooth white acrylic
- S1 Nominal .75 X .75 silver louver
- OVL White acrylic overlay

accessories

LAMP OPTIONS

- 13 T5 841K
- 16 T5 835K
- 11 T5 830K

Revised
5/10



66F-G

SERIES PREMIUM RECESSED LUMINAIRE

FLANGED OR GRID TYPE

Job Name	
Catalog Number	
Notes	Type



application

- A narrow 6 in. by 6 in. recessed luminaire designed for distinctive architectural interiors
- Ideal for perimeters, soffits, coves or other commercial applications where modern lighting may be utilized in grid, sheet-rock or concealed-z ceilings
- Able to be mounted individually or in continuous rows
- Available with various louver options and numerous ballast/lamp combinations

finish

- Prior to painting, all metal parts are treated with a multi-stage phosphate bonding process to ensure adhesion and inhibit rusting
- Painted with a lighting grade baked white enamel, having a reflectance factor exceeding 87% for premium quality and durability

construction

- The 66F and G series are premium fluorescent luminaires designed for long term installations
- Features durable steel bodies, quality paint finishes and superior electrical components
- Bodies are die formed from 20 gauge New York City code cold rolled steel
- Ample knockouts are provided on side and ends for convenient installation and continuous through wiring
- The 66F comes with lugs and adjustable end flange trims

electrical

- All fixtures are U.L. listed and IBEW union made
- All electrical components are U.L. listed
- Electronic Class P ballasts standard
- Numerous options are available: see ordering information on back

diffuser

- Standard prismatic lens provides high efficiency with maximum visual comfort and uniform light diffusion
- Low brightness, 100% virgin acrylic clear prismatic lens is standard, consult ordering guide for optional diffusers and louvers
- Optional white acrylic overlay for use with louvers available - see ordering guide

66F - G

SERIES
PREMIUM ARCHITECTURAL
LUMINAIRE
FLANGED OR GRID TYPE

ordering guide

NOTE: SOME ORDERING OPTIONS APPEAR ON PRODUCT LINE. FOR OTHER OPTIONS, SEE LIST AT RIGHT.

SAMPLE ORDER NUMBER



SERIES NO. WATTAGE TANDEM MOUNT BALLAST VOLTAGE LENS OPTIONS DIMENSIONS LAMP TYPE
LAMPS OPTIONS TYPE 1 2

T-12 ORDERING GUIDE											
66	1, 2	20		G, F	M2, MP	1, 7, U	PA			6" x 24"	F20T12
66	1, 2	30		G, F	M2	1, 7, U	PA			6" x 36"	F30T12
66	1, 2	40		G, F	M2	1, 7	PA			6" x 48"	F40T12
66	1, 2	30	T	G, F	M2	1, 7	PA			6" x 72"	F30T12
66	1, 2	40	T	G, F	M2	1, 7	PA			6" x 96"	F40T12
66	1, 2	72		G, F	M2	1, 7	PA			6" x 72"	F72T12
66	1, 2	96		G, F	M2	1, 7	PA			6" x 96"	F96T12

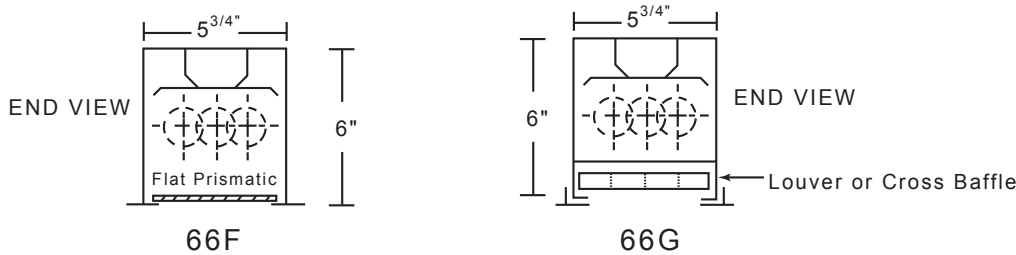
T-8 ORDERING GUIDE											
66	1, 2	17		G, F	E8	1, 7, U	PA			6" x 24"	F17T8
66	1, 2	25		G, F	E8	1, 7, U	PA			6" x 36"	F25T8
66	1, 2	32		G, F	E8	1, 7, U	PA			6" x 48"	F32T8
66	1, 2	25	T	G, F	E8	1, 7, U	PA			6" x 72"	F25T8
66	1, 2	32	T	G, F	E8	1, 7, U	PA			6" x 96"	F32T8
66	1, 2	96		G, F	E8, H8	1, 7, U	PA			6" x 96"	F96T8/F96T8HO

Note: Tandem units contain double the amount of lamps shown

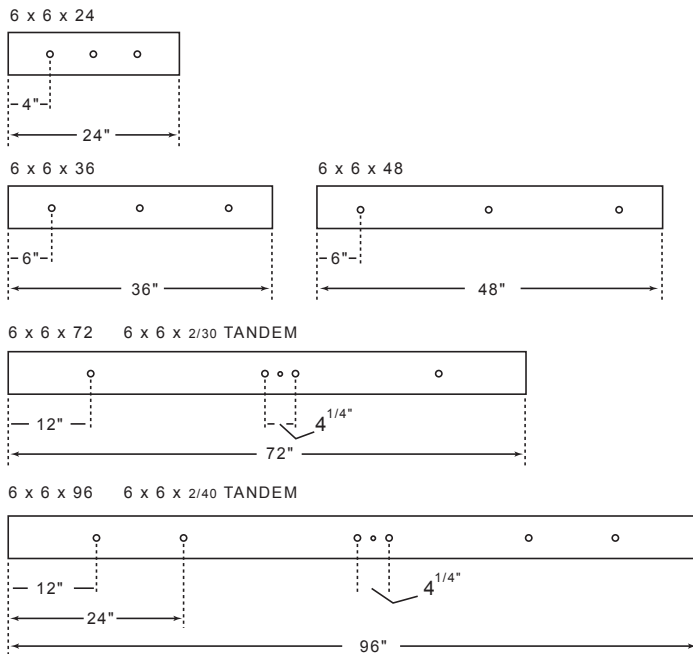
dimensional data

NOTE: SPECIFICATIONS AND DIMENSIONAL DATA ARE SUBJECT TO CHANGE WITHOUT NOTICE

cross sections



back knockout plans lengths



Revised
10/08

options

OPTIONS: INSERT APPROPRIATE CODE FOR CUSTOMIZED ORDERING

BALLAST

- E5 Electronic T5
- H5 Electronic T5 HO
- E8 Electronic T8
- ED Electronic Dimming (Consult Factory)

NOTE: In order to achieve rated lamp life, fixtures controlled by motion sensors should be ordered with programmed start ballasts when available and minimum time delay should be set to 15 minutes - Consult Factory

VOLTAGE

- 1 120V
- 7 277V
- U Universal 120 - 277V

GENERAL OPTIONS

- EM Emergency pack, 1 lamp 90 min. up to 500 lu.
- 2C 2 Circuit
- OVL White Acrylic Overlay

MOUNTING OPTIONS

- G T-bar or grid ceiling
- F Flanged for finished ceiling, sheetrock, plaster, concealed "Z"

LENS & LOUVER OPTIONS

- PA Prismatic acrylic
- CW White cross baffle
- PS Parabolic silver baffle
- S1 Nominal .75 X .75 silver louver
- S2 Nominal 1.5 X 1.5 silver louver

accessories

LAMP OPTIONS

- 12 T8 741K
- 15 T8 735K
- 10 T8 730K
- 13 T8 841K
- 16 T8 835K
- 11 T8 830K

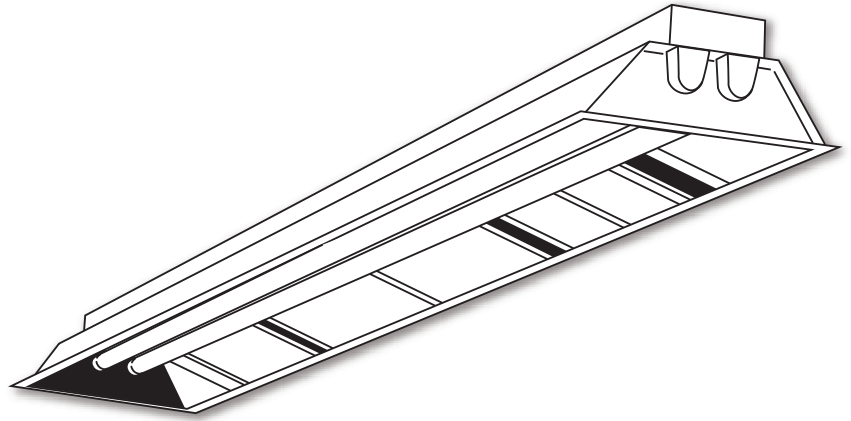


INL SERIES

RECESSED
STYLING

OPEN
RECESSED
LUMINAIRE

Job Name	
Catalog Number	
Notes	Type



application

- Energy efficient, recessed luminaire designed for distinctive commercial interiors
- Ideal for perimeters, supermarkets, aisle lighting, merchandising, retail stores or applications where efficiency and low glare are important
- Unique recessed body design moves lamp axis back, making it particularly beneficial for low ceiling locations
- Able to be mounted individually or in continuous rows
- Available in 1x4 and 1x8 sizes to fit standard grid ceilings

construction

- The INL series is a premium fluorescent luminaire designed for long term installations
- Features durable steel bodies, quality paint finishes and superior electrical components
- Bodies are die formed from cold rolled steel and riveted together for strength and durability
- Ballast access panel in reflector allows for easy ballast replacement
- Knockouts are provided on sides and ends for convenient installation and continuous through wiring
- All fixtures are U.L. listed and IBEW union made

electrical

- All electrical components are U.L. listed
- Electronic Class P ballasts standard
- Numerous options are available: see ordering information on back

finish

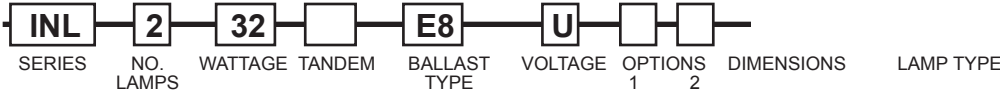
- Prior to painting, all metal parts are treated with a multi-stage phosphate bonding process to ensure adhesion and inhibit rusting
- Painted with a lighting grade baked white enamel, for premium quality and durability, having a reflectance factor exceeding 87%

ordering guide

NOTE: SOME ORDERING OPTIONS APPEAR ON PRODUCT LINE. FOR OTHER OPTIONS, SEE LIST AT RIGHT.

INL
SERIES
OPEN RECESSED
LUMINAIRE

SAMPLE ORDER NUMBER



T-8 ORDERING GUIDE

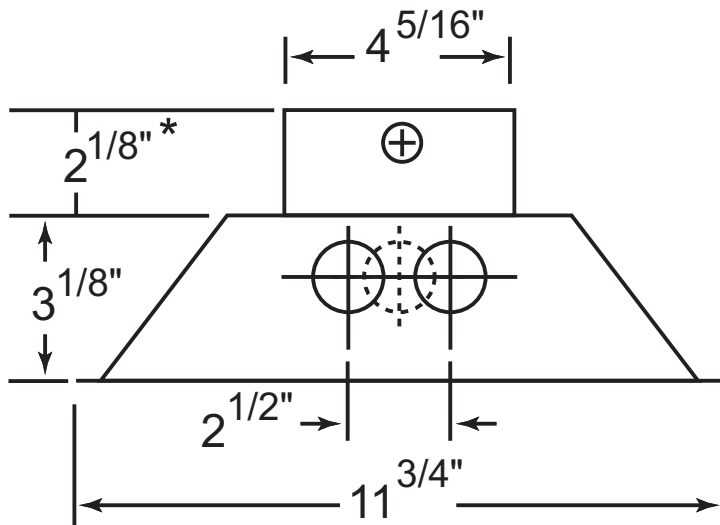
SERIES	NO. LAMPS	WATTAGE	TANDEM	BALLAST TYPE	VOLTAGE	OPTIONS 1	OPTIONS 2	DIMENSIONS	LAMP TYPE
INL	2, 3	32		E8	1, 7, U			11 3/4" x 48"	F32T8
INL	2, 3	32	T	E8	1, 7, U			11 3/4" x 96"	F32T8
INL	2, 3	96		E8, H8	1, 7, U			11 3/4" x 96"	F96T8/F96T8HO

Note: Tandem units contain double the amount of lamps shown

dimensional data

NOTE: SPECIFICATIONS AND DIMENSIONAL DATA ARE SUBJECT TO CHANGE WITHOUT NOTICE

cross sections



* Add 5/8" for High Output

options

OPTIONS: INSERT APPROPRIATE CODE FOR CUSTOMIZED ORDERING

BALLAST

E8 Electronic T8
H8 High output T8
ED Electronic Dimming
(Consult Factory)

NOTE: In order to achieve rated lamp life, fixtures controlled by motion sensors should be ordered with programmed start ballasts when available and minimum time delay should be set to 15 minutes - Consult Factory

VOLTAGE

1 120V
7 277V
U Universal 120 - 277V

GENERAL OPTIONS

EM Emergency pack, 1 lamp
90 min. up to 500 lu.
2C 2 Circuit

Consult Factory for additional options not shown or listed

accessories

LAMP OPTIONS

12 T8 741K
15 T8 735K
10 T8 730K
13 T8 841K
16 T8 835K
11 T8 830K

Revised
10/08

LAMAR LIGHTING 485 Smith Street, Farmingdale, NY 11735 • Tel (631) 777-7700
Fax (631) 777-7705 • Outside NY (800) 724-7743 • www.lamarlighting.com

Lamar
Lighting
Company, Inc.

RP
SERIES

R E C E S S E D
S T Y L I N G

1 X 1
R E C E S S E D
P A R A B O L I C

Job Name	
Catalog Number	
Notes	Type



application

- A 1ft by 1ft recessed parabolic troffer designed for installation in ceiling where an architecturally appealing downlight is desired
- Available in various lamp/ballast combinations
- Ideal for offices, hallways, lobbies or other commercial applications where significant light is necessary in a compact modern look

finish

- Prior to painting, all metal parts are treated with a multi-stage phosphate bonding process to ensure adhesion and inhibit rusting
- Painted with a lighting grade baked white enamel, having a reflectance factor exceeding 87% for premium quality and durability

construction

- The RP series is a premium fluorescent luminaire designed for long term installations
- Features durable steel bodies, quality paint finishes and superior electrical components
- Bodies are die formed from 20 gauge New York City code cold rolled steel for strength and uniformity
- Fixture trim is one piece steel, painted white
- Ample knockouts are provided on back and ends for convenient installation
- Optional individual specular anodized aluminum reflectors are available for increased lamp efficiency
- All fixtures are U.L. listed and IBEW union made

electrical

- All electrical components are U.L. listed
- Electronic Class P, thermally protected ballasts standard
- Numerous options are available: see ordering information on back

louver

- Constructed of non corrosive semi-specular aluminum with an overlapping mitered trim
- High shielding angle for low brightness illumination with 3 in. deep louvers for efficient light distribution
- Retained in the fixture by two inconspicuous torsion springs for easy removal when cleaning or re-lamping

ordering guide

NOTE: SOME ORDERING OPTIONS APPEAR ON PRODUCT LINE. FOR OTHER OPTIONS, SEE LIST AT RIGHT.

SAMPLE ORDER NUMBER



COMPACT FLUORESCENT ORDERING GUIDE

RP	2	13	PN, MP	1, 7	04		12" x 12"	CFL13
RP	1	28	2D	1, 7	04		12" x 12"	2D-28
RP	2	26	EQ	1, 7, U	04		12" x 12"	CFL26
RP	1	32	ET	1, 7, U	04		12" x 12"	CFL32
RP	1	42	ET	1, 7, U	04		12" x 12"	CFL42

RP
SERIES
RECESSED
PARABOLIC

options

OPTIONS: INSERT APPROPRIATE CODE FOR CUSTOMIZED ORDERING

BALLAST

- PN PL Normal power factor (2P)
- MP PL High power factor (2P)
- 2D 2-D lamp
- EQ Electronic "Quad" Tube (4P)
- ET Electronic "Triple" Tube (4P)

NOTE: In order to achieve rated lamp life, fixtures controlled by motion sensors should be ordered with programmed start ballasts when available and minimum time delay should be set to 15 minutes - Consult Factory

VOLTAGE

- 1 120V
- 7 277V
- U Universal 120 - 277V

GENERAL OPTIONS

- EM Emergency pack, 1 lamp
90 min. up to 500 lu.
- 2C 2 Circuit

OPTIONAL LOUVERS

- 04 4 cell 2 X 2

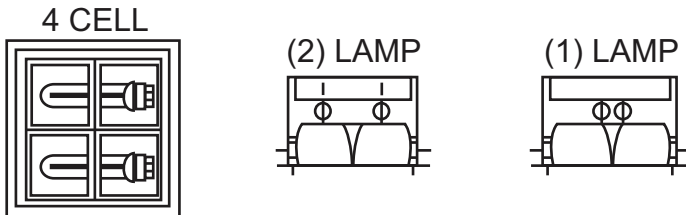
Consult Factory for additional options not shown or listed

Note: Standard fixture suitable for flange or grid mounting

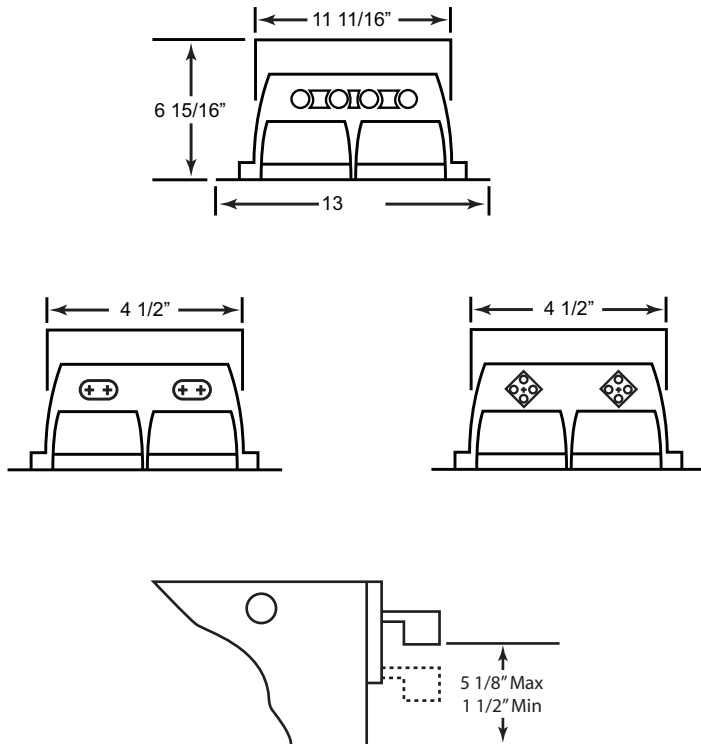
dimensional data

NOTE: SPECIFICATIONS AND DIMENSIONAL DATA ARE SUBJECT TO CHANGE WITHOUT NOTICE

louver configuration



cross sections



Revised
10/08

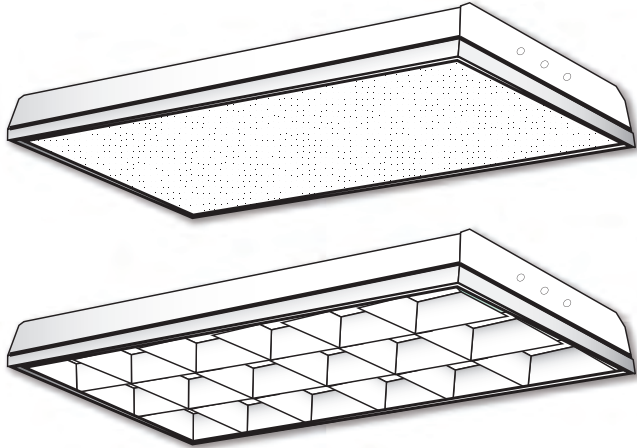
LAMAR LIGHTING 485 Smith Street, Farmingdale, NY 11735 • Tel (631) 777-7700
Fax (631) 777-7705 • Outside NY (800) 724-7743 • www.lamarlighting.com

Lamar
Lighting
Company, Inc.

LP 3 SERIES

SPECIFICATION GRADE RECESSED PARABOLIC LUMINAIRE

Job Name	
Catalog Number	
Notes	Type



application

- Specification grade, parabolic unit with superior detailing and finish, offers desirable alternatives to standard recessed lighting while reducing glare and increasing operating efficiency
- An ideal luminaire for offices, conference rooms and other commercial applications for the discriminating specifier
- Versatile low profile design reduces potential height restriction issues
- Available with multiple air functions
- Available in multiple sizes, numerous lamp/ballast combinations with various louver options

finish

- Prior to painting, all metal parts are treated with a multi-stage phosphate bonding process to ensure adhesion and inhibit rusting
- Painted with a lighting grade baked white enamel, having a reflectance factor exceeding 87% for premium quality and durability

construction

- The LP3 series is a premium, recessed parabolic unit with heavy-duty construction for stylish long-term use
- Features durable steel bodies, quality paint finishes and superior electrical components
- Available in both New York City code (20 ga.) and UL code (23 ga.) steel
- End plates have interlocking tabs and are securely attached by rivets
- Full-length wireway covers are die formed for durability and attach easily without the use of tools
- Ample knockouts are provided on back and ends for convenient installation
- A quick-access plate is furnished complete with two 7/8 in. knockouts and provisions for grounding
- All fixtures are U.L. listed and IBEW union made

electrical

- All electrical components are U.L. listed
- Electronic Class P ballasts standard
- Numerous options are available: see ordering information on back

louver

- Constructed of non-corrosive semi-specular anodized aluminum to help reduce glare
- Nominal 3 in. deep louvers provide efficient light distribution and maximize light output in the 30-60 degree zone
- Retained in the fixture by two inconspicuous latches for easy removal when cleaning or re-lamping
- Latching and hinging is reversible; louver is removable without tools
- Matte black reveal conceals louver hardware and provides a floating effect; white reveal and textured finishes available
- Available in air handling, heat removal, static for standard and fineline grid ceilings
- Available in white, gold or full specular silver in various cell configurations; consult factory for availability
- Available with optional prismatic acrylic lens or small cell louvers: see ordering information on back

LP3

SERIES
SPECIFICATION GRADE
PARABOLIC LUMINAIRE

ordering guide

NOTE: SOME ORDERING OPTIONS APPEAR ON PRODUCT LINE. FOR OTHER OPTIONS, SEE LIST AT RIGHT.

SAMPLE ORDER NUMBER



SERIES NO. WATTAGE SIZE BALLAST VOLTAGE LOUVER OPTIONS DIMENSIONS LAMP TYPE
LAMPS TYPE 1 2

T-5 ORDERING GUIDE										
LP3	2	28, 54	14	E5, H5	1, 7, U	08			12" x 48"	F28T5 / F54T5HO
LP3	2, 3, 4	14, 24	22	E5, H5	1, 7, U	09			24" x 24"	F14T5 / F24T5HO
LP3	2, 3, 4	28, 54	24	E5, H5	1, 7, U	18			24" x 48"	F28T5 / F54T5HO

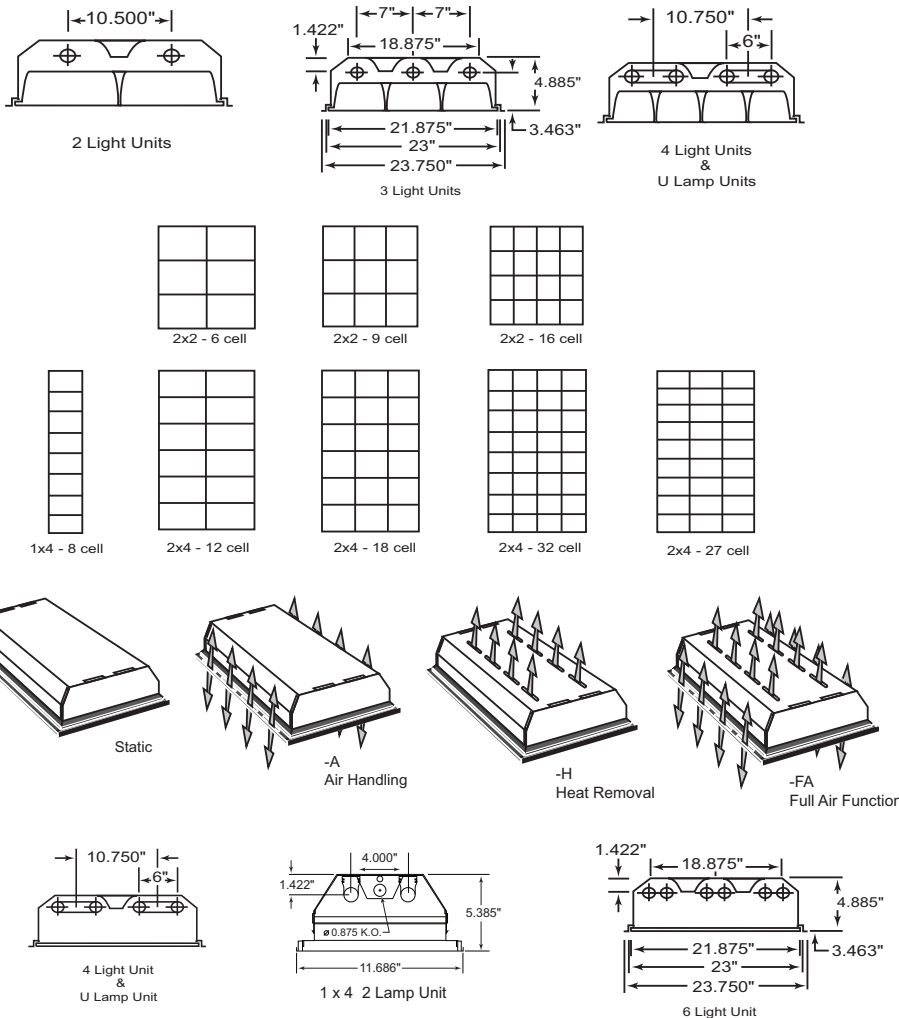
T-8 ORDERING GUIDE										
LP3	2	32	14	E8	1, 7, U	08			12" x 48"	F32T8
LP3	2, 3, 4	17	22	E8	1, 7, U	09			24" x 24"	F17T8
LP3	2, 3	31	22	E8	1, 7, U	09			24" x 24"	FB32T815/8
LP3	2	32	22	E8	1, 7, U	09			24" x 24"	FB32T8/6
LP3	2, 3, 4, 6	32	24	E8	1, 7, U	18			24" x 48"	F32T8

BIAX ORDERING GUIDE										
LP3	2,3,4,5	40, 50, 55	22	EB	1, 7, U	09			24" x 24"	F40TT, F50TT, F55TT
LP3	4, 6, 8	40, 50, 55	24	EB	1, 7, U	18			24" x 48"	F40TT, F50TT, F55TT

dimensional data

NOTE: SPECIFICATIONS AND DIMENSIONAL DATA ARE SUBJECT TO CHANGE WITHOUT NOTICE

cross sections



Interior slots (H) provide efficient removal of heat and air. Side slots, (A) provide air supply and return. Full air (FA) function provides both heat dissipation and air supply for maximum efficiency.

options

OPTIONS: INSERT APPROPRIATE CODE FOR CUSTOMIZED ORDERING

BALLAST

- E5 Electronic T5
- H5 Electronic T5 HO
- E8 Electronic T8
- EB Electronic biax
- ED Electronic Dimming (Consult Factory)

NOTE: In order to achieve rated lamp life, fixtures controlled by motion sensors should be ordered with programmed start ballasts when available and minimum time delay should be set to 15 minutes - Consult Factory

VOLTAGE

- 1 120V
- 7 277V
- U Universal 120 - 277V

GENERAL OPTIONS

- NY 20G for NYC
- EM Emergency pack, 1 lamp 90 min. up to 500 lu.
- 2C 2 Circuit
- H Heat removal
- A Air handling
- FA Full air function
- WR White reveal
- F Clips for fineline ceiling

LENS & LOUVER OPTIONS

- 08 1X8 8-cell 1X4
- 09 3X3 9-cell 2X2
- 12 3X4 12-cell 2X2
- 12 2X6 12-cell 2X4
- 16 4X4 16-cell 2X2
- 18 3X6 18-cell 2X4
- 24 4X6 24-cell 2X4
- 27 3X9 27-cell 2X4
- 32 4X8 32-cell 2X4
- 78 6X13 78-cell 2X4
- PA Prismatic acrylic
- A1 .125" acrylic
- DD Drop dish
- S1 Nominal .75 X .75 silver louver
- S2 Nominal 1.5 X 1.5 silver louver

Full specular and white louvers are available - Consult Factory

accessories

- RFLP Aluminum reflector, size and number of lamps
- W 6 ft. 3-wire whip

LAMP OPTIONS

- 12 T8 741K
- 15 T8 735K
- 10 T8 730K
- 13 T5/T8 841K
- 16 T5/T8 835K
- 11 T5/T8 830K

Lamar
Lighting
Company, Inc.

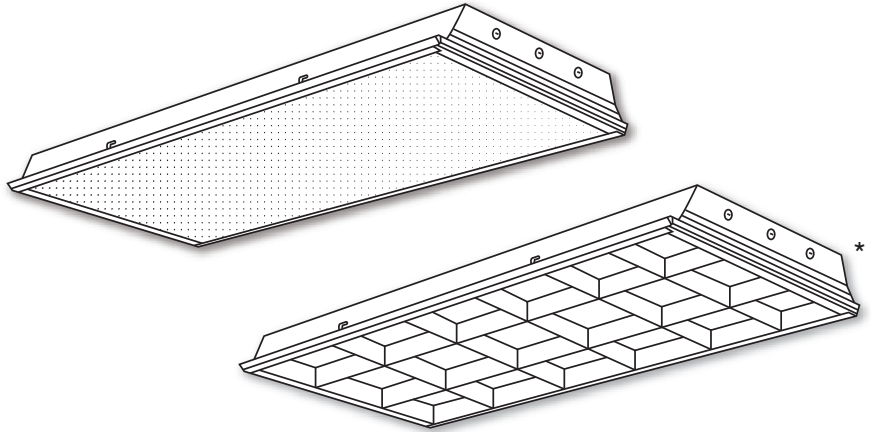
Revised
10/08

LAMAR LIGHTING 485 Smith Street, Farmingdale, NY 11735 • Tel (631) 777-7700
Fax (631) 777-7705 • Outside NY (800) 724-7743 • www.lamarlighting.com

LS SERIES

PREMIUM
RECESSED
FLUORESCENT
LENSED
LUMINAIRE

Job Name	
Catalog Number	
Notes	Type



*Shown with optional 1.5" deep shallow louver installed in door frame

application

- Recessed troffers designed for installation in an inverted T-bar ceiling where a light source is required
- Ideal for offices, hallways or commercial applications where grid ceilings are used
- Versatile low profile design reduce height restrictive applications
- Available in multiple sizes, numerous lamp/ballast combinations with various options

electrical

- All electrical components are U.L. listed
- Electronic Class P ballasts standard
- Numerous options are available: see ordering information on back

construction

- The LS series is a premium fluorescent luminaire designed for long term installations
- Features durable steel bodies, quality paint finishes and superior electrical components
- Bodies are die formed from cold rolled steel and embossed with stiffeners for strength and uniformity
- Available in both New York City code (20 ga.) and UL code (23 ga.) steel
- End plates have interlocking tabs and are securely attached by rivets
- Full-length wireway covers are die formed for durability and attach easily without the use of tools
- Ample knockouts are provided on back and ends for convenient installation
- A quick-access plate is furnished complete with two 7/8" knockouts and provisions for grounding
- Auxiliary fixture end suspension points provided
- Integral grid clips standard
- Efficient heat removal slots optional
- All fixtures are U.L. listed for damp locations and IBEW union made

door & diffuser

- Standard door is flush white steel; aluminum regressed door frames are optional
- Door frame can also be removed without tools; latching and hinging is reversible
- Low brightness, 100% virgin acrylic clear prismatic lens is standard; consult ordering guide for optional diffusers and louvers
- Standard prismatic lens provides high efficiency with maximum visual comfort and uniform light diffusion
- Optional Skylight Adapter Frame regresses the fixture into the ceiling approx. 2" to form a unique frame effect providing a soft glare free illumination

finish

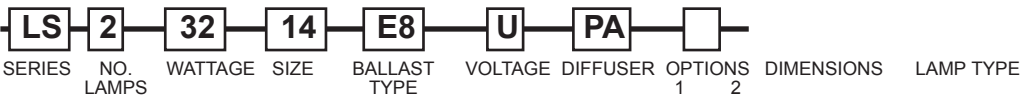
- Prior to painting, all metal parts are treated with a multi-stage phosphate bonding process to ensure adhesion and inhibit rusting
- Painted with a lighting grade baked white enamel, having a reflectance factor exceeding 87% for premium quality and durability

LS SERIES PREMIUM FLUORESCENT LUMINAIRE

ordering guide

NOTE: SOME ORDERING OPTIONS APPEAR ON PRODUCT LINE. FOR OTHER OPTIONS, SEE LIST AT RIGHT.

SAMPLE ORDER NUMBER

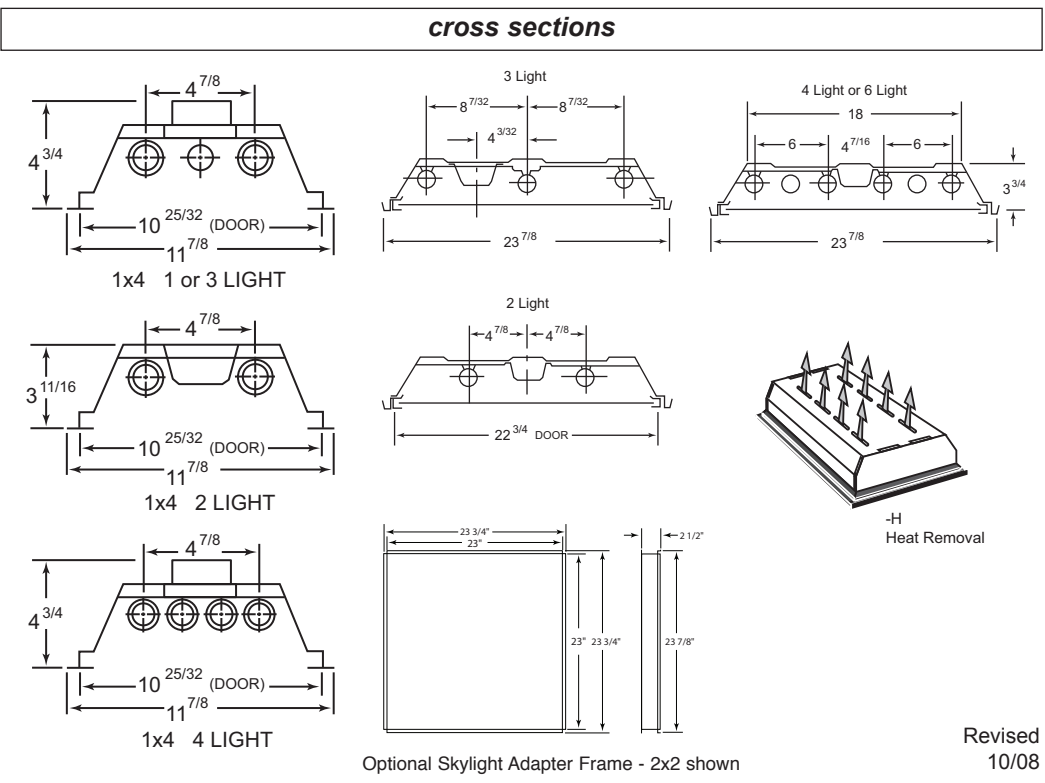


T-12 ORDERING GUIDE										
LS	1, 2, 3	20	12	E2	1, 7	PA			12" x 24"	F20T12
LS	1, 2, 3	40	14	E2	1, 7	PA			12" x 48"	F40T12
LS	2, 3, 4	20	22	E2	1, 7	PA			24" x 24"	F20T12
LS	1, 2	40	22	E2	1, 7	PA			24" x 24"	FB40T12/6
LS	2, 3, 4	40	24	E2	1, 7	PA			24" x 48"	F40T12
T-8 ORDERING GUIDE										
LS	1, 2, 3, 4	17	12	E8	1, 7, U	PA			12" x 24"	F17T8
LS	1, 2, 3, 4	32	14	E8	1, 7, U	PA			12" x 48"	F32T8
LS	2, 3, 4	17	22	E8	1, 7, U	PA			24" x 24"	F17T8
LS	1, 2, 3	31	22	E8	1, 7, U	PA			24" x 24"	FB32T8/15/8
LS	1, 2	32	22	E8	1, 7, U	PA			24" x 24"	FB32T8/6
LS	2, 3, 4, 6	32	24	E8	1, 7, U	PA			24" x 48"	F32T8
T5 ORDERING GUIDE										
LS	1, 2, 3, 4	14, 24	12	E5, H5	1, 7, U	PA			12" x 24"	F14T5/F24T5HO
LS	1, 2, 3, 4	28, 54	14	E5, H5	1, 7, U	PA			12" x 48"	F28T5/F54T5HO
LS	2, 3, 4	14, 24	22	E5, H5	1, 7, U	PA			24" x 24"	F14T5/F24T5HO
LS	2, 3, 4, 6	28, 54	24	E5, H5	1, 7, U	PA			24" x 48"	F28T5/F54T5HO
BIAX ORDERING GUIDE*										
LS	2	40, 50, 55	12	EB	1, 7, U	PA			12" x 24"	F40TT/F50TT/F55TT
LS	2, 4	40, 50, 55	14	EB	1, 7, U	PA			12" x 48"	F40TT/F50TT/F55TT
LS	2, 3	40, 50, 55	22	EB	1, 7, U	PA			24" x 24"	F40TT/F50TT/F55TT
LS	4, 6	40, 50, 55	24	EB	1, 7, U	PA			24" x 48"	F40TT/F50TT/F55TT

*Units with higher wattage (50 & 55w) biax type lamps should not be installed in unvented plenums or areas subject to high ambient temperatures

dimensional data

NOTE: SPECIFICATIONS AND DIMENSIONAL DATA ARE SUBJECT TO CHANGE WITHOUT NOTICE



options

OPTIONS: INSERT APPROPRIATE CODE FOR CUSTOMIZED ORDERING

- BALLAST**
- E2 Electronic T12
 - E5 Electronic T5
 - H5 Electronic T5 HO
 - E8 Electronic T8
 - EB Electronic Biax
 - ED Electronic Dimming (Consult Factory)

NOTE: In order to achieve rated lamp life, fixtures controlled by motion sensors should be ordered with programmed start ballasts when available and minimum time delay should be set to 15 minutes - Consult Factory

- VOLTAGE**
- 1 120V
 - 7 277V
 - U Universal 120 - 277V

- GENERAL OPTIONS**
- NY 20G for NYC
 - EM Emergency pack, 1 lamp 90 min. up to 500 lu.
 - 2C 2 Circuit
 - H Heat removal
 - GSK Single Gasket (Door to Lens)
 - 2GSK Double Gasket (Single plus Door to Frame)
 - 3GSK Triple Gasket (Double plus Frame to Ceiling)
 - RP Reverse Prism (Lens Smooth Side Down)

lens options

- PA Prismatic acrylic
- A1 .125" Acrylic
- K19 Prismatic acrylic .156" thick
- DD Drop dish
- S1 Nominal .75 x .75 silver louver
- S2 Nominal 1.5 x 1.5 silver louver
- 08 1.5 deep 1x4
- 8 cell aluminum louver
- 16 1.5" deep 1x4 or 2x2
- 16 cell aluminum louver
- 09 1.5" deep 2x2
- 9 cell aluminum louver
- 12 1.5" deep 2x2 or 2x4
- 12 cell aluminum louver
- 36 1.5" deep 2x2
- 36 cell aluminum louver
- 18 1.5" deep 2x4
- 18 cell aluminum louver
- 24 1.5" deep 2x4
- 24 cell aluminum louver
- 32 1.5" deep 2x4
- 32 cell aluminum louver
- 78 1.5" deep 2x4
- 78 cell aluminum louver

accessories

- RFLS Aluminum reflector, size and number of lamps
- W 6 ft. 3-wire whip
- SKA Skylight Adapter Frame

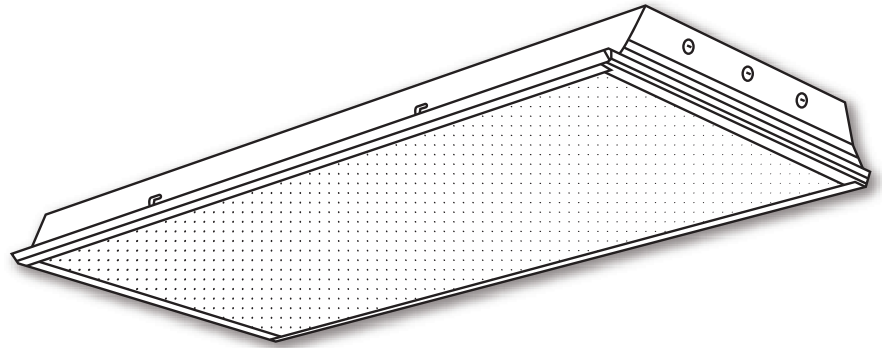
- LAMP OPTIONS**
- 12 T8 741K
 - 15 T8 735K
 - 10 T8 730K
 - 13 T5/T8 841K
 - 16 T5/T8 835K
 - 11 T5/T8 830K
 - CW T12 cool white
 - WW T12 warm white

Revised 10/08



FS
SERIES
 PREMIUM
 RECESSED
 FLUORESCENT
 FLANGED
 LUMINAIRE

Job Name	
Catalog Number	
Notes	Type



application

- Flanged recessed troffers designed for installation in sheet-rock or plaster ceilings where a light source is required
- Ideal for offices, hallways or commercial applications where concealed ceilings are used
- Versatile low profile design reduce height restrictive applications
- Available in multiple sizes, numerous lamp/ballast combinations with various options

finish

- Prior to painting, all metal parts are treated with a multi-stage phosphate bonding process to ensure adhesion and inhibit rusting
- Painted with a lighting grade baked white enamel, having a reflectance factor exceeding 87% for premium quality and durability

construction

- The FS series is a premium fluorescent luminaire designed for long term installations
- Bodies are die formed from cold rolled steel and embossed with stiffeners for strength and uniformity
- Available in both New York City code (20 ga.) and UL code (23 ga.) steel
- End plates have interlocking tabs and are securely attached by rivets
- Full-length wireway covers are die formed for durability and attach easily without the use of tools
- Ample knockouts are provided on back and ends for convenient installation
- A quick-access plate is furnished complete with two 7/8 in. knockouts and provisions for grounding
- Auxiliary fixture end suspension points provided
- Efficient heat removal slots are available
- Leveling lugs and screws are provided for installation
- All fixtures are U.L. listed for damp locations and IBEW union made

electrical

- All electrical components are U.L. listed
- Electronic Class P ballasts standard
- Numerous options are available: see ordering information on back

door & diffuser

- Standard door is flush white steel; regressed aluminum door frames are optional
- Doorframe can also be removed without tools; latching and hinging are reversible
- Low brightness, 100% virgin acrylic clear prismatic lens is standard; consult ordering guide for optional diffusers and louvers
- Standard prismatic lens provides high efficiency with maximum visual comfort and uniform light diffusion

ordering guide

NOTE: SOME ORDERING OPTIONS APPEAR ON PRODUCT LINE. FOR OTHER OPTIONS, SEE LIST AT RIGHT.

SAMPLE ORDER NUMBER



T-12 ORDERING GUIDE										
FS	1, 2, 3	20	12	E2	1, 7	PA			12" x 24"	F20T12
FS	1, 2, 3	40	14	E2	1, 7	PA			12" x 48"	F40T12
FS	2, 3, 4	20	22	E2	1, 7	PA			24" x 24"	F20T12
FS	1, 2	40	22	E2	1, 7	PA			24" x 24"	FB40T12/6
FS	2, 3, 4	40	24	E2	1, 7	PA			24" x 48"	F40T12
T-8 ORDERING GUIDE										
FS	1, 2, 3, 4	17	12	E8	1, 7, U	PA			12" x 24"	F17T8
FS	1, 2, 3, 4	32	14	E8	1, 7, U	PA			12" x 48"	F32T8
FS	2, 3, 4	17	22	E8	1, 7, U	PA			24" x 24"	F17T8
FS	1, 2, 3	31	22	E8	1, 7, U	PA			24" x 24"	FB32T8/1 ⁵ / ₈
FS	1, 2	32	22	E8	1, 7, U	PA			24" x 24"	FB32T8/6
FS	2, 3, 4, 6	32	24	E8	1, 7, U	PA			24" x 48"	F32T8
T5 ORDERING GUIDE										
FS	1, 2, 3, 4	14, 24	12	E5, H5	1, 7, U	PA			12" x 24"	F14T5/F24T5HO
FS	1, 2, 3, 4	28, 54	14	E5, H5	1, 7, U	PA			12" x 48"	F28T5/F54T5HO
FS	2, 3, 4	14, 24	22	E5, H5	1, 7, U	PA			24" x 24"	F14T5/F24T5HO
FS	2, 3, 4	28, 54	24	E5, H5	1, 7, U	PA			12" x 24"	F28T5/F54T5HO
BIAX ORDERING GUIDE*										
FS	2	40, 50, 55	12	EB	1, 7, U	PA			12" x 24"	F40TT/F50TT/F55TT
FS	2, 4	40, 50, 55	14	EB	1, 7, U	PA			12" x 48"	F40TT/F50TT/F55TT
FS	2, 3	40, 50, 55	22	EB	1, 7, U	PA			24" x 24"	F40TT/F50TT/F55TT
FS	4, 6	40, 50, 55	24	EB	1, 7, U	PA			24" x 48"	F40TT/F50TT/F55TT

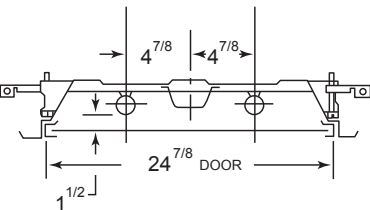
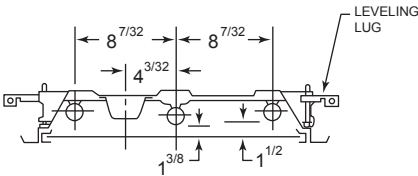
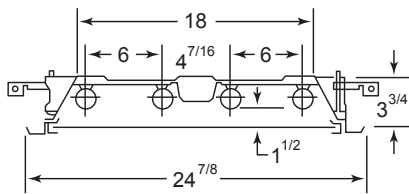
For optional regressed door substitute "FSR" instead of "FS" ALSO AVAILABLE IN T5 - CONSULT FACTORY

*Units with higher wattage (50 & 55w) biax type lamps should not be installed in unvented plenums or areas subject to high ambient temperatures

dimensional data

NOTE: SPECIFICATIONS AND DIMENSIONAL DATA ARE SUBJECT TO CHANGE WITHOUT NOTICE

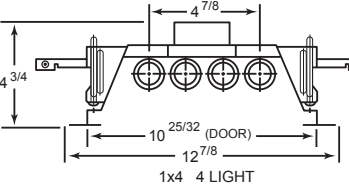
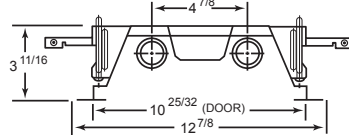
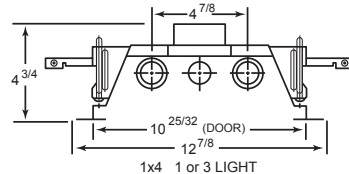
cross sections



1x4

Minimum ceiling opening 11 3/8" x 48"

Maximum ceiling opening 12 7/8" x 49 1/16"



2x2

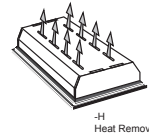
Minimum ceiling opening 23 3/8" x 24"

Maximum ceiling opening 24 7/8" x 25 1/16"

2x4

Minimum ceiling opening 23 3/8" x 48"

Maximum ceiling opening 24 7/8" x 49 1/16"



FS SERIES PREMIUM RECESSED FLANGED LUMINAIRE

options

OPTIONS: INSERT APPROPRIATE CODE FOR CUSTOMIZED ORDERING

BALLAST

- E2 Electronic T12
- E5 Electronic T5
- H5 Electronic T5 HO
- E8 Electronic T8
- EB Electronic Biax
- ED Electronic Dimming (Consult Factory)

NOTE: In order to achieve rated lamp life, fixtures controlled by motion sensors should be ordered with programmed start ballasts when available and minimum time delay should be set to 15 minutes - Consult Factory

VOLTAGE

- 1 120V
- 7 277V
- U Universal 120 - 277V

GENERAL OPTIONS

- NY 20G for NYC
- EM Emergency pack, 1 lamp 90 min. up to 500 lu.
- 2C 2 Circuit
- H Heat removal
- GSK Single Gasket (Door to Lens)
- 2GSK Double Gasket (Single plus Door to Frame)
- 3GSK Triple Gasket (Double plus Frame to Ceiling)
- RP Reverse Prism (Lens Smooth Side Down)

lens options

- PA Prismatic acrylic
- A1 .125" Acrylic
- DD Drop dish
- S1 Nominal .75 x .75 silver louver
- S2 Nominal 1.5 x 1.5 silver louver
- 08 1.5 deep 1x4 8 cell aluminum louver
- 16 1.5" deep 1x4 or 2x2 16 cell aluminum louver
- 09 1.5" deep 2x2 9 cell aluminum louver
- 12 1.5" deep 2x2 or 2x4 12 cell aluminum louver
- 36 1.5" deep 2x2 36 cell aluminum louver
- 18 1.5" deep 2x4 18 cell aluminum louver
- 24 1.5" deep 2x4 24 cell aluminum louver
- 32 1.5" deep 2x4 32 cell aluminum louver
- 78 1.5" deep 2x4 78 cell aluminum louver

accessories

- RFLS Aluminum reflector, size and number of lamps
- W 6 ft. 3-wire whip

LAMP OPTIONS

- 12 T8 741K
- 15 T8 735K
- 10 T8 730K
- 13 T5/T8 841K
- 16 T5/T8 835K
- 11 T5/T8 830K
- CW T12 cool white
- WW T12 warm white

Revised 10/08



RWW SERIES

RECESSED
STYLING

RECESSED
WALL
WASH

Job Name

Catalog Number

Notes

Type



application

- A recessed wall wash designed to offer uniform illumination of vertical surfaces or displays
- Available in 2' and 4' lengths
- Utilizes 40, 50 or 55 watt bi-x and 28 or 54 watt T5 fluorescent lamps

finish

- Prior to painting, all metal parts are treated with a multi-stage phosphate bonding process to ensure adhesion and inhibit rusting
- Painted with a lighting grade baked white enamel, having a reflectance factor exceeding 89% for premium quality and durability

construction

- The RWW series is a premium fluorescent luminaire designed for long term installations
- Features durable steel bodies, quality paint finishes and superior electrical components
- Bodies are die formed from code gauge cold rolled steel for strength and uniformity
- Mounting brackets provided for ease of installation
- Access plate provided for electrical connections
- All fixtures are U.L. listed and IBEW union made

electrical

- All electrical parts are U.L. listed
- Electronic Class P ballasts standard

reflector

- Two piece internal non-iridescent specular aluminum reflector provides maximum wall illumination with minimum 0.307 brightness

R W W

SERIES RECESSED WALL WASH

ordering guide

NOTE: SOME ORDERING OPTIONS APPEAR ON PRODUCT LINE. FOR OTHER OPTIONS, SEE LIST AT RIGHT.

SAMPLE ORDER NUMBER

RWW-2-40-48-EB-U

SERIES NO. WATTAGE SIZE BALLAST VOLTAGE DIMENSIONS LAMP TYPE
LAMPS TYPE

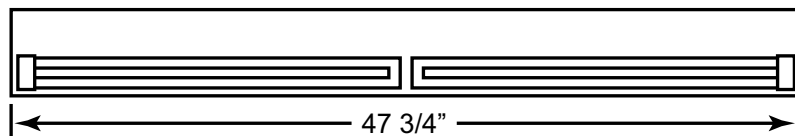
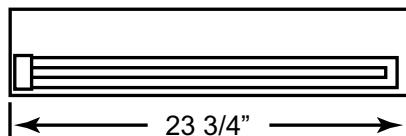
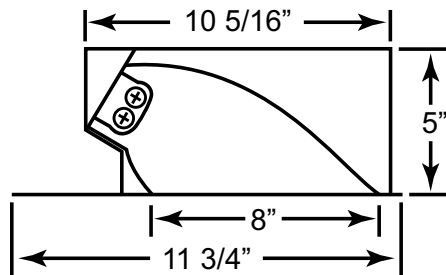
COMPACT FLUORESCENT ORDERING GUIDE

RWW	1	40, 50, 55	24	EB	1, 7, U	11 3/4" x 23 3/4"	F40TT, F50TT, F55TT
RWW	2	40, 50, 55	48	EB	1, 7, U	11 3/4" x 47 3/4"	F40TT, F50TT, F55TT
RWW	1	14, 24	24	E5, H5	1, 7, U	11 3/4" x 23 3/4"	F14T5, F24T5HO
RWW	1	28, 54	48	E5, H5	1, 7, U	11 3/4" x 47 3/4"	F28T5, F54T5HO

dimensional data

NOTE: SPECIFICATIONS AND DIMENSIONAL DATA ARE SUBJECT TO CHANGE WITHOUT NOTICE

cross sections



options

OPTIONS: INSERT APPROPRIATE CODE FOR CUSTOMIZED ORDERING

BALLAST

EB Electronic Biax
 E5 Electronic T5
 H5 Electronic T5 HO
 ED Electronic Dimming
 (Consult Factory)

NOTE: In order to achieve rated lamp life, fixtures controlled by motion sensors should be ordered with programmed start ballasts when available and minimum time delay should be set to 15 minutes - Consult Factory

VOLTAGE

1 120V
 7 277V
 U Universal 120 - 277V

GENERAL OPTIONS

W 6' 3 wire whip

accessories

LAMP OPTIONS

13 T5 841K
 16 T5 835K
 11 T5 830K

Revised
5/11

LAMAR LIGHTING 485 Smith Street, Farmingdale, NY 11735 • Tel (631) 777-7700
Fax (631) 777-7705 • Outside NY (800) 724-7743 • www.lamarlighting.com

AR
SERIES

**PREMIUM
RECESSED
LUMINAIRE**

Job Name	
Catalog Number	
Notes	Type



description

- An architecturally appealing narrow recessed luminaire with stylish regress trim and available with fully adjustable MR-16 modules for accent lighting in commercial and retail interiors
- Various shielding choices to allow customizing for your specific application
- Units are available for individual or row mounting

construction

- Housing is constructed of code gauge steel with tool free access to wiring compartment
- Flanged units for sheetrock or concealed spline ceiling are supplied with leveling lugs. In support of our environment our steel has recycled content

finish

- Finished in lighting grade white polyester urethane with 87% minimum reflectivity

diffuser

- Matte white acrylic diffuser is standard
- Several lens and louver options are available - consult factory

electrical

- Universal voltage (120-277V) fluorescent ballasts are standard. MR-16 modules are voltage specific (120 or 277V)

certifications

- Units are UL listed and IBEW union made in the USA



ordering guide

NOTE: SOME ORDERING OPTIONS APPEAR ON PRODUCT LINE. FOR OTHER OPTIONS, SEE LIST AT RIGHT.

SAMPLE ORDER NUMBER

AR 2 54 G H5 U PA MR 2 1

SERIES NO. WATTAGE MOUNT BALLAST VOLTAGE LENS LENGTH* NO. VOLTAGE LAMPS OPTIONS TYPE LAMPS

T-5 ORDERING GUIDE							MR-16 OPTIONS			
AR	1, 2	14, 24	F, G	E5, H5	1, U	PA	2'	MR	2	1, 7
AR	1, 2	21, 39	F, G	E5, H5	1, U	PA	3'	MR	1, 2	1, 7
AR	1, 2	28, 54	F, G	E5, H5	1, U	PA	4'	MR	1, 2	1, 7

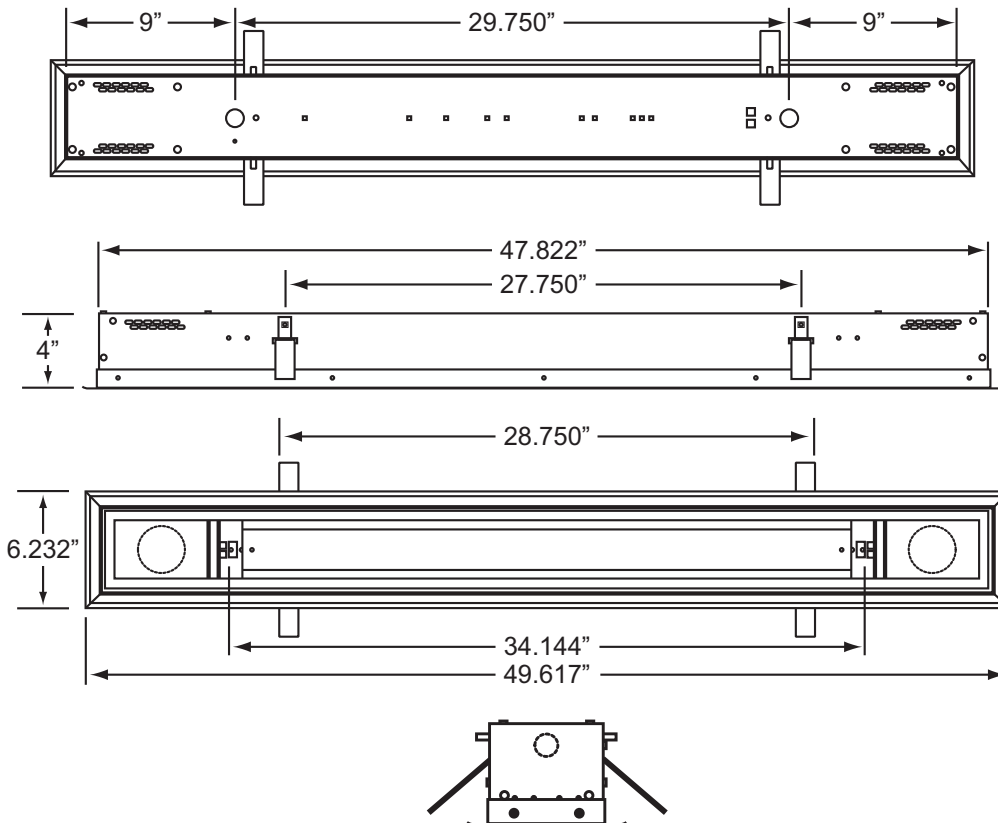
*ADD 6" FOR EACH MR-16 MODULE

dimensional data

NOTE: SPECIFICATIONS AND DIMENSIONAL DATA ARE SUBJECT TO CHANGE WITHOUT NOTICE

cross sections

4' flanged shown



AR

SERIES
PREMIUM RECESSED
LUMINAIRE

options

OPTIONS: INSERT APPROPRIATE CODE FOR CUSTOMIZED ORDERING

BALLAST

E5 Electronic T5
H5 High output T5
ED Electronic Dimming

NOTE: In order to achieve rated lamp life, fixtures controlled by motion sensors should be ordered with programmed start ballasts when available and minimum time delay should be set to 15 minutes - Consult Factory

VOLTAGE

1 120V
U Universal 120 - 277V

GENERAL OPTIONS

EM Emergency pack, 1 lamp
90 min. up to 500 lu.
2C 2 Circuit

MOUNTING OPTIONS

G T-bar or grid ceiling
F Flanged for finished ceiling, sheetrock, plaster, concealed "Z"

LENS & LOUVER OPTIONS

PA Prismatic acrylic
SW Smooth white acrylic
MW Matte white acrylic diffuser (STD)
MP Frosted micro-prism acrylic diffuser
S1 Nominal .75 X .75 silver louver
OVL White acrylic overlay

accessories

LAMP OPTIONS

13 T5 841K
16 T5 835K
11 T5 830K

Revised
4/10

LAMAR LIGHTING 485 Smith Street, Farmingdale, NY 11735 • Tel (631) 777-7700
Fax (631) 777-7705 • Outside NY (800) 724-7743 • www.lamarlighting.com

Lamar
Lighting
Company, Inc.

**LCL/FCL
SERIES
PREMIUM
RECESSED
FLUORESCENT
LENSED
LUMINAIRE
2X2 OR 2X4**

Job Name	
Catalog Number	
Notes	Type



*Shown with optional clear flat lens

application

- The LCL/FCL provides high angle low glare illumination
- Recessed troffers designed for installation in an inverted T-bar ceiling (LCL) or sheet rock (FCL)
- Ideal for offices, hallways or commercial applications
- 4" depth ideal for shallow plenum applications
- Available in 2x2 and 2x4 sizes, numerous lamp/ballast combinations and various lens and louver options

construction

- The LCL/FCL series is a premium fluorescent luminaire designed for long term installations
- Features durable steel bodies, quality paint finishes and superior electrical components
- Bodies are die formed from cold rolled steel and embossed with stiffeners for strength and uniformity
- Available in both New York City code (20 ga.) and UL code (23 ga.) steel
- End plates have interlocking tabs and are securely attached by rivets
- Full-length wireway covers are die formed for durability and attach easily without the use of tools
- Ample knockouts are provided on back and ends for convenient installation
- Door frame can also be removed without tools; latching and hinging is reversible
- A quick-access plate is furnished complete with two 7/8" knockouts and provisions for grounding
- Auxiliary fixture end suspension points provided
- Leveling lugs and screws are provided for installation with FCL
- Integral grid clips standard
- All fixtures are U.L. listed for damp locations and IBEW union made

electrical

- All electrical components are U.L. listed
- Electronic Class P ballasts standard

reflector/shielding

- Reflector: Precision-formed steel; high reflectance white
- Center Panel: Duriflex HT™ 100% clear with precise micro-optic built into surface allowing 93% transmission while producing 89% haze factor
- Side Panels: Soft white acrylic lens

LCL SERIES PREMIUM FLUORESCENT LUMINAIRE

ordering guide

NOTE: SOME ORDERING OPTIONS APPEAR ON PRODUCT LINE. FOR OTHER OPTIONS, SEE LIST AT RIGHT.

SAMPLE ORDER NUMBER



SERIES NO. WATTAGE SIZE BALLAST VOLTAGE OPTIONS DIMENSIONS LAMP TYPE
LAMPS

T-8 ORDERING GUIDE										
LCL	2	17	22	E8		U			24" x 24"	F17T8
LCL	2	32	24	E8		U			24" x 48"	F32T8
T-5 ORDERING GUIDE										
LCL	2	14, 24	22	E5, H5		U			24" x 24"	F14T5/F24T5HO
LCL	2	28, 54	24	E5, H5		U			24" x 48"	F28T5/F54T5HO
T-8 ORDERING GUIDE										
FCL	2	17	22	E8		U			24" x 24"	F17T8
FCL	2	32	24	E8		U			24" x 48"	F32T8
T-5 ORDERING GUIDE										
FCL	2	14, 24	22	E5, H5		U			24" x 24"	F14T5/F24T5HO
FCL	2	28, 54	24	E5, H5		U			24" x 48"	F28T5/F54T5HO

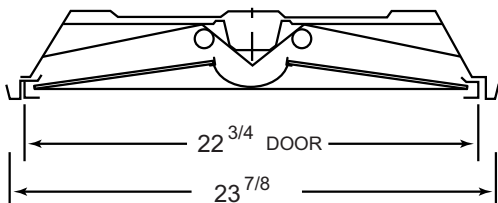
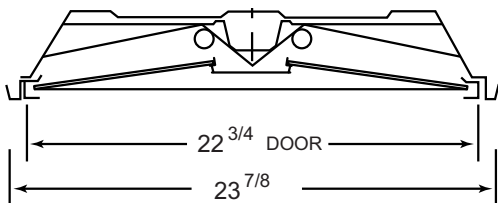
dimensional data

NOTE: SPECIFICATIONS AND DIMENSIONAL DATA ARE SUBJECT TO CHANGE WITHOUT NOTICE

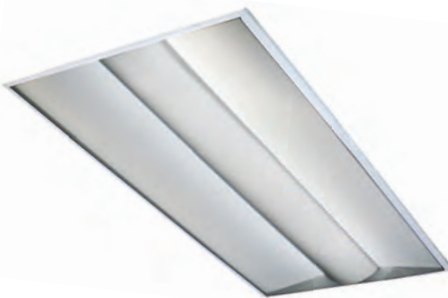
cross sections

LCL

*Shown with optional baffle

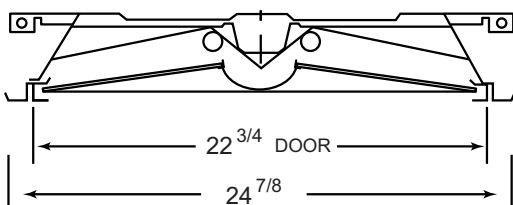
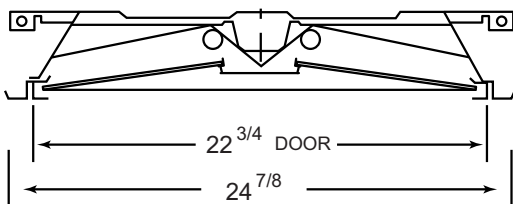


*Shown with optional perforated metal basket



FCL

*Shown with optional clear radial lens



Revised
9/10

options

OPTIONS: INSERT APPROPRIATE CODE FOR CUSTOMIZED ORDERING

BALLAST

- E8 Electronic T8
- PS8 Program start T8
- CE8 CEE listed high performance T8 (instant start)
- CP8 CEE listed high performance T8 (program start)
- H8 High lumen output T8
- L8 Low watt T8 ballast
- E5 Electronic T5
- H5 Electronic T5 high output
- ED Electronic dimming (Consult Factory)

VOLTAGE

- U Universal 120 - 277V

GENERAL OPTIONS

- NY 20G for NYC
- EM Emergency pack, 1 lamp 90 min. up to 500 lu.
- 2C 2 Circuit

CENTER LENS OPTIONS

- CF Clear flat Dur-iFlex HT™
- CR Clear radial Dur-iFlex HT™
- WB White baffle
- SB Silver baffle
- PF Perforated metal basket

accessories

- W 6 ft. 3-wire whip

LAMP OPTIONS

- 12 T8 741K
- 15 T8 735K
- 10 T8 730K
- 13 T5/T8 841K
- 16 T5/T8 835K
- 11 T5/T8 830K

TUC

SERIES

ULTRA-THIN
UNDER CABINET
LUMINAIRE

Job Name	
Catalog Number	
Notes	Type



application

- An attractive, ultra-thin, completely inconspicuous task light, designed for incorporation into today's modern kitchens needing an unobtrusive light source
- Available in eight different sizes from 9 to 47 inches utilizing the latest in T5 electronic technology; other sizes may be created by nipling units together

finish

- Prior to painting, all metal parts are treated with a multi-stage phosphate bonding process to ensure adhesion and inhibit rusting
- All steel components are painted with a lighting grade baked white enamel, having a reflectance factor exceeding 87% for premium quality and durability

construction

- The TUC series is an inconspicuous light source for under cabinet task lighting
- Features durable 20 gauge New York City code steel bodies, quality paint finishes and superior electrical components
- Die formed cold rolled steel for strength and uniformity
- Covers are die formed for added strength and fastened securely to the housing by 2 standard acorn nuts, allowing for easy cleaning and servicing
- Shipped complete with mounting hardware, lamps, BX connector and wirenuts for easy installation
- Ample knockouts are provided on back and ends for convenient installation and chase nipling
- Optional rocker switch available
- All fixtures are U.L. listed and IBEW union made

electrical

- All electrical components are U.L. listed
- Electronic Class P, thermally protected ballasts standard
- 120V pre-heat, normal power factor is standard on all units
- Numerous options are available: see ordering information on back

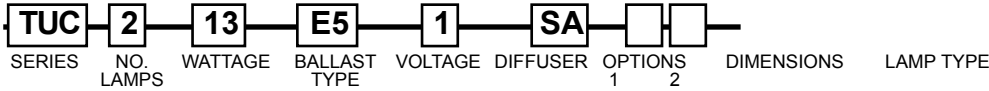
diffuser

- One-piece extruded clear, light stabilized acrylic; special polymer additives insure non-yellowing and increased pliability
- Features a clear linear refractive lens to maximize lumen output
- Grooved formation on the edges allow for a tight, no light leak attachment to the body
- Lens is removable without the use of tools for easy re-lamping and cleaning

ordering guide

NOTE: SOME ORDERING OPTIONS APPEAR ON PRODUCT LINE. FOR OTHER OPTIONS, SEE LIST AT RIGHT.

SAMPLE ORDER NUMBER



T-5 ORDERING GUIDE

TUC	NO. LAMPS	WATTAGE	BALLAST TYPE	VOLTAGE	DIFFUSER	OPTIONS 1	OPTIONS 2	DIMENSIONS	LAMP TYPE
TUC	1	08	E5	1, 7	SA			1 1/32" X 12 9/32"	F8T5
TUC	1	13	E5	1, 7	SA			1 1/32" X 21 9/32"	F13T5
TUC	2	8/13	E5	1, 7	SA			1 1/32" X 33 13/32"	F8T5 & F13T5
TUC	2	08	E5	1, 7	SA			1 1/32" X 24 13/32"	F8T5
TUC	2	13	E5	1, 7	SA			1 1/32" X 42 13/32"	F13T5
TUC	1	14	E5	1, 7	SA			1 1/32" X 22 17/32"	F14T5
TUC	1	21	E5	1, 7	SA			1 1/32" X 34 7/16"	F21T5
TUC	1	28	E5	1, 7	SA			1 1/32" X 46 7/32"	F28T5

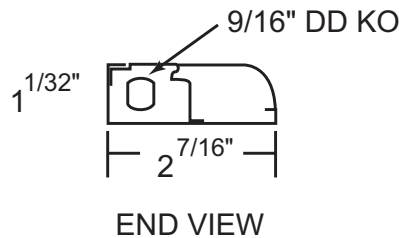
Note: Not all T5 lamps are alike. Units utilizing 8 and/or 13W lamps are considered "old technology" and are shipped standard with cool white lamps. The lumen output of these units is significantly lower than the "new technology" 14, 21 and 28W lamps. Units utilizing 14, 21 and 28W T5 lamps are shipped standard with lamp option -16 (other options available - see chart at right).

Mixing "old" and "new technology" lamp types may result in uneven illumination and visible color differences.

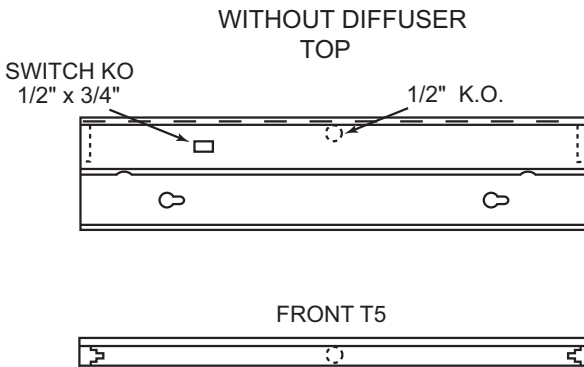
dimensional data

NOTE: SPECIFICATIONS AND DIMENSIONAL DATA ARE SUBJECT TO CHANGE WITHOUT NOTICE

cross sections



back knockout plans and lengths



T5	
SIZE	LENGTH
8W	12-9/32"
13W	21-9/32"
2/8W	24-13/32"
8/13W	33-13/32"
2/13W	42-13/32"
14W (2')	22-17/32"
21W (3')	34-7/16"
28W (4')	46-7/32"

options

OPTIONS: INSERT APPROPRIATE CODE FOR CUSTOMIZED ORDERING

BALLAST

E5 Electronic T5

NOTE: In order to achieve rated lamp life, fixtures controlled by motion sensors should be ordered with programmed start ballasts when available and minimum time delay should be set to 15 minutes - Consult Factory

VOLTAGE

1 120V

7 277V*

*Consult Factory

GENERAL OPTIONS

RS Rocker switch

DIFFUSER OPTIONS

SA Standard acrylic

Multiple cord and plug options are available (Consult Factory)

accessories

LAMP OPTIONS

13 T5 841K

16 T5 835K

11 T5 830K

Revised
10/08

LMS

SERIES

LINKABLE

MINI

STRIP

Job Name	
Catalog Number	
Notes	Type



application

- An ultra-thin, completely inconspicuous task light, designed for incorporation into today's modern kitchens, book shelves, or displays needing an unobtrusive light source
- Available in five different sizes from 13.5 to 47.4 inches utilizing the latest in T5 electronic technology; other sizes may be created by linking units together

construction

- The LMS series is an inconspicuous light source for under cabinet task or display lighting
- Features durable injection molded polycarbonate, acrylic shade body and superior electrical components
- Shipped complete with mounting hardware, lamp (4100k) and 6' cord with polarized plug for easy installation
- Linkable cables up to 36 inches available for daisy chaining fixtures together



- Optional J-box with switch to control entire run of fixtures



- All fixtures are U.L. listed and IBEW union made

electrical

- All electrical components are U.L. listed
- Electronic Class P, thermally protected ballasts standard
- 120V electronic ballast is standard on all units

ordering guide

NOTE: SOME ORDERING OPTIONS APPEAR ON PRODUCT LINE. FOR OTHER OPTIONS, SEE LIST AT RIGHT.

SAMPLE ORDER NUMBER

LMS	1	13	E5	1		
SERIES	NO. LAMPS	WATTAGE	BALLAST TYPE	VOLTAGE	DIMENSIONS	LAMP TYPE

T-5 ORDERING GUIDE

LMS	NO. LAMPS	WATTAGE	BALLAST TYPE	VOLTAGE	DIMENSIONS	LAMP TYPE
LMS	1	08	E5	1	13 1/2" x 0.9 x 1.7"	F8T5
LMS	1	13	E5	1	22 1/2" x 0.9 x 1.7"	F13T5
LMS	1	14	E5	1	23.7" x 0.9 x 1.7"	F14T5
LMS	1	21	E5	1	35.6" x 0.9 x 1.7"	F21T5
LMS	1	28	E5	1	47.4" x 0.9 x 1.7"	F28T5

Note: Not all T5 lamps are alike. Units utilizing 8 and/or 13W lamps are considered "old technology" and are shipped standard with cool white lamps. The lumen output of these units is significantly lower than the "new technology" 14, 21 and 28W lamps.

Mixing "old" and "new technology" lamp types may result in uneven illumination and visible color differences.

NOTE: SPECIFICATIONS AND DIMENSIONAL DATA ARE SUBJECT TO CHANGE WITHOUT NOTICE

product details



LMS
SERIES
LINKABLE
MINI
STRIP

options

BALLAST

E5 Electronic T5

NOTE: In order to achieve rated lamp life, fixtures controlled by motion sensors should be ordered with programmed start ballasts when available and minimum time delay should be set to 15 minutes - Consult Factory

VOLTAGE

1 120V

accessories

J-Box

LMSJBOX 4" x 2 3/16" x 1 1/2"

Linkable Cable

LLD-6 6"
LLD-12 12"
LLD-18 18"
LLD-24 24"
LLD-36 36"

Revised
10/08

LAMAR LIGHTING 485 Smith Street, Farmingdale, NY 11735 • Tel (631) 777-7700
Fax (631) 777-7705 • Outside NY (800) 724-7743 • www.lamarlighting.com

Lamar
Lighting
Company, Inc.

MUC

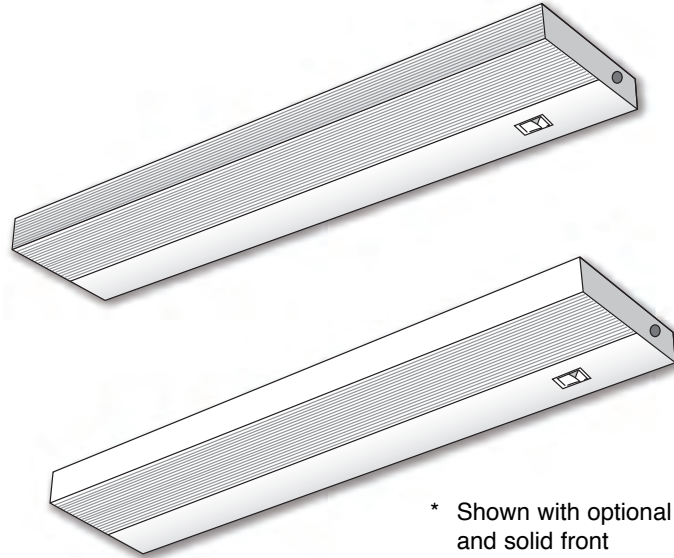
SERIES

THIN

UNDER CABINET

LUMINAIRE

Job Name	
Catalog Number	
Notes	Type



* Shown with optional rocker switch and solid front

application

- An attractive, slim under-cabinet task light, designed for unobtrusive incorporation into today's modern European style cabinetry found in many new kitchens
- Available in five different sizes from 12 to 42 inches with various switching options; other sizes may be created by nipling units together

finish

- Prior to painting, all metal parts are treated with a multi-stage phosphate bonding process to ensure adhesion and inhibit rusting
- All steel components are painted with a lighting grade baked white enamel, having a reflectance factor exceeding 87% for premium quality and durability

construction

- The MUC series is a shallow and functional surface mounted under-cabinet task light specifically designed for low profile, long-term installations
- Features durable 20 gauge New York City code steel bodies, quality paint finishes and superior electrical components
- Die formed cold rolled steel for strength and uniformity
- Covers are die formed for added strength and fastened securely to the housing by 2 standard acorn nuts, allowing for easy cleaning and servicing
- Shipped complete with mounting hardware, lamps, BX connector and wirenuts for easy installation
- Ample knockouts are provided on back and ends for convenient installation and chase nipling
- Many switch and convenience outlet options available consult factory for availability, rocker switch included
- All fixtures are U.L. listed and IBEW union made

electrical

- All electrical components are U.L. listed
- Electronic Class P, thermally protected ballasts standard
- 120V normal power factor is standard on all units
- Numerous options are available: see ordering information on back

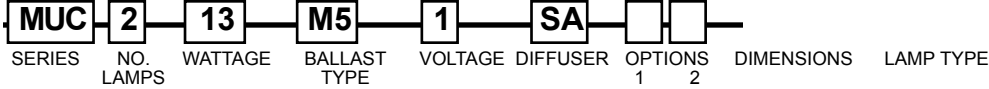
diffuser

- One-piece extruded white, light stabilized acrylic; special polymer additives insure non-yellowing and increased pliability
- Features a linear refractive white lens for even illumination
- Grooved formation on the edges allow for a tight, no light leak attachment to the body
- Lens is removable without the use of tools for easy re-lamping and cleaning

ordering guide

NOTE: SOME ORDERING OPTIONS APPEAR ON PRODUCT LINE. FOR OTHER OPTIONS, SEE LIST AT RIGHT.

SAMPLE ORDER NUMBER



T-5 ORDERING GUIDE

MUC	1	08	E5	1, 7	SA			1" X 12 1/4"	F8T5
MUC	1	13	E5	1, 7	SA			1" X 21 1/4"	F13T5
MUC	2*	8/13	E5	1, 7	SA			1" X 33 1/2"	F8T5&F13T5
MUC	2	08	E5	1, 7	SA			1" X 24 1/2"	F8T5
MUC	2	13	E5	1, 7	SA			1" X 42 1/2"	F13T5

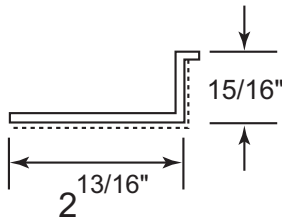
* (1) 8 watt and (1) 13 watt lamp

Rocker Switch Included - Field Installed

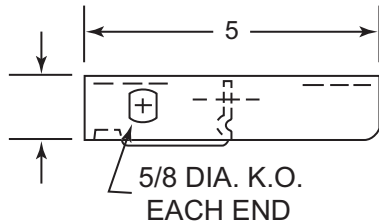
dimensional data

NOTE: SPECIFICATIONS AND DIMENSIONAL DATA ARE SUBJECT TO CHANGE WITHOUT NOTICE

cross sections



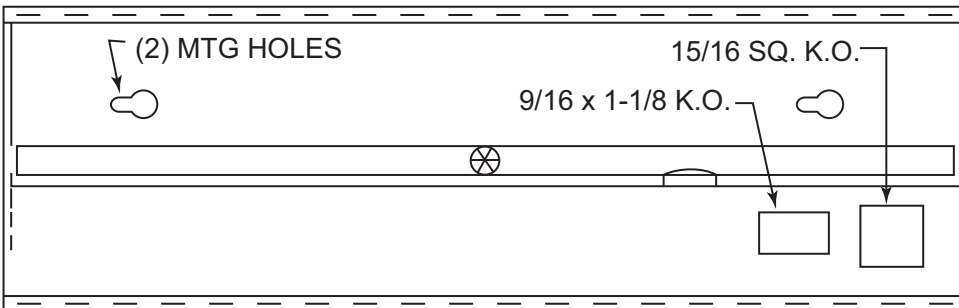
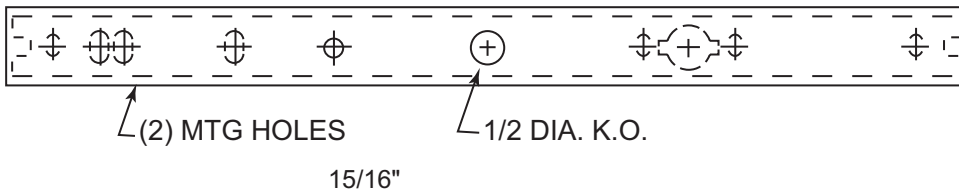
DIFFUSER
(RIBBED)



IN MOUNTED POSITION

back knockout plans and lengths

BOTTOM
WITHOUT DIFFUSER



options

OPTIONS: INSERT APPROPRIATE CODE FOR CUSTOMIZED ORDERING

BALLAST

E5 Electronic T5

NOTE: In order to achieve rated lamp life, fixtures controlled by motion sensors should be ordered with programmed start ballasts when available and minimum time delay should be set to 15 minutes - Consult Factory

VOLTAGE

1 120V
7 277V*

*Consult Factory

GENERAL OPTIONS

- PS Push switch (120V only)
- TS Turn switch (120V only)
- PC Pull chain (120V only)
- CO Grounded convenience outlet (120V only)
- SF Solid body front

DIFFUSER OPTIONS

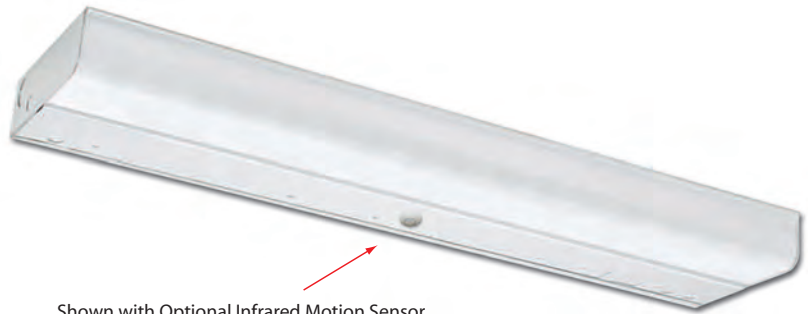
- SA Standard acrylic
- OF Opaque front acrylic

Multiple cord and plug options are available - Consult Factory

Revised
10/08

U C
SERIES
SURFACE
MOUNT
UNDER CABINET
LOW PROFILE
TASK LIGHT

Job Name	
Catalog Number	
Notes	Type



Shown with Optional Infrared Motion Sensor

application

- An attractive, under-cabinet task light, designed for standard size ballasts to operate T8 and T12 lamps
- Available in five different sizes with various switching options; other sizes may be created by nipling units together

diffuser

- One-piece extruded white, light stabilized acrylic with special polymer additives to insure non-yellowing and increased pliability
- Features a linear refractive white lens for even illumination
- Grooved formation on the edges allow for a tight, no light leak attachment to the body
- Lens is removable without the use of tools for easy re-lamping and cleaning

construction

- The UC series is a surface mount under cabinet task light specifically designed for low profile, long-term installations
- Features durable 20 gauge New York City code steel bodies, quality paint finishes and superior electrical components
- Die formed from cold rolled steel for strength and uniformity
- Covers are die formed for added strength and fastened securely to the housing by 2 standard screws, allowing for easy access for cleaning and servicing
- Ample knockouts are provided on back and ends for convenient installation and chase nipling
- Many cord and plug, switch and convenience outlet options available; consult factory for availability
- Two light units are available, consult factory for availability and exact dimensions
- All fixtures are U.L. listed for damp locations and IBEW union made

electrical

- All electrical components are U.L. listed
- Electronic Class P, thermally protected ballasts standard
- 120V normal power factor is standard on all units 3 ft. and smaller
- Numerous options are available: see ordering information on back

finish

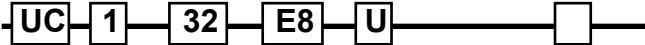
- Prior to painting, all metal parts are treated with a multi-stage phosphate bonding process to ensure adhesion and inhibit rusting
- Painted with a lighting grade baked white enamel, having a reflectance factor exceeding 87% for premium quality and durability

UC
SERIES
 SURFACE MOUNT
 UNDER CABINET
 LOW PROFILE
 TASK LIGHT

ordering guide

NOTE: SOME ORDERING OPTIONS APPEAR ON PRODUCT LINE. FOR OTHER OPTIONS, SEE LIST AT RIGHT.

SAMPLE ORDER NUMBER



SERIES NO. WATTAGE BALLAST VOLTAGE OPTIONS DIMENSIONS LAMP TYPE
 LAMPS TYPE

T-8 ORDERING GUIDE

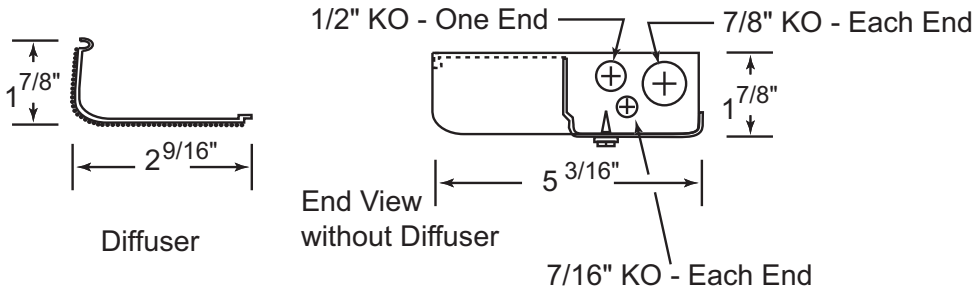
UC	1, 2	15	E8	1, 7, U		5 3/16" x 7/8" x 18"	F15T8
UC	1, 2	17	E8	1, 7, U		5 3/16" x 7/8" x 24"	F17T8
UC	1, 2	25	E8	1, 7, U		5 3/16" x 7/8" x 36"	F25T8
UC	1, 2	32	E8	1, 7, U		5 3/16" x 7/8" x 48"	F32T8

* Denotes 2L unit

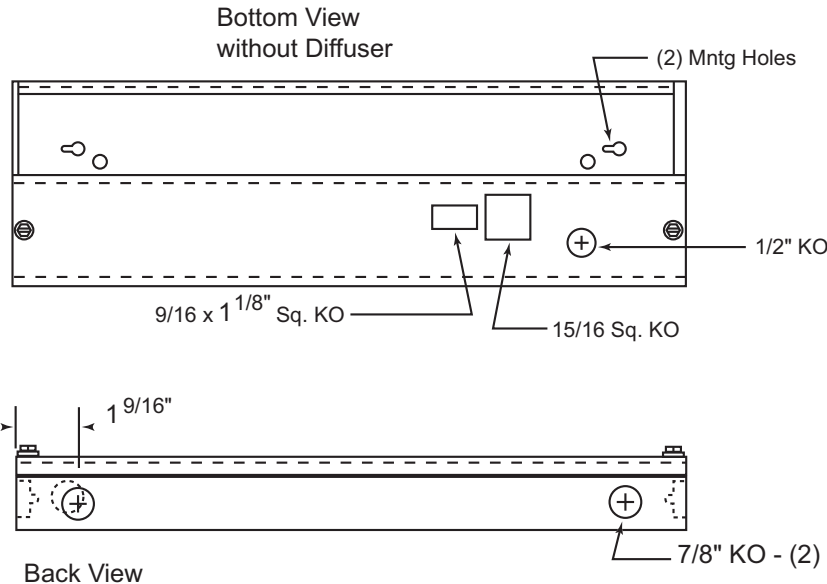
dimensional data

NOTE: SPECIFICATIONS AND DIMENSIONAL DATA ARE SUBJECT TO CHANGE WITHOUT NOTICE

end view and diffuser



back knockout plans and lengths



options

OPTIONS: INSERT APPROPRIATE CODE FOR CUSTOMIZED ORDERING

BALLAST

- M2 Magnetic T12
- MP Magnetic HPF
- R2 Residential T12
- E8 Electronic T8
- ED Electronic dimming (Consult Factory)

NOTE: In order to achieve rated lamp life, fixtures controlled by motion sensors should be ordered with programmed start ballasts when available and minimum time delay should be set to 15 minutes - Consult Factory

VOLTAGE

- 1 120V
- 7 277V
- U Universal 120 - 277V

GENERAL OPTIONS

- EM Emergency pack, 1 lamp 90 min. up to 500 lu.
- 2C 2 Circuit
- PS Push switch
- PC Pull chain
- TS Turn switch
- CO Grounded convenience outlet

Multiple cord options are available. 2 light channel is available - Consult Factory

accessories

LAMP OPTIONS

- 12 T8 741K
- 15 T8 735K
- 10 T8 730K
- 13 T8 841K
- 16 T8 835K
- 11 T8 830K

Revised 10/08



UCS
SERIES
 SURFACE
 MOUNT
 UNDER CABINET
 LOW PROFILE
 SOLID FRONT
 TASK LIGHT

Job Name	
Catalog Number	
Notes	Type



application

- An attractive, under-cabinet task light, designed for standard size ballasts to operate T8 and T12 lamps
- Solid front design eliminates all line of sight glare for total downlighting
- Available in four different sizes with various switching options; other sizes may be created by nipling units together

diffuser

- One-piece extruded clear, light stabilized acrylic with special polymer additives to insure non-yellowing and increased pliability
- Features a linear refractive white lens for even illumination
- Grooved formation on the edges allow for a tight attachment to the body
- Lens snaps in and out for easy re-lamping and cleaning

construction

- The UCS series is a surface mount under cabinet task light specifically designed for low profile, long-term installations
- Features durable 20 gauge New York City code steel bodies, quality paint finishes and superior electrical components
- Die formed from cold rolled steel for strength and uniformity
- Covers are die formed for added strength and fastened securely to the housing by 2 standard screws, allowing for easy access for cleaning and servicing
- Ample knockouts are provided on back and ends for convenient installation and chase nipling
- Many cord and plug, switch and convenience outlet options available; consult factory
- All fixtures are U.L. listed and IBEW union made

electrical

- All electrical components are U.L. listed
- Electronic Class P, thermally protected ballasts standard
- 120V normal power factor is standard on all units
- Numerous options are available: see ordering information on back

finish

- Prior to painting, all metal parts are treated with a multi-stage phosphate bonding process to ensure adhesion and inhibit rusting
- Painted with a lighting grade baked white enamel, having a reflectance factor exceeding 87% for premium quality and durability

ordering guide

NOTE: SOME ORDERING OPTIONS APPEAR ON PRODUCT LINE. FOR OTHER OPTIONS, SEE LIST AT RIGHT.

SAMPLE ORDER NUMBER



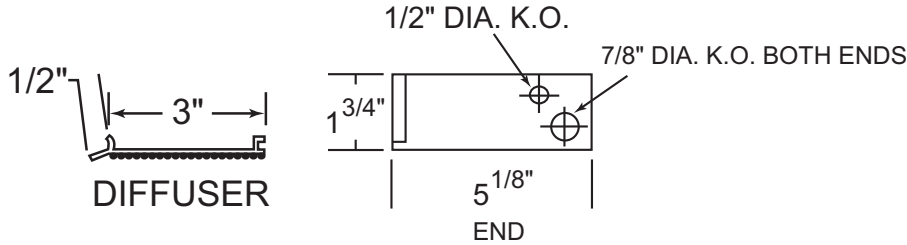
SERIES NO. WATTAGE BALLAST VOLTAGE OPTIONS DIMENSIONS LAMP TYPE
LAMPS TYPE

T-8 ORDERING GUIDE							
UCS	1	15	E8	1, 7, U		5 1/8" x 18 3/16"	F15T8
UCS	1	17	E8	1, 7, U		5 1/8" x 24 3/16"	F17T8
UCS	1	25	E8	1, 7, U		5 1/8" x 36 3/16"	F25T8
UCS	1	32	E8	1, 7, U		5 1/8" x 48 3/16"	F32T8

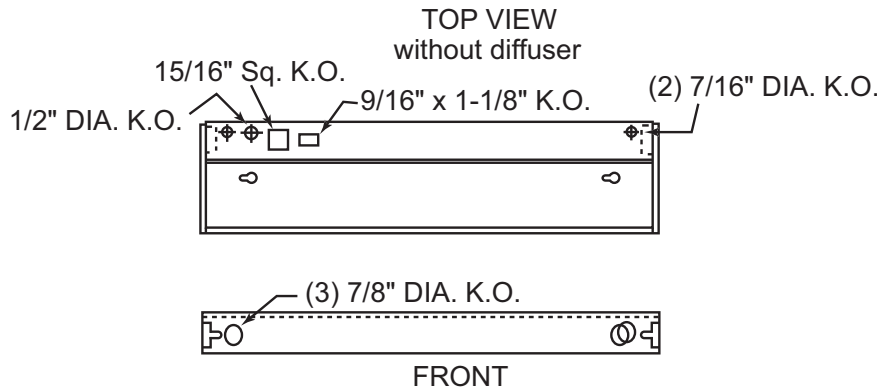
dimensional data

NOTE: SPECIFICATIONS AND DIMENSIONAL DATA ARE SUBJECT TO CHANGE WITHOUT NOTICE

end view and diffuser



back knockout plans and lengths



SIZE	LENGTH
15W	18 3/16"
17W/20W	24 3/16"
25W/30W	36 3/16"
32W/40W	48 3/16"

options

OPTIONS: INSERT APPROPRIATE CODE FOR CUSTOMIZED ORDERING

BALLAST

- M2 Magnetic T12
- MP Magnetic HPF
- R2 Residential T12
- E8 Electronic T8
- ED Electronic Dimming (Consult Factory)

NOTE: In order to achieve rated lamp life, fixtures controlled by motion sensors should be ordered with programmed start ballasts when available and minimum time delay should be set to 15 minutes - Consult Factory

VOLTAGE

- 1 120V
- 7 277V
- U Universal 120 - 277V

GENERAL OPTIONS

- EM Emergency pack, 1 lamp 90 min. up to 500 lu.
- PS Push switch
- PC Pull chain
- TS Turn switch
- CO Grounded convenience outlet

Multiple cord options are available, Consult Factory

accessories

LAMP OPTIONS

- 12 T8 741K
- 15 T8 735K
- 10 T8 730K
- 13 T8 841K
- 16 T8 835K
- 11 T8 830K

Revised
10/08

TL SERIES MULTI-PURPOSE TASK LIGHT

Job Name	
Catalog Number	
Notes	Type



Shown with Optional Infrared Motion Sensor

application

- A smart styled task light, excellent for desks, offices or undercabinet applications
- Available with or without upright slots, depending on your application
- May be wall or ceiling mounted, individually or in continuous rows for a contemporary linear look
- Available in 1 and 2 lamp units 24 to 48 inches in length with numerous lamp/ballast combinations

finish

- Prior to painting, all metal parts are treated with a multi-stage phosphate bonding process to ensure adhesion and inhibit rusting
- Painted with a lighting grade baked white enamel, having a reflectance factor exceeding 87% for premium quality and durability

construction

- The TL series is a decorative and versatile surface mounted luminaire specifically designed for long-term installations
- Features durable steel bodies, quality paint finishes and superior electrical components
- Die formed from cold rolled steel for strength and uniformity
- Ends are die formed for added strength and fastened securely to the housing by 2 pan head screws, allowing for easy cleaning and servicing
- The ends retain the diffuser with positive engagement to reduce vibration hazards
- Wireway covers are die formed for durability and attach easily and securely with two screws
- Ample knockouts are provided on back for convenient installation
- All fixtures are U.L. listed and IBEW union made

electrical

- All electrical components are U.L. listed
- Electronic Class P, thermally protected ballasts standard
- 120V normal power factor is standard on all units
- Numerous options are available: see ordering information on back

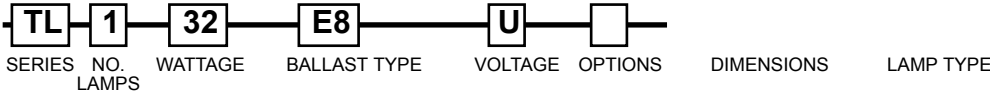
diffuser

- One-piece extruded clear, light stabilized acrylic
- Features a linear refractive pattern for even illumination
- Grooved formation on the edges allow for a tight, snap-in attachment to the body

ordering guide

NOTE: SOME ORDERING OPTIONS APPEAR ON PRODUCT LINE. FOR OTHER OPTIONS, SEE LIST AT RIGHT.

SAMPLE ORDER NUMBER

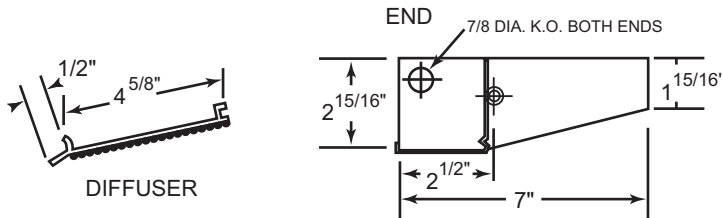


T-8 ORDERING GUIDE							
SERIES	NO. LAMPS	WATTAGE	BALLAST TYPE	VOLTAGE	OPTIONS	DIMENSIONS	LAMP TYPE
TL	1, 2	17	E8	1, 7, U		7" x 24 1/4"	F17T8
TL	1, 2	25	E8	1, 7, U		7" x 36 1/4"	F25T8
TL	1, 2	32	E8	1, 7, U		7" x 48 1/4"	F32T8

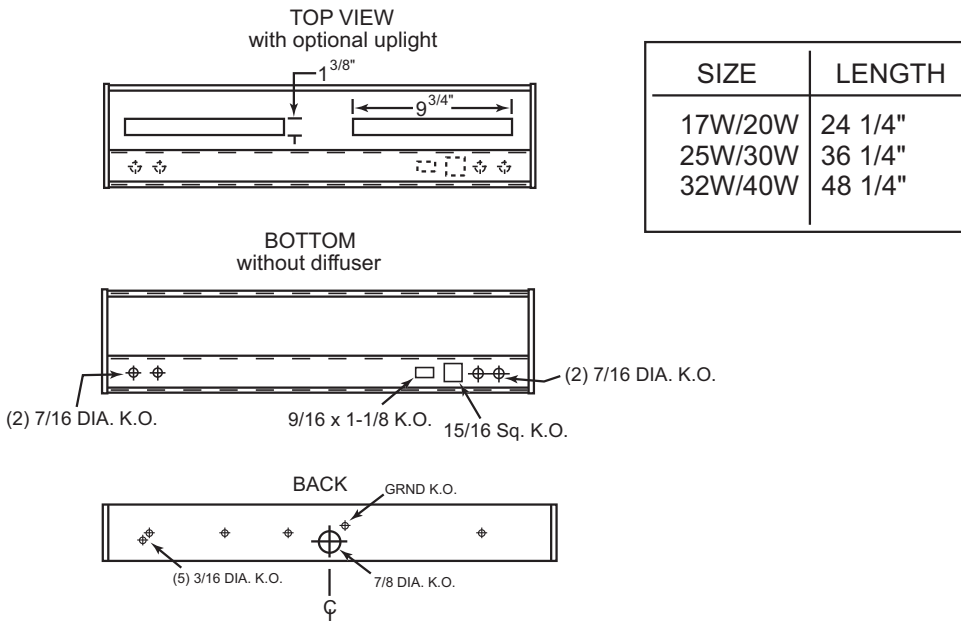
dimensional data

NOTE: SPECIFICATIONS AND DIMENSIONAL DATA ARE SUBJECT TO CHANGE WITHOUT NOTICE

end view and diffuser



back knockout plans and lengths



options

OPTIONS: INSERT APPROPRIATE CODE FOR CUSTOMIZED ORDERING

BALLAST

- E8 Electronic T8
- ED Electronic Dimming (Consult Factory)

NOTE: In order to achieve rated lamp life, fixtures controlled by motion sensors should be ordered with programmed start ballasts when available and minimum time delay should be set to 15 minutes - Consult Factory

VOLTAGE

- 1 120V
- 7 277V
- U Universal 120 - 277V

GENERAL OPTIONS

- U Uplite Slots
- EM Emergency pack, 1 lamp 90 min. up to 500 lu.
- 2C 2 Circuit
- PS Push switch
- PC Pull chain
- TS Turn switch
- CO Grounded convenience outlet

Multiple cord options are available. 2 light channel is available - Consult Factory

accessories

LAMP OPTIONS

- 12 T8 741K
- 15 T8 735K
- 10 T8 730K
- 13 T8 841K
- 16 T8 835K
- 11 T8 830K

Revised 10/08

K
SERIES
 DECORATIVE
 TASK
 LUMINAIRE
 WALL MOUNT
 DIRECT/INDIRECT

Job Name	
Catalog Number	
Notes	Type



application

- Decorative wall mount task luminaire, for residential, institutional and commercial applications
- Ideal for workstations, hospitals or room perimeters where direct/indirect lighting is needed
- Optional two circuit wiring, convenience outlets or switching are available
- Available in 1 or 2 light, multiple lengths and numerous lamp/ballast combinations

finish

- Prior to painting, all metal parts are treated with a multi-stage phosphate bonding process to ensure adhesion and inhibit rusting
- Painted with a lighting grade baked white enamel, having a reflectance factor exceeding 87% for premium quality and durability

construction

- The K series is a high quality fluorescent luminaire specifically designed for durable hi-visibility areas
- Features durable steel bodies, quality paint finishes and superior electrical components
- Die formed from cold rolled steel for strength and uniformity
- Ends are die formed for added strength and fastened securely to the housing by screws
- Solid front baffle, open top and bottom provides maximum direct/indirect lighting
- Wireway covers are die formed for durability and attach easily and securely with two screws
- Ample knockouts are provided on back for convenient installation
- Knockouts provided for switch options, cord and plug options, night light or convenience outlets
- All fixtures are U.L. listed and IBEW union made

electrical

- All electrical components are U.L. listed
- Ballasts are class P, thermally protected
- 120V normal power factor is standard on all units
- Numerous options are available: see ordering information on back

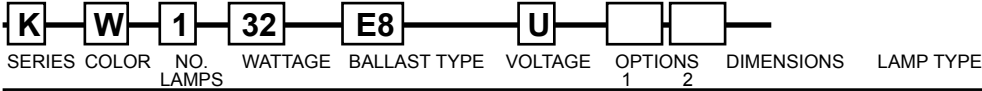
baffle

- Attractive one-piece die formed solid front baffle in white finish
- Grooved formation on the ends provide maximum rigidity and positive engagement to the front baffle

ordering guide

NOTE: SOME ORDERING OPTIONS APPEAR ON PRODUCT LINE. FOR OTHER OPTIONS, SEE LIST AT RIGHT.

SAMPLE ORDER NUMBER



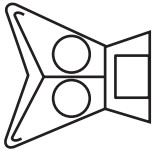
T-8 ORDERING GUIDE

K	W	1, 2	17	E8	1, U		6" x 24"	F17T8
K	W	1, 2	25	E8	1, U		6" x 36"	F25T8
K	W	1, 2	32	E8	1, U		6" x 48"	F32T8

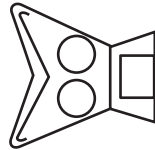
dimensional data

NOTE: SPECIFICATIONS AND DIMENSIONAL DATA ARE SUBJECT TO CHANGE WITHOUT NOTICE

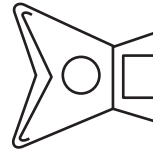
cross sections



TWO LIGHT WITH CENTER DIVIDER

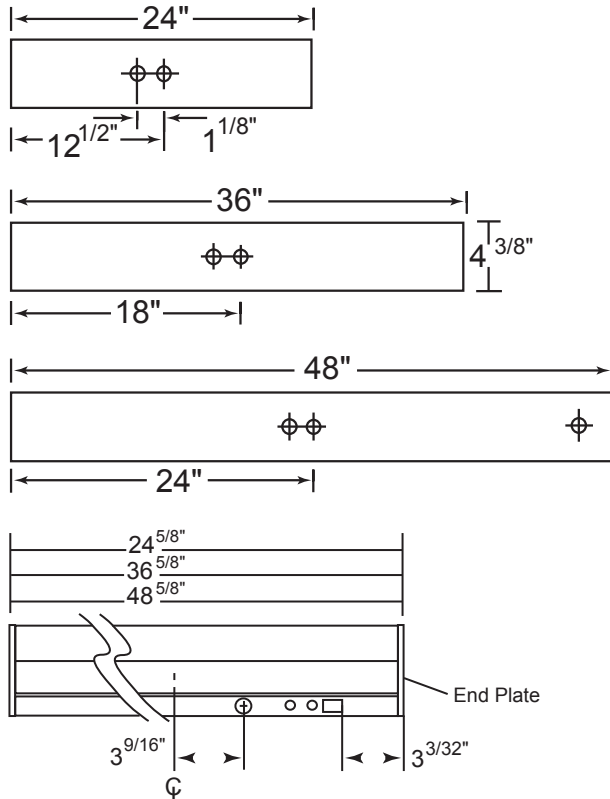


TWO LIGHT



ONE LIGHT

back knockout plans and lengths



options

OPTIONS: INSERT APPROPRIATE CODE FOR CUSTOMIZED ORDERING

BALLAST

- E8 Electronic T8
- ED Electronic Dimming (Consult Factory)

NOTE: In order to achieve rated lamp life, fixtures controlled by motion sensors should be ordered with programmed start ballasts when available and minimum time delay should be set to 15 minutes - Consult Factory

VOLTAGE

- 1 120V
- U Universal 120 - 277V

GENERAL OPTIONS

- EM Emergency pack, 1 lamp 90 min. up to 500 lu.
- 2C 2 Circuit
- CD Center divider
- PS Push switch
- PC Pull chain
- TS Turn switch
- CO Grounded convenience outlet
- NL Night light

Multiple cord options are available - Consult Factory

COLOR OPTIONS

- W White

accessories

LAMP OPTIONS

- 12 T8 741K
- 15 T8 735K
- 10 T8 730K
- 13 T8 841K
- 16 T8 835K
- 11 T8 830K
- TG Tubeguard + Length/Wattage

Revised 10/08

B SERIES ROUNDED CORNER DECORATIVE LUMINAIRE

Job Name	
Catalog Number	
Notes	Type



application

- An attractive rounded corner task light, excellent for bathrooms, dressing rooms or appliances
- Available in two complimenting designs to accommodate almost every application
- Able to be surface mounted, horizontally or vertically, individually or in continuous rows for a contemporary linear look
- Available in 1 and 2 lamp units 18 to 48 inches in length with numerous lamp/ballast combinations

finish

- Prior to painting, all metal parts are treated with a multi-stage phosphate bonding process to ensure adhesion and inhibit rusting
- Painted with a lighting grade baked white enamel, having a reflectance factor exceeding 87% for premium quality and durability

construction

- The B series is a decorative and versatile surface mounted luminaire specifically designed for long-term installations
- Features durable steel bodies, quality paint finishes and superior electrical components
- Die formed from cold rolled steel for strength and uniformity
- Ends are die formed for added strength and fastened securely to the housing by 2 standard acorn nuts, allowing for easy cleaning and servicing
- The ends retaining the diffuser with positive engagement reduce vibration hazards
- Wireway covers are die formed for durability and attach easily and securely with two screws; tamper proofing is available
- Ample knockouts are provided on back for convenient installation
- Available in standard Chrome or optional White
- All fixtures are U.L. listed and IBEW union made

electrical

- All electrical components are U.L. listed
- Ballasts are class P, thermally protected
- 120V normal power factor is standard on all units 3ft. and smaller
- 120V high power factor, energy saving ballasts comply with Federal Energy Efficiency Standards and are standard on all 4 ft. units
- Numerous options are available: T8 electronic, dimming, switching; see ordering information on back

diffuser

- One-piece extruded white, light stabilized acrylic is standard
- Features a linear refractive pattern for even illumination
- Grooved formation on the edges allow for a tight, no light leak attachment to the body

ordering guide

NOTE: SOME ORDERING OPTIONS APPEAR ON PRODUCT LINE. FOR OTHER OPTIONS, SEE LIST AT RIGHT.

B
SERIES
ROUNDED CORNER
DECORATIVE
LUMINAIRE

SAMPLE ORDER NUMBER



SERIES COLOR NO. WATTAGE TANDEM BALLAST VOLTAGE OPTIONS DIMENSIONS LAMP TYPE

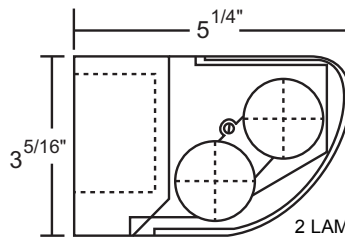
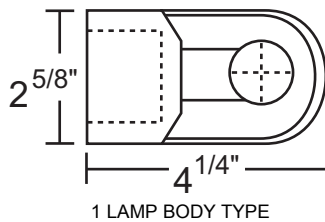
T-12 ORDERING GUIDE									
B	W, C	1	15		M2, MP	1, 7		4 1/4" x 18"	F15T12
B	W, C	1	20		M2, MP	1, 7		4 1/4" x 24"	F20T12
B	W, C	1	30		R2, M2	1, 7		4 1/4" x 36"	F30T12
B	W, C	1	40		R2, M2	1, 7		4 1/4" x 48"	F40T12
B	W, C	1	30	T	M2	1, 7	2B	4 1/4" x 72 1/2"	F30T12
B	W, C	1	40	T	M2	1, 7	2B	4 1/4" x 96 1/2"	F40T12
B	W, C	1, 2	15		M2, MP	1, 7		5 1/4" x 18"	F15T12
B	W, C	1, 2	20		M2, MP	1, 7		5 1/4" x 24"	F20T12
B	W, C	1, 2	30		R2, M2	1, 7		5 1/4" x 36"	F30T12
B	W, C	1, 2	40		R2, M2	1, 7		5 1/4" x 48"	F40T12
B	W, C	1, 2	30	T	M2	1, 7	2B	5 1/4" x 72 1/2"	F30T12
B	W, C	1, 2	40	T	M2	1, 7	2B	5 1/4" x 96 1/2"	F40T12
T-8 ORDERING GUIDE									
B	W, C	1	15		E8, P8	1, 7		4 1/4" x 18"	F15T8
B	W, C	1	17		E8	1, 7		4 1/4" x 24"	F17T8
B	W, C	1	25		E8	1, 7		4 1/4" x 36"	F25T8
B	W, C	1	32		E8	1, 7		4 1/4" x 48"	F32T8
B	W, C	1	25	T	E8	1, 7	2B	4 1/4" x 72 1/2"	F25T8
B	W, C	1	32	T	E8	1, 7	2B	4 1/4" x 96 1/2"	F32T8
B	W, C	1, 2	15		E8, P8	1, 7		5 1/4" x 18"	F15T8
B	W, C	1, 2	17		E8	1, 7		5 1/4" x 24"	F17T8
B	W, C	1, 2	25		E8	1, 7		5 1/4" x 36"	F25T8
B	W, C	1, 2	32		E8	1, 7		5 1/4" x 48"	F32T8
B	W, C	1, 2	25	T	E8	1, 7	2B	5 1/4" x 72 1/2"	F25T8
B	W, C	1, 2	32	T	E8	1, 7	2B	5 1/4" x 96 1/2"	F32T8

Note: Tandem units contain double the amount of lamps shown

dimensional data

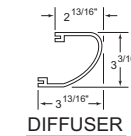
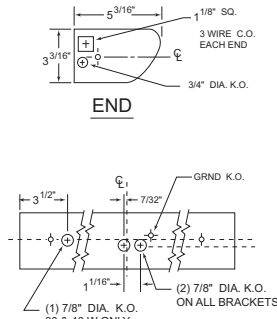
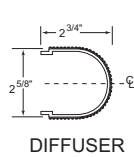
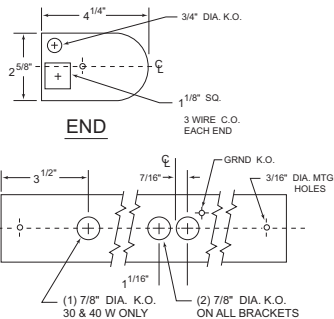
NOTE: SPECIFICATIONS AND DIMENSIONAL DATA ARE SUBJECT TO CHANGE WITHOUT NOTICE

cross sections



NOTE:
Two-lamp body type is available with single lamp.
Consult factory for details.

back knockout plans and lengths



SIZE	LENGTH
14 W	15 - 1/4"
15 W	18 - 1/4"
20 W	24 - 1/4"
30 W	36 - 1/4"
40 W	48 - 1/4"

SIZE	LENGTH
14 W	15 - 1/4"
15 W	18 - 1/4"
20 W	24 - 1/4"
30 W	36 - 1/4"
40 W	48 - 1/4"

options

OPTIONS: INSERT APPROPRIATE CODE FOR CUSTOMIZED ORDERING

BALLAST

- M2 Magnetic T12
- MP Magnetic HPF
- R2 Residential T12
- E8 Electronic T8
- EDX Electronic dimming Advance MX
- P8 Pre-heat T8

NOTE: In order to achieve rated lamp life, fixtures controlled by motion sensors should be ordered with programmed start ballasts when available and minimum time delay should be set to 15 minutes - Consult Factory

VOLTAGE

- 1 120V
- 7 277V
- U Universal 120 - 277V

COLOR

- C Chrome
- W White

GENERAL OPTIONS

- EM Emergency pack, 1 lamp 90 min. up to 500 lu.
- 2C 2 Circuit
- LT Low temperature ballast
- PS Push switch
- PC Pull chain
- TS Turn switch
- CO Grounded convenience outlet
- 2B 2 Bodies wired together for tandem

Multiple cord options are available

Consult factory for other options not shown

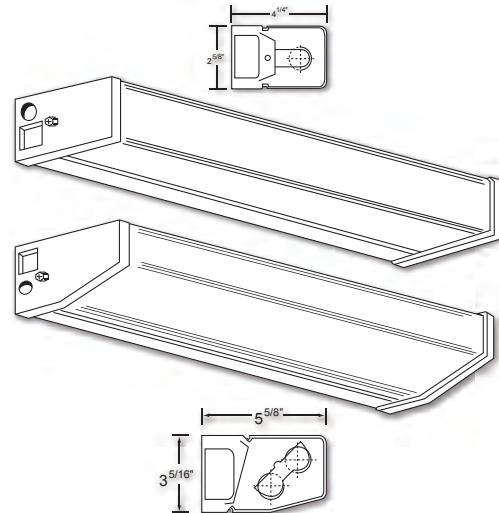
accessories

LAMP OPTIONS

- 12 T8 741K
- 15 T8 735K
- 10 T8 730K
- 13 T8 841K
- 16 T8 835K
- 11 T8 830K

D SERIES SQUARE CORNER DECORATIVE LUMINAIRE

Job Name	
Catalog Number	
Notes	Type



application

- An attractive square corner task light, excellent for bathrooms, dressing rooms or appliances
- Available in two complimenting designs to accommodate almost every application
- May be surface mounted, horizontally or vertically, individually or in continuous rows for a contemporary linear look
- Available in 1 and 2 lamp units 18 to 48 inches in length with numerous lamp/ballast combinations

finish

- Prior to painting, all metal parts are treated with a multi-stage phosphate bonding process to ensure adhesion and inhibit rusting
- Painted with a lighting grade baked white enamel, having a reflectance factor exceeding 87% for premium quality and durability

construction

- The D series is a decorative and versatile surface mounted luminaire specifically designed for long-term installations
- Features durable steel bodies, quality paint finishes and superior electrical components
- Die formed from cold rolled steel for strength and uniformity
- Ends are die formed for added strength and fastened securely to the housing by 2 standard acorn nuts, allowing for easy cleaning and servicing
- The ends retain the diffuser with positive engagement reducing vibration hazards
- Wireway covers are die formed for durability and attach easily and securely with two screws; tamper proofing is available
- Ample knockouts are provided on back for convenient installation
- Available in standard Chrome or optional White
- All fixtures are U.L. listed and IBEW union made

electrical

- All electrical components are U.L. listed
- Ballasts are class P, thermally protected
- 120V normal power factor is standard on all units 3ft. and smaller
- 120V high power factor, energy saving ballasts comply with Federal Energy Efficiency Standards and are standard on all 4 ft. units
- Numerous options are available: T8 electronic, dimming, switching; see ordering information on back

diffuser

- One-piece extruded white, light stabilized acrylic is standard
- Features a linear refractive pattern for even illumination
- Grooved formation on the edges allow for a tight, no light leak attachment to the body

LaMar
Lighting
Company, Inc.

D
SERIES
SQUARE CORNER
DECORATIVE
LUMINAIRE

ordering guide

NOTE: SOME ORDERING OPTIONS APPEAR ON PRODUCT LINE. FOR OTHER OPTIONS, SEE LIST AT RIGHT.

SAMPLE ORDER NUMBER



SERIES COLOR NO. WATTAGE TANDEM BALLAST TYPE VOLTAGE OPTIONS DIMENSIONS LAMP TYPE

T-12 ORDERING GUIDE									
D	W, C	1	15		M2, MP	1, 7		4 1/4" x 18"	F15T12
D	W, C	1	20		M2, MP	1, 7		4 1/4" x 24"	F20T12
D	W, C	1	30		R2, M2	1, 7		4 1/4" x 36"	F30T12
D	W, C	1	40		R2, M2	1, 7		4 1/4" x 48"	F40T12
D	W, C	1	30	T	M2	1, 7	2B	4 1/4" x 72 1/2"	F30T12
D	W, C	1	40	T	M2	1, 7	2B	4 1/4" x 96 1/2"	F40T12
D	W, C	1, 2	15		M2, MP	1, 7		5 5/8" x 18"	F15T12
D	W, C	1, 2	20		M2, MP	1, 7		5 5/8" x 24"	F20T12
D	W, C	1, 2	30		R2, M2	1, 7		5 5/8" x 36"	F30T12
D	W, C	1, 2	40		R2, M2	1, 7		5 5/8" x 48"	F40T12
D	W, C	1, 2	30	T	M2	1, 7	2B	5 5/8" x 72 1/2"	F30T12
D	W, C	1, 2	40	T	M2	1, 7	2B	5 5/8" x 96 1/2"	F40T12
T-8 ORDERING GUIDE									
D	W, C	1	15		E8, P8	1, 7		4 1/4" x 18"	F15T8
D	W, C	1	17		E8	1, 7		4 1/4" x 24"	F17T8
D	W, C	1	25		E8	1, 7		4 1/4" x 36"	F25T8
D	W, C	1	32		E8	1, 7		4 1/4" x 48"	F32T8
D	W, C	1	25	T	E8	1, 7	2B	4 1/4" x 72 1/2"	F25T8
D	W, C	1	32	T	E8	1, 7	2B	4 1/4" x 96 1/2"	F32T8
D	W, C	1, 2	15		E8, P8	1, 7		5 5/8" x 18"	F15T8
D	W, C	1, 2	17		E8	1, 7		5 5/8" x 24"	F17T8
D	W, C	1, 2	25		E8	1, 7		5 5/8" x 36"	F25T8
D	W, C	1, 2	32		E8	1, 7		5 5/8" x 48"	F32T8
D	W, C	1, 2	25	T	E8	1, 7	2B	5 5/8" x 72 1/2"	F25T8
D	W, C	1, 2	32	T	E8	1, 7	2B	5 5/8" x 96 1/2"	F32T8

Note: Tandem units contain double the amount of lamps shown

options

OPTIONS: INSERT APPROPRIATE CODE FOR CUSTOMIZED ORDERING

BALLAST

- M2 Magnetic T12
- MP Magnetic HPF
- R2 Residential T12
- E8 Electronic T8
- EDX Electronic Dimming Advance MX
- P8 Pre-heat T8

NOTE: In order to achieve rated lamp life, fixtures controlled by motion sensors should be ordered with programmed start ballasts when available and minimum time delay should be set to 15 minutes - Consult Factory

VOLTAGE

- 1 120V
- 7 277V
- U Universal 120 - 277V

COLOR

- C Chrome
- W White

GENERAL OPTIONS

- EM Emergency pack, 1 lamp 90 min. up to 500 lu.
- 2C 2 Circuit
- LT Low temperature ballast
- PS Push switch
- PC Pull chain
- TS Turn switch
- 2B 2 Bodies
- CO Grounded convenience outlet
- TP Tamperproof

Multiple cord options are available

accessories

LAMP OPTIONS

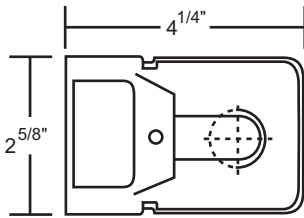
- 12 T8 741K
- 15 T8 735K
- 10 T8 730K
- 13 T8 841K
- 16 T8 835K
- 11 T8 830K

dimensional data

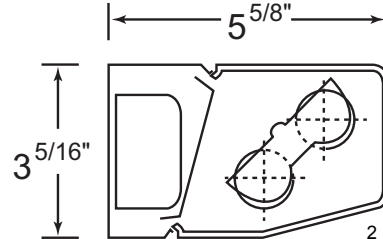
NOTE: SPECIFICATIONS AND DIMENSIONAL DATA ARE SUBJECT TO CHANGE WITHOUT NOTICE

cross sections

switch and convenience outlet locations



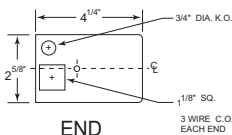
1 LAMP BODY TYPE



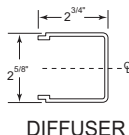
2 LAMP BODY TYPE

NOTE:
Two-lamp body type is available with single lamp.
Consult factory for details.

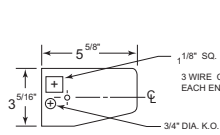
back knockout plans and lengths



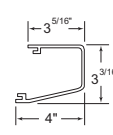
END



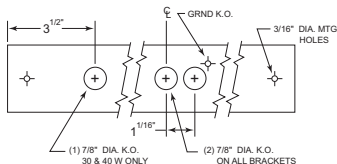
DIFFUSER



END

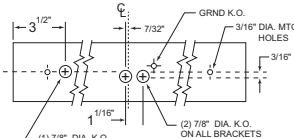


DIFFUSER



BACK

SIZE	LENGTH
4 W	9 1/8"
6 W	12 1/8"
8 W	15 1/8"
14 W	15 1/8"
15 W	18 1/8"
20 W	24 1/8"
30 W	36 1/8"
40 W	48 1/8"



BACK

SIZE	LENGTH
15 W	18 1/4"
20 W	24 1/4"
30 W	36 1/4"
40 W	48 1/4"

Revised
10/08

LAMAR LIGHTING 485 Smith Street, Farmingdale, NY 11735 • Tel (631) 777-7700
 Fax (631) 777-7705 • Outside NY (800) 724-7743 • www.lamarlighting.com



BD
SERIES
 DEEP BODY
 SURFACE
 MOUNT
 TASK LIGHT

Job Name	
Catalog Number	
Notes	Type



application

- A unique, rounded cornered task light, with an extra deep body
- Designed specifically to extend light out and over wall-mounted vanities, mirrors and medicine cabinets
- Able to be surface mounted, horizontally or vertically, individually or in continuous rows for a continuous contemporary linear look
- Available with 1 or 2 lamps
18 to 48 inches in length with numerous lamp/ballast combinations

finish

- Prior to painting, all metal parts are treated with a multi-stage phosphate bonding process to ensure adhesion and inhibit rusting
- Housing is painted with a lighting grade baked white enamel, having a reflectance factor exceeding 87% for premium quality and durability
- Chrome plated ends provide a sharp, bright contrast to the traditional plain white luminaire

construction

- The BD series is a decorative and versatile surface mounted luminaire specifically designed for durable hi-visibility installations
- Features durable steel bodies, quality paint finishes and superior electrical components
- Die formed from cold rolled steel for strength and uniformity
- Ends are die formed for added strength and fastened securely to the housing by 4 standard acorn nuts
- The ends retaining the diffuser, with positive engagement, reduce vibration hazards
- Wireway covers are die formed for durability and attach easily and securely with two screws; tamper proofing is available
- Baked white enamel inner ballast cover for maximum reflectivity
- Ample knockouts are provided on back for convenient installation
- Units supplied standard with white bodies and chrome ends; other options available
- Many switch and convenience outlet options available; consult factory for availability
- All fixtures are U.L. listed and IBEW union made

electrical

- All electrical components are U.L. listed
- Ballasts are class P, thermally protected
- 120V normal power factor is standard on all units 3 ft. and smaller
- 120V high power factor, energy saving ballasts comply with Federal Energy Efficiency Standards and is standard on all 4 ft. units
- Numerous options are available, T8 electronic or Biax; see ordering information on back

diffuser

- One-piece extruded white, light stabilized acrylic is standard; other diffusers available consult ordering guide
- Features a linear refractive white lens for even illumination
- Grooved formation on the edges allow for a tight, no light leak attachment to the body



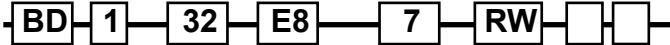
LaMar
Lighting
 Company, Inc.

BD SERIES DEEP BODY SURFACE MOUNT TASK LIGHT

ordering guide

NOTE: SOME ORDERING OPTIONS APPEAR ON PRODUCT LINE. FOR OTHER OPTIONS, SEE LIST AT RIGHT.

SAMPLE ORDER NUMBER



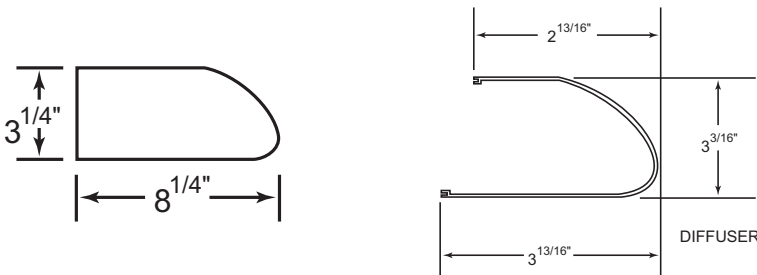
SERIES NO. WATTAGE BALLAST VOLTAGE DIFFUSER OPTIONS DIMENSIONS LAMP TYPE
LAMPS TYPE 1 2

T-12 ORDERING GUIDE									
BD	1, 2	15	M2, MP	1, 7	RW			3 1/4" x 18"	F15T12
BD	1, 2	20	M2, MP	1, 7	RW			3 1/4" x 24"	F20T12
BD	1, 2	30	M2	1, 7	RW			3 1/4" x 36"	F30T12
BD	1, 2	40	M2	1, 7	RW			3 1/4" x 48"	F40T12
T-8 ORDERING GUIDE									
BD	1, 2	15	P8, E8	1, 7	RW			3 1/4" x 18"	F15T8
BD	1, 2	17	E8	1, 7	RW			3 1/4" x 24"	F17T8
BD	1, 2	25	E8	1, 7	RW			3 1/4" x 36"	F25T8
BD	1, 2	32	E8	1, 7	RW			3 1/4" x 48"	F32T8
ADDITIONAL ORDERING GUIDE									
BD	1, 2	36	EB	1, 7	RW			3 1/4" x 18"	F36TT
BD	1, 2	40	EB	1, 7	RW			3 1/4" x 24"	F40TT

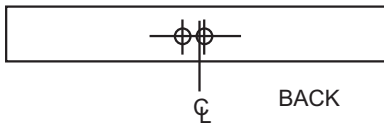
dimensional data

NOTE: SPECIFICATIONS AND DIMENSIONAL DATA ARE SUBJECT TO CHANGE WITHOUT NOTICE

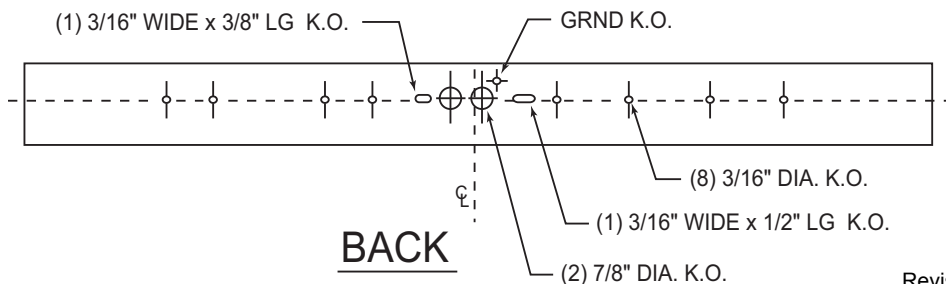
cross sections



back knockout plans and lengths



SIZE	LENGTH
15W	18.25"
20W	24.25"
30W	36.25"
40W	48.25"



Revised
10/08

options

OPTIONS: INSERT APPROPRIATE CODE FOR CUSTOMIZED ORDERING

BALLAST

- M2 Magnetic T12
- MP Magnetic HPF
- R2 Residential T12
- E8 Electronic T8
- P8 Preheat T8
- EB Electronic bias
- EDX Electronic Dimming Advance MX
- ES Energy Star - consult factory

NOTE: In order to achieve rated lamp life, fixtures controlled by motion sensors should be ordered with programmed start ballasts when available and minimum time delay should be set to 15 minutes - Consult Factory

VOLTAGE

- 1 120V
- 7 277V
- U Universal 120 - 277V

GENERAL OPTIONS

- EM Emergency pack, 1 lamp 90 min. up to 500 lu.
- 2C 2 Circuit
- LT Low temperature ballast
- PS Push switch
- PC Pull chain
- TS Turn switch
- CO Grounded convenience outlet
- 2B 2 bodies

LENS OPTIONS

- RW Ribbed white (standard)
- CL Clear linear acrylic

Multiple cord options are available - Consult Factory

accessories

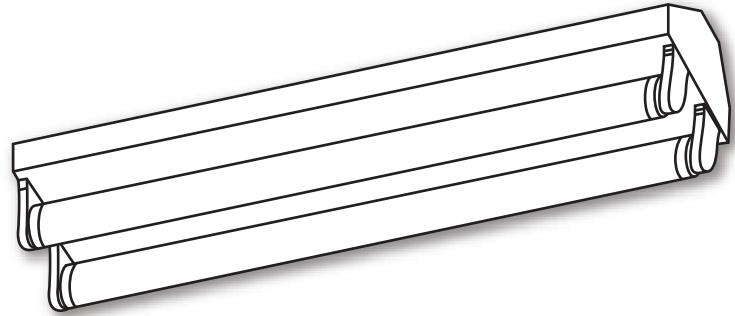
LAMP OPTIONS

- 12 T8 741K
- 15 T8 735K
- 10 T8 730K
- 13 T8 841K
- 16 T8 835K
- 11 T8 830K

- JB Joiner band

C N
SERIES
 PREMIUM
 FLUORESCENT
 CORNER
 MOUNT STRIP

Job Name	
Catalog Number	
Notes	Type



application

- Uniquely mounted corner strip, designed for tight spaces needing adequate illumination
- Perfect for soffits, coves, valances or backlighting
- Available as 1 or 2 light in numerous lengths and lamp/ballast combinations

construction

- The CN series is a high quality fluorescent luminaire specifically designed for long-term, heavy-duty installations
- Features 20 gauge New York City code steel bodies, quality paint finishes and superior electrical components
- Ends are riveted on for maximum strength and durability
- Mount individually or in continuous rows, each body has four keyhole slots on each diagonal for secure positioning
- Ample knockouts are provided for adequate power feed
- All fixtures are U.L. listed and IBEW union made

electrical

- All electrical components are U.L. listed
- Ballasts are class P, thermally protected
- Numerous options are available: T5 electronic, biax, emergency; see ordering information on back

finish

- Prior to painting, all metal parts are treated with a multi-stage phosphate bonding process to ensure adhesion and inhibit rusting
- Painted with a lighting grade baked white enamel, having a reflectance factor exceeding 87% for premium quality and durability

ordering guide

NOTE: SOME ORDERING OPTIONS APPEAR ON PRODUCT LINE. FOR OTHER OPTIONS, SEE LIST AT RIGHT.

SAMPLE ORDER NUMBER



SERIES NO. WATTAGE TANDEM BALLAST TYPE VOLTAGE OPTIONS DIMENSIONS LAMP TYPE
LAMPS 1 2

T-12 ORDERING GUIDE									
CN	1, 2	15		M2, MP	1, 7			4" x 18"	F15 T12
CN	1, 2	20		M2, MP	1, 7			4" x 24"	F20T12
CN	1, 2	30		R2, M2	1, 7			4" x 36"	F30T12
CN	1, 2	40		R2, M2	1, 7			4" x 48"	F40T12
CN	1, 2	30	T	M2	1, 7			4" x 72"	F30T12
CN	1, 2	40	T	M2	1, 7			4" x 96"	F40T12

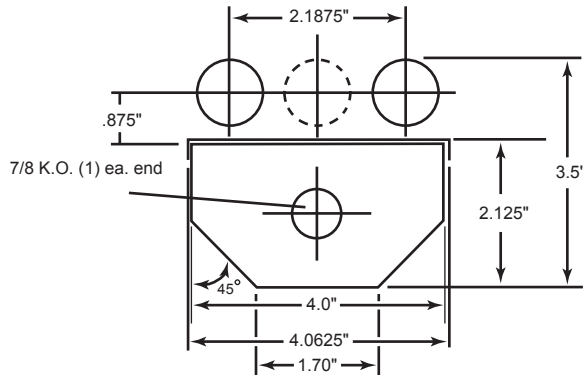
T-8 ORDERING GUIDE									
CN	1, 2	15		E8	1, 7			4" x 18"	F15T8
CN	1, 2	17		E8	1, 7			4" x 24"	F17T8
CN	1, 2	25		E8	1, 7			4" x 36"	F25T8
CN	1, 2	32		E8	1, 7			4" x 48"	F32T8
CN	1, 2	25	T	E8	1, 7			4" x 72"	F25T8
CN	1, 2	32	T	E8	1, 7			4" x 96"	F32T8

Note: Tandem units contain double the amount of lamps shown CONSULT FACTORY FOR T5 LAMP OPTIONS

dimensional data

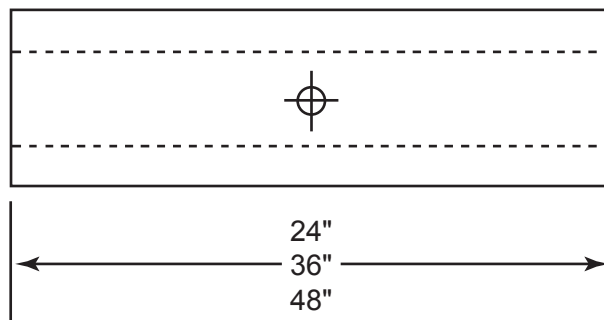
NOTE: SPECIFICATIONS AND DIMENSIONAL DATA ARE SUBJECT TO CHANGE WITHOUT NOTICE

cross sections



back knockout plans and lengths

Back View



CN SERIES PREMIUM FLUORESCENT CORNERMOUNT STRIP

options

OPTIONS: INSERT APPROPRIATE CODE FOR CUSTOMIZED ORDERING

BALLAST

M2 Magnetic T12
MP Magnetic HPF
R2 Residential T12
E8 Electronic T8
EB Electronic bias
EDX Electronic Dimming Advance MX
EDL Electronic Dimming Lutron Eco

NOTE: In order to achieve rated lamp life, fixtures controlled by motion sensors should be ordered with programmed start ballasts when available and minimum time delay should be set to 15 minutes - Consult Factory

VOLTAGE

1 120V
7 277V
U Universal 120 - 277V

GENERAL OPTIONS

EM Emergency pack, 1 lamp
90 min. up to 500 lu.
2C 2 Circuit
PS Push switch
LT Low temperature ballast
PC Pull chain
TS Turn switch

Multiple cord options are available - Consult Factory

NOTE: All units meet NYC building code requirements

accessories

TG Tubeguard + Length/Wattage

Contact Factory to see if minimum quantities apply

LAMP OPTIONS

12 T8 741K
15 T8 735K
10 T8 730K
13 T8 841K
16 T8 835K
11 T8 830K

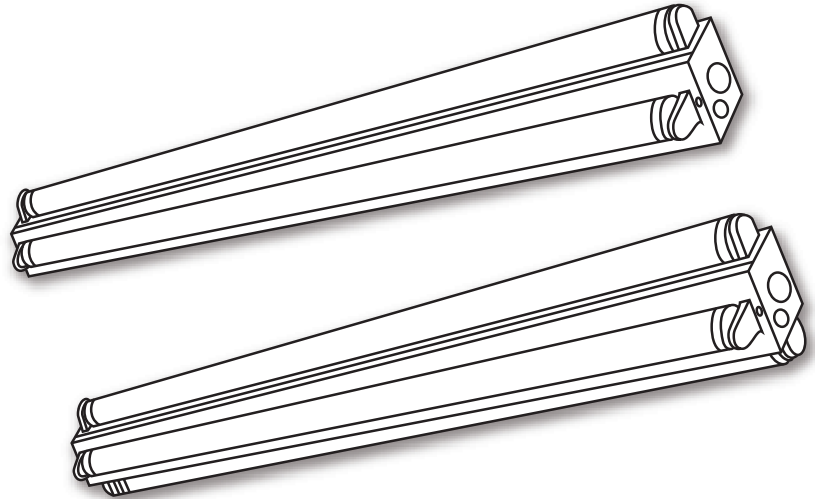
Revised
10/08

LAMAR LIGHTING 485 Smith Street, Farmingdale, NY 11735 • Tel (631) 777-7700
Fax (631) 777-7705 • Outside NY (800) 724-7743 • www.lamarlighting.com

**Lamar
Lighting**
Company, Inc.

**RT
SERIES
PREMIUM
FLUORESCENT
2 AND 3
LAMP STRIPS**

Job Name	
Catalog Number	
Notes	Type



application

- Specialty strip with a variety of applications in the sign and display industry
- Ideal for signs, showcases and displays where adequate light is needed, but height restriction is a potential factor
- Available in multiple lengths with many optional lamp/ballast combinations
- Versatile design allows for 2 or 3 lamps

finish

- Prior to painting, all metal parts are treated with a multi-stage phosphate bonding process to ensure adhesion and inhibit rusting
- Painted with a lighting grade baked white enamel, having a reflectance factor exceeding 87% for premium quality and durability

construction

- The RT series is a premium grade of fluorescent channel specifically designed for long-term, heavy-duty installation
- Features durable 20 gauge New York City code steel bodies, quality paint finishes and superior electrical components
- Die formed from cold rolled steel for strength and uniformity
- Wireway covers easily attach without the use of tools
- Ample knockouts are provided for convenient installation
- Numerous knockouts are provided for switch options, cord and plug options or convenience outlets
- Custom or standard reflectors, in specular aluminum or baked white enamel, are available to direct or shield light
- All fixtures are U.L. listed and IBEW union made

electrical

- All electrical components are U.L. listed
- Ballasts are class P, thermally protected
- Numerous options are available: T5 electronic, low temperature or dimming; see ordering information on back

ordering guide

NOTE: SOME ORDERING OPTIONS APPEAR ON PRODUCT LINE. FOR OTHER OPTIONS, SEE LIST AT RIGHT.

RT
SERIES
 PREMIUM FLUORESCENT
 2 AND 3 LAMP STRIPS

SAMPLE ORDER NUMBER



SERIES NO. WATTAGE TANDEM BALLAST TYPE VOLTAGE OPTIONS DIMENSIONS LAMP TYPE

T-12 ORDERING GUIDE								
RT	2, 3	15		M2, MP	1, 7		3 1/8" x 18"	F15T12
RT	2, 3	20		M2, MP	1, 7		3 1/8" x 24"	F20T12
RT	2, 3	30		R2, M2	1, 7		3 1/8" x 36"	F30T12
RT	2, 3	40		R2, M2	1, 7		3 1/8" x 48"	F40T12
RT	2, 3	30	T	M2	1, 7		3 1/8" x 72"	F30T12
RT	2, 3	40	T	M2	1, 7		3 1/8" x 96"	F40T12

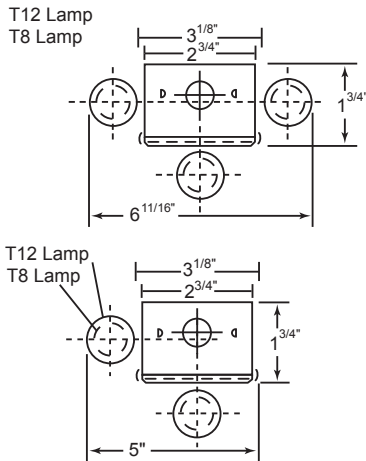
T-8 ORDERING GUIDE								
RT	2, 3	15		E8	1, 7		3 1/8" x 18"	F15T8
RT	2, 3	17		E8	1, 7		3 1/8" x 24"	F17T8
RT	2, 3	25		E8	1, 7		3 1/8" x 36"	F25T8
RT	2, 3	32		E8	1, 7		3 1/8" x 48"	F32T8
RT	2, 3	25	T	E8	1, 7		3 1/8" x 72"	F25T8
RT	2, 3	32	T	E8	1, 7		3 1/8" x 96"	F32T8

Note: Tandem units contain double the amount of lamps shown CONSULT FACTORY FOR T5 LAMP OPTIONS

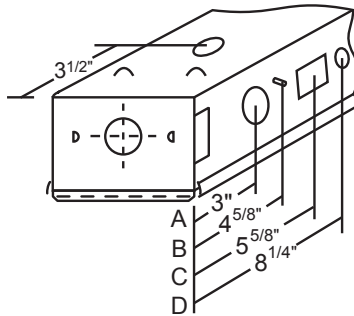
dimensional data

NOTE: SPECIFICATIONS AND DIMENSIONAL DATA ARE SUBJECT TO CHANGE WITHOUT NOTICE

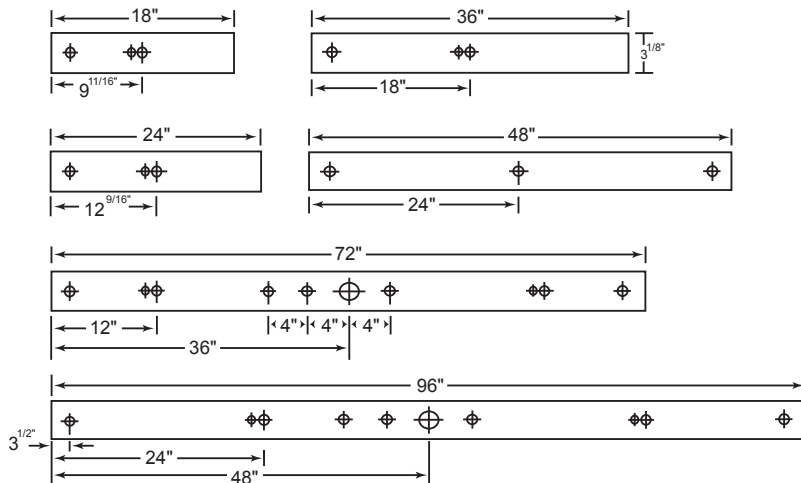
cross sections



switch and convenience outlet locations



back knockout plans and lengths



Revised 10/08

options

OPTIONS: INSERT APPROPRIATE CODE FOR CUSTOMIZED ORDERING

BALLAST

- M2 Magnetic T12
- MP Magnetic HPF
- R2 Residential T12
- E8 Electronic T8
- EDX Electronic Dimming Advance MX

NOTE: In order to achieve rated lamp life, fixtures controlled by motion sensors should be ordered with programmed start ballasts when available and minimum time delay should be set to 15 minutes - Consult Factory

VOLTAGE

- 1 120V
- 7 277V
- U Universal 120 - 277V

GENERAL OPTIONS

- EM Emergency pack, 1 lamp 90 min. up to 500 lu.
- 2C 2 Circuit
- PS Push switch
- LT Low temperature ballast
- PC Pull chain
- TS Turn switch
- CO Grounded convenience outlet

Multiple cord options are available - Consult Factory

NOTE: All fixtures meet NYC building code requirements

accessories

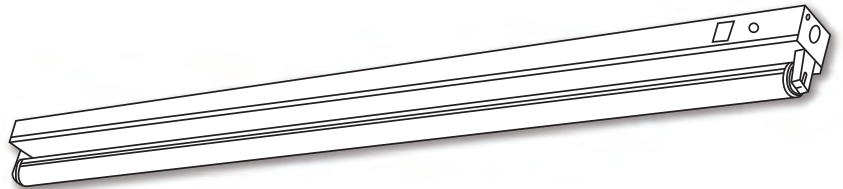
- SYM Symmetric reflector, baked white enamel
- ASY Asymmetric reflector, baked white enamel
- DIR Direct light reflector, baked white enamel
- RFRT Aluminum reflector
- TG Tubeguard + Length/Wattage
- Canopy Standard white 5" dia., 1 1/2" deep with hardware
- Stem Stem + Length needed
- WGRT Wire guard

LAMP OPTIONS

- 12 T8 741K
- 15 T8 735K
- 10 T8 730K
- 13 T8 841K
- 16 T8 835K
- 11 T8 830K

S
SERIES
 PREMIUM
 FLUORESCENT
 1 OR 2 LAMP
 STRIPS

Job Name	
Catalog Number	
Notes	Type



application

- Narrow, low profile strip excellent for valences, showcases and height- restrictive applications
- Able to be surface, pendant or chain mounted individually or in continuous rows
- Available in multiple lengths with many optional lamp/ballast combinations

finish

- Prior to painting, all metal parts are treated with a multi-stage phosphate bonding process to ensure adhesion and inhibit rusting
- Painted with a lighting grade baked white enamel, having a reflectance factor exceeding 87% for premium quality and durability

construction

- The S series is a premium grade of fluorescent channel specifically designed for long-term, heavy-duty installation
- Features durable steel bodies, quality paint finishes and superior electrical components
- Die formed from cold rolled steel for strength and uniformity
- Available in both New York City code (20 ga.) and UL code (23 ga.) steel
- Wireway covers easily attach without the use of tools
- Ample knockouts are provided for convenient installation
- Numerous knockouts are provided for switch options, cord and plug options or convenience outlets
- All fixtures are U.L. listed and IBEW union made

electrical

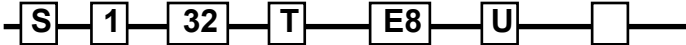
- All electrical components are U.L. listed
- Ballasts are class P, thermally protected
- Numerous options are available: high power factor, T5 electronic or dimming; see ordering information on back

ordering guide

NOTE: SOME ORDERING OPTIONS APPEAR ON PRODUCT LINE. FOR OTHER OPTIONS, SEE LIST AT RIGHT.

S SERIES PREMIUM FLUORESCENT 1 OR 2 LAMP STRIPS

SAMPLE ORDER NUMBER



SERIES NO. WATTAGE TANDEM BALLAST TYPE VOLTAGE OPTIONS DIMENSIONS LAMP TYPE

T-8 ORDERING GUIDE

S	1, 2	15		E8	1, 7		3 1/8" x 18"	F15T8
S	1, 2	17		E8	1, 7, U		3 1/8" x 24"	F17T8
S	1, 2	25		E8	1, 7, U		3 1/8" x 36"	F25T8
S	1, 2	32		E8	1, 7, U		3 1/8" x 48"	F32T8
S	1, 2	25	T	E8	1, 7, U		3 1/8" x 72"	F25T8
S	1, 2	32	T	E8	1, 7, U		3 1/8" x 96"	F32T8

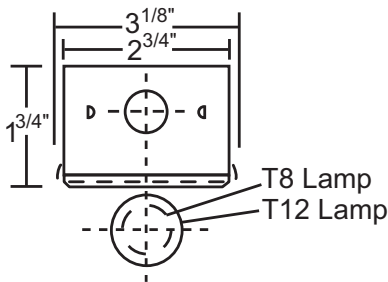
Note: Tandem units contain double the amount of lamps shown

CONSULT FACTORY FOR T5 LAMP OPTIONS

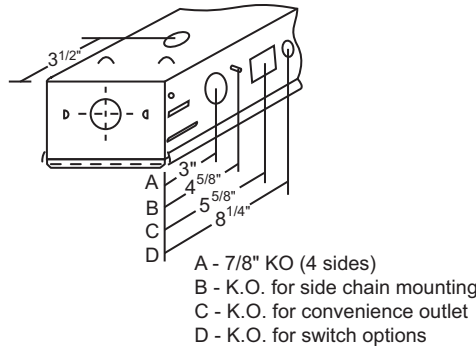
dimensional data

NOTE: SPECIFICATIONS AND DIMENSIONAL DATA ARE SUBJECT TO CHANGE WITHOUT NOTICE

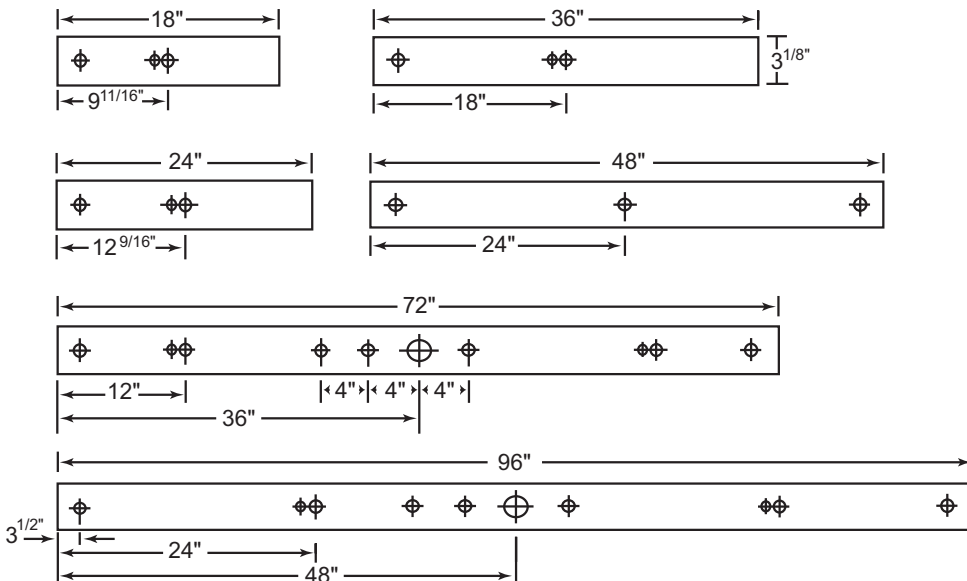
cross sections



switch and convenience outlet locations



back knockout plans and lengths



options

OPTIONS: INSERT APPROPRIATE CODE FOR CUSTOMIZED ORDERING

BALLAST

- M2 Magnetic T12
- MP Magnetic HPF
- R2 Residential T12
- E8 Electronic T8
- EB* Electronic biax
- MB Magnetic biax
- EDX Electronic Dimming Advance MX
- <10 Less than 10% THD
- *Consult factory

NOTE: In order to achieve rated lamp life, fixtures controlled by motion sensors should be ordered with programmed start ballasts when available and minimum time delay should be set to 15 minutes - Consult Factory

VOLTAGE

- 1 120V
- 7 277V
- U Universal 120 - 277V

GENERAL OPTIONS

- NY 20G for NYC
- EM Emergency pack, 1 lamp
90 min. up to 500 lu.
- 2C 2 Circuit
- PS Push switch
- LT Low temperature ballast
- PC Pull chain
- TS Turn switch
- CO Grounded convenience outlet

Multiple cord options are available - Consult Factory

accessories

- SYM Symmetric reflector, baked white enamel
- ASY Asymmetric reflector, baked white enamel
- DIR Direct light reflector, baked white enamel
- RFS Aluminum reflector
- TG Tubeguard + Length/Wattage
- Canopy Standard white 5" dia., 1 1/2" deep with hardware
- Stem Stem + Length needed
- VH V-hanger for chain mounting
- WGS Wire guard

LAMP OPTIONS

- 12 T8 741K
- 15 T8 735K
- 10 T8 730K
- 13 T8 841K
- 16 T8 835K
- 11 T8 830K

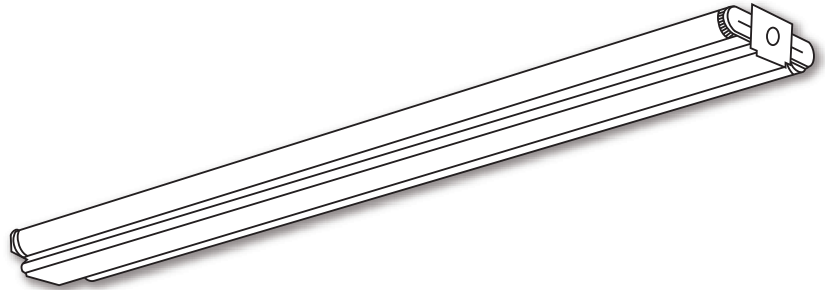
Revised
10/08

LAMAR LIGHTING 485 Smith Street, Farmingdale, NY 11735 • Tel (631) 777-7700
 Fax (631) 777-7705 • Outside NY (800) 724-7743 • www.lamarlighting.com

**Lamar
Lighting**
Company, Inc.

SS
SERIES
 PREMIUM
 FLUORESCENT
 1 AND 2
 LAMP SIDE
 SOCKET
 CHANNELS

Job Name	
Catalog Number	
Notes	Type



application

- Narrow, low profile strip with a greater variety of applications than a standard strip
- SS side mounted channels are specially suited for ease of installation in shallow areas such as valances, display showcases, shallow cove lighting and other height-restrictive applications
- Also ideal for installation over louvers or luminous ceiling panels
- Able to be surface or pendant mounted, individually or in continuous rows
- Available in 1 or 2 light, multiple lengths and many optional lamp/ballast combinations

construction

- The SS series is a premium grade of fluorescent channel specifically designed for long-term, heavy-duty installation
- Features durable 20 gauge New York City code steel bodies, quality paint finishes and superior electrical components
- Die formed from cold rolled steel for strength and uniformity
- Custom or standard reflectors, in specular aluminum or baked white enamel, are available to direct or shield light
- Wireway covers easily attach without the use of tools
- End plates permanently riveted on for durability and easier installation
- Ample knockouts are provided for convenient installation
- Numerous knockouts are provided for switch options, cord and plug options or convenience outlets
- All fixtures are U.L. listed for damp locations and IBEW union made
- All electrical components are U.L. listed
- Ballasts are class P, thermally protected

electrical

- Numerous options are available; see ordering information on back

finish

- Prior to painting, all metal parts are treated with a multi-stage phosphate bonding process to ensure adhesion and inhibit rusting
- Painted with a lighting grade baked white enamel, having a reflectance factor exceeding 87% for premium quality and durability

SS

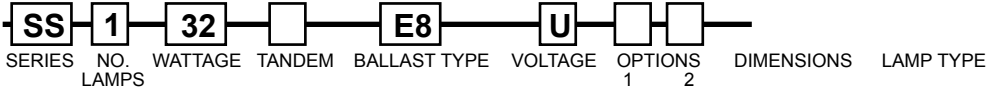
SERIES

PREMIUM FLUORESCENT
1 AND 2 LAMP
SIDE SOCKET CHANNEL

ordering guide

NOTE: SOME ORDERING OPTIONS APPEAR ON PRODUCT LINE. FOR OTHER OPTIONS, SEE LIST AT RIGHT.

SAMPLE ORDER NUMBER



T-8 ORDERING GUIDE

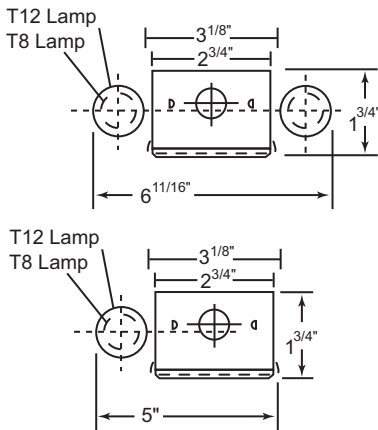
SS	1, 2	15		E8	1, 7			3 3/4" x 18"	F15T8
SS	1, 2	17		E8	1, 7, U			3 3/4" x 24"	F17T8
SS	1, 2	25		E8	1, 7, U			3 3/4" x 36"	F25T8
SS	1, 2	32		E8	1, 7, U			3 3/4" x 48"	F32T8
SS	1, 2	25	T	E8	1, 7, U			3 3/4" x 72"	F25T8
SS	1, 2	32	T	E8	1, 7, U			3 3/4" x 96"	F32T8

Note: Tandem units contain double the amount of lamps shown

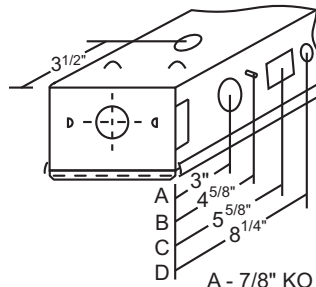
dimensional data

NOTE: SPECIFICATIONS AND DIMENSIONAL DATA ARE SUBJECT TO CHANGE WITHOUT NOTICE

cross sections

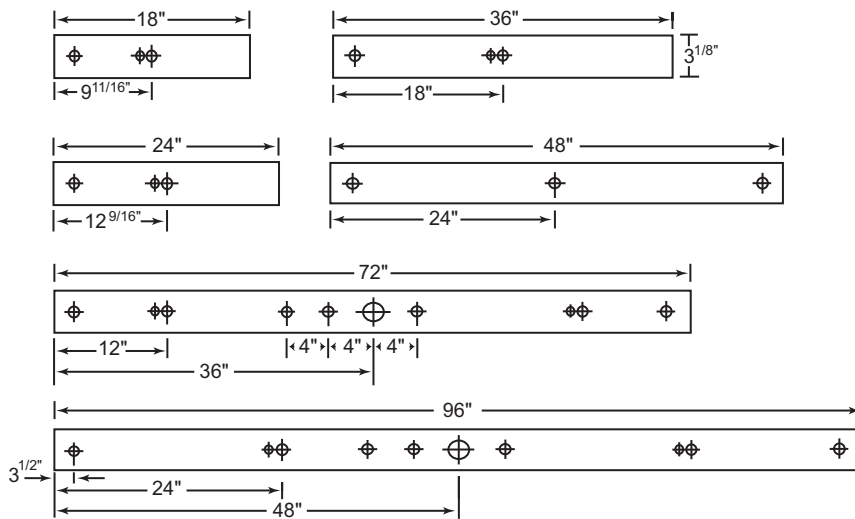


switch and convenience outlet locations



- A - 7/8" KO (4 sides)
- B - K.O. for side chain mounting
- C - K.O. for convenience outlet
- D - K.O. for switch options

back knockout plans and lengths



options

OPTIONS: INSERT APPROPRIATE CODE FOR CUSTOMIZED ORDERING

BALLAST

- E8 Electronic T8
- ED Electronic Dimming (Consult Factory)
- <10 Less than 10% THD

NOTE: In order to achieve rated lamp life, fixtures controlled by motion sensors should be ordered with programmed start ballasts when available and minimum time delay should be set to 15 minutes - Consult Factory

VOLTAGE

- 1 120V
- 7 277V
- U Universal 120 - 277V

GENERAL OPTIONS

- AL All aluminum construction
- GLV Galvanized steel construction
- EM Emergency pack, 1 lamp 90 min. up to 500 lu.
- 2C 2 Circuit
- PS Push switch
- PC Pull chain
- TS Turn switch
- CO Grounded convenience outlet

Multiple cord options are available - Consult Factory

NOTE: All units meet NYC building code requirements

accessories

- SYM Symmetric reflector, baked white enamel
- ASY Asymmetric reflector, baked white enamel
- DIR Direct light reflector, baked white enamel
- RFSS Aluminum reflector

LAMP OPTIONS

- 12 T8 741K
- 15 T8 735K
- 10 T8 730K
- 13 T8 841K
- 16 T8 835K
- 11 T8 830K

Revised
10/08

LAMAR LIGHTING 485 Smith Street, Farmingdale, NY 11735 • Tel (631) 777-7700
Fax (631) 777-7705 • Outside NY (800) 724-7743 • www.lamarlighting.com

AST SERIES

ARCHITECTURAL
STYLING

ADJUSTABLE
LOW PROFILE
STAGGER
STRIP

Job Name	
Catalog Number	
Notes	Type



features

- Adjustable low profile T5 or T8 fluorescent stagger strip fixture with integral ballast
- Sliding section locks in place with easy-to-use set screw mechanism
- Much more versatile than standard stagger strip
- Stagger can extend to almost 50 % of its full length

finish

- Prior to painting, all metal parts are treated with a multi-stage phosphate bonding process to ensure adhesion and inhibit rusting
- Painted with a lighting grade baked white enamel, having a reflectance factor exceeding 87% for premium quality and durability

construction

- The AST series is a premium grade fluorescent luminaire specifically designed for long-term, dependable service with the benefits of adjustable length lighting
- Die-formed from 20 ga. cold rolled steel to meet NY City requirements
- Easy mounting through pre-punched holes in the steel housing
- Optional symmetrical or asymmetrical reflectors
- All fixtures are U.L. listed and IBEW union made

electrical

- All electrical components are U.L. listed
- Ballasts are class P, thermally protected
- Some units may require 2 ballasts due to size limitations
- Available in 2 lamp configuration only for 2-ft., 3-ft. or 4-ft. T5 or T8 lamps; see ordering information on back

ordering guide

NOTE: SOME ORDERING OPTIONS APPEAR ON PRODUCT LINE. FOR OTHER OPTIONS, SEE LIST AT RIGHT.

SAMPLE ORDER NUMBER



SERIES NO. LAMPS WATTAGE TANDEM BALLAST TYPE VOLTAGE OPTIONS 1 2 DIMENSIONS LAMP TYPE

T-5 ORDERING GUIDE

AST	2	14/24		E5/H5	1, 7, U			2.27" x 22 ⁵ / ₈ "	F14T5/F24T5HO
AST	2	21/39		E5/H5	1, 7, U			2.27" x 34 ⁵ / ₈ "	F21T5/F39T5HO
AST	2	28/54		E5/H5	1, 7, U			2.27" x 46 ⁵ / ₁₆ "	F28T5/F54T5HO

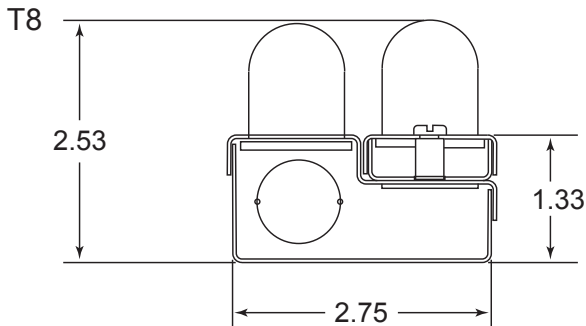
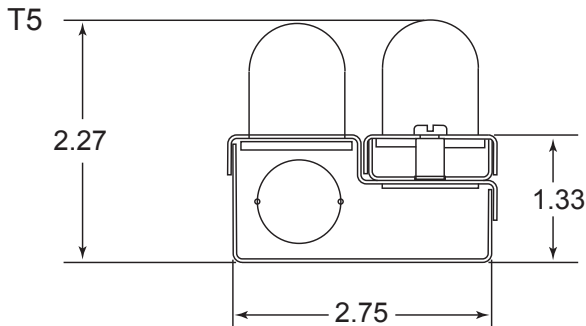
T-8 ORDERING GUIDE

AST	2	17		E8	1, 7, U			2.78" x 24 ⁵ / ₈ "	F17T8
AST	2	25		E8	1, 7, U			2.78" x 36 ⁵ / ₈ "	F25T8
AST	2	32		E8	1, 7, U			2.78" x 48 ⁵ / ₈ "	F32T8

dimensional data

NOTE: SPECIFICATIONS AND DIMENSIONAL DATA ARE SUBJECT TO CHANGE WITHOUT NOTICE

cross sections



AST Sliding Stagger Lengths

Ballast	Minimum	Maximum
T5	22 5/8"	31 7/16"
T5	34 5/8"	49 7/16"
T5	46 5/16"	67 7/16"
T8	24 5/8"	34 13/16"
T8	36 5/8"	52 13/16"
T8	48 5/8"	70 13/16"

AST SERIES

ARCHITECTURAL
ADJUSTABLE
LOW PROFILE STAGGER

options

OPTIONS: INSERT APPROPRIATE CODE FOR CUSTOMIZED ORDERING

BALLAST

E5 Electronic T5
H5 Electronic T5HO
E8 Electronic T8

NOTE: In order to achieve rated lamp life, fixtures controlled by motion sensors should be ordered with programmed start ballasts when available and minimum time delay should be set to 15 minutes - Consult Factory

VOLTAGE

1 120V
7 277V
U Universal 120 - 277V

GENERAL OPTIONS

2C 2 Circuit

Consult Factory for Dimming options and additional options not shown or listed

accessories

LAMP OPTIONS

12 T8 741K
15 T8 735K
10 T8 730K
13 T5/T8 841K
16 T5/T8 835K
11 T5/T8 830K

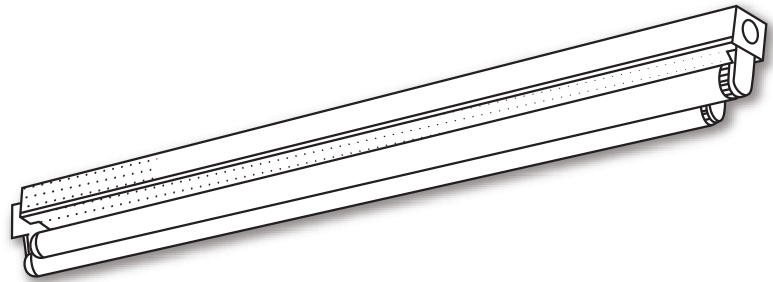
Revised
10/08

LAMAR LIGHTING 485 Smith Street, Farmingdale, NY 11735 • Tel (631) 777-7700
Fax (631) 777-7705 • Outside NY (800) 724-7743 • www.lamarlighting.com

Lamar
Lighting
Company, Inc.

ST
SERIES
 PREMIUM
 FLUORESCENT
 HEAVY-DUTY
 STAGGERED
 CHANNELS

Job Name	
Catalog Number	
Notes	Type



application

- No-shadow strip ideal for shallow valances, cornices, coves, showcases and other shadow sensitive applications
- Designed for surface or pendant mounting with offset sockets to provide shadow free continuous illumination when mounted in rows
- Available in multiple lengths with many optional lamp/ballast combinations

finish

- Prior to painting, all metal parts are treated with a multi-stage phosphate bonding process to ensure adhesion and inhibit rusting
- Painted with a lighting grade baked white enamel, having a reflectance factor exceeding 87% for premium quality and durability

construction

- The ST series is a premium grade of fluorescent channel specifically designed for long-term, heavy-duty installation
- Features durable steel bodies, quality paint finishes and superior electrical components
- Die formed 20 gauge New York City code cold rolled steel for strength and uniformity
- Ample knockouts are provided in the back and ends for easy, convenient installation
- All fixtures are U.L. listed and IBEW union made

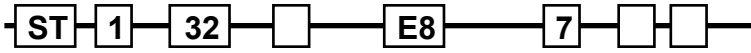
electrical

- All electrical components are U.L. listed
- Ballasts are class P, thermally protected
- Numerous options are available; see ordering information on back

ordering guide

NOTE: SOME ORDERING OPTIONS APPEAR ON PRODUCT LINE. FOR OTHER OPTIONS, SEE LIST AT RIGHT.

SAMPLE ORDER NUMBER



SERIES NO. WATTAGE TANDEM BALLAST TYPE VOLTAGE OPTIONS 1 2 DIMENSIONS LAMP TYPE

T-5 ORDERING GUIDE									
ST	1, 2	14		E5, H5	1, 7, U				F14T5/F24T5HO
ST	1, 2	21		E5, H5	1, 7, U				F21T5/F39T5HO
ST	1, 2	28		E5, H5	1, 7, U				F28T5/F54T5HO
ST	1, 2	21	T	E5, H5	1, 7, U				F21T5/F39T5HO
ST	1, 2	28	T	E5, H5	1, 7, U				F28T5/F54T5HO

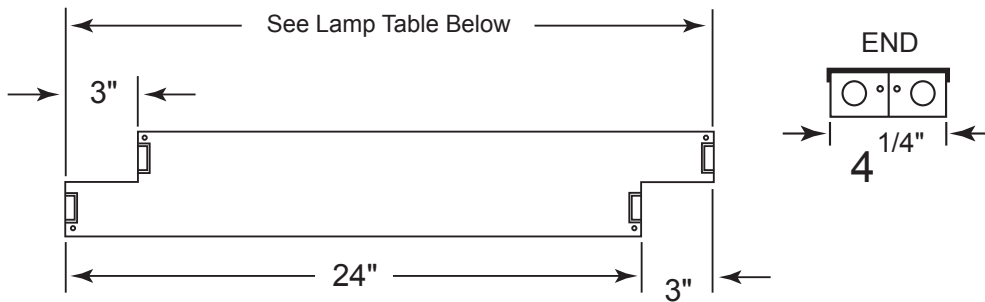
T-8 ORDERING GUIDE									
ST	1, 2	15		E8	1, 7				F15T8
ST	1, 2	17		E8	1, 7, U				F17T8
ST	1, 2	25		E8	1, 7, U				F25T8
ST	1, 2	32		E8	1, 7, U				F32T8
ST	1, 2	25	T	E8	1, 7, U				F25T8
ST	1, 2	32	T	E8	1, 7, U				F32T8

Note: Tandem units contain double the amount of lamps shown

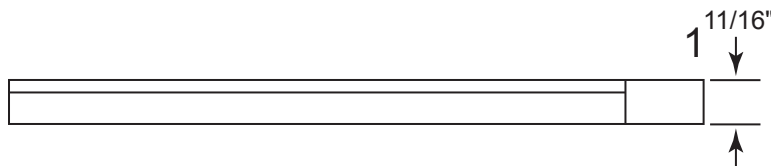
dimensional data

NOTE: SPECIFICATIONS AND DIMENSIONAL DATA ARE SUBJECT TO CHANGE WITHOUT NOTICE

cross sections



TWO LAMP



T5	
Size	Length
(2) 14W	25-7/16
(2) 21W	37-9/32
(2) 28W	49-1/16
(4) 21W	71-9/16
(4) 28W	95-1/8

T8	
Size	Length
(2) 17W	27
(2) 25W	39
(2) 32W	51
(4) 25W (T)	75
(4) 32W (T)	99

T12	
Size	Length
(2) 20W	27
(2) 30W	39
(2) 40W	51
(4) 30W (T)	75
(4) 40W (T)	99

ST

SERIES

PREMIUM FLUORESCENT
HEAVY-DUTY STAGGERED
CHANNELS

options

OPTIONS: INSERT APPROPRIATE CODE FOR CUSTOMIZED ORDERING

BALLAST

E8 Electronic T8
ED Electronic Dimming
(Consult Factory)
E5 Electronic T5
H5 Electronic T5 HO

NOTE: In order to achieve rated lamp life, fixtures controlled by motion sensors should be ordered with programmed start ballasts when available and minimum time delay should be set to 15 minutes - Consult Factory

VOLTAGE

1 120V
7 277V
U Universal 120 - 277V

GENERAL OPTIONS

EM Emergency pack, 1 lamp
90 min. up to 500 lu.
2C 2 Circuit
PS Push switch
PC Pull chain
TS Turn switch

Multiple cord options are available - Consult Factory

NOTE: All units meet NYC building code requirements

accessories

SYM Symmetric reflector, baked white enamel
ASY Asymmetric reflector, baked white enamel
DIR Direct light reflector, baked white enamel
RFST Aluminum reflector

LAMP OPTIONS

12 T8 741K
15 T8 735K
10 T8 730K
13 T5/T8 841K
16 T5/T8 835K
11 T5/T8 830K

Revised
10/08

LAMAR LIGHTING 485 Smith Street, Farmingdale, NY 11735 • Tel (631) 777-7700
Fax (631) 777-7705 • Outside NY (800) 724-7743 • www.lamarlighting.com

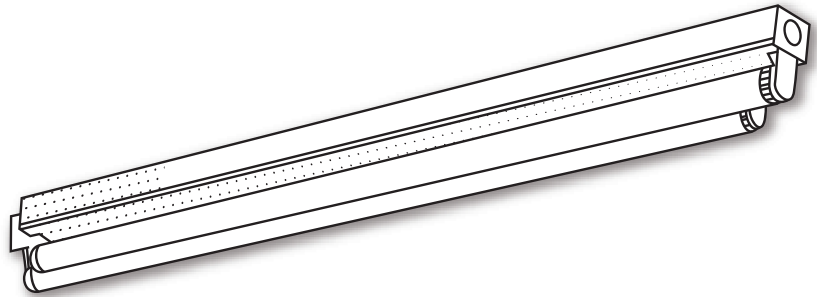
Lamar
Lighting
Company, Inc.

STE

SERIES

FLUORESCENT ECONOMY STAGGERED CHANNELS

Job Name	
Catalog Number	
Notes	Type



application

- A staggered strip fixture designed to provide continuous, even lighting. Ideal for coves, conference rooms, corridors and soffits
- Designed for surface or pendant mounting with offset sockets to provide shadow free continuous illumination when mounted in rows
- Available in multiple lengths with many optional ballast combinations

finish

- Prior to painting, all metal parts are treated with a multi-stage phosphate bonding process to ensure adhesion and inhibit rusting
- Painted with a lighting grade baked white enamel, having a reflectance factor exceeding 87% for premium quality and durability

construction

- The STE series is an economy grade of fluorescent channels specifically designed for long-term, heavy-duty installation
- Features durable steel bodies, quality paint finishes and superior electrical components
- Die formed from 20 gauge New York City code cold rolled steel for strength and uniformity
- Ample knockouts are provided in the back and ends for easy, convenient installation
- All fixtures are U.L. listed and IBEW union made

electrical

- All electrical components are U.L. listed
- Ballasts are class P, thermally protected
- Numerous options are available; see ordering information on back

STE

SERIES

ECONOMY FLUORESCENT STAGGERED CHANNELS

ordering guide

NOTE: SOME ORDERING OPTIONS APPEAR ON PRODUCT LINE. FOR OTHER OPTIONS, SEE LIST AT RIGHT.

SAMPLE ORDER NUMBER



SERIES NO. WATTAGE TANDEM BALLAST TYPE VOLTAGE OPTIONS 1 2 DIMENSIONS LAMP TYPE

T-5 ORDERING GUIDE

STE	1, 2	14		E5, H5	1, 7, U				F14T5/F24T5HO
STE	1, 2	21		E5, H5	1, 7, U				F21T5/F39T5HO
STE	1, 2	28		E5, H5	1, 7, U				F28T5/F54T5HO
STE	1, 2	21	T	E5, H5	1, 7, U				F21T5/F39T5HO
STE	1, 2	28	T	E5, H5	1, 7, U				F28T5/F54T5HO

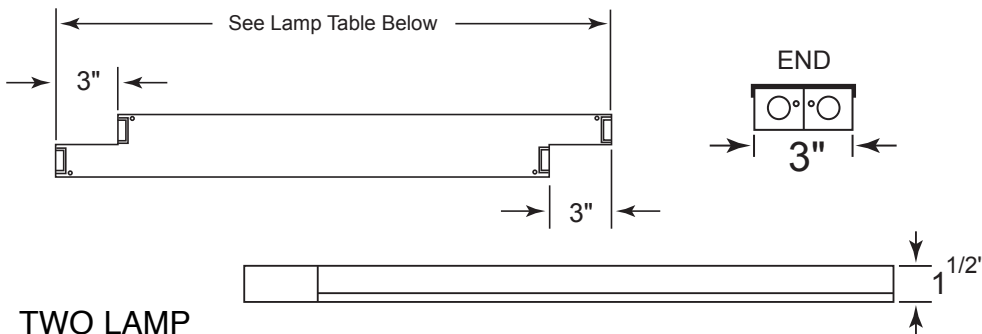
T-8 ORDERING GUIDE

STE	1, 2	17		E8	1, 7, U				F17T8
STE	1, 2	25		E8	1, 7, U				F25T8
STE	1, 2	32		E8	1, 7, U				F32T8
STE	1, 2	25	T	E8	1, 7, U				F25T8
STE	1, 2	32	T	E8	1, 7, U				F32T8

dimensional data

NOTE: SPECIFICATIONS AND DIMENSIONAL DATA ARE SUBJECT TO CHANGE WITHOUT NOTICE

cross sections



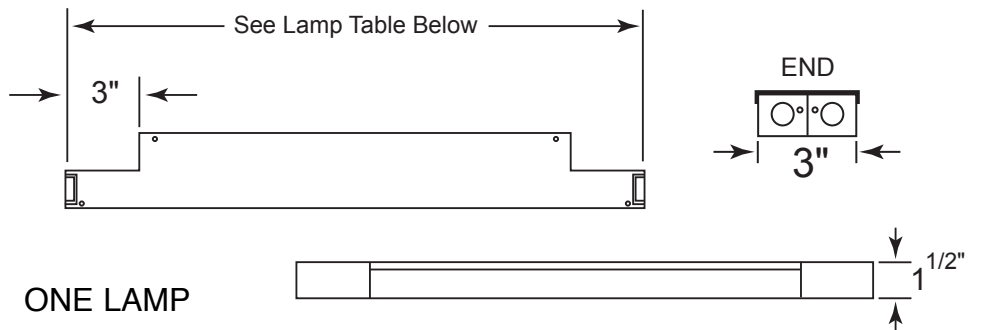
TWO LAMP

T5

Size	Length
(2) 14W	25-7/16
(2) 21W	37-9/32
(2) 28W	49-1/16
(4) 21W (T)	71-9/16
(4) 28W (T)	95-1/8

T8

Size	Length
(2) 17W	27
(2) 25W	39
(2) 32W	51
(4) 25W (T)	75
(4) 32W (T)	99



ONE LAMP

T5

Size	Length
(1) 14W	22-7/16
(1) 21W	34-9/32
(1) 28W	46-1/16
(2) 21W (T)	68-9/16
(2) 28W (T)	92-1/8

T8

Size	Length
(1) 17W	24
(1) 25W	36
(1) 32W	48
(2) 25W (T)	72
(2) 32W (T)	96

Revised
10/08

options

OPTIONS: INSERT APPROPRIATE CODE FOR CUSTOMIZED ORDERING

BALLAST

E8 Electronic T8
 E5 Electronic T5
 H5 Electronic T5 HO
 ED Electronic Dimming
 (Consult Factory)

NOTE: In order to achieve rated lamp life, fixtures controlled by motion sensors should be ordered with programmed start ballasts when available and minimum time delay should be set to 15 minutes - Consult Factory

VOLTAGE

1 120V
 7 277V
 U Universal 120 - 277V

GENERAL OPTIONS

EM Emergency pack, 1 lamp
 90 min. up to 500 lu.
 2C 2 Circuit
 PS Push switch
 PC Pull chain
 TS Turn switch

Multiple cord options are available - Consult Factory

Consult factory for additional options not shown or listed

accessories

SYM Symmetric reflector, baked white enamel
 ASY Asymmetric reflector, baked white enamel
 DIR Direct light reflector, baked white enamel
 RFSTE Aluminum reflector

LAMP OPTIONS

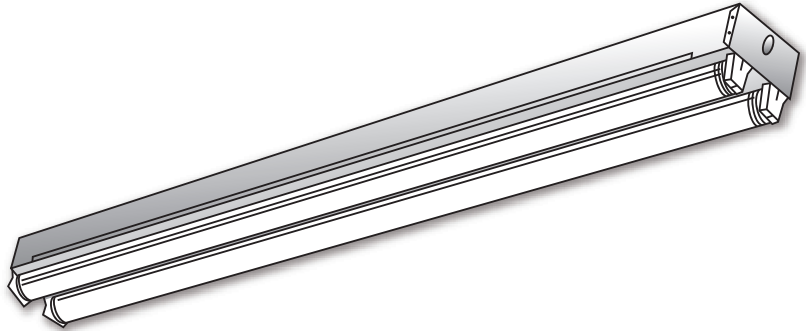
12 T8 741K
 15 T8 735K
 10 T8 730K
 13 T5/T8 841K
 16 T5/T8 835K
 11 T5/T8 830K

LAMAR LIGHTING 485 Smith Street, Farmingdale, NY 11735 • Tel (631) 777-7700
 Fax (631) 777-7705 • Outside NY (800) 724-7743 • www.lamarlighting.com

Lamar
Lighting
 Company, Inc.

P
SERIES
PREMIUM
FLUORESCENT
MULTI-LAMP
STRIPS

Job Name	
Catalog Number	
Notes	Type



application

- Ideal for economy or commercial applications including industrial warehouses, retail facilities, showcases and storerooms
- Able to be surface, pendant or chain mounted individually or in continuous rows
- Available in 1, 2 and 4 light, multiple lengths and numerous lamp/ballast combinations

finish

- Prior to painting, all metal parts are treated with a multi-stage phosphate bonding process to ensure adhesion and inhibit rusting
- Painted with a lighting grade baked white enamel, having a reflectance factor exceeding 87% for premium quality and durability
- Optional aluminum reflectors - see ordering information on back

construction

- The P series is a premium grade of fluorescent channels specifically designed for long-term, heavy-duty installation
- Features durable steel bodies, quality paint finishes and superior electrical components
- Die formed from cold rolled steel for strength and uniformity
- Available in both New York City code (20 ga.) and UL code (23 ga.) steel
- Wireway covers easily attach without the use of tools
- Ample knockouts are provided on back and sides for convenient, versatile installation
- Numerous knockouts are provided for switch options, cord and plug options or convenience outlets
- All fixtures are U.L. listed and IBEW union made

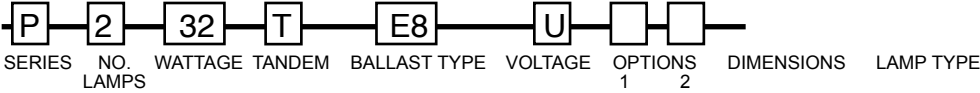
electrical

- All electrical components are U.L. listed
- Ballasts are class P, thermally protected
- Numerous options are available; see ordering information on back

ordering guide

NOTE: SOME ORDERING OPTIONS APPEAR ON PRODUCT LINE. FOR OTHER OPTIONS, SEE LIST AT RIGHT.

SAMPLE ORDER NUMBER



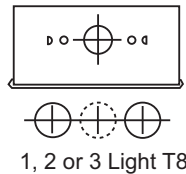
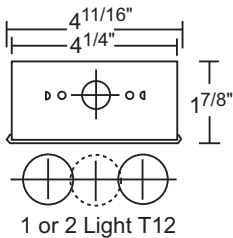
T-5 ORDERING GUIDE								
P	1, 2, 3	14/24		E5/H5	1, 7, U		4 1/4" x 24"	F14T5/F24T5HO
P	1, 2, 3	21/39		E5/H5	1, 7, U		4 1/4" x 36"	F21T5/F39T5HO
P	1, 2, 3	28/54		E5/H5	1, 7, U		4 1/4" x 48"	F28T5/F54T5HO
T-8 ORDERING GUIDE								
P	1, 2, 3	15		E8	1, 7		4 1/4" x 18"	F15T8
P	1, 2, 3	17		E8	1, 7, U		4 1/4" x 24"	F17T8
P	1, 2, 3	25		E8	1, 7, U		4 1/4" x 36"	F25T8
P	1, 2, 3	32		E8	1, 7, U		4 1/4" x 48"	F32T8
P	1, 2, 3	25	T	E8	1, 7, U		4 1/4" x 72"	F25T8
P	1, 2, 3	32	T	E8	1, 7, U		4 1/4" x 96"	F32T8

Note: Tandem units contain double the amount of lamps shown

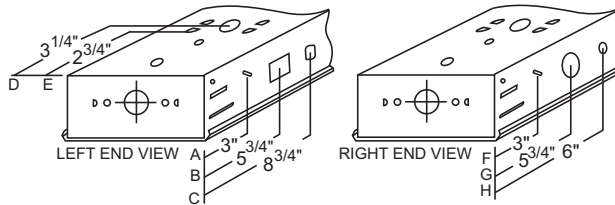
dimensional data

NOTE: SPECIFICATIONS AND DIMENSIONAL DATA ARE SUBJECT TO CHANGE WITHOUT NOTICE

cross sections

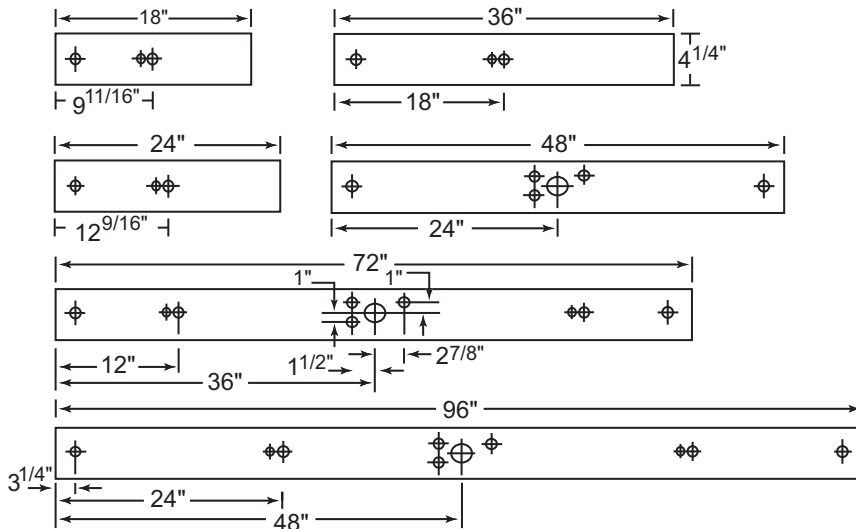


switch and convenience outlet locations



- A - K.O. for side chain mounting
- B - 7/8" K.O.
- C - K.O. for cord/strain relief
- D - 7/8" K.O.
- E - Slots for back chain mounting
- F - K.O. for side chain mounting
- G - 7/8" K.O.
- H - K.O. for switch options

back knockout plans and lengths



P

SERIES

PREMIUM FLUORESCENT MULTI-LAMP STRIPS

options

OPTIONS: INSERT APPROPRIATE CODE FOR CUSTOMIZED ORDERING

BALLAST

- E5 Electronic T5
- E8 Electronic T8
- H5 Electronic T5HO
- EB* Electronic biax
- ED Electronic Dimming (Consult factory)

NOTE: In order to achieve rated lamp life, fixtures controlled by motion sensors should be ordered with programmed start ballasts when available and minimum time delay should be set to 15 minutes - Consult Factory

VOLTAGE

- 1 120V
- 7 277V
- U Universal 120 - 277V

GENERAL OPTIONS

- NY 20G for NYC
- EM Emergency pack, 1 lamp 90 min. up to 500 lu.
- 2C 2 Circuit
- PS Push switch
- PC Pull chain
- TS Turn switch
- CO Grounded convenience outlet

Multiple cord options are available - Consult Factory

accessories

- SYM Symmetric reflector, baked white enamel
- ASY Asymmetric reflector, baked white enamel
- DIR Direct light reflector, baked white enamel
- R95 Aluminum reflector 95%
- R87 Aluminum reflector 87%
- VH V-hanger for chain mounting
- WGP Wire guard

LAMP OPTIONS

- 12 T8 741K
- 15 T8 735K
- 10 T8 730K
- 13 T5/T8 841K
- 16 T5/T8 835K
- 11 T5/T8 830K

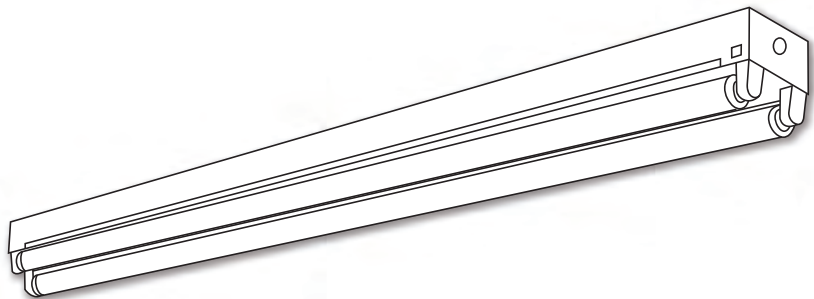
Revised
10/08

LAMAR LIGHTING 485 Smith Street, Farmingdale, NY 11735 • Tel (631) 777-7700
Fax (631) 777-7705 • Outside NY (800) 724-7743 • www.lamarlighting.com

Lamar
Lighting
Company, Inc.

P
SERIES
PREMIUM
SLIMLINE
AND
HIGH OUTPUT
MULTI-LAMP
CHANNELS

Job Name	
Catalog Number	
Notes	Type



application

- Ideal for commercial applications including industrial warehouses, retail facilities, showcases and storerooms
- Specially designed to meet the New York City Electrical Code requirements
- Able to be surface, pendant or chain mounted individually or in continuous rows
- Available in 1, 2, 3 and 4 light, multiple lengths and numerous lamp/ballast combinations

finish

- Prior to painting, all metal parts are treated with a multi-stage phosphate bonding process to ensure adhesion and inhibit rusting
- Painted with a lighting grade baked white enamel, having a reflectance factor exceeding 87% for premium quality and durability

construction

- The P series is a superior grade fluorescent channel specifically designed for long-term, heavy-duty installation in New York City
- Features durable 20 gauge steel bodies, quality paint finishes and superior electrical components
- Die formed from cold rolled steel for strength and uniformity
- End plates permanently riveted on for durability and easier installation
- Wireway covers easily attach without the use of tools
- Ample knockouts are provided on back and sides for convenient, versatile installation
- Ample knockouts are provided on back and sides for convenient, versatile installation
- Other knockouts are provided for switch options, cord and plug options or convenience outlets
- All fixtures are U.L. listed and IBEW union made

electrical

- All electrical components are U.L. listed
- Ballasts are class P, thermally protected
- High output (800 mA.) is available for all lamp configurations
- Additional options are available; see ordering information on back

ordering guide

NOTE: SOME ORDERING OPTIONS APPEAR ON PRODUCT LINE. FOR OTHER OPTIONS, SEE LIST AT RIGHT.

SAMPLE ORDER NUMBER



SERIES NO. LAMPS WATTAGE TANDEM BALLAST TYPE VOLTAGE OPTIONS DIMENSIONS LAMP TYPE

T-12 ORDERING GUIDE									
P	1, 2	48		E2, EH	1, 7	NY		4 1/4" x 48"	F48T12/F48T12HO
P	1, 2	72		E2, EH	1, 7	NY		4 1/4" x 72"	F72T12/F72T12HO
P	1, 2	96		E2, EH	1, 7	NY		4 1/4" x 96"	F96T12/F96T12HO
P	1, 2	72	T	E2, EH	1, 7	NY		4 1/4" x 144"	F72T12/F72T12HO
P	1, 2	96	T	E2, EH	1, 7	NY		4 1/4" x 192"	F96T12/F96T12HO
T-8 ORDERING GUIDE									
P	1, 2	96		E8, H8	1, 7, U	NY		4 1/4" x 96"	F96T8/F96T8HO
P	1, 2	96	T	E8, H8	1, 7, U	NY		4 1/4" x 192"	F96T8/F96T8HO

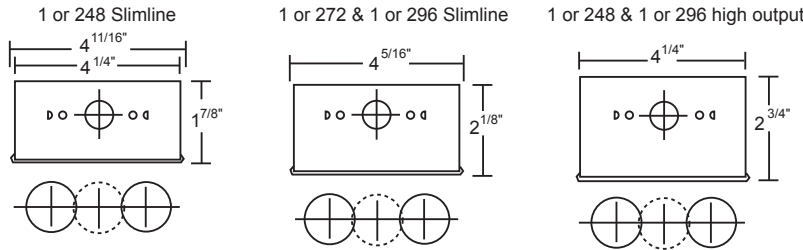
Note: Tandem units contain double the amount of lamps shown

*Note: High output (800 mA.) should be mounted to enable ample circulation for heat dissipation

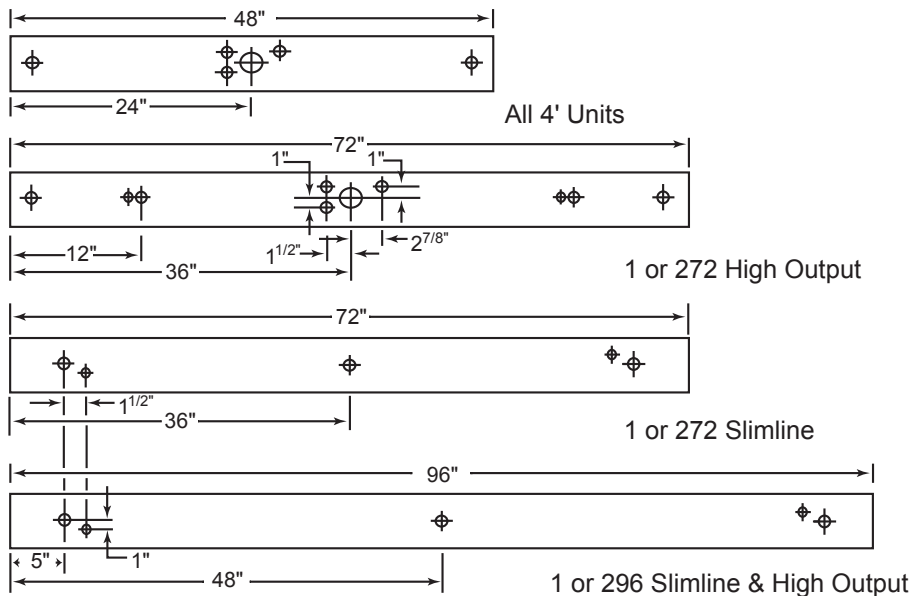
dimensional data

NOTE: SPECIFICATIONS AND DIMENSIONAL DATA ARE SUBJECT TO CHANGE WITHOUT NOTICE

cross sections



back knockout plans and lengths



P SERIES

PREMIUM SLIMLINE AND HIGH OUTPUT MULTI-LAMP CHANNELS

options

OPTIONS: INSERT APPROPRIATE CODE FOR CUSTOMIZED ORDERING

BALLAST

- E2 Electronic T12
- EH Electronic high output
- E8 Electronic T8
- H8 High output T8

NOTE: In order to achieve rated lamp life, fixtures controlled by motion sensors should be ordered with programmed start ballasts when available and minimum time delay should be set to 15 minutes - Consult Factory

VOLTAGE

- 1 120V
- 7 277V
- U Universal 120 - 277V

GENERAL OPTIONS

- EM Emergency pack, 1 light 90 min. up to 500 lu.
- 2C 2 circuit wiring
- PS Push switch
- PC Pull chain
- TS Turn switch
- CO Grounded convenience outlet

Multiple cord options are available. Consult Factory

accessories

- SYM Symmetric reflector, baked white enamel
- ASY Asymmetric reflector, baked white enamel
- DIR Direct light reflector, baked white enamel
- RFP Aluminum reflector
- VH V-hanger for chain mounting
- WGP Wire guard

LAMP OPTIONS

- 12 T8 741K
- 15 T8 735K
- 10 T8 730K
- 13 T8 841K
- 16 T8 835K
- 11 T8 830K

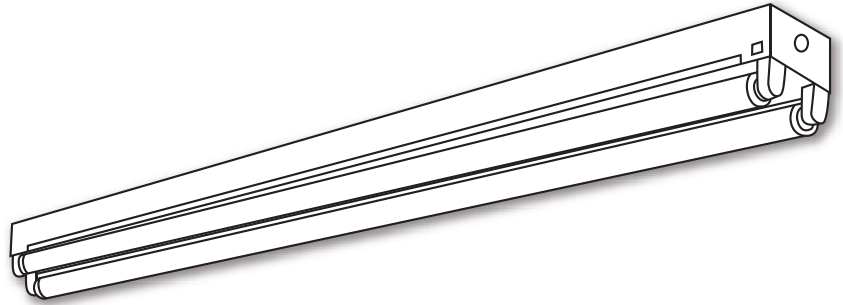
Revised 10/08



LAMAR LIGHTING 485 Smith Street, Farmingdale, NY 11735 • Tel (631) 777-7700
Fax (631) 777-7705 • Outside NY (800) 724-7743 • www.lamarlighting.com

P
SERIES
ECONOMY
SLIMLINE
AND
HIGH OUTPUT
MULTI-LAMP
CHANNELS

Job Name	
Catalog Number	
Notes	Type



application

- Ideal for commercial applications including industrial warehouses, retail facilities, showcases and storerooms
- Able to be surface, pendant or chain mounted individually or in continuous rows
- Available in 1 or 2 light, multiple lengths and many optional lamp/ballast combinations

finish

- Prior to painting, all metal parts are treated with a multi-stage phosphate bonding process to ensure adhesion and inhibit rusting
- Painted with a lighting grade baked white enamel, having a reflectance factor exceeding 87% for premium quality and durability

construction

- The P series is a premium grade fluorescent channel specifically designed for long-term, heavy-duty installation
- Features durable 23 gauge steel bodies, quality paint finishes and superior electrical components
- Die formed from cold rolled steel for strength and uniformity
- End plates convert to snap in channel connectors to ensure continuous row alignment
- Wireway covers easily attach without the use of tools
- Ample knockouts are provided on back and sides for convenient, versatile installation
- Other knockouts are provided for switch options, cord and plug options or convenience outlets
- All fixtures are U.L. listed and IBEW union made

electrical

- All electrical components are U.L. listed
- Ballasts are class P, thermally protected
- High output (800 mA.) is available for all lamp configurations
- Numerous options are available; see ordering information on back

ordering guide

NOTE: SOME ORDERING OPTIONS APPEAR ON PRODUCT LINE. FOR OTHER OPTIONS, SEE LIST AT RIGHT.

P SERIES

ECONOMY SLIMLINE
AND HIGH OUTPUT
MULTI-LAMP CHANNELS

SAMPLE ORDER NUMBER



SERIES NO. WATTAGE TANDEM BALLAST VOLTAGE OPTIONS DIMENSIONS LAMP TYPE
LAMPS TYPE 1 2

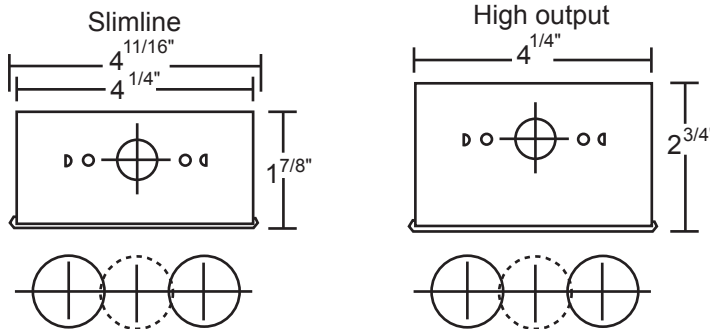
T-12 ORDERING GUIDE									
P	1, 2	48		E2, EH	1, 7			4 1/4" x 48"	F48T12
P	1, 2	72		E2, EH	1, 7			4 1/4" x 72"	F72T12/F72T12HO/F72T12VHO
P	1, 2	96		E2, EH	1, 7			4 1/4" x 96"	F96T12/F96T12HO/F96T12VHO
P	1, 2	72	T	E2, EH	1, 7			4 1/4" x 144"	F72T12/F72T12HO/F72T12VHO
P	1, 2	96	T	E2, EH	1, 7			4 1/4" x 192"	F96T12/F96T12HO/F96T12VHO
T-8 ORDERING GUIDE									
P	1, 2	96		E8, H8	1, 7, U			4 1/4" x 96"	F96T8/F96T8HO
P	1, 2	96	T	E8, H8	1, 7, U			4 1/4" x 192"	F96T8/F96T8HO

Note: Tandem units contain double the amount of lamps shown

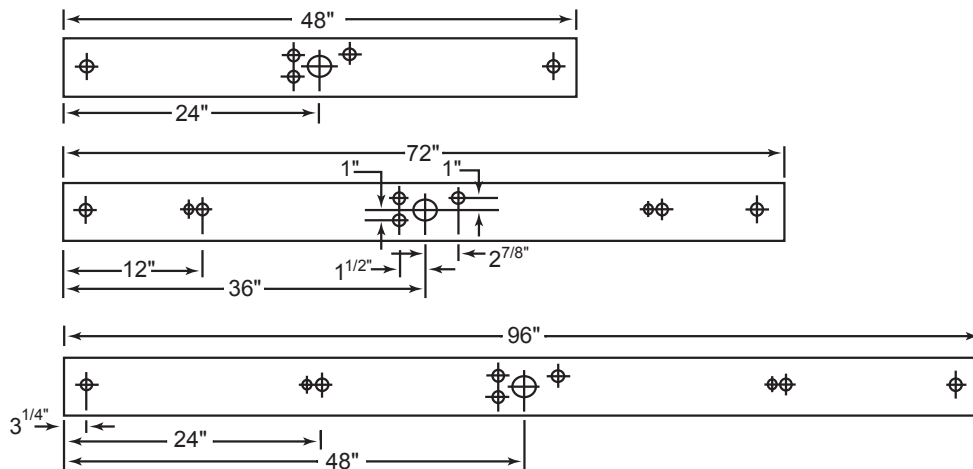
dimensional data

NOTE: SPECIFICATIONS AND DIMENSIONAL DATA ARE SUBJECT TO CHANGE WITHOUT NOTICE

cross sections



back knockout plans and lengths



options

OPTIONS: INSERT APPROPRIATE CODE FOR CUSTOMIZED ORDERING

BALLAST

- E2 Electronic T12
- EH Electronic high output
- E8 Electronic T8
- H8 High output T8

NOTE: In order to achieve rated lamp life, fixtures controlled by motion sensors should be ordered with programmed start ballasts when available and minimum time delay should be set to 15 minutes - Consult Factory

VOLTAGE

- 1 120V
- 7 277V
- U Universal 120 - 277V

GENERAL OPTIONS

- EM Emergency pack, 1 light 90 min. up to 500 lu.
- 2C 2 circuit wiring
- PS Push switch
- PC Pull chain
- TS Turn switch
- CO Grounded convenience outlet

Multiple cord options are available - Consult Factory

accessories

- SYM Symmetric reflector, baked white enamel
- ASY Asymmetric reflector, baked white enamel
- DIR Direct light reflector, baked white enamel
- RFP Aluminum reflector
- VH V-hanger for chain mounting
- WGP Wire guard

LAMP OPTIONS

- 12 T8 741K
- 15 T8 735K
- 10 T8 730K
- 13 T8 841K
- 16 T8 835K
- 11 T8 830K

Revised 10/08



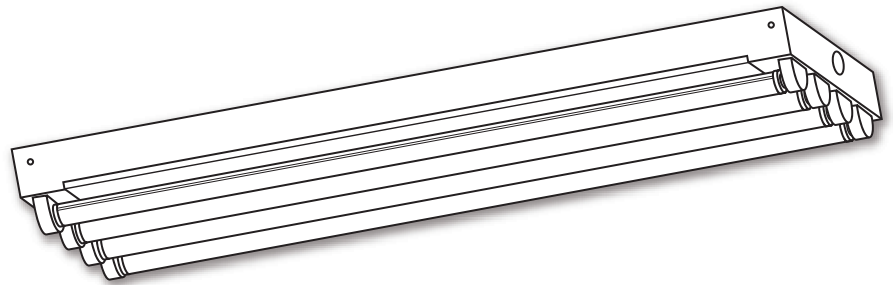
LAMAR LIGHTING 485 Smith Street, Farmingdale, NY 11735 • Tel (631) 777-7700
Fax (631) 777-7705 • Outside NY (800) 724-7743 • www.lamarlighting.com

P/IN

SERIES

PREMIUM
FLUORESCENT
4-LIGHT
INDUSTRIALS
AND PANS

Job Name	
Catalog Number	
Notes	Type



application

- A general purpose industrial for any application requiring reliable and efficient light sources such as garages, assembly lines and other industrial applications
- Able to be surface, pendant or chain mounted individually or in continuous rows
- Available in 3 and 4 light, multiple lengths and numerous lamp/ballast combinations

finish

- Prior to painting, all metal parts are treated with a multi-stage phosphate bonding process to ensure adhesion and inhibit rusting
- Painted with a lighting grade baked white enamel, having a reflectance factor exceeding 87% for premium quality and durability

construction

- The P/IN series is a premium grade fluorescent industrial specifically designed for long-term, dependable service
- Features durable steel bodies, quality paint finishes and superior electrical components
- Die formed from cold rolled steel for strength and uniformity
- Available in both New York City code (20 ga.) and UL code (23 ga.) steel
- Heavy-duty reflectors are fastened to the body without the need for tools
- Aligner clips are available to keep reflectors aligned in continuous run applications
- Ample knockouts are provided on back and sides for convenient, versatile installation
- Numerous knockouts are provided for switch options, cord and plug options or convenience outlets
- Optional reflectors with apertures are available for uplighting
- All fixtures are U.L. listed and IBEW union made

electrical

- All electrical components are U.L. listed
- Ballasts are class P, thermally protected
- Numerous options are available; see ordering information on back

P/IN
SERIES
PREMIUM FLUORESCENT
4 - LIGHT
INDUSTRIALS AND PANS

ordering guide

NOTE: SOME ORDERING OPTIONS APPEAR ON PRODUCT LINE. FOR OTHER OPTIONS, SEE LIST AT RIGHT.

SAMPLE ORDER NUMBER



SERIES NO. WATTAGE TANDEM BALLAST TYPE VOLTAGE OPTIONS DIMENSIONS LAMP TYPE
 LAMPS 1 2

T-12 ORDERING GUIDE

P/IN	3, 4	40		E2	1, 7			10 1/2" x 48"	F40T12
P/IN	3, 4	48		E2, EH	1, 7			10 1/2" x 48"	F48T12/F48T12HO
P/IN	3, 4	40	T	E2	1, 7			10 1/2" x 96"	F40T12
P/IN	3, 4	48	T	E2, EH	1, 7			10 1/2" x 96"	F48T12/F48T12HO
P/IN	3, 4	72		E2, EH	1, 7			10 1/2" x 72"	F72T12/F72T12HO
P/IN	3, 4	96		E2, EH	1, 7			10 1/2" x 96"	F96T12/F96T12HO

T-8 ORDERING GUIDE

P/IN	3, 4	32		E8	1, 7, U			10 1/2" x 48"	F32T8
P/IN	3, 4	25	T	E8	1, 7, U			10 1/2" x 72"	F25T8
P/IN	3, 4	32	T	E8	1, 7, U			10 1/2" x 96"	F32T8
P/IN	3, 4	96		E8, H8	1, 7, U			10 1/2" x 96"	F96T8/F96T8HO

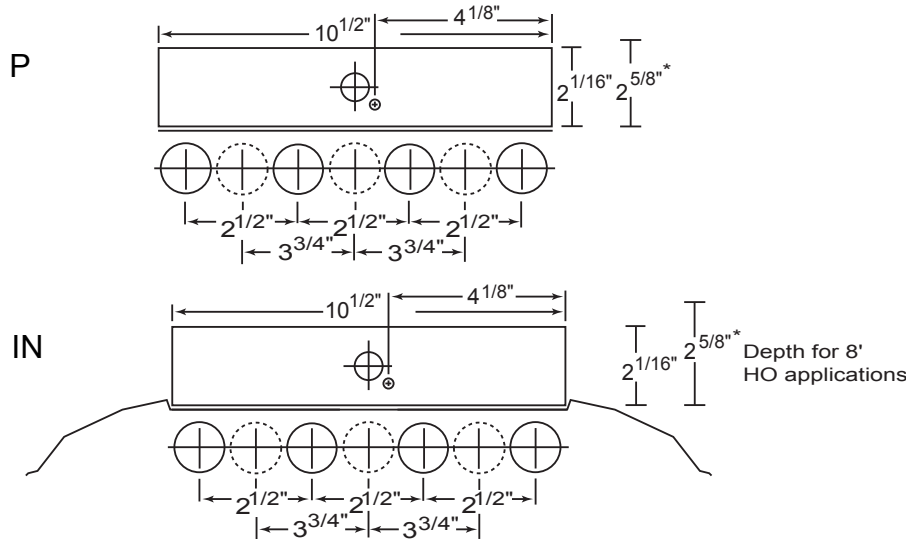
Note: Tandem units contain double the amount of lamps shown

CONSULT FACTORY FOR T5 LAMP OPTIONS

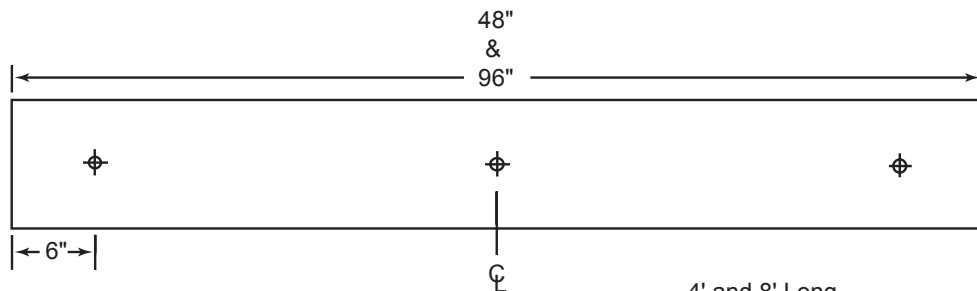
dimensional data

NOTE: SPECIFICATIONS AND DIMENSIONAL DATA ARE SUBJECT TO CHANGE WITHOUT NOTICE

cross sections



back knockout plans and lengths



4' and 8' Long
 3 & 4L

Revised
 10/08

options

OPTIONS: INSERT APPROPRIATE CODE FOR CUSTOMIZED ORDERING

BALLAST

- E2 Electronic T12
- EH Electronic high output
- HE High output ESB
- H8 High output T8

NOTE: In order to achieve rated lamp life, fixtures controlled by motion sensors should be ordered with programmed start ballasts when available and minimum time delay should be set to 15 minutes - Consult Factory

VOLTAGE

- 1 120V
- 7 277V
- U Universal 120 - 277V

GENERAL OPTIONS

- NY 20G for NYC
- EM Emergency pack, 1 lamp
90 min. up to 500 lu.
- 2C 2 Circuit
- PS Push switch
- PC Pull chain
- TS Turn switch
- U Apertured reflectors (Uplite)

Multiple cord options are available - Consult Factory

accessories

- VH V-hanger for chain mounting
- WGP Wire guard
- WGIN Wire guard, industrial
- AL Aligner clips

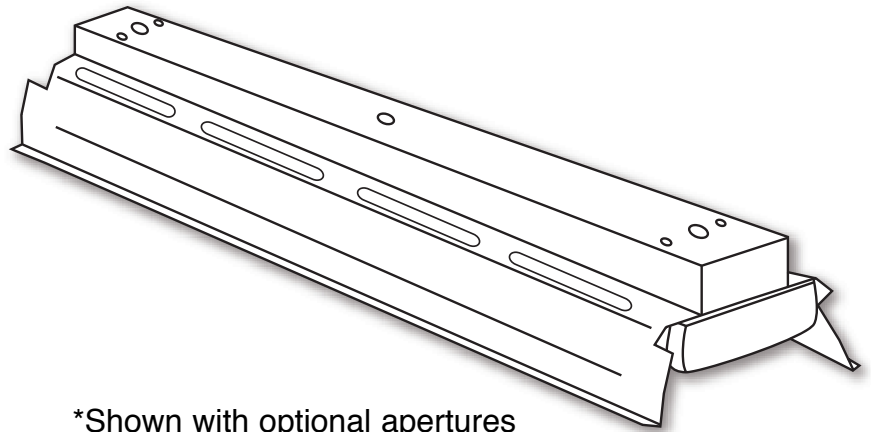
LAMP OPTIONS

- 12 T8 741K
- 15 T8 735K
- 10 T8 730K
- 13 T8 841K
- 16 T8 835K
- 11 T8 830K



INT
SERIES
 PREMIUM
 TURRET
 FLUORESCENT
 INDUSTRIALS

Job Name	
Catalog Number	
Notes	Type



*Shown with optional apertures

application

- A turret industrial for applications requiring dependable, efficient light sources such as manufacturing areas and warehouses
- Able to be surface, pendant or chain mounted individually or in continuous rows
- Available in 2, 3 and 4 light, 4, 8 and 16 foot lengths

finish

- Prior to painting, all metal parts are treated with a multi-stage phosphate bonding process to ensure adhesion and inhibit rusting
- Painted with a lighting grade baked white enamel, having a reflectance factor exceeding 87% for premium quality and durability

construction

- The INT series is a premium grade of fluorescent turret industrials specifically designed for long-term, dependable service
- Features durable steel bodies, quality paint finishes and superior electrical components
- Available in New York City code (20 ga.) steel
- Heavy-duty reflectors are formed and rigidified for strength and uniformity
- Reflectors are fastened to the body without the need for tools
- Heavy duty lampholder end brackets with spring loaded turret sockets for safe lamp retention
- Ample knockouts are provided on back and ends for convenient, versatile installation
- Optional reflectors with apertures are available for uplighting , optional anodized aluminum reflectors 87% or 95% reflectivity available
- All fixtures are U.L. listed and IBEW union made

electrical

- All electrical components are U.L. listed
- Ballasts are class P, thermally protected
- Numerous options are available; see ordering information on back

ordering guide

NOTE: SOME ORDERING OPTIONS APPEAR ON PRODUCT LINE. FOR OTHER OPTIONS, SEE LIST AT RIGHT.

SAMPLE ORDER NUMBER



SERIES NO. WATTAGE TANDEM BALLAST TYPE VOLTAGE OPTIONS DIMENSIONS LAMP TYPE
LAMPS 1 2

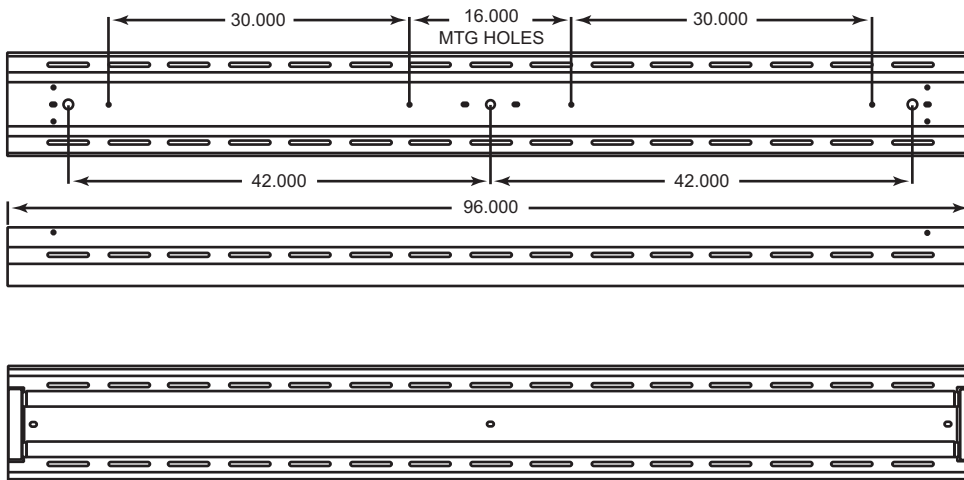
T-12 ORDERING GUIDE									
INT	1, 2, 3, 4	40		E2	1, 7			4 1/4" x 48"	F40T12
INT	1, 2, 3, 4	40	T	E2	1, 7			4 1/4" x 98.75"	F40T12
INT	1, 2, 3, 4	48		E2, EH	1, 7			4 1/4" x 48"	F48T12/F48T12HO
INT	1, 2, 3, 4	96		E2, EH	1, 7			4 1/4" x 96"	F96T12/F96T12HO
T-8 ORDERING GUIDE									
INT	1, 2, 3, 4	32		E8	1, 7, U			4 1/4" x 48"	F32T8
INT	1, 2, 3, 4	32	T	E8	1, 7, U			4 1/4" x 98.75"	F32T8
INT	1, 2, 3, 4	96		E8, H8	1, 7, U			4 1/4" x 96"	F96T8/F96T8HO

Note: Tandem units contain double the amount of lamps shown

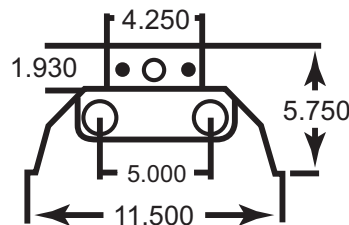
dimensional data

NOTE: SPECIFICATIONS AND DIMENSIONAL DATA ARE SUBJECT TO CHANGE WITHOUT NOTICE

cross sections



* Shown with optional apertures



INT
SERIES
PREMIUM
FLUORESCENT
INDUSTRIALS

options

OPTIONS: INSERT APPROPRIATE CODE FOR CUSTOMIZED ORDERING

BALLAST

E2 Electronic T12
E8 Electronic T8
ED Electronic dimming
(Consult Factory)
EH Electronic high output
H8 High output T8

NOTE: In order to achieve rated lamp life, fixtures controlled by motion sensors should be ordered with programmed start ballasts when available and minimum time delay should be set to 15 minutes - Consult Factory

VOLTAGE

1 120V
7 277V
U Universal 120 - 277V

GENERAL OPTIONS

EM Emergency pack, 1 lamp
90 min.
2C 2 Circuit
U Apertured reflectors - approx. 10%
Uplite
AR Anodized Aluminum Reflector 87%
AR95 Anodized Aluminum Reflector 95%

accessories

VH V-hanger for chain mounting
WGIN Wire guard
AL Aligner clips

LAMP OPTIONS

12 T8 741K
15 T8 735K
10 T8 730K
13 T8 841K
16 T8 835K
11 T8 830K

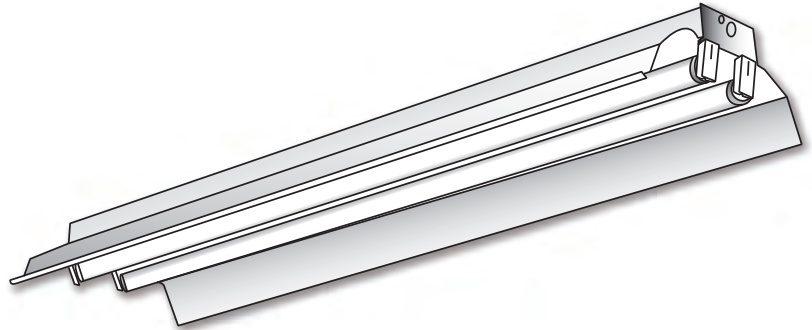
Revised
10/08

Lamar
Lighting
Company, Inc.

LAMAR LIGHTING 485 Smith Street, Farmingdale, NY 11735 • Tel (631) 777-7700
Fax (631) 777-7705 • Outside NY (800) 724-7743 • www.lamarlighting.com

IN
SERIES
 PREMIUM
 FLUORESCENT
 INDUSTRIALS

Job Name	
Catalog Number	
Notes	Type



application

- A general purpose industrial for any application requiring reliable and efficient light sources such as garages, assembly lines and other industrial applications
- Able to be surface, pendant or chain mounted individually or in continuous rows
- Available in 1, 2 and 3 light, multiple lengths and numerous lamp/ballast combinations

finish

- Prior to painting, all metal parts are treated with a multi-stage phosphate bonding process to ensure adhesion and inhibit rusting
- Painted with a lighting grade baked white enamel, having a reflectance factor exceeding 87% for premium quality and durability
- Optional aluminum reflectors - see ordering information on back

construction

- The IN series is a premium grade fluorescent industrial specifically designed for long-term, dependable service
- Features durable steel bodies, quality paint finishes and superior electrical components
- Die formed from cold rolled steel for strength and uniformity
- Available in both New York City code (20 ga.) and UL code (23 ga.) steel
- Heavy-duty reflectors are fastened to the body without the need for tools
- Aligner clips are available to keep reflectors aligned in continuous row applications
- Ample knockouts are provided on back and sides for convenient, versatile installation
- Numerous knockouts are provided for switch options, cord and plug options or convenience outlets
- Optional reflectors with apertures are available for uplighting
- All fixtures are U.L. listed and IBEW union made

electrical

- All electrical components are U.L. listed
- Ballasts are class P, thermally protected
- Numerous options are available; see ordering information on back

ordering guide

NOTE: SOME ORDERING OPTIONS APPEAR ON PRODUCT LINE. FOR OTHER OPTIONS, SEE LIST AT RIGHT.

SAMPLE ORDER NUMBER



SERIES NO. WATTAGE TANDEM BALLAST TYPE VOLTAGE OPTIONS DIMENSIONS LAMP TYPE
 LAMPS 1 2

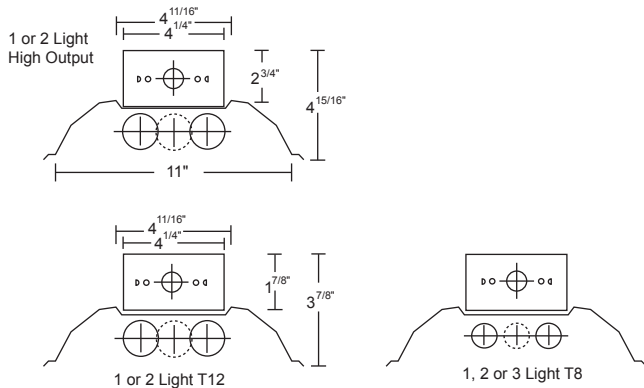
T-5 ORDERING GUIDE									
IN	1, 2, 3	14, 24		E5, H5	1, U			10 7/8" x 24"	F14T5/F24T5HO
IN	1, 2, 3	21, 39		E5, H5	1, U			10 7/8" x 36"	F21T5/F39T5HO
IN	1, 2, 3	28, 54		E5, H5	1, U			10 7/8" x 48"	F28T5/F54T5HO
IN	1, 2, 3	21, 39	T	E5, H5	1, U			10 7/8" x 72"	F21T5/F39T5HO
IN	1, 2, 3	28, 54	T	E5, H5	1, U			10 7/8" x 96"	F28T5/F54T5HO
T-12 ORDERING GUIDE									
IN	1, 2	40		E2	1, 7			10 7/8" x 48"	F40T12
IN	1, 2	40	T	E2	1, 7			10 7/8" x 96"	F40T12
IN	1, 2	72		E2, EH	1, 7, U			10 7/8" x 72"	F72T12/F72T12HO
IN	1, 2	96		E2, EH	1, 7, U			10 7/8" x 96"	F96T12/F96T12HO
T-8 ORDERING GUIDE									
IN	1, 2, 3	17		E8	1, U			10 7/8" x 24"	F17T8
IN	1, 2, 3	25		E8	1, U			10 7/8" x 36"	F25T8
IN	1, 2, 3	32		E8	1, U			10 7/8" x 48"	F32T8
IN	1, 2, 3	25	T	E8	1, U			10 7/8" x 72"	F25T8
IN	1, 2, 3	32	T	E8	1, U			10 7/8" x 96"	F32T8
IN	1, 2, 3	96		E8, H8	1, 7, U			10 7/8" x 96"	F96T8/F96T8HO

Note: Tandem units contain double the amount of lamps shown

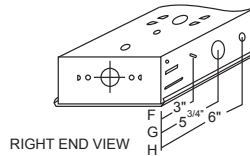
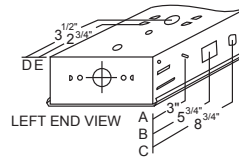
dimensional data

NOTE: SPECIFICATIONS AND DIMENSIONAL DATA ARE SUBJECT TO CHANGE WITHOUT NOTICE

cross sections

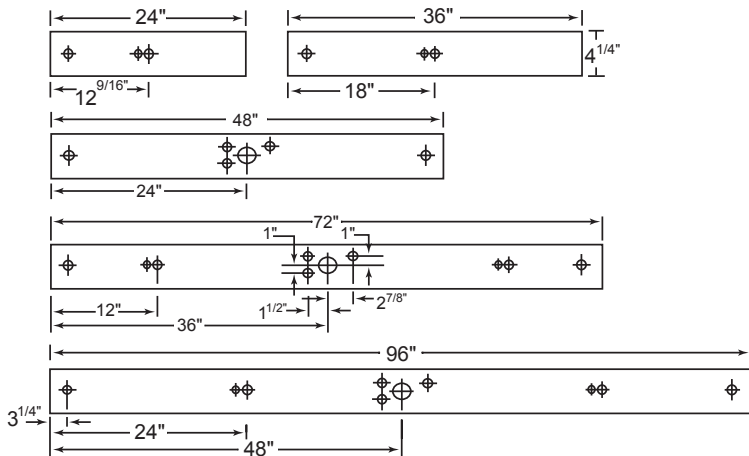


switch and convenience outlet locations



A - K.O. for side chain mounting
 B - 7/8" K.O.
 C - K.O. for cord/strain relief
 D - 7/8" K.O.
 E - Slots for back chain mounting
 F - K.O. for side chain mounting
 G - 7/8" K.O.
 H - K.O. for switch options

back knockout plans and lengths



Revised 5/10

options

OPTIONS: INSERT APPROPRIATE CODE FOR CUSTOMIZED ORDERING

BALLAST

- E2 Electronic T12
- E5 Electronic T5
- H5 Electronic high output T5
- E8 Electronic T8
- EH Electronic high output T12
- H8 High output T8

NOTE: In order to achieve rated lamp life, fixtures controlled by motion sensors should be ordered with programmed start ballasts when available and minimum time delay should be set to 15 minutes - Consult Factory

VOLTAGE

- 1 120V
- 7 277V
- U Universal 120 - 277V

GENERAL OPTIONS

- NY 20G for NYC
- EM Emergency pack, 1 lamp 90 min. up to 500 lu.
- 2C 2 Circuit
- PS Push switch
- PC Pull chain
- TS Turn switch
- CO Grounded convenience outlet
- U Apertured reflectors-approx. 10% Uplite
- R95 Aluminum reflector 95%
- R87 Aluminum reflector 87%

Multiple cord options are available - Consult Factory

accessories

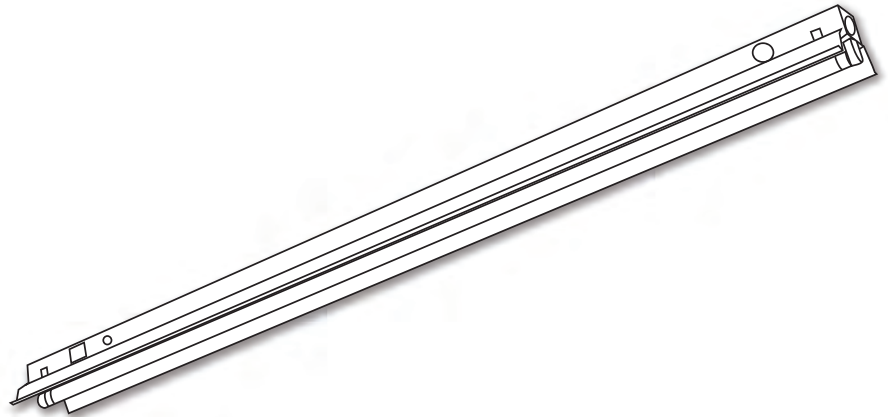
- VH V-hanger for chain mounting
- WGIN Wire guard
- AL Aligner clips

LAMP OPTIONS

- 12 T8 741K
- 15 T8 735K
- 10 T8 730K
- 13 T5/T8 841K
- 16 T5/T8 835K
- 11 T5/T8 830K

MIN
SERIES
 PREMIUM
 FLUORESCENT
 NARROW
 INDUSTRIALS

Job Name	
Catalog Number	
Notes	Type



application

- A narrow multi-function industrial for any application requiring reliable and efficient compact light sources
- Able to be surface, pendant or chain mounted individually or in continuous rows
- Available in multiple lengths, 1 or 2 light standard, high output T5, 1 light T8 fluorescent

finish

- Prior to painting, all metal parts are treated with a multi-stage phosphate bonding process to ensure adhesion and inhibit rusting
- Painted with a lighting grade baked white enamel, having a reflectance factor exceeding 87% for premium quality and durability

construction

- The MIN series is a premium grade fluorescent industrial specifically designed for long-term, dependable service
- Features durable steel bodies, quality paint finishes and superior electrical components
- Die formed cold rolled steel for strength and uniformity (20 ga.)
- Heavy-duty reflectors securely attached to body
- Twist-lock sockets provide secure lamp retention
- Aligner clips are available to keep reflectors aligned in continuous row applications
- Ample knockouts are provided on back and sides for convenient, versatile installation
- Numerous knockouts are provided for switch options, cord and plug options or convenience outlets

electrical

- All electrical components are U.L. listed
- Ballasts are class P, thermally protected
- Numerous options are available: see ordering information on back
- All fixtures are U.L. listed and IBEW union made

ordering guide

NOTE: SOME ORDERING OPTIONS APPEAR ON PRODUCT LINE. FOR OTHER OPTIONS, SEE LIST AT RIGHT.

SAMPLE ORDER NUMBER



SERIES NO. WATTAGE TANDEM BALLAST TYPE VOLTAGE OPTIONS DIMENSIONS LAMP TYPE
 LAMPS

T-5 ORDERING GUIDE

MIN	1, 2	14, 24		E5, H5	1, 7, U			4" x 22"	F14T5/F24T5HO
MIN	1, 2	21, 39		E5, H5	1, 7, U			4" x 34"	F21T5/F39T5HO
MIN	1, 2	28, 54		E5, H5	1, 7, U			4" x 46"	F28T5/F54T5HO
MIN	1, 2	21, 39	T	E5, H5	1, 7, U			4" x 68"	F21T5/F39T5HO
MIN	1, 2	28, 54	T	E5, H5	1, 7, U			4" x 92"	F28T5/F54T5HO

T-8 ORDERING GUIDE

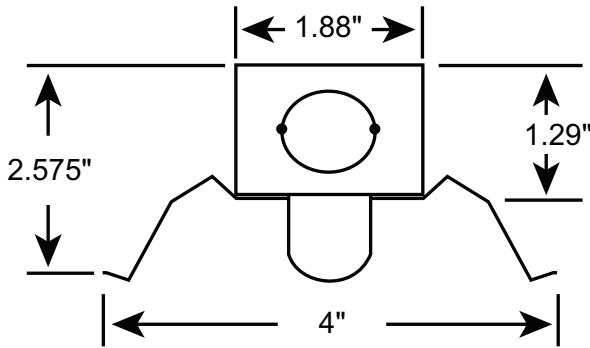
MIN	1	17		E8	1, U			4" x 24"	F17T8
MIN	1	25		E8	1, U			4" x 36"	F25T8
MIN	1	32		E8	1, U			4" x 48"	F32T8
MIN	1	25	T	E8	1, U			4" x 72"	F25T8
MIN	1	32	T	E8	1, U			4" x 96"	F32T8

Note: Tandem units contain double the amount of lamps shown

dimensional data

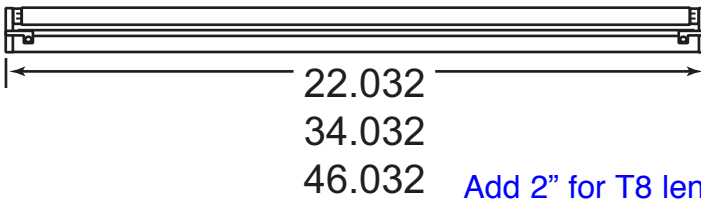
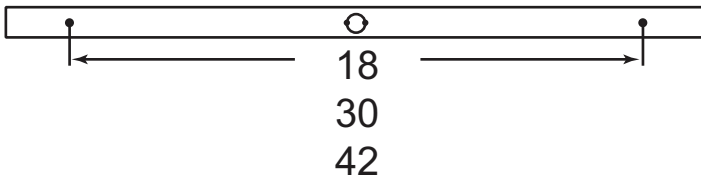
NOTE: SPECIFICATIONS AND DIMENSIONAL DATA ARE SUBJECT TO CHANGE WITHOUT NOTICE

cross sections



back knockout plans and lengths

T5 Dimensions



options

OPTIONS: INSERT APPROPRIATE CODE FOR CUSTOMIZED ORDERING

BALLAST

- E5 Electronic T5
- H5 Electronic high output T5
- ED Electronic dimming
- E8 Electronic T8

NOTE: In order to achieve rated lamp life, fixtures controlled by motion sensors should be ordered with programmed start ballasts when available and minimum time delay should be set to 15 minutes - Consult Factory

VOLTAGE

- 1 120V
- 7 277V
- U Universal 120 - 277V

GENERAL OPTIONS

- EM Emergency pack, 1 lamp
90 min. up to 500 lu.
- PS Push switch
- PC Pull chain
- TS Turn switch

Multiple cord options are available - Consult Factory

accessories

- AL Aligner clips

LAMP OPTIONS

- 13 T5/T8 841K
- 16 T5/T8 835K
- 11 T5/T8 830K
- 12 T8 741K
- 15 T8 735K
- 10 T8 730K

Revised 10/08



RS SERIES

REMOTE STRIP

Job Name	
Catalog Number	
Notes	Type



application

- Ultra compact remote ballast strip fixture
- Available in numerous different lengths up to 8' with many lamp/ballast options
- Ideal for coves and showcases, where an unobtrusive very low profile linear light source is required

construction

- The RS series is a premium grade of fluorescent mini strips specifically designed for long-term, heavy-duty installation
- Features durable steel bodies, quality paint finishes and superior electrical components
- Formed from heavy gauge cold rolled steel for strength and uniformity
- Wireway covers easily attach with screws for easy maintenance
- Rear mounting holes are provided for easy installation
- Manufactured for New York City code (20 ga.) steel
- Knockouts are provided in the end and back for electric feed in any location
- Slim, very low profile design
- All fixtures are U.L. listed and IBEW union made

electrical

- All electrical components are U.L. listed
- Ballasts are class P, thermally protected
- Remote ballast and 6' 3 wire flexible conduit standard
- Numerous options are available: see ordering information on back

finish

- Prior to painting, all metal parts are treated with a multi-stage phosphate bonding process to ensure adhesion and inhibit rusting
- Painted with a lighting grade baked white enamel, having a reflectance factor exceeding 87% for premium quality and durability

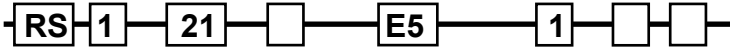
RS SERIES

REMOTE STRIP

ordering guide

NOTE: SOME ORDERING OPTIONS APPEAR ON PRODUCT LINE. FOR OTHER OPTIONS, SEE LIST AT RIGHT.

SAMPLE ORDER NUMBER



SERIES NO. WATTAGE TANDEM BALLAST TYPE VOLTAGE OPTIONS DIMENSIONS LAMP TYPE
LAMPS 1 2

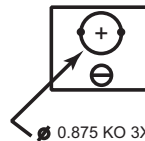
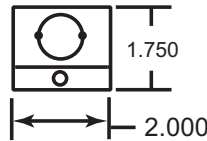
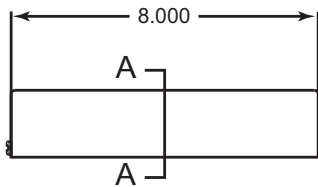
T-5 ORDERING GUIDE								
RS	1	8		E5	1, 7		1.25" x 14"	F8T5
RS	1	13		E5	1, 7		1.25" x 23"	F13T5
RS	2	13		E5	1, 7		1.25" x 44.5"	F13T5
RS	1	14/24		E5, H5	1, 7, U		1.25" x 24"	F14T5/F24HO
RS	1	21/39		E5, H5	1, 7, U		1.25" x 36"	F21T5/39HO
RS	1	28/54		E5, H5	1, 7, U		1.25" x 48"	F28T5/54HO
T-8 ORDERING GUIDE								
RS	1	17		E8	1, 7, U		1.25" x 27"	F17T8
RS	1	25		E8	1, 7, U		1.25" x 39"	F25T8
RS	1	32		E8	1, 7, U		1.25" x 51"	F32T8

dimensional data

NOTE: SPECIFICATIONS AND DIMENSIONAL DATA ARE SUBJECT TO CHANGE WITHOUT NOTICE

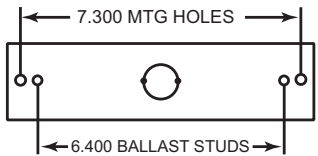
back plans

Standard Remote Ballast box (T5 may require larger box)



A - A

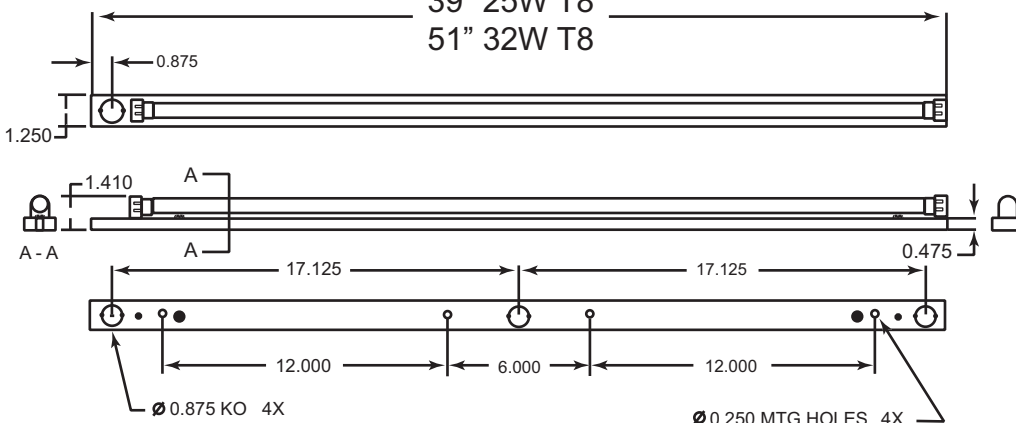
Small Can Remote Ballast box available
8x2x1.75" - Consult Factory



MOL

- 24" 14/24 T5
- 36" 21/39 T5
- 48" 28/54 T5
- 27" 17W T8
- 39" 25W T8
- 51" 32W T8

T5 Shown



Revised
10/08

options

OPTIONS: INSERT APPROPRIATE CODE FOR CUSTOMIZED ORDERING

BALLAST

E5 Electronic T5
H5 High output T5
E8 Electronic T8
For no ballast - Consult factory

NOTE: In order to achieve rated lamp life, fixtures controlled by motion sensors should be ordered with programmed start ballasts when available and minimum time delay should be set to 15 minutes - Consult Factory

VOLTAGE

1 120V
7 277V
U Universal 120 - 277V

NOTE: 8 & 13W T5 Lamps are not available with the same light output or color rendering as the 14/24HO, 21/39HO & 28/54HO lamps

accessories

LAMP OPTIONS

12 T8 741K
15 T8 735K
10 T8 730K
13 T5/T8 841K
16 T5/T8 835K
11 T5/T8 830K

MC SERIES

MINI CHANNEL

Job Name	
Catalog Number	
Notes	Type



application

- An economic, low profile strip measuring just less than 1.5" square makes this perfect for valances, showcases, soffits and difficult-to-fit applications
- Available in 4 different lengths to accommodate up to 13W T5

construction

- The MC series is a premium grade of fluorescent mini strips specifically designed for long-term, heavy-duty installation
- Features durable steel bodies, quality paint finishes and superior electrical components
- Manufactured from code guage steel
- Wireway covers easily attach with screws for easy maintenance
- Back keyhole slots are provided for easy installation; optional mounting tabs are also available
- Pre-heat starters can be located under the lamp, on the side or end of the fixture
- Knockouts are provided for switch options and cord and plug options; please consult factory
- All fixtures are U.L. listed and IBEW union made

electrical

- All electrical components are U.L. listed
- Ballasts are class P, thermally protected
- Numerous options are available: T5 electronic or T8 electronic; see ordering information on back

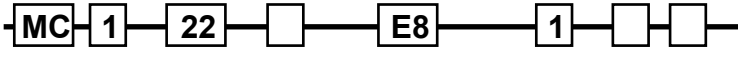
finish

- Prior to painting, all metal parts are treated with a multi-stage phosphate bonding process to ensure adhesion and inhibit rusting
- Painted with a lighting grade baked white enamel, having a reflectance factor exceeding 87% for premium quality and durability

ordering guide

NOTE: SOME ORDERING OPTIONS APPEAR ON PRODUCT LINE. FOR OTHER OPTIONS, SEE LIST AT RIGHT.

SAMPLE ORDER NUMBER



SERIES NO. WATTAGE TANDEM BALLAST TYPE VOLTAGE OPTIONS 1 2 DIMENSIONS LAMP TYPE

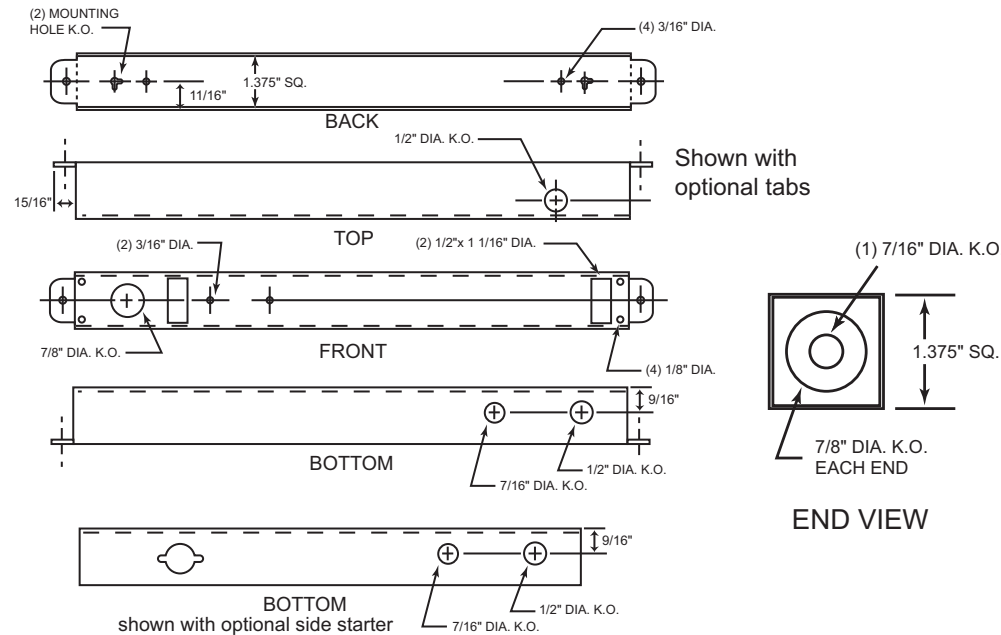
T-8 ORDERING GUIDE									
MC	1	15		P8, E8	1			1 3/8" x 21"	F15T8
MC	2	15		P8, E8	1			1 3/8" x 40 3/4"	F15T8
MC	3	15		P8, E8	1			1 3/8" x 61 1/4"	F15T8
MC	1	17		P8	1			1 3/8" x 25"	F17T8
MC	1	25		E8	1			1 3/8" x 37"	F25T8
MC	1	32		E8	1			1 3/8" x 49"	F32T8

T-5 ORDERING GUIDE									
MC	1	4		P5, E5	1			1 3/8" x 9"	F4T5
MC	1	6		P5, E5	1			1 3/8" x 12"	F6T5
MC	1	8		P5, E5	1			1 3/8" x 15"	F8T5
MC	1	14		E5, H5	1			1 3/8" x 23"	F14T5/24HO
MC	1	21		E5, H5	1			1 3/8" x 35"	F21T5/39HO
MC	1	28		E5, H5	1			1 3/8" x 46 1/2"	F28T5/54HO

dimensional data

NOTE: SPECIFICATIONS AND DIMENSIONAL DATA ARE SUBJECT TO CHANGE WITHOUT NOTICE

back plans



LAMP	STANDARD	w/TABS	w/SIDE STRTR
4 W	9.0625"	10"	7.25"
6 W	12.0625"	13"	10.25"
8 W	15.0625"	16"	13.25"
15 W	21.0625"	22"	19"
2/15 W	40.75"	41.6875"	NA
3/15 W	61.25"	62.2235"	NA
17 W	25.0625"	26"	NA
25 W	37.0625"	38"	NA
32 W	49.0625"	50"	NA

T5 ELECTRONIC LAMPS	LENGTH
2' 14 W	22.8125"
3' 21 W	34.6875"
4' 28 W	46.5"

MC SERIES

MINI CHANNEL

options

OPTIONS: INSERT APPROPRIATE CODE FOR CUSTOMIZED ORDERING

BALLAST

- E8 Electronic T8
- E5 Electronic T5
- P8 Pre-heat T8
- P5 Pre-heat T5
- H5 High output T5

NOTE: In order to achieve rated lamp life, fixtures controlled by motion sensors should be ordered with programmed start ballasts when available and minimum time delay should be set to 15 minutes - Consult Factory

VOLTAGE

- 1 120V
- Consult factory for other voltages.

GENERAL OPTIONS

- PS Push switch
- PC Pull chain
- TS Turn switch
- TB Tab mounting
- SS Side starter (shorter body)

Multiple cord options are available. Consult Factory

NOTE: 4, 6, 8 & 13W T5 lamps are not available with the same light output or color rendering as the 14/24HO, 21/39HO & 28/54HO lamps

accessories

LAMP OPTIONS

- 12 T8 741K
- 15 T8 735K
- 10 T8 730K
- 13 T5/T8 841K
- 16 T5/T8 835K
- 11 T5/T8 830K

NOTE: SOME BALLASTS MAY REQUIRE A REMOTE BALLAST BOX; CONSULT FACTORY FOR YOUR SPECIFIC NEEDS

Revised 10/08

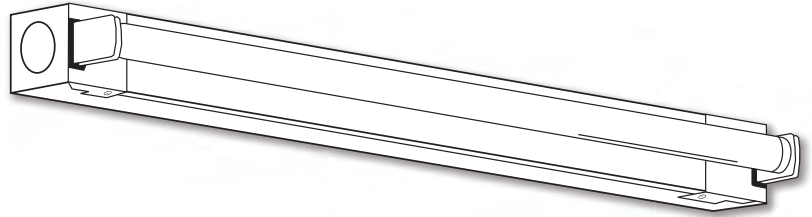


LAMAR LIGHTING 485 Smith Street, Farmingdale, NY 11735 • Tel (631) 777-7700
Fax (631) 777-7705 • Outside NY (800) 724-7743 • www.lamarlighting.com

TC SERIES

TINY CHANNEL

Job Name	
Catalog Number	
Notes	Type



application

- Low profile, heavy duty compact strip
- Available in numerous different lengths with many lamp/ballast options
- Ideal for coves and showcases, where an unobtrusive very low profile linear light source is required

construction

- The TC series is a premium grade of fluorescent mini strips specifically designed for long-term, heavy-duty installation
- Features durable steel bodies, quality paint finishes and superior electrical components
- Wireway covers easily attach with screws for easy maintenance
- Back keyhole slots are provided for easy installation
- Available in New York City code (20 ga.) and UL code (23 ga.) steel
- Knockouts are provided in the end and back for mounting versatility
- Plug through and interconnecting wiring is available
- All fixtures are U.L. listed and IBEW union made

electrical

- All electrical components are U.L. listed
- Ballasts are class P, thermally protected
- 120V is standard on all units
- Numerous options are available: T5 electronic or T8 electronic; see ordering information on back

finish

- Prior to painting, all metal parts are treated with a multi-stage phosphate bonding process to ensure adhesion and inhibit rusting
- Painted with a lighting grade baked white enamel, having a reflectance factor exceeding 87% for premium quality and durability

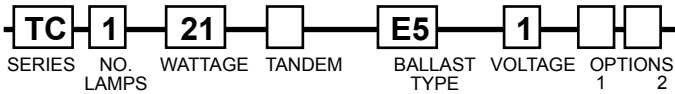
TC SERIES

TINY CHANNEL

ordering guide

NOTE: SOME ORDERING OPTIONS APPEAR ON PRODUCT LINE. FOR OTHER OPTIONS, SEE LIST AT RIGHT.

SAMPLE ORDER NUMBER



T-5 ORDERING GUIDE

TC	1, 2*	13		E5	1, 7			1 9/16" x 21.25"	F13T5
TC	1, 2*	14, 24		E5, H5	1, U			1 9/16" x 22 3/8"	F14T5/F24HO
TC	1, 2*	21, 39		E5, H5	1, U			1 9/16" x 34 13/16"	F21T5/F39HO
TC	1, 2*	28, 54		E5, H5	1, U			1 9/16" x 46"	F28T5/F54HO
TC	1, 2*	21, 39	T	E5, H5	1, U			1 9/16" x 68 5/16"	F21T5/F39HO
TC	1, 2*	28, 54	T	E5, H5	1, U			1 9/16" x 92"	F28T5/F54HO
TC	1, 2*	35		E5, H5	1, U			1 9/16" x 57 13/16"	F35T5

T-8 ORDERING GUIDE

TC	1	17		E8	1, U			1 9/16" x 24"	F17T8
TC	1	25		E8	1, U			1 9/16" x 36"	F25T8
TC	1	32		E8	1, U			1 9/16" x 48"	F32T8
TC	1	25	T	E8	1, U			1 9/16" x 72"	F25T8
TC	1	32	T	E8	1, U			1 9/16" x 96"	F32T8

* 2-lamp T5 available as side mount only

options

OPTIONS: INSERT APPROPRIATE CODE FOR CUSTOMIZED ORDERING

BALLAST

E5 Electronic T5
H5 High output T5
E8 Electronic T8

NOTE: In order to achieve rated lamp life, fixtures controlled by motion sensors should be ordered with programmed start ballasts when available and minimum time delay should be set to 15 minutes - Consult Factory

VOLTAGE

1 120V
7 277V
U Universal 120 - 277V

GENERAL OPTIONS

PS Push switch
PC Pull chain
TS Turn switch

CONFIG OPTIONS

S Side mount
R Right angle mount

Multiple cord options are available - Consult Factory

NOTE: 13W T5 Lamps are not available with the same light output or color rendering as the 14/24HO, 21/39HO & 28/54HO lamps

accessories

TG Tubeguard + Length/Wattage

LAMP OPTIONS

12 T8 741K
15 T8 735K
10 T8 730K
13 T5/T8 841K
16 T5/T8 835K
11 T5/T8 830K

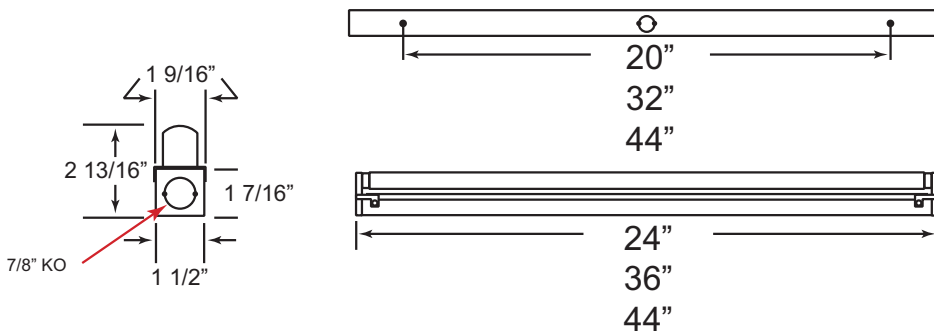
NOTE: SOME BALLASTS MAY REQUIRE A REMOTE BALLAST BOX; CONSULT FACTORY FOR YOUR SPECIFIC NEEDS

dimensional data

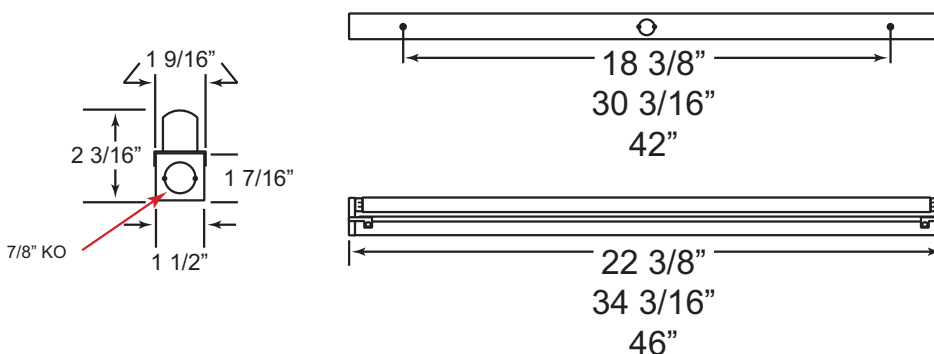
NOTE: SPECIFICATIONS AND DIMENSIONAL DATA ARE SUBJECT TO CHANGE WITHOUT NOTICE

back plans

T8 Dimensions



T5 Dimensions



Revised
12/09

LAMAR LIGHTING 485 Smith Street, Farmingdale, NY 11735 • Tel (631) 777-7700
Fax (631) 777-7705 • Outside NY (800) 724-7743 • www.lamarlighting.com

**Lamar
Lighting**
Company, Inc.

TCM SERIES

TINY
MULTI-CHANNEL

Job Name	
Catalog Number	
Notes	Type



application

- Low profile, heavy duty compact strip
- Available in numerous different lengths with many lamp/ballast options
- Ideal for coves and showcases, where an unobtrusive very low profile linear light source is required

construction

- The TCM series is a premium grade of fluorescent mini strips specifically designed for long-term, heavy-duty installation
- Features durable steel bodies, quality paint finishes and superior electrical components
- Wireway covers easily attach with screws for easy maintenance
- Manufactured for New York City code (20 ga.) steel
- Knockouts are provided in the end and back for mounting versatility
- Plug through and interconnecting wiring is available
- All fixtures are U.L. listed and IBEW union made

electrical

- All electrical components are U.L. listed
- Ballasts are class P, thermally protected
- Numerous options are available: see ordering information on back

finish

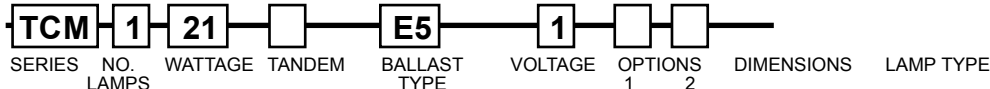
- Prior to painting, all metal parts are treated with a multi-stage phosphate bonding process to ensure adhesion and inhibit rusting
- Painted with a lighting grade baked white enamel, having a reflectance factor exceeding 87% for premium quality and durability

LaMar
Lighting
Company, Inc.

ordering guide

NOTE: SOME ORDERING OPTIONS APPEAR ON PRODUCT LINE. FOR OTHER OPTIONS, SEE LIST AT RIGHT.

SAMPLE ORDER NUMBER



T-5 ORDERING GUIDE								
TCM	1, 2	08		E5	1, 7		2 3/16" x 12 3/16"	F8T5
TCM	1, 2	13		E5	1, 7		2 3/16" x 21 1/4"	F13T5
TCM	1, 2	14, 24		E5, H5	1, U		2 3/16" x 22 1/2"	F14T5/F24T5HO
TCM	1, 2	21, 39		E5, H5	1, U		2 3/16" x 34 5/16"	F21T5/F39T5HO
TCM	1, 2	28, 54		E5, H5	1, U		2 3/16" x 46 1/4"	F28T5/F54T5HO
TCM	1, 2	35, 80		E5, H5	1, U		2 3/16" x 58 1/4"	F35T5/F80T5HO
TCM	1	21, 39	T	E5, H5	1, U		2 3/16" x 68 5/8"	F21T5/F39T5HO
TCM	1	28, 54	T	E5, H5	1, U		2 3/16" x 92 1/2"	F28T5/F54T5HO
T-8 ORDERING GUIDE								
TCM	1	17		E8	1, U		2 3/16" x 24"	F17T8
TCM	1	25		E8	1, U		2 3/16" x 36"	F25T8
TCM	1	32		E8	1, U		2 3/16" x 48"	F32T8
TCM	1	25	T	E8	1, U		2 3/16" x 72"	F25T8
TCM	1	32	T	E8	1, U		2 3/16" x 96"	F32T8

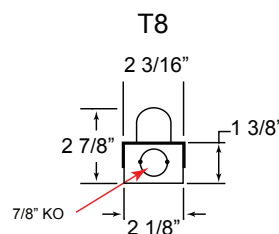
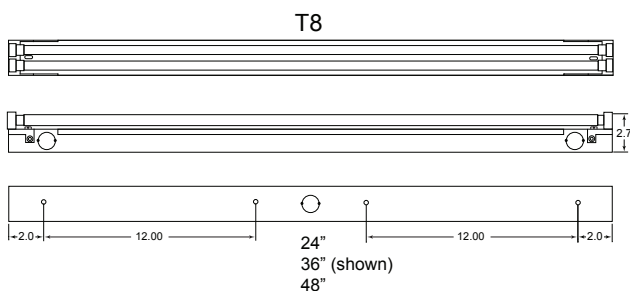
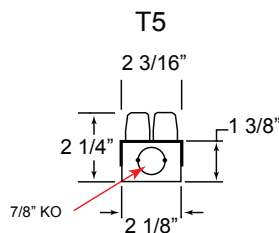
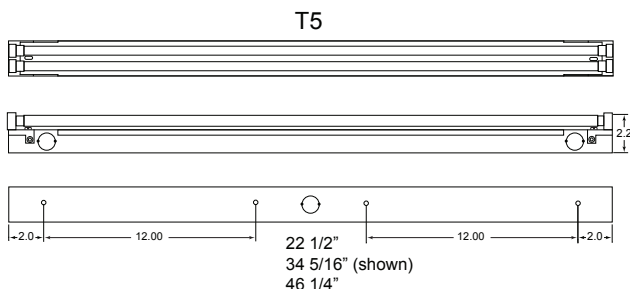
Consult Factory for Lamp options not shown or listed

*Note: Tandem units contain double the amount of lamps shown

dimensional data

NOTE: SPECIFICATIONS AND DIMENSIONAL DATA ARE SUBJECT TO CHANGE WITHOUT NOTICE

back plans



TCM SERIES PREMIUM

TINY MULTI-CHANNEL

options

OPTIONS: INSERT APPROPRIATE CODE FOR CUSTOMIZED ORDERING

BALLAST

- E5 Electronic T5
- H5 High output T5
- D5 T5HO dimming ballasts available
- Consult Factory
- E8 Electronic T8

NOTE: In order to achieve rated lamp life, fixtures controlled by motion sensors should be ordered with programmed start ballasts when available and minimum time delay should be set to 15 minutes - Consult Factory

VOLTAGE

- 1 120V
- 7 277V
- U Universal 120 - 277V

GENERAL OPTIONS

- PS Push switch
- PC Pull chain
- TS Turn switch
- EM Emergency Pack, 1 Lamp
- 90 min. up to 500 lu.

CONFIG OPTIONS

- S Side mount
- R Right angle mount

Multiple cord options are available - Consult Factory

NOTE: 8W and 13W T5 Lamps are not available with the same light output or color rendering as the 14/24HO, 21/39HO & 28/54HO lamps

accessories

LAMP OPTIONS

- 13 T5/T8 841K
- 16 T5/T8 835K
- 11 T5/T8 830K
- 12 T8 741K
- 15 T8 735K
- 10 T8 730K

Revised
12/09

LAMAR LIGHTING 485 Smith Street, Farmingdale, NY 11735 • Tel (631) 777-7700
Fax (631) 777-7705 • Outside NY (800) 724-7743 • www.lamarlighting.com

LUMINESCENT 1 S SERIES

Starbeam-1

Job Name	
Catalog Number	
Notes	Type

specifications

lens

- ❖ Round end task light designed to dress up a standard strip
- ❖ Choose from smooth white, clear fluted or white fluted

end designs

- ❖ When fastened to strip fixture with spring clips, creates pressure fit mount
- ❖ Meets ADA requirements
- ❖ End cap is 1/2" wide
- ❖ Choose from basic opaque white to a family of marble effects

electrical

- ❖ Custom colors, shapes, profiles
- ❖ Ballast Electronic Class "P" standard
- ❖ U.L. Listed, IBEW union made
- ❖ Indoor use

options

INSERT APPROPRIATE CODE FOR CUSTOMIZED ORDERING

BALLAST

E8 Electronic T8

NOTE: In order to achieve rated lamp life, fixtures controlled by motion sensors should be ordered with programmed start ballasts when available and minimum time delay should be set to 15 minutes - Consult Factory

VOLTAGE

1 120V
U Universal 120 - 277V

LENS OPTIONS

SW Smooth white
WR White ribbed
CR Clear ribbed

END COLORS

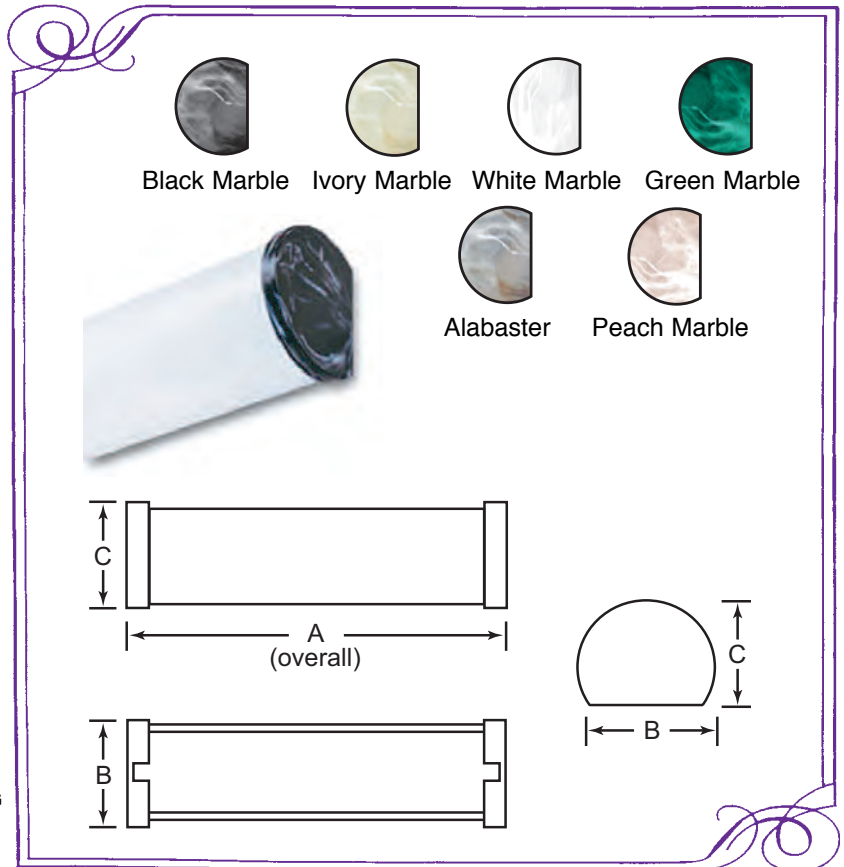
SW Smooth white
IV Ivory marble
BM Black marble
VG Green marble
PM Peach marble
AL Alabaster
WM White marble

GENERAL OPTIONS

EM Emergency pack

Consult Factory for additional options not shown or listed including T5 lamping

Fixture meets ADA requirements for wall mounting



ordering guide

SAMPLE ORDER NUMBER

1S SW 1 17 E8 1 SW
SERIES END NO. WATTAGE BALLAST VOLTAGE LENS
CAP LAMPS TYPE COLOR

MODEL#	LAMP TYPE	OVERALL	BASE	DEPTH	1	U	E8	EM
1SSW117E81SW	F17T8	25 1/2	4 3/4	4	STD	✓	STD	✓
1SSW125E81SW	F25T8	37 1/2	4 3/4	4	STD	✓	STD	✓
1SSW132E81SW	F32T8	49 1/2	4 3/4	4	STD	✓	STD	✓
1SSW217E81SW	F17T8	25 1/2	4 3/4	4	STD	✓	STD	✓
1SSW225E81SW	F25T8	37 1/2	4 3/4	4	STD	✓	STD	✓
1SSW232E81SW	F32T8	49 1/2	4 3/4	4	STD	✓	STD	✓

* Consult Factory
STD Standard
✓ Available option

Lamar
Lighting
Company, Inc.

Revised
10/08

LAMAR LIGHTING 485 Smith Street, Farmingdale, NY 11735 • Tel (631) 777-7700
Fax (631) 777-7705 • Outside NY (800) 724-7743 • www.lamarlighting.com

LUMINESCENT 2S SERIES

Starbeam-2

Job Name

Catalog Number

Notes

Type

specifications

lens

- ❖ Round end task light designed to dress up a standard strip
- ❖ Choose from solid white, clear fluted or white fluted

end designs

- ❖ When fastened to strip fixture with spring clips, creates pressure fit mount
- ❖ Meets ADA requirements
- ❖ Choose from basic opaque white to a family of marble effects
- ❖ End cap is 1 1/2" wide
- ❖ Optional chrome or brass accent trim

electrical

- ❖ Custom colors, shapes, profiles
- ❖ Ballast Electronic Class "P" standard
- ❖ U.L. Listed, IBEW union made
- ❖ Indoor use

options

INSERT APPROPRIATE CODE FOR CUSTOMIZED ORDERING

BALLAST

E8 Electronic T8

NOTE: In order to achieve rated lamp life, fixtures controlled by motion sensors should be ordered with programmed start ballasts when available and minimum time delay should be set to 15 minutes - Consult Factory

VOLTAGE

1 120V
U Universal 120 - 277V

END COLORS

SW Smooth white
IV Ivory marble
BM Black marble
VG Green marble
PM Peach marble
AL Alabaster
WM White marble

LENS OPTIONS

SW Smooth white
WR White ribbed
CR Clear ribbed

GENERAL OPTIONS

EM Emergency pack
BT Brass trim
CT Chrome trim

Consult Factory for additional options not shown or listed

Fixture meets ADA requirements for wall mounting



Black Marble



Ivory Marble



White Marble



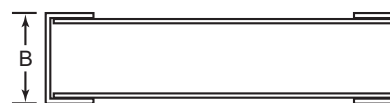
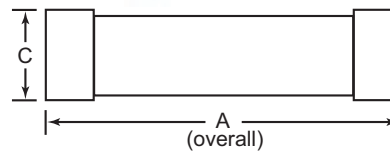
Green Marble



Alabaster



Peach Marble



ordering guide

SAMPLE ORDER NUMBER

2S **SW** **1** **17** **E8** **1** **SW**

SERIES END NO. WATTAGE BALLAST VOLTAGE LENS
CAP LAMPS TYPE TYPE COLOR

A B C

MODEL#	LAMP TYPE	OVERALL	BASE	DEPTH	1	U	E8	EM
2SSW117E81SW	F17T8	25 1/2	4 3/4	4	STD	✓	STD	✓
2SSW125E81SW	F25T8	37 1/2	4 3/4	4	STD	✓	STD	✓
2SSW132E81SW	F32T8	49 1/2	4 3/4	4	STD	✓	STD	✓
2SSW217E81SW	F17T8	25 1/2	4 3/4	4	STD	✓	STD	✓
2SSW225E81SW	F25T8	37 1/2	4 3/4	4	STD	✓	STD	✓
2SSW232E81SW	F32T8	49 1/2	4 3/4	4	STD	✓	STD	✓

* Consult Factory
STD Standard
✓ Available option

Lamar
Lighting
Company, Inc.

Revised
10/08

LAMAR LIGHTING 485 Smith Street, Farmingdale, NY 11735 • Tel (631) 777-7700
Fax (631) 777-7705 • Outside NY (800) 724-7743 • www.lamarlighting.com

LUMINESCENT
CA
SERIES

Corona A

Job Name	
Catalog Number	
Notes	Type

specifications

housing

- ❖ Die cut high grade steel
- ❖ Available in Chrome, White or Brass
- ❖ Oversized, sturdy body style

diffuser

- ❖ Oval fluted lens for even lumen distribution
- ❖ One-piece extruded clear, light stabilized acrylic is standard; consult factory for other diffusers
- ❖ Available in White or Clear

electrical

- ❖ 120V Class "P" normal power factor standard
- ❖ U.L. Listed, IBEW union made
- ❖ Indoor use

options

INSERT APPROPRIATE CODE FOR CUSTOMIZED ORDERING

BALLAST

E8 Electronic T8

NOTE: In order to achieve rated lamp life, fixtures controlled by motion sensors should be ordered with programmed start ballasts when available and minimum time delay should be set to 15 minutes - Consult Factory

VOLTAGE

1 120V
7 277V
U Universal 120 - 277V

COLOR OPTIONS

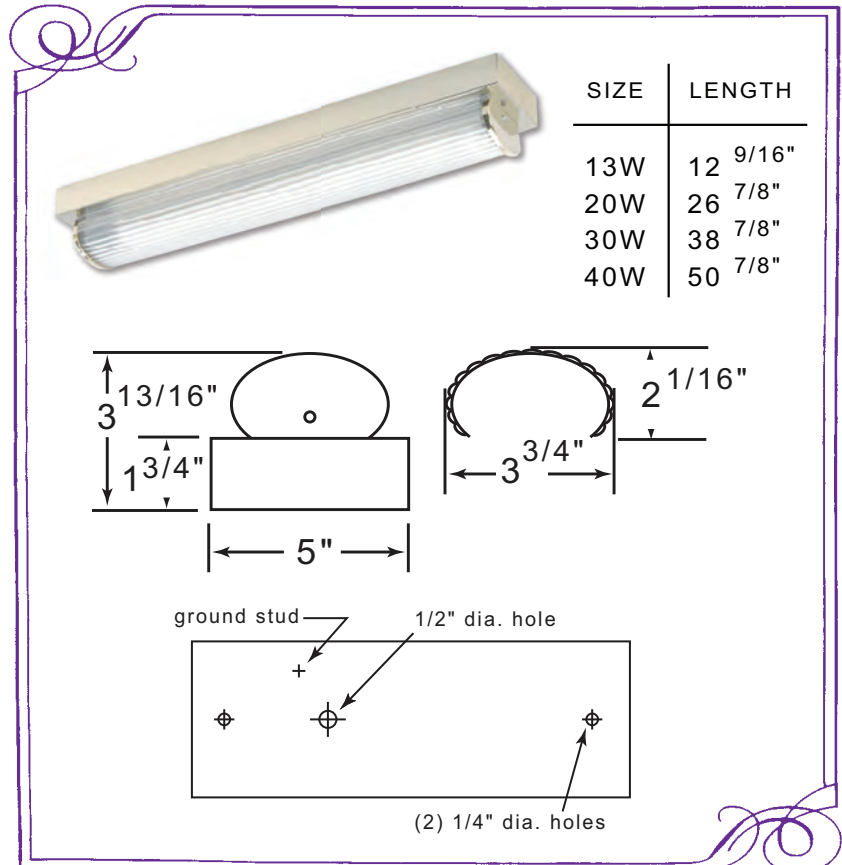
C Chrome
W White
B Brass

GENERAL OPTIONS

O Oval lens
FC Fluted clear
FW Fluted white

Consult Factory for additional options not shown or listed

Meets ADA requirements for wall mounting



ordering guide

SERIES COLOR NO. WATTAGE BALLAST TYPE VOLTAGE OPTIONS DIFFUSER STYLE
STYLE LAMPS 1 2

T-8 ORDERING GUIDE

CA	C, W, B	1, 2	17	E8	1, 7		FC, FW	O
CA	C, W, B	1, 2	25	E8	1, 7		FC, FW	O
CA	C, W, B	1, 2	32	E8	1, 7		FC, FW	O



Revised
10/08

LAMAR LIGHTING 485 Smith Street, Farmingdale, NY 11735 • Tel (631) 777-7700
Fax (631) 777-7705 • Outside NY (800) 724-7743 • www.lamarlighting.com

LUMINESCENT
CB
SERIES

Corona B

Job Name	
Catalog Number	
Notes	Type

specifications

housing

- ❖ Die cut high grade steel
- ❖ Shorter, trim style body size
- ❖ Available in Chrome, White or Brass

diffuser

- ❖ Oval fluted lens for even lumen distribution
- ❖ One-piece extruded clear, light stabilized acrylic is standard; consult factory for other diffusers
- ❖ Available in White or Clear

electrical

- ❖ Ballast 120V Class "P" normal power factor standard
- ❖ U.L. Listed, IBEW union made
- ❖ Indoor use

options

INSERT APPROPRIATE CODE FOR CUSTOMIZED ORDERING

BALLAST

E8 Electronic T8

NOTE: In order to achieve rated lamp life, fixtures controlled by motion sensors should be ordered with programmed start ballasts when available and minimum time delay should be set to 15 minutes - Consult Factory

VOLTAGE

1 120V
7 277V
U Universal 120 - 277V

COLOR OPTIONS

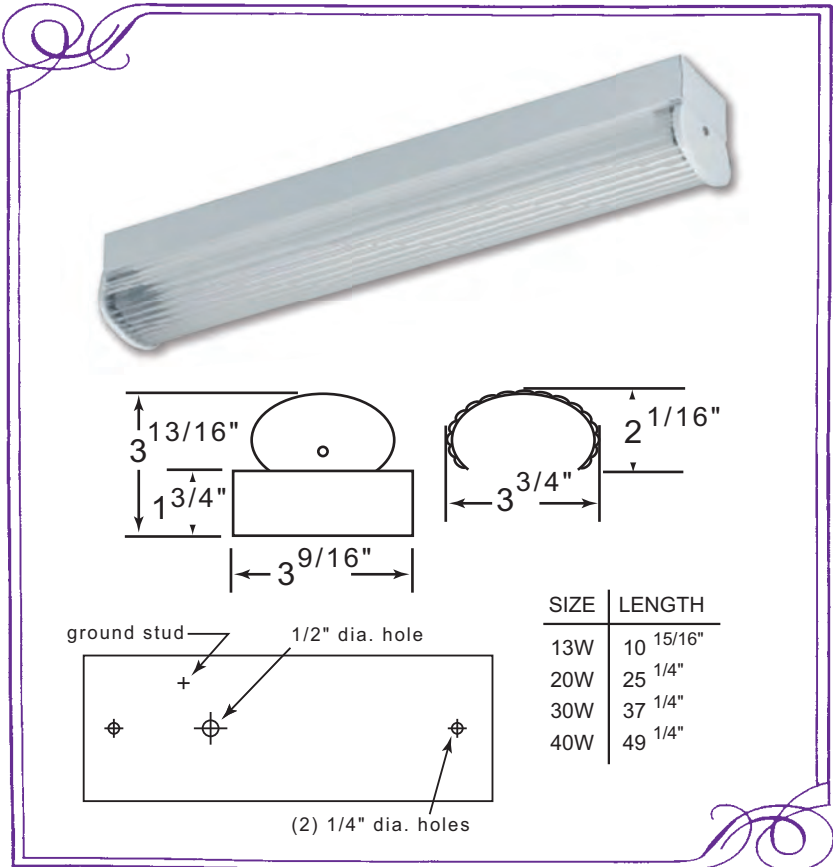
C Chrome
W White
B Brass

GENERAL OPTIONS

O Oval lens
FC Fluted clear
FW Fluted white

Consult Factory for additional options not shown or listed

Meets ADA requirements for wall mounting



SIZE	LENGTH
13W	10 15/16"
20W	25 1/4"
30W	37 1/4"
40W	49 1/4"

ordering guide

SERIES COLOR NO. WATTAGE BALLAST TYPE VOLTAGE OPTIONS DIFFUSER STYLE
STYLE LAMPS 1 2

T-8 ORDERING GUIDE									
CB	C, W, B	1, 2	17	E8	1, 7			FC, FW	O
CB	C, W, B	1, 2	25	E8	1, 7			FC, FW	O
CB	C, W, B	1, 2	32	E8	1, 7			FC, FW	O



Revised
10/08

LAMAR LIGHTING 485 Smith Street, Farmingdale, NY 11735 • Tel (631) 777-7700
Fax (631) 777-7705 • Outside NY (800) 724-7743 • www.lamarlighting.com

LUMINESCENT
EB
SERIES

Ellipse Bath

Job Name	
Catalog Number	
Notes	Type

specifications

housing

- ❖ A contemporary design with a smooth, elliptical diffuser for soft, even illumination.
- ❖ The seamless, free flowing appearance gives this light source a cloud-like look

lens

- ❖ Decorative translucent white molded acrylic provides even, low brightness lighting

electrical

- ❖ Ballast 120 volt Class "P" normal power factor standard
- ❖ U.L. Listed, IBEW union made

options

INSERT APPROPRIATE CODE FOR CUSTOMIZED ORDERING

BALLAST

E8 Electronic T8

NOTE: In order to achieve rated lamp life, fixtures controlled by motion sensors should be ordered with programmed start ballasts when available and minimum time delay should be set to 15 minutes - Consult Factory

VOLTAGE

1 120V
7 277V
U Universal 120 - 277V

Consult Factory for additional options not shown or listed



A	B	C	D	E	F
26-3/4"	6"	4-1/8"	1-1/2"	4-5/8"	24-1/16"
38-3/4"	6"	4-1/8"	1-1/2"	4-5/8"	36-1/16"
50-3/4"	6"	4-1/8"	1-1/2"	4-5/8"	48-1/16"

ordering guide

SAMPLE ORDER NUMBER



SERIES NO. WATTAGE BALLAST TYPE VOLTAGE OPTIONS DIMENSIONS LAMP TYPE

T-8 ORDERING GUIDE

SERIES	NO. LAMPS	WATTAGE	BALLAST TYPE	VOLTAGE	OPTIONS	DIMENSIONS	LAMP TYPE
EB	1, 2	17	E8	1, 7, U		6 x 24 1/16"	F17T8
EB	1, 2	25	E8	1, 7, U		6 x 36 1/16"	F25T8
EB	1, 2	32	E8	1, 7, U		6 x 48 1/16"	F32T8



Revised 10/08

LAMAR LIGHTING 485 Smith Street, Farmingdale, NY 11735 • Tel (631) 777-7700
Fax (631) 777-7705 • Outside NY (800) 724-7743 • www.lamarlighting.com

LUMINESCENT
NS
SERIES

Nova Star

Job Name	
Catalog Number	
Notes	Type

specifications

housing

- ❖ Custom fabricated 20 gauge housing
- ❖ Lighting grade post painted enamel finish
- ❖ Able to accommodate wiremold**

lens

- ❖ Superior light transmission
- ❖ Excellent lamp image diffusion
- ❖ Optional perforated white steel face

electrical

- ❖ Ballast 120 volt normal power factor Class "P" - Electronic available
- ❖ U.L. Listed, IBEW union made
- ❖ Indoor use

options

INSERT APPROPRIATE CODE FOR CUSTOMIZED ORDERING

BALLAST

- PN Magnetic normal power factor CFL
- MP Magnetic high power factor CFL
- EQ Electronic CFL 4P quad base
- EP Electronic CFL 4P 2G7, 2GX7 base
- PQ Programmed Start - required for internal/external motion sensor applications

NOTE: In order to achieve rated lamp life, fixtures controlled by motion sensors should be ordered with programmed start ballasts when available and minimum time delay should be set to 15 minutes - Consult Factory

VOLTAGE

- 1 120V
- 7 277V
- U Universal 120 - 277V

GENERAL OPTIONS

- FA Frosted Acrylic Lens
- PF Perforated Metal Face

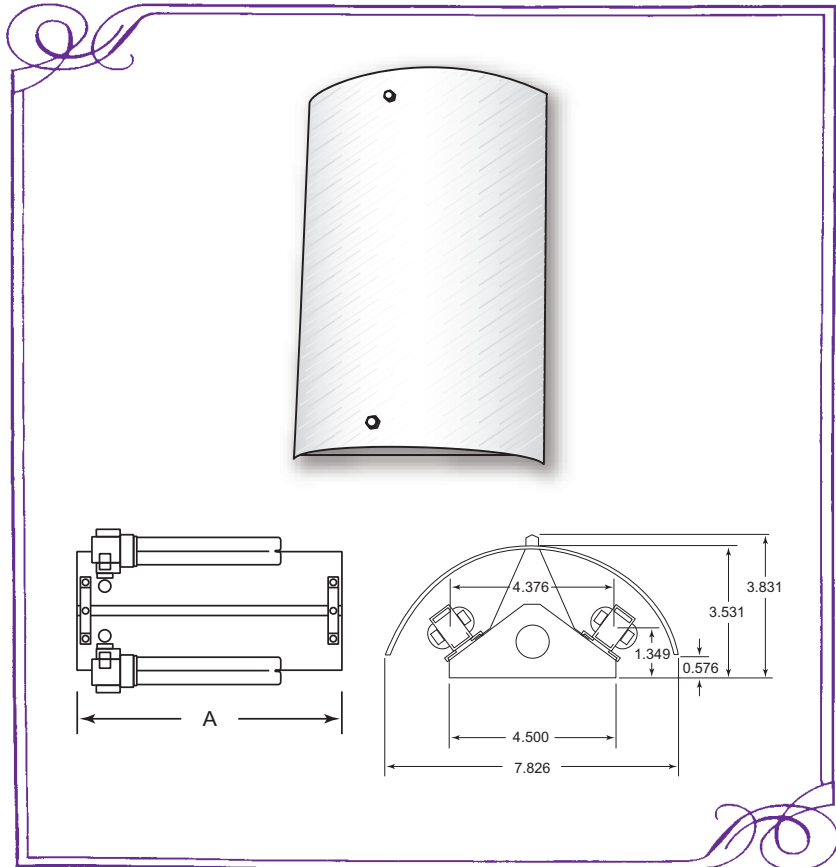
HARDWARE

- B Brass Hardware - standard
- N Brushed Nickel Hardware

Consult Factory for additional options not shown or listed

Fixture meets ADA requirements for wall mounting

**Wiremold must be fed in through bottom or top of fixture into 7/8" knockout provided



MINIMUM QUANTITIES APPLY - CONSULT FACTORY

ordering guide

MODEL#	LAMP TYPE	LENGTH	HEIGHT	WIDTH	1	7	U	PN	MP	EQ/EP
NSB20710PN1FA	CFL7 W (2)	10	4	8	STD	✓	U	STD	✓	✓
NSB20910PN1FA	CFL9W (2)	10	4	8	STD	✓	U	STD	✓	✓
NSB21310PN1FA	CFL13W (2)	10	4	8	STD	✓	U	STD	✓	✓

STD Standard ✓ Available option

EQ - 13W only

Consult factory for additional wattages and options not shown



Lamar
Lighting
Company, Inc.

Revised
12/09

LAMAR LIGHTING 485 Smith Street, Farmingdale, NY 11735 • Tel (631) 777-7700
Fax (631) 777-7705 • Outside NY (800) 724-7743 • www.lamarlighting.com

LUMINESCENT
AM
SERIES

Ambiance

Job Name	
Catalog Number	
Notes	Type

specifications

housing

- ❖ Die cut high grade steel
- ❖ Lighting grade post painted enamel finish
- ❖ Easy wall mount design
- ❖ Shallow quarter sphere
- ❖ Meets ADA requirements

lens

- ❖ Choose from smooth white acrylic to a family of marble effects
- ❖ May also be sandblasted for a smoother look

electrical

- ❖ Indoor use
- ❖ 120V magnetic normal power factor Class "P" - Electronic available
- ❖ U.L. Listed, IBEW union made

options

INSERT APPROPRIATE CODE FOR CUSTOMIZED ORDERING

BALLAST

- PN Magnetic normal power factor CFL
- MP Magnetic high power factor CFL
- EQ Electronic CFL 4P quad base
- EP Electronic CFL 4P 2G7, 2GX7 base
- PQ Programmed Start - required for internal/external motion sensor applications

VOLTAGE

- 1 120V
- 7 277V

TRIM OPTIONS

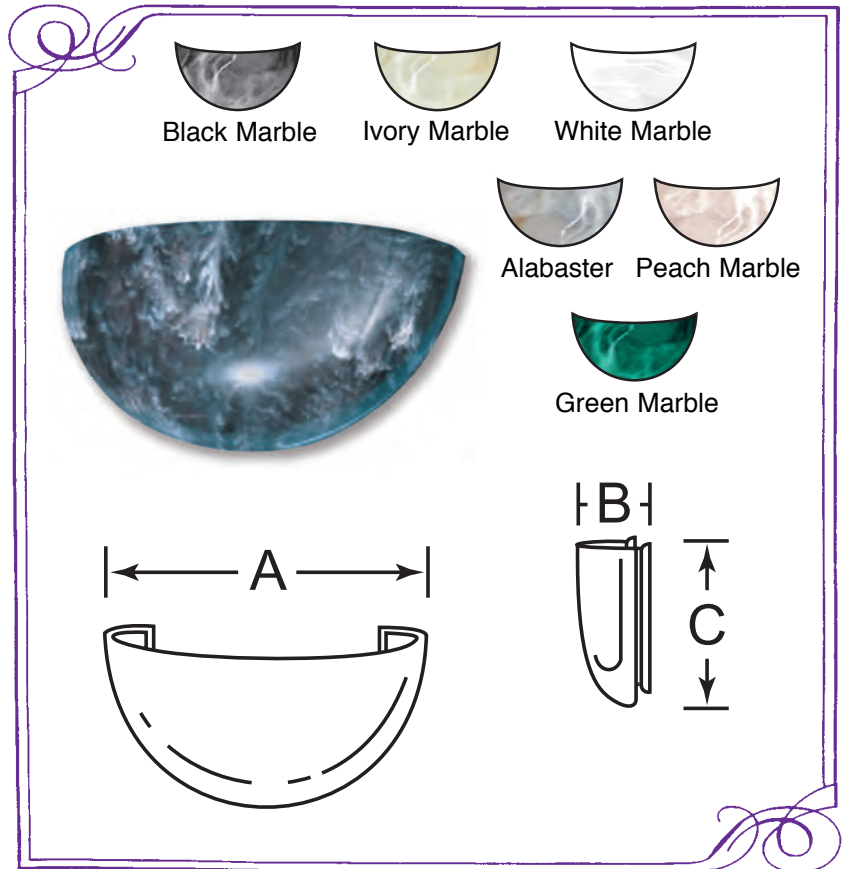
- C Chrome Trim
- B Brass Trim
- (none) No Trim

LENS OPTIONS

- SW Smooth white
- BM Black marble
- PM Peach marble
- WM White marble
- IV Ivory marble
- VG Green marble
- AL Alabaster

Consult Factory for additional options not shown or listed

Fixture meets ADA requirements for wall mounting



ordering guide

MODEL#	LAMP TYPE	WIDTH	DEPTH	HEIGHT	A		B		C	
					1	7	PN	EQ/EP	MP	
AM107PN1SW	(1)CFL7W	13 15/16"	3 13/16"	6 7/8"	ADA	STD	*	STD	✓	✓
AM109PN1SW	(1)CFL9W	13 15/16"	3 13/16"	6 7/8"	ADA	STD	*	STD	✓	✓
AM113PN1SW	(1)CFL13 W	13 15/16"	3 13/16"	6 7/8"	ADA	STD	✓	STD	✓	✓
AM207PN1SW	(2)CFL7W	13 15/16"	3 13/16"	6 7/8"	ADA	STD	*	STD	✓	✓
AM209PN1SW	(2)CFL9W	13 15/16"	3 13/16"	6 7/8"	ADA	STD	*	STD	✓	✓
AM213PN1SW	(2)CFL13W	13 15/16"	3 13/16"	6 7/8"	ADA	STD	✓	STD	✓	✓



* Consult Factory
STD Standard
✓ Available option
EQ - 13W only



Revised
12/09

LAMAR LIGHTING 485 Smith Street, Farmingdale, NY 11735 • Tel (631) 777-7700
Fax (631) 777-7705 • Outside NY (800) 724-7743 • www.lamarlighting.com

LUMINESCENT AT SERIES

Ambiance Tri-side

specifications

housing

- ❖ Die cut high grade steel
- ❖ Lighting grade post painted enamel finish
- ❖ Easy wall mount design

lens

- ❖ Shallow contoured triangle
- ❖ Meets ADA requirements
- ❖ Acrylic faux alabaster or smooth white

electrical

- ❖ 120V magnetic normal power factor Class "P" - Electronic available
- ❖ U.L. Listed, IBEW union made
- ❖ Indoor use

options

INSERT APPROPRIATE CODE FOR CUSTOMIZED ORDERING

BALLAST

- PN Magnetic normal power factor CFL
- MP Magnetic high power factor CFL
- EQ Electronic CFL 4P quad base
- EP Electronic CFL 4P 2G7, 2GX7 base
- PQ Programmed Start - required for internal/external motion sensor applications

VOLTAGE

- 1 120V
- 7 277V

LENS OPTIONS

- SW Smooth white
- IV Ivory marble
- BM Black marble
- VG Green marble
- PM Peach marble
- AL Alabaster
- WM White marble

Consult Factory for additional options not shown or listed

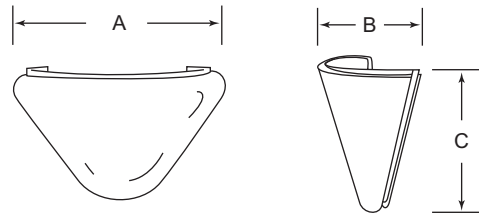
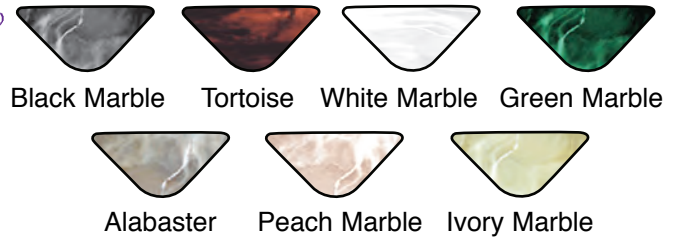
Fixture meets ADA requirements for wall mounting

Job Name

Catalog Number

Notes

Type



ordering guide

MODEL#	LAMP TYPE	A B C			1	7	PN	EQ/EP	MP	SA	SW
		WIDTH	DEPTH	HEIGHT							
AT107PN1SA	(1)CFL7W	13 3/4"	3 1/2"	7 1/8"	ADA	STD	*	STD	✓	✓	✓
AT109PN1SA	(1)CFL9W	13 3/4"	3 1/2"	7 1/8"	ADA	STD	*	STD	✓	✓	✓
AT113PN1SA	(1)CFL13W	13 3/4"	3 1/2"	7 1/8"	ADA	STD	✓	STD	✓	✓	✓
AT207PN1SA	(2)CFL7W	13 3/4"	3 1/2"	7 1/8"	ADA	STD	*	STD	✓	✓	✓



- * Consult Factory
 - STD Standard
 - ✓ Available option
- EQ - 13W only

**Lamar
Lighting**
Company, Inc.

Revised
12/09

LAMAR LIGHTING 485 Smith Street, Farmingdale, NY 11735 • Tel (631) 777-7700
Fax (631) 777-7705 • Outside NY (800) 724-7743 • www.lamarlighting.com

LUMINESCENT
BE
SERIES

Belinda

Job Name	
Catalog Number	
Notes	Type

specifications

housing

- ❖ One piece die formed steel
- ❖ Brushed Nickel finish
- ❖ Pendant or surface mount

lens

- ❖ Symmetrically contoured diffuser retained by distinctive accent ends
- ❖ Smooth white acrylic
- ❖ Remove without tools
- ❖ Tamper-proof option available

electrical

- ❖ Ballast 120 electronic Class "P"
- ❖ U.L. Listed, IBEW union made
- ❖ Indoor use
- ❖ Available in 1, 2 or 3 light

options

INSERT APPROPRIATE CODE FOR CUSTOMIZED ORDERING

BALLAST

E8 Electronic T8

NOTE: In order to achieve rated lamp life, fixtures controlled by motion sensors should be ordered with programmed start ballasts when available and minimum time delay should be set to 15 minutes - Consult Factory

VOLTAGE

1 120V
7 277V
U Universal (120/277V)

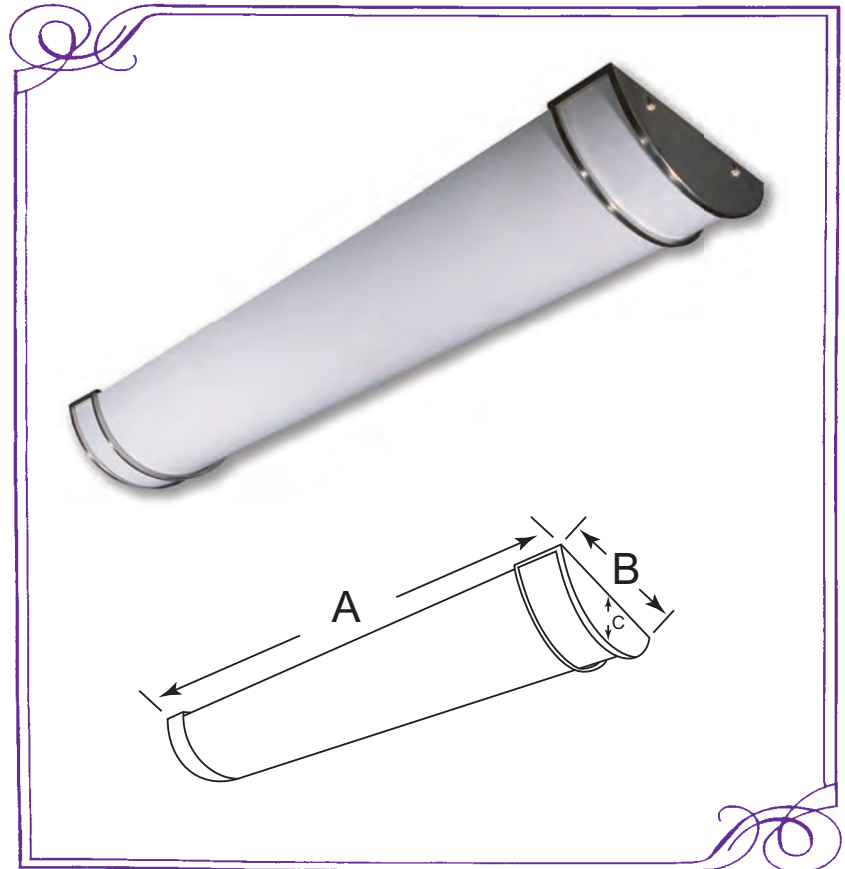
COLOR

N Brushed nickel accent rings
Consult Factory for custom finishes

GENERAL OPTIONS

SW Smooth white acrylic lens
Stems & Canopies - consult factory

Consult Factory for additional options not shown or listed



ordering guide

SAMPLE ORDER NUMBER

BE-N-1-32-E8-U-SW

SERIES END NO. WATTAGE BALLAST VOLTAGE LENS
CAP LAMPS TYPE TYPE COLOR

A B C

MODEL#	LAMP TYPE	OVERALL	BASE	DEPTH	1	7	U	E8
BEN132E81SW	F32T8	48 1/4	11 1/8	4 1/2	STD	✓	✓	STD
BEN232E81SW	(2) F32T8	48 1/4	11 1/8	4 1/2	STD	✓	✓	STD
BEN332E81SW	(3) F32T8	48 1/4	11 1/8	4 1/2	STD	✓	✓	STD
BEN117E81SW	F17T8	24 1/4	11 1/8	4 1/2	STD	✓	✓	STD
BEN217E81SW	(2) F17T8	24 1/4	11 1/8	4 1/2	STD	✓	✓	STD
BEN317E81SW	(3) F17T8	24 1/4	11 1/8	4 1/2	STD	✓	✓	STD

STD Standard
✓ Available option



Revised
10/08

LAMAR LIGHTING 485 Smith Street, Farmingdale, NY 11735 • Tel (631) 777-7700
Fax (631) 777-7705 • Outside NY (800) 724-7743 • www.lamarlighting.com

LUMINESCENT
BEWS
SERIES

Belinda
Wall Sconce

specifications

housing

- ❖ One piece die formed steel
- ❖ Satin nickel trim rings
- ❖ Meets ADA requirements

diffuser

- ❖ Smooth white acrylic
- ❖ Remove without tools

electrical

- ❖ Ballast 120 volt Energy Star standard
- ❖ Energy saving compact fluorescent lamps included - 2700k
- ❖ U.L. Listed, IBEW union made
- ❖ Indoor use

options

BALLAST

ES Electronic CFL 4P quad base Energy Star

GENERAL OPTIONS

HF High frequency occupancy sensor

VOLTAGE

1 120V

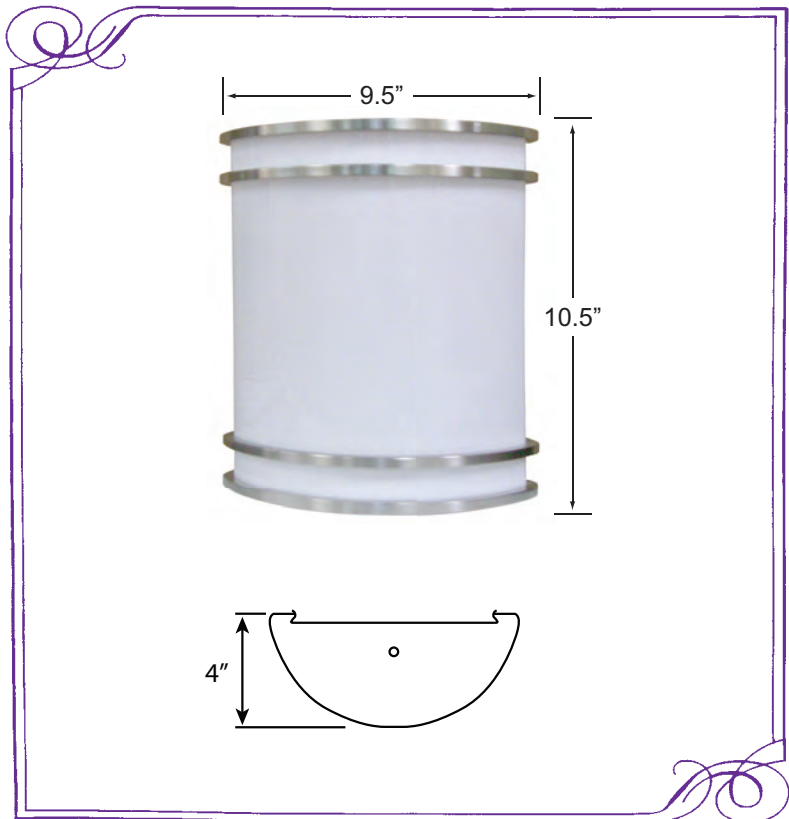
Consult factory for options not shown or listed

Fixture meets ADA requirements for wall mounting



Revised
1/10

Job Name	
Catalog Number	
Notes	Type



ordering guide

MODEL#	LAMP TYPE	1	ES
BEWS21311ES1SW	(2)CFL13Q	STD	STD

LUMINESCENT DRWS SERIES

Durado Wall Sconce

specifications

housing

- ❖ One piece die formed steel
- ❖ Meets ADA requirements

face

- ❖ Polyester powder coated cold rolled steel
- ❖ Remove without tools
- ❖ Integral perforated hole pattern backed with acrylic sheet for soft diffuse illumination

electrical

- ❖ Ballast Universal voltage 120-277V electronic standard
- ❖ Energy saving compact fluorescent lamp
- ❖ U.L. Listed, IBEW union made
- ❖ Indoor use

options

INSERT APPROPRIATE CODE FOR CUSTOMIZED ORDERING

OPTIONS

- HF High frequency motion sensor
- SF Solid front

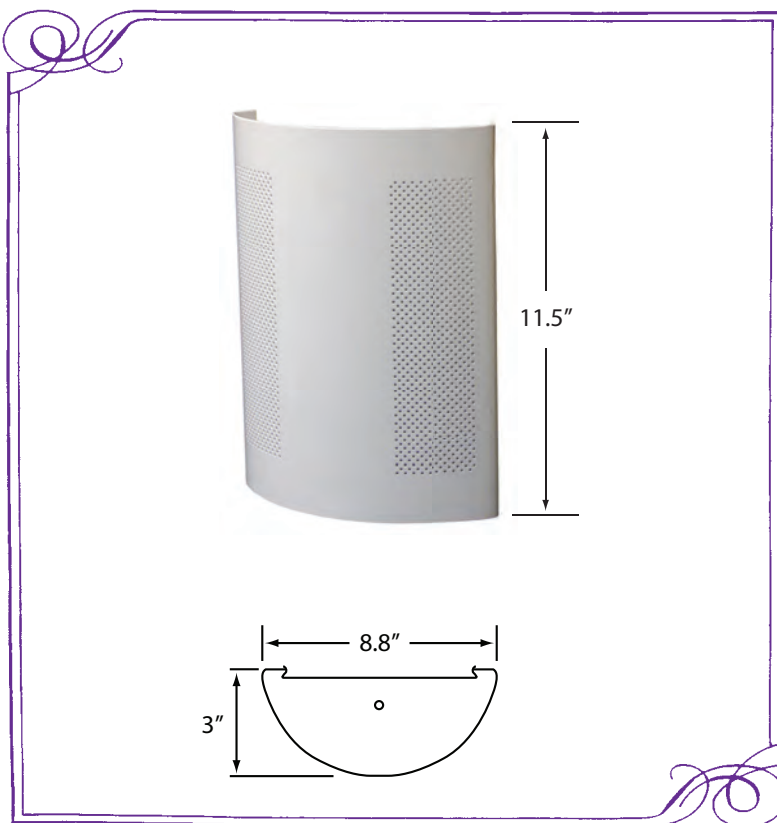
BALLAST

- ES Electronic CFL 4P quad base Energy Star (120V)
- U Universal voltage 120-277V programmed start

Fixture meets ADA requirements for wall mounting

Control-Smart® compatible - consult factory

Job Name	
Catalog Number	
Notes	Type



ordering guide

MODEL#	LAMP TYPE	UNIV	ES
DRWS21311EQU	(2) CFL13Q	STD	✓
DRWS21811EQU	(2) CFL18Q	STD	
DRWS22611EQU	(2) CFL26Q	STD	



STD Standard
✓ Available option

LUMINESCENT
CS
SERIES

Circline Faucer

Job Name	
Catalog Number	
Notes	Type

specifications

housing

- ❖ One piece die formed cold rolled steel
- ❖ Lighting grade post painted enamel finish
- ❖ Meets ADA requirements

lens

- ❖ Low profile, shapely designed, symmetrically contoured diffuser
- ❖ Smooth white acrylic

electrical

- ❖ Ballast 120 volt Class "P" - Electronic available
- ❖ Energy saving compact fluorescent lamp option
- ❖ U.L. Listed, IBEW union made
- ❖ Indoor use

options

INSERT APPROPRIATE CODE FOR CUSTOMIZED ORDERING

BALLAST

- PN Magnetic normal power factor CFL
- MP Magnetic high power factor CFL
- EP Electronic CFL 4P 2GX7 base
- EQ Electronic CFL 4P quad base
- M9 Circline magnetic high power factor
- E9 Circline electronic T9
- E5 Circline electronic T5 - consult factory
- PQ Programmed Start - required for internal/external motion sensor applications

VOLTAGE

- 1 120V
- 7 277V
- U Universal 120 - 277V

COLOR

- W White housing
- R Brite brass housing - consult factory
- N Brushed nickel housing - consult factory

GENERAL OPTIONS

- SW Smooth white acrylic lens
- PA Prismatic acrylic

Consult Factory for additional options not shown or listed

Fixture meets ADA requirements for wall mounting



ordering guide

MODEL#	LAMP TYPE	DIAMETER	DEPTH	1	7	PN	MP	EQ/EP	M9	U
CSW11313PN1SW	CFL13W	12 ¹³ / ₁₆	3	STD	✓	STD	✓	✓		✓
CSW12213M91SW	FC8T9	12 ¹³ / ₁₆	3	STD					STD	
CSW21313PN1SW	(2) CFL13W	12 ¹³ / ₁₆	3	STD	✓	STD	✓	✓		✓
CSW21317PN1SW	(2) CFL13W	16	3 ⁵ / ₈	STD	✓	STD	✓	✓		✓
CSW31317PN1SW	(3) CFL13W	16	3 ⁵ / ₈	STD	✓	STD	✓	✓		✓
CSW13217M91SW	FC12T9	16	3 ⁵ / ₈	STD	✓		✓		STD	
CSW31321PN1SW	(3) CFL13W	21 ¹¹ / ₁₆	4	STD	✓	STD	✓	✓		✓
CSW14021M91SW	FC16T9	21 ¹¹ / ₁₆	4	STD	✓				STD	
CSW27221M91SW	FC12T9 & FC16T9	21 ¹¹ / ₁₆	4	STD	✓				STD	

STD Standard
✓ Available option



Revised 12/09

LAMAR LIGHTING 485 Smith Street, Farmingdale, NY 11735 • Tel (631) 777-7700
Fax (631) 777-7705 • Outside NY (800) 724-7743 • www.lamarlighting.com

LUMINESCENT

CD SERIES

Circline Dome

Job Name	
Catalog Number	
Notes	Type

specifications

housing

- ❖ One piece die formed cold rolled steel
- ❖ Lighting grade post painted enamel finish

lens

- ❖ Low profile saucer-styled diffuser
- ❖ Meets ADA requirements
- ❖ Smooth white acrylic

electrical

- ❖ Ballast 120 volt Class "P" - Electronic available
- ❖ U.L. Listed, IBEW union made
- ❖ Indoor use

options

INSERT APPROPRIATE CODE FOR CUSTOMIZED ORDERING

BALLAST

- PN Magnetic normal power factor CFL
- MP Magnetic high power factor CFL
- EP Electronic CFL 4P 2GX7 base
- EQ Electronic CFL 4P quad base
- M9 Circline magnetic high power factor
- ES Energy Star consult factory
- E5 Circline electronic T5 - consult factory
- PQ Programmed Start - required for internal/external motion sensor applications

VOLTAGE

- 1 120V
- 7 277V

COLOR

- W White housing

GENERAL OPTIONS

- CL Clear linear lens
- SW Smooth white acrylic lens
- PC Polycarbonate lens
- TP Tamper-proof screws
- EM Emergency battery back-up
Add + 2 1/8" to overall height
- HF High frequency occupancy sensor

Consult Factory for additional options not shown or listed

Fixture meets ADA requirements for wall mounting



ordering guide

MODEL#	LAMP TYPE	A B C			1	7	PN	MP	EQ/EP	M9	EM
		DIAM.	DEPTH	OUTER							
CDW11311PN1SW	(1) CFL13W	10	3 1/4	11	STD	✓	STD	✓	✓		
CDW21311PN1SW	(2) CFL13W	10	3 1/4	11	STD	✓	STD	✓	✓		
CDW12211M91SW	FC8T9	10	3 1/4	11	STD					STD	
CDW21314PN1SW	(2) CFL13W	12 3/4	3 1/2	13 3/4	STD	✓	STD	✓	✓		✓*
CDW31314PN1SW	(3) CFL13W	12 3/4	3 1/2	13 3/4	STD	✓	STD	✓	✓		
CDW21814PN1SW	(2) CFL18W	12 3/4	3 1/2	13 3/4	STD	✓	STD	✓	✓		
CDW13214M91SW	FC12T9	12 3/4	3 1/2	13 3/4	STD	✓		✓		STD	✓*
CDW25414M91SW	FC8T9 & FC12T9	12 3/4	3 1/2	13 3/4	STD	*				STD	✓*
CDW31819PN1SW	(3) CFL18W	17	3 5/8	19 3/8	STD	✓	STD	✓	✓		✓*
CDW14019M91SW	FC16T9	17	3 5/8	19 3/8	STD	✓				STD	✓*
CDW27219M91SW	FC12T9 & FC16T9	17	3 5/8	19 3/8	STD	✓				STD	✓*

* By adding emergency packs, units will increase in depth. Consult Factory for exact dimensions

* Consult Factory EP 13W ONLY
STD Standard
✓ Available option

**Lamar
Lighting**
Company, Inc.



Revised
12/09

LAMAR LIGHTING 485 Smith Street, Farmingdale, NY 11735 • Tel (631) 777-7700
Fax (631) 777-7705 • Outside NY (800) 724-7743 • www.lamarlighting.com

LUMINESCENT CM SERIES

Circline Mushroom

Job Name

Catalog Number

Notes

Type

specifications

housing

- ❖ One piece die formed cold rolled steel
- ❖ Lighting grade post painted enamel finish

lens

- ❖ Gracefully formed mushroom shaped frosted ribbed acrylic or standard smooth white acrylic
- ❖ Lens attached to housing with three thumbscrews for no-tool service, easy maintenance
- ❖ Ballast 120 volt magnetic normal power factor Class "P" - Electronic available

electrical

- ❖ U.L. Listed, IBEW union made
- ❖ Indoor use

options

INSERT APPROPRIATE CODE FOR CUSTOMIZED ORDERING

BALLAST

- PN Magnetic normal power factor CFL
- MP Magnetic high power factor CFL
- EP Electronic CFL 4P 2GX7 base
- EQ Electronic CFL 4P quad base
- M9 Circline Magnetic high power factor
- E9 Circline electronic T9
- E5 Circline electronic T5 - consult factory
- PQ Programmed Start - required for internal/external motion sensor applications

VOLTAGE

- 1 120V
- 7 277V
- U Universal 120 - 277V - Consult Factory

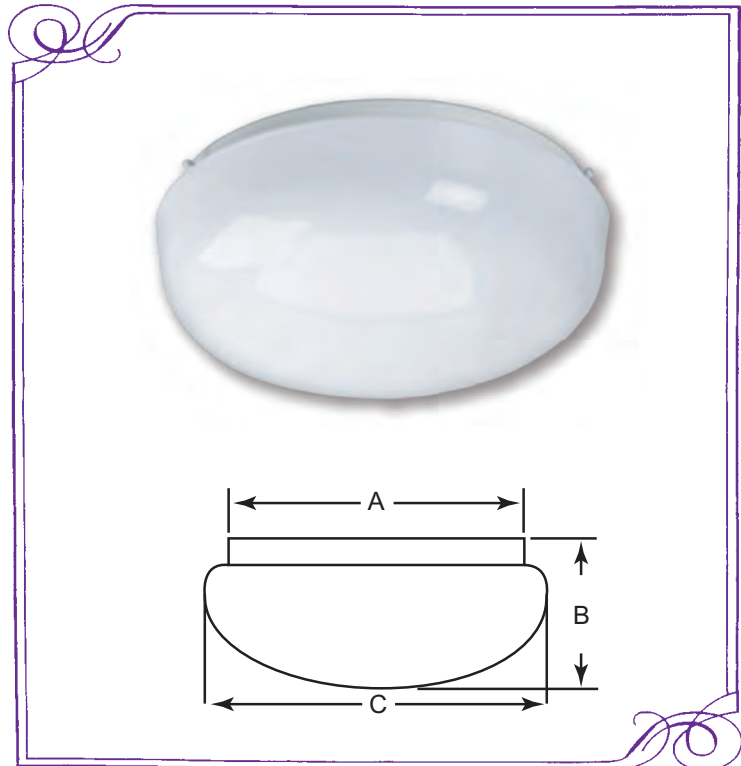
COLOR

- W White housing

GENERAL OPTIONS

- FA Frosted acrylic
- EM Emergency battery back-up requires use of extension collar — add + 2 1/8" to overall height
- TP Tamper-proof screws

Consult Factory for additional options not shown or listed



ordering guide

MODEL#	LAMP TYPE	A		B		1	7	PN	MP	EQ/EP	M9	EM
		DIAMETER	DEPTH									
CMW11311PN1SW	(1) CFL13W	11 1/2	5 1/8	STD	✓	STD	✓	✓				
CMW21311PN1SW	(2) CFL13W	11 1/2	5 1/8	STD	✓	STD	✓	✓				
CMW12211M91SW	FC8T9	11 1/2	5 1/8	STD							STD	
CMW21314PN1SW	(2) CFL13W	14 1/8	5 3/8	STD	✓	STD	✓	✓				✓*
CMW31314PN1SW	(3) CFL13W	14 1/8	5 3/8	STD	✓	STD	✓	✓				
CMW21814PN1SW	(2) CFL18W	14 1/8	5 3/8	STD	✓	STD	✓	✓				
CMW13214M91SW	FC12T9	14 1/8	5 3/8	STD	✓		✓				STD	✓*
CMW25414M91SW	FC8T9 & FC12T9	14 1/8	5 3/8	STD	*						STD	✓*
CMW31819PN1SW	(3) CFL18W	19 1/8	5 3/8	STD	*		✓	✓				✓*
CMW14019M91SW	FC16T9	19 1/8	5 3/8	STD	✓						STD	✓*
CMW27219M91SW	FC12T9 & FC16T9	19 1/8	5 3/8	STD	✓						STD	✓*

* By adding emergency packs, units will increase in depth. Consult Factory for exact dimensions

EP 13W ONLY

LaMar
Lighting
Company, Inc.

Revised
12/09

LAMAR LIGHTING 485 Smith Street, Farmingdale, NY 11735 • Tel (631) 777-7700
Fax (631) 777-7705 • Outside NY (800) 724-7743 • www.lamarlighting.com

LUMINESCENT
CR
SERIES

Circline Round

Job Name	
Catalog Number	
Notes	Type

specifications

housing

- ❖ One piece die formed cold rolled steel
- ❖ Lighting grade post painted enamel finish
- ❖ Meets ADA requirements

lens

- ❖ Low profile, shapely designed, symmetrically contoured diffuser
- ❖ Smooth white acrylic
- ❖ Ballast 120 volt Class "P" - Electronic available

electrical

- ❖ U.L. Listed, IBEW union made
- ❖ Indoor use

options

INSERT APPROPRIATE CODE FOR CUSTOMIZED ORDERING

BALLAST

- PN Magnetic normal power factor CFL
- MP Magnetic high power factor CFL
- EP Electronic CFL 4P 2GX7 base
- EQ Electronic CFL 4P quad base
- M9 Circline Magnetic high power factor
- E9 Circline electronic T9
- E5 Circline electronic T5 - consult factory
- PQ Programmed Start - required for internal/external motion sensor applications

VOLTAGE

- 1 120V
- 7 277V
- U Universal 120 - 277V

COLOR

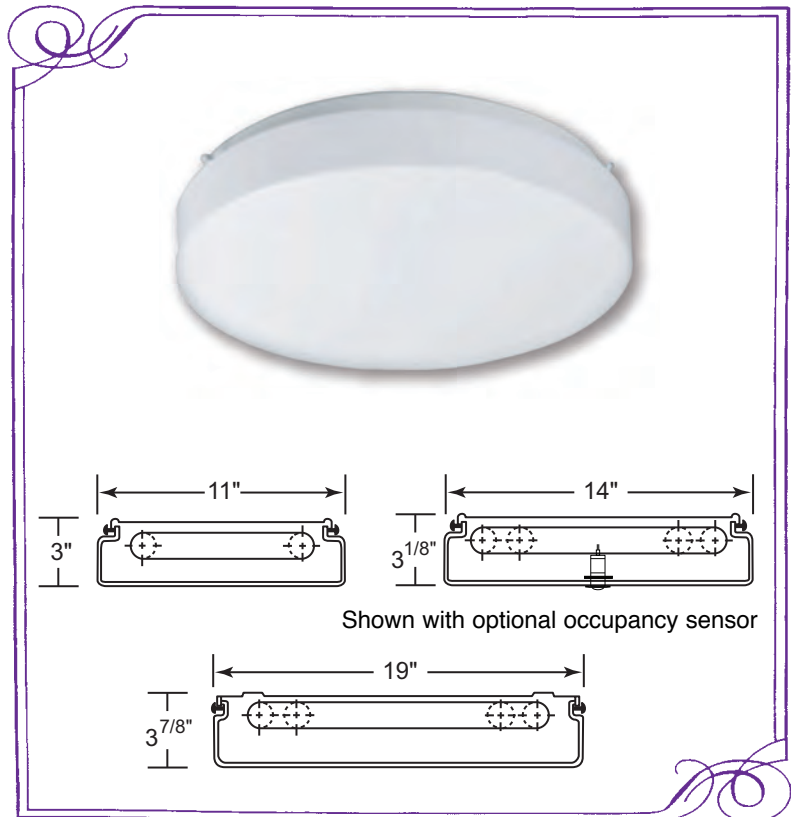
- W White housing

GENERAL OPTIONS

- SW Smooth white acrylic lens
- PC White polycarbonate lens
- PA Prismatic acrylic
- TP Tamper-proof screws
- EM Emergency battery back-up
Add + 2 1/8" to overall height
- OS Occupancy sensor (Infrared) - consult factory

Consult Factory for additional options not shown or listed

Fixture meets ADA requirements for wall mounting



ordering guide

MODEL#	LAMP TYPE	A		B		1	7	PN	MP	EQ/EP	M9	EM
		DIAMETER	DEPTH	DIAMETER	DEPTH							
CRW11311PN1SW	(1) CFL13W	11 1/2	3	11 1/2	3	STD	✓	STD	✓	✓		
CRW21311PN1SW	(2) CFL13W	11 1/2	3	11 1/2	3	STD	✓	STD	✓	✓		
CRW12211M91SW	FC8T9	11 1/2	3	11 1/2	3	STD					STD	
CRW21314PN1SW	(2) CFL13W	14 1/8	3 1/8	14 1/8	3 1/8	STD	✓	STD	✓	✓		✓*
CRW31314PN1SW	(3) CFL13W	14 1/8	3 1/8	14 1/8	3 1/8	STD	✓	STD	✓	✓		
CRW21814PN1SW	(2) CFL18W	14 1/8	3 1/8	14 1/8	3 1/8	STD	✓	STD	✓	✓		
CRW13214M91SW	FC12T9	14 1/8	3 1/8	14 1/8	3 1/8	STD	✓		✓		STD	✓*
CRW25414M91SW	FC8T9 & FC12T9	14 1/8	3 1/8	14 1/8	3 1/8	STD	*				STD	✓*
CRW31819PN1SW	(3) CFL18W	19 1/8	3 1/8	19 1/8	3 1/8	STD	*		✓	✓	STD	✓*
CRW14019M91SW	FC16T9	19 1/8	3 7/8	19 1/8	3 7/8	STD	✓				STD	✓*
CRW27219M91SW	FC12T9 & FC16T9	19 1/8	3 7/8	19 1/8	3 7/8	STD	✓				STD	✓*

* By adding emergency packs, units will increase in depth. Consult Factory for exact dimensions

* Consult Factory
STD Standard
✓ Available option

EP 13W ONLY



Revised
12/09

LAMAR LIGHTING 485 Smith Street, Farmingdale, NY 11735 • Tel (631) 777-7700
Fax (631) 777-7705 • Outside NY (800) 724-7743 • www.lamarlighting.com

LUMINESCENT EL SERIES

Ellipse

Job Name	
Catalog Number	
Notes	Type

specifications

housing

- ❖ Contemporary design with a smooth, elliptical diffuser for soft, even illumination
- ❖ Free-flowing appearance gives a cloud-like look

lens

- ❖ Decorative translucent white molded .080 acrylic provides even, low brightness lighting

electrical

- ❖ All ballasts are Class "P" Electronic 120 volt, T12 magnetic is standard
- ❖ U.L. Listed, IBEW union made
- ❖ Indoor use

options

INSERT APPROPRIATE CODE FOR CUSTOMIZED ORDERING

BALLAST

- E2 Electronic T12
- E8 Electronic T8

NOTE: In order to achieve rated lamp life, fixtures controlled by motion sensors should be ordered with programmed start ballasts when available and minimum time delay should be set to 15 minutes - Consult Factory

SIZE

- 12 1 x 2
- 14 1 x 4
- 22 2 x 2
- 24 2 x 4

VOLTAGE

- 1 120V
- 7 277V
- U Universal 120 - 277V

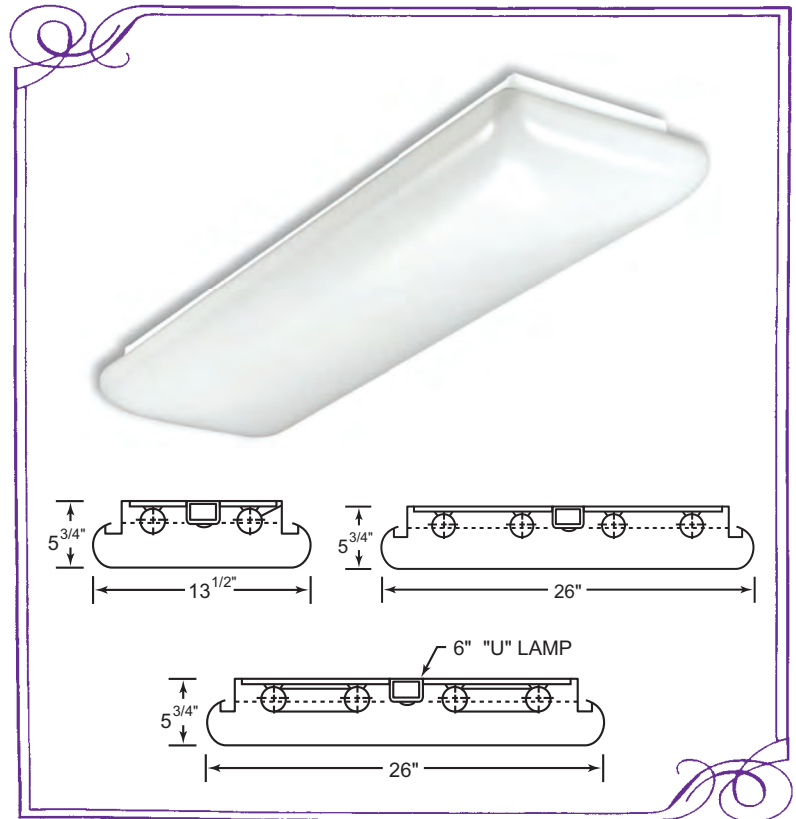
GENERAL OPTIONS

- EM Emergency pack, 1 lamp
90 min. up to 500 lu.
- 2C 2 Circuit

BODY COLOR

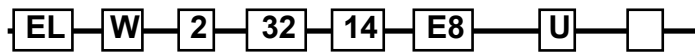
- B Black - special order
- W White - standard

Consult Factory for additional options not shown or listed



ordering guide

SAMPLE ORDER NUMBER



SERIES COLOR NO. LAMPS WATTAGE SIZE BALLAST TYPE VOLTAGE OPTIONS DIMENSIONS LAMP TYPE

T-12 ORDERING GUIDE

EL	B, W	2, 4	40	14	M2, E2	1, 7		13 1/2" x 50"	F40T12
EL	B, W	2	40	22	M2, E2	1, 7		26" x 26"	FB40T12/6
EL	B, W	2, 4	40	24	M2, E2	1, 7		26" x 50"	F40T12
EL	B, W	3, 6	40	24	M2, E2	1, 7		26" x 50"	F40T12

T-8 ORDERING GUIDE

EL	B, W	2, 4	32	14	E8	1, 7, U		13 1/2" x 50"	F32T8
EL	B, W	2	32	22	E8	1, 7, U		26" x 26"	FB32T8/6
EL	B, W	4	17	22	E8	1, 7, U		26" x 26"	F17T8
EL	B, W	2, 4	32	24	E8	1, 7, U		26" x 50"	F32T8
EL	B, W	3, 6	32	24	E8	1, 7, U		26" x 50"	F32T8



Revised
10/08

LAMAR LIGHTING 485 Smith Street, Farmingdale, NY 11735 • Tel (631) 777-7700
Fax (631) 777-7705 • Outside NY (800) 724-7743 • www.lamarlighting.com

LUMINESCENT EE/ED SERIES

Economy Ellipse

specifications

housing

- ❖ Designed with a smooth, white elliptical diffuser for soft, even illumination, the seamless, free flowing appearance gives this light source a cloud-like look
- ❖ Surface or pendant mounted

lens

- ❖ Decorative translucent white molded .080 acrylic provides even, low brightness lighting

electrical

- ❖ All ballasts are Class "P" Electronic 120 volt, T12 magnetic is standard
- ❖ U.L. Listed, IBEW union made
- ❖ Indoor use

options

INSERT APPROPRIATE CODE FOR CUSTOMIZED ORDERING

BALLAST

- E2 Electronic T12
- E8 Electronic T8

NOTE: In order to achieve rated lamp life, fixtures controlled by motion sensors should be ordered with programmed start ballasts when available and minimum time delay should be set to 15 minutes - Consult Factory

VOLTAGE

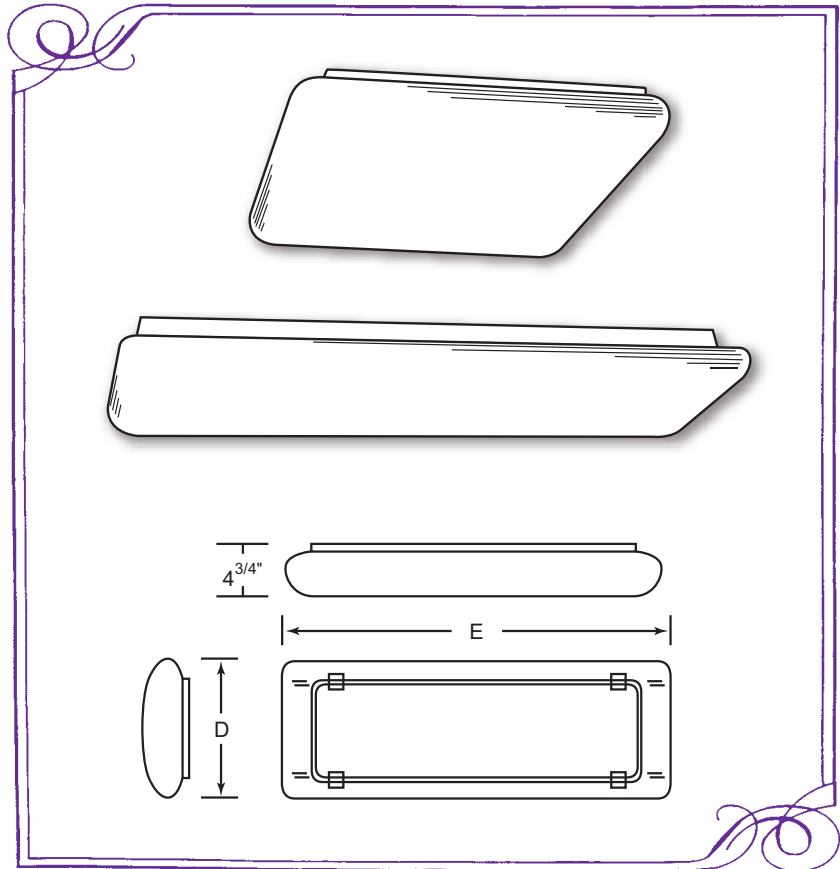
- 1 120V
- 7 277V
- U Universal 120 - 277V

GENERAL OPTIONS

- EM Emergency pack, 1 lamp 90 min. up to 500 lu.
- 2C 2 Circuit
- LT Low temperature ballast

Consult Factory for additional options not shown or listed

Job Name	
Catalog Number	
Notes	Type



ordering guide

SAMPLE ORDER NUMBER



SERIES NO. WATTAGE BALLAST TYPE VOLTAGE OPTIONS DIMENSIONS LAMP TYPE
LAMPS 1 2

T-12 ORDERING GUIDE

						D	E	
EE	2	40	E2	1, 7		11" x 27 3/4"		F17T8
ED	4	40	E2	1, 7		17" x 51 3/4"		F40T12

T-8 ORDERING GUIDE

EE	2	17	E8	1, 7, U		11" x 27 3/4"		F17T8
EE	2	32	E8	1, 7, U		11" x 51 3/4"		F32T8
ED	4	17	E8	1, 7, U		17" x 27 3/4"		F17T8
ED	4	32	E8	1, 7, U		17" x 51 3/4"		F32T8

LUMINESCENT SK SERIES

Akylume

Job Name	
Catalog Number	
Notes	Type

specifications

housing

- ❖ Contemporary design with a frameless, contoured diffuser for soft, even illumination
- ❖ Pleasant glowing, floating appearance gives a clean novel look

lens

- ❖ Decorative translucent white molded .080 acrylic provides even, low brightness lighting

electrical

- ❖ All ballasts are Class "P" Electronic 120 volt, T12 magnetic is standard
- ❖ U.L. Listed, IBEW union made
- ❖ Indoor use

options

INSERT APPROPRIATE CODE FOR CUSTOMIZED ORDERING

BALLAST

- E2 Electronic T12
- E8 Electronic T8

NOTE: In order to achieve rated lamp life, fixtures controlled by motion sensors should be ordered with programmed start ballasts when available and minimum time delay should be set to 15 minutes - Consult Factory

SIZE

- 12 1 x 2
- 14 1 x 4
- 22 2 x 2
- 24 2 x 4
- 44 4 x 4

BODY COLOR

- B Black
- W White

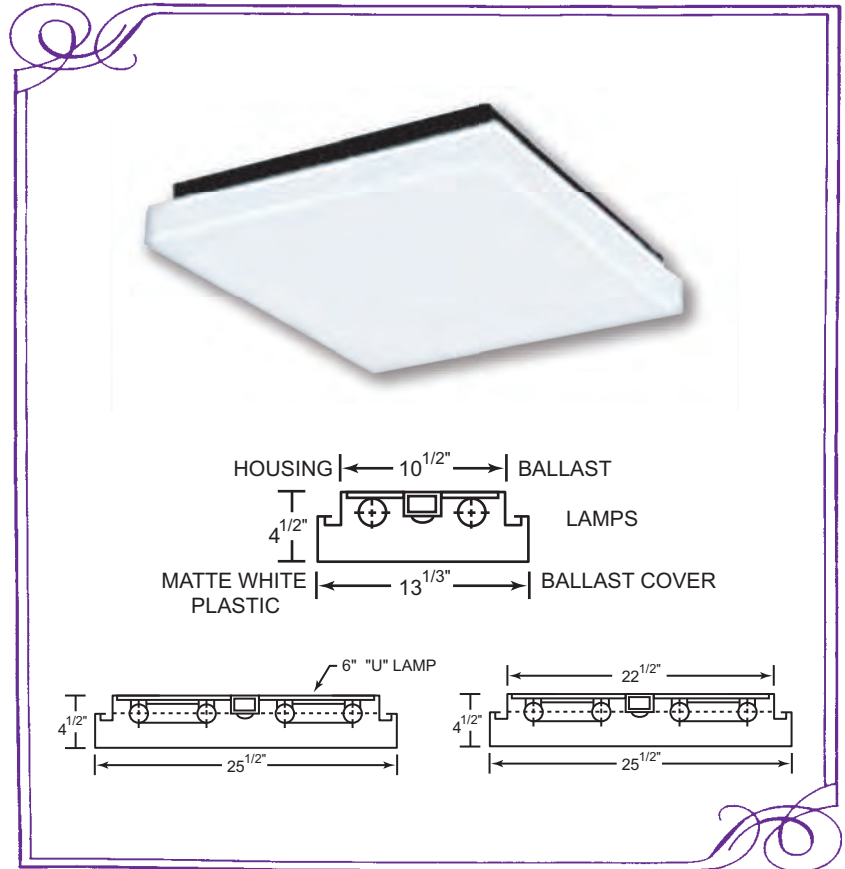
VOLTAGE

- 1 120V
- 7 277V
- U Universal (120/277V)

GENERAL OPTIONS

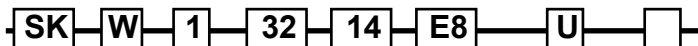
- EM Emergency pack, 1 lamp 90 min. up to 500 lu.
- 2C 2 Circuit

Consult Factory for additional options not shown or listed



ordering guide

SAMPLE ORDER NUMBER



SERIES COLOR NO. LAMPS WATTAGE SIZE BALLAST TYPE VOLTAGE OPTIONS DIMENSIONS LAMP TYPE

T-12 ORDERING GUIDE

SK	B, W	2, 4	40	14	M2, R2, E2	1, 7		13 1/2" x 50"	F40T12
SK	B, W	2	40	22	M2, R2, E2	1, 7		25 1/2" x 26"	FB40T12/6
SK	B, W	2, 4	40	24	M2, R2, E2	1, 7		25 1/2" x 50"	F40T12
SK	B, W	3, 6	40	24	M2, R2, E2	1, 7		25 1/2" x 50"	F40T12
SK	B, W	4, 6, 8	40	44	M2, R2, E2	1, 7		49 1/2" x 50"	F40T12

T-8 ORDERING GUIDE

SK	B, W	2	17	12	E8	1, 7, U		13 1/2" x 26"	F17T8
SK	B, W	2, 4	32	14	E8	1, 7, U		13 1/2" x 50"	F32T8
SK	B, W	2	32	22	E8	1, 7, U		25 1/2" x 26"	FB32T8/6
SK	B, W	4	17	22	E8	1, 7, U		25 1/2" x 26"	F17T8
SK	B, W	2, 4	32	24	E8	1, 7, U		25 1/2" x 50"	F32T8
SK	B, W	3, 6	32	24	E8	1, 7, U		25 1/2" x 50"	F32T8
SK	B, W	4, 6, 8	32	44	E8	1, 7, U		49 1/2" x 50"	F32T8

Revised
10/08

LAMAR LIGHTING 485 Smith Street, Farmingdale, NY 11735 • Tel (631) 777-7700
Fax (631) 777-7705 • Outside NY (800) 724-7743 • www.lamarlighting.com

LUMINESCENT
EQ
SERIES

Ellipse Squared

Job Name	
Catalog Number	
Notes	Type

specifications

housing

- ❖ Contemporary design with a beveled, elliptical diffuser for soft, even illumination and a cloud-like look
- ❖ Surface mounted
- ❖ Meets ADA requirements

lens

- ❖ Decorative translucent white molded .080 acrylic provides even, low brightness lighting
- ❖ Elliptical diffuser attaches on either side with a unique slide latch

electrical

- ❖ Ballast 120 volt normal power units, Class "P" - Electronic available
- ❖ U.L. Listed, IBEW union made
- ❖ Indoor use

options

INSERT APPROPRIATE CODE FOR CUSTOMIZED ORDERING

BALLAST

- PN Magnetic normal power factor CFL
- MP Magnetic high power factor CFL
- EP Electronic CFL 4P 2G7, 2GX7 base
- EQ Electronic CFL 4P quad base
- M9 Circline magnetic normal power factor
- E9 Circline electronic T9
- PQ Programmed Start - required for internal/external motion sensor applications

VOLTAGE

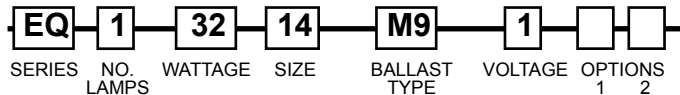
- 1 120V
- 7 277V
- U Universal (120/277V) - Consult Factory

Consult Factory for additional options not shown or listed

Fixture meets ADA requirements for wall mounting



ordering guide



T-9 ORDERING GUIDE

EQ	1	22	12	M9, E9	1, 7		12" x 12"	FC8T9
EQ	1	32	14	M9, E9	1, 7		14 1/2" x 14 1/2"	FC12T9
EQ	2	54	14	M9, E9	1, 7		14 1/2" x 14 1/2"	FC8T9/FC12T9

COMPACT FLUORESCENT ORDERING GUIDE

EQ	2	07	12	PN, MP, EP	1, 7		12" x 12"	CFL7W
EQ	2	09	12	PN, MP, EP	1, 7		12" x 12"	CFL9W
EQ	2	13	12	PN, MP, EQ, EP	1, 7		12" x 12"	CFL13W
EQ	2	13	14	PN, MP, EQ, EP	1, 7		14 1/2" x 14 1/2"	CFL13W



Lamar
Lighting
Company, Inc.

Revised
12/09

LAMAR LIGHTING 485 Smith Street, Farmingdale, NY 11735 • Tel (631) 777-7700
Fax (631) 777-7705 • Outside NY (800) 724-7743 • www.lamarlighting.com

LUMINESCENT
SD
SERIES

Square Dome

Job Name	
Catalog Number	
Notes	Type

specifications

housing

- ❖ Die cut high grade steel
- ❖ Lighting grade post painted enamel finish
- ❖ Meets ADA requirements

lens

- ❖ Low profile, shapely designed, symmetrically contoured diffuser
- ❖ Smooth white acrylic
- ❖ Ballast 120 volt Class "P"

electrical

- ❖ U.L. Listed, IBEW union made
- ❖ Indoor use

options

INSERT APPROPRIATE CODE FOR CUSTOMIZED ORDERING

BALLAST

- PN Magnetic normal power factor CFL
- MP Magnetic high power factor CFL
- EP Electronic CFL 4P 2GX7 base
- EQ Electronic CFL 4P quad base
- M9 Circline magnetic normal power factor
- E9 Circline electronic T9
- E5 Circline electronic T5 - consult factory
- PQ Programmed Start - required for internal/external motion sensor applications

VOLTAGE

- 1 120V
- 7 277V
- U Universal (120/277V) - Consult Factory

COLOR

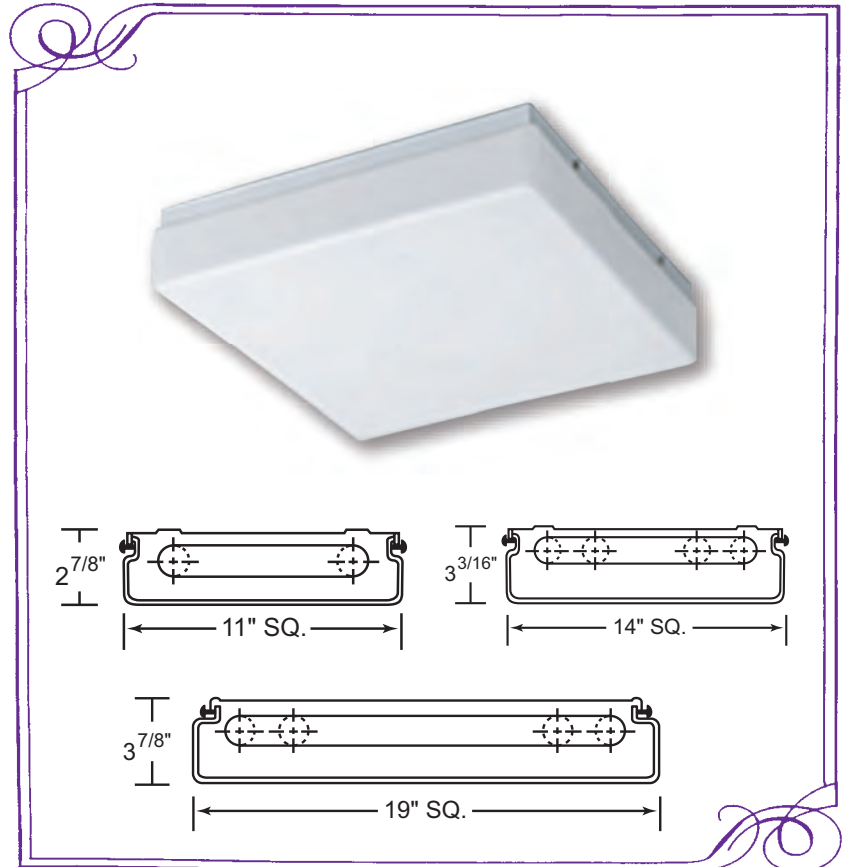
- B Black housing
- W White housing

GENERAL OPTIONS

- SW Smooth white acrylic lens
- PC White polycarbonate lens
- TP Tamper-proof screws

Consult Factory for additional options not shown or listed

Fixture meets ADA requirements for wall mounting



ordering guide

MODEL#	LAMP TYPE	DIAMETER	DEPTH	1	7	PN	MP	EQ/EP	M9
SDW11311PN1SW	(1) CFL13W	11 1/2	2 7/8	STD	✓	STD	✓	✓	
SDW12211M91SW	FC8T9	11 1/2	2 7/8	STD					STD
SDW21314PN1SW	(2) CFL13W	14 1/8	3 3/16	STD	✓	STD	✓	✓	
SDW31314PN1SW	(3) CFL13W	14 1/8	3 3/16	STD	✓	STD	✓	✓	
SDW13214M91SW	FC12T9	14 1/8	3 3/16	STD	✓				STD
SDW25414M91SW	FC8T9 & FC12T9	14 1/8	3 3/16	STD	*				STD
SDW14019M91SW	FC16T9	19 1/8	3 7/8	STD	✓				STD
SDW27219M91SW	FC12T9 & FC16T9	19 1/8	3 7/8	STD	✓				STD

E9 AND E5 OPTIONS AVAILABLE FOR CIRCLINE LAMPS - CONSULT FACTORY

* Consult Factory
STD Standard
✓ Available option



Revised
12/09

LAMAR LIGHTING 485 Smith Street, Farmingdale, NY 11735 • Tel (631) 777-7700
Fax (631) 777-7705 • Outside NY (800) 724-7743 • www.lamarlighting.com

LUMINESCENT S U SERIES

Return

specifications

housing

- ❖ One piece die formed steel
- ❖ Brushed finish
- ❖ Meets ADA requirements
- ❖ Low profile, distinctively designed,

lens

- ❖ Symmetrically contoured diffuser retained by distinctive accent rings
- ❖ Smooth white acrylic
- ❖ Ballast 120 volt Class "P"

electrical

- ❖ Energy saving compact fluorescent lamp option
- ❖ U.L. Listed, IBEW union made
- ❖ Indoor use

options

INSERT APPROPRIATE CODE FOR CUSTOMIZED ORDERING

BALLAST

- PN Magnetic normal power factor CFL
- MP Magnetic high power factor CFL
- EP Electronic CFL 4P 2GX7 base
- EQ Electronic CFL 4P quad base
- M9 Circline magnetic normal power factor
- E9 Circline electronic T9
- E5 Circline electronic T5
- OS Integral Infrared Occupancy Sensor
- PQ Programmed Start - required for internal/external motion sensor applications

VOLTAGE

- 1 120V
- 7 277V
- U Universal (120/277V) - Consult Factory

COLOR

- B Brite brass accent rings - consult factory
 - N Brushed nickel accent rings
- Consult Factory for custom finishes

GENERAL OPTIONS

- SW Smooth white acrylic lens
- HF High frequency occupancy sensor

Consult Factory for additional options not shown or listed

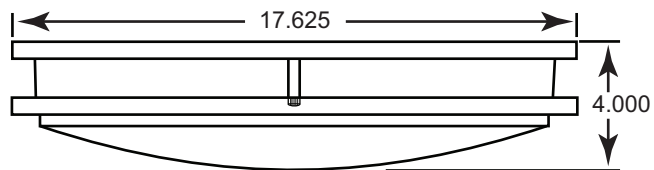
Fixture meets ADA requirements for wall mounting

Job Name

Catalog Number

Notes

Type



ordering guide

MODEL#	LAMP TYPE	DIAMETER	DEPTH	1	7	PN	MP	EQ/EP	M9	E5
SUN12218M91SW	FC8T9	17 5/8	4	STD	✓				STD	
SUN21318PN1SW	(2) CFL13W	17 5/8	4	STD	✓	STD	✓	✓		
SUN31318PN1SW	(3) CFL13W	17 5/8	4	STD	✓	STD	✓	✓		
SUN14018E51SW	FPC40 T5	17 5/8	4	STD	✓			STD		
SUN13218M91SW	FC12T9	17 5/8	4	STD	✓				STD	
SUN21818EQ1SW	(2) CFL18W	17 5/8	4	STD	✓			STD		
SUN22618EQ1SW	(2) CFL26W	17 5/8	4	STD	✓			STD		
SUN25418M91SW	FC8T9 &	17 5/8	4	STD	✓				STD	
	FC12T9									

Consult Factory for Emergency Battery Backup options
E9 option available for circline lamps - consult factory



STD Standard
✓ Available option
EP - 13W ONLY

**Lamar
Lighting**
Company, Inc.

Revised
12/09

LAMAR LIGHTING 485 Smith Street, Farmingdale, NY 11735 • Tel (631) 777-7700
Fax (631) 777-7705 • Outside NY (800) 724-7743 • www.lamarlighting.com

LUMINESCENT
HL
 SERIES

Helene

Job Name	
Catalog Number	
Notes	Type

specifications

housing

- ❖ One piece die formed steel
- ❖ Brushed finish
- ❖ Low profile, distinctively designed

lens

- ❖ Symmetrically contoured diffuser retained by distinctive accent rings
- ❖ Smooth white acrylic
- ❖ Remove without tools

electrical

- ❖ Ballast Class "P"
- ❖ Energy saving compact fluorescent lamp option
- ❖ U.L. Listed, IBEW union made
- ❖ Indoor use

options

INSERT APPROPRIATE CODE FOR CUSTOMIZED ORDERING

BALLAST

- E9 Circline electronic T9
- ES Energy Star (consult factory)
- OS Integral Infrared Occupancy Sensor
- PQ Programmed Start - required for internal/external motion sensor applications

VOLTAGE

- 1 120V

COLOR

- N Brushed nickel accent rings

GENERAL OPTIONS

- SW Smooth white acrylic lens

Consult Factory for additional options not shown or listed



ordering guide

MODEL#	LAMP TYPE	A		B		C	
		L	W	W	DEPTH	1	
HLN23232E91SW	(2) FC12T9	32	18	4.3	120V		



Lamar
Lighting
 Company, Inc.

Revised
 12/09

LAMAR LIGHTING 485 Smith Street, Farmingdale, NY 11735 • Tel (631) 777-7700
 Fax (631) 777-7705 • Outside NY (800) 724-7743 • www.lamarlighting.com

**LUMINESCENT
M D
SERIES**

Miranda

Job Name

Catalog Number

Notes

Type

specifications

housing

- ❖ One piece die formed steel
- ❖ Brushed Nickel finish
- ❖ Surface mount

lens

- ❖ Symmetrically contoured diffuser retained by distinctive accent ends
- ❖ Smooth white acrylic
- ❖ Remove without tools
- ❖ Ballast electronic Class "P"

electrical

- ❖ U.L. Listed, IBEW union made
- ❖ Indoor use

options

INSERT APPROPRIATE CODE FOR CUSTOMIZED ORDERING

BALLAST

- E8 Electronic T8
- ES Energy Star (120V only)

NOTE: In order to achieve rated lamp life, fixtures controlled by motion sensors should be ordered with programmed start ballasts when available and minimum time delay should be set to 15 minutes - Consult Factory

VOLTAGE

- 1 120V
- U Universal (120/277V) - Consult Factory

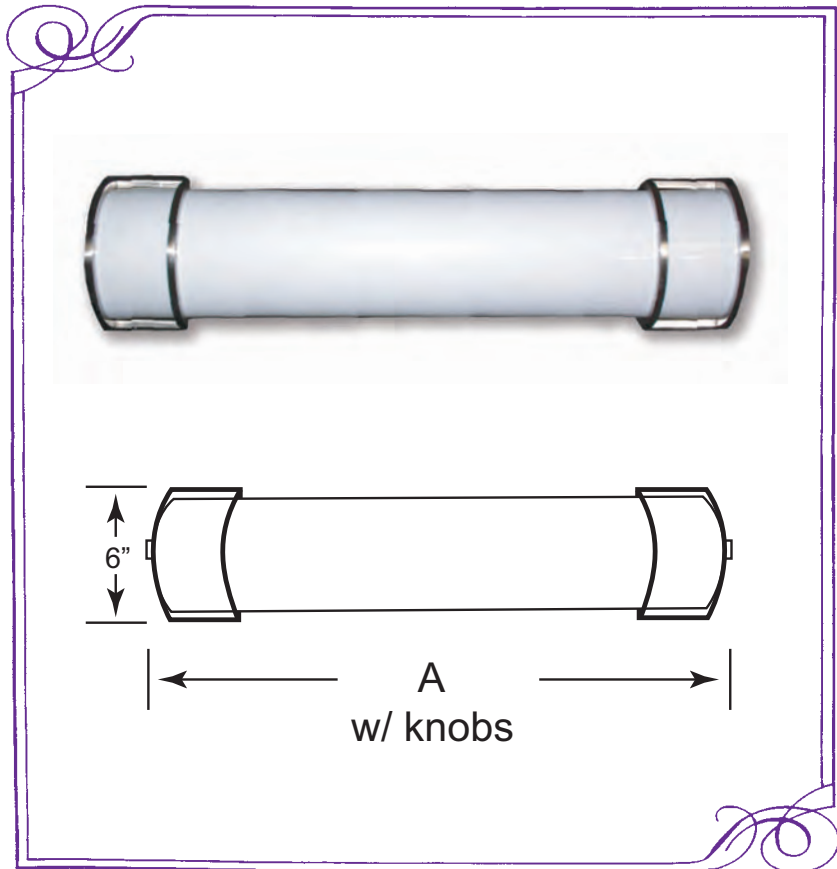
COLOR

- N Brushed nickel accent rings

GENERAL OPTIONS

- SW Smooth white acrylic lens

Consult Factory for additional options not shown or listed



ordering guide

MODEL#	LAMP TYPE	A LENGTH	DEPTH	1	7
MDN217E81SW	F17T8 (2)	25 1/4	4 1/4	STD	✓
MDN232E81SW	F32T8 (2)	49 1/4	4 1/4	STD	✓



STD Standard
✓ Available option



Revised
12/09

LAMAR LIGHTING 485 Smith Street, Farmingdale, NY 11735 • Tel (631) 777-7700
Fax (631) 777-7705 • Outside NY (800) 724-7743 • www.lamarlighting.com

**LUMINESCENT
DS
SERIES**

Decorative Shade

specifications

housing

- ❖ Die formed from code gauge steel
- ❖ Lighting grade white paint finish
- ❖ Mounts easily to standard junction boxes, intended for surface mount only

diffuser

- ❖ 18" diameter 6" high
- ❖ Trilaminare lamp shade material
- ❖ Custom shade materials available (50 pc min)
- ❖ White acrylic lower diffuser secured with oversized decorative finial - brass standard (consult factory for optional finishes)

electrical

- ❖ Electronic Class P ballasts standard
- ❖ Optional EM packs and high frequency motion sensors available
- ❖ All fixtures are U.L. listed and IBEW union made
- ❖ All electrical components are U.L. listed

options

INSERT APPROPRIATE CODE FOR CUSTOMIZED ORDERING

BALLAST

- EQ Electronic CFL 4P Quad Base
- EP Electronic CFL 4P 2GX7 Base

VOLTAGE

- 1 120V
- U Universal 120 - 277V

GENERAL OPTIONS

- HF High Frequency Occupancy Sensor (on/off)
- 2CHF 2 Circuit motion sensor controlled bi-level operation (1 lamp on, 1 lamp on/off)
- EM Emergency pack, 1 lamp 90 min. up to 500 lu.

Job Name	
Catalog Number	
Notes	Type



ordering guide

SERIES NO. WATTAGE SIZE BALLAST VOLTAGE BOTTOM
LAMPS TYPE LENS

T-8 ORDERING GUIDE						
DS	2	13	18	EQ, EP	1, U	SW
DS	2	18	18	EQ	1, U	SW
DS	2	26	18	EQ	1, U	SW

Scan QR code to be directed to this product on the web!



Scan QR code to be directed to our home page!



Revised 9/11

LAMAR LIGHTING 485 Smith Street, Farmingdale, NY 11735 • Tel (631) 777-7700
Fax (631) 777-7705 • Outside NY (800) 724-7743 • www.lamarlighting.com

GNR

SERIES

GUARDIAN

ROUND

ENCLOSED

SURFACE

LUMINAIRE

Job Name	
Catalog Number	
Notes	Type



Cross Guard



Open Guard



Eyelid Guard

application

- Versatile wet location enclosed surface luminaire
- An excellent choice for walkways, parking structures, common areas or any area vandal resistant luminaires subject to the elements are required
- Attractive design available in various finishes and lens styles
- Available in 1 or 2 light compact fluorescent lamps and multiple ballast options
- Shallow units are ADA compliant
- Back housing available in 4 standard color choices

finish

- Prior to painting, all metal parts are treated with a multi-stage phosphate bonding process to ensure adhesion and inhibit rusting
- Finish of the guard is molded throughout

construction

- The GN series is a high quality fluorescent enclosed luminaire specifically designed for long-term, element prone installations
- Features die cast marine grade aluminum housing with 4 integral threaded and plugged conduit entry points
- Aluminum reflector plates for lamp/ballast mounting
- One piece injection molded guard with integral weep hole made from UV-stabilized polycarbonate
- Extruded and spliced EDPM ribbed rubber gasket provided for sealing the lens, luminaire housing provided with die-cut EPDM foam rubber gasket
- Tamper-proof TORX™ T-15 pin-in-head stainless steel screws provided, nylon capture washers also provided
- Optional TORX™ T-15 pin-in-head screwdriver available
- All fixtures are U.L. listed and IBEW union made

electrical

- Ballasts are class P, thermally protected
- Numerous options are available, see ordering information on back

diffuser

- One piece 0.125" thick injection molded lens with radial prisms provides superior illumination
- Molded from UV stabilized polycarbonate in a clear, frost or translucent white finish

LaMar
Lighting
Company, Inc.

G N R
SERIES
ROUND
ENCLOSED SURFACE
LUMINAIRE

ordering guide

NOTE: SOME ORDERING OPTIONS APPEAR ON PRODUCT LINE. FOR OTHER OPTIONS, SEE LIST AT RIGHT.

SAMPLE ORDER NUMBER

GNR **B** **1** **13** **EQ** **U** **CR** **S** **CG**

SERIES COLOR NO. WATTAGE BALLAST VOLTAGE DIFFUSER DEPTH FACEPLATE LAMP TYPE

ORDERING GUIDE									
GNR	B, W, Z, T	1, 2	13	EQ, EP	1, 7, U	CR, FR, TW	S, D	CG, EG, OG	13W CFL
GNR	B, W, Z, T	1, 2	18	EQ	1, U	CR, FR, TW	S, D	CG, EG, OG	18W CFL
GNR	B, W, Z, T	1, 2*	26	EQ	1, U	CR, FR, TW	S, D	CG, EG, OG	26W CFL
GNR	B, W, Z, T	1	32	ET	1, U	CR, FR, TW	S, D	CG, EG, OG	32W CFL

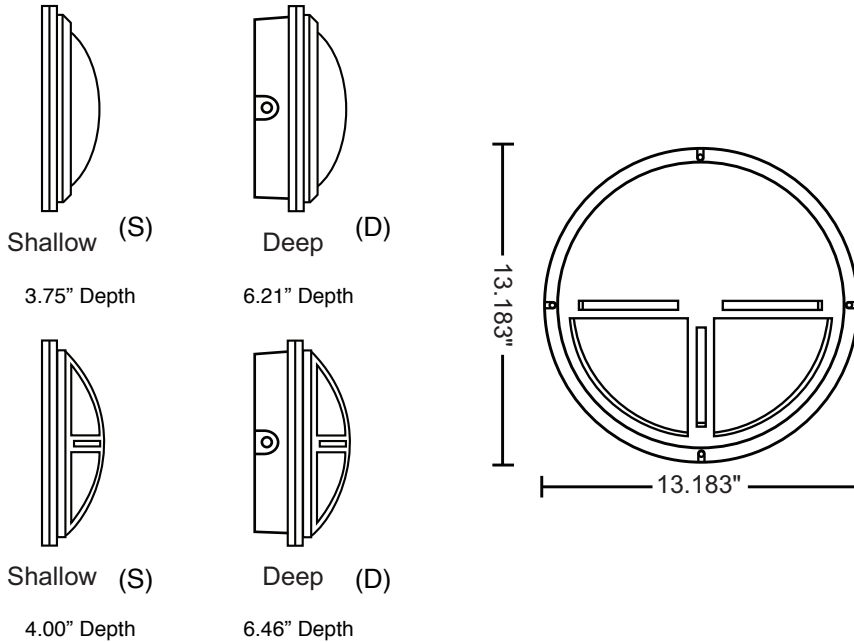
Emergency units require deep housing ***2L 26W available in deep housing only**

NOTE: NOT ALL UNITS AVAILABLE IN SHALLOW HOUSING. CONSULT FACTORY

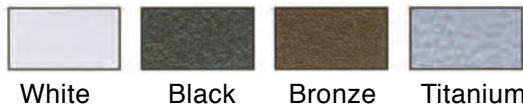
dimensional data

NOTE: SPECIFICATIONS AND DIMENSIONAL DATA ARE SUBJECT TO CHANGE WITHOUT NOTICE

cross sections



Exterior Finishes



Lens Finishes



options

OPTIONS: INSERT APPROPRIATE CODE FOR CUSTOMIZED ORDERING

BALLAST

- EQ Electronic 4-Pin Quad CFL
- EP Electronic 4-Pin CFL
- ET Electronic 4-Pin CFL
- PQ Programmed Start - required for internal/external motion sensor applications
- ES Energy Star 120V

VOLTAGE

- 1 120V
- 7 277V
- U Universal 120 - 277V

GENERAL OPTIONS

- EM Emergency pack, 1 lamp 90 min. up to 500 lu. (Deep Housing Only)
- 2C 2 Circuit
- S Shallow Housing
- D Deep Housing
- HF High frequency occupancy sensor

COLOR OPTIONS

- B Black
- W White
- Z Bronze
- T Titanium

GUARD OPTIONS

- CG Cross Guard
- EG Eyelid Guard
- OG Open Guard

DIFFUSER OPTIONS

- CR Clear Ribbed
- FR Frosted Ribbed
- TW Translucent White

Consult factory for additional options not shown or listed

accessories

- Torx Tamper-proof TORX™ T-15 pin-in-head screwdriver



Revised 4/10

LAMAR LIGHTING 485 Smith Street, Farmingdale, NY 11735 • Tel (631) 777-7700
 Fax (631) 777-7705 • Outside NY (800) 724-7743 • www.lamarlighting.com

Lamar
Lighting
 Company, Inc.

GNO SERIES GUARDIAN OVAL ENCLOSED SURFACE LUMINAIRE

Job Name	
Catalog Number	
Notes	Type



*Vertical Eyelid
Guard*



Cross Guard



Open Guard



*Horizontal Eyelid
Guard*

application

- Versatile wet location enclosed surface luminaire
- An excellent choice for walkways, parking structures, common areas or any area vandal resistant luminaires subject to the elements are required
- Attractive design available in various finishes and lens styles
- Available in 1 or 2 light compact fluorescent lamps and multiple ballast options
- Shallow units are ADA compliant
- Back housing available in 4 standard color choices

finish

- Prior to painting, all metal parts are treated with a multi-stage phosphate bonding process to ensure adhesion and inhibit rusting
- Finish of the guard is molded throughout

construction

- The GN series is a high quality fluorescent enclosed luminaire specifically designed for long-term, element prone installations
- Features die cast marine grade aluminum housing with 4 integral threaded and plugged conduit entry points
- Aluminum reflector plates for lamp/ballast mounting
- One piece injection molded guard with integral weep hole made from UV-stabilized polycarbonate
- Extruded and spliced EDPM ribbed rubber gasket provided for sealing the lens, luminaire housing provided with die-cut EPDM foam rubber gasket
- Tamper-proof TORX™ T-15 pin-in-head stainless steel screws provided, nylon capture washers also provided
- Optional TORX™ T-15 pin-in-head screwdriver available
- All fixtures are U.L. listed and IBEW union made

electrical

- Ballasts are class P, thermally protected
- Numerous options are available, see ordering information on back

diffuser

- One piece 0.125" thick injection molded lens with radial prisms provides superior illumination
- Molded from UV stabilized polycarbonate in a clear, frost or translucent white finish

**Lamar
Lighting**
Company, Inc.

GNO
SERIES
OVAL
ENCLOSED SURFACE
LUMINAIRE

ordering guide

NOTE: SOME ORDERING OPTIONS APPEAR ON PRODUCT LINE. FOR OTHER OPTIONS, SEE LIST AT RIGHT.

SAMPLE ORDER NUMBER

GNO-B-1-13-EQ-1-CR-S- -CG-

SERIES COLOR NO. WATTAGE BALLAST VOLTAGE DIFFUSER DEPTH FACEPLATE LAMP TYPE

ORDERING GUIDE										
GNO	B, W, Z, T	1, 2	13	PN, MP, EQ, EP	1, 7	CR, FR, TW	S, D	CG, EG*, OG	13W CFL	
GNO	B, W, Z, T	1	18	EQ	1, U	CR, FR, TW	S, D	CG, EG*, OG	18W CFL	
GNO	B, W, Z, T	1	26	EQ	1, U	CR, FR, TW	S, D	CG, EG*, OG	26W CFL	
GNO	B, W, Z, T	1	32	ET	1, U	CR, FR, TW	S, D	CG, EG*, OG	32W CFL	

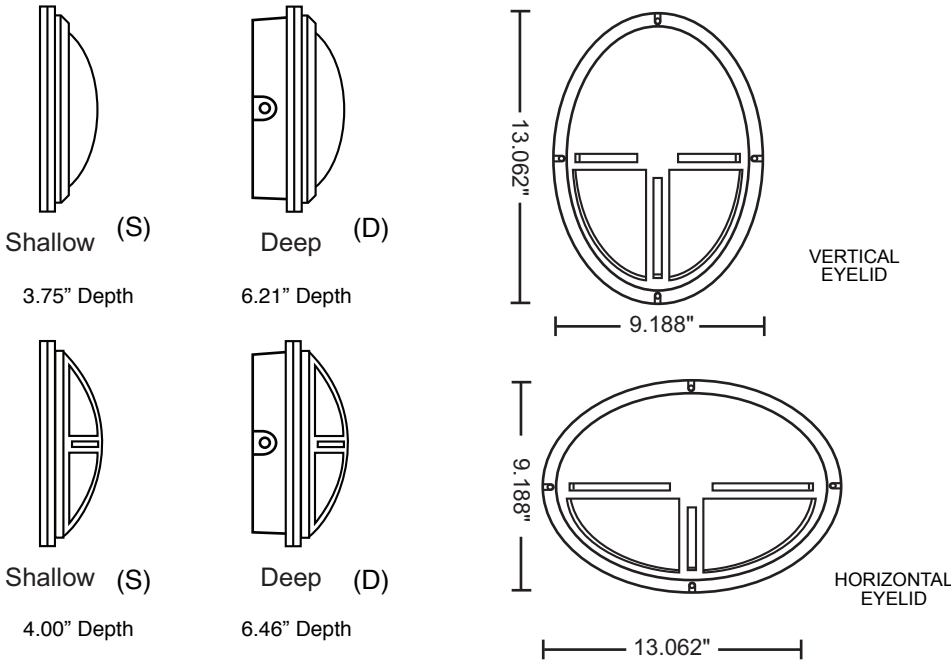
Emergency units require deep housing

* Specify V or H for Vertical or Horizontal

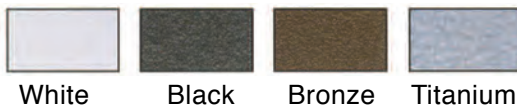
dimensional data

NOTE: SPECIFICATIONS AND DIMENSIONAL DATA ARE SUBJECT TO CHANGE WITHOUT NOTICE

cross sections



Exterior Finishes



Lens Finishes



options

OPTIONS: INSERT APPROPRIATE CODE FOR CUSTOMIZED ORDERING

BALLAST

- PN Magnetic 2-pin CFL
- MP Magnetic HPF 2-Pin CFL
- EQ Electronic 4-Pin Quad CFL
- EP Electronic 4-Pin CFL
- ET Electronic 4-Pin CFL
- PQ Programmed Start - required for internal/external motion sensor applications
- ES Energy Star 120V

VOLTAGE

- 1 120V
- 7 277V
- U Universal 120 - 277V

GENERAL OPTIONS

- EM Emergency pack, 1 lamp 90 min. up to 500 lu. (Deep Housing Only)
- 2C 2 Circuit
- S Shallow Housing
- D Deep Housing
- HF High frequency occupancy sensor

COLOR OPTIONS

- B Black
- W White
- Z Bronze
- T Titanium

GUARD OPTIONS

- CG Cross Guard
- EG Eyelid Guard (H - Horiz, V - Vert)
- OG Open Guard

DIFFUSER OPTIONS

- CR Clear Ribbed
- FR Frosted Ribbed
- TW Translucent White

Consult factory for additional options not shown or listed

accessories

- Torx Tamper-proof TORX™ T-15 pin-in-head screwdriver



Revised 4/10



DV SERIES ENCLOSED VAPOR & DUST-PROOF LUMINAIRE

Job Name	
Catalog Number	
Notes	Type



*shown with optional optically clear lens

certificates

- IP67 certified 4' & 8' acrylic 4' polycarbonate
- NSF splash zone
- NEMA 4X
- High pressure hose test
- IP65 certified

application

- Versatile moisture, vapor and dust proof enclosed luminaire
- An excellent choice for food processing areas, car washes, cool storage areas and locations subject to the elements
- Vandal resistant options are available
- Available in 1 to 4 light, two, four and eight foot lengths and numerous lamp/ballast combinations

finish

- Fiberglass housing and latches are permanently finished in an off-white color
- All steel components are painted with a lighting grade baked white enamel, having a reflectance factor exceeding 87% for premium quality and durability

construction

- The DV series is a high quality fluorescent enclosed luminaire specifically designed for long-term, element prone installations
- Features internal steel geartray enclosed in durable fiberglass, quality paint finishes and superior electrical components
- Housing is molded of one-piece impact resistant fiberglass reinforced polyester; self extinguishing, flame resistant and unaffected by many industrial chemicals
- Continuous poured gasket is permanently bonded to the upper housing, forming a continuous tight seal with the diffuser
- Polycarbonate cam action retaining latches clamp the diffuser tightly to the housing. Stainless steel latches optional
- Internal geartray is constructed of heavy gauge steel where all electrical components are mounted for ease of service
- Optional high frequency motion detector available - consult factory
- Back mounting brackets available - consult factory
- Optional aluminum reflectors available; see ordering information on back
- All fixtures are U.L. listed suitable for wet locations and IBEW union made

electrical

- Ballasts are class P, thermally protected

diffuser

- One piece injection molded impact resistant acrylic standard, 4' & 8' lengths
- One piece thermally formed clear U.V. stabilized polycarbonate standard on 2' & 4' narrow units and optional on 4' wide lengths only
- Features a linear pattern for superior light diffusion
- Optional optically clear lens 100% impact resistant, injection molded acrylic available on 4' & 8' units. Specifically designed for use with wide distribution reflector

NOTE: Acrylic diffusers and stainless steel latches recommended for food service, car wash, swimming pool, agricultural or other corrosive applications

ordering guide

NOTE: SOME ORDERING OPTIONS APPEAR ON PRODUCT LINE. FOR OTHER OPTIONS, SEE LIST AT RIGHT.

SAMPLE ORDER NUMBER



SERIES NO. WATTAGE TANDEM BALLAST VOLTAGE DIFFUSER OPTIONS DIMENSIONS LAMP TYPE
 LAMPS TYPE 1 2

T-8 ORDERING GUIDE										
DV	1	17		E8	1, U	PC			4 1/2" x 27.64"	F17T8
DV	1	32		E8	1, U	PC			4 1/2" x 51.65"	F32T8
DV	2, 3	17		E8	1, U	PC			7 3/8" x 27.64"	F17T8
DV	2, 3	32		E8	1, U	SA, PC, OC			7 3/8" x 51.65"	F32T8
DV	2, 3	32	T	E8	1, U	SA, OC			7 3/8" x 100"	F32T8
T-5 ORDERING GUIDE										
DV	1	14/24		E5, H5	1, U	PC			4 1/2" x 27.64"	F14T5/F24T5HO
DV	1	28/54		E5, H5	1, U	PC			4 1/2" x 51.65"	F28T5/F54T5HO
DV	2, 3, 4*	14/24		E5, H5	1, U	PC			7 3/8" x 27.64"	F14T5/F24T5HO
DV	2, 3, 4*	28/54		E5, H5	1, U	SA, PC, OC			7 3/8" x 51.65"	F28T5/F54T5HO
DV	2, 3, 4*	28/54	T	E5, H5	1, U	SA OC			7 3/8" x 100"	F28T5/F54T5HO

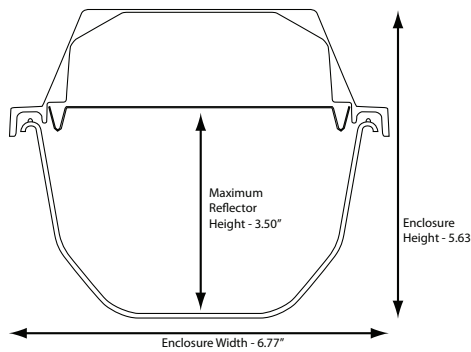
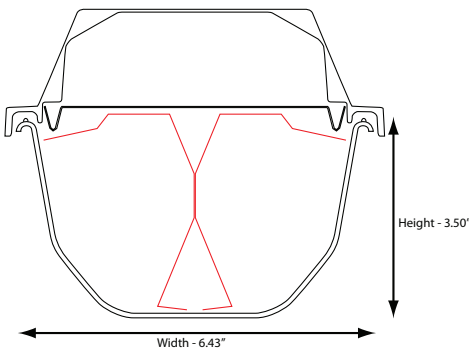
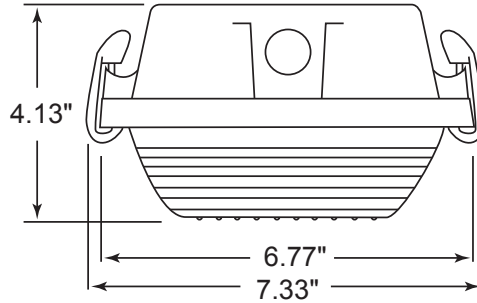
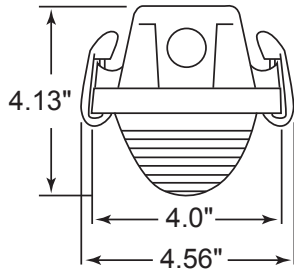
Note: Tandem units contain double the amount of lamps shown

*Note: 4 lamp units not available in T5HO

dimensional data

NOTE: SPECIFICATIONS AND DIMENSIONAL DATA ARE SUBJECT TO CHANGE WITHOUT NOTICE

cross sections



Revised
2/11

options

OPTIONS: INSERT APPROPRIATE CODE FOR CUSTOMIZED ORDERING

BALLAST

E8 Electronic T8
 E5 Electronic T5
 H5 Electronic High Output T5
 SD Step Dimming - consult factory

NOTE: In order to achieve rated lamp life, fixtures controlled by motion sensors should be ordered with programmed start ballasts when available and minimum time delay should be set to 15 minutes - Consult Factory

VOLTAGE

1 120V
 U Universal 120 - 277V

GENERAL OPTIONS

EM Emergency pack, 1 lamp
 90 min. up to 500 lu.
 2C 2 Circuit
 SS Stainless steel latches
 HF High frequency occupancy sensor - consult factory for available options
 PC Polycarbonate lineal ribbed lens (2' & 4' only)
 OC Optically clear lens (4' & 8' only)
 R Aluminum reflector 87%
 R95 Specular reflector 95% reflectivity
 R95W Specular reflector wide distribution 95% reflectivity (2 lamp only)
 W95W White-optics reflector wide distribution 95% reflectivity (2 lamp only)

Consult factory for additional options not shown or listed

2' uses 4 latches
 4' uses 8 latches
 8' uses 14 latches

NOTE: stainless steel latches decreases the overall width by .37"

accessories

TP Polycarbonate tamper-proof latches/screws
 TS Tamper-proof stainless steel latches
 Spanner Tamper-proof spanner-head screw driver
 MB Mounting brackets (pair)

LAMP OPTIONS

12 T8 741K
 15 T8 735K
 10 T8 730K
 13 T5/T8 841K
 16 T5/T8 835K
 11 T5/T8 830K

Lamar
Lighting
 Company, Inc.

DVW SERIES ENCLOSED VAPOR & DUST-PROOF LUMINAIRE

Job Name	
Catalog Number	
Notes	Type



application

- Versatile moisture, vapor and dust proof enclosed luminaire
- An excellent choice for food processing areas, car washes, cool storage areas and locations subject to the elements
- Vandal resistant options are available
- Available in 4 or 6 light with numerous lamp/ballast combinations

finish

- Fiberglass housing is permanently finished in an off-white color
- Prior to painting, all metal parts are treated with a multi-stage phosphate bonding process to ensure adhesion and inhibit rusting
- All steel components are painted with a lighting grade baked white enamel, having a reflectance factor exceeding 87% for premium quality and durability
- Stainless steel latches and mounting brackets standard

construction

- The DVW series is a high quality fluorescent enclosed luminaire specifically designed for long-term, element prone installations
- Features internal steel geartray enclosed in durable fiberglass, quality paint finishes and superior electrical components
- Housing is molded of one-piece impact resistant fiberglass reinforced polyester; self extinguishing, flame resistant and unaffected by many industrial chemicals
- Continuous poured gasket is permanently bonded to the upper housing, forming a continuous tight seal with the diffuser
- Stainless steel latches clamp the diffuser tightly to the housing
- Internal geartray is constructed of heavy gauge steel where all electrical components are mounted for ease of service
- Back mounting V-hooks available - consult factory
- Knockouts are provided on ends for convenient installation
- All fixtures are U.L. listed suitable for wet locations and IBEW union made

electrical

- Ballasts are class P, thermally protected
- Numerous options are available, T8 electronic, T5 electronic or high output ; see ordering information on back

diffuser

- Acrylic diffuser is 100% impact resistant for maximum light transmission and longevity
- UV stabilized polycarbonate diffuser (optional) is ideal for temperature extremes and maximum impact resistance
- Face side of lens is glass clear to maximize efficiency and minimize distortion of reflectors intended distribution
- Sides have precise linear prisms and ends are lightly frosted to reduce direct glare

certifications

- IP67 Certified
- RoHS Compliant
- NSF Splash Zone Compliant
- NEMA 4X
- High Pressure Hose Test

D V W SERIES ENCLOSED VAPOR & DUST-PROOF LUMINAIRE

ordering guide

NOTE: SOME ORDERING OPTIONS APPEAR ON PRODUCT LINE. FOR OTHER OPTIONS, SEE LIST AT RIGHT.

SAMPLE ORDER NUMBER



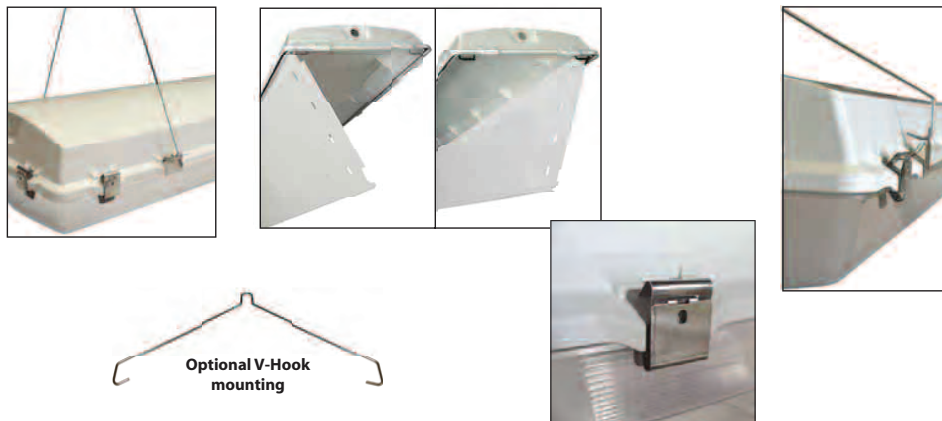
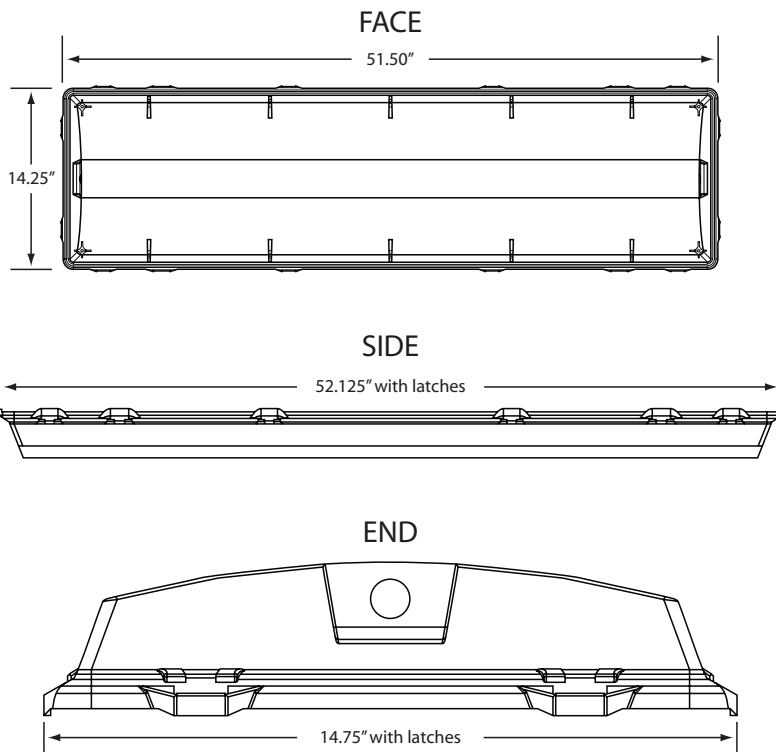
SERIES NO. WATTAGE BALLAST VOLTAGE DIFFUSER OPTIONS DIMENSIONS LAMP TYPE
LAMPS TYPE 1 2

T-8 ORDERING GUIDE									
DVW	4, 6	32	E8	1, U	SA			14 3/8" x 52" 1/8 x 6"	F32T8
T-5 ORDERING GUIDE									
DVW	4, 6	28/54	E5, H5	1, U	SA			14 3/8" x 52" 1/8 x 6"	F28T5/F54T5HO

dimensional data

NOTE: SPECIFICATIONS AND DIMENSIONAL DATA ARE SUBJECT TO CHANGE WITHOUT NOTICE

cross sections



Optional V-Hook mounting

options

OPTIONS: INSERT APPROPRIATE CODE FOR CUSTOMIZED ORDERING

BALLAST

E8 Electronic T8
E5 Electronic T5
H5 Electronic High Output T5

NOTE: In order to achieve rated lamp life, fixtures controlled by motion sensors should be ordered with programmed start ballasts when available and minimum time delay should be set to 15 minutes - Consult Factory

VOLTAGE

1 120V
U Universal 120 - 277V

GENERAL OPTIONS

EM Emergency pack, 1 lamp
90 min. up to 500 lu.
2C 2 Circuit
TP Tamper-proof screws
R Specular reflector 87%
R95 Specular reflector 95%

DIFFUSER OPTIONS

PC Polycarbonate lens
SA Standard acrylic

Consult factory for additional options not shown or listed

accessories

Spanner Tamper-proof spanner-head screw driver
VH V-Hooks (pair)
AC Aircraft cable - consult factory

LAMP OPTIONS

12 T8 741K
15 T8 735K
10 T8 730K
13 T5/T8 841K
16 T5/T8 835K
11 T5/T8 830K

Revised
10/08

LAMAR LIGHTING 485 Smith Street, Farmingdale, NY 11735 • Tel (631) 777-7700
Fax (631) 777-7705 • Outside NY (800) 724-7743 • www.lamarlighting.com

**Lamar
Lighting**
Company, Inc.

VTS SERIES

ENCLOSED
VAPOR-PROOF
LUMINAIRE

Job Name	
Catalog Number	
Notes	Type



application

- Versatile moisture, vapor and dust proof enclosed luminaire
- An excellent choice for food processing areas, car washes, cool storage areas and locations subject to the elements
- Vandal resistant options are available
- Available in 1, 2 or 3 light, two, four or eight foot lengths and numerous lamp/ballast combinations
- May be individually mounted or row mounted with a continuous feed

finish

- Fiberglass housing and latches are permanently finished in an off-white color
- Prior to painting, all metal parts are treated with a multi-stage phosphate bonding process to ensure adhesion and inhibit rusting
- All steel components are painted with a lighting grade baked white enamel, having a reflectance factor exceeding 87% for premium quality and durability
- The VTS series is a high quality fluorescent enclosed luminaire specifically designed for long-term, element prone installations

construction

- Features internal steel geartray enclosed in durable fiberglass, quality paint finishes and superior electrical components
- Housing is molded of one-piece impact resistant fiberglass reinforced polyester; self extinguishing, flame resistant and unaffected by many industrial chemicals
- Gasketing is poured in place forming a continuous tight seal with the diffuser
- Celcon cam action retaining latches clamp the diffuser tightly to the housing; tamper proofing and stainless latches are available
- Interior geartray is constructed of heavy gauge steel where all electrical components are mounted for ease of service
- Ample knockouts are provided for convenient installation
- Die cast bushings; end and back mounting brackets are available consult factory
- All fixtures are U.L. listed, IBEW union made and IP65 rated

electrical

- All electrical components are U.L. listed
- Ballasts are class P, thermally protected
- Numerous options are available; see ordering information on back

diffuser

- One piece thermally formed clear acrylic with 15% DR added for greater strength
- Features an internal crepe pattern for a smooth, easy cleaning exterior

Lamar
Lighting
Company, Inc.

ordering guide

NOTE: SOME ORDERING OPTIONS APPEAR ON PRODUCT LINE. FOR OTHER OPTIONS, SEE LIST AT RIGHT.

SAMPLE ORDER NUMBER



SERIES NO. WATTAGE TANDEM BALLAST VOLTAGE DIFFUSER OPTIONS DIMENSIONS LAMP TYPE
LAMPS TYPE 1 2

T-12 ORDERING GUIDE

VTS	1, 2	40		E2	1, 7	SA			7 ⁵ / ₈ " x 49 ⁵ / ₈ "	F40T12
VTS	1, 2	40	T	E2	1, 7	SA			7 ⁵ / ₈ " x 97 ³ / ₄ "	F40T12
VTS	1, 2	48		E2, EH	1, 7	SA			7 ⁵ / ₈ " x 51 ⁷ / ₈ "	F48T12/F48T12HO
VTS	1, 2	96		E2, EH	1, 7	SA			7 ⁵ / ₈ " x 97 ³ / ₄ "	F96T12/F96T12HO

T-8 ORDERING GUIDE

VTS	1, 2, 3	17		E8	1, U	SA			7 ⁵ / ₈ " x 25 ³ / ₈ "	F17T8
VTS	1, 2, 3	32		E8	1, U	SA			7 ⁵ / ₈ " x 49 ⁵ / ₈ "	F32T8
VTS	1, 2, 3	32	T	E8	1, U	SA			7 ⁵ / ₈ " x 97 ³ / ₄ "	F32T8
VTS	1, 2, 3	96		E8, H8	1, U	SA			7 ⁵ / ₈ " x 97 ³ / ₄ "	F96T8/F96T8HO

T-5 ORDERING GUIDE

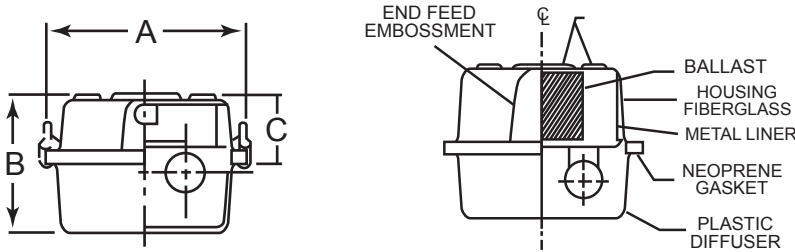
VTS	1, 2, 3	28, 54		E5, H5	1, U	SA			7 ⁵ / ₈ " x 49 ⁵ / ₈ "	F28T5/F54T5HO
VTS	1, 2, 3	28, 54	T	E5, H5	1, U	SA			7 ⁵ / ₈ " x 97 ³ / ₄ "	F28T5/F54T5HO

Note: Tandem units contain double the amount of lamps shown

dimensional data

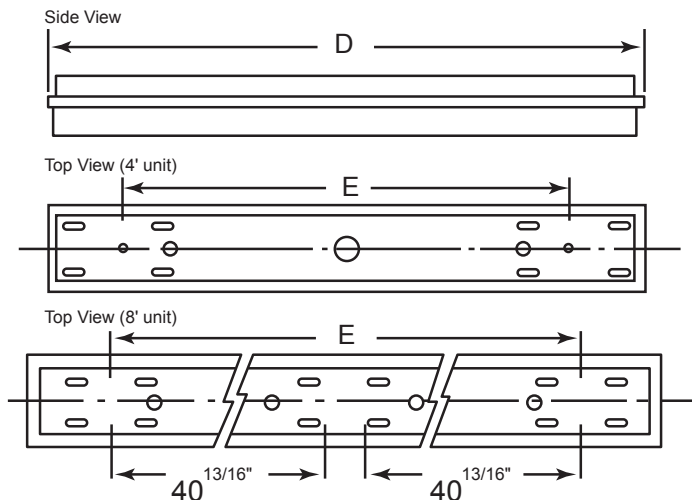
NOTE: SPECIFICATIONS AND DIMENSIONAL DATA ARE SUBJECT TO CHANGE WITHOUT NOTICE

cross sections



Cat. No.	A	B	C	D	E
VT 4' BiPin	7.625"	5.625"	3.625"	50"	38.75"
VT 8' ALL UNITS	7.625"	5.625"	3.625"	98"	86.675"

back knockout plans and lengths



Revised
7/09

options

OPTIONS: INSERT APPROPRIATE CODE FOR CUSTOMIZED ORDERING

BALLAST

- E2 Electronic T12
- E8 Electronic T8
- E5 Electronic T5
- EH Electronic High Output T12*
- H5 Electronic T5 HO
- H8 Electronic T8 HO
- ED Electronic Dimming
- * Suitable for year-round cool temperature use only
Not recommended for use above 50°F

NOTE: In order to achieve rated lamp life, fixtures controlled by motion sensors should be ordered with programmed start ballasts when available and minimum time delay should be set to 15 minutes - Consult Factory

VOLTAGE

- 1 120V
- 7 277V
- U Universal 120 - 277V

GENERAL OPTIONS

- EM Emergency pack, 1 lamp
90 min. up to 500 lu.
- 2C 2 Circuit

DIFFUSER OPTIONS

- SA Standard crepe acrylic
- PC Polycarbonate lens

UL APPROVED FOR WET LOCATIONS

accessories

- TP Polycarbonate tamper-proof latches/screws
- TS Tamper-proof stainless steel latches
- MB Mounting brackets (pair)

LAMP OPTIONS

- 12 T8 741K
- 15 T8 735K
- 10 T8 730K
- 13 T5/T8 841K
- 16 T5/T8 835K
- 11 T5/T8 830K

A V R
SERIES
ALUMINUM
FLUORESCENT
SECURITY
LUMINAIRE

Job Name	
Catalog Number	
Notes	Type



application

- Heavy duty luminaire for use in areas subject to high abuse and vandalism

diffuser

- Diffuser is .156 UV stabilized extruded polycarbonate, with smooth exterior and linear rib prisms on the interior surface

finish

- All metal parts are treated with multi stage pre-treatment and finished in matte white polyester powder coat

housing

- Unit is constructed of heavy gauge extruded aluminum with cast end caps
- Gasketed end caps have internal knockouts for surface conduit or tandem mounting
- Knockouts for surface mounting are accessible from within the housing. End cap fasteners are inaccessible once fixture is mounted
- Internal gear tray is constructed of 20 gauge CRS with high reflectance white finish

motion sensor

- High frequency internal motion sensors which are fully concealed within the fixture are available with both bi-level or on/off operation Consult factory for details

electrical

- Available in 1, 2 or 3 light T8, T5 or T5HO - consult factory for options not shown or listed
- ADA compliant
- Programmed rapid start ballasts are optional and recommended for use with motion or daylight sensors. T5 and T5HO are also optional
- Locking rotor sockets are standard to ensure impact resistant positive contact
- All electrical components are U.L. listed

ordering guide

NOTE: SOME ORDERING OPTIONS APPEAR ON PRODUCT LINE. FOR OTHER OPTIONS, SEE LIST AT RIGHT.

SAMPLE ORDER NUMBER



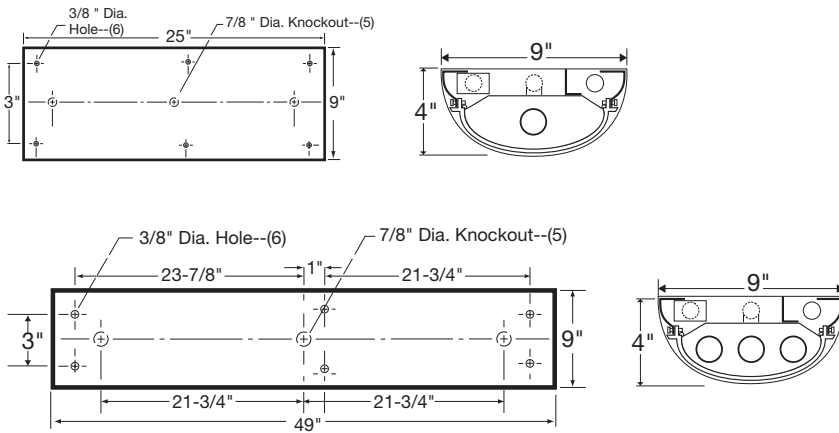
SERIES NO. WATTAGE BALLAST VOLTAGE LENS OPTIONS DIMENSIONS LAMP TYPE
 LAMPS TYPE TYPE 1 2

T-5 ORDERING GUIDE										
AVR	1, 2, 3	14, 24	E5, H5	1, U	PC			9" x 25"		F14T5/F24T5HO
AVR	1, 2, 3	28, 54	E5, H5	1, U	PC			9" x 49"		F28T5/F54T5HO
T-8 ORDERING GUIDE										
AVR	1, 2, 3	17	E8	1, U	PC			9" x 25"		F17T8
AVR	1, 2, 3	32	E8	1, U	PC			9" x 49"		F32T8

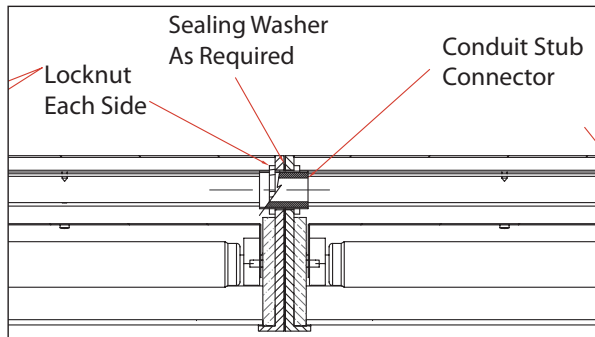
dimensional data

NOTE: SPECIFICATIONS AND DIMENSIONAL DATA ARE SUBJECT TO CHANGE WITHOUT NOTICE

back knockout plans and lengths



Instructions for joining units for tandem option



Tandem Mount



options

OPTIONS: INSERT APPROPRIATE CODE FOR CUSTOMIZED ORDERING

BALLAST

- E8 Electronic T8
- E5 Electronic T5
- H5 Electronic T5HO
- ED Electronic Dimming

NOTE: In order to achieve rated lamp life, fixtures controlled by motion sensors should be ordered with programmed start ballasts when available and minimum time delay should be set to 15 minutes - Consult Factory

VOLTAGE

- 1 120V
- U Universal 120 - 277V

COLOR

- W White

GENERAL OPTIONS

- EM Emergency pack, 1 lamp
90 min. up to 500 lu.
- 2C 2 Circuit
- HF High frequency occupancy sensor

accessories

HX2 2mm Allen key for set screw

LAMP OPTIONS

- 12 T8 741K
- 15 T8 735K
- 10 T8 730K
- 13 T5/T8 841K
- 16 T5/T8 835K
- 11 T5/T8 830K

Revised
3/10

OS
SERIES
OUTDOOR
SOFFIT
LUMINAIRE

Job Name	
Catalog Number	
Notes	Type



application

- A premium all aluminum luminaire suitable for use outdoors under protected areas such as canopies, soffits or facades and other areas and locations subject to the elements
- Available in 1 light, four, six or eight foot lengths with numerous lamp/ballast combinations
- May be ceiling mounted individually or in continuous rows

finish

- Prior to painting, all metal parts are treated with a multi-stage phosphate bonding process to ensure adhesion and inhibit rusting
- Painted with a lighting grade baked white enamel, having a reflectance factor exceeding 87% for premium quality and durability

construction

- The OS series is a heavy-duty fluorescent luminaire specifically designed for long-term, element prone installations
- Features aluminum or stainless steel components, quality paint finishes and superior electrical components
- Housing and ends are die formed of .040 in. aluminum; all other components are rust resistant stainless steel or aluminum
- End plates feature a urethane polyester foam gasket
- Bodies have complete vinyl channel gasketing, forming a continuous weather tight seal with the diffuser for maximum weather resistance
- Optional joiner bands are provided for continuous run applications
- Ample knockouts are provided on back for convenient installation
- All fixtures are U.L. listed and IBEW union made. Wet location approved for use under covered ceilings only
- All electrical components are U.L. listed

electrical

- Ballasts are class P, thermally protected
- Numerous options are available; see ordering information on back

diffuser

- One piece thermally formed clear acrylic
- Standard diffuser is 100% virgin acrylic, smooth clear; available also in smooth white
- Grooved formation on the edges allow for a tight, no light leak attachment to the body
- All 6 ft. and 8 ft. units feature one diffuser for complete enclosure

ordering guide

NOTE: SOME ORDERING OPTIONS APPEAR ON PRODUCT LINE. FOR OTHER OPTIONS, SEE LIST AT RIGHT.

SAMPLE ORDER NUMBER



SERIES NO. WATTAGE TANDEM BALLAST TYPE VOLTAGE DIFFUSER DIMENSIONS LAMP TYPE
LAMPS

T-12 ORDERING GUIDE

OS	1	40		E2	1, 7	CA	4 1/8" x 48 1/8"	F40T12
OS	1	40	T	E2	1, 7	CA	4 1/8" x 48 1/8"	F40T12
OS	1	48		E2, EH	1, 7	CA	4 1/8" x 48 1/8"	F48T12/F48T12/F48T12HO
OS	1	72		E2, EH	1, 7	CA	4 1/8" x 72 1/8"	F72T12/F72T12/F72T12HO
OS	1	96		E2, EH	1, 7	CA	4 1/8" x 96 1/8"	F96T12/F96T12/F96T12HO
OS	1	72	T	E2, EH	1, 7	CA	4 1/8" x 144 1/8"	F72T12/F72T12/F72T12HO
OS	1	96	T	E2, EH	1, 7	CA	4 1/8" x 192 1/8"	F96T12/F96T12/F96T12HO

T-8 ORDERING GUIDE

OS	1	32		E8	1, 7	CA	4 1/8" x 48 1/8"	F17T8
OS	1	32	T	E8	1, 7	CA	4 1/8" x 48 1/8"	F32T8
OS	1	96		E8, H8	1, 7	CA	4 1/8" x 96 1/8"	F96T8/F96T8HO

Note: Tandem units contain double the amount of lamps shown

options

OPTIONS: INSERT APPROPRIATE CODE FOR CUSTOMIZED ORDERING

BALLAST

- E2 Electronic T12
- EH Electronic T12 HO
- E8 Electronic T8
- ED Electronic Dimming (Consult Factory)
- H8 High Output T8

NOTE: In order to achieve rated lamp life, fixtures controlled by motion sensors should be ordered with programmed start ballasts when available and minimum time delay should be set to 15 minutes - Consult Factory

VOLTAGE

- 1 120V
- 7 277V
- U Universal 120 - 277V

GENERAL OPTIONS

- CA Clear Acrylic
- SW Smooth white
- EM Emergency pack, 1 lamp 90 min. up to 500 lu.
- 2C 2 Circuit

accessories

- JB Gasketed joiner band

LAMP OPTIONS

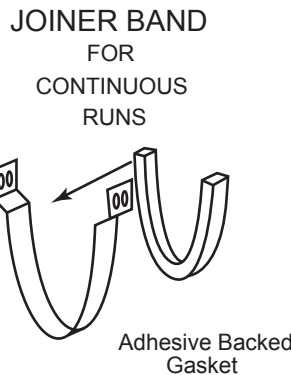
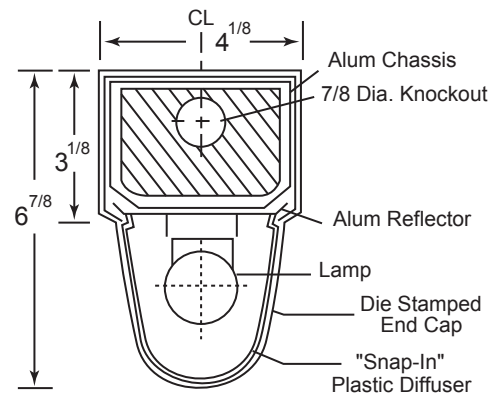
- 12 T8 741K
- 15 T8 735K
- 10 T8 730K
- 13 T8 841K
- 16 T8 835K
- 11 T8 830K

dimensional data

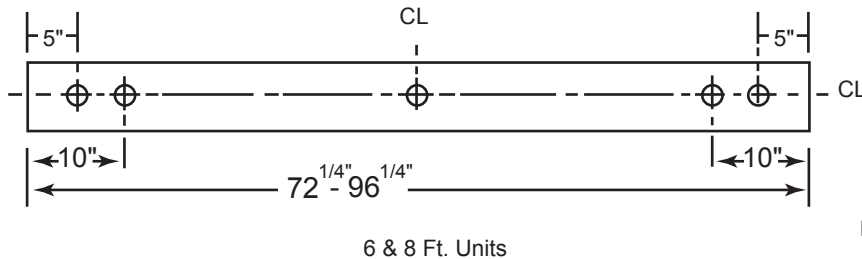
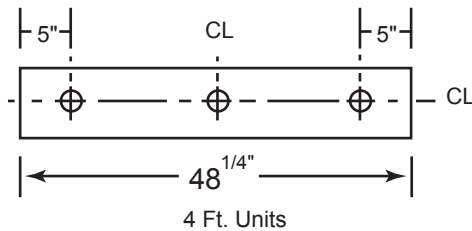
NOTE: SPECIFICATIONS AND DIMENSIONAL DATA ARE SUBJECT TO CHANGE WITHOUT NOTICE

cross sections

joiner band



back knockout plans and lengths



Revised 10/08

SIPE

SERIES
ECONOMY
OUTDOOR
SIGN LIGHT

Job Name	
Catalog Number	
Notes	Type



application

- A premium all-aluminum sign light intended for use outdoors for the purpose of illuminating billboards, wall signs, walkways and other outdoor locations subject to the elements
- Available in 1 or 2 light, four, six or eight foot lengths with HO ballasts
- May be mounted individually or in continuous runs

finish

- Body - white powdercoat interior and exterior
- Aluminum end plates and splice boxes

construction

- The SIPE series is a heavy-duty outdoor fluorescent luminaire specifically designed for long-term installations
- Features extruded aluminum construction, stainless steel hardware and quality electrical components
- Housings are anodized extruded aluminum
- Cast aluminum end plates and splice box
- Unit can swivel 360 degrees for versatility
- Weep holes (installer drilled) required for face-up installations
- Remote weatherproof ballasts are standard (Except on T8 models)
- All fixtures are U.L. listed wet locations and IBEW union made

electrical

- Ballasts are class P, thermally protected and weatherproof unless otherwise requested

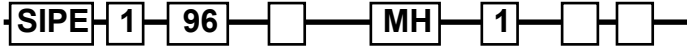
diffuser

- Standard diffuser is extruded smooth clear acrylic
- Stainless steel lens retaining brackets are easily removed for re-lamping
- Full length grooved formation on the body edge allows for the lens to slide and lock for a no-light-leak attachment

ordering guide

NOTE: SOME ORDERING OPTIONS APPEAR ON PRODUCT LINE. FOR OTHER OPTIONS, SEE LIST AT RIGHT.

SAMPLE ORDER NUMBER



SERIES NO. WATTAGE TANDEM BALLAST VOLTAGE OPTIONS DIMENSIONS LAMP TYPE
LAMPS TYPE 1 2

T12HO ORDERING GUIDE									
SIPE	1, 2	48		MH	1			5.875" x 48.25"	F48T12HO
SIPE	1, 2	72		MH	1			5.875" x 75.25"	F72T12HO
SIPE	1, 2	96		MH	1			5.875" x 96.25"	F96T12HO
T8 ORDERING GUIDE									
SIPE	1, 2	32		E8	1, U			5.875" x 48.25"	F32T8
SIPE	1, 2	96		H8	1, 7, U			5.875" x 96.25"	F96T8HO

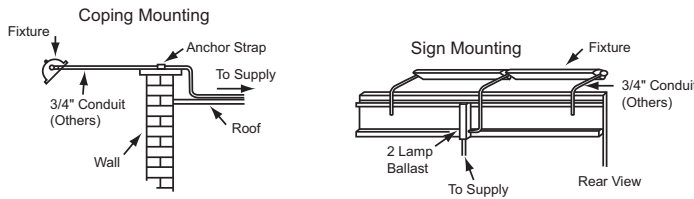
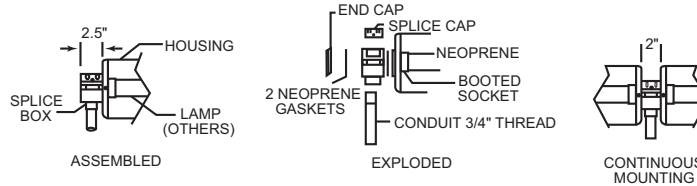
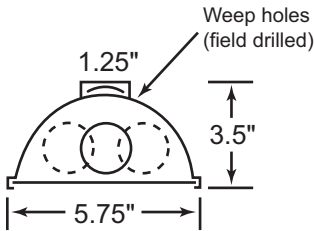
*CONSULT FACTORY FOR T8

dimensional data

NOTE: SPECIFICATIONS AND DIMENSIONAL DATA ARE SUBJECT TO CHANGE WITHOUT NOTICE

cross sections

JUNCTION BOX & MOUNTING DETAIL



NOTE: Units are designed for face-down installation as shipped. For face-up installation, 1/4" weep holes must be drilled every 2 feet.

CAUTION: DO NOT DRILL INTO WIRING CAVITY.

options

OPTIONS: INSERT APPROPRIATE CODE FOR CUSTOMIZED ORDERING

BALLAST

MH Magnetic high output

*E8 Electronic T8

*H8 Electronic T8HO

*NOT WEATHERPROOF

NOTE: In order to achieve rated lamp life, fixtures controlled by motion sensors should be ordered with programmed start ballasts when available and minimum time delay should be set to 15 minutes - Consult Factory

VOLTAGE

1 120V

7 277V

U Universal 120 - 277V (T8 only)

CONSULT FACTORY FOR YOUR SPECIFIC REQUIREMENTS AND OPTIONS NOT SHOWN OR LISTED

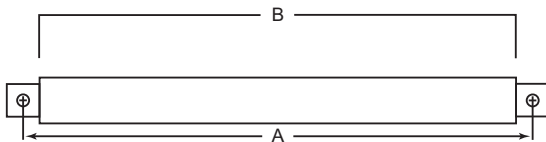
accessories

NB Outdoor NEMA ballast box for T8

note

For overall lengths on continuous rows, add 2-1/2" to total lengths of all mounting centers

nominal length dimensions



End-To-End Mounting Detail (Conduit Not Supplied)

Lamp	A	B (less splice box)
4'	50.5"	48.25"
6'	74.5"	72.25"
8'	98.5"	96.25"



Junction Box & Parts

Revised 10/08



**VP
SERIES
HEAVY-DUTY
FLUORESCENT
SECURITY
LUMINAIRE**

Job Name	
Catalog Number	
Notes	Type



application

- Narrow wraparound-style security lighting designed for high quality illumination in a vandalproof fixture
- A virtually indestructible luminaire for areas subject to severe abuse
- Suitable for schools, public restrooms, outdoor exits/entrances, terminals and other heavily accessed areas
- Available as 1 or 2 light in numerous lengths and lamp/ballast combinations

diffuser

- One piece injection molded .125" UV stabilized unbreakable polycarbonate lens
- Features a prismatic pattern on the bottom and linear refractive sides for brightness control and 180° uniform light distribution
- Grooved formation on the edges allow for a tight, no light leak attachment to the body
- Joiner band available for continuous runs, creating a finished appearance

construction

- The VP series is a high quality fluorescent security light specifically designed for long-term, heavy-duty installations
- Features rugged 16 gauge steel bodies, quality paint finishes and superior electrical components
- Die formed extra-heavy gauge cold rolled steel for uniformity and maximum durability
- One-piece 16 gauge steel die formed ends have a 5/8" flange on the sides to provide maximum strength and lens retention
- Mount individually or in continuous rows, each body has four 1/4" holes for secure positioning
- Optional gasketing is available for enhanced protection against moisture, dust and insects
- All fixtures are U.L. listed and IBEW union made

electrical

- All electrical components are U.L. listed
- Ballasts are class P, thermally protected
- Numerous options are available; see ordering information on back

finish

- Prior to painting, all metal parts are treated with a multi-stage phosphate bonding process to ensure adhesion and inhibit rusting
- Painted with a lighting grade baked white enamel, having a reflectance factor exceeding 87% for premium quality and durability

VP
SERIES
HEAVY-DUTY FLUORESCENT
SECURITY LUMINAIRE

ordering guide

NOTE: SOME ORDERING OPTIONS APPEAR ON PRODUCT LINE. FOR OTHER OPTIONS, SEE LIST AT RIGHT.

SAMPLE ORDER NUMBER



SERIES COLOR NO. LAMPS WATTAGE TANDEM BALLAST TYPE VOLTAGE OPTIONS 1 2 DIMENSIONS LAMP TYPE

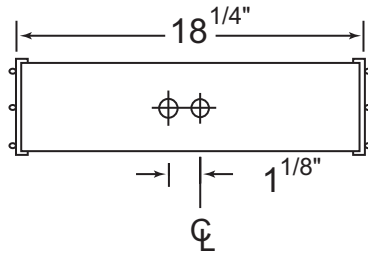
T-8 ORDERING GUIDE

VP	W	1, 2	15		E8	1, 7			4 1/2" x 18 1/4"	F15T8
VP	W	1, 2	17		E8	1, 7, U			4 1/2" x 24 1/4"	F17T8
VP	W	1, 2	25		E8	1, 7, U			4 1/2" x 36 1/4"	F25T8
VP	W	1, 2	32		E8	1, 7, U			4 1/2" x 48 1/4"	F32T8

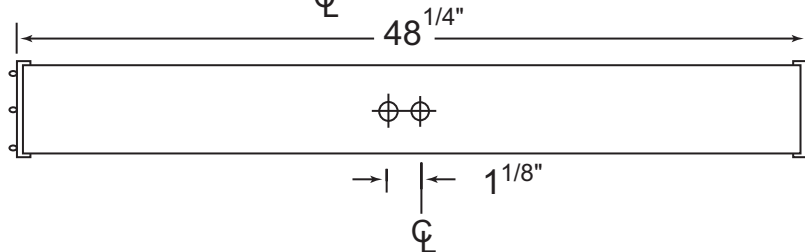
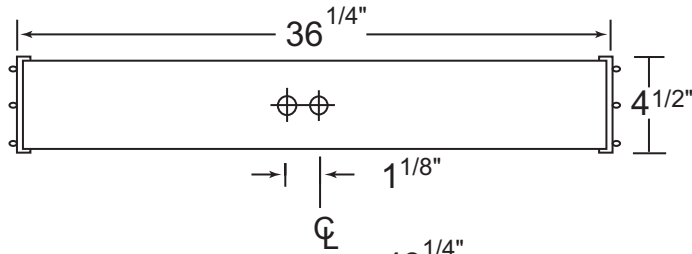
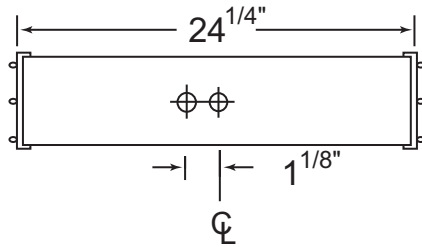
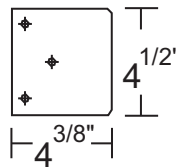
dimensional data

NOTE: SPECIFICATIONS AND DIMENSIONAL DATA ARE SUBJECT TO CHANGE WITHOUT NOTICE

back knockout plans and lengths



End View



options

OPTIONS: INSERT APPROPRIATE CODE FOR CUSTOMIZED ORDERING

BALLAST

- E8 Electronic T8
- ED Electronic Dimming

NOTE: In order to achieve rated lamp life, fixtures controlled by motion sensors should be ordered with programmed start ballasts when available and minimum time delay should be set to 15 minutes - Consult Factory

VOLTAGE

- 1 120V
- 7 277V
- U Universal 120 - 277V

COLOR

- W White

GENERAL OPTIONS

- EM Emergency pack, 1 lamp 90 min. up to 500 lu.
- 2C 2 Circuit
- 2B 2 Bodies

accessories

Limited switch options available
 Consult factory

LAMP OPTIONS

- 12 T8 741K
- 15 T8 735K
- 10 T8 730K
- 13 T8 841K
- 16 T8 835K
- 11 T8 830K

Revised
 10/08

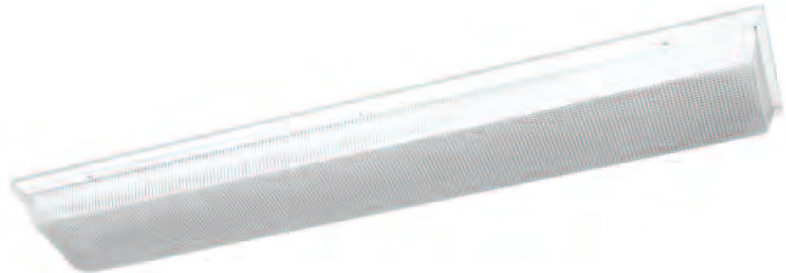


SLP

SECURITY
SERIES

PREMIUM SECURITY LIGHT

Job Name	
Catalog Number	
Notes	Type



specifications

housing

- Die formed heavy gauge steel
- Mounts on ceiling or wall
- Neoprene gasketed enclosure

electrical

- Electronic ballast is standard, consult ordering guide for additional options available
- All electrical components are U.L. listed and IBEW union made
- U.L. listed for damp locations, IBEW Union made

lens

- Injection molded clear prismatic polycarbonate with UV inhibitors for minimum discoloration
- Integral locking lugs opposite screws for improved vandal resistance
- Diffuser may be attached with optional tamper proof screws
- Available in 2' and 4' lengths
- Lens completely encloses body to further inhibit vandalism

NOTE: In order to achieve rated lamp life, fixtures controlled by motion sensors should be ordered with programmed start ballasts when available and minimum time delay should be set to 15 minutes - Consult Factory

options

INSERT APPROPRIATE CODE FOR CUSTOMIZED ORDERING

BALLAST

- E8 Electronic T8
- E2 Electronic T12

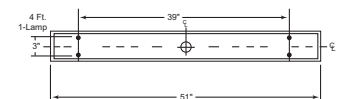
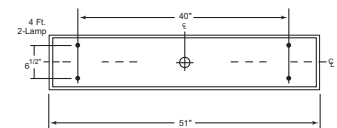
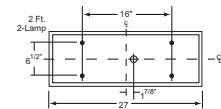
VOLTAGE

- 1 120V
- 7 277V
- U Universal 120 - 277V

GENERAL OPTIONS

- TP Tamper-proof screws
- EM Emergency Pack
- PC Polycarbonate Lens (Standard)

Consult Factory for lamp options or additional specification requirements not shown



standard ordering information

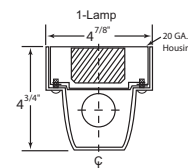
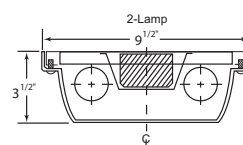
option availability

MODEL#	LAMP TYPE	LENGTH	WIDTH	DEPTH	1	7	U	E8	E2	EM	TP
SLP140E21PC	F40T12	51"	4 7/8"	4 3/4"	STD	✓			STD	✓	✓
SLP220E21PC	F20T12	27"	9 1/2"	3 1/2"	STD	✓			STD	✓	✓
SLP240E21PC	F40T12	51"	9 1/2"	3 1/2"	STD	✓			STD	✓	✓
SLP132E8UPC	F32T8	51"	4 7/8"	4 3/4"	✓	✓	STD	STD		✓	✓
SLP217E8UPC	F17T8	27"	9 1/2"	3 1/2"	✓	✓	STD	STD		✓	✓
SLP232E8UPC	F32T8	51"	9 1/2"	3 1/2"	✓	✓	STD	STD		✓	✓

* Consult Factory

STD Standard

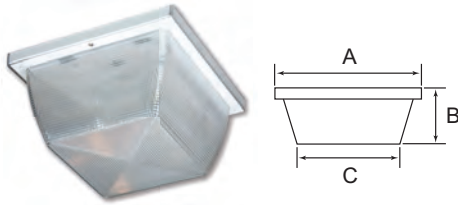
✓ Available option



LaMar
Lighting
Company, Inc.

SECURITY SERIES & GARAGE LUMINAIRES

AK
SECURITY
SERIES
ATTICA



Job Name
Catalog Number
Notes Type

Special Order - Minimum Quantities Apply

standard ordering information **option availability**

MODEL#	LAMP TYPE	BASE	A B C			1	7	PN	EP	M9	E9	EQ
			HT	CROW								
AK20908PN1PC	CFL9W	8 1/2"	4 5/8"	5 1/2"	STD		STD	✓				
AK11308PN1PC	CFL13W	8 1/2"	4 5/8"	5 1/2"	STD	✓	STD	✓				✓
AK21308PN1PC	CFL13W	8 1/2"	4 5/8"	5 1/2"	STD	✓	STD	✓				✓
AK11312PN1PC	CFL13W	12"	5 1/2"	8 3/4"	STD	✓	STD	✓				✓
AK21312PN1PC	CFL13W	12"	5 1/2"	8 3/4"	STD	✓	STD	✓				✓
AK12212E91PC	FC8T9	12"	5 1/2"	8 3/4"		*			STD	✓		

AK OPTIONS

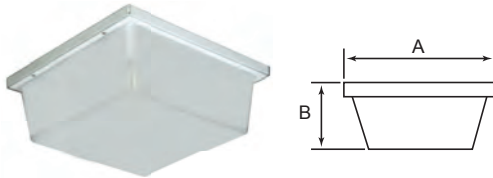
BALLAST
 PN Magnetic Normal Power Factor CFL
 EQ Electronic CFL 4P Quad Base
 EP Electronic CFL 4P 2G7, 2GX7
 E9 Electronic T9

VOLTAGE
 1 120V
 7 277V
 U Universal 120 - 277V

GENERAL OPTIONS
 SW Smooth white acrylic
 PA Prismatic acrylic
 PC Polycarbonate (Standard)
 PW Polycarbonate white
 TP Tamper-proof screws

Consult Factory for lamp options or additional specification requirements not shown

AZ
SECURITY
SERIES
ALCATRAZ



standard ordering information **option availability**

MODEL#	LAMP TYPE	BASE	A B		1	7	PN	EP	M9	E9	EQ
			HEIGHT								
AZ10758PN1PC	CFL7W	5 1/4 x 7 3/4"	3 7/8"	STD		STD	✓				
AZ10958PN1PC	CFL9W	5 1/4 x 7 3/4"	3 7/8"	STD		STD	✓				
AZ20958PN1PC	CFL9W	5 1/4 x 7 3/4"	3 7/8"	STD		STD	✓				
AZ21310PN1PC	CFL13W	10 9/10"	4"	STD	*	STD	✓				✓
AZ31310PN1PC	CFL13W	10 9/10"	4"	STD	✓	STD	✓				✓
AZ12210E91PC	FC8T9	10 9/10"	4"	STD	✓			STD	✓		

AZ OPTIONS

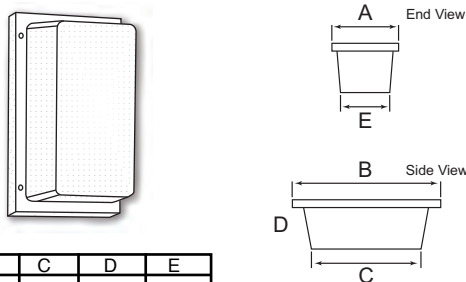
BALLAST
 PN Magnetic Normal Power Factor CFL
 EQ Electronic CFL 4P Quad Base
 EP Electronic CFL 4P 2G7, 2GX7
 E9 Electronic T9

VOLTAGE
 1 120V
 7 277V
 U Universal 120 - 277V

GENERAL OPTIONS
 TP Tamper-proof screws
 PC Polycarbonate, clear (Standard)
 PW Polycarbonate, white
 PA Prismatic acrylic
 SW Smooth white acrylic

Consult Factory for lamp options or additional specification requirements not shown
Meets ADA requirements

RK
SECURITY
SERIES
RIKER



SIZE	A	B	C	D	E
610	5 3/4"	10 1/4"	9	4 3/8"	4 3/8"
713	6 3/4"	13 13/16"	12	4 3/8"	5 3/8"

standard ordering information **option availability**

MODEL#	LAMP TYPE	W	L	H	A B D			1	7	PN	EP	TP	EQ
RK10760PN1PC	CFL7	6"	10"	4 3/8"	STD		STD		STD	✓			
RK10960PN1PC	CFL9	6"	10"	4 3/8"	STD		STD		STD	✓			
RK11360PN1PC	CFL13	6"	10"	4 3/8"	STD	*	STD	✓	STD	✓	✓	✓	
RK11373PN1PC	CFL13	7"	13"	4 3/8"	STD	*	STD	✓	STD	✓	✓	✓	
RK21373PN1PC	CFL13	7"	13"	4 3/8"	STD	*	STD	✓	STD	✓	✓	✓	

RK OPTIONS

BALLAST
 PN Magnetic Normal Power Factor CFL
 EQ Electronic CFL 4P Quad Base
 EP Electronic CFL 4P 2G7, 2GX7

VOLTAGE
 1 120V
 7 277V
 U Universal 120 - 277V

GENERAL OPTIONS
 TP Tamper-proof screws
 PC Polycarbonate, clear (Standard)
 PW Polycarbonate, white
 PA Prismatic acrylic
 SW Smooth white acrylic

Consult Factory for lamp options or additional specification requirements not shown

* Consult Factory STD Standard ✓ Available option ■ U.L. listed for damp locations, IBEW Union made



GR
GARAGE
SERIES
ROUND



construction

- Vandal resistant garage luminaire
- Die cast aluminum housing
- Architectural bronze powdercoat finish over a chromate conversion coating
- White reflector
- Clear polycarbonate prismatic lens
- All electrical components are U.L. listed and IBEW union made

standard ordering information

MODEL#	LAMP TYPE	VOLTAGE	LENS	OPTIONS
GR242ETUPC	(2) CFTR42W	U	PC	

Job Name	
Catalog Number	
Notes	Type

GR OPTIONS

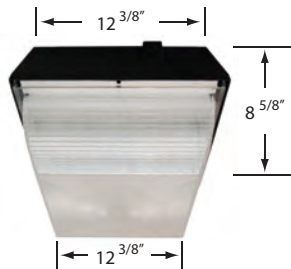
BALLAST
ET Electronic 4P triple tube base

VOLTAGE
U Universal 120 - 277V

GENERAL OPTIONS
PC Polycarbonate
TP Tamper-proof screws
HF High frequency occupancy sensor

Consult Factory for lamp options or additional specification requirements not shown

GS
GARAGE
SERIES
SQUARE



construction

- Vandal resistant garage luminaire
- Die cast aluminum housing
- Architectural bronze powdercoat finish over a chromate conversion coating
- White reflector
- Clear polycarbonate prismatic lens
- All electrical components are U.L. listed and IBEW union made

standard ordering information

MODEL#	LAMP TYPE	VOLTAGE	LENS	OPTIONS
GS226EQUPC	(2) CFQ26W	U	PC	
GS232ETUPC	(2) CFT32W	U	PC	
GS242ETUPC	(2) CFT42W	U	PC	

GS OPTIONS

BALLAST
EQ Electronic CFL 4P Quad Base
ET Electronic 4P triple tube base

VOLTAGE
1 120V
7 277V
U Universal 120 - 277V

GENERAL OPTIONS
PC Polycarbonate (Standard)
TP Tamper-proof screws
HF High frequency occupancy sensor

Consult Factory for lamp options or additional specification requirements not shown

* Consult Factory STD Standard ✓ Available option ■ U.L. listed for damp locations, IBEW Union made



Appendix

Occu-Smart

VO
VOCF
C2
OR
MN2
OP
PROS
MTRN
DROS
LICOS
QRWOS
BAOS
VTPOS
DSLED

Architectural

NB
PR
QA
QR
DR
QRW
DRW
INV
CNS
CNB
LMELL
LMOV
CV
VG
MCN
BA

Hi/Low Bay

LMD
LHB
AWL
MO
LGN
LGU
LGLU/LGLX
LGL
GL
EHB4
EHB6

Surface

66-S
66-W
SCB
SCBS
SB3
SB
WI
WF
WB
WS/WW
WE/WD
WN
H
V
WC
COR
CWM

Recessed

LICDS
LICD
LIC
SLIC
LICS
SLICS
LICB
LIQ
MAX-E
LIS
4X4
6X6
INL
RP
LP3
LS
FS
RWW
AR
LCL/FCL

Undercabinet

TUC
LMS
MUC
UC
UCS
TL
K
B
D
BD

Strips/Industrials

CN
RT
S
SS
AST
ST
STE
P
P/IN
INT
IN
MIN
RS
MC
TC
TCM

Decorative

1S
2S
CA
CB
EB
NS
AM
AT
BE
BEWS
DRWS
CS
CD
CM
CR
EL
EE/ED
SK
EQ
SD
SU
HL
MD
DS

Outdoor/Vandal Resistant

GNR
GNO
DV
DVW
VTS
AVR
OS
SIPE
VP
SLP
AK
AZ
RK
GR
GS