

Table of Contents

SECTION 1: Loadcentres

30-225A - Single Phase	1
120/240V - Single Phase	2 - 3
100-225A - Three Phase	5
120/208 V - Three Phase	6 - 7
Breakers & Accessories	8
Loadcentre Kits	9 - 10
Outdoor Loadcentres	11 - 12
Branch Breakers	12 - 13
Arc Fault Breakers	14
Loadcentre Door Kits for Canada	15
Canadian 1 Phase Outline Drawings	16-28

SECTION 2: Meter Centres

Meter Centres and Tenant Breakers	1
GE Industrial Multi-Metering	2
Main Service Modules	3 - 5
Main Terminal Box	6
Main Circuit Breaker	7
Main Fusible Switches	8
TMPC Meter Stack Modules	9
TMPC Residential Meter Stack Modules	10
TMPC Main Tenant Circuit Breakers	11 , 13
Commercial Meter Stack Modules	12
TMPC Meter Stack Accessories	14
Meter Centre Diagrams	15 - 18
Meter Stacks	19
Main Breaker Section	20
Accessories	21 - 22



imagination at work

www.ge-ed.ca
www.geindustrial.com
1-800-GE-1STOP

Table of Contents

SECTION 3: Panelboards

AQD & ADG Panels	1
Branch Breakers	2 - 3
Tubs & Trims for AQ & AD Panels	4
Accessories for A-Series Panels	5
GE AQ 208V Panelboards	7
Panels 120/208V- 3 Phase	8
GE AQ Series Breakers	9
GE AD 600V Panelboards	11
GE AD Series Breakers	12

SECTION 4: Safety Switches.....

240/600V TH Series	1, 6
Miscellaneous Accessories.....	2
TH Series & TG Series.....	3
240V TH Series.....	4
600V TH Series.....	5
Enclosure Dimensions	7 - 10
Safety Switch Knockouts	11

SECTION 5: IEC Nema Loose Control.....

C2000 Contactors & Starters.....	1
Nema 1 Enclosures.....	2
Overload Relays Class 10	3
Accessories	4
Definite Purpose Contactors	5
CR101 Heaters	6
Manual Motor Starters.....	7



imagination at work

www.ge-ed.ca
www.geindustrial.com
1-800-GE-1STOP

Table of Contents

SECTION 6: Lighting Contactors

CR460 Series Lighting Contactors - Quick Select1 - 3

SECTION 7: Connector Kits & Replacement Breakers

Breaker Mounting Hardware1
Breaker Filler Plate Kit2 - 3
Miscellaneous Accessories3 - 5

SECTION 8: Transformers

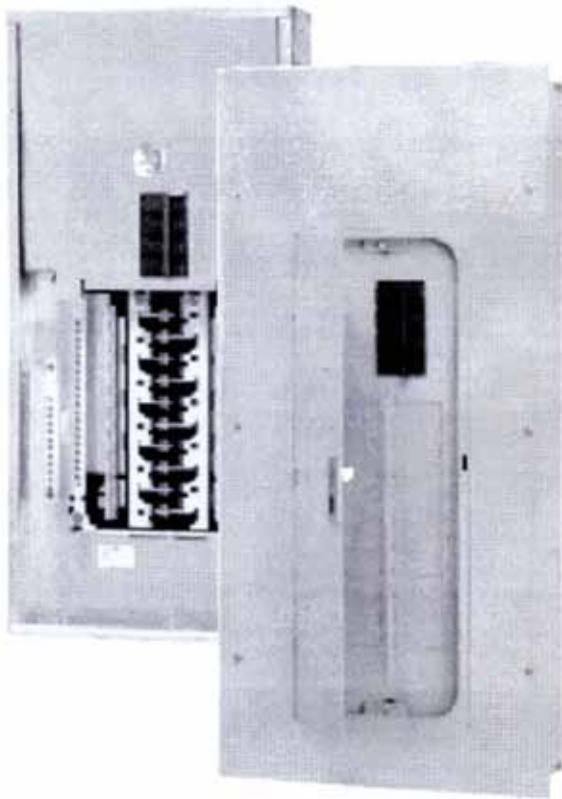
Dry Type Transformers1-2
Transformer Terminal Lugs3
Dry Type Transformer Outline Drawings4-10



imagination at work

www.ge-ed.ca
www.geindustrial.com
1-800-GE-1STOP

GE PowerMark Loadcentres



Single Phase

Single phase 30-225A

Main breaker 22KAIC rated standard - factory installed

All Loadcentres Top or Bottom Entry

Indoor and outdoor rated enclosures available

Copper bus standard

Includes Door Kits

Suitable for use as service entrance equipment when installed in accordance with the CEC



imagination at work

www.ge-ed.ca
www.geindustrial.com
1-800-GE-1STOP

GE Loadcentres

120/240 V - Single Phase

Main Breaker - 22KA MAIN BREAKER AND DOOR / THQP & THQL

AMPS (MB)	Catalogue Number Indoor Enclosure	Catalogue Number Type 3R Enclosure	Maximum Circuits				Total 1-Pole Spaces
			1" THQL		1/2" THQP		
			1P	2P	1P	2P	
100	TMC1210CCA	TMC1210RCA	12	6	24	10	24
100	TMC1610CCA		16	8	32	14	32
100	TMC2010CCA		20	10	40	18	40
100	TMC2410CCA		24	12	48	22	48
100	TMC3210CCA		32	16	64	20	64
125	TMC2012CCA		20	10	40	18	40
125	TMC1612CCA		16	8	32	14	32
125	TMC2412CCA		24	12	48	22	48
125	TMC3212CCA		32	16	64	20	64
150	TMC2015CCA		20	10	40	18	40
150	TMC2415CCA		24	12	48	22	48
150	TMC3215CCA		32	16	64	30	64
150	TMC4015CCA		40	20	80	38	80
200	TMC2020CCA	TMC2020RCA	20	10	40	18	40
200	TMC3220CCA		32	16	64	30	64
200	TMC4020CCA		40	20	80	38	80



imagination at work

www.ge-ed.ca
www.geindustrial.com
 1-800-GE-1STOP

GE Loadcentres

120/240 V - Single Phase

Main Lug

AMPS (ML)	Catalogue Number Indoor Enclosure	Catalogue Number Type 3R Enclosure	Maximum Circuits				Total 1-Pole Spaces
			1" THQL		1/2" THQP		
			1P	2P	1P	2P	
40	TLC240SCU	TLC240RCU	2	1	4	1	4
70	TLC270SCU	TLC270RCU	2	1	4	1	4
100	TLC410C	TLC410R ¹	4	2	8	3	8
100	TPLC410C ¹	TPLC410R ¹	4	2	8	3	8
125	TLC612SCU/FCU ²		6	3	8	3	8
125	TLC612SCUD/FCUD ^{2 3}		6	3	12	4	12
125	TLC812SCU/FCU ²	TLC812RCU	8	4	12	4	12
125	TLC812SCUD/FCUD ^{2 3}		8	4	16	6	16
125	TLC1212CCA	TLC1212RCA	12	6	24	10	24
125	TLC1612CCA		16	8	32	14	32
125	TLC2412CCA	TLC2412RCA	24	12	48	22	48
200	TLC1620CCA		16	8	32	16	32
200	TLC2020CCA	TLC2020RCA	20	10	40	18	40
200	TLC3220CCA		32	16	64	30	64
200	TLC4020CCA	TLC4020RCA	40	20	80	38	80
225	TLC4222CCA ⁴	TLC4020RCA	42	20			42

¹ Thermoplastic Enclosure.

² SCU indicates surface mount enclosure. FCU indicates flush mount enclosure.

³ Includes optional door.

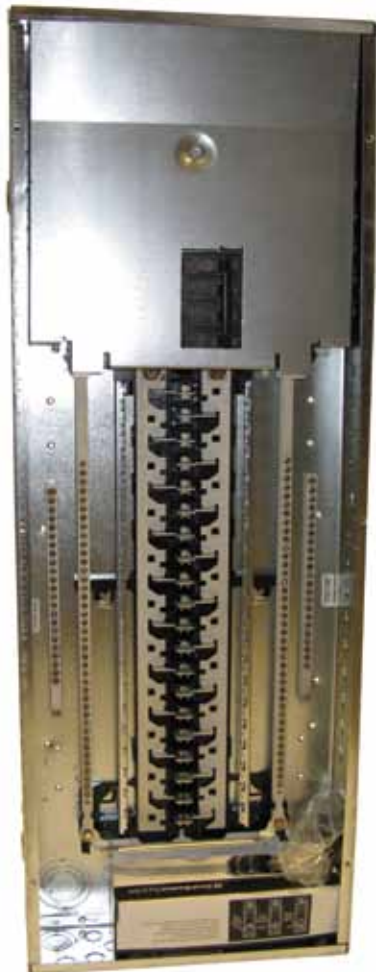
⁴ Accepts 1" THQL breakers only



imagination at work

www.ge-ed.ca
www.geindustrial.com
1-800-GE-1STOP

GE PowerMark Loadcentres



Three phase 100-225A

All Loadcentres Top or Bottom Entry

Indoor and outdoor rated enclosures available

Indoor fronts surface or flush

Copper bus standard

Includes Door Kits

Exclusive life time warranty

Suitable for use as service entrance equipment
when installed in accordance with the CEC



imagination at work

www.ge-ed.ca
www.geindustrial.com
1-800-GE-1STOP

GE Loadcentres

120/208 V - Three Phase

Main Breaker

AMPS (MB)	Catalogue Number Indoor Enclosure	Catalogue Number Type 3R Enclosure	Maximum Circuits			Total 1-Pole Spaces
			1" THQL			
			1P	2P	3P	
100	TMC12410C		12	6	4	12
100	TMC18410C		18	8	6	18
125	TMC30412C		30	14	10	30
200	TMC42420C	TMC42420R	42	20	14	42

3ph 120/208V loadcentre only accepts 1" THQL style brks.



imagination at work

www.ge-ed.ca
www.geindustrial.com
1-800-GE-1STOP

GE Loadcentres

120/208 V - Three Phase

Main Lug

AMPS (ML)	Catalogue Number Indoor Enclosure	Catalogue Number Type 3R Enclosure	Maximum Circuits			Total 1-Pole Spaces
			1" THQL			
			1P	2P	3P	
125	TLC12412C	TLC12412R	12	6	4	12
150	TLC18415C		18	8	6	18
150	TLC24415C	TLC24415R	24	12	8	24
200	TLC18420C		18	8	6	18
200	TLC30420C	TLC30420R	30	14	10	30
200	TLC42420C	TLC42420R	42	20	14	42
225	TLC30422C		30	14	10	30
225	TLC42422C		42	20	14	42

3ph 120/208V loadcentre only accept 1" THQL style brks.



imagination at work

www.ge-ed.ca
www.geindustrial.com
1-800-GE-1STOP

GE Loadcentres

Breakers & Accessories

	1 POLE	2 POLE	1 POLE	2 POLE	3 POLE
AMPS	1/2" THQP (fits single phase only)		1" THQL		
15	THQP115	THQP215	THQL1115	THQL2115	THQL32015
20	THQP120	THQP220	THQL1120	THQL2120	THQL32020
30	THQP130	THQP230	THQL1130	THQL2130	THQL32030
40	THQP140	THQP240	THQL1140	THQL2140	THQL32040
50	THQP150	THQP250	THQL1150	THQL2150	THQL32050
60				THQL21060	THQL32060
70				THQL21070	THQL32070
80				THQL21080	THQL32080
90				THQL21090	THQL32090
100				THQL21100	THQL32100
15 Arc Fault			THQL1115AF	THQL2115AF	
15 GFI			THQL1115GF	THQL2115GF	
SUB-FEED & FEED THRU LUGS					
	125			THLK2125	THLK3125
	150			THLK2150	
	200			THLK2200	
	225				THLK3225

- Panel Filler 1/2" TFH/ 1" TQLFP1
- Door Replacement screw kit THRWKIT



www.ge-ed.ca
www.geindustrial.com
 1-800-GE-1STOP

GE Loadcentres

CATALOGUE #	DESCRIPTION
-------------	-------------

'1K' Loadcentre Kits 120/240 V - Single Phase

EEMAC 1 c/w 22kA Main Breaker, Door, and 1/2" Breakers: 10-1p15A, 3-2p15A, 1-2p30A, 1-2p40A

TMC1210CCA1K	100A 12/24 CCT
TMC1610CCA1K	100A 16/32 CCT
TMC2410CCA1K	100A 24/48 CCT
TMC3210CCA1K	100A 32/64 CCT
TMC2412CCA1K	125A 24/48 CCT
TMC3215CCA1K	150A 32/64 CCT
TMC2020CCA1K	200A 20/40 CCT
TMC3220CCA1K	200A 32/64 CCT
TMC4020CCA1K	200A 40/80 CCT

'2K' Loadcentre Kits 120/240 V - Single Phase

EEMAC 1 c/w 22kA Main Breaker, Door, and 1" Breakers: 10-1p15A, 3-2p15A, 1-2p30A, 1-2p40A

TMC2410CCA2K	100A 24/48 CCT
TMC3210CCA2K	100A 32/64 CCT
TMC3220CCA2K	200A 32/64 CCT
TMC4220CCA2K	200A 40/80 CCT



GE Loadcentres

CATALOGUE #	DESCRIPTION
-------------	-------------

'3K' Loadcentre Kits 120/240V Single Phase

EEMAC 1 c/w 22kA Main Breaker, Door, and 1/2" Breakers: 14-1p15A, 2-2p15A, 3-2p20A, 2-2p30A, 1-2P40A

TMC4015CCA3K	150A 40/80 CCT
TMC4020CCA3K	200A 40/80 CCT

'4K' Loadcentre Kits 120/240V Single Phase

EEMAC 1c/w 22kA Main Breaker, Door, and 1" Breakers: 14-1p15A, 2-2p15A, 3-2p20A, 2-2p30A, 1-2P40A

TMC4020CCA4K	150A 40/80 CCT
--------------	----------------

Outdoor '3R' 120/240V Single Phase Main Breaker Loadcentres

EEMAC 3R c/w 22kA Main Breaker and Door:

TMC121ORCA	100A 12/24 CCT
TMC202ORCA	200A 20/40 CCT

120/240V Single Phase Main LUG ONLY Loadcentres

EEMAC 1 c/w Door:

TLC240SCU *	40A 2/4 CCT
TLC270SCU *	70A 2/4 CCT
TLC410C	100A 4/8 CCT
TPLC410C	100A 8/14 CCT
TLC612SCU/FCU *	125A 6/12 CCT
TLC612SCUD/FCUD **	100A 6/12 CCT
TLC812SCU/FCU *	100A 8/16 CCT
TLC812SCUD/FCUD **	100A 8/16 CCT
TLC1212CCA	125A 12/24 CCT
TLC1612CCA	125A 16/32 CCT
TLC2412CCA	125A 24/48 CCT
TLC1620CCA	200A 16/32 CCT
TLC2020CCA	200A 20/40 CCT
TLC3220CCA	200A 32/64 CCT
TLC4020CCA	200A 40/80 CCT
TLC4222CCA	225A 42 CCT 1" ONLY BREAKERS

* Door not included

** Add Suffix S/SCUD or F/FCUD for Surface/Flush Trim Style



www.ge-ed.ca
www.geindustrial.com
1-800-GE-1STOP

GE Loadcentres

CATALOGUE #	DESCRIPTION
-------------	-------------

Outdoor 120/240V Single Phase Main LUG ONLY Loadcentres

EEMAC 3R Enclosure

TLC240RCU	40A 2/4 CCT
TLC270RCU	70A 2/4 CCT
TLC410R1	125A 4/8 CCT
TPLC410R	125A 4/8 CCT
TLC812RCU	125A 8/16 CCT
TLC1212RCA	125A 12/24 CCT
TLC2412RCA	125A 24/48 CCT
TLC4020RCA	200A 40/80 CCT

120/208V Three Phase Main Breaker Loadcentres

EEMAC 1 c/w 22kA Main Breaker and Door, 1" Breakers Only

TMC12410C	100A 12 CCT
TMC18410C	100A 18 CCT
TMC30410C	100A 30 CCT
TMC42420C	200A 42 CCT

120/208V Three Phase Main LUG ONLY Loadcentres

EEMAC 1 c/w Door, 1" Breakers Only

TLC12412C	125A 12 CCT
TLC18415C	150A 18 CCT
TLC24415C	150A 24 CCT
TLC18420C	200A 18 CCT
TLC30420C	200A 30 CCT
TLC42420C	200A 42 CCT
TLC30422C	225A 30 CCT
TLC42422C	225A 42 CCT



www.ge-ed.ca
www.geindustrial.com
1-800-GE-1STOP

GE Loadcentres

CATALOGUE #	DESCRIPTION
-------------	-------------

Outdoor 120/208V Three Phase Main Breaker Loadcentres

EEMAC 3R c/w 22kA Main Breaker and Door, 1" Breakers Only

TMC18410R	100A 18 CCT
-----------	-------------

Outdoor 120/208V Three Phase Main LUG ONLY Loadcentres

EEMAC 3R c/w Door, 1" Breakers Only

TLC12412R	125A 12 CCT
TLC24415R	150A 24 CCT
TLC30420R	200A 30 CCT
TLC42420R	200A 42 CCT

Branch Breakers

1/2" THQP Breakers for Single Phase Loadcentres Only

THQP115	1P 15A
THQP120	1P 20A
THQP130	1P 30A
THQP215	2P 15A
THQP220	2P 20A
THQP225	2P 25A
THQP230	2P 30A
THQP240	2P 40A
THQP250	2P 50A



THQL115 Breaker 15A
Plug-in 2 Pole



THQL215 Breaker 15A
Plug-in 2 Pole

GE Loadcentres

CATALOGUE #	DESCRIPTION
-------------	-------------

Branch Breakers

1" THQL

THQL1115	1P 15A
THQL1120	1P 20A
THQL1130	1P 30A
THQL2115	2P 15A
THQL2120	2P 20A
THQL2125	2P 25A
THQL2130	2P 30A
THQL2140	2P 40A
THQL2150	2P 50A
THQL2160	2P 60A
THQL2170	2P 70A
THQL2180	2P 80A
THQL2190	2P 90A
THQL21100	2P 100A
THQL21125	2P 125A
THQL32015	3P 15A
THQL32020	3P 20A
THQL32025	3P 25A
THQL32030	3P 30A
THQL32040	3P 40A
THQL32050	3P 50A
THQL32060	3P 60A
THQL32070	3P 70A
THQL32090	3P 90A
THQL32100	3P 100A



www.ge-ed.ca
www.geindustrial.com
1-800-GE-1STOP

GE Loadcentres

CATALOGUE #	DESCRIPTION
-------------	-------------

Arc Fault Breakers

1" THQL

THQL1115AF	1P 15A AFCI
THQL1120AF	1P 20A AFCI

Ground Fault Breakers

1" THQL

THQL1115GF	1P 15A GFCI
THQL1120GF	1P 20A GFCI
THQL2115GF1	2P 15A GFCI
THQL2120GF1	2P 20A GFCI
THQL2130GF1	2P 30A GFCI
THQL2140GF1	2P 40A GFCI
THQL2150GF1	2P 50A GFCI

TVSS

THQLSURGE	2P Plug-In 27kA TVSS
THQLSURGE60	Side Mount Retro-Fit TVSS 60kA

Spa Panels

TL412R250GF	SPA Panel c/w 2P 50A GFCI
TL412R260GF	SPA Panel c/w 2P 60A GFCI

Generator Panels

NEMA 1 Enclosure

TM830FCUGEN	30A, 8 cct Panel, Flush Mount
TM830SCUGEN	30A, 8 cct Panel, Surface Mount
TM860FCUGEN	60A, 8 cct Panel, Flush Mount
TM860SCUGEN	60A, 8 cct Panel, Surface Mount

Generator Panels

NEMA 3R Enclosure

TM830RCUGEN	30A, 8 cct Panel
TM860RCUGEN	60A, 8 cct Panel



THQL115GF
Ground Fault Breaker



THQLSurge
Surge Protector



TL412R250GF
Spa Panel c/w 2P 50A GFCI



www.ge-ed.ca
www.geindustrial.com
 1-800-GE-1STOP

GE Loadcentres

Canada Single Phase

Main Amp Rating	Load Center Cat. No.	Mod. No.	Front Cat. No.
100	TMC1210CCA	M01	TMC12A
	TMC1210CCU	M01	TMC12A
	TMC1610CCA	M01	TMC16A
	TMC1610CCU	M01	TMC16A
	TMC2010CCA	M01	TMC20A
	TMC2010CCU	M01	TMC20A
	TMC2410CCA	M01	TMC24A
	TMC2410CCU	M01	TMC24A
	TMC3210CCA	M01	TMC32A
	TMC3210CCU	M01	TMC32A
125	TLC1212CCA	M01	TLC12A
	TLC1212CCU	M01	TLC12A
	TLC1612CCA	M01	TLC16A
	TLC1612CCU	M01	TLC16A
	TLC2412CCA	M01	TLC24A
	TLC2412CCU	M01	TLC24A
	TLC612FCU	M01	TLC6FC
	TLC612FCUD	M01	TLC8FCD
	TLC612SCU	M01	TLC6SC
	TLC612SCUD	M01	TLC6SCD
	TLC812FCU	M01	TLC8FC
	TLC812FCUD	M01	TLC8FCD
	TLC812SCU	M01	TLC8SCD
	TLC812SCUD	M01	TLC8SCD
	TMC1612CCA	M01	TMC16B
	TMC1612CCU	M01	TMC16B
	TMC2012CCA	M01	TMC20B
	TMC2012CCU	M01	TMC20B
TMC2412CCA	M01	TMC24B	
TMC2412CCU	M01	TMC24B	
TMC3212CCA	M01	TMC32B	
TMC3212CCU	M01	TMC32B	
150	TMC2015CCA	M06	TMC20CD
	TMC2015CCU	M01	TMC20C
	TMC2015CCU	M06	TMC20CD
	TMC2415CCA	M06	TMC24CD
	TMC2415CCU	M01	TMC24C
	TMC2415CCU	M06	TMC24CD
	TMC3215CCA	M06	TMC32CD
	TMC3215CCU	M01	TMC32C
	TMC3215CCU	M06	TMC32CD
	TMC4015CCA	M06	TMC40AD
TMC4015CCU	M01	TMC40A	
TMC4015CCU	M06	TMC40AD	
200	TLC1620CCA	M01	TLC16B
	TLC1620CCU	M01	TLC16B
	TLC2020CCA	M01	TLC20A
	TLC2020CCU	M01	TLC20A
	TLC3220CCA	M01	TLC32A
	TLC3220CCU	M01	TLC32A
	TLC4020CCA	M01	TLC40A
	TLC4020CCU	M01	TLC40A
	TMC2020CCA	M06	TMC20DD
	TMC2020CCU	M01	TMC20D
	TMC2020CCU	M06	TMC20DD
	TMC3220CCA	M06	TMC32DD
	TMC3220CCU	M01	TMC32D
	TMC3220CCU	M06	TMC32DD
	TMC4020CCA	M06	TMC40BD

GE
41 Woodford Avenue, Plainville, CT 06062
www.geelectrical.com
© 2008 General Electric Company



imagination at work

Main Amp Rating	Load Center Cat. No.	Mod. No.	Front Cat. No.
200 <i>(continued)</i>	TMC4020CCU	M01	TMC40B
	TMC4020CCU	M06	TMC40BD
225	TLC4222CCA	M01	TLC42A
	TLC4222CCU	M01	TLC42A

Three Phase

Main Amp Rating	Load Center Cat. No.	Mod. No.	Front Cat. No.
100	TMC12410C	M01	TMC124A
	TMC18410C	M01	TMC184A
125	TMC30412C	M01	TMC304A
150	TLC18415C	M01	TLC184A
	TLC24415C	M01	TLC244A
200	TLC18420C	M01	TLC184B
	TLC30420C	M01	TLC304A
	TLC42420C	M01	TLC424A
	TMC42420C	M01	TMC424A
225	TLC30422C	M01	TLC304B
	TLC42422C	M01	TLC424B

International

Single Phase

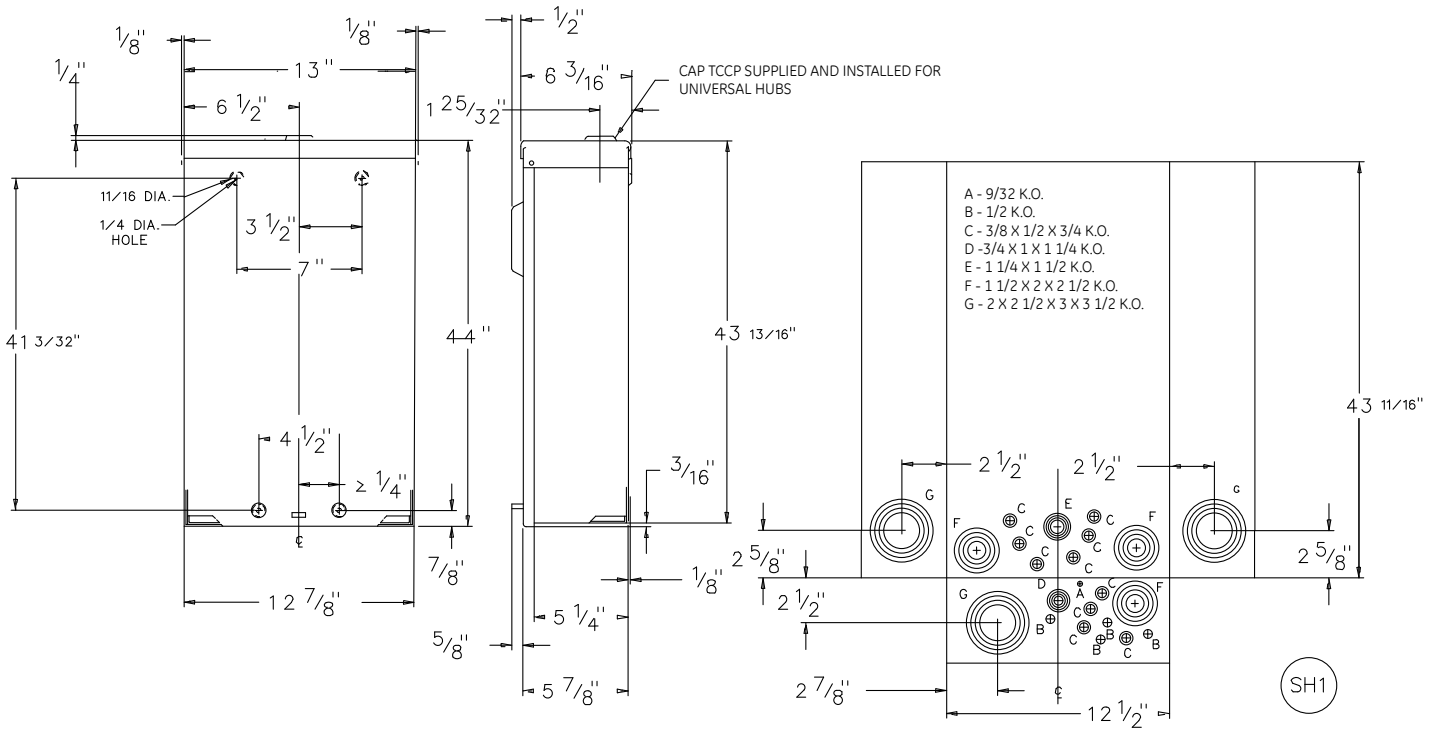
Main Amp Rating	Load Center Cat. No.	Mod. No.	Front Cat. No.
125	TLM1212CCUX2	M01	TLM12ACX
	TLM1612CCUX2	M01	TLM16ACX
	TLM2412CCUX2	M01	TLM2412
	TLM612FCUDX2	M01	TLM6FCD
	TLM612SCUDX2	M01	TLM6SCD
	TLM812FCUDX2	M01	TLM8FCD
	TLM812SCUDX2	M01	TLM8SCD
150	TL1615CCUX2	M01	TL16CX
	TL2015CCUX2	M01	TL20CX
200	TL2020CCUX2	M01	TL20ACX
	TL3220CCUX2	M01	TL32CX
	TL4020CCUX2	M01	TL40CX
225	TL4222CCUX2	M01	TL42DCX

Three Phase

Main Amp Rating	Load Center Cat. No.	Mod. No.	Front Cat. No.
100	TM12410CBX2	M01	TM12CBX2
	TM12410CBX2	M01	TM12CBX2
	TM12410CX2	M02	TM12ACX
	TM12410CX2LB	M02	TM12ACX
125	TM18410CX2	M02	TM18ACX
	TM18410CX2	M02	TM18ACX
150	TL12412CX2	M02	TL12ACX
	TM30412CX2	M02	TM30BCX
	TL18415CX2	M02	TL18ACX
	TL24415CX2	M02	TL24ACX
	TM24415CBX2	M02	TMB24BCX
	TM24415CBX2LB	M02	TMB24BCX
	TM24415CX2	M02	TM24BCX
	TM24415CX2LB	M02	TM24BCX
	TM30415CX2	M02	TM30BCX
	TM30415CX2LB	M02	TM30BCX
200	TM42415CX2	M02	TM42DCX
	TL18420CX2	M02	TL18BCX
	TL30420CX2	M02	TL30DCX
	TL42420CX2	M02	TL42BCX
	TM24420CX2	M02	TM24DCX
	TM24420CX2	M02	TM24DCX
	TM30420CX2	M02	TM30DCX
	TM42420CX2	M02	TM42ECX
	TM42420CX2	M02	TM42ECX
	TM42420CX2LB	M02	TM42ECX
225	TL30422CX2	M01	TL30ACX
	TL42422CX2	M01	TL42ACX
	TM42422CX2	M01	TM42BCX
	TM42422CX2	M01	TM42BCX

Most of the items in the shaded rows are obsolete. In addition to ordering the replacement front with the largest model number, order a new THQMV (KR main). The catalog number will be THQMVXXXD where XXX is the main breaker amp rating. Example: THQMV200D for a 200A main breaker.

GE Loadcentres



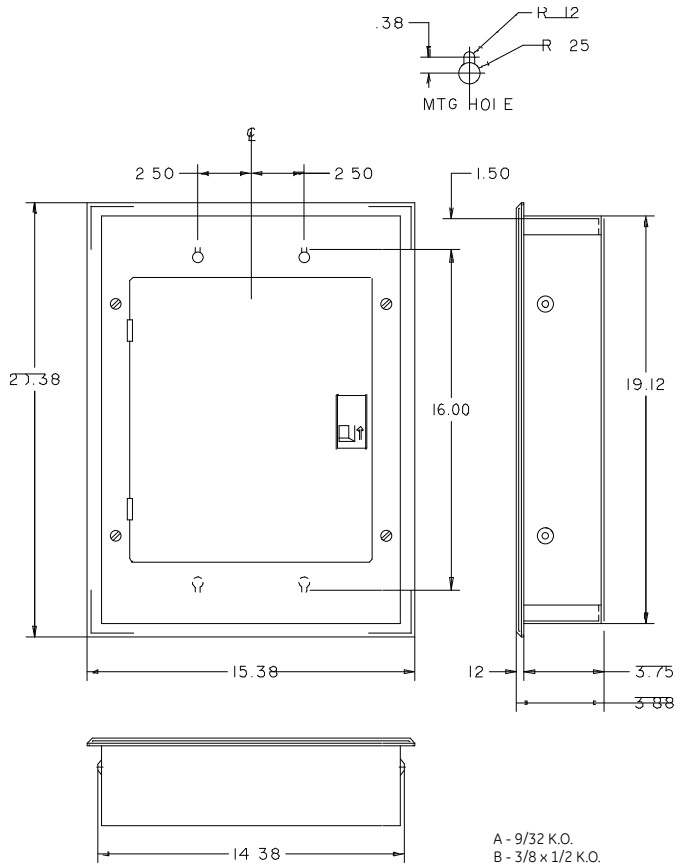
TLC4020RCA MODEL 1



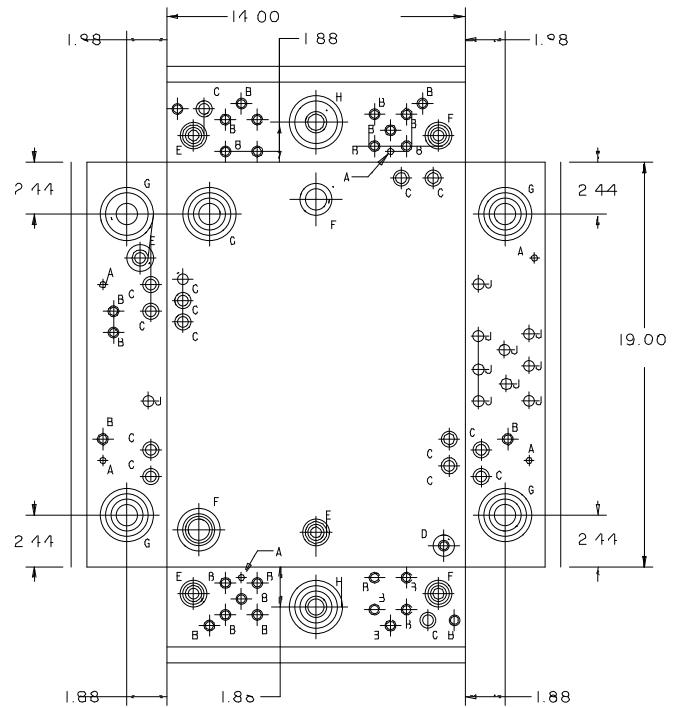
imagination at work

www.ge-ed.ca
 www.geindustrial.com
 1-800-GE-1STOP

GE Loadcentres



- A - 9/32 K.O.
- B - 3/8 x 1/2 K.O.
- C - 1/2 x 3/4 K.O.
- D - 3/8 x 1/2 x 3/4 x 1 K.O.
- E - 1/2 x 3/4 x 1 x 1 1/4 x K.O.
- F - 1 1/2 x 2 x 2 1/2 K.O.
- G - 2 x 2 1/2 x 3 x 3 1/2 K.O.
- H - 3/4 x 1 x 1 1/4 x 1 1/2 x 2 x 2 1/2 K.O.
- J - 1/2 K.O.



SH2

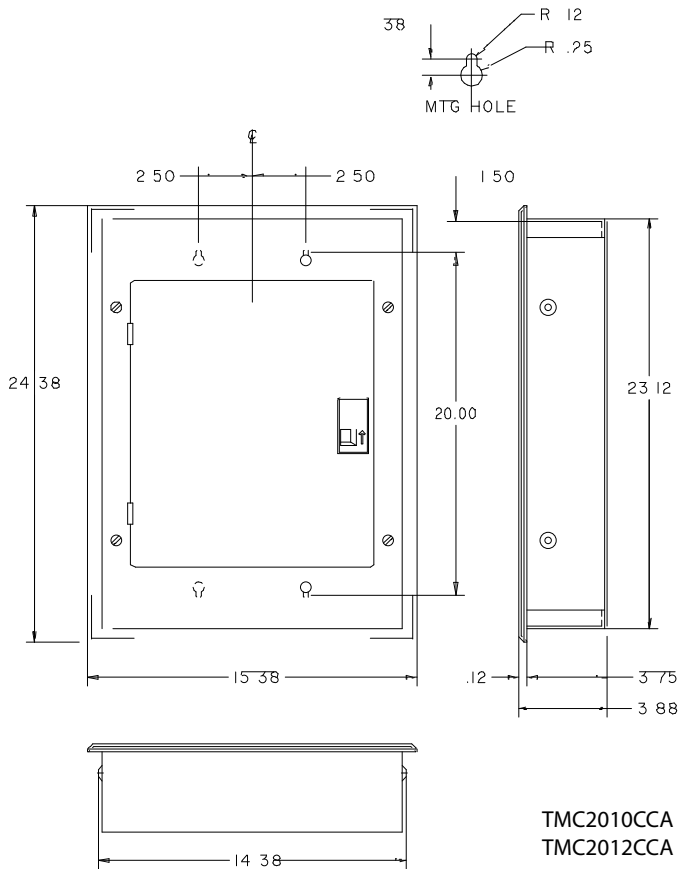
- TMC1210CCA1K
- TMC1210CCA
- TMC1270CCA
- TMC1610CCA1K
- TMC1610CCA
- TMC1612CCA
- TMC1670CCA
- TLC1212CCA
- TLC1612CCA



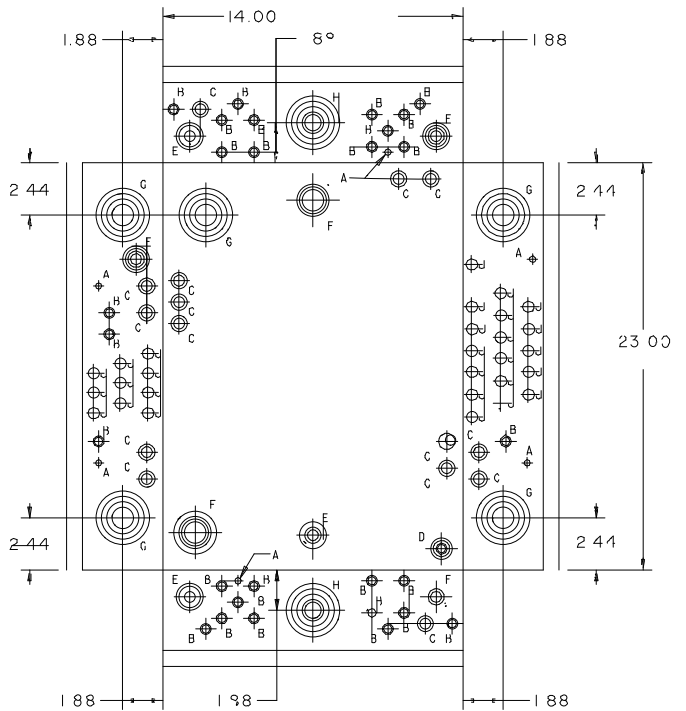
imagination at work

www.ge-ed.ca
 www.geindustrial.com
 1-800-GE-1STOP

GE Loadcentres



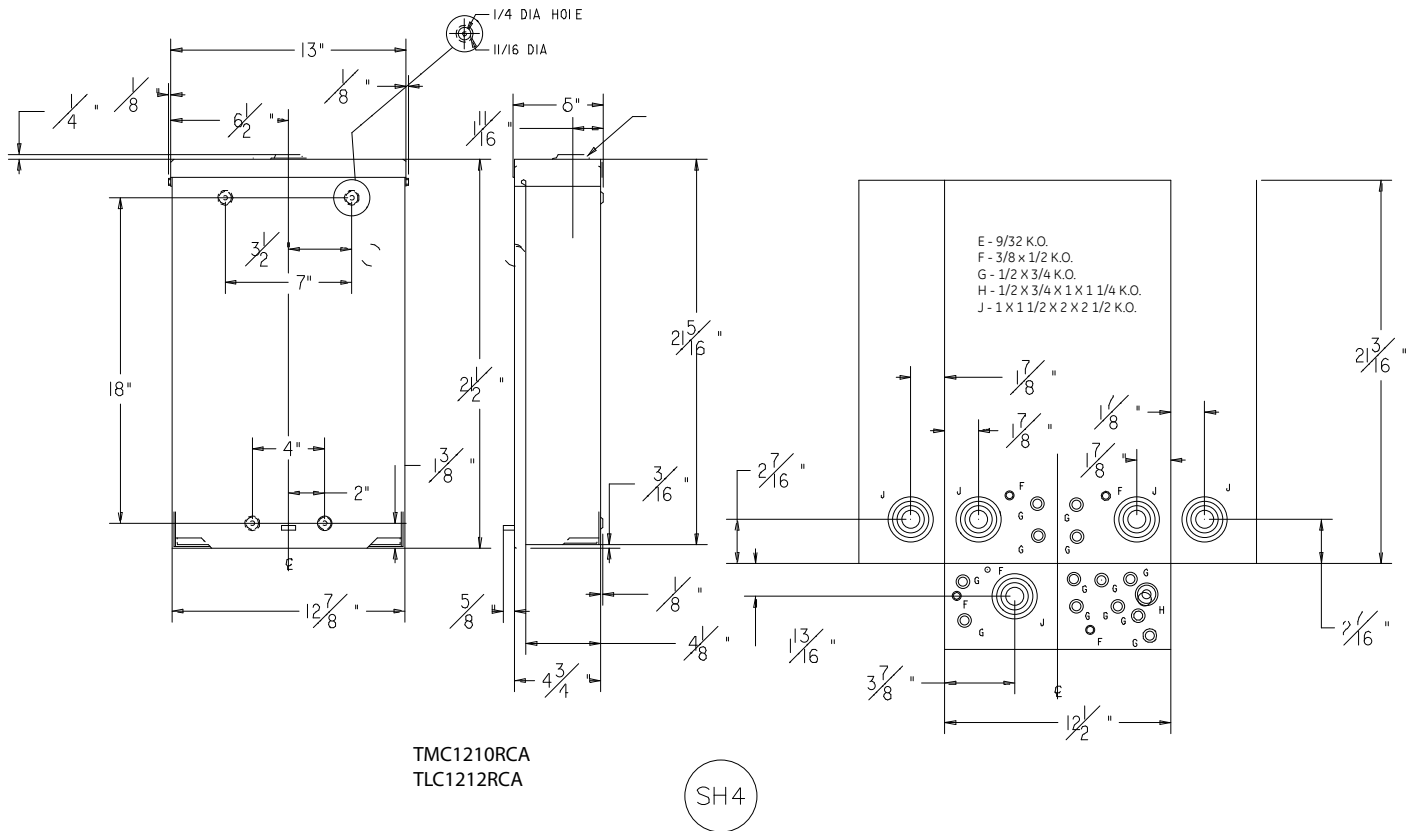
TMC2010CCA
TMC2012CCA



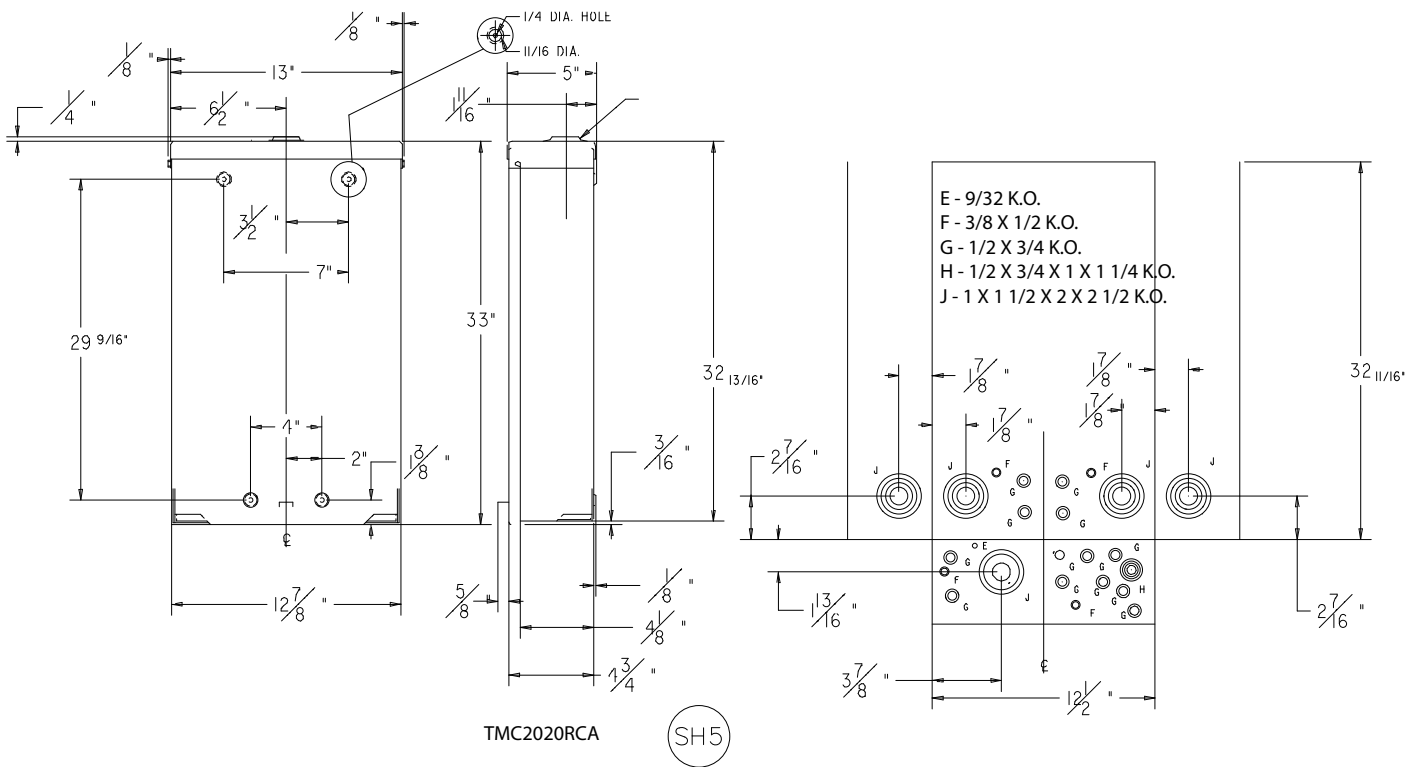
- A - 9/32 K.O.
- B - 3/8 x 1/2 K.O.
- C - 1/2 x 3/4 K.O.
- D - 3/8 x 1/2 x 3/4 x 1 K.O.
- E - 1/2 x 3/4 x 1 x 1 1/4 x K.O.
- F - 1 1/2 x 2 x 2 1/2 K.O.
- G - 2 x 2 1/2 x 3 x 3 1/2 K.O.
- H - 3/4 x 1 x 1 1/4 x 1 1/2 x 2 x 2 1/2 K.O.
- J - 1/2 K.O.



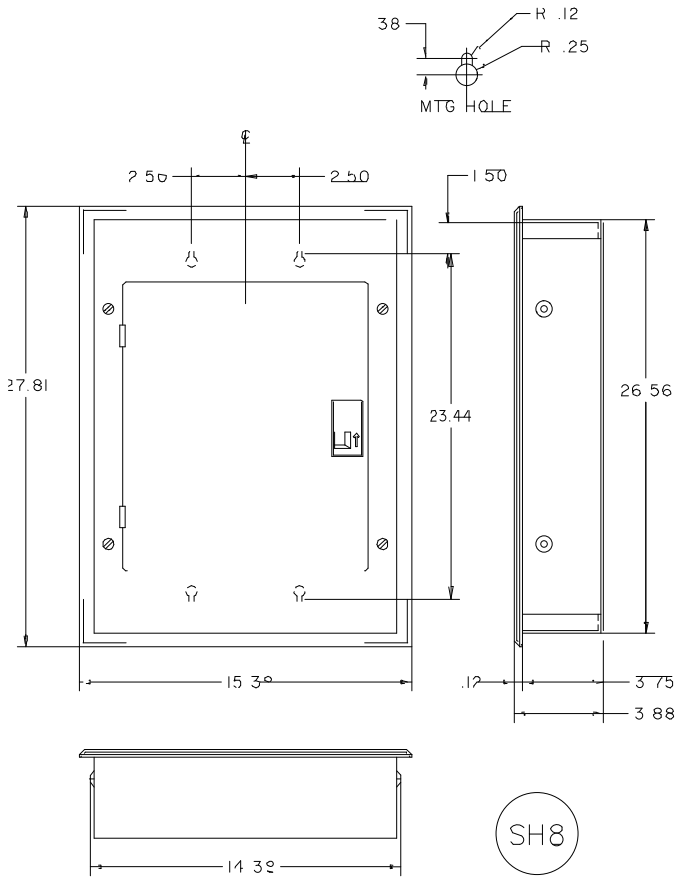
GE Loadcentres



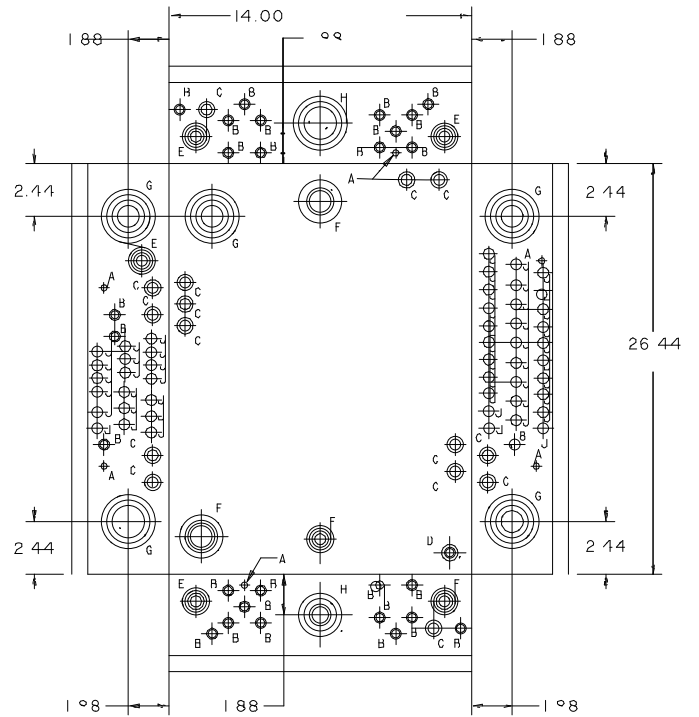
GE Loadcentres



GE Loadcentres



SH8



TLC1620CCA

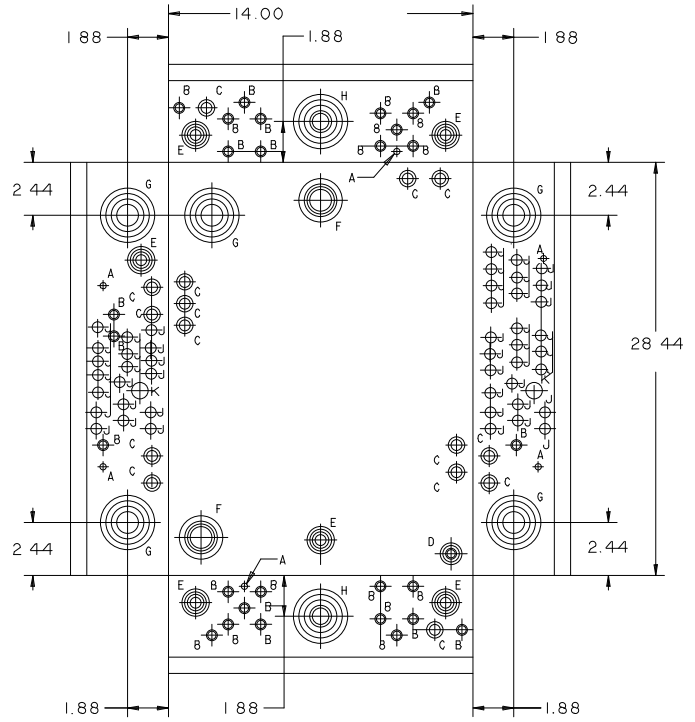
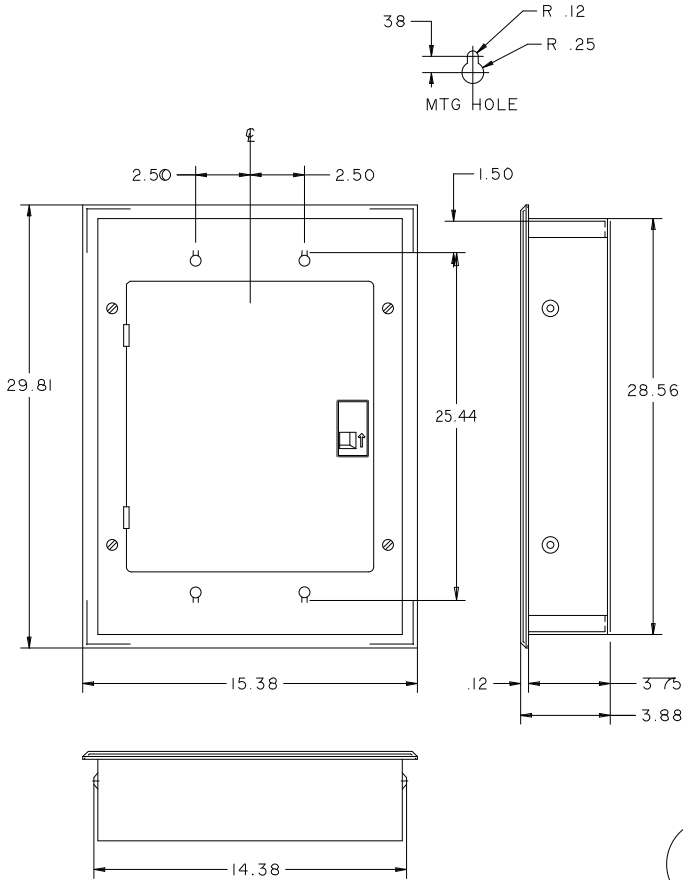
- A - 9/32 K.O.
- B - 3/8 x 1/2 K.O.
- C - 1/2 x 3/4 K.O.
- D - 3/8 x 1/2 x 3/4 x 1 K.O.
- E - 1/2 x 3/4 x 1 x 1 1/4 x K.O.
- F - 1 x 1 1/4 x 1 1/2 x 2 K.O.
- G - 1 x 1 1/2 x 2 x 2 1/2 K.O.
- H - 3/4 x 1 x 1 1/4 x 1 1/2 x 2 x 2 1/2 K.O.
- J - 1/2 K.O.



imagination at work

www.ge-ed.ca
www.geindustrial.com
1-800-GE-1STOP

GE Loadcentres



SH9

- A - 9/32 K.O.
- B - 3/8 x 1/2 K.O.
- C - 1/2 x 3/4 K.O.
- D - 3/8 x 1/2 x 3/4 x 1 K.O.
- E - 1/2 x 3/4 x 1 x 1 1/4 x K.O.
- F - 1 x 1 1/4 x 1 1/2 x 2 K.O.
- G - 1 x 1 1/2 x 2 x 2 1/2 K.O.
- H - 3/4 x 1 x 1 1/4 x 1 1/2 x 2 x 2 1/2 K.O.
- J - 1/2 K.O.
- K - 3/4 K.O.

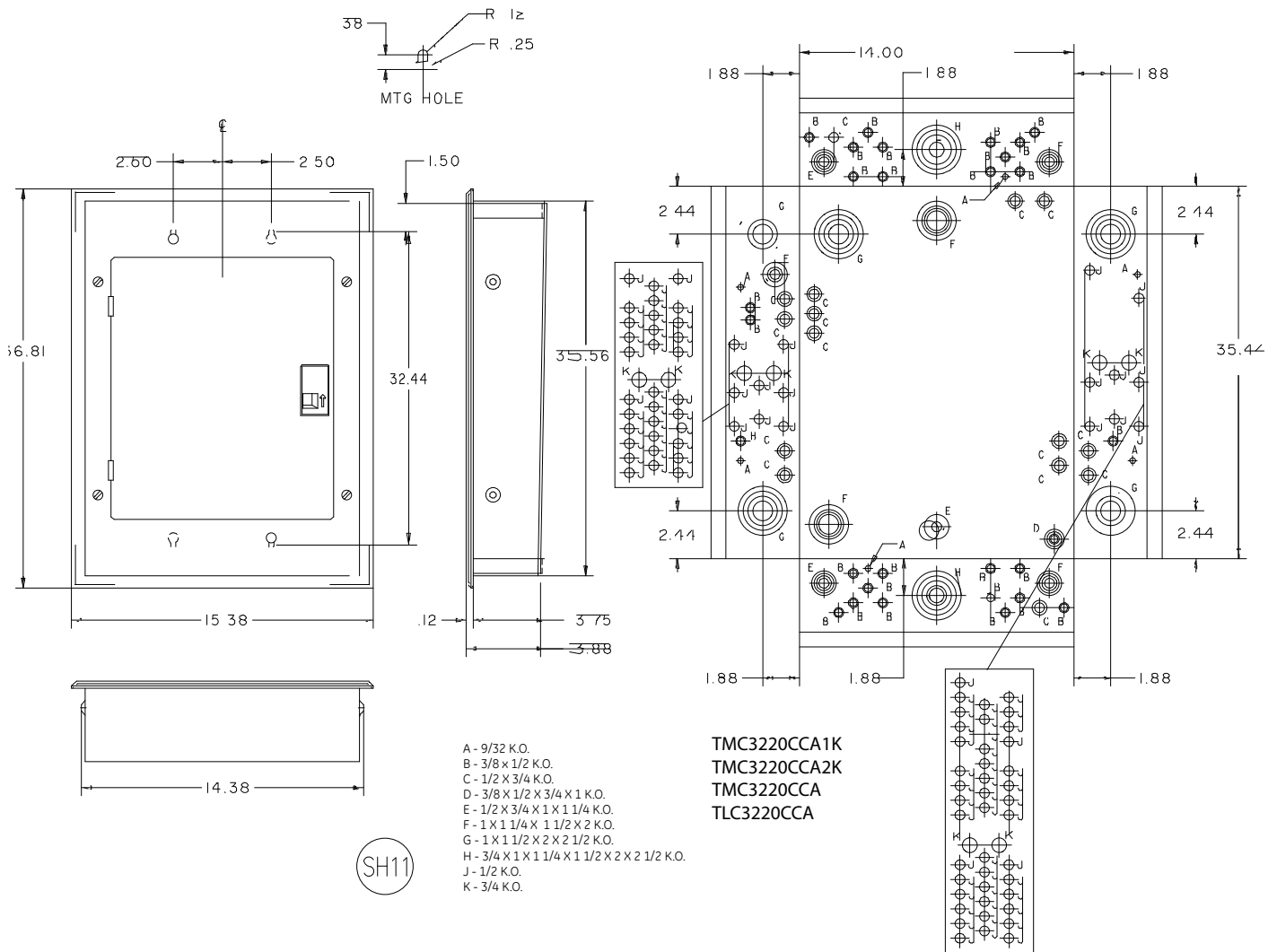
- TMC2015CCA
- TMC2020CCA1K
- TMC2020CCA
- TMC2415CCA
- TLC2020CCA



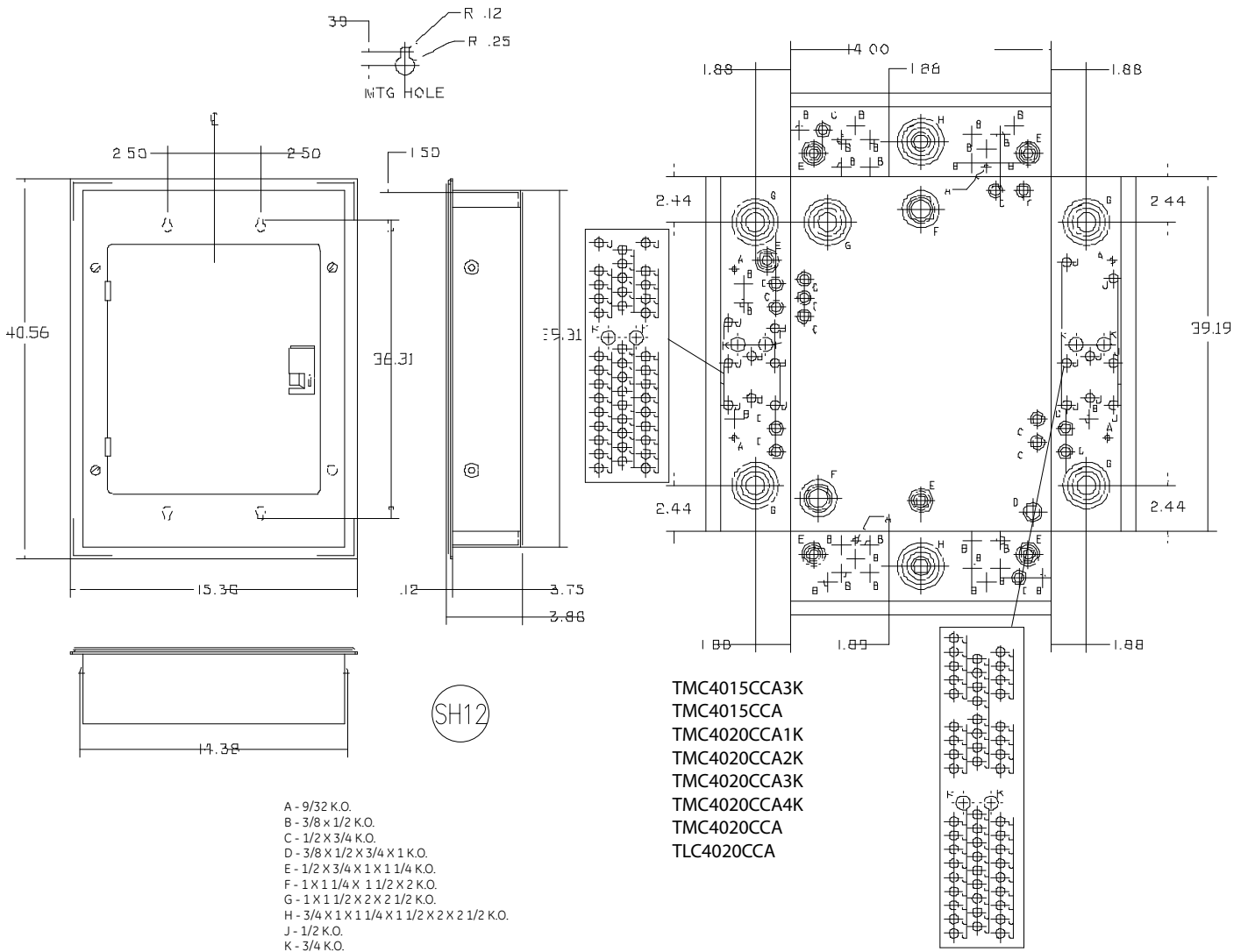
imagination at work

www.ge-ed.ca
www.geindustrial.com
 1-800-GE-1STOP

GE Loadcentres

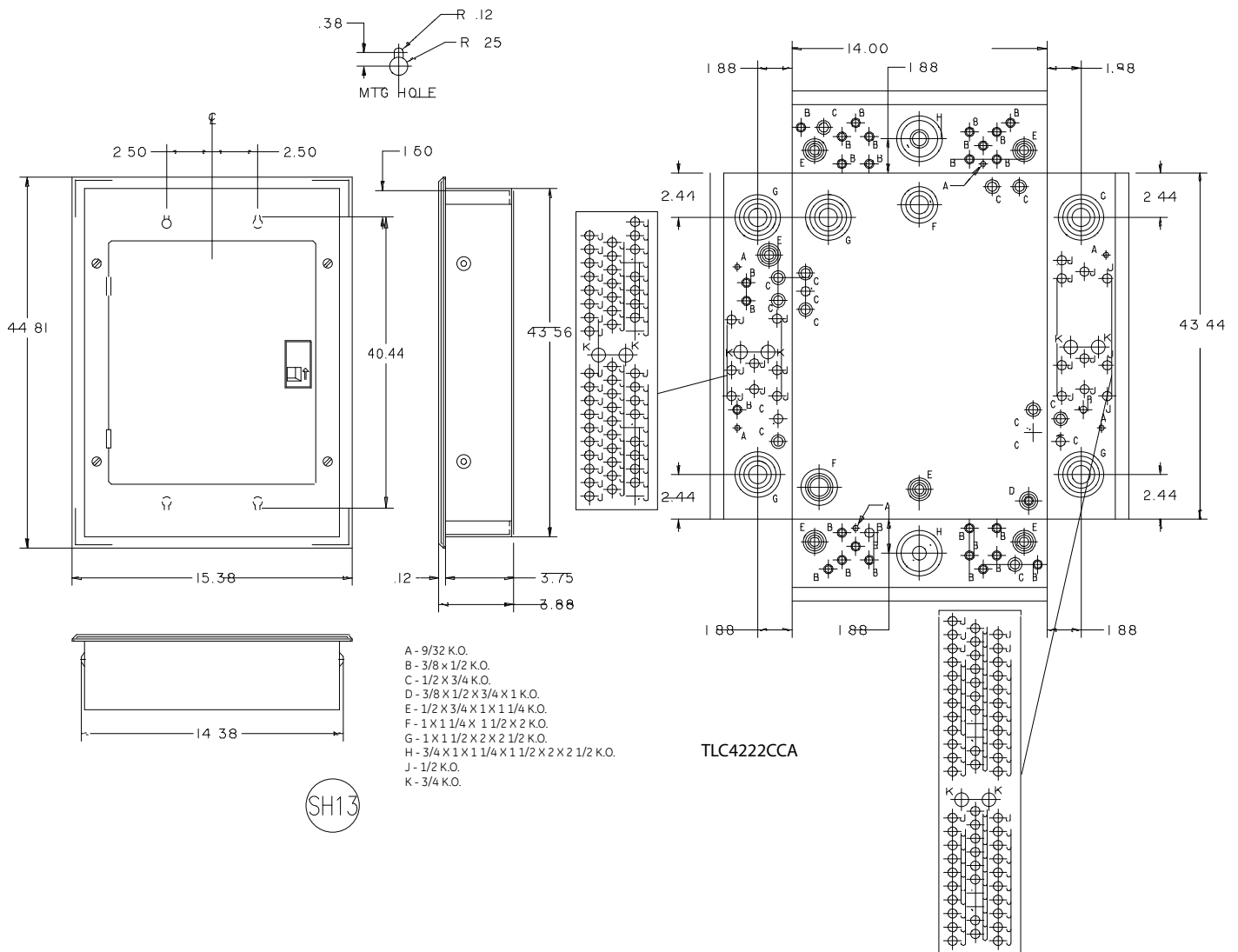


GE Loadcentres



www.ge-ed.ca
 www.geindustrial.com
 1-800-GE-1STOP

GE Loadcentres



GE Meter Centres

CATALOGUE #	DESCRIPTION
-------------	-------------

Meter Centre Tap Boxes for 4 Jaw, 5 Jaw and 7 Jaw Stacks

(jumper kits and ground bus kits NOT required)

TMPC3L4R	Tap box 400A max., 1ph or 3ph; (1) 600MCM max or (2) 250MCM max.
TMPC3L6R	Tap box 600A max., 1ph or 3ph; (2) 250-500MCM max.
TMPC3L8R	Tap box 800A max., 3ph; (4) 250-500MCM Note: Use this tap box when 3 X 250MCM at 600A
TMPC3FT8	Feed-thru tap box 800A max., 1ph or 3ph; (4) 250-500MCM in and out

Meter Centre and Tenant Breakers for 5 Jaw and 4 Jaw Stacks

(jumper kits and ground bus kits NOT required)

TMPC8612R	Meter stack, 6HI, 125A max., 5 Jaw, 3ph Hor. Bus; note: 3ph incoming
TMPC8312R	Meter stack, 3HI, 125A max., 5 Jaw, 3ph Hor. Bus; note: 3ph incoming
TMPC612R	Meter stack, 6HI, 125A max., 4 Jaw, 1ph Hor. Bus; note: 3ph incoming
TMQRL21100	2P 100A stack brk for 125A stacks, 10KAIC @ 208v
TMQRHL21100	2P 100A stack brk for 125A stacks, 22KAIC @ 208v
TMQRL21125	2P 125A stack brk for 125A stacks, 10KAIC @ 208v
TMQRHL21125	2P 125A stack brk for 125A stacks, 22KAIC @ 208v

Meter Centre and Tenant Breakers for 7 Jaw Stacks

(jumper kits and ground bus kits NOT required)

TMPC312410R	Meter stack, 4HI, 100A max., 7Jaw, 3ph in and out
TMQG32100	3P 100A stack brk for 100A stacks, 65kaic @ 208v
TMPC312420R	Meter stack, 4HI, 200A max., 7Jaw, 3ph in and out
TMQE32100	3P 100A stack brk for 200A stacks, 65KAIC @ 208v
TMQE32125	3P 125A stack brk for 200A stacks, 65KAIC @ 208v
TMQE32150	3P 150A stack brk for 200A stacks, 65KAIC @ 208v
TMQE32200	3P 200A stack brk for 200A stacks, 65KAIC @ 208v

Meter Centre Accessories for all Stacks

TMPCP	Blank Meter socket cover
-------	--------------------------



www.ge-ed.ca
www.geindustrial.com
1-800-GE-1STOP

GE Industrial Multi-Metering



Designed for Main and Sub-Service switching and Metering of residential, commercial, and industrial applications.

Suitable for single-phase, three-wire 120/240 Vac or three-phase, four-wire 120/208 Vac systems, and sub service ratings of 100, 125 and 200 Amp. Available with a selection of Meter modules that have three or six Meter sockets and a main service module that can be provided with a choice of Lug, Breaker or Fusible device. Metering also available for applications that require 7 jaw, 3 phase in, 3 phase out [4w/4w] with one or four socket(s). GE Industrial Meter centres are designed to meet CSA requirements for "cold Metering".

Description	
Product Styles	2-4
240V Main Service Modules	5-8
240V Residential Meter Stack Modules - TMPC 5 Jaw Design	10-11
240V Commercial Meter Stack Modules - TMPC 7 Jaw Design	12-13
Dimensions and Knock-outs Main Service Modules	15-16
Dimensions, Knock-outs, Wiring Diagrams - TMPC Design	17-19
Product Index	20-23

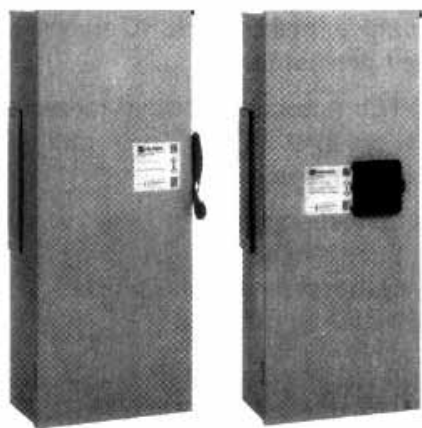


imagination at work

www.ge-ed.ca
www.geindustrial.com
1-800-GE-1STOP

GE Meter Centres

Main Service Modules - 5 Jaw and 7 Jaw Design



- Offering: main terminal/lug compartment, main circuit breaker, main fusible switch.
- Mechanically and electrically built for use with TMPC modular Metering stacks.
- Due to 800A cross bus rating on 5 Jaw design, if main is rated higher than 800A, modular Metering stacks must be centre fed from the main service module.
- Type 3R enclosure (rainproof).

Residential Modular Metering Stacks - 5 Jaw Design



- Mechanically and electrically built to bolt-up with main service modules and commercial modular Metering stacks.
- Offered with four horizontal cross bus (for 3-phase incoming voltage systems).
- All devices include fifth jaw as standard
- Type 3R enclosure (rainproof).

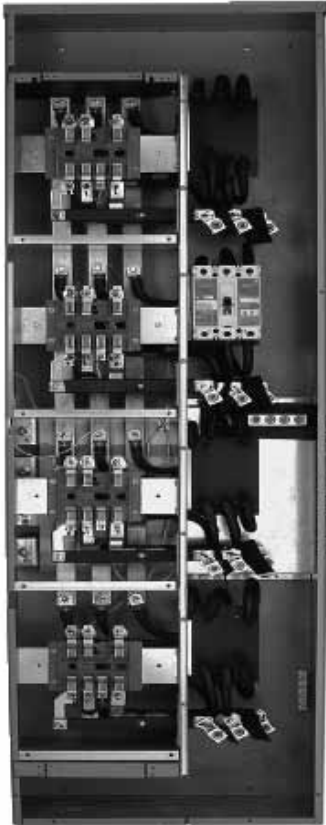


imagination at work

www.ge-ed.ca
www.geindustrial.com
1-800-GE-1STOP

GE Meter Centres

Commercial Modular Metering Stacks - 7 Jaw Design



- Mechanically and electrically built to bolt-up with main service modules and commercial modular Metering stacks.
- All commercial modular Metering stacks contain four horizontal cross.
- Applications:
 - Light commercial multiple Metering projects
 - 3ph in 3ph out (4W/4W)
 - Type 3R enclosure bus.



imagination at work

www.ge-ed.ca
www.geindustrial.com
1-800-GE-1STOP

GE Meter Centres

Main Service Modules



Main Terminal Box



Main Circuit Breaker



Main Fusible Switch

- Main Terminal Box.
- Main Circuit Breaker.
- Main Fusible Switch.
- Three-phase mains couple to any modular Metering stack TMPC for both 5 and 7 jaw stacks.
- 3-phase mains require 3-phase bussed stacks. These modular Metering stacks are TMPC styles.
- Since TMPC 5 Jaw Meter stacks have a horizontal bus rating of 800A, any main device rated more than 800A needs to centre feed these downstream Meter stacks.
- Enclosures EEMAC, 3R.
- All main service modules include both left and right horizontal bus closure plates.
- Feed through cable connection tap box available for TMPC design.
- For Service Entrance rating or grounding, use GRDKIT.



imagination at work

www.ge-ed.ca
www.geindustrial.com
1-800-GE-1STOP

GE Meter Centres

Main Terminal Box

- Top/bottom feed
- Phase and neutral lugs included with the following devices.
- Terminal box CSA listed short circuit rating is the least AIC rating of any installed main tenant breaker - to a maximum of 100 kaic RMS symmetrical amperes.
- Enclosure type 3R rainproof, order Myers type hubs for outdoor use.
- Refer to page 16 for dimensions.

Ampere Rating	System Voltage		Line Side Lugh and Wire Sizes Lugs included with Terminal Box
	120/240V AC 1-Phase, 3-Wire	120/208V AC 3-Phase, 4-Wire	
	Catalogue Number	Catalogue Number	
400	Use 3 Phase	TMPC3L4R	(1) #6-600 kcmil or ^{(6) (7)} (2) 1/0-250 kcmil
600	Use 3 Phase	TMPC3L6R	(2) 250-500 kcmil ^{(4) (6) (7)}
800	TMPC3L8R	TMPC3L8R	(4) 250-500 kcmil ^{(2) (5)}
1200	TMPC3L12R(1)	TMPC3L12R(1)	(4) 250-500 kcmil ^{(3) (5)}

- 1) Main devices with a rating of greater than BOOA can be used in centre feed applications only with residential type Meter slacks.
- 2) To obtain (4) 1/0-300 kcmil or (2) 1/0-750 kcmil cables per phase - order catalogue number TMPP3L8BLK, one lug kit per cable tap box required.
- 3) To obtain (6) 1/0-300 kcmil or (3) 750 kcmil cables per phase - order catalogue number TMPP3L12BLK, one lug kit per cable tap box required.
- 4) For compression lug landing kit, order TMPPLK2 Kit includes lug landings for 3 phases and neutral
- 5) For compression lug landing kit, order TMPP3LKBLK. Kit includes lug landings for 3 phases and neutral.
- 6) To obtain (1) 750 kcmil cables per phase - order catalogue number TMPPLK2, one lug kit per pole or neutral required.
- 7) To obtain (3) 1/0-250 kcmil cables per phase - order catalogue number 3MTB600BLK, one lug kit per cable tap box required.



imagination at work

www.ge-ed.ca
www.geindustrial.com
1-800-GE-1STOP

GE Meter Centres

Main Circuit Breaker

- Phase and neutral lugs included with the following devices.
- Top/Bottom feed.
- For shunt trip mains, order the field installable shunt trip kit.
- Main breaker included.
- Enclosure type 3R use Myers type hubs for outdoor use.
- Can be factory supplied as "Reverse Fed." Must be specified at time of purchase.

Main Ampere Rating	Main Circuit Breaker Type	Feed	A/C	System Voltage		Line Side Lug and Wire Sizes, Lugs included with Main Breaker
				120/240V AC 1-Phase 3-Wire	120/208V AC a-Phase 4-Wire	
				Catalogue #	Catalogue #	
200	SFH	Top/Bottom	65k	TMPCSB4R	TMPC3SB4R	(2) 3/0-250 kcmil or (4) (1) 2/0-500 kcmil
250	SFH	Top/Bottom	65k	TMPCSB4R	TMPC3SB4R	
	SFL	Top/Bottom	100k	TMPCSHB4R	TMPC3SHB4R	
300	SGH	Top/Bottom	65k	TMPCSB4R	TMPC3SB4R	
	SGL	Top/Bottom	100k	TMPCSHB4R	TMPC3SHB4R	
350	SGH	Top/Bottom	65k	TMPCSB4R	TMPC3SB4R	
	SGL	Top/Bottom	100k	TMPCSHB4R	TMPC3SHB4R	
400	SGH	Top/Bottom	65k	TMPCSB4R(2)(6)	TMPC3SB4R(2)(6)	
	SGL	Top/Bottom	100k	TMPCSHB4R(2)(6)	TMPC3SHB4R(2)(6)	(2) 300-500 kcmil (4)
500	SGH	Top/Bottom	65k	TMPCSB6R	TMPC3SB6R	
	SGL	Top/Bottom	100k	TMPCSHB6R	TMPC3SHB6R	
600	SGH	Top/Bottom	65k	TMPCSB6R(2)	TMPC3SB6R(2)	
	SGL	Top/Bottom	100k	TMPCSHB6R(2)	TMPC3SHB6R(2)	(3) 300-400 kcmil (4) (5)
700	SKH	Top/Bottom	65k	TMPCSB8R	TMPC3SB8R	
	SKL	Top/Bottom	100k	TMPCSHB8R	TMPC3SHB8R	
800	SKH	Top/Bottom	65k	TMPCSB8R(2)	TMPC3SB8R(2)	(4) 4/0-500 kcmil (3) (4)
	SKL	Top/Bottom	100k	TMPCSHB6R(2)	TMPC3SHB6R(2)	
900	SKH	Top/Bottom	65k	TMPCSB10R(1)(2)	TMPC3SB10R(1)(2)	
1000	SKH	Top/Bottom	65k	TMPCSB10R(1)(2)	TMPC3SB10R(1)(2)	(4) 4/0-500 kcmil (3) (4)
1200	SKH	Top/Bottom	65k	TMPCSB12R(1)(2)	TMPC3SB12R(1)(2)	

- 1) Main devices with a rating of greater than 800A can be used with residential modular stacks but only as a centre fed main.
- 2) Add CL to end of catalogue number for compression lug pad (includes lug pads for lines and neutral).
- 3) If (3) 500-750 kcmil are needed, order TCAL124. Order one kit per pole.
- 4) If additional neutral lugs are needed, order TMP3B12NLK [(3) 1/0-750 kcmil or (6) 1/0-300 kcmil].
- 5) If (2) 500-750 kcmil are needed, order TCAL124. Order one kit per pole.
- 6) If (1) 750 kcmil are needed, order 800 Amp SK frame/400 Amp Rating Plug and TCAL124 Lugs.



www.ge-ed.ca
www.geindustrial.com
1-800-GE-1STOP

GE Meter Centres

Main Fusible Switches

- Fuses not included.
- Main lugs and neutral included with device.
- Enclosure type 3R rainproof, order Myers type hubs (page 11) for outdoor use.
- 100 kaic rating on switches with Class T fuses installed. If converted to Class H, the AIC rating is 10k and if converted to Class R, or J fusing the AIC rating is 200k.

Ampere Rating	Feed	System Voltage		Class Fuse Clips Fuses Not Included	Line Side Box Lugs and Wire Sizes included with Switch
		120/240V AC 1-Phase, 3-Wire	120/208V AC 3-Phase, 4-Wire		
		Catalogue #	Catalogue #		
400	Bottom	TMPCFB4R	TMPC3FB4R	T ⁽¹⁾	(2) 1/0-300 kcmil or (1) 750 kcmil ⁽⁴⁾
	Top	TMPCFT4R	TMPC3FT4R	T ⁽¹⁾	(2) 1/0-300 kcmil or (1) 750 kcmil ⁽⁵⁾
600	Bottom	TMPCFB6R	TMPC3FB6R	T ⁽²⁾	(2) #2-600 kcmil ⁽⁴⁾⁽⁷⁾⁽⁹⁾
	Top	TMPCFT6R	TMPC3FT6R	T ⁽²⁾	(2) #2-600 kcmil ⁽⁵⁾⁽⁷⁾⁽⁹⁾
800	Bottom	TMPCFB8R	TMPC3FB8R	T ⁽²⁾	(4) #3/0-750 kcmil ⁽⁴⁾
	Top	TMPCFT8R	TMPC3FT8R	T ⁽²⁾	(4) #3/0-750 kcmil ⁽⁵⁾
1200	Bottom	TMPCFT12R(6)	TMPC3FT12R(6)	L	(4) #2 to 500 kcmil ⁽⁸⁾⁽⁹⁾

1) If Class H fuse clips are needed, use catalogue number WCG3HK400. If Class R fuse clips are needed, order catalogue number DS56FK in addition to WCG3HK400. In order to go from T to R, the device must first be converted to H. Kits are field installable and each kit will convert 1 pole.

2) If Class H fuse clips are needed, use catalogue number WCG3HK600. If Class R fuse clips are needed, order catalogue number DS66FK in addition to WCG3HK600. In order to go from T to R, the device must first be converted to H. Kits are field installable and each kit will convert 1 pole.

Note: Class J Fuse Clip Kit for 400 and 600A use TMPCJ6 @ Class T fuse clips provided are field convertible to Class L by repositioning. No kit is needed.

3) If compression lugs are being used, order TMPP3F8CLL1. This compression lug kit includes four pads (3 poles and neutral).

4) If compression lugs are being used, order 3MFS800CLKT Top Feed. This compression lug kit includes four pads (3 poles and neutral).

5) For top feed application cables must be looped.

6) To obtain (1) 750 kcmil order 1 MFS600BLK one lug kit per pole required.

7) To obtain (3) 750 kcmil cable per phase order TMPIF12NLK, one lug kit per pole required.

8) If additional neutral lugs needed order 1MFS1200LKN (3) 750 kcmil! cables per phase.



imagination at work

www.ge-ed.ca
www.geindustrial.com
1-800-GE-1STOP

TMPC Meter Stack Modules

A. Barrier

Meter socket and tenant main breaker/wireway sections are separated by a solid metal barrier to guard unMetered bus against power theft.

B. Tenant Breaker

Reliable busbar-to-busbar connection. 200 ampere modules accept bolt-on breakers (not Sal) 60-200 amperes. 125 ampere modules accept 15-125 ampere plug-on breakers.

C. Factory Phase Balanced

All Meter centres are factory phase balanced for ease and speed of installation.

D. Neutral Assembly

A convenient termination for neutral conductors is in the wireway of each module.

E. Enclosed Horizontal Bus

Added security because a non-removable barrier exercises 800 ampere horizontal bus passing through tenant breaker section on 5 Jaw design.

F. Equipment Ground Bar

Factory installed in side gutter, a standard feature that's movable to the top or bottom gutter.

G. Continuous Ground

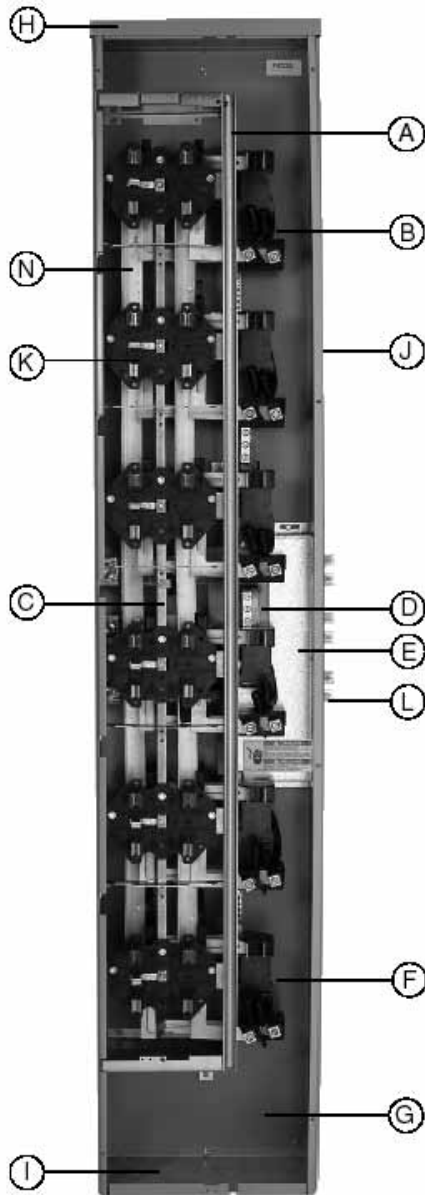
A convenient lay-in lug is attached to the back of all cells. No longer do you need to purchase ground bar kits. Just remove knockouts and run your ground cable from cell to cell.

H. Raintight Cap

Shipped on all TMPC Meter modules. Enclosure type 3R rainproof.

I. Knockouts

Tangential in top and bottom, concentric in removable backwall plate



J. Superior Finish

Rust inhibiting phosphate primer and grey baked enamel is standard. All outdoor enclosures are of galvanized steel construction

K. Meter Socket

Our unique Meter socket base is installed without any fasteners reducing chances for hot spots, easily replaceable, and improves connection to vertical bus.

L. Bus Connection

Mains and modules slip together quickly, smoothly with front-accessible captive bolts securing the juncture without removing socket interiors or bus access plate. No additional Bus Links required. Main bus joint bolts torque to 25 foot pounds.

M. Separate Wireway Cover

Separate covers allow easy access to tenant breaker and wireway section, permit work on breakers or in wireway without disturbing Meters or Meter covers (not shown).

N. Vertical Busbar

One-piece vertical busbar removes most of the standard electrical joints to the Meter socket. Eliminating any chance of "hot spots" from multiple connection points.

O. Horizontal Mounting Rail

To speed up and simplify installations, a two piece Mounting Rail is included with each Meter stack. Swing away feet located at the top and bottom of structure can be utilized for wall mounting (not shown).

P. Padlock HASP

Included for additional security when required (not shown).

GE Meter Centres

TMPC Residential Meter Stack Modules - 5 Jaw Design

- Stacks with 1-phase horizontal bus are rated 240/120V, 1-phase, 3-wire. Stacks with 3-phase horizontal bus are rated 208Y/120V, 3-phase, 4-wire but can be used on 240/120V, 3-phase, 4-wire delta systems.
- All 3-phase horizontal bus modules have 4-wire, 800A cross bus and all stacks are factory balanced for ease of installation.
- Short circuit ratings up to 100,000A RMS symmetrical depending upon Ale rating of installed main tenant circuit breakers and main device.
- Lay-in Lug is attached to back of every cell. Removal of K/O allows ground cable to run from cell to cell.
- Main tenant feeders can exit top or bottom. Knockouts are available at all exit locations.
- Type 3R enclosure. If being used in outdoor application and exiting the top, mount Myer type hubs on rainproof cap.
- Provision for 2-pole breaker. Plug-on type for 125A Meters and bolt-on type for 200A Meters. Circuit breakers not included..
- Available in three and six Meter socket configuration, 5 jaw standard.

Amperes per Meter Socket	Number of Meter Sockets	Bus Ampacity	Enclosure Type	1-Phase Horizontal Bus (3 Horizontal Bus Bars - A, B and Neutral)	3-Phase Horizontal Bus (4 Horizontal Bus Bars - A, B, C and Neutral)	Main Tenant Breaker Type For Specific Catalogue Number refer to page 9
				Catalogue Number	Catalogue Number	
125	3	800	Indoor & Outdoor	-	TMPC8312R ⁽¹⁾	Plug on Type TMQRL TMQRHL TMQL
	6		Indoor & Outdoor	TMPC612 ⁽¹⁾	TMPC8612R ⁽¹⁾	
200	3	800	Indoor & Outdoor	TMPC612R ⁽¹⁾	TMPC8320R ⁽¹⁾	Bolt-on Type TMQRD TMQ TMQRHD

Wire Sizes: Neutral and Ground Lugs

- Each stack includes a neutral and ground bar.
 - If an extra ground bar is needed order 1 MMGBK
- 1) Fifth jaw at 9 o'clock position included as standard.
Can be field adjusted to the 3, or 6, or 12 o'clock position.

LUG IN METER SOCKET MODULES	WIRE SIZE, AI/CU
Branch Neutral	#6-2/0
125A socket module	
Branch Neutral	#1/0-300 kcmil
200A socket module	
Equipment Ground Bar	#14-#2
125A socket module	
Equipment Ground Bar	#14-2/0
200A socket module	
Optional Ground Bar (1 MMGBK)	#6-2/0



imagination at work

GE Meter Centres

TMPC Main Tenant Circuit Breakers – 5 Jaw Design

- The following breakers are to be used on TMPC6 and TMPC8 modular Metering stacks.
- 120/240V AC - field installed.



Description	# of Poles	Main Tenant Circuit Breaker Ampere Rating	10,000 AIC	22,000 AIC	25,000 AIC	42,000 AIC	100,000 AIC
			Catalogue Number	Catalogue Number	Catalogue Number	Catalogue Number	Catalogue Number
Plug-in type circuit breakers used with TMPC 125A modular stacks	2	60	TMQRL260	TMQRHL2160	-	TMQL2160	-
	2	70	TMQRL270	TMQRHL2170	-	TMQL2170	-
	2	80	TMQRL280	TMQRHL2180	-	TMQL2180	-
	2	90	TMQRL290	TMQRHL2190	-	TMQL2190	-
	2	100	TMQRL21100	TMQRHL2100	-	TMQL21100	-
	2	110	TMQRL21110	TMQRHL21110	-	TMQL21110	-
	2	125	TMQRL21125	TMQRHL21125	-	TMQL21125	-
Bolt-on (1) (2) circuit breakers used with TMPC 200A modular stacks	2	60	-	-	-	-	TMQD22060
	2	70	-	-	-	-	TMQD22070
	2	80	-	-	-	-	TMQD22080
	2	90	-	-	-	-	TMQD22090
	2	100	TMQRD22100	-	TMQRHD22100	-	TMQD22100
	2	125	TMQRD22125	-	TMQRHD22125	-	TMQD22125
	2	150	TMQRD22150	-	TMQRHD22150	-	TMQD22150
	2	175	TMQRD22175	-	TMQRHD22175	-	TMQD22175
2	200	TMQRD22200	-	TMQRHD22200	-	TMQD22200	

- 1) Mounting hardware kit for TMQRD AND TMQRHD type (bolt-on) breakers included in 200A Meter stack.
- 2) Load side lugs included with 200 Amp Stack Breaker.

Feed through Cable Connection Tap Box - 5 Jaw and 7 Jaw Design

Ampere Rating	Entry Side	System Voltage 120/208V 3ph 4W	H	W	D	Conductors Per Phase cu/al "IN" and "OUT" Lugs supplied with Box
		Catalogue Number				
800	Top/Bottom	TMPC3FT8 ⁽¹⁾	46 1/8"	26 1/2"	8 1/2"	(4) 250-500 kcmil "IN" (4) 250-500 kcmil "OUT"
1200	Top/Bottom	TMPC3FT12 ⁽²⁾	50 3/4"	26 5/8"	9"	same as above

- 1) To obtain (4) 1/0 - 750 kcmil (2 in/2 out) cables per phase - order catalogue number TMPCFT8LUG.
- 2) To obtain (3) #2 - 750 kcmil (2 in/2 out) cables per phase - order catalogue number TMPCFT12LUG.
 - Feed through Tap Boxes are required when cables enter and exit at the same end of the Meter Centre. No KO's are provided.
 - Cable connection Tap Boxes may be used for Subfeeds. Mount on opposite end to main cable entry.



imagination at work

www.ge-ed.ca
www.geindustrial.com
1-800-GE-1STOP

7Jaw 208V Metering Products

Commercial Meter Stack Modules - TMP Series 7 Jaw Design

TMP Series Commercial Meter Stack Modules: 7 Jaw Meter stacks are available in 100 and 200 amps. 3 phase in, 3 phase out (4W/4W), 240V AC max.

Shortcircuit ratings up to 100,000 ARMS symmetrical depending upon AIC rating of installed main tenant circuit breakers and main device.

Lay-in Lug is attached to the back of every cell. Removal of K/O allows ground cable to run from cell to cell.

Main tenant feeders can exit top or bottom. Knockouts are available at all exit locations. Type 3R enclosure. If being used in outdoor application and exiting the top, mount Myer type hubs on rainproof cap.

Wire Sizes: Neutral and Ground Lugs

Lugs in Meter Socket Modules	Wire Size, Al/Cu
Branch Neutral - 100A Socket Module	#1/0 - 300MCM
Branch Neutral - 200A Socket Module	#1/0 - 300MCM
Equipment Ground Bar 100A Socket Module	#6 - 2/0
Equipment Ground Bar 200A Socket Module	#6 - 2/0
Optional Ground Bar (1 MMGBK)	#6 - 2/0



Each stack includes a neutral and ground bar. If an extra ground bar is needed order 1 MMGBK

Amperes per Meter Socket	Number of Meter per Stack	Bus Ampacity	Enclosure Type	3-Phase Horizontal Bus (4 Horizontal Bus Bars - A, B, C and Neutral)	Main Tenant Breaker Type For Specific Catalogue Numbers
100	4	1200	Indoor & Outdoor	TMPC312410R	Bolt on Type TMQG 3 pole
200	1	1200	Indoor & Outdoor	TMPC312120R	Bolt on Type TMQE 3 pole
	4	1200	Indoor & Outdoor	TMPC312420R	



www.ge-ed.ca
www.geindustrial.com
1-800-GE-1STOP

GE Meter Centres

TMPC Main Tenant Circuit Breakers - 7 Jaw Design

- The following breakers are to be used on TMPC 7 Jaw modular Metering stacks .
- 120/208V AC - field installed.
- Use 3 pole tenant breaker (see chart below)

Description	Number of Poles	Main Tenant Circuit Breaker Ampere Rating	65,000 AIC	100,000 AIC
			Catalogue #	Catalogue #
Bolt-on type circuit breakers used with TMPC 7Jaw 100A Modular Metering Stacks	3	60	TMQG32060	-
	3	70	TMQG32070	-
	3	100	TMQG32100	-
Bolt-on circuit breakers used with TMPC 7Jaw 200A Modular Metering Stacks	3	100	TMQE32100	Consult GE
	3	125	TMQE32125	
	3	150	TMQE32150	
	3	175	TMQE32175	
	3	200	TMQE32200	

NOTE: Reference to Bolt-on Breakers, is not the former BQL frame, it represents a commercial grade Bolt-on moulded case frame.

- 1) Mounting hardware kit for TMQE type breakers included in 200A Meter stack. TMQG mounting hardware is included with the breakers.
- 2) Mounting hardware kit includes 3TA225FD (#4-4/0) lugs for standard 200A applications. If other lugs are required, they must be purchased separately.

Feed Through Cable Connection Tap Boxes - TMPC Design

Ampere Rating	Entry Side	System Voltage 120/208V 3ph 4W	H	W	D	Conductors Per Phase cu/al "IN" and "OUT" Lugs supplied with Box
		Catalogue Number				
800	Top/Bottom	TMPC3FT8 ⁽¹⁾	46 1/8"	26 1/2"	8 1/2"	(4) 250-500 kcmil "IN" (4) 250-500 kcmil "OUT"
1200	Top/Bottom	TMPC3FT12 ⁽²⁾	50 3/4"	26 5/8"	9"	same as above

- 1) To obtain (4) 1/0 - 750 kcmil or (8) 1/0 - 300 kcmil cables per phase - order catalogue number TMPCFT8LUG.
- 2) To obtain (3) #2 - 750 kcmil (2 in/2 out) cables per phase - order catalogue number TMPCFT12LUG.

NOTES:

- Feed through Tap Boxes are required when cables enter and exit at the same end of the Meter Centre. No KO's are provided.
- Cable connection Tap Boxes may be used for Subfeeds. Mount on opposite end to main cable entry.

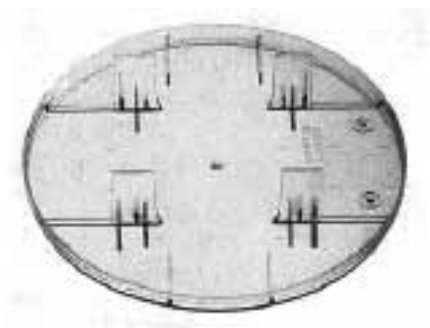


www.ge-ed.ca
www.geindustrial.com
1-800-GE-1STOP

GE Meter Centres

Accessories for TMPC Modular Metering Stacks

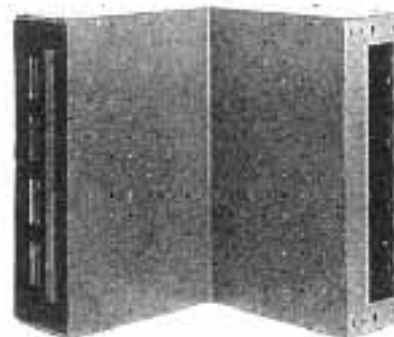
Description	Application	Catalogue #
Lexan Blank Cover	Circular cover mounted on device preventing access to Meter socket while Meter is not in place. Includes 4 plastic.	TMPCP
Wall Mounting Rail	Rails are 4 feet (1219.20mm) in length. Bolted on wall for stacks and mains to be hung.	TMPZR
Indoor Corner Elbow	12 inch (303.8mm) indoor corner elbow. 1200 ampere, 3-phase, 4-wire.	TMPCE12A
Indoor Corner Elbow	16 inch (406.4mm) indoor corner elbow. 1200 ampere, 3-phase, 4-wire.	TMPCE16A



Lexan Blank Cover



Wall Mounting Rail



Indoor Corner Elbow



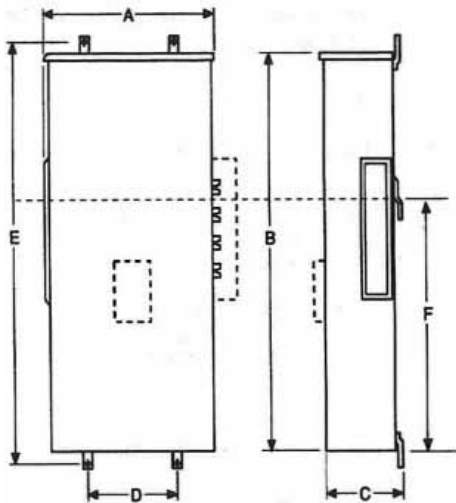
imagination at work

www.ge-ed.ca
www.geindustrial.com
1-800-GE-1STOP

GE Meter Centres

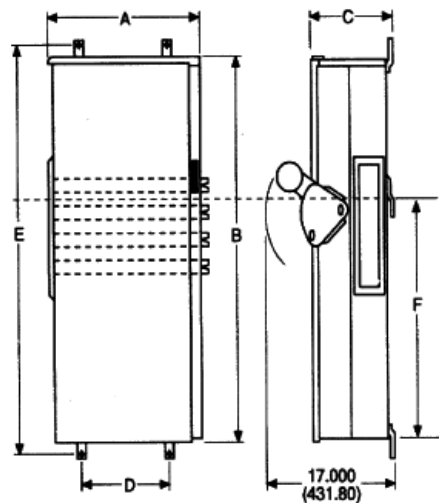
Main Service Modules

Main Circuit Breakers, Terminal Boxes



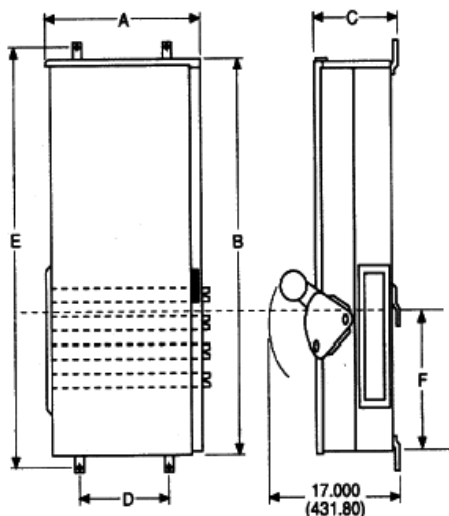
Main Circuit Breaker, Terminal Box

Bottom Feed Fusible Switch



Bottom Feed Switch

Top Feed Fusible Switch



Top Feed Switch (No Knock-outs)



imagination at work

www.ge-ed.ca
www.geindustrial.com
1-800-GE-1STOP

GE Meter Centres

Approximate Dimensions (not to be used for construction purposes)

Main Device	Width		Height		Depth		Mounting				Centre Line of Wall Mounting Bracket		Knock-Outs in Bottom End walls except No KOs for Top Feed Switch Conduit DiaMeter-Inches	
	A		B		C		D		E		F		inches	mm
	inches	mm	inches	mm	inches	mm	inches	mm	inches	mm	inches	mm		
Terminal Box													(1) 2-1/2-3	(1) 63.50-76.20-88.90-101.60 (1) 12.7
400 & 600 Ampere	13-1/2	3425	48-3/4	12383	7	177.8	0	0	54	1371.6	30-5/8	777.88	3-1/2, 4 (1) 1/2	
Terminal Box 800 & 1200 Ampere	20	508	47-5/8	1209.7	11-3/4	298.46	12	304.8	51-1/2	1308.1	30-5/8	777.88	(2) 1/2-3/4-1 (4) 2 2-112-3-1/2-4	(2) 1270-19.05-2540 (4) 50.80-63.50-76.20-88.90-101.60
Main Circuit Breaker with Box Lugs 400 & 800 Ampere	20	508	47-5/8	1209.7	11-3/4	298.46	12	304.8	51-1/2	1308.1	30-5/8	777.88	(2) 1/2-3/4-1 (4) 2 2-112-3-1/2-4	(2) 1270-19.05-2540 (4) 50.80-63.50-76.20-88.90-101.60
Main Circuit Breaker with Compression Lugs 400 & 800 Ampere	20	508	61	1549.4	11-3/4	298.46	12	304.8	65	1651	44	1777.6	(2) 1/2-3/4-1 (4) 2 2-1/2-3-1/2-4	(2) 1270-19.05-2540 (4) 50.80-63.50-76.20-88.90-101.60
Main Fusible Switch - Bottom Feed	20	508	47-5/8	1209.7	11-3/4	298.46	12	304.8	51-1/2	1308.1	30-5/8	777.88	(2) 1/2-3/4-1 (4) 2 2-1/2-3-3-1/2-4	(2) 1270-19.05-2540 (4) 50.80-63.50-76.20-88.90-101.60
Main Fusible Switch - Top Feed	20	508	47-5/8	1209.7	11-3/4	298.46	12	304.8	51-1/2	1308.1	18-1/8	460.38	(2) 1/2-3/4-1 (4) 2 2-1/2-3-3-1/2-4	(2) 1270-19.05-2540 (4) 50.80-63.50-76.20-88.90-101.60
Main Fusible Switch - 1200 Ampere	20	508	52-3/4	1339.9	11-7/8	301.63	16	406.4	56-1/4	1428.8	30-3/4	871.05	(5) 3-1/2-4-5 (1) 3/4-1-1-1/4-1-1/2	(5) 88.90-101.60-127.00 (1) 19.05-25.40-31.75-38.10

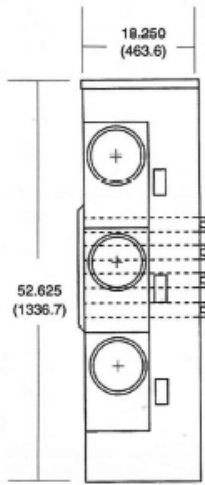


imagination at work

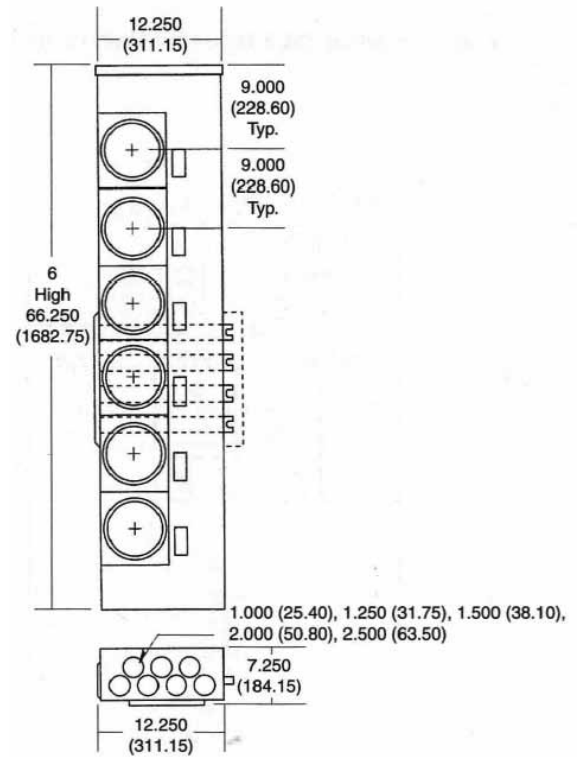
www.ge-ed.ca
www.geindustrial.com
1-800-GE-1STOP

GE Meter Centres

TMPC, 125A - 5 Jaw Design

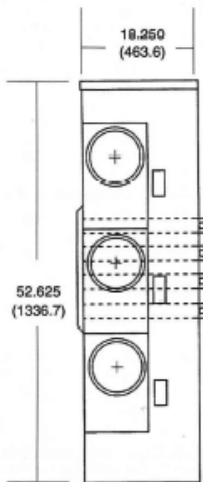


TMPC8312R



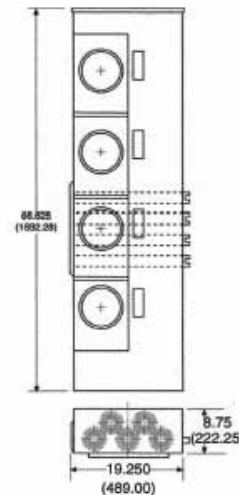
TMPC612R / TMPC8612R

TMPC, 200A - 5 Jaw Design

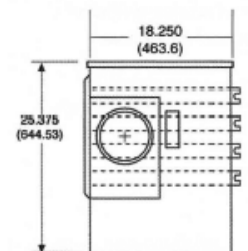


TMPC320R / TMPC8320R

TMPC, 100A & 200A - 7 Jaw Design



TMPC312420R / TMPC312410R



TMPC312120R



imagination at work

www.ge-ed.ca
www.geindustrial.com
 1-800-GE-1STOP

GE Meter Centres

Wiring Diagrams & Typical Nameplate Information (240VAC max.)

- All GE meter centres are factory phase balanced

		TORQUE WIRE PRESSURE SCREWS AS FOLLOWS: SERRER LES VIS D'USURE À PRESSION COMME SUIT:			
		WIRE SIZE CALIBRE/DESFILS 60 / 75 AL-CU	○ LB.-IN. (N-M)	● LB.-IN. (N-M)	⊠ LB.-IN. (N-M)
120/240 VAC/VCA 208Y/120 VAC/VCA	1-PHASE, 3W+G	#14-10 #8 #6-4 #3-2/0	35 (3,96) 40 (4,52) 45 (5,08) 50 (5,65)	45 (5,08) 40 (4,52) 45 (5,08) 50 (5,65)	35 (3,96) 40 (4,52) 45 (5,08) 50 (5,65)
<p>TYPE 3R ENCLOSURE - RAINPROOF METER SOCKET RATING - 200 AMPS MAX. HORIZONTAL BUS RATING - 800 AMPS VERTICAL BUS RATING - 400 AMPS ENVELOPPE DE TYPE 3R - À LÉPREUVE DE LA PLUIE COURANT NOMINAL DE L'EMBASE DE COMPTEUR - 200 A MAX. COURANT NOMINAL BARRE HORIZONTALE - 800 A COURANT NOMINAL BARRE VERTICALE - 400 A</p> <p>TORQUE HORIZONTAL BUS JOINT BOLTS TO 25 LBS./FT. (300 LBS./IN.) (33,90 N-M) SERRER LES BOULONS DES JOINTS DE BARRE HORIZONTALE À 25 LB-PI (300 LB-PO) (33,90 N-M)</p> <p>FOR USE WITH GE MAIN SWITCH, MAIN CIRCUIT BREAKER, OR MAIN TERMINAL BOX. POUR UTILISATION AVEC INTERRUPTEUR PRINCIPAL, DISJONCTEUR PRINCIPAL OU BOÎTE DE RACCORDEMENT PRINCIPALE DE GE.</p> <p>TORQUE CIRCUIT BREAKER LUGS TO VALUES SPECIFIED ON THE CIRCUIT BREAKER. SERRER LES CROSSES DU DISJONCTEUR SELON LES VALEURS SPÉCIFIÉES SUR LE DISJONCTEUR.</p> <p>BREAKER TERMINALS SUITABLE FOR AL-CU WIRE WHEN SO MARKED. REFER TO MARKINGS ON BREAKERS. BORNES DE DISJONCTEUR CONVÉNANT AUX CONDUCTEURS AL-CU SI INDIQUE. CONSULTER LES INSCRIPTIONS SUR LE DISJONCTEUR.</p> <p>INSTALLATION AND USE OF THIS EQUIPMENT SHOULD BE IN ACCORDANCE WITH ALL APPLICABLE LOCAL AND NATIONAL CODES AND REGULATIONS. L'INSTALLATION ET L'UTILISATION DE CET ÉQUIPEMENT DOIT SE CONFORMER À TOUS LES CODES ET RÉGLEMENTS LOCAUX ET NATIONAUX APPLICABLES.</p> <p>USE CSA LISTED GE CIRCUIT BREAKERS, 200 AMPS MAX. UTILISER DES DISJONCTEURS GE 200A MAX. CERTIFIÉS CSA.</p>					
		<p>⊠ #14-2/0 AWG (LOAD CIRCUITS); (CIRCUITS DE CHARGE) ○ # 14-3 AWG (EQUIPMENT GROUND) (MALT DE L'ÉQUIPEMENT) ● # 6-2/0 AWG (NEUTRAL); (NEUTRE)</p> <p>METER CENTRE CENTRE DE MESURAGE</p>			

		TORQUE WIRE PRESSURE SCREWS AS FOLLOWS: SERRER LES VIS D'USURE À PRESSION COMME SUIT:			
		WIRE SIZE CALIBRE/DESFILS 60 / 75 AL-CU	○ LB.-IN. (N-M)	● LB.-IN. (N-M)	⊠ LB.-IN. (N-M)
RING TYPE SOCKET EMBASE À ANNEAU	1-PHASE, 3W+G	#14-10 #8 #6-4 #3-2/0	35 (3,96) 40 (4,52) 45 (5,08) 50 (5,65)	45 (5,08) 40 (4,52) 45 (5,08) 50 (5,65)	35 (3,96) 40 (4,52) 45 (5,08) 50 (5,65)
<p>TYPE 3R ENCLOSURE - RAINPROOF METER SOCKET RATING - 125 AMPS MAX. HORIZONTAL BUS RATING - 800 AMPS VERTICAL BUS RATING - 400 AMPS ENVELOPPE DE TYPE 3R - À LÉPREUVE DE LA PLUIE COURANT NOMINAL DE L'EMBASE DE COMPTEUR - 125 A MAX. COURANT NOMINAL BARRE HORIZONTALE - 800 A COURANT NOMINAL BARRE VERTICALE - 400 A</p> <p>TORQUE HORIZONTAL BUS JOINT BOLTS TO 25 LBS./FT. (300 LBS./IN.) (33,90 N-M) SERRER LES BOULONS DES JOINTS DE BARRE HORIZONTALE À 25 LB-PI (300 LB-PO) (33,90 N-M)</p> <p>FOR USE WITH GE MAIN SWITCH, MAIN CIRCUIT BREAKER, OR MAIN TERMINAL BOX. POUR UTILISATION AVEC INTERRUPTEUR PRINCIPAL, DISJONCTEUR PRINCIPAL OU BOÎTE DE RACCORDEMENT PRINCIPALE DE GE.</p> <p>TORQUE CIRCUIT BREAKER LUGS TO VALUES SPECIFIED ON THE CIRCUIT BREAKER. SERRER LES CROSSES DU DISJONCTEUR SELON LES VALEURS SPÉCIFIÉES SUR LE DISJONCTEUR.</p> <p>BREAKER TERMINALS SUITABLE FOR AL-CU WIRE WHEN SO MARKED. REFER TO MARKINGS ON BREAKERS. BORNES DE DISJONCTEUR CONVÉNANT AUX CONDUCTEURS AL-CU SI INDIQUE. CONSULTER LES INSCRIPTIONS SUR LE DISJONCTEUR.</p> <p>INSTALLATION AND USE OF THIS EQUIPMENT SHOULD BE IN ACCORDANCE WITH ALL APPLICABLE LOCAL AND NATIONAL CODES AND REGULATIONS. L'INSTALLATION ET L'UTILISATION DE CET ÉQUIPEMENT DOIT SE CONFORMER À TOUS LES CODES ET RÉGLEMENTS LOCAUX ET NATIONAUX APPLICABLES.</p> <p>USE CSA LISTED GE CIRCUIT BREAKERS, 125 AMPS MAX. UTILISER DES DISJONCTEURS GE CERTIFIÉS CSA 125A MAX.</p>					
		<p>⊠ #14-2/0 AWG (LOAD CIRCUITS); (CIRCUITS DE CHARGE) ○ # 14-3 AWG (EQUIPMENT GROUND) (MALT DE L'ÉQUIPEMENT) ● # 6-2/0 AWG (NEUTRAL); (NEUTRE)</p> <p>METER CENTRE CENTRE DE MESURAGE</p>			

		TORQUE WIRE PRESSURE SCREWS AS FOLLOWS: SERRER LES VIS D'USURE À PRESSION COMME SUIT:			
		WIRE SIZE CALIBRE/DESFILS 60 / 75 AL-CU	○ LB.-IN. (N-M)	● LB.-IN. (N-M)	⊠ LB.-IN. (N-M)
RING TYPE SOCKET EMBASE À ANNEAU	3-PHASE, 4W+G	#14-10 #8 #6-4 #3-2/0	35 (3,96) 40 (4,52) 45 (5,08) 50 (5,65)	45 (5,08) 40 (4,52) 45 (5,08) 50 (5,65)	35 (3,96) 40 (4,52) 45 (5,08) 50 (5,65)
<p>TYPE 3R ENCLOSURE - RAINPROOF METER SOCKET RATING - 125 AMPS MAX. HORIZONTAL BUS RATING - 800 AMPS VERTICAL BUS RATING - 600 AMPS ENVELOPPE DE TYPE 3R - À LÉPREUVE DE LA PLUIE COURANT NOMINAL DE L'EMBASE DE COMPTEUR - 125 A MAX. COURANT NOMINAL BARRE HORIZONTALE - 800 A COURANT NOMINAL BARRE VERTICALE - 600 A</p> <p>TORQUE HORIZONTAL BUS JOINT BOLTS TO 25 LBS./FT. (300 LBS./IN.) (33,90 N-M) SERRER LES BOULONS DES JOINTS DE BARRE HORIZONTALE À 25 LB-PI (300 LB-PO) (33,90 N-M)</p> <p>FOR USE WITH GE MAIN SWITCH, MAIN CIRCUIT BREAKER, OR MAIN TERMINAL BOX. POUR UTILISATION AVEC INTERRUPTEUR PRINCIPAL, DISJONCTEUR PRINCIPAL OU BOÎTE DE RACCORDEMENT PRINCIPALE DE GE.</p> <p>TORQUE CIRCUIT BREAKER LUGS TO VALUES SPECIFIED ON THE CIRCUIT BREAKER. SERRER LES CROSSES DU DISJONCTEUR SELON LES VALEURS SPÉCIFIÉES SUR LE DISJONCTEUR.</p> <p>BREAKER TERMINALS SUITABLE FOR AL-CU WIRE WHEN SO MARKED. REFER TO MARKINGS ON BREAKERS. BORNES DE DISJONCTEUR CONVÉNANT AUX CONDUCTEURS AL-CU SI INDIQUE. CONSULTER LES INSCRIPTIONS SUR LE DISJONCTEUR.</p> <p>INSTALLATION AND USE OF THIS EQUIPMENT SHOULD BE IN ACCORDANCE WITH ALL APPLICABLE LOCAL AND NATIONAL CODES AND REGULATIONS. L'INSTALLATION ET L'UTILISATION DE CET ÉQUIPEMENT DOIT SE CONFORMER À TOUS LES CODES ET RÉGLEMENTS LOCAUX ET NATIONAUX APPLICABLES.</p> <p>USE CSA LISTED GE CIRCUIT BREAKERS, 125 AMPS MAX. UTILISER DES DISJONCTEURS GE CERTIFIÉS CSA 125A MAX.</p>					
		<p>⊠ #14-2/0 AWG (LOAD CIRCUITS); (CIRCUITS DE CHARGE) ○ # 14-3 AWG (EQUIPMENT GROUND) (MALT DE L'ÉQUIPEMENT) ● # 6-2/0 AWG (NEUTRAL); (NEUTRE)</p> <p>METER CENTRE CENTRE DE MESURAGE</p>			

		TORQUE WIRE PRESSURE SCREWS AS FOLLOWS: SERRER LES VIS D'USURE À PRESSION COMME SUIT:			
		WIRE SIZE CALIBRE/DESFILS 60 / 75 AL-CU	○ LB.-IN. (N-M)	● LB.-IN. (N-M)	⊠ LB.-IN. (N-M)
120/240 VAC/VCA 208Y/120 VAC/VCA	3-PHASE, 4W+G	#14-10 #8 #6-4 #3-2/0	35 (3,96) 40 (4,52) 45 (5,08) 50 (5,65)	45 (5,08) 40 (4,52) 45 (5,08) 50 (5,65)	35 (3,96) 40 (4,52) 45 (5,08) 50 (5,65)
<p>TYPE 3R ENCLOSURE - RAINPROOF METER SOCKET RATING - 125 AMPS MAX. HORIZONTAL BUS RATING - 800 AMPS VERTICAL BUS RATING - 300 AMPS ENVELOPPE DE TYPE 3R - À LÉPREUVE DE LA PLUIE COURANT NOMINAL DE L'EMBASE DE COMPTEUR - 125 A MAX. COURANT NOMINAL BARRE HORIZONTALE - 800 A COURANT NOMINAL BARRE VERTICALE - 300 A</p> <p>TORQUE HORIZONTAL BUS JOINT BOLTS TO 25 LBS./FT. (300 LBS./IN.) (33,90 N-M) SERRER LES BOULONS DES JOINTS DE BARRE HORIZONTALE À 25 LB-PI (300 LB-PO) (33,90 N-M)</p> <p>FOR USE WITH GE MAIN SWITCH, MAIN CIRCUIT BREAKER, OR MAIN TERMINAL BOX. POUR UTILISATION AVEC INTERRUPTEUR PRINCIPAL, DISJONCTEUR PRINCIPAL OU BOÎTE DE RACCORDEMENT PRINCIPALE DE GE.</p> <p>TORQUE CIRCUIT BREAKER LUGS TO VALUES SPECIFIED ON THE CIRCUIT BREAKER. SERRER LES CROSSES DU DISJONCTEUR SELON LES VALEURS SPÉCIFIÉES SUR LE DISJONCTEUR.</p> <p>BREAKER TERMINALS SUITABLE FOR AL-CU WIRE WHEN SO MARKED. REFER TO MARKINGS ON BREAKERS. BORNES DE DISJONCTEUR CONVÉNANT AUX CONDUCTEURS AL-CU SI INDIQUE. CONSULTER LES INSCRIPTIONS SUR LE DISJONCTEUR.</p> <p>INSTALLATION AND USE OF THIS EQUIPMENT SHOULD BE IN ACCORDANCE WITH ALL APPLICABLE LOCAL AND NATIONAL CODES AND REGULATIONS. L'INSTALLATION ET L'UTILISATION DE CET ÉQUIPEMENT DOIT SE CONFORMER À TOUS LES CODES ET RÉGLEMENTS LOCAUX ET NATIONAUX APPLICABLES.</p> <p>USE CSA LISTED GE CIRCUIT BREAKERS, 125 AMPS MAX. UTILISER DES DISJONCTEURS GE CERTIFIÉS CSA 125A MAX.</p>					
		<p>⊠ #14-2/0 AWG (LOAD CIRCUITS); (CIRCUITS DE CHARGE) ○ # 14-3 AWG (EQUIPMENT GROUND) (MALT DE L'ÉQUIPEMENT) ● # 6-2/0 AWG (NEUTRAL); (NEUTRE)</p> <p>METER CENTRE CENTRE DE MESURAGE</p>			



www.ge-ed.ca
www.geindustrial.com
1-800-GE-1STOP

GE Modular Meter Catalogue Index

CATALOGUE #	DESCRIPTION
-------------	-------------

Meter Stacks

TMPC612R	6HI 125A 4jaw, 800A 1ph hor Bus
TMPC320R	3HI 200A 4jaw, 800A 1ph hor Bus
TMPC8612R	6HI 125A 5jaw, 800A 3ph hor Bus
TMPC8312R	3HI 125A 5jaw, 800A 3ph hor Bus
TMPC8320R	3HI 200A 5jaw, 800A 3ph hor Bus
TMPC312410R	4HI 100A 7jaw, 1200A 3ph hor Bus
TMPC312120R	1HI 200A 7jaw, 1200A 3ph hor Bus
TMPC312420R	4HI 200A 7jaw, 1200A 3ph hor Bus

Feed Through Cable Tap Boxes

TMPC3FT8	800A 3ph Feed Thru Tap Box
TMPC3FT12	1200A 3ph Feed Thru Tap Box
Feed Through Lugs	
TMPCFT8LUG	800A 750mcm Lug Kit Feed Thru
TMPCFT12LUG	1200A 750mcm Lug Kit Feed Thru

Tap Boxes

TMPC18R	800A 1ph Main Lug Module 1/3R
TMPC12R	1200A 1ph Main Lug Module 1/3R
TMPC3L4R	400A 3ph Main Lug Module 1/3R
TMPC3L6R	600A 3ph Main Lug Module 1/3R
TMPC3L8R	800A 3ph Main Lug Module 1/3R
TMPC3L12R	1200A 3ph Main Lug Module 1/3R

Elbow Section

TMPCE12A	12" 1200A 3ph Bussed Elbow
TMPCE12	16" 1200A 3ph Bussed Elbow



imagination at work

www.ge-ed.ca
www.geindustrial.com
1-800-GE-1STOP

GE Modular Meter Catalogue Index

CATALOGUE #	DESCRIPTION
-------------	-------------

Main Breaker Section

TMPCSB4R	400A Main Bkr 1 Ph 240V 42KAIC
TMPCSHB4R	400A Main Bkr 1Ph 240V 100KAIC
TMPCSB6R	600A Main Bkr 1 Ph 240V 42KAIC
TMPCSHB6R	600A Main Bkr 1 Ph 240V 100KAIC
TMPCSB8R	800A Main Bkr 1 Ph 240V 65KAIC
TMPCSB10R	1000A Main Bkr 1 Ph 240V 65KAIC
TMPCSB12R	1200A Main Bkr 1 Ph 240V 65KAIC
TMPC3SB4R	400A Main Bkr 3Ph 240V 42KAIC
TMPC3SHB4R	400A Main Bkr 3Ph 240V 100KAIC
TMPC3SB6R	600A Main Bkr 3Ph 240V 42KAIC
TMPC3SHB6R	600A Main Bkr 3Ph 240V 100KAIC
TMPC3SB8R	800A Main Bkr 3Ph 240V 65KAIC
TMPC3SB10R	1000A Main Bkr 3Ph 240V 65KAIC
TMPC3SB12R	1200A Main Bkr 3Ph 240V 65KAIC

Main Switch Section

TMPCFB4R	400A Main Sw 1 Ph 240V Bot Feed
TMPCFT4R	400A Main Sw 1 Ph 240V Top Feed
TMPCFB6R	600A Main Sw 1 Ph 240V Bot Feed
TMPCFT6R	600A Main Sw 1 Ph 240V Top Feed
TMPCFB8R	800A Main Sw 1 Ph 240V Bot Feed
TMPCFT8R	800A Main Sw 1 Ph 240V Top Feed
TMPCFB12R	1200A Main Sw 1 Ph 240V Bot Fed
TMPC3FB4R	400A Main Sw 3Ph 240V Bot Feed
TMPC3FT4R	400A Main Sw 3Ph 240V Top Feed
TMPC3FB6R	600A Main Sw 3Ph 240V Bot Feed
TMPC3FT6R	600A Main Sw 3Ph 240V Top Feed
TMPC3FB8R	800A Main Sw 3Ph 240V Bot Feed
TMPC3FT8R	800A Main Sw 3Ph 240V Top Feed
TMPC3FB12R	1200A Main Sw 3Ph 240V Bot Fed



GE Modular Meter Catalogue Index

CATALOGUE #	DESCRIPTION
-------------	-------------

Accessories

TMPCP	Lexan Blank Cover
TMPZR	Wall Mounting Rail - Resi Style
TMPC12	125A Ring Cover
TMPC20	200A Ring Cover
TMPBC12	125A Tenant Breaker Cover
TMPBC20	200A Tenant Breaker Cover
TMPMSA1	Replacement Meter Socket for 5 Jaw Stacks
TSPR3	Sealing Ring-Stnless Screw type
TMPPLK2	600A 750mcm Lug Kit
TMPP3L8BLK	800A 750mcm Main Lug Kit
TMPP3L 12BLK	1200A 750mcm Main Lug Kit
TMP3B12NLK	Neutral Lug
TMPP3F8CLL 1	Fs Sw Compression Lug Landings
TMP3F12NLK	1200A 750mcm Fs Sw Neutral kit
TMP1F12NLK	1200A 750mcm Fs Sw Lug Kit
TMPCJ6	J Fuse Clips 400AMP / 600AMP

TMQRL2160	60A 2P 120/240V 10KAIC TMQRL
TMQRL2170	70A 2P 120/240V 10KAIC TMQRL
TMQRL2180	80A 2P 120/240V 10KAIC TMQRL
TMQRL2190	90A 2P 120/240V 10KAIC TMQRL
TMQRL21100	100A 2P 120/240V 10KAIC TMQRL
TMQRL21110	110A 2P 120/240V 1 OKAIC TMQRL
TMQRL21125	125A 2P 120/240V 1 OKAIC TMQRL
TMQRHL2160	60A 2P 120/240V 22KAIC TMQRHL
TMQRHL2170	70A 2P 120/240V 22KAIC TMQRHL
TMQRHL2180	80A 2P 120/240V 22KAIC TMQRHL
TMQRHL2190	90A 2P 120/240V 22KAIC TMQRHL
TMQRHL21100	100A 2P 120/240V 22KAIC TMQRHL
TMQRHL21110	110A 2P 120/240V 22KAIC TMQRHL
TMQRHL21125	125A 2P 120/240V 22KAIC TMQRHL



GE Modular Meter Catalogue Index

CATALOGUE #	DESCRIPTION
TMQL2160	60A 2P 120/240V 42KAIC
TMQL2170	70A 2P 120/240V 42KAIC
TMQL2180	80A 2P 120/240V 42KAIC
TMQL2190	90A 2P 120/240V 42KAIC
TMQL21100	100A 2P 120/240V 42KAIC
TMQL21125	125A 2P 120/240V 42KAIC
TMQRD22100	100A 2P 120/240V 10KAIC TMQRD
TMQRD22125	125A 2P 120/240V 10KAIC TMQRD
TMQRD22150	150A 2P 120/240V 1 OKAIC TMQRD
TMQRD22175	175A 2P 120/240V 10KAIC TMQRD
TMQRD22200	200A 2P 120/240V 1 OKAIC TMQRD
TMQRHD22100	100A 2P 120/240V 25KAIC TMQRHD
TMQRHD22125	125A 2P 120/240V 25KAIC TMQRHD
TMRHD22150	150A 2P 120/240V 25KAIC TMQRHD
TMQRHD22175	175A 2P 120/240V 25KAIC TMQRHD
TMQRHD22200	200A 2P 120/240V 25KAIC TMQRHD
TMQD22060	60A 2P 120/240V 100KAIC
TMQD22070	70A 2P 120/240V 100KAIC
TMQD22080	80A 2P 120/240V 100KAIC
TMQD22090	90A 2P 120/240V 100KAIC
TMQD22100	100A 2P 120/240V 100KAIC
TMQD22125	125A 2P 120/240V 100KAIC
TMQD22150	150A 2P 120/240V 100KAIC
TMQD22175	175A 2P 120/240V 100KAIC
TMQD22200	200A 2P 120/240V 100KAIC
TMQE32100	100A 3P 208V 65KAIC for 200A - 7 jaw stack
TMQE32125	125A 3P 208V 65KAIC for 200A - 7 jaw stack
TMQE32150	150A 3P 208V 65KAIC for 200A - 7 jaw stack
TMQE32175	175A 3P 208V 65KAIC for 200A - 7 jaw stack
TMQE32200	200A 3P 208V 65KAIC for 200A - 7 jaw stack
TMQG32060	60A 3P 208V 65KAIC for 100A - 7 jaw stack
TMQG32070	70A 3P 208V 65KAIC for 100A - 7 jaw stack
TMQG32100	100A 3P 208 65KAIC for 100A - 7 jaw stack



imagination at work

www.ge-ed.ca
www.geindustrial.com
 1-800-GE-1STOP

GE Panelboards

CATALOGUE #	DESCRIPTION	USE
-------------	-------------	-----

GE stock list for A-series G type panels (most common)

AQG PANELS 120/208V Bolt-on commercial grade, factory assembled

Interiors (order box and trim separately)

AQG3422MBXAXM8	225A MLO, 42cct interior, 120/208v, 3ph 4w	Use AB43BA Box
AQG3662MBXAXT1M8	225A MLO, 66cct interior, 120/208v, 3ph 4w	Use AB64BA Box
AQG3424MBXAXM8	400A MLO, 42cct interior, 120/208v, 3ph 4w	Use AB55BA Box
AQG3664MBXAXT1M8	400A MLO, 66cct interior, 120/208v, 3ph 4w	Use AB76BA Box
AQG3422CBXAXM8	200A main brk(THQD) type, 42cct interior, 120/208v, 3ph 4w	Use AB43BA Tub

*Note: Order box and trim separately. Eg. AB??BA box and AF??SA surface trim.

S=surface/F=flush. Use THQB(10kaic) or THHQB(22kaic) branch brks.

ADG PANELS 347/600v bolt-on commercial grade, factory assembled

Interiors (order box and trim separately)

ADG3422MBXAXM8	225A MLO, 347/600v, 42cct interior, 3ph 4w	Use AB55BA Box
ADG3424MBXAXM8	400A MLO, 347/600v, 42cct interior, 3ph 4w	Use AB64BA Box

*Note: Order box and trim separately. Eg. AB??BA box and AF??SA surface trim.

S=surface/F=flush. Use TED(14kaic @ 600v), THED(18kaic @ 600v) or FB RECORD PLUS bkr.

- use ASPTED3P (3 pole) conn. first for TED & THED Breakers
- use ASPFB12P (12 pole) conn. first for FB RECORD & Breakers



www.ge-ed.ca
www.geindustrial.com
1-800-GE-1STOP

GE Panelboards

CATALOGUE

DESCRIPTION

GE stock list for A-series G type panels (most common)

Branch Breakers

For use in type AQ 120/208v Panelboards. For 22kAIC ratings, substitute THHQB breakers.

THQB1115	15A 1P BRK, max. 10ka @ 120V
THQB1120	20A 1P BRK, max. 10ka @ 120V
THQB1130	30A 1P BRK, max. 10ka @ 120V
THQB1140	40A 1P BRK, max. 10ka @ 120V
THQB2115	15A 2P BRK, max. 10ka @ 240V
THQB2120	20A 2P BRK, max. 10ka @ 240V
THQB2130	30A 2P BRK, max. 10ka @ 240V
THQB2140	40A 2P BRK, max. 10ka @ 240V
THQB2150	50A 2P BRK, max. 10ka @ 240V
THQB2160	60A 2P BRK, max. 10ka @ 240V
THQB2170	70A 2P BRK, max. 10ka @ 240V
THQB21100	100A 2P BRK, max. 10ka @ 240V
THQB32015	15A 3P BRK, max. 10ka @ 240V
THQB32020	20A 3P BRK, max. 10ka @ 240V
THQB32030	30A 3P BRK, max. 10ka @ 240V
THQB32040	40A 3P BRK, max. 10ka @ 240V
THQB32050	50A 3P BRK, max. 10ka @ 240V
THQB32060	60A 3P BRK, max. 10ka @ 240V
THQB32070	70A 3P BRK, max. 10ka @ 240V
THQB32090	90A 3P BRK, max. 10ka @ 240V
THQB32100	100A 3P BRK, max. 10ka @ 240V



imagination at work

www.ge-ed.ca
www.geindustrial.com
1-800-GE-1STOP

GE Panelboards

CATALOGUE #	DESCRIPTION
-------------	-------------

Branch Breakers

For use in type AD 347/600v Panelboards

TED114015	15A 1P BRK, max. 10ka @ 347V
TED114020	20A 1P BRK, max. 10ka @ 347V
TED114030	30A 1P BRK, max. 10ka @ 347V
TED136015	15A 3P BRK, max. 14ka @ 600V
TED136020	20A 3P BRK, max. 14ka @ 600V
TED136030	30A 3P BRK, max. 14ka @ 600V
TED136040	40A 3P BRK, max. 14ka @ 600V
TED136050	50A 3P BRK, max. 14ka @ 600V
TED136060	60A 3P BRK, max. 14ka @ 600V
TED136070	70A 3P BRK, max. 14ka @ 600V
TED136090	90A 3P BRK, max. 14ka @ 600V
TED136100	100A 3P BRK, max. 14ka @ 600V
TED136125	125A 3P BRK, max. 14ka @ 600V
TED136150	150A 3P BRK, max. 14ka @ 600V
THED114015	15A 1P BRK, max. 18ka @ 347V
THED114020	20A 1P BRK, max. 18ka @ 347V
THED114030	30A 1P BRK, max. 18ka @ 347V
THED136015	15A 3P BRK, max. 18ka @ 600V
THED136020	20A 3P BRK, max. 18ka @ 600V
THED136030	30A 3P BRK, max. 18ka @ 600V
THED136040	40A 3P BRK, max. 18ka @ 600V
THED136050	50A 3P BRK, max. 18ka @ 600V
THED136060	60A 3P BRK, max. 18ka @ 600V
THED136070	70A 3P BRK, max. 18ka @ 600V
THED136090	90A 3P BRK, max. 18ka @ 600V
THED136100	100A 3P BRK, max. 18ka @ 600V
THED136125	125A 3P BRK, max. 18ka @ 600V
THED136150	150A 3P BRK, max. 18ka @ 600V



www.ge-ed.ca
www.geindustrial.com
 1-800-GE-1STOP

GE Panelboards

CATALOGUE #	DESCRIPTION
-------------	-------------

Tubs for AQ and AD Panels

AB25BA	Nema 1 Enclosure 25"
AB31BA	Nema 1 Enclosure 31"
AB37BA	Nema 1 Enclosure 37"
AB43BA	Nema 1 Enclosure 43"
AB49BA	Nema 1 Enclosure 49"
AB55BA	Nema 1 Enclosure 55"
AB64BA	Nema 1 Enclosure 64"
AB76BA	Nema 1 Enclosure 76"

Trims for AQ and AD Panels

AF25SA	Surface Front 25"
AF31FA	Flush Front 31"
AF31SA	Surface Front 31"
AF37FA	Flush Front 37"
AF37SA	Surface Front 37"
AF43FA	Flush Front 43"
AF43SA	Surface Front 43"
AF49FA	Flush Front 49"
AF49SA	Surface Front 49"
AF55FA	Flush Front 55"
AF55SA	Surface Front 55"
AF64FA	Flush Front 64"
AF64SA	Surface Front 64"
AF76FA	Flush Front 76"
AF76SA	Surface Front 76"



www.ge-ed.ca
www.geindustrial.com
1-800-GE-1STOP

GE Panelboards

CATALOGUE #	DESCRIPTION
-------------	-------------

Accessories for A-Series Panels

BCDRIP	Driphood, 20"W, req'd for each A-series tub must be ordered from GE Burnaby office
TQLFP1	Filler plates for THQB, THQL, TEY brks
TEDFP1	Filler plates for TQD, TED4 brks
ASPTED3P	3p (1-3p or 3-1p) connector kit for TED/THED brks (AD panels)
ASPTED42P	42ccts of connectors for TED/THED brks in AD panels
ASPFB12P	12poles of connectors for FBRV record plus brks
139C5612P1	Directory card
139C5491P4	Directory card holder
569B806G1	Circuit Numbering strips (1-48)
569B806G2	Circuit Numbering strips (49-84)
569B806G3	Circuit Numbering strips (85-126)
569B737P5	Additional keys for A-series locks
THP100	Padlocking device for THQL, THQB brks
THL103	Non Padlocking device for THQL, THQB brks handle lock only
TEFPLD1	Padlocking device for TED brks
TQBS1 (24 pk)	Additional THQB mounting screws for connecting to panel
MLA2	225A Dual Main Lug Kit Pressure, 2-600MCM or (2) 1/0-250MCM
MLA61	400A Dual Main Lug Kit Pressure, (2) 2/0-500MCM

Notes: Western Canada only. Use ADH 2006 for the rest of Canada.



www.ge-ed.ca
www.geindustrial.com
 1-800-GE-1STOP

GE AQ 120/208V Panelboards



Three Phase

Standard options include:
Three phase 125 – 600A
3phase 4wire
Top or Bottom Entry
Indoor rated enclosures
Surface or flush mount
Aluminum bus
CSA certified
More options available



imagination at work

www.ge-ed.ca
www.geindustrial.com
1-800-GE-1STOP

GE Panelboards

Panels 120/208V- 3 Phase

Main Lug

AQG3 - (3P4W) 120/208V			
125A			
NUMBER OF CIRCUITS	BOX	TRIM	INTERIOR
18	AB25BA	AF25 (F/S) A	AQG3181MBXAXM8
30	AB31BA	AF31 (F/S) A	AQG3301MBXAXM8
225A			
18	AB31BA	AF31 (F/S) A	AQG3182MBXAXM8
30	AB37BA	AF37 (F/S) A	AQG3302MBXAXM8
42	AB43BA	AF43 (F/S) A	AQG3422MBXAXM8
66-Feed Thru Lugs	AB64BA	AF64 (F/S) A	AQG3662MBXAXT1M8
400A			
42	AB55BA	AF55(F/S) A	AQG3424MBXAXM8
66-Feed Thru Lugs	AB76BA	AF76(F/S) A	AQG3664MBXAXT1M8

Notes: F = Flush / S = Surface



imagination at work

www.ge-ed.ca
www.geindustrial.com
 1-800-GE-1STOP

GE Panelboards

GE AQ Series Breakers

AMPS	THQB 10KAIC			THHQB FOR 22 KAIC
	1P	2P	3P	
15	THQB1115	THQB2115	THQB32015	Replace with THHQB
20	THQB1120	THQB2120	THQB32020	
30	THQB1130	THQB2130	THQB32030	
40	THQB1140	THQB2140	THQB32040	
50	THQB1150	THQB2150	THQB32050	
60	THQB1160	THQB2160	THQB32060	
70	THQB1170	THQB2170	THQB32070	
90		THQB2190	THQB32090	
100		THQB21100	THQB32100	
15 Arc Fault	THQB1115AF	THQB2115AF		
15 GFI	THQB1115GF	THQB2115GF1		

Notes: Panel Filler 1" TQLFP1. All AQ and AD panels c/w Ground Kits



THQB115 Breaker 15A Bolt-on 1P



THQB2115 Breaker 15A Bolt-on 2P



THQB3115 Breaker 15A Bolt-on 3P



imagination at work

www.ge-ed.ca
www.geindustrial.com
1-800-GE-1STOP

GE AD 600V Panelboards



Three Phase

Standard options include:

Three phase 125 – 600A

3phase 4wire

Top or Bottom Entry

Indoor rated enclosures

Surface or flush mount

Aluminum bus

CSA certified

3pole branch breakers available up to 150A

More options available



imagination at work

www.ge-ed.ca
www.geindustrial.com
1-800-GE-1STOP

GE Panelboards

Panels 347/600v- 3 Phase

Main Lug

ADG – (3P4W) 347/600V			
125A			
NUMBER OF CIRCUITS	BOX	TRIM	INTERIOR
18	AB31BA	AF31 (F/S) A	ADG3181MBXAXM8
30	AB37BA	AF37 (F/S) A	ADG3301MBXAXM8
225A			
18	AB37BA	AF37 (F/S) A	ADG3182MBXAXM8
30	AB43BA	AF43 (F/S) A	ADG3302MBXAXM8
42	AB55BA	AF55 (F/S) A	ADG3422MBXAXM8
400A			
42	AB64BA	AF64 (F/S) A	ADG3424MBXAXM8

Notes: F = Flush / S = Surface

GE AD Series Breakers

AMPS	TED 10KAIC 347/600V			THED 18KAIC
	1P	2P (22KAIC)	3P	
15	TED114015	FBV26TE015RV	TED136015	Replace with THED except 2 Pole
20	TED114020	FBV26TE020RV	TED136020	
30	TED114030	FBV26TE030RV	TED136030	
40		FBV26TE040RV	TED136040	
50		FBV26TE050RV	TED136050	
60		FBV26TE060RV	TED136060	
70		FBV26TE070RV	TED136070	
90		FBV26TE090RV	TED136090	
100		FBV26TE100RV	TED136100	
125			TED136125	
150			TED136150	

Panel Filler 1x TEDFP1

Mounting Hardware for TED 3 Pole Breaker ASPTED3P

All AD & AQ panels c/w Ground Kits



www.ge-ed.ca
www.geindustrial.com
1-800-GE-1STOP

GE Safety Switches

CATALOGUE #	DESCRIPTION
-------------	-------------

240/600V TH Series (most common)

Fusible Safety Switches, Heavy Duty (must add ground kit to all GE switches, see below)

TH4321	30A 3P 4W 240 max, Indoor Type 1 Fus. switch
TH4322	60A 3P 4W 240 max, Indoor Type 1 Fus. switch
TH4323	100A 3P 4W 240 max, Indoor Type 1 Fus. switch
TH4324C	200A 3P 4W 240 max, Indoor Type 1 Fus. switch
TH4325C	400A 3P 4W 240 max, Indoor Type 1 Fus. switch
TH4326C	600A 3P 4W 240 max, Indoor Type 1 Fus. switch, 600A needs THJ6 fuse adapter for J fuses
TH3361	30A 3P 3W 600V max., Indoor Type 1 Fus. switch
TH3362	60A 3P 3W 600V max., Indoor Type 1 Fus. switch
TH3363	100A 3P 3W 600V max., Indoor Type 1 Fus. switch
TH3364C	200A 3P 3W 600V max., Indoor Type 1 Fus. switch
TH3365C	400A 3P 3W 600V max., Indoor Type 1 Fus. switch
TH3366C	600A 3P 3W 600V max., Indoor Type 1 Fus. SW 600A needs THJ6 fuse adapter for J fuses

240/600V TH Series (most common)

Non-Fusible Safety Switches, Heavy Duty (must add ground kit to all GE switches, see below)

THN3363	100A 3P 600V max., Indoor Type 1 NF switch
THN3364	200A 3P 600V max., Indoor Type 1 NF switch
THN3365	400A 3P 600V max., Indoor Type 1 NF switch
THN3366	600A 3P 600V max., Indoor Type 1 NF switch

Note: Must add neutral kit if 4wire required on 600v switches



imagination at work

www.ge-ed.ca
www.geindustrial.com
1-800-GE-1STOP

GE Safety Switches

CATALOGUE #	DESCRIPTION
-------------	-------------

Misc. Accessories for Safety Switches

(must add ground kit to all GE switches, see below)

TGL1	Ground kit 30-60A
TGL3	Ground kit 100-200A
TGL6	Ground kit 400-600A
TNI62	Neutral kit 30A 600v & 60A TH Non-Fusible
TNIA62	Neutral kit 60A Fusible 600v
TNIA63	Neutral kit 100A Fusible 600v
TNI63	Neutral kit 100A Non-Fusible TH 600v
TNI64C	Neutral kit 200A Fusible 600v
TNI65C	Neutral kit 400A Fusible 600v
TNI66C	Neutral kit 600A Fusible 600v
TNI67C	Neutral kit 800A for TH Series Fusible Switch
TNI68C	Neutral kit 1200A for TH Series Fusible Switch
THAUX21D	Aux. Contact kit for TH 30A 2P, 3P (req'd for elevator)
THAUX64D	Aux. Contact kit for TH 60-200A 2P, 3P
THAUX66D	Aux. Contact kit for TH 400-600A 2P, 3P
THJ6	600A class J fuse adapter kit req'd for 600A sw's

Note: Must add neutral kit if 4wire required on 600v switches

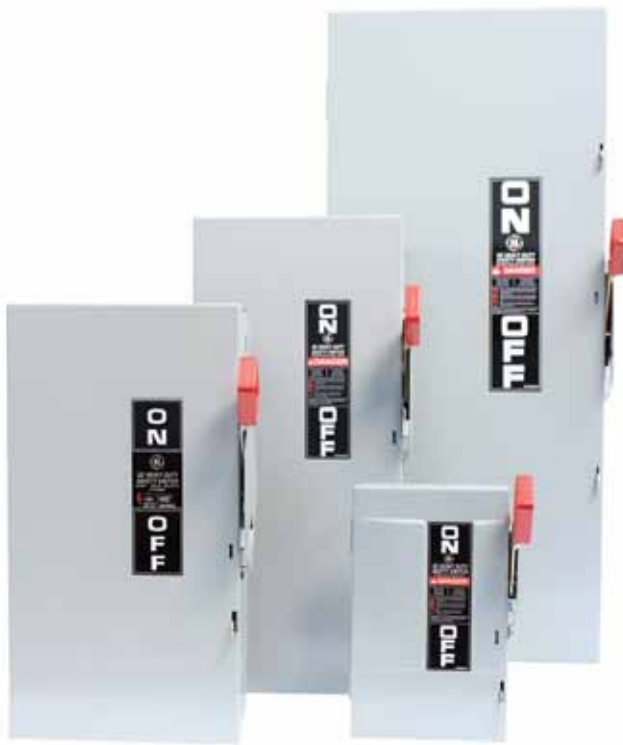


www.ge-ed.ca
www.geindustrial.com
1-800-GE-1STOP

GE Safety Switches

TH Series - Heavy Duty

TG Series - General Duty



30-1200 Amperes Rated

240v AC, 250v DC

600v AC, 600v DC

CSA Certified

Full cover interlocks

Quick make, quick break mechanism

60°C and 75°C conductor rating



imagination at work

www.ge-ed.ca
www.geindustrial.com
1-800-GE-1STOP

GE Safety Switches

240V TH Series (120/208V TH Series) (3ph 4wire)

Fusible

Amperage	Enclosure Type		3ph 4wire Product Number	Add-"R" for Nema 3R
30	1		TH4321	Add-"R" for Nema 3R
60	1		TH4322	
100	1		TH4323	
200	1		TH4324C	
400	1		TH4325C	
600	1	Add THJ6 fuse adapter for J fuses	TH4326C+THJ6	
800	1		TH4367C	
1200	1		TH4368C	

Note: For single phase 3wire, see BuyLog Catalog
 For Nema 4/4X up to 600 Amp, add SS to product number



TH4321 30A Safety Switch



TH4321 30A Safety Switch (open)



imagination at work

www.ge-ed.ca
www.geindustrial.com
 1-800-GE-1STOP

GE Safety Switches

600V TH Series

Fusible

Amperage	Enclosure Type	3ph 3Wire Product Number	Add neutral kit below to be 4 Wire	Add-"R" for Nema 3R
30	1	TH3361	TNI62	Add-"R" for Nema 3R
60	1	TH3362	TNIA62	
100	1	TH3363	TNIA63	
200	1	TH3364C	TNIA64	
400	1	TH3365C	TNI65C	
600	1	TH3366C + THJ6	TNI66C	
800	1	TH3367	TNI67C	
1200	1	TH3368	TNI68C	

Note: For Fusible two pole, use the same product number
For Nema 4/4X up to 600 Amp, add SS to product number



TH4321 30A Safety Switch



TH4321 30A Safety Switch (open)



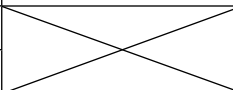
imagination at work

www.ge-ed.ca
www.geindustrial.com
1-800-GE-1STOP

GE Safety Disconnects

240/600V TH Series

Non-Fusible

Amperage	Enclosure Type	3ph 3Wire Product Number	Add-"R" for Nema 3R
30	1	THN3361	Add-"R" for Nema 3R
60	1	THN3362	
100	1	THN3363	
200	1	THN3364	
400	1	THN3365	
600	1	THN3366	
800	1	TC36367	
1200	1	TC36368	

Note: For Nema 4/4X up to 600 Amp, add SS to product number
800 & 1200 Amp not available in Nema 3R



imagination at work

www.ge-ed.ca
www.geindustrial.com
1-800-GE-1STOP

Safety Switches - Enclosure Dimensions

Spec-Setter™ Safety Switches - TG and TH, NEMA Type 1 and 3R Enclosures

NEMA Type 1 TG Approximate Dimensions in Inches Figure 1

Product Number Dimension W Dimension H Dimension D Dimension W2 KO Figure Number1

Product #	Dimension W	Dimension H	Dimension D	Dimension W2	KO Fig. #
TG3221	6 1/2	10 5/8	3 5/16	7	1
TG3222	8 1/2	13 7/8	4	9	15
TG3223	9 1/2	21 3/8	5	10	3
TG3224	13 3/4	29 1/4	5 1/2	14	4
TG3225	22	49 1/2	9	23	5
TG3226	23 1/4	50	9 1/4	23 3/4	6
TG3325	22	49 1/2	9	23	7
TG3326	23 1/4	50	9 1/4	23 3/4	6
TG4321	6 1/2	10 5/8	3 5/16	7	1
TG4322	8 1/2	13 7/8	4	9	15
TG4323	9 1/2	21 3/8	5	10	3
TG4324	13 3/4	29 1/4	5 1/2	14	4
TG4325	22	49 1/2	9	23	7
TG4326	23 1/4	50	9 1/4	23 3/4	6
TGN3321	6 1/2	10 5/8	3 5/16	7	1
TGN3322	8 1/2	13 7/8	4	9	15
TGN3323	9 1/2	21 3/8	5	10	3
TGN3324	13 3/4	29 1/4	5 1/2	14	4
TGN3325	22	49 1/2	9	23	7
TGN3326	23 1/4	50	9 1/4	23 3/4	6

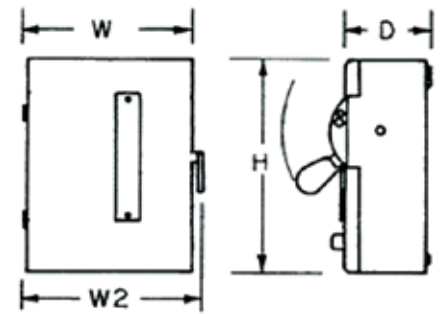


Figure 1



imagination at work

www.ge-ed.ca
www.geindustrial.com
1-800-GE-1STOP

Safety Switches - Enclosure Dimensions

Spec-Setter™ Safety Switches - TG and TH, NEMA Type 1 and 3R Enclosures

NEMA Type 1 TH Approximate Dimensions in Inches Figure 2

Product Number Dimension W Dimension H Dimension D

Product #	Dimension W	Dimension H	Dimension D	Dimension W2	KO Fig. #
TH3221	6 1/2	10 3/8	3 3/8	7 1/8	1
TH3222	9 1/2	17 5/8	5	10 1/8	3
TH3223	9 3/8	19 3/8	5 1/16	10 1/4	3
TH3224C	13 1/2	25 3/8	5 1/16	14 1/4	4
TH3225C	23 1/5	50 7/8	8 3/8	15 1/4	6
TH3226C	24 5/8	59 9/16	8 3/8	25 3/4	6
TH4321	6 1/2	10 3/8	3 3/8	7 1/8	1
TH4322	9 1/2	17 5/8	5	10 1/8	3
TH4323	9 1/2	21 3/8	5	10 1/8	3
TH4324C	13 5/8	31 5/8	5 1/4	14 1/2	4
TH4325C	23 1/4	50 7/8	8 3/8	24 1/4	6
TH4326C	23 1/4	50 7/8	8 3/8	24 1/4	6
TH2261DC	8 5/8	12 5/8	4	9 1/2	15
TH2262DC	9 1/2	21 3/8	5	10 1/8	3
TH2263DC	9 1/2	22 3/4	5	10 1/8	14
TH3361	8 5/8	12 5/8	4	9 1/2	15
TH3362	9 1/2	21 3/8	5	10 1/8	3
TH3363	9 1/2	22 3/4	5	10 1/8	14
TH3364C	13 5/8	31 5/8	5 1/4	14 1/2	4
TH3365C	23 1/4	54	8 3/8	24 1/2	6
TH3366C	23 1/4	54	8 3/8	24 1/2	6
THN2261DC	8 1/2	10 9/16	4	9 1/4	15
THN2262DC	9 1/2	17 5/8	5	10 1/8	3
THN2263DC	9 1/2	17 5/8	5	10 1/8	3
THN3321	6 1/2	10 3/8	3 3/8	7 1/8	1
THN3361	8 1/2	10 9/16	4	9 1/4	15
THN3362	9 1/2	17 5/8	5	10 1/8	3
THN3363	9 1/2	17 5/8	5	10 1/8	3
THN3364	13 5/8	31 5/8	5 1/4	14 1/2	4
THN3365	23 1/4	42 1/2	8 3/8	24 1/2	6
THN3366	23 1/4	42 1/2	8 3/8	24 1/2	6

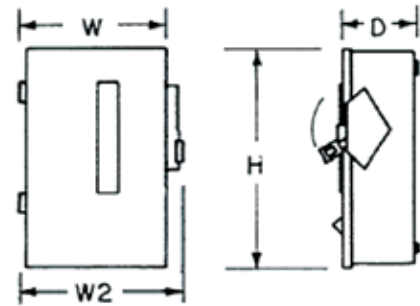


Figure 2



imagination at work

www.ge-ed.ca
www.geindustrial.com
1-800-GE-1STOP



imagination at work

www.ge-ed.ca
www.geindustrial.com
1-800-GE-1STOP

Safety Switches - Enclosure Dimensions

Spec-Setter™ Safety Switches - TG and TH, NEMA Type 1 and 3R Enclosures

NEMA Type 3R TH Approximate Dimensions in Inches Figure 4

Product Number Dimension W Dimension H Dimension D Dimension W2 KO Figure Number1

Product #	Dimension W	Dimension H	Dimension D	Dimension W2	KO Fig. #
TH3221R	6 7/8	10 5/8	3 5/16	7 1/8	8
TH3222R	9 3/8	19 3/8	5 1/16	10 1/4	10
TH3223R	13 1/2	25 3/8	5 1/16	14 1/4	10
TH3224RC	14 1/2	35 1/8	5 5/16	15 1/4	11
TH3225RC	24 5/8	59 9/16	8 3/8	25 3/4	18
TH3226RC	23 1/2	53 1/4	8 3/8	24 1/4	18
TH4321R	6 7/8	10 5/8	3 5/16	7 1/8	8
TH4322R	9 7/8	17 1/2	5	10 1/8	10
TH4323R	9 7/8	22 1/4	5	10 5/8	10
TH4324RC	14	31 1/2	5 5/16	14 1/8	11
TH2261RDC	8 7/8	13 1/4	4	9 1/2	19
TH2262RDC	9 7/8	22 1/4	5	10 5/8	10
TH2263RDC	9 7/8	22 1/4	5	10 5/8	10
TH3361R	8 7/8	13 1/4	4	9 1/2	19
TH3361RF	10 2/5	15	4 1/8	11 3/10	-
TH3361RF2	13 2/5	22 1/2	5 1/8	14 3/8	-
TH3362R	9 7/8	22 1/4	5	10 5/8	10
TH3362RF	13 2/5	22 1/2	5 1/8	14 3/8	-
TH3363R	9 7/8	22 1/4	5	10 5/8	10
TH3364RC	14	31 1/2	5 5/16	14 1/8	11
TH3365RC	23 1/2	53 1/4	8 3/8	24 1/4	18
TH3366RC	23 1/2	53 1/4	8 3/8	24 1/4	18
THN2261RDC	8 7/8	13 1/4	4	9 1/2	19
THN2262RDC	9 7/8	17 1/2	5	10 1/8	10
THN2263RDC	9 7/8	17 1/2	5	10 1/8	10
THN3361R	8 7/8	13 1/4	4	9 1/2	19
THN3361RF	10 2/5	15	4 1/8	11 3/10	-
THN3362R	9 7/8	17 1/2	5	10 1/8	10
THN3362RF	13 2/5	22 1/2	5 1/8	14 3/8	-
THN3363R	9 7/8	17 1/2	5	10 1/8	10
THN3364R	14	31 1/2	5 5/16	14 1/8	11
THN3365R	23 1/2	49 1/8	8 3/8	24 1/4	18
THN3366R	23 1/2	53 1/4	8 3/8	24 1/4	18

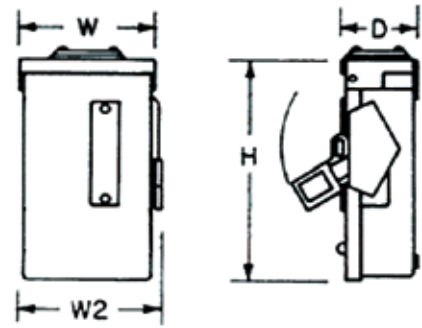


Figure 4

Safety Switch Knockouts

Spec-Setter™ Safety Switches - TG and TH, NEMA Type 1 and 3R Enclosures

Dimensions—Knockouts

Symbol	A	B	C	D	E	F	G	H	J	K	L	M	N
Conduit Size (Inches)	9/32	1/2	1/2	1/2	1/2	1/2	3/4	3/4	1	1	2	2	2 1/2
	—	—	3/4	3/4	3/4	3/4	1	1	1 1/4	1 1/2	2 1/2	2 1/2	3
	—	—	—	1	1	1	—	1 1/4	1 1/2	2	3	3	—
	—	—	—	—	1 1/4	1 1/2	—	1 1/2	2	2 1/2	—	3 1/2	—

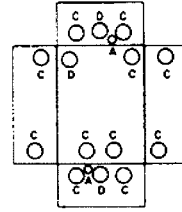


Figure 1

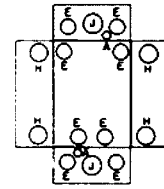


Figure 2

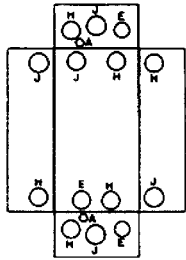


Figure 3

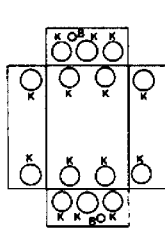


Figure 4

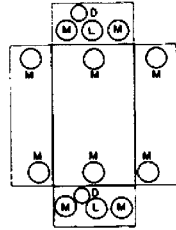


Figure 5

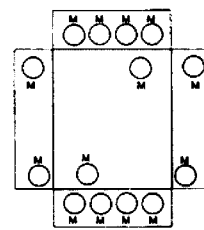


Figure 6

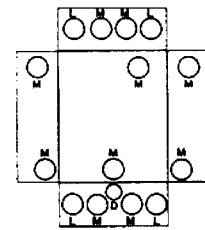


Figure 7

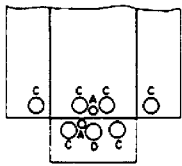


Figure 8

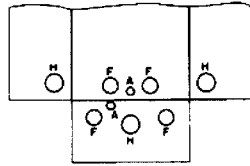


Figure 9

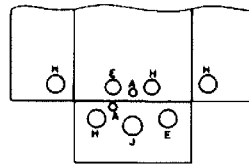


Figure 10

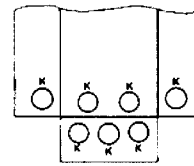


Figure 11

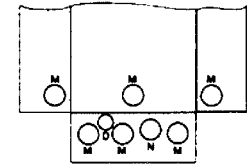


Figure 12

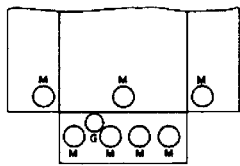


Figure 13

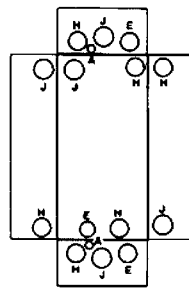


Figure 14

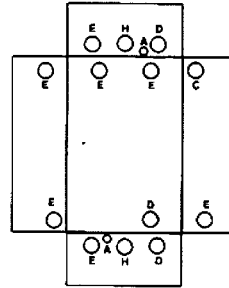


Figure 15

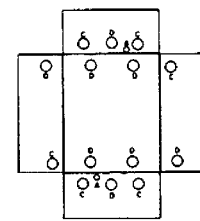


Figure 16

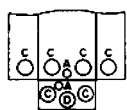


Figure 17

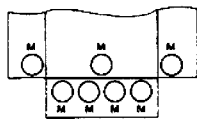


Figure 18

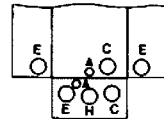


Figure 19



imagination at work

www.ge-ed.ca
www.geindustrial.com
1-800-GE-1STOP



imagination at work

www.ge-ed.ca
www.geindustrial.com
1-800-GE-1STOP

IEC Products



DESCRIPTION		AMPERES	CATALOGUE #
-------------	--	---------	-------------

C2000 Contactors and Starters

SINGLE PHASE HP @ 60HZ		THREE PHASE HP @ 60HZ					
115V	230V	200V	230V	460V	575V		
0.5	1.5	3	3	5	7.5	10A	CL00A310TJ
0.75	2	3	3	7.5	10	13.8A	CL01A310TJ
1	3	5	5	10	15	17.5A	CL02A310TJ
1.5	3	5	7.5	15	15	22A	CL25A310TJ
2	5	10	10	20	25	32A	CL04A310MJ
3	5	10	10	25	25	34A	CL45A310MJ
3	7.5	15	15	30	40	48A	CL06A311MJ
5	10	20	20	40	50	62A	CL07A311MJ
5	15	20	25	50	60	68A	CL08A311MJ
7.5	15	25	30	60	75	80A	CL09A311MJ
10	20	30	40	75	75	96A	CL10A311MJ
0.5	1.5	3	3	5	7.5	10A	LAR00AJ
0.75	2	3	3	7.5	10	13.8A	LAR01AJ
1	3	5	5	10	15	17.5A	LAR02AJ
1.5	3	5	7.5	15	15	22A	LAR25AJ
2	5	10	10	20	25	32A	LAR04AJ
3	5	10	10	25	25	34A	LAR45AJ
3	7.5	15	15	30	40	48A	LAR06AJ
5	10	20	20	40	50	62A	LAR07AJ
5	15	20	25	50	60	68A	LAR08AJ
7.5	15	25	30	60	75	80A	LAR09AJ
10	20	30	40	75	75	96A	LAR10AJ

- Open Contactors, 3-pole Non-reversing c/w 120v coil 600v max. AC Controlled
- For larger contactors up to 602A
- Open Contactors, 3-pole Reversing c/w 120v coil 600v max. AC Controlled
- For larger contactors up to 602A

Coil replacement, AC 60Hz

24V	For use with coil suffix* C	CL00, CL01, CL02, CL25	LB1A*
48V	For use with coil suffix* F		
120V	For use with coil suffix* J	CL04, CL45	LB3A*
208V	For use with coil suffix* L		
277V	For use with coil suffix* N	CL06, CL07, CL08, CL09, CL10	LB4A*
240V	For use with coil suffix* S		
480V	For use with coil suffix* U		
600V	For use with coil suffix* Y		



www.ge-ed.ca
www.geindustrial.com
1-800-GE-1STOP

IEC Products

ENCLOSURE

WITH OR WITHOUT CPT

CATALOGUE #

Nema 1 Enclosures

For use with CL00, CL01, CL02, CL25, CL04 and CL45 contactors	No CPT, non-rev	CLXE1A
For use with CL00, CL01, CL02, CL25, CL04 and CL45 contactors	With CPT, non-rev	CLEX1D
For use with CL06, CL07 and CL08 contactors	No CPT, non-rev	CLXE1B
For use with CL06, CL07 and CL08 contactors	With CPT, non-rev	CLXE1E
For use with CL09 and CL10 contactors	No CPT, non-rev	CLXE1C
For use with CL09 and CL10 contactors	With CPT, non-rev	CLXE1F
For use with CL00, CL01, CL02, CL25, CL04 and CL45 contactors	rev	CLXE1G
For use with CL06, CL07, CL08, CL09 and CL10 contactors	rev	CLXE1H



imagination at work

www.ge-ed.ca
www.geindustrial.com
 1-800-GE-1STOP

IEC Products

CURRENT RANGE

AMPS

Overload Relays Class 10 Manual/Auto, Adjustable Range

RT1 overload relay for use with CL00, CL01, CL02, CL25, CL45 & CL04 contactors

0.16-0.26	RT1B
0.25-0.41	RT1C
0.4-0.65	RT1D
0.65-1.1	RT1F
1-1.5	RT1G
1.3-1.9	RT1H
1.8-2.7	RT1J
2.5-4.1	RT1K
4-6.3	RT1L
5.5-8.5	RT1M
8.0-12.0	RT1N
10.0-16.0	RT1P
14.5-18	RT1S
17.5-22	RT1T
21-26	RT1U
25-32	RT1V
30-40	RT1W

Overload Relays Class 10 Manual/Auto, Adjustable Range

RT2 overload relay for use with CL06, CL07, CL08, CL09 & CL10 contactors

11.5-15	RT2A
14.5-19	RT2B
18.5-25	RT2C
24-32	RT2D
30-43	RT2E
42-55	RT2G
54-65	RT2H
64-82	RT2J
78-97	RT2L
90-110	RT2M



imagination at work

www.ge-ed.ca
www.geindustrial.com
1-800-GE-1STOP

IEC Products

ACCESSORY

FOR USE WITH

Accessories

Start-Stop push button without light	CL00, CL01, CL02,	CLXP1B
Start-Stop push button without light	CL25, CL04, CL45	CLXP1B
Start-Stop push button without light	CL06, CL07, CL08	CLXP2B
Start-Stop push button without light	CL09, CL10	CLXP3B
Start-Stop push button with light	CL00, CL01, CL02,	CLXP1C*
Start-Stop push button with light	CL25, CL04, CL45	CLXP1C*
Start-Stop push button with light	CL06, CL07, CL08	CLXP2C*
Start-Stop push button with light	CL09, CL10	CLXP3C*
H-O-A Switch	CL00, CL01, CL02,	CLXP1D
H-O-A Switch	CL25, CL04, CL45	CLXP1D
H-O-A Switch	CL06, CL07, CL08	CLXP2D
H-O-A Switch	CL09, CL10	CLXP3D
On-off Switch	CL00, CL01, CL02,	CLXP1E
On-off Switch	CL25, CL04, CL45	CLXP1E
On-off Switch	CL06, CL07, CL08	CLXP2E
On-off Switch	CL09, CL10	CLXP3E
Red Indicating Light	CL00, CL01, CL02,	CLXP1F
Red Indicating Light	CL25, CL04, CL45	CLXP1F
Red Indicating Light	CL06, CL07, CL08	CLXP2F
Red Indicating Light	CL09, CL10	CLXP3F
Control Power Transformer (CPT), standard capacity	50 VA	CR308XT1**A
Control Power Transformer (CPT), extra capacity	150 VA	CR308XT1**B
Side-Mount Auxiliary Contact Blocks, base block	1NO-1NC	BCLL11
Side-Mount Auxiliary Contact Blocks, base block	2NO	BCLL20
Side-Mount Auxiliary Contact Blocks, adder block	1NO-1NC	BRLL11
Side-Mount Auxiliary Contact Blocks, adder block	2NO	BRLL20

* Voltage selection:
1 - 115v
2 - 230v
4 - 460v
5 - 575v



imagination at work

www.ge-ed.ca
www.geindustrial.com
1-800-GE-1STOP

Nema Products

AMPERES

POLES, VOLT

CATALOGUE #

Definite Purpose Contactors, OPEN

Other configurations available, see catalogue

25A	2, 120V	CR453AB2AAA
25A	3, 120V	CR453AB3AAA
30A	2, 120V	CR453AC2AAA
30A	3, 120V	CR453AC3AAA
30A	3, 24V	CR453AC3HAA
40A	2, 120V	CR453AD2ABB
40A	3, 120V	CR453AD3ABB
50A	3, 24V	CR353FE3BH1
60A	3, 120V	CR353FF3BA1

** CPT voltage selection:

- 04 - Dual primary
reconnectable
220/230/240 and
440/460/480V primary,
110/115/120V secondary
- 05 - 550/575/600V primary,
110/115/120V secondary
- 23 - 200/208V primary,
115/120V secondary



imagination at work

www.ge-ed.ca
www.geindustrial.com
1-800-GE-1STOP

Nema Products

DESCRIPTION	ENCLOSURE	CATALOGUE #
-------------	-----------	-------------

CR101 Manual Motor Starters

1Pole	NEMA 1, surface	CR101Y1
1Pole w/ light	NEMA 1, surface	CR101Y11
2Pole	NEMA 1, surface	CR101H1
2Pole w/ light	NEMA 1, surface	CR101H11

FULL LOAD AMPS	CATALOGUE #
----------------	-------------

CR101 Heaters

(overload heater units for CR101H,Y)

0.48	CR123H055A
0.53	CR123H061A
0.58	CR123H067A
0.65	CR123H074A
0.71	CR123H082A
0.78	CR123H090A
0.86	CR123H099A
0.95	CR123H108A
1.04	CR123H120A
1.14	CR123H132A
1.25	CR123H144A
1.37	CR123H158A
1.49	CR123H172A
1.63	CR123H188A
1.78	CR123H205A
1.95	CR123H224A
2.13	CR123H245A
2.32	CR123H267A
2.53	CR123H291A
2.76	CR123H317A
3.01	CR123H346A
3.27	CR123H377A



www.ge-ed.ca
www.geindustrial.com
 1-800-GE-1STOP

Nema Products

FULL LOAD AMPS

CATALOGUE #

CR101 Heaters

(overload heater units for CR101H,Y)

3.56	CR123H410A
3.88	CR123H446A
4.22	CR123H486A
4.6	CR123H529A
5	CR123H575A

FULL LOAD AMPS

CATALOGUE #

Manual Motor Starters

(overload heater units for CR101H,Y)

5.43	CR123H625A
5.9	CR123H680A
6.41	CR123H739A
6.98	CR123H802A
7.6	CR123H873A
8.25	CR123H950A
8.95	CR123H103B
9.75	CR123H112B
10.6	CR123H122B
11.4	CR123H132B
12.5	CR123H144B
13.6	CR123H157B
14.8	CR123H171B
16	CR123H186B



imagination at work

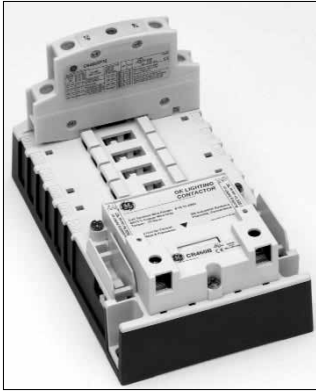
www.ge-ed.ca
www.geindustrial.com
1-800-GE-1STOP

CR460 Series Lighting Contactors

The ultimate in versatility, simplicity and performance

Quick Selector

1. Choose Basic Contactor.



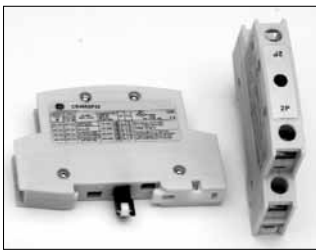
Combined with other appropriate components, basic contactors allow configuration into any available electrically or mechanically held model. Includes power poles.

Description	Cat. No.
Base with 1NO-1NC	CR463L11A*A
Base with 2NO	CR463L20A*A

	Coil Voltage		Coil Digit
	AC, 60 Hz	AC, 50 Hz	
Suitable for electrically or mechanically held contactors	24V	20V	C
	28V	24V	D
	115-120V	110V	J
	200-208V	—	L
	230-240V	220V	S
Suitable for electrically held contactors. CPT required if used with mechanically held contactors	277V	240V	N
	347V	—	T
	460-480V	440V	U
	575-600V	550V	Y

Coil Voltage – Replace * in base catalog number with appropriate coil digit from the table below.

2. Select Power Poles.



CR460 Series basic contactors accept up to 6 single- or double-pole power poles.

These can be used to form up to:

- 12 NO poles when 6 double-poles are used in the NO positions (1-6) or
- 8 NC poles with 4 double-poles in the NC positions (1-4) + 4 NO poles with 2 double-poles in the 2 NO positions (5-6)

Power Poles	Cat. No. ,
Single Pole	CR460XP31
Double Pole	CR460XP32

Packaged individually and overpacked in multiple of 5.

3. Select Conversion Kit

(for Mechanically Held Contactors Only).



Kits for converting electrically held contactors to a mechanically held version. Kits includes control module, latch, latch cover and auxiliary contacts plus installation instructions. Conversion kits are suitable for coil voltages 277V and below. Use CPT to reduce coil voltage if line voltage is higher than 277V (see Fuse and Transformer Kits table).

Coil Volts	Control	Control Volts	Cat. No.
24-277	2-wire	24 Vac	CR460XMB
		110-120 Vac	CR460XMC
		200-277 Vac	CR460XMD
		Vac 12-24 Vdc	CR460XME
	3-wire	24 Vac	CR460XMM
		110-120 Vac	CR460XMN
		200-277 Vac	CR460XMP
		12-24 Vdc	CR460XMR



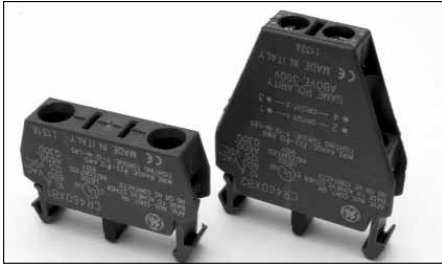
www.ge-ed.ca
www.geindustrial.com
1-800-GE-1STOP

CR460 Series Lighting Contactors

The ultimate in versatility, simplicity and performance

Quick Selector Continued...

4. Do You Need Auxiliary Contacts?



Each contactor may use one single or one double auxiliary contact block on each side of the base. When installed on the left side the contacts are NO, when installed on the right side the contacts are NC. This allows a total of 2NO + 2NC contacts maximum.

Auxiliary Block	Cat. No.
Single Pole	CR460XB1
Double Pole	CR460XB2

5. Do You Need an Enclosure?

Enclosure Type	With no CPT or pilot device	With provision for CPT and/or pilot device
	Cat. No.	Cat. No.
1	CR460XE1B	CR460XE1D
Type 1, Flush Mount	CR460XE8B	—
12/3R	CR460XE2B	CR460XE2D0
4	—	CR460XE4D

6. Do You Need Pilot Devices or Pilot Lights?

Enclosure accessory kits contain accessory and complete installation wiring and hardware. Some kits contain multiple nameplates for alternate markings.

Pilot Devices

Pilot Device	Application				Cat. No.
	Electrically Held		Mechanically Held		
	Without Interlock Aux.	With Interlock Aux.	2-wire Control Module	3-wire Control Module	
ON/OFF Push Button (Momentary)		X		X	CR460XP1
ON/OFF or OFF/AUTO Selector Switch (Maintained)	X		X	X	CR460XP2
ON/OFF Selector Switch, Spring Return to Center		X		X	CR460XP3
H-O-A or ON/OFF/AUTO Selector Switch	X		X		CR460XP4
H-O-A or ON/OFF/AUTO Keyed Selector Switch (Removal All Positions)			X		CR460XP5

Pilot Lights

Pilot light kits come with interchangeable red and green lenses. Pilot lights may require auxiliary contacts.

Type	Nameplate	Cat. No.
Standard	ON or OFF	CR460XLB*
Push-to-Test	ON or OFF	CR460XLD*

Pilot Light Voltage

Replace * in pilot light catalog number with appropriate voltage digit from the table below.

Voltage	Digit
24 Vac/dc	C
120 Vac	J
208 Vac	L
240 Vac	S
277 Vac	N
347 Vac	T
480 Vac	U
600 Vac	Y



imagination at work

www.ge-ed.ca
www.geindustrial.com
1-800-GE-1STOP

CR460 Series Lighting Contactors

The ultimate in versatility, simplicity and performance

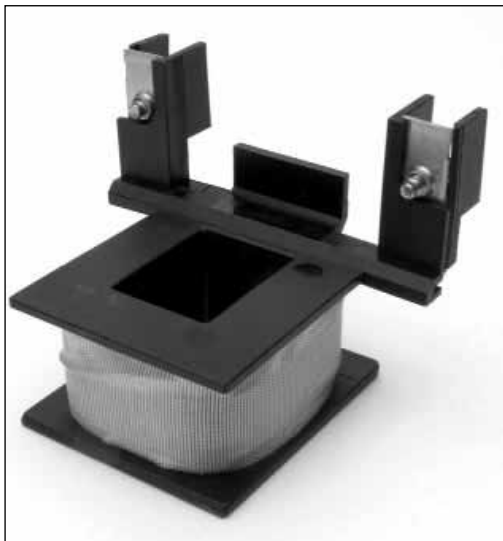
Quick Selector Continued...

7. Do You Need Fuses or CPTs?

Combined with other appropriate components, basic contactors allow configuration into any available electrically or mechanically held model. Includes power poles.

Contactor Type	Kit		Cat. No.
Without CPT	Control Circuit Fuses Kit		CR460XF
With 100VA CPT (includes 2 primary and 1 secondary fuse)	CPT Primary Volts (60Hz)	CPT Secondary Volts	
	208	120V	CR460XTB
	220-240		CR460XTC
	277		CR460XTD
	440-480		CR460XTE
	600		CR460XTF
	120	24V	CR460XTL
	208		CR460XTM
	220-240		ACR460XTN
	277		CR460XTP
	440-480		CR460XTR
	600		CR460XTS

8. Order Spare Coils if required.



Coil Voltage		Cat. No.
AC, 60 Hz	AC, 50 Hz	
24V	20V	CR460XCC
28V	24V	CR460XCD
115-120V	110V	CR460XCJ
200-208V	—	CR460XCL
230-240V	220V	CR460XCS
277V	240V	CR460XCN
347V	—	CR460XCT
460-480V	440V	CR460XCU
575-600V	500V	CR460XCY



www.ge-ed.ca
www.geindustrial.com
1-800-GE-1STOP

GE Energy

GE stock list for connector kits and replacement breakers (most common)

Catalogue	Description
-----------	-------------

Breaker Mounting Hardware for Spectra bolt-on and Jiffy

(includes hardware, brackets and filler plate)

AMCB4EYFP	TEY (2P) mounting kit with filler plate, twin 3X
AMCB6EYFP	TEY (3P) mounting kit with filler plate, twin 3X
AMCB6EBFP	TED, THED (3P) kit with filler plate, twin 3X
AMCB4QDFP	TQD, THQD (2P) kit with filler plate, twin 2X
AMCB6QDFP	TQD, THQD (3P) kit with filler plate, twin 3X
AMCB6FJFP	SF (3P) mounting kit with filler plate, twin 3X, 31" - 45" w box only
AMCB6GBFP	SG (3P) mounting kit with filler plate, twin 4X, 40" - 45" x box only
AMCB3GMFP	SG (3P) mounting kit with filler plate, single 4X
AMCB3KMFP	SKH, SKL (3P) mounting kit with filler plate, single 6X, 40" - 45" box only

Full Filler Pates for Spectra bolt-on and Jiffy

(includes filler plate support brackets and hardware), use to cover unused spaces

APP1	1X Full filler plate, for 36" and 40"W box
APP2	2X Full filler plate, for 36" and 40"W box
APP3	3X Full filler plate, for 36" and 40"W box
APP4	4X Full filler plate, for 36" and 40"W box
APP5	5X Full filler plate, for 36" and 40"W box
APP6	6X Full filler plate, for 36" and 40"W box

Breaker Mounting Hardware for Spectra bolt-on and Jiffy

Hardware only; no brackets or straps.

AHKBE1	SE, TED, TEB mounting hardware, no conn kit or filler plate
AHKBF1	SF mounting hardware, no conn kit or filler plate
AHKBG1	SG mounting hardware, no conn kit or filler plate
AHKBQ1	THQD mounting hardware, no conn kit or filler plate



imagination at work

www.ge-ed.ca
www.geindustrial.com
1-800-GE-1STOP

Catalogue	Description
-----------	-------------

Breaker Filler Plate Kit for Spectra bolt-on and Jiffy

(includes filler plate and associated hardware, no connector kit)

AFP3EYD	TEY (2P & 3P) filler plate, twin 3X
AFP3SED	TED, THED (3P) filler plate, twin 3X
AFP3SFD	SF (3P) filler plate, twin 3X
AFP4SGD	SG (3P) filler plate, twin 4X
AFP4SGS	SG (3P) filler plate, single 4X
AFP6SKS	SKH, SKL (3P) filler plate, single 6X

Misc. Accessories for breakers in Spectra bolt-on and Jiffy

SEPLD	Padlocking device for SE and SF breakers
SGPLD	Padlocking device for SG breakers
SKPLD	Padlocking device for SK breakers

GE Energy

Catalogue	Description
TED136020	20A 3P Breaker, max. 14ka @ 600V
TED136030	30A 3P Breaker, max. 14ka @ 600V
TED136040	40A 3P Breaker, max. 14ka @ 600V
TED136050	50A 3P Breaker, max. 14ka @ 600V
TED136060	60A 3P Breaker, max. 14ka @ 600V
TED136070	70A 3P Breaker, max. 14ka @ 600V
TED136090	90A 3P Breaker, max. 14ka @ 600V
TED136100	100A 3P Breaker, max. 14ka @ 600V
TED136125	125A 3P Breaker, max. 14ka @ 600V
TED136150	150A 3P Breaker, max. 14ka @ 600V
THED114015	15A 1P Breaker, max. 18ka @ 347V
THED114020	20A 1P Breaker, max. 18ka @ 347V
THED114030	30A 1P Breaker, max. 18ka @ 347V
THED136015	15A 3P Breaker, max. 18ka @ 600V
THED136020	20A 3P Breaker, max. 18ka @ 600V
THED136030	30A 3P Breaker, max. 18ka @ 600V
THED136040	40A 3P Breaker, max. 18ka @ 600V
THED136050	50A 3P Breaker, max. 18ka @ 600V
THED136060	60A 3P Breaker, max. 18ka @ 600V
THED136070	70A 3P Breaker, max. 18ka @ 600V
THED136090	90A 3P Breaker, max. 18ka @ 600V
THED136100	100A 3P Breaker, max. 18ka @ 600V
THED136125	125A 3P Breaker, max. 18ka @ 600V
THED136150	150A 3P Breaker, max. 18ka @ 600V
TEDL36015	Limiter to change TED 3P 15A breaker to 65ka @ 600V
TEDL36020	Limiter to change TED 3P 20A breaker to 65ka @ 600V
TEDL36060	Limiter to change TED 30-60A breaker to 65ka @ 600V
TEDL36100	Limiter to change TED 70-100A breaker to 65ka @ 600V



Catalogue	Description
-----------	-------------

The following breakers are digital solid-state breakers which require a rating plug (interchangeable trip) and load lugs:

SEHA36AT0030	Breaker frame 3P 15-30A, max. 18ka @ 600V
SRPE30A15	Rating plug, 15A for SE breaker above
SRPE30A20	Rating plug, 20A for SE breaker above
SRPE30A30	Rating plug, 30A for SE breaker above
TCAL18	Load lugs for all sizes of SE breaker Cu/Al #12-3/0, need 1 per pole
SEHA36AT0060	Breaker frame 3P 40-60A, max. 18ka @ 600V
SRPE60A40	Rating plug, 40A for SE breaker above
SRPE60A50	Rating plug, 50A for SE breaker above
SRPE60A60	Rating plug, 60A for SE breaker above
SEHA36AT0100	Breaker frame 3P 70-100A, max. 18ka @ 600V
SRPE100A70	Rating plug, 70A for SE breaker above
SRPE100A90	Rating plug, 90A for SE breaker above
SRPE100A100	Rating plug, 100A for SE breaker above
SRPE150A125	Rating plug, 125A for SE 150A frame breaker
SRPE150A150	Rating plug, 150A for SE 150A frame breaker
SFHA36AT0250	Breaker frame 3P 70-250A, max. 18ka @ 600V
SRPF250A70	Rating plug, 70A for SF breaker above
SRPF250A90	Rating plug, 90A for SF breaker above
SRPF250A100	Rating plug, 100A for SF breaker above
SRPF250A125	Rating plug, 125A for SF breaker above
SRPF250A150	Rating plug, 150A for SF breaker above
SRPF250A175	Rating plug, 175A for SF breaker above
SRPF250A200	Rating plug, 200A for SF breaker above
SRPF250A225	Rating plug, 225A for SF breaker above
SRPF250A250	Rating plug, 250A for SF breaker above
TCAL29	Load lugs for SF breaker Cu/Al #8-350, need 1 per pole
SGDA32AT0400	Breaker frame 3P 125-400A, max. 65ka @ 240V
SGHA36AT0400	Breaker frame 3P 125-400A, max. 25ka @ 600V
SGLA36AT0400	Breaker frame 3P 125-400A, max. 65ka @ 600V
SRPG400A125	Rating plug, 125A for SG 400A frame breakers above
SRPG400A150	Rating plug, 150A for SG 400A frame breakers above



Catalogue	Description
-----------	-------------

The following breakers are digital solid-state breakers which require a rating plug (interchangeable trip) and load lugs:

SRPG400A175	Rating plug, 175A for SG 400A frame breakers above
SRPG400A200	Rating plug, 200A for SG 400A frame breakers above
SRPG400A225	Rating plug, 225A for SG 400A frame breakers above
SRPG400A250	Rating plug, 250A for SG 400A frame breakers above
SRPG400A300	Rating plug, 300A for SG 400A frame breakers above
SRPG400A350	Rating plug, 350A for SG 400A frame breakers above
SRPG400A400	Rating plug, 400A for SG 400A frame breakers above
SGHA36AT0600	Breaker frame 3P 250-600A, max. 25ka @ 600V
SGLA36AT0600	Breaker frame 3P 250-600A, max. 65ka @ 600V
SRPG600A250	Rating plug, 250A for SG 600A frame breakers above
SRPG600A300	Rating plug, 300A for SG 600A frame breakers above
SRPG600A350	Rating plug, 350A for SG 600A frame breakers above
SRPG600A400	Rating plug, 400A for SG 600A frame breakers above
SRPG600A450	Rating plug, 450A for SG 600A frame breakers above
SRPG600A500	Rating plug, 500A for SG 600A frame breakers above
SRPG600A600	Rating plug, 600A for SG 600A frame breakers above
TCLK365	Load lugs for SG breaker Cu/Al , 3P lug kit, 1 for 3P, (2) 2/0-500 mcm or (1) #8-600 mcm
SKHA36AT0800	Breaker frame 3P 300-800A, max. 25ka @ 600V
SKLA36AT0800	Breaker frame 3P 300-800A, max. 42ka @ 600V
SRPK800A600	Rating plug, 600A for SK 800A frame breakers above
SRPK800A800	Rating plug, 800A for SK 800A frame breakers above
TCAL81	Load lugs for SK breaker Cu/Al , need 1 per pole, (3) 3/0-500MCM
SKHA36AT1200	Breaker frame 3P 600-1200A, max. 25ka @ 600V
SKLA36AT1200	Breaker frame 3P 600-1200A, max. 42ka @ 600V
SRPK1200A1000	Rating plug, 1000A for SK 1200A frame breakers above
SRPK1200A1200	Rating plug, 1200A for SK 1200A frame breakers above
TCAL125	Load lugs for SK breaker, (4)250-500MCM, need 1 per pole
TCAL124	Load lugs for SK breaker, (3)300-750MCM, need 1 per pole



GE Energy

Dry Type Transformers Type QL

15-225kVA, Three-Phase

Every aspect of a GE QL transformer is designed to enhance customer satisfaction and safety. GE has been building transformers for nearly 100 years, and we continue to innovate and improve the reliable QL design.

Advantages

- Quiet performance
- No-weld design – an industry first
- Comprehensive factory testing assures quality
- Easy, fast installation saves time
- Clear, comprehensive documentation and labeling enhance safety

Key Features

- Unique core and coil design makes QL transformers among the quietest available
- Core and coil assemblies are mounted on rubber isolation pads to reduce noise
- Bolted coil terminations are more reliable than welded terminations
- Single-piece front/back is easily removable for service
- Accessible mounting flanges with front/back slotted mounting holes make installation easier
- 100% factory tested for shorts and coil integrity, current and loss, voltage, impedance and noise.
- Type 2 drip-proof enclosure is standard; weathershield kits are available for conversion to Type 3 outdoor configuration
- Qualified to the seismic requirements of IEEE-693-1997 and IBC-2003
- Copper or aluminum windings
- Copper ground strap
- Robust packaging with top and edge protection
- 220°C insulation system
- 40°C ambient
- 10kV-BIL
- ANSI 61 grey enclosure
- Meets CSA C802.2 efficiency standard
- cUL certified to CSA C9 and CSA C22.2 No. 47

Applications

- Commercial
- Industrial
- Incandescent lighting
- Resistance heating
- Motor generators
(without solid state drives)



imagination at work

www.ge-ed.ca
www.geindustrial.com
1-800-GE-1STOP

GE Energy

Dry Type Transformers Type QL

150°C Rise
600 Volt Primary, 208Y/120 Volt Secondary

ALUMINUM WOUND

Catalog Number	Outline Drawing #	KVA	TAP	Frame Size	Approx. Net Weight (lbs)	Dimensions (inches)			List Price GO-67A
						Height	Width	Depth	
9T83K3891	303B401CAP071	15	+2, -4 @ 2.5%	EE71	265	27.3	18.7	16.9	\$3,606
9T83K3892	303B401CAP072	30	+2, -4 @ 2.5%	EE72	334	32.1	23.8	18.4	\$4,783
9T83K3893	303B401CAP073	45	+2, -4 @ 2.5%	EE73	415	32.2	23.8	18.4	\$6,226
9T83K3894	303B401CAP074	75	+2, -4 @ 2.5%	EE74	620	35.7	31.8	24	\$9,075
9T83K3895	303B401CAP075	112.5	+2, -4 @ 2.5%	EE75	765	39.9	31.8	24	\$12,597
9T83K3896	303B401CAP076	150	+2, -4 @ 2.5%	EE76	904	45.9	34.8	24	\$15,232
9T83K3897	303B401CAP077	225	+2, -4 @ 2.5%	EE77	1685	45.5	38.4	33	\$21,620

COPPER WOUND

Catalog Number	Outline Drawing #	KVA	TAP	Frame Size	Approx. Net Weight (lbs)	Dimensions (inches)			List Price GO-67A
						Height	Width	Depth	
9T83K9891	303B401CAP071	15	+2, -4 @ 2.5%	EE71	290	27.3	18.7	16.9	\$6,059
9T83K9892	303B401CAP072	30	+2, -4 @ 2.5%	EE72	377	32.1	23.8	18.4	\$8,035
9T83K9893	303B401CAP073	45	+2, -4 @ 2.5%	EE73	490	32.2	23.8	18.4	\$10,459
9T83K9894	303B401CAP074	75	+2, -4 @ 2.5%	EE74	710	35.7	31.8	24	\$15,245
9T83K9895	303B401CAP075	112.5	+2, -4 @ 2.5%	EE75	949	39.9	31.8	24	\$21,163
9T83K9896	303B401CAP076	150	+2, -4 @ 2.5%	EE76	965	45.9	34.8	24	\$25,590
9T83K9897	303B401CAP077	225	+2, -4 @ 2.5%	EE77	1710	45.5	38.4	33	\$36,320

GE Canada
468 South Service Rd. E., Oakville, ON L6J 2X6
www.ge-ed.ca

© 2009 General Electric Company

DET 564 (04/09)



imagination at work

www.ge-ed.ca
www.geindustrial.com
1-800-GE-1STOP

GE Transformer Canadian Terminal Lugs					
kVA	Base Model	GE (lugs)			
		Primary	Qty/Phase	Secondary	Qty/Phase
15	QL 3871	125MCM-14	1	125MCM-14	1
30	QL 3872	125MCM-14	1	125MCM-14	1
45	QL 3873	125MCM-14	1	250MCM-6	1
75	QL 3874	250MCM-6	1	350MCM-6	2
112.5	QL 3875	350MCM-6	1	350MCM-6	2
150	QL 3876	350MCM-6	1	500MCM-4	2
225	QF 3877	350MCM-6	2	500MCM-4	2

note 1: the 125MCM-14 lugs = 125 MCM lug > #14 minimum to 1/0 maximum (125 MCM)
 note 2: the 250MCM-6 lugs = 250 MCM lug > #6 minimum to 250 MCM maximum

GE Xfmrs - Canada Lug Table.xls - 09/02/2009



imagination at work

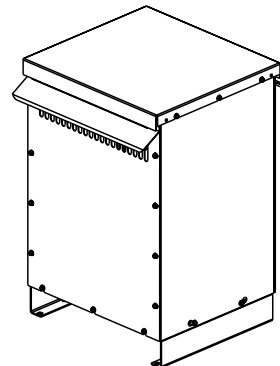
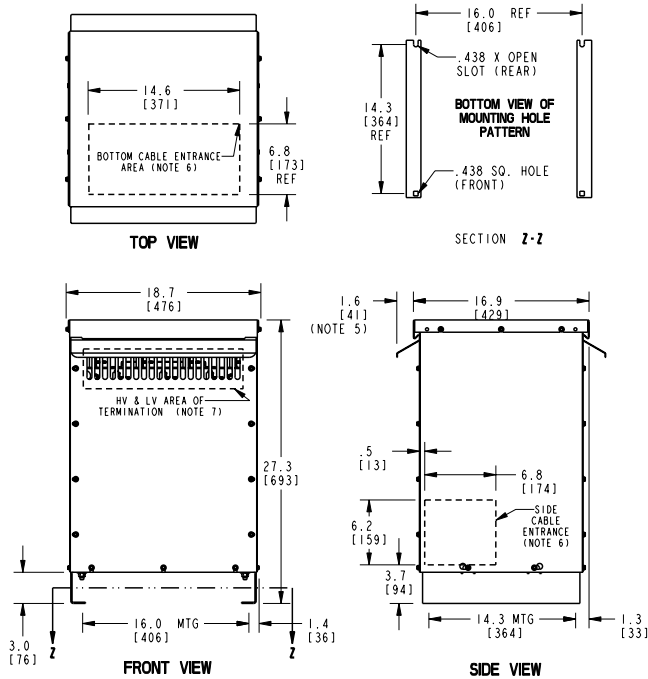
www.ge-ed.ca
www.geindustrial.com
 1-800-GE-1STOP



GENERAL ELECTRIC DRY TYPE TRANSFORMERS

NOTES:

- 1) ALL UNITS ARE cUL CERTIFIED TO CSA C9, CSA C22.2 No. 47 AND MEET THE EFFICIENCY REQUIREMENTS OF CSA C802.2
- 2) TRANSFORMERS UTILIZE A UL RECOGNIZED 220°C INSULATION SYSTEM. THE TEMPERATURE RISE(S) FOR THE SPECIFIC kVA RATINGS REFERENCED IN THE TABLE BELOW ARE DETERMINED WHEN THE TRANSFORMER IS MOUNTED IN A STANDARD ENCLOSURE.
- 3) TRANSFORMERS ARE DESIGNED FOR FLOOR MOUNTING. OPTIONAL WALL MOUNTING BRACKETS ARE AVAILABLE FOR THE TRANSFORMER SIZES REFERENCED IN THE TABLE BELOW.
- 4) TRANSFORMERS ARE DRY TYPE, CLASS AA, WITH VENTILATED ENCLOSURES FOR INDOOR USE. OPTIONAL RAINSHIELD KITS ARE AVAILABLE TO ADAPT ALL SIZES FOR TYPE 3R OUTDOOR USE WITHOUT VOIDING THE WARRANTY.
- 5) APPLICABLE WHEN OPTIONAL RAINSHIELDS ARE INSTALLED. RAINSHIELDS ARE SHIPPED IN KITS FOR FIELD INSTALLATION.
- 6) CABLE ENTRANCE IS PERMITTED THROUGH THE LEFT SIDE, RIGHT SIDE AND/OR BOTTOM ENCLOSURE PANELS ONLY. CABLE ENTRANCE IS NOT PERMITTED THROUGH THE FRONT, REAR OR TOP PANELS.
- 7) 0.406" DIA HOLES ARE PROVIDED FOR CUSTOMER TERMINATION.
- 8) FOR LIFTING, OTHER THAN WITH A FORK TRUCK, REMOVE TOP COVER AND USE 1" DIAMETER HOLES IN THE TOP CORE CLAMPS.
- 9) PAINT COLOR IS ANSI #61 GRAY.
- 10) 6" MINIMUM CLEARANCE IS REQUIRED FROM ALL WALLS.



ISOMETRIC VIEW

COIL	REF. kVA AT			WEIGHT LBS. (APPROX.)	dB LEVEL
	150°C RISE	115°C RISE	80°C RISE		
ALUMINUM	15	15	N/A	240	45
COPPER	15	15	N/A	250	

CATALOG NO.	QTY.	COIL CONDUCTOR	kVA	TEMP RISE	VOLTAGE		TAPS	DRAWING
					PRIMARY	SECONDARY		
								APPROVAL
								RECORD
								OTHER

CUST.	UNLESS OTHERWISE SPECIFIED ALL DIMENSIONS ARE IN INCHES/(mm) THIRD ANGLE PROJECTION 	GENERAL ELECTRIC COMPANY GE Consumer & Industrial OUTLINE DRAWING (ENCLOSED UNIT) CSA C802.2, 3 PHASE	DWG NO.	REV.
JOB			303B401CAP071	2
P.O.				
R.F.Q.				
S.O.	SHEET 1 OF 6			



imagination at work

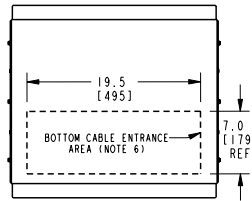
www.ge-ed.ca
www.geindustrial.com
1-800-GE-1STOP



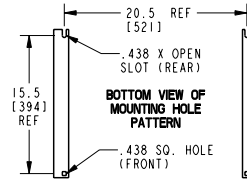
GENERAL ELECTRIC DRY TYPE TRANSFORMERS

NOTES:

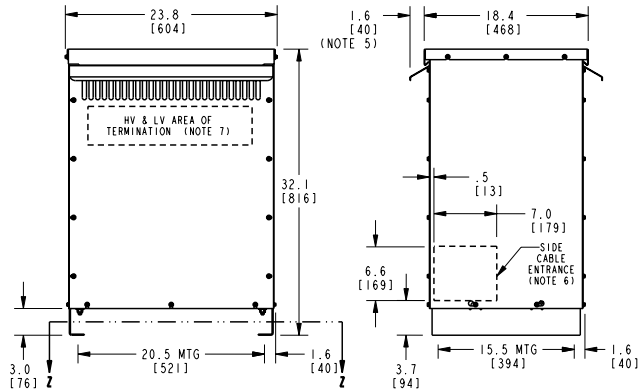
- 1) ALL UNITS ARE cUL CERTIFIED TO CSA C9, CSA C222 No. 47 AND MEET THE EFFICIENCY REQUIREMENTS OF CSA C802.2
- 2) TRANSFORMERS UTILIZE A UL RECOGNIZED 220°C INSULATION SYSTEM. THE TEMPERATURE RISE(S) FOR THE SPECIFIC kVA RATINGS REFERENCED IN THE TABLE BELOW ARE DETERMINED WHEN THE TRANSFORMER IS MOUNTED IN A STANDARD ENCLOSURE.
- 3) TRANSFORMERS ARE DESIGNED FOR FLOOR MOUNTING. OPTIONAL WALL MOUNTING BRACKETS ARE AVAILABLE FOR THE TRANSFORMER SIZES REFERENCED IN THE TABLE BELOW.
- 4) TRANSFORMERS ARE DRY TYPE, CLASS AA, WITH VENTILATED ENCLOSURES FOR INDOOR USE. OPTIONAL RAINSHIELD KITS ARE AVAILABLE TO ADAPT ALL SIZES FOR TYPE 3R OUTDOOR USE WITHOUT VOIDING THE WARRANTY.
- 5) APPLICABLE WHEN OPTIONAL RAINSHIELDS ARE INSTALLED. RAINSHIELDS ARE SHIPPED IN KITS FOR FIELD INSTALLATION.
- 6) CABLE ENTRANCE IS PERMITTED THROUGH THE LEFT SIDE, RIGHT SIDE AND/OR BOTTOM ENCLOSURE PANELS ONLY. CABLE ENTRANCE IS NOT PERMITTED THROUGH THE FRONT, REAR OR TOP PANELS.
- 7) 0.406" DIA HOLES ARE PROVIDED FOR CUSTOMER TERMINATION.
- 8) FOR LIFTING, OTHER THAN WITH A FORK TRUCK, REMOVE TOP COVER AND USE 1" DIAMETER HOLES IN THE TOP CORE CLAMPS.
- 9) PAINT COLOR IS ANSI #61 GRAY.
- 10) 6" MINIMUM CLEARANCE IS REQUIRED FROM ALL WALLS.



TOP VIEW

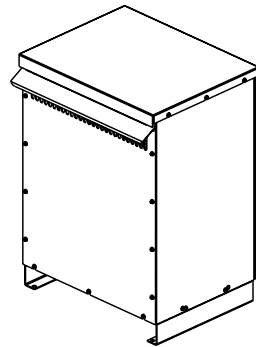


SECTION Z-Z



FRONT VIEW

SIDE VIEW



ISOMETRIC VIEW

COIL	REF. kVA AT			WEIGHT LBS. (APPROX.)	dB LEVEL
	150°C RISE	115°C RISE	80°C RISE		
ALUMINUM	30	30	15	334	45
COPPER	30	30	15	377	

CATALOG NO.	QTY.	COIL CONDUCTOR	kVA	TEMP RISE	VOLTAGE		TAPS	DRAWING				
					PRIMARY	SECONDARY		APPROVAL	RECORD	OTHER		

CUST.	UNLESS OTHERWISE SPECIFIED ALL DIMENSIONS ARE IN INCHES/(mm) THIRD ANGLE PROJECTION 	GENERAL ELECTRIC COMPANY GE Consumer & Industrial OUTLINE DRAWING (ENCLOSED UNIT) CSA C802.2, 3 PHASE	DWG NO.	REV.
JOB			303B401CAP072	2
P.O.				
R.F.O.				
S.O.	SHEET 1 OF 6			



imagination at work

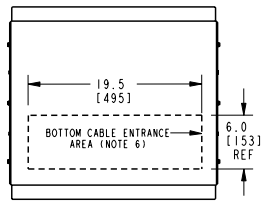
www.ge-ed.ca
www.geindustrial.com
1-800-GE-1STOP



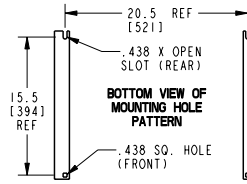
GENERAL ELECTRIC DRY TYPE TRANSFORMERS

NOTES:

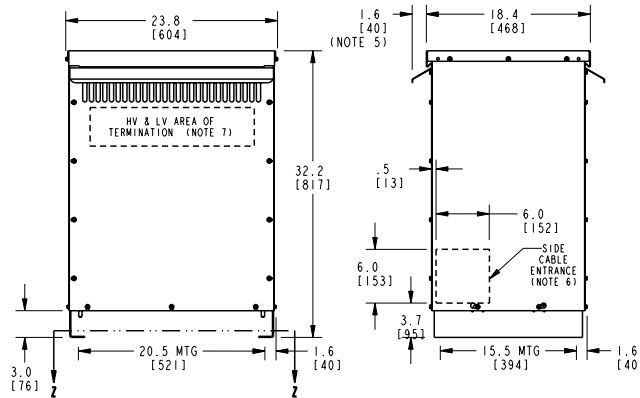
- 1) ALL UNITS ARE cUL CERTIFIED TO CSA C9, CSA C22.2 No. 47 AND MEET THE EFFICIENCY REQUIREMENTS OF CSA C802.2
- 2) TRANSFORMERS UTILIZE A UL RECOGNIZED 220°C INSULATION SYSTEM. THE TEMPERATURE RISE(S) FOR THE SPECIFIC kVA RATINGS REFERENCED IN THE TABLE BELOW ARE DETERMINED WHEN THE TRANSFORMER IS MOUNTED IN A STANDARD ENCLOSURE.
- 3) TRANSFORMERS ARE DESIGNED FOR FLOOR MOUNTING. OPTIONAL WALL MOUNTING BRACKETS ARE AVAILABLE FOR THE TRANSFORMER SIZES REFERENCED IN THE TABLE BELOW.
- 4) TRANSFORMERS ARE DRY TYPE, CLASS AA, WITH VENTILATED ENCLOSURES FOR INDOOR USE. OPTIONAL RAINSHIELD KITS ARE AVAILABLE TO ADAPT ALL SIZES FOR TYPE 3R OUTDOOR USE WITHOUT VOIDING THE WARRANTY.
- 5) APPLICABLE WHEN OPTIONAL RAINSHIELDS ARE INSTALLED. RAINSHIELDS ARE SHIPPED IN KITS FOR FIELD INSTALLATION.
- 6) CABLE ENTRANCE IS PERMITTED THROUGH THE LEFT SIDE, RIGHT SIDE AND/OR BOTTOM ENCLOSURE PANELS ONLY. CABLE ENTRANCE IS NOT PERMITTED THROUGH THE FRONT, REAR OR TOP PANELS.
- 7) 0.406" DIA HOLES ARE PROVIDED FOR CUSTOMER TERMINATION.
- 8) FOR LIFTING, OTHER THAN WITH A FORK TRUCK, REMOVE TOP COVER AND USE 1" DIAMETER HOLES IN THE TOP CORE CLAMPS.
- 9) PAINT COLOR IS ANSI #61 GRAY.
- 10) 6" MINIMUM CLEARANCE IS REQUIRED FROM ALL WALLS.



TOP VIEW

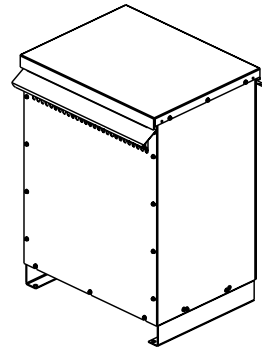


SECTION Z-Z



FRONT VIEW

SIDE VIEW



ISOMETRIC VIEW

TYPICAL kVA RATINGS AND TEMPERATURE RISES					
COIL	REF. kVA AT			WEIGHT LBS. (APPROX.)	dB LEVEL
	150°C RISE	115°C RISE	80°C RISE		
ALUMINUM	45	45	30	415	45
COPPER	45	45	30	490	

CATALOG NO.	QTY.	COIL CONDUCTOR	kVA	TEMP RISE	VOLTAGE		TAPS	DRAWING
					PRIMARY	SECONDARY		
								APPROVAL
								RECORD
								OTHER

CUST.	UNLESS OTHERWISE SPECIFIED ALL DIMENSIONS ARE IN INCHES/(mm) THIRD ANGLE PROJECTION 	GENERAL ELECTRIC COMPANY GE Consumer & Industrial OUTLINE DRAWING (ENCLOSED UNIT) CSA C802.2, 3 PHASE	DWG NO.	REV.
JOB			303B401CAP073	2
P.O.				
R.F.Q.				
S.O.	SHEET 1 OF 6			

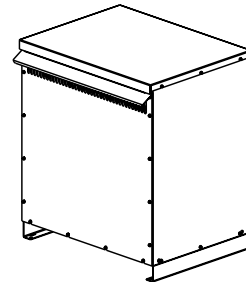
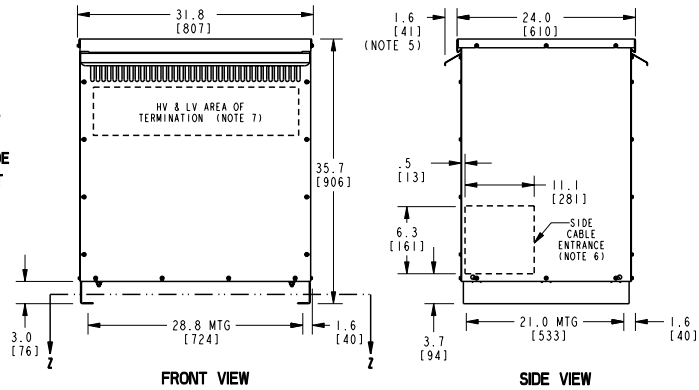
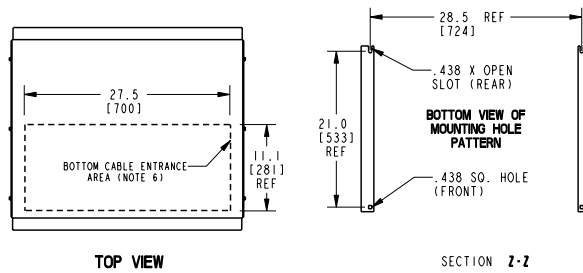




GENERAL ELECTRIC DRY TYPE TRANSFORMERS

NOTES:

- 1) ALL UNITS ARE cUL LISTED AND ARE DESIGNED IN ACCORDANCE WITH ANSI C89.2 AND NEMA ST-20 STANDARDS.
- 2) TRANSFORMERS UTILIZE A UL RECOGNIZED 220°C INSULATION SYSTEM. THE TEMPERATURE RISE(S) FOR THE SPECIFIC KVA RATINGS REFERENCED IN THE TABLE BELOW ARE DETERMINED WHEN THE TRANSFORMER IS MOUNTED IN A STANDARD ENCLOSURE.
- 3) TRANSFORMERS ARE DESIGNED FOR FLOOR MOUNTING. OPTIONAL WALL MOUNTING BRACKETS ARE AVAILABLE FOR THE TRANSFORMER SIZES REFERENCED IN THE TABLE BELOW.
- 4) TRANSFORMERS ARE DRY TYPE, CLASS AA, WITH VENTILATED ENCLOSURES FOR INDOOR USE. OPTIONAL RAINSHIELD KITS ARE AVAILABLE TO ADAPT ALL SIZES FOR TYPE 3R OUTDOOR USE WITHOUT VOIDING THE WARRANTY.
- 5) APPLICABLE WHEN OPTIONAL RAINSHIELDS ARE INSTALLED. RAINSHIELDS ARE SHIPPED IN KITS FOR FIELD INSTALLATION.
- 6) CABLE ENTRANCE IS PERMITTED THROUGH THE LEFT SIDE, RIGHT SIDE AND/OR BOTTOM ENCLOSURE PANELS ONLY. CABLE ENTRANCE IS NOT PERMITTED THROUGH THE FRONT, REAR OR TOP PANELS.
- 7) 0.406" DIA HOLES ARE PROVIDED FOR CUSTOMER TERMINATION.
- 8) FOR LIFTING, OTHER THAN WITH A FORK TRUCK, REMOVE TOP COVER AND USE 1" DIAMETER HOLES IN THE TOP CORE CLAMPS.
- 9) PAINT COLOR IS ANSI #61 GRAY.
- 10) 6" MINIMUM CLEARANCE IS REQUIRED FROM ALL WALLS.



ISOMETRIC VIEW

TYPICAL KVA RATINGS AND TEMPERATURE RISES					
COIL	REF. KVA AT			WEIGHT LBS. (APPROX.)	dB LEVEL
	150°C RISE	115°C RISE	80°C RISE		
ALUMINUM	75	75	45	620	50
COPPER	75	75	45	710	

CATALOG NO.	QTY.	COIL CONDUCTOR	KVA	TEMP RISE	VOLTAGE		TAPS	DRAWING				
					PRIMARY	SECONDARY		APPROVAL	RECORD	OTHER		

CUST.	UNLESS OTHERWISE SPECIFIED ALL DIMENSIONS ARE IN INCHES/(mm) THIRD ANGLE PROJECTION 	GENERAL ELECTRIC COMPANY GE Consumer & Industrial OUTLINE DRAWING (ENCLOSED UNIT) TPI, 3 PHASE	DWG NO.	REV.
JOB			303B401CAP074	1
P.O.				
R.F.O.				
S.O.	SHEET 1 OF 6			



imagination at work

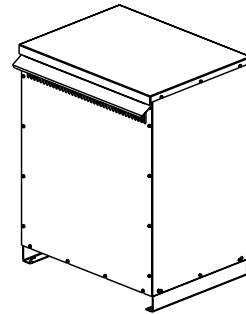
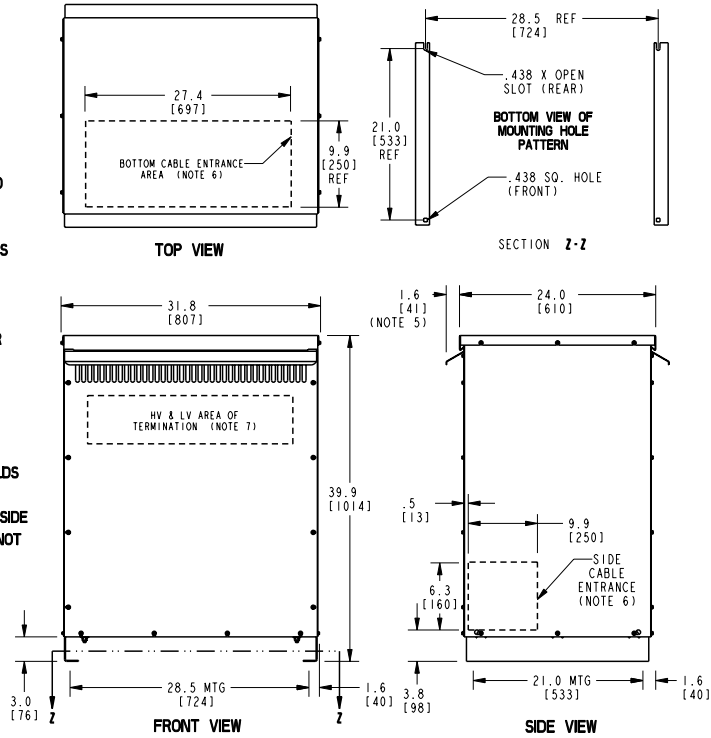
www.ge-ed.ca
www.geindustrial.com
1-800-GE-1STOP



GENERAL ELECTRIC DRY TYPE TRANSFORMERS

NOTES:

- 1) ALL UNITS ARE cUL CERTIFIED TO CSA C9, CSA C222 No. 47 AND MEET THE EFFICIENCY REQUIREMENTS OF CSA C8022
- 2) TRANSFORMERS UTILIZE A UL RECOGNIZED 220°C INSULATION SYSTEM. THE TEMPERATURE RISE(S) FOR THE SPECIFIC kVA RATINGS REFERENCED IN THE TABLE BELOW ARE DETERMINED WHEN THE TRANSFORMER IS MOUNTED IN A STANDARD ENCLOSURE.
- 3) TRANSFORMERS ARE DESIGNED FOR FLOOR MOUNTING. OPTIONAL WALL MOUNTING BRACKETS ARE AVAILABLE FOR THE TRANSFORMER SIZES REFERENCED IN THE TABLE BELOW.
- 4) TRANSFORMERS ARE DRY TYPE, CLASS AA, WITH VENTILATED ENCLOSURES FOR INDOOR USE. OPTIONAL RAINSHIELD KITS ARE AVAILABLE TO ADAPT ALL SIZES FOR TYPE 3R OUTDOOR USE WITHOUT VOIDING THE WARRANTY.
- 5) APPLICABLE WHEN OPTIONAL RAINSHIELDS ARE INSTALLED. RAINSHIELDS ARE SHIPPED IN KITS FOR FIELD INSTALLATION.
- 6) CABLE ENTRANCE IS PERMITTED THROUGH THE LEFT SIDE, RIGHT SIDE AND/OR BOTTOM ENCLOSURE PANELS ONLY. CABLE ENTRANCE IS NOT PERMITTED THROUGH THE FRONT, REAR OR TOP PANELS.
- 7) 0.406" DIA HOLES ARE PROVIDED FOR CUSTOMER TERMINATION.
- 8) FOR LIFTING, OTHER THAN WITH A FORK TRUCK, REMOVE TOP COVER AND USE 1" DIAMETER HOLES IN THE TOP CORE CLAMPS.
- 9) PAINT COLOR IS ANSI #61 GRAY.
- 10) 6" MINIMUM CLEARANCE IS REQUIRED FROM ALL WALLS.



ISOMETRIC VIEW

TYPICAL kVA RATINGS AND TEMPERATURE RISES					
COIL	REF. kVA AT			WEIGHT LBS. (APPROX.)	dB LEVEL
	150°C RISE	115°C RISE	80°C RISE		
ALUMINUM	112.5	N/A	75	765	50
COPPER	112.5	112.5	75	949	

CATALOG NO.	QTY.	COIL CONDUCTOR	kVA	TEMP RISE	VOLTAGE		TAPS	DRAWING		
					PRIMARY	SECONDARY		APPROVAL	RECORD	OTHER

CUST.	UNLESS OTHERWISE SPECIFIED ALL DIMENSIONS ARE IN INCHES/(mm) THIRD ANGLE PROJECTION 	GENERAL ELECTRIC COMPANY GE Consumer & Industrial OUTLINE DRAWING (ENCLOSED UNIT) CSA C802.2, 3 PHASE	DWG NO.	REV.
JOB			303B401CAP075	2
P.O.				
R.F.Q.				
S.O.	SHEET 1 OF 6			



imagination at work

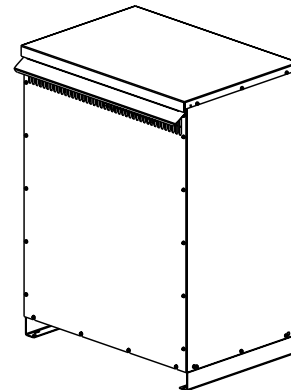
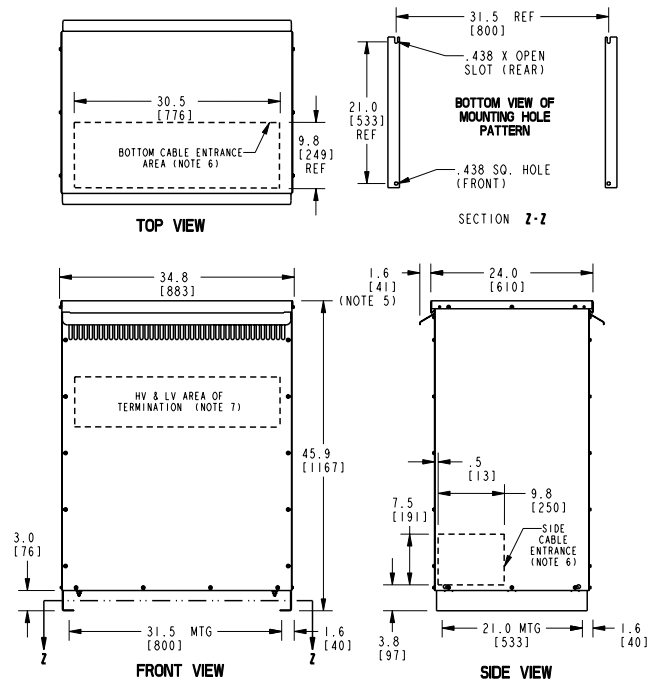
www.ge-ed.ca
www.geindustrial.com
1-800-GE-1STOP



GENERAL ELECTRIC DRY TYPE TRANSFORMERS

NOTES:

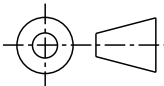

- 1) ALL UNITS ARE cUL CERTIFIED TO CSA C9, CSA C222 No. 47 AND MEET THE EFFICIENCY REQUIREMENTS OF CSA C802.2
- 2) TRANSFORMERS UTILIZE A UL RECOGNIZED 220°C INSULATION SYSTEM. THE TEMPERATURE RISE(S) FOR THE SPECIFIC KVA RATINGS REFERENCED IN THE TABLE BELOW ARE DETERMINED WHEN THE TRANSFORMER IS MOUNTED IN A STANDARD ENCLOSURE.
- 3) TRANSFORMERS ARE DESIGNED FOR FLOOR MOUNTING. OPTIONAL WALL MOUNTING BRACKETS ARE NOT AVAILABLE FOR THE TRANSFORMER SIZES REFERENCED IN THE TABLE BELOW.
- 4) TRANSFORMERS ARE DRY TYPE, CLASS AA, WITH VENTILATED ENCLOSURES FOR INDOOR USE. OPTIONAL RAINSHIELD KITS ARE AVAILABLE TO ADAPT ALL SIZES FOR TYPE 3R OUTDOOR USE WITHOUT VOIDING THE WARRANTY.
- 5) APPLICABLE WHEN OPTIONAL RAINSHIELDS ARE INSTALLED. RAINSHIELDS ARE SHIPPED IN KITS FOR FIELD INSTALLATION.
- 6) CABLE ENTRANCE IS PERMITTED THROUGH THE LEFT SIDE, RIGHT SIDE AND/OR BOTTOM ENCLOSURE PANELS ONLY. CABLE ENTRANCE IS NOT PERMITTED THROUGH THE FRONT, REAR OR TOP PANELS.
- 7) 0.406" DIA HOLES ARE PROVIDED FOR CUSTOMER TERMINATION.
- 8) FOR LIFTING, OTHER THAN WITH A FORK TRUCK, REMOVE TOP COVER AND USE 1" DIAMETER HOLES IN THE TOP CORE CLAMPS.
- 9) PAINT COLOR IS ANSI #61 GRAY.
- 10) 6" MINIMUM CLEARANCE IS REQUIRED FROM ALL WALLS.



ISOMETRIC VIEW

TYPICAL kVA RATINGS AND TEMPERATURE RISES					
CONDUCTOR	REF. kVA AT			WEIGHT LBS. (APPROX.)	dB LEVEL
	150°C RISE	115°C RISE	80°C RISE		
ALUMINUM	150	112.5	N/A	1070	50
COPPER	150	N/A	N/A	1190	

CATALOG NO.	QTY.	COIL CONDUCTOR	kVA	TEMP RISE	VOLTAGE		TAPS	DRAWING				
					PRIMARY	SECONDARY		APPROVAL	RECORD	OTHER		

CUST.	UNLESS OTHERWISE SPECIFIED ALL DIMENSIONS ARE IN INCHES/(mm) THIRD ANGLE PROJECTION 	 GENERAL ELECTRIC COMPANY GE Consumer & Industrial OUTLINE DRAWING (ENCLOSED UNIT) CSA C802.2, 3 PHASE	DWG NO.	303B401CAP076	REV.	2
JOB						
P.O.						
R.F.O.						
S.O.	SHEET 1 OF 6					



imagination at work

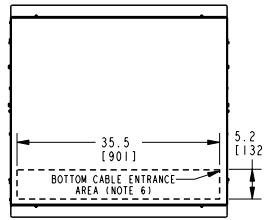
www.ge-ed.ca
www.geindustrial.com
1-800-GE-1STOP



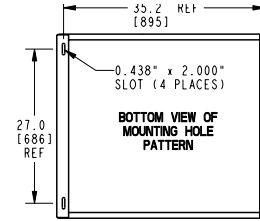
GENERAL ELECTRIC DRY TYPE TRANSFORMERS

NOTES:

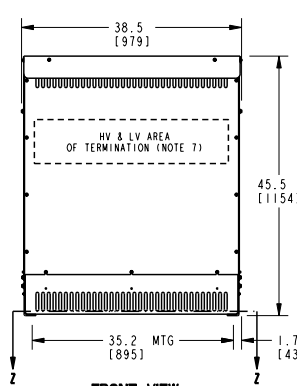
- 1) ALL UNITS ARE cUL CERTIFIED TO CSA C9, CSA C22.2 No. 47 AND MEET THE EFFICIENCY REQUIREMENTS OF CSA C802.2
- 2) TRANSFORMERS UTILIZE A UL RECOGNIZED 220°C INSULATION SYSTEM. THE TEMPERATURE RISE(S) FOR THE SPECIFIC kVA RATINGS REFERENCED IN THE TABLE BELOW ARE DETERMINED WHEN THE TRANSFORMER IS MOUNTED IN A STANDARD ENCLOSURE.
- 3) TRANSFORMERS ARE DESIGNED FOR FLOOR MOUNTING. OPTIONAL WALL MOUNTING BRACKETS ARE NOT AVAILABLE FOR THE TRANSFORMER SIZES REFERENCED IN THE TABLE BELOW.
- 4) TRANSFORMERS ARE DRY TYPE, CLASS AA, WITH VENTILATED ENCLOSURES FOR INDOOR USE. OPTIONAL RAINSHIELD KITS ARE AVAILABLE TO ADAPT ALL SIZES FOR TYPE 3R OUTDOOR USE WITHOUT VOIDING THE WARRANTY.
- 5) APPLICABLE WHEN OPTIONAL RAINSHIELDS ARE INSTALLED. RAINSHIELDS ARE SHIPPED IN KITS FOR FIELD INSTALLATION.
- 6) CABLE ENTRANCE IS PERMITTED THROUGH THE LEFT SIDE, RIGHT SIDE AND/OR BOTTOM ENCLOSURE PANELS ONLY. CABLE ENTRANCE IS NOT PERMITTED THROUGH THE FRONT, REAR OR TOP PANELS.
- 7) 0.56" DIA HOLES ARE PROVIDED FOR CUSTOMER TERMINATION.
- 8) FOR MOVING THE UNIT WITH A PALLET JACK OR FORK TRUCK: INSERT FORKS COMPLETELY UNDERNEATH BOTH FRONT AND REAR LIFTING GRILLS. FOR CRANE LIFTING USE 1" DIAMETER HOLES IN THE TOP CORE CLAMPS.
- 9) PAINT COLOR IS ANSI #61 GRAY.
- 10) 6" MINIMUM CLEARANCE IS REQUIRED FROM ALL WALLS.



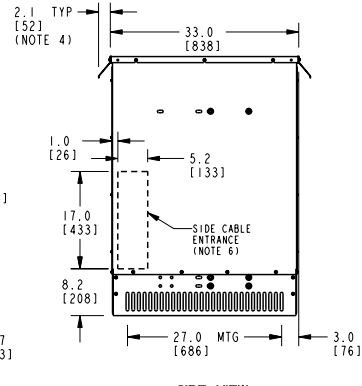
TOP VIEW



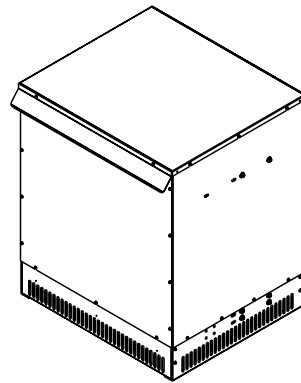
SECTION Z-Z



FRONT VIEW



SIDE VIEW



ISOMETRIC VIEW

TYPICAL kVA RATINGS AND TEMPERATURE RISES					
CONDUCTOR	REF. kVA AT			WEIGHT LBS. (APPROX.)	dB LEVEL
	150°C RISE	115°C RISE	80°C RISE		
ALUMINUM	225	150	N/A	1590	55
COPPER	225	150	N/A	1700	

QTY.	COIL CONDUCTOR	kVA	TEMP RISE	VOLTAGE		TAPS
				PRIMARY	SECONDARY	

CUSTOMER	UNLESS OTHERWISE SPECIFIED ALL DIMENSIONS ARE IN INCHES THIRD ANGLE PROJECTION 	GENERAL ELECTRIC COMPANY GE Consumer & Industrial OUTLINE DRAWING (ENCLOSED UNIT) TPI, 3 PHASE	CATALOG NO.	REV.	
JOB NAME			303B919CAP077	SHEET 1 OF 6	0
LINE #					
DESIGNATION					
DRW NO.	303B919CAP077	SHEET 1 OF 6			



imagination at work

www.ge-ed.ca
www.geindustrial.com
1-800-GE-1STOP