

Continuous Hinge CHFL Junction Boxes with Quarter-Turn Flash Latch



Application

Designed for use as electrical junction boxes, terminal wiring boxes, and instrument housings. Hinged doors provide convenient access. Boxes provide protection from dust, dirt, oil, and water.

Features

- Quarter-turn latch with screw-driver slot for easy access
- Seamless foam-in-place gasket
- Weldnuts provided for mounting optional panels and terminal block kits in size 6.00 x 4.00 in. (152 x 102mm) and larger
- Quarter-turn latch(es) on cover capture(s) internal catch(es)

Construction

- 16 or 14 gauge steel (see table)
- Seams continuously welded and ground smooth; no holes or knockouts
- Continuous hinge
- Bonding provision on door
- External wall-mounting brackets
- Optional panels are 14 gauge steel

Finish

RAL 7035 gray polyester powder paint inside and out, over phosphatized surfaces. Optional panels have white or conductive finish.

Industry Standards

UL 508A, File No. E61997: Type 4 and 12
NEMA/EEMAC Type 4 and 12
cULC22.2 No. 94, File No. E61997: Type 4 and 12
IEC 60529, IP 66

Accessories

See also Accessories chapter.

- DIN3 Rails
- Fan Cooling Products
- Key Inserts
- Lock Kit (ACLJIC)
- Panels (see table)
- Swing-Out Panel Kit (AJCDFK)
- Terminal Block Kit Assembly
- Touch-Up Paint (ATPG7035)
- Window Kit
- Wing Knob Latch (LLKWK)

Modification Services Program

You can customize this product to your unique requirements by specifying from these options:

- Over 100 standard finish colors and textures
- Holes and cutouts in body, doors, subpanels
- Tapped hole, fasteners, in enclosure or subpanel
- Mounting
- Doors
- Windows
- Standard accessories

To order, contact your local Hoffman sales representative.

NOTE: For information about modifications outside the scope of the Modification Services program, contact your Hoffman sales representative.

Standard Sizes Continuous Hinge CHFL Junction Boxes with Quarter-Turn Flash Latch

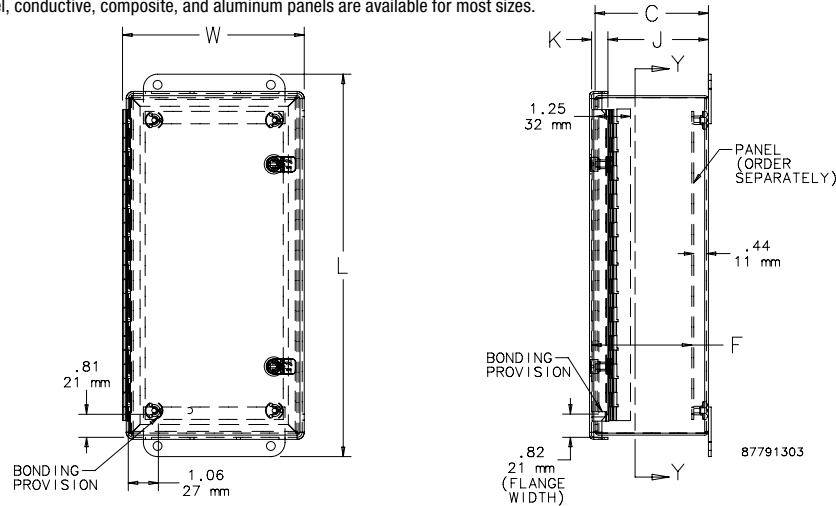
Catalog Number	A x B x C in. (mm)	Gauge	Panel Catalog Number	Conductive Panel Catalog Number	Panel Size in. (mm)	Mounting G x H in. (mm)	Overall L x W in. (mm)	F in. (mm)	J in. (mm)	K in. (mm)	T in. (mm)	V in. (mm)	Y in. (mm)	No. of Latches
A404CHFL	4.00 x 4.00 x 3.00 (102 x 102 x 76)	16	No Panel	No Panel	No Panel	4.75 x 2.00 (121 x 51)	5.50 x 4.41 (140 x 112)	—	2.62 (66)	0.54 (14)	3.00 (76)	—	—	1
A604CHFL	6.00 x 4.00 x 3.00 (152 x 102 x 76)	16	A6P4	A6P4G	4.88 x 2.88 (124 x 73)	6.75 x 2.00 (171 x 51)	7.50 x 4.41 (191 x 112)	2.53 (64)	2.62 (66)	0.54 (14)	3.00 (76)	0.31 (8)	0.56 (14)	1
A806CHFL	8.00 x 6.00 x 3.50 (203 x 152 x 89)	14	A8P6	A8P6G	6.75 x 4.88 (171 x 124)	8.75 x 4.00 (222 x 102)	9.50 x 6.41 (241 x 163)	3.03 (77)	3.12 (79)	0.56 (14)	5.00 (127)	0.25 (6)	0.62 (16)	2
A4044CHFL	4.00 x 4.00 x 4.00 (102 x 102 x 102)	16	No Panel	No Panel	No Panel	4.75 x 2.00 (121 x 51)	5.50 x 4.41 (140 x 112)	—	3.62 (92)	0.54 (14)	3.00 (76)	—	—	1
A6044CHFL	6.00 x 4.00 x 4.00 (152 x 102 x 102)	16	A6P4	A6P4G	4.88 x 2.88 (124 x 73)	6.75 x 2.00 (171 x 51)	7.50 x 4.41 (191 x 112)	3.53 (90)	3.62 (92)	0.54 (14)	3.00 (76)	0.31 (8)	0.56 (14)	1
A606CHFL	6.00 x 6.00 x 4.00 (152 x 152 x 102)	16	A6P6	A6P6G	4.88 x 4.88 (124 x 124)	6.75 x 4.00 (171 x 102)	7.50 x 6.41 (191 x 163)	3.53 (90)	3.62 (92)	0.54 (14)	5.00 (127)	0.31 (8)	0.56 (14)	1
A808CHFL	8.00 x 8.00 x 4.00 (203 x 203 x 102)	14	A8P8	A8P8G	6.75 x 6.88 (171 x 175)	8.75 x 6.00 (222 x 152)	9.50 x 8.41 (241 x 214)	3.53 (90)	3.62 (92)	0.56 (14)	7.00 (178)	0.25 (6)	0.62 (16)	2
A1008CHFL	10.00 x 8.00 x 4.00 (254 x 203 x 102)	14	A10P8	A10P8G	8.75 x 6.88 (222 x 175)	10.75 x 6.00 (273 x 152)	11.50 x 8.41 (292 x 214)	3.53 (90)	3.62 (92)	0.56 (14)	7.00 (178)	0.25 (6)	0.62 (16)	2
A12064CHFL	12.00 x 6.00 x 4.00 (305 x 152 x 102)	14	A12P6	A12P6G	10.75 x 4.88 (273 x 124)	12.75 x 4.00 (324 x 102)	13.50 x 6.41 (343 x 163)	3.53 (90)	3.62 (92)	0.56 (14)	5.00 (127)	0.25 (6)	0.62 (16)	2
A1210CHFL	12.00 x 10.00 x 5.00 (305 x 254 x 127)	14	A12P10	A12P10G	10.75 x 8.88 (273 x 226)	12.75 x 8.00 (324 x 203)	13.50 x 10.41 (343 x 264)	4.53 (115)	4.62 (117)	0.56 (14)	9.00 (229)	0.25 (6)	0.62 (16)	2
A8066CHFL	8.00 x 6.00 x 6.00 (203 x 152 x 152)	14	A8P6	A8P6G	6.75 x 4.88 (171 x 124)	8.75 x 4.00 (222 x 102)	9.50 x 6.41 (241 x 163)	5.53 (140)	5.62 (143)	0.56 (14)	5.00 (127)	0.25 (6)	0.62 (16)	2
A10086CHFL	10.00 x 8.00 x 6.00 (254 x 203 x 152)	14	A10P8	A10P8G	8.75 x 6.88 (222 x 175)	10.75 x 6.00 (273 x 152)	11.50 x 8.41 (292 x 214)	5.53 (140)	5.62 (143)	0.56 (14)	7.00 (178)	0.25 (6)	0.62 (16)	2

Continuous Hinge CHFL Junction Boxes with Quarter-Turn Flash Latch

Standard Sizes Continuous Hinge CHFL Junction Boxes with Quarter-Turn Flash Latch

Catalog Number	A x B x C in. (mm)	Gauge	Panel Catalog Number	Conductive Panel Catalog Number	Panel Size in. (mm)	Mounting G x H in. (mm)	Overall L x W in. (mm)	F in. (mm)	J in. (mm)	K in. (mm)	T in. (mm)	V in. (mm)	Y in. (mm)	No. of Latches
A10106CHFL	10.00 x 10.00 x 6.00 (254 x 254 x 152)	14	A10P10	A10P10G	8.75 x 8.88 (222 x 226)	10.75 x 8.00 (273 x 203)	11.50 x 10.41 (292 x 264)	5.53 (140)	5.62 (143)	0.56 (14)	9.00 (229)	0.25 (6)	0.62 (16)	2
A1212CHFL	12.00 x 12.00 x 6.00 (305 x 305 x 152)	14	A12P12	A12P12G	10.75 x 10.88 (273 x 276)	12.75 x 10.00 (324 x 254)	13.50 x 12.41 (343 x 314)	5.53 (140)	5.62 (143)	0.56 (14)	11.00 (279)	0.25 (6)	0.62 (16)	2
A14086CHFL	14.00 x 8.00 x 6.00 (356 x 203 x 152)	14	A14P8	A14P8G	12.75 x 6.88 (324 x 175)	14.75 x 6.00 (375 x 152)	15.50 x 8.41 (394 x 214)	5.53 (140)	5.62 (143)	0.56 (14)	7.00 (178)	0.25 (6)	0.62 (16)	2
A1412CHFL	14.00 x 12.00 x 6.00 (356 x 305 x 152)	14	A14P12	A14P12G	12.75 x 10.88 (324 x 276)	14.75 x 10.00 (375 x 254)	15.50 x 12.41 (394 x 314)	5.53 (140)	5.62 (143)	0.56 (14)	11.00 (279)	0.25 (6)	0.62 (16)	2
A16106CHFL	16.00 x 10.00 x 6.00 (406 x 254 x 152)	14	A16P10	A16P10G	14.75 x 8.88 (375 x 226)	16.75 x 8.00 (425 x 203)	17.50 x 10.41 (445 x 264)	5.53 (140)	5.62 (143)	0.56 (14)	9.00 (229)	0.25 (6)	0.62 (16)	2
A1614CHFL	16.00 x 14.00 x 6.00 (406 x 356 x 152)	14	A16P14	A16P14G	14.75 x 12.88 (375 x 327)	16.75 x 12.00 (425 x 305)	17.50 x 14.41 (445 x 366)	5.53 (140)	5.62 (143)	0.56 (14)	13.00 (330)	0.25 (6)	0.62 (16)	2
A12108CHFL	12.00 x 10.00 x 8.00 (305 x 254 x 203)	14	A12P10	A12P10G	10.75 x 8.88 (273 x 226)	12.75 x 8.00 (324 x 203)	13.50 x 10.41 (343 x 264)	7.53 (191)	7.62 (194)	0.56 (14)	9.00 (229)	0.25 (6)	0.62 (16)	2
A14128CHFL	14.00 x 12.00 x 8.00 (356 x 305 x 203)	14	A14P12	A14P12G	12.75 x 10.88 (324 x 276)	14.75 x 10.00 (375 x 254)	15.50 x 12.41 (394 x 314)	7.53 (191)	7.62 (194)	0.56 (14)	11.00 (279)	0.25 (6)	0.62 (16)	2
A16148CHFL	16.00 x 14.00 x 8.00 (407 x 356 x 203)	14	A16P14	A16P14G	14.75 x 12.88 (375 x 327)	16.75 x 12.00 (425 x 305)	17.50 x 14.41 (445 x 366)	7.53 (191)	7.62 (194)	0.56 (14)	13.00 (330)	0.25 (6)	0.62 (16)	2
A161410CHFL	16.00 x 14.00 x 10.00 (407 x 356 x 254)	14	A16P14	A16P14G	14.75 x 12.88 (375 x 327)	16.75 x 12.00 (425 x 305)	17.50 x 14.41 (445 x 366)	9.53 (242)	9.62 (244)	0.56 (14)	13.00 (330)	0.25 (6)	0.62 (16)	2

Purchase panels separately. Optional stainless steel, conductive, composite, and aluminum panels are available for most sizes.



SECTION Y-Y

Continuous Hinge CH Junction Boxes



Application

Designed for use as electrical junction boxes, terminal wiring boxes, and instrument housings. Hinged doors provide convenient access. Boxes provide protection from dust, dirt, oil, and water. See EMC Enclosures for a related EMC-shielded product.

Construction

- 16 gauge or 14 gauge steel (see table)
- Seams continuously welded and ground smooth; no holes or knockouts
- Continuous hinge
- External screw clamps are quick and easy to operate
- Bonding provision on door
- External wall-mounting brackets are 12 gauge steel
- Oil-resistant gasket
- Weldnuts provided for mounting optional panels and terminal block kits in size 6.00 x 4.00 in. (152 x 102mm) and larger
- Optional panels are 14 gauge steel

Finish

ANSI 61 gray polyester powder paint inside and out over phosphatized surfaces. Optional panels are white or conductive finish.

Industry Standards

UL 50, File No. E27567: Type 12 and 13
UL 508A, File No. E61997: Type 12 and 13
NEMA/EEMAC Type 12 and 13
JIC standard EGP-I-1967 (14 gauge only)
CSA, File No. 42184: Type 12
IEC 60529, IP65

Accessories

See also Accessories chapter.

- Clamp Kit (AL17)
- DIN3 Rails
- Fan Cooling Products
- Fast-Operating Junction Clamp (AL23)
- Lock Kit (ACLJIC)
- Panels (see table)
- Swing-Out Panel Kit (AJCDFK)
- Terminal Block Kit Assembly
- Touch-Up Paint (ATPPY61)
- Window Kit

Modification Services Program

You can customize this product to your unique requirements by specifying from these options:

- Over 100 standard finish colors and textures
- Holes and cutouts in body, doors, subpanels
- Tapped hole, fasteners, in enclosure or subpanel
- Mounting
- Doors
- Windows
- Standard accessories

To order, contact your local Hoffman sales representative.

NOTE: For information about modifications outside the scope of the Modification Services program, contact your Hoffman sales representative.

Standard Sizes Continuous Hinge CH Junction Boxes

Catalog Number	A x B x C in. (mm)	Gauge	Panel Catalog No.	Conductive Panel Catalog No.	Panel Size D x E in. (mm)	Mounting G x H in. (mm)	Overall L x W in. (mm)	F in. (mm)	J in. (mm)	K in. (mm)	P in. (mm)	T in. (mm)	V in. (mm)	Y in. (mm)
A404CH	4.00 x 4.00 x 3.00 (102 x 102 x 76)	16	No Panel	No Panel	No Panel	4.75 x 2.00 (121 x 51)	5.50 x 4.94 (140 x 125)	—	2.62 (66)	0.54 (14)	1.38 (35)	3.00 (76)	—	—
A604CH	6.00 x 4.00 x 3.00 (152 x 102 x 76)	16	A6P4	A6P4G	4.88 x 2.88 (124 x 73)	6.75 x 2.00 (171 x 51)	7.50 x 4.94 (191 x 125)	2.53 (64)	2.62 (66)	0.54 (14)	2.38 (60)	3.00 (76)	0.31 (8)	0.56 (14)
A806CH	8.00 x 6.00 x 3.50 (203 x 152 x 89)	14	A8P6	A8P6G	6.75 x 4.88 (171 x 124)	8.75 x 4.00 (222 x 102)	9.50 x 6.94 (241 x 176)	3.03 (77)	3.12 (79)	0.56 (14)	1.00 (25)	5.00 (127)	0.25 (6)	0.62 (16)
A4044CH	4.00 x 4.00 x 4.00 (102 x 102 x 102)	16	No Panel	No Panel	No Panel	4.75 x 2.00 (121 x 51)	5.50 x 4.94 (140 x 125)	—	3.62 (92)	0.54 (14)	1.38 (35)	3.00 (76)	—	—
A6044CH	6.00 x 4.00 x 4.00 (152 x 102 x 102)	16	A6P4	A6P4G	4.88 x 2.88 (124 x 73)	6.75 x 2.00 (171 x 51)	7.50 x 4.94 (191 x 125)	3.53 (90)	3.62 (92)	0.54 (14)	2.38 (60)	3.00 (76)	0.31 (8)	0.56 (14)
A606CH	6.00 x 6.00 x 4.00 (152 x 152 x 102)	16	A6P6	A6P6G	4.88 x 4.88 (124 x 124)	6.75 x 4.00 (171 x 102)	7.50 x 6.94 (191 x 176)	3.53 (90)	3.62 (92)	0.54 (14)	2.38 (60)	5.00 (127)	0.31 (8)	0.56 (14)
A808CH	8.00 x 8.00 x 4.00 (203 x 203 x 102)	14	A8P8	A8P8G	6.75 x 6.88 (171 x 175)	8.75 x 6.00 (222 x 152)	9.50 x 8.94 (241 x 227)	3.53 (90)	3.62 (92)	0.56 (14)	1.00 (25)	7.00 (178)	0.25 (6)	0.62 (16)
A1008CH	10.00 x 8.00 x 4.00 (254 x 203 x 102)	14	A10P8	A10P8G	8.75 x 6.88 (222 x 175)	10.75 x 6.00 (273 x 152)	11.50 x 8.94 (292 x 227)	3.53 (90)	3.62 (92)	0.56 (14)	1.00 (25)	7.00 (178)	0.25 (6)	0.62 (16)
A1008CHS	10.00 x 8.00 x 4.00 (254 x 203 x 102)	14	A10P8	A10P8G	8.75 x 6.88 (222 x 175)	10.75 x 6.00 (273 x 152)	11.50 x 8.94 (292 x 227)	3.53 (90)	3.62 (92)	0.56 (14)	1.00 (25)	7.00 (178)	0.25 (6)	0.62 (16)
A12064CH	12.00 x 6.00 x 4.00 (305 x 152 x 102)	14	A12P6	A12P6G	10.75 x 4.88 (273 x 124)	12.75 x 4.00 (324 x 102)	13.50 x 6.94 (343 x 176)	3.53 (90)	3.62 (92)	0.56 (14)	1.00 (25)	5.00 (127)	0.25 (6)	0.62 (16)
A1210CH	12.00 x 10.00 x 5.00 (305 x 254 x 127)	14	A12P10	A12P10G	10.75 x 8.88 (273 x 226)	12.75 x 8.00 (324 x 203)	13.50 x 10.94 (343 x 278)	4.53 (115)	4.62 (117)	0.56 (14)	1.00 (25)	9.00 (229)	0.25 (6)	0.62 (16)
A1210CHS	12.00 x 10.00 x 5.00 (305 x 254 x 127)	14	A12P10	A12P10G	10.75 x 8.88 (273 x 226)	12.75 x 8.00 (324 x 203)	13.50 x 10.94 (343 x 278)	4.53 (115)	4.62 (117)	0.56 (14)	1.00 (25)	9.00 (229)	0.25 (6)	0.62 (16)
A8066CH	8.00 x 6.00 x 6.00 (203 x 152 x 152)	14	A8P6	A8P6G	6.75 x 4.88 (171 x 124)	8.75 x 4.00 (222 x 102)	9.50 x 6.94 (241 x 176)	5.53 (140)	5.62 (143)	0.56 (14)	1.00 (25)	5.00 (127)	0.25 (6)	0.62 (16)
A10086CH	10.00 x 8.00 x 6.00 (254 x 203 x 152)	14	A10P8	A10P8G	8.75 x 6.88 (222 x 175)	10.75 x 6.00 (273 x 152)	11.50 x 8.94 (292 x 227)	5.53 (140)	5.62 (143)	0.56 (14)	1.00 (25)	7.00 (178)	0.25 (6)	0.62 (16)

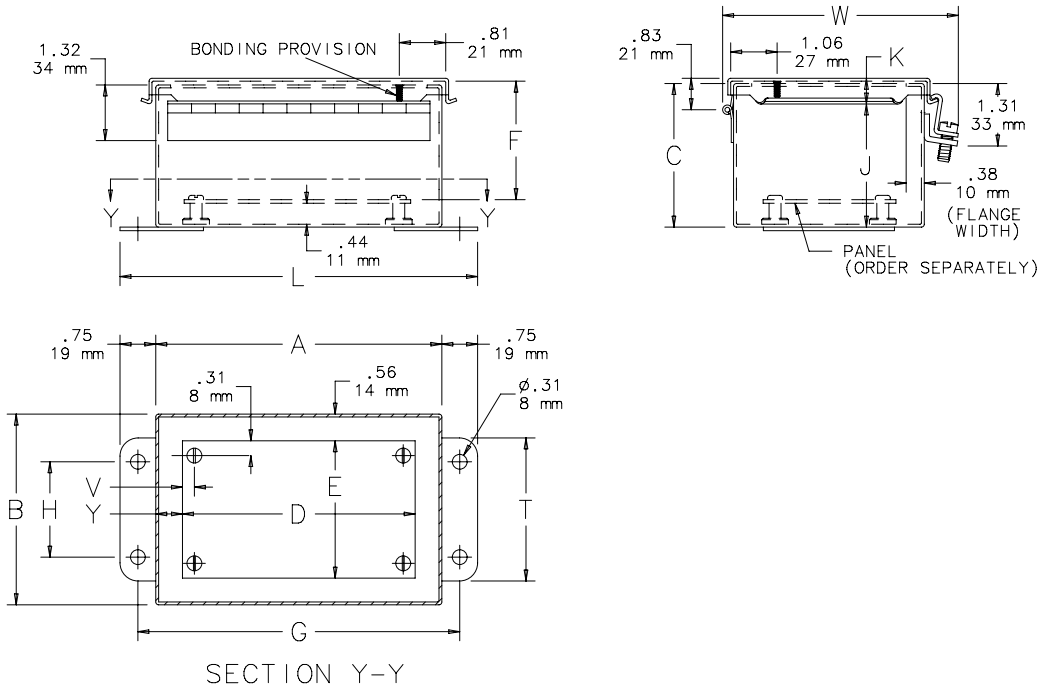
Continuous Hinge CH Junction Boxes

Standard Sizes Continuous Hinge CH Junction Boxes

Catalog Number	A x B x C in. (mm)	Gauge	Panel Catalog No.	Conductive Panel Catalog No.	Panel Size D x E in. (mm)	Mounting G x H in. (mm)	Overall L x W in. (mm)	F in. (mm)	J in. (mm)	K in. (mm)	P in. (mm)	T in. (mm)	V in. (mm)	Y in. (mm)
A10106CH	10.00 x 10.00 x 6.00 (254 x 254 x 152)	14	A10P10	A10P10G	8.75 x 8.88 (222 x 226)	10.75 x 8.00 (273 x 203)	11.50 x 10.94 (292 x 278)	5.53 (140)	5.62 (143)	0.56 (14)	1.00 (25)	9.00 (229)	0.25 (6)	0.62 (16)
A1212CH	12.00 x 12.00 x 6.00 (305 x 305 x 152)	14	A12P12	A12P12G	10.75 x 10.88 (273 x 276)	12.75 x 10.00 (324 x 254)	13.50 x 12.94 (343 x 329)	5.53 (140)	5.62 (143)	0.56 (14)	1.00 (25)	11.00 (279)	0.25 (6)	0.62 (16)
A14086CH	14.00 x 8.00 x 6.00 (356 x 203 x 152)	14	A14P8	A14P8G	12.75 x 6.88 (324 x 175)	14.75 x 6.00 (375 x 152)	15.50 x 8.94 (394 x 227)	5.53 (140)	5.62 (143)	0.56 (14)	1.00 (25)	7.00 (178)	0.25 (6)	0.62 (16)
A1412CH	14.00 x 12.00 x 6.00 (356 x 305 x 152)	14	A14P12	A14P12G	12.75 x 10.88 (324 x 276)	14.75 x 10.00 (375 x 254)	15.50 x 12.94 (394 x 329)	5.53 (140)	5.62 (143)	0.56 (14)	1.00 (25)	11.00 (279)	0.25 (6)	0.62 (16)
A1412CHS	14.00 x 12.00 x 6.00 (356 x 305 x 152)	14	A14P12	A14P12G	12.75 x 10.88 (324 x 276)	14.75 x 10.00 (375 x 254)	15.50 x 12.94 (394 x 329)	5.53 (140)	5.62 (143)	0.56 (14)	1.00 (25)	11.00 (279)	0.25 (6)	0.62 (16)
A16106CH	16.00 x 10.00 x 6.00 (406 x 254 x 152)	14	A16P10	A16P10G	14.75 x 8.88 (375 x 226)	16.75 x 8.00 (425 x 203)	17.50 x 10.94 (445 x 278)	5.53 (140)	5.62 (143)	0.56 (14)	1.00 (25)	9.00 (229)	0.25 (6)	0.62 (16)
A1614CH	16.00 x 14.00 x 6.00 (406 x 356 x 152)	14	A16P14	A16P14G	14.75 x 12.88 (375 x 327)	16.75 x 12.00 (425 x 305)	17.50 x 14.94 (445 x 379)	5.53 (140)	5.62 (143)	0.56 (14)	1.00 (25)	13.00 (330)	0.25 (6)	0.62 (16)
A1614CHS	16.00 x 14.00 x 6.00 (406 x 356 x 152)	14	A16P14	A16P14G	14.75 x 12.88 (375 x 327)	16.75 x 12.00 (425 x 305)	17.50 x 14.94 (445 x 379)	5.53 (140)	5.62 (143)	0.56 (14)	1.00 (25)	13.00 (330)	0.25 (6)	0.62 (16)
A12108CH	12.00 x 10.00 x 8.00 (305 x 254 x 203)	14	A12P10	A12P10G	10.75 x 8.88 (273 x 226)	12.75 x 8.00 (324 x 203)	13.50 x 10.94 (343 x 278)	7.53 (191)	7.62 (194)	0.56 (14)	1.00 (25)	9.00 (229)	0.25 (6)	0.62 (16)
A14128CH	14.00 x 12.00 x 8.00 (356 x 305 x 203)	14	A14P12	A14P12G	12.75 x 10.88 (324 x 276)	14.75 x 10.00 (375 x 254)	15.50 x 12.94 (394 x 329)	7.53 (191)	7.62 (194)	0.56 (14)	1.00 (25)	11.00 (279)	0.25 (6)	0.62 (16)
A16148CH	16.00 x 14.00 x 8.00 (406 x 356 x 203)	14	A16P14	A16P14G	14.75 x 12.88 (375 x 327)	16.75 x 12.00 (425 x 305)	17.50 x 14.94 (445 x 379)	7.53 (191)	7.62 (194)	0.56 (14)	1.00 (25)	13.00 (330)	0.25 (6)	0.62 (16)
A161410CH	16.00 x 14.00 x 10.00 (406 x 356 x 254)	14	A16P14	A16P14G	14.75 x 12.88 (375 x 327)	16.75 x 12.00 (425 x 305)	17.50 x 14.94 (445 x 379)	9.53 (242)	9.62 (244)	0.56 (14)	1.00 (25)	13.00 (330)	0.25 (6)	0.62 (16)

Catalog numbers ending in S are hinged on short side.

Purchase panels separately. Optional stainless steel, conductive, composite, and aluminum panels are available for most sizes.

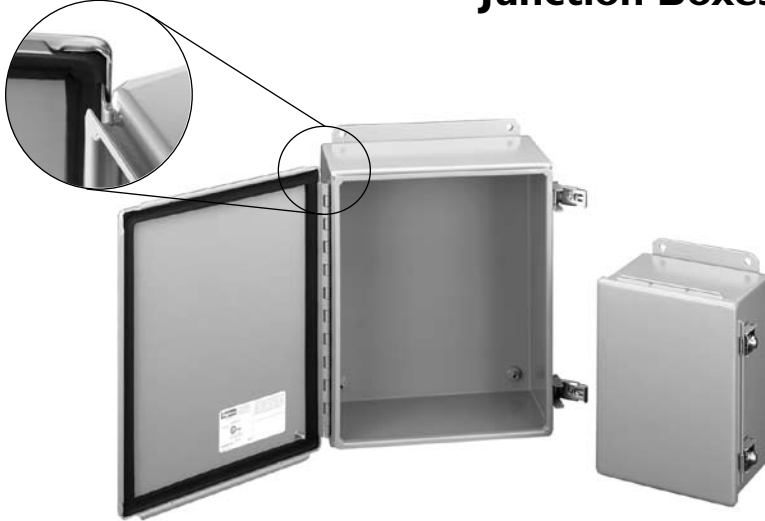


View showing clamp end of box when one clamp is used.

View showing clamp end of box when two clamps are used. When A=8.00 (203mm) or more, use two clamps.

Rev. A 12/07

Continuous Hinge FTC Junction Boxes



Finish

ANSI 61 gray polyester powder coating inside and out over phosphatized surfaces. Optional panels are white or conductive finish.

Industry Standards

UL 50, File No. E27567: Type 12 and 13
NEMA/EEMAC Type 12 and 13
CSA, File No. 42184, Type 12 and 13
IEC 60529, IP65

Accessories

See also *Accessories* chapter.

- DIN3 Rails
- Fan Cooling Products
- Lock Kit (ACLJIC)
- Panels (see table)
- Swing-Out Panel Kit (AJCDFK)
- Terminal Block Kit Assembly
- Touch-Up Paint (ATPPY61)
- Window Kit

Application

Designed to meet strict automotive requirements, Hoffman flange trough collar boxes feature a unique flange design proven effective in excluding liquid contaminants from the enclosure door opening. The design also incorporates a heavy duty tool-to-open latch and is suitable for indoor protection against dust, dirt, oil, and water. Optional panels are sold separately.

Construction

- 16 gauge steel body, 16 or 14 gauge steel door
- Return flange design, formed around the body opening, diverts liquid contaminants away from the enclosure door opening
- Continuous hinge
- Bonding provision on door
- Heavy duty plated latch secures door; tool required to secure latch
- Oil-resistant gasket provides an effective seal
- External wall-mounting brackets are 12 gauge steel
- Weldnuts provided for mounting optional panels and terminal block kits
- Optional panels are 14 gauge steel

Modification Services Program

You can customize this product to your unique requirements by specifying from these options:

- Over 100 standard finish colors and textures
- Holes and cutouts in body, doors, subpanels
- Tapped holes, fasteners in enclosure or subpanel
- Mounting
- Doors
- Windows
- Standard accessories

To order, contact your local Hoffman sales representative.

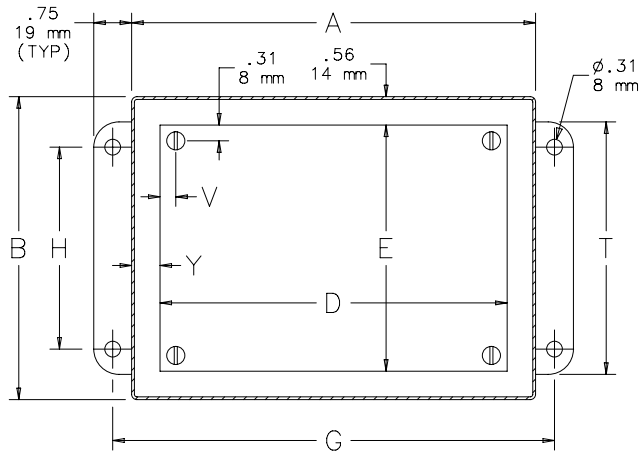
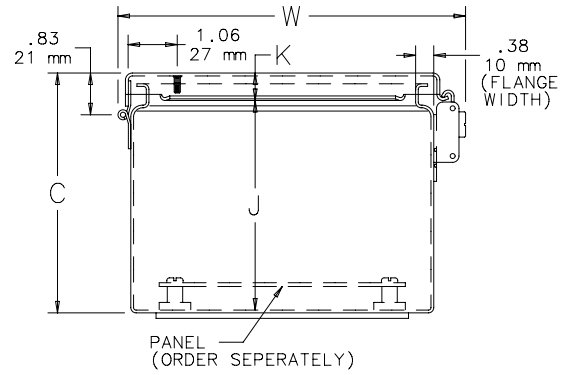
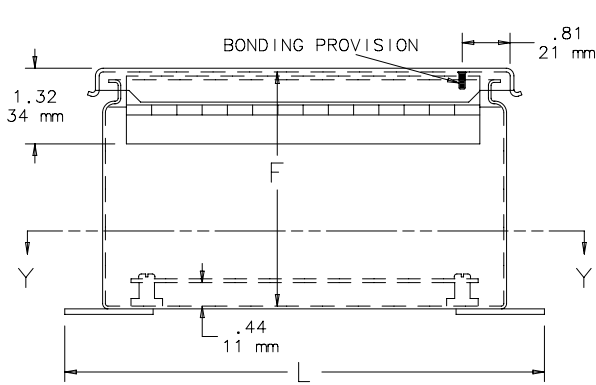
NOTE: For information about modifications outside the scope of the Modification Services program, contact your Hoffman sales representative.

Standard Sizes Continuous Hinge FTC Junction Boxes

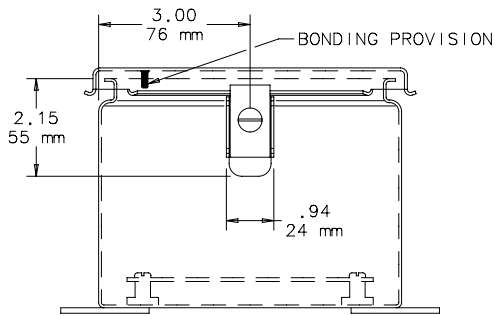
Catalog Number	A x B x C in. (mm)	Panel Catalog Number	Conductive Panel Catalog Number	Panel Size D x E in. (mm)	Mounting G x H in. (mm)	Overall L x W in. (mm)	F in. (mm)	J in. (mm)	K in. (mm)	T in. (mm)	V in. (mm)	Y in. (mm)
A604CHFTC	6.00 x 4.00 x 4.54 (152 x 102 x 115)	A6P4	A6P4G	4.88 x 2.88 (124 x 73)	6.75 x 2.00 (171 x 51)	7.50 x 4.88 (190 x 124)	4.10 (104)	4.21 (107)	0.54 (14)	3.00 (76)	0.31 (8)	0.56 (14)
A606CHFTC	6.00 x 6.00 x 4.54 (152 x 152 x 115)	A6P6	A6P6G	4.88 x 4.88 (124 x 124)	6.75 x 4.00 (171 x 102)	7.50 x 6.88 (190 x 175)	4.10 (104)	4.21 (107)	0.54 (14)	5.00 (127)	0.31 (8)	0.56 (14)
A806CHFTC	8.00 x 6.00 x 4.54 (203 x 152 x 115)	A8P6	A8P6G	6.75 x 4.88 (171 x 124)	8.75 x 4.00 (222 x 102)	9.51 x 6.88 (242 x 175)	4.10 (104)	4.21 (107)	0.56 (14)	5.00 (127)	0.25 (6)	0.56 (14)
A1008CHFTC	10.00 x 8.00 x 4.54 (254 x 203 x 115)	A10P8	A10P8G	8.75 x 6.88 (222 x 175)	10.75 x 6.00 (273 x 152)	11.50 x 8.88 (292 x 226)	4.10 (104)	4.21 (107)	0.56 (14)	7.00 (178)	0.25 (6)	0.56 (14)
A1210CHFTC	12.00 x 10.00 x 5.54 (305 x 254 x 141)	A12P10	A12P10G	10.75 x 8.88 (273 x 226)	12.75 x 8.00 (324 x 203)	13.50 x 10.88 (343 x 276)	5.10 (130)	5.21 (132)	0.56 (14)	9.00 (229)	0.25 (6)	0.87 (22)
A1412CHFTC	14.00 x 12.00 x 6.54 (356 x 305 x 166)	A14P12	A14P12G	12.75 x 10.88 (324 x 276)	14.75 x 10.00 (375 x 254)	15.50 x 12.88 (394 x 327)	6.10 (155)	6.21 (158)	0.56 (14)	11.00 (279)	0.25 (6)	0.87 (22)
A1614CHFTC	16.00 x 14.00 x 6.54 (406 x 356 x 166)	A16P14	A16P14G	14.75 x 12.88 (375 x 327)	16.75 x 12.00 (425 x 305)	17.50 x 14.88 (444 x 378)	6.10 (155)	6.21 (158)	0.56 (14)	13.00 (330)	0.25 (6)	0.87 (22)

Purchase panels separately. Optional stainless steel, conductive, composite, and aluminum panels are available for most sizes.

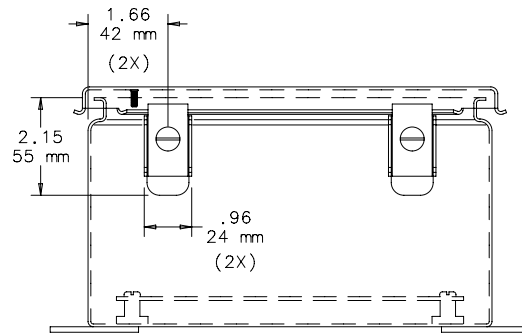
Continuous Hinge FTC Junction Boxes



SECTION Y-Y



$A \leq 8.00$ (203mm)



$A \geq 8.00$ (203mm)

C2808-C

Continuous Hinge Quick-Release CHQR Junction Boxes



Application

For use as electrical junction boxes, terminal wiring boxes, and instrument housings. Hinged door with quick-release latches provides convenient access. Designed to provide protection from dust, dirt, oil, and water.

Construction

- 16 or 14 gauge steel (see table)
- Seams continuously welded and ground smooth; no holes or knockouts
- Continuous hinge
- Bonding provision on door
- External quick-release latches secure cover
- External wall-mounting brackets are 12 gauge steel
- Oil-resistant gasket
- Weldnuts provided for mounting optional panels and terminal block kits
- Optional panels are 14 gauge steel

Finish

ANSI 61 gray polyester powder paint inside and out over phosphatized surfaces. Optional panels have white or conductive finish.

Industry Standards

UL 50, File No. E27567: Type 12 and 13
NEMA Type 12 and 13
JIC standard EGP-1-1967 (14 gauge only)
IEC 60529, IP65

Accessories

See also Accessories chapter.

- Clamp Kit (AL17)
- DIN Rail
- Fan Cooling Products
- Lock Kit (ADLJIC)
- Panels (see table)
- Swing-Out Panel Kit (AJCDFK)
- Terminal Block Kit Assembly
- Touch-Up Paint (ATPPY61)
- Window Kit

Modification Services Program

You can customize this product to your unique requirements by specifying from these options:

- Over 100 standard finish colors and textures
- Holes and cutouts in body, doors, subpanels
- Tapped holes, fasteners in enclosure or subpanel
- Mounting
- Doors
- Windows
- Standard accessories

To order, contact your local Hoffman sales representative.

NOTE: For information about modifications outside the scope of the Modification Services program, contact your Hoffman sales representative.

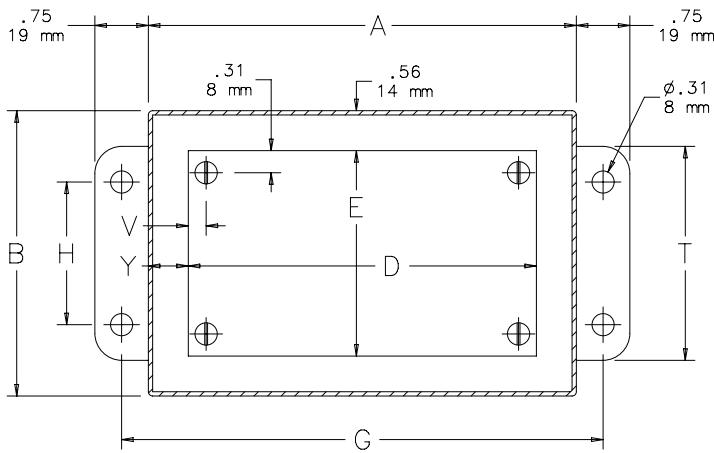
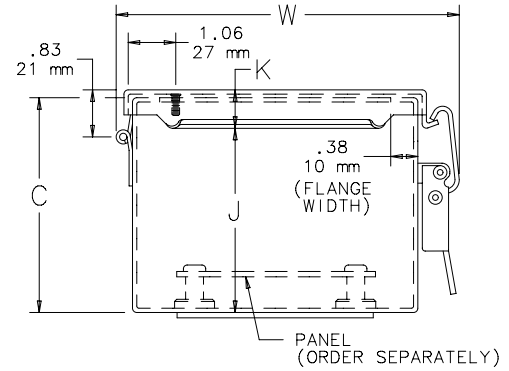
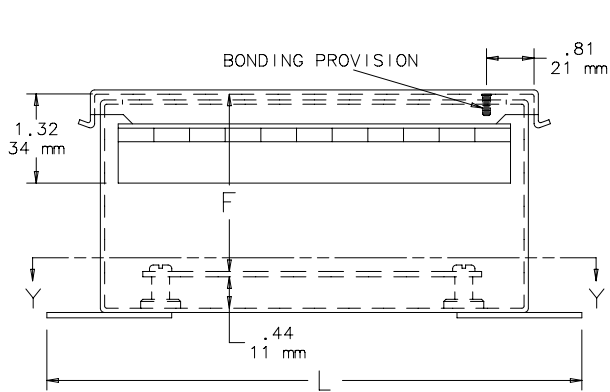
Standard Sizes Continuous Hinge Quick-Release CHQR Junction Boxes

Catalog Number	A x B x C in. (mm)	Gauge	Panel Catalog Number	Conductive Panel Catalog Number	Panel Size D x E in. (mm)	Mounting G x H in. (mm)	Overall L x W in. (mm)	F in. (mm)	J in. (mm)	K in. (mm)	T in. (mm)	V in. (mm)	Y in. (mm)
A604CHQR	6.00 x 4.00 x 3.00 (152 x 102 x 76)	16	A6P4	A6P4G	4.88 x 2.88 (124 x 73)	6.75 x 2.00 (171 x 51)	7.50 x 4.81 (191 x 122)	2.53 (64)	2.62 (66)	0.54 (14)	3.00 (76)	0.31 (8)	0.56 (14)
A806CHQR	8.00 x 6.00 x 3.50 (203 x 152 x 89)	14	A8P6	A8P6G	6.75 x 4.88 (171 x 124)	8.75 x 4.00 (222 x 102)	9.51 x 6.81 (241 x 173)	3.03 (77)	3.12 (79)	0.56 (14)	5.00 (127)	0.25 (6)	0.62 (16)
A606CHQR	6.00 x 6.00 x 4.00 (152 x 152 x 102)	16	A6P6	A6P6G	4.88 x 4.88 (124 x 124)	6.75 x 4.00 (171 x 102)	7.50 x 6.81 (191 x 173)	3.53 (90)	3.62 (92)	0.54 (14)	5.00 (127)	0.31 (8)	0.56 (14)
A1008CHQR	10.00 x 8.00 x 4.00 (254 x 203 x 102)	14	A10P8	A10P8G	8.75 x 6.88 (222 x 175)	10.75 x 6.00 (273 x 152)	11.50 x 8.81 (292 x 224)	3.53 (90)	3.62 (92)	0.56 (14)	7.00 (178)	0.25 (6)	0.62 (16)
A1210CHQR	12.00 x 10.00 x 5.00 (305 x 254 x 127)	14	A12P10	A12P10G	10.75 x 8.88 (273 x 226)	12.75 x 8.00 (324 x 203)	13.50 x 10.81 (343 x 275)	4.53 (115)	4.62 (117)	0.56 (14)	9.00 (229)	0.25 (6)	0.62 (16)
A1412CHQR	14.00 x 12.00 x 6.00 (356 x 305 x 152)	14	A14P12	A14P12G	12.75 x 10.88 (324 x 276)	14.75 x 10.00 (375 x 254)	15.50 x 12.81 (394 x 325)	5.53 (140)	5.62 (143)	0.56 (14)	11.00 (279)	0.25 (6)	0.62 (16)
A1614CHQR	16.00 x 14.00 x 6.00 (406 x 356 x 152)	14	A16P14	A16P14G	14.75 x 12.88 (375 x 327)	16.75 x 12.00 (425 x 305)	17.50 x 14.81 (445 x 376)	5.53 (140)	5.62 (143)	0.56 (14)	13.00 (330)	0.25 (6)	0.62 (16)

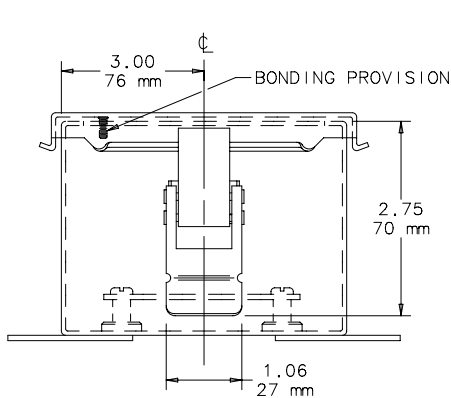
Purchase panels separately. Optional stainless steel, conductive, composite, and aluminum panels are available for most sizes.

Continuous Hinge Quick-Release CHQR Junction Boxes

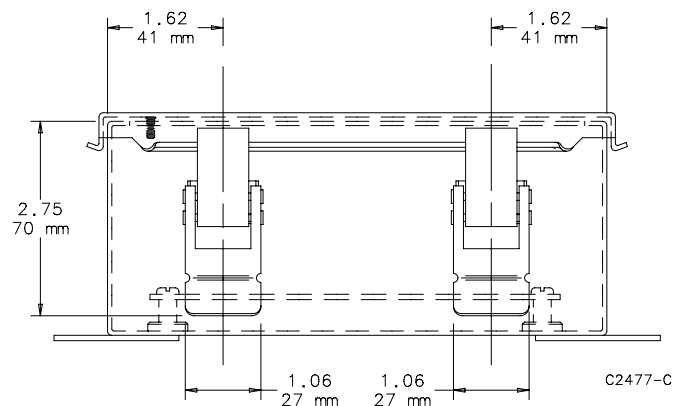
Bulletin
A51



SECTION Y-Y



$A \leq 8.00$ (203mm)



$A \geq 8.00$ (203mm)

**Industrial
Enclosures**

Screw Cover SC Junction Boxes



Application

Designed to provide protection for electrical devices and associated wiring in indoor applications. These enclosures safeguard components against dust, dirt, oil, and water.

Construction

- 16 or 14 gauge steel
- Seams continuously welded and ground smooth; no holes or knockouts
- Bonding provision on cover
- Oil-resistant gasket
- Weldnuts provided for mounting optional panels and terminal block kits in size 6.00 x 4.00 in. (152 x 102mm) and larger
- External wall-mounting brackets are 12 gauge steel
- Optional panels are 14 gauge steel

Finish

ANSI 61 gray polyester powder paint inside and out over phosphatized surfaces. Optional panels have white or conductive finish.

Industry Standards

UL 50, File No. E27525: Type 12 and 13
UL 508A, File No. E61997: Type 12 and 13
NEMA/EEMAC: Type 12 and 13
CSA, File No. 42184: Type 12
IEC 60529, IP65

Accessories

See also *Accessories chapter*.

DIN3 Rails
Fan Cooling Products
Lock Kit (ACLJIC)
Panels (see table)
Swing-Out Panel Kit (AJCDFK)
Tamper-Resistant Screws (ATRSK)
Touch-Up Paint (ATPPY61)
Window Kit

Modification Services Program

You can customize this product to your unique requirements by specifying from these options:

- Over 100 standard finish colors and textures
- Holes and cutouts in body, doors, subpanels
- Tapped holes, fasteners in enclosure or subpanel
- Mounting
- Doors
- Windows
- Standard accessories

To order, contact your local Hoffman sales representative.

NOTE: For information about modifications outside the scope of the Modification Services program, contact your Hoffman sales representative.

Standard Sizes Screw Cover SC Junction Boxes

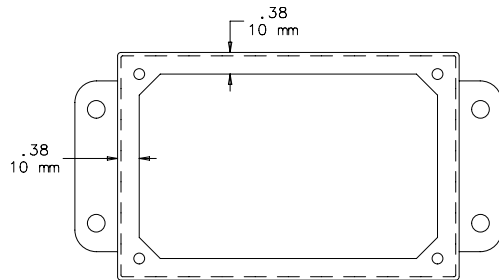
Catalog Number	A x B x C in. (mm)	Gauge	Rating	Panel Catalog Number	Conductive Panel Catalog Number	Panel Size D x E in. (mm)	Mounting G x H in. (mm)	Overall L x W in. (mm)	F in. (mm)	J in. (mm)	K in. (mm)	T in. (mm)	V in. (mm)	Y in. (mm)
A404SC	4.00 x 4.00 x 3.00 (102 x 102 x 76)	16	UL 508A	No Panel	No Panel	No Panel	4.75 x 2.00 (121 x 51)	5.50 x 4.23 (140 x 107)	—	2.50 (64)	0.66 (17)	3.00 (76)	—	—
A604SC	6.00 x 4.00 x 3.00 (152 x 102 x 76)	16	UL 508A	A6P4	A6P4G	4.88 x 2.88 (124 x 73)	6.75 x 2.00 (171 x 51)	7.50 x 4.23 (191 x 107)	2.53 (64)	2.50 (64)	0.66 (17)	3.00 (76)	0.31 (8)	0.56 (14)
A806SC	8.00 x 6.00 x 3.50 (203 x 152 x 89)	14	UL 50	A8P6	A8P6G	6.75 x 4.88 (171 x 124)	8.75 x 4.00 (222 x 102)	9.50 x 6.28 (241 x 160)	3.03 (77)	3.01 (76)	0.67 (17)	5.00 (127)	0.25 (6)	0.62 (16)
A4044SC	4.00 x 4.00 x 4.00 (102 x 102 x 102)	16	UL 508A	No Panel	No Panel	No Panel	4.75 x 2.00 (121 x 51)	5.50 x 4.23 (140 x 107)	—	3.50 (89)	0.66 (17)	3.00 (76)	—	—
A6044SC	6.00 x 4.00 x 4.00 (152 x 102 x 102)	16	UL 508A	A6P4	A6P4G	4.88 x 2.88 (124 x 73)	6.75 x 2.00 (171 x 51)	7.50 x 4.23 (191 x 107)	3.53 (90)	3.50 (89)	0.66 (17)	3.00 (76)	0.31 (8)	0.56 (14)
A606SC	6.00 x 6.00 x 4.00 (152 x 152 x 102)	16	UL 50	A6P6	A6P6G	4.88 x 4.88 (124 x 124)	6.75 x 4.00 (171 x 102)	7.50 x 6.28 (191 x 160)	3.53 (90)	3.50 (89)	0.66 (17)	5.00 (127)	0.31 (8)	0.56 (14)
A808SC	8.00 x 8.00 x 4.00 (203 x 203 x 102)	14	UL 50	A8P8	A8P8G	6.75 x 6.88 (171 x 175)	8.75 x 6.00 (222 x 152)	9.50 x 8.28 (241 x 210)	3.53 (90)	3.51 (89)	0.67 (17)	7.00 (178)	0.25 (6)	0.62 (16)
A1008SC	10.00 x 8.00 x 4.00 (254 x 203 x 102)	14	UL 50	A10P8	A10P8G	8.75 x 6.88 (222 x 175)	10.75 x 6.00 (273 x 152)	11.50 x 8.28 (292 x 210)	3.53 (90)	3.51 (89)	0.67 (17)	7.00 (178)	0.25 (6)	0.62 (16)
A1010SC	10.00 x 10.00 x 4.00 (254 x 254 x 102)	14	UL 50	A10P10	A10P10G	8.75 x 8.88 (222 x 226)	10.75 x 8.00 (273 x 203)	11.50 x 10.28 (292 x 261)	3.53 (90)	3.51 (89)	0.67 (17)	9.00 (229)	0.25 (6)	0.62 (16)
A1210SC	12.00 x 10.00 x 5.00 (305 x 254 x 127)	14	UL 50	A12P10	A12P10G	10.75 x 8.88 (273 x 226)	12.75 x 8.00 (324 x 203)	13.50 x 10.28 (343 x 261)	4.53 (115)	4.51 (115)	0.67 (17)	9.00 (229)	0.25 (6)	0.62 (16)
A8066SC	8.00 x 6.00 x 6.00 (203 x 152 x 152)	14	UL 50	A8P6	A8P6G	6.75 x 4.88 (171 x 124)	8.75 x 4.00 (222 x 102)	9.50 x 6.28 (241 x 160)	5.53 (140)	5.51 (140)	0.67 (17)	5.00 (127)	0.25 (6)	0.62 (16)
A10086SC	10.00 x 8.00 x 6.00 (254 x 203 x 152)	14	UL 50	A10P8	A10P8G	8.75 x 6.88 (222 x 175)	10.75 x 6.00 (273 x 152)	11.50 x 8.28 (292 x 210)	5.53 (140)	5.51 (140)	0.67 (17)	7.00 (178)	0.25 (6)	0.62 (16)

Screw Cover SC Junction Boxes

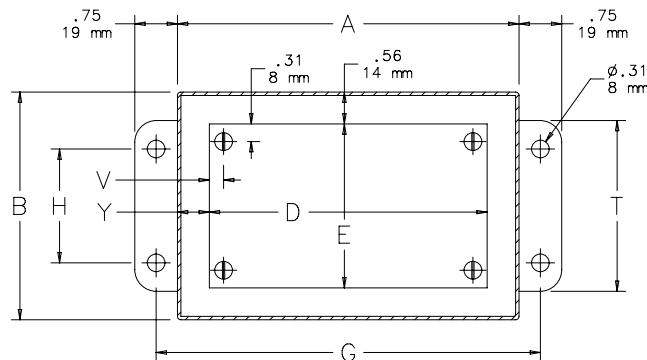
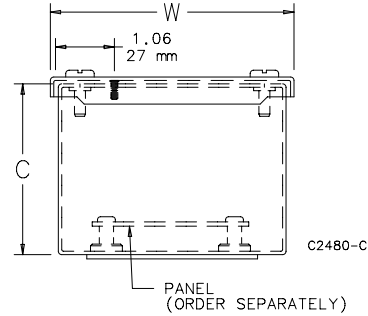
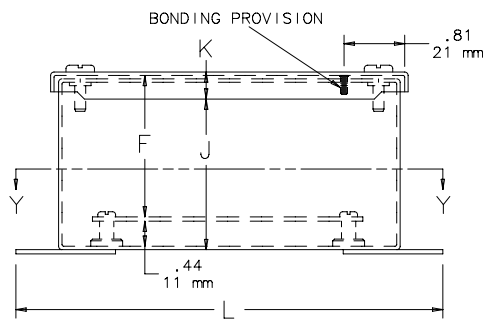
Standard Sizes Screw Cover SC Junction Boxes (Cont.)

Catalog Number	A x B x C in. (mm)	Gauge	Rating	Panel Catalog Number	Conductive Panel Catalog Number	Panel Size D x E in. (mm)	Mounting G x H in. (mm)	Overall L x W in. (mm)	F in. (mm)	J in. (mm)	K in. (mm)	T in. (mm)	V in. (mm)	Y in. (mm)
A10106SC	10.00 x 10.00 x 6.00 (254 x 254 x 152)	14	UL 50	A10P10	A10P10G	8.75 x 8.88 (222 x 226)	10.75 x 8.00 (273 x 203)	11.50 x 10.28 (292 x 261)	5.53 (140)	5.51 (140)	0.67 (17)	9.00 (229)	0.25 (6)	0.62 (16)
A1212SC	12.00 x 12.00 x 6.00 (305 x 305 x 152)	14	UL 50	A12P12	A12P12G	10.75 x 10.88 (273 x 276)	12.75 x 10.00 (324 x 254)	13.50 x 12.28 (343 x 312)	5.53 (140)	5.51 (140)	0.67 (17)	11.00 (279)	0.25 (6)	0.62 (16)
A1412SC	14.00 x 12.00 x 6.00 (356 x 305 x 152)	14	UL 50	A14P12	A14P12G	12.75 x 10.88 (324 x 276)	14.75 x 10.00 (375 x 254)	15.50 x 12.28 (394 x 312)	5.53 (140)	5.51 (140)	0.67 (17)	11.00 (279)	0.25 (6)	0.62 (16)
A1614SC	16.00 x 14.00 x 6.00 (406 x 356 x 152)	14	UL 50	A16P14	A16P14G	14.75 x 12.88 (375 x 327)	16.75 x 12.00 (425 x 305)	17.50 x 14.28 (445 x 363)	5.53 (140)	5.51 (140)	0.67 (17)	13.00 (330)	0.25 (6)	0.62 (16)

Purchase panels separately. Optional stainless steel, conductive, composite, and aluminum panels are available for most sizes.



TOP VIEW WITH COVER REMOVED



SECTION Y-Y

Lift Off Cover LP Junction Boxes



Application

The LP box is a standard for industrial systems. It has wide application for protecting electrical devices in many industries. The box incorporates a chain-secured lift-off cover and is designed to safeguard components against exposure to dust, dirt, oil, and water.

Construction

- 16 or 14 gauge steel (see table)
- Seams continuously welded and ground smooth; no holes or knockouts
- External screw clamps are quick and easy to operate
- Lift-off cover
- Bonding provision on cover
- Chain holds cover to box when cover is removed
- Oil-resistant gasket
- Weldnuts provided for mounting optional panels and terminal block kits in size 6.00 x 4.00 in. (152 x 102mm) and larger
- External wall-mounting brackets are 12 gauge steel
- Optional panels are 14 gauge steel

Finish

ANSI 61 gray polyester powder paint inside and out over phosphatized surfaces. Optional panels have a white or conductive finish.

Industry Standards

UL 50, File No. E27525: Type 12 and 13
 UL 508A, File No. E61997: Type 12 and 13
 NEMA/EEMAC Type 12 and 13
 JIC standard EGP-I-1967 (14 gauge only)
 CSA, File No. 42184: Type 12
 IEC 60529, IP65

Accessories

See also Accessories chapter.

- Clamp Kit (AL17)
- DIN3 Rails
- Fan Cooling Products
- Fast-Operating Junction Clamp
- Lock Kit (ACLJIC)
- Panels
- Swing-Out Panel Kit (AJCDFK)
- Terminal Block Kit Assembly
- Touch-Up Paint (ATPPY61)
- Window Kit

Modification Services Program

You can customize this product to your unique requirements by specifying from these options:

- Over 100 standard finish colors and textures
- Holes and cutouts in body, doors, subpanels
- Tapped holes, fasteners in enclosure or subpanel
- Mounting
- Doors
- Windows
- Standard accessories

To order, contact your local Hoffman sales representative.

NOTE: For information about modifications outside the scope of the Modification Services program, contact your Hoffman sales representative.

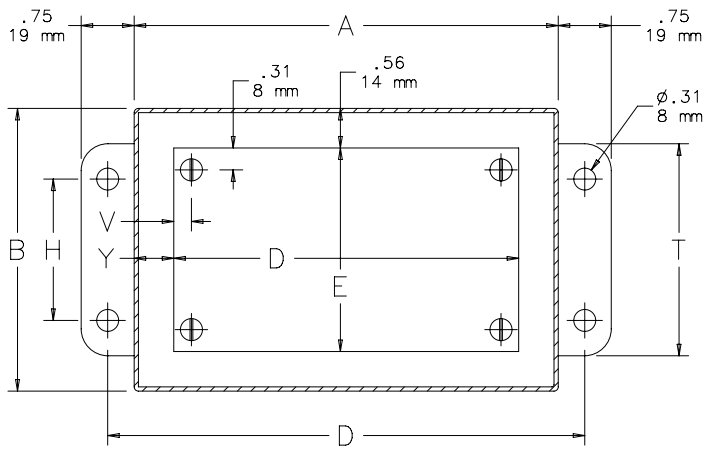
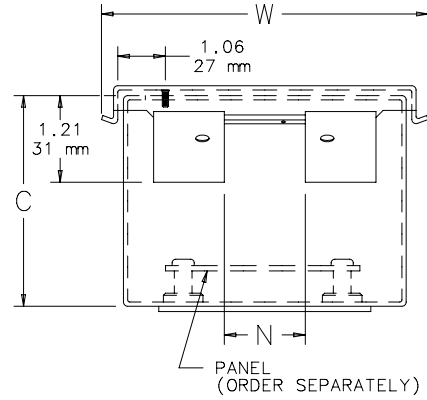
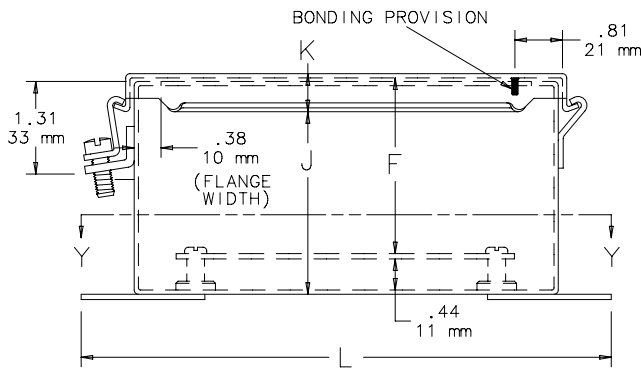
Standard Sizes Lift-Off Cover LP Junction Boxes

Catalog Number	A x B x C in. (mm)	Gauge	Rating	Panel Catalog Number	Conductive Panel Catalog Number	Panel Size D x E in. (mm)	Mounting G x H in. (mm)	Overall L x W in. (mm)	F in. (mm)	J in. (mm)	K in. (mm)	N in. (mm)	P in. (mm)	T in. (mm)	V in. (mm)	Y in. (mm)
A404LP	4.00 x 4.00 x 3.00 (102 x 102 x 76)	16	UL 508A	No Panel	No Panel	No Panel	4.75 x 2.00 (121 x 51)	5.50 x 4.57 (140 x 116)	—	2.62 (66)	0.54 (14)	1.31 (33)	1.38 (35)	3.00 (76)	—	—
A604LP	6.00 x 4.00 x 3.00 (152 x 102 x 76)	16	UL 508A	A6P4	A6P4G	4.88 x 2.88 (124 x 73)	6.75 x 2.00 (171 x 51)	7.50 x 4.57 (191 x 116)	2.53 (64)	2.62 (66)	0.54 (14)	1.31 (33)	1.38 (35)	3.00 (76)	0.31 (8)	0.56 (14)
A806LP	8.00 x 6.00 x 3.50 (203 x 152 x 89)	14	UL 50	A8P6	A8P6G	6.75 x 4.88 (171 x 124)	8.75 x 4.00 (222 x 102)	9.50 x 6.64 (241 x 169)	3.03 (76)	3.12 (74)	0.56 (14)	2.88 (73)	2.38 (60)	5.00 (127)	0.25 (6)	0.62 (16)
A4044LP	4.00 x 4.00 x 4.00 (102 x 102 x 102)	16	UL 508A	No Panel	No Panel	No Panel	4.75 x 2.00 (121 x 51)	5.50 x 4.57 (140 x 116)	—	3.62 (92)	0.54 (14)	1.31 (33)	1.38 (35)	3.00 (76)	—	—
A6044LP	6.00 x 4.00 x 4.00 (152 x 102 x 102)	16	UL 508A	A6P4	A6P4G	4.88 x 2.88 (124 x 73)	6.75 x 2.00 (171 x 51)	7.50 x 4.57 (191 x 116)	3.53 (90)	3.62 (92)	0.54 (14)	1.31 (33)	1.38 (35)	3.00 (76)	0.31 (8)	0.56 (14)
A606LP	6.00 x 6.00 x 4.00 (152 x 152 x 102)	16	UL 50	A6P6	A6P6G	4.88 x 4.88 (124 x 124)	6.75 x 4.00 (171 x 102)	7.50 x 6.57 (191 x 167)	3.53 (90)	3.62 (92)	0.54 (14)	2.88 (73)	2.38 (60)	5.00 (127)	0.31 (8)	0.56 (14)
A1008LP	10.00 x 8.00 x 4.00 (254 x 203 x 102)	14	UL 50	A10P8	A10P8G	8.75 x 6.88 (222 x 175)	10.75 x 6.00 (273 x 152)	11.50 x 8.57 (292 x 218)	3.53 (90)	3.62 (92)	0.56 (14)	4.00 (102)	1.00 (25)	7.00 (178)	0.25 (6)	0.62 (16)
A1210LP	12.00 x 10.00 x 5.00 (305 x 254 x 127)	14	UL 50	A12P10	A12P10G	10.75 x 8.88 (273 x 226)	12.75 x 8.00 (324 x 203)	13.50 x 10.64 (343 x 270)	4.53 (115)	4.62 (117)	0.56 (14)	6.00 (152)	1.00 (25)	9.00 (229)	0.25 (6)	0.62 (16)
A1412LP	14.00 x 12.00 x 6.00 (356 x 305 x 152)	14	UL 50	A14P12	A14P12G	12.75 x 10.88 (324 x 276)	14.75 x 10.00 (375 x 254)	15.50 x 12.64 (394 x 321)	5.53 (140)	5.62 (143)	0.56 (14)	8.00 (203)	1.00 (25)	11.00 (279)	0.25 (6)	0.62 (16)
A1614LP	16.00 x 14.00 x 6.00 (406 x 356 x 152)	14	UL 50	A16P14	A16P14G	14.75 x 12.88 (375 x 327)	16.75 x 12.00 (425 x 305)	17.50 x 14.64 (445 x 372)	5.53 (140)	5.62 (143)	0.56 (14)	10.00 (254)	1.00 (25)	13.00 (330)	0.25 (6)	0.62 (16)

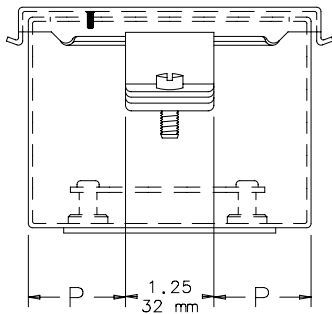
Purchase panels separately. Optional stainless steel, conductive, composite, and aluminum panels are available for most sizes.

Lift Off Cover LP Junction Boxes

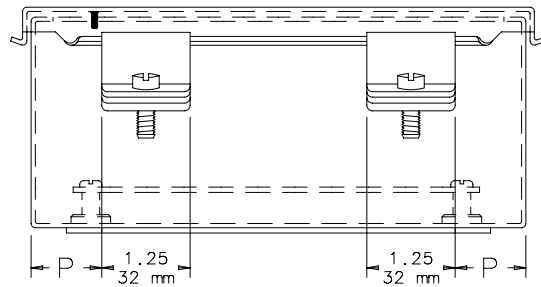
Bulletin
A51LP



SECTION Y-Y



$B \leq 8.00$ (203mm)



$B \geq 8.00$ (203mm)

C2481-C

Industrial Enclosures

Continuous Hinge Type 4 CHNF Junction Boxes



Application

For indoor or outdoor use as electrical junction boxes, terminal wiring boxes, and instrument housings. Hinged doors provide convenient access. Suitable for indoor or outdoor use, wherever protection from dust, dirt, oil, or hose-directed water is essential.

Construction

- 16 or 14 gauge steel (see table)
- Seams continuously welded and ground smooth; no holes or knockouts
- Stainless steel clamps on three sides of door assure watertight seal
- Heavy gauge continuous hinge
- Stainless steel hinge pin
- Oil-resistant gasket
- Weldnuts provided for mounting optional panels and terminal block kits in size 6.00 x 4.00 in. (152 x 102mm) and larger
- Bonding provision on door
- External wall-mounting brackets are 12 gauge steel
- Optional panels are 14 gauge steel

Finish

ANSI 61 gray polyester powder paint inside and out over phosphatized surfaces. Optional panels are white or conductive finish.

Industry Standards

UL 50, File No. E27567: Type 4, 12, and 13
UL 508A, File No. E61997: Type 4, 12, and 13
NEMA/EEMAC Type 4, 12, and 13
JIC standard EGP-1-1967 (14 gauge only)
CSA, File No. 42184: Type 4 and 12
IEC 60529, IP66

Accessories

See also Accessories chapter.

- Clamp Kit (AL18)
- Corrosion Inhibitors
- DIN3 Rails
- Fast Operating Junction Clamp (AL23SS)
- Lock Kit (ACLJIC)
- Panels (see table)
- Swing-Out Panel Kit (AJCDFK)
- Terminal Block Kit Assembly
- Touch-Up Paint (ATPPY61)
- Window Kit

Modification Services Program

You can customize this product to your unique requirements by specifying from these options:

- Over 100 standard finish colors and textures
- Holes and cutouts in body, doors, subpanels
- Tapped holes, fasteners in enclosure or subpanel
- Mounting
- Doors
- Windows
- Standard accessories

To order, contact your local Hoffman sales representative.

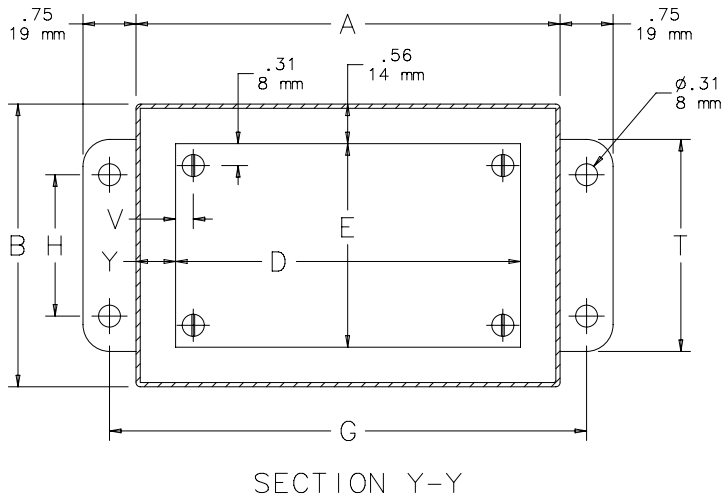
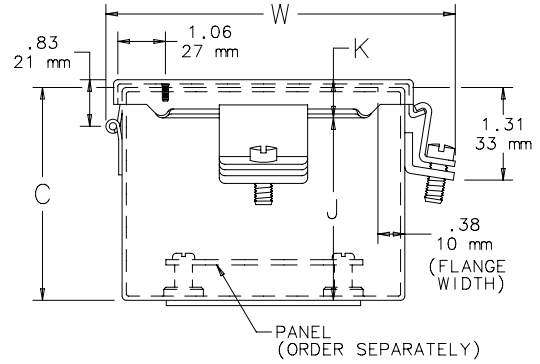
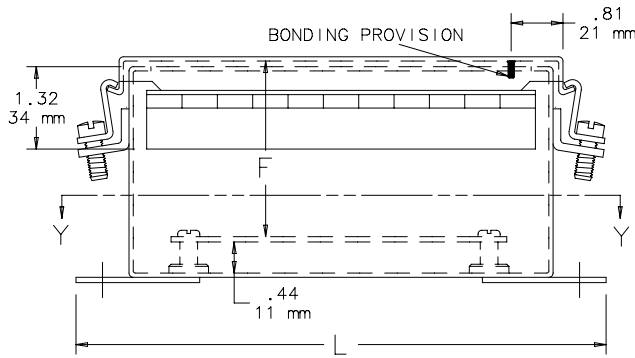
NOTE: For information about modifications outside the scope of the Modification Services program, contact your Hoffman sales representative.

Standard Sizes Continuous Hinge Type 4 CHNF Junction Boxes

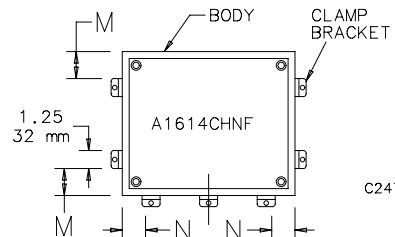
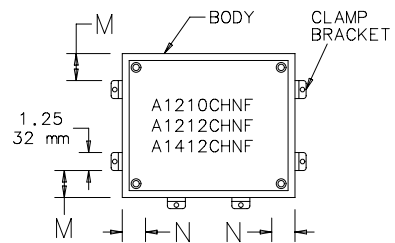
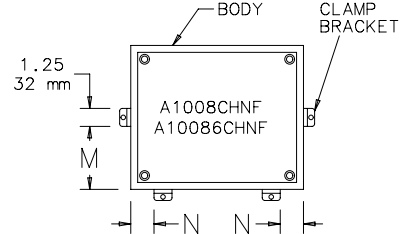
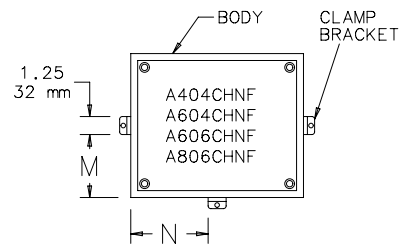
Catalog Number	A x B x C in. (mm)	Gauge	Panel Catalog Number	Conductive Panel Catalog Number	Panel Size D x E in. (mm)	Mounting G x H in. (mm)	Overall L x W in. (mm)	F in. (mm)	J in. (mm)	K in. (mm)	M in. (mm)	N in. (mm)	T in. (mm)	V in. (mm)	Y in. (mm)
A404CHNF	4.00 x 4.00 x 3.00 (102 x 102 x 76)	16	No Panel	No Panel	No Panel	4.75 x 2.00 (121 x 51)	5.50 x 4.94 (140 x 125)	—	2.62 (66)	0.54 (14)	1.38 (35)	1.38 (35)	3.00 (76)	—	—
A604CHNF	6.00 x 4.00 x 3.00 (152 x 102 x 76)	16	A6P4	A6P4G	4.88 x 2.88 (124 x 73)	6.75 x 2.00 (171 x 51)	7.50 x 4.94 (191 x 125)	2.53 (64)	2.62 (66)	0.54 (14)	1.38 (35)	2.38 (60)	3.00 (76)	0.31 (8)	0.56 (14)
A806CHNF	8.00 x 6.00 x 3.05 (203 x 152 x 89)	14	A8P6	A8P6G	6.75 x 4.88 (171 x 124)	8.75 x 4.00 (222 x 102)	9.50 x 6.94 (241 x 176)	3.03 (77)	3.12 (79)	0.56 (14)	2.38 (60)	3.38 (86)	5.00 (127)	0.25 (6)	0.62 (16)
A606CHNF	6.00 x 6.00 x 4.00 (152 x 152 x 102)	16	A6P6	A6P6G	4.88 x 4.88 (124 x 124)	6.75 x 4.00 (171 x 102)	7.50 x 6.94 (191 x 176)	3.53 (90)	3.62 (92)	0.54 (14)	2.38 (60)	2.38 (60)	5.00 (127)	0.31 (8)	0.56 (14)
A1008CHNF	10.00 x 8.00 x 4.00 (254 x 203 x 102)	14	A10P8	A10P8G	8.75 x 6.88 (222 x 175)	10.75 x 6.00 (273 x 152)	11.50 x 8.94 (292 x 227)	3.53 (90)	3.62 (92)	0.56 (14)	3.38 (86)	1.50 (38)	7.00 (178)	0.25 (6)	0.62 (16)
A1210CHNF	12.00 x 10.00 x 5.00 (305 x 254 x 127)	14	A12P10	A12P10G	10.75 x 8.88 (273 x 225)	12.75 x 8.00 (324 x 203)	13.50 x 10.94 (343 x 278)	4.53 (115)	4.62 (117)	0.56 (14)	2.00 (51)	3.00 (76)	9.00 (229)	0.25 (6)	0.62 (16)
A10086CHNF	10.00 x 8.00 x 6.00 (254 x 203 x 152)	14	A10P8	A10P8G	8.75 x 6.88 (222 x 175)	10.75 x 6.00 (273 x 152)	11.50 x 8.94 (292 x 227)	5.53 (140)	5.62 (143)	0.56 (14)	3.38 (86)	1.50 (38)	7.00 (178)	0.25 (6)	0.62 (16)
A1212CHNF	12.00 x 12.00 x 6.00 (305 x 305 x 152)	14	A12P12	A12P12G	10.75 x 10.88 (273 x 276)	12.75 x 10.00 (324 x 254)	13.50 x 12.94 (343 x 329)	5.53 (140)	5.62 (143)	0.56 (14)	2.50 (64)	2.50 (64)	11.00 (279)	0.25 (6)	0.62 (16)
A1412CHNF	14.00 x 12.00 x 6.00 (356 x 305 x 152)	14	A14P12	A14P12G	12.75 x 10.88 (324 x 276)	14.75 x 10.00 (375 x 254)	15.50 x 12.94 (394 x 329)	5.53 (140)	5.62 (143)	0.56 (14)	2.00 (51)	3.00 (76)	11.00 (279)	0.25 (6)	0.62 (16)
A1614CHNF	16.00 x 14.00 x 6.00 (406 x 356 x 152)	14	A16P14	A16P14G	14.75 x 12.88 (375 x 327)	16.75 x 12.00 (425 x 305)	17.50 x 14.94 (445 x 379)	5.53 (140)	5.62 (143)	0.56 (14)	3.50 (89)	1.50 (38)	13.00 (330)	0.25 (6)	0.62 (16)

Purchase panels separately. Optional stainless steel, conductive, composite, and aluminum panels are available for most sizes.

Continuous Hinge Type 4 CHNF Junction Boxes



Clamp Bracket Locations



C2478-C

Industrial Enclosures

Clamp Cover Type 4 NF Junction Boxes



Application

For use as electrical junction boxes, terminal wiring boxes, and instrument housings. Suitable for indoor or outdoor use, wherever protection from dust, dirt, oil, or hose-directed water is essential.

Construction

- 16 or 14 gauge steel (see table)
- Seams continuously welded and ground smooth; no holes or knockouts
- Stainless steel clamps on four sides of cover assure watertight seal
- Bonding provision on cover
- Oil-resistant gasket
- Weldnuts for mounting optional panels and terminal block kits in size 6.00 x 4.00 in. (152 x 102mm) and larger
- External wall-mounting brackets are 12 gauge steel
- Optional panels are 14 gauge steel

Finish

ANSI 61 gray polyester powder paint inside and out over phosphatized surfaces. Optional panels have white or conductive finish.

Industry Standards

UL 50, File No. E27525: Type 4 (see table), 12, and 13
UL 508A, File No. E61997: Type 4 (see table), 12, and 13
NEMA/EEMAC Type 4, 12, and 13
CSA, File No. 42184: Type 4, and 12
IEC 60529, IP66

Accessories

See also *Accessories chapter*.

Clamp Kit (AL18)
DIN3 Rails
Fast Operating Junction Clamp (AL23SS)
Panels (see table)
Swing-Out Panel Kit (AJCDFK)
Terminal Block Kit Assembly
Touch-Up Paint (ATPPY61)
Window Kit

Modification Services Program

You can customize this product to your unique requirements by specifying from these options:

- Over 100 standard finish colors and textures
- Holes and cutouts in body, doors, subpanels
- Tapped holes, fasteners in enclosure or subpanel
- Mounting
- Doors
- Windows
- Standard accessories

To order, contact your local Hoffman sales representative.

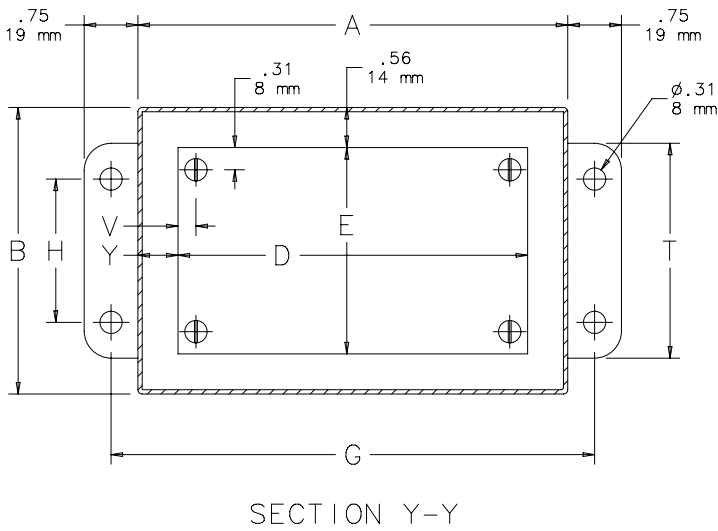
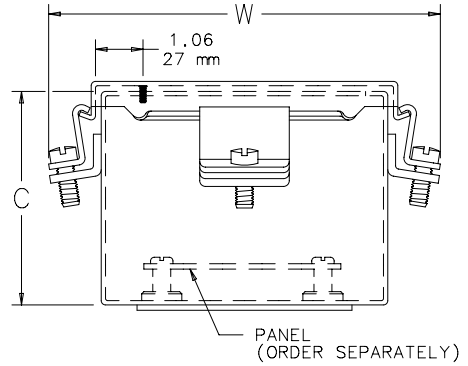
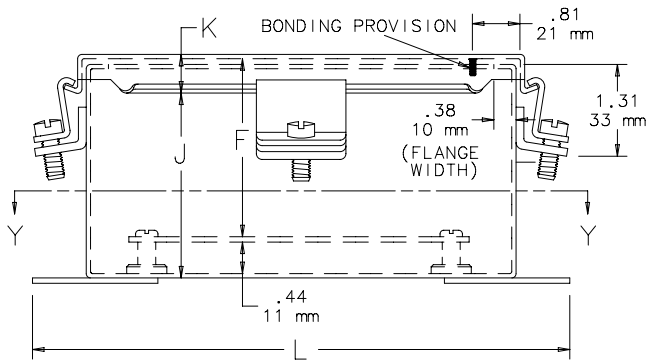
NOTE: For information about modifications outside the scope of the Modification Services program, contact your Hoffman sales representative.

Standard Sizes Clamp Cover Type 4 NF Junction Boxes

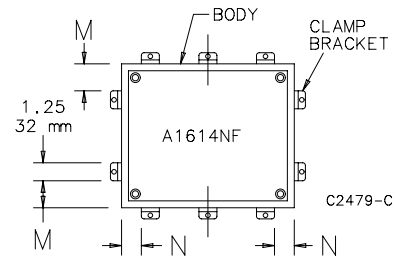
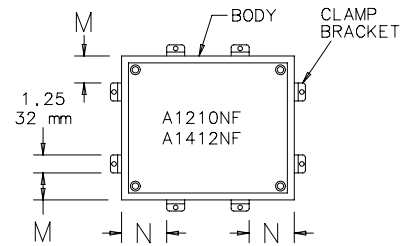
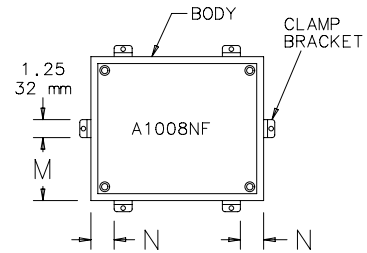
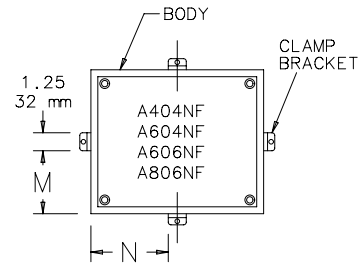
Catalog Number	A x B x C in. (mm)	Rating	Gauge	Panel Catalog Number	Conductive Panel Catalog Number	Panel Size D x E in. (mm)	Mounting G x H in. (mm)	Overall L x W in. (mm)	F in. (mm)	J in. (mm)	K in. (mm)	M in. (mm)	N in. (mm)	T in. (mm)	V in. (mm)	Y in. (mm)
A404NF	4.00 x 4.00 x 3.00 (102 x 102 x 76)	UL 508A	16	No Panel	No Panel	No Panel	4.75 x 2.00 (121 x 51)	5.50 x 5.38 (140 x 137)	—	2.62 (66)	0.54 (14)	1.38 (35)	1.38 (35)	3.00 (76)	—	—
A604NF	6.00 x 4.00 x 3.00 (152 x 102 x 76)	UL 508A	16	A6P4	A6P4G	4.88 x 2.88 (124 x 73)	6.75 x 2.00 (171 x 51)	7.50 x 5.38 (191 x 137)	2.53 (64)	2.62 (66)	0.54 (14)	1.38 (35)	2.38 (60)	3.00 (76)	0.31 (8)	0.56 (14)
A806NF	8.00 x 6.00 x 3.50 (203 x 152 x 89)	UL 50	14	A8P6	A8P6G	6.75 x 4.88 (171 x 124)	8.75 x 4.00 (222 x 102)	9.50 x 7.38 (241 x 187)	3.03 (77)	3.12 (79)	0.56 (14)	2.38 (60)	3.38 (86)	5.00 (127)	0.25 (6)	0.62 (16)
A606NF	6.00 x 6.00 x 4.00 (152 x 152 x 102)	UL 50	16	A6P6	A6P6G	4.88 x 4.88 (124 x 124)	6.75 x 4.00 (171 x 102)	7.50 x 7.38 (191 x 187)	3.53 (90)	3.62 (92)	0.54 (14)	2.38 (60)	2.38 (60)	5.00 (127)	0.31 (8)	0.56 (14)
A1008NF	10.00 x 8.00 x 4.00 (254 x 203 x 102)	UL 50	14	A10P8	A10P8G	8.75 x 6.88 (222 x 175)	10.75 x 6.00 (273 x 152)	11.50 x 9.38 (292 x 238)	3.53 (90)	3.62 (92)	0.56 (14)	3.38 (86)	1.50 (38)	7.00 (178)	0.25 (6)	0.62 (16)
A1210NF	12.00 x 10.00 x 5.00 (305 x 254 x 127)	UL 50	14	A12P10	A12P10G	10.75 x 8.88 (273 x 225)	12.75 x 8.00 (324 x 203)	13.50 x 11.38 (343 x 289)	4.53 (115)	4.62 (117)	0.56 (14)	2.00 (51)	3.00 (76)	9.00 (229)	0.25 (6)	0.62 (16)
A1412NF	14.00 x 12.00 x 6.00 (356 x 305 x 152)	UL 50	14	A14P12	A14P12G	12.75 x 10.88 (324 x 276)	14.75 x 10.00 (375 x 254)	15.50 x 13.38 (394 x 340)	5.53 (140)	5.62 (143)	0.56 (14)	2.00 (51)	3.00 (76)	11.00 (279)	0.25 (6)	0.62 (16)
A1614NF	16.00 x 14.00 x 6.00 (406 x 356 x 152)	UL 50	14	A16P14	A16P14G	14.75 x 12.88 (375 x 327)	16.75 x 12.00 (425 x 305)	17.50 x 15.38 (445 x 391)	5.53 (140)	5.62 (143)	0.56 (14)	3.50 (89)	1.50 (38)	13.00 (330)	0.25 (6)	0.62 (16)

Purchase panels separately. Optional stainless steel, conductive, composite, and aluminum panels are available for most sizes.

Clamp Cover Type 4 NF Junction Boxes



Clamp Bracket Locations



**Industrial
Enclosures**

Small Screw Cover DSC Junction Boxes



Application

For indoor or outdoor use as electrical junction and terminal wiring boxes. Designed to provide protection from dust, dirt, oil, hose-directed water, and temporary submersion.

Construction

- Drawn 16 gauge steel; no welded seams or sharp corners
- No holes or conduit knockouts
- Flanged cover
- Cover screws thread into box outside gasket line to prevent leakage through cover screw holes
- Oil-resistant gasket and adhesive
- External wall-mounting brackets are 14 gauge steel

Finish

ANSI 61 gray polyester powder paint inside and out over phosphatized surfaces.

Industry Standards

UL 508A, File No. E61997: Type 4, 6, 12, and 13
NEMA Type 4, 6, 12, and 13
CSA, File No. 42186: Type 4, 12, and 13
IEC 60529, IP67

Accessories

See also *Accessories* chapter.
Touch-Up Paint (ATPPY61)

Modification Services Program

You can customize this product to your unique requirements by specifying from these options:

- Over 100 standard finish colors and textures
- Delete mounting brackets

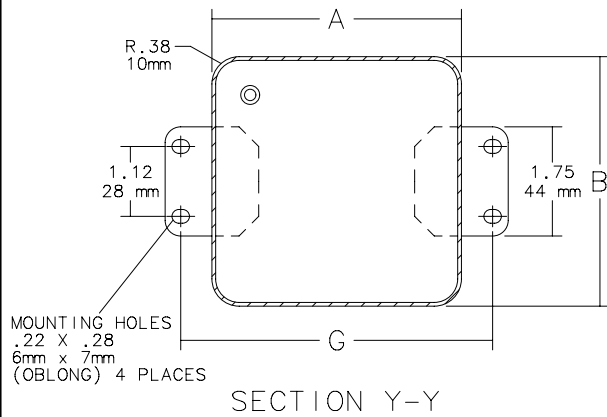
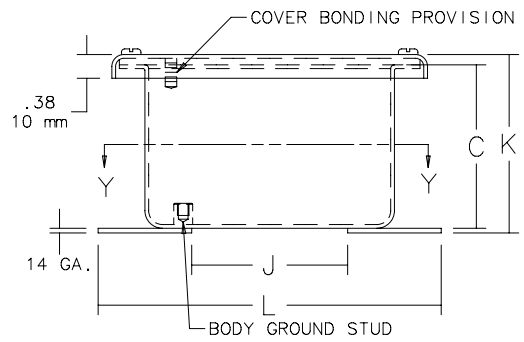
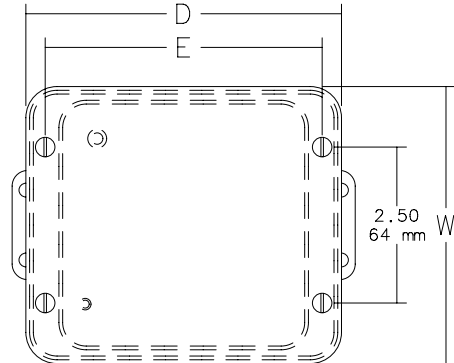
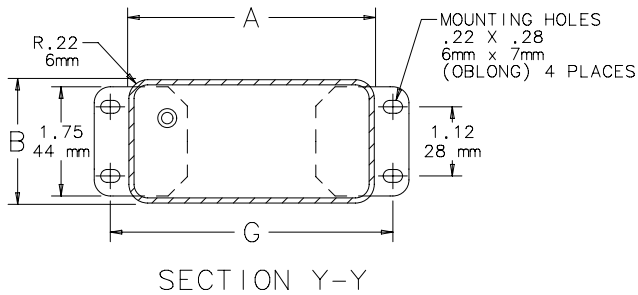
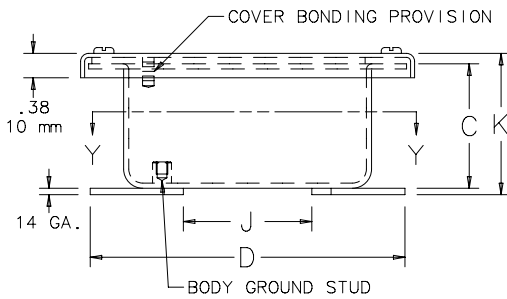
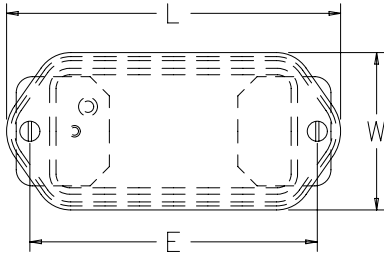
To order, contact your local Hoffman sales representative.

NOTE: For information about modifications outside the scope of the Modification Services program, contact your Hoffman sales representative.

Standard Sizes Small Screw Cover DSC Junction Boxes

Catalog Number	A x B x C in. (mm)	Interior Volume (cubic in.)	Mounting G (in.)	Mounting G (mm)	Overall L x W (in.)	Overall L x W (mm)	D (in.)	D (mm)	E (in.)	E (in.)	J (in.)	J (mm)	K (in.)	K (mm)
A402DSC	4.00 x 2.00 x 2.00 (102 x 51 x 51)	13.9	4.50	114	5.06 x 2.44	129 x 62	5.00	127	4.44	113	2.00	51	2.24	57
A403DSC	4.50 x 2.88 x 2.62 (114 x 73 x 67)	30.7	5.00	127	5.56 x 3.31	141 x 84	5.50	140	4.94	125	2.50	64	2.86	73
A404DSC	4.00 x 4.00 x 2.62 (102 x 102 x 37)	38.2	5.00	127	5.50 x 4.44	140 x 113	5.06	129	4.44	113	2.50	64	2.86	73

Small Screw Cover DSC Junction Boxes



C2472-C

**Industrial
Enclosures**

Screw Cover DSC Junction Boxes



Application

Intended for indoor or outdoor use as electrical junction and terminal wiring boxes. Dome cover option provides additional instrument mounting depth. Designed to provide protection from dust, dirt, oil, hose-directed water, and temporary submersion.

Construction

- Drawn 16 gauge steel; no welded seams or sharp corners
- No holes or conduit knockouts
- Cover screws thread into enclosure outside gasket line to prevent leakage through cover screw holes
- Flanged cover
- Oil-resistant gasket and adhesive
- External wall-mounting brackets are 14 gauge steel
- Bonding provision on cover

Finish

ANSI 61 gray polyester powder paint inside and out over phosphatized surfaces.

Industry Standards

UL 508A, File No. E61997: Type 4, 6, 12, and 13
NEMA Type 4, 6, 12, and 13
CSA, File No. 42186: Type 4, 12, and 13
IEC 60529, IP67

Accessories

See also *Accessories chapter*.
Touch-Up Paint (ATPPY61)

Modification Services Program

You can customize this product to your unique requirements by specifying from these options:

- Over 100 standard finish colors and textures
- Delete mounting brackets

To order, contact your local Hoffman sales representative.

NOTE: For information about modifications outside the scope of the Modification Services program, contact your Hoffman sales representative.

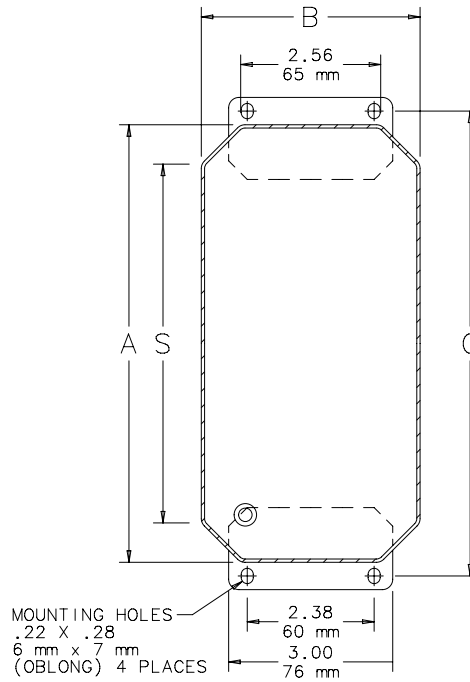
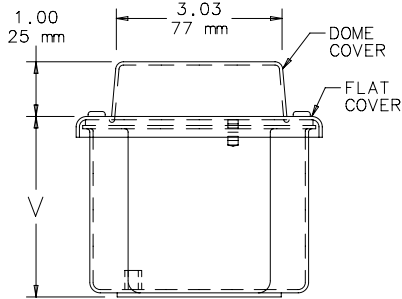
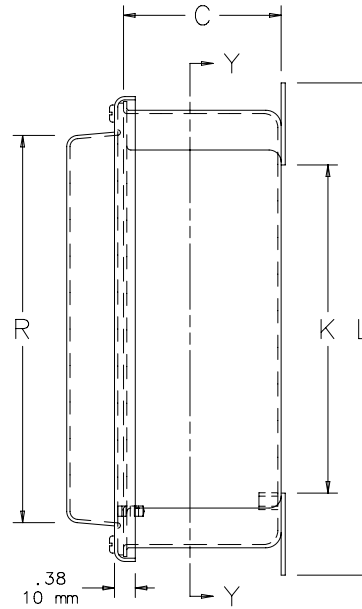
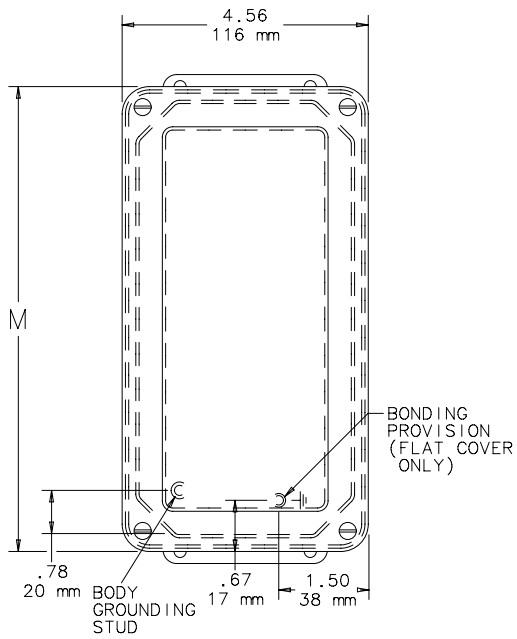
Standard Sizes Screw Cover DSC Junction Boxes

Catalog Number	A x B x C in. (mm)	Interior Volume (cubic in.)	Mounting G (in.)	Mounting G (mm)	Cover Type	K (in.)	K (mm)	L (in.)	L (mm)	M (in.)	M (mm)	R (in.)	R (mm)	S (in.)	S (mm)	V (in.)	V (mm)
A443DSC	3.50 x 4.00 x 2.75 (89 x 102 x 70)	32.6	4.00	102	Flat	1.50	38	4.50	114	4.06	103	—	—	2.06	52	2.98	76
A643DSC	5.75 x 4.00 x 2.75 (146 x 102 x 70)	55.9	6.25	159	Flat	3.75	95	6.75	171	6.31	160	—	—	4.31	109	2.98	76
A843DSC	8.00 x 4.00 x 2.75 (203 x 102 x 70)	79.4	8.50	216	Flat	6.00	152	9.00	229	8.56	217	—	—	6.56	167	2.98	76
A1043DSC	10.25 x 4.00 x 2.75 (260 x 102 x 70)	102.8	10.75	273	Flat	8.25	210	11.25	286	10.81	275	—	—	8.81	224	2.98	76
A445DSC	3.50 x 4.00 x 3.75 (89 x 102 x 95)	44.7	4.00	102	Dome	1.50	38	4.50	114	4.06	103	2.53	64	2.06	52	3.98	101
A645DSC	5.75 x 4.00 x 3.75 (146 x 102 x 95)	76.9	6.25	159	Dome	3.75	95	6.75	171	6.31	160	4.78	121	4.31	109	3.98	101
A845DSC	8.00 x 4.00 x 3.75 (203 x 102 x 95)	109.1	8.50	216	Dome	6.00	152	9.00	229	8.56	217	7.03	179	6.56	167	3.98	101
A1045DSC	10.25 x 4.00 x 3.75 (260 x 102 x 95)	141.2	10.75	273	Dome	8.25	210	11.25	286	10.81	275	9.25	235	8.81	224	3.98	101

Purchase panels separately. Optional stainless steel, conductive, composite, and aluminum panels are available for most sizes.

Screw Cover DSC Junction Boxes

Bulletin
A51DR



SECTION Y-Y

C2473-C

Industrial Enclosures



Application

INLINE enclosures house and protect sensitive electrical or electronic components from harsh, dirty environments. Their streamlined styling, flush latches, and attractive, durable finish complement sophisticated electronic equipment. For use in installations where dirt, dust, oil, water, or other contaminants are present. INLINE window enclosures are uniquely suited to protect field bus components and other instrumentation devices.

See EMC Enclosures for a related EMC-shielded product.

Construction

- Metric sizes
- 1.4mm (16 gauge) steel
- Seams continuously welded and ground smooth
- Body flange trough excludes liquids and contaminants from the enclosure opening
- Large perimeter opening facilitates component installation, maintenance, or conversion
- Fastening holes in back of body for direct mounting or optional external mounting brackets
- Seamless foam-in-place gasket
- Grounding stud on the body
- Bonding provision on the cover or door
- Furnished hardware kit includes panel mounting screws, grounding hardware, and sealing washers for wall-mounting holes
- Installation instructions for enclosure and accessories
- Optional 2.7mm (12 gauge) panels are available

INLINE screw cover enclosures

- Captivated cover screws with sealing bushings

INLINE hinged door enclosures

- 180° door opening
- Removable hinge pins
- Self-grounding slotted quarter-turn latch system with double seal provides maximum protection against contamination

INLINE window door enclosures

- Flush-mounted 4.8mm (3/16-in.) clear polycarbonate window
- 180° door opening
- Removable hinge pins
- Self-grounding, slotted quarter-turn latch

Finish

RAL 7035 textured light gray polyester powder paint inside and out over phosphatized surfaces. Subpanels are available in white enamel or conductive finish.

Industry Standards

Mounting brackets required to meet UL/CSA external mounting requirements.

INLINE screw cover enclosures

UL 508A, File No. E61997: Type 4 and 12
NEMA/EEMAC Type 4 and 12
CSA, File No. 42186: Type 4 and 12
VDE IP66IEC 60529, IP66

INLINE hinged door enclosures

UL 508A, File No. E61997: Type 4 and 12
NEMA/EEMAC Type 4 and 12
CSA, File No. 42186: Type 4 and 12
VDE IP66IEC 60529, IP66

INLINE window door enclosures

UL 508A, File No. E61997: Type 4, 12
NEMA/EEMAC Type 12
CSA, File No. 42186: Type 12
VDE IP55IEC 60529, IP66

Patents

This product is covered by the following patent:

US 5,683,005

Accessories

DIN Rail or Panel Mounting Bracket
DIN3 Rails
Grounding Kit (LLGK)
Key Inserts
Mounting Bracket Kit (LMFK)
Panels (see table)
Touch-Up Paint (ATPG7035)
Wing Knob Latch (LLKWK)

Modification Services Program

You can customize this product to your unique requirements by specifying from these options:

- Over 100 standard finish colors and textures
- Holes and cutouts in body, doors, subpanels
- Tapped holes, fasteners in enclosure or subpanel
- Mounting
- Doors
- Environmental control (louvers, fans, filters)
- Standard accessories

To order, contact your local Hoffman sales representative.

NOTE: For information about modifications outside the scope of the Modification Services program, contact your Hoffman sales representative.

Standard Sizes INLINE Screw Cover Enclosures

Catalog Number	A x B x C mm (in.)	Panel Catalog Number	Conductive Panel Catalog Number	Panel Size D x E (mm)	Panel Size D x E (in.)	Mounting G x H (mm)	Mounting G x H (in.)	F (mm)	F (in.)
LSC151512	150 x 150 x 120 (5.91 x 5.91 x 4.72)	LP1515	LP1515G	131 x 131	5.16 x 5.16	132 x 85	5.20 x 3.35	105	4.13
LSC201512	200 x 150 x 120 (7.87 x 5.91 x 4.72)	LP2015	LP2015G	181 x 131	7.13 x 5.16	182 x 85	7.17 x 3.35	105	4.13
LSC252015	250 x 200 x 150 (9.84 x 7.87 x 5.91)	LP2520	LP2520G	231 x 181	9.09 x 7.13	232 x 135	9.13 x 5.31	135	5.31
LSC302515	300 x 250 x 150 (11.81 x 9.84 x 5.91)	LP3025	LP3025G	281 x 231	11.06 x 9.09	282 x 185	11.10 x 7.28	135	5.31
LSC353020	350 x 300 x 200 (13.78 x 11.81 x 7.87)	LP3530	LP3530G	331 x 281	13.03 x 11.06	332 x 235	13.07 x 9.25	185	7.28

Purchase panels separately.

Standard Sizes INLINE Hinged Door Enclosures

Catalog Number	A x B x C mm (in.)	Panel Catalog Number	Conductive Panel Catalog Number	Panel Size D x E (mm)	Panel Size D x E (in.)	Mounting G x H (mm)	Mounting G x H (in.)	F (mm)	F (in.)
LHC151512	150 x 150 x 120 (5.91 x 5.91 x 4.72)	LP1515	LP1515G	131 x 131	5.16 x 5.16	132 x 85	5.20 x 3.35	105	4.13
LHC201512	200 x 150 x 120 (7.87 x 5.91 x 4.72)	LP2015	LP2015G	181 x 131	7.13 x 5.16	182 x 85	7.17 x 3.35	105	4.13
LHC252015	250 x 200 x 150 (9.84 x 7.87 x 5.91)	LP2520	LP2520G	231 x 181	9.09 x 7.13	232 x 135	9.13 x 5.31	135	5.31
LHC302515	300 x 250 x 150 (11.81 x 9.84 x 5.91)	LP3025	LP3025G	281 x 231	11.06 x 9.09	282 x 185	11.10 x 7.28	135	5.31
LHC353020	350 x 300 x 200 (13.78 x 11.81 x 7.87)	LP3530	LP3530G	331 x 281	13.03 x 11.06	332 x 235	13.07 x 9.25	185	7.28

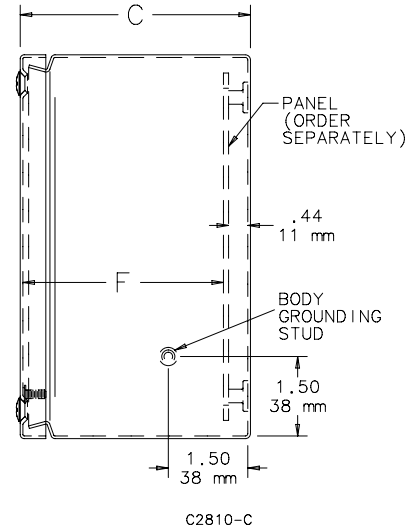
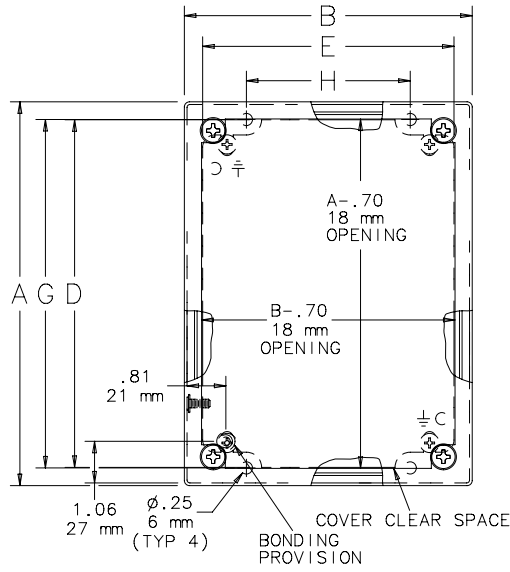
Purchase panels separately.

Standard Sizes INLINE Window Door Enclosures

Catalog Number	A x B x C mm (in.)	Panel Catalog Number	Conductive Panel Catalog Number	Panel Size D x E (mm)	Panel Size D x E (in.)	Mounting G x H (mm)	Mounting G x H (in.)	Window Size (mm)	Window Size (in.)	F (mm)	F (in.)
LWC201512	200 x 150 x 120 (7.87 x 5.91 x 4.72)	LP2015	LP2015G	181 x 131	7.13 x 5.16	182 x 85	7.17 x 3.35	149 x 65	5.87 x 2.31	101	34.98
LWC252015	250 x 200 x 150 (9.84 x 7.87 x 5.91)	LP2520	LP2520G	231 x 181	9.09 x 7.13	232 x 135	9.13 x 5.31	199 x 115	7.83 x 4.24	131	5.16
LWC302515	300 x 250 x 150 (11.81 x 9.84 x 5.91)	LP3025	LP3025G	281 x 231	11.06 x 9.09	281 x 185	11.06 x 7.28	249 x 165	9.80 x 6.25	131	5.16
LWC204015	200 x 400 x 150 (7.87 x 15.75 x 5.91)	LP2040	LP2040G	181 x 381	7.13 x 15.00	182 x 335	7.17 x 13.19	115 x 349	4.53 x 13.49	131	5.16
LWC206015	200 x 600 x 150 (7.87 x 23.62 x 5.91)	LP2060	LP2060G	181 x 581	7.13 x 21.06	182 x 535	7.17 x 21.06	115 x 549	4.53 x 21.36	131	5.16

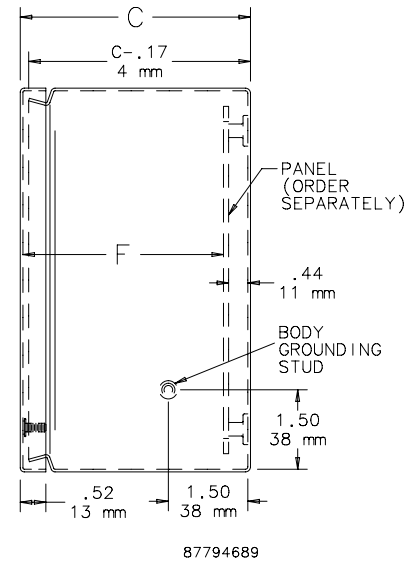
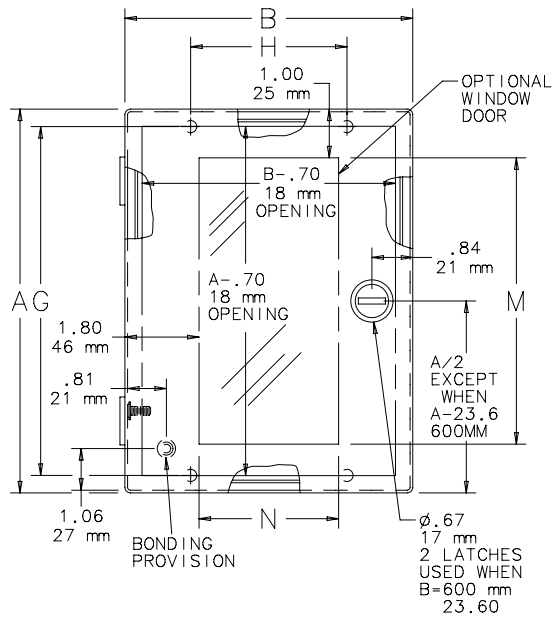
Purchase panels separately.

INLINE Screw Cover Enclosure



NOTE: Rear mounting holes will accommodate M6-1.0 or 1/4-20 UNC mounting screws (supplied by customer).

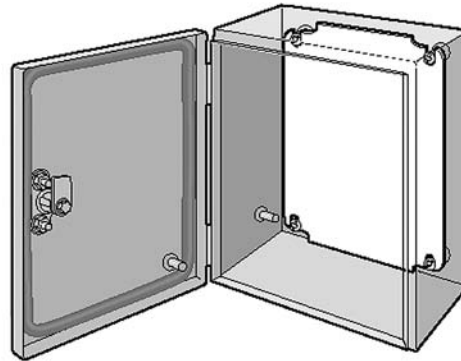
INLINE Hinged Door and Window Door Enclosures



INLINE Enclosure Panels

Panels are 12 gauge steel with a white-painted or conductive finish. Ground hole is labeled. Sized for M6 fastener.

Catalog Number	Material	Panel Size D x E mm	Fits INLINE Enclosure Size mm
LP1515	Painted Steel	131 x 131	150 x 150
LP1515G	Conductive	131 x 131	150 x 150
LP2015	Painted Steel	181 x 131	200 x 150
LP2015G	Conductive	181 x 131	200 x 150
LP2520	Painted Steel	231 x 181	250 x 200
LP2520G	Conductive	231 x 181	250 x 200
LP3025	Painted Steel	281 x 231	300 x 250
LP3025G	Conductive	281 x 231	300 x 250
LP3530	Painted Steel	331 x 281	350 x 300
LP3530G	Conductive	331 x 281	350 x 300
LP2040	Painted Steel	181 x 381	200 x 400
LP2040G	Conductive	181 x 381	200 x 400
LP2060	Painted Steel	181 x 581	200 x 600
LP2060G	Conductive	181 x 581	200 x 600





Application

INLINE Landscape Instrumentation Enclosures are sized to house a variety of field bus components. They protect sensitive electrical or electronic components in installations where dirt, dust, oil, water, or other contaminants are present. Both solid- and window-door models are available. Optional DIN rail brackets and panels provide component mounting options. Streamlined styling, flush latches, and an attractive, durable finish complete the offering.

Construction

- Metric sizes
- 16 gauge steel
- Seams continuously welded and ground smooth
- Body flange trough excludes liquids and contaminants from the enclosure opening
- Large opening facilitates component installation, maintenance, or conversion
- Mounting brackets spot-welded to top and bottom of enclosure
- Seamless foam-in-place gasket
- Bonding provision on door
- Grounding stud on the body
- Includes panel mounting screws and grounding hardware
- Hinged door with removable hinge pins and self-grounding quarter-turn latch
- Door opens 180°
- Window door models include flush-mounted 3/16 in. (4.8mm) clear polycarbonate window

Finish

Textured light gray RAL 7035 polyester powder coating inside and out over phosphatized surfaces. Optional panels have white or conductive finish.

Industry Standards

Solid Door Enclosures:

UL 508A, File Number E61997: Type 3, 4, and 12
NEMA/EEMAC Type 3, 4, and 12
CSA File Number 42186: Type 4 and 12
IEC 60529, IP66

Window Door Enclosures:

UL 508A, File Number E61997: Type 12
NEMA/EEMAC Type 12
CSA File Number 42186: Type 3, 4, 12
IEC 60529, IP66

Patents

This product is covered by the following patent:
US 5,683,005

Accessories

See also *Accessories* chapter.

- DIN Mounting Brackets
- DIN3 Rails
- Grounding Kit (LLGK)
- Key Inserts
- Panels
- Touch-Up Paint (ATPG7035)
- Wing Knob Latch (LLKWK)

Modification Services Program

You can customize this product to your unique requirements by specifying from these options:

- Over 100 standard finish colors and textures
- Holes and cutouts in body, doors, subpanels
- Tapped holes, fasteners in enclosure or subpanel
- Mounting
- Doors
- Standard accessories

To order, contact your local Hoffman sales representative.

NOTE: For information about modifications outside the scope of the Modification Services program, contact your Hoffman sales representative.

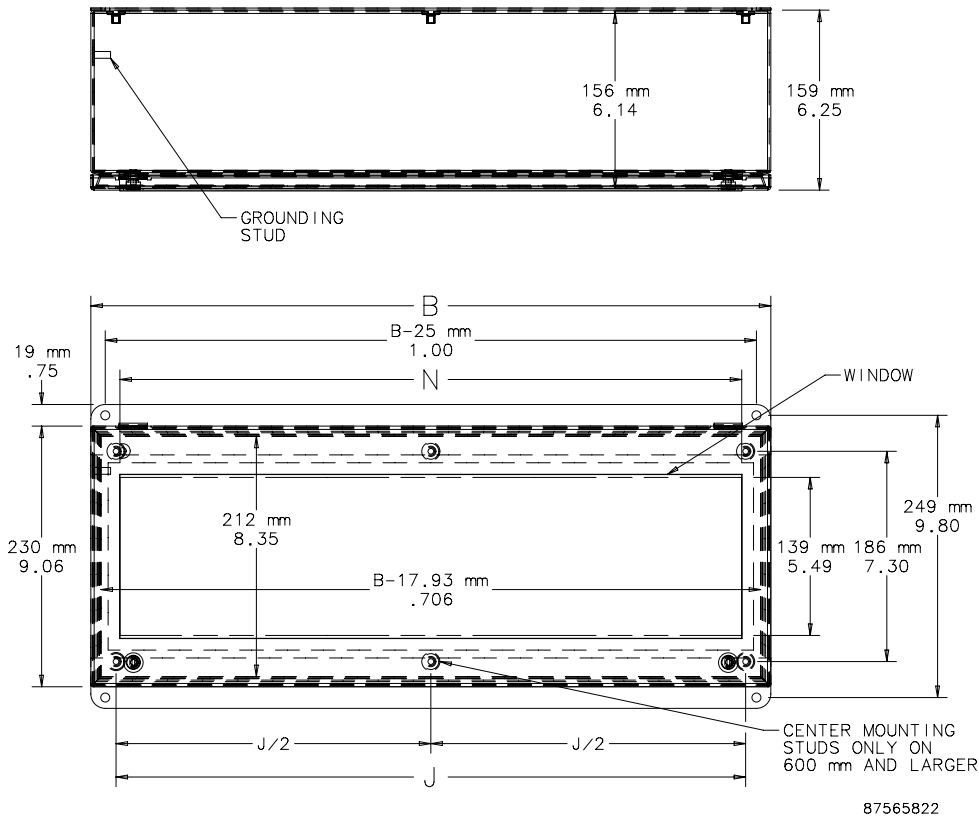
Standard Sizes INLINE Landscape Instrumentation Enclosures, Hinged Solid Door

Catalog Number	A x B x C mm (in.)	Mounting Studs J (mm)	Mounting Studs J (in.)	Clear Space Above Panel (mm)	Clear Space Above Panel (in.)
LHC233116	230 x 310 x 155 (9.06 x 12.20 x 6.10)	265	10.45	140	5.51
LHC234616	230 x 460 x 155 (9.06 x 18.11 x 6.10)	416	16.36	140	5.51
LHC236016	230 x 600 x 155 (9.06 x 23.62 x 6.10)	556	21.88	140	5.51
LHC237716	230 x 770 x 155 (9.06 x 30.32 x 6.10)	726	28.57	140	5.51
LHC239316	230 x 925 x 155 (9.06 x 36.42 x 6.10)	881	34.67	140	5.51

Standard Sizes INLINE Landscape Instrumentation Enclosures, Hinged Window Door

Catalog Number	A x B x C mm (in.)	Window Size N (mm)	Window Size N (in.)	Mounting Studs J (mm)	Mounting Studs J (in.)	Clear Space Above Panel (mm)	Clear Space Above Panel (in.)
LWC233116	230 x 310 x 155 (9.06 x 12.20 x 6.10)	259	10.20	265	10.45	140	5.51
LWC234616	230 x 460 x 155 (9.06 x 18.11 x 6.10)	409	16.11	416	16.36	140	5.51
LWC236016	230 x 600 x 155 (9.06 x 23.62 x 6.10)	549	21.62	556	21.88	140	5.51
LWC237716	230 x 770 x 155 (9.06 x 30.32 x 6.10)	719	28.31	726	28.57	140	5.51
LWC239316	230 x 925 x 155 (9.06 x 36.42 x 6.10)	874	34.42	881	34.67	140	5.51

See table on following page for panel and DIN mounting options.



Industrial Enclosures

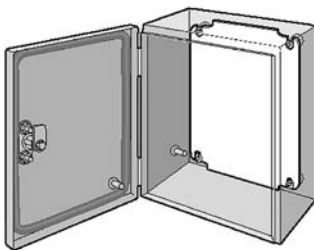
Optional Components Selection Table

This table shows the optional components that fit the various sizes of INLINE Instrumentation Enclosures.

Catalog Number	A x B x C mm (in.)	Window Door Enclosure	Panel Catalog Number	Conductive Panel Catalog Number	DIN Rail or Panel Mounting Bracket Catalog Number
LHC233116	230 x 310 x 115 (9.06 x 12.20 x 6.10)	LWC233116	LP2331	LP2331G	LMK23
LHC234616	230 x 460 x 155 (9.06 x 18.11 x 6.10)	LWC234616	LP2346	LP2346G	LMK23
LHC236016	230 x 600 x 155 (9.06 x 23.62 x 6.10)	LWC236016	LP2360	LP2360G	LMK23
LHC237716	230 x 770 x 155 (9.06 x 30.32 x 6.10)	LWC237716	LP2377	LP2377G	LMK23
LHC239316	230 x 925 x 155 (9.06 x 36.42 x 6.10)	LWC239316	LP2393	LP2393G	LMK23

Catalog numbers in the first column are solid door enclosures.
600mm and wider enclosures require two sets of brackets or mounting panels.

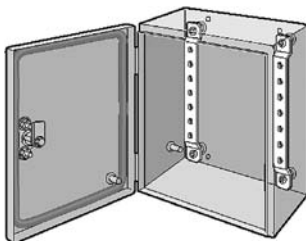
INLINE Enclosure Panels



Panels are 12 gauge steel with a white polyester powder paint or conductive finish. They include a labeled ground hole sized for an M6 screw. Panels mount on studs provided in the enclosure or to optional DIN mounting brackets.

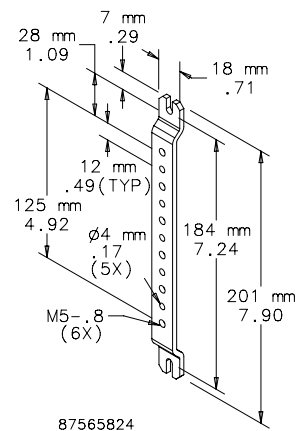
Catalog Number	Conductive Panel Catalog Number	D (mm)	D (in.)	E (mm)	E (in.)
LP2331	LP2331G	211	8.31	291	11.46
LP2346	LP2346G	211	8.31	441	17.36
LP2360	LP2360G	211	8.31	581	22.87
LP2377	LP2377G	211	8.31	751	29.57
LP2393	LP2393G	211	8.31	906	35.67

DIN Rail or Panel Mounting Brackets

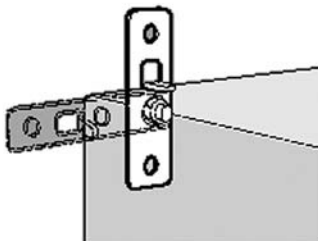


Use as a mounting framework to install DIN rails or a panel. Bracket is offset for additional space in front of or behind mounted equipment. Plated 12 gauge steel. Mounting hardware included. Brackets are required for DIN3 type rails.
Patent: US 5,683,005

Catalog Number	Fits INLINE Enclosure
LMK15	when A or B = 150mm
LMK20	when A or B = 200mm
LMK23	when A or B = 230mm
LMK25	when A or B = 250mm
LMK30	when A or B = 300mm
LMK35	when A or B = 350mm



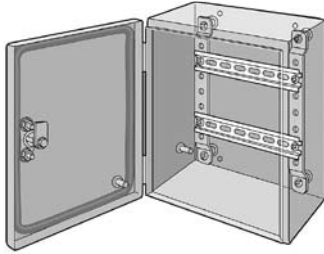
Mounting Bracket Kit



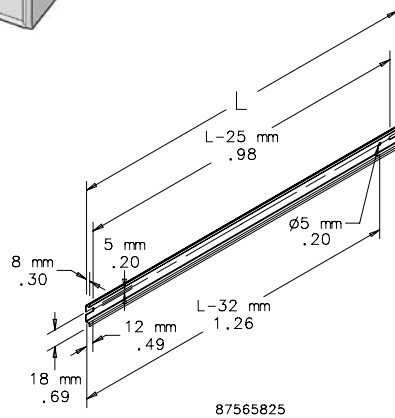
Kit is field installable on all solid back body enclosures. Hardware included. Four brackets per kit.

Catalog Number	Description	Fits Enclosure
LMFK	Plated steel mounting bracket kit	LLB161612 and LLB252512

DIN3 Rails



DIN3 rails, which provide mounting for DIN3 snap-on I/O modules, mount horizontally on the DIN mounting bracket. These symmetric-profile TS35/7.5 rails are made of 20 gauge plated steel. DIN mounting brackets are required in order to mount rails.



Catalog Number	Fits INLINE Enclosure	L (mm)	L (in.)	Pkg. Qty.
LDR3P15	when A or B = 150mm	125	4.92	4
LDR3P20	when A or B = 200mm	175	6.89	4
LDR3P25	when A or B = 250mm	225	8.86	4
LDR3P30	when A or B = 300mm	275	10.83	4
LDR3P31	when A or B = 310mm	285	11.22	4
LDR3P35	when A or B = 350mm	325	12.80	4
LDR3P40	when A or B = 400mm	375	14.76	4
LDR3P46	when A or B = 460mm	435	17.13	4
LDR3P60	when A or B = 600mm	575	22.64	4
LDR3P77	when A or B = 770mm	745	29.33	4
LDR3P93	when A or B = 925mm	900	36.43	4

Key Inserts



Key inserts can replace the standard slot/screwdriver insert latch on all hinged solid door and window door INLINE enclosures. Inserts have a chrome finish. Matching key is zinc die-cast.

Catalog Number	Description
LLKSM7	Square 7mm
LLKSM8	Square 8mm
LLKDB	Daimler Benz
LLKDBM3	Double bit 3mm
LLKSS	Slotted screw

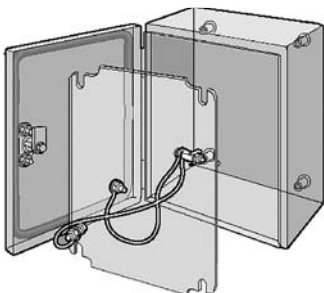
Wing Knob Latch



Wing Knob Latch can replace the standard slotted quarter-turn latch on all hinged cover and window cover enclosures. Latch is black die-cast zinc. Two keys and installation instructions are furnished. Reduces UL Type rating from 4 to 12.

Catalog Number	Product Weight (lb.)
LLKWK	0.2

Grounding Kit



Grounding Kit provides means to attach a grounding conductor to the enclosure. Kit consists of two copper wires with a ring terminal at each end. Wires are insulated. All installation hardware and instructions are included.

Catalog Number	Product Weight (lb.)
LLGK	0.2

IS Instrumentation Enclosures



Application

Designed to house a variety of electrical and electronic controls, instruments, and components in indoor environments where dust, dirt, oil, water, or other contaminants may be encountered. Extra-deep cover is ideal for mounting meters or gauges. Clean lines and attractive finish complement other electronic equipment. Optional handle kit provides portability for wireless applications.

Construction

- Drawn 16 gauge steel; no welded seams or sharp corners
- No holes or conduit knockouts
- Removable and interchangeable covers

- Unique lift-off hinges and oil-tight quarter-turn latches hold cover securely closed
- Latches are opened or closed with a screwdriver
- Oil-resistant gasket
- Weldnuts provided for mounting optional panels
- Bonding provision on door
- Optional panels are 14 gauge steel

Finish

ANSI 61 gray polyester powder paint inside and out over phosphatized surfaces. Optional panels have white enamel or conductive finish.

Industry Standards

UL 508A, File No. E61997: Type 12
NEMA/EEMAC Type 12
IEC 60529, IP55

Accessories

See also *Accessories chapter*.

Handle Kit (DHDLK)
Mounting Bracket Kit
Panels
Terminal Block Kit Assembly
Touch-Up Paint (ATPPY61)
Window Kit

Modification Services Program

You can customize this product by specifying from over 100 standard finish colors and textures.

To order, contact your local Hoffman sales representative.

NOTE: For information about modifications outside the scope of the Modification Services program, contact your Hoffman sales representative.

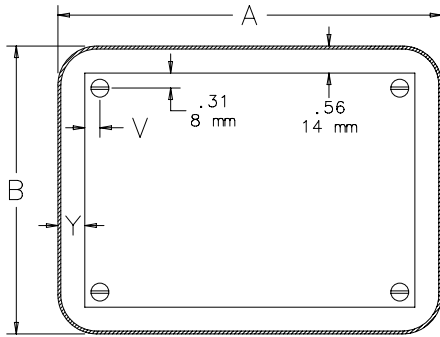
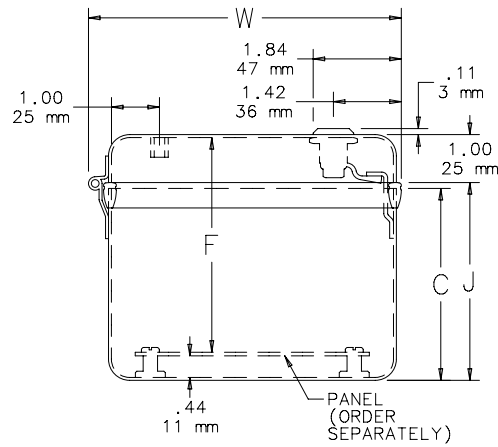
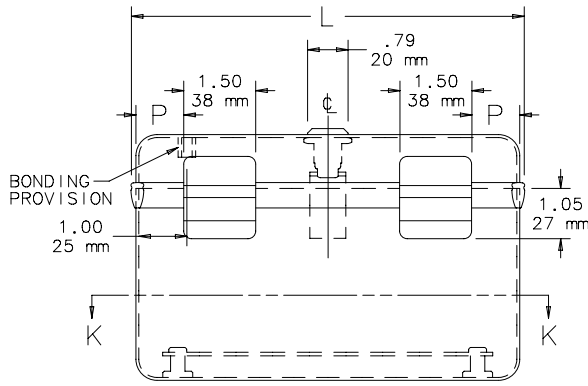
Standard Sizes IS Instrumentation Enclosures

Catalog No.	A x B x C in. (mm)	Panel Catalog No.	Conductive Panel Catalog No.	Panel Size (in.)	Panel Size (mm)	Overall L x W (in.)	Overall L x W (mm)	F (in.)	F (mm)	J (in.)	J (mm)	P (in.)	P (mm)	V (in.)	V (mm)	Y (in.)	Y (mm)
D664IS	6.00 x 6.00 x 4.00 (152 x 152 x 102)	A6P6	A6P6G	4.88 x 4.88	124 x 124	6.09 x 6.45	155 x 164	4.53	115	4.08	104	1.12	28	0.31	8	0.56	14
D864IS	8.00 x 6.00 x 4.00 (203 x 152 x 102)	A8P6	A8P6G	6.75 x 4.88	171 x 124	8.09 x 6.45	205 x 164	4.53	115	4.08	104	1.12	28	0.25	6	0.62	16
D1084IS	10.00 x 8.00 x 4.00 (254 x 203 x 102)	A10P8	A10P8G	8.75 x 6.88	222 x 175	10.09 x 8.45	256 x 215	4.53	115	4.08	104	1.12	28	0.25	6	0.62	16
D12104IS	12.00 x 10.00 x 4.00 (305 x 254 x 102)	A12P10	A12P10G	10.75 x 8.88	273 x 226	12.09 x 10.45	307 x 265	4.53	115	4.08	104	1.25	32	0.25	6	0.62	16
D666IS	6.00 x 6.00 x 6.00 (152 x 152 x 152)	A6P6	A6P6G	4.88 x 4.88	124 x 124	6.09 x 6.45	155 x 164	6.53	166	6.08	154	1.12	28	0.31	8	0.56	14
D866IS	8.00 x 6.00 x 6.00 (203 x 152 x 152)	A8P6	A8P6G	6.75 x 4.88	171 x 124	8.09 x 6.45	205 x 164	6.53	166	6.08	154	1.12	28	0.25	6	0.62	16
D1086IS	10.00 x 8.00 x 6.00 (254 x 203 x 152)	A10P8	A10P8G	8.75 x 6.88	222 x 175	10.09 x 8.45	256 x 215	6.53	166	6.08	154	1.12	28	0.25	6	0.62	16
D12106IS	12.00 x 10.00 x 6.00 (305 x 254 x 152)	A12P10	A12P10G	10.75 x 8.88	273 x 226	12.09 x 10.45	307 x 265	6.53	166	6.08	154	1.25	32	0.25	6	0.62	16
D12108IS	12.00 x 10.00 x 8.00 (305 x 254 x 203)	A12P10	A12P10G	10.75 x 8.88	273 x 226	12.09 x 10.45	307 x 265	8.53	217	8.08	205	1.25	32	0.25	6	0.62	16

Purchase panels separately. Optional stainless steel, conductive, composite, and aluminum panels are available for most sizes.

IS Instrumentation Enclosures

IS Instrumentation Enclosure



87573751

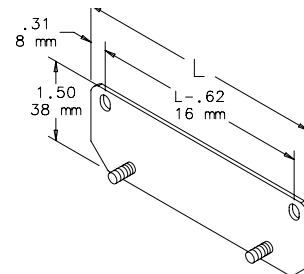
SECTION K-K

Mounting Bracket Kits



Includes two 14 gauge steel external mounting brackets and fasteners. Sealing washers are provided to maintain Type 12 rating after installation. Clear plated finish. Requires drilling holes in the enclosure. Mounting template is provided.

Catalog Number	Bulletin Number	Use On
DMFK1	A80	Instrumentation enclosures D664IS through D1086IS
DMFK2	A80	Instrumentation enclosures D12104IS through D12108IS



87574633

Handle Kit



Non-metallic handle for small enclosures. Includes four rubber bumpers that mount on back of enclosure to protect exterior finish. All mounting hardware and complete installation instructions are provided.

Catalog Number	Bulletin Number	Description
DHDLK	A80	Handle kit

Quick-Release Lift-Off Cover DL Boxes



Application

Designed to house electrical and electronic controls, instruments, and components in indoor environments where dust, dirt, oil, water, and other contaminants may be encountered. Clean lines and an attractive finish complement electronic equipment.

Construction

- Drawn 16 gauge steel; no welded seams or sharp corners
- No holes or conduit knockouts
- Removable and interchangeable covers
- Unique lift-off hinges and quick-release latches assure a tight seal
- Oil-resistant gasket
- Weldnuts for mounting optional panels and terminal block kits
- External wall-mounting brackets are 14 gauge steel
- Bonding provision on door
- Optional panels are 14 gauge steel

Finish

ANSI 61 gray polyester powder paint inside and out over phosphatized surfaces. Optional panels have white enamel or conductive finish.

Industry Standards

UL 508A, File No. E61997: Type 12 and 13
NEMA/EEMAC Type 12 and 13
IEC 60529, IP65

Accessories

See also *Accessories chapter*.

Fan Cooling Products
Panels
Terminal Block Kit Assembly
Touch-Up Paint (ATPPY61)
Window Kit

Modification Services Program

You can customize this product to your unique requirements by specifying from these options:

- Over 100 standard finish colors and textures
- Paint
- Delete mounting brackets

To order, contact your local Hoffman sales representative.

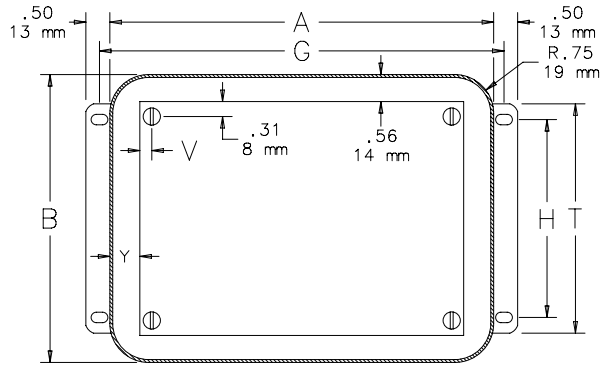
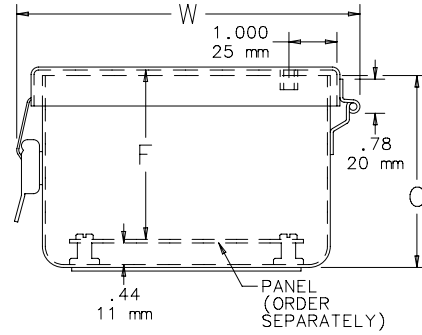
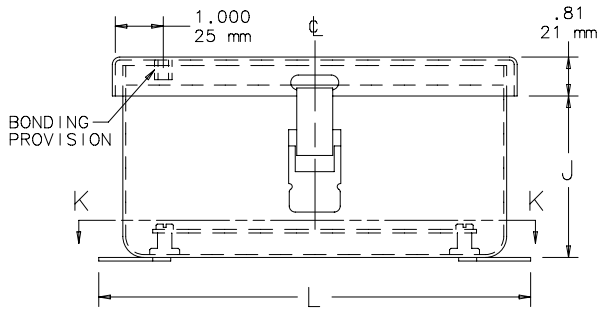
NOTE: For information about modifications outside the scope of the Modification Services program, contact your Hoffman sales representative.

Standard Sizes Quick-Release Lift-Off Cover DL Boxes

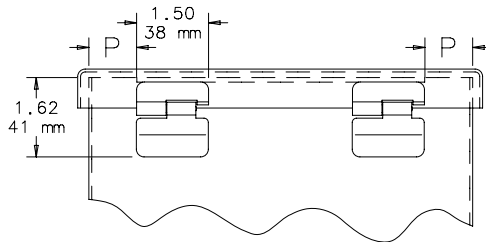
Catalog Number	A x B x C in. (mm)	Panel Catalog Number	Conductive Panel Catalog Number	Panel Size in. (mm)	Mounting G x H in. (mm)	Overall L x W in. (mm)	F in. (mm)	J in. (mm)	P in. (mm)	T in. (mm)	V in. (mm)	Y in. (mm)
A664DL	6.00 x 6.00 x 4.00 (152 x 152 x 102)	A6P6	A6P6G	4.88 x 4.88 (124 x 124)	6.50 x 4.12 (165 x 105)	7.00 x 7.12 (178 x 181)	3.59 (91)	3.33 (85)	1.00 (25)	4.75 (121)	0.31 (8)	0.56 (14)
A864DL	8.00 x 6.00 x 4.00 (203 x 152 x 102)	A8P6	A8P6G	6.75 x 4.88 (171 x 124)	8.50 x 4.12 (216 x 105)	9.00 x 7.12 (229 x 181)	3.59 (91)	3.33 (85)	1.00 (25)	4.75 (121)	0.25 (6)	0.62 (16)
A1084DL	10.00 x 8.00 x 4.00 (254 x 203 x 102)	A10P8	A10P8G	8.75 x 6.88 (222 x 175)	10.50 x 4.12 (267 x 105)	11.00 x 9.12 (279 x 232)	3.59 (91)	3.33 (85)	1.00 (25)	4.75 (121)	0.25 (6)	0.62 (16)
A12104DL	12.00 x 10.00 x 4.00 (305 x 254 x 102)	A12P10	A12P10G	10.75 x 8.88 (273 x 226)	12.50 x 8.12 (318 x 206)	13.00 x 11.12 (330 x 282)	3.59 (91)	3.33 (85)	1.25 (32)	8.75 (222)	0.25 (6)	0.62 (16)
A666DL	6.00 x 6.00 x 6.00 (152 x 152 x 152)	A6P6	A6P6G	4.88 x 4.88 (124 x 124)	6.50 x 4.12 (165 x 105)	7.00 x 7.12 (178 x 181)	5.59 (142)	5.33 (135)	1.00 (25)	4.75 (121)	0.31 (8)	0.56 (14)
A866DL	8.00 x 6.00 x 6.00 (203 x 152 x 152)	A8P6	A8P6G	6.75 x 4.88 (171 x 124)	8.50 x 4.12 (216 x 105)	9.00 x 7.12 (229 x 181)	5.59 (142)	5.33 (135)	1.00 (25)	4.75 (121)	0.25 (6)	0.62 (16)
A1086DL	10.00 x 8.00 x 6.00 (254 x 203 x 152)	A10P8	A10P8G	8.75 x 6.88 (222 x 175)	10.50 x 4.12 (267 x 105)	11.00 x 9.12 (279 x 232)	5.59 (142)	5.33 (135)	1.00 (25)	4.75 (121)	0.25 (6)	0.62 (16)
A12106DL	12.00 x 10.00 x 6.00 (305 x 254 x 152)	A12P10	A12P10G	10.75 x 8.88 (273 x 226)	12.50 x 8.12 (318 x 206)	13.00 x 11.12 (330 x 282)	5.59 (142)	5.33 (135)	1.25 (32)	8.75 (222)	0.25 (6)	0.62 (16)
A12108DL	12.00 x 10.00 x 8.00 (305 x 254 x 203)	A12P10	A12P10G	10.75 x 8.88 (273 x 226)	12.50 x 8.12 (318 x 206)	13.00 x 11.12 (330 x 282)	7.59 (193)	7.33 (186)	1.25 (32)	8.75 (222)	0.25 (6)	0.62 (16)

Purchase panels separately. Optional stainless steel, conductive, composite, and aluminum panels are available for most sizes.

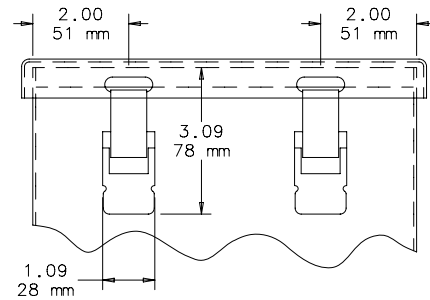
Quick-Release Lift-Off Cover DL Boxes



SECTION K-K



View showing hinge side of box.



View showing latch side of box when two latches are used. When A=12.00 (305mm), use two latches.



Application

CONCEPT enclosures house and protect your sensitive electrical or electronic components from harsh, dirty environments. For use in installations where dirt, dust, oil, water, or other contaminants are present. Streamlined styling, flush latches, and an attractive, durable finish complement other electronic equipment.

See EMC Enclosures for a related EMC-shielded product.

Construction

- 16 or 14 gauge steel (see table)
- Seams continuously welded and ground smooth
- Minimum-width body flange provides maximum door opening (210°)
- Body flange trough excludes liquids and contaminants
- Panel mounting studs fit optional CONCEPT panels and other accessories
- Mounting holes in back of body for direct mounting or for optional external wall-mounting brackets
- Hidden hinges for clean, aesthetic appearance
- Doors are interchangeable and easily removed by pulling captive hinge pins
- Seamless foam-in-place gasket provides oiltight and dusttight seal against contaminants
- Quarter-turn slotted latch
- Door support ramp on doors 30 inches wide and wider (except window-door models)
- Four hinges on 60-inch-high doors
- Grounding stud on body
- Provision for thermoplastic data pocket (right door on two-door models)
- Hardware kit with panel mounting nuts, panel grounding hardware, and sealing washers for wall mounting holes
- Installation instructions for enclosure and accessories are provided

CONCEPT single-door enclosures with solid door

- Door bar on hinge side for wire management and bonding
- Additional door bar on larger doors
- Three-point latch system on larger enclosures furnished with flush, slotted insert. Optional handles or inserts are available.

CONCEPT single-door enclosures with windows

- Clear polycarbonate window is flush with door surface
- Quarter-turn latch(es) with flush slotted insert

CONCEPT flush-mount enclosures

- Mounting frame extends completely around enclosure
- Quarter-turn latch(es) with slotted insert

CONCEPT two-door enclosures

- Patented overlapping door design provides full-width access
- Door bars on each door for wire management and bonding
- Three-point latch system on right door furnished with flush slotted insert

Finish

Two standard finishes are available over phosphatized surfaces: ANSI 61 gray polyester powder paint inside and out or RAL 7035 textured light gray polyester powder paint inside and out. Optional panels have white or conductive finish.

Industry Standards

Wall-mounting brackets required to maintain UL/CSA external mounting requirement.

CONCEPT solid single-door, door with window, and flush-mount models

UL 508A, File No. E61997: Type 4 and 12
NEMA/EEMAC Type 4, 12, and 13
CSA, File No. 42186: Type 4 and 12
VDE IP66
IEC 60529, IP66

CONCEPT two-door models

UL 508A, File No. E61997: Type 12
NEMA/EEMAC Type 12
CSA, File No. 42186, Type 12
VDE IP 55
IEC 60529, IP55

Patents

This product is covered by the following patents:

US D360,345
US 5,509,703
US 5,666,695
DE 9405854.7
EP 0729541

Other patents pending.

Accessories

Adjustable-Depth Mounting Kit
 Data Pocket (except window door style)
 Dead Front Kit
 DIN3 Rail Kit
 Door Stop Kit (except window door style)
 Electric Heater
 External Data Pocket
 Fan Cooling Products
 Grid Straps
 Handles and Latches
 INTERSAFE® Data Interface Ports
 Key Inserts
 Lighting Kits
 Mounting Channels
 Panel Conversion Kit
 Panels (see tables)
 Panels, NEMA (with panel conversion kit)
 Pole Mounting Kit
 Rack Mounting Angles
 Swing-Out Panel Kit
 Swing-Out Rack Frames
 Terminal Block Kit Assembly
 Touch-Up-Paint (ATPPY6I for ANSI 6I or ATPG7035 for RAL 7035)
 Wall-Mounting Bracket Kit (required to maintain UL/CSA external mounting requirement)

Data Pockets for Solid Door Enclosures

Enclosure Size A in. (mm)	Enclosure Size B in. (mm)	Pocket
Any	12.00 (305)	None
< 30.00 (762)	< 20.00 (508)	Small
> 30.00 (762)	> 20.00 (508)	Large

Modification Services Program

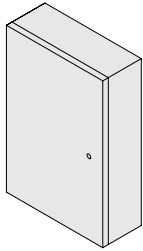
You can customize this product to your unique requirements by specifying from these options:

- Enclosure height, width, depth (not available on doors with windows)
- Over 100 standard finish colors and textures
- Holes and cutouts in body, doors, subpanels
- Tapped holes, fasteners in enclosure or subpanel
- Doors
- Subpanels
- Structural changes
- Environmental control (louvers, fans, filters)
- Windows
- Standard accessories

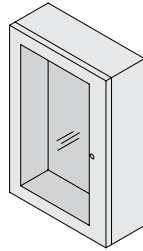
To order, contact your local Hoffman sales representative.

NOTE: For information about modifications outside the scope of the Modification Services program, contact your Hoffman sales representative.

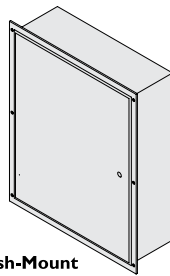
The CONCEPT Enclosure Group Accessory Selection Guide



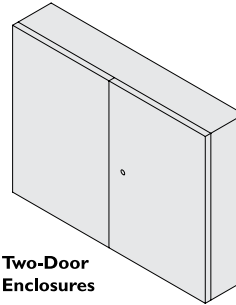
Steel or Stainless Steel Enclosures



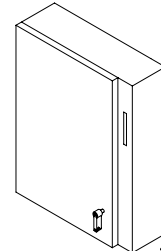
Steel or Stainless Steel Window-Door Enclosures



Flush-Mount Enclosures



Two-Door Enclosures

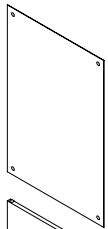


Steel or Stainless Steel Disconnect Enclosures

87794894

See Accessories: CONCEPT Wall-Mount Enclosure Accessories.

Internal Accessories



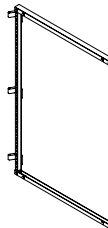
Steel Panels



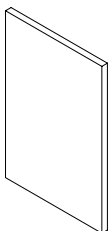
Swing-Out Panels



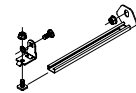
NEMA Panel Conversion Kit



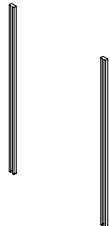
Swing-Out Rack Frames for 19 inch Rack Mount Equipment



Dead Front Kits



Adjustable Depth Panel Mounting Kits



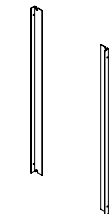
Accessory Mounting Channels



DIN3 Rail Kits

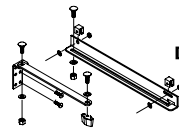


Grid Straps



Rack Mounting Angles for 19 inch Rack Mount Equipment

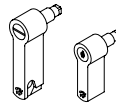
Door Accessories



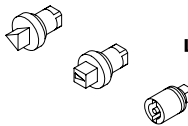
Door Stop Kit



Data Pockets

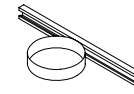


Handles and Latches

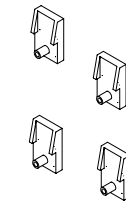
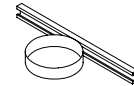


Lock Inserts

External Accessories



Pole Mounting Kits



Wall Mounting Bracket Kit

C2588-C

CONCEPT® Wall-Mounted Enclosures

Standard Sizes CONCEPT Single-Door Wall-Mounted Enclosures

Catalog Number ANSI 61 Gray	Catalog Number RAL 7035 Lt. Gray	A x B x C in. (mm)	Door Gauge	Body Gauge	CONCEPT Panel Catalog Number	Conductive CONCEPT Panel Catalog Number	Panel Size D x E in. (mm)	Mounting G x H in. (mm)	Latches (qty)	Latches (style)	J in. (mm)
CSD12126	CSD12126LG	12.00 x 12.00 x 6.00 (305 x 305 x 152)	16	16	CP1212	CP1212G	10.20 x 10.20 (259 x 259)	10.50 x 10.50 (267 x 267)	1	Qturn.	6.00 (152)
CSD16126	CSD16126LG	16.00 x 12.00 x 6.00 (406 x 305 x 152)	16	16	CP1612	CP1612G	14.20 x 10.20 (361 x 259)	14.50 x 10.50 (368 x 267)	1	Qturn.	8.00 (203)
CSD16166	CSD16166LG	16.00 x 16.00 x 6.00 (406 x 406 x 152)	16	16	CP1616	CP1616G	14.20 x 14.20 (361 x 361)	14.50 x 14.50 (368 x 368)	1	Qturn.	8.00 (203)
CSD16206	CSD16206LG	16.00 x 20.00 x 6.00 (406 x 508 x 152)	16	16	CP2016	CP2016G	18.20 x 14.20 (462 x 361)	14.50 x 18.50 (368 x 470)	1	Qturn.	8.00 (203)
CSD20166	CSD20166LG	20.00 x 16.00 x 6.00 (508 x 406 x 152)	16	16	CP2016	CP2016G	18.20 x 14.20 (462 x 361)	18.50 x 14.50 (470 x 368)	1	Qturn.	10.00 (254)
CSD20206	CSD20206LG	20.00 x 20.00 x 6.00 (508 x 508 x 152)	16	16	CP2020	CP2020G	18.20 x 18.20 (462 x 462)	18.50 x 18.50 (470 x 470)	1	Qturn.	10.00 (254)
CSD24166	CSD24166LG	24.00 x 16.00 x 6.00 (610 x 406 x 152)	16	16	CP2416	CP2416G	22.20 x 14.20 (564 x 361)	22.50 x 14.50 (572 x 368)	1	Qturn.	12.00 (305)
CSD24206	CSD24206LG	24.00 x 20.00 x 6.00 (610 x 508 x 152)	16	16	CP2420	CP2420G	22.20 x 18.20 (564 x 462)	22.50 x 18.50 (572 x 470)	1	Qturn.	12.00 (305)
CSD24246	CSD24246LG	24.00 x 24.00 x 6.00 (610 x 610 x 152)	14	16	CP2424	CP2424G	22.20 x 22.20 (564 x 564)	22.50 x 22.50 (572 x 572)	2	Qturn.	5.00 (127)
CSD16128	CSD16128LG	16.00 x 12.00 x 8.00 (406 x 305 x 203)	16	16	CP1612	CP1612G	14.20 x 10.20 (361 x 259)	14.50 x 10.50 (368 x 267)	1	Qturn.	8.00 (203)
CSD16168	CSD16168LG	16.00 x 16.00 x 8.00 (406 x 406 x 203)	16	16	CP1616	CP1616G	14.20 x 14.20 (361 x 361)	14.50 x 14.50 (368 x 368)	1	Qturn.	8.00 (203)
CSD16208	CSD16208LG	16.00 x 20.00 x 8.00 (406 x 508 x 203)	16	16	CP2016	CP2016G	18.20 x 14.20 (462 x 361)	14.50 x 18.50 (368 x 470)	1	Qturn.	8.00 (203)
CSD20168	CSD20168LG	20.00 x 16.00 x 8.00 (508 x 406 x 203)	16	16	CP2016	CP2016G	18.20 x 14.20 (462 x 361)	18.50 x 14.50 (470 x 368)	1	Qturn.	10.00 (254)
CSD20208	CSD20208LG	20.00 x 20.00 x 8.00 (508 x 508 x 203)	16	16	CP2020	CP2020G	18.20 x 18.20 (462 x 462)	18.50 x 18.50 (470 x 470)	1	Qturn.	10.00 (254)
CSD20248	CSD20248LG	20.00 x 24.00 x 8.00 (508 x 610 x 203)	16	16	CP2420	CP2420G	22.20 x 18.20 (564 x 462)	18.50 x 22.50 (470 x 572)	1	Qturn.	10.00 (254)
CSD24168	CSD24168LG	24.00 x 16.00 x 8.00 (610 x 406 x 203)	16	16	CP2416	CP2416G	22.20 x 14.20 (564 x 361)	22.50 x 14.50 (572 x 368)	1	Qturn.	12.00 (305)
CSD24208	CSD24208LG	24.00 x 20.00 x 8.00 (610 x 508 x 203)	16	16	CP2420	CP2420G	22.20 x 18.20 (564 x 462)	22.50 x 18.50 (572 x 470)	1	Qturn.	12.00 (305)
CSD24248	CSD24248LG	24.00 x 24.00 x 8.00 (610 x 610 x 203)	14	16	CP2424	CP2424G	22.20 x 22.20 (564 x 564)	22.50 x 22.50 (572 x 572)	2	Qturn.	5.00 (127)
CSD24308	CSD24308LG	24.00 x 30.00 x 8.00 (610 x 762 x 203)	14	16	CP3024	CP3024G	28.20 x 22.20 (716 x 564)	22.50 x 28.50 (572 x 724)	2	Qturn.	5.00 (127)
CSD30208	CSD30208LG	30.00 x 20.00 x 8.00 (762 x 508 x 203)	14	16	CP3020	CP3020G	28.20 x 18.20 (716 x 462)	28.50 x 18.50 (724 x 470)	2	Qturn.	5.00 (127)
CSD30248	CSD30248LG	30.00 x 24.00 x 8.00 (762 x 610 x 203)	14	14	CP3024	CP3024G	28.20 x 22.20 (716 x 564)	28.50 x 22.50 (724 x 572)	2	Qturn.	5.00 (127)
CSD30308	CSD30308LG	30.00 x 30.00 x 8.00 (762 x 762 x 203)	14	14	CP3030	CP3030G	28.20 x 28.20 (716 x 716)	28.50 x 28.50 (724 x 724)	2	Qturn.	5.00 (127)
CSD36248	CSD36248LG	36.00 x 24.00 x 8.00 (914 x 610 x 203)	14	16	CP3624	CP3624G	34.20 x 22.20 (869 x 564)	34.50 x 22.50 (876 x 572)	2	Qturn.	5.00 (127)
CSD36308	CSD36308LG	36.00 x 30.00 x 8.00 (914 x 762 x 203)	14	14	CP3630	CP3630G	34.20 x 28.20 (869 x 716)	34.50 x 28.50 (876 x 724)	2	Qturn.	5.00 (127)
CSD36368	CSD36368LG	36.00 x 36.00 x 8.00 (914 x 914.0 x 203.0)	14	14	CP3636	CP3636G	34.20 x 34.20 (869 x 869)	34.50 x 34.50 (876 x 876)	2	Qturn.	5.00 (127)
CSD161210	CSD161210LG	16.00 x 12.00 x 10.00 (406 x 305 x 254)	16	16	CP1612	CP1612G	14.20 x 10.20 (361 x 259)	14.50 x 10.50 (368 x 267)	1	Qturn.	8.00 (203)
CSD161610	CSD161610LG	16.00 x 16.00 x 10.00 (406 x 406 x 254)	16	16	CP1616	CP1616G	14.20 x 14.20 (361 x 361)	14.50 x 14.50 (368 x 368)	1	Qturn.	8.00 (203)
CSD162010	CSD162010LG	16.00 x 20.00 x 10.00 (406 x 508 x 254)	16	16	CP2016	CP2016G	18.20 x 14.20 (462 x 361)	14.50 x 18.50 (368 x 470)	1	Qturn.	8.00 (203)
CSD201610	CSD201610LG	20.00 x 16.00 x 10.00 (508 x 406 x 254)	16	16	CP2016	CP2016G	18.20 x 14.20 (462 x 361)	18.50 x 14.50 (470 x 368)	1	Qturn.	10.00 (254)
CSD202010	CSD202010LG	20.00 x 20.00 x 10.00 (508 x 508 x 254)	16	16	CP2020	CP2020G	18.20 x 18.20 (462 x 462)	18.50 x 18.50 (470 x 470)	1	Qturn.	10.00 (254)
CSD202410	CSD202410LG	20.00 x 24.00 x 10.00 (508 x 610 x 254)	16	16	CP2420	CP2420G	22.20 x 18.20 (564 x 462)	18.50 x 22.50 (470 x 572)	1	Qturn.	10.00 (254)
CSD241610	CSD241610LG	24.00 x 16.00 x 10.00 (610 x 406 x 254)	16	16	CP2416	CP2416G	22.20 x 14.20 (564 x 361)	22.50 x 14.50 (572 x 368)	1	Qturn.	12.00 (305)
CSD242010	CSD242010LG	24.00 x 20.00 x 10.00 (610 x 508 x 254)	16	16	CP2420	CP2420G	22.20 x 18.20 (564 x 462)	22.50 x 18.50 (572 x 470)	1	Qturn.	12.00 (305)

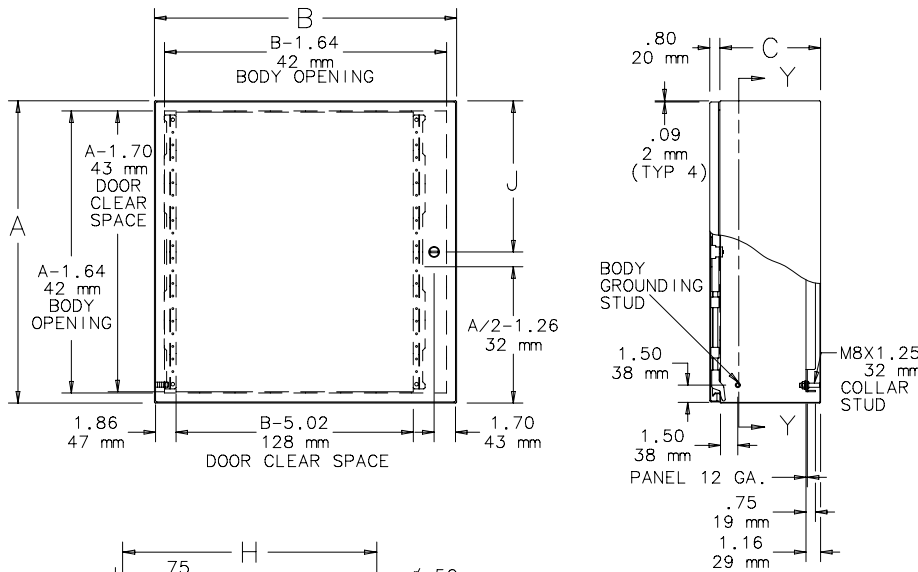
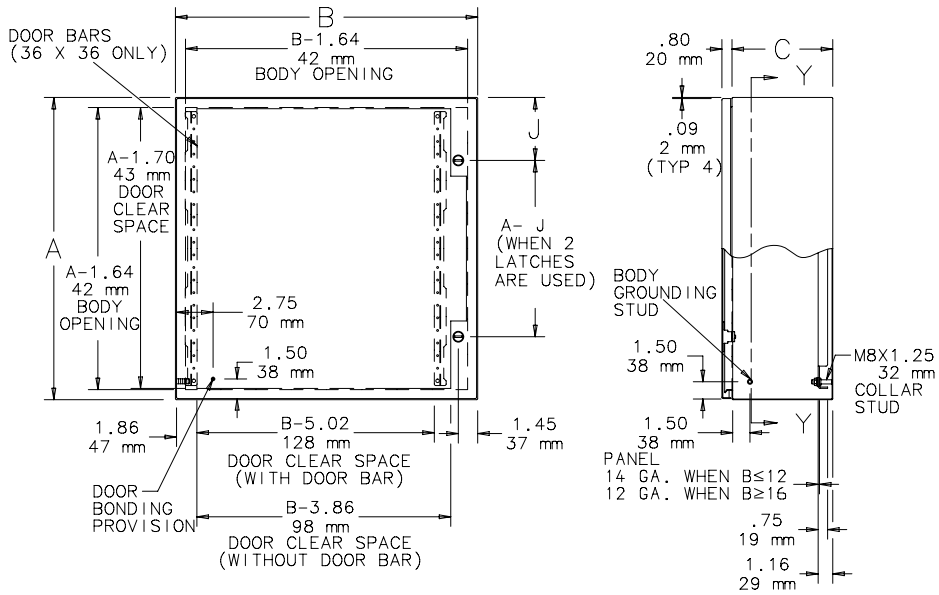
Industrial Enclosures

Standard Sizes CONCEPT Single-Door Wall-Mounted Enclosures (Cont.)

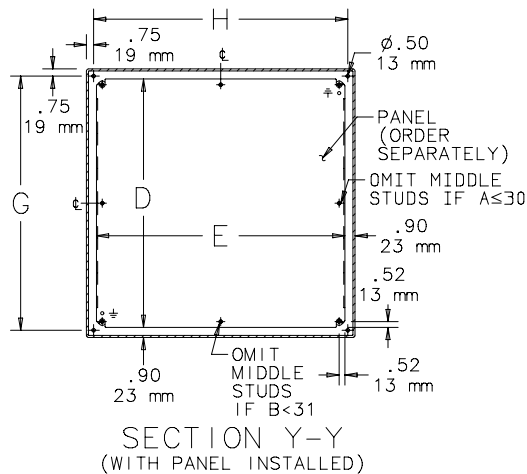
Catalog Number ANSI 61 Gray	Catalog Number RAL 7035 Lt. Gray	A x B x C in. (mm)	Door Gauge	Body Gauge	CONCEPT Panel Catalog Number	Conductive CONCEPT Panel Catalog Number	Panel Size D x E in. (mm)	Mounting G x H in. (mm)	Latches (qty)	Latches (style)	J in. (mm)
CSD242410	CSD242410LG	24.00 x 24.00 x 10.00 (610 x 610 x 254)	14	16	CP2424	CP2424G	22.20 x 22.20 (564 x 564)	22.50 x 22.50 (572 x 572)	2	Qturn.	5.00 (127)
CSD243010	CSD243010LG	24.00 x 30.00 x 10.00 (610 x 762 x 254)	14	16	CP3024	CP3024G	28.20 x 22.20 (716 x 564)	22.50 x 28.50 (572 x 724)	2	Qturn.	5.00 (127)
CSD302010	CSD302010LG	30.00 x 20.00 x 10.00 (762 x 508 x 254)	14	16	CP3020	CP3020G	28.20 x 18.20 (716 x 462)	28.50 x 18.50 (724 x 470)	2	Qturn.	5.00 (127)
CSD302410	CSD302410LG	30.00 x 24.00 x 10.00 (762 x 610 x 254)	14	16	CP3024	CP3024G	28.20 x 22.20 (716 x 564)	28.50 x 22.50 (724 x 572)	2	Qturn.	5.00 (127)
CSD303010	CSD303010LG	30.00 x 30.00 x 10.00 (762 x 762 x 254)	14	14	CP3030	CP3030G	28.20 x 28.20 (716 x 716)	28.50 x 28.50 (724 x 724)	2	Qturn.	5.00 (127)
CSD362410	CSD362410LG	36.00 x 24.00 x 10.00 (914 x 610 x 254)	14	16	CP3624	CP3624G	34.20 x 22.20 (869 x 564)	34.50 x 22.50 (876 x 572)	2	Qturn.	5.00 (127)
CSD363010	CSD363010LG	36.00 x 30.00 x 10.00 (914 x 762 x 254)	14	14	CP3630	CP3630G	34.20 x 28.20 (869 x 716)	34.50 x 28.50 (876 x 724)	2	Qturn.	5.00 (127)
CSD363610	CSD363610LG	36.00 x 36.00 x 10.00 (914 x 914 x 254)	14	14	CP3636	CP3636G	34.20 x 34.20 (869 x 869)	34.50 x 34.50 (876 x 876)	2	Qturn.	5.00 (127)
CSD423610	CSD423610LG	42.00 x 36.00 x 10.00 (1067 x 762 x 254)	14	14	CP4236	CP4236G	40.20 x 34.20 (1021 x 869)	40.50 x 34.50 (1029 x 876)	1	3-point	21.00 (533)
CSD482410	CSD482410LG	48.00 x 24.00 x 10.00 (1219 x 610 x 254)	14	14	CP4824	CP4824G	46.20 x 22.20 (1173 x 564)	46.50 x 22.50 (1181 x 572)	1	3-point	24.00 (610)
CSD483610	CSD483610LG	48.00 x 36.00 x 10.00 (1219 x 762 x 254)	14	14	CP4836	CP4836G	46.20 x 34.20 (1173 x 869)	46.50 x 34.50 (1181 x 876)	1	3-point	24.00 (610)
CSD603610	CSD603610LG	60.00 x 36.00 x 10.00 (1524 x 914 x 254)	14	14	CP6036	CP6036G	58.20 x 34.20 (1478 x 869)	58.50 x 34.50 (1486 x 876)	1	3-point	30.00 (762)
CSD202012	CSD202012LG	20.00 x 20.00 x 12.00 (508 x 508 x 305)	16	16	CP2020	CP2020G	18.20 x 18.20 (462 x 462)	18.50 x 18.50 (470 x 470)	1	Qturn.	10.00 (254)
CSD242012	CSD242012LG	24.00 x 20.00 x 12.00 (610 x 508 x 305)	16	16	CP2420	CP2420G	22.20 x 18.20 (564 x 462)	22.50 x 18.50 (572 x 470)	1	Qturn.	12.00 (305)
CSD242412	CSD242412LG	24.00 x 24.00 x 12.00 (610 x 610 x 305)	14	16	CP2424	CP2424G	22.20 x 22.20 (564 x 564)	22.50 x 22.50 (572 x 572)	2	Qturn.	5.00 (127)
CSD302412	CSD302412LG	30.00 x 24.00 x 12.00 (762 x 610 x 305)	14	16	CP3024	CP3024G	28.20 x 22.20 (716 x 564)	28.50 x 22.50 (724 x 572)	2	Qturn.	5.00 (127)
CSD303012	CSD303012LG	30.00 x 30.00 x 12.00 (762 x 762 x 305)	14	14	CP3030	CP3030G	28.20 x 28.20 (716 x 716)	28.50 x 28.50 (724 x 724)	2	Qturn.	5.00 (127)
CSD362412	CSD362412LG	36.00 x 24.00 x 12.00 (914 x 610 x 305)	14	16	CP3624	CP3624G	34.20 x 22.20 (869 x 564)	34.50 x 22.50 (876 x 572)	2	Qturn.	5.00 (127)
CSD363012	CSD363012LG	36.00 x 30.00 x 12.00 (914 x 762 x 305)	14	14	CP3630	CP3630G	34.20 x 28.20 (869 x 716)	34.50 x 28.50 (876 x 724)	2	Qturn.	5.00 (127)
CSD363612	CSD363612LG	36.00 x 36.00 x 12.00 (914 x 914 x 305)	14	14	CP3636	CP3636G	34.20 x 34.20 (869 x 869)	34.50 x 34.50 (876 x 876)	2	Qturn.	5.00 (127)
CSD423612	CSD423612LG	42.00 x 36.00 x 12.00 (1067 x 914 x 305)	14	14	CP4236	CP4236G	40.20 x 34.20 (1021 x 869)	40.50 x 34.50 (1029 x 876)	1	3-point	21.00 (533)
CSD482412	CSD482412LG	48.00 x 24.00 x 12.00 (1219 x 610 x 305)	14	14	CP4824	CP4824G	46.20 x 22.20 (1173 x 564)	46.50 x 22.50 (1181 x 572)	1	3-point	24.00 (610)
CSD483612	CSD483612LG	48.00 x 36.00 x 12.00 (1219 x 914 x 305)	14	14	CP4836	CP4836G	46.20 x 34.20 (1173 x 869)	46.50 x 34.50 (1181 x 876)	1	3-point	24.00 (610)
CSD603612	CSD603612LG	60.00 x 36.00 x 12.00 (1524 x 914 x 305)	14	14	CP6036	CP6036G	58.20 x 34.20 (1478 x 869)	58.50 x 34.50 (1486 x 876)	1	3-point	30.00 (762)
CSD242416	CSD242416LG	24.00 x 24.00 x 16.00 (610 x 610 x 406)	14	14	CP2424	CP2424G	22.20 x 22.20 (564 x 564)	22.50 x 22.50 (572 x 572)	2	Qturn.	5.00 (127)
CSD363016	CSD363016LG	36.00 x 30.00 x 16.00 (914 x 762 x 406)	14	14	CP3630	CP3630G	34.20 x 28.20 (869 x 716)	34.50 x 28.50 (876 x 724)	2	Qturn.	5.00 (127)
CSD483616	CSD483616LG	48.00 x 36.00 x 16.00 (1219 x 914 x 406)	14	14	CP4836	CP4836G	46.20 x 34.20 (1173 x 869)	46.50 x 34.50 (1181 x 876)	1	3-point	24.00 (610)
CSD242420	CSD242420LG	24.00 x 24.00 x 20.00 (610 x 610 x 508)	14	14	CP2424	CP2424G	22.20 x 22.20 (564 x 564)	22.50 x 22.50 (572 x 572)	2	Qturn.	5.00 (127)
CSD302420	CSD302420LG	30.00 x 24.00 x 20.00 (762 x 610 x 508)	14	14	CP3024	CP3024G	28.20 x 22.20 (716 x 564)	28.50 x 22.50 (724 x 572)	2	Qturn.	5.00 (127)
CSD363020	CSD363020LG	36.00 x 30.00 x 20.00 (914 x 762 x 508)	14	14	CP3630	CP3630G	34.20 x 28.20 (869 x 716)	34.50 x 28.50 (876 x 724)	2	Qturn.	5.00 (127)

Purchase panels separately. Optional conductive CONCEPT panels available for most sizes. Optional NEMA-size panels require conversion kit Catalog Number CCPM4.
NOTE: Panels have a formed flange along any side that is longer than 22.20 in. (564mm).

CONCEPT® Wall-Mounted Enclosures



C2502-C



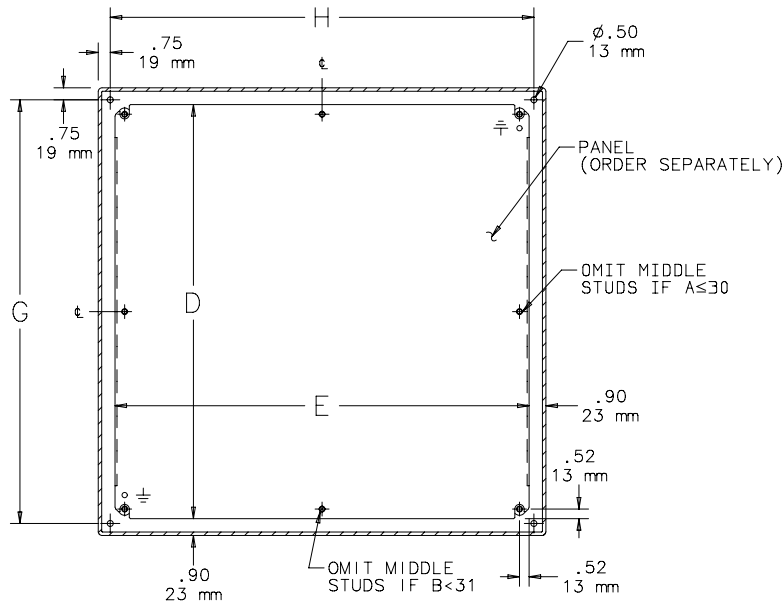
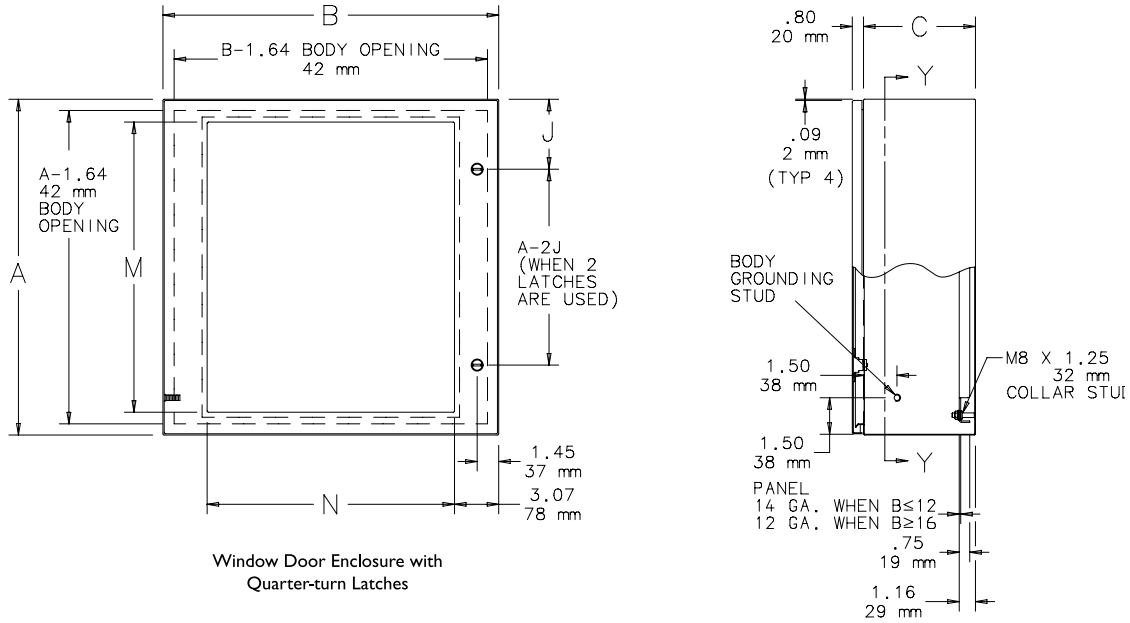
Industrial Enclosures

Standard Sizes CONCEPT Single-Door Wall-Mounted Enclosures with Windows

Catalog Number ANSI 61 Gray	Catalog Number RAL 7035 Lt. Gray	A x B x C in. (mm)	Door Gauge	Body Gauge	CONCEPT Panel Catalog Number	Conductive CONCEPT Panel Catalog Number	Panel Size D x E in. (mm)	Mounting G x H in. (mm)	Window Size in. (mm)	Latches (qty)	Latches (style)	J in. (mm)
CSD12126W	CSD12126WLG	12.00 x 12.00 x 6.00 (305 x 305 x 152)	14	16	CP1212	CP1212G	10.20 x 10.20 (259 x 259)	10.50 x 10.50 (267 x 267)	8.74 x 7.10 (222 x 180)	1	Qturn.	6.00 (152)
CSD16126W	CSD16126WLG	16.00 x 12.00 x 6.00 (406 x 305 x 152)	14	16	CP1612	CP1612G	14.20 x 10.20 (361 x 259)	14.50 x 10.50 (368 x 267)	12.74 x 7.10 (324 x 180)	1	Qturn.	8.00 (203)
CSD20166W	CSD20166WLG	20.00 x 16.00 x 6.00 (508 x 406 x 152)	14	16	CP2016	CP2016G	18.20 x 14.20 (462 x 361)	18.50 x 14.50 (470 x 368)	16.74 x 11.10 (425 x 282)	1	Qturn.	10.00 (254)
CSD20206W	CSD20206WLG	20.00 x 20.00 x 6.00 (508 x 508 x 152)	14	16	CP2020	CP2020G	18.20 x 18.20 (462 x 462)	18.50 x 18.50 (470 x 470)	16.74 x 15.10 (425 x 384)	1	Qturn.	10.00 (254)
CSD24206W	CSD24206WLG	24.00 x 20.00 x 6.00 (610 x 508 x 152)	16	16	CP2420	CP2420G	22.20 x 18.20 (564 x 462)	22.50 x 18.50 (572 x 470)	20.74 x 15.10 (527 x 384)	1	Qturn.	12.00 (305)
CSD24246W	CSD24246WLG	24.00 x 24.00 x 6.00 (610 x 610 x 152)	14	16	CP2424	CP2424G	22.20 x 22.20 (564 x 564)	22.50 x 22.50 (572 x 572)	20.74 x 17.68 (527 x 449)	2	Qturn.	5.00 (127)
CSD16128W	CSD16128WLG	16.00 x 12.00 x 8.00 (406 x 305 x 203)	16	16	CP1612	CP1612G	14.20 x 10.20 (361 x 259)	14.50 x 10.50 (368 x 267)	12.74 x 7.10 (324 x 180)	1	Qturn.	8.00 (203)
CSD20168W	CSD20168WLG	20.00 x 16.00 x 8.00 (508 x 406 x 203)	16	16	CP2016	CP2016G	18.20 x 14.20 (462 x 361)	18.50 x 14.50 (470 x 368)	16.74 x 11.10 (425 x 282)	1	Qturn.	10.00 (254)
CSD20208W	CSD20208WLG	20.00 x 20.00 x 8.00 (508 x 508 x 203)	16	16	CP2020	CP2020G	18.20 x 18.20 (462 x 462)	18.50 x 18.50 (470 x 470)	16.74 x 15.10 (425 x 384)	1	Qturn.	10.00 (254)
CSD24208W	CSD24208WLG	24.00 x 20.00 x 8.00 (610 x 508 x 203)	16	16	CP2420	CP2420G	22.20 x 18.20 (564 x 462)	22.50 x 18.50 (572 x 470)	20.74 x 15.10 (527 x 384)	1	Qturn.	12.00 (305)
CSD24248W	CSD24248WLG	24.00 x 24.00 x 8.00 (610 x 610 x 203)	14	16	CP2424	CP2424G	22.20 x 22.20 (564 x 564)	22.50 x 22.50 (572 x 572)	20.74 x 17.68 (527 x 449)	2	Qturn.	5.00 (127)
CSD30248W	CSD30248WLG	30.00 x 24.00 x 8.00 (762 x 610 x 203)	14	14	CP3024	CP3024G	28.20 x 22.20 (716 x 564)	28.50 x 22.50 (724 x 572)	26.74 x 17.68 (679 x 449)	2	Qturn.	5.00 (127)
CSD161210W	CSD161210WLG	16.00 x 12.00 x 10.00 (406 x 305 x 254)	16	16	CP1612	CP1612G	14.20 x 10.20 (361 x 259)	14.50 x 10.50 (368 x 267)	12.74 x 7.10 (324 x 180)	1	Qturn.	8.00 (203)
CSD201610W	CSD201610WLG	20.00 x 16.00 x 10.00 (508 x 406 x 254)	16	16	CP2016	CP2016G	18.20 x 14.20 (462 x 361)	18.50 x 14.50 (470 x 368)	16.74 x 11.10 (425 x 282)	1	Qturn.	10.00 (254)
CSD202010W	CSD202010WLG	20.00 x 20.00 x 10.00 (508 x 508 x 254)	16	16	CP2020	CP2020G	18.20 x 18.20 (462 x 462)	18.50 x 18.50 (470 x 470)	16.74 x 15.10 (425 x 384)	1	Qturn.	10.00 (254)
CSD242010W	CSD242010WLG	24.00 x 20.00 x 10.00 (610 x 508 x 254)	16	16	CP2420	CP2420G	22.20 x 18.20 (564 x 462)	22.50 x 18.50 (572 x 470)	20.74 x 15.10 (527 x 384)	1	Qturn.	12.00 (305)
CSD242410W	CSD242410WLG	24.00 x 24.00 x 10.00 (610 x 610 x 254)	14	16	CP2424	CP2424G	22.20 x 22.20 (564 x 564)	22.50 x 22.50 (572 x 572)	20.74 x 17.68 (527 x 449)	2	Qturn.	5.00 (127)
CSD302410W	CSD302410WLG	30.00 x 24.00 x 10.00 (762 x 610 x 254)	14	16	CP3024	CP3024G	28.20 x 22.20 (716 x 564)	28.50 x 22.50 (724 x 572)	26.74 x 17.68 (679 x 449)	2	Qturn.	5.00 (127)
CSD202012W	CSD202012WLG	20.00 x 20.00 x 12.00 (508 x 508 x 305)	16	16	CP2020	CP2020G	18.20 x 18.20 (462 x 462)	18.50 x 18.50 (470 x 470)	16.74 x 15.10 (425 x 384)	1	Qturn.	10.00 (254)
CSD242012W	CSD242012WLG	24.00 x 20.00 x 12.00 (610 x 508 x 305)	16	16	CP2420	CP2420G	22.20 x 18.20 (564 x 462)	22.50 x 18.50 (572 x 470)	20.74 x 15.10 (527 x 384)	1	Qturn.	12.00 (305)
CSD242412W	CSD242412WLG	24.00 x 24.00 x 12.00 (610 x 610 x 305)	14	16	CP2424	CP2424G	22.20 x 22.20 (564 x 564)	22.50 x 22.50 (572 x 572)	20.74 x 17.68 (527 x 449)	2	Qturn.	5.00 (127)
CSD302412W	CSD302412WLG	30.00 x 24.00 x 12.00 (762 x 610 x 305)	14	16	CP3024	CP3024G	28.20 x 22.20 (716 x 564)	28.50 x 22.50 (724 x 572)	26.74 x 17.68 (679 x 449)	2	Qturn.	5.00 (127)
CSD242416W	CSD242416WLG	24.00 x 24.00 x 16.00 (610 x 610 x 406)	14	14	CP2424	CP2424G	22.20 x 22.20 (564 x 564)	22.50 x 22.50 (572 x 572)	20.74 x 17.68 (527 x 449)	2	Qturn.	5.00 (127)
CSD242420W	CSD242420WLG	24.00 x 24.00 x 20.00 (610 x 610 x 508)	14	14	CP2424	CP2424G	22.20 x 22.20 (564 x 564)	22.50 x 22.50 (572 x 572)	20.74 x 17.68 (527 x 449)	2	Qturn.	5.00 (127)
CSD302420W	CSD302420WLG	30.00 x 24.00 x 20.00 (762 x 610 x 508)	14	14	CP3024	CP3024G	28.20 x 22.20 (716 x 564)	28.50 x 22.50 (724 x 572)	26.74 x 17.68 (679 x 449)	2	Qturn.	5.00 (127)

Purchase panels separately. Optional conductive CONCEPT panels available for most sizes. Optional NEMA-size panels require conversion kit Catalog Number CCPM4.
NOTE: Panels have a formed flange along any side that is longer than 22.20 in. (564mm).

CONCEPT Single-Door Wall-Mounted Enclosures with Windows



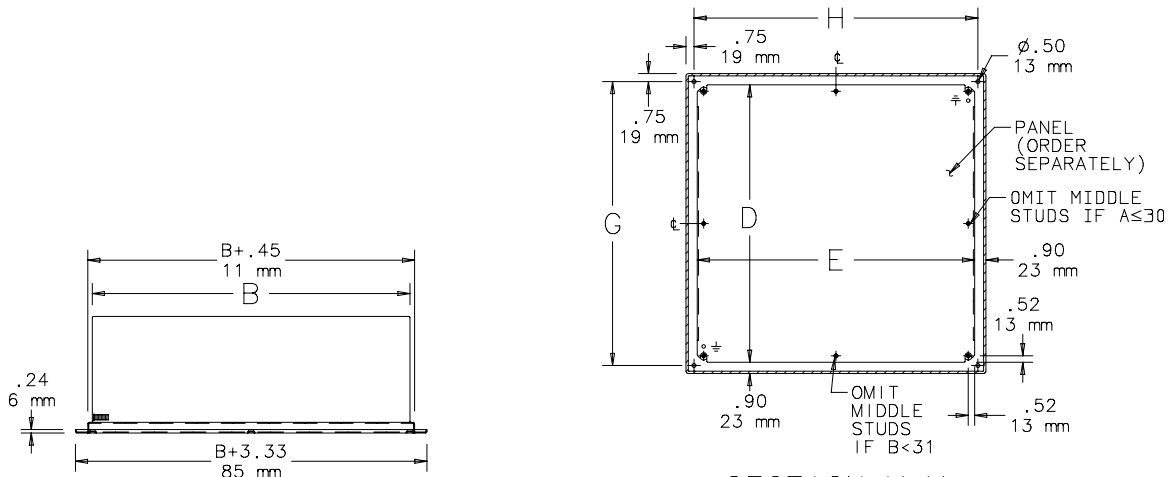
SECTION Y-Y
(WITH PANEL INSTALLED)

C2503-C

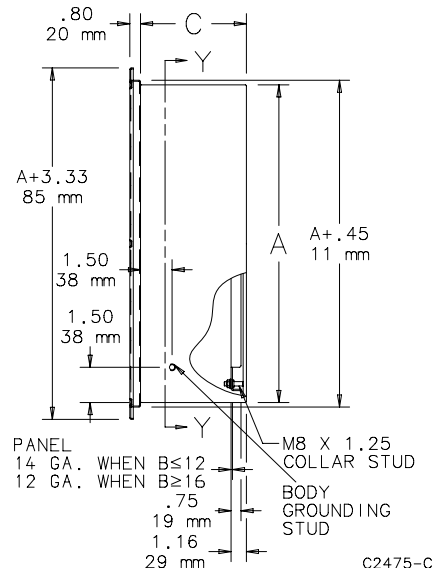
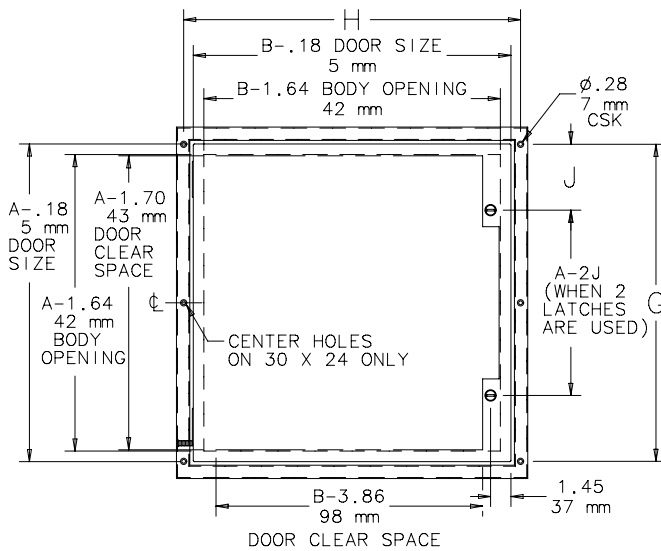
Standard Sizes CONCEPT Flush-Mounted Enclosures

Catalog Number ANSI 61 Gray	Catalog Number RAL 7035 Lt. Gray	A x B x C in. (mm)	Door Gauge	Body Gauge	CONCEPT Panel Catalog Number	Conductive CONCEPT Panel Catalog Number	Panel Size D x E in. (mm)	Mounting G x H in. (mm)	Latches (qty)	Latches (style)	J in. (mm)
CFM12126	CFM12126LG	12.00 x 12.00 x 6.00 (305 x 305 x 152)	16	16	CP1212	CP1212G	10.20 x 10.20 (259 x 259)	12.75 x 14.25 (324 x 362)	1	Qturn	6.00 (152)
CFM16126	CFM16126LG	16.00 x 12.00 x 6.00 (406 x 305 x 152)	16	16	CP1612	CP1612G	14.20 x 10.20 (361 x 259)	16.75 x 14.25 (425 x 362)	1	Qturn	8.00 (203)
CFM20166	CFM20166LG	20.00 x 16.00 x 6.00 (508 x 406 x 152)	16	16	CP2016	CP2016G	18.20 x 14.20 (462 x 361)	20.75 x 18.25 (527 x 463)	1	Qturn	10.00 (254)
CFM20206	CFM20206LG	20.00 x 20.00 x 6.00 (508 x 508 x 152)	16	16	CP2020	CP2020G	18.20 x 18.20 (462 x 462)	20.75 x 22.25 (527 x 565)	1	Qturn	10.00 (254)
CFM24208	CFM24208LG	24.00 x 20.00 x 8.00 (610 x 508 x 203)	16	16	CP2420	CP2420G	22.20 x 18.20 (564 x 462)	24.75 x 22.25 (629 x 565)	1	Qturn	12.00 (305)
CFM24248	CFM24248LG	24.00 x 24.00 x 8.00 (610 x 610 x 203)	14	16	CP2424	CP2424G	22.20 x 22.20 (564 x 564)	24.75 x 26.25 (629 x 667)	2	Qturn	5.00 (127)
CFM30248	CFM30248G	30.00 x 24.00 x 8.00 (762 x 610 x 203)	14	16	CP3024	CP3024G	28.20 x 22.20 (716 x 564)	30.75 x 26.25 (781 x 667)	2	Qturn	5.00 (127)

Purchase panels separately. Optional conductive CONCEPT panels available for most sizes. Optional NEMA-size panels require conversion kit Catalog Number CCPM4.
NOTE: Panels have a formed flange along any side that is longer than 22.20 in. (564mm).



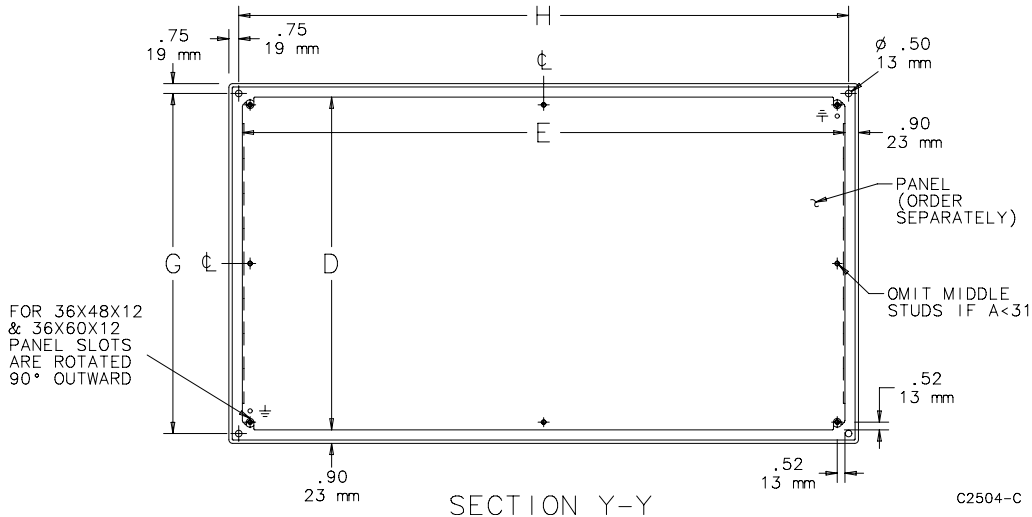
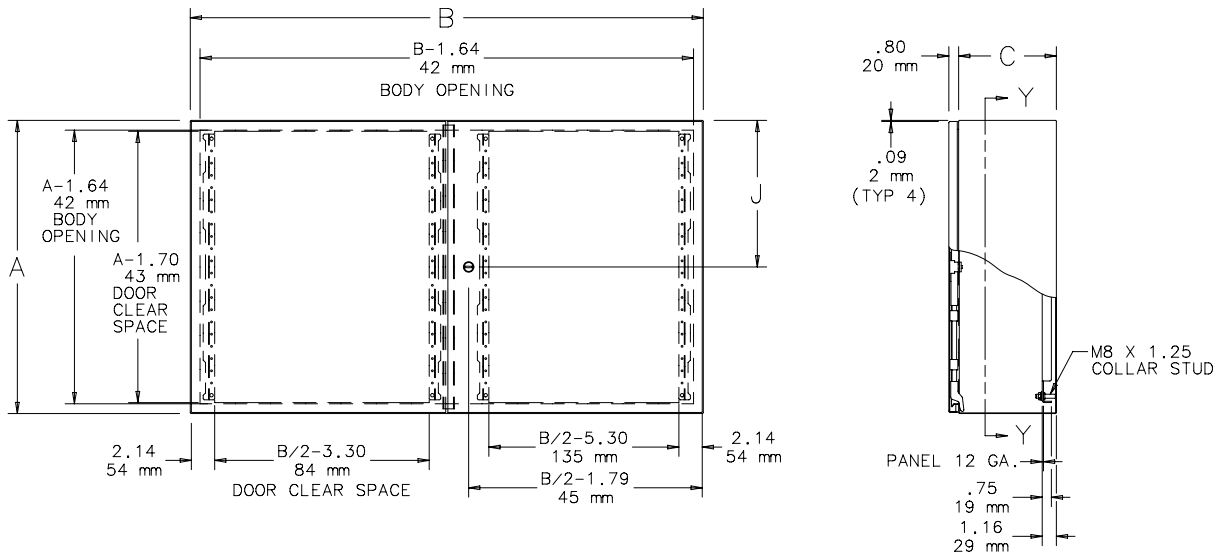
SECTION Y-Y
(WITH PANEL INSTALLED)



Standard Sizes CONCEPT Two-Door Wall-Mounted Enclosures

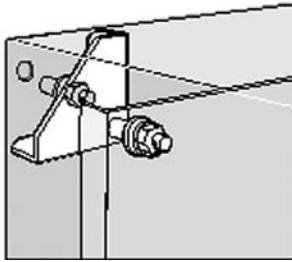
Catalog Number ANSI 61 Gray	Catalog Number RAL 7035 Lt. Gray	A x B x C in. (mm)	Door Gauge	Body Gauge	CONCEPT Panel Catalog Number	Conductive CONCEPT Panel Catalog Number	Panel Size D x E in. (mm)	Mounting G x H in. (mm)	Latches (qty)	Latches (style)	J in. (mm)
CTD24428	CTD24428LG	24.00 x 42.00 x 8.00 (610 x 1067 x 203)	14	14	CP2442	CP2442G	22.20 x 40.20 (259 x 564)	22.50 x 40.50 (572 x 1029)	1	3-point	12.00 (305)
CTD30488	CTD30488LG	30.00 x 48.00 x 8.00 (762 x 1219 x 203)	14	14	CP3048	CP3048G	28.20 x 46.20 (259 x 716)	28.50 x 46.50 (724 x 1181)	1	3-point	15.00 (381)
CTD306012	CTD306012LG	30.00 x 60.00 x 12.00 (762 x 1524 x 305)	14	14	CP3060	CP3060G	28.20 x 58.20 (361 x 716)	28.50 x 58.50 (724 x 1486)	1	3-point	15.00 (381)
CTD364812	CTD364812LG	36.00 x 48.00 x 12.00 (914 x 1219 x 305)	14	14	CP4836	CP4836G	34.20 x 46.20 (462 x 869)	34.50 x 46.50 (876 x 1181)	1	3-point	18.00 (457)
CTD366012	CTD366012LG	36.00 x 60.00 x 12.00 (914 x 1524 x 305)	14	14	CP6036	CP6036G	34.20 x 58.20 (462 x 869)	34.50 x 58.50 (876 x 1486)	1	3-point	18.00 (457)

Purchase panels separately. Optional conductive CONCEPT panels available for most sizes. Optional NEMA-size panels require conversion kit Catalog Number CCPM4.
NOTE: Panels have a formed flange along any side that is longer than 22.20 in. (564mm).



Industrial Enclosures

Panel Conversion Kit



Panel Conversion Kit adapts enclosure for mounting standard NEMA-style panels in CONCEPT enclosures. Bracket attaches to rear collar stud. Using a smaller NEMA-style panel provides space behind and at the sides of the panel for wire management. Kit includes four adapter plates and hardware for mounting panel.

Catalog Number	Material
CCPM4	Steel

Swing-Out Rack Frame

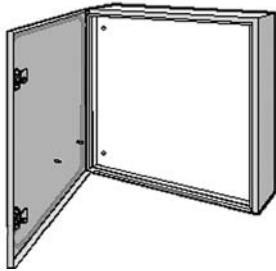


Swing-Out Rack Frames provide 120-degree swing-out access for 19-in. rack equipment. Welded rack frame mounts to front flange. Distance from frame to door surface is 1.32 in. (33mm) for solid doors and 1.07 in. (27mm) for window doors. Frame is painted steel ANSI 61 gray. Mounting hinge and latching hardware provided.

Catalog Number	Finish	Material
CSF2424	Painted	Steel
CSF3024	Painted	Steel
CSF3624	Painted	Steel

Order separately clip nut package catalog number NM5 and screws XSM5 (metric) or ANI032 and screws ASI032 (English).
NOTE: Swing-Out Rack Frame cannot be mounted on adjustable mounting kit.

Dead Front Kits



Dead Front Kits provide a NEMA Type 1 safety barrier and mounting surface close to the front of the enclosure. Enables convenient mounting of equipment while controlling access to the interior of the enclosure. The depth from the mounting surface to the door is 1.33 in. (34mm) for solid doors and 1.15 in. (29mm) for window doors. Kit includes mounting brackets, grounding hardware, and a steel panel painted ANSI 61 gray.

NOTE: Dead Front Kit cannot be mounted on adjustable mounting kit.

Catalog Number	Finish	Material
CDF1212	Painted	Steel
CDF1612	Painted	Steel
CDF2016	Painted	Steel
CDF2020	Painted	Steel
CDF2420	Painted	Steel
CDF2424	Painted	Steel
CDF3024	Painted	Steel

Adjustable-Depth Mounting Kits



Adjustable-Depth Mounting Kits provide mounting means for installing panels, swing-out panels, DIN rails, rack angles, mounting channels, or grid straps at any depth from front to rear of enclosure. Kits include slide mechanisms and hardware. Use two kits when enclosure has 6 collar studs for mounting panel.

NOTE: Dead Front Panel and Swing-Out Rack Frame cannot be mounted on adjustable mounting kit.

Catalog Number	Fits CONCEPT Enclosure in. (mm)
CAM64	when C = 6.00 (152)
CAM82	when C = 8.00 (203)
CAM84	when C = 8.00 (203)
CAM102	when C = 10.00 (254)
CAM104	when C = 10.00 (254)
CAM122	when C = 12.00 (305)
CAM124	when C = 12.00 (305)
CAM162	when C = 16.00 (406)
CAM164	when C = 16.00 (406)
CAM202	when C = 20.00 (508)
CAM204	when C = 20.00 (508)

Adapter Bracket

Adapter bracket for use with B-style Swing Panels and Adjustable-Depth Mounting Kits

Catalog Number	Material
GSPBADB	Steel

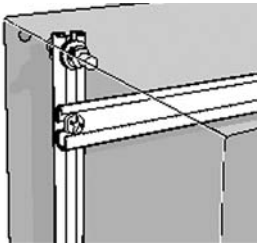
Pole Mounting Kit



Enable CONCEPT, DataCom, and wall-mount enclosures to be mounted to poles of various sizes and shapes. Simply attach the galvanized steel channel bar to the mounting holes at the back of the enclosure, then wrap the stainless steel strap around the pole and through the bar. Kit includes two mounting channels, two straps suitable for up to 12-inch diameter pole, and mounting hardware.

Catalog Number	Fits Enclosure in. (mm)
CPMK12	when B = 12.00 (305)
CPMK16	when B = 16.00 (406)
CPMK20	when B = 20.00 (508)
CPMK24	when B = 24.00 (610)
CPMK30	when B = 30.00 (762)

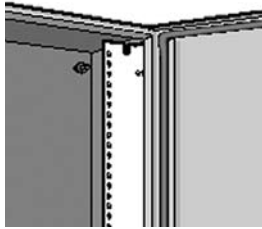
Mounting Channels



Mounting Channels provide mounting framework for installing DIN rails and grid straps at various positions within the enclosure. Channels can be mounted vertically or horizontally to collar studs or to the slide mechanisms of the adjustable-depth mounting kit. Kit includes two channels.

Catalog Number	Fits Enclosure in. (mm)
CMC12	when A or B = 12.00 (305)
CMC16	when A or B = 16.00 (406)
CMC20	when A or B = 20.00 (508)
CMC24	when A or B = 24.00 (610)
CMC30	when A or B = 30.00 (762)
CMC36	when A or B = 36.00 (914)
CMC42	when A or B = 42.00 (1067)
CMC48	when A or B = 48.00 (1219)
CMC60	when A or B = 60.00 (1524)

Rack Mounting Angles



Rack Mounting Angles provide mounting for 19-in. rack equipment in 24-in. wide enclosures. L-shaped through-hole angles attach to enclosure flange or the adjustable mounting kit. Holes are .281 in. (7mm) in diameter. Clear plated 14 gauge steel construction.

Mounting hardware included. Order separately clip nut package catalog number XNM5 and screws XSM5 (metric) or AN1032 and screws ASI032 (English).

Catalog Number	Finish	Material
CRA10TH	Zinc-Plated	Steel
CRA12TH	Zinc-Plated	Steel
CRA16TH	Zinc-Plated	Steel
CRA19TH	Zinc-Plated	Steel
CRA26TH	Zinc-Plated	Steel

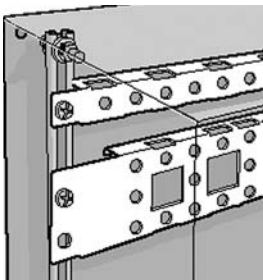
DIN3 Rail Kits



DIN3 Rail Kits supply mounting surfaces for DIN mount snap-on devices. Rails attach vertically or horizontally to rear collar stud or to mounting channels. Kit includes three rails and mounting hardware.

Catalog Number	Fits Enclosure in. (mm)
CDR3P12	when A or B = 12.00 (305)
CDR3P16	when A or B = 16.00 (406)
CDR3P20	when A or B = 20.00 (508)
CDR3P24	when A or B = 24.00 (610)

Grid Straps

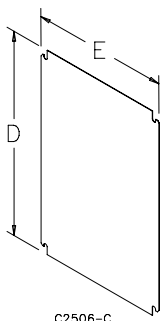


Grid Straps provide a flexible mounting inside the enclosure. Available in single-hole or three-hole widths. Straps mount vertically or horizontally on rear collar studs or to mounting channels in any front-to-back position. Two straps and mounting hardware included in kit. (Order separate grid fastener package catalog number XGFM6, consisting of 20 metric M6 clip nuts and 20 metric M6 phillips washer head bolts, for mounting equipment to grid straps.)

Catalog Number	Fits Enclosure in. (mm)
CGS112	when A or B = 12.00 (305)
CGS116	when A or B = 16.00 (406)
CGS120	when A or B = 20.00 (508)
CGS124	when A or B = 24.00 (610)
CGS130	when A or B = 30.00 (762)
CGS336	when A or B = 36.00 (914)
CGS342	when A or B = 42.00 (1067)
CGS348	when A or B = 48.00 (1219)
CGS360	when A or B = 60.00 (1524)

CONCEPT® Wall-Mounted Enclosure Accessories

CONCEPT Panels



C2506-C

These panels are taller and wider than corresponding NEMA-size panels. Panels are 14 or 12 gauge steel and are painted white or have a conductive finish.

Catalog Number	Finish	Panel Size D x E (in.)	Panel Size D x E (mm)	Gauge
CP1212	Painted	10.20 x 10.20	259 x 259	14
CP1212G	Conductive	10.20 x 10.20	259 x 259	14
CP1612	Painted	14.20 x 10.20	361 x 259	14
CP1612G	Conductive	14.20 x 10.20	361 x 259	14
CP1616	Painted	14.20 x 14.20	361 x 361	12
CP1616G	Conductive	14.20 x 14.20	361 x 361	12
CP2016	Painted	18.20 x 14.20	462 x 361	12
CP2016G	Conductive	18.20 x 14.20	462 x 361	12
CP2416	Painted	22.20 x 14.20	564 x 361	12
CP2416G	Conductive	22.20 x 14.20	564 x 361	12
CP2020	Painted	18.20 x 18.20	462 x 462	12
CP2020G	Conductive	18.20 x 18.20	462 x 462	12
CP2420	Painted	22.20 x 18.20	564 x 462	12
CP2420G	Conductive	22.20 x 18.20	564 x 462	12
CP3020	Painted	28.20 x 18.20	716 x 462	12
CP3020G	Conductive	28.20 x 18.20	716 x 462	12
CP2424	Painted	22.20 x 22.20	564 x 564	12
CP2424G	Conductive	22.20 x 22.20	564 x 564	12
CP3024	Painted	28.20 x 22.20	716 x 564	12
CP3024G	Conductive	28.20 x 22.20	716 x 564	12
CP3624	Painted	34.20 x 22.20	869 x 564	12
CP3624G	Conductive	34.20 x 22.20	869 x 564	12
CP4824	Painted	46.20 x 22.20	1173 x 564	12
CP4824G	Conductive	46.20 x 22.20	1173 x 564	12
CP3030	Painted	28.20 x 28.20	716 x 716	12
CP3030G	Conductive	28.20 x 28.20	716 x 716	12
CP3630	Painted	34.20 x 28.20	869 x 716	12
CP3630G	Conductive	34.20 x 28.20	869 x 716	12
CP4230	Painted	40.20 x 28.20	1021 x 716	12
CP4230G	Conductive	40.20 x 28.20	1021 x 716	12
CP3636	Painted	34.20 x 34.20	869 x 869	12
CP3636G	Conductive	34.20 x 34.20	869 x 869	12
CP4236	Painted	40.20 x 34.20	1021 x 869	12
CP4236G	Conductive	40.20 x 34.20	1021 x 869	12
CP4836	Painted	46.20 x 34.20	1173 x 869	12
CP4836G	Conductive	46.20 x 34.20	1173 x 869	12
CP6036	Painted	58.20 x 34.20	1478 x 869	12
CP6036G	Conductive	58.20 x 34.20	1478 x 869	12
CP2442	Painted	22.20 x 40.20	564 x 1021	12
CP2442G	Conductive	22.20 x 40.20	564 x 1021	12
CP3048	Painted	28.20 x 46.20	716 x 1173	12
CP3048G	Conductive	28.20 x 46.20	716 x 1173	12
CP3060	Painted	28.20 x 58.20	716 x 1478	12
CP3060G	Conductive	28.20 x 58.20	716 x 1478	12

CONCEPT Swing-Out Panels



Panels swing clear from front of the enclosure to provide access to mounted internal equipment. For CSPB panels, maximum swing is 94 degrees. For CSP panels, maximum panel swing is 106 degrees. Distance from panel surface to door when in the latched position is 1.71 in. (43mm) for solid doors and 1.45 in. (37mm) for window doors. Kits include panel, brackets, and hardware to mount to the front flange.

NOTE: Swing-out panels also can be mounted on front-to-back adjustable rails with adapter CSPBADB.

CSPB Catalog Number	Fits Enclosure Size A x B (in.)	Fits Enclosure Size A x B (mm)	Panel Size D x E (in.)	Panel Size D x E (mm)
CSPB1212	12.00 x 12.00	305 x 305	9.72 x 9.75	247 x 248
CSPB1612	16.00 x 12.00	406 x 305	13.72 x 9.75	349 x 248
CSPB1616	16.00 x 16.00	406 x 406	13.72 x 13.75	349 x 349
CSPB1620	16.00 x 20.00	406 x 508	13.72 x 17.75	349 x 451
CSPB2016	20.00 x 16.00	508 x 406	17.72 x 13.75	450 x 349
CSPB2020	20.00 x 20.00	508 x 508	17.72 x 17.75	450 x 451
CSPB2024	20.00 x 24.00	508 x 610	17.72 x 21.75	450 x 553
CSPB2416	24.00 x 16.00	610 x 406	21.72 x 13.73	552 x 349
CSPB2420	24.00 x 20.00	610 x 508	21.72 x 17.75	552 x 452
CSPB2424	24.00 x 24.00	610 x 610	21.72 x 21.75	552 x 553
CSPB2430	24.00 x 30.00	610 x 762	21.72 x 27.75	552 x 705
CSPB3020	30.00 x 20.00	762 x 508	27.72 x 17.75	704 x 451
CSPB3024	30.00 x 24.00	762 x 610	27.72 x 21.75	704 x 553
CSPB3030	30.00 x 30.00	762 x 762	27.72 x 27.75	704 x 705
CSPB3624	36.00 x 24.00	914 x 610	33.72 x 21.75	857 x 553
CSPB3630	36.00 x 30.00	914 x 762	33.72 x 27.75	857 x 705
CSPB3636	36.00 x 36.00	914 x 914	33.72 x 33.75	857 x 857
CSPB4236	42.00 x 36.00	1067 x 914	39.72 x 33.75	1009 x 857
CSPB4824	48.00 x 24.00	1219 x 610	45.72 x 21.75	1161 x 553
CSPB4836	48.00 x 36.00	1219 x 914	45.72 x 33.75	1161 x 857
CSPB6036	60.00 x 36.00	1542 x 914	57.72 x 33.75	1466 x 857

CSP Catalog Number	Fits Enclosure Size A x B (in.)	Fits Enclosure Size A x B (mm)	Panel Size D x E (in.)	Panel Size D x E (mm)
CSP1212	12.00 x 12.00	305 x 305	9.78 x 9.84	248 x 250
CSP1612	16.00 x 12.00	406 x 305	13.78 x 9.84	350 x 250
CSP1616	16.00 x 16.00	406 x 406	13.78 x 13.84	350 x 352
CSP1620	16.00 x 20.00	406 x 508	13.78 x 17.84	350 x 453
CSP2016	20.00 x 16.00	508 x 406	17.78 x 13.84	452 x 352
CSP2020	20.00 x 20.00	508 x 508	17.78 x 17.84	452 x 453
CSP2024	20.00 x 24.00	508 x 610	17.78 x 21.84	452 x 555
CSP2416	24.00 x 16.00	610 x 406	21.78 x 13.84	553 x 352
CSP2420	24.00 x 20.00	610 x 508	21.78 x 17.84	553 x 453
CSP2424	24.00 x 24.00	610 x 610	21.78 x 21.84	553 x 555
CSP3020	30.00 x 20.00	762 x 508	27.78 x 17.84	706 x 453
CSP3024	30.00 x 24.00	762 x 610	27.78 x 21.84	706 x 555
CSP3030	30.00 x 30.00	762 x 762	27.78 x 27.84	706 x 707
CSP3624	36.00 x 24.00	914 x 610	33.78 x 21.84	858 x 555
CSP3630	36.00 x 30.00	914 x 762	33.78 x 27.84	858 x 707
CSP3636	36.00 x 36.00	914 x 914	33.78 x 33.84	858 x 860

Rev. A 5/07

Handles



Handles can replace the standard slotted insert on all CONCEPT wall-mount enclosures. The CONCEPT non-locking handle provides quick and easy access to the enclosure contents. Handle is black plastic. A zinc die-cast keylock handle is available for applications requiring quick

access and security. A padlocking handle, also plated, accommodates a padlock with up to a 5/16-in. locking bar. Each latch system can

Catalog Number	Description
CWHK	Keylock
CWHNL	Nonlocking
CWHPTO	Padlock

be converted from clockwise to counter-clockwise opening. Kit includes all hardware.

Patents

US 360,345
DE M9405854.7

Door Stop Kit



Door Stop Kit secures the door in the open position. Kit can be installed at the top or bottom of a door which opens horizontally. Door opening angle can be easily adjusted by means of a wing nut. Stop arm slides neatly out of the way when the door is closed. All parts are plated. Mounting hardware included.

Catalog Number	Finish	Material
ADSTOPK	Plated	Steel

NOTES:

- Door stop kits should not be installed on enclosures configured with a swing-out panel or swing-out rack frame.
- Door stop kits cannot be used with CONCEPT doors with windows.

Data Pockets



Data Pockets provide convenient storage for wiring diagrams, operation manuals, and other documentation inside an enclosure. Pocket mounts on studs located on the inside of a solid door enclosure. Constructed of high-impact thermoplastic, pockets are dark gray and have cutout areas for easy access and visibility to contents. Mounting hardware included.

Catalog Number	Length x Width in. (mm)	Fits CONCEPT Enclosure
ADP1	6.00 x 6.00 (152 x 152)	When A < 30 and 16 < or = B < or = 24
ADP2	12.00 x 12.00 (305 x 305)	When A < or = 30 and B > or = 20 or when A > 24 and B > 30

Lock Inserts



Lock inserts can be substituted for the standard slot/screwdriver insert latch. Inserts have a chrome finish. Matching key is zinc die-cast.

Catalog Number	Description
CLKTM7	Triangular 7mm insert with key
CLKSM7	Square 7mm insert with key
CLKDBM3	Double bit with key

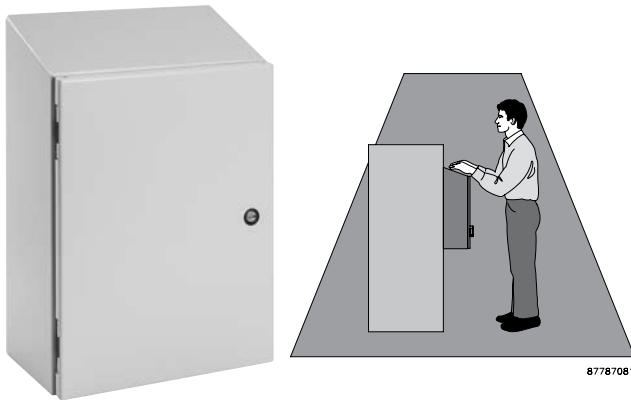
Mounting Bracket Kits



Mounting Bracket Kits are field installable. Composite and stainless steel brackets are rated to Type 4X. Composite brackets are rated for 500 lbs. maximum load. All hardware is included. Four brackets per kit.

NOTE: Mounting brackets are required to maintain UL/CSA external mounting requirement.

Catalog Number	Material
CMFK	Plated Steel
CMFKSS	Stainless Steel
CMTGFT	Polycarbonate



Application

These sloped top wall-mounted enclosures protect sensitive electric and electronic components against harsh industrial environments. They are designed to house controls in a variety of applications, including functioning as a combination control and operator interface cabinet. They also support the Lean factory and are ideal whenever miniaturization of controls dictates smaller control cabinets.

Features

- 20° sloped top sheds articles placed on top and also provides a mounting surface for operator controls
- Flange trough on body excludes liquids and other contaminants
- 210° door opening provides easy access to large panel
- Seamless foam-in-place gasket provides a reliable oiltight and dusttight seal
- Door bar on hinge side may be used for both bonding and wire management; larger sizes have two door bars
- Quarter-turn latch configuration supports interchangeable inserts
- Rear mounting holes provide means to mount enclosure directly to a machine or wall, or may be used with optional mounting brackets
- Larger sizes support 19-inch rack mounting
- Door support ramp on doors 30 inches wide and wider

Construction

- 14 or 16 gauge steel (see table) with continuously welded and ground seams
- Grounding stud on body
- Panel-mounting studs

Finish

RAL 7035 textured light gray polyester powder paint inside and out. Optional mounting panels have a white or conductive finish.

Industry Standards

UL 508A, E61997 Type 4 and I2
NEMQ/EEMAC Type 4, I2, and I3
CSA, File No.42186: Type 4 and I2
VDE IP66
IEC 60529, IP66

Patents

This product is covered by the following patents:

US D360,345
US 5,509,703
US 5,666,695
DE 9405854.7
EN 0729541

Accessories

Adjustable Depth Panel
Mounting Kit
Conductive Mounting Panels
Data Pocket
Dead Front Kit
DIN3 Rail Kit
Door Stop Kit
Grid Straps
Handles and Latches
Key Inserts
Mounting Channels

Panel Conversion Kit
Panels
Pole-Mounting Kit
Rack Angles
Swing-out Panel Kit
Swing-out Rack Frames
Terminal Block Kit Assembly
Thermal Management Products
Touch-Up Paint (ATPG7035)
Wall-Mounting Bracket Kit

Modification Services Program

You can customize this product to your unique requirements by specifying from these options:

- Enclosure size
- Over 100 standard finish colors and textures
- Holes and cutouts in body, doors, subpanel
- Tapped holes
- Special fasteners
- Structural changes
- Standard accessories
- Thermal management accessories

To order, contact your local Hoffman sales representative.

NOTE: For information about modifications outside the scope of the Modification Services program, contact your Hoffman sales representative.

CONCEPT® Sloped Top Enclosures

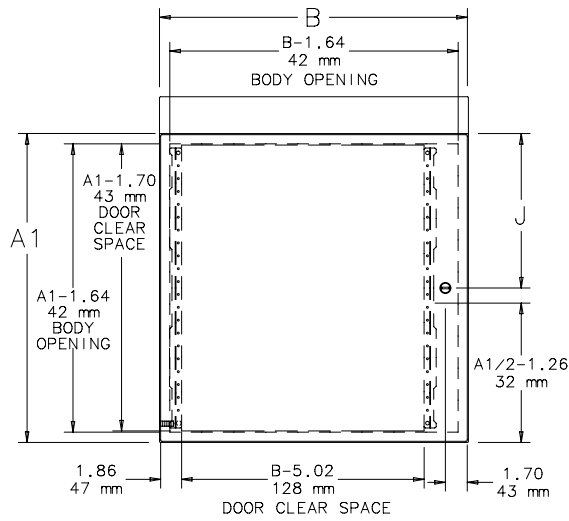
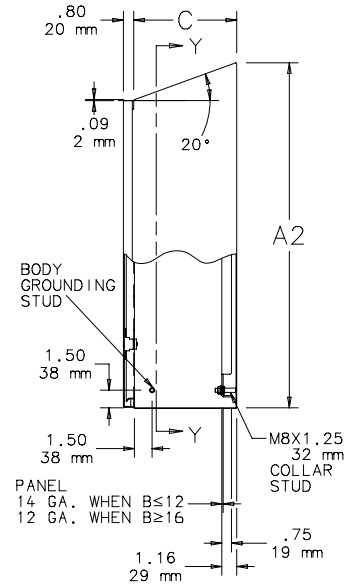
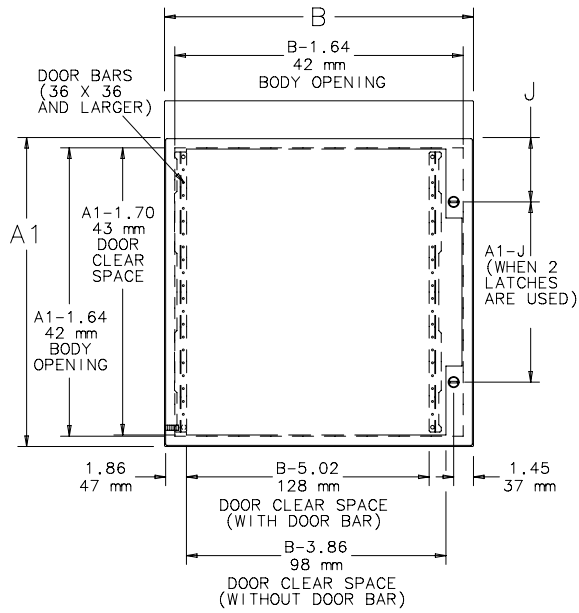
Standard Sizes CONCEPT Sloped Top Enclosures

Catalog Number	A1 x B x C in. (mm)	A2 in. (mm)	Door Gauge	Body Gauge	Panel Catalog Number	Conductive Panel Catalog Number	Panel Size D in. (mm)	Panel Size E in. (mm)	Mounting G in. (mm)	Mounting H in. (mm)	Latch Qty	Latch Style	J in. (mm)
CSD12126ST	12.00 x 12.00 x 6.00 (305 x 305 x 152)	14.11 (358)	16	16	CP1212	CP1212G	10.20 (259)	10.20 (259)	12.61 (320)	10.50 (267)	1	Q-turn	6.00 (152)
CSD16126ST	16.00 x 12.00 x 6.00 (406 x 305 x 152)	18.11 (460)	16	16	CP1612	CP1612G	14.20 (361)	10.20 (259)	16.61 (422)	10.50 (267)	1	Q-turn	8.00 (203)
CSD20166ST	20.00 x 16.00 x 6.00 (508 x 406 x 152)	22.11 (562)	16	16	CP2016	CP2016G	18.20 (462)	14.20 (361)	20.61 (523)	14.50 (368)	1	Q-turn	10.00 (254)
CSD20206ST	20.00 x 20.00 x 6.00 (508 x 508 x 152)	22.11 (562)	16	16	CP2020	CP2020G	18.20 (462)	18.20 (462)	20.61 (523)	18.50 (470)	1	Q-turn	10.00 (254)
CSD16168ST	16.00 x 16.00 x 8.00 (406 x 406 x 203)	18.83 (478)	16	16	CP1616	CP1616G	14.20 (361)	14.20 (361)	17.33 (440)	14.50 (368)	1	Q-turn	8.00 (203)
CSD20168ST	20.00 x 16.00 x 8.00 (508 x 406 x 203)	22.83 (580)	16	16	CP2016	CP2016G	18.20 (462)	14.20 (361)	21.33 (542)	14.50 (368)	1	Q-turn	10.00 (254)
CSD20208ST	20.00 x 20.00 x 8.00 (508 x 508 x 203)	22.83 (580)	16	16	CP2020	CP2020G	18.20 (462)	18.20 (462)	21.33 (542)	18.50 (470)	1	Q-turn	10.00 (254)
CSD24208ST	24.00 x 20.00 x 8.00 (610 x 508 x 203)	26.83 (682)	16	16	CP2420	CP2420G	22.20 (564)	18.20 (462)	25.33 (643)	18.50 (470)	1	Q-turn	12.00 (305)
CSD24248ST	24.00 x 24.00 x 8.00 (610 x 610 x 203)	26.83 (682)	14	16	CP2424	CP2424G	22.20 (564)	22.20 (564)	25.33 (643)	22.50 (572)	2	Q-turn	5.00 (127)
CSD30248ST	30.00 x 24.00 x 8.00 (762 x 610 x 203)	32.83 (834)	14	16	CP3024	CP3024G	28.20 (716)	22.20 (564)	31.33 (796)	22.50 (572)	2	Q-turn	5.00 (127)
CSD30308ST	30.00 x 30.00 x 8.00 (762 x 762 x 203)	32.83 (834)	14	14	CP3030	CP3030G	28.20 (716)	28.20 (716)	31.33 (796)	22.50 (572)	2	Q-turn	5.00 (127)
CSD36308ST	36.00 x 30.00 x 8.00 (914 x 762 x 203)	38.83 (986)	14	14	CP3630	CP3630G	34.20 (869)	28.20 (716)	37.33 (948)	28.50 (724)	2	Q-turn	5.00 (127)
CSD242410ST	24.00 x 24.00 x 10.00 (610 x 610 x 254)	27.56 (700)	14	16	CP2424	CP2424G	22.20 (564)	22.20 (564)	26.06 (662)	22.50 (572)	2	Q-turn	5.00 (127)
CSD302410ST	30.00 x 24.00 x 10.00 (762 x 610 x 254)	33.56 (852)	14	16	CP3024	CP3024G	28.20 (716)	22.20 (564)	32.06 (814)	22.50 (572)	2	Q-turn	5.00 (127)
CSD363010ST	36.00 x 30.00 x 10.00 (914 x 762 x 254)	36.00 (914)	14	14	CP3630	CP3630G	34.20 (869)	28.20 (716)	38.06 (967)	28.50 (724)	2	Q-turn	5.00 (127)
CSD483610ST	48.00 x 36.00 x 10.00 (1219 x 914.0 x 254)	51.56 (1310)	14	14	CP4836	CP4836G	46.20 (1173)	34.20 (869)	50.06 (1272)	34.50 (876)	1	3-point	24.00 (610)
CSD242412ST	24.00 x 24.00 x 12.00 (610 x 610 x 305)	28.29 (719)	14	16	CP2424	CP2424G	22.20 (564)	22.20 (564)	26.79 (680)	22.50 (572)	2	Q-turn	5.00 (127)
CSD302412ST	30.00 x 24.00 x 12.00 (762 x 610 x 305)	34.29 (871)	14	16	CP3024	CP3024G	28.20 (716)	22.20 (564)	32.79 (833)	22.50 (572)	2	Q-turn	5.00 (127)
CSD363012ST	36.00 x 30.00 x 12.00 (914 x 762 x 305)	40.29 (1023)	14	14	CP3630	CP3630G	34.20 (869)	28.20 (716)	38.79 (985)	28.50 (724)	2	Q-turn	5.00 (127)
CSD363612ST	36.00 x 36.00 x 12.00 (914 x 914 x 305)	40.29 (1023)	14	14	CP3636	CP3636G	34.20 (869)	34.20 (869)	38.79 (985)	34.50 (876)	2	Q-turn	5.00 (127)
CSD483612ST	48.00 x 36.00 x 12.00 (1219 x 914 x 305)	52.29 (1328)	14	14	CP4836	CP4836G	46.20 (1173)	34.20 (869)	50.79 (1290)	34.50 (876)	1	3-point	24.00 (610)
CSD603612ST	60.00 x 36.00 x 12.00 (1524 x 914 x 305)	64.29 (1633)	14	14	CP6036	CP6036G	58.20 (1478)	34.20 (869)	62.79 (1595)	34.50 (876)	1	3-point	30.00 (762)
CSD363016ST	36.00 x 30.00 x 16.00 (914 x 762 x 406)	41.75 (1060)	14	14	CP3630	CP3630G	34.20 (869)	28.20 (716)	40.25 (1022)	28.50 (724)	2	Q-turn	5.00 (127)
CSD483616ST	48.00 x 36.00 x 16.00 (1219 x 914 x 406)	53.75 (1365)	14	14	CP4836	CP4836G	46.20 (1173)	34.20 (869)	52.25 (1327)	34.50 (876)	1	3-point	24.00 (610)
CSD302420ST	30.00 x 24.00 x 20.00 (762 x 610 x 508)	37.20 (945)	14	14	CP3024	CP3024	28.20 (716)	22.20 (564)	35.70 (907)	22.50 (572)	2	Q-turn	5.00 (127)

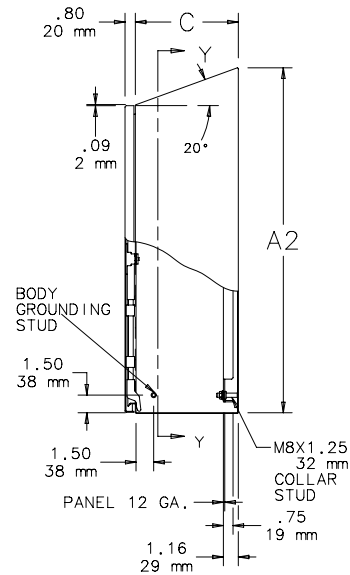
Purchase panels separately.

Industrial Enclosures

CONCEPT® Sloped Top Enclosures

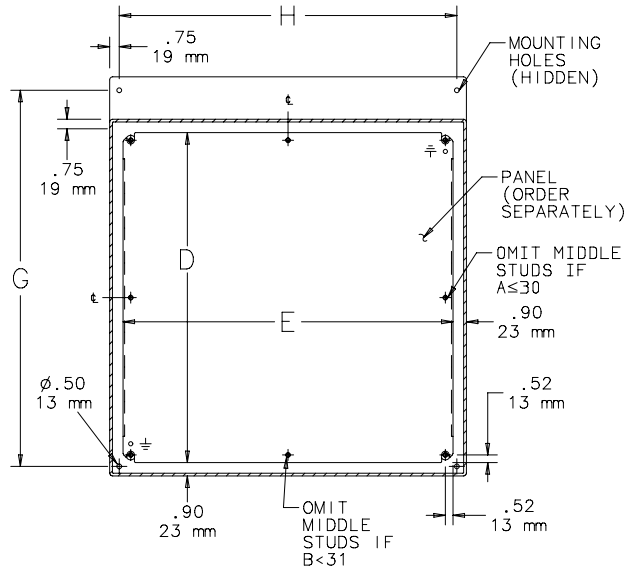


3-POINT LATCHING



87786662

CONCEPT® Sloped Top Enclosures



SECTION Y-Y
(WITH CONCEPT PANEL INSTALLED)

87925575

Type I Wall-Mounted Control Enclosures



Application

Aesthetic design for control and instrumentation applications in high-visibility areas that do not require oiltight and dusttight specifications.

Construction

- 16 or 14 gauge steel
- Removable doors have butt hinges
- Mounting holes on back of enclosure
- Recessed "T" handle latch is flush with door
- Flush cover and offset body provide a stylized appearance
- Optional 12 or 14 gauge steel panel mounted on collar studs

Finish

ANSI 61 gray polyester powder paint inside and out over phosphatized surfaces. Optional panels are white.

Industry Standards

UL 50, File No. E27567: Type I
NEMA/EEMAC Type I
CSA, File No. 42184: Type I
IEC 60529, IP30

Accessories

See also Accessories chapter.

Electric Heater
Grounding Device
Lock Kit for Control Enclosures
Panels (see table)
Rack Mounting Angle Kit
Touch-Up Paint (ATPPY61)
Window Kit

Modification Services Program

You can customize this product to your unique requirements by specifying from these options:

- Enclosure height, width, depth
- Over 100 standard finish colors and textures
- Holes and cutouts in body, doors, subpanels
- Tapped holes, fasteners in enclosure or subpanel
- Mounting
- Doors
- Subpanels
- Structural changes
- Environmental control (louvers, fans, filters)
- Windows
- Standard accessories

To order, contact your local Hoffman sales representative.

NOTE: For information about modifications outside the scope of the Modification Services program, contact your Hoffman sales representative.

Standard Sizes Type I Wall-Mounted Control Enclosures

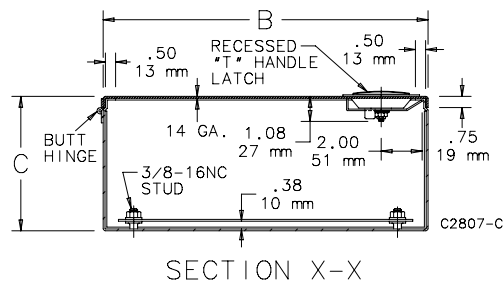
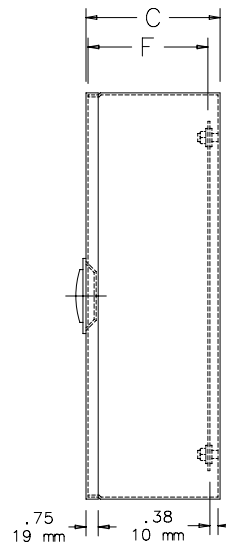
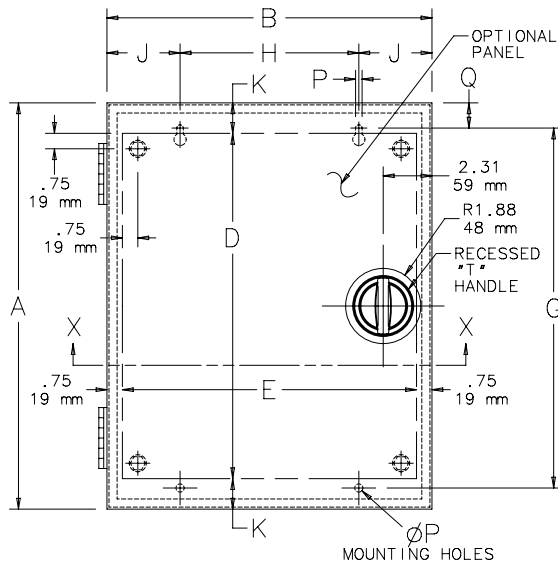
Catalog Number	A x B x C in. (mm)	Gauge	Panel Catalog Number	Panel Size D x E in. (mm)	Panel Gauge	Number of Studs	Mount- ing G in. (mm)	Mount- ing H in. (mm)	Mount- ing J in. (mm)	Mount- ing Q in. (mm)	Mount- ing P in. (mm)	F in. (mm)	K in. (mm)
A16N126LP	16.00 x 12.00 x 6.62 (406 x 305 x 168)	16	A16N12MP	13.00 x 10.50 (330 x 267)	14	4	13.88 (353)	7.00 (178)	2.50 (64)	1.06 (27)	0.31 (8)	6.00 (152)	1.50 (38)
A20N126LP	20.00 x 12.00 x 6.62 (508 x 305 x 168)	16	A20N12MP	17.00 x 10.50 (432 x 267)	14	4	17.88 (454)	7.00 (178)	2.50 (64)	1.06 (27)	0.31 (8)	6.00 (152)	1.50 (38)
A16N166LP	16.00 x 16.00 x 6.62 (406 x 406 x 168)	16	A16N16MP	13.00 x 14.50 (330 x 368)	14	4	13.88 (353)	11.00 (279)	2.50 (64)	1.06 (27)	0.31 (8)	6.00 (152)	1.50 (38)
A16N206LP	16.00 x 20.00 x 6.62 (406 x 508 x 168)	16	A16N20MP	13.00 x 18.50 (330 x 470)	14	4	13.88 (353)	15.00 (381)	2.50 (64)	1.06 (27)	0.31 (8)	6.00 (152)	1.50 (38)
A20N166LP	20.00 x 16.00 x 6.62 (508 x 406 x 168)	16	A20N16MP	17.00 x 14.50 (432 x 368)	14	4	17.88 (454)	11.00 (279)	2.50 (64)	1.06 (27)	0.31 (8)	6.00 (152)	1.50 (38)
A20N206LP	20.00 x 20.00 x 6.62 (508 x 508 x 168)	16	A20N20MP	17.00 x 18.50 (432 x 470)	14	4	17.88 (454)	15.00 (381)	2.50 (64)	1.06 (27)	0.31 (8)	6.00 (152)	1.50 (38)
A24N166LP	24.00 x 16.00 x 6.62 (610 x 406 x 168)	16	A24N16MP	21.00 x 14.50 (533 x 368)	14	4	21.88 (556)	11.00 (279)	2.50 (64)	1.06 (27)	0.31 (8)	6.00 (152)	1.50 (38)
A24N206LP	24.00 x 20.00 x 6.62 (610 x 508 x 168)	16	A24N20MP	21.00 x 18.50 (533 x 470)	14	4	21.88 (556)	15.00 (381)	2.50 (64)	1.06 (27)	0.31 (8)	6.00 (152)	1.50 (38)
A24N246LP	24.00 x 24.00 x 6.62 (610 x 610 x 168)	14	A24N24MP	21.00 x 22.50 (533 x 572)	12	4	21.88 (556)	19.00 (483)	2.50 (64)	1.06 (27)	0.31 (8)	6.00 (152)	1.50 (38)
A30N206LP	30.00 x 20.00 x 6.62 (762 x 508 x 168)	14	A30N20MP	26.00 x 18.50 (660 x 470)	12	6	27.50 (699)	12.75 (324)	3.62 (92)	1.25 (32)	0.44 (11)	6.00 (152)	2.00 (51)
A30N246LP	30.00 x 24.00 x 6.62 (762 x 610 x 168)	14	A30N24MP	26.00 x 22.50 (660 x 572)	12	6	27.50 (699)	16.75 (425)	3.62 (92)	1.25 (32)	0.44 (11)	6.00 (152)	2.00 (51)
A36N246LP	36.00 x 24.00 x 6.62 (914 x 610 x 168)	14	A36N24MP	32.00 x 22.50 (813 x 572)	12	6	33.50 (851)	16.75 (425)	3.62 (92)	1.25 (32)	0.44 (11)	6.00 (152)	2.00 (51)
A36N306LP	36.00 x 30.00 x 6.62 (914 x 762 x 168)	14	A36N30MP	32.00 x 28.50 (813 x 724)	12	8	33.50 (851)	22.75 (578)	3.62 (92)	1.25 (32)	0.44 (11)	6.00 (152)	2.00 (51)
A16N128LP	16.00 x 12.00 x 8.62 (406 x 305 x 219)	16	A16N12MP	13.00 x 10.50 (330 x 267)	14	4	13.88 (353)	7.00 (178)	2.50 (64)	1.06 (27)	0.31 (8)	8.00 (203)	1.50 (38)

Type I Wall-Mounted Control Enclosures

Standard Sizes Type I Wall-Mounted Control Enclosures (Cont.)

Catalog Number	A x B x C in. (mm)	Gauge	Panel Catalog Number	Panel Size D x E in. (mm)	Panel Gauge	Number of Studs	Mounting G in. (mm)	Mounting H in. (mm)	Mounting J in. (mm)	Mounting Q in. (mm)	Mounting P in. (mm)	F in. (mm)	K in. (mm)
A20N168LP	20.00 x 16.00 x 8.62 (508 x 406 x 219)	16	A20N16MP	17.00 x 14.50 (432 x 368)	14	4	17.88 (454)	11.00 (279)	2.50 (64)	1.06 (27)	0.31 (8)	8.00 (203)	1.50 (38)
A24N168LP	24.00 x 16.00 x 8.62 (610 x 406 x 219)	16	A24N16MP	21.00 x 14.50 (533 x 368)	14	4	21.88 (556)	11.00 (279)	2.50 (64)	1.06 (27)	0.31 (8)	8.00 (203)	1.50 (38)
A20N208LP	20.00 x 20.00 x 8.62 (508 x 508 x 219)	16	A20N20MP	17.00 x 18.50 (432 x 470)	14	4	17.88 (454)	15.00 (381)	2.50 (64)	1.06 (27)	0.31 (8)	8.00 (203)	1.50 (38)
A24N208LP	24.00 x 20.00 x 8.62 (610 x 508 x 219)	16	A24N20MP	21.00 x 18.50 (533 x 470)	14	4	21.88 (556)	15.00 (381)	2.50 (64)	1.06 (27)	0.31 (8)	8.00 (203)	1.50 (38)
A24N248LP	24.00 x 24.00 x 8.62 (610 x 610 x 219)	14	A24N24MP	21.00 x 22.50 (533 x 572)	12	4	21.88 (556)	19.00 (483)	2.50 (64)	1.06 (27)	0.31 (8)	8.00 (203)	1.50 (38)
A30N208LP	30.00 x 20.00 x 8.62 (762 x 508 x 219)	14	A30N20MP	26.00 x 18.50 (660 x 470)	12	6	27.50 (699)	12.75 (324)	3.62 (92)	1.25 (32)	0.44 (11)	8.00 (203)	2.00 (51)
A30N248LP	30.00 x 24.00 x 8.62 (762 x 610 x 219)	14	A30N24MP	26.00 x 22.50 (660 x 572)	12	6	27.50 (699)	16.75 (425)	3.62 (92)	1.25 (32)	0.44 (11)	8.00 (203)	2.00 (51)
A30N308LP	30.00 x 30.00 x 8.62 (762 x 762 x 219)	14	A30N30MP	26.00 x 28.50 (660 x 724)	12	8	27.50 (699)	22.75 (578)	3.62 (92)	1.25 (32)	0.44 (11)	8.00 (203)	2.00 (51)
A36N248LP	36.00 x 24.00 x 8.62 (914 x 610 x 219)	14	A36N24MP	32.00 x 22.50 (813 x 572)	12	6	33.50 (851)	16.75 (425)	3.62 (92)	1.25 (32)	0.44 (11)	8.00 (203)	2.00 (51)
A36N308LP	36.00 x 30.00 x 8.62 (914 x 762 x 219)	14	A36N30MP	32.00 x 28.50 (813 x 724)	12	8	33.50 (851)	22.75 (578)	3.62 (92)	1.25 (32)	0.44 (11)	8.00 (203)	2.00 (51)
A24N2010LP	24.00 x 20.00 x 10.62 (610 x 508 x 270)	16	A24N20MP	21.00 x 18.50 (533 x 470)	14	4	21.88 (556)	15.00 (381)	2.50 (64)	1.06 (27)	0.31 (8)	10.00 (254)	1.50 (38)
A24N2412LP	24.00 x 24.00 x 12.62 (610 x 610 x 321)	14	A24N24MP	21.00 x 22.50 (533 x 572)	12	4	21.88 (556)	19.00 (483)	2.50 (64)	1.06 (27)	0.31 (8)	12.00 (305)	1.50 (38)
A30N2412LP	30.00 x 24.00 x 12.62 (762 x 610 x 321)	14	A30N24MP	26.00 x 22.50 (660 x 724)	12	6	27.50 (699)	16.75 (425)	3.62 (92)	1.25 (32)	0.44 (11)	12.00 (305)	2.00 (51)
A36N3012LP	36.00 x 30.00 x 12.62 (914 x 762 x 321)	14	A36N30MP	32.00 x 28.50 (813 x 724)	12	8	33.50 (851)	22.75 (578)	3.62 (92)	1.25 (32)	0.44 (11)	12.00 (305)	2.00 (51)

Purchase panels separately.



Large Type 12 and 13 CH Wall-Mount Enclosures



Application

Designed to house electrical and electronic controls, instruments, and components. Provides protection from oil, dust, dirt, and water.

Features

- Oil-resistant gasket and adhesive
- Captivated door screws thread into sealed wells
- Heavy gauge continuous hinge
- Data pocket is high-impact thermoplastic
- Collar studs provided for mounting optional panels
- External mounting brackets
- Bonding provision on door

Construction

- 14 gauge steel
- Seams continuously welded and ground smooth
- No holes or knockouts
- Optional panels are 12 gauge steel; purchase panels separately

Finish

ANSI 61 gray polyester powder coating inside and out over phosphatized surfaces. Optional panels have white enamel or conductive finish.

Industry Standards

UL 50, File No. E27567: Type 12 and 13
NEMA/EEMAC Type 12 and 13
JIC standard EGP-I-1967 (14 gauge only)
CSA, File No. 42184: Type 12
IEC 60529, IP65

Accessories

See also *Accessories chapter*.

- Electric Heaters
- External Data Pockets
- Fan Cooling Products
- Heat Exchangers
- INTERSAFE® Data Interface Ports
- Panels (see table)
- Swing-out Panel Kit (AJCDFK)
- Terminal Kit Assembly
- Window Kit
- Wiring Duct
- Touch-up Paint (ATPPY61)
- DIN 3 Rails
- Side Mount Air Conditioners

Modification Services Program

You can customize this product to your unique requirements by specifying from these options:

- Over 100 standard finish colors and textures
- Holes and cutouts in body, doors, and subpanels
- Tapped holes and fasteners in enclosure or subpanel
- Mounting
- Doors
- Windows
- Standard Accessories

To order, contact your local Hoffman sales representative.

NOTE: For information about modifications outside the scope of the Modification Services program, contact your Hoffman sales representative.

Standard Sizes Large Type 12 and Type 13 CH Enclosures

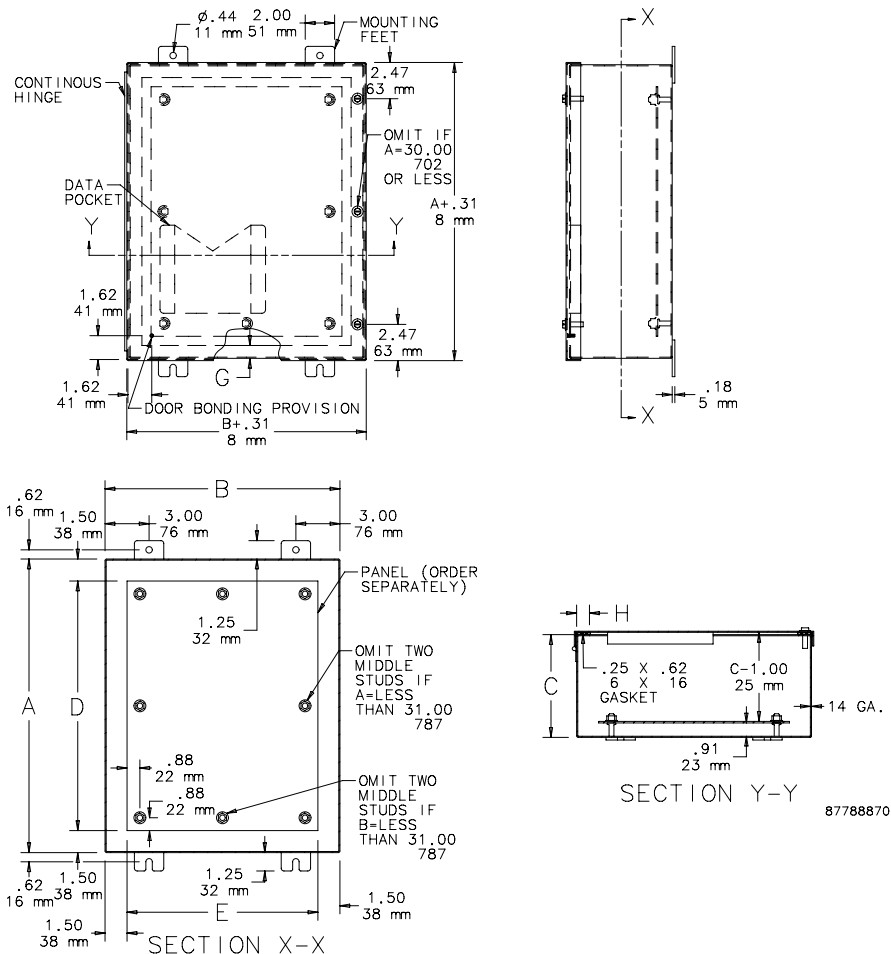
Catalog Number	A x B x C in. (mm)	G x H (in.)	G x H (mm)	Data Pocket	Panel Catalog Number	Conductive Panel Catalog Number	Panel Size D x E (in.)	Panel Size D x E (mm)	Panel Flanges	Door Screws
A20C16ALP	20.00 x 16.00 x 7.00 (508 x 406 x 178)	.88 x .88	22 x 22	Small	A20P16	A20P16G	17.00 x 13.00	432 x 330	0	2
A20C20ALP	20.00 x 20.00 x 7.00 (508 x 508 x 178)	.50 x .88	12 x 22	Small	A20P20	A20P20G	17.00 x 17.00	432 x 432	0	2
A24C20ALP	24.00 x 20.00 x 7.00 (610 x 508 x 178)	.50 x .88	12 x 22	Small	A24P20	A24P20G	17.00 x 17.00	533 x 432	4	2
A24C24ALP	24.00 x 24.00 x 7.00 (610 x 610 x 178)	.50 x .88	12 x 22	Small	A24P24	A24P24G	21.00 x 21.00	533 x 533	4	2
A30C20ALP	30.00 x 20.00 x 7.00 (762 x 508 x 178)	.50 x .88	12 x 22	Large	A30P20	A30P20G	27.00 x 17.00	686 x 432	2	2
A30C24ALP	30.00 x 24.00 x 7.00 (762 x 610 x 178)	.50 x .88	12 x 22	Large	A30P24	A30P24G	27.00 x 21.00	686 x 533	2	2
A36C24ALP	36.00 x 24.00 x 7.00 (914 x 610 x 178)	.50 x .88	12 x 22	Large	A36P24	A36P24G	33.00 x 21.00	838 x 533	2	3
A20C16BLP	20.00 x 16.00 x 9.00 (508 x 406 x 229)	.50 x .88	12 x 22	Small	A20P16	A20P16G	17.00 x 13.00	432 x 330	0	2
A20C20BLP	20.00 x 20.00 x 9.00 (508 x 508 x 229)	.50 x .88	12 x 22	Small	A20P20	A20P20G	17.00 x 17.00	432 x 432	0	2
A24C20BLP	24.00 x 20.00 x 9.00 (610 x 508 x 229)	.50 x .88	12 x 22	Small	A24P20	A24P20G	21.00 x 17.00	533 x 432	4	2
A24C24BLP	24.00 x 24.00 x 9.00 (610 x 610 x 229)	.50 x .88	12 x 22	Small	A24P24	A24P24G	21.00 x 21.00	533 x 533	4	2

Large Type I2 and I3 CH Wall-Mount Enclosures

Standard Sizes Large Type I2 and Type I3 CH Enclosures (Cont.)

Catalog Number	A x B x C in. (mm)	G x H (in.)	G x H (mm)	Data Pocket	Panel Catalog Number	Conductive Panel Catalog Number	Panel Size D x E (in.)	Panel Size D x E (mm)	Panel Flanges	Door Screws
A30C20BLP	30.00 x 20.00 x 9.00 (762 x 508 x 229)	.50 x .88	12 x 22	Large	A30P20	A30P20G	27.00 x 17.00	686 x 432	2	2
A30C24BLP	30.00 x 24.00 x 9.00 (762 x 610 x 229)	.50 x .88	12 x 22	Large	A30P24	A30P24G	27.00 x 21.00	686 x 533	2	2
A36C24BLP	36.00 x 24.00 x 9.00 (914 x 610 x 229)	.50 x .88	12 x 22	Large	A36P24	A36P24G	33.00 x 21.00	838 x 533	2	3
A36C30BLP	36.00 x 30.00 x 9.00 (914 x 762 x 229)	.50 x .88	12 x 22	Large	A36P30	A36P30G	33.00 x 27.00	838 x 686	2	3
A24C24CLP	24.00 x 24.00 x 11.00 (610 x 610 x 279)	.50 x .88	12 x 22	Small	A24P24	A24P24G	21.00 x 21.00	533 x 533	4	2
A36C24CLP	36.00 x 24.00 x 11.00 (914 x 610 x 279)	.50 x .88	12 x 22	Large	A36P24	A36P24G	33.00 x 21.00	838 x 533	2	3
A48C36CLP	48.00 x 36.00 x 11.00 (1219 x 914 x 279)	1.38 x 1.38	35 x 35	Large	A48P36	A48P36G	45.00 x 33.00	1143 x 838	2	3
A30C24DLP	30.00 x 24.00 x 13.00 (762 x 610 x 330)	.50 x .88	12 x 22	Large	A30P24	A30P24G	27.00 x 21.00	686 x 533	2	2
A36C30DLP	36.00 x 30.00 x 13.00 (914 x 762 x 330)	1.38 x 1.38	35 x 35	Large	A36P30	A36P30G	33.00 x 27.00	838 x 686	2	3

Purchase panels separately. Optional stainless steel, conductive, composite, and aluminum panels are available for most sizes.
NOTE: Panels have a formed flange on any side that is longer than 21.00 in. (533mm). Panel A24P20 has a flange on all four sides.



Single-Door Type 12 and 13 Wall-Mount Enclosures



Application

For use in housing electrical and electronic controls, instruments, components, and associated wiring, these enclosures incorporate hinged doors that provide convenient access. Designed for indoor use in protecting components from dust, dirt, oil, and water.

Construction

- Enclosure bodies are either 14 or 16 gauge steel. All doors are 14 gauge steel.
- Seams continuously welded and ground smooth; no holes or knockouts
- External wall-mounting brackets are 14 gauge steel
- Return flanges around three sides of door and all sides of enclosure opening exclude liquids and contaminants
- Door clamps are quick and easy to operate
- Removable heavy-gauge continuous hinge pin
- Hasp and staple for padlocking
- Data pocket is high-impact thermoplastic
- Collar studs provided for mounting optional panels
- Bonding provision on door
- Optional panels are 12 gauge steel

Finish

White inside with ANSI 61 gray outside finish over phosphatized surfaces. Optional panels have white or conductive finish.

Industry Standards

UL 508A, File No. E61997: Type 12 and 13
NEMA/EEMAC Type 12 and 13
JIC standard EGP-1-1967 (14 gauge only)
CSA, File No. 42186: Type 12
IEC 60529, IP65

Standard Sizes Single-Door Type 12 and Type 13 Enclosures

Catalog Number	A x B x C in. (mm)	Body Gauge	Panel Catalog Number	Conductive Panel Catalog Number	Panel Size D x E (in.)	Panel Size D x E (mm)	F (in.)	F (mm)	Number of Clamps	Data Pocket ^a
A122406LP	12.00 x 24.00 x 6.00 (305 x 610 x 152)	16	A12P24	A12P24G	9.00 x 21.00	229 x 533	3.00	76	2	Small
A161206LP	16.00 x 12.00 x 6.00 (406 x 305 x 152)	16	A16P12	A16P12G	13.00 x 9.00	330 x 229	1.25	32	2	Small
A161606LP	16.00 x 16.00 x 6.00 (406 x 406 x 152)	16	A16P16	A16P16G	13.00 x 13.00	330 x 330	3.00	76	2	Small
A162006LP	16.00 x 20.00 x 6.00 (406 x 508 x 152)	16	A20P16	A20P16G	17.00 x 13.00	432 x 330	3.00	76	2	Small
A201206LP	20.00 x 12.00 x 6.00 (508 x 305 x 152)	16	A20P12	A20P12G	17.00 x 9.00	432 x 229	1.25	32	2	Small
A201606LP	20.00 x 16.00 x 6.00 (508 x 406 x 152)	16	A20P16	A20P16G	17.00 x 13.00	432 x 330	3.00	76	2	Small
A202006LP	20.00 x 20.00 x 6.00 (508 x 508 x 152)	16	A20P20	A20P20G	17.00 x 17.00	432 x 432	3.00	76	2	Small
A202406LP	20.00 x 24.00 x 6.00 (508 x 610 x 152)	16	A24P20	A24P20G	21.00 x 17.00	533 x 432	3.00	76	2	Small

Accessories

See also Accessories chapter.

- Blower Package
- Clamp Kit (AL15)
- Door Stop Kit (ADSTOPK)
- Drip Shield Kit
- Electric Heater
- Electrical Interlocks
- Enclosure Stabilizers
- External Data Pocket
- Fan Cooling Products
- Fast Operating Clamp Assembly (AFC412SS)
- Floor Stand Kit
- Folding Shelf
- INTERSAFE® Data Interface Ports
- Keyboard Kit (CKBC24)
- Latch Kits and Lock Kit
- Lighting Kit
- Panel Support Kit
- Panels (see table)
- Rack Mounting Angle Kit
- Swing-Out Panel Kit (ANADFK)
- Terminal Block Kit Assembly
- Touch-Up Paint (ATPPY61)
- Window Kit

Modification Services Program

You can customize this product to your unique requirements by specifying from these options:

- Enclosure height, width, depth
- Over 100 standard finish colors and textures
- Holes and cutouts in body, doors, subpanels
- Tapped holes, fasteners in enclosure or subpanel
- Mounting
- Doors
- Subpanels
- Structural changes
- Environmental control (louvers, fans, filters)
- Windows
- Standard accessories

To order, contact your local Hoffman sales representative.

NOTE: For information about modifications outside the scope of the Modification Services program, contact your Hoffman sales representative.

Single-Door Type I2 and I3 Wall-Mount Enclosures

Standard Sizes Single-Door Type I2 and Type I3 Enclosures (Cont.)

Catalog Number	A x B x C in. (mm)	Body Gauge	Panel Catalog Number	Conductive Panel Catalog Number	Panel Size D x E (in.)	Panel Size D x E (mm)	F (in.)	F (mm)	Number of Clamps	Data Pocket ^a
A241206LP	24.00 x 12.00 x 6.00 (610 x 305 x 152)	16	A12P24	A12P24G	9.00 x 21.00	229 x 533	1.25	32	2	Small
A241606LP	24.00 x 16.00 x 6.00 (610 x 406 x 152)	16	A24P16	A24P16G	21.00 x 13.00	533 x 330	3.00	76	2	Small
A242006LP	24.00 x 20.00 x 6.00 (610 x 508 x 152)	16	A24P20	A24P20G	21.00 x 17.00	533 x 432	3.00	76	2	Small
A242406LP	24.00 x 24.00 x 6.00 (610 x 610 x 152)	16	A24P24	A24P24G	21.00 x 21.00	533 x 533	3.00	76	2	Small
A301606LP	30.00 x 16.00 x 6.00 (762 x 406 x 152)	14	A30P16	A30P16G	27.00 x 13.00	686 x 330	3.00	76	2	Small
A302006LP	30.00 x 20.00 x 6.00 (762 x 508 x 152)	14	A30P20	A30P20G	27.00 x 17.00	686 x 432	3.00	76	2	Small
A302406LP	30.00 x 24.00 x 6.00 (762 x 610 x 152)	14	A30P24	A30P24G	27.00 x 21.00	686 x 533	3.00	76	2	Large
A362406LP	36.00 x 24.00 x 6.00 (914 x 610 x 152)	14	A36P24	A36P24G	33.00 x 21.00	838 x 533	3.00	76	2	Large
A363006LP	36.00 x 30.00 x 6.00 (914 x 762 x 152)	14	A36P30	A36P30G	33.00 x 27.00	838 x 686	3.00	76	2	Large
A122408LP	12.00 x 24.00 x 8.00 (305 x 610 x 203)	16	A12P24	A12P24G	9.00 x 21.00	229 x 533	3.00	76	2	Small
A161208LP	16.00 x 12.00 x 8.00 (406 x 305 x 203)	16	A16P12	A16P12G	13.00 x 9.00	330 x 229	1.25	32	2	Small
A161608LP	16.00 x 16.00 x 8.00 (406 x 406 x 203)	16	A16P16	A16P16G	13.00 x 13.00	330 x 330	3.00	76	2	Small
A162008LP	16.00 x 20.00 x 8.00 (406 x 508 x 203)	16	A20P16	A20P16G	17.00 x 13.00	432 x 330	3.00	76	2	Small
A201208LP	20.00 x 12.00 x 8.00 (508 x 305 x 203)	16	A20P12	A20P12G	17.00 x 9.00	432 x 229	1.25	32	2	Small
A201608LP	20.00 x 16.00 x 8.00 (508 x 406 x 203)	16	A20P16	A20P16G	17.00 x 13.00	432 x 330	3.00	76	2	Small
A202008LP	20.00 x 20.00 x 8.00 (508 x 508 x 203)	16	A20P20	A20P20G	17.00 x 17.00	432 x 432	3.00	76	2	Small
A202408LP	20.00 x 24.00 x 8.00 (508 x 610 x 203)	16	A24P20	A24P20G	21.00 x 17.00	533 x 432	3.00	76	2	Small
A241208LP	24.00 x 12.00 x 8.00 (610 x 305 x 203)	16	A12P24	A12P24G	9.00 x 21.00	229 x 533	1.25	32	2	Small
A241608LP	24.00 x 16.00 x 8.00 (610 x 406 x 203)	16	A24P16	A24P16G	21.00 x 13.00	533 x 330	3.00	76	2	Small
A242008LP	24.00 x 20.00 x 8.00 (610 x 508 x 203)	14	A24P20	A24P20G	21.00 x 17.00	533 x 432	3.00	76	2	Small
A242408LP	24.00 x 24.00 x 8.00 (610 x 610 x 203)	16	A24P24	A24P24G	21.00 x 21.00	533 x 533	3.00	76	2	Small
A243008LP	24.00 x 30.00 x 8.00 (610 x 762 x 203)	14	A30P24G	A30P24G	27.00 x 21.00	686 x 533	3.00	76	2	Small
A302008LP	30.00 x 20.00 x 8.00 (762 x 508 x 203)	14	A30P20	A30P20G	27.00 x 17.00	686 x 432	3.00	76	2	Small
A302408LP	30.00 x 24.00 x 8.00 (762 x 610 x 203)	14	A30P24	A30P24G	27.00 x 21.00	686 x 533	3.00	76	2	Large
A303008LP	30.00 x 30.00 x 8.00 (762 x 762 x 203)	14	A30P30	A30P30G	27.00 x 27.00	686 x 686	3.00	76	2	Large
A303608LP	30.00 x 36.00 x 8.00 (762 x 914 x 203)	14	A36P30	A36P30G	33.00 x 27.00	838 x 686	3.00	76	2	Large
A362408LP	36.00 x 24.00 x 8.00 (914 x 610 x 203)	14	A36P24	A36P24G	33.00 x 21.00	838 x 533	3.00	76	2	Large
A363008LP	36.00 x 30.00 x 8.00 (914 x 762 x 203)	14	A36P30	A36P30G	33.00 x 27.00	838 x 686	3.00	76	2	Large
A363608LP	36.00 x 36.00 x 8.00 (914 x 914 x 203)	14	A36P36	A36P36G	33.00 x 33.00	838 x 838	3.00	76	2	Large
A422408LP	42.00 x 24.00 x 8.00 (1067 x 610 x 203)	14	A42P24	A42P24G	39.00 x 21.00	991 x 533	3.00	76	2	Large
A423008LP	42.00 x 30.00 x 8.00 (1067 x 762 x 203)	14	A42P30	A42P30G	39.00 x 27.00	991 x 686	3.00	76	2	Small
A423608LP	42.00 x 36.00 x 8.00 (1067 x 914 x 203)	14	A42P36	A42P36G	39.00 x 33.00	991 x 838	3.00	76	2	Large
A482408LP	48.00 x 24.00 x 8.00 (1219 x 610 x 203)	14	A48P24	A48P24G	45.00 x 21.00	1143 x 533	3.00	76	3	Large
A483008LP	48.00 x 30.00 x 8.00 (1219 x 762 x 203)	14	A48P30	A48P30G	45.00 x 27.00	1143 x 686	3.00	76	3	Small
A483608LP	48.00 x 36.00 x 8.00 (1219 x 914 x 203)	14	A48P36	A48P36G	45.00 x 33.00	1143 x 838	3.00	76	3	Large
A603608LP	60.00 x 36.00 x 8.00 (1524 x 914 x 203)	14	A60P36	A60P36G	57.00 x 33.00	1448 x 838	3.00	76	3	Large
A161210LP	16.00 x 12.00 x 10.00 (406 x 305 x 254)	14	A16P12	A16P12G	13.00 x 9.00	330 x 229	1.25	32	2	Small

**Industrial
Enclosures**

Single-Door Type I2 and I3 Wall-Mount Enclosures

Standard Sizes Single-Door Type I2 and Type I3 Enclosures (Cont.)

Catalog Number	A x B x C in. (mm)	Body Gauge	Panel Catalog Number	Conductive Panel Catalog Number	Panel Size D x E (in.)	Panel Size D x E (mm)	F (in.)	F (mm)	Number of Clamps	Data Pocket ^a
A201610LP	20.00 x 16.00 x 10.00 (508 x 406 x 254)	14	A20P16	A20P16G	17.00 x 13.00	432 x 330	3.00	76	2	Small
A202010LP	20.00 x 20.00 x 10.00 (508 x 508 x 254)	14	A20P20	A20P20G	17.00 x 17.00	432 x 432	3.00	76	2	Small
A241210LP	24.00 x 12.00 x 10.00 (610 x 305 x 254)	14	A12P24	A12P24G	9.00 x 21.00	229 x 533	1.25	32	2	Small
A242010LP	24.00 x 20.00 x 10.00 (610 x 508 x 254)	14	A24P20	A24P20G	21.00 x 17.00	533 x 432	3.00	76	2	Small
A242410LP	24.00 x 24.00 x 10.00 (610 x 610 x 254)	14	A24P24G	A24P24G	21.00 x 21.00	533 x 533	3.00	76	2	Small
A302010LP	30.00 x 20.00 x 10.00 (762 x 508 x 254)	14	A30P20	A30P20G	27.00 x 17.00	686 x 432	3.00	76	2	Small
A302410LP	30.00 x 24.00 x 10.00 (762 x 610 x 254)	14	A30P24	A30P24G	27.00 x 21.00	686 x 533	3.00	76	2	Large
A362410LP	36.00 x 24.00 x 10.00 (914 x 610 x 254)	14	A36P24	A36P24G	33.00 x 21.00	838 x 533	3.00	76	2	Large
A363010LP	36.00 x 30.00 x 10.00 (914 x 762 x 254)	14	A36P30	A36P30G	33.00 x 27.00	838 x 686	3.00	76	2	Large
A423010LP	42.00 x 30.00 x 10.00 (1067 x 762 x 254)	14	A42P30	A42P30G	39.00 x 27.00	991 x 686	3.00	76	2	Small
A423610LP	42.00 x 36.00 x 10.00 (1067 x 914 x 254)	14	A42P36	A42P36G	39.00 x 33.00	991 x 838	3.00	76	2	Large
A483010LP	48.00 x 30.00 x 10.00 (1219 x 762 x 254)	14	A48P30	A48P30G	45.00 x 27.00	1143 x 686	3.00	76	3	Small
A483610LP	48.00 x 36.00 x 10.00 (1219 x 914 x 254)	14	A48P36	A48P36G	45.00 x 33.00	1143 x 838	3.00	76	3	Large
A603610LP	60.00 x 36.00 x 10.00 (1524 x 914 x 254)	14	A60P36	A60P36G	57.00 x 33.00	1448 x 838	3.00	76	3	Large
A201612LP	20.00 x 16.00 x 12.00 (508 x 406 x 305)	14	A20P16	A20P16G	17.00 x 13.00	432 x 330	3.00	76	2	Small
A242012LP	24.00 x 20.00 x 12.00 (610 x 508 x 305)	14	A24P20	A24P20G	21.00 x 17.00	533 x 432	3.00	76	2	Small
A242412LP	24.00 x 24.00 x 12.00 (610 x 610 x 305)	14	A24P24	A24P24G	21.00 x 21.00	533 x 533	3.00	76	2	Small
A302412LP	30.00 x 24.00 x 12.00 (762 x 610 x 305)	14	A30P24	A30P24G	27.00 x 21.00	686 x 533	3.00	76	2	Large
A303012LP	30.00 x 30.00 x 12.00 (762 x 762 x 305)	14	A30P30	A30P30G	27.00 x 27.00	686 x 686	3.00	76	2	Large
A362412LP	36.00 x 24.00 x 12.00 (914 x 610 x 305)	14	A36P24	A36P24G	33.00 x 21.00	838 x 533	3.00	76	2	Large
A363012LP	36.00 x 30.00 x 12.00 (914 x 762 x 305)	14	A36P30	A36P30G	33.00 x 27.00	838 x 686	3.00	76	2	Large
A363612LP	36.00 x 36.00 x 12.00 (914 x 914 x 305)	14	A36P36	A36P36G	33.00 x 33.00	838 x 838	3.00	76	2	Large
A423012LP	42.00 x 30.00 x 12.00 (1067 x 762 x 305)	14	A42P30	A42P30G	39.00 x 27.00	991 x 686	3.00	76	2	Small
A423612LP	42.00 x 36.00 x 12.00 (1067 x 914 x 305)	14	A42P36	A42P36G	39.00 x 33.00	991 x 838	3.00	76	2	Large
A483612LP	48.00 x 36.00 x 12.00 (1219 x 914 x 305)	14	A48P36	A48P36G	45.00 x 33.00	1143 x 838	3.00	76	3	Large
A603612LP	60.00 x 36.00 x 12.00 (1524 x 914 x 305)	14	A60P36	A60P36G	57.00 x 33.00	1448 x 838	3.00	76	3	Large
A723612LP	72.00 x 36.00 x 12.00 (1829 x 914 x 305)	14	A72P36	A72P36G	69.00 x 33.00	1753 x 838	3.00	76	3	Large
A242016LP	24.00 x 20.00 x 16.00 (610 x 508 x 406)	14	A24P20	A24P20G	21.00 x 17.00	533 x 432	3.00	76	2	Small
A242416LP	24.00 x 24.00 x 16.00 (610 x 610 x 406)	14	A24P24	A24P24G	21.00 x 21.00	533 x 533	3.00	76	2	Small
A302416LP	30.00 x 24.00 x 16.00 (762 x 610 x 406)	14	A30P24	A30P24G	27.00 x 21.00	686 x 533	3.00	76	2	Large
A363016LP	36.00 x 30.00 x 16.00 (914 x 762 x 406)	14	A36P30	A36P30G	33.00 x 27.00	838 x 686	3.00	76	2	Large
A423616LP	42.00 x 36.00 x 16.00 (1067 x 914 x 406)	14	A42P36	A42P36G	39.00 x 33.00	991 x 838	3.00	76	2	Large
A483616LP	48.00 x 36.00 x 16.00 (1219 x 914 x 406)	14	A48P36	A48P36G	45.00 x 33.00	1143 x 838	3.00	76	3	Large
A603616LP	60.00 x 36.00 x 16.00 (1524 x 914 x 406)	14	A60P36	A60P36G	57.00 x 33.00	1448 x 838	3.00	76	3	Large
A302420LP	30.00 x 24.00 x 20.00 (762 x 610 x 508)	14	A30P24	A30P24G	27.00 x 21.00	686 x 533	3.00	76	2	Large
A363020LP	36.00 x 30.00 x 20.00 (914 x 762 x 508)	14	A36P30	A36P30G	33.00 x 27.00	838 x 686	3.00	76	2	Large
A483620LP	48.00 x 36.00 x 20.00 (1219 x 914 x 508)	14	A48P36	A48P36G	45.00 x 33.00	1143 x 838	3.00	76	3	Large

Single-Door Type 12 and 13 Wall-Mount Enclosures

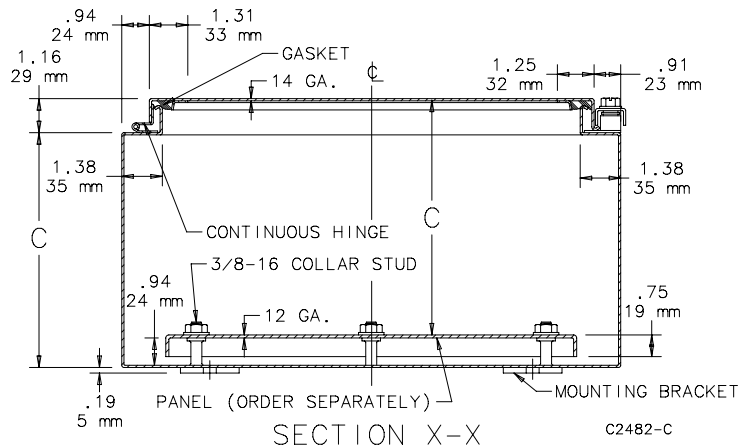
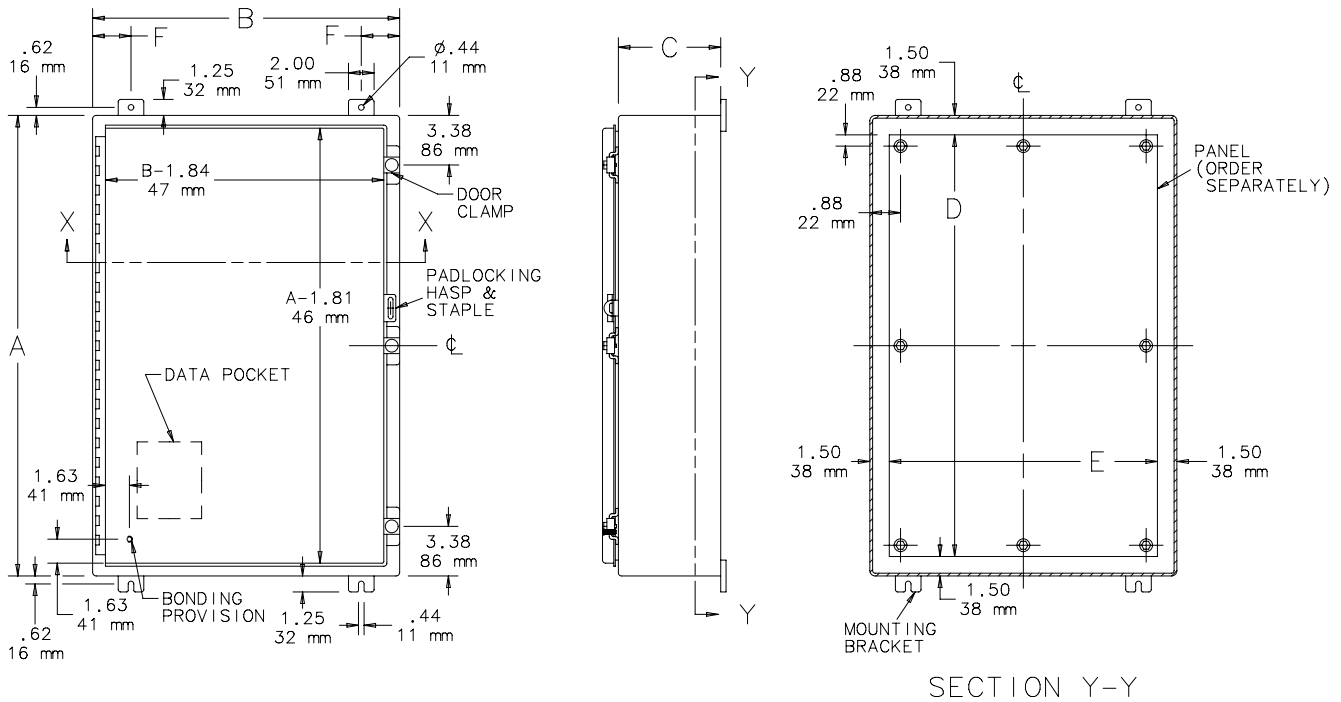
Standard Sizes Single-Door Type 12 and Type 13 Enclosures (Cont.)

Catalog Number	A x B x C in. (mm)	Body Gauge	Panel Catalog Number	Conductive Panel Catalog Number	Panel Size D x E (in.)	Panel Size D x E (mm)	F (in.)	F (mm)	Number of Clamps	Data Pocket ^a
A603620LP	60.00 x 36.00 x 20.00 (1524 x 914 x 508)	14	A60P36	A60P36G	57.00 x 33.00	1448 x 838	3.00	76	3	Large
A302424LP	30.00 x 24.00 x 24.00 (762 x 610 x 610)	14	A30P24	A30P24G	27.00 x 21.00	686 x 533	3.00	76	2	Large

^aSmall = 6.00 x 6.00 in. Large = 12.00 x 12.00 in.

Purchase panels separately. Optional stainless steel, conductive, composite, and aluminum panels are available for most sizes.

NOTE: Panels have a formed flange on any side that is longer than 21.00 in. (533mm). Panels A24P20 and A24P24 have a flange on all four sides.



**Industrial
Enclosures**

Two-Door Type 12 Wall-Mounted Enclosures



Application

For use in housing electrical and electronic controls, instruments, components, and associated wiring, these enclosures incorporate double-hinged doors for convenient access. Designed for indoor use in protecting components from dust, dirt, oil, and water.

Construction

- 14 gauge steel
- Seams continuously welded and ground smooth; no holes or knockouts
- External wall-mounting brackets
- Return flange around all sides of enclosure door opening excludes liquids and contaminants
- Gasketed overlapping doors eliminate need for center post
- 3-point latch mechanism operated by oiltight key-locking handle
- Latch rod rollers for easy door closing
- Removable heavy gauge continuous hinge pin
- Data pocket is high-impact thermoplastic
- Collar studs provided for mounting optional panels
- Bonding provision on both doors

Finish

White inside with ANSI 61 gray outside finish over phosphatized surfaces. Optional panels have white or conductive finish.

Industry Standards

UL 508A, File No. E61997: Type 12
NEMA/EEMAC Type 12
JIC standard EPG-1-1967
CSA, File No. 42186: Type 12
IEC 60529, IP55

Accessories

See also *Accessories chapter*.

Electric Heater
Electrical Interlocks
External Data Pockets
Fan Cooling Products
Floor Stand Kit
INTERSAFE® Data Interface Ports
Lighting Kit
Panel Support Kit
Panels (see table)
Terminal Block Kit Assembly
Touch-Up Paint (ATPPY61)
Window Kit
Wiring Duct

Modification Services Program

You can customize this product to your unique requirements by specifying from these options:

- Enclosure height, width, depth
- Over 100 standard finish colors and textures
- Holes and cutouts in body, doors, subpanels
- Tapped holes, fasteners in enclosure or subpanel
- Mounting
- Doors
- Subpanels
- Structural changes
- Environmental control (louvers, fans, filters)
- Windows
- Standard accessories

To order, contact your local Hoffman sales representative.

NOTE: For information about modifications outside the scope of the Modification Services program, contact your Hoffman sales representative.

Standard Sizes Two-Door Wall-Mounted Type 12 Enclosures

Catalog Number	A x B x C in. (mm)	Panel Catalog Number	Conductive Panel Catalog Number	Panel Gauge	Panel Size D x E (in.)	Panel Size D x E (mm)	Y (in.)	Y (mm)	Stiffener Body	Stiffener Door
A244208WFLP	24.00 x 42.00 x 8.00 (610 x 1067 x 203)	A42P24	A42P24G	12	39.00 x 21.00	991 x 533	1.50	38	0	0
A244808WFLP	24.00 x 48.00 x 8.00 (610 x 1219 x 203)	A48P24	A48P24G	12	45.00 x 21.00	1143 x 533	1.50	38	0	0
A304210WFLP	30.00 x 42.00 x 10.00 (762 x 1067 x 254)	A42P30	A42P30G	12	39.00 x 27.00	991 x 686	1.50	38	0	0
A304810WFLP	30.00 x 48.00 x 10.00 (762 x 1219 x 254)	A48P30	A48P30G	12	45.00 x 27.00	1143 x 686	1.50	38	0	0
A306010WFLP	30.00 x 60.00 x 10.00 (762 x 1524 x 254)	A60P30	A60P30G	12	57.00 x 27.00	1448 x 686	1.50	38	0	0
A364212WFLP	36.00 x 42.00 x 12.00 (914 x 1067 x 305)	A42P36	A42P36G	12	39.00 x 33.00	991 x 838	1.50	38	0	0
A364812WFLP	36.00 x 48.00 x 12.00 (914 x 1219 x 305)	A48P36	A48P36G	12	45.00 x 33.00	1143 x 838	1.50	38	0	0
A366012WFLP	36.00 x 60.00 x 12.00 (914 x 1524 x 305)	A60P36	A60P36G	12	57.00 x 33.00	1448 x 838	1.50	38	0	0
A424212WFLP	42.00 x 42.00 x 12.00 (1067 x 1067 x 305)	A42P42	A42P42G	12	39.00 x 39.00	991 x 991	1.50	38	3	0

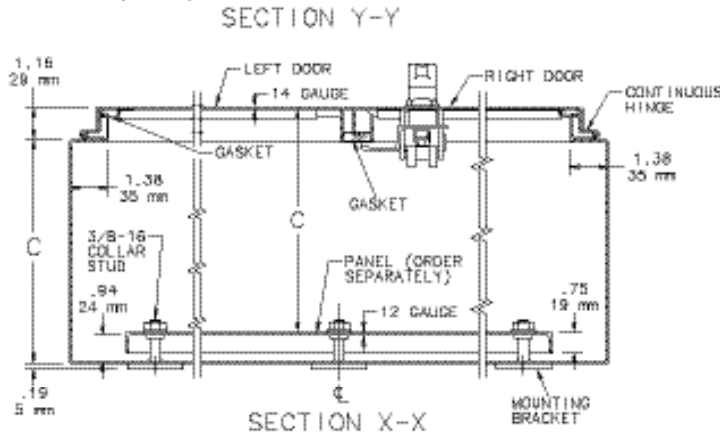
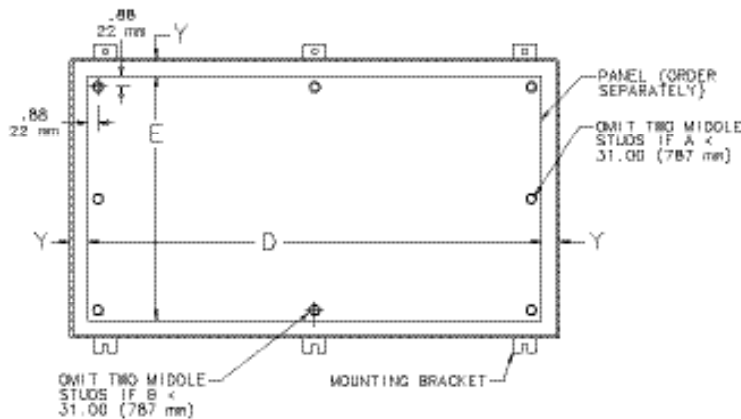
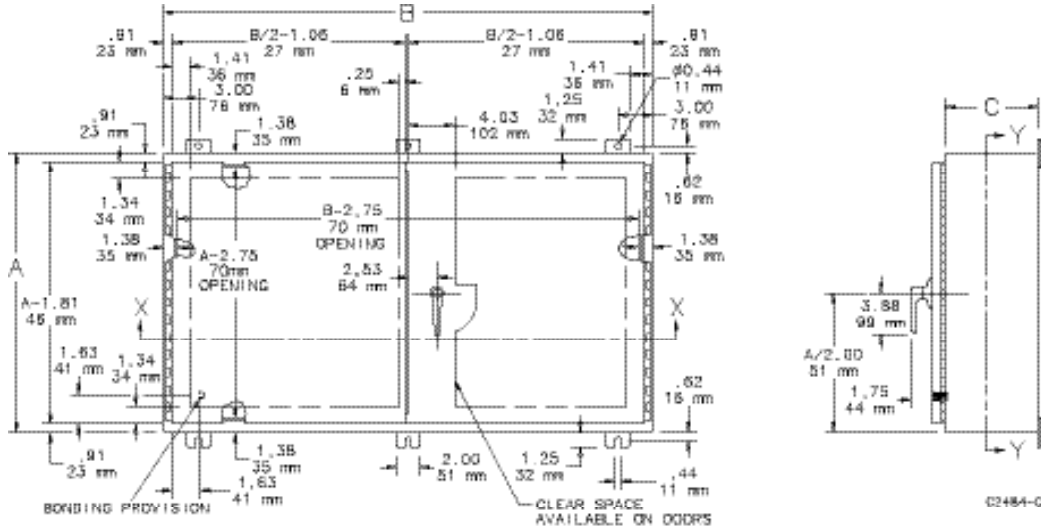
Two-Door Type 12 Wall-Mounted Enclosures

Rev. A 7/07

Standard Sizes Two-Door Wall-Mounted Type 12 Enclosures (Cont.)

Catalog Number	A x B x C in. (mm)	Panel Catalog Number	Conductive Panel Catalog Number	Panel Gauge	Panel Size D x E (in.)	Panel Size D x E (mm)	Y (in.)	Y (mm)	Stiffener Body	Stiffener Door
A424812WFLP	42.00 x 48.00 x 12.00 (1067 x 1219 x 305)	A48P42	A48P42G	12	45.00 x 39.00	1143 x 991	1.50	38	3	0
A426012WFALP	42.00 x 60.00 x 12.00 (1067 x 1524 x 305)	A60BFP42	A60BFP42G	10	56.00 x 38.00	1422 x 965	2.00	51	1	1
A484812WFLP	48.00 x 48.00 x 12.00 (1219 x 1219 x 305)	A48P48	A48P48G	10	44.00 x 44.00	1118 x 1118	2.00	51	0	0

Purchase panels separately. Optional stainless steel, conductive, composite, and aluminum panels are available for most sizes.
Back is 10 gauge.



Single-Door Type 4 Wall-Mount Enclosures



Application

For use in housing electrical and electronic controls, instruments, components, and associated wiring, these enclosures incorporate hinged doors that provide convenient access. Designed for indoor or outdoor use in protecting components from dust, dirt, oil, and hose-directed water.

Construction

- 16 or 14 gauge steel (see table)
- Seams continuously welded and ground smooth, no holes or knockouts
- External wall-mounting brackets are 14 gauge steel
- Return flanges exclude liquids and contaminants
- Stainless steel door clamps on three sides of door for watertight seal
- Removable heavy gauge stainless steel continuous hinge pin
- Hasp and staple provided for padlocking
- Data pocket is high-impact thermoplastic
- Collar studs provided for mounting optional panels
- Bonding provision on door

Finish

ANSI 61 gray polyester powder paint inside and out over phosphatized surfaces. Optional panels have white or conductive finish.

Industry Standards

UL 508A, File No. E61997: Type 4, 12, and 13
NEMA/EEMAC Type 3, 4, 12, and 13
JIC standard EGP-1-1967 (14 gauge only)
CSA, File No. 42186: Type 4 and 12
IEC 60529, IP66

Accessories

See also *Accessories chapter*.

Clamp Kit (AL16)
Corrosion Inhibitors
Door Stop Kit (ADSTOPK)
Drip Shield Kit

Electrical Interlocks
Enclosure Stabilizer
External Data Pockets
Fast Operating Clamp Assembly (AFC412SS)
Floor Stand Kit
INTERSAFE® Data Interface Ports
Lighting Kit
Panel Support Kit
Panels (see table)
Rack Mounting Angle Kit
Swing-Out Panel Kit (AJCDFK)
Terminal Block Kit Assembly
Touch-Up Paint (ATPPY61)
Window Kit

Modification Services Program

You can customize this product to your unique requirements by specifying from these options:

- Enclosure height, width, depth
- Over 100 standard finish colors and textures
- Holes and cutouts in body, doors, subpanels
- Tapped holes, fasteners in enclosure or subpanel
- Mounting
- Doors
- Subpanels
- Structural changes
- Environmental control (louvers, fans, filters)
- Windows
- Standard accessories

To order, contact your local Hoffman sales representative.

NOTE: For information about modifications outside the scope of the Modification Services program, contact your Hoffman sales representative.

Single-Door Type 4 Wall-Mount Enclosures

Standard Sizes Single-Door Type 4 Enclosures

Catalog Number	A x B x C in. (mm)	Body Gauge	Panel Catalog Number	Conductive Panel Catalog Number	Panel Size D x E (in.)	Panel Size D x E (mm)	F (in.)	F (mm)	Number of Clamps	Data Pocket
A16H12ALP	16.00 x 12.00 x 6.00 (406 x 305 x 152)	16	A16P12	A16P12G	13.00 x 9.00	330 x 229	1.25	32	4	Small
A16H16ALP	16.00 x 16.00 x 6.00 (406 x 406 x 152)	16	A16P16	A16P16G	13.00 x 13.00	330 x 330	3.00	76	4	Small
A16H20ALP	16.00 x 20.00 x 6.00 (406 x 508 x 152)	16	A20P16	A20P16G	17.00 x 13.00	432 x 330	3.00	76	4	Small
A20H16ALP	20.00 x 16.00 x 6.00 (508 x 406 x 152)	16	A20P16	A20P16G	17.00 x 13.00	432 x 330	3.00	76	4	Small
A20H20ALP	20.00 x 20.00 x 6.00 (508 x 508 x 152)	16	A20P20	A20P20G	17.00 x 17.00	432 x 432	3.00	76	4	Small
A24H12ALP	24.00 x 12.00 x 6 (610 x 305 x 152)	16	A12P24	A12P24G	9.00 x 21.00	229 x 533	1.25	32	5	Small
A24H16ALP	24.00 x 16.00 x 6.00 (610 x 406 x 152)	16	A24P16	A24P16G	21.00 x 13.00	533 x 330	3.00	76	5	Small
A24H20ALP	24.00 x 20.00 x 6.00 (610 x 508 x 152)	16	A24P20	A24P20G	21.00 x 17.00	533 x 432	3.00	76	5	Small
A24H24ALP	24.00 x 24.00 x 6.00 (305 x 305 x 152)	16	A24P24	A24P24G	21.00 x 21.00	533 x 533	3.00	76	5	Small
A30H20ALP	30.00 x 20.00 x 6.00 (762 x 508 x 152)	14	A30P20	A30P20G	27.00 x 17.00	686 x 432	3.00	76	5	Small
A30H24ALP	30.00 x 24.00 x 6.00 (762 x 610 x 152)	14	A30P24	A30P24G	27.00 x 21.00	686 x 533	3.00	76	5	Large
A36H24ALP	36.00 x 24.00 x 6.00 (914 x 610 x 152)	14	A36P24	A36P24G	33.00 x 21.00	838 x 533	3.00	76	5	Large
A16H12BLP	16.00 x 12.00 x 8.00 (406 x 305 x 203)	16	A16P12	A16P12G	13.00 x 9.00	330 x 229	1.25	32	4	Small
A20H16BLP	20.00 x 16.00 x 8.00 (508 x 406 x 203)	16	A20P16	A20P16G	17.00 x 13.00	432 x 330	3.00	76	4	Small
A20H20BLP	20.00 x 20.00 x 8.00 (508 x 508 x 203)	16	A20P20	A20P20G	17.00 x 17.00	432 x 432	3.00	76	4	Small
A20H24BLP	20.00 x 24.00 x 8.00 (508 x 610 x 203)	16	A24P20	A24P20G	21.00 x 17.00	533 x 432	3.00	76	4	Small
A24H20BLP	24.00 x 20.00 x 8.00 (610 x 508 x 203)	16	A24P20	A24P20G	21.00 x 17.00	533 x 432	3.00	76	5	Small
A24H24BLP	24.00 x 24.00 x 8.00 (610 x 610 x 203)	16	A24P24	A24P24G	21.00 x 21.00	533 x 533	3.00	76	5	Small
A24H30BLP	24.00 x 30.00 x 8.00 (610 x 762 x 203)	14	A30P24	A30P24G	27.00 x 21.00	686 x 533	3.00	76	7	Small
A30H20BLP	30.00 x 20.00 x 8.00 (762 x 508 x 203)	14	A30P20	A30P20G	27.00 x 17.00	686 x 432	3.00	76	5	Small
A30H24BLP	30.00 x 24.00 x 8.00 (762 x 610 x 203)	14	A30P24	A30P24G	27.00 x 21.00	686 x 533	3.00	76	5	Large
A30H30BLP	30.00 x 30.00 x 8.00 (762 x 762 x 203)	14	A30P30	A30P30G	27.00 x 27.00	686 x 686	3.00	76	7	Large
A36H24BLP	36.00 x 24.00 x 8.00 (914 x 610 x 203)	14	A36P24	A36P24G	33.00 x 21.00	838 x 533	3.00	76	5	Large
A36H30BLP	36.00 x 30.00 x 8.00 (914 x 762 x 203)	14	A36P30	A36P30G	33.00 x 27.00	838 x 686	3.00	76	7	Large
A42H30BLP	42.00 x 30.00 x 8.00 (1067 x 762 x 203)	14	A42P30	A42P30G	39.00 x 27.00	991 x 686	3.00	76	8	Small
A42H36BLP	42.00 x 36.00 x 8.00 (1067 x 914 x 203)	14	A42P36	A42P36G	39.00 x 33.00	991 x 838	3.00	76	8	Large
A48H36BLP	48.00 x 36.00 x 8.00 (1219 x 914 x 203)	14	A48P36	A48P36G	45.00 x 33.00	1143 x 838	3.00	76	8	Large
A60H36BLP	60.00 x 36.00 x 8.00 (1524 x 914 x 203)	14	A60P36	A60P36G	57.00 x 33.00	1448 x 838	3.00	76	9	Large
A20H16CLP	20.00 x 16.00 x 10.00 (508 x 406 x 254)	14	A20P16	A20P16G	17.00 x 13.00	432 x 330	3.00	76	4	Small
A24H20CLP	24.00 x 20.00 x 10.00 (610 x 508 x 254)	14	A24P20	A24P20G	21.00 x 17.00	533 x 432	3.00	76	5	Small
A30H24CLP	30.00 x 24.00 x 10.00 (762 x 610 x 254)	14	A30P24	A30P24G	27.00 x 21.00	686 x 533	3.00	76	5	Large
A36H30CLP	36.00 x 30.00 x 10.00 (914 x 762 x 254)	14	A36P30	A36P30G	33.00 x 27.00	838 x 686	3.00	76	7	Large
A48H30CLP	48.00 x 30.00 x 10.00 (1219 x 762 x 254)	14	A48P30	A48P30G	45.00 x 27.00	1143 x 686	3.00	76	8	Small
A48H36CLP	48.00 x 36.00 x 10.00 (1219 x 914 x 254)	14	A48P36	A48P36G	45.00 x 33.00	1143 x 838	3.00	76	8	Large

**Industrial
Enclosures**

Single-Door Type 4 Wall-Mount Enclosures

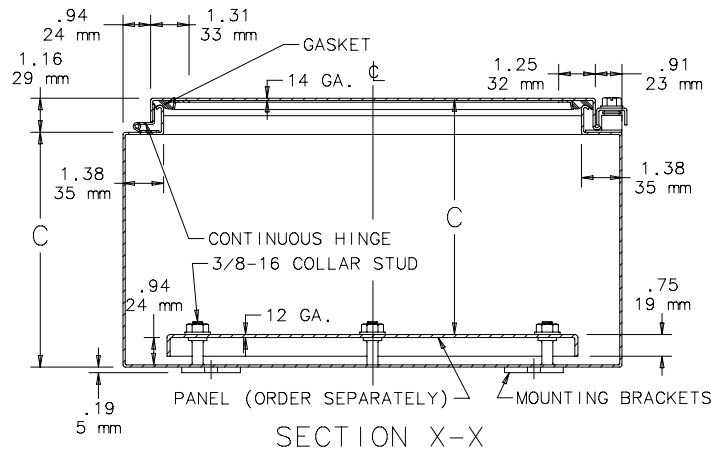
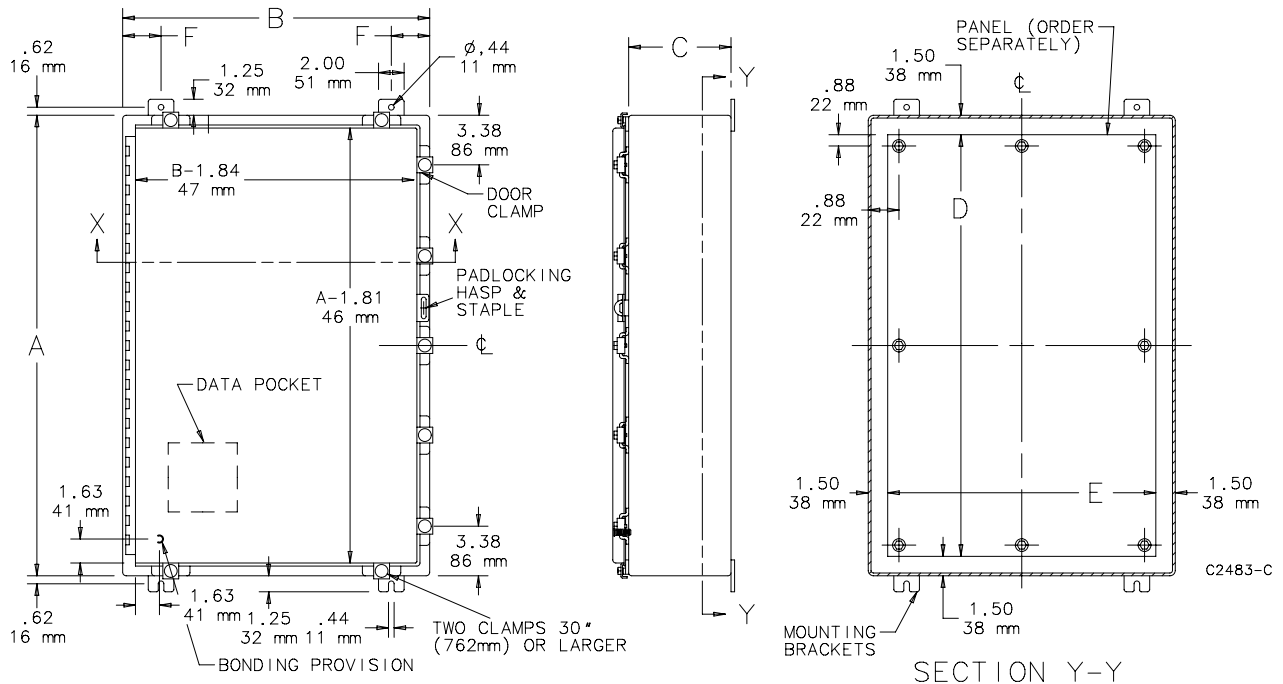
Standard Sizes Single-Door Type 4 Enclosures (Cont.)

Catalog Number	A x B x C in. (mm)	Body Gauge	Panel Catalog Number	Conductive Panel Catalog Number	Panel Size D x E (in.)	Panel Size D x E (mm)	F (in.)	F (mm)	Number of Clamps	Data Pocket
A60H36CLP	60.00 x 36.00 x 10.00 (1524 x 914 x 254)	14	A60P36	A60P36G	57.00 x 33.00	1448 x 838	3.00	76	9	Large
A30H24DLP	30.00 x 24.00 x 12.00 (762 x 610 x 305)	14	A30P24	A30P24G	27.00 x 21.00	686 x 533	3.00	76	5	Large
A36H30DLP	36.00 x 30.00 x 12.00 (914 x 762 x 305)	14	A36P30	A36P30G	33.00 x 27.00	838 x 686	3.00	76	7	Large
A48H36DLP	48.00 x 36.00 x 12.00 (1219 x 914 x 305)	14	A48P36	A48P36G	45.00 x 33.00	1143 x 838	3.00	76	8	Large
A36H30FLP	36.00 x 30.00 x 16.00 (914 x 762 x 406)	14	A36P30	A36P30G	33.00 x 27.00	838 x 686	3.00	76	7	Large
A48H36FLP	48.00 x 36.00 x 16.00 (1219 x 914 x 406)	14	A48P36	A48P36G	45.00 x 33.00	1143 x 838	3.00	76	8	Large
A60H36FLP	60.00 x 36.00 x 16.00 (1524 x 914 x 406)	14	A60P36	A60P36G	57.00 x 33.00	1448 x 838	3.00	76	9	Large

Purchase panels separately. Optional stainless steel, conductive, composite, and aluminum panels are available for most sizes.

NOTE: Panels have a formed flange on any side that is longer than 21.00 in. (533mm). Panel A24P20 has a flange on all four sides.

Single-Door Type 4 Wall-Mount Enclosures



**Industrial
Enclosures**



Application

Type I Large Enclosures are general-purpose cabinets for protecting electrical and electronic equipment in applications that do not require extensive environmental protection. The design accommodates panel- or rack-mounted equipment. Typical applications include:

- PLC and main control
- Variable Frequency Drives (VFDs)
- Marshalling cabinets
- Supervisory Control and Data Acquisition (SCADA) systems
- 19 or 23 in. rack-mounted instrumentation or control systems

Construction

- 14 gauge steel body and door; 12 gauge back covers
- 4 in. high 10 gauge steel integral lifting base
- Heights from 48 in. to 84 in. Usable height inside cabinet 4 in. less than nominal height.
- Sturdy 7 gauge lifting tabs
- Flush doors
- 3-point latch with heavy-duty handle
- Padlock provision in handle
- Predrilled holes in lifting base provide bolt-down capability
- Easily reversible doors on single-door models
- Overlapping doors with no center post on two-door models
- Bonding provision on each door
- Studs included for mounting optional panels on threaded bolts
- Optional rack angles mount to top and bottom of front flanges
- Removable back covers

Finish

RAL 7035 light gray polyester powder paint inside and outside. Optional panels have white or conductive finish. Rack angles have galvanized finish.

Industry Standards

UL508A, File No. E61997: Type I
NEMA/EEMAC Type I
cUL File No. E61997: Type I
IEC 60529 IP30

Accessories

See also *Accessories chapter*.

Can be used with most 19 and 23 in. rack accessories.

Rack Mounted Drawers
Rack Mounted Shelf
Rack Panels
Rack Angles
Blower Package
Electric Heaters
Fan Cooling Products
Folding Shelf
Panels
Rack Angles
Touch-up Paint (ATPB7035)
Window Kit

Modification Services Program

You can customize this product to your unique requirements by specifying from these options:

- Change enclosure height, width, depth
- Over 100 standard finish colors and textures
- Add holes and cutouts in body, doors, and subpanels
- Tapped holes, fasteners, in enclosure or subpanel
- Door modifications
- Subpanel modifications
- Structural changes
- Environmental control additions
- Windows installed
- Standard accessories added

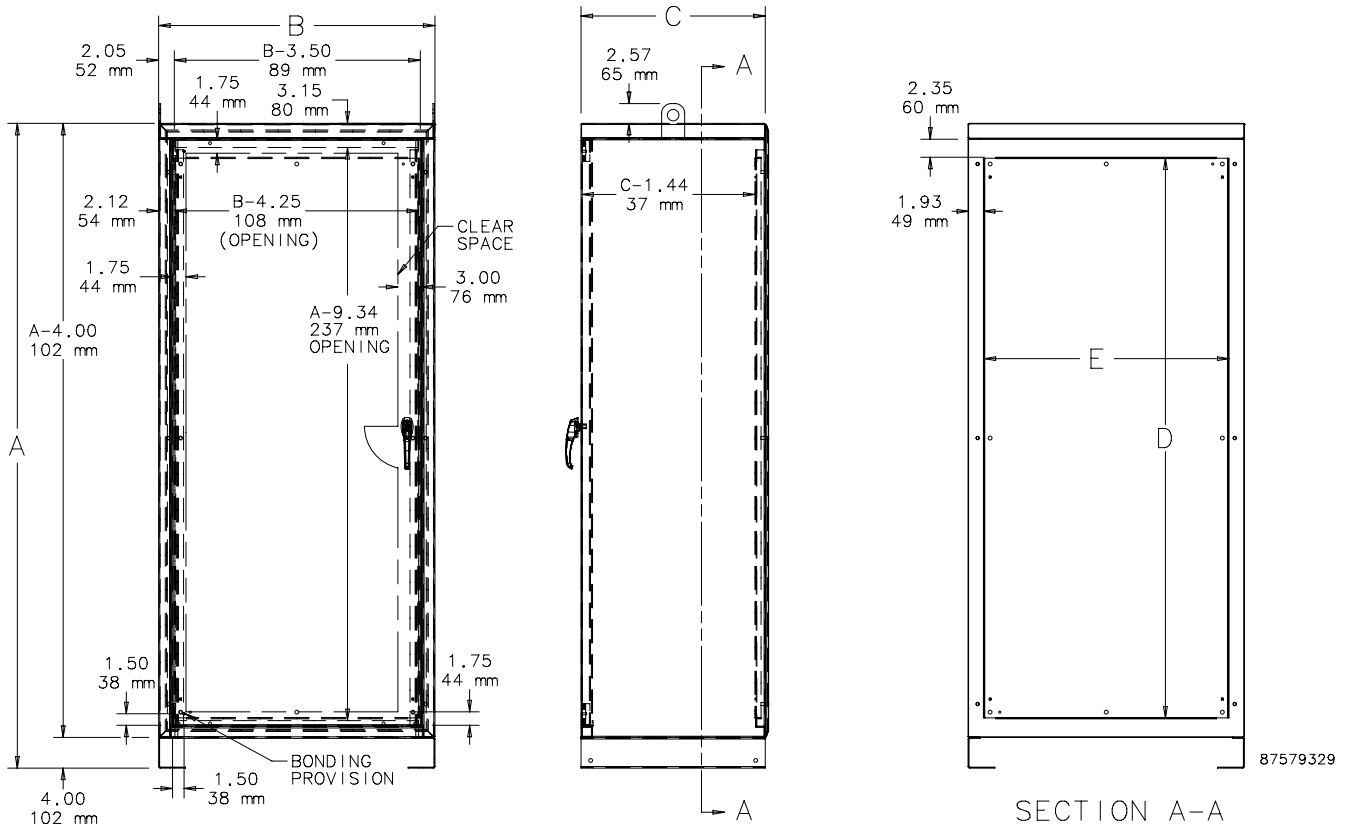
To order, contact your local Hoffman sales representative.

NOTE: For information about modifications outside the scope of the Modification Services program, contact your Hoffman sales representative.

Standard Sizes Free-Standing Type I Large Single-Door Enclosures

Catalog Number	A x B x C in. (mm)	Panel Catalog Number	Conductive Panel Catalog Number	Panel Size D (in.)	Panel Size D (mm)	Panel Size E (in.)	Panel Size E (mm)
A48N2512FSLP	48.00 x 25.50 x 12.00 (1219 x 648 x 305)	A37P21N	A37P21NG	37.16	944	21.50	546
A48N2518FSLP	48.00 x 25.50 x 18.00 (1219 x 648 x 457)	A37P21N	A37P21NG	37.16	944	21.50	546
A60N2512FSLP	60.00 x 25.50 x 12.00 (1524 x 648 x 305)	A49P21N	A49P21NG	49.16	1249	21.50	546
A60N2518FSLP	60.00 x 25.50 x 18.00 (1524 x 648 x 457)	A49P21N	A49P21NG	49.16	1249	21.50	546
A60N2524FSLP	60.00 x 25.50 x 24.00 (1524 x 648 x 610)	A49P21N	A49P21NG	49.16	1249	21.50	546
A72N2518FSLP	72.00 x 25.50 x 18.00 (1829 x 648 x 457)	A61P21N	A61P21NG	61.16	1553	21.50	546
A84N2518FSLP	84.00 x 25.50 x 18.00 (2134 x 648 x 457)	A73P21N	A73P21NG	73.16	1858	21.50	546
A60N3618FSLP	60.00 x 36.00 x 18.00 (1524 x 914 x 457)	A49P32N	A49P32NG	49.16	1249	32.00	813
A72N3618FSLP	72.00 x 36.00 x 18.00 (1829 x 914 x 457)	A61P32N	A61P32NG	61.16	1553	32.00	813
A72N3624FSLP	72.00 x 36.00 x 24.00 (1829 x 914 x 610)	A61P32N	A61P32NG	61.16	1553	32.00	813
A84N3624FSLP	84.00 x 36.00 x 24.00 (2134 x 915 x 610)	A73P32N	A73P32NG	73.16	1858	32.00	813

Free-Standing Type I Large Single-Door Enclosures Drawing



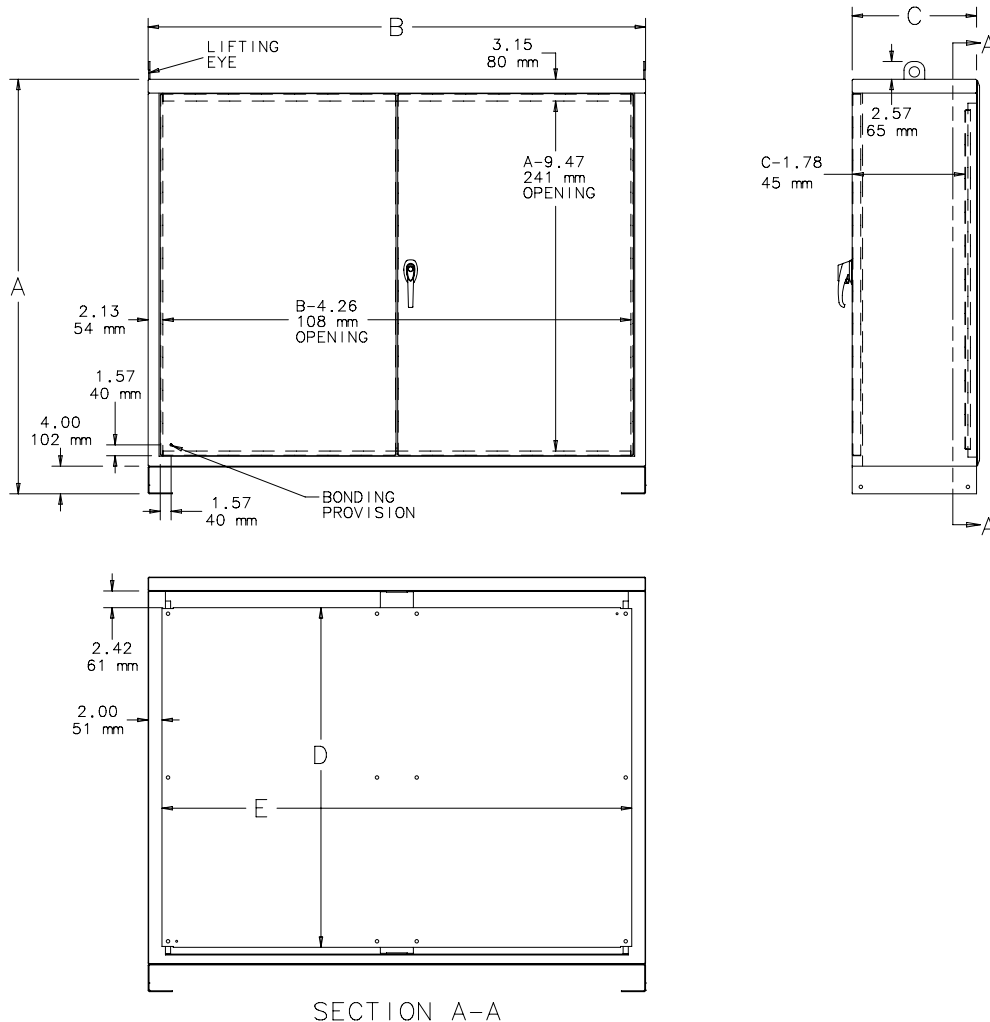
Industrial Enclosures

Type I Free-Standing Enclosures

Standard Sizes Free-Standing Type I Large Two-Door Enclosures

Catalog Number	A x B x C in. (mm)	Panel Catalog Number	Conductive Panel Catalog Number	Panel Size D (in.)	Panel Size D (mm)	Panel Size E (in.)	Panel Size E (mm)
A48N5212FSLP	48.00 x 52.00 x 12.00 (1219 x 1321 x 305)	A37P48N	A37P48NG	37.16	944	48.00	1219
A48N5218FSLP	48.00 x 52.00 x 18.00 (1219 x 1321 x 457)	A37P48N	A37P48NG	37.16	944	48.00	1219
A60N5212FSLP	60.00 x 52.00 x 12.00 (1524 x 1321 x 305)	A49P48N	A49P48NG	49.16	1249	48.00	1219
A60N5218FSLP	60.00 x 52.00 x 18.00 (1524 x 1321 x 457)	A49P48N	A49P48NG	49.16	1249	48.00	1219
A60N5224FSLP	60.00 x 52.00 x 24.00 (1524 x 1321 x 610)	A49P48N	A49P48NG	49.16	1249	48.00	1219
A60N7224FSLP	60.00 x 72.00 x 24.00 (1524 x 1829 x 610)	A49P48N	A49P48NG	49.16	1249	68.00	1727
A72N7218FSLP	72.00 x 72.00 x 18.00 (1829 x 1829 x 457)	A61P68N	A61P68NG	61.16	1553	68.00	1727
A72N7224FSLP	72.00 x 72.00 x 24.00 (1829 x 1829 x 610)	A61P68N	A61P68NG	61.16	1553	68.00	1727
A84N7218FSLP	84.00 x 72.00 x 18.00 (2134 x 1829 x 457)	A73P68N	A73P68NG	73.16	1858	68.00	1727
A84N7224FSLP	84.00 x 72.00 x 24.00 (2134 x 1829 x 610)	A73P68N	A73P68NG	73.16	1858	68.00	1727

Free-Standing Type I Large Two-Door Enclosures Drawing



87780866

Optional Accessories

Panels for Free-Standing Type I Large Single-Door Enclosures

Panels for free-standing Type I large single-door standard and disconnect enclosures are 12 gauge steel. Finish is polyester powder paint or a conductive, corrosion-resistant coating.

Catalog Number	Finish	D (in.)	D (mm)	E (in.)	E (mm)
A37P21N	Paint	37.16	944	21.50	546
A37P21NG	Conductive	37.16	944	21.50	546
A49P21N	Paint	49.16	1249	21.50	546
A49P21NG	Conductive	49.16	1249	21.50	546
A61P21N	Paint	61.16	1553	21.50	546
A61P21NG	Conductive	61.16	1553	21.50	546
A73P21N	Paint	73.16	1858	21.50	546
A73P21NG	Conductive	73.16	1858	21.50	546
A49P32N	Paint	49.16	1249	32.00	813
A49P32NG	Conductive	49.16	1249	32.00	813
A61P32N	Paint	61.16	1553	32.00	813
A61P32NG	Conductive	61.16	1553	32.00	813
A73P32N	Paint	73.16	1858	32.00	813
A73P32NG	Conductive	73.16	1858	32.00	813

Panels for Free-Standing Type I Large Two-Door Enclosures

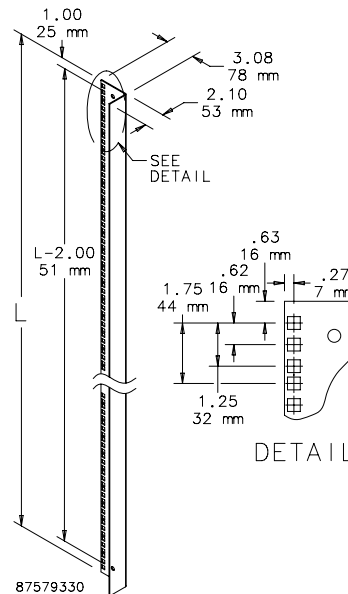
Panels for free-standing Type I large two-door standard and disconnect enclosures are 10 gauge steel. Finish is either polyester powder paint or a conductive, corrosion-resistant coating.

Catalog Number	Finish	D (in.)	D (mm)	E (in.)	E (mm)
A37P48N	Paint	37.16	944	48.00	1219
A37P48NG	Conductive	37.16	944	48.00	1219
A49P48N	Paint	49.16	1249	48.00	1219
A49P48NG	Conductive	49.16	1249	48.00	1219
A49P68N	Paint	49.16	1249	68.00	1727
A49P68NG	Conductive	49.16	1249	68.00	1727
A61P68N	Paint	61.16	1553	68.00	1727
A61P68NG	Conductive	61.16	1553	68.00	1727
A73P68N	Paint	73.16	1858	68.00	1727
A73P68NG	Conductive	73.16	1858	68.00	1727

Rack Angles

Use to install 19 in. wide equipment in 25.5 in. wide enclosures and 23 in. wide equipment in 36 in. wide enclosures. Order two sets for 52 and 72 in. wide two-door enclosures. Galvanized 14 gauge steel with square holes spaced to meet EIA 310-D standards. Mount to factory-drilled holes in top and bottom of front flange. Purchase clip nuts, catalog number AN1032, separately for component mounting.

Catalog Number	L (in.)	L (mm)	Kit Qty.
ARA4819THG	41.63	1057	2
ARA6019THG	53.63	1362	2
ARA7219THG	65.63	1667	2
ARA8419THG	77.63	1972	2



Gasket Kits

Apply self-adhesive strip gaskets for gasketed NEMA I solution. Each kit includes sufficient gasket for any single- or two-door enclosure. Choose kit by number of doors.

Catalog Number	Description
A38GSKT	For single-door enclosures
A38GSKT2	For two-door enclosures

Industrial Enclosures



Application

Designed to protect electrical and electronic controls, components, and instruments in typical industrial environments. The UL Type 12 rating protects enclosed equipment from dust, dirt, oil, and dripping water. These enclosures are used for housing motor starters, drives, contactors, and PLCs, as well as a wide variety of other electrical and electronic equipment. Rack-mounting accessories provide rugged protection for sensitive rack-mounted components in harsh industrial environments. The enclosures are used extensively in automotive, pulp and paper, wood products, textile, and similar industries. Four styles are available to provide maximum flexibility:

1. Single-Door Single-Access Enclosures (single door on front)
2. Single-Door Dual-Access Enclosures (single door on front and rear)
3. Two-Door Single-Access Enclosures (overlapping doors on front)
4. Two-Door Dual-Access Enclosures (overlapping doors on front and rear)

Construction

- 12 gauge steel
- Seams continuously welded and ground smooth; no holes or knockouts
- Stiffeners on back of two-door enclosures maintain flatness and increase rigidity
- Lifting eyes for easy handling
- 3-point latches operated by oiltight key-locking handle
- Latch rod rollers for easy door closing
- Heavy-gauge continuous hinges support each door
- Data pockets are high-impact thermoplastic
- Internal mounting channels welded horizontally to sides at top, bottom, and center
- Optional panels and rack mounting angles can be mounted anywhere along channels
- Oil-resistant door gasket
- Bonding provision on door
- Provision for mounting fluorescent light

Finish

White polyester powder paint inside with ANSI 61 gray polyester powder paint outside over phosphatized surfaces. Optional panels and side-mounted panels have white enamel or conductive finish. Swing-out panels, rack mounting frames, heavy-duty panel supports, and center panel supports are white.

Industry Standards

UL 508A, File No. E61997: Type 12
NEMA/EEMAC Type 12
E.I.A. RS310D
CSA, File No. 42186, Type 12
IEC 60529, IP55

Accessories

See also *Accessories chapter*.

Blower Package
Casters
Clamping Nut Kit
Corrosion Inhibitors
Electric Heaters
Electrical Interlocks
External Data Pockets
Fan Cooling Products
Floor Stand Kit
Folding Shelf
INTERSAFE® Data Interface Ports
Keyboard Kit
Lighting Kit
Panel Support Kit
Panels
Touch-Up Paint (ATPPY61)
Window Kit

Modification Services Program

You can customize this product to your unique requirements by specifying from these options:

- Enclosure height, width, depth
- Over 100 standard finish colors and textures
- Holes and cutouts in body, doors, subpanels
- Tapped holes, fasteners, mounting channel in enclosure or subpanel
- Mounting
- Doors
- Subpanels
- Structural changes
- Environmental control (louvers, fans, filters)
- Windows
- Standard accessories

To order, contact your local Hoffman sales representative.

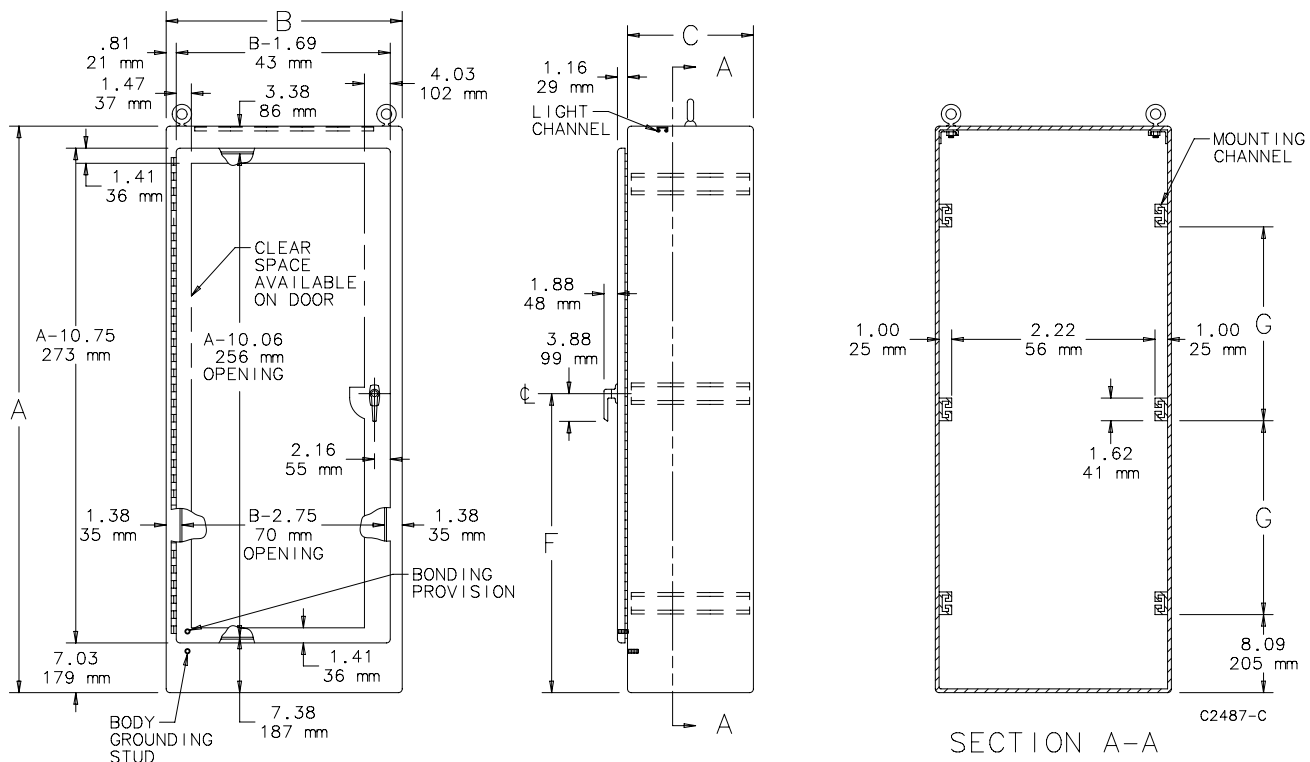
NOTE: For information about modifications outside the scope of the Modification Services program, contact your Hoffman sales representative.

Free-Standing Type I2 Enclosures

Standard Sizes Single-Door Single-Access Free-Standing Type I2 Enclosures

Catalog Number	A x B x C in. (mm)	F (in.)	F (mm)	G (in.)	G (mm)	Number of Lifting Eyes	Number of Rack Units
A602418FS	60.06 x 24.06 x 18.06 (1526 x 611 x 459)	32.03	814	23.12	587	2	28
A722418FS	72.06 x 24.06 x 18.06 (1830 x 611 x 459)	38.03	966	29.12	740	2	35
A723018FS	72.06 x 30.06 x 18.06 (1830 x 764 x 459)	38.03	966	29.12	740	2	35
A723618FS	72.06 x 36.06 x 18.06 (1830 x 916 x 459)	38.03	966	29.12	740	2	35
A902420FS	90.06 x 24.06 x 20.06 (2288 x 611 x 510)	47.03	1195	38.12	968	2	45
A903620FS	90.06 x 36.06 x 20.06 (2288 x 916 x 510)	47.03	1195	38.12	968	2	45
A603624FS	60.06 x 36.06 x 24.06 (1526 x 916 x 611)	32.03	814	23.12	587	2	28
A722424FS	72.06 x 24.06 x 24.06 (1830 x 611 x 611)	38.03	966	29.12	740	2	35
A723024FS	72.06 x 30.06 x 24.06 (1830 x 764 x 611)	38.03	966	29.12	740	2	35
A723624FS	72.06 x 36.06 x 24.06 (1830 x 916 x 611)	38.03	966	29.12	740	2	35
A903624FS	90.06 x 36.06 x 24.06 (2288 x 916 x 611)	47.03	1195	38.12	968	2	45
A723630FS	72.06 x 36.06 x 30.06 (1830 x 916 x 764)	38.03	966	29.12	740	4	35
A723636FS	72.06 x 36.06 x 36.06 (1830 x 916 x 916)	38.03	966	29.12	740	4	35
A903636FS	90.06 x 36.06 x 36.06 (2288 x 916 x 916)	47.03	1195	38.12	968	4	45

Single-Door Single-Access Free-Standing Type I2 Enclosures

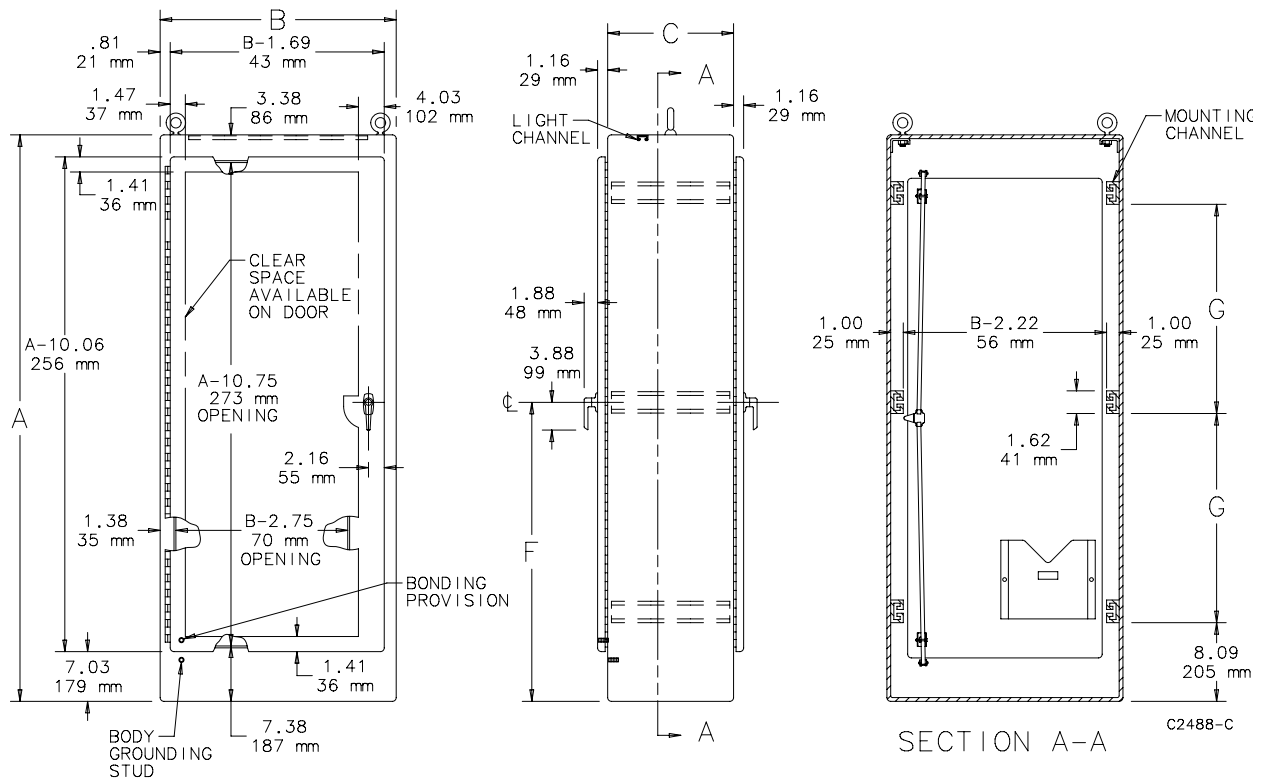


- NOTE: 1. Four lifting eyes are furnished if C=30.06 (764mm) or more.
2. See General Accessories chapter for section view A-A showing accessories.
3. Removable 12.00 x 12.00 (305 mm x 305mm) data pocket.

Standard Sizes Single-Door Dual-Access Free-Standing Type 12 Enclosures

Catalog Number	A x B x C in. (mm)	F (in.)	F (mm)	G (in.)	G (mm)	Number of Lifting Eyes	Number of Rack Units
A722424FSDA	72.06 x 24.06 x 24.06 (1830 x 611 x 611)	38.03	966	29.12	740	2	35
A723024FSDA	72.06 x 30.06 x 24.06 (1830 x 764 x 611)	38.03	966	29.12	740	2	35
A723624FSDA	72.06 x 36.06 x 24.06 (1830 x 916 x 611)	38.03	966	29.12	740	2	35
A903624FSDA	90.06 x 36.06 x 24.06 (2288 x 916 x 611)	47.03	1195	38.12	968	2	45
A722430FSDA	72.06 x 24.06 x 30.06 (1830 x 611 x 764)	38.03	966	29.12	740	4	35
A722436FSDA	72.06 x 24.06 x 36.06 (1830 x 611 x 916)	38.03	966	29.12	740	4	35
A723636FSDA	72.06 x 36.06 x 36.06 (1830 x 916 x 916)	38.03	966	29.12	740	4	35
A903636FSDA	90.06 x 36.06 x 36.06 (2288 x 916 x 916)	47.03	1195	38.12	968	4	45

Single-Door Dual Access Free-Standing Type 12 Enclosures



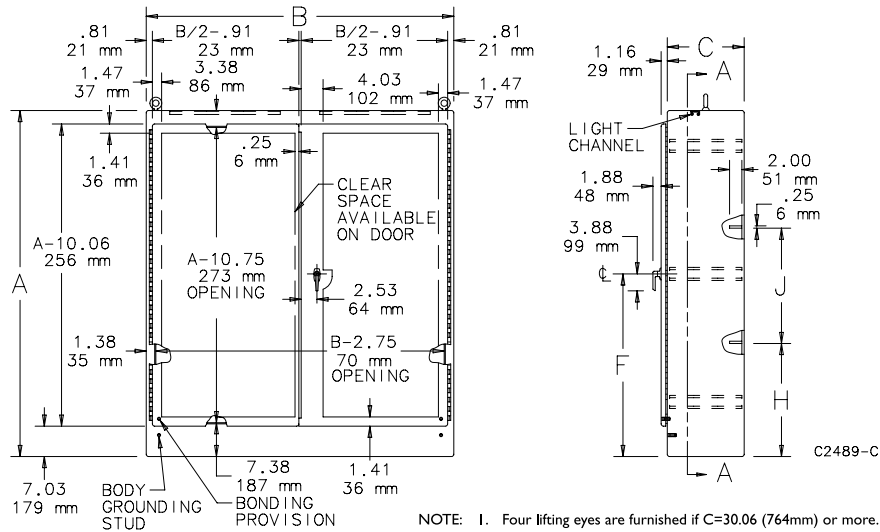
- NOTE:
1. Four lifting eyes are furnished if C=30.06 (764mm) or more.
 2. See General Accessories chapter for section view A-A showing accessories.
 3. Removable 12.00 x 12.00 (305mm x 305mm) data pocket.

Free-Standing Type I2 Enclosures

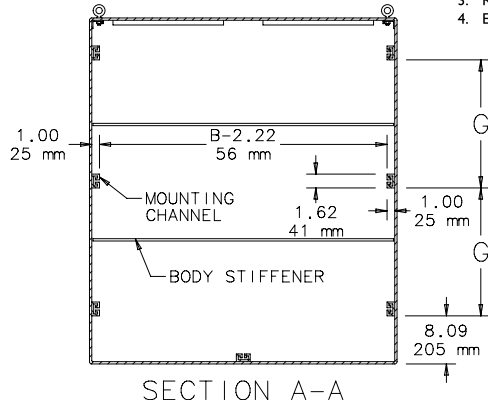
Standard Sizes Two-Door Single-Access Free-Standing Type I2 Enclosures

Catalog Number	A x B x C in. (mm)	F (in.)	F (mm)	G (in.)	G (mm)	H (in.)	H (mm)	J (in.)	J (mm)	Number of Lifting Eyes	Number of Rack Units
A604818FSD	60.06 x 48.06 x 18.06 (1526 x 1221 x 472)	32.03	814	23.12	587	19.88	505	20.03	509	2	28
A724818FSD	72.06 x 48.06 x 18.06 (1830 x 1221 x 472)	38.03	966	29.12	740	23.88	607	24.03	610	2	35
A726018FSD	72.06 x 60.06 x 18.06 (1830 x 1526 x 472)	38.03	966	29.12	740	23.88	607	24.03	610	2	35
A727218FSD	72.06 x 72.06 x 18.06 (1830 x 1830 x 472)	38.03	966	29.12	740	23.88	607	24.03	610	2	35
A904820FSD	90.06 x 48.06 x 20.06 (2288 x 1221 x 510)	47.03	1195	38.12	968	29.88	759	30.03	763	2	45
A907220FSD	90.06 x 72.06 x 20.06 (2288 x 1830 x 510)	47.03	1195	38.12	968	29.88	759	30.03	763	2	45
A724824FSD	72.06 x 48.06 x 24.06 (1830 x 1221 x 611)	38.03	966	29.12	740	23.88	607	24.03	610	2	35
A726024FSD	72.06 x 60.06 x 24.06 (1830 x 1526 x 611)	38.03	966	29.12	740	23.88	607	24.03	610	2	35
A727224FSD	72.06 x 72.06 x 24.06 (1830 x 1830 x 611)	38.03	966	29.12	740	23.88	607	24.03	610	2	35
A907224FSD	90.06 x 72.06 x 24.06 (2288 x 1830 x 611)	47.03	1195	38.12	968	29.88	759	30.03	763	2	45
A726036FSD	72.06 x 60.06 x 36.06 (1830 x 1526 x 916)	38.03	966	29.12	740	23.88	607	24.03	610	4	35
A907236FSD	90.06 x 72.06 x 36.06 (2288 x 1830 x 916)	47.03	1195	38.12	968	29.88	759	30.03	763	4	45

Two-Door Single Access Free-Standing Type I2 Enclosures



- NOTE:
- Four lifting eyes are furnished if C=30.06 (764mm) or more.
 - See General Accessories chapter for section view A-A showing accessories.
 - Removable 12.00 x 12.00 (305mm x 305mm) data pocket.
 - Enclosure backs are 10 gauge.

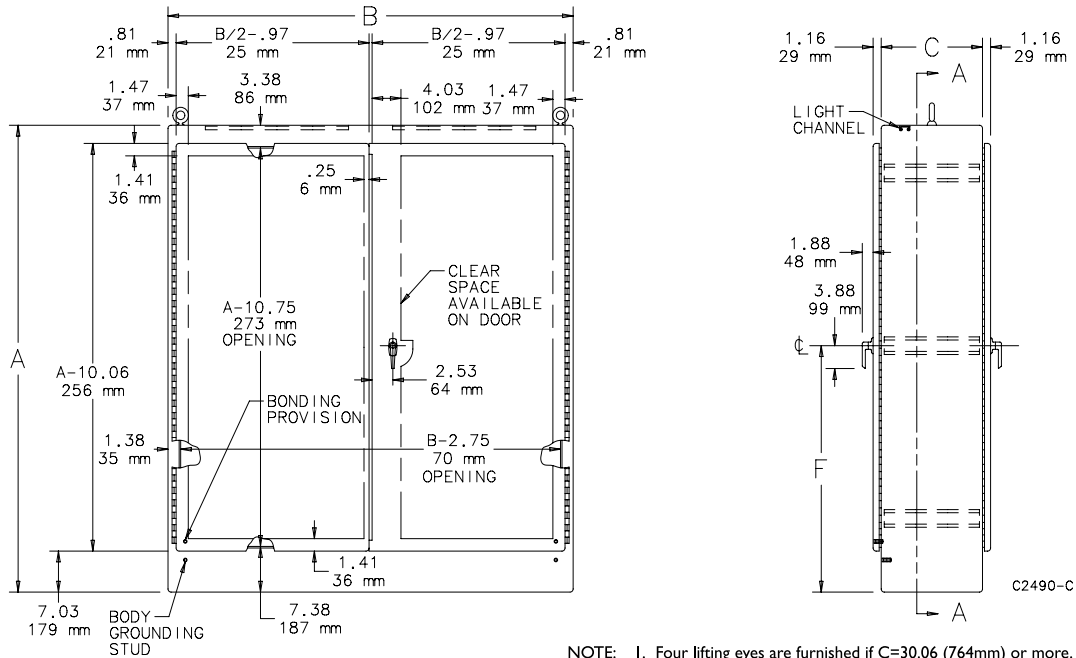


Free-Standing Type 12 Enclosures

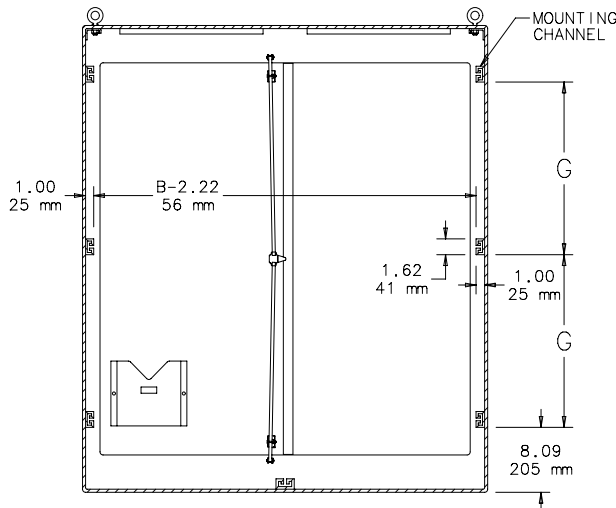
Standard Sizes Two-Door Dual-Access Free-Standing Type 12 Enclosures

Catalog Number	A x B x C in. (mm)	F (in.)	F (mm)	G (in.)	G (mm)	Number of Lifting Eyes	Number of Rack Units
A724824FSDAD	72.06 x 48.06 x 24.06 (1830 x 1221 x 611)	38.03	966	29.12	740	2	35
A726024FSDAD	72.06 x 60.06 x 24.06 (1830 x 1526 x 611)	38.03	966	29.12	740	2	35
A727224FSDAD	72.06 x 72.06 x 24.06 (1830 x 1830 x 611)	38.03	966	29.12	740	2	35
A907224FSDAD	90.06 x 72.06 x 24.06 (2288 x 1830 x 611)	47.03	1195	38.12	968	2	45
A726036FSDAD	72.06 x 60.06 x 36.06 (1830 x 1526 x 916)	38.03	966	29.12	740	4	35

Two-Door Dual Access Free-Standing Type 12 Enclosures Drawing



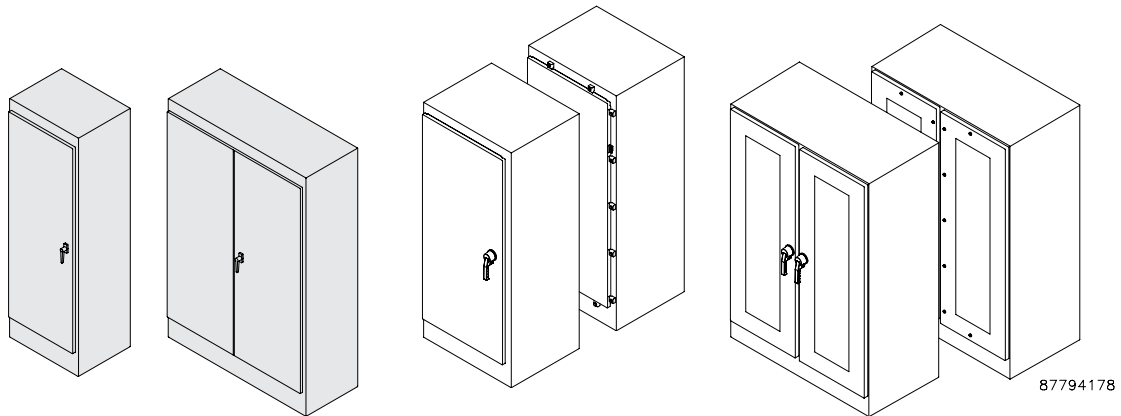
- NOTE:
- Four lifting eyes are furnished if C=30.06 (764mm) or more.
 - See General Accessories chapter for section view A-A showing accessories.
 - Removable 12.00 x 12.00 (305mm x 305mm) data pocket.



SECTION A-A

Free-Standing Type 12 Enclosures

Free-Standing Enclosures Accessory Selection Guide



Free-Standing Type 12
Single-Door Enclosure
(Single-Access or Dual-Access)

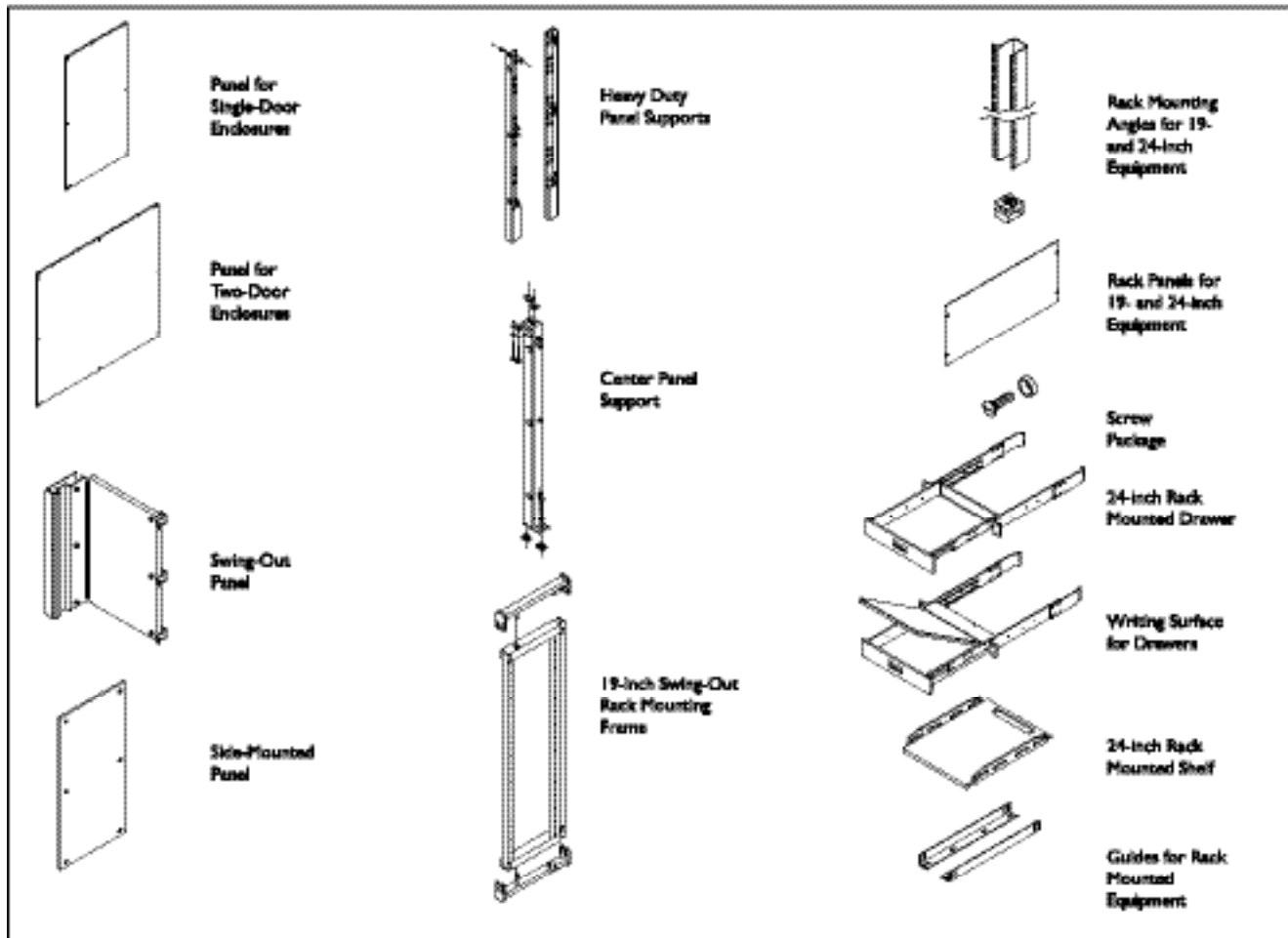
Free-Standing Type 12
Two-Door Enclosure
(Single-Access or Dual-Access)

Free-Standing Type 4X
Single-Door Enclosure

Free-Standing Fiberglass
Type 4X Enclosure

Internal Accessories

(See Accessories for details)



C2985-0

To select an accessory for an enclosure, see the following Free-Standing Enclosure Accessory tables.

Free-Standing Type I2 Enclosure Accessory Selection Guide

**Type I2 Free-Standing Enclosures
Accessory Selection**

(See Accessories for Details)

Panels

Catalog Number	Steel	Conductive	Description	Panel Size
A602418FS	•	a	Full Panel	48.00 x 20.00 (1219 x 508)
A722418FS	•	a	Half Panel	24.88 x 20.00 (632 x 508)
A73018FS	•	a	Full Panel	60.00 x 20.00 (1524 x 508)
A73618FS	•	a	Half Panel	30.88 x 20.00 (784 x 508)
A902420FS	•	a	Full Panel	78.00 x 20.00 (1981 x 508)
A903620FS	•	a	Half Panel	39.00 x 20.00 (1013 x 508)
A603624FS	•	a	Full Panel	60.00 x 26.00 (1524 x 660)
A72424FS	•	a	Half Panel	30.88 x 26.00 (784 x 660)
A73024FS	•	a	Full Panel	48.00 x 32.00 (1219 x 813)
A73624FS	•	a	Half Panel	24.88 x 32.00 (632 x 813)
A903624FS	•	a	Full Panel	60.00 x 32.00 (1524 x 813)
A72424FS	•	a	Half Panel	30.88 x 32.00 (784 x 813)
A73024FS	•	a	Full Panel	78.00 x 32.00 (1981 x 813)
A73624FS	•	a	Half Panel	39.88 x 32.00 (1013 x 813)
A903636FS	•	a	Full Panel	48.00 x 32.00 (1219 x 813)
A723636FS	•	a	Half Panel	24.88 x 32.00 (632 x 813)
A73636FS	•	a	Full Panel	60.00 x 32.00 (1524 x 813)
A903636FS	•	a	Half Panel	30.88 x 32.00 (784 x 813)

Swing-Out Panels

Catalog Number	Description	Panel Size
A72SP24F3	Full Panel	60.00 x 18.81 (1524 x 478)
A72SP24F4	Half Panel ^c	30.88 x 18.81 (784 x 478)
A72SP30F3	Full Panel	60.00 x 24.81 (1524 x 630)
A72SP30F4	Half Panel ^c	30.88 x 24.81 (784 x 630)
A72SP36F3	Full Panel	60.00 x 30.81 (1524 x 783)
A72SP36F4	Half Panel ^c	30.88 x 30.81 (784 x 783)
A90SP36F3	Full Panel	78.00 x 30.81 (1981 x 783)
A90SP36F4	Half Panel ^c	39.88 x 30.81 (1013 x 783)

Side-Mounted Panels

Catalog Number	Steel	Conductive	Description	Panel Size
A60SMP14	•	a	14" Wide Panel (356mm)	48.00 x 14.00 (1219 x 356)
A72SMP14	•	a	14" Wide Panel (356mm)	60.00 x 14.00 (1524 x 356)
A90SMP14	•	a	14" Wide Panel (356mm)	78.00 x 14.00 (1981 x 356)
A72SMP20	•	a	20" Wide Panel (508mm)	60.00 x 20.00 (1524 x 508)
A90SMP20	•	a	20" Wide Panel (508mm)	78.00 x 20.00 (1981 x 508)

^aRequires heavy duty panel supports ^bRequires center panel supports ^cFits in top half or bottom half of enclosure ^dWill not fit if other panels are also installed in same enclosure

Free-Standing Type 12 Enclosure Accessory Selection Guide

Type 12 Free-Standing Enclosures Accessory Selection

(See Accessories for Details)

Heavy Duty Panel Supports

Catalog Number	Description	Panel Size
A60FSDHPS	2 Full-Length	57.25 (1454)
A72FSDHPS	Panel	69.25 (1759)
A90FSDHPS	Supports	87.25 (2216)

Panels

Catalog Number	Conductive	Description	Panel Size
A60P48F1	A60P48F1G	Full Panel	48.00 x 44.00 (1219 x 1118)
A72P48F1	A72P48F1G	Full Panel	60.00 x 44.00 (1524 x 1118)
A72P48F2	A72P48F2G	Half Panel	30.88 x 44.00 (784 x 1118)
A90P48F1	A90P48F1G	Full Panel	78.00 x 44.00 (1981 x 1118)
A90P48F2	A90P48F2G	Half Panel	39.88 x 44.00 (1013 x 1118)
A72P60F1	A72P60F1G	Full Panel	60.00 x 56.00 (1524 x 1422)
A72P60F2	A72P60F2G	Half Panel	30.88 x 56.00 (784 x 1422)
A72P72F1	A72P72F1G	Full Panel	60.00 x 68.00 (1524 x 1727)
A72P72F2	A72P72F2G	Half Panel	30.88 x 68.00 (784 x 1727)
A90P72F1	A90P72F1G	Full Panel	78.00 x 68.00 (1981 x 1727)
A90P72F2	A90P72F2G	Half Panel	39.88 x 68.00 (1013 x 1727)

Center Panel Supports

Catalog Number	Description
A60FSCPS	Center Panel Support
A72FSCPS	Center Panel Support
A90FSCPS	Center Panel Support

Clamping Nuts

Catalog Number	Description
APS1420CN	1/4-20 Clamping Nut (Qty. 20) for Special Use
APS1616CN	1/4-18 Clamping Nut (Qty. 20) for Special Use

Casters

Catalog Number	Description	Size
DMCKC	Set of 4 Casters	4 high x 3 diameter

Millimeter dimensions are in parentheses ().

^aRequires heavy duty panel supports ^bRequires center panel supports ^cFits in top half or bottom half of enclosure ^dWill not fit if other panels are also installed in same enclosure

**Industrial
Enclosures**

Free-Standing Type I2 Enclosure Accessory Selection Guide

**Type I2 Free-Standing Enclosures
Rack Mounting Accessory Selection**
(See Accessories for Details)

**Rack Mounting Angles L-Style (Type RP)
for 19- and 24-inch Equipment**

Catalog Number	Description	For Rack Size	No. Units ^d	Angle Length
A60FP24F5	2 Full-Length Angles 19 in. (483mm)	19 in. (483mm)	28	49.00 (1245)
A60FP24F6	2 Half-Length Angles 19 in. (483mm)	19 in. (483mm)	15	26.25 (677)
A72RP24F5	2 Full-Length Angles 19 in. (483mm)	19 in. (483mm)	35	61.25 (1556)
A72RP24F6	2 Half-Length Angles 19 in. (483mm)	19 in. (483mm)	18	31.50 (800)
A90RP24F5	2 Full-Length Angles 19 in. (483mm)	19 in. (483mm)	45	78.75 (2000)
A90RP24F6	2 Half-Length Angles 19 in. (483mm)	19 in. (483mm)	23	40.25 (1022)
A72RP30F5	2 Full-Length Angles 24 in. (610mm)	24 in. (610mm)	35	61.25 (1556)
A72RP30F6	2 Half-Length Angles 24 in. (610mm)	24 in. (610mm)	18	31.50 (800)

Rack Mounting Angles U-Style (Type RA) for 19- and 24-inch Equipment

Catalog Number	Description	For Rack Size	No. Units ^d	Angle Length
A60RA19TH	2 Full-Length Angles 19 in. (483mm)	19 in. (483mm)	28	49.00 (1245)
A72RA19TH	2 Full-Length Angles 19 in. (483mm)	19 in. (483mm)	35	61.25 (1556)
A90RA19TH	2 Full-Length Angles 19 in. (483mm)	19 in. (483mm)	45	78.75 (2000)
A72RA24TH	2 Full-Length Angles 24 in. (610mm)	24 in. (610mm)	35	61.25 (1556)

Clip Nut Package

Catalog Number	Description	Size	Fits
AN1032	Clip Nut (Pkg of 20)	#10-32 Zinc-Plated	RA Type Mnt Angles

19-inch Swing-Out Rack Mounting Frames

Catalog Number	Description	For Rack Size	No. Units ^d	Panel Space
A7230S0F19	Full Swing-Out Frame 19 in. (483)	19 in. (483)	33	57.88 (1470)
A7236S0F19	Full Swing-Out Frame 19 in. (483)	19 in. (483)	33	57.88 (1470)
A9036S0F19	Full Swing-Out Frame 19 in. (483)	19 in. (483)	43	75.36 (1915)

Millimeter dimensions are in parentheses ().

^aRequires heavy duty panel supports ^bRequires center panel supports ^cFits in top half or bottom half of enclosure ^dWill not fit if other panels are also installed in same enclosure

Free-Standing Type I2 Enclosure Accessory Selection Guide

**Type I2 Free-Standing Enclosures
Rack Mounting Accessory Selection**
(See Accessories for Details)

Rack Panels for 19- and 24-inch Equipment

Catalog Number		Rack Panel Size	Number of Units ^d
Aluminum	Steel		
P19RP1UA	P19RP1U	19.00 x 1.75 (483 x 44)	1
P19RP2UA	P19RP2U	19.00 x 3.50 (483 x 89)	2
P19RP3UA	P19RP3U	19.00 x 5.25 (483 x 133)	3
P19RP4UA	P19RP4U	19.00 x 7.00 (483 x 178)	4
P19RP5UA	P19RP5U	19.00 x 8.75 (483 x 222)	5
P19RP6UA	P19RP6U	19.00 x 10.50 (483 x 267)	6
P19RP7UA	P19RP7U	19.00 x 12.25 (483 x 311)	7
P19RP8UA	P19RP8U	19.00 x 14.00 (483 x 356)	8
—	P19RP9U	19.00 x 15.75 (483 x 400)	9
—	P19RP10U	19.00 x 17.50 (483 x 445)	10
P19RP11UA	P19RP11U	19.00 x 19.25 (483 x 489)	11
P19RP12UA	P19RP12U	19.00 x 21.00 (483 x 533)	12
—	P19RP16U	19.00 x 22.75 (483 x 578)	16
P24RP2UA	P24RP2U	24.00 x 3.50 (610 x 89)	2
P24RP3UA	P24RP3U	24.00 x 5.25 (610 x 133)	3
P24RP4UA	P24RP4U	24.00 x 7.00 (610 x 178)	4
—	P24RP5U	24.00 x 8.75 (610 x 222)	5
P24RP6UA	P24RP6U	24.00 x 10.50 (610 x 267)	6
P24RP8UA	P24RP8U	24.00 x 14.00 (610 x 356)	8

Screw Package

Catalog Number	Description	Size
A51032	Nickel-Plated Screw (Pkg. of 20)	#10-32 x .75 Truss Head

19- and 24-inch Rack-Mounted Drawers

Catalog Number	Description	For	Rack Size	No. Units ^d	Drawer Depth
A19DR2U	Pull-Out Drawer	19 in. (483mm)	2	3.50 (89)	
A19DR4U	Pull-Out Drawer	19 in. (483mm)	4	7.00 (178)	
DL329DR	Pull-Out Drawer	24 in. (610mm)	2	3.50 (89)	
DL729DR	Pull-Out Drawer	24 in. (610mm)	4	7.00 (178)	

Millimeter dimensions are in parentheses ().

^aRequires 2 sets U-style (Type RA) rack mounting angles for installation ^bRequires center panel support(s) for installation ^cRequires swing-out rack mounting frame or rack angles ^d unit = 1.75 inches (44mm)

Multi-Door Type 12 Enclosures



Application

Designed to protect electrical and electronic controls, components, and instruments in typical industrial environments. The UL Type 12 rating protects enclosed equipment from dust, dirt, oil, and dripping water. Use for housing motor starters, drives, contactors, and PLCs, and other electrical and electronic equipment in automotive, pulp and paper, wood products, textile, and similar industries. Select from three-, four-, and five-door options to best meet your application requirements.

Construction

- 10 gauge steel
- Seams continuously welded and ground smooth; no holes or knockouts
- Heavy steel back stiffeners maintain flatness and increase rigidity
- Heavy-duty lifting eyes anchored into reinforced top
- Overlapping, gasketed openings on 2-door centerposts
- At two-door openings, gasketed overlapping doors eliminate need for centerposts
- 3-point latches operated by patented padlocking handle
- Latch rod rollers for easy door closing
- Heavy-gauge continuous hinges support each door
- Mechanical interlock standard on each enclosure with right-hand door serving as master door. Doors can be closed in any order.
- Panel supports
- Large data pocket is high-impact thermoplastic
- Oil-resistant door gasket
- Panel mounting studs
- Available with panels included or panels purchased separately
- Bonding provision on doors
- Provisions for mounting lights

Finish

White polyester powder paint inside with ANSI 61 gray polyester powder paint outside over phosphatized surfaces. Panels have white or conductive finish.

Industry Standards

UL 508A, File No. E61997: Type 12
EMA/EEMAC Type 12
JIC standard EGP-1-1967
CSA, File No. 42186, Type 12
IEC 60529, IP55

Patents

This product is covered by the following patent:
US D385,768

Accessories

See also *Accessories chapter*.

Blower Package
Corrosion Inhibitors
Electric Heaters
Electrical Interlocks
External Data Pockets
Fan Cooling Products
Folding Shelf
INTERSAFE® Data Interface Ports
Lighting Kit
Panels, Replacement
Touch-Up Paint (ATPG15GLS)
Window Kit

Modification Services Program

You can customize this product to your unique requirements by specifying from these options:

- Enclosure height, width, depth
- Over 100 standard finish colors and textures
- Holes and cutouts in body, doors, subpanels
- Tapped holes, fasteners, mounting channel in enclosure or subpanel
- Mounting
- Doors
- Subpanels
- Structural changes
- Environmental control (louvers, fans, filters)
- Windows
- Standard accessories

To order, contact your local Hoffman sales representative.

NOTE: For information about modifications outside the scope of the Modification Services program, contact your Hoffman sales representative.

Multi-Door Type I2 Enclosures

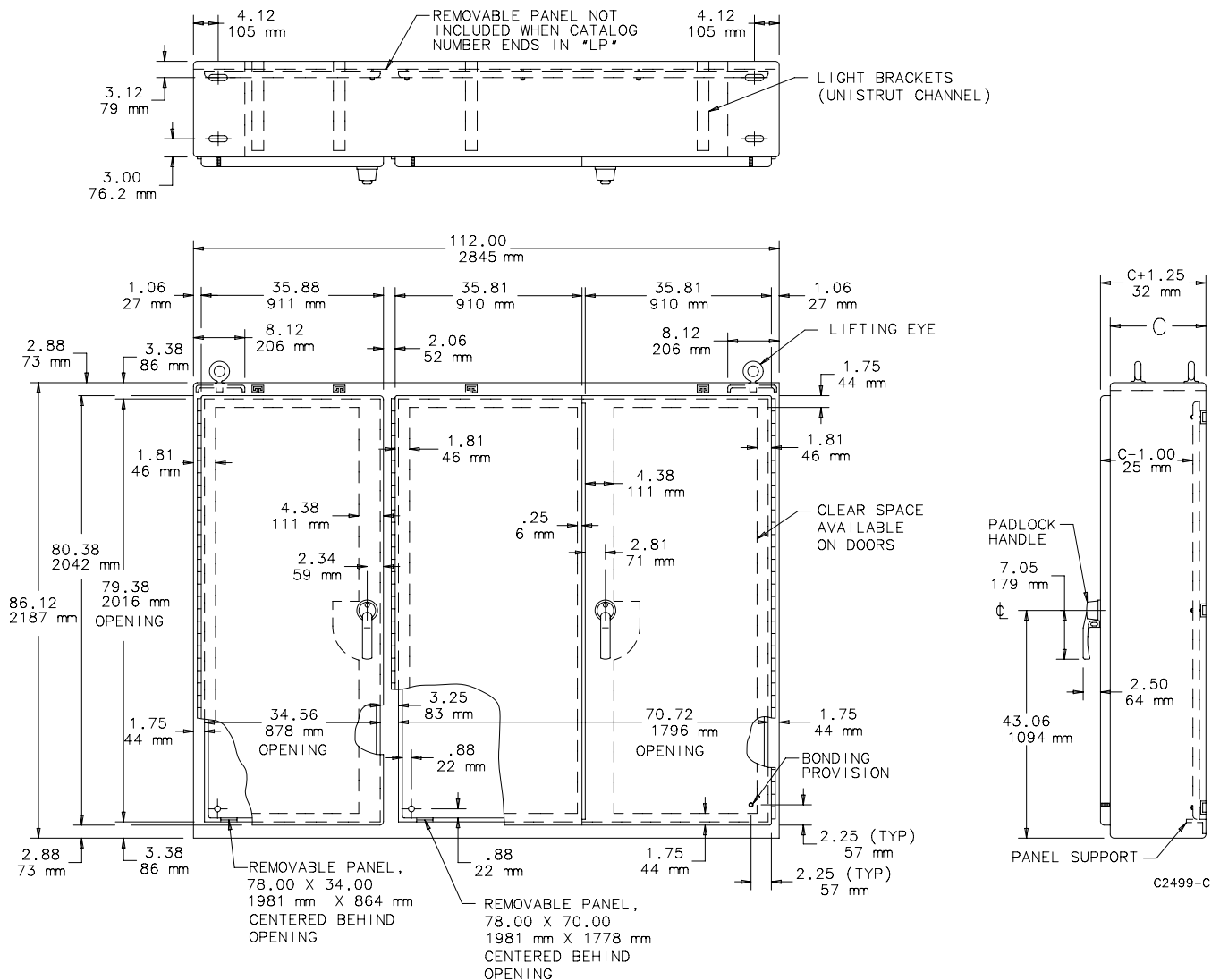
Standard Sizes Multi-Door Type I2 Enclosures

Catalog Number	A x B x C in. (mm)	No. of Doors	Number () and Size of Large Panels (in.)	Number () and Size of Large Panels (mm)	Number () and Size of Small Panels (in.)	Number () and Size of Small Panels (mm)	Optional Panel Catalog Numbers	No. of Lifting Eyes
A86M3E ^a	86.12 x 112.00 x 14.12 (2187 x 2845 x 359)	3	(1) 78.00 x 70.00	(1) 1981 x 1778	(1) 78.00 x 34.00	(1) 1981 x 864	—	4
A86M3ELP ^b	86.12 x 112.00 x 14.12 (2187 x 2845 x 359)	3	—	—	—	—	A86PM75, A86PM37	4
A86M4E ^a	86.12 x 149.19 x 14.12 (2187 x 3789 x 359)	4	(2) 78.00 x 70.00	(2) 1981 x 1778	No Panel	No Panel	—	8
A86M4ELP ^b	86.12 x 149.19 x 14.12 (2187 x 3789 x 359)	4	—	—	—	—	A86PM75 (2)	8
A86M5E ^a	86.12 x 187.00 x 14.12 (2187 x 4750 x 359)	5	(2) 78.00 x 70.00	(2) 1981 x 1778	(1) 78.00 x 34.00	(1) 1981 x 864	—	8
A86M5ELP ^b	86.12 x 187.00 x 14.12 (2187 x 4750 x 359)	5	—	—	—	—	A86PM75 (2), A86PM37	8
A86M3E20 ^a	86.12 x 112.00 x 20.12 (2187 x 2845 x 511)	3	(1) 78.00 x 70.00	(1) 1981 x 1778	(1) 78.00 x 34.00	(1) 1981 x 864	—	4
A86M3E20LP ^b	86.12 x 112.00 x 20.12 (2187 x 2845 x 511)	3	—	—	—	—	A86PM75, A86PM37	4
A86M4E20 ^a	86.12 x 149.19 x 20.12 (2187 x 3789 x 511)	4	(2) 78.00 x 70.00	(2) 1981 x 1778	No Panel	No Panel	—	8
A86M4E20LP ^b	86.12 x 149.19 x 20.12 (2187 x 3789 x 511)	4	—	—	—	—	A86PM75 (2)	8
A86M5E20 ^a	86.12 x 187.00 x 20.12 (2187 x 4750 x 511)	5	(2) 78.00 x 70.00	(2) 1981 x 1778	(1) 78.00 x 34.00	(1) 1981 x 864	—	8
A86M5E20LP ^b	86.12 x 187.00 x 20.12 (2187 x 4750 x 511)	5	—	—	—	—	A86PM75 (2), A86PM37	8

^a Panels are furnished with enclosure. Removable panel not included with models ending in LP.

^b Purchase panels separately.

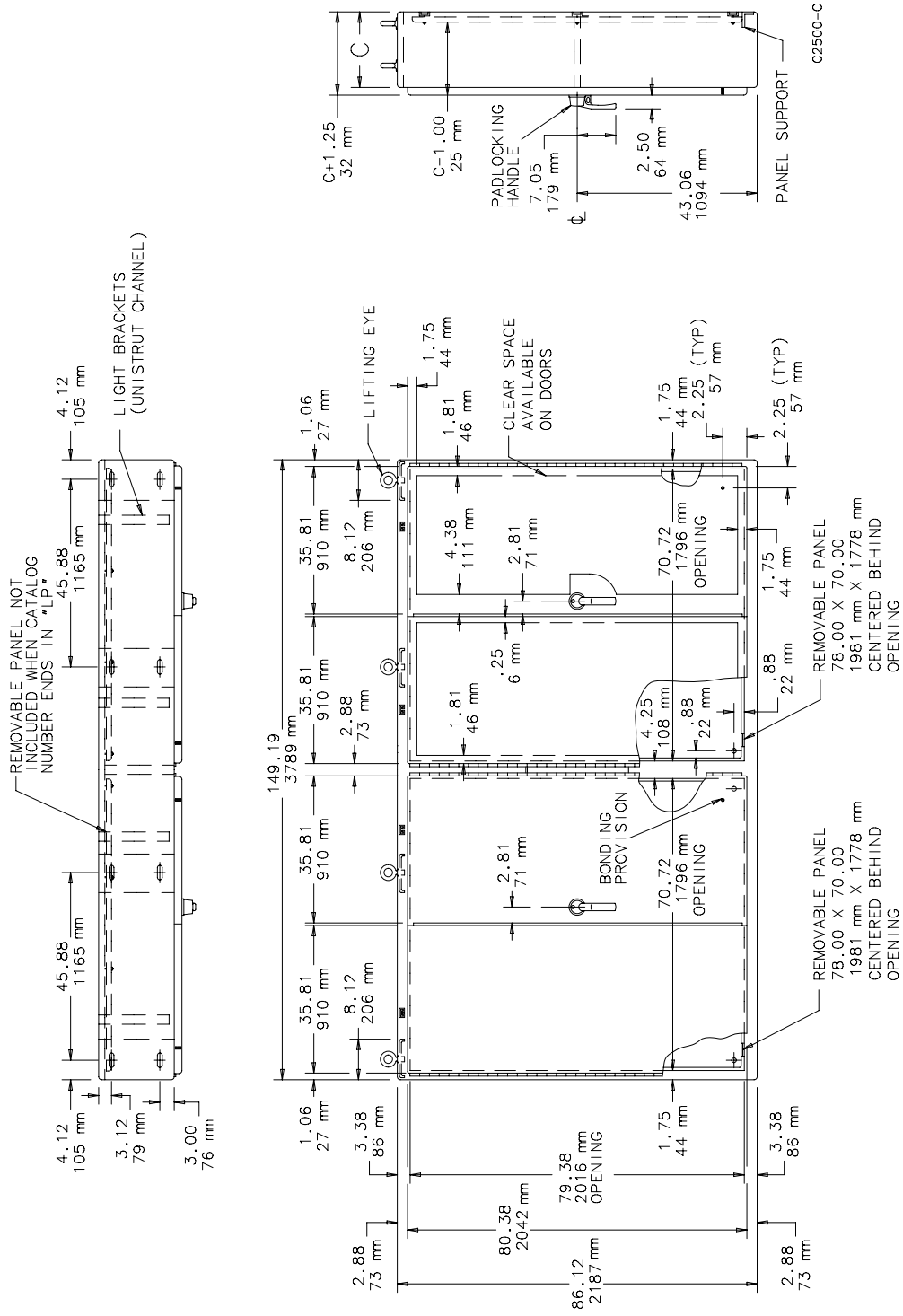
Three-Door Type I2 Enclosures Drawing



Removable panel not included with models ending in LP.

Multi-Door Type I2 Enclosures

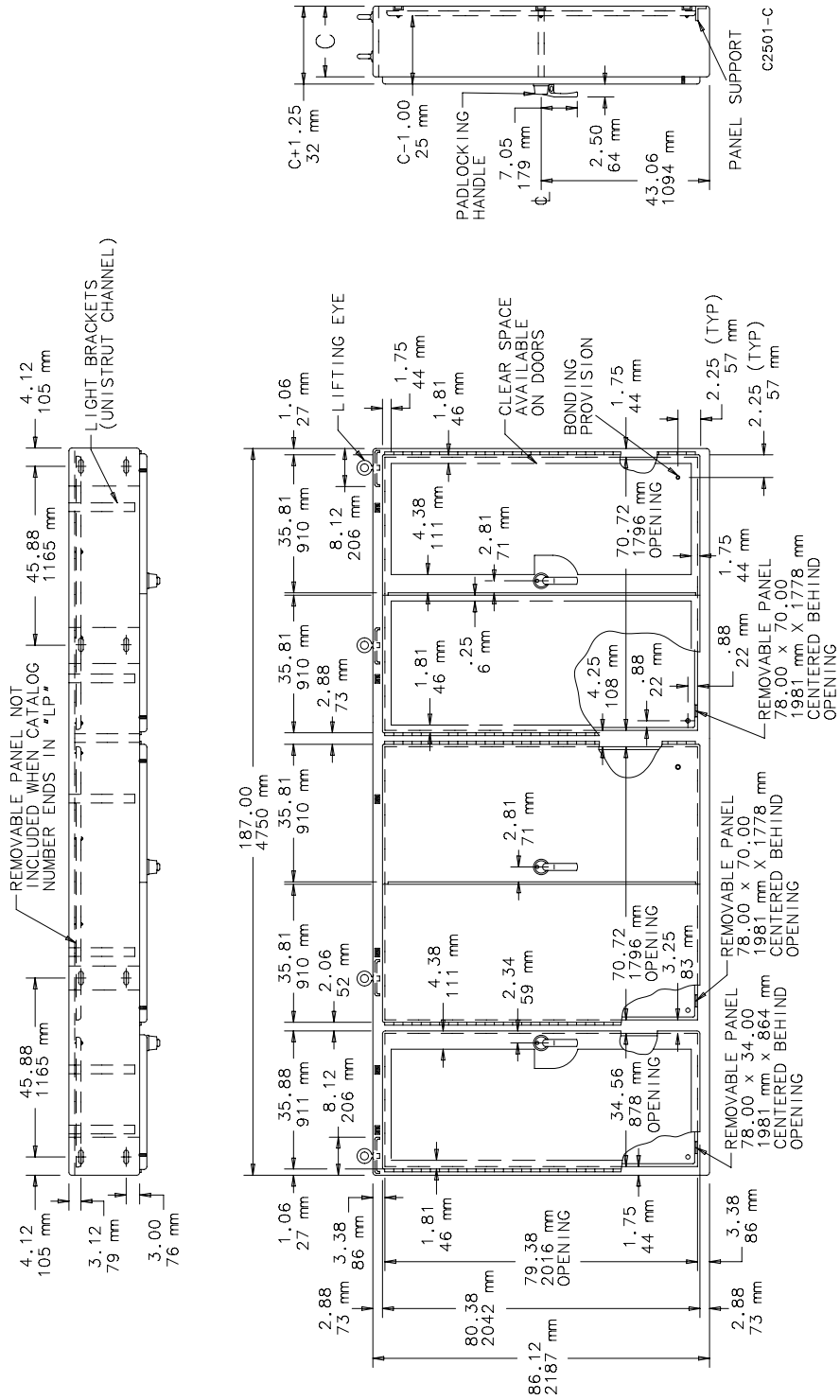
Four-Door Type I2 Enclosures Drawing



Removable panel not included with models ending in LP.

Multi-Door Type I2 Enclosures

Five-Door Type I2 Enclosures Drawing



Removable panel not included with models ending in LP.

Free-Standing Type 4/12 Enclosures with 3-Point Latch



Application

Designed to protect electrical and electronic controls, components, and instruments in wet, noncorrosive environments. Equipment can be panel mounted or rack mounted. Typical applications for these enclosures include dairies, breweries, and other processing activities that may require hose-down. The polyester powder paint and UL Type 4 rating also make these enclosures suitable for outdoor applications.

Features

- 3-point latch for security and ease of use
- Mounting channels accommodate panel or rack-mounted equipment
- Panels and rack mounting angles can be mounted anywhere along channels
- Rolled flange around door opening excludes liquids and contaminants
- Lifting eyes for easy handling

Construction

- 12 gauge steel
- 3-point latch system with POWERGLIDE® handle
- Seams continuously welded and ground smooth; no holes or knockouts
- Mounting channels welded horizontally to interior body sides at top, bottom, and center
- Heavy-gauge continuous hinge with stainless steel hinge pin
- Data pocket is high-impact thermoplastic
- Lifting eyes
- Oil-resistant door gasket
- Bonding provision on door
- Provision for mounting fluorescent light

Finish

ANSI 61 gray polyester powder paint inside and out over phosphatized surfaces. Optional panels have either a white or a conductive finish.

Industry Standards

UL 508A, File No. E61997: Type 4, 12
NEMA Type 3, 4, 12, 13
JIC standard EGP-1-1967
cUL C22.2 No. 94, File No. E61997: Type 4, 12
E.I.A. RS310D
IEC 60529, IP66

Accessories

See also *Accessories chapter*.

Casters
Clip Nut Kit
Drawers
Electrical Interlocks
External Data Pocket
Fixed Shelf
Guides
Heavy-Duty Panel Supports
INTERSAFE® Data Interface Ports
Lighting Kit
Panels
Pull-Out Shelf
Rack Mounting Angles
Rack Panels
Screw Package
Side-Mounted Panels
Swing-Out Panels
Swing-Out Rack Mtg. Frame
Touch-Up Paint (ATPPY61)
Window Kit
Writing Surface

Modification Services Program

You can customize this product to your unique requirements by specifying from these options:

- Enclosure height, width, depth
- Over 100 standard finish colors and textures
- Holes and cutouts in body, doors, subpanels
- Tapped holes, fasteners, mounting channel in enclosure or subpanel
- Mounting
- Doors
- Subpanels
- Structural changes
- Environmental control (louvers, fans, filters)
- Windows
- Standard accessories

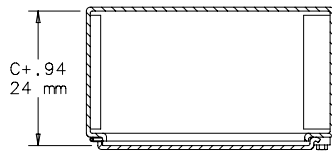
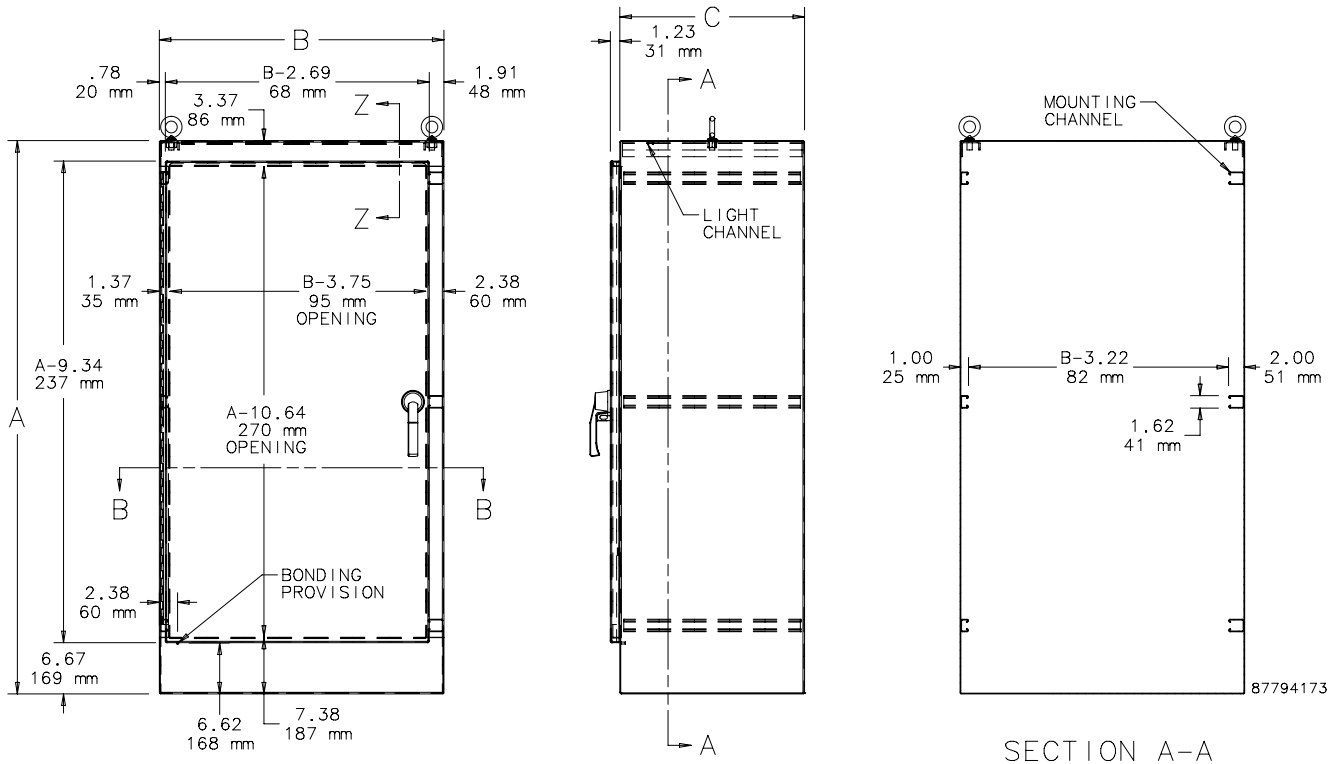
To order, contact your local Hoffman sales representative.

NOTE: For information about modifications outside the scope of the Modification Services program, contact your Hoffman sales representative.

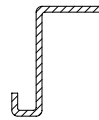
Free-Standing Type 4/12 Enclosures with 3-Point Latch

Standard Sizes Free-Standing Type 4/12 Enclosures with 3-Point Latch

Catalog Number	A x B x C in. (mm)	Rack Units
A72H2518FS3PT	72.06 x 25.06 x 18.06 (1830 x 637 x 459)	35
A72H3124FS3PT	72.06 x 31.06 x 24.06 (1830 x 789 x 611)	35
A72H3724FS3PT	72.06 x 37.06 x 24.06 (1830 x 941 x 611)	35



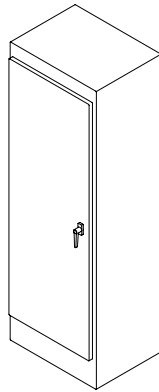
SECTION B-B



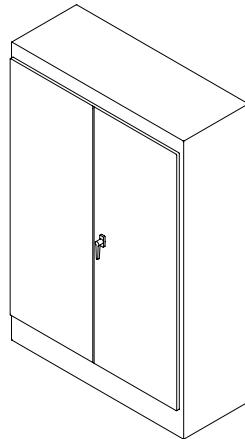
SECTION Z-Z

Free-Standing Type 4 Enclosure Accessory Selection Guide

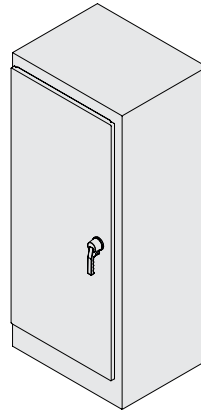
Free-Standing Enclosure Group Accessory Selection Guide



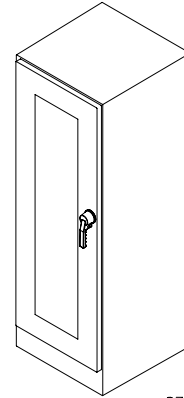
Free-Standing Type 12
Single-Door Enclosure
(Single-Access or Dual-Access)



Free-Standing Type 12
Two-Door Enclosure
(Single-Access or Dual-Access)



**Free-Standing Type 4X
Single-Door Enclosure**

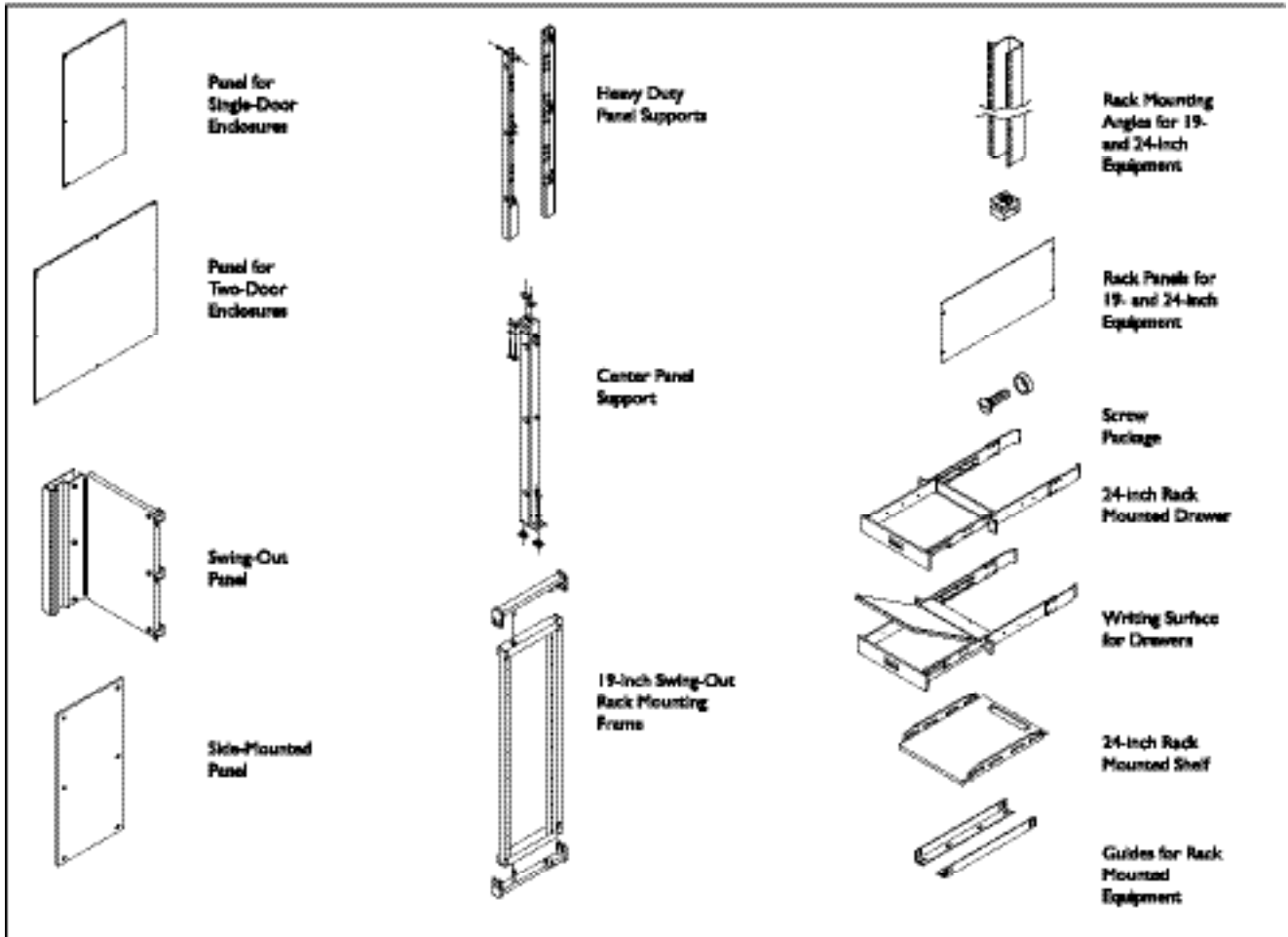


Free-Standing Fiberglass
Type 4X Enclosure

87794899

(See General Accessories for details.)

Internal Accessories



C2385-0

To select an accessory for the enclosure, see the following Free-Standing Type 4 Enclosure Group Accessory Selection Guide.

Free-Standing Type 4 Enclosure Group Accessory Selection Guide

(See Accessories for details.)

Panels

Catalog Number		Description	Panel Size	A72H2518FS3PT	A72H3124FS3PT	A72H3724FS3PT
Steel	Conductive					
A60P24F1	A60P24F1G	Full Panel	48.00 x 20.00 in. (1219 x 508mm)	a		
A60P24F2	A60P24F2G	Half Panel	24.88 x 20.00 in. (632 x 508mm)	a		
A72P24F1	A72P24F1G	Full Panel	60.00 x 20.00 in. (1524 x 508mm)	•		
A74P24F2	A74P24F2G	Half Panel	30.88 x 20.00 in. (784 x 508mm)	•		
A90P24F2	A90P24F2G	Half Panel	39.88 x 20.00 in. (1013 x 508mm)	a		
A72P30F1	A72P30F1G	Full Panel	60.00 x 26.00 in. (1524 x 660mm)		•	
A72P30F2	A72P30F2G	Half Panel	30.88 x 26.00 in. (784 x 660mm)		•	
A60P36F1	A60P36F1G	Full Panel	48.00 x 32.00 in. (1219 x 813mm)			a
A60P36F2	A60P36F2G	Half Panel	24.88 x 32.00 in. (632 x 813mm)			a
A72P36F1	A72P36F1G	Full Panel	60.00 x 32.00 in. (1524 x 813mm)			•
A72P36F2	A72P36F2G	Half Panel	30.88 x 32.00 in. (784 x 813mm)			•
A90P36F2	A90P36F2G	Half Panel	39.88 x 32.00 in. (1013 x 813mm)			a

Swing-Out Panels

Catalog Number	Description	Panel Size	A72H2518FS3PT	A72H3124FS3PT	A72H3724FS3PT
A72SP24F3	Full Panel	60.00 x 18.81 (1524 x 478)	•		
A72SP24F4	Half Panel	30.88 x 18.81 (784 x 478)	•		
A72SP30F3	Full Panel	60.00 x 24.81 (1524 x 630)		•	
A72SP30F4	Half Panel	30.88 x 24.81 (784 x 630)		•	
A72SP36F3	Full Panel	60.00 x 30.81 (1524 x 783)			•
A72SP36F4	Half Panel	30.88 x 33.81 (784 x 859)			•

Side-Mounted Panels

Catalog Number		Description	Panel Size	A72H2518FS3PT	A72H3124FS3PT	A72H3724FS3PT
Steel	Conductive					
A72SMP14	A72SMP14G	Panel	60.00 x 14.00 (1524 x 356)	•	•	•
A72SMP20	A72SMP20G	Panel	60.00 x 20.00 (1524 x 508)		•	•

Heavy Duty Panel Supports

Catalog Number	Description	Panel Size	A72H2518FS3PT	A72H3124FS3PT	A72H3724FS3PT
A72FSHDPS	Two Full-Length Panel Supports	60.25 (1759)	•	•	•

Clamping Nuts

Catalog Number	Description	For	A72H2518FS3PT	A72H3124FS3PT	A72H3724FS3PT
APS1420CN	1/4-20 Clamping Nut (Qty 20)	Special Use	•	•	•
APS51618CN	5/16-18 Clamping Nut (Qty 20)	Special Use	•	•	•

Casters

Catalog Number	Description	Size	A72H2518FS3PT	A72H3124FS3PT	A72H3724FS3PT
DMCKC	Set of 4 Casters	4 high x 3 diameter	•	•	•

Millimeter dimensions are in ().

^aRequires heavy duty panel support.

Free-Standing Type 4 Enclosure Accessory Selection Guide

Rack Mounting Accessory Selection Guide

(See Accessories for details.)

Rack Mounting Angles L-Style (Type RP) for 19- and 24-inch Equipment

Catalog Number	Description	For Rack Size	Angle Length	Rack Units ^a	A72H2518FS3PT	A72H3124FS3PT	A72H3724FS3PT
A60RP24F5	Two Full-Length Angles	19 in. (483mm)	49.00 in. (1245mm)	28	•		
A72RP24F5	Two Full-Length Angles	19 in. (483mm)	16.25 in. (1556mm)	35	•		
A72RP24F6	Two Half-Length Angles	19 in. (483mm)	31.50 in. (800mm)	18	•		
A72RP30F5	Two Full-Length Angles	24 in. (610mm)	61.25 in. (1556mm)	35		•	
A72RP30F6	Two Half-Length Angles	24 in. (610mm)	31.50 in. (800mm)	18		•	
A90RP24F5	Two Half-Length Angles	19 in. (483mm)	40.25 in. (1022mm)	23	•		

Rack Mounting Angles U-Style (Type RA) for 19- and 24-inch Equipment

Catalog Number	Description	For Rack Size	Angle Length	Rack Units ^a	A72H2518FS3PT	A72H3124FS3PT	A72H3724FS3PT
A60RA19TH	Two Full-Length Angles	19 in. (483mm)	49.00 in. (1245mm)	28	•		
A72RA19TH	Two Full-Length Angles	19 in. (483mm)	61.25 in. (1556mm)	35	•		
A72RA24TH	Two Full-Length Angles	24 in. (610mm)	61.25 in. (1556mm)	35		•	

Clip Nut Package



Catalog Number	Description	Size	Fits	A72H2518FS3PT	A72H3124FS3PT	A72H3724FS3PT
AN1032	Plated (package of 20)	#10-32	"RA" Type Rack Mounting Angles	•	•	•
ANM5	Plated (package of 20)	Metric M5	"RA" Type Rack Mounting Angles	•	•	•

19-inch Swing-Out Rack Mounting Frames

Catalog Number	Description	For Rack Size	Panel Space	Rack Units ^a	A72H2518FS3PT	A72H3124FS3PT	A72H3724FS3PT
A7230S0F19	Full Swing-Out Frame	19 in. (483mm)	57.88 in. (1470mm)	33		•	
A7236S0F19	Full Swing-Out Frame	19 in. (483mm)	57.88 in. (1470mm)	33			•

Screw Package

Catalog Number	Description	Size	Fits	A72H2518FS3PT	A72H3124FS3PT	A72H3724FS3PT
AS1032	Nickel-Plated (Qty 20)	#10-32 x .75 Truss Head	RA & RP Type Rack Mounting Angles	•	•	•
ASM5	Nickel-Plated (Qty 20)	Metric M5x20	RA Only	•	•	•

Rack Mounting Accessory Selection Guide

(See Accessories for details.)

19-inch Rack Panels

Catalog Number		Rack Panel Size	Rack Units ^a	A72H2518FS3PT	A72H3124FS3PT	A72H3724FS3PT
Aluminum	Steel					
P19RP1UA	P19RP1U	19.00 x 1.75 in. (483 x 44mm)	1	•	b	b
P19RP2UA	P19RP2U	19.00 x 3.50 in. (483 x 89mm)	2	•	b	b
P19RP3UA	P19RP3U	19.00 x 5.25 in. (483 x 133mm)	3	•	b	b
P19RP4UA	P19RP4U	19.00 x 7.00 in. (483 x 178mm)	4	•	b	b
P19RP5UA	P19RP5U	19.00 x 8.75 in. (483 x 222mm)	5	•	b	b
P19RP6UA	P19RP6U	19.00 x 10.50 in. (483 x 267mm)	6	•	b	b
P19RP7UA	P19RP7U	19.00 x 12.25 in. (483 x 311mm)	7	•	b	b
P19RP8UA	P19RP8U	19.00 x 14.00 in. (483 x 356mm)	8	•	b	b
P19RP9UA	P19RP9U	19.00 x 15.75 in. (483 x 400mm)	9	•	b	b
P19RP10UA	P19RP10U	19.00 x 17.50 in. (483 x 445mm)	10	•	b	b
P19RP11UA	P19RP11U	19.00 x 19.25 (483 x 489)	11	•	b	b
P19RP12UA	P19RP12U	19.00 x 21.00 (483 x 533)	12	•	b	b
—	P19RP16U	19.00 x 22.75 (483 x 578)	16	•	b	b
P24RP2UA	P24RP2U	24.00 x 3.50 (610 x 89)	2	•	•	•
P24RP3UA	P24RP3U	24.00 x 5.25 (610 x 133)	3	•	•	•
P24RP4UA	P24RP4U	24.00 x 7.00 (610 x 178)	4	•	•	•
—	P24RP5U	24.00 x 8.75 (610 x 222)	5	•	•	•
P24RP6UA	P24RP6U	24.00 x 10.50 (610 x 267)	6	•	•	•
P24RP8UA	P24RP8U	24.00 x 14.00 (610 x 356)	8	•	•	•

Millimeter dimensions are in ().

^aOne rack unit = 1.75 in. (44mm).

^bRequires swing-out rack mounting frame.

24-inch Rack-Mounted Drawers

Catalog Number	Description	For Rack Size	Drawer Depth	Rack Units ^a	A72H2518FS3PT	A72H3124FS3PT	A72H3724FS3PT
DL329DR	Pull-Out Drawer	24 in. (610mm)	3.50 (89)	4		c	
DL729DR	Pull-Out Drawer	24 in. (610mm)	7.00 (178)	4		c	

Writing Surface

Catalog Number	Description	Fits Drawer	A72H2518FS3PT	A72H3124FS3PT	A72H3724FS3PT
DL29WS	Hinged Surface	DL329DR, DL729DR	c		

24-inch Rack-Mounted Shelves

Catalog Number	Description	For Rack Size	Rack Units ^a	A72H2518FS3PT	A72H3124FS3PT	A72H3724FS3PT
DL29SHP	Pull-Out Shelf	24 in. (610)	1		c	
DL29SH	Fixed Shelf	24 in. (610)	1		c	

Guides for Rack Mounted Equipment



Catalog Number	Description	Number of Rack units	Use with
AG1U6	Chassis Guides (2)	1	A72H2518FS3PT A72H3124FS3PT A72H3724FS3PT

One rack unit = 1.75 inches (44mm).

Requires two sets of U-style (Type RA) rack mounting angles for installation.

Two Door Floor-Mounted Type 12 Enclosures



Application

Designed to protect electrical and electronic controls, components, and instruments in typical industrial environments. The UL Type 12 rating protects enclosed equipment from dust, dirt, oil, and dripping water. These enclosures are used in machine tool applications for housing motor starters, drives, contactors, and PLCs, as well as a wide variety of other electrical and electronic equipment found in the automotive, pulp and paper, wood products, textile, and similar industries.

Construction

- Seams continuously welded and ground smooth; no holes or knockouts
- Gasketed overlapping doors with no center post
- 3-point latch mechanism operated by oiltight key-lock handle
- Latch rod rollers for easy door closing
- Heavy-gauge continuous hinges support each door
- Data pocket is high-impact thermoplastic
- 12-in. floor stands welded to enclosure
- Heavy-duty lifting eyes
- Panel supports
- Oil-resistant gasket
- Collar studs for mounting optional panel
- Bonding provision on door
- Provision for mounting fluorescent light

Finish

White polyester powder paint inside with ANSI 61 gray polyester powder paint outside over phosphatized surfaces. Optional panels have white or conductive finish.

Industry Standards

UL 508A, File No. E61997: Type 12
NEMA/EEMAC Type 12
JIC standard EGP-1-1967
CSA, File No. 42186, Type 12
IEC 60529, IP55

Accessories

See also *Accessories chapter*.

- Blower Package
- Door Stop Kit (ADSTOPK)
- Drip Shield Kit
- Electric Heaters
- Electrical Interlocks
- Enclosure Stabilizers
- External Data Pockets
- Fan Cooling Products
- Folding Shelf
- INTERSAFE® Data Interface Ports
- Lighting Kit
- Panel Support Kit
- Panels
- Touch-Up Paint (ATPPY61)
- Window Kit

Modification Services Program

You can customize this product to your unique requirements by specifying from these options:

- Enclosure height, width, depth
- Over 100 standard finish colors and textures
- Holes and cutouts in body, doors, subpanels
- Tapped holes, fasteners, mounting channel in enclosure or subpanel
- Mounting
- Doors
- Subpanels
- Structural changes
- Environmental control (louvers, fans, filters)
- Windows
- Standard accessories

To order, contact your local Hoffman sales representative.

NOTE: For information about modifications outside the scope of the Modification Services program, contact your Hoffman sales representative.

Standard Sizes Two-Door Floor-Mounted Type 12 Enclosures

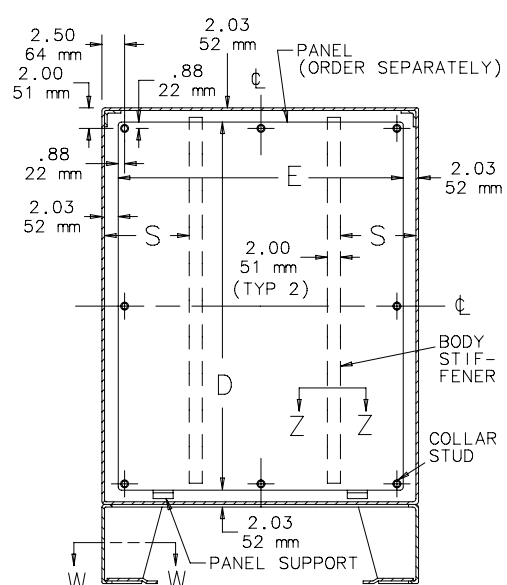
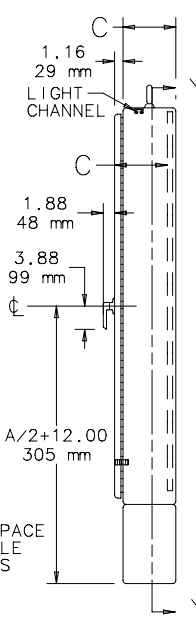
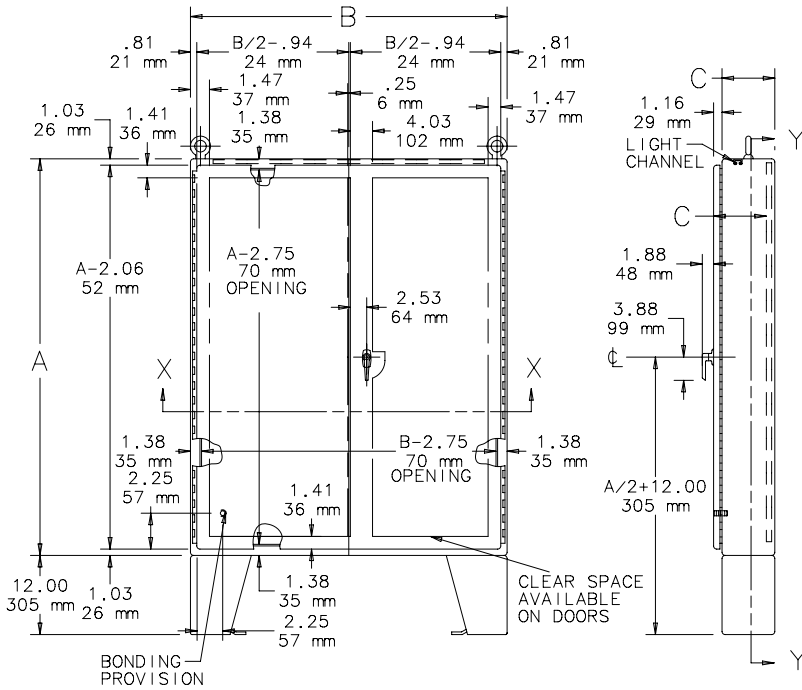
Catalog Number	A x B x C (in.)	A x B x C (mm)	Gauge	Panel Catalog Number	Conductive Panel Catalog Number	Panel Gauge	Panel Size D x E (in.)	Panel Size D x E (mm)	Stiffener (in.)	Stiffener (mm)
A544208LP	54.00 x 42.00 x 8.00	1372 x 1067 x 203	12	A54P42	A54P42G	12	50.00 x 38.00	1270 x 965	15.00	381
A604808LP	60.06 x 48.06 x 8.06	1526 x 1221 x 205	12	A60P48	A60P48G	10	56.00 x 44.00	1422 x 1118	15.00	381
A604810LP	60.06 x 48.06 x 10.06	1526 x 1221 x 256	12	A60P48	A60P48G	10	56.00 x 44.00	1422 x 1118	15.00	381
A606010LP	60.06 x 60.06 x 10.06	1526 x 1526 x 256	12	A60P60	A60P60G	10	56.00 x 56.00	1422 x 1422	21.00	533
A726010ULP	72.06 x 60.06 x 10.06	1830 x 1526 x 256	12	A72P60	A72P60G	10	68.00 x 56.00	1727 x 1422	21.00	533
A727210ULP	72.06 x 72.06 x 10.06	1830 x 1830 x 256	12	A72P72	A72P72G	10	68.00 x 68.00	1727 x 1727	24.00	610
A604812LP	60.06 x 48.06 x 12.06	1526 x 1221 x 306	12	A60P48	A60P48G	10	56.00 x 44.00	1422 x 1118	15.00	381
A606012LP	60.06 x 60.06 x 12.06	1526 x 1526 x 306	12	A60P60	A60P60G	10	56.00 x 56.00	1422 x 1422	21.00	533
A726012ULP	72.06 x 60.06 x 12.06	1830 x 1526 x 306	12	A72P60	A72P60G	10	68.00 x 56.00	1727 x 1422	21.00	533
A727212ULP	72.06 x 72.06 x 12.06	1830 x 1830 x 306	12	A72P72	A72P72G	10	68.00 x 68.00	1727 x 1727	24.00	610
A604816LP	60.06 x 48.06 x 16.06	1526 x 1221 x 408	12	A60P48	A60P48G	10	56.00 x 44.00	1422 x 1118	15.00	381

Two Door Floor-Mounted Type I2 Enclosures

Standard Sizes Two-Door Floor-Mounted Type I2 Enclosures (Cont.)

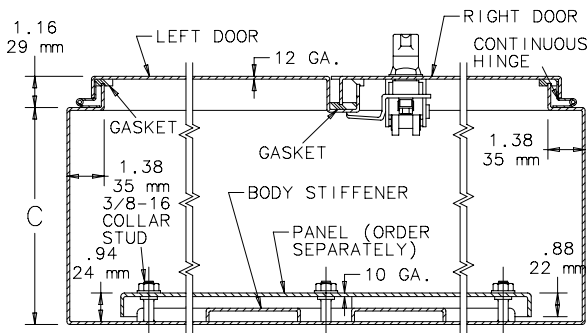
Catalog Number	A x B x C (in.)	A x B x C (mm)	Gauge	Panel Catalog Number	Conductive Panel Catalog Number	Panel Gauge	Panel Size D x E (in.)	Panel Size D x E (mm)	Stiffener (in.)	Stiffener (mm)
A606016LP	60.06 x 60.06 x 16.06	1526 x 1526 x 408	12	A60P60	A60P60G	10	56.00 x 56.00	1422 x 1422	21.00	533
A726016ULP	72.06 x 60.06 x 16.06	1830 x 1526 x 408	12	A72P60	A72P60G	10	68.00 x 56.00	1727 x 1422	21.00	533
A727216ULP	72.06 x 72.06 x 16.06	1830 x 1830 x 408	12	A72P72	A72P72G	10	68.00 x 68.00	1727 x 1727	24.00	610
A604820LP	60.06 x 48.06 x 20.06	1526 x 1221 x 510	12	A60P48	A60P48G	10	56.00 x 44.00	1422 x 1118	15.00	381
A726020ULP	72.06 x 60.06 x 20.06	1830 x 1526 x 510	12	A72P60	A72P60G	10	68.00 x 56.00	1727 x 1422	21.00	533
A727220ULP	72.06 x 72.06 x 20.06	1830 x 1830 x 510	12	A72P72	A72P72G	10	68.00 x 68.00	1727 x 1727	24.00	610
A604824LP	60.06 x 48.06 x 24.06	1526 x 1221 x 611	12	A60P48	A60P48G	10	56.00 x 44.00	1422 x 1118	15.00	381
A606024LP	60.06 x 60.06 x 24.06	1526 x 1526 x 611	12	A60P60	A60P60G	10	56.00 x 56.00	1422 x 1422	21.00	533
A726024ULP	72.06 x 60.06 x 24.06	1830 x 1526 x 611	12	A72P60	A72P60G	10	68.00 x 56.00	1727 x 1422	21.00	533
A727224ULP	72.06 x 72.06 x 24.06	1830 x 1830 x 611	12	A72P72	A72P72G	10	68.00 x 68.00	1727 x 1727	24.00	610

Purchase panels separately.

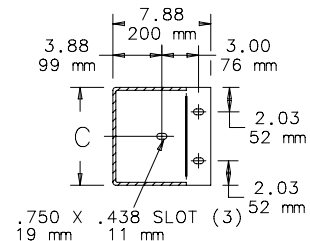


SECTION Y-Y

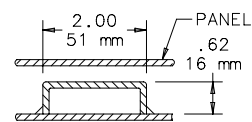
NOTE: 1. Right door has removable 12.00 x 12.00 (305mm x 305mm) data pocket.



SECTION X-X
(LIFTING ANGLES NOT SHOWN)



SECTION W-W



SECTION Z-Z

C2485-C

**Industrial
Enclosures**

Two-Door Floor-Mounted Type 4/12 Enclosures



Application

Designed to protect electrical and electronic controls, components, and instruments in wet, noncorrosive environments. Typical applications for these enclosures include dairies, breweries, and other processing activities that may require hose-down. The polyester powder coating and Type 4 rating also make these enclosures suitable for outdoor applications.

Features

- Three-point latch for security and ease of use
- Return flange around the door opening excludes liquids and contaminants
- Removable centerpost permits easy panel installation

Construction

- 12 gauge steel
- 3-point latch system with POWERGLIDE® handles
- Seams continuously welded and ground smooth; no holes or knockouts
- Body stiffeners
- Panel supports
- Heavy gauge continuous hinge with stainless steel hinge pin
- Data pocket is high-impact thermoplastic
- 12-in. floor stands are welded to enclosure
- Heavy duty lifting eyes

- Oil-resistant door gasket
- Collar stud for mounting optional panels
- Grounding stud on body
- Bonding provision on door
- Provision for mounting fluorescent light

Finish

ANSI 61 gray polyester paint inside and out over phosphatized surfaces. Optional panels have white or conductive finish.

Industry Standards

UL 508A, File No. E61997, Type 4, 12
NEMA/EEMAC, Type 3, 4, 12, 13
JIC standard EGP-1-1967
cUL C22.2 No. 94, File No. E61997: Type 4, 12
IEC 60529, IP66

Accessories

See also *Accessories chapter*.

Electrical Interlocks
Enclosure Stabilizer (AENST)
External Data Pocket
INTERSAFE® Data Interface Ports
Lighting Kit
Panel Support Kit
Panels (see table)
Touch-up Paint (ATPPY61)
Window Kit

Modification Services Program

You can customize this product to your unique requirements by specifying from these options:

- Enclosure height, width, depth
- Over 100 standard finish colors and textures
- Holes and cutouts in body, doors, subpanels
- Tapped holes, fasteners, mounting channel in enclosure or subpanel
- Mounting
- Doors
- Subpanels
- Structural changes
- Environmental control (louvers, fans, filters)
- Windows
- Standard accessories

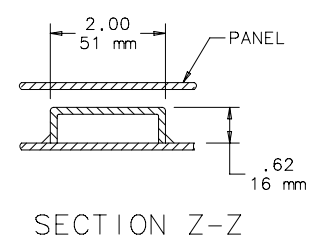
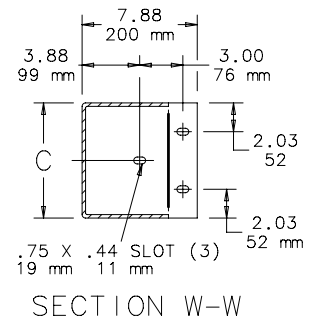
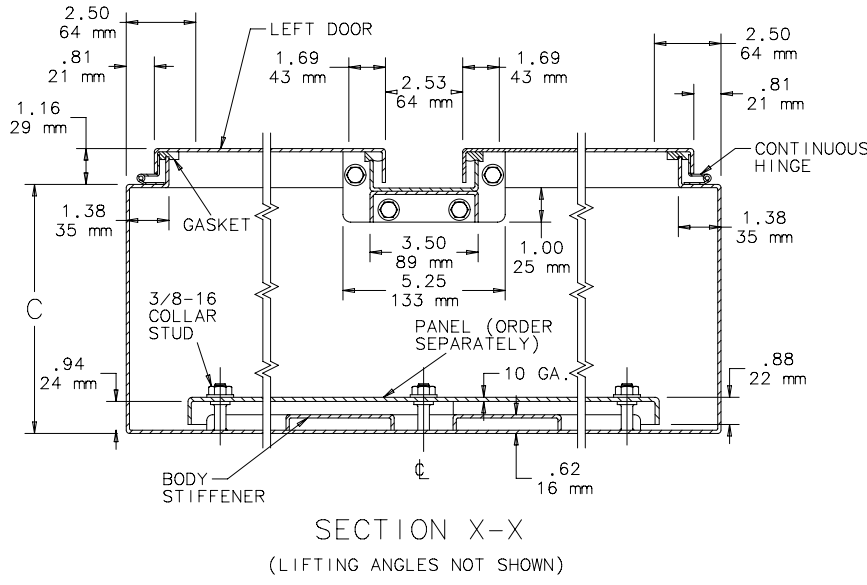
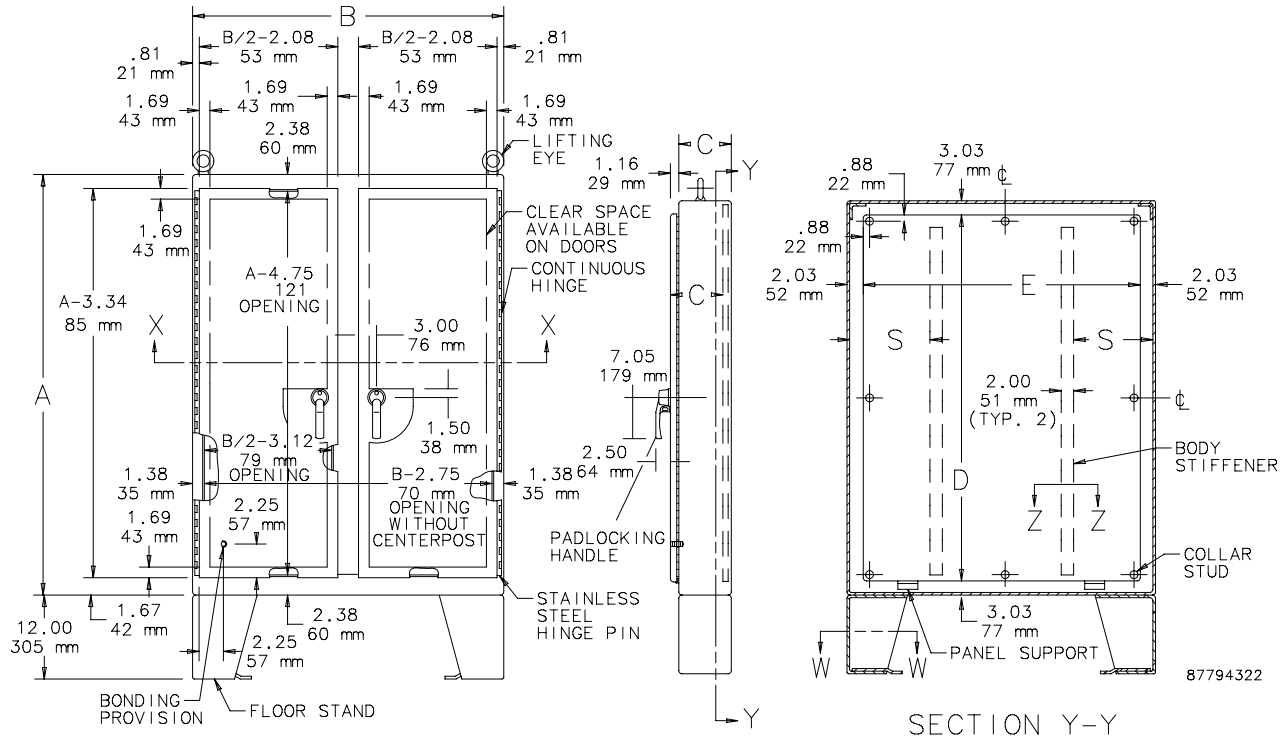
To order, contact your local Hoffman sales representative.

NOTE: For information about modifications outside the scope of the Modification Services program, contact your Hoffman sales representative.

Standard Sizes Two-Door Floor-Mounted Type 4/12 Enclosures

Catalog Number	A x B x C in. (mm)	Panel Catalog Number	Conductive Panel Catalog Number	Body Stiffener Position S (in.)	Body Stiffener Position S (mm)	Panel Size D x E (in.)	Panel Size D x E (mm)
A62H4810LP3PT	62.06 x 48.06 x 10.06 (1576 x 1221 x 256)	A60P48	A60P48G	15.00	381	56.00 x 44.00	1422 x 1118
A62H6012LP3PT	62.06 x 60.06 x 12.06 (1576 x 1526 x 306)	A60P60	A60P60G	21.00	533	56.00 x 56.00	2422 x 2422
A74H6012LP3PT	74.06 x 60.06 x 12.06 (1881 x 1526 x 306)	A72P60	A72P60G	21.00	533	68.00 x 56.00	1727 x 1422
A74H7212LP3PT	74.06 x 72.06 x 12.06 (1881 x 1830 x 306)	A72P72	A72P72G	24.00	610	68.00 x 68.00	1727 x 1727
A74H7224LP3PT	74.06 x 72.06 x 24.06 (1881 x 1830 x 611)	A72P72	A72P72G	24.00	610	68.00 x 68.00	1727 x 1727

Two-Door Floor-Mounted Type 4/12 Enclosures



**Industrial
Enclosures**

Two-Door Floor-Mounted Type 4 Enclosures



Application

Designed to protect electrical and electronic controls, components, and instruments in wet, noncorrosive environments. Typical applications for these enclosures include dairies, breweries, and other food processing activities that may require hose-down. The polyester powder coating and Type 4 rating also make these enclosures suitable for outdoor applications.

Construction

- 2 gauge steel
- Seams continuously welded and ground smooth; no holes or knockouts
- Body stiffeners for added strength
- Removable centerpost permits easy panel installation
- Panel supports
- Return flange around three sides of door and along top of enclosure opening channels away liquids and contaminants
- Stainless steel door clamps on three sides of each door assure watertight seal
- Heavy gauge continuous hinge with stainless steel hinge pin
- Hasp and staple for padlock
- Data pocket is high-impact thermoplastic
- 12-in. floor stands welded to enclosure
- Heavy duty lifting eyes
- Oil-resistant door gasket
- Collar studs provided for mounting optional panels
- Grounding stud on body
- Bonding provision on door
- Provision for mounting fluorescent light

Finish

ANSI 61 gray polyester powder paint inside and out over phosphatized surfaces. Optional panels have white or conductive finish.

Industry Standards

UL 508A, File No. E61997: Type 4 and 12
NEMA/EEMAC Type 3, Type 4, 12, and 13
JIC standard EGP-1-1967
CSA, File No. LR42186, Type 4 and 12
IEC 60529, IP66

Accessories

See also *Accessories* chapter.

Corrosion Inhibitors
Electrical Interlocks
Enclosure Stabilizer
External Data Pocket
INTERSAFE® Data Interface Ports
Lighting Kit
Panel Support Kit
Toggle Latches
Panels
Toggle Latches
Touch-Up Paint (ATPG15GLS)
Window Kit
Wiring Duct

Modification Services Program

You can customize this product to your unique requirements by specifying from these options:

- Enclosure height, width, depth
- Over 100 standard finish colors and textures
- Holes and cutouts in body, doors, subpanels
- Tapped holes, fasteners, mounting channel in enclosure or subpanel
- Mounting
- Doors
- Subpanels
- Structural changes
- Environmental control (louvers, fans, filters)
- Windows
- Standard accessories

To order, contact your Hoffman sales representative.

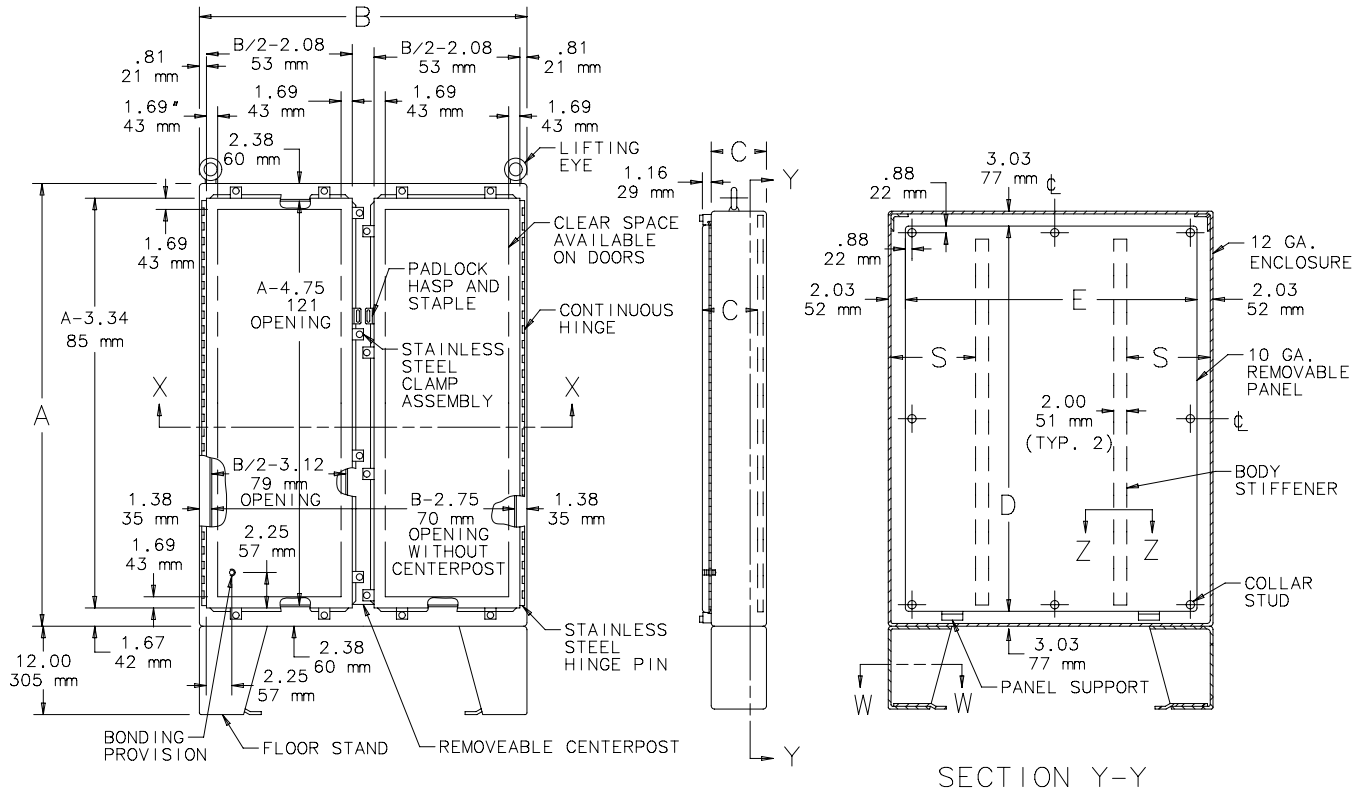
NOTE: For information about modifications outside the scope of the Modification Services program, contact your Hoffman sales representative.

Standard Sizes Two-Door Floor-Mounted Type 4 Enclosures

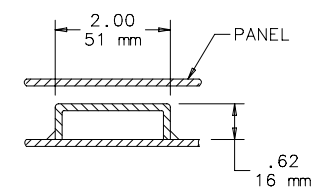
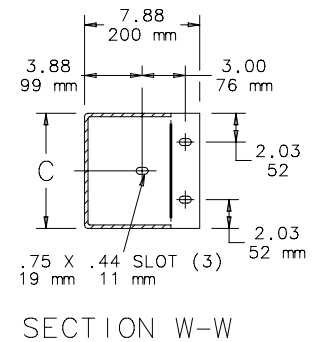
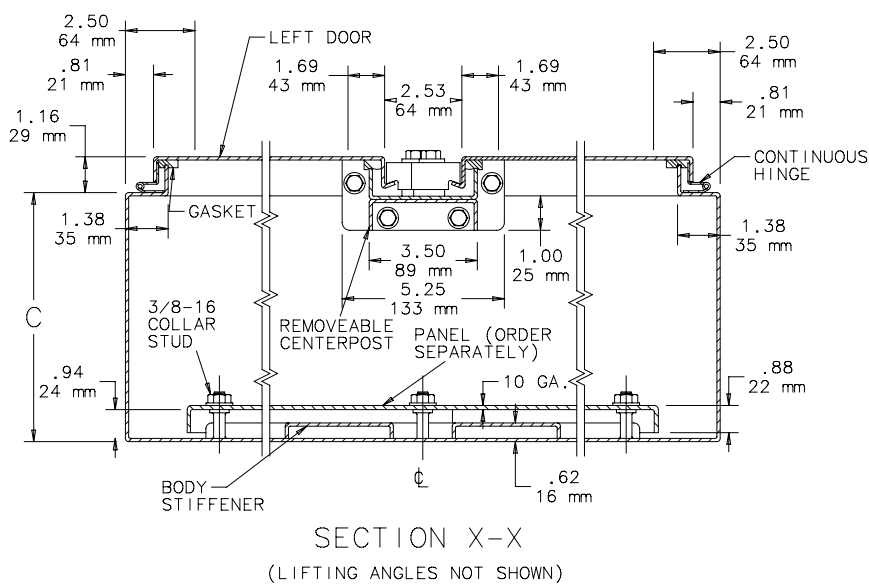
Catalog Number	A x B x C (in.)	A x B x C (mm)	Panel Catalog Number	Conductive Panel Catalog Number	Panel Size D x E (in.)	Panel Size D x E (mm)	Body Stiffener S (in.)	Body Stiffener S (mm)	Number of Clamps
A62H48CLP	62.06 x 48.06 x 10.06	1576 x 1221 x 256	A60P48	A60P48G	15.00	381	15	381	16
A62H60DLP	62.06 x 60.06 x 12.06	1576 x 1526 x 306	A60P60	A60P60G	21.00	533	21	533	16
A74H60DULP	74.05 x 60.06 x 12.06	1881 x 1526 x 306	A72P60	A72P60G	21.00	533	21	533	18
A74H72DULP	74.05 x 72.06 x 12.06	1881 x 1830 x 306	A72P72	A72P72G	24.00	610	24	610	18
A74H72JULP	74.05 x 72.06 x 24.06	1881 x 1830 x 611	A72P72	A72P72G	24.00	610	24	610	18

Purchase panels separately.

Two-Door Floor-Mounted Type 4 Enclosures



NOTE: Right door has removable 12.00 x 12.00 (305mm x 305mm) data pocket.



**Industrial
Enclosures**