

# SURE-LITES®

*Exit and Emergency Lighting*

**EXIT** →

**EMERGENCY LIGHTS**

**EXIT SIGNS**

**ALL PRO EMERGENCY**

**INDUSTRIAL & HAZARDOUS**

**RETROFIT**

**ACCESSORIES**

**CHICAGO CODE**

**LIGHTING INVERTERS**



**EXIT SIGNS**

# SURE-LITES®



**EMERGENCY LIGHTING**

**EMERGENCY LIGHTS**

**EXIT SIGNS**

**ALL PRO EMERGENCY**

**INDUSTRIAL & HAZARDOUS**

**RETROFIT**

**ACCESSORIES**

**CHICAGO CODE**

**LIGHTING INVERTERS**

# SURE-LITES®

The **TRUSTED** name for emergency lighting



Offering a **COMPREHENSIVE LINE** of emergency lights, exit signs, lighting inverters, and retrofit products. A full range of **INNOVATIVE SOLUTIONS** are available from routine **COMMERCIAL** to upscale **ARCHITECTURAL** to hazardous **INDUSTRIAL** locations.

**ALL** products are **UL 924 LISTED** and comply with **THE LIFE SAFETY CODE (NFPA 101)**.



In addition, a complete line of **ENERGY EFFICIENT** products are available to significantly reduce energy consumption and exceed conservation standards.

Thinking ahead, a **DEDICATED** engineering group focuses on advanced technology to continue developing more effective ways to provide emergency lighting.



**SURE-LITES® - RELIABILITY GUARANTEED.**



# ***EMERGENCY LIGHTS***

---





# ***EXIT SIGNS***













# EMERGENCY LIGHTS



## ARCHITECTURAL

						
<b>AEL Series</b> p. 8	<b>CHEL Series</b> p. 9	<b>MML Series</b> p. 10	<b>ML Series</b> p. 11	<b>RD Series</b> p. 12	<b>RLM Series</b> p. 12	<b>GC Series</b> p. 13
						
<b>SLC Series</b> p. 14	<b>P4C Series</b> p. 15	<b>RG Series</b> p. 16	<b>C7213EEMSL</b> p. 17	<b>H274EM</b> p. 18	<b>StairLite</b> p. 19	<b>StairLite 2</b> p. 20

## COMMERCIAL

						
<b>CC2 Series</b> p. 21	<b>CC3, 4, 5, 6 Series</b> p. 22	<b>CC7 Series</b> p. 23	<b>CC8 Series</b> p. 24	<b>CC9, 10, 11, 12 Series</b> p. 25	<b>CU1 Series</b> p. 26	<b>CU2 Series</b> p. 27
						
<b>XR Series</b> p. 28	<b>HR Series</b> p. 29	<b>HS1R Series</b> p. 30	<b>LM1 Series</b> p. 31	<b>AA1 Series</b> p. 32		

## REMOTE

						
<b>6V, 12V Plastic</b> p. 33	<b>6V, 12V Plastic Weatherproof</b> p. 33	<b>6V, 12V Metal Head</b> p. 34	<b>6V, 12V Metal Head Weatherproof</b> p. 34	<b>6V, 12V MR16</b> p. 35	<b>MR (Metrolite)</b> p. 35	<b>CFR Series</b> p. 36
						
<b>DR Series</b> p. 36	<b>CU Series</b> p. 36	<b>GFR Series</b> p. 36	<b>R4C Series</b> p. 37	<b>RFR Series</b> p. 37	<b>Ultimate Remote Head Series</b> p. 37	<b>HZB/HZP Series</b> p. 37

# EXIT SIGNS



## ARCHITECTURAL



ELX-AC Series  
p. 38



ELX-SP Series  
p. 39



ES Series  
p. 40



CX Series  
p. 41



CAX Series  
p. 42



TPX Series  
p. 46



CAR Series  
p. 48

## COMMERCIAL



LPX Series  
p. 50



CCX Series  
p. 52



EEX Series  
p. 55



EU Series  
p. 56



INCX Series  
p. 58



SLX Series  
p. 59



R/G/OF/PLX Series  
p. 60

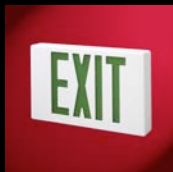


UN/UNH/PLX Series  
p. 61

## ALL PRO



APSSQ Series  
p. 63



AP60/70 Series  
p. 64



AP70..DH Series  
p. 65

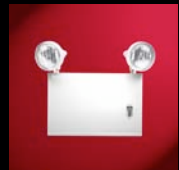




# INDUSTRIAL & HAZARDOUS LOCATIONS



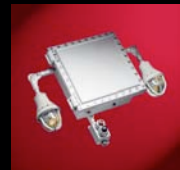
UEL Series  
p. 66



NCB Series  
p. 67



UMB Series  
p. 68



HZU1254 Series  
p. 69



UX Series  
p. 70



UMX Series  
p. 71



VRX Series  
p. 72



TRX Series  
p. 73



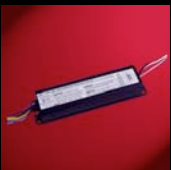
PHL Series  
Photoluminescent  
p. 74



HZX Series  
p. 75



# RETROFIT



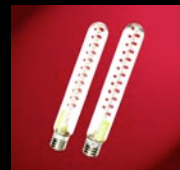
FBP  
p. 76



LTC  
p. 77



LTC2  
p. 78



RKRC, RKRI  
p. 79



REM, RBP  
p. 80



277 CONVERSION  
CANOPY  
p. 81



FTBR CONVERSION  
CANOPY  
p. 81



EMERGENCY POWER  
PACK  
p. 82



CAX EMERGENCY  
POWER PACK  
p. 82



# ACCESSORIES



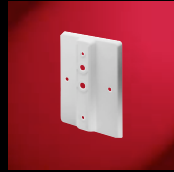
**Polycarbonate Shield**  
p. 83



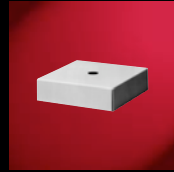
**Wire Guards**  
p. 83



**Pendant Kits**  
p. 83, 84



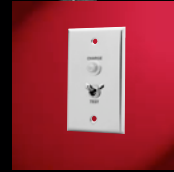
**Canopy Kits**  
p. 84



**CAX Series Splice Box**  
p. 84



**Switching Accessories**  
p. 85



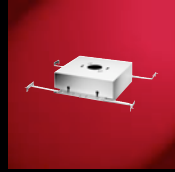
**Remote Test Switch & Pilot Light**  
p. 85



**Cord Sets**  
p. 85



**Mounting Brackets, Mounting Shelves**  
p. 86



**Recessing Kits**  
p. 86



**Tamper Proof Screws & Screwdriver Bits**  
p. 86



# CHICAGO CODE



**UEL Series**  
p. 87



**CHEL Series**  
p. 88



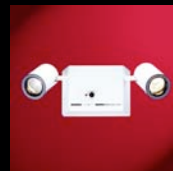
**XR Series**  
p. 89



**HR Series**  
p. 90



**GC Series**  
p. 91



**ST1 Series**  
p. 92



**FBP Series**  
p. 93



**CHX Series**  
p. 94



**EAC Series**  
p. 96

# LIGHTING INVERTERS



**Micro Inverter Series**  
p. 98



**Lifeway II Single Phase IPS Series**  
p. 99



**Lifeway II Single Phase C Series**  
p. 100



**Lifeway II Three Phase Series**  
p. 101



# SURE-LITES®



## ARCHITECTURAL EMERGENCY LIGHT SERIES

### DIE CAST ALUMINUM

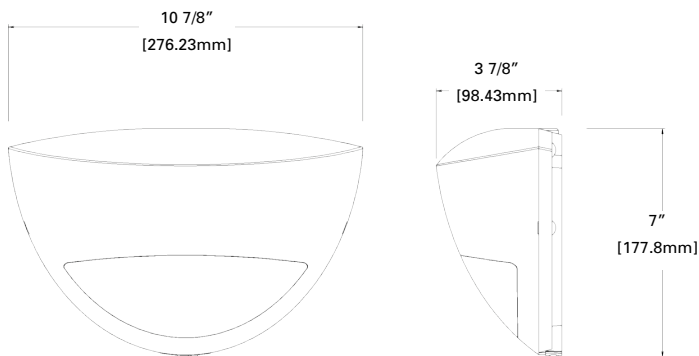
### EMERGENCY LIGHT

- > Dual-voltage input 120/277VAC, 60Hz
- > Die cast aluminum housing with powder coat finish
- > Three 6V, 6W High output Xenon lamps
- > Sealed Nickel Cadmium Battery Maintenance Free, Long Life, Full Recharge time, 24 Hours
- > Watchguard EMS Self-Diagnostic System
- > Photocell Test Switch (requires accessory LASER for activation)
- > Universal Pattern Knockouts on rear of housing for direct mounting to junction box
- > UV Stable Polycarbonate Lens
- > Line-Latching, Solid-state Voltage Limited Charger, Low-Voltage Disconnect, Brownout Circuit, Overload/Short Circuit Protection, Test Switch/Power Indicator Light
- > UL Outdoor Wet/Damp Location Listed
- > UL 924 Listed Self-Diagnostics, Life Safety NFPA 101, NEC/OSHA, Most State and Local Codes

### DESCRIPTION

The Architectural Emergency Light is designed to provide superior illumination while blending into the surrounding space. The housing is constructed of die cast aluminum with an integral refractive polycarbonate lens. The emergency light's advanced optical design in conjunction with high output Xenon lamps provide maximum path of egress lighting performance. The Sure-Lites Architectural Emergency Light is listed for temperatures between -20°C and 40°C (-4°F and 104°F) and has silicone gaskets that provide protection from moisture and rain. [Remote unit temperature range: -40°C and 65°C (-40°F and 149°F)] Standard features include Watchguard EMS self-diagnostic system which meets NFPA 101 testing requirements and a FasTest photocell which enables remote testing of the emergency light.

### DIMENSIONS



Verify proper operation of the transfer circuit and emergency lamps with a convenient laser pointer (sold as an accessory).

Sure-Lites® 023-414	
WatchGuard EMS	
Indicator	Meaning
● Steady	Float Charge
● Pulse	High Charge
● - ●	Battery Failure
● - ● - ●	Circuit Failure
● - ● - ● - ●	Lamp Failure
TEST	INDICATOR

### Self-Diagnostics

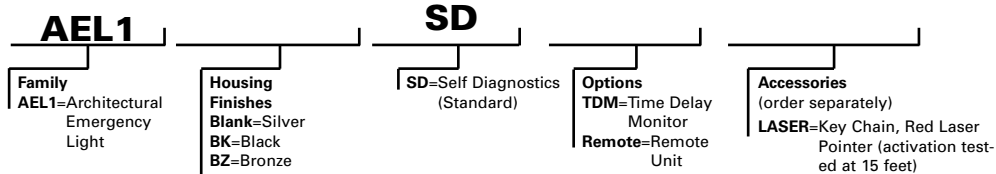
The self-diagnostic unit will automatically perform the tests required by the NFPA 101 Life Safety Code. The system indicates the status of the unit at all times using an LED indicator that is located near the test switch.

### ELECTRICAL RATINGS

Model	Rated Wattage to 87 1/2% of Rated D.C. Voltage		Lamp Information			
	DC Voltage	1 1/2 Hours	Type	Wattage	Number	Spacing <sup>1</sup>
<b>AEL1SD</b>	<b>6</b>	<b>18</b>	<b>Xenon</b>	<b>6 each</b>	<b>11549423</b>	<b>30.0'</b>

### ORDERING INFORMATION

SAMPLE NUMBER: AEL1SD



### ENERGY DATA

AEL1SD
Input Current (Max.)
120V = .10A
277V = .07A



AEL1WHSD



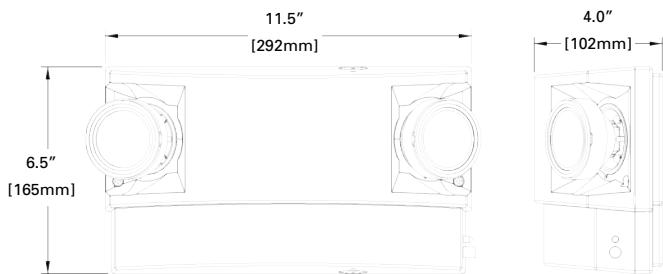
AEL1BKSD



AEL1BZSD

<sup>1</sup>The "Rule of Thumb" spacing guidelines are designed to achieve 1 foot-candle average and 0.1 foot-candle minimum with a 40:1 maximum/minimum ratio. The corridor used is 100 feet long, 9 foot ceiling with a 6 foot wide walkway and 3 foot path of egress. The reflectances are 80% ceiling, 50% walls and 20% floors. The fixture mounting height is 8.5 feet. Cooper Lighting assumes no responsibility for local requirements or specific project variables. This is a guideline to be used as a design aid, not as guarantee of any code compliance.

**DIMENSIONS**



**DESCRIPTION**

The CHEL Emergency Light provides a distinct solution to any emergency lighting application. Constructed of die cast aluminum, the CHEL presents not only a unique shape and design but also provides dependable strength and durability. The two, fully adjustable, high efficiency 12W, MR16 lamps provide maximum path of egress performance. The standard Watchguard EMS self-diagnostic system meets NFPA 101 testing requirements providing assurance that the unit is working properly at all times. The Sure-Lites FASTEST LASER test feature allows remote, 30 second testing of the emergency light.



Sure-Lites® 023-414	
<b>WatchGuard EMS</b>	
Indicator	Meaning
● Steady	Float Charge
● Pulse	High Charge
● - ●	Battery Failure
● - ● - ●	Circuit Failure
● - ● - ● - ●	Lamp Failure
TEST	INDICATOR



Verify proper operation of the transfer circuit and emergency lamps with a convenient laser pointer (sold as an accessory).

**Self-Diagnostics**

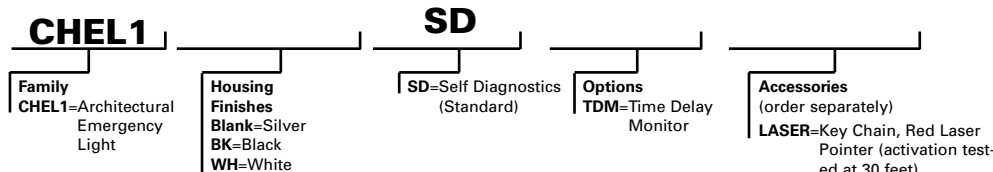
The self-diagnostic unit will automatically perform the tests required by the NFPA 101 Life Safety Code. The system indicates the status of the unit at all times using an LED indicator that is located near the test switch.

**ELECTRICAL RATINGS**

Model	Rated Wattage to 87 1/2% of Rated D.C. Voltage		Lamp Information			
	DC Voltage	1 1/2 Hours	Type	Wattage	Number	Spacing <sup>1</sup>
<b>CHEL1SD</b>	<b>6</b>	<b>24</b>	<b>MR16</b>	<b>12</b>	<b>29-140</b>	<b>50.0'</b>

**ORDERING INFORMATION**

SAMPLE NUMBER: CHEL1SD



**ENERGY DATA**

**CHEL1SD**  
Input Current (Max.)  
120V = .05A  
277V = .02A



**CHEL1BKSD**



**CHEL1WHSD**



**CHEL1SD (Reverse Mounted)**

**CHEL SERIES**  
**DIE CAST ALUMINUM**  
**EMERGENCY LIGHT**

- > Dual-voltage input 120/277VAC, 60Hz
- > Die cast aluminum housing with powder coat finish
- > Two Fully adjustable heads with 6V, 12W MR16 lamps
- > Sealed Lead Calcium Battery Maintenance Free, Long Life, Full Recharge time, 24 Hours
- > Watchguard EMS Self-Diagnostic System
- > Remote Photocell Test Switch (requires accessory LASER for activation)
- > Universal Pattern Knockouts on rear of housing for direct mounting to junction box
- > Snap Fit Design
- > Reversible Mounting
- > Line-Latching, Solid-state Voltage Limited Charger, Low-Voltage Disconnect, Brownout Circuit, Overload/Short Circuit Protection, Test Switch/Power Indicator Light
- > UL Damp Location Listed
- > UL 924 Listed Self-Diagnostics, Life Safety NFPA 101, NEC/OSHA, Most State and Local Codes

<sup>1</sup>The "Rule of Thumb" spacing guidelines are designed to achieve 1 foot-candle average and 0.1 foot-candle minimum with a 40:1 maximum/minimum ratio. The corridor used is 100 feet long, 9 foot ceiling with a 6 foot wide walkway and 3 foot path of egress. The reflectances are 80% ceiling, 50% walls and 20% floors. The fixture mounting height is 7.5 feet. Cooper Lighting assumes no responsibility for local requirements or specific project variables. This is a guideline to be used as a design aid, not as guarantee of any code compliance.

# SURE-LITES®



## MML SERIES

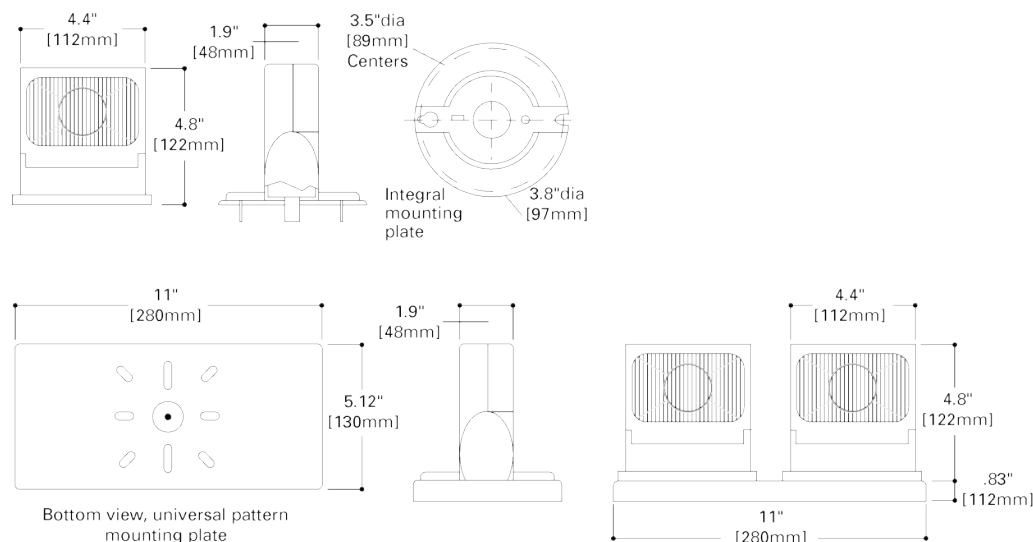
### METROLITE EMERGENCY LIGHT

- > Dual-voltage input 120/277VAC, 60Hz
- > Injection-Molded, High-Impact, Thermoplastic Housing, Rated UL 94-5VA, Designer-White Textured Finish, Integral Mounting Plate
- > Glare Free Lens, Fully Adjustable, Halogen Lamps
- > Sealed Lead Calcium Battery Maintenance Free, Long Life, Full Recharge time, 24 Hours (max.)
- > Line-Latching, Low-Voltage Disconnect, Test Switch, AC Power Indicator, Brownout Circuit
- > UL 924, Life Safety NFPA 101, NEC/OSHA, Most State and Local Codes

### DESCRIPTION

The Metrolite MML Series has a sculptured and compact appearance that makes it perfect for quality interior applications. The self-contained, feature rich design packs a powerful punch with its super-bright halogen lamp and precision optics. The integral mounting plate makes installation fast and easy.

### DIMENSIONS



### ELECTRICAL RATINGS

Rated Wattage to 87 1/2 % of Rated D.C. Voltage

Lamp Information

Model	DC Voltage	1 1/2 Hours	Type	Wattage	Number
MML1	4	4.8	Tungsten Halogen	4.8W	L010777
MML2	4	9.6	Tungsten Halogen	4.8W ea	L010777

### ORDERING INFORMATION

SAMPLE NUMBER: MML1

Model Number  
MML1  
MML2

Accessories  
(Order separately)  
VS1 = Polycarbonate Vandal Shield  
WG8 = Wire Guard MML1  
WG9 = Wire Guard MML2

### ENERGY DATA

Input Current (Max.)

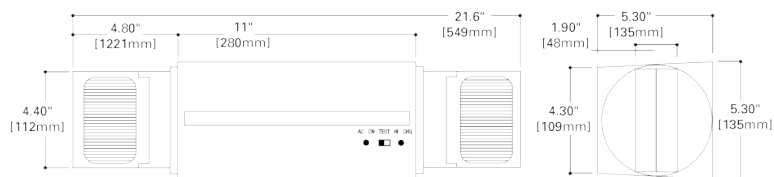
**MML1**  
120V = .037A  
277V = .019A

**MML2**  
120V = .074A  
277V = .038A

**DESCRIPTION**

The Metrolite ML Series is the right choice for installations where aesthetics are a priority. With its white finish and sculptured compact design the product blends in with the surroundings. Matching remotes are available to insure a consistent appearance. The pleasing look is accompanied by a feature rich design that provides fully adjustable heads with high efficiency halogen lamps making it easy to direct ample light to the required areas. Each unit employs a quick mount universal back with hinged access for hassle free installation.

**DIMENSIONS**



**ML SERIES  
METROLITE**

**METROLITE  
EMERGENCY LIGHT**

**ELECTRICAL RATINGS**

Rated Wattage to 87 1/2 % of Rated D.C. Voltage

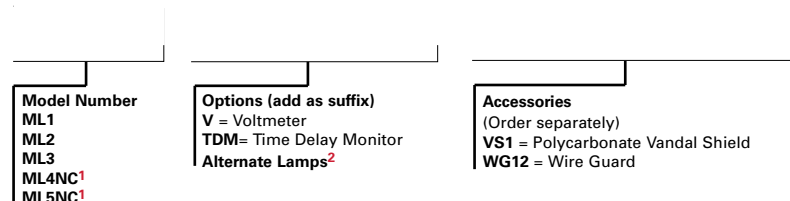
Model	DC Voltage	1 1/2 Hours	Remote Wattage Available
ML1	6	25	0
ML2	6	50	26
ML3	12	50	26
ML4NC	6	14	0
ML5NC	12	28	0

**Lamp Information**

Type	Wattage	Number
Bi-Pin Halogen	12W ea	029-66
Bi-Pin Halogen	12W ea	029-66
Bi-Pin Halogen	12W ea	029-45
Bi-Pin Halogen	6W ea	029-12
Bi-Pin Halogen	12W ea	029-45

**ORDERING INFORMATION**

SAMPLE NUMBER: ML1



**ENERGY DATA**

Input Current (Max.)

**ML1, ML2, ML3**

120V = .3A

277V = .1A

**ML4NC, ML5NC**

120V = .085A

277V = .035A

- > Dual-voltage input 120/277VAC, 60Hz
- > Injection-Molded, High-Impact, Thermoplastic Housing, Rated UL 94-5VA, Designer-White Textured Finish, Integral Mounting Plate
- > Glare Free Lens, Fully Adjustable, Halogen Lamps
- > Sealed Lead Calcium or Nickel Cadmium Battery Maintenance Free, Long Life, Full Recharge time, 24 Hours (max.)
- > Line-Latching, Low-Voltage Disconnect, Test Switch, AC Power Indicator, Brownout Circuit
- > Red LED High Charge Indicator, Amber LED AC Power Indicator
- > UL 924, Life Safety NFPA 101, NEC/OSHA, Most State and Local Codes

<sup>1</sup>NC = Nickel Cadmium Battery. <sup>2</sup>Consult your Cooper Lighting Representative.

# SURE-LITES®



## RD SERIES

Two Injection Molded Thermoplastic Heads



## RLM SERIES

Two High-Impact Thermoplastic Heads

### EMERGENCY LIGHT

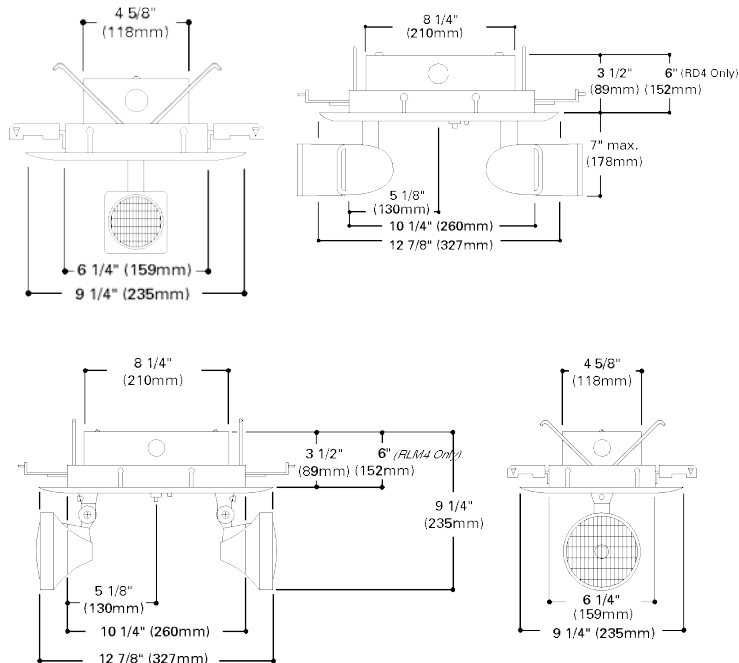
- > Dual-voltage input 120/277VAC, 60Hz
- > 20 gauge die-formed steel housing with white powder coat finish
- > Heads match housing finish
- > Ceiling or wall mounting
- > Supplied with hanger bars, T-Bar clips
- > Single modular electrical connector
- > Remote capability
- > Line-latching, Solid-State voltage limited charger, Solid-State switching, low-voltage disconnect, brownout circuit, overload/short-circuit protection, test switch/power indicator light
- > UL 924 Listed, Life Safety NFPA 101, NEC/OSHA, most state and local codes

### DESCRIPTION

The RD Series is a recessed emergency lighting system designed for locations where aesthetics are of utmost importance. The housing is fully recessed in dry wall or grid ceiling installations. Designer pinchback heads rotate 358° and swivel 90° to 0°. Ideal for commercial and institutional environments where easy recessed installation and minimal maintenance are desired.

The RLM Series is a recessed system packaged in an attractive flame-resistant metal housing. It is the unit of choice for installations where a recessed product is desired and the size and cost of emergency lighting must be kept to a minimum without sacrificing dependability or light output.

### DIMENSIONS



### ELECTRICAL RATINGS

Model	Battery	Rated Wattage to 87 1/2% of rated D.C. Voltage				Lamp Information			
		DC Voltage	1 1/2 hours	2 hours	3 hours	4 hours	Type	Wattage	Number
RD1	SLC	6	18	15	10	8	Tungsten Halogen	6	29-12
RD3	SLC	6	27	24	18	14	Tungsten Halogen	12	29-66
RD4	SLC	12	54	-	-	-	Incandescent	9	029-86
RD6	SNC	6	15	12	8	6	Tungsten Halogen	6	29-12
RD7	SNC	6	24	18	12	10	Tungsten Halogen	12	29-66
RLM1	SLC	6	10.8	7.2	-	-	Incandescent	5.4	29-121
RLM2	SLC	6	18	15	10	8	Incandescent	9	29-84
RLM3	SLC	6	27	24	18	14	Incandescent	9	29-84
RLM4	SLC	12	54	-	-	-	Incandescent	9	029-86
RLM8	SNC	6	15	12	8	-	Incandescent	7.2	29-88
RLM9	SNC	6	24	18	12	10	Incandescent	7.2	29-88

SLC=Sealed Lead Calcium Battery  
SNC=Sealed Nickel Cadmium Battery

### ORDERING INFORMATION

SAMPLE NUMBER: RD1V

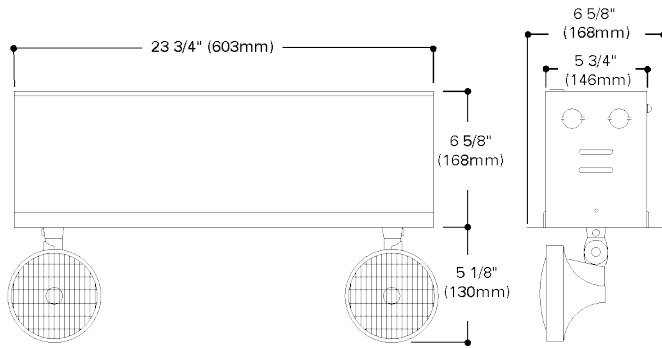
Model Number	Options (Add as suffix)	Accessories (Order separately)
RD1	A=Ammeter <sup>1</sup>	WG2 =Wire Guard
RD3	SD=Self-Diagnostics	WG7 =Wire Guard
RD4	TDM=Time Delay Monitor	VS=Choose polycarbonate vandal shield desired from accessories sheet
RD6	V=Voltmeter <sup>1</sup>	
RD7	Alternate Lamps <sup>2</sup>	
RLM1	Other Options <sup>2</sup>	
RLM2		
RLM3		
RLM4		
RLM8		
RLM9		

### Energy Data

Model No.	Input Current (Max.):	
	120V	277V
RD1, RD3	.12A	.05A
RD4, RLM4	.30A	.13A
RD6	.06A	.03A
RD7	.07A	.04A
RLM1, RLM2, RLM3	.12A	.05A
RLM8	.06A	.03A
RLM9	.07A	.04A

<sup>1</sup>Provision for one meter only. <sup>2</sup>Consult your Cooper Lighting Representative.

**DIMENSIONS**



**DESCRIPTION**

The GC Series combines a clean, sleek, contemporary appearance with state-of-the-art electronics. Specifically designed for initial and retrofit installations where a recessed unit is desired to maximize aesthetics. The unit is ideal for locations with limited wall space and where panoramic positioning is necessary for the ceiling mounted lampholders to provide proper light distribution. Ideal for stores, offices, hospitals and school corridors.



**GC SERIES**

**Recessed Housing  
Suspended Ceiling**

**EMERGENCY LIGHT**

**ELECTRICAL RATINGS**

Model	Battery	Rated Wattage to 87 1/2% of rated D.C. Voltage					Lamp Information		
		DC Voltage	1 1/2 hours	2 hours	3 hours	4 hours	Type	Wattage	Number
GC15012	SLC	6	27	24	18	14	Incandescent	9	29-84
GC15022	SLC	6	54	48	36	28	Incandescent	9	29-84
GC15032	SLC	6	85	66	50	40	Incandescent	9	29-84
GC15042	SLC	12	36	30	20	16	Incandescent	9	29-86
GC15052	SLC	12	54	48	36	28	Incandescent	9	29-86
GC15122	SNC	6	15	12	8	6	Incandescent	7.2	29-88
GC15132	SNC	6	24	18	12	10	Incandescent	7.2	29-88
GC15142	SNC	6	48	36	24	20	Incandescent	7.2	29-88
GC15172	SNC	12	30	24	16	12	Incandescent	9	29-86
GC15182	SNC	12	48	36	24	20	Incandescent	9	29-86

SLC=Sealed Lead Calcium Battery  
SNC=Sealed Nickel Cadmium Battery

**ORDERING INFORMATION**

SAMPLE NUMBER: GC15012CL

Model Number	Options (Add as suffix)	Accessories (Order separately)
GC15012	A=Ammeter	VK1 =Voltmeter
GC15022	CL=Cylinder Heads	WG12 =Wire Guard
GC15032	DR=Halogen Pinchback Designer Heads	WG17 =Wire Guard for use with CL heads
GC15042	SD=Self-Diagnostics (GC15012, GC15042, GC15052, GC15122, GC15132, GC15172, GC15182, Only)	
GC15052	TDM=Time Delay Monitor	
GC15122	V=Voltmeter	
GC15132	Alternate Lamps <sup>1</sup>	
GC15142	Other Options <sup>1</sup>	
GC15172		
GC15182		

**Energy Data**

Model No.	Input Current (Max.):	
	120V	277V
GC15012, GC15022, GC15032	.12A	.05A
GC15042, GC15052	.30A	.13A
GC15122	.06A	.03A
GC15132	.07A	.04A
GC15142	.08A	.05A
GC15172	.13A	.06A
GC15182	.15A	.07A

- > Dual-voltage input 120/277VAC, 60Hz
- > 20 gauge die-formed steel housing with white powder coat finish
- > Two high-impact, fully adjustable thermoplastic heads
- > Flanged for mounting in grid-type suspended ceilings
- > Above ceiling access required for maintenance
- > Single modular electrical connector
- > Remote Capability
- > Line-latching, Solid-State voltage limited charger, Solid-State switching, low-voltage disconnect, brownout circuit, overload/short-circuit protection, test switch/power indicator light
- > UL 924 Listed, Life Safety NFPA 101, NEC/OSHA, most state and local codes

<sup>1</sup>Consult your Cooper Lighting Representative.

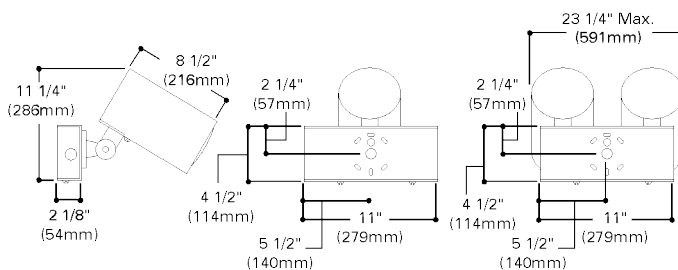
# SURE-LITES®



## DESCRIPTION

The SLC Series is a solid-state, self-contained emergency lighting system. The architecturally designed heads blend perfectly with the most sophisticated decor.

## DIMENSIONS



## SLC SERIES

Large Cylinder Head(s)

### EMERGENCY LIGHT

- > Dual-voltage input 120/277VAC, 60Hz
- > 18 gauge die formed steel housing with white powder coat finish
- > Single or double front mounted white thermoplastic fully adjustable heads with glare free lens
- > Remote capability
- > Line-latching, Solid-State voltage limited charger, Solid-State switching, low-voltage disconnect, brownout circuit, overload/short-circuit protection, test switch/power indicator light
- > UL 924 Listed, Life Safety NFPA 101, NEC/OSHA, most state and local codes

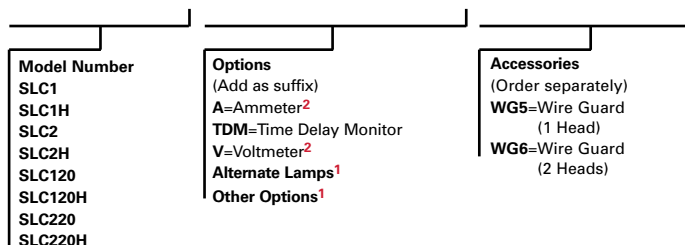
### ELECTRICAL RATINGS - SEALED LEAD CALCIUM BATTERY

Model	Battery	No. of Heads	DC Voltage	Rated Wattage to 87 1/2% of rated D.C. Voltage				Lamp Information		
				1 1/2 hours	2 hours	3 hours	4 hours	Type	Wattage	Number
SLC1	SLC	1	6	10.8	7.2	-	-	Incandescent	9	29-84
SLC1H	SLC	1	6	27	24	18	14	Incandescent	9	29-84
SLC2	SLC	2	6	18	15	10	8	Incandescent	9	29-84
SLC2H	SLC	2	6	54	48	36	28	Incandescent	9	29-84
SLC120	SNC	1	6	8	-	-	-	Incandescent	7.2	29-88
SLC120H	SNC	1	6	24	18	14	10	Incandescent	7.2	29-88
SLC220	SNC	2	6	15	12	8	6	Incandescent	7.2	29-88
SLC220H	SNC	2	6	48	36	28	20	Incandescent	7.2	29-88

SLC=Sealed Lead Calcium Battery  
SNC=Sealed Nickel Cadmium Battery

### ORDERING INFORMATION

SAMPLE NUMBER: SLC1V



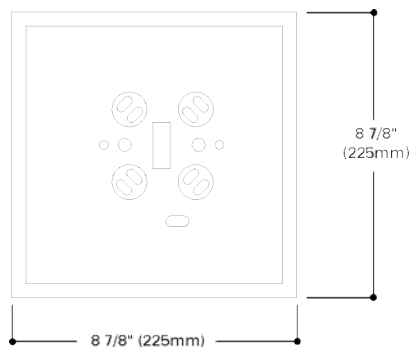
### Energy Data

Model No.	Input Current (Max.):	
	120V	277V
SLC1	.08A	.04A
SLC1H, SLC2, SLC2H	.12A	.05A
SLC120	.05A	.03A
SLC120H	.07A	.04A
SLC220	.06A	.03A
SLC220H	.08A	.05A

<sup>1</sup>Consult your Cooper Lighting Representative. <sup>2</sup>Provision for one meter only.



**DIMENSIONS**



**DESCRIPTION**

The P4C Series is a decorative, mini-system that features solid-state electronics and a long-life maintenance free battery. It is designed for surface mounting but may be semi-recessed or fully recessed by using a field-installed recessed kit. The diffused tungsten halogen light source and reliable electronics make the P4C Series ideal for illuminating corridors, stairways, doorways, and offices.



**P4C SERIES**

Decorative Square

EMERGENCY LIGHT

**ELECTRICAL RATINGS**

Model	Battery	Rated Wattage to 87 1/2% of rated D.C. Voltage					Lamp Information		Wattage	Number
		DC Voltage	1 1/2 hours	2 hours	3 hours	4 hours	Type			
P4C1	SLC	6	10.8	72	-	-	Bi-Pin Halogen	10	29-40	
P4C2	SLC	6	27	24	18	14	Bi-Pin Halogen	10	29-40	
P4C22 <sup>3</sup>	SLC	6	27	24	18	14	Bi-Pin Halogen	10	29-40	
P4C3	SLC	6	54	48	36	28	Bi-Pin Halogen	10	29-40	
P4C6	SNC	6	15	12	8	6	Bi-Pin Halogen	10	29-40	
P4C7	SNC	6	24	18	12	10	Bi-Pin Halogen	10	29-40	
P4C72 <sup>3</sup>	SNC	6	24	18	12	10	Bi-Pin Halogen	10	29-40	

SLC=Sealed Lead Calcium Battery  
SNC=Sealed Nickel Cadmium Battery

**ORDERING INFORMATION**

SAMPLE NUMBER: P4C1PCL

Model Number	Options	Accessories
P4C1	(Add as suffix)	(Order separately)
P4C2	PCL=Polycarbonate Lens	WG7 =Wire Guard
P4C22	TDM=Time Delay Monitor	USF1=Rough-in Kit for semi-recessed installation 8 1/4"L x 8 1/4"W x 2 7/8"D (210mm x 210mm x 73mm)
P4C3	V=Voltmeter <sup>2</sup>	FRK1=Rough-in Kit for fully recessed installation 9 1/8"L x 9 1/8"W x 5 1/8"D (232mm x 232mm x 130mm)
P4C6	A=Ammeter <sup>2</sup>	VS1=Polycarbonate Vandal Shield
P4C7	Other Options <sup>1</sup>	VS1WP=Polycarbonate Vandal Shield - Weatherproof
P4C72		

**Energy Data**

Model No.	Input Current (Max.):	
	120V	277V
P4C1, P4C2, P4C22, P4C3	.12A	.05A
P4C6	.06A	.03A
P4C7, P4C72	.07A	.04A

- > Dual-voltage input 120/277VAC, 60Hz
- > Black thermoplastic body with white plastic collar and reflector
- > High-impact acrylic lens with test switch behind flexible lens
- > Universal J-Box mounting pattern with 1/2" conduit knockouts
- > Surface mounting, recessed or semi-recessed
- > Wall or Ceiling mounting
- > Remote capability
- > Line-latching, Solid-State voltage limited charger, Solid-State switching, low-voltage disconnect, brownout circuit, overload/short-circuit protection, test switch/power indicator light
- > UL 924 Listed, Life Safety NFPA 101, NEC/OSHA, most state and local codes

<sup>1</sup>Consult your Cooper Lighting Representative. <sup>2</sup>Only one meter - not compatible with FRK-1. <sup>3</sup>Twin Lamps.

# SURE-LITES®



## RG SERIES

### Recessed Gimbal

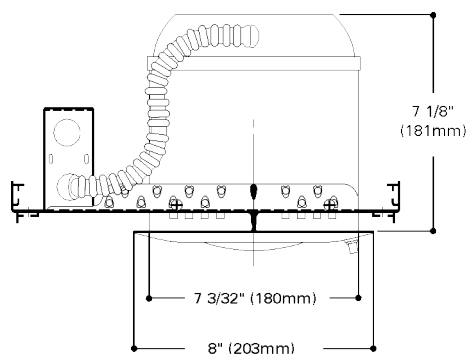
### EMERGENCY LIGHT

- > Dual-voltage input 120/277VAC, 60Hz
- > Fixture illuminates upon loss of AC power (normally off)
- > 20 gauge die-stamped steel housing
- > Polycarbonate lens included
- > Adjustable aiming angle 30°
- > Hanger bars accommodate 24" spans and can be rotated 90° on plaster frame
- > Conduit knockouts, four 1/2" and two 3/4"
- > Trim ring, with integral test switch, held in place with torsion springs
- > Standard white trim ring/black gimbal ring
- > Line-latching, Solid-State voltage limited charger, Solid-State switching, low-voltage disconnect, brownout circuit, overload/short-circuit protection, test switch/power indicator light
- > UL 924 Listed, Life Safety NFPA 101, NEC/OSHA, CSA Certified, most state and local codes
- > IC Rated

### DESCRIPTION

Perfect for commercial or architectural applications where the aesthetics of a fully recessed unit are essential. The slim profile of the RG Series is ideal for low ceilings and blends inconspicuously with existing recessed installations. The gimbal mounted lamp provides directional aiming (optional white gimbal ring offers the perfect blend for suspended ceilings). The RG Series combines a high output sealed beam type lamp, sealed lead calcium battery and full feature Sure-Lites electronics.

### DIMENSIONS

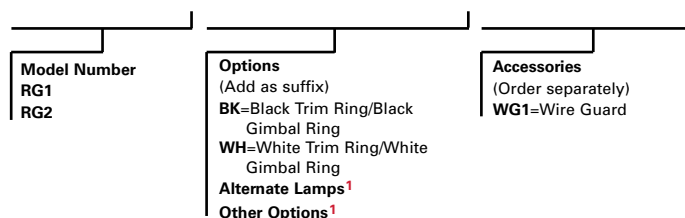


### ELECTRICAL RATINGS - SEALED LEAD CALCIUM BATTERY

Model	DC Voltage	Rated Wattage to 87 1/2% of rated D.C. Voltage				Lamp Information		
		1 1/2 hours	2 hours	3 hours	4 hours	Type	Wattage	Number
RG1	6	10.8	7.2	-	-	Incandescent	9	29-84
RG2	6	27	24	-	-	Incandescent	25	29-09

### ORDERING INFORMATION

SAMPLE NUMBER: RG1WH



### Energy Data

Model No.	Input Current (Max.):	
	120V	277V
RG1	.12A	.05A
RG2	.12A	.05A

<sup>1</sup>Consult your Cooper Lighting Representative.

**DESCRIPTION**

The C7213EEMSL wide beam downlight features a completely self-contained battery-operated emergency lighting system utilizing energy saving compact fluorescent lamps. This unit provides inconspicuous emergency lighting by blending with Portfolio downlights. It's designed to provide normal illumination with AC power and 90 minutes of emergency lighting. The fixture may be installed in switched circuits. The battery charge indicator light and test switch are prewired to a quick connect modular plug which also makes the final battery connection for energizing the circuit.



**C7213EEMSL**

**Recessed/Fluorescent**

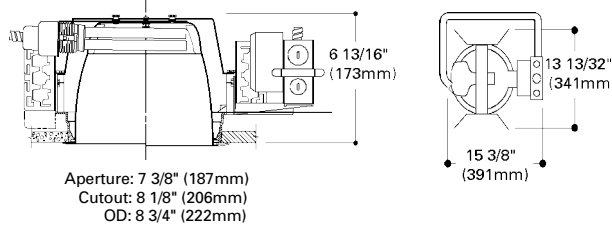
**EMERGENCY LIGHT**

- > Dual voltage input 120V through 277VAC, 50/60 Hz
- > Die cast aluminum 1 1/2" deep collar
- > One piece Alzak reflector with spun parabolic contour provides 55° cutoff to lamp and lamp image
- > All finishes are low iridescent to eliminate rainbowing
- > Sealed nickel cadmium battery
- > Exclusive universal mounting bracket adjusts 5" vertically
- > Junction box with 1/2" and 3/4" pryouts, listed for eight #12g 90°C conductors
- > Electronic ballasts have integral fuse, >99% power factor and <10%THD. Electronic ballasts have current controlled preheat starting and End of Life protection standard.
- > Solid state voltage limited charger, overload short circuit protection, test switch/power indicator light
- > UL 924 Listed, Life Safety NFPA 101, NEC/OSHA, most state and local codes

**DESCRIPTION**

**DIMENSIONS**

**Aperture Size:** **7 3/8"**  
**Lamp:** 13W 4 Pin Quad  
**Lamp and Lamp Image Cutoff:** 55°



**ORDER HOUSING, TRIM AND ACCESSORIES SEPARATELY, LAMP SUPPLIED BY OTHERS**

**C7213EEMSL**

**Housing**  
 C7213EEMSL=7 3/8" 13W  
 (2) Lamp  
 120V through 277V

**Trims**  
 7250=Reflector with Polymer Trim  
 7251=Self Flanged Reflector

**Finish<sup>1</sup>**  
 LI=Low Iridescent  
 H=Haze  
 S=Straw  
 WH=Wheat  
 BB=Black Baffle (on 7250 only)  
 WB=White Baffle (on 7250 only)

**Accessories<sup>2</sup>**  
 (Order separately)  
**Trim Rings**  
 TRM7P=White Metal  
 TRM7MB=Black Metal  
 TRR7=Rimless  
**Slope Ceiling Adapter**  
 HSA7XX=Specify Slope  
**1 1/2" C-Channel Bar Hangers**  
 HB26=26" Long  
 HB50=50" Long

<sup>1</sup>For White Painted Flange (on self flanged reflectors) add **WF** to Reflector Finish.

<sup>2</sup>Accessories should be ordered separately. For additional options please consult your Cooper Lighting Representative.

**SURE-LITES®****H274EM**

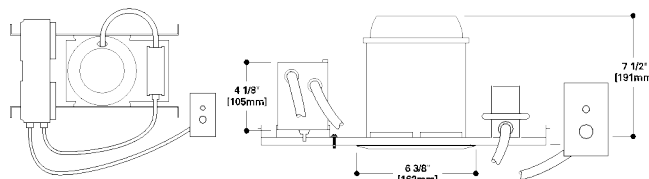
Recessed/Fluorescent

EMERGENCY LIGHT

- > Dual-voltage input 120/277VAC, 60Hz
- > 20 gauge die-stamped steel housing with white baked enamel finish
- > Accommodates all recommended trims
- > Adjustable socket plate
- > Initial 900 lumens in emergency mode
- > Hanger bars span 24" and can be rotated 90° on plaster frame
- > Junction Box has five 1/2" trade size knockouts with true pry-out slots
- > Line-latching, Solid-State voltage limited charger, Solid-State switching, low-voltage disconnect, brownout circuit, overload/short-circuit protection, test switch/power indicator light
- > UL 924 Listed, Life Safety NFPA 101, NEC/OSHA, most state and local codes

**DESCRIPTION**

The H274EM uses one 13W compact fluorescent lamp (DTT, 2-Pin) in a H274 fixture. It matches the Halo H274 downlight in appearance and will automatically provide 120 minutes of emergency power. Typically, the H274EM would be installed on a 24 hour circuit but can also be installed on switched circuits (277V unswitched circuits require the EMS277 accessory). The battery charge indicator light and test switch are prewired to a quick connect modular plug which also makes the final battery connection for energizing the circuit.

**DIMENSIONS****ORDERING INFORMATION**

SAMPLE NUMBER: H274EM

**H274EM**
**Model Number**  
H274EM

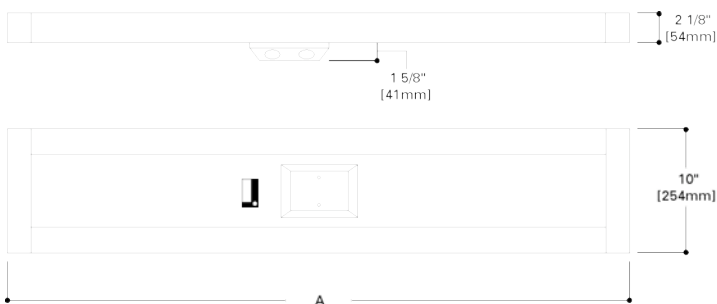
**Trims**  
(Order separately)  
**400RG**=Residential Gold Satin Reflector  
**400SC**=Specular Clear Finish Reflector  
**405CG**=Champagne Gold Specular Reflector  
**405RG**=Residential Gold Specular Reflector  
**405SC**=Clear Specular Reflector  
**409P**=Reflector with Black Coilex Baffle

**Accessories**  
(Order separately)  
**EMS277**=Accessory for 277V Switching Applications  
**TRM7P**=White Metal Trim Ring  
**TRM7MB**=Black Metal Trim Ring  
**TRR7**=Rimless Trim Ring  
**HB24**=24" Bar Hangers
**Energy Data**

Model No.	Input Power		Input Current (Max.)		Power Factor		T.H.D.:	
	120V	277V	120V	277V	120V	277V	120V	277V
<b>H274EM (Starting)</b>	30W	34W	.41A	.19A	>.62	>.66	<11%	<11%
<b>H274EM (Operating)</b>	19W	21W	.32A	.15A	>.49	>.50	<12%	<12%

**Note:** Lamp not included.

**DIMENSIONS**



Lamp	Dimension "A"
FO17T8	27" (686mm)
FO25T8	39" (991mm)
FO32T8	51" (1295mm)

**DESCRIPTION**

The StairLite System is designed to satisfy all stairwell lighting requirements in one easy to install package. StairLite consists of a surface mounted, two lamp fluorescent lighting fixture that incorporates an integrally mounted ultrasonic motion detector, a system display panel, and an optional full battery backup. The StairLite System will deliver vastly reduced operating and maintenance costs due to virtually no power consumption. It will enhance the usefulness, safety, and reliability of any emergency lighting system. The StairLite System is designed for use in stairwells or any other area of a building where the occupancy level or usage factor would be considered minimal.



**STL STAIRLITE**

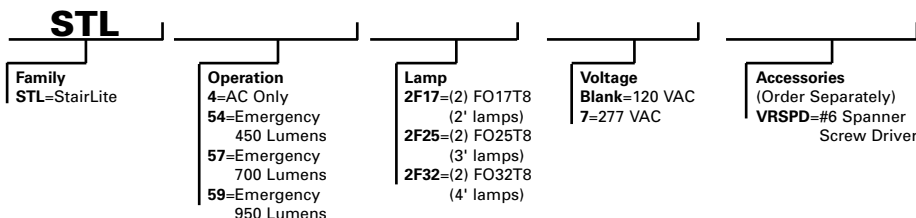
**Stairwell Lighting System**

**EMERGENCY LIGHT**

- > Choice of Input Voltage, 120 or 277 VAC, 60Hz
- > Formed 20 gauge steel housing and cover plate construction
- > Durable white powder coat finish
- > T8 Fluorescent lamps in 17, 25 and 32 watts (Lamps not included)
- > Single-lamp electronic ballast that is "0" Degree rated
- > Sealed, maintenance-free nickel cadmium battery
- > Fully automatic, self-test ultrasonic motion detector
- > Solid-state Status Indicator Display System with an AC power indicator
- > Fully automatic emergency charger is solid-state—no mechanical relay
- > Variety of electrical and mounting knockouts for a easy installation
- > UL 924, Life Safety NFPA 101, NEC/OSHA, most state and local codes

**ORDERING INFORMATION**

SAMPLE NUMBER: STL42F17



**Energy Data**

	Input Power;		Input Current (Max.):		Power Factor:	
	120V	277V	120V	277V	120V	277V
(2) 17W T8	31W	31W	.29A	.13A	.8	.8
(2) 25W T8	42W	42W	.36A	.16A	.8	.8
(2) 32W T8	52W	52W	.44A	.19A	.9	.9
Lamps Off	4.3W	4.3W	.04A	.02A	.7	.7

**SURE-LITES®****STAIRLITE 2****Stairwell Lighting System****EMERGENCY LIGHT**

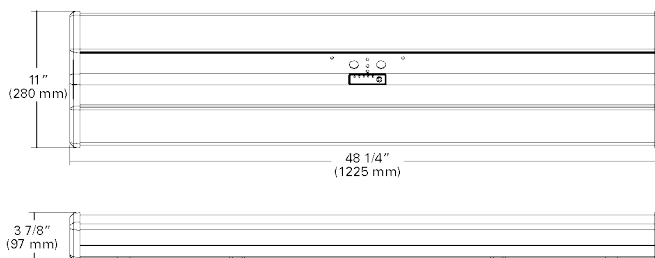
- > Choice of Input Voltage, 120 or 277 VAC, 60Hz
- > Formed 20 gauge steel housing and cover plate construction
- > Durable white powder coat finish
- > T8 32W Fluorescent lamps (Lamps not included)
- > Single-lamp electronic ballast that is "0" Degree rated
- > Sealed, maintenance-free nickel cadmium battery
- > Fully automatic, self-test ultrasonic motion detector
- > Solid-state Status Indicator Display System with an AC power indicator
- > Fully automatic emergency charger is solid-state—no mechanical relay
- > Variety of electrical and mounting knockouts for a easy installation
- > UL 924, Life Safety NFPA 101, NEC/OSHA, most state and local codes

**DESCRIPTION**

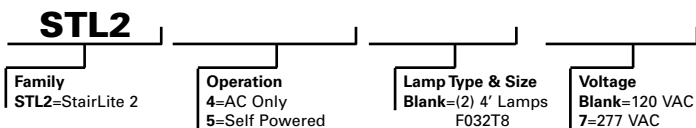
The StairLite System is designed to satisfy all stairwell lighting requirements in one easy to install package. The StairLite 2 is a surface mounted, two lamp fluorescent lighting fixture that incorporates an integrally mounted ultrasonic motion detector, a system display panel, and an optional full battery backup.

The StairLite 2 includes bi-level lamp operation so that one lamp remains on constantly while the motion detector activates the second lamp when needed to significantly reduce the operate costs.

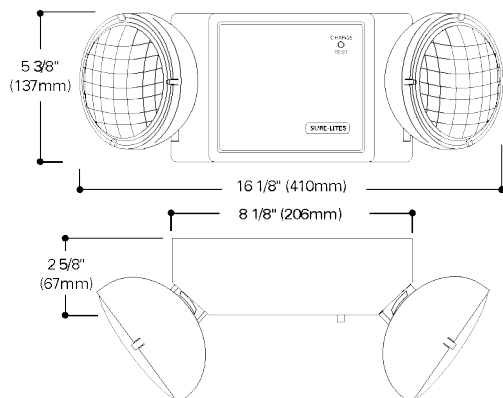
The StairLite System is designed for use in stairwells or any other area of a building where the occupancy level or usage factor would be considered minimal.

**DIMENSIONS****ORDERING INFORMATION**

SAMPLE NUMBER: STL24F032T87



**DIMENSIONS**



**DESCRIPTION**

The CC2 Contractor's Choice Emergency Lighting Unit is an economic, yet attractive, alternative to standard two headed emergency lighting units. All components snap together to facilitate installation in 2 minutes or less. Field adjustability is not sacrificed for price, both lighting heads have full horizontal and vertical adjustability. The Model CC2 Contractor's Choice is ideal for applications which demand the minimum product cost without sacrificing adjustability, dependability, or aesthetics.



**CC2**

**Contractor's Choice  
EMERGENCY LIGHT**

**ELECTRICAL RATINGS**

Model	DC Voltage	Rated Wattage to 87 1/2% of rated D.C. Voltage		Lamp Information		
		1 1/2 hours		Type	Wattage	Number
CC2	6	12		Incandescent	5.4	029121
CC22146	6	12		Krypton	5.4	029146
CC2MRT	6	12		MR16	5.0	029139
CC2SQ	6	12		Incandescent	5.4	029121

**ORDERING INFORMATION**

SAMPLE NUMBER: CC2

Model Number	Options (Add as suffix)	Accessories (Order separately)
CC2	MRT=MR16 Head (5W Standard)	1BRWH=Mounting Brackets (2) White
CC2347	SQ=Square Head (5.4W Standard)	WG1=Wire Guard
(120/347VAC)	V=Voltmeter	VS1=Polycarbonate Vandal Shield
	CSK120=Cord Set (120VAC)	VS1WP=Polycarbonate Vandal Shield Weather Resistant
	BK=Black	
	Alternate Lamps <sup>1</sup>	
	Other Options <sup>1</sup>	

**Energy Data**

Model No.	Input Current (Max.):		
	120V	277V	347V
CC2	.12A	.05A	
CC2347	.12A	—	.01A

- > Dual-voltage input 120/277VAC, 60Hz, isolation transformer
- > Injection-molded, color-stable, high-impact UL-94-5V rated polycarbonate housing and mounting plate (Housing is tethered to mounting plate)
- > Designer-white textured finish
- > Two PAR36 type lamps in fully adjustable high-impact polycarbonate lampholders
- > Maintenance Free Sealed Lead Calcium Battery
- > Cutouts provided for surface conduit on top
- > Universal J-box mounting pattern, keyhole slots
- > Line-Latching, Solid-State Voltage Limited Charger, Solid-State Switching, Low-Voltage Disconnect, Brownout Circuit, Overload/Short Circuit Protection, Test switch/power Indicator light
- > UL Damp Location Listed
- > UL 924 Listed, NOM Certified, Life Safety NFPA 101, CSA Certified, NEC/OSHA, most state and local codes

<sup>1</sup>Consult your Cooper Lighting Representative.

# SURE-LITES®



**CC3  
CC4  
CC5  
CC6**

**Contractor's Choice**

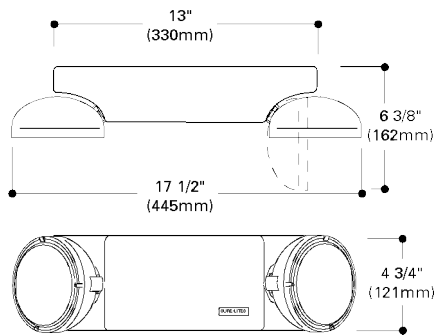
**EMERGENCY LIGHT**

- > Dual-voltage input 120/277VAC, 60Hz, isolation transformer
- > Injection-molded, color-stable, high-impact UL-94-5V rated polycarbonate housing and mounting plate (Housing is tethered to mounting plate)
- > Designer-white textured finish
- > Two PAR36 type lamps in fully adjustable high-impact polycarbonate lampholders
- > Sealed lead calcium maintenance free battery
- > Cutouts provided for surface conduit on top
- > Universal J-box mounting pattern, keyhole slots
- > Remote Capability CC5, CC6
- > Line-Latching, Solid-State Voltage Limited Charger, Solid-State Switching, Low-Voltage Disconnect, Brownout Circuit, Overload/Short Circuit Protection, Test switch/power Indicator light
- > UL Damp Location Listed (CC5SD Only)
- > UL 924 Listed, Life Safety NFPA 101, CSA Certified, NEC/OSHA, most state and local codes

## DESCRIPTION

The CC Series Contractor's Choice Emergency Lighting Unit is the ideal choice when a simple installation and a reasonable cost are required. Its contemporary round corner styling, designer white finish, and consistent family appearance enables it to blend with any decor. The components are injection molded from tough polycarbonate materials which resist discoloration due to age and ultraviolet radiation.

## DIMENSIONS

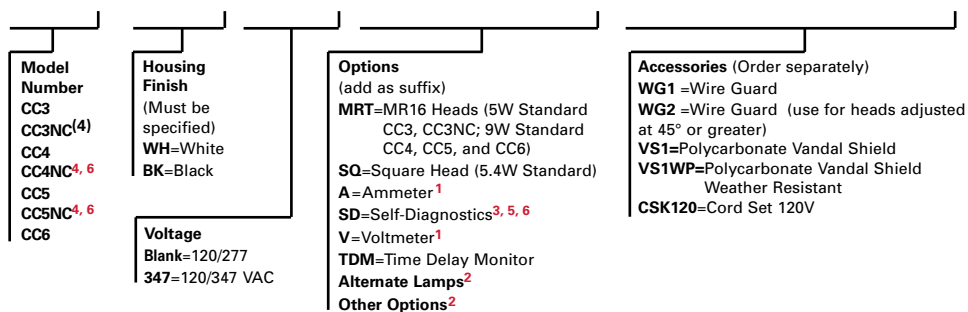


## ELECTRICAL RATINGS

Model	DC Voltage	Rated Wattage to 87 1/2% of rated D.C. Voltage				Lamp Information		
		1 1/2 hours	2 hours	3 hours	4 hours	Type	Wattage	Number
CC3	6	10.8	7.2	-	-	Incandescent	5.4	29-121
CC3 NC	6	16	-	-	-	Incandescent	5.4	29-121
CC4	6	18	15	10	8	Incandescent	9	29-84
CC4 NC	6	18	-	-	-	Incandescent	9	29-84
CC5	6	27	24	18	14	Incandescent	9	29-84
CC5 NC	6	24	-	-	-	Incandescent	9	29-84
CC6	6	32	-	-	-	Incandescent	9	29-84

## ORDERING INFORMATION

SAMPLE NUMBER: CC5WHS D



## Energy Data

Model No.	Input Current (Max.):		
	120V	277V	347V
CC3	.12A	.05A	.01A
CC4	.12A	.05A	.01A
CC5	.13A	.06A	.06A
CC6	.13A	.06A	.06A

<sup>1</sup>Provision for one meter only. <sup>2</sup>Consult your Cooper Lighting Representative. <sup>3</sup>Not available w/CC6. <sup>4</sup>NC=Nickel Cadmium Battery. <sup>5</sup>CC5SD is damp location standard. <sup>6</sup>CC4NC, CC5NC not available in SD.

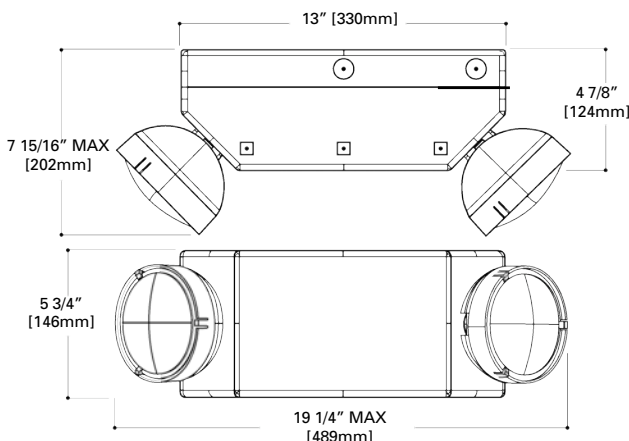


**DESCRIPTION**

The CC7 Contractor's Choice FasTest™ High Capacity Emergency Lighting Units are an affordable, yet attractive, alternative to standard white two-headed emergency lighting units. All components snap together to facilitate installation in 5 minutes or less. Field versatility is not sacrificed for cost, both lighting heads offer full horizontal and vertical adjustability. Moreover, proper operation of the transfer circuit and emergency lamps can be quickly and safely verified by using a convenient laser pointer (sold as an accessory). In addition, Watchguard EMS self diagnostic system is standard (CC7NCSD only).

The CC7 FasTest™ is ideal for applications that demand the minimum cost but also require maximum flexibility, reliability and convenience in an attractive unit.

**DIMENSIONS**



Verify proper operation of the transfer circuit and emergency lamps with a convenient laser pointer (sold as an accessory).



**CC7**

**Contractor's Choice  
EMERGENCY LIGHT**

- > Dual-Voltage Input  
120/277 VAC, 60 Hz
- > Injection-Molded, Color-Stable, High-Impact UL 94-5V Rated Polycarbonate Housing and Mounting Plate
- > Designer white textured finish
- > Maintenance Free Sealed Lead Calcium Battery or Premium Nickel Cadmium battery (CC7NCSD version only)
- > Housing Has (8) Locations for Mounting of Heads; Consult Factory (3 optional bottom-mount and 3 optional top-mount locations)
- > Knockouts/Cutouts Provided in Housing for Surface Conduit Attachment
- > Watchguard EMS self diagnostic system (CC7NCSD only)
- > Remote Photocell Test Switch with Automatic 30-Sec. Test Upon Switch Activation
- > Line-Latching, Solid-State Voltage Limited Charger, Solid-State Switching, Low-Voltage Disconnect, Brownout Circuit, Overload/Short Circuit Protection, Push-Button Test Switch/Power Indicator Light
- > UL 924, Life Safety NFPA 101, NEC/OSHA, Most State and Local Codes

**ELECTRICAL RATINGS**

Model	Rated Wattage to 87 1/2% of Rated D.C. Voltage			Lamp Information		
	DC Voltage	1 1/2 Hours	Remote Wattage*	Type	Wattage	Number
CC7	12	60	36	Incandescent	12W ea.	029-132
CC7NCSD	12	50	26	Incandescent	12W ea.	029-132

**ORDERING INFORMATION**

SAMPLE NUMBER: CC7208BMTDM

<b>Model Number</b> CC7 CC7NCSD	<b>Options</b> (Add as suffix) SQ=Square Head (12W Standard) MRT=MR16 Heads (12W Standard) A=Ammeter V=Voltmeter SD=Self-Diagnostics (CC7NC only) TDM=Time Delay Monitor Cord Set=CSK-120, CSK-277	<b>SM</b> =Side Mount Heads <b>TM</b> =Top Mount Heads <b>BM</b> =Bottom Mount Heads <b>Alternate Lamps, Head Types, No Head, Multiple Heads<sup>1</sup></b> <b>Other Options<sup>1</sup></b>	<b>Accessories</b> (Order separately) LASER=Key Chain, Red Laser Pointer (activation tested at 50 feet) VS1=Polycarbonate Vandal Shield VS1WP=Polycarbonate Vandal Shield Weather Resistant WG3=Wire Guard 2MS=Mounting Shelf (Specify Color)
---------------------------------------	---	---	--

**Energy Data**

Model No.	Input Power		Input Current (Max.)		Power Factor		T.H.D.	
	120V	277V	120V	277V	120V	277V	120V	277V
CC7	<b>Charge Mode (Fully Discharged Battery) Sealed Lead Calcium Battery</b>							
	28W	28W	.26A	.11A	>.91	>.91	<35%	<39%
CC7	<b>Standby Mode (Fully Charged Battery) Sealed Lead Calcium Battery</b>							
	3.8W	3.7W	.07A	.03A	>.50	>.50	<94%	<99%
CC7NCSD	<b>Standby Mode</b>							
	7.8W	7.1W	.08A	.04A	>.77	>.77	<53%	<58%

<sup>1</sup>Consult your Cooper Lighting Representative.

# SURE-LITES®



## CC8

**Contractor's Choice  
High Capacity**

### EMERGENCY LIGHT

- > Dual-Voltage Input 120/277 VAC, 60 Hz
- > Injection-Molded, Color-Stable, High-Impact UL 94-5V Rated Polycarbonate Housing and Mounting Plate
- > Designer white textured finish
- > Maintenance Free Sealed Lead Calcium Battery
- > Housing Has (8) Locations for Mounting of Heads; Consult Factory (3 optional bottom-mount and 3 optional top-mount locations)
- > Knockouts/Cutouts Provided in Housing for Surface Conduit Attachment
- > Remote Photocell Test Switch with Automatic 30-Sec. Test Upon Switch Activation
- > Line-Latching, Solid-State Voltage Limited Charger, Solid-State Switching, Low-Voltage Disconnect, Brownout Circuit, Overload/Short Circuit Protection, Push-Button Test Switch/Power Indicator Light
- > UL 924, Life Safety NFPA 101, CSA Certified, NEC/OSHA, Most State and Local Codes

### DESCRIPTION

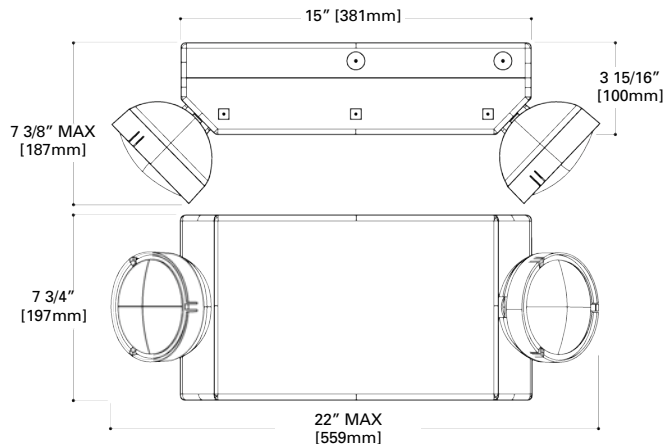
The CC8 Contractor's Choice FasTest™ High Capacity Emergency Lighting Units are an affordable, yet attractive, alternative to standard white two-headed emergency lighting units. All components snap together to facilitate installation in 5 minutes or less. Field versatility is not sacrificed for cost, both lighting heads offer horizontal and vertical adjustability. Moreover, proper operation of the transfer circuit and emergency lamps can be quickly and safely verified by using a convenient laser pointer (sold as an accessory).

The CC8 FasTest™ is ideal for applications that demand the minimum cost but also require maximum flexibility, reliability and convenience in an attractive unit.



Verify proper operation of the transfer circuit and emergency lamps with a convenient laser pointer (sold as an accessory).

### DIMENSIONS



### ELECTRICAL RATINGS

Model	Rated Wattage to 87 1/2% of Rated D.C. Voltage			Lamp Information		
	DC Voltage	1 1/2 Hours	Remote Wattage*	Type	Wattage	Number
CC8	12	100	76	Incandescent	12W ea.	029-132

### ORDERING INFORMATION

SAMPLE NUMBER: CC8

## CC8

Model Number  
CC8

**Options** (Add as suffix)  
**SQ**=Square Head (12W Standard)  
**MRT**=MR16 Heads (12W Standard)  
**A**=Ammeter  
**V**=Voltmeter  
**TDM**=Time Delay Monitor  
**Cord Set**=CSK-120, CSK-277  
**SM**=Side Mount Heads  
**TM**=Top Mount Heads  
**BM**=Bottom Mount Heads  
**Alternate Lamps, Head Types, No Head, Multiple Heads<sup>1</sup>**  
**Other Options<sup>1</sup>**

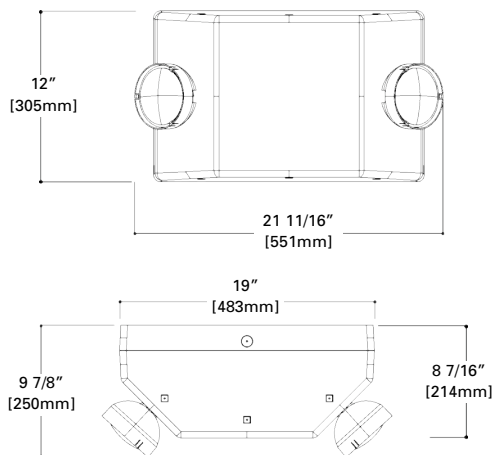
**Accessories** (Order separately)  
**LASER**=Key Chain, Red Laser Pointer (activation tested at 50 feet)  
**VS1**=Polycarbonate Vandal Shield  
**VS1WP**=Polycarbonate Vandal Shield Weather Resistant  
**WG3**=Wire Guard  
**2MS**=Mounting Shelf (Specify Color)

### Energy Data

Model No.	Input Power		Input Current (Max.)		Power Factor		T.H.D.	
	120V	277V	120V	277V	120V	277V	120V	277V
<b>Charge Mode (Fully Discharged Battery) Sealed Lead Calcium Battery</b>								
CC8	28W	28W	.26A	.11A	>.91	>.91	<35%	<39%
<b>Standby Mode (Fully Charged Battery) Sealed Lead Calcium Battery</b>								
CC8	4.1W	4.0W	.07A	.03A	>.50	>.50	<94%	<99%

<sup>1</sup>Consult your Cooper Lighting Representative.

**DIMENSIONS**



**DESCRIPTION**

The Contractor's Choice FasTest™ Ultra High-Capacity Emergency Lighting Units are an affordable, yet attractive, alternative to standard two-headed emergency lighting units. All components snap together to facilitate installation in 5 minutes or less. Field versatility is not sacrificed for cost, both lighting heads offer horizontal and vertical adjustability. Moreover, proper operation of the transfer circuit and emergency lamps can be quickly and safely verified by using a convenient laser pointer (sold as an accessory). In addition, Watchguard EMS self diagnostic system is standard.

The CC Series Ultra High-Capacity Emergency Lighting Units are ideal for applications that demand the minimum cost but also require maximum flexibility, reliability and convenience in an attractive unit.



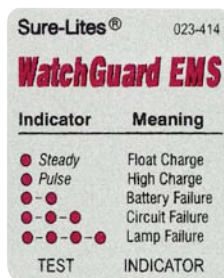
**CC9  
CC10  
CC11  
CC12**

**Contractor's Choice  
Ultra High Capacity**

**EMERGENCY LIGHT**



Verify proper operation of the transfer circuit and emergency lamps with a convenient laser pointer (sold as an accessory).



**Self-Diagnostics**

The self-diagnostic unit will automatically perform the tests required by the NFPA 101 Life Safety Code. The system indicates the status of the unit at all times using an LED indicator that is located near the test switch.

**ELECTRICAL RATINGS**

Model	Rated Wattage to 87 1/2% of Rated D.C. Voltage			Lamp Information			
	DC Voltage	1 1/2 Hours	Remote Capability	Type	Wattage	Number	Spacing <sup>1</sup>
CC9SD	12	160	136W	Incandescent	12 ea.	029-132	24'
CC10SD	12	200	176W	Incandescent	12 ea.	029-132	24'
CC11SD	12	240	216W	Incandescent	12 ea.	029-132	24'
CC12SD	12	300	276W	Incandescent	12 ea.	029-132	24'
CC9SDMRT	12	160	136W	MR16	12 ea.	029-141	50'
CC10SDMRT	12	200	176W	MR16	12 ea.	029-141	50'
CC11SDMRT	12	240	216W	MR16	12 ea.	029-141	50'
CC12SDMRT	12	300	276W	MR16	12 ea.	029-141	50'

**ORDERING INFORMATION**

SAMPLE NUMBER: CC9SDMRT2142SM

<b>Model Number</b> CC9SD CC10SD CC11SD CC12SD	<b>Options</b> (Add as suffix) SQ=Square Head (12W Standard) MRT=MR16 Heads (12W Standard) <b>Alternate Lamps</b> - Specify quantity, lamp number (from Technical Information section) and mounting location (below), e.g. CC9SD2134SM319TM219BM SM=Side Mount Heads (2 lamp max.) TM=Top Mount Heads (3 lamp max.) BM=Bottom Mount Heads (3 lamp max.)	<b>Electrical Options</b> A=Ammeter V=Voltmeter TDM- Time Daily Monitor CSK120=120V Cord Set CSK277= 277V Cord Set <b>Other Options:</b> Consult Cooper Lighting Representative	<b>Accessories</b> (Order separately) LASER=Key Chain, Red Laser Pointer (activation tested at 30 feet) VS1=Polycarbonate Vandal Shield VS1WP=Polycarbonate Vandal Shield Weather Resistant WG3=Wire Guard 2MSWH=Mounting Shelf
--	--	---	--

- > Dual-Voltage Input 120/277 VAC, 60 Hz
- > Injection-Molded, Color-Stable, High-Impact UL 94-5V Rated Polycarbonate Housing and Mounting Plate
- > Designer white textured finish
- > Maintenance Free Sealed Lead Calcium Battery
- > Housing Has (8) Locations for Mounting of Heads; Consult Factory (3 optional bottom-mount and 3 optional top-mount locations)
- > Knockouts/Cutouts Provided in Housing for Surface Conduit Attachment
- > Watchguard EMS self diagnostic system
- > Remote Photocell Test Switch with Automatic 30-Sec. Test Upon Switch Activation
- > Line-Latching, Solid-State Voltage Limited Charger, Solid-State Switching, Low-Voltage Disconnect, Brownout Circuit, Overload/Short Circuit Protection, Push-Button Test Switch/Power Indicator Light
- > UL 924, Life Safety NFPA 101, NEC/OSHA, Most State and Local Codes

<sup>1</sup> The "Rule of Thumb" spacing guidelines are designed to achieve 1 foot-candle average and 0.1 foot-candle minimum with a 40:1 maximum/minimum ratio. The corridor used is 100 feet long, 9 feet ceiling with a 6 feet wide walkway and 3 feet path of egress. The reflectances are 80% ceiling, 50% walls and 20% floors. The fixture mounting height is 7.0 feet with a lamp head angle of 45 degrees. Cooper Lighting assumes no responsibility for local requirements or specific project variables. This is a guideline to be used as a design aid, not as guarantee of any code compliance.

# SURE-LITES®



## CU1

**PRESTO™ Contemporary Unit**

### EMERGENCY LIGHT

- > Dual-Voltage Input 120/277 VAC, 60 Hz Isolation Transformer
- > Designer white textured finish
- > Maintenance Sealed Lead Calcium Battery
- > Suitable for Wall or Ceiling Mount Applications.
- > Universal J-Box Mounting Pattern.
- > Line-Latching, Solid-State Voltage Limited Charger, Solid-State Switching, Low-Voltage Disconnect, Brownout Circuit, Overload/Short Circuit Protection, Test Switch/Power Indicator Light.
- > UL 924, Life Safety NFPA 101, CSA Certified, NEC/OSHA, Most State and Local Codes.

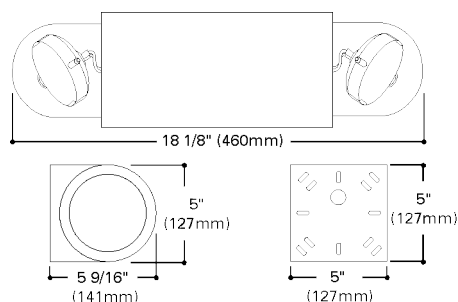
### DESCRIPTION

The Sure-Lites CU1 unit represents the next generation of emergency lighting. Sure-Lites has combined dependable performance with a visually pleasing design. The PRESTO™ unit is designed to harmonize with today's decor in commercial and public spaces. Injection molded from high impact thermoplastic.

PRESTO™ is "contractor friendly." The unique wiring module makes installation a snap. All AC wiring connections are made with the polarized wiring module and there is no need to juggle the unit in place. PRESTO™ may be ceiling or wall mounted, horizontally or vertically, and may be installed to a standard junction box or to surface mounted conduit.

Long life battery and solid-state engineering provide trouble free operation. Two 5.4W wedge base incandescent lamps in locking specular reflectors appear to float in clear acrylic domes for distortion free lighting. Fully adjustable, locking lampheads with diffusing lens cover.

### DIMENSIONS



### ELECTRICAL RATINGS

Model	Battery	DC Voltage	Rated Wattage to 87 1/2% of rated D.C. Voltage			Lamp Information		
			1 1/2 hours	2 hours	3 hours	Type	Wattage	Number
CU1	SLC <sup>2</sup>	6	10.8	7.2	-	Incandescent	5.4	29-121
CU1HD	SLC <sup>2</sup>	6	22	16	11	Incandescent	5.4	29-121
CU1NC	SNC <sup>3</sup>	6	11	7.2	-	Incandescent	5.4	29-121
CU1347	SLC <sup>2</sup>	6	10.8	7.2	-	Incandescent	5.4	29-121
CU1HD347	SLC <sup>2</sup>	6	22	16	11	Incandescent	5.4	29-121

### ORDERING INFORMATION

SAMPLE NUMBER: CU1PCL

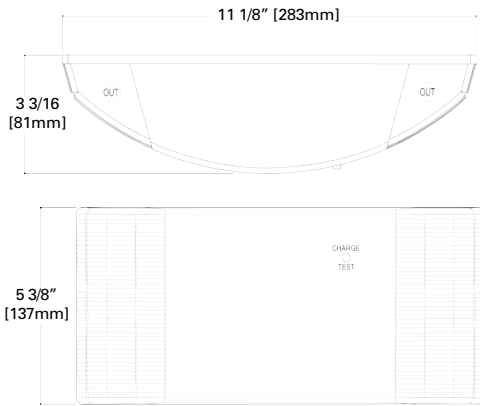
Model Number	Options (Add as suffix)	Accessories (Order separately)
CU1	A=Ammeter	WG19 =Wire Guard
CU1HD	B=Black Finish	VS1=Polycarbonate Vandal Shield
CU1NC	PCL=Polycarbonate Domes	VS1WP=Polycarbonate Vandal Shield - Weatherproof
CU1347	SD=Self-Diagnostics	
CU1HD347	TDM=Time Delay Monitor	
	V=Voltmeter	
	Alternate Lamps <sup>1</sup> (Wedge base & Krypton only)	
	Other Options <sup>1</sup>	

### Energy Data

Model No.	Input Current (Max.):		
	120V	277V	347V
CU1, CU1HD	.12A	.05A	
CU1NC	.06A	.03A	
CU1347 <sup>4</sup>	.14A		.06A
CU1HD347 <sup>4</sup>	.18A		.07A

<sup>1</sup>Consult your Cooper Lighting Representative. <sup>2</sup>SLC=Sealed Lead Calcium <sup>3</sup>SNC=Sealed Nickel Cadmium. <sup>4</sup>347=347V for Canada.

**DIMENSIONS**



**DESCRIPTION**

The CU2 emergency light is an economic, yet attractive, alternative to standard two headed emergency lighting units. All components snap together to facilitate installation in 2 minutes or less.

The CU2 is ideal for applications which demand the minimum product cost without sacrificing dependability or aesthetics.



**CU2**

**Contemporary Unit**

**EMERGENCY LIGHT**

**ELECTRICAL RATINGS**

**Rated Wattage** to 87 1/2% of Rated D.C. Voltage

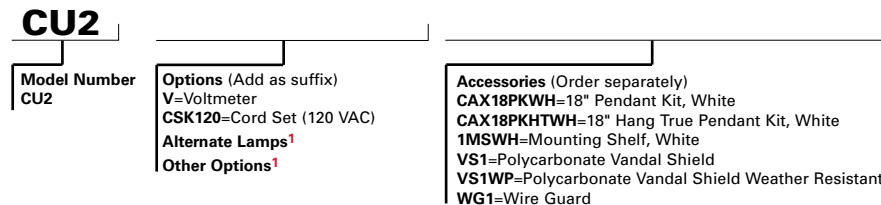
Model	DC Voltage	1 1/2 Hours
<b>CU2</b>	<b>6</b>	<b>10.8</b>
<b>CU22146</b>	<b>6</b>	<b>10.8</b>

**Lamp Information**

Type	Wattage	Number
<b>Incandescent</b>	<b>5.4</b>	<b>029-121</b>
<b>Krypton</b>	<b>5.4</b>	<b>029-146</b>

**ORDERING INFORMATION**

SAMPLE NUMBER: CU2



**Energy Data**

Input Current (Max.):  
120V=.12A  
277V=.05A

- > Dual-Voltage Input  
120/277 VAC, 60 Hz  
Isolation Transformer
- > High Impact polycarbonate  
Housing and Mounting  
Plate with Designer-White  
Textured finish
- > Maintenance Sealed  
Lead Calcium Battery
- > Suitable for Wall or Ceiling  
Mount Applications  
(including floor proximity  
installations)
- > Universal J-Box Mounting  
Pattern.
- > Line-Latching, Solid-State  
Voltage Limited Charger,  
Solid-State Switching,  
Low-Voltage Disconnect,  
Brownout Circuit,  
Overload/Short Circuit  
Protection, Test Switch/  
Power Indicator Light.
- > Damp Location Listed  
Standard (CU-2 Only)
- > UL 924, Life Safety NFPA  
101, CSA Certified,  
NEC/OSHA ,Most State  
and Local Codes.
- > ADA compliant

<sup>1</sup>Consult your Cooper Lighting Representative.

# SURE-LITES®



## XR SERIES

Steel

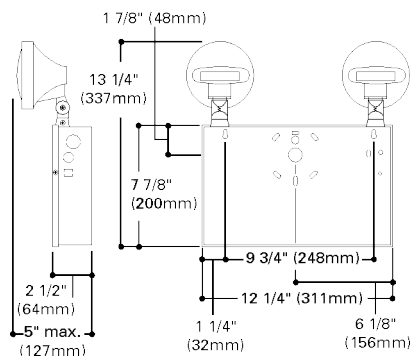
### EMERGENCY LIGHT

- > Dual-voltage input 120/277VAC, 60Hz
- > 22 gauge die formed steel housing
- > White powder coat finish
- > White, high impact, thermoplastic
- > (2) fully adjustable thermoplastic heads - top mounted (side mounting optional)
- > Knockout, conduit or cord set
- > Universal J-box mounting pattern, keyhole slots
- > Remote capability
- > Line-latching, Solid-State voltage limited charger, Solid-State switching, low-voltage disconnect, brownout circuit, overload/short-circuit protection, test switch/power indicator light
- > UL 924 Listed, CSA Certified, Life Safety NFPA 101, NEC/OSHA, most state and local codes

### DESCRIPTION

The XR Series is an efficient, rugged, commercial grade emergency light. The XR Series, in 6V and 12V models, has the extra capacity to power remote heads for added application flexibility.

### DIMENSIONS



### ELECTRICAL RATINGS

Model Number	Battery	DC Voltage	Rated Wattage to 87 1/2% of rated D.C. Voltage				Lamp Information		
			1 1/2 hours	2 hours	3 hours	4 hours	Type	Wattage	
XR3	SLC	6	27	24	18	14	Incandescent	9	29-84
XR3347 <sup>1</sup>	SLC	6	27	24	16	14	Incandescent	9	29-84
XR5	SLC	6	27	24	18	14	Halogen Sealed Beam	6	29-37
XR7	SLC	6	36	30	20	16	Incandescent	9	29-84
XR9	SLC	6	54	48	36	28	Tungsten Halogen	6	29-12
XR11	SLC	6	54	48	36	28	Incandescent	9	29-84
XR11347 <sup>1</sup>	SLC	6	54	48	36	28	Incandescent	9	29-84
XR12206347 <sup>1</sup>	SLC	12	36	30	20	16	Incandescent	9	29-86
XR12208347 <sup>1</sup>	SLC	12	54	48	36	28	Incandescent	9	29-86
XR12206	SLC	12	36	30	20	16	Incandescent	9	29-86
XR12208	SLC	12	54	48	36	28	Incandescent	9	29-86
XR15	SNC	6	15	12	8	6	Incandescent	7.2	29-88
XR16	SNC	6	24	18	14	10	Incandescent	7.2	29-88
XR17	SNC	6	50	36	28	20	Incandescent	7.2	29-88
XR20	SNC	12	30	24	18	14	Incandescent	9	29-86
XR21	SNC	12	50	36	28	20	Incandescent	9	29-86

SLC=Sealed Lead Calcium Battery  
SNC=Sealed Nickel Cadmium Battery

### ORDERING INFORMATION

SAMPLE NUMBER: XR3TDM

Model Number	Options (Add as suffix)	Accessories (Order separately)
XR3	A=Ammeter	1BRWH =Mounting Brackets (2-White Finish)
XR3347	MH=Metal Heads	1MSWH=Mounting Shelf (White Finish)
XR5	SD=Self-Diagnostics (XR3, XR5, XR12206, XR12208, XR15, XR16, XR20, XR21 Only)	VK1 =Voltmeter
XR7	TDM=Time Delay Monitor	CSK120=Cord Set 120VAC
XR9	V=Voltmeter	CSK277=Cord Set 277VAC
XR11	Alternate Lamps <sup>2</sup>	WG1=Wire Guard
XR11347	Other Finishes <sup>2</sup>	VS2=Polycarbonate Vandal Shield
XR12206	Other Options <sup>2</sup>	VS2WP=Polycarbonate Vandal Shield - Weatherproof
XR12206347		
XR12208		
XR12208347		
XR15		
XR16		
XR17		
XR20		
XR21		

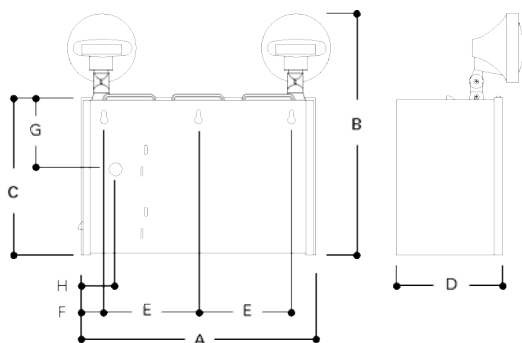
### Energy Data

Model No.	Input Current (Max.):	
	120V	277V
XR3, XR5, XR7, XR9, XR11	.12A	.05A
XR12206, XR12208	.30A	.13A
XR15	.06A	.03A
XR16	.07A	.04A
XR17	.08A	.05A
XR20	.13A	.06A
XR21	.15A	.07A

Note: 0, 1, 3 & 4 Heads also available. Specify after catalog number [i.e., XR11484 = (XR11) with (4) 029-84 Lamps].

<sup>1</sup>347=120/347V <sup>2</sup>Consult your Cooper Lighting Representative.

**DIMENSIONS**



**DESCRIPTION**

A real workhorse in emergency lighting systems. These durable, reliable units are unparalleled in both performance and freedom from maintenance.

The HR Series provide a low cost, solid-state lighting system ideal for industrial, commercial or multi-housing environments. High capacity makes the HR Series ideal for installations where a large number of heads/exits will be remotely operated.



**HR SERIES**

**High Capacity,  
87-117 Watts**

**Ultra-High Capacity  
170-360 Watts**

**EMERGENCY LIGHT**

	High Capacity	Ultra High Capacity
A	12 1/4" (311mm)	17" (432mm)
B	13 1/4" (337mm)	16 7/8" (429mm)
C	7 7/8" (200mm)	11 1/2" (292mm)
D	4 1/4" (108mm)	8" (203mm)
E	4 3/4" (121mm)	6" (152mm)
F	1 3/8" (35mm)	2" (51mm)
G	-----	5 3/4" (146mm)
H	-----	2 1/2" (64mm)

**ELECTRICAL RATINGS**

Model	Rated Wattage to 87 1/2% of rated D.C. Voltage					Lamp Information		
	DC Voltage	1 1/2 hours	2 hours	3 hours	4 hours	Type	Wattage	Number
<b>High Capacity</b>								
HR87*	6	87	65	43	32	Incandescent	9	29-84
HR117*	6	117	87	58	43	Incandescent	9	29-84
HR12117*	12	117	87	58	43	Incandescent	9	29-86
HR12117347* <sup>1</sup>	12	117	87	58	43	Incandescent	9	29-86
<b>Ultra High Capacity</b>								
HR180*	6	180	135	90	67	Incandescent	9	29-84
HR12170*	12	170	128	85	64	Incandescent	9	29-86
HR12210*	12	210	157	105	78	Incandescent	9	29-86

\*Batteries may be shipped separately.

**ORDERING INFORMATION**

SAMPLE NUMBER: HR87TDM

Model Number	Options (Add as suffix)	Accessories (Order separately)
HR87	A=Ammeter	VK1 =Voltmeter
HR117	TDM=Time Delay Monitor	3BRWH =Mounting Brackets
HR12117	V=Voltmeter	2MSWH =Mounting Shelf (High Capacity)
HR180	Alternate Lamps <sup>2</sup>	3MSWH =Mounting Shelf (Ultra High Capacity)
HR12170	Other Options <sup>2</sup>	WG3=Wire Guard (Ultra High Capacity)
HR12210	Other finishes <sup>2</sup>	WG7=Wire Guard (High Capacity)
HR12360	MH=Metal heads	CSK120=Cord Set (120VAC)
		CSK277=Cord Set (277VAC)
		VS2=Polycarbonate Vandal Shield
		VS2WP=Polycarbonate Vandal Shield - Weatherproof

**Energy Data**

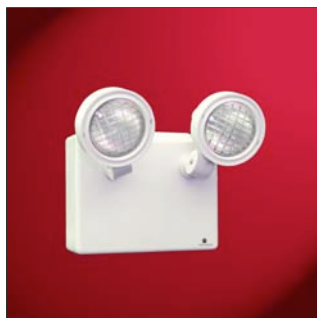
Model No.	Input Current (Max.):		
	120V	277V	347V
HR87	.50A	.21A	
HR117	.53A	.22A	
HR12117	.26A	.13A	
HR12117347	.25A	—	.60A
HR180	.98A	.43A	
HR12170	1.08A	.45A	
HR12210	1.02A	.47A	
HR12360	1.17A	.54A	

Note: 0, 1, 3 & 4 Heads also available. Specify after catalog number [i.e., HR12117379 = (HR12117) with (3) 29-79 Lamps].

<sup>1</sup>347=120/347V <sup>2</sup>Consult your Cooper Lighting Representative.

- > Dual-voltage input 120/277VAC, 60Hz
- > 18 gauge die formed steel housing and cover
- > White powder coat finish
- > Two top mounted, fully adjustable, white, high-impact thermoplastic heads
- > Sealed lead-calcium battery
- > Knockout, conduit or cord set
- > Line-latching, Solid-State voltage limited charger, Solid-State switching, low-voltage disconnect, brownout circuit, overload/short-circuit protection, test switch/power indicator light
- > UL 924 Listed, CSA Certified, Life Safety NFPA 101, NEC/OSHA, most state and local codes

# SURE-LITES®



## HS1R SERIES

### Portable

### EMERGENCY LIGHT with 6' Cord & Plug

- > Quick installation (2 minutes)
- > 120VAC 60Hz
- > Injection molded, color stable, high impact polycarbonate housing
- > Designer white textured finish
- > Lamp Selection Switch for 1 or 2 lamp operation
- > Suitable for wall mount applications
- > Keyhole mounting slots
- > Solid State Voltage Limited Charger, Brownout Circuit, Test Switch/Power Indicator Light
- > UL 924 Listed, Auxiliary Equipment, CSA Certified, NEC/OSHA, Meets most State and Local Codes

### DESCRIPTION

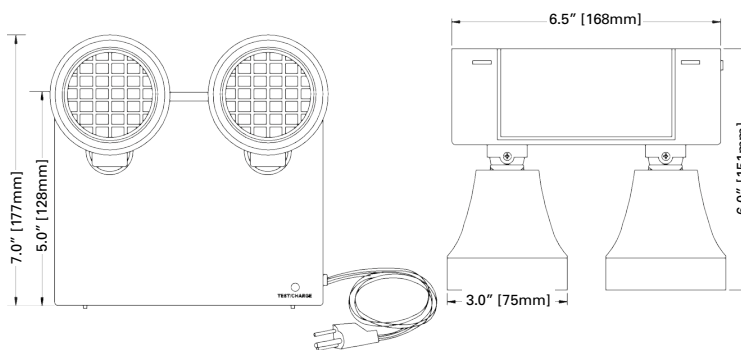
The HS1R emergency lighting unit provides emergency lighting when you need it most. The fixture's unique design makes it adaptable to many applications.

The HS1R can be used as a free standing unit or it can be wall mounted using the keyhole slots provided.

A 6-foot cord and plug are provided for ease of AC power hook-up. The integral handle allows the HS1R to become portable during power loss when mobility is necessary.

Two PAR20 style heads allow total horizontal and vertical aiming adjustability. The lamp head selection switch allows the choice for 1 lamp illumination for 4 hours or 2-lamp illumination for 2 hours.

### DIMENSIONS



### ELECTRICAL RATINGS

Model	Rated Wattage to 87 1/2% of Rated D.C. Voltage	
	DC Voltage	1 1/2 Hours
HS1R	6	10.8

### Lamp Information

Type	Wattage	Number
Incandescent	5.4	029-121

### ORDERING INFORMATION

SAMPLE NUMBER: HS1R

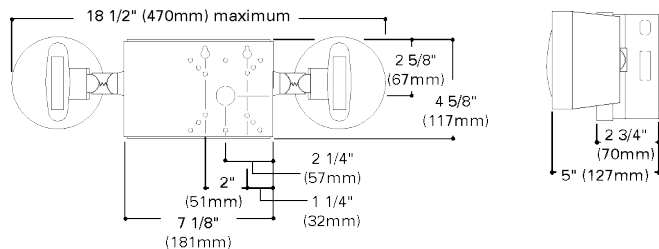
## HS1R

**Model Number**  
HS1R

**Accessories** (order separately)  
1BRWH=Mounting Brackets (2-White Finish)  
1MSWH=Mounting Shelf (White Finish)



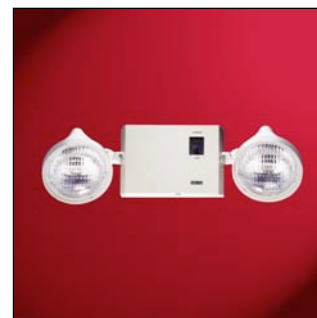
**DIMENSIONS**



**DESCRIPTION**

The LM Series is an emergency light packaged in an attractive, flame-resistant metal housing. High-impact thermoplastic PAR36 heads permit unrestricted unit placement and easy beam positioning.

The unit of choice for installations where the size and cost of emergency lighting must be kept to a minimum without sacrificing dependability or light output.



**LM1 SERIES**

Steel

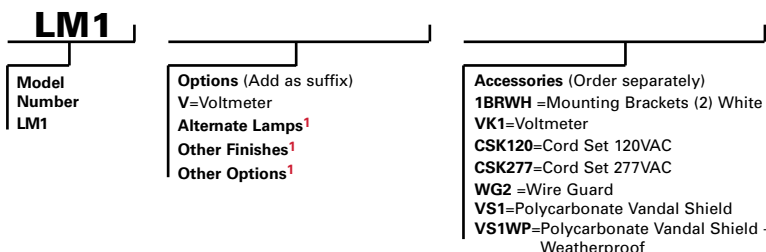
**EMERGENCY LIGHT**

**ELECTRICAL RATINGS**

Model	DC Voltage	Rated Wattage to 87 1/2% of rated D.C. Voltage		Lamp Information		
		1 1/2 hours	2 hours	Type	Wattage	Number
LM1	6	10.8	7.2	Incandescent	5.4	029-121

**ORDERING INFORMATION**

SAMPLE NUMBER: LM1V



- > Dual-voltage input 120/277VAC, 60Hz
- > 18 gauge die formed steel housing
- > White powder coat finish
- > Two PAR36 type lamps in fully adjustable, white, high-impact thermoplastic lampholders
- > Sealed lead calcium battery
- > Knockout, conduit or cord set
- > Universal J-box mounting pattern, keyhole slots
- > Line-latching, Solid-State voltage limited charger, Solid-State switching, low-voltage disconnect, brownout circuit, overload/short-circuit protection, test switch/power indicator light
- > UL 924 Listed, Life Safety NFPA 101, NEC/OSHA, most state and local codes

**Energy Data**

(Max.): Model No.	Input Current	
	120V	277V
LM1	.12A	.05A

<sup>1</sup>Consult your Cooper Lighting Representative.

# SURE-LITES®



## AA1 SERIES

Steel

### EMERGENCY LIGHT

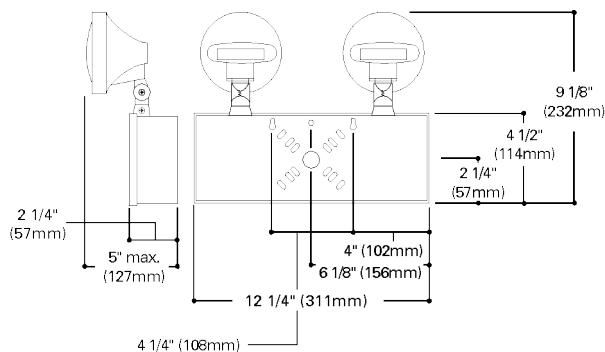
- > Dual-voltage input 120/277VAC, 60Hz
- > 22 gauge die formed steel housing
- > White powder coat finish
- > Two PAR36 type lamps in fully adjustable, white, high-impact thermoplastic lampholders
- > Sealed nickel cadmium battery
- > Knockout, conduit or cord set
- > Universal J-box mounting pattern, keyhole slots
- > Line-latching, Solid-State voltage limited charger, Solid-State switching, low-voltage disconnect, brownout circuit, overload/short-circuit protection, test switch/power indicator light
- > UL 924 Listed, Life Safety NFPA 101, NEC/OSHA, most state and local codes

### DESCRIPTION

A versatile "mini-system" featuring reliability, quality metal construction, optimum illumination and an attractive compact appearance.

The popular choice for commercial, institutional and public facilities where moderate loads, economy, ease of installation, safety and reliability are important.

### DIMENSIONS



### ELECTRICAL RATINGS

Model	Battery	Rated Wattage to 87 1/2% of rated D.C. Voltage					Lamp Information		
		DC Voltage	1 1/2 hours	2 hours	3 hours	4 hours	Type	Wattage	Number
AA1	SLC <sup>3</sup>	6	18	15	10	8	Incandescent	9	29-84
AA8	SNC <sup>4</sup>	6	15	12	8	6	Incandescent	7.2	29-88

### ORDERING INFORMATION

SAMPLE NUMBER: AA1SD

Model Number	Options (Add as suffix)	Accessories (Order separately)
AA1	A=Ammeter <sup>2</sup>	1BRWH =Mounting Brackets (2) White
AA8	SD=Self-Diagnostics	1MSWH=Mounting Shelf, White
	TDM=Time Delay Monitor	VK1=Voltmeter
	V=Voltmeter <sup>2</sup>	WG1 =Wire Guard
	Alternate Lamps <sup>1</sup>	CSK120=Cord Set (120VAC)
	Other Finishes <sup>1</sup>	CSK277=Cord Set (277VAC)
	Other Options <sup>1</sup>	VS1=Polycarbonate Vandal Shield
		VS1WP=Polycarbonate Vandal Shield - Weatherproof

### Energy Data

(Max.): Model No.	Input Current	
	120V	277V
AA1	.12A	.05A
AA8	.06A	.03A

<sup>1</sup>Consult your Cooper Lighting Representative. <sup>2</sup>Provision for one meter only. <sup>3</sup>SLC=Sealed Lead Calcium <sup>4</sup>SNC=Sealed Nickel Cadmium

**ORDERING INFORMATION**

**6 Volt Universal Remote Heads**

Catalog No.	Lamp Type	Volts	Watts	Lamp No.
6T6XXU*	Halogen Sealed Beam	6	6	029-37
6T8XXU*	Halogen Sealed Beam	6	8	029-14
6T12XXU*	Halogen Sealed Beam	6	12	029-15
6X54XXU*	Incandescent Wedge Base	6	5.4	029-121
6X7XXU*	Incandescent Wedge Base	6	7	029-88
6X9XXU*	Incandescent Wedge Base	6	9	029-84
6X12XXU*	Incandescent Sealed Beam	6	12	029-39
6X25XXU*	Incandescent Sealed Beam	6	25	029-09

**12 Volt Universal Heads**

Catalog No.	Lamp Type	Volts	Watts	Lamp No.
12T8XXU*	Halogen Sealed Beam	12	8	029-16
12T12XXU*	Halogen Sealed Beam	12	12	029-79
12X9WHU*	Incandescent Wedge Base	12	9	029-86
12X12XXU*	Incandescent Sealed Beam	12	12	029-26
12X25XXU*	Incandescent Sealed Beam	12	25	029-08

**Finish Codes:** WH-White, BK-Black, GY-Grey.

Replace "XX" with desired Finish Code when ordering. (Example: 6T12DWH, for double head: 6T12DWH).

Alternate Lamps<sup>1</sup>

\*Remove "U", Add "RD" suffix for Roundback Heads; Add "SQ" suffix for Square Heads - RD & SQ Heads available in white only; SQ Head only available in wedge base and bi-pin lamps. (Example: GX7WHSQ)

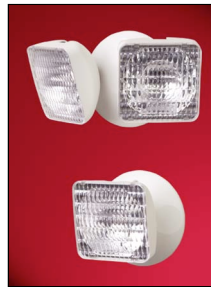
**DESCRIPTION**

Flame and impact resistant injection molded thermoplastic PAR36 type lampholders. Available in White, Grey and Black finishes (specify color when ordering.) Heads adjust 80° from vertical with 358° rotation. Supplied complete with thermoplastic lampholder housings, swivel, lamp and 5" diameter mounting plate. Universal mounting plate has three knockouts for mounting lampholders on either side or in center position. **For double head remotes, specify two Universal Remote Head Assemblies.** UL 924 Listed, CSA certified.



**6V, 12V PLASTIC REMOTES**

Universal Remote Heads



SQ Heads Option



RD Heads Option

**ORDERING INFORMATION**

**6 Volt Single Head Weatherproof Remotes**

Catalog No.	Lamp Type	Volts	Watts	Lamp No.
6T6WXX	Halogen Sealed Beam	6	6	029-37
6T8WXX	Halogen Sealed Beam	6	8	029-14
6X7WXX	Incandescent Sealed Beam	6	7.2	029-75
6X9WXX	Incandescent Sealed Beam	6	8	029-03
6XW54WXX	Incandescent Wedge Base	6	5.4	XW029-121
6XW7WXX	Incandescent Wedge Base	6	7.2	XW029-88
6XW9WXX	Incandescent Wedge Base	6	9	XW029-84

**6 Volt Double Head Weatherproof Remotes**

Catalog No.	Lamp Type	Volts	Watts	Lamp No.
6T6DWXX	Halogen Sealed Beam	6	6	029-37
6T8DWXX	Halogen Sealed Beam	6	8	029-14
6X7DWXX	Incandescent Sealed Beam	6	7.2	029-75
6X9DWXX	Incandescent Sealed Beam	6	8	029-03
6XW54DWXX	Incandescent Wedge Base	6	5.4	XW029-121
6XW7DWXX	Incandescent Wedge Base	6	7.2	XW029-88
6XW9DWXX	Incandescent Wedge Base	6	9	XW029-84

**12 Volt Single Head Weatherproof Remotes**

Catalog No.	Lamp Type	Volts	Watts	Lamp No.
12T8WXX	Halogen Sealed Beam	12	8	029-16
12T12WXX	Halogen Sealed Beam	12	12	029-79
12X25WXX	Incandescent Sealed Beam	12	25	029-08
12XW9WXX	Incandescent Wedge Base	12	9	XW029-86
12XW12WXX	Incandescent Wedge Base	12	12	XW029-132

**12 Volt Double Head Weatherproof Remotes**

Catalog No.	Lamp Type	Volts	Watts	Lamp No.
12T8DWXX	Halogen Sealed Beam	12	8	029-16
12T12DWXX	Halogen Sealed Beam	12	12	029-79
12X25DWXX	Incandescent Sealed Beam	12	25	029-08
12XW9DWXX	Incandescent Wedge Base	12	9	XW029-86
12XW12DWXX	Incandescent Wedge Base	12	12	XW029-132

**Finish Codes:** WH-White, GY-Grey, BK-Black.

Replace "XX" with desired Finish Code when ordering. (Example: 6T6DWWH).

Alternate Lamps<sup>1</sup>

<sup>1</sup>Consult your Cooper Lighting Representative.

**DESCRIPTION**

Designed to perform in wet locations. Flame and impact resistant injection molded thermoplastic PAR36 lampholders. Die cast, aluminum gasketed mounting plate. Sealed swivel and coated lamp terminals resist oil, water and dust. Available in standard industrial white, grey and black finishes (specify color when ordering). Heads adjust 80° from vertical with 358° rotation. Supplied complete with thermoplastic lampholder housings, swivel, lamp and 5" diameter die cast, grey mounting plate. UL 924 Listed, CSA Certified. UL Wet Location Listed.



**6V, 12V PLASTIC WEATHERPROOF REMOTES**

Single and Double Remote Heads

# SURE-LITES®



## 6V, 12V METAL HEAD REMOTES

Single and Double Remote Heads

### DESCRIPTION

Lamp housing is made of corrosion resistant 22 gauge die formed spun aluminum with a powder coat finish. Die cast aluminum swivel assembly allows 80° adjustment from vertical with 358° rotation. Stainless steel mounting plate mounts flush on wall or ceiling and is designed for installation on standard electrical box. (Single head remotes are supplied with single gang plate, double head remotes are supplied with three gang plate). UL 924 Listed, CSA Certified.

### ORDERING INFORMATION

Lamp Housing + Mounting Plate					
Catalog No.	Finish	Lamp Type	Volts	Watts	Lamp No.
<b>6 Volt Single Metal Head Remotes</b>					
6T6MHWH	White	Halogen Sealed Beam	6	6	029-37
6T12MHWH	White	Halogen Sealed Beam	6	12	029-15
6X7MHWH	White	Incandescent Sealed Beam	6	7.2	029-75
<b>6 Volt Double Metal Head Remotes</b>					
6T6DMHWH	White	Halogen Sealed Beam	6	6	029-37
6T12DMHWH	White	Halogen Sealed Beam	6	12	029-15
<b>12 Volt Single Metal Head Remotes</b>					
12T12MHWH	White	Halogen Sealed Beam	12	12	029-79
12T50MHWH	White	Halogen Sealed Beam	12	50	029-135
<b>12 Volt Double Metal Head Remotes</b>					
12T12DMHWH	White	Halogen Sealed Beam	12	12	029-79
12T50DMHWH	White	Halogen Sealed Beam	12	50	029-135

Alternate Lamps<sup>1</sup>  
Other Finishes<sup>1</sup>

### DESCRIPTION

Designed to perform in wet locations. Lamp housing is made of corrosion resistant 22 gauge die formed spun aluminum with a powder coat finish and a die cast aluminum, gasketed mounting plate. Sealed swivel and coated lamp terminals resist oil, water and dust. Available in standard industrial white finish-specify color when ordering; other finishes available. Heads adjust 80° from vertical with 358° rotation. Supplied complete with a 5" diameter die cast, grey finished, gasketed mounting plate. UL 924 Listed, CSA Certified. City of Chicago Code (see catalog numbers with\*), UL Wet Location Listed.

### ORDERING INFORMATION

<b>6 Volt Single Metal Weatherproof</b>					
Catalog	Heads	Lamp Type	Volts	Watts	Lamp Number
6X7WMHWH	One	Incandescent - Sealed Beam	6	7	029-75
6X8WMHWH	One	Incandescent - Sealed Beam	6	8	029-03
6X12WMHWH	One	Incandescent - Sealed Beam	6	12	029-39
6X18WMHWH	One	Incandescent - Sealed Beam	6	18	029-13
6X25WMHWH*	One	Incandescent - Sealed Beam	6	25	029-09
6T6WMHWH	One	Halogen - Sealed Beam	6	6	029-37
6T8WMHWH	One	Halogen - Sealed Beam	6	8	029-14
6T10WMHWH	One	Halogen - Sealed Beam	6	10	029-36
6T12WMHWH*	One	Halogen - Sealed Beam	6	12	029-15
6T20WMHWH*	One	Halogen - Sealed Beam	6	20	029-18
6XW54WMHWH	One	Wedge Base - Incandescent	6	5.4	029121
6XW7WMHWH	One	Wedge Base - Incandescent	6	7.2	02988
6XW9WMHWH	One	Wedge Base - Incandescent	6	9	02984
<b>12 Volt Single Metal Weatherproof</b>					
Catalog	Heads	Lamp Type	Volts	Watts	Lamp Number
12X12WMHWH	One	Incandescent - Sealed Beam	12	12	029-26
12X18WMHWH	One	Incandescent - Sealed Beam	12	18	029-19
12X25WMHWH*	One	Incandescent - Sealed Beam	12	25	029-08
12X30WMHWH*	One	Incandescent - Sealed Beam	12	30	029-126
12T8WMHWH	One	Halogen - Sealed Beam	12	8	029-16
12T12WMHWH*	One	Halogen - Sealed Beam	12	12	029-79
12T37WMHWH*	One	Halogen - Sealed Beam	12	37.5	029-134
12T50WMHWH*	One	Halogen - Sealed Beam	12	50	029-135
12XW9WMHWH	One	Wedge Base - Incandescent	12	9	02986
12XW12WMHWH	One	Wedge Base - Incandescent	12	12	029132
<b>6 Volt Double Metal Weatherproof</b>					
Catalog	Heads	Lamp Type	Volts	Watts	Lamp Number
6X7DWMHWH	Two	Incandescent - Sealed Beam	6	7	029-75
6X8DWMHWH	Two	Incandescent - Sealed Beam	6	8	029-03
6X12DWMHWH	Two	Incandescent - Sealed Beam	6	12	029-39
6X18DWMHWH	Two	Incandescent - Sealed Beam	6	18	029-19
6X25DWMHWH*	Two	Incandescent - Sealed Beam	6	25	029-09
6T6DWMHWH	Two	Halogen - Sealed Beam	6	6	029-37
6T8DWMHWH	Two	Halogen - Sealed Beam	6	8	029-14
6T10DWMHWH	Two	Halogen - Sealed Beam	6	10	029-36
6T12DWMHWH*	Two	Halogen - Sealed Beam	6	12	029-15
6T20DWMHWH*	Two	Halogen - Sealed Beam	6	20	029-18
6XW54DWMHWH	Two	Wedge Base - Incandescent	6	5.4	029121
6XW7DWMHWH	Two	Wedge Base - Incandescent	6	7.2	02988
6XW9DWMHWH	Two	Wedge Base - Incandescent	6	9	02984
<b>12 Volt Double Metal Weatherproof</b>					
Catalog	Heads	Lamp Type	Volts	Watts	Lamp Number
12X12DWMHWH	Two	Incandescent - Sealed Beam	12	12	029-26
12X18DWMHWH	Two	Incandescent - Sealed Beam	12	18	029-19
12X25DWMHWH*	Two	Incandescent - Sealed Beam	12	25	029-08
12X30DWMHWH*	Two	Incandescent - Sealed Beam	12	30	029-126
12T8DWMHWH	Two	Halogen - Sealed Beam	12	8	029-16
12T12DWMHWH*	Two	Halogen - Sealed Beam	12	12	029-79
12T37DWMHWH*	Two	Halogen - Sealed Beam	12	37.5	029-134
12T50DWMHWH*	Two	Halogen - Sealed Beam	12	50	029-135
12XW9DWMHWH	Two	Wedge Base - Incandescent	12	9	02986
12XW12DWMHWH	Two	Wedge Base - Incandescent	12	12	029132



## 6V, 12V WEATHERPROOF METAL HEAD REMOTES

Single and Double Remote Heads

### Catalog Notes:

- WH - White (standard finish),
  - GY - Grey,
  - BK - Black
- \* Meets City of Chicago Code

<sup>1</sup>Consult your Cooper Lighting Representative.

**ORDERING INFORMATION**

**6 Volt Single Head MR16 Remote Heads**

Catalog No.	Lamp Type	Volts	Watts	Lamp No.
MRT6T5	MR16	6	5	029-139
MRT6T9	MR16	6	9	029-143
MRT6T12	MR16	6	12	029-140

**6 Volt Double Head MR16 Remote Heads**

Catalog No.	Lamp Type	Volts	Watts	Lamp No.
MRT6T5D	MR16	6	5	029-139
MRT6T9D	MR16	6	9	029-143
MRT6T12D	MR16	6	12	029-140

**12 Volt Single Head MR16 Remote Heads**

Catalog No.	Lamp Type	Volts	Watts	Lamp No.
MRT12T12	MR16	12	12	029-141
MRT12T20	MR16	12	20	029-142
MRT12T50	MR16	12	50	029-144

**12 Volt Double Head MR16 Remote Heads**

Catalog No.	Lamp Type	Volts	Watts	Lamp No.
MRT12T12D	MR16	12	12	029-141
MRT12T20D	MR16	12	20	029-142
MRT12T50D	MR16	12	50	029-144

**DESCRIPTION**

The MR16 Remote includes a steel gimbal ring and arm with a glass lens and an injection molded thermoplastic canopy. Available in White only. Heads adjust 80° from vertical with 358° rotation. Supplied complete with gimbal ring assembly, MR16 lamping, glass lens, and 5" diameter mounting plate. MR16 gimbal ring assemblies come pre-mounted to canopy in single and double head configurations. Use WG8 Wire Guard for single head remotes; and WG9 Wire Guard for double head remotes. UL Listed, Life Safety NFPA 101.



**MR16 SERIES**

Single and Double Remote Heads

**DESCRIPTION**

The Metrolite MR Series are 6V or 12V DC remotes that provide continuity in style when used with the ML Series. The MR Series sculptured and compact appearance makes it perfect for high quality interior applications. The self-contained, feature rich design packs a powerful punch with its super-bright halogen lamp and precision optics. The integral mounting plate makes installation fast and easy. UL listed.

**ORDERING INFORMATION**

**Single Head Remotes**

Catalog No.	Lamp Type	DC Voltage	Watts	Lamp No.
MR6T12	Bi-Pin Halogen	6	12	029-66
MR12T12	Bi-Pin Halogen	12	12	029-45

**Double Head Remotes**

Catalog No.	Lamp Type	DC Voltage	Watts	Lamp No.
MR6T12D	Bi-Pin Halogen	6	12	029-66
MR12T12D	Bi-Pin Halogen	12	12	029-45

Alternate Lamps <sup>1</sup>



**MR SERIES**

Single and Double Remote Heads

<sup>1</sup>Consult your Cooper Lighting Representative.

**SURE-LITES®****CFR SERIES  
CYLINDER REMOTES**Single and Double  
Head Remotes**DESCRIPTION****CFR**

Matches SLC Series emergency lighting units. Lamp heads adjust 80° from vertical with 358° rotation. Die-formed steel faceplate has a white, corrosion-resistant finish. Cabinet has side knockout for conduit connection as well as universal pattern mounting knockouts. UL listed.

**ORDERING INFORMATION****Single Head Remotes**

Catalog No.	Lamp Type	Volts	Watts	Lamp No.
CFR103	Incandescent Sealed Beam	6	8	029-03
CFR116	Halogen Sealed Beam	12	8	029-16

**Double Head Remotes**

Catalog No.	Lamp Type	Volts	Watts	Lamp No.
CFR203	Incandescent Sealed Beam	6	8	029-03
CFR216	Halogen Sealed Beam	12	8	029-16

Alternate Lamps<sup>1</sup>**DR SERIES  
DESIGNER REMOTES**Single and Double  
Head Remotes**DESCRIPTION****DR**

Matches RD Series emergency lighting units. Heads are injection molded high gloss thermoplastic. Lamp heads adjust 80° from vertical with 358° rotation. Single head remotes supplied with single gang mounting plate, double head remotes supplied with three gang mounting plate. UL listed.

**ORDERING INFORMATION****Single Head Remotes**

Catalog No.	Finish	Lamp Type	Volts	Watts	Lamp No.
DR112	White	Halogen Bi-Pin T2 1/4	6	6	029-12
DR166	White	Halogen Bi-Pin T2 1/4	6	12	029-66
DR145	White	Halogen Bi-Pin T2 1/4	12	12	029-45

**Double Head Remotes**

Catalog No.	Finish	Lamp Type	Volts	Watts	Lamp
DR212	White	Halogen Bi-Pin T2 1/4	6	6	029-12
DR266	White	Halogen Bi-Pin T2 1/4	6	12	029-66
DR245	White	Halogen Bi-Pin T2 1/4	12	12	029-45

Alternate Lamps<sup>1</sup>**CU1 SERIES  
SPECIALTY REMOTES**

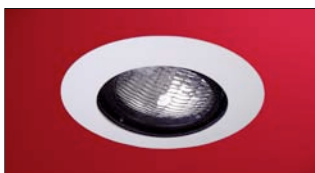
Single Head Remotes

**DESCRIPTION****CU1R**

Matches CU1 Series Emergency lighting units. For use with CU1HD emergency lighting unit or 6V DC Class 2 circuit. Clear acrylic dome (for polycarbonate dome, add PCL suffix to catalog number). UL listed

**ORDERING INFORMATION****CU1R Series**

Catalog No.	Finish	Lamp Type	Volts	Watts	Lamp No.
CU1R	White	Incandescent Wedge Base	6	5.4	029-121
CU1RB	Black	Incandescent Wedge Base	6	5.4	029-121

Alternate Lamps<sup>1</sup>Other Finishes<sup>1</sup>**GFR SERIES  
SPECIALTY REMOTES**

Single Head Remotes

**DESCRIPTION****GFR**

Matches RG1 Series emergency lighting units. 20 gauge die-stamped steel housing with white baked-enamel finish. Available with 6 volt or 12 volt incandescent sealed beam lamps. UL 924 damp location listed.

**ORDERING INFORMATION****GFR Series**

Catalog No.	Finish	Lamp Type	Volts	Watts	Lamp No.
GFR2703	White Trim	Incandescent Sealed Beam	6	8	029-03
GFR2716	White Trim	Halogen Sealed Beam	12	8	029-16

Alternate Lamps<sup>1</sup>Other Finishes<sup>1</sup><sup>1</sup>Consult your Cooper Lighting Representative.

**DESCRIPTION**

**R4C**

Matches P4C Series emergency lighting units. Impact resistant thermoplastic housing is UL924 rated. Black thermoplastic body with white plastic collar and reflector. For semi-recessed installation, order USF1 accessory. For fully recessed installation, order FRK1 accessory.

**ORDERING INFORMATION**

**R4C Series**

Catalog No.	Lamp Type	Volts	Watts	Lamp No.
R4C140	Halogen Bi-Pin T2 1/4	6	10	029-40
R4C145	Halogen Bi-Pin T2 1/4	12	12	029-45

Alternate Lamps<sup>1</sup>

Other Finishes<sup>1</sup>



**R4C SERIES**

Emergency Remotes

**DESCRIPTION**

**RFR**

20 gauge die-stamped steel housing with white baked enamel finish. 5 1/2" housing accommodates 2x6 joist construction. Available with 6 volt or 12 volt incandescent double contact bayonet base lamps. UL Damp Location Listed.

**ORDERING INFORMATION**

**RFR Series**

Catalog No.	Finish	Lamp Type	Volts	Watts	Lamp No.
RFR130	White Trim	Incandescent DC Bayonet Base	6	6.6	029-30
RFR153	White Trim	Incandescent DC Bayonet Base	12	7.5	029-53

Alternate Lamps<sup>1</sup>

Other Finishes<sup>1</sup>



**RFR SERIES**

Emergency Remotes

**DESCRIPTION**

**ULTIMATE REMOTE HEAD**

The Sure-Lites Ultimate Series explosion-proof, emergency lighting fixtures are designed for remote mounting in Class I, Division II Group A, B, C, and D locations such as oil refineries, oil and gasoline loading docks, chemical and petrochemical plants, paint manufacturing sites, pumping stations and other process industry facilities where similar hazards threaten. UL 844 listed. UL 924 wet location listed.

**ORDERING INFORMATION - CLASS I, DIVISION II, GROUPS A, B, C, D (UL844 HAZARDOUS LISTED)**

Catalog Number	Lamp Type	Volts	Watts	Lamp No.	T-Code	Lamp Data
MRT6T5HAZ	MR16	6	5	029-139	T3A	ADX031520
MRT6T9HAZ	MR16	6	9	029-143	T2C	ADX031520
MRT6T12HAZ	MR16	6	12	029-140	T2A	ADX031520
MRT12T12HAZ	MR16	12	12	029-141	T2A	ADX031520
MRT12T20HAZ	MR16	12	20	029-142	T1	ADX031520

**ORDERING INFORMATION - WET LOCATION (UL924 WET LOCATION LISTED)**

Catalog Number	Lamp Type	Volts	Watts	Lamp No.	Lamp Data
MRT6T5W	MR16	6	5	029-139	ADX031520
MRT6T9W	MR16	6	9	029-143	ADX031520
MRT6T12W	MR16	6	12	029-140	ADX031520
MRT12T12W	MR16	12	12	029-141	ADX031520
MRT12T20W	MR16	12	20	029-142	ADX031520
MRT12T50W	MR16	12	50	029-144	ADX031520



**ULTIMATE REMOTE SERIES**

Emergency Remotes

**DESCRIPTION**

**HZB/HZP**

The Sure-Lites HZP Series and HZB Series explosion-proof, emergency lighting fixtures are designed for remote mounting in Class I, Division 1, Group C, D and Class II, Division 1, Group E, F, G locations such as oil refineries, oil and gasoline loading docks, chemical and petrochemical plants, paint manufacturing sites, pumping stations and other process industry facilities where similar hazards exist. Body and globe guard are copper-free, corrosion resistant light weight aluminum, with a heat and impact resistant glass globe. UL 924 Listed, Life Safety NFPA 101, NEC Class I, division 1, Groups C, D and Class II, Division 1, Groups E, F, G, NEC/OSHA, most state and local codes. UL Damp Location Listed.

**ORDERING INFORMATION**

**HZ Series**

Catalog No.	Mounting	Lamp Type	Volts	Watts	Lamp No.
12X25HZP	Pendant	Incandescent	12	25	ZZ-13
12X25HZB	Bracket	Incandescent	12	25	ZZ-13



**HZB/HZP SERIES**

Emergency Remotes

<sup>1</sup>Consult your Cooper Lighting Representative.

# SURE-LITES®



## ELX SERIES

Edge-Lit  
AC Only

Recessed

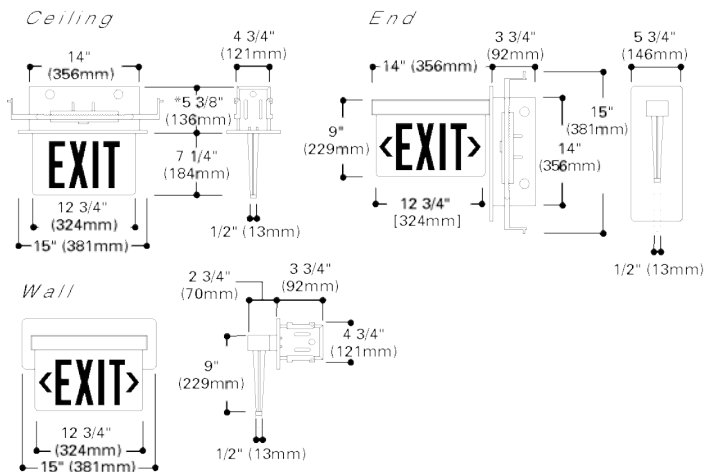
### EXIT LIGHTING

- > Dual Voltage Input  
120/277 VAC or 120/347 VAC 60 Hz
- > 20 gauge recessed steel housing with nine conduit knockouts
- > Recessed housing may be ordered separately<sup>2</sup>
- > Injection molded high-impact acrylic panel
- > LED or Fluorescent Lamping
- > Fluorescent: Two F8T5 lamps wired for separate circuits
- > Universal Background (Field selectable: clear, mirror or white)
- > Mirror and white inserts provided standard with all exits
- > Molded letters and chevrons improve aesthetic appearance and increase visibility
- > Damp Location Listed
- > UL 924 Listed, Life Safety NFPA 101, NEC/OSHA, most state and local codes  
UL FTBR Listed - Standard Fluorescent, LED with 2C Option

### DESCRIPTION

The Sure-Lites ELX Series Recessed Exits are designed for architectural excellence and minimal presence. The crystal clear wedge shaped panel allows architectural details to shine through while providing excellent light distribution and exit visibility. Long life, energy-efficient LED lamps reduce energy costs and eliminate routine lamp maintenance.

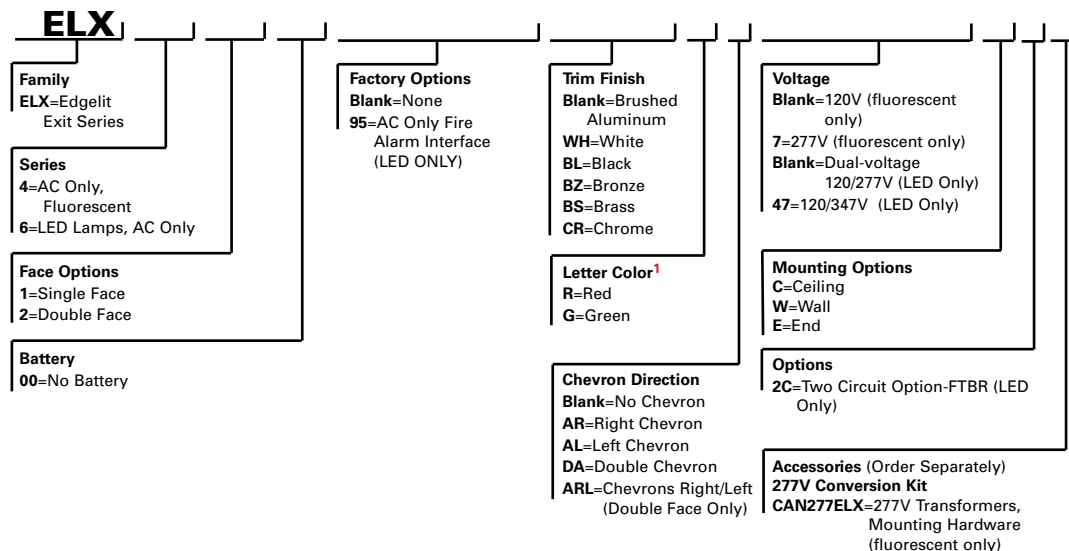
### DIMENSIONS



\*Fluorescent Only (LED=3 3/4")

### ORDERING INFORMATION

SAMPLE NUMBER: ELX4100RMARE



### CHEVRON CONFIGURATION

	FRONT	BACK	FACE
AR	EXIT>	Blank	Single
AL	<EXIT	Blank	Single
DA	<EXIT>	Blank	Single
DA	<EXIT>	<EXIT>	Double
ARL	EXIT>	<EXIT	Double

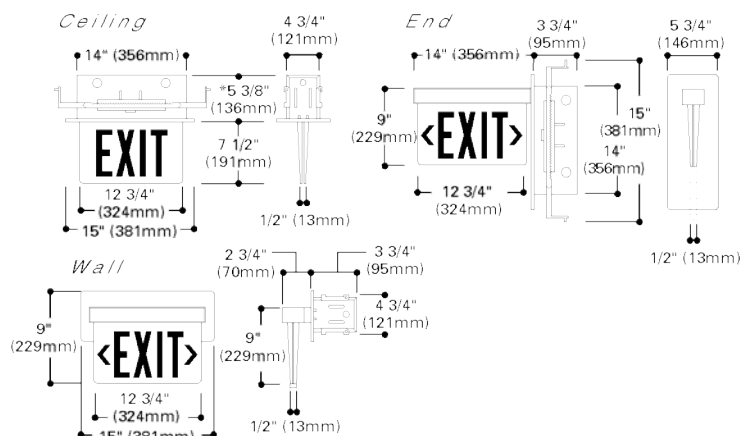
### Energy Data

	Input Power:			Input Current (Max.):			Power Factor:			T.H.D.:		
	120V	277V	347V	120V	277V	347V	120V	277V	347V	120V	277V	347V
<b>Fluorescent Exits</b>												
Fluorescent Exits -8W Lamps	20W	26W	—	.30A	.31A	—	>.56	>.30	—	>10%	>11%	—
<b>LED Exits</b>												
LED Exits -Red Letters	1.5W	2.1W	2.0W	.04A	.04A	.04A	>.34	>.19	>.15	<35%	<19%	<17%
LED Exits - Green Letters	3.0W	3.1W	3.2W	.03A	.03A	.03A	>.73	>.34	>.28	<50%	<30%	<26%

<sup>1</sup>Mirror insert installed standard. White insert shipped in carton. <sup>2</sup>Consult your Cooper Lighting Representative.



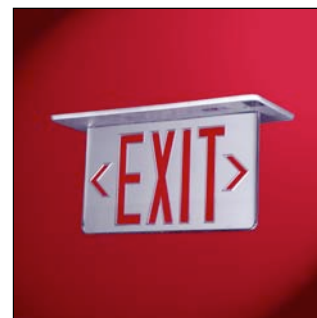
**DIMENSIONS**



\*Fluorescent Only (LED=3 3/4")

**DESCRIPTION**

The Sure-Lites ELX Series Recessed Exits are designed for architectural excellence and minimal presence. The crystal clear wedge shaped panel allows architectural details to shine through while providing excellent light distribution and exit visibility. Long life, energy-efficient LED lamps reduce energy costs and eliminate routine lamp maintenance.



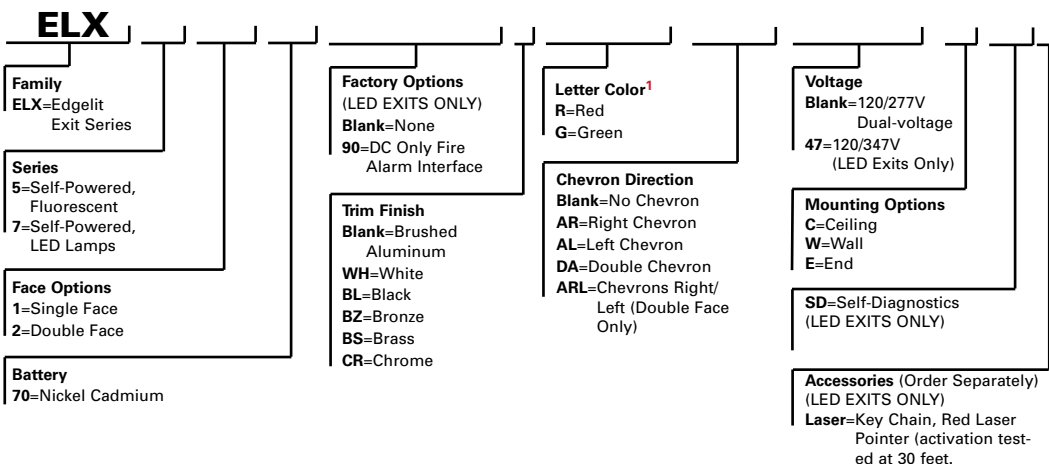
**ELX SERIES**

**Edge-Lit  
Self-Powered  
Recessed**

**EXIT LIGHTING**

**ORDERING INFORMATION**

SAMPLE NUMBER: ELX5170RARE



**CHEVRON CONFIGURATION**

	FRONT	BACK	FACE
<b>AR</b> .....	EXIT>	Blank	Single
<b>AL</b> .....	<EXIT	Blank	Single
<b>DA</b> .....	<EXIT>	Blank	Single
<b>DA</b> .....	<EXIT>	<EXIT>	Double
<b>ARL</b> .....	EXIT>	<EXIT	Double

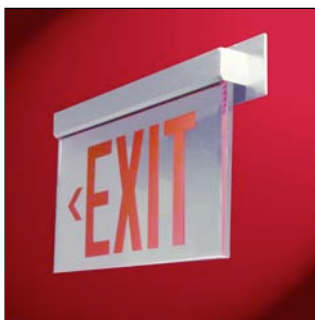
**Energy Data**

	Input Power:			Input Current (Max.):			Power Factor:			T.H.D.:		
	120V	277V	347V	120V	277V	347V	120V	277V	347V	120V	277V	347V
<b>Fluorescent Exits</b>												
Fluorescent Exits -8W Lamps	14W	14W	-	.21A	.09A	-	>.56	>.58	-	<12%	<12%	-
<b>LED Exits with Self-Diagnostics Option</b>												
LED Exits -Red Letters	4.9W	4.8W	-	.05A	.02A	-	>.90	>.87	-	<25%	<24%	-
LED Exits - Green Letters	4.9W	4.7W	-	.05A	.02A	-	>.85	>.82	-	<25%	<24%	-

- > Dual-voltage input 120/277 VAC or 120/347 VAC 60Hz
- > 20 gauge steel recessed housing with nine conduit knockouts
- > Recessed housing may be ordered separately<sup>2</sup>
- > Injection molded high-impact acrylic panel
- > LED or Fluorescent lamping
- > Fluorescent: two F8T5 lamps wired for separate circuits
- > Premium Nickel Cadmium battery
- > Watchguard EMS Self-Diagnostic System (Standard)
- > Universal Background (Field selectable: clear, mirror or white)
- > Mirror and white inserts provided standard with all exits
- > Molded letters and chevrons improve aesthetic appearance and increase visibility
- > Line-latching, Solid-State voltage limited charger, Solid-State switching, low-voltage disconnect, brownout circuit, overload/short-circuit protection, test switch/power indicator light.
- > Damp Location Listed
- > UL 924 Listed, Life Safety NFPA 101, NEC/OSHA, most state and local codes

<sup>1</sup>Mirror insert installed standard. White insert shipped in carton. <sup>2</sup>Consult your Cooper Lighting Representative.

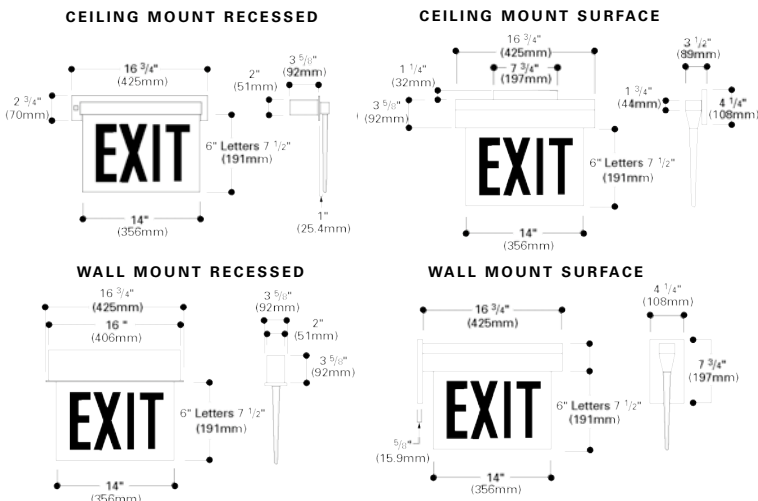
# SURE-LITES®



## DESCRIPTION

The Sure-Lites ES Series Exits are designed for architectural excellence and minimal presence. The crystal clear wedge shaped panel allows architectural details to shine through while providing excellent light distribution and exit visibility. Long life, energy-efficient LED lamps reduce energy costs and eliminate routine lamp maintenance.

## DIMENSIONS



## ES SERIES

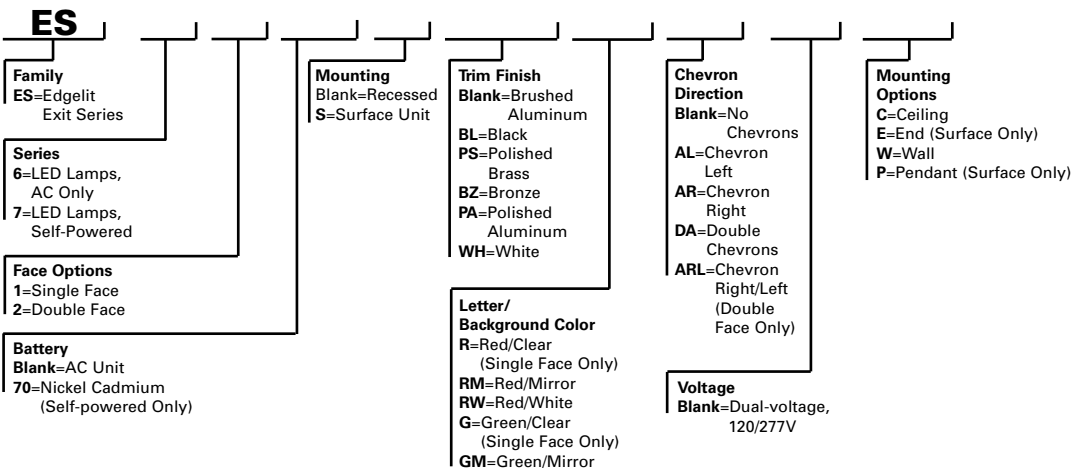
Edge-Lit  
AC Only  
Self-Powered  
Recessed and Surface

### EXIT LIGHTING

- > Dual-voltage Input, 120/277 VAC 60Hz
- > 18 gauge steel housing with conduit knockouts
- > Extruded trim plate in Brushed or Polished Aluminum, Polished Brass, White, Black and Bronze
- > Injection molded high-impact acrylic panel
- > Clear, mirror, or white background
- > LED Lamping: Super-bright, long life LEDs provide uniform illumination
- > Sealed nickel cadmium, maintenance free, long life battery (Self Powered only)
- > Full Recharge Time, 24 hrs. (max.)
- > Recessed housing available for ceiling or wall mounting
- > Convenient 1/2" knockouts provided in top and end of surface mounted housing
- > Self-powered Exits feature solid-state voltage charger, solid-state switching, brownout circuit, test switch/power indicator light
- > UL 924 Listed, Life Safety NFPA 101, NEC/OSHA, most state and local codes

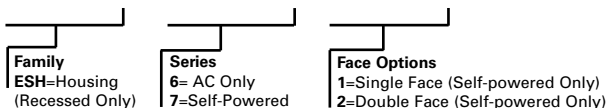
## ORDERING INFORMATION-COMplete UNITS RECESSED / SURFACE

SAMPLE NUMBER: ES7170WHRDAC



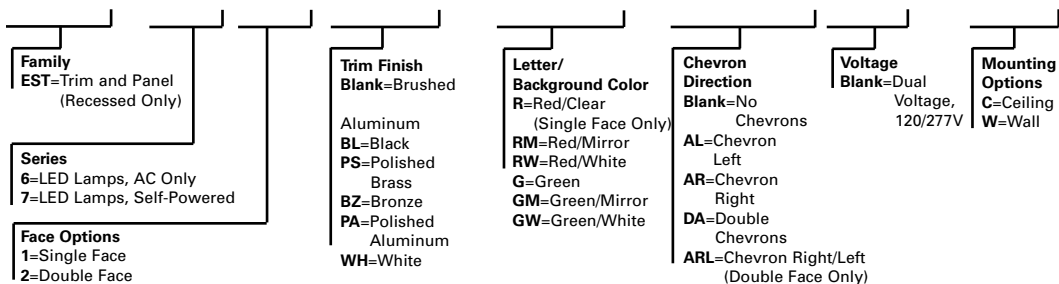
## ORDERING INFORMATION - RECESSED HOUSING

SAMPLE NUMBER: ESH71



## ORDERING INFORMATION - RECESSED TRIM

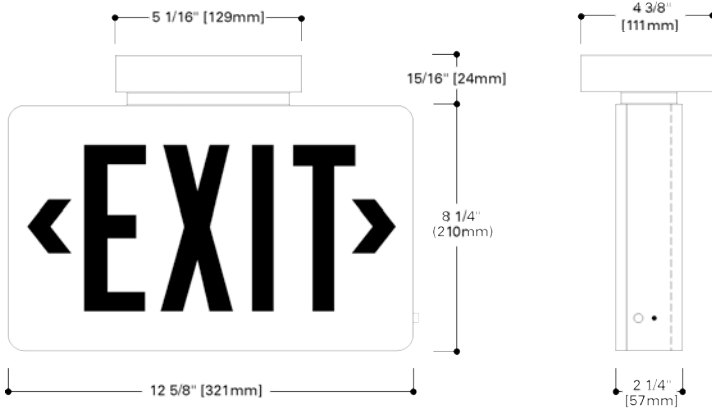
SAMPLE NUMBER: EST71WHRDAC



## Energy Data

	Input Power:		Input Current (Max.):		Power Factor:		T.H.D.:	
	120V	277V	120V	277V	120V	277V	120V	277V
<b>LED Exits</b>								
LED Exits, Red Letters, AC Only	6.7W	6.7W	.06	.03	.8	.8	20%	20%
LED Exits, Red Letters, Self-Powered	7.0W	7.0W	.06	.03	.8	.8	20%	20%
LED Exits, Green Letters, AC Only	1.6W	1.6W	.02	.01	.6	.6	55%	82%
LED Exits, Green Letters, Self-Powered	2.0W	2.1W	.02	.01	.7	.7	45%	68%

**DIMENSIONS**



**DESCRIPTION**

The CX Surface Mounted Die Cast Aluminum Exit combines the strength and durability of die casting with the bright even illumination of LED lamp sources. Unlike competitive units that have a pronounced dot effect from protruding diodes, the CX LED offers unequalled uniform illumination and brightness. The CX Self-Powered LED comes standard with the Watchguard EMS self-diagnostic system insuring fixture reliability and reducing maintenance costs.



**CX SERIES**

Die Cast  
AC Only  
Self-Powered

**EXIT LIGHTING**

- > Dual-voltage Input 120/277 VAC, 60 Hz, isolation transformer
- > Die cast aluminum housing
- > Die cast canopy included
- > LED Lamping
- > Watchguard EMS Self-Diagnostic System (CX7 Only)
- > Exit can be universally mounted: ceiling, wall or end
- > Universal pattern knock-outs on rear of single face housing for direct mounting to junction box
- > NFPA 101 compliant knockout chevrons allow quick conversion to directional signs
- > Self-powered Exits feature line-latching, solid-state voltage limited charger, low-voltage disconnect, brownout circuit, over-load/short-circuit protection, test switch/power indicator light
- > Damp Location Listed (AC Only)
- > UL 924 Listed, CSA Certified, Life Safety NFPA 101, NEC/OSHA, Energy Star Listed, AC Only-UL FTBR when specified with the "2C" option, most state and local codes, suitable for floor proximity installation.

Sure-Lites® 023-414  
**WatchGuard EMS**

Indicator	Meaning
● Steady	Float Charge
● Pulse	High Charge
● - ●	Battery Failure
● - ● - ●	Circuit Failure
● - ● - ● - ●	Lamp Failure
TEST	INDICATOR

**Self-Diagnostics**

The self-diagnostic unit will automatically perform the tests required by the NFPA 101 Life Safety Code. The system indicates the status of the unit at all times using an LED indicator that is located near the test switch.

**ORDERING INFORMATION**

SAMPLE NUMBER: CX7170RSD

**CX**

- Family**  
CX=Die Cast Aluminum Exit
- Battery**  
Blank=No Battery (CX6)  
70=Nickel Cadmium Battery (CX7)
- Letter Colors**  
R=Red  
G=Green
- Housing Finishes**  
Blank= Brushed Aluminum Face with Black Housing  
W=White  
B=Black
- SD=Self-Diagnostic** \*(CX7 only)
- Options**  
2C=Two Circuit Operation, FTBR (CX6 Only)
- Accessories (Order Separately)**  
CAX18PKBK=18" Pendant Kit, Black  
CAX18PKWH=18" Pendant Kit, White  
CAX18PKHTBK=18" Hang-True Pendant Kit, Black  
CAX18PKHTWH=18" Hang-True Pendant Kit, White  
VS1=Polycarbonate Vandal Shield (Wall Mount Only)  
VS1WP=Weather Resistant Polycarbonate Vandal Shield (Wall Mount Only)  
WG10=Wire Guard (Wall Mount Only)  
WGS11=Wire Guard (Ceiling or End Mount Only)
- Series**  
6=AC Only, LED  
7=Self-Powered, LED
- Face Options**  
1=Single  
2=Double

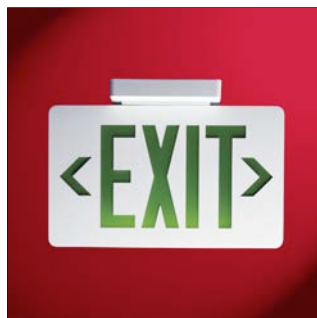
**Energy Data – Self-Powered Exits**

	Sealed Nickel Cadmium Battery							
	Input Power:		Input Current (Max.):		Power Factor:		T.H.D.:	
	120V	277V	120V	277V	120V	277V	120V	277V
	<b>LED Exits</b>							
LED Exits -Red Letters	2.8W	2.9W	.03A	.02A	> .81	> .77	< 32%	< 46%
LED Exits -Green Letters	3.9W	3.6W	.08A	.04A	> .41	> .43	< 48%	< 49%

**Energy Data – AC Only Exits**

	Input Power:							
	Input Power:		Input Current (Max.):		Power Factor:		T.H.D.:	
	120V	277V	120V	277V	120V	277V	120V	277V
	<b>LED Exits</b>							
LED Exits -Red Letters	2.4W	2.5W	.03A	.02A	> .78	> .73	< 33%	< 48%
LED Exits -Green Letters	3.2W	3.0W	.08A	.03A	> .33	> .35	< 50%	< 52%

# SURE-LITES®



## CAX SERIES

Die Cast  
AC Only

LED Lamping

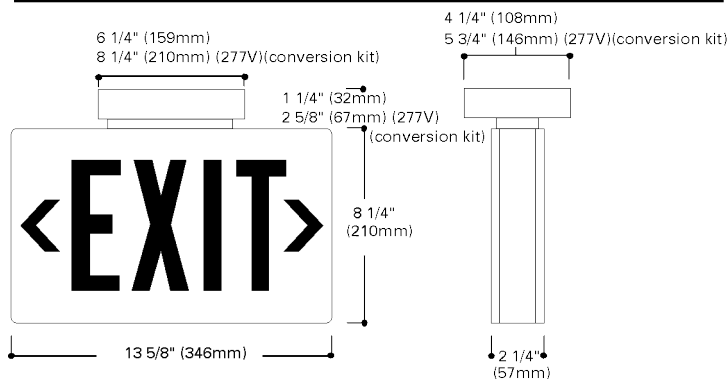
EXIT LIGHTING

- > 120 VAC or 277 VAC Input wattage
- > Die cast aluminum housing with hinged face plate and die cast canopy for ceiling or end mounting
- > Universal: ceiling, wall, or end mounting
- > Screw-In LED Lamps: two 1W long life T6 1/2 intermediate base lamps
- > Universal pattern knockouts on rear of single face housing for direct mounting to junction box
- > NFPA 101 compliant knockout chevrons allow quick conversion to directional signs
- > Damp Location Listed (except exits with "2C" Option)
- > UL 924 Listed, Life Safety NFPA 101, CSA certified, NEC/OSHA, UL FTBR Listed (consult your Cooper Lighting Representative for applicable fixture types), most state and local codes

### DESCRIPTION

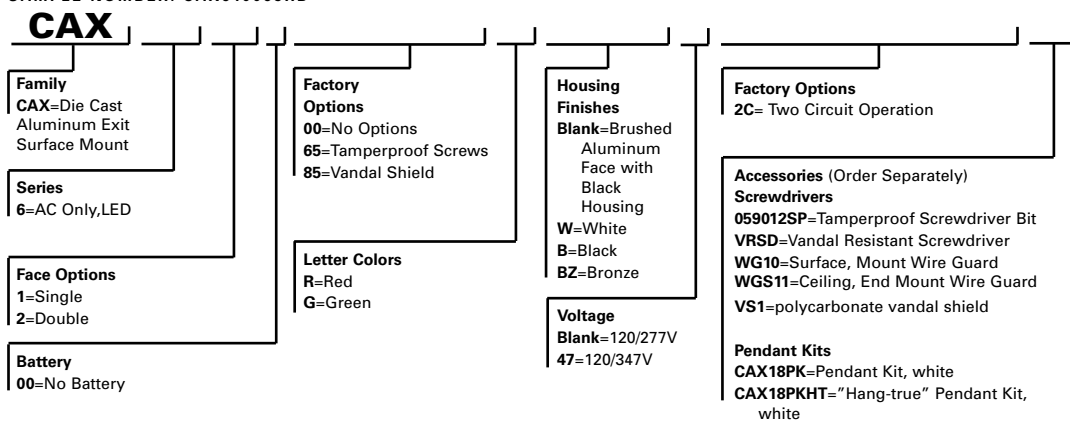
The Sure-Lites Pinnacle Family of Surface Mounted Die Cast Aluminum Exits combine strength, durability and aesthetics. The architecturally compatible finishes will add a new dimension to any design.

### DIMENSIONS



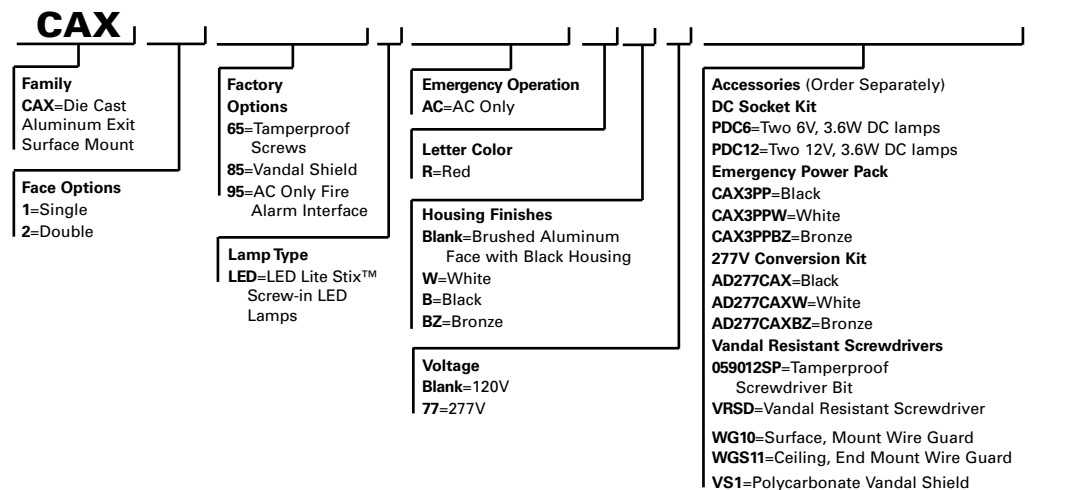
### ORDERING INFORMATION- LED LAMP EXITS

SAMPLE NUMBER: CAX610065RB



### ORDERING INFORMATION-SCREW-IN LED EXITS

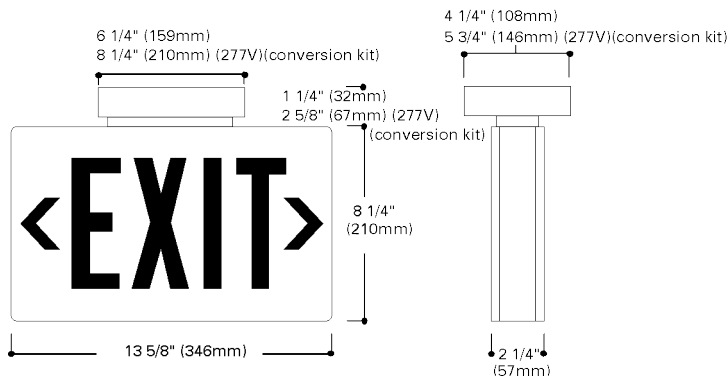
SAMPLE NUMBER: CAX1LEDACR



### Energy Data

	Input Power:			Input Current(Max.):			Power Factor:		T.H.D.:	
	120V	277V	347V	120V	277V	347V	120V	277V	120V	277V
<b>Standard Power - LED Exits</b>										
Red Letters Single Face	5.6W	5.7W	6.0W	.07A	.03A	.02A	>.71	>.71	<36%	<36%
Red Letters Double Face	7.3W	7.5W	8.3W	.07A	.03A	.03A	>.83	>.83	<33%	<34%
Green Letters Single Face	6.7W	6.8W	6.8W	.07A	.03A	.02A	>.79	>.79	<30%	<31%
Green Letters Double Face	9.5W	9.7W	9.9W	.09A	.04A	.03A	>.90	>.90	<26%	<27%
<b>LED Lite-Stix™ Screw-In Lamps</b>										
Red Letters	2.0W		4.3W	.09A		.03A	>.19	>.58	<19%	<22%

**DIMENSIONS**



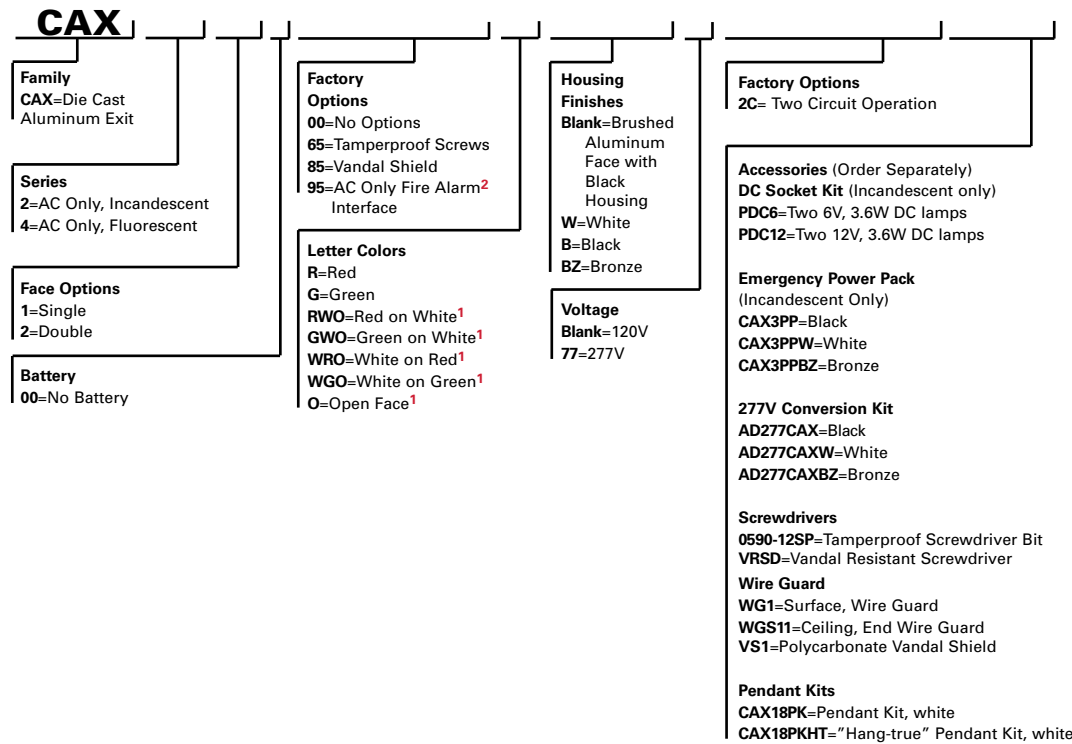
**DESCRIPTION**

The Sure-Lites Pinnacle Family of Surface Mounted Die cast Aluminum Exits combine a strength, durability and aesthetics. The architecturally compatible finishes will add a new dimension to any design.



**ORDERING INFORMATION-INCANDESCENT, FLUORESCENT LAMP EXITS**

SAMPLE NUMBER: CAX410065RB



**Energy Data**

	Input Power:		Input Current (Max.):		Power Factor:		T.H.D.:	
	120V	277V	120V	277V	120V	277V	120V	277V
<b>Incandescent Exits</b>								
Incandescent Exits	4.0W	4.2W	.33A	.16A	-	-	-	-
<b>Fluorescent Exits</b>								
Fluorescent Exits - 5W Lamps	14W	21W	.29A	.32A	>.40	>.24	<14%	<11%
Fluorescent Exits - 7W Lamps	15W	23W	.25A	.30A	>.50	>.27	<16%	<12%

Notes: AC compact fluorescent CAX Series Exits cannot be converted to self-powered emergency.  
<sup>1</sup>RWO, GWO, WRO, and WGO are open face styles with "EXIT" legend. Use "O" option for ordering special wording-lenses ordered separately (consult Cooper Lighting Representative). <sup>2</sup>AC Only Fire Alarm Interface Option available on incandescent lamp exits only.

**CAX SERIES**

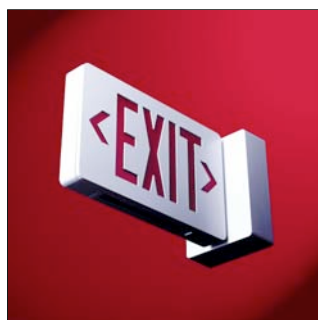
Die Cast  
AC Only

Incandescent, Compact  
Fluorescent Lamping

**EXIT LIGHTING**

- > 120 VAC or 277 VAC input voltage
- > Die cast aluminum housing with hinged face plate and die-cast canopy for ceiling or end mounting
- > Universal: ceiling, wall, or end mounting
- > AC incandescent: two 20W T6 1/2 intermediate base lamps
- > AC fluorescent: two 5W F5TT compact fluorescent lamps
- > Universal pattern knockouts on rear of single face housing for direct mounting to junction box
- > NFPA 101 compliant knockout chevrons allow quick conversion to directional signs
- > Stencil and open face signs available
- > Downlight diffuser
- > Damp Location Listed
- > UL 924 Listed, Life Safety NFPA 101, CSA certified, NEC/OSHA, UL FTBR Listed (consult your Cooper Lighting Representative for applicable fixture types), most state and local codes

# SURE-LITES®



## CAX SERIES

Die Cast  
Self-Powered  
LED Lamping

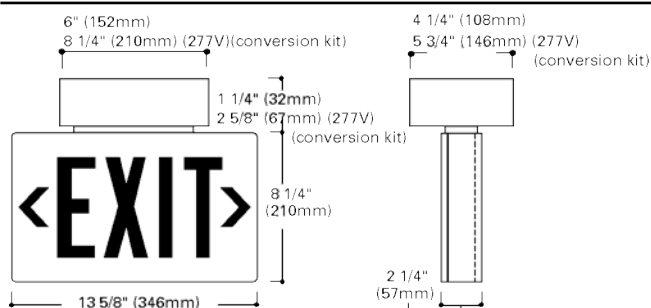
### EXIT LIGHTING

- > Dual-voltage input 120/277VAC, 60Hz
- > Die cast Aluminum housing with hinged faceplate and die cast canopy for ceiling or end mounting
- > Universal: ceiling, wall, or end mounting
- > Screw-in LED lamps: two 1W long life T 6 1/2 intermediate base lamps
- > Lead Calcium or Premium Nickel Cadmium battery
- > Universal pattern knockouts on rear of single face housing for direct mounting to junction box
- > NFPA 101 compliant knockout chevrons allow quick conversion to directional signs
- > Line-latching, Solid-State voltage limited charger, Solid-State switching, low-voltage disconnect, brownout circuit, overload/short-circuit protection, test switch/ power indicator light
- > UL 924 Listed, Life Safety NFPA 101, CSA certified, NEC/OSHA, most state and local codes

### DESCRIPTION

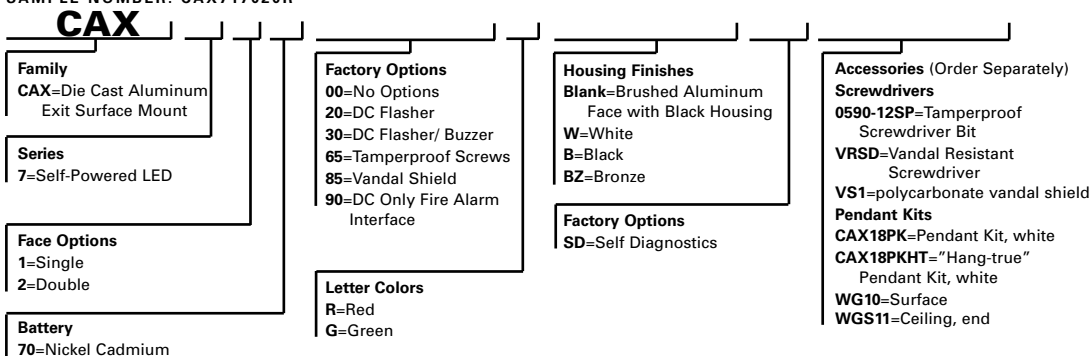
The Sure-Lites Pinnacle Family of Surface Mounted Die cast Aluminum Exits combine strength, durability and aesthetics. The architecturally compatible finishes will add a new dimension to any design.

### DIMENSIONS



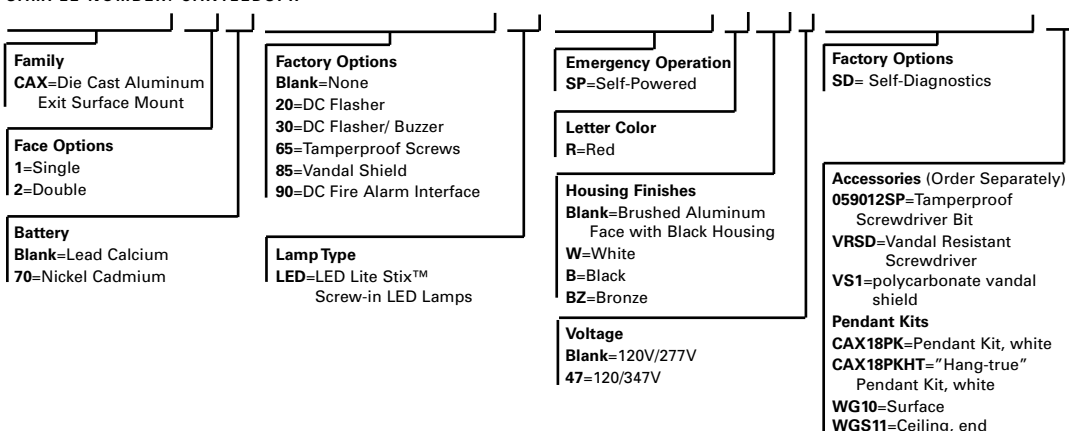
### ORDERING INFORMATION-LED LAMP EXITS

SAMPLE NUMBER: CAX717020R



### ORDERING INFORMATION-SCREW-IN LED LAMPS

SAMPLE NUMBER: CAX1LEDSPR



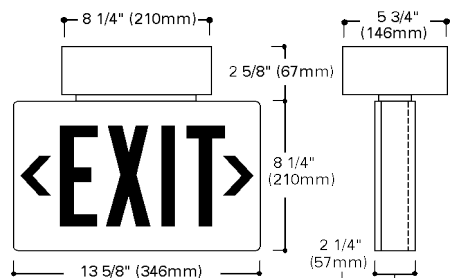
### Wattage Ratings

Lead Calcium Battery=10.8W for 1 1/2 hrs., 7.2W for 2 hrs. Nickel Cadmium Battery=15.0W for 1 1/2 hrs.

### Energy Data

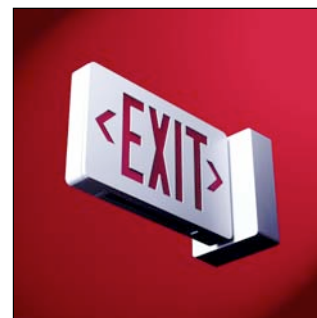
	Standard Power - Sealed Nickel Cadmium Battery - LED Exits						T.H.D.:			
	Input Power:		Input Current (Max.):		Power Factor:		120V	277V	120V	277V
	120V	277V	347V	120V	277V	347V	>.72	>.72	<34%	<34%
Red Letters Single Face	7.4W	7.5W	7.6W	.08A	.04A	.03A	>.72	>.72	<34%	<34%
Red Letters Double Face	9.3W	9.5W	9.6W	.09A	.04A	.03A	>.84	>.84	<31%	<32%
Green Letters Single Face	8.5W	8.7W	8.4W	.09A	.04A	.03A	>.79	>.79	<30%	<31%
Green Letters Double Face	11.4W	11.7W	11.2W	.11A	.05A	.04A	>.90	>.90	<26%	<26%
Standard Power with Self Diagnostics Option (Fully Discharged Battery) - LED Exits										
Red Letters Single Face	8.4W	8.5W	8.6W	.08A	.04A	.03A	>.82	>.82	<31%	<31%
Red Letters Double Face	9.8W	9.5W	9.7W	.09A	.04A	.03A	>.86	>.84	<30%	<30%
Green Letters Single Face	9.1W	9.0W	9.2W	.09A	.04A	.03A	>.86	>.85	<27%	<27%
Green Letters Double Face	11.2W	10.5W	10.5W	.10A	.05A	.03A	>.90	>.88	<25%	<26%
Standby Mode (Fully Charged Battery) Sealed Nickel Cadmium Battery Input Power consumption is reduced by approximately 1.5 Watts										
Self Diagnostic Option with Low Power Option (Operating in Low Power Mode) (Fully Discharged Battery) - LED Exits										
Red Letters Single Face	6.5W	6.7W		.07A	.03A		>.75	>.72	<37%	<37%
Red Letters Double Face	7.8W	8.1W		.08A	.04A		>.80	>.80	<33%	<33%
Standby Mode (Fully Charged Battery) Sealed Nickel Cadmium Battery Input Power consumption is reduced by approximately 4 Watts										
Charge Mode, Fully Discharged Battery: Sealed Lead Calcium Battery Screw-in LED Lamps										
Red Letters	16.6W	17.5W		.15A	.07A		>.91	>.91	<28%	<28%
Standby Mode (Fully Charged Battery) Sealed Nickel Cadmium Battery Input Power consumption is reduced by approximately 10 Watts in the standby operating mode										
Sealed Nickel Cadmium Battery: Screw-in LED Lamps										
Red Letters	8.4W	8.3W		.08A	.03A		>.92	>.92	<35%	<34%

**DIMENSIONS**



**DESCRIPTION**

The Sure-Lites Pinnacle Family of Surface Mounted Die Cast Aluminum Exits combine strength, durability and aesthetics. The architecturally compatible finishes will add a new dimension to any design.



**CAX SERIES**

Die Cast Self-Powered

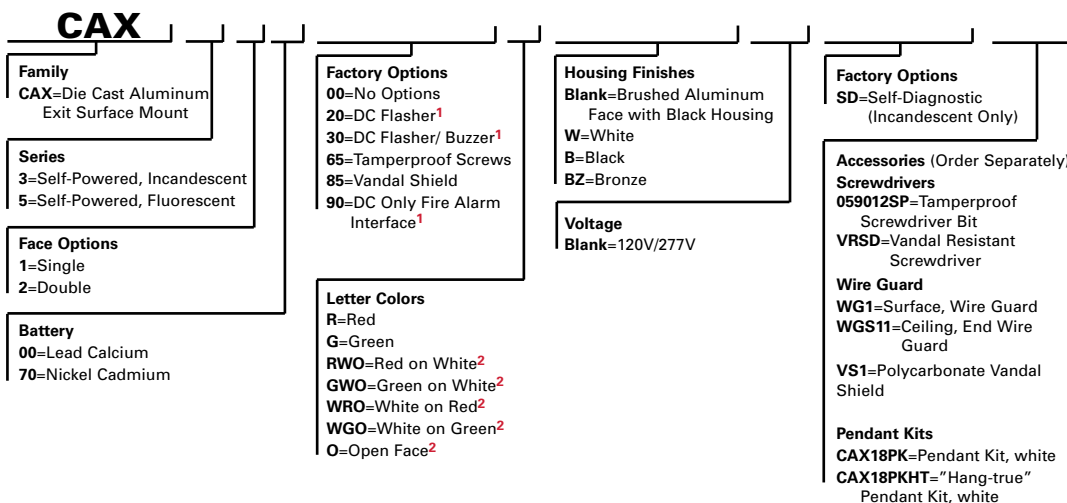
Incandescent, Compact Fluorescent Lamping

EXIT LIGHTING

- > Dual-voltage input 120/277VAC, 60Hz
- > Die cast aluminum housing with hinged faceplate and die-cast canopy for ceiling or end mounting
- > Universal: ceiling, wall, or end mounting
- > AC incandescent: two 20W T6 1/2 intermediate base lamps
- > AC fluorescent: two 5W F5TT compact fluorescent lamps
- > Lead Calcium or Premium Nickel Cadmium battery
- > Universal pattern knockouts on rear of single face housing for direct mounting to junction box
- > NFPA 101 compliant knockout chevrons allow quick conversion to directional signs
- > Stencil and open face signs available
- > Downlight diffuser
- > Line-latching, Solid-State voltage limited charger, Solid-State switching, low-voltage disconnect, brownout circuit, overload/short-circuit protection, test switch/power indicator light
- > UL 924 Listed, Life Safety NFPA 101, CSA Certified, NEC/OSHA, UL FTBR Listed, most state and local codes

**ORDERING INFORMATION-INCANDESCENT, FLUORESCENT EXITS**

SAMPLE NUMBER: CAX310085R



**Wattage Ratings**

Lead Calcium Battery=10.8W for 1 1/2 hrs., 7.2W for 2 hrs. Nickel Cadmium Battery=15.0W for 1 1/2 hrs.

**Energy Data**

		Charge Mode (Fully Discharged Battery): Sealed Lead Calcium Battery							
		Input Power:		Input Current (Max.):		Power Factor:		T.H.D.:	
		120V	277V	120V	277V	120V	277V	120V	277V
Incandescent Exits-20W Lamps	53W	51W	.45A	.19A	>.99	>.98	<9%	<10%	
Fluorescent Exits-5W Lamps	29W	30W	.40A	.16A	>.61	>.66	<12%	<11%	

Standby Mode (Fully Charged Battery) Sealed Lead Calcium Battery Input Power consumption is reduced by approximately 12 Watts in the standby operating mode

		Sealed Nickel Cadmium Battery							
		Input Power:		Input Current (Max.):		Power Factor:		T.H.D.:	
		120V	277V	120V	277V	120V	277V	120V	277V
Incandescent Exits-20W Lamps	45W	43W	.38A	.16A	>.99	>.99	<7%	<7%	
Fluorescent Exits - 5W Lamps	20W	21W	.36A	.15A	>.48	>.52	<15%	<14%	

<sup>1</sup>DC Flasher, DC Flasher/Buzzer and DC Fire Alarm Interface options available with Incandescent exits only. <sup>2</sup>RWO, GWO, WRO, and WGO are open face styles with "Exit" legend. Use "O" option for ordering special wording-lenses ordered separately (consult Cooper Lighting Representative).

# SURE-LITES®



## TPX SERIES

Die Cast  
AC Only

Thin Profile

### EXIT LIGHTING

- > Dual-voltage input 120/277VAC, 60Hz
- > Die cast aluminum faceplate
- > Overall exposed exit thickness is only 3/4"
- > LED lamping
- > 20 gauge steel recessed housing fits in 2x4 construction
- > 18 gauge steel mounting plate with universal mounting pattern
- > Adjustable hanger bars
- > Centerpin Torx tamper resistant screws on sides of faceplate – no visible mounting hardware on front face
- > NFPA compliant knockout chevrons
- > UL 924 Listed, Life Safety NFPA 101, NEC/OSHA, UL FTBR Listed (with "2C" option), UL Listed as suitable for floor proximity installation, most state and local codes

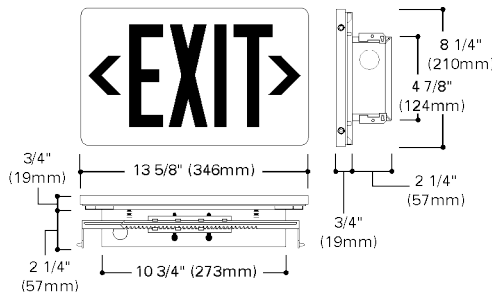
### DESCRIPTION

The TPX Thin Profile Exit Series combines the strength of die cast aluminum, the profile of recessed design and the superior aesthetics of LED technology. The TPX Series faceplate assembly is only 3/4" thick, yielding a sign with minimal off-wall protrusion without requiring the large wall opening of a fully recessed exit.

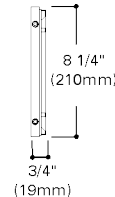
The TPX Series also includes a Remote Powered Exit which can be powered from a TPX Series AC Only or Self-Powered Exit.

### DIMENSIONS

#### AC ONLY

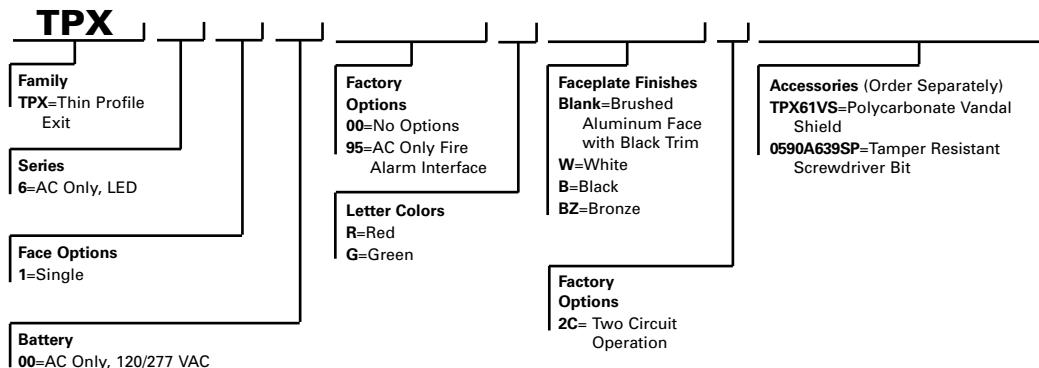


#### REMOTE POWERED



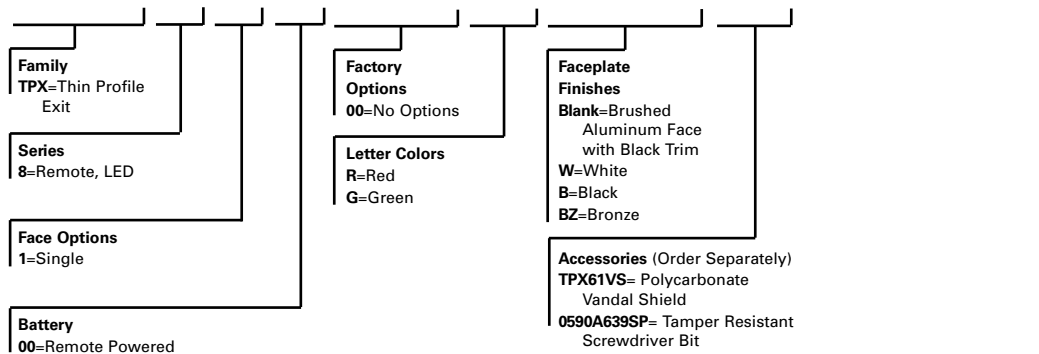
### ORDERING INFORMATION-AC ONLY EXITS

SAMPLE NUMBER: TPX610000RB



### ORDERING INFORMATION-REMOTE POWERED EXITS (Satellite, must be powered from another unit.)

SAMPLE NUMBER: TPX810000R



### Energy Data

		Standard Power - LED Exits							
		Input Power:		Input Current (Max.):		Power Factor:		T.H.D.:	
		120V	277V	120V	277V	120V	277V	120V	277V
Red Letters Single Face	5.6W	5.7W	.07A	.03A	>.71	<36%	<36%		
Red Letters Single Face with Remote	7.3W	7.3W	.07A	.03A	>.83	>.83	<33%	<34%	
Green Letters Single Face	6.7W	6.8W	.07A	.03A	>.79	>.79	<30%	<31%	
Green Letters Single Face with Remote	9.5W	9.7W	.09A	.04A	>.90	>.90	<26%	<27%	

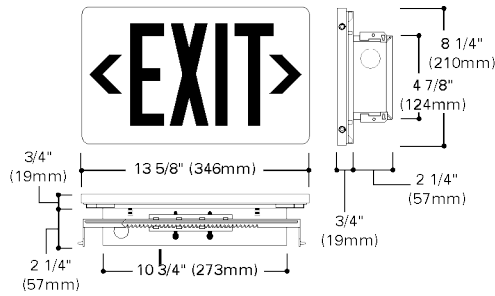
#### Remote Powered - LED Exits

Red Letters Single Face  
Green Letters Single Face

Approximately 2.0 watts additional  
Approximately 2.5 watts additional



**DIMENSIONS**



**DESCRIPTION**

The TPX Thin Profile Exit Series combines the strength of die cast aluminum, the profile of recessed design and the superior aesthetics of LED technology. The TPX Series faceplate assembly is only 3/4" thick, yielding a sign with minimal off-wall protrusion without requiring the large wall opening of a fully recessed exit.

The TPX Series also includes a Remote Powered Exit which can be powered from a TPX Series AC Only or Self-Powered Exit.



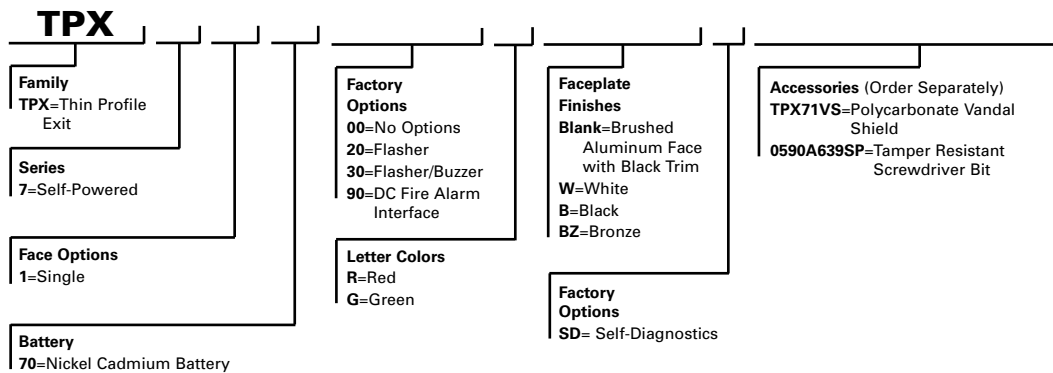
**TPX SERIES**

**Die Cast  
Self-Powered  
Thin Profile**

**EXIT LIGHTING**

**ORDERING INFORMATION**

SAMPLE NUMBER: TPX717020RB



**Energy Data**

**Standard Power - Sealed Nickel Cadmium Battery - LED Exits**

	Input Power;		Input Current (Max.);		Power Factor;		T.H.D.:	
	120V	277V	120V	277V	120V	277V	120V	277V
Red Letters Single Face	7.4W	7.5W	.08A	.04A	>.72	>.72	<34%	<34%
Red Letters Single Face with Remote	9.3W	9.5W	.09A	.04A	>.84	>.84	<31%	<32%
Green Letters Single Face	8.5W	8.7W	.09A	.04A	>.79	>.79	<30%	<31%
Green Letters Single Face with Remote	11.4W	11.7W	.11A	.05A	>.90	>.90	<26%	<26%

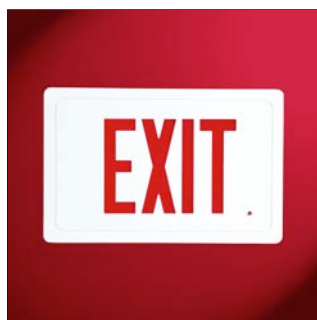
**Standard Power with Self-Diagnostics Option ( Fully Discharged Battery) - LED Exits**

	8.4W	8.5W	.08A	.04A	>.82	>.82	<31%	<31%
Red Letters Single Face	8.4W	8.5W	.08A	.04A	>.82	>.82	<31%	<31%
Red Letters Single Face with Remote	9.8W	9.5W	.09A	.04A	>.86	>.84	<30%	<30%
Green Letters Single Face	9.1W	9.0W	.09A	.04A	>.86	>.85	<27%	<27%
Green Letters Single Face with Remote	11.2W	10.5W	.10A	.05A	>.90	>.88	<25%	<26%

**Standby Mode (Fully Charged Battery) Sealed Nickel Cadmium Battery** Input Power consumption is reduced by approximately 1.5 Watts in the standby operating mode

- > Dual-voltage input 120/277VAC, 60Hz
- > Die cast aluminum faceplate
- > Overall exposed exit thickness is only 3/4"
- > LED Lamping
- > Premium Nickel Cadmium battery
- > 20 gauge steel recessed housing fits in 2x4 construction
- > 18 gauge steel mounting plate with universal mounting pattern
- > Adjustable hanger bars
- > Centerpin Torx tamper resistant screws on sides of faceplate
- > NFPA compliant knockout chevrons
- > Line-latching, Solid-State voltage limited charger, Solid-State switching, low-voltage disconnect, brownout circuit, overload/short-circuit protection, test switch/ power indicator light
- > UL 924 Listed, Life Safety NFPA 101, NEC/OSHA, UL FTBR Listed (with "2C" option), UL Listed as suitable for floor proximity installation, most state and local codes

# SURE-LITES®



## CAR SERIES

Die Cast  
AC Only

Recessed

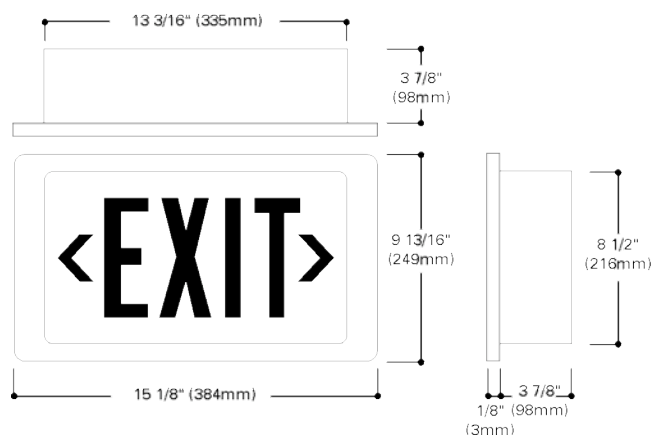
### EXIT LIGHTING

- > Dual Voltage Input 120/277 VAC, 60 Hz
- > Die cast aluminum face plate
- > LED, Compact Fluorescent, or Incandescent lamping
- > AC incandescent: two 20W T6 1/2 intermediate base lamps
- > AC fluorescent: two 5W F5TT compact fluorescent lamps
- > NFPA 101 compliant knockout chevrons allow quick conversion to directional signs
- > Rough-in back box for recessed mounting
- > Hanger bars supplied standard for mounting
- > Faceplate secures to rough-in box with torsion springs
- > Stencil and open face signs available
- > Damp Location Listed
- > UL 924 Listed, UL FTBR Listed (consult Cooper Lighting Representative for applicable fixture types), Life Safety NFPA 101, NEC/OSHA, most state and local codes
- > Suitable for floor proximity installation

### DESCRIPTION

The Sure-Lites Pinnacle Family of Die Cast Aluminum Exits combine strength, durability and aesthetics. The fully recessed CAR Series offers a very clean unobtrusive look. The die cast faceplate is offered in four finishes.

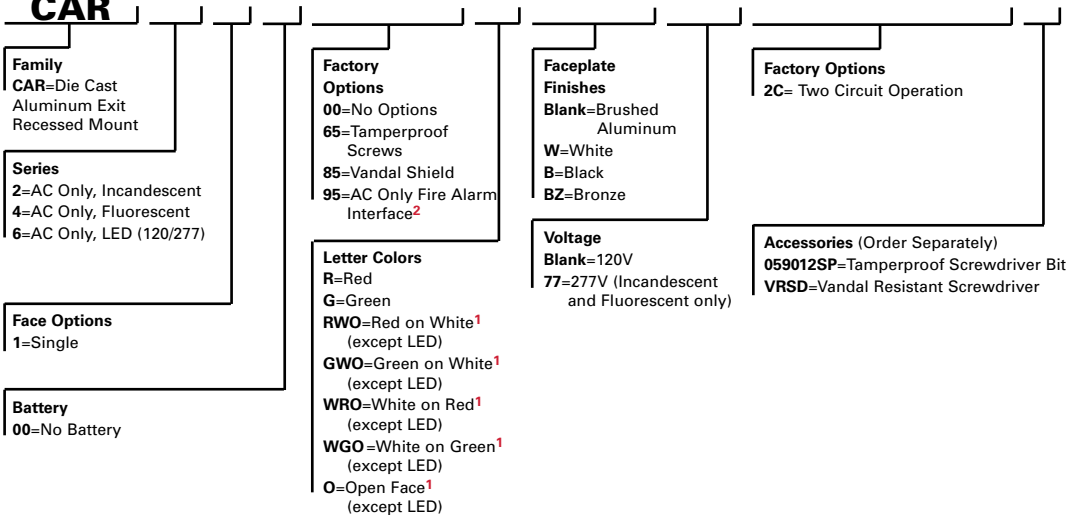
### DIMENSIONS



### ORDERING INFORMATION

SAMPLE NUMBER: CAR210000GB

## CAR



### Energy Data

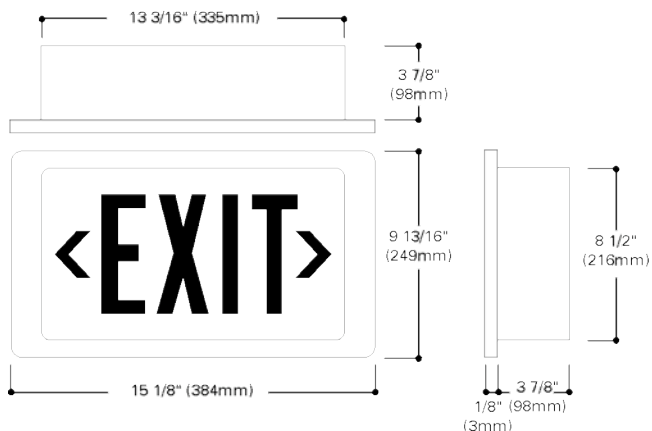
	Input Power:		Input Current (Max.):		Power Factor:		T.H.D.:	
	120V	277V	120V	277V	120V	277V	120V	277V
<b>Incandescent Exits</b>								
Incandescent Exits - 20W Lamps	40W	42W	.33A	.16A	-	-	-	-
<b>Fluorescent Exits</b>								
Fluorescent Exits - 5W Lamps	14W	21W	.29A	.32A	>.40	>.24	<14%	<11%
<b>LED Exits</b>								
LED Exits - Single Face	6.7W	6.8W	.07A	.03A	>.79	>.79	<30%	<31%

Notes: AC compact fluorescent CAR Series Exits cannot be converted to self-powered emergency.

<sup>1</sup>Available only for incandescent and fluorescent versions. RWO, GWO, WRO, and WGO are open face styles with "EXIT" legend. Use "O" option for ordering special wording-lenses ordered separately (consult Cooper Lighting Representative).

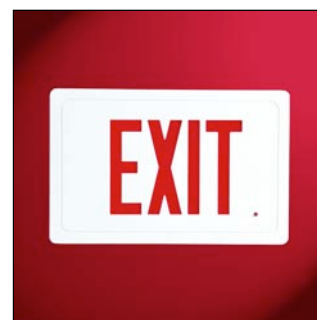
<sup>2</sup>AC Only Fire Alarm Interface Option available on incandescent exits only.

**DIMENSIONS**



**DESCRIPTION**

The Sure-Lites Pinnacle Family of Die Cast Aluminum Exits combine strength, durability and aesthetics. The fully recessed CAR Series offers a very clean unobtrusive look. The die cast faceplate is offered in four finishes.



**CAR SERIES**

**Die Cast  
Self-powered  
Recessed**

**EXIT LIGHTING**

**ORDERING INFORMATION**

SAMPLE NUMBER: CAR310020RW

**CAR**

**Family**  
CAR=Die Cast Aluminum Exit Recessed Mount

**Series**  
3=Self-Powered, Incandescent  
5=Self-Powered, Fluorescent  
7=Self-Powered, LED

**Face Options**  
1=Single

**Battery**  
00=Lead Calcium Battery (CAR3 & CAR5 Only)  
70=Nickel Cadmium Battery

**Factory Options**

00=No Options  
20=DC Flasher<sup>2</sup>  
30=DC Flasher/Buzzer<sup>2</sup>  
65=Tamperproof Screws  
85=Vandal Shield  
90=DC Only Fire Alarm Interface<sup>2</sup>

**Letter Colors**

R=Red  
G=Green  
RWO=Red on White<sup>1</sup> (except LED)  
GWO=Green on White<sup>1</sup> (except LED)  
WRO=White on Red<sup>1</sup> (except LED)  
WGO=White on Green<sup>1</sup> (except LED)  
O=Open Face<sup>1</sup> (except LED)

**Faceplate Finishes**

Blank=Brushed Aluminum  
W=White  
B=Black  
BZ=Bronze

**Voltage**

Blank=120/277V

**Factory Options**

SD=Self Diagnostics (Incandescent & LED Only)

**Accessories (Order Separately)**

059012SP=Tamperproof Screwdriver Bit  
VRSD=Vandal Resistant Screwdriver

**Wattage Ratings**

Lead Calcium Battery=10.8W for 1 1/2 hrs. Nickel Cadmium Battery=15.0W for 1 1/2 hrs.

**Energy Data**

	<b>(Charge Mode, Fully Discharged Battery): Sealed Lead Calcium Battery</b>							
	Input Power:		Input Current (Max.):		Power Factor:		T.H.D.:	
	120V	277V	120V	277V	120V	277V	120V	277V
Incandescent Exits - 20W lamps	53W	51W	.45A	.19A	>.99	>.98	<9%	<10%
Fluorescent Exits-5W Lamps	29W	30W	.40A	.16A	>.61	>.66	<12%	<11%
LED Exits	8.0W	8.0W	.09A	.04A	>.75	>.75	<34%	<34%

**Standby Mode (Fully Charged Battery) Sealed Lead Calcium Battery** Input Power consumption is reduced by approximately 12 Watts in the standby operating mode

	<b>Sealed Nickel Cadmium Battery</b>							
	Input Power:		Input Current (Max.):		Power Factor:		T.H.D.:	
	120V	277V	120V	277V	120V	277V	120V	277V
Incandescent Exits - 20W Lamps	45W	43W	.38A	.16A	>.99	>.99	<7%	<7%
Fluorescent Exits - 5W Lamps	20W	21W	.36A	.15A	>.48	>.52	<15%	<14%

- > Dual-voltage input 120/277VAC, 60Hz
- > Die cast aluminum face plate
- > LED, Compact Fluorescent, or Incandescent lamping
- > AC Incandescent: two 20W T6 1/2 intermediate base lamps; DC Incandescent: two 6V, 3.6W lamps
- > AC and DC Fluorescent: Two 5W F5TT compact fluorescent lamps
- > Lead Calcium or Premium Nickel Cadmium battery
- > NFPA 101 compliant knockout chevrons allow quick conversion to directional signs
- > Rough-in back box for recessed mounting
- > Faceplate secure to rough in box with torsion springs
- > Stencil and open face signs available
- > Line-latching, Solid-State voltage limited charger, Solid-State switching, low-voltage disconnect, brownout circuit, overload/short-circuit protection, test switch/power indicator light
- > UL 924 Listed, Life Safety NFPA 101, NEC/OSHA, UL FTBR Listed, most state and local codes
- > Suitable for floor proximity installation

<sup>1</sup>Available only for incandescent and fluorescent versions. RWO, GWO, WRO, and WGO are open face styles with "EXIT" legend. Use "O" option for ordering special wording-lenses ordered separately (consult Cooper Lighting Representative).

<sup>2</sup>DC Flasher, DC Flasher/Buzzer, DC Only Fire Alarm Interface Options available on incandescent exits only.

# SURE-LITES®



## LPX SERIES

Polycarbonate  
AC Only  
Self-Powered

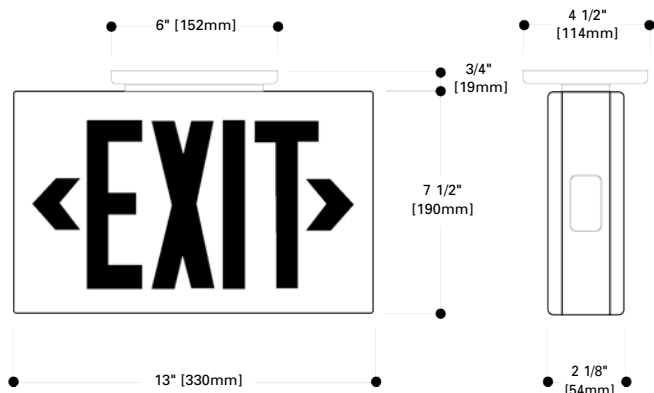
### EXIT LIGHTING

- > Dual-voltage Input 120/277 VAC, 60Hz, isolation transformer
- > Injection molded polycarbonate housing
- > LED lamping
- > Premium Nickel Cadmium battery (Self Powered)
- > Fully charged in 24 hours (Self-Powered Exits)
- > Snap-fit canopy included
- > Snap-out or snap-in chevron directional indicators
- > Knockout provided on housing for surface attachment
- > Universal exits can be field configured as single face or double face (ceiling, wall, or end mounting)
- > Self-powered Exit features line-latching, solid-state voltage limited charger, solid-state switching, brownout circuit, low-voltage disconnect, overload/short-circuit protection, test switch/power indicator light
- > UL Damp Location Listed (AC Only & Self-Diagnostic versions)
- > Optional 2C (Two circuit, FTBR) available in 120/277 VAC in standard and emergency operation (AC Only Exits)
- > UL 924 Listed, Life Safety NFPA 101, CSA Certified, NEC/OSHA, most state and local codes, suitable for floor proximity installation
- > Patent No. 5,735,498 and 5,678,336

### DESCRIPTION

The LPX Series LED Exit is an economical, yet attractive, alternative to metal exits. Its contemporary round corner styling, designer white finish, and consistent family appearance enables it to blend with any decor. The tough injection molded polycarbonate materials resist discoloration. The canopy and chevron directional indicators, are of snap-fit construction to facilitate installation. The under 5-minute installation time makes it the fastest installed exit on the market today.

### DIMENSIONS



### ORDERING INFORMATION

SAMPLE NUMBER: LPX70RWH

## LPX

**Family**  
LPX=Polycarbonate Exit

**Series**  
6=AC only with LED  
7=Self-Powered with LED

**Face Options**  
0=Universal

**Battery**  
Blank=No Battery (LPX6)  
Blank=Nickel Cadmium Battery (LPX7)

**Letter Colors**  
R=Red  
G=Green  
(White Only)  
DG=Premium Deep Green

**Housing Finishes**  
WH=White  
BK=Black

**Options**  
2C=Two Circuit Option (FTBR) (LPX6 Only)  
SD=Self Diagnostics (Red and Deep Green, White Housing Only, LPX7 Only)

**Accessories**  
(Order Separately)  
CCX18PKWH=18" Pendant Kit, White  
CCX18PKHTWH=18" Hang True Pendant Kit, White  
CCX18PKBK=18" Pendant Kit, Black  
CCX18PKHTBK=18" Hang True Pendant Kit, Black  
WG10=Surface, Wire Guard  
WGS11=Ceiling, End Wire Guard  
VS1=Polycarbonate Vandal Shield  
VS1WP=Polycarbonate Vandal Shield Weather Proof

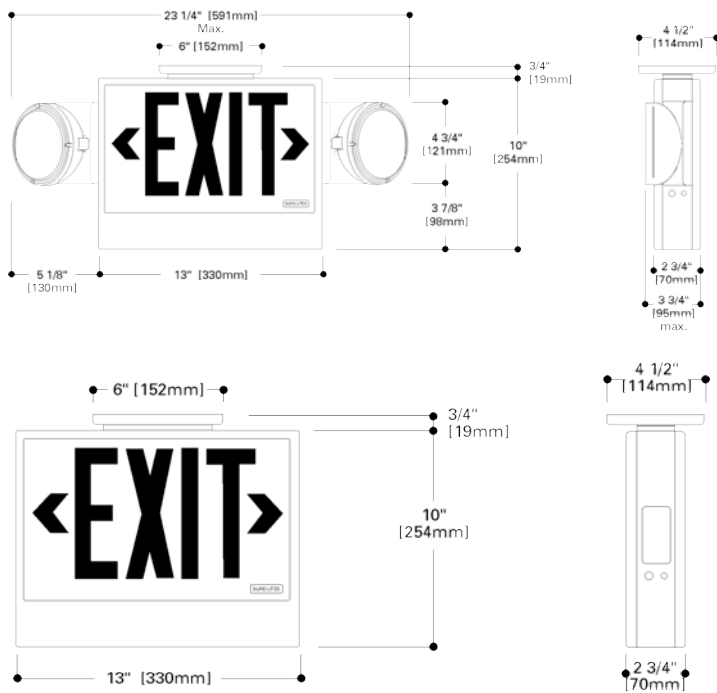
### Energy Data - Self-Powered Exits

	Charge Mode (Fully Discharged Battery): Sealed Nickel Cadmium Battery							
	Input Power:		Input Current (Max.):		Power Factor:		T.H.D.:	
	120V	277V	120V	277V	120V	277V	120V	277V
<b>LED Exits</b>								
LED Exits -Red Letters	2.8W	2.9W	.03A	.02A	> .81	> .77	< 32%	< 46%
LED Exits Green	6.0W	6.4W	.09A	.04A	> .58	> .56	< 42%	< 45%
LED Exits-Red Letters SD	1.7W	1.7W	.03A	.01A	>.63	>.64	<43%	<48%
<b>Premium</b>								
Premium Deep Green	4.0W	4.0W	.08A	.04A	> .41	> .41	< 48%	< 49%
Premium Deep Green SD	3.1W	3.0W	.08A	.04A	>.34	>.36	<63%	<67%

### Energy Data - AC Only Exits

	Input Power:							
	Input Power:		Input Current (Max.):		Power Factor:		T.H.D.:	
	120V	277V	120V	277V	120V	277V	120V	277V
<b>LED Exits</b>								
LED Exits -Red Letters	2.4W	2.5W	.03A	.02A	> .78	> .73	< 33%	< 48%
LED Exits -Green Letters	5.6W	5.9W	.08A	.04A	> .55	> .53	< 43%	< 45%
<b>Premium</b>								
Premium Deep Green	2.6W	2.6W	.08A	.04A	> .28	> .28	< 51%	< 53%

**DIMENSIONS**



**DESCRIPTION**

The LPX Series LED Exit is an economical, yet attractive, alternative to metal exits. Its contemporary round corner styling, designer white finish, and consistent family appearance enables it to blend with any decor.

The tough injection molded polycarbonate materials resist discoloration due to age and ultraviolet radiation. The canopy and chevron directional indicators are of snap-fit construction to facilitate installation. Reliable and labor-saving push-in AC connectors are standard to further improve the installation time. The under 5-minute installation time makes it the fastest installed exit on the market today.



**LPX(H) SERIES EXITS**

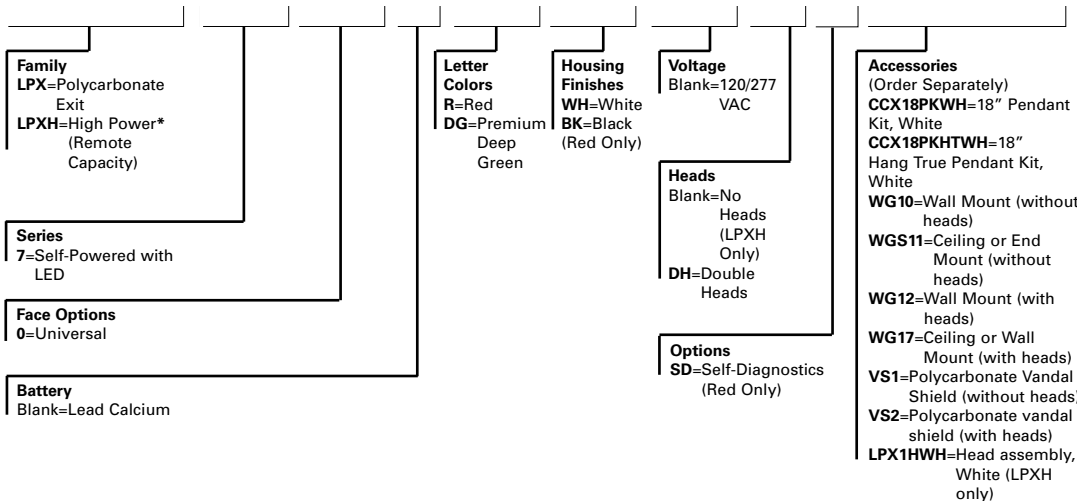
- Polycarbonate
- Self-Powered
- High Power
- (Remote Capacity)
- Double Heads

**EXIT LIGHTING**

- > Dual Voltage Input 120/277 VAC, 60Hz, isolation transformer
- > Injection molded, high impact, polycarbonate housing
- > LED lamping
- > Heads DC: 6V, 5.4W incandescent wedge base lamps. PAR 36 Style
- > Sealed Lead Calcium Battery, Maintenance Free, Long Life, Full Recharge Time, 24 hours (max.); 48 hours (max.) for LPXH units
- > Universal exits can be field configured as single face or double face (ceiling, wall or end mounting)
- > Knockout provided on housing for surface conduit attachment
- > Snap-fit canopy with captive mounting screws included with all exits
- > Line-Latching, Solid-State Voltage Limited Charger, Solid-State Switching, Brownout Circuit, Low-Voltage Disconnect, Overload/Short Circuit Protection, Test Switch/Power Indicator Light, Push-in AC power connectors facilitate installation
- > Damp Location Listed Standard
- > UL 924, UL 924, 4 hour rated (LPXH Units), Life Safety NFPA 101, CSA Certified, NEC/OSHA, suitable for floor proximity installation

**ORDERING INFORMATION**

SAMPLE NUMBER: LPX70RWHDH



**Energy Data**

**Standby Mode (Fully charged Battery): Sealed Lead Calcium Battery**

Input Power:	Input Current (Max.):		Power Factor:		T.H.D.:		
120V	277V	120V	277V	120V	277V	120V	277V

**LED Exits**

LED Exits -Red Letters	4.9W	4.7W	.07A	.03A	> .59	> .64	< 45%	< 44%
LED Exits-Red Letters SD	4.0W	3.9W	.06A	.02A	> .57	> .58	< 40%	< 46%

**Premium**

Premium Deep Green	3.1W	2.9W	.06A	.02A	> .41	> .44	< 49%	< 53%
--------------------	------	------	------	------	-------	-------	-------	-------

**Charge Mode (Discharged Battery): Sealed Lead Calcium Battery**

Input Power consumption is increased by approximately 2.7 watts in the charge operating mode for red units and 3.4 watts for green units

**Wattage Ratings**

LPXH\* with double-heads (DH) has remote capacity of 11 watts for 1 1/2 hrs. No remote capacity for 4 hrs. LPXH has Remote Capacity of 22 watts for 1 1/2 hrs. and 11 watts for 4 hrs.

# SURE-LITES®



## CCX SERIES

Polycarbonate  
AC Only

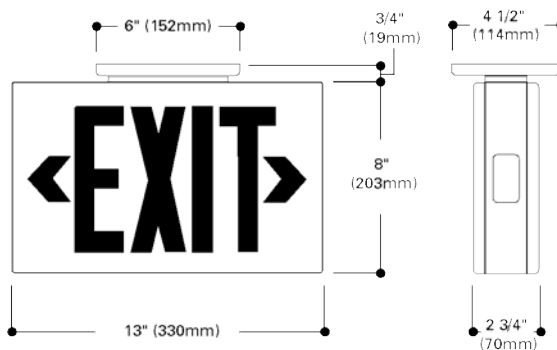
### EXIT LIGHTING

- > Dual voltage input 120/277 VAC, 60 Hz
- > Injection molded, high impact, polycarbonate housing
- > Designer white textured finish standard (Black Available-Fluorescent Only)
- > LED, Fluorescent or Incandescent lampping
- > LED: long life LED lamp modules
- > Fluorescent: two 5W F5TT lamps
- > Incandescent: two 145V, 15W T6 lamps (candelabra base)
- > Ceiling, wall or end mounting
- > Universal J-box mounting pattern
- > Push-in power connectors facilitate installation
- > Snap-fit canopy included
- > Components are snap-fit construction, reinforcing ribs add strength
- > Snap-out chevron directional indicators
- > UL FTBR Listed with 2C option (7W Lamps Only. Fluorescent Exits Only.)
- > Damp Location Listed
- > UL 924 Listed, Life Safety NFPA 101, CSA Certified, NEC/OSHA, most state and local codes, suitable for floor proximity installation

### DESCRIPTION

The CCX Series Contractor's Choice Exit is an economical, attractive, alternative to metal exits. Contemporary round corner styling, designer finish, and consistent family appearance enables it to blend with any decor. The tough injection molded polycarbonate materials resist discoloration. The canopy and chevron directional indicators are of snap-fit construction to facilitate installation.

### DIMENSIONS



### ORDERING INFORMATION

SAMPLE NUMBER: CCX20RWH

<p><b>Family</b> CCX=Contractor's Choice Exit</p> <p><b>Series</b> 2=AC Only with 145V, 15W T-6 AC Incandescent Lamps 4=AC Only with 5W F5TT Compact Fluorescent Lamps 6=AC only with LED Lite Stix™</p> <p><b>Face Options</b> 0=Universal 1=Single Face 2=Double Face</p> <p><b>Battery</b> Blank=No Battery</p>	<p><b>Factory Options</b> Blank=No Options 65=Tamperproof Screws 95=AC Fire Alarm Interface (for Incandescent &amp; LED)</p> <p><b>Letter Colors<sup>1</sup></b> R=Red G=Green RWO=Red on White<sup>1</sup> GWO=Green on White<sup>1</sup> WRO=White on Red<sup>1</sup> WGO=White on Green<sup>1</sup> O=Open Face<sup>1</sup></p>	<p><b>Housing Finishes</b> BK=Black (Fluorescent Only) WH=White</p> <p><b>Voltage</b> Blank=120 VAC 7=120/277 VAC (for Incandescent &amp; Fluorescent) 7=277 VAC (LED only) 47=120/347 VAC (Incandescent only)</p>	<p><b>Factory Options</b> 2C=Two Circuit Operation - includes 7W lamps (Fluorescent Only) C7=130V, 7W C-7 AC Incandescent Lamps (Incandescent Only) 7W=7W Compact Fluorescent Lamps (Fluorescent Only)</p> <p><b>Accessories</b> (Order Separately) CCX18PKBK=18" Pendant Kit, Black CCX18PKWH=18" Pendant Kit, White CCX18PKHTBK=18" Hang-True Pendant Kit, Black CCX18PKHTWH=18" Hang-True Pendant Kit, White CCX277=277V Conversion Kit VRSD=Tamper Resistant Screwdriver WG10=Surface, Wire Guard WGS11=Ceiling, End Wire Guard VS1=Polycarbonate Vandal Shield VS1WP=Polycarbonate Vandal Shield - Weatherproof</p>
--	--	--	--

### Energy Data

	Incandescent Exits				Fluorescent Exits				LED Exits							
	Input Power:		Input Current(Max.):		Power Factor:		T.H.D.:		Input Power:		Input Current(Max.):		Power Factor:		T.H.D.:	
	120V	277V	120V	277V	120V	277V	120V	277V	120V	277V	120V	277V	120V	277V	120V	277V
Incandescent Exits -15W Lamps	23.1W	30.0W	.19A	.19A	>.97	>.27	<20%	<25%	1.8W	2.6W	.09A	.11A	>.17	>.09	<18%	<10%
Incandescent Exits -7W Lamps	12.5W	19.6W	.10A	.17A	>.97	>.33	<23%	<29%	3.2W	4.5W	.08A	.10A	>.33	>.15	<28%	<16%
Fluorescent Exits -5W Lamps	16.3W	24.4W	.14A	.33A	>.97	>.27	<20%	<25%								
Fluorescent Exits -7W Lamps	18.0W	26.2W	.15A	.31A	>.97	>.33	<23%	<29%								
Fluorescent Exits -7W Lamps (2C Option)	8.7W	13.3W	.16A	.14A	>.45	>.34	<11%	<28%								
All ratings are per circuit																

<sup>1</sup>Available only for incandescent and fluorescent versions. GWO, RWO, WGO, and WRO are open face style lenses with "EXIT" legend. Use "O" option for ordering special wording-lenses ordered separately (consult your Cooper Lighting Representative).



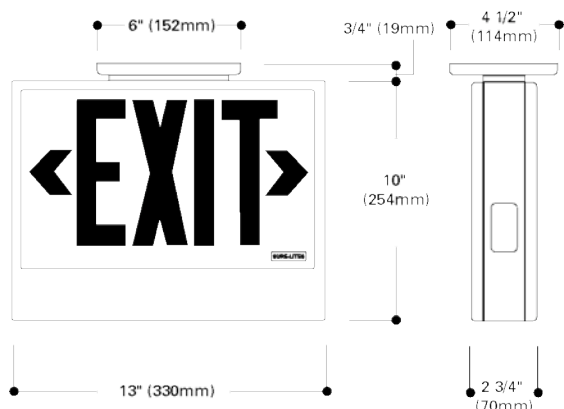
**CCX SERIES**

**Polycarbonate  
Self-Powered**

**EXIT LIGHTING**

- > Dual-voltage input 120/277VAC, 60Hz
- > Injection molded, high impact, polycarbonate housing
- > Designer white textured finish standard (black available-fluorescent only)
- > LED, Fluorescent, or Incandescent lamping
- > AC LED: long life LED lamp modules
- > AC fluorescent: two 5W F5TT lamps
- > AC incandescent: two 145V, 15W T6 lamps (candelabra base)
- > DC: two 6V, 3.6W lamps (white housing); three 6V, 3.6W lamps (black housing)
- > Lead Calcium or Premium Nickel Cadmium battery
- > Ceiling, wall or end mounting
- > Universal J-box mounting pattern
- > Components are snap-fit construction, reinforcing ribs add strength
- > Snap-fit canopy included
- > Suitable for floor proximity installation
- > Line-latching, Solid-State voltage limited charger, Solid-State switching, low-voltage disconnect, brownout circuit, overload/short-circuit protection, test switch/power indicator light
- > UL 924 Listed, life safety NFPA 101, CSA Certified, NEC/OSHA, most state and local codes

**DIMENSIONS**



**DESCRIPTION**

The CCX Series Contractor's Choice Exit is an economical, attractive, alternative to metal exits. Contemporary round corner styling, designer finish, and consistent family appearance enables it to blend with any decor. The tough injection molded polycarbonate materials resist discoloration. The canopy and chevron directional indicators are of snap-fit construction to facilitate installation.

**ORDERING INFORMATION**

SAMPLE NUMBER: CCX30RWHSD

**CCX**

<p><b>Family</b> CCX=Contractor's Choice Exit</p>	<p><b>Factory Options</b> Blank=No Options 20=Flasher 30=Flasher / Buzzer 65=Tamperproof Screws 90=Self-Powered Fire Alarm Interface (except fluorescent)</p>	<p><b>Housing Finishes</b> BK=Black (Fluorescent Only) WH=White</p>	<p><b>Factory Options</b> C7=130V, 7W C-7 AC Incandescent Lamps (Incandescent Only) 7W=7W Compact Fluorescent Lamps (Compact fluorescent Only) SD=Self-Diagnostics</p>
<p><b>Series</b> 3=Self-Powered with 145V, 15W T-6 AC Incandescent Lamps 5=Self-Powered with 5W F5TT Compact Fluorescent Lamps 7=Self-Powered with LED Lite Stix™</p>	<p><b>Letter Colors<sup>1</sup></b> R=Red G=Green RWO=Red on White<sup>1</sup> GWO=Green on White<sup>1</sup> WRO=White on Red<sup>1</sup> WGO=White on Green<sup>1</sup> O=Open Face<sup>1</sup></p>	<p><b>Voltage</b> Blank=120/277 VAC 47=120/347 VAC (Series 3 and 7 only)</p>	<p><b>Accessories (Order Separately)</b> CCX18PKBK=18" Pendant Kit, Black CCX18PKWH=18" Pendant Kit, White CCX18PKHTBK=18" Hang-True Pendant Kit, Black CCX18PKHTWH=18" Hang-True Pendant Kit, White VRSD=Tamper Resistant Screwdriver WG10=Surface, Wire Guard WGS11=Ceiling, End Wire Guard VS1=Polycarbonate Vandal Shield VS1WP=Polycarbonate Vandal Shield - Weatherproof</p>
<p><b>Face Options</b> 0=Universal 1=Single Face 2=Double Face</p>			
<p><b>Battery</b> Blank=Lead Calcium 70=Nickel Cadmium</p>			

**Energy Data**

	<b>Charge Mode (Discharged Battery): Sealed Lead Calcium Battery</b>							
	Input Power:		Input Current(Max.):		Power Factor:		T.H.D.:	
	120V	277V	120V	277V	120V	277V	120V	277V
Incandescent Exits -15W Lamps	32W	32W	.28A	.12A	>.95	>.95	<17%	<19%
Incandescent Exits -7W Lamps	22W	22W	.20A	.09A	>.91	>.90	<24%	<26%
Fluorescent Exits -5W Lamps	25W	25W	.23A	.10A	>.90	>.90	<21%	<23%
Fluorescent Exits - 7W Lamps	28W	28W	.25A	.11A	>.93	>.92	<23%	<23%
LED Exits- Red Letters	10.4W	10.8W	.10A	.04A	>.89	>.88	<45%	<48%
LED Exits - Green Letters	11.9W	12.3W	.10A	.05A	>.96	>.94	<29%	<33%

	<b>Standby Mode (Fully Charged Battery) Sealed Lead Calcium Battery</b> Input Power consumption is reduced by approximately 7.5 Watts in the standby operating mode							
	<b>Sealed Nickel Cadmium Battery</b>							
	120V	277V	120V	277V	120V	277V	120V	277V
Incandescent Exits -15W Lamps	26W	26W	.24A	.10A	>.94	>.93	<17%	<19%
Incandescent Exits -7W Lamps	15.8W	15.9W	.15A	.06A	>.84	>.83	<29%	<27%
Fluorescent Exits -5W Lamps	19.9W	19.6W	.20A	.08A	>.85	>.84	<29%	<31%
Fluorescent Exits - 7W Lamps	22W	21W	.21A	.09A	>.89	>.89	<31%	<31%
LED Exits- Red Letters	4.8W	4.7W	.05A	.02A	>.76	>.73	<63%	<68%
LED Exits - Green Letters	6.1W	6.0W	.06A	.03A	>.88	>.85	<47%	<52%

<sup>1</sup>Available only for incandescent and fluorescent versions. GWO, RWO, WGO, and WRO are open face style lenses with "EXIT" legend. Use "O" option for ordering special wording-lenses ordered separately (consult your Cooper Lighting Representative).

# SURE-LITES®



## CCX SERIES CCXH SERIES

**Polycarbonate  
Self-Powered  
High Power  
(Remote Capacity)  
Double Heads**

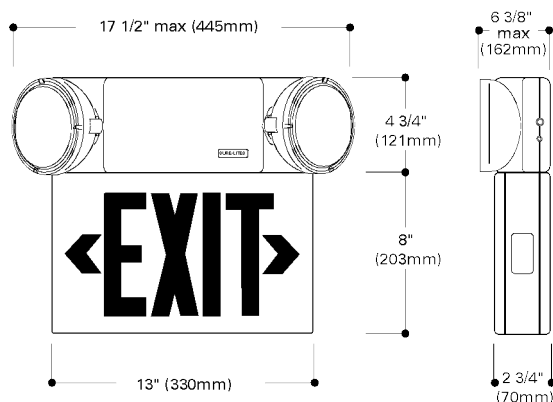
### EXIT LIGHTING

- > Dual-voltage input 120/277VAC, 60Hz
- > Injection molded, high impact, polycarbonate housing
- > Designer white textured finish standard (black available-fluorescent only)
- > LED, Fluorescent, or Incandescent lamping
- > AC LED: long life LED lamp modules
- > AC fluorescent: two 5W F5TT lamps
- > AC Incandescent: two 145V, 15W T6 lamps (candelabra base)
- > DC: two 6V, 3.6W lamps (three for black housing)
- > Heads: two 6V, 9W PAR36 style lamps (7.2W for black housing) (specify DH in catalog number)
- > Lead Calcium batteries
- > Ceiling, wall or end mounting
- > Universal J-box mounting pattern
- > Components are Snap-fit construction, reinforcing ribs add strength
- > Line-latching, Solid-State voltage limited charger, Solid-State switching, low-voltage disconnect, brownout circuit, overload/short-circuit protection, test switch/ power indicator light
- > UL 924 Listed, Life Safety NFPA 101, NEC/OSHA, most state and local codes

### DESCRIPTION

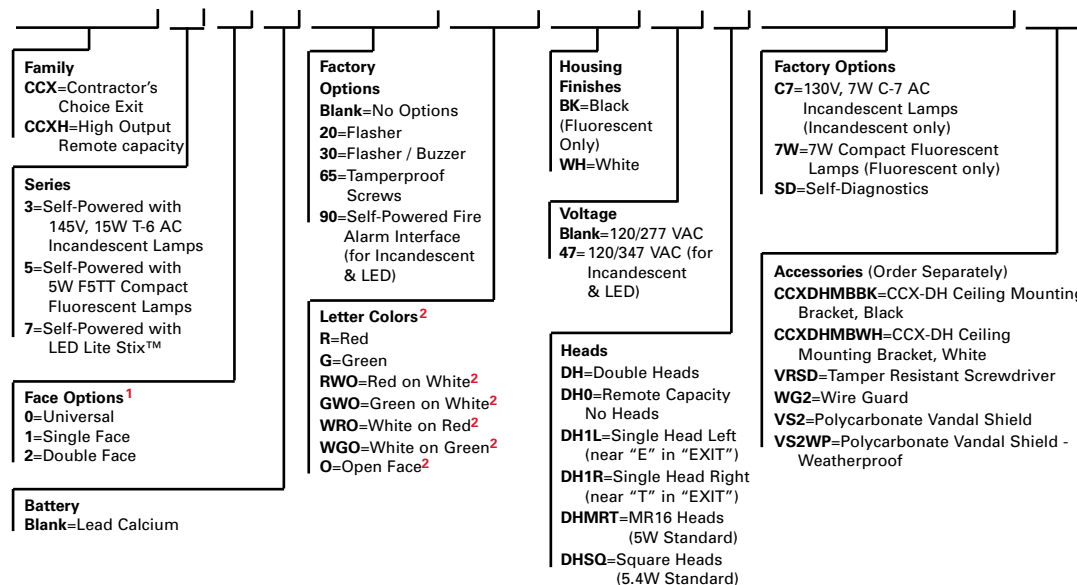
The CCX Series Contractor's Choice Exit is an economical, attractive, alternative to metal exits. Contemporary round corner styling, designer finish, and consistent family appearance enables it to blend with any decor. The tough injection molded polycarbonate materials resist discoloration. The canopy and chevron directional indicators, are of snap-fit construction to facilitate installation.

### DIMENSIONS



### ORDERING INFORMATION

SAMPLE NUMBER: CCX31RWHDH



### Energy Data

	Charge Mode (Discharged Battery): Sealed Lead Calcium Battery									
	Input Power:			Input Current(Max.):			Power Factor:		T.H.D.:	
	120V	277V	347V	120V	277V	347V	120V	277V	120V	277V
Incandescent Exits -15W Lamps	35W	34W	22W	.30A	.13A	.13A	>.96	>.95	<16%	<18%
Incandescent Exits -7W Lamps	24W	25W	29.1W	.22A	.10A	.14A	>.93	>.92	<21%	<23%
Charge Mode (Discharged Battery): Sealed Lead Calcium Battery										
Fluorescent Exits -5W Lamps	28W	28W		.25A	.11A		>.93	>.93	<19%	<21%
Fluorescent Exits - 7W Lamps	30W	30W		.26A	.12A		>.94	>.93	<21%	<23%
Standby Mode (Fully Charged Battery) Sealed Lead Calcium Battery Input Power consumption is reduced by approximately 5 Watts in the standby operating mode										
Charge Mode (Discharged Battery): Sealed Lead Calcium Battery										
LED Exits- Red Letters	12.6W	13.2W	7.0W	.11A	.05A	.09A	>.91	>.91	<39%	<42%
LED Exits - Green Letters	15.8W	15.4W	8.4W	.14A	.06A	.09A	>.97	>.96	<25%	<29%
Standby Mode (Fully Charged Battery) Sealed Lead Calcium Battery Input Power consumption is reduced by approximately 5 Watts in the standby operating mode										

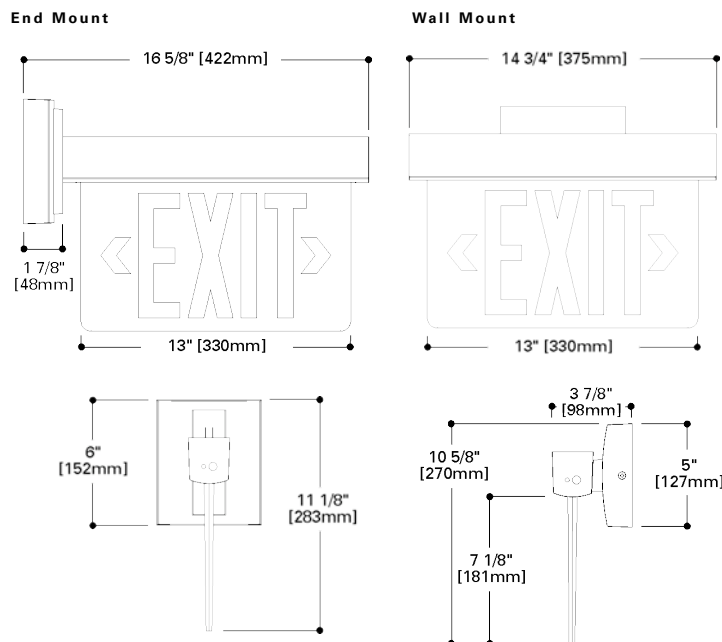
### WATTAGE RATINGS

CCX-DH Lead Calcium Battery=27W for 1 1/2 hrs.; 24W for 2 hrs. CCXH-DH Lead Calcium Battery=32W for 1 1/2 hrs.

<sup>1</sup>Exits using two faces must also use CCXDHMB Mounting Bracket for ceiling mounting (included in Universal and Double Face configurations). <sup>2</sup>Available only for incandescent and fluorescent versions. GWO, RWO, WGO, and WRO are open face style lenses with "EXIT" legend. Use "O" option for ordering special wording-lenses ordered separately (consult your Cooper Representative).



**DIMENSIONS**



**DESCRIPTION**

The EEX Series Surface Mounted Edge-lit Exit, with the Tri-Mount™ System, provides an attractive yet easy to install universal edge-lit exit sign. The crystal clear wedge shape lens panel provides excellent light distribution, exit visibility and quick snap-in installation. Long life, energy-efficient LED lamps reduce energy costs and eliminate routine lamp maintenance.

The under-five-minute installation time makes it the fastest installed edge-lit exit on the market today.

**Note:** Special wording available; consult your Cooper Lighting Representative.



**EEX SERIES**

**Edge-Lit Surface**

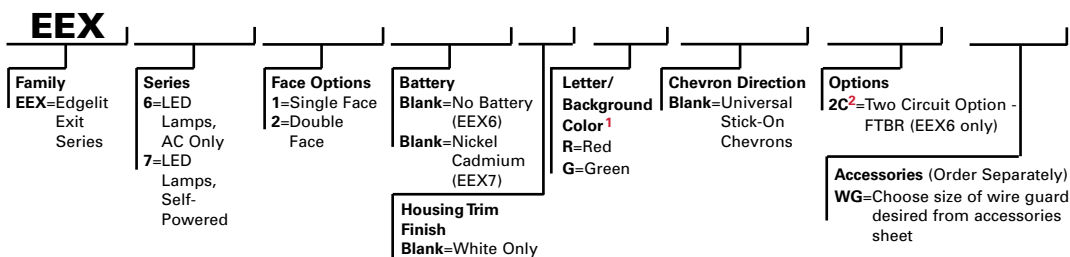
**AC Only Self-Powered**

**EXIT LIGHTING**

- > Dual-voltage Input 120/277 VAC, 60Hz, optional 2C (FTBR) available (EEX6 only)
- > Injection molded polycarbonate housing
- > Injection molded, high-impact, clear acrylic panel
- > LED lamping
- > Sealed nickel cadmium, maintenance free, long life battery (EEX7 only)
- > Full Recharge Time, 24 hrs. (max.)
- > Components are snap-fit construction to facilitate installation under 5-minute installation
- > Tri-mount system for ceiling, wall or end mounting
- > Universal, field installable chevrons
- > Universal background - mirror and white inserts included
- > Universal J-box mounting pattern
- > Self-powered Exits feature line-latching, solid-state voltage limited charger, solid-state switching, brownout circuit, low-voltage disconnect, overload/short-circuit protection, test switch / power indicator light
- > Damp Location Listed (AC only)
- > UL 924 Listed, UL Listed for floor proximity, UL Listed for Two Circuit (FTBR) (EEX6 only), Life Safety NFPA 101, CSA Certified, NEC/OSHA, most state and local codes

**ORDERING INFORMATION-COMplete UNIT**

SAMPLE NUMBER: EEX71R



**Energy Data – Self-Powered Exits**

**Charge Mode (Discharged Battery): Sealed Nickel Cadmium Battery**

	Input Power:		Input Current (Max.):		Power Factor:		T.H.D.:	
	120V	277V	120V	277V	120V	277V	120V	277V
<b>LED Exits</b>								
LED Exits Red Lights	6.5W	6.6W	.08A	.04A	>.67	>.66	<41%	<43%
LED Exits Green Lights	4.0W	4.1W	.07A	.03A	>.47	>.47	<48%	<50%

**Energy Data – AC Only**

	Input Power:		Input Current (Max.):		Power Factor:		T.H.D.:	
	120V	277V	120V	277V	120V	277V	120V	277V
<b>LED Exits</b>								
LED Exits -Red Letters	5.9W	6.0W	.08A	.04A	>.62	>.62	<43%	<45%
LED Exits -Green Letters	3.2W	3.3W	.07A	.03A	>.39	>.39	<51%	<53%

<sup>1</sup>Universal background clear, white insert and mirror insert included. <sup>2</sup>Universal 120/277V normal and 120/277V emergency.

# SURE-LITES®



## EUS SERIES

Edge-Lit  
Surface

AC Only  
Self Powered

### EXIT LIGHTING

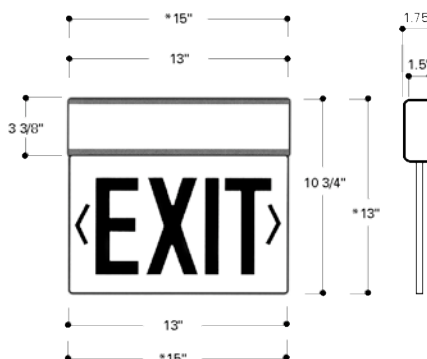
- > Dual Voltage Input 120/277 VAC, 60 Hz
- > Anodized Aluminum housing, clear acrylic panel or faceplate
- > LED lamping
- > Nickel Cadmium battery (Self-Powered)
- > Universal Surface Mount: Ceiling, Wall or End
- > Single and double face panels standard
- > Universal, Field Installable Chevrons
- > Mirror background included with double face exits
- > Test Switch/Power Indicator Light (Self powered)
- > UL 924 Listed, ETL Listed, Life Safety NFPA 101, most state and local codes

### DESCRIPTION

The EUS Series surface mounted Edge-lit Exit provides an attractive yet easy to install universal edgelit exit sign. The crystal clear lens panel provides excellent light distribution and exit visibility. Long life, energy efficient LED lamps reduce energy costs and eliminate routine lamp maintenance.

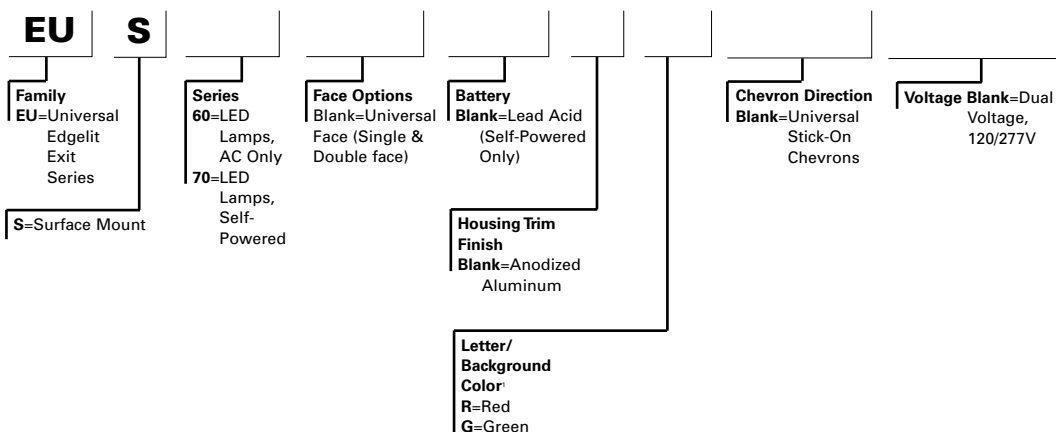
All EUS Series Edge-lit Exits are provided with universal mounting capability (ceiling, wall or end), universal exit lens (single and double face), and universal, field installable chevrons. The EUS is the most versatile edge-lit exit in the market today.

### DIMENSIONS



### ORDERING INFORMATION-COMplete UNIT

SAMPLE NUMBER: EUR70R

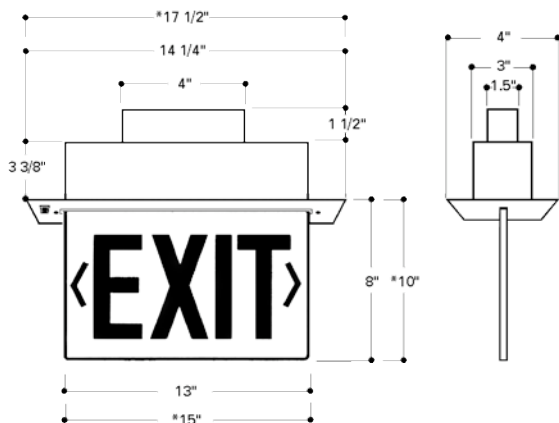


### ENERGY DATA

#### Charge Mode (Fully Charged Battery):

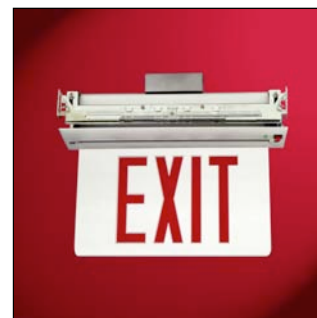
	Sealed Lead Acid Battery			
	Input Power:		Input Current(Max.):	
	120V	277V	120V	277V
LED Exits - Red	3.6W	3.1W	.03A	.02A
LED Exits - Green	2.9W	2.7W	.02A	.02A
AC Only				
LED Exits - Red	3.9W	3.5W	.03A	.02A
LED Exits - Green	3.1W	2.8W	.02A	.02A

**DIMENSIONS**



**DESCRIPTION**

The EUR Series Recessed Edgelit Exit provides an attractive yet easy to install universal edgelit exit sign. The crystal clear lens panel provides excellent light distribution and exit visibility. Long life, energy efficient LED lamps reduce energy costs and eliminate routine lamp maintenance.



**EUR SERIES**

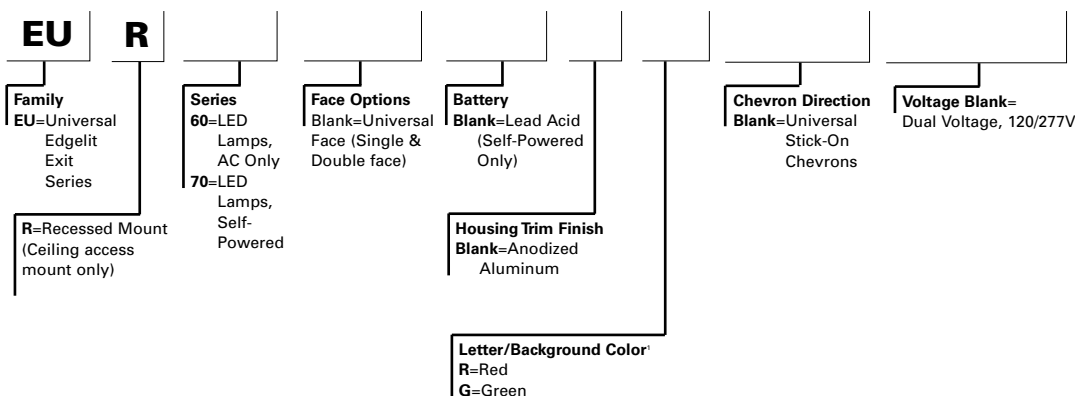
Edge-Lit  
Recessed  
AC Only  
Self-Powered

**EXIT LIGHTING**

- > Dual Voltage Input 120/277 VAC, 60 Hz
- > Anodized Aluminum faceplate, clear acrylic panel
- > LED lamping
- > Nickel Cadmium battery (Self-Powered)
- > Recessed ceiling mount (accessible ceiling only)
- > Single and double face panels standard
- > Universal, Field Installable Chevrons
- > Mirror background included with double face exits
- > Test Switch/Power Indicator Light (Self powered)
- > UL 924 Listed, ETL Listed, Life Safety NFPA 101, most state and local codes

**ORDERING INFORMATION-COMplete UNIT**

SAMPLE NUMBER: EUR70R



**ENERGY DATA**

Charge Mode (Fully Charged Battery):

	Sealed Lead Acid Battery			
	Input Power:		Input Current(Max.):	
	120V	277V	120V	277V
LED Exits - Red	3.6W	3.1W	.03A	.02A
LED Exits - Green	2.9W	2.7W	.02A	.02A
AC Only				
LED Exits - Red	3.9W	3.5W	.03A	.02A
LED Exits - Green	3.1W	2.8W	.02A	.02A

# SURE-LITES®



## INCX SERIES

Thermoplastic  
AC Only  
Self-Powered

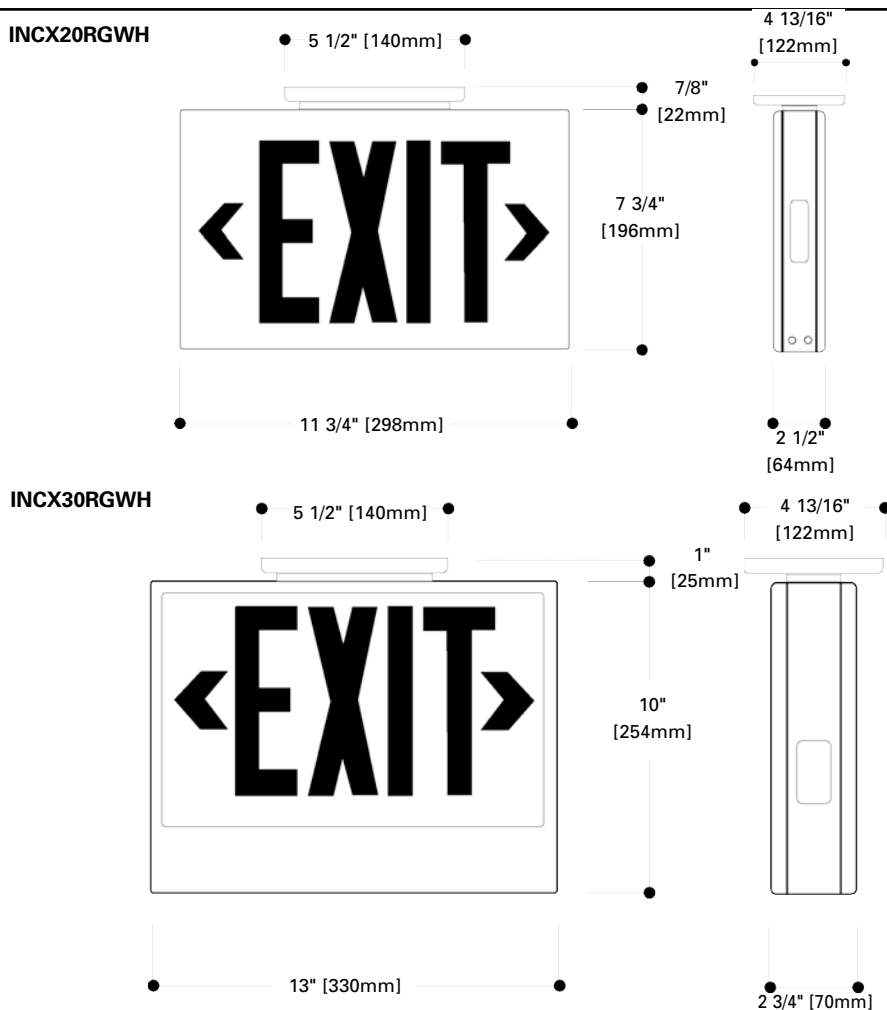
### EXIT LIGHTING

- > 120 VAC, 60Hz Input Voltage (INCX20RGWH); 120/277 VAC, 60Hz (INCX30RGWH)
- > Thermoplastic housing
- > Designer white textured finish
- > Incandescent: Two 130V, 7W C-7 AC incandescent lamps
- > Lead Calcium battery (Self-Powered)
- > Ceiling, wall, or end mounting
- > Universal J-box mounting pattern
- > Universal exits can be field configured as single face or double face includes both red and green lenses
- > Components are of snap-fit construction to facilitate rapid installation
- > Reinforcing ribs throughout to provide maximum strength
- > Snap-out chevron directional indicators
- > Snap-fit canopy with mounting screws included with all exits
- > UL damp location listed
- > UL 924, Life Safety NFPA 101, NEC/OSHA, Most State and Local Codes

### DESCRIPTION

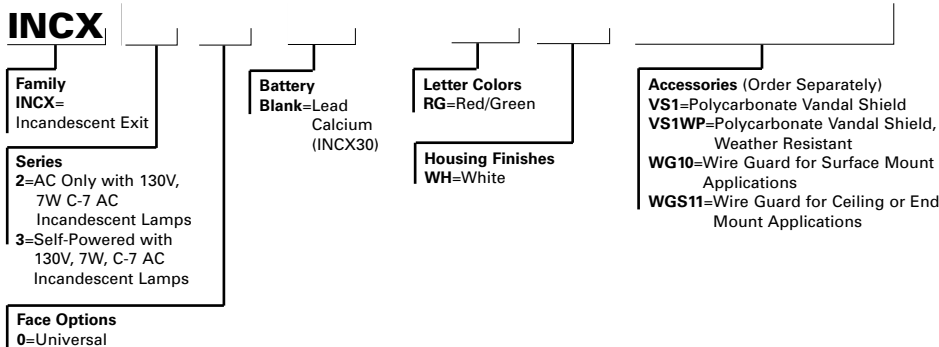
The INCX Series Incandescent Exit is an economical, yet attractive, alternative to metal exits. The tough injection molded white thermoplastic material resists discoloration due to age and ultraviolet radiation. The structural components are made even stronger with reinforcing ribs throughout. All components, including canopy and chevron directional indicators, are of snap-fit construction to facilitate installation.

### DIMENSIONS



### ORDERING INFORMATION

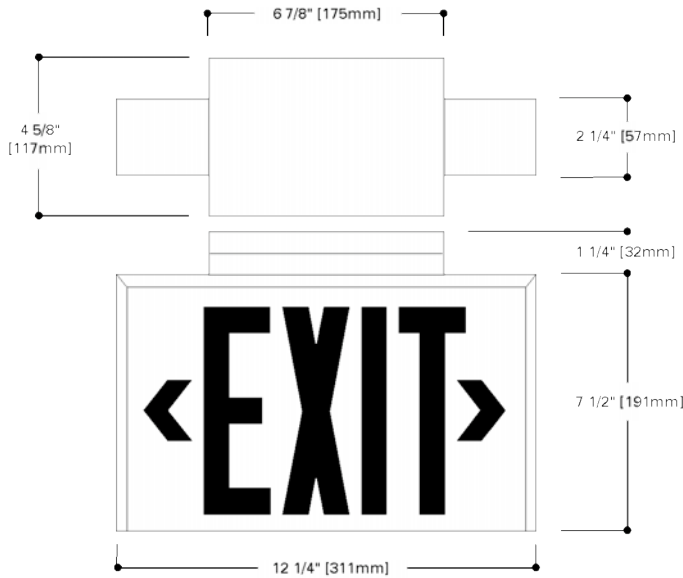
SAMPLE NUMBER: INCX20RGWH



### Energy Data

	Input Power:		Input Current(Max.):					
	120V	277V	120V	277V				
INCX20RGWH	12W		.10A					
	Input Power:		Input Current(Max.):		Power Factor:		T.H.D.:	
	120V	277V	120V	277V	120V	277V	120V	277V
INCX30RGWH	16.3W	14.2W	.14A	.05A	>.97	>.97	<10%	<14%

**DIMENSIONS**



**DESCRIPTION**

The SLX Series Steel LED Exit is the ideal exit for general purpose applications. With an extensive range of field installed accessories, choice of faces, and the variety of possible mounting configurations, this exit can be tailored to fit almost any application. The Sure-Lites Steel LED Exit offers low energy consumption and requires little maintenance due to highly efficient, long life LED lamps. Durable steel construction, attractive styling and high efficiency illumination make this series compatible in commercial, institutional and multi-housing applications.



**SLX SERIES**

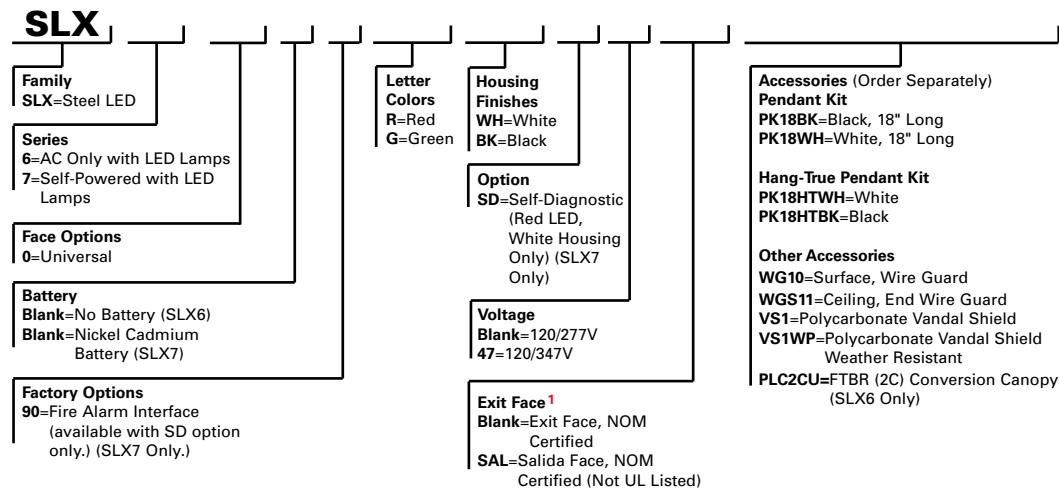
**Steel  
AC Only  
Self-Powered**

**EXIT LIGHTING**

- > Dual-voltage Input 120/277 or 120/347 VAC, 60Hz
- > 20 gauge steel housing
- > Long life LED lamps provide uniform diffused illumination
- > Premium Nickel Cadmium battery (Self-Powered)
- > Universal: Both single or double face; ceiling, wall or end mounting
- > Knockouts for chevron directional indicators
- > Universal styles offer complete installation flexibility with canopy, backplate, and two stencil faces
- > Self-powered Exit features line-latching, solid-state voltage limited charger, solid-state switching, brownout circuit, low-voltage disconnect, test switch, LED indicator light
- > Energy Star Qualified (SLX60RWH, SLX70RWH, SLX70RWHSD)
- > UL 924 Listed, Life Safety NFPA 101, NEC/OSHA, most state and local codes, CSA Certified, NOM Certified

**ORDERING INFORMATION**

SAMPLE NUMBER: SLX70RWH



**Energy Data – Self-Powered Exits**

	Sealed Nickel Cadmium Battery											
	Input Power:			Input Current (Max.):			Power Factor:			T.H.D.:		
	120V	277V	347V	120V	277V	347V	120V	277V	347V	120V	277V	347V
<b>LED Exits</b>												
LED Exits -Red Letters	3.8W	3.9W	4.2W	.035A	.016A	.014A	>.90	>.90	>.88	<21%	<21%	<22%
LED Exits -Green Letters	6.3W	6.5W	6.1W	.08A	.04A	.03A	>.71	>.71	>.77	<36%	<39%	<39%

**Energy Data – AC Only Exits**

	Sealed Nickel Cadmium Battery											
	Input Power:			Input Current (Max.):			Power Factor:			T.H.D.:		
	120V	277V	347V	120V	277V	347V	120V	277V	347V	120V	277V	347V
<b>LED Exits</b>												
LED Exits -Red Letters	3.3W	3.4W	3.8W	.03A	.01A	.01A	>.90	>.90	>.80	<22%	<22%	<41%
LED Exits - Green Letters	5.0W	5.1W	5.1W	.07A	.03A	.02A	>.62	>.62	>.72	<39%	<42%	<40%

<sup>1</sup>For use in Mexico, add the prefix MEX to the catalog number in addition to the face description (e.g.: MEX-SLX70RWH/SAL).

# SURE-LITES®



## R/G/OF/PLX SERIES

Steel  
AC Only

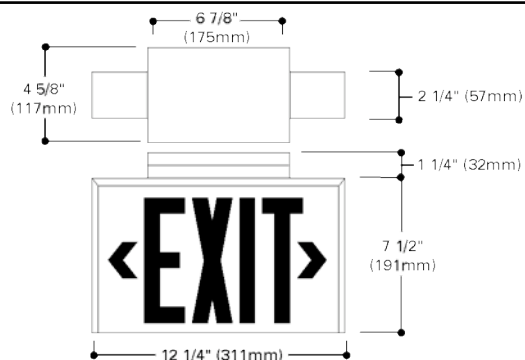
### EXIT LIGHTING

- > 120 VAC input voltage
- > 20 gauge steel housing
- > LED, Fluorescent, or Incandescent lamping
- > LED: long life LED lamp modules
- > Fluorescent: two 5W F5TT lamps
- > Incandescent: two 20W T6 1/2 intermediate base lamps
- > Universal: both single and double face; ceiling, wall or end mounting
- > Knockouts for chevron directional indicators
- > Universal styles offer installation flexibility with canopy, backplate, and two stencil faces
- > Louvered downlight
- > Suitable for floor proximity installation
- > UL FTBR Listed
- > Damp Location Listed
- > UL 924 Listed, Life Safety NFPA 101, NEC/OSHA, most state and local codes

### DESCRIPTION

The Sure-Lites Standard Steel Exit Series is the ideal exit for general purpose applications. With an extensive range of field installed accessories, choice of faces, and the variety of possible mounting configurations, this basic exit can be tailored to fit almost any application.

### DIMENSIONS



### STEEL EXITS - AC ONLY INCANDESCENT

Type	Mounting	Stencil Face, White Finish		Stencil Face, Black Finish		Stencil Face, Black/Silver Finish	
		Red Letters	Green Letters	Red Letters	Green Letters	Red Letters	Green Letters
Universal <sup>1</sup>	Wall/Ceiling/End	R2CX <sup>3</sup>	G2CX <sup>4</sup>	R2CXB <sup>3</sup>	G2CXB <sup>3</sup>	R2CXB <sup>3</sup>	G2CXB <sup>4</sup>
Universal Open Face <sup>2</sup>	Wall/Ceiling/End	OF2CX (specify lens)		OF2CXB (specify lens)		OF2CXBS (specify lens)	

### STEEL EXITS - AC ONLY FLUORESCENT

Type	Mounting	Stencil Face, White Finish		Stencil Face, Black Finish		Stencil Face, Black/Silver Finish	
		Red Letters	Green Letters	Red Letters	Green Letters	Red Letters	Green Letters
Universal <sup>1</sup>	Wall/Ceiling/End	PLX5200RP <sup>3</sup>	PLX5200GP	PLX5200RB <sup>3</sup>	PLX5200GB	PLX5200RBS <sup>3</sup>	PLX5200GBS
Universal Open Face <sup>2</sup>	Wall/Ceiling/End	PLX5200OP (specify lens)		PLX5200OB (specify lens)		PLX5200OBS (specify lens)	

### STEEL EXITS - AC ONLY LED<sup>(6)</sup>

Type	Mounting	Stencil Face White Finish, Red Letters		Stencil Face White Finish, Green Letters		Stencil Face Black Finish, Red Letters		Stencil Face Black Finish, Green Letters	
		120 VAC	277 VAC	120 VAC	277 VAC	120 VAC	277 VAC	120 VAC	277 VAC
Universal <sup>1</sup>	Wall/Ceiling/End	R2CXLED	R227CXLED	G2CXLED	G227CXLED	R2CXBLED	R227CXBLED	G2CXBLED	G227CXBLED

### ORDERING INFORMATION

SAMPLE NUMBER: CX395C

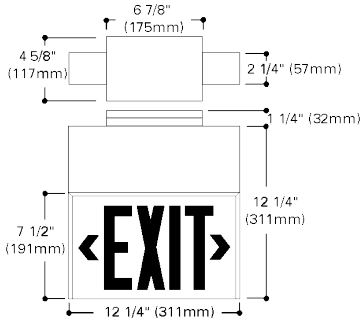
Model Number	Factory Options	Accessories (Order Separately)	Tamperproof Accessories
See chart	<b>95=AC Only Fire Alarm Interface</b> (Incandescent. Add option number after series: e.g. OF295CX) <b>2C=Two Circuit Operation</b> (Incandescent & Fluorescent. Add to end of catalog number: e.g. PLX5200P2C)	<b>Canopy Kit</b> CAN571=White CAN578=Black  <b>Power Pack</b> EPX5000B=Black EPX5000P=White  <b>277V Conversion Canopy</b> PLC277B=Black PLC277P=White <b>Pendant Kit</b> PK18BK=Black, 18" Long PK18WH=White, 18" Long	TPK1CP=Tamperproof Screws 0590A638SP=Screwdriver bit for TPK-1-CP Screws  <b>Wire Guard</b> WG10=Surface Wire Guard WGS11=Ceiling, End Wire Guard  VS1=Polycarbonate Vandal Shield

### Energy Data

	AC-Only-Incandescent Exits							
	Input Power:		Input Current (Max.):		Power Factor:		T.H.D.:	
	120V	277V	120V	277V	120V	277V	120V	277V
Incandescent Exits	40W	42W	.33A	.16A				
AC-Only-Compact Fluorescent Exits								
Fluorescent Exits 5W Lamps	17W	22W	.32A	.18A	>.43	>.44	<8%	<9%
Fluorescent Exits 7W Lamps	17W	22W	.28A	.16A	>.53	>.50	<9%	<10%

<sup>1</sup>Universal Face Exits include two stencil faces, canopy and backplate. <sup>2</sup>For Open Face Exits, specify lens desired: 004346SP-red letters, white background; 004347SP - green letters, white background; 004340SP -white letters, red background; 004341SP-white letters, green background; Special wording, consult your Cooper Lighting Representative. Order Separately. <sup>3</sup>Standard UL FTBR Listed. <sup>4</sup>Standard FWBO; UL FTBR Listed with "2C" Option.

**DIMENSIONS**



**DESCRIPTION**

The Sure-Lites Self-powered Standard Steel Exit Series is the ideal exit for general purpose applications. With an extensive range of field installed accessories, choice of faces and a variety of mounting configurations, this basic exit can be tailored to fit almost any application.



**UN/UNH/PLX SERIES**

**Steel Self-Powered EXIT LIGHTING**

**STEEL EXITS – SELF-POWERED INCANDESCENT**

Type	Mounting	Stencil Face, White Finish		Stencil Face, Black Finish		Stencil Face, Black/Silver Finish	
		Red Letters	Green Letters	Red Letters	Green Letters	Red Letters	Green Letters
Universal <sup>1</sup>	Wall/Ceiling/End	UN1SRW	UN1SGW	UN1SRB	UN1SGB	UN1SRBS	UN1SGBS
Universal Open Face <sup>2</sup>	Wall/Ceiling/End	UN1OFW (specify lens)		UN1OFB (specify lens)		UN1OFBS (specify lens)	

**STEEL EXITS – SELF-POWERED INCANDESCENT WITH ADDITIONAL OUTPUT TO POWER REMOTES**

Universal <sup>1</sup>	Wall/Ceiling/End	UNH1SRW	UNH1SGW	UNH1SRB	UNH1SGB	UNH1SRBS	UNH1SGBS
Universal Open Face <sup>2</sup>	Wall/Ceiling/End	UNH1OFW (specify lens)		UNH1OFB (specify lens)		UNH1OFBS (specify lens)	

**STEEL EXITS – SELF-POWERED FLUORESCENT**

Universal <sup>1</sup>	Wall/Ceiling/End	PLX6200RP	PLX6200GP	PLX6200RB	PLX6200GB	PLX6200RBS	PLX6200GBS
Universal Open Face <sup>2</sup>	Wall/Ceiling/End	PLX6200OP (specify lens)		PLX6200OB (specify lens)		PLX6200OBS (specify lens)	

**STEEL EXITS – SELF-POWERED FLUORESCENT WITH ADDITIONAL OUTPUT TO POWER REMOTES**

Universal <sup>1</sup>	Wall/Ceiling/End	PLX7200RP	PLX7200GP	PLX7200RB	PLX7200GB	PLX7200RBS	PLX7200GBS
Universal Open Face <sup>2</sup>	Wall/Ceiling/End	PLX7200OP (specify lens)		PLX7200OB (specify lens)		PLX7200OBS (specify lens)	

**STEEL EXITS – SELF-POWERED LED**

Type	Mounting	Stencil Face, White Finish		Stencil Face, Black Finish	
		Red Letters	Green Letters	Red Letters	Green Letters
Universal <sup>1</sup>	Wall/Ceiling/End	UN1SRWLED	UN1SGWLED	UN1SRBLED	UN1SGBLED

**STEEL EXITS – SELF-POWERED LED WITH ADDITIONAL OUTPUT TO POWER REMOTES**

Universal <sup>1</sup>	Wall/Ceiling/End	UNH1SRWLED	UNH1SGWLED	UNH1SRBLED	UNH1SGBLED
------------------------	------------------	------------	------------	------------	------------

**WATTAGE RATINGS**

UN	Lead Calcium=10.8W for 1 1/2 hrs., 7.2W for 2 hrs.	Nickel Cadmium=15W for 1 1/2 hrs.; 12W for 2 hrs.
UNH	Lead Calcium=27W for 1 1/2 hrs.; 24W for 2 hrs.	Nickel Cadmium=24W for 1 1/2 hrs.; 18W for 2 hrs.
PLX-6200	Lead Calcium = 10.8W for 1 1/2 hrs.	Nickel Cadmium = 15W for 1 1/2 hrs.; 12W for 2 hrs.
PLX-7200	Lead Calcium = 27W for 1 1/2 hrs.; 24W for 2 hrs.	Nickel Cadmium = 24W for 1 1/2 hrs.; 18W for 2 hrs.

**ORDERING INFORMATION**

SAMPLE NUMBER: UNH170SRWSD

<p><b>Model Number</b> See chart</p>	<p><b>Factory Options</b> (For ordering with incandescent, add option numbers in order listed after series; e.g. UNH170200FW. For ordering with fluorescent, replace "00" with option numbers in order listed; e.g. PLX6230RP. For ordering with LED, add option numbers in order listed after series; e.g. UN1702090SRWLED)  <b>70</b>=Nickel Cadmium Batteries  <b>20</b>=DC Flasher  <b>30</b>=DC Flasher/Buzzer  <b>90</b>=DC Fire Alarm Interface (Incandescent and LED Only)  <b>SD</b>=Self-Diagnostics (Add to end of catalog number: e.g. UN130SRWSD)</p>	<p><b>Accessories</b> (Order Separately)  <b>FL1</b>=Flasher Kit  <b>BZ1</b>=Buzzer Kit    <b>Pendant Kit:</b>  <b>PK18BK</b>=Black, 18" long  <b>PK18WH</b>=White, 18" long    <b>Canopy Kit:</b>  <b>CAN571</b>=White  <b>CAN578</b>=Black</p>	<p><b>Tamperproof Accessories:</b>  <b>TPK1CP</b>=Tamperproof Screws  <b>0590A638SP</b>=Screwdriver bit for TPK1CP Screws  <b>Wire Guard</b>  <b>WG10</b>=Surface Wire Guard  <b>WGS11</b>=Ceiling, End Wire Guard  <b>VS2</b>=Polycarbonate Vandal Shield  <b>VS2WP</b>=Polycarbonate Vandal Shield - Weatherproof</p>
--	--	--	---

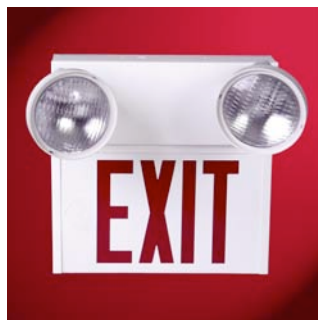
**Energy Data**

	Charged Mode (Fully Discharged Battery)				Sealed Lead Calcium Battery				T.H.D.:	
	Input Power:		Input Current (Max.):		Power Factor:					
Incandescent Exits 20W Lamps	120V	277V	120V	277V	120V	277V	120V	277V	<9%	<10%
Fluorescent Exits 5W lamps	53W	51W	.45A	.19A	>.99	>.98	<10%	<8%	<11%	<10%
	33W	33W	.44A	.18A	>.62	>.65	<10%	<8%		
Incandescent Exits 20W Lamps	47W	44W	.40A	.16A	>.98	>.98	<8%	<8%		
Fluorescent Exits 5W lamps	26W	26W	.41A	.16A	>.52	>.57	<11%	<10%		
LED Exits Red Letters (UN)	10.4W	10.8W	.10A	.04A	>.89	>.88	<45%	<48%		
LED Exits Red Letters (UNH)	12.6W	13.2W	.10A	.05A	>.91	>.91	<39%	<42%		
LED Exits Green Letters (UN)	11.9W	12.3W	.10A	.05A	>.96	>.94	<29%	<33%		
LED Exits Green Letters (UNH)	15.8W	15.4W	.14A	.06A	>.97	>.96	<25%	<29%		
Incandescent Exits 20W Lamps	4.8W	4.7W	.05A	.02A	>.76	>.73	<63%	<68%		
Fluorescent Exits 5W lamps	9.1W	9.1W	.08A	.04A	>.90	>.89	<36%	<40%		
LED Exits Red Letters (UN)	6.1W	6.0W	.06A	.03A	>.88	>.85	<47%	<52%		
LED Exits Red Letters (UNH)	10.3W	10.3W	.09A	.04A	>.96	>.95	<24%	<29%		

- > Dual-voltage input 120/277VAC, 60Hz
- > 20 gauge steel housing
- > LED, Fluorescent, or Incandescent lampping
- > AC LED: long life LED lamp modules-DC: two 6V, 3.6W DC lamps
- > AC fluorescent: two 5W F5TT lamps-DC: three 6V, 3.6W DC lamps
- > AC incandescent: two 20W T6 1/2 intermediate base lamps-DC: two 6V, 3.6W DC Lamps
- > Lead Calcium or Premium Nickel Cadmium battery
- > Universal: both single and double face; ceiling, wall and end mounting
- > Knockouts for chevron directional indicators
- > Universal styles offer complete installation flexibility with canopy, backplate, and 2 stencil faces
- > Louvered downlight
- > Suitable for floor proximity installation
- > Line-latching, Solid-State voltage limited charger, Solid-State switching, low-voltage disconnect, brownout circuit, over-load/short-circuit protection, test switch/ power indicator light
- > UL 924 Listed, Life Safety NFPA 101, NEC/OSHA, most state and local codes

<sup>1</sup> Universal Face Exits include two stencil faces, canopy and backplate. <sup>2</sup> For Open Face Exits, specify lens desired: 004346SP-red letters, white background; 004347SP - green letters, white background; 004340SP - white letters, red background; 004341SP-white letters, green background; Special wording, consult your Cooper Lighting Representative. Order Separately.

# SURE-LITES®



## UNH/PLX SERIES

**Steel  
Self-Powered with  
Emergency Heads**

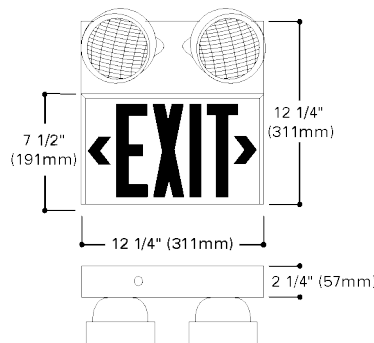
### EXIT LIGHTING

- > Dual-voltage input  
120/277VAC, 60Hz
- > 20 gauge steel housing
- > LED, Fluorescent, or  
Incandescent Lamping
- > AC LED: long-life LED  
lamp modules;  
DC: two 6V, 3.6W DC lamps
- > AC fluorescent: (2) 5W F5TT  
lamps - DC: three 6V, 3.6W  
DC lamps
- > AC incandescent: (2) 20W  
T6 1/2 intermediate base  
lamps - DC: two 6V, 3.6W  
DC lamps
- > Two thermoplastic heads  
with matching finish
- > Heads: 6V, 9W wedge base  
style lamps (7.2W nickel  
cadmium exits)
- > Lead Calcium or Premium  
Nickel Cadmium batteries
- > Universal: both single and  
double face; ceiling, wall  
and end mounting
- > Knockouts for chevron  
directional indicators
- > Universal styles include  
canopy, backplate, and two  
stencil faces
- > Line-latching, Solid-State  
voltage limited charger,  
Solid-State switching,  
low-voltage disconnect,  
brownout circuit, overload/  
short-circuit protection, test  
switch/power indicator light
- > UL 924 Listed, life safety  
NFPA 101, NEC/OSHA,  
most state and local codes

### DESCRIPTION

The Sure-Lites UNH/PLX Series Steel Exits combine a self powered exit sign with an emergency light. With an extensive range of field installed accessories, choice of faces and the variety of mounting configurations, this exit can be tailored to fit almost any application.

### DIMENSIONS



### INCANDESCENT EXITS

Type	Mounting	Stencil Face, White Finish		Stencil Face, Black Finish		Stencil Face, Blk/Silver Finish	
		Red Letters	Green Letters	Red Letters	Green Letters	Red Letters	Green Letters
Universal <sup>1</sup>	Wall/Ceiling/End	UNH1SRWDH	UNH1SGWDH	UNH1SRBDH	UNH1SGBDH	UNH1SRBSDH	UNH1SGBSDH
Universal Open Face <sup>2</sup>	Wall/Ceiling/End	UNH1OFWDH (specify lens)		UNH1OFBDH (specify lens)		UNH1OFBSDH (specify lens)	

### FLUORESCENT EXITS

Type	Mounting	PLX7202RP	PLX7202GP	PLX7202RB	PLX7202GB	PLX7202RBS	PLX7202GBS
		PLX7202OP (specify lens)		PLX7202OB (specify lens)		PLX7202OBS (specify lens)	
Universal <sup>1</sup>	Wall/Ceiling/End						
Universal Open Face <sup>2</sup>	Wall/Ceiling/End						

### LED EXITS

Type	Mounting	Stencil Face, White Finish, Red Letters	Stencil Face, White Finish, Green Letters	Stencil Face, Black Finish, Red Letters	Stencil Face, Black Finish, Green Letters
Universal	Wall/Ceiling/End	UNH1SRWDHL	UNH1SGWDHL	UNH1SRWBDHL	UNH1SGWBDHL

### WATTAGE RATINGS

<b>PLX-7202</b>	Lead Calcium=27W for 1 1/2 hrs.; 24W for 2 hrs. Nickel Cadmium=24W for 1 1/2 hrs.; 18W for 2 hrs.
<b>UNH</b>	Lead Calcium=27W for 1 1/2 hrs.; 24W for 2 hrs. Nickel Cadmium=24W for 1 1/2 hrs.; 18W for 2 hrs.

### ORDERING INFORMATION

SAMPLE NUMBER: UNH1SRWDHSD

Model Number	Factory Options	Accessories	Tamperproof Accessories
See chart	(For ordering with incandescent and LED, add option numbers in order listed after series; e.g. UNH17090SRBDHL. For ordering with fluorescent add option numbers in order listed after "PLX7202"; e.g. PLX720270GP.) 70=Nickel Cadmium Batteries 20=DC Flasher 30=DC Flasher/Buzzer 90=DC Fire Alarm Interface (Incandescent & LED) SD=Self-Diagnostics (Add to end of catalog number; e.g. PLX7202RPSD)	(Order Separately) FL1=Flasher Kit BZ1=Buzzer Kit  Pendant Kit PK18-BK=Black, 18" long PK18-WH=White, 18" long  Canopy Kit CAN571=White CAN578=Black	TPK1CP=Tamperproof Screws 0590A638SP=Screwdriver bit for TPK1CP Screws  WG2=Wire Guard VS2=Polycarbonate Vandal Shield VS2WP=Polycarbonate Vandal Shield - Weatherproof

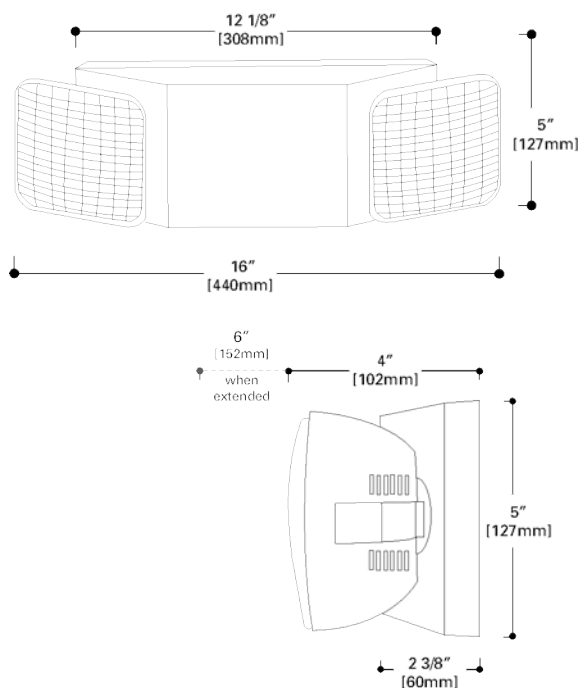
### Energy Data

	Charge Mode (Fully Discharged Battery) Lead Calcium Battery							
	Input Power:		Input Current (Max.):		Power Factor:		T.H.D.:	
	120V	277V	120V	277V	120V	277V	120V	277V
Incandescent Exits 20W Lamps	53W	51W	.45A	.19A	>.99	>.98	<9%	10%
Fluorescent Exits 5W lamps	33W	33W	.44A	.18A	>.62	>.65	<10%	<10%
LED Exits Red	12.6W	13.2W	.11A	.05A	>.91	>.91	<39%	<42%
LED Exits Green	15.8W	15.4W	.14A	.06A	>.97	>.96	<25%	<29%
<b>Standby Mode (Fully Charged Battery) Sealed Nickel Cadmium Battery</b> Input Power consumption is reduced by approximately 7.5 Watts in the standby operating mode								
	Sealed Lead Calcium Battery							
	Input Power:		Input Current (Max.):		Power Factor:		T.H.D.:	
Incandescent Exits 20W Lamps	47W	44W	.40A	.16A	>.98	>.98	<8%	<8%
Fluorescent Exits 5W lamps	26W	26W	.41A	.16A	>.52	>.57	<11%	<10%
LED Exits Red	9.1W	9.1W	.08A	.04A	>.90	>.89	<36%	<40%
LED Exits Green	10.3W	10.3W	.09A	.04A	>.96	>.95	<24%	<29%

<sup>1</sup>Universal Face Exits include two stencil faces, canopy and backplate. <sup>2</sup>For Open Face Exits, specify lens desired: 004346SP-red letters, white background; 004347SP - green letters, white background; 004340SP - white letters, red background; 004341SP-white letters, green background; Special wording, consult your Cooper Lighting Representative. Order Separately.



**DIMENSIONS**



**DESCRIPTION**

The All Pro Series emergency light (AP2SQ) is the ideal choice when an affordable thermoplastic unit is required for general purpose applications. Its styling and designer finish enables it to blend with any decor. The housing and mounting plate employ snap-fit construction to further improve the installation time. Both lighting heads are fully adjustable, insuring that light can be put where it is needed.



**AP2SQ SERIES**

All Pro

**EMERGENCY LIGHTING**

- > Dual-voltage input 120/277VAC, 60Hz
- > High impact white thermoplastic housing
- > Square, two head design
- > Fully adjustable lamping
- > Sealed Lead Calcium battery
- > Test Switch/Power Indicator Light
- > Quick connect AC power connector facilitates installation
- > Suitable for wall or ceiling mount applications
- > ETL Indoor Damp Location Listed
- > UL 924 Listed, Life Safety NFPA 101, CSA Certified, NEC/OSHA, most state and local codes

**ELECTRICAL RATINGS**

Model	Rated Wattage to 87 1/2% of Rated D.C. Voltage			Lamp Information		
	DC Voltage	1 1/2 Hours	2 Hours	Type	Wattage	Number
AP2SQ	6	10.8	7.2	Incandescent	5.4	29-121

**ORDERING INFORMATION**

SAMPLE NUMBER: AP2SQ

**AP2SQ**

Model Number  
AP2SQ

Housing Finish  
Blank=White

Accessories  
(Order Separately)  
**WG-1**= Wire Guard  
**VS1**= Polycarbonate Vandal Shield  
**VS1WP**= Polycarbonate Vandal Shield  
 Weather Resistant

# SURE-LITES®



## AP SERIES

All Pro  
AC Only  
Self-Powered

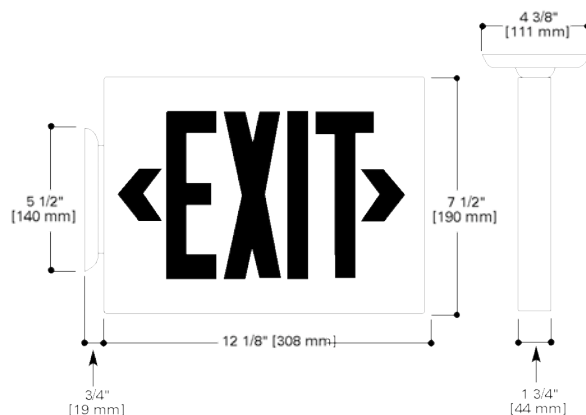
### EXIT LIGHTING

- > Dual-voltage input 120/277VAC, 60Hz
- > High impact white thermoplastic housing
- > AC LED: Long life LED lamps provide uniform diffused illumination
- > DC: LED DC lamps (Brighter in emergency mode, AP70)
- > Nickel Cadmium battery (AP70)
- > Ceiling, wall, or end mounting
- > Field selectable chevrons
- > Universal exits can be field configured as single face or double face
- > Test Switch/Power Indicator Light (AP70)
- > ETL Damp Location Listed
- > UL 924 Listed, UL FTBR Listed (2C Only), Life Safety NFPA 101, NEC/OSHA, most state and local codes

### DESCRIPTION

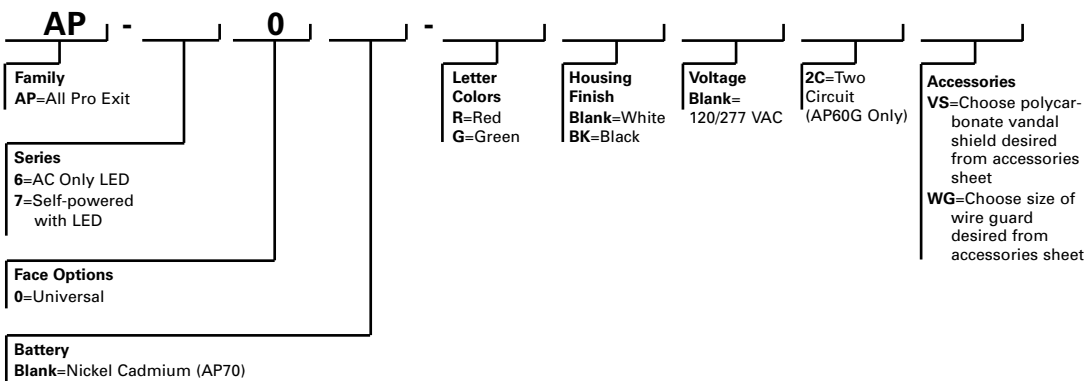
The All Pro Series exit (AP60/70) is the most economical LED exit for general purpose applications. The durable, injection molded, thermo-plastic material resists discoloration due to UV radiation and the energy efficient, low maintenance LED's provide bright illumination. All AP series exits offer universal configurations (single and double face) and have universal mounting capability (ceiling, wall, end).

### DIMENSIONS



### ORDERING INFORMATION

SAMPLE NUMBER: AP-70R



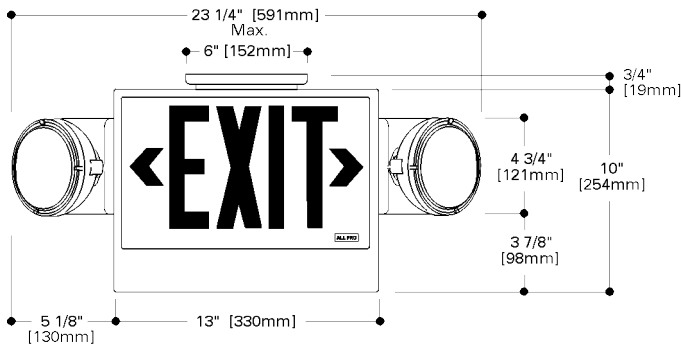
### ENERGY DATA

AC Only	
LED Exits - Red	LED Exits - Green
Input Power: 120V = 2.0W 277V = 2.1W	Input Power: 120V = 2.2W 277V = 2.1W
Input Current (Max.): 120V = .02A 277V = .01A	Input Current (Max.): 120V = .02A 277V = .01A
Power Factor: 120V = > .89 277V = > .88	Power Factor: 120V = > .88 277V = > .87
T.H.D.: 120V = < 25% 277V = < 31%	T.H.D.: 120V = < 26% 277V = < 32%

### ENERGY DATA

Sealed Nickel Cadmium Battery	
LED Exits - Red	LED Exits - Green
Input Power: 120V = 3.0W 277V = 3.0W	Input Power: 120V = 3.0W 277V = 3.0W
Input Current (Max.): 120V = .03A 277V = .02A	Input Current (Max.): 120V = .03A 277V = .02A
Power Factor: 120V = > .91 277V = > .90	Power Factor: 120V = > .92 277V = > .90
T.H.D.: 120V = < 29% 277V = < 32%	T.H.D.: 120V = < 30% 277V = < 35%

**DIMENSIONS**



**DESCRIPTION**

The All Pro Series exit with heads (combo) is the most economical LED exit available in the market for general purpose applications. The durable, injection molded, thermo-plastic material resists discoloration due to UV radiation and the energy efficient, low maintenance LEDs provide bright illumination. The AP Series combos are available in universal configurations (single and double face) and have universal mounting capability (ceiling, wall, end).



**AP SERIES EXIT WITH HEADS**

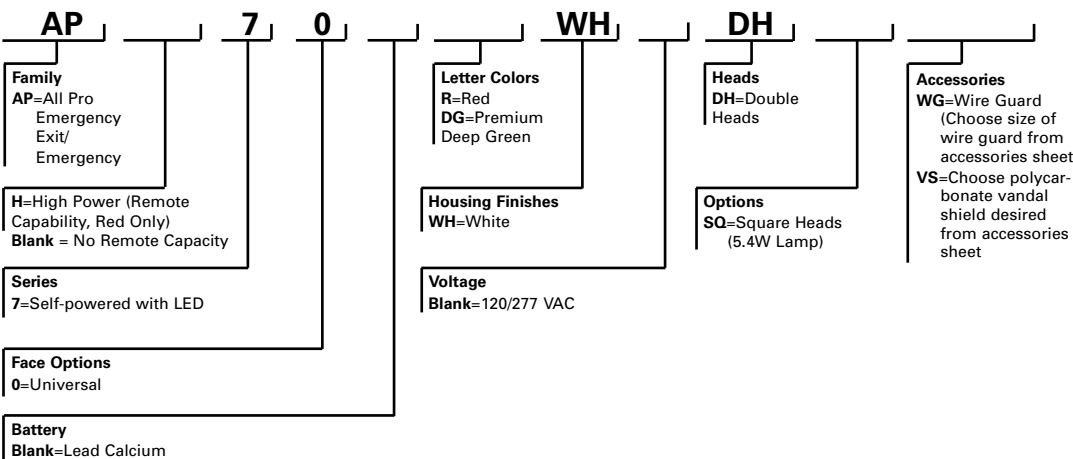
**All Pro**  
**Self-Powered**  
**with Double Heads**  
**(Remote Capacity)**

**EXIT LIGHTING**

- > Dual Voltage 120/277 VAC, 60 Hz
- > High impact, white, thermoplastic housing
- > AC LED: Long life LED lamps provide uniform diffused illumination
- > DC: LED DC lamps (Brighter in emergency mode)
- > Heads DC: 6V, 5.4W incandescent wedge base lamps
- > Lead Calcium battery (11W remote capacity: APH only)
- > Universal exits can be field configured as single face or double face
- > Exit can be ceiling, wall or end mounting
- > Field selectable chevrons
- > UL Damp Location Listed
- > UL 924 Listed, Life Safety NFPA 101, CSA Certified, NEC/OSHA, most state and local codes

**ORDERING INFORMATION**

SAMPLE NUMBER: AP70RWH DH



**WATTAGE RATINGS**

APH with Double heads (DH) has remote capacity of 11 watts for 1 1/2 hrs.

**ENERGY DATA**

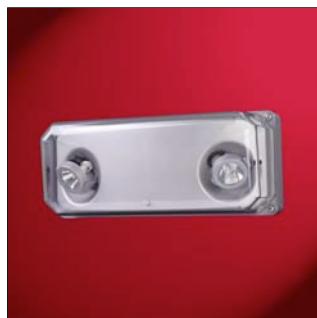
**Standby Mode (Fully charged Battery):**  
**Sealed Lead Calcium Battery**

LED Exits - Red	LED Exits - Premium Deep Green
Input Power:	Input Power:
120V = 4.9W	120V = 3.1W
277V = 4.7W	277V = 2.9W
Input Current (Max.):	Input Current (Max.):
120V = .07A	120V = .06A
277V = .03A	277V = .02A
Power Factor:	Power Factor:
120V = >.59	120V = >.41
277V = >.64	277V = >.44
T.H.D.:	T.H.D.:
120V = <45%	120V = <49%
277V = <44%	277V = <53%

**Charge Mode (Discharged Battery):**

**Sealed Lead Calcium Battery**  
 Input Power consumption is increased by approximately 2.7 watts in the charge operating mode for red units and 3.4 watts for green units

# SURE-LITES®



## UEL SERIES

### ULTIMATE EMERGENCY LIGHT

### EMERGENCY LIGHTING

- > NEMA 4X, UL50 Listed
- > Dual-voltage input 120/277VAC, 60Hz, Isolation Transformer
- > Die cast aluminum housing with powder coat finish
- > UV stable, glass-clear polycarbonate, vandal resistant shield (.150" thick) with Torx head tamperproof screws, stainless steel
- > (2) Adjustable 12W, MR16 lamps
- > Nickel Cadmium Battery
- > Fully recharged in 24 hours
- > Vandal Proof
- > Watchguard EMS Self-Diagnostic System
- > Photocell Test Switch (requires accessory LASER for activation)
- > UL 924 Outdoor Wet Location Listed (suitable for wet and damp locations)
- > T1 Haz Lamp Rating
- > NSF, National Sanitation Foundation/Splash Zone (for Food Processing)
- > IP66, Ingress Protection from IEC (International Electrical Commission)
- > Cleanroom Class 10,000
- > Patent Pending

### DESCRIPTION

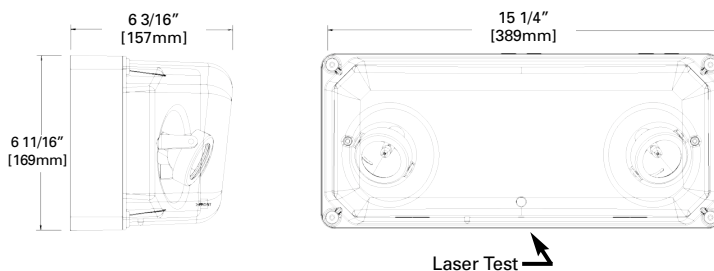
The Sure-Lites UEL NEMA 4X Emergency Light is designed for those emergency lighting applications where ruggedness and dependability are a must.

Designed for the most severe environments, the UEL Emergency Light will provide maximum performance against rain, moisture, cold, corrosives and dust.

The UEL's standard features include die cast housing, nickel cadmium battery, self-diagnostics, photocell LASER test and MR16 lamps. In addition, the injection molded, polycarbonate shield provides protection against moisture, rain, and vandalism. (4) Torx head tamperproof screws with center-pin reject provide additional vandal-proof security.

The unique design and features make the UEL Emergency Light compatible in food processing facilities, outdoor parking garages, walk-in freezers and other indoor/outdoor severe environments.

### DIMENSIONS



### Self-Diagnostics

The self-diagnostic unit will automatically perform the tests required by the NFPA 101 Life Safety Code. The system indicates the status of the unit at all times using an LED indicator that is located near the test switch.

Sure-Lites® 023-414	
WatchGuard EMS	
Indicator	Meaning
● Steady	Float Charge
● Pulse	High Charge
● - ●	Battery Failure
● - ● - ●	Circuit Failure
● - ● - ● - ●	Lamp Failure
TEST	INDICATOR



Verify proper operation of the transfer circuit and emergency lamps with a convenient laser pointer (sold as an accessory).



### ELECTRICAL RATINGS

Model	Rated Wattage to 87 1/2% of Rated D.C. Voltage		Lamp Information			
	DC Voltage	1 1/2 Hours	Type	Wattage	Number	Spacing <sup>1</sup>
UEL1SD	12	24	MR16	12	29-141	50.0'

### ORDERING INFORMATION

SAMPLE NUMBER: UEL1SD

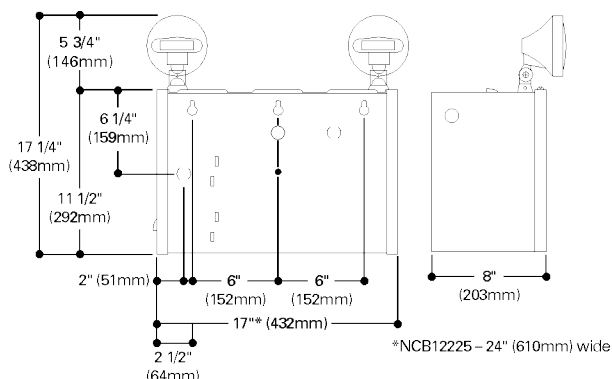
<b>Family</b> UEL1=Nema 4X Emergency Light	<b>Housing Finishes</b> Blank=Silver BK=Black WH=White	<b>SD=Self Diagnostics</b> (Standard)	<b>Options</b> A=Ammeter V=Voltmeter TDM=Time Delay Monitor HAZ=Hazardous Locations (Class I, Division 2, Groups A, B, C, D)	<b>Accessories</b> (order separately) LASER=Key Chain, Red Laser Pointer (activation tested at 30 feet) UXPKA=Pendant Kit Adapter (fitting adapts to 1/2" NPT threaded pendant) VRSD=#8 Centerpin Torx Screwdriver
---	---	--	--	---

### Energy Data

Model No.	Input Current (Max.):	
	120V	277V
UEL1SD	.09A	.03A

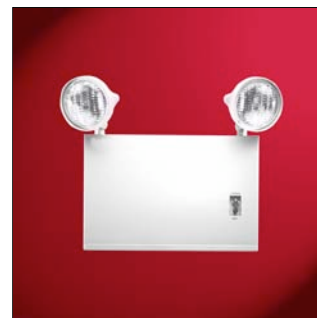
<sup>1</sup>The "Rule of Thumb" spacing guidelines are designed to achieve 1 foot-candle average and 0.1 foot-candle minimum with a 40:1 maximum/minimum ratio. The corridor used is 100 feet long, 9 feet ceiling with a 6 feet wide walkway and 3 feet path of egress. The reflectances are 80% ceiling, 50% walls and 20% floors. The fixture mounting height is 7.0 feet with a lamp head angle of 45 degrees. Cooper Lighting assumes no responsibility for local requirements or specific project variables. This is a guideline to be used as a design aid, not as guarantee of any code compliance.

**DIMENSIONS**



**DESCRIPTION**

The NCB Series is a premium grade emergency lighting system with all metal construction that combines functional styling and power performance capability. These units contain serviceable nickel cadmium batteries and feature advanced solid-state circuitry.



**NCB SERIES**

**Serviceable Wet Cell  
Nickel Cadmium Battery  
High-Capacity**

**EMERGENCY LIGHTING**

- > Dual-voltage input 120/277VAC, 60Hz
- > 18 gauge die-formed steel housing and cover (white)
- > Two fully adjustable, high-impact thermoplastic heads standard (white)
- > Serviceable wet cell nickel cadmium battery
- > Line-latching, Solid-State switching, low-voltage disconnect, brownout circuit, overload/short-circuit protection, test switch/power indicator light
- > Knockout, conduit or cord set
- > Keyhole mounting slots
- > UL 924 Listed, Life Safety NFPA 101, Listed NEC/OSHA, most state and local codes

**ELECTRICAL RATINGS**

Model	Rated Wattage to 87 1/2% of Rated D.C. Voltage					Lamp Information		
	DC Voltage	1 1/2 Hours	2 Hours	3 Hours	4 Hours	Type	Wattage	Number
NCB45 <sup>1</sup>	6	45	33	22	16	Incandescent	9	29-84
NCB90 <sup>1</sup>	6	90	67	45	33	Incandescent	9	29-84
NCB110 <sup>1</sup>	6	110	82	55	41	Incandescent	9	29-84
NCB1290 <sup>1</sup>	12	90	67	45	33	Incandescent	9	29-86
NCB12180 <sup>1</sup>	12	180	135	90	67	Incandescent	9	29-86
NCB12225 <sup>1</sup>	12	225	168	112	84	Incandescent	9	29-86

**ORDERING INFORMATION**

SAMPLE NUMBER: NCB45VTDM

Model Number	Options (Add as Suffix)	Accessories (Order separately)
NCB45	MH=Metal Heads	3MSWH=Mounting Shelf (not applicable for NCB12225) (White Finish)
NCB90	A=Ammeter	3BRWH=Mounting Brackets (3-White Finish)
NCB110	TDM=Time Delay Monitor	WG3=Wire Guard (not applicable for NCB12225)
NCB1290	V=Voltmeter	CSK120=Cord Set (120 VAC)
NCB12180	Alternate Lamps <sup>2</sup>	CSK277=Cord Set (277 VAC)
NCB12225	Other Options <sup>2</sup>	VS2=Polycarbonate Vandal Shield
		VS2WP=Polycarbonate Vandal Shield - Weatherproof

**Energy Data**

Model No.	Input Current (Max.):	
	120V	277V
NCB45	.45A	.17A
NCB90	.50A	.20A
NCB110	.81A	.34A
NCB1290	.84A	.37A
NCB12180	.72A	.30A
NCB12225	1.28A	.55A

Note: 0, 1, 2, 3 and 4 Heads also available. Specify after catalog number (i.e., NCB12180408)

<sup>1</sup>Battery shipped separate but automatically included with unit

NCB45 - Qty. 1	02625 battery	NCB1290 - Qty. 2	02625 battery
NCB90 - Qty. 1	02626 battery	NCB12180 - Qty. 2	02626 battery
NCB110 - Qty. 2	026129 battery	NCB12225 - Qty. 2	026129 battery

<sup>2</sup>Consult your Cooper Lighting Representative.

# SURE-LITES®



## UMB SERIES

Wet Location

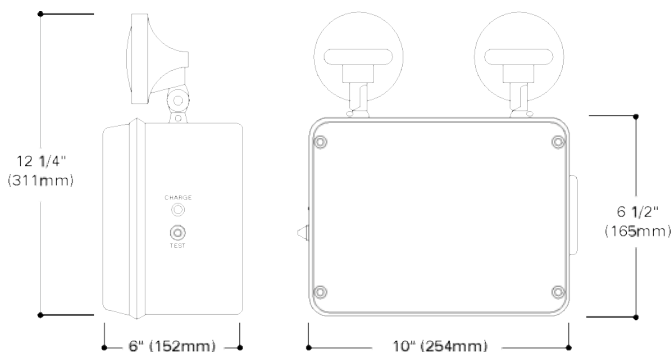
### EMERGENCY LIGHTING

- > NEMA 4X
- > Dual-voltage input  
120/277VAC, 60Hz
- > Grey fiberglass housing
- > Two top mounted, fully adjustable, grey, high-impact thermoplastic heads standard
- > Glare-free lens with PAR36 sealed beam lamps
- > Watertight and corrosion resistant
- > UL Wet location listed (32°F or 0°C and above)
- > Gasketed, internally hinged front cover
- > Remote capability
- > Line-latching, Solid-State voltage limited charger, Solid-State switching, low-voltage disconnect, brownout circuit, overload/short-circuit protection, test switch/power indicator light
- > UL 924 Listed, Life Safety NFPA 101, NEC/OSHA, most state and local codes

### DESCRIPTION

The ideal unit for wet environments where an emergency lighting unit will be exposed to water spray, penetrating steam, or dampness. The UMB Series is best suited for use in areas like waste water treatment plants, food processing facilities and most industrial applications.

### DIMENSIONS



### ELECTRICAL RATINGS

Model	Rated Wattage to 87 1/2% of Rated D.C. Voltage						Lamp Information		
	DC Voltage	Battery	1 1/2 Hours	2 Hours	3 Hours	4 Hours	Type	Wattage	Number
UMB1	6	LC	18	15	10	8	Incandescent	8	29-03
UMB6	6	LC	27	24	18	14	Incandescent	8	29-03
UMB7	6	LC	54	48	36	28	Incandescent	8	29-03
UMB8	12	LC	36	30	20	16	Halogen	8	29-16
UMB9	12	LC	54	48	36	28	Halogen	8	29-16
UMB14	6	NC	15	12	8	6	Incandescent	7.2	29-75
UMB15	6	NC	24	18	12	10	Incandescent	7.2	29-75
UMB16	12	NC	30	24	16	12	Halogen	8	29-16
UMB17	12	NC	48	36	24	20	Halogen	8	29-16

### ORDERING INFORMATION

SAMPLE NUMBER: UMB6TH

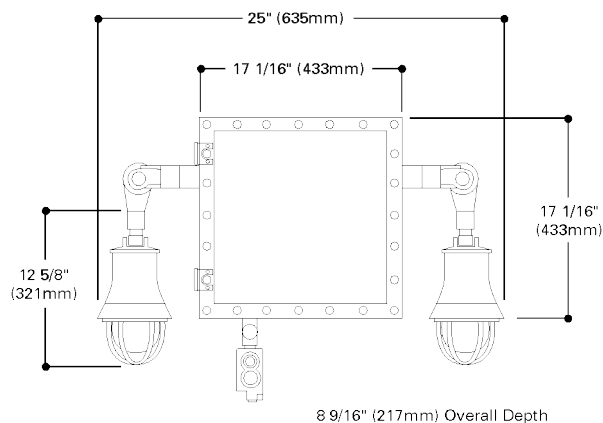
Model Number	Options (add as Suffix)	Accessories (Order separately)
UMB1	TDM=Time Delay Monitor	WG7=Wire Guard
UMB6	TH=Thermal Heater	VS2WP=Polycarbonate Vandal/Weather Shield
UMB7	Alternate Lamps <sup>1</sup>	
UMB8	Other Options <sup>1</sup>	
UMB9		
UMB14		
UMB15		
UMB16		
UMB17		

### Energy Data

Model No.	Input Current (Max.):	
	120V	277V
UMB1, UMB6, UMB7	.12A	.05A
UMB8, UMB9	.30A	.13A
UMB14	.06A	.03A
UMB15	.07A	.04A
UMB16	.13A	.06A
UMB17	.15A	.07A

<sup>1</sup>Consult your Cooper Lighting Representative.

**DIMENSIONS**



**DESCRIPTION**

Sure-Lites' HZU1254 Series self-contained, explosion-proof, emergency lighting unit is intended for operation in NEC Class I, Division 1, Groups C, D, and Class II, Division 1, Groups E, F, G environments. The unit includes (2) 12V, 25W lamps and provides a solid-state, emergency lighting system for application in industrial and heavy-duty commercial facilities like petrochemical plants, drilling rigs, offshore platforms, coal mines and preparation facilities, textile mills, lumber yards, painting booths and gasoline stations.



**HZU1254 SERIES**

**Hazardous Location**

**EMERGENCY LIGHTING**

- > Dual-voltage input 120/277VAC, 60Hz
- > NEMA 4, copper-free aluminum housing and natural, textured die cast aluminum finish enclosure
- > Lamp heads (two heads standard) contains one 12V, 25W DC medium base A-lamp
- > Copper-free aluminum lamp housing and guard
- > Sealed Lead Calcium Battery
- > Watertight neoprene gasketing
- > One-way breather and drain
- > Explosion-proof
- > Line-latching, Solid-State voltage limited charger, Solid-State switching, low-voltage disconnect, brownout circuit, overload/short-circuit protection, test switch/pilot light
- > UL 924 Listed, Life Safety NFPA 101, NEC Class I, division 1, Groups C, D and Class II, Division 1, Groups E, F, G, OSHA, most state and local codes

**ELECTRICAL RATINGS**

Model	DC Voltage	Rated Wattage to 87 1/2% of Rated D.C. Voltage				Lamp Information		
		1 1/2 Hours	2 Hours	3 Hours	4 Hours	Type	Wattage	Number
HZU125425	12	54	-	-	-	Incandescent	25	ZZ13

**ORDERING INFORMATION**

SAMPLE NUMBER: HZU125425

<b>Model Number</b> HZU125425	<b>Accessories</b> (Order separately) 12X25HZP=12V, 25W Pendant Mount Remote Head 12X25HQB=12V, 25W Bracket Mount Remote Head
----------------------------------	---

**Energy Data**

Model No.	Input Current (Max.):	
	120V	277V
HZU125425	.32A	.15A

# SURE-LITES®

**-49°F to +140°F**



## UX SERIES

**Ultimate Exit  
AC Only  
Self-Powered**

### EXIT LIGHTING

- > NEMA 4X Listed
- > Operating temperature  
-45°C (-49°F) to 60°C (+140°F)
- > Dual voltage input 120/277 VAC, 60Hz Isolation Transformer
- > Die Cast aluminum housing with powder coat finish
- > LED Lamping
- > Premium Nickel Cadmium batteries
- > Exit can be universally mounted ceiling, wall or end
- > Field selectable chevrons
- > Universal pattern knockouts on rear of single face housing for direct mounting to junction box
- > Pendant mounting
- > Watchguard EMS Self-diagnostic system
- > Laser Testing
- > T6 HAZ lamp rating
- > IP66, Ingress Protection from IEC (International Electrical Commission)
- > UL844, Hazardous Locations (Class 1, Division 2, Groups A, B, C, D) with "HAZ" option
- > UL FTBR Listed when specified with the "2C" option
- > Suitable for Floor Proximity Installation, UL Listed, ADA (American Disabilities Act)
- > NSF National Sanitation Foundation / Splash Zone (for Food Processing)
- > Cleanrooms Class 10,000
- > UL 924 Wet Location (Suitable for wet and damp locations), Life Safety NFPA 101, Meets most state and local codes
- > Patents Pending

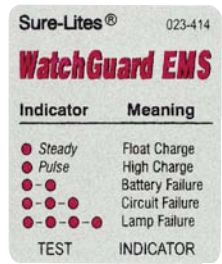
### DESCRIPTION

The Sure-Lites UX NEMA 4X LED Exit combines the strength and durability of die cast aluminum with architecturally pleasing aesthetics. Designed for the most severe environments, the UX exit will provide maximum performance against rain, moisture, cold, corrosives and dust. Universal configurations (single and double face) and universal mounting provide the ease of one product specifying for any job. The injection molded, clear, polycarbonate shield not only provides protection against moisture and rain, but vandalism as well. (4) Torx® head tamperproof screws with center-pin reject provide additional vandal-proof security.

The unique design and features make the UX Exit compatible in food processing facilities, outdoor parking garages, walk-in freezers and other indoor/outdoor severe environments. The UX Exit is approved for ambient environments rated from -45°C (-49°F) up to +60°C (+140°F).

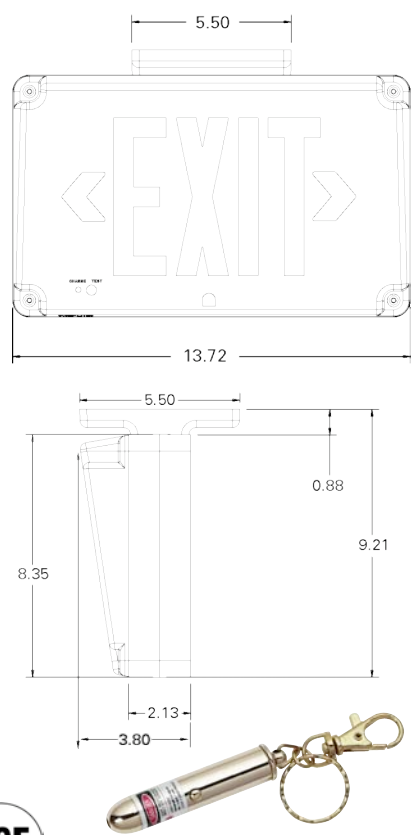
### Self-Diagnostics

The self-diagnostic unit will automatically perform the tests required by the NFPA 101 Life Safety Code. The system indicates the status of the unit at all times using an LED indicator that is located near the test switch.



**SPLASH ZONE**

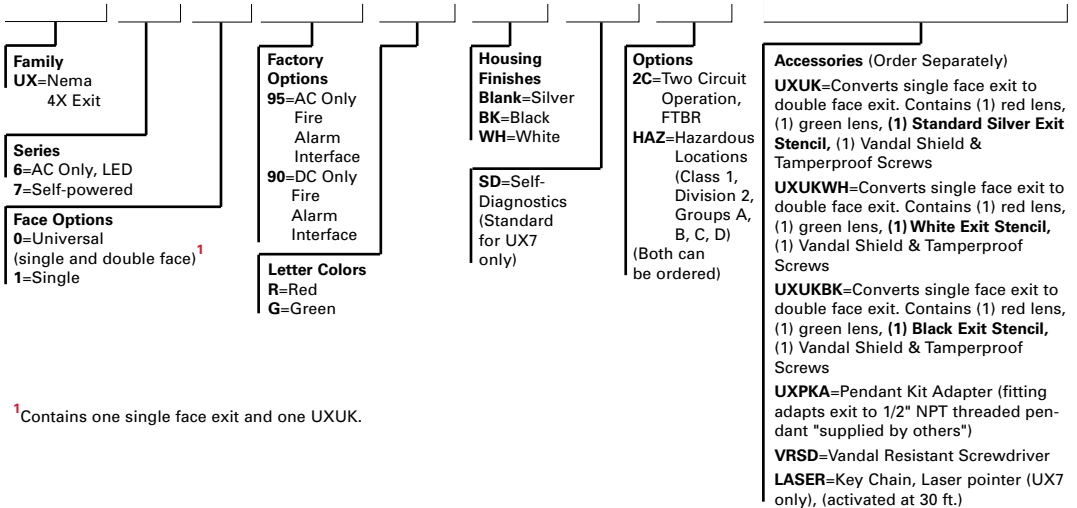
### DIMENSIONS



Verify proper operation of the transfer circuit and emergency lamps with a convenient laser pointer (sold as an accessory).

### ORDERING INFORMATION

SAMPLE NUMBER: UX61R



### Energy Data – AC Only Exits

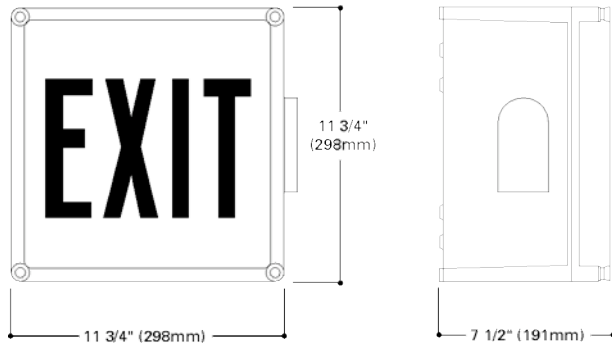
	Input Power:		Input Current (Max.):		Power Factor:		T.H.D.:	
	120V	277V	120V	277V	120V	277V	120V	277V
<b>LED Exits</b>								
LED Exits -Red Letters	2.7W	3.2W	.07A	.04A	> .30	> .39	< 56%	< 69%
LED Exits -Green Letters	2.3W	3.0W	.08A	.03A	> .26	> .36	< 54%	< 67%

### Energy Data – Self-Powered Exits

	Input Power:		Input Current (Max.):		Power Factor:		T.H.D.:	
	120V	277V	120V	277V	120V	277V	120V	277V
<b>LED Exits</b>								
LED Exits -Red Letters	3.4W	3.2W	.07A	.04A	> .37	> .39	< 64%	< 69%
LED Exits -Green Letters	3.1W	3.0W	.08A	.04A	> .34	> .36	< 63%	< 67%



**DIMENSIONS**



**DESCRIPTION**

The UMX Series watertight and corrosion-resistant exit with tough polycarbonate lens is designed for use where rain, moisture, dust or corrosives are present. Economical long life fluorescent lamps provide highly visible signage and downlighting. The vibration resistant lamps make the UMX perfect for heavy industrial applications (NEMA 4X Listed).



**UMX SERIES**

Wet Location  
AC Only  
Self-Powered

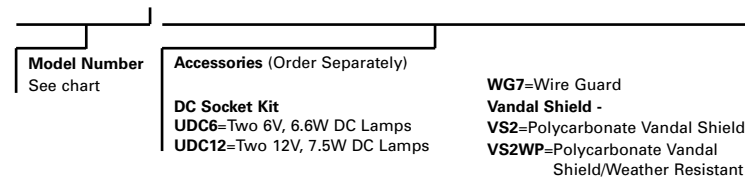
**EXIT LIGHTING**

**ORDERING INFORMATION – AC ONLY EXITS**

Voltage	Red Letters/White Background				Green Letters/White Background			
	No Arrow	Left Arrow	Right Arrow	Double Arrow	No Arrow	Left Arrow	Right Arrow	Double Arrow
120 VAC	UMX7	UMX6	UMX8	UMX5	UMX3	UMX2	UMX4	UMX1
277 VAC	UMX71	UMX61	UMX81	UMX51	UMX31	UMX21	UMX41	UMX11

**ORDERING INFORMATION**

SAMPLE NUMBER: UMX7



**ORDERING INFORMATION – SELF-POWERED EXITS**

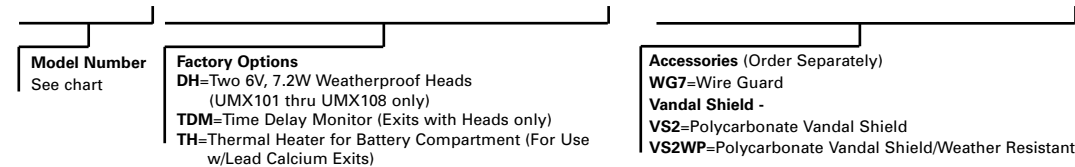
Battery	Red Letters/White Background				Green Letters/White Background			
	No Arrow	Left Arrow	Right Arrow	Double Arrow	No Arrow	Left Arrow	Right Arrow	Double Arrow
Lead Calcium	UMX207	UMX206	UMX208	UMX205	UMX203	UMX202	UMX204	UMX201
Lead Calcium Battery w/Remote Capability	UMX107	UMX106	UMX108	UMX105	UMX103	UMX102	UMX104	UMX101
Nickel Cadmium	UMX227	UMX226	UMX228	UMX225	UMX223	UMX222	UMX224	UMX221

**WATTAGE RATINGS**

UMX201 – UMX208 Lead Calcium=18W for 1 1/2 hrs.; 15W for 2 hrs.  
 UMX101 – UMX108 Lead Calcium=27W for 1 1/2 hrs.; 24W for 2 hrs.  
 UMX221 – UMX228 Nickel Cadmium=15W for 1 1/2 hrs.; 12W for 2 hrs.

**ORDERING INFORMATION**

SAMPLE NUMBER: UMX207



**Energy Data – AC Only Exits**

	UMX Exits							
	Input Power;		Input Current (Max.);		Power Factor;		T.H.D.:	
	120V	277V	120V	277V	120V	277V	120V	277V
Fluorescent Exits-6W Lamps	19W	23W	.33A	.32A	>.47	>.26	<6%	<9%

**Energy Data – Self-Powered Exits**

	Charge Mode (Fully Discharged Battery) Sealed Lead Calcium Battery							
	Input Power;		Input Current (Max.);		Power Factor;		T.H.D.:	
	120V	277V	120V	277V	120V	277V	120V	277V
Fluorescent Exits - 6W Lamps	41W	43W	.51A	.22A	>.66	>.69	<14%	<14%

Standby Mode (Fully Charged Battery) Sealed Lead Calcium Battery Input Power consumption is reduced by approximately 18 Watts in the standby operating mode.

	Sealed Nickel Cadmium Battery							
	120V	277V	120V	277V	120V	277V	120V	277V
Fluorescent Exits - 6W Lamps	29W	29W	.42A	.17A	>.57	>.62	<9%	<38%

- > NEMA 4X Listed
- > Dual-voltage input 120/277VAC, 60Hz
- > Gray fiberglass housing
- > Tough, high contrast polycarbonate lens
- > AC: two F6T5 fluorescent lamps
- > DC: two 6V, 6W DC lamps
- > Available with emergency lighting heads mounted on enclosure
- > For operation in ambient temperatures above 32°F
- > Self-powered Exits feature line-latching, solid-state voltage limited charger, solid-state switching, low-voltage disconnect, brownout circuit, overload/short-circuit protection, test switch/power indicator light
- > UL 924 Wet Location Listed
- > Life Safety NFPA 101, NEC/OSHA, most state and local codes.

# SURE-LITES®



## VRX SERIES

Thin Profile  
High-Abuse

AC Only  
Self-Powered

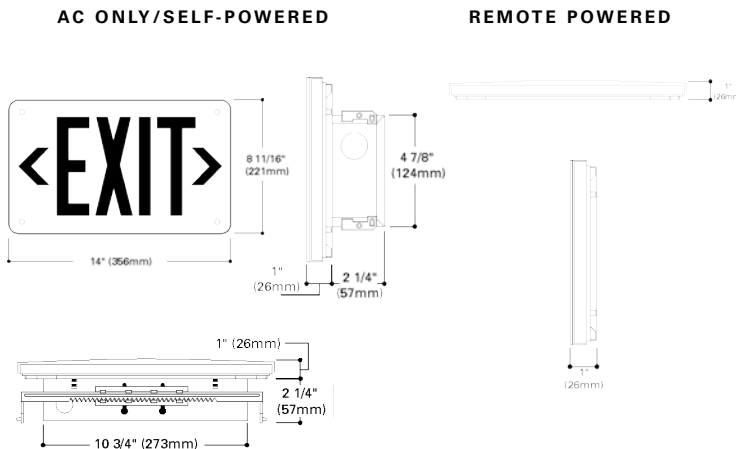
### EXIT LIGHTING

- > Dual-voltage input 120/277 VAC, 60 Hz
- > Die cast aluminum faceplate exposed unit thickness is 1"
- > 20 gauge recessed housing fits in 2x4 construction
- > 18 gauge mounting plate with clearance holes for 1/4" fasteners
- > LED lamp panel provides uniform light output
- > Convex .125" polycarbonate Vandal Shield standard
- > Centerpin Torx tamper resistant screws
- > NFPA compliant knockout chevrons allow quick conversion to directional signs
- > Adjustable hanger bars
- > EPDM shock-absorbing gasket between mounting plate and wall
- > Self-powered Exits feature line-latching, solid-state voltage limited charger, solid-state switching, low-voltage disconnect, brownout circuit, overload/short-circuit protection, test switch/ power indicator light
- > UL 924 Listed, Life Safety NFPA 101, NEC/OSHA, UL Listed as suitable for floor proximity installation, most state and local codes

### DESCRIPTION

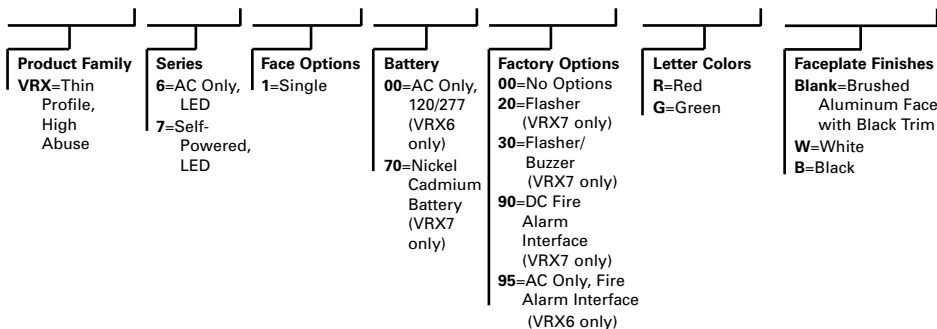
The VRX Thin Profile High-Abuse Exit Series combines the strength of die cast aluminum, the profile of a recessed design and the superior aesthetics of Sure-Lites LED technology to create an exit with optimum versatility and aesthetics. The VRX Series faceplate/mounting plate/lens is only 1" thick, yielding a sign with minimal off-wall protrusion without requiring the large wall opening of a fully recessed exit. The VRX Series also includes a Remote Powered Exit which can be powered from a VRX Series AC Only or Self Powered Exit.

### DIMENSIONS



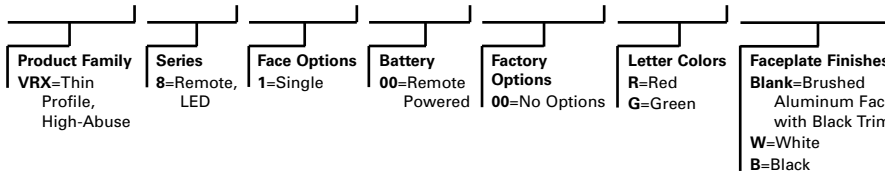
### ORDERING INFORMATION - AC ONLY EXITS / SELF-POWERED EXITS

SAMPLE NUMBER: VRX610000RB



### ORDERING INFORMATION - REMOTE POWERED LED EXITS

SAMPLE NUMBER: VRX810000RB



### Energy Data

#### LED EXITS-AC ONLY

	Input Power;		Input Current (Max.):		Power Factor:		T.H.D.:	
	120V	277V	120V	277V	120V	277V	120V	277V
Red Letters Single Face	5.6W	5.7W	.07A	.03A	>.71	>.71	<36%	<36%
Red Letters Single Face with Remote	7.3W	7.3W	.07A	.03A	>.83	>.83	<33%	<34%
Green Letters Single Face	6.7W	6.8W	.07A	.03A	>.79	>.79	<30%	<31%
Green Letters Single Face with Remote	9.5W	9.7W	.09A	.04A	>.90	>.90	<26%	<27%

#### Remote Powered

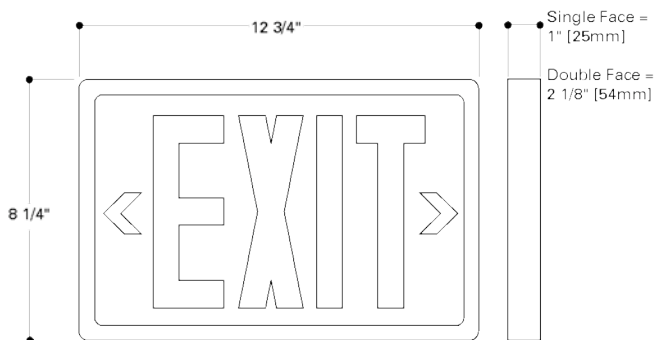
Red Letters Single Face	2.0 watts additional
Green Letters Single Face	2.5 watts additional

### Energy Data

#### Sealed Nickel Cadmium Battery-LED Exit

	Input Power;		Input Current (Max.):		Power Factor:		T.H.D.:	
	120V	277V	120V	277V	120V	277V	120V	277V
Red Letters Single Face	7.4W	7.5W	.08A	.04A	>.72	>.72	<34%	<34%
Red Letters Single Face with Remote	9.3W	9.5W	.08A	.04A	>.84	>.84	<31%	<32%
Green Letters Single Face	8.5W	8.7W	.09A	.04A	>.79	>.79	<30%	<31%
Green Letters Single Face with Remote	11.4W	11.7W	.11A	.05A	>.90	>.90	<26%	<26%

**DIMENSIONS**



**DESCRIPTION**

Tritium self-luminous exits are illuminated by unique phosphor-coated sealed tubes filled with Tritium gas which excites the phosphor causing it to emit visible light. No electrical supply is necessary, thereby eliminating costly electrical wiring, energy and maintenance costs.

**Note:** Special wording available; consult your Cooper Lighting Representative.

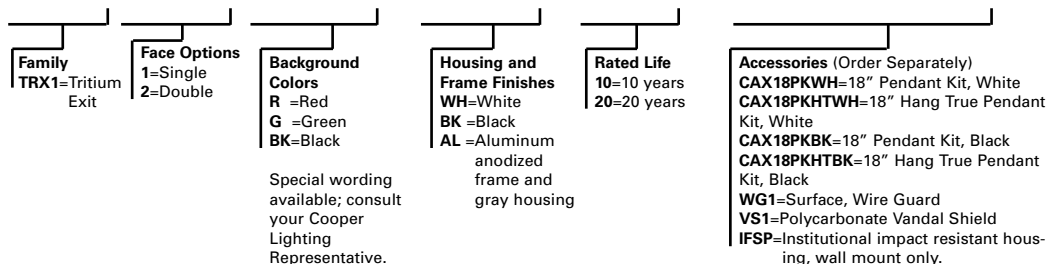


**TRX1 SERIES TRITIUM EXIT**

**TRITIUM SELF-LUMINOUS EXIT LIGHTING**

**ORDERING INFORMATION**

SAMPLE NUMBER: TRX11RWH20



- > Institutional Impact resistant, Flaw resistant housing is comprised of a 13 gauge steel frame with a 3/8" (10mm) thick polycarbonate face
- > The plastic housing is ultrasonically welded to the prismatic diffuser, encapsulating the sealed tubes and reflector without the use of glue
- > The sealed tubes are made from borosilicate glass which makes the tubes shock resistant
- > Exit can be ceiling, wall, pendant or end mounted
- > Field selectable chevrons
- > Cased in a high-impact flame retardant plastic housing
- > Tamperproof and vandal resistant
- > UL 924 (approved to 1998 and 2001 requirements). Life Safety NFPA 101. Suitable for Wet Locations. Suitable for use in Hazardous, Explosive, Humid and other Harsh environments. OSHA, NRC. Council of American Building Official (BOCA, ICBO, SBCC1)
- > Exits are guaranteed for their rated life (10 or 20 years) to exceed minimum illumination requirements, 0.15 foot lamberts

**IMPORTANT**

Each order placed must include the installation location name and full address for NRC registration purposes. Tritium exits must not be abandoned or disposed of. Call your Cooper Lighting representative for recycling information.

# SURE-LITES®



## PHL SERIES PHOTOLUMINESCENT EXIT

**Photoluminescent  
Self-Luminous**

### EXIT LIGHTING

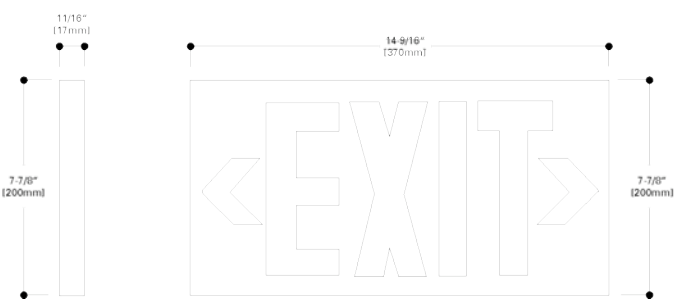
- > Energizes from Fluorescent Lighting (Minimum 5 Ft-Candle of Fluorescent Illumination required during building occupancy)
- > 90 minutes of illumination with a legible viewing distance of at least 50 feet
- > Heavy duty aluminum housing is impact resistant, corrosion proof and flame retardant
- > High-brightness strontium oxide aluminate photoluminescent pigment is applied directly onto housing
- > Non-Radioactive and Non-Toxic
- > Ceiling, wall or end mounting
- > Field selectable chevrons
- > UL 924 Listed, meets Life Safety NFPA 101, ULC Listed, most state and local codes
- > Rated Life: 25+ years

### DESCRIPTION

Photoluminescent "glow-in-the-dark" exits are designed to absorb and store energy from existing light sources. The signs do not require electricity and are non-radioactive, non-toxic, and fire-resistant. This energy efficient exit is ideal for areas where electrical wiring is either difficult or unavailable. It is an excellent choice when adding low level exits. Possible applications include: schools, offices, retail stores and manufacturing plants.

The PHL Series exits do not require regular maintenance and have a life expectancy of at least 25 years.

### DIMENSIONS



### ORDERING INFORMATION - AC ONLY EXITS / SELF-POWERED EXITS

SAMPLE NUMBER: PHL1RBA

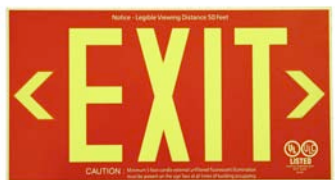
<b>Product Family</b> PHL= Photoluminescent Exit	<b>Face Options</b> 1=Single 2=Double	<b>Letter Colors (Outline)</b> R=Red G=Green	<b>Housing Color</b> Blank=Same as Letter Color BA=Brushed Aluminum	<b>Accessories</b> PHLs=Clear Acrylic Shield PHLJ=Large Canopy (J-Box)
---	---	--	---	--



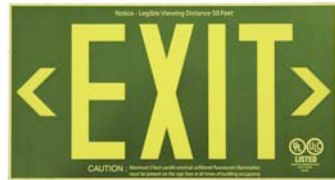
**Brushed Aluminum, Red**



**Brushed Aluminum, Green**

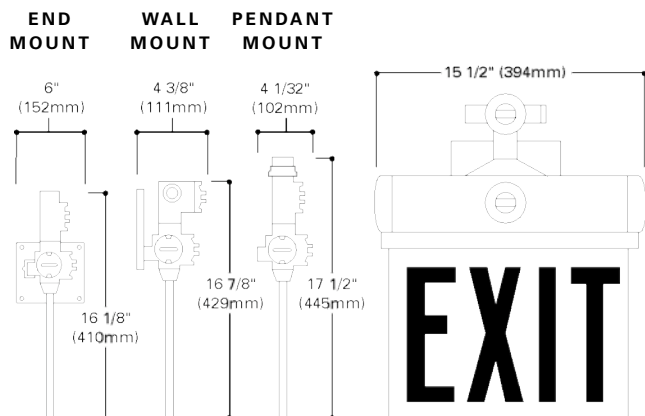


**Red**



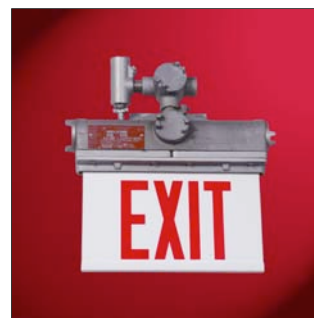
**Green**

**DIMENSIONS**



**DESCRIPTION**

The Sure-Lites HZX Series Explosion-Proof Edgelit Exit signs are designed for use in locations classified as hazardous due to the presence of flammable vapors, gasses or combustible dust. They are suitable for use in Class I, Division 1, Groups C and D, and Class II, Division 1, Groups E, F and G hazardous locations as defined by the National Electrical Code.



**HZX SERIES**

Hazardous Location Exit

EXIT LIGHTING

- > 120 VAC input voltage
- > Factory-sealed, explosion-proof housing of copper-free aluminum
- > Impact-resistant white acrylic edgelit face panel with 6" high red letters
- > Available in pendant-mount, wall-mount, or end-mount styles
- > Two 60W, 60T10 clear lamps wired in parallel
- > No provisions for battery operation
- > Provides safe operation in the presence of volatile gases, vapor or dust
- > Internal rectifier extends lamp life
- > Relamping tool provided
- > Listed per UL 844 for hazardous locations up to and including NEC Class I, Division 1, Groups C, D and Class II, Division 1, Groups E, F and G, Life Safety NFPA 101, NEC/OSHA, most state and local codes

**ORDERING INFORMATION**

Model Number	Mounting Style	Sign Panel
HZX21	Wall	Single Face
HZX22	End	Double Face
HZX23	Pendant	Double Face

**NATIONAL ELECTRICAL CODE (NEC)**

The National Electrical Code (NEC) defines a hazardous location as "a location where fire hazards or explosion hazards may exist due to flammable gases or vapors, flammable liquids, combustible dust or ignitable fibers or filings.

The Code further separates these hazardous locations into three classes:

Class I – locations containing gases and vapors

Class II – locations containing dust

Class III – locations containing fibers and filings.

Each of these classes is broken into divisions. These divisions are separated into groups according to characteristics.

The following chart summarizes these classifications:

Class	Division	Group
I Gas	1 Hazard Exists – Always present in atmosphere	A Acetylene
		B Hydrogen and Manufactured Gases containing Hydrogen
	2 Potential Exists – May be present in atmosphere	C Petrochemicals
		D Petrochemicals
II Dust	1 Hazard Exists	E Conductive and Combustible Metal Dust
		F Combustible Carbon Dust
	2 Potential Exists	G Non-Conductive Combustible Dust
III Fibers	1 Production Areas	Combustible
	2 Handling/Storage Areas	Combustible

**Energy Data**

Model No.	Input Current (Max.):	
	120V	277V
HZX21, HZX22, HZX23	120W	1.0A
ZZ14=60T10 Halogen lamp	120V	60Watt

# SURE-LITES®



## FBP SERIES

**Fluorescent  
Battery Pack**

### EMERGENCY LIGHTING

- > Dual-voltage input 120/277VAC, 60Hz
- > Universal voltage 120 to 277 VAC, 50/60 Hz (FBP240HU)
- > Sealed nickel cadmium batteries
- > Solid-State charger, overload/short-circuit protection, test switch/ power indicator light
- > Can be installed inside or on top of fixture
- > May be used with switched or unswitched fixtures
- > Compatible with many different lamp types
- > Compatible with many ballast types including standard, rapid-start, slimline, instant-start, energy saving, dimming and electronic AC ballasts - consult your Cooper Lighting Representative regarding specific applications
- > Self Diagnostic (FBP240HSD)
- > Low Profile (FBP450LP)
- > UL 924 Listed, UL Listed for Retrofit/ Field Installation, Chicago Approved, Life Safety NFPA 101, NEC/OSHA, most state and local codes

### DESCRIPTION

When AC power fails, the Sure-Lites FBP Emergency Battery Pack automatically switches to emergency mode. It maintains illumination of one or two lamps for a minimum of 90 minutes. UL924 Listed for field retrofit installation.

### DIMENSIONS



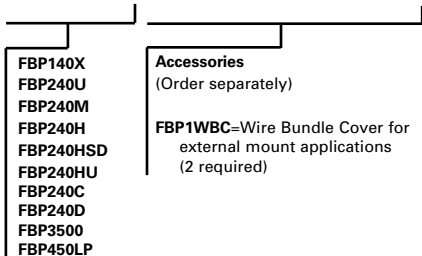
Model	Dimensions		
	A	B	C
FBP140X	9.4"	2.4"	1.5"
FBP240U	9.4"	2.4"	1.5"
FBP240M	9.4"	2.4"	1.5"
FBP240H	13.3"	2.4"	1.5"
FBP240HU	13.3"	2.4"	1.5"
FBP240HSD	13.3"	2.4"	1.5"
FBP240C	9.4"	2.4"	1.5" (Flex=28"L)
FBP240D	9.4"	2.4"	1.5" (Flex=28"L)
FBP3500	16.3"	5.5"	1.7" (Flex=28"L)
FBP450LP	14.1"	1.5"	1.0"

### ELECTRICAL RATINGS AND ORDERING INFORMATION

Model	Lamp Type	Number of Lamps Operated in Emergency Mode	Initial Lumens
FBP140X	20W-40W, 2'-4', T8-T12 U-shaped, circleline, 2D, energy saving, rapid start (4-pin, 2G11) long compact fluorescent	One	350-450
FBP240U	17W-215W, 2'-8', T8-T12 HO, VHO, U-shaped, circleline, 2D, energy saving, rapid start (4-pin, 2G11) long compact fluorescent	One	600-700
FBP240M	17W-215W, 2'-8', T8-T12 HO, VHO, U-shaped, circleline, 2D, energy saving, rapid start (4 pin, 2G11) long compact fluorescent	One-20W to 215W (2'-8') One-20W to 39W long compact fluorescent One or Two-20W to 40W (2'-4')	600-700
FBP240H	17W-215W, 2'-8', T8-T12 HO, VHO, U-shaped, circleline, energy saving, rapid start (4-pin, 2G11 or G24q) long compact fluorescent	One or Two - 17W to 24W One or Two - 32W to 40W (2'-4') One - 40W to 215W (5'-8') One or Two - 18W to 39W long compact fluorescent One or Two - 18W to 32W 4-Pin compact fluorescent	1100-1400 (700-1000 for long compact fluorescent)
FBP240HSD	17W-215W, 2'-8', T8-T12 HO, VHO, U-shaped, circleline, energy saving, rapid start (4-pin, 2G11, G24q, or GX24q) twin, quad and triple twin-tube compacts	One or Two-17W to 40W (2"-4") One-40W to 215W (5'-8') One or Two-18W to 39W long compact fluorescent One-40W to 55W long compact fluorescent One or Two-18W to 42W 4-pin compact fluorescent	1100-1400 (700-1000 for long compact fluorescent)
FBP240HU	17W-215W, 2'-8', T8-T12 HO, VHO, U-shaped, circleline, energy saving, rapid start (4-pin, 2G11, G24q, or GX24q) twin, quad and triple twin-tube compacts	One or Two-17W to 40W (2"-4") One-40W to 215W (5'-8') One or Two-18W to 39W long compact fluorescent One-40W to 55W long compact fluorescent One or Two-18W to 42W 4-pin compact fluorescent	1100-1400 (700-1000 for long compact fluorescent)
FBP240C	6W-28W tubular without integral starter, 13W-42W 4-pin twin, quad, or triple twin-tube compact fluorescent without integral starters	One or Two-6W to 28W tubular One or Two-13W to 39W or One-42W 4-pin compact fluorescent	300-750
FBP240D	18W-26W quad tube with integral starter in two pin base	One-18W to 26W compact fluorescent	300-650
FBP450LP	32W, 4', T8	One	450
FBP3500	17W-215W, 2'-8', T8-T12 HO, VHO, U-shaped circleline, energy saving and (4-pin, 2G11, G24Q, or GX240) twin, quad and triple twin-tube compacts	One or Two-17W to 40W (2"-4") One-40W to 215W (5'-8') One or Two-18W to 39W long compact fluorescent One-40W to 55W long compact fluorescent One or Two-18W to 42W 4-pin compact fluorescent	1450-3500

### ORDERING INFORMATION

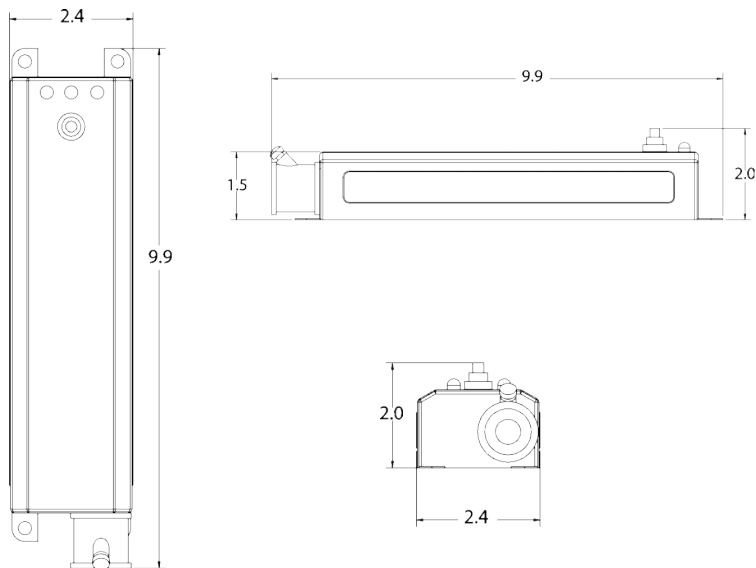
SAMPLE NUMBER: FBP140X



### Energy Data

Model No.	Input Power 120V
FBP140X	4.5W
FBP240U	5.3W
FBP240M	5.3W
FBP240H	5.8W
FBP240HSD	4.0W
FBP240HU	6.0W
FBP240C	5.3W
FBP240D	3.5W
FBP3500	8.0W
FBP450LP	1.5W

**DIMENSIONS**



**DESCRIPTION**

In the event of AC power loss, the Sure-Lites LTC1, Load Transfer Circuit, automatically switches normal light fixtures to approved emergency lights. The LTC1 in conjunction with an auxiliary emergency power generator, will provide emergency power to lighting fixtures regardless of the room switch position. The LTC1 will operate up to a maximum 10A load. The LTC1 is UL924 listed for field retrofit installation.



**LTC1 SERIES**

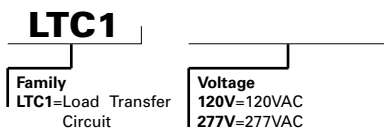
**Load Transfer Circuit**

**EMERGENCY LIGHTING**

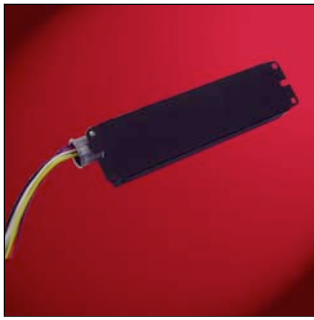
- > 120VAC and 277VAC, 60Hz available
- > Test Switch/3 LED Indicator Lights for: Utility Power, Emergency Power, Test Modes
- > Operates incandescent, fluorescent, HID and other loads; 10 Amps Max
- > Matte black painted steel housing with conduit BX connector standard
- > Sized to fit inside ballast channel
- > Can be installed inside, on top of fixture or remote from fixture
- > May be used with switched fixtures
- > Compatible with many different lamp types
- > Compatible with many ballast types including standard, rapid-start, slimline, instant-start, energy-saving, dimming and electronic AC ballasts - consult Cooper Lighting Representative regarding specific applications
- > UL 924 Listed (dry locations), UL Listed for Retrofit/ Field Installation, Life Safety NFPA 101, NEC/OSHA

**ORDERING INFORMATION**

SAMPLE NUMBER: LTC1120V



# SURE-LITES®



## LTC2 SERIES

### Load Transfer Circuit

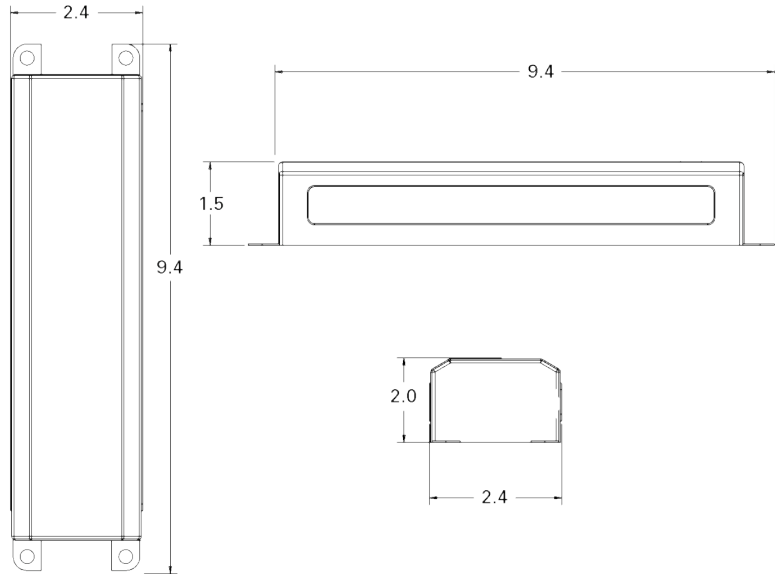
### EMERGENCY LIGHTING

- > 120/277VAC, 60Hz available
- > Operates incandescent, fluorescent, HID and other loads; 10 Amps Max
- > Matte black painted steel housing
- > Sized to fit inside ballast channel
- > Can be installed inside or on top of fixture
- > May be used with switched fixtures
- > Compatible with many different lamp types
- > Compatible with many ballast types including standard, rapid-start, slimline, instant-start, energy-saving, dimming and electronic AC ballasts-consult Cooper Lighting Representative regarding specific applications
- > UL 924 Listed (dry locations), UL Listed for Retrofit/ Field Installation, Life Safety NFPA 101, NEC/OSHA

### DESCRIPTION

In the event of AC power loss, the Sure-Lites LTC2, Load Transfer Circuit, automatically switches normal light fixtures to approved emergency lights. The LTC2, in conjunction with an auxiliary emergency power generator or inverter, will provide emergency power to lighting fixtures regardless of the room switch position. The LTC2 will operate up to a maximum 10A load. The LTC2 is UL924 listed for field retrofit installation.

### DIMENSIONS



### ORDERING INFORMATION

SAMPLE NUMBER: LTC2

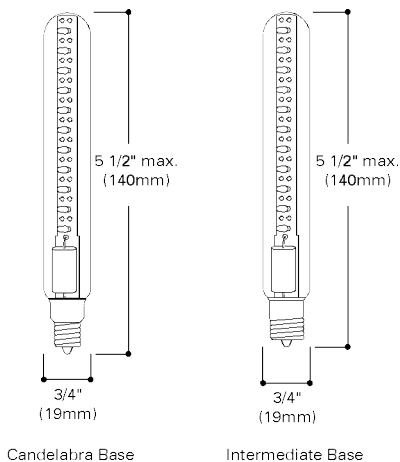
## LTC2

Family  
LTC2=Load Transfer  
Circuit

Voltage  
Blank=120/277VAC



**DIMENSIONS**



- 120 VAC, 60 Hz input voltage
- Long-life, high-output LEDs
- Consumes less than 1 watt per lamp (2W per kit)
- MOV (Metal Oxide Varistor) surge protected
- Patent pending
- LEDs (Light Emitting Diodes) are encapsulated in a standard T-6 1/2 glass lamp envelope
- Super-clear glass and super-bright LEDs combine for optimum light output
- Available in two base styles: candelabra and intermediate
- Simple screw-in installation - no special adapters or messy rewiring
- Direct replacement for up to 20W incandescent lamps
- Two lamps provided per kit

**DESCRIPTION**

The Sure-Lites LED LITE STIX™ LED Retrofit Kit for Exits offers the latest technology in exit lighting available today. The Patent Pending design of the LED LITE STIX™ provides superior illumination of exit lettering at a fraction of the costs associated with typical incandescent lamps. Each kit is provided with two lamps which come in two different base styles to suit nearly every application. Installation is easy since the lamps simply screw into the existing incandescent lamp sockets. The long life characteristic of the LEDs is protected by an integral MOV (Metal Oxide Varistor) surge protection device which is designed to protect the lamp in the event of an electrical surge. Practically any stencil face incandescent exit fixture can be retrofitted with the Sure-Lites LED LITE STIX™ LED Retrofit Kit for Exits, yielding significant energy savings and eliminating the lamp maintenance associated with incandescent lamps. The kit is suitable for use with either single or double face exit fixtures.

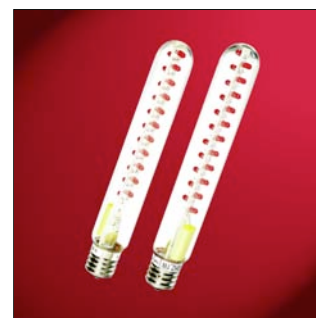
- No special provisions required for installation:
  1. Disconnect AC power and open exit fixture
  2. Remove existing AC incandescent lamps
  3. Screw-in LED LITE STIX™
  4. Close exit fixture and reconnect AC power
- Damp Location Listed
- UL 924 Classified for Sure-Lites Exits, Life Safety NFPA 101, CSA Certified, NEC/OSHA, Most state and local codes
- Suitable for use with single- or double-face exit fixtures
- Eliminates lamp replacement costs and maintenance labor
- Trilingual instructions included (English, Spanish, and French)
- Diffuser can also be used to convert green exits to red



**RKRC SERIES**

LED Lite Stix™  
Exit Retrofit Kit

EXIT LIGHTING



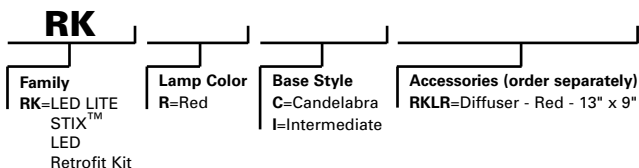
**RKRI SERIES**

LED Lite Stix™  
Exit Retrofit Kit

EXIT LIGHTING

**ORDERING INFORMATION**

SAMPLE NUMBER: RKRC



**Energy Data**

**RKRC, RKRI (per 2-lamp kit)**

Input Power:  
120V = 2.0W  
Input Current (Max.):  
120V = .09A  
Power Factor:  
120V = >.19  
T.H.D.:  
120V = <19%

# SURE-LITES®



## REM SERIES

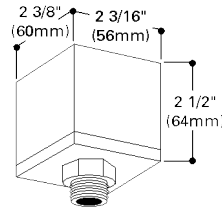
Remote Emergency Module

EMERGENCY LIGHTING

### DESCRIPTION

The REM Series is used to convert a non-emergency fixture to an emergency fixture when combined with a 12V DC emergency power source. Provides transfer capability only - **module does not contain batteries**. REM240 will operate with 12V DC incandescent lamps up to 85W maximum. Each module operates one lamp.

### DIMENSIONS



REM-240

### ELECTRICAL RATINGS AND ORDERING INFORMATION

Model	Battery	Used With	Rated Wattage	Wattage Consumed in Emergency Mode*
REM240	None	12V DC Incandescent lamp	85W (Max.)	Lamp Wattage plus 0.9W

\* Lamp wattage included except where noted



## RBP SERIES

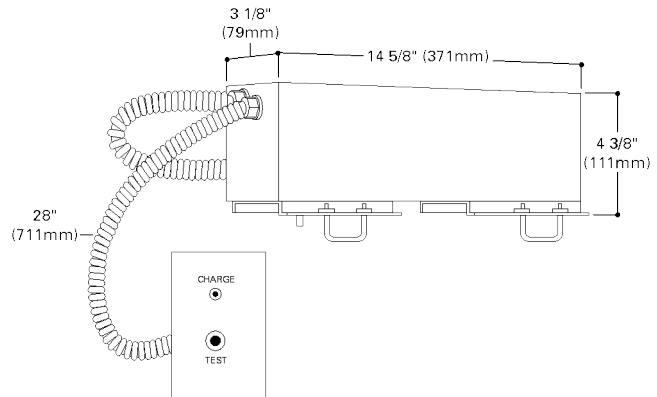
Remote Fluorescent Battery Pack

EMERGENCY LIGHTING

### DESCRIPTION

The Sure-Lites RBP Series Remote Battery Pack enables the conversion of nearly any standard compact fluorescent fixture into an emergency lighting fixture. The RBP Series is a complete conversion system in that it contains everything required for the conversion including batteries, electronics and test switch. On two lamp fixtures it illuminates one lamp in emergency mode. It may be wired to a switched or unswitched fixture (277VAC applications which use 120V ballasted fixtures require the EMS277 Switching Accessory).

### DIMENSIONS

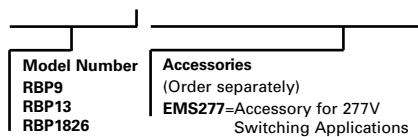


### ELECTRICAL RATINGS

Model	Battery	Used With	Initial Lumen Output	Emergency Mode Illumination Time
RBP9	12V Sealed Lead Calcium	7W or 9W 2-Pin Compact Fluorescent Lamp (One lamp only)	98% of lamp rating	120 minutes
RBP9347	12V Sealed Lead Calcium	7W or 9W 2-Pin Compact Fluorescent Lamp (One lamp only)	98% of lamp rating	120 minutes
RBP13	12V Sealed Lead Calcium	13W 2-Pin Compact Fluorescent Lamp (One lamp only)	98% of lamp rating	120 minutes
RBP13347	12V Sealed Lead Calcium	13W 2-Pin Compact Fluorescent Lamp (One lamp only)	98% of lamp rating	120 minutes
RBP1826	12V Sealed Lead Calcium	18W or 26W 2-Pin Compact Fluorescent Lamp (One lamp only)	98% of lamp rating	120 minutes
RBP1826347	12V Sealed Lead Calcium	18W or 26W 2-Pin Compact Fluorescent Lamp (One lamp only)	98% of lamp rating	120 minutes

### ORDERING INFORMATION

SAMPLE NUMBER: RBP9



**ORDERING INFORMATION**

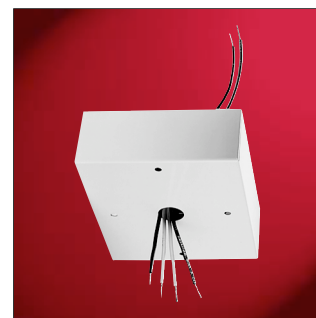
**277V Canopy Conversion Kit**

Catalog Number	Color	For use with
PLC277P	White	R/G/CX/OF/PLX Series Steel Exits
PLC277B	Black	R/G/CX/OF/PLX Series Steel Exits
AD277CAX	Black	CAX Series Exits
AD277CAXW	White	CAX Series Exits
AD277CAXBZ	Bronze	CAX Series Exits
CAN277ELX	N/A	ELX Series Exits
CCX277	N/A	CCX Series Exits

**DESCRIPTION**

**PLC/AD/CAN Series Canopy Conversion Kit**

- Kit for converting 120 VAC Only Exits to 277V operation.
- 277 VAC Input, 120 VAC Output
- Two transformers included
- Allows wiring of AC lamps on separate circuits
- PLC Series – 20 gauge steel canopy
- AD Series – Die cast canopy
- CAN277ELX installs inside standard ELX housing



**277V CONVERSION CANOPIES**

**ORDERING INFORMATION**

**FTBR Conversion Canopy - CAX Series Incandescent Exits**

(For use with CAX Series AC only, incandescent and screw-in LED exits with brushed aluminum, white or black housing finish)

Catalog Number	Description	For use with
AD2CUCAX	Universal Input 120V or 277V	CAX2100XXG, GB, GW, R, RB, RW and
AD2C120CAX	120V Input Only	CAX2200XXG, GB, GW, R, RB, RW
AD2C1277CAX	One 120V Input and one 277V Input	

Finish Codes: B-Black, BZ-Bronze, W-White. Add suffix to Catalog Number when ordering.

**FTBR Conversion Canopy - Steel Series LED Exits**

(For use with R/G Series LED fixtures, SLX Series)

Catalog Number	Description	For use with
PLC2CU		G1LED, G1CLED, G2CLED, G2CXLED, G1277LED, G2277LED, G2277CLED, G2277CXLED, R1LED, R1CLED, R2CLED, R2CXLED, R1277LED, R2277LED, R2277CLED, R2277CXLED
PLC2C120		
PLC2C1277		

Finish Codes: B-Black, P-White. Add suffix to Catalog Number when ordering.

Canopy housing made of 20 gauge steel (PLC Series) or die cast aluminum (AD Series). UL 924, Life Safety NFPA 101, UL FTBR Listed when used with correlated Exit Lights.

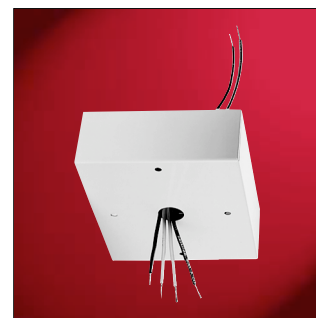
**DESCRIPTION**

**PLC/AD Series FTBR Conversion Canopies**

Canopy used to field convert an AC Only Exit which is UL Listed in Category FWBO - Exit Fixtures to an exit which is UL Listed in category FTBR - Emergency Lighting and Power Equipment. Exits employing these canopies are intended to be connected simultaneously to normal and emergency power circuits.

Three input voltage types are available:

- 1) Universal:
  - 120/277V Normal Power and 120/277V Emergency Power
- 2) 120V Normal Power and 120V Emergency Power
- 3) 120V Normal Power and 277V Emergency Power or 277V Normal Power and 120V Emergency Power



**FTBR CONVERSION CANOPIES**

**ORDERING INFORMATION**

Catalog Number Suffix	Description	For use with
FL1	DC Flasher	CCX, UN, UNH, EAX, PLX, CAX (Incandescent only) and CAR (Incandescent only)
BZ1	DC Buzzer	UN, UNH, PLX, CAX (Incandescent only) and CAR (Incandescent only)

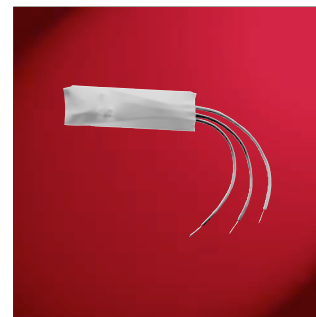
**DESCRIPTION**

**Flasher Kit**

Kit for flashing the DC lamps of exits during the emergency operation mode.

**Buzzer Kit**

Kit provides an audible signal during the emergency operation mode of exits.



**FLASHER/BUZZER KIT**

**SURE-LITES®**



**EMERGENCY POWER PACK**

**DESCRIPTION**

Standard Emergency Power Pack for converting AC Only incandescent or fluorescent steel exits to self-powered emergency exits (DC lamp kit included).

Dual-voltage input 120/277 VAC, 60Hz, line-latching, Solid-state voltage limited charger, Solid-State switching, low-voltage disconnect, brownout circuit, overload/short-circuit protection, test switch/power indicator light, may be specified with self-diagnostics option (use "SD" suffix).

**ORDERING INFORMATION**

Emergency Power Pack (Rated Wattage to 87 1/2% of Rated D.C. Voltage)				
Catalog No.	Color	1 1/2 Hours	2 Hours	Comments
EPX5000P	White	10.8	7.2	When used with PLX Series Steel Exits, one additional DC lamp is required (Total: 3 lamps) – Order DCE6 or DCE63
EPX5000B	Black	10.8	7.2	(Total: 3 lamps) – Order DCE6 or DCE63

- 22 gauge steel housing
- Choice of two finishes
- Sealed lead calcium battery
- Maintenance free, long life
- Full recharge time, 24 hrs. (max.)
- Polarized battery terminals
- Two 6V, 3.6W DC wedge base lamps included



**CAX EMERGENCY POWER PACK**

**DESCRIPTION**

Emergency Power Pack for converting AC Only Incandescent CAX Series Exits to Self-Powered Emergency Exits (DC Lamp Kit included).

Dual-voltage input 120/277 VAC, 60Hz, line-latching, Solid-state voltage limited charger, Solid-State switching, low-voltage disconnect, brownout circuit, overload/short-circuit protection, test switch/power indicator light.

**ORDERING INFORMATION**

Emergency Power Pack (Rated Wattage to 87 1/2% of Rated D.C. Voltage)				
Catalog No.	Color	1 1/2 Hours	2 Hours	Comments
CAX3PP	Black	10.8	7.2	CAX Series Incandescent Exits and CAX/LED ACR
CAX3PPW	White	10.8	7.2	CAX Series Incandescent Exits Only
CAX3PPBZ	Bronze	10.8	7.2	CAX Series Incandescent Exits and CAX/LED ACR

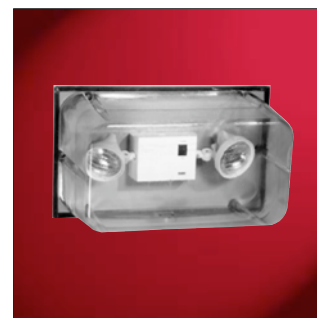
- Die cast canopy with electronics package
- Choice of three finishes
- Sealed Lead Calcium Battery,
- Two 6V, 3.6W DC wedge base lamps included

**ORDERING INFORMATION**

Cat. No.	Length	Height	Depth	For use with
VS1	21" (533mm)	11" (279mm)	10" (254mm)	AA, CAX, CC, CCX (AC only or Self-Powered), CHX (AC only), CU, LM, P4C, PLX (AC only), R/G/CX/OF, CX, LPX (without heads), ST Series; Remote Heads
VS1WP	21" (533mm)	11" (279mm)	10" (254mm)	AA, CAX, CC, CCX (AC only or Self-Powered), CHX (AC only), CU, LM, P4C, PLX (AC only), R/G/CX/OF, CX, LPX (without heads), ST Series; Remote Heads
VS2	21" (533mm)	19" (483mm)	11" (279mm)	CCX (with Heads), CHX (Self-Powered), UN/UNH (Self-Powered or with Heads), HR, NCB (except NCB12225), PLX (Self-Powered or with Heads), LPX (with heads), UMB, XR Series, CC7, CC8
VS2WP	21" (533mm)	19" (483mm)	11" (279mm)	CCX (with Heads), CHX (Self-Powered), UN/UNH (Self-Powered or with Heads), HR, NCB (except NCB12225), PLX (Self-Powered or with Heads), LPX (with heads), UMB, XR Series CC7, CC8

**DESCRIPTION**

- Made of durable, high-impact, UV-resistant clear polycarbonate material
  - Self-adhesive closed-cell neoprene gaskets provided with "WP" weather resistant versions
  - "WP" weather resistant versions are provided with gasketed breather vent
- UL 924 Rain Test (SD4.6), UL 924 Water Shield Impact Test (SD4.10)



**POLYCARBONATE VANDAL SHIELD/ WEATHER SHIELD**

**ORDERING INFORMATION**

Catalog No.	Length	Height	Depth	For use with
WG1	18" (457mm)	15" (381mm)	6" (152mm)	CC, LM1, AA, XR, CU2, CAX (Incandescent/ Fluorescent, Self-Powered, Surface Mount) Series
WG2	18" (457mm)	15" (381mm)	10" (254mm)	PLX (with heads), UNH (with heads), CCX (with heads) & CHX (with heads)
WG3	23" (584mm)	20" (508mm)	12" (305mm)	HR180, HR12170, HR12210, HR12360, NCB45, NCB90, NCB110, NCB1290, NCB12180 Series, CC7, CC8
WG4	32" (812mm)	21" (533mm)	12" (305mm)	NCB12225 Series
WG5	16" (406mm)	16" (406mm)	14" (356mm)	SLC1, CFR1 Series
WG6	26" (660mm)	16" (406mm)	14" (356mm)	SLC2, CFR2 Series
WG7	16" (406mm)	16" (406mm)	9" (229mm)	P4C, RLM, RD, R4C, HR87, HR117, HR12117, UMB, UMX Series
WG8	8" (203mm)	8" (203mm)	8" (203mm)	Single Head Remotes
WG9	16" (406mm)	8" (203mm)	8" (203mm)	Double Head Remotes, ST1
WG10	13 3/4" (349mm)	13 3/8" (340mm)	4 3/8" (111mm)	R, G, CX, UN, UNH, PLX, CCX, SLX, LPX/LPXH, INCX, TRX, CAX (Incandescent/ Fluorescent, AC), CAX-LED Series (Surface Mount Only—CU2), CHX
WGS11	13 5/8" (346mm)	16 3/4" (425mm)	4" (102mm)	R, G, CX, UN, UNH, PLX, CCX, SLX, LPX/LPXH, CAX, INCX, TRX Series (End or Ceiling Mount Only), CHX
WG12	27 1/2" (698mm)	14" (356mm)	8" (203mm)	GC Series, LPX (with heads-wall)
WG17	27 1/2" (698mm)	12" (305mm)	14 1/2" (368mm)	GC Series, LPX (with heads-ceiling or wall)
WG19	21" (533mm)	15" (381mm)	6" (152mm)	CU1 Series

**DESCRIPTION**

- Wire Guards**
- All metal wire guard for exits or emergency units
  - .177" (5mm) diameter 7 gauge steel round wire
  - Non reflective zinc plated finish
  - Hinged sides hook in place (except WGS11 which is not hinged)
  - Screw eyes provided for mounting



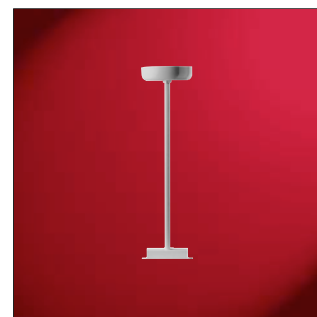
**WIRE GUARDS**

**ORDERING INFORMATION**

Pendant Kits			
Catalog No.	Finish	Length	For use with
PK18WH	White	18"	R/G/CX/OF/SLX/UN/UNH/ PLX Series Steel Exits
PK18BK	Black	18"	R/G/CX/OF/SLX/UN/UNH/ PLX Series Steel Exits
CCX18PKWH	White	18"	CCX/LPX Series Exits
CCX18PKBK	Black	18"	CCX/LPX Series Exits
CAX18PKWH	White	18"	CAX Series Exits with incandescent or compact fluorescent lamps which are 120/277VAC Only or are self-powered emergency; all CAX Series Exits with LED lamps, CX6 & CX7 Series, HR Series and CU2 Series
CAX18PKBK	Black	18"	
CAX18PKBZ	Bronze	18"	

**DESCRIPTION**

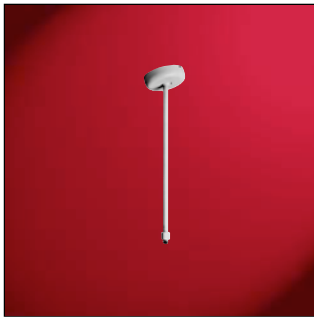
- Pendant Kit**
- Pendant Kit for pendant mounting of exits
  - No electrical components
  - Includes canopy, mounting hardware, threaded stem and attachment bracket
  - CAX Series Pendant Kit may require CAX Series Splice Box



**PENDANT KITS**

**Note:** Contact Cooper Lighting Representative for Custom Lengths

# SURE-LITES®



## HANG-TRUE PENDANT KIT

### DESCRIPTION

#### Hang-True Pendant Kit

- Pendant Kit for mounting of exit signs on sloped ceilings up to 45°
- No electrical components
- Includes canopy, mounting hardware, threaded stem and attachment bracket
- CAX Series Hang-True Pendant kit may require CAX Series splice box

### ORDERING INFORMATION

#### Hang-True Pendant Kits

Catalog No.	Finish	Length	For use with
PK18HTWH	White	18"	R/G/CX3/OF/UNH/PLX/SLX Series Steel Exits
PK18HTBK	Black	18"	R/G/CX3/OFUNH/PLX/SLX Series Steel Exits
CCX18PKHTWH	White	18"	CCX/LPX Series Exits
CCX18PKHTBK	Black	18"	CCX/LPX Series Exits
CAX18PKHTWH	White	18"	CAX Series Exits with incandescent or compact fluorescent lamps which are 120/277VAC Only or are self-powered emergency; all CAX Series Exits with LED lamps, CX6 & CX7 Series and CU2 Series
CAX18PKHTBK	Black	18"	
CAX18PKHTBZ	Bronze	18"	

**Note:** Contact Cooper Lighting Representative for Custom Lengths



## CANOPY KITS

### DESCRIPTION

#### Canopy Kit

- Canopy for end or top mounting of exits. No electrical components
- CAN Series – Impact-resistant, injection molded thermoplastic
- QE Series – Die cast 380 aluminum alloy
- Includes mounting plate and mounting hardware

### ORDERING INFORMATION

#### Canopy Kits

Catalog No.	Finish	For use with
CAN571	White	R/G/CX3/OF/UN/UNH/PLX/SLX Series Steel Exits
CAN578	Black	R/G/CX3/OF/UN/UNH/PLX/SLX Series Steel Exits



## CAX SERIES SPLICE BOX

### DESCRIPTION

#### CAX Series Splice Box

- Splice Box provides wire splicing compartment for CAX Series Exits with incandescent or compact fluorescent lamps which are 277V AC Only or are self-powered and employ a CAX Series Pendant Kit.

**Note:** This accessory is not required for CAX-LED Series Exits

### ORDERING INFORMATION

#### CAX Series Splice Box

Catalog No.	Finish	For use with
CAXSBOXWHSP	White	Required for CAX Series Exits with incandescent or compact fluorescent lamps which are 277V AC Only or are self-powered and utilize any CAX Series Pendant Kit
CAXSBOXBKSP	Black	
CAXSBOXBZSP	Bronze	277V AC Only or are self-powered and utilize any CAX Series Pendant Kit

**ORDERING INFORMATION**

Catalog No.	Description	For use with
EMS277	277V Switching Accessory	H-274-EM, RBP Series

- No electrical components
- 18 gauge die formed steel
- Specify white, black, or bronze finish
- Installs directly to Pendant Kit stem and above 277V canopy or self-powered power pack

**DESCRIPTION**

**277V Switching Accessory**  
Switching Kit required for 277V installations with RBP Series, H274EM. Enables fixture to be turned off without activating the emergency mode while maintaining a charge to the batteries. If a power failure occurs, the fixture switches to emergency mode and illuminates. 277 VAC operation. Requires switched and unswitched 277 VAC connections. One EMS-277 Switching Accessory required per fixture to be switched. Mounts to fixture junction box.



**SWITCHING ACCESSORIES**

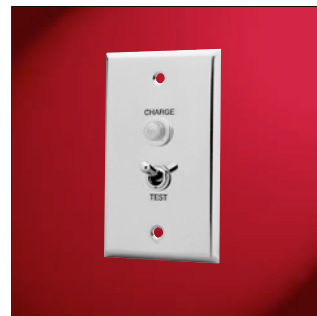
**ORDERING INFORMATION**

Remote Test Switch & Pilot Light		
Catalog No.	Description	For use with
1RTPL	Remote Test Switch & Pilot Light	Almost any emergency unit or self-powered exit

**DESCRIPTION**

**Remote Test Switch & Pilot Light**

- Supplied with wiring pigtails
- Power indicator lamp
- Test switch allows battery and lamp check from remote location
- Wires to 120 VAC
- Check local codes for maximum fixture to test switch distance



**REMOTE TEST SWITCH & PILOT LIGHT**

**ORDERING INFORMATION**

Cordsets	
Catalog Number	Description
CSK120	120V Cordset
CSK277	277V Cordset with standard NEMA L7-20P plug

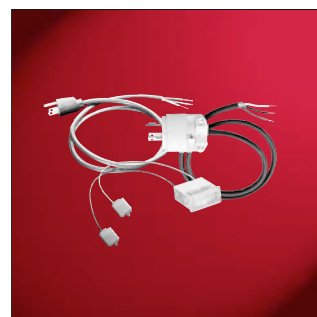
  

Voltmeter	
Catalog Number	Description
VK1	Voltmeter (Range: 0-15 Volts)

**DESCRIPTION**

**Cordsets**

- Accessory Cordsets for use with units and unswitched 24- hour supply outlets. 120V or 277V three prong 3' cordsets
- Field Installed Voltmeter allows check of battery output. Voltage range is 0-15 Volts. Provides convenient indication of battery voltage



**CORDSETS**

# SURE-LITES®



## MOUNTING BRACKETS, MOUNTING SHELVES

### DESCRIPTION

#### Mounting Brackets & Shelves

- Mounting Brackets and Shelves simplify installation of Emergency Lighting Units
- 18 gauge steel brackets, 20 Gauge steel Shelves
- Available in Grey, Black and White finishes – specify color when ordering

### ORDERING INFORMATION

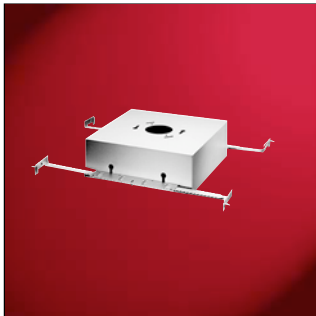
#### Mounting Brackets

Catalog No.	Description	For use with
1BR_*	Mounting Brackets (set of 2)	CC, LMT, AA Series, ST1, and XR Series
3BR_*	Mounting Brackets (set of 3)	HR Series and NCB Series

#### Mounting Shelves

Catalog No.	Description	Length	Height	Depth
1MS_*	Mounting Shelf	14"	10"	4"
		(356mm)	(254mm)	(102mm)
2MS_*	Mounting Shelf	15 3/4"	12"	7 1/4"
		(400mm)	(305mm)	(184mm)
3MS_*	Mounting Shelf	17 3/4"	13 1/2"	8 3/4"
		(451mm)	(343mm)	(222mm)

\*Finish Codes: GY-Grey, BK-Black, WH-White – Add suffix to catalog number when ordering (eg. 1MSGY)



## RECESSING KITS

### DESCRIPTION

#### Recessing Kits

- Recessing Kits allow fully recessed or semi-recessed installation of P4C Series Emergency Unit and R4C Series Remote. No electrical components
- 20 gauge steel mounting box
- Two piece adjustable bar hangers span up to 24"

### ORDERING INFORMATION

#### Recessing Kits for P4C Series

Catalog Number	Description	For use with
FRK1	Fully Recessing Kit	P4C Series Emergency Unit, R4C Series Remote
USF1	Semi-Recessing Kit	P4C Series Emergency Unit, R4C Series Remote



## TAMPERPROOF SCREWS & SCREWDRIVER BITS

### DESCRIPTION

#### Tamperproof Screws & Screwdriver Bits

- Tamperproof Screws and Screwdriver Bit for use in Steel Exits
- Restricts access to internal exit or emergency lighting unit compartments
- Ideally suited for use in schools, hotels, public places of assembly, etc
- Increases the likelihood that the product will be functional in an emergency situation

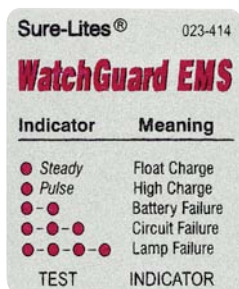
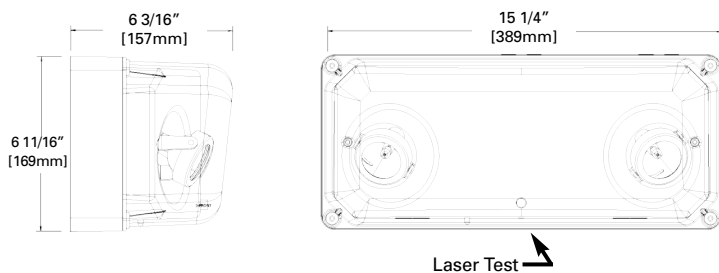
### ORDERING INFORMATION

#### Tamperproof Screws & Screwdriver Bits

Catalog No.	Description	For use with
TPK1CP	Four #6 Centerpin Torx Zinc Plated Pan Head Sheet Metal Screws	R/G/CX/OF/EP/EPH/UN/UNH/PLX Series Steel Exits, XR, AA, HR and NCB Series
0590A638SP	One #6 Centerpin Torx Screwdriver Bit	R/G/CX/OF/EP/EPH/UN/UNH/PLX Series Steel Exits, XR, AA, HR and NCB Series
059012SP	One #8 Centerpin Torx Screwdriver Bit	VP Series Exits
0590A639SP	One #8 Heavy Duty Centerpin Torx Screwdriver Bit	TPX Series Exits
VRSD	One #8 Centerpin Torx Screwdriver	CAR, CAX, CCX, UX, UEL Series
VRSPD	One #6 Spanner Screwdriver	"STL" StairLite



**DIMENSIONS**



**Self-Diagnostics**

The self-diagnostic unit will automatically perform the tests required by the NFPA 101 Fire Safety Code. The system indicates the status of the unit at all times using an LED indicator that is located near the test switch.



Verify proper operation of the transfer circuit and emergency lamps with a convenient laser pointer (sold as an accessory).

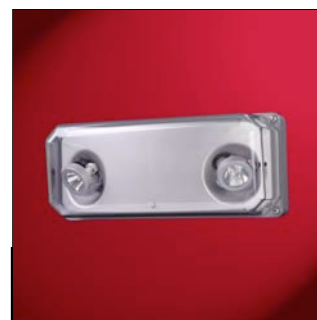


**DESCRIPTION**

The Sure-Lites UEL NEMA 4X Emergency Light is designed for those emergency lighting applications where ruggedness and dependability are a must. Designed for the most severe environments, the UEL Emergency Light will provide maximum performance against rain, moisture, cold, corrosives and dust.

The UEL's standard features include a die cast housing, nickel cadmium battery, self-diagnostics, photocell LASER test and MR16 lamps. In addition, an injection molded, polycarbonate shield provides protection against moisture, rain, and vandalism. (4) Torx head tamperproof screws with center-pin reject provide additional vandal-proof security.

The unique design and features make the UEL Emergency Light compatible in food processing facilities, outdoor parking garages, walk-in freezers and other indoor/outdoor severe environments.



**UEL SERIES**

**Ultimate Emergency Light**

**CHICAGO CODE EMERGENCY LIGHTING**

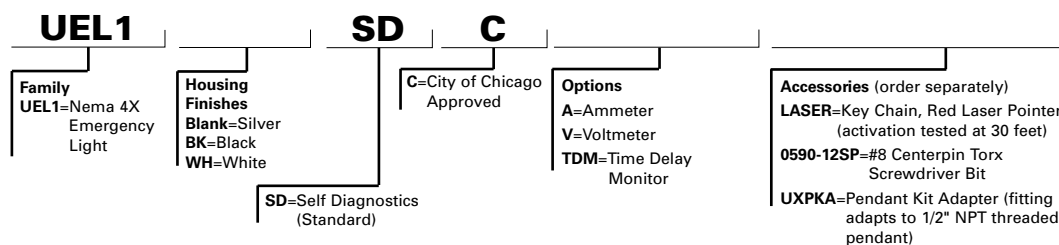
- > NEMA 4X, UL50 Listed
- > Dual-voltage input 120/277VAC, 60Hz, Isolation Transformer
- > Die cast aluminum housing with powder coat finish
- > (2) Adjustable MR16 lamps
- > Nickel Cadmium Battery
- > Fully recharged in 24 hours
- > Vandal Proof
- > UV stable, glass-clear polycarbonate, vandal resistant shield (.150" thick) with Torx head tamperproof screws, stainless steel
- > T1 Haz Lamp Rating
- > Watchguard EMS Self-Diagnostic System
- > Photocell Test Switch (requires accessory LASER for activation)
- > UL 924 Outdoor Wet Location Listed (suitable for wet and damp locations)
- > NSF, National Sanitation Foundation/Splash Zone (for Food Processing)
- > IP66, Ingress Protection from IEC (International Electrical Commission)
- > Cleanroom Class 10,000
- > Patent Pending
- > City of Chicago approved

**ELECTRICAL RATINGS**

Model	Rated Wattage to 87 1/2% of Rated D.C. Voltage		Lamp Information			
	DC Voltage	1 1/2 Hours	Type	Wattage	Number	Spacing <sup>1</sup>
UEL1SD	12	24	MR16	12	29-141	50.0'

**ORDERING INFORMATION**

SAMPLE NUMBER: UEL1SDC



**Energy Data**

Model No.	Input Current (Max.):	
	120V	277V
UEL1SD	.09A	.03A

<sup>1</sup>The "Rule of Thumb" spacing guidelines are designed to achieve 1 foot-candle average and 0.1 foot-candle minimum with a 40:1 maximum/minimum ratio. The corridor used is 100 feet long, 9 feet ceiling with a 6 feet wide walkway and 3 feet path of egress. The reflectances are 80% ceiling, 50% walls and 20% floors. The fixture mounting height is 7.0 feet with a lamp head angle of 45 degrees. Cooper Lighting assumes no responsibility for local requirements or specific project variables. This is a guideline to be used as a design aid, not as guarantee of any code compliance.

**SURE-LITES®**



**CHEL SERIES**

Die Cast Aluminum

CHICAGO CODE  
EMERGENCY LIGHTING

- > Dual Voltage input, 120/277 VAC, 60 Hz
- > Die cast aluminum housing with powder coat finish
- > Two 6V 12W MR16 lamps
- > Sealed Lead Calcium Battery
- > Watchguard EMS Self-Diagnostic System
- > Photocell Test Switch (requires accessory LASER for activation)
- > UL924 Listed, Damp location listed, Life Safety NFPA 101, NEC/OSHA, most state and local codes
- > City of Chicago Approved

**DESCRIPTION**

The Sure-Lites CHEL Emergency Light provides a distinct solution to any emergency lighting application. Constructed of die cast aluminum, the CHEL presents not only a unique shape and design but also provides dependable strength and durability. The two, fully adjustable, high efficiency 12W MR16 lamps provide maximum path of egress performance. The standard Watchguard EMS self-diagnostic system meets NFPA 101 testing requirements providing assurance that the unit is working properly at all times. The Sure-Lites LASER test feature allows remote, 30 second confidence testing of the emergency light upon demand.

Sure-Lites® 023-414

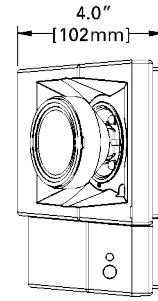
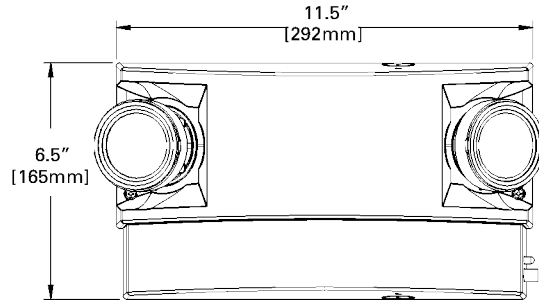
**WatchGuard EMS**

Indicator	Meaning
● Steady	Float Charge
● Pulse	High Charge
● - ●	Battery Failure
● - ● - ●	Circuit Failure
● - ● - ● - ●	Lamp Failure
TEST	INDICATOR

**Self-Diagnostics**

The self-diagnostic unit will automatically perform the tests required by the NFPA 101 Life Safety Code. The system indicates the status of the unit at all times using an LED indicator that is located near the test switch.

**DIMENSIONS**



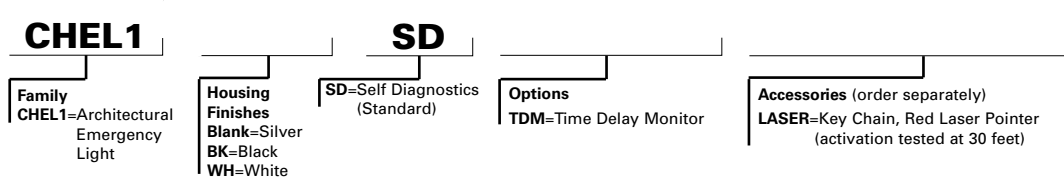
Verify proper operation of the transfer circuit and emergency lamps with a convenient laser pointer (sold as an accessory).

**ELECTRICAL RATINGS**

Model	Rated Wattage to 87 1/2% of Rated D.C. Voltage		Lamp Information			
	DC Voltage	1 1/2 Hours	Type	Wattage	Number	Spacing <sup>1</sup>
<b>CHEL1SD</b>	<b>6</b>	<b>24</b>	<b>MR16</b>	<b>12</b>	<b>29-140</b>	<b>50'</b>

**ORDERING INFORMATION**

SAMPLE NUMBER: 6CHEL1SD



<sup>1</sup>The "Rule of Thumb" spacing guidelines are designed to achieve 1 foot-candle average and 0.1 foot-candle minimum with a 40:1 maximum/minimum ratio. The corridor used is 100 feet long, 9 foot ceiling with a 6 foot wide walkway and 3 foot path of egress. The reflectances are 80% ceiling, 50% walls and 20% floors. The fixture mounting height is 7.5. Cooper Lighting assumes no responsibility for local requirements or specific project variables. This is a guideline to be used as a design aid, not as guarantee of any code compliance.

**DIMENSIONS**

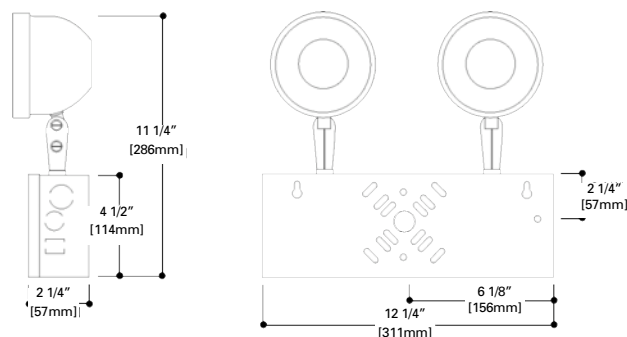


Figure 1

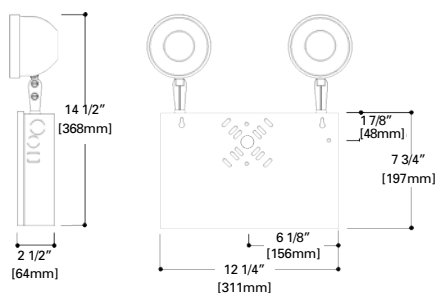


Figure 2

**DESCRIPTION**

The XR Series is an efficient, rugged, commercial grade emergency light. Most units have the extra capacity to power remote heads for added application flexibility.



**XR6C  
XR1624C  
XR16C**



**XR7C  
XR9C  
XR20C  
XR21C  
XR12206C  
XR12208C**

**XR SERIES**

Steel

CHICAGO CODE  
EMERGENCY LIGHTING

- > Dual-voltage input 120/277VAC, 60Hz
- > 22 gauge die formed steel
- > White finish
- > Two fully adjustable metal heads with die cast swivel - top mounted
- > Sealed Lead Calcium or Premium Nickel Cadmium batteries
- > Knockout, conduit or cord set
- > Universal J-box mounting pattern, keyhole slots
- > Remote capability
- > Line-latching, solid-state voltage limited charger, solid-state switching, low-voltage disconnect, brownout circuit, over-load/short-circuit protection, test switch/power indicator light
- > UL 924 Listed , Life Safety NFPA 101, NEC/OSHA, most state and local codes.
- > City of Chicago approval Number 3238

**ELECTRICAL RATINGS**

Model	Type	Rated Wattage to 87 1/2% of Rated D.C. Voltage				Lamp Information			
		DC Voltage	1 1/2 Hours	Lamp Watts	Remote Watts	Figure	Type	Wattage	Number
XR6C	SLC	6	27	24	3	1	Halogen	12	29-66
XR7C	SLC	6	36	24	12	2	Halogen	12	29-66
XR9C*	SLC	6	54	24	30	2	Halogen	12	29-66
XR1624C	SNC	6	24	24	0	1	Halogen	12	29-66
XR16C	SNC	6	50	24	26	1	Halogen	12	29-66
XR20C	SNC	12	30	24	6	2	Halogen	12	29-45
XR21C	SNC	12	50	24	26	2	Halogen	12	29-45
XR12206C	SLC	12	36	24	12	2	Halogen	12	29-45
XR12208C	SLC	12	54	24	30	2	Halogen	12	29-45

\*XR9C is UL Listed for 4 hours with 24 watt lamp load only - No remote load  
SLC=Sealed Lead Calcium  
SNC=Sealed Nickel Cadmium

**ORDERING INFORMATION**

SAMPLE NUMBER: XR6C

<p><b>Model Number</b> XR6C XR1624C XR16C XR7C XR9C XR20C XR21C XR12206C XR12208C</p>	<p><b>Options</b> (add as suffix) <b>Alternate Lamps</b><sup>1</sup> A=Ammeter<sup>2</sup> SD=Self Diagnostics<sup>3</sup> TDM=Time Delay Monitor V=Voltmeter<sup>2</sup> <b>Other Options</b><sup>1</sup></p>	<p><b>Accessories</b> (order separately) 1BRWH=Mounting Brackets (2) - White 1MSWH=Mounting Shelf - White VK1=Voltmeter WG1=Wire Guard</p>
---	--	--

**ENERGY DATA**

Model No.	Input Current (Max.):		Model No.	Input Current (Max.):	
XR6C	120V= .21A	277V= .10A	XR20C	120V= .08A	277V= .03A
XR7C	120V= .20A	277V= .09A	XR21C	120V= .11A	277V= .05A
XR9C	120V= .21A	277V= .10A	XR12206C	120V= .29A	277V= .13A
XR1624C	120V= .08A	277V= .03A	XR12208C	120V= .28A	277V= .12A
XR16C	120V= .08A	277V= .04A			

<sup>1</sup>Consult Cooper Lighting Representative. <sup>2</sup>XR6C, XR1624 and XR16C housings have provision for one meter only.  
<sup>3</sup>XR7C, XR9C, XR16C not available with SD.

**SURE-LITES®**



**HR87C  
HR117C  
HR12117C**

**Steel  
High Capacity**



**HR180C  
HR12170C  
HR12210C  
HR12360C**

**Steel  
Ultra-High Capacity**

**CHICAGO CODE  
EMERGENCY LIGHTING**

- > Dual-voltage input 120/277VAC, 60Hz
- > 18 gauge die formed steel housing and cover
- > White finish
- > Two top mounted, fully adjustable, white, metal heads with die-cast swivel standard
- > Sealed lead-calcium battery
- > Knockout, conduit or cord set
- > Remote capability
- > Line-latching, Solid-State voltage limited charger, Solid-State switching, low-voltage disconnect, brownout circuit, overload/short-circuit protection, test switch/power indicator light
- > UL 924 Listed, Life Safety NFPA 101, NEC/OSHA, most state and local codes
- > City of Chicago approval Number 3238

**DESCRIPTION**

The real workhorse in emergency lighting systems...these durable, reliable units are unparalleled in performance and provide freedom from maintenance.

The HR Series units provide a low cost, solid-state lighting system for applications in industrial, commercial, or multi-housing environments. High and Ultra High capacity makes them ideal for installations where a large number of heads/exits will be remotely operated.

**DIMENSIONS**

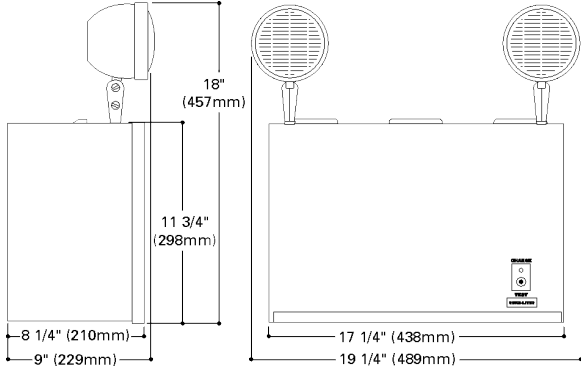


Figure 1. Ultra High Capacity

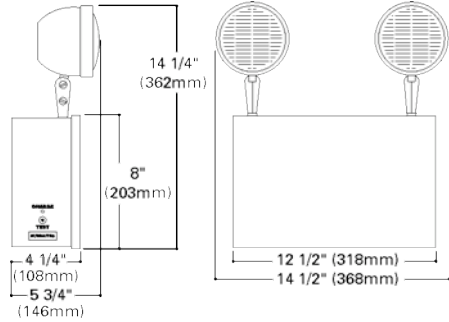


Figure 2. High Capacity

**ELECTRICAL RATINGS**

Model	Type	Rated Wattage to 87 1/2% of Rated D.C. Voltage					Lamp Information		
		DC Voltage	1 1/2 Hours	Lamp Watts	Remote Watts	Figure	Type	Wattage	Number
HR87C	SLC	6	87	24	63	1	Halogen	12	29-66
HR117C	SLC	6	117	24	93	1	Halogen	12	29-66
HR12117C	SLC	12	117	24	93	1	Halogen	12	29-45
HR180C	SLC	6	180	24	156	2	Halogen	12	29-66
HR12170C	SLC	12	170	24	146	2	Halogen	12	29-45
HR12210C	SLC	12	210	24	186	2	Halogen	12	29-45
HR12360C	SLC	12	360	24	336	2	Halogen	12	29-45

\*Batteries may be shipped separately.  
SLC=Sealed Lead Calcium

**ORDERING INFORMATION**

SAMPLE NUMBER: HR87CTDM

**Model Number**  
HR87C  
HR117C  
HR12117C  
HR180C  
HR12170C  
HR12210C  
HR12360C

**Options (add as suffix)**  
**Alternate Lamps<sup>1</sup>**  
A=Ammeter  
V=Voltmeter  
TDM=Time Delay Monitor  
**Other Option<sup>1</sup>**

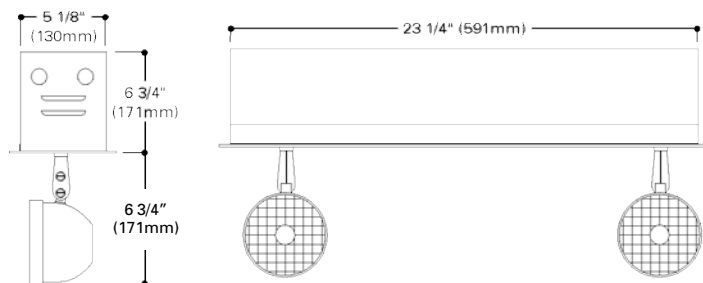
**Accessories (order separately)**  
VK-1 =Voltmeter  
3BRWH =Mounting Brackets, White Finish  
2MSWH =Mounting Shelf, White Finish (For High Capacity Fixtures)  
3MSWH=Mounting Shelf, White Finish (For Ultra High Capacity Fixtures)  
CSK120=Cord Set 120VAC  
CSK277=Cord Set 277VAC  
VS2=Polycarbonate Vandal Shield  
WG7=Wire Guard, For High Capacity Fixtures  
WG3=Wire Guard, For Ultra High Capacity Fixtures

**Energy Data**

Model No.	Input Current (Max.):	
	120V	277V
HR87C	.50A	.21A
HR117C	.53A	.22A
HR12117C	.26A	.13A
HR180C	.98A	.43A
HR12170C	1.08A	.45A
HR12210C	1.02A	.47A
HR12360C	1.17A	.54A

<sup>1</sup>Consult your Cooper Lighting Representative.

**DIMENSIONS**



**DESCRIPTION**

The GC Series combines a clean, sleek, contemporary appearance with state-of-the-art electronics. Specifically designed for initial and retrofit installations where a recessed unit is required to maximize aesthetics. The unit is ideal for locations with limited wall space and where panoramic positioning is necessary for the ceiling mounted lampholders to provide proper light distribution. Ideal for stores, offices, hospitals and school corridors.



**GC SERIES**

**Steel  
Recessed**

**CHICAGO CODE  
EMERGENCY LIGHTING**

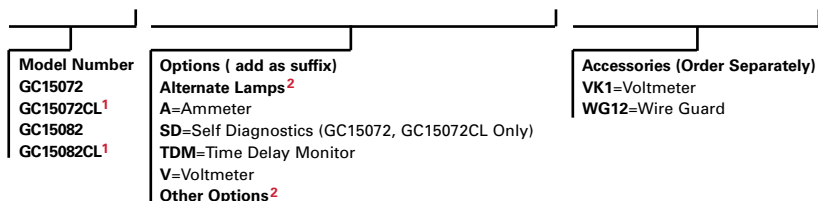
**ELECTRICAL RATINGS**

Model	Rated Wattage to 87 1/2% of Rated D.C. Voltage			
	DC Voltage	2 Hours	3 Hours	4 Hours
GC15072	6	24	18	14
GC15072CL <sup>1</sup>	6	24	18	14
GC15082	6	48	36	28
GC15082CL <sup>1</sup>	6	48	36	28

Lamp Information		
Type	Wattage	Number
Halogen	12	29-15
Halogen	12	29-15
Halogen	12	29-15
Halogen	12	29-15

**ORDERING INFORMATION**

SAMPLE NUMBER: GC15072V



**ENERGY DATA**

Model No.	Input Current (Max.):	
	120V	277V
GC15072, GC15072CL	.12A	.05A
GC15082, GC15082CL	.12A	.05A

- > Dual-voltage input 120/277VAC, 60Hz
- > 20 gauge die-formed steel housing
- > White finish
- > Metal heads available in round or cylinder styles
- > Heads match housing finish
- > Knockout, conduit or cord set
- > Flanged for mounting in grid type suspended ceilings
- > Single modular electrical connector
- > Line-latching, solid-state voltage limited charger, solid-state switching, low-voltage disconnect, brownout circuit, overload/short-circuit protection, test switch/power indicator light
- > UL 924 Listed , Life Safety NFPA 101, NEC/OSHA, most state and local codes.
- > City of Chicago approval Number 3238
- > Chicago Plenum mark (CEEA - City of Chicago Environmental Air)

<sup>1</sup>CL=Cylinder Type Heads. <sup>2</sup>Consult your Cooper Lighting Representative.

**SURE-LITES®**



**ST1 SERIES**

Steel

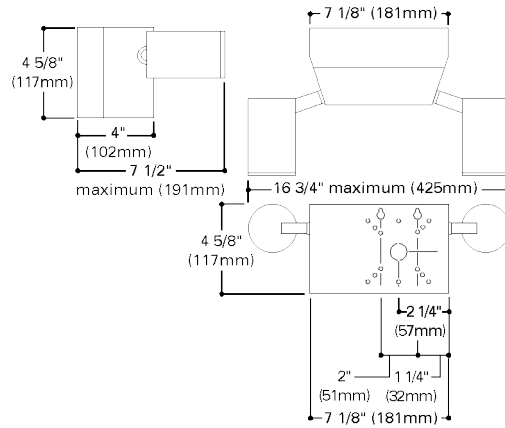
CHICAGO CODE  
EMERGENCY LIGHTING

- > Dual-voltage input 120/277VAC, 60Hz
- > 18 gauge die formed steel housing
- > Two side mounted fully adjustable heads, glare free lens
- > White finish
- > Knockout, conduit or cord Set
- > Universal J-box mounting pattern, keyhole slots
- > Line-latching, Solid-State voltage limited charger, Solid-State switching, low-voltage disconnect, brownout circuit, overload/short-circuit protection, test switch/ power indicator light
- > UL 924 Listed , Life Safety NFPA 101, NEC/OSHA, most state and local codes.
- > City of Chicago approval Number 0590E

**DESCRIPTION**

An attractive, compact emergency lighting unit, the ST1 is packaged in a flame-resistant metal housing. It is ideal for providing emergency lighting in commercial and institutional environments where appearance and ease of installation are critical.

**DIMENSIONS**



**ELECTRICAL RATINGS**

Model	Rated Wattage to 87 1/2% of Rated D.C. Voltage			Lamp Information		
	DC Voltage	1 1/2 Hours	2 Hours	Type	Wattage	Number
ST1	6	27	24	Tungsten Halogen	12	29-66

**ORDERING INFORMATION**

SAMPLE NUMBER: ST1

Model Number	Accessories (Order Separately)
ST1	1BRWH=Mounting Brackets (2) - White 1MSWH=Mounting Shelf - White VK1=Voltmeter WG9=Wire Guard

**ENERGY DATA**

Model No.	Input Current (Max.):	
	120V	277V
ST1	.12A	05A

**DIMENSIONS**



Model	Dimensions		
	A	B	C
FBP140X	9.4"	2.4"	1.5"
FBP240U	9.4"	2.4"	1.5"
FBP240M	9.4"	2.4"	1.5"
FBP240H	13.3"	2.4"	1.5"
FBP240C	9.4"	2.4"	1.5" (Flex=28"L)
FBP240D	9.4"	2.4"	1.5" (Flex=28"L)
FBP3500	16.3"	5.5"	1.7" (Flex=28"L)

**DESCRIPTION**

When AC power fails, the Sure-Lites FBP Emergency Battery Pack automatically switches on. It maintains illumination of one or two lamps for a minimum of 90 minutes. UL Listed for field retrofit installation.



**FBP SERIES**

**Fluorescent Battery Pack**

**CHICAGO CODE**

**EMERGENCY LIGHTING**

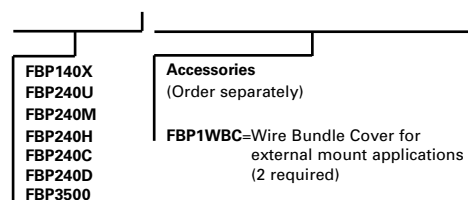
- > Dual-voltage input 120/277VAC, 60Hz
- > Compatible with many different lamp types
- > Sealed nickel cadmium batteries
- > Solid-State charger, overload/short-circuit protection, test switch/power indicator light
- > Can be installed inside or on top of a fixture
- > May be used with switched or unswitched fixtures
- > Compatible with many ballast types including standard, rapid-start, slimline, instant-start, energy-saving, dimming and electronic AC ballasts - consult your Cooper Lighting Representative regarding specific applications
- > UL 924 Listed, UL Listed for Retrofit/ Field Installation, Life Safety NFPA 101, NEC/OSHA, most state and local codes
- > Chicago approved

**ELECTRICAL RATINGS AND ORDERING INFORMATION**

Model	Lamp Type	Number of Lamps Operated in Emergency Mode	Initial Lumens
FBP140X	20W-40W, 2'-4', T8-T12 U-shaped, circleline, 2D, energy saving, rapid start (4-pin, 2G11) long compact fluorescent	One	350-450
FBP240U	17W-215W, 2'-8', T8-T12 HO, VHO, U-shaped, circleline, 2D, energy saving, rapid start (4-pin, 2G11) long compact fluorescent	One	600-700
FBP240M	17W-215W, 2'-8', T8-T12 HO, VHO, U-shaped, circleline, 2D, energy saving, rapid start (4 pin, 2G11) long compact fluorescent	One-20W to 215W (2'-8') One-20W to 39W long compact fluorescent One or Two-20W to 40W (2'-4')	600-700
FBP240H	17W-215W, 2'-8', T8-T12 HO, VHO, U-shaped, circleline, energy saving, rapid start (4-pin, 2G11 or G24q) long compact fluorescent	One or Two - 17W to 24W One or Two - 32W to 40W (2'-4') One - 40W to 215W (5'-8') One or Two - 18W to 39W long compact fluorescent One or Two - 18W to 28W quad compact fluorescent	1100-1400 (700-1000 for long compact fluorescent)
FBP240C	6W-28W tubular without integral starter, 13W-42W 4-pin twin, quad, or triple twin-tube compact fluorescent without integral starters	One or Two-6W to 28W tubular One or Two-13W to 32W or One-42W 4-pin compact fluorescent	300-750
FBP240D	18W-26W quad tube with integral starter in two pin base	One-18W to 26W compact fluorescent	300-650
FBP3500	17W-215W, 2'-8', T-8-T12 HO, VHO, U-shaped circleline, energy saving and (4-pin, 2G11, G24Q, or GX240) twin, quad and triple twin-tube compacts	One or Two-17W to 40W (2'-4") One-40W to 215W (5'-8") One or Two-18W to 49W long compact fluorescent One-40W to 55W long compact fluorescent One or Two-18W to 42W 4-pin compact fluorescent	1450-3500

**ORDERING INFORMATION**

SAMPLE NUMBER: FBP140X



**Energy Data**

Model No.	Input Power
	120V
FBP140X	4.5W
FBP240U	5.3W
FBP240M	5.3W
FBP240H	5.8W
FBP240C	5.3W
FBP240D	3.5W
FBP3500	8.0W

# SURE-LITES®



## CHX SERIES

Steel  
AC Only

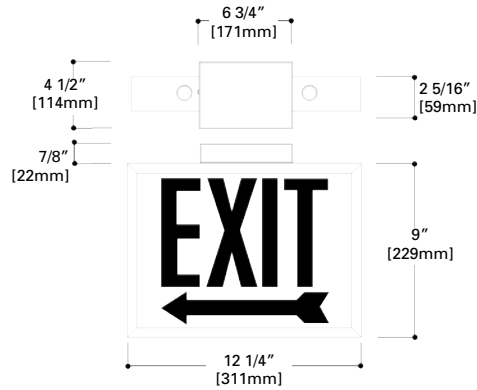
CHICAGO CODE  
EXIT LIGHTING

- > Dual 120/277 VAC input voltage, LED only
- > 120 VAC input voltage, Incandescent and Fluorescent only
- > 20 gauge steel housing, white finish
- > LED, Incandescent, or Fluorescent lamping
- > Universal pattern knockouts on rear for direct mounting to junction box
- > Steel canopy (where supplied) allows ceiling or end mounting
- > Full length 3/4" stroke arrow on directional exits
- > Red silkscreened lettering on white translucent, heat tempered, Impact-resistant glass lens
- > Other open face lenses available – consult Cooper Lighting Representative
- > Lens installs from side of fixture for more convenient, safe maintenance
- > Louvered downlight standard
- > UL Damp Location Listed
- > UL 924 Listed , Life Safety NFPA 101, NEC/OSHA,
- > City of Chicago Approved

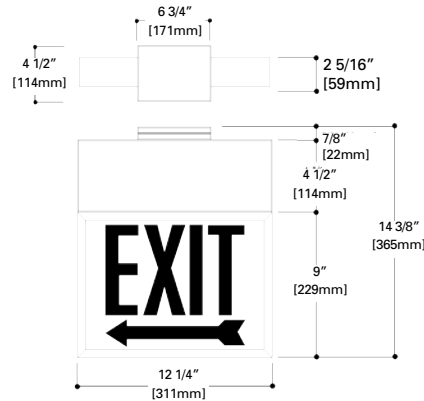
### DESCRIPTION

The Sure-Lites CHX Series Exits are the ideal exits for general purpose applications. An extensive range of field installed accessories, choice of faces, and the variety of possible mounting configurations permit the tailoring of this exit to almost any application. Durable steel construction, attractive styling, and high efficiency illumination make this series compatible in commercial, institutional, and multi-housing applications.

### DIMENSIONS



Incandescent, Fluorescent, CHX4 and CHX2 Series



LED, CHX6 Series

### STEEL EXITS - AC ONLY

Type	Mounting	No Arrow	Arrow Right	Arrow Left	Double Arrow
<b>CHX Series Exits</b>					
<b>AC Only Incandescent</b>					
Single Face	Wall	CHX203	CHX206	CHX209	CHX212
Single Face w/Canopy	Wall/Ceiling/End	CHX203C	CHX206C	CHX209C	CHX212C
Double Face w/Canopy	Ceiling/End	CHX218C	CHX221C	CHX221C	CHX224C
<b>AC Only Fluorescent</b>					
Single Face	Wall	CHX403	CHX406	CHX409	CHX412
Single Face w/Canopy	Wall/Ceiling/End	CHX403C	CHX406C	CHX409C	CHX412C
Double Face w/Canopy	Ceiling/End	CHX418C	CHX421C	CHX421C	CHX424C
<b>AC Only LED</b>					
Single Face	Wall	CHX603	CHX606	CHX609	CHX612
Single Face w/Canopy	Wall/Ceiling/End	CHX603C	CHX606C	CHX609C	CHX612C
Double Face w/Canopy	Ceiling/End	CHX618C	CHX621C	CHX621C	CHX624C

### ORDERING INFORMATION

SAMPLE NUMBER: CHX203

<b>Model Number</b> See chart above	<b>Accessories</b> (Order Separately) <b>DC Socket Kit<sup>1</sup></b> DCE6=Two 6V, 3.6W DC Lamps DCE12=Two 12V, 3.6W DC Lamps <b>Canopy Kit</b> CHX1C=White <b>Power Pack<sup>1</sup></b> CHX3500P=White <b>277V Conversion Canopy<sup>1</sup></b> PLC277P=White <b>Pendant Kit</b> PK18WH=White, 18" Long	<b>Wire Guard</b> Choose size of wire guard desired from Accessories sheet <b>"STAIR" Lens</b> 004260SP=No Arrow 004261SP=Arrow Left 004262SP=Arrow Right 004263SP=Double Arrow <b>"EXIT" Lens</b> 004213SP=No Arrow 004214SP=Arrow Left 004215SP=Arrow Right 004216SP=Double Arrow
--	--	--

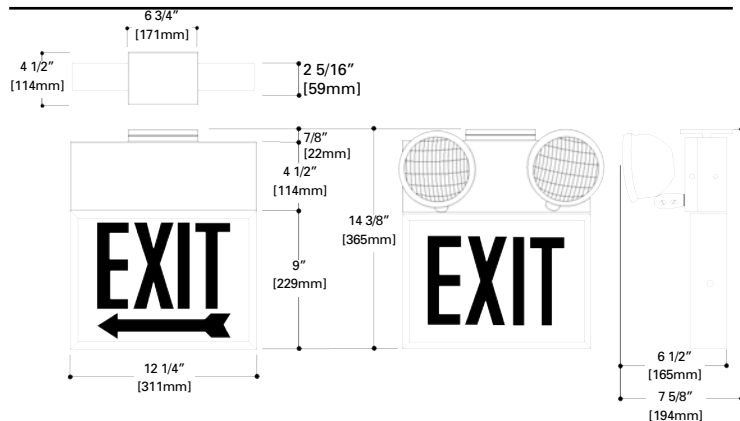
### Energy Data

Model No.	Input Power	
	120V	277V
CHX - Incandescent	40W	44W
Model No.	Input Power	
	120V	277V
CHX - Fluorescent	14W	23W
Model No.	Input Power	
	120V	277V
CHX - LED	7W	7W

<sup>1</sup>Incandescent and Fluorescent Fixtures Only.



**DIMENSIONS**



**DESCRIPTION**

The Sure-Lites CHX Series Exits are ideal exits for general purpose applications. An extensive range of field installed accessories, choice of faces and the variety of possible mounting configurations permit the tailoring of this exit to almost any application. Durable steel construction, attractive styling and high efficiency illumination make this series compatible in commercial, institutional, and multi-housing applications.



**STEEL EXITS - SELF-POWERED**

Type	Mounting	No Arrow	Arrow Right	Arrow Left	Double Arrow
<b>Self Powered Incandescent</b>					
Single Face	Wall	CHX303	CHX306	CHX309	CHX312
Single Face w/Canopy	Wall/Ceiling/End	CHX303C	CHX306C	CHX309C	CHX312C
Double Face w/Canopy	Ceiling/End	CHX318C	CHX321C	CHX321C	CHX324C
<b>Self Powered Incandescent - High Output</b>					
Single Face	Wall	CHXH303	CHXH306	CHXH309	CHXH312
Single Face w/Canopy	Wall/Ceiling/End	CHXH303C	CHXH306C	CHXH309C	CHXH312C
Double Face w/Canopy	Ceiling/End	CHXH318C	CHXH321C	CHXH321C	CHXH324C
<b>Self Powered Incandescent With Double Heads</b>					
Single Face	Wall	CHX303DH	CHX306DH	CHX309DH	CHX312DH
Single Face w/Canopy	Wall/Ceiling/End	CHX303DHC	CHX306DHC	CHX309DHC	CHX312DHC
Double Face w/Canopy	Ceiling/End	CHX318DHC	CHX321DHC	CHX321DHC	CHX324DHC
<b>Self Powered Fluorescent</b>					
Single Face	Wall	CHX503	CHX506	CHX509	CHX512
Single Face w/Canopy	Wall/Ceiling/End	CHX503C	CHX506C	CHX509C	CHX512C
Double Face w/Canopy	Ceiling/End	CHX518C	CHX521C	CHX521C	CHX524C
<b>Self Powered Fluorescent - High Output</b>					
Single Face	Wall	CHXH503	CHXH506	CHXH509	CHXH512
Single Face w/Canopy	Wall/Ceiling/End	CHXH503C	CHXH506C	CHXH509C	CHXH512C
Double Face w/Canopy	Ceiling/End	CHXH518C	CHXH521C	CHXH521C	CHXH524C
<b>Self Powered Fluorescent With Double Heads</b>					
Single Face	Wall	CHX503DH	CHX506DH	CHX509DH	CHX512DH
Single Face w/Canopy	Wall/Ceiling/End	CHX503DHC	CHX506DHC	CHX509DHC	CHX512DHC
Double Face w/Canopy	Ceiling/End	CHX518DHC	CHX521DHC	CHX521DHC	CHX524DHC
<b>Self Powered LED<sup>2</sup></b>					
Single Face	Wall	CHX703	CHX706	CHX709	CHX712
Single Face w/Canopy	Wall/Ceiling/End	CHX703C	CHX706C	CHX709C	CHX712C
Double Face w/Canopy	Ceiling/End	CHX718C	CHX721C	CHX721C	CHX724C

**WATTAGE RATING**

CHX Series=72W for 2 hrs.;CHXH Series=72W for 4 hrs., 32W for 1 1/2 hrs.(72W plus 24W Remote);CHX Double Head Series=32W for 1 1/2 hrs. SAMPLE NUMBERS: CHX Series CHX303, High Output Series CHXH303, CHX Double Head Series CHX303DH

**ORDERING INFORMATION**

SAMPLE NUMBER: CHX303

Model Number	Accessories (order separately)
See chart above	<p><b>Pendant Kit</b> PK18WH=White, 18" long</p> <p><b>Canopy Kit</b> CHX1C=White</p> <p><b>Wire Guard</b> Choose size of wire guard desired from Accessories sheet</p> <p><b>"STAIR" Lens</b> 004260SP=No Arrow 004261SP=Arrow Left 004262SP=Arrow Right 004263SP=Double Arrow</p> <p><b>"EXIT" Lens</b> 004213SP=No Arrow 004214SP=Arrow Left 004215SP=Arrow Right 004216SP=Double Arrow</p> <p><b>Remote Head -6V, 12W Single Head<sup>1</sup></b> 6T12MHWH—Two Maximum</p> <p><b>Remote Head -6V, 12W Each Double Head<sup>1</sup></b> 6T12DMHWH—One Maximum</p>

**Energy Data**

Model No.	Input Power	
	120V	277V
CHX - Incandescent	52W	52W
Model No.	Input Power	
	120V	277V
CHX - Fluorescent	23W	23W
Model No.	Input Power	
	120V	277V
CHX - LED <sup>2</sup>	11W	12W

**Standby Mode (Fully Charged) Sealed Lead Calcium Battery**

Input Power consumption is reduced by approximately 7 Watts in the standby operating mode for incandescent and fluorescent exits.

**CHX/CHXH SERIES**

Steel  
Self-Powered

CHICAGO CODE  
EMERGENCY LIGHTING

- > Dual-voltage input 120/277VAC, 60Hz
- > 20 gauge steel housing, white finish
- > LED, Incandescent or Fluorescent lamping
- > Universal pattern knock-outs on rear for direct mounting to junction box
- > Full length, 3/4" stroke arrow on directional exits
- > Red silkscreened lettering on white phosphorescent, heat tempered, Impact-resistant glass lens
- > Lens installs from side of fixture
- > Louvered downlight
- > Line-latching, solid-state voltage limited charger, solid-state switching, low-voltage disconnect, brownout circuit, overload/short-circuit protection, test switch/power indicator light
- > UL 924 Listed, Life Safety NFPA 101, NEC/OSHA
- > City of Chicago Approved

<sup>1</sup>Incandescent and Fluorescent Fixtures Only. <sup>2</sup>Chicago Approved LED Fixtures Uses Long Life NI-CD Batteries, Standard.

# SURE-LITES®



## EAC SERIES

Extruded Aluminum  
AC Only

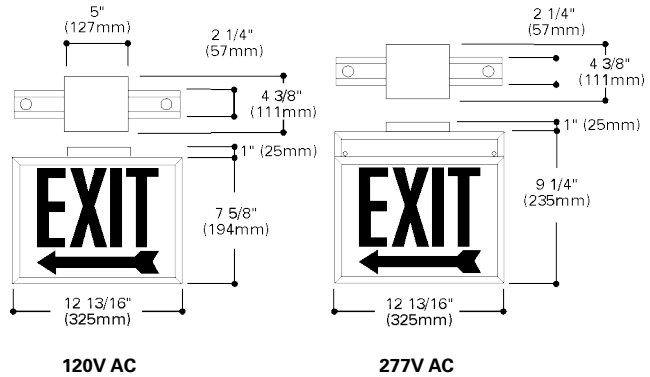
CHICAGO CODE  
EXIT LIGHTING

- > 120 VAC input voltage
- > Extruded aluminum housing with mitered corners and a satin anodized aluminum finish
- > AC incandescent: two 20W T6 1/2 intermediate base lamps
- > AC fluorescent: two 7W compact fluorescent lamps
- > AC lamps on separate circuits
- > Universal pattern knock-outs on rear for direct mounting to junction box
- > Canopy (where supplied) allows ceiling or end mounting
- > Full length 3/4" stroke arrow on directional exits
- > Red silkscreened lettering on white translucent, heat tempered, impact resistant glass lens
- > Other open face lenses available – consult factory
- > Lens installs from side of fixture
- > Louvered downlight
- > UL 924 Listed, Life Safety NFPA 101, NEC/OSHA
- > City of Chicago Approved

### DESCRIPTION

The Sure-Lites EAC Exit Series combines clean, functional styling with the design benefits and durability of aluminum construction. The EAC Exit is compatible with any decor for use in ceiling, wall or end-mount applications.

### DIMENSIONS



### EXTRUDED ALUMINUM - AC ONLY

Type	Mounting	No Arrow	Arrow Right	Arrow Left	Double Arrow
<b>AC Only Incandescent</b>					
Single Face (120V)	Wall	EAC10003	EAC10006	EAC10009	EAC10012
Single Face (277V)	Wall	EAC10013	EAC10016	EAC10019	EAC10012
Single Face w/Canopy (120V)	Wall/Ceiling/End	EAC20003	EAC20006	EAC20009	EAC20012
Single Face w/Canopy (277V)	Wall/Ceiling/End	EAC20013	EAC20016	EAC20019	EAC20012
Double Face w/Canopy (120V)	Ceiling/End	EAC300018	EAC300021	EAC300021	EAC300024
Double Face w/Canopy (277V)	Ceiling/End	EAC300118	EAC300121	EAC300121	EAC300124
<b>AC Only Fluorescent</b>					
Single Face (120V)	Wall	EAC12003	EAC12006	EAC12009	EAC12012
Single Face (277V)	Wall	EAC12013	EAC12016	EAC12019	EAC12012
Single Face w/Canopy (120V)	Wall/Ceiling/End	EAC22003	EAC22006	EAC22009	EAC22012
Single Face w/Canopy (277V)	Wall/Ceiling/End	EAC22013	EAC22016	EAC22019	EAC22012
Double Face w/Canopy (120V)	Ceiling/End	EAC320018	EAC320021	EAC320021	EAC320024
Double Face w/Canopy (277V)	Ceiling/End	EAC320118	EAC320121	EAC320121	EAC320124

### ORDERING INFORMATION

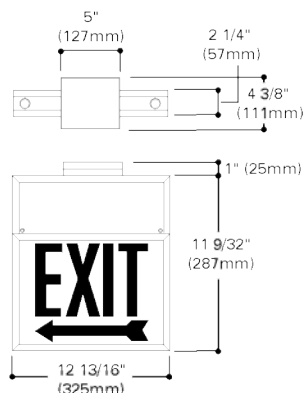
SAMPLE NUMBER: EAC10003

Model Number	Accessories (Order Separately)
See chart above	<b>DC Socket Kit</b>
	DCE6=Two 6V, 3.6W DC Lamps
	DCE12=Two 12V, 3.6W DC Lamps
	<b>Canopy Kit</b>
	QE1030SP=Aluminum Finish
	<b>Pendant Kit</b>
	H2639=Aluminum Finish, 15" Long
	<b>WG10=Wire Guard</b>
	<b>WGS11=Wire Guard (for canopy mount without heads)</b>
	<b>"STAIR" Lens</b>
004380SP = Arrow Left	
004381SP = Arrow Right	
004382SP = Double Arrow	
004383SP = No Arrow	

### Energy Data

Model No.	Input Power	
	120V	277V
Incandescent	40W	44W
Fluorescent	15W	23W

**DIMENSIONS**



**DESCRIPTION**

The Sure-Lites EAC Exit Series combines clean, functional styling with the design benefits and durability of aluminum construction. The EAC Exit is compatible with any decor for use in ceiling, wall or end-mount applications.



**EAC SERIES**

**Extruded Aluminum  
Self-Powered**

**CHICAGO CODE  
EXIT LIGHTING**

**EXTRUDED ALUMINUM - SELF-POWERED**

Type	Mounting	No Arrow	Arrow Right	Arrow Left	Double Arrow
<b>Self-Powered Incandescent</b>					
Single Face	Wall	EAC40003	EAC40006	EAC40009	EAC400012
Single Face w/Canopy	Wall/Ceiling/End	EAC50003	EAC50006	EAC50009	EAC500012
Double Face w/Canopy	Ceiling/End	EAC600018	EAC600021	EAC600024	EAC600024
<b>Self-Powered Fluorescent</b>					
Single Face	Wall	EAC42003	EAC42006	EAC42009	EAC420012
Single Face w/Canopy	Wall/Ceiling/End	EAC52003	EAC52006	EAC52009	EAC520012
Double Face w/Canopy	Ceiling/End	EAC620018	EAC620021	EAC620024	EAC620024

**WATTAGE RATING**

Lead Calcium Batteries: 7.2W for 2 Hrs.

**ORDERING INFORMATION**

SAMPLE NUMBER: EAC40003

Model Number	Accessories (order separately)
See chart above	<b>Pendant Kit</b> H2639=Aluminum Finish, 15" Long
	<b>Canopy Kit</b> QE1030SP=Aluminum Finish
	WG10=Wire Guard WGS11=Wire Guard (for canopy mount without heads)
	<b>"STAIR" Lens</b> 004380PSSP = Arrow Left 004381PSSP = Arrow Right 004382PSSP = Double Arrow 004383PSSP = No Arrow

**ENERGY DATA**

	Charge Mode (Fully Discharged Battery) Sealed Lead Calcium Battery							
	Input Power;		Input Current (Max.): Power Factor:				T.H.D.:	
	120V	277V	120V	277V	120V	277V	120V	277V
Incandescent Exits - 20W Lamps	52W	52W	.44A	.20A	—	—	—	—
Fluorescent Exits - 7W Lamps	30W	30W	.44A	.20A	—	—	—	—

Standby Mode (Fully Charged Battery) Sealed Lead Calcium Battery Input Power consumption is reduced by approximately 7.5 Watts in the standby operating mode.

- > Dual voltage input 120/277VAC, 60Hz
- > Extruded aluminum housing with mitered corners and a satin anodized aluminum finish
- > AC incandescent: two 20W T6 1/2 intermediate base lamps
- > AC fluorescent: two 7W compact fluorescent lamps
- > DC: two 6V, 3.6W DC lamps
- > Universal pattern knock-outs on rear for direct mounting to junction box
- > Full length 3/4" stroke arrow on directional exits
- > Red silkscreened lettering on white phosphorescent, heat tempered, impact resistant glass lens
- > Lens installs from side of fixture
- > Louvered downlight
- > Line latching, solid-state voltage limited charger, solid-state switching, low voltage disconnect, brownout circuit, overload/short circuit protection, test switch/power indicator light
- > UL 924 Listed, Life Safety NFPA 101, NEC/OSHA,
- > City of Chicago Approved

# SURE-LITES®



## MICRO INVERTER SERIES

500VA-2,000VA

HID, Fluorescent and Incandescent

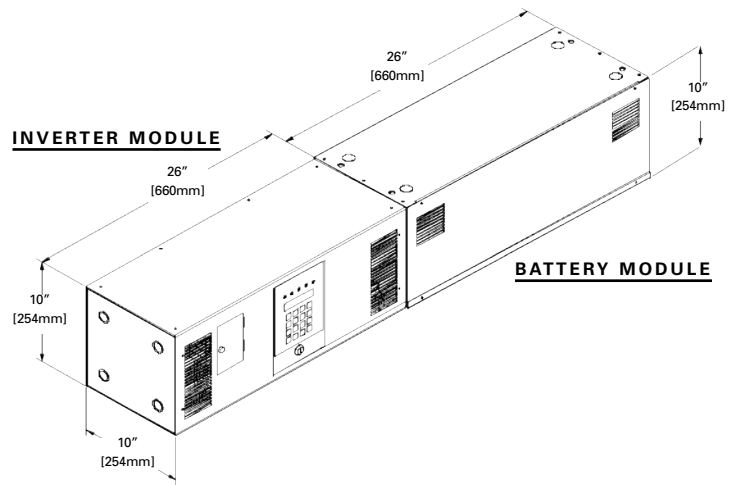
### ON-LINE POWER INVERTER SYSTEMS

- > Choice of 120V or 277VAC, 60Hz; other voltages available, Consult Cooper Lighting Representative.
- > Available from 500 to 2000 Watts (Field upgradeable)
- > Single Phase
- > Formed 16 gauge steel housing is finished in a durable powder coat finish
- > Small footprint, light-weight size allows for wall and floor mounting
- > Modular design for ease of installation when space is at a premium
- > Self Testing and Diagnostic with Event, Test and Alarm logs
- > User programmable with password protection for alarms and diagnostics
- > 98% efficient in standby mode - no fan needed for cooling
- > Battery, Input and Output Protection Circuit Breakers
- > Front circuit breaker and fuse access panel for easy routine maintenance
- > Maintenance Free Sealed Lead Calcium Batteries
- > UL 924 Listed, Meets NFPA 101 Requirements
- > City of Chicago approved

### DESCRIPTION

The Sure-Lites Micro Series fast transfer inverter is a lightweight, compact unit that takes the place of larger cabinets when space is at a premium. The new modular design allows the Micro Series inverter to be configured to meet varying KW requirements from 500W to 2000W. The Micro can be configured at the factory to meet the specified job load requirements or it can be field configured at the job site when an upgrade or downgrade in load capacity is needed. In addition, the versatility of the modular design allows the individual inverter and battery cabinets to be mounted on the floor or wall, side by side, or stacked when mounting space is at a premium. The Micro Series individual inverter and individual battery cabinets are only 26"W x 10"H x 10"D providing the smallest inverter footprint in the industry. The Micro Series inverter is UL924 listed and meets NFPA 101 requirements providing the full 90 minutes of illumination for emergency egress lighting.

### DIMENSIONS



### SPECIFICATION DATA

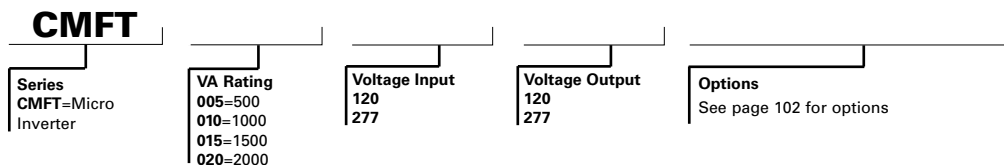
<b>Input Voltage</b>	120 or 277 VAC, Two wire plus ground, +10/-15%
<b>Input Frequency</b>	60Hz, ±3Hz
<b>Synchronizing Slew Rate</b>	1Hz per second
<b>Input Protection</b>	Input Circuit Breaker
<b>Output Voltage</b>	120 or 277 VAC, Three Wire
<b>Current Crest Factor</b>	2.8 = peak/rms
<b>Voltage THD</b>	<3% THD for Linear Load
<b>Output Frequency</b>	60 Hz. ±0.05Hz Crystal Controlled
<b>Inverter Overload</b>	115% for 5 minutes
<b>Output Voltage Regulation</b>	±3% for ±25% load step change
<b>Output Protection</b>	(1) Output Circuit Breaker
<b>Battery</b>	Sealed Lead Calcium VRLA 48 VDC for all models
<b>Environmental</b>	
<b>Altitude</b>	<10,000 feet without derating
<b>Operating Temp.</b>	20° to +30°C
<b>Storage Temp.</b>	-20° to 70°C (Electronics Only)
<b>Relative Humidity</b>	<95% (non-condensing)

### LIFEWAY II MICRO SERIES SYSTEM PART NUMBER/ RATING/ MECHANICAL SPECIFICATIONS

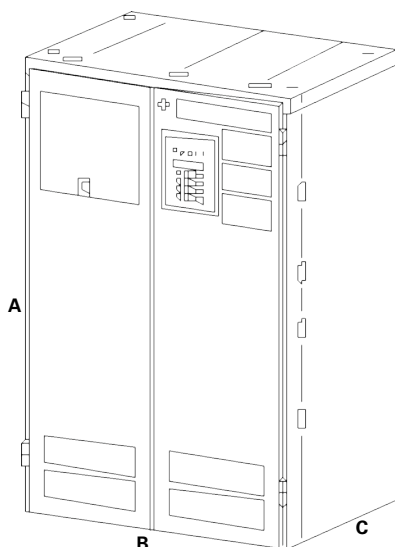
Part Number	Wattage Rating	VA Rating	Input Voltage	Output Voltage	Battery Weight (lbs.)	System Weight (lbs.)	Cabinet H" x W" x D"	Cabinet Qty
CMFT005	500	500	120 or 277	120 or 277	107	206	10x26x10	2
CMFT010	1000	1000	120 or 277	120 or 277	214	335	10x26x10	3
CMFT015	1500	1500	120 or 277	120 or 277	321	464	10x26x10	4
CMFT020	2000	2000	120 or 277	120 or 277	427	592	10x26x10	5

### ORDERING INFORMATION

SAMPLE NUMBER: CMFT



**DIMENSIONS**



Height	Width	Depth
A	B	C
47"	30"	25"

**DESCRIPTION**

The Sure-Lites Lifeway II Single Phase inverter is an interruptible, PWM inverter type utilizing IGBT technology with 50ms transfer time. Should utility power fail, the Lifeway II Single Phase inverter takes over and provides output power to the critical load. Its sealed lead calcium batteries will power emergency lighting circuits for 90 minutes (UL 924). Other run times and voltages available. Consult Cooper Lighting Representative.



**LIFEWAY II SINGLE PHASE IPS SERIES**

1.5-16.7 KVA  
Fluorescent and Incandescent

**ON-LINE POWER INVERTER SYSTEMS**

- > Input 120 or 277VAC 1 phase 2 wire
- > Custom voltages available
- > Electronic and magnetic ballast compatible
- > Generator compatibility
- > Forced air cooling only during emergency operation, no filters required
- > 90 minute runtime standard; other runtimes available upon request
- > 98% efficient PWM/IGBT technology with micro-processor control
- > User programmable with password protection
- > Self-Testing and Self-Diagnostic with Event, Test and Alarm Logs
- > RS232 communications port
- > UL 924 listed

**SPECIFICATION DATA**

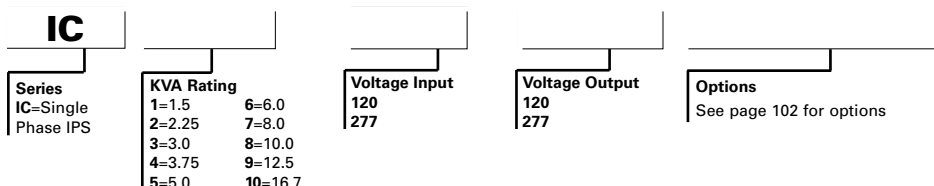
<b>Input Voltage</b>	120 or 277VAC 1-phase 2 wire +10%-15%. Contact factory for all other voltages.
<b>Input Frequency</b>	60Hz, ±3%, 50Hz available upon request
<b>Input Protection</b>	Input Circuit Breaker
<b>Input Harmonic Distortion</b>	<10%
<b>Input Power Factor</b>	0.5 lag/lead
<b>Output Voltage</b>	120 or 277VAC 1-phase 2 wire. Contact factory for all other voltages.
<b>Static Voltage</b>	Load current change ±2%, battery discharge ±12.5%
<b>Dynamic Voltage</b>	±2% for ±25% load step change, ±3% for a 50% load step change, recovery within 3 cycles
<b>Output Harmonic Distortion</b>	<3% THD for linear load
<b>Output Frequency</b>	60 Hz. ±0.05Hz during emergency mode
<b>Load Power Factor</b>	0.5 lag to 0.5 lead
<b>Inverter Overload</b>	125% for 5 minutes
<b>Output Protection</b>	Optional Distribution Circuit Breakers
<b>Battery</b>	10 Year Valve-regulated Sealed Lead Calcium (standard)
<b>Environmental</b>	
<b>Altitude</b>	<10,000 feet without derating
<b>Operating Temp.</b>	System operates safely from 0° to 40°C (32° to 104°F) up to 95% humidity. UL rating, 20° to 30°C (68° to 86°F), includes battery performance which can be affected by temperature. Contact factory for details.
<b>Storage Temp.</b>	-20° to 70°C (Electronics Only)
<b>Humidity</b>	<95% (non-condensing)

**LIFEWAY II SINGLE PHASE IPS SYSTEM PART NUMBER / RATING / MECHANICAL SPECIFICATIONS**

Part Number	Pwr Rtg kVA	Pwr Rtg kW	Effic. @ full load %	Audible Noise db@1m	Heat Loss BTU	UPS Cabinet Dimensions	UPS Weight lb/kg	Battery Voltage VDC	Battery Current Amperes	Battery Run Minutes	Battery Cabinet Dimensions	No. of Battery Cabinets	Total No. of Cabinets	Total System Weight lb/
						Width in/cm	Height in/cm	Depth in/cm			Width in/cm	Height in/cm	Depth in/cm	
IC1	1.5	1.5	98	45	75	30/77	47/120	25/64	250/114	48	39	90	na <sup>2</sup>	na <sup>2</sup>
IC2	2.25	2.25	98	45	100	30/77	47/120	25/64	265/121	72	38	90	na <sup>2</sup>	na <sup>2</sup>
IC3	3.0	3.0	98	45	160	30/77	47/120	25/64	295/134	96	38	90	na <sup>2</sup>	na <sup>2</sup>
IC4	3.75	3.75	98	45	200	30/77	47/120	25/64	305/139	120	37	90	na <sup>2</sup>	na <sup>2</sup>
IC5	5.0	5.0	98	45	245	30/77	47/120	25/64	315/143	144	40	90	na <sup>2</sup>	na <sup>2</sup>
IC6	6.0	6.0	98	45	300	30/77	47/120	25/64	350/159	180	40	90	30/77	47/120
IC7	8.0	8.0	98	45	400	30/77	47/120	25/64	375/171	240	39	90	30/77	47/120
IC8	10.0	10.0	98	45	500	30/77	47/120	25/64	435/198	144	82	90	30/77	47/120
IC9	12.5	12.5	98	45	660	30/77	47/120	25/64	465/211	180	82	90	30/77	47/120
IC10	16.7	16.7	98	45	840	30/77	47/120	25/64	530/241	240	80	90	30/77	47/120

**ORDERING INFORMATION**

SAMPLE NUMBER: IC3120120



# SURE-LITES®



## LIFEWAY II SINGLE PHASE C SERIES

1.5-16.7 KVA  
HID, Fluorescent and Incandescent

### ON-LINE POWER INVERTER SYSTEMS

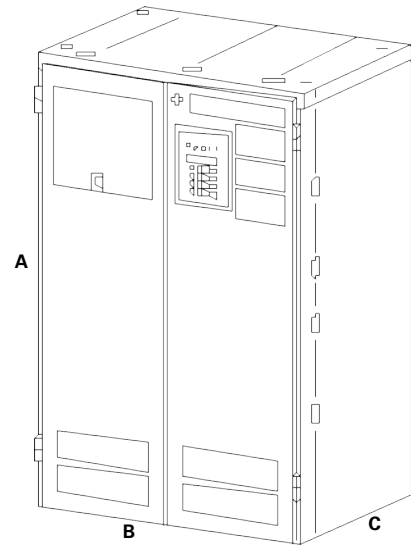
- > Input 120 or 277VAC 1 phase 2 wire
- > Custom voltages available
- > Electronic and magnetic ballast compatible
- > Generator compatibility
- > Forced air cooling only during emergency operation, no filters required
- > 90 minute runtime standard; other runtimes available upon request
- > 98% efficient PWM/IGBT technology with micro-processor control
- > User programmable with password protection
- > Self-Testing and Self-Diagnostic with Event, Test and Alarm Logs
- > RS232 communications port
- > UL 924 listed

### DESCRIPTION

The Sure-Lites Lifeway II C Series is a single phase inverter that provides uninterrupted power. This pulse width modulated inverter utilizes IGBT technology and has a 2 millisecond transfer time. The unit's operating efficiency is 98%, well above a typical fast transfer inverter. The C Series inverter is UL 924 Listed and meets NFPA 101 requirements by providing 90 minutes of illumination for emergency egress lighting. Other run times and voltages are available. Please consult your Cooper Lighting Representative.

### DIMENSIONS

Height	Width	Depth
A	B	C
47"	30"	25"



### SPECIFICATION DATA

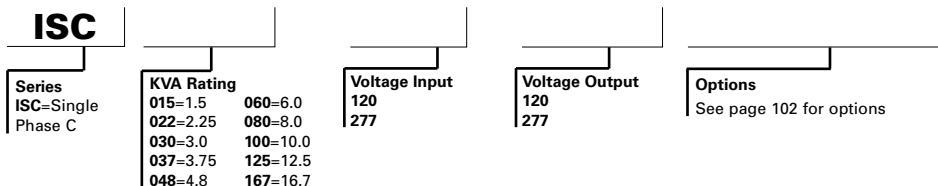
<b>Input Voltage</b>	120 or 277VAC 1-phase 2 wire +10%-15%. Contact factory for all other voltages.
<b>Input Frequency</b>	60Hz, ±3%
<b>Input Protection</b>	Input Circuit Breaker
<b>Input Harmonic Distortion</b>	<10%
<b>Input Power Factor</b>	0.5 lag/lead
<b>Output Voltage</b>	120 or 277VAC 1-phase 2 wire. Contact factory for all other voltages.
<b>Static Voltage</b>	Load current change ±2%, battery discharge ±12.5%
<b>Dynamic Voltage</b>	±2% for ±25% load step change, ±3% for a 50% load step change, recovery within 3 cycles
<b>Output Harmonic Distortion</b>	<3% THD for linear load
<b>Output Frequency</b>	60 Hz. ±0.05Hz during emergency mode
<b>Load Power Factor</b>	0.5 lag to 0.5 lead
<b>Inverter Overload</b>	125% for 5 minutes
<b>Output Protection</b>	Optional Distribution Circuit Breakers
<b>Battery</b>	10 Year Valve-regulated Sealed Lead Calcium (standard)
<b>Environmental</b>	
<b>Altitude</b>	<10,000 feet without derating
<b>Operating Temp.</b>	System operates safely from 0° to 40°C (32° to 104°F) up to 95% humidity. UL rating, 20° to 30°C (68° to 86°F), includes battery performance which can be affected by temperature. Contact factory for details.
<b>Storage Temp.</b>	-20° to 70°C (Electronics Only)
<b>Humidity</b>	<95% (non-condensing)

### LIFEWAY II SINGLE PHASE C SYSTEM PART NUMBER / RATING / MECHANICAL SPECIFICATIONS

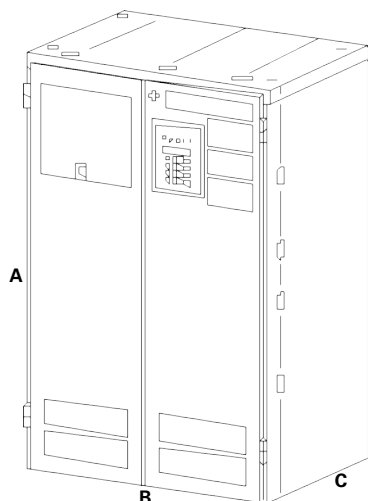
Part Number	Pwr Rtg kVA	Pwr Rtg kW	Effic. @ full load %	Audible Noise db@1m	Heat Loss BTU	UPS Cabinet Dimensions			UPS Weight lb/kg	Battery Voltage VDC	Battery Current Amperes	Battery Run Minutes	Battery Cabinet Dimensions			No. of Battery Cabinets	Total No. of Cabinets	Total System Weight (lb/kg)
						Width in/cm	Height in/cm	Depth in/cm					Width in/cm	Height in/cm	Depth in/cm			
ISC015	1.5	1.5	98	45	75	30/77	47/120	25/64	250/114	48	39	90	na <sup>2</sup>	na <sup>2</sup>	na <sup>2</sup>	na <sup>2</sup>	1	546/249
ISC022	2.25	2.25	98	45	100	30/77	47/120	25/64	265/121	72	38	90	na <sup>2</sup>	na <sup>2</sup>	na <sup>2</sup>	na <sup>2</sup>	1	709/323
ISC030	3.0	3.0	98	45	160	30/77	47/120	25/64	295/134	96	38	90	na <sup>2</sup>	na <sup>2</sup>	na <sup>2</sup>	na <sup>2</sup>	1	887/403
ISC037	3.75	3.75	98	45	200	30/77	47/120	25/64	305/139	120	37	90	na <sup>2</sup>	na <sup>2</sup>	na <sup>2</sup>	na <sup>2</sup>	1	1045/475
ISC048	4.8	4.8	98	45	245	30/77	47/120	25/64	315/143	144	40	90	na <sup>2</sup>	na <sup>2</sup>	na <sup>2</sup>	na <sup>2</sup>	1	1203/546
ISC060	6.0	6.0	98	45	300	30/77	47/120	25/64	350/159	180	40	90	30/77	47/120	25/64	1	2	1670/759
ISC080	8.0	8.0	98	45	400	30/77	47/120	25/64	375/171	240	39	90	30/77	47/120	25/64	1	2	2087/949
ISC100	10.0	10.0	98	45	500	30/77	47/120	25/64	435/198	144	82	90	30/77	47/120	25/64	2	3	2631/1195
ISC125	12.5	12.5	98	45	660	30/77	47/120	25/64	465/211	180	82	90	30/77	47/120	25/64	2	3	3105/1409
ISC167	16.7	16.7	98	45	840	30/77	47/120	25/64	530/241	240	80	90	30/77	47/120	25/64	2	3	3954/1795

### ORDERING INFORMATION

SAMPLE NUMBER: ISC037120120



**DIMENSIONS**



	Height	Width	Depth
Models	A	B	C
C3FT-004 thru 016	47"	30"	25"
C3FT-024 thru 050	72"	44"	31"
C3FT024 thru 050*	72"	48"	31"

**DESCRIPTION**

The Sure-Lites Lifeway II Three Phase represents the highest performance in uninterruptible technology while the transistorized inverter is providing power protection. Ready for virtually any emergency with this stand by power system. This pulse width modulated inverter has 2 millisecond transfer time. The AC in to AC out operating efficiency is typically 98%, well above a typical fast transfer inverter. The internal construction of each cabinet consists of an AC to DC battery charger, DC to AC inverter.



**LIFEWAY II  
THREE PHASE  
SERIES**

**4.8 - 50 kVA  
HID, Fluorescent and  
Incandescent**

**ON-LINE POWER  
INVERTER SYSTEMS**

- > Choice of 120/208 VAC or 277/480 VAC, 60 Hz; other voltages available, consult Cooper Lighting Representative
- > Three Phase, WYE or DELTA configurations
- > 98% efficiency
- > Formed steel cabinet and doors are finished in a durable powder coat
- > Acoustically Quiet
- > PWM/GBT Technology
- > Sine wave output
- > 80db transverse mode noise attenuation
- > 120db common mode noise attenuation
- > Battery circuit breaker on 24 kVA and up
- > RS-232 Communication
- > UL 924 Listed

**SPECIFICATION DATA**

<b>Input Voltage</b>	120/208 or 277/480VAC 3-phase 4 wire +1%-15% (Wye configuration)
<b>Input Frequency</b>	60Hz, ±3%, 50Hz available upon request
<b>Input Protection</b>	Input Circuit Breaker
<b>Input Harmonic Distortion</b>	<10%
<b>Input Power Factor</b>	.5 lag/lead
<b>Output Voltage</b>	120/208 or 277/480VAC 3-phase 4 wire (Wye or Delta configuration)
<b>Static Voltage</b>	Load current change ±4%, battery discharge ±4%
<b>Dynamic Voltage</b>	±3% for ±25% load step change, ±6% for a 50% load step change, recovery within 3 cycles
<b>Output Harmonic Distortion</b>	<3% THD for linear load
<b>Output Frequency</b>	60 Hz. ±0.05Hz during emergency mode
<b>Load Power Factor</b>	.5 lag to .5 lead
<b>Inverter Overload</b>	115% for 5 minutes
<b>Output Protection</b>	Output Circuit Breaker (Optional)
<b>Battery</b>	10 Year Valve Regulated Sealed Lead Calcium
<b>Environmental</b>	
<b>Altitude</b>	<10,000 feet without derating
<b>Operating Temp.</b>	20° to +30°C
<b>Storage Temp.</b>	-20° to 70°C (Electronics Only)
<b>Humidity</b>	<95% (non-condensing)

**LIFEWAY II THREE PHASE SYSTEM PART NUMBER / RATING / MECHANICAL SPECIFICATIONS**

Part Number	Pwr Rtg kVA	Pwr Rtg kW	Effic. % @ full load	Audible Noise db @/m	Heat Loss BTU	UPS Cabinet Dimensions			UPS Weight lb/kg	Battery Voltage VDC	Battery Current Amperes	Battery Run Minutes	Battery Cabinet Dimensions			No. of Cabinets	Total No. of Cabinets	Total System Weight (lb/kg)
						Width in/cm	Height in/cm	Depth in/cm					Width in/cm	Height in/cm	Depth in/cm			
C3FT004	4.8	4.8	97	45	326	30/77	47/120	25/64	535/243	144	39	90	30/77	47/120	25/64	1	2	1633/741
C3FT006	6.0	6.0	97	45	408	30/77	47/120	25/64	535/243	180	39	90	30/77	47/120	25/64	1	2	1855/842
C3FT008	8.0	8.0	97	45	544	30/77	47/120	25/64	535/243	240	39	90	30/77	47/120	25/64	1	2	2247/1020
C3FT010	10.0	10.0	97	45	680	30/77	47/120	25/64	639/290	144	81	90	30/77	47/120	25/64	2	3	2835/1286
C3FT012	12.5	12.5	97	45	850	30/77	47/120	25/64	639/290	180	81	90	30/77	47/120	25/64	2	3	3279/1488
C3FT016	16.7	16.7	97	45	1136	30/77	47/120	25/64	639/290	240	81	90	30/77	47/120	25/64	2	3	4063/1843
C3FT024	24.0	24.0	97	45	1632	44/112	72/183	31/79	1250/567	240	117	90	48/122	72/183	31/79	1	2	6390/2899
C3FT033	33.0	33.0	97	45	2244	44/112	72/183	31/79	1250/567	240	160	90	48/122	72/183	31/79	2	3	8630/3915
C3FT040	40.0	40.0	97	45	2720	44/112	72/183	31/79	1450/658	240	194	90	48/122	72/183	31/79	2	3	10150/4604
C3FT050	50.0	50.0	97	45	3400	44/112	72/183	31/79	1450/658	240	243	90	48/122	72/183	31/79	2	3	11980/5434

**ORDERING INFORMATION**

SAMPLE NUMBER: C3FT004120120

**C3FT**

<b>Series</b> C3FT=Three Phase	<b>KVA Rating</b> 004=4.8 006=6.0 008=8.0 010=10.0 012=12.5	<b>016=16.7</b> <b>024=24.0</b> <b>033=33.0</b> <b>040=40.0</b> <b>050=50.0</b>	<b>Voltage Input</b> 120=120/208 277=277/480	<b>Voltage Output</b> 120=120/208 277=277/480	<b>Options</b> See page 102 for options
-----------------------------------	--	---	--	---	--

\* Battery Cabinets

# SURE-LITES®

## INVERTERS - FACTORY OPTIONS

### Output Circuit Breakers

### W X YY ZZ

W = Output - 
{

 B = Normally On  
 N = Normally Off
 
 YY = Amp Rating (10, 20)

X = Pole - 
{

 A = 120 Volt  
 B = 208 Volt  
 C = 240 Volt  
 D = 277 Volt
 
 ZZ = Qty 01-12    Micro Inverter = 3 max. without trip alarm  
1 with trip alarm

### Micro Inverter Series-CMFT

T	Circuit Breaker Trip Alarm
R	RS-232 Diagnostic Interface (DB9)
S	Summary Dry Contacts (Form "C")
N	Normally Off Output
A	Remote Summary Alarm
M	Remote Meter Panel

### IPS Series - IC

A	Auto Dialer/Pager
C	Normally Off Dry Contact (Inverter On)
D	Dimmer Bypass Relay
FAX	Fax/Modem (utility, inverter & output failure notification)
F	Battery Charger Upgrade (12 Hour Recharge)
G	20 Year Premium Sealed Lead Calcium Battery
M	Maintenance Bypass Switch (MB4B) (External or Internal)
R	Remote Meter Panel
RSAP	Remote Summary Alarm Panel
S	Summary Dry Contacts (Form "C")
T	Output Circuit Breaker Trip Alarm
V	Variable Time Delay Circuit
Z	Zone Monitoring (16 amps Maximum)

### C Series - ISC

A	Auto Dialer/Pager
F	Battery Charger Upgrade (12 Hour Recharge)
FAX	Fax/Modem (utility, inverter & output failure notification)
G	20 Year Premium Sealed Lead Calcium Battery
M	Maintenance Bypass Switch (MB4B) (External or Internal)
N	Normally-Off Output Circuit
RMP	Remote Meter Panel
RSAP	Remote Summary Alarm Panel
S	Summary Dry Contacts (Form "C")
T	Output Circuit Breaker Trip Alarm

### Three Phase Series - C3FT

A	Auto Dialer/Pager
F	Battery Charger Upgrade (12 Hour Recharge)
FAX	Fax/Modem (utility, inverter & output failure notification)
G	20 Year Premium Sealed Lead Calcium Battery
N1	Normally-Off Output Circuit, single phase
N3	Normally-Off Output Circuit, three phase
RMP	Remote Meter Panel
RSAP	Remote Summary Alarm Panel
S	Summary Dry Contacts (Form "C")
T	Output Circuit Breaker Trip Alarm - output trip alarm is not available on 24k-50k systems
NI-CAD	Nickel-Cadmium Battery

\* Consult factory for additional options and available accessories.



## **REFERENCE-FACTORY OPTIONS**

### **EMERGENCY LIGHTING OPTIONS**

#### **SPECIFICATION FEATURES – POLYCARBONATE LENS**

Impact-resistant lens provides high degree of protection from breakage.

#### **SPECIFICATION FEATURES – METAL HEADS**

The metal housing is made of corrosion resistant, 22 gauge spun aluminum with a baked acrylic enamel finish to match fixture color.

Die cast aluminum swivel assembly has 80° aiming adjustment from vertical.

#### **SPECIFICATION FEATURES – AMMETER**

Ammeter provides an easily interpreted display of the charger current level.

#### **SPECIFICATION FEATURES – TIME DELAY MONITOR**

Time delay monitor keeps the emergency lamps on after AC power has been restored for a predetermined period of time (15 minutes is standard); allows sufficient time for HID fixtures to resume normal illumination.

#### **SPECIFICATION FEATURES – THERMAL HEATER**

The 10 Watt Thermal Heater raises the temperature in the battery compartment of the unit when used in extreme cold conditions. The thermal heater operates at 110 VAC and is UL Listed.

#### **SPECIFICATION FEATURES – VOLTMETER**

Factory installed voltmeter provides an easily interpreted display of the battery voltage.

### **EXIT LIGHTING OPTIONS**

#### **SPECIFICATION FEATURES – FLASHER**

Flashes the DC lamps of exits in the emergency mode.

#### **SPECIFICATION FEATURES – FLASHER/BUZZER**

Flashes the DC lamps of exits in emergency mode in combination with an audible signal.

#### **SPECIFICATION FEATURES – TAMPERPROOF SCREWS**

#8-32 Button Head Stainless Steel Screws

Centerpin Torx tamper resistant type

Qty. 4 per fixture

Requires Sure-Lites No. VRSD Screwdriver

#### **SPECIFICATION FEATURES – VANDAL SHIELD AND TAMPERPROOF SCREWS**

1/8" thick clear polycarbonate

Vandal Shield is L-shaped on single face CAX Series Exits, U-shaped on double face CAR Series Exits

(4) #6-32 Flat Head Stainless Steel Screws Centerpin Torx® tamper resistant type

#### **SPECIFICATION FEATURES – DC FIRE ALARM INTERFACE FOR EXITS**

Fire Alarm Interface Option allows AC incandescent or LED lamps to flash in non-emergency mode and the DC lamps to flash in an emergency mode when a fire alarm signal is received by the exit fixture from a fire alarm panel.

#### **SPECIFICATION FEATURES – AC ONLY FIRE ALARM INTERFACE FOR EXITS**

Fire Alarm Interface Option allows AC incandescent or LED lamps to flash when a fire alarm signal is received by the exit fixture from a fire alarm panel.

#### **ORDERING INFORMATION – EMERGENCY LIGHTING UNIT OPTIONS<sup>1</sup>**

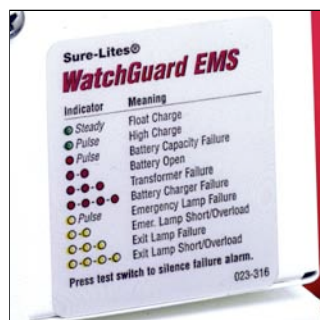
Catalog Number Suffix	Description
PCL	Polycarbonate Lens
MH	Metal Heads
A	Ammeter
TDM	Time Delay Monitor
TH	Thermal Heater
V	Voltmeter

#### **ORDERING INFORMATION – EXIT LIGHTING OPTIONS<sup>1</sup>**

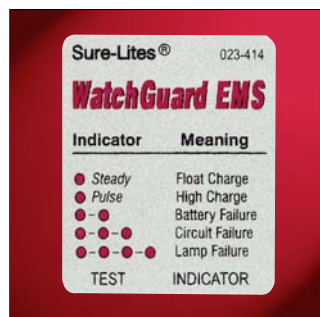
Catalog Number Suffix	Description
70	Nickel Cadmium Battery
20	Flasher
30	Flasher/Buzzer
65	Tamperproof Screws
85	Vandal Shield with Tamperproof Screws
90	DC Fire Alarm Interface
95	AC Only Fire Alarm Interface

<sup>1</sup>See individual product ordering information for availability.

# SURE-LITES®



**Version 1**



**Version 2**

## WatchGuard EMS SD (Electronic Monitoring System)

### Self Diagnostic Factory Installed

### Emergency Lighting Exit Lighting

- The WatchGuard EMS self-diagnostics option from Sure-Lites sets the standard for automatic stand-alone testing of emergency lighting units and battery powered exits
- The Solid-State micro-processor-based system has the ability to accurately diagnose failures to the component level plus it incorporates all of the standard electronic features that sets Sure-Lites apart from its competition
- All testing required by the NFPA 101 Life Safety Code is performed automatically. WatchGuard EMS even automatically calibrates itself in the field, reducing installation labor and eliminating manual calibration errors
- Ultrasensitive detection circuitry can sense lamp failure in a circuit, as well as slight variations in battery and battery charger performance
- UL 924 Listed, Life Safety NFPA 101, NEC/OSHA, most state and local codes

## TECHNICAL INFORMATION - SELF DIAGNOSTIC

### DESCRIPTION

#### ELECTRONIC

Microprocessor Based System

#### TEST PERFORMANCE

Checks battery charger, battery voltage, lamps

A 30-second full functional test is performed every 30 days

A 90-minute full function/battery capacity test is performed every 6 months

System diagnoses failure to the defective component level (battery, charger PC board, lamp) and provides a visual diagnostic display through the LED indicator light

Battery charge indicator differentiates high charge and standby charge mode

#### INSTALLATION/OPERATION

No special provisions required for installation

Lamp loads are automatically calibrated after battery initially reaches a full charge.

#### CODE COMPLIANCE

UL 924 Listed  
Life Safety NFPA 101  
NEC/OSHA  
Most State and Local Codes

### DIAGNOSTIC INDICATORS - VERSION 1

INDICATOR	COLOR	MEANING	ACTION
● (STEADY)	GREEN	FLOAT CHARGE	BATTERY FULLY CHARGED
● (PULSE)	GREEN	HIGH CHARGE	BATTERY BEING CHARGED AT HIGH RATE
● - ● (PULSE)	RED	BATTERY CAPACITY FAILURE	TURN OFF AC, REPLACE BATTERY
● - ●	RED	BATTERY OPEN	TURN OFF AC, CHECK BATTERY CONNECTIONS
● - ● - ●	RED	TRANSFORMER FAILURE	TURN OFF AC, REPLACE TRANSFORMER
● - ● - ● - ●	RED	BATTERY CHARGER FAILURE	TURN OFF AC, REPLACE PC BOARD
● (PULSE)	YELLOW	EMERGENCY LAMP FAILURE	REPLACE EMERGENCY LAMP
● - ●	YELLOW	EMER. LAMP SHORT/OVERLOAD	CHECK LAMP LOAD, POSSIBLE SHORT

#### (ON EXITS WITH LIGHTING HEADS ONLY)

● - ● - ●	YELLOW	EXIT LAMP FAILURE	REPLACE EXIT LAMP
● - ● - ● - ●	YELLOW	EXIT LAMP SHORT/OVERLOAD	CHECK LAMP LOAD, POSSIBLE SHORT

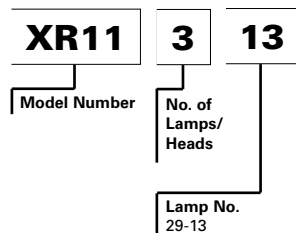
### DIAGNOSTIC INDICATORS - VERSION 2

INDICATOR	COLOR	MEANING	ACTION
● (STEADY)	RED	FLOAT CHARGE	BATTERY FULLY CHARGED
● (PULSE)	RED	HIGH CHARGE	BATTERY BEING CHARGED AT HIGH RATE
● - ●	RED	BATTERY FAILURE	TURN OFF AC, REPLACE BATTERY
● - ● - ●	RED	CIRCUIT FAILURE	TURN OFF AC, REPLACE PC BOARD
● - ● - ● - ●	RED	LAMP FAILURE	TURN OFF AC, REPLACE PC LAMP

**TECHNICAL INFORMATION  
LAMP SPECIFICATIONS**

**ORDERING INFORMATION NON - STANDARD LAMPS**

SAMPLE NUMBER: XR11313



**DESCRIPTION**

This information is provided to help you select non-standard lamps for specific applications. In ordering Sure-Lites emergency lighting units, a standard lamp will be provided unless a particular lamp is specified by Lamp No.

Make sure that the unit's battery wattage is sufficient for powering non-standard lamps.

A standard XR11 is supplied with two 6 volt, 9 watt incandescent heads.

To order a modified XR11 unit with three heads using 6 volt, 18 watt incandescent sealed beam lamps, the appropriate number of heads and Lamp No. must be included as an Order Suffix.



Lamp No.	Volts	Watts	Type	Initial Lumens
L010777	4	4.8	Halogen Bi-Pin T21/4	69
29-139	6	5	MR16 Bi-Pin Base	45
29-146	6	5.4	Krypton Wedge Base	90
29-121	6	5.4	Incandescent Wedge Base	68
29-12	6	6	Halogen Bi-Pin T21/4	113
29-37	6	6	Halogen Sealed Beam	107
29-30	6	6.6	Incandescent DC Bayonet Base	75
29-75	6	7.2	Incandescent Sealed Beam	95
29-88	6	7.2	Incandescent Wedge Base	101
29-14	6	8	Halogen Sealed Beam	109
29-03	6	8	Incandescent Sealed Beam	108
29-114	6	8	Halogen Bi-Pin T21/4	163
29-143	6	9	MR16 Bi-Pin Base	90
29-84	6	9	Incandescent Wedge Base	151
29-40	6	10	Halogen Bi-Pin T21/4	201
29-36	6	10	Halogen Sealed Beam	191
29-140	6	12	MR16 Bi-Pin Base	145
29-15	6	12	Halogen Sealed Beam	302
29-66	6	12	Halogen Bi-Pin T21/4	234
29-39	6	12	Incandescent Sealed Beam	137
29-17	6	13	Incandescent DC Bayonet Base	189
29-13	6	18	Incandescent Sealed Beam	158
29-137	6	20	Halogen Bi-Pin T21/4	402
29-18	6	20	Halogen Sealed Beam	382
29-09	6	25	Incandescent Sealed Beam	318
29-53	12	7.5	Incandescent DC Bayonet Base	75
29-16	12	8	Halogen Sealed Beam	155
29-86	12	9	Incandescent Wedge Base	138
29-141	12	12	MR16 Bi-Pin Base	145
29-132	12	12	Incandescent Wedge Base	151
29-45	12	12	Halogen Bi-Pin T21/4	277
29-26	12	12	Incandescent Sealed Beam	177
29-79	12	12	Halogen Sealed Beam	266
29-24	12	13	Incandescent DC Bayonet Base	189
29-54	12	18	Incandescent DC Bayonet Base	264
29-19	12	18	Incandescent Sealed Beam	213
29-142	12	20	MR16 Bi-Pin Base	300
29-08	12	25	Incandescent Sealed Beam	327
29-55	12	28	Incandescent DC Bayonet Base	402
29-126	12	30	Incandescent Sealed Beam	390
29-134	12	37.5	Halogen Sealed Beam	825
29-144	12	50	MR16 Bi-Pin Base	850
29-135	12	50	Halogen Sealed Beam	1100
29-124	120	5	Compact Fluorescent Twin Tube, G23 Base	250
29-80	120	6	F6T5 Fluorescent Miniature Bi-Pin Cool White	295
Z-67	120	7	Compact Fluorescent Twin Tube, G23 Base	390
29-125	120	8	F8T5 Fluorescent Miniature Bi-Pin Cool White	400
29-130	130	7	Incandescent Candelabra Base, 7C7	46
29-129	145	15	Incandescent Candelabra Base, 15T6	102
Z-7	120	20	Incandescent Intermediate Base T6 1/2	92

# SURE-LITES®

## TECHNICAL INFORMATION - WIRE SELECTION CHART

### WIRE SELECTION CHART/VOLTAGE DROP TABLE

#### 6 Volts Maximum Voltage Drop 5% as prescribed by National Electrical Code

Wire Size	Wiring Length																	Constant Value		
	6	8	10	12	13	16	18	20	24	25	28	35	44	50	75	100	150		200	250
#12	89	67	53	45	41	33	30	27	22	21	19	15	12	11	8	6	4			534
#10	141	106	85	71	65	53	47	42	35	32	30	24	19	17	11	9	6			849
#8	225	169	135	113	110	84	75	68	56	54	48	39	31	27	18	14	9	7		1350
#6	358	268	215	179	165	134	120	107	89	86	77	62	49	43	29	22	15	11	9	2148

#### 12 Volts Maximum Voltage Drop 5% as prescribed by National Electrical Code

Wire Size	Wiring Run Length																	Constant Value		
	8	12	13	16	18	24	25	28	35	44	50	75	100	150	200	250	300			
#12	267	178		165	134	110	89	85	76	61	49	42	29	21	14	10	8			2137
#10	425	283	260	212	190	142	136	121	97	77	68	45	34	23	17	14	11			3397
#8	675	450	415	338	300	225	215	193	154	123	108	72	54	36	27	21	18			5403
#6	1073	716	660	537	475	358	340	307	245	195	170	114	86	57	43	34	28			8590

#### FORMULAS

$$CM = \frac{22 \times W \times L}{.05 \times E^2} \quad L = \frac{CM \times .05 \times E^2}{22 \times W}$$

CM=Wire size in circular mils  
 W=Emergency loads in watts  
 L=Length of circuit in feet  
 E=Line voltage  
 .22=Formula Constant  
 .05=Factor for maximum allowable voltage drop

#### CIRCULAR MILL CHART

AWG	AMP CAPACITY	CM
12	20	6,530
10	25	10,380
8	30	16,510
6	50	26,250

The above tables show maximum wire lengths based on system voltage, wire size, and total wattage on a given wire run. To determine the maximum wire run length or total wattage on a given wire run, divide the known value into the constant value shown on the above charts for the appropriate wire size and system voltage specified.

Example: Four 9W remote heads (36W total) are to be operated on a 12V system using a single #10 wire run. The maximum wire run length is:

$$\frac{\text{Constant Value}}{\text{known value}} = \frac{3397}{36} = 94 \text{ ft.}$$

If loads are uniformly spaced along a given wire run (equal wattages, equal distances), the determined wire length can be increased by the following multipliers:

Number of Fixtures (n)	2	3	4	5+
Multiplier	1.33	1.5	1.6	$\frac{2n}{n+1}$

Example: In the system described in the example (left), the four 9W remote heads will be uniformly spaced along the wire run. The wire run can be increased to:  
 94ft. x 1.6 (multiplier) = 150 ft.

## **NFPA 101 (2006)**

### **7.8 Illumination of Means of Egress.**

#### **7.8.1 General**

**7.8.1.1\*** Illumination of means of egress shall be provided in accordance with Section 7.8 for every building and structure where required in Chapter 11 through Chapter 42. For the purposes of this requirement, exit access shall include only designated stairs, aisles, corridors, ramps, escalators, and passageways leading to an exit. For the purposes of this requirement, exit discharge shall include only designated stairs, aisles, corridors, ramps, escalators, walkways, and exit passage ways leading to a public way.

**7.8.1.2** Illumination of means of egress shall be continuous during the time that the conditions of occupancy require that the means of egress be available for use, unless otherwise provided in 7.8.1.2.2.

**7.8.1.2.1** Artificial lighting shall be employed at such locations and for such periods of time as are necessary to maintain the illumination to the minimum criteria values herein specified.

**7.8.1.2.2** Automatic, motion sensor-type lighting switches shall be permitted within the means of egress, provided that the switch controllers are equipped for fail-safe operation, the illumination timers are set for a minimum 15-minute duration, and the motion sensor is activated by any occupant movement in the area served by the lighting units.

**7.8.1.3\*** The floors and other walking surfaces within an exit and within the portions of the exit access and exit discharge designated in 7.8.1.1 shall be illuminated as follows:

- (1) During conditions of stair use, the minimum illumination for new stairs shall be at least 10 ft-candle (108 lux), measured at the walking surfaces.
- (2) The minimum illumination for floors and walking surfaces, other than new stairs during conditions of stair use, shall be to values of at least 1 ft-candle (10.8 lux), measured at the floor.
- (3) In assembly occupancies, the illumination of the floors of exit access shall be at least 0.2 ft-candle (2.2 lux) during periods of performances or projections involving directed light.
- (4) \* The minimum illumination requirements shall not apply where operations or processes require low lighting levels.

**7.8.1.4\*** Required illumination shall be arranged so that the failure of any single lighting unit does not result in an illumination level of less than 0.2 ft-candle (2.2 lux) in any designated area.

**7.8.1.5** The equipment or units installed to meet the requirements of Section 7.10 also shall be permitted to serve the function of illumination of means of egress, provided that all requirements of Section 7.8 for such illumination are met.

#### **7.8.2 Sources of Illumination.**

**7.8.2.1\*** Illumination of means of egress shall be from a source considered reliable by the authority having jurisdiction.

**7.8.2.2** Battery-operated electric lights and other types of portable lamps or lanterns shall not be used for primary illumination of means of egress. Battery-operated electric lights shall be permitted to be used as an emergency source to the extent permitted under Section 7.9.

### **7.9 Emergency Lighting.**

#### **7.9.1 General.**

**7.9.1.1\*** Emergency lighting facilities for means of egress shall be provided in accordance with Section 7.9 for the following:

- (1) Buildings or structures where required in Chapter 11 through Chapter 42
- (2) Underground and limited access structures as addressed in Section 11.7
- (3) High-rise buildings as required by other sections of this Code
- (4) Doors equipped with delayed-egress locks
- (5) Stair shaft and vestibule of smokeproof enclosures, for which the following also apply:
  - (a) The stair shaft and vestibule shall be permitted to include a standby generator that is installed for the smokeproof enclosure mechanical ventilation equipment.
  - (b) The standby generator shall be permitted to be used for the stair shaft and vestibule emergency lighting power supply.

(6) New access-controlled egress doors in accordance with 7.2.1.6.2.

**7.9.1.2** For the purposes of 7.9.1.1, exit access shall include only designated stairs, aisles, corridors, ramps, escalators, and passageways leading to an exit. For the purposes of 7.9.1.1, exit discharge shall include only designated stairs, ramps, aisles, walkways, and escalators leading to a public way.

**7.9.1.3** Where maintenance of illumination depends on changing from one energy source to another, a delay of not more than 10 seconds shall be permitted.

#### **7.9.2 Performance of System.**

**7.9.2.1\*** Emergency illumination shall be provided for not less than 1 1/2 hours in the event of failure of normal lighting. Emergency lighting facilities shall be arranged to provide initial illumination that is not less than an average of 1 ft-candle (10.8 lux) and, at any point, not less than 0.1 ft-candle (1.1 lux), measured along the path of egress at floor level. Illumination levels shall be permitted to decline to not less than an average of 0.6 ft-candle (6.5 lux) and, at any point, not less than 0.06 ft-candle (.65 lux) at the end of the 1 1/2 hours. A maximum-to-minimum illumination uniformity ratio of 40 to 1 shall not be exceeded.

**7.9.2.2** New emergency power systems for emergency lighting shall be at least Type 10, Class 1.5, Level 1, in accordance with NFPA 110, Standard for Emergency and Standby Power Systems.

**7.9.2.3\*** The emergency lighting system shall be arranged to provide the required illumination automatically in the event of any interruption of normal lighting due to any of the following:

- (1) Failure of a public utility or other outside electrical power supply
- (2) Opening of a circuit breaker or fuse
- (3) Manual act(s), including accidental opening of a switch controlling normal lighting facilities

**7.9.2.4** Emergency generators providing power to emergency lighting systems shall be installed, tested, and maintained in accordance with NFPA 110, Standard for Emergency and Standby Power Systems. Stored electrical energy systems, where required in this Code, shall be installed and tested in accordance with NFPA 111, Standard on Stored Electrical Energy Emergency and Standby Power Systems.

**7.9.2.5** Unit equipment and battery systems for emergency luminaires shall be listed to UL 924, Standard for Emergency Lighting and Power Equipment.

**7.9.2.6\*** Existing battery-operated emergency lights shall use only reliable types of rechargeable batteries provided with suitable facilities for maintaining them in properly charged condition. Batteries used in such lights or units shall be approved for their intended use and shall comply with NFPA 70, National Electrical Code.

**7.9.2.7** The emergency lighting system shall be either continuously in operation or shall be capable of repeated automatic operation without manual intervention.

#### **7.9.3 Periodic Testing of Emergency Lighting Equipment.**

**7.9.3.1** Required emergency lighting systems shall be tested in accordance with one of the three options offered by 7.9.3.1.1, 7.9.3.1.2, or 7.9.3.1.3.

**7.9.3.1.1** Testing of required emergency lighting systems shall be permitted to be conducted as follows:

- (1) Functional testing shall be conducted at 30-day intervals for not less than 30 seconds.
- (2) Functional testing shall be conducted annually for not less than 1 1/2 hours if the emergency lighting system is battery powered.
- (3) The emergency lighting equipment shall be fully operational for the duration of the tests required by 7.9.3.1.1 (1) and 7.9.3.1.1 (2).
- (4) Written records of visual inspections and tests shall be kept by the owner for inspection by the authority having jurisdiction.

**7.9.3.1.2** Testing of required emergency lighting systems shall be permitted to be conducted as follows:

- (1) Self-testing/self-diagnostic battery-operated emergency lighting equipment shall be provided.

- (2) Self-testing/self-diagnostic battery-operated emergency lighting equipment shall automatically perform not less than once every 30 days a test for not less than 30 seconds and a diagnostic routine.
- (3) Self-testing/self-diagnostic battery-operated emergency lighting equipment shall indicate failures by a status indicator.
- (4) A visual inspection shall be performed at intervals not exceeding 30 days.
- (5) Functional testing shall be conducted annually for not less than 1 1/2 hours.
- (6) Self-testing/self-diagnostic battery-operated emergency lighting equipment shall be fully operational for the duration of the 1 1/2 hour test.
- (7) Written records of visual inspections and tests shall be kept by the owner for inspection by the authority having jurisdiction.

**7.9.3.1.3** Testing of required emergency lighting systems shall be permitted to be conducted as follows:

- (1) Computer-based, self-testing/self-diagnostic battery-operated emergency lighting equipment shall be provided.
- (2) The emergency lighting equipment shall automatically perform not less than once every 30 days a test for not less than 30 seconds and a diagnostic routine.
- (3) The emergency lighting equipment shall automatically perform annually a test for not less than 1 1/2 hours.
- (4) The emergency lighting equipment shall be fully operational for the duration of the tests required by 7.9.3.1.3(2) and 7.9.3.1.3(3).
- (5) The computer-based system shall be capable of providing a report of the history of tests and failures at all times.

#### 7.10 Marking of Means of Egress.

##### 7.10.1 General.

**7.10.1.1 Where Required.** Means of egress shall be marked in accordance with Section 7.10 where required in Chapter 11 through Chapter 42.

**7.10.1.2\* Exits.** Exits, other than main exterior exit doors that obviously and clearly are identifiable as exits, shall be marked by an approved sign that is readily visible from any direction of exit access.

**7.10.1.3 Exit Stair Door Tactile Signage.** Tactile signage shall be provided to meet the following criteria, unless otherwise provided in 7.10.1.4:

- (1) Tactile signage shall be located at each exit door requiring an exit sign.
- (2) Tactile signage shall read as follows: **EXIT**
- (3) Tactile signage shall comply with ICC/ANSI A117.1, American National Standard for Accessible and Usable Buildings and Facilities.

**7.10.1.4 Existing Exemption.** The requirements of 7.10.1.3 shall not apply to existing buildings, provided that the occupancy classification does not change.

##### 7.10.1.5 Exit Access.

**7.10.1.5.1** Access to exits shall be marked by approved, readily visible signs in all cases where the exit or way to reach the exit is not readily apparent to the occupants.

**7.10.1.5.2\*** New sign placement shall be such that no point in an exit access corridor is in excess of the rated viewing distance or 100 ft (30 m), whichever is less, from the nearest sign.

**7.10.1.6\* Floor Proximity Exit Signs.** Where floor proximity exit signs are required in Chapter 11 through Chapter 42, such signs shall be located near the floor level in addition to those signs required for doors or corridors. The signs shall be illuminated in accordance with 7.10.5. Externally illuminated signs shall be sized in accordance with 7.10.6.1. The bottom of the sign shall be not less than 6 in. (150 mm), but not more than 18 in. (455 mm), above the floor. For exit doors, the sign shall be mounted on the door or adjacent to the door, with the nearest edge of the sign within 4 in. (100 mm) of the door frame.

**7.10.1.7\* Floor Proximity Egress Path Marking.** Where floor proximity egress path marking is required in Chapter 11 through Chapter 42, a listed and approved floor proximity egress path marking system that

is internally illuminated shall be installed within 18 in. (455 mm) of the floor. The system shall provide a visible delineation of the path of travel along the designated exit access and shall be essentially continuous, except as interrupted by doorways, hallways, corridors, or other such architectural features. The system shall operate continuously or at any time the building fire alarm system is activated. The activation, duration, and continuity of operation of the system shall be in accordance with 7.9.2. The system shall be maintained in accordance with the product manufacturing listing.

**7.10.1.8\* Visibility.** Every sign required in Section 7.10 shall be located and of such size, distinctive color, and design that it is readily visible and shall provide contrast with decorations, interior finish, or other signs. No decorations, furnishings, or equipment that impairs visibility of a sign shall be permitted. No brightly illuminated sign (for other than exit purposes), display, or object in or near the line of vision of the required exit sign that could detract attention from the exit sign shall be permitted.

**7.10.1.9 Mounting Location.** The bottom of new egress markings shall be located at a vertical distance of not more than 6 ft 8 in. (2030 mm) above the top edge of the egress opening intended for designation by that marking. Egress markings shall be located at a horizontal distance of not more than the required width of the egress opening, as measured from the edge of the egress opening intended for designation by that marking to the nearest edge of the marking.

**7.10.2\* Directional Signs.** A sign complying with 7.10.3 with a directional indicator showing the direction of travel shall be placed in every location where the direction of travel to reach the nearest exit is not apparent.

##### 7.10.3\* Sign Legend.

**7.10.3.1** Signs required by 7.10.1 and 7.10.2 shall read as follows in plainly legible letters, or other appropriate wording shall be used:

###### EXIT

**7.10.3.2\*** Where approved by the authority having jurisdiction, pictograms shall be permitted.

**7.10.4\* Power Source.** Where emergency lighting facilities are required by the applicable provisions of Chapter 11 through Chapter 42 for individual occupancies, the signs, other than approved self-luminous signs and listed photoluminescent signs in accordance with 7.10.7.2, shall be illuminated by the emergency lighting facilities. The level of illumination of the signs shall be in accordance with 7.10.6.3 or 7.10.7 for the required emergency lighting duration as specified in 7.9.2.1. However, the level of illumination shall be permitted to decline to 60 percent at the end of the emergency lighting duration.

##### 7.10.5 Illumination of Signs.

**7.10.5.1\* General.** Every sign required by 7.10.1.2, 7.10.1.5, or 7.10.8.1, other than where operations or processes require low lighting levels, shall be suitably illuminated by a reliable light source. Externally and internally illuminated signs shall be legible in both the normal and emergency lighting mode.

##### 7.10.5.2\* Continuous Illumination.

**7.10.5.2.1** Every sign required to be illuminated by 7.10.6.3, 7.10.7, and 7.10.8.1 shall be continuously illuminated as required under the provisions of Section 7.8, unless otherwise provided in 7.10.5.2.2.

**7.10.5.2.2\*** Illumination for signs shall be permitted to flash on and off upon activation of the fire alarm system.

##### 7.10.6 Externally Illuminated Signs.

###### 7.10.6.1\* Size of Signs.

**7.10.6.1.1** Externally illuminated signs required by 7.10.1 and 7.10.2, other than approved existing signs, unless otherwise provided in 7.10.6.1.2, shall read EXIT, or shall use other appropriate wording in plainly legible letters sized as follows:

- (1) For new signs, the letters shall be not less than 6 in. (150 mm) high, with the principal strokes of letters not less than 3/4 in. (19 mm) wide.
- (2) For existing signs, the required wording shall be permitted to be in plainly legible letters not less than 4 in. (100 mm) high.

- (3) The word EXIT shall be in letters of a width not less than 2 in. (51 mm), except the letter I, and the minimum spacing between letters shall be not less than 3/8 in. (9.5 mm).
- (4) Sign legend elements larger than the minimum established in 7.10.6.1.1(1) through 7.10.6.1.1(3) shall use letter widths, strokes, and spacing in proportion to their height.

**7.10.6.1.2** The requirements of 7.10.6.1.1 shall not apply to marking required by 7.10.1.3 and 7.10.1.6.

**7.10.6.2\* Size and Location of Directional Indicator.**

**7.10.6.2.1** Directional indicators, unless otherwise provided in 7.10.6.2.2, shall comply with the following:

- (1) The directional indicator shall be located outside of the EXIT legend, not less than 3/8 in. (9.5 mm) from any letter.
- (2) The directional indicator shall be of a chevron type, as shown in Figure 7.10.6.2.1.
- (3) The directional indicator shall be identifiable as a directional indicator at a distance of 40 ft (12m).
- (4) A directional indicator larger than the minimum established for compliance with 7.10.6.2.1(3) shall be proportionately increased in height, width and stroke.
- (5) The directional indicator shall be located at the end of the sign for the direction indicated.



**FIGURE 7.10.6.2.1 Chevron-Type Indicator.**

**7.10.6.2.2** The requirements of 7.10.6.2.1 shall not apply to approved existing signs.

**7.10.6.3\* Level of Illumination.** Externally illuminated signs shall be illuminated by not less than 5 ft-candles (54 lux) at the illuminated surface and shall have a contrast ratio of not less than 0.5.

**7.10.7 Internally Illuminated Signs.**

**7.10.7.1 Listing.** Internally illuminated signs shall be listed in accordance with UL 924, Standard for Emergency Lighting and Power Equipment, unless they meet one of the following criteria:

- (1) They are approved existing signs.
- (2) They are existing signs having the required wording in legible letters not less than 4 in. (100mm) high.
- (3) They are signs that are in accordance with 7.10.1.3 and 7.10.1.6.

**7.10.7.2\* Photoluminescent Signs.**

The face of a photoluminescent sign shall be continually illuminated while the building is occupied. The illumination levels on the face of the photoluminescent sign shall be in accordance with its listing. The charging illumination shall be a reliable light source as determined by the authority having jurisdiction. The charging light source shall be of a type specified in the product markings.

**7.10.8 Special Signs.**

**7.10.8.1 Sign Illumination.**

**7.10.8.1.1** Where required by other provisions of this Code, special signs shall be illuminated in accordance with 7.10.5, 7.10.6.3, and 7.10.7.

**7.10.8.1.2** Where emergency lighting facilities are required by the applicable provisions of Chapter 12 through Chapter 42, the required illumination of special signs shall additionally be provided under emergency lighting conditions.

**7.10.8.2 Characters.** Special signs, where required by other provisions of this Code, shall comply with the visual character requirements of ICC/ANSI A117.1, American National Standard for Accessible and Usable Buildings and Facilities.

**7.10.8.3\* No Exit.**

**7.10.8.3.1** Any door, passage, or stairway that is neither an exit nor a

way of exit access and that is located or arranged so that it is likely to be mistaken for an exit shall be identified by a sign that reads as follows:

**NO  
EXIT**

**7.10.8.3.2** The NO EXIT sign shall have the word NO in letters 2 in. (51 mm) high, with a stroke width of 3/8 in. (9.5 mm), and the word EXIT in letters 1 in. (25 mm) high, with the word EXIT below the word NO, unless such sign is an approved existing sign.

**7.10.8.4 Elevator Signs.** Elevators that are a part of a means of egress (see 7.2.13.1) shall have the following signs with a minimum letter height of 5/8 in. (16 mm) posted in every elevator lobby:

- (1) \*Signs that indicate that the elevator can be used for egress, including any restrictions on use
- (2) \*Signs that indicate the operational status of elevators

**7.10.9 Testing and Maintenance.**

**7.10.9.1 Inspection.** Exit signs shall be visually inspected for operation of the illumination sources at intervals not to exceed 30 days or shall be periodically monitored in accordance with 7.9.3.1.3.

**7.10.9.2 Testing.**

Exit signs connected to or provided with a battery-operated emergency illumination source, where required in 7.10.4, shall be tested and maintained in accordance with 7.9.3.

## SURE-LITES®

## NUMERICAL INDEX

PRODUCT NO.	PAGE NO.	PRODUCT NO.	PAGE NO.	PRODUCT NO.	PAGE NO.	PRODUCT NO.	PAGE NO.
059012SP	86	29-141	105	6X7WXX	33	CC11SD	25
0590A638SP	86	29-142	105	6X7XXU	33	CC12SD	25
0590A639SP	86	29-143	105	6X8DWMHWH	34	CC2	21
12T12DMHWH	34	29-144	105	6X8WMHWH	34	CC2347	21
12T12DWMHWH	34	29-146	105	6X9DWXX	33	CC3	22
12T12DWXX	33	29-15	105	6X9WXX	33	CC3NC	22
12T12MHWH	34	29-16	105	6X9XXU	33	CC4	22
12T12WMHWH	34	29-17	105	6XW54DWMHWH	34	CC4NC	22
12T12WXX	33	29-18	105	6XW54DWXX	33	CC5	22
12T12XXU	33	29-19	105	6XW54WMHWH	34	CC5NC	22
12T37DWMHWH	34	29-24	105	6XW54WXX	33	CC6	22
12T37WMHWH	34	29-26	105	6XW7DWMHWH	34	CC7	23
12T50DMHWH	34	29-30	105	6XW7DWXX	33	CC7NCSD	23
12T50DWMHWH	34	29-36	105	6XW7WMHWH	34	CC8	24
12T50MHWH	34	29-37	105	6XW7WXX	33	CC9SD	25
12T50WMHWH	34	29-39	105	6XW9DWMHWH	34	CCX Series	52, 53, 54
12T8DWMHWH	34	29-40	105	6XW9DWXX	33	CCX18PKBK	83
12T8DWXX	33	29-45	105	6XW9WMHWH	34	CCX18PKHTBK	84
12T8WMHWH	34	29-53	105	6XW9WXX	33	CCX18PKHTWH	84
12T8WXX	33	29-54	105	70	103	CCX18PKWH	83
12T8XXU	33	29-55	105	85	103	CCX277	81
12X12DWMHWH	34	29-66	105	90	103	CCXH SERIES	54
12X12WMHWH	34	29-75	105	95	103	CFR103	36
12X12XXU	33	29-79	105	A	103	CFR116	36
12X18DWMHWH	34	29-80	105	AA1	32	CFR203	36
12X18WMHWH	34	29-84	105	AA8	32	CFR216	36
12X25DWMHWH	34	29-86	105	AD277CAX	81	CHEL Series	9, 88
12X25DWXX	33	29-88	105	AD277CAXBZ	81	CHEL1BKSD	9
12X25HZB	37	2M	86	AD277CAXW	81	CHEL1SD	9
12X25HZP	37	30	103	AD2C120CAX	81	CHEL1WHSD	9
12X25WMHWH	34	3BR	86	AD2C1277CAX	81	CHX203	94
12X25WXX	33	3M	86	AD2CUCAX	81	CHX203C	94
12X25XXU	33	65	103	AEL1BKSD	8	CHX206	94
12X30DWMHWH	34	6T10DWMHWH	34	AEL1BZSD	8	CHX206C	94
12X30WMHWH	34	6T10WMHWH	34	AEL1WHSD	8	CHX209	94
12X9WHU	33	6T12DMHWH	34	AP series	64, 65	CHX209C	94
12XW12DWMHWH	34	6T12DWMHWH	34	AP2SQ	63	CHX212	94
12XW12DWXX	33	6T12MHWH	34	BZ1	81	CHX212C	94
12XW12WMHWH	34	6T12WMHWH	34	C3FT004	101	CHX218C	94
12XW12WXX	33	6T12XXU	33	C3FT006	101	CHX221C	94
12XW9DWMHWH	34	6T20DWMHWH	34	C3FT008	101	CHX224C	94
12XW9DWXX	33	6T20WMHWH	34	C3FT010	101	CHX303	95
12XW9WMHWH	34	6T6DMHWH	34	C3FT012	101	CHX303C	95
12XW9WXX	33	6T6DWMHWH	34	C3FT016	101	CHX303DH	95
1BR	86	6T6DWXX	33	C3FT024	101	CHX303DHC	95
1MS	86	6T6MHWH	34	C3FT033	101	CHX306	95
1RTPL	85	6T6WMHWH	34	C3FT040	101	CHX306C	95
20	103	6T6WXX	33	C3FT050	101	CHX306DH	95
29-03	105	6T6XXU	33	C7213EEMSL	17	CHX306DHC	95
29-08	105	6T8DWMHWH	34	CAN277ELX	81	CHX309	95
29-09	105	6T8DWXX	33	CAN571	84	CHX309C	95
29-114	105	6T8WMHWH	34	CAN578	84	CHX309DH	95
29-12	105	6T8WXX	33	CAR Series	48, 49	CHX309DHC	95
29-121	105	6T8XXU	33	CAX Series	42, 43, 44, 45	CHX312	95
29-124	105	6X12DWMHWH	34	CAX18PKBK	83	CHX312C	95
29-125	105	6X12WMHWH	34	CAX18PKBZ	83	CHX312DH	95
29-126	105	6X12XXU	33	CAX18PKHTBK	84	CHX312DHC	95
29-129	105	6X18DWMHWH	34	CAX18PKHTBZ	84	CHX318C	95
29-13	105	6X18WMHWH	34	CAX18PKHTWH	84	CHX318DHC	95
29-130	105	6X25DWMHWH	34	CAX18PKWH	83	CHX321C	95
29-132	105	6X25WMHWH	34	CAX3PP	82	CHX321DHC	95
29-134	105	6X25XXU	33	CAX3PPBZ	82	CHX324C	95
29-135	105	6X54XXU	33	CAX3PPW	82	CHX324DHC	95
29-137	105	6X7DWMHWH	34	CAXSBOXBKSP	84	CHX403	94
29-139	105	6X7DWXX	33	CAXSBOXBZSP	84	CHX403C	94
29-14	105	6X7MHWH	34	CAXSBOXWHSP	84	CHX406	94
29-140	105	6X7WMHWH	34	CC10SD	25	CHX406C	94



## NUMERICAL INDEX

PRODUCT NO.	PAGE NO.	PRODUCT NO.	PAGE NO.	PRODUCT NO.	PAGE NO.	PRODUCT NO.	PAGE NO.
CHX409	94	CHXH509C	95	EAC320024	96	GFR2703	36
CHX409C	94	CHXH512	95	EAC320118	96	GFR2716	36
CHX412	94	CHXH512C	95	EAC320121	96	H274EM	18
CHX412C	94	CHXH518C	95	EAC320124	96	HR117	29
CHX418C	94	CHXH521C	95	EAC400012	97	HR117C	90
CHX421C	94	CHXH524C	95	EAC40003	97	HR12117	29
CHX424C	94	CMFT005	98	EAC40006	97	HR12117C	90
CHX503	95	CMFT010	98	EAC40009	97	HR12170	29
CHX503C	95	CMFT015	98	EAC420012	97	HR12170C	90
CHX503DHC	95	CMFT020	98	EAC42003	97	HR12210	29
CHX503DHC	95	CSK120	85	EAC42006	97	HR12210C	90
CHX506	95	CSK277	85	EAC42009	97	HR12360	29
CHX506C	95	CU1	26	EAC500012	97	HR12360C	90
CHX506DH	95	CU1347	26	EAC50003	97	HR180	29
CHX506DHC	95	CU1HD	26	EAC50006	97	HR180C	90
CHX509	95	CU1HD347	26	EAC50009	97	HR87	29
CHX509C	95	CU1NC	26	EAC520012	97	HR87C	90
CHX509DH	95	CU1R	36	EAC52003	97	HS1R	30
CHX509DHC	95	CU1RB	36	EAC52006	97	HZU125425	69
CHX512	95	CU2	27	EAC52009	97	HZX21	75
CHX512C	95	CX Series	41	EAC600018	97	HZX22	75
CHX512DH	95	DR112	36	EAC600021	97	HZX23	75
CHX512DHC	95	DR145	36	EAC600024	97	IC1	99
CHX518C	95	DR166	36	EAC620018	97	IC10	99
CHX518DHC	95	DR212	36	EAC620021	97	IC2	99
CHX521C	95	DR245	36	EAC620024	97	IC3	99
CHX521DHC	95	DR266	36	EEX Series	55	IC4	99
CHX524C	95	EAC100012	96	ELX Series	38	IC5	99
CHX524DHC	95	EAC10003	96	EMS277	85	IC6	99
CHX603	94	EAC10006	96	EPX5000B	82	IC7	99
CHX603C	94	EAC10009	96	EPX5000P	82	IC8	99
CHX606	94	EAC100112	96	ES Series	40	IC9	99
CHX606C	94	EAC10013	96	EUR Series	57	INCX Series	58
CHX609	94	EAC10016	96	EUS Series	56	ISC015	100
CHX609C	94	EAC10019	96	FBP140X	76, 93	ISC022	100
CHX612	94	EAC120012	96	FBP240C	76, 93	ISC030	100
CHX612C	94	EAC12003	96	FBP240D	76, 93	ISC037	100
CHX618C	94	EAC12006	96	FBP240H	76, 93	ISC048	100
CHX621C	94	EAC12009	96	FBP240HSD	76	ISC060	100
CHX624C	94	EAC120112	96	FBP240HU	76	ISC080	100
CHX703	95	EAC12013	96	FBP240M	76, 93	ISC100	100
CHX703C	95	EAC12016	96	FBP240U	6, 93	ISC125	100
CHX706	95	EAC12019	96	FBP3500	76, 93	ISC167	100
CHX706C	95	EAC200012	96	FBP450LP	76	L010777	105
CHX709	95	EAC20003	96	FL1	81	LM1	31
CHX709C	95	EAC20006	96	FRK1	86	LPX Series	50
CHX712	95	EAC20009	96	G2277CXBLED	60	LPX(H) Series	51
CHX712C	95	EAC200112	96	G2277CXLED	60	LTC1	77
CHX718C	95	EAC20013	96	G2CX	60	LTC2	78
CHX721C	95	EAC20016	96	G2CXB	60	MH	103
CHX724C	95	EAC20019	96	G2CXBLED	60	ML1	11
CHXH303	95	EAC220012	96	G2CXBS	60	ML2	11
CHXH303C	95	EAC22003	96	G2CXLED	60	ML3	11
CHXH306	95	EAC22006	96	GC15012	13	ML4NC	11
CHXH306C	95	EAC22009	96	GC15022	13	ML5NC	11
CHXH309	95	EAC220112	96	GC15032	13	MML1	10
CHXH309C	95	EAC22013	96	GC15042	13	MML2	10
CHXH312	95	EAC22016	96	GC15052	13	MR12T12	35
CHXH312C	95	EAC22019	96	GC15072	91	MR12T12D	35
CHXH318C	95	EAC300018	96	GC15072CL	91	MR6T12	35
CHXH321C	95	EAC300021	96	GC15082	91	MR6T12D	35
CHXH324C	95	EAC300024	96	GC15082CL	91	MRT12T12	35
CHXH503	95	EAC300118	96	GC15122	13	MRT12T12D	35
CHXH503C	95	EAC300121	96	GC15132	13	MRT12T12HAZ	37
CHXH506	95	EAC300124	96	GC15142	13	MRT12T12W	37
CHXH506C	95	EAC320018	96	GC15172	13	MRT12T20	35
CHXH509	95	EAC320021	96	GC15182	13	MRT12T20D	35

## SURE-LITES®

## NUMERICAL INDEX

PRODUCT NO.	PAGE NO.	PRODUCT NO.	PAGE NO.	PRODUCT NO.	PAGE NO.	PRODUCT NO.	PAGE NO.
MRT12T20HAZ	37	PLX7200OP	61	UMB16	68	WG6	83
MRT12T20W	37	PLX7200RB	61	UMB17	68	WG7	83
MRT12T50	35	PLX7200RBS	61	UMB6	68	WG8	83
MRT12T50D	35	PLX7200RP	61	UMB7	68	WG9	83
MRT12T50W	37	PLX7202GB	62	UMB8	68	WGS11	83
MRT6T12	35	PLX7202GBS	62	UMB9	68	XR11	28
MRT6T12D	35	PLX7202GP	62	UMX Series	71	XR11347	28
MRT6T12HAZ	37	PLX7202OB	62	UN1OFB	61	XR12206	28
MRT6T12W	37	PLX7202OBS	62	UN1OFBS	61	XR12206347	28
MRT6T5	35	PLX7202OP	62	UN1OFW	61	XR12206C	89
MRT6T5D	35	PLX7202RB	62	UN1SGB	61	XR12208	28
MRT6T5HAZ	37	PLX7202RBS	62	UN1SGBLED	61	XR12208347	28
MRT6T5W	37	PLX7202RP	62	UN1SGBS	61	XR12208C	89
MRT6T9	35	R2277CXBLED	60	UN1SGW	61	XR15	28
MRT6T9D	35	R2277CXLED	60	UN1SGWLED	61	XR16	28
MRT6T9HAZ	37	R2CX	60	UN1SRB	61	XR1624C	89
MRT6T9W	37	R2CXB	60	UN1SRBLED	61	XR16	89
NCB110	67	R2CXBLED	60	UN1SRBS	61	XR17	28
NCB12180	67	R2CXBS	60	UN1SRW	61	XR20	28
NCB12225	67	R2CXLED	60	UN1SRWLED	61	XR20C	89
NCB1290	67	R4C14	37	UNH1OFB	61	XR21	28
NCB45	67	R4C145	37	UNH1OFBDH	62	XR21C	89
NCB9	67	RBP13	80	UNH1OFBS	61	XR3	28
OF2CX	60	RBP13347	80	UNH1OFBSDH	62	XR3347	28
OF2CXB	60	RBP1826	80	UNH1OFW	61	XR5	28
OF2CXBS	60	RBP1826347	80	UNH1OFWDH	62	XR6C	89
P4C1	15	RBP	80	UNH1SGB	61	XR7	28
P4C2	15	RBP9347	80	UNH1SGBDH	62	XR7C	89
P4C22	15	RD1	12	UNH1SGBLEDL	61	XR9	28
P4C3	15	RD3	12	UNH1SGBS	61	XR9C	89
P4C6	15	RD4	12	UNH1SGBSDH	62	Z-67	105
P4C7	15	RD6	12	UNH1SGW	61	Z-7	105
P4C72	15	RD7	12	UNH1SGWBDHL	62		
PCL	103	REM240	80	UNH1SGWBLED	61		
PHL Series	74	RFR130	37	UNH1SGWDH	62		
PK18BK	83	RFR153	37	UNH1SGWDHL	62		
PK18HTBK	84	RG1	16	UNH1SRB	61		
PK18HTWH	84	RG2	16	UNH1SRBDH	62		
PK18WH	83	RKRC Series	79	UNH1SRBLED	61		
PLC277B	81	RKRI Series	79	UNH1SRBS	61		
PLC277P	81	RLM1	12	UNH1SRBSDH	62		
PLC2C120	81	RLM2	12	UNH1SRW	61		
PLC2C1277	81	RLM3	12	UNH1SRWBDHL	62		
PLC2CU	81	RLM4	12	UNH1SRWDH	62		
PLX5200GB	60	RLM8	12	UNH1SRWDHL	62		
PLX5200GBS	60	RLM9	12	UNH1SRWLED	61		
PLX5200GP	60	SLC1	14	USF1	86		
PLX5200OB	60	SLC120	14	UX Series	70		
PLX5200OBS	60	SLC120H	14	V	103		
PLX5200OP	60	SLC1H	14	VK1	85		
PLX5200RB	60	SLC2	14	VRSD	86		
PLX5200RBS	60	SLC220	14	VRSPD	86		
PLX5200RP	60	SLC220H	14	VRX Series	72		
PLX6200GB	61	SLC2H	14	VS1	83		
PLX6200GBS	61	SLX Series	59	VS1WP	83		
PLX6200GP	61	ST1	92	VS2	83		
PLX6200OB	61	STL	19	VS2WP	83		
PLX6200OBS	61	STL2	20	WatchGuard EMS SD	104		
PLX6200OP	61	TDM	103	WG1	83		
PLX6200RB	61	TH	103	WG10	83		
PLX6200RBS	61	TPK1CP	86	WG12	83		
PLX6200RP	61	TPX Series	46, 47	WG17	83		
PLX7200GB	61	TRX1 Series	73	WG19	83		
PLX7200GBS	61	UEL Series	66, 87	WG2	83		
PLX7200GP	61	UMB1	68	WG3	83		
PLX7200OB	61	UMB14	68	WG4	83		
PLX7200OBS	61	UMB15	68	WG5	83		

# COOPER LIGHTING BRAND FAMILY

## AMETRIX

A complete vocabulary of point source indirect luminaires including ceiling, suspended, semi-recessed and cove versions available with compact fluorescent, tungsten-halogen, and metal halide light sources.



## McGRAW-EDISON

Durable, efficient HID fixtures illuminate a complete range of outdoor industrial utility and commercial applications.



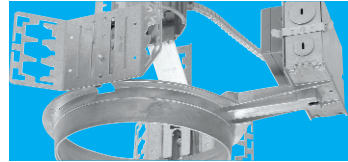
## HALO

Quality recessed, track and surface products serve a wide range of commercial, residential, institutional and industrial applications.



## PORTFOLIO

Developing the visual design concept with lighting employs an intelligent balance of art and science. Portfolio applies a similar approach to the design of luminaires with the controlled balance of visual comfort and efficiency.



## NEO-RAY

If yours is a never-ending quest to transform architectural spaces into dynamic environments, look to Neo-Ray for lighting products that offer a distinctive combination of high quality and aesthetics.



## INVUE

Establishing a new benchmark in specification grade architectural site lighting, INVUE Lighting Systems bring together leading edge form and unmatched performance.



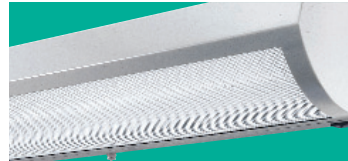
## METALUX

Single source fluorescent lighting for commercial, industrial, institutional, retail and residential markets.



## FAIL-SAFE

Security fixtures, control systems and specialty hardware built to withstand the rigors of correctional facilities, clean rooms, public access areas, hospitals and other high abuse environments.



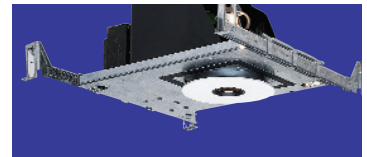
## LUMARK

A full-line of quality commercial and industrial products to satisfy virtually every indoor or outdoor HID lighting need.



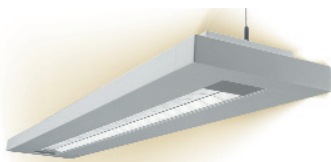
## IRIS

Aesthetics and performance combine for highly flexible architectural, residential and commercial lighting designs.



## CORELITE

Corelite offers a unique line of affordable architectural fluorescent luminaires perfectly suited to the creation of task-friendly environments.



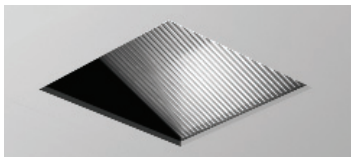
## LUMIERE

Innovative solutions for complex landscape, area/accent and special application illumination.



## RSA

RSA is recognized as the leader in the development of cutting-edge, architectural lighting systems. As innovators in the design and manufacture of multi-lamp recessed, track and linear lighting, RSA products emphasize unique and functional design.



## SHAPER

Shaper's standard product line includes interior ceiling mounted and pendant luminaires, interior and exterior, wet listed wall mounted fixtures, a selection of exterior bollard designs and the "Starter Collection," geared to budget oriented projects.



**COOPER**  
*Connection*

The Power Behind The Brands.

**COOPER** Lighting

**COOPER** Bussmann

**COOPER** Wiring Devices

**COOPER** Crouse-Hinds

**COOPER** B-Line

**COOPER** Power Systems



**Customer First Center**

1121 Highway 74 South  
Peachtree City, Georgia 30269  
770 486 4800  
Fax 770 486 4801

**Domestic Facilities, USA**

Cranbury, New Jersey  
Elk Grove Village, Illinois  
Irving, Texas  
Ontario, California  
Peachtree City, Georgia

**International Sales, USA**

Cooper Lighting  
1121 Highway 74 South  
Peachtree City, Georgia 30269  
770 486 4800  
Fax 770 486 4801

**Canada**

Cooper Lighting  
5925 McLaughlin Road  
Mississauga, Ontario L5R 1B8  
905 507 4000  
FAX 905 568 7049

**Domestic Facilities, Canada**

Calgary, Alberta T2E 7V9  
Chomedey, Laval P.Q.

Cooper Lighting, Inc.  
All rights reserved  
Printed in USA

Dimensions and specifications are subject  
to change without notice.

**The Cooper Lighting Family**

Halo  
Metalux  
Lumark  
**Sure-Lites**  
Neo-Ray  
Corelite  
Portfolio  
Iris  
Shaper  
Lumière  
Invue  
McGraw-Edison  
Streetworks  
Fail-Safe  
MWS  
DLS  
RSA  
Ametrix

