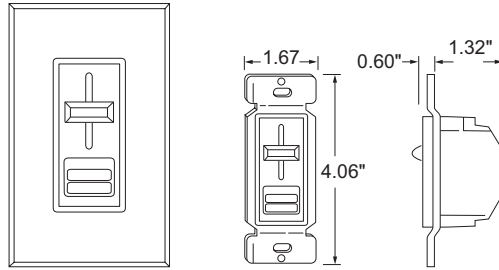


## Controls

Through continuing technological advancements, Lightolier® Controls has revolutionized the way lighting controls and systems are both designed and installed. The ability to provide each dimming control with its own intelligence, simplifies the design of a lighting control system, facilitates installation, reduces cost, and improves reliability. Our product design philosophy is to provide advanced lighting control function while maintaining simple, intuitive operation.

GENLYTE  
GROUP

Slide Dimmers and Controls



**Fan Controls**

Lightolier® Controls provides fan controls to suit the needs of any room decor. Rotary, slide, fan/light and digital controls are available to match your dimmers and switches to meet your performance requirements.

- Whispurr™ feature ensures quiet fan operation.
- 3-speed, 4-speed and variable speed (infinitely adjustable) models available.
- 5 and 10-amp models available for demanding requirements.
- Rotary and decorator styling available to match your decor.

Fan Control, 3 Speed w/ Preset

Item	Fan Load	Finish
<b>APWHISBLC</b>	1.5A	Black
<b>APWHISIC</b>	1.5A	Ivory
<b>APWHISLAC</b>	1.5A	Light Almond
<b>APWHISWC</b>	1.5A	White

**Astral™ Slide Dimmers**

These decorator style non-preset and preset dimmers provide smooth light level adjustments, decorator styling, ease of use, captive knobs that won't pull off, and full range dimming.

- Captive slider will not come off.
- Use with standard 3-way switches (Preset only).
- Intuitive up-on/down-off switch.
- Available in incandescent, magnetic and electronic low-voltage and 3-way models.

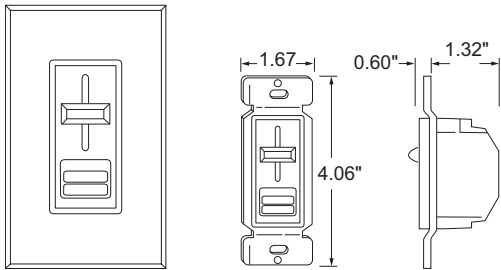
600w Incandescent Slide Dimmer

Item	Finish
<b>A600BLC</b>	Black
<b>A600BRC</b>	Brown
<b>A600IC</b>	Ivory
<b>A600LAC</b>	Light Almond
<b>A600WC</b>	White

600w Low Voltage Slide Dimmer

Item	Finish
<b>A600LVBLC</b>	Black
<b>A600LVBRC</b>	Brown
<b>A600LVIC</b>	Ivory
<b>A600LVLAC</b>	Light Almond
<b>A600LVWC</b>	White

Color Code
White W
Ivory I
Light Almond LA
Almond AL
Black BL
Brown BR
Grey GR



600w Incandescent Slide Dimmer w/ Preset

Item	Finish
AP600BLC	Black
AP600BRC	Brown
AP600IC	Ivory
AP600LAC	Light Almond
AP600WC	White

**Astral™ Slide Dimmers**

These decorator style non-preset and preset dimmers provide smooth light level adjustments, decorator styling, ease of use, captive knobs that won't pull off, and full range dimming.

- Captive slider will not come off.
- Use with standard 3-way switches (Preset only).
- Intuitive up-on/down-off switch.
- Available in incandescent, magnetic and electronic low-voltage and 3-way models.

600w Low Voltage Slide Dimmer w/ Preset

Item	Finish
AP600LVBLC	Black
AP600LVBRC	Brown
AP600LVIC	Ivory
AP600LVLAC	Light Almond
AP600LVWC	White

600w Incandescent 3-Way Slide Dimmer w/ Preset

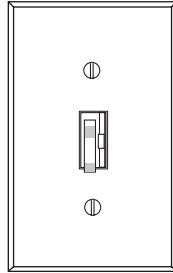
Item	Finish
AP603BLC	Black
AP603BRC	Brown
AP603IC	Ivory
AP603LAC	Light Almond
AP603WC	White

600w Low Voltage 3-Way Slide Dimmer w/ Preset

Item	Finish
AP603LVBLC	Black
AP603LVBRC	Brown
AP603LVIC	Ivory
AP603LVLAC	Light Almond
AP603LVWC	White

Color Code
White W
Ivory I
Light Almond LA
Almond AL
Black BL
Brown BR
Grey GR

## Toggle Dimmer



Classic toggle styling with today's newest digital-touch technology. The Classic Touch dimmer dramatically and softly fades the lighting on to your preset level. Two touch pads to raise/lower the light level for easy lighting adjustments.

- Raise and lower touch pads.
- LED night light.
- Fits standard faceplate design.
- Elegant soft-fade on.
- Same dimmer suitable for single-pole or 3-way applications with standard 3-way switches.

### 1000w Incandescent Toggle Dimmer w/ LED Night Light

Item	Finish
<b>CT1000IC</b>	Ivory
<b>CT1000LAC</b>	Light Almond
<b>CT1000WC</b>	White

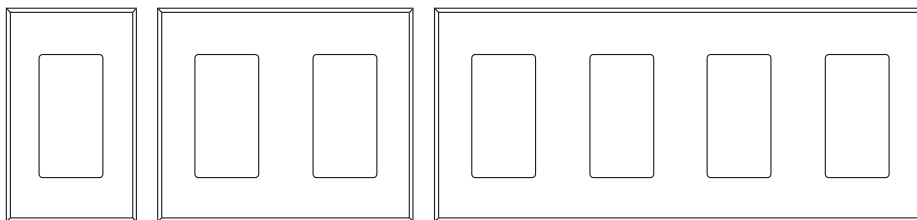
### 1000w Magnetic Low Voltage Toggle Dimmer w/ LED Night Light

Item	Finish
<b>CT1000LVIC</b>	Ivory
<b>CT1000LVLAC</b>	Light Almond
<b>CT1000LVWC</b>	White

### 600w Incandescent Toggle Dimmer w/ LED Night Light

Item	Finish
<b>CT600LAC</b>	Light Almond
<b>CT600WC</b>	White
<b>CT600IC</b>	Ivory

Color Code
White W
Ivory I
Light Almond LA
Almond AL
Black BL
Brown BR
Grey GR



Face Plate for 1 Dimmer

Item	Finish
COMFP1AL	Almond
COMFP1BL	Black
COMFP1BR	Brown
COMFP1GR	Grey
COMFP1I	Ivory
COMFP1LA	Light Almond
COMFP1W	White

Face Plate for 5 Dimmers

Item	Finish
COMFP5AL	Almond
COMFP5BL	Black
COMFP5BR	Brown
COMFP5I	Ivory
COMFP5W	White

**Multi-Gang Compli® Screwless Strap Faceplates**

- Sleek, beveled edges.
- Snap-on application for most decorator-style, electrical wiring devices, including switches, outlets and Lightolier® Controls strap dimmers.
- Back plate ensures proper alignment of all devices in a multi-gang installation.
- Accommodates up to seven devices.

**To Order Compli® Faceplates:**

Match the number of dimmers/devices to the number of openings on the faceplate. When ganging 1000W strap dimmers, inside fins must be removed. Derating is required. Small devices are always aligned to one side of the faceplate while large devices are on the other side.

Face Plate for 2 Dimmers

Item	Finish
COMFP2AL	Almond
COMFP2BL	Black
COMFP2BR	Brown
COMFP2GR	Grey
COMFP2I	Ivory
COMFP2LA	Light Almond
COMFP2W	White

Face Plate for 6 Dimmers

Item	Finish
COMFP6AL	Almond
COMFP6BL	Black
COMFP6BR	Brown
COMFP6GR	Grey
COMFP6I	Ivory
COMFP6W	White

Face Plate for 3 Dimmers

Item	Finish
COMFP3AL	Almond
COMFP3BL	Black
COMFP3BR	Brown
COMFP3GR	Grey
COMFP3I	Ivory
COMFP3LA	Light Almond
COMFP3W	White

Face Plate for 7 Dimmers

Item	Finish
COMFP7AL	Almond
COMFP7BL	Black
COMFP7BR	Brown
COMFP7GR	Grey
COMFP7I	Ivory
COMFP7LA	Light Almond
COMFP7W	White

Face Plate for 4 Dimmers

Item	Finish
COMFP4AL	Almond
COMFP4BL	Black
COMFP4BR	Brown
COMFP4I	Ivory
COMFP4LA	Light Almond
COMFP4W	White

Color Code
White W
Ivory I
Light Almond LA
Almond AL
Black BL
Brown BR
Grey GR

## Dimming System

### Compli Scenist® Dimming System

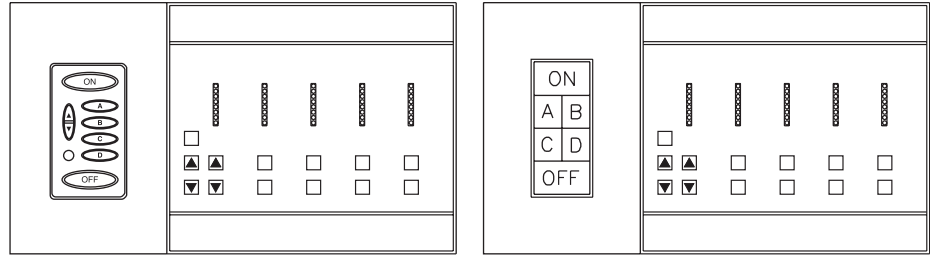
Compli Scenist® provides the control features of a component system in an elegant, all-in-one installation. With Compli Scenist, sophisticated lighting control becomes as simple as pushing a button! It incorporates 5-scene control of four dimmers that installs into a four-gang wallbox. Each dimmer controls up to 800 watts, with a total capacity of 2000 watts. A smart processor memorizes five presets for each dimmer and composes them into preset scenes. The scenes are selected using the integral keypad. Presets for any dimmer may be manually overridden (but are not erased) at any time. Programming is simple and may be changed at any time. Fade rates between scenes adjust from instantaneous to one hour. The entire Master, the set function, or an individual scene may be locked to prevent accidental tampering. Infrared and wireless remotes are available. Compli Scenist may be combined with InSight® occupancy sensors for compliance with energy guidelines. A single 20-amp circuit feeds the master, and each internal dimmer wires to its own load.

#### Features

- 4 Dimmers neatly fit into 4-gang junction box.
- 5 Preset Scenes plus off.
- Fade rates from instant up to 1 hour.
- Wireless remote control capabilities (use with CLMIRW, CLMIRC). Note: CLMIRW and CLMIRC not currently on GSA schedule.

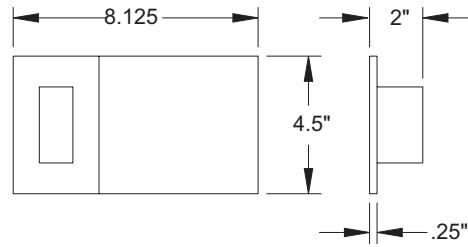
### Compli Scenist® Remotes

Compli Scenist Remote Controls allow scene selection changes or individual channel raise/lower from additional locations.



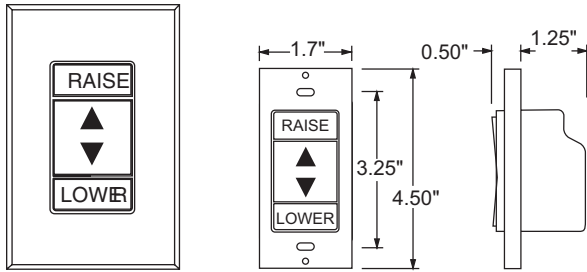
Compli Scenist Master - Ellipse Style

Compli Scenist Master - Classic Style



### Master Control Station, 4-Channel, 5-Scene, 2000w Capacity

Item	Watts/Channel	Finish
<b>CS2045II</b>	800W	Black Bezel and Smoke Door, Classic Style
<b>CS2045IIW</b>	800W	White Bezel and White Door, Classic Style
<b>CS2045IIES</b>	800W	Black Bezel and Smoke Door, Ellipse Style
<b>CS2045IIEW</b>	800W	White Bezel and White Door, Ellipse Style

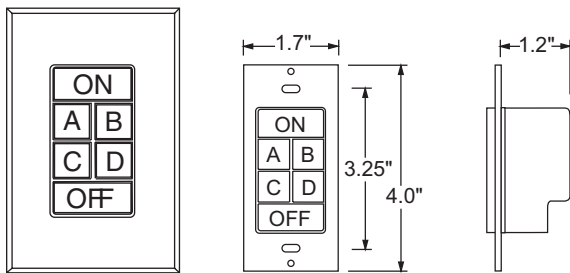


**Compli Scenist® Remotes**

Compli Scenist® Remote Stations allow scene selection changes or individual channel raise/lower from additional locations.

**2-Scene Remote**

Item	Scenes	Finish
CSR2	2	Black Bezel
CSR2W	2	White Bezel

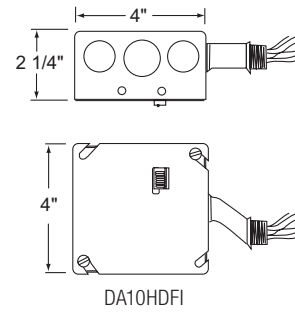
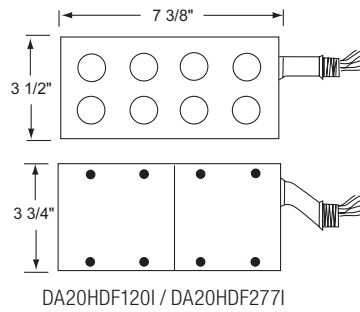
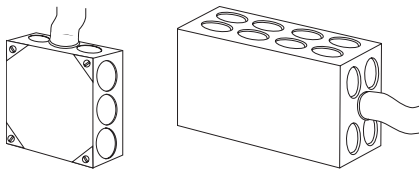


**5-Scene Remote**

Item	Scenes	Finish
CSR5	5	Black Bezel
CSR5W	5	White Bezel

Color Code
White W
Ivory I
Light Almond LA
Almond AL
Black BL
Brown BR
Grey GR

For use with Lightolier® Controls VA Dimmers



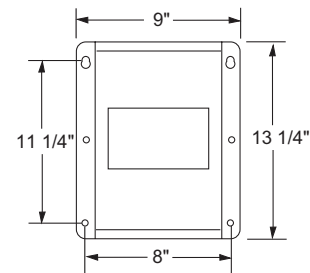
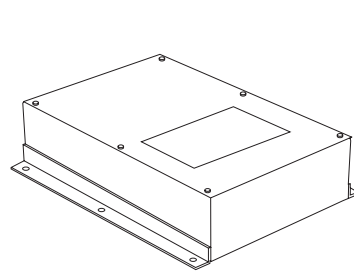
### Dimming Amplifiers

Dimming Amplifiers allow any Lightolier® Controls HDF rated dimmer to control larger loads and to interface with various fluorescent electronic dimming ballasts. A single HDF dimmer can control a maximum of three dimming amplifiers. This is especially useful and cost-effective when only one channel controls a high-wattage load.

Dimming amplifiers are phase-independent. Therefore, the HDF dimmer and dimming amplifier can be fed from the same or different phases. This, in turn, simplifies the design and installation of the system.

### Fluorescent Dimming Amplifier for Lightolier® HDF/GLT Dimming Ballast and VA-Rated Wallbox Dimmer

Item	Load	Voltage Input
<b>DA10HDFI</b>	10A	120/277V
<b>DA20HDF120I</b>	20A	120V
<b>DA20HDF277I</b>	20A	277V



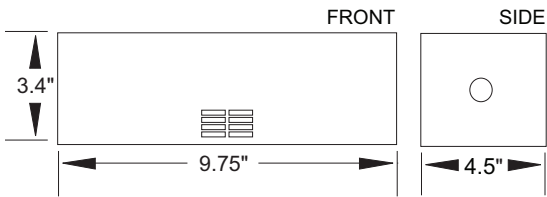
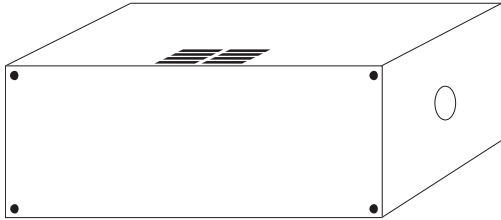
### Fluorescent Dimming Amplifier for Advance Mark 10® Dimming Ballast & VA-Rated Wallbox Dimmer

Item	Circuits	Watts/Circuit	Voltage Input
<b>DA22000EB277I</b>	1 or 2 @ 20A	1536VA	277V
<b>DA2400EB277I</b>	1 @ 20A	1536VA	277V
<b>DA2400EBI</b>	1 @ 20A	1536VA	120V

### Incandescent/Inductive Dimming Amplifier for VA-Rated Wallbox Dimmer

Item	Circuits	Watts/Circuit
<b>DA22000VAI</b>	1 or 2 @ 20A	1536VA
<b>DA2400VAI</b>	1 @ 20A	1536VA





**Dimming Filters**

Dimming filters can be used in acoustically demanding applications to help minimize lamp filament noise.

**High-Inductance Dimming Filter**

Item	Description
LMHIFO	For use with Two 2000W Circuits
LMQFO	For use with Four 1200W Circuits

## Occupancy Sensors

### IntelliSight® Occupancy Sensors

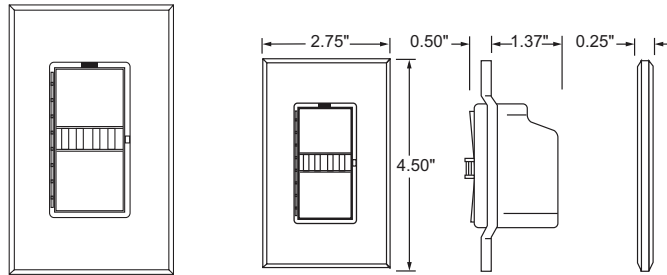
The IntelliSight® Two-Wire Sensor Switch is a designer-style, multiple technology, occupancy-sensing wall switch. The switch is rated for a 1000 watt load when used in a 120VAC application and a 2000 watt load when used in a 277VAC application. Each unit has an automatic shut-off feature and provides multi-location on/off (three-way) control when used with the proper

### Lightolier® Controls Remotes.

The IntelliSight® switch will work with several of the existing Lightolier® Controls Remotes. All are designer-style, multi-location device that uses existing three-way wiring to control the on/off commands for any IntelliSight® sensor.

### Features

- Attractive designer styling - complements other designer-style electrical devices and faceplates.
- Multiple technology - multiple technologies to improve sensitivity and decrease false triggering. This also makes a much more user-friendly and customizable device without creating complexity.
- Intelligent self-adjustment mode - continuously monitors space and occupancy patterns to self adjust to the most efficient control of the monitored space.
- Adjustable time-out period.
- Sensor sensitivity setting - User configurable sensor sensitivity to tailor switch to unusual spaces.
- Universal voltage - 120 to 277 Volts AC power with a single ground connection. Minimum inventory, easy installation.
- Minimum load requirement of less than 5 watts.
- Selectable audible tones - device emits a selectable audible signal before the lights shut off, allowing the occupant to maintain the ON status, if so desired.
- Ambient light override - Can monitor ambient light to prevent switch from turning on if ambient light is above a certain level.
- Power fail memory - years of power failure memory for building sweeps and unplanned power losses.
- LED indicator - lights when sensor detects occupancy.
- Automatic air gap when lights are off. Can be locked for maintenance.
- Reinforced lens - minimal protrusion from the wall, maximum protection.



### Universal, Multiple Technology 2-Wire Switch Sensor

Item	Voltage	Wattage	Finish
<b>ITS2UI</b>	120/277V	1000W	Ivory
<b>ITS2ULA</b>	120/277V	1000W	Light Almond
<b>ITS2UW</b>	120/277V	1000W	White

### IntelliSight® VA Rated Dimming Sensor

Item	Voltage	Wattage	Finish
<b>ITSDUW</b>	120/277V	1000W	White
<b>ITSDUI</b>	120/277V	1000W	Ivory
<b>ITSDULA</b>	120/277V	1000W	Light Almond

### IntelliSight® Fluorescent Dimming Sensor

Item	Voltage	Wattage	Finish
<b>ITSHDFUW</b>	120/277V	1000W	White
<b>ITSHDFUI</b>	120/277V	1000W	Ivory
<b>ITSHDFULA</b>	120/277V	1000W	Light Almond

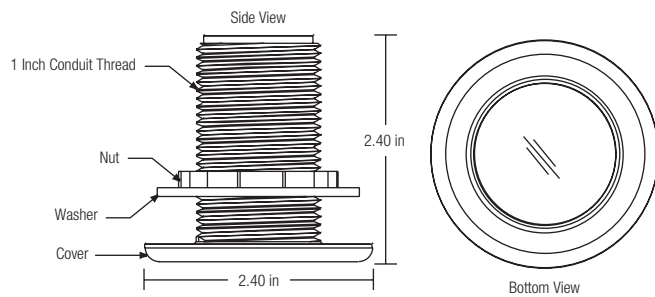
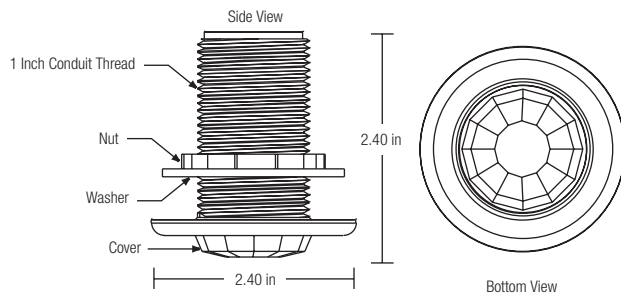
### IntelliSight® Advance Mark 10 Dimming Sensor

Item	Voltage	Wattage	Finish
<b>ITSEBUW</b>	120/277V	1000W	White
<b>ITSEBUI</b>	120/277V	1000W	Ivory
<b>ITSEBULA</b>	120/277V	1000W	Light Almond

### IntelliSight® Advance AmbiStar Dimming Sensor

Item	Voltage	Wattage	Finish
<b>ITSEBAUW</b>	120/277V	1000W	White
<b>ITSEBAUI</b>	120/277V	1000W	Ivory
<b>ITSEBAULA</b>	120/277V	1000W	Light Almond

Color Code
White W
Ivory I
Light Almond LA
Almond AL
Black BL
Brown BR
Grey GR



**IntelliSight® Ceiling-Mounted Occupancy Sensor**  
 The IntelliSight® network is a versatile, dynamically programmable occupancy sensing system designed to operate as a fully functional self-contained system, or provide seamless integration with other Genlyte® control devices such as Lyteswitch™, Capiro®, and Optio® lighting control panels.

- Features**
- Low-profile, attractive design.
  - Multiple technologies providing 2500 sq. ft. of coverage
  - Intelligent self-adjustment
  - Adjustable time-out period from 1 to 30 minutes
  - User configurable sensor sensitivity setting
  - Ambient light override
  - LED indicator illuminates when movement is detected
  - Unobtrusive, reinforced lens with minimal protrusion from the ceiling
  - User-friendly infrared programming unit (sold separately) to make programming easy and simple without the use of ladders or tools.
  - Manual or Automatic on

**IntelliSight® Ceiling Sensors**

<b>Item</b>	<b>Description</b>	<b>Finish</b>
<b>ITSCS</b>	IntelliSight® Low Voltage Ceiling Occupancy Sensor	White
<b>ITSCSHB</b>	IntelliSight® High Bay Low-Voltage Ceiling Occupancy Sensor	White
<b>ITSPSC</b>	IntelliSight® Low-Voltage Ceiling Photocell (Daylighting)	White

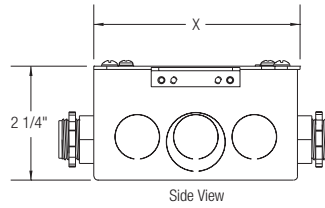
## Occupancy Sensors

### IntelliSight® Relay and Dimming Power Packs:

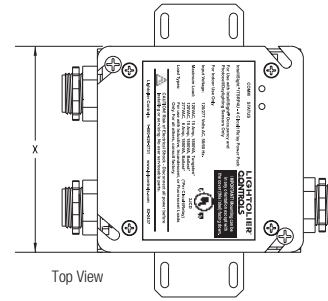
The IntelliSight® network is a versatile, dynamically programmable occupancy sensing system designed to operate as a fully functional self-contained system, or provide seamless integration with other Genlyte® control devices such as Lyteswitch™, Capio®, and Optio lighting control panels.

#### Features

- Energy saving design
- Simple, user-friendly setup
- LED indicator
- Heavy-duty construction
- Low-voltage isolation
- Occupancy and photocell sensor applications
- Daylight Harvesting Capabilities



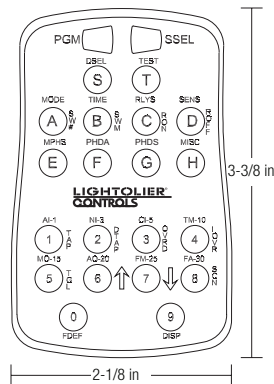
X = 4" (ITSRP1U and ITSRP2U)  
4-11/16" (ITSRP4U)



ITSRP4U Shown

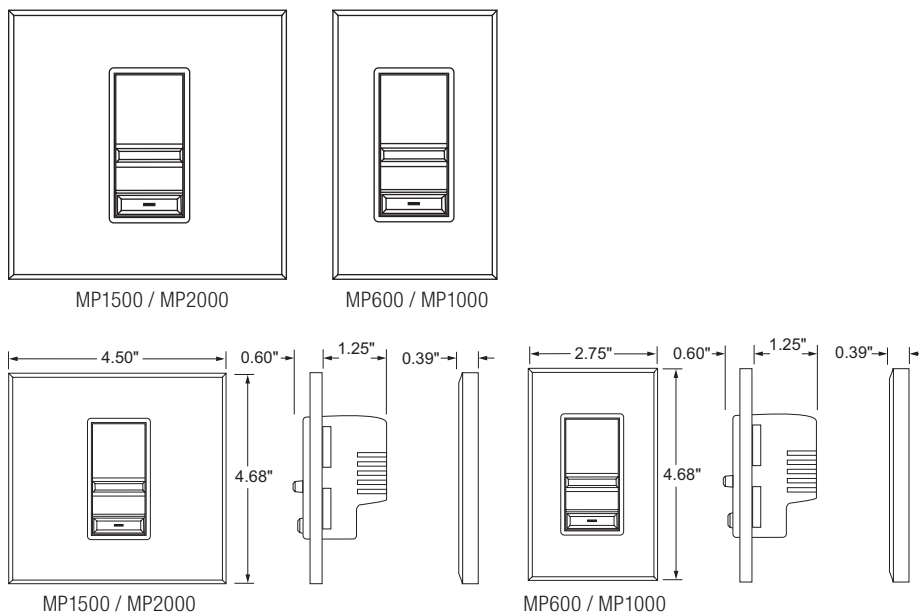
## IntelliSight® Relay Power Packs

Item	Description
<b>ITSRP1U</b>	IntelliSight® Relay Power Pack, 1 Circuit, Universal
<b>ITSRP2U</b>	IntelliSight® Relay Power Pack, 2 Circuit, Universal
<b>ITSRP4U</b>	IntelliSight® Relay Power Pack, 4 Circuit, Universal
<b>ITSRPHDF2U</b>	IntelliSight® Relay Power Pack, 2 Circuit, HDF Dimming
<b>ITSRPHDF4U</b>	IntelliSight® Relay Power Pack, 2 Circuit, w/2 HDF Dimming Circuits
<b>ITSRPFAM2U</b>	IntelliSight® Advance Mark 7 Dimming Relay Power Pack, 2 Circuit
<b>ITSRPFAM4U</b>	IntelliSight® Advance Mark 7 Dimming Relay Power Pack, 2 Circuits, w/2 Dimming Circuits



## IntelliSight® System Accessories

Item	Description
<b>ITSIR1</b>	Infrared Remote Programming Unit (sold separately)



**Momentum Preset Slide Dimmers**

Clean attractive styling and fine dimmer detailing combine with a vast selection of lamp types and wattage's to make Momentum the perfect choice for a wide range of applications.

- Full-range dimming—raise or lower the long-throw slider to achieve the desired light output.
- Soft Start turns lights on gently, preserving lamp life.
- Red LED guides you to the dimmer's on/off micro-touch switch in a dark space.
- For most architectural light sources, including several fluorescent electronic ballasts.
- Multi-location/3-way control with Momentum Preset Remotes.
- Fits standard decorator styling faceplates.
- Captive knob won't pull off.

**Momentum Preset Remotes**

These designer-style remotes provide multi-location, 3-way on-and-off control of Momentum Preset Slide Dimmers from any number of locations.

- Turns/Momentum Preset Dimmer on to preset and off.
- Uses existing 3-way wiring (two conductors).

**Momentum Matching Switches**

- Ideal for non-dim fixtures, fluorescents or appliances.
- Switch is mounted on a matching thin profile heatsink for ganging with other high-wattage devices; faceplate included.

Incandescent Slide Dimmer w/ Preset

Item	Wattage	Finish
MP600I	600W	Ivory
MP600W	600W	White
MP1000I	1000W	Ivory
MP1000W	1000W	White
MP1500I	1500W	Ivory
MP1500W	1500W	White
MP2000I	2000W	Ivory
MP2000W	2000W	White

Inductive Slide Dimmer w/ Preset

Item	Wattage	Finish
MP600VAI	600VA	Ivory
MP600VAW	600VA	White
MP1000VAI	1000VA	Ivory
MP1000VAW	1000VA	White
MP1500VAI	1500VA	Ivory
MP1500VAW	1500VA	White
MP2000VAI	2000VA	Ivory
MP2000VAW	2000VA	White

Color Code
White W
Ivory I
Light Almond LA
Almond AL
Black BL
Brown BR
Grey GR

## Dimming System

### Momentum Preset Slide Dimmers

Clean attractive styling and fine dimmer detailing combine with a vast selection of lamp types and wattage's to make Momentum the perfect choice for a wide range of applications.

- Full-range dimming—raise or lower the long-throw slider to achieve the desired light output.
- Soft Start turns lights on gently, preserving lamp life.
- Red LED guides you to the dimmer's on/off micro-touch switch in a dark space.
- For most architectural light sources, including several fluorescent electronic ballasts.
- Multi-location/3-way control with Momentum Preset Remotes.
- Fits standard decorator styling faceplates.
- Captive knob won't pull off.

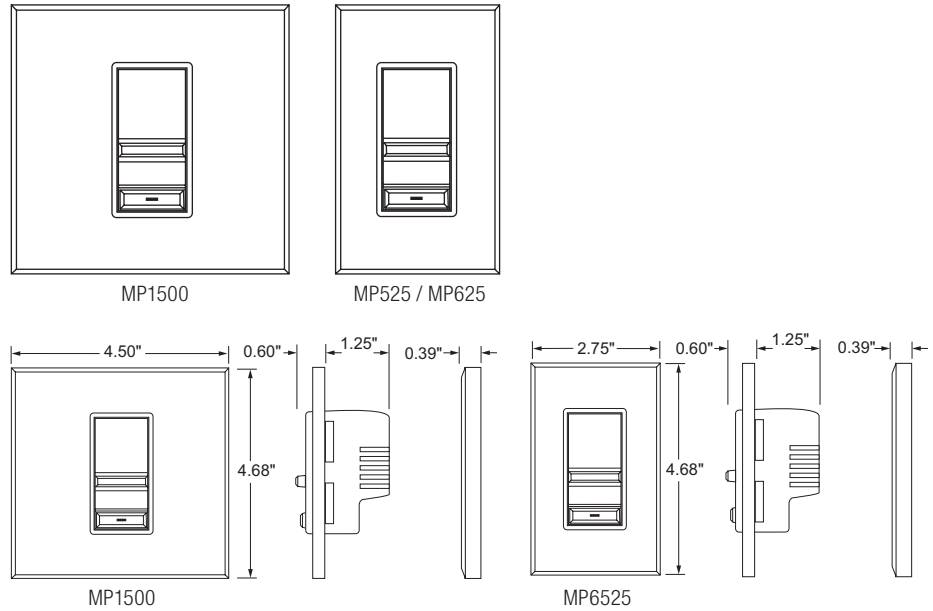
### Momentum Preset Remotes

These designer-style remotes provide multi-location, 3-way on-and-off control of Momentum Preset Slide Dimmers from any number of locations.

- Turns/Momentum Preset Dimmer on to preset and off.
- Uses existing 3-way wiring (two conductors).

### Momentum Matching Switches

- Ideal for non-dim fixtures, fluorescents or appliances.
- Switch is mounted on a matching thin profile heatsink for ganging with other high-wattage devices; faceplate included.



### Quiet Electronic Low Voltage Slide Dimmer w/ Preset

Item	Wattage	Finish
<b>MP525QEI</b>	525W	Ivory
<b>MP525QEW</b>	525W	White
<b>MP625QEI</b>	625W	Ivory
<b>MP625QEW</b>	625W	White

### Fluorescent Slide Dimmer w/ Preset for Advance Mark 10® Dimming Ballast

Item	Wattage	Finish
<b>MP1500EBI</b>	1500VA	Ivory
<b>MP1500EBW</b>	1500VA	White

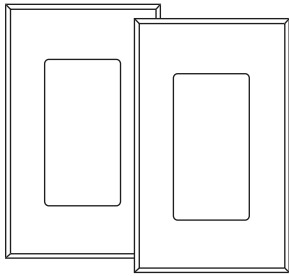
### Fluorescent Slide Dimmer w/ Preset for Advance Mark 7® Dimming Ballast

Item	Wattage	Finish
<b>MP1500FAM120I</b>	1500VA	Ivory
<b>MP1500FAM120W</b>	1500VA	White

### Fluorescent Slide Dimmer w/ Preset for Lightolier® HDF Dimming Ballast

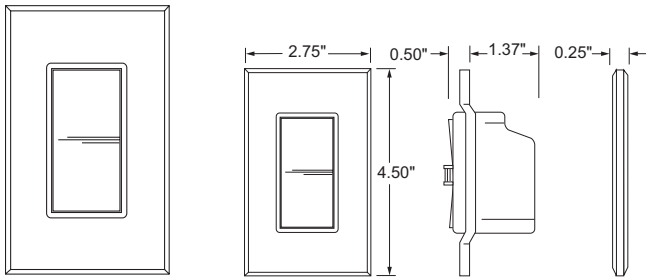
Item	Wattage	Finish
<b>MP1500HDF120I</b>	1500VA	Ivory
<b>MP1500HDF120W</b>	1500VA	White

Color Code
White W
Ivory I
Light Almond LA
Almond AL
Black BL
Brown BR
Grey GR



Face Plates

Item	Description	Finish
MP1PI	SPST	Ivory
MP1PW	SPST	White
MP3PI	SPDT	Ivory
MP3PW	SPDT	White



Multi-Location 3-Way Remote

Item	Finish
MPR3I	Ivory
MPR3W	White

**Momentum Preset Slide Dimmers**

Clean attractive styling and fine dimmer detailing combine with a vast selection of lamp types and wattage's to make Momentum the perfect choice for a wide range of applications.

- Full-range dimming—raise or lower the long-throw slider to achieve the desired light output.
- Soft Start turns lights on gently, preserving lamp life.
- Red LED guides you to the dimmer's on/off micro-touch switch in a dark space.
- For most architectural light sources, including several fluorescent electronic ballasts.
- Multi-location/3-way control with Momentum Preset Remotes.
- Fits standard decorator styling faceplates.
- Captive knob won't pull off.

**Momentum Preset Remotes**

These designer-style remotes provide multi-location, 3-way on-and-off control of Momentum Preset Slide Dimmers from any number of locations.

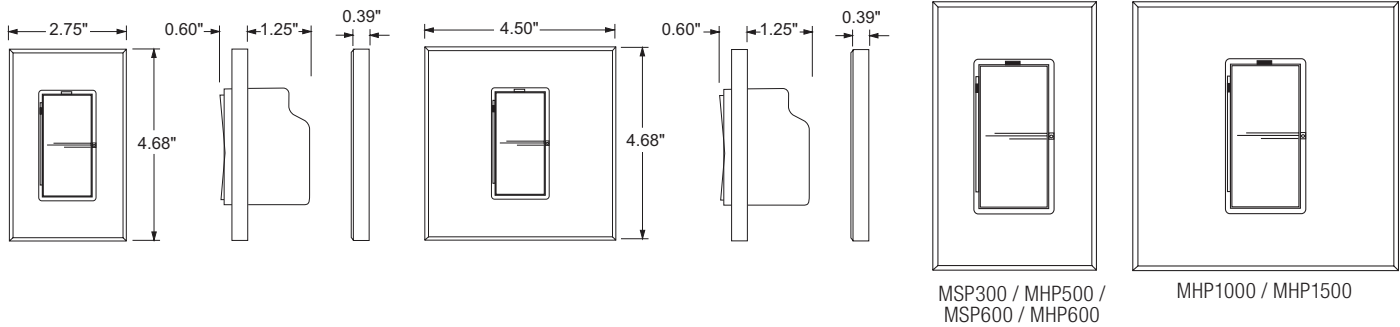
- Turns/Momentum Preset Dimmer on to preset and off.
- Uses existing 3-way wiring (two conductors).

**Momentum Matching Switches**

- Ideal for non-dim fixtures, fluorescents or appliances.
- Switch is mounted on a matching thin profile heatsink for ganging with other high-wattage devices; faceplate included.

Color Code
White W
Ivory I
Light Almond LA
Almond AL
Black BL
Brown BR
Grey GR

## Dimming System



### MultiSet Pro® Dimming System

MultiSet Pro are revolutionary robust systems of wallbox dimmers and master controls that provide up to 13 lighting scenes with up to 58,000 watts of dimming capabilities at a remarkably affordable cost.

Easy to Install - Standard wiring (3-conductor wire) makes the system fast and easy to install. A single "purple wire" (line voltage) connects the master control station to the dimmers.

#### Easy to Program - Setting preset lighting:

- 1 – Touch the "Scene" button on master control station.
- 2 – Adjust each dimmer to your desired lighting level. 3
- Press the small "Set" button on each dimmer.

#### Easy to Operate

Tap the "Scene" button and watch as it illuminates and fades the lighting in the entire room to your desired preset lighting level. Elegant fade rates can be programmed for each dimmer and each scene.

#### Features

- Up to 13 preset scenes.
- Fade rates: 0 sec. to 1 hr.
- Dimming of incandescent, fluorescent, electronic ballast, magnetic transformer, low-voltage, non-dim load, fans.
- Two-way communication: Any dimmer turned from OFF to ON causes the master station button to change from OFF to ON.
- Up to 30 Dimmers/Masters per system.
- Never-fail memory.

Color Code	
White	W
Ivory	I
Light Almond	LA
Almond	AL
Black	BL
Brown	BR
Grey	GR

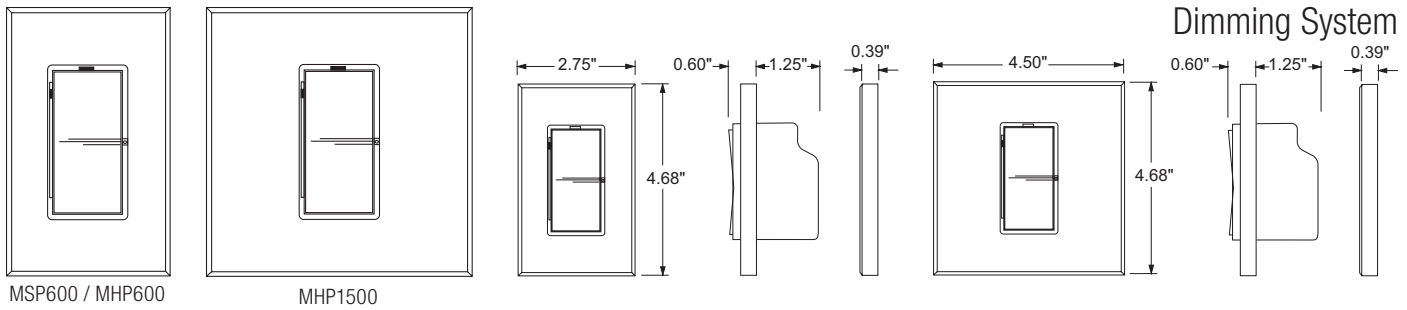
### Quiet Electronic Low Voltage Dimmer

Item	Wattage	Finish
MSP300QEAL	300W	Almond
MSP300QEBL	300W	Black
MSP300QEGR	300W	Grey
MSP300QEI	300W	Ivory
MSP300QEAL	300W	Light Almond
MSP300QEW	300W	White
MSP300QEBR	300W	Brown
MHP500QEAL	500W	Almond
MHP500QEBL	500W	Black
MHP500QEGR	500W	Grey
MHP500QEI	500W	Ivory
MHP500QEW	500W	White
MHP500QEBR	500W	Brown

### Fluorescent Dimmer for Advance Mark 10® Dimming Ballast

Item	Wattage	Finish
MSP600EBAL	600W	Almond
MSP600EBBL	600W	Black
MSP600EBBR	600W	Brown
MSP600EBGR	600W	Grey
MSP600EBI	600W	Ivory
MSP600EBLA	600W	Light Almond
MSP600EBW	600W	White
MHP1000EBAL	1000W	Almond
MHP1000EBBL	1000W	Black
MHP1000EBGR	1000W	Grey
MHP1000EBI	1000W	Ivory
MHP1000EBW	1000W	White
MHP1000EBBR	1000W	Brown
MHP1500EBAL	1500W	Almond
MHP1500EBBL	1500W	Black
MHP1500EBGR	1500W	Grey
MHP1500EBI	1500W	Ivory
MHP1500EBW	1500W	White
MHP600EBAL	600VA	Almond
MHP600EBBL	600VA	Black
MHP600EBGR	600VA	Grey
MHP600EBI	600VA	Ivory
MHP600EBW	600VA	White
MHP600EBBR	600VA	Brown





**Fluorescent Dimmer for Advance AmbiStar Ballast**

Item	Wattage	Finish
<b>MSP600EBAW</b>	600W	White
<b>MSP600EBAI</b>	600W	Ivory
<b>MSP600EBAAL</b>	600W	Almond
<b>MSP600EBALA</b>	600W	Light Almond
<b>MSP600EBAGR</b>	600W	Grey
<b>MSP600EBABL</b>	600W	Black
<b>MSP600EBABR</b>	600W	Brown

**Fluorescent Dimmer for Lightolier® HDF Dimming Ballast**

Item	Wattage	Finish
<b>MSP600HDF120AL</b>	600W	Almond
<b>MSP600HDF120BL</b>	600W	Black
<b>MSP600HDF120BR</b>	600W	Brown
<b>MSP600HDF120GR</b>	600W	Grey
<b>MSP600HDF120I</b>	600W	Ivory
<b>MSP600HDF120LA</b>	600W	Light Almond
<b>MSP600HDF120W</b>	600W	White

**Fluorescent Dimmer for Lightolier® HDF Dimming Ballast and/or Lightolier® Dimming Amplifiers**

Item	Wattage	Finish
<b>MHP600HDF120AL</b>	600W	Almond
<b>MHP600HDF120BL</b>	600W	Black
<b>MHP600HDF120GR</b>	600W	Grey
<b>MHP600HDF120I</b>	600W	Ivory
<b>MHP600HDF120W</b>	600W	White
<b>MHP1500HDF120AL</b>	1500W	Almond
<b>MHP1500HDF120BL</b>	1500W	Black
<b>MHP1500HDF120GR</b>	1500W	Grey
<b>MHP1500HDF120I</b>	1500W	Ivory
<b>MHP1500HDF120W</b>	1500W	White
<b>MHP1500HDF120BR</b>	1500W	Brown

**Inductive/Incandescent Dimmer**

Item	Wattage	Finish
<b>MHP1500VAAL</b>	1500W	Almond
<b>MHP1500VABL</b>	1500W	Black
<b>MHP1500VAGR</b>	1500W	Grey
<b>MHP1500VAI</b>	1500W	Ivory
<b>MHP1500VAW</b>	1500W	White
<b>MHP1500VABR</b>	1500W	Brown

**MultiSet Pro® Dimming System**

MultiSet Pro are revolutionary robust systems of wallbox dimmers and master controls that provide up to 13 lighting scenes with up to 58,000 watts of dimming capabilities at a remarkably affordable cost. Easy to Install - Standard wiring (3-conductor wire) makes the system fast and easy to install. A single "purple wire" (line voltage) connects the master control station to the dimmers.

**Easy to Program - Setting preset lighting:**

- 1 – Touch the "Scene" button on master control station.
- 2 – Adjust each dimmer to your desired lighting level.
- 3 – Press the small "Set" button on each dimmer.

**Easy to Operate**

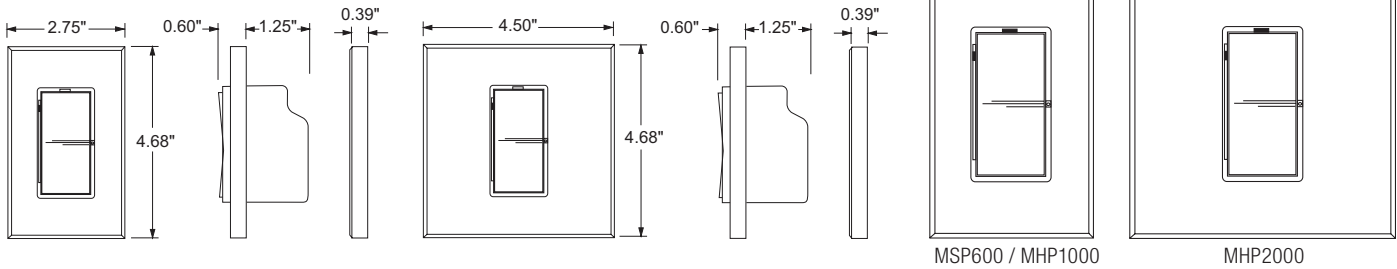
Tap the "Scene" button and watch as it illuminates and fades the lighting in the entire room to your desired preset lighting level. Elegant fade rates can be programmed for each dimmer and each scene.

**Features**

- Up to 13 preset scenes.
- Fade rates: 0 sec. to 1 hr.
- Dimming of incandescent, fluorescent, electronic ballast, magnetic transformer, low-voltage, non-dim load, fans.
- Two-way communication: Any dimmer turned from OFF to ON causes the master station button to change from OFF to ON.
- Up to 30 Dimmers/Masters per system.
- Never-fail memory.

Color Code
White W
Ivory I
Light Almond LA
Almond AL
Black BL
Brown BR
Grey GR

## Dimming System



### MultiSet Pro® Dimming System

MultiSet Pro are revolutionary robust systems of wallbox dimmers and master controls that provide up to 13 lighting scenes with up to 58,000 watts of dimming capabilities at a remarkably affordable cost.

Easy to Install - Standard wiring (3-conductor wire) makes the system fast and easy to install. A single "purple wire" (line voltage) connects the master control station to the dimmers.

#### Easy to Program - Setting preset lighting:

- 1 – Touch the "Scene" button on master control station.
- 2 – Adjust each dimmer to your desired lighting level.
- 3 – Press the small "Set" button on each dimmer.

#### Easy to Operate

Tap the "Scene" button and watch as it illuminates and fades the lighting in the entire room to your desired pre-set lighting level. Elegant fade rates can be programmed for each dimmer and each scene.

#### Features

- Up to 13 preset scenes.
- Fade rates: 0 sec. to 1 hr.
- Dimming of incandescent, fluorescent, electronic ballast, magnetic transformer, low-voltage, non-dim load, fans.
- Two-way communication: Any dimmer turned from OFF to ON causes the master station button to change from OFF to ON.
- Up to 30 Dimmers/Masters per system.
- Never-fail memory.

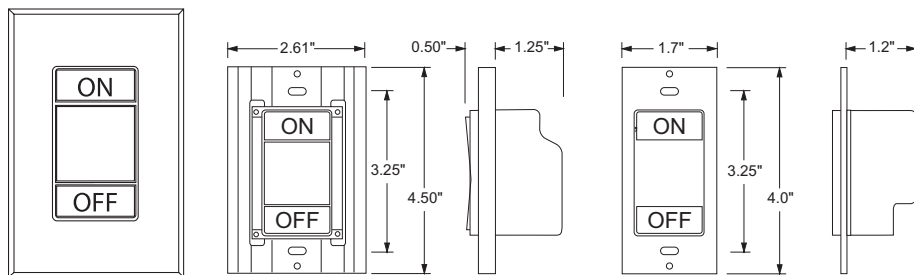
### Inductive Dimmer

Item	Wattage	Finish
MSP600VAAL	600W	Almond
MSP600VABL	600W	Black
MSP600VAGR	600W	Grey
MSP600VAI	600W	Ivory
MSP600VALA	600W	Light Almond
MSP600VAW	600W	White
MSP600VABR	600W	Brown
MHP1000VAAL	1000W	Almond
MHP1000VABL	1000W	Black
MHP1000VAGR	1000W	Grey
MHP1000VAI	1000W	Ivory
MHP1000VAW	1000W	White
MHP2000VAAL	2000W	Almond
MHP2000VABL	2000W	Black
MHP2000VAGR	2000W	Grey
MHP2000VAI	2000W	Ivory
MHP2000VAW	2000W	White
MHP2000VABR	2000W	Brown

### Non-Dimmed Electronic Switch

Item	Wattage	Finish
MSP600NDAL	600W	Almond
MSP600NDBL	600W	Black
MSP600NDGR	600W	Grey
MSP600NDI	600W	Ivory
MSP600NDLA	600W	Light Almond
MSP600NDW	600W	White
MSP600NDBR	600W	Brown
MHP1000NDAL	1000W	Almond
MHP1000NDBL	1000W	Black
MHP1000NDGR	1000W	Grey
MHP1000NDI	1000W	Ivory
MHP1000NDW	1000W	White
MHP2000NDAL	2000W	Almond
MHP2000NDBL	2000W	Black
MHP2000NDGR	2000W	Grey
MHP2000NDI	2000W	Ivory
MHP2000NDW	2000W	White
MHP2000NDBR	2000W	Brown

Color Code	
White	W
Ivory	I
Light Almond	LA
Almond	AL
Black	BL
Brown	BR
Grey	GR



2-Scene Remote w/ Raise Lower

Item	Scenes	Finish
MHPRAL	2	Almond
MHPRGR	2	Grey
MHPRI	2	Ivory
MHPRW	2	White
MHPBR	2	Brown

**MultiSet Pro® Dimming System**

MultiSet Pro are revolutionary robust systems of wallbox dimmers and master controls that provide up to 13 lighting scenes with up to 58,000 watts of dimming capabilities at a remarkably affordable cost.

Easy to Install - Standard wiring (3-conductor wire) makes the system fast and easy to install. A single "purple wire" (line voltage) connects the master control station to the dimmers.

**Easy to Program - Setting preset lighting:**

- 1 – Touch the "Scene" button on master control station.
- 2 – Adjust each dimmer to your desired lighting level.
- 3 – Press the small "Set" button on each dimmer.

**Easy to Operate**

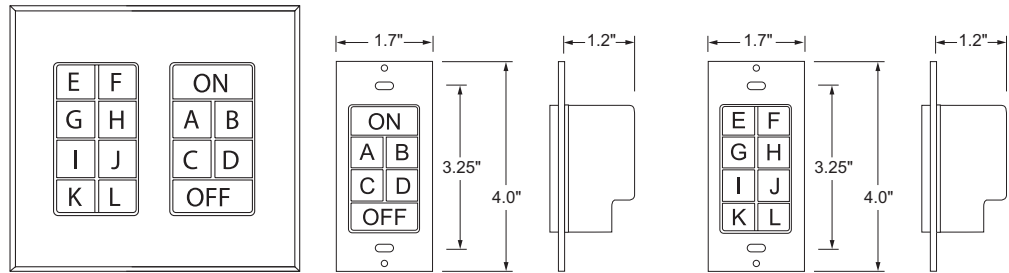
Tap the "Scene" button and watch as it illuminates and fades the lighting in the entire room to your desired pre-set lighting level. Elegant fade rates can be programmed for each dimmer and each scene.

**Features**

- Up to 13 preset scenes.
- Fade rates: 0 sec. to 1 hr.
- Dimming of incandescent, fluorescent, electronic ballast, magnetic transformer, low-voltage, non-dim load, fans.
- Two-way communication: Any dimmer turned from OFF to ON causes the master station button to change from OFF to ON.
- Up to 30 Dimmers/Masters per system.
- Never-fail memory.

Color Code
White W
Ivory I
Light Almond LA
Almond AL
Black BL
Brown BR
Grey GR

## Dimming System



MSP8 / MSP5

### MultiSet Pro® Dimming System

MultiSet Pro are revolutionary robust systems of wallbox dimmers and master controls that provide up to 13 lighting scenes with up to 58,000 watts of dimming capabilities at a remarkably affordable cost.

Easy to Install - Standard wiring (3-conductor wire) makes the system fast and easy to install. A single "purple wire" (line voltage) connects the master control station to the dimmers.

### Easy to Program - Setting preset lighting:

- 1 – Touch the "Scene" button on master control station.
- 2 – Adjust each dimmer to your desired lighting level.
- 3 – Press the small "Set" button on each dimmer.

### Easy to Operate

Tap the "Scene" button and watch as it illuminates and fades the lighting in the entire room to your desired preset lighting level. Elegant fade rates can be programmed for each dimmer and each scene.

### Features

- Up to 13 preset scenes.
- Fade rates: 0 sec. to 1 hr.
- Dimming of incandescent, fluorescent, electronic ballast, magnetic transformer, low-voltage, non-dim load, fans.
- Two-way communication: Any dimmer turned from OFF to ON causes the master station button to change from OFF to ON.
- Up to 30 Dimmers/Masters per system.
- Never-fail memory.

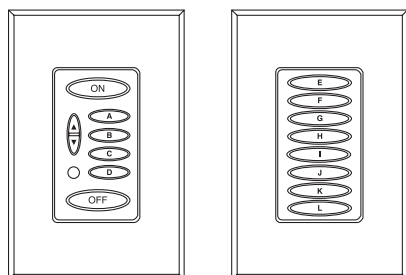
### Classic Series Master or Remote (5-Scene or 8-Scene)

Item	Scenes	Finish
<b>MSP5AL</b>	5	Almond
<b>MSP5BR</b>	5	Brown
<b>MSP5GR</b>	5	Grey
<b>MSP5I</b>	5	Ivory
<b>MSP5W</b>	5	White
<b>MSP8AL</b>	8	Almond
<b>MSP8GR</b>	8	Grey
<b>MSP8I</b>	8	Ivory
<b>MSP8W</b>	8	White

### Classic Series 8-Scene Master or Remote with Audio/Video Interface

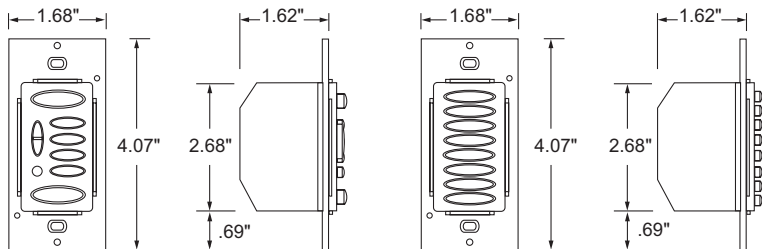
Item	Scenes	Finish
<b>MSP8AVESAL</b>	8	Almond
<b>MSP8AVESBL</b>	8	Black
<b>MSP8AVESGR</b>	8	Grey
<b>MSP8AVESI</b>	8	Ivory
<b>MSP8AVESLA</b>	8	Light Almond
<b>MSP8AVESW</b>	8	White
<b>MSP8AVESBR</b>	8	Brown

Color Code	
White	W
Ivory	I
Light Almond	LA
Almond	AL
Black	BL
Brown	BR
Grey	GR



MSP5ES

MSP8ES



MSP5ES

MSP8ES

Ellipse Series Master or Remote (5-Scene or 8-Scene)

Item	Scenes	Finish
MSP5ESAL	5	Almond
MSP5ESBL	5	Black
MSP5ESBR	5	Brown
MSP5ESGR	5	Grey
MSP5ESI	5	Ivory
MSP5ESLA	5	Light Almond
MSP5ESW	5	White
MSP5S	5	Smoke
MSP8ESAL	8	Almond
MSP8ESBL	8	Black
MSP8ESGR	8	Grey
MSP8ESI	8	Ivory
MSP8ESLA	8	Light Almond
MSP8ESW	8	White
MSP8ESBR	8	Brown
MSP8S	8	Smoke

**MultiSet Pro® Dimming System**

MultiSet Pro are revolutionary robust systems of wallbox dimmers and master controls that provide up to 13 lighting scenes with up to 58,000 watts of dimming capabilities at a remarkably affordable cost.

Easy to Install - Standard wiring (3-conductor wire) makes the system fast and easy to install. A single "purple wire" (line voltage) connects the master control station to the dimmers.

**Easy to Program - Setting preset lighting:**

- 1 – Touch the "Scene" button on master control station.
- 2 – Adjust each dimmer to your desired lighting level.
- 3 – Press the small "Set" button on each dimmer.

**Easy to Operate**

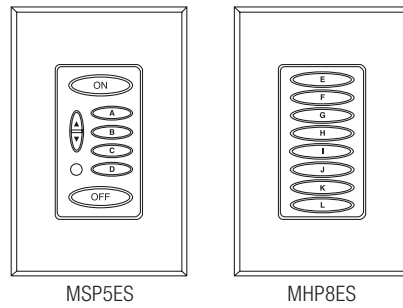
Tap the "Scene" button and watch as it illuminates and fades the lighting in the entire room to your desired pre-set lighting level. Elegant fade rates can be programmed for each dimmer and each scene.

**Features**

- Up to 13 preset scenes.
- Fade rates: 0 sec. to 1 hr.
- Dimming of incandescent, fluorescent, electronic ballast, magnetic transformer, low-voltage, non-dim load, fans.
- Two-way communication: Any dimmer turned from OFF to ON causes the master station button to change from OFF to ON.
- Up to 30 Dimmers/Masters per system.
- Never-fail memory.

Color Code
White W
Ivory I
Light Almond LA
Almond AL
Black BL
Brown BR
Grey GR

## Dimming System



### MultiSet Pro® Dimming System

MultiSet Pro are revolutionary robust systems of wallbox dimmers and master controls that provide up to 13 lighting scenes with up to 58,000 watts of dimming capabilities at a remarkably affordable cost.

Easy to Install - Standard wiring (3-conductor wire) makes the system fast and easy to install. A single "purple wire" (line voltage) connects the master control station to the dimmers.

### Easy to Program - Setting preset lighting:

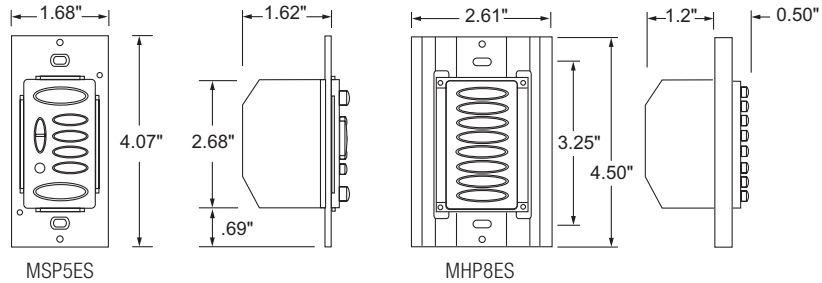
- 1 – Touch the "Scene" button on master control station.
- 2 – Adjust each dimmer to your desired lighting level.
- 3 – Press the small "Set" button on each dimmer.

### Easy to Operate

Tap the "Scene" button and watch as it illuminates and fades the lighting in the entire room to your desired preset lighting level. Elegant fade rates can be programmed for each dimmer and each scene.

### Features

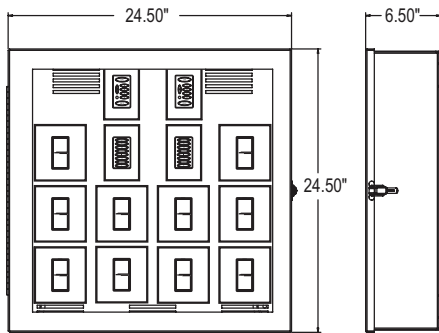
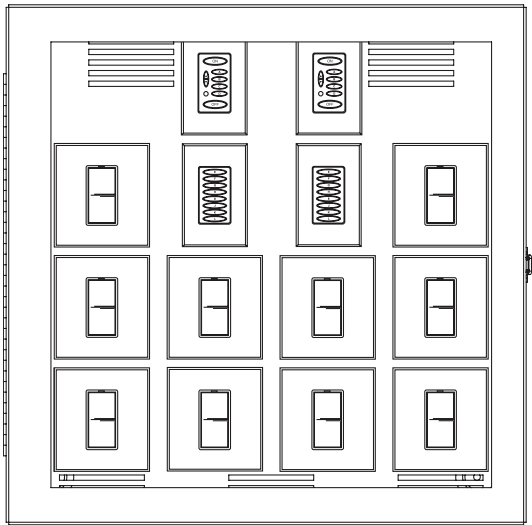
- Up to 13 preset scenes.
- Fade rates: 0 sec. to 1 hr.
- Dimming of incandescent, fluorescent, electronic ballast, magnetic transformer, low-voltage, non-dim load, fans.
- Two-way communication: Any dimmer turned from OFF to ON causes the master station button to change from OFF to ON.
- Up to 30 Dimmers/Masters per system.
- Never-fail memory.



## Ellipse Series Master or Remote with Audio/Video Interface

Item	Scenes	Finish
MSP5AVESBR	5	Brown
MSP5AVESAL	5	Almond
MSP5AVESBL	5	Black
MSP5AVESGR	5	Grey
MSP5AVESI	5	Ivory
MSP5AVESLA	5	Light Almond
MSP5AVESW	5	White

Color Code	
White	W
Ivory	I
Light Almond	LA
Almond	AL
Black	BL
Brown	BR
Grey	GR



**MultiSet Pro® Pre-Wired Dimmer Cabinet**

MultiSet Pro® Pre-Wired Dimmer Cabinets facilitate design and installation by combining dimmers and controls into a common enclosure. Each cabinet is shipped assembled, pre-wired, and tested with its dimmers and/or master stations. The cabinet arrives at the job site ready to accept power and load wiring from the installer. This can significantly reduce installation time and potential wiring issues while providing a clean and consistent installation. For design flexibility, the cabinet accommodates several load types and device ratings. To best suit the application, the designer indicates where each device is located within the cabinet.

The enclosure is designed to hold MultiSet Pro® dimmers, and masters, which can be configured into one or more individual rooms. Blank plates are provided to cover all unused spaces. The dimmer cabinet is surface wall-mounted. All dimmers and components are serviceable or removable from the front of the cabinet. The cabinet features a double-hinged, lockable latching cover. The cover is made from heavy gauge perforated steel, which prevents tampering of the devices. Entrance into the line voltage wiring section is from the double-hinged front cover of the cabinet. A separate neutral connection for each load is included in the cabinet. If normal power is lost, the dimmers will retain their presets and will return to their last state when power is restored.

**Pre-Wired Distribution Cabinet**

Item	Description
MHPWDC20	Pre-Wired Distribution Cabinet

## Dimming System

### MultiSet Pro® Dimming System

MultiSet Pro are revolutionary robust systems of wallbox dimmers and master controls that provide up to 13 lighting scenes with up to 58,000 watts of dimming capabilities at a remarkably affordable cost.

Easy to Install - Standard wiring (3-conductor wire) makes the system fast and easy to install. A single "purple wire" (line voltage) connects the master control station to the dimmers.

### Easy to Program - Setting preset lighting:

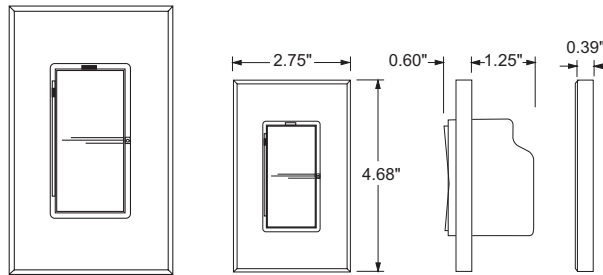
- 1 – Touch the "Scene" button on master control station.
- 2 – Adjust each dimmer to your desired lighting level.
- 3 – Press the small "Set" button on each dimmer.

### Easy to Operate

Tap the "Scene" button and watch as it illuminates and fades the lighting in the entire room to your desired preset lighting level. Elegant fade rates can be programmed for each dimmer and each scene.

### Features

- Up to 13 preset scenes.
- Fade rates: 0 sec. to 1 hr.
- Dimming of incandescent, fluorescent, electronic ballast, magnetic transformer, low-voltage, non-dim load, fans.
- Two-way communication: Any dimmer turned from OFF to ON causes the master station button to change from OFF to ON.
- Up to 30 Dimmers/Masters per system.
- Never-fail memory.



## 3-Speed Fan Control, Heatsink, 1.5amp

Item	Finish
<b>MHPWHISAL</b>	Almond
<b>MHPWHISBL</b>	Black
<b>MHPWHISGR</b>	Grey
<b>MHPWHISI</b>	Ivory
<b>MHPWHISW</b>	White
<b>MHPWHISBR</b>	Brown

## Digital Fan Control

Item	Finish
<b>MSPWHISAL</b>	Almond
<b>MSPWHISBL</b>	Black
<b>MSPWHISGR</b>	Grey
<b>MSPWHISI</b>	Ivory
<b>MSPWHISLA</b>	Light Almond
<b>MSPWHISW</b>	White

Color Code
White W
Ivory I
Light Almond LA
Almond AL
Black BL
Brown BR
Grey GR



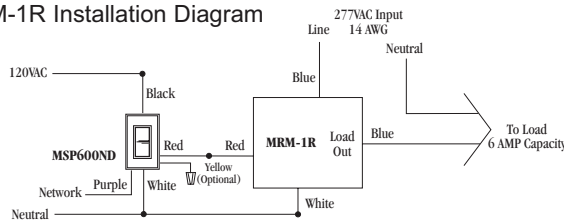
Relay Module for Non-Dimmed Control of Ballasts, Motors or Tungsten Loads

Item	Circuits	Voltage Input
<b>MRM1R</b>	1	120V
<b>MRM2R</b>	2	120V
<b>MRMT2R</b>	2 + Transformer	277V

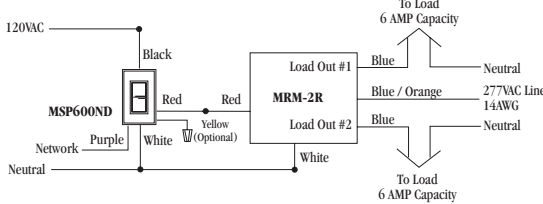
Interface Devices

Item	Description
<b>MS232</b>	RS 232/485 Interface

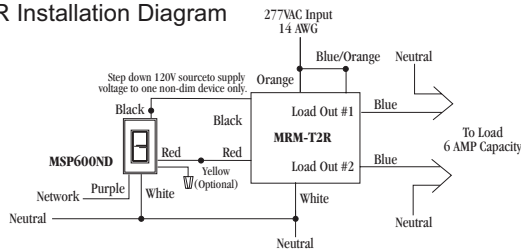
MRM-1R Installation Diagram



MRM-2R Installation Diagram



MRM-T2R Installation Diagram



**MultiSet® / MultiSet Pro® Relay Modules**

The MRM-1R, MRM-2R and MRM-T2R are UL and cUL-listed, industrial-rated non-dim relay modules designed to work with any Lightolier® Controls ND (NON-DIM) device. These devices may be used to control ballast, motor or tungsten loads within the specified load ratings.

This relay module consists of one relay (MRM-1R) or two relays (MRM-2R), (MRM-T2R for 277V application) each rated for 6 amp ballast loads, at 277 volts.

These devices are designed to work with the following Lightolier Controls models: MS600ND and MSP600ND

**MultiSet® / MultiSet Pro® Channel Remotes**

The MultiSet Pro Channel Remote is a designer-style, full-function, multi-location remote device that uses existing three-way wiring to control MultiSet Pro dimmers or MultiSet Pro switches.

- Streamlined appearance and operations.
- Allows complete control of all dimming capabilities when used with MultiSet Pro dimmers or switches, even from additional locations.
- Unlimited remotes can be used for multi-location control.
- A red LED light—to help locate the device in a dark room.
- When used with a MultiSet Pro Scene Master, the remote has the ability to perform on/off, raise/lower, and three-way functions. In such a system, the remote may be used as a multi-location device with MultiSet Pro dimmers and switches.

**MultiSet® / MultiSet Pro® MS232 Interface**

The MultiSet MS232 Interface provides interconnection between a MultiSet and MultiSet Pro Systems and equipment that utilizes standard ASCII commands and can connect via RS-232 or RS-485. The system is comprised of two components—the interface outlet and the MS232 interface box. One interface is required per MultiSet Pro System.

- One RS-232 (9-pin serial, female DB-9) terminal per interface.
- One RS-485 5-pin terminal strip per interface, permitting connection with up to 31 MS232 interface devices.
- 8-position dip switch allows for individual identification of up to 31 MultiSet Pro Systems.
- Easy to read LED status lights with test switches, including ON, A, B, C, D, and OFF.
- Interface provides ASCII input capabilities, as well as feedback status from controlling equipment.
- Interface box mounts easily to wall with mounting bracket provided.
- Single gang 4-pin receptacle is provided that interconnects the MultiSet Pro system to the receptacle via 14/3 w/ground.
- Interface comes standard with a 4-pin connector that easily plugs into the provided 4-pin receptacle.
- Fully supports MultiSet Pro scenes. Extended scenes are accessed by pressing multiple buttons and are displayed by illuminating multiple LEDs.
- Set-up software provided.

Preset Digital Dimmer and Controls

**Onset® High Wattage Dimmers**

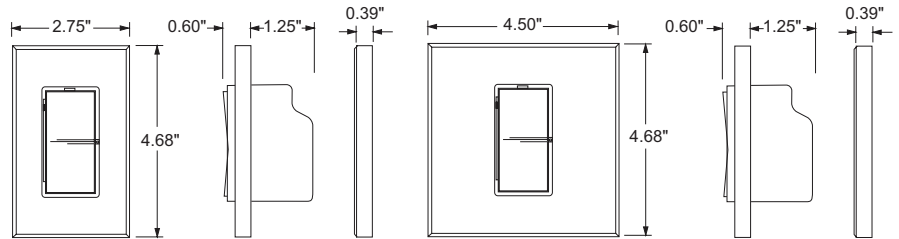
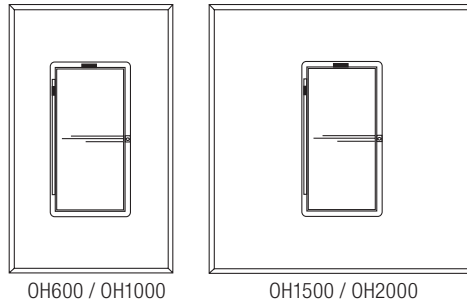
Onset® High Wattage dimmers are digital, micro-touch preset dimmers designed for use with high-wattage. Each unit is equipped with an automatic fade and LED readout, providing full-function, three-way and multi-location dimming control when used with Onset Remotes. Onset Masters and Master Remotes have the ability to control up to four Onset dimmers simultaneously, offering an economical way to create preset lighting scenes.

**Onset® High Wattage Digital Preset Dimmers**

Onset brings advanced digital control to higher wattage residential or commercial installations. The supplied beveled thin-profile faceplate frames Onset's refined details and conceals the dimmer's finned heatsink and mounting screws.

**Features**

- Onset stores two presets in memory: a user-selected preset and full brightness.
- Lights can be adjusted to any level without affecting the preset.
- Friendly LEDs indicate preset, current light level and Off status.
- Lights elegantly fade on and off, adding drama while preserving lamp life.
- Power failure memory - returns to last level after a power interruption.
- Total dimming control from multiple locations.
- Enhanced Master Control of up to four dimmers.
- White or Ivory; attractive beveled designer style faceplate included.

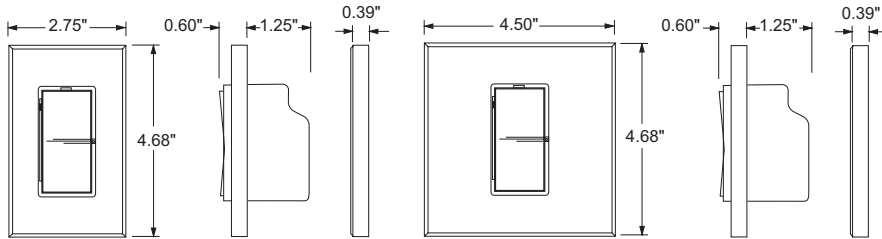
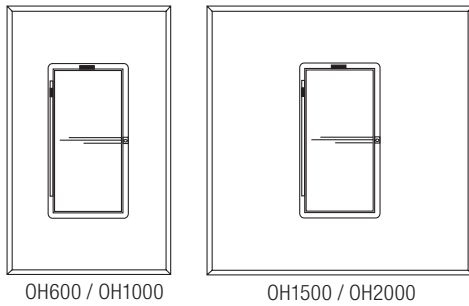


**Incandescent Dimmer (VA)**

Item	Wattage	Finish
<b>OH600VAAL</b>	600VA	Almond
<b>OH600VABL</b>	600VA	Black
<b>OH600VAGR</b>	600VA	Grey
<b>OH600VAI</b>	600VA	Ivory
<b>OH600VAW</b>	600VA	White
<b>OH1000VAAL</b>	1000VA	Almond
<b>OH1000VABL</b>	1000VA	Black
<b>OH1000VAGR</b>	1000VA	Grey
<b>OH1000VAI</b>	1000VA	Ivory
<b>OH1000VAW</b>	1000VA	White
<b>OH1500VAAL</b>	1500VA	Almond
<b>OH1500VABL</b>	1500VA	Black
<b>OH1500VAGR</b>	1500VA	Grey
<b>OH1500VAI</b>	1500VA	Ivory
<b>OH1500VAW</b>	1500VA	White
<b>OH2000VAAL</b>	2000VA	Almond
<b>OH2000VABL</b>	2000VA	Black
<b>OH2000VAGR</b>	2000VA	Grey
<b>OH2000VAI</b>	2000VA	Ivory
<b>OH2000VAW</b>	2000VA	White

Color Code
White
W
Ivory
I
Light Almond
LA
Almond
AL
Black
BL
Brown
BR
Grey
GR

Preset Digital Dimmer and Controls



**Incandescent Dimmer (Watt)**

Item	Wattage	Finish
<b>OH600AL</b>	600W	Almond
<b>OH600BL</b>	600W	Black
<b>OH600GR</b>	600W	Grey
<b>OH600I</b>	600W	Ivory
<b>OH600W</b>	600W	White
<b>OH1000AL</b>	1000W	Almond
<b>OH1000BL</b>	1000W	Black
<b>OH1000GR</b>	1000W	Grey
<b>OH1000I</b>	1000W	Ivory
<b>OH1000W</b>	1000W	White
<b>OH1500AL</b>	1500W	Almond
<b>OH1500BL</b>	1500W	Black
<b>OH1500GR</b>	1500W	Grey
<b>OH1500I</b>	1500W	Ivory
<b>OH1500W</b>	1500W	White
<b>OH2000AL</b>	2000W	Almond
<b>OH2000BL</b>	2000W	Black
<b>OH2000GR</b>	2000W	Grey
<b>OH2000I</b>	2000W	Ivory
<b>OH2000W</b>	2000W	White

**Onset® High Wattage Dimmers**

Onset® High Wattage dimmers are digital, micro-touch preset dimmers designed for use with high-wattage. Each unit is equipped with an automatic fade and LED readout, providing full-function, three-way and multi-location dimming control when used with Onset Remotes. Onset Masters and Master Remotes have the ability to control up to four Onset dimmers simultaneously, offering an economical way to create preset lighting scenes.

**Onset® High Wattage Digital Preset Dimmers**

Onset brings advanced digital control to higher wattage residential or commercial installations. The supplied beveled thin-profile faceplate frames Onset's refined details and conceals the dimmer's finned heatsink and mounting screws.

**Features**

- Onset stores two presets in memory: a user-selected preset and full brightness.
- Lights can be adjusted to any level without affecting the preset.
- Friendly LEDs indicate preset, current light level and Off status.
- Lights elegantly fade on and off, adding drama while preserving lamp life.
- Power failure memory - returns to last level after a power interruption.
- Total dimming control from multiple locations.
- Enhanced Master Control of up to four dimmers.
- White or Ivory; attractive beveled designer style faceplate included.

Color Code
White
W
Ivory
I
Light Almond
LA
Almond
AL
Black
BL
Brown
BR
Grey
GR

Preset Digital Dimmer and Controls

**Onset® High Wattage Dimmers**

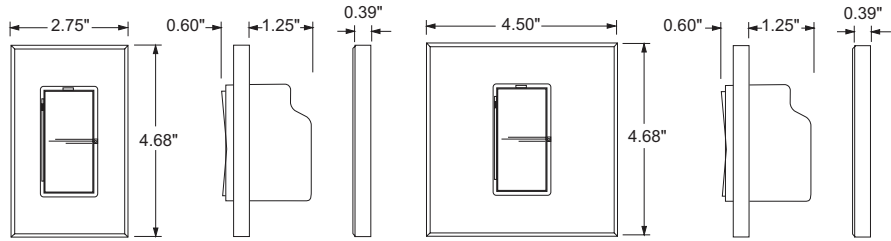
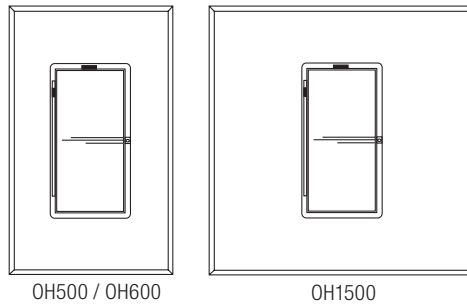
Onset® High Wattage dimmers are digital, micro-touch preset dimmers designed for use with high-wattage. Each unit is equipped with an automatic fade and LED readout, providing full-function, three-way and multi-location dimming control when used with Onset Remotes. Onset Masters and Master Remotes have the ability to control up to four Onset dimmers simultaneously, offering an economical way to create preset lighting scenes.

**Onset® High Wattage Digital Preset Dimmers**

Onset brings advanced digital control to higher wattage residential or commercial installations. The supplied beveled thin-profile faceplate frames Onset's refined details and conceals the dimmer's finned heatsink and mounting screws.

**Features**

- Onset stores two presets in memory: a user-selected preset and full brightness.
- Lights can be adjusted to any level without affecting the preset.
- Friendly LEDs indicate preset, current light level and Off status.
- Lights elegantly fade on and off, adding drama while preserving lamp life.
- Power failure memory - returns to last level after a power interruption.
- Total dimming control from multiple locations.
- Enhanced Master Control of up to four dimmers.
- White or Ivory; attractive beveled designer style faceplate included.



Electronic Low-Voltage Dimmer

Item	Wattage	Finish
OH500QEAL	500W	Almond
OH500QEBL	500W	Black
OH500QEGR	500W	Grey
OH500QEI	500W	Ivory
OH500QEW	500W	White

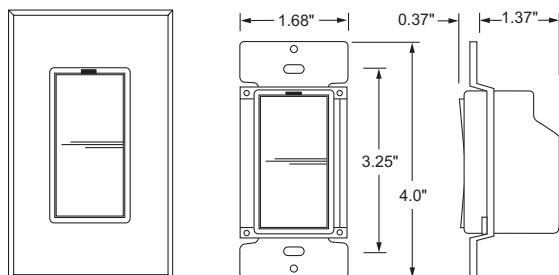
Direct Drive Dimmer for Lightolier® HDF PowerSpec® Dimming Ballast (120v)

Item	Wattage	Finish
OH600HDF120AL	600W	Almond
OH600HDF120BL	600W	Black
OH600HDF120GR	600W	Grey
OH600HDF120I	600W	Ivory
OH600HDF120W	600W	White
OH1500HDF120AL	1500W	Almond
OH1500HDF120BL	1500W	Black
OH1500HDF120GR	1500W	Grey
OH1500HDF120I	1500W	Ivory
OH1500HDF120W	1500W	White

Dimmer for Advance Mark 10® Ballast (120v)

Item	Wattage	Finish
OH1500EBAL	1500W	Almond
OH1500EBBL	1500W	Black
OH1500EBGR	1500W	Grey
OH1500EBI	1500W	Ivory
OH1500EBW	1500W	White

Color Code
White W
Ivory I
Light Almond LA
Almond AL
Black BL
Brown BR
Grey GR

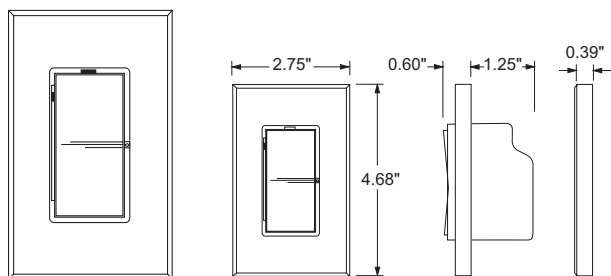


**Dimmer for Advance AmbiStar Fluorescent Ballast (120v)**

Item	Wattage	Finish
<b>OS600EBAW</b>	600W	White
<b>OS600EBAI</b>	600W	Ivory
<b>OS600EBAAL</b>	600W	Almond
<b>OS600EBALA</b>	600W	Light Almond
<b>OS600EBAGR</b>	600W	Grey
<b>OS600EBABL</b>	600W	Black
<b>OS600EBABR</b>	600W	Brown

**Multi-Location 3-Way Remote**

Item	Finish
<b>OSR3AL</b>	Almond
<b>OSR3BL</b>	Black
<b>OSR3BR</b>	Brown
<b>OSR3GR</b>	Grey
<b>OSR3I</b>	Ivory
<b>OSR3LA</b>	Light Almond
<b>OSR3W</b>	Light White



Color Code
White W
Ivory I
Light Almond LA
Almond AL
Black BL
Brown BR
Grey GR

**Onset® Multi-Location Remotes**

Full-function Onset Remotes provide total dimming control of Onset Dimmers from multiple locations.

- Glowing red LED at top of Remote guides you to the On switch in a dark room (in most wiring configurations).
- Uses existing 3-way wiring (two conductors).

**Onset® Digital Fan Control**

The Onset Fan Control is a 3-speed quiet digital wallbox fan control for permanently installed fan motors up to 1.5 amp. The unit is equipped with an LED readout, providing full-function, 3-way and multi-location speed control when used with Lightolier® Controls channel remotes.

- Streamlined appearance and operations.
- LED readouts, including:
  - A soft green LED which indicates the current preset
  - A bright green LED which indicates the current speed
  - A glowing red LED which indicates that the fan control is off
- Power failure memory—a feature that returns the fan control to the speed the unit held before the power failure occurred.
- Full-Function, Channel Remotes take control of one individual device from multiple locations and permit total speed control capabilities.
- Full-Function Channel Masters take control of up to four devices from multiple locations and permit full-function speed control capabilities.
- Full-function MultiSet Pro permits total control of up to 30 fan controls, dimmers, and masters on the network. In addition, MultiSet Pro allows up to 13 presets. MultiSet Pro devices are not phase sensitive.
- As an individual device, all fan controls have the capability to recall two presets—a user selected speed and full speed.
- Manual override, allows the fan speed to be adjusted without affecting the preset speed(s), including full speed.
- Automatic 5-second high-speed kick start on startup to minimize the possibility of motor stall.
- Quiet electronics for virtually silent operation.
- Identical in appearance to MultiSet Pro/Onset dimmers and switches.
- MultiSet Pro fan controls are capable of 2-way communication between the master control station and the fan control so that the system On/Off status is always known.

**Digital Fan Control**

Item	Finish
<b>OSWHISAL</b>	Almond
<b>OSWHISBL</b>	Black
<b>OSWHISBR</b>	Brown
<b>OSWHISGR</b>	Grey
<b>OSWHISI</b>	Ivory
<b>OSWHISLA</b>	Light Almond
<b>OSWHISW</b>	White

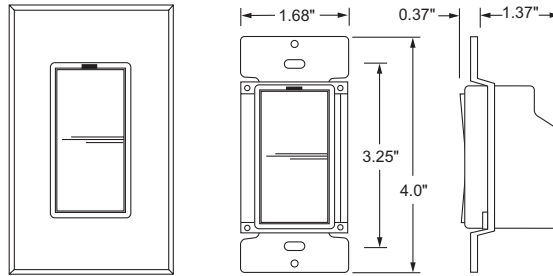
Preset Digital Dimmer and Controls

**Onset® Master Control**

An Onset Master puts convenient two-scene preset capability at your fingertips with the gentle touch of a single switch. It's a mini-system with maximum value.

**Features**

- Touch an Onset Master to simultaneously turn all the mastered dimmers on, displaying a dramatic preset lighting scene.
- A second tap of the Master switch turns all the dimmers to full brightness.
- Touch and hold the Master to simultaneously adjust all the dimmers without affecting presets.
- An Onset Master can control up to four Onset dimmers or Onset switches.
- Mastered dimmers can still be operated independently.
- Master Remotes control Onset Masters from additional locations.



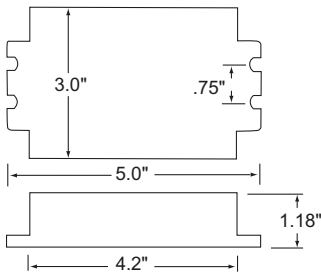
Master

Item	Finish
<b>OSM4AL</b>	Almond
<b>OSM4BL</b>	Black
<b>OSM4BR</b>	Brown
<b>OSM4GR</b>	Grey
<b>OSM4I</b>	Ivory
<b>OSM4LA</b>	Light Almond
<b>OSM4W</b>	White

Remote

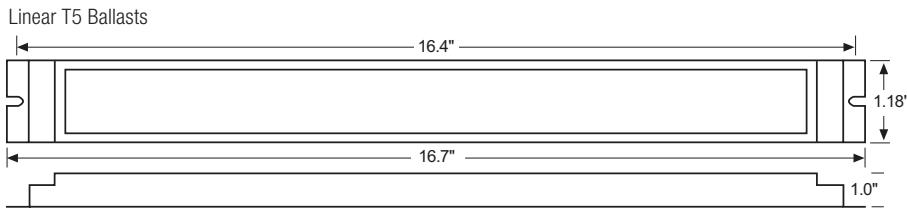
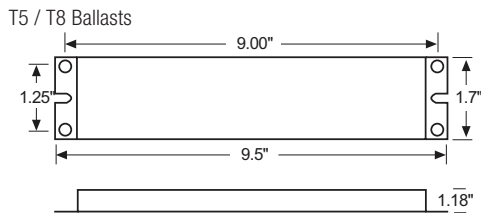
Item	Finish
<b>OSMR4AL</b>	Almond
<b>OSMR4BL</b>	Black
<b>OSMR4BR</b>	Brown
<b>OSMR4GR</b>	Grey
<b>OSMR4I</b>	Ivory
<b>OSMR4LA</b>	Light Almond
<b>OSMR4W</b>	White

Color Code
White W
Ivory I
Light Almond LA
Almond AL
Black BL
Brown BR
Grey GR



**Compact Dimming Ballast for One or Two Lamps**

Item	Lamps
<b>GLT226T4</b>	13/18/26W Quad Tube & 1 lamp 13/18/26/32/42W Triple Tube Lamps
<b>GLT242PT</b>	32/42/57/70W Triple Tube Lamps



**HDF Dimming Ballast for One, Two, Three or Four Lamps**

Item	Lamps
<b>HDF124T5</b>	For 1 - T5 HO 2' /24W lamp
<b>HDF128T5</b>	For 1 - T5 (Non-HO) 14/21/28W Lamp
<b>HDF132T8</b>	For 1 - T8 17/25/32W Lamp
<b>HDF139T5</b>	For 1 - T5 HO 3'/39W Lamp
<b>HDF140T5</b>	For 1 - BX T5 39/40W Lamp
<b>HDF154T5</b>	For 1 - Linear T5 HO 54W, BX T5 55W, Circuline T5 55W Lamp
<b>HDF224T5</b>	For 2 - T5 HO 2' / 24W Lamps
<b>HDF228T5</b>	For 2 - T5 (Non-HO) 14/21/28W Lamps
<b>HDF232T8</b>	For 2 - T8 17/25/32w Lamps
<b>HDF239T5</b>	For 2 - T5 HO 3' / 39W Lamps
<b>HDF240T5</b>	For 2 - BX T5 39/40W Lamps
<b>HDF254T5</b>	For 2 - T5 HO 54W, BX T5 55W, Circuline T5 55W Lamps
<b>HDF332T8</b>	For 3 - T8 17/25/32W Lamps
<b>HDF432T8</b>	For 4 - T8 25/32W Lamps

**PowerSpec® HDF Dimming Ballasts**

PowerSpec HDF ballasts provide high-performance, full-range dimming of linear and compact fluorescent light sources. PowerSpec HDF is ideal for aesthetic and architectural dimming in residential and commercial spaces, as well as sophisticated, energy-oriented applications. PowerSpec HDF smoothly dims linear T8 and T5 lamps to 1% of full output, compact T5, T4, Triple Tube and Quad Tube, and circular T5 fluorescent lamps to 3% of full output.

**Reliability**

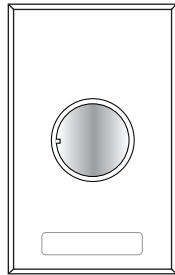
The system consists of the PowerSpec HDF electronic dimming ballast, a dimmer and, in certain applications, an interface—all connected by standard three-conductor, line-voltage wiring. The PowerSpec HDF ballast incorporates a proprietary feedback circuit, which monitors lamp performance, continuously correcting the current input and cathode voltage to achieve consistent, flicker-free operation. PowerSpec HDF turns on to any intensity and maximizes lamp life via its programmed start microprocessor. This technology accurately preheats rapid start lamps with a minimal amount of voltage to minimize glow current and its associated degrading effect on lamp life. The exclusive Lightolier® Controls Lamp Fault Interrupter (LFI) circuit is included in all T5, T4 and TTT triple-tube dimming ballasts. The LFI circuit helps prevent overheating in end-of-life conditions, as recommended by the lamp manufacturers of small-diameter fluorescent lamps.

**Flexibility**

Select the ballast that best suits your needs. Lightolier Controls offers you the most design flexibility by offering you controls to dim the most popular dimming ballasts on the market. Select from Lightolier PowerSpec HDF, Advance Mark 7® and Mark 10®, Universal Ballastar® and Osram Sylvania Quicktronic®. Select the most appropriate ballast based on dimming range, wiring, lamp type, physical size or budget.

Color Code
White W
Ivory I
Light Almond LA
Almond AL
Black BL
Brown BR
Grey GR

## Fan Control



### Rotary Fan Controls

Traditional styling pairs with today's electronics to make these rotary fan controls desirable for many interiors.

#### Features

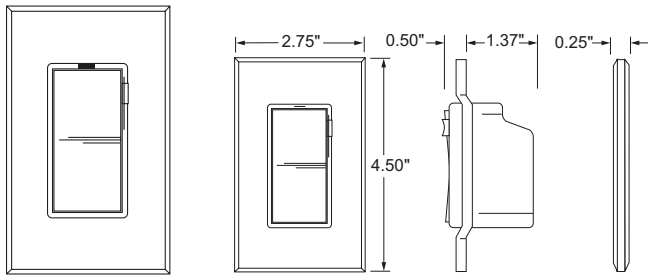
- Attractive, familiar knobs for ease of operation
- Matches standard toggle faceplates
- Four speed settings:
  - High
  - High-Medium
  - Low-Medium
  - Low

### 4-Speed Rotary Fan Control, 1.5amp

Item	Finish
RFCWHIS4	Ivory

Color Code
White W
Ivory I
Light Almond LA
Almond AL
Black BL
Brown BR
Grey GR





**Incandescent 2-Wire Dimmer w/ Mini Slider**

Item	Wattage	Finish
<b>RS600BL</b>	600W	Black
<b>RS600BR</b>	600W	Brown
<b>RS600I</b>	600W	Ivory
<b>RS600LA</b>	600W	Light Almond
<b>RS600W</b>	600W	White
<b>RS1000BL</b>	1000W	Black
<b>RS1000BR</b>	1000W	Brown
<b>RS1000I</b>	1000W	Ivory
<b>RS1000LA</b>	1000W	Light Almond
<b>RS1000W</b>	1000W	White

**Rockslide Dimmer**

The Rockslide Preset Incandescent dimmer is a designer-style, preset slide dimmer, developed for low-wattage use. The unit is equipped with an off-status LED and provides both three-way and multi-location on/off control when used with Rockslide Preset Remotes.

**Inductive 3-Wire Dimmer w/ Mini Slider**

Item	Wattage	Finish
<b>RS600VABL</b>	600VA	Black
<b>RS600VABR</b>	600VA	Brown
<b>RS600VAI</b>	600VA	Ivory
<b>RS600VALA</b>	600VA	Light Almond
<b>RS600VAW</b>	600VA	White
<b>RS1000VABL</b>	1000VA	Black
<b>RS1000VABR</b>	1000VA	Brown
<b>RS1000VAI</b>	1000VA	Ivory
<b>RS1000VALA</b>	1000VA	Light Almond
<b>RS1000VAW</b>	1000VA	White

**Rockslide Remote**

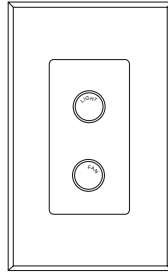
The Rockslide Preset Remote is a designer-style, multi-location remote device that uses existing three-way wiring to control the on/off capabilities of any Rockslide Preset Dimmer.

**Multi-Location 3-Way Remote**

Item	Finish
<b>RS3R3BL</b>	Black
<b>RS3R3BR</b>	Brown
<b>RS3R3I</b>	Ivory
<b>RS3R3LA</b>	Light Almond
<b>RS3R3W</b>	White

Color Code
White W
Ivory I
Light Almond LA
Almond AL
Black BL
Brown BR
Grey GR

## Fan Control



### Rotary Fan Controls

Traditional styling pairs with today's electronics to make these rotary fan controls desirable for many interiors.

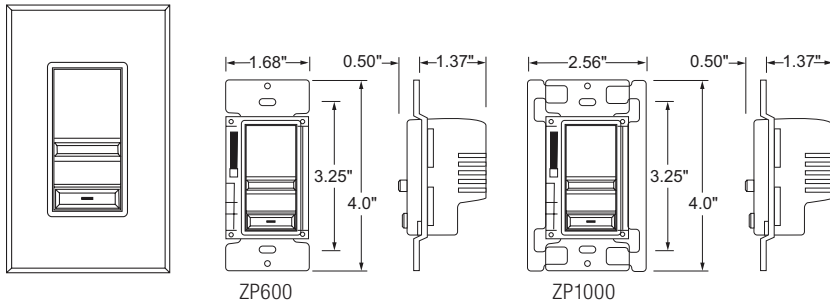
#### Features

- Attractive, familiar knobs for ease of operation
- Matches standard toggle faceplates
- Four speed settings:
  - High
  - High-Medium
  - Low-Medium
  - Low
- Light level control:
  - Off
  - Medium
  - High

### 4-Speed Rotary Dual Fan/Light Control w/ Two Light Levels

Item	Finish
DCWHIS4	Ivory

Color Code
White W
Ivory I
Light Almond LA
Almond AL
Black BL
Brown BR
Grey GR



**Fluorescent Slide Dimmer w/ Preset for Advance Mark 10® Ballast**

Item	Wattage	Finish
ZP600EBAL	600W	Almond
ZP600EBBL	600W	Black
ZP600EBBR	600W	Brown
ZP600EBGR	600W	Grey
ZP600EBI	600W	Ivory
ZP600EBLA	600W	Light Almond
ZP600EBW	600W	White
ZP1000EBAL	1000W	Almond
ZP1000EBBL	1000W	Black
ZP1000EBBR	1000W	Brown
ZP1000EBGR	1000W	Grey
ZP1000EBI	1000W	Ivory
ZP1000EBLA	1000W	Light Almond
ZP1000EBW	1000W	White

**Sunrise Preset Slide Dimmers**

The Sunrise Preset Dimmer is a designer-style, preset slide dimmer. The unit is equipped with an off-status LED and provides both three-way and multilocation on/off control when used with Sunrise Preset Remotes.

**Features**

- Streamlined appearance and operations.
- A red LED light—to help locate the push button when the unit is turned off.
- The integral slide knob has extended travel for full-range dimming control.
- Soft Start—turns the dimmer on gradually to preserve lamp life.
- Three-way and multi-location or master control when used with Sunrise Preset.

**Fluorescent Slide Dimmer w/ Preset for Advance Mark 7®, Osram Sylvania Quicktronic® and Universal Ballastar Ballasts**

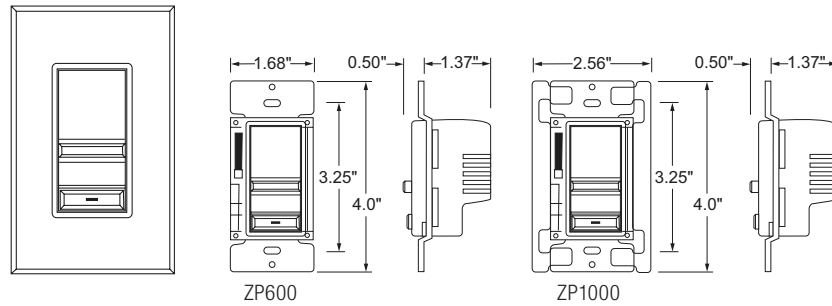
Item	Wattage	Finish
ZP600FAM120AL	600VA	Almond
ZP600FAM120BL	600VA	Black
ZP600FAM120BR	600VA	Brown
ZP600FAM120GR	600VA	Grey
ZP600FAM120I	600VA	Ivory
ZP600FAM120LA	600VA	Light Almond
ZP600FAM120W	600VA	White

**Fluorescent Slide Dimmer w/ Preset for Lightolier® HDF Dimming Ballast**

Item	Wattage	Finish
ZP600HDF120AL	600VA	Almond
ZP600HDF120BL	600VA	Black
ZP600HDF120BR	600VA	Brown
ZP600HDF120GR	600VA	Grey
ZP600HDF120I	600VA	Ivory
ZP600HDF120LA	600VA	Light Almond
ZP600HDF120W	600VA	White

Color Code	
White	W
Ivory	I
Light Almond	LA
Almond	AL
Black	BL
Brown	BR
Grey	GR

## Preset Slide Dimmer and Controls



### Sunrise Preset Slide Dimmers

The Sunrise Preset Dimmer is a designer-style, preset slide dimmer. The unit is equipped with an off-status LED and provides both three-way and multilocation on/off control when used with Sunrise Preset Remotes.

#### Features

- Streamlined appearance and operations.
- A red LED light—to help locate the push button when the unit is turned off.
- The integral slide knob has extended travel for full-range dimming control.
- Soft Start—turns the dimmer on gradually to preserve lamp life.
- Three-way and multi-location or master control when used with Sunrise Preset.

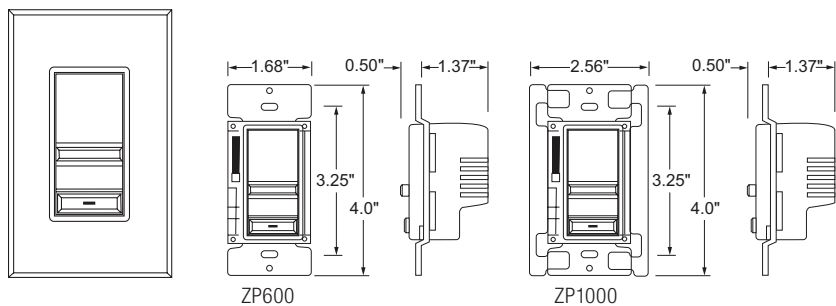
### Incandescent Slide Dimmer w/ Preset

Item	Wattage	Finish
ZP600AL	600W	Almond
ZP600BL	600W	Black
ZP600BR	600W	Brown
ZP600I	600W	Ivory
ZP600LA	600W	Light Almond
ZP600W	600W	White
ZP1000AL	1000W	Almond
ZP1000BL	1000W	Black
ZP1000BR	1000W	Brown
ZP1000GR	1000W	Grey
ZP1000I	1000W	Ivory
ZP1000LA	1000W	Light Almond
ZP1000W	1000W	White

### Inductive Slide Dimmer w/ Preset

Item	Wattage	Finish
ZP600VAAL	600VA	Almond
ZP600VABL	600VA	Black
ZP600VABR	600VA	Brown
ZP600VAI	600VA	Ivory
ZP600VALA	600VA	Light Almond
ZP600VAW	600VA	White
ZP1000VAAL	1000VA	Almond
ZP1000VABL	1000VA	Black
ZP1000VABR	1000VA	Brown
ZP1000VAI	1000VA	Ivory
ZP1000VALA	1000VA	Light Almond
ZP1000VAW	1000VA	White

Color Code
White W
Ivory I
Light Almond LA
Almond AL
Black BL
Brown BR
Grey GR



**Quiet Electronic Low Voltage Slide Dimmer w/ Preset (3-Wire)**

Item	Wattage	Finish
ZP260QEAL	260W	Almond
ZP260QEBL	260W	Black
ZP260QEBR	260W	Brown
ZP260QEGR	260W	Grey
ZP260QEI	260W	Ivory
ZP260QEAL	260W	Light Almond
ZP260QEWH	260W	White
ZP425QEAL	425W	Almond
ZP425QEBL	425W	Black
ZP425QEBR	425W	Brown
ZP425QEGR	425W	Grey
ZP425QEI	425W	Ivory
ZP425QEAL	425W	Light Almond
ZP425QEWH	425W	White

**Sunrise Preset Slide Dimmers**

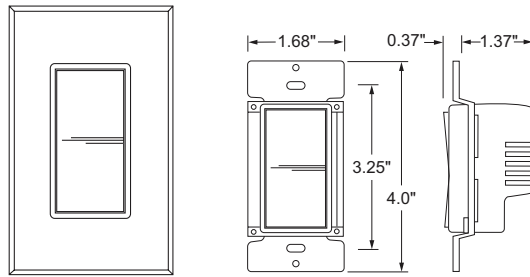
The Sunrise Preset Dimmer is a designer-style, preset slide dimmer. The unit is equipped with an off-status LED and provides both three-way and multilocation on/off control when used with Sunrise Preset Remotes.

**Features**

- Streamlined appearance and operations.
- A red LED light—to help locate the push button when the unit is turned off.
- The integral slide knob has extended travel for full-range dimming control.
- Soft Start—turns the dimmer on gradually to preserve lamp life.
- Three-way and multi-location or master control when used with Sunrise Preset.

Color Code
White W
Ivory I
Light Almond LA
Almond AL
Black BL
Brown BR
Grey GR

## Preset Slide Dimmer and Controls



### Sunrise Preset Remote

The Sunrise Preset Remote is a designer-style, multi-location remote device that uses existing three-way wiring to control Sunrise Preset Dimmers.

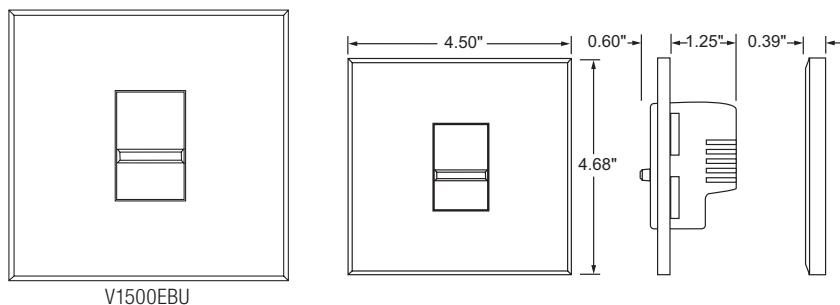
#### Features

- Streamlined appearance and operations.
- Turns Sunrise Preset Dimmers on, to a preset level, and off.
- Allows complete control of all dimming capabilities when used with Sunrise Preset Dimmers, even from additional locations.
- Unlimited remotes can be used for multi-location control.
- One remote has the ability to master multiple Sunrise Presets.

### Multi-Location / 3-Way Preset Remote

Item	Finish
<b>ZPR3AL</b>	Almond
<b>ZPR3BL</b>	Black
<b>ZPR3BR</b>	Brown
<b>ZPR3GR</b>	Grey
<b>ZPR3I</b>	Ivory
<b>ZPR3LA</b>	Light Almond
<b>ZPR3W</b>	White

Color Code
White W
Ivory I
Light Almond LA
Almond AL
Black BL
Brown BR
Grey GR



V1500EBU

Fluorescent Slide to Off Dimmer, Non-Preset for Advance Mark 10® Ballast

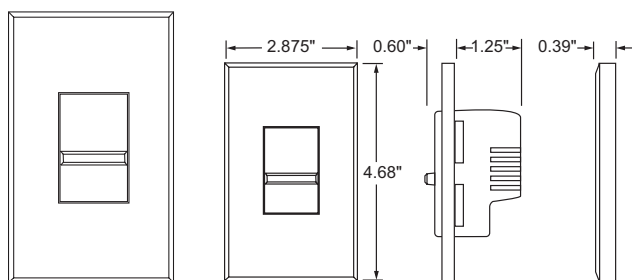
Item	Wattage	Finish
V1500EBUI	1500W	Ivory
V1500EBUW	1500W	White

**Vega High-Wattage Dimmers**

The Vega Slide Dimmers are architectural designer-style, vertical slide dimmers designed for high-wattage loads.

**Features**

- Streamlined appearance and operations.
- The integral captive slide knob has extended travel for full-range dimming control.
- Voltage compensation.
- Positive click-off feature.
- Power failure memory.
- Single-pole only.
- UL Listed to U.S. and Canadian safety standards.



V2000FAMU /  
V2000HDFU

Fluorescent Slide to Off Dimmer, Non-Preset for Advance Mark 7®, Osram Sylvania Quicktronic® and Universal Ballastar Ballasts

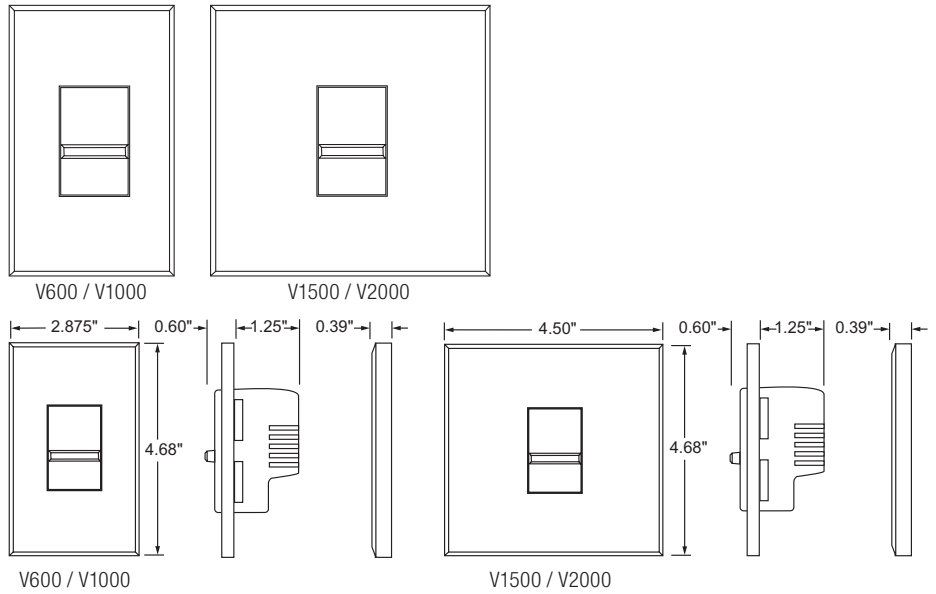
Item	Wattage	Finish
V2000FAMUI	2000W	Ivory
V2000FAMUW	2000W	White

Fluorescent Slide to Off Dimmer, Non-Preset for Lightolier® HDF Dimming Ballast

Item	Wattage	Finish
V2000HDFUI	1500W	Ivory
V2000HDFUW	1500W	White

Color Code	
White	W
Ivory	I
Light Almond	LA
Almond	AL
Black	BL
Brown	BR
Grey	GR

High-Wattage Dimmer



**Vega High-Wattage Dimmers**

The Vega Slide Dimmers are architectural designer-style, vertical slide dimmers designed for high-wattage loads.

**Features**

- Streamlined appearance and operations.
- The integral captive slide knob has extended travel for full-range dimming control.
- Voltage compensation.
- Positive click-off feature.
- Power failure memory.
- Single-pole only.
- UL Listed to U.S. and Canadian safety standards.

Incandescent Slide to Off Dimmer, Non-Preset

Item	Wattage	Finish
<b>V600I</b>	600W	Ivory
<b>V600W</b>	600W	White
<b>V1000I</b>	1000W	Ivory
<b>V1000W</b>	1000W	White
<b>V1500I</b>	1500W	Ivory
<b>V1500W</b>	1500W	White
<b>V2000I</b>	2000W	Ivory
<b>V2000W</b>	2000W	White

Inductive Slide to Off Dimmer, Non-Preset, Universal Voltage

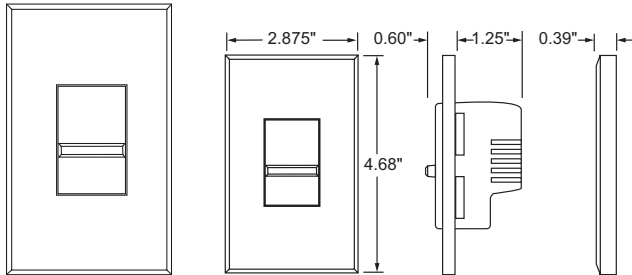
Item	Wattage	Finish
<b>V600VAUI</b>	600VA	Ivory
<b>V600VAUW</b>	600VA	White
<b>V1000VAUI</b>	1000VA	Ivory
<b>V1000VAUW</b>	1000VA	White
<b>V1500VAUI</b>	1500VA	Ivory
<b>V1500VAUW</b>	1500VA	White
<b>V2000VAUI</b>	2000VA	Ivory
<b>V2000VAUW</b>	2000VA	White

Magnetic Low Voltage 2-Wire Incandescent Slide to Off Dimmer, Non-Preset

Item	Wattage	Finish
<b>V1000LVI</b>	1000W	Ivory
<b>V1000LWV</b>	1000W	White
<b>V2000LVI</b>	2000W	Ivory
<b>V2000LWV</b>	2000W	White

Color Code
White W
Ivory I
Light Almond LA
Almond AL
Black BL
Brown BR
Grey GR





V500QE / V2000NDU

**Quiet Electronic Low Voltage Slide to Off Dimmer, Non-Preset, 3-Wire**

Item	Wattage	Finish
V500QEI	500W	Ivory
V500QEW	500W	White

**Non-Dim Electronic Switch, 3-Wire**

Item	Wattage	Finish
V2000NDUI	2000W	Ivory
V2000NDUW	2000W	White

**Color Conversion Kit for Large and Small Vega® Dimmers**

Item	Dimmer Size	Finish
VCKITLAL	Large	Almond
VCKITLBL	Large	Black
VCKITLBR	Large	Brown
VCKITLGR	Large	Grey
VCKITSAL	Small	Almond
VCKITSBL	Small	Black
VCKITSBR	Small	Brown
VCKITSGR	Small	Grey

**Vega High-Wattage Dimmers**

The Vega Slide Dimmers are architectural designer-style, vertical slide dimmers designed for high-wattage loads.

**Features**

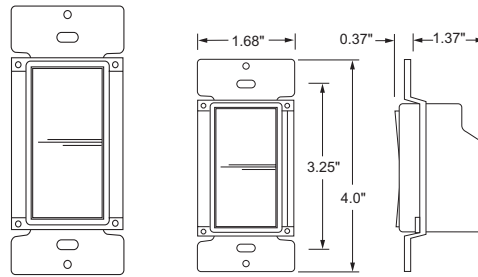
- Streamlined appearance and operations.
- The integral captive slide knob has extended travel for full-range dimming control.
- Voltage compensation.
- Positive click-off feature.
- Power failure memory.
- Single-pole only.
- UL Listed to U.S. and Canadian safety standards.

**Vega Color Kits**

Use the Vega color kits to change the color of your slide dimmer and match your decor. These kits come with a colored faceplate and slider. Ordered in one of six popular colors to suit your application.

Color Code
White W
Ivory I
Light Almond LA
Almond AL
Black BL
Brown BR
Grey GR

## Fan Control



### Windfall Smart Dual Fan/Light Controls

Unlike typical fan/light controls that require an extra white wire between the wallbox and the canopy, Smart Dual Controls provide independent fan and light control with a simple switch that connects to existing wallbox wires. No rewiring is necessary. The secret to 2-wire installation is the Smart Module which rests in the fan canopy.

- Inconvenient pull chains are eliminated.
- Top of switch provides three light levels.
- Bottom of switch provides three fan speeds.
- Remotes allow changes of fan speed and light level from additional locations.
- Audible tones indicate fan speed.

### Fan Control, Smart Dual, Three Light Levels, Three Fan Speed

Item	Fan Load	Max Light Load	Finish
<b>WDCWHISI</b>	1.5A	300W	Ivory
<b>WDCWHISW</b>	1.5A	300W	White

### Remote Fan Control, Smart Dual, Three Light Levels, Three Fan Speed

Item	Fan Load	Max Light Load	Finish
<b>WDR3I</b>	1.5A	300W	Ivory
<b>WDR3W</b>	1.5A	300W	White

Color Code
White W
Ivory I
Light Almond LA
Almond AL
Black BL
Brown BR
Grey GR