



The Permanent Name
in Temporary
Lighting and Power



K&H INDUSTRIES, INC.

CELEBRATING 50 YEARS!





K&H PRODUCTS

Built as Tough and Dependable as the People Who Make Them

That's why you'll find K&H lighting and power products being relied on in extremely harsh environments throughout the world. From the legendary blizzards of Buffalo, New York, to dusty desert airfields and everywhere in between, K&H products light the way for repair, inspection, and maintenance workers in some of the world's most demanding environments and industries.



K&H is a proud supplier to our troops at home and abroad.

Proudly designed and manufactured in the United States, K&H's portable lights and temporary power products provide safety and reliability to professionals in electrical and utility service, emergency response, aviation, mining and drilling, manufacturing, and maintenance.

For those who appreciate a trusty tool that will last decades and can be counted on to work in the most extreme environments, K&H lighting and power products are made for you.

New location in 2011

Our new corporate headquarters in Hamburg, New York, will house K&H's vertically integrated 90,000+ sq ft. manufacturing facility which takes products from concept to design to finished goods.

K&H Industries, Inc. is an established U.S. based manufacturer that has the equipment and experienced employees needed to consistently deliver quality products.



Discover the K&H Difference

DESIGN. A K&H product starts with a clear understanding of the end user, application, and environment. Safety is K&H's paramount concern, as well as functionality and reliability. To ensure all products meet K&H standards, frequent product testing is done by several National Recognized Testing Laboratories, as well as K&H staff and customers.



Our internal capabilities including cutting-edge technologies and unparalleled materials.

QUALITY. Materials are chosen for their ability to provide long lasting service and durability in harsh and extreme environments. K&H's state of

K&H products are designed from the start to provide extreme durability and easy maintenance in the field for a lifetime of value. Right: StarBeam. Far right: Quad Light.



the art manufacturing facility allows for a vertically integrated manufacturing and production process. By controlling the production of the components, K&H can ensure you consistently receive a finished product of the highest quality.

CRAFTSMANSHIP. K&H Industries has a dedicated group of hard working professionals that take pride in doing a job well. We've never lost sight of our small-town values and hard-work ethic that founded the company over 50 years ago.

SERVICE. It might be old-fashioned, but we actually answer our phones with real people. If you have a question about our products, we'll listen and provide an honest and timely response. In the event one of our products needs to be repaired or returned, we'll assist you. If you're looking for a product you don't see in our catalog or website, call us—we love hearing from our customers.

This catalog is a only a sample of popular model numbers. K&H offers thousands of products, as well as custom configurations to meet your specific application. For more information about K&H products: **Call 716-312-0088 • Visit www.KHindustries.com**

Our significant investment in new technologies provides rapid response to customers needs while ensuring the quality of its products, as shown by our in-house capabilities.

DISCIPLINE	K&H IN-HOUSE CAPABILITIES
Design Engineering	3D CAD • 3D printing/modeling • Printed Circuit Board Prototyping
Mold/Tool Fabrication	Certified NYS Tool & Die Makers • Approved NYS Apprenticeship Training Program • CNC & Conventional Vertical Milling • CNC & Conventional Turning Lathes • CNC EDM Wire & Plunger
Molding	Horizontal Plastic Molding (45 to 75 ton) • Vertical Plastic Molding (28 to 500 ton) • Rubber Molding (50 to 450 ton)
Metal Fabrication	Metal Stamping • CNC Turning • Bending Equipment • TIG, MIG & Stick Welding
Finishing	Production • Assembly • Quality Control
Support	Technical Support, Sales and Customer Service

TABLE OF CONTENTS

All catalog pages are perforated for easy removal and storage.

LIGHTING PRODUCTS

Remote Controlled Spotlights, Vehicle-Mounted 4

- NightRay, single lamphead 5
- StarBeam, dual lamphead 7

Portable Industrial Lighting, Quad Lights 9

Hazardous Location Lighting, Certified for Class I Division 1 11

- Fluorescent hand held work lights 13
- Incandescent hand held work lights 16
- Low Voltage hand held work lights 17
- Low Voltage hand held spot lights 18
- Barrel Inspection lights 19

Work Lights 20

- Wet Location/Vapor Proof work lights 20
- Fluorescent, heavy duty work lights 21
- Add-A-Lights, feed through fluorescent lighting 23
- Spot/Inspection lights, hand held 25

POWER PRODUCTS

Retractable Cord Reels . . . 27

- Heavy Duty ORB Series, rated NEMA 4 for indoor/outdoor use 29
- Industrial Duty ORF Series, rated NEMA 4X for indoor/outdoor & corrosive use 29
- High Capacity ORI/ORM Series, rated NEMA 4 for indoor/outdoor use 31
- Hazardous Locations ORS Series, rated for Class I Division 1 locations 31
- Light Duty Retractable Cord Reels 33

Cord Caddies, Manual Wind Temporary Power. 35

Portable Outlet Boxes, Pendant Style and Feed Through 37

Plugs and Connectors . . . 40

OTHER INFORMATION

Terms & Conditions of Sale 42

Custom Configurations . . . 44

Remote Controlled Spotlights

Built to last for decades in the harshest environments.

K&H NightRay[®] and StarBeam[®] remote control spotlights have set the standard for durable and dependable remote controlled lighting in the most demanding environments, including snow, ice, and saltwater.

Used by thousands of nighttime inspection, maintenance, and repair professionals around the world you'll find StarBeam and NightRay spotlights are the light of choice for utility industries, as well as fire, police, and rescue units for both land and water.



Both NightRay and StarBeam spotlights continually out perform competitors lights when it comes to operating in harsh environments.

NightRay and StarBeam are made with marine-quality materials that are chemical and saltwater resistant. Their light housing and base are completely enclosed and are weather resistant. This combination ensures that the spotlights will perform both in a marine environment and in extremely cold, winter climates.

NightRay and StarBeam remote control lights come wireless or hardwired with a variety of lamphead options. From the popular dual-filament spotlight/floodlight combination bulbs to custom configurations with HID, LED, and emergency scene lamps and accessories, K&H Industries specializes in custom light configurations to meet your application.



K&H NightRay and StarBeam remote control spotlights are proudly made in the USA.

For Military/DoD inquiries, please contact K&H Industries directly.



The Lineman's Spotlight of Choice

Tough and versatile vehicle-mounted spotlight for brilliant work-area illumination

NightRay Wireless

Hardwired or both.
You choose.



NightRay's unique open yolk design provides a full range of motion in any weather, including: snow, ice, and saltwater.



APPLICATIONS

- Utility maintenance and repair
- Single-man crews
- Construction
- Military/DoD
- Fire/Rescue
- Marine
- Towing

FEATURES

- Spot and Flood dual filament bulb for precise nighttime trouble-shooting and wide-area illumination
- Synchronized and encoded remote and receiver provide clear communication
- 370° of motion on horizontal axis and 350° vertical tilt
- Exclusive limited slip clutching system allows for manual adjustment of lamphead
- Buffalo Blizzard Tuff™ extreme weather protection



NightRay spotlights feature remote control with 370° rotation on horizontal axis and 350° vertical tilt.

K&H's Exclusive Buffalo Blizzard Tuff™ weather protection.

K&H's Buffalo Blizzard Tuff extreme weather protection prevents damage from extreme weather, including snow, ice, and saltwater

NightRay's motor assemblies, shafts, brackets, and other mechanical components are made from marine quality materials.

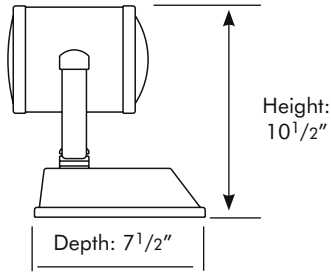
The light housing and base are completely enclosed in weather-tight polycarbonate to be virtually unbreakable, yet extremely lightweight.

NightRay Spotlights include a three-year extended warranty.

SPECIFICATIONS

- **Electrical Operation:** 12VDC standard; 24VDC available
- **Candle-Power Output:**
 - Dual-filament: 50,000-cp flood with 100,000-cp or 200,000-cp spotlight
 - Spotlight Only: 360,000-cp
- NightRay Wireless includes a remote control key fob
- NightRay Hardwired includes 20' wiring harness and control panel
- NightRay Dual Control includes remote control key-fob, 20' wiring harness, control panel, antenna, and receiver.

Lamphead and Base



Weight: 5 lbs.

Wireless-Remote Key-Fob



Works from up to 100' away!
Toggle between spot/flood and control lamphead rotation. Weather-tight and easily clips to clothing or dash. Cat. No. NR-20KFD

3" high by 1 3/4" wide

Hardwired and Dual Control



New and improved control panel for the NightRay hardwired and dual control, Cat. No. KH200-133.

CATALOG NUMBERS

NightRay Description	Flood (cp)	Spot (cp)	Catalog No.
Wireless NightRay, Par-36 dual-filament bulb, 12V	50,000	100,000	NR-475-20KFDS
• Hardwired NightRay, Par-36 dual-filament bulb, 12V	50,000	100,000	475-20
• Dual-Control NightRay, Par-36 dual-filament bulb, 12V	50,000	100,000	NR-475-20DDC
Wireless NightRay, Par-46, dual-filament bulb, 12V	50,000	200,000	NR-675-20KFDS
• Hardwired NightRay, Par-46 dual-filament bulb, 12V	50,000	200,000	675-20
• Dual-Control NightRay, Par-46 dual-filament bulb, 12V	50,000	200,000	NR-675-20DDC
Wireless NightRay, Par-46 reflector, halogen spot-only	n/a	360,000	NR-775-20KFDS
• Hardwired NightRay, Par-46 reflector, halogen spot-only	n/a	360,000	775-20
• Dual-Control NightRay, Par-46 reflector, halogen spot-only	n/a	360,000	NR-775-20DDC
Retrofit Kit converts hardwired NightRay's to wireless and hard-wired operation			NR-20KRT

Other models are available, including 24V, LED, HID, and custom configuration, call K&H for more info.

ORDERING INFORMATION

NightRay remote control spotlights are available from K&H Industries.
For more information: **Call 716-312-0088 • Visit www.KHindustries.com**



K&H INDUSTRIES, INC.

The Permanent Name in Temporary Lighting & Power

Rugged Vehicle-Mounted Spotlights Put You in Control

Two sealed-beam lampheads provide 330° of vertical and horizontal movement.



APPLICATIONS

- Utility maintenance and repair
- Public safety
- Military/DoD
- Emergency response
- Marine
- Construction

FEATURES

- Twin sealed-beam lampheads generate up to 3-million cp
- Wireless remote control in two planes of motion
- Extreme environment operation including high humidity
- Stainless-steel lamp housing and anodized hard coated drive shafts

OPTIONS

- Wireless or hardwired remote controls
- A variety of other lamps available

These rugged vehicle-mounted systems generate from 480,000- to 3-million candlepower of light from twin rotating lampheads offering 330° of control in both the horizontal and vertical axes.

Weatherproof lampheads and motor housing, hard coated anodized drive shafts, brushless connections, and lubrication free drive system provide years of dependable service under extreme environmental conditions including snow, ice, and saltwater.

Learn why thousands of utility crews, emergency response teams, and construction professionals around the world depend on K&H StarBeam Lighting Systems.



Photos, Top Right: Motor-controlled dual lampheads rotate 330° ($\pm 10^\circ$) on horizontal and vertical axis to provide precise placement of light output.

Bottom Right: Remote controlled by heavy duty in-cab joystick or wireless controller.



SPECIFICATIONS

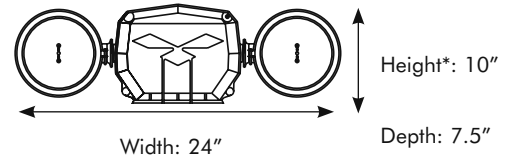


CL-302: Heavy duty wireless remote allows gloved hand operation, also features glow-in-the-dark controls and LED power indicator.



CL-303B1: Heavy duty hard-wired joystick controller is easy to operated with gloved hand. Can also be used for manual wireless override.

- **Lumen Output/Electrical Operation:**
 - **Standard:** Two 100-watt Par-46 sealed beams with 240,000-candlepower per lamphead (480,000 cp total) operating with 12 VDC/17 amp power source (i.e., vehicle battery)
 - **Optional:** 380,000 candlepower to 3 million cp lampheads and 24VDC available
- **Mounting:** 3/4" N.F. threads by 1 3/8" long extension
- **Rotation:** Motor-driven dual lampheads rotate 330° (±10°) on horizontal and vertical axes to provide precise placement of light output.
- **Reception:** Available with heavy duty wireless or hardwired remote control.
 - Up to 300' wireless remote reception with frequency setting to allow multiple units to be used at one site.
- **Weather Resistant:** Weather-resistant lampheads and control housing provide safe, dependable operation in the most demanding environments.
- **Dual lampheads provide illumination redundancy.**



Weight: 13 lbs * does not include 24" flexible antennae

CATALOG NUMBERS

Wireless StarBeam - Standard Configurations	Catalog No.
(2) LT-401 240,000-cp Spot Lamps with CL-302 Large Button Controller	SB-101C(LT-401)
(2) LT-402 350,000-cp Spot Lamps with CL-302 Large Button Controller	SB-101C-(LT-402)
(2) LT-402B 60,000-cp Flood Lamps with CL-302 Large Button Controller	SB-101C(LT-402B)
Large four-button, heavy duty radio transmitter	CL-302

Hardwired StarBeam - Standard Configurations	Catalog No.
(2) LT-401 240,000-cp Spot Lamps with CL-303B1 Heavy Duty Joystick Controller	SB-103A(LT-401)
(2) LT-402 350,000-cp Spot Lamps with CL-303B1 Heavy Duty Joystick Controller	SB-103A(LT-402)
(2) LT-402B 60,000-cp Flood Lamps with CL-303B1 Heavy Duty Joystick Controller	SB-103A(LT-402B)
Hard wired joystick with manual wireless override	CL-303B1

Other models available, including 24V and higher lamp output options including emergency scene lighting and custom configurations. Call K&H for details

Standard Light and Control Descriptions:

- LT-401: 100-watt Par-46 sealed-beam bulb; 240,000 cp
- LT-402: Par-46 reflector Spot H1 halogen bulb; 350,000 cp
- LT-402B: Par-46 reflector Flood H1 halogen bulb; 60,000 cp

ORDERING INFORMATION

StarBeam remote control spotlights are available from K&H Industries.
For more information: Call 716-312-0088 • Visit www.KHindustries.com



K&H INDUSTRIES, INC.

The Permanent Name in Temporary Lighting & Power

Portable Industrial Lighting for Demanding Environments

Extremely durable, the Quad Light resists breakage.



Available in:
 • 4 x 17 watt, or
 • 4 x 32 watt models

Providing the ultimate in durability, flexibility, and illumination of work areas.



Watch K&H drop, jump, and kick the Quad Light during extreme product testing at: www.khindustries.com/quad

APPLICATIONS

Manufacturing, inspection, and maintenance in:

- Aircraft
- Ground transportation
- Marine
- Military tents
- Temporary emergency shelters
- Utilities

FEATURES

- Four 17- or 32-watt fluorescent lamps.
- Standard SJOW 10' and 25' cord lengths.
- Flexible mounting and positioning.
- Lamp shock absorbers.
- Integrated covered outlets allow for daisy-chain use

OPTIONS

- Clear tubeshields
- Custom cord lengths
- 277VAC/50-60Hz.
- Custom configurations available upon request.



A multi-level lamp protection system provides extreme durability with rubber end caps and field tested lamp shock absorbers.

Parallel wiring keeps other lamps functioning should one fail.

Lamp shock absorbers and impact resistant coated lamps protect against breakage due to accidental drops or falls.

Use the Quad Light alone or daisy-chain lights together.

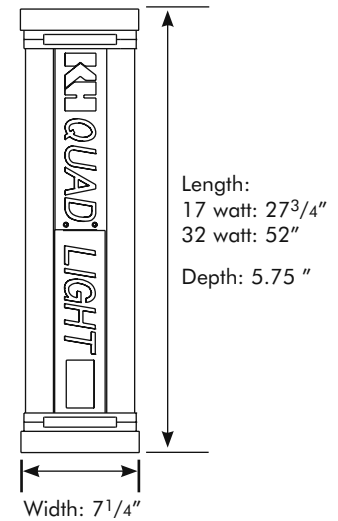
K&H Tuff! Above, the Quad Light undergoes K&H extreme product testing for durability and shatter resistance.

SPECIFICATIONS

Easy tool free relamping with standard T8 fluorescent lamps.



- Total Watts: 68 or 128
 - Cord Lengths: 10' or 25'
 - Electrical Operation
 - Standard: 120 VAC, 60 Hz with ballast
 - Also Available: 120 – 277 VAC, 50/60 Hz, with ballast
 - Power Cord: 14/3 SJOW black
 - Attachment Plug and Outlet: NEMA 5-15, grounded plug and connector.
 - Ballast: Electronic rapid start, high frequency
- Other configurations are available upon request.



Flexible installation options for optimal task lighting include (from left to right):

- Hanging from level or angled beam;
- Standing (vertical); or
- On floor (horizontal) with 45° angled feet.

CATALOG NUMBERS

Wattages		Lumens	Cord Length	Weight (lbs.)	Catalog No.
Per Bulb	Total				
17	68	5,200	10'	11.5	QL417R-16E-10
			25'	13.5	QL417R-16E-25
32	128	11,800	10'	16.5	QL432R-16E-10
			25'	18.5	QL432R-16E-25

Above models come with reflective tubeshields. Clear tubeshields available upon request. Additional models available including custom configuration. Call K&H for details.

ORDERING INFORMATION

K&H Quad Lights are available from K&H Industries.
 For more information: Call 716-312-0088 • Visit www.KHindustries.com



K&H INDUSTRIES, INC.

The Permanent Name in Temporary Lighting & Power

Hazardous Location Lighting by K&H Industries

Designed to Article 500 of the National Electric Code, K&H Hazardous Location Lights meet the highest standards and are relied on to provide safe illumination within a variety of industries and hazardous environments, including:

- Aircraft maintenance
- Fuel cells
 - Utilities
 - Refineries
- Chemical storage
- Spray/Paint booths
- Shipyards
- Grain elevators

We are pleased to expand our product offering of hazardous location lighting. The following items are our most commonly asked for explosion-proof lights, please call 716-312-0088 with questions, or a complete listing of K&H's Hazardous Location Lights.

Hazardous Location Class and Division Definitions as Defined by the National Electric Code, Articles 500-516

This explains what is meant by the class, division, and group ratings given to products that are certified for use in hazardous locations. Each class and division is defined. When purchasing or using electrical products that have been certified for use in specified hazardous locations it is important to know what those locations are.

CLASS I, II, AND III

As defined by the National Electrical Code (NEC), Hazardous Locations are those in which fire or explosions may occur due to the presence of:

- **Class I.** Flammable gases, vapors, or liquids
- **Class II.** Combustible dusts
- **Class III.** Ignitable fibers or flyings

DIVISION 1 AND 2

Division ratings are defined by Article 500 of the NEC:

- **Division 1.** Locations where a flammable or combustible atmosphere is present under normal operating conditions
- **Division 2.** Locations where a flammable or combustible atmosphere is present only under abnormal conditions

EXAMPLE: This would mean that a “Class 1 Division 1, Class 2 Division 2” rated piece of equipment could be used in a location where combustible gases are present regularly, but not in areas of a coal mine or grain processing silo, for example, where combustible dusts would be present under normal conditions.

NOTE: By definition, if a certification lists “Division 1” [or has no division listing] for a specific class then that product is suitable for use in Division 1, Division 2, and non-hazardous locations of that class.

CLASS I GROUPS A, B, C, AND D

The flammable and combustible gases, vapors, and liquids Class is further divided into Groups as follows:

- **Group A.** Atmospheres containing acetylene
- **Group B.** Atmospheres containing acrolein, butadiene, ethylene oxide, propylene oxide, hydrogen, or fuel and combustible process gases containing more than 30% hydrogen by volume
- **Group C.** Atmospheres containing ethyl ether, ethylene, or gases or vapors of equivalent hazard
- **Group D.** Atmospheres containing acetone, ammonia, benzene, butane, cyclopropane, ethanol, gasoline, hexane, methane, methanol, naphtha, propane, or gases or vapors of equivalent hazard.

EXAMPLE: a flashlight rated for “Class I, Division 1, Groups C and D; Class I, Division 2, Groups A, B, C and D” can be used in a location where there is an atmosphere that normally contains gasoline [Cl I, Div 1 Grp D] but only in a place where explosive mixtures of acetylene would occur outside of normal operations [Cls 1, Div 2, Grp A].

NOTE: If there is no Group rating on information provided by a manufacturer, investigate further and ensure that the product meets your needs. You can not assume that the lack of a Group rating means a product is appropriate for use in all group locations.



CLASS II GROUPS E, F, AND G

Dust-ignition-proof equipment is also further divided into groups based on the different types of combustible dust that may be present.

- **Group E.** Atmospheres containing combustible metal dusts
- **Group F.** Atmospheres containing carbon black, charcoal, coal or coke dusts with more than 8% total volatile material, or atmospheres containing these dusts sensitized by other materials so that they present an explosion hazard.
- **Group G.** Atmospheres containing combustible dusts not included in Group E or F, including flour, grain, wood, plastic and chemicals.

Certified and Listed for Class I Division 1 Hazardous Locations

Explosion Proof Work Lights designed to Article 500 of the National Electric Code.

EP300 SERIES AVAILABLE IN 26 WATT

Certified For:

- Class I, Division 1, Group C and D
- Class II, Division 1, Group E, F and G
- Class III, Division 1
- NEMA 4, Type 4

(as defined by Article 500 of the National Electrical Code)



APPLICATIONS

- Aircraft maintenance
- Fuel cells
- Utilities
- Refineries
- Chemical storage
- Spray/paint booths
- Shipyards
- Grain elevators

FEATURES

- Built in reflectors for wide shadowless illumination.
- Commercial fluorescent lamp provides 10,000 hours of life.

OPTIONS

- Electronic in handle or magnetic inline ballast.
- A variety of wattages, voltages, frequencies, ballast types, cord lengths, and plugs available.



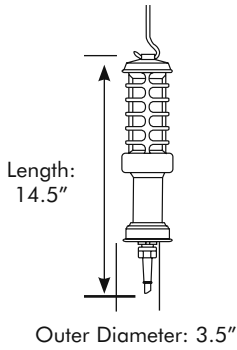
Also available prewired K&H's ORS Hazardous Location Retractable Cord Reel.

All K&H EP300 Series work lights feature:

- Non-sparking aluminum housing, hard coated anodized exterior, molded bumper guards, and lamp shock absorbers for durability in high-impact situations.

- Annealed glass tubeshield to prevent shattering.
- Integrated, pivoting hook for positioning versatility.
- Electronic ballast in handle or inline magnetic ballast.

SPECIFICATIONS



- **Watts:** 26 (equal to 100 watt incandescent)
- **Cord Lengths:** 25' or 50'. Custom cord lengths from 6' to 125' also available.
- **Electrical Operation:**
 - Standard: 120 VAC, 60 Hz
 - Also available: 120 VAC/50 Hz; and 220 VAC, 50 or 60 Hz
- **Ballast Types:**
 - 26 Watt Model: Magnetic or electronic
- **Power Cord:** 16/3 AWG, Type SOOW. Meets Federal Specification JC-580A.
- **Plug:** K&H EP300 Hazardous Location Lights do not include plugs; however, a variety of commercially available plugs can be installed at K&H prior to shipping.

CATALOG NUMBERS

EP300 Hazardous Location Lights with Electronic In-Handle Ballast

Wattage	Voltage	Frequency	Ballast	Cord Length	Weight (lbs)	Catalog No.
26	120	50/60Hz.	Electronic In handle	25'	10	EP326-16E-25
				50'	13	EP326-16E-50

EP300 Hazardous Location Lights with Magnetic In-Handle Ballast

Wattage	Voltage	Frequency	Ballast	Cord Length	Weight (lbs.)	Catalog No.
26	120	50	Magnetic In line	25'	10	EP326-15S-25
				50'	13	EP326-15S-50
		60	Magnetic In line	25'	10	EP326-16S-25
				50'	13	EP326-16S-50
	220	50	Magnetic In line	25'	10	EP326-25S-25
				50'	13	EP326-25S-50
60	Magnetic In line	25'	10	EP326-26S-25		
		50'	13	EP326-26S-50		

Additional configurations are available. Contact K&H for details.

ORDERING INFORMATION

K&H Hazardous Location Work Lights are available from K&H Industries.
 For more information: **Call 716-312-0088 • Visit www.KHindustries.com**



K&H INDUSTRIES, INC.

The Permanent Name in Temporary Lighting & Power

Certified and Listed for Class I Division I Hazardous Locations

EP215 SERIES AVAILABLE IN 15 WATT

Certified for:

- Class I, Divisions 1 and 2, Group D
- Class II, Divisions 1 and 2, Groups E, F and G
- Class III, Divisions 1 and 2 (as defined by Article 500 of the National Electrical Code)



- K&H EP215 Series of Hazardous Location Works Lights offer a slim, lightweight design with a soft, wide plane of light that is ideal for maintenance, inspection, and repair in tight spaces.
- This durable lamp features an all aluminum body with rubber bumper guards and an impact resistant annealed glass tubeshield.
- Built-in metal reflectors maximize light efficiency while using an energy efficient fluorescent 15 watt bulb.

SPECIFICATIONS

- **Watts:** 15
- **Cord Lengths:** 25' or 50'. Custom cord lengths available upon request.
- **Electrical Operation:** 120 VAC, 60 Hz
- **Ballast:** Inline
- **Power Cord:** 16/3 AWG, Type SOOW. Meets Federal Specification JC-580A.
- **Plug:** A variety of our commercially available plugs can be installed at K&H prior to shipping.

DIMENSIONS

- Length: 27" • Outer diameter: 3.25"

CATALOG NUMBERS

Wattage	Voltage	Frequency	Cord Length	Weight	Catalog No.
15	120	60	25'	12.25	EP215-16I-25
			50'	14.5	EP215-16I-50

Additional configurations are available. Contact K&H for details.

ORDERING INFORMATION

K&H Hazardous Location Work Lights are available from K&H Industries. For more information: Call 716-312-0088 • Visit www.KHindustries.com



Certified and Listed for Class I Division 1 Hazardous Locations

Incandescent work light for hazardous locations

Certified For:

- Class I, Division 1, Groups C and D

(as defined by Article 500 of the National Electrical Code)



This heavy duty hazardous location work light comes with a high impact handle design for strength and chemical resistance, making it ideal for use in tank cleaning and industrial maintenance areas.

The aluminum guard and swivel hook are non-sparking.

SPECIFICATIONS

- **Watts:** 100 watt standard incandescent bulb
- **Cord Lengths:** 25', 50' or lamp head only
- **Electrical Operation:**
 - Standard: 120 VAC, 60 Hz
 - Also available in 220 VAC and 12 Volt
- **Power Cord:** 16/3 AWG, Type SOOW. Meets Federal Specification JC-580A.
- **Plug:** Non-Hazardous Location NEMA 5-15
 - Hazardous Location Plugs available upon request



LAMPHEAD DIMENSIONS

- 18" Length
- 5" Outer diameter
- 4 lbs. (without cord)
- 9 lbs. (with cord)

Available with lamphead only, with cord, or pre-wired to a K&H Hazardous Location Cord Reel.

ORDERING INFORMATION

Wattage	Voltage	Frequency	Cord Length	Weight (lbs)	Catalog No.
100	120	60	n/a	4	EP410-16N
			25'	9	EP410-16N-Y16F-M
			50'	12	EP410-16N-Y16K-M

K&H Hazardous Location Work Lights are available from K&H Industries.
 For more information: Call 716-312-0088 • Visit www.KHindustries.com



Low Voltage Class I Division 1 Hazardous Location

12-volt step down transformer provides low voltage operation to hazardous location work lights. Meets OSHA requirements paragraph 1926.40154



Certified For:

- Class I, Division 1, Groups C and D
- Class I, Division 1, Groups C and D

(as defined by Article 500 of the National Electrical Code)

This durable lamphead design is now combined with a low voltage 12-volt step down transformer providing safe illumination in a variety of hazardous locations.

The aluminum guard and swivel hook are non-sparking.

SPECIFICATIONS

- **Watts:** 100 watt standard incandescent bulb
- **Cord Lengths:** 50' between transformer and lamp, 10' primary cord
- **Electrical Operation:** 12-Volt
- **Power Cord:** 16/3 AWG, Type SOOW. Meets Federal Specification JC-580A.
- **Plug:** Non-Hazardous Location NEMA 5-15 (Hazardous Location Plugs available upon request)

LAMPHEAD DIMENSIONS

- 18" Length
- 5" Outer diameter
- 4 lbs. (without cord)
- 12 lbs. (with cord and transformer)

ORDERING INFORMATION

Wattage	Voltage	Cord Length	Weight (lbs)	Catalog No.
100	12-Volt	50' plus 10' primary	Lamphead Lamphead, cord and transformer	EP410-12V-Y16K-M

K&H Hazardous Location Work Lights are available from K&H Industries.
For more information: Call 716-312-0088 • Visit www.KHindustries.com



Low Voltage Class I Division 1 Hazardous Locations

12-volt step down transformer provides low voltage operation to hazardous location work lights. Meets OSHA requirements paragraph 1926.40154

Certified For:

- Class I, Division 1, Groups C and D
(as defined by Article 500 of the National Electrical Code)



This hazardous location handheld spotlight can be used indoors or outdoors. A high-intensity 50 watt, 100,000 candlepower sealed beam lamp allows for bright light output.

The aluminum guard and swivel hook is cast from a high impact yet light weight alloy that is non sparking.

SPECIFICATIONS

- **Watts:** 50 watt sealed beam bulb
- **Cord Lengths:** 50' between transformer and lamp, 10' primary cord
- **Electrical Operation:**
Standard: 12-Volt or 120-VAC, 60 Hz
- **Power Cord:** 16/3 AWG, Type SOOW. Meets Federal Specification JC-580A.
- **Plug:** Non-Hazardous Location NEMA 5-15
– Hazardous Location Plugs available upon request

DIMENSIONS

- 16" Length
- 5" Outer diameter
- 3 lbs. (with out cord)
- 13 lbs. (with 50' cord and transformer)



ORDERING INFORMATION

Wattage	Voltage	Cord Length	Weight (lbs)	Catalog No.
50	12-volt	n/a	3	EP150-12N
		50'	13	EP150-16V-Y16K-M

Additional configurations are available. Contact K&H for details.

K&H Hazardous Location Work Lights are available from K&H Industries.
For more information: Call 716-312-0088 • Visit www.KHindustries.com



Portable Barrel Inspection Light for Class I Division 1 Hazardous Locations



CLASS I DIVISION 1 GROUPS C & D

This portable inspection light can be used in numerous industries and applications, including barrel and drum inspection.

The lamphead and handle were specifically designed to fit into tight and confined spaces. An aluminum guard and metal swivel hook provide a durable and non-sparking design.

K&H's Barrel Inspection Light comes standard with a 30" handle extension. Lamp head may be purchased separately.

SPECIFICATIONS

- **Watts:** 25 watt standard incandescent bulb
- **Electrical Operation:**
 - Standard: 120 Volt, 60 Hz
- **Power Cord:** 16/3 AWG, Type SOOW. Meets Federal Specification JC-580A. Custom cord lengths are available.
- **Plug:** Non-Hazardous Location NEMA 5-15
 - Hazardous Location Plugs available upon request

DIMENSIONS

- 16.75" overall lamp length
- 1.6875" outer diameter

Refer to OSHA: 1926.405(a)(2)(ii)(G)

Portable electric lighting used in wet and/or other conductive locations, as for example, drums, tanks, and vessels, shall be operated at 12 volts or less.

However, 120-volt lights may be used if protected by a ground-fault circuit interrupter.

ORDERING INFORMATION

Wattage	Voltage	Frequency	Cord Length	Handle	Catalog No.
25	120	60	n/a	n/a	EP925-16N
25	120	60	50'	n/a	EP925-16N-Y16K-M
25	120	60	50'	30"	EP925-16H-Y16K-M

K&H Barrel Inspection, Hazardous Location Lights are available from K&H Industries.

For more information: Call 716-312-0088 • Visit www.KHindustries.com



Wet Location and Vapor Proof Portable Lighting



Vapor Proof/Wet Location work lights are designed as portable hand lamps for wet locations.

These sockets include a heavy-duty, internal crush-proof ring around the screw shell and an external grounding ring.

The body style is designed to accommodate a Vapor-Proof glass or plastic globe and 100 or 75 watt incandescent lamp.

A heavy gauge steel wire guard is finished with a zinc-chromate plating for protection against corrosion.

Socket bodies are molded of durable Hypalon® chlorosulfonated polyethylene type 4085 rubber, and each socket is integrally molded to type SOOW cable.

SPECIFICATIONS

- **Watts:** 100 or 75 watt standard incandescent bulb
- **Globe:** Glass or Lexan®
- **Cord Length:** 50' SOOW Cord
- **Electrical Operation:**
 - Standard: 120 Volt, 60 Hz
 - Also available in 12 Volt
- **Power Cord:** 16/3 AWG, Type SOOW.
- **Plug:** Non-Hazardous Location NEMA 5-15
- **Lamphead** suitable for IEC Class IP67 and NEMA 67

DIMENSIONS

- 16" Length
- 5" Outer diameter
- 8.5 lbs. with cord

Refer to OSHA: 1926.405(a)(2)(ii)(G)
 Portable electric lighting used in wet and/or other conductive locations, as for example, drums, tanks, and vessels, shall be operated at 12 volts or less. However, 120-volt lights may be used if protected by a ground-fault circuit interrupter.

CATALOG NUMBERS

Wattage	Voltage	Frequency	Cord Length	Globe	K&H Catalog No.
100	120	60	50'	Glass	VP10G-16N-Y16K-M
75	120	60	50	Lexan	VP75P-16N-Y16K-M

K&H Vapor Proof, Wet Location Work Lights are available from K&H Industries.

For more information: **Call 716-312-0088 • Visit www.KHindustries.com**



Hypalon® is a registered trademark DuPont • Lexan® is a registered trademark of SABIC Innovative Plastics

Rugged Lighting for Heavy Duty Applications

Ideal for repair, maintenance, and general use.



APPLICATIONS

- General industrial uses
- Maintenance, repair, and inspection
- Residential and commercial construction
- Service
- Utilities

FEATURES

- Safe, cool lighting available from 8 to 34 watts
- Impact-resistant design and construction protects bulbs from breakage
- Weather-resistant housing is suitable for damp environments

OPTIONS

- 8, 13, 15, 20, 30, or 34-watts
- 25' and 50' cord lengths
- Available pre-wired with K&H Retractable Reels
- Custom configurations available upon request.



K&H Fluorescent Work Lights can be pre-wired to K&H Light Duty Cord Reels.

Designed to withstand years of heavy duty use in rugged environments.

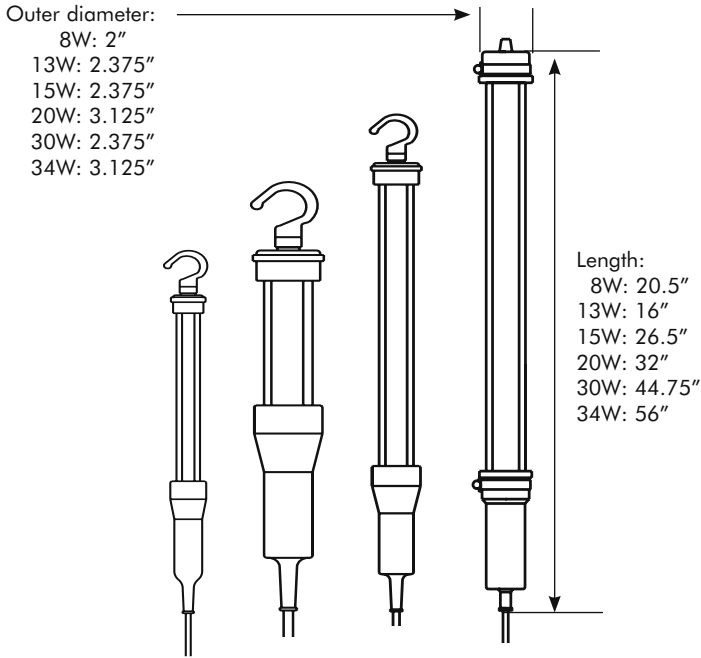
K&H's hand held fluorescent work lights feature:

- Weather-resistant construction, impact-resistant lens, and high-visibility yellow rubber end caps

and handle provide dependable operation in almost any environment.

- Shock-resistant design stands up to drops, falls, and rough handling.

SPECIFICATIONS



- **Watts:** 8, 13, 15, 20, 30, or 34
- **Cord Lengths:** 25' or 50'. Custom cord lengths available.
- **Power Cord:** 18 AWG SJOW; oil and water resistant
- **Electrical Operation:**
 - **Standard:** 120 VAC, 60 Hz
 - **Also Available:**
 - 120 VAC, 50 Hz
 - 220 VAC, 50 or 220 VAC, 60 Hz
- Energy efficient, easy to replace fluorescent lamps and starters.
- **Special Applications:** Ask about custom configuration.

Refer to OSHA: 1926.405(a)(2)(ii)(G)
 Portable electric lighting used in wet and/or other conductive locations, as for example, drums, tanks, and vessels, shall be operated at 12 volts or less. However, 120-volt lights may be used if protected by a ground-fault circuit interrupter.

CATALOG NUMBERS



Optional wall mount clips with or without magnetic holders are available. Call for details.



Wattage	Tube Size	Ballast Location	Cord	Weight (lbs.)	Catalog No.
8	T5	Inline	25'	4	825-T5
			50'	5	850-T5
13	TT		25'	4	1325-TT
			50'	5	1350-TT
15	T8		25'	4.75	1525-T8
			50'	5.75	1550-T8
30	T8		25'	7.75	3025-T8
			50'	8.75	3050-T8
20	T12		25'	9	2025-T12
			50'	10	2050-T12
20	T12	In-handle	25'	9	2025-T12BH
			50'	10	2050-T12BH
34			25'	9	4025-T12BH
			50'	10	4050-T12BH

Additional models available, including custom configuration. Call K&H for details.

ORDERING INFORMATION

K&H Fluorescent Work Lights are available from K&H Industries.
 For more information: Call 716-312-0088 • Visit www.KHindustries.com



Feed-Through Outlet for Continuous Light Output

Impact-resistant design protects bulbs from breakage



APPLICATIONS

- Emergency shelters
- Aircraft interiors
- Shipyards
- Maintenance
- Construction
- Long, narrow pathways such as bridges, tunnels, and corridors.

FEATURES

- Integrated power outlets for daisy chaining multiple lights or use with power tools.
- Built-in light reflector for wide, shadowless lighting
- Impact-resistant design and construction protects bulbs from breakage
- Integrated magnetic ballast

OPTIONS

- 20 or 34 watts
- 6' and 25' standard cord lengths
- Custom configurations available upon request



K&H Industries Add-A-Lights are designed to withstand heavy duty use in rugged environments and feature:

- Impact-resistant design and construction which protects bulbs from breakage.

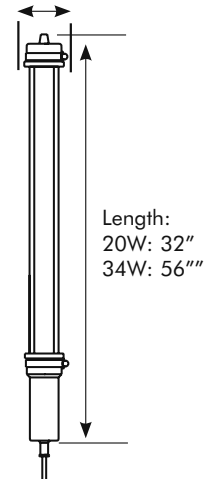
Standard on all K&H Add-A-Lights, are K&H industrial-grade Flip Seal plugs and connectors which protect power connections from dirt, dust, and moisture.

- Weather-resistant construction, impact-resistant lens and yellow end caps and handles.
- Shock absorbers protect tubeshields from drops, rough handling, and vibrations.
- Easy to replace and energy efficient T12 fluorescent bulbs.

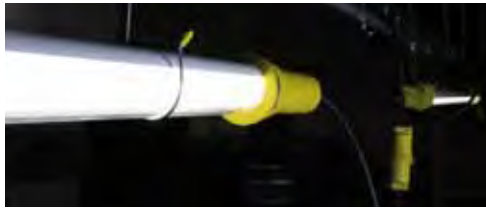
SPECIFICATIONS

- **Watts:** 20 or 34 fluorescent bulbs
- **Cord, Plug, and Connectors:**
 - **Cord Length:** 6' or 25'; custom cord lengths from 1' to 100' also available.
 - **Type:** 14/3 SJOW (oil and water resistant), rated 15 amp
 - **Exit Cord:** 2' unless otherwise specified.
 - **Attachment Plug and Outlet:** NEMA 5-15, grounded Flip-Seal plug and connector.
- **Electrical Operation:** 120 VAC, 60 Hz
- **Hooks:** Two 6" wire hooks included
- **Special Applications:** Other configurations are available upon request.

Outer diameter: 3.125"



FLEXIBLE TEMPORARY MOUNTING



Hang or lay Add-A-Lights horizontally, feed-through power outlets allow for multiple units to be used at once.



Two standard 6" metal hanging hooks included



Optional wall mount clips with or without magnet holders are available, call for details.

CATALOG NUMBERS

Wattage	Tube Size	Cord	Weight	Catalog No.
20	T12	6' 14/3 SJO	5.75 lbs.	2006-T12ADL
		25' 14/3 SJO	6 lbs.	2025-T12ADL
34		6' 14/3 SJO	9 lbs.	4006-T12ADL
		25' 14/3 SJO	12 lbs.	4025-T12ADL

Additional models available including LED, including custom configuration, call K&H for details.

ORDERING INFORMATION

K&H Add-A-Lights are available from K&H Industries.
For more information: **Call 716-312-0088 • Visit www.KHindustries.com**



K&H INDUSTRIES, INC.

The Permanent Name in Temporary Lighting & Power

Pinpoint Trouble With Our Powerful, Rugged Spotlights

Spot and flood lighting with up to 100,000 candlepower.



APPLICATIONS

- General industrial use
- Inspection
- Maintenance
- Service personnel
- Utilities

FEATURES

- Water-resistant construction suitable for damp or wet applications.
- High-impact lens to minimize the possibility of lamp breakage.
- Fully insulated switch with no exposed metal parts for operator safety.
- Heavy-duty rubber hex head to prevent rolling.

OPTIONS

- 12-VDC (vehicle) or 120-VAC
- Floodlight or Spotlight beam pattern
- Available pre-wired with K&H Retractable Reels



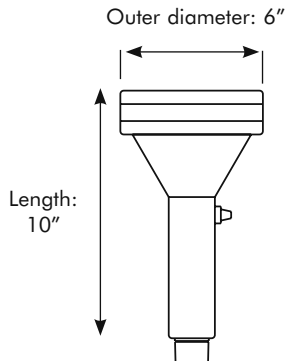
Heavy duty, water-resistant construction and a variety of cord and lamp options make these spotlights a must for the car, shop, warehouse, or production area.

K&H Spotlights can be pre-wired to K&H Light Duty Cord Reels.

Available in both 12-VDC and 120-VAC configurations and a variety of light output options, including:

- 1,500 cp (flood, 75° cone)
- 50,000 cp (spot)
- 100,000 cp (halogen spot)

SPECIFICATIONS



- **Watts:** 18, 30, or 50
- **Includes:** PAR 36 sealed-beam bulb
- **Cord Lengths and Types:**
 - 13' coiled (12 VDC): SJT
 - 25' or 50' straight: SJO
- **Electrical Operation:**
 - 12 VDC with car cigarette lighter adapter, or
 - 120 VAC/60 Hz with inline transformer
- Fully insulated on/off switch.

- Spotlights are available pre-wired to light-duty cord reels.
- **Special Applications:** Ask about custom configuration.

Refer to OSHA:1926.405(a)(2)(ii)(G)
 Portable electric lighting used in wet and/or other conductive locations, as for example, drums, tanks, and vessels, shall be operated at 12 volts or less. However, 120-volt lights may be used if protected by a ground-fault circuit interrupter.

CATALOG NUMBERS

12-Volt Battery-Operated Spotlights with Car Cigarette Lighter Adapter

Description	Lamps			Cord Type/ Length	Weight (lbs.)	Catalog No.
	Wattage	Amps	Candlepower			
Floodlight, 75° cone	18	1.4	1,500	13' 18/2 coiled	3	SL182A-XXN-C18
				25' 16/2 SJO	3	SL182A-XXN-J16F
				50' 16/2 SJO	3	SL182A-XXN-J16K
Spotlight	30	2.3	50,000	13' 18/2 coiled	8	SL302A-XXN-C18
				25' 16/2 SJO	8	SL302A-XXN-J16F
				50' 16/2 SJO	8	SL302A-XXN-J16K
Spotlight, halogen-cycle	50	3.9	100,000	13' 18/2 coiled	8	SL502A-XXN-C18
				25' 16/2 SJO	8	SL502A-XXN-J16F
				50' 16/2 SJO	8	SL502A-XXN-J16K

120-Volt/60 Hz Spotlights with Inline, Step-Down Transformer

Description	Lamps			Cord Type/ Length	Weight (lbs.)	Catalog No.
	Wattage	Amps	Candlepower			
Floodlight, 75° cone	18	1.4	1,500	25' 16/2 SJO	8	SL182A-16S-J16F
				50' 16/2 SJO	8	SL182A-16S-J16K
Spotlight	30	2.3	50,000	25' 16/2 SJO	8	SL302A-16S-J16F
				50' 16/2 SJO	8	SL302A-16S-J16K
Spotlight, halogen-cycle	50	3.9	100,000	25' 16/2 SJO	8	SL502A-16S-J16F
				50' 16/2 SJO	8	SL502A-16S-J16K

Additional models available, including custom configuration. Call K&H for details.

ORDERING INFORMATION

K&H Spotlights and Inspection lights are available from K&H Industries.
 For more information: Call 716-312-0088 • Visit www.KHindustries.com



K&H INDUSTRIES, INC.

The Permanent Name in Temporary Lighting & Power

Retractable Power Cord Reels

K&H Industries offers a stocked inventory of common configurations as well as made-to-order power reels.

K&H's knowledgeable staff will work with you on getting the right reel to fit your application, environment and budget.



K&H Industries specializes in made-to-order retractable power cord reels for both commercial and industrial uses including indoor use, outdoor use (wet locations), data communication lines, and Class I Division 1 hazardous locations.

When your project or work site requires the use of retractable power cords, it pays to talk with a trained temporary power professional.

Retractable power cord reels are custom configured by:

- Cord Length
- Amperage
- Cord Type
- Gauge/Conductors
- Pre-wired accessories such as outlet boxes, plugs, connectors, and work lights
- Speciality applications: data lines, hazardous locations, grounding reels, custom colors

The following pages only show the most popular cord reel configurations.



K&H ORS Series: Hazardous Location Retractable Cord Reel with pre-wired K&H EP300 Hazardous Location Work Light



Contact K&H Industries for a complete listing and custom configurations.

- Phone: 716-312-0088
- Fax: 716-312-0028
- Email: info@khindustries.com

K&H ORB Series: Heavy Duty Retractable Cord Reel in white finish with pre-wired K&H Portable Outlet Box



K&H Light Duty Cord Reel, 13 or 15 amp, 125 VAC, with pre-wired Triple Tap three-outlet connector

K&H's team of trained temporary power professionals will guide you through the processes of selecting the proper reel for your application and environment. The following are some requirements that involve selecting the correct retractable power cord reel.

LIFT



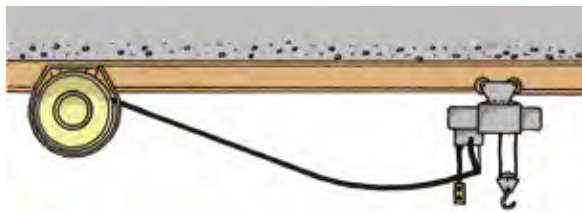
LIFT application: The reel needs to "lift" the cable vertically. Typically the reel is stationary and cable is pulled out by machine or hand, as with a pendent station or overhead light source.

DRAG



DRAG application: The reel needs to "drag" the cable through supports or on the ground horizontally. The reel is usually stationary and cable is pulled out by machine or hand.

STRETCH



STRETCH application: The cable is "stretched" horizontally and is unsupported. The reel may be stationary mounted or mounted to moving equipment. Cable is pulled out by machine. Note: An extra 10% in cable beyond active travel is required for cable sag.

RETRIEVE



RETRIEVE application: The reel needs to pickup "retrieve" the cable. The reel is mounted on moving equipment and cable is pulled out by a machine.

COMPONENTS OF A CABLE REEL AND DEFINITIONS

Spring Motor: Motor which provides power to retract cable.

Spool: Composed of a drum and two flanges.

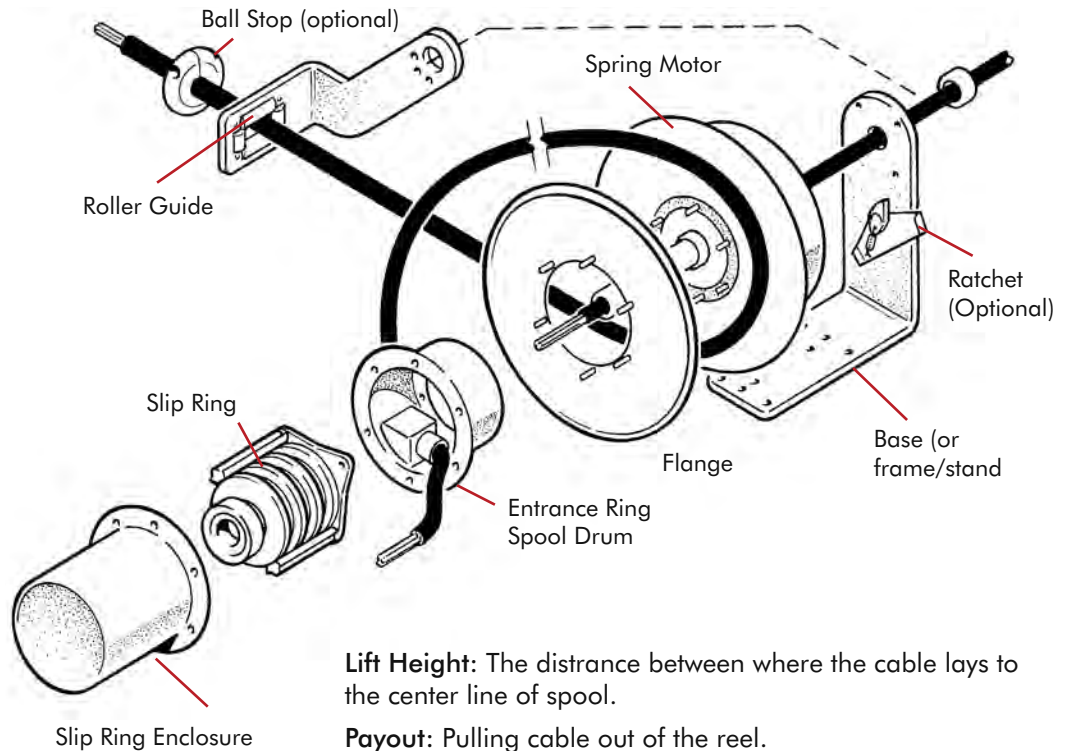
Slip Ring: Transfers power from the stationary feed to the cable on the rotating spool.

Roller Guide: Guides the cable during payout and rewind.

Active Length: The difference between the minimum payout and the maximum payout of cable.

Safety Wrap: Cable that stays on the reel at the maximum payout of cable.

Sag Factor: The effect of gravity on actual travel length during stretch applications (10%).



Lift Height: The distance between where the cable lays to the center line of spool.

Payout: Pulling cable out of the reel.

Heavy Duty, Industrial Grade Retractable Cord Reels

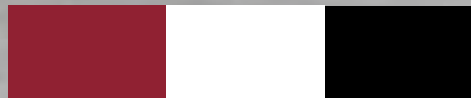
Customized for your application and environment.

K&H ORB SERIES: HEAVY DUTY RETRACTABLE CORD REEL

- 30-amp slip ring
- NEMA 4 rated for indoor & outdoor use, including wet locations



Available in custom painted colors



APPLICATIONS

- Construction
- Maintenance
- Manufacturing
- Mining
- Retail
- Service
- Utilities

FEATURES

- Heavy duty steel construction
- Rated NEMA 4 or NEMA 4x for indoor, outdoor or corrosive use
- Yellow powder-coat finish
- 30-amp slip ring
- Ratchets
- Adjustable ball stops

OPTIONS

- Conductor/Cord Gauge
- Cord Type/Cord Length
- Reel Color/Cord Color
- Gold plated contacts for data lines
- Pre-wired options including outlet boxes, plugs, connectors, and worklights are available.



K&H ORF SERIES: INDUSTRIAL GRADE RETRACTABLE CORD REEL

- 35-amp slip ring
- NEMA 4x rated for indoor, outdoor, or corrosive environments, including wet locations.

All steel construction and safety yellow, powder-coat finish make this industry leading reel your best choice for heavy duty performance and value.

Features adjustable four-roller cable guide arm and numbered terminal blocks.

K&H Customized Cord Reels are made to your specifications

K&H Industries specializes in made-to-order retractable cord reels for both commercial and industrial applications. A K&H Industries representative will work with you to design the power cord reel that is appropriate for your application, environment, and budget.

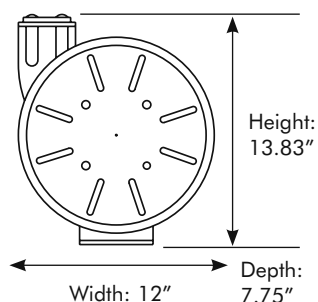
SPECIFICATIONS

ORB Series: Heavy Duty
NEMA 4 rated for indoor and outdoor locations



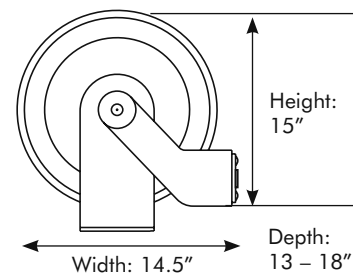
- **Features:** Positive-lock ratchet; heavy duty formed steel stand; ball stops, and yellow powder-coat color.
- **Slip ring:** 30-amp, 600-volt
- **Cable options:** 16 – 12 AWG, 2 – 14 conductor, SJOW, SOOW
- **Cable lengths:** 10' – 50'
- **Applications:** Lift, Drag, Stretch, or Retrieve
- **Other available options**
 - Pivot and swivel-base
 - Outlet boxes, plugs, connectors, or work lights

Available in custom painted colors



ORF Series: Industrial Use
NEMA 4x rated for indoor, outdoor, and corrosive locations

- **Features:** Constant-tension ratchet; heavy duty formed steel stand, and yellow powder-coat color.
- **Slip ring:** 35-amp, 600-volt
- **Cable options:** 16 – 10 AWG, 3 – 12 conductor, SJOW, SOOW, Welding, Grounding
- **Cable lengths:** 20' – 100'
- **Applications:** Lift, Drag, Stretch, or Retrieve
- **Other available options:**
 - Pivot and swivel-base
 - Ball stops
 - Outlet boxes, plugs, connectors, or work lights



CATALOG NUMBERS

K&H Retractable Cord Reels: ORB Heavy Duty Series

Accessory Configuration	Cord Size/Type	Cord Length	Amps	Catalog No.
Cable only	14/3 SJOW	50'	15	ORB3-000-J14K
Prewired with (1) duplex & (1) GFCI receptacle	12/3 SJOW	25'	20	ORB3-7DGA-J12F
White cord reel with 25' 14/3 SOOW white cord	14/3 SOOW	25'	15	ORB39-000-X14F
Cable only	16/3 SJOW	50'	10	ORB3-000-J16K

K&H Retractable Cord Reels: ORF Industrial Series

Accessory Configuration	Cord Size/Type	Cord Length	Amps	Catalog No.
Cable only	16/3 SOOW	75'	10	ORF3-000-B16P
Prewired with (2) duplex receptacles	12/3 SOOW	50'	20	ORF3-7DDD-B12K
Cable only	10/3 SOOW	30'	25	ORF3-000-B10G

K&H Industries specializes in made to order retractable cord reels. Call for a complete listing

ORDERING INFORMATION

K&H Retractable Cord Reels are available from K&H Industries.
For more information: Call 716-312-0088 • Visit www.KHindustries.com



K&H INDUSTRIES, INC.

The Permanent Name in Temporary Lighting & Power

©2010. K&H and the K&H logo are trademarks of K&H Industries, Inc.

1010

K&H Industries, Inc.

High Capacity and Hazardous Location Reels

Reliable power for demanding environments.

K&H ORS SERIES: HAZARDOUS LOCATION RETRACTABLE CORD REEL



- Certified & Listed for Class I Div 1
- 30-amp slip ring

Factory assembled with SOOW cable, spring activated ratchet, adjustable cable guide, ball stop, and 6' feeder cable.

Steel and cast aluminum body in gray epoxy finish.

Available pre-wired to K&H Hazardous Location Work Lights.

APPLICATIONS

- Utility maintenance vehicles
- Manufacturing
- Air Force bases
- Aviation hangers
- Cranes (Class A-C, Call for Quote D&E)
- Construction
- Hazardous locations

FEATURES

- Holds up to 150' of most cord and cable types
- 100% steel construction
- Lifetime lubrication motor
- NEMA 4 Rated, indoor, outdoor use, including wet locations

OPTIONS

- A variety of pre-wired options including outlet boxes, plugs, connectors, and work lights are available.



K&H ORI/ORM SERIES: HIGH-CAPACITY RETRACTABLE CORD REEL

- 150-amp slip ring
- NEMA 4 rated for indoor & outdoor use, including wet locations
- Holds up to 150' of most cord and cable types

K&H Customized Cord Reels are made to your specifications

K&H Industries specializes in made-to-order retractable cord reels for both commercial and industrial applications. A K&H Industries representative will work with you to design the power cord reel that is appropriate for your application, environment, and budget.



SPECIFICATIONS

ORI/ORM High-Capacity Cord Reel

- Heavy duty, formed steel stand.
- Low friction, four roller cable guide.
- Yellow powder coat finish.

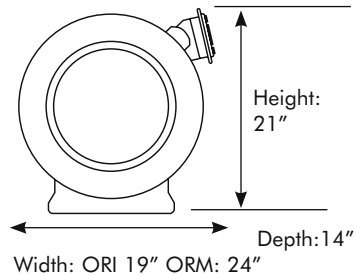


OPTIONS

- Positive-lock ratchet or constant-tension payout.
- Ball stops.

SPECIFICATIONS

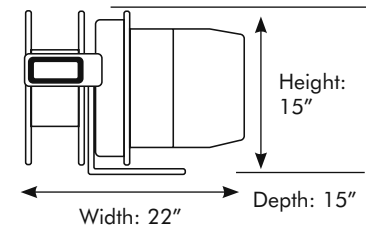
- **Spool diameter:**
ORI: 19"; ORM: 24"
- **Cable options:** 16 to 2 AWG, 2 to 30 conductor, SOOW
- **Slip ring:** 35 to 150 amp, 600 VAC
- **Cable lengths:** 20' to 150'
- **Applications:** Lift, Drag, Stretch, or Retrieve



ORS Hazardous Location Reels
Certified and listed for Class I Division 1 Hazardous Location environments

SPECIFICATIONS

- Factory assembled with SOW cable, spring activated ratchet, adjustable cable guide, ballstop, and 6' feeder cable.
- Advanced 30-amp 600-volt slip ring assembly.
- Steel and cast aluminum body in gray epoxy finish.
- **Cable options:** 16 to 10 AWG, 3 to 12 conductor, SOOW
- **Slip ring:** 30 amp, 600 VAC
- **Cable lengths:** 20' to 100'
- **Applications:** Lift, Drag, Stretch, or Retrieve



CATALOG NUMBERS

K&H Retractable Cord Reels: ORI/ORM High Capacity Series

Accessory Configuration	Cord Size/Type	Cord Length	Amps	Catalog No.
Cable only	14/3 SO	100'	15	ORI3-000-Y14U
Cable only	12/3 SO	100'	20	ORI3-000-Y12U
Cable only	10/3 SO	100'	30	ORI3-000-Y10U
Cable only	8/3 W	100'	50	ORI3-000-W8U
Cable only	8/3 W	125'	50	ORM3-000-W8V

K&H Retractable Cord Reels: ORS Series Hazardous Location

Accessory Configuration	Cord Size/Type	Cord Length	Amps	Catalog No.
Cable only	16/3 SOOW	25'	15	ORS3-000-Y16F
Prewired w/ EP326 Hazardous Location Work Light	16/3 SOOW	50'	15	ORS3-EP326-Y16K

K&H Industries specializes in made to order retractable cord reels. Call for a complete listing

ORDERING INFORMATION

K&H Retractable Cord Reels are available from K&H Industries.

For more information: Call 716-312-0088 • Visit www.KHindustries.com



K&H INDUSTRIES, INC.

The Permanent Name in Temporary Lighting & Power

Light Duty Retractable Cord Reels Affordable, Tangle Free Storage



LIGHT DUTY CORD REEL 13 OR 15 AMP, 125 VAC

- Triple-tap power with
- 3 grounded outlets
- Resettable circuit breaker built into triple-tap outlet

Heavy duty thermo-plastic reel is ideal for tangle-free cord storage.

Cord pulls to desired length; locks, and automatically retracts with a tug.

Mount the reel to a wall or ceiling, then use the quick release bracket and carry handle for portable power where you need it.

APPLICATIONS

- Construction
- Maintenance
- Manufacturing
- Shop/Garage use
- Retail
- Service

FEATURES

- Steel or thermo-plastic exterior
- Tangle-free cord storage
- Compact design

OPTIONS

- Amps/volts
- Cord Gauge
- Cord Length
- A variety of pre-wired options including plugs, connectors, and work lights are available.

LIGHT DUTY CORD REEL UP TO 13-AMP, 125 VAC



K&H's Light Duty Cord Reel features durable steel construction with a variety of K&H pre-wired worklights and spotlights that makes this cord reel ideal for light duty commercial applications.

Includes integrated ball stop and eye hook hanging mount.



K&H Light Duty Retractable Cord Reels can be pre-wired to K&H Fluorescent worklights and spot/inspection lights.



SPECIFICATIONS

CRP SERIES

- High impact-resistant thermoplastic
- 125 VAC
- 14/3 – 13-amp
- 12/3 – 15-amp

**FEATURES**

- Resettable circuit breaker built into triple-tap outlet.
- Ceiling/Wall Mount with quick-release mounting bracket and carrying handle.
- (3) NEMA 5-15 outlets
- Cable options: 12/3, 14/3
- Cable length: 40' or 50' SJTW

DIMENSIONS

- Height: 15" (w/handle) or 13.5" (w/out handle)
- Width: 12" • Depth: 5.5"
- Weight: 14 lbs.

CRA/CRB SERIES

- 125 VAC
- 18/2, 18/3 – 7-amp
- 16/3 – 10-amp
- 14/3 – 13-amp with triple tap

**FEATURES**

- Compact steel construction.
- Integral ball stop and eyehook for hanging mount.
- Cable options:
 - 18/3, 18/2: 35' or 40' SJO
 - 16/3, 14/3: 30' SJO
- Other available options:
 - Pull-to-light feature
 - Pre-wired to K&H worklights, spotlights, plugs, connectors, or triple tap outlet.

DIMENSIONS

- Height: 11" • Width: 9"
- Depth: 3.25" • Weight: 8 lbs.

CATALOG NUMBERS

CRP Series: 13 or 15-Amp, 125V Cord Reels

Accessory Configuration	Cord Size/Type	Cord Length	Amps	Catalog No.
Pre-wired (3) NEMA 5-15R triple-tap outlets & circuit breaker	12/3 SJTW	40'	15	CRP-B515-T12I
Pre-wired (3) NEMA 5-15R triple-tap outlets & circuit breaker	14/3 SJTW	50'	13	CRP-B515-T14K

CRA/CRB Series: 7, 10, 13-Amp, 120V Cord Reels

Accessory Configuration	Cord Size/Type	Cord Length	Amps	Catalog No.
No pre-wired product, 10-amps	16/3 SJO	30'	10	CRA-XXX-J16G
Pre-wired (3) NEMA 5-15 triple-tap outlets & circuit breaker	14/3 SJO	30'	13	CRA-B515-T14G
Pre-wired 8W/T5 pull-to-light worklights	18/2 SJO	35'	7	CRB-8T5-J18H
Pre-wired 18W floodlight	16/3 SJO	40'	10	CRA-SL18-J16G
Pre-wired 50W Halogen spotlight	16/3 SJO	30'	10	CRA-SL50-J16G
Pre-wired with triple tap outlet, circuit breaker, white reel with white cord	16/3 SJO	30'	10	CRA-B515-T16G-3

Additional models available, including custom configuration. Call K&H for details.

ORDERING INFORMATION

K&H Light Duty Retractable Cord Reels are available from K&H Industries.
For more information: Call 716-312-0088 • Visit www.KHindustries.com



K&H INDUSTRIES, INC.

The Permanent Name in Temporary Lighting & Power

Safe, Dependable Power-to-Go in a Rugged and Flexible Design

The easy way to get electrical power from source to site.



APPLICATIONS

- Construction
- Groundskeeping
- Manufacturing
- Maintenance
- Utilities

FEATURES

- Safety yellow, powder-coated steel end plates
- Fully grounded assembly
- Durable solid steel frames
- No collector rings, brushes or slip rings
- Dual duplex receptacles

OPTIONS

- 15 or 20 amps
- GFCI protection
- Dirt and dust resistant outlet covers
- Yellow or black SOOW power cords
- A variety of cord lengths and types available



K&H Cord Caddies can be used horizontally or vertically for flexibility in almost any work environment.

Safety, durability and flexibility to bring power where you need it are all part of the package with K&H Cord Caddies.

The fully grounded frame and optional GFCI outlets provide safe operation, with heavy duty, powder-

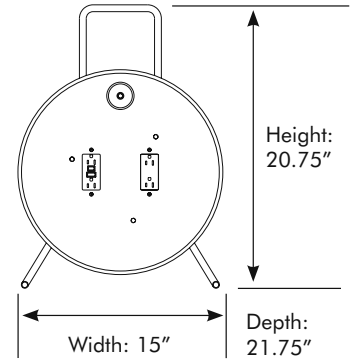
coated steel construction for long lasting durability.

A variety of cord options and outlet configurations are available. K&H Cord Caddies can also be wired for data lines.

SPECIFICATIONS

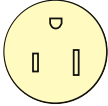
NOTE: Amperage ratings based on cord completely unreeled from caddy.

- **Weight:** 15 lbs. without cord; weight varies with cord length installed
- **Cord:** 14- or 12-AWG, 3 conductors SOOW 600 VAC
- **Cord Lengths:** 0' – 200'
- **Electrical Operation:**
 - **Voltage:** 120 VAC
 - **Current:** 15- or 20-amp
- **Receptacles/Plug:** NEMA 5-15 or NEMA 5-20
- **Receptacles:** Two commercial-grade duplex
- **Attachment Plugs:** Industrial grade, rubber jacketed
- **Special Applications:** K&H can customize your reel with a variety of other cord and cover options.



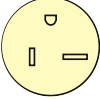
CATALOG NUMBERS

Cord Caddies with 15-amp, 14/3 Power Cord, NEMA 5-15 Receptacles

Blade Configuration	Black SOOW Cord			Yellow SOOW Cord	
	Cord Length	without GFCI	with GFCI	without GFCI	with GFCI
 15 Amp NEMA 5-15	0'	CCN-515A	CCG-515A	CCN-515A	CCG-520A
	50'	CCN-515-B14K	CCG-515-B14K	CCN-515-Y14K	CCG-515-Y14K
	75'	CCN-515-B14P	CCG-515-B14P	CCN-515-Y14P	CCG-515-Y14P
	100'	CCN-515-B14U	CCG-515-B14U	CCN-515-Y14U	CCG-515-Y14U
	125'	CCN-515-B14V	CCG-515-B14V	CCN-515-Y14V	CCG-515-Y14V
	200'*	CCN-515-B14Y	CCG-515-B14Y	CCN-515-Y14Y	CCG-515-Y14Y

*Actual rating of 12 amps based on 200' of 14/3 cord completely unreeled from caddy.

Cord Caddies with 20-amp, 12/3 Power Cord, NEMA 5-20 Receptacles

Blade Configuration	Black SOOW Cord			Yellow SOOW Cord	
	Cord Length	without GFCI	with GFCI	without GFCI	with GFCI
 20 Amp NEMA 5-20	0'	CCN-520A	CCG-520A	CCN-520A	CCG-520A
	50'	CCN-520-B12K	CCG-520-B12K	CCN-520-Y12K	CCG-520-Y12K
	75'	CCN-520-B12P	CCG-520-B12P	CCN-520-Y12P	CCG-520-Y12P
	100'	CCN-520-B12U	CCG-520-B12U	CCN-520-Y12U	CCG-520-Y12U
	125'	CCN-520-B12V	CCG-520-B12V	CCN-520-Y12V	CCG-520-Y12V

Additional models available, including custom configuration. Call K&H for details.

ORDERING INFORMATION

K&H Cord Caddies are available from K&H Industries.

For more information: Call 716-312-0088 • Visit www.KHindustries.com



K&H INDUSTRIES, INC.

The Permanent Name in Temporary Lighting & Power

PowerTuff™ Portable Outlet Boxes

Pendent or Feed Through Models

Non-metallic and non-conductive electrical outlet boxes protect against electrical shock. Designed to comply with OSHA and NEC regulations for safe, portable power. Complete assemblies are available as well as individual components.

PowerTuff Portable Outlet Boxes by K&H Industries are available in standard depth size.

Extra depth pendent and feed through outlet boxes are also available.

Rough and Tuff industrial grade portable outlet boxes provide safe and compliant power to building maintenance, machinery, shipyards, construction sites, food, beverage, and entertainment venues.

Integrated Strain Relief System is moulded into outlet box and won't pull or loosen over time due to vibration.

Bonding strap ensures that device and box are bonded to the grounding conductor. Required in Canada per CSA C22.2 No. 18-98.

Moulded, industrial-grade rubber housing provides superior long-term durability, chemical, heat, crack, and oil resistance over thermoplastic and is virtually crush proof.

Large internal cubic volume—18.97 cubic inches—for ease of wiring.

Integrated coverplate mounting holes eliminate the problem of inserts loosening over time.



Six weather resistant and standard cover plate configurations.

Heavy duty stainless steel springs and flip lids made with Valox® provide long service and durability.

Valox® is a registered trademark of the Sabic Innovative Plastics.

Customized Portable Outlet Boxes

1 Choose your electrical outlet box:

All models are available in yellow or low-contrast black and 15-amp or 20-amp



PowerTuff Standard Depth Portable Outlet Box
.30 – .63 cable sizes



Extra Depth Portable Outlet Box
.57 – .80 cable sizes



Extra Depth Feed Through Portable Outlet Box
.57 – .80 cable sizes

Description	Color	Dimensions
Standard Depth Outlet Box	Yellow or Black	3.25" d x 2.50" w x 4" h
Extra Depth	Yellow or Black	4.125" d x 2.50" w x 4" h
Extra Depth Feed Through	Yellow or Black	4.125" d x 2.50" w x 4" h

Strain Relief System included with all models of Portable Outlet Boxes

Outlet Box Size	Cord	Grommet
PowerTuff Standard Depth Outlet Box (includes small, medium & large grommets)	16/3 & 14/3 SJO	Small: .30 – .40
	16/3 SOW & 12/3 SJO	Medium: .40 – .52
	14/3 SOW & 12/3 SOW	Large: .50 – .63
Extra Depth Outlet Box (includes both small & large grommets)	12/3, 12/4, 12/5, 10/3 SOW	Small: .57 – .68
	10/4, 10/5 SOW	Large: .70 – .80

2 Choose your coverplates, all in black.



Standard Duplex Receptacle

Weather Resistant Duplex with Flip Lids

Standard Single 1.39 Opening

Standard Single 1.56 Opening

Standard GFCI

Weather Resistant GFCI with Flip Lids

Blank

3 Cable Options: Pendent or Feed Through?



Pendent/Dead End Outlet Boxes

Note: This is a sample of common configurations, hundreds of which are available. Call for a complete listing.

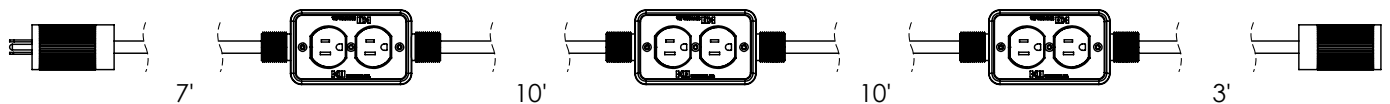
15-Amp or 20-Amp Service, Pre-wired

Description	Catalog No.
PowerTuff Yellow Outlet Box w/2 Duplex Recept, 15-amp (no cord)	PT4DD-515A
PowerTuff Yellow Outlet Box w/2 Duplex Recept. 20-amp (no cord)	PT4DD-520A
PowerTuff Yellow Outlet Box w/2 Duplex Recept, 15-amp, 25' 14-AWG SOW Black Cord	PT4DD-515-B14F
PowerTuff Black Outlet Box w/2 Duplex Recept. 15-amp, 50' 14-AWG SOW Yellow Cord	PT1DD-515-Y14K
PowerTuff Black Outlet Box w/2 GFI Recept., 20-amp, 25' 12/3 SOW Black Cord	PT1DG-520-B12F
Extra Depth Black Outlet Box w/1 duplex 1 Blank Recept, 15-amp, 50' 12/5 SOW Black Cord	PT6DB-515-B12K
Extra Depth Yellow Outlet Box w/2 Duplex Weather Resistant Recept, 15-amp 25' 14 AWG SOW Yel Cord	PT7DD-515-Y14F-WR

Contact K&H Industries for a complete listing of outlet box configurations.

Feed Through/Stringer Outlet Boxes

Contact K&H Industries for additional information on feed through outlet boxes



SPECIFICATIONS:

- **Amps:** 15 or 20, Single or 3-phase
- **Electrical Box:** low contrast black or safety yellow
- **Cord:** 12 or 10 AWG SOOW Cord
- **Spacing & Leads:** Standard spacing displayed above or K&H will build to your application.
- **Receptacles:** Duplex, Weather Resistant Duplex, Single 1.39, Single 1.56, GFCI, Weather Resistant GFCI, and Blank
- Color coded receptacles for easy phase identification.

K&H Portable Outlet Boxes are made to your specifications

K&H Industries specializes in made-to-order portable outlet boxes for both commercial and industrial applications. Call K&H Industries for details.



Connect with Safety, Quality, and Durability

50-AMP PLUGS AND CONNECTORS

K&H's flip seal housing is designed for unparalleled performance, safety, and durability in tough agricultural, industrial, and commercial applications.

APPLICATIONS

- Construction
- Agricultural
- Manufacturing
- Maintenance
- Utilities

FEATURES

- Rugged construction for safety and durability.
- Straight or locking blade configurations from 15 to 50 amps.
- Multiple housing styles offer application flexibility.
- Available in 15, 20, 30, and 50 amp models.
- Offered in a variety of NEMA configurations.



FLIP-SEAL

15, 20, 30, and 50-Amps

Tough, industrial grade flip seal plugs and connectors feature a rubber housing with a soft molded lip on the connector that provide a moisture, dust, and weather resistant enclosure when flipped over the plug.



THERMOPLASTIC / CONVERTIBLE

15, 20, 30 and 50-Amps

Featuring weather resistant thermoplastic housing. Features include integrated cord grip and enclosed terminal screw pockets.

Convertible plugs and connectors offer the flexibility to interchange its high impact polycarbonate interior to create a recessed dust, dirt, and weather resistant connection.

CATALOG NUMBERS

VAC	15-AMP		20-AMP		30-Amp		50-AMP	
	Plug	Connector	Plug	Connector	Plug	Connector	Plug	Connector
2 POLE, 3 WIRE-GROUNDED WITH STRAIGHT BLADES								
125	P515DC, DF	C515DC, DF	P520DC, DF	C520DC, DF	P530DF	C530DF	P550DF	C550DF
250	P615DC, DF	C615DC, DF	P620DC, DF	C620DC, DF	P630DF	C630DF	P650DF	C650DF
277			P720DC, DF	C720DC, DF				
3 POLE, 3 WIRE WITH STRAIGHT BLADES								
125-250			1021	7088	P1030DF	C1030DF	1051	1053
125-250 125/250							P1050DF	C1050DF
2 POLE, 3 WIRE -GROUNDED WITH LOCKING BLADES								
125	PL515DC, DF	CL515DC, DF	PL520DF	CL520DF	PL530DF	CL530DF		
250	PL615DC, DF	CL615DC, DF	PL620DF	CL620DF	PL630DF	CL630DF		
277	PL715DC, DF	CL715DC, DF	L720-P	L720-C	L730-P	L730-C		
480			L820-P	L820-C	L830-P	L830-C		
3 POLE, 3 WIRE WITH LOCKING BLADES								
125-250			PL1020 DC, DF	CL1020 DC, DF	PL1030 DC, DF	CL1030 DC, DF		
250	PL1115DC, DF	CL1115DC, DF	PL1120 DC, DF	CL1120 DC, DF	PL1130 DC, DF	CL1130 DC, DF		
3 POLE, 4 WIRE - GROUNDED WITH LOCKING BLADES								
125-250			L1420-P	L1420-C	L1430-P	L1430-C		
250			L1520-P	L1520-C	L1530-P	L1530-C		
480			L1620-P	L1620-C	L1630-P	L1630-C		
3 POLE, 4 WIRE WITH STRAIGHT BLADES								
125/250							P1450DF	C1450DF
4 POLE, 4 WIRE WITH LOCKING BLADES								
120-280					L1830-P	L1830-C		
277-480					L1930-P	L1930-C		
4 POLE, 5 WIRE WITH LOCKING BLADES								
120-280					L2130-P	L2130-C		
277-480					L2230-P	L2230-C		

K&H INDUSTRIES, INC., TERMS AND CONDITIONS OF SALE

1. TERMS AND CONDITIONS OF CONTRACT. Except where otherwise provided in a written agreement duly executed by an authorized signatory of K&H Industries, Inc. ("K&H"), all goods and services supplied by K&H pursuant to the Confirmation of Order overleaf and these terms and conditions (the "Goods") are provided subject to the details set out in the said Confirmation of Order and to the terms and conditions set forth herein. K&H's ACCEPTANCE OF AN ORDER IS EXPRESSLY CONDITIONED UPON BUYER'S ASSENT TO THESE TERMS AND CONDITIONS, AND BUYER'S ACCEPTANCE OF GOODS HEREUNDER SHALL BE DEEMED AN ACCEPTANCE OF THESE TERMS AND CONDITIONS. K&H specifically rejects any terms and conditions in Buyer's order or in any other document from Buyer that in any way conflict with, reduce or affect these terms and conditions.

2. PRICES. Unless otherwise agreed in writing, all prices are quoted F.O.B. at K&H's premises in Angola, New York, USA. All price quotes by K&H will remain valid for thirty (30) days. Thereafter, prices are subject to change without notice to Buyer. Typographic, clerical and manifest errors in any offer are subject to correction by K&H at any time. The minimum billing per order is \$100 plus freight charges, orders that do not meet this minimum will be subject to a \$25 service charge.

3. PAYMENT TERMS. Payment for all Goods shall be made prior to shipment (either by cash, banker's draft, cashier's check, check drawn on good funds, telegraphic transfer or approved credit card) or, at the sole discretion of K&H, C.O.D., unless Buyer has applied for and been granted a line of credit by K&H, in which case purchases can be made up to approved credit limits with payment therefore due net 30 days. Late payments shall be charged interest at the rate of 1.5% per month. K&H is entitled hereunder to delay shipment until payment monies have cleared (e.g. check has become final; credit card charge has been authorized). Credit terms are subject to change or withdrawal at any time at K&H's sole discretion, regardless of prior credit arrangements. K&H reserves the right to require current financial information from any buyer with an open account as a condition of the continued extension of credit. Buyer shall promptly reimburse K&H in respect of K&H's costs, including reasonable attorneys' fees, incurred in the collection of any monies owed to K&H by Buyer. For orders invoiced or shipped outside the United States, K&H will require a confirmed, irrevocable letter of credit, payable at sight in United States funds, advised and payable on an acceptable US bank. Buyer shall be solely responsible for procuring any and all necessary export, import and/or other permits. Buyer's order shall constitute a representation that Buyer is solvent, and K&H is relying upon such representation. If K&H at any time reasonably believes that the Buyer is insolvent or that the Buyer's credit is impaired, Buyer shall be in material breach thereof and hereof and K&H may, without liability to Buyer, withhold performance hereunder, change the payment terms and/or repossess Goods delivered.

4. ADDITIONAL COSTS & TAXES. All prices and quotations are exclusive of sales, use, excise, duty, VAT and all similar taxes and levies. All such charges shall be for the account of Buyer and, if not included in an original invoice, may be invoiced or added to Buyer's credit card payment, if any, by K&H at a later date.

5. CHANGES; CANCELLATION OF ORDER. If Buyer cancels or changes the order, or any part thereof, for any reason, Buyer agrees to pay cancellation charges for all costs incurred by K&H due to such cancellation, including without limitation, costs incurred by K&H in the design, development or manufacture of special, custom-made or custom-designed Goods, or goods altered at the request of Buyer, [plus related profit.] The costs shall include commitments made by K&H to third parties for labor or materials for use in completing such order. K&H's determination of cancellation charges shall be final and conclusive.

6. SHIPPING. Title in Goods and risk of loss or damage thereto shall pass to Buyer upon delivery thereof by K&H to the carrier at FOB point. Goods shall be shipped in accordance with the information set out in the Confirmation of Order overleaf. Unless instructed otherwise by Buyer, K&H may ship by any reasonable manner and routing. All shipping costs shall be for the account of Buyer. All shipments shall be insured for

their full replacement value and all such insurance shall be for the account of Buyer. [All orders are subject to K&H's current shipping and handling charges.] K&H shall not be liable or otherwise responsible for defaults or delays in delivery by carrier. Shipping dates set out on the Confirmation of Order are approximations only, subject to, inter alia, factory schedules and inventory. If any shipment of Goods is delayed due to any act or omission of Buyer, K&H may charge Buyer reasonable storage fees in relation thereto, including without limitation, storage costs, insurance costs and cost of money. Unless otherwise agreed by K&H in writing, K&H, in its sole discretion, may make partial shipments of any order, for which pro rata payments shall be due and payable as indicated on the invoice issued pursuant thereto. K&H reserves the right not to ship to Buyer if Buyer's account is overdue.

7. ACCEPTANCE OF GOODS. Buyer acknowledges that it has a duty to inspect Goods immediately upon receipt. Goods will be deemed accepted by Buyer unless notice of lawful rejection has been delivered in writing to K&H within ten (10) business days after receipt thereof. Any notice of shortage must be delivered in writing to K&H within three (3) business days after receipt thereof by Buyer. Any notice of damage to Goods must be delivered in writing to K&H and the relevant carrier within three (3) business days after receipt thereof by Buyer. Authorization from K&H must be received by Buyer in writing prior to the return of any Goods by Buyer hereunder, and Buyer shall be solely responsible for adequate packing and pre-payment of freight with respect thereto. For the avoidance of doubt, K&H shall not be obligated to accept any unauthorized return of Goods, any Goods inadequately packed or Goods for which freight has not been fully pre-paid by Buyer.

8. RETURNED GOODS. K&H may, at its sole option, agree to accept unused and merchantable Goods from Buyer, subject always to a re-stocking charge of 20%. Buyer agrees that it shall not return any Goods prior to receiving written authorization from K&H so to do. Any and all returned Goods shall be shipped freight pre-paid and risk of damage or loss shall remain vested in Buyer until the relevant Goods are received, inspected and accepted by K&H. For the avoidance of doubt, K&H is not obligated to accept any returned Goods pursuant to this paragraph. Custom manufactured Goods are non-cancelable/non-returnable.

9. RE-CONDITION & REPAIR. K&H will repair or replace (at K&H's election) the Goods manufactured by it, [if necessary due to ordinary wear and tear], free of labor charges for so long as Buyer owns, possesses and controls such Goods. Before shipping any Goods to K&H for such repair, Buyer shall contact K&H for shipping instructions in respect thereof. With respect to any repairs by K&H, Buyer shall be solely responsible for payment of freight charges and replacement parts at K&H's then current prices. Any repairs to any of the Goods performed by Buyer or by third parties [pre-approved by K&H] shall be carried out in strict accordance with the applicable repair manual(s), if any, published by K&H from time to time.

10. LIMITED WARRANTY; EXCLUSION OF OTHER WARRANTIES; LIMITATION OF REMEDIES; INDEMNITY. K&H warrants the Goods to be free from defects of materials or workmanship, under normal and proper use and service, for a warranty period of one (1) year from the date of shipment. If any of the Goods proves to be defective in material or workmanship within said warranty period, such Good(s) shall be promptly returned to K&H, shipping charges prepaid, and if the same is determined by K&H to be defective in material or workmanship, it will be replaced or repaired, at the exclusive election of K&H, free of charge, F.O.B. K&H's factory. If Buyer discovers that the Goods, or any of them, do not conform to the warranty specified hereinabove, Buyer shall immediately [cease using such Good(s) and] notify Seller in writing of such non-conformity, specifying in reasonable detail the nature thereof.

THIS WARRANTY IS MADE AND ACCEPTED IN LIEU OF ALL OTHER WARRANTIES, EXPRESS OR IMPLIED, WHETHER OF MERCHANTABILITY OR OF FITNESS FOR A PARTICULAR PURPOSE OR OTHERWISE, AS BUYER'S EXCLUSIVE REMEDY FOR ANY DEFECTS IN THE GOODS, AND ALL OTHER REMEDIES ARE EXPRESSLY DISCLAIMED.

No warranty is made by Seller for consumables or for normal wear and tear, or for Goods which have been set up, operated and/or installed other than in strict accordance with K&H's

written instructions; or which have been subjected to improper installation, misuse, negligence or accident; or which have been serviced, repaired or altered improperly or by anyone other than Seller [or Buyer or third party approved by Seller, in strict accordance with the applicable repair manual(s), if any, published by K&H from time to time]; or which have been used in a manner or for a purpose for which the Goods were not designed. No warranty is made with respect to any defects in the Goods due to plans or instructions supplied to Seller by or for Buyer. All other obligations and liabilities of Seller, whether directly or by way of indemnity, for special, incidental, consequential or other damages, whether based on breach of contract, warranty, tort (including negligence), strict products liability, patent or trademark infringement, or any other theory in connection with the purchase or use of the Goods, are expressly EXCLUDED. In no event will Seller be liable on any claim that Goods are defective for an amount in excess of the price paid by Buyer for the Goods. Buyer hereby expressly assumes all risk as to the suitability, performance quality and compatibility of the Goods, and in this respect the product is being provided on an "AS IS" basis. [Buyer acknowledges that some of the Goods might be used in inherently dangerous activities and, accordingly, expressly bears the risk of injury, damages and other harm to itself and to third parties arising out of use of any of the Goods in such inherently dangerous activity(ies). Furthermore, Buyer agrees to indemnify, hold harmless and keep indemnified K&H for any claims, awards, damages or other costs incurred by K&H, including reasonable attorneys' fees, arising out of the use of any Good(s) in inherently dangerous activities.] While K&H uses reasonable endeavors to ensure the accuracy and quality of its publications, sales literature and other printed materials, from time to time errors might occur in that regard. K&H therefore does not guarantee the accuracy or completeness of any publication or other informational materials.

11. INTELLECTUAL PROPERTY. The purchase by Buyer of any Goods hereunder does not grant to, convey or confer upon Buyer or Buyer's customers, or upon anyone claiming under Buyer, a license or any other legal interest, express or implied, under any patent right, trademark, copyright or other intellectual property right, whether registered or not and whether pending or not, in any jurisdiction, of K&H covering or relating to any of the Goods or any combination or process in which any of the Goods might be or are used.

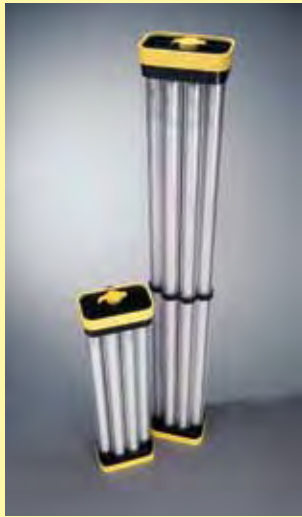
Buyer understands and agrees that K&H does not warrant that the Goods are free of claims of patent, trademark, trade secret or copyright infringement by a third party. K&H hereby disclaims any such warranties or indemnification for such infringement(s) or intellectual property rights.

Any rights not expressly granted herein are reserved by K&H.

12. FORCE MAJEURE. K&H shall not be liable for any failure to perform under the Confirmation of Order or these terms and conditions if it is unable to obtain parts or supplies at reasonable prices or through usual and regular sources on a timely basis, or due to any interruption of transportation, government regulation, labor disputes, strikes, riots, war, civil commotion, fire, flood, accident, storm, or act of God, or other cause beyond K&H's reasonable control that renders it impractical for K&H to perform.

13. GENERAL. This Agreement will be governed by and construed in accordance with the laws of the State of New York. The application of the United Nations Convention for the International Sale of Goods, if it would otherwise apply, is hereby expressly excluded. These terms and conditions and the Confirmation of Order overleaf set out the entire agreement between K&H and Buyer relating to the Goods and supersede any prior agreement, arrangement, purchase order, correspondence, communication, advertising or representation concerning the Goods. This Agreement may not be modified or amended except by a written instrument duly executed by authorized signatories of the parties. If any provision of this Agreement is held to be invalid or unenforceable, that provision is to be given effect to the maximum extent permissible and the remaining provisions of this Agreement will remain in full force and effect. Notices hereunder shall be delivered in writing by registered mail to the addresses of the parties overleaf, or as notified to the other party from time to time.

Portable, industrial wide area lighting made to handle the toughest environments.



K&H Quad Lights are industrial-grade, portable, wide area lighting for demanding environments such as aircraft overhaul, repair and maintenance facilities, shipyards, manufacturing, and emergency shelters.

K&H Quad Lights will hold up to accidental falls and drops. Designed for stand-alone or daisy-chain use, these durable lights provide twice the light output of similar products in a smaller, lighter-weight package.

"Our Quad Lights are in use 24/7—in extremely harsh environments. They get bumped, dropped, and dragged everywhere...and they hold up. They are our worklight of choice, our maintenance technicians don't have to worry about breakage, damage or downtime.

"K&H Industries backs and services what they sell with warranty, service and customer support. We are very pleased in every aspect of doing business with K&H."

– Joe Marks
Director Material
TIMCO-Macon, Georgia

Warranty/Guarantee Information

Limited Warranty; Exclusion of other warranties; Limitation of remedies; Indemnity.

K&H warrants the goods to be free from defects of materials or workmanship, under normal and proper use and service, for a warranty period of one (1) year* from the date of shipment. If any of the goods proves to be defective in material or workmanship within said warranty period, such good(s) shall be promptly returned to K&H, shipping charges prepaid, and if the same is determined by K&H to be defective in material or workmanship, it will be replaced or repaired, at the election of K&H, free of charge, FOB K&H's factory. If buyer discovers that the goods, or any of them, do not conform to the warranty specified hereinabove, buyer shall immediately cease using such goods and notify seller in writing of such non-conformity, specifying in reasonable detail the nature thereof.

This warranty is made and accepted in lieu of all other warranties, expressed or implied, whether of merchantability or of fitness for a particular purpose or otherwise, as buyer's exclusive remedy for any defects in the goods, and all other remedies are expressly disclaimed.

* NightRay Spotlights have a (3) year warranty/guarantee.

No warranty is made by seller for consumables or for normal wear and tear, or for goods which have been set up, operated and/or installed other than in strict accordance with K&H's written instructions; or which have been subjected to improper installation, misuse, negligence or accident; or which have been serviced, repaired or altered improperly or by anyone other than seller (or buyer or third party approved by seller, in strict accordance with the applicable repair manual(s), if any published by K&H from time to time); or which have been used for a purpose for which the goods were not designed. No warranty is made with respect to any defects in the goods due to plans or instructions supplied to seller by or for buyer. All other obligations and liabilities of seller, whether directly or by way of indemnity, for special, incidental, consequential or other damages, whether based on breach of contract, warranty, tort (including negligence), strict products liability, patent or trademark infringement, or any other theory in connection with the purchase or use of the goods, are expressly excluded. In no event will seller be liable on any claim that goods are defec-

tive for an amount in excess of the price paid by buyer for the goods. Buyer hereby expressly assumes all risk as to the suitability, performance quality and compatibility of the goods, and in this respect the product is being provided on an "as is" basis. (Buyer acknowledges that some of the goods might be used in inherently dangerous activities and, accordingly, expressly bears the risk of injury, damages and other harm to itself and to third parties arising out of use of any of the goods in such inherently dangerous activities. Furthermore, buyer agrees to indemnify, hold harmless and keep indemnified K&H for any claims, awards, damages or other costs incurred by K&H, including reasonable attorneys' fees, arising out of the use of any goods in inherently dangerous activities.) While K&H uses reasonable endeavors to ensure the accuracy and quality of its publications, sales literature and other printed materials, from time to time errors might occur in that regard. K&H therefore does not guarantee the accuracy or completeness of any publication or other informational materials.

Custom Configuration by K&H Industries

Often, K&H's stocked catalog inventory will meet your needs. However, there are times when a customized product design is required to suit your application and environment.

K&H Industries specializes in custom configurations, big and small...give us a call.

Project: PG&E Green Fleet Lighting

Need: Low Amperage, High Light Output Remote Controlled Spotlight.

K&H Solution: K&H designed the first LED, dual head remote controlled StarBeam spotlight with ten 3-watt Luxeon K2 LEDs, with a total lumen output of 3,000 and under a 6-ampere draw.



Project:

Custom Painted Retractable Cord Reels

Need: Provide temporary power within retail and

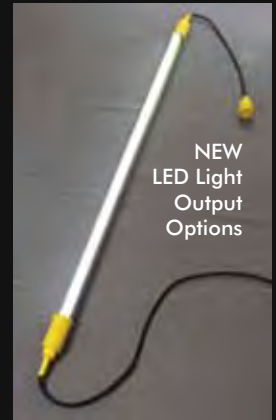
medical environments while blending with environment.

K&H Solution: K&H Industries offers custom-painted retractable cord reels in a variety of colors, as well as cord type and cord color.

Project: Aerospace/Military

Need: Increase energy efficiency and light output with task lighting inside of aircraft during maintenance.

K&H Solution: K&H retrofitted several different Fluorescent Add-A-Lights and worklights with new LEDs. Contact K&H for more information on LED options.



CUSTOM CONFIGURATIONS

Contact us directly for more information on custom configurations at 716-312-0088 or email: info@khindustries.com

K&H PRODUCTS APPLICATION CHART		INDUSTRIES AND APPLICATIONS											
K&H PRODUCTS	Catalog Pg. No.	Utility Maintenance	Transportation Maintenance	Marine/ Shipbuilding	Aerospace MRO	First Responders/ Emergency Mgmt.	Military/DoD	Construction	Agricultural	Petrochemical	Mining	Manufacturing	Retail
NightRay & StarBeam Vehicle Mounted Remote Controlled Spotlights	4	■		■		■	■		■	■			
Quad Light, Portable Industrial Lighting	9		■	■	■		■	■				■	
Hazardous Location Work Lights, Class I Div 1 - Fluorescent & Incandescent - Low Voltage - Barrel/Tank Inspection	11												
	13		■	■	■		■		■	■	■		
	17	■		■			■		■	■	■		
	19								■	■		■	
Fluorescent work lights - Add-A-Lights - Wet Location/Vapor Proof	21	■	■	■	■		■	■	■	■		■	
	23		■	■		■		■				■	
	20			■								■	
Spotlights, Hand Held	25		■		■	■	■						
Retractable Cord Reels	27	■	■	■	■		■	■			■	■	■
Light Duty Reels	33					■		■				■	■
Cord Caddies	36	■	■			■	■	■				■	
Portable Outlet Boxes	37			■	■	■	■	■				■	■
Plugs and Connectors	40	■	■	■	■	■	■	■	■	■	■	■	■

K&H Industries, Inc.
The Permanent Name in Temporary Lighting & Power

716-312-0088 • fax 716-312-0028 • www.KHindustries.com