

| Contents | Description | Page |
|--|--|--------|
| NQ - 240 Volt Lighting and Distribution Panelboard | | |
| | • QO - Plug On Branch Breakers | 2 - 3 |
| | • QOB - Bolt On Branch Breakers | 4 |
| | • QO/QOB Branch Breaker Accessories | 5 |
| | • Panelboards - 20" Wide Enclosures - Main Lugs Only | 6 |
| | • Panelboards - 20" Wide Enclosures - Main Breakers | 7 |
| | • Panelboards - 20" Wide Enclosures - Optional LugKits and Accessories | 8 |
| | • Panelboards - Box Sizing Requirements | 9 |
| | • Panelboards - 14" Wide NQ Enclosures - Main Lugs and Main Breakers | 10 |
| NF - 600Y/347 Volt Lighting and Distribution Panelboard | | |
| | • E-Frame Branch Breakers | 11 |
| | • Panelboards - 20" Wide Enclosures - Main Lugs Only | 12 |
| | • Panelboards - 20" Wide Enclosures - Main Breakers | 13 |
| | • Accessories | 14-15 |
| NQ/NF Single Row Panelboards | | |
| | • Application Data | 16 |
| I-Line - 600 Volt Breaker Power Panelboard | | |
| | • Ready to Install - Main Lugs - Main Breakers | 17-19 |
| | • Accessories, Panel Equipment Data | 20- 22 |
| | • Branch Breakers | 23- 29 |
| | • Factory Assembled I-Line Panelboards | 30 |
| | • Factory Assembled I-Line Combo Panelboards | 31 |
| QMB/QMJ - Fusible Power Panelboard | | |
| | • Branch Switches, HP Ratings, Lug Data | 32-34 |
| Special Features for Factory Assembled Panels | | |
| | • Metering, Customer Equipment Space | 35 |
| | • Key Interlock, Motor Operators for I-Line Breakers | 35 |
| | • Enclosure Modifications | 36 |
| | • Enclosure Options | 37-38 |
| | • Panels to fit existing enclosures | 39-40 |
| | • Special Enclosures | 41 |
| Other Panelboards | | |
| | • Obsolete Panelboards Information | 41 |

QO® Circuit Breakers

with VISI-TRIP® Indicator

QO 1-pole



1 Space Required

QO 2-pole



2 Spaces Required

QO Three-pole



3 Spaces Required

QO2200 2-pole
200 A



4 Spaces Required

QO/QOB Ring Terminal (20% Price Adder)—Factory-installed Only

| Ampere Rating | Poles | Suffix |
|---------------|---------|--------|
| 10-30 | 1, 2, 3 | 5237 |
| 35-60 | 1, 2 | 5238 |
| 35-50 | 3 | |
| 70-110 | 2 | 5273 |
| 60-100 | 3 | |

Circuit Breaker Wire Sizes▲

| Breaker Type | Ampere Rating | Wire Size (AWG) | |
|-------------------------|---------------|-----------------|--------------|
| | | Al | Cu |
| QO 1-pole | 10-30 | #14-8 | #14-8 |
| | 10-30 | .. | (2) #14-10 |
| | 35-70 | #8-2 | #8-2 |
| QO 2-pole | 10-30 | #14-8 | #14-8 |
| | 10-30 | .. | (2) #14-10 |
| | 35-70 | #8-2 | #8-2 |
| | 80-125 | #4-2/0 | #4-2/0 |
| QO 3-pole | 10-30 | #14-8 | #14-8 |
| | 35-70 | #8-2 | #8-2 |
| | 80-125 | #4-2/0 | #4-2/0 |
| QOB-VH | 110-150 | #4-300 kcmil | #4-300 kcmil |
| QO-AFI, QO-GFI & QO-EPD | 15-30 | #12-8 | #14-8 |
| | 40, 50, 60 | #12-4 | #14-6 |
| QO-PL | 10-60 | #12-2 | #14-2 |

QO Miniature Circuit Breakers

SQUARE D QO miniature circuit breakers are plug-on products for use in QO load centers, NQ panelboards, NQ OEM interiors or SPEED-D® switchboard distribution panels. Bolt-on QOB circuit breakers are for use in NQ panelboards or interiors.*

Plug-On Circuit Breakers—CSA Listed Amperes Interrupting Rating (AIR) In Amperes RMS Symmetrical

| Amperes Rating▲ | 1-pole—120/240 Vac | 2-pole—120/240 Vac Common Trip | 2-pole—240 Vac ■ Common Trip | Three-pole—240 Vac Common Trip |
|---------------------------------------|--------------------|--------------------------------|------------------------------|--------------------------------|
| | Catalogue Number | Catalogue Number | Catalogue Number | Catalogue Number |
| 10,000 AIR | | | | |
| 10 | QO110 | QO210 | .. | QO310 |
| 15 | QO115 ◆★ | QO215 ◆ | QO215H | QO315 ◆ |
| 20 | QO120 ◆★ | QO220 ◆ | QO220H | QO320 ◆ |
| 25 | QO125 ◆ | QO225 ◆ | QO225H | QO325 ◆ |
| 30 | QO130 ◆ | QO230 ◆ | QO230H | QO330 ◆ |
| 35 | QO135 ◆ | QO235 ◆ | .. | QO335 ◆ |
| 40 | QO140 ◆ | QO240 ◆ | QO240H | QO340 ◆ |
| 45 | QO145 ◆ | QO245 ◆ | .. | QO345 ◆ |
| 50 | QO150 ◆ | QO250 ◆ | QO250H | QO350 ◆ |
| 60 | QO160 ◆ | QO260 ◆ | QO260H | QO360 ◆ |
| 70 | QO170 ◆ | QO270 ◆ | QO270H | QO370 ◆ |
| 80 | .. | QO280 ◆ | QO280H | QO380 ◆ |
| 90 | .. | QO290 ◆ | QO290H | QO390 ◆ |
| 100 | .. | QO2100 ◆ | QO2100H | QO3100 ◆ |
| 110 | .. | QO2110 ◆ | .. | .. |
| 125 | .. | QO2125 ◆ | .. | .. |
| 150 | .. | .. | .. | .. |
| 175 | .. | .. | .. | .. |
| 200 | .. | .. | .. | .. |
| Molded Case Switch 60 A max.—240 Vac | .. | .. | QO200 | QO300 |
| Molded Case Switch 100 A max.—240 Vac | .. | .. | QO2000△ | QO3000△ |

22,000 AIR

| | | | | |
|-----|------------|-------------|----|-------------|
| 15 | QO115VH ◆★ | QO215VH □◆ | .. | QO315VH □◆ |
| 20 | QO120VH ◆★ | QO220VH □◆ | .. | QO320VH □◆ |
| 25 | QO125VH ◆ | QO225VH □◆ | .. | QO325VH □◆ |
| 30 | QO130VH ◆ | QO230VH □◆ | .. | QO330VH □◆ |
| 40 | .. | QO240VH □◆ | .. | QO340VH □◆ |
| 50 | .. | QO250VH □◆ | .. | QO350VH □◆ |
| 60 | .. | QO260VH □◆ | .. | QO360VH □◆ |
| 70 | .. | QO270VH □◆ | .. | QO370VH □◆ |
| 80 | .. | QO280VH □◆ | .. | QO380VH □◆ |
| 90 | .. | QO290VH □◆ | .. | QO390VH □◆ |
| 100 | .. | QO2100VH □◆ | .. | QO3100VH □◆ |
| 110 | .. | QO2110VH □◆ | .. | .. |
| 125 | .. | QO2125VH □◆ | .. | .. |
| 150 | .. | .. | .. | .. |
| 175 | .. | .. | .. | .. |
| 200 | .. | .. | .. | .. |

42,000 AIR

| | | | | |
|-----|----|------------|----|----|
| 40 | .. | QOH240 ◆△ | .. | .. |
| 45 | .. | QOH245 ◆△ | .. | .. |
| 50 | .. | QOH250 ◆△ | .. | .. |
| 60 | .. | QOH260 ◆△ | .. | .. |
| 70 | .. | QOH270 ◆ | .. | .. |
| 80 | .. | QOH280 ◆ | .. | .. |
| 90 | .. | QOH290 ◆ | .. | .. |
| 100 | .. | QOH2100 ◆ | .. | .. |
| 110 | .. | QOH2110 ◆△ | .. | .. |
| 125 | .. | QOH2125 ◆ | .. | .. |

65,000 AIR

| | | | | |
|----|----------|----------|----|----------|
| 15 | QH115 ◆★ | QH215 ◆ | .. | QH315 ◆ |
| 20 | QH120 ◆★ | QH220 ◆ | .. | QH320 ◆ |
| 25 | QH125 ◆△ | QH225 ◆△ | .. | QH325 ◆△ |
| 30 | QH130 ◆ | QH230 ◆ | .. | QH330 ◆ |

▲ 10-30 A circuit breakers are suitable for use with 60°C or 75°C conductors. 35-125 A circuit breakers are suitable for use with 75°C conductors. ■ CSA Listed 5000 AIR on corner grounded Delta systems.

◆ CSA Listed as HACR type for use with air conditioning, heating and refrigeration equipment having motor group combinations and marked for use with HACR type circuit breakers.

★ CSA Listed as SWD (switching duty) rated. Suitable for switching 120 Vac fluorescent lighting loads.

▼ Requires four spaces (#1-300 kcmil Al/Cu). Not suitable for use in 3-phase panel. Use only in single phase panel rated 150 A or greater.

△ Order only. Contact your nearest Schneider Electric sales office.

□ CSA Listed for use ahead of QO, QO-GFI, QO-EPD, QOT, and QO-PL 10,000 AIR circuit breakers to permit their application at 22,000 A fault level.

◇ 100 A maximum branch mounted opposite.

* See Digest Section DE1 for load centers, and this Section for panelboards and interiors.

Plug-On Circuit Breakers



1-pole
QO-AF1



1-pole
QO-GFI



2-pole
QO-GFI



Two-wire
QO-SWN



Three-wire
QO-SWN



QO
1-pole
With Shunt Trip



QO-K Key
Operated

QO-HM High magnetic trip circuit breakers are recommended for applications where high initial inrush may occur and for individual dimmer applications.

| Ampere Rating ▲ | 1-pole | |
|--------------------|--------------|--|
| | Catalogue No | |
| 120 Vac—10,000 AIR | | |
| 15 | QO115HM◆★ | |
| 20 | QO120HM◆★ | |

QO-AFI QO Circuit Breakers with arc fault protection in accordance with UL1699.

| Ampere Rating ▲ | 1-pole 120 Vac | |
|--------------------|------------------|------------------|
| | 10,000 AIR | 22,000 AIR |
| | 1 Space Required | 1 Space Required |
| Catalogue No. | | |
| 15 | QO115AFI★ | QO115VHAFI★ |
| 20 | QO120AFI★ | QO120VHAFI★ |

QO-GFI QWIK-GARD® circuit breakers with Class A 4-6 mA ground fault protection.▼

| Ampere Rating ▲ | QWIK-GARD Circuit Breakers With Ground Fault Circuit Interrupter | | |
|--------------------|---|------------------|-----------------------------------|
| | 1-pole 120 Vac | | 2-pole Common Trip 120/240 Vac |
| | 10,000 AIR | 22,000 AIR | 10,000 AIR |
| | 1 Space Required | 1 Space Required | 2 Spaces Required |
| Catalogue No. | | | |
| 15 | QO115GFI | QO115VHGFI | QO215GFI |
| 20 | QO120GFI | QO120VHGFI | QO220GFI |
| 25 | QO125GFI | QO125VHGFI | QO225GFI |
| 30 | QO130GFI | QO130VHGFI | QO230GFI |
| 40 | | | QO240GFI |
| 50 | | | QO250GFI |
| 60 | | | QO260GFI■ |

QO-EPD QO-EPD circuit breakers provide overload and short circuit protection combined with Class B 30 mA ground fault protection.

| Ampere Rating ▲ | 1-pole 120 Vac | | 2-pole Common Trip 120/240 Vac |
|--------------------|------------------|------------------|-----------------------------------|
| | 10,000 AIR | 22,000 AIR | 10,000 AIR |
| | 1 Space Required | 1 Space Required | 2 Spaces Required |
| Catalogue No. | | | |
| 15 | QO115EPD | QO115VHCAFI | QO215EPD |
| 20 | QO120EPD | QO120VHCAFI | QO220EPD |
| 25 | QO125EPD | QO125VHCAFI | QO225EPD |
| 30 | QO130EPD | QO130VHCAFI | QO230EPD |
| 40 | | | QO240EPD |
| 50 | | | QO250EPD |
| 60 | | | QO260EPD■ |

QO-SWN Switch Neutral Common Trip 2002 NEC® 514.11

| Ampere Rating ▲ | 2 Wire 120 Vac | | 3 Wire 120/240 Vac |
|--------------------|-------------------|-------------------|--------------------|
| | 10,000 AIR | 22,000 AIR | 10,000 AIR |
| | 2 Spaces Required | 3 Spaces Required | 1 Space Required |
| Catalogue No. | | | |
| 10 | QO210SWN | QO310SWN | QO310SWN |
| 15 | QO215SWN | QO315SWN | QO315SWN |
| 20 | QO220SWN | QO320SWN | QO320SWN |
| 25 | QO225SWN | QO325SWN | QO325SWN |
| 30 | QO230SWN | QO330SWN | QO330SWN |
| 40 | QO240SWN | QO340SWN | QO340SWN |
| 50 | QO250SWN | QO350SWN | QO350SWN |

No overcurrent protection or short circuit protection.

▲ 10–30 ampere breakers are suitable for use with 60°C or 75°C conductors. 35–60 ampere circuit breakers are suitable for use with 75°C conductors.

■ Suitable only for feeding 240 Vac and 208 Vac 2 wire loads. Does not contain load neutral connection.

◆ CSA Listed as SWD (switching duty) rated. Suitable for switching 120 Vac fluorescent lighting loads.

★ CSA Listed as HACR type for use with air conditioning, heating and refrigeration equipment having motor group combinations and marked for use with HACR type circuit breakers.

▼ Do not connect to more than 250 feet of load conductor for the total one-way run to prevent nuisance tripping.

QO-HID QO-HID Circuit Breakers

HID circuit breakers are for use on circuits feeding fluorescent and high intensity discharge (HID) lighting systems such as mercury vapor, metal halide, or high pressure sodium.

| Ampere Rating ▲ | 1-pole 120/240 Vac | 2-pole Common Trip 120/240 Vac | 3-pole Common Trip 240 Vac |
|--------------------|-----------------------|-----------------------------------|-------------------------------|
| | 10,000 AIR | 10,000 AIR | 10,000 AIR |
| 1 Space Required | | | |
| Catalogue No. | | | |
| 15 | QO115HID◆ | QO215HID | QO315HID |
| 20 | QO120HID◆ | QO220HID | QO320HID |
| 25 | QO125HID | QO225HID | QO325HID |
| 30 | QO130HID | QO230HID | QO330HID |
| 40 | QO140HID | QO240HID | |
| 50 | QO150HID | QO250HID | |

QO-K Key operated QO circuit breakers can be turned ON or OFF or to RESET with a special key (Catalogue No. QOK10) included with the circuit breaker.

| 120 Vac—10,000 AIR (1 Space Required) | | |
|---------------------------------------|---------------|--|
| Ampere Rating ▲ | Catalogue No. | |
| 10 | QO110K | |
| 15 | QO115K | |
| 20 | QO120K | |
| 25 | QO125K | |
| 30 | QO130K | |

Non-automatic Molded Case Switches

Miniature non-automatic switches have the same physical packaging as miniature circuit breakers, but open only when the handle is switched to the OFF position.

240 Vac 10,000 AIR 1 Space Required

| Ampere Rating | 2-pole | 3-pole |
|---------------|---------------|--------|
| | Catalogue No. | |
| 60 | QO200 | QO300 |
| 100 | QO2000 | QO3000 |

QO Combination Arc-Fault Interrupter (CAFI)

QO Combination Arc-Fault Interrupter (CAFI) provides overload and short circuit protection, plus both series and parallel type arc protection as required in 2015 NEC. Integrated with Time Saver diagnostics, QO CAFI breaker improves circuit troubleshooting at the touch of a button.

| Ampere Rating | 1 Pole 120 Vac | | 2 Pole 120/240 Vac | | Circuit Breaker Type |
|---------------|-------------------|---------------|-----------------------|---------------|-------------------------|
| | 10,000 AIR | 22,000 AIR | 10,000 AIR | 22,000 AIR | |
| | 1 Space Required | | 2 Spaces Required | | |
| | Catalogue No. | Catalogue No. | Catalogue No. | Catalogue No. | |
| 15 | QO115CAFI | QO115VHCAFI | QO215CAFI | QO215VHCAFI | QO Pigtail Neutral CAFI |
| 20 | QO120CAFI | QO120VHCAFI | QO220CAFI | QO220VHCAFI | QO Pigtail Neutral CAFI |
| 15 | QO115PCAFI | QO115VHPCAFI | --- | --- | QO Plug-on Neutral CAFI |
| 20 | QO120PCAFI | QO120VHPCAFI | --- | --- | QO Plug-on Neutral CAFI |

QO Dual Function Circuit Breaker

QO Dual Function (DF) breaker provides both combination arc-fault and ground-fault (5mA classA) protection in a single compact device. Integrated with Plug-on Neutral and Time Saver Diagnostics features, QO DF breaker offers maximum circuit protection and installation flexibility.

| Ampere Rating | 1 Pole 120 Vac | | Circuit Breaker Type |
|---------------|-------------------|------------|---------------------------------------|
| | 10,000 AIR | 22,000 AIR | |
| | 1 Space Required | | |
| Catalogue No. | | | |
| 15 | QO115DF | QO115VHDF | QO Dual Function with Pigtail Neutral |
| 20 | QO120DF | QO120VHDF | QO Dual Function with Pigtail Neutral |
| 15 | QO115PDF | QO115VHPDF | QO Plug-on Neutral Dual Function |
| 20 | QO120PDF | QO120VHPDF | QO Plug-on Neutral Dual Function |

QOB Bolt-On Circuit Breakers

With VISI-TRIP® Indicator for NQ Panelboards

| Ampere Rating▲ | One-pole | Two-pole—Common Trip |
|---|--------------------|------------------------|
| | Catalogue No. | Catalogue No. |
| QOB-GFI—QOB QWIK-GARD® Circuit Breaker With Ground Fault Circuit Interrupter—Class A 4-6 mA People Protection. ■ | | |
| | 120 Vac—10,000 AIR | 120/240 Vac—10,000 AIR |
| 15 | QOB115GFI | QOB215GFI |
| 20 | QOB120GFI | QOB220GFI |
| 25 | QOB125GFI | QOB225GFI |
| 30 | QOB130GFI | QOB230GFI |
| 40 | | QOB240GFI |
| 50 | | QOB250GFI |
| 60 | | QOB260GFI ◆ |

| QOB-VHGF1 | | |
|------------------|--------------------|-------|
| | 120 Vac—22,000 AIR | |
| 15 | QOB115VHGF1 | |
| 20 | QOB120VHGF1 | |
| 25 | QOB125VHGF1 | |
| 30 | QOB130VHGF1 | |

| QOB-EPD—QOB Equipment protection circuit breakers with 30 mA equipment protection. | | |
|---|--------------------|-----------|
| | 120 Vac—10,000 AIR | |
| 15 | QOB115EPD | QOB215EPD |
| 20 | QOB120EPD | QOB220EPD |
| 25 | QOB125EPD | QOB225EPD |
| 30 | QOB130EPD | QOB230EPD |
| 40 | | QOB240EPD |
| 50 | | QOB250EPD |
| 60 | | QOB260EPD |

| QOB-HM—High magnetic trip circuit breakers are recommended for applications where high initial inrush may occur and for individual dimmer applications. | | |
|--|-----------|-------|
| 15 | QOB115HM□ | |
| 20 | QOB120HM□ | |

| QOB-AFI—QOB Arc Fault Circuit Interrupters | | |
|---|-------------|------------|
| | 120 Vac | 22,000 AIR |
| 15 | QOB115AFI | |
| 20 | QOB120AFI | |
| 15 | QOB115VHAFI | |
| 20 | QOB120VHAFI | |

| QOB-CAFI—QOB Combination Arc Fault Circuit Interrupters | | |
|--|----------------|--------------------|
| | 1 Pole 120 Vac | 2 Pole 120/240 Vac |
| 15 | QOB115CAFI | QOB215CAFI |
| 20 | QOB120CAFI | QOB220CAFI |
| 15 | QOB115VHCAFI | QOB215VHCAFI |
| 20 | QOB120VHCAFI | QOB220VHCAFI |

| QOB-DF—QOB Dual Function Circuit Breakers | | |
|--|--------------------------------|--------------------------------|
| | 1 Pole 120 Vac Pigtail Neutral | 1 Pole 120 Vac Plug-On Neutral |
| | 10,000 AIR | |
| 15 | QOB115DF | QOB115PDF |
| 20 | QOB120DF | QOB120PDF |
| | 22,000 AIR | |
| 15 | QOB115VHDF | QOB115VHPDF |
| 20 | QOB120VHDF | QOB120VHPDF |

| QOB-K—Key operated QOB circuit breakers can be turned ON or OFF or to RESET with a special key (Catalogue No. QOK10) included with the circuit breaker. | | |
|--|--------------------|-------|
| | 120 Vac—10,000 AIR | |
| 10 | QOB110K | |
| 15 | QOB115K | |
| 20 | QOB120K | |
| 25 | QOB125K | |
| 30 | QOB130K | |

| QO/QOB Circuit Breaker Wire Sizes | | | |
|--|---------------|-----------------|--------------|
| Breaker Type | Ampere Rating | Wire Size (AWG) | |
| | | Al | Cu |
| QOB 1-pole | 10-30 | #14-8 | #14-8 |
| | 10-30 | .. | (2) #14-10 |
| | 35-70 | #8-2 | #8-2 |
| QOB 2-pole | 10-30 | #14-8 | #14-8 |
| | 10-30 | .. | (2) #14-10 |
| | 35-70 | #8-2 | #8-2 |
| | 80-125 | #4-2/0 | #4-2/0 |
| | 150-200 | #4-300 kcmil | #4-300 kcmil |
| QOB 3-pole | 10-30 | #14-8 | #14-8 |
| | 35-70 | #8-2 | #8-2 |
| QOB-VH | 110-150 | #4-300 kcmil | #4-300 kcmil |
| | 15-20 | #12-8 | #14-8 |
| QOB-GFI & QOB-EPD | 15-30 | #12-8 | #14-8 |
| | 40, 50, 60 | #12-4 | #14-6 |

| Ampere Rating | One-pole | Two-pole—Common Trip | Two-pole—Common Trip* | Three-pole—Common Trip |
|--|--|--|-----------------------|--|
| | Catalogue No. | Catalogue No. | Catalogue No. | Catalogue No. |
| QOB Bolt-On | | | | |
| | 120 Vac—10,000 AIR 48 Vdc—5,000 AIR | 120/240 Vac—10,000 AIR 48 Vdc—5,000 AIR ▼ | 240 Vac—10,000 AIR | 240 Vac—10,000 AIR 48 Vdc—5,000 AIR ▼ |
| 10 | QOB110 | QOB210 | | QOB310 |
| 15 | QOB115△□ | QOB215△ | QOB215H | QOB315△ |
| 20 | QOB120△□ | QOB220△ | QOB220H | QOB320△ |
| 25 | QOB125△ | QOB225△ | QOB225H | QOB325△ |
| 30 | QOB130△ | QOB230△ | QOB230H | QOB330△ |
| 35 | QOB135△ | QOB235△ | | QOB335△ |
| 40 | QOB140△ | QOB240△ | QOB240H | QOB340△ |
| 45 | QOB145△ | QOB245△ | | QOB345△ |
| 50 | QOB150△ | QOB250△ | QOB250H | QOB350△ |
| 60 | QOB160△ | QOB260△ | QOB260H | QOB360△ |
| 70 | QOB170△ | QOB270△ | QOB270H | QOB370△ ▼ |
| 80 | | QOB280△ ▼ | QOB280H | QOB380△ ▼ |
| 90 | | QOB290△ ▼ | QOB290H | QOB390△ ▼ |
| 100 | | QOB2100△ ▼ | QOB2100H | QOB3100△ ▼ |
| 110 | | QOB2110△ ▼ | | |
| 125 | | QOB2125△ ▼ | | |
| Molded Case Switch 60 A max - 240 Vac | | QOB200 | | QOB300 |
| Molded Case Switch 100 A max - 240 Vac | | QOB2000 | | QOB3000 |

| QOB-VH | | | | |
|---------------|--------------------|------------------------|-------|--------------------|
| | 120 Vac—22,000 AIR | 120/240 Vac—22,000 AIR | | 240 Vac—22,000 AIR |
| 15 | QOB115VH△□ | QOB215VH△ | | QOB315VH△ |
| 20 | QOB120VH△□ | QOB220VH△ | | QOB320VH△ |
| 25 | QOB125VH△ | QOB225VH△ | | QOB325VH△ |
| 30 | QOB130VH△ | QOB230VH△ | | QOB330VH△ |
| 40 | | QOB240VH△ | | QOB340VH△ |
| 50 | | QOB250VH△ | | QOB350VH△ |
| 60 | | QOB260VH△ | | QOB360VH△ |
| 70 | | QOB270VH△ | | QOB370VH△ |
| 80 | | QOB280VH△ | | QOB380VH△ |
| 90 | | QOB290VH△ | | QOB390VH△ |
| 100 | | QOB2100VH△ ◆ | | QOB3100VH△ |
| 110 | | QOB2110VH△ ◆ | | QOB3110VH△ ★ |
| 125 | | QOB2125VH△ ◆ | | QOB3125VH△ ★ |
| 150 | | QOB2150VH△ ★ | | QOB3150VH△ ★ |

| QHB | | | | |
|------------|--------------------|----------------------------|-------|--------------------|
| | 120 Vac—65,000 AIR | 120 Vac/240 Vac—65,000 AIR | | 240 Vac—65,000 AIR |
| 15 | QHB115△ □ | QHB215△ | | QHB315△ |
| 20 | QHB120△ □ | QHB220△ | | QHB320△ |
| 25 | QHB125△ | QHB225△ | | QHB325△ |
| 30 | QHB130△ | QHB230△ | | QHB330△ |

| QOB-HID—HID circuit breakers are for use on circuit feeding fluorescent and High Intensity Discharge (HID) lighting systems such as mercury vapor, metal halide, or high pressure sodium. | | | | |
|--|--------------------|------------------------|-------|--------------------|
| | 120 Vac—10,000 AIR | 120/240 Vac—10,000 AIR | | 240 Vac—10,000 AIR |
| 15 | QOB115HID □ | QOB215HID | | QOB315HID |
| 20 | QOB120HID □ | QOB220HID | | QOB320HID |
| 25 | QOB125HID | QOB225HID | | QOB325HID |
| 30 | QOB130HID | QOB230HID | | QOB330HID |
| 40 | QOB140HID | QOB240HID | | |
| 50 | QOB150HID | QOB250HID | | |

| QOB-SWN—Switch Neutral—Common Trip—NEC 514-5 | | | | |
|---|-------|--------------------------------|-------|------------------------------------|
| | | 1-pole—2-Wire 2 Spaces—120 Vac | | 2-pole—3-Wire 3 Spaces—120/240 Vac |
| 10 | | QOB210SWN | | QOB310SWN |
| 15 | | QOB215SWN | | QOB315SWN |
| 20 | | QOB220SWN | | QOB320SWN |
| 25 | | QOB225SWN | | QOB325SWN |
| 30 | | QOB230SWN | | QOB330SWN |
| 40 | | QOB240SWN | | QOB340SWN |
| 50 | | QOB250SWN | | QOB350SWN |

| QO/QOB Ring Terminal (20% Price Adder) Factory Installed Only | | | |
|--|------------|--------|--|
| Ampere Rating | Pole | Suffix | |
| 10-30 | 1P, 2P, 3P | 5237 | |
| 35-60 | 1P, 2P | 5238 | |
| | 3P | 5238 | |
| 70-110 | 2P | 5273 | |
| | 3P | 5273 | |

- ▲ 10-30 ampere circuit breakers are suitable for use with 60°C or 75°C conductors. 35-60 ampere circuit breakers are suitable for use with 75°C conductors.
- Do not connect to more than 250 feet of load conductor for the total one-way run to prevent nuisance tripping.
- ◆ Suitable only for feeding 240 Vac and 208 Vac two-wire loads. Does not contain load neutral connection.
- ★ CSA Listed 5,000 AIR on 3Ø corner grounded delta systems.
- ▼ DC Rating is not available on indicated products.
- △ CSA Listed as HACR type for use with air conditioning, heating and refrigeration equipment having motor group combinations and marked for use with HACR type circuit breakers.
- CSA Listed as SWD (switching duty) rated suitable for switching 120 Vac fluorescent lighting loads.
- ◇ 100 A max circuit breaker mounted opposite.
- ◆ QOB2150VH uses 4 pole spaces. QOB3110VH, QOB3125VH and QOB3150VH each use 6 pole spaces. 20 A max circuit breaker mounted opposite. Wire size is #4-300 kcmil Al/Cu. Use with 75°C wire only.

See page DE5-5 for accessories.

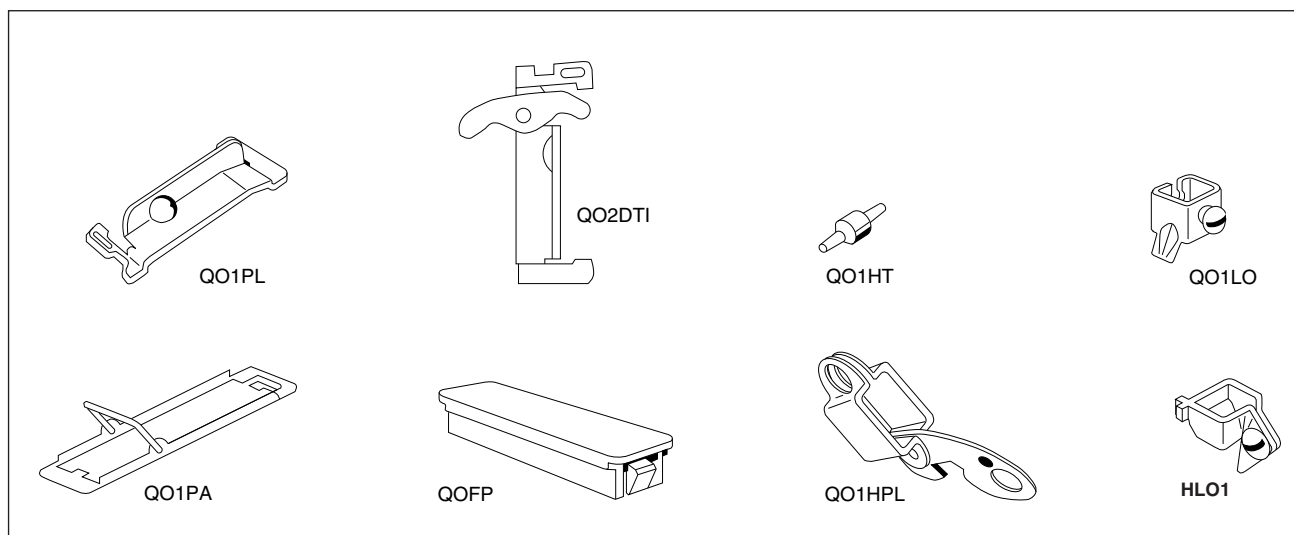
QO/QOB Breaker Accessories - Field Installed

| Handle Attachments | Description | Catalogue Number |
|---------------------------------|---|------------------|
| Handle Tie | Converts any two adjacent 120/20Vac single pole QOB breakers to independent trip two-pole. | QO1HT |
| | three-pole | QO3HT |
| Handle Lock-off | Clip for fixing QOB single pole handle in ON or OFF position. | QO1LO |
| | Clip for fixing QOB 1, 2 or 3-pole breaker handles in ON or OFF position. | HLO1 |
| Handle Padlock Attachment | For padlocking single pole QOB breaker in ON or OFF position. | |
| | Loose attachment..... | QOHP |
| | Fixed attachment..... | QO1PA |
| | For 2 and 3-pole QOB breakers which require padlocking in either ON or OFF position. | |
| | Loose Attachment | QO1HPL |
| | Fixed Attachment | QO1PL |
| | For padlocking 2-pole QOB-GFI in either ON or OFF position. | GFI2PA |
| Mechanical Interlock Attachment | For interlocking the handles of two 2-pole or one 2-pole and one 1-pole QOB breakers mounted side-by-side so that only one breaker can be ON at a time. | QO2DTI |

QO/QOB Breaker Accessories - Factory Installed▲

| Device | Description | Available On Breaker... | Suffix |
|---------------------|--|-------------------------|--------|
| Shunt Trip | • Breaker trips when power is applied. | QOB, PL | 1021 |
| | • Includes a coil clearing contact. | | |
| | • 240 Vac max., 90 Vac min.. | | |
| Auxiliary Contact A | • 24 Vac / Vdc max., 9 Vac / Vdc min.. | QOB, PL | 1042 |
| | • Closed when breaker is ON. | QOB, GFI, EPD, PL | 1200 |
| Auxiliary Contact B | • 120 Vac, 5 A max. | | |
| | • Closed when breaker is OFF or TRIPPED. | QOB, GFI, EPD, PL | 1201 |
| Alarm Switch | • 120 Vac, 5 A max.. | | |
| | • Closed when breaker is TRIPPED. | QOB, GFI, EPD, PL | 2100 |
| | • 120 Vac, 5 A max. | | |

▲ One per breaker, requires one additional pole space. Terminals for (2) # 14 - 12 Cu.



NQ Panelboards – Ready to Install (RTI)

20" Wide Enclosures—240 Vac, 48 Vdc

NQ Ready to Install Main Lug Interiors

Main Circuit Breaker Interior, Order MLO Interior + MCB Mounting Kit + MCB

| Mains Rating | Max no. of Single Pole QO/QOB Circuit Breakers | Interior Only (order branch circuit breakers separately) | Type 1 Enclosure | | | Type 3R, 5, 12 Enclosure* | |
|--|--|---|--------------------|-----------------|---------------|---------------------------|--------------|
| | | | Box 20"W x 5.75"D■ | Front◆ | | Box 20"W x 6.5"D | |
| | | | Catalogue No.▲ | Catalogue No. | Catalogue No. | Catalogue No. | Height (in.) |
| NQ RTI 20" wide Single Phase 3-Wire | | | | | | | |
| 100 | 18 | NQ18L1 | MH26 | NC26(S) or (F) | | MH26WP | 26 |
| | 18 | NQ18L1C | MH26 | NC26(S) or (F) | | MH26WP | 26 |
| | 30 | NQ30L1 | MH32 | NC32(S) or (F) | | MH32WP | 32 |
| | 30 | NQ30LIC | MH32 | NC32(S) or (F) | | MH32WP | 32 |
| 225 | 30 | NQ30L2 | MH32 | NC32(S) or (F) | | MH32WP | 32 |
| | 30 | NQ30L2C | MH32 | NC32(S) or (F) | | MH32WP | 32 |
| | 42 | NQ42L2 | MH38 | NC38(S) or (F) | | MH38WP | 38 |
| | 42 | NQ42L2C | MH38 | NC38(S) or (F) | | MH38WP | 38 |
| | 72 | NQ72L2 | MH44 | NC44(S) or (F) | | MH44WP | 44 |
| | 72 | NQ72L2C | MH44 | NC44(S) or (F) | | MH44WP | 44 |
| | 84 | NQ84L2 | MH50 | NC50(S) or (F) | | MH50WP | 50 |
| | 84 | NQ84L2C | MH50 | NC50(S) or (F) | | MH50WP | 50 |
| 400 | 30 | NQ30L4 | MH50 | NC50V(S) or (F) | | MH50WP | 50 |
| | 30 | NQ30L4C | MH50 | NC50V(S) or (F) | | MH50WP | 50 |
| | 42 | NQ42L4 | MH50 | NC50V(S) or (F) | | MH50WP | 50 |
| | 42 | NQ42L4C | MH50 | NC50V(S) or (F) | | MH50WP | 50 |
| | 84 | NQ84L4C | MH68 | NC68V(S) or (F) | | MH68WP | 68 |
| 600◆ | 30 | NQ30L6C | MH50 | NC50V(S) or (F) | | MH62WP** | 62 |
| | 42 | NQ42L6C | MH50 | NC50V(S) or (F) | | MH62WP** | 62 |
| | 84 | NQ84L6C | MH68 | NC68V(S) or (F) | | MH80WP** | 80 |
| NQ RTI 20" wide Three Phase 4-Wire | | | | | | | |
| 100 | 18 | NQ418L1 | MH26 | NC26(S) or (F) | | MH26WP | 26 |
| | 18 | NQ418L1C | MH26 | NC26(S) or (F) | | MH26WP | 26 |
| | 30 | NQ430L1 | MH32 | NC32(S) or (F) | | MH32WP | 32 |
| | 30 | NQ430LIC | MH32 | NC32(S) or (F) | | MH32WP | 32 |
| 225 | 30 | NQ430L2 | MH32 | NC32(S) or (F) | | MH32WP | 32 |
| | 30 | NQ430L2C | MH32 | NC32(S) or (F) | | MH32WP | 32 |
| | 42 | NQ442L2 | MH38 | NC38(S) or (F) | | MH38WP | 38 |
| | 42 | NQ442L2C | MH38 | NC38(S) or (F) | | MH38WP | 38 |
| | 54 | NQ454L2 | MH38 | NC38(S) or (F) | | MH38WP | 38 |
| | 54 | NQ454L2C | MH38 | NC38(S) or (F) | | MH38WP | 38 |
| | 72 | NQ472L2 | MH44 | NC44(S) or (F) | | MH44WP | 44 |
| | 72 | NQ472L2C | MH44 | NC44(S) or (F) | | MH44WP | 44 |
| | 84 | NQ484L2 | MH50 | NC50(S) or (F) | | MH50WP | 50 |
| | 84 | NQ484L2C | MH50 | NC50(S) or (F) | | MH50WP | 50 |
| 400 | 30 | NQ430L4 | MH50 | NC50V(S) or (F) | | MH50WP | 50 |
| | 30 | NQ430L4C | MH50 | NC50V(S) or (F) | | MH50WP | 50 |
| | 42 | NQ442L4 | MH50 | NC50V(S) or (F) | | MH50WP | 50 |
| | 42 | NQ442L4C | MH50 | NC50V(S) or (F) | | MH50WP | 50 |
| | 72 | NQ472L4 | MH62 | NC62V(S) or (F) | | MH62WP | 62 |
| | 72 | NQ472L4C | MH62 | NC62V(S) or (F) | | MH62WP | 62 |
| 600◆ | 30 | NQ430L6C | MH50 | NC50V(S) or (F) | | MH62WP** | 62 |
| | 42 | NQ442L6C | MH50 | NC50V(S) or (F) | | MH62WP** | 62 |
| | 84 | NQ484L6C | MH68 | NC68V(S) or (F) | | MH80WP** | 80 |

- ▲ "C" suffix indicates copper bussing.
 - Embossed mounting holes add a .25 inch standoff to back of MH box.
 - ◆ Copper bus standard on 600 A interiors.
 - ★ Enclosure includes trim kit.
 - * Equipment ground bars must be ordered separately.
 - * Box height may change with subfeed lugs, feed-thru lugs and subfeed breakers.
- Order SurgeLoc SPD for surge suppression on all NQ interiors. Refer to DE5-8.

- * NCxxV(S) or (F) is a vented trim used on 400 & 600 amp NQ.
- * NCxx(S) or (F) is a non vented trim used on 100A & 225A NQ.
- ** Requires the 12 in. rail extension and deadfront NQ12RDE.

DE5 PANELBOARDS



NQ 225A 42CCT MLO



NQ SurgeLoc SPD

NQ Panelboards – Ready to Install (RTI)

20" Wide Enclosures — 240 Vac, 48 Vdc

NQ Ready to Install Main Circuit Breaker Box Selection Table

Main Circuit Breaker Interior, Order MLO Interior + MCB Mounting Kit + MCB

Refer to last section on the same page for NQ Service Entrance RTI panels.

(Refer to Section DE3 for Main Breakers)

| Mains Rating | Max no. of Single Pole QO/QOB Circuit Breakers | Interior Only (order branch circuit breakers separately) Catalogue No. | Main Vertical Circuit Breaker Information | | Type 1 Enclosure | | Type 3R, 5, 12 Enclosure |
|--|--|---|---|-------------------------|-------------------|-----------------|--------------------------|
| | | | Kit | Breaker Frames | Box 20"W x 5.75"D | Front | Box 20"W x 6.5"D |
| | | | | | Catalogue No. | Catalogue No. | Catalogue No. |
| NQ RTI 20" wide Single Phase 3-Wire | | | | | | | |
| 100 | 18 | NQ18L1 | NQMB2HJ | HD/HG/HJ/HL 100A max | MH38 | NC38(S) or (F) | MH38WP |
| | 18 | NQ18L1C | | | MH38 | NC38(S) or (F) | MH38WP |
| | 30 | NQ30L1 | | | MH44 | NC44(S) or (F) | MH44WP |
| | 30 | NQ30LIC | | | MH44 | NC44(S) or (F) | MH44WP |
| 225 | 30 | NQ30L2 | NQMB2HJ and desired HD/HG/HJ/HL or JD/JG/JJ/JL breakers - or - NQMB2Q and desired QB/QD/QJ/QL breakers. | MH44 | NC44(S) or (F) | MH44WP | |
| | 30 | NQ30L2C | | MH44 | NC44(S) or (F) | MH44WP | |
| | 42 | NQ42L2 | | MH50 | NC50(S) or (F) | MH50WP | |
| | 42 | NQ42L2C | | MH50 | NC50(S) or (F) | MH50WP | |
| | 72 | NQ72L2 | | MH56 | NC56(S) or (F) | MH56WP | |
| | 72 | NQ72L2C | | MH56 | NC56(S) or (F) | MH56WP | |
| | 84 | NQ84L2 | | MH62 | NC62(S) or (F) | MH62WP | |
| | 84 | NQ84L2C | | MH62 | NC62(S) or (F) | MH62WP | |
| 400 | 30 | NQ30L4 | NQMB4LA | LA/LH | MH62 | NC62V(S) or (F) | MH62WP |
| | 30 | NQ30L4C | | | MH62 | NC62V(S) or (F) | MH62WP |
| | 42 | NQ42L4 | | | MH62 | NC62V(S) or (F) | MH62WP |
| | 42 | NQ42L4C | | | MH62 | NC62V(S) or (F) | MH62WP |
| | 84 | NQ84L4C | | | MH80 | NC80V(S) or (F) | MH80WP |
| 600 | 600 A MCB available factory assembled | | | | | | |

| | | | | | | | |
|---|---------------------------------------|----------|---|-------------------------|----------------|-----------------|--------|
| NQ RTI 20" wide Three Phase 4-Wire | | | | | | | |
| 100 | 18 | NQ418L1 | NQMB2HJ | HD/HG/HJ/HL 100A max | MH38 | NC38(S) or (F) | MH38WP |
| | 18 | NQ418L1C | | | MH38 | NC38(S) or (F) | MH38WP |
| | 30 | NQ430L1 | | | MH44 | NC44(S) or (F) | MH44WP |
| | 30 | NQ430LIC | | | MH44 | NC44(S) or (F) | MH44WP |
| 225 | 30 | NQ430L2 | NQMB2HJ and desired HD/HG/HJ/HL or JD/JG/JJ/JL breakers - or - NQMB2Q and desired QB/QD/QJ/QL breakers. | MH44 | NC44(S) or (F) | MH44WP | |
| | 30 | NQ430L2C | | MH44 | NC44(S) or (F) | MH44WP | |
| | 42 | NQ442L2 | | MH50 | NC50(S) or (F) | MH50WP | |
| | 42 | NQ442L2C | | MH50 | NC50(S) or (F) | MH50WP | |
| | 54 | NQ454L2 | | MH50 | NC50(S) or (F) | MH50WP | |
| | 54 | NQ454L2C | | MH50 | NC50(S) or (F) | MH50WP | |
| | 72 | NQ472L2 | | MH56 | NC56(S) or (F) | MH56WP | |
| | 72 | NQ472L2C | | MH56 | NC56(S) or (F) | MH56WP | |
| | 84 | NQ484L2 | | MH62 | NC62(S) or (F) | MH56WP | |
| | 84 | NQ484L2C | | MH62 | NC62(S) or (F) | MH56WP | |
| 400 | 30 | NQ430L4 | NQMB4LA | LA/LH | MH62 | NC62V(S) or (F) | MH62WP |
| | 30 | NQ430L4C | | | MH62 | NC62V(S) or (F) | MH62WP |
| | 42 | NQ442L4 | | | MH62 | NC62V(S) or (F) | MH62WP |
| | 42 | NQ442L4C | | | MH62 | NC62V(S) or (F) | MH62WP |
| | 72 | NQ472L4 | | | MH74 | NC74V(S) or (F) | MH74WP |
| | 72 | NQ472L4C | | | MH74 | NC74V(S) or (F) | MH74WP |
| | 84 | NQ484L4C | | | MH80 | NC80V(S) or (F) | MH80WP |
| 600 | 600 A MCB available factory assembled | | | | | | |

| NQ RTI Service Entrance Main Breaker and Main Lug Panelboards | | | | | | |
|--|--------------------|--|--------------------------------|------------------|------------------------|-----------------------------|
| Mains Rating | 1 phase or 3 phase | max # of single pole QO/QOB circuit breakers | Factory installed Main Breaker | Catalogue Number | Type 1 Enclosure Width | Surface or Flush-Mount Trim |
| 100A | 3 phase | 42 | QBL32100 | NQSE342100S | 14" | S |
| | | | | NQSE342100F | 14" | F |
| 200A | 3 phase | 42 | QBL32200 | NQSE342200S | 14" | S |
| | | | | NQSE342200F | 14" | F |
| 225A | 3 phase | 42 | n/a | NQML342225S* | 14" | S |
| 400A | 1 phase | 42 | LAL26400 | NQSE142400F | 20" | F |
| | 3 phase | 42 | LAL36400 | NQSE342400S | 20" | S |
| | 1 phase | 84 | LAL26400 | NQSE184400F | 20" | F |
| | 3 phase | 72 | LAL36400 | NQSE372400S | 20" | S |

Note: no field-installable kits available for above listed RTI SE MB or ML Panelboards

* 225A Main lug device - Not Service Entrance rated.

NQ Panelboards – Ready to Install (RTI)

20" Wide Enclosures — 240 Vac, 48 Vdc

NQ

RTI Optional Main Lug Kits for NQ Main Lug Panelboards

| Amps | Aluminum | | | | Copper | | | |
|------------------|---------------------|---------------------------------------|----------------------|---------------------------------------|-------------------|--|--------------------|---------------------------------------|
| | Aluminum Mechanical | | Aluminum Compression | | Copper Mechanical | | Copper Compression | |
| | Cat. # | Lug Wire Range for wire bending space | Cat. # | Lug Wire Range for wire bending space | Cat. # | Lug Wire Range for wire bending space | Cat. # | Lug Wire Range for wire bending space |
| 100 | NQALM1 | (1) #6 - 350 MCM | NQALV1 | (1) #4-300 kcmil | NQCUM1 | (1) #6 - 350 kcmil | NQCUV1 | (1) #6 - 350 kcmil |
| 225 | NQALM2 | (1) #6 - 350 MCM | NQALV2 | (1) 250-350 kcmil | NQCUM2 | (1) #6 - 350 kcmil | NQCUV2 | (1) #6 - 350 kcmil |
| 400 | NQALM4 | (1) 1/0-750 MCM or (2) 1/0-350 MCM | NQALV4 | (2) 2/0-500 kcmil | NQCUM4 | (1) 1/0-750 kcmil or (2) 1/0-350 kcmil | NQCUV4 | (1) 400-750 kcmil |
| 600 | NQALM6 | (2) 1/0-750 MCM | NQALV6 | (2) 2/0-500kcmil | NQCUM6 | (2) 1/0-750 kcmil | NQCUV6 | (2) 250-500 kcmil |
| 600 ^a | NQALM6A | (3) 1/0-250 MCM | | --- | --- | --- | --- | --- |

a. Optional lug for 600A. Can also be used for 400A.

NQ RTI Accessories Main Breaker Kits and 200% Neutrals

Main Breaker Kits

| Mains Ampacity | Main Breaker Kit (less circuit breaker) | | |
|----------------|---|----------------------------|------------|
| | Catalogue No. | Fits Breaker Frames | Add Box Ht |
| 100 | NQMB2HJ | H 100 A max | 12" |
| 225 | NQMB2HJ | H 150 A max and J 225A max | |
| | NQMB2Q | Q 225 A max | |
| | NQMB2KI | KI 225 A max | |
| 400 | NQMB4LA | LAL/LHL (LC F/A only) | |
| 600 | | Factory Assembled Only | |

200% Neutrals

| Mains Ampacity | 200% Neutral Kit | Add Box Ht | Copper 100% Neutral Kit | |
|----------------|-----------------------|---------------|-------------------------|------------|
| | Catalogue No. | | Catalogue No. | Add Box Ht |
| 100 | NQNL1 | no adder | 100A NQN1CU | no adder |
| 225 | NQNL2 or NQNL2ACCY ** | | 225A NQN2CU | |
| | | | 400A NQN6CU | |
| 400 | NQNL4 * | 600A NQN6CU * | | |

* Not to be used with SFL, FTL or SFB. These combinations - Factory Assembled Only.
** For 225A panel with SFL, FTL or SFB, use NQNL2ACCY.

Sub Feed Lugs, Feed-Through Lugs and Sub Feed Breakers

| Mains Ampacity | Sub Feed Lugs (N/A in MCB Interiors) | Feed-thru Lugs | Sub Feed Circuit breaker kits (breaker not included) | |
|----------------|--------------------------------------|---------------------------------------|--|---------------|
| | | | Single SFB | Two SFBs |
| | Catalogue No. | Catalogue No. | Catalogue No. | Catalogue No. |
| 100 | NQSFL1 | 100A Not Available, Use 225A Interior | --- | --- |
| 225 | NQSFL2 | NQFTL2L (a) | NQSFB2Q or NQSFB2HJ | --- |
| | | NQFTL2H (b) | | --- |
| 400 | NQSFL4 | NQFTL4L (a) | NQSFB4Q or NQSFB4HJ | --- |
| | | NQFTL4H (b) | | --- |
| 600 | | Factory Assembled Only | | |

(a) final character L indicates the kit is used for low circuit count interiors 30-42 cct
(b) final character H indicates the kit is used for high circuit count interiors 54, 72 and 84 cct

NQ SurgeLoc Surge Protection

| Voltage | Surge Current per Phase | Modes of Protection | Configuration | Model Number |
|------------|-------------------------|---------------------|-------------------------------|----------------|
| 120/240V | 80kA | 6 | 1 phase, 3 wire + ground | SSP01BIA08PBQ1 |
| 208Y/120V | 80kA | 10 | 3 phase, Wye, 4-wire + ground | SSP02BIA08PBQ1 |
| 120/240V | 100kA | 6 | 1 phase, 3 wire + ground | SSP01BIA10PBQ1 |
| 208Y/120V | 100kA | 10 | 3 phase, Wye, 4-wire + ground | SSP02BIA10PBQ1 |
| 120/240V | 120kA | 6 | 1 phase, 3 wire + ground | SSP01BIA12PBQ1 |
| 208Y/120V | 120kA | 10 | 3 phase, Wye, 4-wire + ground | SSP02BIA12PBQ1 |
| 120/240V | 160kA | 6 | 1 phase, 3 wire + ground | SSP01BIA16PBQ1 |
| 208Y/120V | 160kA | 10 | 3 phase, Wye, 4-wire + ground | SSP02BIA16PBQ1 |
| 120/240V | 200kA | 6 | 1 phase, 3 wire + ground | SSP01BIA20PBQ1 |
| 208Y/120V | 200kA | 10 | 3 phase, Wye, 4-wire + ground | SSP02BIA20PBQ1 |
| 120/240V | 240kA | 6 | 1 phase, 3 wire + ground | SSP01BIA24PBQ1 |
| 208Y/120V | 240kA | 10 | 3 phase, Wye, 4-wire + ground | SSP02BIA24PBQ1 |
| 240-120HLD | 80kA | 10 | 3 phase, HLD, 4-wire + ground | SSP03BIA08PBQ1 |
| 240-120HLD | 100kA | 10 | 3 phase, HLD, 4-wire + ground | SSP03BIA10PBQ1 |
| 240-120HLD | 120kA | 10 | 3 phase, HLD, 4-wire + ground | SSP03BIA12PBQ1 |
| 240-120HLD | 160kA | 10 | 3 phase, HLD, 4-wire + ground | SSP03BIA16PBQ1 |
| 240-120HLD | 200kA | 10 | 3 phase, HLD, 4-wire + ground | SSP03BIA20PBQ1 |
| 240-120HLD | 240kA | 10 | 3 phase, HLD, 4-wire + ground | SSP03BIA24PBQ1 |

Note: The 208Y/120V SurgeLoc SPD series also applies to the voltage 220Y/127V

Note: When selecting a panelboard with a SurgeLoc SPD, an additional 12 circuit positions (6 adjacent mounting spaces per side) or 4.5 inches of space on each side are required. For example, if desired number of circuits is 30, a 42 circuit panelboard is required.

Note: SurgeLoc SPDs are only available in Type 1 SPD format.



NQ SurgeLoc SPD

NQ

Box Sizing Requirements

Basic NQ MLO Panelboard Enclosure Sizes and Height Adders for Accessories

| Mains Rating | Available Branch Circuits | Required Enclosure Height (in.) | Interior Only | | Type 1 Enclosure | | 3R/5/12 | Space Factor (height adder for feature) | | | | |
|--------------|---------------------------|---------------------------------|---------------|-------------|------------------|----------|--------------------|---|---------------|----------------------------|---------------|---------------|
| | | | Single Phase | Three Phase | Box | Trim | Complete Enclosure | Vertical MCB | AI SFL | FTL | SFB | 200% Neutral |
| 100 | 18 | 26 | NQ18L1 | NQ18L1 | MH26 | NC26() | MH26WP | 12" | 0" | 0" | Not Available | 0" |
| | 30 | 32 | NQ30L1 | NQ30L1 | MH32 | NC32() | MH32WP | | | | | |
| 225 | 30 | 32 | NQ30L2 | NQ30L2 | MH32 | NC32() | MH32WP | 12" | 6" (Cu=0") | 6" | 18" | 0" |
| | 42 | 38 | NQ42L2 | NQ42L2 | MH38 | NC38() | MH38WP | | | | | |
| | 54 | 38 | NQ54L2 | NQ54L2 | MH38 | NC38() | MH38WP | | | | | |
| | 72 | 44 | NQ72L2 | NQ72L2 | MH44 | NC44() | MH44WP | | | | | |
| 400 | 30 | 50 | NQ30L4 | NQ30L4 | MH50 | NC50V() | MH50WP | 12" | 0 | 0" | 24" | 0" |
| | 42 | 50 | NQ42L4 | NQ42L4 | MH50 | NC50V() | MH50WP | | | | | |
| | 54 | 56 | NQ54L4 | NQ54L4 | MH56 | NC56V() | MH56WP | | | | | |
| | 72 | 62 | N/A | NQ472L4 | MH62 | NC62V() | MH62WP | | | | | |
| 600 | 30 | 50 | NQ30L6C | NQ30L6C | MH50 | NC50V() | MH62WP | 18" (LC/LI) | Not Available | 6" on each end - total 12" | 24" | Not Available |
| | 42 | 50 | NQ42L6C | NQ42L6C | MH50 | NC50V() | MH62WP | | | | | |
| | 54 | 56 | NQ54L6C | NQ54L6C | MH56 | NC56V() | MH68WP | | | | | |
| | 72 | 62 | N/A | NQ472L6C | MH62 | NC62V() | MH74WP | | | | | |
| | 84 | 68 | NQ84L6C | NQ84L6C | MH68 | NC68V() | MH80WP | | | | | |

Example:

NQ 225A 30 circuit MCB Panelboard with FTL in Type 1 surface enclosure:

Basic interior: 32"

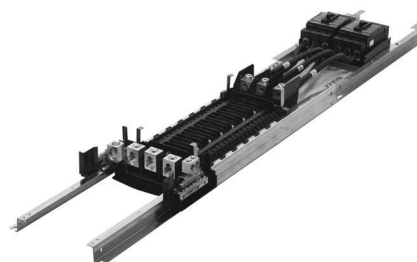
MCB adder: 12"

FTL adder: 6"

Required height: **50"** Box MH50, trim NC50S

NQ RTI Accessories

| Description | Application | Catalogue No. |
|--|---------------------|-----------------------------|
| Equipment Ground Bars | Aluminum | PK27GTA |
| | Copper | PK27GTACU |
| | Insulator Kit | PKG TAB |
| PK23GTA + #1 to #4/0 Al/Cu lug | Ground Bar with Lug | PK23GTAL |
| Filler Plate (15 per package) | Plastic Filler | NQFP15 |
| Directory Cards | NQ Panelboard | 80031 158 01 |
| Plastic stick-on directory pouch | NQ Panelboard | 80031 159 01 |
| Circuit Numbering Strips | Odd-Even 1-102 | NQ102OE |
| | Sequential 1-102 | NQ102S |
| | Odd-Even 103-204 | NQ204OE |
| | Sequential 103-204 | NQ204S |
| Key - NSR-251 | NEMA 1Locks | LP9618 |
| Key - DSR-251 | NEMA 3R Locks | DSR-251 |
| Rail and Deadfront extensions | 6" Extension | NQ6RDE |
| | 12" Extension | NQ12RDE |
| | 18" Extension | NQ18RDE |
| | 24" Extension | NQ24RDE |
| Handle Padlock Attachment | Branches | See Circuit Breaker Section |
| Mounting Nut (4 per pkg.) | Interiors | 23220 00003 |
| Elevating Kit | Flush only | NQLN |
| Trim mounting screws / hardware | | |
| 250A Max. Interiors (10 per pkg.) | | NFTMS1 |
| 400A/600A Interiors (8 per pkg.) | | LP9502 |
| Branch mount bolt-on sub-feed | 2-pole | QOB2125SL |
| | 3-pole | QOB3125SL |
| Drip Hood for std encl. | 20" Wide | MHT2DH20 |



**NQ 400A 42CCT MLO
w/2 subfeed CB's**

NQ Panelboards – Ready to Install (RTI)

NQ 14" Wide — 240 Vac, 48 Vdc

Main lug Interiors — Accepts Plug-On and Bolt-On Branch Breakers

| Max. of breakers | Main Ratings | Interior Only (Order Branch Circuit Breakers Separately) Catalogue No. | Type 1 Enclosure | |
|---|--------------|---|--------------------|---|
| | | | Box 14"W x 5.75" D | Mono Flat Front \triangle \blacklozenge |
| | | | Catalogue No. | Catalogue No. |
| 14" Wide Cabinet — Single Phase 3-Wire | | | | |
| 18 | 100 A | NQ18L1C14 | NQB532 | NQC32() |
| 30 | | NQ30L1C14 | NQB532 | NQC32() |
| 30 | 225 A | NQ30L2C14 | NQB532 | NQC32() |
| 42 | | NQ42L2C14 | NQB538 | NQC38() |
| 14" Wide Cabinet — Three Phase 4-Wire | | | | |
| 18 | 100 A | NQ418L1C14 | NQB532 | NQC32() |
| 30 | | NQ430L1C14 | NQB532 | NQC32() |
| 30 | 225 A | NQ430L2C14 | NQB532 | NQC32() |
| 42 | | NQ442L2C14 | NQB538 | NQC38() |

Main Circuit Breaker Interiors — Accepts Plug-On and Bolt-On Branch Breakers

| Max. of breakers | Main Ratings | Interior Only (Order Branch Circuit Breakers Separately) Catalogue No. | Main Circuit Breaker Adapter Kit (Less Circuit Breaker) \blacktriangle Catalogue No. | Type 1 Enclosure | | |
|---|--------------|---|---|---|---------------|---|
| | | | | Box 14"W x 5.75" D | | Mono Flat Front \triangle \blacklozenge |
| | | | | Catalogue No. | Catalogue No. | Catalogue No. |
| 14" Wide Cabinet — Single Phase 3-Wire | | | | | | |
| 16 * | 100 back-fed | NQ18L1C14 | - | Select QOB 2-pole or QOB-VH | NQB532 | NQC32() |
| 28 * | | NQ30L1C14 | - | | NQB532 | NQC32() |
| 30 | 225 | NQ30L2C14 | NQMB2HJ14 or NQMB2Q14 | HD, HG, HJ, HL, OR JD, JG, JJ, JL, QB, QD, QG, QJ | NQB544 | NQC44() |
| 42 | | NQ42L2C14 | | | NQB550 | NQC50() |
| 14" Wide Cabinet — Three Phase 4-Wire | | | | | | |
| 15 * | 100 back-fed | NQ418L1C14 | - | Select QOB 3-pole or QOB-VH | NQB532 | NQC32() |
| 27 * | | NQ430L1C14 | - | | NQB532 | NQC32() |
| 30 | 225 | NQ430L2C14 | NQMB2HJ14 or NQMB2Q14 | HD, HG, HJ, HL, OR JD, JG, JJ, JL, QB, QD, QG, QJ | NQB544 | NQC44() |
| 42 | | NQ442L2C14 | | | NQB550 | NQC50() |

* Pole spaces shown are available for branch circuits, with spaces deducted for the back-fed main breaker.

\triangle Add "F" for flush, "S" for surface.

\blacktriangle Select the appropriate main circuit breaker and add the circuit breaker price to the total price of the panelboard.

\blacklozenge Embossed mounting holes add a 0.25" standoff to back of MH box.



**EDB, EGB, EJB
1-pole
15–70 Amperes**



**EDB, EGB, EJB
2-pole
15–110 Amperes**



**EDB, EGB, EJB
3-pole
15–100 Amperes**

E-frame—110 A, Thermal-magnetic (600Y/347 Vac)

| Cont. Current Rating @ 40°C | AC Magnetic Trip Settings | | “D” Interrupting Level 14 kA @ 600Y/347 Vac | “G” Interrupting Level 18 kA @ 600Y/347 Vac | “J” Interrupting Level 25 kA @ 600Y/347 Vac | Standard Lug Wire Range | |
|-------------------------------|---------------------------|------|--|--|--|---------------------------------------|-----------------------------------|
| | Hold | Trip | Catalogue Number | Catalogue Number | Catalogue Number | | |
| 1-pole, 347 Vac | | | | | | | |
| 15 | 270 | 875 | EDB16015▲■ | EGB16015▲■ | EJB16015▲■ | #12–#6 AWG Al or #14–#6 AWG Cu | |
| 20 | 270 | 875 | EDB16020▲■ | EGB16020▲■ | EJB16020▲■ | | |
| 25 | 270 | 875 | EDB16025■ | EGB16025■ | EJB16025■ | | |
| 30 | 270 | 875 | EDB16030■ | EGB16030■ | EJB16030■ | | |
| 35 | 630 | 1800 | EDB16035 | EGB16035 | EJB16035 | #12–#2/0 AWG Al or #14–#2/0 AWG Cu | |
| 40 | 630 | 1800 | EDB16040 | EGB16040 | EJB16040 | | |
| 45 | 630 | 1800 | EDB16045 | EGB16045 | EJB16045 | | |
| 50 | 630 | 1800 | EDB16050 | EGB16050 | EJB16050 | | |
| 60 | 630 | 1800 | EDB16060 | EGB16060 | EJB16060 | | |
| 70 | 630 | 1800 | EDB16070 | EGB16070 | EJB16070 | | |
| 2-pole, 600Y/347 Vac ♦ | | | | | | | |
| 15 | 270 | 875 | EDB26015■ | EGB26015■ | EJB26015■ | | #12–#6 AWG Al or #14–#6 AWG Cu |
| 20 | 270 | 875 | EDB26020■ | EGB26020■ | EJB26020■ | | |
| 25 | 270 | 875 | EDB26025■ | EGB26025■ | EJB26025■ | | |
| 30 | 270 | 875 | EDB26030■ | EGB26030■ | EJB26030■ | | |
| 35 | 630 | 1800 | EDB26035 | EGB26035 | EJB26035 | #12–#2/0 AWG Al or #14–#2/0 AWG Cu | |
| 40 | 630 | 1800 | EDB26040 | EGB26040 | EJB26040 | | |
| 45 | 630 | 1800 | EDB26045 | EGB26045 | EJB26045 | | |
| 50 | 630 | 1800 | EDB26050 | EGB26050 | EJB26050 | | |
| 60 | 630 | 1800 | EDB26060 | EGB26060 | EJB26060 | | |
| 70 | 630 | 1800 | EDB26070 | EGB26070 | EJB26070 | | |
| 80 | 1000 | 2300 | EDB26080 | EGB26080 | EJB26080 | | |
| 90 | 1000 | 2300 | EDB26090 | EGB26090 | EJB26090 | | |
| 100 | 1000 | 2300 | EDB26100 | EGB26100 | EJB26100 | | |
| 110 | 1000 | 2300 | EDB26110 | EGB26110 | EJB26110 | | |
| 3-pole, 600Y/347 Vac | | | | | | | |
| 15 | 270 | 875 | EDB36015■ | EGB36015■ | EJB36015■ | | #12–#6 AWG Al or #14–#6 AWG Cu |
| 20 | 270 | 875 | EDB36020■ | EGB36020■ | EJB36020■ | | |
| 25 | 270 | 875 | EDB36025■ | EGB36025■ | EJB36025■ | | |
| 30 | 270 | 875 | EDB36030■ | EGB36030■ | EJB36030■ | | |
| 35 | 630 | 1800 | EDB36035 | EGB36035 | EJB36035 | #12–#2/0 AWG Al or #14–#2/0 AWG Cu | |
| 40 | 630 | 1800 | EDB36040 | EGB36040 | EJB36040 | | |
| 45 | 630 | 1800 | EDB36045 | EGB36045 | EJB36045 | | |
| 50 | 630 | 1800 | EDB36050 | EGB36050 | EJB36050 | | |
| 60 | 630 | 1800 | EDB36060 | EGB36060 | EJB36060 | | |
| 70 | 630 | 1800 | EDB36070 | EGB36070 | EJB36070 | | |
| 80 | 1000 | 2300 | EDB36080 | EGB36080 | EJB36080 | | |
| 90 | 1000 | 2300 | EDB36090 | EGB36090 | EJB36090 | | |
| 100 | 1000 | 2300 | EDB36100 | EGB36100 | EJB36100 | | |

All EDB, EGB, and EJB circuit breakers are cUL Listed as HACR Type.
 ▲ cUL Listed as SWD (Switching duty rated).
 ■ cUL Listed as HID (High Intensity Discharge rated).
 ♦ cUL Listed for use on 240 V Corner-grounded Delta Systems (Grounded B Phase).

Interrupting Ratings (kA)

| | EDB | EGB | EJB |
|------------|-------------|-------------|--------------|
| 120 V | 25 | 65 | 100 |
| 240 V | 18 (1P), 25 | 35 (1P), 65 | 65 (1P), 100 |
| 480Y/277 V | 18 | 35 | 65 |
| 600Y/347 V | 14 | 18 | 25 |

Branch Circuit Breaker Interrupting Capacity

| Circuit Breaker Frame Type | No. of Poles | Continuous Ampere Rating | UL Listed Interrupting Rating-RMS Symmetrical Amperes | | | | | | |
|----------------------------|--------------|--------------------------|---|---------|-------|------|----------|----------|------|
| | | | AC Volts, 50/60 Hz | | | | | | |
| | | | 120 | 120/240 | 240 | 277 | 480Y/347 | 600Y/347 | 347 |
| EDB | 1 | 15-70 A | 25 k | 25 k | 18 k | 18 k | - | - | 14 k |
| | 2, 3 | 15-125 A▲ | 25 k | 25 k | 25 k | - | 18 k | 14 k | - |
| EGB | 1 | 15-70 A | 65 k | 65 k | 35 k | 35 k | - | - | 18 k |
| | 2, 3 | 15-125 A▲ | 65 k | 65 k | 65 k | - | 35 k | 18 k | - |
| EJB | 1 | 15-70 A | 100 k | 100 k | 65 k | 65 k | - | - | 25 k |
| | 2, 3 | 15-125 A▲ | 100 k | 100 k | 100 k | - | 65 k | 25 k | - |

▲ 110 A maximum at 600Y/347 Vac

Factory installed Electrical Accessories

| Auxiliary Switch (1A/1B) | Alarm Switch (NO) | Coil Burden Max. (VA) | Minimum Recommended Supply Transformer (VA) |
|--|--|---|---|
| | | 288 | 50 |
| Monitors circuit breaker contact status and provides a remote signal indicating the circuit breaker contacts are OPEN or CLOSED. | Used with control circuits and is activated only when the circuit breaker has tripped. | Shunt Trip Trips the circuit breaker from a remote location by means of a coil energized from a separate circuit. A 120 V shunt trip will operate at 55% or more of rated voltage. | |
| APPLICATION Max Load = 10 A @ 120 Vac 50/60 Hz Terminals for #14 AWG Cu wire. | APPLICATION Max Load = 7 A @ 120 Vac 50/60 Hz Terminals for #14 AWG Cu wire. | APPLICATION For use with momentary or maintained push button. 120 Vac 50/60 Hz Terminals for #14 AWG Cu wire. | |

Note: Handle padlock attachment part number HPAFD available for order separately.

NF Panelboards – Ready to Install (RTI)

20" Wide Enclosures—600Y/347 Vac Max.

NF Main Lug Interiors

Use I-LINE® Panelboards on 600 V 3Ø3W systems

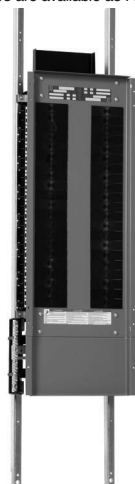
Single Phase 3-Wire – Available Factory Assembled Only

Three Phase 4-Wire

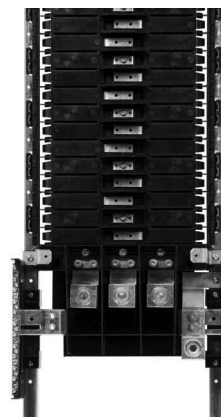
| Mains Rating (Amps) (4) | Max No. of Circuits | Interior only (order branch circuit breakers separately) | Enclosure | | | Height (in) |
|-------------------------------|------------------------|---|------------------------|---|------------------------------------|----------------|
| | | | Type 1 | | Type 3R, 12 | |
| | | | Box 20" W x 5.75" D | Mono Flat Front (F) flush (S) surface (3) | Enclosure & Trim 20" W x 6.5" D | |
| | | | Catalogue No. | Catalogue No. | Catalogue No. | |
| 125 | 18 | NF418L1 | MH26 | NC26() | MH26WP | 26 |
| | 18 | NF418L1C | MH26 | NC26() | MH26WP | 26 |
| | 30 | NF430L1 | MH32 | NC32() | MH32WP | 32 |
| | 30 | NF430LIC | MH32 | NC32() | MH32WP | 32 |
| 250 | 30 | NF430L2 | MH38 | NC38() | MH38WP | 38 |
| | 30 | NF430L2C | MH38 | NC38() | MH38WP | 38 |
| | 42 | NF442L2 | MH44 | NC44() | MH44WP | 44 |
| | 42 | NF442L2C | MH44 | NC44() | MH44WP | 44 |
| | 54 | NF454L2 | MH50 | NC50() | MH50WP | 56 |
| | 54 | NF454L2C | MH50 | NC50() | MH50WP | 56 |
| | 66 | NF466L2 | MH62 | NC62() | MH62WP | 62 |
| | 66 | NF466L2C | MH62 | NC62() | MH62WP | 62 |
| 400 | 30 | NF430L4 | MH50 | NC50V() | MH50WP | 50 |
| | 30 | NF430L4C | MH50 | NC50V() | MH50WP | 50 |
| | 42 | NF442L4 | MH56 | NC56V() | MH56WP | 56 |
| | 42 | NF442L4C | MH56 | NC56V() | MH56WP | 56 |
| | 66 | NF466L4 | MH74 | NC74V() | MH74WP | 74 |
| | 66 | NF466L4C | MH74 | NC74V() | MH74WP | 74 |
| | 84 | NF484L4 | MH86 | NC86V() | MH86WP | 86 |
| | 84 | NF484L4C | MH86 | NC86V() | MH86WP | 86 |
| 600 | 30 | NF430L6C | MH50 | NC50V() | Factory Assembled Only | 50 |
| | 42 | NF442L6C | MH56 | NC56V() | | 56 |
| | 66 | NF466L6C | MH74 | NC74V() | | 74 |
| | 84 | NF484L6C | MH86 | NC86V() | | 86 |
| 800 | Factory Assembled Only | | | | | |

1. "C" suffix indicates Copper bussing.
2. Type 1 enclosure catalogue numbers consist of MH plus the box height (example: MH44). Type 3R enclosure catalogue numbers add WP to the Type 1 catalogue number (example: MH44WP).
3. Trim catalogue numbers consist of "NC" plus the box height plus "S" for surface trim or "F" for flush trim (example: NC44S). Trims for 400A and 600A panels are vented and require a "V" after the height in the catalogue number (example: NC62VS). Add "HR" suffix to part number for hinged trims.
4. The maximum total amperage of two branch breakers mounted across from each other is 170A.
5. Embossed mounting holes add a 0.25 inch standoff to back of MH box.
6. Enclosures types 4 and 4X stainless steel are available factory assembled only.
7. Equipment ground bars must be ordered separately.
8. Additional panelboards with various maximum circuit numbers are available as Factory-assembled. Please contact your Schneider Electric Sales professional for details.

400A, 42 circuits
Main lug interior with
deadfront



400A interior
Main lugs
close-up



NF Main Circuit Breaker Interiors

Use I-LINE® Panelboards on 600 V 3Ø3W systems

Single Phase 3-Wire – Available Factory Assembled Only

Three Phase 4-Wire

| Mains Rating (Amps) (5) | Max. No. of circuits | Interior 3 Phase 4 Wire | Main Breaker Adapter Kit 3 Phase 4 Wire | Enclosure | | | Height (in) | |
|-------------------------------|-------------------------|--------------------------------|--|--------------------------|--|-----------------------------------|----------------|--|
| | | | | Type 1 | | Type 3R, 12 | | |
| | | | | Box 20" W x 5.75"D | Mono Flat Front (F) flush (S) surface (4) | Enclosure & Trim 20" W x 6.5"D | | |
| 100 (125A) | 18 | NF418L1 | N100MFI and 3 pole FIL circuit breakers - or - N150MH and desired 3 pole (125A max) HDL, HGL, HJL or HLL breaker | MH38 | NC38() | MH38WP | 38 | |
| | 18 | NF418L1C | | MH38 | NC38() | MH38WP | 38 | |
| | 30 | NF430L1 | | MH44 | NC44() | MH44WP | 44 | |
| | 30 | NF430L1C | | MH44 | NC44() | MH44WP | 44 | |
| 110 (7) | 18 | NF418L1 | Back-fed Main Breaker (7) No kit needed. Select a 3-pole EDB, EGB or EJB breaker. Uses three poles of mounting space. | MH26 | NC26() | MH26WP | 26 | |
| | 18 | NF418L1C | | MH26 | NC26() | MH26WP | 26 | |
| | 30 | NF430L1 | | MH32 | NC32() | MH32WP | 32 | |
| | 30 | NF430L1C | | MH32 | NC32() | MH32WP | 32 | |
| 250 (9) | 30 | NF430L2 | N250MKC and desired 3 pole KIL circuit breaker - or - N250MJ and desired 3 pole JDL, JGL, JLL or JLL breaker. | MH50 | NC50() | MH50WP | 50 | |
| | 30 | NF430L2C | | MH50 | NC50() | MH50WP | 50 | |
| | 42 | NF442L2 | | MH56 | NC56() | MH56WP | 56 | |
| | 42 | NF442L2C | | MH56 | NC56() | MH56WP | 56 | |
| | 54 | NF454L2 | | MH62 | NC62() | MH62WP | 56 | |
| | 54 | NF454L2c | | MH62 | NC62() | MH62WP | 56 | |
| | 66 | NF466L2 | | MH74 | NC74() | MH74WP | 74 | |
| | 66 | NF466L2C | | MH74 | NC74() | MH74WP | 74 | |
| 400 | 30 | NF430L4 | N400M and desired 3 pole LAL/LHL breakers (LC/LI available F/A only) | MH62 | NC62V() | MH62WP | 62 | |
| | 30 | NF430L4C | | MH62 | NC62V() | MH62WP | 62 | |
| | 42 | NF442L4 | | MH68 | NC68V() | MH68WP | 68 | |
| | 42 | NF442L4C | | MH68 | NC68V() | MH68WP | 68 | |
| | 66 | NF466L4 | | MH86 | NC86V() | MH86WP | 86 | |
| | 66 | NF466L4C | | MH86 | NC86V() | MH86WP | 86 | |
| | 84 | | | | | | | |
| | 84 | | | | | | | |

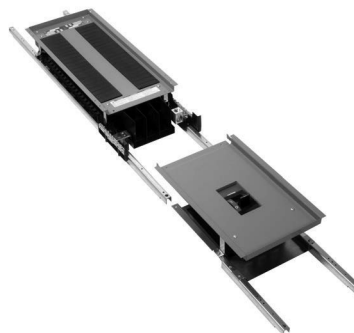
Factory Assembled Only

1. "C" suffix indicates Copper bussing.
2. Select the appropriate main circuit breaker from the breakers section.
3. Type 1 enclosure catalogue numbers consist of MH plus the box height (example: MH44).
Type 3R enclosure catalogue numbers add WP to the Type 1 catalogue number (example: MH44WP).
4. Trim catalogue numbers consist of "NC" plus the box height plus "S" for surface trim or "F" for flush trim (example: NC44S).
Trims for 400A and 600A panels are vented and require a "V" after the height in the catalogue number (example: NC62VS).
Add "HR" suffix to part number for hinged trims.
5. The maximum total amperage of two branch breakers mounted across from each other is 170A.
6. Embossed mounting holes add a 0.25 inch standoff to back of MH box.
7. In back-fed main breaker application the use of NFBFMB20 barrier is recommended. Please refer to local Electrical Codes or Authorities for specific local requirements.
Maximum 60A branch breaker to be mounted across from a 110A back-fed main breaker.
In back-fed main breaker applications, 2 poles (1P3W) or 3 poles (3P4W) branch mounting space are used up by the back-fed main.
8. Equipment ground bars must be ordered separately.
9. Additional panelboards with various maximum circuit numbers are available as Factory-assembled. Contact your local Schneider Electric Sales professional for details.

400A Interior
with vertically
mounted Main
Breaker



400A Main Lug
interior,
with Field-installable
Main Breaker Kit



NF Panelboards – Ready To Install (RTI)

Accessories

NF Interiors with TVSS

| Mains Rating | Max. No. of circuits | TVSS Ratings | | Interior* | Components for adding Vertical Main Circuit Breaker (MCB) | |
|--------------|----------------------|----------------|-------------------|---------------|---|--|
| | | Voltage/System | Surge Rating (kA) | | MCB Kit | MCB Frames |
| 250A | 42 | 480Y/277 3P4W | 120 | NF442L2TVS412 | N250MJ or N250MKC | JD/G/J/L or KIL |
| | | 600Y/347 3P4W | 160 | NF442L2TVS416 | | |
| 400A | 42 | 480Y/277 3P4W | 120 | NF442L4TVS412 | N400M | LAL/LHL (LC and LI available F/A only.) |
| | | 600Y/347 3P4W | 160 | NF442L4TVS416 | | |
| | | | 120 | NF442L4TVS812 | | |

* For copper interiors please add "c" suffix to the part number.
Dry contacts standard.

NF with TVSS Box Selection Table

| Mains Rating | Max. No. of circuits | Main Lug Panelboard Box Requirements | | | Main Circuit Breaker Panelboard Box Requirements | | |
|--------------|----------------------|--------------------------------------|----------|--------------------------|--|----------|--------------------------|
| | | Type 1 Enclosure | | Type 3R, 5, 12 Enclosure | Type 1 Enclosure | | Type 3R, 5, 12 Enclosure |
| | | Box | Front* | Enclosure | Box | Front* | Enclosure |
| 250A | 42 | MH62 | NC62() | MH62WP | MH74 | NC74() | MH74WP |
| 400A | 42 | MH74 | NC74V() | MH74WP | MH86 | NC86V() | MH86WP |

* Add "S" for surface or "F" for flush.

Main Breakers and Neutral Kits (breaker not included)

| MLO Interior Amps | Main Breaker Kit □ | | 200% Neutral Kit | Copper 100% Neutral Kit |
|-------------------|------------------------|------------------------------|------------------------|-------------------------|
| | Catalog No. | Main Breaker Type | Catalog No. | Catalog No. |
| 100 | N100MFI | FI | NFNL1 | NFN1CU |
| 125 | N150MH | HD/G/J/L 125A max | | |
| 250 | N250MJ | JD/G/J/L | NFNL2 | NFN2CU |
| 250 | N250MKC | KI | | |
| 400 | N400M | LAL/LHL (LC and LI F/A only) | NFNL4* | NFN6CU |
| 600 | Factory Assembled Only | | | NFN6CU*▲▼ |
| 800 | MLO Only | | Factory Assembled Only | |

□ Order appropriate circuit breakers separately.
* Not to be used in combinations with SFL, FTL or SFB. Order Factory assembled only.
▲ Not to be used in type 3R, 4, 4x, 12 enclosures.
▼ Add 6" to box height (except when used with LC/LI MB)

Feed-Thru Lugs

(Standard Aluminum Mechanical Lugs)

A second set of lugs installed at the opposite end from the panelboard mains. Available on main lugs and main circuit breaker panelboards.

| Mains Rating (A) | Feed-Thru Wire Range |
|------------------|---|
| 125 | (1) #6–2/0 Al/Cu |
| 250 | (1) #6–350 kcmil Al/Cu |
| 400 | (1) 1/0–750 kcmil or (2) 1/0–350 kcmil Al/Cu |
| 600 | (2) 1/0–600 kcmil Al/Cu |

Sub-Feed (Double) Lugs

(Standard Aluminum Mechanical Lugs)

An additional mains end termination point that can be used to feed out to another panelboard or device from the incoming service lines.

| Mains Rating (A) | Feed-Thru Wire Range |
|------------------|-------------------------|
| 125 | (2) #6–2/0 Al/Cu |
| 250 | (2) 1/0–350 kcmil Al/Cu |
| 400 | (2) 1/0–600 kcmil Cu |
| 600 | (4) 4/0–500 kcmil Al/Cu |
| 800 | (3) 3/0–500 kcmil Al/Cu |

Sub Feed Lugs, Feed-Thru Lugs and Sub Feed Breakers

| Amps | Sub Feed Lugs | Feed-Thru Lugs | Sub Feed Circuit Breaker Kits (breaker not incl.) ● | |
|------|------------------------|----------------|---|----------------------|
| | Aluminum | Aluminum | Single SFB | Two SFBs ■ |
| 125 | NF125SFL | NF125FTL | --- | --- |
| 250 | NF250SFL | NF250FTL | NF250SFBH, NF250SFBJ | --- |
| 400 | NF400SFL ◆ | NF400FTL | --- | NF600SFBH, NF600SFBJ |
| 600 | Factory Assembled Only | | --- | NF600SFBH, NF600SFBJ |
| 800 | Factory Assembled Only | | | |

● Subfeed breaker kits are using HD/G/J/L or JD/G/J/L breakers respectively. Please order appropriate circuit breakers separately.
◆ Use copper wire only.
■ Available only on 30 and 42 circuit interiors. 400A MLO/MB and 600A MLO.

Box Selection Table: NF Main Lug Panelboards with Accessories (Standard mechanical lugs only)

| Circuit # | Amps | Sub Feed Lugs | | | Feed Through Lugs | | | Sub Feed Circuit Breakers | | |
|-----------|------|---------------|-------|-------|-------------------|-------|-------|---------------------------|------|------|
| | | 125 A | 250 A | 400 A | 125 A | 250 A | 400 A | 125 A | 400A | 600A |
| 18 | | MH26 | --- | --- | MH32 | --- | --- | --- | --- | --- |
| 30 | | MH32 | MH38 | MH50 | MH38 | MH50 | MH56 | --- | MH56 | MH68 |
| 42 | | --- | MH44 | MH56 | --- | MH56 | MH62 | --- | MH62 | MH74 |
| 66 | | --- | MH62 | MH74 | --- | MH74 | MH80 | --- | MH80 | --- |
| 84 | | --- | --- | MH86 | --- | --- | --- | --- | --- | --- |

Box Selection Table: NF Vertically Mounted Main Breaker Panelboards with Accessories

| Circuit # | Amps | Feed Through Lugs | | | | Sub Feed Circuit Breakers | | | | Backfed Main Breaker |
|-----------|------|-------------------|-------|---------|------------------------|---------------------------|-------|--------|------------------------|----------------------|
| | | 125 A | 250 A | 400 A ● | 600A | 125 A | 250 A | 400A ● | 600A | 110A |
| 18 | | MH44 | --- | --- | --- | --- | --- | --- | --- | MH32 |
| 30 | | MH50 | MH62 | MH68 | --- | MH68 | MH80 | --- | --- | MH38 |
| 42 | | --- | MH68 | MH74 | Factory assembled only | --- | MH74 | MH86 | --- | --- |
| 66 | | --- | MH86 | --- | --- | --- | --- | --- | Factory assembled only | --- |
| 84 | | --- | --- | --- | --- | --- | --- | --- | --- | --- |

● 400A dimensions for LA/LH main breakers only. LC/LI mains are available Factory assembled only.

NOTE:

Please contact our Customer Information Centre at 1-800-565-6699 for any questions regarding our Ready to Install or Factory Assembled offer. Various additional NF panelboard sizes and combinations are available exclusively as Factory-Assembled.

NF Main Neutral Conductors – Required Size and Quantity

| Panelboard Ampacity | Neutral Conductors Required | Actual Lug Wire Range |
|---------------------|---|--|
| 125 | (1) #1 Cu, or (1) 2/0 Al | (1) #6–2/0 |
| 250 | (1) 250 kcmil Cu, or (1) 350 kcmil Al | (1) #6–350 kcmil |
| 400 | (1) 600 kcmil Cu, or (2) 3/0 Cu, or (2) 250 kcmil Al | (1) 1/0–750 kcmil (2) 1/0–300 kcmil |
| 600 | (2) 350 kcmil Cu, or (2) 500 kcmil Al | (1) 1/0–750 kcmil (2) 1/0–300 kcmil |

NF Standard Mechanical Lugs—Main Circuit Breaker

| Ampere Rating | Circuit Breaker Type | Lug Wire Range * |
|---------------|----------------------|--|
| 100 | FI | one #14–1/0 Cu or one #12–1/0 Al |
| 125 | ED,EG,EJ | one #14–2/0 Al/Cu |
| 150 | HD, HG, HJ, HL | one #14–3/0 Al/Cu |
| 250 | JD, JG, JJ, JL | one 3/0–350 kcmil Al/Cu |
| 250 | KI | one 1/0–350 kcmil Al/Cu |
| 400 | LA, LH | one #1–600 kcmil or two #1–250 kcmil Al/Cu |
| 600 | LC, LI, LE, LX, LXI | two 4/0–500 kcmil Al/Cu |

Optional Main Lug Kits for NF Main Lug Panelboards

| Amps | Aluminum | | | | Copper | | | |
|------|--|---|----------------------|-------------------|-------------------|---|--------------------|-------------------|
| | Aluminum Mechanical ● | | Aluminum Compression | | Copper Mechanical | | Copper Compression | |
| | Cat. # | Lug Wire Range | Cat. # | Lug Wire Range | Cat. # | Lug Wire Range | Cat. # | Lug Wire Range |
| 125 | NFALM1 | (1) #6–2/0 | NFALV1▼ | (1) #4–300 kcmil | NFCUM1 | (1) #6–350 kcmil | NFCUV1■ | (1) #6–1/0 |
| 250 | NFALM2 | (1) #6–350 kcmil | NFALV2 | (1) 250–350 kcmil | NFCUM2 | (1) #6–350 kcmil | NFCUV2■ | (1) 2/0–300 kcmil |
| 400 | NFALM4 | (1) 1/0–750 kcmil or (2) 1/0–350 kcmil | NFALV4 | (2) 2/0–500 kcmil | NFCUM4 | (1) 1/0–750 kcmil or (2) 1/0–350 kcmil | NFCUV4 | (1) 400–750 kcmil |
| 600 | NFALM6 | (2) 1/0–600 kcmil | NFALV6 | (2) 2/0–500 kcmil | NFCUM6 | (2) 1/0–750 kcmil | NFCUV6 | (2) 250–500 kcmil |
| 800 | Factory Assembled Only – Contact Local Sales Office. | | | | | | | |

▼ Use of this kit requires an additional 6" added to the box height. ■ Use of this kit to terminate larger than standard wire sites requires an additional 6" added to the box height.
● Standard mechanical lugs for Main Lugs panels.

* The lug range shown is for the highest ampere of the circuit breaker frame shown in the table.

NF RTI (ready to install) Accessories

| Description | Application | Catalogue No. |
|--|--------------------|---------------|
| Equipment Ground Bars | Aluminum | PK27GTA |
| | Copper | PK27GTACU |
| | Large Al Lug | PK23GTAL |
| | Insulator Kit | PKGTAB |
| Plastic stick-on directory pouch | | 80031 15 901 |
| Directory Cards | | 80031 15 801 |
| Filler Plate (15 per package) | | NFFP15 |
| Circuit Numbering Strips | Odd-Even 1-102 | NF102OE |
| | Sequential 1-102 | NF102S |
| | Odd-Even 103-204 | NF204OE |
| | Sequential 103-204 | NF204S |
| Rail & Deadfront extensions | 6" Extension | NF6RDE |
| | 12" Extension | NF12RDE |
| | 18" Extension | NF18RDE |
| Branch Breaker Accessories | | |
| Standard AL lugs 15–30A (3 per kit) | | AL30FD |
| Standard AL lugs 35–110A (3 per kit) | | AL100FD |
| Optional Cu lugs 15–110A (3 per kit) | | CU100FD |
| Handle lockoff/padlock attachment | | HPAFD |
| Terminal nut insert kit (3 per kit) | | TIKFD |
| AL compression lug kit #8-1/0 AWG (3 lugs per kit) | | VC100FD |
| Cu compression lug kit #6-1/0 AWG (3 lugs per kit) | | CVC100FD |

| Description | Application | Catalogue No. |
|--|-----------------|---------------|
| Lock - Enclosures | Type 1 | PK22FL |
| Key - NSR-251 | Type 1 encl. | LP 9618 |
| Key - DSR-251 | Type 3R encl. | DSR251 |
| Handle Padlock Attachment | Breakers | HPAFD |
| Mounting Nut (4 per pkg.) | Interiors | 23220 000 03 |
| Leveling Nut (4 per pkg.) | Flush only | NFLN |
| Trim Mounting Screws & Hardware | | |
| 250A Max. Interiors (10 per pkg.) | | NFTMS1 |
| 800A Max Interiors (8 per pkg.) | | LP9502 |
| Drip Hood for std encl. | 20" Wide | MHT2DH20 |
| Aluminum Entry Plate | | MHCOEW20A |
| Fibre Entry Plate | | MHCOEW20F |
| Barrier for Backfed Main Breaker | 20" Enclosure ● | NFBFMB20 |
| Nipple Kit for Flush Mount Trims | | DTNKF |
| Nipple Kit for Surface Mount Trims | | DTNKS |

Note:
● In back-fed main breaker application the use of NFBFMB20 barrier is recommended. Please refer to local Electrical Codes or Authorities for specific local requirements.

Oversized Lugs for Neutral or Ground Bar

| Lug Wire Range | Catalogue No. |
|------------------------|---------------|
| #10–#2 Al or #14–#4 Cu | QO70AN |
| #4–#1/0 Al/Cu | Q1100AN |
| #1–#4/0 Al/Cu | Q1150AN |



200% Neutral Kit



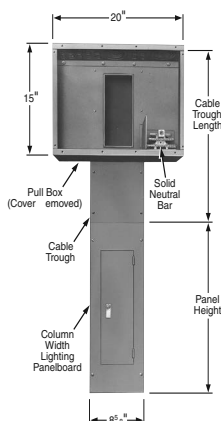
Ground bar PK27GTA



Stainless Steel Type 4x Enclosure

Single Row - (Column-Width) NQ/NF Panelboards – Ready To Install (RTI)

240 Vac and 600Y/347 Vac



NQ Single Row—240 Vac Bolt-On

NQ Application Data

Application: For use on ac only. Meet Federal Specification W-P-115c, Type 1, Class 1.

Service: 1Ø3W, 3Ø3W, 3Ø4W, 3 Grd. “B” Ø—240 Vac max.

Mains: Bolt-on main lugs: 100 A

225 A main circuit breaker: 100 A—QOU, 225 A—QB. See pages DE3-12 for main circuit breaker interrupting rating.

Branches: Bolt-on QOB, 60 A maximum. QOB 10-60 A 1-, 2- and 3-pole. See page DE5-4 for branch circuit breaker terminal data.

Cabinet: Front—Screw cover. Box—galvanized steel with removable endwalls.

Gutters: 100 A—4" Min. mains end, 3" Min. opposite mains; 225 A—10" Min. mains end, 5" Min. opposite mains.

NQ Single Row—240 Vac Bolt-On

60 A Maximum Branch—Copper Bus Standard

| Max. No. of Poles | Mains Rating | Box and Interior with S/N 8.625" W. x 5" D. | | Front (Surface Mount) |
|--------------------------------------|--------------|---|---------|-----------------------|
| | | Catalogue Number | Box Ht. | Catalogue Number |
| 1 Phase 3-Wire Main Lugs Only | | | | |
| 30 | 225 | NQ830L2C | 45 | LX45TS |
| Main Circuit Breaker—2-pole | | | | |
| 20 | 100 | NQ820B1C | 40 | LX40TS |
| 3 Phase 4-Wire Main Lugs Only | | | | |
| 30 | 100 | NQ8430L1C | 40 | LX40TS |
| 42 | 225 | NQ8442L2C | 58 | LX58TS |
| Main Circuit Breaker—3-pole | | | | |
| 30 | 100 | NQ8430B1C | 45 | LX45TS |
| 42 | 225 | NQ8442B2C | 62 | LX62TS |

NQ Single Row

Cable Troughs and Pull Boxes

| L (IN) | Cable Troughs (L=Length) [▲] | Pull Boxes with Solid Neutral | |
|--------|---------------------------------------|-------------------------------|------------------|
| | 8.625" x 5" Catalogue Number | S/N Terminals | Catalogue Number |
| 36 | MTX836 MTX848 MTX856 MTX866 | 42 | MPX81542 |
| 48 | | | |
| 56 | | | |
| 66 | | | |

[▲] Cable troughs are standard with a trough barrier.

NF Single Row—600Y/347 Vac 3Ø4W (60 A Max. Branch Circuit Breaker)

NF Application Data

Application: For use on ac only. Meet Federal Specification W-P-115c, Type 1, Class 1. cULus Listed.

Service: 600Y/347 Vac, 3Ø4W

Mains: Bolt-on main lugs: 125 A, 225 A

Main circuit breaker: 100 A - FA, 100A-HD, 225 A - JD. See pages DE3-12, 13 & 17 for main circuit breaker ratings. See catalogue section for terminal lug data.

Main circuit breakers with higher interrupting ratings are available as factory assembled panelboards in the following configurations:

| Mains Rating | Circuit Breaker | Max. No. of Poles |
|--------------|-------------------------------|-------------------|
| 100A | FH, HD, HG, HJ, HL (100A max) | 30 |
| | FI | 42 |
| 225A | HD, HG, HJ, HL (150A max) | 42 |
| | KI, JD, JG, JJ, JL (225A max) | |

Branches: EDB, EDG or EDJ, 60 A maximum. See pages DE5-11 for branch circuit breaker terminal data.

Cabinet: Front - Screw cover. Box - galvanized steel with removable endwalls.

Gutters: 100 A - 4" Min. mains end, 3" Min. opposite mains; 225 A - 10" Min. mains end, 5" Min. opposite mains.

Bussing: Copper bus standard.

NF Single Row—600Y/347 Vac 3Ø4W 60 A Max. Branch Circuit Breaker

| Max. No. of Poles | Mains Rating | Box and Interior with S/N 8.625" W. x 5.625" D. | | Front (Surface Mount) | |
|---|--|---|------------|-----------------------|------|
| | | Catalogue Number | Box Ht. | Catalogue Number | |
| Main Lugs Only—3 Phase 4-Wire | | | | | |
| 30 | 125 | NF8430L1C | 59 | NC59TS | |
| 42 | 225 | NF8442L2C | 71 | NC71TS | |
| Main Circuit Breaker—3-pole /3phase-4 wire | | | | | |
| Number of Circuits | Maximum Main Circuit Breaker Ampere Rating | 3 Phase, 4-Wire catalog No. | | H | |
| | | Interior | Trim Front | in. | mm |
| 30 | 100 A ■ | NF8430M1C | NC65TS | 65 | 1651 |
| 30 | 100 A ▲ | NF8430M1HDC | NC65TS | 65 | 1651 |
| 42 | 225 A ▼ | NF8442M2JDC | NC85TS | 85 | 2159 |

■ Uses 100A FA type main breaker.
▲ Uses 100A HD type main breaker.
▼ Uses 225A JD type main breaker.

NF Single Row

Cable Troughs and Pull Boxes

| L (IN) | Cable Troughs (L=Length) [▲] | Pull Boxes with Solid Neutral | |
|--------|---------------------------------------|-------------------------------|------------------|
| | 8.625" x 5.625" Catalogue Number■ | S/N Terminals | Catalogue Number |
| 36 | NTX836 NTX848 NTX856 NTX866 | 42 | MPX81542 |
| 48 | | | |
| 56 | | | |
| 66 | | | |

[▲] Cable troughs are standard with a trough barrier.

■ Box width=8.625, width at front, including flange, is 9.625

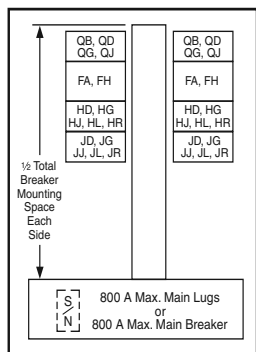
Factory assembled NQ/NF single row panels are available. Contact your nearest Schneider Electric sales office.

HCM Main Lugs Only (Can be equipped with branch mounted backfed Main Circuit Breaker) ▣

| Mains Ampere Rating | Total branch breaker mounting space (in) | Interior Assembly † | Trim ◆ ▲ | | Enclosure * ● | | Box Height (in) |
|---------------------|--|---------------------|-------------------|------------|---------------|-----------------------------|-----------------|
| | | | 4 Piece No Door ■ | With Door | Type 1 | Type 3R/12* (Includes trim) | |
| 225 | 27 | HCM14482N | HCM48T() | HCM48T()D | HC3248B | HC3248WP | 48 |
| 400 | | HCM14484 | | | | | |
| 600 | | HCM14486 | | | | | |
| 800 | | HCM14488 | | | | | |
| 225 | 45 | HCM23642N | HCM64T() | HCM64T()D | HC3264B | HC3264WP | 64 |
| 400 | | HCM23644 | | | | | |
| 600 | | HCM23646 | | | | | |
| 800 | | HCM23648 | | | | | |
| 225 | 63 | HCM32732N | HCM73T() | HCM73T()D | HC3273B | HC3273WP | 73 |
| 400 | | HCM32734 | | | | | |
| 600 | | HCM32736 | | | | | |
| 800 | | HCM32738 | | | | | |
| 225 | 99 | HCM50912N | HCM91T() | HCM91T()D | HC3291B | HC3291WP | 91 |
| 400 | | HCM50914 | | | | | |
| 600 | | HCM50916 | | | | | |
| 800 | | HCM50918 | | | | | |

TYPE HCM

250 A max. branch circuit breaker
FA, FH, QB, QD, QG, QJ, HD, HG,
HJ, HL, HR, JD, JG, JJ, JL, JR



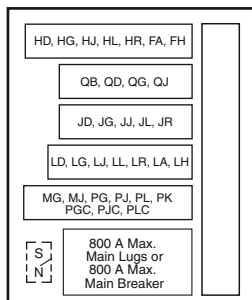
Box Size: 32" Wide, 8.25" & 9.5" Deep

HCM Main Circuit Breaker ▼▼ (Includes 3 pole, vertically mounted Main Circuit Breaker)

| Mains Ampere Rating | Total branch breaker mounting space (in) | Interior Assembly † | Trim ◆ ▲ | | Enclosure * ● | | Box Height (in) |
|---------------------|--|---------------------|-------------------|------------|---------------|-----------------------------|-----------------|
| | | | 4 Piece No Door ■ | With Door | Type 1 | Type 3R/12* (Includes trim) | |
| 400 | 27 | HCM14644M | HCM64T() | HCM64T()D | HC3264B | HC3264WP | 64 |
| 225 | 36 | HCM18642MN | HCM73T() | HCM73T()D | HC3273DB9 | Not available use HCP | 73 |
| 600 | | HCM18736MP | | | | | |
| 800 | | HCM18738MP | | | | | |
| 400 | 45 | HCM23734M | HCM91T() | HCM91T()D | HC3273B | HC3273WP | 91 |
| 225 | 54 | HCM27732MN | | | | | |
| 600 | 72 | HCM36916MP | HCM91T() | HCM91T()D | HC3291DB9 | Not available use HCP | 91 |
| 800 | | HCM36918MP | | | | | |
| 400 | 81 | HCM41914M | | | HC3291B | HC3291WP | |

TYPE HCP-SU

800 A max. backfed main circuit breaker
600 A max. branch circuit breaker
FA, FH, LA, LH, LD, LG, LJ, LL, LR, MG, MJ, PG, PJ, PL, PGC, PJC, PLC*
QB, QD, QG, QJ, HD, HG, HJ, HL, HR, JD, JG, JJ, JL, JR



Box Size: 26" Wide, 9.5" Deep

HCP-SU Universal Panelboard-Main Lugs or Backfed Main Circuit Breaker □ ▣

| Mains Ampere Rating | Total branch breaker mounting space (in) | Interior Assembly † | Trim ◆ ▲ | | Enclosure * ● | | Box Height (in) |
|---------------------|--|---------------------|-----------------|--------------|---------------|-----------------------------|-----------------|
| | | | 4 Piece No Door | With Door | Type 1 | Type 3R/12* (Includes trim) | |
| 800 | 54 | HCP54868SU | HC2686T()4P | HC2686T()HR | HC2686DB | HC2886WP | 86 |

- * Tubs - Unpainted, galvanized steel without knockouts.
- ◆ Trims - Grey baked enamel finish 4 piece trim and lockable door kit.
- ▲ Add "F" for Flush or "S" for Surface.
- Add-on door kit available. Example: For HCM48TS surface trim kit, order HCM48DS door kit.
- For Type 1 applications, order interior, trim, and enclosure. For Type 3R/5/12 applications, order interior and enclosure only. The trim is included with the box.
- ★ Remove drain screws for Type 3R rating.
- ▼ Bottom feed standard.
- For main lugs panel, order sub-feed lug kit and back-feed as main lugs.
- ☆ PG, PJ, PL circuit breakers are available with both thermal-magnetic equivalent and MICROLOGIC trip. The MICROLOGIC circuit breakers are available 80% and 100% rated. "C" suffix denotes a 100% rating.
- ▽ For circuit breaker interrupting ratings, see pages 5-24 through 5-30.
- † Interior complete with Solid Neutral when part number has "N" suffix. 100A and 225A interiors include solid neutral, all others without solid neutral. Order solid neutral from page 5-21.
- ▣ In Backfed Main Breaker applications, the use of backfed barriers from page 5-23 may be required and is strongly recommended. Refer to local Electrical Codes or Authorities for specific requirements.

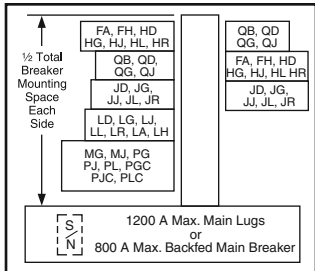
DE5 PANELBOARDS

Panelboards

I-Line® – 600 Vac, 250 Vdc - Ready to Install (RTI)

TYPE HCP (Main Lugs Only)

800 A max. branch circuit breaker
 FA □, FH, QB, QD, QG, QJ, LA, LH, LD, LG, LJ, LL, LR, PG, PJ, PL, PGC, PJC, PLC ◇, MG, MJ, HD, HG, HJ, HL, HR, JD, JG, JJ, JL, JR



Box Size: 42" Wide, 9.5" Deep

HCP Main Lugs Only (Can be equipped with branch mounted backfed Main Circuit Breaker) ▣

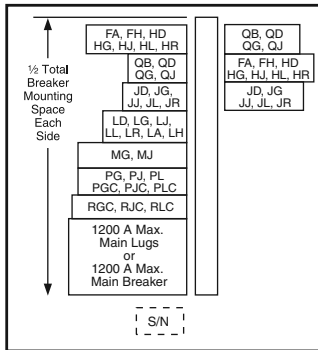
| Mains Ampere Rating | Mounting Inches | Max # of PL Breakers on left side | Interior Assembly † | Trim ◆ ▲ | | Enclosure ※ ● | | Box Height (in) |
|---------------------|-----------------|-----------------------------------|---------------------|-------------------|------------|---------------|--------------|-----------------|
| | | | | 4 Piece No Door ■ | With Door | Type 1 | Type ○ 3R/12 | |
| 400 | 27 | 1 PL | HCP14504 | HCW50T() | HCW50T()D | HC4250DB | HC4250WP | 50 |
| 600 | | | HCP14506 | | | | | |
| 800 | | | HCP14508 | | | | | |
| 1200 | | | HCP145012N | | | | | |
| 400 | 45 | 2 PL | HCP23594 | HCW59T() | HCW59T()D | HC4259DB | HC4259WP | 59 |
| 600 | | | HCP23596 | | | | | |
| 800 | | | HCP23598 | | | | | |
| 1200 | | | HCP235912N | | | | | |
| 400 | 63 | 3 PL | HCP32684 | HCW68T() | HCW68T()D | HC4268DB | HC4268WP | 68 |
| 600 | | | HCP32686 | | | | | |
| 800 | | | HCP32688 | | | | | |
| 1200 | | | HCP326812N | | | | | |
| 400 | 99 | 5 PL | HCP50864 | HCW86T() | HCW86T()D | HC4286DB | HC4286WP | 86 |
| 600 | | | HCP50866 | | | | | |
| 800 | | | HCP50868 | | | | | |
| 1200 | | | HCP508612N | | | | | |

HCP Main Circuit Breaker ▽ (Includes 3 pole, vertically mounted Main Circuit Breaker)

| Mains Ampere Rating | Mounting Inches | Max # of LC Breakers on left side | Interior Assembly † | Trim ◆ ▲ | | Enclosure ※ ● | | Box Height (in) |
|---------------------|-----------------|-----------------------------------|---------------------|-------------------|------------|---------------|--------------|-----------------|
| | | | | 4 Piece No Door ■ | With Door | Type 1 | Type ○ 3R/12 | |
| 600 | 36 | 2 LC | HCP18686M | HCW68T() | HCW68T()D | HC4268DB | HC4268WP | 68 |
| 800 | | | HCP18688M | | | | | |
| 600 | 72 | 4 LC | HCP36866M | HCW86T() | HCW86T()D | HC4286DB | HC4286WP | 86 |
| 800 | | | HCP36868M | | | | | |

- ※ **Tubs** - Unpainted, galvanized steel without knockouts.
- ◆ **Trims** - Grey baked enamel finish 4 piece trim and lockable door kit
- ▲ Add "F" for Flush or "S" for Surface.
- Add-on door kit available. Example: For HCW50TS trim kit, order HCW50D door kit.
- ◆ See page 5-21 for 42" wide weatherproof enclosures.
- ☆ 15" of mounting space is taken up by the back fed main lug kit or RG, RJ, RL main circuit breaker, leaving 93" of branch circuit breaker mounting space.
- FA and JDA circuit breakers with field installable ground fault kits may be mounted in type HCP, HCP-SU, HCW and HCR-U panelboards as shown, and require L-frame mounting space.
- ◇ PG, PJ, PL circuit breakers are available with both thermal-magnetic equivalent and MICROLOGIC trip. The MICROLOGIC circuit breakers are available 80% and 100% rated. "C" suffix denotes a 100% rating.
- † Interior complete with Solid Neutral when part number has "N" suffix. 100A and 225A interiors include solid neutral, all others without solid neutral. Order solid neutral from page 5-21.
- Remove drain screws for Type 3R rating.
- ▣ In Backfed Main Breaker applications, the use of backfed barriers from page 5-23 may be required and is strongly recommended. Refer to local Electrical Codes or Authorities for specific requirements.
- For Type 1 applications, order interior, trim, and enclosure. For Type 3R/5/12 applications, order interior and enclosure only. The trim is included with the box.
- HCP available with 200% rated neutral, 600A, MLO, MB, as factory assembled only.

TYPE HCR-U Universal Mains
 1200 A max. branch circuit breaker
 FA, FH, QB, QD, QG, QJ, HD, HG, HJ, HL, HR, JD, JG, JJ, JL, JR, LA, LD, LG, LJ, LL, LR, MG, MJ, PG, PJ, PL, PGC, PJC, PCL, RGC, RJC, RLC



Box Size: 44" Wide, 9.5" Deep

HCR-U Universal Main Lugs Only (Can be equipped with branch mounted backfed Main Circuit Breaker)▼
 MAIN LUGS panel, order sub-feed lug kit catalogue number S33930 and back feed as main lugs.
 MAIN CIRCUIT BREAKER panel, order plug-on I-LINE type PG, PJ, PL, RGC, RJC or RLC circuit breakers from page 5-30: back-feed as the main circuit breaker (Order solid neutral separately). The use of backfed MB barriers from page 5-21 is strongly recommended. Please refer to local Electrical Codes or Authorities for specific local requirements.

| Mains Ampere Rating | Mounting Inches ☆ | Max # of PL, RL Breakers on left side | Interior Assembly ‡ | Trim ◆ ▲ | | Enclosure ※ ● | | Box Height (in) |
|---------------------|-------------------|---------------------------------------|---------------------|-------------------|------------|---------------|--------------|-----------------|
| | | | | 4 Piece No Door ■ | With Door | Type 1 | Type ○ 3R/12 | |
| 1200 | 108 | 6 PL or 3 RLC | HCR548612U | HCR86T() | HCR86T()D | HC4486DB | HC4486WP | 86 |

Note: 1. Subfed kit # S33931 or back fed P-frame main breaker require 9" mounting space – branch space reduced to 99".
 2. Subfed kit # S33930 or back fed R-frame main breaker require 15" mounting space – branch space reduced to 93".
 3. 1200A HCR-U interior – copper bus standard

Main Circuit Breaker Interiors— Standard Frame Types

| Main Circuit Breaker Ampacity | Panelboard Type | Factory Supplied Main Circuit Breaker |
|-------------------------------|-----------------|---------------------------------------|
| 225 | HCM | JDA36225 |
| 400 | HCM | LA36400 |
| 600 or 800 | HCM, HCP | MGP36600 or MGP36800 |

Standard Copper Bus Interiors △

| Type | Main Ampacity |
|-------------|---------------|
| HCM, HCP-SU | 800 |
| HCP, HCR-U | 800 & Above |

Note:
 Merchandised copper interiors are not available in all ampacities.

- ※ **Tubs** - Unpainted, galvanized steel without knockouts.
- ◆ **Trims** - Grey baked enamel finish 4 piece trim and lockable door kit.
- ▲ Add "F" for Flush or "S" for Surface.
- Add-on door kit available. Example: For HCW50TS trim kit, order HCW50D door kit.
- ◆ See page 5-22 for 42" wide weatherproof enclosures.
- ▼ When RL main circuit breakers with equipment ground fault are applied on a 3Ø4W system, order solid neutral catalogue number HCR12SNCT. The HCR12SNCT includes a neutral current transformer.
- FA circuit breakers with field installable ground fault kits may be mounted in type HCP, HCP-SU, HCW, HCWM and HCR-U panelboards as shown, and require L-frame mounting space.
- ◇ PG, PJ, PL circuit breakers are available with both thermal-magnetic equivalent and MICROLOGIC trip. The MICROLOGIC circuit breakers are available 80% and 100% rated. "C" suffix denotes a 100% rating.
- ‡ Interior complete with Solid Neutral when part number has "N" suffix. 100A and 225A interiors include solid neutral, all others without solid neutral. Order solid neutral from page 5-21.
- Remove drain screws for Type 3R rating.
- For Type 1 applications, order interior, trim, and enclosure. For Type 3R/5/12 applications, order interior and enclosure only. The trim is included with the box.
- HCR-U with 200% neutral – factory assembled only.

Circuit Breaker / Sub-Feed Lug Kit Mounting Inch Requirement

| Type of Circuit Breaker | Maximum Ampacity | No. of Poles | Mounting Requirement | Type of Circuit Breaker | Maximum Ampacity | No. of Poles | Mounting Requirement |
|-------------------------|------------------|--------------|----------------------|---------------------------|------------------|--------------|----------------------|
| FY, FG, FJ | 30 A | 1 | 1.5" | JD, JG, JJ, JL, JR, SL250 | 250 A | 2, 3 | 4.5" |
| FA, FH | 100 A | 1 | 1.5" | LA, LH, SL400 | 400 A | 2, 3 | 6" |
| FA, FH | 100 A | 2 | 3" | LC, LI, LX, LXI, LE | 600 A | 2, 3 | 7.5" |
| FA, FH, FI, SL-100 | 100 A | 2, 3 | 4.5" | LD, LG, LJ, LL, LR | 600 A | 3 | 6" |
| HD, HG | 150 A | 2 | 3" | MA, MH, MG, MJ, SL800 | 800 A | 2, 3 | 9" |
| HD, HG, HJ, HL, HR | 150 A | 2, 3 | 4.5" | PG, PJ, PL, PK, S33931 | 1200 A | 2, 3 | 9" |
| QB, QD, QG, QJ | 225 A | 2 | 3" | RG, RJ, RL, RK, S33930 | 1200 A | 2, 3 | 15" |
| QB, QD, QG, QJ | 225 A | 3 | 4.5" | | | | |

Panelboards

I-Line® – Ready to Install (RTI)



Blank Fillers



Solid Neutral



Blank Extensions



Equipment Ground Bar

I-Line Merchandised Panelboard Accessories

| Description | Catalogue No. |
|--|-----------------|
| Blank Fillers—1.5 in. (minimum order 3) ▼ | HNM1BL |
| Blank Fillers—4.5 in. (minimum order 5) ▼ | HNM4BL |
| Solid Neutral Assemblies | |
| 225 A | HC2SN |
| 400 A | HC4SN▲, HCW4SN■ |
| 600 A | HC6SN▲, HCW6SN■ |
| 800 A | HC8SN▲, HCW8SN■ |
| | HCP5U8SN◆ |
| 1200 A | HCP5U8SNCT◆ |
| | HCW12SN■ |
| 1200 A, for use with HCR-U universal panel only | HCWM12SN★ |
| 1200 A, including neutral CT for 3Ø4W systems | HCR12SNCT★ |
| HCM, HCP, HCR-U | PK32DGT A |
| Blank Extensions (For replacement purposes) | |
| 1.5 in. for mounting on wide side of I-Line panelboard (minimum order 3) ▼ | HLW1BL |
| 4.5 in. for mounting on wide side of I-Line panelboard (minimum order 5) ▼ | HLW4BL |
| 1.5 in. for mounting on narrow side of I-Line panelboard (minimum order 3) ▼ | HLN1BL |
| 4.5 in. for mounting on narrow side of I-Line panelboard (minimum order 5) ▼ | HLN4BL |
| 4.5 in. for mounting on wide side of I-Line panelboard (minimum order 5) ▼ | HLW4EBL |
| 4.5 in. for mounting on narrow side of I-Line panelboard (minimum order 5) ▼ | HLN4EBL |

- ▲ Used on Type HCM.
- Used on 400 A, 600 A, 800 A, and 1200 A HCP (main lugs), and 600 A and 800 A (main circuit breaker).
- ◆ Used on Type HCP-SU.
- ★ Used on Type HCR-U.
- ▼ Blank extension pricing is per unit. Multiply the list price by the quantity ordered. Note minimum order quantity.

Crimp Lug Adapter Kits

| | Panelboard Type | |
|---|-----------------|--------------|
| | HCM | HCP, HCR-U * |
| 400A | HCM400VCA | HCW400VCA |
| (For use with MLO panels, order VCEL lugs separately) | 600A HCM600VCA | HCW600VCA |
| | 800A HCM800VCA | HCW800VCA |
| | 1200A - - - | HCW1200VCA |

* HCR-U - order P or R frame circuit breaker lug kit.

Type 3R/12 Enclosures (includes trim)

| Catalogue Number | Interior Type | Dimensions (inches) | | |
|------------------|---------------|---------------------|----|-------|
| | | H | W | D |
| HC4250WP | HCP | 50 | 42 | 12.95 |
| HC4259WP | HCP | 59 | 42 | 12.95 |
| HC4268WP | HCP | 68 | 42 | 12.95 |
| HC4286WP | HCP | 86 | 42 | 12.95 |
| HC4486WP | HCR-U | 86 | 44 | 14.50 |

Box Extensions - Type 1

| Catalogue Number | Interior Type | Extension |
|--------------------|---------------|-----------|
| HC2609DEX (F or S) | HCP-SU | 9" |
| HC3209EX (F or S) | HCM | 9" |
| HC4212DEX (F or S) | HCP | 12" |
| HC4406DEX (F or S) | HCR-U | 6" |
| HC4412DEX (F or S) | HCR-U | 12" |



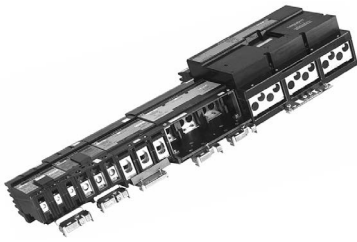
Box Extension



I-Line Plug-On Unit with Surgeloc SPD

Surgeloc™ SPD

Surgeloc SPD unit in I-Line plug-on construction: An integrally mounted surge protection solution that mounts on to an I-Line Panelboard bus stack just like any I-Line circuit breaker. Requires 13.5 in. of mounting height. Available as factory assembled and merchandised. For SPD unit information, refer to SPD section.



Sub-feed Lug Kits

**Sub-Feed Lug Kits☆, also used for Feed Through Lugs
(Plug-on in same manner as a branch circuit breaker)**

| Ampere Rating | Height | | Catalogue Number | Max. Short Circuit System Ratings RMS Symmetrical Amperes | | | Protected by Circuit Breaker | For use in Panelboard Types |
|---------------|--------|-----|----------------------------------|--|---------|---------|---|-------------------------------------|
| | In | mm | | 240 Vac | 480 Vac | 600 Vac | | |
| 100 A | 4.5 | 114 | SL100 | 100 K | 65 K | 18 K | FA, FH, FD, FG, FJ | HCM, HCP, HCP-SU, HCR-U |
| 250 A | 4.5 | 114 | SL250 | 200 K | 200 K | 100 K | FA, FD, FG, FH, FJ, HD, HG, HJ, HL, HR, JD, JG, JJ, JL, JR, KI | HCM, HCP, HCP-SU, HCR-U |
| 400 A | 6 | 152 | SL400 Δ | 200 K | 200 K | 100 K | FA, FD, FG, FH, FJ, KA, KH, KC, KI, HD, HG, HJ, HL, HR, JD, JG, JJ, JL, JR, LA, LH, LC, LX, LI, LXI, DG, DJ, DL, LD, LG, LJ, LL, LR ("L" & "D" FRAME 400A MAX.) | HCP, HCP-SU, HCR-U (wide side only) |
| 800 A | 9 | 229 | SL800 | 200 k | 100 k | 50 k | FA, FD, FG, FH, FJ, KA, KH, KC, KI, HD, HG, HJ, HL, HR, JD, JG, JJ, JL, JR, LA, LH, LC, LX, LI, LXI, MA, MH, MX, DG, DJ, DL, LD, LG, LJ, LL, LR | HCM, HCP, HCP-SU, HCR-U |
| 800 A | 9 | 229 | SL800M5 | 125 K | 100 K | 25 K | FA, FD, FG, FH, FJ, KA, KH, KC, KI, HD, HG, HJ, HL, HR, JD, JG, JJ, JL, JR, MA, MH, MX, MG, PG, MJ, PJ, PK, PL, DG, DJ, DL, LD, LG, LJ, LL, LR | HCM, HCP, HCP-SU, HCR-U |
| 1200 | 9 | 229 | S33931 | 125 K | 100 K | 50 K | FA, FD, FG, FH, FJ, KA, KH, KC, KI, HD, HG, HJ, HL, HR, JD, JG, JJ, JL, JR, LA, LH, LC, LX, LI, LXI, MA, MH, MX, MG, PG, MJ, PJ, PK, PL, DG, DJ, DL, LD, LG, LJ, LL, LR | HCP, HCP-SU, HCR-U |
| 1200 | 15 | 381 | S33930 | 125 K | 100 K | 50 K | FA, FD, FG, FH, FJ, KA, KH, KC, KI, HD, HG, HJ, HL, HR, JD, JG, JJ, JL, JR, LA, LH, LC, LX, LI, LXI, MA, MH, MX, NA, NC, NX, MG, PG, MJ, PJ, PK, PL, RG, RJ, RL, RK, DG, DJ, DL, LD, LG, LJ, LL, LR | HCR-U |
| 1200 | 9 | 229 | SL1200P5 SL1200P6 SL1200P7 | 125 K | 100 K | 50 K | FA, FD, FG, FH, FJ, KA, KH, KC, KI, HD, HG, HJ, HL, HR, JD, JG, JJ, JL, JR, MG, PG, MJ, PJ, PK, PL, RG, RJ, RL, RK, DG, DJ, DL, LD, LG, LJ, LL, LR | HCP, HCP-SU, HCR-U |

NOTE: S33930, S33931, SL1200P5, SL1200P6, SL1200P7, SL Kits are rated 1200A and may be applied to 1200 ampere loads when installed into HCRU panelboards. However, when installed into HCP and HCP-SU panelboards they are only rated 800 amperes maximum due to restricted wire bending space.

☆ For other ratings, see the latest edition of I-Line Information Manual #80043-309-xx
 Δ SL400 cannot be used in HCM panelboards due to inadequate wire bending space.

Sub-feed lug kit terminal data

| Catalogue Number | Poles | Ampere Rating | Std. Lug Kit Cat # | Standard Lug Wire Size □ |
|------------------|-------|---------------|--------------------|--|
| SL100 | 3 | 100 | AL100FA | #14 - 1/0 AWG Cu or #12-1/0 AWG Al |
| SL250 | 3 | 250 | - - - | #4 AWG - 300 kcmil |
| SL400 | 3 | 400 | AL400LA | (1) #1 AWG - 600 kcmil or (2) #1 AWG - 250 kcmil |
| SL800 | 3 | 800 | AL900MA | (3) #3/0 AWG - 500 kcmil |
| SL800M5 | 3 | 800 | AL800M23K | (3) 3/0 AWG - 500 kcmil |
| S33931 | 3 | 1200 | AL1200P24K | (4) #3/0 AWG - 500 kcmil |
| S33930 | 3 | 1200 | AL1200R53K | (4) #3/0 AWG - 600 kcmil |
| SL1200P5 | 3 | 1200 | AL1200P25KU | (4) 3/0 AWG - 500 kcmil |
| SL1200P6 | 3 | 1200 | AL1200P6KU | (3) 350-600 kcmil |
| SL1200P7 | 3 | 1200 | AL1200P7KU | (3) 3/0 AWG - 750 kcmil (750 kcmil; compact AL only) |

□ Unless otherwise specified, wire sizes apply to both aluminum and copper conductors.

Panelboards

I-Line[®] – Ready to Install (RTI)

Terminal Data

Standard Mechanical Lugs—Main Lugs

| Panel Type | Ampere Rating | Lug Wire Range | Wire Range Wire Bending Space per CSA |
|------------|---------------|-------------------------|--|
| I-LINE | 100 | ... | ... |
| | 225 | (1) #6–300 kcmil Al/Cu | (1) #6–300 kcmil Al/Cu |
| | 400 | (2) #2–600 kcmil Al/Cu | (1) #2–600 kcmil Al/Cu (2) #2–500 kcmil Al/Cu |
| | 600 | (2) #2–600 kcmil Al/Cu | (2) #2–500 kcmil Al/Cu |
| | 800 | (4) 3/0–750 kcmil Al/Cu | (3) 3/0–500 kcmil Al/Cu |
| | 1200 | (4) 3/0–750 kcmil Al/Cu | (4) 3/0–500 kcmil Al/Cu |

Standard Mechanical Lugs—Main Circuit Breaker

| Panel Type | Ampere Rating | Circuit Breaker Type | Lug Wire Range | Wire Range Wire Bending Space per CSA |
|------------|---------------|--------------------------------|--|--|
| I-LINE | 100 | FA, FH, FI | (1) #14–1/0 Al/Cu | (1) #14–1/0 Al/Cu |
| | 150 | HD, HG, HJ, HL, HR | (1) #14–3/0 Al/Cu | (1) #14–3/0 Al/Cu |
| | 225 | KI | (1) #4–300 kcmil Al/Cu | (1) #4–300 kcmil Al/Cu |
| | 250 | JD, JG, JJ, JL, JR | (1) 4–4/0 Al/Cu (175A), 3/0–350 kcmil Al/Cu (250A) | (1) 1/0–300 kcmil Al/Cu |
| | 250 | LXI | (2) #1–350 kcmil Al/Cu | (2) #1–350 kcmil Al/Cu |
| | 400 | LA, LH | (1) #1–600 kcmil Al/Cu (2) #1–250 kcmil Al/Cu | (1) #1–600 kcmil Al/Cu (2) #1–250 kcmil Al/Cu |
| | 600 | LC, LX, LE, LI, LXI | (2) 4/0–500 kcmil Al/Cu | (2) 4/0–500 kcmil Al/Cu |
| | 800 | MG, MJ, PG, PJ, PK | (3) 3/0–500 kcmil Al/Cu | (3) 3/0–500 kcmil Al/Cu |
| | 1200 | PG, PJ, PL, PK, RG, RJ, RL, RK | (4) 3/0–500 kcmil Al/Cu | (4) 3/0–500 kcmil Al/Cu |

Backfed Main Breaker kits

To be used in Canada only, to utilize a branch breaker in the I-Line panel as a Main Breaker by back feeding it. The use and correct application of these kits and attached labels are mandatory in such applications.

| Backfed Main breaker kits part numbers | Branch breakers to be used with |
|--|---------------------------------|
| FITC & HCBFMBL | FI |
| FAHCTC & HCBFMBL | FA, FH, FC |
| HDTC & HCBFMBL | HD, HG, HJ, HL |
| QTC & HCBFMBL | QD, QG, QJ |
| KAHCITC & HCBFMBL | KA, KH, KC, KI |
| JDTC & HCBFMBL | JD, JG, JJ, JL |
| LAHTC & HCBFMBL | LA, LH |
| LCIXETC & HCBFMBL | LC, LI, LX, LE |
| MGJTC & HCBFMBL | MG, MJ |
| PA8TC & HCBFMBL | PG, PJ, PL, PK (800A max bkrs) |
| PA12TC & HCBFMBL | PG, PJ, PL, PK (1200A max bkrs) |
| RA12TC & HCBFMBL | RG, RJ, RK, RL (1200A max bkrs) |

QO™ Distribution Panel—240 Vac Max. Only Mounts in Type HCM, HCP, HCP-SU, or HCR-U I-Line panelboards, 30 A max. branch circuit breaker. Order QO plug-in circuit breakers from section DE3.

| Maximum No. 1-pole QO Circuit Breakers | Phase Connection | Mounting Height | | 2-pole Catalogue Number | 3-pole Catalogue Number | Price ▲ |
|--|------------------|-----------------|-----|-------------------------|-------------------------|---------|
| | | In. | mm | | | |
| 6 | AB | 4.5 | 114 | HQO206AB | — | |
| 6 | BC | 4.5 | 114 | HQO206BC | — | |
| 6 | AC | 4.5 | 114 | HQO206AC | — | |
| 6 | ABC | 4.5 | 114 | — | HQO306 | |

▲ Includes (5) QO1DB dummy circuit breakers.

I-LINE Circuit Breakers

30 Ampere Frame

| Ampere Rating | AC Magnetic Trip Settings Amperes | G - Interrupting Rating | J - Interrupting Rating | K - Interrupting Rating |
|---------------|-----------------------------------|-------------------------|-------------------------|-------------------------|
|---------------|-----------------------------------|-------------------------|-------------------------|-------------------------|

FG, FJ, FK - 15A-30A, Thermal-magnetic (347V)

| | | 1-Pole, 347 Vac | | | | |
|----|-----|-----------------|-------------|-------------|-------------|----|
| | | Hold | Trip | FG | FJ | FK |
| 15 | 250 | 500 | FGA16015(*) | FJA16015(*) | FKA16015(*) | |
| 20 | 250 | 500 | FGA16020(*) | FJA16020(*) | FKA16020(*) | |
| 25 | 250 | 500 | FGA16025(*) | FJA16025(*) | FKA16025(*) | |
| 30 | 250 | 500 | FGA16030(*) | FJA16030(*) | FKA16030(*) | |

* 1-Pole FG, FJ, and FK Catalogue Numbers are completed by adding the required phase connection number as a suffix to the circuit breaker.

A = 1
B = 3
C = 5

CSA Listed Interrupting Rating Amperes

| Breaker Catalogue No. Prefix | System Voltage AC | | |
|------------------------------|-------------------|--------|--------|
| | 120Vac | 277Vac | 347Vac |
| FG | 65kA | 35kA | 18kA |
| FJ | 100kA | 65kA | 25kA |
| FK | | | 65kA |



CSA Listed Interrupting Rating Amperes

| Breaker Catalogue No. Prefix | System Voltage AC | | | DC | |
|------------------------------|-------------------|---------|---------|-----|------|
| | 120/240 | 277/480 | 347/600 | 125 | 250 |
| FA (240V) | | | | | |
| 1-Pole | 10k | | | 5k | |
| 2, 3-Pole | 10k | | | 5k | 5kt |
| FA (480V) | | | | | |
| 1-Pole | 25k | 18k | | 10k | |
| 2, 3-Pole | 25k | 18k | | 10k | 10kt |
| FA (600V) | | | | | |
| 1-Pole | 25k | 18k | 14k | 10k | |
| 2, 3-Pole | 25k | 18k | 14k | 10k | 10kt |
| FH | | | | | |
| 1-Pole | | | | | |
| 15-30 | 65k | 65k | 18k | 10k | |
| 35-100 | 65k | 25k | 18k | 10k | |
| 2, 3-Pole | 65k | 25k | 18k | 10k | 10k |

†125Vdc

★ Example: 30A, 480 volt breakers as shown.

| Phase Connection | System Voltage AC | | |
|------------------|-------------------|-----------|------------|
| | 1-Pole | 2-Pole | 3-Pole |
| A | FA14030A | | |
| B | FA14030B | | |
| C | FA14030C | | |
| AB | | FA24030AB | |
| AC | | FA24030AC | |
| BC | | FA24030BC | |
| ABC | | | FA34030 |
| CBA | | | FA34030CBA |

For bolt-on, add letter B to Catalogue number. Example: FAB17015.

| Ampere Rating | AC Magnetic Trip Settings Amperes | One Pole★ | Price | Two Pole★ | Price | Three Pole | Price | Standard Lug Kit Wire Range |
|---------------|-----------------------------------|-----------|-------|-----------|-------|------------|-------|-----------------------------|
|---------------|-----------------------------------|-----------|-------|-----------|-------|------------|-------|-----------------------------|

100 Ampere Frame

FA Standard Interrupting 120/240 Volt

| | | Hold | Trip | 120Vac | 240Vac | 240 Vac | |
|-----|-----|------|-----------|-----------|---------|---------|----------------------------|
| 15 | 275 | 600 | FA12015() | FA22015() | FA32015 | | |
| 20 | 275 | 600 | FA12020() | FA22020() | FA32020 | | |
| 25 | 275 | 600 | FA12025() | FA22025() | FA32025 | | AL50FA |
| 30 | 275 | 600 | FA12030() | FA22030() | FA32030 | | 1-#14-#4 Cu or 1-#12-#4 Al |
| 35 | 400 | 850 | FA12035() | FA22035() | FA32035 | | |
| 40 | 400 | 850 | FA12040() | FA22040() | FA32040 | | |
| 45 | 400 | 850 | FA12045() | FA22045() | FA32045 | | |
| 50 | 400 | 850 | FA12050() | FA22050() | FA32050 | | AL100FA or |
| 60 | 800 | 1450 | FA12060() | FA22060() | FA32060 | | 1-#14-#1/0 Cu |
| 70 | 800 | 1450 | FA12070() | FA22070() | FA32070 | | 1-#12-#1/0 Al |
| 80 | 800 | 1450 | FA12080() | FA22080() | FA32080 | | |
| 90 | 900 | 1700 | FA12090() | FA22090() | FA32090 | | |
| 100 | 900 | 1700 | FA12100() | FA22100() | FA32100 | | |

FA Standard Interrupting 277/480 Volt

| | | Hold | Trip | 277Vac, 125Vdc | 480Vac, 250Vdc | 480Vac, 250Vdc | |
|-----|-----|------|-----------|----------------|----------------|----------------|----------------------------|
| 15 | 275 | 600 | FA14015() | FA24015() | FA34015 | | |
| 20 | 275 | 600 | FA14020() | FA24020() | FA34020 | | |
| 25 | 275 | 600 | FA14025() | FA24025() | FA34025 | | AL50FA |
| 30 | 275 | 600 | FA14030() | FA24030() | FA34030 | | 1-#14-#4 Cu or 1-#12-#4 Al |
| 35 | 400 | 850 | FA14035() | FA24035() | FA34035 | | |
| 40 | 400 | 850 | FA14040() | FA24040() | FA34040 | | |
| 45 | 400 | 850 | FA14045() | FA24045() | FA34045 | | |
| 50 | 400 | 850 | FA14050() | FA24050() | FA34050 | | AL100FA or |
| 60 | 800 | 1450 | FA14060() | FA24060() | FA34060 | | 1-#14-#1/0 Cu |
| 70 | 800 | 1450 | FA14070() | FA24070() | FA34070 | | 1-#12-#1/0 Al |
| 80 | 800 | 1450 | FA14080() | FA24080() | FA34080 | | |
| 90 | 900 | 1700 | FA14090() | FA24090() | FA34090 | | |
| 100 | 900 | 1700 | FA14100() | FA24100() | FA34100 | | |

FA Standard Interrupting 347/600 Volt

| | | Hold | Trip | 347Vac, 125Vdc | 600Vac, 250Vdc | 600Vac, 250Vdc | |
|-----|-----|------|-----------|----------------|----------------|----------------|----------------------------|
| 15 | 275 | 600 | FA17015() | FA26015() | FA36015 | | |
| 20 | 275 | 600 | FA17020() | FA26020() | FA36020 | | |
| 25 | 275 | 600 | FA17025() | FA26025() | FA36025 | | AL50FA |
| 30 | 275 | 600 | FA17030() | FA26030() | FA36030 | | 1-#14-#4 Cu or 1-#12-#4 Al |
| 35 | 400 | 850 | FA17035() | FA26035() | FA36035 | | |
| 40 | 400 | 850 | FA17040() | FA26040() | FA36040 | | |
| 45 | 400 | 850 | FA17045() | FA26045() | FA36045 | | |
| 50 | 400 | 850 | FA17050() | FA26050() | FA36050 | | AL100FA |
| 60 | 800 | 1450 | FA17060() | FA26060() | FA36060 | | 1-#14-#1/0 Cu or |
| 70 | 800 | 1450 | FA17070() | FA26070() | FA36070 | | 1-#12-#1/0 Al |
| 80 | 800 | 1450 | FA17080() | FA26080() | FA36080 | | |
| 90 | 900 | 1700 | FA17090() | FA26090() | FA36090 | | |
| 100 | 900 | 1700 | FA17100() | FA26100() | FA36100 | | |

FH High Interrupting 347/600 Volt

| | | Hold | Trip | 347Vac, 125Vdc | 600Vac, 250Vdc | 600Vac, 250Vdc | |
|-----|-----|------|-----------|----------------|----------------|----------------|----------------------------|
| 15 | 275 | 600 | FH17015() | FH26015() | FH36015 | | |
| 20 | 275 | 600 | FH17020() | FH26020() | FH36020 | | |
| 25 | 275 | 600 | FH17025() | FH26025() | FH36025 | | AL50FA |
| 30 | 275 | 600 | FH17030() | FH26030() | FH36030 | | 1-#14-#4 Cu or 1-#12-#4 Al |
| 35 | 400 | 850 | FH17035() | FH26035() | FH36035 | | |
| 40 | 400 | 850 | FH17040() | FH26040() | FH36040 | | |
| 45 | 400 | 850 | FH17045() | FH26045() | FH36045 | | |
| 50 | 400 | 850 | FH17050() | FH26050() | FH36050 | | AL100FA |
| 60 | 800 | 1450 | FH17060() | FH26060() | FH36060 | | 1-#14-#1/0 Cu or |
| 70 | 800 | 1450 | FH17070() | FH26070() | FH36070 | | 1-#12-#1/0 Al |
| 80 | 800 | 1450 | FH17080() | FH26080() | FH36080 | | |
| 90 | 900 | 1700 | FH17090() | FH26090() | FH36090 | | |
| 100 | 900 | 1700 | FH17100() | FH26100() | FH36100 | | |

• 15-30 ampere breakers suitable for use with 60°C or 75°C conductors. 35-100 ampere breakers suitable for use with 75°C conductors.

★ 1- and 2-Pole Breaker Catalogue Numbers are completed by adding the required phase connection letters as a suffix to the circuit breakers.

Panelboards

I-Line® – PowerPact Q-Frame Circuit Breakers

225 Ampere Frame

Ampere Rating AC Magnetic Trip Settings Amperes B - Interrupting D - Interrupting G - Interrupting J - Interrupting

POWERPACT™ Q-frame ■ - 225A, Thermal-magnetic (240V)

2-Pole, 240 Vac

| | Hold | Trip | 10,000 AIC | 25,000 AIC | 65,000 AIC | 100,000 AIC |
|-----|------|------|-------------|-------------|-------------|-------------|
| 70 | 1200 | 2400 | QBA22070(*) | QDA22070(*) | QGA22070(*) | QJA22070(*) |
| 80 | 1200 | 2400 | QBA22080(*) | QDA22080(*) | QGA22080(*) | QJA22080(*) |
| 90 | 1200 | 2400 | QBA22090(*) | QDA22090(*) | QGA22090(*) | QJA22090(*) |
| 100 | 1200 | 2400 | QBA22100(*) | QDA22100(*) | QGA22100(*) | QJA22100(*) |
| 110 | 1200 | 2400 | QBA22110(*) | QDA22110(*) | QGA22110(*) | QJA22110(*) |
| 125 | 1200 | 2400 | QBA22125(*) | QDA22125(*) | QGA22125(*) | QJA22125(*) |
| 150 | 1200 | 2400 | QBA22150(*) | QDA22150(*) | QGA22150(*) | QJA22150(*) |
| 175 | 1200 | 2400 | QBA22175(*) | QDA22175(*) | QGA22175(*) | QJA22175(*) |
| 200 | 1200 | 2400 | QBA22200(*) | QDA22200(*) | QGA22200(*) | QJA22200(*) |
| 225 | 1200 | 2400 | QBA22225(*) | QDA22225(*) | QGA22225(*) | QJA22225(*) |

3-Pole, 240 Vac

| | Hold | Trip | 10,000 AIC | 25,000 AIC | 65,000 AIC | 100,000 AIC |
|-----|------|------|--------------|--------------|--------------|--------------|
| 70 | 1200 | 2400 | QBA32070(**) | QDA32070(**) | QGA32070(**) | QJA32070(**) |
| 80 | 1200 | 2400 | QBA32080(**) | QDA32080(**) | QGA32080(**) | QJA32080(**) |
| 90 | 1200 | 2400 | QBA32090(**) | QDA32090(**) | QGA32090(**) | QJA32090(**) |
| 100 | 1200 | 2400 | QBA32100(**) | QDA32100(**) | QGA32100(**) | QJA32100(**) |
| 110 | 1200 | 2400 | QBA32110(**) | QDA32110(**) | QGA32110(**) | QJA32110(**) |
| 125 | 1200 | 2400 | QBA32125(**) | QDA32125(**) | QGA32125(**) | QJA32125(**) |
| 150 | 1200 | 2400 | QBA32150(**) | QDA32150(**) | QGA32150(**) | QJA32150(**) |
| 175 | 1200 | 2400 | QBA32175(**) | QDA32175(**) | QGA32175(**) | QJA32175(**) |
| 200 | 1200 | 2400 | QBA32200(**) | QDA32200(**) | QGA32200(**) | QJA32200(**) |
| 225 | 1200 | 2400 | QBA32225(**) | QDA32225(**) | QGA32225(**) | QJA32225(**) |

■ Replacement lugs are not available on QB, QD, QG, or QJ circuit breakers. Lugs for QB, QD, QG, or QJ circuit breakers accept one #4 AWG–300 kcmil. No accessories are available for PowerPact Q Frame breakers.

* 2-pole Breaker Catalogue Numbers are completed by adding the required phase connection number as a suffix to the circuit breaker.

AB=1
AC=2
BA=3
BC=4
CA=5
CB=6

** 3-pole Breaker Catalogue Numbers are completed by adding the required phase connection number as a suffix to the circuit breaker.

ABC=Standard no suffix required
CBA=6

Panelboards

I-Line® – PowerPact J-, L-Frame Circuit Breakers

J-Frame Mission Critical Circuit Breaker

J-frame 250 A Electronic Trip Mission Critical Circuit Breakers (480/277 Vac) With Factory Sealted Trip Units Suitable for Reverse Connection▲

| Electronic Trip Unit Type | Trip Function | Trip Unit | Continuous Current | D Interrupting | G Interrupting | J Interrupting | L Interrupting | Terminal |
|---------------------------|---------------|-----------|--------------------|----------------|----------------|----------------|----------------|----------|
| | | | | Cat. No. | Cat. No. | Cat. No. | Cat. No. | |
| Standard | LI | 3.2 W | 250 | JDA34250WU31X | JGA34250WU31X | JJA34250WU31X | JLA34250WU31X | AL250JD■ |
| Standard | LSI | 3.2S-W | 250 | JDA34250WU33X | JGA34250WU33X | JJA34250WU33X | JLA34250WU33X | AL250JD■ |
| High Perf. Ammeter | LSI | 5.2A-W | 250 | JDA34250WU43X | JGA34250WU43X | JJA34250WU43X | JLA34250WU43X | AL250JD■ |
| High Perf. Energy | LSI | 5.2E-W | 250 | JDA34250WU53X | JGA34250WU53X | JJA34250WU53X | JLA34250WU53X | AL250JD■ |
| High perf. Ammeter | LSIG | 6.2A-W | 250 | JDA34250WU44X | JGA34250WU44X | JJA34250WU44X | JLA34250WU44X | AL250JD■ |
| High Perf. Energy | LSIG | 6.2E-W | 250 | JDA34250WU54X | JGA34250WU54X | JJA34250WU54X | JLA34250WU54X | AL250JD■ |

- ▲ Standard rated (80%). Not available in 100% rated.
- AL250JD terminal wire range is (1) 3/0 AWG–350 kcmil Al or Cu.

L-Frame Mission Critical Circuit Breaker

L-frame 600 A Electronic Trip Mission Critical Circuit Breakers (480/277 Vac) With Factory Sealted Trip Units Suitable for Reverse Connection▲

| Electronic Trip Unit Type | Trip Function | Trip Unit | Continuous Current | D Interrupting | G Interrupting | J Interrupting | L Interrupting | Terminal |
|---------------------------|---------------|-----------|--------------------|----------------|----------------|----------------|----------------|--------------|
| | | | | Cat. No. | Cat. No. | Cat. No. | Cat. No. | |
| Standard | LI | 3.3 W | 250 | LDA34250WU31X | LGA34250WU31X | LJA34250WU31X | LLA34250WU31X | AL400L61K3■ |
| | | | 400 | LDA34400WU31X | LGA34400WU31X | LJA34400WU31X | LLA34400WU31X | AL600LF52K3◆ |
| | | | 600 | LDA34600WU31X | LGA34600WU31X | LJA34600WU31X | LLA34600WU31X | AL600LF52K3◆ |
| Standard | LSI | 3.3S-W | 250 | LDA34250WU33X | LGA34250WU33X | LJA34250WU33X | LLA34250WU33X | AL400L61K3■ |
| | | | 400 | LDA34400WU33X | LGA34400WU33X | LJA34400WU33X | LLA34400WU33X | AL600LF52K3◆ |
| | | | 600 | LDA34600WU33X | LGA34600WU33X | LJA34600WU33X | LLA34600WU33X | AL600LF52K3◆ |
| High Perf. Ammeter | LSI | 5.3A-W | 400 | LDA34400WU43X | LGA34400WU43X | LJA34400WU43X | LLA34400WU43X | AL600LF52K3◆ |
| | | | 600 | LDA34600WU43X | LGA34600WU43X | LJA34600WU43X | LLA34600WU43X | AL600LF52K3◆ |
| High Perf. Energy | LSI | 5.3E-W | 400 | LDA34400WU53X | LGA34400WU53X | LJA34400WU53X | LLA34400WU53X | AL600LF52K3◆ |
| | | | 600 | LDA34600WU53X | LGA34600WU53X | LJA34600WU53X | LLA34600WU53X | AL600LF52K3◆ |
| High Perf. Ammeter | LSIG | 6.3A-W | 400 | LDA34400WU44X | LGA34400WU44X | LJA34400WU44X | LLA34400WU44X | AL600LF52K3◆ |
| | | | 600 | LDA34600WU44X | LGA34600WU44X | LJA34600WU44X | LLA34600WU44X | AL600LF52K3◆ |
| High Perf. Energy | LSIG | 6.3E-W | 400 | LDA34400WU54X | LGA34400WU54X | LJA34400WU54X | LLA34400WU54X | AL600LF52K3◆ |
| | | | 600 | LDA34600WU54X | LGA34600WU54X | LJA34600WU54X | LLA34600WU54X | AL600LF52K3◆ |

- ▲ Standard rated (80%). Not available in 100% rated.
- AL400L61K3 terminal wire range is (1) #2 AWG–500 kcmil Al or #2 AWG–600 kcmil Cu.
- ◆ AL600LF52K3 terminal wire range is (2) #3/0 AWG–500 kcmil Al or Cu.

PowerPact™ H-, J-, and L-frame Automatic Molded Case Switches, 600 Vac

| Circuit Breaker | Poles | Ampere Rating | G Withstand | | L Withstand | | R Withstand | | Terminal | Wire Range |
|--------------------|-------|---------------|--------------|------------|--------------|------------|--------------|------------|----------|-----------------------------|
| | | | Cat. No. | Trip Point | Cat. No. | Trip Point | Cat. No. | Trip Point | | |
| H-frame J-frame | 2 | 150 A | HGA26000S15 | 2250 A | HLA26000S15 | 2250 A | — | — | — | — |
| | | 175 A | JGA26000S17 | 3125 A | JLA26000S17 | 3125 A | — | — | — | — |
| | | 250 A | JGA26000S25 | 3125 A | JLA26000S25 | 3125 A | — | — | — | — |
| L-frame | 3 | 150 A | HGA36000S15 | 2250 A | HLA36000S15 | 2250 A | — | — | AL150HD | 14 AWG–3/0 AWG Al/Cu |
| | | 175 A | JGA36000S17 | 3125 A | JLA36000S17 | 3125 A | JRA36000S17 | 3125 A | AL175JD | 4–4/0 AWG Al/Cu |
| | | 250 A | JGA36000S25 | 3125 A | JLA36000S25 | 3125 A | JRA36000S25 | 3125 A | AL250JD | 3/0 AWG–350 kcmil Al/Cu |
| L-frame | 3 | 400 A | LGA36000S40X | 4800 A | LLA36000S40X | 4800 A | LRA36000S40X | 4800 A | AL150HD | AL600LS52K3 |
| | | 600 A | LGA36000S60X | 6600 A | LLA36000S60X | 6600 A | LRA36000S60X | 6600 A | AL250JD | (2) 2/0 AWG–500 kcmil Al/Cu |
| | | 600 A | LGA36000S60X | 6600 A | LLA36000S60X | 6600 A | LRA36000S60X | 6600 A | AL250JD | (2) 2/0 AWG–500 kcmil Al/Cu |

Interrupt Ratings (kA)

| | D | G | J | L | R |
|-------|----|----|-----|-----|-----|
| 240 V | 25 | 65 | 100 | 125 | 200 |
| 480 V | 18 | 35 | 65 | 100 | 100 |
| 600 V | 14 | 18 | 25 | 50 | 100 |

Phase Options—Example HDA26150()

| Phase Option Number | Phase Connection | 2-pole | 3-pole |
|---------------------|------------------|-----------|-----------|
| 1 | AB | HDA261501 | — |
| 2 | AC | HDA261502 | — |
| 3 | BA | HDA261503 | — |
| 4 | BC | HDA261504 | — |
| 5 | CA | HDA261505 | — |
| 6 | CB | HDA261506 | — |
| Standard | ABC | — | JDA36250 |
| 6 | CBA | — | JDA362506 |

I-Line® – L-Frame Circuit Breakers, Thermal-Magnetic

| Ampere Rating | AC Magnetic Trip Settings Amperes | Two Pole | | Three Pole | | Standard Lug Kit Wire Range |
|---------------------------------|-----------------------------------|---------------|-----------------|---------------|----------------|-----------------------------|
| | | Catalogue No. | Price | Catalogue No. | Price | |
| LA Standard Interrupting | | | | | | |
| | Low | High | 600Vac, 250Vdc* | | 600Vac, 250Vdc | |
| 125 | 625 | 1250 | LA26125() | | LA36125 | |
| 150 | 750 | 1500 | LA26150() | | LA36150 | |
| 175 | 875 | 1750 | LA26175() | | LA36175 | |
| 200 | 1000 | 2000 | LA26200() | | LA36200 | AL400LA |
| 225 | 1125 | 2250 | LA26225() | | LA36225 | 1-#1-600 kcmil or |
| 250 | 1250 | 2500 | LA26250() | | LA36250 | 2-#1-250 kcmil |
| 300 | 1500 | 3000 | LA26300() | | LA36300 | |
| 350 | 1750 | 3500 | LA26350() | | LA36350 | |
| 400 | 2000 | 4000 | LA26400() | | LA36400 | |

| | | | | | | |
|-----------------------------|------|------|-----------------|--|----------------|-------------------|
| LH High Interrupting | | | | | | |
| | Low | High | 600Vac, 250Vdc* | | 600Vac, 250Vdc | |
| 125 | 625 | 1250 | LH26125() | | LH36125 | |
| 150 | 750 | 1500 | LH26150() | | LH36150 | |
| 175 | 875 | 1750 | LH26175() | | LH36175 | |
| 200 | 1000 | 2000 | LH26200() | | LH36200 | AL400LA |
| 225 | 1125 | 2250 | LH26225() | | LH36225 | 1-#1-600 kcmil or |
| 250 | 1250 | 2500 | LH26250() | | LH36250 | 2-#1-250 kcmil |
| 300 | 1500 | 3000 | LH26300() | | LH36300 | |
| 350 | 1750 | 3500 | LH26350() | | LH36350 | |
| 400 | 2000 | 4000 | LH26400() | | LH36400 | |

* 2-pole circuit breaker catalog numbers are completed by adding required phase connection letters as suffix to catalog number.

CSA Listed Interrupting Rating Amperes

| Breaker Catalogue No. | System Voltage AC | | |
|-----------------------|-------------------|-----|-----|
| | 240 | 480 | 600 |
| Prefix | | | |
| LA | 42k | 30k | 22k |
| LH | 65k | 35k | 25k |

Panelboards

I-Line® – PowerPact L- and M-frame Circuit Breakers

PowerPact L-Frame 600A Circuit Breakers with Factory Sealed Electronic Trip Units Suitable for Reverse Connection

| Electronic Trip Unit | | | D Interrupting | | G Interrupting | | J Interrupting ♦ | | L Interrupting ♦ | | R Interrupting ♦ | | Terminal |
|----------------------|----------|-----------|----------------|--------------------|----------------|--------------------|------------------|--------------------|------------------|--------------------|------------------|--------------------|--------------|
| Type | Function | Trip Unit | Amps | Catalogue Number ■ | Price | Catalogue Number ■ | Price | Catalogue Number ■ | Price | Catalogue Number ■ | Price | Catalogue Number ■ | |
| Micrologic Standard | LI | 3.3★ | 250 | LDA36250U31X | | LGA36250U31X | | LJA36250U31X | | LLA36250U31X | | LRA36250U31X | AL400L61K3▼ |
| | | | 400 | LDA36400U31X | | LGA36400U31X | | LJA36400U31X | | LLA36400U31X | | LRA36400U31X | AL600LF52K3△ |
| | | | 600 | LDA36600U31X | | LGA36600U31X | | LJA36600U31X | | LLA36600U31X | | LRA36600U31X | AL400L61K3▼ |
| Micrologic Standard | LSI | 3.3S★ | 250 | LDA36250U33X | | LGA36250U33X | | LJA36250U33X | | LLA36250U33X | | LRA36250U33X | AL600LF52K3△ |
| | | | 400 | LDA36400U33X | | LGA36400U33X | | LJA36400U33X | | LLA36400U33X | | LRA36400U33X | |
| | | | 600 | LDA36600U33X | | LGA36600U33X | | LJA36600U33X | | LLA36600U33X | | LRA36600U33X | |
| Micrologic Ammeter | LSI | 5.3A | 400 | LDA36400U43X | | LGA36400U43X | | LJA36400U43X | | LLA36400U43X | | LRA36400U43X | AL600LF52K3△ |
| | | | 600 | LDA36600U43X | | LGA36600U43X | | LJA36600U43X | | LLA36600U43X | | LRA36600U43X | |
| Micrologic Energy | LSI | 5.3E | 400 | LDA36400U53X | | LGA36400U53X | | LJA36400U53X | | LLA36400U53X | | LRA36400U53X | AL600LF52K3△ |
| | | | 600 | LDA36600U53X | | LGA36600U53X | | LJA36600U53X | | LLA36600U53X | | LRA36600U53X | |
| Micrologic Ammeter | LSIG | 6.3A | 400 | LDA36400U44X | | LGA36400U44X | | LJA36400U44X | | LLA36400U44X | | LRA36400U44X | AL600LF52K3△ |
| | | | 600 | LDA36600U44X | | LGA36600U44X | | LJA36600U44X | | LLA36600U44X | | LRA36600U44X | |
| Micrologic Energy | LSIG | 6.3E | 400 | LDA36400U54X | | LGA36400U54X | | LJA36400U54X | | LLA36400U54X | | LRA36400U54X | AL600LF52K3△ |
| | | | 600 | LDA36600U54X | | LGA36600U54X | | LJA36600U54X | | LLA36600U54X | | LRA36600U54X | |

- For 100% rated circuit breakers (250 A and 400 A only), add a "C" in the 9th character place (for example, LRA36400CU31X).
- ♦ Circuit breakers with J, L, and R interrupting ratings are CSA/UL certified as current limiting.
- ★ 3P circuit breakers with this trip unit can be used for 2P applications.
- ▼ AL400L61K3 terminal wire ranges are (1) 2 AWG–600 kcmil Cu or (2) 2 AWG–500 kcmil Al.
- △ AL600LF52K3 terminal wire range is (2) 3/0 AWG–500 kcmil Al/Cu.

Powerpact M-Frame 800A with ET1.0 Trip Unit (factory sealed, not field adjustable)

| Ampere Rating | Adjustable Instantaneous Trip Range | | G Interrupting 600Vac | J Interrupting 600Vac | Terminal Wire Range |
|---------------|-------------------------------------|------|--------------------------|--------------------------|-------------------------------|
| | Low | High | | | |
| 300 | 600 | 3000 | MGA26300() | MJA26300() | AL800M23K 3-#3/0-500 kcmil |
| 350 | 700 | 3500 | MGA26350() | MJA26350() | |
| 400 | 800 | 4000 | MGA26400() | MJA26400() | |
| 450 | 900 | 4500 | MGA26450() | MJA26450() | |
| 500 | 1000 | 5000 | MGA26500() | MJA26500() | |
| 600 | 1200 | 6000 | MGA26600() | MJA26600() | |
| 700 | 1400 | 7000 | MGA26700() | MJA26700() | |
| 800 | 1600 | 8000 | MGA26800() | MJA26800() | |
| 300 | 600 | 3000 | MGA36300 | MJA36300 | AL800M23K 3-#3/0-500 kcmil |
| 350 | 700 | 3500 | MGA36350 | MJA36350 | |
| 400 | 800 | 4000 | MGA36400 | MJA36400 | |
| 450 | 900 | 4500 | MGA36450 | MJA36450 | |
| 500 | 1000 | 5000 | MGA36500 | MJA36500 | |
| 600 | 1200 | 6000 | MGA36600 | MJA36600 | |
| 700 | 1400 | 7000 | MGA36700 | MJA36700 | |
| 800 | 1600 | 8000 | MGA36800 | MJA36800 | |

- CSA/UL magnetic trip setting tolerances are ±10% from the nominal values shown.
- * Fill in parentheses with the following phase connection options: (2) for AC and (5) for CA.

Interrupt Ratings (kA)

| Voltage | G | J |
|---------|----|-----|
| 240 V | 65 | 100 |
| 480 V | 35 | 65 |
| 600 V | 18 | 25 |

Automatic Molded Case Switches—600 Vac, 50/60 Hz

| Ampere Rating | 2-pole | | 3-pole | | Withstand Rating ◇ | | | Terminal Wire Range |
|---------------|--------------------|--|------------------|--|--------------------|---------|---------|-------------------------------------|
| | Catalogue Number □ | | Catalogue Number | | 240 Vac | 480 Vac | 600 Vac | |
| 600 A | PJA26000S60() | | PJA36000S60 | | 100 | 65 | 25 | 3–3/0 through 500 kcmil Al or Cu |
| 800 A | PJA26000S80() | | PJA36000S80 | | 100 | 65 | 25 | |
| 1000 A | PJA26000S10() | | PJA36000S10 | | 100 | 65 | 25 | 4–3/0 through 500 kcmil Al or Cu |
| 1200 A | PJA26000S12() | | PJA36000S12 | | 100 | 65 | 25 | |

- ◇ The withstand rating is the fault current, at rated voltage, that the molded case switch will withstand without damage when protected by a circuit breaker with an equal ampere rating.
- Fill in parentheses with the following phase connection options: (2) for AC or (5) for CA.

PowerPact P- and R-frame Interrupt Ratings

| Voltage | P-frame Interrupt Rating | | | | R-frame Interrupt Rating | | | |
|---------|--------------------------|--------|-------|--------|--------------------------|--------|-------|--------|
| | G | J | K | L | G | J | K | L |
| 240 Vac | 65 kA | 100 kA | 65 kA | 125 kA | 65 kA | 100 kA | 65 kA | 125 kA |
| 480 Vac | 35 kA | 65 kA | 50 kA | 100 kA | 35 kA | 65 kA | 65 kA | 100 kA |
| 600 Vac | 18 kA | 25 kA | 50 kA | --- | 18 kA | 25 kA | 65 kA | 50 kA |

I-Line® – PowerPact P- and R-frame Circuit Breakers

PowerPact P Frame – 1200A (600Vac, 50/60 Hz) 3P Circuit Breakers with Electronic Trip Units

| Electronic Trip Unit | | | Sensor Rating | Amps | G Interrupting | | J Interrupting | | K Interrupting | | L Interrupting | | Terminal wire range |
|--|---|--------|---------------|------|--------------------|--------------------|--------------------|---------------------|--|---------------------|----------------|--|---------------------|
| Type | Function | Code | | | Catalogue Number ■ | Catalogue Number ■ | Catalogue Number ■ | Catalogue Number ■▲ | Catalogue Number ■ | Catalogue Number ■▲ | | | |
| Basic Electronic Trip Unit (Not Interchangeable) | Fixed long-time, Adjustable Instantaneous | ET1.0I | 600 A | 600 | PGA36060 | PJA36060 | PKA36060 | PLA34060 | (3) 3/0 AWG–500 kcmil Al or Cu AL800M23K | | | | |
| | | | 800 A | 800 | PGA36080 | PJA36080 | PKA36080 | PLA34080 | | | | | |
| | | | 1000 A | 1000 | PGA36100 | PJA36100 | PKA36100 | PLA34100 | | | | | |
| | | | 1200 A | 1200 | PGA36120 | PJA36120 | PKA36120 | PLA34120 | | | | | |
| Micrologic Interchangeable Standard Trip Unit | LI | 3.0 | 250 A | 250 | PGA36025U31A | PJA36025U31A | PKA36025U31A | PLA34025U31A | (3) 3/0 AWG–500 kcmil Al or Cu AL800M23K | | | | |
| | | | 400 A | 400 | PGA36040U31A | PJA36040U31A | PKA36040U31A | PLA34040U31A | | | | | |
| | | | 600 A | 600 | PGA36060U31A | PJA36060U31A | PKA36060U31A | PLA34060U31A | | | | | |
| | | | 800 A | 800 | PGA36080U31A | PJA36080U31A | PKA36080U31A | PLA34080U31A | | | | | |
| | | | 1000 A | 1000 | PGA36100U31A | PJA36100U31A | PKA36100U31A | PLA34100U31A | | | | | |
| | | | 1200 A | 1200 | PGA36120U31A | PJA36120U31A | PKA36120U31A | PLA34120U31A | | | | | |
| | LSI | 5.0 | 250 A | 250 | PGA36025U33A | PJA36025U33A | PKA36025U33A | PLA34025U33A | (3) 3/0 AWG–500 kcmil Al or Cu AL800M23K | | | | |
| | | | 400 A | 400 | PGA36040U33A | PJA36040U33A | PKA36040U33A | PLA34040U33A | | | | | |
| | | | 600 A | 600 | PGA36060U33A | PJA36060U33A | PKA36060U33A | PLA34060U33A | | | | | |
| | | | 800 A | 800 | PGA36080U33A | PJA36080U33A | PKA36080U33A | PLA34080U33A | | | | | |
| | | | 1000 A | 1000 | PGA36100U33A | PJA36100U33A | PKA36100U33A | PLA34100U33A | | | | | |
| | | | 1200 A | 1200 | PGA36120U33A | PJA36120U33A | PKA36120U33A | PLA34120U33A | | | | | |
| Micrologic Interchangeable Ammeter Trip Unit | LI | 3.0A | 250 A | 250 | PGA36025U41A | PJA36025U41A | PKA36025U41A | PLA34025U41A | (3) 3/0 AWG–500 kcmil Al or Cu AL800M23K | | | | |
| | | | 400 A | 400 | PGA36040U41A | PJA36040U41A | PKA36040U41A | PLA34040U41A | | | | | |
| | | | 600 A | 600 | PGA36060U41A | PJA36060U41A | PKA36060U41A | PLA34060U41A | | | | | |
| | | | 800 A | 800 | PGA36080U41A | PJA36080U41A | PKA36080U41A | PLA34080U41A | | | | | |
| | | | 1000 A | 1000 | PGA36100U41A | PJA36100U41A | PKA36100U41A | PLA34100U41A | | | | | |
| | | | 1200 A | 1200 | PGA36120U41A | PJA36120U41A | PKA36120U41A | PLA34120U41A | | | | | |
| | LSI | 5.0A | 250 A | 250 | PGA36025U43A | PJA36025U43A | PKA36025U43A | PLA34025U43A | (3) 3/0 AWG–500 kcmil Al or Cu AL800M23K | | | | |
| | | | 400 A | 400 | PGA36040U43A | PJA36040U43A | PKA36040U43A | PLA34040U43A | | | | | |
| | | | 600 A | 600 | PGA36060U43A | PJA36060U43A | PKA36060U43A | PLA34060U43A | | | | | |
| | | | 800 A | 800 | PGA36080U43A | PJA36080U43A | PKA36080U43A | PLA34080U43A | | | | | |
| | | | 1000 A | 1000 | PGA36100U43A | PJA36100U43A | PKA36100U43A | PLA34100U43A | | | | | |
| | | | 1200 A | 1200 | PGA36120U43A | PJA36120U43A | PKA36120U43A | PLA34120U43A | | | | | |
| Micrologic Interchangeable Power Trip Unit | LSI | 5.0P | 250 A | 250 | PGA36025U63AE1 | PJA36025U63AE1 | PKA36025U63AE1 | PLA34025U63AE1 | (3) 3/0 AWG–500 kcmil Al or Cu AL800M23K | | | | |
| | | | 400 A | 400 | PGA36040U63AE1 | PJA36040U63AE1 | PKA36040U63AE1 | PLA34040U63AE1 | | | | | |
| | | | 600 A | 600 | PGA36060U63AE1 | PJA36060U63AE1 | PKA36060U63AE1 | PLA34060U63AE1 | | | | | |
| | | | 800 A | 800 | PGA36080U63AE1 | PJA36080U63AE1 | PKA36080U63AE1 | PLA34080U63AE1 | | | | | |
| | | | 1000 A | 1000 | PGA36100U63AE1 | PJA36100U63AE1 | PKA36100U63AE1 | PLA34100U63AE1 | | | | | |
| | | | 1200 A | 1200 | PGA36120U63AE1 | PJA36120U63AE1 | PKA36120U63AE1 | PLA34120U63AE1 | | | | | |
| | LSIG | 6.0P | 250 A | 250 | PGA36025U64AE1 | PJA36025U64AE1 | PKA36025U64AE1 | PLA34025U64AE1 | (3) 3/0 AWG–500 kcmil Al or Cu AL800M23K | | | | |
| | | | 400 A | 400 | PGA36040U64AE1 | PJA36040U64AE1 | PKA36040U64AE1 | PLA34040U64AE1 | | | | | |
| | | | 600 A | 600 | PGA36060U64AE1 | PJA36060U64AE1 | PKA36060U64AE1 | PLA34060U64AE1 | | | | | |
| | | | 800 A | 800 | PGA36080U64AE1 | PJA36080U64AE1 | PKA36080U64AE1 | PLA34080U64AE1 | | | | | |
| | | | 1000 A | 1000 | PGA36100U64AE1 | PJA36100U64AE1 | PKA36100U64AE1 | PLA34100U64AE1 | | | | | |
| | | | 1200 A | 1200 | PGA36120U64AE1 | PJA36120U64AE1 | PKA36120U64AE1 | PLA34120U64AE1 | | | | | |
| Micrologic Interchangeable Harmonic Trip Unit | LSI | 5.0H | 250 A | 250 | PGA36025U73AE1 | PJA36025U73AE1 | PKA36025U73AE1 | PLA34025U73AE1 | (3) 3/0 AWG–500 kcmil Al or Cu AL800M23K | | | | |
| | | | 400 A | 400 | PGA36040U73AE1 | PJA36040U73AE1 | PKA36040U73AE1 | PLA34040U73AE1 | | | | | |
| | | | 600 A | 600 | PGA36060U73AE1 | PJA36060U73AE1 | PKA36060U73AE1 | PLA34060U73AE1 | | | | | |
| | | | 800 A | 800 | PGA36080U73AE1 | PJA36080U73AE1 | PKA36080U73AE1 | PLA34080U73AE1 | | | | | |
| | | | 1000 A | 1000 | PGA36100U73AE1 | PJA36100U73AE1 | PKA36100U73AE1 | PLA34100U73AE1 | | | | | |
| | | | 1200 A | 1200 | PGA36120U73AE1 | PJA36120U73AE1 | PKA36120U73AE1 | PLA34120U73AE1 | | | | | |
| | LSIG | 6.0H | 250 A | 250 | PGA36025U74AE1 | PJA36025U74AE1 | PKA36025U74AE1 | PLA34025U74AE1 | (3) 3/0 AWG–500 kcmil Al or Cu AL800M23K | | | | |
| | | | 400 A | 400 | PGA36040U74AE1 | PJA36040U74AE1 | PKA36040U74AE1 | PLA34040U74AE1 | | | | | |
| | | | 600 A | 600 | PGA36060U74AE1 | PJA36060U74AE1 | PKA36060U74AE1 | PLA34060U74AE1 | | | | | |
| | | | 800 A | 800 | PGA36080U74AE1 | PJA36080U74AE1 | PKA36080U74AE1 | PLA34080U74AE1 | | | | | |
| | | | 1000 A | 1000 | PGA36100U74AE1 | PJA36100U74AE1 | PKA36100U74AE1 | PLA34100U74AE1 | | | | | |
| | | | 1200 A | 1200 | PGA36120U74AE1 | PJA36120U74AE1 | PKA36120U74AE1 | PLA34120U74AE1 | | | | | |

■ For 250-800A 100% rated circuit breakers add a "C" in the 9th character place. For example, the catalogue number for a 100% standard-type trip unit with LI trip functions at 250A would be PGA36025CU31A. 100% rating is not available for 600-800A P-Frame MCCB with Basic Electronic TU and all 1000-1200A P-Frame MCCB.

▲ The L interrupt rating is supplied in 480 V only; for example, PLA34025U31A.

PowerPact R Frame – 1200A (600 Vac, 50/60 Hz) 3P Circuit Breaker with Electronic Trip Unit, 100% Rated

| Amps | Trip Unit | Trip Function | G Interrupting | | J Interrupting | | K Interrupting | | L Interrupting | | Terminal wire range |
|----------|--------------------------------------|---|------------------|------------------|------------------|------------------|------------------|------------------|----------------|--|----------------------------|
| | | | Catalogue Number | Catalogue Number | Catalogue Number | Catalogue Number | Catalogue Number | Catalogue Number | | | |
| 1200 | Basic Electronic Non-interchangeable | Fixed Long-Time, Adjustable Instantaneous | RGA36120 | | RJA36120 | | RKA36120 | | RLA36120 | | (4) 3/0-600 kcmil Al or Cu |
| | | | Standard | 3.0 LI | RGA36100CU31A | RJA36100CU31A | RKA36100CU31A | RLA36100CU31A | | | |
| | 5.0 LSI | RGA36100CU33A | | RJA36100CU33A | RKA36100CU33A | RLA36100CU33A | | | | | |
| | Ammeter | 3.0 LI | | RGA36100CU41A | RJA36100CU41A | RKA36100CU41A | RLA36100CU41A | | | | |
| | | 5.0A LSI | | RGA36100CU43A | RJA36100CU43A | RKA36100CU43A | RLA36100CU43A | | | | |
| | | 6.0A LSI | | RGA36100CU44A | RJA36100CU44A | RKA36100CU44A | RLA36100CU44A | | | | |
| | | Power | | 5.0P LSI | RGA36100CU63AE1 | RJA36100CU63AE1 | RKA36100CU63AE1 | RLA36100CU63AE1 | | | |
| | 6.0P LSI | | RGA36100CU64AE1 | RJA36100CU64AE1 | RKA36100CU64AE1 | RLA36100CU64AE1 | | | | | |
| | Harmonic | 5.0H LSI | RGA36100CU73AE1 | RJA36100CU73AE1 | RKA36100CU73AE1 | RLA36100CU73AE1 | | | | | |
| | | 6.0H LSI | RGA36100CU74AE1 | RJA36100CU74AE1 | RKA36100CU74AE1 | RLA36100CU74AE1 | | | | | |
| | 1200 | Standard | 3.0 LI | RGA36120CU31A | RJA36120CU31A | RKA36120CU31A | RLA36120CU31A | | | | |
| | | | | 5.0 LSI | RGA36120CU33A | RJA36120CU33A | RKA36120CU33A | RLA36120CU33A | | | |
| Ammeter | | 3.0 LI | RGA36120CU41A | RJA36120CU41A | RKA36120CU41A | RLA36120CU41A | | | | | |
| | | 5.0A LSI | RGA36120CU43A | RJA36120CU43A | RKA36120CU43A | RLA36120CU43A | | | | | |
| | | 6.0A LSI | RGA36120CU44A | RJA36120CU44A | RKA36120CU44A | RLA36120CU44A | | | | | |
| | | Power | 5.0P LSI | RGA36120CU63AE1 | RJA36120CU63AE1 | RKA36120CU63AE1 | RLA36120CU63AE1 | | | | |
| 6.0P LSI | | | RGA36120CU64AE1 | RJA36120CU64AE1 | RKA36120CU64AE1 | RLA36120CU64AE1 | | | | | |
| Harmonic | | 5.0H LSI | RGA36120CU73AE1 | RJA36120CU73AE1 | RKA36120CU73AE1 | RLA36120CU73AE1 | | | | | |
| | | 6.0H LSI | RGA36120CU74AE1 | RJA36120CU74AE1 | RKA36120CU74AE1 | RLA36120CU74AE1 | | | | | |

Panelboards

I-Line® – Circuit Breaker Type

Factory Assembled Panels

600 Vac, 250 Vdc Max.
1200 Amp Mains Max.

The table below is intended as a quick reference for our I-Line Factory Assembled offer. For complete details please consult the I-Line panelboard product selector in Q2C or EQM, or contact your Schneider Electric sales representative.

I-LINE Panelboard Types - Factory assembled offer (FA)

| Type | Amp Rating/ Main type | Branch Mounting Inches | Avail. w/ Vertical Main? | Encl. W x D inches | Encl. Heights inches | Left Side Branch Types | Right Side Branch Types |
|--------|--|---|--|-----------------------|----------------------------|---|---|
| HCM | 225 MB, MLO 400 MB, MLO 600 MB, MLO 800 MB, MLO | MLO: 27, 45, 63, 99 VMB: 27, 36, 45, 54, 72, 81 | Yes, except H frame and J frame | 32 x 8.25(9.5) | 48, 64, 73, 91 | QB, QD, QG, QJ FA, FH FG, FJ, FK, HD, HG, HJ, HL, HR JD, JG, JJ, JL, JR | QB, QD, QG, QJ FA, FH, HD, HG, HJ, HL, HR FJ, FK JD, JG, JJ, JL, JR |
| HCP-SU | 800 MLO/MB | 54 | No | 26 x 9.5 | 86 | FA, FH FG, FJ, FK QB, QD, QG, QJ HD, HG, HJ, HL, HR, LD, LG, LJ, LL, LR, LA, LH, MG, MJ PG, PJ, PL, PK, PGC, PJC, PLC | Single row - no branches on right side |
| HCP | 400 MLO 600 MLO 800 MLO 1200 MLO | 27, 45, 63, 99 | No | 42 x 9.5 | 50, 59, 68, 86 | FA, FH FG, FJ, FK QB, QD, QG, QJ HD, HG, HJ, HL, HR, JD, JG, JJ, JL, JR, LD, LG, LJ, LL, LR, LA, LH, MG, MJ PG, PJ, PL, PK, PGC, PJC, PLC to 800A max | FA, FH FJ, FK, HD, HG, HJ, HL, HR QB, QD, QG, QJ JD, JG, JJ, JL, JR |
| HCP | 600 MB 800 MB | 36, 72 | Yes | 42 x 9.5 | 68, 86 | FA, FH FG, FJ, FK QB, QD, QG, QJ HD, HG, HJ, HL, HR, JD, JG, JJ, JL, JR, LD, LG, LJ, LL, LA, LH, MG, MJ | FA, FH FJ, FK, HD, HG, HJ, HL, HR QB, QD, QG, QJ JD, JG, JJ, JL, JR |
| HCR-U | 1200 MLO/MB | 108 incl. BFM/MB | No | 44 x 9.5 | 86 | FA, FH FJ, FK QB, QD, QG, QJ HD, HG, HJ, HL, HR, JD, JG, JJ, JL, JR, LD, LG, LJ, LL, LR, LA, LH, MG, MJ, PG, PJ, PL, PK, PGC, PJC, PLC, RGC, RJC, RKC, RLC to 1200 max | FA, FH FJ, FK, HD, HG, HJ, HL, HR QB, QD, QG, QJ JD, JG, JJ, JL, JR |

Notes:
VMB - Vertically mounted main breaker
BFM - Back-fed main breaker

✱ For pricing information on the Factory Assembled offer please refer to the I-Line panelboard product selector in Q2C or EQM, or contact your Schneider Electric sales representative.

I-LINE 200% Rated Neutral—Standard Terminal Configuration □

| Panel Type | Ampacity | Type | Branch Space | | Neutral Terminals Quantity & Size | | Type 1 Enclosure | | | | | |
|------------|----------------|------------|--------------|------|-----------------------------------|---|------------------|------|-------|------|------|-----|
| | | | IN | mm | Main | Branch | H | | W | | D | |
| | | | | | | | IN | mm | IN | mm | IN | mm |
| HCM | 600 A | MLO | 72 | 1829 | (8) 750 kcmil | (35) 350 kcmil (9) #14-1/0 (17) #14-#4 | 91.00 | 2311 | 32.00 | 813 | 8.25 | 210 |
| | 800 A | MLO | 72 | 1829 | | | | | | | | |
| | 600 A (MG, MJ) | M/B | 72 | 1829 | | | | | | | | |
| | 800 A (MG, MJ) | M/B | 72 | 1829 | | | | | | | | |
| HCR-U ◊ | 1200 A | Universal | 108 | 2743 | (8) 750 kcmil | (8) 600 kcmil (15) 350 kcmil (9) #14-1/0 (17) #14-#4 | 86.00 | 2184 | 44.00 | 1118 | 9.50 | 241 |
| HCP | 600 A | M/B MLO | 63 | 1600 | (8) 750 kcmil | (35) 350 kcmil (9) #14-1/0 (17) #14-#4 | 68.00 | 1727 | 42.00 | 1067 | 9.50 | 241 |
| | 800A | M/B, MLO | 99 | 2515 | (8) 750 kcmil | (35) 350 kcmil, (9)#14-1/0, (17)#14-#4 | 86 | 2184 | 42 | 1067 | 9.50 | 241 |
| HCP-SU ◊ | 800 A | M/B MLO | 54 | 1371 | (8) 750 kcmil | (8) 750 kcmil (21) 350 kcmil (9) #14-1/0 (17) #14-#4 | 86.00 | 2184 | 26.00 | 660 | 9.50 | 241 |

□ Available in Type 1 enclosures only.

◊ 9" box extension is required for HCP-SU panelboard with 200% rated neutral

○ 6" box extension is required for HCR-U panelboard with 200% rated neutral

600 Vac, 250 Vdc Max.
120/240 Vac Single Phase 3 Wire
1200 Amp Mains Max.

Factory Assembled Panels

The I-Line Combo single phase and three phase panelboard, combines NQ for single phase and NQ or NF for three phase lighting section with an I-Line distribution section in a single panelboard. It is available in single or duplex configurations, which determine the number of included lighting sections. The I-Line Combo panelboards are designed to accept the following circuit breakers: FA, FH, FI, FY, HD, HG, HJ, HL, HR, JD, JG, JJ, JL, JR, LA, LH, LD, LG, LJ, LL, LR, MG, MJ, PG, PJ, PK, PL, Q4, QB, QG, QJ, EDB, EGB, EJB, QO and QOB.

| Panelboard Configuration | I-Line Mounting Space | Maximum Aperature ³ | | Lighting Section Circuit Count | | Nema 1 Dimensions in inches (mm) | | |
|--------------------------|-----------------------|--------------------------------|-------------------|--------------------------------|--------------------------------------|--------------------------------------|-----------|--------------------------------------|
| | | | | Section 1 | Section 2 | Height | Width | Depth |
| Single | 18 in. (457 mm) | 600 | | 30 | — | 86 (2184) | 26 (660) | 9.5 (241) |
| | | | | 42 | — | 86 (2184) | 26 (660) | 9.5 (241) |
| Single | 22.5 in. (572 mm) | 600 | | 30 | — | 73 (1854) | 32 (813) | 9.5 (241) |
| | | | | 42 | — | 91 (2311) | 32 (813) | 9.5 (241) |
| Single | 31.5 in. (800 mm) | MLO | MCB | 42 | 42 | 86 ² (2184 ²) | 41 (1118) | 9.5 ² (241 ²) |
| | | 800 | 1200 ² | 42 | Optional Mounting Space ¹ | 86 ² (2184 ²) | 41 (1118) | 9.5 ² (241 ²) |

¹ Optional mounting space is only available on 800 A interiors, not 1200 A.

² 1200 A unit has following dimensions: 92 in. (2337 mm) Height, 44 in. (1118 mm) Width, 12 in. (305 mm) Depth.

³ MCB for 48 Vdc is 400A max.

Enclosure Protection

Type 1, 3R*, 4/4X*, 5*, 12*

* Only available in 26 in. (660 mm) and 44 in. (1118 mm) width configurations up to 800A. 1200A unit has Type 1, 2 enclosure.

Features and Benefits

Reduced Footprint

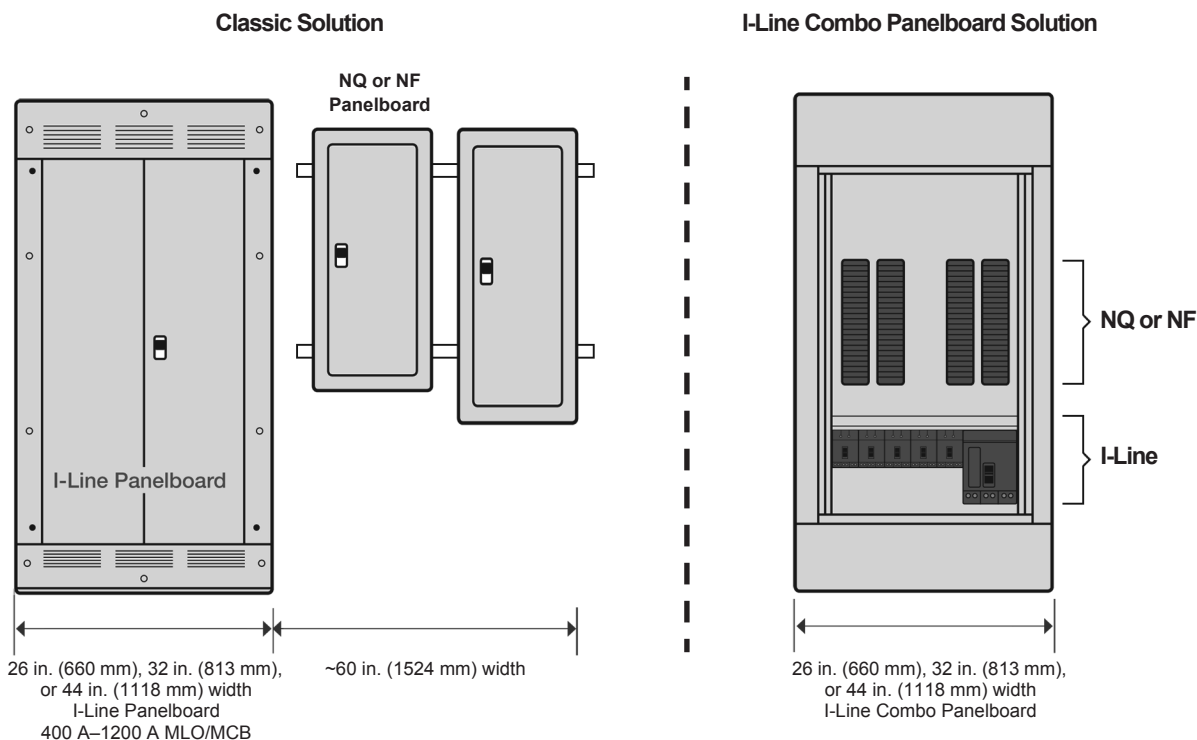
By combining a power panel with up to two lighting panels in a single enclosure, the I-Line Combo panelboard saves significant space at any site.

Simple to Retrofit

I-Line Combo panelboard enclosures fit into the same footprint on sites where an existing I-Line power panelboard resides, providing easy upgrades of electrical equipment.

Flexible Circuit Breaker Configuration

Due to the I-Line Combo panelboard's ability to house I-Line molded case circuit breakers as well as cost effective miniature circuit breakers, it provides not only a more economical solution but an adaptable solution tailored to each customer.



Panelboards

QMB – Fusible Switch Type

Factory Assembled

600 Vac, 250 Vdc Max.
1200 Amp Mains Max.

I-LINE 200% Rated Neutral—Standard Terminal Configuration □



QMB Panelboard

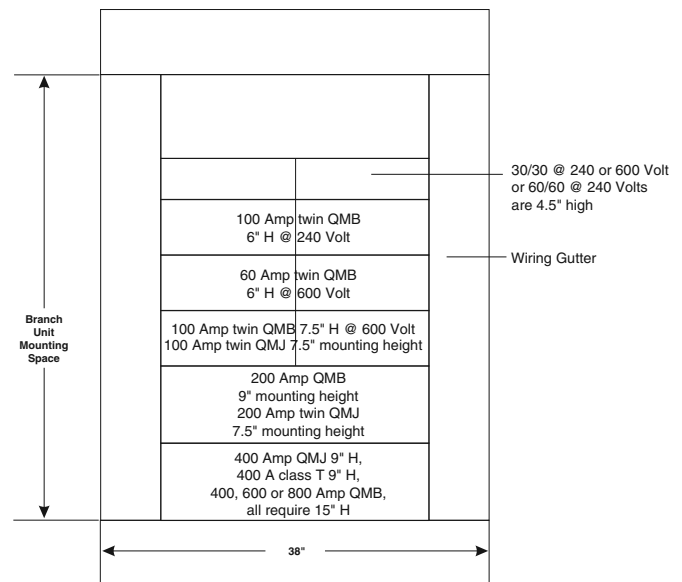
QMB Fusible Power Panelboards deliver outstanding Square D quality to serve your Industrial, Commercial and other application needs.

To better match your requirements this panel is available exclusively Factory assembled.

Please contact your Schneider Electric sales professional or an authorized distributor for assistance.

DE5 PANELBOARDS

QMB Layout Information



Application Information

- [Lug data](#), page DE5-35.

Branch Switches and Accessories

QMB Branch Switch Units

| Unit Ampere Rating | Unit Height (In.) | Catalogue Number | Class R Fuse Kits | | Electrical Interlock Kit Catalogue Number ▲ | Horsepower Ratings★ | | | | | | | | | | | | | |
|----------------------------------|--|------------------|-------------------|--------------------|---|---------------------|-----|------|-----|---------|-----|------|-----|---------|-----|------|-----|---------|----|
| | | | No. Kits Req'd. | Catalogue Number | | 240 Vac | | | | 480 Vac | | | | 600 Vac | | | | 250 Vdc | |
| | | | | | | Std. | | Max. | | Std. | | Max. | | Std. | | Max. | | | |
| | | | | | | 1Ø | 3Ø | 1Ø | 3Ø | 1Ø | 3Ø | 1Ø | 3Ø | 1Ø | 3Ø | 1Ø | 3Ø | | |
| 2-pole, 240 Vac | | | | | | | | | | | | | | | | | | | |
| 30 A-30 A | 4.5 | QMB221TW | 2 | HRK30 | QMB300EK(1 or 2) | 1.5 | 3 | 3 | 7.5 | — | — | — | — | — | — | — | — | — | 5 |
| 30 A-Blank | 4.5 | QMB221HW■ | 1 | | | | | | | | | | | | | | | | |
| 60 A-60 A | 4.5 | QMB222TW | 1 | QMB36R | QMB300EK(1 or 2) | 3 | 7.5 | 10 | 15 | — | — | — | — | — | — | — | — | — | 10 |
| 60 A-Blank | 4.5 | QMB222HW■ | 1 | | | | | | | | | | | | | | | | |
| 100 A-100 A | 6 | QMB223TW | 1 | QMB100R | QMB610EK(1 or 2) | 7.5 | 15 | 15 | 30 | — | — | — | — | — | — | — | — | — | 20 |
| 100 A-Blank | 6 | QMB223HW■ | 1 | | | | | | | | | | | | | | | | |
| 200 A | 9 | QMB224W | 1 | HRK1020 | QMB200EK(1 or 2) | — | 25 | 15 | 60 | — | — | — | — | — | — | — | — | — | 40 |
| 400 A | 15 | QMB225W | 1 | QMB4060R | | | | | | | | | | | | | | | |
| 600 A | Use 3-pole devices for 2-pole application. | | | | — | — | — | — | — | — | — | — | — | — | — | — | — | — | — |
| 3-pole, 240 Vac | | | | | | | | | | | | | | | | | | | |
| 30 A-30 A | 4.5 | QMB321TW | 2 | HRK30 | QMB300EK(1 or 2) | — | 3 | — | 7.5 | — | — | — | — | — | — | — | — | — | — |
| 30 A-Blank | 4.5 | QMB321HW■ | 1 | | | | | | | | | | | | | | | | |
| 60 A-60 A | 4.5 | QMB322TW | 1 | QMB36R | QMB300EK(1 or 2) | — | 7.5 | — | 15 | — | — | — | — | — | — | — | — | — | — |
| 60 A-Blank | 4.5 | QMB322HW■ | 1 | | | | | | | | | | | | | | | | |
| 100 A-100 A | 6 | QMB323TW | 1 | QMB100R | QMB610EK(1 or 2) | — | 15 | — | 30 | — | — | — | — | — | — | — | — | — | — |
| 100 A-Blank | 6 | QMB323HW■ | 1 | | | | | | | | | | | | | | | | |
| 200 A | 9 | QMB324W | 1 | HRK1020 | QMB200EK(1 or 2) | — | 25 | — | 60 | — | — | — | — | — | — | — | — | — | — |
| 400 A | 15 | QMB325W | 1 | QMB4060R | | | | | | | | | | | | | | | |
| 400 A | 9 | QMB325WT3◆ | — | — | — | — | 50 | — | 125 | — | — | — | — | — | — | — | — | — | — |
| 600 A | 15 | QMB326W | 1 | QMB4060R | — | — | 75 | — | 150 | — | — | — | — | — | — | — | — | — | — |
| 800 A | 15 | QMB327WT3◆ | — | — | — | — | 75 | — | — | — | — | — | — | — | — | — | — | — | — |
| 2-pole, 600 Vac, 250 Vdc★ | | | | | | | | | | | | | | | | | | | |
| 30 A-30 A | 4.5 | QMB261TW | 1 | QMB36R | QMB300EK(1 or 2) | 1.5 | — | 3 | — | 3 | 5 | 7.5 | 15 | 3 | — | 10 | — | — | 5 |
| 30 A-Blank | 4.5 | QMB261HW■ | 1 | | | | | | | | | | | | | | | | |
| 60 A-60 A | 6 | QMB262TW | 1 | QMB60R | QMB610EK(1 or 2) | 3 | — | 10 | — | 5 | 15 | 20 | 30 | 10 | — | 25 | — | — | 10 |
| 60 A-Blank | 6 | QMB262HW■ | 1 | | | | | | | | | | | | | | | | |
| 100 A-100 A | 7.5 | QMB263TW | 2 | HRK1020 | QMB610EK(1 or 2) | 7.5 | — | 15 | — | 10 | 25 | 30 | 60 | 15 | — | 40 | — | — | 20 |
| 100 A-Blank | 7.5 | QMB263HW■ | 1 | | | | | | | | | | | | | | | | |
| 200 A | 9 | QMB264W | 1 | HRK1020 | QMB200EK(1 or 2) | 15 | — | — | 25 | 50 | 50 | 125 | 30 | — | 50 | — | — | — | 40 |
| 400 A | 15 | QMB265W | 1 | QMB4060R | | | | | | | | | | | | | | | |
| 600 A▼ | Use 3-pole devices for 2-pole application. | | | | — | — | — | — | — | — | — | — | — | — | — | — | — | — | — |
| 3-pole, 600 Vac★ | | | | | | | | | | | | | | | | | | | |
| 30 A-30 A | 4.5 | QMB361TW | 1 | QMB36R | QMB300EK(1 or 2) | — | 3 | — | 7.5 | — | 5 | — | 15 | — | 7.5 | — | 20 | — | |
| 30 A-Blank | 4.5 | QMJ361T | — | — | | | | | | | | | | | | | | | |
| 60 A-60 A | 6 | QMB362TW | 1 | QMB60R | QMB610EK(1 or 2) | — | 7.5 | — | 15 | — | 15 | — | 30 | — | 15 | — | 50 | — | |
| 60 A-Blank | 6 | QMJ362T | — | — | | | | | | | | | | | | | | | |
| 60 A-30 A | 6 | QMB362T1W | 1 ea. | QMB60R and QMB36R | QMB610EK(1 or 2) | — | — | — | — | — | — | — | — | — | — | — | — | — | — |
| 100 A-100 A | 7.5 | QMB363TW | 2 | HRK1020 | | | | | | | | | | | | | | | |
| 100 A-Blank | 6 | QMJ363T | — | — | QMB610EK(1 or 2) | — | — | — | — | — | — | — | — | — | — | — | — | — | — |
| 100 A-Blank | 7.5 | QMB363HW■ | 1 | HRK1020 | | | | | | | | | | | | | | | |
| 100 A-30 A | 7.5 | QMB363T1W | 1 ea. | HRK1020 and QMB36R | QMB610EK(1 or 2) | — | — | — | — | — | — | — | — | — | — | — | — | — | — |
| 100 A-60 A | 7.5 | QMB363T2W | 1 ea. | HRK1020 and QMB60R | | | | | | | | | | | | | | | |
| 200 A | 9 | QMB364W | 1 | HRK1020 | QMB200EK(1 or 2) | — | 25 | — | 60 | — | 50 | — | 125 | — | 60 | — | 150 | — | |
| 200 A-200 A | 7.5 | QMJ364T | — | — | | | | | | | | | | | | | | | |
| 200 A-Blank | 7.5 | QMJ364H■ | — | — | QMB610EK(1 or 2) | — | — | — | — | — | — | — | — | — | — | — | — | — | — |
| 400 A△ | 15 | QMB365W | 1 | QMB4060R | | | | | | | | | | | | | | | |
| 400 A | 9 | QMJ365 | — | — | QMB200EK(1 or 2) | — | 50 | — | 125 | — | 100 | — | 250 | — | 125 | — | 350 | — | |
| 400 A△ | 9 | QMB365WT6◇ | — | — | | | | | | | | | | | | | | | |
| 600 A▼△ | 15 | QMB366W | 1 | QMB4060R | — | — | — | — | — | 150 | — | 400 | — | 250 | — | 500 | — | — | |
| 60 A□ | 15 | QMJ366 | — | — | — | — | 75 | — | 150 | — | — | — | — | — | — | — | — | — | — |
| 800 A□ | 15 | QMB367W | — | — | — | — | — | — | — | 150 | — | 400 | — | 250 | — | 500 | — | — | |

- ▲ "1" indicates one normally open and one normally closed contact.
- ▲ "2" indicates two normally open and two normally closed contacts.
- Blank units cannot be modified to accept a switch interior.
- ◆ Use 300 Vac Class T fuses only.
- ★ Class J fuse provisions—to field modify switch, move load side fuse base to position indicated in switch. Not available on 100-30, 100-60, or 800 A switch units.
- ▼ To adapt switch for 600 Vac Class T fuses, order kit Catalogue Number **QMB600T6**. (Use T6 fuses with standard horsepower ratings only).
- △ 250 Vdc rating.
- To adapt switch for 600 Vac Class T fuses, order kit Catalogue Number **QMB800T6**. (Use T6 fuses with standard horsepower ratings only).
- ◇ Use 600 Vac Class T fuses only.
- ★ Horsepower rating applicable to 3ph 4W Y system only.

Panelboards

QMB - Fusible Switch Type

Factory Assembled

QMB Factory Assembled Panelboards

| Main Lugs | | Main Switch ▲ | |
|------------------------|------------------------------|------------------------|------------------------------|
| Mains Rating (Amperes) | Maximum Mounting Space (In.) | Mains Rating (Amperes) | Maximum Mounting Space (In.) |
| — | — | 100 | 51 |
| — | — | 200 | 51 |
| 225 | 60 | — | — |
| 400 | 60 | 400 | 45 |
| 600 | 60 | 600 | 45 |
| 800 | 60 | 800■ | 45 |
| 1200 | 45 | — | — |

- ▲ Class J fuses available only on 600 V switches.
- 800 A switch unit with provision for CSA/UL Class L fuses.

Standard Mechanical Lugs—Main Lugs

| Panel Type | Mains Ampere Rating | Lug Wire Range ▲ | Wire Range Wire Bending Space per CSA ▲ |
|------------|---------------------|---|---|
| QMB | 225 A | one #6–300 kcmil Al or Cu | one #6–300 kcmil Al or Cu |
| | 400 A | one #6–300 kcmil Al or Cu and, one 3/0–750 kcmil Al or Cu | one #6–300 kcmil Al or Cu and, one 3/0–750 kcmil Al or Cu |
| | 600 A | two 3/0–500 kcmil Al or Cu | two 3/0–500 kcmil Al or Cu |
| | 800 A | (4) 3/0–750 kcmil Al or Cu | (3) 3/0–500 kcmil Al or Cu or two 3/0–750 kcmil Al or Cu |
| | 1200 A | (4) 3/0–750 kcmil Al or Cu | (4) 3/0–500 kcmil Al or Cu or (4) 3/0–750 kcmil Al or Cu |
| | 1600 A | | VCEL compression lugs Standard. |

Standard Mechanical Lugs—Main Switch

| Panel Type | Mains Ampere Rating | Lug Wire Range ▲ | Wire Range Wire Bending Space per CSA ▲ |
|------------|---------------------|------------------------|---|
| QMB | 200 A | #4–300 kcmil Al or Cu | one #4–300 kcmil Al or Cu |
| | 400 A | 3/0–600 kcmil Al or Cu | two 3/0–600 kcmil Al or Cu |
| | 600 A | 3/0–600 kcmil Al or Cu | two 3/0–600 kcmil Al or Cu |
| | 800 A | 3/0–600 kcmil Al or Cu | (3) 3/0–500 kcmil Al or Cu |

Standard Mechanical Lugs—QMB Branch Switch Units

| Panel Type | Switch Ampere Rating | Lug Wire Range ▲ | Wire Range Wire Bending Space per CSA ▲ |
|------------|----------------------|----------------------------|---|
| QMB | 30 A | one #14–#2 Al or Cu | one #14–#2 Al or Cu |
| | 60 A | one #14–#2 Al or Cu | one #14–#2 Al or Cu |
| | 100 A | one #14–1/0 Al or Cu | one #14–1/0 Al or Cu |
| | 200 A | one #4–300 kcmil Al or Cu | one #4–300 kcmil Al or Cu |
| | 400 A | two 3/0–600 kcmil Al or Cu | two 3/0–500 kcmil Al or Cu |
| | 600 A | two 3/0–600 kcmil Al or Cu | two 3/0–500 kcmil Al or Cu |
| | 800 A | (3) 3/0–600 kcmil Al or Cu | (3) 3/0–500 kcmil Al or Cu |

Standard Mechanical Lugs—QMJ Branch Switch Units ■

| Panel Type | Switch Ampere Rating | Lug Wire Range ▲ | Wire Range Wire Bending Space per CSA ▲ |
|------------|----------------------|----------------------------|---|
| QMJ | 30 A | one #14–#2 Al or Cu | one #14–#2 Al or Cu |
| | 60 A | one #14–#2 Al or Cu | one #14–#2 Al or Cu |
| | 100 A | one #14–1/0 Al or Cu | one #14–1/0 Al or Cu |
| | 200 A | one #6–300 kcmil Al or Cu | one #6–300 kcmil Al or Cu |
| | 400 A | one 1/0–750 kcmil Al or Cu | one 1/0–750 kcmil Al or Cu |
| | 400 A | two 1/0–300 kcmil Al or Cu | two 1/0–300 kcmil Al or Cu |
| | 600 A | two 3/0–600 kcmil Al or Cu | two 3/0–600 kcmil Al or Cu |

- ▲ (#) = Number of conductors per phase.
- Use only 90 °C insulated conductors based on an ampacity of 75 °C conductors.

General Instructions

The special feature options covered in this section are applicable to factory-assembled panelboards only.

Special features are listed in three major categories:

- Mains
- Branches
- Cabinets

Ordering Instructions

Certain features already appear in the Q2C or EQM panelboard quotation system and they are flagged appropriately (▲). For those features not listed on the quotation system, enter the information as it appears in this publication in the "Other Special Features" screen in Q2C or EQM.

Please contact your local Schneider Electric sales office for pricing.

Metric Conversion

Inches (in) x 25.4 = millimeters (mm).

If you have any questions, please contact your local Schneider Electric sales office, or our Customer Information Centre at 1-800-565-6699.

Metering - Type 1 Enclosures Only. (1200 A Maximum)

Boxes and Interiors are shipped fully assembled.

NQ, NF and POWERLINK® require a 7" left side gutter extension and a 6" main end extension for POWERLOGIC Power Meter applications.

I-LINE and QMB require a 14" side gutter extension for POWERLOGIC Circuit Monitor and Power Meter applications.

Current Transformers In Mains (ac only and line side only)▲

Default selection based on transformers having a 5 Ampere secondary and mounted under a separate cover.

| Primary Amperes (5 A—Secondary) | Additional Box Height Required ■ |
|------------------------------------|----------------------------------|
| 100–1200 | 6" |

Customer Equipment Space (end user must specify end use equipment to be installed)▲

Available with NQ and NF lighting panelboards only and must be opposite the mains end, both main breaker and main lug, to prevent interference with incoming cables. Customer equipment space is not available with thru-feed lugs or sub-feed breakers.

A barrier exists between the equipment space and the panelboard compartment; a separate door is provided as standard (requires 18" additional box height).

- ▲ Feature supported by Product selectors in Q2C and EQM.
- For NQ and NF panelboards.

Keyed Interlock

Not available for use in NQ, NF, I-LINE. Not available on I-Line™ with door when key interlock MG/MJ/P/R/ frame branch mounted circuit breakers are installed. Must use 4-piece trim or NEMA 3R/12.

Keyed mechanical interlocking of two or more circuits is available on request. Individual locks are furnished for each circuit. All locks operate by one key, which can be removed only when the circuit is locked in the desired position.

I-LINE Circuit Breakers—A 3" filler adjacent to the circuit is necessary for mounting the interlock; contact your local Schneider Electric sales office for assistance with power distribution panelboards with doors. Feature not available on vertically mounted main circuit breaker.

QMB Fusible Switches—Available on 100A singles▲ thru 800A switches plus LA circuit breaker adapters. Requires 3" of branch mounting space per switch for interlock installation.

▲ 100 A single QMB requires 9" of mounting space.

Motor Operators—I-LINE Circuit Breakers Only

Motor operators provide remote *open*, *close*, and *reset* control of molded case circuit breakers.

Legacy F-, L-Frame Circuit Breakers:

- Motor operators require 4.5" of circuit breaker mounting space. This can be provided on I-LINE main circuit breaker only when the main is branch-mounted and back-fed.

PowerPact H-, J-, P-Frame Circuit Breakers:

- motor operators must be factory installed.
- can not be mounted in I-Line panel with a door.

| Type Circuit Breaker | Motor operator voltage |
|--------------------------------|---|
| FA, FH | 120 Vac |
| LA, LH | 120 Vac |
| H-Frame (3P), J-Frame, P-Frame | 48/60, 110/130, 208/277, 380/480 Vac; 24/30, 48/60, 110/130, 250 Vdc |

NQ, NF, I-Line, QMB Panelboards

Special Features for Factory Assembled Panels - Mains

Enclosure Modifications

Increased Box Depth (Type MH or HC26 enclosures only)

Type 1 Enclosure — 8" depth (HC26 only)▲
12" depth (HC32, 42, 44—12" only)▲

Type 3R, 5, or 12 Enclosure 8" or 12" depth increments▲

Note: No other depths available.

Increased Side Gutters (Type 1 Enclosures Only)

Note: Available on MH enclosures, (right or left) in 3, 6 and 12-inch added width, 26" wide HC enclosures up to a maximum of 14 additional inches and 32" wide HC enclosures up to a maximum of 10 additional inches. Not available on 42" wide HC enclosures. **No barrier will be supplied unless specified.** Includes one piece trim.

Steel barrier in enclosure

Note: The box will be extended on one side only. If extension is required on both sides, contact your local Schneider Electric sales office for assistance.

Extended Top and Bottom End Gutters (Type 1 Enclosures Only)

Type MH enclosures – 6", 12", 18" or 24" extension, includes one piece trim.▲

Type HCM enclosures – 9" extension, includes trim and extension cover.▲

Type HCP, HCR-U- enclosures – 12" extension, includes trim and extension cover.▲

Type QMB enclosures – 38" W x 11.5" D may have a 6" increased end gutter maximum.

This is the only QMB enclosure with an increased end gutter option and is only available with a 4-piece trim.

For lengths other than listed above, refer to the Wireway section.

▲Feature supported by Product selectors in Q2C and EQM.

Drip Hood▲

For each surface mounted only panelboard.

Finishes — Standard

The standard finish of the enclosure trims is ANSI 49. The boxes are galvanized steel. Options are as follows:

ANSI 49 enclosure.▲

ANSI 61 trim or enclosure.▲

Enclosure other than ANSI 49 or ANSI 61▲

Trim and enclosure with polyester acrylic powder paint finish (provides increased salt spray performance in coastal areas and increased resistance to UV fading).

Special or custom paint for trim and/or box is available.

Free-standing Enclosures

Supports extending out front and back, welded to bottom of enclosure▲

Stainless Steel Trim Fronts

NQ 20" Wide Flush and Surface▲

NF Flush and Surface▲

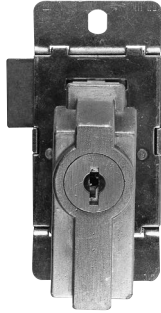
I-LINE HCM—Standard Trim with Door▲

I-LINE HCP—Standard Trim with Door▲

▲ Feature supported by Product Selectors in Q2C and EQM.

Padlock Hasp

Hasp, staple and standard lock (padlock not included).



Corbin 15767 Lock

Special Locks

Special locks: Corbin 60, Corbin 15767, Yale 511S, GE 75 or Best 7L7RL3. On trim with 3-point latch, special locks will be installed as a secondary latch. (standard key change).▲

All other locks — contact your local Schneider Electric sales office for assistance.

Quarter turn fasteners.

Note: Special locks for all HC trims and NF panelboards with three-point latches, will be installed as secondary locks. Special locks are not available on I-LINE 42" and 44" wide panelboards or QMB type panelboards.

Note: Many key configurations can be accommodated with our standard Square D lock. Contact your local Schneider Electric sales office for assistance.

Multi-section Panels

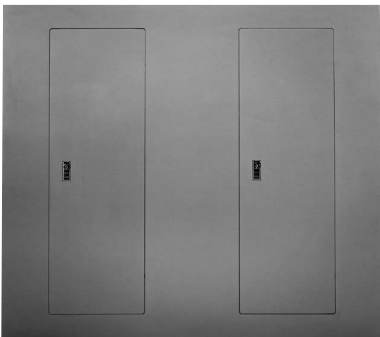
Equal height enclosures.

NQ or NF.▲

I-LINE or QMB.

Common trim in place of two individual fronts (to cover two equal height enclosures mounted side-by-side); available on MH non-hinged trims only. Sheared on inside edges, allowing boxes to be butted together.

▲ Feature supported by Product selectors in Q2C and EQM.



Common Trim Front for Use with Multiple-Section Panelboards Mounted Side-By-Side

NQ, NF, I-Line, QMB Panelboards

Special Features for Factory Assembled Panels - Cabinets

Panel Skirt for Standard Width Panelboards▲

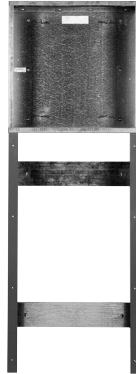
Panel skirts are intended for cosmetic purposes only; they are meant to hide cables which are **enclosed in conduit**. Do not use a panel skirt as a wireway. (For wireway, see below.)

| Skirt Length | | |
|--------------|--------|-------------|
| | NQ, NF | I-LINE, QMB |
| 4" to 60" | X | X |
| 61" to 92" | X | X |

Note: Panel skirts are for Type 1 surface mounted applications with standard depth and width, **Square D enclosures only.**



Panel Skirt Framework To Be Bolted To The Wall



Panel Skirt Bolted In Place Below An MH20 Enclosure



Panel Skirt Completely Installed

Wireway▲

Allows for terminating conduit in the wireway endwall. Only the cable passes through the wireway into the panelboard enclosure. Includes trim and wireway cover.

| Wireway Length | | |
|----------------|--------|-------------|
| | NQ, NF | I-LINE, QMB |
| 4" to 60" | X | X |
| 61" to 92" | X | X |

Note: Wireway is for Type 1, surface mounted applications, with standard depth and width, **Square D enclosures only.**

▲Feature supported by Product Selectors in Q2C and EQM.

Panels to Fit Existing Enclosures

Panelboard interiors and special fronts can be furnished to fit existing enclosures.

Use the Retrofit Existing Enclosure data sheet where pertinent dimensions can be recorded. Photocopy the page, then list required dimensions on the photocopy and forward, with the order, to your local Schneider Electric sales office. For interiors requiring vented enclosures, contact your local Schneider Electric sales office for assistance.

Note: Existing enclosure depth on flush installations must be measured from inside surface of box to outer wall or plaster surface.

Special Fronts

Existing enclosure same depth or deeper than our standard, also has the option of special trim.

Note: Elevating brackets to be supplied by customer for existing boxes deeper than our standard.

Existing enclosure shallower than our standard; requires a box extension (surface applications) or a formed trim (flush applications); hinged trim front option is not available for these applications.

Note: Formed trim available on NQ (225 A max) and NF (250 A max). When flush trim is required for an existing enclosure that is shallower than our standard, be sure to indicate the position of the enclosure with respect to the wall in which it is mounted. This is required in order to determine whether a enclosure extension with flat trim should be supplied, or whether a flush formed trim is more applicable. **The interior must be centered in the enclosure** and, if the box is deeper than our standard, the interior must be leveled within the box. **The enclosure must be at least 1.5" longer than the deadfront (interior trim) on each end.** Special trims that are manufactured to fit an existing enclosure will be within $\pm 0.25"$ of the specification. Refer to the table below for standard box depths and for maximum depth for which no special mounting brackets are required.

| Panelboard Type | Standard Box Depth | Maximum Box Depth for which No Special Mounting Brackets Required |
|---|--------------------|---|
| NQ standard width—main lugs only | 5.75" | 5.75" |
| NQ standard width—main circuit breaker | 5.75" | 5.75" |
| NF | 5.75" | 5.75" |
| I-LINE—Maximum F, H or Q-frame branch circuit breaker | 6.5" | 7.25" |
| I-LINE—Maximum J-Frame branch circuit breaker | 8.25" | 9.0" |
| I-LINE—Maximum P or R-Frame branch circuit breaker | 9.25" | 10.25" |

Space Heater

Note: Enclosure, interior, and trim ship fully assembled. 120 volt is standard. Top feed applications only.

NQ and NF require 18 inches equipment space in NEMA 3R/12 constructions. NQ and NF require 6 inch bottom end gutter in NEMA 1 construction.

Unwired (provisions for wiring to external source).

Wired (with overcurrent device, thermostat).

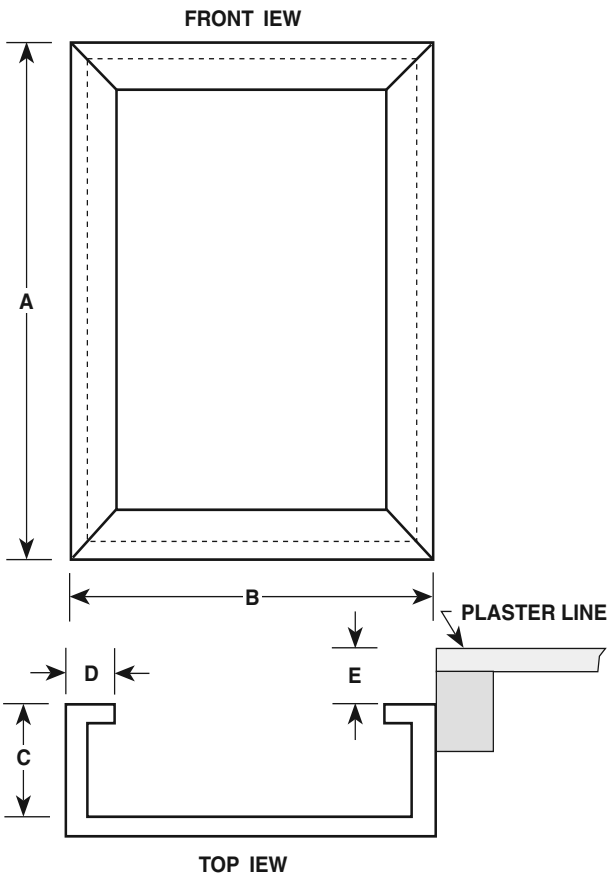
Data Sheet for Panelboards to Retrofit Existing Enclosures

Distributor: _____

Job Name: _____

Contractor: _____

Panel Marking: _____



The following dimensions are necessary for quotation and production of a panel to fit an existing box (provide dimensions in inches only):

1. Existing Flush-Mounted Boxes

Height dimension "A":

Width dimension "B":

Depth dimension "C":

Flange width dimension "D":

If box is not flush with Plaster Line, dimension "E":

2. Existing Surface-Mounted Boxes

Height dimension "A":

Width dimension "B":

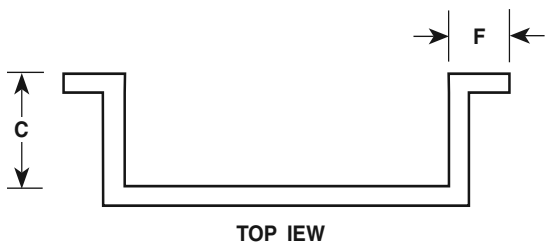
Depth dimension "C":

Flange dimension may be either dimension "D" or "F" (select one)

a. Dimension "D":

b. Dimension "F":

Note: Trims are furnished so that the interior must be centered within the box. If the box is deeper than the standard panelboard box for the required type of panelboard, *customer supplied mounting brackets may be necessary to bring the interior out to the front of the box.* If interior requires a vented enclosure, contact your local Schneider Electric sales office for assistance.



Special Enclosures▲

Type 1 gasketed enclosure (gasketing between trim and enclosure)

Note: For 250 A and below enclosures with doors only.

Stainless steel enclosure—Type 3R-12

- NQ and NF
- I-LINE ★
- QMB ◆

Note: #316 stainless steel is available, contact your local Schneider Electric sales office for pricing information.

Fiberglass enclosures—Type 4X Non-Vented

- NQ† and NF *
- I-LINE and QMB Not Available

Type 12 Door-In-Door enclosures. See Table Below



I-Line door in door enclosure

| Interior Type | Enclosure Size | | |
|---------------|----------------|-------|-------|
| | Height | Width | Depth |
| NQ† | 56" | 20" | 6.5" |
| NF * | 56" | 20" | 6.5" |
| I-LINE (HCM) | 91" | 32" | 11.5" |
| I-LINE (HCP) | 68" | 42" | 12.7" |
| I-LINE (HCP) | 86" | 42" | 12.7" |

- ▲ Feature supported by Product Selectors in Q2C and EQM.
- ★ Not available for HCR-U interiors.
- ◆ Not available for QMB interiors over 800 amperes.
- † Maximum 225 A for NQ.
- * Maximum 250 A for NF.

Obsolete Panelboards Information

For information on replacement breakers and parts for NBC, NBLP, NBDP, NHC, NHDP and CDP Panelboards, please contact our Customer Information Centre at 1-800-565-6699.

- 240V NBC, NBLP and NBDP panels are replaced by Square D NQ panels.
- 600V NHC panels are replaced by Square D NF panels.
- 600V NHDP panels are replaced by Square D NF panels for 347/600V wye applications and Square D I-Line panels for 600V delta applications.
- 600V CDP panels are replaced by Square D I-Line panels