



**GM Lighting**

**Innovation is the key** to GM Lighting's growth. The industry is moving rapidly and GM Lighting is at the cutting edge in product offering and design. Our products are in full compliance with major certification agencies

GM Lighting, LLC  
Toll-Free (866) 671-0811  
FAX: (708) 478-2640  
9830 W. 190th Street ▪ Unit F  
Mokena, IL 60448

[www.gmlighting.com](http://www.gmlighting.com)  
[sales@gmlighting.net](mailto:sales@gmlighting.net)

Catalog contents  
©2012 GM Lighting, LLC  
All rights reserved.

Dimensions and specifications are subject to change without notice. Reproduction in whole or in part without permission is strictly prohibited.

Printed in U.S.A.

**Quality is the cornerstone** of GM Lighting's success. All of our products are designed and tested by GM Lighting. Regardless of the application: residential, commercial or hospitality - GM Lighting's products are manufactured to perform. GM Lighting's reputation for ease of installation and quality has made our products a favorite with architects, designers and contractors.

**Service is the hallmark** of GM Lighting. Innovation and quality do not mean much without a competent, professional support staff to back it all up. All of GM Lighting's products come with instruction sheets. Our technical staff is on standby to assist you regarding layouts and installations.



## GM LIGHTING

Established in 2004, GM Lighting has been innovative, quality driven and customer service oriented to become a leader in the task and accent lighting market. Initially introducing a well designed, easy to install Xenon undercabinet light fixture, GM has expanded into one of the most complete LED Linear Lighting companies in the United States.

Our products are always designed and manufactured with field input from every level of the Lighting business. From showrooms, distributors, contractors and lighting designers, we are always listening to ideas for new products as well as how to improve on our current offering. We will continue our commitment to excellence and strive to offer you the best available task and accent lighting products in the industry. We hope you have a pleasant experience as you read through our new catalog.

Sincerely,

Rob Gerber  
President  
GM Lighting

### Energy Saving GM Lighting LED Linear Products

GM Lighting incorporates the highest quality LED's into our vast array of LED linear lighting products. Our binning process regarding the LED diodes has the tightest tolerances in the industry. This is one phase that has allowed us to grow into a lighting manufacturer that can support not only the residential market but also supply our products for large commercial projects. All GM products are in full compliance with UL, ETL and CSA.

GM Lighting was the first to introduce a Flexible LED Linear Ribbon product to the market that carried a UL Listing.

GM Lighting's LED Linear products feature the following:

- **Long Life - GM Lighting's LED's are rated for 50,000 hours.**
- **Energy Efficient - One of the key benefits of GM Lighting's LED's are the incredible lumen output-per-watt ratio.**
- **Low Maintenance - GM Lighting's LED's are very low maintenance and require minimum to no maintenance during their life.**
- **Ease of Installation - GM Lighting's LED Linear Products are very easy to install and can be mounted in extremely tight areas where no other type of lighting fixture can be installed.**
- **Warranty - All LED products carry a 4 year warranty.**



TESTIMONIALS TO QUALITY



# Table of Contents

12VDC and 24VDC Architectural LED Linear Lightbars .....	5
LARC3 - 12VDC Low Profile .....	6
LTAB-N - 12VDC Aluminum Wet Location High Output .....	7
LTB - 12VDC Rigid High Output .....	8
LARC4 - 24VDC .....	9
LED Linear Lightbar Quick Reference Guide .....	10
LEDTask™ 12VDC Flexible LED Linear Ribbon .....	12
12VDC High Output .....	13
12VDC Standard Output .....	15
12VDC Wet Location High Output .....	19
12VDC Wet Location Standard Output .....	21
12VDC Silicone Damp Location .....	23
12VDC RGB Color Changing .....	25
12VDC Wet Location RGB Color Changing .....	27
LTR150 Series 12VDC RGB Color Changing Controller and Remotes .....	30
12VDC RGB Color Changing LED Linear Ribbon Amplifier .....	30
Flexible LED Linear Ribbon Quick Reference Guide .....	31
Aluminum Mounting Channel .....	32
EZ Ribbon Connector .....	33
SLRK 12VDC Damp Location Flexible Ribbon Installation Kit .....	34
LumenTask™ Undercabinet Lighting .....	35
120V LED Undercabinet .....	36
120V Xenon Undercabinet .....	38
12V Xenon Undercabinet .....	39
Accessories for LED, 120V and 12V Models .....	40
12V / 120V Xenon Specifications .....	41
Energy Saving Accent / Task Puck and Mini-Recessed Lighting .....	43
700mA Constant Current 3W LED HP .....	44
12V Xenon .....	45
12V 3W Mini-Recessed Downlight .....	47
12VAC / DC LED PaverBrick .....	49
RGB Color Changing PaverBrick .....	51
12VDC and 24VDC LED Power Supplies .....	53
12VDC Electronic LED Power Supplies .....	54
12VDC Magnetic LED Dimmable Power Supplies .....	55
12VDC Class II LED Dimmable Power Supplies .....	56
24VDC Electronic LED Power Supplies .....	57
Electronic Remote Transformers .....	58
12V Voltage Chart .....	59
24V Voltage Chart .....	60
GM Lighting Displays .....	62
Product Index .....	69





# 12VDC and 24VDC Architectural LED Linear LightBars

LARC3 - 12VDC Low Profile  
Page 6

LARC3 - 12VDC Low Profile  
Page 6

LTAB-N - 12VDC Wet Location  
Page 7

LTB - 12VDC  
Page 8

LARC4 - 24VDC  
Page 9





# LARC3 - 12VDC ARCHITECTURAL LOW PROFILE LED LINEAR LIGHTBAR

Perfect for under-cabinet lighting, display lighting and architectural lighting applications.

GM Lighting's LARC3 Series provides high lumen output, low wattage energy efficient LED lighting in an architecturally inspired design.

- Dimmable ▪ 3000K warm white
- 50,000 hour LED life
- Units join securely together with lightbar to lightbar connectors
- Frosted lens available (sold separately)\*



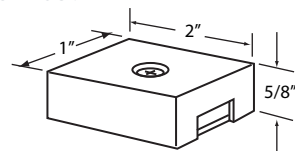
Catalog No.	Color	Wattage	Amps per Bar	Lumens per Bar	Length	Finish
LARC3-7-WW-BA	3000K	3.6W	0.3	112	7.0"	Brushed Aluminum
LARC3-13-WW-BA	3000K	7W	0.6	225	13.5"	Brushed Aluminum
LARC3-19-WW-BA	3000K	9W	0.75	328	19.5"	Brushed Aluminum
LARC3-7-WW-B	3000K	3.6W	0.3	112	7.0"	Black
LARC3-13-WW-B	3000K	7W	0.6	225	13.5"	Black
LARC3-19-WW-B	3000K	9W	0.75	328	19.5"	Black

Each fixture comes complete with (2) mounting screws, (2) straight/angle mounting clips, (1) lightbar to lightbar connector (LARC3-BB-1) and (1) 24" lightbar to power supply connector (LARC3-PS-24). Kelvin temperature (color)  $\pm$  200K.

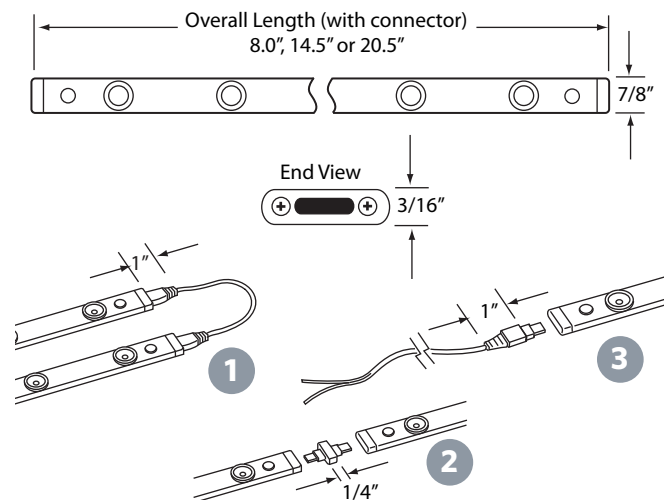
## Connectors and Accessories

- LARC3-BB-1** Lightbar to lightbar connector
- LARC3-BB-4** 4" flexible lightbar to lightbar connector
- LARC3-BB-12** 12" flexible lightbar to lightbar connector
- LARC3-BB-24** 24" flexible lightbar to lightbar connector
- LARC3-BB-36** 36" flexible lightbar to lightbar connector
- LARC3-BB-60** 60" flexible lightbar to lightbar connector
- LARC3-PS-24** 24" lightbar to power supply connector
- LARC3-PS-48** 48" lightbar to power supply connector
- LARC3-PS-60** 60" lightbar to power supply connector
- \* **LARC3-FL-BA** LARC3 Frosted lens. Brushed aluminum
- \* **LARC3-FL-B** LARC3 Frosted lens. Black

- GMSB-W** Splice box - white  
2"L x 1"W x 5/8"D
- GMSB-B** Splice box - black  
2"L x 1"W x 5/8"D



## LARC3 Dimensions



Key to Connector Diagrams (above right): **1.** Flexible lightbar to lightbar connector. Available in 4", 12", 24", 36", 60". **2.** Lightbar to lightbar connector. **3.** Lightbar to power supply connector. Available in 24", 48" and 60". Please see Quick Reference Guide on page 10 for maximum single runs. Please see Power Supplies on page 53.

# LTAB-N - 12VDC ARCHITECTURAL ALUMINUM HIGH OUTPUT WET LOCATION LED LINEAR LIGHTBAR

Ideal for wet bar and commercial kitchen applications.

GM Lighting's LTAB-N Series provides high output energy efficient LED lighting in an enclosed aluminum housing. Suitable for installations from -12°F to 150°F.

## LTAB-N-24



- Dimmable ▪ 2700K warm white, 3500K warm white and 5500K pure white
- 50,000 hour LED life
- Units join securely together with flexible lightbar to lightbar connectors
- 120° viewing angle ▪ Totally enclosed

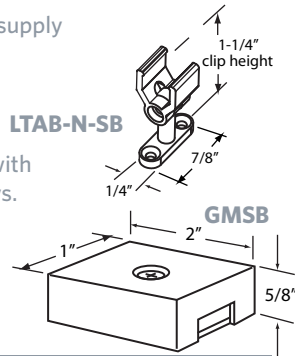


Catalog No.	Color	Wattage per LED/Bar	Amps per Bar	Lumens per Bar	Length	LED Life
LTAB-N-8-27	2700K	0.14W / 1.68W	0.14	101	7-3/4"	50,000 hrs.
LTAB-N-16-27	2700K	0.14W / 3.36W	0.28	203	15-1/4"	50,000 hrs.
LTAB-N-24-27	2700K	0.14W / 5.20W	0.43	304	23-5/8"	50,000 hrs.
LTAB-N-8	3500K	0.14W / 1.68W	0.14	132	7-3/4"	50,000 hrs.
LTAB-N-16	3500K	0.14W / 3.36W	0.28	264	15-1/4"	50,000 hrs.
LTAB-N-24	3500K	0.14W / 5.20W	0.43	396	23-5/8"	50,000 hrs.
LTAB-N-8-PW	5500K	0.14W / 1.68W	0.14	168	7-3/4"	50,000 hrs.
LTAB-N-16-PW	5500K	0.14W / 3.36W	0.28	336	15-1/4"	50,000 hrs.
LTAB-N-24-PW	5500K	0.14W / 5.20W	0.43	504	23-5/8"	50,000 hrs.

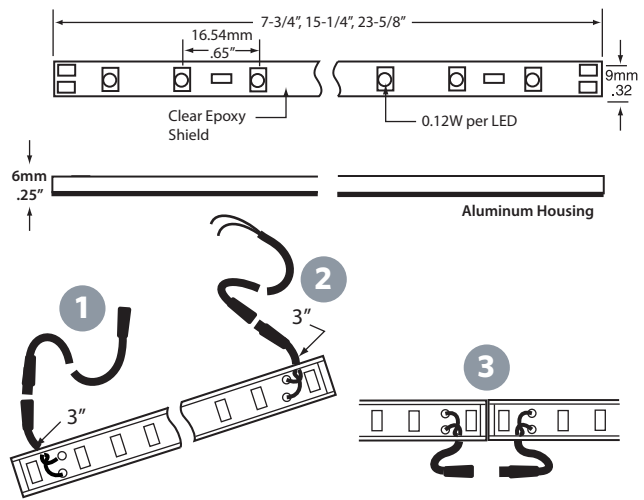
Includes attached 3M double stick mounting tape, (2) plastic mounting clips, (4) stainless steel screws, (1) male plug to seal end of run and 2-way double stick tape for concealing connectors to mounting surface. (1) 24" lightbar to power supply connector (LTW-24-WP) included with each lightbar. Kelvin temperature (color) ± 200K.

### Connectors and Accessories

- LTCWP-12** 12" flexible lightbar to lightbar connector
- LTCWP-24** 24" flexible lightbar to lightbar connector
- LTCWP-36** 36" flexible lightbar to lightbar connector
- LTCWP-60** 60" flexible lightbar to lightbar connector
- LTW-24-WP** 24" lightbar to power supply connector
- LTW-48-WP** 48" lightbar to power supply connector
- LTW-60-WP** 60" lightbar to power supply connector
- LTAB-N-SB** (Pair) swivel bracket with 4 stainless steel screws.
- GMSB-W** Splice box - white  
2" L x 1" W x 5/8" D
- GMSB-B** Splice box - black  
2" L x 1" W x 5/8" D



### LTAB-N Dimensions



Key to Connector Diagrams (above right): **1.** Flexible lightbar to lightbar connector. Available in 12", 48", 60". **2.** Lightbar to power supply connector. Available in 12", 24", 36", 60". **3.** Lightbars can be butted together. Please see Quick Reference Guide on page 10 for maximum single runs. Please see Power Supplies on page 53.

# LTB - 12VDC RIGID HIGH OUTPUT LED LINEAR LIGHTBAR

High output LED lighting for superior lumen performance for a wide variety of lighting applications.

GM Lighting's LTB Rigid High Output LED Linear Lightbar Series provides a warm 3500K light source that is easily configurable by utilizing GM Lighting's flexible lightbar to lightbar connectors (below). The LTB Series fixtures are extremely easy to mount with the attached 3M double stick padded mounting tape on the back of each lightbar.



LTB-16

- Dimmable ▪ 3500K warm white
- 50,000 hour LED life ▪ 120° viewing angle
- Units join together with flexible lightbar to lightbar connectors enabling custom applications

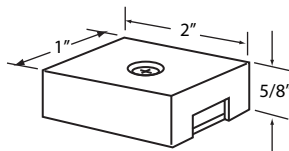


Catalog No.	Color	Total LED's	Wattage per LED/Bar	Amps per Bar	Lumens per Bar	Length	LED Life
LTB-8	3500K	12	0.14W / 1.68W	0.14	132	7-3/4"	50,000 hrs.
LTB-16	3500K	24	0.14W / 3.36W	0.28	264	15-1/4"	50,000 hrs.

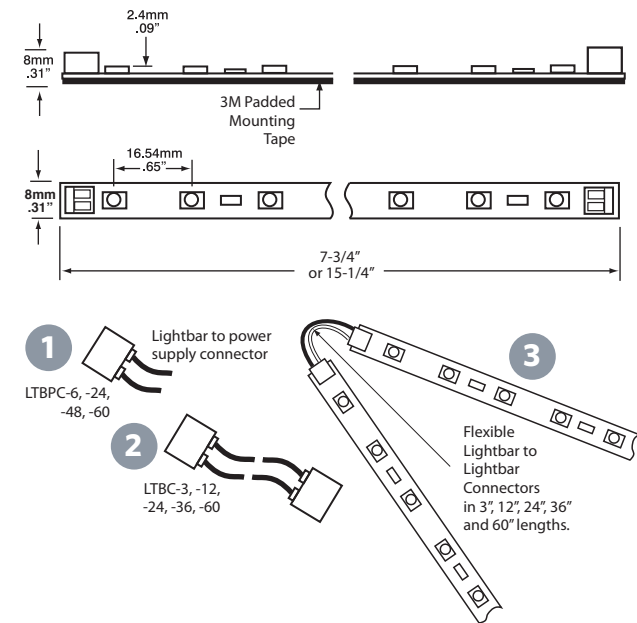
One lightbar to power supply connector (LTBPC-6) included in each lightbar. Kelvin temperature (color) ± 200K.

## Connectors and Accessories

- LTBC-3** 3" flexible lightbar to lightbar connector
- LTBC-12** 12" flexible lightbar to lightbar connector
- LTBC-24** 24" flexible lightbar to lightbar connector
- LTBC-36** 36" flexible lightbar to lightbar connector
- LTBC-60** 60" flexible lightbar to lightbar connector
- LTBPC-6** 6" lightbar to power supply connector
- LTBPC-24** 24" lightbar to power supply connector
- LTBPC-48** 48" lightbar to power supply connector
- LTBPC-60** 60" lightbar to power supply connector
- LTMC** (Pair) lightbar mounting clips with 4 screws (optional)
- GMSB-W** Splice box - white  
2"L x 1"W x 5/8"D
- GMSB-B** Splice box - black  
2"L x 1"W x 5/8"D



## LTB Dimensions



**Key to Connector Diagrams (above right):** 1. Flexible lightbar to power supply connector. Available in 6", 24", 48", 60". 2. Flexible lightbar to lightbar connector. Available in 3", 12", 24", 36", 60". 3. Diagram of flexible lightbar to lightbar connector configuration. Please see Quick Reference Guide on page 10 for maximum single runs. Please see Power Supplies on page 53.

# LARC4 - 24VDC ARCHITECTURAL LED LINEAR LIGHTBAR

LARC4 employs an innovative design that provides optimum lumen performance by utilizing a dense array of strategically placed LED's.

**LARC4-19-WW-BA**

GM Lighting's LARC4 Series provides 24VDC energy efficient LED lighting in an enclosed housing. LARC4 lightbars can be securely snapped together or connected using flexible lightbar to lightbar connectors. Suitable for installations from 40°F to 104°F.

**Designed for cove lighting, commercial and architectural lighting applications.**

- Dimmable ▪ 2700K warm white, 3500K warm white, 4200K natural white and 5500K pure white
- 50,000 hour LED life
- Units join securely together with flexible lightbar to lightbar connectors

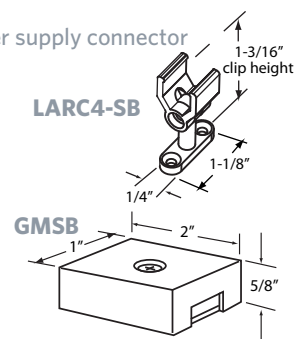


Catalog No.	Color	Wattage per Bar	Amps per Bar	Lumens per Bar	Length	Finish
LARC4-9-27-BA	2700K	4.8W	0.20	391	9-7/8"	Brushed Aluminum
LARC4-19-27-BA	2700K	9.6W	0.40	780	19-3/4"	Brushed Aluminum
LARC4-39-27-BA	2700K	19.2W	0.80	1575	39-3/8"	Brushed Aluminum
LARC4-9-WW-BA	3500K	4.8W	0.20	411	9-7/8"	Brushed Aluminum
LARC4-19-WW-BA	3500K	9.6W	0.40	819	19-3/4"	Brushed Aluminum
LARC4-39-WW-BA	3500K	19.2W	0.80	1654	39-3/8"	Brushed Aluminum
LARC4-9-42-BA	4200K	4.8W	0.20	444	9-7/8"	Brushed Aluminum
LARC4-19-42-BA	4200K	9.6W	0.40	878	19-3/4"	Brushed Aluminum
LARC4-39-42-BA	4200K	19.2W	0.80	1772	39-3/8"	Brushed Aluminum
LARC4-9-PW-BA	5500K	4.8W	0.20	454	9-7/8"	Brushed Aluminum
LARC4-19-PW-BA	5500K	9.6W	0.40	897	19-3/4"	Brushed Aluminum
LARC4-39-PW-BA	5500K	19.2W	0.80	1811	39-3/8"	Brushed Aluminum

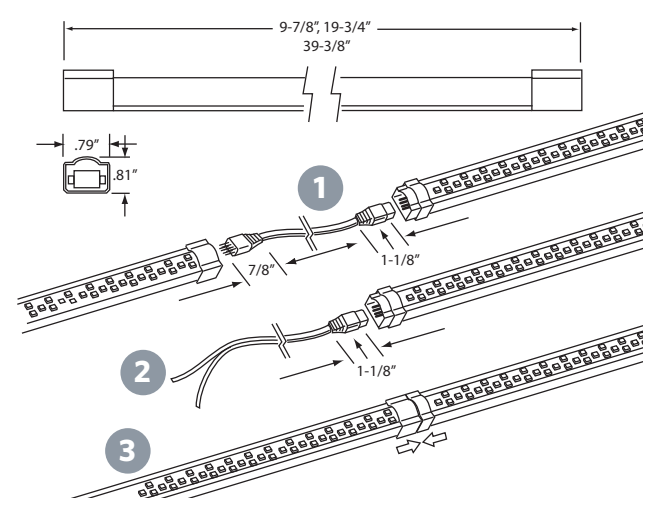
Includes (2) mounting screws, (2) mounting clips, (1) end cap and (1) 60" lightbar to power supply connector (LARC4-PS-60). Kelvin temperature (color) ± 200K.

## Connectors and Accessories

- LARC4-BB-6** 6" flexible lightbar to lightbar connector
- LARC4-BB-24** 24" flexible lightbar to lightbar connector
- LARC4-BB-36** 36" flexible lightbar to lightbar connector
- LARC4-BB-60** 60" flexible lightbar to lightbar connector
- LARC4-PS-60** 60" lightbar to power supply connector
- LARC4-SB** (Pair) swivel bracket with 4 stainless steel screws
- GMSB-W** Splice box - white 2"L x 1"W x 5/8"D
- GMSB-B** Splice box - black 2"L x 1"W x 5/8"D



## LARC4 Dimensions



Key to Connector Diagrams (above right): **1.** Flexible lightbar to lightbar connector. Available in 6", 24", 36", 60". **2.** Lightbar to power supply connector. **3.** Lightbars can be snapped together. No in-line connector needed. Please see Quick Reference Guide on page 10 for maximum single runs. Please see Power Supplies on page 57.

## LED LINEAR LIGHTBAR QUICK REFERENCE GUIDE

### LARC3 - 12VDC ARCHITECTURAL LOW PROFILE LED LINEAR LIGHTBAR

Catalog No.	Length	Watts per Foot	Max. Single Run
LARC3-7-WW-BA	7"	5.5W	10'
LARC3-13-WW-BA	13.5"	5.5W	10'
LARC3-19-WW-BA	19.5"	5.5W	10'
LARC3-7-WW-B	7"	5.5W	10'
LARC3-13-WW-B	13.5"	5.5W	10'
LARC3-19-WW-B	19.5"	5.5W	10'

### LTAB-N - 12VDC ARCHITECTURAL ALUMINUM HIGH OUTPUT WET LOCATION LED LINEAR LIGHTBAR

Catalog No.	Length	Watts per Foot	Max. Single Run
LTAB-N-8-27	8"	2.6W	16.4'
LTAB-N-16-27	16"	2.6W	16.4'
LTAB-N-24-27	24"	2.6W	16.4'
LTAB-N-8	8"	2.6W	16.4'
LTAB-N-16	16"	2.6W	16.4'
LTAB-N-24	24"	2.6W	16.4'
LTAB-N-8-PW	8"	2.6W	16.4'
LTAB-N-16-PW	16"	2.6W	16.4'
LTAB-N-24-PW	24"	2.6W	16.4'

### LTB - 12VDC RIGID HIGH OUTPUT LED LINEAR LIGHTBAR

Catalog No.	Length	Watts per Foot	Max. Single Run
LTB-8	8"	2.6W	16.4'
LTB-16	16"	2.6W	16.4'

### LARC4 - 24VDC ARCHITECTURAL LED LINEAR LIGHTBAR

Catalog No.	Length	Watts per Foot	Max. Single Run
LARC4-9-27-BA	9.25"	6.0W	20'
LARC4-19-27-BA	19.25"	6.0W	20'
LARC4-39-27-BA	39.25"	6.0W	20'
LARC4-9-WW-BA	9.25"	6.0W	20'
LARC4-19-WW-BA	19.25"	6.0W	20'
LARC4-39-WW-BA	39.25"	6.0W	20'
LARC4-9-42-BA	9.25"	6.0W	20'
LARC4-19-42-BA	19.25"	6.0W	20'
LARC4-39-42-BA	39.25"	6.0W	20'
LARC4-9-PW-BA	9.25"	6.0W	20'
LARC4-19-PW-BA	19.25"	6.0W	20'
LARC4-39-PW-BA	39.25"	6.0W	20'



# LEDTask 12VDC Flexible LED Linear Ribbon

LTR300 Series  
High Output  
and Standard Output  
Page 13, 15

LTRWP Series  
Wet Location  
High Output  
and Standard Output  
Page 19, 21

SLR Series  
Damp Location  
Page 23

LTR150-RGB Series  
RGB  
Page 25

LTR150WP-RGB Series  
RGB Wet Location  
Page 27

# LEDTASK™ 12VDC HIGH OUTPUT FLEXIBLE LED LINEAR RIBBON

GM Lighting's 12VDC High Output Flexible LED Linear Ribbon is the industry standard where an energy-saving high output LED source is required. Perfectly suited for cove lighting, architectural detail illumination, task lighting and hospitality lighting.

- 5 meter reel - 16.4'
- Dimmable
- 300 LED's per reel ▪ No harmful UV rays
- 50,000 hour life ▪ Cuttable every 3 LED's
- 120° viewing angle
- Mounts into tight areas
- Even illumination - no shadowing
- Utilizes 3M double stick mounting tape
- Accessories allow for multiple configurations



UL File No. E326687



Catalog No.	Color	Total LED's	LED Watts	Amps per Reel	Lumens per ft.	Length	LED Life
LTR300-27	2700K Warm White	300 (19 per ft.)	.14W (2.6W per ft., 42W per reel)	3.5	152	5M (16.4')	50,000 hrs.
LTR300-WW	3500K Warm White	300 (19 per ft.)	.14W (2.6W per ft., 42W per reel)	3.5	198	5M (16.4')	50,000 hrs.
LTR300-42	4200K Natural White	300 (19 per ft.)	.14W (2.6W per ft., 42W per reel)	3.5	222	5M (16.4')	50,000 hrs.

LED ribbon suitable for installation from -12°F to 150°F.

Please see Quick Reference Guide on page 31 for maximum single runs. Please see Power Supplies on page 53. Kelvin temperature (color) ± 200K.



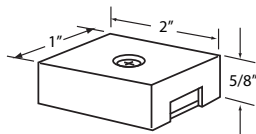
Includes (3) LTW-24 Connectors and (1) LTW-24 Connector affixed at start of reel. See below for other available connectors.



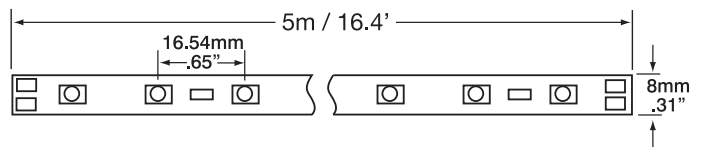
### Flexible LED Linear Ribbon Connectors and Accessories

- LTC-1** Ribbon to ribbon connector
- LTC-3** 3" flexible ribbon to ribbon connector
- LTC-12** 12" flexible ribbon to ribbon connector
- LTC-24** 24" flexible ribbon to ribbon connector
- LTC-36** 36" flexible ribbon to ribbon connector
- LTC-60** 60" flexible ribbon to ribbon connector
- LTW-6** 6" flexible ribbon to power supply connector
- LTW-24** 24" flexible ribbon to power supply connector
- LTW-48** 48" flexible ribbon to power supply connector
- LTW-60** 60" flexible ribbon to power supply connector

- GMSB-W** Splice box - white  
2" L x 1" W x 5/8" D
- GMSB-B** Splice box - black  
2" L x 1" W x 5/8" D



### LTR300 High Output LED Linear Ribbon Dimensions



LTC Series



LTW Series

See page 32 for aluminum mounting channel.

# LEDTASK™ 12VDC STANDARD OUTPUT FLEXIBLE LED LINEAR RIBBON

GM Lighting's 12VDC Standard Output Flexible LED Linear Ribbon is perfectly suited for cove lighting, architectural detail illumination, theme lighting and accent lighting.

- 5 meter reel - 16.4'
- Dimmable
- 300 LED's per reel • No harmful UV rays
- 50,000 hour life • Cuttable every 3 LED's
- 120° viewing angle • Mounts into tight areas
- Even illumination - no shadowing
- Utilizes 3M double stick mounting tape
- Accessories allow for multiple configurations

UL File No. E326687



Catalog No.	Color	Total LED's	LED Watts	Amps per Reel	Lumens per ft.	Length	LED Life
<b>LTR300-SO-27</b>	2700K Warm White	300 (19 per ft.)	.08W (1.52W per ft., 24W per reel)	2.0	68	5M (16.4')	50,000 hrs.
<b>LTR300-SO-WW</b>	3500K Warm White	300 (19 per ft.)	.08W (1.52W per ft., 24W per reel)	2.0	79	5M (16.4')	50,000 hrs.
<b>LTR300-SO-PW</b>	5500K Pure White	300 (19 per ft.)	.08W (1.52W per ft., 24W per reel)	2.0	131	5M (16.4')	50,000 hrs.
<b>LTR300-RD</b>	Red	300 (19 per ft.)	.08W (1.52W per ft., 24W per reel)	2.0	9	5M (16.4')	50,000 hrs.
<b>LTR300-BL</b>	Blue	300 (19 per ft.)	.08W (1.52W per ft., 24W per reel)	2.0	12	5M (16.4')	50,000 hrs.
<b>LTR300-GR</b>	Green	300 (19 per ft.)	.08W (1.52W per ft., 24W per reel)	2.0	34	5M (16.4')	50,000 hrs.
<b>LTR300-AM</b>	Amber	300 (19 per ft.)	.08W (1.52W per ft., 24W per reel)	2.0	10	5M (16.4')	50,000 hrs.
<b>LTR300-PR</b>	Purple*	300 (19 per ft.)	.08W (1.52W per ft., 24W per reel)	2.0	0.4	5M (16.4')	50,000 hrs.

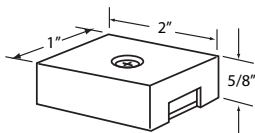
\*Purple emits UV. Can be used for 'black light' effects. Kelvin temperature (color) ±200K. LED ribbon suitable for installation from -12°F to 150°F. Please see Quick Reference Guide on page 31 for maximum single runs. Please see Power Supplies on page 53.

Includes (3) LTW-24 connectors and (1) LTW-24 connector affixed at start of reel.

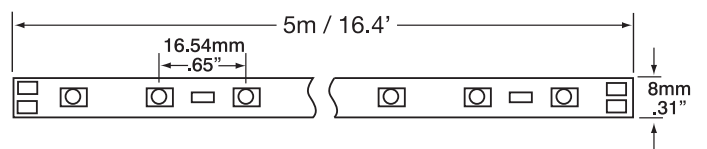


#### Flexible LED Linear Ribbon Connectors and Accessories

- LTC-1** Ribbon to ribbon connector
- LTC-3** 3" flexible ribbon to ribbon connector
- LTC-12** 12" flexible ribbon to ribbon connector
- LTC-24** 24" flexible ribbon to ribbon connector
- LTC-36** 36" flexible ribbon to ribbon connector
- LTC-60** 60" flexible ribbon to ribbon connector
- LTW-6** 6" flexible ribbon to power supply connector
- LTW-24** 24" flexible ribbon to power supply connector
- LTW-48** 48" flexible ribbon to power supply connector
- LTW-60** 60" flexible ribbon to power supply connector
- GMSB-W** Splice box - white  
2" L x 1" W x 5/8" D
- GMSB-B** Splice box - black  
2" L x 1" W x 5/8" D



#### LTR300 Standard Output LED Linear Ribbon Dimensions



LTC Series



LTW Series

See page 32 for aluminum mounting channel.





# LEDTASK™ 12VDC WET LOCATION HIGH OUTPUT FLEXIBLE LED LINEAR RIBBON

GM Lighting's wet location LED linear ribbon is the choice for any outdoor LED lighting application. A 50,000 hour LED product that delivers more performance per linear foot than any other equivalent light source. The product provides even illumination without any dark spots.

- 5 meter (16.4') reels
- 1 meter (39.4") reels are connectable
- Cuttable every 3 LED's
- Dimmable
- 50,000 hour life



UL File No. E326687



Catalog No.	Color	Total LED's	LED Watts	Amps per Reel	Lumens per ft.	Length	LED Life
LTR60WP-27	2700K Warm White	60 (19 per ft.)	.14W (2.6W per ft., 8.4W per reel)	0.7	152	1M (39.4")	50,000 hrs.
LTR300WP-27	2700K Warm White	300 (19 per ft.)	.14W (2.6W per ft., 42W per reel)	3.5	152	5M (16.4')	50,000 hrs.
LTR60WP-WW	3500K Warm White	60 (19 per ft.)	.14W (2.6W per ft., 8.4W per reel)	0.7	198	1M (39.4")	50,000 hrs.
LTR300WP-WW	3500K Warm White	300 (19 per ft.)	.14W (2.6W per ft., 42W per reel)	3.5	198	5M (16.4')	50,000 hrs.
LTR60WP-42	4200K Natural White	60 (19 per ft.)	.14W (2.6W per ft., 8.4W per reel)	0.7	222	1M (39.4")	50,000 hrs.
LTR300WP-42	4200K Natural White	300 (19 per ft.)	.14W (2.6W per ft., 42W per reel)	3.5	222	5M (16.4')	50,000 hrs.

Kelvin temperature (color) ± 200K. LED ribbon suitable for installation from -12°F to 150°F. Please see Quick Reference Guide on page 31 for maximum single runs. See page 53 for power supplies. **NOTE: Wet location ribbon is not listed to be directly submerged in water.**

GM Lighting's Wet Location LED ribbons are available in a 1 meter reel and a 5 meter reel. Each 1 meter reel has a male waterproof connector on one end and a female waterproof connector on the opposite end which allows them to be joined together. 1 meter reels include: (1) female wet location ribbon to power supply connector (LTW-24-WP), 6 silicone mounting clips, 12 stainless steel screws, 2 silicone end caps, 1 male plug for plugging end of run and a tube of silicone sealant. 5 meter reels include: (1) 24" female wet location ribbon to power supply connector (LTW-24-WP), 20 silicone mounting clips, 40 stainless steel screws, 2 silicone end caps, 1 male plug for plugging end of run and a tube of silicone sealant for ease of installation.



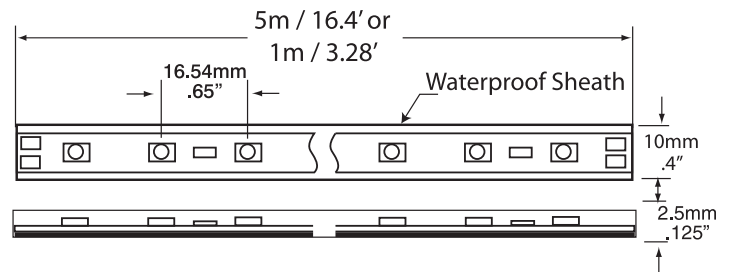
**Note: 1 meter reels are connectable.**

**5 meter reels are not connectable.**

#### Wet Location LED Linear Ribbon Connectors and Accessories

- LTCWP-12\*** 12" flexible ribbon to ribbon connector
- LTCWP-24\*** 24" flexible ribbon to ribbon connector
- LTCWP-36\*** 36" flexible ribbon to ribbon connector
- LTCWP-60\*** 60" flexible ribbon to ribbon connector
- LTW-24-WP** 24" flexible ribbon to power supply connector
- LTW-48-WP** 48" flexible ribbon to power supply connector
- LTW-60-WP** 60" flexible ribbon to power supply connector
- WPKT** Waterproof accessory kit. Includes: Small tube of silicone sealant, silicone end cap, 6 silicone clips, 12 screws and 1 male

#### Wet Location LED Linear Ribbon Dimensions



LTCWP Series



LTW-WP Series

\* For use with 1 meter reels only. See page 32 for aluminum mounting channel.

**NOTE: The piece of ribbon left over from your cut CANNOT be used. Keep this in mind when designing the layout.**

## LEDTASK™ 12VDC WET LOCATION STANDARD OUTPUT FLEXIBLE LED LINEAR RIBBON

GM Lighting's wet location LED linear ribbon is the choice for any outdoor LED lighting application. A 50,000 hour LED product that delivers more performance per linear foot than any other equivalent light source. The product provides even illumination without any dark spots.

- 1 meter (39.4") and 5 meter (16.4') reels are connectable
- Cuttable every 3 LED's
- Dimmable
- 50,000 hour life

UL File No. E326687



Catalog No.	Color	Total LED's	LED Watts	Amps per Reel	Lumens per ft.	Length	LED Life
<b>LTR60WP-SO-27</b>	2700K Natural White	60 (19 per ft.)	.08W (1.52W per ft., 4.8W per reel)	0.4	68	1M (39.4")	50,000 hrs.
<b>LTR300WP-SO-27</b>	2700K Natural White	300 (19 per ft.)	.08W (1.52W per ft., 24W per reel)	2.0	68	5M (16.4')	50,000 hrs.
<b>LTR60WP-SO-WW</b>	3500K Warm White	60 (19 per ft.)	.08W (1.52W per ft., 4.8W per reel)	0.4	79	1M (39.4")	50,000 hrs.
<b>LTR300WP-SO-WW</b>	3500K Warm White	300 (19 per ft.)	.08W (1.52W per ft., 24W per reel)	2.0	79	5M (16.4')	50,000 hrs.
<b>LTR60WP-SO-PW</b>	5500K Pure White	60 (19 per ft.)	.08W (1.52W per ft., 4.8W per reel)	0.4	131	1M (39.4")	50,000 hrs.
<b>LTR300WP-SO-PW</b>	5500K Pure White	300 (19 per ft.)	.08W (1.52W per ft., 24W per reel)	2.0	131	5M (16.4')	50,000 hrs.
<b>LTR300WP-RD</b>	Red	300 (19 per ft.)	.08W (1.52W per ft., 24W per reel)	2.0	10	5M (16.4')	50,000 hrs.
<b>LTR300WP-BL</b>	Blue	300 (19 per ft.)	.08W (1.52W per ft., 24W per reel)	2.0	12	5M (16.4')	50,000 hrs.
<b>LTR300WP-GR</b>	Green	300 (19 per ft.)	.08W (1.52W per ft., 24W per reel)	2.0	34	5M (16.4')	50,000 hrs.
<b>LTR300WP-AM</b>	Amber	300 (19 per ft.)	.08W (1.52W per ft., 24W per reel)	2.0	9	5M (16.4')	50,000 hrs.

Kelvin temperature (color) ± 200K. LED ribbon suitable for installation from -12°F to 150°F. Please see Quick Reference Guide on page 31 for maximum single runs. See page 53 for power supplies. **NOTE: Wet location ribbon is not listed to be directly submerged in water.**



GM Lighting's 1 and 5 meter wet location standard output LED ribbons are connectable. Each reel has a male waterproof connector on one end and a female waterproof connector on the opposite end. 5 meter reels include: (1) 24" female wet location ribbon to power supply connector (LTW-24-WP), 20 silicone mounting clips, 40 stainless steel screws, 2 silicone end caps, 1 male plug for plugging end of run and a tube of silicone sealant for ease of installation. 1 meter reels include: (1) female wet location ribbon to power supply connector (LTW-24-WP), 6 silicone mounting clips, 12 stainless steel screws, 2 silicone end caps, 1 male plug for plugging end of run and a tube of silicone sealant.



#### Wet Location LED Linear Ribbon Connectors and Accessories

**LTCWP-12\*** 12" flexible ribbon to ribbon connector

**LTCWP-24\*** 24" flexible ribbon to ribbon connector

**LTCWP-36\*** 36" flexible ribbon to ribbon connector

**LTCWP-60\*** 60" flexible ribbon to ribbon connector

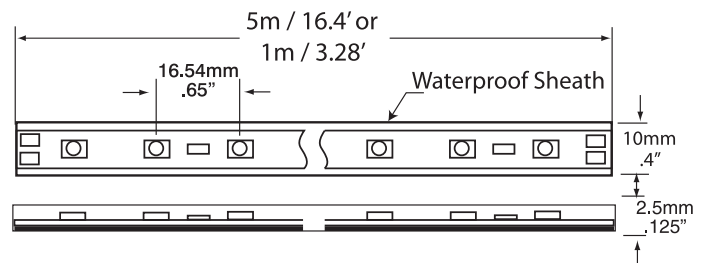
**LTW-24-WP** 24" flexible ribbon to power supply connector

**LTW-48-WP** 48" flexible ribbon to power supply connector

**LTW-60-WP** 60" flexible ribbon to power supply connector

**WPKT** Waterproof accessory kit. Includes: Small tube of silicone sealant, silicone end cap, 6 silicone clips, 12 screws and 1 male plug.

#### Wet Location LED Linear Ribbon Dimensions



LTCWP Series



LTW-WP Series

\* For use with 1 meter reels only. See page 32 for aluminum mounting channel.

**NOTE:** The piece of ribbon left over from your cut **CANNOT** be used. Keep this in mind when designing the layout.

# LEDTASK™ 12VDC SILICONE DAMP LOCATION FLEXIBLE LED LINEAR RIBBON

GM Lighting's Silicone Damp Location Flexible LED Ribbon is unique as it is available in 4 different lengths that allow for a variety of different length runs and sophisticated designs. This 4 pin connectable system is "THE" installer's choice. Available in 8", 16", 24" and 118" lengths, this product can be incorporated into any style of lighting design.



4 pin system insures a solid connection.

- Dimmable
- No harmful UV rays
- 50,000 hr. LED life
- Cuttable every 3 LED's
- Even illumination
- Utilizes 3M double stick tape
- Accessories allow for multiple configurations



Catalog No.	Color	Total LED's	LED Watts	Amps per Length	Lumens per ft.	Length	LED Life
SLR8-SO-27	2700K - Warm White	12	.08W (1.52W per ft.)	0.08	68	8"	50,000 hrs.
SLR16-SO-27	2700K - Warm White	24	.08W (1.52W per ft.)	0.16	68	16"	50,000 hrs.
SLR24-SO-27	2700K - Warm White	36	.08W (1.52W per ft.)	0.24	68	24"	50,000 hrs.
SLR118-SO-27*	2700K - Warm White	180	.08W (1.52W per ft.)	1.20	68	118"	50,000 hrs.
SLR8-SO-WW	3500K - Warm White	12	.08W (1.52W per ft.)	0.08	79	8"	50,000 hrs.
SLR16-SO-WW	3500K - Warm White	24	.08W (1.52W per ft.)	0.16	79	16"	50,000 hrs.
SLR24-SO-WW	3500K - Warm White	36	.08W (1.52W per ft.)	0.24	79	24"	50,000 hrs.
SLR118-SO-WW*	3500K - Warm White	180	.08W (1.52W per ft.)	1.20	79	118"	50,000 hrs.
SLR8-SO-PW	5500K - Pure White	12	.08W (1.52W per ft.)	0.08	131	8"	50,000 hrs.
SLR16-SO-PW	5500K - Pure White	24	.08W (1.52W per ft.)	0.16	131	16"	50,000 hrs.
SLR24-SO-PW	5500K - Pure White	36	.08W (1.52W per ft.)	0.24	131	24"	50,000 hrs.
SLR118-SO-PW*	5500K - Pure White	180	.08W (1.52W per ft.)	1.20	131	118"	50,000 hrs.

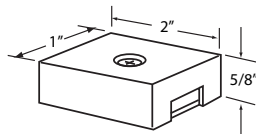
\* Includes (1) SLW-24 ribbon to power supply connector. Kelvin temperature (color) ±200K. Please see Quick Reference Guide on page 31 for maximum single runs. See page 53 for power supplies. **NOTE: The piece of ribbon left over from your cut CANNOT be used. Keep this in mind when designing the layout.**

Each length includes: (1) SLR-FEC, (1) SLR-MEC and (1) SLR-CEC. SLW Series ribbon to power supply connectors are ordered separately except when ordering the SLR118-SO lengths which also includes (1) SLW-24 ribbon to power supply connector.

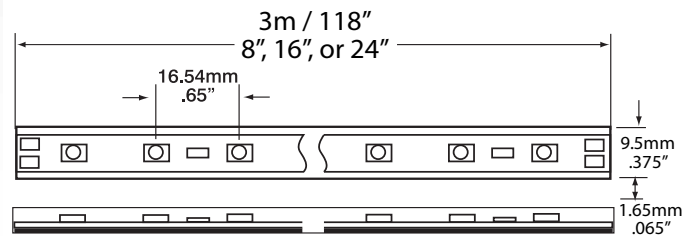


#### Damp Location LED Linear Ribbon Connectors and Accessories

- SLW-24** 24" flexible ribbon to power supply connector
- SLW-48** 48" flexible ribbon to power supply connector
- SLW-60** 60" flexible ribbon to power supply connector
- SLC-3** 3" flexible ribbon to ribbon connector
- SLC-12** 12" flexible ribbon to ribbon connector
- SLC-24** 24" flexible ribbon to ribbon connector
- SLC-36** 36" flexible ribbon to ribbon connector
- SLC-60** 60" flexible ribbon to ribbon connector
- SLR-L** 'L' connector - 90° ribbon to ribbon
- SLR-T** 'T' connector - ribbon to ribbon
- SLR-CEC** Cut end cap - for capping cut end of ribbon
- SLR-FEC** Female end cap
- SLR-MEC** Male end cap
- SLR-MC** 1 pair of mounting clips with screws
- GMSB-W** Splice box - white  
2" L x 1" W x 5/8" D
- GMSB-B** Splice box - black  
2" L x 1" W x 5/8" D



#### Damp Location LED Linear Ribbon Dimensions



SLW



SLC



SLR-L



SLR-T



SLR-CEC



SLR-MC

See page 32 for aluminum mounting channel.

# LEDTASK™ 12VDC RGB COLOR CHANGING FLEXIBLE LED LINEAR RIBBON

Perfect for themed environments or anywhere that dramatic RGB linear effects are desired. GM Lighting's LTR150 Series provides energy efficient RGB LED lighting in a 5 meter reel.

By utilizing GM Lighting's Touch Controller and Remote (page 30), your color palette will continue to change with different color effects and transitions.



- 5 meter reel - 16.4' ▪ 2.2W per foot
- 150 LED's per reel ▪ 50,000 hour life
- Mounts into tight areas
- No shadowing ▪ Utilizes 3M double stick mounting tape
- Touch controller, remote and amplifier available on page 30.



UL File No. E326687



Catalog No.	Color	Total LED's	LED Watts	Amps per Reel	Lumens per ft.	Length	LED Life
LTR150-RGB	RGB Color Changing	150 (9 per ft.)	36W (2.2W per ft.) per reel	3.0	64	5M (16.4')	50,000 hrs.

LED ribbon suitable for installation from -12°F to 150°F. Please see Quick Reference Guide on page 31 for maximum single runs. See page 54 for power supplies. See page 30 for RGB Controller and Remote.

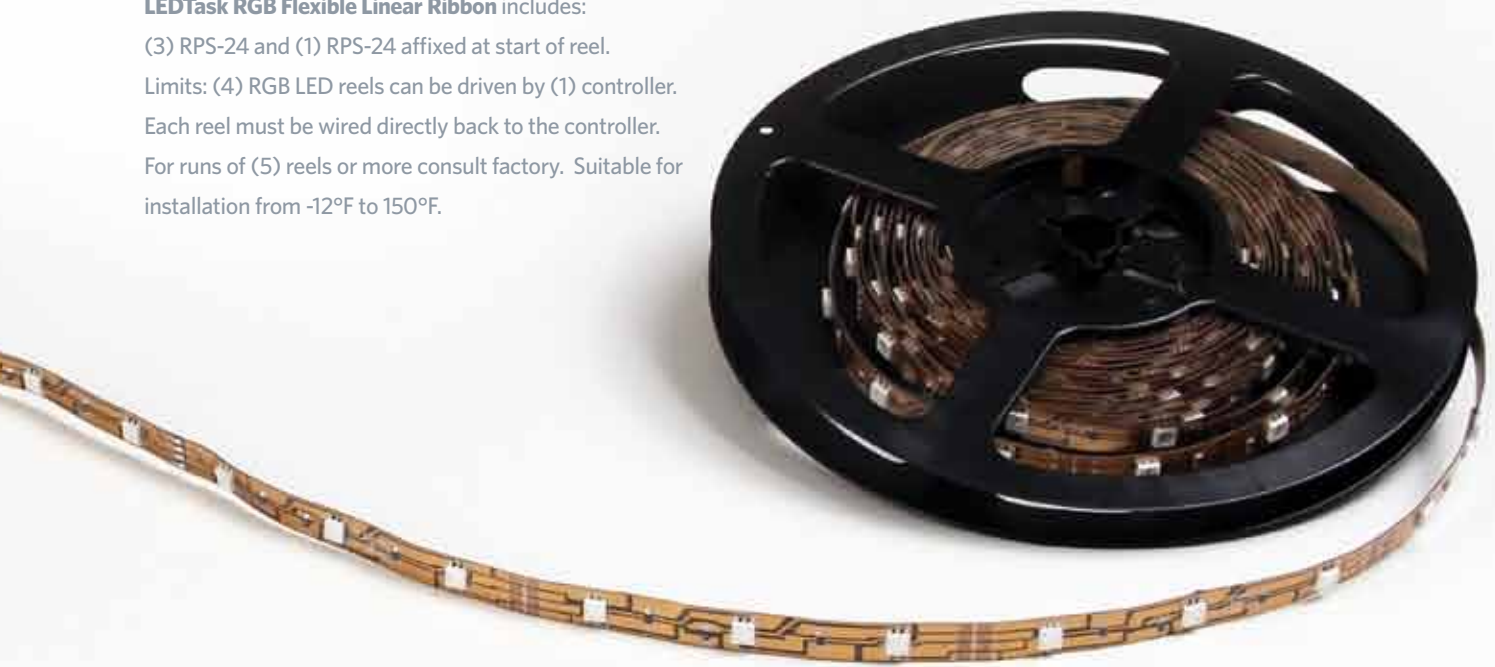
**LEDTask RGB Flexible Linear Ribbon** includes:

(3) RPS-24 and (1) RPS-24 affixed at start of reel.

Limits: (4) RGB LED reels can be driven by (1) controller.

Each reel must be wired directly back to the controller.

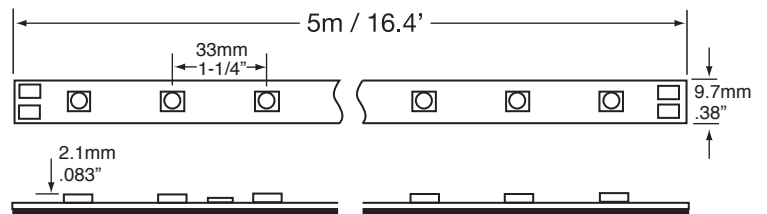
For runs of (5) reels or more consult factory. Suitable for installation from -12°F to 150°F.



**RGB LED Linear Ribbon Connectors and Accessories**

- RTR-1** Flexible ribbon to ribbon connector
- RTR-3** 3" flexible ribbon to ribbon connector
- RTR-12** 12" flexible ribbon to ribbon connector
- RTR-24** 24" flexible ribbon to ribbon connector
- RTR-36** 36" flexible ribbon to ribbon connector
- RTR-60** 60" flexible ribbon to ribbon connector
- RPS-24** 24" flexible ribbon to LED RGB controller
- RPS-72** 72" flexible ribbon to LED RGB controller

**RGB LED Linear Ribbon Diagram**



**RTR Series**



**RPS Series**

See page 32 for aluminum mounting channel.

# LEDTASK™ 12VDC WET LOCATION RGB COLOR CHANGING FLEXIBLE LED LINEAR RIBBON

Outdoor use of RGB Flexible LED Linear Ribbon is easily achieved with GM Lighting's wet location RGB ribbon. The product has all the attributes of the standard output RGB Flexible LED Linear Ribbon, encased in a flexible waterproof sheath.

- 5 meter reel - 16.4' • 2.2W per foot
- 1 meter connectable reel
- 50,000 hour life
- Mounts into tight areas
- Utilizes 3M double stick mounting tape
- Touch controller, remote and amplifier available on page 30.



UL File No. E326687



Catalog No.	Color	Total LED's	LED Watts	Amps per Reel	Lumens per ft.	Length	LED Life
LTR30WP-RGB	RGB Color Changing	30 (9 per ft.)	7.2W per reel (2.2W per ft.)	0.6	64	1M (39.4")	50,000 hrs.
LTR150WP-RGB	RGB Color Changing	150 (9 per ft.)	36W per reel (2.2W per ft.)	3.0	64	5M (16.4')	50,000 hrs.

LED ribbon suitable for installation from -12°F to 150°F. Please see Quick Reference Guide on page 31 for maximum single runs. See page 54 for power supplies.

**LEDTask RGB Color Changing Flexible LED Linear Ribbon for Wet Location.**

5 Meter Reel includes: (1) RPS-24-WP wet location ribbon to RGB controller connector, (1) male connector affixed at start of reel, (20) silicone mounting clips, (40) stainless steel screws, (1) tube silicone sealant and (2) silicone end-caps. Limits: (4) RGB LED reels can be driven by (1) controller. Each reel must be wired directly back to the controller. For runs of (5) reels or more consult factory. Suitable for installation from -12°F to 150°F. 5 meter RGB wet location reels are not connectable.

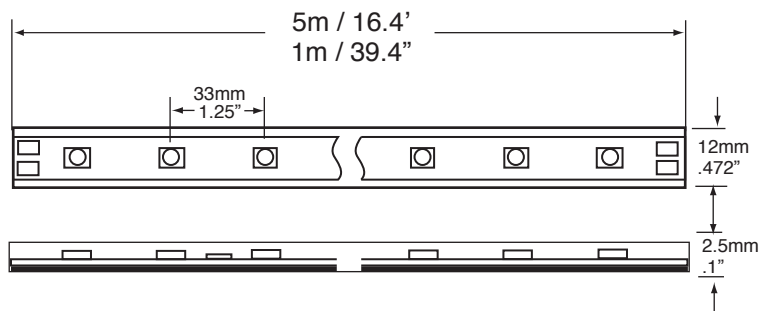


**LEDTask Connectible RGB Flexible Linear LED Ribbon for Wet Location.** Connectable 1 Meter Reel includes: (1) RPS-24-WP 24" wet location ribbon to RGB controller connector, (1) male waterproof connector affixed to end of ribbon, (1) female waterproof connector affixed to opposite end of ribbon which allows the ribbons to be connected together for various length applications, (6) silicone mounting clips, (12) stainless steel screws, tube of silicone sealant, 2 silicone end caps and 1 male silicone plug for plugging end of run.

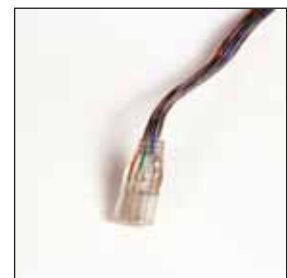
**Wet Location RGB Connectors and Accessories**

- RPS-24-WP** 24" flexible ribbon to LED RGB controller
- RPS-72-WP** 72" flexible ribbon to LED RGB controller
- RTRWP-12\*** 12" RGB flexible ribbon to ribbon connector
- RTRWP-24\*** 24" RGB flexible ribbon to ribbon connector
- RTRWP-36\*** 36" RGB flexible ribbon to ribbon connector
- RTRWP-60\*** 60" RGB flexible ribbon to ribbon connector
- WPKT-RGB** Waterproof accessory kit. Includes small tube of silicone sealant, 1 silicone end cap, 6 silicone mounting clips and 12 stainless steel screws.

**Wet Location RGB LED Linear Ribbon Dimensions**



RPS Series



RTWRP Series

\* For use with 1 meter reels only.





# LTR150 SERIES 12VDC RGB COLOR CHANGING CONTROLLER and REMOTES

Create fades and colorful lighting effects with this easy to use RGB LED Linear Ribbon Controller and Remotes. Allows the ability to program 16 preset modes that enable a palette of colors to remain constant, or to have the colors fade and transition to other colors.



### Color Effects:

- Color Changing
- Red fade-in and out
- Green fade-in and out
- Blue fade-in and out
- Yellow fade-in and out
- Purple fade-in and out
- Cyan fade-in and out
- White fade-in and out
- Red
- Green
- Blue
- Yellow
- Purple
- Cyan
- White
- Colors fade-in and out



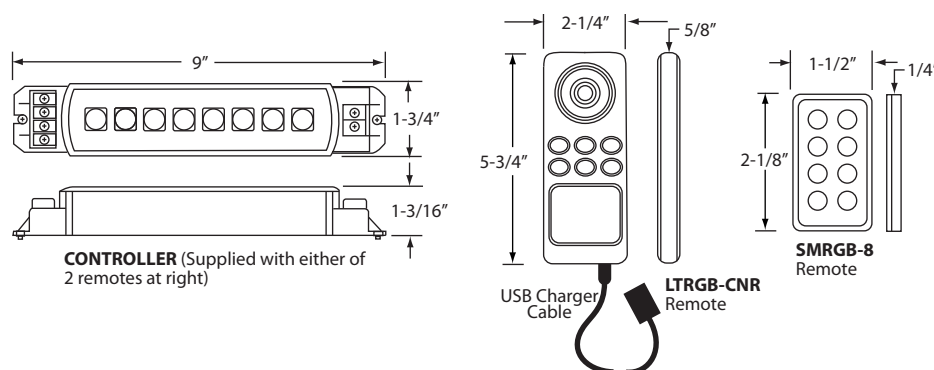
Catalog No.	Description	Wattage	Amps	Finish
<b>LTRGB-CNR</b>	RGB Touch Controller with Hand Held Remote	144W	12.0 max.	White
<b>SMRGB-8</b>	RGB Touch Controller with Battery Powered 8 Key Hand Held Remote	144W	12.0 max.	White

# LTR150 SERIES 12VDC RGB FLEXIBLE LED LINEAR RIBBON AMPLIFIER

RGB LED linear ribbon runs over 20 meters (4 - 5 meter reels), require an amplifier. The LTRGB-AMP enables easy installation over long runs. For runs of 5 reels or more, please consult factory.



Catalog No.	Description	Wattage	Amps	Finish
<b>LTRGB-AMP</b>	12VDC Flexible RGB LED Linear Ribbon Amplifier	144W	12.0 max.	Aluminum



- LTRGB-CNR REMOTE USB wall charger (supplied)
- SMRGB-8 REMOTE Lithium battery powered (supplied)

# FLEXIBLE LED LINEAR RIBBON QUICK REFERENCE GUIDE

## HIGH OUTPUT FLEXIBLE LED LINEAR RIBBON

Catalog No.	Watts per 5 Meter (16.4' Reel)	Max. Single Run
LTR300-WW	42W	16.4'
LTR300-27	42W	16.4'
LTR300-42	42W	16.4'

## STANDARD OUTPUT FLEXIBLE LED LINEAR RIBBON

Catalog No.	Watts per 5 Meter (16.4' Reel)	Max. Single Run
LTR300-SO-27	24W	32.8'
LTR300-SO-PW	24W	32.8'
LTR300-SO-WW	24W	32.8'
LTR300-SO-RD	24W	32.8'
LTR300-SO-BL	24W	32.8'
LTR300-SO-GR	24W	32.8'
LTR300-SO-AM	24W	32.8'
LTR300-SO-PR	24W	32.8'

## HIGH OUTPUT FLEXIBLE WET LOCATION LED LINEAR RIBBON

Catalog No.	Watts per 1 Meter (39.4" Reel)	Max. Single Run
LTR60WP-27	8.4W	16.4'
LTR60WP-WW	8.4W	16.4'
LTR60WP-42	8.4W	16.4'

Catalog No.	Watts per 5 Meter (16.4' Reel)	Max. Single Run
LTR300WP-27	42W	16.4'
LTR300WP-WW	42W	16.4'
LTR300WP-42	42W	16.4'

## STANDARD OUTPUT FLEXIBLE WET LOCATION LED LINEAR RIBBON

Catalog No.	Watts per 1 Meter (39.4" Reel)	Max. Single Run
LTR60WP-SO-27	4.8W	32.8'
LTR60WP-SO-WW	4.8W	32.8'
LTR60WP-SO-PW	4.8W	32.8'

Catalog No.	Watts per 5 Meter (16.4' Reel)	Max. Single Run
LTR300WP-SO-27	24W	32.8'
LTR300WP-SO-WW	24W	32.8'
LTR300WP-SO-PW	24W	32.8'
LTR300WP-RD	24W	32.8'
LTR300WP-BL	24W	32.8'
LTR300WP-GR	24W	32.8'
LTR300WP-AM	24W	32.8'

## STANDARD OUTPUT FLEXIBLE DAMP LOCATION LED LINEAR RIBBON

Catalog No.	Watts per 8" Length	Max. Single Run
SLR8-SO-27	1W	32.8'
SLR8-SO-WW	1W	32.8'
SLR8-SO-PW	1W	32.8'

Catalog No.	Watts per 16" Length	Max. Single Run
SLR16-SO-27	2W	32.8'
SLR16-SO-WW	2W	32.8'
SLR16-SO-PW	2W	32.8'

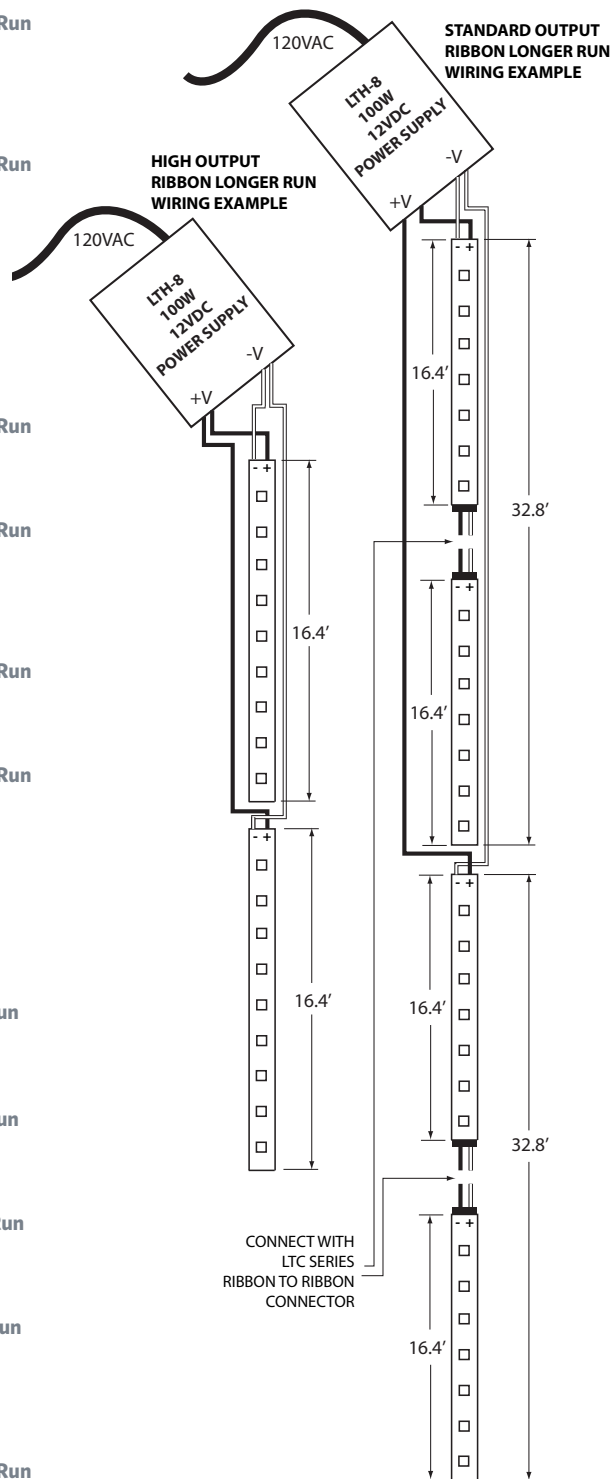
Catalog No.	Watts per 24" Length	Max. Single Run
SLR24-SO-27	3W	32.8'
SLR24-SO-WW	3W	32.8'
SLR24-SO-PW	3W	32.8'

Catalog No.	Watts per 118" Reel	Max. Single Run
SLR118-SO-27	15W	32.8'
SLR118-SO-WW	15W	32.8'
SLR118-SO-PW	15W	32.8'

## FLEXIBLE RGB LED LINEAR RIBBON - STANDARD AND WET LOCATION

Catalog No.	Watts per 5 Meter (16.4' Reel)	Max. Single Run
LTR150-RGB	36W	16.4'
LTR150-WP-RGB	36W	16.4'

Catalog No.	Watts per 1 Meter (39.4" Reel)	Max. Single Run
LTR30-WP-RGB	7.2W	16.4'



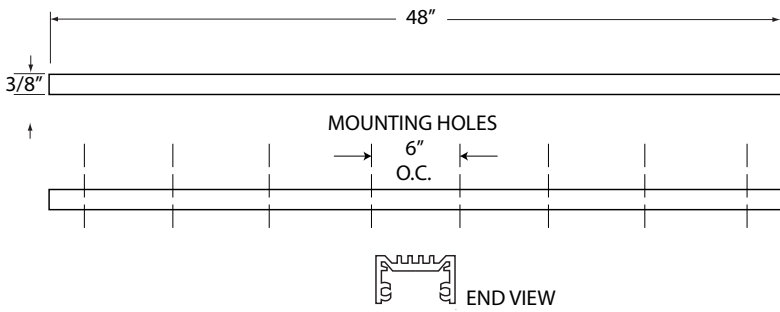
# ALUMINUM CHANNEL FOR FLEXIBLE LED LINEAR RIBBON

GM Lightings aluminum channel accepts all GM Lighting LEDTask flexible LED Linear ribbon, excluding the RGB Wet Location. Perfect for installations that require a rigid extruded channel that the Led ribbon can be mounted into. The mounting holes are countersunk so the LED ribbon mounts smoothly into the channel. Each channel includes mounting screws and a snap – on frosted lens if a more subtle lighting effect is required. Each channel and frosted lens can be cut in the field to the desired length needed.

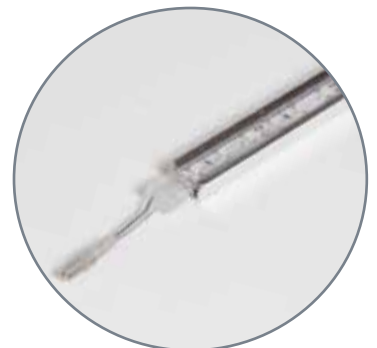


**LED-CHL**  
shown with snap-on  
frosted lens

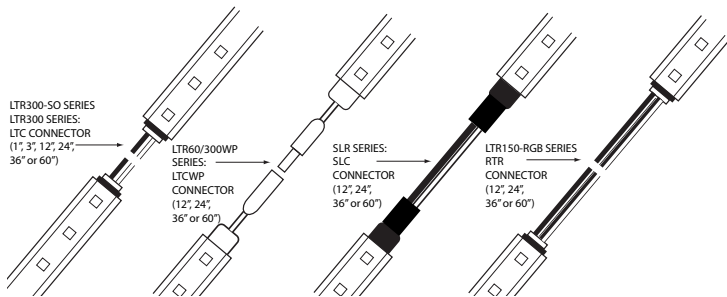
## LED-CHL Dimensions and Connector Clearances



Flexible wet location ribbon snaps right into channel. (not wet location RGB)



PLEASE ALLOW THE FOLLOWING CLEARANCE TO ALLOW FOR FLEXIBLE RIBBON TO RIBBON CONNECTORS



LTR and SLR Series flexible LED linear ribbon mounts into channel with 3M double stick tape supplied on the LED Ribbon.



Catalog No.	Description	Length	For LEDTask Series	Finish
<b>LED-CHL</b>	Extruded aluminum channel. Includes snap-on frosted lens and mounting screws.	48"	LTR300, LTR300-SO LTRWP SLR LTR150-RGB	Aluminum

Aluminum channel will not accept (LTRWP-RGB) RGB Wet Location ribbon.

# LEDTask EZ RIBBON CONNECTOR

Connecting a GM Lighting standard or high output flexible linear ribbon has never been easier. With the LEDTask EZ Ribbon Connector, you simply open, insert and snap closed. The connector itself captures the ribbon snugly and once in place, snaps closed for a secure connection.

Whether you are connecting two ribbons together, or connecting a ribbon to a GM Lighting power supply, the LEDTask EZ Ribbon Connector is the quickest and easiest solution.



- Cut ribbon in field and connect in seconds
- Enables easier installation on multiple lengths
- Connect the same way to power supply - securely and in seconds
- Do not use with wet location, RGB or SLR ribbons

Catalog Number	Description
LTC-EZ-1	EZ Connector snap-in module only
LTC-EZ-3	3" EZ ribbon to ribbon connector
LTC-EZ-12	12" EZ ribbon to ribbon connector
LTC-EZ-24	24" EZ ribbon to ribbon connector
LTC-EZ-60	60" EZ ribbon to ribbon connector
LTW-EZ-6	6" EZ ribbon to power supply connector
LTW-EZ-24	24" EZ ribbon to power supply connector
LTW-EZ-60	60" EZ ribbon to power supply connector



Connect ribbon to ribbon, or ribbon to power supply.



No tools needed. Cut ribbon and insert into connector.

# 12VDC SILICONE DAMP LOCATION FLEXIBLE LED LINEAR RIBBON INSTALLATION KIT

Connecting GM Lighting's 12V SLR Damp Location LED Linear Ribbon need not be done by the experts. GM Lighting's SLRK-48 installation kit includes everything you need to make a quick and professional looking installation. The SLR Ribbons, the connectors, an end cap - even the power supply.

Kit includes:

- 1 - 8 inch 12VDC LED Ribbon
- 1 - 16 inch 12VDC LED Ribbon
- 1 - 24 inch 12VDC LED Ribbon
- 1 - LED Ribbon to Power Supply Connector
- 1 - 3 inch Ribbon to Ribbon Connector
- 1 - 12 inch Ribbon to Ribbon Connector
- 1 - 'L' Connector
- 1 - Female End Cap for LED Ribbon
- 1 - Female End Cap for LED Ribbon
- 1 - Male End Cap for LED Ribbon
- 1 - 12VDC ETL listed Power Supply
- 1 - Cut End Cap



**SLRK-48**  
12 inch ribbon to ribbon connector with end cap.



Ribbon to power supply connector.



3 inch ribbon to ribbon connector with end cap.

## SLR Ribbon Section



The kit comes with 3 lengths of damp location LED flexible ribbon: 8", 16" and 24". For longer lengths, please see the SLR ribbon on pages 23-24.

Catalog No.	Description	Ribbon Lengths	Connectors	Power Supply
<b>SLRK-48</b>	12VDC damp location SLR LED Linear Ribbon installation kit complete with ribbon, connectors and power supply	24" 16" 8"	3", 12", L-Type Ribbon to Power Supply Female and Male End Caps Cut End Cap	12VDC ETL listed

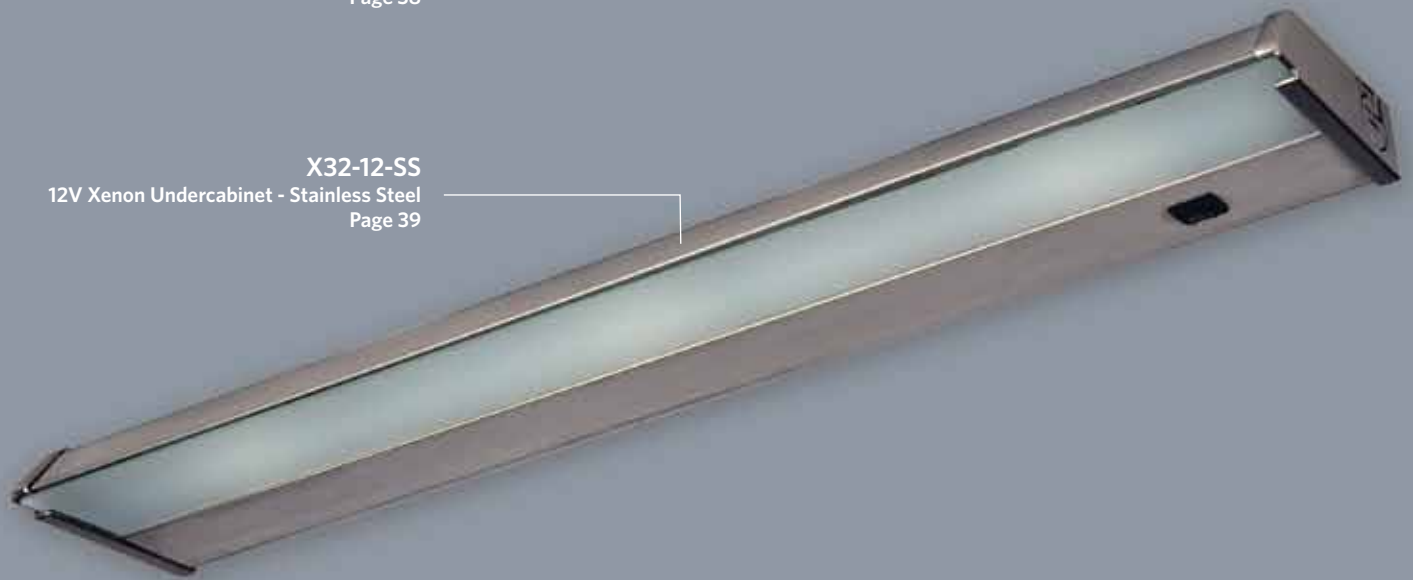
# LumenTask™ Undercabinet Lighting



UCLED-24-BZ  
120V LED Undercabinet - Bronze  
Page 36



X16-120-WH  
120V Xenon Undercabinet - White  
Page 38



X32-12-SS  
12V Xenon Undercabinet - Stainless Steel  
Page 39

# LUMENTASK™ 120V LED UNDERCABINET



With the rising costs of energy, both home and business owners are looking for ways to not only cut down on their energy expenses, but also to utilize more earth friendly light sources. GM Lighting's LumenTask™ LED undercabinet fixtures achieves both of these concerns while offering an attractive and low maintenance product.

What separates LumenTask LED undercabinet fixtures from the rest is its ease of installation. Whether installing GM fixtures in a new construction or a remodeling project, rest assured that GM products will meet the standards for each application. There is no need to take the time to research an area for a remote power supply to be installed. The power supply is integrated into the GM LED undercabinet fixture. This also works well for remodeling projects that have existing wiring, as the unit can be simply mounted and wired to 120V wiring which is already in place.

## UCLED-24-WH

- 120V direct wiring ▪ Integral LED power supply
- No remote power supply required
- Low wattage consumption ▪ 50,000 hour LED life
- No harmful UV rays ▪ 3000K warm white
- Non-dimmable

Model	Length	Knock-outs
UCLED-8	8"	3 X 1/2"
UCLED-16	16"	5 X 1/2"
UCLED-24	24"	7 X 1/2"



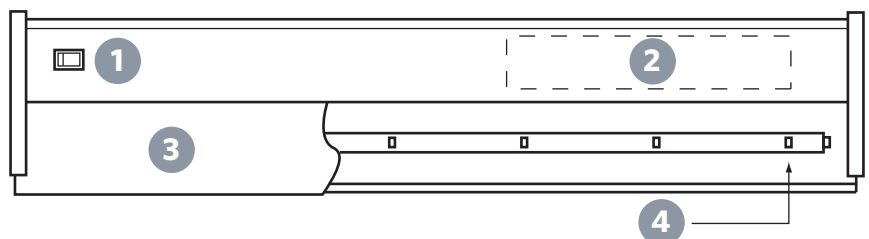
Multiple knock-outs on back. End caps feature a standard / wire mold combination knock-out. Look for optional connectors for multiple unit connection on page 40.

Catalog No.	Diode	No. of Diodes	Total Wattage per Fixture*	Lumens**		Length	Finish
				Hi	Low		
UCLED-8-WH	LED	3	11W	189	101	8"	White
UCLED-8-BZ	LED	3	11W	189	101	8"	Bronze
UCLED-8-SS	LED	3	11W	189	101	8"	Stainless Steel
UCLED-16-WH	LED	5	17W	300	163	16"	White
UCLED-16-BZ	LED	5	17W	300	163	16"	Bronze
UCLED-16-SS	LED	5	17W	300	163	16"	Stainless Steel
UCLED-24-WH	LED	8	24W	428	232	24"	White
UCLED-24-BZ	LED	8	24W	428	232	24"	Bronze
UCLED-24-SS	LED	8	24W	428	232	24"	Stainless Steel

\*Total wattage includes power supply.

\*\* Lumens for hi and low switch positions.

Key to LED LumenTask Diagram: **1.** Hi-Low-Off switch enables full or 50% lighting level. **2.** Integral LED power supply. **3.** Tempered frosted glass lens that slides in for easy installation. **4.** LED PCB board. Available in 8", 16" and 24".



See page 40 for accessories and replacement lenses.





# LUMENTASK™ 120V XENON UNDERCABINET

120V Xenon offers rich color and clarity with high intensity, low maintenance Xenon lighting in 4 lengths and 3 finishes. LumenTask undercabinet lighting incorporates a sleek, clean and unobtrusive housing that is home to one of the purest and longest lasting light source - Xenon.

Xenon has a brilliant history in the medical and automotive field where efficiency is key.



X24-120-BZ



### 120V Xenon Lamp Performance Data

<b>Lamp Life</b>	5,000 Hrs. .
<b>Color Temp.</b>	2,900K

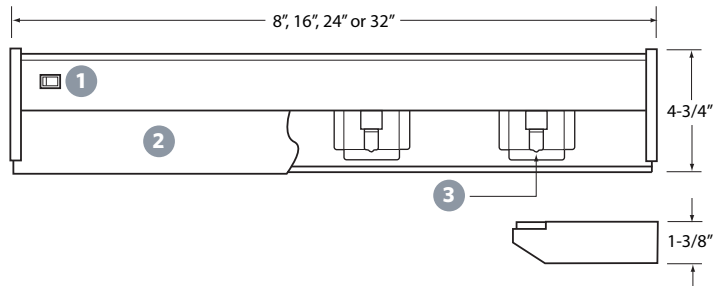


Catalog No.	Lamp	No. of Lamps	Wattage	Length	Finish
X8-120-WH	120V G9 Xenon	1	35W	8"	White
X8-120-BZ	120V G9 Xenon	1	35W	8"	Bronze
X8-120-SS	120V G9 Xenon	1	35W	8"	Stainless Steel
X16-120-WH	120V G9 Xenon	2	2 x 35W	16"	White
X16-120-BZ	120V G9 Xenon	2	2 x 35W	16"	Bronze
X16-120-SS	120V G9 Xenon	2	2 x 35W	16"	Stainless Steel
X24-120-WH	120V G9 Xenon	3	3 x 35W	24"	White
X24-120-BZ	120V G9 Xenon	3	3 x 35W	24"	Bronze
X24-120-SS	120V G9 Xenon	3	3 x 35W	24"	Stainless Steel
X32-120-WH	120V G9 Xenon	4	4 x 35W	32"	White
X32-120-BZ	120V G9 Xenon	4	4 x 35W	32"	Bronze
X32-120-SS	120V G9 Xenon	4	4 x 35W	32"	Stainless Steel

See page 40 for accessories, replacement lamps and replacement lenses. Please see pages 41 and 42 for complete specifications.

#### Key to LumenTask Diagram:

- 1. Hi-Low-Off switch enables full or 50% lighting level.
- 2. Tempered, frosted glass lens that slides in for easy installation.
- 3. Xenon lamp with anodized aluminum reflector.



# LUMENTASK™ 12V XENON UNDERCABINET

LumenTask™ undercabinet fixtures were designed with the help of knowledgeable and experienced electricians.

Take a look and you will agree that LumenTask is the installer's choice in quality undercabinet lighting.



X8-12-SS

## 12V Xenon Lamp Performance Data



<b>Lamp Life</b>	10,000 Hrs.
<b>Color Temp.</b>	3,000K

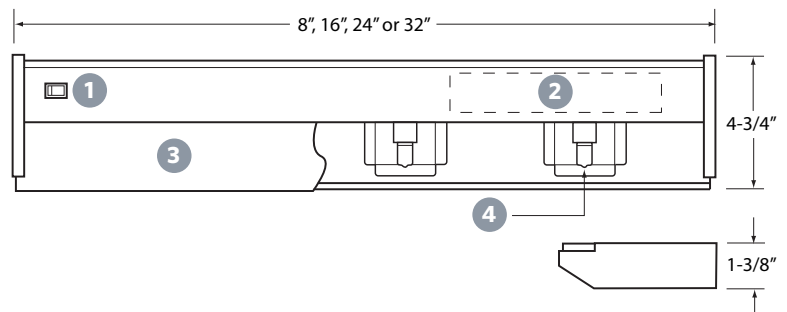


Catalog No.	Lamp	No. of Lamps	Wattage	Length	Finish
X8-12-WH	12V G6.35 Xenon	1	18W	8"	White
X8-12-BZ	12V G6.35 Xenon	1	18W	8"	Bronze
X8-12-SS	12V G6.35 Xenon	1	18W	8"	Stainless Steel
X16-12-WH	12V G6.35 Xenon	2	2 x 18W	16"	White
X16-12-BZ	12V G6.35 Xenon	2	2 x 18W	16"	Bronze
X16-12-SS	12V G6.35 Xenon	2	2 x 18W	16"	Stainless Steel
X24-12-WH	12V G6.35 Xenon	3	3 x 18W	24"	White
X24-12-BZ	12V G6.35 Xenon	3	3 x 18W	24"	Bronze
X24-12-SS	12V G6.35 Xenon	3	3 x 18W	24"	Stainless Steel
X32-12-WH	12V G6.35 Xenon	4	4 x 18W	32"	White
X32-12-BZ	12V G6.35 Xenon	4	4 x 18W	32"	Bronze
X32-12-SS	12V G6.35 Xenon	4	4 x 18W	32"	Stainless Steel

See page 40 for accessories, replacement lamps and replacement lenses.  
Please see pages 41 and 42 for complete specifications.

### Key to LumenTask Diagram:

1. Hi-Low-Off switch enables full or 50% lighting level.
2. Integral transformer (12V LumenTask™ only).
3. Tempered, frosted glass lens that slides in for easy installation.
4. Xenon lamp with anodized aluminum reflector.



# LUMENTASK™ ACCESSORIES FOR LED, 120V and 12V MODELS

## Key to Connector Diagrams

**1. EZ-1** connects two LumenTask™ fixtures in series.

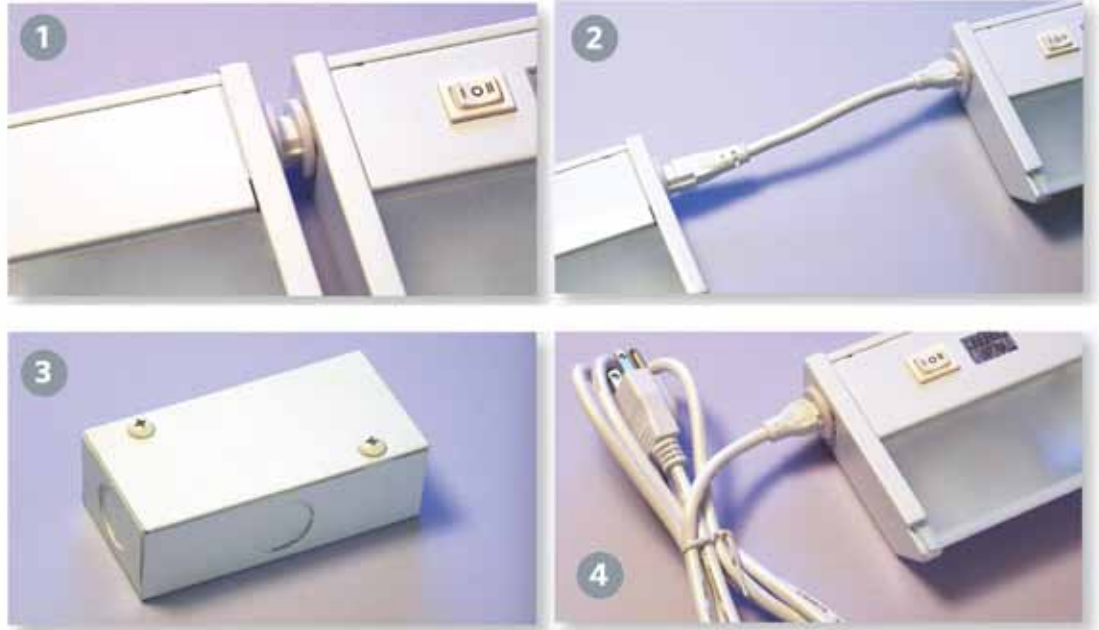
**2. EZ Connectors** connects two LumenTask™ fixtures with a flexible cord:

- EZ-3** (3" connector)
- EZ-6** (6" connector)
- EZ-12** (12" connector)
- EZ-18** (18" connector)

**3. JB-1** junction box.  
5" L x 1-1/2" H x 2-1/2" W

**4. CP-6** 72" cord and plug.

**NOTE:** EZ Connectors, JB-1 and CP-6 are available in white only.



Catalog No.	Description
<b>EZ-1</b>	Connects two LumenTask fixtures directly together
<b>EZ-3</b>	3" flexible LumenTask fixture to fixture connector
<b>EZ-6</b>	6" flexible LumenTask fixture to fixture connector
<b>EZ-12</b>	12" flexible LumenTask fixture to fixture connector
<b>EZ-18</b>	18" flexible LumenTask fixture to fixture connector
<b>JB-1</b>	LumenTask Junction Box for hardwire installation
<b>CP-6</b>	72" cord and plug with modular connector
<b>G9-120VCL</b>	Xenon replacement lamp for 120V LumenTask. G9 base. Clear
<b>G6.35-12VCL</b>	Xenon replacement lamp for 12V LumenTask. G6.35 base. Clear
<b>GL8</b>	8" replacement lens for 8" LumenTask models
<b>GL16</b>	16" replacement lens for 16" LumenTask models
<b>GL24</b>	24" replacement lens for 24" LumenTask models
<b>GL32</b>	32" replacement lens for 32" LumenTask models

## LUMENTASK™ 12V / 120V XENON SPECIFICATIONS

The performance of GM Lighting's LumenTask™ undercabinet fixtures are unequalled anywhere in the lighting industry. "The" electrician's choice for ease of installation.

One piece, low profile (1-3/8" height), 18 gauge CRS housing with diecast ends for stability.



GM Lighting's LumenTask fixtures feature a powder coat finish in a designer gloss white or bronze finish. Our stainless steel fixtures are manufactured from high grade stainless steel.

Mounting hole with pre-set screws for easy alignment and installation.



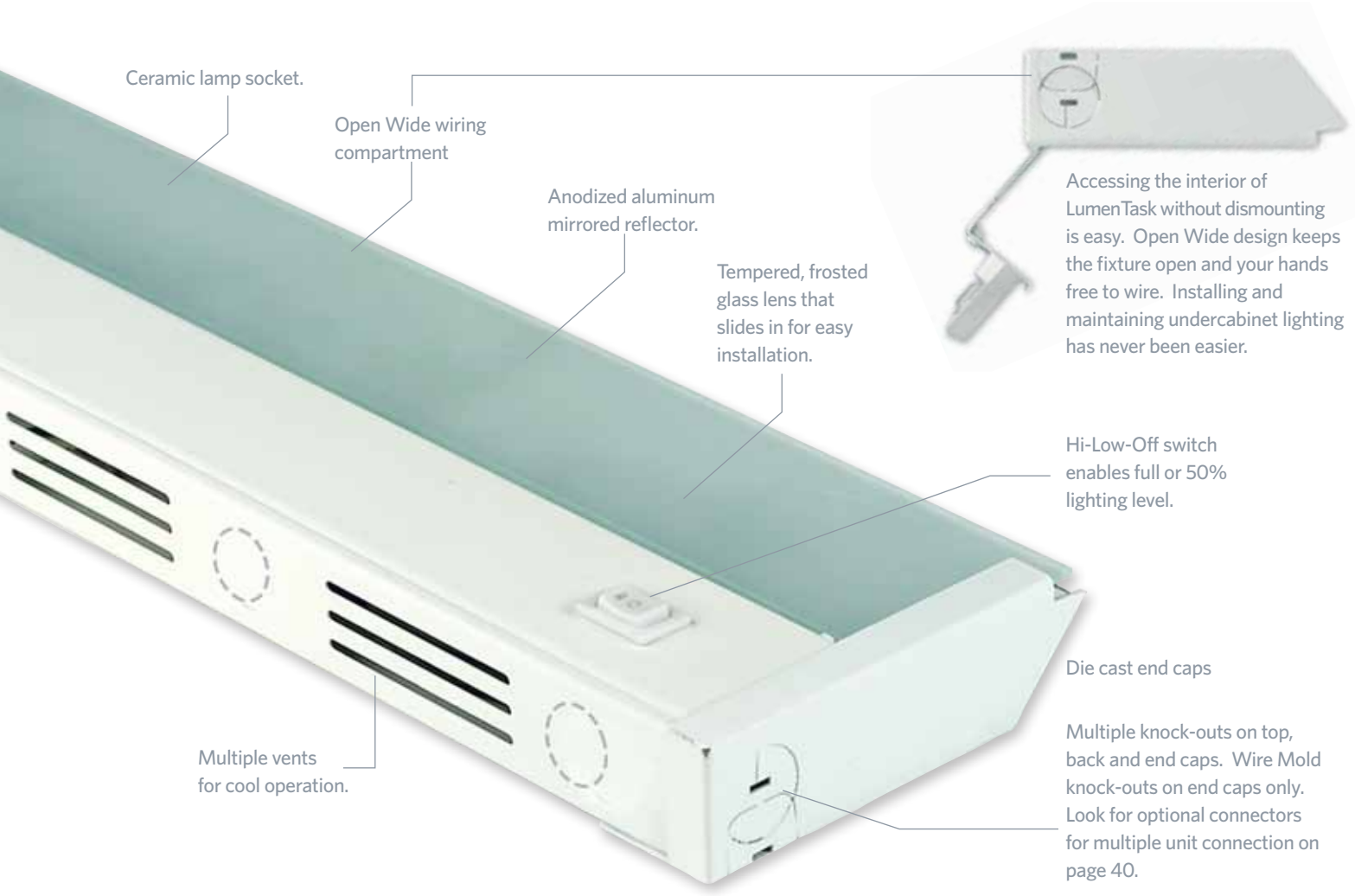
An anodized aluminum reflector mounted above each lamp allows for maximum light distribution.

Model	Length	Width	Height	Knock-outs
X8	8"	4-3/8"	1-1/4"	6 x 1/2"
X16	16"			10 x 1/2"
X24	24"			14 x 1/2"
X32	32"			18 x 1/2"

Accessing the interior of LumenTask without removing the fixture is easy. Our Open Wide design (see opposite page, upper right) keeps the fixture open and your hands free to wire. By simply depressing the wire compartment holding tab, the wiring compartment cover swings down and out and stays in position until you're ready to snap it back in its closed position and slide the lens back in place.

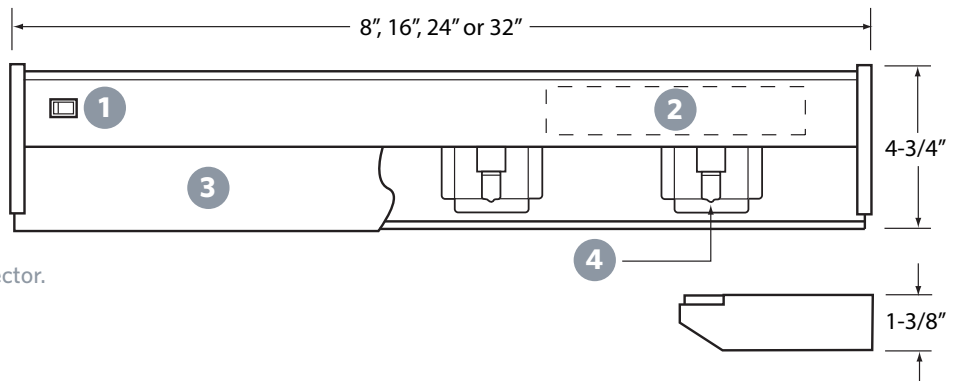


# LUMENTASK™ 12V /120V XENON SPECIFICATIONS



**Key to LumenTask Diagram:**

- 1.** Hi-Low-Off switch enables full or 50% lighting level.
- 2.** Integral transformer (12V LumenTask™ only).
- 3.** Tempered, frosted glass lens that slides in for easy installation.
- 4.** Xenon lamp with anodized aluminum reflector.



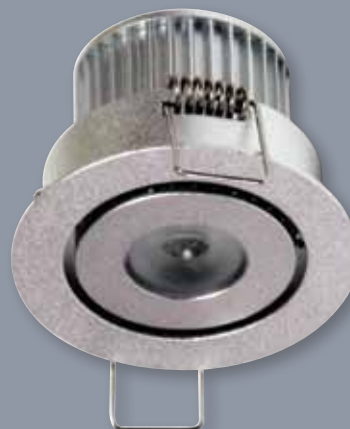
# Energy Saving Accent / Task Puck and Mini-Recessed Lighting



700mA Constant Current LED  
Accent / Task  
Page 44



12VDC Xenon Accent / Task  
Page 45



12VDC 3W Mini Downlight  
Page 47

# 700mA CONSTANT CURRENT 3W LED ACCENT / TASK HP PUCK LIGHTING

Perfect for home and office. GM Lighting's 3W LED Accent / Task Puck is the energy saving, efficient and long lasting alternative to traditional puck lighting.

At 3W, 3500K warm white color temperature, this high power LED accent/task lighting puck features a prismatic glass lens that delivers even light distribution. Pucks can be surface or recessed mounted.



LP-3-BNK

- 700mA constant current ▪ Multiple pucks wired in series
- Prismatic glass lens provides even light distribution
- Hardwire or plug-in ▪ 3500K warm white
- Metal housing ▪ Non-dimmable



Catalog No.	LED	Description	Wattage	Lumens per Puck	Mounting	Finish	LED Life
LP-3-W	High Power LED		3W	113		White	50,000 hrs.
LP-3-B	High Power LED	Individual Puck	3W	113	Surface or Recessed	Black	50,000 hrs.
LP-3-BZ	High Power LED	w/ 48" stripped wire leads	3W	113		Bronze	50,000 hrs.
LP-3-BNK	High Power LED		3W	113		Brushed Nickel	50,000 hrs.
LTPK-9-W	High Power LED	3 - Puck Kit	3 x 3W	113		White	50,000 hrs.
LTPK-9-B	High Power LED	w/ Switched Cord & Plug	3 x 3W	113	Surface or Recessed	Black	50,000 hrs.
LTPK-9-BZ	High Power LED	& Power Supply	3 x 3W	113		Bronze	50,000 hrs.
LTPK-9-BNK	High Power LED		3 x 3W	113		Brushed Nickel	50,000 hrs.

LPCC-18 power supply is required for LP-3 pucks. Kelvin temperature  $\pm 200$ . LP-3 Series LED puck lights are wired in series only, not parallel. LTPK-9, 3 light LED puck kits are to be installed complete. Pucks cannot be added or subtracted from the LTPK-9, 3 light LED puck kits. These kits cannot be altered.

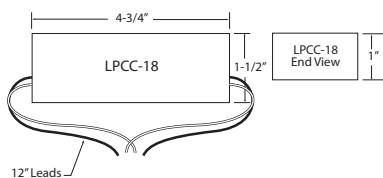
## Constant Current Power Supply and Accessories

**LPCC-18** Constant current hardwire LED puck power supply. Will operate 2 (min.) to 6 (max.) LED pucks wired in series.

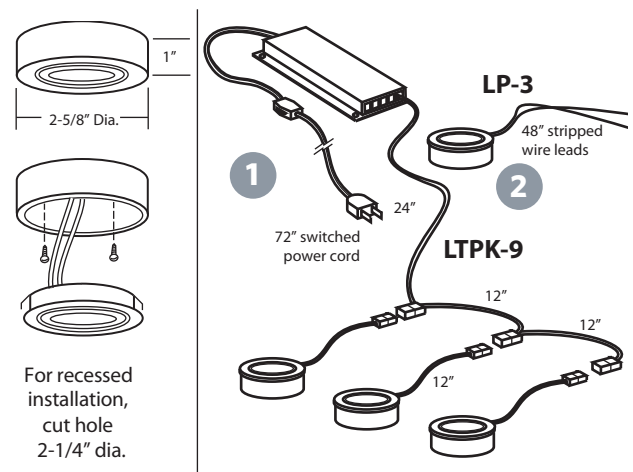
**LPX-12** 12" LED puck extension

**LPX-24** 24" LED puck extension

Note: LPX LED puck extensions are for use with LTPK-9, 3 light LED puck kits only.



## LP-3 and LTPK-9 Product Dimensions and Configurations



Key to LP-3 and LTPK-9 Diagrams (above right): **1.** LTPK-9, 3 light kit with switched cord & plug & power supply.

**2.** LP-3 individual pucks come with 48" leads. LP-3 series pucks are used with LPCC-18 constant current power supply only.

## 12V XENON ACCENT / TASK DIMMABLE PUCK LIGHTING

The standard in low voltage puck lighting has never been easier to specify and install. GM Lighting's 12V Xenon Accent/Task Puck is offered either as a single puck, or as a 3 light kit with switched cord and plug and transformer.

- Recessed or surface mount
- Dimmable ▪ Captive frosted lens
- 20W pre-installed xenon lamp
- Easy lamp replacement
- 300 lumens per puck ▪ 2900K



XP20-BZ



Catalog No.	Lamp	Description	Wattage	Dimensions	Mounting	Finish	Lamp Life
XP20-W	G4-12V Xenon	Individual	20W	2-7/8" x 1"	Surface or Recessed	White	8000 hrs.
XP20-B	G4-12V Xenon	Puck	20W	2-7/8" x 1"		Black	8000 hrs.
XP20-BZ	G4-12V Xenon	w/ 48" Stripped Wire Leads	20W	2-7/8" x 1"		Bronze	8000 hrs.
XP20-C	G4-12V Xenon		20W	2-7/8" x 1"		Chrome	8000 hrs.
XP20-BNK	G4-12V Xenon		20W	2-7/8" x 1"		Brushed Nickel	8000 hrs.
XP20-3-W	G4-12V Xenon	3 - Pack Kit w/ Switched Cord & Plug & Transformer	3 x 20W	2-7/8" x 1"	Surface or Recessed	White	8000 hrs.
XP20-3-B	G4-12V Xenon		3 x 20W	2-7/8" x 1"		Black	8000 hrs.
XP20-3-BZ	G4-12V Xenon		3 x 20W	2-7/8" x 1"		Bronze	8000 hrs.
XP20-3-C	G4-12V Xenon		3 x 20W	2-7/8" x 1"		Chrome	8000 hrs.
XP20-3-BNK	G4-12V Xenon		3 x 20W	2-7/8" x 1"		Brushed Nickel	8000 hrs.

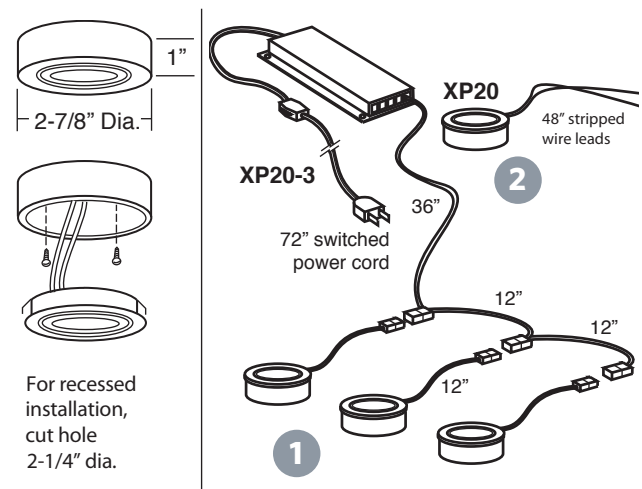
Individual pucks supplied with 48" stripped wire leads. See page 58 for remote electronic transformers. XP20-3 kits cannot be altered.

### XP20 Series Accessories

- XPE-4** 4' xenon puck extender
- XPE-8** 8' xenon puck extender
- XPE-12** 12' xenon puck extender
- G4-12V** Replacement lamp

Note: XPE xenon puck extensions are for use with XP20-3, 3 light xenon puck kits only.

### XP20 Series Dimensions and Configurations



Key to XP20 Diagrams (above right): **1.** XP20-3, 3 light kit with switched cord & plug & transformer. **2.** XP20 individual pucks come with 48" stripped wire leads.





# LEDTASK MINI LED ADJUSTABLE RECESSED DOWNLIGHT

GM Lighting introduces a mini-recessed, shallow mount (1-1/2") downlight in a compact, 12VDC luminaire. Perfect as a mini downlight or wallwash, this tiny fixture works well in book shelves, entertainment centers, personal water and aircraft, or anywhere that discreet, shallow mount lighting is required.

- 3W flush mounted LED lamp
- Warm white 3500K
- 12VDC, 240ma, 58 lumens
- For use with remote power supply
- Dimmable utilizing GM Lighting 12VDC Dimmable Power Supplies
- 72" wire leads and steel mounting springs
- ETL listed for interior use only

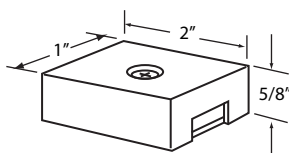


Catalog No.	Color	Total LED's	Wattage	Amps	Lumens	Finish	LED Life
GMR-3WW-BA	3500K	1	3W	240mA	58	Brushed Aluminum	50,000 hrs.

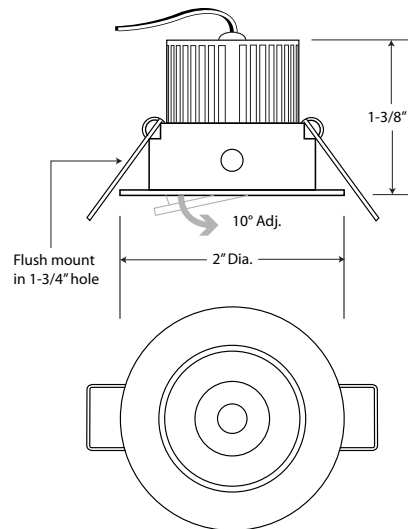
One lightbar to power supply connector (LTBPC-6) included in each lightbar. Kelvin temperature (color) ± 200K.

## Mini LED Adjustable Recessed Downlight Accessories

- GMSB-W** Splice box - white - 2"L x 1"W x 5/8"D
- GMSB-B** Splice box - black - 2"L x 1"W x 5/8"D



## Mini LED Adjustable Recessed Downlight Dimensions





## LED PAVERBRICK OUTDOOR ACCENT LIGHTING

Enhancing path and perimeter ambience with LED has taken a new and creative turn. GM Lighting's LED PaverBrick is a unique and high visibility path and perimeter luminaire that increases the impact of architectural entry and landscape design.

Perfect for residential landscaping, public square and quad, municipal parks, thoroughfares and themed environments.

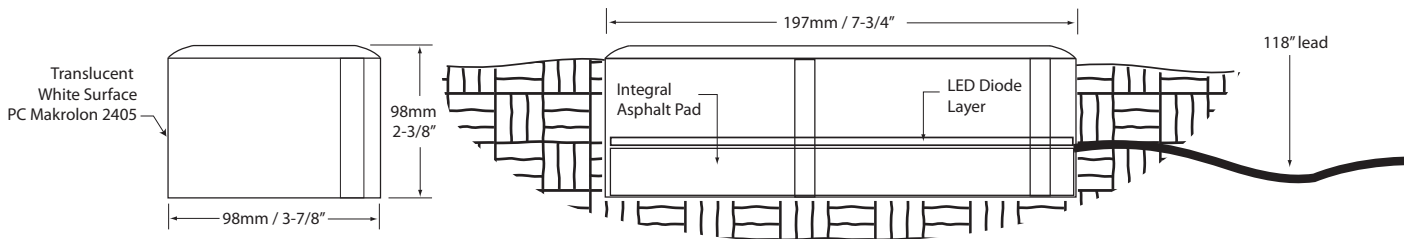


- ETL listed ▪ 2.5W total ▪ 50,000 hr. life
- 18 LED's in each paver
- Integral asphalt pad
- In ground or surface mount
- AC or DC ▪ Drive over capability
- Water and chemical resistant



Catalog No.	Color	Total LED's	Watts	Input Voltage	Lumens	Weight	LED Life
LTBR-18-WW	3200K	18	2.5W	12 VAC/DC 50/60Hz.	11	2.2 lbs.	50,000 hrs.

Can be wired in parallel. Requires remote power supply. Please see page 54. LED PaverBrick can be easily installed as a direct burial fixture without any housing or extrusion. Consult building codes in your area for confirmation.



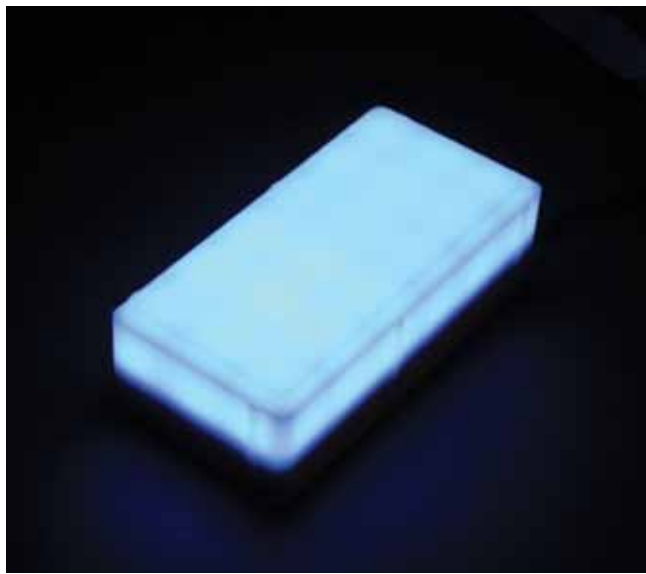


LED PaverBricks can be embedded in locations that are exposed to the elements. With its synthetic resin surrounded LED light source, LED PaverBricks can be used in any outdoor location. Unobtrusive by day, unique and magical at night!

# LED COLOR CHANGING RGB PAVERBRICK OUTDOOR ACCENT LIGHTING

When your design sensibility says 'add color to that path', then GM Lighting's LED RGB PaverBrick can not only add color, it can add an animated, moving multi-color sequence that will add a never before seen dimension to your lighting environment.

Perfect for theme parks, themed areas, amusement park and pathway, hospitality, special event lighting and more.



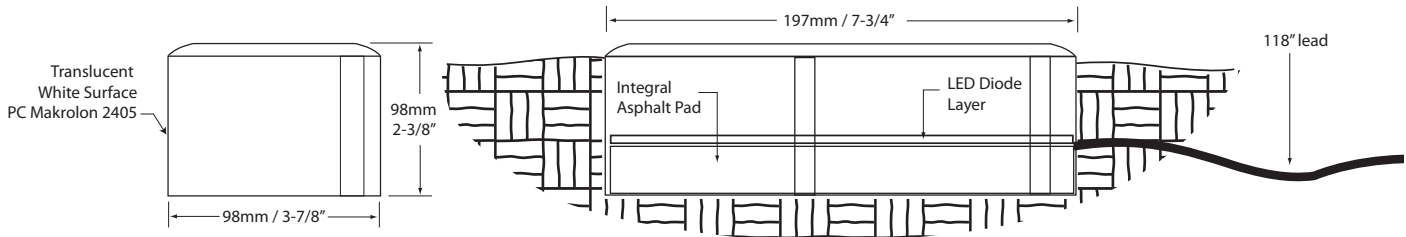
- ETL listed ▪ 50,000 hr. life
- 18 LED's in each paver
- Integral asphalt pad
- In ground or surface mount
- AC or DC ▪ Drive over capability
- Water and chemical resistant

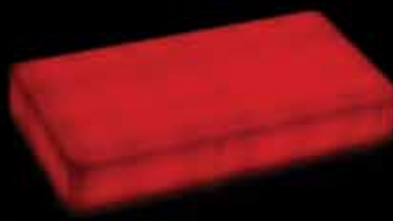
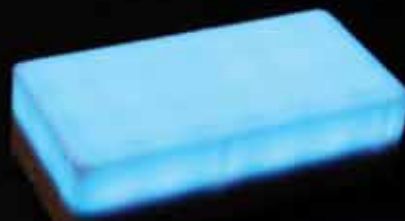
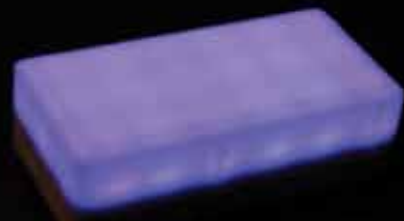
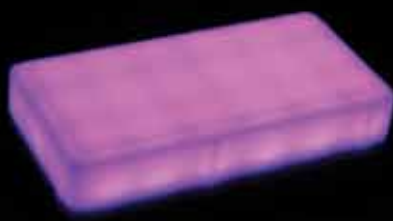
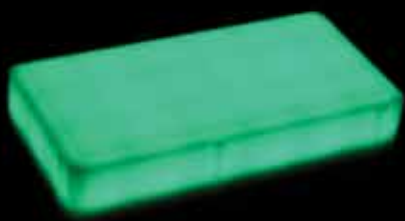


Catalog No.	Color	Total LED's	Watts	Input Voltage	Weight	LED Life
-------------	-------	-------------	-------	---------------	--------	----------

LTBR-RGB	RGB	54	5	12VDC	2.2 lbs.	50,000 hrs.
----------	-----	----	---	-------	----------	-------------

Can be wired in parallel. Requires remote power supply. Please see page 54. LED PaverBrick can be easily installed as a direct burial fixture without any housing, extrusion or mortar. Consult building codes in your area for confirmation. Requires RGB Controller, please see page 30.





# 12VDC and 24VDC LED Power Supplies

LTP-6  
12VDC 60W Electronic  
Page 54

LTH-4  
12VDC 25W Electronic  
Page 54

LTH24-8  
24VDC 200W Electronic  
Page 57

LTHM100-DIM  
12VDC 100W Magnetic  
Dimmable  
Page 55





## 12VDC LED POWER SUPPLIES

### 12VDC ELECTRONIC LED POWER SUPPLIES

LTP Series Cord and Plug 12VDC Electronic LED Power Supplies feature LED indicator for 'power on', 100% fully load tested, and 4 year warranty. Each LTP Electronic Power Supply incorporates short circuit, over-voltage and over-temperature protection.

LTH Series Hardwire 12VDC Electronic LED Power Supplies feature Universal A/C input, LED indicator for 'power on', 100% fully load tested, and 4 year warranty. Each LTH Electronic Power Supply incorporates short circuit, over-voltage and over-temperature protection.



Catalog No.	Description	Weight	Dimensions
<b>LTP-2</b>	12VDC - 25W - 2.0 amps - Class II - 120V Cord (126") and Plug	10.4 oz.	3.25"L x 1.75"W x 1.25"H
<b>LTP-6</b>	12VDC - 50W - 5.0 amps - Class II - 120V Cord (126") and Plug	14.8 oz..	5.50"L x 2.25"W x 1.25"H
<b>LTH-2*</b>	12VDC - 25W - 2.1 amps - Metal chassis with screw terminals 1 set DC output screw terminals.	6.9 oz.	3.25"L x 1.75"W x 1.25"H
<b>LTH-4*</b>	12VDC - 50W - 4.2 amps - Metal chassis with screw terminals 1 set DC output screw terminals.	14.3 oz.	3.3"L x 2"W x 1.125"H
<b>LTH-8*</b>	12VDC - 100W - 8.5 amps - Metal chassis with screw terminals and mounting feet. 2 sets DC output screw terminals.	1.08 lbs.	7.5"L x 4"W x 2"H
<b>LTH-16*</b>	12VDC - 200W - 16.7 amps - Metal chassis with screw terminals and mounting feet. Fan cooled. 2 sets DC output screw terminals.	1.15 lbs.	8.25"L x 4"W x 2"H
<b>LTH-25*</b>	12VDC - 320W - 25 amps - Metal chassis with screw terminals and mounting feet. Fan cooled. 3 sets DC output screw terminals.	1.5 lbs.	9"L x 4.5"W x 2"H

\* Recommended for commercial applications. Dimming power supplies on next page.

# 12VDC MAGNETIC LED DIMMABLE POWER SUPPLIES

Hardwire Magnetic LED Dimmable Power Supplies feature no minimum load and can be fully loaded.

LTHM Power Supplies feature Universal A/C input, LED indicator for 'power on', 100% fully load tested, and 4 year warranty. Short circuit protection.

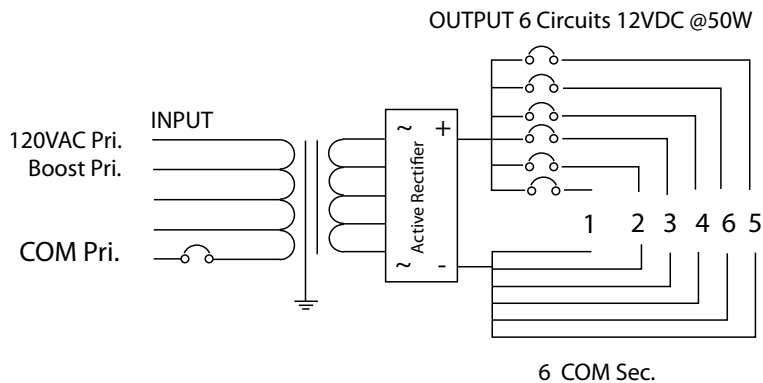


Catalog No.	Description	Weight	Dimensions
LTHM50-DIM	12VDC - 50W - 4 amps - 120V/60Hz - 410mA input current Auto reset - Double section bobbin - ETL for indoor and outdoor use	3.3 lbs.	6.06" L x 2.33" H x 2.59" W
LTH60-DIM	12VDC - 5 amps or 24VDC - 2.5 amps - 60W - Auto reset 120V, 240V or 277V - 50 or 60 Hz. No external fusing required	4.11 lbs.	7" L x 3.88" H x 3" W
LTHM100-DIM	12VDC - 100W - 8 amps - 120V/60Hz - 898mA input current Auto reset - Double section bobbin - ETL for indoor and outdoor use	6.0 lbs.	9.21" L x 2.93" H x 3.11" W
LTHM300-DIM	12VDC - 300W - 25 amps - 120V/60Hz - 2800mA input current Double section bobbin - ETL for indoor and outdoor use - Manual reset	8.4 lbs.	8.75" L x 3.09" H x 4.09" W
GMWD-600	600W magnetic low voltage wall dimmer with on/off switch. Single pole - 120V/60Hz - White. Wall plate NOT included. For use with all GM Lighting 12VDC magnetic dimmable power supplies Fits standard wall outlets. Wall plate by others		

## 12VDC CLASS II LED DIMMABLE POWER SUPPLIES

GM Lighting brings the ability to run multi circuits off of one power supply. Choose from either 3 x 50W or 6 x 50W circuit.

- Transformer encapsulated within enclosure
- Dimmable with GMWD-600 wall dimmer (see page 55)
- Manual reset thermal 3A circuit breaker on primary side



Catalog No.	Description	Weight	Dimensions
<b>LTHM150-CL2-DIM</b>	12VDC - 3 x 50W - 5 amps - 120V/60Hz 2800mA input current - Double section bobbin - Manual reset Runs 3 separate 50W Class II 5 amps circuits - ETL for indoor and outdoor use	7.5 lbs.	7" L x 3.25" H x 7" W
<b>LTHM300-CL2-DIM</b>	12VDC - 6 x 50W - 5 amps - 120V/60Hz 2800mA input current - Double section bobbin - Manual reset Runs 6 separate 50W Class II 5 amps circuits - ETL for indoor and outdoor use	8.4 lbs.	7" L x 3.25" H x 7" W

## LED 24VDC POWER SUPPLIES

LTH Power Supplies feature Universal A/C input, LED indicator for 'power on', 100% fully load tested, and 4 year warranty. Short circuit protection.



Catalog No.	Description	Weight	Dimensions
<b>LTP24-90</b>	24VDC - 90W - 3.75 amps - 120V - Cord (72") and Plug Short circuit, overload protection - LED indicator for power on	1.8 lbs.	5.75"L x 2.375"W x 1.25"H
<b>LTH24-4</b>	Hardwire 24VDC - 100W - 4.2 amps - 120V - Universal AC Input - Short circuit, overload protection - LED indicator for power on Metal chassis with screw terminals and mounting feet 2 sets of DC screw terminals.	1.6 lbs.	7"L x 3.875"W x 1.75"H
<b>LTH24-8*</b>	Hardwire 24VDC, - 200W - 8.4 amps - 120V - Universal AC input Short circuit, overload protection - LED indicator for power on Metal chassis with screw terminals and mounting feet 2 sets of DC screw terminals	2.0 lbs.	7.84"L x 3.90"W x 1.97"H
<b>LTHM100-DIM-24</b>	24VDC - 100W - 4 amps - 120V/60Hz - 898mA input current Double section bobbin - ETL for indoor and outdoor use Manual reset	3.3 lbs.	6.06"L x 2.59"W x 2.33"H
<b>LTHM200-DIM-24</b>	24VDC - 200W - 8 amps - 120V/60Hz - 898mA input current Double section bobbin - ETL for indoor and outdoor use Manual reset	7.0 lbs.	8"L x 4.10"W x 3.10"H

## 12VAC ELECTRONIC REMOTE TRANSFORMERS

GM Lighting's electronic transformers feature economical operation in a light weight compact design. Use with GM Lighting's XP20 individual 20W Xenon pucks as well as many other 12V lighting products.

See page 46 for Xenon XP20 Pucks.



Catalog No.	Description	Weight	Dimensions
<b>LRT60</b>	12VAC - 60W - Class II w/cord (9') and plug	.7 oz.	Cord and plug
<b>LET60</b>	12VAC - 20W-60W, Class II	3.0 oz.	2"L x 1.25"W x .75"D
<b>LET75</b>	12VAC - 20W - 75W	3.1 oz.	2.1"L x 1.4"W x .75"D
<b>LET105</b>	12VAC - 50W - 105W	4.4 oz.	3.1"L x 1.33"W x .86"D
<b>LET 151</b>	12VAC - 50W - 150W	6.8 oz.	3.4"L x 1.38"W x 1"D
<b>LVT60</b>	12VAC - 20W - 60W, Class II	11.1 oz.	6.5"L x 1.5"W x 1.4"D
<b>LVT151</b>	12VAC - 50W - 150W, Enclosed housing.	14.6 oz.	6.5"L x 1.5"W x 1.3"D
<b>LVT303</b>	12VAC - 50W - 300W, Enclosed housing.	1.8 lbs.	9.35"L x 1.7"W x 1"D
<b>GMT60</b>	Replacement transformer for XP20-3 - Xenon 3 Light Puck Kit	8.8 oz.	6.5"L x 2.25"W x .74"D

## 12VDC VOLTAGE DROP CHART

### LEDTASK™ VOLTAGE DROP CHART FOR 12VDC

MINIMUM VOLTAGE REQUIRED FOR MAXIMUM LIGHT OUTPUT: 11.3V AT BEGINNING OF RUN

THIS CHART INDICATES DC VOLTAGE AT THE BEGINNING OF YOUR LED LINEAR RUN

Wire Size	Distance	Load Current in amps (per run)		
		2 amps	4 amps	8.33 amps
18 AWG	10 ft.	11.7	11.4	11.0
	25 ft.	11.3	10.5	9.3
	50 ft.	11.0	9.0	6.5
	100 ft.	9.4	6.1	
	200 ft.	6.7		
14 AWG	10 ft.	11.9	11.8	11.6
	25 ft.	11.7	11.4	11.0
	50 ft.	11.5	10.8	9.8
	100 ft.	11.0	9.7	7.7
	200 ft.	10.0	7.6	
12 AWG	10 ft.	11.9	11.9	11.7
	25 ft.	11.8	11.6	11.3
	50 ft.	11.7	11.3	10.6
	100 ft.	11.3	10.5	9.3
	200 ft.	10.7	9.0	6.6
10 AWG	10 ft.	12.0	11.9	11.9
	25 ft.	11.9	11.8	11.6
	50 ft.	11.8	11.5	11.1
	100 ft.	11.6	11.1	10.3
	200 ft.	11.2	10.2	8.6

## 24VDC VOLTAGE DROP CHART

### LEDTASK™ VOLTAGE DROP CHART FOR 24VDC

MINIMUM VOLTAGE REQUIRED FOR MAXIMUM LIGHT OUTPUT: 22.8V AT BEGINNING OF RUN  
THIS CHART INDICATES DC VOLTAGE AT THE BEGINNING OF YOUR LED LINEAR RUN

Wire Size	Distance	Load Current in amps (per run)	
		4 amps	8.33 amps
18 AWG	10 ft.	22.8	22.0
	25 ft.	21.0	18.6
	50 ft.	18.0	13.0
	100 ft.		
	200 ft.		
14 AWG	10 ft.	23.6	23.2
	25 ft.	22.8	22.0
	50 ft.	21.6	19.7
	100 ft.	19.4	15.4
	200 ft.	15.4	
12 AWG	10 ft.	23.8	23.4
	25 ft.	23.2	22.6
	50 ft.	22.6	21.2
	100 ft.	21.0	18.6
	200 ft.	18.0	13.2
10 AWG	10 ft.	23.8	23.8
	25 ft.	23.6	23.2
	50 ft.	23.0	22.2
	100 ft.	22.2	17.2
	200 ft.	20.4	17.2



WESTIN  
WALL  
CENTRE





# GM Lighting Displays

**GMLEDRD**  
LED Linear Ribbon Display  
Page 63



**GMLARC3CD**  
LARC3 Counter Display  
Page 64



**GMLEDCD**  
UCLED LumenTask™  
Counter Display  
Page 65

**GMPDLED**  
3W LED Puck  
Counter Display  
Page 66



**GMPDLV**  
12V Xenon Puck  
Counter Display  
Page 66

## GM LED LINEAR RIBBON COUNTER 'SUITCASE' DISPLAY

GM Lighting's Flexible LED Linear Ribbon Counter Display shows off every linear LED ribbon, in every color (RGB Color Changing too) and LTAB Aluminum Wet Location LED Lightbar in a portable 'suitcase' display that provides a visual 'compare and contrast' presentation. Includes LTP-2 cord and plug power supply. This display can be shown on your counter, or it easily fits into a briefcase for sales presentations.



GMLEDRD

Catalog No.	Description	Dimensions
-------------	-------------	------------

GMLEDRD	Flexible LED Linear Ribbon Counter Display	7-1/2"H x 11"W x 6"D
---------	--	----------------------

## LARC3 ARCHITECTURAL LOW PROFILE LED LIGHTBAR DISPLAY

GM Lighting's LARC3 Architectural Low Profile LED Lightbar display is a durable, colorful and eye-appealing way to display GM Lighting undercabinet fixtures. Don't let the small footprint and compact size of these displays fool you - they will create a buzz that results in sales.



GMLARC3CD



LARC3-13-WW-BA  
(mounted in display)

Catalog No.	Description	Dimensions
-------------	-------------	------------

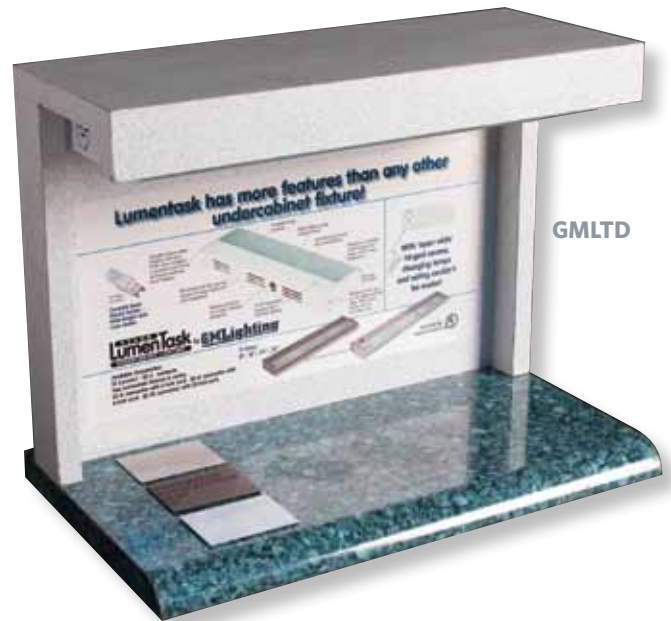
GMLARC3CD	LARC3 counter display with LTP-2 cord and plug power supply	17"H x 11-1/2"W x 9"D
-----------	---	-----------------------

## LUMENTASK™ UNDERCABINET DISPLAYS

GM Lighting's GMLEDCD and GMLTD LumenTask™ displays are a durable, colorful and eye-appealing way to display GM Lighting undercabinet fixtures.



GMLEDCD



GMLTD

Catalog No.	Description	Dimensions
GMLEDCD	UCLED Counter Display with cord & plug. UCLED-16-WH attached	13-1/2"H x 18"W x 10"D
GMLTD	LumenTask™ Counter Display* with cord & plug. X16-120-WH attached	13-1/2"H x 18"W x 10"D

## GM LIGHTING PUCK DISPLAYS

GM Lighting's Puck Displays have served as a winning sales tool for years. Your customers will not only be able to read the in-depth product information that is clearly shown on each display, they'll also see the lighting effects. Deal done!



**GMPDLV**



**GMPDCFL**



**GMPDLED**

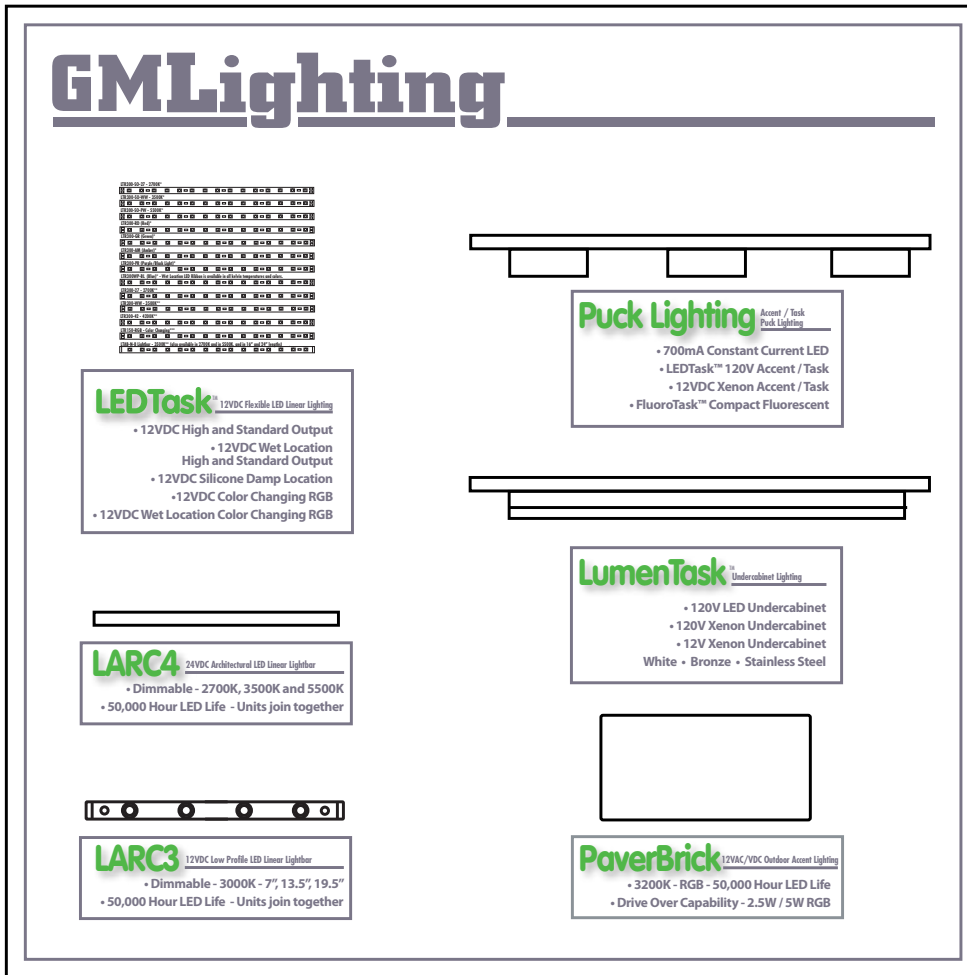


**GMPDLTGX**

Catalog No.	Description	Dimensions
<b>GMPDLV</b>	12V Xenon Puck Display with cord & plug	17"H x 11-1/2"W x 9"D
<b>GMPDCFL</b>	Compact Fluorescent FluoroTask™ Display with cord & plug	17"H x 11-1/2"W x 9"D
<b>GMPDLED</b>	LED 3W 2 Puck Display with power supply, cord & plug	17"H x 11-1/2"W x 9"D
<b>GMPDLTGX</b>	LTGX LED puck counter display with cord & plug	17"H x 11-1/2"W x 9"D

# GM LIGHTING FULL PRODUCT DISPLAY

GM Lighting's full wall display measures an impressive 36" x 36" and is available for your showroom / distributorships wall, or as a floor standing model.



Catalog No.	Description	Dimensions
-------------	-------------	------------

GMFLWD	GM Lighting full line wall display. Includes all products mounted to display with single cord & plug for wall mount. Product sections are individually switched.	36" H x 36" W x 8" D
--------	--	----------------------

GMFLLG	Legs that allow for floor mounting of GMFLWD display (legs only).	70-1/4" H X 36" W X 8" D
--------	---	--------------------------



# PRODUCT INDEX

CFL-HB-W .....	45, 47
CFLX-12 .....	45, 47
CFLX-24 .....	45, 47
CFL7-B .....	47
CFL7-W .....	47
CFL7-1-B .....	47
CFL7-1-W .....	47
CFL-2-B .....	47
CFL-2-W .....	47
CP-6 .....	40
EZ-1 .....	40
EZ-3 .....	40
EZ-6 .....	40
EZ-12 .....	40
EZ-18 .....	40
G4-12V .....	46
G6.35-12VCL .....	40
G9-120VCL .....	40
GL8 .....	40
GL16 .....	40
GL24 .....	40
GL32 .....	40
GMFLLG .....	67
GMFLWD .....	66
GMLARC3CD .....	64
GMLEDCD .....	64
GMLEDRD .....	62
GMLTD .....	64
GMPDCFL .....	65
GMPDLED .....	65
GMPDLTGX .....	66
GMPDLV .....	65
GMR-3WW-BA .....	47
GMSB-B .....	6, 7, 8, 9
GMSB-W .....	6
GMWD-600 .....	55
GX53-LED .....	45
JB-1 .....	40
LARC3-7-WW-B .....	6
LARC3-7-WW-BA .....	6
LARC3-13-WW-B .....	6
LARC3-13-WW-BA .....	6
LARC3-19-WW-B .....	6
LARC3-19-WW-BA .....	6
LARC3-BB-1 .....	6
LARC3-BB-4 .....	6
LARC3-BB-12 .....	6
LARC3-BB-24 .....	6
LARC3-BB-36 .....	6
LARC3-BB-60 .....	6
LARC3-FL-BA .....	6
LARC3-FL-B .....	6
LARC3-PS-24 .....	6
LARC3-PS-48 .....	6
LARC3-PS-60 .....	6
LARC4-9-27-BA .....	9
LARC4-9-42-BA .....	9
LARC4-9-PW-BA .....	9
LARC4-9-WW-BA .....	9
LARC4-19-27-BA .....	9
LARC4-19-42-BA .....	9
LARC4-19-PW-BA .....	9
LARC4-19-WW-BA .....	9
LARC4-39-27-BA .....	9
LARC4-39-42-BA .....	9
LARC4-39-PW-BA .....	9
LARC4-39-WW-BA .....	9
LARC4-BB-6 .....	9
LARC4-BB-24 .....	9
LARC4-BB-36 .....	9
LARC4-BB-60 .....	9
LARC4-SB .....	9
LED-CHL .....	32
LP-3-B .....	44
LP-3-BNK .....	44
LP-3-BZ .....	44
LP-3-W .....	44
LPCC-18 .....	44
LPX-12 .....	44
LPX-24 .....	44
LTAB-N-8 .....	7
LTAB-N-8-27 .....	7
LTAB-N-8-PW .....	7
LTAB-N-16 .....	7
LTAB-N-16-27 .....	7
LTAB-N-16-PW .....	7
LTAB-N-24 .....	7
LTAB-N-24-27 .....	7
LTAB-N-24-PW .....	7
LTAB-N-SB .....	7



# PRODUCT INDEX

LTB-8.....	8	LTP-6.....	54
LTB-16.....	8	LTPK-9-B.....	44
LTBC-3.....	8	LTPK-9-BNK.....	44
LTBC-12.....	8	LTPK-9-BZ.....	44
LTBC-24.....	8	LTPK-9-W.....	44
LTBC-36.....	8	LTR30WP-RGB.....	27
LTBC-60.....	8	LTR60WP-27.....	19
LTBPC-24.....	8	LTR60WP-42.....	19
LTBPC-48.....	8	LTR60WP-WW.....	19
LTBPC-60.....	8	LTR60WP-SO-27.....	21
LTBR-18-WW.....	49	LTR60WP-SO-PW.....	21
LTBR-RGB.....	51	LTR60WP-SO-WW.....	21
LTC-1.....	13, 16	LTR150-RGB.....	25
LTC-3.....	13, 16	LTR150WP-RGB.....	27
LTC-12.....	13, 16	LTR300-27.....	13
LTC-24.....	13, 16	LTR300-42.....	13
LTC-36.....	13, 16	LTR300-AM.....	15
LTC-60.....	13, 16	LTR300-BL.....	15
LTC-EZ-1.....	33	LTR300-GR.....	15
LTC-EZ-3.....	33	LTR300-RD.....	15
LTC-EZ-12.....	33	LTR300-PR.....	15
LTC-EZ-24.....	33	LTR300-SO-27.....	15
LTC-EZ-60.....	33	LTR300-SO-PW.....	15
LTCWP-12.....	7, 20, 22	LTR300-SO-WW.....	15
LTCWP-24.....	7, 20, 22	LTR300WP-27.....	19
LTCWP-36.....	7, 20, 22	LTR300WP-42.....	19
LTCWP-60.....	7, 20, 22	LTR300WP-AM.....	21
LTGX-B.....	45	LTR300WP-BL.....	21
LTGX-W.....	45	LTR300WP-GR.....	21
LTGX-1-B.....	45	LTR300WP-RD.....	21
LTGX-1-W.....	45	LTR300WP-SO-27.....	21
LTGX-2-B.....	45	LTR300WP-SO-PW.....	21
LTGX-2-W.....	45	LTR300WP-SO-WW.....	19
LTH-2.....	54	LTR300WP-WW.....	19
LTH-8.....	54	LTR300-WW.....	13
LTH-16.....	54	LTRGB-AMP.....	30
LTH-25.....	54	LTRGB-CNR.....	30
LTH-60-DIM.....	55	LTW-6.....	13, 16
LTHM50-DIM.....	55	LTW-24.....	13, 16
LTHM100-DIM.....	55	LTW-48.....	13, 16
LTHM150-CL2-DIM.....	55	LTW-60.....	13, 16
LTHM300-DIM.....	55	LTW-24-WP.....	7, 20, 22
LTHM300-CL2-DIM.....	55	LTW-48-WP.....	7, 20, 22
LTMC.....	8	LTW-60-WP.....	7, 20, 22
LTP-2.....	54	LTW-EZ-6.....	33

# PRODUCT INDEX

LTW-EZ-24.....	33
LTW-EZ-60.....	33
RPS-24.....	26
RPS-72.....	26
RTR-1.....	26
RTR-3.....	26
RTR-12.....	26
RTR-24.....	26
RTR-36.....	26
RTR-60.....	26
RTRWP-12.....	28
RTRWP-24.....	28
RTRWP-36.....	28
RTRWP-60.....	28
SLC-3.....	24
SLC-12.....	24
SLC-24.....	24
SLC-36.....	24
SLC-60.....	24
SLR-CEC.....	24
SLR-FEC.....	24
SLR-L.....	24
SLR-MC.....	24
SLR-MEC.....	24
SLR-T.....	24
SLR8-SO-27.....	23
SLR8-SO-PW.....	23
SLR8-SO-WW.....	23
SLR16-SO-27.....	23
SLR16-SO-PW.....	23
SLR16-SO-WW.....	23
SLR24-SO-27.....	23
SLR24-SO-PW.....	23
SLR24-SO-WW.....	23
SLR118-SO-27.....	23
SLR118-SO-PW.....	23
SLR118-SO-WW.....	23
SLRK-48.....	34
SLW-24.....	24
SLW-48.....	24
SLW-60.....	24
SMRGB-8.....	30
UCLED-8-BZ.....	36
UCLED-8-SS.....	36
UCLED-8-WH.....	36
UCLED-16-BZ.....	36

UCLED-16-SS.....	36
UCLED-16-WH.....	36
UCLED-24-BZ.....	36
UCLED-24-SS.....	36
UCLED-24-WH.....	36
WPKT.....	20, 22
WPKT-RGB.....	28
X8-12-BZ.....	39
X8-12-SS.....	39
X8-12-WH.....	39
X16-12-BZ.....	39
X16-12-SS.....	39
X16-12-WH.....	39
X24-12-BZ.....	39
X24-12-SS.....	39
X24-12-WH.....	39
X32-12-BZ.....	39
X32-12-SS.....	39
X32-12-WH.....	39
X8-120-BZ.....	38
X8-120-SS.....	38
X8-120-WH.....	38
X16-120-BZ.....	38
X16-120-SS.....	38
X16-120-WH.....	38
X24-120-BZ.....	38
X24-120-SS.....	38
X24-120-WH.....	38
X32-120-BZ.....	38
X32-120-SS.....	38
X32-120-WH.....	38
XP20-B.....	46
XP20-BNK.....	46
XP20-BZ.....	46
XP20-C.....	46
XP20-W.....	46
XP20-3-B.....	46
XP20-3-BNK.....	46
XP20-3-BZ.....	46
XP20-3-C.....	46
XP20-3-W.....	46
XPE-4.....	46
XPE-8.....	46
XPE-12.....	46





# GMLighting

9830 W. 190th Street • Unit F  
Mokena, IL 60448  
Toll-Free (866) 671-0811  
FAX: (708) 478-2640  
[www.gmlighting.com](http://www.gmlighting.com)

Printed in the U.S.A.

April 2012 revised October 2012

©2012 GM Lighting, LLC

Specifications are subject to change without notice.

