

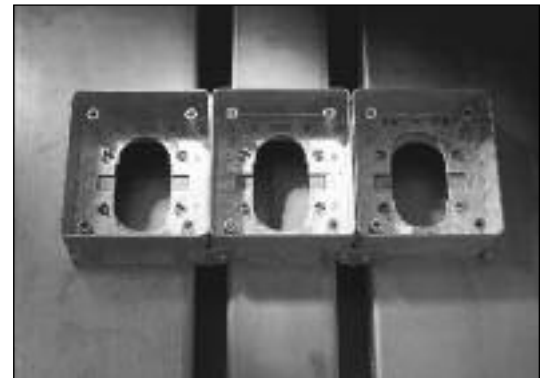
## Complete Category 6, 5e & fiber capability in flush fittings



**Wiremold®** Walkerduct Pro Series Infloor Duct Systems provide full capability to install Category 6, 5e and Fiber Optic Cabling and Connections in a flush service fitting. The preset provides maximum cable performance plus cable loop storage. Our flush service fittings also provide the benefits of bend radius features at the workstation.


The factory installed preset also makes it easy to feed conduit, partition feeds, and other feeds directly out of the preset. 2" [51mm] IPS preset duct is also available for those applications where a flush activation is not required.

Flush service fittings are available in brass, brushed aluminum and nonmetallic finishes and can be fitted with modular communication inserts. Our pedestal service fittings, Multiplex™ Service Fittings and 525 Series Fittings, can be used on either system. In addition, flush carpet trim plates are available to make direct feeds out of the presets. Both styles of Walkerduct are UL Listed to U.S. and Canadian safety standards. Walkerduct Pro Series is ideal for retail stores, schools, casinos, and office buildings.



Pro Series presets can be positioned together to create one activation location.

### FEATURES & BENEFITS

- **New brushed aluminum activations.** Provides additional  finish options for better aesthetics.
- **Heavy Duty Junction Box.** Perfect for casino applications, heavy duty junction boxes are available for applications where the duct system will be subjected to heavy loads.
- **Quality construction.** Duct is made of 16 gauge galvanized steel with continuous seam weld construction. Makes for easy field cuts and prevents water seepage into the duct.
- **Large bend radius into duct and around corners and elbows.** Maintains integrity of fiber optic cable when changing direction of cable orientation.
- **Large oblong opening into duct.** Allows easy hand access into the duct to pull wires. The opening provides enhanced bend radius when pulling cable.
- **One-meter fiber or cable loop storage in preset.** Allows easy access to cable to activate service fitting.
- **Flush activations for single-, double-, and triple-duct runs for both tiled and carpeted floors.** Aesthetically pleasing activations in brass, brushed aluminum and nonmetallic provide easy access to power and telecommunications at each workstation. Activations accept Category 6, 5e, UTP, STP, coaxial, audio, and fiber optics inserts. Front loaded snap-in inserts save installation time.
- **Only junction box available offering square or round access cover plates.** The flexibility to choose which style will provide the greatest aesthetic appearance for a particular tile or carpet application.
- **Built-in tile trim.** The square junction boxes include flangeless aluminum trim to accommodate 1/8" [3.2mm] thick tile. Saves money.
- **Large preset.** The preset has a large cubic inch capacity to allow easy access to wires and plenty of room for splicing and connections. Saves installation time.

#### IMPORTANT!

A minimum 1 1/2" [38mm] preset or afterset is required on Pro Series Underfloor Duct to support standard duplex receptacles and communication devices when using flush activations. The 1" [25mm] preset or afterset should be specified for pedestal style fittings or when cabling will be pulled through the activation point.



Presets have room to store up to 1 meter of cable in preset. Fiber loop clips (Cat. No. 427) shown.



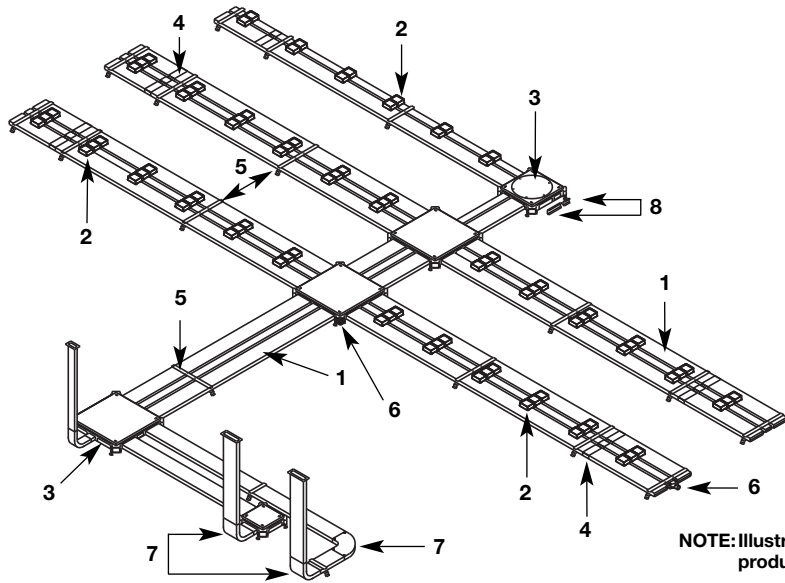
Pro Series presets offer large access area into the duct.



Flush activations offer a full range of power and communication connections.

# Walkerduct Pro Series System Layouts

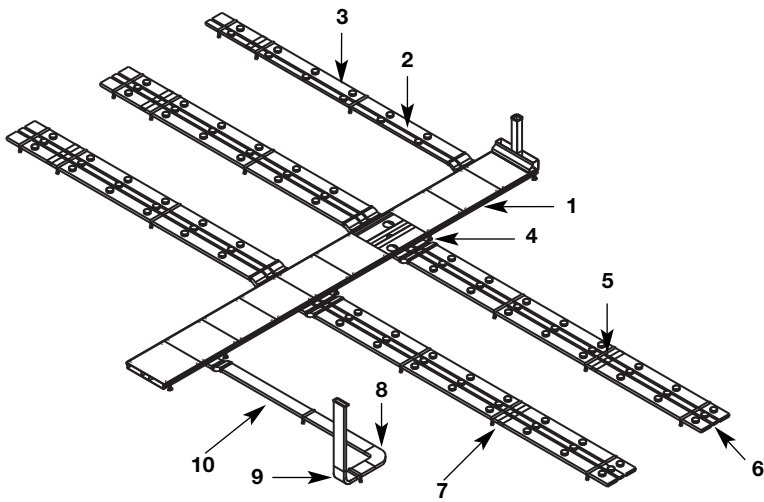
## WALKERDUCT PRO SERIES SYSTEM LAYOUT WITH JUNCTION BOXES



KEY	
1	Duct
2	Pro Series Preset
3	Junction Box
4	Coupling
5	Duct Support
6	Conduit Adapter
7	Elbow
8	Junction Box Closure

NOTE: Illustration is for showing product applications only.

## WALKERDUCT 2" [51MM] IPS DUCT SYSTEM LAYOUT WITH TRENCHDUCT



KEY	
1	Trenchduct
2	#2 2" IPS Duct
3	#4 2" IPS Duct
4	Cross Under
5	Couplings
6	End Closure
7	Support
8	Horizontal Flat Elbow
9	Vertical Elbow
10	Blank #4 Duct

NOTE: Illustration is for showing product applications only.

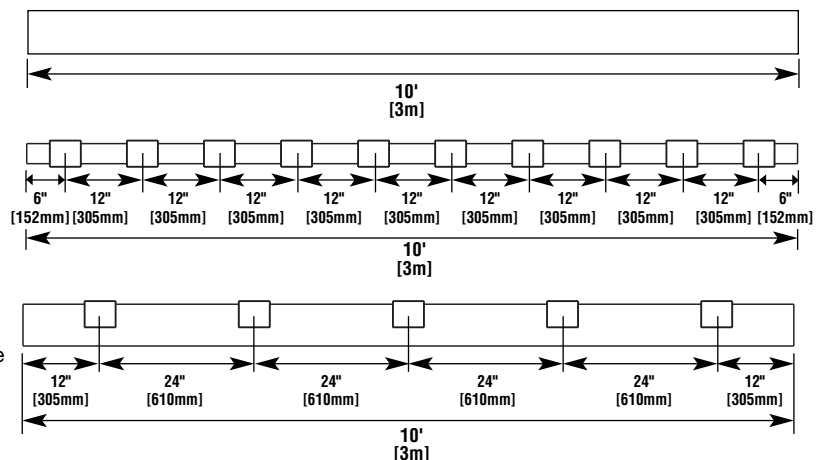
# Walkerduct Pro Series Systems Accessories

Accessories	12 System	14 System	222 System	224 System	244 System	3222 System	3224 System	3244 System	3424 System	3444 System
<b>Adjustable Supports*</b>	SC12-	SC14-	SC222-	SC224-	SC244-	SC3222-	SC3224-	SC3244-	SC3424-	*
<b>Hold-Down Strap</b>	HS12	HS14	HS222	HS224	HS244	HS3222	HS3224	HS3244	HS3424	*
<b>Couplings</b>	302	H302	302	302 H302	H302	302	302 H302	302 H302	302 H302	H302
<b>Duct End Closures</b>	304	H304	304	304 H304	H304	304	304 H304	304 H304	304 H304	H304
<b>Conduit Adapters</b>	312- 314- 317- 322- 324-	H312- H317- H322-	312- 314- 317- 322- 324-	312- 314- 317- 322- 324- H322- H317- H312-	H312- H317- H322-	312- 314- 317- 322- 324-	312- 314- 317- H317- 322- H322- 324- H312-	312- H312- 314- 317- H317- 322- H322- 324- H312-	312- 314- 317- H317- 322- H322- 324- H312-	H312- H317- H322-
<b>Box Corner Conduit Adapter</b>	255-	255-	255-	255-	255-	255-	255-	255-	255-	255-
<b>Terminal Bushings</b>	334UF	H334	334UF	334UF H334	H334	334UF	334UF H334	334UF H334	334UF H334	H334
<b>Vertical Elbows</b>	332UF	H332	332UF	332UF H332	H332	332UF	332UF H332	332UF H332	332UF H332	H332
<b>Horizontal Elbows (90° &amp; 45°)</b>	338UF 342UF	H338 H342	338UF 342UF	338UF H338 342UF H342	H338 H342	338UF 342UF	338UF H338 342UF H342	338UF H338 342UF H342	338UF H338 342UF H342	H338 H342
<b>Crossunder Offsets</b>	372 375	H372 H375	372 375	372 H372 375 H375	H372 H375	372 375	372 H372 375 H375	372 H372 375 H375	372 H372 375 H375	H372 H375
<b>Expansion Joints</b>	382	H382	382	382 H382	H382	382	382 H382	382 H382	382 H382	H382
<b>Mudcaps</b>	421	421	421	421	421	421	421	421	421	421
<b>Marker Caps</b>	422GR 422RD	422GR 422RD	422GR 422RD	422GR 422RD	422GR 422RD	422GR 422RD	422GR 422RD	422GR 422RD	422GR 422RD	422GR 422RD
<b>Box Opening Closures</b>	203	H203	203	203 H203	H203	203	203 H203	203 H203	203 H203	H203
<b>Box Closure Adapters</b>	—	275SL 275SR	—	275SL 275SR	275SL 275SR	—	275SL 275SR	275SL 275SR	275SL 275SR	275SL 275SR
<b>Sealant</b>	290G	290G	290G	290G	290G	290G	290G	290G	290G	290G
<b>Tile &amp; Carpet Trim/holders</b>	<b>square</b> FT6- CT6-	<b>square</b> FT10- CT10-	<b>square</b> FT10- CT10-	<b>square</b> FT15- CT15-	<b>square</b> FT18- CT18-	<b>square</b> FT15- FT15-	<b>square</b> FT18- FT18-	<b>square</b> FT21- FT21-	<b>square</b> FT21- FT21-	<b>square</b> FT25- FT25-
	<b>round</b> SFCS5- SFCB5-	<b>round</b> SFCS9- SFCB9-	<b>round</b> SFCS9- SFCB9-	<b>round</b> SFCS14- SFCB14-	<b>round</b> SFCS17- SFCB17-	<b>round</b> SFCS14- SFCB14-	<b>round</b> SFCS17- SFCB17-	<b>round</b> SFCS20- SFCB20-	<b>round</b> SFCS20- SFCB20-	<b>round</b> SFCS24- SFCB24-
<b>Junction Box Conduct Adapters</b>	212- 232-	H232-	212- 232-	212- 232- H232-	H232	212 232	212 232 H232	212 232 H232	212 232 H232	H232

\* Supports include built-in Coupling.

NOTE: Part numbers ending in a dash need to have the height adjustment size suffix included when ordering. Please see the individual support product descriptions for this information.

Walkerduct Duct Systems provide wire management for open space environments while maintaining aesthetics because they are buried in the floor, out of sight, and safe from abuse. The duct is designed to be used with Walkerduct Junction Boxes or Trenchduct to create an infloor wire management system. Duct runs provide a range of capacities to suit any situation and to future proof the wire management system. Duct can be used individually or combined with other duct to deliver power and communication services to workstations. Multiple duct runs may be all one size of duct or a mix of sizes. Activations may be located anywhere along the length of the duct to maximize flexibility and accessibility to wiring workstations. Flexibility is only limited by the grid pattern. Walkerduct Duct Systems are designed to be used with power and communications service fittings. Refer to the Service Fittings section of the Product Guide or the individual product specifications for more information.



# Walkerduct Pro Series Ordering Information

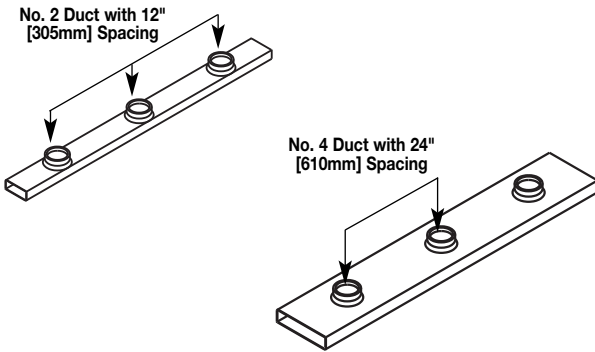
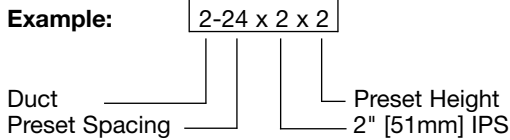
Catalog No. /Item	Description/Specifications
<p>2-0      No. 2 Duct 4-0      No. 4 Duct</p>	<p><b>Blank Duct</b> – Used primarily for feeder runs. 10' [3m] standard length. One-piece continuous seam weld construction. 16 gauge [1.5mm] galvanized steel.</p>
<p>D21210 No. 2 Duct, 12" spacing, 1" presets. D21215 No. 2 Duct, 12" spacing, 1 1/2" presets. D21220 No. 2 Duct, 12" spacing, 2" presets. D21225 No. 2 Duct, 12" spacing, 2 1/2" presets. D21230 No. 2 Duct, 12" spacing, 3" presets. D22410 No. 2 Duct, 24" spacing, 1" presets. D22415 No. 2 Duct, 24" spacing, 1 1/2" presets. D22420 No. 2 Duct, 24" spacing, 2" presets. D22425 No. 2 Duct, 24" spacing, 2 1/2" presets. D22430 No. 2 Duct, 24" spacing, 3" presets.</p> <p>D41210 No. 4 Duct, 12" spacing, 1" presets. D41215 No. 4 Duct, 12" spacing, 1 1/2" presets. D41220 No. 4 Duct, 12" spacing, 2" presets. D41225 No. 4 Duct, 12" spacing, 2 1/2" presets. D41230 No. 4 Duct, 12" spacing, 3" presets. D42410 No. 4 Duct, 24" spacing, 1" presets. D42415 No. 4 Duct, 24" spacing, 1 1/2" presets. D42420 No. 4 Duct, 24" spacing, 2" presets. D42425 No. 4 Duct, 24" spacing, 2 1/2" presets. D42430 No. 4 Duct, 24" spacing, 3" presets.</p> <p><b>Catalog Numbering System:</b></p> <p>Example: <span style="border: 1px solid black; padding: 2px;">D21215</span></p> <p>Duct Size of Duct      Preset Height Preset Spacing</p>	<p><b>Preset Duct</b> – Used for distribution runs. 10' [3m] standard length. One-piece continuous seam weld construction. 16 gauge galvanized steel. Die-cast presets have knockout in base. With knockout removed, the opening size into duct is 3 1/8" x 1 5/8" [79mm x 41mm]. No. 4 duct is punched off center. An alignment clip is included with each piece of duct. This is used to connect presets and prevent movement of presets during concrete pour.</p> <p>Standard preset spacings are 12" [305mm] and 24" [610mm] on center. Preset heights are: 1" [25mm], 1 1/2" [38mm], 2" [51mm], 2 1/2" [64mm], and 3" [76mm]. Presets are sealed with recessed removable mudcap. Preset dimensions are 4 1/8" wide x 4 13/16" long [105mm x 123mm].</p> <div style="border: 1px solid black; padding: 5px; margin-top: 10px;"> <p style="text-align: center;"><b>IMPORTANT!</b></p> <p>Triple-gang flush activations are not compatible with 3244 and 3444 System layouts. Use combination of single- and two-gang activations to access all three ducts at one point.</p> </div> <div style="border: 1px solid black; padding: 5px; margin-top: 10px;"> <p style="text-align: center;"><b>IMPORTANT!</b></p> <p>A minimum 1 1/2" [38mm] preset or afterset is required on Pro Series Underfloor Duct to support standard duplex receptacles and communication devices when using flush activations. The 1" [25mm] preset or afterset should be specified for pedestal style fittings or when cabling will be pulled through the activation point.</p> </div>
421	<p><b>Mudcap</b> – Steel replacement cap for preset. Recessed to hold 3/8" [9.5mm] concrete.</p>
422GR (Green) 422RD (Red)	<p><b>Marker Cap</b> – Replaces mudcap on preset to indicate location of the last insert in each run. Select color for each service.</p>
425 1/2" [12.1mm] High 426 1" [25mm] High	<p><b>Preset Extensions</b> – Can be factory or field installed to increase height of presets. Die-cast construction. Attaches with push on metal sleeves (included). 1" [25mm] size can be stacked. 1/2" [12.7mm] size cannot be stacked with another extension on top.</p>
D2075 For No. 2 Duct D4075 For No. 4 Duct	<p><b>Duct Conduit Hub (12" [305mm] Section of Duct with 1" [25mm] Preset)</b> – For rigid or PVC conduit. Used to provide feed to isolated outlets; maintains 24" [610mm] spacing of presets. Preset height is 1" [25mm]. Add extensions if higher preset needed.</p>

# Walkerduct Underfloor Duct Ordering Information

Catalog No. /Item	Description/Specifications	Description/Specifications
2-12x2x7/8 2-12x2x11/2 2-12x2x2 2-12x2x21/2 2-12x2x3	No. 2 Duct, 12" spacing, 7/8" presets. No. 2 Duct, 12" spacing, 1 1/2" presets. No. 2 Duct, 12" spacing, 2" presets. No. 2 Duct, 12" spacing, 2 1/2" presets. No. 2 Duct, 12" spacing, 3" presets.	<p><b>Preset Duct</b> – Used for distribution runs. 10' [3m] standard length. One-piece continuous seam weld construction. 16 gauge galvanized steel. Round die-cast presets have inside threads to accept standard connectors.</p> <p>Standard preset spacings are 12" [305mm] and 24" [610mm] on center. Preset heights are 7/8" 1 1/2", 2", 2 1/2" and 3" [22.2mm, 38mm, 51mm, 64mm and 76mm]. Presets are sealed with recessed removable mudcap. Preset inside diameter is 2" [51mm].</p> <p>Service fitting selections for 2" [51mm] IPS preset duct are: 525 Series, Multiplex, and 1200 Series.</p>
2-24x2x7/8 2-24x2x11/2 2-24x2x2 2-24x2x21/2 2-24x2x3	No. 2 Duct, 24" spacing, 7/8" presets. No. 2 Duct, 24" spacing, 1 1/2" presets. No. 2 Duct, 24" spacing, 2" presets. No. 2 Duct, 24" spacing, 2 1/2" presets. No. 2 Duct, 24" spacing, 3" presets.	
4-12x2x7/8 4-12x2x11/2 4-12x2x2 4-12x2x21/2 4-12x2x3	No. 4 Duct, 12" spacing, 7/8" presets. No. 4 Duct, 12" spacing, 1 1/2" presets. No. 4 Duct, 12" spacing, 2" presets. No. 4 Duct, 12" spacing, 2 1/2" presets. No. 4 Duct, 12" spacing, 3" presets.	
4-24x2x7/8 4-24x2x11/2 4-24x2x2 4-24x2x21/2 4-24x2x3	No. 4 Duct, 24" spacing, 7/8" presets. No. 4 Duct, 24" spacing, 1 1/2" presets. No. 4 Duct, 24" spacing, 2" presets. No. 4 Duct, 24" spacing, 2 1/2" presets. No. 4 Duct, 24" spacing, 3" presets.	

Cable Size/Wire Fill Chart						
CABLE/WIRE SIZE	O.D.		AREA (SQ IN.)		40% FILL*	
	Inches	[mm]	Inches	[mm]	NO. 2 DUCT	NO. 4 DUCT
UNSHIELDED TWISTED PAIR						
4-PAIR, 24 AWG CAT 5	.220	[5.6]	.038	[24.5]	36	91
4-PAIR, 24 AWG CAT 6	.250	[6.4]	.049	[31.7]	27	71
TELEPHONE						
2-PAIR, 24 AWG	.140	[3.6]	.015	[9.9]	89	232
4-PAIR, 24 AWG	.190	[4.8]	.028	[18.1]	47	124
25-PAIR, 24 AWG	.410	[10.4]	.132	[85.2]	10	26
COAXIAL						
RG58/U	.195	[4.9]	.030	[19.4]	44	116
RG59/U	.242	[6.1]	.046	[29.7]	29	75
RG6/U	.270	[6.8]	.057	[36.8]	23	61
SHIELDED TWISTED PAIR						
TYPE 1	.390	[9.9]	.119	[76.8]	11	29
TYPE 2	.465	[11.8]	.170	[109.7]	7	20
TYPE 3	.245	[6.2]	.047	[30.3]	28	74
FIBER OPTIC						
2-STRAND	.180	[4.6]	.025	[16.1]	53	139
4-STRAND	.190	[4.8]	.028	[18.1]	47	124
6-STRAND	.210	[5.3]	.035	[22.6]	38	99
FIBER ZIPCORD	.110	[2.8]	.010	[6.5]	133	348
THHN WIRE						
#14	0.111	[2.8]	.0097	[6.3]	137	359
#12	0.130	[3.3]	.0133	[8.6]	100	262
#10	0.164	[4.2]	.0211	[13.6]	63	165
# 8	0.216	[5.5]	.0366	[23.6]	36	95
# 6	0.254	[6.5]	.0507	[32.7]	26	68
# 4	0.324	[8.2]	.0824	[53.2]	16	42

**Catalog Numbering System:**



\*40% cable fill is the maximum cable allowed by NEC.

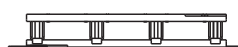
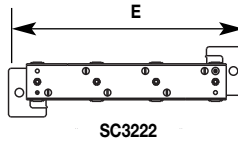
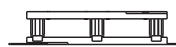
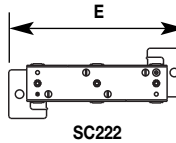
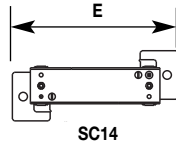
404			<p><b>Mudcap</b> – Steel replacement cap for 2" [51mm] IPS preset. Recessed to hold 3/8" [9.5mm] concrete.</p>
415B 415N	(Brass) (Steel)		<p><b>Marker Cap</b> – Replaces mudcap on preset to indicate location of run. NEC requires markers to locate the last preset in each run. Select color for each service.</p>
317-3/4-* H317-3/4-*	For No. 2 Duct For No. 4 Duct		<p><b>2" [610mm] Section of Duct with IPS Preset and 3/4" [19.1mm] Conduit Hub</b> – For rigid or PVC conduit. Used to provide feed to isolated outlets; maintains 24" [610mm] spacing of presets. Heights from 7/8" [22.2mm] to 3 1/2" [89mm]. <b>*Specify preset height.</b></p>

## Duct Supports Ordering Information

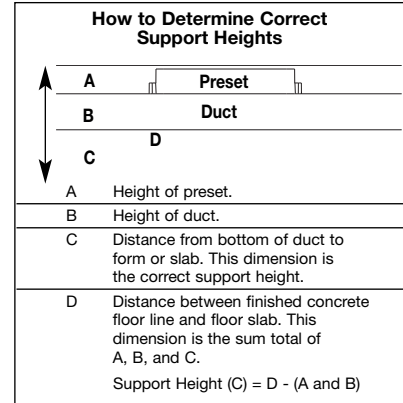
### Catalog No./Item

### Description/Specifications

- SC12** For one No. 2 Duct  
**SC14** For one No. 4 Duct  
**SC222** For two No. 2 Ducts  
**SC224** For one No. 2 Duct and one No. 4 Duct  
  
**SC244** For two No. 4 Ducts  
**SC3222** For three No. 2 Ducts  
**SC3224** For two No. 2 Ducts and one No. 4 Duct  
  
**SC3244** For one No. 2 Duct and two No. 4 Ducts  
**SC3424** For two No. 4 Ducts and one No. 2 Duct (No. 2 Duct in center)



**Adjustable Duct Supports with Built-In Couplings** – To support, couple, and hold duct in place before and during concrete pour. Steel construction. Leveling screws provide vertical adjustment. Different leg heights available. Supports may be fastened to form or to slab through holes in the feet. Top members maintain 1" [25mm] spacing between ducts. Locate duct supports on approximately 5' [1.5m] intervals.

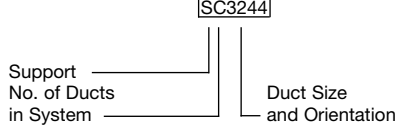


Cat No.	DIMENSION "E"	
	Inches	[mm]
SC12	8.125	[206mm]
SC14	11.500	[292mm]
SC222	12.250	[311mm]
SC224	15.625	[396mm]
SC244	19.000	[482mm]
SC3222	16.375	[415mm]
SC3224	19.750	[501mm]
SC3242	19.750	[501mm]
SC3244	23.125	[587mm]
SC3444	26.500	[673mm]
SC42222	20.500	[520mm]

*Cat. No. Suffix	Height Adjustment	
-18	1/2" [12.7mm] to 1 7/8" [48mm]	
-33	1 1/2" [38mm] to 3 3/4" [95mm]	
-48	3" [76mm] to 4 7/8" [124mm]	

*Duct supports for deeper pours are available through the factory.*

**Catalog Numbering System:**  
**Example:** SC3244



**NOTE: Recommend minimum of 3" [76mm] clearance space on each side of duct support (E dimension) for concrete placement.**

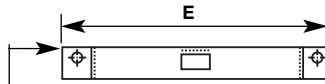
## Hold-Down Straps Ordering Information

### Catalog No./Item

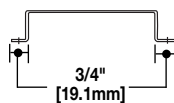
### Description/Specifications

- HS12** For one No. 2 Duct  
**HS14** For one No. 4 Duct  
**HS222** For two No. 2 Ducts  
**HS224** For one No. 2 Duct and one No. 4 Duct  
  
**HS244** For two No. 4 Ducts  
**HS3222** For three No. 2 Ducts  
**HS3224** For two No. 2 Ducts and one No. 4 Duct  
  
**HS3244** For one No. 2 Duct and two No. 4 Ducts  
**HS3424** For two No. 4 Ducts with one No. 2 Duct in center

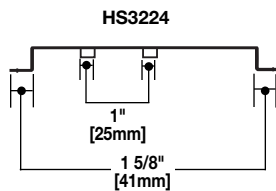
Two Holes 9/32"  
[7.1mm] Dia.



HS14



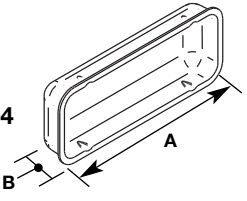
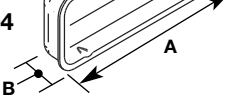
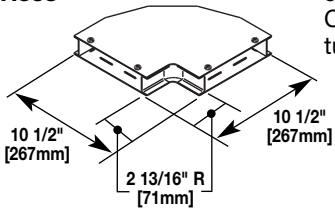
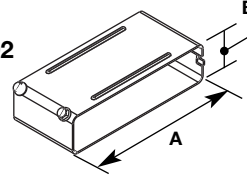
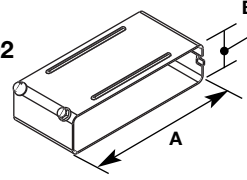
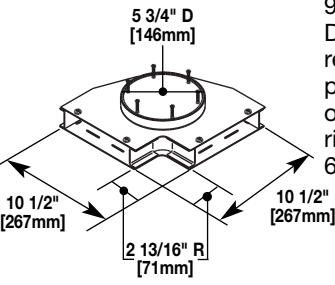
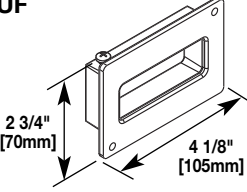
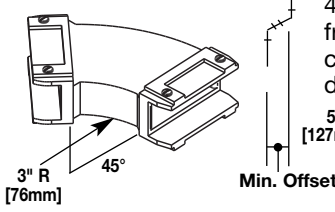
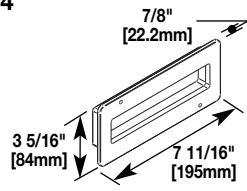
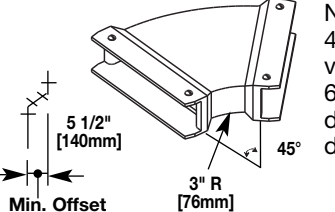
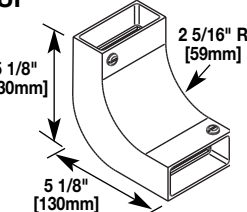
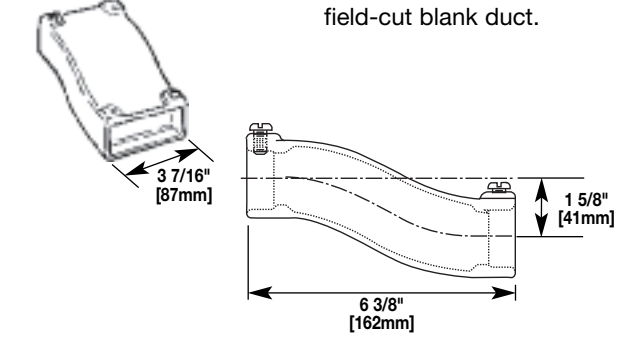
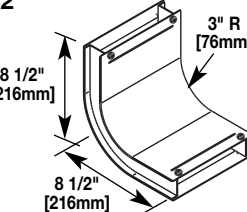

**Hold-Down Straps** – To fasten ducts to the slab in shallow concrete. Used in place of duct supports. Straps maintain 1" [25mm] spacing between ducts on multiple duct runs and prevent duct from floating during concrete pour. Attaches to slab with stakes or drive pins (not included). Locate hold-down straps on approximate 5' [1.5m] centers.



ITEM	"E" DIMENSION	
HS12	5 3/16"	[132mm]
HS14	8 1/16"	[205mm]
HS222	10 5/8"	[270mm]
HS224	14"	[356mm]
HS244	17 3/8"	[448mm]
HS3222	14 13/16"	[376mm]
HS3224	18 3/16"	[462mm]
HS3244	21 9/16"	[548mm]
HS3424	21 9/16"	[548mm]

**No. 2 Duct strap is 1 1/4" H [32mm]; No. 4 Duct strap is 1 1/2" H [38mm]; Straps have a maximum width of 1 1/4" [32mm].**

## Duct Closures, Elbows and Offsets Ordering Information

Catalog No./Item	Description/Specifications	Catalog No./Item	Description/Specifications
<p><b>304</b></p>  <p><b>H304</b></p> 	<p><b>Duct End Plug</b> – To seal end of No. 2 Duct. A = 3 1/8" [79mm]; B = 1 1/4" [32mm].</p> <p><b>Duct End Plug</b> – To seal end of No. 4 Duct. A = 6 1/2" [165mm]; B = 1 1/2" [38mm].</p>	<p><b>H338</b></p> 	<p><b>90° Horizontal Elbow</b> – Creates 90° horizontal turn in No. 4 Duct.</p>
<p><b>302</b></p>  <p><b>H302</b></p> 	<p><b>Coupling</b> – To couple two No. 2 Ducts. A = 3 1/4" [83mm]; B = 1 3/8" [38mm].</p> <p><b>Coupling</b> – To couple two No. 4 Ducts. A = 6 9/16" [167mm]; B = 1 9/16" [40mm].</p>	<p><b>H338AU-1</b></p> 	<p><b>90° Horizontal Elbow with Access Unit</b> – Used to make 90° horizontal turn in No. 4 Duct. Access cover can be removed to facilitate wire pulling. For concrete pours over 1" [25mm] an extension ring is required. See Cat. No. 6AER- rings on page 9.</p>
<p><b>334UF</b></p> 	<p><b>Panel Connector</b> – Secures No. 2 Duct to cabinet.</p>	<p><b>342UF</b></p> 	<p><b>Adjustable Horizontal Elbow</b> – No. 2 Duct elbow angled for 45° turn. Angle may be varied from 22 1/2° to 67 1/2° by cutting duct ends at different angles.</p>
<p><b>H334</b></p> 	<p><b>Panel Connector</b> – Secures No. 4 Duct to cabinet.</p>	<p><b>H342</b></p> 	<p><b>Adjustable Horizontal Elbow</b> – No. 4 Duct elbow angled for 45° turn. Angle may be varied from 22 1/2° to 67 1/2° by cutting duct ends at different angles.</p>
<p><b>332UF</b></p> 	<p><b>90° Vertical Elbow</b> – Creates 90° vertical turn in No. 2 Duct.</p>	<p><b>372 For No. 2 Duct</b> <b>H372 For No. 4 Duct</b></p> 	<p><b>Offset</b> – Used to raise or lower a run of duct by 1 5/8" [41mm]. Two required for crossunders. Used with field-cut blank duct.</p>
<p><b>H332</b></p> 	<p><b>90° Vertical Elbow</b> – Creates 90° vertical turn in No. 4 Duct.</p>		
<p><b>338UF</b></p> 	<p><b>90° Horizontal Elbow</b> – Creates 90° horizontal turn in No. 2 Duct.</p>		

## Duct Closures, Elbows and Offsets Ordering Information (Continued)

Catalog No./Item	Description/Specifications																																																
<b>375 For No. 2 Duct</b> <b>H375 For No. 4 Duct</b>	<b>Variable Offset</b> – Used to raise or lower a run of duct from 5/16" [7.9mm] to 3 1/2" [89mm]. Field cut duct based on chart below.																																																
<table border="1" style="width: 100%; border-collapse: collapse;"> <thead> <tr> <th style="width: 25%;">FOR OFFSET</th> <th style="width: 25%;">DUCT CUT (LENGTH)</th> <th style="width: 25%;">FOR OFFSET</th> <th style="width: 25%;">DUCT CUT (LENGTH)</th> </tr> </thead> <tbody> <tr><td>5/16" [7.9mm]</td><td>1 3/8" [35mm]</td><td>1" [25mm]</td><td>5 3/8" [137mm]</td></tr> <tr><td>3/8" [9.5mm]</td><td>1 3/4" [44mm]</td><td>1 1/4" [32mm]</td><td>6 13/16" [173mm]</td></tr> <tr><td>7/16" [11.1mm]</td><td>2 1/8" [54mm]</td><td>1 1/2" [38mm]</td><td>8 1/4" [210mm]</td></tr> <tr><td>1/2" [12.7mm]</td><td>2 1/2" [64mm]</td><td>1 3/4" [45mm]</td><td>9 11/16" [246mm]</td></tr> <tr><td>9/16" [14.3mm]</td><td>2 7/8" [73mm]</td><td>2" [51mm]</td><td>11 1/4" [286mm]</td></tr> <tr><td>5/8" [15.9mm]</td><td>3 1/4" [83mm]</td><td>2 1/4" [57mm]</td><td>12 9/16" [319mm]</td></tr> <tr><td>11/16" [17.5mm]</td><td>3 1/2" [89mm]</td><td>2 1/2" [64mm]</td><td>14" [356mm]</td></tr> <tr><td>3/4" [19.1mm]</td><td>3 7/8" [98mm]</td><td>2 3/4" [70mm]</td><td>15 7/16" [392mm]</td></tr> <tr><td>13/16" [20.6mm]</td><td>4 1/4" [108mm]</td><td>3" [76mm]</td><td>16 7/8" [429mm]</td></tr> <tr><td>7/8" [22.2mm]</td><td>4 5/8" [118mm]</td><td>3 1/4" [83mm]</td><td>18 5/16" [465mm]</td></tr> <tr><td>15/16" [23.8mm]</td><td>5" [127mm]</td><td>3 1/2" [89mm]</td><td>19 3/4" [502mm]</td></tr> </tbody> </table>		FOR OFFSET	DUCT CUT (LENGTH)	FOR OFFSET	DUCT CUT (LENGTH)	5/16" [7.9mm]	1 3/8" [35mm]	1" [25mm]	5 3/8" [137mm]	3/8" [9.5mm]	1 3/4" [44mm]	1 1/4" [32mm]	6 13/16" [173mm]	7/16" [11.1mm]	2 1/8" [54mm]	1 1/2" [38mm]	8 1/4" [210mm]	1/2" [12.7mm]	2 1/2" [64mm]	1 3/4" [45mm]	9 11/16" [246mm]	9/16" [14.3mm]	2 7/8" [73mm]	2" [51mm]	11 1/4" [286mm]	5/8" [15.9mm]	3 1/4" [83mm]	2 1/4" [57mm]	12 9/16" [319mm]	11/16" [17.5mm]	3 1/2" [89mm]	2 1/2" [64mm]	14" [356mm]	3/4" [19.1mm]	3 7/8" [98mm]	2 3/4" [70mm]	15 7/16" [392mm]	13/16" [20.6mm]	4 1/4" [108mm]	3" [76mm]	16 7/8" [429mm]	7/8" [22.2mm]	4 5/8" [118mm]	3 1/4" [83mm]	18 5/16" [465mm]	15/16" [23.8mm]	5" [127mm]	3 1/2" [89mm]	19 3/4" [502mm]
FOR OFFSET	DUCT CUT (LENGTH)	FOR OFFSET	DUCT CUT (LENGTH)																																														
5/16" [7.9mm]	1 3/8" [35mm]	1" [25mm]	5 3/8" [137mm]																																														
3/8" [9.5mm]	1 3/4" [44mm]	1 1/4" [32mm]	6 13/16" [173mm]																																														
7/16" [11.1mm]	2 1/8" [54mm]	1 1/2" [38mm]	8 1/4" [210mm]																																														
1/2" [12.7mm]	2 1/2" [64mm]	1 3/4" [45mm]	9 11/16" [246mm]																																														
9/16" [14.3mm]	2 7/8" [73mm]	2" [51mm]	11 1/4" [286mm]																																														
5/8" [15.9mm]	3 1/4" [83mm]	2 1/4" [57mm]	12 9/16" [319mm]																																														
11/16" [17.5mm]	3 1/2" [89mm]	2 1/2" [64mm]	14" [356mm]																																														
3/4" [19.1mm]	3 7/8" [98mm]	2 3/4" [70mm]	15 7/16" [392mm]																																														
13/16" [20.6mm]	4 1/4" [108mm]	3" [76mm]	16 7/8" [429mm]																																														
7/8" [22.2mm]	4 5/8" [118mm]	3 1/4" [83mm]	18 5/16" [465mm]																																														
15/16" [23.8mm]	5" [127mm]	3 1/2" [89mm]	19 3/4" [502mm]																																														

Catalog No./Item	Description/Specifications
<b>300-4</b>	<b>Adapter Coupling</b> – Couples No. 2 Duct to No. 4 Duct.
<b>382 For No. 2 Duct</b> <b>H382 For No. 4 Duct</b>	<b>Expansion Joint Sleeves</b> – Slip over two sections of duct. Outside screws fasten and ground sleeves to duct. Amount of expansion is determined by gap allowed between duct sections.

## Duct Conduit Adapters Ordering Information

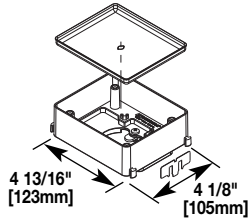
Catalog No./Item	Description/Specifications
<b>312-3/4 [19.1mm]</b> -1 [25mm] -11/4 [32mm] -11/2 [38mm] -2 [51mm]	<b>Female Conduit Adapter</b> – Fits on outside of No. 2 Duct. For one rigid or PVC conduit.
<b>314-3/4</b>	<b>Male Conduit Adapter</b> – Fits into end of No. 2 Duct. For one 3/4" trade size rigid or PVC conduit.
<b>322-11/4 [32mm]</b> -11/2 [38mm]	<b>Female Conduit Adapter</b> – Fits on outside of No. 2 Duct. For two rigid or PVC conduits. Suffix indicates conduit trade size.

Catalog No./Item	Description/Specifications
<b>324-3/4</b>	<b>Male Conduit Adapter</b> – Fits into end of No. 2 Duct. For two 3/4" trade size rigid or PVC conduits.
<b>H312-3/4 [19.1mm]</b> -1 [25mm] -11/4 [32mm] -11/2 [38mm] -2 [51mm]	<b>Female Conduit Adapter</b> – Fits on outside of No. 4 Duct. For one rigid or PVC conduit. H322-11/2 with one opening plugged is used for H312-11/2.
Note: For H312-2 this dimension is 2 1/2" [64mm].	
<b>H322-1 [25mm]</b> -11/4 [32mm] -11/2 [38mm] -2 [51mm]	<b>Female Conduit Adapter</b> – Fits on outside of No. 4 Duct. For two rigid or PVC conduits. Suffix indicates conduit trade size.



## Aftersets Ordering Information

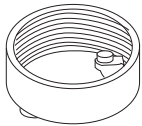
Catalog No./Item	Description/Specifications
<b>4210</b> 1" [25mm] high <b>4215</b> 1 1/2" [38mm] high <b>4220</b> 2" [51mm] high <b>4225</b> 2 1/2" [64mm] high <b>4230</b> 3" [76mm] high	<b>Afterset</b> – Installed either before or after concrete pour to create activation from duct. Requires 6 1/2" [165mm] core drilled hole in concrete and 2 1/2" [64mm] diameter hole in duct. Requires grout fill around afterset to fill voids in 6 1/2" [165mm] hole. Attaches to duct with locking tabs. Extensions can be attached to increase height. Aftersets are gangable. Alignment clip and mudcap included. All Pro Series activations fit on afterset. See ED850 and ED667.



**IMPORTANT!**

A minimum 1 1/2" [38mm] preset or afterset is required on Pro Series Underfloor Duct to support standard duplex receptacles and communication devices when using flush activations. The 1" [25mm] preset or afterset should be specified for pedestal style fittings or when cabling will be pulled through the activation point.

<b>436-2-7/8</b> 7/8" [22.2mm] high <b>-2-1 1/2</b> 1 1/2" [38mm] high <b>-2-2-2</b> 2" [51mm] high <b>-2-2 3/8</b> 2 3/8" [64mm] high <b>-2-3</b> 3" [76mm] high	<b>Round Afterset</b> – Installed either before or after concrete pour to create activation from duct. Requires 2 1/2" [64mm] core drilled hole in concrete and 2 1/4" [57mm] diameter hole in duct. Attaches to duct with locking tabs. Extensions can be attached to increase height.
---	---



## Walkerduct Junction Boxes Ordering Information

**Purpose:**

Junction boxes are used at intersections of duct runs to:

1. To separate the various raceways as they cross each other.
2. To furnish access to the system for pulling and splicing of wires.
3. To provide means of connecting the system to distribution closets with duct or conduit home runs.

**Construction Features:**

Openings are provided in the four sides to receive from one to five ducts, which are secured by grounding clips. Corner openings provide conduit feeds. The interiors of the boxes have partitions which completely separate each duct and at the same time form a continuous path through the box in both directions. No partitions are needed for single run boxes. Most partitions are removable and their orientation can be changed to correct installation errors. For precise leveling after the pour, cover plates can be adjusted upward 1/2" [12.7mm] with the recessed screws in the cover plate.

Standard boxes are designed for use with duct having 1" [25mm] high presets. Boxes with higher side rails in 1/2" [12.7mm] increments can be furnished for systems requiring higher presets. Cover plates are 1/4" [6.4mm] thick. Junction boxes are provided with nonmetallic corner inserts to provide controlled cable bend radius around the tunneling inside the box (see diagram). They should be snapped into place before wire placement. Brass or stainless steel holders for tile and carpet can be used on top of the round cover plates. Square junction boxes include aluminum trim for carpet or tile applications.

Heavy duty junction boxes are used where heavy loads will be rolled over or placed on the system. These are constructed with a 3/8" [9.5mm] cover plate and additional support studs. Up to 5/8" [15.9mm] concrete recommended over presets for heavy loads. Minimum heavy duty junction box height is 1 1/2" [38mm].

**Square Cover Plate**      **Round Cover Plate**  
  
**Aluminum Trim**  
**Cable Bend Control Inserts**

Item	Catalog No./Description/Specifications	Junction Box – One No. 2 Duct per side. No interior partitioning. Square cover plate measures 6 3/4" x 6 3/4" [171mm x 171mm]. Diameter of round cover plate is 4.813" [122mm]. Specify suffix.														
	<b>12JS-*</b> (square cover plate) <b>12JR-*</b> (round cover plate)															
	<b>12HS-*</b> Heavy duty (square) <b>12HR-*</b> Heavy duty (round)															
	<table border="1" style="width: 100%; border-collapse: collapse;"> <thead> <tr> <th style="width: 50%;">*SUFFIX FOR JUNCTION BOXES</th> <th style="width: 50%;">DEPTH OF CONCRETE OVER DUCT</th> </tr> </thead> <tbody> <tr> <td>1</td> <td>1" [25mm] min. to 1 1/2" [35mm] max.</td> </tr> <tr> <td>1 1/2</td> <td>1 1/2" [38mm] min. to 2" [51mm] max.</td> </tr> <tr> <td>2</td> <td>2" [51mm] min. to 2 1/2" [62mm] max.</td> </tr> <tr> <td>2 1/2</td> <td>2 1/2" [64mm] min. to 3" [76mm] max.</td> </tr> <tr> <td>3</td> <td>3" [76mm] min. to 3 1/2" [89mm] max.</td> </tr> <tr> <td>3 1/2</td> <td>3 1/2" [89mm] min. to 4" [102mm] max.</td> </tr> </tbody> </table>	*SUFFIX FOR JUNCTION BOXES	DEPTH OF CONCRETE OVER DUCT	1	1" [25mm] min. to 1 1/2" [35mm] max.	1 1/2	1 1/2" [38mm] min. to 2" [51mm] max.	2	2" [51mm] min. to 2 1/2" [62mm] max.	2 1/2	2 1/2" [64mm] min. to 3" [76mm] max.	3	3" [76mm] min. to 3 1/2" [89mm] max.	3 1/2	3 1/2" [89mm] min. to 4" [102mm] max.	
*SUFFIX FOR JUNCTION BOXES	DEPTH OF CONCRETE OVER DUCT															
1	1" [25mm] min. to 1 1/2" [35mm] max.															
1 1/2	1 1/2" [38mm] min. to 2" [51mm] max.															
2	2" [51mm] min. to 2 1/2" [62mm] max.															
2 1/2	2 1/2" [64mm] min. to 3" [76mm] max.															
3	3" [76mm] min. to 3 1/2" [89mm] max.															
3 1/2	3 1/2" [89mm] min. to 4" [102mm] max.															

\*Other junction box heights are available. Consult factory for availability.

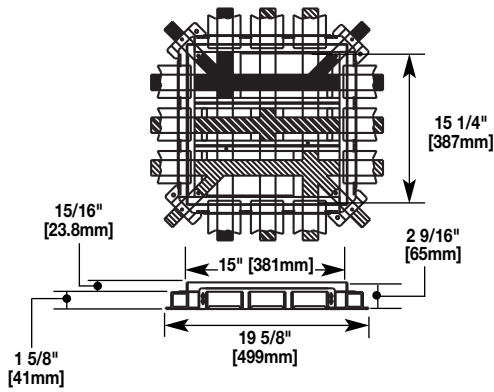
# Walkerduct Junction Boxes Ordering Information (Continued)

Item	Catalog No./Description/Specification	Junction Box – One No. 4 duct per side. No interior partitioning. Square cover plate measures 10 7/8" x 10 7/8" [276mm x 276mm]. Diameter of round cover plate is 8.948" [227mm]. Specify suffix.														
	<p><b>14JS-*</b> (square cover plate) <b>14JR-*</b> (round cover plate)</p> <p><b>14HS-*</b> Heavy Duty (square) <b>14HR-*</b> Heavy Duty (round)</p>	<table border="1" style="width: 100%; border-collapse: collapse;"> <thead> <tr> <th style="width: 30%;">*SUFFIX FOR JUNCTION BOXES</th> <th>DEPTH OF CONCRETE OVER DUCT</th> </tr> </thead> <tbody> <tr> <td>1</td> <td>1" [25mm] min. to 1 1/2" [35mm] max.</td> </tr> <tr> <td>1 1/2</td> <td>1 1/2" [38mm] min. to 2" [51mm] max.</td> </tr> <tr> <td>2</td> <td>2" [51mm] min. to 2 1/2" [62mm] max.</td> </tr> <tr> <td>2 1/2</td> <td>2 1/2" [64mm] min. to 3" [76mm] max.</td> </tr> <tr> <td>3</td> <td>3" [76mm] min. to 3 1/2" [89mm] max.</td> </tr> <tr> <td>3 1/2</td> <td>3 1/2" [89mm] min. to 4" [102mm] max.</td> </tr> </tbody> </table> <p><small>*Other junction box heights are available. Consult factory for availability.</small></p>	*SUFFIX FOR JUNCTION BOXES	DEPTH OF CONCRETE OVER DUCT	1	1" [25mm] min. to 1 1/2" [35mm] max.	1 1/2	1 1/2" [38mm] min. to 2" [51mm] max.	2	2" [51mm] min. to 2 1/2" [62mm] max.	2 1/2	2 1/2" [64mm] min. to 3" [76mm] max.	3	3" [76mm] min. to 3 1/2" [89mm] max.	3 1/2	3 1/2" [89mm] min. to 4" [102mm] max.
*SUFFIX FOR JUNCTION BOXES	DEPTH OF CONCRETE OVER DUCT															
1	1" [25mm] min. to 1 1/2" [35mm] max.															
1 1/2	1 1/2" [38mm] min. to 2" [51mm] max.															
2	2" [51mm] min. to 2 1/2" [62mm] max.															
2 1/2	2 1/2" [64mm] min. to 3" [76mm] max.															
3	3" [76mm] min. to 3 1/2" [89mm] max.															
3 1/2	3 1/2" [89mm] min. to 4" [102mm] max.															
	<p><b>222JS-*</b> (square cover plate) <b>222JR-*</b> (round cover plate)</p> <p><b>222HS-*</b> Heavy Duty (square) <b>222HR-*</b> Heavy Duty (round)</p>	<table border="1" style="width: 100%; border-collapse: collapse;"> <thead> <tr> <th style="width: 30%;">*SUFFIX FOR JUNCTION BOXES</th> <th>DEPTH OF CONCRETE OVER DUCT</th> </tr> </thead> <tbody> <tr> <td>1</td> <td>1" [25mm] min. to 1 1/2" [35mm] max.</td> </tr> <tr> <td>1 1/2</td> <td>1 1/2" [38mm] min. to 2" [51mm] max.</td> </tr> <tr> <td>2</td> <td>2" [51mm] min. to 2 1/2" [62mm] max.</td> </tr> <tr> <td>2 1/2</td> <td>2 1/2" [64mm] min. to 3" [76mm] max.</td> </tr> <tr> <td>3</td> <td>3" [76mm] min. to 3 1/2" [89mm] max.</td> </tr> <tr> <td>3 1/2</td> <td>3 1/2" [89mm] min. to 4" [102mm] max.</td> </tr> </tbody> </table> <p><small>*Other junction box heights are available. Consult factory for availability.</small></p>	*SUFFIX FOR JUNCTION BOXES	DEPTH OF CONCRETE OVER DUCT	1	1" [25mm] min. to 1 1/2" [35mm] max.	1 1/2	1 1/2" [38mm] min. to 2" [51mm] max.	2	2" [51mm] min. to 2 1/2" [62mm] max.	2 1/2	2 1/2" [64mm] min. to 3" [76mm] max.	3	3" [76mm] min. to 3 1/2" [89mm] max.	3 1/2	3 1/2" [89mm] min. to 4" [102mm] max.
*SUFFIX FOR JUNCTION BOXES	DEPTH OF CONCRETE OVER DUCT															
1	1" [25mm] min. to 1 1/2" [35mm] max.															
1 1/2	1 1/2" [38mm] min. to 2" [51mm] max.															
2	2" [51mm] min. to 2 1/2" [62mm] max.															
2 1/2	2 1/2" [64mm] min. to 3" [76mm] max.															
3	3" [76mm] min. to 3 1/2" [89mm] max.															
3 1/2	3 1/2" [89mm] min. to 4" [102mm] max.															
	<p><b>224JS-*</b> (square cover plate) <b>224JR-*</b> (round cover plate)</p> <p><b>224HS-*</b> Heavy Duty (square) <b>224HR-*</b> Heavy Duty (round)</p>	<table border="1" style="width: 100%; border-collapse: collapse;"> <thead> <tr> <th style="width: 30%;">*SUFFIX FOR JUNCTION BOXES</th> <th>DEPTH OF CONCRETE OVER DUCT</th> </tr> </thead> <tbody> <tr> <td>1</td> <td>1" [25mm] min. to 1 1/2" [35mm] max.</td> </tr> <tr> <td>1 1/2</td> <td>1 1/2" [38mm] min. to 2" [51mm] max.</td> </tr> <tr> <td>2</td> <td>2" [51mm] min. to 2 1/2" [62mm] max.</td> </tr> <tr> <td>2 1/2</td> <td>2 1/2" [64mm] min. to 3" [76mm] max.</td> </tr> <tr> <td>3</td> <td>3" [76mm] min. to 3 1/2" [89mm] max.</td> </tr> <tr> <td>3 1/2</td> <td>3 1/2" [89mm] min. to 4" [102mm] max.</td> </tr> </tbody> </table> <p><small>*Other junction box heights are available. Consult factory for availability.</small></p>	*SUFFIX FOR JUNCTION BOXES	DEPTH OF CONCRETE OVER DUCT	1	1" [25mm] min. to 1 1/2" [35mm] max.	1 1/2	1 1/2" [38mm] min. to 2" [51mm] max.	2	2" [51mm] min. to 2 1/2" [62mm] max.	2 1/2	2 1/2" [64mm] min. to 3" [76mm] max.	3	3" [76mm] min. to 3 1/2" [89mm] max.	3 1/2	3 1/2" [89mm] min. to 4" [102mm] max.
*SUFFIX FOR JUNCTION BOXES	DEPTH OF CONCRETE OVER DUCT															
1	1" [25mm] min. to 1 1/2" [35mm] max.															
1 1/2	1 1/2" [38mm] min. to 2" [51mm] max.															
2	2" [51mm] min. to 2 1/2" [62mm] max.															
2 1/2	2 1/2" [64mm] min. to 3" [76mm] max.															
3	3" [76mm] min. to 3 1/2" [89mm] max.															
3 1/2	3 1/2" [89mm] min. to 4" [102mm] max.															
	<p><b>244JS-*</b> (square cover plate) <b>244JR-*</b> (round cover plate)</p> <p><b>244HS-*</b> Heavy Duty (square) <b>244HR-*</b> Heavy Duty (round)</p>	<table border="1" style="width: 100%; border-collapse: collapse;"> <thead> <tr> <th style="width: 30%;">*SUFFIX FOR JUNCTION BOXES</th> <th>DEPTH OF CONCRETE OVER DUCT</th> </tr> </thead> <tbody> <tr> <td>1</td> <td>1" [25mm] min. to 1 1/2" [35mm] max.</td> </tr> <tr> <td>1 1/2</td> <td>1 1/2" [38mm] min. to 2" [51mm] max.</td> </tr> <tr> <td>2</td> <td>2" [51mm] min. to 2 1/2" [62mm] max.</td> </tr> <tr> <td>2 1/2</td> <td>2 1/2" [64mm] min. to 3" [76mm] max.</td> </tr> <tr> <td>3</td> <td>3" [76mm] min. to 3 1/2" [89mm] max.</td> </tr> <tr> <td>3 1/2</td> <td>3 1/2" [89mm] min. to 4" [102mm] max.</td> </tr> </tbody> </table> <p><small>*Other junction box heights are available. Consult factory for availability.</small></p>	*SUFFIX FOR JUNCTION BOXES	DEPTH OF CONCRETE OVER DUCT	1	1" [25mm] min. to 1 1/2" [35mm] max.	1 1/2	1 1/2" [38mm] min. to 2" [51mm] max.	2	2" [51mm] min. to 2 1/2" [62mm] max.	2 1/2	2 1/2" [64mm] min. to 3" [76mm] max.	3	3" [76mm] min. to 3 1/2" [89mm] max.	3 1/2	3 1/2" [89mm] min. to 4" [102mm] max.
*SUFFIX FOR JUNCTION BOXES	DEPTH OF CONCRETE OVER DUCT															
1	1" [25mm] min. to 1 1/2" [35mm] max.															
1 1/2	1 1/2" [38mm] min. to 2" [51mm] max.															
2	2" [51mm] min. to 2 1/2" [62mm] max.															
2 1/2	2 1/2" [64mm] min. to 3" [76mm] max.															
3	3" [76mm] min. to 3 1/2" [89mm] max.															
3 1/2	3 1/2" [89mm] min. to 4" [102mm] max.															

## Walkerduct Junction Boxes Ordering Information (Continued)

**Item**

**Catalog No./Description/Specifications**

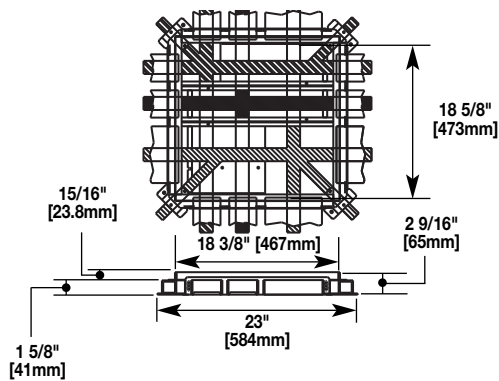


**3222JS-\*** (square cover plate)  
**3222JR-\*** (round cover plate)  
**3222HS-\*** Heavy Duty (square)  
**3222HR-\*** Heavy Duty (round)

**Junction Box** – Three No. 2 Ducts per side. Square cover plate measures 15" x 15" [381mm x 381mm]. Diameter of round cover plate is 13.063" [332mm]. Specify suffix.

*SUFFIX FOR JUNCTION BOXES	DEPTH OF CONCRETE OVER DUCT
1	1" [25mm] min. to 1 1/2" [35mm] max.
1 1/2	1 1/2" [38mm] min. to 2" [51mm] max.
2	2" [51mm] min. to 2 1/2" [62mm] max.
2 1/2	2 1/2" [64mm] min. to 3" [76mm] max.
3	3" [76mm] min. to 3 1/2" [89mm] max.
3 1/2	3 1/2" [89mm] min. to 4" [102mm] max.

\*Other junction box heights are available. Consult factory for availability.

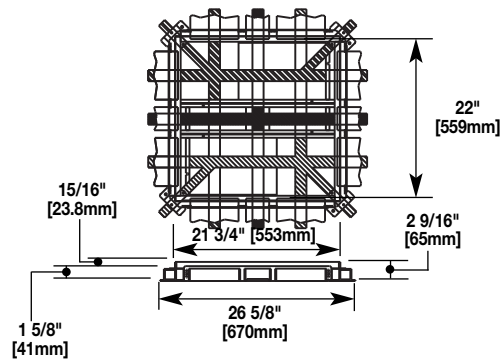


**3224JS-\*** (square cover plate)  
**3224JR-\*** (round cover plate)  
**3224HS-\*** Heavy Duty (square)  
**3224HR-\*** Heavy Duty (round)

**Junction Box** – Two No. 2 Ducts and one No. 4 duct per side. Square cover plate measures 18 3/8" x 18 3/8" [467mm x 467mm]. Diameter of round cover plate is 16.438" [418mm]. Specify suffix.

*SUFFIX FOR JUNCTION BOXES	DEPTH OF CONCRETE OVER DUCT
1	1" [25mm] min. to 1 1/2" [35mm] max.
1 1/2	1 1/2" [38mm] min. to 2" [51mm] max.
2	2" [51mm] min. to 2 1/2" [62mm] max.
2 1/2	2 1/2" [64mm] min. to 3" [76mm] max.
3	3" [76mm] min. to 3 1/2" [89mm] max.
3 1/2	3 1/2" [89mm] min. to 4" [102mm] max.

\*Other junction box heights are available. Consult factory for availability.

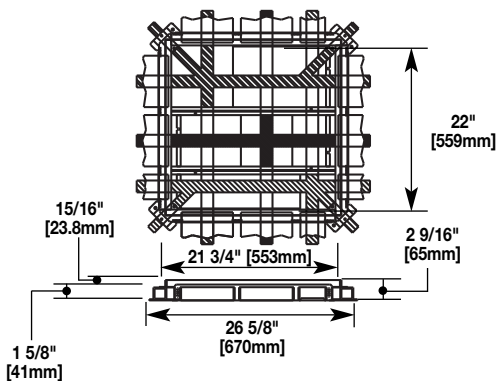


**3424JS-\*** (square cover plate)  
**3424JR-\*** (round cover plate)  
**3424HS-\*** Heavy Duty (square)  
**3424HR-\*** Heavy Duty (round)

**Junction Box** – Two No. 4 Ducts and one No. 2 Duct per side. The No. 2 Duct is centered between the two No. 4 Ducts. Square cover plate measures 21 3/4" x 21 3/4" [553mm x 553mm]. Diameter of round cover plate is 19.813" [503mm]. Specify suffix.

*SUFFIX FOR JUNCTION BOXES	DEPTH OF CONCRETE OVER DUCT
1	1" [25mm] min. to 1 1/2" [35mm] max.
1 1/2	1 1/2" [38mm] min. to 2" [51mm] max.
2	2" [51mm] min. to 2 1/2" [62mm] max.
2 1/2	2 1/2" [64mm] min. to 3" [76mm] max.
3	3" [76mm] min. to 3 1/2" [89mm] max.
3 1/2	3 1/2" [89mm] min. to 4" [102mm] max.

\*Other junction box heights are available. Consult factory for availability.



**3244JS-\*** (square cover plate)  
**3244JR-\*** (round cover plate)  
**3244HS-\*** Heavy Duty (square)  
**3244HR-\*** Heavy Duty (round)

**Junction Box** – One No. 2 Duct and two No. 4 Ducts per side. Square cover plate measures 21 3/4" x 21 3/4" [553mm x 553mm]. Diameter of round cover plate is 19.813". [503mm]. Specify suffix.

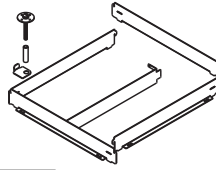
*SUFFIX FOR JUNCTION BOXES	DEPTH OF CONCRETE OVER DUCT
1	1" [25mm] min. to 1 1/2" [35mm] max.
1 1/2	1 1/2" [38mm] min. to 2" [51mm] max.
2	2" [51mm] min. to 2 1/2" [62mm] max.
2 1/2	2 1/2" [64mm] min. to 3" [76mm] max.
3	3" [76mm] min. to 3 1/2" [89mm] max.
3 1/2	3 1/2" [89mm] min. to 4" [102mm] max.

\*Other junction box heights are available. Consult factory for availability.

## Junction Box Accessories Ordering Information

### Catalog No./Item

**12EXT-\*** For 12 size boxes  
**222EXT-\*** For 14 or 222 size boxes  
**3222EXT-\*** For 224 or 3222 size boxes  
**3224EXT-\*** For 244 or 3224 size boxes  
**3244EXT-\*** For 3424 or 3244 size boxes



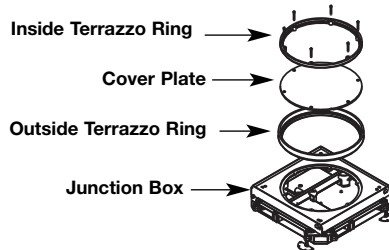
### Description/Specifications

**Side Rail Extension** – Kit to adapt JS, JR, HS, and HR style junction boxes for deep concrete pours.

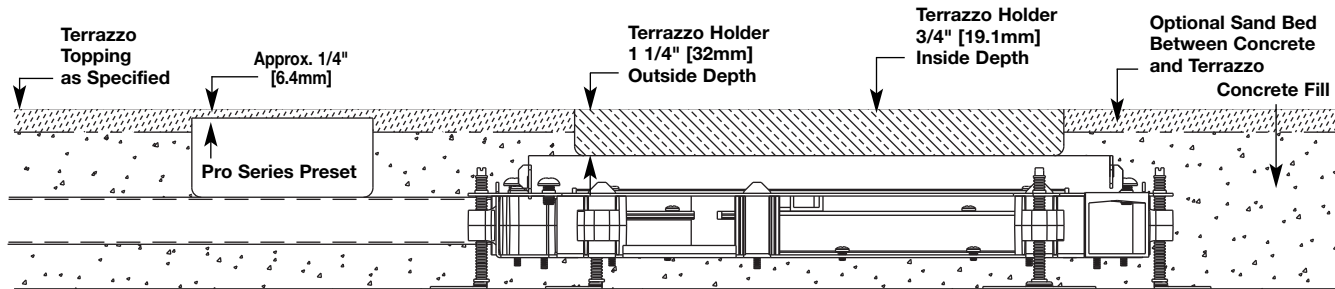
Partition extensions are provided with side rail extensions. Partitions maintain the separation of services. Field installation requires some disassembly and reassembly of the junction box prior to the concrete pour. Extensions replace entire sides of boxes. Specify suffix.

*Suffix for Side Rail Extensions	Depth of Concrete Over Duct				
1 1/2	1 1/2"	[38mm]	min. to 2"	[51mm]	max.
2	2"	[51mm]	min. to 2 1/2"	[62mm]	max.
2 1/2	2 1/2"	[64mm]	min. to 3"	[76mm]	max.
3	3"	[76mm]	min. to 3 1/2"	[89mm]	max.
3 1/2	3 1/2"	[89mm]	min. to 4"	[102mm]	max.

**6RTT** For 142L/14H box  
**RTT4** For 12JR box  
**RTT8** For 14JR/222JR box  
**RTT13** For 224JR/3222JR box  
**RTT16** For 244JR/3224JR box  
**RTT20** For 3244/3424JR box



**Terrazzo Holder** – For round JR style junction boxes. Two-piece brass rings mount to junction box cover plate. Inner ring is filled with terrazzo. Screws are recessed into inner ring and allow the holder to be removed after floor is ground and polished. Terrazzo units hold 3/4" [19.1mm] deep terrazzo, but increase the height of the junction box by 1 1/4" [32mm].

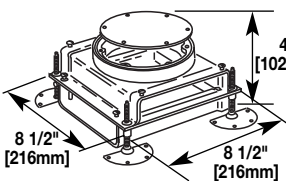


## Junction Box Accessories Ordering Information (Continued)

### Catalog No./Item

### Description/Specification

**142L-1**



**Two Level Junction Box** – Adaptable for either No. 2 Duct or No. 4 Duct. No partitioning required. Requires a 4" [102mm] minimum pour. 3/8" [9.5mm] upward adjustment of cover plate is possible after pour. 5 3/4" [146mm] nominal diameter round cover plate. 1/8" [3.2mm] plate thickness. Use adjustable extension ring when additional height is needed. See Cat. No. 6AER-.

**H14-AS**

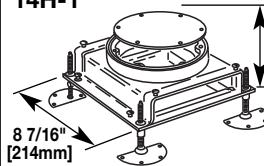


**Complete Access Activation** – For access to large number of cables at activation. Requires field cut 5" [127mm] hole in duct. Can be used as an afterset or preset on No. 4 Duct. For concrete pours over 1" [25mm] an extension ring is required. See Cat. No. 6AER-.

### Catalog No./Item

### Description/Specification

**14H-1**



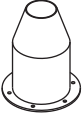

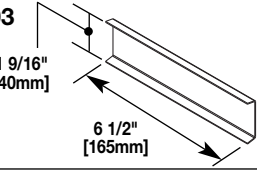
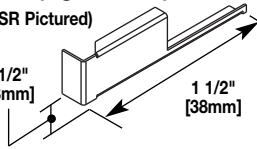
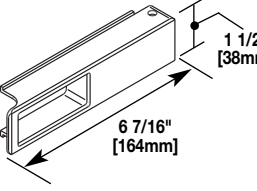
**Hand Hole Access Unit** – Hand hole units are installed on No. 4 Duct to facilitate feeding and splicing of wire and cable. 6 15/16" [176mm] distance between duct ends. 5 3/4" [146mm] diameter cover plate. Includes 1" [25mm] standard extension. For concrete pours over 1" [25mm] an extension ring is required.

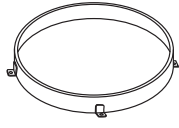

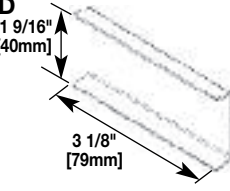
**H14ABD**



**Afterset Access Assembly** – Provides access to pull large number of cables out of duct at one activation. Neoprene boot to protect wires not included. Requires 5" [127mm] hole in duct. Can be used as an afterset or preset on No. 4 Duct. For concrete pours over 1" [25mm] an extension ring is required. See Cat. No. 6AER-.

## Junction Box Accessories Ordering Information (Continued)

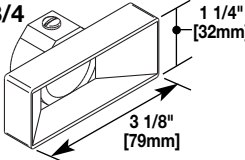
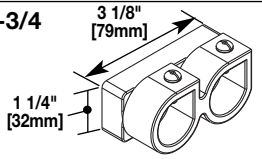
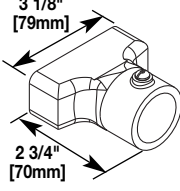
Catalog No./Item	Description/Specification
<b>H14-BA</b> 	<b>Afterset Access Assembly with Neoprene Boot</b> – Used with H14ABD to protect cables coming out of duct.
<b>H14BC</b> 	<b>Blanking Cap</b> – Closes 5" [127mm] hole in duct.
<b>H203</b> 	<b>Blank Washer</b> – For closing unused junction box No. 4 Duct opening.  <b>NOTE:</b> Use Cat. No. H202 Blank Washer for 142L and 14H Junction Boxes.
<b>275SL (left-hand)</b> <b>275SR (right-hand)</b> (275SR Pictured) 	<b>Adapter</b> – To reduce a No. 4 Duct opening in a junction box to a No. 2 Duct opening. Specify left or right hand.
<b>276</b> 	<b>Adapter</b> – Used with 142L and 14H Junction Boxes. Reduces No. 4 Duct opening to No. 2 Duct. Maintains 1" [25mm] spacing between ducts. For center opening in adapter use Cat. No. 277.

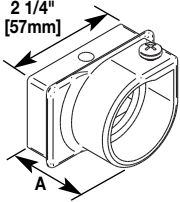
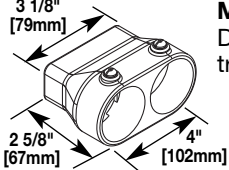
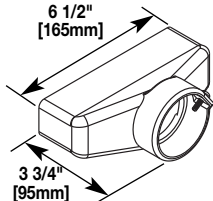
Catalog No./Item	Description/Specification																																																							
<b>6AER-11/2 – 21/8</b> <b>6AER-23/8 – 3</b> 	<b>Adjustable Extension Ring</b> – For 142L-1, H338AU-1, H14-AS, and 14H-1 Boxes. Suffix refers to adjustable height range. Select hardware bag below to attach ring to box.																																																							
<b>AERHB-120</b> <b>-128</b> <b>-144</b> <b>-152</b> <b>-052</b> 	<b>Hardware Bag</b> – For adjustable extension ring. Suffix indicates depth of concrete over duct. Use chart below to determine hardware bag required for 142L-1, H338AU-1, H14-AS, and 14H-1 Boxes.																																																							
<table border="1" style="width: 100%; border-collapse: collapse;"> <thead> <tr> <th rowspan="2">Hardware Bag Cat. No.</th> <th colspan="7">Concrete Depth Over Duct</th> </tr> <tr> <th>1 1/2"</th> <th>1 5/8"</th> <th>1 3/4"</th> <th>1 7/8"</th> <th>2"</th> <th>2 1/8"</th> <th>2 3/8" - 3"</th> </tr> </thead> <tbody> <tr> <td>AERHB-120</td> <td style="text-align: center;">X</td> <td style="text-align: center;">X</td> <td></td> <td></td> <td></td> <td></td> <td></td> </tr> <tr> <td>AERHB-128</td> <td></td> <td></td> <td style="text-align: center;">X</td> <td style="text-align: center;">X</td> <td></td> <td></td> <td></td> </tr> <tr> <td>AERHB-144</td> <td></td> <td></td> <td></td> <td></td> <td style="text-align: center;">X</td> <td></td> <td></td> </tr> <tr> <td>AERHB-152</td> <td></td> <td></td> <td></td> <td></td> <td></td> <td style="text-align: center;">X</td> <td></td> </tr> <tr> <td>AERHB-052</td> <td></td> <td></td> <td></td> <td></td> <td></td> <td></td> <td style="text-align: center;">X</td> </tr> </tbody> </table>	Hardware Bag Cat. No.	Concrete Depth Over Duct							1 1/2"	1 5/8"	1 3/4"	1 7/8"	2"	2 1/8"	2 3/8" - 3"	AERHB-120	X	X						AERHB-128			X	X				AERHB-144					X			AERHB-152						X		AERHB-052							X	
Hardware Bag Cat. No.		Concrete Depth Over Duct																																																						
	1 1/2"	1 5/8"	1 3/4"	1 7/8"	2"	2 1/8"	2 3/8" - 3"																																																	
AERHB-120	X	X																																																						
AERHB-128			X	X																																																				
AERHB-144					X																																																			
AERHB-152						X																																																		
AERHB-052							X																																																	
<b>203UFD</b> 	<b>Blank Washer</b> – For closing unused junction box No. 2 Duct opening.																																																							

## Junction Box Conduit Adapters Ordering Information

**IMPORTANT!**

The conduit adapters in this section will fit directly into the duct openings in the junction boxes. All other conduit adapters require a field cut piece of duct to transition from junction box opening to adapter.

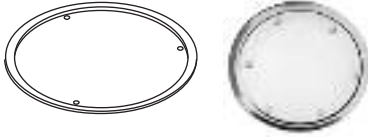
Catalog No./Item	Description/Specifications
<b>212-3/4</b> 	<b>Adapter</b> – For No. 2 Duct opening to one 3/4" trade size conduit.
<b>222-3/4</b> 	<b>Adapter</b> – For No. 2 Duct opening to two 3/4" trade size conduits.
<b>232-1</b> <b>-11/4</b> <b>-11/2</b> 	<b>Male Adapter</b> – For No. 2 Duct opening to one conduit. Suffix indicates conduit trade size.

Catalog No./Item	Description/Specifications														
<b>255-3/4</b> [19.1mm] <b>-1</b> [25mm] <b>-11/4</b> [32mm] <b>-11/2</b> [38mm] <b>-2</b> [51mm]	<b>Box Conduit Corner Adapter</b> – For one rigid or PVC conduit. Suffix denotes trade size. 														
<table border="1" style="width: 100%; border-collapse: collapse;"> <thead> <tr> <th rowspan="2">CONDUIT ADAPTER</th> <th colspan="2">A</th> </tr> <tr> <th>Inches</th> <th>[mm]</th> </tr> </thead> <tbody> <tr> <td>255-3/4, -1</td> <td>1 7/8</td> <td>[48]</td> </tr> <tr> <td>255-1 1/4, -1 1/2</td> <td>2 1/4</td> <td>[57]</td> </tr> <tr> <td>255-2</td> <td>2 3/4</td> <td>[70]</td> </tr> </tbody> </table>	CONDUIT ADAPTER	A		Inches	[mm]	255-3/4, -1	1 7/8	[48]	255-1 1/4, -1 1/2	2 1/4	[57]	255-2	2 3/4	[70]	
CONDUIT ADAPTER		A													
	Inches	[mm]													
255-3/4, -1	1 7/8	[48]													
255-1 1/4, -1 1/2	2 1/4	[57]													
255-2	2 3/4	[70]													
<b>242-11/4</b> 	<b>Male Adapter</b> – For No. 2 Duct opening to two 1 1/4" trade size conduits.														
<b>H232-2</b> 	<b>Male Adapter</b> – For No. 4 Duct opening to one 2" trade size conduit.														

## Walkerduct Flanged Round Carpet/Tile Holders Ordering Information

Walkerduct Carpet/Tile Holders finish off your Walkerduct Infloor Systems. Just match the diameter of the holder to the appropriate diameter of the Junction Box. Walkerduct Carpet/Tile Holders are available in a variety of depths to accommodate the thickness of the carpet or tile floor covering.

You can also add some "WOW" to your power and communications infrastructure by specifying custom engraved Walkerduct Junction Box Covers.



**NOTE: Square Tile/Carpet Trims for heavy duty Junction Boxes – need to increase depth of Pan by 1/8". Example: for 1/4" Carpet, use 3/8" deep Carpet Holder.**

Flanged round carpet/tile pans in brass or stainless steel for 12S, 14H, 142L, H338AU, 12FB or H14 Boxes. Mount onto cover plate. Available in 1/4" or 1/8" [6.4mm or 3.2mm] depths for carpet or tile floors. 5 23/32" [144mm] diameter (does not include flange). Flange is 3/8" [9.5mm] wide.

ORDERING DATA	
CAT. NO.	DESCRIPTION
6LHS-1/8	Stainless 1/8" [3.2mm] deep 6 39/64 [168mm] O.D.
6LHS-1/4	Stainless 1/4" [6.4mm] deep 6 39/64 [168mm] O.D.
6LHB-1/8	Brass 1/8" [3.2mm] deep 6 39/64 [168mm] O.D.
6LHB-1/4	Brass 1/4" [6.4mm] deep 6 39/64 [168mm] O.D.

Flanged round carpet/tile pans in brass or stainless steel for 222FB Boxes. Mount onto cover plate. Available in 1/4" or 1/8" [6.4mm or 3.2mm] depths for carpet or tile floors. 7 1/2" [191mm] diameter (does not include flange). Flange is 3/8" [9.5mm] wide.

ORDERING DATA	
CAT. NO.	DESCRIPTION
7LHS-1/8	Stainless 1/8" [3.2mm] deep 8 11/64 [208mm] O.D.
7LHS-1/4	Stainless 1/4" [6.4mm] deep 8 11/64 [208mm] O.D.
7LHB-1/8*	Brass 1/8" [3.2mm] deep 8 11/64 [208mm] O.D.
7LHB-1/4*	Brass 1/4" [6.4mm] deep 8 11/64 [208mm] O.D.

Flanged round carpet/tile pans in brass or stainless steel for 14S, 222S, and 3222FB Boxes. Mount onto cover plate. Available in 1/4" or 1/8" [6.4mm or 3.2mm] depths for carpet or tile floors. 10 1/2" [267mm] diameter (does not include flange). Flange is 3/8" [9.5mm] wide.

ORDERING DATA	
CAT. NO.	DESCRIPTION
10LHS-1/8	Stainless 1/8" [3.2mm] deep 11 15/64 [295mm] O.D.
10LHS-1/4	Stainless 1/4" [6.4mm] deep 11 15/64 [295mm] O.D.
10LHB-1/8*	Brass 1/8" [3.2mm] deep 11 15/64 [295mm] O.D.
10LHB-1/4*	Brass 1/4" [6.4mm] deep 11 15/64 [295mm] O.D.

**NOTE: Prior to completing installation, proper floor covering should be installed in pan.**

\* Add suffix "-HD" for .090 thick material (.025 standard material thickness) to accommodate high traffic and/or heavy loads.

Flanged round carpet/tile pans in brass or stainless steel for 224S and 3222S Boxes. Also fits 2-1JB2510 Walkercell Boxes and 18" [457mm] wide Junction Box Headers. Mount onto cover plate. Available in 1/4" or 1/8" [6.4mm or 3.2mm] depths for carpet or tile floors. 14 1/2" [368mm] diameter (does not include flange). Flange is 3/8" [9.5mm] wide.

ORDERING DATA	
CAT. NO.	DESCRIPTION
14LHS-1/8	Stainless 1/8" [3.2mm] deep x 15.234" O.D. [387mm]
14LHS-1/4	Stainless 1/4" [6.4mm] deep x 15.234" O.D. [387mm]
14LHB-1/8*	Brass 1/8" [3.2mm] deep x 15.234" O.D. [387mm]
14LHB-1/4*	Brass 1/4" [6.4mm] deep x 15.234" O.D. [387mm]

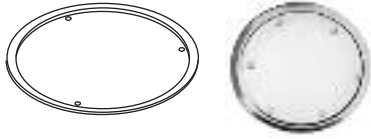
Flanged round carpet/tile pans in brass or stainless steel for 244S, 3224S, 3244S, 3424S and 3444S Boxes. Also fits 33JB3510, 32JB3510, 22JB2510, 1 1/2 JB2510, 11JB2510, Walkercell Boxes and 24" [610mm] wide and wider Junction Box Headers. Mount onto cover plate. Available in 1/4" or 1/8" [6.4mm or 3.2mm] depths for carpet or tile floors. 22" [559mm] diameter (does not include flange). Flange is 3/8" [9.5mm] wide.

ORDERING DATA	
CAT. NO.	DESCRIPTION
22LHS-1/8	Stainless 1/8" [3.2mm] deep x 23.234" O.D. [590mm]
22LHS-1/4	Stainless 1/4" [6.4mm] deep x 23.234" O.D. [590mm]
22LHB-1/8	Brass 1/8" [3.2mm] deep x 23.234" O.D. [590mm]
22LHB-1/4*	Brass 1/4" [6.4mm] deep x 23.234" O.D. [590mm]

Flanged round carpet/tile pans in brass or stainless steel for 12JR boxes. Mount onto cover plate. Available in 1/4" or 1/8" [6.4mm or 3.2mm] depths for carpet or tile floors. 4 3/4" [121mm] diameter (does not include flange). Flange is 3/8" [9.5mm] wide.

ORDERING DATA	
CAT. NO.	DESCRIPTION
SFCS5-1/8	Stainless 1/8" [6.4mm] deep x 5.561" O.D. [141mm]
SFCS5-1/4	Stainless 1/4" [3.2mm] deep x 5.561" O.D. [141mm]
SFCB5-1/8*	Brass 1/8" [6.4mm] deep x 5.561" O.D. [141mm]
SFCB5-1/4*	Brass 1/4" [3.2mm] deep x 5.561" O.D. [141mm]

## Walkerduct Flanged Round Carpet/Tile Holders Ordering Information (Continued)



**NOTE: Square Tile/Carpet Trims for heavy duty Junction Boxes**  
 – need to increase depth of Pan by 1/8". Example: for  
 1/4" Carpet, use 3/8" deep Carpet Holder.

Flanged round carpet/tile pans in brass or stainless steel for 14JR and 222JR boxes. Mount onto cover plate. Available in 1/4" or 1/8" [6.4mm or 3.2mm] depths for carpet or tile floors. 8 7/8" [225mm] diameter (does not include flange). Flange is 3/8" [9.5mm] wide.

ORDERING DATA			
CAT. NO.	DESCRIPTION		
SFCS9-1/8	Stainless	1/8" [6.4mm] deep	x 9.686" O.D. [246mm]
SFCS9-1/4	Stainless	1/4" [3.2mm] deep	x 9.686" O.D. [246mm]
SFCB9-1/8*	Brass	1/8" [6.4mm] deep	x 9.686" O.D. [246mm]
SFCB9-1/4*	Brass	1/4" [3.2mm] deep	x 9.686" O.D. [246mm]

Flanged round carpet/tile pans in brass or stainless steel for 224JR and 3222JR boxes. Mount onto cover plate. Available in 1/4" or 1/8" [6.4mm or 3.2mm] depths for carpet or tile floors. 13" [330mm] diameter (does not include flange). Flange is 3/8" [9.5mm] wide.

ORDERING DATA			
CAT. NO.	DESCRIPTION		
SFCS14-1/8	Stainless	1/8" [6.4mm] deep	x 13.812" O.D. [351mm]
SFCS14-1/4	Stainless	1/4" [3.2mm] deep	x 13.812" O.D. [351mm]
SFCB14-1/8	Brass	1/8" [6.4mm] deep	x 13.812" O.D. [351mm]
SFCB14-1/4*	Brass	1/4" [3.2mm] deep	x 13.812" O.D. [351mm]

Flanged round carpet/tile pans in brass or stainless steel for 244JR and 3224JR boxes. Mount onto cover plate. Available in 1/4" or 1/8" [6.4mm or 3.2mm] depths for carpet or tile floors. 16 3/8" [416mm] diameter (does not include flange). Flange is 3/8" [9.5mm] wide.

ORDERING DATA			
CAT. NO.	DESCRIPTION		
SFCS17-1/8	Stainless	1/8" [6.4mm] deep	x 17.187" O.D. [437mm]
SFCS17-1/4	Stainless	1/4" [3.2mm] deep	x 17.187" O.D. [437mm]
SFCB17-1/8	Brass	1/8" [6.4mm] deep	x 17.187" O.D. [437mm]
SFCB17-1/4*	Brass	1/4" [3.2mm] deep	x 17.187" O.D. [437mm]

Flanged round carpet/tile pans in brass or stainless steel for 3424JR and 3244JR boxes. Mount onto cover plate. Available in 1/4" or 1/8" [6.4mm or 3.2mm] depths for carpet or tile floors. 19 3/4" [502mm] diameter (does not include flange). Flange is 3/8" [9.5mm] wide.

ORDERING DATA			
CAT. NO.	DESCRIPTION		
SFCS20-1/8	Stainless	1/8" [6.4mm] deep	x 17.936" O.D. [456mm]
SFCS20-1/4	Stainless	1/4" [3.2mm] deep	x 17.936" O.D. [456mm]
SFCB20-1/8	Brass	1/8" [6.4mm] deep	x 17.936" O.D. [456mm]
SFCB20-1/4	Brass	1/4" [3.2mm] deep	x 17.936" O.D. [456mm]

Flanged round carpet/tile pans in brass or stainless steel for 3444JR boxes. Mount onto cover plate. Available in 1/4" or 1/8" [6.4mm or 3.2mm] depths for carpet or tile floors. 23 1/8" [587mm] diameter (does not include flange). Flange is 3/8" [9.5mm] wide.

ORDERING DATA			
CAT. NO.	DESCRIPTION		
SFCS24-1/8	Stainless	1/8" [6.4mm] deep	x 20.560" O.D. [522mm]
SFCS24-1/4	Stainless	1/4" [3.2mm] deep	x 20.560" O.D. [522mm]
SFCB24-1/8	Brass	1/8" [6.4mm] deep	x 20.560" O.D. [522mm]
SFCB24-1/4	Brass	1/4" [3.2mm] deep	x 20.560" O.D. [522mm]

**NOTE: Prior to completing installation, proper floor covering should be installed in pan.**

\* Add suffix "-HD" for .090 thick material (.025 standard material thickness) to accommodate high traffic and/or heavy loads.

## Walkerduct Custom Junction Box Covers



**Add some "Wow" to your power and communications infrastructure.**

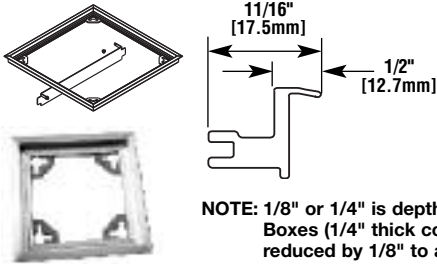
Custom engraved Walkerduct® Junction Box Covers are available in a wide range of metals, textures and finishes to enhance your decor and increase recognition.

Each cover is custom-designed to your specifications. Your Wiremold representative and our Technical Support team will walk you through the process of designing and specifying your own unique covers.

We'll handle all the details and deliver them on time without the premium cost. And because they're from Wiremold, they're the perfect complement to your Infloor System.

## Walkerduct Square Carpet/Tile Trim Ordering Information

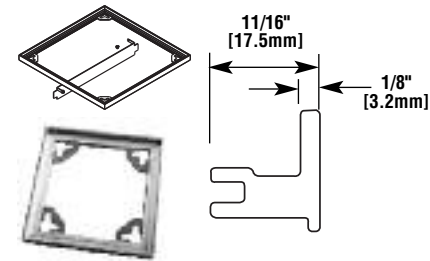
Flanged square carpet/tile trim in aluminum for Walkerduct JS Series Boxes. Mount onto junction box. Available in 1/4" or 1/8" [6.4mm or 3.2mm] depths for carpet or tile floors. Flange is 1/2" [12.7mm] wide. Dimensions below do not include flange.



**NOTE:** 1/8" or 1/4" is depth of tile or carpet when used with JS Boxes (1/4" thick cover plate). For HS Boxes, depth will be reduced by 1/8" to accommodate the 3/8" thick cover plate.


ORDERING DATA			
CAT. NO.	DESCRIPTION		JUNCTION BOX
CT6-1/8	6 13/16" x 6 13/16" x 1/8"	[173mm x 173mm x 3.2mm]	12JS
CT6-1/4	6 13/16" x 6 13/16" x 1/4"	[173mm x 173mm x 6.4mm]	12JS
CT10-1/8	10 15/16" x 11 15/16" x 1/8"	[278mm x 278mm x 3.2mm]	14JS, 222JS
CT10-1/4	10 15/16" x 11 15/16" x 1/4"	[278mm x 278mm x 6.4mm]	14JS, 222JS
CT15-1/8	15 1/16" x 15 1/16" x 1/8"	[383mm x 383mm x 3.2mm]	224JS, 3222JS
CT15-1/4	15 1/16" x 15 1/16" x 1/4"	[383mm x 383mm x 6.4mm]	224JS, 3222JS
CT18-1/8	18 7/16" x 18 7/16" x 1/8"	[468mm x 468mm x 3.2mm]	244JS, 3224JS
CT18-1/4	18 7/16" x 18 7/16" x 1/4"	[468mm x 468mm x 6.4mm]	244JS, 3224JS
CT21-1/8	21 13/16" x 21 13/16" x 1/8"	[554mm x 554mm x 3.2mm]	3424JS, 3244JS
CT21-1/4	21 13/16" x 21 13/16" x 1/4"	[554mm x 554mm x 6.4mm]	3424JS, 3244JS
CT25-1/8	25 3/16" x 25 3/16" x 1/8"	[640mm x 640mm x 3.2mm]	3444JS
CT25-1/4	25 3/16" x 25 3/16" x 1/4"	[640mm x 640mm x 6.4mm]	3444JS


Flangeless square carpet/tile trim in aluminum for Walkerduct JS Series Boxes. Mount onto junction box. Available in 1/4" [6.4mm] or 1/8" [3.2mm] depths for carpet or tile floors.



ORDERING DATA			
CAT. NO.	DESCRIPTION		JUNCTION BOX
FT6-1/8	6 13/16" x 6 13/16" x 1/8"	[173mm x 173mm x 3.2mm]	12JS
FT6-1/4	6 13/16" x 6 13/16" x 1/4"	[173mm x 173mm x 6.4mm]	12JS
FT10-1/8	10 15/16" x 11 15/16" x 1/8"	[278mm x 278mm x 3.2mm]	14JS, 222JS
FT10-1/4	10 15/16" x 11 15/16" x 1/4"	[278mm x 278mm x 6.4mm]	14JS, 222JS
FT15-1/8	15 1/16" x 15 1/16" x 1/8"	[383mm x 383mm x 3.2mm]	224JS, 3222JS
FT15-1/4	15 1/16" x 15 1/16" x 1/4"	[383mm x 383mm x 6.4mm]	224JS, 3222JS
FT18-1/8	18 7/16" x 18 7/16" x 1/8"	[468mm x 468mm x 3.2mm]	244JS, 3224JS
FT18-1/4	18 7/16" x 18 7/16" x 1/4"	[468mm x 468mm x 6.4mm]	244JS, 3224JS
FT21-1/8	21 13/16" x 21 13/16" x 1/8"	[554mm x 554mm x 3.2mm]	3424JS, 3244JS
FT21-1/4	21 13/16" x 21 13/16" x 1/4"	[554mm x 554mm x 6.4mm]	3424JS, 3244JS
FT25-1/8	25 3/16" x 25 3/16" x 1/8"	[640mm x 640mm x 3.2mm]	3444JS
FT25-1/4	25 3/16" x 25 3/16" x 1/4"	[640mm x 640mm x 6.4mm]	3444JS

## Walkerduct Installation Products

Catalog No./Item	Description/Specifications
480 	<b>Electronic Insert Finder</b> – Used to locate preset inserts which are buried in concrete. Magnetic field locates mudcap in concrete.

Catalog No./Item	Description/Specifications
290C 	<b>Waterproof Sealing Compound</b> – Three tubes, 10.1 fluid ounces each. Will seal approximately 100 couplings, 12 three-duct boxes, 25 two-duct boxes, or 50 single-duct boxes.

## Service Fitting Options

A wide range of service fittings are available to meet all applications: See noted literature for detailed information.

- Flush brass, brushed aluminum and polycarbonate fittings (ED850).
- Flush carpet activation plates (ED850).
- 525 Series pedestal fittings (ED1225).
- Multiplex service fittings (ED667).
- 1200 Series pedestal service fittings (ED666).

**Flush and Pedestal service fittings to meet all applications.**

**IMPORTANT!**  
Triple-gang flush activations are not compatible with 3244 and 3444 System layouts. Use combination of single- and two-gang activations to access all three ducts at one point.



60 Woodlawn Street  
West Hartford, CT 06110  
Phone: 1.877.BY.LEGRAND (295-3472)  
[www.legrand.us/wiremold](http://www.legrand.us/wiremold)  
570 Applewood Crescent  
Vaughan, Ontario L4K 4B4  
Phone: 905.738.9195

