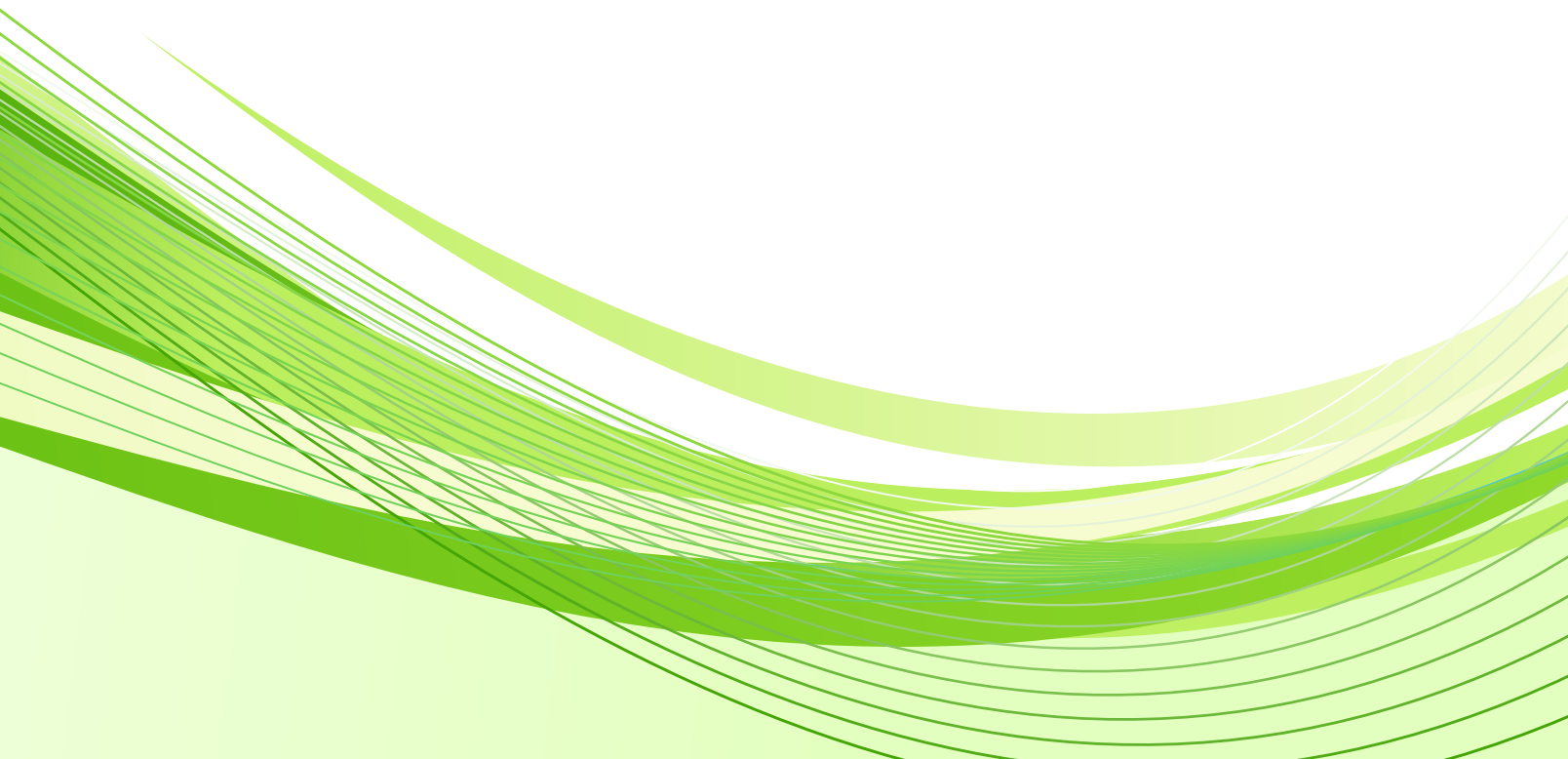


# **GMLighting**

**2019 Products Catalog**



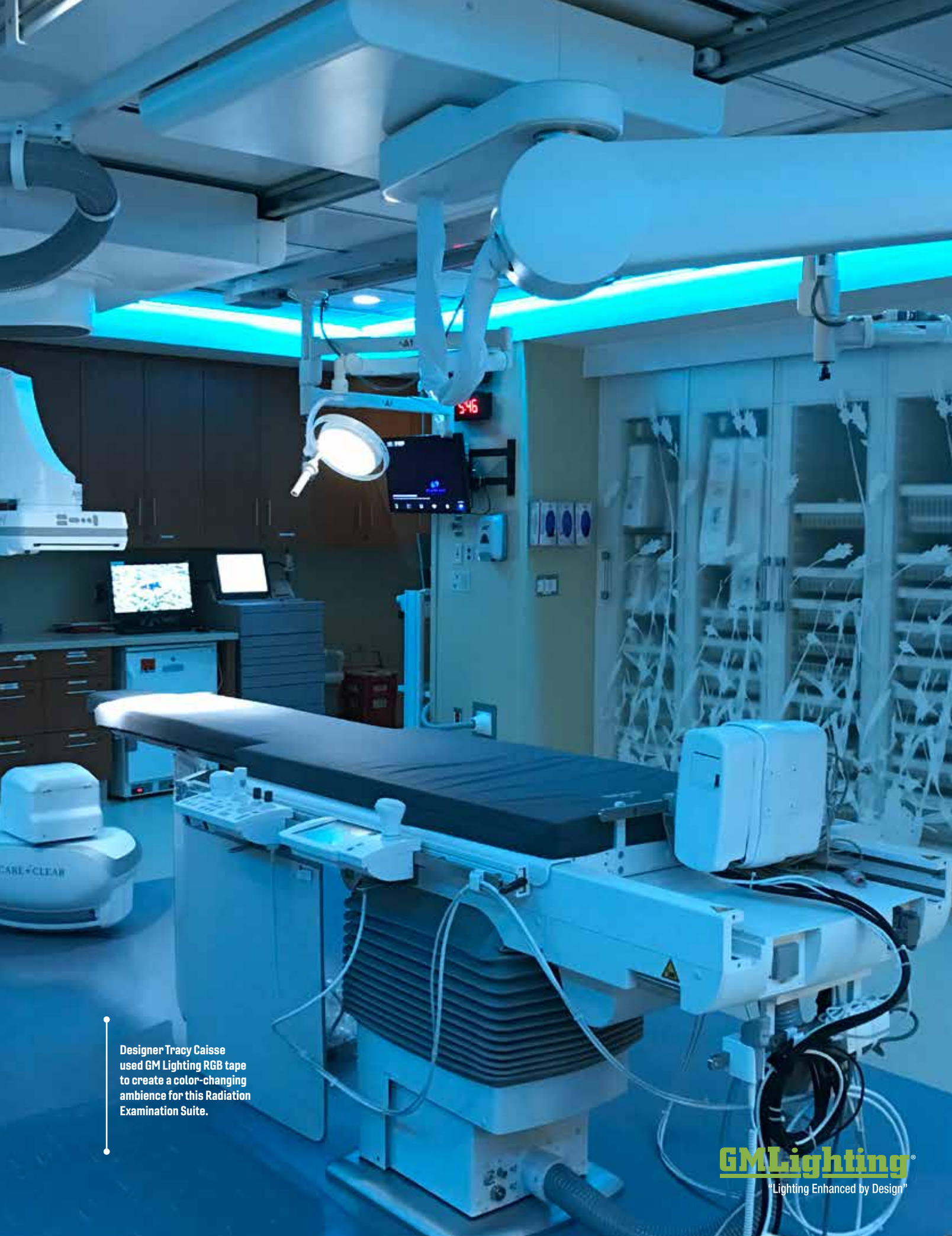
### Message From The President

It's been a couple of years since we introduced a brand new catalog with all of our products. During that time, our industry has gone through some changes and challenges. More than ever, our customers and specifiers are focused on value as well as product integrity and reliability.

We are well aware that this is a highly competitive business, and the relationship that we have with our representatives, distributors, contractors and end-users is valued higher than any challenge can define.

Thank you for your business.

Rob Gerber



Designer Tracy Caisse used GM Lighting RGB tape to create a color-changing ambience for this Radiation Examination Suite.



# Table of Contents

## New! Products

Throughout Catalog



Vision120 .....	12
GM-EXT Dry Location Extended Run 60' / 120' Reels .....	42
GM-EXT Wet Location Extended Run - Custom Cut Lengths .....	44
TunableTask™ 120V Adjustable Kelvin Undercabinet .....	100
RSD Recessed Slim LED Downlight.....	120
MicroTask Mini IC Rated Downlight.....	122
GeoTask™ Grandè .....	135
LED Step Light .....	146
LED Pathway Light .....	152
Smart Home Wall Switch Dimmer .....	157

## Vision 120™ 120V LED Tape

Page 12



Vision120 Wet Location Tape.....	14
Vision120 Connectors and Accessories .....	17
Specifying Long Runs .....	18

## 12VDC LED Tape

Page 20



Standard Output Dry Location 5M / 30M Reels .....	22
High Output Dry Location 5M / 30M Reels .....	24
Standard Output Wet Location 39" / 5M Reels .....	28
High Output Wet Location 39" / 5M Reels .....	30
Side View Standard Output Tape 5M Reels .....	32
TwistTask™ Flexible Tape 5M Reels.....	34
LED Tape Diagrams .....	38
Layout and Connector Diagrams .....	39

## 24VDC LED Tape

Page 40



GMEXT Dry Location Extended Run 60' / 120' Reels .....	42
GMEXT Wet Location Extended Run - Custom Cut Lengths.....	44
Specifying Long Runs .....	46
Standard Output Dry Location 5M / 30M Reels .....	48
High Output Dry Location 5M / 30M Reels .....	50
Super High Output Dry Location 5M Reels.....	52
Super High Output Wet Location 5M Reels .....	54
90+ CRI High Output Dry Location 5M Reels.....	56
Standard and High Output High Density 5M / 100 Foot Reels .....	58
Tunable White 2700K-6500K Dry Location 5M Reels .....	60
LEDensity™ Std., High and SuperHigh Dry Location 5M / 30M ....	62
LED Tape Diagrams .....	64



# Table of Contents

## RGB and RGBW LED Tape

Page 66



12VDC RGB Dry Location 1M / 5M Reels .....	68
12VDC RGB Controller and Amplifier .....	70
24VDC RGBW Dry and Wet Location 5M Reels .....	72
24VDC RGBW Controller and Hand Held Remote .....	74
12VDC RGB - Tape Diagrams and Tech Data .....	78
24VDC RGBW - Tape Diagrams and Tech Data .....	79
Linear Design Guide / Maximum Run Power Layout.....	80
Typical Applications .....	81

## 12VDC / 24VDC / 120V Lightbars

Page 84



12VDC LTAB-N Aluminum High Output Wet Location.....	86
12VDC LTB Rigid High Output .....	87
24VDC SlimEdge™ Modular .....	88
LARC6 24VDC Modular Adjustable .....	90
SLCB 120V Linear.....	92
Typical Lightbar Applications.....	94
Lightbar Fixture Diagrams .....	96

## Undercabinet Lighting

Page 98



120V TunableTask™ Adjustable Kelvin .....	100
120V LineTask™ Modular .....	102
120V LumenTask™ LED .....	104
120V LumenTask™ Xenon .....	105
LumenTask™ Accessories and Features.....	106
120V LumenTask™ LED / Xenon Specifications .....	107
Undercabinet Fixture Diagrams.....	108
Undercabinet Fixture Comparative Analysis .....	109

## Pucks

Page 112



12VDC LED Slim Puck.....	114
12VDC LED Slim Puck Mini .....	115
12VDC LED 3W Puck.....	116
12VAC Electronic Transformers .....	116
Puck Diagrams .....	117

**GM Lighting**®

"Lighting Enhanced by Design"

# Table of Contents

## Recessed Downlights

Page 118



120V RSD Regressed Slim Downlight .....	120
120V MicroTask Mini IC Rated Downlight .....	122
12VDC 3W Mini-Adjustable Dimmable Downlight.....	124
12VDC 6W Mini-Adjustable Dimmable Downlight.....	125
120VAC 6W Mini-Adjustable Dimmable Downlight.....	126
Downlight Diagrams.....	128

## Surface Mount Downlights

Page 130



120V S4 and S6 Surface Mount Wet Location Title 24 .....	132
120V S9 Surface Mount Wet Location Downlight .....	133
120V GeoTask™ 90+CRI Edgelit .....	134
120V GeoTask™ Grandè 90+CRI EdgeLit.....	135
120V ClearTask Round Surface / Wall / Pendant Mount .....	138
120V ClearTask Square Surface / Wall / Pendant Mount .....	139
120V Surface Mount Fixture Diagrams.....	142

## Step and Pathway Lighting

Page 144



120V LED Step Light .....	146
Step Light Diagrams .....	148
120V LED Pathway Light .....	152
Pathway Light Diagrams .....	153

## Power Supplies

Page 154



12VDC / 24VDC SwitchEx™ LED Power Supply / Wall Dimmer .....	156
Smart Home 120V Wall Switch Dimmer .....	157
12VDC / 24VDC PSD Series Dimmable Power Supplies .....	158
12VDC / 24VDC Electronic LED Dimmable Power Supplies .....	159-160
12VDC Electronic Non-Dimmable Power Supplies .....	161
24VDC Electronic Non-Dimmable Power Supplies .....	162
12VDC / 24VDC Magnetic LED Dimmable Power Supplies.....	163
12VDC Magnetic LED Dimmable Power Supplies.....	164
12V / 24V 0-10 Dimming Drivers .....	165
12VDC / 24VDC Voltage Drop Charts.....	166-167
Quick Guide to Picking Power Supplies.....	168

## Channels and Accessories

Page 170



LED Tape Mounting Channels and Accessories .....	173-174
Channel / Tape / Connector Guide.....	176-177
Sure-Tite™ Dry Location Connectors.....	178
LED EZ Tape Connectors.....	179
GM Lighting Wire .....	179

- Control lights with Amazon Alexa® and Google Home® voice control service
- Power on/off
- Pre-set scene and schedule
- 180W
- Dimming 10% - 100%

See more on page 157

## Product Spotlight: Smart Home 120V Zigbee™, Alexa®, Google Home Wall Switch Dimmer



**GM Lighting®**  
"Lighting Enhanced by Design"



# Technology and Innovation

Trying to keep up with developments in the lighting industry is like trying to keep up with almost any technology that is always re-inventing itself while adopting new breakthroughs. Lighting is a science that involves manufacturing, research and development, chemistry, electronics and design.



GM Lighting headquarters in Mokena, Illinois

Since we opened our doors almost 15 years ago, we have been on the cusp of the technology wave. As an early adopter of LED, we brought this new technology into the home. Through our LED tape light and pucks, we leveraged this new energy-saving technology by making it useful to end users both residentially and commercially - but not before the aesthetics of LED were ready.

You'll remember when LED was first introduced - it produced a blue, cool light that was best utilized in labs and headlights. Once LED had developed to a point where it was able to create a pleasing ambiance, that's when we began introducing it as light sources in our fixtures.

LED became a resource for energy-conscious designers, architects, facility managers and home owners, and we were right there making innovative and useful task oriented and decorative LED fixtures.

We were also one of the first manufacturers to introduce LED diodes on a linear, flexible ribbon that enabled long runs of dimmable light.

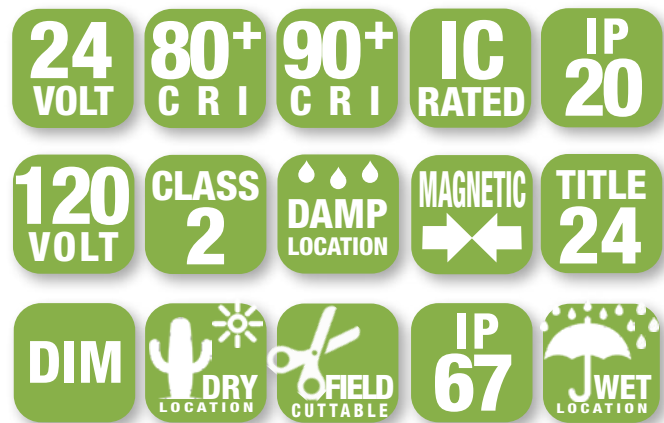
**GM Lighting**<sup>®</sup>

"Lighting Enhanced by Design"

LED 'tape' was an innovation that thrilled architects and lighting designers. Finally, an easy to install and flexible light source that was perfect for cove lighting and illuminating long stretches of architectural detail.

Our take on LED tape enabled a multitude of color temperatures, RGB and RGBW versions that found their way into iconic installations and applications ranging from the hospitality to commercial and residential industries.

As lighting technology continues to advance, we have embraced it. As manufacturing continues to globalize, affording us the most cost-effective way to bring you products, we have enabled it. As our reputation for superior customer service is proven day after day, we have embodied it.



*Whether you are viewing GM Lighting fixtures on catalog pages, packaging or spec sheets, look for these icons. They'll give you a quick view of the many technological features and benefits of your GM Lighting fixture.*

We look forward to providing our network of reps, distributors, showrooms and customers continued excellence in product offerings that take advantage of the latest in technology and innovation in the lighting industry. When you combine cutting edge technology and great customer service, you get GM Lighting.

# The GM Story

What does an iconic lighting industry executive do after bringing to market a new paradigm in lighting, and creating a corporation that manufactured and sold this new lighting development? Retire and rest on the laurels of his success while he travels the world and finally takes the time to enjoy the fruits of his labor?



*Sy Gerber, Founder and CEO*

Not if you're Sy Gerber, and not if you recognize that the formula that catapulted Capri Lighting to one of the leading independent lighting corporations would work with another company.

Thus was born GM Lighting - a lighting manufacturer that listens to their distributors, installers and end users while providing cutting-edge lighting fixtures backed by the legendary customer service that defined Sy's career.

We put together a video that encapsulates the corporate culture that GM Lighting is all about. According to Tim Forbush, GM Lighting's Vice President of Sales, "At GM Lighting we do a great job of listening to our customers, listening to our reps."

Listening however, isn't enough if you don't adopt the suggestions that you are getting from the professionals and consumers that you interact with. This is how we define ourselves, and how we responded to people from the many disciplines that GM lighting services. Tim continues... "so to say that we're a showroom line, or a decorative

line, or an architectural line - we're all of that. We have a niche of being a fantastic and reliable undercabinet, task and accent lighting manufacturer."

## Approaching Our 15th Year

The lighting industry is in a constant state of flux. Many people forget that the simple act of flicking a switch has given way to new technologies like voice recognition. How does GM Lighting keep up with the technology?

According to GM Lighting President, Rob Gerber, staying on the leading edge of technology is a hallmark of GM Lighting. "We've always tried to stay ahead of the curve, whether it's forecasting where trends in lighting are going, or by introducing fixtures that define how the new technology should work. For example, LED enables miniaturization. A LED diode is very small, yet capable of extreme light output - so we leverage those benefits in fixtures that are extremely compact, or can be mounted in very shallow spaces."



*Amber Hatcher designed this custom mirror using GM Lighting LED tape.*

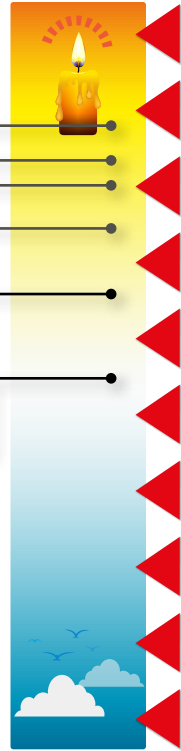
As we approach our 15th year in business, our mandate is clear: Continue to provide the best lighting fixtures for the widest variety of applications, that leverages the latest in proven lighting technology. We look forward to continuing our relationship with you.

# The Influence of Color Temperature

Typical GM Lighting LED Tape, Undercabinet, Lightbar and other fixtures operate within this color temperature range.



2400K  
2700K  
3000K  
3500K  
4200K  
5500K



1000K  
2000K  
3000K  
4000K  
5000K  
6000K  
7000K  
8000K  
9000K  
10000K

Color temperature describes a light source's warmth or coolness. LED typically operates in a color range of 2000K to 7000K. The K stands for Kelvin. Typically, warmer colors in the 2700K to 3500K range tend toward the warm part of the spectrum, and are well suited for residential spaces or spaces where a warm, homey feeling is preferred. Higher Kelvin temperatures up to 5500 tend towards the cool in the spectrum, and are well suited for

offices and commercial spaces. Color temps that fall below 2700K can be used for mood lighting, or lighting that is evocative of warmth or for themed areas. The same can be said for color temps that are in the upper extremities.

## Tunable White

'Tunable White' is a feature that enables the user to 'tune' the color between various color temps from a single fixture. We offer Tunable White as a feature in both our LED tape and our undercabinet fixtures.





# Legendary Customer Service

Ask just about anyone in the lighting industry who has come into contact with GM Lighting, 'what is the secret to their success', and nine out of ten times the answer will be "their customer service." It's no wonder, because we learn from experience. GM Lighting is a 'people' organization that credits their success to their employees, reps, distributors and customers.

We are always there to provide answers to whatever questions arise. Whether it's a stock check, handling special delivery requests, fielding technical questions or providing product support, we are there for you.



## Videos and Social Media

Social media is no longer a fad. It's a proven way for companies to interface with their customers. At GM Lighting, we embraced the potential that social media provides as part of our customer service strategy. Our videos have attracted a broad spectrum of interest, and provide product overviews and step-by-step installation information. Our Twitter and Instagram feeds delivers company and product news, while sharing and re-Tweeting the news from our affiliate reps, distributors and new developments in the industry. On Facebook, we enjoy making announcements and sharing news with our online family.



Check out our videos on our website at [www.gmlighting.net](http://www.gmlighting.net). Links to our social media platforms can be found on the inside back cover of this catalog.



**GM Lighting**<sup>®</sup>  
"Lighting Enhanced by Design"

Laura PLUS 14+







GM Lighting 12VDC linear LED lighting back lights retail storefronts in this mall environment.







## 120V Vision120™ LED Tape

120V Vision120  
Standard Output  
High Output  
Red, Blue, Green, Amber  
PAGE 14

120V Vision120  
Connectors  
and Mounting Brackets  
PAGE 17

120V Vision120  
Aluminum and PVC  
Mounting Channels  
and Accessories  
PAGE 17



# 120V Vision120 WET LOCATION LED TAPE

- 120  
VOLT
- 
  
WET  
LOCATION
- 90+  
CRI
- 
  
NOT  
FIELD  
CUTTABLE
- IP  
67
- DIM
- 5 Yr.  
WARRANTY
- 
  
Intertek



## PRODUCT DESCRIPTION

It's always been our vision to provide the simplest solution to linear LED lighting. Vision120 is a factory cut, to your specifications, wet location flexible LED tape that comes available in standard or high output, in a variety of colors and color temperatures. Perfect for architectural coves, indoor or exterior recesses, steps, banisters, light edging or other constructs where even, energy efficient LED illumination is specified.

**NOTE: Factory cut to your specification. Not field cuttable.**

## FEATURES

- 120V operation (no power supply required)
- Wet location - IP67 - 90+ CRI
- Power feed options
- Tape encased in water resistant clear poly flexible sheath (UV protected)
- Dimmable with ELV (Triac)
- 2700K, 3000K or 4000K
- Blue, Red, Green or Amber (standard output only)
- 120° viewing angle
- Standard output: Available in 1 foot increments
- High output: Available in 4 inch increments
- Maximum run: 164' (standard output)
- Maximum run: 150' (high output)
- Uses mounting clips (1 per foot), PVC channels or aluminum channels (frosted lenses available)

### WET LOCATION

IP67 rating for exposure to elements but not immersion in water.

### LONG RUNS

150' for high output and 164' for standard output from one source.

### ACCENT LIGHTING

Use with optional mounting channel to enhance and accent.

### INTERIOR LIGHTING

Perfect for coves, undercabinet, toe kick and hallways.





# SPECIFYING Vision120

## Standard Output (Do not exceed max. run of 164') - Cut in 1 foot increments

### 1. Select Color Temp. or Color

Catalog No.	Output	Length	LED Wattage	Lumens per Foot	Color Temp.*	CRI	LED Life
V120-SO-27-XXX	Standard	Custom to 164'	2W / FT.	140	2700K	90+	50,000 hrs.
V120-SO-30-XXX	Standard	Custom to 164'	2W / FT.	150	3000K	90+	50,000 hrs.
V120-SO-40-XXX	Standard	Custom to 164'	2W / FT.	160	4000K	90+	50,000 hrs.
V120-SO-RD-XXX	Standard	Custom to 164'	2W / FT.	N/A	Red	N/A	50,000 hrs.
V120-SO-BL-XXX	Standard	Custom to 164'	2W / FT.	N/A	Blue	N/A	50,000 hrs.
V120-SO-GR-XXX	Standard	Custom to 164'	2W / FT.	N/A	Green	N/A	50,000 hrs.
V120-SO-AM-XXX	Standard	Custom to 164'	2W / FT.	N/A	Amber	N/A	50,000 hrs.

\* Kelvin temperature (color) ± 100K

**120V**  
POWER  
SUPPLY  
NOT  
REQUIRED

NOTE:  
MAXIMUM  
RUN FROM  
ONE POWER  
SOURCE:

STANDARD  
OUTPUT:  
164 FT.

HIGH  
OUTPUT:  
150'

DO NOT CUT  
IN FIELD

### 2. Use the following ordering example:

**V120-SO-30-XXX**

COLOR TEMP: 30  
FEET ONLY\*: XXX

\* 1 foot increments only

To order a 112' length of 2700K tape specify: V120-SO-27-112

To order a 72' length of 4000K tape specify: V120-SO-40-72

To order an 8' length of 3000K tape specify: V120-SO-30-8

NOTE: Each run requires power feed

## High Output (Do not exceed max. run of 150') - Cut in 4 inch increments

### 1. Select Color Temp. (Colors not available in High Output)

Catalog No.	Output	Length	LED Wattage	Lumens per Foot	Color Temp.*	CRI	LED Life
V120-HO-27-XXX-X	High	Custom to 150'	4W / FT.	305	2700K	90+	50,000 hrs.
V120-HO-30-XXX-X	High	Custom to 150'	4W / FT.	315	3000K	90+	50,000 hrs.
V120-HO-40-XXX-X	High	Custom to 150'	4W / FT.	335	4000K	90+	50,000 hrs.

\* Kelvin temperature (color) ± 100K

### 2. Use the following ordering example:

**V120-HO-30-XXX-X**

COLOR TEMP: 30  
FEET: XXX  
INCHES\*: X

\* 4 inch increments only

To order an 8' length of 2700K tape specify: V120-HO-27-8

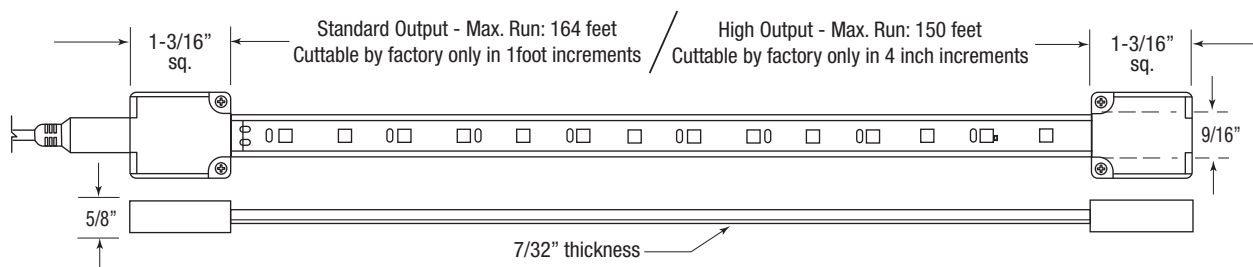
To order an 148'-4" length of 4000K tape specify: V120-HO-40-148-4

To order a 24'-8" length of 3000K tape specify: V120-HO-30-24-8

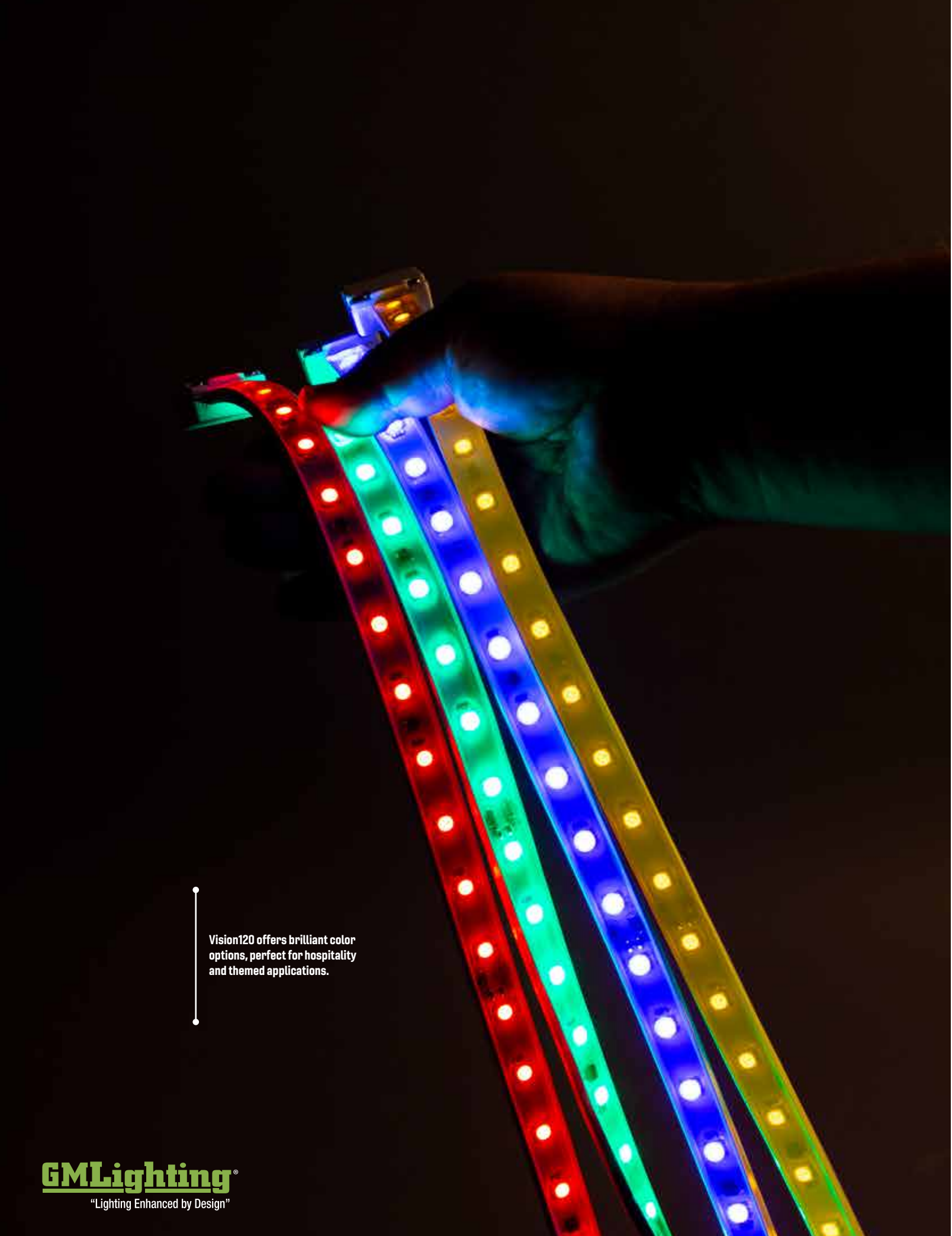
NOTE: Each run requires power feed

## We've made configuring long runs using multiple segments of different lengths easy! See page 18.

Vision120 is available with a wide array of power feeds, connectors, and mounting options. Virtually any application that requires linear LED tape can be achieved. Power feeds include both 120V plug-in and hardwire options. Flexible connectors from 6" to 24" enable joining different lengths to create long, custom runs.

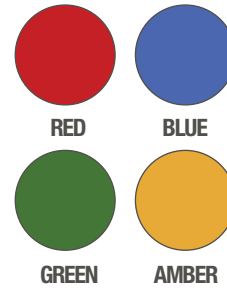


Operating ambient temperature range:  
-25°C - 42°C (-13°F - 104°F)



Vision120 offers brilliant color options, perfect for hospitality and themed applications.

AVAILABLE COLOR TEMPERATURES



**120V**  
POWER  
SUPPLY  
NOT  
REQUIRED

NOTE:  
MAXIMUM  
RUN FROM  
ONE POWER  
SOURCE

STANDARD  
OUTPUT:  
164 FT.

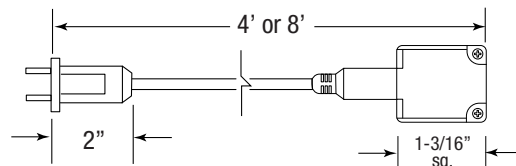
HIGH  
OUTPUT:  
150'

DO NOT CUT  
IN FIELD

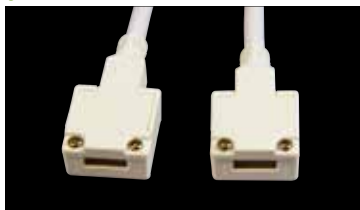
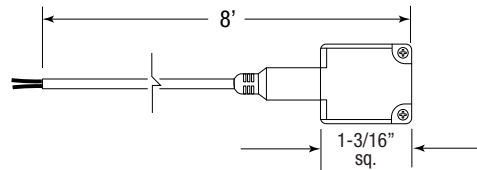
Vision120 Connectors and Mounting Brackets:



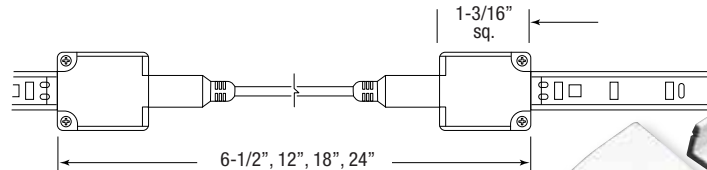
**V120-PC-4/8** 4' / 8' Power connector - cord and plug



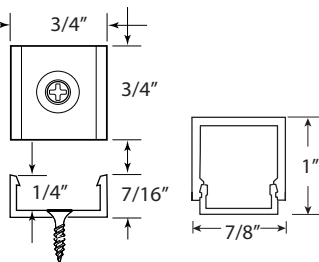
**V120-PCHW-8** 8' Power connector - hardwire



**V120-TTC-6/12/18/24** 6", 12", 18", 24" tape to tape flexible connector



**V120-MC**  
Mounting clips  
and screws.



**V120-CHL-4**  
4' aluminum  
mounting  
channel

Shown without  
frosted lens or end  
cap cover.  
Sold separately.

**V120-ECC**  
End cap cover

For aluminum channel with lens  
only. Sold as pair. White only.

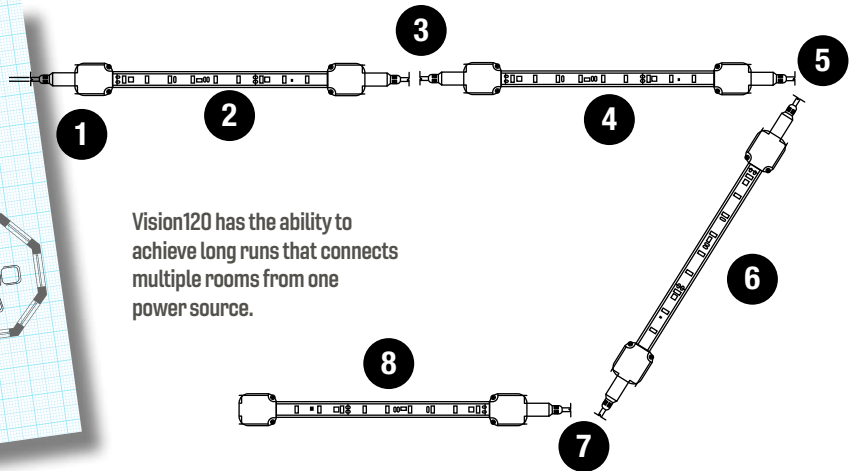
Connectors and Accessories

Catalog No.	Description
V120-PC-4	4' Power connector - cord and plug
V120-PC-8	8' Power connector - cord and plug
V120-PCHW-8	8' Power connector - hardwire
V120-TTC-6	6" Tape to tape flexible connector
V120-TTC-12	12" Tape to tape flexible connector
V120-TTC-18	18" Tape to tape flexible connector
V120-TTC-24	24" Tape to tape flexible connector
V120-3M-VHB-15	15' Reel of 3M double sided mounting tape

Catalog No.	Description
V120-CHL-4	4' Aluminum mounting channel. Lens sold separately
V120-CHL-4-LENS	Frosted lens for 4' aluminum mounting channel
V120-CHL-8	8' Aluminum mounting channel. Lens sold separately
V120-CHL-8-LENS	Frosted lens for 8' aluminum mounting channel
V120-CHL-P-4	4' PVC mounting channel (lens not available)
V120-CHL-P-8	8' PVC mounting channel (lens not available)
V120-ECC	End cap covers (2) for aluminum channel with lens. White
V120-MC	Bag of 10 mounting clips (use 1 per foot min.)



# Vision120 : SPECIFYING LONG RUNS WITH MULTIPLE STRIPS AND CONNECTORS



Vision120 has the ability to achieve long runs that connects multiple rooms from one power source.

## Standard Output

1 Power Feed	2 LED Strip 1	3 Connector 1	4 LED Strip 2	5 Connector 2	6 LED Strip 3	7 Connector 3	8 LED Strip 4
V120-_____	V120-S0-_____	TTC-_____	V120-S0-_____	TTC-_____	V120-S0-_____	TTC-_____	V120-S0-_____
<b>SPECIFY:</b>  <b>V120-PC-4</b> 4' Cord & Plug w/ Fuse Protection <b>V120-PC-8</b> 8' Cord & Plug w/ Fuse Protection <b>V120-PCH-8</b> 8' Hardwire w/ No Fuse Protection	<b>SPECIFY:</b>  <b>Color Temp.</b> 27 - 2700K 30 - 3000K 40 - 4000K <b>Colors</b> RD - Red BL - Blue GR - Green AM - Amber  <b>Length:</b> <b>1 FOOT INCREMENTS</b>	<b>SPECIFY:</b>  <b>6</b> 6" Connector <b>12</b> 12" Connector <b>18</b> 18" Connector <b>24</b> 24" Connector	<b>SPECIFY:</b>  <b>Color Temp.</b> 27 - 2700K 30 - 3000K 40 - 4000K <b>Colors</b> RD - Red BL - Blue GR - Green AM - Amber  <b>Length:</b> <b>1 FOOT INCREMENTS</b>	<b>SPECIFY:</b>  <b>6</b> 6" Connector <b>12</b> 12" Connector <b>18</b> 18" Connector <b>24</b> 24" Connector	<b>SPECIFY:</b>  <b>Color Temp.</b> 27 - 2700K 30 - 3000K 40 - 4000K <b>Colors</b> RD - Red BL - Blue GR - Green AM - Amber  <b>Length:</b> <b>1 FOOT INCREMENTS</b>	<b>SPECIFY:</b>  <b>6</b> 6" Connector <b>12</b> 12" Connector <b>18</b> 18" Connector <b>24</b> 24" Connector	<b>SPECIFY:</b>  <b>Color Temp.</b> 27 - 2700K 30 - 3000K 40 - 4000K <b>Colors</b> RD - Red BL - Blue BL - Blue GR - Green AM - Amber  <b>Length:</b> <b>1 FOOT INCREMENTS</b>

### Example:

<b>V120-PCH-8</b>	<b>V120-S0- 27 - 18'</b>	<b>TTC- 12</b>	<b>V120-S0- 27 - 40'</b>	<b>TTC- 6</b>	<b>V120-S0- 27 - 6'</b>	<b>TTC- 24</b>	<b>V120-S0- 27 - 36'</b>
-------------------	--------------------------	----------------	--------------------------	---------------	-------------------------	----------------	--------------------------

## High Output

1 Power Feed	2 LED Strip 1	3 Connector 1	4 LED Strip 2	5 Connector 2	6 LED Strip 3	7 Connector 3	8 LED Strip 4
V120-_____	V120-H0-_____	TTC-_____	V120-H0-_____	TTC-_____	V120-H0-_____	TTC-_____	V120-H0-_____
<b>SPECIFY:</b>  <b>V120-PC-4</b> 4' Cord & Plug w/ Fuse Protection <b>V120-PC-8</b> 8' Cord & Plug w/ Fuse Protection <b>V120-PCH-8</b> 8' Hardwire w/ No Fuse Protection	<b>SPECIFY:</b>  <b>Color Temp.</b> 27 - 2700K 30 - 3000K 40 - 4000K  <b>Length:</b> <b>4 INCH INCREMENTS</b>	<b>SPECIFY:</b>  <b>6</b> 6" Connector <b>12</b> 12" Connector <b>18</b> 18" Connector <b>24</b> 24" Connector	<b>SPECIFY:</b>  <b>Color Temp.</b> 27 - 2700K 30 - 3000K 40 - 4000K  <b>Length:</b> <b>4 INCH INCREMENTS</b>	<b>SPECIFY:</b>  <b>6</b> 6" Connector <b>12</b> 12" Connector <b>18</b> 18" Connector <b>24</b> 24" Connector	<b>SPECIFY:</b>  <b>Color Temp.</b> 27 - 2700K 30 - 3000K 40 - 4000K  <b>Length:</b> <b>4 INCH INCREMENTS</b>	<b>SPECIFY:</b>  <b>6</b> 6" Connector <b>12</b> 12" Connector <b>18</b> 18" Connector <b>24</b> 24" Connector	<b>SPECIFY:</b>  <b>Color Temp.</b> 27 - 2700K 30 - 3000K 40 - 4000K  <b>Length:</b> <b>4 INCH INCREMENTS</b>

### Example:

<b>V120-PCH-8</b>	<b>V120-H0- 40 - 12'-8"</b>	<b>TTC- 18</b>	<b>V120-H0- 40 - 40'</b>	<b>TTC- 6</b>	<b>V120-H0- 40 - 8'-8"</b>	<b>TTC- 24</b>	<b>V120-H0- 40 - 72'-4"</b>
-------------------	-----------------------------	----------------	--------------------------	---------------	----------------------------	----------------	-----------------------------



GM Lighting application  
photo courtesy of  
Renegade Electric





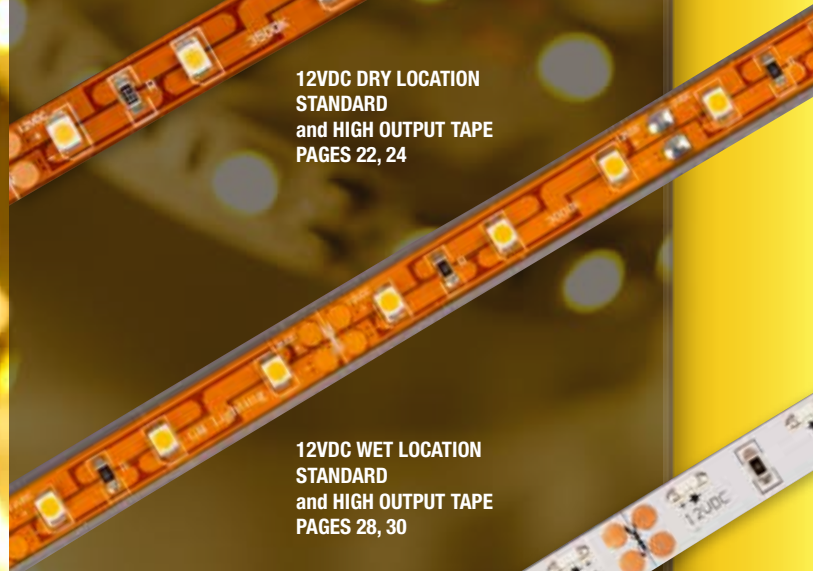




## 12VDC LED Tape



12VDC DRY LOCATION  
STANDARD  
and HIGH OUTPUT TAPE  
PAGES 22, 24



12VDC WET LOCATION  
STANDARD  
and HIGH OUTPUT TAPE  
PAGES 28, 30



12VDC STANDARD  
OUTPUT 'SIDE VIEW' TAPE  
PAGE 32



12VDC HIGH OUTPUT  
90+ CRI 'TWIST TASK' TAPE  
PAGE 34

# LEDTASK™ 12VDC FLEXIBLE LED TAPE - STANDARD OUTPUT

**12 VOLT**

**DRY LOCATION**

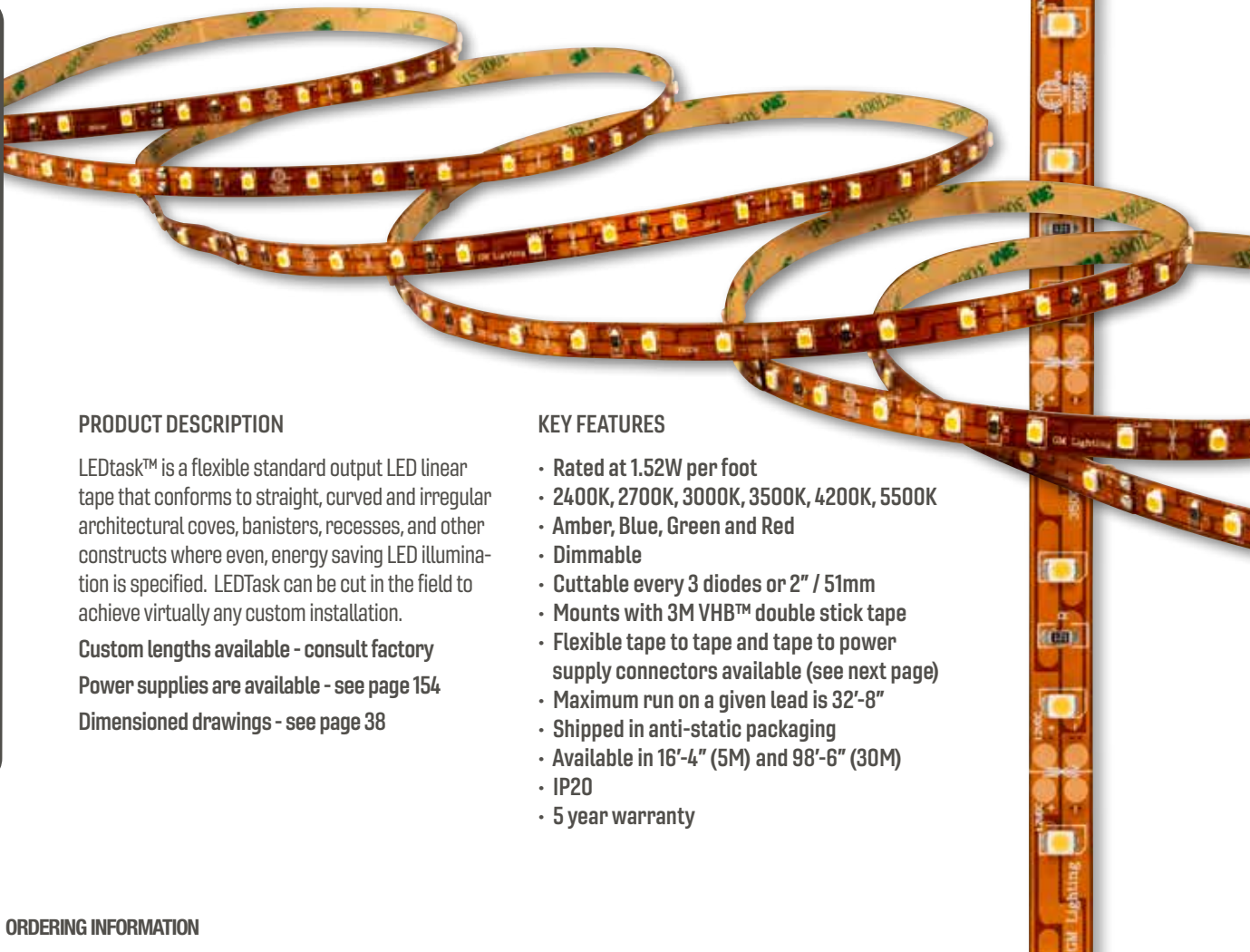
**80+ CRI**

**CLASS 2**

**FIELD CUTTABLE**

**5 Yr. WARRANTY**

**ETL US Intertek**



## PRODUCT DESCRIPTION

LEDtask™ is a flexible standard output LED linear tape that conforms to straight, curved and irregular architectural coves, banisters, recesses, and other constructs where even, energy saving LED illumination is specified. LEDTask can be cut in the field to achieve virtually any custom installation.

Custom lengths available - consult factory  
 Power supplies are available - see page 154  
 Dimensioned drawings - see page 38

## KEY FEATURES

- Rated at 1.52W per foot
- 2400K, 2700K, 3000K, 3500K, 4200K, 5500K
- Amber, Blue, Green and Red
- Dimmable
- Cuttable every 3 diodes or 2" / 51mm
- Mounts with 3M VHB™ double stick tape
- Flexible tape to tape and tape to power supply connectors available (see next page)
- Maximum run on a given lead is 32'-8"
- Shipped in anti-static packaging
- Available in 16'-4" (5M) and 98'-6" (30M)
- IP20
- 5 year warranty

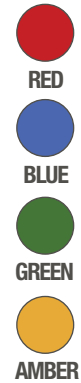
## ORDERING INFORMATION

Catalog No.	Length	Wattage	Lumens	CRI	Color Temp.*
LTR300-SO-24	16'-4" / 5M	1.52W/ft.	130/ft.	82	2400K
LTR300-SO-27	16'-4" / 5M	1.52W/ft.	132/ft.	82	2700K
LTR300-SO-30	16'-4" / 5M	1.52W/ft.	133/ft.	82	3000K
LTR300-SO-WW	16'-4" / 5M	1.52W/ft.	134/ft.	87	3500K
LTR300-SO-42	16'-4" / 5M	1.52W/ft.	142/ft.	83	4200K
LTR300-SO-PW	16'-4" / 5M	1.52W/ft.	147/ft.	85	5500K
Each 16'-4" reel includes: (3) STW-60 connectors and 24" of lead affixed at start of reel.					
LTR300-100-SO-24	98'-6" / 30M	1.52W/ft.	130/ft.	82	2400K
LTR300-100-SO-27	98'-6" / 30M	1.52W/ft.	132/ft.	82	2700K
LTR300-100-SO-30	98'-6" / 30M	1.52W/ft.	133/ft.	82	3000K
LTR300-100-SO-WW	98'-6" / 30M	1.52W/ft.	134/ft.	87	3500K
LTR300-100-SO-42	98'-6" / 30M	1.52W/ft.	142/ft.	83	4200K
LTR300-100-SO-PW	98'-6" / 30M	1.52W/ft.	147/ft.	85	5500K
Each 98'-6" reel includes: (15) STW-60 connectors and 24" of lead affixed at start of reel.					

PRODUCT NOTES:  
 \* Kelvin temperature (color) ±100K.  
 Installation instructions and spec sheet available for download.  
 View this product on [www.gmlighting.net](http://www.gmlighting.net)

# ACCESSORIES AND SUPPORTING DATA

## AVAILABLE COLOR TEMPERATURES

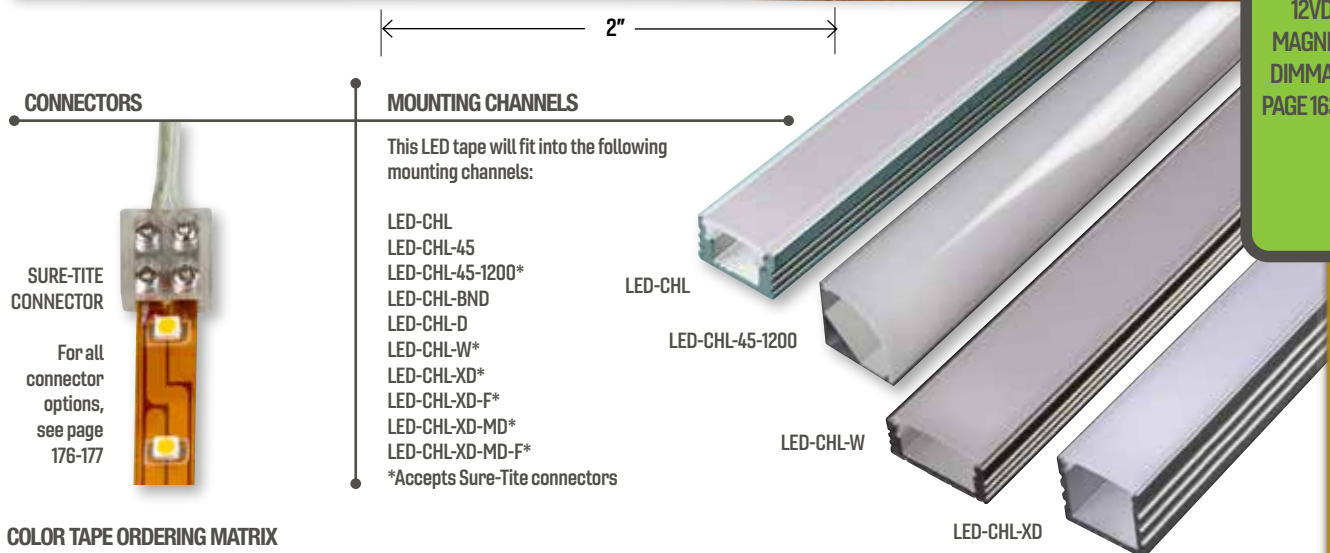


**12VDC  
POWER  
SUPPLY  
REQUIRED**

12VDC  
ELECTRONIC  
DIMMING  
PAGE 158-160

12VDC  
ELECTRONIC  
NON-DIM  
PAGE 161

12VDC  
MAGNETIC  
DIMMABLE  
PAGE 163-164



## COLOR TAPE ORDERING MATRIX

Catalog No.	Length	Wattage	Lumens	CRI	Color Temp.*
LTR300-AM	16'-4" / 5M	1.52W/ft.	10/ft.	NA	AMBER
LTR300-BL	16'-4" / 5M	1.52W/ft.	12/ft.	NA	BLUE
LTR300-GR	16'-4" / 5M	1.52W/ft.	34/ft.	NA	GREEN
LTR300-RD	16'-4" / 5M	1.52W/ft.	09/ft.	NA	RED

Each 16'-4" reel includes: (3) STW-60 connectors and 24" of lead affixed at start of reel.

## CONNECTORS AND ACCESSORIES

Catalog No.	Description
STC-1	Sure-Tite tape to tape connector
STC-90	90° Sure-Tite connector
STLK-60	60" Sure-Tite flexible tape to tape connector
STW-60	60" Sure-Tite flexible tape to power supply connector
STW-CO	Sure-Tite tape to power supply connector only (no wire)
GMSB-W(B)	Splice Box in white (W) or black (B) 2"L x 1"W x 5/8"D

## CONNECTOR AND CHANNEL NOTES:

See connector compatibility chart, page 82.

For additional channel options, solder lead / connection options and channel mill work dimensions, see page 176.

Complete tape and channel compatibility matrix on page 176.



# LEDTASK™ 12VDC FLEXIBLE LED TAPE - HIGH OUTPUT

**12 VOLT**

**DRY LOCATION**

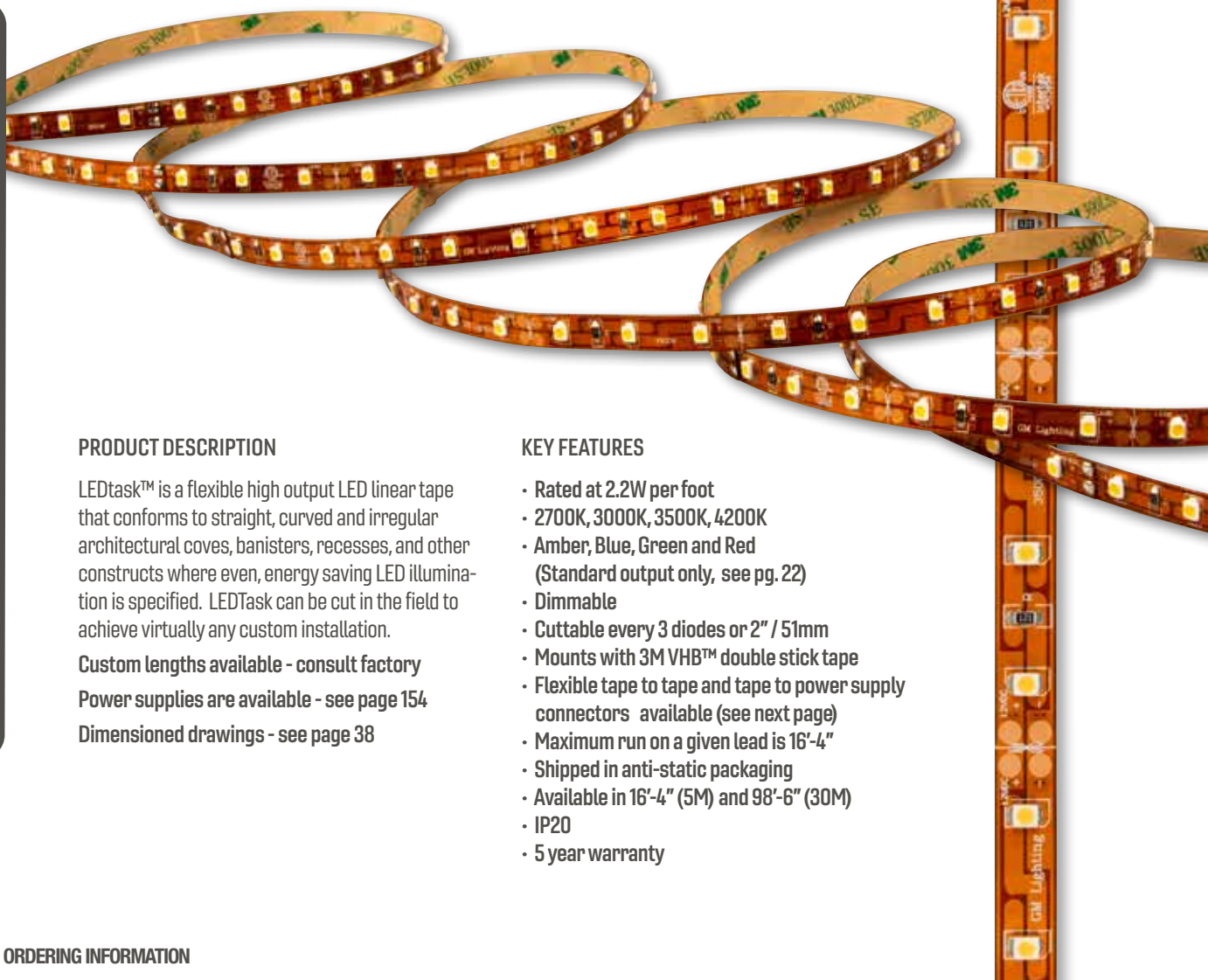
**80+ CRI**

**CLASS 2**

**FIELD CUTTABLE**

**5 Yr. WARRANTY**

**ETL Intertek**



## PRODUCT DESCRIPTION

LEDtask™ is a flexible high output LED linear tape that conforms to straight, curved and irregular architectural coves, banisters, recesses, and other constructs where even, energy saving LED illumination is specified. LEDTask can be cut in the field to achieve virtually any custom installation.

Custom lengths available - consult factory

Power supplies are available - see page 154

Dimensioned drawings - see page 38

## KEY FEATURES

- Rated at 2.2W per foot
- 2700K, 3000K, 3500K, 4200K
- Amber, Blue, Green and Red (Standard output only, see pg. 22)
- Dimmable
- Cuttable every 3 diodes or 2" / 51mm
- Mounts with 3M VHB™ double stick tape
- Flexible tape to tape and tape to power supply connectors available (see next page)
- Maximum run on a given lead is 16'-4"
- Shipped in anti-static packaging
- Available in 16'-4" (5M) and 98'-6" (30M)
- IP20
- 5 year warranty

## ORDERING INFORMATION

Catalog No.	Length	Wattage	Lumens	CRI	Color Temp.*
LTR300-27	16'-4" / 5M	2.2W/ft.	190/ft.	82	2700K
LTR300-30	16'-4" / 5M	2.2W/ft.	193/ft.	82	3000K
LTR300-WW	16'-4" / 5M	2.2W/ft.	202/ft.	87	3500K
LTR300-42	16'-4" / 5M	2.2W/ft.	207/ft.	83	4200K
Each 16'-4" reel includes: (3) STW-60 connectors and 24" of lead affixed at start of reel.					
LTR300-100-27	98'-6" / 30M	2.2W/ft.	190/ft.	82	2700K
LTR300-100-30	98'-6" / 30M	2.2W/ft.	193/ft.	82	3000K
LTR300-100-WW	98'-6" / 30M	2.2W/ft.	202/ft.	87	3500K
LTR300-100-42	98'-6" / 30M	2.2W/ft.	207/ft.	83	4200K
Each 98'-6" reel includes: (15) STW-60 connectors and 24" of lead affixed at start of reel.					

### PRODUCT NOTES:

\* Kelvin temperature (color) ±100K.

Installation instructions and spec sheet available for download.

View this product on [www.gmlighting.net](http://www.gmlighting.net)

# ACCESSORIES AND SUPPORTING DATA

## AVAILABLE COLOR TEMPERATURES



**12VDC  
POWER  
SUPPLY  
REQUIRED**

12VDC  
ELECTRONIC  
DIMMING  
PAGE 158-160

12VDC  
ELECTRONIC  
NON-DIM  
PAGE 161

12VDC  
MAGNETIC  
DIMMABLE  
PAGE 163-164

2"

### CONNECTORS



**SURE-TITE  
CONNECTOR**

For all  
connector  
options,  
see page  
176-177

### MOUNTING CHANNELS

This LED tape will fit into the following  
mounting channels:

- LED-CHL
- LED-CHL-45
- LED-CHL-45-1200\*
- LED-CHL-BND
- LED-CHL-D
- LED-CHL-W\*
- LED-CHL-XD\*
- LED-CHL-XD-F\*
- LED-CHL-XD-MD\*
- LED-CHL-XD-MD-F\*

\*Accepts Sure-Tite connectors



## CONNECTORS AND ACCESSORIES

Catalog No.	Description
STC-1	Sure-Tite tape to tape connector
STC-90	90° Sure-Tite connector
STLK-60	60" Sure-Tite flexible tape to tape connector
STW-60	60" Sure-Tite flexible tape to power supply connector
STW-CO	Sure-Tite tape to power supply connector only (no wire)
GMSB-W(B)	Splice Box in white (W) or black (B) 2" L x 1" W x 5/8" D

### CONNECTOR AND CHANNEL NOTES:

See connector compatibility chart, page 82.

For additional channel options, solder lead / connection options and channel mill work dimensions, see page 176.

Complete tape and channel compatibility matrix on page 176.









This beautiful backyard  
courtesy of  
SK & Associates of Canton, MA  
Robin Doerfler - Lighting Designer  
Amy Etra Photography

# LEDTASK™ 12VDC WET LOCATION FLEXIBLE LED TAPE STANDARD OUTPUT

12  
VOLT



80+  
CRI

CLASS  
2



5 Yr.  
WARRANTY



## PRODUCT DESCRIPTION

A wet location standard output flexible LED linear tape that conforms to straight, curved and irregular architectural coves, outdoor steps and banisters, fountain exteriors, outdoor cooking islands and food stations, recessed and other constructs where even, energy saving LED illumination is specified in environments that are exposed to moisture.

**Not to be submerged directly in water**  
Custom lengths available - consult factory

Reel is field cuttable - cut and terminate only.

Power supplies are available - see page 154

Dimensioned drawings - see page 38

## KEY FEATURES

- Rated at 1.52W per foot
- 2700K, 3000K, 3500K, 4200K, 5500K
- Amber, Blue, Green and Red
- Dimmable
- Cutable every 3 diodes or 2" / 51mm
- Fully surrounded in optical clear silicone weather proof sheath
- Flexible tape to tape and tape to power supply connectors available (see next page)
- Maximum run on a given lead is 32'-8"
- Shipped in anti-static packaging
- Available in 39" (1M) or 16'-4" (5M) reels
- IP67 wet location
- 5 year warranty

## ORDERING INFORMATION

Catalog No.	Length	Wattage	Lumens	CRI	Color Temp.*
LTR60WP-SO-27	39" / 1M	1.52W/ft	132/ft.	82	2700K
LTR60WP-SO-30	39" / 1M	1.52W/ft	133/ft.	82	3000K
LTR60WP-SO-WW	39" / 1M	1.52W/ft	134/ft.	87	3500K
LTR60WP-SO-42	39" / 1M	1.52W/ft	142/ft.	83	4200K
LTR60WP-SO-PW	39" / 1M	1.52W/ft	147/ft.	85	5500K
Each 39" reel includes: (1) LTW-24-WP connector, 6 silicone mounting clips, 12 stainless steel screws, 2 silicone end caps, 1 male plug for plugging end of run and a tube of silicone sealant.					
LTR300WP-SO-27	16'-4" / 5M	1.52W/ft.	132/ft.	82	2700K
LTR300WP-SO-30	16'-4" / 5M	1.52W/ft.	133/ft.	82	3000K
LTR300WP-SO-WW	16'-4" / 5M	1.52W/ft.	134/ft.	87	3500K
LTR300WP-SO-42	16'-4" / 5M	1.52W/ft.	142/ft.	83	4200K
LTR300WP-SO-PW	16'-4" / 5M	1.52W/ft.	147/ft.	85	5500K
Each 16'-4" reel includes: (1) LTW-24-WP connector, 20 silicone mounting clips, 40 stainless steel screws, 2 silicone end caps, 1 male plug for plugging end of run and a tube of silicone sealant.					

## PRODUCT NOTES:

\* Kelvin temperature (color) ±100K.

Installation instructions and spec sheet available for download.

View this product on [www.gmlighting.net](http://www.gmlighting.net)



# ACCESSORIES AND SUPPORTING DATA

## AVAILABLE COLOR TEMPERATURES



- RED
- BLUE
- GREEN
- AMBER

**12VDC**  
POWER  
SUPPLY  
REQUIRED

12VDC  
ELECTRONIC  
DIMMING  
PAGE 158-160

12VDC  
ELECTRONIC  
NON-DIM  
PAGE 161

12VDC  
MAGNETIC  
DIMMABLE  
PAGE 163-164

## CONNECTORS AND ACCESSORIES



LTCWP  
LTW  
Connector



Each reel comes complete with enough mounting brackets, screws, sealant and a LTW-24-WP connector to complete any installation.

## MOUNTING CHANNELS

The following channels are compatible with this tape. Do not use Sure-Tite connectors. Use wet location connectors only for soldered leads. For a complete list of channels, soldered lead info and channel compatibility, see page 176.

- LED-CH-W
- LED-CHL-45-1200
- LED-CHL-MD
- LED-CHL-MD-F
- LED-CHL-XD
- LED-CHL-XD-F

Note: Tape to channel mounting adhesive by others

LED-CHL-45-1200

LED-CHL-W

LED-CHL-XD

## COLOR TAPE ORDERING MATRIX

Catalog No.	Length	Wattage	Lumens	CRI	Color Temp.*
LTR300WP-AM	16'-4" / 5M	1.52W/ft.	10/ft.	NA	AMBER
LTR300WP-BL	16'-4" / 5M	1.52W/ft.	12/ft.	NA	BLUE
LTR300WP-GR	16'-4" / 5M	1.52W/ft.	34/ft.	NA	GREEN
LTR300WP-RD	16'-4" / 5M	1.52W/ft.	09/ft.	NA	RED

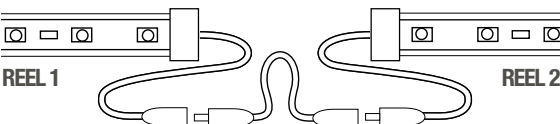
Each 16'-4" reel includes: (1) LTW-24-WP connector, 20 silicone mounting clips, 40 stainless steel screws, 2 silicone end caps, 1 male plug for plugging end of run and a tube of silicone sealant.

## CONNECTORS AND ACCESSORIES (For reel to reel only)

Catalog No.	Description
LTCWP-12*	12" Flexible tape to tape connector
LTCWP-24*	24" Flexible tape to tape connector
LTCWP-36*	36" Flexible tape to tape connector
LTCWP-60*	60" Flexible tape to tape connector

\*For use with 39" reels only

Catalog No.	Description
LTW-24-WP	24" Flexible tape to power supply connector
LTW-48-WP	48" Flexible tape to power supply connector
LTW-60-WP	60" Flexible tape to power supply connector
WPKT	Waterproof accessory kit: Small tube of silicone sealant, silicone end cap, 6 silicone clips, 12 screws and 1 male connector (see above)



LTCWP CONNECTORS CONNECT 39" REEL TO REEL ONLY

## CONNECTOR AND CHANNEL NOTES:

See connector compatibility chart, page 82.  
For additional channel options, solder lead / connection options and channel mill work dimensions, see page 176.  
Complete tape and channel compatibility matrix on page 176.



# LEDTASK™ 12VDC WET LOCATION FLEXIBLE LED TAPE

## HIGH OUTPUT



**12**  
VOLT



**80+**  
CRI

**CLASS**  
**2**



**5 Yr.**  
WARRANTY



### PRODUCT DESCRIPTION

A wet location standard output flexible LED linear tape that conforms to straight, curved and irregular architectural coves, outdoor steps and banisters, fountain exteriors, outdoor cooking islands and food stations, recessed and other constructs where even, energy saving LED illumination is specified in environments that are exposed to moisture.

**Not to be submerged directly in water**  
Custom lengths available - consult factory  
Reel is field cuttable - cut and terminate only.

Power supplies are available - see page 154

Dimensioned drawings - see page 38

### KEY FEATURES

- Rated at 2.2W per foot
- 2700K, 3000K, 3500K, 4200K,
- Dimmable
- Cuttable every 3 diodes or 2" / 51mm
- Fully surrounded in optical clear silicone weather proof sheath
- Flexible tape to tape and tape to power supply connectors available (see next page)
- Maximum run on a given lead is 16'-4"
- Shipped in anti-static packaging
- Available in 39" (1M) or 16'-4" (5M) reels
- IP67 wet location
- 5 year warranty

### ORDERING INFORMATION

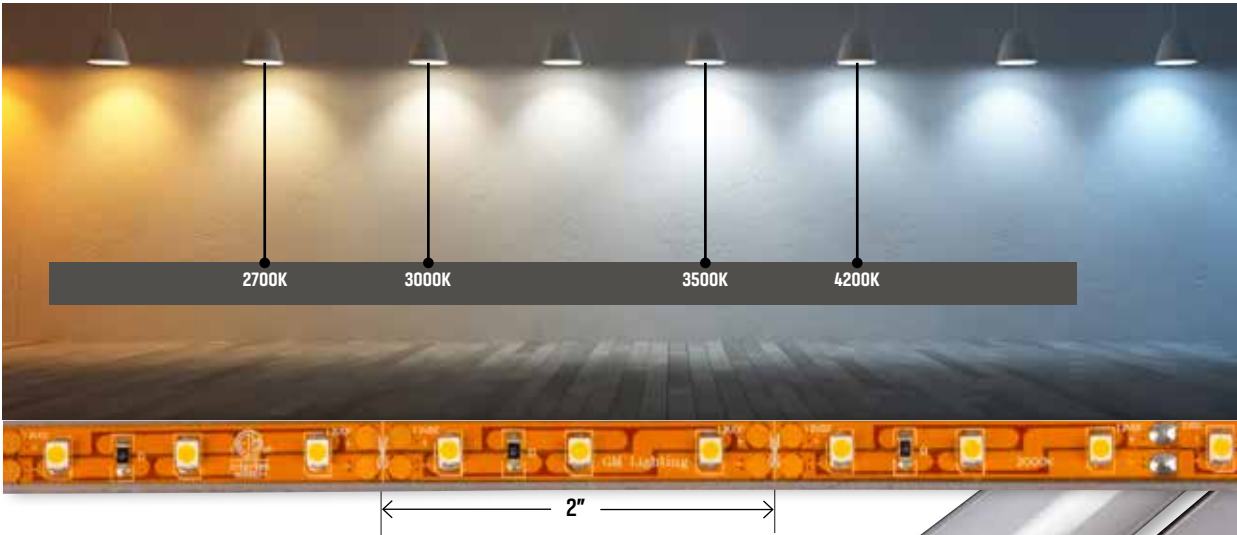
Catalog No.	Length	Wattage	Lumens	CRI	Color Temp.*
LTR60WP-27	39" / 1M	2.2W/ft.	190/ft.	82	2700K
LTR60WP-30	39" / 1M	2.2W/ft.	193/ft.	82	3000K
LTR60WP-WW	39" / 1M	2.2W/ft.	202/ft.	87	3500K
LTR60WP-42	39" / 1M	2.2W/ft.	207/ft.	83	4200K
Each 39" reel includes: (1) LTW-24-WP connector, 6 silicone mounting clips, 12 stainless steel screws, 2 silicone end caps, 1 male plug for plugging end of run and a tube of silicone sealant.					
LTR300WP-27	16'-4" / 5M	2.2W/ft.	190/ft.	82	2700K
LTR300WP-30	16'-4" / 5M	2.2W/ft.	193/ft.	82	3000K
LTR300WP-WW	16'-4" / 5M	2.2W/ft.	202/ft.	87	3500K
LTR300WP-42	16'-4" / 5M	2.2W/ft.	207/ft.	83	4200K
Each 16'-4" reel includes: (1) LTW-24-WP connector, 20 silicone mounting clips, 40 stainless steel screws, 2 silicone end caps, 1 male plug for plugging end of run and a tube of silicone sealant.					

#### PRODUCT NOTES:

\* Kelvin temperature (color) ±100K.  
Installation instructions and spec sheet available for download.  
View this product on [www.gmlighting.net](http://www.gmlighting.net)

# ACCESSORIES AND SUPPORTING DATA

## AVAILABLE COLOR TEMPERATURES



**12VDC  
POWER  
SUPPLY  
REQUIRED**

12VDC  
ELECTRONIC  
DIMMING  
PAGE 158-160

12VDC  
ELECTRONIC  
NON-DIM  
PAGE 161

12VDC  
MAGNETIC  
DIMMABLE  
PAGE 163-164

## CONNECTORS AND ACCESSORIES



LTCWP  
LTW  
Connector



Each reel comes complete with enough mounting brackets, screws, sealant and a LTW-24-WP connector (not pictured) to complete any installation.

## MOUNTING CHANNELS

The following channels are compatible with this tape. Do not use Sure-Tite connectors. Use wet location connectors only or soldered leads. For a complete list of channels, soldered lead info and channel compatibility, see page 176.

- LED-CH-W
- LED-CHL-45-1200
- LED-CHL-MD
- LED-CHL-MD-F
- LED-CHL-XD
- LED-CHL-XD-F

Note: Tape to channel mounting adhesive by others

LED-CHL-45-1200



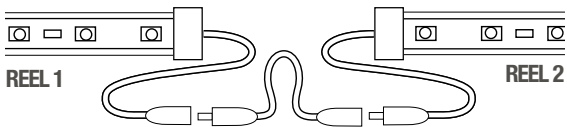
LED-CHL-W

LED-CHL-XD

## CONNECTORS AND ACCESSORIES (For reel to reel only)

Catalog No.	Description
LTCWP-12*	12" Flexible tape to tape connector
LTCWP-24*	24" Flexible tape to tape connector
LTCWP-36*	36" Flexible tape to tape connector
LTCWP-60*	60" Flexible tape to tape connector
*For use with 39" reels only	

Catalog No.	Description
LTW-24-WP	24" Flexible tape to power supply connector
LTW-48-WP	48" Flexible tape to power supply connector
LTW-60-WP	60" Flexible tape to power supply connector
WPKT	Waterproof accessory kit: Small tube of silicone sealant, silicone end cap, 6 silicone clips, 12 screws and 1 male connector (see above)



LTCWP CONNECTORS CONNECT 39" REEL TO REEL ONLY

## CONNECTOR AND CHANNEL NOTES:

See connector compatibility chart, page 82.

For additional channel options, solder lead / connection options and channel mill work dimensions, see page 176.

Complete tape and channel compatibility matrix on page 176.

# LEDTASK™ 12VDC FLEXIBLE LED TAPE STANDARD OUTPUT - 'SIDE VIEW'

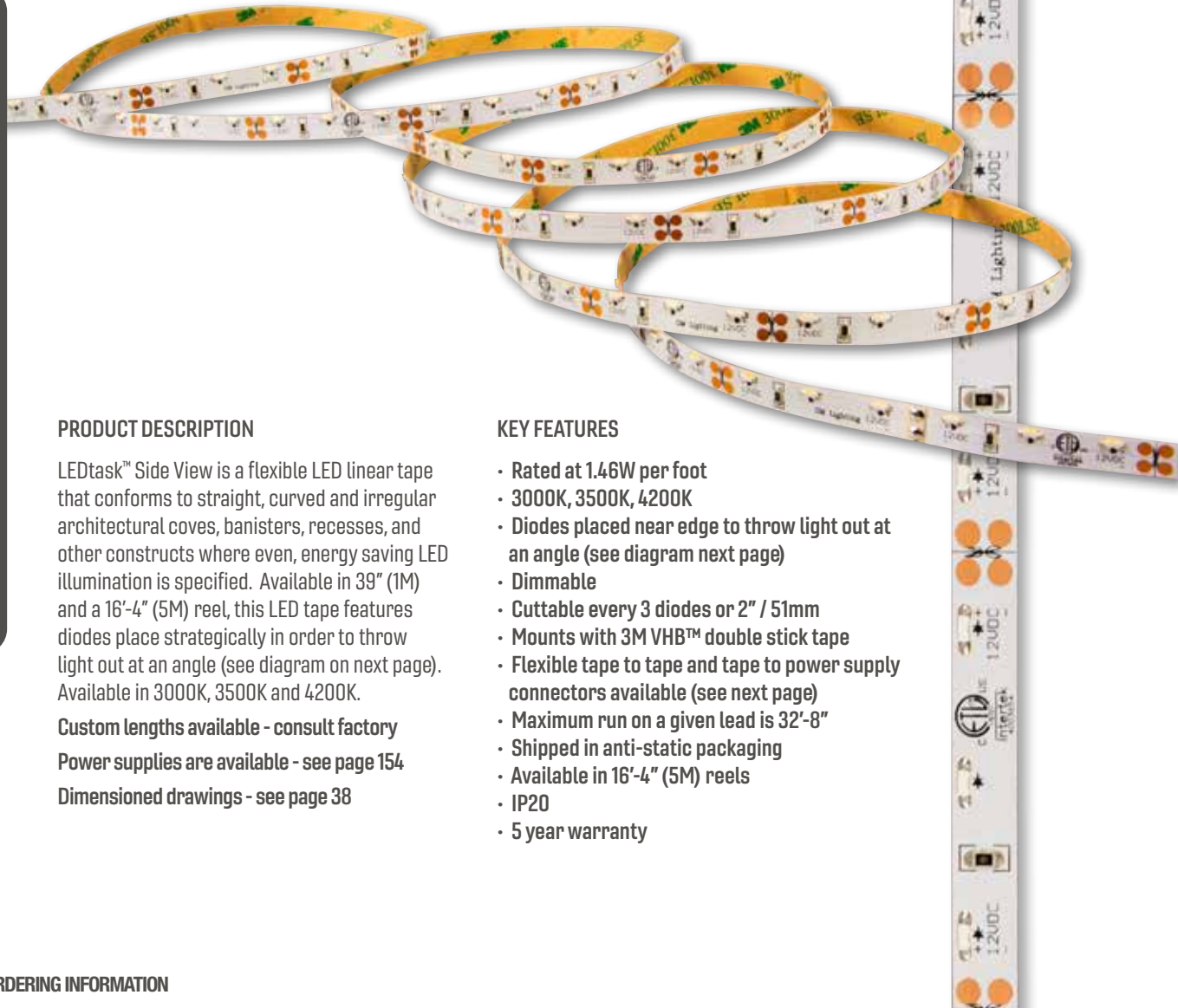
**12  
VOLT**



**80+  
CRI**



**5 Yr.  
WARRANTY**



## PRODUCT DESCRIPTION

LEDtask™ Side View is a flexible LED linear tape that conforms to straight, curved and irregular architectural coves, banisters, recesses, and other constructs where even, energy saving LED illumination is specified. Available in 39" (1M) and a 16'-4" (5M) reel, this LED tape features diodes placed strategically in order to throw light out at an angle (see diagram on next page). Available in 3000K, 3500K and 4200K.

Custom lengths available - consult factory

Power supplies are available - see page 154

Dimensioned drawings - see page 38

## KEY FEATURES

- Rated at 1.46W per foot
- 3000K, 3500K, 4200K
- Diodes placed near edge to throw light out at an angle (see diagram next page)
- Dimmable
- Cuttable every 3 diodes or 2" / 51mm
- Mounts with 3M VHB™ double stick tape
- Flexible tape to tape and tape to power supply connectors available (see next page)
- Maximum run on a given lead is 32'-8"
- Shipped in anti-static packaging
- Available in 16'-4" (5M) reels
- IP20
- 5 year warranty

## ORDERING INFORMATION

Catalog No.	Length	Wattage	Lumens	CRI	Color Temp.*
LTRSV-300-S0-30	16'-4" / 5M	1.46W/ft.	110/ft.	80+	3000K
LTRSV-300-S0-35	16'-4" / 5M	1.46W/ft.	120/ft.	80+	3500K
LTRSV-300-S0-42	16'-4" / 5M	1.46W/ft.	128/ft.	80+	4200K

Each 16'-4" reel includes: (3) STW-60 connectors, (3) STC-1 connectors and 24" of lead affixed at start of reel.

## PRODUCT NOTES:

\* Kelvin temperature (color) ±100K.

Installation instructions and spec sheet available for download.

View this product on [www.gmlighting.net](http://www.gmlighting.net)



# ACCESSORIES AND SUPPORTING DATA

## AVAILABLE COLOR TEMPERATURES



**12VDC  
POWER  
SUPPLY  
REQUIRED**

12VDC  
ELECTRONIC  
DIMMING  
PAGE 158-160

12VDC  
ELECTRONIC  
NON-DIM  
PAGE 161

12VDC  
MAGNETIC  
DIMMABLE  
PAGE 163-164

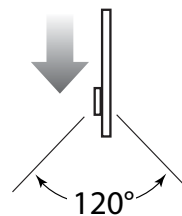
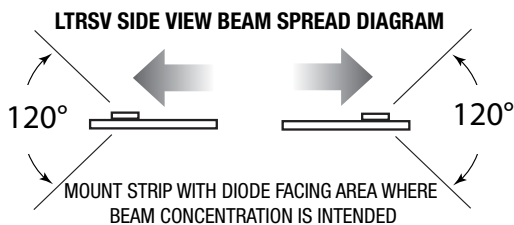
### CONNECTORS



SURE-TITE  
CONNECTOR

For all  
connector  
options,  
see page  
176-177

### DIAGRAM



## CONNECTORS AND ACCESSORIES

Catalog No.	Description
STC-1	Sure-Tite tape to tape connector
STC-90	90° Sure-Tite connector
STLK-60	60" Sure-Tite flexible tape to tape connector
STW-60	60" Sure-Tite flexible tape to power supply connector
STW-C0	Sure-Tite tape to power supply connector only (no wire)
GMSB-W(B)	Splice Box in white (W) or black (B) 2"L x 1"W x 5/8"D

## CONNECTOR AND CHANNEL NOTES:

See connector compatibility chart, page 82.

# LEDTASK™ 12VDC FLEXIBLE LED TAPE STANDARD OUTPUT - 'TWIST-TASK™'

**12  
VOLT**

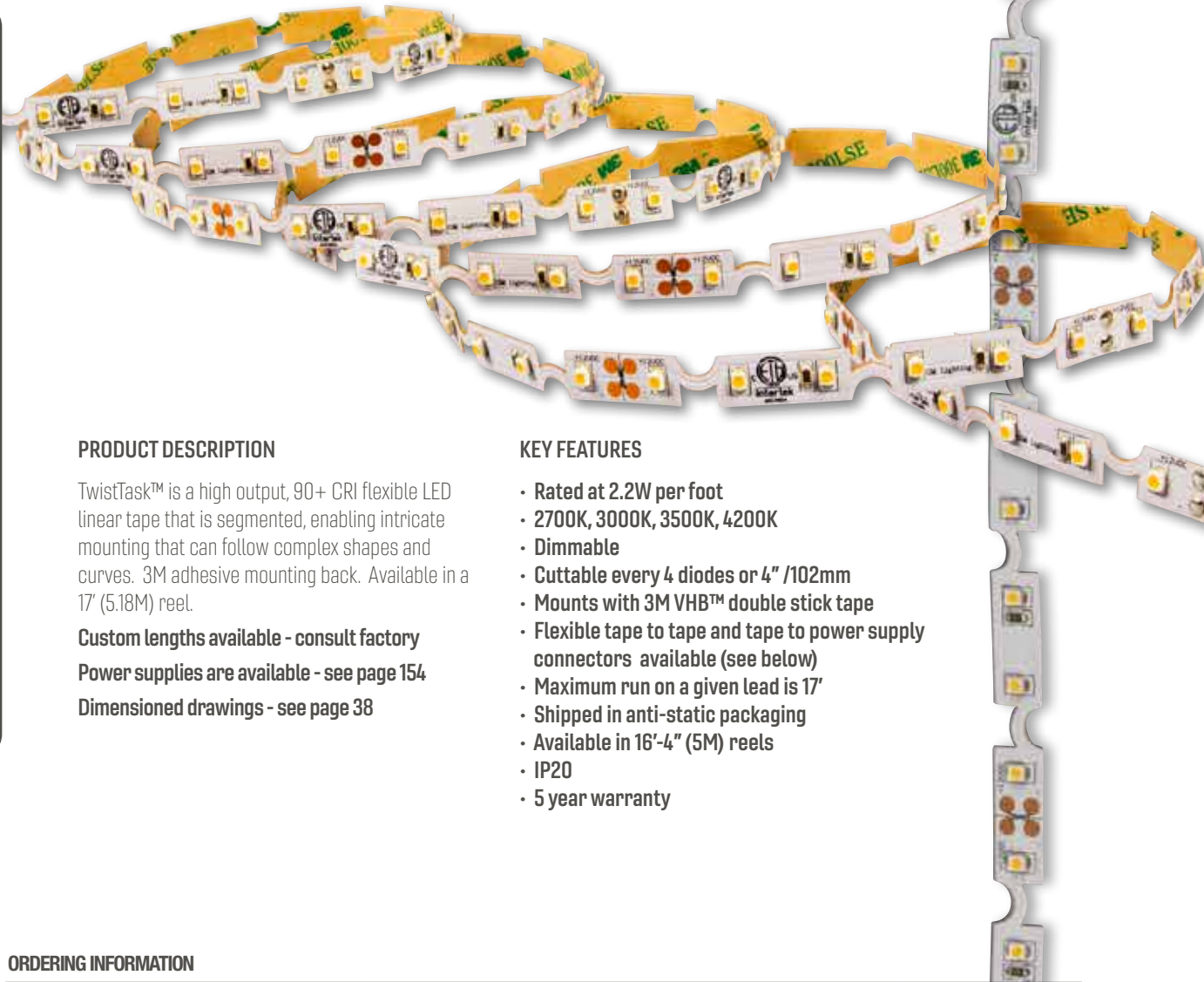


**90+  
CRI**

**CLASS  
2**



**5Yr.  
WARRANTY**



## PRODUCT DESCRIPTION

TwistTask™ is a high output, 90+ CRI flexible LED linear tape that is segmented, enabling intricate mounting that can follow complex shapes and curves. 3M adhesive mounting back. Available in a 17' (5.18M) reel.

Custom lengths available - consult factory

Power supplies are available - see page 154

Dimensioned drawings - see page 38

## KEY FEATURES

- Rated at 2.2W per foot
- 2700K, 3000K, 3500K, 4200K
- Dimmable
- Cuttable every 4 diodes or 4" /102mm
- Mounts with 3M VHB™ double stick tape
- Flexible tape to tape and tape to power supply connectors available (see below)
- Maximum run on a given lead is 17'
- Shipped in anti-static packaging
- Available in 16'-4" (5M) reels
- IP20
- 5 year warranty

## ORDERING INFORMATION

Catalog No.	Length	Wattage	Lumens	CRI	Color Temp.*
TWR300-27	17' / 5.18M	2.2W/ft.	189/ft.	90+	2700K
TWR300-30	17' / 5.18M	2.2W/ft.	196/ft.	90+	3000K
TWR300-WW	17' / 5.18M	2.2W/ft.	198/ft.	90+	3500K
TWR300-42	17' / 5.18M	2.2W/ft.	207/ft.	90+	4200K

Each 17' reel includes: (3) STW-60 connectors and 24" of lead affixed at start of reel.

## CONNECTORS AND ACCESSORIES

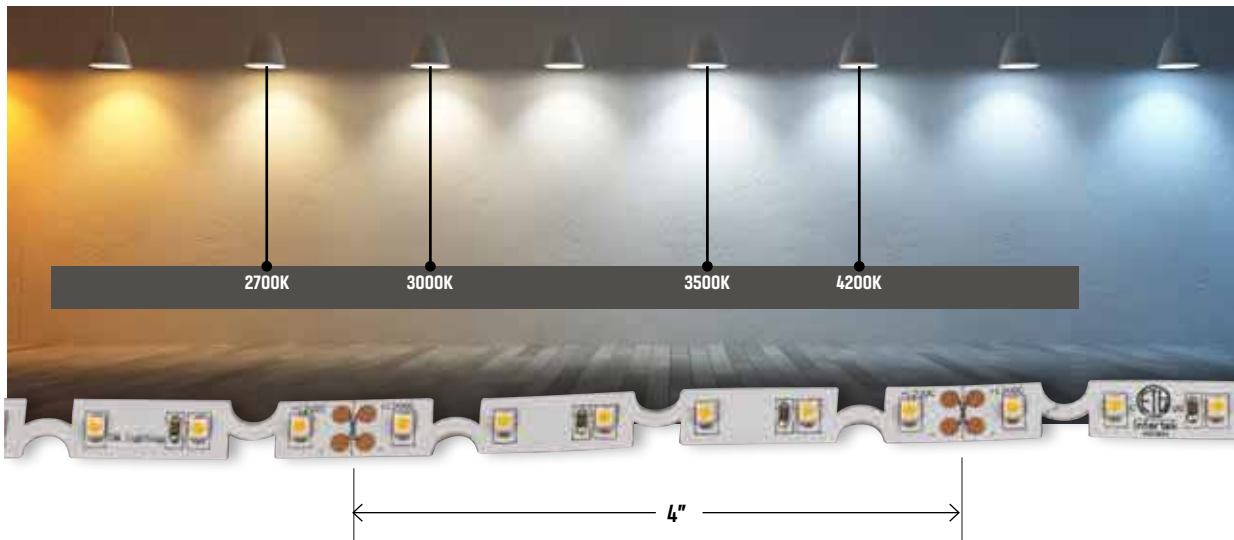
Catalog No.	Description
ESTC-1	Sure-Tite tape to tape connector
ESTC-90	90° Sure-Tite connector
ESTLK-60	Sure-Tite 60" Flexible tape to tape connector
ESTW-60	Sure-Tite 60" tape to power supply connector

### PRODUCT NOTES:

\* Kelvin temperature (color) ±100K.  
Installation instructions and spec sheet available for download.  
View this product on [www.gmlighting.net](http://www.gmlighting.net)

# ACCESSORIES AND SUPPORTING DATA

## AVAILABLE COLOR TEMPERATURES



**12VDC  
POWER  
SUPPLY  
REQUIRED**

12VDC  
ELECTRONIC  
DIMMING  
PAGE 158-160

12VDC  
ELECTRONIC  
NON-DIM  
PAGE 161

12VDC  
MAGNETIC  
DIMMABLE  
PAGE 163-164

### CONNECTORS

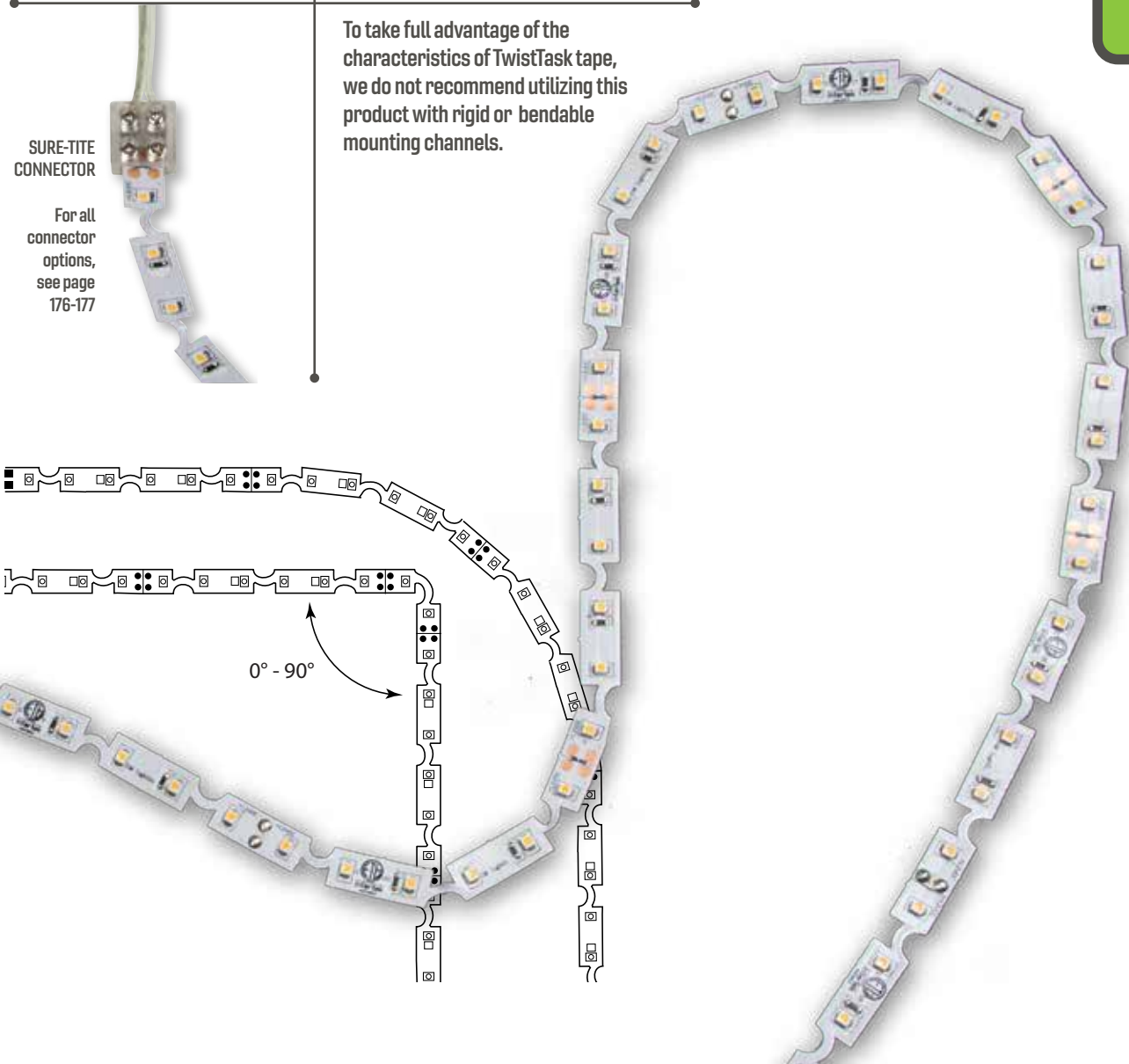


**SURE-TITE  
CONNECTOR**

For all  
connector  
options,  
see page  
176-177

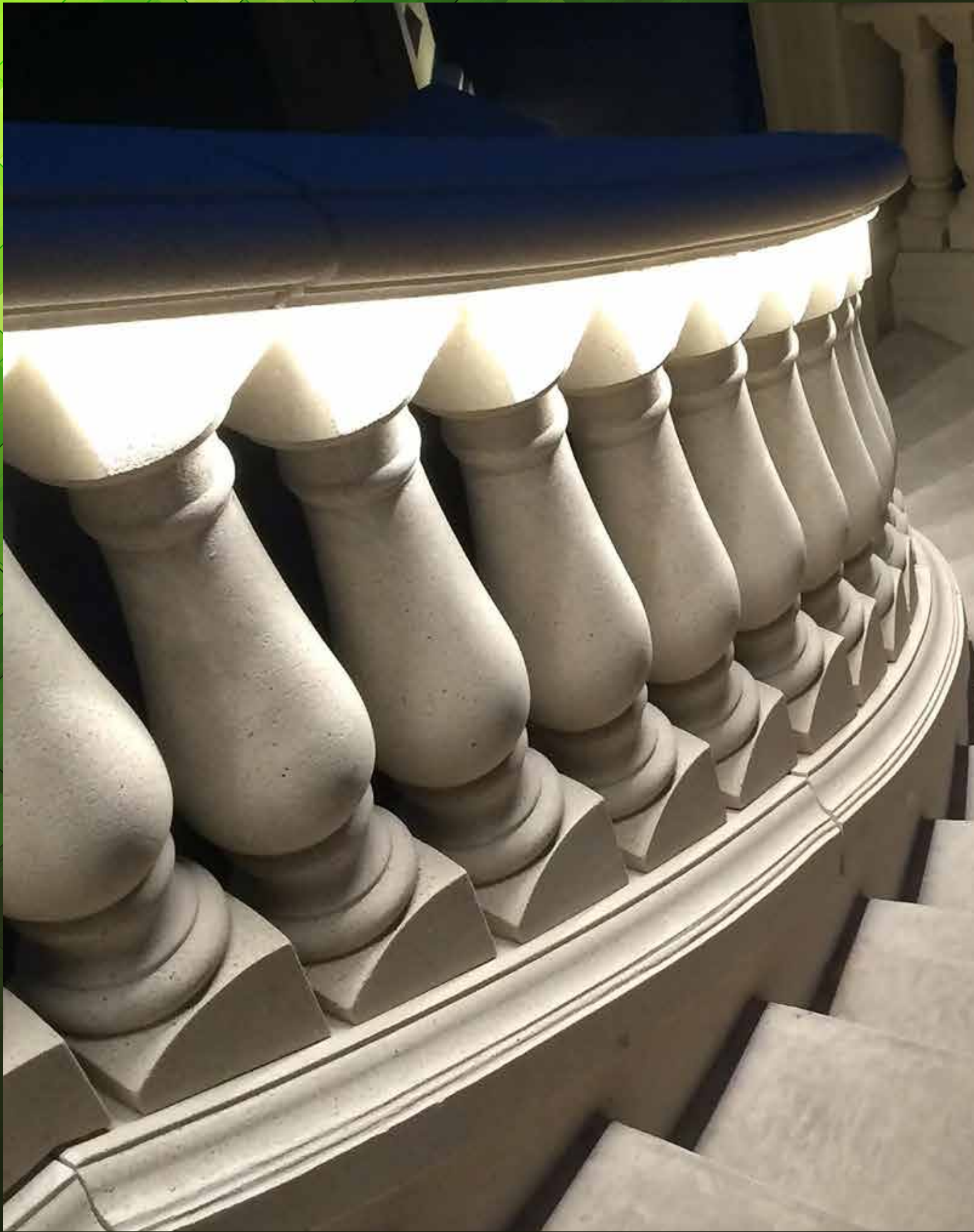
### MOUNTING CHANNELS

To take full advantage of the characteristics of TwistTask tape, we do not recommend utilizing this product with rigid or bendable mounting channels.



0° - 90°







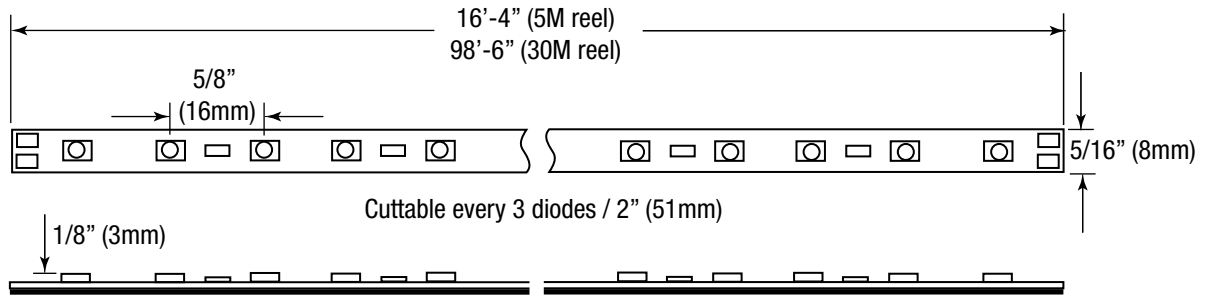
A sweeping stone staircase illuminated by GM Lighting Flexible Wet Location LED Tape. Photo courtesy of Lighting Solutions.

# LEDTASK™ 12VDC FLEXIBLE LED TAPE

## PRODUCT DIAGRAMS

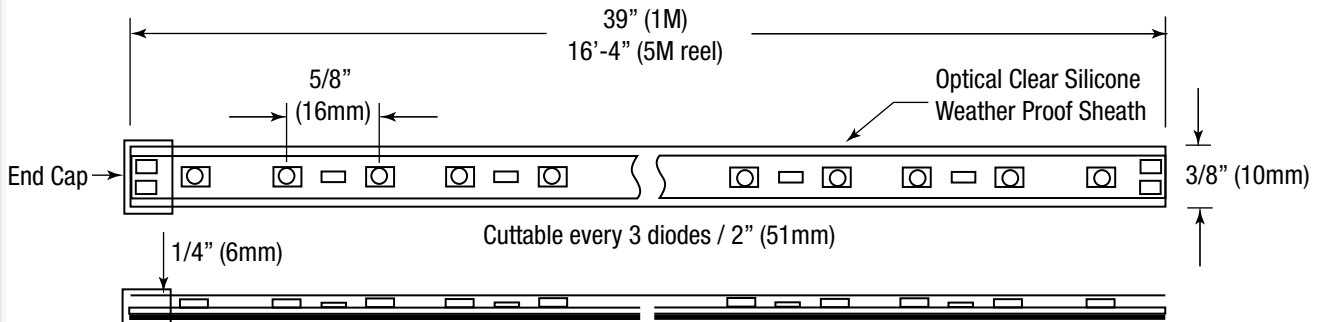
### LTR300 Series DRY LOCATION STANDARD AND HIGH OUTPUT

Page 22 and 24



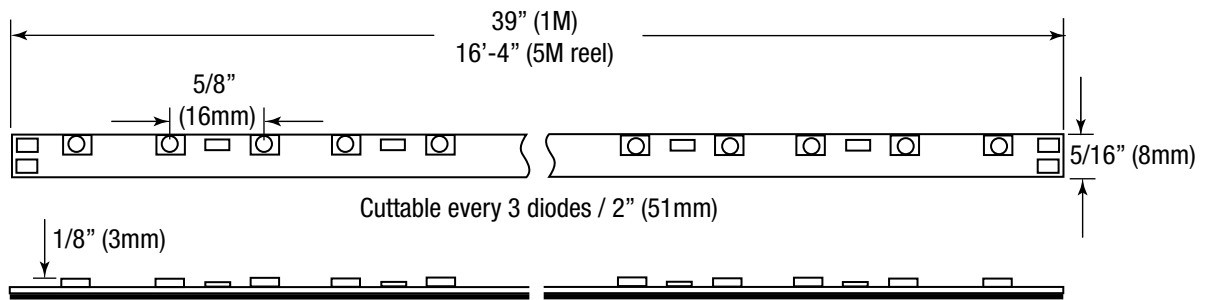
### LTR60WP / LTR300WP Series WET LOCATION STANDARD AND HIGH OUTPUT

Page 28 and 30



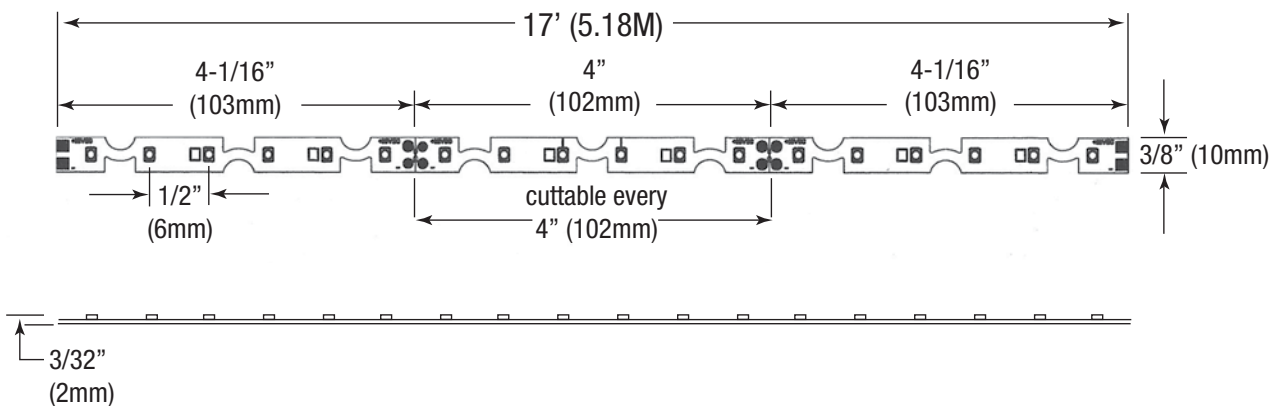
### LTRSV SIDE VIEW Series

Page 32



### TWR300 TWIST-TASK Series

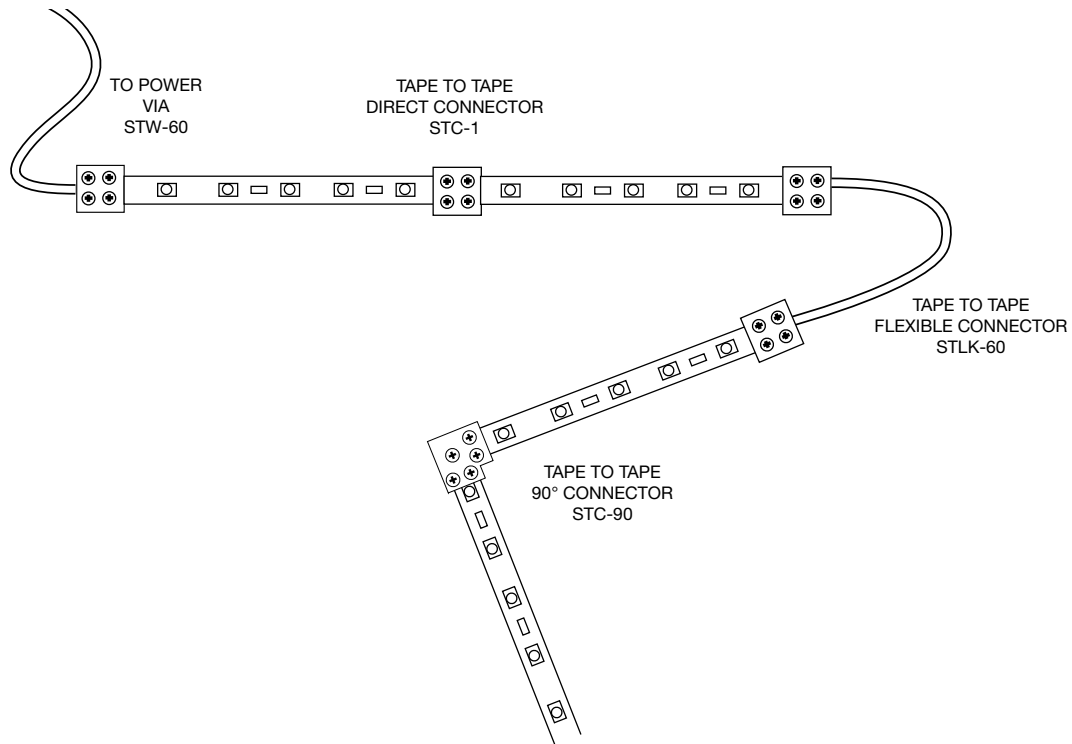
Page 34



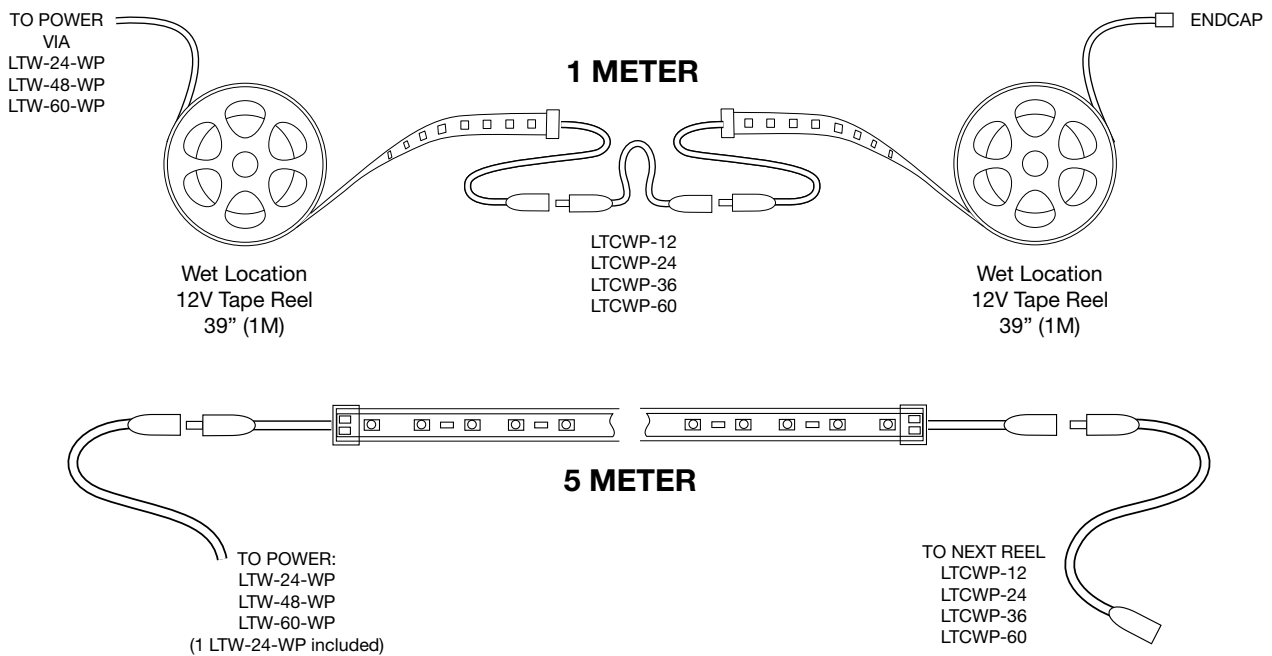


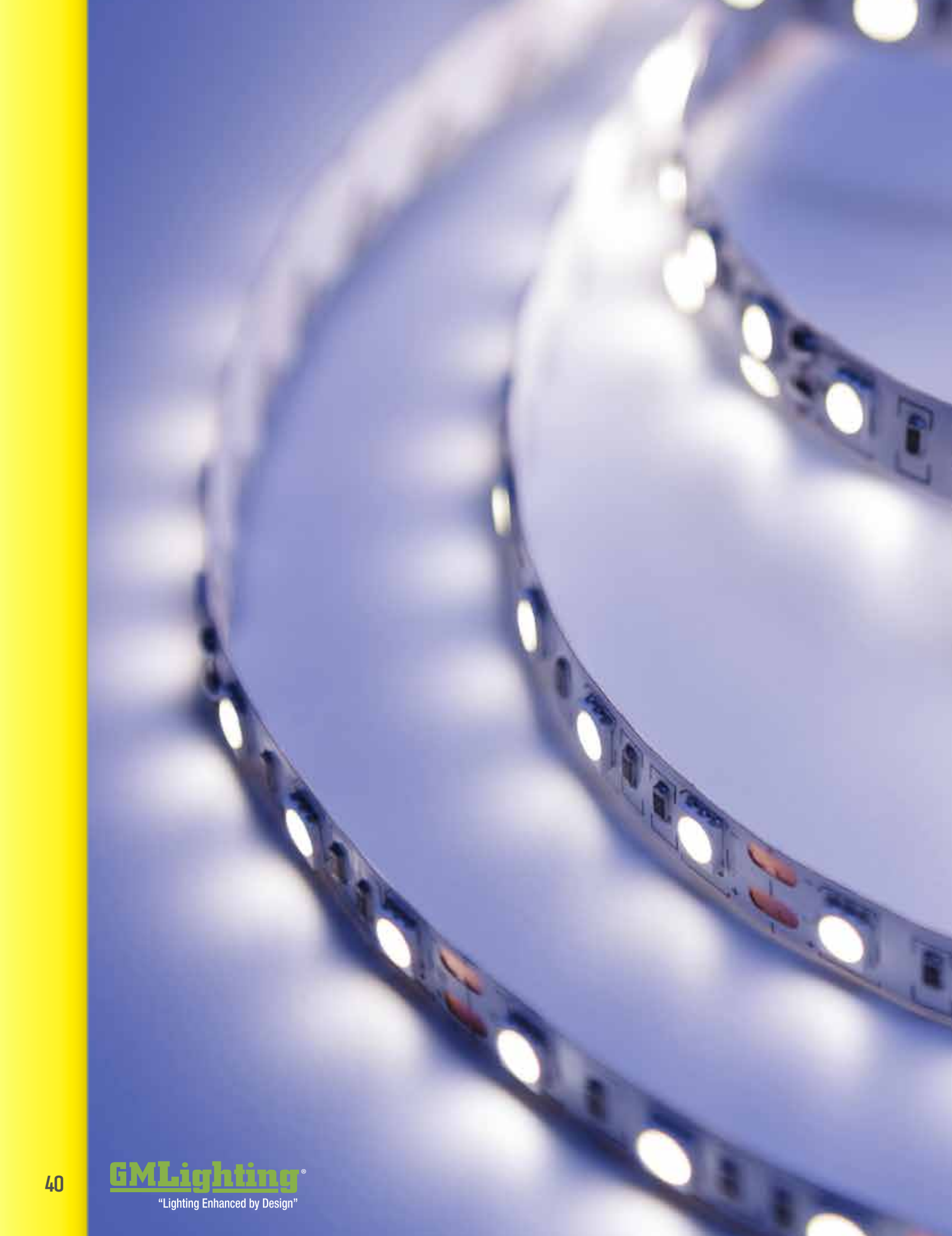
# LEDTASK™ 12VDC FLEXIBLE LED TAPE LAYOUT AND CONNECTOR DIAGRAMS

## TYPICAL SURE-TITE DRY LOCATION LAYOUT MAX. RUN 32'-8" (STANDARD) / 16' (HIGH)



## 1 M WET LOCATION REEL TO REEL CONNECTIONS MAX. RUN 32'-8" (STANDARD) / 16' (HIGH)





# 24VDC LED Tape

GMEXT LONG RUN  
DRY LOCATION - PAGE 42  
WET LOCATION - PAGE 44

DRY LOCATION  
STANDARD OUTPUT - PAGE 48  
HIGH OUTPUT - PAGE 50

SUPER HIGH OUTPUT  
DRY LOCATION - PAGE 52  
WET LOCATION - PAGE 54

DRY LOCATION  
90+ CRI HIGH OUTPUT  
PAGE 56

HIGH DENSITY STANDARD  
AND HIGH OUTPUT - PAGE 58

TUNABLE WHITE  
PAGE 60

94CRI STANDARD, HIGH OUTPUT - PAGE 62  
SUPER HIGH OUTPUT - PAGE 63



# LEDTASK™ GMEXT 24VDC DRY LOCATION EXTENDED RUN LED TAPE

**24  
VOLT**

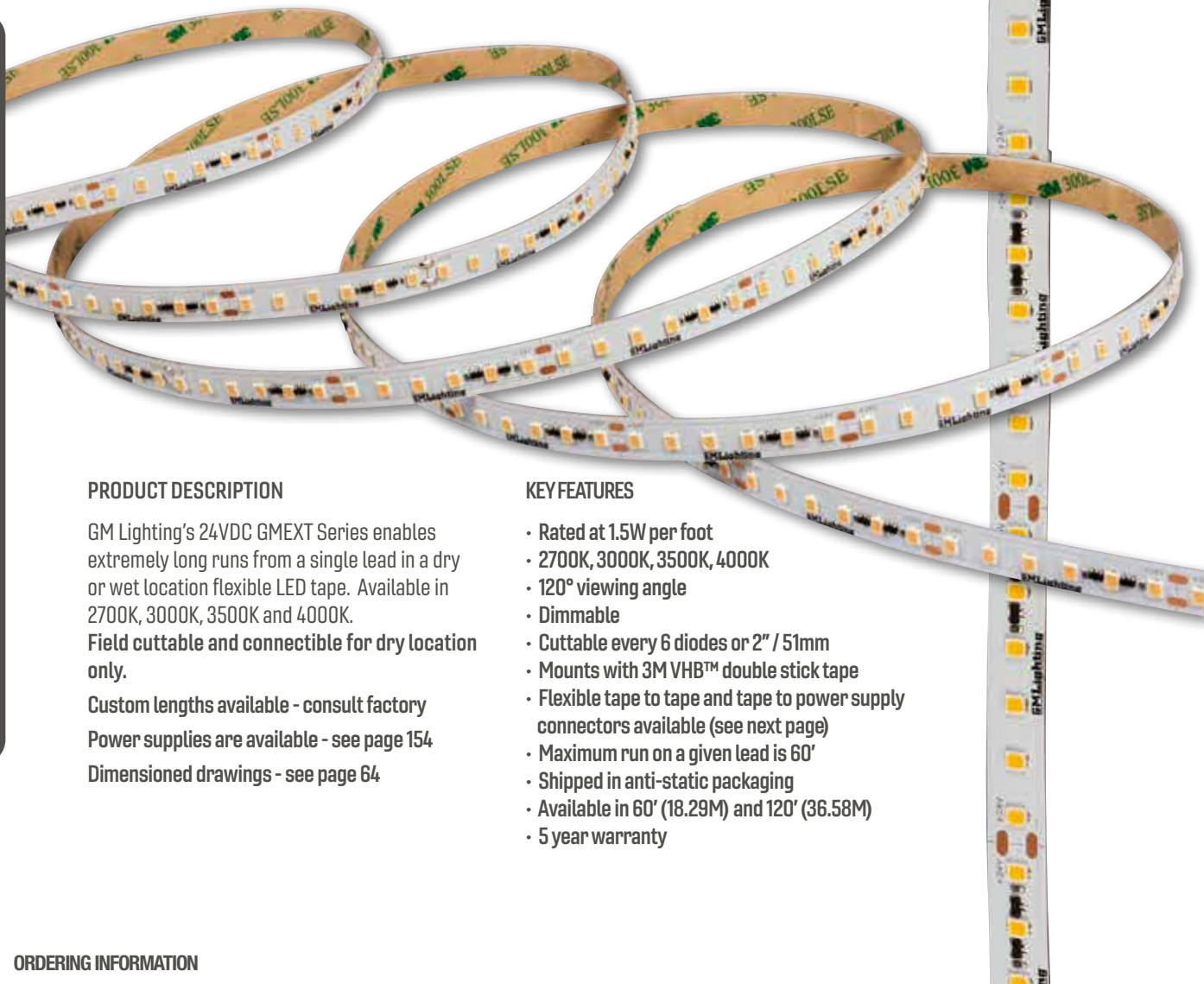


**90+  
CRI**

**CLASS  
2**



**5 Yr.  
WARRANTY**



## PRODUCT DESCRIPTION

GM Lighting's 24VDC GMEXT Series enables extremely long runs from a single lead in a dry or wet location flexible LED tape. Available in 2700K, 3000K, 3500K and 4000K. Field cuttable and connectible for dry location only.

Custom lengths available - consult factory

Power supplies are available - see page 154

Dimensioned drawings - see page 64

## KEY FEATURES

- Rated at 1.5W per foot
- 2700K, 3000K, 3500K, 4000K
- 120° viewing angle
- Dimmable
- Cuttable every 6 diodes or 2" / 51mm
- Mounts with 3M VHB™ double stick tape
- Flexible tape to tape and tape to power supply connectors available (see next page)
- Maximum run on a given lead is 60'
- Shipped in anti-static packaging
- Available in 60' (18.29M) and 120' (36.58M)
- 5 year warranty

## ORDERING INFORMATION

Catalog No.	Length	Wattage	Lumens	CRI	Color Temp.*
GMEXT-24-60-27	60' (18.28M)	1.5W/ft.	113/ft.	90+	2700K
GMEXT-24-60-30	60' (18.28M)	1.5W/ft.	120/ft.	90+	3000K
GMEXT-24-60-35	60' (18.28M)	1.5W/ft.	128/ft.	90+	3500K
GMEXT-24-60-40	60' (18.28M)	1.5W/ft.	134/ft.	90+	4000K
GMEXT-24-120-27	120' (36.58M)	1.5W/ft.	113/ft.	90+	2700K
GMEXT-24-120-30	120' (36.58M)	1.5W/ft.	120/ft.	90+	3000K
GMEXT-24-120-35	120' (36.58M)	1.5W/ft.	128/ft.	90+	3500K
GMEXT-24-120-40	120' (36.58M)	1.5W/ft.	134/ft.	90+	4000K

Each 60' reel comes with (3) ESTW-60 connectors and 24" lead affixed at start of reel.

Each 120' reel comes with (4) ESTW-60 connectors and 24" lead affixed at start of reel.

## PRODUCT NOTES:

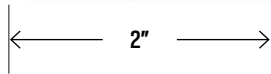
\* Kelvin temperature (color) ±100K.

Installation instructions and spec sheet available for download.

View this product on [www.gmlighting.net](http://www.gmlighting.net)

# ACCESSORIES AND SUPPORTING DATA

## AVAILABLE COLOR TEMPERATURES



### CONNECTORS

#### SURE-TITE CONNECTOR

For all connector options, see page 176-177



### MOUNTING CHANNELS

This LED tape will fit into the following mounting channels:

- LED-CHL
- LED-CHL-45
- LED-CHL-45-1200\*
- LED-CHL-BND
- LED-CHL-D
- LED-CHL-W\*
- LED-CHL-XD\*
- LED-CHL-XD-F\*
- LED-CHL-XD-MD\*
- LED-CHL-XD-MD-F\*

\*Accepts Sure-Tite connectors

LED-CHL

LED-CHL-45-1200

LED-CHL-W

LED-CHL-XD

## CONNECTORS AND ACCESSORIES

Catalog No.	Description
ESTC-1	Sure-Tite tape to tape connector
ESTC-90	90° Sure-Tite connector
ESTLK-60	60" tape to tape Sure-Tite connector
ESTW-60	60" tape to power Sure-Tite connector
GMSB-W(B)	Splice Box in white (W) or black (B) 2"L x 1"W x 5/8"D

Use only Sure-Tite connectors when installing GMEXT-24 Series Tape in mounting channels.

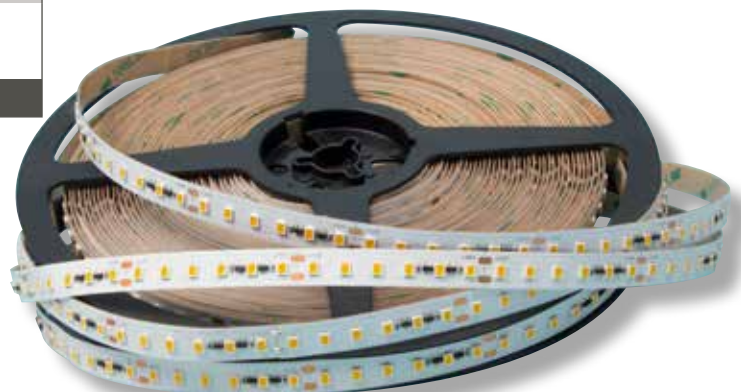
Available in 60 foot and 120 foot reels, GMEXT-24 Series LED Tape enables extremely long runs from a single power source.

### CONNECTOR AND CHANNEL NOTES:

For connector compatibility chart, see page 82.

For additional channel options, solder lead / connection options and channel mill work dimensions, see page 176.

Complete tape and channel compatibility matrix on page 176.



**24VDC**  
POWER SUPPLY REQUIRED

24VDC  
ELECTRONIC DIMMING  
PAGE 159-160

24VDC  
ELECTRONIC NON-DIMMING  
PAGE 162

24VDC  
MAGNETIC DIMMABLE  
PAGE 163

# LEDTASK™ 24VDC WET LOCATION EXTENDED RUN LED TAPE

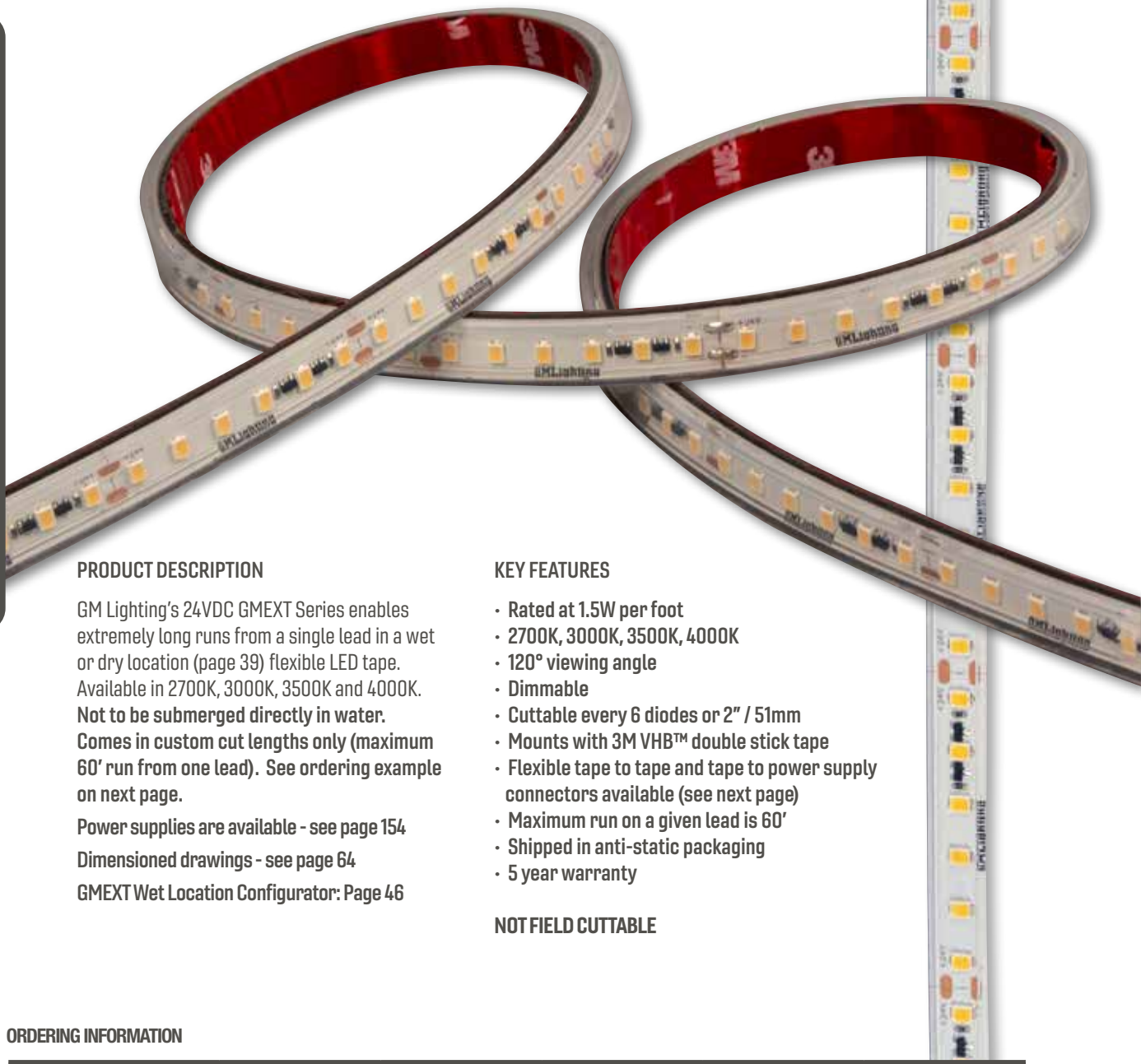
24  
VOLT



90+  
CRI

CLASS  
2

5 Yr.  
WARRANTY



## PRODUCT DESCRIPTION

GM Lighting's 24VDC GMEXT Series enables extremely long runs from a single lead in a wet or dry location (page 39) flexible LED tape. Available in 2700K, 3000K, 3500K and 4000K. **Not to be submerged directly in water.** Comes in custom cut lengths only (maximum 60' run from one lead). See ordering example on next page.

Power supplies are available - see page 154

Dimensioned drawings - see page 64

GMEXT Wet Location Configurator: Page 46

## KEY FEATURES

- Rated at 1.5W per foot
- 2700K, 3000K, 3500K, 4000K
- 120° viewing angle
- Dimmable
- Cuttable every 6 diodes or 2" / 51mm
- Mounts with 3M VHB™ double stick tape
- Flexible tape to tape and tape to power supply connectors available (see next page)
- Maximum run on a given lead is 60'
- Shipped in anti-static packaging
- 5 year warranty

## NOT FIELD CUTTABLE

## ORDERING INFORMATION

Catalog No.	Length	Wattage	Lumens	CRI	Color Temp.*
GMEXT-24-WP-27-XX-XX	Custom	1.5W/ft.	113/ft.	90+	2700K
GMEXT-24-WP-30-XX-XX	Custom	1.5W/ft.	120/ft.	90+	3000K
GMEXT-24-WP-35-XX-XX	Custom	1.5W/ft.	128/ft.	90+	3500K
GMEXT-24-WP-40-XX-XX	Custom	1.5W/ft.	134/ft.	90+	4000K

Each GMEXT-24-WP custom cut comes with (1) 144" lead affixed at start of tape , silicone mounting clips and screws.

## PRODUCT NOTES:

\* Kelvin temperature (color)  $\pm 100K$ .

Installation instructions and spec sheet available for download.

View this product on [www.gmlighting.net](http://www.gmlighting.net)



# COLOR TEMP AND ORDERING INFO

## AVAILABLE COLOR TEMPERATURES



**24VDC**  
POWER  
SUPPLY  
REQUIRED

24VDC  
ELECTRONIC  
DIMMING  
PAGE 159-160

24VDC  
ELECTRONIC  
NON-DIMMING  
PAGE 162

24VDC  
MAGNETIC  
DIMMABLE  
PAGE 163

### CONNECTORS



Only GMEXT wet location connectors are utilized in the construction of your custom GMEXT-24-WP run.

### MOUNTING CHANNELS

The following channels are compatible with this tape. Do not use Sure-Tite connectors. Use wet location connectors only or soldered leads. For a complete list of channels, soldered lead info and channel compatibility, see page 176.

- LED-CH-W
- LED-CHL-45-1200\*
- LED-CHL-XD\*
- LED-CHL-XD-F\*

\* Accepts wet location connectors

LED-CHL-W

LED-CHL-XD  
(shown with optional end cap)

LED-CHL-45-1200

To create a catalog number for a custom length of GMEXT-24-WP Tape, add, color temp., and substitute 'XX-XX' with 'FEET-INCHES'

NOTE: BE ADVISED THAT TAPE CAN BE CUT IN 2" INCREMENTS.

COLOR  
TEMP

27

FEET

INCHES

35

40

## GMEXT-24-WP-30-XX-XX

### ORDERING EXAMPLES

To order a 58' length of 2700K tape specify: **GMEXT-24-WP-27-58**

To order an 42'-8" length of 3000K tape specify: **GMEXT-24-WP-42-08**

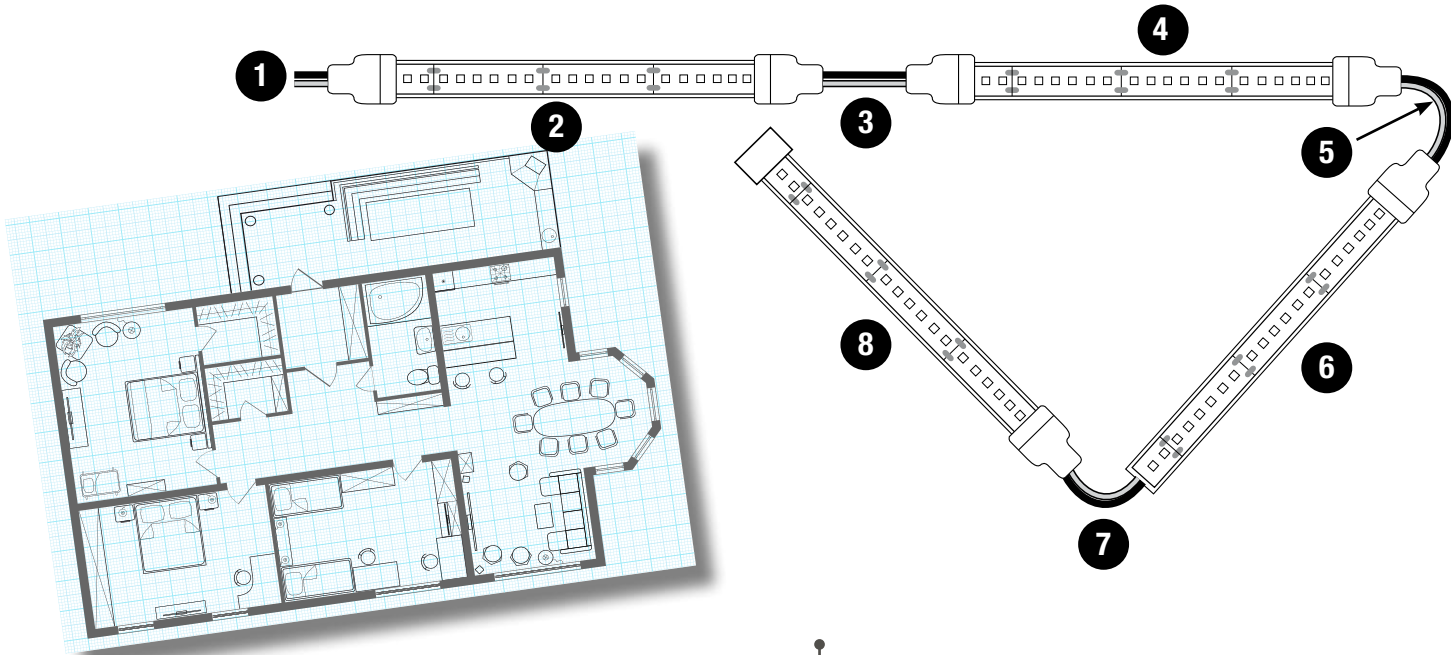
### CONNECTORS

Catalog No.	Description
GMEXT-24-WP-TTC-3	3" GMEXT-WP tape to tape connector
GMEXT-24-WP-TTC-6	6" GMEXT-WP tape to tape connector
GMEXT-24-WP-TTC-12	12" GMEXT-WP tape to tape connector
GMEXT-24-WP-TTC-24	24" GMEXT-WP tape to tape connector
GMEXT-24-WP-PSC-12	12' GMEXT-WP tape to power connector
GMSB-W(B)	Splice Box in white (W) or black (B) 2"L x 1"W x 5/8"D

**GM Lighting**<sup>®</sup>

"Lighting Enhanced by Design"

# GM-EXT LED Tape Wet Location : SPECIFYING LONG RUNS WITH MULTIPLE STRIPS AND CONNECTORS



## DIRECTIONS FOR SPECIFYING YOUR GMEXT RUN

1. Plan your run so it does not exceed 60 feet. Max. run from one power supply is 60'.
2. All runs start with Power Feed GMEXT-24-WP-PSC-12
3. Select color temperature from table below
4. Enter strip and connector lengths.
5. All runs are terminated with an end cap.

## NOTE:

Cuts will be made to the nearest inch. Bear this in mind when specifying tight layouts.

## GMEXT WET LOCATION LED LINEAR RUN

1 Power Feed	2 LED Strip 1	3 Connector 1	4 LED Strip 2	5 Connector 2	6 LED Strip 3	7 Connector 3	8 LED Strip 4
GMEXT-24-WP-PSC-12	GMEXT-24-WP 2700K 3000K 3000K 4000K _____	GMCEXT-24-WP-TTC-____ _____	GMEXT-24-WP 2700K 3000K 3000K 4000K _____	GMCEXT-24-WP-TTC-____ _____	GMEXT-24-WP 2700K 3000K 3500K 4000K _____	GMCEXT-24-WP-TTC-____ _____	GMEXT-24-WP- 2700K 3000K 3000K 4000K _____
<b>SPECIFY:</b>  12' Tape to Power Connector	<b>SPECIFY:</b>  Length in 2" increments  Check appropriate color temp. box*	<b>SPECIFY:</b>  3 3" Connector 6 6" Connector 12 12" Connector 24 24" Connector	<b>SPECIFY:</b>  Length in 2" increments  Check appropriate color temp. box*	<b>SPECIFY:</b>  3 3" Connector 6 6" Connector 12 12" Connector 24 24" Connector	<b>SPECIFY:</b>  Length in 2" increments  Check appropriate color temp. box*	<b>SPECIFY:</b>  3 3" Connector 6 6" Connector 12 12" Connector 24 24" Connector	<b>SPECIFY:</b>  Length in 2" increments  Check appropriate color temp. box*
<b>Example (For a 3000K run of four lengths of GMEXT tape connected by 3 connectors):</b>							
GMEXT-24-WP-PSC-12	GMEXT-24-WP- 30-8'-4"	GMEXT-24-WP-TTC- 6	GMEXT-24-WP- 30-12'	GMEXT-24-WP-TTC- 3	GMEXT-24-WP- 30-4'-10"	GMEXT-24-WP-TTC- 12	GMEXT-24-WP-6'-8"

## COLOR TEMPS

2700K (SPECIFY -27), 3000K (SPECIFY -30), 3500K (SPECIFY -35), 4000K (SPECIFY -40)

# GMEXT-24 LONG RUN DRY AND WET LOCATION TYPICAL APPLICATIONS

## A GUIDE TO CREATING LONG RUNS

The ability to plan and install long runs of 24VDC LED tape is exactly why we introduced the GMEXT series. Both commercial and residential architecture require structures like walls, fences, coves and architectural details to be illuminated. When all you need is one power source for every 60', your 24VDC lighting design is made that much easier to visualize, and install.

### POOL BULLNOSE\*

Above the water line, use GMEXT-24-WP to create a line of light that follows the undulations of your pool perimeter.

### PATIO OVERHANGS

As a discreet light source whose primary function is to light coves and overhangs, ceilings benefit, reducing 'cave effect'.

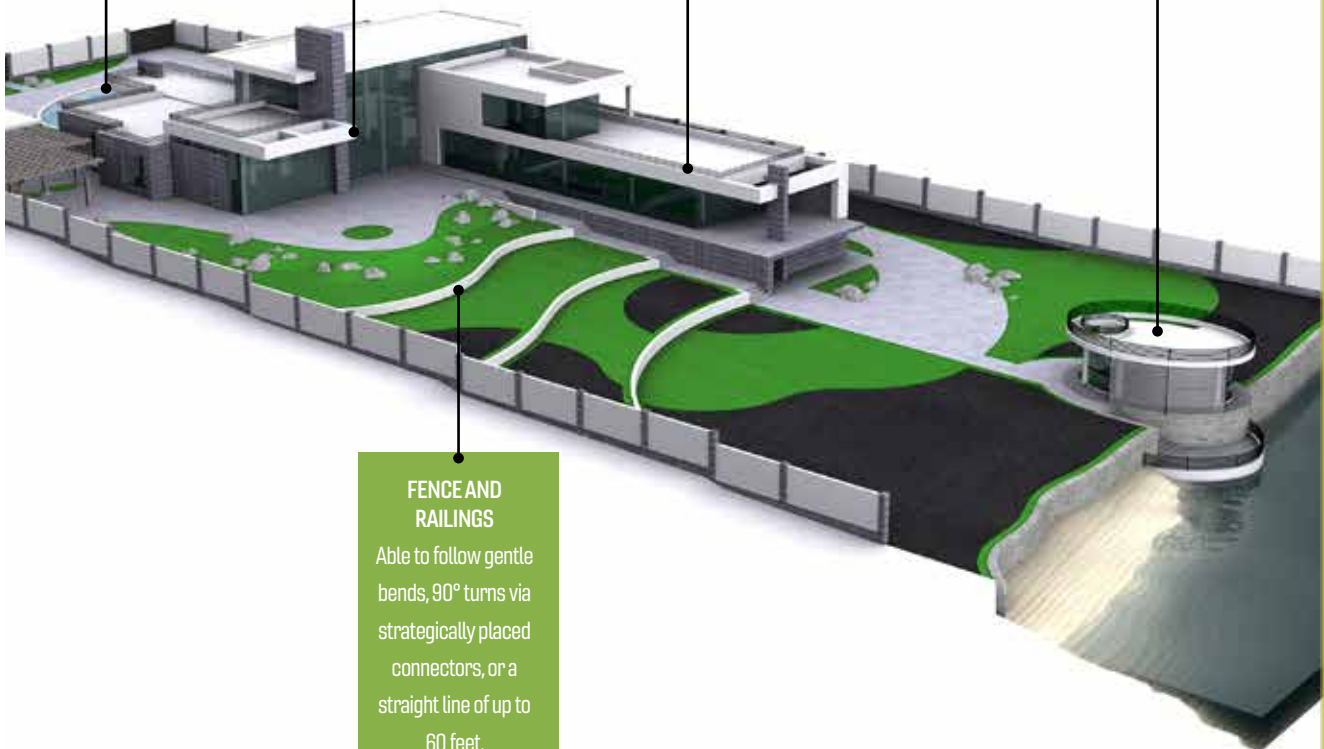
### ARCHITECTURE

Sweeping panoramas afforded by huge windows need an uninterrupted linear light source. This is what GMEXT-24 Series provides.

### FOLLOW CURVES

Flexible LED tape not only illuminates straight lines. Flexible means exactly that - GMEXT follows curves and turns corners.

\* DO NOT SUBMERGE IN WATER



### FENCE AND RAILINGS

Able to follow gentle bends, 90° turns via strategically placed connectors, or a straight line of up to 60 feet.



# LEDTask™ 24VDC FLEXIBLE LED TAPE - STANDARD OUTPUT

**24 VOLT**

**DRY LOCATION**

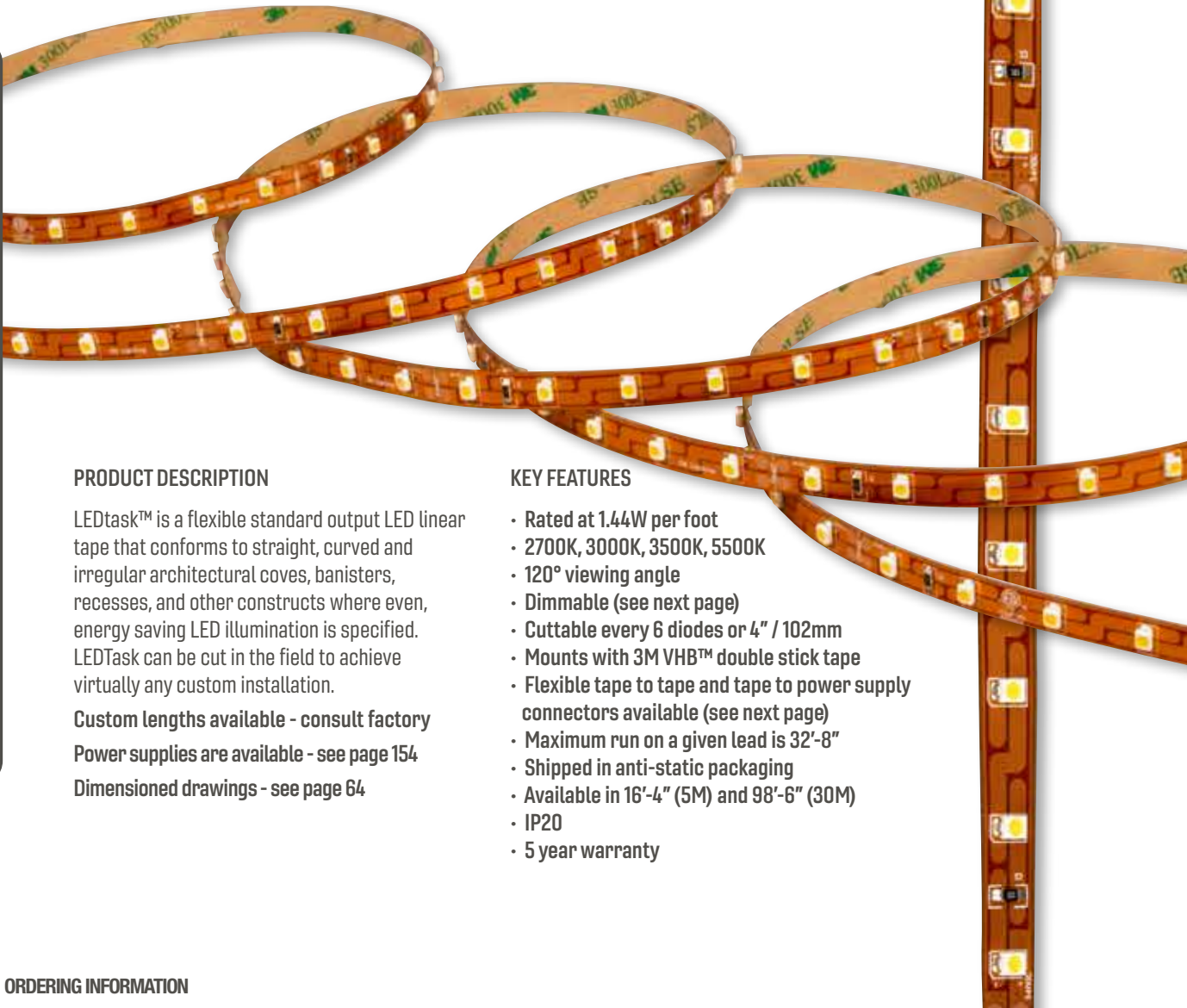
**80+ CRI**

**CLASS 2**

**FIELD CUTTABLE**

**5 Yr. WARRANTY**

**ETL Intertek**



## PRODUCT DESCRIPTION

LEDtask™ is a flexible standard output LED linear tape that conforms to straight, curved and irregular architectural coves, banisters, recesses, and other constructs where even, energy saving LED illumination is specified. LEDTask can be cut in the field to achieve virtually any custom installation.

Custom lengths available - consult factory

Power supplies are available - see page 154

Dimensioned drawings - see page 64

## KEY FEATURES

- Rated at 1.44W per foot
- 2700K, 3000K, 3500K, 5500K
- 120° viewing angle
- Dimmable (see next page)
- Cuttable every 6 diodes or 4" / 102mm
- Mounts with 3M VHB™ double stick tape
- Flexible tape to tape and tape to power supply connectors available (see next page)
- Maximum run on a given lead is 32'-8"
- Shipped in anti-static packaging
- Available in 16'-4" (5M) and 98'-6" (30M)
- IP20
- 5 year warranty

## ORDERING INFORMATION

Catalog No.	Length	Wattage	Lumens	CRI	Color Temp.*
GM300-24-S0-27	16'-4" / 5M	1.44W/ft.	80/ft.	82	2700K
GM300-24-S0-30	16'-4" / 5M	1.44W/ft.	82/ft.	82	3000K
GM300-24-S0-WW	16'-4" / 5M	1.44W/ft.	83/ft.	82	3500K
GM300-24-S0-PW	16'-4" / 5M	1.44W/ft.	85/ft.	87	5500K
Each 16'-4" reel includes: (3) STW-60 connectors and 24" of lead affixed at start of reel.					
GM100-24-S0-27	98'-6" / 30M	1.44W/ft.	80/ft.	82	2700K
GM100-24-S0-30	98'-6" / 30M	1.44W/ft.	82/ft.	82	3000K
GM100-24-S0-WW	98'-6" / 30M	1.44W/ft.	83/ft.	82	3500K
GM100-24-S0-PW	98'-6" / 30M	1.44W/ft.	85/ft.	87	5500K
Each 98'-6" reel includes: (15) STW-60 connectors and 24" of lead affixed at start of reel.					

### PRODUCT NOTES:

\* Kelvin temperature (color) ±100K.

Installation instructions and spec sheet available for download.

View this product on [www.gmlighting.net](http://www.gmlighting.net)

# ACCESSORIES AND SUPPORTING DATA

## AVAILABLE COLOR TEMPERATURES



**24VDC**  
POWER  
SUPPLY  
REQUIRED

24VDC  
ELECTRONIC  
DIMMING  
PAGE 159-160

24VDC  
ELECTRONIC  
NON-DIMMING  
PAGE 162

24VDC  
MAGNETIC  
DIMMABLE  
PAGE 163

### CONNECTORS

#### SURE-TITE CONNECTOR

For all  
connector  
options,  
see page  
176-177



### MOUNTING CHANNELS

This LED tape will fit into the following  
mounting channels:

LED-CHL  
LED-CHL-45  
LED-CHL-45-1200\*  
LED-CHL-BND  
LED-CHL-D  
LED-CHL-W\*  
LED-CHL-XD\*  
LED-CHL-XD-F\*  
LED-CHL-XD-MD\*  
LED-CHL-XD-MD-F\*

\*Accepts Sure-Tite connectors

LED-CHL

LED-CHL-45-1200

LED-CHL-W

LED-CHL-XD

## CONNECTORS AND ACCESSORIES

Catalog No.	Description
STC-1	Sure-Tite tape to tape connector
STC-90	90° Sure-Tite connector
STLK-60	60" Sure-Tite flexible tape to tape connector
STW-60	60" Sure-Tite flexible tape to power supply connector
STW-CO	Sure-Tite tape to power supply connector only (no wire)
GMSB-W(B)	Splice Box in white (W) or black (B) 2" L x 1" W x 5/8" D

### CONNECTOR AND CHANNEL NOTES:

See connector compatibility chart, page 82.

For additional channel options, solder lead / connection options and channel mill work dimensions, see page 176.

Complete tape and channel compatibility matrix on page 176.

# LEDTASK™ 24VDC FLEXIBLE LED TAPE - HIGH OUTPUT

**24  
VOLT**

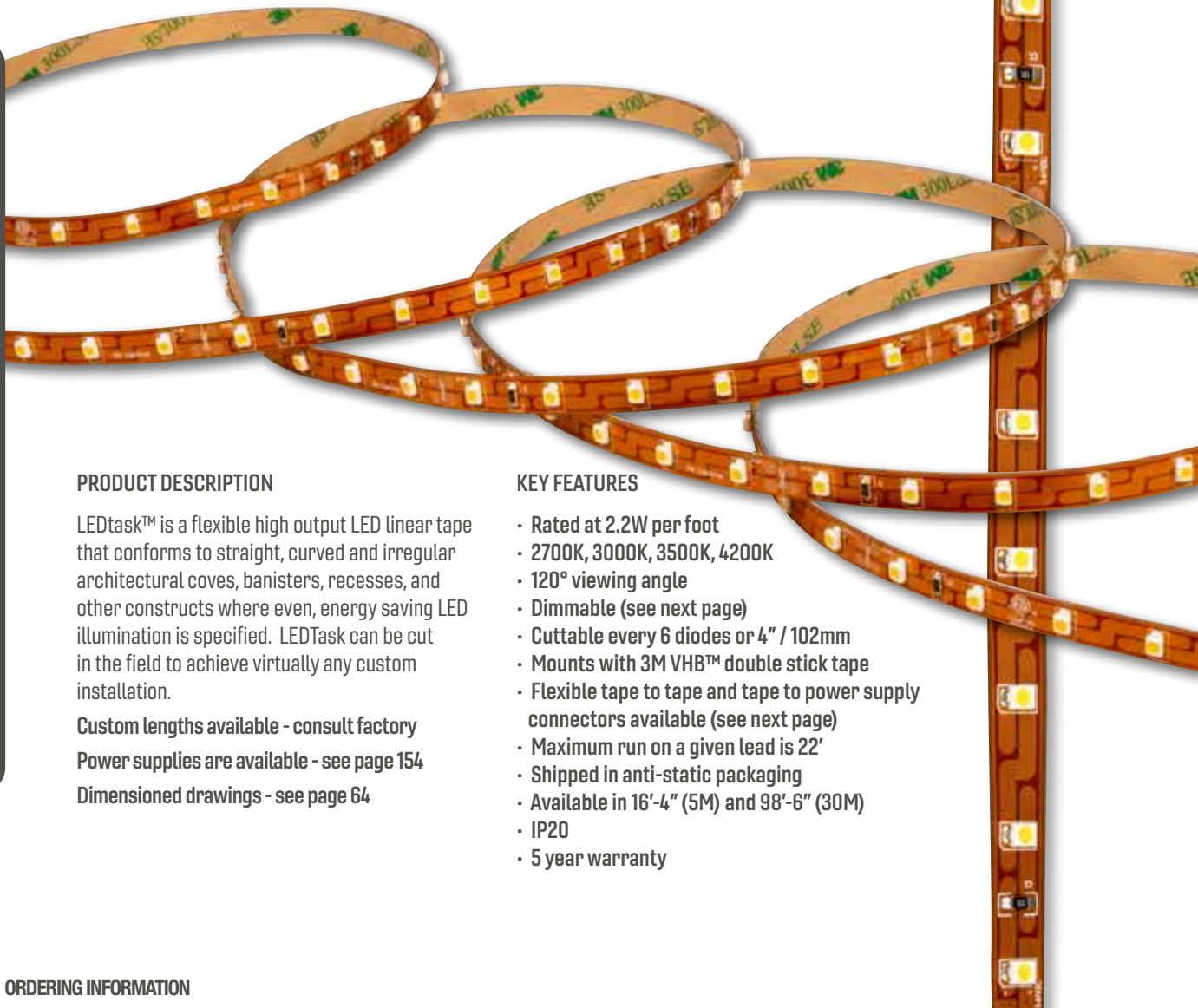


**80+  
CRI**

**CLASS  
2**



**5 Yr.  
WARRANTY**



## PRODUCT DESCRIPTION

LEDtask™ is a flexible high output LED linear tape that conforms to straight, curved and irregular architectural coves, banisters, recesses, and other constructs where even, energy saving LED illumination is specified. LEDTask can be cut in the field to achieve virtually any custom installation.

Custom lengths available - consult factory

Power supplies are available - see page 154

Dimensioned drawings - see page 64

## KEY FEATURES

- Rated at 2.2W per foot
- 2700K, 3000K, 3500K, 4200K
- 120° viewing angle
- Dimmable (see next page)
- Cuttable every 6 diodes or 4" / 102mm
- Mounts with 3M VHB™ double stick tape
- Flexible tape to tape and tape to power supply connectors available (see next page)
- Maximum run on a given lead is 22'
- Shipped in anti-static packaging
- Available in 16'-4" (5M) and 98'-6" (30M)
- IP20
- 5 year warranty

## ORDERING INFORMATION

Catalog No.	Length	Wattage	Lumens	CRI	Color Temp.*
LTR30024-27	16'-4" / 5M	2.2W/ft.	152/ft.	82	2700K
LTR30024-30	16'-4" / 5M	2.2W/ft.	195/ft.	83	3000K
LTR30024-WW	16'-4" / 5M	2.2W/ft.	198/ft.	87	3500K
LTR30024-42	16'-4" / 5M	2.2W/ft.	222/ft.	83	4200K
Each 16'-4" reel includes: (3) STW-60 connectors and 24" of lead affixed at start of reel.					
LTR30024-100-27	98'-6" / 30M	2.2W/ft.	152/ft.	82	2700K
LTR30024-100-30	98'-6" / 30M	2.2W/ft.	195/ft.	83	3000K
LTR30024-100-WW	98'-6" / 30M	2.2W/ft.	198/ft.	87	3500K
LTR30024-100-42	98'-6" / 30M	2.2W/ft.	222/ft.	83	4200K
Each 98'-6" reel includes: (15) STW-60 connectors and 24" of lead affixed at start of reel.					

## PRODUCT NOTES:

\* Kelvin temperature (color) ±100K.

Installation instructions and spec sheet available for download.

View this product on [www.gmlighting.net](http://www.gmlighting.net)



# ACCESSORIES AND SUPPORTING DATA

## AVAILABLE COLOR TEMPERATURES



2700K      3000K      3500K      5500K

4"

**24VDC**  
POWER  
SUPPLY  
REQUIRED

24VDC  
ELECTRONIC  
DIMMING  
PAGE 159-160

24VDC  
ELECTRONIC  
NON-DIMMING  
PAGE 162

24VDC  
MAGNETIC  
DIMMABLE  
PAGE 163

### CONNECTORS

#### SURE-TITE CONNECTOR

For all  
connector  
options,  
see page  
176-177



### MOUNTING CHANNELS

This LED tape will fit into the following  
mounting channels:

LED-CHL  
LED-CHL-45  
LED-CHL-45-1200\*  
LED-CHL-BND  
LED-CHL-D  
LED-CHL-W\*  
LED-CHL-XD\*  
LED-CHL-XD-F\*  
LED-CHL-XD-MD\*  
LED-CHL-XD-MD-F\*

\*Accepts Sure-Tite connectors

LED-CHL

LED-CHL-45-1200

LED-CHL-W

LED-CHL-XD

## CONNECTORS AND ACCESSORIES

Catalog No.	Description
STC-1	Sure-Tite tape to tape connector
STC-90	90° Sure-Tite connector
STLK-60	60" Sure-Tite flexible tape to tape connector
STW-60	60" Sure-Tite flexible tape to power supply connector
STW-C0	Sure-Tite tape to power supply connector only (no wire)
GMSB-W(B)	Splice Box in white (W) or black (B) 2"L x 1"W x 5/8"D

### CONNECTOR AND CHANNEL NOTES:

See connector compatibility chart, page 82.

For additional channel options, solder lead / connection  
options and channel mill work dimensions, see page 176.

Complete tape and channel compatibility matrix on page 176.

# LEDTASK™ 24VDC FLEXIBLE SUPER HIGH OUTPUT LED TAPE

**24 VOLT**

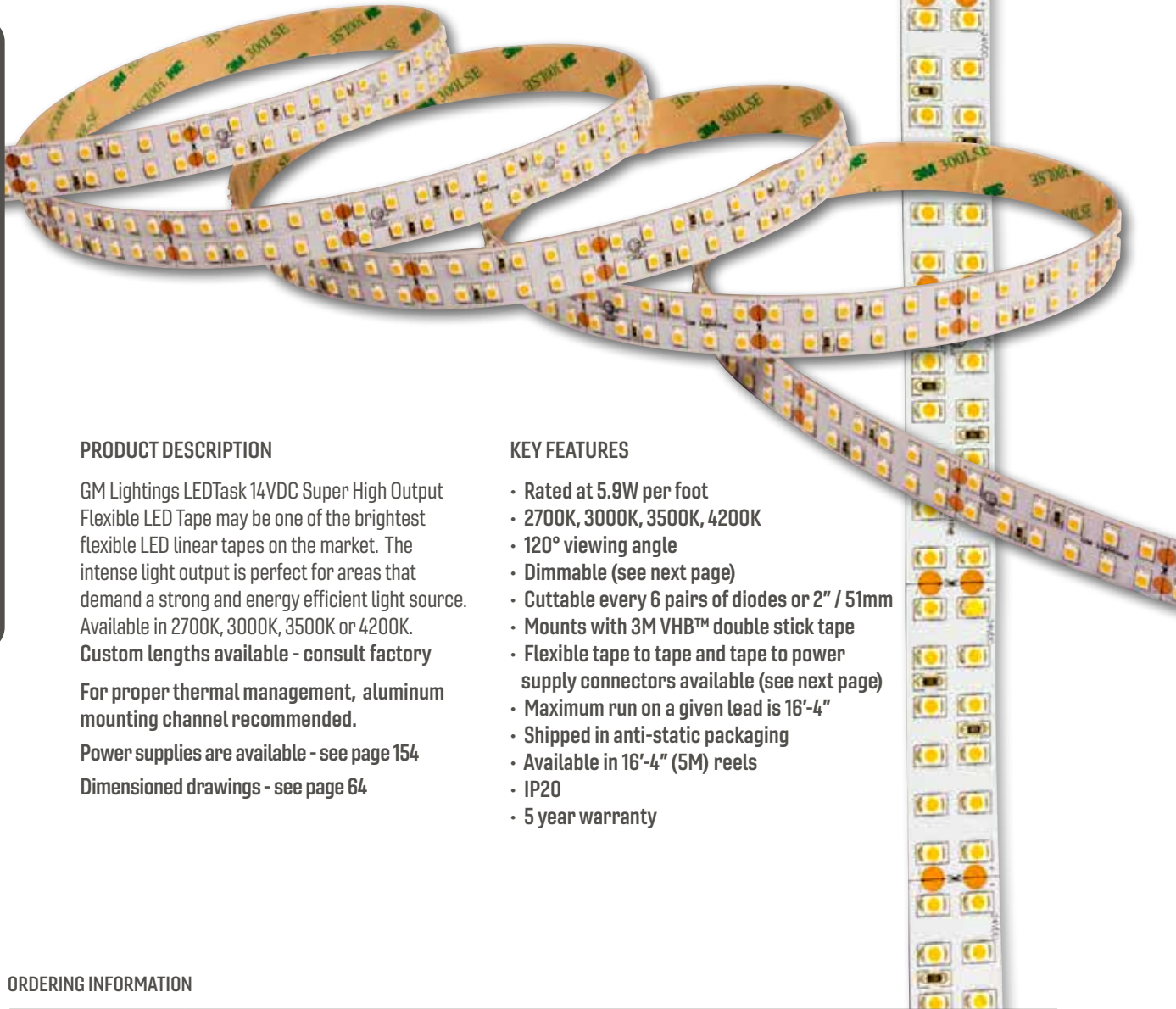
**DRY LOCATION**

**80+ CRI**

**FIELD CUTTABLE**

**5 Yr. WARRANTY**

**ETL Intertek**



## PRODUCT DESCRIPTION

GM Lightings LEDTask 14VDC Super High Output Flexible LED Tape may be one of the brightest flexible LED linear tapes on the market. The intense light output is perfect for areas that demand a strong and energy efficient light source. Available in 2700K, 3000K, 3500K or 4200K. Custom lengths available - consult factory

For proper thermal management, aluminum mounting channel recommended.

Power supplies are available - see page 154

Dimensioned drawings - see page 64

## KEY FEATURES

- Rated at 5.9W per foot
- 2700K, 3000K, 3500K, 4200K
- 120° viewing angle
- Dimmable (see next page)
- Cuttable every 6 pairs of diodes or 2" / 51mm
- Mounts with 3M VHB™ double stick tape
- Flexible tape to tape and tape to power supply connectors available (see next page)
- Maximum run on a given lead is 16'-4"
- Shipped in anti-static packaging
- Available in 16'-4" (5M) reels
- IP20
- 5 year warranty

## ORDERING INFORMATION

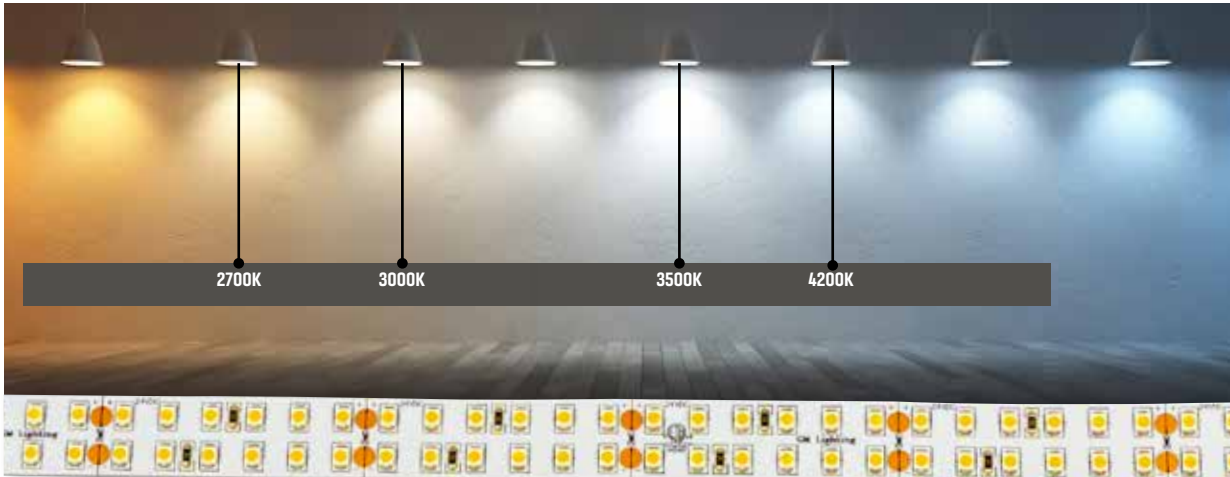
Catalog No.	Length	Wattage	Lumens	CRI	Color Temp.*
LTR120024-H0-27	16'-4" / 5M	5.9W/ft.	345/ft.	82	2700K
LTR120024-H0-30	16'-4" / 5M	5.9W/ft.	385/ft.	83	3000K
LTR120024-H0-35	16'-4" / 5M	5.9W/ft.	416/ft.	87	3500K
LTR120024-H0-42	16'-4" / 5M	5.9W/ft.	468/ft.	83	4200K

Each 16'-4" reel includes: (3) DSTW-60 connectors and 24" of lead affixed at start of reel.

PRODUCT NOTES:  
 \* Kelvin temperature (color) ±100K.  
 Installation instructions and spec sheet available for download.  
 View this product on [www.gmlighting.net](http://www.gmlighting.net)

# ACCESSORIES AND SUPPORTING DATA

## AVAILABLE COLOR TEMPERATURES



**24VDC**  
POWER  
SUPPLY  
REQUIRED

24VDC  
ELECTRONIC  
DIMMING  
PAGE 159-160

24VDC  
ELECTRONIC  
NON-DIMMING  
PAGE 162

24VDC  
MAGNETIC  
DIMMABLE  
PAGE 163

### CONNECTORS



SURE-TITE  
CONNECTOR

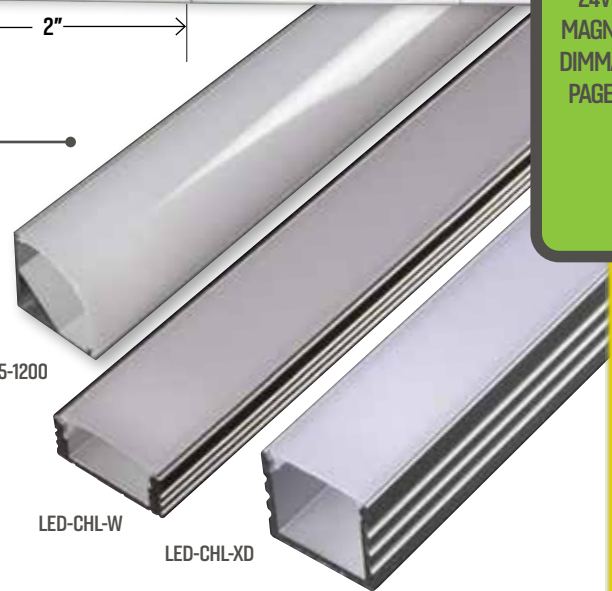
### MOUNTING CHANNELS

This LED tape will fit into the following mounting channels:

- LED-CHL-45-1200\*
- LED-CHL-W\*
- LED-CHL-XD\*
- LED-CHL-XD-F\*

• Accepts Sure-Tite connectors

LED-CHL-45-1200

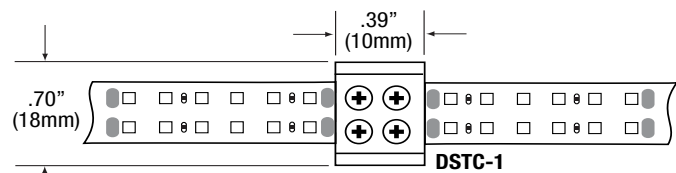


LED-CHL-W

LED-CHL-XD

### CONNECTORS

Catalog No.	Description
DSTC-1	Sure-Tite tape to tape connector
DLTK-60	Sure-Tite 60" tape to tape connector
DSTW-60	Sure-Tite 60" tape to power connector



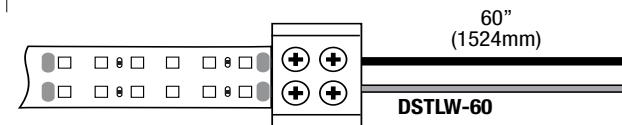
DSTC-1

### CONNECTOR AND CHANNEL NOTES:

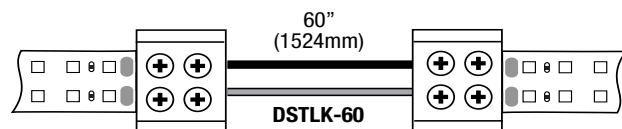
See connector compatibility chart, page 82.

For additional channel options, solder lead / connection options and channel mill work dimensions, see page 176.

Complete tape and channel compatibility matrix on page 176.



DSTLW-60



DLTK-60



# LEDTASK™ 24VDC FLEXIBLE SUPER HIGH OUTPUT WET LOCATION LED TAPE

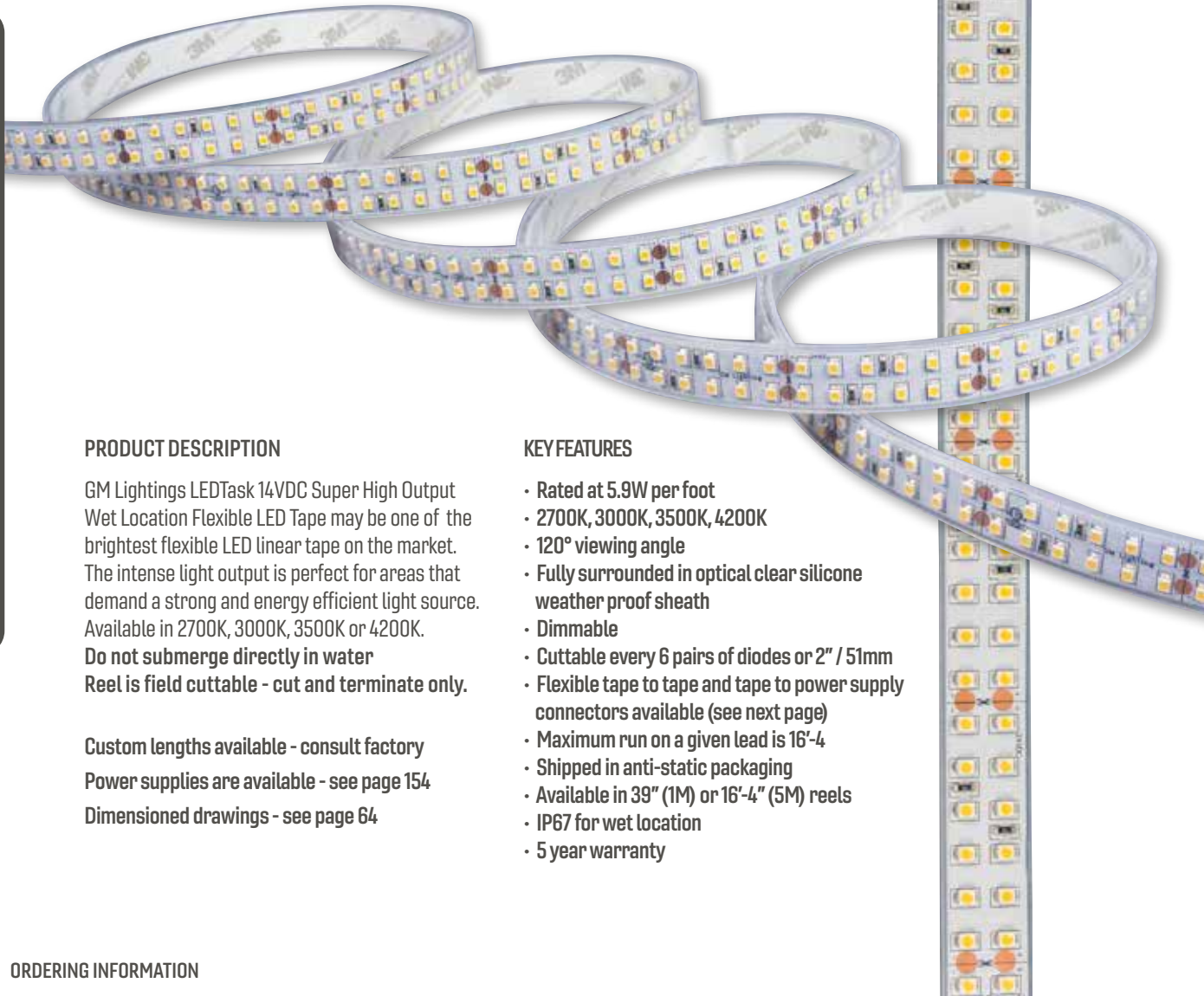
**24 VOLT**



**80+ CRI**



**5 Yr. WARRANTY**



## PRODUCT DESCRIPTION

GM Lightings LEDTask 14VDC Super High Output Wet Location Flexible LED Tape may be one of the brightest flexible LED linear tape on the market. The intense light output is perfect for areas that demand a strong and energy efficient light source. Available in 2700K, 3000K, 3500K or 4200K. **Do not submerge directly in water**  
Reel is field cuttable - cut and terminate only.

Custom lengths available - consult factory  
Power supplies are available - see page 154  
Dimensioned drawings - see page 64

## KEY FEATURES

- Rated at 5.9W per foot
- 2700K, 3000K, 3500K, 4200K
- 120° viewing angle
- Fully surrounded in optical clear silicone weather proof sheath
- Dimmable
- Cuttable every 6 pairs of diodes or 2" / 51mm
- Flexible tape to tape and tape to power supply connectors available (see next page)
- Maximum run on a given lead is 16'-4"
- Shipped in anti-static packaging
- Available in 39" (1M) or 16'-4" (5M) reels
- IP67 for wet location
- 5 year warranty

## ORDERING INFORMATION

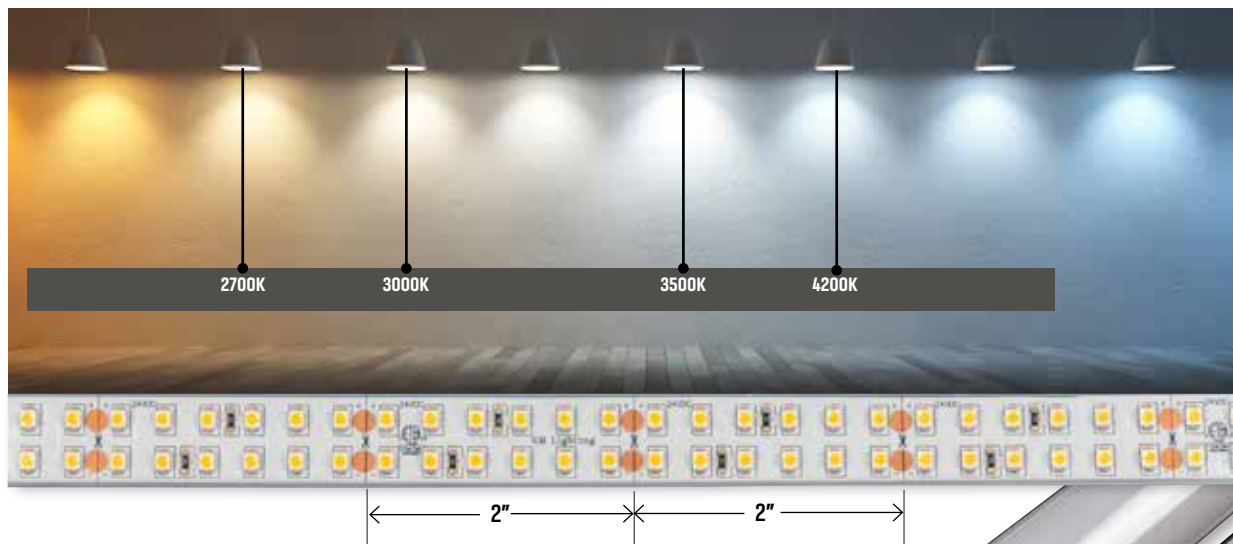
Catalog No.	Length	Wattage	Lumens	CRI	Color Temp.*
LTR24024WP-HO-27	39" / 1M	5.9W/ft.	345/ft.	82	2700K
LTR24024WP-HO-30	39" / 1M	5.9W/ft.	385/ft.	83	3000K
LTR24024WP-HO-35	39" / 1M	5.9W/ft.	416/ft.	87	3500K
LTR24024WP-HO-42	39" / 1M	5.9W/ft.	468/ft.	83	4200K
Each 39" reel includes: (20) silicone mounting clips, (40) screws, (2) silicone end caps and (1) tube of silicone sealant, and (1) 24" female to power supply connector affixed at start of reel.					
LTR120024WP-HO-27	16'-4" / 5M	5.9W/ft.	345/ft.	82	2700K
LTR120024WP-HO-30	16'-4" / 5M	5.9W/ft.	385/ft.	83	3000K
LTR120024WP-HO-35	16'-4" / 5M	5.9W/ft.	416/ft.	87	3500K
LTR120024WP-HO-42	16'-4" / 5M	5.9W/ft.	468/ft.	83	4200K
Each 16'-4" reel includes: (20) silicone mounting clips, (40) screws, (2) silicone end caps and (1) tube of silicone sealant, and (1) 24" female to power supply connector affixed at start of reel.					

## PRODUCT NOTES:

\* Kelvin temperature (color) ±100K.  
Installation instructions and spec sheet available for download.  
View this product on [www.gmlighting.net](http://www.gmlighting.net)

# ACCESSORIES AND SUPPORTING DATA

## AVAILABLE COLOR TEMPERATURES



**24VDC**  
POWER  
SUPPLY  
REQUIRED

24VDC  
ELECTRONIC  
DIMMING  
PAGE 159-160

24VDC  
ELECTRONIC  
NON-DIMMING  
PAGE 162

24VDC  
MAGNETIC  
DIMMABLE  
PAGE 163

### CONNECTORS



LTCWP  
LTW  
Connector



Each reel comes complete with enough mounting brackets, screws, sealant and a LTW-24-WP connector (not pictured) to complete any installation.

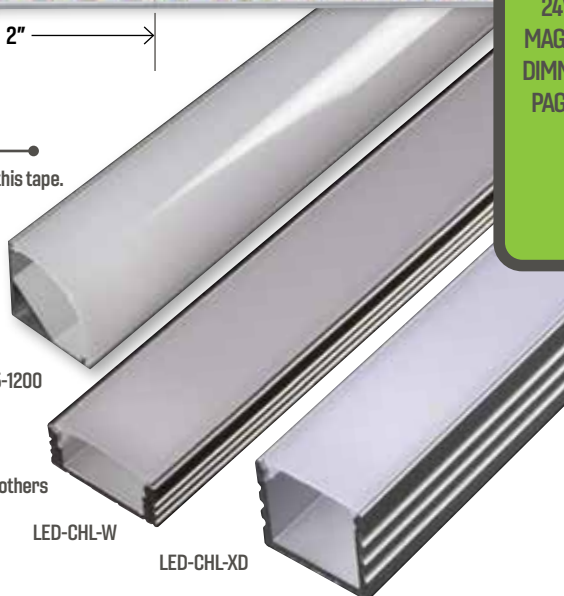
### MOUNTING CHANNELS

The following channels are compatible with this tape. Do not use Sure-Tite connectors. Use wet location connectors only for soldered leads. For a complete list of channels, soldered lead info and channel compatibility, see page 118.

LED-CH-W  
LED-CHL-45-1200  
LED-CHL-XD  
LED-CHL-XD-F

LED-CHL-45-1200

Note: Tape to channel mounting adhesive by others



LED-CHL-W

LED-CHL-XD

### CONNECTORS AND ACCESSORIES

Catalog No.	Description
LTCWP-12*	12" Flexible tape to tape connector
LTCWP-24*	24" Flexible tape to tape connector
LTCWP-36*	36" Flexible tape to tape connector
LTCWP-60*	60" Flexible tape to tape connector
*For use with 39" reels only	

Catalog No.	Description
LTW-60-WP*	60" Flexible tape to power supply connector
WPKT	Waterproof accessory kit: Small tube of silicone sealant, silicone end cap, 6 silicone clips, 12 screws and 1 male connector (see above)
GMSB-W(B)	Splice Box in white (W) or black (B) 2" L x 1" W x 5/8" D

### CONNECTOR AND CHANNEL NOTES:

See connector compatibility chart, page 82.

For additional channel options, solder lead / connection options and channel mill work dimensions, see page 176.

Complete tape and channel compatibility matrix on page 176.

# LEDTASK™ 24VDC 90+ CRI FLEXIBLE HIGH OUTPUT LED TAPE

**24  
VOLT**

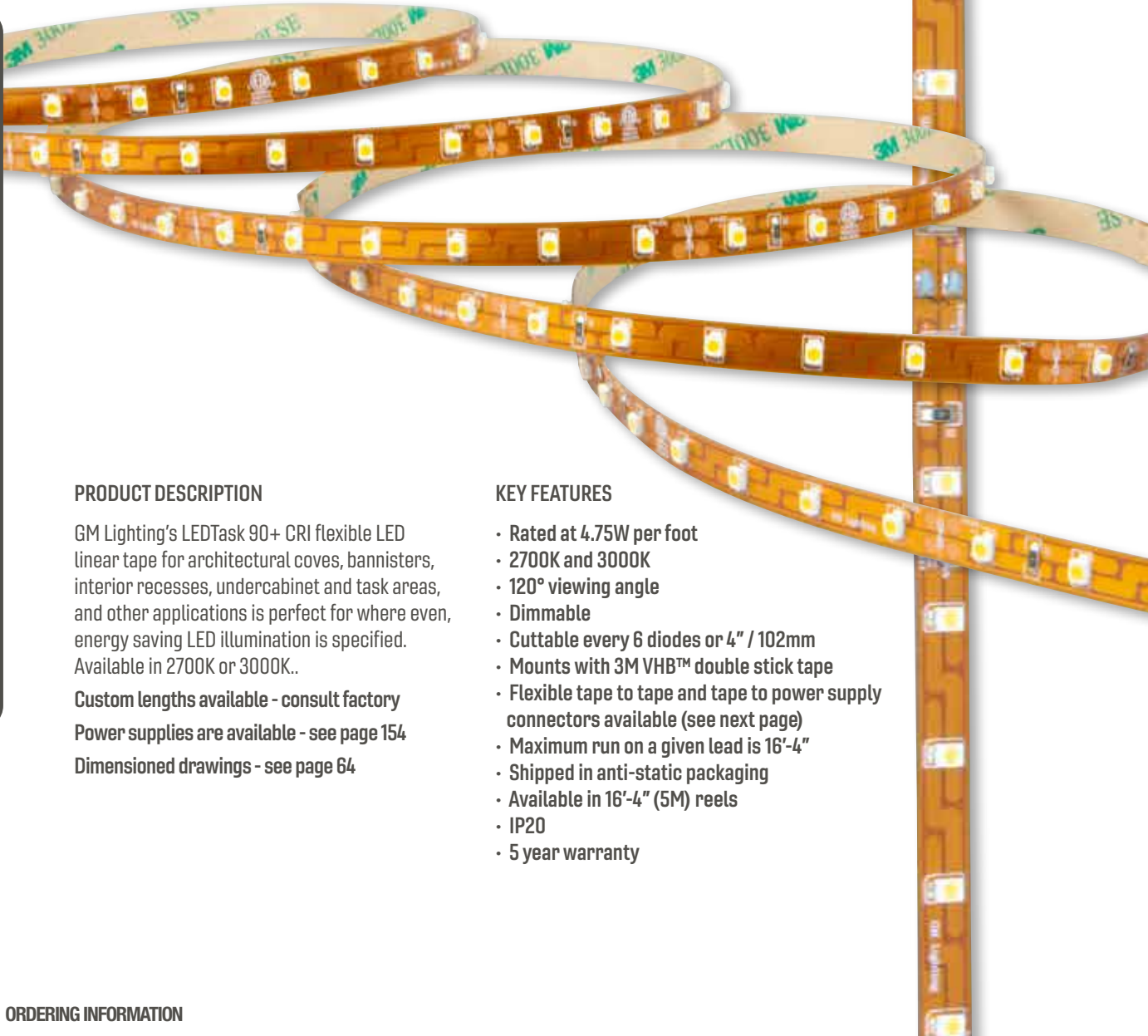


**90+  
CRI**

**CLASS  
2**



**5 Yr.  
WARRANTY**



## PRODUCT DESCRIPTION

GM Lighting's LEDTask 90+ CRI flexible LED linear tape for architectural coves, bannisters, interior recesses, undercabinet and task areas, and other applications is perfect for where even, energy saving LED illumination is specified. Available in 2700K or 3000K..

Custom lengths available - consult factory  
Power supplies are available - see page 154  
Dimensioned drawings - see page 64

## KEY FEATURES

- Rated at 4.75W per foot
- 2700K and 3000K
- 120° viewing angle
- Dimmable
- Cuttable every 6 diodes or 4" / 102mm
- Mounts with 3M VHB™ double stick tape
- Flexible tape to tape and tape to power supply connectors available (see next page)
- Maximum run on a given lead is 16'-4"
- Shipped in anti-static packaging
- Available in 16'-4" (5M) reels
- IP20
- 5 year warranty

## ORDERING INFORMATION

Catalog No.	Length	Wattage	Lumens	CRI	Color Temp.*
LTR30024-90-27	16'-4" / 5M	4.75W/ft.	389/ft.	90+	2700K
LTR30024-90-30	16'-4" / 5M	4.75W/ft.	407/ft.	90+	3000K

Each 16'-4" reel includes: (3) LTR90-24 connectors and 24" of lead affixed at start of reel.

### PRODUCT NOTES:

\* Kelvin temperature (color)  $\pm$ 100K.

Installation instructions and spec sheet available for download.

View this product on [www.gmlighting.net](http://www.gmlighting.net)



# ACCESSORIES AND SUPPORTING DATA

## AVAILABLE COLOR TEMPERATURES



2700K

3000K

3500K

5500K

4"

### CONNECTORS

SURE-TITE  
CONNECTOR

For all  
connector  
options,  
see page  
176-177



### MOUNTING CHANNELS

This LED tape will fit into the following  
mounting channels:

LED-CHL  
LED-CHL-45  
LED-CHL-45-1200\*  
LED-CHL-BND  
LED-CHL-D  
LED-CHL-W\*  
LED-CHL-XD\*  
LED-CHL-XD-F\*  
LED-CHL-XD-MD\*  
LED-CHL-XD-MD-F\*

\*Accepts Sure-Tite connectors

LED-CHL

LED-CHL-45-1200

LED-CHL-W

LED-CHL-XD

**24VDC**  
POWER  
SUPPLY  
REQUIRED

24VDC  
ELECTRONIC  
DIMMING  
PAGE 159-160

24VDC  
ELECTRONIC  
NON-DIMMING  
PAGE 162

24VDC  
MAGNETIC  
DIMMABLE  
PAGE 163

## CONNECTORS AND ACCESSORIES

Catalog No.	Description
STC-1	Sure-Tite tape to tape connector
STC-90	90° Sure-Tite connector
STLK-60	60" Sure-Tite flexible tape to tape connector
STW-60	60" Sure-Tite flexible tape to power supply connector
STW-C0	Sure-Tite tape to power supply connector only (no wire)
GMSB-W(B)	Splice Box in white (W) or black (B) 2" L x 1" W x 5/8" D

### CONNECTOR AND CHANNEL NOTES:

See connector compatibility chart, page 82.

For additional channel options, solder lead / connection options and channel mill work dimensions, see page 176.

Complete tape and channel compatibility matrix on page 176.

# LEDTASK™ 24VDC HIGH DENSITY LED TAPE STANDARD AND HIGH OUTPUT

**24  
VOLT**

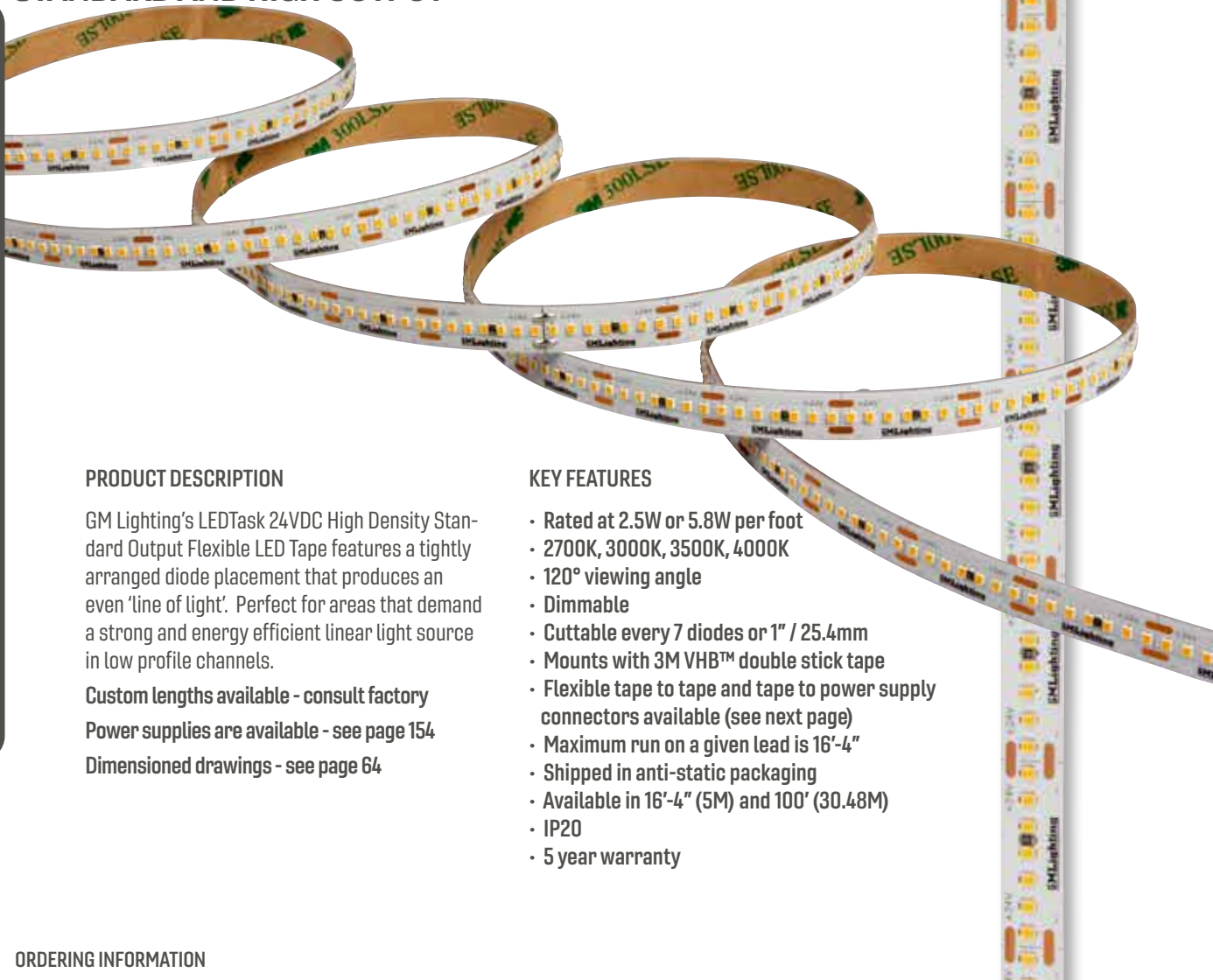


**90+  
CRI**

**CLASS  
2**



**5 Yr.  
WARRANTY**



## PRODUCT DESCRIPTION

GM Lighting's LEDTask 24VDC High Density Standard Output Flexible LED Tape features a tightly arranged diode placement that produces an even 'line of light'. Perfect for areas that demand a strong and energy efficient linear light source in low profile channels.

Custom lengths available - consult factory

Power supplies are available - see page 154

Dimensioned drawings - see page 64

## KEY FEATURES

- Rated at 2.5W or 5.8W per foot
- 2700K, 3000K, 3500K, 4000K
- 120° viewing angle
- Dimmable
- Cuttable every 7 diodes or 1" / 25.4mm
- Mounts with 3M VHB™ double stick tape
- Flexible tape to tape and tape to power supply connectors available (see next page)
- Maximum run on a given lead is 16'-4"
- Shipped in anti-static packaging
- Available in 16'-4" (5M) and 100' (30.48M)
- IP20
- 5 year warranty

## ORDERING INFORMATION

Catalog No.	Output	Length	Wattage	Lumens	CRI	Color Temp.*
HDT-28024-SO-27	Standard	16'-4" / 5M	2.5W/ft.	215/ft.	90+	2700K
HDT-28024-SO-30	Standard	16'-4" / 5M	2.5W/ft.	220/ft.	90+	3000K
HDT-28024-SO-35	Standard	16'-4" / 5M	2.5W/ft.	228/ft.	90+	3500K
HDT-28024-SO-40	Standard	16'-4" / 5M	2.5W/ft.	238/ft.	90+	4000K
HDT-28024-SO-100-27	Standard	100' / 30.48M	2.5W/ft.	215/ft.	90+	2700K
HDT-28024-SO-100-30	Standard	100' / 30.48M	2.5W/ft.	220/ft.	90+	3000K
HDT-28024-SO-100-35	Standard	100' / 30.48M	2.5W/ft.	228/ft.	90+	3500K
HDT-28024-SO-100-40	Standard	100' / 30.48M	2.5W/ft.	238/ft.	90+	4000K
HDT-28024-HO-27	High	16'-4" / 5M	5.8W/ft.	500/ft.	90+	2700K
HDT-28024-HO-30	High	16'-4" / 5M	5.8W/ft.	510/ft.	90+	3000K
HDT-28024-HO-35	High	16'-4" / 5M	5.8W/ft.	520/ft.	90+	3500K
HDT-28024-HO-40	High	16'-4" / 5M	5.8W/ft.	580/ft.	90+	4000K

Each 98'-6" reel includes: (15) STW-60 connectors and 24" of lead affixed at start of reel.

## PRODUCT NOTES:

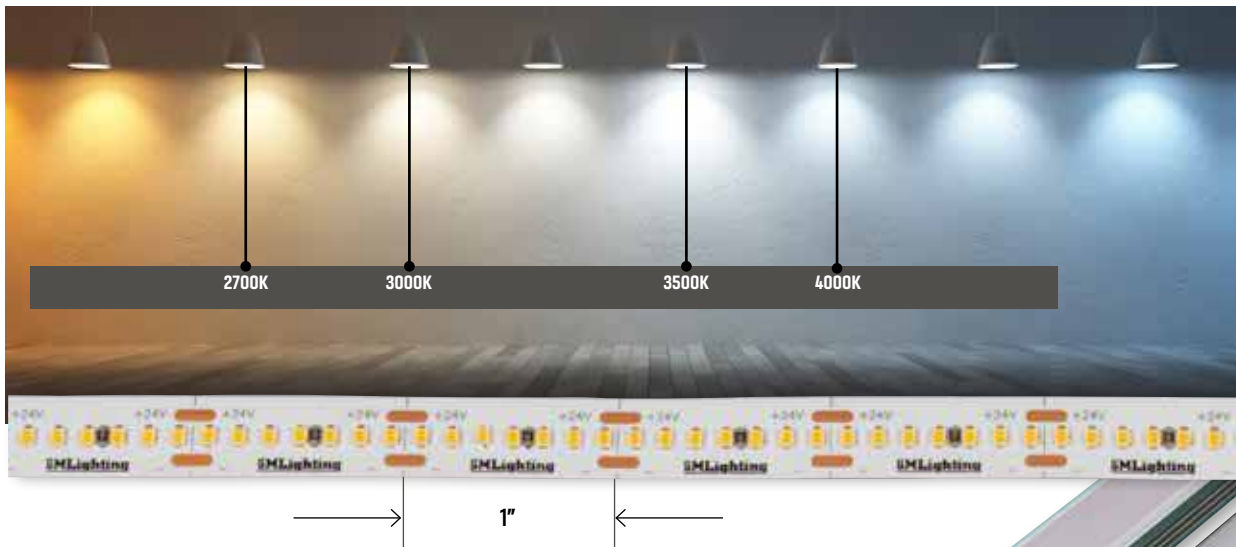
\* Kelvin temperature (color) ±100K

Installation instructions and spec sheet available for download.

View this product on [www.gmlighting.net](http://www.gmlighting.net)

# ACCESSORIES AND SUPPORTING DATA

## AVAILABLE COLOR TEMPERATURES

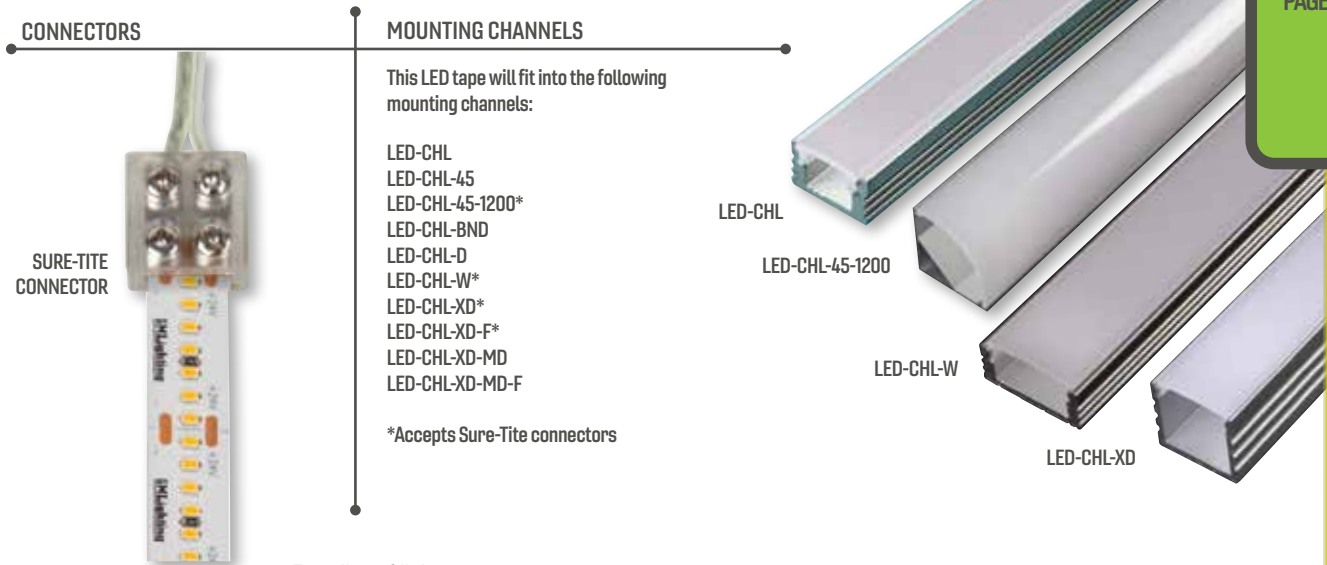


**24VDC**  
POWER  
SUPPLY  
REQUIRED

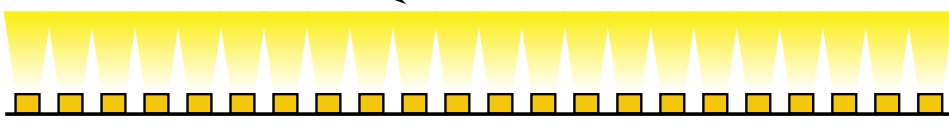
24VDC  
ELECTRONIC  
DIMMING  
PAGE 159-160

24VDC  
ELECTRONIC  
NON-DIMMING  
PAGE 162

24VDC  
MAGNETIC  
DIMMABLE  
PAGE 163



Even line of light →



Diode-Free Imaging From High Density Placement

## CONNECTORS

Catalog No.	Description
ESTC-1	Sure-Tite tape to tape connector
ESTC-90	90° Sure-Tite connector
ESTLK-60	Sure-Tite 60" tape to tape connector
ESTW-60	Sure-Tite 60" tape to power supply connector

## CONNECTOR AND CHANNEL NOTES:

See connector compatibility chart, page 82.

For additional channel options, solder lead / connection options and channel mill work dimensions, see page 176.

Complete tape and channel compatibility matrix on page 176.



# LEDTASK™ 24VDC TUNABLE WHITE FLEXIBLE LED TAPE

24  
VOLT

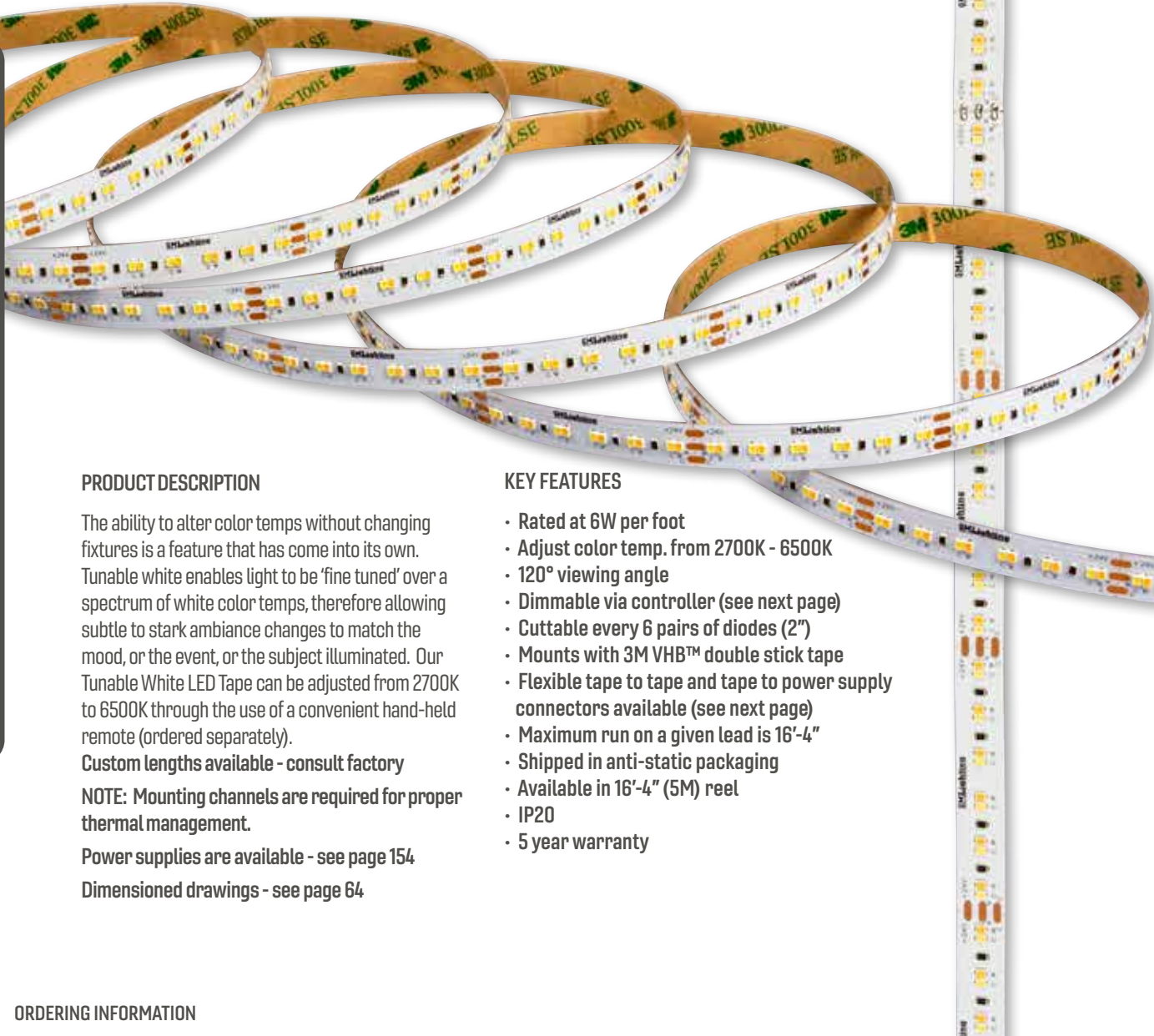


90+  
CRI

CLASS  
2



5 Yr.  
WARRANTY



## PRODUCT DESCRIPTION

The ability to alter color temps without changing fixtures is a feature that has come into its own. Tunable white enables light to be 'fine tuned' over a spectrum of white color temps, therefore allowing subtle to stark ambiance changes to match the mood, or the event, or the subject illuminated. Our Tunable White LED Tape can be adjusted from 2700K to 6500K through the use of a convenient hand-held remote (ordered separately).

Custom lengths available - consult factory

NOTE: Mounting channels are required for proper thermal management.

Power supplies are available - see page 154

Dimensioned drawings - see page 64

## KEY FEATURES

- Rated at 6W per foot
- Adjust color temp. from 2700K - 6500K
- 120° viewing angle
- Dimmable via controller (see next page)
- Cuttable every 6 pairs of diodes (2")
- Mounts with 3M VHB™ double stick tape
- Flexible tape to tape and tape to power supply connectors available (see next page)
- Maximum run on a given lead is 16'-4"
- Shipped in anti-static packaging
- Available in 16'-4" (5M) reel
- IP20
- 5 year warranty

## ORDERING INFORMATION

Catalog No.	Length	Wattage	Lumens	CRI	Color Temp.*
CTK-24024-H0-27-65	16'-4" / 5M	6W/ft.	340-426/ft.	90+	2700K - 6500K

Each 16'-4" reel includes 24" of lead affixed at start of reel. Connectors are not included and must be ordered separately.

## CONNECTORS

Catalog No.	Description
CTK-RWC	Tunable White Controller with Hand Held Remote
CTK-1	Tape to tape connector (5/16"W x 5/8"L x 1/5"D)
CTK-3	3" Flexible tape to tape 3-Wire Connector
CTK-12	12" Flexible tape to tape 3-Wire Connector
CTK-24	24" Flexible tape to tape 3-Wire Connector
CTK-36	36" Flexible tape to tape 3-Wire Connector
CTK-60	60" Flexible tape to tape 3-Wire Connector
CTK-60-C	60" Flexible tape to Controller 3-Wire Connector

## PRODUCT NOTES:

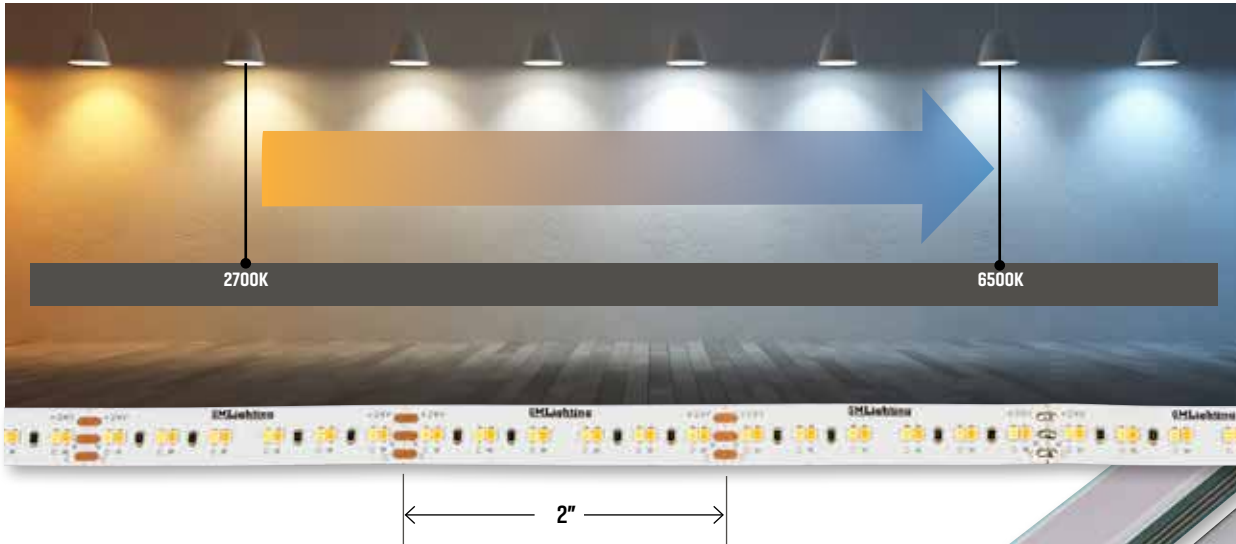
\* Kelvin temperature (color)  $\pm 100K$ .  
Installation instructions and spec sheet available for download.  
View this product on [www.gmlighting.net](http://www.gmlighting.net)

## CONNECTOR AND CHANNEL NOTES:

See connector compatibility chart, page 82.  
When using only solder leads refer to page 176 for additional channel options.  
For channel mill work dimensions, refer to page 176.  
Complete tape and channel compatibility matrix on page 176.

# ACCESSORIES AND SUPPORTING DATA

## TUNABLE WHITE COLOR TEMPERATURE RANGE



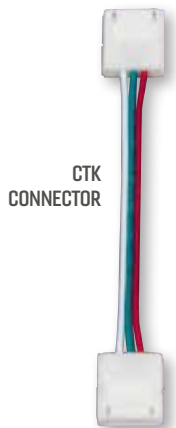
**24VDC**  
POWER  
SUPPLY  
REQUIRED

24VDC  
ELECTRONIC  
DIMMING  
PAGE 159-160

24VDC  
ELECTRONIC  
NON-DIMMING  
PAGE 162

24VDC  
MAGNETIC  
DIMMABLE  
PAGE 163

### CONNECTORS



CTK  
CONNECTOR

### MOUNTING CHANNELS

This LED tape will fit into the following mounting channels:

- LED-CHL
- LED-CHL-45
- LED-CHL-45-1200
- LED-CHL-BND
- LED-CHL-D
- LED-CHL-W
- LED-CHL-XD
- LED-CHL-XD-F
- LED-CHL-XD-MD
- LED-CHL-XD-MD-F

LED-CHL

LED-CHL-45-1200

LED-CHL-W

LED-CHL-XD

### CONTROLLER WITH HAND-HELD REMOTE

The hand held remote is matched to the receiver in the factory, making set-up easy. All set-up instructions are available on [www.gmlighting.net](http://www.gmlighting.net) on the 24VDC LEDTASK TUNABLE WHITE FLEXIBLE LED TAPE page.

Speed / Brightness  
+ = Faster / Brighter  
- = Slower / Dimmer

Touch Color Circle  
(manipulate color temperature by touch)

Running Light  
ID Learning Button  
DC5V - 24V  
Power Input Socket



LED Lamps  
Connection Socket

Mode Key

On / Off

**GMLighting®**

"Lighting Enhanced by Design"

# LEDTENSITY™ 24VDC 94CRI FLEXIBLE LED TAPE

## STANDARD, HIGH AND SUPER HIGH OUTPUT

24  
VOLT

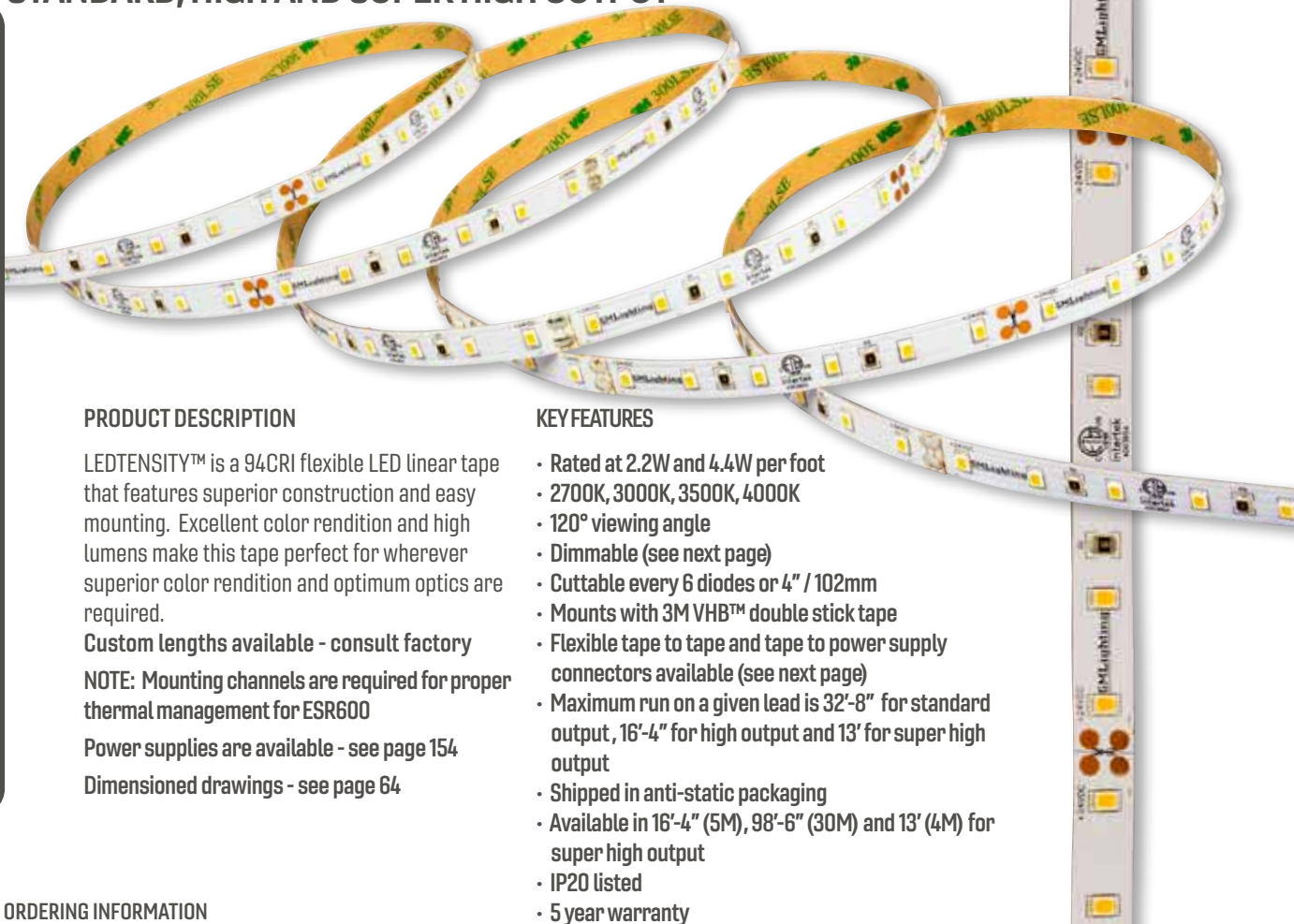


90+  
CRI

CLASS  
2



5 Yr.  
WARRANTY



### PRODUCT DESCRIPTION

LEDTENSITY™ is a 94CRI flexible LED linear tape that features superior construction and easy mounting. Excellent color rendition and high lumens make this tape perfect for wherever superior color rendition and optimum optics are required.

Custom lengths available - consult factory

NOTE: Mounting channels are required for proper thermal management for ESR600

Power supplies are available - see page 154

Dimensioned drawings - see page 64

### KEY FEATURES

- Rated at 2.2W and 4.4W per foot
- 2700K, 3000K, 3500K, 4000K
- 120° viewing angle
- Dimmable (see next page)
- Cuttable every 6 diodes or 4" / 102mm
- Mounts with 3M VHB™ double stick tape
- Flexible tape to tape and tape to power supply connectors available (see next page)
- Maximum run on a given lead is 32'-8" for standard output, 16'-4" for high output and 13' for super high output
- Shipped in anti-static packaging
- Available in 16'-4" (5M), 98'-6" (30M) and 13' (4M) for super high output
- IP20 listed
- 5 year warranty

### ORDERING INFORMATION

Catalog No.	Output	Length	Wattage	Lumens	CRI	Color Temp.*
ESR15024-S0-27	Standard	16'-4" / 5M	2.2W/ft.	152/ft.	94	2700K
ESR15024-S0-30	Standard	16'-4" / 5M	2.2W/ft.	157/ft.	94	3000K
ESR15024-S0-35	Standard	16'-4" / 5M	2.2W/ft.	177/ft.	94	3500K
ESR15024-S0-40	Standard	16'-4" / 5M	2.2W/ft.	182/ft.	94	4000K
ESR30024-H0-27	High	16'-4" / 5M	4.4W/ft.	362/ft.	94	2700K
ESR30024-H0-30	High	16'-4" / 5M	4.4W/ft.	347/ft.	94	3000K
ESR30024-H0-35	High	16'-4" / 5M	4.4W/ft.	391/ft.	94	3500K
ESR30024-H0-40	High	16'-4" / 5M	4.4W/ft.	400/ft.	94	4000K
Each 16'-4" reel includes: (3) ESTW-60 connectors and 24" of lead affixed at start of reel.						
ESR90024-100-S0-27	Standard	98'-6" / 30M	2.2W/ft.	152/ft.	94	2700K
ESR90024-100-S0-30	Standard	98'-6" / 30M	2.2W/ft.	157/ft.	94	3000K
ESR90024-100-S0-35	Standard	98'-6" / 30M	2.2W/ft.	177/ft.	94	3500K
ESR90024-100-S0-40	Standard	98'-6" / 30M	2.2W/ft.	182/ft.	94	4000K
ESR180024-100-H0-27	High	98'-6" / 30M	4.4W/ft.	362/ft.	94	2700K
ESR180024-100-H0-30	High	98'-6" / 30M	4.4W/ft.	347/ft.	94	3000K
ESR180024-100-H0-35	High	98'-6" / 30M	4.4W/ft.	391/ft.	94	3500K
ESR180024-100-H0-40	High	98'-6" / 30M	4.4W/ft.	400/ft.	94	4000K
Each 98'-6" reel includes: (15) ESTW-60 connectors and 24" of lead affixed at start of reel.						

PRODUCT NOTES:

\* Kelvin temperature (color) ±100K.

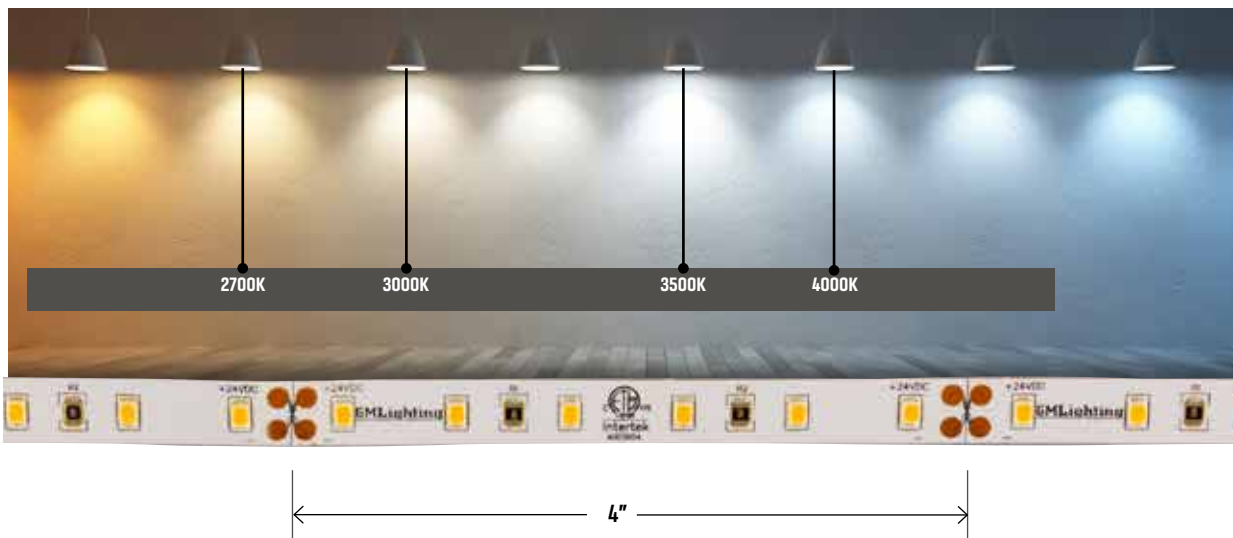
Installation instructions and spec sheet available for download.

View this product on [www.gmlighting.net](http://www.gmlighting.net)



# ACCESSORIES AND SUPPORTING DATA

## AVAILABLE COLOR TEMPERATURES



### CONNECTORS

SURE-TITE CONNECTOR



### MOUNTING CHANNELS

This LED tape will fit into the following mounting channels:

- LED-CHL
- LED-CHL-45
- LED-CHL-45-1200\*
- LED-CHL-BND
- LED-CHL-D
- LED-CHL-W\*
- LED-CHL-XD\*
- LED-CHL-XD-F\*
- LED-CHL-XD-MD
- LED-CHL-XD-MD-F

\*Accepts Sure-Tite connectors

## SUPER HIGH OUTPUT ORDERING INFORMATION

Catalog No.	Output	Length	Wattage	Lumens	CRI	Color Temp.*
ESR600-24-SHO-27	Super High	13' / 4M	7W/ft.	446/ft.	94	2700K
ESR600-24-SHO-30	Super High	13' / 4M	7W/ft.	522/ft.	94	3000K
ESR600-24-SHO-35	Super High	13' / 4M	7W/ft.	578/ft.	94	3500K
ESR600-24-SHO-40	Super High	13' / 4M	7W/ft.	589/ft.	94	4000K

Each 13' reel includes: (3) ESTW-60 connectors and 24" of lead affixed at start of reel.

## CONNECTORS

Catalog No.	Description
ESTC-1	Sure-Tite Tape to tape connector
ESTC-90	90° Sure-Tite connector
ESTLK-60	Sure-Tite 60" flexible tape to tape connector
ESTW-60	Sure-Tite 60" flexible tape to power supply connector

### CONNECTOR AND CHANNEL NOTES:

See connector compatibility chart, page 82.

For additional channel options, solder lead / connection options and channel mill work dimensions, see page 176.

Complete tape and channel compatibility matrix on page 176.

**24VDC**  
POWER  
SUPPLY  
REQUIRED

24VDC  
ELECTRONIC  
DIMMING  
PAGE 159-160

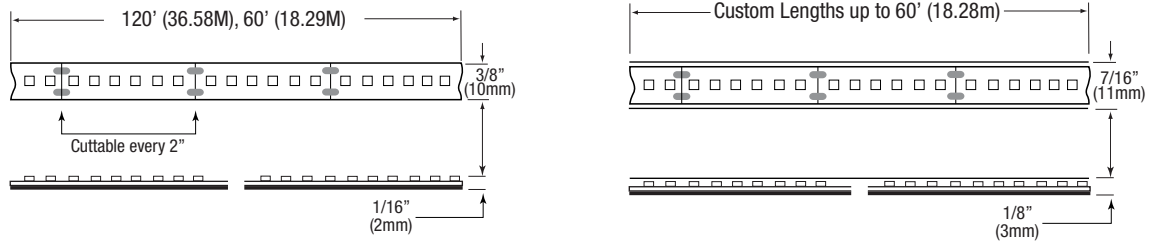
24VDC  
ELECTRONIC  
NON-DIMMING  
PAGE 162

24VDC  
MAGNETIC  
DIMMABLE  
PAGE 163

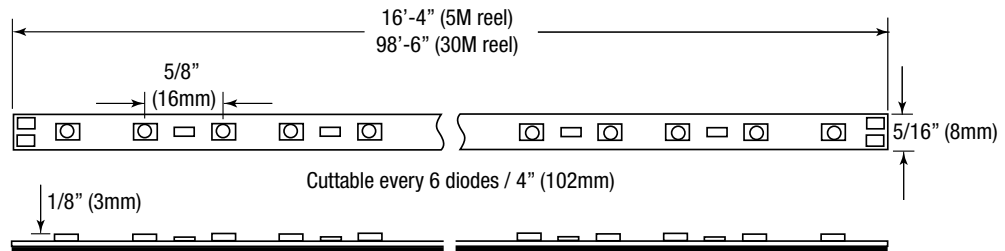
# LEDTASK™ 24VDC FLEXIBLE LED TAPE

## PRODUCT DIAGRAMS

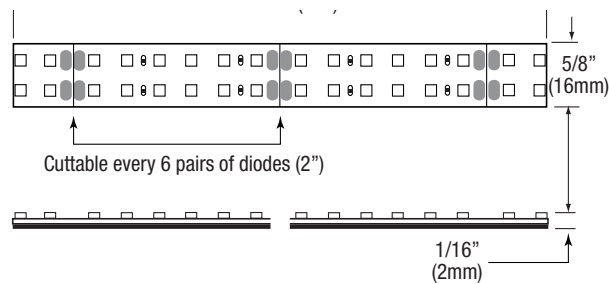
### GMEXT Series DRY AND WET LOCATION TAPE Page 42 and 44



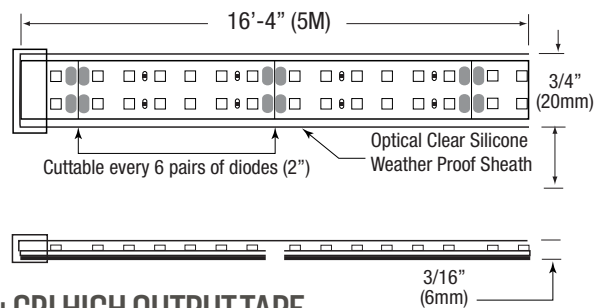
### GM100 / 300 - LTR30024 Series DRY LOCATION STANDARD AND HIGH OUTPUT TAPE Page 48 and 50



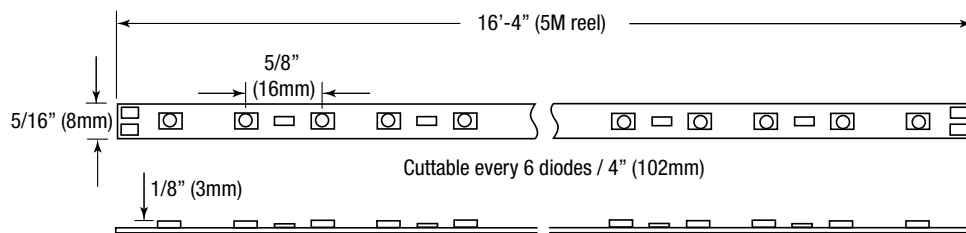
### LTR120024-HO Series DRY LOCATION SUPER HIGH OUTPUT TAPE Page 52



### LTR120024WP-HO / LTR24024WP-HO Series WET LOCATION SUPER HIGH OUTPUT TAPE Page 54



### LTR30024-90 Series 90+ CRI HIGH OUTPUT TAPE Page 56

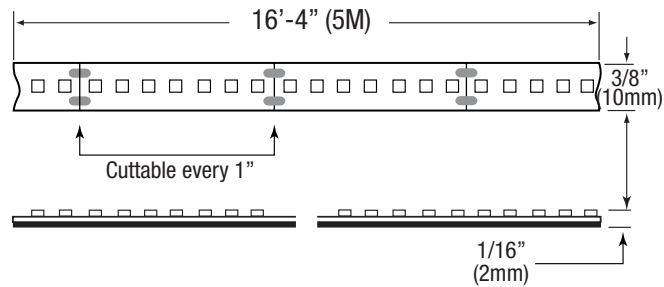


# LEDTASK™ 24VDC FLEXIBLE LED TAPE

## PRODUCT DIAGRAMS

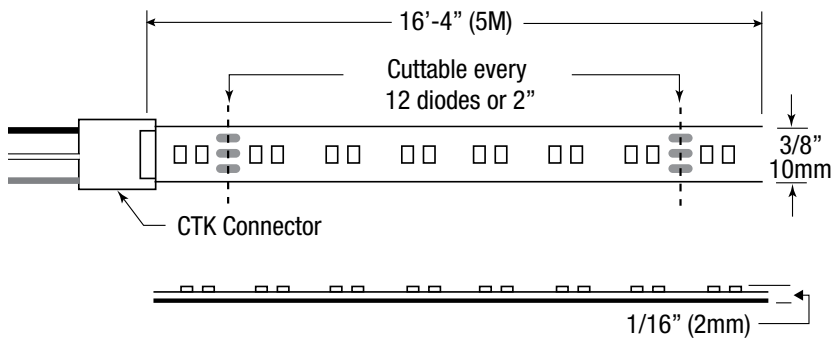
### HDT-28024-SO Series HIGH DENSITY TAPE

Page 58



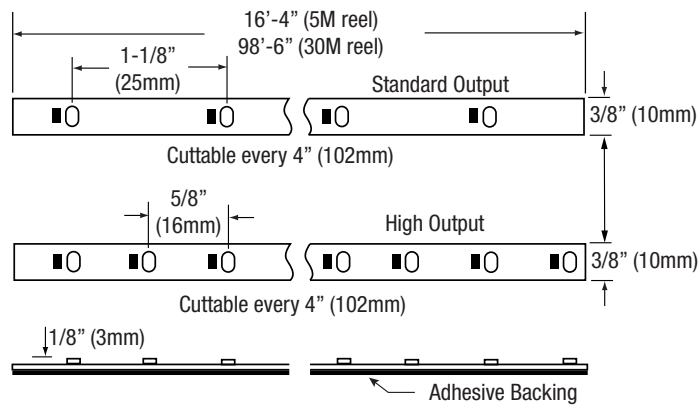
### CTK -24024-HO Series TUNABLE WHITE TAPE

Page 60



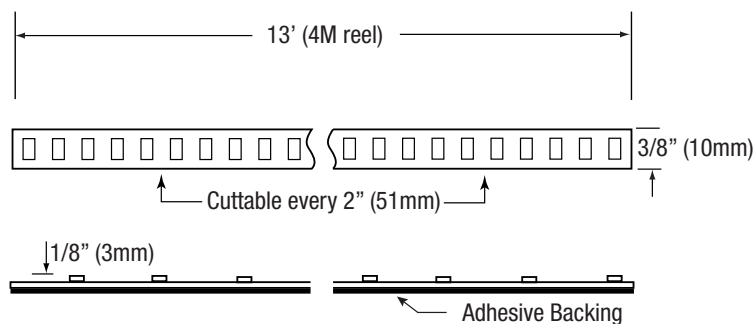
### ESR15024-SO / 90024-100-SO Series LEDTENSITY™ STANDARD AND HIGH OUTPUT TAPE

Page 62



### ESR600-24-SHO Series LEDTENSITY SUPER HIGH OUTPUT TAPE

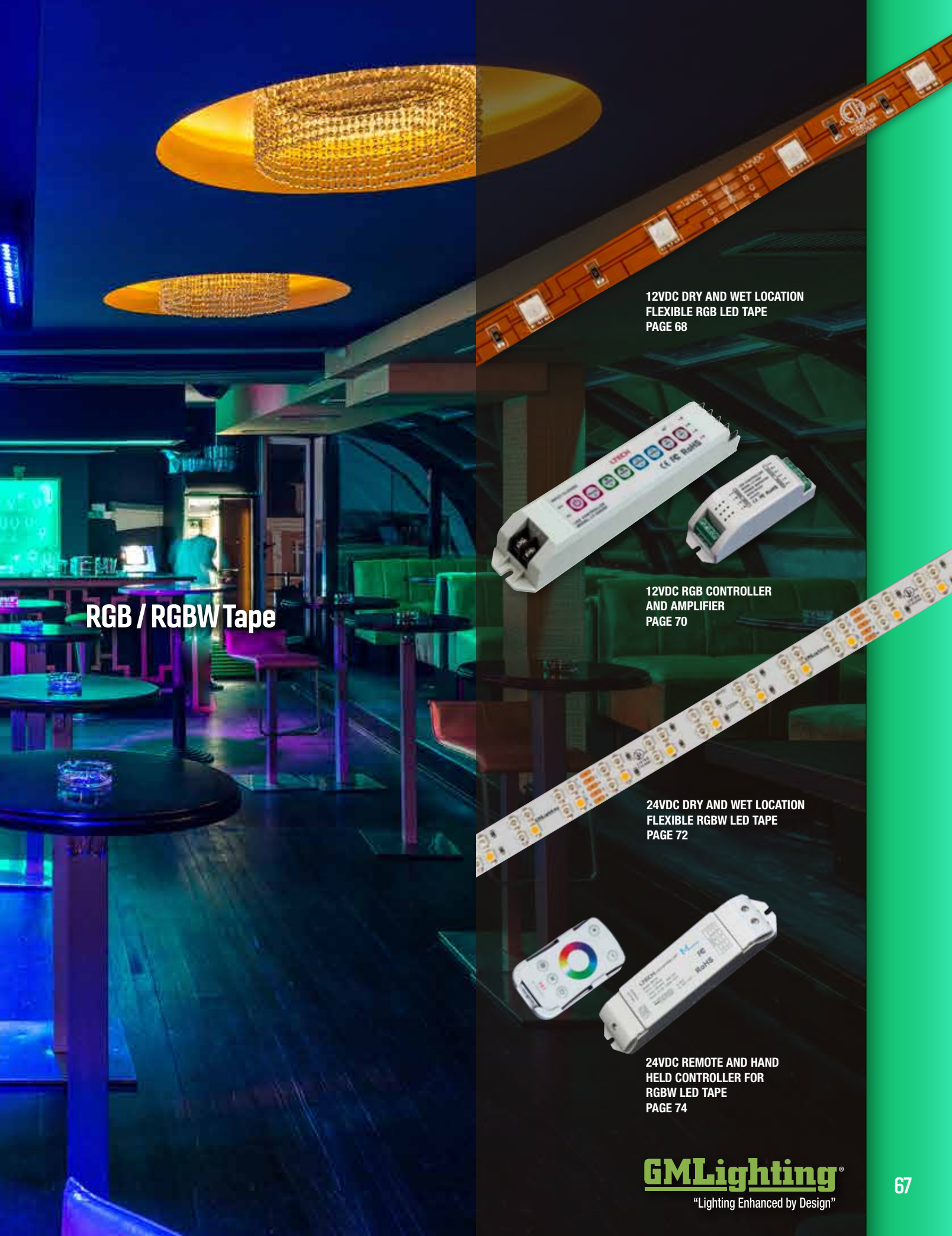
Page 63











# RGB / RGBW Tape

12VDC DRY AND WET LOCATION  
FLEXIBLE RGB LED TAPE  
PAGE 68



12VDC RGB CONTROLLER  
AND AMPLIFIER  
PAGE 70



24VDC DRY AND WET LOCATION  
FLEXIBLE RGBW LED TAPE  
PAGE 72



24VDC REMOTE AND HAND  
HELD CONTROLLER FOR  
RGBW LED TAPE  
PAGE 74

# LEDTASK™ 12VDC RGB FLEXIBLE COLOR CHANGING LED TAPE FOR DRY OR WET LOCATION

**12 VOLT**

**DRY LOCATION**

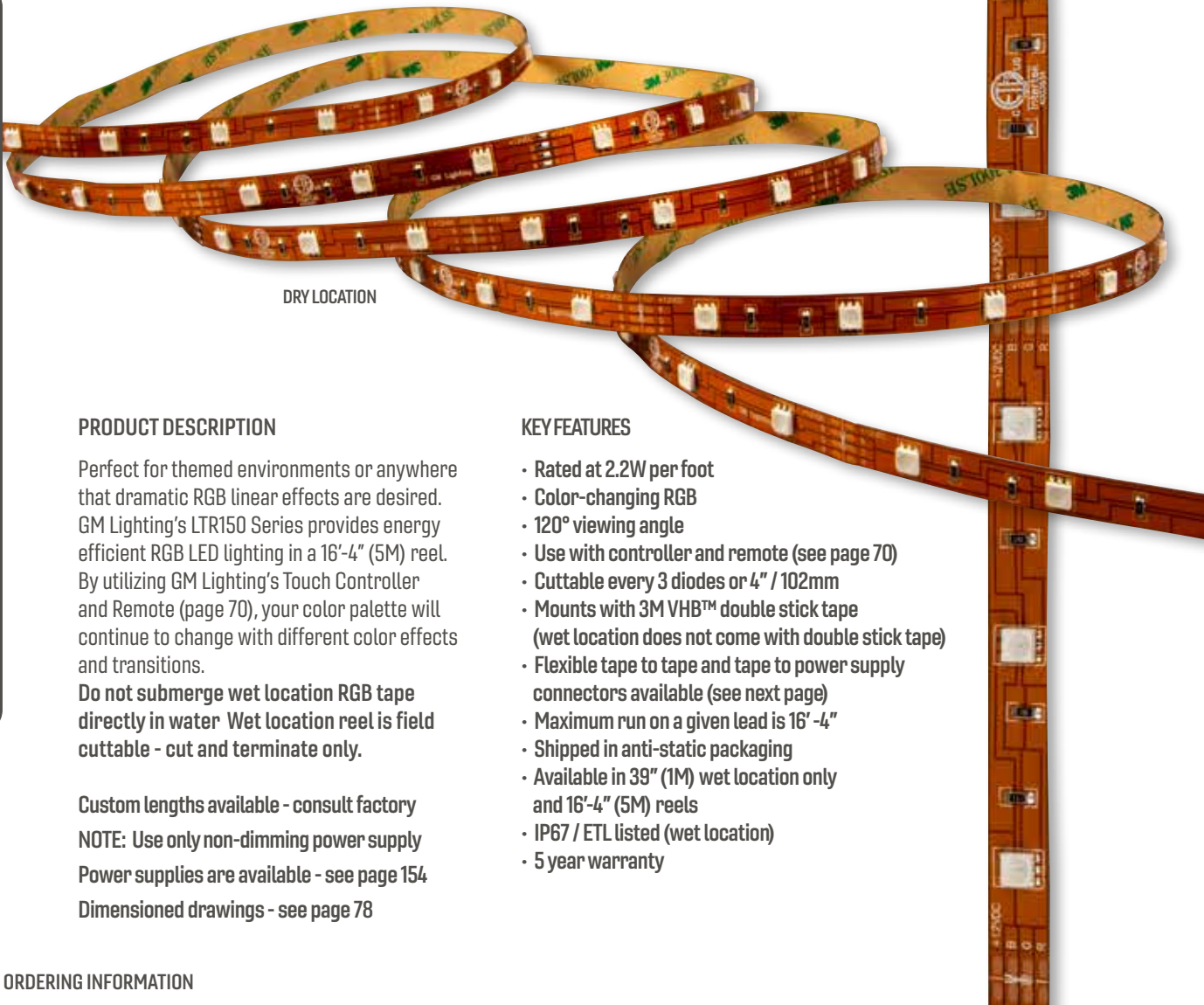
**WET LOCATION**

**RGB**

**FIELD CUTTABLE**

**5 Yr. WARRANTY**

**ETL Intertek**



DRY LOCATION

## PRODUCT DESCRIPTION

Perfect for themed environments or anywhere that dramatic RGB linear effects are desired. GM Lighting's LTR150 Series provides energy efficient RGB LED lighting in a 16'-4" (5M) reel. By utilizing GM Lighting's Touch Controller and Remote (page 70), your color palette will continue to change with different color effects and transitions.

**Do not submerge wet location RGB tape directly in water. Wet location reel is field cuttable - cut and terminate only.**

Custom lengths available - consult factory

NOTE: Use only non-dimming power supply

Power supplies are available - see page 154

Dimensioned drawings - see page 78

## KEY FEATURES

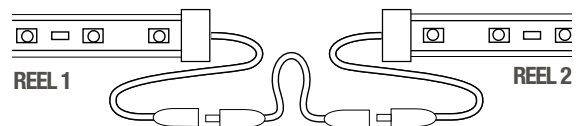
- Rated at 2.2W per foot
- Color-changing RGB
- 120° viewing angle
- Use with controller and remote (see page 70)
- Cuttable every 3 diodes or 4" / 102mm
- Mounts with 3M VHB™ double stick tape (wet location does not come with double stick tape)
- Flexible tape to tape and tape to power supply connectors available (see next page)
- Maximum run on a given lead is 16' -4"
- Shipped in anti-static packaging
- Available in 39" (1M) wet location only and 16'-4" (5M) reels
- IP67 / ETL listed (wet location)
- 5 year warranty

## ORDERING INFORMATION

Catalog No.	Location	Length	Wattage	Lumens	Color
LTR150-RGB	Dry	16'-4" / 5M	2.2W/ft.	64/ft.	RGB
Each 16'-4" reel includes: (3) RPS-24 connectors and 24" of lead affixed at start of reel.					
LTR30WP-RGB	Wet	39" / 1M	2.2W/ft.	64/ft.	RGB
LTR150WP-RGB	Wet	16'-4" / 5M	2.2W/ft.	64/ft.	RGB
Each 39" wet location reel includes: (1) RPS-24 wet location tape to RGB controller connector, (1) male waterproof connector affixed to end of tape, (1) female waterproof connector affixed to opposite end of tape which allows the tapes to be connected together for various length applications, (6) silicone mounting clips, (12) stainless steel screws, (1) tube of silicone sealant, (2) silicone end caps and (1) male silicone plug for terminating end of run.					
Each 16'-4" wet location reel includes: (1) RPS-24 wet location tape to RGB controller connector, (1) male waterproof connector affixed at start of reel, (20) silicone mounting clips, (40) stainless steel screws, (1) tube of silicone sealant, (2) silicone end caps.					

### PRODUCT NOTES:

Installation instructions and spec sheet available for download.  
View this product on [www.gmlighting.net](http://www.gmlighting.net)

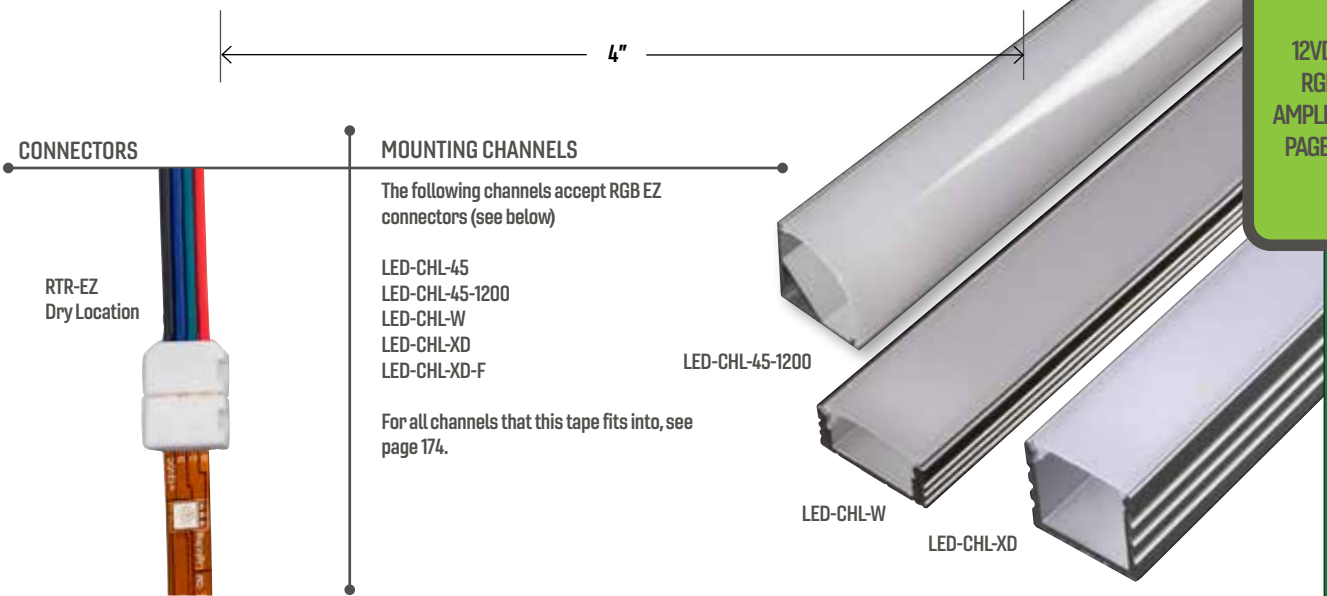
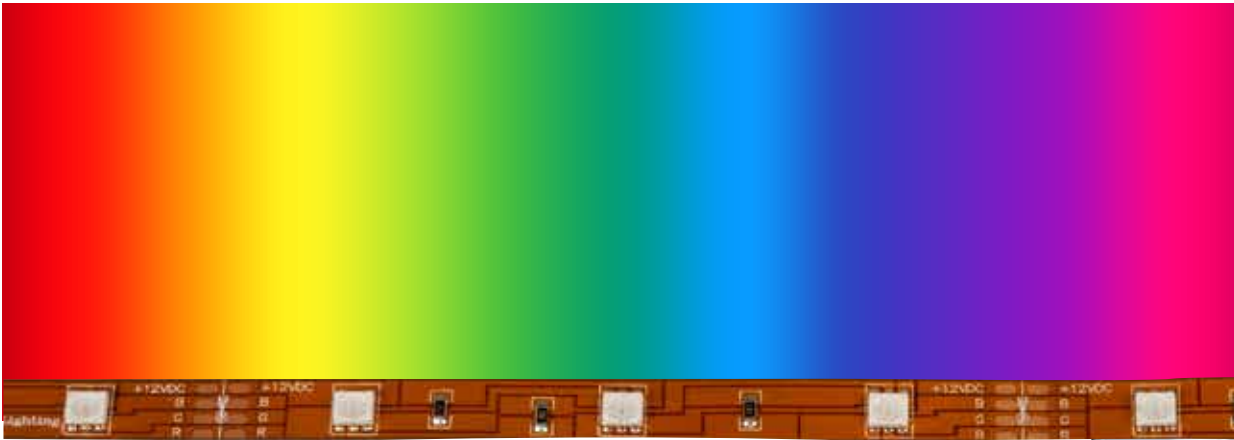


RTRWP CONNECTORS CONNECT 39" REEL TO REEL ONLY



# ACCESSORIES AND SUPPORTING DATA

## RGB COLOR PALETTE CAPABILITY



**12VDC  
POWER  
SUPPLY  
REQUIRED**

12VDC  
ELECTRONIC  
NON-DIM  
PAGE 161

RGB  
CONTROLLER  
AND  
HAND HELD  
REMOTE  
PAGE 70

12VDC  
RGB  
AMPLIFIER  
PAGE 70

### DRY LOCATION CONNECTORS

Catalog No.	Description
RTR-EZ-1	RGB EZ Connector
RTR-EZ-3	3" tape to tape RGB EZ Connector
RTR-EZ-12	12" tape to tape RGB EZ Connector
RTR-EZ-24	24" tape to tape RGB EZ Connector
RTR-EZ-36	36" tape to tape RGB EZ Connector
RTR-EZ-60	60" tape to tape RGB EZ Connector
RPS-EZ-24	24" tape to controller RGB EZ Connector
RPS-EZ-72	72" tape to controller RGB EZ Connector

### WET LOCATION CONNECTORS

Catalog No.	Description
RPS-24-WP	24" flexible tape to controller connector
RPS-72-WP	72" flexible tape to controller connector
RTRWP-12*	12" flexible tape to tape connector
RTRWP-24*	24" flexible tape to tape connector
RTRWP-36*	36" flexible tape to tape connector
RTRWP-60*	60" flexible tape to tape connector
WPKT-RGB	Waterproof accessory kit. Includes (1) small tube of silicone sealant, (1) silicone end cap, (6) silicone mounting clips and (12) stainless steel screws

\* For 39" reels only

# LEDTASK™ 12VDC RGB COLOR CHANGING FLEXIBLE LED LINEAR TAPE CONTROLLER AND AMPLIFIER

**12 VOLT**

**DRY LOCATION**

**RGB**

**5 Yr. WARRANTY**

**ETL Intertek**



RGB-12-CONTROLLER

HAND-HELD REMOTE COMES WITH CONTROLLER

RGB AMPLIFIER

## PRODUCT DESCRIPTION

Create fades and colorful lighting effects with this easy to use RGB LED Linear Tape Controller and Remote. Allows the ability to program 16 preset modes that enable a palette of colors to remain constant, or to have the colors fade and transition to other colors. *Brightness and speed adjustable. One of the most powerful and versatile RGB controllers on the market.*

For runs over 65'-6" (20M) (4 x 16'-4" (5M) meter reels), an amplifier is required. GM Lighting's RGB-AMP enables easy installation over long runs.

For runs of 5 reels or more, use amplifier.

## COLOR EFFECTS

- Static Red, Green, Blue, Yellow, Purple, Cyan and White
- 2-Color Skipping
- 7-Color Skipping
- White Color Strobe
- 3-Color Smooth
- Full Color Smooth
- Red-Green Color Smooth
- Red-Blue Color Smooth
- Green-Blue Color Smooth
- White Color Fade and Change

NOTE: 12VDC non-dimming power supply required. See page 00. Four or five wire available. See page 109 for wire.

## ORDERING INFORMATION

Catalog No.	Description	Wattage	Amps	Finish
RGB-12-CONTROLLER	12VDC RGB Touch Controller with Wireless Remote	200W	6.0 per channel	White
RGB-AMP	12VDC RGB LED Linear Tape Amplifier	144W	16.0 max.	White

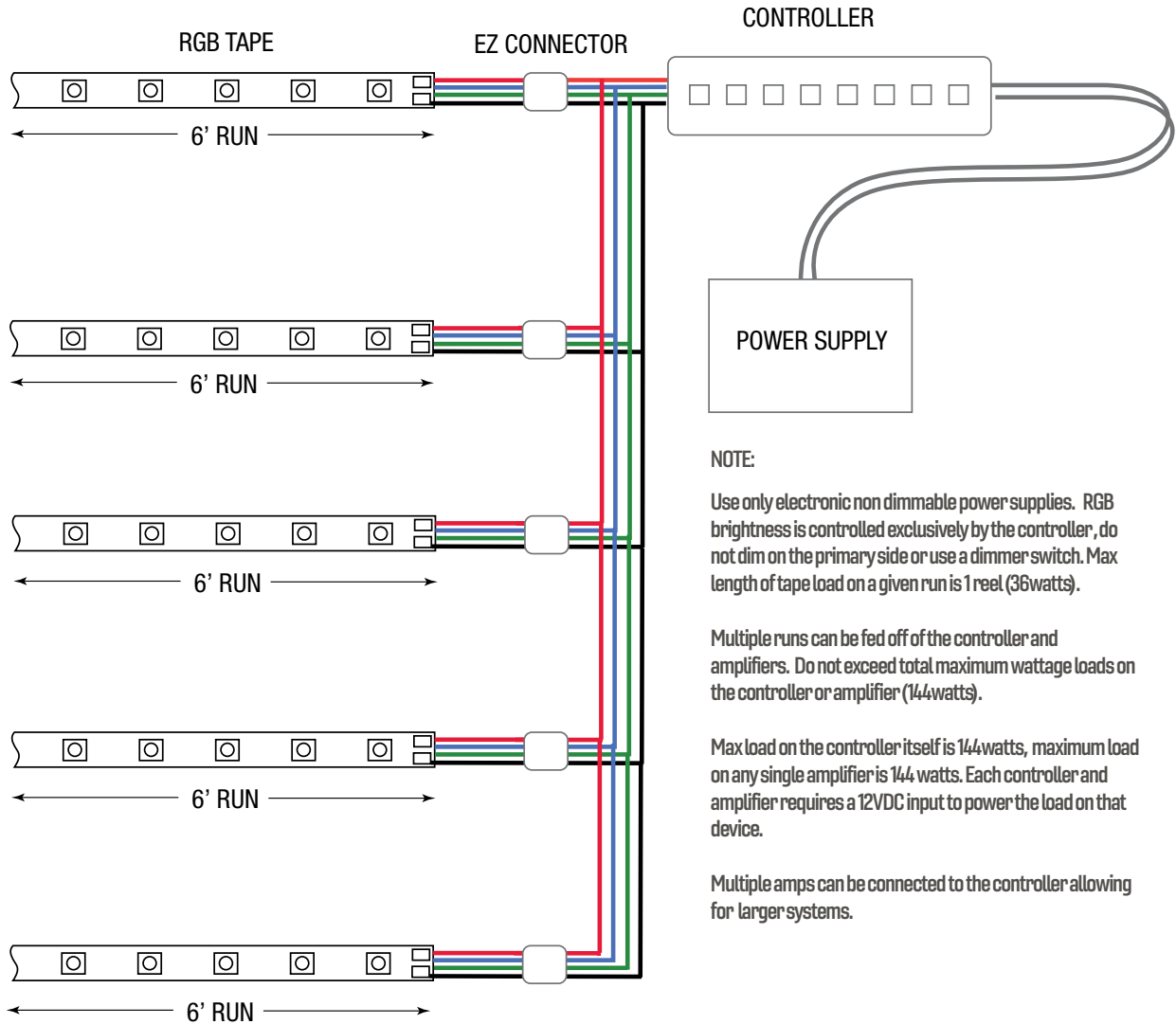
Each 16'-4" reel includes: (3) RPS-24 connectors and 24" of lead affixed at start of reel.

PRODUCT NOTES:  
Installation instructions and spec sheet available for download.  
View this product on [www.gmlighting.net](http://www.gmlighting.net)

# MULTIPLE RUNS FROM ONE CONTROLLER DIAGRAM

## RGB TYPICAL LAYOUT SCHEMATIC

Creating multiple runs from one controller and power supply is shown in this diagram. Do not exceed max. wattage of power supply. Please read installation note below right.



### NOTE:

Use only electronic non dimmable power supplies. RGB brightness is controlled exclusively by the controller, do not dim on the primary side or use a dimmer switch. Max length of tape load on a given run is 1 reel (36watts).

Multiple runs can be fed off of the controller and amplifiers. Do not exceed total maximum wattage loads on the controller or amplifier (144watts).

Max load on the controller itself is 144watts, maximum load on any single amplifier is 144 watts. Each controller and amplifier requires a 12VDC input to power the load on that device.

Multiple amps can be connected to the controller allowing for larger systems.

## DETERMINING CORRECT POWER SUPPLY

The above layout will help you to determine the correct power supply:

5 X 6' runs of RGB tape @2.2W per foot

(6 x 2.2W) X 5 runs equals 66 Watts.

Requires a non-dimming >66W Power Supply.

A 100W power supply would be more than sufficient.



# LEDTASK™ 24VDC RGBW FLEXIBLE COLOR CHANGING LED TAPE FOR WET OR DRY LOCATION

**24 VOLT**

**DRY LOCATION**

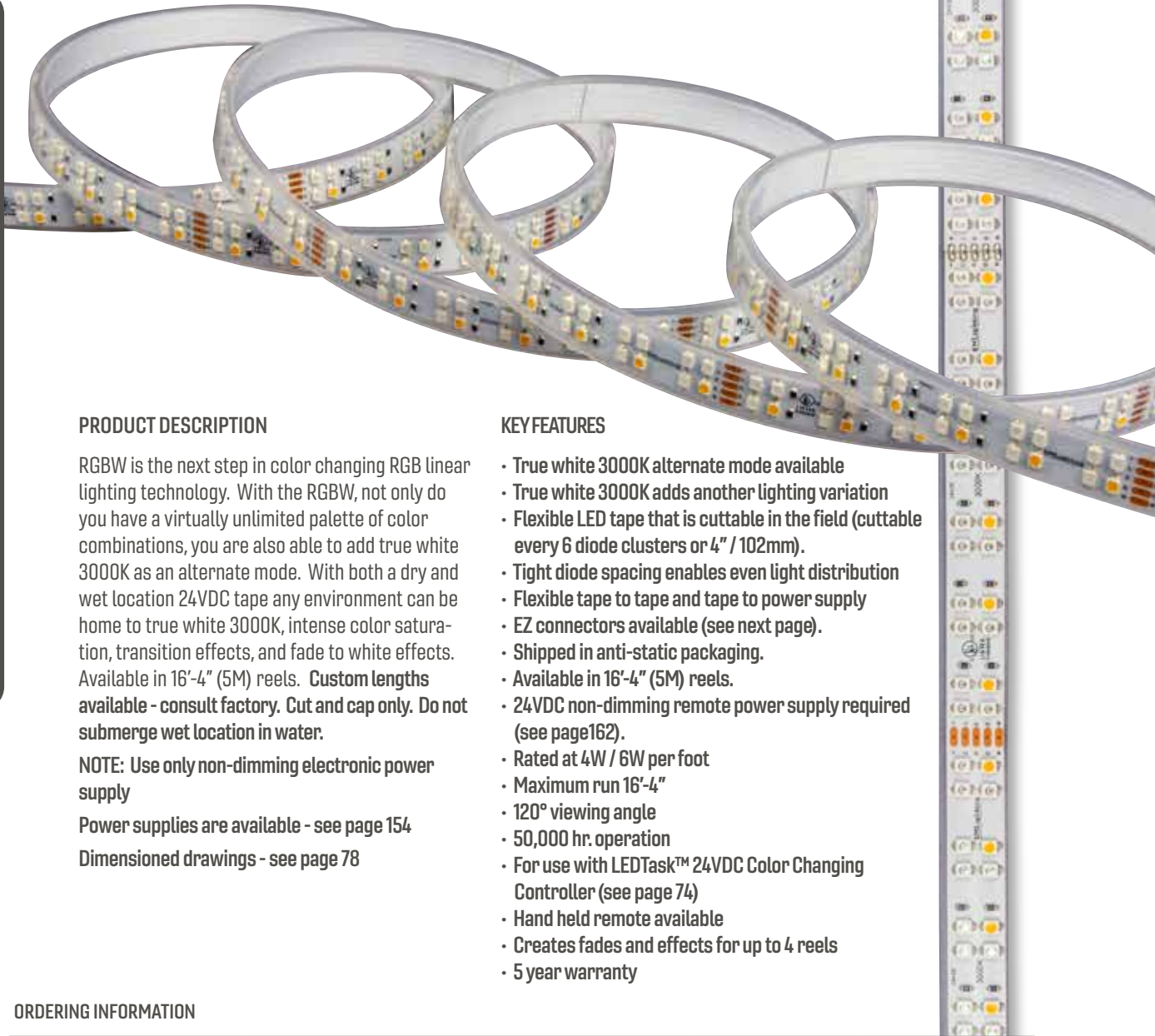
**WET LOCATION**

**RGBW**

**FIELD CUTTABLE**

**5 Yr. WARRANTY**

**ETL US Intertek**



## PRODUCT DESCRIPTION

RGBW is the next step in color changing RGB linear lighting technology. With the RGBW, not only do you have a virtually unlimited palette of color combinations, you are also able to add true white 3000K as an alternate mode. With both a dry and wet location 24VDC tape any environment can be home to true white 3000K, intense color saturation, transition effects, and fade to white effects. Available in 16'-4" (5M) reels. **Custom lengths available - consult factory. Cut and cap only. Do not submerge wet location in water.**

**NOTE: Use only non-dimming electronic power supply**

Power supplies are available - see page 154

Dimensioned drawings - see page 78

## KEY FEATURES

- True white 3000K alternate mode available
- True white 3000K adds another lighting variation
- Flexible LED tape that is cuttable in the field (cuttable every 6 diode clusters or 4" / 102mm).
- Tight diode spacing enables even light distribution
- Flexible tape to tape and tape to power supply
- EZ connectors available (see next page).
- Shipped in anti-static packaging.
- Available in 16'-4" (5M) reels.
- 24VDC non-dimming remote power supply required (see page 162).
- Rated at 4W / 6W per foot
- Maximum run 16'-4"
- 120° viewing angle
- 50,000 hr. operation
- For use with LEDTask™ 24VDC Color Changing Controller (see page 74)
- Hand held remote available
- Creates fades and effects for up to 4 reels
- 5 year warranty

## ORDERING INFORMATION

Catalog No.	Location	Length	Wattage	Lumens	Color
ESR5-RGBW-24VDC-30K	Dry	16'-4" / 5M	6W/ft.	N/A	RGBW
ESR5WP-RGBW-24VDC-30K	Wet	16'-4" / 5M	4W/ft.	N/A	RGBW

5M Dry includes 60" of lead affixed at start of reel, (3 ) 24" tape to controller connector,s (1) EZ1 tape to tape connector

5M Wet includes 60" of lead affixed at start of reel. (1) end cap with silicone, (20) mounting clips with screws

**NOTE: Wet location reel is field cuttable. Cut and terminate only.**

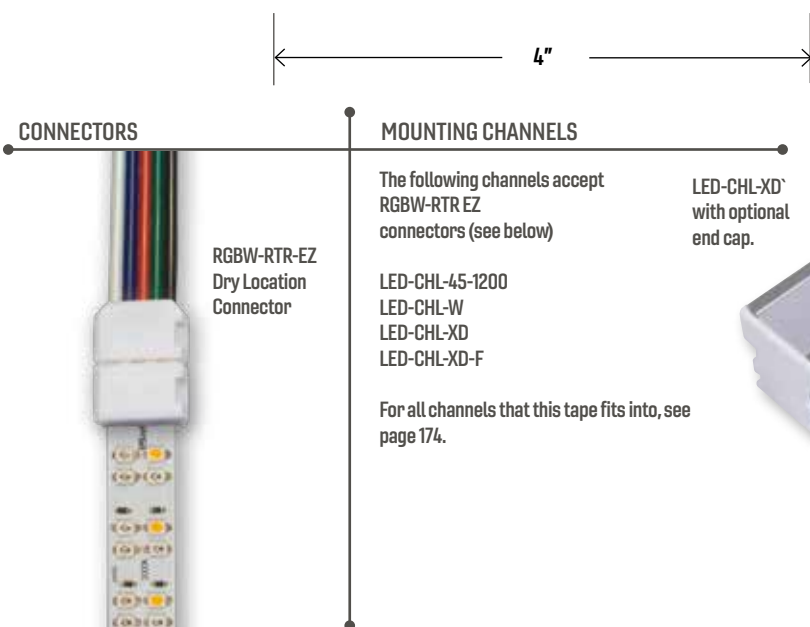
## PRODUCT NOTES:

Installation instructions and spec sheet available for download.

View this product on [www.gmlighting.net](http://www.gmlighting.net)

# ACCESSORIES AND SUPPORTING DATA

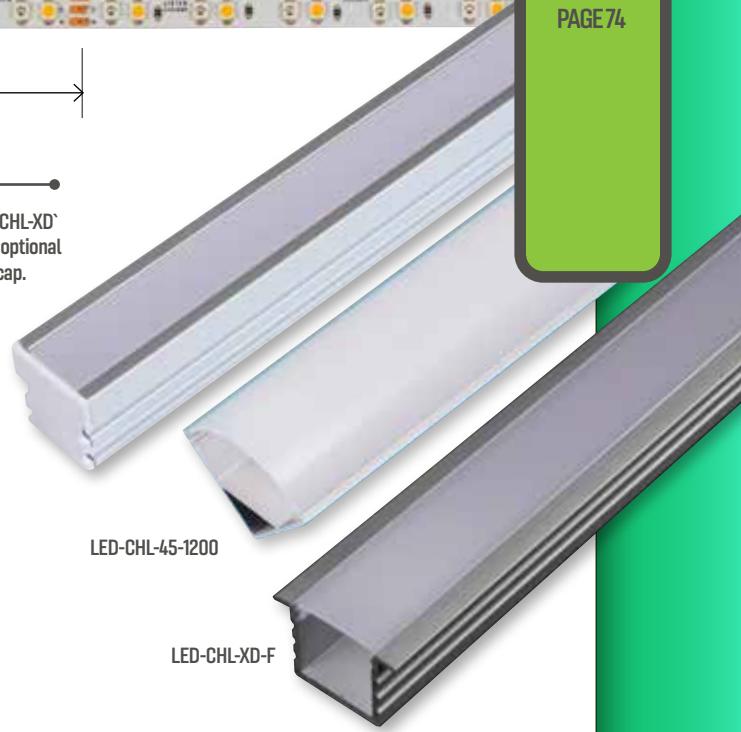
## RGBW COLOR PALETTE CAPABILITY



**24VDC**  
POWER SUPPLY REQUIRED

24VDC ELECTRONIC NON-DIMMING PAGE 162

RGBW CONTROLLER AND HAND HELD REMOTE PAGE 74



## FLEXIBLE EZ TAPE CONNECTORS FOR DRY LOCATION ONLY AND WET LOCATION ACCESSORY KIT

Cat. No.	Description
RGBW-RTR-EZ-1	EZ connector
RGBW-RTR-EZ-3	3" EZ tape to tape connector
RGBW-RTR-EZ-12	12" EZ tape to tape connector
RGBW-RTR-EZ-24	24" EZ tape to tape connector
RGBW-RTR-EZ-36	36" EZ tape to tape connector
RGBW-RTR-EZ-60	60" EZ tape to tape connector
RGBW-RPS-EZ-60	60" EZ tape to controller connector
RGBW-WPKT	RGBW wet location accessory kit that contains: (1) tube of silicone sealant, (6) silicone mounting clips (RGBW size), (12) stainless steel screws and (1) silicone end cap

## RGBWTAPE CONNECTOR FEATURES

GM Lighting EZ Connectors are custom designed to enable strong and lasting connections between RGBW tape and controllers.

**Although wet location reel is field cuttable, it can only be cut in order to terminate run, and not to connect wet location tape to wet location tape.**

# LEDTASK™ 24VDC RGBW COLOR CHANGING FLEXIBLE TAPE CONTROLLER AND HAND-HELD REMOTE

**24 VOLT**

**DRY LOCATION**

**RGBW**

**5 Yr. WARRANTY**

**ETL Intertek**



Battery Included

HAND-HELD REMOTE  
COMES WITH CONTROLLER



RGBW-RWC  
CONTROLLER

## PRODUCT DESCRIPTION

RGBW is the next generation of color changing effects that adds the pulsating colors of a nightclub, the unforgettable vibe in themed environments, and dazzling outdoor displays around water or architectural constructs - with the added element of true white 3000K. This controller/amp and hand held unit enable a limitless variety of color effects and patterns.

Use non-dimming power supply only.

## KEY FEATURES

- Remote wall mounted bracket included
- 433 Hz. RF wireless
- One controller can be commanded by up to ten remotes
- One remote can command unlimited controllers
- Max. 10 remotes
- Energy saving sleep mode
- 5 year warranty

## COLOR EFFECTS

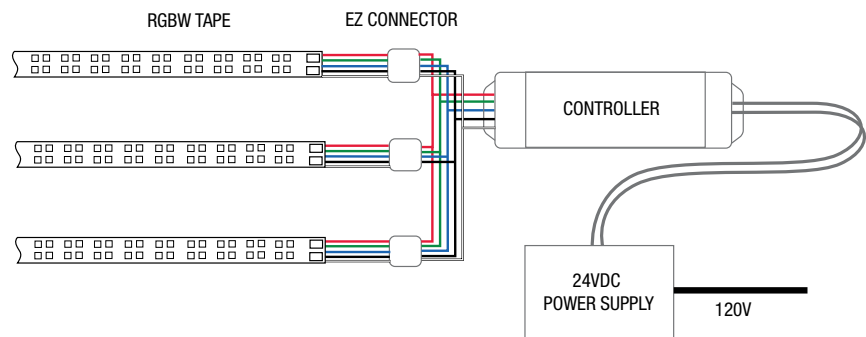
- Static Red, Green, Blue, Yellow, Purple, Cyan and 3000K White
- 2-Color Skipping
- 7-Color Skipping
- White Color Strobe
- 3-Color Smooth
- Full Color Smooth
- Red-Green Color Smooth
- Red-Blue Color Smooth
- Green-Blue Color Smooth
- White Color Fade and Change
- 50 levels of brightness and speed adjustment

## ORDERING INFORMATION

Cat. No.	Description
RGBW-RWC	RGBW controller/amp with battery powered remote
RGBW-RP	RGBW repeater

## MULTIPLE RUN SCHEMATIC

Designing applications that utilize multiple runs are easily enabled with GM Lighting's RGBW-RWC Controller and Remote. One remote can command unlimited controllers.

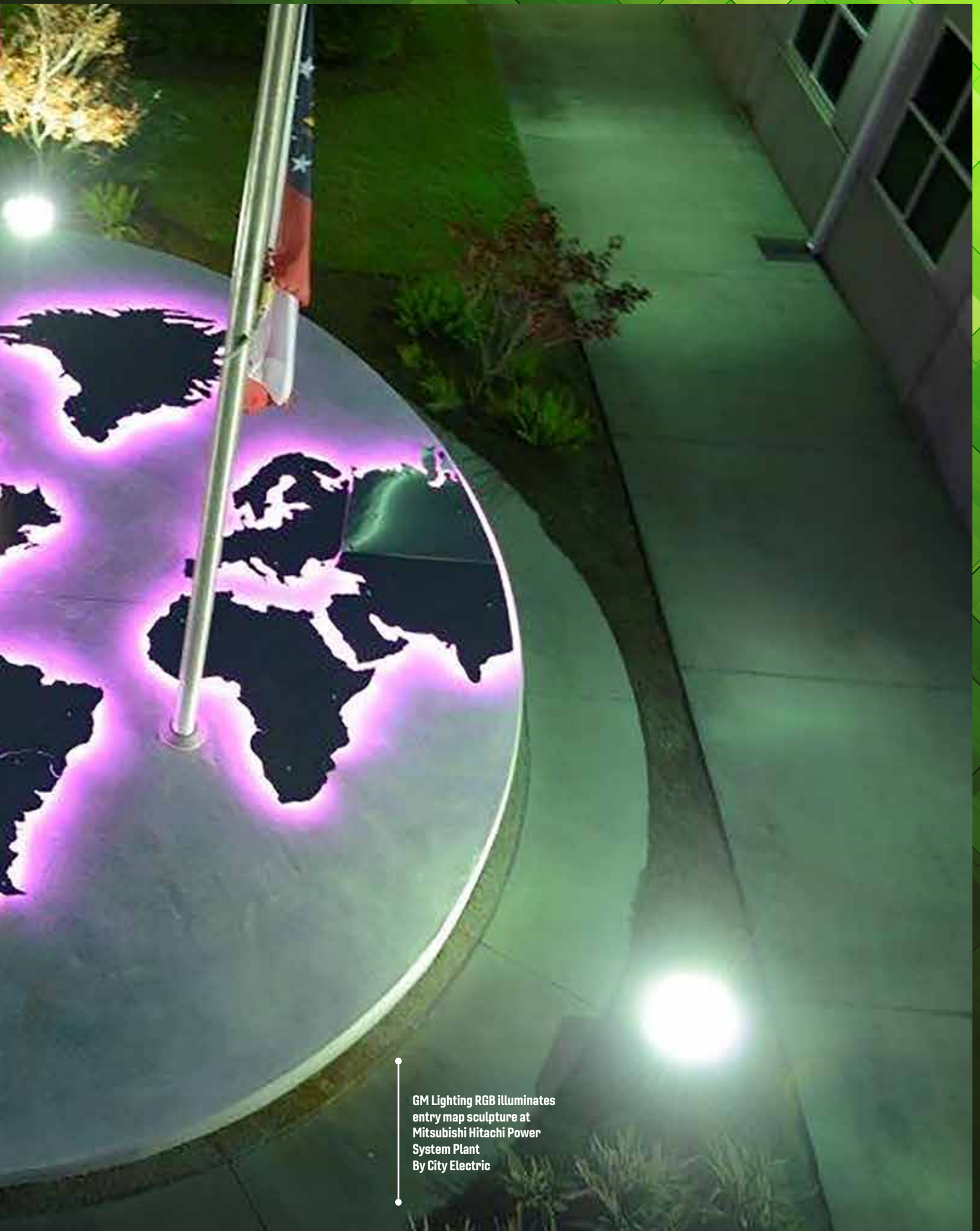










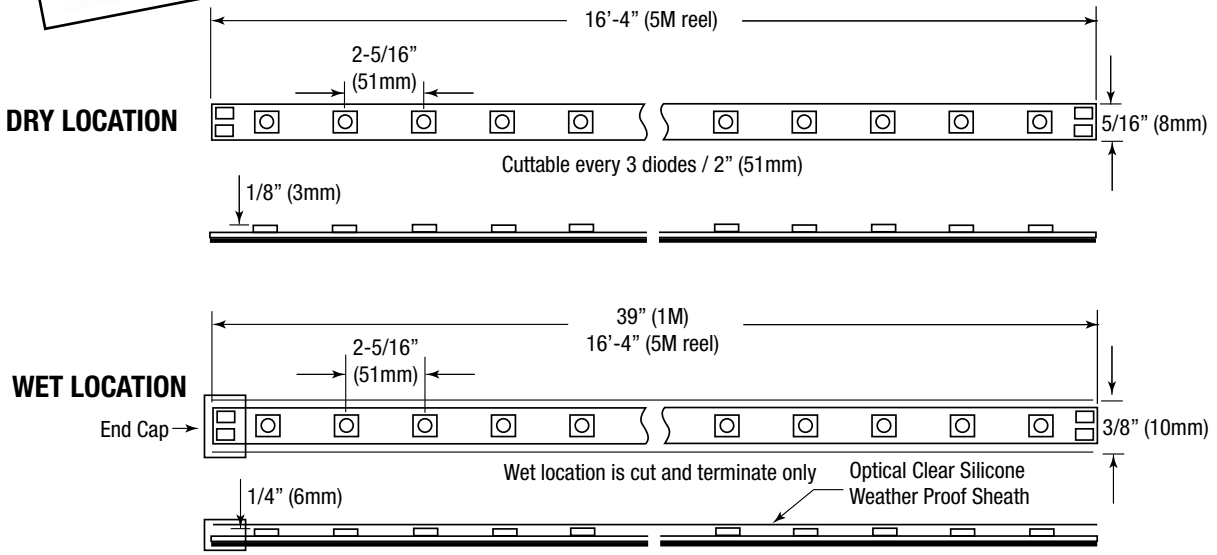
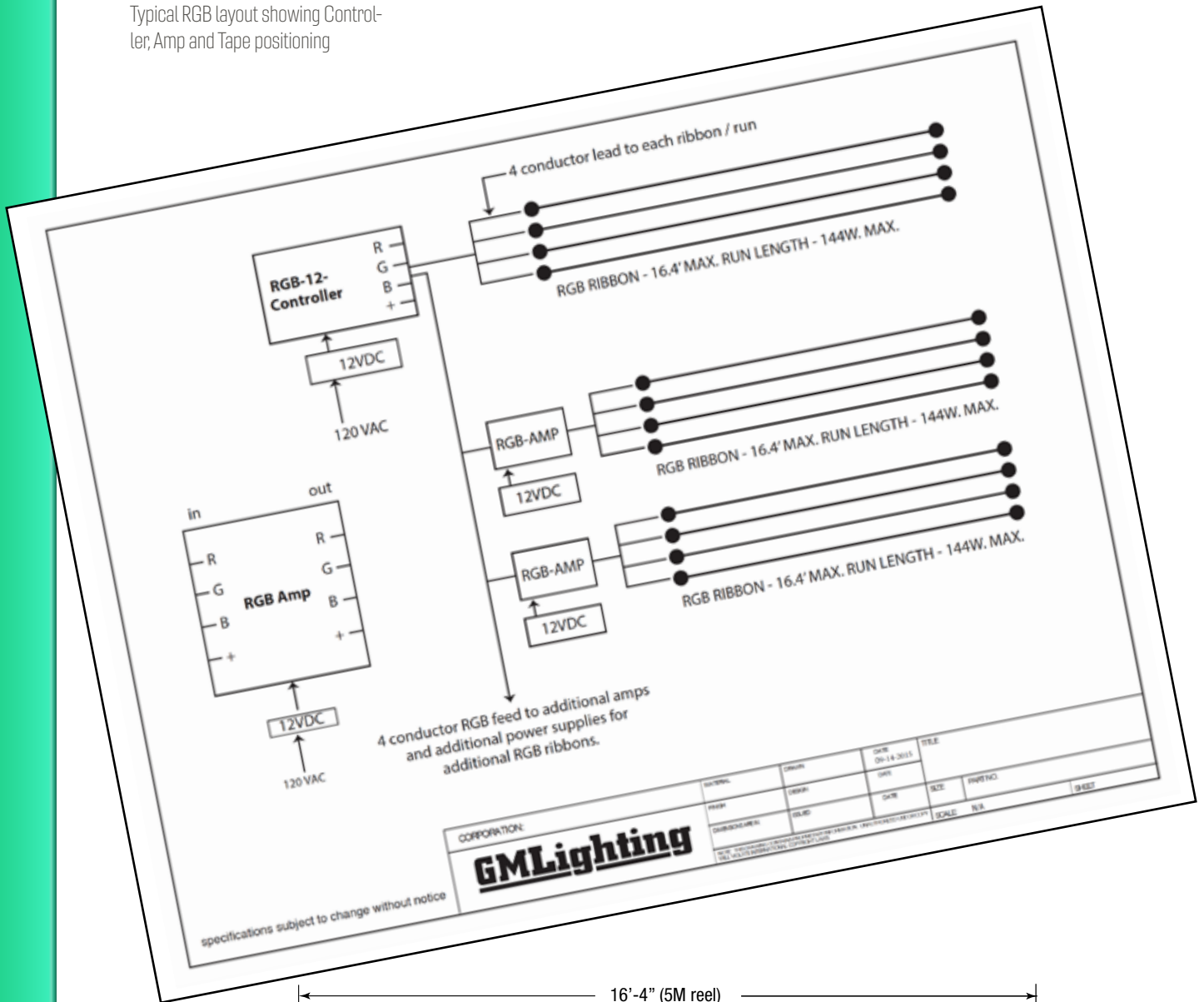


GM Lighting RGB illuminates  
entry map sculpture at  
Mitsubishi Hitachi Power  
System Plant  
By City Electric



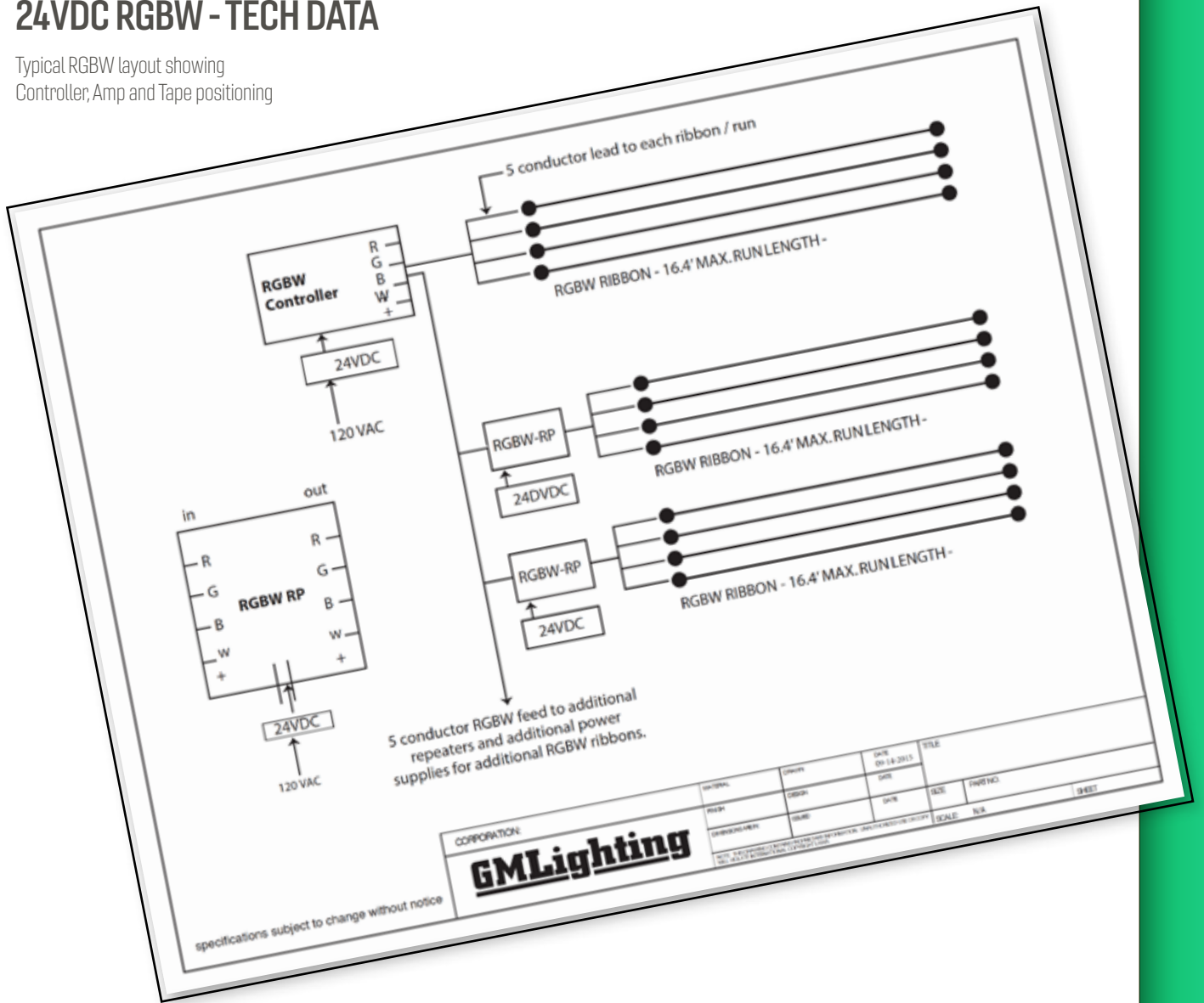
# 12VDC RGB - TECH DATA

Typical RGB layout showing Control-  
ler, Amp and Tape positioning

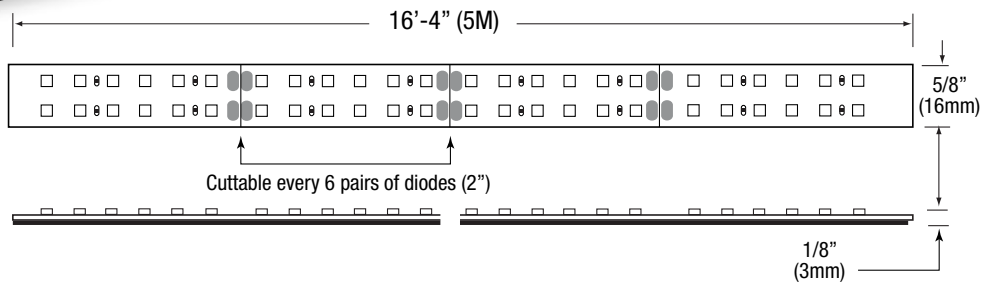


# 24VDC RGBW - TECH DATA

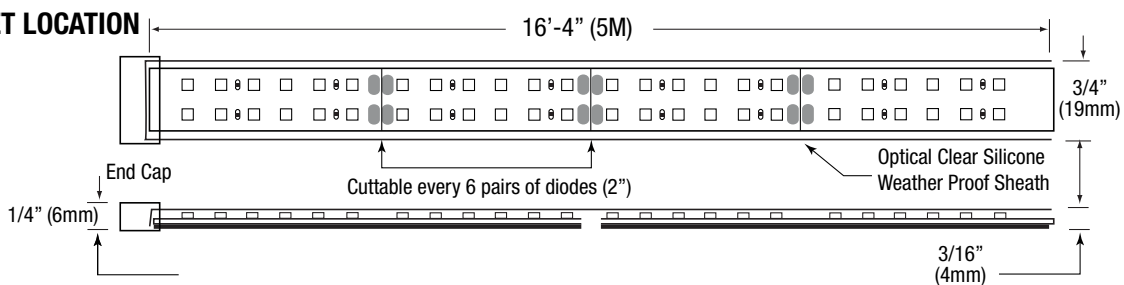
Typical RGBW layout showing  
Controller, Amp and Tape positioning



## DRY LOCATION



## WET LOCATION



# LINEAR LED DESIGN GUIDE

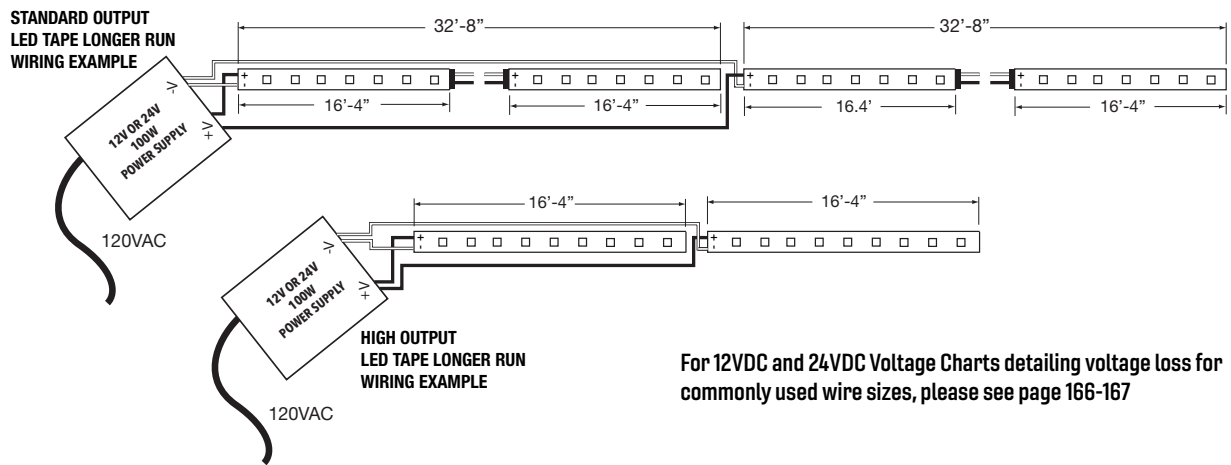
GM Lighting's linear tape is designed for easy mounting, and fits a wide variety of applications, both indoor and outdoor. All 12VDC and 24VDC tape require remotely positioned power supplies (see page 154). This design and layout guide can assist you in:

- Determining proper placement and installation
- Matching length of run to power supply needed
- Maximum run on a single power source

## CLASS 2

The NEC defines a Class 2 circuit as that portion of the wiring system between the load side of a Class 2 power source and the connected equipment. Due to its power limitations, a Class 2 circuit is considered safe and provides acceptable protection from electrical shock. Look for the Class 2 logo on GM Lighting products that conform to this standard.

## MAXIMUM RUN POWER LAYOUT



### 12VDC MAXIMUM RUN CHART

Product	See Page No.	Watts / Ft.	Reel Lengths	Maximum Single Run*
12VDC LTR STANDARD OUTPUT	22	1.52W	16'-4" (5M), 98'-6" (30M)	32'-8"
12VDC LTR HIGH OUTPUT	24	2.2W	16'-4" (5M), 98'-6" (30M)	16'-4"
12VDC LTR WET LOCATION STANDARD OUTPUT (NOT COLORS)	28	1.52W	39" (1M), 16'-4" (5M)	32'-8"
12VDC LTR WET LOCATION HIGH OUTPUT	30	2.2W	39" (1M), 16'-4" (5M)	16'-4"
12VDC LTRSV SIDE VIEW STANDARD OUTPUT	32	1.46W	16'-4" (5M)	32'-8"
12VDC TWIST-TASK™ 90+ CRI HIGH OUTPUT	34	2.2W	17' (5.18M)	17'
12VDC RGB COLOR CHANGING (DRY OR WET)	68	2.2W	39" (1M), 16'-4" (5M)	16'-4"

\* Maximum single run defines the maximum length of tape that can be powered on a given lead. Longer runs can be achieved by using multiple power leads.



# TYPICAL APPLICATIONS



## ENTRYWAY / STUDIO

- 1** Bookshelf illumination: LED tape concealed under shelves adds dimmable illumination.
- 2** Toe-kick: Create a floating effect by mounting LED tape under cabinet edge above floor line.
- 3** Stairway: Using GM Lighting's Stair Extrusion, illuminating steps is easy to achieve.
- 4** Soffits and Coves: Illuminating ceiling planes by mounting LED tape in soffits achieves ambient room light and a less confined feeling.

## LIVING ROOM

- 1** Grand ceiling illumination: Concealed LED tape creates an architectural floating ceiling effect.
- 2** Under bar: LED tape creates a soft glow by mounting close to bar edge, underneath bar.
- 3** Entertainment center: Strategically mounted LED tape behind monitor adds drama and dimensionality. RGB adds a 'theatre experience'.
- 4** Undercabinet: Either high CRI LED tape or GM Lightbars illuminate books, curios, photographs, and objects 'd art with excellent color rendition.



## 24VDC MAXIMUM RUN CHART

Product	See Page No.	Watts / Ft.	Reel Lengths	Maximum Single Run*
24VDC GMEXT EXTENDED RUN DRY LOCATION	42	1.5W	60' (18.28M), 120' (36.58M)	60'
24VDC GMEXT EXTENDED RUN WET LOCATION	44	1.5W	CUSTOM	60'
24VDC GM100 SERIES	48	1.44W	98'-6" (30M)	32'-8"
24VDC GM300 SERIES	48	1.44W	16'-4" (5M)	32'-8"
24VDC LTR30024 SERIES	50	2.2W	39" (1M), 16'-4" (5M)	22'
24VDC LTR120024-HO DRY / WET LOCATION SERIES	52-54	5.9W	39" (1M), 16'-4" (5M)	16'-4"
24VDC LTR30024-90 SERIES	56	4.75W	16'-4" (5M)	16'-4"
24VDC HDT STANDARD OUTPUT SERIES	58	2.5W	16'-4" (5M), 100' (30.4M)	16'-4"
24VDC HDT HIGH OUTPUT SERIES	58	5.8W	16'-4" (5M)	16'-4"
24VDC TUNABLE WHITE SERIES	60	6W	16'-4" (5M)	16'-4"
24VDC 94CRI STANDARD, HIGH AND SUPER HIGH SERIES	62	2.2W, 4.4W, 7W	16'-4" (5M), 98'-6" (30M), 13' (4M)	32' (STD), 16' (H), 13' (SH)

\* Maximum single run defines the maximum length of tape that can be powered on a given lead. Longer runs can be achieved by using multiple power leads.

# LED LINEAR TAPE / CONNECTOR COMPATIBILITY CHART

TAPE		CONNECTOR OPTIONS			
Tape	Pages	Soldered Leads	Sure-Tite Connector	EZ Connector	LTC - LTW Connectors
12VDC LTR300- /60 Dry Location Standard and High Output	22 - 25	YES	STC-1 STC-90 STLK-60 STW-60 STW-CO	LTC-EZ-1 - 60 LTW-EZ-6 - 60	LTC1 - 60 LTW24 - 60
12VDC LTR60WP- /300WP Wet Location Standard Output	28 - 31	NO	NO	NO	LTCWP-12 - 60 LTW-60-WP (39" Reel to reel connection only)
12VDC LTRSV 'SIDEVIEW' Dry Location Standard Output	32	YES	STC-1 STC-90 STLK-60 STW-60 STW-CO	LTC-EZ-1 - 60 LTW-EZ-6 - 60	LTC1 - 60 LTW24 - 60
12VDC TWR300 'TWIST-TASK™' Dry Location Standard Output	34	YES	ESTC-1 ESTC-90 ESTLK-60 ESTW-60	NO	NO
24VDC GM-EXT LONG RUN Dry Location	42	YES	ESTC-1 ESTC-90 ESTLK-60 ESTW-60	NO	NO
24VDC GM-EXT LONG RUN Wet Location Custom Lengths Only	44	NO	N/A Custom Length Only	N/A Custom Length Only	N/A Custom Length Only
24VDC GM100-24 / 300-24 Dry Location Standard and High Output	48 - 51	YES	STC-1 STC-90 STLK-60 STW-60 STW-CO	LTC-EZ-1 - 60 LTW-EZ-6 - 60	LTC1 - 60 LTW24 - 60
24VDC SUPER HIGH OUTPUT Dry Location	52	YES	DSTC-1 DLTLK-60 DSTW-60	NO	NO
24VDC SUPER HIGH OUTPUT Wet Location	54	NO	NO	NO	LTCWP-12 - 60 LTW-60-WP (39" Reel to reel connection only)

TAPE		CONNECTOR OPTIONS			
Tape	Pages	Soldered Leads	Sure-Tite Connector	EZ Connector	LTC - LTW Connectors
24VDC 90+ CRI HIGH OUTPUT Dry Location	56	YES	STC-1 STC-90 STLK-60 STW-60 STW-CO	NO	NO
24VDC HIGH DENSITY Dry Location Standard and High Output	58	YES	ESTC-1 ESTC-90 ESTLK-60 ESTW-60	NO	NO
24VDC TUNABLE WHITE Dry Location	60	YES	CTK 3-WIRE CONNECTORS ONLY SEE PAGE 60		
24VDC LEDTENSITY™ 94CRI Dry Location Standard, High and Super High Output	62	YES	ESTC-1 ESTC-90 ESTLK-60 ESTW-60	NO	NO
12VDC RGB Dry Location	68	YES	NO	RTR-EZ-1-60 RPS-EZ-24-72	RTR Connectors
12VDC RGB Wet Location	68	NO	NO	RTRWP-12 - 60 RPS24 - 72 WP	NO
24VDC RGBW Dry Location	72	YES	NO	RGBW-RTR-EZ RGBW-RPS-EZ	NO
24VDC RGBW Wet Location	72	NO	N/A Custom Length Only	N/A Custom Length Only	N/A Custom Length Only





Lighting Designer  
Amber Hatcher used SLCB  
Lightbars to illuminate the  
roof line of the cupolas in this  
application.



12VDC ALUMINUM HIGH OUTPUT  
WET LOCATION LED LIGHTBAR  
PAGE 86



# 12VDC / 24VDC / 120V Lightbars



12VDC RIGID HIGH OUTPUT  
LED LINEAR LIGHTBAR  
PAGE 87



24VDC SLIMEDGE™  
MODULAR LIGHTBAR  
SHOWN WITH OPTIONAL  
POWER MODULE  
PAGE 88

24VDC LARC6  
MODULAR ADJUSTABLE LIGHTBAR  
PAGE 90

120V SLCB  
LINEAR LED LIGHTBAR  
PAGE 92



# LTAB-N 12VDC ALUMINUM HIGH OUTPUT WET LOCATION LED LIGHTBAR

**12 VOLT**

**JWET LOCATION**

**CLASS 2**

**5 Yr. WARRANTY**

**ETL Intertek**



AVAILABLE COLOR TEMPERATURES

## PRODUCT DESCRIPTION

Ideal for outdoor wet bar and commercial kitchen applications. GM Lighting's LTAB-N Series provides high output energy efficient LED lighting in an enclosed sealed aluminum housing. Suitable for installations from -12°F to 120°F. Approved for indoor and outdoor use.

Power supplies are available - see page 154

Dimensioned drawings - see page 96

## KEY FEATURES

- Rated at 2W (8"), 4W (16") and 6W (24")
- 2700K, 3500K, 5500K
- 120° viewing angle
- Dimmable - Class 2
- Mounts with 3M VHB™ double stick tape
- Flexible lightbar to lightbar and lightbar to power supply connectors available (see below)
- Available in 8", 16" and 24" nominal lengths (see ordering information for actual length)
- ETL listed
- 5 year warranty

## ORDERING INFORMATION

Catalog No.	Length	Wattage	Lumens	Color Temp.*	Finish
LTAB-N-8-27	7-3/4" / 197mm	2W / bar	101 / bar	2700K	Brushed Aluminum
LTAB-N-16-27	15-1/4" / 387mm	4W / bar	203 / bar	2700K	Brushed Aluminum
LTAB-N-24-27	23-5/8" / 600mm	6W / bar	304 / bar	2700K	Brushed Aluminum
LTAB-N-8	7-3/4" / 197mm	2W / bar	101 / bar	3500K	Brushed Aluminum
LTAB-N-16	15-1/4" / 387mm	4W / bar	203 / bar	3500K	Brushed Aluminum
LTAB-N-24	23-5/8" / 600mm	6W / bar	304 / bar	3500K	Brushed Aluminum
LTAB-N-8-PW	7-3/4" / 197mm	2W / bar	101 / bar	5500K	Brushed Aluminum
LTAB-N-16-PW	15-1/4" / 387mm	4W / bar	203 / bar	5500K	Brushed Aluminum
LTAB-N-24-PW	23-5/8" / 600mm	6W / bar	304 / bar	5500K	Brushed Aluminum

This lightbar includes attached 3M double stick mounting tape, (2) plastic mounting clips, (4) stainless steel screws, (1) male plug to seal end of run and 2-way double stick tape for concealing connectors to mounting surface. (1) 24" lightbar to power supply connector (LTW-24-WP) included.

## PRODUCT NOTES:

\* Kelvin temperature (color) ±100K.

Installation instructions and spec sheet available for download.

View this product and photometrics on [www.gmlighting.net](http://www.gmlighting.net)

## CONNECTORS AND ACCESSORIES

Catalog No.	Description
LTCWP-12	12" flexible lightbar to lightbar connector
LTCWP-24	24" flexible lightbar to lightbar connector
LTCWP-36	36" flexible lightbar to lightbar connector
LTCWP-60	60" flexible lightbar to lightbar connector
LTW-24-WP	24" flexible lightbar to power supply connector
LTW-48-WP	48" flexible lightbar to power supply connector
LTW-60-WP	60" flexible lightbar to power supply connector
LTAB-N-SB	(Pair) of swivel brackets with stainless steel screws
GMSB-W (B)	Splice box - White or Black - 2"L x 1"W x 5/8"D



# LTB 12VDC RIGID HIGH OUTPUT LED LIGHTBAR



**12 VOLT**

**DRY LOCATION**

**CLASS 2**

**5 Yr. WARRANTY**

## PRODUCT DESCRIPTION

High output LED lighting for superior lumen performance for a wide variety of lighting applications. GM Lighting's LTB Rigid High Output LED Linear Lightbar Series provides a warm 3500K light source that is easily configurable by utilizing GM Lighting's flexible lightbar to lightbar connectors (below). The LTB Series fixtures are extremely easy to mount with the attached 3M double stick padded mounting tape on the back of each lightbar.

Power supplies are available - see page 154

Dimensioned drawings - see page 96

## KEY FEATURES

- Rated at 2W (8") and 4W (16")
- 3500K
- 120° viewing angle
- Dimmable
- Class 2
- Mounts with 3M VHB™ double stick tape
- Flexible lightbar to lightbar and lightbar to power supply connectors available (see below)
- Available in 8" and 16" nominal lengths (see ordering information for actual length)
- ETL listed
- 5 year warranty

## ORDERING INFORMATION

Catalog No.	Length	Wattage	Lumens	Color Temp.*	Finish
LTB-8	7-3/4" / 197mm	2W / bar	132 / bar	3500K	White
LTB-16	15-1/4" / 387mm	4W / bar	264 / bar	3500K	White

**This lightbar includes attached 3M double stick mounting tape and (1) lightbar to lightbar power supply connector.**

## CONNECTORS AND ACCESSORIES

Catalog No.	Description
LTBC-3	3" flexible lightbar to lightbar connector
LTBC-12	12" flexible lightbar to lightbar connector
LTBC-24	24" flexible lightbar to lightbar connector
LTBC-36	36" flexible lightbar to lightbar connector
LTBC-60	60" flexible lightbar to lightbar connector
LTBPC-6	6" flexible lightbar to power supply connector
LTBPC-24	24" flexible lightbar to power supply connector
LTBPC-48	48" flexible lightbar to power supply connector
LTBPC-60	60" flexible lightbar to power supply connector
LTMC	(Pair) mounting clips with 4 screws
GMSB-W (B)	Splice box - White or Black - 2"L x 1"W x 5/8"D

### PRODUCT NOTES:

\* Kelvin temperature (color)  $\pm 100K$ .  
 Installation instructions and spec sheet available for download.  
 View this product and photometrics on [www.gmlighting.net](http://www.gmlighting.net)

# SLIMEDGE™ 24VDC MODULAR LIGHTBAR

**24 VOLT**

**DRY LOCATION**

**90+ CRI**

**CLASS 2**

**5 Yr WARRANTY**

**ETL Intertek**

SlimEdge in White with EDGE-TD-W Power Switch Module



AVAILABLE COLOR TEMPERATURES

## PRODUCT DESCRIPTION

Slim Edge™ is a 24VDC architectural LED linear thin lightbar that is the next evolution in undercabinet lighting. Using high-tech Edgelite technology - Slim Edge creates an even luminance while producing a gentle, soft light. 90+ CRI optics that present no diode imaging on polished surfaces. Available in 8", 16", 24" or 32" in white or bronze. Utilizing the wide array of connectors, Slim Edge can be configured to adapt to virtually any application.

Power supplies are available - see page 154

Dimensioned drawings - see page 96

## KEY FEATURES

- Rated at 3W (8"), 6W (16"), 10W (24") and 13W (32")
- 2700K and 3000K
- Edgelit technology
- Dimmable (see special dimming note, next page)
- Class 2
- Mounting clips and screws included
- Units join securely together with modular connectors (see next page)
- Available in 8", 16", 24" and 32" lengths
- 5 year warranty

**Diode-Free  
EDGELIT  
Technology!**

## ORDERING INFORMATION

Catalog No.	Length	Wattage	Lumens	Color Temp.*	Finish
EDGE-8-27-W	8" / 203mm	3W / bar	150 / bar	2700K	White
EDGE-16-27-W	16" / 406mm	6W / bar	325 / bar	2700K	White
EDGE-24-27-W	24" / 610mm	10W / bar	550 / bar	2700K	White
EDGE-32-27-W	32" / 1100mm	13W / bar	750 / bar	2700K	White
EDGE-8-27-BZ	8" / 203mm	3W / bar	150 / bar	2700K	Bronze
EDGE-16-27-BZ	16" / 406mm	6W / bar	325 / bar	2700K	Bronze
EDGE-24-27-BZ	24" / 610mm	10W / bar	550 / bar	2700K	Bronze
EDGE-32-27-BZ	32" / 1100mm	13W / bar	750 / bar	2700K	Bronze
EDGE-8-30-W	8" / 203mm	3W / bar	150 / bar	3000K	White
EDGE-16-30-W	16" / 406mm	6W / bar	325 / bar	3000K	White
EDGE-24-30-W	24" / 610mm	10W / bar	550 / bar	3000K	White
EDGE-32-30-W	32" / 1100mm	13W / bar	750 / bar	3000K	White
EDGE-8-30-BZ	8" / 203mm	3W / bar	150 / bar	3000K	Bronze
EDGE-16-30-BZ	16" / 406mm	6W / bar	325 / bar	3000K	Bronze
EDGE-24-30-BZ	24" / 610mm	10W / bar	550 / bar	3000K	Bronze
EDGE-32-30-BZ	32" / 1100mm	13W / bar	750 / bar	3000K	Bronze

Includes (2) mounting clips with screws, (1) lightbar to power supply connector (GMC-PS-24) and (1) rigid bar to bar connector (EDGE-BB-1) included with each lightbar. NOTE: White bar is supplied with white connectors. Bronze bar is supplied with black connectors.

## PRODUCT NOTES:

\* Kelvin temperature (color) ±100K. Installation instructions and spec sheet available for download. View this product and photometrics on [www.gmlighting.net](http://www.gmlighting.net)

# SLIMEDGE™ 24VDC MODULAR LIGHTBAR CONNECTORS AND ACCESSORIES

SlimEdge in Bronze



See typical SlimEdge undercabinet layouts on Page 93

## CONNECTORS AND ACCESSORIES (Available in white or black)

Catalog No.	Description
DPSW-4-W(B)	4" port splitter - White or Black
DPSW-8-W(B)	8" port splitter - White or Black
EDGE-BB-1-B	SlimEdge to SlimEdge bar to bar connector - Black
EDGE-BB-1-W	SlimEdge to SlimEdge bar to bar connector - White
EDGE-90-B	SlimEdge to SlimEdge 90° connector - Black
EDGE-90-W	SlimEdge to SlimEdge 90° connector - White
EDGE-IC-B	SlimEdge to SlimEdge inside corner connector - Black
EDGE-IC-W	SlimEdge to SlimEdge inside corner connector - White
EDGE-TD-B	SlimEdge touch dimmer - Black
EDGE-TD-W	SlimEdge touch dimmer - White
EDGE-MS-B	SlimEdge mechanical switch - on/off - Black
EDGE-MS-W	SlimEdge mechanical switch - on/off - White
GMC-MF-24-W(B)	24" male to female cable connector - White or Black
GMC-MF-39-W(B)	39" male to female cable connector - White or Black
GMC-MF-60-W(B)	60" male to female cable connector - White or Black
GMC-MM-3-W(B)	3" male to male cable connector - White or Black
GMC-MM-6-W(B)	6" male to male cable connector - White or Black
GMC-MM-12-W(B)	12" male to male cable connector - White or Black
GMC-MM-24-W(B)	24" male to male cable connector - White or Black
GMC-MM-39-W(B)	39" male to male cable connector - White or Black
GMC-MM-60-W(B)	60" male to male cable connector - White or Black
GMC-FF-3-W(B)	3" female to female connector - White or Black
GMC-PS-3-W(B)	3" lightbar to power supply connector - White or Black
GMC-PS-24-W(B)	24" lightbar to power supply connector - White or Black
GMC-PS-48-W(B)	48" lightbar to power supply connector - White or Black
GMC-PS-60-W(B)	60" lightbar to power supply connector - White or Black



EDGE-90-W



EDGE-TD-W



EDGE-BB-1-W



EDGE-IC-W



EDGE-MS-W



GMC-MM-6-W



# LARC6 24VDC MODULAR ADJUSTABLE LIGHTBAR

**24 VOLT**



**80+ CRI**

**CLASS 2**

**5 Yr. WARRANTY**



AVAILABLE COLOR TEMPERATURES



## PRODUCT DESCRIPTION

LARC6 24VDC Architectural LED Linear Lightbar is an 8", 16", 24" or 32" white, rigid and unobtrusive (only 3/8" thickness) dimmable LED Lightbar. LARC6 can be interconnected in series from one 24VDC power source. Designed for undercabinet, commercial, architectural and task applications.

Power supplies are available - see page 154

Dimensioned drawings - see page 96

## KEY FEATURES

- Rated at 3W (8"), 7W (16"), 10W (24") and 13W (32")
- 3000K
- Dimmable
- Class 2
- Mounting clips and screws included
- Units join securely together with modular connectors (see below)
- Available in 8", 16", 24" and 32" lengths
- 5 year warranty

## ORDERING INFORMATION

Catalog No.	Length	Wattage	Lumens	Color Temp*	Finish
LARC6-8-WW-W	8" / 203mm	3W / bar	200 / bar	3000K	White
LARC6-16-WW-W	16" / 406mm	7W / bar	450 / bar	3000K	White
LARC6-24-WW-W	24" / 610 mm	10W / bar	720 / bar	3000K	White
LARC6-32-WW-W	32" / 1100mm	13W / bar	1100 / bar	3000K	White

Includes (2) mounting clips with screws, (1) lightbar to power supply connector (GMC-PS-24-W) and (1) rigid bar to bar connector (LARC6-BB-1-W) included with each lightbar.

## CONNECTORS AND ACCESSORIES (Available in white or black)

Catalog No.	Description
DPSW-4-W(B)	4" port splitter - White or Black
DPSW-8-W(B)	8" port splitter - White or Black
GMC-MF-24-W(B)	24" male to female cable connector - White or Black
GMC-MF-39-W(B)	39" male to female cable connector - White or Black
GMC-MF-60-W(B)	60" male to female cable connector - White or Black
GMC-MM-3-W(B)	3" male to male cable connector - White or Black
GMC-MM-6-W(B)	6" male to male cable connector - White or Black
GMC-MM-12-W(B)	12" male to male cable connector - White or Black
GMC-MM-24-W(B)	24" male to male cable connector - White or Black
GMC-MM-39-W(B)	39" male to male cable connector - White or Black
GMC-MM-60-W(B)	60" male to male cable connector - White or Black
GMC-FF-3-W(B)	3" female to female connector - White or Black
GMC-PS-3-W(B)	3" lightbar to power supply connector - White or Black
GMC-PS-24-W(B)	24" lightbar to power supply connector - White or Black
GMC-PS-48-W(B)	48" lightbar to power supply connector - White or Black
GMC-PS-60-W(B)	60" lightbar to power supply connector - White or Black

Catalog No.	Description
LARC6-TD-W	Rigid inline touch dimmer - white
LARC6-MS-W	Inline master power switch - white
LARC6-OS-W	Inline occupancy sensor - white
GMSB-W (B)	Splice box White or Black - 2"L x 1"W x 5/8"D

### PRODUCT NOTES:

\* Kelvin temperature (color) ±100K.

Installation instructions and spec sheet available for download.

View this product on [www.gmlighting.net](http://www.gmlighting.net)



# SLCB 120V LINEAR LED LIGHTBAR

SLCB shown with conveniently located on/off switch

## AVAILABLE COLOR TEMPERATURES



**120 VOLT**

**DRY LOCATION**

**PLUG & PLAY**

**5 Yr. WARRANTY**

**CSA US**

### PRODUCT DESCRIPTION

An Energy Star compliant fully encapsulated driver-less 120V architectural LED linear lightbar available in 9", 18", 24", 36" or 48" lengths. Rigid and unobtrusive (only 1-3/16" thick), this dimmable LED lightbar utilizes a dense array of strategically placed LEDs. Frosted lens assures an even glow over the length of the fixture.

Dimensioned drawings - see page 96

### KEY FEATURES

- Rated at 4W (9"), 7W (18"), 9W (24"), 13W (36") and 17W (48")
- 2700K, 3000K and 4000K
- 120° viewing angle
- Dimmable
- Units join securely together with flexible lightbar to lightbar connectors (see next page)
- Maximum run on a given lead is 50'
- Available in 9", 18", 24", 36" and 48" lengths
- Energy Star listed
- 5 year warranty



### ORDERING INFORMATION

Catalog No.	Length	Wattage	Lumens	CRI	Color Temp*
SLCB-9-27-WH	9" / 229mm	4W / bar	183 / bar	90+	2700K
SLCB-18-27-WH	18" / 457mm	7W / bar	366 / bar	90+	2700K
SLCB-24-27-WH	24" / 610mm	9W / bar	489 / bar	90+	2700K
SLCB-36-27-WH	36" / 914mm	13W / bar	732 / bar	90+	2700K
SLCB-48-27-WH	48" / 1219mm	17W / bar	975 / bar	90+	2700K
SLCB-9-30-WH	9" / 229mm	4W / bar	200 / bar	90+	3000K
SLCB-18-30-WH	18" / 457mm	7W / bar	402 / bar	90+	3000K
SLCB-24-30-WH	24" / 610mm	9W / bar	536 / bar	90+	3000K
SLCB-36-30-WH	36" / 914mm	13W / bar	803 / bar	90+	3000K
SLCB-48-30-WH	48" / 1219mm	17W / bar	1071 / bar	90+	3000K
SLCB-9-40-WH	9" / 229mm	4W / bar	217 / bar	90+	4000K
SLCB-18-40-WH	18" / 457mm	7W / bar	434 / bar	90+	4000K
SLCB-24-40-WH	24" / 610mm	9W / bar	579 / bar	90+	4000K
SLCB-36-40-WH	36" / 914mm	13W / bar	867 / bar	90+	4000K
SLCB-48-40-WH	48" / 1219mm	17W / bar	1156 / bar	90+	4000K

Fixture comes with (2) mounting clips and (2) screws for surface mounting, (2) mounting clips and (2) screws for 45° mounting, and (1) SLD-1 lightbar to lightbar connector. Fixture must be used with SLD-1 or SLJ connectors. All accessories sold separately.

#### PRODUCT NOTES:

\* Kelvin temperature (color) ±100K.

Installation instructions and spec sheet available for download.

View this product on [www.gmlighting.net](http://www.gmlighting.net)

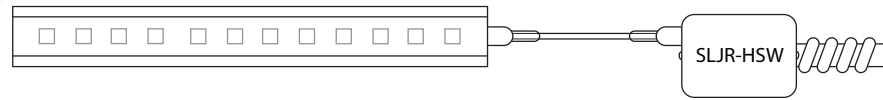


# SLCB CONNECTORS AND MODULAR ACCESSORIES



SLJR-HSW "QUICK BOX" JUNCTION BOX

- 120V
- Terminal block connectors
- Designed for undercabinet mounting
- Multiple knock-outs
- On/off rocker switch
- Use with SLD-1, SLJ series or EZ Series connectors



## SLJR-HSW QUICK BOX

SLJR-HSW

120V junction box for undercabinet or other shallow mountings. Multiple knock-outs. On/off switch. 2-3/4"L x 2-1/16"W x 1-1/4"H (see image above)

## CONNECTORS AND ACCESSORIES

Catalog No.	Description
SLD-HW-72	72" flexible lightbar to power hardwire connector
SLD-C6	6' cord and plug
SLD-1	Lightbar to lightbar connector
SLJ-6	6" flexible lightbar to lightbar connector
SLJ-12	12" flexible lightbar to lightbar connector
SLJ-24	24" flexible lightbar to lightbar connector
SLJ-36	36" flexible lightbar to lightbar connector



SLD-HW-72



SLJ SERIES CONNECTOR



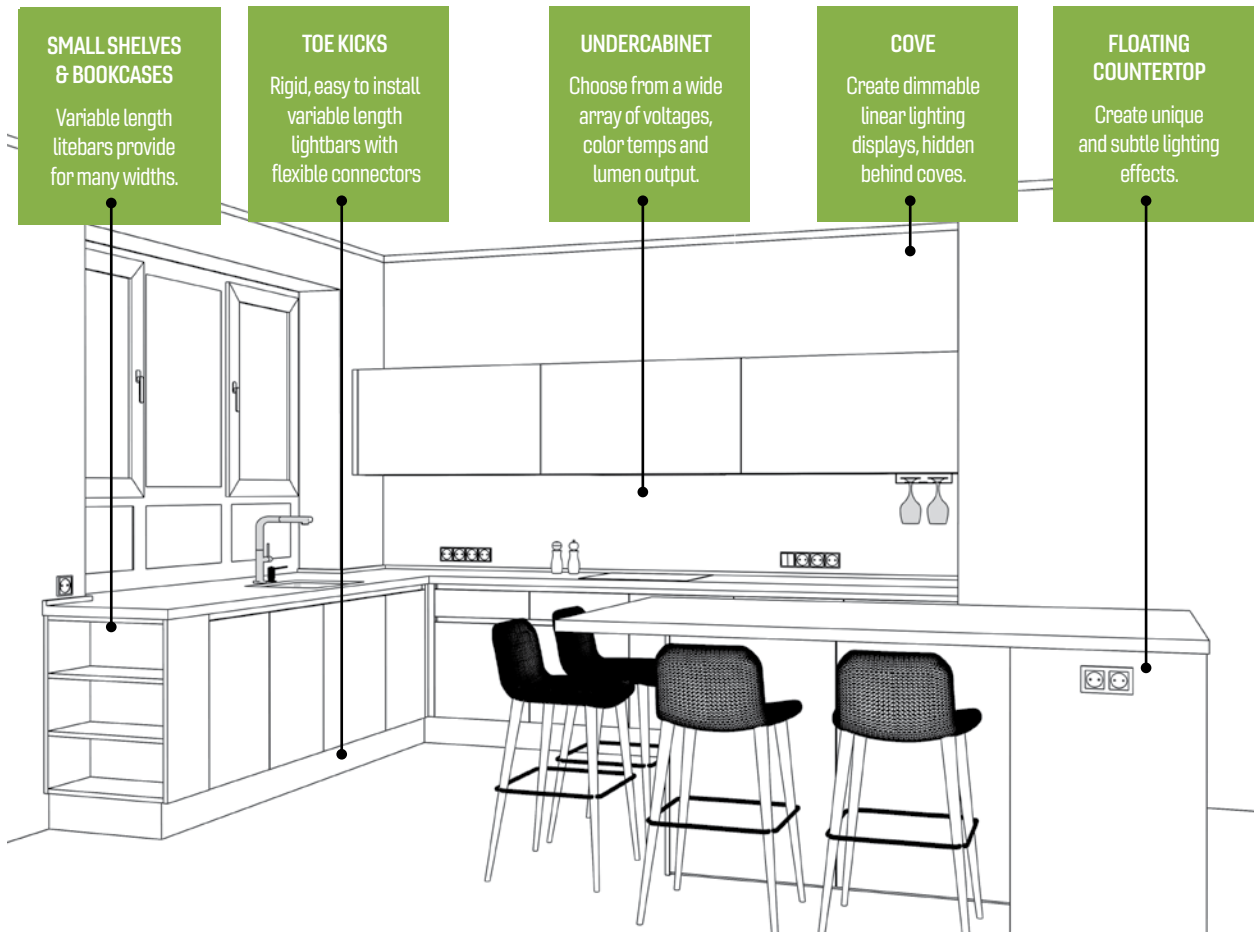
SLD-C6

# TYPICAL LIGHTBAR APPLICATIONS

## NOT JUST AN UNDERCABINET FIXTURE

GM Lighting LED lightbars are an innovative and flexible light source that spans multiple voltages, color temps., wattages, lengths and configurations. Whether you go for long 120V runs from our SLCB, or introduce modular individually switched fixtures with SlimEdge or LARC6, there is a GM Lighting lightbar that will fit the unique challenges of any application.

## KITCHEN



## COMMERCIAL

### CASE IN POINT

Lighting designer **Amber Hatcher** illuminated the three rooftop cupolas using GM Lighting's SLCB 120V lightbars. As a well respected member of the lighting community, Amber's use of GM Lighting products is nothing short of spectacular!

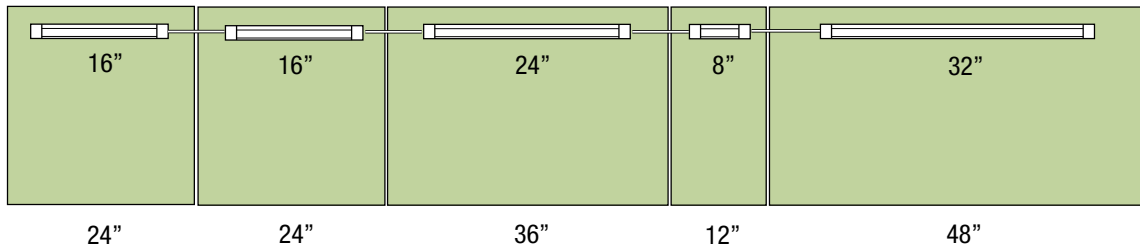
Check out Amber's work at:  
[www.amberslighting.com](http://www.amberslighting.com)



# SLIMEDGE™ TYPICAL CABINET LAYOUT

## CABINET LAYOUT ONE - 144" CABINET CONFIGURATION

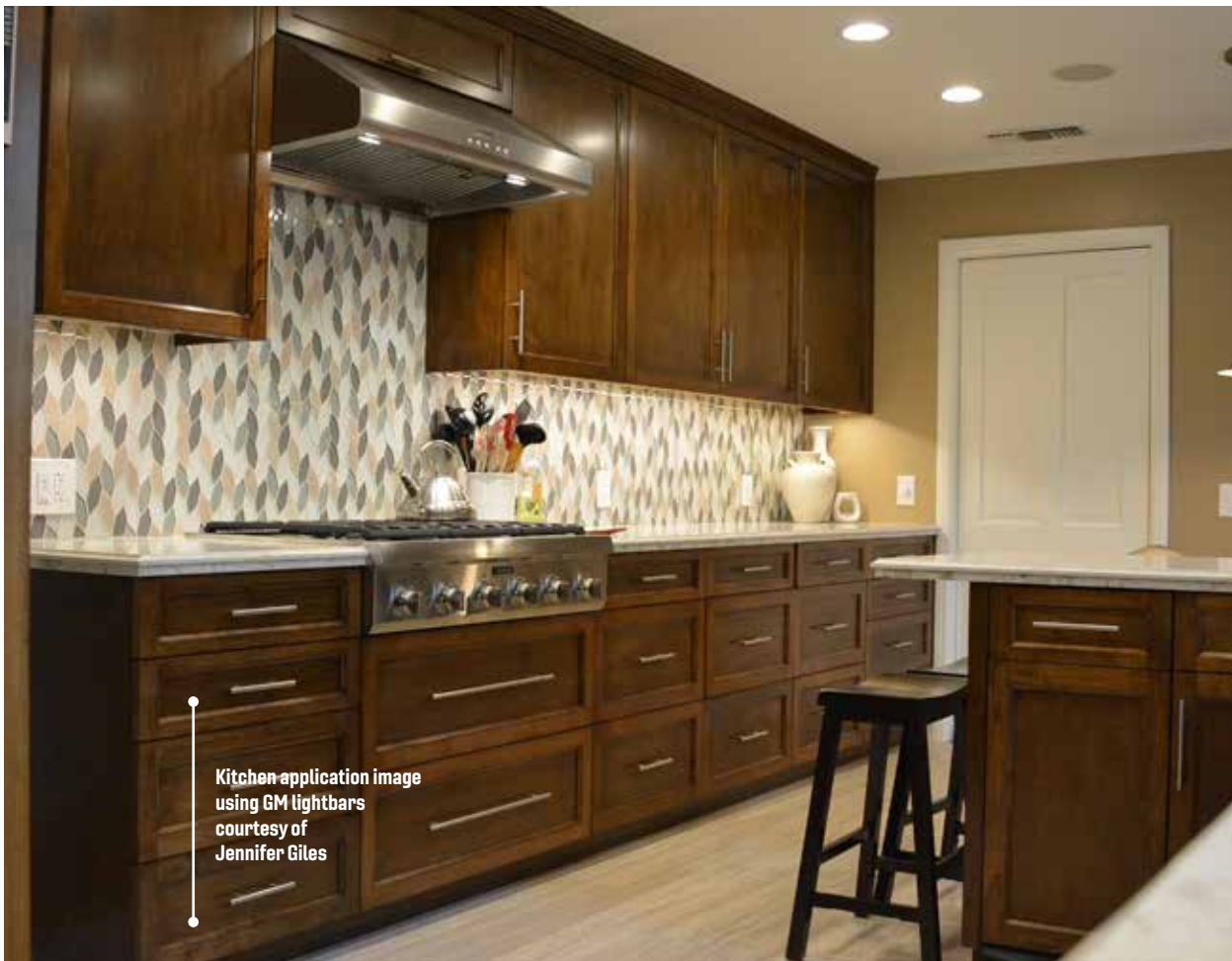
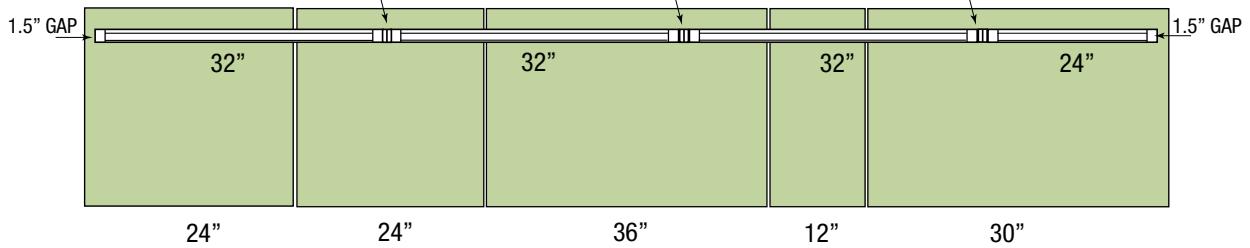
SLIM EDGE™ FIXTURES LINKED WITH GMC-MM-12 CONNECTORS



## CABINET LAYOUT TWO - 126" CABINET CONFIGURATION

3 EDGE-BB-1 CONNECTORS  
(FIXTURE TO FIXTURE)

SLIM EDGE™ FIXTURES LINKED WITH EDGE-BB-1 CONNECTORS



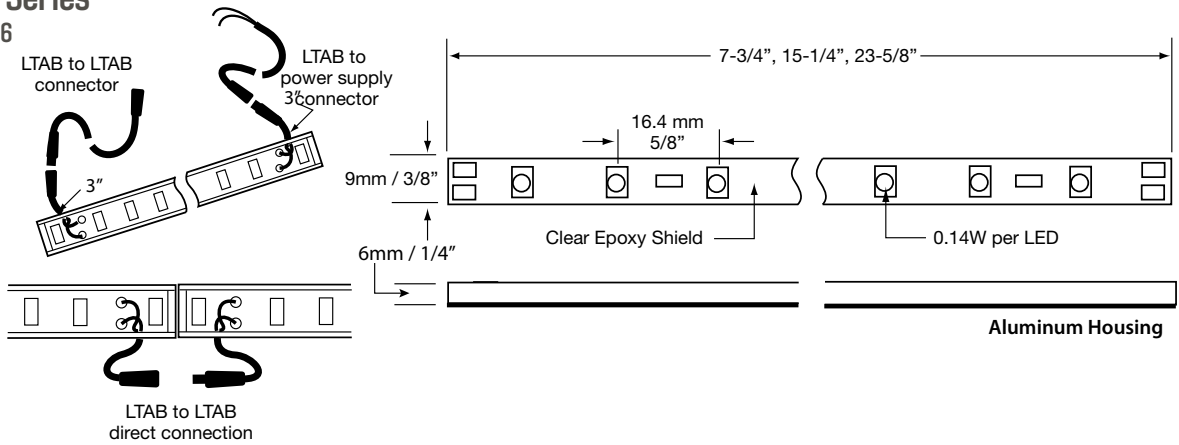
Kitchen application image  
using GM lightbars  
courtesy of  
Jennifer Giles



# LIGHTBAR FIXTURE DIAGRAMS

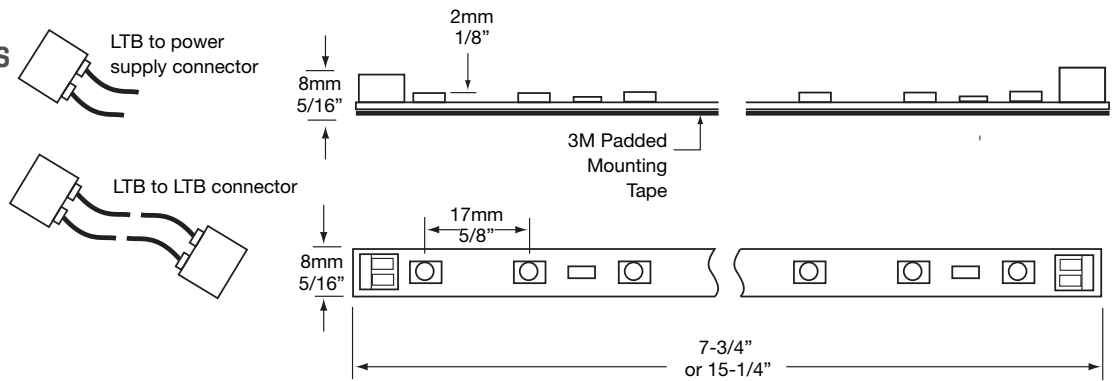
## LTAB Series

Page 86



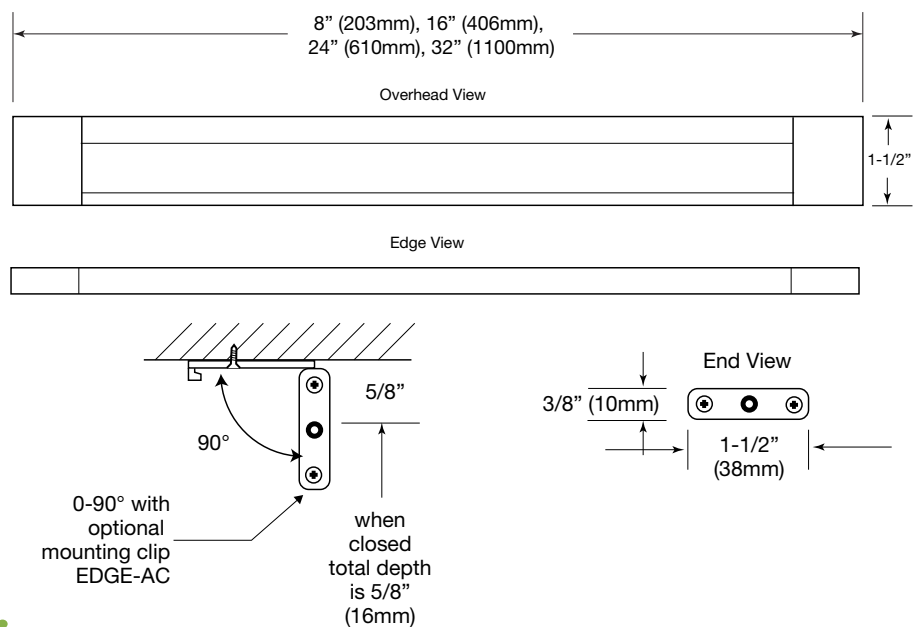
## LTB Series

Page 87



## SLIMEDGE™ Series

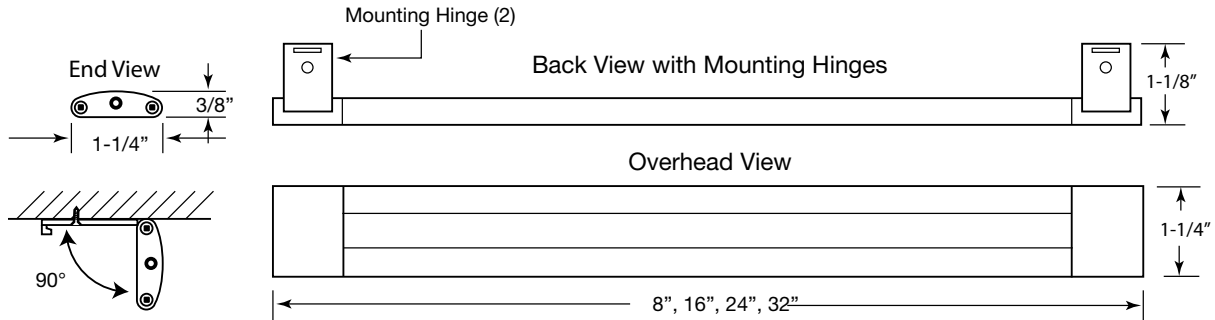
Page 88



# LIGHTBAR FIXTURE DIAGRAMS

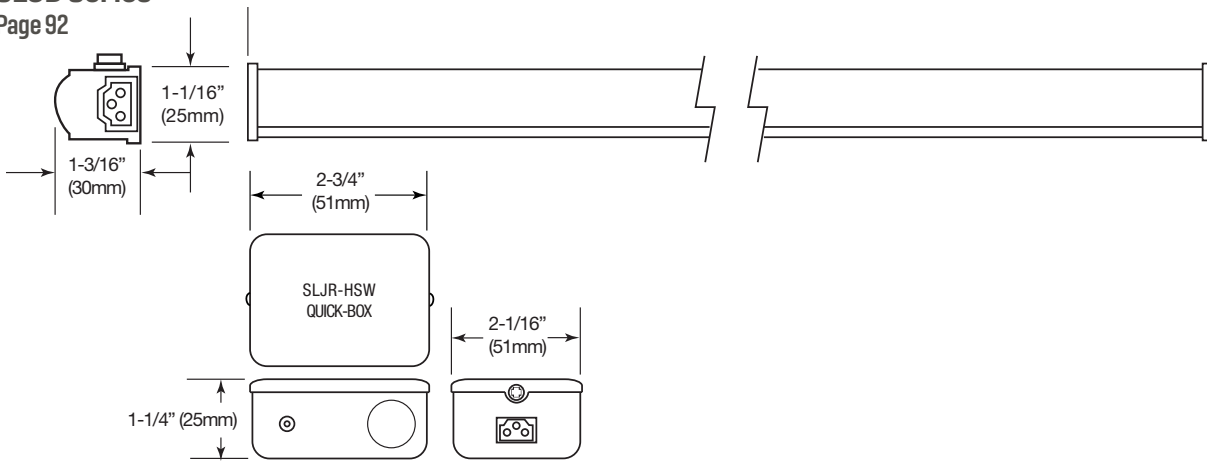
## LARC6 Series

Page 90



## SLCB Series

Page 92



## LIGHTBAR COMPARATIVE ANALYSIS

LightBar Series	Voltage	Wattage	Lengths (Actual)	Mounting Depth	CRI	Lumens per Bar	Color Temps*
<b>LTAB SERIES</b>	12VDC	3W/ft.	7-3/4", 15-1/4", 23-5/8"	1/4"	80	8" - 101 16" - 203 24" - 304	2700K, 3500K 5500K
<b>LTB SERIES</b>	12VDC	3W/ft.	7-3/4", 15-1/4"	5-16"	80	8" - 132 16" - 264	3500K
<b>SLIMEDGE SERIES</b>	24VDC	4W/ft.	8", 16", 24" 32"	5/8"	90+	8" - 150 16" - 325 24" - 550 32" - 750	2700K, 3000K
<b>LARC6 SERIES</b>	24VDC	4W/ft.	8", 16", 24", 32"	3/8"	80+	8" - 200 16" - 450 24" - 720 32" - 1100	3000K
<b>SLCB SERIES</b>	120V	5.5W/ft. (approx.)	9", 18", 24", 36", 48"	1-3/16"	90+	Depends on color temp and length. See page 92	2700K, 3000K, 4000K

Specifications are subject to change without notice. Please refer to website ([www.gmlighting.net](http://www.gmlighting.net)) for the latest specification info







## Undercabinet Lighting



**TUNABLETASK™ 120V  
ADJUSTABLE KELVIN  
PAGE 100**



**LINETASK™ 120V  
MODULAR  
PAGE 102**



**LUMENTASK™ 120V LED  
PAGE 104**



**LUMENTASK™ 120V XENON  
PAGE 105**

# TUNABLETASK™ 120V ADJUSTABLE KELVIN UNDERCABINET LIGHTING

**120 VOLT**

**DAMP LOCATION**

**90+ CRI**

**27K 30K 40K**

**5 Yr. WARRANTY**

**ETL Intertek**



16" TunableTask in White

## PRODUCT DESCRIPTION

Able to achieve color temps. of 2700K, 3000K and 4000K in a single fixture, this dimmable, adjustable Kelvin undercabinet fixture features excellent color rendering in a powder coated aluminum housing with polycarbonate lens. Low profile and easy to mount in 8", 16", 24" and 32" lengths.

Dimensioned drawings - see page 108

## KEY FEATURES

- Under 1" mounting depth
- Screw slots for easy wiring access
- Rated at 6W (8"), 10W (16"), 14W (24") and 16W (32")
- Switchable between 2700K, 3000K and 4000K
- Supplied with Wago® Connectors for easy connection
- Includes captive mounting screws
- Powder coat aluminum housing
- Dimmable (Triac)
- 90+ CRI
- Units join securely together with connectors (see next page)
- Available in 8", 16", 24" and 32" lengths
- Energy Star listed



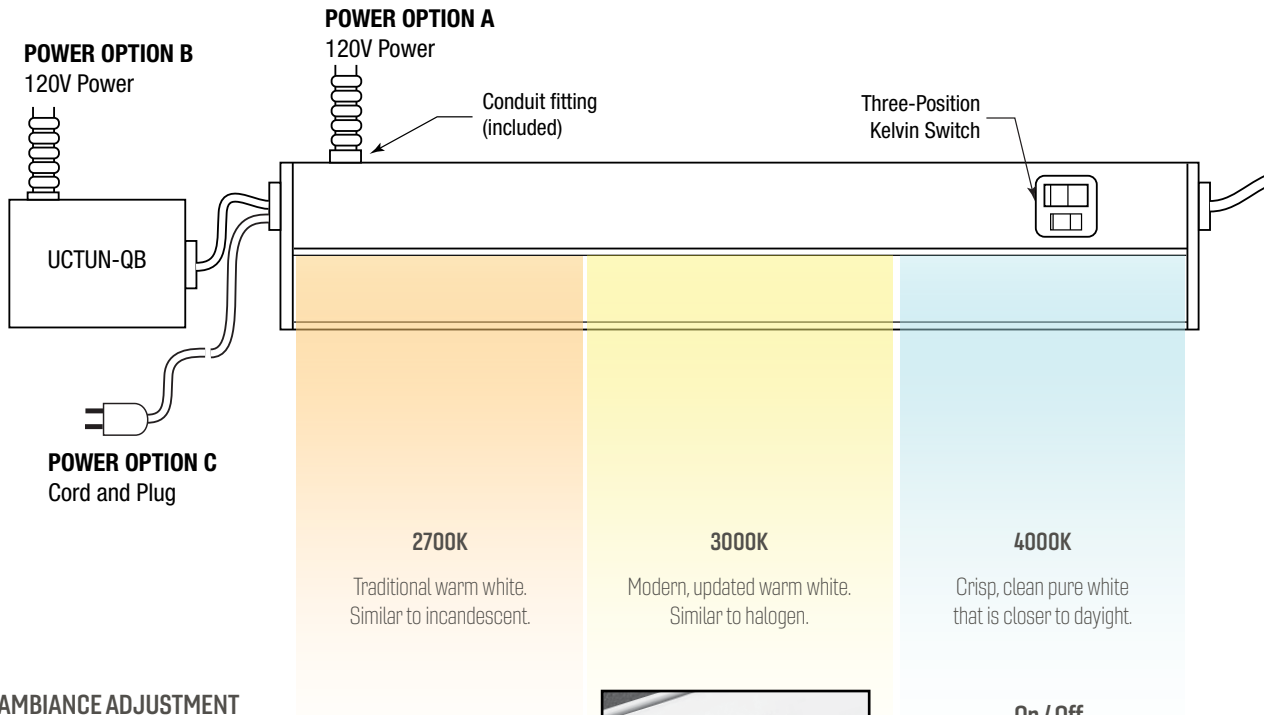
## ORDERING INFORMATION

Catalog No.	Length	Wattage	Lumens	CRI	Finish
UCTUN-8-WH	8" / 203mm	6W	400	90+	White
UCTUN-8-BZ	8" / 203mm	6W	400	90+	Bronze
UCTUN-16-WH	16" / 406mm	10W	850	90+	White
UCTUN-16-BZ	16" / 406mm	10W	850	90+	Bronze
UCTUN-24-WH	24" / 610mm	14W	1000	90+	White
UCTUN-24-BZ	24" / 610mm	14W	1000	90+	Bronze
UCTUN-32-WH	32" / 1100mm	16W	1150	90+	White
UCTUN-32-BZ	32" / 1100mm	16W	1150	90+	Bronze

Each fixture comes with (1) UCTUN-EZ-1 connector

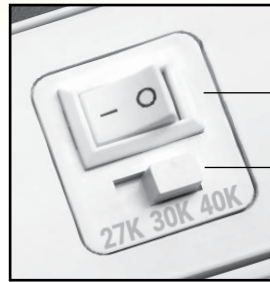
**PRODUCT NOTES:**  
 \* Kelvin temperature (color) ±100K.  
 Installation instructions and spec sheet available for download.  
 View this product on [www.gmlighting.net](http://www.gmlighting.net)

# COLOR TEMP GUIDE AND CONNECTORS



## AMBIANCE ADJUSTMENT

Tunable white lighting has become one of the most popular trends in lighting design. In residential kitchen lighting, tunable white undercabinet lighting enables a variety of color renditions that effect ambiance and mood.



On / Off

Three Position Kelvin Temp. Switch  
2700K, 3000K, 4000K

## CONNECTORS

Catalog No.	Description
<b>UCTUN-CP6-WH (B)</b>	Plug-in 5' power cord - white or black (BL)
<b>UCTUN-EZ-1-WH</b>	Fixture to fixture connector - white
<b>UCTUN-EZ-6-WH (B)</b>	6" Flexible fixture to fixture connector - white or black (BL)
<b>UCTUN-EZ-12-WH (B)</b>	12" Flexible fixture to fixture connector - white or black (BL)
<b>UCTUN-QB-WH (B)</b>	Quick-Box wiring junction box with EZ connectors and knock-outs - white or black (BL)



**UCTUN-QB-WH**  
120V AC Quick Box wiring junction with EZ connector, knock-outs and on-off switch.



# LINETASK™ 120V MODULAR UNDERCABINET LIGHTING

**120 VOLT**

**DAMP LOCATION**

**90+ CRI**

**5 Yr. WARRANTY**

**PLUG AND PLAY**

**ETL Intertek**



LineTask 16" White Undercabinet Fixture

LineTask achieves continuous runs that span multiple cabinets, including turning corners

## PRODUCT DESCRIPTION

LineTask is what would result if you got a lighting designer and electrical contractor in the same room, and asked them to come up with the perfect under cabinet light - one with superior optics and high CRI for excellent color rendition, in a variety of Kelvin temperatures.

Fixture dimensions: Page 108

## KEY FEATURES

- Low profile - under 1/2" mounting depth
- Rated at 6W (8"), 10W (16"), 15W (24") and 18W (32")
- 2700K and 3000K
- No diode imaging
- Dimmable (see next page)
- 90+ CRI
- Units join securely together with connectors (see next page)
- Available in 8", 16", 24" and 32" lengths
- 5 year warranty

## ORDERING INFORMATION

Catalog No.	Length	Wattage	Lumens	CRI	Color Temp*	Finish
UCSB-8-27-WH	8" / 203mm	6W	370	90+	2700K	White
UCSB-8-27-BZ	8" / 203mm	6W	370	90+	2700K	Bronze
UCSB-8-30-WH	8" / 203mm	6W	420	90+	3000K	White
UCSB-8-30-BZ	8" / 203mm	6W	420	90+	3000K	Bronze
UCSB-16-27-WH	16" / 406mm	10W	650	90+	2700K	White
UCSB-16-27-BZ	16" / 406mm	10W	650	90+	2700K	Bronze
UCSB-16-30-WH	16" / 406mm	10W	700	90+	3000K	White
UCSB-16-30-BZ	16" / 406mm	10W	700	90+	3000K	Bronze
UCSB-24-27-WH	24" / 610mm	15W	1050	90+	2700K	White
UCSB-24-27-BZ	24" / 610mm	15W	1050	90+	2700K	Bronze
UCSB-24-30-WH	24" / 610mm	15W	1100	90+	3000K	White
UCSB-24-30-BZ	24" / 610mm	15W	1100	90+	3000K	Bronze
UCSB-32-27-WH	32" / 813mm	18W	1250	90+	2700K	White
UCSB-32-27-BZ	32" / 813mm	18W	1250	90+	2700K	Bronze
UCSB-32-30-WH	32" / 813mm	18W	1300	90+	3000K	White
UCSB-32-30-BZ	32" / 813mm	18W	1300	90+	3000K	Bronze

Each fixture comes with mounting hardware and UCSB-BB-1 connector

### PRODUCT NOTES:

\* Kelvin temperature (color) ±100K.  
Installation instructions and spec sheet available for download.

View this product on [www.gmlighting.net](http://www.gmlighting.net)

# COLOR TEMP GUIDE, DIMMER COMPATIBILITY AND CONNECTORS

## AVAILABLE COLOR TEMPERATURES



## DIMMER COMPATIBILITY LIST

Dimmer Brand	Model No.
COOPER	T106P-C1
LEVITON	SURE SLIDE NA6631
LEVITON	SURE SLIDE NO: 6672
LEVITON	TRIMATRON: NO: 6683

Dimmer Brand	Model No.
LUTRON	CT-103PR-WH
LUTRON	CT-600PR
LUTRON	CTCL-153PDH
LUTRON	DV-600PR-WH
LUTRON	DVWCL-153PH-WH
LUTRON	LG-600
LUTRON	MACL-153M
LUTRON	S-600PR-WH
LUTRON	SCL-153P
LUTRON	TGCL-153PH-WH

## CONNECTORS (WHITE OR BLACK)

Catalog No.	Description
UCSB-BB-1-WH(B)	Rigid LineTask to LineTask connector - white or black
UCSB-BB-3-WH(B)	3" LineTask to LineTask connector - white or black
UCSB-BB-6-WH(B)	6" LineTask to LineTask connector - white or black
UCSB-BB-12-WH(B)	12" LineTask to LineTask connector - white or black
UCSB-BB-24-WH(B)	24" LineTask to LineTask connector - white or black
UCSB-BB-36-WH(B)	36" LineTask to LineTask connector - white or black
UCSB-BB-48-WH(B)	48" LineTask to LineTask connector - white or black
UCSB-BB-60-WH(B)	60" LineTask to LineTask connector - white or black
UCSB-PS-60-HW	60" LineTask to power supply hardwire connector
UCSB-PS-60-WH(B)	60" LineTask cord and plug connector - white or black
UCSB-QB-WH(B)	Quick Box - white or black
UCSB-QB-HW	Hardwire Quick Box

# LUMENTASK™ 120V LED UNDERCABINET / TASK LIGHTING

**120 VOLT**

**DRY LOCATION**

**90+ CRI**

**5 Yr. WARRANTY**

**ETL Intertek**



## PRODUCT DESCRIPTION

The industry standard for LED undercabinet lighting. GM Lighting's LumenTask™ LED undercabinet fixtures has proven itself over many years of use in residential and commercial kitchens, offering an attractive and low maintenance, high 90+ CRI performance, and dimmable fixture.

Fixture dimensions: Page 108

## KEY FEATURES

- Rated at 7W (8"), 11W (16"), 19W (24") and 23W (32")
- 3000K
- New polycarbonate lens for better durability and diode-free lighting
- Dimmable with standard dimmers
- 90+ CRI
- End caps feature standard / Wiremold™ combo
- Units join securely together with connectors (see page 106)
- Available in 8", 16", 24" and 32" lengths
- Energy Star listed
- 5 year warranty

## ORDERING INFORMATION

Catalog No.	Length	Wattage	Lumens	CRI	Color Temp*	Finish
UCLED-8-WH-DIM-30	8" / 203mm	7W	382	90+	3000K	White
UCLED-8-BZ-DIM-30	8" / 203mm	7W	382	90+	3000K	Bronze
UCLED-8-SS-DIM-30	8" / 203mm	7W	382	90+	3000K	Stainless Steel
UCLED-16-WH-DIM-30	16" / 406mm	11W	625	90+	3000K	White
UCLED-16-BZ-DIM-30	16" / 406mm	11W	625	90+	3000K	Bronze
UCLED-16-SS-DIM-30	16" / 406mm	11W	625	90+	3000K	Stainless Steel
UCLED-24-WH-DIM-30	24" / 610mm	19W	1002	90+	3000K	White
UCLED-24-BZ-DIM-30	24" / 610mm	19W	1002	90+	3000K	Bronze
UCLED-24-SS-DIM-30	24" / 610mm	19W	1002	90+	3000K	Stainless Steel
UCLED-32-WH-DIM-30	32" / 1016mm	23W	1166	90+	3000K	White
UCLED-32-BZ-DIM-30	32" / 1016mm	23W	1166	90+	3000K	Bronze
UCLED-32-SS-DIM-30	32" / 1016mm	23W	1166	90+	3000K	Stainless Steel

### PRODUCT NOTES:

\* Kelvin temperature (color) ±100K.  
Installation instructions and spec sheet available for download.  
View this product on [www.gmlighting.net](http://www.gmlighting.net)



# LUMENTASK™ 120V XENON UNDERCABINET / TASK LIGHTING



120  
VOLT

DRY  
LOCATION

1 Yr.  
WARRANTY

UL  
C US

## PRODUCT DESCRIPTION

120V Xenon offers rich color and clarity with high intensity, low maintenance Xenon lighting in 4 lengths and 3 finishes. LumenTask undercabinet lighting incorporates a sleek, clean and unobtrusive housing that was designed by contractors for contractors. Xenon has a brilliant history in the medical and automotive field where efficiency is key.

Fixture dimensions: Page 108

## KEY FEATURES

- Rated at 35W per Xenon lamp
- 2900K
- Removable glass lens slides in and out for easy maintenance
- Dimmable
- End caps feature standard / Wiremold™ combo
- Units join securely together with connectors (see page 106)
- Available in 8", 16", 24" and 32" lengths
- 5 year warranty

## ORDERING INFORMATION

Catalog No.	Length	Wattage	Lamp	Color Temp*	Finish
X8-120-WH	8" / 203mm	35W / bar	120V G9 Xenon	2900K	White
X8-120-BZ	8" / 203mm	35W / bar	120V G9 Xenon	2900K	Bronze
X8-120-SS	8" / 203mm	35W / bar	120V G9 Xenon	2900K	Stainless Steel
X16-120-WH	16" / 406mm	2 X 35W / bar	120V G9 Xenon	2900K	White
X16-120-BZ	16" / 406mm	2 X 35W / bar	120V G9 Xenon	2900K	Bronze
X16-120-SS	16" / 406mm	2 X 35W / bar	120V G9 Xenon	2900K	Stainless Steel
X24-120-WH	24" / 610mm	3 X 35W / bar	120V G9 Xenon	2900K	White
X24-120-BZ	24" / 610mm	3 X 35W / bar	120V G9 Xenon	2900K	Bronze
X24-120-SS	24" / 610mm	3 X 35W / bar	120V G9 Xenon	2900K	Stainless Steel
X32-120-WH	32" / 1016mm	4 X 35W / bar	120V G9 Xenon	2900K	White
X32-120-BZ	32" / 1016mm	4 X 35W / bar	120V G9 Xenon	2900K	Bronze
X32-120-SS	32" / 1016mm	4 X 35W / bar	120V G9 Xenon	2900K	Stainless Steel

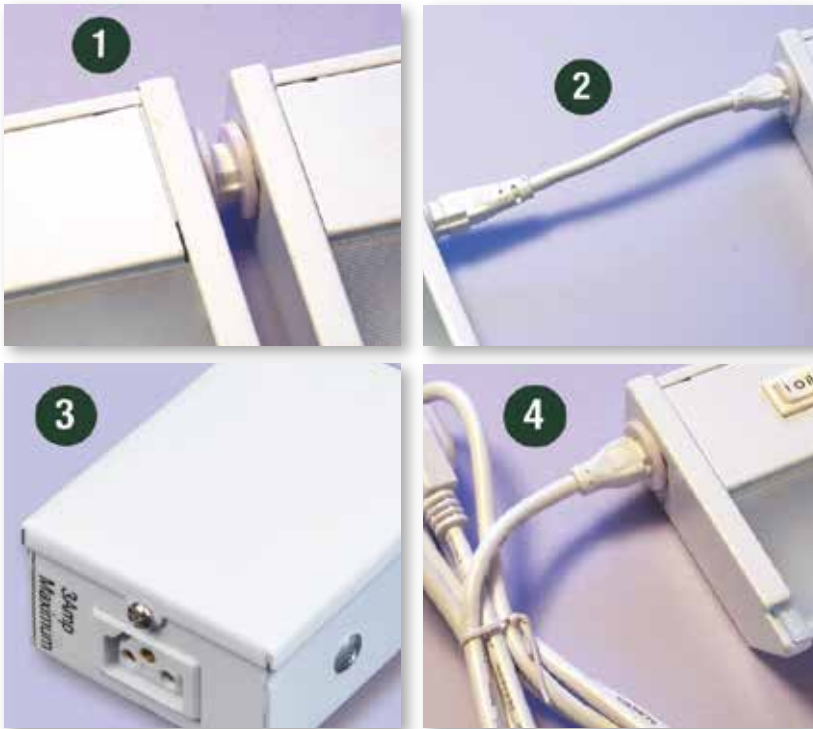
### PRODUCT NOTES:

\* Kelvin temperature (color) ±100K.

Installation instructions and spec sheet available for download.

View this product on [www.gmlighting.net](http://www.gmlighting.net)

# LUMENTASK™ ACCESSORIES AND FEATURES



## KEY TO CONNECTOR IMAGES

1. EZ-1 connects two Lumentask™ fixtures in series.

2. EZ Connectors connects two Lumentask™ fixtures with a flexible cord:

EZ-3 (3" connector)  
EZ-6 (6" connector)  
EZ-12 (12" connector)

3. SLJR-HSW Quick-Box.  
2-3/4" L x 2-1/16" H x 1-1/4" W

4. CP-6 72" cord and plug.

NOTE: EZ Connectors, SLJR-HSW and CP-6 are available in white only.

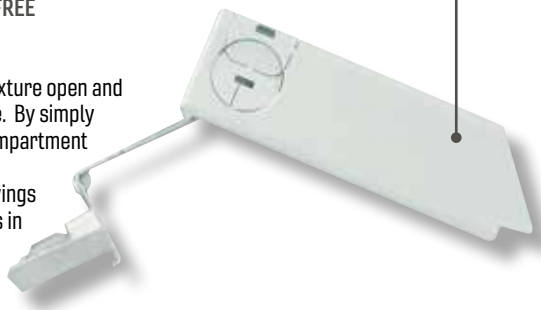
Accessing the interior of Lumentask™ without removing the fixture is easy. See Open Wide feature at bottom left.

Catalog No.	Description
EZ-1	Connects 2 Lumentask fixtures directly together
EZ-3	3" flexible Lumentask fixture to fixture connector
EZ-6	6" flexible Lumentask fixture to fixture connector
EZ-12	12" flexible Lumentask fixture to fixture connector
SLJR-HSW	Quick-Box junction box for hardwire installation Must be used with EZ Connector - See page 00
CP-6	72" cord and plug with modular connector
G9-120VCL	35W Xenon replacement lamp - G9 base
GL8	8" replacement lens
GL16	16" replacement lens
GL24	24" replacement lens
GL32	32" replacement lens



## 'OPEN WIDE' HANDS-FREE MAINTENANCE

Open Wide keeps the fixture open and your hands free to wire. By simply pressing the wiring compartment holding tab, the wiring compartment cover swings down and out and stays in position until you're ready to snap it back in its closed position and slide the lens back in place.



# LUMENTASK™ 120V LED / XENON SPECIFICATIONS

One piece, low profile (1-3/8" height), 18 gauge CRS housing with diecast ends for stability

Open Wide wiring compartment

Anodized aluminum mirrored reflector

Frosted glass lens that slides in for easy installation. See LED version for new polycarbonate lens.

Hi-Low-Off switch enables full or 50% lighting level. Dimmable with standard dimmer.

GM Lighting's LumenTask fixtures feature a powder coat finish in a designer gloss white or bronze finish. Our stainless steel fixtures are manufactured from high grade stainless steel

Mounting hole with pre-set screws for easy alignment and installation

Multiple vents for cool operation. Must be 2" away from vertical surfaces

Die cast end caps

Multiple knock-outs on back and end caps. Wire Mold™ knock-outs on end caps only. Look for optional connectors for multiple unit connection on page 104



G9-120VCL lamp

MODEL	LENGTH	WIDTH	HEIGHT	KNOCK-OUTS
X8	8"	4-3/4"	1-3/8"	4 x 1/2"
X16	16"			6 x 1/2"
X24	24"			8 x 1/2"
X32	32"			10 x 1/2"

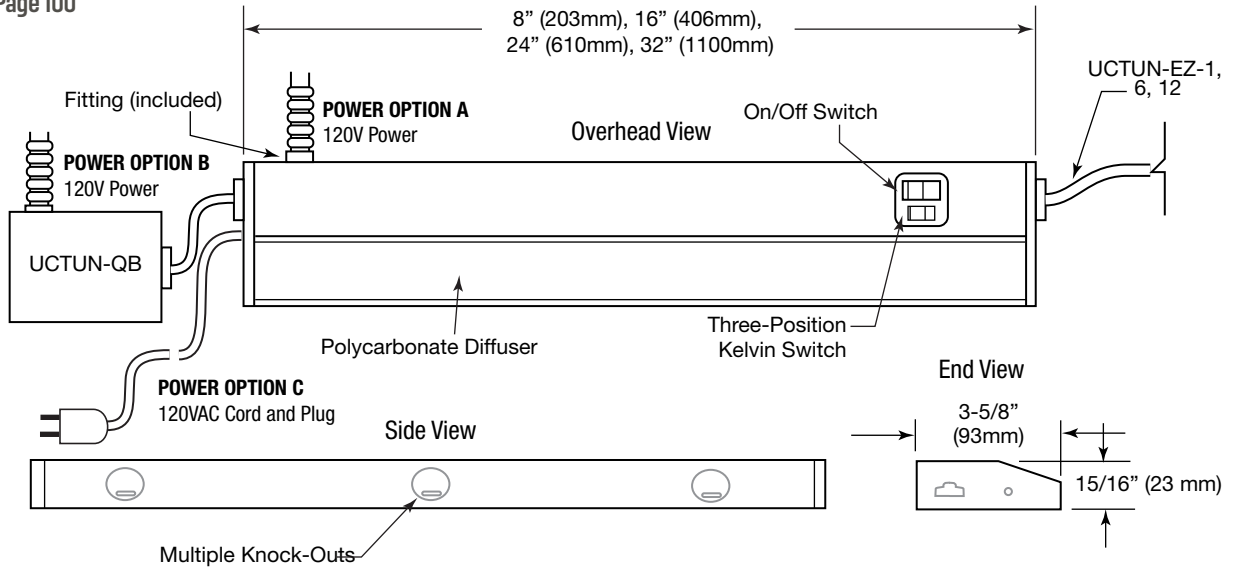
REPLACEMENT LAMP	
G9-120VCL	120V 35W Xenon Replacement Lamp for 120V Lumentask G9 base. Clear.

120V XENON LAMP PERFORMANCE DATA	
LAMP LIFE	3,000 HRS.
KELVIN TEMP.	2900K

# UNDERCABINET FIXTURE DIAGRAMS

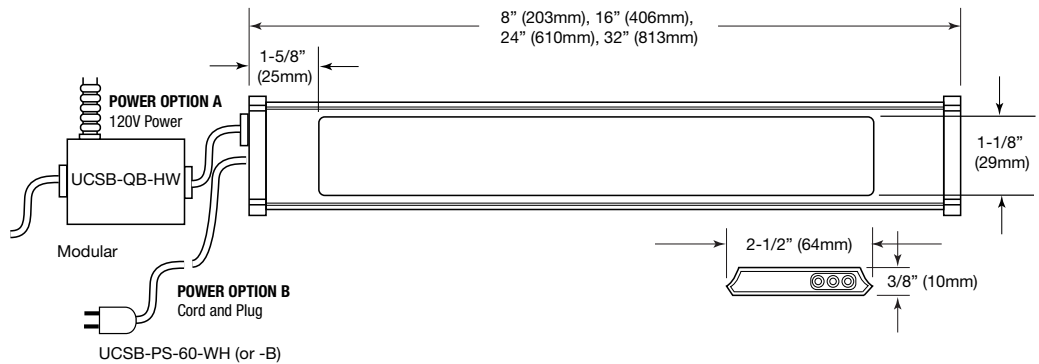
## TUNABLETASK™ Series

Page 100

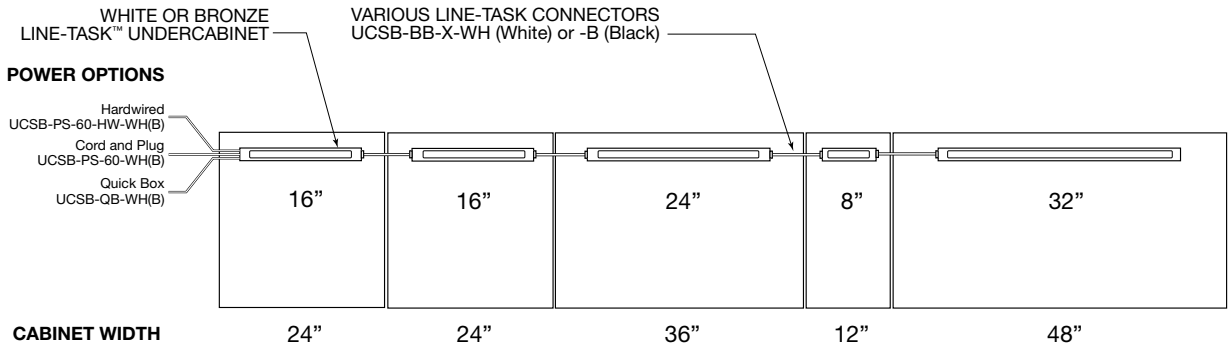


## LINETASK™ Series

Page 102



## LINETASK™ Typical Cabinet Layout

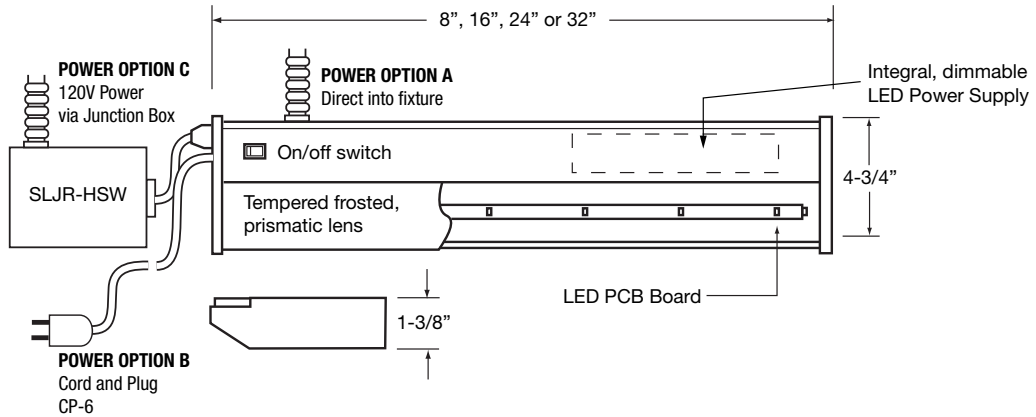




# UNDERCABINET FIXTURE DIAGRAMS

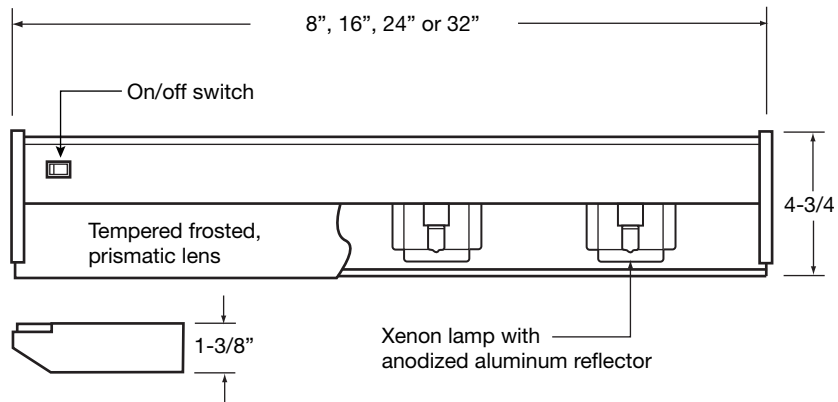
## LUMENTASK™ LED Series

Page 104



## LUMENTASK™ XENON Series

Page 105



## UNDERCABINET FIXTURE COMPARATIVE ANALYSIS

LightBar Series	Voltage	Wattage	Lengths (Actual)	Mounting Depth	CRI	Lumens per fixture	Color Temps*
TUNABLETASK	120V	8W/ft.	8", 16", 24", 32"	15/16"	90+	8" - 400 16" - 850 24" - 1000 32" - 1150	2700K, 3000K, 4000K
LINETASK	120V	9W/ft.	8", 16", 24", 32"	3/8"	90+	8" 27K - 370 / 30K - 420 16" 27K - 650 / 30K - 700 24" 27K - 1050 / 30K - 1100 32" 27K - 1250 / 30K - 1300	2700K, 3000K
LUMENTASK LED	120V	9W/ft.	8", 16", 24", 32"	1-3/8"	90+	8" - 382 16" - 625 24" - 1002 32" - 1166	3000K
LUMENTASK XENON	120V	35W/lamp	8", 16", 24", 32"	1-3/8"	80+	N/A	3000K

Specifications are subject to change without notice. Please refer to website ([www.gmlighting.net](http://www.gmlighting.net)) for the latest specification info









# Pucks



12VDC SURFACE / RECESS MOUNT  
LED SLIM PUCK  
PAGE 114



12VDC RECESS MOUNT  
LED SLIM PUCK MINI  
PAGE 115



12VDC 3W HIGH POWER  
LED PUCK  
PAGE 116

# 12VDC SURFACE / RECESS MOUNT LED SLIM PUCK

12  
VOLT



CLASS  
2

80+  
CRI

DIM

5 Yr.  
WARRANTY



## PRODUCT DESCRIPTION

Pucks have come a long way since we first introduced them to our customers over 10 years ago. Our 120V LED Slim Puck incorporates superior quality matched with the latest LED technology.

At a slim 1/4" depth, Slim Puck employs a unique trim that is captured to the recess or surface mounting, magnetically. At 2.2W, Slim Puck boasts up to 180 lumens in either 3000K or 4000K.

## RESOURCES

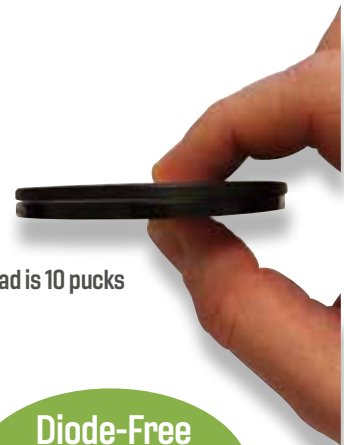
Fixture dimensions: Page 117

NOTE: Use this product with PSD Series power supplies, page 158.

## KEY FEATURES

- 12VDC operation
- 2700K, 3000K, 4000K
- Dimmable (ELV)\*
- Surface or recess mount
- Magnetic cover plates
- 48" leads
- Maximum run on a given lead is 10 pucks
- 5 year warranty

\* ELV low voltage (electric)



Diode-Free  
EDGELIT  
Technology!

## ORDERING INFORMATION

Catalog No.	Dimensions	Wattage	Lumens	Color Temp.*	CRI	Finish
SP-2-27-W	3" dia. x 1/4" depth	2.2W	165	2700K	80+	White
SP-2-27-BNK	3" dia. x 1/4" depth	2.2W	165	2700K	80+	Brushed Nickel
SP-2-27-B	3" dia. x 1/4" depth	2.2W	165	2700K	80+	Black
SP-2-27-BZ	3" dia. x 1/4" depth	2.2W	165	2700K	80+	Bronze
SP-2-30-W	3" dia. x 1/4" depth	2.2W	170	3000K	80+	White
SP-2-30-BNK	3" dia. x 1/4" depth	2.2W	170	3000K	80+	Brushed Nickel
SP-2-30-B	3" dia. x 1/4" depth	2.2W	170	3000K	80+	Black
SP-2-30-BZ	3" dia. x 1/4" depth	2.2W	170	3000K	80+	Bronze
SP-2-40-W	3" dia. x 1/4" depth	2.2W	180	4000K	80+	White
SP-2-40-BNK	3" dia. x 1/4" depth	2.2W	180	4000K	80+	Brushed Nickel
SP-2-40-B	3" dia. x 1/4" depth	2.2W	180	4000K	80+	Black
SP-2-40-BZ	3" dia. x 1/4" depth	2.2W	180	4000K	80+	Bronze

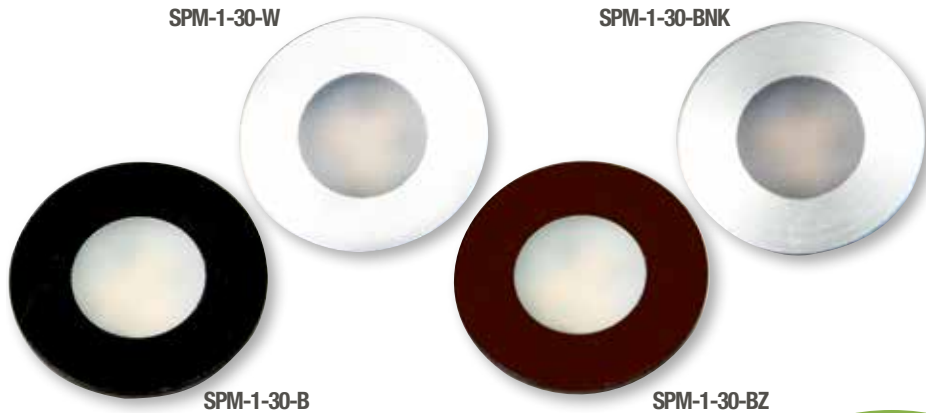
PRODUCT NOTES:

\* Kelvin temperature (color) ±100K.

Installation instructions and spec sheet available for download.

View this product on [www.gmlighting.net](http://www.gmlighting.net)

# 12VDC RECESS MOUNT LED SLIM PUCK MINI



## PRODUCT DESCRIPTION

Perfect for compact areas where superior lighting is key and mounting depth is limited, Slim Puck Mini is a spring loaded, easy to mount recess puck that delivers up to 95 lumens in either 3000K or 4000K.

- Desk / book shelf lighting
- Retail display
- Elevator
- Interior accent
- Mobile home and restricted space lighting

## RESOURCES

Fixture dimensions: Page 117

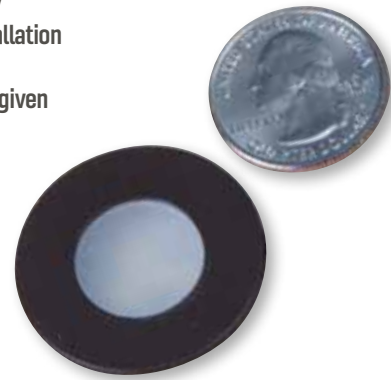
NOTE: Use this product with PSD Series power supplies, page 158.

## KEY FEATURES

- 12VDC operation
- 3000K, 4000K
- Dimmable (ELV)\*
- Recess Mount Only
- Spring loaded installation
- 48" leads
- Maximum run on a given lead is 20 pucks
- 5 year warranty

\*ELV low voltage (electric)

Diode-Free  
EDGELIT  
Technology!



**12 VOLT**

**DRY LOCATION**

**CLASS 2**

**80+ CRI**

**DIM**

**5 Yr. WARRANTY**

**ETL Intertek**

## ORDERING INFORMATION

Catalog No.	Dimensions	Wattage	Lumens	Color Temp.*	CRI	Finish
SPM-1-30-W	1-5/16" dia. x 9/16" depth	1.2W	90	3000K	80+	White
SPM-1-30-BNK	1-5/16" dia. x 9/16" depth	1.2W	90	3000K	80+	Brushed Nickel
SPM-1-30-B	1-5/16" dia. x 9/16" depth	1.2W	90	3000K	80+	Black
SPM-1-30-BZ	1-5/16" dia. x 9/16" depth	1.2W	90	3000K	80+	Bronze
SPM-1-40-W	1-5/16" dia. x 9/16" depth	1.2W	95	4000K	80+	White
SPM-1-40-BNK	1-5/16" dia. x 9/16" depth	1.2W	95	4000K	80+	Brushed Nickel
SPM-1-40-B	1-5/16" dia. x 9/16" depth	1.2W	95	4000K	80+	Black
SPM-1-40-BZ	1-5/16" dia. x 9/16" depth	1.2W	95	4000K	80+	Bronze

### PRODUCT NOTES:

\* Kelvin temperature (color) ±100K.

Installation instructions and spec sheet available for download.

View this product on [www.gmlighting.net](http://www.gmlighting.net)

# 12VDC 3W HIGH POWER LED ACCENT/TASK DIMMABLE PUCK LIGHTING

**12 VOLT**

**DRY LOCATION**

**CLASS 2**

**80+ CRI**

**DIM**

**5 Yr. WARRANTY**

**ETL Intertek**



### PRODUCT DESCRIPTION

A surface or recess mount 12VDC, 3W high power 3000K LED puck that is available in white, black, bronze or brushed nickel. The prismatic glass lens delivers even light distribution.

Use this product with magnetic power supplies, page 163.

Fixture dimensions on next page.

### KEY FEATURES

- 12VDC operation
- 3000K
- Dimmable with magnetic power supply
- 2-7/8" dia. x 1" depth
- 80+ CRI
- 48" leads
- Maximum run on a given lead is 5 pucks
- ETL
- 5 year warranty

### ORDERING INFORMATION

Catalog No.	Length	Wattage	Lumens	Color Temp.*	Finish
SDP-3-W		3W	110	3000K	White
SDP-3-B	Individual Puck with 48" Stripped Wire Leads.	3W	110	3000K	Black
SDP-3-BZ		3W	110	3000K	Bronze
SDP-3-BNK		3W	110	3000K	Brushed Nickel

### PRODUCT NOTES:

\* Kelvin temperature (color) ±100K.  
Installation instructions and spec sheet available for download.  
View this product on [www.gmlighting.net](http://www.gmlighting.net)

## 12VAC Electronic Remote Transformer

GM Lighting's electronic transformers feature economical operation in a light weight compact design.

### ORDERING INFORMATION

Catalog No.	Description	Wattage	Weight	Dimensions
LET60	12VAC - 20W-60W, Class 2	20W - 60W	3.0 oz.	2"L x 1.25"W x .75"D
LET75	12VAC - 20W-75W	20W - 75W	3.1 oz.	2.1"L x 1.4"W x .75"D
LET105	12VAC - 50W - 105W	50W - 105W	4.4 oz.	3.1"L x 1.33"W x 1"D
LET151	12VAC - 50W - 150W	50@ - 150W	6.8 oz.	3.4"L x 1.38"W x 1"D

**GM Lighting**

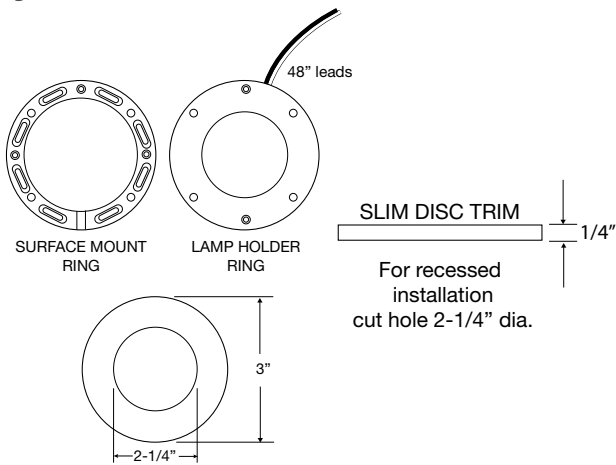
"Lighting Enhanced by Design"



# PUCK DIAGRAMS

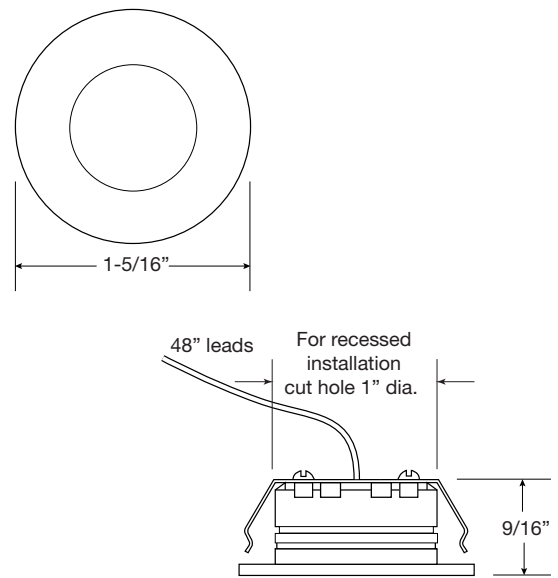
## 12VDC SP Series LED SLIM PUCK

Page 114



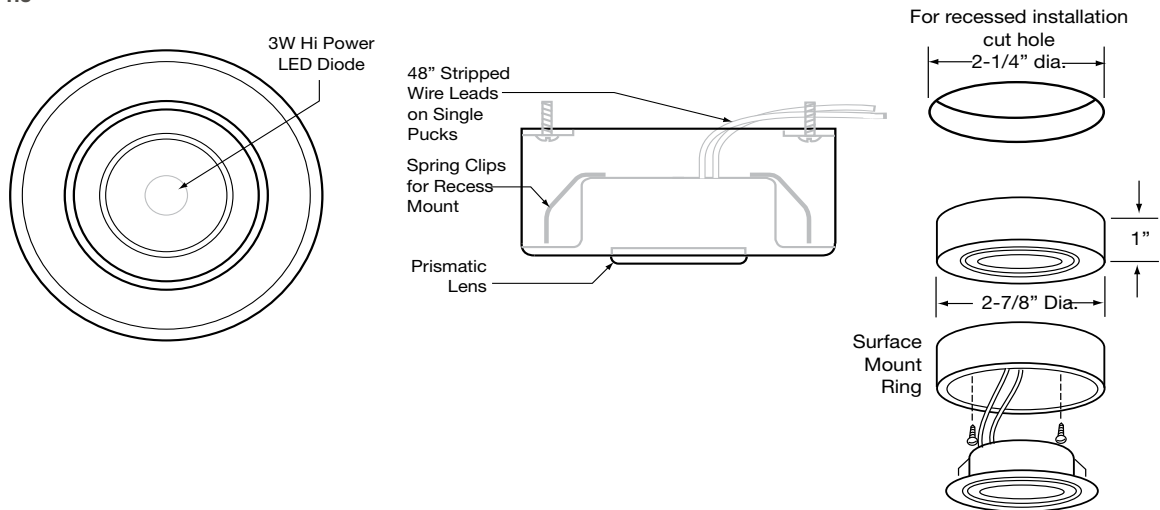
## LED SPM Series SLIM PUCK MINI

Page 115



## 12VDC SDP Series 3W HIGH POWER PUCK

Page 116



## PUCKS COMPARATIVE ANALYSIS

LightBar Series	Voltage	Wattage	Dimensions	Mounting Depth	CRI	Lumens	Color Temps*
<b>SLIM PUCK SERIES</b>	12VDC	2.2W	3" dia.	1/4"	80+	27K - 165 30K - 170 40K - 180	2700K, 3000K, 4000K
<b>SLIM PUCK MINI SERIES</b>	12VDC	1.2W	1-5/16" dia.	9/16"	80+	30K - 90 40K - 95	3000K, 4000K
<b>3W HIGH POWER PUCK SERIES</b>	12VDC	3W	2-7/8" dia.	1"	80+	110	3000K

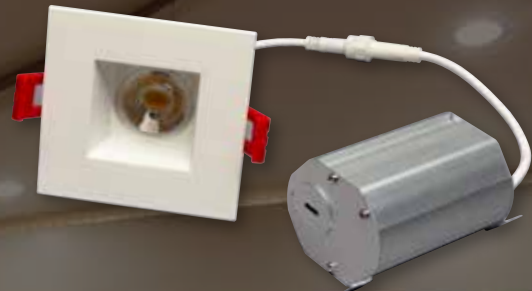
Specifications are subject to change without notice. Please refer to website ([www.gmlighting.net](http://www.gmlighting.net)) for the latest specification info



# Recessed Downlights



**RSD 120V  
REGRESSED SLIM LED DOWNLIGHT  
PAGE 120**



**MICROTASK 120V  
MINI IC RATED DOWNLIGHT  
PAGE 122-123**



**12VDC 3W MINI-ADJUSTABLE  
DIMMABLE DOWNLIGHT  
PAGE 124**



**12VDC 6W MINI-ADJUSTABLE  
DIMMABLE DOWNLIGHT  
PAGE 125**



**120VAC 6W MINI-ADJUSTABLE  
DIMMABLE DOWNLIGHT  
PAGE 126**

# RSD 120V REGRESSED SLIM DOWNLIGHT

**120 VOLT**

**JWET LOCATION**

**90+ CRI**

**TITLE 24**

**IC RATED**

**5 Yr. WARRANTY**

**ETL Intertek**



## PRODUCT DESCRIPTION

Easy to install with an included junction box that is connected via a modular jack, these 3", 4" and 6" slim mount, regressed downlights feature superior optics along with Energy Star rating in a stream-lined, shallow mount design.

## RESOURCES

Fixture dimensions: Page 128

Applicable power supplies: Page 154

## KEY FEATURES

- 120V
- 2700K, 3000K, 4000K
- Dimmable (Triac)
- Shallow mount
- 90+ CRI
- 120° beam angle
- Edge-Lit technology for diode free illumination
- Title 24, Energy Star
- 5 year warranty



## ORDERING INFORMATION

Catalog Number	Dimensions	Wattage	Lumens	CRI	Color Temp.*	Finish
RSD-3-27-WH	3-3/4" Dia. Trim	6W	300	90+	2700K	White
RSD-3-30-WH	3-3/4" Dia. Trim	6W	325	90+	3000K	White
RSD-3-40-WH	3-3/4" Dia. Trim	6W	355	90+	4000K	White
RSD-4-27-WH	5-1/8" Dia. Trim	9W	500	90+	2700K	White
RSD-4-30-WH	5-1/8" Dia. Trim	9W	525	90+	3000K	White
RSD-4-40-WH	5-1/8" Dia. Trim	9W	550	90+	4000K	White
RSD-6-27-WH	6-7/8" Dia. Trim	12W	700	90+	2700K	White
RSD-6-30-WH	6-7/8" Dia. Trim	12W	725	90+	3000K	White
RSD-6-40-WH	6-7/8" Dia. Trim	12W	750	90+	4000K	White

## ACCESSORIES

Catalog Number	Description
RSD-5FT-EXT	5' extension cord for RSD Series downlights
RSD-10FT-EXT	10' extension cord for RSD Series downlights
RSD-20FT-EXT	20' extension cord for RSD Series downlights
RSD-NCP	RSD new construction plate for 3", 4", 6" fixtures

## PRODUCT NOTES:

\* Kelvin temperature (color) ±100K.  
Installation instructions and spec sheet available for download.  
View this product on [www.gmlighting.net](http://www.gmlighting.net)

## CUT-OUT DIMENSIONS

RSD-3: 3-1/4" DIA.  
RSD-4: 4-1/4" DIA.  
RSD-6: 6-1/8" DIA.





Jordan Bradley  
and Studio Troika lit up the  
main entry of Ginko BioWorks 4  
with GM LED tape.

# MICROTASK 120V MINI IC RATED ROUND AND SQUARE RECESSED LED DOWNLIGHT

**120 VOLT**

**DAMP LOCATION**

**90+ CRI**

**TITLE 24**

**IC RATED**

**5 Yr. WARRANTY**

**ETL Intertek**



MDL-3R-27-WH

MDL-3S-27-WH

## PRODUCT DESCRIPTION

Excellent color rendition and high lumens in a 3" mini, IC rated, damp location, round and square trim downlight that features an inline junction box connected by a modular twist connector. Perfect for any application. Available in 2700K or 3000K color temp. White semi-gloss finish.

Fixture dimensions: Page 128

## KEY FEATURES

- 120V
- 2700K, 3000K
- Dimmable (Triac)
- 3-3/8" dia. x 1-1/2" depth (round trim)
- 3-1/2" square x 2-1/2" depth (square trim)
- 90+ CRI
- IC rated\*
- In-line junction box connected by 12" TwistLock cable
- Snap-in spring clips installation
- Title 24 and Energy Star
- Suitable for damp location
- 5 year warranty



## ORDERING INFORMATION

Catalog No.	Trim Shape	Trim Dimensions	Wattage	Lumens	Color Temp.*	CRI	Finish
MDL-3R-27-WH	Round	3-3/8" dia. x 1-1/2" depth	8W	545	2700K	90+	White
MDL-3R-30-WH	Round	3-3/8" dia. x 1-1/2" depth	8W	550	3000K	90+	White
MDL-3S-27-WH	Square	3-1/2" SQ. x 2-1/2" depth	8W	545	2700K	90+	White
MDL-3S-30-WH	Square	3-1/2" SQ. x 2-1/2" depth	8W	550	3000K	90+	White

## ACCESSORIES

Catalog Number	Description
MDL-MCP	MDL universal construction mounting plate

**PRODUCT NOTES:**  
 \* Kelvin temperature (color) ±100K.  
 Installation instructions and spec sheet available for download.  
 View this product on [www.gmlighting.net](http://www.gmlighting.net)

# MICROTASK 120V MINI IC RATED ROUND ADJUSTABLE GIMBAL LED DOWNLIGHT



## PRODUCT DESCRIPTION

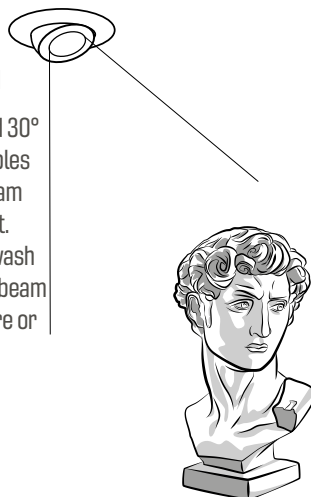
Excellent color rendition and high lumens in a 3" mini-adjustable, IC rated, damp location, round trim downlight that features an inline junction box connected by a modular twist connector. Perfect for any application. Available in 2700K or 3000K color temp. White semi-gloss finish.

## KEY FEATURES

- 120V
- 2700K, 3000K
- Dimmable (Triac)
- 3-3/8" dia. x 1-1/2" depth (round adjustable trim)
- Adjustable gimbal (360° rotation - 30° tilt on axis)
- 90+ CRI
- In-line junction box connected by 12" TwistLock cable
- Adjustable gimbal (30° tilt on axis)
- Snap-in spring clips installation
- ETL, Title 24 and Energy Star
- Suitable for damp location
- 5 year warranty

## MINI-WALL WASH

360° rotation and 30° adjustability enables you to put the beam where you want it. Either as a wall-wash or to focus a 38° beam angle on sculpture or objects 'd art.



Fixture dimensions: Page 128

120  
VOLT

DAMP  
LOCATION

90+  
CRI

TITLE  
24

IC  
RATED

5 Yr.  
WARRANTY

ETL  
Intertek

## ORDERING INFORMATION

Catalog No.	Trim Shape	Trim Dimensions	Wattage	Lumens	Color Temp.*	CRI	Finish
MDL-3AR-27-WH	Round	3-3/8" dia. x 1-1/2" depth	8W	545	2700K	90+	White
MDL-3AR-30-WH	Round	3-3/8" dia. x 1-1/2" depth	8W	550	3000K	90+	White

### PRODUCT NOTES:

\* Kelvin temperature (color) ±100K.

Installation instructions and spec sheet available for download.

View this product on [www.gmlighting.net](http://www.gmlighting.net)



**GMLighting®**

"Lighting Enhanced by Design"

# 12VDC 3W MINI-DIMMABLE AND ADJUSTABLE LED DOWNLIGHT

**12  
VOLT**



**CLASS  
2**

**80+  
CRI**

**DIM**

**5 Yr.  
WARRANTY**



GMR4-WW-BA

## PRODUCT DESCRIPTION

GM Lighting's GMR4-WW mini-downlight is a perfect compact luminaire that is well suited for book shelves, entertainment centers, elevators, and other applications where high performance lighting in a tight space is required. Available in white, black or brushed aluminum and fully dimmable.

Power Supplies available: Page 154

Fixture dimensions: Page 128

## KEY FEATURES

- 12VDC operation
- 3000K
- Dimmable
- 2" dia. x 1-1/4" recess depth
- 30° adjustable gimbal
- 80+ CRI
- 120 lumens
- 30° beam spread
- 5 year warranty

## ORDERING INFORMATION

Catalog No.	Dimensions	Wattage	Lumens	CRI	Color Temp*	Finish
GMR4-WW-W	2" Dia. x 1-1/4" Depth	3W	120	80+	3000K	White
GMR4-WW-B	2" Dia. x 1-1/4" Depth	3W	120	80+	3000K	Black
GMR4-WW-BA	2" Dia. x 1-1/4" Depth	3W	120	80+	3000K	Brushed Aluminum

## ACCESSORIES

### MINI LED ADJUSTABLE RECESSED DOWNLIGHT ACCESSORIES

GMSB-W	Splice box - white - 2"L x 1"W x 5/8"D
GMSB-B	Splice box - black - 2"L x 1"W x 5/8"D

## PRODUCT NOTES:

\* Kelvin temperature (color)  $\pm 100K$ .

Installation instructions and spec sheet available for download.

View this product on [www.gmlighting.net](http://www.gmlighting.net)



# 12VDC 6W MINI-DIMMABLE AND ADJUSTABLE LED DOWNLIGHT

GMR6-WW-BA



## PRODUCT DESCRIPTION

Imagine an application where a low heat and lower profile mini-downlight is required. Now imagine GM Lighting's GMR6-WW, a mini-downlight boasting an 80+ CRI light source. Available in white, black or brushed aluminum, and fully dimmable.

Power Supplies available: Page 154

Fixture dimensions: Page 128

## KEY FEATURES

- 12VDC
- 3000K
- Dimmable
- 2-7/8" dia. x 2-5/8" recess depth
- 30° adjustable gimbal
- 80+ CRI
- 375 lumens
- 30° beam spread
- 5 year warranty

12  
VOLT



CLASS  
2

80+  
CRI

DIM

5 Yr.  
WARRANTY



## ORDERING INFORMATION

Catalog No.	Dimensions	Wattage	Lumens	CRI	Color Temp*	Finish
GMR6-WW-W	2-7/8" Dia. x 2-5/8" Depth	6W	375	80+	3000K	White
GMR6-WW-B	2-7/8" Dia. x 2-5/8" Depth	6W	375	80+	3000K	Black
GMR6-WW-BA	2-7/8" Dia. x 2-5/8" Depth	6W	375	80+	3000K	Brushed Aluminum

## ACCESSORIES

### MINI LED ADJUSTABLE RECESSED DOWNLIGHT ACCESSORIES

GMSB-W	Splice box - white - 2"L x 1"W x 5/8"D
GMSB-B	Splice box - black - 2"L x 1"W x 5/8"D

## PRODUCT NOTES:

\* Kelvin temperature (color)  $\pm$ 100K.

Installation instructions and spec sheet available for download.

View this product on [www.gmlighting.net](http://www.gmlighting.net)

# 120VAC IC RATED MINI-DIMMABLE AND ADJUSTABLE LED DOWNLIGHT

**12 VOLT**

**DRY LOCATION**

**90+ CRI**

**IC RATED**

**5 Yr. WARRANTY**

**ETL Intertek**

GMR6-120V-IC-SP-BA



## PRODUCT DESCRIPTION

GM Lighting's 120VAC 6W Mini LED Adjustable Shallow Recessed Downlight packs a lot of performance in a compact, easy to install dimmable luminaire. 3-3/4" optional trim ring is included with each fixture.

Additional trim rings can be ordered separately.  
Fixture dimensions: Page 128

## KEY FEATURES

- 120VAC
- 3000K
- Dimmable
- 3" dia. x 3" recess depth
- 30° adjustable gimbal
- 80+ CRI
- Up to 499 lumens
- 24°, 38°, 55° beam spreads
- 5 year warranty

## ORDERING INFORMATION

Catalog No.	Dimensions	Wattage	Beam Spread	Lumens	CRI	Color Temp*	Finish
GMR6-120V-IC-SP-W	3" Dia. x 3" Depth	6W	24°	499	90+	3000K	White
GMR6-120V-IC-FL-W	3" Dia. x 3" Depth	6W	38°	455	90+	3000K	White
GMR6-120V-IC-WFL-W	3" Dia. x 3" Depth	6W	55°	467	90+	3000K	White
GMR6-120V-IC-SP-B	3" Dia. x 3" Depth	6W	24°	499	90+	3000K	Black
GMR6-120V-IC-FL-B	3" Dia. x 3" Depth	6W	38°	455	90+	3000K	Black
GMR6-120V-IC-WFL-B	3" Dia. x 3" Depth	6W	55°	467	90+	3000K	Black
GMR6-120V-IC-SP-BA	3" Dia. x 3" Depth	6W	24°	499	90+	3000K	Brushed Aluminum
GMR6-120V-IC-FL-BA	3" Dia. x 3" Depth	6W	38°	455	90+	3000K	Brushed Aluminum
GMR6-120V-IC-WFL-BA	3" Dia. x 3" Depth	6W	55°	467	90+	3000K	Brushed Aluminum

## ACCESSORIES

### GMR6 120V TRIM RING ACCESSORY (1 INCLUDED WITH FIXTURE)

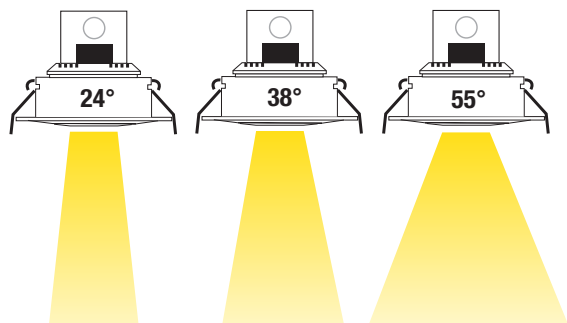
OTR-WH Optional 3-3/4" trim ring - white

### PRODUCT NOTES:

\* Kelvin temperature (color) ±100K.

Installation instructions and spec sheet available for download.

View this product on [www.gmlighting.net](http://www.gmlighting.net)

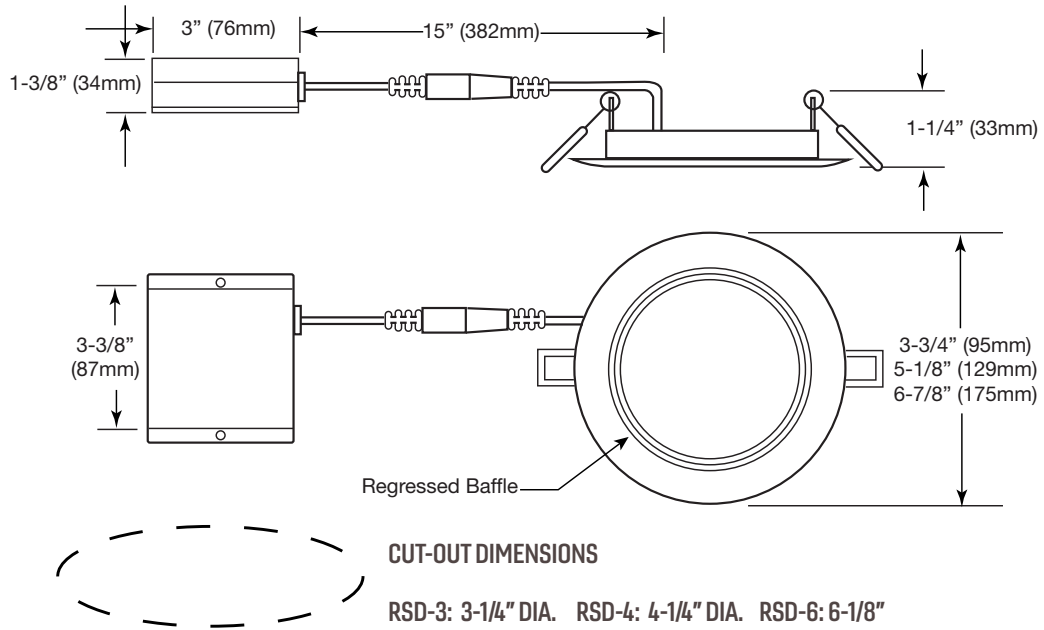




# RECESSED DOWNLIGHTS DIAGRAMS

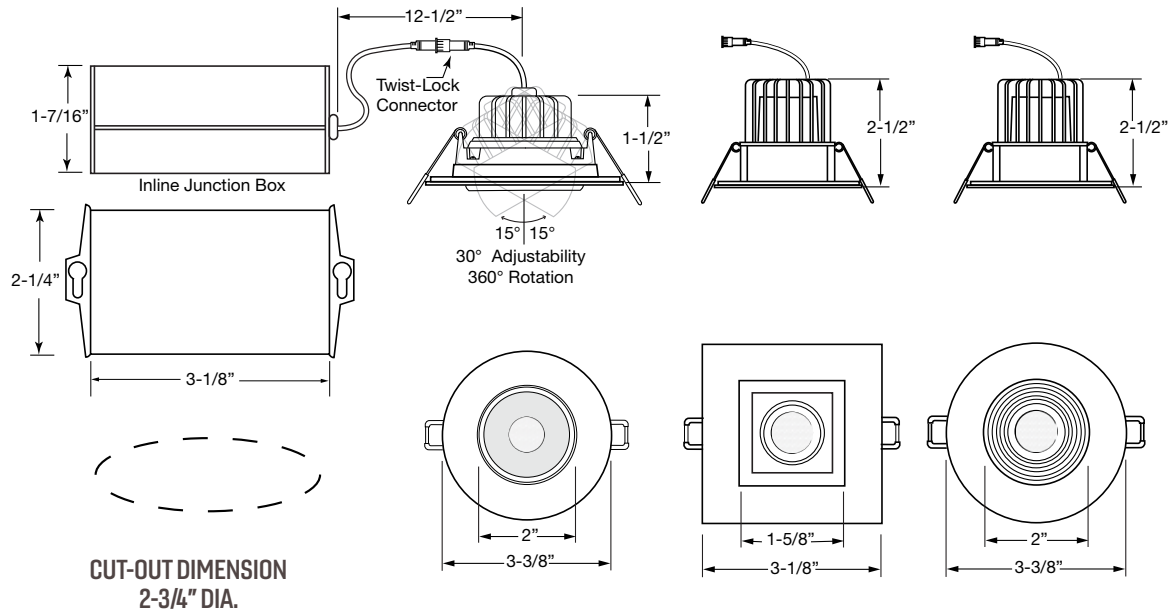
## RSD REGRESSED SLIM DOWNLIGHT Series

Page 120



## MICROTASK 3" MINI ADJUSTABLE IC RATED Series

Page 122

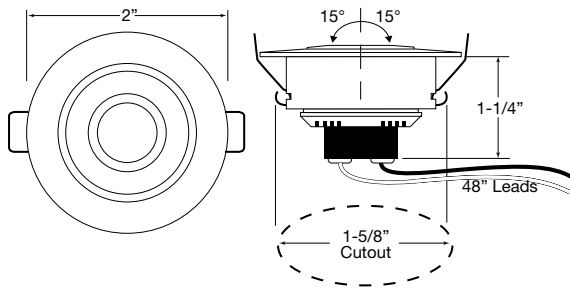




# RECESSED DOWNLIGHTS DIAGRAMS

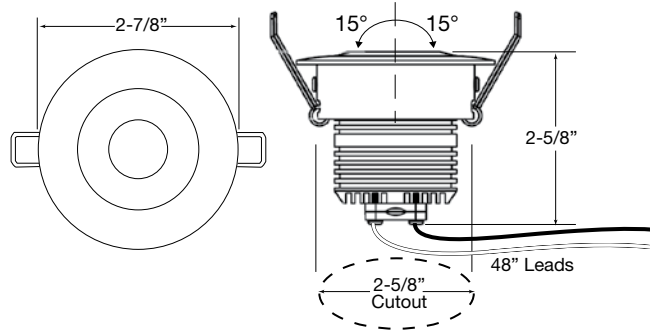
## 3W MINI-DIMMABLE AND ADJUSTABLE DOWNLIGHT Series

Page 124



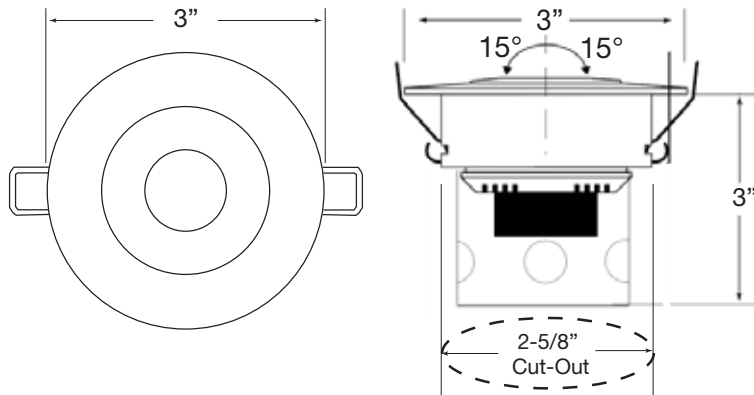
## 6W MINI-DIMMABLE AND ADJUSTABLE DOWNLIGHT Series

Page 125



## 6W IC RATED MINI-DIMMABLE AND ADJUSTABLE DOWNLIGHT Series

Page 126



## DOWNLIGHTS COMPARATIVE ANALYSIS

LightBar Series	Voltage	Wattage	Dimensions	Mounting Depth	CRI	Lumens	Color Temps*
<b>RSD SERIES</b>	120V	6W, 9W, 12W	3-3/4" Dia. 5-1/8" Dia. 6-7/8" Dia.	1-1/4"	90+	3-3/4" - 27K - 300 30K - 325 / 40K - 355 5-1/8" - 27K - 500 30K - 525 / 40K - 550 6-7/8" - 27K - 700 30K - 725 / 40K - 750	2700K, 3000K 4000K
<b>MICROTASK SERIES</b>	120V	8W	3-3/8" dia.	1-1/2"	90+	27K - 545 / 30K - 550	2700K, 3000K
<b>3W MINI-DIMMABLE SERIES</b>	12VDC	3W	2" dia.	1-1/4"	80+	120	3000K
<b>6W MINI-DIMMABLE ADJUSTABLE SERIES</b>	120VAC	6W	3" dia.	3"	80+	375	3000K
<b>6W IC RATED MINI-DIMMABLE ADJUSTABLE SERIES</b>	120VAC	6W	3" dia.	3"	90+	24° Beam - 499 38° Beam - 455 55° Beam - 467	3000K

Specifications are subject to change without notice. Please refer to website ([www.gmlighting.net](http://www.gmlighting.net)) for the latest specification info





## Surface Mount Downlights



S SERIES 120V  
WET LOCATION DOWNLIGHT  
S4, S6: PAGE 132  
S9: PAGE 133



GEOTASK™  
GEOTASK GRANDE 120V  
90+CRI EDGELIT  
PAGE 134 - 135



CLEARTASK™ 120V  
ROUND SURFACE/WALL/PENDANT  
PAGE 138



CLEARTASK™ 120V  
SQUARE SURFACE/WALL/PENDANT  
PAGE 139



# 120VAC SURFACE MOUNT WET LOCATION / TITLE 24 DOWNLIGHT

**120 VOLT**

**JWET LOCATION**

**90+ CRI**

**TITLE 24**

**5 Yr. WARRANTY**

**ETL Intertek**



S6-3090-WH

## PRODUCT DESCRIPTION

A round driverless 120VAC LED surface downlight that is available with a recessed kit for mounting into existing cans. The S4 and S6 feature a polycarbonate housing with white opal lens. At 12W for the 6" dia. S4 and 15W for the 7-1/4" dia. S6, energy savings can be realized.

Fixture dimensions: Page 142

## KEY FEATURES

- 120V
- 2700K, 3000K or 4000K
- Dimmable (Triac)
- Metallic powder coated housing with white opal diffuser
- Retrofit mounting kit available (see below)
- Wet location
- 90+ CRI
- Energy Star and Title 24 listed
- 5 year warranty



## ORDERING INFORMATION

Catalog No.	Dimensions	Wattage	Lumens	CRI	Color Temp*	Finish
S4-2790-WH	6" dia. x 1-1/2" depth	12W	540	90+	2700K	White
S6-2790-WH	7-1/4" dia. x 1-3/8" depth	15W	920	90+	2700K	White
S4-3090-WH	6" dia. x 1-1/2" depth	12W	670	90+	3000K	White
S6-3090-WH	7-1/4" dia. x 1-3/8" depth	15W	950	90+	3000K	White
S4-4090-WH	6" dia. x 1-1/2" depth	12W	770	90+	4000K	White
S6-4090-WH	7-1/4" dia. x 1-3/8" depth	15W	1050	90+	4000K	White

## MOUNTING ACCESSORIES

Catalog No.	Description
S4-RKT	Retrofit kit for S4. Includes hardware and screw-in 120V adapter.
S6-RKT	Retrofit kit for S6. Includes hardware and screw-in 120V adapter.

## PRODUCT NOTES:

\* Kelvin temperature (color)  $\pm 100K$ .  
Installation instructions and spec sheet available for download.  
View this product on [www.gmlighting.net](http://www.gmlighting.net)




# 120VAC SURFACE MOUNT WET LOCATION DOWNLIGHT

*New and Improved  
'Driver on Board'  
Technology for  
Flush Mount*



S9-2790-WH

- 120  
VOLT**
- 
- 90+  
CRI**
- 5 Yr.  
WARRANTY**
- 

## PRODUCT DESCRIPTION

Continuing in the tradition of the S4 and S6 Series, our S9 Series boasts superior 90+ CRI optics as well as Energy Star certification. At 22W and available in 2700K, 3000K and 4000K this dimmable fixture offers maintenance free operation for 50,000 hours.

Fixture dimensions: Page 142

## KEY FEATURES

- 120V
- 2700K, 3000K or 4000K
- Dimmable (Triac)
- Metallic powder coated housing with white opal diffuser
- Wet location
- 90+ CRI
- Energy Star listed
- 5 year warranty



## ORDERING INFORMATION

Catalog No.	Dimensions	Wattage	Lumens	CRI	Color Temp*	Finish
S9-2790-WH	9-1/2" dia. x 1-3/8" depth	22W	1800	90+	2700K	White
S9-3090-WH	9-1/2" dia. x 1-3/8" depth	22W	1850	90+	3000K	White
S9-4090-WH	9-1/2" dia. x 1-3/8" depth	22W	1900	90+	4000K	White

### PRODUCT NOTES:

\* Kelvin temperature (color) ±100K.

Installation instructions and spec sheet available for download.

View this product on [www.gmlighting.net](http://www.gmlighting.net)

### PERFECT FOR:

- General lighting and large areas
- Commercial and Institutional Lighting
- Downlighting and Wall Mounted Sconce lighting
- Hospitality corridor lighting
- Lab and medical facility lighting
- Commercial kitchen lighting
- Study hall and task lighting

# GEOTASK™ 120V 90+ CRI WET LOCATION SURFACE MOUNT LIGHT SQUARES AND DISCS

**120 VOLT**

**JWET LOCATION**

**90+ CRI**

**5 Yr. WARRANTY**

**ETL Intertek**



## PRODUCT DESCRIPTION

GeoTask™ 120V 90 CRI Wet Location LED Surface Mount Light Squares and Discs are perfect for accent lighting, hospitality lighting, task lighting, light mosaics, entertainment centers kitchen, bath and vanity, residential and commercial lighting.

Fixture dimensions: Page 142

## KEY FEATURES

- 120V
- 3000K or 4000K
- Dimmable (Triac)
- Wet location
- EdgeLit technology for diode free illumination
- 4" and 6" square, 5" and 8" round (nominal)
- 90+ CRI
- 5 year warranty

## ORDERING INFORMATION

Catalog No.	Nominal Dimensions	Wattage	Lumens	CRI	Color Temp*	Finish
GM-RND5-30-WH	5" dia. disc x 5/8" depth	10W	600	90+	3000K	White
GM-RND5-40-WH	5" dia. disc x 5/8" depth	10W	650	90+	4000K	White
GM-RND8-30-WH	8" dia. disc x 5/8" depth	15W	900	90+	3000K	White
GM-RND8-40-WH	8" dia. disc x 5/8" depth	15W	950	90+	4000K	White
GM-SLD4-30-WH	4" sq. x 5/8" depth	10W	600	90+	3000K	White
GM-SLD4-40-WH	4" sq. x 5/8" depth	10W	650	90+	4000K	White
GM-SLD6-30-WH	6" sq. x 5/8" depth	15W	900	90+	3000K	White
GM-SLD6-40-WH	6" sq. x 5/8" depth	15W	950	90+	4000K	White

### PRODUCT NOTES:

\* Kelvin temperature (color) ±100K.  
Installation instructions and spec sheet available for download.  
View this product on [www.gmlighting.net](http://www.gmlighting.net)

# GEOTASK GRANDE™ 120V 90+ CRI

## WET LOCATION SURFACE MOUNT LIGHT SQUARES AND DISCS



### PRODUCT DESCRIPTION

GeoTask™ inspires a world of applications through nature's most elemental forms. GeoTask Grandè does that too, just in a bigger way! 12" round and square formats joins our 4", 6" square and 5", 8" round (nominal) versions of GeoTask (see previous pages). Perfect for hospitality lighting, task lighting, light mosaics, kitchen, bath and vanity, residential and commercial lighting applications.

Fixture dimensions: Page 142

### KEY FEATURES

- 120V
- 3000K or 4000K
- Dimmable (Triac)
- Wet location
- EdgeLit technology for diode free illumination
- 12" square, 12" round (nominal)
- 90+ CRI
- ETL
- 5 year warranty

### ORDERING INFORMATION

Catalog No.	Nominal Dimensions	Wattage	Lumens	CRI	Color Temp*	Finish
GM-RND12-30-WH	12" dia. disc x 5/8" depth	25W	1500	90+	3000K	White
GM-RND12-40-WH	12" dia. disc x 5/8" depth	25W	1550	90+	4000K	White
GM-SLD12-30-WH	12" square x 5/8" depth	25W	1500	90+	3000K	White
GM-SLD12-40-WH	12" square x 5/8" depth	25W	1550	90+	4000K	White

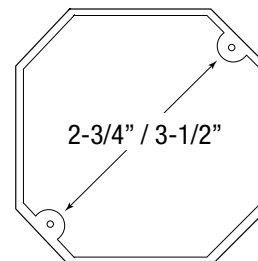
#### PRODUCT NOTES:

\* Kelvin temperature (color) ±100K.

Installation instructions and spec sheet available for download.

View this product on [www.gmlighting.net](http://www.gmlighting.net)

NOTE: Mounts to 2-3/4" or 3-1/2" standard junction boxes (by others)









# CLEARTASK™ 120V

## SURFACE / WALL / PENDANT MOUNT

**120  
VOLT**



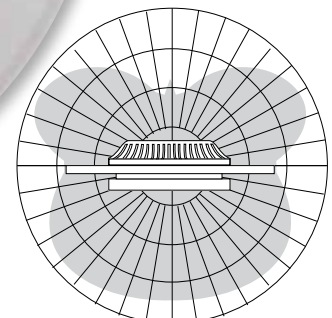
**80+  
CRI**

**5 Yr.  
WARRANTY**



SCT12-40-R-WH

**EDGE LIT  
Technology!**



**UPLIGHT  
and DOWNLIGHT!**

### PRODUCT DESCRIPTION

ClearTask™ combines form with function in a circular or square surface mount or suspended fixture that combines an acrylic, pointillist shield that when lit is surrounded by a bright EdgeLit band of light that provides a dramatic focal point to any environment. Available in pendant mount. 3000K or 4000K.

Fixture dimensions: Page 143

### KEY FEATURES

- 120VAC
- 3000K or 4000K
- Dimmable (Triac)
- Provides uplight and downlight
- Surface wall or pendant mount (see next page)
- 80+ CRI
- Energy Star and Lighting Facts listed
- 5 year warranty



### ORDERING INFORMATION

Catalog No.	Dimensions	Wattage	Lumens	CRI	Color Temp*	Finish
SCT12-30-R-WH	11-3/8" dia. x 1-5/8" depth	12W	1000	80+	3000K	White
SCT12-40-R-WH	11-3/8" dia. x 1-5/8" depth	12W	1140	80+	4000K	White
SCT18-30-R-WH	14-1/2" dia. x 1-9/16" depth	18W	1500	80+	3000K	White
SCT18-40-R-WH	14-1/2" dia. x 1-9/16" depth	18W	1710	80+	4000K	White

### PRODUCT NOTES:

\* Kelvin temperature (color) ±100K.

Installation instructions and spec sheet available for download.

View this product on [www.gmlighting.net](http://www.gmlighting.net)



# CLEARTASK™ 120V SURFACE / WALL / PENDANT MOUNT

SCT12-40-SQ-WH



**120  
VOLT**



**80+  
CRI**

**5 Yr.  
WARRANTY**



## PRODUCT DESCRIPTION

ClearTask™ combines form with function in a circular or square surface mount or suspended fixture that combines an acrylic, pointillist shield that when lit is surrounded by a bright EdgeLit band of light that provides a dramatic focal point to any environment. Available in pendant mount. 3000K or 4000K.

Fixture dimensions: Page 143

## KEY FEATURES

- 120VAC
- 3000K or 4000K
- Dimmable (Triac)
- Provides upLight and downlight
- Surface wall or pendant mount
- 80+ CRI
- Energy Star and Lighting Facts listed
- 5 year warranty



## ORDERING INFORMATION

Catalog No.	Dimensions	Wattage	Lumens	CRI	Color Temp*	Finish
SCT12-30-SQ-WH	11-3/8" sq. x 1-5/8" depth	12W	1000	80+	3000K	White
SCT12-40-SQ-WH	11-3/8" sq. x 1-5/8" depth	12W	1140	80+	4000K	White
SCT18-30-SQ-WH	13-3/4" sq. x 1-9/16" depth	18W	1500	80+	3000K	White
SCT18-40-SQ-WH	13-3/4" sq. x 1-9/16" depth	18W	1710	80+	4000K	White

## PENDANT ACCESSORY

Catalog No.	Description
SCT12-STEM-12W	12" ClearTask Pendant for 12W
SCT24-STEM-12W	24" ClearTask Pendant for 12W
SCT36-STEM-12W	36" ClearTask Pendant for 12W
SCT12-STEM-18W	12" ClearTask Pendant for 18W
SCT24-STEM-18W	24" ClearTask Pendant for 18W
SCT36-STEM-18W	36" ClearTask Pendant for 18W
SCT-STEM-CP	Stem coupler

## PRODUCT NOTES:

\* Kelvin temperature (color) ±100K.  
Installation instructions and spec sheet available for download.  
View this product on [www.gmlighting.net](http://www.gmlighting.net)

**MOUNTS  
3 WAYS! CEILING,  
WALL & PENDANT**

**GMLighting®**

"Lighting Enhanced by Design"





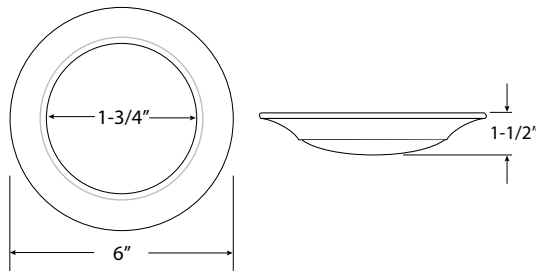




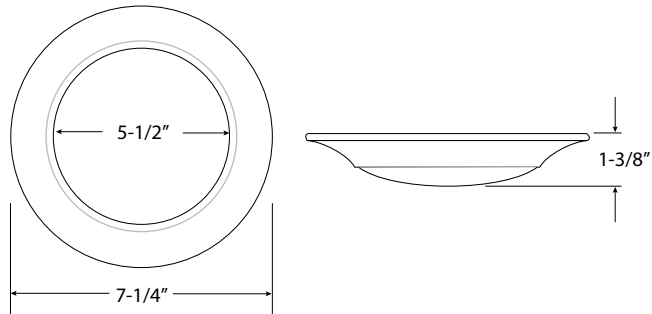
This Pendral Street apt. is full of GM Lighting and is courtesy of SK and Associates

# 120V SURFACE MOUNT FIXTURE DIAGRAMS

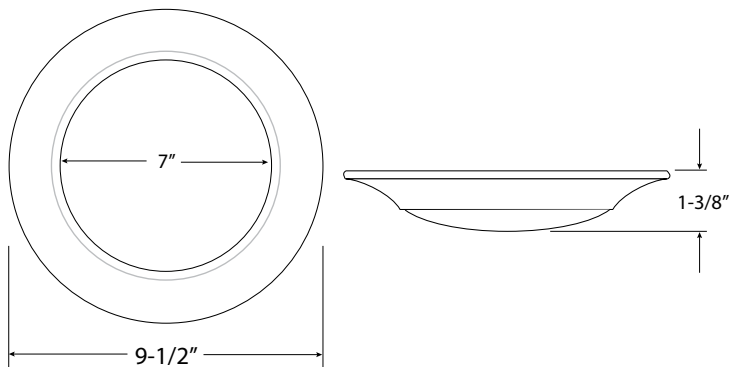
**S4 Series**  
Page 132



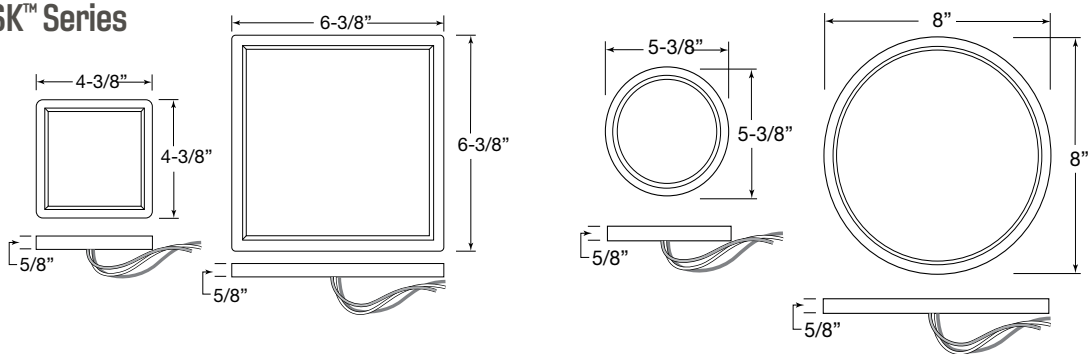
**S6 Series**  
Page 132



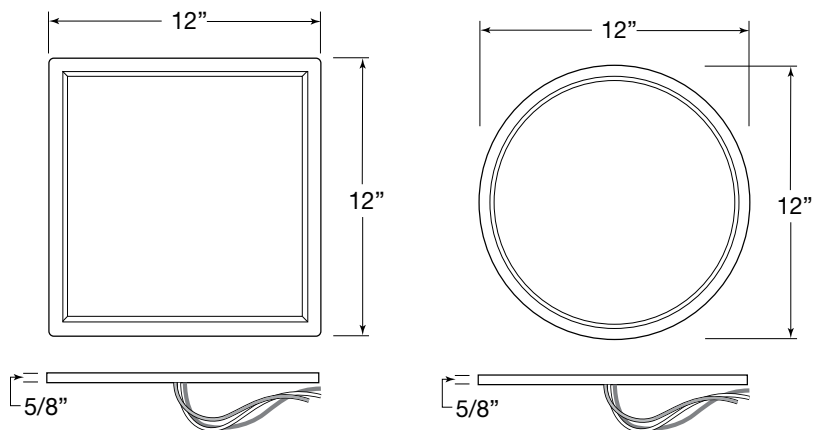
**S9 Series**  
Page 132



**GEOTASK™ Series**  
Page 134



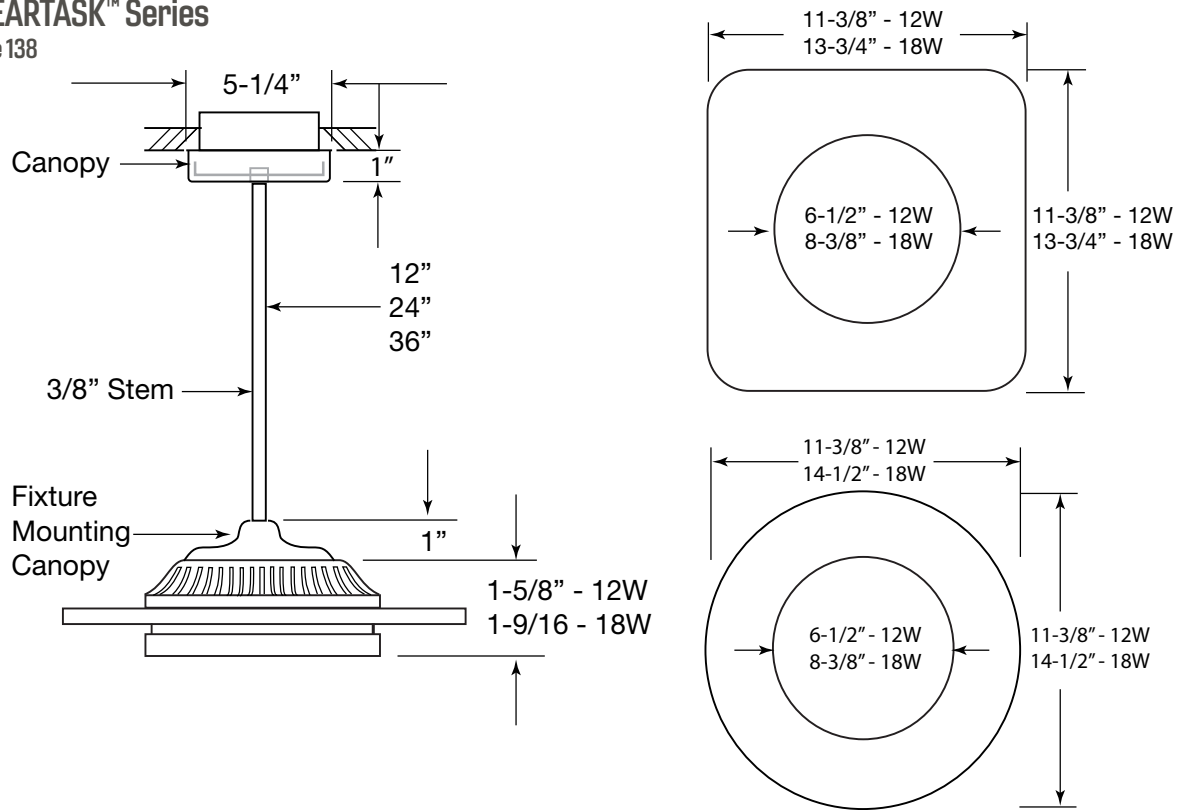
**GEOTASK GRANDE™ Series**  
Page 135



# 120V SURFACE MOUNT FIXTURE DIAGRAMS

## CLEARTASK™ Series

Page 138



## SURFACE MOUNT COMPARATIVE ANALYSIS

LightBar Series	Voltage	Wattage	Dimensions	Mounting Depth	CRI	Lumens	Color Temps*
CLEARTASK 12W SERIES	120VAC	12W	11-3/8" dia / 11-3/8" sq.	1-5/8"	80+	30K - 1000 40K - 1140	3000K, 4000K
CLEARTASK 18W SERIES	120VAC	18W	14-1/2" dia. / 13-3/4" sq.	1-9/16"	80+	30K - 1500 40K - 1710	3000K, 4000K
GEOTASK 10W SERIES	120V	10W	5" dia. / 4" sq.	5/8"	90+	30K - 600 40K - 650	3000K 4000K
GEOTASK 15W SERIES	120V	15W	8" dia. / 6" sq.	5/8"	90+	30K - 900 40K - 950	2700K, 3000K
GEOTASK GRANDE SERIES	120V	25W	12" dia. / 12" sq.	5/8"	90+	30K - 1500 40K - 1550	3000K, 4000K
S4 SERIES	120VAC	12W	6" dia.	1-1/2"	90+	27K - 540 30K - 670 40K - 770	2700K, 3000K, 4000K
S6 SERIES	120VAC	15W	7-1/4" dia.	1-3/8"	90+	27K - 920 30K - 950 40K - 1050	2700K, 3000K, 4000K
S9 SERIES	120VAC	22W	9-1/2" dia.	1-3/8"	90+	27K - 1800 30K - 1850 40K - 1900	2700K, 3000K, 4000K

Specifications are subject to change without notice. Please refer to website ([www.gmlighting.net](http://www.gmlighting.net)) for the latest specification info







## Step and Pathway Lighting



120V WET LOCATION  
LED STEP LIGHT  
PAGE 146



12VDC WET LOCATION  
LED PATHWAY LIGHT  
PAGE 152



# 120V LED STEP LIGHT

**120 VOLT**

**JWET LOCATION**

**INDOOR**

**80+ CRI**

**5 Yr. WARRANTY**

**ETL Intertek**



GSL-LH-W



GSL-LV-B



GSL-O-BN



GSL-O-B

## PRODUCT DESCRIPTION

GM Lighting's new take on step lighting has resulted in this extensive collection of modern step lights that fit standard junction boxes. Available in horizontal and vertical formats, open lensed, vertical and horizontal louvers, and in horizontal scoop formats. Perfect for step lighting, path lighting, deck lighting in stairs, posts or railings,

Fixture dimensions: Page 148

## KEY FEATURES

- 120V
- 3000K
- No visible mounting hardware
- Mounts to standard J-Box (by others)
- 145 lumens
- Suitable for wet location
- ETL
- 5 year warranty

Path Light  
Companion Fixtures  
Page 152

## ORDERING INFORMATION

Catalog No.	Style	Wattage	Lumens	CRI	Color Temp*	Finish
GSL-O-B	Horizontal / Vertical Trim	2W	145	80+	3000K	Black
GSL-O-BN	Horizontal / Vertical Trim	2W	145	80+	3000K	Brushed Nickel
GSL-O-WH	Horizontal / Vertical Trim	2W	145	80+	3000K	White
GSL-LH-B	Louvered Horizontal Trim	2W	145	80+	3000K	Black
GSL-LH-BN	Louvered Horizontal Trim	2W	145	80+	3000K	Brushed Nickel
GSL-LH-WH	Louvered Horizontal Trim	2W	145	80+	3000K	White
GSL-LV-B	Louvered Vertical Trim	2W	145	80+	3000K	Black
GSL-LV-BN	Louvered Vertical Trim	2W	145	80+	3000K	Brushed Nickel
GSL-LV-WH	Louvered Vertical Trim	2W	145	80+	3000K	White

### PRODUCT NOTES:

\* Kelvin temperature (color) ±100K.

Installation instructions and spec sheet available for download.

View this product on [www.gmlighting.net](http://www.gmlighting.net)

# 120V LED STEP LIGHT



GSL-H-BN



GSL-H-B



GSL-V-BN

## PRODUCT DESCRIPTION

Clean and modern look for all of your step and pathway lighting needs that features a discreet light source in a scoop trim, with no visible mounting hardware. All of the features and benefits as shown at left. Black, White and Brushed Nickel.

Fixture dimensions: Page 148

## KEY FEATURES

- 120V
- 3000K
- No visible mounting hardware
- Mounts to standard J-Box (by others)
- 145 lumens
- Suitable for wet location
- ETL
- 5 year warranty

Path Light  
Companion Fixtures  
Page 152

## ORDERING INFORMATION

Catalog No.	Style	Wattage	Lumens	CRI	Color Temp*	Finish
GSL-H-B	Horizontal Scoop Trim	2W	145	80+	3000K	Black
GSL-H-BN	Horizontal Scoop Trim	2W	145	80+	3000K	Brushed Nickel
GSL-H-WH	Horizontal Scoop Trim	2W	145	80+	3000K	White
GSL-V-B	Vertical Scoop Trim	2W	145	80+	3000K	Black
GSL-V-BN	Vertical Scoop Trim	2W	145	80+	3000K	Brushed Nickel
GSL-V-WH	Vertical Scoop Trim	2W	145	80+	3000K	White

## PRODUCT NOTES:

\* Kelvin temperature (color)  $\pm 100K$ .

Installation instructions and spec sheet available for download.

View this product on [www.gmlighting.net](http://www.gmlighting.net)

**120 VOLT**

**JWET LOCATION**

**INDOOR**

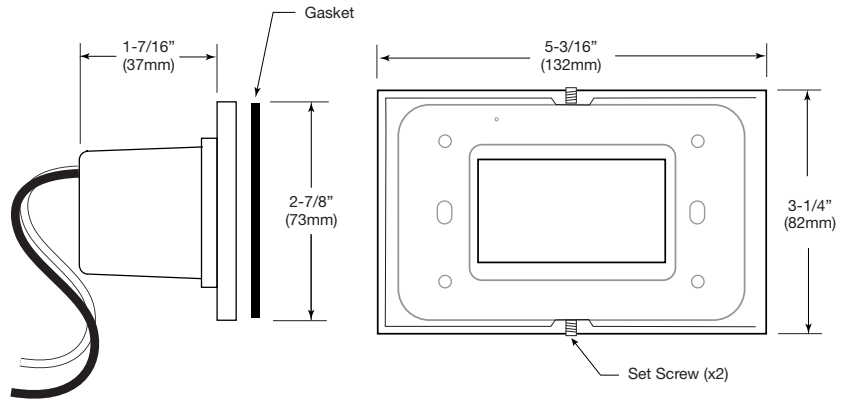
**80+ CRI**

**5 Yr. WARRANTY**

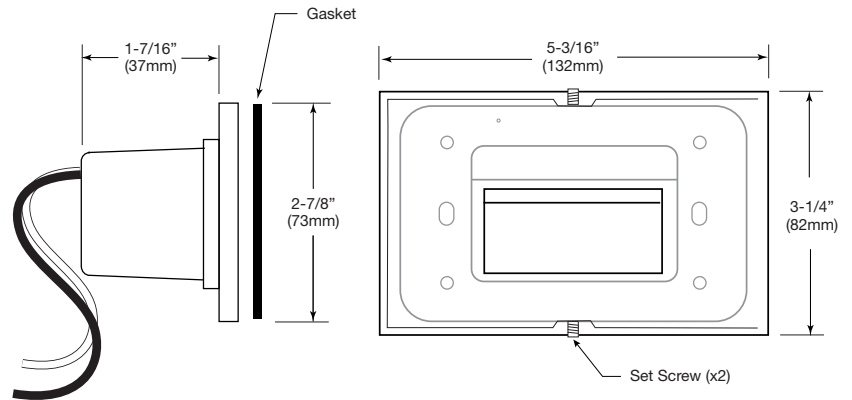
**ETL Intertek**

# SCREWLESS 120V WET LOCATION LED STEP LIGHT DIAGRAMS

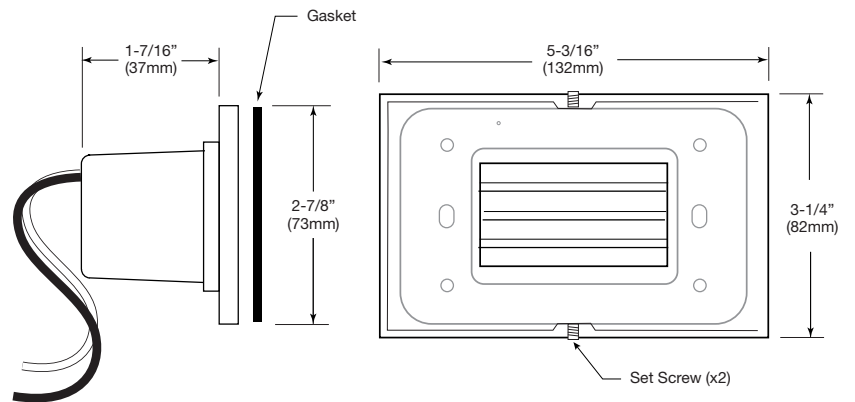
**GSL-O-SERIES**  
OPEN LENS  
HORIZONTAL  
OR VERTICAL  
MOUNT



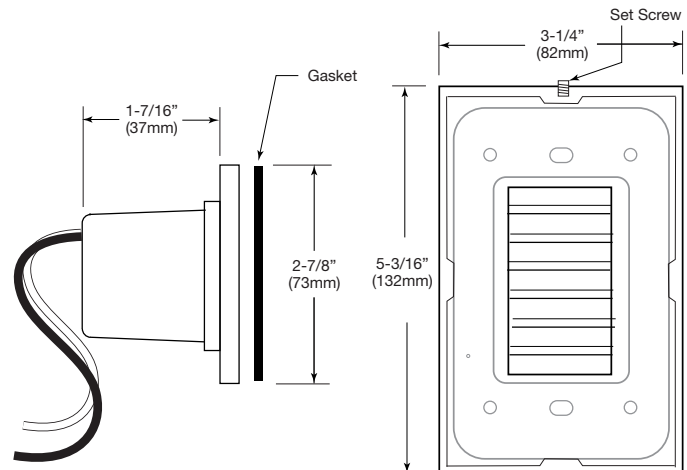
**GSL-H-SERIES**  
SCOOP LENS  
HORIZONTAL MOUNT  
(VERTICAL MOUNT AVAILABLE)



**GSL-LH-SERIES**  
LOUVERED LENS  
HORIZONTAL MOUNT



**GSL-LV-SERIES**  
LOUVERED LENS  
VERTICAL MOUNT













Unobtrusive and discreet  
accent lighting envisioned  
in this spa setting, using  
GM MarkerLights.

# 12VDC WET LOCATION LED PATHWAY LIGHT

**12 VOLT**

**JWET LOCATION**

**INDOOR**

**80+ CRI**

**5 Yr. WARRANTY**

**ETL Intertek**



GML-SO-B



GML-RO-BN



GML-SO-W



GML-RS-B



GML-SO-BN



GML-RO-B

## PRODUCT DESCRIPTION

Pathway or Perimeter lighting enables unobtrusive yet powerful 'marker' lights to define simple or complex pathways, driveways, property lines, etc. Additionally, these miniature luminaires can also be used as wet location accent lights. Available in open lens round or square formats, or as a round scoop trim. White, Black or Brushed Nickel.

Fixture dimensions on next page.

## KEY FEATURES

- 12VDC
- 3000K
- Dimmable
- Easy to install and daisy-chain
- 90 lumens
- Suitable for wet location
- ETL
- 5 year warranty

## ORDERING INFORMATION

Catalog No.	Style	Wattage	Lumens	Beam Angle	Color Temp*	Finish
GML-RO-B	Round Trim	1W	90	45°	3000K	Black
GML-RO-BN	Round Trim	1W	90	45°	3000K	Brushed Nickel
GML-RO-W	Round Trim	1W	90	45°	3000K	White
GML-RS-B	Round Scoop Trim	1W	90	45°	3000K	Black
GML-RS-BN	Round Scoop Trim	1W	90	45°	3000K	Brushed Nickel
GMS-RS-W	Round Scoop Trim	1W	90	45°	3000K	White
GML-SO-B	Square Trim	1W	90	45°	3000K	Black
GML-SO-BN	Square Trim	1W	90	45°	3000K	Brushed Nickel
GML-SO-W	Square Trim	1W	90	45°	3000K	White

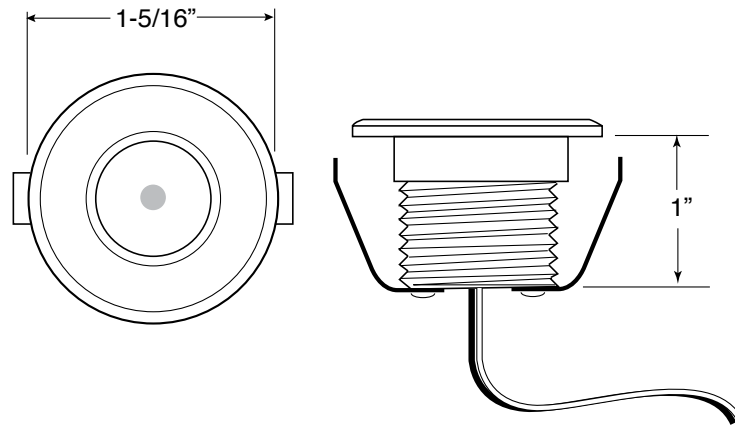
## PRODUCT NOTES:

\* Kelvin temperature (color) ±100K.  
Installation instructions and spec sheet available for download.  
View this product on [www.gmlighting.net](http://www.gmlighting.net)

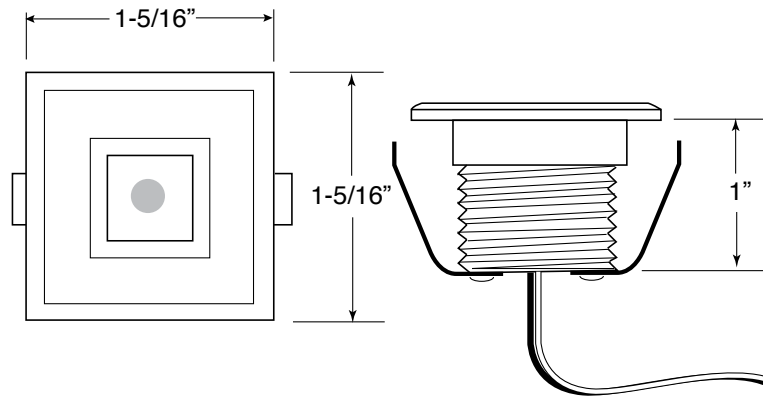


# 12VDC WET LOCATION LED PATHWAY LIGHT DIAGRAMS

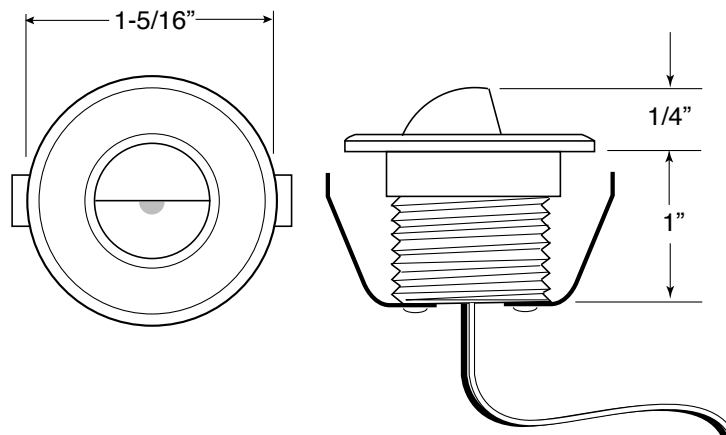
GML-RO SERIES  
OPEN LENS  
ROUND TRIM



GML-SO SERIES  
OPEN LENS  
SQUARE TRIM



GML-RS SERIES  
SCOOP LENS  
ROUND TRIM



**12 VOLT**

**JWET LOCATION**

**INDOOR**

**80+ CRI**

**5 Yr. WARRANTY**

**ETL Intertek**



CNM Campus Entrance  
installed by  
ECO Electric

## Power Supplies and Controls



**POWER SUPPLY  
WALL DIMMERS  
PAGE 156-157**



**12VDC PSD SERIES  
LED DIMMABLE  
PAGES 158**



**12VDC / 24VDC  
ELECTRONIC LED DIMMABLE  
PAGE 159-160**



**24VDC ELECTRONIC  
NON-DIMMABLE  
PAGE 162**



**12VDC / 24VDC MAGNETIC  
LED DIMMABLE  
PAGE 163-164**



**12V / 24V 0-10  
DIMMING DRIVERS  
PAGE 165**

# SWITCHEX™ 12VDC / 24VDC LED POWER SUPPLY / WALL DIMMER

FOR USE WITH LED TAPE AND LIGHTBARS

## PRODUCT DESCRIPTION

SwitchEx is a driver and dimmer in one reliable wall switch. SwitchEx drives and dims either 12VDC or 24VDC LED lighting from your 120VAC current. Available with three interchangeable face plate finishes, SwitchEx fits standard electrical boxes. Winner of the Architectural SSL Product Innovation Award.

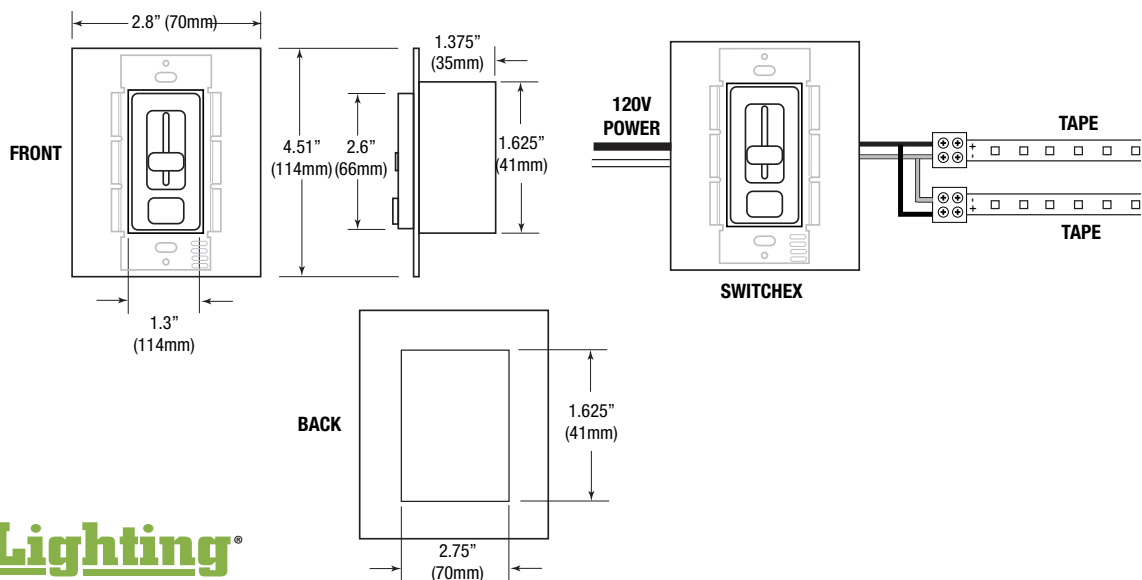
## FEATURES

- All in one power supply and wall dimmer.
- Eliminates compatibility issues found in other dimmers.
- Fits in standard recessed electrical box.
- 100% - 1% smooth dimming.
- No minimum load.
- Single pole preset dimmer with on/off sliding switch.
- Includes voltage barrier partition that enables high and low voltage circuit installation in same box
- No de-rating required when ganging units.
- Power failure memory.
- Includes Gloss White, Gloss Light Almond and Gloss Dark Brown face plates. Trim plate by others.
- Input Voltage: 120VAC (108 - 132VAC), 50/60Hz (47-63Hz)
- Power Factor: >0.9 @ 120VAC 60Hz max. load
- UL listed and FCC approved
- Complies with limits for a Class B digital device.
- Conforms to NEC Code 725.136. Class 1 and Class 2 circuit in same enclosure must be separated by partition, unless Class 2 circuit conductors are installed in accordance with 725.41 Class 1 circuits.
- 5 year warranty



Catalog No.	Voltage In	Voltage Out	Watts	Face Plate Finishes*
SWD-40W-12VDC-DIM	120VAC	12VDC	40W	Gloss White, Gloss Light Almond, Gloss Dark Brown
SWD-60W-12VDC-DIM	120VAC	12VDC	60W	Gloss White, Gloss Light Almond, Gloss Dark Brown
SWD-60W-24VDC-DIM	120VAC	24VDC	60W	Gloss White, Gloss Light Almond, Gloss Dark Brown
SWD-100W-24VDC-DIM	120VAC	24VDC	100W	Gloss White, Gloss Light Almond, Gloss Dark Brown

\* Switch-Ex comes with 3 interchangeable face plates. Trim plate by others. For product compatibility, see spec sheet.



**12 VOLT**

**24 VOLT**

**DIMMABLE**

**5 Yr. WARRANTY**

**UL US**



# SMART HOME 120V WALL SWITCH DIMMER

## PRODUCT DESCRIPTION

ZIGBEE™ protocol is the language that this Smart Home 120V Wall Switch Dimmer uses that enables voice control of your residential and commercial lighting network. Replaces standard in-wall switch. 180W.

## KEY FEATURES

- Control lights with Amazon Alexa® and Google Home® voice control service
- Decora® face plate
- Power on/off
- Pre-set scene and schedule
- 180W
- Dimming 10% - 100%
- Replaces standard in-wall switch

3-in-1 ways to control your lights -  
VOICE, APP and WALL SWITCH!

Not compatible with the following GM Lighting products:

- All magnetic power supplies
- GMR4
- GMR6-WW-W
- SDP-3

NOTE: Compatible with 2.4Ghz only. May require hub for compatibility. Works on LED fixtures only, not compatible with LED retrofit bulbs.



120  
VOLT




DIMMABLE

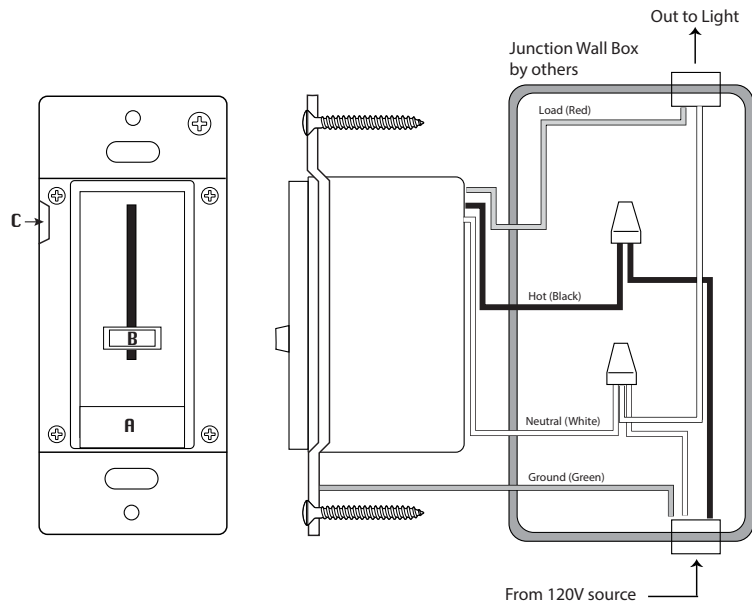
5 Yr.  
WARRANTY



## ORDERING INFORMATION

Catalog No.	Voltage In	Voltage Out	Watts	Dimensions
<b>SHD-WL</b>	120VAC	120V	180W	10"L x 5.69"W x 3.43"H

Please see our website for updated power supply specifications and information.



# 12VDC / 24VDC PSD SERIES

## DIMMABLE ELECTRONIC POWER SUPPLIES

**12 VOLT**

**24 VOLT**

**CLASS 2**

**5 Yr. WARRANTY**

**UL**

**ETL Intertek**



PSD15-12

### PRODUCT DESCRIPTION

Our new 12VDC and 24VDC PSD series power supplies are constant voltage, Phase/Triac dimmable 15W, 24W, 60W and 90W driver.

### KEY FEATURES

- 120V input
- High efficiency: up to 80%
- Protection: short circuit / over voltage
- Integrated junction box for hard wire installation
- Flicker-free 20% - 100% dimming
- Class 2
- 5 year warranty

### ORDERING INFORMATION

Catalog No.	Description	Watts	Weight	Dimensions
<b>PSD15-12</b>	12VDC - 15W - 1.25 amps High efficiency: up to 80%. Input voltage is 120V Output constant voltage: 12VDC - Class 2	15W	11.1 oz.	8-1/4"L x 1-1/2"W x 1-1/2"H
<b>PSD24-12</b>	12VDC - 24W - 2.0 amps High efficiency: up to 80%. Input voltage is 120V Output constant voltage: 12VDC - Class 2	24W	13.8 oz.	9-10/16"L x 1-1/2"W x 1-1/2"H
<b>PSD60-12</b>	12VDC - 60W - 5.0 amps High efficiency: up to 80%. Input voltage is 120V Output constant voltage: 12VDC - Class 2	60W	16.25 oz.	7-1/5"L x 3-3/10"W x 1-3/10"H
<b>PSD90-24</b>	24VDC - 90W - 2.0 amps High efficiency up to 80%. Input voltage is 120V Output constant voltage: 24VDC - Class 3	90W	16.25 oz.	7-1/5"L x 3-3/10"W x 1-3/10"H

Please see our website for updated power supply specifications and information

# 12VDC AND 24VDC ELECTRONIC LED DIMMABLE POWER SUPPLIES



LTHE-20-DIM-12



LTHE-60-DIM-12

## PRODUCT DESCRIPTION

Electronic dimmable Class 2 power supplies that include 12VDC and 24VDC LED dimming units that works with conventional Triac wall dimmers

**12**  
VOLT

**24**  
VOLT

**CLASS**  
**2**

**5 Yr.**  
WARRANTY

**UL**  
C US

**ETL**  
C US  
Intertek

## KEY FEATURES

- 120V input
- Compact design allows for undercabinet mounting
- Class 2
- Auto reset
- ETL /UL

## ORDERING INFORMATION

Catalog No.	Description	Watts	Weight	Dimensions
<b>LTHE-20-DIM-12</b>	12VDC - 20W - 1.67 amps High efficiency: >84%. Input voltage is 120V/60Hz. Output constant voltage: 12VDC - Class 2	20W	0.41 lbs.	5-3/4"L x 2-3/8"W x 13/16"H
<b>LTHE-60-DIM-12</b>	12VDC - 60W - 5.0 amps Maximum load is 60W @ 90% efficiency. Input voltage is 120V @ 60 Hz. Auto reset - Class 2	60W	1.2 lbs.	6-3/4"L x 2-5/8"W x 1-1/4"H
<b>LTHE-20-DIM-24</b>	24VDC - 20W - .83 amps High efficiency: >84%. Input voltage is 120V/60Hz. Output constant voltage: 24VDC - Class 2	20W	0.41 lbs.	5-3/4"L x 2-3/8"W x 13/16"H
<b>LTHE-96-DIM-24</b>	24VDC - 96W - 4.2 amps Maximum load is 96W @ 90% efficiency. Input voltage is 120V @ 60 Hz. Auto reset - Class 2	96W	1.2 lbs.	6-3/4"L x 2-5/8"W x 1-1/4"H

Please see our website for updated power supply specifications and information

# 12VDC AND 24VDC ELECTRONIC LED DIMMABLE POWER SUPPLIES

**12 VOLT**

**24 VOLT**

**CLASS 2**

**5 Yr. WARRANTY**

**ETL Intertek**

## PRODUCT DESCRIPTION

Electronic LED Dimmable Power Supplies features modern electronic power supply technology in a reliable Class 2 format. 5 year warranty. Short circuit protection 100% fully load tested.

## KEY FEATURES

- Class 2
- Short circuit protection



LTF-60-12

## ORDERING INFORMATION

Catalog No.	Description	Watts	Weight	Dimensions
<b>LTFD-60</b>	12VDC - 60W - Dimmable Class 2 - 120V Cord and (39") Plug	60W	1.0 lbs.	3.0"L x 1.5"W x 2.0"H
<b>LTF-30-12</b>	12VDC - 30W - Dimmable Class 2 - 120VAC Input - 6 Standard Knockouts	30W	2.0 lbs.	8.0"L x 2.5"W x 2.0"H
<b>LTF-30-24</b>	24VDC - 30W - Dimmable Class 2 - 120VAC Input - 6 Standard Knockouts	30W	2.0 lbs.	8.0"L x 2.5"W x 2.0"H
<b>LTF-60-12</b>	12VDC - 60W - Dimmable Class 2 - 120VAC Input - 6 Standard Knockouts	60W	1.25 lbs.	8.125"L x 2.0"W x 2.0"H
<b>LTF-60-24</b>	24VDC - 60W - Dimmable Class 2 - 120VAC Input - 6 Standard Knockouts	60W	1.25 lbs.	8.125"L x 2.0"W x 2.0"H
<b>LTF-100-12</b>	12VDC - 100W - Dimmable - 120VAC Input - 6 Standard Knockouts	100W	2.0 lbs.	8.0"L x 2.5"W x 2.0"H
<b>LTF-100-24</b>	24VDC - 100W - Dimmable - 120VAC Input - 6 Standard Knockouts	100W	2.0 lbs.	8.0"L x 2.5"W x 2.0"H
<b>LTF-200-12</b>	12VDC - 200W - Dimmable - 120VAC Input - 6 Standard Knockouts	200W	2.0 lbs.	8.0"L x 2.5"W x 2.0"H
<b>LTF-200-24</b>	24VDC - 200W - Dimmable - 120VAC Input - 6 Standard Knockouts	200W	2.0 lbs.	8.0"L x 2.5"W x 2.0"H
<b>LTF-300-12</b>	12VDC - 300W - Dimmable - 120VAC Input - 6 Standard Knockouts	300W	2.0 lbs.	9.00"L x 3.5"W x 2.0"H
<b>LTF-300-24</b>	24VDC - 300W - Dimmable - 120VAC Input - 6 Standard Knockouts	300W	2.0 lbs.	9.00"L x 3.5"W x 2.0"H

## DIMMER COMPATIBILITY

The following dimmers are compatible with GM Lighting LTF Series 12V and 24V power supplies. Please read dimmer load requirements to ensure proper dimming.

Mfg.	Model Name	Model Number
<b>Leviton</b>		6615 6672 6674/IPL06
		IPE04 IPI06 VP106
		VPE04 VPM06 VRE04 VRM10
<b>Creston</b>		CLS-C6, CLS-C6M, CLS-C6EX, CLS-C6MEX
		CLS-C6MRF, CLS-C6RF
		CLS-EXP-DIM, CLS-EXP-DIMU
<b>Creston</b>		CLX-1DIM4, CLX-1DIM8, CLX-2DIM2, CLX-2DIM8
		CLX-1DELV4 DIN-1DIM4 DIN-1DIMU4
<b>Lutron</b>	Diva	DVLV-600P, DVLV-603P
	Diva ELV	DVELV-303P

Mfg.	Model Name	Model Number
<b>Lutron</b>	Home Works	HQRD-6A & HQRD-6NA
	Skylark	SELV300-P & SELV-600
	Skylark Contour	CTELV-303P
	Maestro Wireless	MRF2-6ELV-120
	Maestro	MAELV-600
	Maestro	MSCELV-600M
	Maestro IR	MIRELV-600
	Nova	NVELV-600
	Nova T	NTELV-600
	Vierti	VTELV-600

NOTE: PLEASE SEE [www.gmlighting.net](http://www.gmlighting.net) FOR UPDATED POWER SUPPLY SPECIFICATIONS



# 12VDC ELECTRONIC NON-DIMMABLE POWER SUPPLIES



## PRODUCT DESCRIPTION

LTP Series Cord and Plug 12VDC Electronic LED Power Supplies feature LED indicator for 'power on' and 5 year warranty. Each LTP Electronic Power Supply incorporates short circuit, over-voltage and over-temperature protection.

LTH Series Hardwire 12VDC Electronic LED Power Supplies feature 100-240V A/C input, LED indicator for 'power on' and 5 year warranty. Each LTH Electronic Power Supply incorporates short circuit, over-voltage and over-temperature protection.

## LTP SERIES KEY FEATURES

- 100% fully load tested
- Class 2
- Overload, short-circuit and temp. protection

## LTH SERIES KEY FEATURES

- 120V A/C input
- 100% fully load tested
- Overload, short circuit and temp. protection

## ORDERING INFORMATION

Catalog No.	Description	Watts	Weight	Dimensions
LTP-2	12VDC - 25W - 2.0 amps - Class 2 - 120V Cord (126") and Plug	25W	10.4 oz.	3.25"L x 1.75"W x 1.25"H
LTP-6	12VDC - 60W - 5.0 amps - Class 2 - 120V Cord (126") and Plug	60W	14.8 oz.	5.50"L x 2.25"W x 1.25"H
LTH-2*	12VDC - 25W - 2.0 amps - Metal chassis with screw terminals 1 set DC output screw terminals	25W	6.9 oz.	3.25"L x 1.75"W x 1.25"H
LTH-4*	12VDC - 50W - 4.2 amps - Metal chassis with screw terminals 1 set DC output screw terminals.	50W	14.3 oz.	4"L x 4"W x 1.125"H
LTH-8*	12VDC - 100W - 8.5 amps - Metal chassis with screw terminals and mounting feet. 2 sets DC output screw terminals.	100W	1.08 lbs.	7.5"L x 4"W x 2"H
LTH-16*	12VDC - 200W - 16.7 amps - Metal chassis with screw terminals and mounting feet. Fan cooled. 2 sets DC output screw terminals.	200W	1.15 lbs.	8.25"L x 4"W x 2"H
LTH-25*	12VDC - 320W - 25 amps - Metal chassis with screw terminals and mounting feet. Fan cooled. 3 sets DC output screw terminals.	320W	1.5 lbs.	9"L x 4.5"W x 2"H

\* Recommended for commercial applications. Enclosure by others required.

# 24VDC ELECTRONIC NON-DIMMABLE POWER SUPPLIES

**24  
VOLT**

**NON-DIMMABLE**

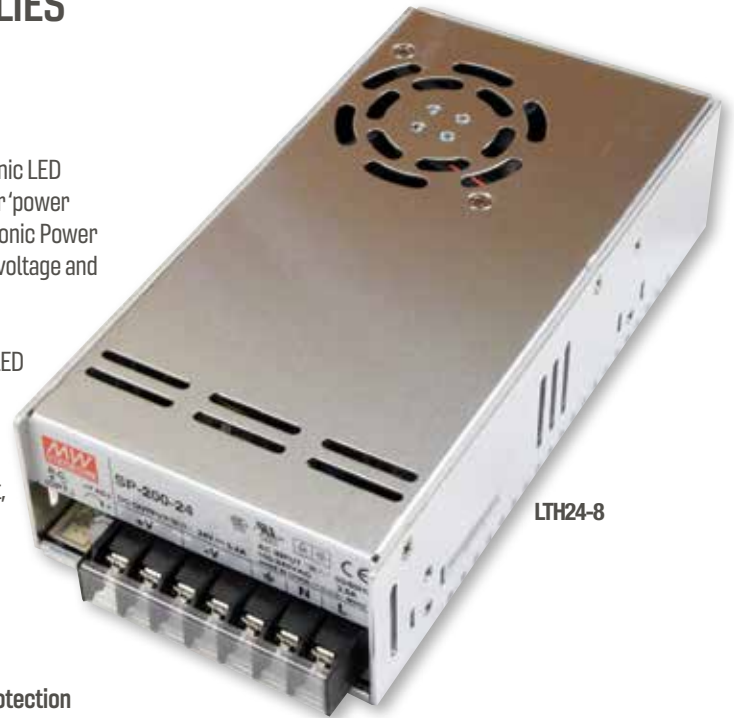
**5 Yr.  
WARRANTY**

**ETL  
Intertek**

## PRODUCT DESCRIPTION

LTP Series Cord and Plug 24VDC Electronic LED Power Supplies feature LED indicator for 'power on' and 5 year warranty. Each LTP Electronic Power Supply incorporates short circuit, over-voltage and over-temperature protection.

LTH Series Hardwire 24VDC Electronic LED Power Supplies feature 100-240V A/C input, LED indicator for 'power on' and 5 year warranty. Each LTH Electronic Power Supply incorporates short circuit, over-voltage and over-temperature protection.



LTH24-8

## LTP SERIES KEY FEATURES

- Class 2
- Overload, short-circuit and temp. protection

## LTH SERIES KEY FEATURES

- 120V A/C input
- Overload, short circuit and temp. protection

## ORDERING INFORMATION

Catalog No.	Description	Watts	Weight	Dimensions
LTP24-48	24VDC - 48W - 2 amps - 120V - 120V Cord (72") and plug. Short circuit, overload protection - LED indicator for power on. UL listed.	48W	1.8 lbs.	4.68"L x 2.05"W x 1.25"H
LTP24-90	24VDC - 90W - 3.75 amps - 120V - Cord (72") and Plug Short circuit, overload protection - LED indicator for power on. UL listed	90W	1.8 lbs.	5.75"L x 2.375"W x 1.25"H
LTH24-2*	24VDC - 24W - 1.2 amps - 120V Short circuit, overload protection - LED indicator for power on. RU listed.	24W	6.9 oz.	3-3/16"L x 2"W x 1-1/8"H
LTH24-4*	Hardwire 24VDC - 100W - 4.2 amps - 100-240VAC Input - Short circuit, overload protection - LED indicator for power on Metal chassis with screw terminals and mounting feet 2 sets of DC screw terminals. RU listed.	100W	1.6 lbs.	7"L x 3.875"W x 1.75"H
LTH24-8*	Hardwire 24VDC, - 200W - 8.4 amps - 120V - 100-240VAC Input Short circuit, overload protection - LED indicator for power on Metal chassis with screw terminals and mounting feet 2 sets of DC screw terminals. RU listed.	200W	2.0 lbs.	7.84"L x 3.90"W x 1.97"H
LTH24-13	Hardwire 24VDC - 300W - 85-264 VAC input - 47-63Hz frequency range at 83% typical efficiency.	300W	2.0 lbs.	9"L x 4"W x 2"H
DPPS-12-24V	24VDC - 12W - Class 2 with cord and plug for LARC6 and Slim Edge™ only	12W	8 oz.	2.75"L x 2"W x 1"H
DPPS-36-24V	24VDC - 36W - Class 2 with cord and plug for LARC6 and Slim Edge™ only	36W	12 oz.	4"L x 1-3/4"W x 1.125"H

\* Recommended for commercial applications. Enclosure by others required. Please see our website for updated power supply specifications and information. 5 year warranty.

# 12VDC / 24VDC MAGNETIC LED DIMMABLE POWER SUPPLIES



LTHM50-DIM

## PRODUCT DESCRIPTION

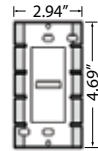
LTHM Power Supplies features short-circuit protection and a 5-year warranty. Dimmable with magnetic low voltage dimmer.

## KEY FEATURES

- 120VAC input
- 12VDC output
- 24VDC output
- Dimmable with MLV Dimmers\*
- Overload, short-circuit and temp. protection
- Recommended 25% - 80% loading for optimal performance

\*GMWD-600 (see below) or Lutron DVLV Series or equivalent

## ORDERING INFORMATION

Catalog No.	Description	Watts	Weight	Dimensions
LTHM30-DIM	12VDC - 30W - 120V/60Hz - 2.5 amps - Class 2 - Auto reset ETL for indoor and outdoor use	30W	2.0 lbs.	7.3"L x 1.6"H x 2"W
LTHM50-DIM	12VDC - 50W - 4 amps - Class 2 - 120V/60Hz Auto reset - ETL for indoor and outdoor use	50W	3.3 lbs.	6"L x 1.375"H x 1.875"W
LTH-60-N-DIM	12VDC - 5 amps or 24VDC - 2.5 amps - 60W - Auto reset 120V, 240V or 277V - 50 or 60 Hz. No external fusing required - For indoor use only.	60W	4.11 lbs.	7.5"L x 3"H x 3"W
LTHM100-DIM	12VDC - 100W - 8 amps - 120V/60Hz - Auto reset - ETL for indoor and outdoor use.	100W	6.0 lbs.	9"L x 3"H x 3"W
LTHM200-DIM	12VDC - 200W - 16 amps - 120V/60Hz. Manual reset - ETL for indoor and outdoor use	200W	6.0 lbs.	8.79"L x 4.15"W x 3.43"H
LTHM300-DIM	12VDC - 300W - 25 amps - 120V/60Hz. ETL for indoor and outdoor use - Manual reset	300W	8.4 lbs.	10.2"L x 5.69"W x 3.43"H
LTHM-30-DIM-24	24VDC - 1.25 amps - Class 2 - 30W - Auto reset - ETL for indoor or outdoor. 120V - 50 or 60 Hz. No external fusing required. Dimmable.	30W	3.75 lbs.	7.3"L x 1.6"H x 2"W
LTHM-60-DIM-24	24VDC - 2.55 amps - 60W - Auto reset. 120V - 60 Hz. No external fusing required. Dimmable.	60W	4.11 lbs.	7"L x 3.88"W x 3"H
LTHM100-DIM-24	24VDC - 100W - 4 amps - 120V/60Hz. Double section bobbin - ETL for indoor and outdoor use. Manual reset. Dimmable.	100W	3.3 lbs.	6.06"L x 2.59"W x 2.33"H
LTHM200-DIM-24	24VDC - 200W - 8 amps - 120V/60Hz Double section bobbin - ETL for indoor and outdoor use. Manual reset. Dimmable.	200W	7.0 lbs.	8.79"L x 4.15"W x 3.43"H
LTHM300-DIM-24	24VDC - 300W - 12 amps - 120V/60Hz Double section bobbin - ETL for indoor and outdoor use. Manual reset. Dimmable.	300W	9.0 lbs.	10.2"L x 5.69"W x 3.43"H
GMWD-600	600W magnetic low voltage wall dimmer with on/off switch. Single pole - 120V/60Hz - White. Wall plate not included. For use with all GM Lighting 12VDC magnetic dimmable power supplies Fits standard wall outlets.	600W		

Please see our website for updated power supply specifications and information.

**12 VOLT**

**24 VOLT**

**CLASS 2**

**DIMMABLE**

**5 Yr. WARRANTY**



# 12VDC MAGNETIC LED DIMMABLE POWER SUPPLIES

**12  
VOLT**

**CLASS  
2**

**DIMMABLE**

**5 Yr.  
WARRANTY**

**UL  
C US**

## PRODUCT DESCRIPTION

LTHM150-CL2 and 300-CL2 Power Supplies enable multiple circuit connections in a 5 amp, Class 2 ETL approved power supply that is approved for indoor and outdoor use.

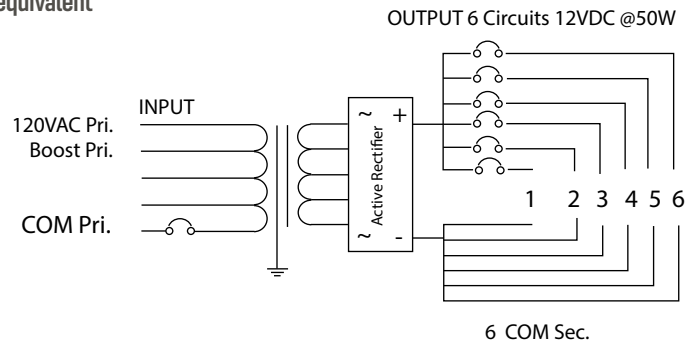
## KEY FEATURES

- Transformer encapsulated within enclosure
- Dimmable with MLV dimmers\*
- Manual reset thermal 3A circuit breaker on primary side
- Class 2
- 3 x 50W Class 2 circuits
- 6 x 50W Class 2 circuits
- Black powder coat enclosure



LTHM300-CL2-DIM

\*GMWD-600 or Lutron DVLV Series or equivalent



## ORDERING INFORMATION

Catalog No.	Description	Watts	Weight	Dimensions
LTHM150-CL2-DIM	12VDC - 3 x 50W - 5 amps - 120V/60Hz 1400mA input current - Double section bobbin - Manual reset Runs 3 separate 50W Class 2 5 amps circuits - UL for indoor and outdoor use - Class 2	3 x 50W	7.5 lbs.	10"L x 5.69"W x 3.43"H
LTHM300-CL2-DIM	12VDC - 6 x 50W - 5 amps - 120V/60Hz 2800mA input current - Double section bobbin - Manual reset Runs 6 separate 50W Class 2 5 amps circuits - UL for indoor and outdoor use - Class 2	6 x 50W	8.4 lbs.	10"L x 5.69"W x 3.43"H

Please see our website for updated power supply specifications and information.



# 12V / 24V 0-10 DIMMING DRIVERS



LTF60-12-010

## PRODUCT DESCRIPTION

GM Lighting's 60W and 96W LED driver is a compact and light weight powerhouse that features high efficiency to reduce total power consumption.

## KEY FEATURES

- No minimum load technology
- 120V/277V input
- Soft start feature
- Constant voltage output - 0-10V dimming (switch by others)
- ETL listed for outdoor installation
- Overload / short circuit / over-voltage / thermal protection
- High efficiency to reduce total power consumption
- Compact size and light weight
- 5 year warranty

12  
VOLT

24  
VOLT

CLASS  
2

5 Yr  
WARRANTY



## ORDERING INFORMATION

Catalog No.	Description	Watts	Weight	Dimensions
LTF60-12-010	12VDC - 60W - Constant voltage output - ETL listed for outdoor	60W	2 lbs.	9.3"L x 4"W x 2"D
LTF96-24-010	24VDC - 96W - Constant voltage output - ETL listed for outdoor	96W	2 lbs.	9.3"L x 4"W x 2"D

Please see our website for updated power supply specifications and information.



Signage application  
courtesy of  
Connor Architecture

# LEDTASK™ VOLTAGE DROP CHART FOR 12VDC

MINIMUM VOLTAGE REQUIRED FOR MAXIMUM LIGHT OUTPUT: 11.3V AT BEGINNING OF RUN  
THIS CHART INDICATES DC VOLTAGE AT THE BEGINNING OF YOUR LED LINEAR RUN

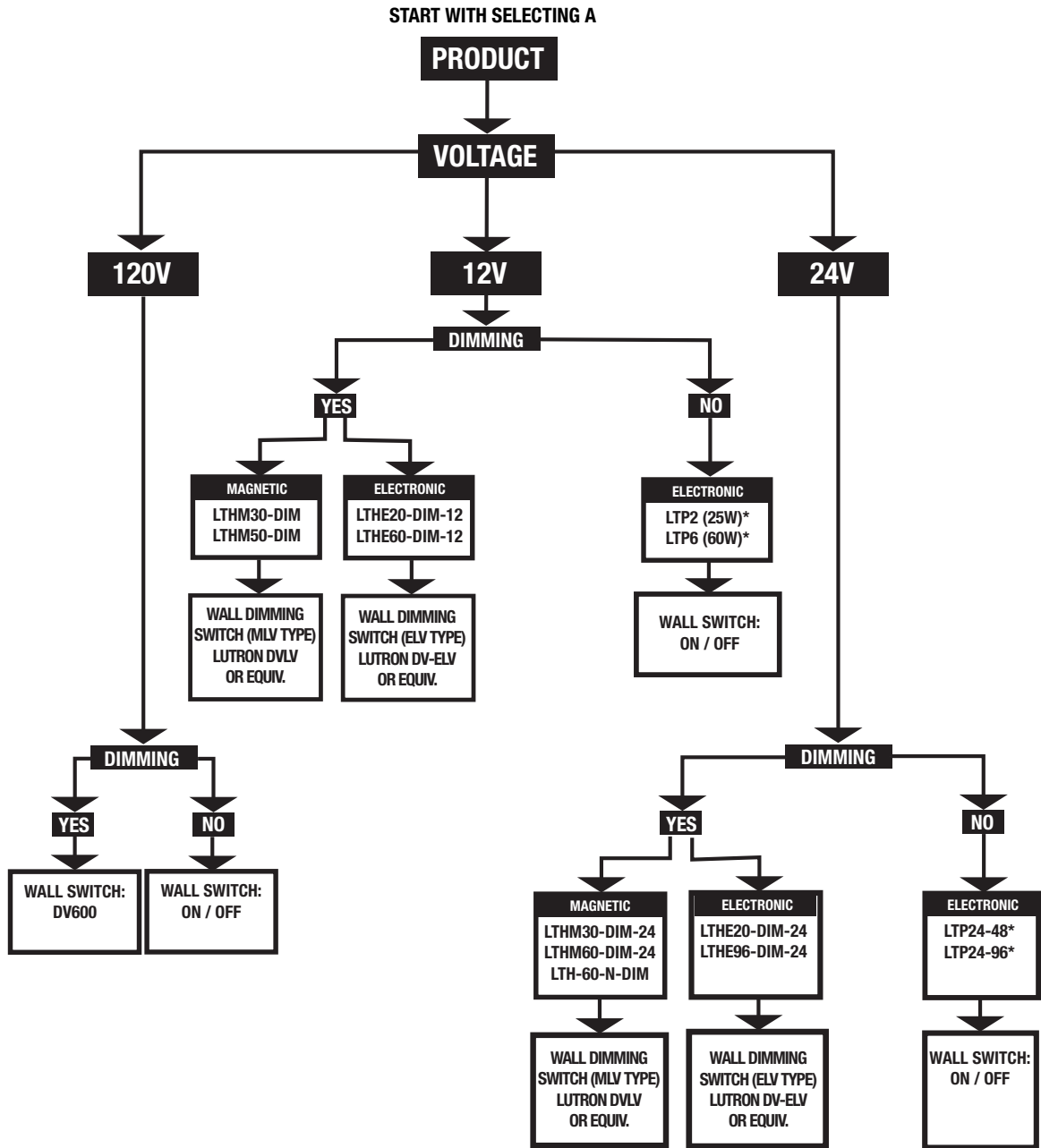
Wire Size	Distance	Load Current in amps (per run)	
		2 amps / 24W	4 amps / 48W
<b>18 AWG</b>	10 ft.	11.7	11.4
	25 ft.	11.3	10.5
	50 ft.	11.0	9.0
	100 ft.	9.4	6.1
	200 ft.	6.7	
<b>14 AWG</b>	10 ft.	11.9	11.8
	25 ft.	11.7	11.4
	50 ft.	11.5	10.8
	100 ft.	11.0	9.7
	200 ft.	10.0	7.6
<b>12 AWG</b>	10 ft.	11.9	11.9
	25 ft.	11.8	11.6
	50 ft.	11.7	11.3
	100 ft.	11.3	10.5
	200 ft.	10.7	9.0
<b>10 AWG</b>	10 ft.	12.0	11.9
	25 ft.	11.9	11.8
	50 ft.	11.8	11.5
	100 ft.	11.6	11.1
	200 ft.	11.2	10.2

# LEDTASK™ VOLTAGE DROP CHART FOR 24VDC

MINIMUM VOLTAGE REQUIRED FOR MAXIMUM LIGHT OUTPUT: 22.8V AT BEGINNING OF RUN  
 THIS CHART INDICATES DC VOLTAGE AT THE BEGINNING OF YOUR LED LINEAR RUN

Wire Size	Load Current in amps (per run)	
	Distance	4 amps / 96W
<b>18 AWG</b>	10 ft.	22.8
	25 ft.	21.0
	50 ft.	18.0
	100 ft.	
	200 ft.	
<b>14 AWG</b>	10 ft.	23.6
	25 ft.	22.8
	50 ft.	21.6
	100 ft.	19.4
	200 ft.	15.4
<b>12 AWG</b>	10 ft.	23.8
	25 ft.	23.2
	50 ft.	22.6
	100 ft.	21.0
	200 ft.	18.0
<b>10 AWG</b>	10 ft.	23.8
	25 ft.	23.6
	50 ft.	23.0
	100 ft.	22.2
	200 ft.	20.4

# QUICK GUIDE TO PICKING POWER SUPPLIES



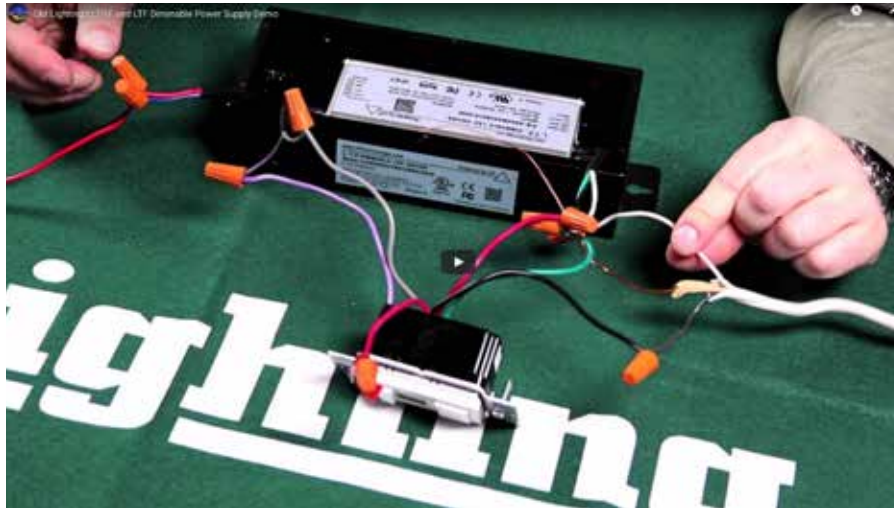
## SELECTING A GM LIGHTING POWER SUPPLY

This flow chart will enable the proper selection of an appropriate power supply for your GM Lighting product. Based on the voltage of the product and whether or not dimming is required - we've covered everything including which wall switch should be used. If you have any other questions, see our website at [www.gmlighting.net](http://www.gmlighting.net), or contact us directly.

**NOTE: FOR REFERENCE ONLY - PLEASE FOLLOW LOCAL AND NATIONAL CODES. FOR WIRE OPTIONS, SEE PAGE 179.**



# GM POWER SUPPLY RESOURCES



## VISIT OUR VIDEO LIBRARY

With such an extensive selection of power supplies, selecting the proper one for your application can be challenging. Different power supplies perform different tasks. Applications for long uninterrupted runs in an outdoor environment will require a specific power supply that is wet location, and carries enough wattage to adequately power your run.

Our 'how-to' videos take the viewer through a detailed presentation that should answer most if not all of your questions. You can access our videos by going to [www.gmlighting.net](http://www.gmlighting.net) > Product Visuals > Product Videos


## SPEC SHEETS AND TECHNICAL LITERATURE

Every power supply we offer has a corresponding spec sheet available online. We are constantly updating product literature, spec sheets and other supporting documents. If you are seeking information that you can't find on our website, please don't hesitate to contact us.

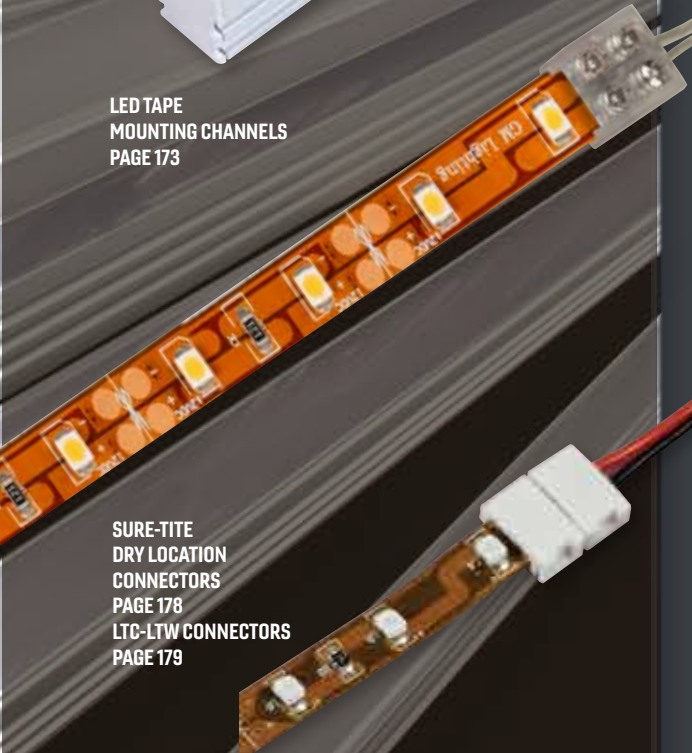




# Channels, Connectors and Accessories



LED TAPE  
MOUNTING CHANNELS  
PAGE 173



SURE-TITE  
DRY LOCATION  
CONNECTORS  
PAGE 178  
LTC-LTW CONNECTORS  
PAGE 179



EZ CONNECTORS  
LTC-LTW  
CONNECTORS  
PAGE 179



GM LIGHTING WIRE  
PAGE 179



# LED TAPE MOUNTING CHANNELS

LED-CHL-45  
4' LENGTH

LED-CHL  
4' AND 8' LENGTHS

LED-CHL-45-1200  
4' LENGTH

LED-CHL-BND  
4' AND 8' LENGTHS

LED-CHL-SLIM  
4' LENGTH

LED-CHL-D  
4' LENGTH

LED-CHL-W  
4' AND 8' LENGTH

LED-CHL-XD  
4' AND 8' LENGTHS

LED-CHL-XD-F  
4' AND 8' LENGTHS

NOT PICTURED  
LED-CHL-XD-MD  
LED-CHL-XD-MD-F



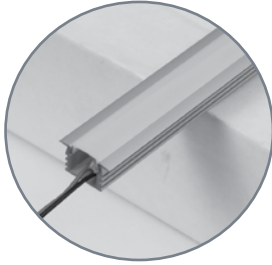
# LED TAPE MOUNTING CHANNELS AND ACCESSORIES

## PRODUCT DESCRIPTION

GM Lighting's aluminum channels accept all GM Lighting LEDTask flexible LED Linear tape. Perfect for installations that require a rigid extruded channel that the LED tape can be mounted into. Each channel and lens can be cut in the field to the desired length needed.

## KEY FEATURES

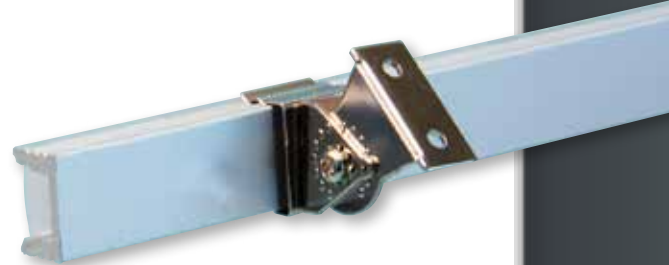
- Aluminum extrusions in 4' and 8' lengths
- Each channel comes complete with lens and mounting hardware
- Accessories designed for channel come right after channel listing



Choice of widths and positions assures a fit for all GM LED Linear Tape - dry and wet location.



LED-CHL-BND enables LED tape to follow curves and bends while being protected (check applicable tape on page 174)



LED-CHL-8 with optional adjustable mounting bracket (LED-CHL-AMC)

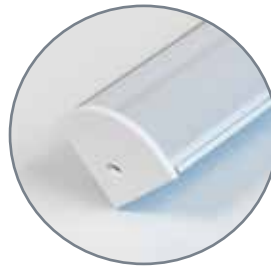
	Catalog No.	Description	Channel	Accessory	Length	Finish
LED-CHL	LED-CHL	Extruded channel. Includes snap-on frosted lens with mounting screws.	✓	X	48"	Aluminum
	LED-CHL-8	Extruded channel. Includes snap-on frosted lens with mounting screws.	✓	X	96"	Aluminum
	LED-CHL-EC	(2) Solid end caps for LED-CHL-4/8	X	✓	N/A	Aluminum
	LED-CHL-AMC	(2) Adjustable mounting brackets for LED-CHL-4/8	X	✓	N/A	Aluminum
	LED-CHL-AMC-W	(2) Adjustable mounting brackets for LED-CHL-8-WH	X	✓	N/A	Aluminum
	LED-CHL-MC	(2) Mounting clips for LED-CHL-4/8	X	✓	N/A	Aluminum
LED-CHL-45	LED-CHL-45	Extruded angled (45°) channel. Includes snap-on frosted lens with mounting screws.	✓	X	48"	Aluminum
	LED-CHL-45-EC	(2) Solid end caps for LED-CHL-45	X	✓	N/A	Aluminum
	LED-CHL-45-EC-H	(2) Solid end caps with wiring holes for LED-CHL-45	X	✓	N/A	Aluminum
	LED-CHL-45-MC	(2) Additional mounting clips for LED-CHL-45	X	✓	N/A	Aluminum
LED-CHL-45-1200	LED-CHL-45-1200	Extruded large format angled (45°) channel. Includes snap-on frosted lens with mounting screws.	✓	X	48"	Aluminum
	LED-CHL-45-1200-EC	(2) Solid end caps for LED-CHL-45-1200	X	✓	N/A	Aluminum
	LED-CHL-45-1200-EC-H	(2) Solid end caps with wiring holes for LED-CHL-45-1200	X	✓	N/A	Aluminum
	LED-CHL-45-1200-LENS	Lens for LED-CHL-45-1200	X	✓	48"	Frosted Acrylic
	LED-CHL-45-1200-MC	(2) Additional mounting clips for LED-CHL-45-1200	X	✓	N/A	Aluminum
LED-CHL-BND	LED-CHL-BND	Extruded bendable channel. Includes snap-on frosted lens with mounting screws	✓	X	48"	Aluminum
	LED-CHL-BND-8	Extruded bendable channel. Includes snap-on frosted lens with mounting screws	✓	X	96"	Aluminum
	LED-CHL-BND-EC	(2) Solid end caps for LED-CHL-BND-4/8	X	✓	N/A	Aluminum
LED-CHL-D	LED-CHL-D	Extruded deep recessed channel.	✓	X	48"	Aluminum
	LED-CHL-D-EC	(2) Solid end caps for LED-CHL-D	X	✓	N/A	Aluminum
	LED-CHL-D-EC-H	(2) Solid end caps with wiring holes for LED-CHL-D	X	✓	N/A	Aluminum
	LED-CHL-D-F-EC	(2) End caps - one solid, one with wiring hole for LED-CHL-D	X	✓	N/A	Aluminum
	LED-CHL-D-F-MC	(2) Additional stainless steel mounting clips for LED-CHL-D	X	✓	N/A	Aluminum
	LED-CHL-FR-LENS	Snap-on slide-in frosted lens for LED-CHL-45, LED-CHL and LED-CHL-D	X	✓	N/A	Frosted Acrylic

Please check our website at [www.gmlighting.net](http://www.gmlighting.net) for new additions to our line of architectural mounting extrusions.

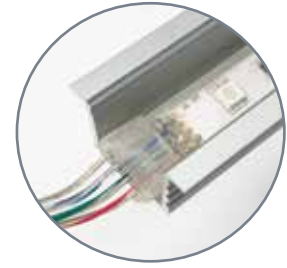
# LED TAPE ALUMINUM MOUNTING CHANNELS AND ACCESSORIES (Cont.)

## PRODUCT DESCRIPTION

GM Lighting's aluminum channels accept all GM Lighting LEDTask flexible LED Linear tape. Perfect for installations that require a rigid extruded channel that the LED tape can be mounted into. Each channel and lens can be cut in the field to the desired length needed.



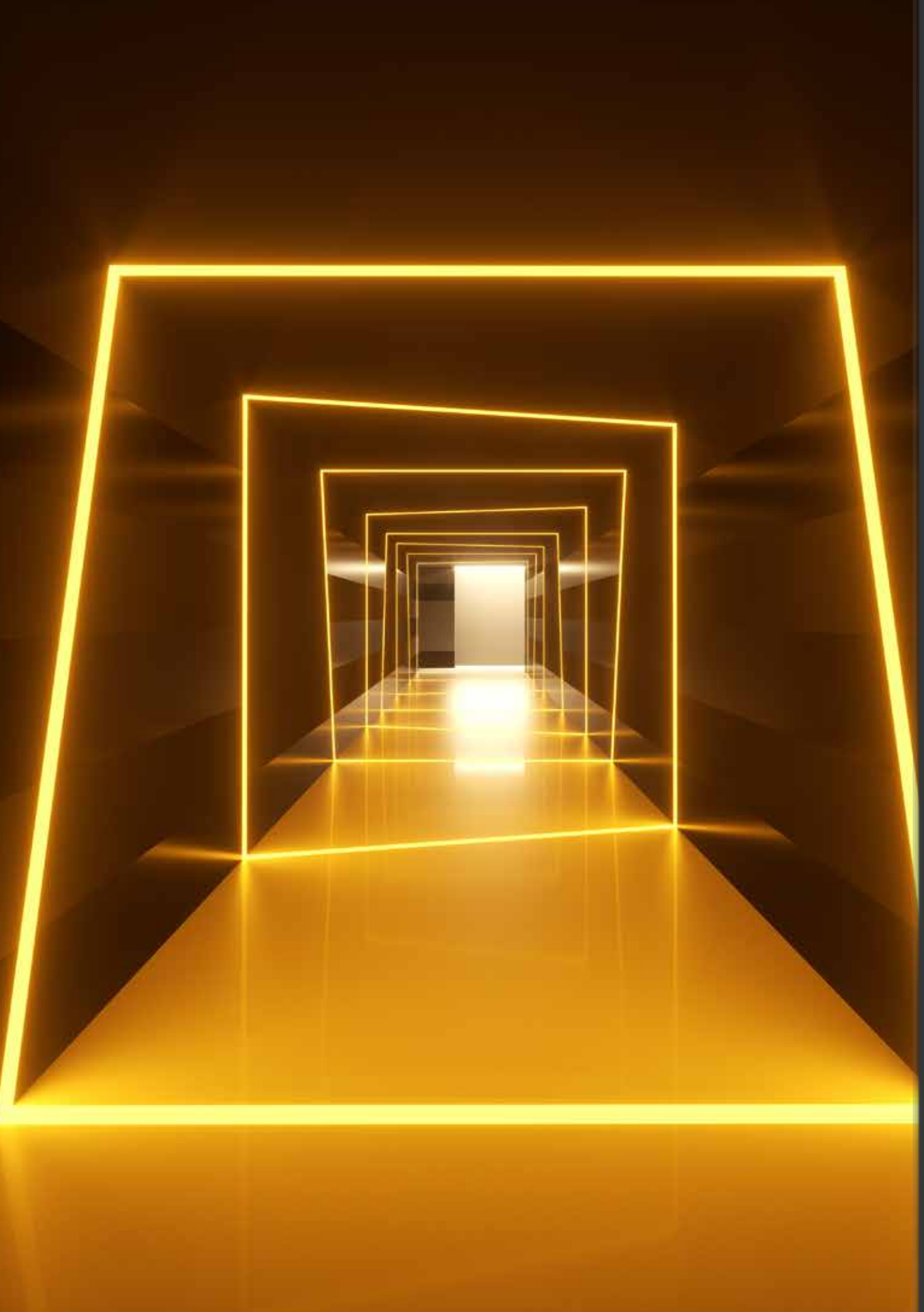
End caps either solid or with a wiring hole provide a finished look to any channel installation.



Perfect for wider wet location and RGB tape

	Catalog No.	Description	Channel	Accessory	Length	Finish
LED-CHL-SLIM	LED-CHL-SLIM	Slim extruded Includes snap-on frosted lens with mounting screws	✓	X	48"	Aluminum
	LED-CHL-SLIM-BRACKETS	(2) Mounting brackets for LED-CHL-SLIM	X	✓	N/A	Aluminum
	LED-CHL-SLIM-EC	(2) Solid end caps for LED-CHL-SLIM	X	✓	N/A	Aluminum
	LED-CHL-SLIM-EC-H	(2) End caps with wiring holes for LED-CHL-SLIM	X	✓	N/A	Aluminum
LED-CHL-W	LED-CHL-W	Wide format extruded channel. Includes snap-on frosted lens.	✓	X	48"	Aluminum
	LED-CHL-W-8	Wide format extruded channel. Includes snap-on frosted lens.	✓	X	96"	Aluminum
	LED-CHL-W-AMC	(2) Adjustable mounting brackets for LED-CHL-W	X	✓	N/A	Aluminum
	LED-CHL-W-EC	(2) Solid end caps for LED-CHL-W	X	✓	N/A	Aluminum
	LED-CHL-W-FR-LENS	Lens for LED-CHL-W channel	X	✓	N/A	Frosted Acrylic
	LED-CHL-W-MC	(2) Additional mounting clips for LED-CHL-W	X	✓	N/A	Aluminum
LED-CHL-XD	LED-CHL-XD	Extra deep format extruded channel. Includes snap-on frosted lens	✓	X	48"	Aluminum
	LED-CHL-XD-8	Extra deep format extruded channel. Includes snap-on frosted lens	✓	X	96"	Aluminum
	LED-CHL-AMC-XD	(2) Adjustable mounting brackets for LED-CHL-XD	X	✓	N/A	Aluminum
	LED-CHL-XD-EC	(2) End caps - one solid, one with wiring hole for LED-CHL-XD	X	✓	N/A	Aluminum
LED-CHL-XD-F	LED-CHL-XD-F	Extra deep format extruded channel with flanged edges. Includes snap-on frosted lens.	✓	X	48"	Aluminum
	LED-CHL-XD-F-8	Extra deep format extruded channel with flanged edges. Includes snap-on frosted lens.	✓	X	96"	Aluminum
	LED-CHL-XD-F-DC	(2) Drywall mounting brackets for LED-CHL-XD-F	X	✓	N/A	Aluminum
	LED-CHL-XD-F-EC	(2) End caps - one solid, one with wiring hole for LED-CHL-XD-F	X	✓	N/A	Aluminum
	LED-CHL-XD-F-MC	(2) Mounting brackets for LED-CHL-XD-F	X	✓	N/A	Aluminum
LED-CHL-XD-MD	LED-CHL-XD-MD	Mini-deep extruded channel. Includes snap-on frosted lens.	✓	X	48"	Aluminum
	LED-CHL-XD-MD-8	Mini-deep extruded channel. Includes snap-on frosted lens.	✓	X	96"	Aluminum
	LED-CHL-XD-MD-EC	(2) End caps - one solid, one with wiring hole for LED-CHL-XD-MD	X	✓	N/A	Aluminum
	LED-CHL-XD-MD-AMC	(2) drywall spring clips with mounting screws	X	✓	N/A	Aluminum
LED-CHL-XD-MD-F	LED-CHL-XD-MD-F	Mini-deep format extruded channel with flanged edges. Includes snap-on frosted lens.	✓	X	48"	Aluminum
	LED-CHL-XD-MD-F-DC	(2) Drywall spring clips with mounting screws	X	✓	N/A	Aluminum
	LED-CHL-XD-MD-F-EC	(2) End caps - one solid, one with wiring hole for LED-CHL-XD-MD-F	X	✓	N/A	Aluminum

Please check our website at [www.gmlighting.net](http://www.gmlighting.net) for new additions to our line of architectural mounting extrusions.



# COMPLETE CHANNEL / TAPE / CONNECTOR GUIDE

CHANNEL			FITS THESE CONNECTORS			
Tape	Description	Length*	With Soldered Leads	Accepts Sure-Tite Connector	Accepts EZ Connector	Accepts LTC - LTW Connectors
<b>LED-CHL</b>	Extruded pre-drilled aluminum channel with snap-on frosted acrylic lens. Includes mounting clips and screws.	48"	YES	NO	NO	NO
<b>LED-CHL-8</b>	Extruded pre-drilled aluminum channel with snap-on frosted acrylic lens. Includes mounting clips and screws.	96"	YES	NO	NO	NO
<b>LED-CHL-45</b>	Extruded aluminum channel, angled at 45°, with snap-on frosted acrylic lens. Includes mounting clips and screws.	48"	YES	NO	NO	NO
<b>LED-CHL-45-1200</b>	Extruded aluminum channel, angled at 45°, with snap-on frosted acrylic lens. Includes mounting clips and screws.	48"	YES	YES	YES	YES
<b>LED-CHL-BND</b>	Bendable extruded aluminum channel, with snap-on frosted acrylic bendable lens. Includes mounting clips and screws.	48"	YES	NO	NO	NO
<b>LED-CHL-BND-8</b>	Bendable extruded aluminum channel, with snap-on frosted acrylic bendable lens. Includes mounting clips and screws.	96"	YES	NO	NO	NO
<b>LED-CHL-D</b>	Extruded deep-recessed aluminum channel with snap-on frosted acrylic lens. Includes mounting clips and screws.	48"	YES	NO	NO	NO
<b>LED-CHL-SLIM</b>	Extruded slim mount aluminum channel with snap-on frosted acrylic lens. Includes mounting clips and screws.	48"	YES	NO	NO	NO
<b>LED-CHL-W</b>	Extruded pre-drilled wide-recessed aluminum channel with snap-on frosted acrylic lens. Includes mounting clips and screws.	48"	YES	YES	YES	YES
<b>LED-CHL-W-8</b>	Extruded pre-drilled wide-recessed aluminum channel with snap-on frosted acrylic lens. Includes mounting clips and screws.	96"	YES	YES	YES	YES
<b>LED-CHL-XD</b>	Extruded pre-drilled extra deep and wide recessed channel with snap-on frosted acrylic lens. Includes mounting clips and screws	48"	YES	YES	YES	YES
<b>LED-CHL-XD-8</b>	Extruded pre-drilled extra deep and wide recessed channel with snap-on frosted acrylic lens. Includes mounting clips and screws	96"	YES	YES	YES	YES
<b>LED-CHL-XD-F</b>	Extruded pre-drilled extra deep and wide recessed channel with flange and snap-on frosted acrylic lens. Includes mounting clips and screws	48"	YES	YES	YES	YES
<b>LED-CHL-XD-F-8</b>	Extruded pre-drilled extra deep and wide recessed channel with flange and snap-on frosted acrylic lens. Includes mounting clips and screws	96"	YES	YES	YES	YES
<b>LED-CHL-XD-MD</b>	Extruded pre-drilled mini extra deep and wide recessed channel with flange and snap-on frosted acrylic lens. Includes mounting clips and screws	48"	YES	YES	YES	YES
<b>LED-CHL-XD-MD-F</b>	Extruded pre-drilled mini extra deep and wide recessed channel with flange and snap-on frosted acrylic lens. Includes mounting clips and screws	48"	YES	YES	YES	YES

For channel mill work dimensions, see next page.



## FITS THESE LED TAPES

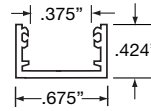
## DIMENSIONS

For LED Tape Series

Profile

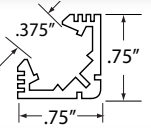
Mill Dimensions

LTR300, LTR300-100, LTR300-SO, LTR300-100-SO,  
GM300-24-SO, LTR30024, LTR30024-100



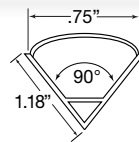
0.675"W X 0.424"D

LTR300, LTR300-100, LTR300-SO, LTR300-100-SO,  
GM300-24-SO, LTR30024, LTR30024-100



0.675"W X 0.424"D

LTR300, LTR300-100, LTR300-SO, LTR300-100-SO,  
GM-EXT-24-60, GM300-24-SO, LTR30024, LTR30024-100

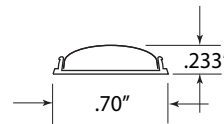


0.75"W X 0.75"D

ALL TAPE

1.180"W X 1.180"D

LTR300, LTR300-100, LTR300-SO, LTR300-100-SO,  
GM-EXT-24-60, GM300-24-SO, LTR30024, LTR30024-100, LTR150-RGB, HDT-  
28024, CTK-24024-HO, ESR15024, ESR90024, ESR180024

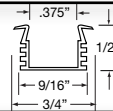


0.700"W X 0.233"D

LTR300, LTR300-100, LTR300-SO, LTR300-100-SO,  
GM-EXT-24-60, GM300-24-SO, LTR30024, LTR30024-100, HDT-28024, CTK-  
24024-HO, ESR15024, ESR90024, ESR180024

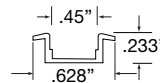
0.700"W X 0.233"D

LTR300, LTR300-100, LTR300-SO, LTR300-100-SO,  
GM-EXT-24-60, GM300-24-SO, LTR30024, LTR30024-100



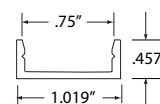
0.75"W X .50"D

LTR300, LTR300-100, LTR300-SO, LTR300-100-SO,  
GM-EXT-24-60, GM300-24-SO, LTR30024, LTR30024-100



0.628"W X 0.233"D

ALL TAPE EXCEPT: VISION 120

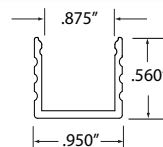


1.019"W X 0.457"D

ALL TAPE EXCEPT: VISION 120

1.019"W X 0.457"D

ALL TAPE

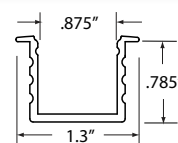


0.950"W X 0.860"D

ALL TAPE

0.950"W X 0.860"D

ALL TAPE

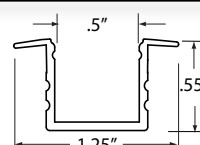


0.950"W X 0.785"D

ALL TAPE

0.950"W X 0.785"D

ALL TAPE EXCEPT: VISION 120



0.740"W X 0.622"D

ALL TAPE EXCEPT: VISION 120

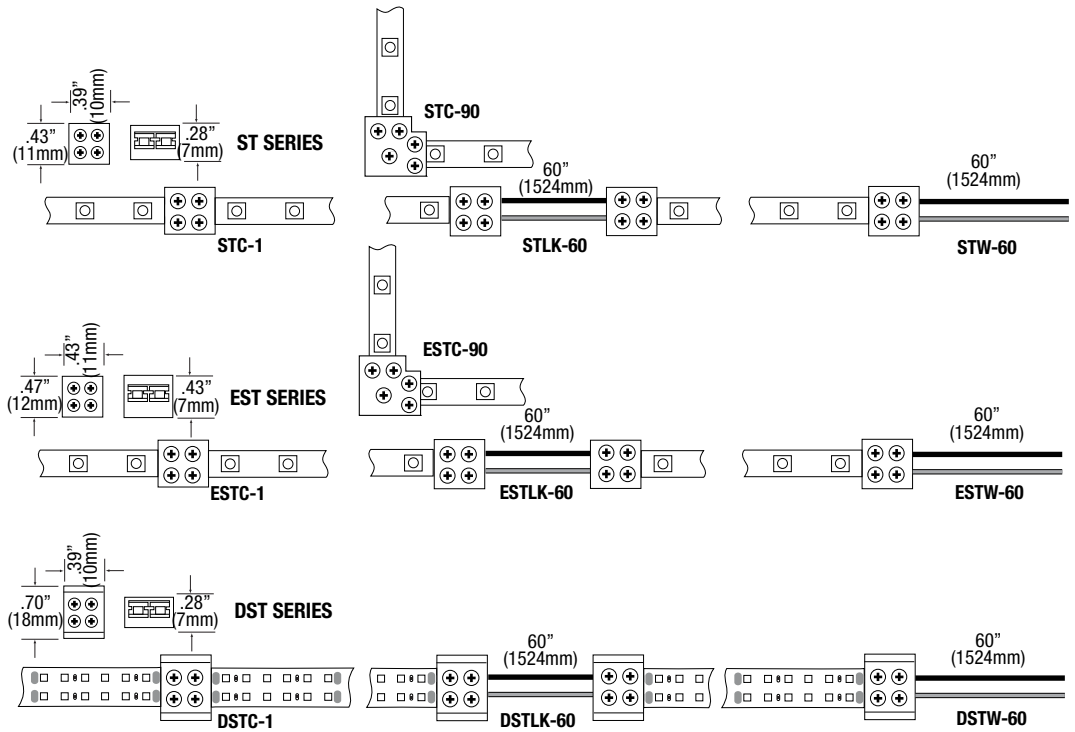
0.740"W X 0.560"D

LED-CHL-XD-MD-F

# SURE-TITE™ DRY LOCATION “CONTRACTOR PREFERRED” CONNECTORS

## KEY FEATURES

GM Lighting’s Sure-Tite™ connectors ensures a tight, clear electrical connection for many of our GM Lighting LED Flexible Linear Tape products. **It’s like a splice box for your LED tape!**



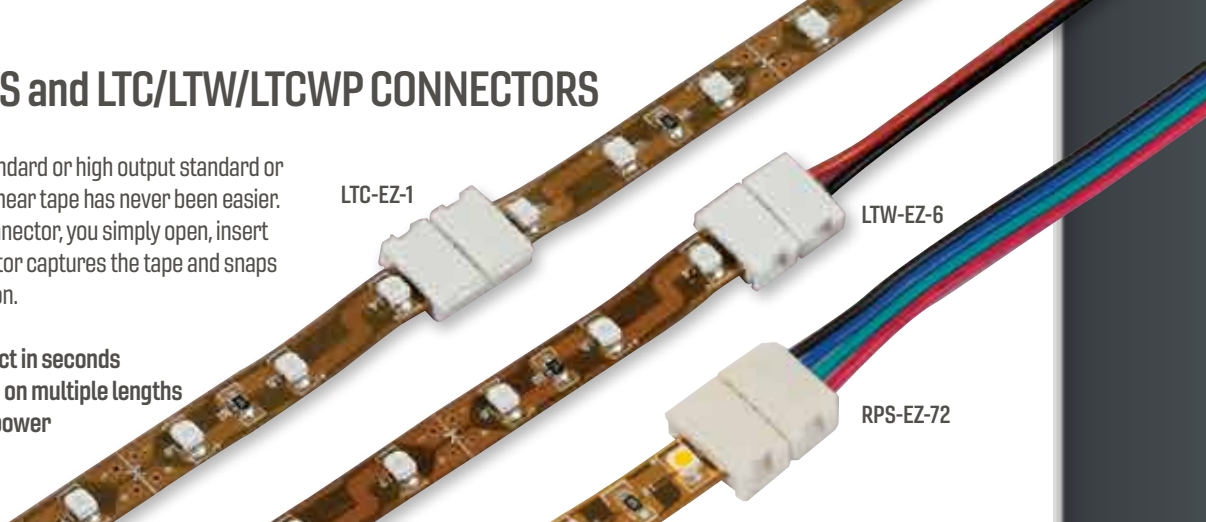
Left: 90° Tape to Tape Connector  
 Middle: Tape to Tape Connector  
 Right: 60" Tape to Tape / Tape to Power Connector

Product	Description	Amps	Voltage
STC-1	TAPE TO TAPE CONNECTOR	6A MAX.	12/24V
STC-90	90° TAPE TO TAPE CONNECTOR	6W MAX.	12/24V
STLK-60	60" TAPE TO TAPE CONNECTOR	6A MAX.	12/24V
STW-60	60" TAPE TO POWER CONNECTOR	6A MAX.	12/24V
STW-C0	TAPE TO POWER SUPPLY CONNECTOR ONLY (NO WIRE)	6A MAX.	12/24V
ESTC-1	TAPE TO TAPE CONNECTOR	6A MAX.	12/24V
ESTC-90	90° TAPE TO TAPE CONNECTOR	6A MAX.	12/24V
ESTLK-60	60" TAPE TO TAPE CONNECTOR	6A MAX.	12/24V
ESTW-60	60" TAPE TO POWER SUPPLY CONNECTOR	6A MAX.	12/24V
DSTC-1	TAPE TO TAPE CONNECTOR	6A MAX.	12/24V
DSTLK-60	60" TAPE TO TAPE CONNECTOR	6A MAX.	12/24V
DSTW-60	60" TAPE TO POWER CONNECTOR	6A MAX.	12/24V

# EZ CONNECTORS and LTC/LTW/LTCWP CONNECTORS

Connecting a GM Lighting standard or high output standard or color changing RGB flexible linear tape has never been easier. With the LEDTask EZ Tape Connector, you simply open, insert and snap closed. The connector captures the tape and snaps closed for a secure connection.

- Cut tape in field and connect in seconds
- Enables easier installation on multiple lengths
- Connect the same way to power supply - securely and in seconds



EZ TAPE CONNECTORS	
LTC-EZ-1	EZ TAPE TO TAPE CONNECTOR
LTC-EZ-3	3" EZ TAPE TO TAPE CONNECTOR
LTC-EZ-12	12" EZ TAPE TO TAPE CONNECTOR
LTC-EZ-24	24" EZ TAPE TO TAPE CONNECTOR
LTC-EZ-60	60" EZ TAPE TO TAPE CONNECTOR
LTW-EZ-6	6" EZ TAPE TO POWER SUPPLY CONNECTOR
LTW-EZ-24	24" EZ TAPE TO POWER SUPPLY CONNECTOR
LTW-EZ-60	60" EZ TAPE TO POWER SUPPLY CONNECTOR

EZ TAPE CONNECTORS	
RTR-EZ-1	RGB EZ TAPE TO TAPE CONNECTOR
RTR-EZ-3	3" RGB EZ TAPE TO TAPE CONNECTOR
RTR-EZ-12	12" RGB EZ TAPE TO TAPE CONNECTOR
RTR-EZ-24	24" RGB EZ TAPE TO TAPE CONNECTOR
RTR-EZ-36	36" RGB EZ TAPE TO TAPE CONNECTOR
RTR-EZ-60	60" RGB EZ TAPE TO TAPE CONNECTOR
RPS-EZ-24	24" RGB EZ TAPE TO CONTROLLER CONNECTOR
RPS-EZ-72	72" RGB EZ TAPE TO CONTROLLER CONNECTOR

## LTC - LTW CONNECTORS

2-Wire tape to tape and tape to power supply connectors for dry and wet location select GM LED tape.



LTC-3  
TAPE TO TAPE  
CONNECTOR

Product	Description
LTC-1	TAPE TO TAPE DRY CONNECTOR
LTC-3	3" FLEXIBLE TAPE TO TAPE DRY CONNECTOR
LTC-12	12" FLEXIBLE TAPE TO TAPE DRY CONNECTOR
LTC-24	24" FLEXIBLE TAPE TO TAPE DRY CONNECTOR
LTC-36	36" FLEXIBLE TAPE TO TAPE DRY CONNECTOR
LTC-60	60" FLEXIBLE TAPE TO TAPE DRY CONNECTOR
LTC-T	3" FLEXIBLE TAPE TO TAPE T DRY CONNECTOR
LTW-6	6" FLEXIBLE TAPE TO POWER SUPPLY DRY CONNECTOR
LTW-24	24" FLEXIBLE TAPE TO POWER SUPPLY DRY CONNECTOR
LTW-48	48" FLEXIBLE TAPE TO POWER SUPPLY DRY CONNECTOR
LTW-60	60" FLEXIBLE TAPE TO POWER SUPPLY DRY CONNECTOR
LTCWP-12	12" FLEXIBLE TAPE TO TAPE WET CONNECTOR
LTCWP-24	24" FLEXIBLE TAPE TO TAPE WET CONNECTOR
LTCWP-36	36" FLEXIBLE TAPE TO TAPE WET CONNECTOR
LTCWP-60	60" FLEXIBLE TAPE TO TAPE WET CONNECTOR
LTW-24-WP	24" FLEXIBLE TAPE TO POWER SUPPLY WET CONNECTOR
LTW-48-WP	48" FLEXIBLE TAPE TO POWER SUPPLY WET CONNECTOR
LTW-60-WP	60" FLEXIBLE TAPE TO POWER SUPPLY WET CONNECTOR

## GM LIGHTING WIRE

- UL 2464 AWM Copper Stranded Wire.
- PVC jacketing is molded to the internal wiring for durability and safety.
- Highly flexible for easy installation.
- Internal wires color coded for easy recognition during installation.
- Available in 250' reel or by the foot

18 GA. WIRE	
18-2-WIRE-1FT	18/2 stranded with a gray PVC jacket, color code black/red - per foot
18-2-WIRE-250FT	18/2 stranded with a gray PVC jacket, color code black/red
18-4-WIRE-1FT	18/4 stranded with a gray PVC jacket, color code black/red/green/white - per foot
18-4-WIRE-250FT	18/4 stranded with a gray PVC jacket, color code black/red/green/white
18-5-WIRE-1FT	18/5 stranded with a gray PVC jacket, color code black/red/green/blue/brown - per foot
18-5-WIRE-250FT	18/5 stranded with a gray PVC jacket, color code black/red/green/blue/brown







Mark Gouker collaborated with Robin Doerfler of SK and Associates on this striking bar area, using LTR30024-100-27 LED tape.

## Index

18-2-WIRE-1T.....	179	EDGE-16-30-W .....	88
18-2-WIRE-250FT .....	179	EDGE-24-27-BZ .....	88
18-4-WIRE-1FT .....	179	EDGE-24-27-W .....	88
18-4-WIRE-250FT .....	179	EDGE-24-30-BZ.....	88
18-5-WIRE-1FT .....	179	EDGE-24-30-W.....	88
18-5-WIRE-250T .....	179	EDGE-32-27-BZ .....	88
CP-6.....	106	EDGE-32-27-W .....	88
CTK-1 .....	60	EDGE-32-30-BZ .....	88
CTK-3 .....	60	EDGE-32-30-W.....	88
CTK-12.....	60	EDGE-90-B.....	89
CTK-24 .....	60	EDGE-90-W.....	89
CTK-36.....	60	EDGE-BB-1-B.....	89
CTK-60 .....	60	EDGE-BB-1-W.....	89
CTK-60-C .....	60	EDGE-IC-B .....	89
CTK-24-24-HO-27-65.....	60	EDGE-IC-W .....	89
CTK-RWC .....	60	EDGE-MS-B .....	89
DPPS-12-24V .....	162	EDGE-MS-W .....	89
DPPS-36-24V.....	162	EDGE-TD-B .....	89
DPSW-4-B .....	89	EDGE-TD-W .....	89
DPSW-4-W .....	89	ESR5-RGBW-24VDC-30K .....	72
DPSW-8-B .....	89	ESR5-RGBW-24VDC-30K .....	72
DPSW-8-W .....	89	ESR600-24-SHO-27 .....	63
DSTC-1 .....	53, 178	ESR600-24-SHO-30 .....	63
DSTLK-60.....	53, 178	ESR600-24-SHO-35.....	63
DSTW-60 .....	53, 178	ESR600-24-SHO-40 .....	63
EDGE-8-27-BZ .....	88	ESR15024-SO-27.....	62
EDGE-8-27-W .....	88	ESR15024-SO-30.....	62
EDGE-8-30-BZ.....	88	ESR15024-SO-35 .....	62
EDGE-8-30-W.....	88	ESR15024-SO-40 .....	62
EDGE-16-27-BZ.....	88	ESR30024-HO-27 .....	62
EDG-16-27-W .....	88	ESR30024-HO-30.....	62
EDGE-16-30-BZ .....	88		

## Index

ESR30024-HO-35.....	62	GMC-MF-39-B.....	89
ESR30024-HO-40.....	62	GMC-MF-39-W.....	89
ESR90024-100-SO-27.....	62	GMC-MF-60-B.....	89
ESR90024-100-SO-30.....	62	GMC-MF-60-W.....	89
ESR90024-100-SO-35.....	62	GMC-MM-3-B.....	89
ESR90024-100-SO-40.....	62	GMC-MM-3-W.....	89
ESR180024-100-HO-27.....	62	GMC-MM-6-B.....	89
ESR180024-100-HO-30.....	62	GMC-MM-6-W.....	89
ESR180024-100-HO-35.....	62	GMC-MM-12-B.....	89
ESR180024-100-HO-40.....	62	GMC-MM-12-W.....	89
EZ-1.....	106	GMC-MM-24-B.....	89
EZ-3.....	106	GMC-MM-24-W.....	89
EZ-6.....	106	GMC-MM-39-B.....	89
EZ-12.....	106	GMC-MM-39-W.....	89
G9-120VCL.....	106	GMC-MM-60-B.....	89
GL8.....	106	GMC-MM-60-W.....	89
GL16.....	106	GMC-PS-3-B.....	89
GL24.....	106	GMC-PS-3-W.....	89
GL32.....	106	GMC-PS-24-B.....	89
ESTC-1.....	34, 43, 59, 63, 178	GMC-PS-24-W.....	89
ESTC-90.....	34, 43, 59, 63, 178	GMC-PS-48-B.....	89
ESTLK-60.....	34, 43, 59, 63, 178	GMC-PS-48-W.....	89
ESTW-60.....	34, 43, 59, 63, 178	GMC-PS-60-B.....	89
GM100-24-SO-27.....	48	GMC-PS-60-W.....	89
GM100-24-SO-30.....	48	GM300-24-SO-27.....	48
GM100-24-SO-PW.....	48	GM300-24-SO-30.....	48
GM100-24-SO-WW.....	48	GM300-24-SO-WW.....	48
GMC-FF-3-B.....	89	GM300-24-SO-PW.....	48
GMC-FF-3-W.....	89	GMEXT-24-60-27.....	42
GMC-MF-24-B.....	89	GMEXT-24-60-30.....	42
GMC-MF-24-W.....	89	GMEXT-24-60-35.....	42

## Index

GMEXT-24-60-40 .....	42	GMR6-120V-IC-FL-BA .....	126
GMEXT-24-120-27 .....	42	GMR6-120V-IC-WFL-BA .....	126
GMEXT-24-120-30 .....	42	GM-RND5-30-WH .....	134
GMEXT-24-120-35 .....	42	GM-RND5-40-WH .....	134
GMEXT-24-120-40 .....	42	GM-RND8-30-WH .....	134
GMEXT-24-WP-27-XX-XX .....	44	GM-RND8-40-WH .....	134
GMEXT-24-WP-30-XX-XX .....	44	GM-RND12-30-WH .....	135
GMEXT-24-WP-35-XX-XX .....	44	GM-RND12-40-WH .....	135
GMEXT-24-WP-40-XX-XX .....	44	GM-SLD12-30-WH .....	135
GML-RO-B .....	152	GM-SLD12-40-WH .....	135
GML-RO-BN .....	152	GM-SLD4-30-WH .....	134
GML-RO-W .....	152	GM-SLD4-40-WH .....	134
GML-RS-B .....	152	GM-SLD6-30-WH .....	134
GML-RS-BN .....	152	GM-SLD6-40-WH .....	134
GML-RS-W .....	152	GMSB-B.....23, 25, 33, 43, 49, 51, 55, 57, 86, 87, 90, 124, 178	
GML-SO-B .....	152	GMSB-W.....23, 25, 33, 43, 49, 51, 55, 57, 86, 87, 90, 124, 178	
GML-SO-BN .....	152	GSL-H-B .....	147
GML-SO-W .....	152	GSL-H-BN .....	147
GMR4-WW-B .....	124	GSL-H-WH .....	147
GMR4-WW-BA .....	124	GSL-LH-B .....	146
GMR4-WW-W .....	124	GSL-LH-BN .....	146
GMR6-WW-B .....	125	GSL-LH-WH .....	146
GMR6-WW-BA .....	125	GSL-LV-B .....	146
GMR6-WW-W .....	125	GSL-LV-BN .....	146
GMR6-120V-IC-SP-W .....	126	GSL-LV-WH .....	146
GMR6-120V-IC-FL-W .....	126	GSL-O-B .....	146
GMR6-120V-IC-WFL-W .....	126	GSL-O-BN .....	146
GMR6-120V-IC-SP-B .....	126	GSL-O-W .....	146
GMR6-120V-IC-FL-B .....	126	GSL-V-B .....	147
GMR6-120V-IC-WFL-B .....	126	GSL-V-BN .....	147
GMR6-120V-IC-SP-BA .....	126	GSL-V-W .....	147



## Index

HDT-28024-HO-27 .....	58	LED-CHL-AMC-W .....	173
HDT-28024-HO-30 .....	58	LED-CHL-AMC-XD .....	173
HDT-28024-HO-35 .....	58	LED-CHL-EC .....	173
HDT-28024-HO-40 .....	58	LED-CHL-BND .....	173
HDT-28024-SO-27 .....	58	LED-CHL-BND-8 .....	173
HDT-28024-SO-30 .....	58	LED-CHL-BND-EC .....	173
HDT-28024-SO-35 .....	58	LED-CHL-D .....	173
HDT-28024-SO-40 .....	58	LED-CHL-D-EC .....	173
HDT-28024-SO-100-27 .....	58	LED-CHL-D-EC-H .....	173
HDT-28024-SO-100-30 .....	58	LED-CHL-D-F-EC .....	173
HDT-28024-SO-100-35 .....	58	LED-CHL-D-F-MC .....	173
HDT-28024-SO-100-40 .....	58	LED-CHL-FR-LENS .....	173
LARC6-8-WW-W .....	90	LED-CHL-SLIM .....	174
LARC6-16-WW-W .....	90	LED-CHL-SLIM-BRACKETS .....	174
LARC6-24-WW-W .....	90	LED-CHL-SLIM-EC .....	174
LARC6-32-WW-W .....	90	LED-CHL-SLIM-EC-H .....	174
LARC6-MS-W .....	90	LED-CHL-W .....	174
LARC6-OS-W .....	90	LED-CHL-W-8 .....	174
LARC6-TD-W .....	90	LED-CHL-W-AMC .....	174
LED-CHL .....	173	LED-CHL-W-EC .....	174
LED-CHL-8 .....	173	LED-CHL-W-FR-LENS .....	174
LED-CHL-45-1200-LENS .....	173	LED-CHL-W-MC .....	174
LED-CHL-45-1200-MC .....	173	LED-CHL-XD .....	174
LED-CHL-45 .....	173	LED-CHL-XD-8 .....	174
LED-CHL-45-1200 .....	173	LED-CHL-XD-EC .....	174
LED-CHL-45-1200-EC .....	173	LED-CHL-XD-F .....	174
LED-CHL-45-1200-EC-H .....	173	LED-CHL-XD-F-8 .....	174
LED-CHL-45-EC .....	173	LED-CHL-XD-F-DC .....	174
LED-CHL-45-EC-H .....	173	LED-CHL-XD-F-MC .....	174
LED-CHL-45-MC .....	173	LED-CHL-XD-MD .....	174
LED-CHL-AMC .....	173	LED-CHL-XD-MD-8 .....	174

## Index

LED-CHL-XD-MD-AMC .....	174	LTC-12 .....	179
LED-CHL-XD-MD-EC .....	174	LTC-24.....	179
LED-CHL-XD-MD-F .....	174	LTC-36 .....	179
LED-CHL-XD-MD-F-DC.....	174	LTC-60.....	179
LED-CHL-XD-MD-F-EC .....	174	LTC-EZ-1.....	179
LET60.....	116	LTC-EZ-3.....	179
LET75 .....	116	LTC-EZ-12 .....	179
LET105 .....	116	LTC-EZ-24 .....	179
LET151.....	116	LTC-EZ-60.....	179
LTAB-N-8.....	86	LTC-T .....	179
LTAB-N-16 .....	86	LTCWP-12.....	179
LTAB-N-24.....	86	LTCWP-24.....	179
LTAB-N-8-27.....	86	LTCWP-36.....	179
LTAB-N-16-27 .....	86	LTCWP-60 .....	179
LTAB-N-24-27 .....	86	LTF-30-12 .....	160
LTAB-N-8-PW .....	86	LTF-30-24 .....	160
LTAB-N-16-PW .....	86	LTF-60-12.....	160
LTAB-N-24-PW .....	86	LTF-60-24 .....	160
LTAB-N-SB.....	86	LTF60-12-010 .....	165
LTB-8.....	87	LTF96-24-010 .....	165
LTB-16 .....	87	LTF-100-12 .....	160
LTBC-3 .....	87	LTF-100-24 .....	160
LTBC-12.....	87	LTF-200-12 .....	160
LTBC-24.....	87	LTF-200-24.....	160
LTBC-36 .....	87	LTF-300-12 .....	160
LTBC-60 .....	87	LTF-300-24.....	160
LTBPC-6 .....	87	LTFD-60 .....	160
LTBPC-24 .....	87	LTH-2.....	161
LTBPC-48.....	87	LTH-4.....	161
LTBPC-60.....	87	LTH-8 .....	161
LTC-1.....	179	LTH-16.....	161
LTC-3.....	179	LTH-25 .....	161
		LTH-60-N-DIM.....	163
		LTH24-13 .....	162

## Index

LTH24-2.....	162	LTR120024WP-HO-42.....	54
LTH24-4.....	162	LTR30WP-RGB.....	68
LTH24-8.....	162	LTR150-RGB.....	68
LTHE-20-DIM-12.....	159	LTR150WP-RGB.....	68
LTHE-20-DIM-24.....	159	LTR60WP-SO-27.....	28
LTHE-60-DIM-12.....	159	LTR60WP-SO-30.....	28
LTHE-96-DIM-24.....	159	LTR60WP-SO-WW.....	28
LTHM30-DIM.....	163	LTR60WP-SO-42.....	28
LTHM50-DIM.....	163	LTR60WP-SO-PW.....	28
LTHM100-DIM.....	163	LTR60WP-27.....	30
LTHM-30-DIM-24.....	163	LTR60WP-30.....	30
LTHM-60-DIM-24.....	163	LTR60WP-WW.....	30
LTHM100-DIM-24.....	163	LTR60WP-42.....	30
LTHM200-DIM-24.....	163	LTR150-RGB.....	30
LTHM300-DIM-24.....	163	LTR300-27.....	24
LTHM150-CL2-DIM.....	164	LTR300-30.....	24
LTHM200-DIM.....	163	LTR300-WW.....	24
LTHM300-DIM.....	163	LTR300-42.....	24
LTHM300-CL2-DIM.....	164	LTR300-SO-24.....	22
LTMC.....	87	LTR300-SO-27.....	22
LTP-2.....	161	LTR300-SO-30.....	22
LTP-6.....	161	LTR300-SO-WW.....	22
LTP24-48.....	162	LTR300-SO-42.....	22
LTP24-90.....	162	LT300-SO-PW.....	22
LTR120024-HO-27.....	52	LTR300-100-27.....	24
LTR120024WP-HO-27.....	54	LTR300-100-30.....	24
LTR120024-HO-30.....	52	LTR300-100-WW.....	24
LTR120024WP-HO-30.....	54	LTR300-100-42.....	24
LTR120024-HO-35.....	52	LTR300-100-SO-24.....	22
LTR240024WP-HO-35.....	54	LTR300-100-SO-27.....	22
LTR120024-HO-42.....	52	LTR300-100-SO-30.....	22

## Index

LTR300-100-SO-WW.....	22	LTRSV-300-SO-35.....	32
LTR300-100-SO-42.....	22	LTRSV-300-SO-42.....	32
LTR300-100-SO-PW.....	22	LTW-6.....	179
LTR300-AM.....	23	LTW-24.....	179
LTR300-BL.....	23	LTW-48.....	179
LTR300-GR.....	23	LTW-60.....	179
LTR300-RD.....	23	LTW-24-WP.....	179
LTR30024-27.....	50	LTW-48-WP.....	179
LTR30024-30.....	50	LTW-60-WP.....	179
LTR30024-35.....	50	LTW-EZ-6.....	179
LTR30024-42.....	50	LTW-EZ-24.....	179
LTR30024-90-27.....	56	LTW-EZ-60.....	179
LTR30024-90-30.....	56	MDL-3R-27-WJ.....	122
LTR30024-100-27.....	50	MDL-3R-30-WH.....	122
LTR30024-100-30.....	50	MDL-3S-27-WH.....	122
LTR30024-100-35.....	50	MDL-3S-30-WH.....	122
LTR30024-100-42.....	50	MDL-3AR-27-WH.....	123
LTR300WP-AM.....	29	MDL-3AR-30-WH.....	123
LTR300WP-BL.....	29	OTR-WH.....	126
LTR300WP-GR.....	29	PSD15-12.....	158
LTR300WP-RD.....	29	PSD24-12.....	158
LTR300WP-27.....	30	PSD60-12.....	158
LTR300WP-30.....	30	PSD90-24.....	158
LTR300WP-WW.....	30	RGB-12-CONTROLLER.....	70
LTR300WP-42.....	30	RGB-AMP.....	70
LTR300WP-SO-27.....	28	RGBW-RTR-EZ-1.....	73
LTR300WP-SO-30.....	28	RGBW-RTR-EZ-3.....	73
LTR300WP-SO-WW.....	28	RGBW-RTR-EZ-12.....	73
LTR300WP-SO-42.....	28	RGBW-RTR-EZ-24.....	73
LTR300WP-SO-PW.....	28	RGBW-RTR-EZ-36.....	73
LTRSV-300-SO-30.....	32	RGBW-RTR-EZ-60.....	73



## Index

RGBW-RPS-EZ-60.....	73	RTRWP-60.....	69
RGBW-RWC.....	74	S4-2790-WH.....	132
RGBW-WPKT.....	73	S4-3080-WH.....	132
RPS-24-WP.....	69	S4-4090-WH.....	132
RPS-72-WP.....	69	S6-2790-WH.....	132
RPS-EZ-24.....	69, 179	S6-3080-WH.....	132
RPS-EZ-72.....	69, 179	S6-4080-WH.....	132
RSD-3-27-WH.....	120	S9-3090-WH.....	133
RSD-3-30-WH.....	120	S9-4090-WH.....	133
RSD-3-40-WH.....	120	S4-RKT.....	132
RSD-4-27-WH.....	120	S6-RKT.....	132
RSD-4-30-WH.....	120	SCT12-30-R-WH.....	138
RSD-4-40-WH.....	120	SCT12-40-R-WH.....	138
RSD-5FT-EXT.....	120	SCT12-30-SQ-WH.....	139
RSD-6-27-WH.....	120	SCT12-40-SQ-WH.....	139
RSD-6-30-WH.....	120	SCT12-STEM-12W.....	139
RSD-6-40-WH.....	120	SCT12-STEM-18W.....	139
RSD-10FT-EXT.....	120	SCT18-30-R-WH.....	138
RSD-20FT-EXT.....	120	SCT18-40-R-WH.....	138
RSD-NCP.....	120	SCT18-30-SQ-WH.....	139
RPS-EZ-24.....	69, 179	SCT18-40-SQ-WH.....	139
RPS-EZ-24.....	69, 179	SCT24-STEM-12W.....	139
RTR-EZ-1.....	69, 179	SCT24-STEM-18W.....	139
RTR-EZ-3.....	69, 179	SCT36-STEM-12W.....	139
RTR-EZ-12.....	69, 179	SCT36-STEM-18W.....	139
RTR-EZ-24.....	69, 179	SCT-STEM-CP.....	139
RTR-EZ-36.....	69, 179	SDP-3-B.....	116
RTR-EZ-60.....	69, 179	SDP-3-BNK.....	116
RTRWP-12.....	69	SDP-3-BZ.....	116
RTRWP-24.....	69	SDP-3-W.....	116
RTRWP-36.....	69	SHD-WL.....	157

## Index

SLCB-9-27-WH.....	92	SP-2-30-W .....	114
SLCB-18-27-WH .....	92	SP-2-40-B.....	114
SLCB-24-27-WH.....	92	SP-2-40-BNK.....	114
SLCB-36-27-WH .....	92	SP-2-40-BZ .....	114
SLCB-48-27-WH .....	92	SP-2-40-W .....	114
SLCB-9-30-WH.....	92	SPM-1-30-B.....	115
SLCB-18-30-WH.....	92	SPM-1-30-BNK.....	115
SLCB-24-30-WH.....	92	SPM-1-30-BZ .....	115
SLCB-36-30-WH.....	92	SPM-1-30-W .....	115
SLCB-48-30-WH.....	92	SPM-1-40-B.....	115
SLCB-9-40-WH .....	92	SPM-1-40-BNK.....	115
SLCB-18-40-WH.....	92	SPM-1-40-BZ .....	115
SLCB-24-40-WH.....	92	SPM-1-40-W .....	115
SLCB-36-40-WH.....	92	STC-1.....	23, 25, 33, 49, 51, 57, 178
SLCB-48-40-WH.....	92	STC-90 .....	23, 25, 33, 49, 51, 57, 178
SLD-C6.....	93	STLK-60 .....	23, 25, 33, 49, 51, 57, 178
SLD-1.....	93	STW-CO .....	23, 25, 33, 49, 51, 57, 178
SLJ-6.....	93	SWD-40W-12VDC-DIM .....	156
SLJ-12.....	93	SWD-60W-12VDC-DIM .....	156
SLJ-24 .....	93	SWD-60W-24VDC-DIM.....	156
SLJ-36.....	93	SWD-100W-24VDC-DIM.....	156
SLD-HW-72 .....	93	TWR300-27.....	34
SLJR-HSW.....	93, 106	TWR300-30 .....	34
SP-2-27-B.....	114	TWR300-35 .....	34
SP-2-27-BNK.....	114	TWR300-42 .....	34
SP-2-27-BZ.....	114	UCLED-8-BZ-DIM-30.....	104
SP-2-27-W.....	114	UCLED-8-SS-DIM-30.....	104
SP-2-30-B .....	114	UCLED-8-WH-DIM-30.....	104
SP-2-30-BNK.....	114	UCLED-16-BZ-DIM-30 .....	104
SP-2-30-BZ.....	114	UCLED-16-SS-DIM-30 .....	104

## Index

UCLED-16-WH-DIM-30 .....	104	UCSB-BB-24-B .....	103
UCLED-24-BZ-DIM-30 .....	104	UCSB-BB-24-WH .....	103
UCLED-24-SS-DIM-30 .....	104	UCSB-BB-36-B .....	103
UCLED-24-WH-DIM-30 .....	104	UCSB-BB-36-WH .....	103
UCLED-32-BZ-DIM-30 .....	104	UCSB-BB-48-B .....	103
UCLED-32-SS-DIM-30 .....	104	UCSB-BB-48-WH .....	103
UCLED-32-WH-DIM-30 .....	104	UCSB-BB-60-B .....	103
UCSB-8-27-BZ .....	102	UCSB-BB-60-WH .....	103
UCSB-8-27-WH .....	102	UCSB-PS-60-HW .....	103
UCSB-8-30-BZ .....	102	UCSB-PS-60-B .....	103
UCSB-8-30-WH .....	102	UCSB-PS-60-WH .....	103
UCSB-16-27-BZ .....	102	UCSB-QB-B .....	103
UCSB-16-27-WH .....	102	UCSB-QB-WH .....	103
UCSB-16-30-BZ .....	102	UCSB-QB-HW .....	103
UCSB-16-30-WH .....	102	UCTUN-8-BZ .....	100
UCSB-24-27-BZ .....	102	UCTUN-8-WH .....	100
UCSB-24-27-WH .....	102	UCTUN-16-BZ .....	100
UCSB-24-30-BZ .....	102	UCTUN-16-WH .....	100
UCSB-24-30-WH .....	102	UCTUN-24-BZ .....	100
UCSB-32-27-BZ .....	102	UCTUN-24-WH .....	100
UCSB-32-27-WH .....	102	UCTUN-32-BZ .....	100
UCSB-32-30-BZ .....	102	UCTUN-32-WH .....	100
UCSB-32-30-WH .....	102	UCTUN-CP6-B .....	101
UCSB-BB-1-B .....	103	UCTUN-CP6-WH .....	101
UCSB-BB-1-WH .....	103	UCTUN-EZ-1-WH .....	101
UCSB-BB-3-B .....	103	UCTUN-EZ-6-B .....	101
UCSB-BB-3-WH .....	103	UCTUN-EZ-6-WH .....	101
UCSB-BB-6-B .....	103	UCTUN-EZ-12-B .....	101
UCSB-BB-12-B .....	103	UCTUN-EZ-12-WH .....	101
UCSB-BB-12-WH .....	103	UCTUN-QB-B .....	101

## Index

UCTUN-QB-WH.....	101	X8-120-SS.....	105
V120-3M-VHB-15.....	17	X8-120-WH.....	105
V120-CHL-4.....	17	X16-120-BZ.....	105
V120-CHL-4-LENS.....	17	X16-120-SS.....	105
V120-CHL-8.....	17	X16-120-WH.....	105
V120-CHL-8-LENS.....	17	X24-120-BZ.....	105
V120-CHL-P-4.....	17	X24-120-SS.....	105
V120-CHL-P-8.....	17	X24-120-WH.....	105
V120-ECC.....	17	X32-120-BZ.....	105
V120-MC.....	17	X32-120-SS.....	105
V120-HO-27-XXX-X.....	15	X32-120-WH.....	105
V120-HO-30-XXX-X.....	15		
V120-HO-40-XXX-X.....	15		
V120-PC-4.....	17		
V120-PC-8.....	17		
V120-PCHW-8.....	17		
V120-SO-27-XXX.....	15		
V120-SO-30-XXX.....	15		
V120-SO-40-XXX.....	15		
V120-SO-AM-XXX.....	15		
V120-SO-BL-XXX.....	15		
V120-SO-GR-XXX.....	15		
V120-SO-RD-XXX.....	15		
V120-TTC-6.....	17		
V120-TTC-12.....	17		
V120-TTC-18.....	17		
V120-TTC-24.....	17		
WPKT.....	29, 31, 55, 178		
WPKT-RGB.....	69		
X8-120-BZ.....	105		



# Amazing Application Image Competition

Our First Annual GM Lighting Amazing Application Image Contest was a resounding success! From around the country our reps, lighting designers, specifiers and installers submitted some extremely



**GM Lighting**  
"Lighting Enhanced by Design"

**SECOND ANNUAL  
GM Lighting  
AMAZING  
APPLICATION  
IMAGE CONTEST**

**It's here again! Your chance to promote the work of your designers and contractors and win Big Prizes!!**

First Prize: \$500 Amazon Gift Card for the Rep - \$500 Amazon Gift Card for the Lighting Designer / Contractor

Second Prize: \$250 Amazon Gift Card for the Rep - \$250 Amazon Gift Card for the Lighting Designer/Contractor

Prizes Awarded By Territory  
4 Prizes x 3 Territories = 12 Prizes!

Contest ends December 31, 2018

Download complete rules at [www.gmlighting.net](http://www.gmlighting.net)

**GM Lighting**  
"Lighting Enhanced by Design"

9830 W. 190th Street • Unit F • Mokena, IL 60448 • Toll-Free: 866-671-0811 • FAX: 708-478-2640



creative, cool and compelling installations that ran the gamut from residential to commercial, from task to linear, and from decorative to architectural. We are so fortunate to have a network of reps, distributors and designers who make a difference in people's lives through lighting!

**GM Lighting**<sup>®</sup>  
"Lighting Enhanced by Design"

# **GM Lighting**®

“Lighting Enhanced by Design”

[www.gmlighting.net](http://www.gmlighting.net)

e-mail: [sales@gmlighting.net](mailto:sales@gmlighting.net)

Printed in the U.S.A.  
January 2019

©2019 GM Lighting  
Specifications are subject to change without notice

