

Q MARK[®]

A Marley Engineered Products Brand

New this issue:
ARWH Smart Series Wall Heater



See page 7

New this issue:
SSHO Smart Series Wall Heater



See page 8

New this issue:
QDBSL SlimLine Convector



See page 43

**Quality Residential, Commercial
& Industrial Heating Products**

TABLE OF CONTENTS

BASEBOARD HEATERS

2500 Electric Baseboard Heaters	Pg. 3
HBB Electric Hydronic Baseboard Heaters	Pg. 4
QMKC Commercial Baseboard Heaters	Pg. 5
CBD Heavy-Duty Commercial Baseboard Heaters	Pg. 6

WALL HEATERS

ARWH Architectural Smart Series Wall Heaters	Pg. 7
SSHO High Output Digital Wall Heater	Pg. 8
HT Smart Series Programmable Wall Heaters	Pg. 9
AWH4000 Architectural Heavy-Duty Wall Heaters	Pg. 10
CWH Architectural Small Wall Heater	Pg. 11
CWH1000 Commercial Fan-Forced Wall Heaters	Pg. 12
CWH3000 Commercial Fan-Forced Wall Heaters	Pg. 13
GFR Fan-Forced Wall Heaters	Pg. 14
QFG Fan-Forced Wall Heaters	Pg. 14
ECP Euro Style Wall Heaters, Non-Fan-Forced	Pg. 15
LFK Large Fan-Forced Wall Heaters	Pg. 15
SED Fan-Forced Wall Heaters	Pg. 15
CRA Residential Fan-Forced Zonal Heaters	Pg. 16
EFQ Commercial Fan-Forced Wall Heaters	Pg. 16
1235 Economy Wall Heaters	Pg. 17
Surface Frames	Pg. 17

SPECIALTY HEATERS

QTS Toe-Space Fan-Forced Heaters	Pg. 17
WHT500 Utility Well House Heater	Pg. 17
FDI Floor Drop-In Heaters	Pg. 18
CFWF Counterflow Electric Wall Furnace	Pg. 18

CEILING HEATERS

CDF Commercial Downflow Ceiling Mounted Heaters	Pg. 18
QCH Ceiling Mounted Fan-Forced Heaters	Pg. 19
EFF Ceiling Mounted Fan-Forced Heaters	Pg. 19

UNIT HEATERS

MUH35 Unit Heater	Pg. 20
MWUH5004 Horizontal/Downflow Unit Heater	Pg. 20
MUH Unit Heaters	Pg. 21
IUH Industrial Unit Heaters	Pg. 23
CU900 Cabinet Unit Heaters	Pg. 25
CUS900 Stock Cabinet Unit Heaters	Pg. 28
CHPR25 Compact Freeze Protection Heater	Pg. 29
MSPH Plenum Rated Heater	Pg. 30

COLOR SELECTION CHART

PAINT POLICY

WASHDOWN/EXPLOSION PROOF HEATERS

GUX Explosion Proof Unit Heaters	Pg. 32
JUW Washdown Corrosion Resistant Unit Heaters	Pg. 33
ICG Explosion Proof Convectors	Pg. 34
MSDH High Temperature Electric Blower Heater	Pg. 35
TBX Mobile Warming™	Pg. 36
KCJ Institutional Electric Convectors	Pg. 37

CONVECTOR HEATERS

SHA and DBA Architectural Convector Heaters	Pg. 37
QDBSL SlimLine Architectural Convector Heaters	Pg. 43
DBSL Draft Barrier Heaters	Pg. 45
CPH & DPH Pedestal Heaters	Pg. 47
CSH Commercial Sill-Height Convectors	Pg. 53
DSH Decorative Sill-Height Convectors	Pg. 58
Control Sections for DBA, SHA, CSH, DSH	Pg. 63
ST Commercial Slope Top Convectors	Pg. 64

RADIANT HEATERS

CP Standard Radiant Ceiling Panels	Pg. 66
RCC Cove Heaters	Pg. 69
FRP 2 & 3 Element Infrared Heaters	Pg. 70
HRK Single Element Infrared Heaters	Pg. 72
FRR Plug-in Radiant	Pg. 72
CHRR Plug-in Radiant Heaters	Pg. 73
Controls for Metal Sheath Infrared Heaters	Pg. 73
BRM Industrial Infrared Heaters	Pg. 74
CRN Industrial Permanent Infrared Heaters	Pg. 74
Electric Control Panels	Pg. 75
ARL Portable Infrared Heaters	Pg. 75

INFRARED ACCESSORIES

PORTABLE HEATING PRODUCTS

WPC Portable Convection Heater	Pg. 77
202SL Radiant Plug-in Under Desk Heater	Pg. 77
MMHD Portable Fan-Forced Utility Heater	Pg. 77
MCM Portable Fan-Forced/Radiant Utility Heater	Pg. 77
QPH4A Portable Unit Heater	Pg. 78
BRH Contractor Heater	Pg. 78
PT Portable Utility Heater	Pg. 78
FBE Portable Electric Convector Heaters	Pg. 79
LFP Portable Electric Hydronic Heater	Pg. 79

THERMOSTATS & CONTROLS

HEAT RECOVERY CEILING FANS

AIR CURTAINS

	Pg. 80
	Pg. 86
	Pg. 90

Product Specifications may change without notice

The following logos are used throughout this catalog. Use this legend for clarification.



These products are U.L. listed by Underwriters Laboratory, ensuring that the products have passed Underwriters Laboratory's rigorous testing procedures for electrical products and have assigned the listing number required for specific electrical codes.



The CSA mark is recognized and accepted throughout Canada and the U.S., at federal, state, provincial, and municipal levels. It means that the product is certified for the Canadian and US markets, and is certified to the applicable Canadian and US standards.

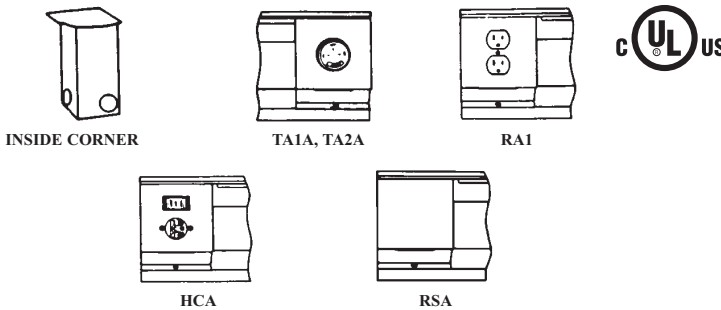


A product bearing the c ETL us Listed mark signifies that it was tested and meets the minimum requirements of prescribed product safety standards for US and Canada. Moreover, the mark indicates that the manufacturer's production site conforms to a range of compliance measures and is subject to periodic follow-up inspections to verify continued conformance.

ELECTRIC BASEBOARD HEATERS



DIMENSIONS:
6 3/4" High, 2 7/8" Deep.
Length varies with model. See table below.



CATALOG NUMBER	UPC 0-98319	VOLTS	WATTS	LGTH.	SHIP WT. (LBS.)
2542W	73002 2	240/208	400/300	2'	5.2
25426W	73006 0	240/208	500/376	2'6"	6.3
2543W	73010 7	240/208	750/564	3'	7.5
2544W	73014 5	240/208	1000/752	4'	10
2545W	73018 3	240/208	1250/940	5'	11.5
2546W	73022 0	240/208	1500/1128	6'	14
2548W	73025 1	240/208	2000/1504	8'	18.5
25408W	72982 8	240/208	2500/1880	8'	18.5
2512W	73000 8	120	400	2'	5.2
25126W	73004 6	120	500	2'6"	6.3
2513W	73008 4	120	750	3'	7.5
2514W	73012 1	120	1000	4'	10
2515W	73016 9	120	1250	5'	11.5
2516W	73020 6	120	1500	6'	14
2502W	73001 5	208	400	2'	5.2
25026W	73005 3	208	500	2'6"	6.3
2503W	73009 1	208	750	3'	7.5
2504W	73013 8	208	1000	4'	10
2505W	73017 6	208	1250	5'	11.5
2506W	73002 1	208	1500	6'	14
2508W	73024 4	208	2000	8'	18.5
25008W	72981 1	208	2500	8'	18.5
2572W	73003 9	277/240/208	400/300/225	2'	5.2
25726W	73007 7	277/240/208	500/376/282	2'6"	6.3
2573W	73011 4	277/240/208	750/564/423	3'	7.5
2574W	73015 2	277/240/208	1000/752/564	4'	10
2575W	73019 0	277/240/208	1250/940/705	5'	11.5
2576W	73023 7	277/240/208	1500/1128/846	6'	14
2578W	73026 8	277/240/208	2000/1504/1128	8'	18.5
25708W	72983 5	277/240/208	2500/1880/1410	8'	18.5

High Altitude
Baseboard Heater (mounted above 7500 ft.), add suffix "H" to catalog number.
NOTE: Eight foot length baseboards must be ordered in multiples of two pieces for shipment.
NOTE: Low watt density models and draft barrier models, do not require the "H" suffix for high altitude applications.
* Add NW suffix for Northern White.

APPLICATIONS

For use in residential construction such as single family homes, apartments, modular or mobile homes as well as commercial, industrial and institutional construction. Use as primary, secondary or supplemental heat for new construction or remodel applications.

FEATURES

- Easily installed without disassembly.
- Lead wires allow quick field connection to either end of heater.
- Easy out knockouts at each end for convenient wiring.
- Chimney fin element design for maximum air circulation. Airflow is directed away from walls to help prevent wall soiling.
- UL listed for installation on wall at floor level with wall-to-wall carpeting. Heater stands unsupported during installation.
- Navajo White enamel finish retains attractive appearance and is compatible with all interior decors.
- Pre-notched mounting guide marks for fast and easy installation without disassembling the unit.
- Built-in cable clamp in both wiring compartments to restrain incoming cables without using additional hardware.
- Permanently attached copper grounding wire in each wiring compartment.

Controls & Accessories for Heaters (Installs in either Junction Box)

CATALOG NUMBER	UPC 0-98319	DESCRIPTION	SHIP WT.
TA1AW	73041 1	SP Thermostat, rated 22A @ 120-277V	1 lb.
TA1TPAW	73042 8	Tamper resistant version of above.	1 lb.
TA2AW	73043 5	DP Thermostat, rated 22A @ 120-277V	1 lb.
TA2TPAW	73044 2	Tamper resistant version of above.	1 lb.
HCA2415/20W	73046 6	240V Load Transfer Switch, 20A	1 lb.
HCA1215/20W	73045 9	120V Load Transfer Switch, 20A	1 lb.
RSA1224	71480 0	120V/24V Transformer Relay, 25A	1 lb.
RSA2024	71485 5	208V/24V Transformer Relay, 25A	1 lb.
RSA2424	71490 9	240V/24V Transformer Relay, 25A	1 lb.
RSA2724	71495 4	277V/24V Transformer Relay, 22A	1 lb.
RA1W	73047 3	120V Duplex Receptacle	1 lb.
DSW2W	73049 7	Double Pole Disconnect Switch – rated 20A @ 120-277V	1 lb.
PR24	71367 4	Single Pole Power Relay, 24V Control rated 30A @ 120-240V, 23A @ 277V.	1 lb
PR120	71368 1	Same as above except 120V Control.	1 lb
ICAW	73050 3	Inside Corner	1 lb
RA1COMPW	73048 0	Duplex Receptacle Cover only – carton of 10	1 lb

Filler Sections for 2500 Heaters

CATALOG NUMBER	UPC 0-98319	DESCRIPTION	SHIP WT.
FS12	73150 0	1 Ft. Filler Section	2 lbs.
FS24	73151 7	2 Ft. Filler Section	4 lbs.
FS36	73152 4	3 Ft. Filler Section	6 lbs.
FS48	73153 1	4 Ft. Filler Section	8 lbs.
FSJ2	73154 8	2-Inch Joiner Strip	1/2 lb.

NOTE: For Northern-white units, add NW suffix to catalog number. ex. (2544NW)
See Page 5 for blank sections.

ELECTRIC HYDRONIC BASEBOARD HEATERS



APPLICATIONS

The HBB Series Heaters are ideal whether for new home construction, remodeling or room additions. All it takes is simple mounting and the electrical hookup. No basement boiler. No duct work, chimney, pump or plumbing. Just clean, quiet, comfortable heat, when and where it's needed.

FEATURES

A sheathed electric heating element is totally immersed in a heat-transfer liquid and sealed in a heater-length copper tube. The large diameter reservoir maximizes the volume of heat storage fluid to prolong the thermal constant of the entire heater. All available heat is delivered into the room with strong convection flow. Gentle heat keeps radiating even after the thermostat turns off because of the hydronic elements retention qualities.

GO-ANYWHERE DESIGN. The entire unit mounts flush to any wall and flat on any floor — wood, carpet or tile. The trim, three-inch thick functional design and low operating temperatures allow carpeting to be installed up to and around the baseboard. Efficient air flow is achieved even if the unit is mounted above the floor.

QUALITY INSIDE AND OUT. Heavy-duty welded steel louvered grilles discourage insertion of foreign objects and direct heat outward into the room. Designer-style junction boxes are made of high-strength Lexan® to resist scratches and wear marks. Corrosion resistant aluminum fins are pressure-fitted to copper tubing to assure rapid heat transfer and air flow. Built-in cut-off automatically shuts down the heater should any overheating occur.

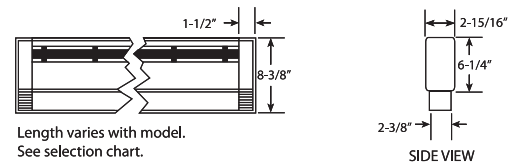
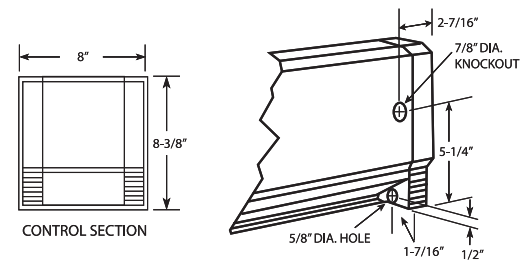
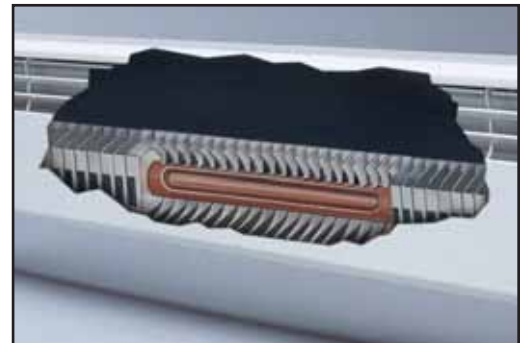
NAVAJO WHITE FINISH



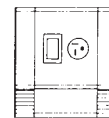
CATALOG NUMBER	UPC 6-85360	VOLTS	WATTS	AMPS	LGTH.	SHIP WT. (LBS.)
HBB500	03577 2	120	500	4.2	28 inches	10
HBB508	03580 2	208	500	2.4		
HBB504	03578 9	240/208	500/375	2.1/1.8	34 inches	12
HBB750	03581 9	120	750	6.3		
HBB758	03584 0	208	750	3.6		
HBB754	03582 6	240/208	750/563	3.1/2.7	46 inches	15
HBB1000	03562 8	120	1000	8.3		
HBB1008	03565 9	208	1000	4.8	58 inches	19
HBB1004	03563 5	240/208	1000/750	4.2/3.6		
HBB1250	03566 6	120	1250	10.4	70 inches	22
HBB1258	03569 7	208	1250	6		
HBB1254	03567 3	240/208	1250/938	5.2/4.5		
HBB1500	03570 3	120	1500	12.5	94 inches	30
HBB1508	03573 4	208	1500	7.2		
HBB1504	03571 0	240/208	1500/1125	6.3/5.8		
HBB2008	03576 5	208	2000	9.6		
HBB2004	03574 1	240/208	2000/1500	8.3/7.2		

ACCESSORIES & CONTROLS (OPTIONAL)

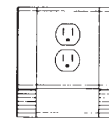
CATALOG NUMBER	UPC 6-85360	DESCRIPTION	SHIP WT. (LBS.)
HBBT1	03557 4	25 amp @ 120-277 VAC Single Pole Thermostat Snap Action Type. Field Installed in Junction Box.	1
HBBT2	03559 8	25 amp @ 120-277 VAC Double Pole Thermostat Snap Action Type. Field Installed in Junction Box.	1
HBBT1TP	03558 1	Same as Model HBBT1 except Tamper resistant.	1
HBBT2TP	03560 4	Same as Model HBBT2 except Tamper resistant.	1
*HBBAC	03538 3	Air Conditioner Outlet Section, 20 amps @ 208/240 VAC.	2
HBBDR	03542 0	Duplex Receptacle Section, 15 amps @ 120 VAC.	2
HBBSDR120	14797 0	2 Pole Disconnect switch /120v receptacle	3
HBBWS	03561 1	8" Blank Wiring Section	1
*HBBLVR0	03547 5	Low Voltage Relay Control Section, 25 amps @ 120 VAC.	3
*HBBLVR8	03550 5	Low Voltage Relay Control Section, 25 amps @ 208 VAC.	3
*HBBLVR4	03548 2	Low Voltage Relay Control Section, 25 amps @ 240 VAC.	3
HBBDCS2	03539 0	2 Pole Disconnect Switch Section.	2
*CBDBS2	01453 1	2' Blank Section.	6
*CBDBS3	01454 8	3' Blank Section	8
*CBDBS4	01455 5	4' Blank Section.	11
*CBDBS5	01456 2	5' Blank Section.	14
*CBDBS6	01457 9	6' Blank Section.	16
*CBDBS8	01458 6	8' Blank Section.	22
*CBDIC	01460 9	Inside Corner.	1
*CBDIOC	01461 6	Outside Corner	1



Length varies with model.
See selection chart.



*HBBAC



*HBBDR

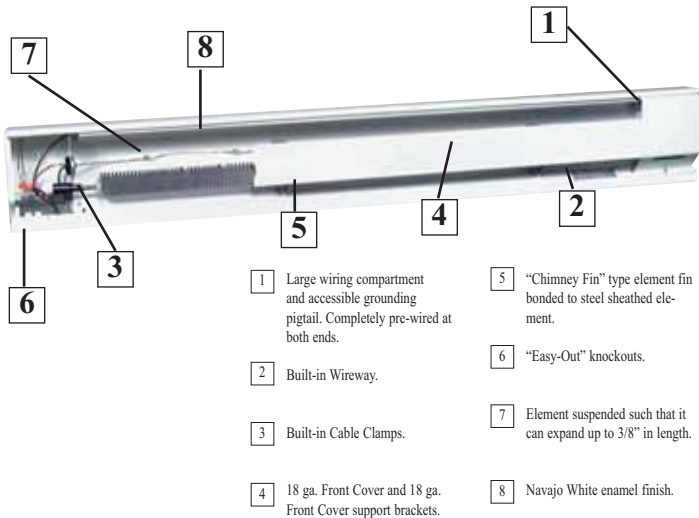


*HBBLVR

*Add 8" to length of installation

* HBBAC - HBBDR - HBBLVR - HBBWS accessories add 8" to baseboard length

COMMERCIAL BASEBOARD HEATERS



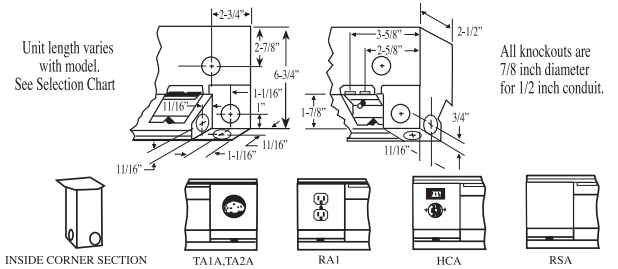
- 1 Large wiring compartment and accessible grounding pigtail. Completely pre-wired at both ends.
- 2 Built-in Wireway.
- 3 Built-in Cable Clamps.
- 4 18 ga. Front Cover and 18 ga. Front Cover support brackets.
- 5 "Chimney Fin" type element fin bonded to steel sheathed element.
- 6 "Easy-Out" knockouts.
- 7 Element suspended such that it can expand up to 3/8" in length.
- 8 Navajo White enamel finish.



DIMENSIONS:
6 3/4" High, 2 7/8" Deep.
Length varies with model. See Table Below.



DIMENSIONS



APPLICATIONS

The QMKC with its complete line of accessories and controls, can solve the space heating needs of virtually any type of commercial structure. Individual room control allows you to heat — or not to heat — each room separately for utmost energy savings. Select exact temperatures, room by room.

FEATURES

COMMERCIAL GRADE CONSTRUCTION. 18-gauge front cover brackets allow heater to withstand rigors of commercial applications.

EASY INSTALLATION - Can be installed without disassembly, using pre-notched guide marks in rear of cabinet.

BUILT-IN WIREWAY - Facilitates end-to-end installation of continuous-run heaters.

EFFICIENT HEAT DISSIPATION - "Chimney fin" type element designed for maximum air circulation. Air flow is directed away from walls.

STEEL SHEATHED ELEMENT - Heating element design combines the durability of a steel tubular heater with the excellent heat transfer characteristics of aluminum fins.

ROOMY JUNCTION BOX - Large, identical, pre-wired junction boxes at each end are provided with knockouts in the rear, bottom, inside and outside junction box walls. One screw allows easy access to wiring compartment.

CATALOG NUMBER	UPC 6-85360	VOLTS	WATTS	AMPS	LGTH.	SHIP WT. (LBS.)
QMKC25126W	06046 0	120	500	4.2		
QMKC25026W	06016 3	208	500	2.4	2'6"	7.8
QMKC25426W	06087 3	240/208	500/376	2.1/1.8		
QMKC25726W	06132 0	277/240/208	500/376/282	1.8/1.6/1.4		
QMKC2513W	06051 4	120	750	6.5		
QMKC2503W	06021 7	208	750	3.6	3'	9.0
QMKC2543W	06092 7	240/208	750/564	3.1/2.7		
QMKC2573W	06137 5	277/240/208	750/564/423	2.7/2.4/2.0		
QMKC2514W	06056 9	120	1000	8.3		
QMKC2504W	06026 2	208	1000	4.8	4'	11.5
QMKC2544W	06097 2	240/208	1000/752	4.2/3.6		
QMKC2574W	06142 9	277/240/208	1000/752/564	3.6/3.1/2.7		
QMKC2515W	06061 3	120	1250	10.4		
QMKC2505W	06031 6	208	1250	6	5'	13.0
QMKC2545W	06102 3	240/208	1250/940	5.2/4.5		
QMKC2575W	06147 4	277/240/208	1250/940/705	4.5/3.9/3.4		
QMKC2516W	06066 8	120	1500	12.6		
QMKC2506W	06036 1	208	1500	7.2	6'	15.5
QMKC2546W	06107 8	240/208	1500/1128	6.3/5.4		
QMKC2576W	06152 8	277/240/208	1500/1128/846	5.4/4.7/4.1		
QMKC2508W	06041 5	208	2000	9.6		
QMKC2548W	06112 2	240/208	2000/1504	8.3/7.2	8'	20
QMKC2578W	06157 3	277/240/208	2000/1504/1128	7.2/6.3/5.4		
QMKC25008W	06011 8	208	2500	12		
QMKC25408W	06082 8	240/208	2500/1880	104/8.7	8'	20
QMKC25708W	06127 6	277/240/208	2500/1880/1410	9.0/7.5/6.8		

NOTE: High Altitude Baseboard Heater (above 7500') add suffix "H" to catalog number.
NOTE: Eight foot length baseboards must be ordered in multiples of two pieces for shipment.

QMKC BLANK SECTIONS

CATALOG NUMBER	UPC 6-85360	DESCRIPTION	SHIP WT. (LBS.)
QMKCBDA2W	05959 4	2'6" Blank Section	4
QMKCBDA3W	05961 7	3' Blank Section	5
QMKCBDA4W	05963 1	4' Blank Section	7
QMKCBDA5W	05965 5	5' Blank Section	9
QMKCBDA6W	05967 9	6' Blank Section	11
QMKCBDA8W	05969 3	8' Blank Section	14

See page 3 for optional controls and accessories.

HEAVY-DUTY COMMERCIAL BASEBOARD HEATERS



CATALOG NUMBER	UPC 6-85360	VOLTS	WATTS	AMPS	BTU/HR.	LGTH.	SHIP WT. (LBS.)
CBD500	01477 7	120	500	4.2			
CBD508	01480 7	208	500	2.4	1706	28"	8 lbs.
CBD504	01478 4	240/208	500/375	2.1/1.8			
CBD507	01479 1	277/240/208	500/375/282	1.8/1.6/1.4			
CBD750	01481 4	120	750	6.3			
CBD758	01484 5	208	750	3.6	2560	34"	10 lbs.
CBD754	01482 1	240/208	750/562	3.1/2.7			
CBD757	01483 8	277/240/208	750/562/422	2.7/2.3/2.0			
CBD1000	01462 3	120	1000	8.3			
CBD1008	01465 4	208	1000	4.8	3413	46"	13 lbs.
CBD1004	01463 0	240/208	1000/750	4.2/3.6			
CBD1007	01464 7	277/240/208	1000/750/562	3.6/3.1/2.7			
CBD1250	01466 1	120	1250	10.4			
CBD1258	01469 2	208	1250	6	4265	58"	16 lbs.
CBD1254	01467 8	240/208	1250/938	5.2/4.5			
CBD1257	01468 5	277/240/208	1250/938/704	4.5/3.9/3.4			
CBD1500	01470 8	120	1500	12.5			
CBD1508	01473 9	208	1500	7.2			
CBD1504	01471 5	240/208	1500/1125	6.4/5.4	5120	70"	20 lbs.
CBD1507	01472 2	277/240/208	1500/1125/844	5.4/4.7/4.1			
CBD2008	01476 0	208	2000	9.6			
CBD2004	01474 6	240/208	2000/1500	8.3/7.2	6825	94"	27 lbs.
CBD2007	01475 3	277/240/208	2000/1500/1125	7.2/6.3/5.4			

ACCESSORIES & CONTROLS (OPTIONAL)

CATALOG NUMBER	UPC 6-85360	DESCRIPTION	SHIP WT. (LBS.)
HBBT1	03557 4	25 amp @ 120-277 VAC Single Pole Thermostat Snap Action Type. Field Installed in Junction Box.	1
HBBT2	03559 8	25 amp @ 120-277 VAC Double Pole Thermostat Snap Action Type. Field Installed in Junction Box.	1
HBBT1TP	03558 1	Same as Model HBBT1 except Tamper resistant.	1
HBBT2TP	03560 4	Same as Model HBBT2 except Tamper resistant.	1
*HBBAC	03538 3	Air Conditioner Outlet Section, 20 amps @ 208/240 VAC.	2
HBBDR	03542 0	Duplex Receptacle Section, 15 amps @ 120 VAC.	2
HBBSDR120	14797 0	2 Pole Disconnect switch /120v receptacle	3
HBBWS	03561 1	8" Blank Wiring Section	1
*HBBLVR0	03547 5	Low Voltage Relay Control Section, 25 amps @ 120 VAC.	3
*HBBLVR8	03550 5	Low Voltage Relay Control Section, 25 amps @ 208 VAC.	3
*HBBLVR4	03548 2	Low Voltage Relay Control Section, 25 amps @ 240 VAC.	3
HBBCDS2	03539 0	2 Pole Disconnect Switch Section.	2
*CBDBS2	01453 1	2' Blank Section.	6
*CBDBS3	01454 8	3' Blank Section	8
*CBDBS4	01455 5	4' Blank Section.	11
*CBDBS5	01456 2	5' Blank Section.	14
*CBDBS6	01457 9	6' Blank Section.	16
*CBDBS8	01458 6	8' Blank Section.	22
*CBCDIC	01460 9	Inside Corner.	1
*CBCDOC	01461 6	Outside Corner	1

* HBBAC - HBBDR - HBBLVR - HBBWS accessories add 8" to baseboard length

APPLICATIONS

CBD Series heavy-duty baseboard, with its complete line of accessories and controls, can solve the space heating needs of virtually any type commercial structure. Individual room control allows you to heat each room separately for utmost energy savings.

FEATURES

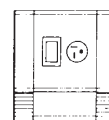
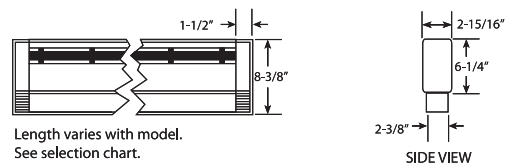
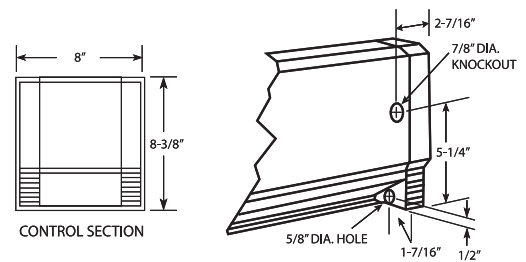
CONSTRUCTION — This heavy-duty baseboard is designed specifically for commercial use. The front cover is made of 16 gauge cold rolled steel. A built-in wireway runs the length of each heater.

ELEMENT — Heating element design combines the durability of a steel tubular heater with the excellent heat transfer characteristics of aluminum fins.

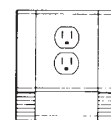
JUNCTION BOXES — Identical prewired junction boxes at each end are large and roomy to work in. Access to the junction box can be made either from the side or the front of the heater. Knockouts are provided in the backside or the bottom of each heater end.

HEAVY-DUTY welded steel louvered grilles discourage insertion of foreign objects and direct heat outward into the room. The junction boxes are made of high-strength Lexan® to resist scratches and wear marks.

NAVAJO WHITE FINISH



**HBBAC



**HBBDR



**HBBLVR

PROGRAMMABLE WALL HEATER

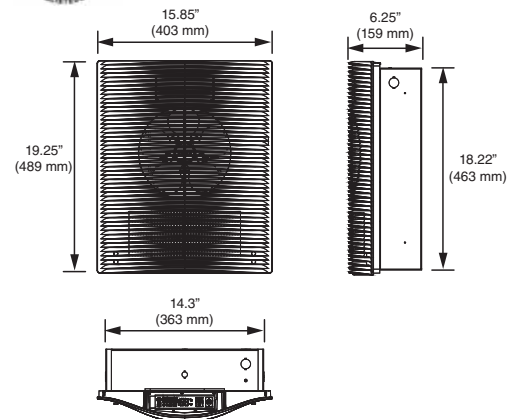


APPLICATIONS

Fast heat response and Programmable touch screen built-in thermostat make the SmartSeries® heaters ideal for corporate offices, boardrooms, galleries, libraries, museums, restaurants and hotels Also, adaptable to multiple installations in larger or odd shaped rooms.

FEATURES

- Save Energy with Zone Heating
 - Heat where you are, not where you aren't (Instant heat where you want it... When you want it) Save energy by heating only the areas you occupy
 - Maintains heat within 1.5 degree of set temperature (as compared to five degrees with conventional bi-metal thermostats.)
- Ready, Set, Go Programming SmartSeries® Digital Thermostat
 - 5 day / 2 day programmability (5 weekdays and 2 day weekend, 4 program periods per day)
 - Provides only the amount of heat needed at any given moment by continually calculating heat output and fan speed of the proportional difference between room temperature and the set point
 - Hold function maintains constant set temperature. Used for freeze protection or vacation setting for when you are not there
 - Connects to Building Management Systems for optimum control
- Control your Comfort with Easy-to-use customizable control with LCD display
 - Simple touch screen navigation and programming
 - Catch a chill? the remote control allows you to make adjustments anywhere in the room
 - Lockout Feature – Securely maintain comfort levels
- Save Time and Money on Installation
 - 2 piece construction – Includes back box, Element/Fan Deck/Grille
 - Quick set up – ‘right out of the box’
 - Fits recessed between standard studs walls
 - No ducting or plumbing needed means no heat loss before the heat enters the room
- Dramatic Styling, Innovative technology
 - In a class above the competition – No other heater in the market comes close to the unique styling of the SmartSeries®
 - The best in contemporary design matched with the latest Smart technologies - Touch-activated controls offer an ideal combination of sleek styling and ease of operation
 - Elegant and refined but built to last – The powder coated aluminum grille has a distinct flavor that translates boldly and beautifully to any décor
 - No exposed seams or screws – Seamlessly finished lines and contours creates an immediate impression of quality and refinement

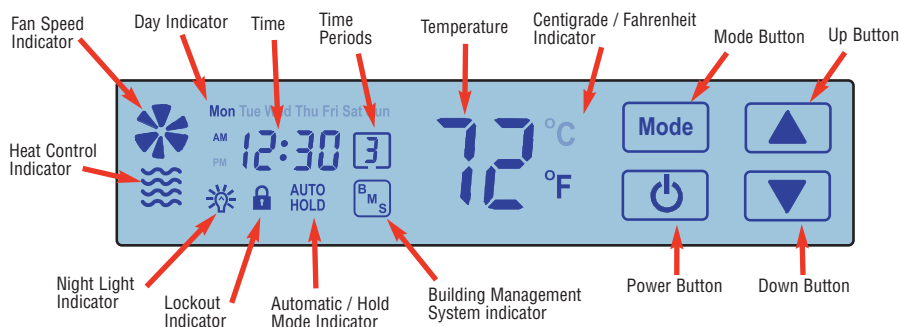


CATALOG NUMBER	UPC	VOLTS	WATTS	MAX AMPS	MAX BTUHR
SSAR1802	6 85360 15683 5	120	540 - 1800	15	6,142
SSAR4808	6 85360 15675 0	208	1800 - 4800	23.1	16,378
SSAR4804	6 85360 15678 1	240	1800 - 4800	20.0	16,378
SSAR4807	6 85360 15679 8	277	1800 - 4800	17.3	16,378

Note: Standard grille color is Northern White. Add NV (Navajo White) or AL (Aluminum) suffix to catalog number. Example: SSAR1802AL



THERMOSTAT DISPLAY



HEATER REMOTE

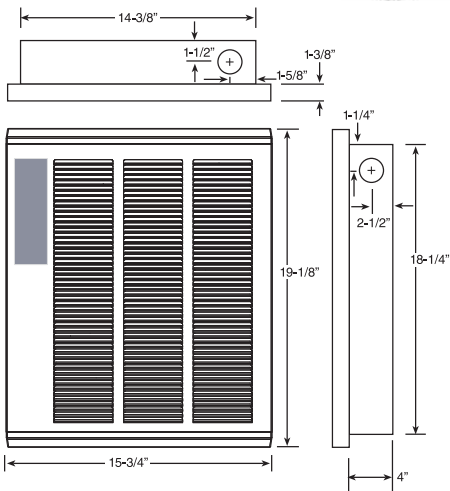
An easy to use remote control is included to provide convenient heat and power adjustment from up to 12 feet away. Heater must be in direct line of sight to operate correctly. Unit can be controlled with or without remote control.



MOUNTING LIMITATIONS

Do not install heater closer than 12" to the floor, 12" to an adjacent wall, 36" to the ceiling. Do not install heater behind towel rack or door, upside down or sideways, in the floor, in the ceiling, or in closets.

COMMERCIAL SMARTSERIES® HIGH OUTPUT WALL HEATER



APPLICATIONS

Fast heat response and Programmable touch screen built-in thermostat make the SmartSeries® heaters ideal for restaurants, hotels, conference rooms, atrium and much more. Also, adaptable to multiple installations in larger or odd shaped rooms.

FEATURES

- Heat where you are, not where you aren't. Instant response when you want it. Save energy by heating only the areas you occupy.
- Precise heat within 1.5 degree of set temperature (as compared to five degrees with conventional bi-metal thermostats.)
- 5 day / 2 day programmability (5 weekdays and 2 day weekend, 4 program periods per day).
- SmartSeries® provides only the amount of heat needed at any given moment by continually calculating heat output and fan speed of the proportional difference between room temperature and the set temperature.
- Hold function maintains constant set temperature which can be used for freeze protection or vacation setting for when you are not there.
- BMS compatible – Connects to Building Management Systems for optimum control.
- Lockout Feature – Securely maintain comfort levels.
- Remote control to make adjustments anywhere in the room – Catch a chill? Raise the temperature from the comfort of your bed or easy chair.
- Quick set up – 'right out of the box' - 3 piece construction – Includes back box, Element/Fan Deck and Grille.
- Fits recessed between standard studs walls or use with optional surface mounting frame (ideal for block or plaster walls).
- No ducting or plumbing needed means no heat loss before the heat enters the room.

CATALOG NUMBER	UPC	VOLTS	WATTS	AMPS	BTUHR
SSHO4008	6 85360 15669 9	208	1800 - 4000	8.7 - 19.2	13,650
SSHO4004	6 85360 15671 2	240	1800 - 4000	7.5 - 16.7	13,650
SSHO4007	6 85360 15673 6	277	1800 - 4000	6.5 - 14.4	13,650

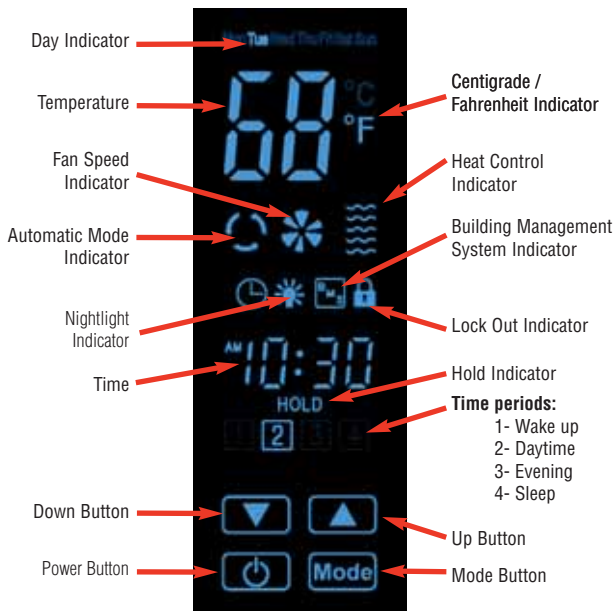
SURFACE MOUNTING FRAMES

HTWHSM	6 85360 15545 6	Surface Mounting Frame 15-3/8" W x 19-3/16" H x 3-3/4" D
HTWH51	6 85360 15548 7	1" Semi-Recess Mounting Frame 15-3/8" W x 19-3/16" H x 1" D
HTWH52	6 85360 15551 7	2" Semi-Recess Mounting Frame 15-3/8" W x 19-3/16" H x 2" D

Note: Standard grille color is Northern White. Add NV (Navajo White) or SB (Stat Bronze) suffix to catalog number. Example: SSSH04008NV

Allow two weeks delivery for models with special color. See Color Selection Chart for custom colors.

THERMOSTAT DISPLAY



HEATER REMOTE

An easy to use remote control is included to provide convenient heat and power adjustment from up to 12 feet away. Heater must be in direct line of sight to operate correctly. Unit can be controlled with or without remote control.



MOUNTING LIMITATIONS

Do not install heater closer than 12" to the floor, 12" to an adjacent wall, 36" to the ceiling. Do not install heater behind towel rack or door, upside down or sideways, in the floor, in the ceiling, or in closets.

RESIDENTIAL SMARTSERIES® PROGRAMMABLE WALL HEATER

APPLICATIONS

Fast heat response and Programmable touch screen built-in thermostat make the Smart Series™ heaters ideal for dens, bedrooms, basements, converted attics, large bathrooms, offices, workshops and similar areas. Also, adaptable to multiple installations in larger or odd shaped rooms.

FEATURES

- Heater automatically adjusts wattage output and blower speed resulting in whisper quiet operation for optimum comfort.
- Heating element is heavy duty non-glowing steel fins brazed to steel sheathed tubular elements in a grid pattern that covers the entire discharge area.
- Built-in fan delay operates when unit is turned off after heating to prolong element life.
- 5/2 day electronic programmable built-in thermostat adaptable to fit any life style while providing energy savings and precise temperature performance.
- Easy to use LED touch screen operation.
- Convenient remote control included.
- Contemporary, clean design with night light feature complements any decor.
- Designed for easy installation. Heater is mounted prior to wiring. Both hands are free to make field connections in roomy compartment.
- This heater is designed for installation in 2 x 4 or larger wall sections using the wall box provided.
- The heater may be wired with standard building wire (60°C). Refer to specification chart for correct supply voltage and wire size.



Whisper Quiet



Fast Response Heating

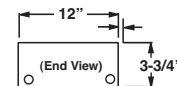
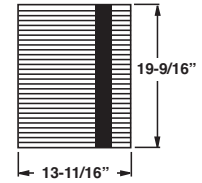
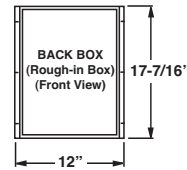


5 Year Element Warranty

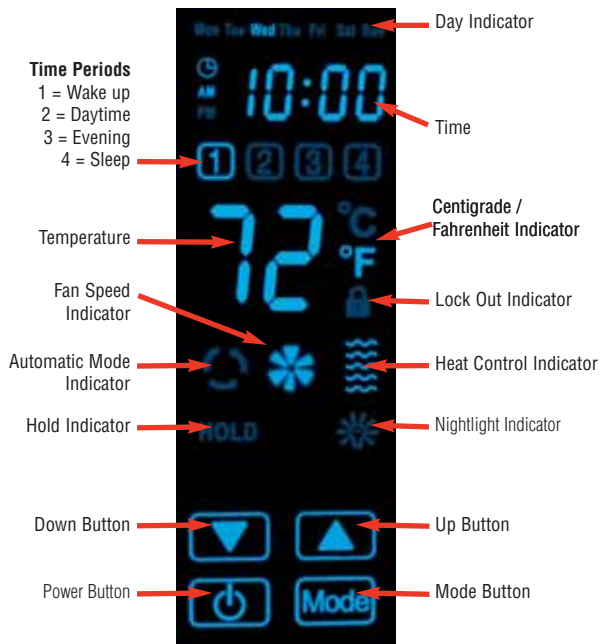


Proportional Wattage Adjustment
Heats up to 250 ft²

CATALOG NUMBER	UPC	VOLTS	WATTS	AMPS	BTUHR	WIRE SIZE
HT2024SS	6 85360 15351 3	240	1.0 - 8.3	250 - 2000	853 - 6826	14 AWG
HT1502SS	6 85360 15350 6	120	1.6 - 12.5	200 - 1500	682 - 5120	12 AWG



THERMOSTAT DISPLAY



HEATER REMOTE

An easy to use remote control is included to provide convenient heat and power adjustment from up to 12 feet away. Heater must be in direct line of sight to operate correctly. Unit can be controlled with or without remote control.



MOUNTING LIMITATIONS

Do not install heater closer than 12" to the floor, 12" to an adjacent wall, 36" to the ceiling. Do not install heater behind towel rack or door, upside down or sideways, in the floor, in the ceiling, or in closets.

ARCHITECTURAL HEAVY-DUTY WALL HEATERS (FAN-FORCED)

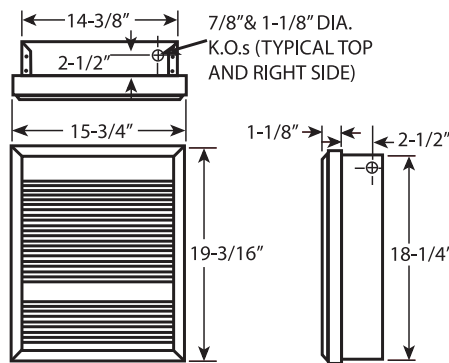
APPLICATIONS

Qmark's high-capacity, heavy-duty fan-forced wall heaters are designed for use almost anywhere in commercial or industrial areas requiring high capacity and quick recovery. They perform exceptionally well in such applications as motels, entryways, stores, public rest rooms, warehouses and other large, hard to heat areas.

FEATURES

- 1500, 2000, 3000, 4000, and 4800 watts; 208, 240, 277 volts; 60 hz.
- Steel finned metal sheath electric heating elements with low sheath temperatures provide uniform heat and long service life.
- Closely spaced grille bars discourage insertion of foreign objects and direct air downward to effectively distribute heat...keep floors warm and dry.
- Integral thermostat for quick installation... separate thermostat not necessary. (Range: 40° - 90°F.) AWH series has tamper resistant thermostat adjustable with a narrow blade screw-driver through the bar grille.
- Thermal overload protector disconnects power in case of over heating due to accidental blockage.
- Built-in double-pole power disconnect switch for added safety during maintenance.
- Built-in fan delay switch energizes fan motor only after elements are heated...prevents discharge of unheated air. When heat shuts off, de-energizes fan motor after residual heat has been dissipated.
- Can be wired with standard 60°C wire.
- Permanently lubricated totally enclosed fan motor provides long life and low maintenance; gently distributes warmth throughout room area.
- Contemporary steel bar grille with durable polyester powder coat finish and satin finished aluminum frame...retains attractive appearance through years of use.*
- Optional accessory power control relays (24 or 120V holding coil) or pneumatic electric (P/E) switch.
- Recess or surface mount in standard 2" x 4" stud walls.

* Northern White color is optional. (Add NW suffix to cat. #)



MOUNTING LIMITATIONS

1. For wall mounting - Do not install back box closer than 8 inches from floor or adjacent wall.
2. Do not install heater behind towel rack, behind door, in floor, in closet, in ceiling or where air flow may be obstructed.

All controls are concealed behind the front cover making them essentially tamper proof. They will accommodate pneumatic/electric or low-voltage controls commonly used with computerized energy management systems.

CATALOG NUMBER	UPC 6 85360	VOLTS	PH.	CFM	WATTS	AMPS	WT. (LBS.)	WIRE SIZE
AWH3150	14800 7	120	1	100	1500	12.5	25	10 AWG
AWH3180	14801 4	120	1	100	1800	15	25	10 AWG
AWH4404*	00816 5	240/208	1	100	4000/3000	16.7/14.5	25	10 AWG & 12 AWG
AWH4407*	00828 8	277/240	1	100	4000/3000	14.5/12.5	25	12 AWG
AWH4307*	00807 3	277	1	100	3000/1500	10.8/5.4	25	12 AWG
AWH4408*	00835 6	208	1	100	4000/2000	19.2/9.6	25	10 AWG
AWH44083	00842 4	208	3	100	4000	11.1	25	14 AWG
AWH44043	00824 0	240	3	100	4000	9.7	25	14 AWG
AWH4508	00864 6	208	1	100	4800	23.1	25	10 AWG
AWH4504	00846 2	240/208	1	100	4800/3600	17.3/20.0	25	10 AWG
AWH4507	00857 8	277/240	1	100	4800/3600	15.0/17.3	25	10 AWG
AWH45083	00866 0	208	3	100	4800	13.4	25	12 AWG
AWH45043	00853 0	240	3	100	4800	11.6	25	14 AWG

*Heaters shipped at higher wattage. Units can be converted to half-wattage in field.

ACCESSORIES & CONTROLS (OPTIONAL)

CATALOG NUMBER	UPC 6 85360	DESCRIPTION	SHIP WEIGHT
AWHSM	00724 3	Surface Mounting Frame 15-3/8" W x 19-3/16 " H x 3-3/4 " D	4 lbs.
AWHS1	00726 7	1" Semi-Recess Mounting Frame 15-3/8" W x 19-3/16 " H x 1" D	4 lbs.
AWHS2	00728 1	2" Semi-Recess Mounting Frame 15-3/8" W x 19-3/16 " H x 2" D	4 lbs.
AWHR2	00723 6	24V H.C. Time Delay Relay	2 lbs.
AWHR12	00722 9	120V H.C. Time Delay Relay	2 lbs.
AWHPE	00721 2	Pneumatic/Electric Switch	2 lbs.
LFKSFC	04576 4	14 Gauge Security Front Cover (Navajo White)	6 lbs.



COMMERCIAL FAN-FORCED WALL HEATERS

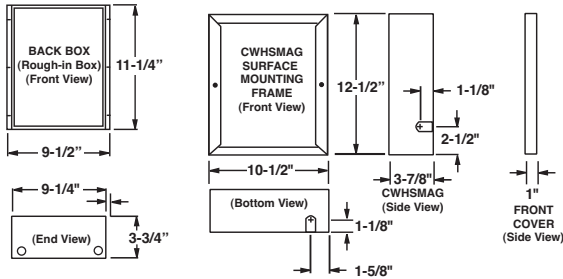


APPLICATIONS

Fast heat response, compact design and versatility make the CWH Architectural Series heaters ideal for dens, basements, converted attics and breezeways, garages, bathrooms, small offices, workshops and similar areas. Also, adaptable to multiple installations in somewhat larger or odd shaped rooms.

FEATURES

- Heating element is heavy duty steel fins brazed to steel sheathed tubular elements in a grid pattern that covers the entire discharge area.
- FAN DELAY: On a call for heat, element is energized but fan is delayed until element is warm, eliminating the circulation of cold air during start up. When the thermostat is satisfied, the element is de-energized, but the fan continues until all heated air is discharged providing longer component life and higher comfort level.
- Designed for easy installation. Heater is mounted prior to wiring. Both hands are free to make field connections in roomy compartment.
- Motor is totally enclosed, impedance protected with permanently lubricated bearings.
- Airflow system maximizes air volume at minimum noise level.
- Rugged louvered commercial grade steel Architectural grille creates downflow air pattern.
- This heater is designed for installation in 2 x 4 or larger wall sections using the wall box provided. The heater may also be surface mounted to the wall by using the Surface Mounting Frame, Model No. CWHSMAG (order separately).
- The heater may be wired with standard building wire (60°C). Refer to specification chart for correct supply voltage and wire size.
- Built-in snap action thermostat (no radio/TV interference; 40° - 85°F).
- A hole plug is provided for tamper resistant installations.
- Includes Built-In Disconnect Switch.
- Statuary Bronze durable polyester powder coat finish and aluminum frame.



MOUNTING LIMITATIONS

1. Do not install heater closer than 4" from floor.
2. Do not install heater behind towel rack, behind door, in floor, in ceiling, in closet, or where air flow may be obstructed.
3. Requires 3 wires if remote thermostat is desired.

CATALOG NO.	UPC	VOLTS	AMPS	WATTS	CFM	BTU/HR	WIRE SIZE
CWH1101DSAG	6 85360 14838 0	120	8.4	1000	65	3413	14AWG
			4.2	500		1706	
CWH1151DSAG	6 85360 14840 3	120	12.5	1500	65	5120	12AWG
			6.25	750		2560	
CWH1201DSAG	6 85360 14847 2	120	15	1800	65	6143	12 AWG
			8.4	2000		6826	
CWH1202DSAG	6 85360 14849 6	240	4.2	1000	65	3413	14AWG
			7.3	1500		5120	
			3.61	750		2560	
			7.3	2000		6826	
CWH1207DSAG	6 85360 14850 2	240	3.61	1000	65	3413	14AWG
			6.25	1500		5120	
			3.2	750		2560	
			5.5	1500		5120	
CWH1157DSAG	6 85360 14851 9	240	2.75	750	65	2560	14AWG
			4.7	1125		3840	
			2.35	562		1920	
			9.6	2000		6826	
CWH1208DSAG	6 85360 14848 9	208	4.8	1000	65	3413	14AWG

ACCESSORIES

CAT. NO.	UPC	DESCRIPTION
CWHSMAG	6 85360 14852 6	Surface Mounting Frame (Accessory). Order separately. 12 1/2"H x 10 3/8"W x 4"D.
CWHS1AG	6 85360 14853 3	1" Semi-Recess Mounting Frame, 12 1/2"H x 10 3/8"W x 1"D.
CWHS2AG	6 85360 14854 0	2" Semi-Recess Mounting Frame, 12 1/2"H x 10 3/8"W x 2"D.



COMMERCIAL FAN-FORCED WALL HEATERS

APPLICATIONS

Fast heat response, compact design and versatility make the CWH1000 Series heaters ideal for dens, basements, converted attics and breeze ways, garages, bathrooms, small offices, workshops and similar areas. Also, adaptable to multiple installations in somewhat larger or odd shaped rooms.

FEATURES

- Heating element is heavy-duty steel fins brazed to steel sheathed tubular elements in a grid pattern that covers the entire discharge area.
- FAN DELAY: On a call for heat, element is energized but fan is delayed until element is warm, eliminating the circulation of cold air during start up. When the thermostat is satisfied, the element is de-energized, but the fan continues until all heated air is discharged providing longer component life and higher comfort level.
- Designed for easy installation. Heater is mounted prior to wiring. Both hands are free to make field connections in roomy compartment.
- Motor is totally enclosed, impedance protected with permanently lubricated bearings.
- Airflow system maximizes air volume at minimum noise level.
- Rugged louvered commercial grade steel grille creates downflow air pattern.
- This heater is designed for installation in 2 x 4 or larger wall sections using the wall box provided. The heater may also be surface mounted to the wall by using the Surface Mounting Frame, Model No. CWHSM (order separately).

- Includes built-in disconnect switch.
- The heater may be wired with standard building wire (60°). Refer to specification chart for correct supply voltage and wire size.
- Built-in snap action thermostat (no radio/TV interference; 40° - 85°F).
- Northern White durable polyester powder coat finish.

MOUNTING LIMITATIONS

1. Do not install heater closer than 4" from floor.
2. Do not install heater behind towel rack, behind door, in floor, in ceiling, in closet, or where air flow may be obstructed.



GRILLE:

12-1/2"H x 103/8"W x 1"D

BACK BOX:

11-1/4"H x 9-1/2"W x 3-3/4"D



CATALOG NUMBER	UPC 6 85360	VOLTS	PHASE	WATTS	AMPS	CFM	BTU/HR	WIRE SIZE	SHIP WT
CWH110DS	13950 0	120	1	1000/500*	8.4/4.2	65	3413/1706	14 AWG	20
CWH115DS	13951 7	120	1	1500/750*	12.5/6.25	65	5120/2560	12 AWG	20
CWH120DS	13953 1	120	1	1800	15	65	6143	12 AWG	20
CWH1202DS	13954 8	240	1	2000/1000*	8.3/4.2	65	6826/3413	14 AWG	20
		208		1500/750*	7.2/3.61		5120/2560		
CWH1157DS	13952 4	277	1	1500/750*	5.5/2.75	65	5120/2560	14 AWG	20
		240		1125/562*	4.7/2.35		3840/1920		
CWH1207DS	13955 5	277	1	2000/1000*	7.2/3.61	65	6826/3413	14 AWG	20
		240		1500/750*	6.25/3.2		5120/2560		
CWH1208DS	13956 2	208	1	2000/1000*	9.6/4.8	65	6826/3413	14 AWG	20

* Factory wired for higher wattage, field convertible to half wattage.

ACCESSORIES (OPTIONAL)

CATALOG NUMBER	UPC 6 85360	DESCRIPTION	SHIP WT
CWHSM	13947 0	Surface Mounting Frame (Accessory) Order Separately. 12-1/2" H x 10-3/8" W x 4" D	2 lbs.
CWHS1	13948 7	1" Recessed Frame 12-1/2" H x 10-3/8" W x 1" D	2 lbs.
CWHS2	13949 4	2" Recessed Frame 12-1/2" H x 10-3/8" W x 2" D	2 lbs.

COMMERCIAL FAN-FORCED WALL HEATERS

APPLICATIONS

For supplementary heating of offices, reception rooms, game rooms, family rooms and similar light-duty commercial and residential applications.

FEATURES

- 1500, 2000, 3000, 4000 and 4800 watts; 208, 240, 277 volts; 60 hz.
- Steel finned metal sheath electric heating elements provide uniform heat and long service life.
- Integral thermostat for quick installation... separate thermostat not necessary. (Range: 40 - 90°F.)
- Fan only operation for summer use.
- Thermal overload protector disconnects power in event of overheating due to accidental blockage.
- Built-in power disconnect switch for added safety during maintenance.
- Built-in fan delay switch energizes fan motor only after elements are heated... prevents discharge of unheated air. When heat shuts off, de-energizes fan motor after residual heat has been dissipated.
- Can be wired with standard 60°C wire.
- Permanently lubricated totally enclosed fan motor provides long life and low maintenance; gently distributes warmth throughout room area. 100 CFM.
- Front cover is finished in Northern White durable polyester powder coat finish. A hole plug is provided for tamper resistant installations.
- Recess or surface mount in standard 2" x 4" stud walls.



CATALOG NUMBER	UPC 6 85360	VOLTS	PHASE	WATTS	CFM	AMPS	SHIP WEIGHT
CWH3150	14804 5	120	1	1500	100	12.5	22 lbs.
CWH3180	14805 2	120	1	1800	100	15	22 lbs.
CWH3404*	01935 2	240/208	1	4000/3000 2000/1500	100	16.7/14.5 8.3/7.2	22 lbs.
CWH3407*	01946 8	277/240	1	4000/3000 2000/1500	100	14.5/12.5 7.2/6.3	22 lbs.
CWH3307*	01927 7	277	1	3000/1500	100	10.8/5.4	22 lbs.
CWH3408	01951 2	208	1	4000/2000	100	19.2/9.6	22 lbs.
CWH34083	01956 7	208	3	4000	100	11.1	22 lbs.
CWH34043	01940 6	240	3	4000	100	9.7	22 lbs.
CWH3504	01962 8	208/240	1	3600/4800	100	17.3/20.0	22 lbs.
CWH3507	01973 4	240/277	1	3600/4800	100	15.0/17.3	22 lbs.
CWH3508	01978 9	208	1	4800	100	23.1	22 lbs.
CWH35083	01981 9	208	3	4800	100	13.4	22 lbs.
CWH35043	01967 3	240	3	4800	100	11.6	22 lbs.

ACCESSORIES (OPTIONAL)

CATALOG NUMBER	UPC 6 85360	DESCRIPTION	SHIP WT.
CWH3SM	01887 4	Surface Mounting Frame	2 lbs.
CWH3S1	01889 8	1" Semi-Recessed Frame	2 lbs.
CWH3S2	01891 1	2" Semi-Recessed Frame	2 lbs.
LFKSFC	04576 4	14 Gauge Security Front Cover	6 lbs.

MOUNTING LIMITATIONS: Do not install heater closer than 8" from floor or adjacent wall surface, behind towel rack or door, upside down or side up, in floor, ceiling or closet.

NOTE: Factory wired for higher wattage, field convertible to half wattage.

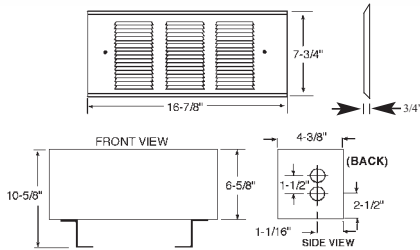
GRILLE: 19-3/16"H x 15-5/16"W x 3-7/8"D

BACK BOX: 18-1/4"H x 14-5/16"W x 3-7/8"D



GFR

FAN-FORCED WALL HEATERS CLIP-N-FIT® FEATURE



GRILLE: 167/8" W X 73/4" H X 3/4" D
BACK BOX: 143/8" W X 65/8" H X 43/8" D

MOUNTING LIMITATIONS

For wall mounting only. Do not install back box closer than 4 inches from floor, 6 inches from adjacent walls and 36 inches from the ceiling. Do not install heater behind towel rack, behind door, in floor, in closet, in ceiling or where airflow may be obstructed. To insure proper operation, maintain 5-foot minimum clearance to furniture or other objects placed directly in front of the heater.

APPLICATIONS

Fast heat response, contemporary design and very quiet operation make GFR Series fan forced heaters ideal for bedrooms, dens, basements, converted attics, breezeways, garages, bathrooms, small offices, workshops, and other similar areas. Also adaptable to multiple installations in somewhat large or odd shaped room.

CLIP-N-FIT® FEATURE

Patented Clip-N-Fit® feature (US Patented No. 6,172,343) allows the installer to change the wattage of the heater to a lower output without moving jumper wire. Each heater is factory wired for its maximum wattage. To change wattage, clip out either jumper 1 or 2 as shown in the installation manual for desired wattage. This Patented Clip-N-Fit® feature also prevents the operator to change wattage after installation to a higher wattage.

CATALOG NUMBER	UPC	VOLTS	CFM	PHASE	WATTAGE	UNIT AMPS	SHIP WT.	BUILT-IN T-STAT
GFR1500	03368 6	120	45	1	1500/750 1125/375	12.5/6.3 9.4/3.1	10 lbs.	No
GFR2004	03372 3	240*	45	1	2000/1000 1500/500	8.3/4.2 6.3/2.1	10 lbs.	No
GFR2404	03375 4	240*	45	1	2400/1200	10.0/5.0	10 lbs.	No
GFR1500T2	03369 3	120	45	1	1500/750 1125/375	12.5/6.3 9.4/3.1	11 lbs.	Dbl. Pole
GFR2004T2	03374 7	240*	45	1	2000/1000 1500/500	8.3/4.2 6.3/2.1	11 lbs.	Dbl. Pole
GFR2404T2	03377 8	240*	45	1	2400/1200	10.0/5.0	11 lbs.	Dbl. Pole

* Will operate on 208V at 75% of rated wattages

ACCESSORIES (OPTIONAL)

CATALOG NUMBER	UPC	DESCRIPTION
GFR1500	6-85360	
GFR1500T2	6-85360	
GFR2004	6-85360	
GFR2004T2	6-85360	
GFR2404	6-85360	
GFR2404T2	6-85360	
GFR1500T2	03367 9	Single Pole Built-In Thermostat 25 Amps @ 120-240V 45° - 85°F Range
GFR2004T2	03366 2	Double Pole version of above
GFRSM	05926 6	Surface Mounting Frame



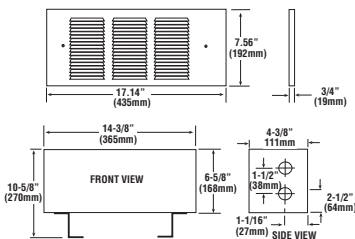
QFG

FAN-FORCED WALL HEATERS CLIP-N-FIT® FEATURE*



Patented Clip-N-Fit® feature
 (US Patented No. 6,172,343)

GRILLE:
 16-7/8" W X 7-3/4" H X 3/4" D
BACK BOX:
 14-7/8" W X 6-5/8" H X 4-7/8" D



MOUNTING LIMITATIONS

For wall mounting only. Do not install back box closer than 4 inches from floor, 6 inches from adjacent walls and 36 inches from the ceiling. Do not install heater behind towel rack, behind door, in floor, in closet, in ceiling or where airflow may be obstructed. To insure proper operation, maintain 5-foot minimum clearance to furniture or other objects placed directly in front of the heater.

APPLICATIONS

RESIDENTIAL: QFG Series electric in-wall heaters are suitable for use in almost any room. Use single heaters in smaller rooms such as bedrooms and bathrooms. Use multiple heaters (controlled by a single thermostat) in larger rooms such as living rooms and family rooms. Wattage should be determined through heat loss calculations.

COMMERCIAL: Suitable as the primary heat source in smaller rooms and as supplemental heat in almost any general use area.

FEATURES

- Dual Protection: Thermal cutout with indicator light and one time thermal fuse.
- Tangential blower for whisper quiet operation.
- Northern White durable polyester powder coat finish.
- Open coil element assures quick heat and low maintenance.
- Three piece construction for ease of installation.
- Permanently lubricated, dust-protected bearings.
- 2 year warranty on element.

CATALOG NUMBER	UPC	VOLTS	CFM	PHASE	WATTAGE	UNIT AMPS	SHIP WT.	BUILT-IN T-STAT
QFG1512IFM	08809 9	120	45	1	375/750/1125/1500	3.1/6.3/9.4/12.5	8 lbs	No
QFG2024IFM	08810 5	240	45	1	500/1000/1500/2000	2.1/4.2/6.3/8.3	8 lbs	No
QFG2224IFM	08811 2	240	45	1	563/1125/1688/2250	2.3/4.7/7.0/9.4	8 lbs	No
QFG2228IF	05947 1	208	45	1	2200	10.6	8 lbs	No
QFG1512T2M	05937 2	120	45	1	1500/1125/750/375	12.5/9.4/6.3/3.1	8 lbs	Yes
QFG2024T2M	05941 9	240	45	1	2000/1500/1000/500	8.3/6.3/4.2/2.1	8 lbs	Yes
QFG2224T2M	05946 4	240	45	1	2250/1688/1125/563	9.4/7.0/4.7/2.3	8 lbs	Yes

ACCESSORIES & CONTROLS

UPC NUMBER	6 85360	DESCRIPTION	SHIP WT.
GFRBB	03363 1	Single backbox for QFG series heater.	2 lbs
GFRBB6	03364 8	Multi-pack backbox (6pcs)	10 lbs
QFGTSP	03362 4	Single pole Thermostat (field installed)	1 lb
QFGTDP	05925 9	Double pole thermostat (field installed)	1 lb
GFRSM	05926 6	Surface Mounting Frame.	2 lbs

NOTE: "IF" models include heater assembly and grille only. Order back box separately: See accessories.

NOTE: For installations over 7500 feet above sea level we recommend using models under 1500 watts.

NOTE: T2 Model are complete heater assemblies with grille, back box, and thermostat.

LFK WALL HEATERS



APPLICATIONS

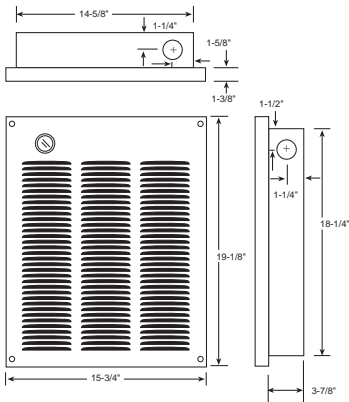
QMark's high-capacity, heavy duty fan forced wall heaters are designed for use almost anywhere in residential, commercial or industrial areas requiring electric fan forced heaters in 1500 to 4800 watt capacities. They perform exceptionally well in such applications as motels, entryways, playrooms, basements, workshops, garages, stores and similar large areas.

FEATURES

- High capacity - up to 4800 Watts.
- Three piece design.
- Slim Surface or recessed mounting.
- Easy to install and service.
- Northern white louvered cover.
- Two-pole thermostat.
- Built-in thermal cutout, fan delay.

MOUNTING LIMITATIONS

1. For wall mounting - Do not install back box closer than 8 inches from floor or adjacent wall.
2. Do not install heater behind towel rack, behind door, in floor, in closet, in ceiling or where air flow may be obstructed.



CATALOG NUMBER	UPC 6-85360	VOLTAGE	WATTAGE	CFM	AMPS	SHIP WT. (LBS.)
LFK151	14807 6	120	1500	100	12.5	22
LFK204	04581 8	240/208	2000/1500	100	8.3/7.3	22
LFK304	04585 6	240	3000	100	12.5	22
LFK404	04589 4	240/208	4000/3000	100	16.7/14.4	22
LFK484	04596 2	240/208	4800/3600	100	20.9/17.3	22
LFK4083	04594 8	208V	4000W	100	11.1	23
LFK487	04599 3	277V	4800W	100	17.3	23
LFK488	04600 6	208V	4800W	100	23.1	23
LFK4883	04601 3	208V	4800W	100	13.3	23

ACCESSORIES

CATALOG NUMBER	UPC 6-85360	DESCRIPTION	SHIP WT. (LBS.)
LFKSFC	04576 4	14 Gauge Security Front Cover (Navajo White)	6
LFKSM	04577 1	Surface Mounting Sleeve	1
LFKS1	04578 8	1" Semi-Recessed Sleeve	1
LFKS2	04579 5	2" Semi-Recessed Sleeve	1

SED FAN-FORCED WALL HEATERS



APPLICATIONS

Ideally suited for recessed shallow wall mount application, such as manufactured homes.



ROUGH-IN:
12-1/2"H x 9-1/4"W.
GRILLE:
14-1/2"H x 10-1/2"W x 1-1/4"D

FEATURES

- Back-box depth 2-1/2".
- Field wiring compartment for ease of installation.
- Built-in double pole thermostat on all units.
- Ceiling mount units available (1000 Watt units).
- Stainless Steel and Northern White grille finishes available.
- Surface mount accessories available.

CATALOG NUMBER	UPC 6-85360	(10)	VOLTS	WATTS	AMPS	CFM	GRILLE FINISH	CEIL. MT.	SHIP WT.
SED1012C	08190 8	120	1000	8.3	50	Stainless Steel	Yes	12 lbs.	
SED1024C	08191 5	240/208	1000/750	4.2/3.6	50	Stainless Steel	Yes	12 lbs.	
SED1512	08192 2	120	1500	12.5	50	N. White	No	12 lbs.	
SED2024	08193 9	240/208	2000/1500	8.3/7.2	50	N. White	No	12 lbs.	
SED1012W	14888 5	120	1000	8.3	50	N. White	Yes	12 lbs.	
SED1024W	15698 9	240/208	1000/750	4.2/3.6	50	N. White	Yes	12 lbs.	

ACCESSORIES

CATALOG NUMBER	UPC 6-85360	DESCRIPTION	SHIP WT.
SEDSM	01043 1	N. White Surface Mounting Frame	3 lbs.
SEDSMC	12617 3	Stainless Steel Surface Mounting Frame	3 lbs.
SEDFCW	12616 6	Front Cover - Northern White	2 lbs.
SEDFCC	12615 9	Front Cover - Stainless Steel	2 lbs.

ECP EURO STYLE WALL HEATERS, NON-FAN FORCED



APPLICATIONS

Suitable for use in almost any room. Use single heaters in smaller rooms such as bedrooms and bathrooms. Use multiple heaters in larger rooms such as living rooms and family rooms. Wattage levels should be determined by heat loss calculations. Great source of supplementary heating of offices, reception rooms, game rooms and similar light duty commercial and residential applications.

FEATURES

- Convection and Radiant warmth from one heater.
- Heater can be surface mounted or recessed into 2X4 or larger wall sections. It is designed to fit between 16" O.C. studs.
- Steel finned metal sheath electric heating elements provide uniform heat and long service life.
- Closely spaced bar grille design discourages insertion of foreign objects and directs air outward to effectively distribute heat to the middle of the room.

- Heavy-duty metal grille offers attractive appearance in a neutral color that is compatible with any decor.
- Contemporary styling uses soft curves on all edges, avoiding the sharp corners of a square design.
- Large wiring compartment is accessible from the front of the heater enabling rapid, easy hookup.
- CSA and UL approved.

ROUGH-IN:
23-1/8"H x 14-1/4"W

GRILLE:
26-1/4"H x 16-1/4"W x 1-5/8"D

CATALOG NUMBER	UPC 6-85360	VOLTS	WATTS	AMPS	PHASE	SHIP WT.
ECP1024	12732 3	240/208	1000/750	4.2/3.6	1	27 lbs.
ECP1524	12733 0	240/208	1500/1125	6.3/5.4	1	27 lbs.

RESIDENTIAL FAN-FORCED ZONAL HEATERS

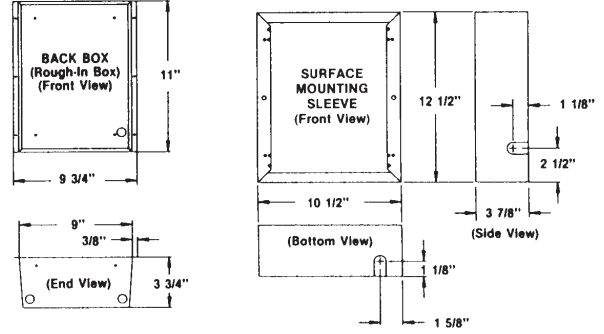


APPLICATIONS

Suitable for use in almost any room. Use single heaters in smaller rooms such as bedrooms and bathrooms. Use multiple heaters (controlled by a single thermostat) in larger rooms such as living rooms and family rooms. Wattage levels should be determined by heat loss calculations.

FEATURES

- Fast-response coil element assures quick heat and low maintenance.
- Three piece construction offers ease of installation.
- European styling: Sleek rounded corners complements any room decor.
- Dual Protection: Thermal cutout with indicator light and one time thermal fuse.
- Northern White finish.
- 500 - 1000 Watt units are approved for ceiling mounting.
- Patented Clip-n-Fit Feature
- 2 year warranty on element



SELECTION CHART

CATALOG NUMBER	UPC 6-85360	VOLTS	CFM	WATTS	AMPS	SHIP BTU/HR.	WT.
CRA1512-IF	01738 9	120	50	1500/1125/750/375	12.5/9.4/6.3/3.1	5118/ 3838/ 2560/1280	10 lbs.
CRA2028-IF	01744 0	208	50	2000/1500/1000/500	9.6/7.2/4.8/2.4	6824/ 5118/ 3412/1706	10 lbs.
CRA2024-IF	01742 6	240	50	2000/1500/1000/500	8.3/ 6.3/4.2/ 2.1	6824/ 5118/ 3412/1706	10 lbs.
		208		1500/1125/750/375	12.5/9.4/6.3/3.1	5118/ 3838/ 2560/1280	
CRA2224-IF	01748 8	240	50	2250/1688/1125/563	9.4/7.0/4.7/2.4	7677/ 5760/ 3838/1920	10 lbs.
		208		1688/1266/844/422	8.1/6.1/ 4.1/2.0	5760/ 4320/ 2880/1440	
COMPLETE UNITS WITH BUILT-IN DOUBLE POLE THERMOSTAT							
CRA1512-T2	01739 6	120	50	1500/1125/750/375	12.5/ 9.4/6.3/3.1	5118/ 3838/2560/1280	11 lbs.
CRA2024-T2	01743 3	240	50	2000/1500/1000/500	8.3/ 6.3/4.2/2.1	6824/ 5118/3412/1706	11 lbs.
		208		1500/1125/750/375	12.5/ 9.4/6.3/3.1	5118/3838/2560/1280	
CRA2224-T2	01749 5	240	50	2250/1688/1125/563	9.4/7.0/4.7/2.4	7677/5760/3838/1920	11 lbs.
		208		1688/1266/ 844/422	8.1/6.1/4.1/2.0	5760/4320/2880/1440	

ACCESSORIES

CATALOG NUMBER	UPC 6-85360	DESCRIPTION	SHIP WT.
CRABB	01719 8	Back Box Only (Used with "IF" suffix models)	2 lbs.
CRABB6	01720 4	Back Box Multi-pack (Used with "IF" suffix models)	10 lbs.
CRATDP	01726 6	D.P. Thermostat Kit (Range: 40-85°)	1 lb.
CRASM	01723 5	Surface Mounting Frame	2 lbs.
CRA2AFKIT	11307 4	Retro Kit for A Series Back Box	1 lb.

CLIP-N-FIT® FEATURE

Patented Clip-N-Fit® feature (US Patented No. 6,172,343) allows the installer to change the wattage of the heater to a lower output without moving jumper wire. Each heater is factory wired for its maximum wattage. To change wattage, clip out either jumper 1 or 2 as shown in the installation manual for desired wattage. This Patented Clip-N-Fit® feature also prevents the operator to change wattage after installation to a higher wattage.

CRA-****-IF (Inner Frame):
IF models include heater assembly and grille only. Order back box Cat. No. CRABB separately.

CRA-****-T2 (Complete unit):
Heater assembly, grille, back box and factory installed DP thermostat (Range: 40-85°F)

EFQ

COMMERCIAL FAN-FORCED WALL HEATERS



Northern-white finish.

GRILLE: 31 3/4" W X 22 3/4" H X 1 1/2" D
BACK BOX: 30 1/2" W X 21 1/8" H X 3 3/4" D



APPLICATIONS

Ideal for offices, stores, schools, churches, hospitals, dormitories, airport terminals, reception rooms, entrance lobbies, corridors and stairwells. Unit installs easily in either new or remodeled buildings.

FEATURES

- Steel finned metal sheath electric heating elements with low sheath temperatures provided uniform heat and long service life.
- Integral thermostat for quick installation... separate thermostat not necessary.
- Thermal overheat protectors disconnect power in event of overheating due to accidental blockage.
- Built-in power disconnect switch for added safety during maintenance.
- Permanently lubricated, totally enclosed fan motor provides long-life and low maintenance; gently distributes warmth through room area.

CATALOG NUMBER	UPC 6-85360	VOLTS	PHASE	WATTS	AMPS	CFM	SHIP WT.	BUILT-IN THERMOSTAT
EFQ6008	02135 5	208	1	6000	28.8	200	50 lbs.	Yes
EFQ6004	02131 7	240	1	6000	25.0	200	50 lbs.	Yes
EFQ6007	02134 8	277	1	6000	21.7	200	50 lbs.	Yes
EFQ6003	02130 0	347	1	6000	17.3	200	50 lbs.	Yes
EFQ60048	02132 4	480	1	6000	12.5	200	50 lbs.	Yes
EFQ6006	02133 1	600	1	6000	10.0	200	50 lbs.	Yes
EFQ8008	02141 6	208	1	8000	38.5	200	50 lbs.	Yes
EFQ8004	02137 9	240	1	8000	33.3	200	50 lbs.	Yes
EFQ8007	02140 9	277	1	8000	28.9	200	50 lbs.	Yes
EFQ8003	02136 2	347	1	8000	23.1	200	50 lbs.	Yes
EFQ80048	02138 6	480	1	8000	16.7	200	50 lbs.	Yes
EFQ8006	02139 3	600	1	8000	13.3	200	50 lbs.	Yes

CATALOG NUMBER	UPC 6-85360	DESCRIPTION	WT. (LBS.)
EFQSM	02127 0	Surface Mounting Frame	6 lbs.
EFQSI	02128 7	1" Semi-Recess Frame	5 lbs.
EFQS2	02129 4	2" Semi-Recess Frame	6 lbs.
EFQR24	02126 3	24V Power relay	1 lb.
EFQR120	02125 6	120V Power relay	1 lb.

1235 ECONOMY WALL HEATERS TOE SPACE FAN-FORCED HEATERS



APPLICATIONS

Use as an add-on heat source or as a primary heat supply.

FEATURES

- Recessed or surface (with optional 414 surface mount kit) mounted installation; horizontal or vertical mounting.
- Exclusive fan venturi design for quiet operation.
- Clean electric heat requires no ducting or venting.
- Front mounted thermostat for convenient room comfort control.
- Attractive safety grille removes easily for cleaning.
- Built-in, manual reset thermal safety switch to prevent overheating.
- Rugged, two-piece construction; easy to install.



CATALOG NUMBER	UPC	FINISH	ROUGH-IN OPENING	WATTS	AMPS	VOLTS
1235	01189 7	Stainless	9-1/4"x14-1/2"	1500	12.5	120
1235P	01190 3	Almond	9-1/4"x14-1/2"	1500	12.5	120
2435	01204 7	Stainless	9-1/4"x14-1/2"	1500/1125	6.2/5.4	240/208
2435P	00365 6	Almond	9-1/4"x14-1/2"	1500/1125	6.2/5.4	240/208



FEATURES

- Steel plate fin element.
- Built-in or remote thermostat models.
- Thermal cutout.
- Quiet, tangential blower.

GRILLE:

3-5/8" H X 15-3/8" W

BACK BOX:

3-1/2" H X 8-7/8" D X 14-1/8" W



CATALOG NUMBER	UPC	VOLTS	WATTS	AMPS	WT. LBS.
QTS1100	06538 0	120	1125/563	9.4/4.7	10 lbs.
QTS1104	06539 7	240	1125/563	4.7/2.3	10 lbs.
		208	844/422	4.1/2.0	
QTS1500T	06541 0	120	1500/750	12.5/6.3	11 lbs.
QTS1504T	06543 4	240/208	1500/750	6.3/3.1	11 lbs.
			1125/564	5.4/2.7	
QTSAG	06532 8	Adapter Grille 3 1/2"H x 23 3/8"W			1 lb.
QTSTSP	06533 5	120 - 240 Volt Thermostat Kit			1 lb.

NOTE: QTS1500T & QTS1504T are shipped with single pole thermostat installed.

QTS1100 & QTS1104 require QTSTSP or remote wall mounted thermostat.

SURFACE FRAMES



Adapter frames for surface mounting

CATALOG NUMBER	UPC	DESCRIPTION
414	09992 7	Use with 1235 Series

WHT500

UTILITY WELL HOUSE HEATERS

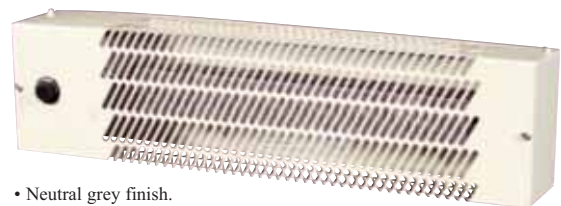
APPLICATIONS

Install it anywhere heat is needed to prevent pipes, pumps, and other water, hydraulic fluid or oil-filled equipment from freezing.

It is designed to provide automatic, 24-hour protection. Set the thermostat at any desired level and leave it. There are no moving parts. It is maintenance free and can be left unattended all winter long — ideal for remote location.

FEATURES

- A steel sheath, aluminum finned element provides fast heat dissipation and a long life because of cooler sheath temperatures.
- The heater cabinet encloses the element and consists of neutral grey epoxy painted galvanized steel for corrosion protection.
- The thermostat is completely contained within the control box. Temperature control range is 40° to 70°F.
- One model is adaptable to 120V or 240/208V supply. Shipped wired for 240/208V field conversion to 120V is quick and easy.
- All power supply and control wiring terminates in the tamperproof control box — no live voltage in the element area.



- Neutral grey finish.

CATALOG NUMBER	UPC	THERMOSTAT TEMP RANGE	WATTAGE	SHIP WT. (LBS.)
WHT500	08049 9	40° - 70°	500/376/500	6

DIMENSIONS:
21" L X 5" H X 3-1/2" D

FDI FLOOR DROP-IN HEATERS



FEATURES

- Heavy-duty grille.
- Overheat thermal protector.
- Sandal wood baked enamel grille finish.
- Push-on tab wire terminals.
- Quiet operation.
- Versatile, Universal size draft barrier heater.

GRILLE: 15-3/8" L X 8-3/4" W
HOUSING: 14" L X 7-1/4" W X 6-5/8" D

CATALOG NUMBER	UPC 6-85360	VOLTS*	CFM	WATTAGE	SHIP WT. AMPS	(LBS.)
FDI1500	02626 8	120	80	1500/750	12.5/6.3	10
FDI1504	02628 2	240	80	1500/750	6.3/3.1	10
FDITSP	02619 0	120-240V T'stat Kit				1

*60hz: single-phase

MOUNTING: Do not install in bathroom or other areas where water may enter heater unit. Do not locate where air flow may be obstructed (under drapes, behind doors, etc.). Keep short side 36" min. and long side 3" min. from side walls. Do not install in ceiling or wall.

COUNTERFLOW ELECTRIC WALL FURNACE



APPLICATIONS

This heater works by drawing cool air in at the top grille inlet and pushing it with a fan downward over the heating elements. Warm air is discharged into the room through the bottom grille outlet near the floor. The warm air at the floor creates a gentle convective process in the room, preventing stratification of warm air near the ceiling and ensuring comfort for the occupants. Ideal for apartments as primary heat source. Wattage levels should be determined by heat loss calculations. Delivers 31,400 BtuH at 240V, 9.2KW output. Great source of supplementary heating of offices, reception rooms, game rooms and similar light duty commercial and residential applications.

FEATURES

- Heater can be surface mounted or recessed into wall sections (maximum depth of recess is 5-3/8").
- Heavy duty open coil electric heating elements provides uniform heat and long service life.
- Large fan blower at top of unit pushes air down over heating element and quietly delivers heated air at floor level.
- Electrostatic soft white powder coat finish offers attractive appearance in a neutral color that is compatible with any decor.
- Contemporary styling uses soft curves on all edges, avoiding the sharp corners of a square design.
- Digital 24V 2-wire Electronic thermostat included with heater.

DIMENSIONS: 72-1/2"Hx14-1/8"Wx7"D

CATALOG NUMBER	UPC 6-85360	AMPS	VOLTS	KW	SHIP WT.
CFWF920	08643 9	40.0	240	9.2	60 lbs.
Can be recessed or surface mounted. (Recess mount wall opening 75 1/2" Hx 14 3/8"W)					
CFWFRO	10716 5	Rear Outlet Package			6 lbs.

CDF

COMMERCIAL DOWNFLOW CEILING MOUNTED HEATERS



Deliver heat where you want it... in vestibules, hallways, workshops, restrooms and entry way

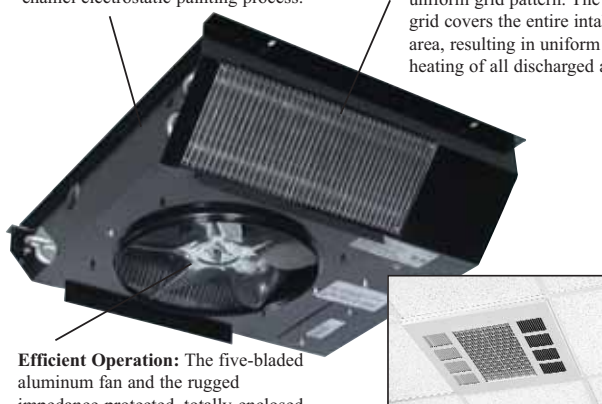
Type CDF-RE enclosures also mount easily into standard 2 x 2 ceiling grids

In the ceiling. . .

Type CDF ceiling-mounting fan-forced heaters are designed for commercial and industrial areas requiring electric fan-forced heat. Capacities are 2,000 to 5,000 watts. Type CDF-SE surface enclosures are designed to mount flat on the ceiling and extend only six inches into the room. Type CDF-RE enclosures have no protrusions outside the recess box, allowing the heater to recess only seven inches into ceiling space. Mounts into permanent ceiling with trim ring.

Phosphatized, Baked Enamel Finish: All sheet metal and extruded aluminum parts, except the back box, are phosphatized, then finished by a baked enamel electrostatic painting process.

Elements: Steel fins are copper-brazed to low-watt density, steel-sheathed, tubular heating elements which are arranged in a uniform grid pattern. The grid covers the entire intake area, resulting in uniform heating of all discharged air.



Efficient Operation: The five-bladed aluminum fan and the rugged impedance-protected, totally-enclosed motor, achieve efficient operation.

or on it!



BUILT-IN FAN DELAY — Space temperature is controlled by a wall or unit-mounted thermostat. When the thermostat calls for heat, the heating elements and fan energize. When the thermostat is satisfied, the elements shut off, but the fan continues to operate until all of the heated air is discharged. This feature avoids exposing the heater to residual heat, thus achieving a high comfort level and longer component life.

AUTOMATIC THERMAL CUTOUT — A thermal cutout shuts off the heater in the event of over-heating and reactivates the heater when the temperature returns to normal.

MULTIPLE PHASE HEATERS — The 208 and 240 volt heaters can be field converted from single to three-phase operation. 277 volt single-phase heater is also available.

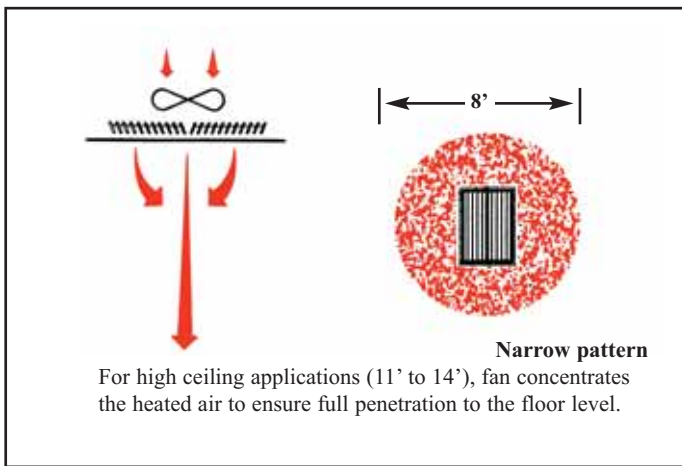
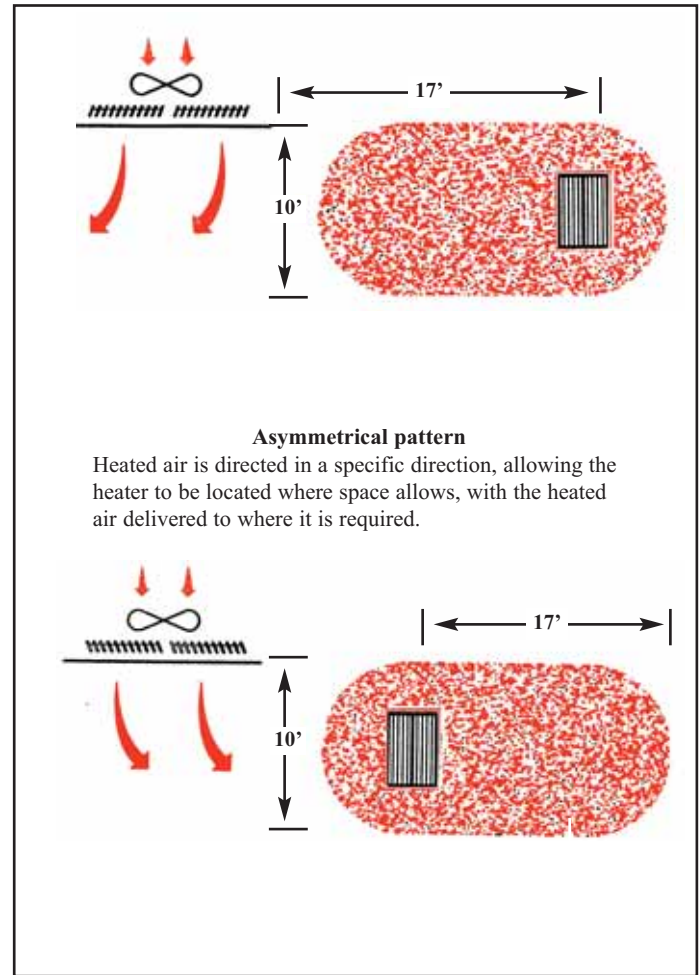
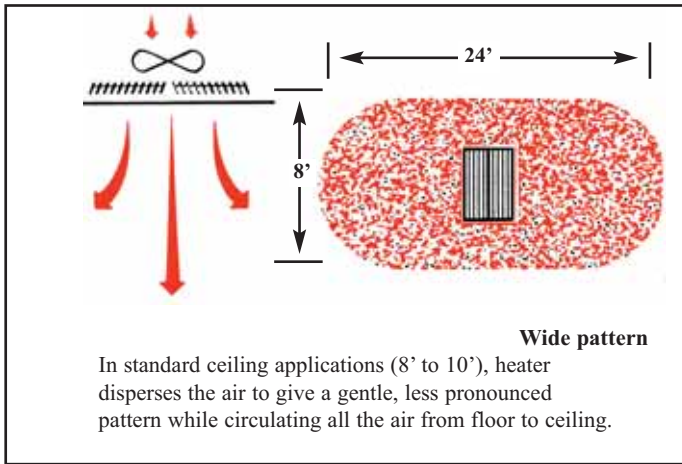
MULTIPLE WATTAGE HEATER SECTIONS — The 5,000 watt heater can be field converted to 3,800 watts or 2,500 watts, and the 4,000 watt heater is convertible to 3,000 or 2,000 watts.



THUMB PINS align and temporarily hold the enclosure cover to the heating section freeing both hands to finish installation.

300 CFM of airflow.

Totally adjustable airflow...even from 14 ft. ceilings!



CATALOG NUMBER	UPC NUMBER	DESCRIPTION	KW(1)	BTU/HR. (000)	VOLTS	AMPS	PHASE(2)	CFM	SHIPPING WT.
CDF548	6 85360 01510 1	Heater	4/3/02	13.7/10.2/6.8	208	19.2/14.2/9.6	1-3	300	27 lbs.
CDF542	6 85360 01508 8	Section	4/3/02	13.7/10.2/6.8	240	16.7/12.5/8.3	1-3	300	27 lbs.
CDF547	6 85360 01509 5	Only	4/3/02	13.7/10.2/6.8	277	14.4/10.8/7.2	1	300	27 lbs.
CDF558	6 85360 01513 2	Heater	5/3.8/2.5	17.1/13.0/8.5	208	24.0/18.3/12.0	1-3	300	27 lbs.
CDF552	6 85360 01511 8	Section	5/3.8/2.5	17.1/13.0/8.5	240	20.8/15.8/10.4	1-3	300	27 lbs.
CDF557	6 85360 01512 5	Only	5/3.8/2.5	17.1/13.0/8.5	277	18.1/13.7/9.0	1	300	27 lbs.
CDF ACCESSORIES**									
CDFSE	6 85360 01501 9	Surface Mounting Enclosure Only - To Be Used With Above Heater Section. Dim. 20"L x 16 1/2"W x 5 3/4"D.							10 lbs.
CDFRE	6 85360 01498 2	Recess Mounting Enclosure Only - To Be Used With Above Heater Sections. Dim. 23 3/4"L x 23 3/4"W x 7"D.							18 lbs.
CDFSENW	6 85360 14961 5	Surface mounted Northern White - To Be Used With Above Heater Section. Dim. 20"L x 16 1/2"W x 5 3/4"D.							10 lbs.
CDFRENW	6 85360 14963 9	Recessed mounted Northern White - To Be Used With Above Heater Sections. Dim. 23 3/4"L x 23 3/4"W x 7"D.							18 lbs.
CDFTR	6 85360 01503 3	Thermostat SPST Range 45 to 95°F.							1 lb.
CDF24R	6 85360 01507 1	Relay (Time Delay 45 - 60 sec. To close when energized) requires 24 volt supply from remote source.							1 lb.
CDFR12	6 85360 01500 2	Relay (Time Delay 45 - 60 sec. To close when energized) requires 120 volt supply from remote source.							1 lb.
CDFDS	6 85360 01496 8	Power Disconnect Switch (3-Pole) 30 amps, 600 volts, 1Ø, 60 Hz.							1 lb.
CDFTK	6 85360 01504 0	Trim Ring for mounting on permanent ceiling (can not be factory installed).							1 lb.
CDFTR4	6 85360 01505 7	208/240V Primary Transformer/24V sec. And 24V holding coil control relay.							1 lb.
CDFTR7	6 85360 01506 4	277V Primary Transformer/24V sec. And 24V holding coil control relay.							1 lb.

(1) Factory wired for highest wattage, field convertible to lower wattages.

(2) Factory wired 1Ø, field convertible to 3Ø.

** For factory installation of above controls, add \$60.00 List. Not applicable on 20 or more heaters.

EFF

CEILING MOUNTED FAN-FORCED HEATERS

CATALOG NUMBER	UPC 6-85360	VOLTS	PHASE	CFM	WATTS*	BTU/HR.	SHIP WT. AMPS (LBS.)
EFF1500	14809 0	120	1	150	1500	5120	12.5
EFF3007#	02110 2	277	1	150	3000/1500	10,239	10.8
EFF4008#	02116 4	208	1	150	4000/2000	13,652	19.2
EFF4004#	02112 6	240	1	150	4000/2000	13,652/10,239	16.7/14.4
		208			3000/1500	10,239/5,120	14.4/7.2
EFF4007#	02115 7	277	1	150	4000/2000	13,652/6,826	14.4/12.5
		240			3000/1500	10,239/5,120	12.5/6.2
EFF4804#	02119 5	240/208	1	150	4800/3600	16,382/12,287	20.0/17.3
EFF4807#	02122 5	277/240	1	150	4800/3600	16,382/12,287	17.3/15.0
EFF3003	02108 9	347	1	150	3000	10,239	8.6
EFF3006	02109 6	600	1	150	3000	10,239	5
EFF4003	02111 9	347	1	150	4000	13,652	11.5
EFF4006	02114 0	600	1	150	4000	13,652	6.7
EFF4803	02118 8	347	1	150	4800	16,382	13.8
EFF4806	02121 8	600	1	150	4800	16,382	8
EFF48483	15583 8	480	3	150	4800		
EFF48483LV	15585 2	480	3	150	4800		

23 lbs.



GRILLE: 15-3/4" W x 19-1/8" L x 1" D
ROUGH-IN: 14-3/8" W x 18-1/4" L

- Built in disconnect switch.
- When using wall thermostat, separate thermostat wiring is required.
- Heavy duty 14 gauge louvered front cover grille with tamper resistant screws and 1/4 inch mesh screens.

Factory wired at higher wattage.

ACCESSORIES & CONTROLS (OPTIONAL)

CATALOG NUMBER	UPC 6-85360	DESCRIPTION	SHIP WT.
EFFSM	02098 3	Surface Mounting Frame	2 lbs.
EFFR2 (24V)	02097 6	Time Delay Relay, 45 - 60 seconds to close when energized.	1 lb.
EFFR12 (120V)	02096 9	Uses remote 24V or 120V power source.	
EFFTBF	02099 0	T-bar Frame Kit	3 lbs.
*EFFT1	02102 7	Single-pole Thermostat (field Installed)	1 lb.
*EFFT2	02103 4	Double-pole Thermostat (field Installed)	1 lb.
EFFTR4	02100 3	208/240V Primary Transformer/24V Secondary Control Relay	1 lb.
EFFTR7	02101 0	277V Primary Transformer/24V Secondary Control Relay	1 lb.

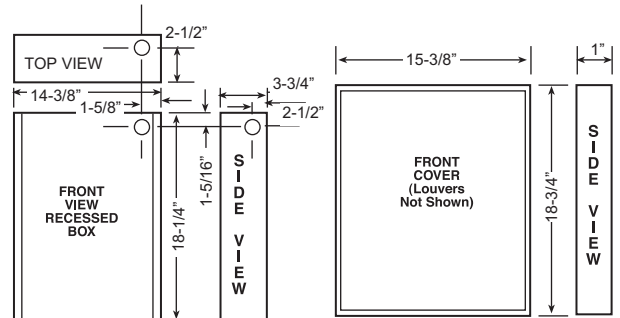
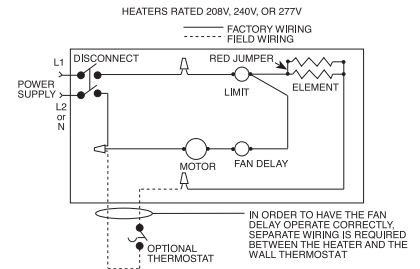
*RANGE: 40°-90°F # Factory wired for higher wattage. Navajo White finish.

APPLICATIONS

QMark's high-capacity, heavy-duty fan forced ceiling heaters are designed for use almost anywhere in commercial, industrial or institutional areas requiring electric fan forced heaters in 1500 to 4800 watt capacity range where wall space is not available. They perform exceptionally well in such applications as entryways, hallways, restrooms, stores, detention environments, and similar large areas. They will accommodate pneumatic/ electric or low voltage controls commonly used with computerized energy management systems. 1/4 inch mesh screen deters insertion of foreign objects.

FAN DELAY:

A fan delay is standard on all units. In order to have the fan delay operate correctly, separate wiring is required between the heater and the wall thermostat. Remove Red Jumper" for half heat. (3, 4 & 4.8 KW units only).



QCH

CEILING MOUNTED FAN-FORCED HEATERS



QCH type fan forced mounted heaters are designed for dens, basements, converted attics, breeze ways, garages, bathrooms, small offices, workshops and similar areas. Also adaptable to multiple installations in somewhat larger or odd shaped rooms.

CATALOG NUMBER	UPC 6-85360	VOLTAGE	**WATTAGE	AMPS	CFM	SHIP WT. (LBS.)
QCHI101	05875 7	120	1000	8.3		
			500	4.7		
QCHI151	05876 4	120	1500	12.5		
			750	6.3	65	10
QCH1202	05879 5	240/208	2000/1500	8.3/7.2		
			1000/750	4.2/3.6		
QCH1207	05880 1	277/240	2000/1500	7.2/6.3		
			1000/750	3.6/3.1		

** As shipped - Field adjustable to 1/2 wattage.

ACCESSORIES

CATALOG NUMBER	UPC 6-85360	DESCRIPTION	SHIP WT. (LBS.)
QCHSM	05872 6	Surface mounting sleeve	
QCHS1	05873 3	1" Semi-Recessed Frame	2
QCHS2	05874 0	2" Semi-Recessed Frame	
QCHTBF	08738 2	T-Bar Frame Kit	5

NOTE: requires 2 separate leads from heater to field supplied single pole wall thermostat.

- Ceiling Mounted
- Four Voltages/Dual Ratings
- Built-in disconnect switch
- Three Piece Design
- 500 to 2000 Watts
- Recessed or Surface Installation
- Standard Navajo White Finish

GRILLE: 10-1/2" L X 12-1/2" W X 1" D
HOUSING: 9-3/4" L X 11" W X 3-3/4" D

UNIT HEATERS

APPLICATIONS

Mounts either on the wall or from the ceiling can be used for primary or spot heating. For factories, garages, schools, etc.

Airflow can be directed horizontally, vertically or any position between for precise control.

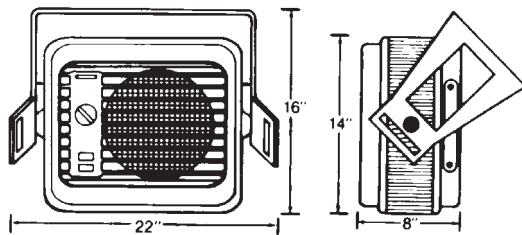
FEATURES

- Multiple wattage heat selector switch. Either 5KW or 3.3KW @ 240V (3.7KW or 2.5KW @ 208V) for just the right amount of heat.
- Fan only switch allows fan to cycle automatically with elements or run continuously for air movement when no heat is required.
- Built-in bi-metal thermostat. Range 40° to 90°F.
- Heater is shipped with ceiling/wall bracket.
- Heavy gauge die-formed steel housing.
- Advanced pull-through air flow design draws air across heating element for more even air distribution and cooler element operation.

- Specially designed venturi outlet to meet that added throw as required in vertical position.
- Completely enclosed fan motor.
- Aluminum-finned, copper clad steel sheath heating element has longer useful life, because of cooler sheath temperature and faster heat dissipation.
- This heater uses a manual reset thermal cut-off with reset button located on front for easy access.
- Ruggedly built, yet lighter weight for easier installation. No piping flues, valves, or traps.
- Meets all UL, NEC, and OSHA requirements.



CATALOG NUMBER	UPC	VOLTS	WATTS	BTU/HR.	AMPS	WEIGHT
MUH35	04757 7	240	5000/3333	17,060/11,372	21.0/14.0	28 lbs.
		208	3750/2500	12,795/8,530	18.0/12.0	
PHCSIB		Cord & Plug Assembly (Optional)				



Specifications

AIR DELIVERY DATA			FAN MOTOR DATA			MAXIMUM EFFECTIVE MOUNTING HEIGHT		HORIZ. AIR THROW	WIRE SIZE
CFM	FPM	ΔT(°F)	VOLTS	RPM	HP	HORIZ.	VERT.		
210	550	71°	240/208	1600	1/100	8	15	24	AWG 10

MWUH Series

HORIZONTAL/DOWNFLOW UNIT HEATER



APPLICATIONS

Auxiliary, supplementary, or primary heat source in factories, stores, garages, basements, warehouses, public buildings, service stations, stockrooms, offices, workshops, toll booths, closing offices, large or exposed areas or additions.

FEATURES

- Heater comes equipped with ceiling mounting bracket for horizontal or vertical flow mounting or any position in between.
- Built-in single pole thermostat adjusts from 45° to 135°F.
- Automatic control delays fan action until heating element is warm. When thermostat is satisfied, fan continues to operate until heating element is cool. By preventing circulation of cold air and expelling excess heat, comfort level is raised and component life is extended.
- A high-level cutout automatically shuts off current in event of overheating and reactivates the heater when temperature returns to normal.
- Dimensions are 14" wide, 12-1/2" tall, and 11-1/4" deep.

CATALOG NUMBER	VOLTS	WATTS	BTU PER HR.	PHASE	FAN MOTOR WATTS	CONTROL CIRCUIT & FAN MOTOR VOLTS	FAN MOTOR RPM	AIR VOLUME. CFM	THROW	MIN. MTG. HT.	HEATER AMPS	MIN. CKT. AMPS	WT. (LBS.)
MWUH5004	208	1874	6396	1	6	208	1350	270	16'	6'	9.0	11.3	24
		2500	8553								12.0	15.0	
		3123	10659								15.0	18.5	
		3750	12799								18.0	22.5	
	240	2500	8533	10.4	13.0								
		3332	11365	13.9	17.4								
MWUH7504	208	4165	14215	1	6	240	1400	270	18'	8'	17.4	21.8	27
		5000	17065								20.9	26.1	
		2812	9598								13.5	11.3	
		3750	12799								18.0	15.0	
	240	4685	15990	22.5	18.5								
		5625	19198	27.1	22.5								
240	3750	12799	15.6	19.5									
	5000	17065	20.8	26.0									
	6250	21331	26.0	32.5									
	7500	25598	31.3	39.1									

MUH UNIT HEATERS

APPLICATIONS

For factories, warehouses, garages, stores, shipping rooms, power stations, aircraft hangers. Can be used for primary, supplementary, spot, or dual- system heating. Unit mounts either horizontally or vertically. Totally versatile.

FEATURES

- Wide range of optional control kits are field installable, increasing the MUH adaptability to the specification market.
- Forced air unit heater with 10 power ratings; from 3KW to 50 KW heating output; 208, 240, 277 and 480V, 10,230 to 170,500 BTU/hr.
- 32 compatible models (no need to try to assemble a heating system from 70 or 80 models!)
- Heavy gauge die-formed steel housing. Front & back case is Neutral Grey color while the wrap around steel section is Statuary Bronze color. Small to medium case construction is 20ga. Steel. the larger cabinet is 18 ga. Steel.
- Advanced pull-through air flow design draws air across heating element for more even air distribution and cooler element operation.
- Specially designed venturi outlet to meet that added throw as required in vertical position.

- Branch circuit fusing (when required).
- Completely enclosed fan motor.
- 1- or 3-phase wiring on 5 through 10 KW 208/240V and 15 KW 208V units (field interchangeable).
- Aluminum-finned, copper clad steel sheath heating element has longer useful life, because of cooler sheath temperature and faster heat dissipation.
- 24V control transformer standard on most models, providing a safer and more accurate means of temperature control. 3KW and 5KW, 208-277V, have line voltage controls as standard (24V control available on made-to-order basis).
- Automatic reset linear thermal cut-out, capillary type, provides protection over entire length of element areas (Manual reset protection available on made-to-order basis).
- 2-speed fan selector switch (25 to 50 KW models).
- Fan delay feature eliminates cold drafts. Element heats up before fan cuts in, then fan continues to distribute heat after element shuts off.
- Ruggedly built, yet lighter weight for easier installation. No piping flues, valves, or traps.
- Individually adjustable discharge louvers to control air flow.

- Choice of optional diffusers for variety of air patterns, maximizing heat concentration and coverage in the vertical position.
- Meets all UL, NEC, and OSHA requirements.

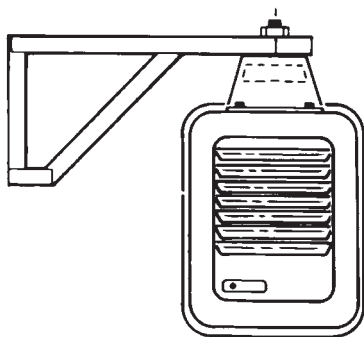


UNIVERSAL WALL & CEILING BRACKET

CATALOG NUMBER	USED ON
B10	MUH03, 05, 07 & 10
B20	MUH15 & 20
B30	MUH25 & 30
B50	MUH40 & 50

CEILING BRACKET

CATALOG NUMBER	USED ON
CMB10	MUH03, 05, 07 & 10
CMB20	MUH15 & 20
CMB30	MUH25 & 30
CMB50	MUH40 & 50



MOUNTING LIMITATIONS

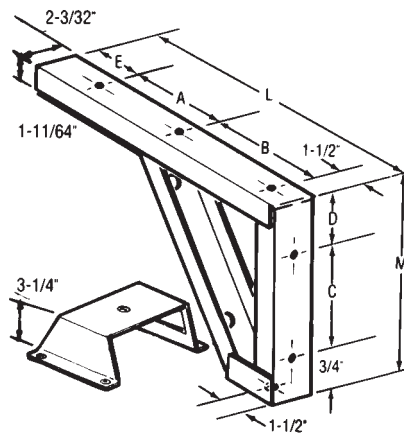
Unit heaters should not be used in potentially explosive atmospheres. The finish is not intended for direct salt spray exposure in marine applications or the highly corrosive atmospheres of swimming pools, chemical storage bins, etc. Do not install unit heaters above recommended maximum mounting height. Obstructions must not block unit heater air inlet or discharge. Heaters must be mounted at least 7' above the floor to prevent accidental contact with the heating element or fan blade which could cause injury.

BRACKET SIZE

DIMENSION	3 - 20Kw	25 - 50Kw
A	7 ¹ / ₄ "	9 ⁷ / ₁₆ "
B	9 ¹ / ₂ "	14 ³ / ₈ "
C	7 ¹ / ₄ "	12 ¹ / ₈ "
D	1 ¹⁵ / ₁₆ "	2 ¹ / ₁₆ "
E	2 ¹ / ₄ "	3"
L	20 ¹ / ₂ "	28 ¹⁵ / ₁₆ "
M	9 ¹⁵ / ₁₆ "	14 ¹⁵ / ₁₆ "
N	3 ¹ / ₄ "	4 ¹ / ₂ "

OPTIONAL VERTICAL CEILING MOUNTING BRACKET

CATALOG NUMBER	USED ON	STANDARD CARTON	
		QTY.	WT. LBS.
VDMB5	MUH03-05	1	5
VDMB20	MUH07-20	1	7
VDMB50	MUH25-50	1	9



OPTIONAL BUILT-IN CONTROLS AND ACCESSORIES ON MUH HEATERS

FACTORY INSTALLED ONLY††
DESCRIPTION
MUH03 & 05 (208, 208/240, 277V Supply) 24 or 120V Control Transformer and Power Contactor 24 or 120V H.C. Power Contactor
MUH03 & 05 (480V Supply) & MUH07 thru MUH50, Optional 120V Control
2-Stage Control of Elements (See Note 5)
Manual Reset.
Outlet Mesh (Bird Screen) For all MUH Heaters

††Optional built-in controls and accessories factory installed only - Not to be field installed

DIMENSIONS

CATALOG NUMBER	HEIGHT	WIDTH	DEPTH
MUH03 & 05	16"	14"	7 ¹ / ₂ "
MUH07 & 10	21 ³ / ₄ "	19"	7 ¹ / ₂ "
MUH15 & 20	21 ³ / ₄ "	19"	12 ³ / ₄ "
MUH25 & 30	30"	26 ⁵ / ₈ "	11 ³ / ₄ "
MUH40 & 50	30"	26 ⁵ / ₈ "	17 ¹ / ₈ "

OPTIONAL DUST SHIELDS

CATALOG NUMBER	USED ON	WT. LBS.
JRDS8	MUH03-10	3.0
JRDS14	MUH15-20	6.0
JRDS19	MUH25-50	8.0

Dust shields have a two week lead time.



2 STAGE																			
CATALOG NUMBER	UPC	ELECTRICAL DATA			CONTROL ELEMENT			AIR DELIVERY DATA			FAN MOTOR DATA			MOUNTING HEIGHT HP	HORIZ. THROW	WIRE SIZE	WT. (LBS.) W/BRCKT		
		VOLTS	PHASE	KW	BTU/HR.	AMPS(3)	VOLT(I)	CONTROL	CFM(2)	FPM(2)	ΔT(°F)	RPM(2)	RPM(2)					HORIZ.	VERT.
MUH0381	04721 8	208	10	3	10.2	14.5	208	N/A	350	350	800	27°	1600	1/100	8	9	12	AWG 12	27
MUH0581	04728 7	208	1-30	5	17	24	24	208	5A	350	800	45°	1600	1/100	8	9	12	AWG 10	27
MUH078	04735 5	208	1-30	7.5	25.6	36	36	24	5B	650	970	37°	1600	1/30	9	14	18	AWG 6	38
MUH108	04741 6	208	1-30	10	34.1	48	48	24	5B	970	970	49°	1600	1/30	9	14	18	AWG 4	38
MUH158	04745 4	208	1-30	15	51.2	72	72	24	5A	910	1640	52°	1530	1/20	11	20	35	AWG 2	53
MUH208	04749 2	208	30	20	68.2	56	56	24	5A	1320	2060	48°	1500	1/10	12	23	41	AWG 4	60
MUH308	04756 0	208	30	30	102.3	84	84	24	5A	2100/1800	2100/2030	45°/53°	1600/1375	1/4	12	20	50	AWG 1	93
MUH508	04766 9	208	30	50	170.5	139	139	24	5A	3000/2600	3260/2900	53°/61°	1525/1420	1/2	15	25	60	AWG 40	114
MUH0321	04716 4	208/240	10	2.2/3.0	7.5/10.2	11.0/12.5	208/240	N/A	350	350	800	27°	1600	1/100	8	9	12	AWG 12	27
MUH0521	04722 5	208/240	1-30	3.7/5.0	12.6/17.0	18.0/21.0	208/240	5A	350	800	45°	208/240	1600	1/100	8	9	12	AWG 10	27
MUH072	04730 0	208/240	1-30	5.6/7.5	19.1/25.6	27.0/31.3	24	5B	650	970	37°	208/240	1600	1/30	9	14	18	AWG 8	38
MUH102	04736 2	208/240	1-30	7.5/10.0	25.6/34.1	36.0/42.0	24	5B	650	970	49°	208/240	1600	1/30	9	14	18	AWG 6	38
MUH152	04742 3	208/240	30	11.2/15.0	38.2/51.2	31.3/36.1	24	5C	910	1640	52°	208/240	1530	1/20	11	20	35	AWG 6	53
MUH202	04746 1	208/240	30	15.0/20.0	51.2/68.2	41.2/48.0	24	5C	1320	2060	48°	208/240	1500	1/10	12	23	41	AWG 4	60
MUH252	04750 8	208/240	30	18.7/25.0	63.8/85.2	52.0/60.0	24	5A	2100/1800	2100/2030	38°/44°	208/240	1600/1375	1/4	13	23	50	AWG 3	93
MUH302	04753 9	208/240	30	22.5/30.0	76.7/102.3	63.0/72.3	24	5A	2100/1800	2100/2030	45°/53°	208/240	1600/1375	1/4	12	20	50	AWG 2	93
MUH402	04760 7	208/240	30	30.0/40.0	102.3/136.4	83.4/96.4	24	5A	3000/2600	3260/2900	42°/49°	208/240	1525/1420	1/2	15	25	60	AWG 10	114
MUH502	04763 8	208/240	30	37.5/50.0	127.3/170.5	104.2/120.4	24	5A	3000/2600	3260/2900	53°/61°	208/240	1525/1420	1/2	15	25	60	AWG 30	114
MUH0371	04720 1	277	10	3	10.2	11	277	N/A	350	350	800	27°	1600	1/100	8	9	12	AWG 14	27
MUH0571	04727 0	277	10	5	17	18	277	N/A	350	350	800	45°	1600	1/100	8	9	12	AWG 10	27
MUH077	04734 8	277	10	7.5	25.6	27	24	5B	650	970	37°	277	1600	1/30	9	14	18	AWG 8	38
MUH107	04740 9	277	10	10	34.1	36	24	5B	650	970	49°	277	1600	1/30	9	14	18	AWG 6	38
MUH0341	04718 8	480	30	3	10.2	3.6	24	N/A	350	350	800	27°	1600	1/100	8	9	12	AWG 14	27
MUH0541	04725 6	480	30	5	17	6	24	N/A	350	350	800	45°	1600	1/100	8	9	12	AWG 14	27
MUH074	04732 4	480	30	7.5	25.6	9	24	5B	650	970	37°	480	1600	1/30	9	14	18	AWG 14	38
MUH104	04738 6	480	30	10	34.1	12	24	5B	650	970	49°	480	1600	1/30	9	14	18	AWG 14	38
MUH154	04743 0	480	30	15	51.2	18	24	5C	910	1640	52°	480	1530	1/20	11	20	35	AWG 10	53
MUH204	04747 8	480	30	20	68.2	24	24	5C	1320	2060	48°	480	1500	1/10	12	23	41	AWG 10	60
MUH254	04751 5	480	30	25	85.2	30	24	5C	2100/1800	2100/2030	38°/44°	480	1600/1375	1/4	13	23	50	AWG 8	93
MUH304	04754 6	480	30	30	102.3	36	24	5C	2100/1800	2100/2030	45°/53°	480	1600/1375	1/4	12	20	50	AWG 6	93
MUH404	04761 4	480	30	40	136.4	48	24	5A	3000/2600	3260/2900	42°/49°	480	1525/1420	1/2	15	25	60	AWG 4	114
MUH504	04764 5	480	30	50	170.5	60.2	24	5A	3000/2600	3260/2900	53°/61°	480	1525/1420	1/2	15	25	60	AWG 4	114
MUH0331	04717 1	347	10	3	10.2	8.6	347	N/A	350	350	800	27°	1600	1/100	8	9	12	AWG 14	27
MUH0531	04724 9	347	10	5	17	14.4	347	N/A	350	350	800	45°	1600	1/100	8	9	12	AWG 10	27
MUH073	04731 7	347	10	7.5	25.6	21.6	24	5B	650	970	37°	347	1600	1/30	9	14	18	AWG 14	38
MUH103	04737 9	347	10	10	34.1	28.8	24	5B	650	970	49°	347	1600	1/30	9	14	18	AWG 14	38
MUH0361	04719 5	600	30	3	10.2	2.9	24	N/A	350	350	800	27°	1600	1/100	8	9	12	AWG 14	27
MUH0561	04726 3	600	30	5	17	4.8	24	N/A	350	350	800	45°	1600	1/100	8	9	12	AWG 10	27
MUH076	04733 1	600	30	7.5	25.6	7.3	24	5B	650	970	37°	600	1600	1/30	9	14	18	AWG 14	38
MUH106	04739 3	600	30	10	34.1	9.7	24	5B	650	970	49°	600	1600	1/30	9	14	18	AWG 14	38
MUH156	04744 7	600	30	15	51.2	14.5	24	5C	910	1640	52°	600	1530	1/20	11	20	35	AWG 12	53
MUH206	04748 5	600	30	20	68.2	19.3	24	5C	1320	2060	48°	600	1500	1/10	12	23	41	AWG 12	60
MUH256	04752 2	600	30	25	85.2	24.2	24	5C	2100/1800	2100/2030	38°/44°	600	1600/1375	1/4	13	23	50	AWG 10	93
MUH306	04755 3	600	30	30	102.3	29	24	5C	2100/1800	2100/2030	45°/53°	600	1600/1375	1/4	12	20	50	AWG 8	93
MUH406	04762 1	600	30	40	136.4	38.7	24	5A	3000/2600	3260/2900	42°/49°	600	1525/1420	1/2	15	25	60	AWG 6	114
MUH506	04765 2	600	30	50	170.5	48.3	24	5A	3000/2600	3260/2900	53°/61°	600	1525/1420	1/2	15	25	60	AWG 3	114

NOTES:

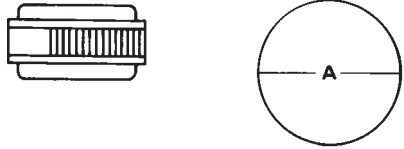
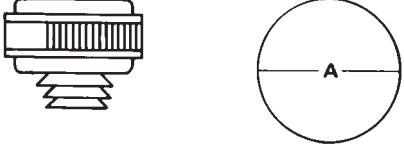
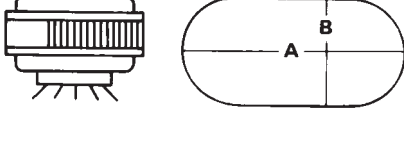
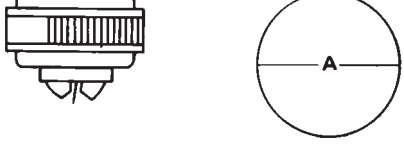
- All standard units are supplied with a low voltage control transformer and contactor (24V) except MUH03 & 05, 208, 240 & 277 volt models. Low voltage control on these units is available on made to order. All units are also available on special order for 120 volt control; internal with transformer or external without transformer.
- On dual voltage units CFM, FPM, & RPM ratings are listed at higher voltage operation in Full Line Catalog. 3. On dual phase units maximum amp draw is listed for respective voltage in Full Line Catalog.
2. On dual voltage units CFM, FPM, & RPM ratings are listed at higher voltage operation in Full Line Catalog. 3. On dual phase units maximum amp draw is listed for respective voltage in Full Line Catalog.
- * Must use 2-stage Thermostat on 30 operation.

OPTIONAL FIELD INSTALLED ELECTRICAL CONTROLS

CATALOG NO.	UPC 6 85360	DESCRIPTION	ELECTRICAL RATING	USE WITH
UHMT1	15241 7	Single Pole Internal Thermostat-Temp. Range: 40F - 85F	25A @ 120, 240VAC Res. 22A @ 277VAC Res.	All MUH Series Heaters (except MUH0521 3Ø, MUH0581 3Ø which use MT2).
UHMT2	15242 4	Two Stage Internal Thermostat-Temp. Range: 40F - 85F	6 AFL, 35 ALR, 250VAC, 60Hz 22A @ 277VAC Res. 125VA	MUH0521 3Ø, MUH0581 3Ø, MUH158, MUH208, MUH252, MUH302, MUH308, MUH402, MUH502, MUH504, MUH508
MCFS	04637 2	Internal Summer Fan Switch 250, 480, 600V.A.C. 1,2 OR 3Ø	Pilot Duty 6A, 600VAC Res. 2 HP;	All MUH Series Heaters.
MRFS1	04708 9	Remote Summer Fan Switch (Line Voltage)	2 HP, 250-480VAC	All MUH Series Heaters.
MRFS2	04709 6	Remote Summer Fan Switch with Relay (24V Coil-Single Pole Normally Open)	6 AFL, 35 ALR, 250VAC, 60Hz 3 AFL, 18 ALR, 480VAC, 60Hz	All MUH Series Heaters (except MUH0321, MUH0371, MUH0381, MUH0521, MUH0571, MUH0581 Units unless optional control transformer is supplied.
HRTA	04694 5	Heat Recovery Thermostat with Relay (24V Coil-Single Pole Normally Open)	6 AFL, 35 ALR, 250VAC, 60Hz 3 AFL, 18 ALR, 480VAC, 60Hz	All MUH Series Heaters (except MUH0321, MUH0371, MUH0381, MUH0521, MUH0571, MUH0581 Units unless optional control transformer is supplied.
MPDS25	04703 4	Power Disconnect Switch (3 Pole)	25A @ 600VAC, Res.	MUH0321, MUH0341, MUH0371, MUH0381, MUH0521, MUH0541 MUH0571, MUH0581, MUH074, MUH104, MUH154, MUH204
MPDS60	04704 1	Power Disconnect Switch (3 Pole)	63A @ 600VAC, Res.	MUH152, MUH158 3Ø only, MUH202, MUH208, MUH252, MUH254, MUH304, MUH404, MUH504

NOTE: We can not supply an integral disconnect for 60 amp heaters.

DIFFUSER SELECTOR TABLES FOR VERTICAL MOUNTING

CATALOG NUMBER	DESCRIPTION	CATALOG NO.	MAX. MNT. HEIGHT.	A DIMENSION	DIFFUSER PATTERN AND AREA
NONE	WITHOUT DIFFUSER No diffuser needed where a straight downflow air pattern is required. For maximum air throw, remove louvers. Any of three diffusers can be added to basic heater.	MUH03 & MUH05	9	18	
NONE		MUH07 & MUH10	14	26	
NONE		MUH15	20	35	
NONE		MUH20	23	40	
NONE		MUH25	23	63	
NONE		MUH30	20	55	
NONE	MUH40	28	70		
NONE	MUH50	25	63		
MADS	ANEMOSTAT DIFFUSER The "comfort" diffuser. Produces draft-free air movement at low mounting heights. Floor coverage shown in table.	MUH03 & MUH05	8	18	
MADM		MUH07 & MUH10	12	28	
MADM		MUH15	15	35	
MADM		MUH20	17	40	
MADL		MUH25	19	60	
MADL		MUH30	17	55	
MADL	MUH40	22	77		
MADL	MUH50	20	70		
MLDS	LOUVER DIFFUSER Permits directional (straight line) air flow as in air curtain application over doorways. Rectangular coverage, Louvers can be turned in either direction.	MUH03 & MUH05	9	25(A) 12(B)	
MLDM		MUH07 & MUH10	14	39(A) 19(B)	
MLDM		MUH15	18	50(A) 25(B)	
MLDM		MUH20	20	56(A) 28(B)	
MLDL		MUH25	23	72(A) 36(B)	
MLDL		MUH30	20	72(A) 36(B)	
MLDL	MUH40	24	88(A) 44(B)		
MLDL	MUH50	22	80(A) 40(B)		
MRDS	RADIAL DIFFUSER Increases floor coverage. Adjustable fins, in vertical mode, direct downward in a tight pattern. Conversely, when fins are tilted to 45° angle, floor coverage is up to 25% greater at relatively low mounting heights.	MUH03 & MUH05	9	20	
MRDM		MUH07 & MUH10	14	31	
MRDM		MUH15	18	40	
MRDM		MUH20	20	45	
MRDL		MUH25	23	69	
MRDL		MUH30	20	60	
MRDL	MUH40	24	75		
MRDL	MUH50	22	68		

OPTIONAL MOUNTING BRACKETS

CATALOG NUMBER	UPC NUMBER	USED ON	WT.
B10	6 85360 15229 5	MUH03 - 10	8 lbs.
B20	6 85360 15230 1	MUH15 & 20	10 lbs.
B30	6 85360 15231 8	MUH25 & 30	13 lbs.
B50	6 85360 15232 5	MUH40 & 50	15 lbs.

OPTIONAL CEILING MOUNTING BRACKETS

CATALOG NUMBER	UPC NUMBER	USED ON	WT.
CMB10	6 85360 15236 3	MUH03 - 10	3 lbs.
CMB20	6 85360 15237 0	MUH15 & 20	4 lbs.
CMB30	6 85360 15238 7	MUH25 & 30	5 lbs.
CMB50	6 85360 15239 4	MUH40 & 50	6 lbs.

OPTIONAL VERTICAL CEILING MOUNTING BRACKETS

CATALOG NUMBER	UPC NUMBER	USED ON	WT.
VDMB5	6 85360 15245 5	MUH03 - 05	5 lbs.
VDMB20	6 85360 15246 2	MUH07 - 20	7 lbs.
VDMB50	6 85360 15247 9	MUH25 - 50	9 lbs.

CATALOG NUMBER	UPC 6 85360	DESCRIPTION	WT. (LBS.)
MLDS	04697 6	Louvered Diffuser for 3 & 5KW Units.	5
MLDM	04696 9	Louvered Diffuser for 7.5 - 20KW Units.	8
MLDL	04695 2	Louvered Diffuser for 25 - 50KW Units.	10
MRDS	04707 2	Radial Diffuser for 3 & 5KW Units.	5
MRDM	04706 5	Radial Diffuser for 7.5 thru 20KW Units.	6
MRDL	04705 8	Radial Diffuser for 25 thru 50KW Units.	10
MADS	04636 5	Anemostat Diffuser for 3 & 5KW Units.	7
MADM	04635 8	Anemostat Diffuser for 7.5 -20KW Units.	10
MADL	04634 1	Anemostat Diffuser for 25 -50KW Units.	21

NOTE: Model MPDS60 disconnect switch is not suitable for field installation on 7.5 & 10 Kw unit heaters.

INDUSTRIAL UNIT HEATERS

APPLICATIONS

Applications include primary, supplementary, or auxiliary heat source in factories, stores, warehouses, public buildings, service stations, workshops, large or exposed areas or additions.

FEATURES

All motors and contactor coils are 240 volt and operate on the secondary of a factory-installed step-down power transformer on 480 and 600 volt heaters so a separate fan and motor control power source is not needed.

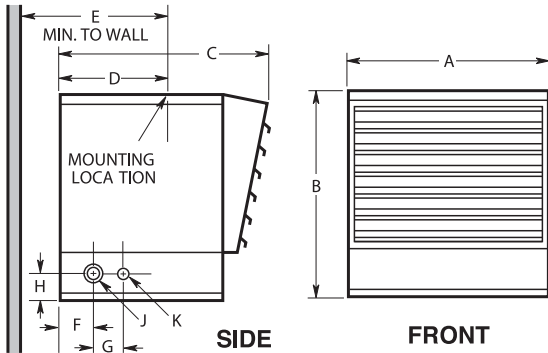
Steel fins are copper brazed to low watt density, steel-sheathed tubular heating elements. Fins and elements are arranged in a uniform grid pattern and fit closely into the air discharge area to assure that all incoming air passes through the heating element. Element is finished with aluminized paint for corrosion resistance. Uniform discharge of all heated air lowers internal operating temperatures and prolongs element life.

A high-limit cutout automatically shuts off current in the event of overheating and reactivates the heater when temperature returns to normal.

5KW and 7.5KW heaters can be used in horizontal or vertical position. SA Models come equipped with ceiling mounting bracket for horizontal or vertical flow mounting or any position in between.

Cabinet is finished with polyester powder coating for excellent corrosion resistance. The finished color is neutral grey.

DIMENSIONS



CONTROLS & ACCESSORIES

CATALOG NUMBER	DESCRIPTION	SHIP WT.
CWB1A	Combination wall/ceiling bracket for 5KW thru 15KW units.	4
CWB2A	Same as above but for 20KW thru 30KW units.	14
† UHTA1	Single pole thermostat kit, 60-120°F temp. range, for field installation in all units except IUH-520 & IUH524, 3Ø.	1
† UHTA2	Double pole thermostat kit, 60°-120°F temp. range, for use with IUH-520 & IUH-524, 3Ø.	1
† IUHDS30	3-pole power disconnect switch kit for field installation on all horizontal unit heaters rated 30 amps or less.	1
† IUHDS63	3-pole power disconnect switch kit for field installation on all horizontal unit heaters 10KW and above rated at 30 to 63 amps.	1
IUHSW	Summer Fan Switch	1

NOTE: Not applicable on 20 or more heaters. When controls are to be factory installed, list unit, control, and factory installation adder separately.



KW SIZE	A	B	C	D	E	F	G	H	J	K
5-7.5	14"	12 1/2"	12 3/8"	5 1/2"	13"	1 3/8"	1 3/8"	1 1/2"	(2) 1/2", 3/4"	1/2"
10-20	18"	18"	17 1/2"	9 15/32"	*	2"	2 1/2"	2 1/4"	(2) 3/4", 1"	(3) 1", 1 1/4", 1 1/2"
25-30	26"	24"	23 3/8"	9 15/32"	20"	2"	2 3/4"	2 1/4"	(2) 1", 1 1/2"	(3) 1", 1 1/2", 2"

*13" for 10-15 KW units; 16" for 20 KW unit.

CATALOG NUMBER	UPC 6 85360	KW.	THREADED		ROD		FAN MTR. CONT. CKT.		FAN & FAN MOTOR VOLTAGE	AIR MOTOR RPM	AIR VOL. CFM	TEMP. RISE	MAX. THROW	MTG. HEIGHT.	WT. (Lbs.)	
			HTR. VOLT	PHASE	HEATER AMP.	HP OR WATTS	HEATER AMP.	HEATER AMP.								
IUH520	04196 4	5	17.0	208	1-3	1/2"-13 NC	24.0	12.5	6.0W	208	1400	270	60°F	16'	8'	26
IUH524	04197 1	5	17.0	240	1-3	1/2"-13 NC	20.8	13.8	6.0W	240	1400	270	60°F	16'	8'	26
IUH548	04202 2	5	17.0	480	1-3	1/2"-13 NC	10.4	6.0	6.0W	240	1400	270	60°F	16'	8'	31
IUH560	04204 6	5	17.0	600	3	1/2"-13 NC	-	4.8	6.0W	240	1400	270	60°F	16'	8'	31
IUH724	04209 1	7.5	25.6	240	1-3	1/2"-13 NC	31.3	18.1	6.0W	240	1400	270	85°F	18'	8'	27
IUH748	04212 1	7.5	25.6	480	1-3	1/2"-13 NC	15.6	9.0	6.0W	240	1400	270	85°F	18'	8'	31
IUH760	04214 5	7.5	25.6	600	3	1/2"-13 NC	-	7.2	6.0W	240	1400	270	85°F	18'	8'	31
IUH1024	04176 6	10	34.1	240	1-3	1/2"-13 NC	41.7	25.7	1/10 HP	240	1550	500	63°F	20'	9'	62
IUH1048	04180 3	10	34.1	480	1-3	1/2"-13 NC	21.6	12.8	1/10 HP	240	1550	500	63°F	20'	9'	72
IUH1060	04182 7	10	34.1	600	3	1/2"-13 NC	-	9.6	1/10 HP	240	1550	500	63°F	20'	9'	72
IUH1524	04184 1	15	51.2	240	1-3	1/2"-13 NC	64.1	37.7	1/10 HP	240	1550	750	63°F	28'	11'	68
IUH1548	04187 2	15	51.2	480	1-3	1/2"-13 NC	32.1	18.8	1/10 HP	240	1550	750	63°F	28'	11'	78
IUH1560	04188 9	15	51.2	600	3	1/2"-13 NC	-	14.5	1/10 HP	240	1550	750	63°F	28'	11'	80
IUH2048	04190 2	20	68.2	480	1-3	1/2"-13 NC	42.5	24.8	1/10 HP	240	1550	1000	63°F	32'	13'	78
IUH2060	04191 9	20	68.2	600	3	1/2"-13 NC	-	19.3	1/10 HP	240	1550	1000	63°F	32'	13'	80
IUH2548	04192 6	25	85.2	480	3	1/2"-13 NC	-	31.1	1/3 HP	240	1550	1300	61°F	34'	14'	136
IUH2560	04193 3	25	85.2	600	3	1/2"-13 NC	-	24.0	1/3 HP	240	1550	1300	61°F	34'	14'	142
IUH3048	04194 0	30	102.2	480	3	1/2"-13 NC	-	36.9	1/3 HP	240	1550	1800	53°F	38'	15'	142
IUH3060	04195 7	30	102.2	600	3	1/2"-13 NC	-	28.9	1/3 HP	240	1550	1800	53°F	38'	15'	142

CABINET UNIT HEATERS

APPLICATIONS

Attractive cabinet enclosure blends into the decorative schemes of commercial areas.

Used in offices, stores, schools, churches, hospitals, dormitories, airport terminals, reception rooms, entrance lobbies, corridors, and stairways.

FEATURES

Basic cabinet can be mounted on the ceiling, floor or wall.

Heaters can be mounted on the surface, full recessed or semi-recessed.

Heater can be mounted for air discharge up or down or with the heater mounted on end the air can be discharged either left or right, to provide an air door effect.

Cabinet constructed of heavy 16 gauge cold-rolled steel structurally formed to provide strength and rigidity for normal heavy wear and usage. Cabinet is finished with a polyester powder coating for excellent corrosion resistance. The finished color is neutral grey. (Decorator colors optional)

Nineteen capacities - 2Kw to 32Kw; **five cabinet styles** - 35", 45", 58", 68" and 78" lengths (26-3/8" height x 9-3/4" deep). 1/8 hp, PSC, **motors** are two-speed (1550/1450 rpm).

Motors are resilient mounted with automatic thermal overload protection. Motor fuse protection is provided on all heaters to meet UL, cUL and NEC requirements.

Plate fin element - steel fins are copper brazed to low watt density, steel-sheathed tubular heating elements. (80/20 NiCh resistance wire). Element is finished with aluminized paint for corrosion resistance. Fins and elements are arranged in a uniform grid pattern and fit closely into the discharge area to assure that all outgoing air passes through the heating element.

Thermal safety cutout - installed in direct contact with the heating element. Automatically shuts off the heater in the event of overheating due to any cause and reactivates the heater when operating temperature returns to normal.

Optional - manual reset thermal safety cutout available.

Heaters over 48 amperes have subdivided (**circuit breaker protected**) circuits.

Circuit breakers are available as an option on heaters of less than 48 amperes.

Built-in thermostat - single pole, snap-action thermostat with remote bulb sensor located directly in the air intake. (Optional - built-in two stage thermostat available). Easy and low cost field installation of a completely packaged heater.

Optional - architectural styled grille available. Standard heaters are equipped with stamped louvered grilles. As an option, the heater can be ordered with architectural styled extruded aluminum grilles for that "professional" appearance. Standard color is statuary bronze unless otherwise noted.

24 volt control system - all internal controls, including the thermostat, are operated from a built-in pre-wired transformer with a 24 volt secondary. (Optional - 120 volt built-in control available.)

Heaters have a tamper-resistant, two position selector switch to select full heat at high fan speed and reduced heat at low fan speed.

Optional built-in **fan auto-continuous (Summer fan) switch** provides continuous fan operation with or without heat, or automatic fan cycling as the elements cycle on and off.

Automatic fan delay eliminates cold drafts on start-up and discharges residual heat from the heater body during shut down.

Silent relays, instead of conventional contactors, eliminate the noise of contactor opening and closing.

Optional - low voltage, electronically controlled **outside air damper** with rear mounted duct collar or vinyl seal permits infinite adjustment of outside air from 0% to 100%. Damper closes automatically in event of power failure or if the "On - Off" switch is in the off position. Also closes when the "Open - Closed" switch on the control panel is in the closed position. (When ordered with night set back relay, damper will be factory wired to close automatically when night set back is in effect).

NOTE: Front inlet only - not available with bottom inlet.

An **aluminum wall louver** option provides a finished touch to the exterior of masonry or panel walls with thickness of 2-3/4" or greater.



Optional model with architectural styled grille shown

Optional - inlet and discharge duct collars - UL listed - provide easy field connection to field supplied duct work. We do not recommend exceeding 0.15" wg external static pressure.

Each CU900 heater is supplied with a **throw-away air filter** mounted in the inlet air stream. Optional permanent (washable) aluminum filters are available.

A **front cover interlock** is a standard safety feature that de-energizes the heater when the front cover is removed.

Optional - dead front disconnect switch or fused dead front disconnect switch, disconnects power to the heater. Control panel access door can not be opened until power is turned off.

Terminals are provided for BAS/EMS tie-in of dry contacts for night set back.

Optional - built-in **night set back relay** provides ability to set back heater from energy management systems that supply 24 volts to the relay for day operation.

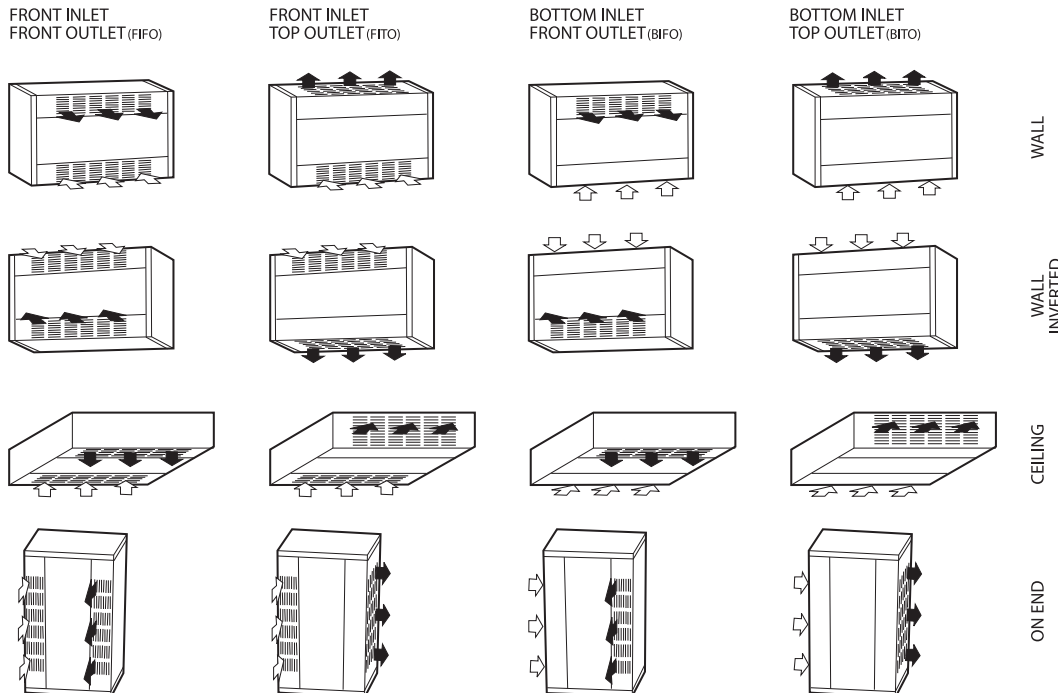
Optional - built-in **on - off switch** allows the heater to be de-energized when not in use.

An optional **trim kit** is available for a neat finish to semi-recessed or full recessed applications.

A 16 gauge optional **kick plate** in muted black, which is recessed from the heater front and sides by one inch, makes an attractive and practical off-the-floor installation.

Optional - inlet and/or discharge duct collars. . . .

MULTIPLE AIR FLOW COMBINATIONS



CABINET UNIT HEATERS

HOW TO ORDER

PRODUCT	SERIES	LENGTH	KW	VOLTS	PHASE	INLET AIR	DISCHARGE AIR	MODEL	T' STAT	CONTROL SUPPLY	CIRCUIT BREAKER	MANUAL RESET	SUMMER FAN SWITCH	DISCONNECT SWITCH	HEAT ON-OFF SWITCH	NIGHT SETBACK RELAY	FILTER	OUTSIDE AIR DAMPER	FRONT COVER KEY LOCK	DUCT COLLARS/GRILLES	
C	U	H	9					B													

Cabinet Unit Heater

900 Series

35 = 35" Cabinet Length
45 = 45" Cabinet Length
58 = 58" Cabinet Length
68 = 68" Cabinet Length
78 = 78" Cabinet Length

See Chart (2 KW = 02, 32 KW = 32)

20 = 208 Volt Supply Power
24 = 240 Volt Supply Power
27 = 277 Volt Supply Power
34 = 347 Volt Supply Power
38 = 380 Volt Supply Power (3-Phase Only)
48 = 480 Volt Supply Power (3-Phase Only)
60 = 600 Volt Supply Power (3-Phase Only)

1 = Single Phase Supply Power
3 = Three Phase Supply Power

F = Front Inlet Air Configuration
B = Bottom Inlet Air Configuration

F = Front Discharge Air Configuration
T = Top Discharge Air Configuration

Series Model Number

A = Architectural Extruded Aluminum Grille
0 = Standard Louver Grille
I = Inlet Duct Collars/Discharge Louver Grille
D = Inlet Louver Grille/Discharge Duct Collar
B = Inlet Duct Collar/Discharge Duct Collar

0 = Standard Lock
K = Key Lock

0 = Standard, No Outside Air Damper
(must be Ø for bottom inlet)
A = Motorized 100% Outside Air Damper

0 = Standard Throw-away Filter
P = Permanent "Washable" Filter

0 = Standard, No Night Setback Relay
1 = Night Setback Relay (120 Volt Holding Coil)
2 = Night Setback Relay (24 Volt Holding Coil)

0 = Standard, No ON - OFF Switch
S = ON - OFF Switch

0 = Standard, No Disconnect Switch
S = Disconnect Switch
F = Fused (Circuit Breaker) Disconnect Switch

0 = Standard, No Summer Fan Switch
S = Summer Fan Switch

0 = Standard, No Manual Reset
M = Manual Reset

0 = No Circuit Breaker(s)
C = Circuit Breaker(s), Required or Optional

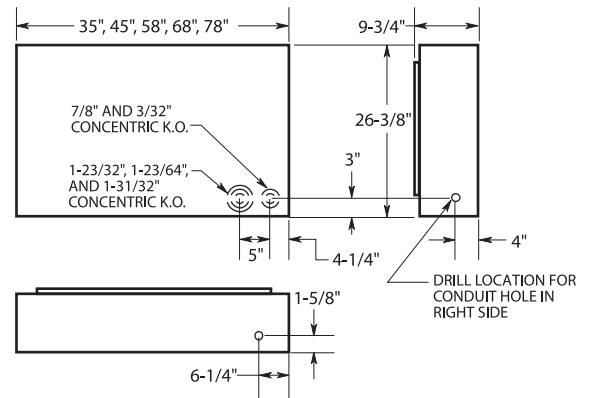
2 = Standard Internal Generated 24 Volt Control
1 = Internal Generated 120 Volt Control

1B = Standard Single Pole, Single Stage Built-In Thermostat
1R = Single Pole, Single Stage Remote (Wall Thermostat)
2B = Two Stage Built-In Thermostat
2R = Two Stage Remote (Wall Thermostat)

OPTIONAL (Field Installed) ACCESSORIES

CATALOG NUMBER	DESCRIPTION	USE WITH HEATER SERIES	FUNCTION	SHIP WEIGHT
CU935RTK		CU935		3
CU945RTK	Ceiling or wall	CU945	Provides a neat finish to	4
CU958RTK	Recess Trim Kit	CU958	semi-recessed or full recessed	5
CU968RTK		CU968	applications.	6
CU978RTK		CU978		7
CU935BK		CU935		9
CU945BK	Floor/Toe-Space	CU945	16 gauge, muted black base is recessed	10
CU958BK	Base Kit	CU958	from the heater front and sides to provide	11
CU968BK		CU968	an attractive and practical floor mounting	13
CU978BK		CU978	application.	15
CU935AWL		CU935		5
CU945AWL	100%Outside Air, Exterior	CU945	Used on exterior of masonry or panel walls	6
CU958AWL	Aluminum	CU958	of 2-3/4" or greater to provide a finished	7
CU968AWL	Wall Louver	CU968	exterior. For heaters with	9
CU978AWL		CU978	100% outside dampers.	10
CU935WF		CU935		4
CU945WF	Permanent, Reusable	CU945	Replaces standard filter.	6
CU958WF	Washable Filter	CU958	Washable filter can be cleaned and replaced.	8
CU968WF		CU968		10
CU978WF		CU978		12

DIMENSIONS



CABINET UNIT HEATERS

SERIES	HEATING CAPACITY		FINAL AIR TEMP (Deg.F)+	CFM*	TOTAL LINE AMPERAGE (Includes motor amps)											
					208		240		277		347		380**		480	
	KW	BTU/Hr			1 PH 60 HZ	3 PH 60 HZ	1 PH 60 HZ	3 PH 60 HZ	1 PH 60 HZ	3 PH 60 HZ	1 PH 60 HZ	3 PH 60 HZ	3 PH 60 HZ	3 PH 60 HZ	3 PH 60 HZ	3 PH 60 HZ
CU935 CABINET LENGTH 35 in. 120 LBS.	2	6,826	85	250	10	6	9	6	8	7	4	3	3			
	3	10,239	98		15	9	13	8	12	9	5	4	4			
	4	13,652	111		20	12	17	10	15	12	7	6	5			
	5	17,065	123		25	15	22	13	19	15	8	7	6			
	6	20,478	136		30	17	26	15	22	18	10	8	7			
	7	23,891	148		34	20	30	18	26	21	11	9	7			
8	27,304	161	39	23	34	20	30	24	13	10	8					
CU945 CABINET LENGTH 45 in. 160 LBS.	4	13,652	85	500	20	12	18	11	16	13	7	6	5			
	6	27,478	98		30	18	26	16	23	18	10	8	7			
	8	27,304	111		40	23	34	20	30	24	13	11	9			
	10	34,130	123		48	29	43	25	37	30	16	13	11			
	12	40,956	136		59	34	51	30	44	36	19	16	13			
	14	47,782	148		68	40	59	35	52	41	22	18	15			
16	54,608	161	78	46	68	40	59	47	25	20	17					
CU958 CABINET LENGTH 58 in. 200 LBS.	6	20,478	85	750	30	18	26	16	23	18	10	8	7			
	8	27,304	96		40	23	34	20	30	24	13	11	9			
	10	34,130	103		48	29	43	25	37	30	16	13	11			
	12	40,956	111		59	34	51	30	44	36	19	16	13			
	14	47,782	118		68	40	59	35	52	41	22	18	15			
	16	54,608	128		78	46	68	40	59	47	25	20	17			
CU968 CABINET LENGTH 68 in. 260 LBS.	6	20,478	85	750	31	19	27	16	24	19	11	9	8			
	9	30,717	98		45	27	39	24	34	28	16	13	11			
	12	40,956	111		60	35	52	31	45	36	20	16	13			
	15	51,195	123		74	44	64	38	56	45	25	20	16			
	18	61,434	136		88	52	77	45	67	N/A	29	24	19			
	21	71,673	148		N/A	60	89	52	78	N/A	34	27	22			
24	81,912	161	N/A	69	N/A	60	N/A	N/A	38	31	25					
CU978 CABINET LENGTH 78 in. 300 LBS.	8	27,304	85	1,000	41	24	36	21	31	25	14	12	10			
	12	40,956	98		60	36	52	31	46	37	20	17	14			
	16	54,608	111		79	47	69	41	60	48	27	21	18			
	20	68,260	123		N/A	58	86	50	74	N/A	33	26	21			
	24	81,912	136		N/A	69	N/A	60	N/A	N/A	39	31	25			
	28	95,564	148		N/A	80	N/A	70	N/A	N/A	45	36	29			
32	109,216	161	N/A	91	N/A	79	N/A	N/A	N/A	41	33					

+ Based on 60 degree F inlet air temperature. *Values shown is high speed
 CIRCUIT BREAKERS or FUSED DISCONNECT REQUIRED ** 380 volt units will operate with a 16% reduction in heating capacity

CABINET UNIT HEATERS

PRICE ADDERS FOR OPTIONAL FACTORY INSTALLED ACCESSORIES

OPTION	FUNCTION
2 STAGE THERMOSTAT Built-or Remote	Standard - Built-in (or remote mounted) single pole, single stage thermostat that cycles the element(s) and fan. Fan speed and element wattage selected by the built- HIGH or LOW selector switch. Optional - Built-in (or remote mounted) two stage thermostat that the elements for 2/3 heat for stage one and full heat for second stage. Fan cycles on high speed only.
120 VOLT CONTROL Internally Generated	Standard - Control supply is internally generated 24 volts. Field supplied 24 volt control supply can be applied to heater. (Requires removing only one jumper wire in the control panel). Optional - 120 volt internally generated control voltage is available. Field supplied 120 volt control supply can be applied to heater. (Requires removing only one jumper wire in the control panel).
MANUAL RESET	Standard - Heater is supplied with auto-reset over temperature cutout. Optional - Manual Reset over temperature cutout wired into control circuit. Supplied in addition to auto-reset cutout.
DEAD FRONT DISCONNECT SWITCH	Standard - Supply terminal block in the control compartment Optional - A three pole non-fused disconnect switch disconnects power to the heater. Design prevents entry into the control compartment until disconnect switch is turned to the OFF position.
DEAD FRONT FUSED DISCONNECT SWITCH	Standard - Supply terminal block in the control compartment Optional - A three pole non-fused disconnect switch and circuit breaker(s) sized to the heater load protects heater and disconnects power to the heater. Design prevents entry into the control compartment until disconnect switch is turned to the OFF position.
SUMMER FAN SWITCH	Standard - Fan cycles as the heat cycles on and off. Optional - Built-in switch provides continuous fan operation with or without heat, or automatic fan cycling as the heat cycles on and off.
ON - OFF SWITCH	Standard - No switch supplied. Optional - Built-in switch provides continuous fan operation with or without heat, or automatic fan cycling as the heat cycles on and off.
KEY LOCK FOR FRONT COVER*	Standard - Two (2) slotted head spring latches. Optional - Two (2) toolhead key lock style spring latches prevent unauthorized adjustment of controls and provide additional safety from injury due to contact with internal components.
NIGHT SET-BACK RELAY 24 or 120 volt	Standard - Heater will not set back at night. Optional - Provides ability to set-back heater from energy management system that supplies (Specify - 24 volts or 120 volts) to the relay holding coil for day operation.

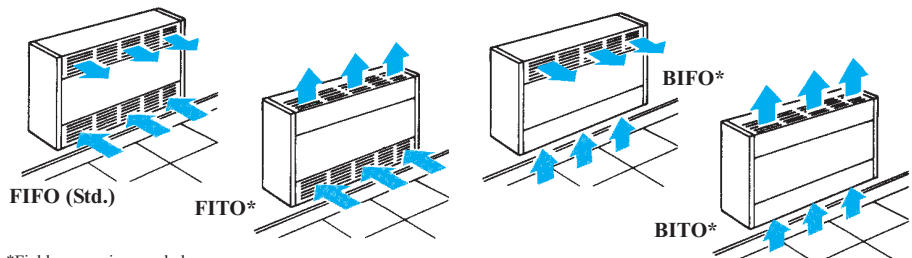
OPTION	FUNCTION
MOTORIZED 100% OUTSIDE AIR DAMPER*	Standard - Return air only. Optional - Optional - 24 volt electronically controlled damper with rear mounted duct collar permits outside air to enter the chamber at 100%. If power is interrupted at the heater the outside damper remains in the "OPEN or CLOSED" position from the last switch setting. Damper fully opens in less than 2 minutes when selector switch is in the "OPEN" position. (Available only with heaters having 24 volt control supply. Cannot be used with 120 volt control supply or with bottom inlet configuration)
INLET OR DISCHARGE DUCT COLLAR(S)	Standard - Slotted louver grilles. Optional - Collars provide easy connection of field supplied duct work. We do not recommend exceeding 0.2"wg external static pressure. Heater with duct collars are supplied with a single speed high static motor.
ARCHITECTURAL EXTRUDED ALUMINUM GRILLES*	Standard - Slotted louver grilles. Optional - Architectural styled extruded aluminum grille to enhance the appearance of the cabinet unit heater. This option is only available for both inlet and discharge openings ordered at the same time. Can not be ordered separately.

† Plus price of circuit breaker * Allow 4 to 6 weeks for shipment with these options.

CUS900

STOCK CABINET UNIT HEATERS

- Neutral grey finish standard
- Terminals for direct connection to BAS or EMS
- High/low heat setting
- Balanced three phase
- Two cabinet sizes
- Includes built in disconnect switch



*Field conversion needed.

Field Convertible to Single Phase - Factory supplied three phase, field convertible to single phase in 208 and 240 volt, from 480 volt three phase to 277 volt single phase and from 600 volt three phase to 347 volt single phase.

IN STOCK

Available for Immediate Shipment

CATALOG NUMBER	UPC NUMBER	KW		CFM		DIM.	MOTOR	FANS	WT.	VOLTS/PH.	AMPS
		HI	LO	HI	LO						
CUS93505203FF	6 85360 01791 4					35" W				208V/3Ø	14.0
CUS93505243FF	6 85360 01792 1	5	3.3	250	200	26-3/8" H	1	1	120 lbs.	240V/3Ø	12.0
CUS93505483FF	6 85360 01793 8					9-7/8" D				480V/3Ø	6.0
CUS93505603FF	6 85360 01794 5									600V/3Ø	4.8
CUS94510203FF	6 85360 01795 2					45" W				208V/3Ø	34.0
CUS94510243FF	6 85360 01796 9	10	6.7	500	400	26-3/8" H	1	2	165 lbs.	240V/3Ø	15.0
CUS94510483FF	6 85360 01797 6					9-7/8" D				480V/3Ø	12.0
CUS94510603FF	6 85360 01798 3									600V3Ø	9.0

* Factory supplied 208 or 240 Volt, 3 Ph. field convertible to 1 ph., 480 volt 3 Ph. convertible to 277 Volt 1 ph., 600 Volt 3 Ph convertible to 347 Volt 1 Ph.

** Amps shown are 3 Ph., High heat operation.

CHPR25

COMPACT FREEZE PROTECTION UNIT HEATER

Concealed Space Use
Zero Clearance
Plenum Rated

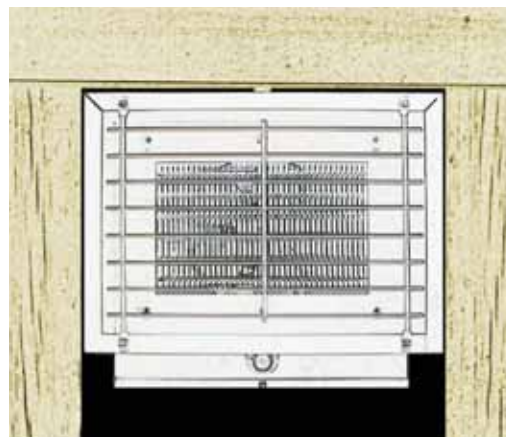
APPLICATIONS

Model CHPR25 is a unique application heater approved for installation in a concealed space, an area between a finished ceiling, drop ceiling, a plenum space, or inside a plenum. It may be installed in areas that are not readily accessible and may be installed for freeze protection.



FEATURES

- 18 ga. all steel casing with neutral grey polyester powder coat finish for corrosion protection
 - Easy to install using the hanging bracket supplied
 - Steel finned low watt density element. Fins and elements are arranged in a uniform grid pattern to assure that all incoming air passes through the heating element.
 - High limit thermal cutout automatically shuts off current in the event of overheating and reactivates the heater when temperature returns to normal.
 - Fan delay control
 - Optional alarm (240V) to alert automatic thermal limit tripped (**Model AFL240**)
 - Built-in, heavy duty, contactor/relay
 - Control Box gasketed to keep out moisture and dust. NEMA 12 construction
 - Fan motor is totally enclosed, permanently lubricated and thermally protected
 - Powerful air throw
 - Single Point field wiring connection
- Dimensions: 12"H X 14"W X 14"L • Weight: 26 lbs.



OPTIONAL ACCESSORIES

CATALOG NUMBER	UPC	DESCRIPTION	WT. (LBS.)
AFL240	15347 6	Thermal limit alarm	1

CATALOG NUMBER	UPC NUMBER	VOLTS	HZ	KW	PHASE	BTUH	CFM	FPM	RISE	SHIP AMPS	WT.
CHPR25	6 85360 14954 7	240	50/60	2.5	1	8530	150	1880	60°F	10.7	26lbs
		208	50/60	1.9		6398	130	1880	46°F	9.42	

(Thermostat temperature range: 40°F to 90°F with positive off)

PLENUM RATED UNIT HEATER

Concealed Space Use - Zero Clearance



MODEL DESCRIPTION

The QMark MSPH Plenum Rated heater is ETL design certified for plenum and concealed space applications. Applications include high rise buildings, concession stands, school bathrooms, lobbies, foyers and to pre-heat outside air. This plenum heater is rated for zero clearance to any surfaces, including combustibles wood trusses, wood framing, mounted next to the sides, top and bottom of metal cabinet.

FEATURES

- Compact size, zero clearance, design for horizontal installation
- Versatile full featured design with easy serviceability
- Rugged powder coated steel construction
- Fan only option
- Timed blower on / off delay

- Designed for horizontal installation
- External 24 volt thermostat control (not included)
- High limit thermal cutout - Automatic reset
- Pre-notched duct collar
- PSC type 2-speed motor (ex. 480V models)
- 2 Stage heat is available on some 10kw and 15kw models
- Multiple heat rise selection
- 20 gauge all powder coated steel construction
- Acoustic fiberglass insulation
- Built-in disconnect switch
- Single point power connection
- Heavy duty steel finned heating element
- Quiet, efficient, forward curved centrifugal blower



CATALOG NUMBER	UPC 6 85360	PHASE	KW	VOLTS	AMPS*	LOW SPEED** CFM	RISE	HIGH SPEED** CFM	RISE	WT. LBS	H X W X L
MSPH138124	14994 3	1	3	208	15.32	350	27°F	400	24°F	57	12.5"x19.5"x24"
MSPH132124	15010 9			240	13.4						
MSPH137124	15016 1			277	11.63						
MSPH138324	14996 7	3	3	208	9.23	350	27°F	400	24°F	57	12.5"x19.5"x24"
MSPH132324	15012 3			240	8.12						
MSPH134324	15014 7			480	4.11						
MSPH158124	15006 2	1	5	208	24.94	350	45°F	400	39°F	57	12.5"x19.5"x24"
MSPH152124	14998 1			240	21.73						
MSPH157124	15004 8			277	18.85						
MSPH158324	15008 6	3	5	208	14.78	350	45°F	400	39°F	57	12.5"x19.5"x24"
MSPH152324	15000 0			240	12.93						
MSPH154324	15002 4			480	6.51						
MSPH158124L	15104 5	1	5	208	24.94	850	20°F	1000	16°F	69	18"x18"x35.5"
MSPH152124L	15096 3			240	21.73						
MSPH157124L	15102 1			277	18.85						
MSPH158324L	15106 9	3	5	208	14.78	850	20°F	1000	16°F	69	18"x18"x35.5"
MSPH152324L	15098 7			240	12.93						
MSPH154324L	15100 7			480	6.51						
MSPH1758124	15026 0	1	7.5	208	38.12	850	28°F	1000	24°F	69	18"x18"x35.5"
MSPH1752124	15018 5			240	33.31						
MSPH1757124	15024 6			277	28.91						
MSPH1758324	15028 4	3	7.5	208	22.88	850	28°F	1000	24°F	69	18"x18"x35.5"
MSPH1752324	15020 8			240	20.1						
MSPH1754324	15022 2			480	10.16						
MSPH1102124	15030 7	1	10	240	43.73	850	37° / 20°F	1000	31° / 16°F	69	18"x18"x35.5"
MSPH1107124	15036 9			277	37.93						
MSPH2102124	15108 3			240	43.73						
MSPH2107124	15114 4	3	10	277	37.93	850	37° / 20°F	1000	31° / 16°F	69	18"x18"x35.5"
MSPH1108324	15038 3			208	29.82						
MSPH1102324	15032 1			240	26.12						
MSPH1104324	15034 5	3	10	480	13.17	850	37° / 20°F	1000	31° / 16°F	69	18"x18"x35.5"
MSPH2108324	15116 8			208	29.82						
MSPH2102324	15110 6			240	26.12						
MSPH2104324	15112 0	3	15	480	13.17	850	56°F	1000	47°F°	69	18"x18"x35.5"
MSPH1158324	15044 4			208	43.9						
MSPH1152324	15040 6			240	38.14						
MSPH1154324	15042 0	3	15	480	19.18	850	56° / 28°F	1000	47° / 24°F	69	18"x18"x35.5"
MSPH2152324	15118 2			240	38.14						
MSPH2154324	15120 5			480	19.18						

*Total Amps including Resistive and Inductive loads. **Low and High speed fan operation is determined during installation of thermostat set up † Tested @0.2" S.P.

**Low speed fan operation not available on 480V models.

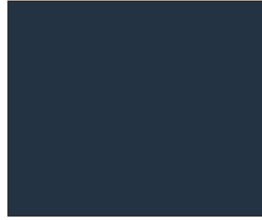
CATALOG NUMBER	DESCRIPTION	OPENING	DIMENSIONS	WT. (LBS.)
FRST10	Throw away filter, including rack for 3 & 5KW unit.	Inlet side	15" X 20" X 4.5"	4
FRWS15	Reusable filter, including rack for 3 & 5KW unit.	Inlet side	15" X 20" X 4.5"	4
FRLT20	Throw away filter, including rack for 7.5 to 15KW unit.	Inlet side	15" X 20" X 4.5"	5
FRWL25	Reusable filter, including rack for 7.5 to 15KW unit.	Inlet side	15" X 20" X 4.5"	5
LKS10	Adjustable louver kit for 3 & 5KW units	Outlet side	15" X 20" X 4.5"	5.5
LKL15	Adjustable louver kit for 7.5 to 15KW units	Outlet side	15" X 20" X 4.5"	6
AES10	Aluminum Wall Louver kit for inside heated room for 3 & 5KW units	Inside room	Rough in: 13-11/16" X 13-3/4"	3
AESL15	Aluminum Wall Louver kit for inside heated room for 7.5 to 15KW units	Inside room	Rough in: 15-3/4" X 15-3/4"	3.5
TH5220D1003	Electronic Digital 2-Stage 24 volt Thermostat	Inside room	5 3/4"W X 3 3/4"H X 1 1/2"D	4
PRHT1	Single Pole Field installed thermostat. Range 40 to 85 deg F	At heater location	25A @ 240V resistive; 22A @ 277V	3

STANDARD PAINTED COLORS

COLOR SELECTION



Navajo White



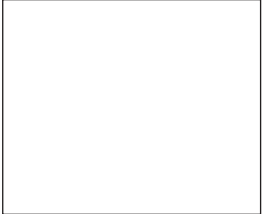
Charcoal Grey



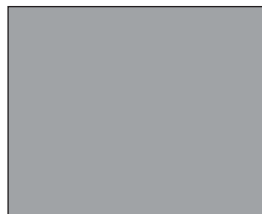
Statuary Bronze



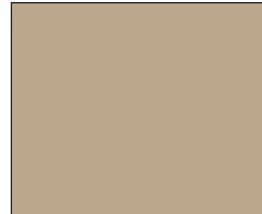
Neutral Grey



Northern White



Aluminum



Desert Tan



Gloss Black

OPTIONAL PAINTED COLORS - Custom colors, are available at additional cost. Please contact your local QMark sales representative. Clear and Bronze Anodized finishes are available for Type DBA/SHA convectors only.

NOTE: All colors are approximate - as nearly correct as can be produced by modern printing. **SEE BELOW FOR PAINT POLICY.**

PAINT POLICY

All Stock Products:

Prices shown in this price list are for standard color.

Cabinet Unit Heater:	CU
Radiant Ceiling Panels	CP
Sill Height Convector & Accessories:	CSH, DSH, DBA/SHA, ST, DBSL, and SLQDB
Pedestal Convector & Accessories:	CPH, DPH

Prices shown in this book are for standard and optional colors (Neutral Grey, Charcoal Grey, Northern White, Gloss Black, Desert Tan, Navajo White, Aluminum, & Statuary Bronze).

Primer: For applications that require a primer coat, a "Neutral Grey" powder coat will be provided as standard color. If needed, consult factory for more detailed information.

For **Custom Colors** there is a set up charge. See latest pricebook for setup charge.

To minimize the possibility of error when ordering material painted a custom color, a color chip of the custom color must be included with the order. The chip must be a minimum 3" x 5" and be of the same material as the enclosure of the ordered heater (ie, Steel or Aluminum).

Custom Engineered Convectors

- Sill Height and Pedestal Convectors custom engineered for continuous (wall to wall) enclosure with shorter element length (10' maximum enclosure length).
- Special angled inside and outside corners with angles between 45 and 180 degrees. (Aluminum Convectors DBA/SHA)
- Blank section custom fabricated to any 1/4-inch dimension between 9 and 120 inches.
- Consult factory representative for special engineering charges and delivery information.

EXPLOSION PROOF UNIT HEATERS

APPLICATIONS

Explosion proof unit heaters are designed to heat areas classified as hazardous locations designated as Class I, Group C & D Division 1 & 2 or Class II, Groups E, F, and G with a T3B ignition temperature code rating (329°F, 165°C) or higher to provide primary or supplementary heating for comfort or freeze protection. Typical applications involve oil refineries, sewage treatment plants, petrochemical plants, oil rigs, unattended pumping stations, chemical storage and handling facilities, paint storage areas, and countless other hazardous areas covered by these classifications.

FEATURES

CONTROLS — Prewired, self-contained control center. Standard controls include automatic reset thermal limit, a magnetic contactor, and 24 volt control circuit transformer.

HEAT EXCHANGER — Advanced design allows lower operating temperatures from the liquid to air heat exchanger with steel tubes, aluminum fins, a non-toxic heat transfer fluid, and a pressure relief plug.

HIGH LIMIT CUTOUTS— An automatic reset high limit cutout unit is standard. (An additional manual reset high limit cutout is available as an option.)

FAN & MOTOR — Ball bearing permanently lubricated explosion proof motor has built-in thermal overload protection.

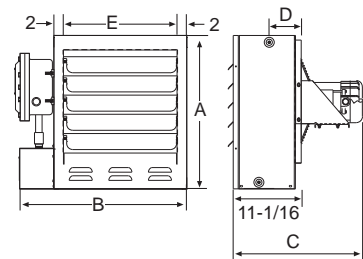
CABINET — Powder coated heavy gauge steel cabinet surrounding a 14 gauge heavy-duty steel frame which supports internal components.

OPTIONAL CONTROLS — Factory built-in thermostat, disconnect switch, fan selector switch, 120V control circuit, and pilot light.

CATALOG NUMBER	HEATER VOLTS	WATTS (K/W)	PHASE	CONTROL VOLTAGE *	OUTPUT BTU/HR.	TOTAL AMPS**	VOLUME CFM	AIR TEMP RISE	THROW	SHIP WT. (lbs.)	STATUS
GUX300812	208	3	1	24	10,236	16.7	700	13°F	28 ft.	135	AS
GUX300832	208	3	3	24	10,236	9.7	700	13°F	28 ft.	135	AS
GUX300412	240	3	1	24	10,236	14.8	700	13°F	28 ft.	135	C
GUX300432	240	3	3	24	10,236	8.6	700	13°F	28 ft.	135	C
GUX3004832	480	3	3	24	10,236	4.3	700	13°F	28 ft.	135	C
GUX300632	600	3	3	24	10,236	3.6	700	13°F	28 ft.	135	C
GUX500812	208	5	1	24	17,060	26.3	700	22°F	28 ft.	135	C
GUX500832	208	5	3	24	17,060	15.3	700	22°F	28 ft.	135	C
GUX500412	240	5	1	24	17,060	23.1	700	22°F	28 ft.	135	AS
GUX500432	240	5	3	24	17,060	13.5	700	22°F	28 ft.	135	C
GUX5004832	480	5	3	24	17,060	6.8	700	22°F	28 ft.	135	S
GUX500632	600	5	3	24	17,060	5.6	700	22°F	28 ft.	135	C
GUX750812	208	7.5	1	24	25,590	38.4	840	27°F	28 ft.	135	C
GUX750832	208	7.5	3	24	25,590	22.2	840	27°F	28 ft.	135	C
GUX750412	240	7.5	1	24	25,590	33.6	840	27°F	28 ft.	135	AS
GUX750432	240	7.5	3	24	25,590	19.4	840	27°F	28 ft.	135	C
GUX7504832	480	7.5	3	24	25,590	9.7	840	27°F	28 ft.	135	S
GUX750632	600	7.5	3	24	25,590	8.1	840	27°F	28 ft.	135	C
GUX1000832	208	10	3	24	34,120	29.2	840	36°F	32 ft.	140	C
GUX1000412	240	10	1	24	34,120	44.5	840	36°F	32 ft.	140	C
GUX1000432	240	10	3	24	34,120	25.5	840	36°F	32 ft.	140	C
GUX10004832	480	10	3	24	34,120	12.7	840	36°F	32 ft.	140	S
GUX1000632	600	10	3	24	34,120	10.6	840	36°F	32 ft.	140	C
GUX1500832	208	15	3	24	51,180	43	1450	31°F	47 ft.	160	AS
GUX1500432	240	15	3	24	51,180	37.5	1450	31°F	47 ft.	160	C
GUX15004832	480	15	3	24	51,180	18.7	1450	31°F	47 ft.	160	S
GUX1500632	600	15	3	24	51,180	15.7	1450	31°F	47 ft.	160	C
GUX20004832	480	20	3	24	68,240	24.8	1400	43°F	43 ft.	171	S
GUX2000632	600	20	3	24	68,240	20.7	1400	43°F	43 ft.	171	C
GUX25004832	480	25	3	24	85,300	31.1	2330	32°F	54 ft.	216	AS
GUX2500632	600	25	3	24	85,300	25.8	2330	32°F	54 ft.	216	C
GUX30004832	480	30	3	24	102,360	37.1	2330	39°F	54 ft.	216	AS
GUX3000632	600	30	3	24	102,360	30.2	2330	39°F	54 ft.	216	C

*Note: Above models have built-in 24 volt control. Optional 120 volt control is available. Replace the "2" suffix with "1" for 120 volt control.

**Includes element, motor and transformer.



ACCESSORIES			
CATALOG NUMBER	UPC NUMBER	DESCRIPTION	SHIP WT. (lbs.)
GUXPM12	6 85360 03379 2	Pole Mounting Bracket for units 3KW thru 10KW.	26
GUXPM16	6 85360 03380 8	Pole Mounting Bracket for units 15KW thru 20KW.	28
GUXPM18	6 85360 03381 5	Pole Mounting Bracket for units 25KW thru 30KW.	30
GUXWM12	6 85360 03382 2	Wall Mounting Kit for units 3KW thru 10KW.	26
GUXWM16	6 85360 03383 9	Wall Mounting Kit for units 15KW thru 20KW.	28
GUXWM18	6 85360 03384 6	Wall Mounting Kit for units 25KW thru 30KW.	30
GUXCM0	6 85360 03378 5	Ceiling/Hang Mounting Kit for all Models.	26

Specify type of mounting bracket required at time of order entry.

ACCESSORIES (Factory Installed Only)

SUFFIX	DESCRIPTION
AM	Automatic and Manual reset limits
T	Thermostat, 50-90 deg. F
L	Pilot Light (HEATER ON)
K	Pilot Light (LIMIT TRIPPED)
S	Selector Switch (AUTO/FAN ONLY)
D	Disconnect Switch - 15 amp Disconnect Switch - 30 amp Disconnect Switch - 60 amp
* 1	120 Volt Control Transformer
E	Artic Construction

* - Change heater suffix "2" to "1" for this option

DIMENSIONS

UNIT SIZE	A		B		C		D		E	
	IN.	MM	IN.	MM	IN.	MM	IN.	MM	IN.	MM
3-10KW	19-1/8	486	23-7/8	606	21	533	3-1/5	89	13-5/8	346
15-20KW	25	635	27-7/8	708	21	533	4-13/32	112	17-5/8	448
25-30KW	32-1/8	816	31-7/8	810	21-3/4	552	5-1/2	140	21-5/8	549

NOTE:

All units with status "C" or "AS" are made-to-order and are non-returnable. See page 34 availability status.



WASHDOWN CORROSION RESISTANT UNIT HEATERS



APPLICATIONS

JUW Series unit heater is designed for comfort heating or freeze protection in non-hazardous dusty/dirty environments including: waste water treatment plants, coal handling areas, food processing plants, foundries, steel mills, cement plants, car washes, swimming pool areas, canneries and dairies.

JUW Series washdown heater is a reliable, rugged, self-contained, U.L. and CSA listed, corrosion resistant unit heater. This unit offers both corrosion protection in harsh environments and the ability to be hosed down for cleaning. Users are therefore assured of an ideal heat source for freeze protection or comfort heat in non-hazardous, dirty and corrosive areas such as waste water treatment plants, ships, factories, and construction sites.

FEATURES

- All components are designed to be moisture and corrosion resistant.
- A sturdy Type 304 stainless steel case surrounds industrial grade 316 stainless steel finned tubular elements.
- The motor is a totally enclosed, permanently lubricated, ball bearing type which is epoxy painted for moisture and corrosion resistance.
- The junction box which houses the built-in controls and element terminals is rated NEMA 4X.
- Dependable air flow comes from a spark resistant, epoxy coated aluminum fan.
- Power contactor, motor contactor, epoxy sealed automatic over-temperature cutout, internal thermostat (55°F - 105°F), pilot light to indicate when unit is in operation mode, selector switch (heater on/off, fan only) and 24volt control are standard.
- Stainless steel universal type swivel mounting bracket supplied with heater.
- Fan delay on all Models 5Kw or larger.
- Wall thermostat (WT11 NEMA 4X rating) See page 84. (Remove T from Catalog No.)

CATALOG NUMBER	HEATER		MOTOR				TEMP		SHIP		STATUS	
	KW	BTU	VOLTS	PHASE	AMPS	VOLTS	PH.	AMPS	RISE	CFM		WT (LB)
JUW2001ITLS	2	6,824	120	1	16.7	120	1	0.9	21	405	45	C
JUW20081TLS	2	6,824	208	1	9.6	208	1	0.5	21	405	45	C
JUW20041TLS	2	6,824	240	1	8.3	240	1	0.5	21	405	45	C
JUW3001ITLS	3	10,236	120	1	25	120	1	0.9	22	405	45	C
JUW30081TLS	3	10,236	208	1	14.4	208	1	0.5	22	405	45	AS
JUW30041TLS	3	10,236	240	1	12.5	240	1	0.5	22	405	45	AS
JUW30071TLS	3	10,236	277	1	10.8	277	1	0.5	22	405	45	C
JUW50081TLS	5	17,060	208	1	24	208	1	0.5	37	405	50	C
JUW50041TLS	5	17,060	240	1	20.8	240	1	0.5	37	405	50	C
JUW50071TLS	5	17,060	277	1	18.1	277	1	0.5	37	405	50	C
JUW500481TLS	5	17,060	480	1	10.4	480	1	0.3	37	405	50	C
JUW50083TLS	5	17,060	208	3	13.9	208	1	0.5	37	405	50	AS
JUW50043TLS	5	17,060	240	3	12	240	1	0.5	37	405	50	C
JUW500483TLS	5	17,060	480	3	6	480	1	0.3	37	405	50	S
JUW50063TLS	5	17,060	575	3	5	575*	1	0.2	37	405	50	C
JUW75081TLS	7.5	25,590	208	1	36.1	208	1	0.5	46	590	50	C
JUW75041TLS	7.5	25,590	240	1	31.3	240	1	0.5	46	590	50	C
JUW75071TLS	7.5	25,590	277	1	27.1	277	1	0.5	46	590	50	C
JUW750481TLS	7.5	25,590	480	1	15.6	480	1	0.3	46	590	50	C
JUW75083TLS	7.5	25,590	208	3	20.8	208	1	0.5	46	590	50	C
JUW75043TLS	7.5	25,590	240	3	18.1	240	1	0.5	46	590	50	C
JUW750483TLS	7.5	25,590	480	3	9	480	1	0.3	46	590	50	S
JUW75063TLS	7.5	25,590	575	3	7.5	575*	1	0.3	46	590	50	C
JUW100041TLS	10	34,120	240	1	41.7	240	1	0.5	43	1180	60	C
JUW100071TLS	10	34,120	277	1	36.1	277	1	0.5	43	1180	60	C
JUW1000481TLS	10	34,120	480	1	20.8	480	1	0.3	43	1180	60	C
JUW100083TLS	10	34,120	208	3	27.8	208	1	0.5	43	1180	60	C
JUW100043TLS	10	34,120	240	3	24.1	240	1	0.5	43	1180	60	C
JUW1000483TLS	10	34,120	480	3	12	480	1	0.3	43	1180	60	S
JUW100063TLS	10	34,120	575	3	10.1	575*	1	0.3	43	1180	60	C
JUW125071TLS	12.5	42,650	277	1	45.1	277	1	0.5	43	1180	60	C
JUW1250481TLS	12.5	42,650	480	1	26	480	1	0.3	43	1180	60	C
JUW125083TLS	12.5	42,650	208	3	34.7	208	1	0.5	43	1180	60	C
JUW125043TLS	12.5	42,650	240	3	30.1	240	1	0.5	43	1180	60	C
JUW1250483TLS	12.5	42,650	480	3	15.1	480	1	0.3	43	1180	60	C
JUW125063TLS	12.5	42,650	575	3	12.6	575*	1	0.3	43	1180	60	C
JUW1500481TLS	15	51,180	480	1	31.3	480	1	0.3	60	1330	60	C
JUW150083TLS	15	51,180	208	3	41.7	208	1	0.5	60	1330	60	C
JUW150043TLS	15	51,180	240	3	36.1	240	1	0.5	60	1330	60	C
JUW1500483TLS	15	51,180	480	3	18.1	480	1	0.3	60	1330	60	S
JUW150063TLS	15	51,180	575	3	15.1	575*	1	0.3	60	1330	60	C
JUW200043TLS	19.5	66,534	240	3	47	240	1	0.5	45	1330	60	C
JUW2000481TLS	20	68,240	480	1	41.7	480	1	0.3	45	1330	60	C
JUW2000483TLS	20	68,240	480	3	24.1	480	1	0.3	45	1330	60	S
JUW200063TLS	20	68,240	575	3	20.1	575*	1	0.3	45	1330	60	C
JUW2500483TLS	25	85,300	480	3	30.1	480	3	0.8	54	2700	80	C
JUW250063TLS	25	85,300	575	3	25.1	575*	3	0.8	54	2700	80	C
JUW3000483TLS	30	102,360	480	3	36.1	480	3	0.8	64	2700	80	C
JUW300063TLS	30	102,360	575	3	30.2	575*	3	0.8	64	2700	80	C
JUW3500483TLS	35	119,420	480	3	42.1	480	3	0.8	58	2700	80	C
JUW350063TLS	35	119,420	575	3	35.2	575*	3	0.8	58	2700	80	C
JUW3900483TLS	39	133,068	480	3	47	480	3	0.8	67	2700	80	C
JUW390063TLS	39	133,068	575	3	39.2	575*	3	0.8	67	2700	80	C

*Indicates availability of single point hookup at 575 volts

NOTE: All units come equipped with thermostat, pilot light, selector switch and mounting bracket.

ACCESSORIES (Factory Installed Only)

SUFFIX	DESCRIPTION
D	Disconnect Switch
E	Monel Elements (2 KW - 12 KW units) Monel Elements (15 KW - 20 KW units) Monel Elements (units over 20 KW)
M	Manual Reset
P	Epoxy Coating

NOTE:

All units with status "C" or "AS" are made-to-order and are non-returnable. See page 34 for availability status.

24 volt control is standard. For 120 volt control add "1" before the TLS suffix.



EXPLOSION PROOF CONVECTORS



APPLICATIONS

ICG Series convector heaters are designed to heat areas classified as hazardous locations designated for Class I, Groups B, C, & D. Division 1 and 2 environments. Typical applications involve petroleum refineries and gasoline storage and dispensing areas, industrial firms that use flammable liquids in dip tanks for parts cleaning, petrochemical companies manufacturing chemicals, dry cleaning plants, utility and natural gas plants, aircraft hangars, fueling areas, and many other hazardous areas covered by these classifications.

FEATURES

- Easily mounted with integral mounting brackets provided for wall installation.
- Polyester powder coated heavy 16 gauge steel that provides excellent corrosion resistance.
- High quality, long life tubular elements with high grade resistance wire embedded in MGO, centered in heavy gauge 1.25" diameter sheath with 3" x 3.25" fins.
- Explosion proof junction boxes included for conduit entry and ease of wiring.
- Sloped top cabinet prevents objects from being set on top which could restrict airflow.
- These convection heaters have been designed and manufactured to provide a rugged and corrosion resistant heat source for areas where volatile flammable liquids or gases and vapors are present.

Dimensions - Inches

kW	Length	Height	Width
1.8 and 3.6	34	20	9
3.2 and 7.6	58	20	9

NOTE: Add 8-7/8" to total length of heater to allow for junction box on right side of heater.

CATALOG NUMBER	HEATER VOLTS	WATTS (KW)	PHASE	AMPS	BTU	STATUS	SHIP WT.
T2A TEMPERATURE RATING (536 DEG. F)							
ICG18001	120	1.8	1	15.0	6,140	AS	46 lbs
ICG18081	208	1.8	1	8.7	6,140	S	
ICG18083	208	1.8	3	5.0	6,140	C	
ICG18041	240	1.8	1	7.5	6,140	S	
ICG18043	240	1.8	3	4.4	6,140	C	
ICG18071	277	1.8	1	6.5	6,140	C	
ICG180481	480	1.8	1	3.8	6,140	C	58 lbs
ICG180483	480	1.8	3	2.2	6,140	C	
ICG36081	208	3.6	1	17.3	12,300	S	
ICG36083	208	3.6	3	10.0	12,300	C	
ICG36041	240	3.6	1	15.0	12,300	S	
ICG36043	240	3.6	3	8.7	12,300	C	
ICG36071	277	3.6	1	13.0	12,300	C	94 lbs
ICG360481	480	3.6	1	7.5	12,300	C	
ICG360483	480	3.6	3	4.3	12,300	S	
ICG36063	600	3.6	3	6.3	12,300	C	
ICG76081	208	7.6	1	36.5	25,930	C	
ICG76083	208	7.6	3	21.1	25,930	C	
ICG76041	240	7.6	1	31.7	25,930	C	94 lbs
ICG76043	240	7.6	3	18.3	25,930	C	
ICG76071	277	7.6	1	27.4	25,930	C	
ICG760481	480	7.6	1	15.8	25,930	C	
ICG760483	480	7.6	3	9.2	25,930	S	
ICG76063	600	7.6	3	9.2	25,930	C	

CATALOG NUMBER	HEATER VOLTS	WATTS (KW)	PHASE	AMPS	BTU	STATUS	SHIP WT.
T3A TEMPERATURE RATING (356 DEG. F)							
ICG32081	208	3.2	1	15.4	11,000	C	84 lbs
ICG32083	208	3.2	3	8.9	11,000	C	
ICG32041	240	3.2	1	13.3	11,000	C	
ICG32043	240	3.2	3	7.7	11,000	C	
ICG32071	277	3.2	1	11.6	11,000	C	
ICG320481	480	3.2	1	6.7	11,000	C	
ICG320483	480	3.2	3	3.8	11,000	C	84 lbs
ICG32063	600	3.2	3	5.6	11,000	C	

ACCESSORIES (Factory Installed Only)

SUFFIX LETTER	DESCRIPTION
T	Thermostat 45°-85°F. (Class I, Group C & D only)
CX	24V Control Contactor and Transformer (See note #3 below)
CX1	120V Control Contactor and Transformer (see note #3 below)
TB	Thermostat 45-85 deg. F (Class 1, group B,C, & D)

NOTE 1: Units with factory built-in controls will increase in length by 2.75" over what is shown above.

NOTE 2: All units with status C or AS are made to order and are non-returnable.

NOTE 3 : 480 volt unit heaters with built-in thermostat require "CX" option.

NOTE:

All units with status "C" or "AS" are made-to-order and are non-returnable. See below availability status.



AVAILABILITY STATUS (GUX, JUW, ICG)		
JUW	Code S - Stock unit (no built-in controls) Code AS - Assemble to stock units (with or without built-in controls) Code C - Custom (with or without built-in controls) All stock units with built-in controls are the same as code AS units.	4 week 5 weeks 6 weeks
GUX	Code S - Stock unit (no built-in controls) Code AS - Assemble to stock units (with or without built-in controls) Code C - Custom (with or without built-in controls) All stock units with built-in controls are the same as code AS units.	4 week 5 weeks 6 weeks
ICG	Code S - Stock unit (no built-in controls) Code C - Custom (with or without built-in controls) All stock units with built-in controls are the same as code AS units.	4 week 6 weeks

MSDH

HIGH TEMPERATURE ELECTRIC BLOWER HEATERS

APPLICATIONS

High BTU per hour heater without the exhaust fumes or moisture associated with gas heat. Comfort heating and process heating applications up to 180° F. Can be operated unattended without risk of fire or need for refueling. Fan-only operation for air recirculation, fume exhaust, or fresh air supply. Dual thermostat operation. 120 volt control supply. 120 volt control transformer with pilot light. Over temperature limit protects unit from low air flow conditions. Powder coated corrosion resistant 20 gauge steel housing. 10” pneumatic wheels and 4” locking caster. Inlet and outlet flexible duct accessories available for ducting up to 165”. Adjustable damper accessory allows outlet temperature to be controlled.

FEATURES

- Drip proof, 1 hp motor with adjustable pulleys allowing for adjustable fan speeds
- 10” Pneumatic Tires
- Thermostat 60-180° F with provisions for interface with remote thermostat
- Fan Switch for fan only operation
- Contactor
- Control Transformer
- Temperature High Limit Cutout



CATALOG NUMBER	UPC 6-85360	KW	VOLTAGE (3 PHASE)	AMPS	BTUH	TEMP RISE DEG F	DIMENSIONS	SHIP WT. (LB)
MSDH3043	14913 4	30	480	37.2	102,236	35-88	44”L x 25.4”W x 38.5”H	150
MSDH3093	14914 1	30	600	30.0	102,236	35-88	44”L x 25.4”W x 38.5”H	150
MSDH4843	14917 2	48	480	58.9	163,776	59-141	44”L x 25.4”W x 38.5”H	160
MSDH4893	14918 9	48	600	47.3	163,776	59-141	44”L x 25.4”W x 38.5”H	170
MSDH6043	14921 9	60	480	73.3	204,720	70-172	44”L x 25.4”W x 38.5”H	170
MSDH6093	14922 6	60	600	58.9	204,720	70-172	44”L x 25.4”W x 38.5”H	170

ACCESSORIES

CATALOG NUMBER	UPC 6-85360	DESCRIPTION	SHIP WT. (LB)
MSDHF20	15072 7	20” Diameter Flexible Duct (25 feet)	45.0
MSDHDA20	15076 5	20” diameter Adaptor Ring	20.0
MSDHSK20	15074 1	20” diameter Splice Kit	40.0
MSDHDC	15078 9	20” diameter duct clamp	3.0
MSDHAD	15080 2	Adjustable Damper	12.0

MEDH

PORTABLE ELECTRIC BLOWER HEATERS

APPLICATIONS

The high output, industrial grade, portable electric blower is a working monster. The MEDH series heater can be left unattended without the threat of poisoning from combustion by-products, associated with fuel fired heaters. Practical uses are factories, enclosed areas where the ceiling height is no higher than 15 feet, assembly areas, enclosed smoking areas, building construction where "localized" temporary heat is needed, and repair stations are just a few examples of where MEDH Series portable blower heaters can be used.

FEATURES

- Heavy duty spiral fin tube metal sheath elements.
- CETLUS certified
- 10KW, 15KW and 30KW heat output available
- Voltages include 208V, 240V and 480V
- Fan only operation for summer use
- Single and three phase operation
- Safe to operate in unattended areas
- 10 inch pneumatic wheels
- Thermostat selector switch
- Ceiling / wall bracket option available
- Cord sets for power supply feed available



CATALOG NUMBER	UPC 6 85360	KW	VOLTS	BTUH	PH	AMPS	DIMENSIONS	SHIP WT.	AVAIL.
MEDH1021A		10	240	34,120	1	41.7	40”H X 30”W X 24”D	65 lbs	S
MEDH1021CKA		10	240	34,120	1	41.7	40”H X 30”W X 24”D	65 lbs	S
MEDH1583A		15	208	51,180	3	41.8	40”H X 30”W X 24”D	65 lbs	NS
MEDH1521A		15	240	51,180	1	62.5	40”H X 30”W X 24”D	65 lbs	NS
MEDH1523A		15	240	51,180	3	36.3	40”H X 30”W X 24”D	65 lbs	NS
MEDH1543A		15	480	51,180	3	18.6	40”H X 30”W X 24”D	65 lbs	S
MEDH3043A		30	480	102,360	3	36.3	40”H X 30”W X 24”D	75 lbs	NS

NOTE: MEDH1021CKA includes cord & plug kit packaged inside heater carton.

CATALOG NUMBER	WIRE SIZE/TYPER	LENGTH OF CABLE	FOR USE WITH HEATER MODEL	SHIP WT.
DHCWM*	-	-	Ceiling and wall bracket can be used on all models	20 lbs
SCS25043	4/3 SO	25’	DH1521A	22 lbs
SCS10063	6/3 SO	10’	DH1021A (10ft long w/plug)	18 lbs
SCS25064	6/4 SO	25’	DH1583A, DH1523A, DH3043A	20 lbs
SCS25124	12/4 SO	25’	DH15443A	10 lbs

NOTE: Cord and plug accessories are located on pg. 71.



INDUSTRY	HEATING APPLICATIONS	VENTILATION APPLICATIONS	EXHAUST APPLICATIONS
Mining Coal Metal	Non hazardous areas. Freeze protection & maintenance comfort	Non hazardous areas. Maintenance comfort in the summer	Non hazardous areas. Maintenance removing noxious fumes for personnel
Oil & Gas Extraction	Non hazardous areas. Freeze protection & maintenance comfort	Non hazardous areas. Maintenance comfort in the summer	Non hazardous areas. Maintenance removing noxious fumes for personnel
Contractors Painting Plastering Floor Laying Concrete Work	Freeze protection. Speed drying or curing Worker comfort	Speed drying Worker comfort in closed areas	Remove non hazardous fumes for worker comfort
Food Processing Canned Fruits & Veg Dehydrated Fruits & Veg Flour & Grain Milling Prepared Feeds Sugar Refining Soybean & Other Oil Mills	Insect control Freeze protection Maintenance worker comfort	Worker comfort in closed areas	Remove non hazardous fumes for worker comfort
Tobacco Processing	Insect control Freeze protection Maintenance worker comfort	Worker comfort in closed areas	Remove non hazardous fumes for worker comfort
Textile Mills	Freeze protection Maintenance worker comfort	Worker comfort in closed areas	Remove non hazardous fumes for worker comfort
Pulp & Paper Mills	Freeze protection Speed drying Maintenance worker comfort	Worker comfort in closed areas	Remove non hazardous fumes for worker comfort
Printing Plants	Freeze protection Speed drying Maintenance worker comfort	Worker comfort in closed areas	Remove non hazardous fumes for worker comfort
Chemical Plants	Non hazardous areas. Freeze protection & maintenance comfort	Non hazardous areas. Maintenance comfort in the summer	Non hazardous areas. Maintenance removing noxious fumes for personnel
Plastic Manufacturing	Non hazardous areas. Freeze protection & maintenance comfort	Non hazardous areas. Maintenance comfort in the summer	Non hazardous areas. Maintenance removing noxious fumes for personnel
Metal Industries Steel Aluminum	Freeze protection Maintenance comfort	Maintenance comfort in the summer	Maintenance comfort in the summer
Transportation Equipment Autos Trucks Buses Rail Road	Maintenance and freeze protection	Maintenance comfort in the summer	Maintenance comfort in the summer
Truck Trailer Docks	Comfort heating during loading or unloading	Comfort cooling during loading or unloading	
Naval Bases & Marinas Land Aboard Ship	Maintenance comfort heating Freeze protection or drying	Maintenance comfort ventilating	Non hazardous areas. Maintenance removing noxious fumes for personnel
Air Transportation Manufacturing Maintenance Hangers Airports	Freeze protection Maintenance comfort heating		
Equipment Rental Companies	Comfort heating at events Emergency heating for comfort & freeze protection. Drying after flood	Comfort ventilating at events	
Miscellaneous Applications Libraries Museums	Control of destructive insect pests in museums, homes and other repositories for valuables, artifacts and art objects.		

TBX Mobile Warming™ PORTABLE ELECTRIC HEATERS

Heat where you need it!

When you need it!

The **TBX Series Mobile Warmer™** is a powerful portable heater. Made of heavy gauge steel and polyester powder coat paint. The unit also features a latched storage area on top for miscellaneous items such as tools and hardware or lunch. 10 inch diameter pneumatic wheels allow for easy rolling over obstacles to the spot where heat is needed.

APPLICATIONS

- Factories, Stores, Warehouses, Stockrooms
- Flood dry-out, Workshops, Repair Stations
- Building Construction, Drywall Dry-out
- Tent Heating, Greenhouse Heating, Frozen Pipe Thaw-out

FEATURES

- Includes 8 ft cord and NEMA 6-50P plug (requires NEMA 6-50R receptacle)
- Thermostat with positive off and fan only position (Range 40°F to 100°F)

- Heats lower to floor for natural convection
- Lower profile to prevent tipping
- Storage area under lid
- Rugged steel finned element construction
- High temperature safety limit
- Collapsible handle for easy transport & storage

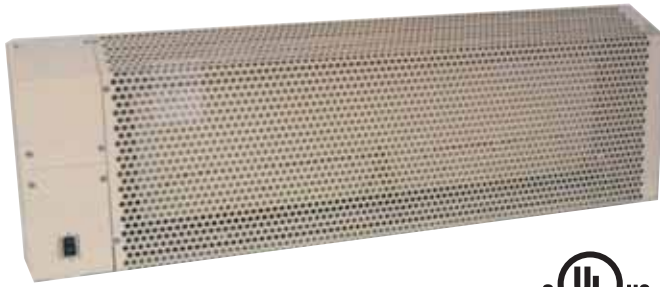


(US Patented No. D559,962)

CATALOG NUMBER	UPC 6-85360	KW	VOLTAGE	AMPS	BTUH	DIMENSIONS	SHIP WT. (LB)
TBX104	15127 4	9.5	240	39.6	32,424	28.5"H x 25"W x 18.5D	70
TBX754	15128 1	7.5	240	31.2	52,598	28.5"H x 25"W x 18.5D	70

KCJ

INSTITUTIONAL ELECTRIC CONVECTOR



APPLICATIONS

KCJ Series type convector is designed with low operating temperatures and is U.L. listed. This is a rugged, wall mounted, tamper resistant convection heater designed to provide heat in correctional or rehabilitational institutions where safety is a major concern.

FEATURES

- 140°F maximum surface temperature in a 70°F ambient.
- Internal tamper resistant thermostat with 55° to 100°F range.
- 12 gauge perforated steel, sloped top cover. Finished in a neutral grey durable powder paint.
- Internal DPST disconnect switch.

DIMENSIONS

WATTAGE	LENGTH	HEIGHT	DEPTH
400	24"	16"	5"
500	28"	16"	5"
750	36"	16"	5"
1000	48"	16"	5"
1250	60"	16"	5"
1500	72"	16"	5"
2000	96"	16"	5"

CATALOG NUMBER	HEATER VOLTS	WATTS	AMPS	SHIP WT.
KCJ400	120		3.3	
KCJ408	208	400	1.9	40
KCJ404	240		1.7	
KCJ407	277		1.4	
KCJ500	120		4.2	
KCJ508	208	500	2.4	45
KCJ504	240		2.2	
KCJ507	277		1.8	
KCJ750	120		6.3	
KCJ758	208		3.6	
KCJ754	240	750	3.3	55
KCJ757	277		2.7	
KCJ753	347		2.2	
KCJ1000	120		8.3	
KCJ1008	208		4.8	
KCJ1004	240	1000	4.4	65
KCJ1007	277		3.6	
KCJ1003	347		2.9	
KCJ1006	600		1.7	
KCJ1250	120		10.4	
KCJ1258	208		6	
KCJ1254	240	1250	5.4	80
KCJ1257	277		4.5	
KCJ1253	347		3.6	
KCJ1256	600		2.1	
KCJ1500	120		12.5	
KCJ1508	208		7.2	
KCJ1504	240	1500	6.5	95
KCJ1507	277		5.4	
KCJ1503	347		4.3	
KCJ1506	600		2.5	
KCJ2008	208		9.6	
KCJ2004	240		8.8	
KCJ2007	277	2000	7.2	95
KCJ2003	347		5.8	
KCJ2006	600		3.3	

NOTE: These products are Made-to-order and cannot be returned.

DBA and SHA

ARCHITECTURAL SILL-HEIGHT CONVECTION HEATERS

APPLICATIONS

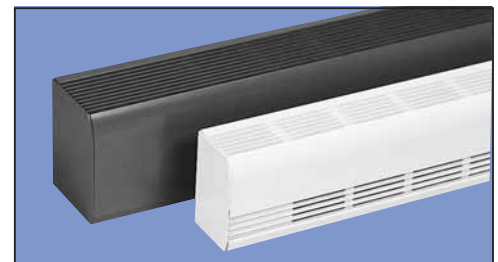
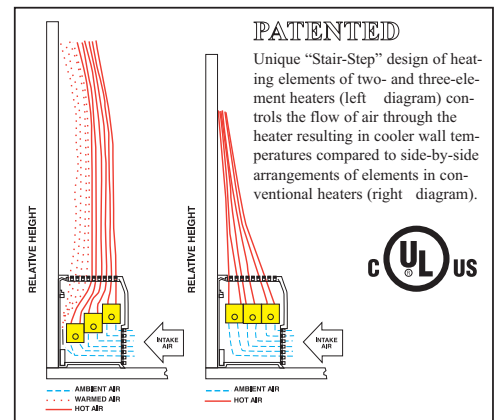
Selection, beauty, and performance — in a wide range of models, ratings and accessories for use in offices, corridors, lobbies and similar facilities.

FEATURES

- Architectural styling incorporates a patented “Stair-Step” heating element arrangement in two- and three-element SHA heaters for more efficient heat distribution. (See element arrangement picture)
- Unique “Snap-Lock” closure design secures the one-piece extruded aluminum top and front grilles to the one-piece back and bottom. This closure method provides a rapid, secure fit all along the length of the unit.
- Units can be wall-to-wall or mounted as discrete units in standard lengths of 28 inches to ten feet. Custom length cabinets with single or multiple heat decks are available, as are pedestal mounts.
- Standard units are equipped with a built-in wireway (equivalent to 3/4" conduit) with factory-installed wiring which permits multiple heater connections. Units are designed for either right or left hand entry for easy connection of supply wiring from bottom, rear or end, as well as multiple wiring of adjacent heaters from one entry point.
- Optional built-in controls include: line-voltage thermostat; two-stage thermostat; disconnect switch; transformer relay; power relay and pneumatic/switch.

NOTE: DBA Models are approved for residential use.

NOTE: These products are Made-to-order and cannot be returned.

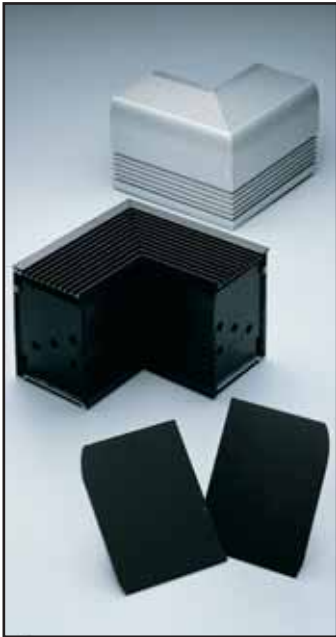


CABINET STYLES

Two cabinet styles are available. The DBA is 3-5/8" x 6" and is available with one heating element. The SHA is 5-3/8" x 7" and is available with one, two, or three-elements. Both sizes are available in two versions: front-in top-out, and bottom-in top-out.

ARCHITECTURAL SILL-HEIGHT CONVECTION HEATERS

OTHER SPECIAL FEATURES



TRIM ACCESSORIES

Accessories include a complete line of matching blank sections, end caps, filler sections, inside and outside corners, diagonal end sections, and splice plates.

MULTIPLE FINISHES

Heating units are available in rich anodized finishes and a spectrum of muted architectural colors in baked enamel finishes which are compatible with all interior decors.

MULTIPLE HEATING CAPACITIES

Units are available in a wide range of heating capacities per foot length: 100 watts (341 BTU per hour) to 750 watts (2560 BTU per hour).

THERMAL CUTOFF

Thermal limit switch with linear type (full length) sensing bulb provides constant protection against overheating from any cause. The switch will automatically reset when normal operating temperatures are restored.

SMOOTH FINISHED BACK

The back of both the DBA and SHA is void of any fasteners, giving it a clean appearance. Knockouts on the back for access to the junction boxes can be deleted on request to further enhance the appearance. The back will not be painted or anodized to match the front unless requested.

PENCIL-PROOF GRILLES

The discharge air openings in the top grille are punched slots which are pencil-proof for safety. The inlet air grille utilizes these same slots which creates an attractive installation where the inlet grille is visible.

DIAGONAL END SECTION

Architectural styled section to compliment the DBA/SHA units. Designed to give the unit a finished when used as a stand alone, or where a wall to wall run is not desired.

CATALOG NUMBER	LENGTH "L"	WATTS PER FT.	TOTAL WATTS	AMPERAGE						SHIP WT LBS.
				120V	208V	240V	277V	347V	600V	
DBA02	28" (711mm)	100	200	1.7	1.0	0.8	—	—	—	8
		125	250	2.1	1.2	1.0	0.9	—	—	
		150	300	2.5	1.4	1.3	1.1	—	—	
		188	376	3.1	1.8	1.6	1.4	—	—	
		250	500	4.2	2.4	2.1	1.8	1.4	—	
DBA03	3' (914mm)	100	300	2.5	1.4	1.3	1.1	—	—	10
		125	375	3.1	1.8	1.6	1.4	1.1	—	
		150	450	3.8	2.2	1.9	1.6	1.3	—	
		188	564	4.7	2.7	2.4	2.0	1.6	—	
		250	750	6.3	3.6	3.1	2.7	2.2	—	
DBA04	4' (1219mm)	100	400	3.3	1.9	1.7	1.4	1.2	—	13
		125	500	4.2	2.4	2.1	1.8	1.4	—	
		150	600	5.0	2.9	2.5	2.2	1.7	—	
		188	752	6.3	3.6	3.1	2.7	2.2	1.3	
		250	1000	8.3	4.8	4.2	3.6	2.9	1.7	
DBA05	5' (1524mm)	100	500	4.2	2.4	2.1	1.8	1.4	0.8	17
		125	625	5.2	3.0	2.6	2.3	1.8	1.0	
		150	750	6.3	3.6	3.1	2.7	2.2	1.3	
		188	940	7.8	4.5	3.9	3.4	2.7	1.6	
		250	1250	10.4	6.0	5.2	4.5	3.6	2.1	
DBA06	6' (1829mm)	100	600	5.0	2.9	2.5	2.2	1.7	1.0	20
		125	750	6.3	3.6	3.1	2.7	2.2	1.3	
		150	900	7.5	4.3	3.8	3.2	2.6	1.5	
		188	1128	9.4	5.4	4.7	4.1	3.3	1.9	
		250	1500	12.5	7.2	6.3	5.4	4.3	2.5	
DBA07	7' (2134mm)	100	700	—	3.4	2.9	2.5	2.0	1.2	24
		125	875	—	4.2	3.6	3.2	2.5	1.5	
		150	1050	—	5.0	4.4	3.8	3.0	1.8	
		188	1316	—	6.3	5.5	4.8	3.8	2.2	
		250	1750	—	8.4	7.3	6.3	5.0	2.9	
DBA08	8' (2438mm)	100	800	—	3.8	3.3	2.9	2.3	1.3	27
		125	1000	—	4.8	4.2	3.6	2.9	1.7	
		150	1200	—	5.8	5.0	4.3	3.5	2.0	
		188	1504	—	7.2	6.3	5.4	4.3	2.5	
		250	2000	—	9.6	8.3	7.2	5.8	3.3	
DBA09	9' (2743mm)	100	900	—	4.3	3.8	3.2	2.6	1.5	30
		125	1125	—	5.4	4.7	4.1	3.2	1.9	
		150	1350	—	6.5	5.6	4.9	3.9	2.3	
		188	1692	—	8.1	7.1	6.1	4.9	2.8	
		250	2250	—	10.8	9.4	8.1	6.5	3.8	
DBA10	10' (3048mm)	100	1000	—	4.8	4.2	3.6	2.9	1.7	33
		125	1250	—	6.0	5.2	4.5	3.6	2.1	
		150	1500	—	7.2	6.3	5.4	4.3	2.5	
		188	1880	—	9.0	7.8	6.8	5.4	3.1	
		250	2500	—	12.0	10.4	9.0	7.2	4.2	

NOTE:

1. Cabinet available up to 15' length. Custom length cabinets are priced with heater and blank to the next larger size.

2. Backs are provided standard with no finish. For finished backs, add 10% to List price.

3. Knockouts on back omitted by request only.

NOTE: All models are NON-STOCK made-to-order. When ordering, specify quantity, catalog number, voltage, wattage, optional controls, and color. Consult sales representative for lead times.

ARCHITECTURAL SILL-HEIGHT CONVECTION HEATERS

CATALOG NUMBER	LENGTH "L"	WATTS PER FT.	TOTAL WATTS	AMPERAGE						SHIP WT LBS.
				120V	208V	240V	277V	347V	600V	
SHA02	28" (711mm)	100	200	1.7	1.0	0.8	—	—	—	8
		125	250	2.1	1.2	1.0	0.9	—	—	
		150	300	2.5	1.4	1.3	1.1	—	—	
		188	376	3.1	1.8	1.6	1.4	—	—	
SHA03	3' (914mm)	100	300	2.5	1.4	1.3	1.1	—	—	10
		125	375	3.1	1.8	1.6	1.4	1.1	—	
		150	450	3.8	2.2	1.9	1.6	1.3	—	
		188	564	4.7	2.7	2.4	2.0	1.6	—	
SHA04	4' (1219mm)	100	400	3.3	1.9	1.7	1.4	1.2	—	13
		125	500	4.2	2.4	2.1	1.8	1.4	—	
		150	600	5.0	2.9	2.5	2.2	1.7	—	
		188	752	6.3	3.6	3.1	2.7	2.2	1.3	
SHA05	5' (1524mm)	100	500	4.2	2.4	2.1	1.8	1.4	0.8	17
		125	625	5.2	3.0	2.6	2.3	1.8	1.0	
		150	750	6.3	3.6	3.1	2.7	2.2	1.3	
		188	940	7.8	4.5	3.9	3.4	2.7	1.6	
SHA06	6' (1829mm)	100	600	5.0	2.9	2.5	2.2	1.7	1.0	20
		125	750	6.3	3.6	3.1	2.7	2.2	1.3	
		150	900	7.5	4.3	3.8	3.2	2.6	1.5	
		188	1128	9.4	5.4	4.7	4.1	3.3	1.9	
SHA07	7' (2134mm)	100	700	—	3.4	2.9	2.5	2.0	1.2	24
		125	875	—	4.2	3.6	3.2	2.5	1.5	
		150	1050	—	5.0	4.4	3.8	3.0	1.8	
		188	1316	—	6.3	5.5	4.8	3.8	2.2	
SHA08	8' (2438mm)	100	800	—	3.8	3.3	2.9	2.3	1.3	27
		125	1000	—	4.8	4.2	3.6	2.9	1.7	
		150	1200	—	5.8	5.0	4.3	3.5	2.0	
		188	1504	—	7.2	6.3	5.4	4.3	2.5	
SHA09	9' (2743mm)	100	900	—	4.3	3.8	3.2	2.6	1.5	30
		125	1125	—	5.4	4.7	4.1	3.2	1.9	
		150	1350	—	6.5	5.6	4.9	3.9	2.3	
		188	1692	—	8.1	7.1	6.1	4.9	2.8	
SHA10	10' (3048mm)	100	1000	—	4.8	4.2	3.6	2.9	1.7	33
		125	1250	—	6.0	5.2	4.5	3.6	2.1	
		150	1500	—	7.2	6.3	5.4	4.3	2.5	
		188	1880	—	9.0	7.8	6.8	5.4	3.1	
		250	2500	—	12.0	10.4	9.0	7.2	4.2	

NOTE: 1. Cabinet available up to 12' length. Custom length cabinets are priced with heater and blank to the next larger size. 2. Backs are provided standard with no finish. For finished backs, add 10% to List price. 3. Knockouts on back omitted by request only.

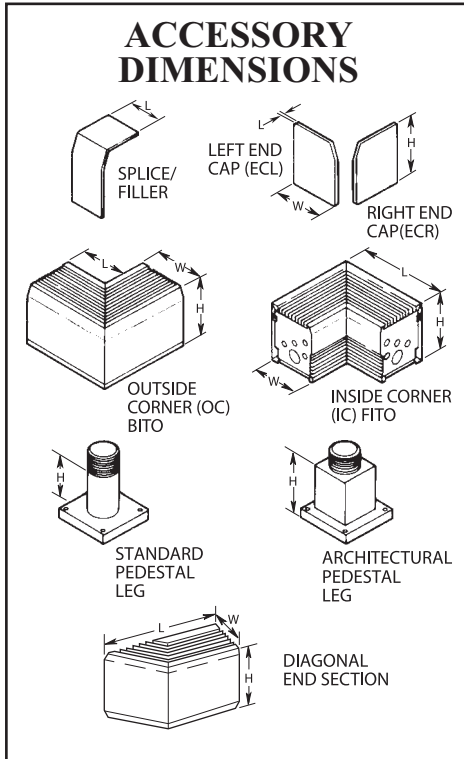
NOTE: All models are NON-STOCK made-to-order. When ordering, specify quantity, catalog number, voltage, wattage, optional controls, and color. Consult sales representative for lead times.

TABLE 2-Multiple Element Units.

CATALOG NUMBER	LENGTH "L"	WATTS PER FT.	TOTAL WATTS	AMPERAGE						NO. OF ELEMENTS	SHIP WT LBS.		
				208V		240V		277V	347V			600V	
				1 Ph.	3 Ph.	1 Ph.	3 Ph.	1 Ph.	1 Ph.	1 Ph.	3 Ph.		
SHA02	28" (711mm)	375	750	3.6	—	3.1	—	2.7	—	—	—	2	12
		500	1000	4.8	—	4.2	—	3.6	2.9	—	—	—	
		600	1200	5.8	3.3	5.0	2.9	4.3	—	—	—	3	
		750*	1500	7.2	4.2	6.3	3.6	5.4	4.3	—	—	—	
SHA03	3' (914mm)	375	1125	5.4	—	4.7	—	4.1	—	—	—	2	15.5
		500	1500	7.2	—	6.3	—	5.4	4.3	—	—	—	
		600	1800	8.7	5.0	7.5	4.3	6.5	—	—	—	3	
		750*	2250	10.8	6.3	9.4	5.4	8.1	6.5	—	—	—	
SHA04	4' (1219mm)	375	1500	7.2	—	6.3	—	5.4	4.3	—	—	2	20
		500	2000	9.6	—	8.3	—	7.2	5.8	3.3	—	—	
		600	2400	11.5	6.7	10.0	5.8	8.7	6.9	—	—	3	
		750*	3000	14.4	8.3	12.5	7.2	10.8	8.6	5.0	2.9	—	
SHA05	5' (1524mm)	375	1875	9.0	—	7.8	—	6.8	5.4	3.1	—	2	25.5
		500	2500	12.0	—	10.4	—	9.0	7.2	4.2	—	—	
		600	3000	14.4	8.3	12.5	7.2	10.8	8.6	5.0	2.9	3	
		750*	3750	18.0	10.4	15.6	9.0	13.5	10.8	6.3	3.6	—	
SHA06	6' (1829mm)	375	2250	10.8	—	9.4	—	8.1	6.5	3.8	—	2	30
		500	3000	14.4	—	12.5	—	10.8	8.6	5.0	—	—	
		600	3600	17.3	10.0	15.0	8.7	13.0	10.4	6.0	3.5	3	
		750*	4500	21.6	12.5	18.8	10.8	16.2	13.0	7.5	4.3	—	
SHA07	7' (2134mm)	375	2625	12.6	—	10.9	—	9.5	7.6	4.4	—	2	35
		500	3500	16.8	—	14.6	—	12.6	10.1	5.8	—	—	
		600	4200	20.2	11.7	17.5	10.1	15.2	12.1	7.0	4.0	3	
		750*	5250	25.2	14.6	21.9	12.6	19.0	15.1	8.8	5.1	—	
SHA08	8' (2438mm)	375	3000	14.4	—	12.5	—	10.8	8.6	5.0	—	2	40
		500	4000	19.2	—	16.7	—	14.4	11.5	6.7	—	—	
		600	4800	23.1	13.3	20.0	11.6	17.3	13.8	8.0	4.6	3	
		750*	6000	28.8	16.7	25.0	14.5	21.7	17.3	10.0	5.8	—	
SHA09	9' (2743mm)	375	3375	16.2	—	14.1	—	12.2	9.7	5.6	—	2	45
		500	4500	21.6	—	18.8	—	16.2	13.0	7.5	—	—	
		600	5400	26.0	15.0	22.5	13.0	19.5	15.6	9.0	5.2	3	
		750*	6750	32.5	18.8	28.1	16.3	24.4	19.5	11.3	6.5	—	
SHA10	10' (3048mm)	375	3750	18.0	—	15.6	—	13.5	10.8	6.3	—	2	50
		500	5000	24.0	—	20.8	—	18.1	14.4	8.3	—	—	
		600	6000	28.8	16.7	25.0	14.5	21.7	17.3	10.0	5.8	3	
		750*	7500	36.1	20.8	31.3	18.1	27.1	21.6	12.5	7.2	—	

*750W Models Bottom Inlet Only.

DBA BLANK SECTIONS & ACCESSORIES



CATALOG NUMBER	L*	H	W
DBAIC**	8 1/2"		
DBAOC**	5"	6"	3 5/8"
DBA135OC**	5"		
DBA135IC**	8 1/2"		
DBADESBL			
DBADESBR	9.136"	6"	3 5/8"
DBADESFL			
DBADESFR			
DBAECL			
DBAECR	1/8"	6"	3 5/8"
DBAECLS			
DBAECRS			
DBASP	0" - 1/4"	6"	3 5/8"
DBAFL3	0" - 3"		
DBAFL6	3" - 6"		
DBAFL9	6" - 9"	6"	3 5/8"
DBAFL12	9" - 12"		
DBAFL18	12" - 18"		
PK3S		2 7/8"	-
PK3A	0"		
PK5S		4 1/8"	-
PK5A	0"		

*L dimension is the additional length the accessory adds to the total installation length.

**Add suffix -B for bottom inlet, -F for front inlet.

CATALOG NUMBER (SEE NOTE 1)	DIMENSIONS W X H X L	INLET	SHIP WEIGHT LBS.
DBABS1F DBABS1B	3 5/8" x 6" x 1'	Front Inlet Bottom Inlet	4
DBABS2F DBABS2B	3 5/8" x 6" x 28"	Front Inlet Bottom Inlet	7
DBABS3F DBABS3B	3 5/8" x 6" x 3'	Front Inlet Bottom Inlet	9
DBABS4F DBABS4B	3 5/8" x 6" x 4'	Front Inlet Bottom Inlet	12
DBABS5F DBABS5B	3 5/8" x 6" x 5'	Front Inlet Bottom Inlet	16
DBABS6F DBABS6B	3 5/8" x 6" x 6'	Front Inlet Bottom Inlet	19
DBABS7F DBABS7B	3 5/8" x 6" x 7'	Front Inlet Bottom Inlet	22.5
DBABS8F DBABS8B	3 5/8" x 6" x 8'	Front Inlet Bottom Inlet	24
DBABS9F DBABS9B	3 5/8" x 6" x 9'	Front Inlet Bottom Inlet	27
DBABS10F DBABS10B	3 5/8" x 6" x 10'	Front Inlet Bottom Inlet	30

NOTE 1: Blank section grilles are not punched unless requested.

ACCESSORY CATALOG NUMBER*	DESCRIPTION	ADDITIONAL WALL SPACE REQUIRED	SHIP WEIGHT LBS.
DBAECL	End Cap - Left	1/8"	1
DBAECR	End Cap - Right		
DBAECLS	End Cap w/Screws - Left	1/8"	1
DBAECRS	End Cap w/Screws - Right		
DBAICF	Inside Corner-Front In	8 1/2"	5
DBAICB	Inside Corner-Bottom In	8 1/2"	5
DBAOCF	Outside Corner-Front In	5"	4
DBAOCB	Outside Corner-Bottom In	5"	4
DBA135ICF	135° Inside Corner-Fnt In	8 1/2"	5
DBA135ICB	135° Inside Corner-Bot In	8 1/2"	5
DBA135OCF	135° Outside Corner-Fnt In	5"	4
DBA135OCB	135° Outside Corner-Bot In	5"	4
DBADESBL	Dec. End Section-Bot In, Left		5
DBADESBR	Dec. End Section-Bot In, Right	9 9/16"	5
DBADESFL	Dec. End Section-Fnt In, Left		4
DBADESFR	Dec. End Section-Fnt In, Right		4
DBASP	Splice Plate	0" - 1/4"	1
DBAFL3	Filler Section 3"	0" - 3"	1
DBAFL6	Filler Section 6"	3" - 6"	1
DBAFL9	Filler Section 9"	6" - 9"	1
DBAFL12	Filler Section 12"	9" - 12"	1
DBA-FL18	Filler Section 18"	15" - 18"	1.5
DBADRF	Receptacle Section-Fnt In		
DBADRB	Receptacle Section-Bot In	4 1/2"	1.5
DBAPEF	Pneu/Ele Sw-Fnt In	4 1/2"	2
DBAPEB	Pneu/Ele Sw-Bot In		
**PK3S	Standard Pedestal	-	2
**PK3A	Architectural Pedestal	-	2
SO1A	Stand-Off Bracket	-	1

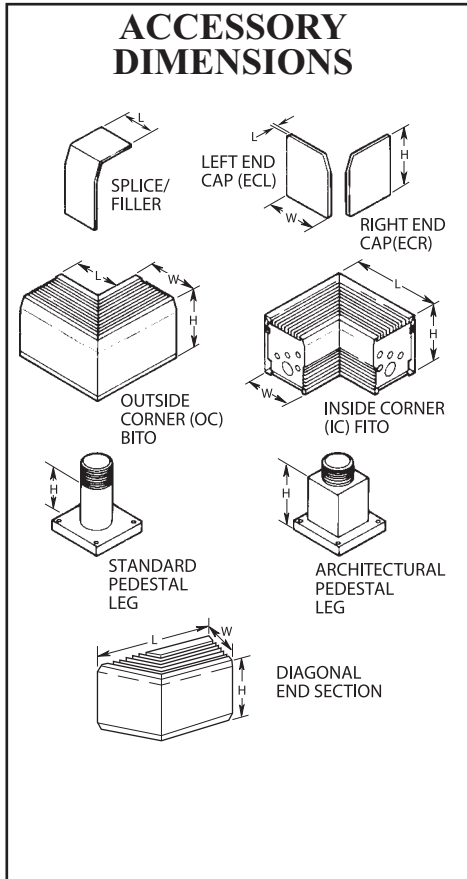
N/A - Not Available.

*Add suffix -P for painted, -C for clear anodized, -B for bronze anodized (excludes PK3S - Black only).

**One pedestal. Two required on units up to 10', three required on units over 10'.

Note: For optional built-in controls see page 42.

SHA BLANK SECTIONS & ACCESSORIES



CATALOG NUMBER	L*	H	W
SHAIC**	10"		
SHAOC**	5"	7"	5 ³ / ₈ "
SHA135OC**	5"		
SHA135IC**	10"		
SHADESBL			
SHADESBR	12 ¹ / ₂ "	7"	5 ³ / ₈ "
SHADESFL			
SHADESFR			
SHAACL			
SHAECR	1/8"	7"	5 ³ / ₈ "
SHAELCS			
SHAECRS			
SHASP	0" - 1/4"	7"	5 ³ / ₈ "
SHAFL3	0" - 3"		
SHAFL6	3" - 6"		
SHAFL9	6" - 9"	7"	5 ³ / ₈ "
SHAFL12	9" - 12"		
SHAFL18	12" - 18"		
PK3S			
PK3A	0"	2 ⁷ / ₈ "	-
PK5S			
PK5A	0"	4 ¹ / ₈ "	-

*L dimension is the additional length the accessory adds to the total installation length.

**Add suffix -B for bottom inlet, -F for front inlet.

CATALOG NUMBER (SEE NOTE 1)	DIMENSIONS W X H X L	INLET	SHIP WEIGHT LBS.
SHABS1F SHABS1B	5 ³ / ₈ " x 7" x 1'	Front Inlet Bottom Inlet	7
SHABS2F SHABS2B	5 ³ / ₈ " x 7" x 28"	Front Inlet Bottom Inlet	11
SHABS3F SHABS3B	5 ³ / ₈ " x 7" x 3'	Front Inlet Bottom Inlet	14
SHABS4F SHABS4B	5 ³ / ₈ " x 7" x 4'	Front Inlet Bottom Inlet	18
SHABS5F SHABS5B	5 ³ / ₈ " x 7" x 5'	Front Inlet Bottom Inlet	22
SHABS6F SHABS6B	5 ³ / ₈ " x 7" x 6'	Front Inlet Bottom Inlet	27
SHABS7F SHABS7B	5 ³ / ₈ " x 7" x 7'	Front Inlet Bottom Inlet	32
SHABS8F SHABS8B	5 ³ / ₈ " x 7" x 8'	Front Inlet Bottom Inlet	37
SHABS9F SHABS9B	5 ³ / ₈ " x 7" x 9'	Front Inlet Bottom Inlet	40
SHABS10F SHABS10B	5 ³ / ₈ " x 7" x 10'	Front Inlet Bottom Inlet	44

NOTE 1: Blank section grilles are not punched unless requested.

ACCESSORY CATALOG NUMBER*	DESCRIPTION	ADDITIONAL WALL SPACE REQUIRED	SHIP WEIGHT LBS.
SHAACL	End Cap - Left	1/8"	1
SHAECR	End Cap - Right		
SHAELCS	End Cap w/Screws - Left	1/8"	1
SHAECRS	End Cap w/Screws - Right		
SHAICF	Inside Corner-Front In	10"	11
SHAICB	Inside Corner-Bottom In	10"	11
SHAOCF	Outside Corner-Front In	5"	7
SHAOCB	Outside Corner-Bottom In	5"	7
SHA135ICF	135° Inside Corner-Fnt In	10"	11
SHA135ICB	135° Inside Corner-Bot In	10"	11
SHA135OCF	135° Outside Corner-Fnt In	5"	7
SHA135OCB	135° Outside Corner-Bot In	5"	7
SHADESBL	Dec. End Section-Bot In, Left		11
SHADESBR	Dec. End Section-Bot In, Right	12 ¹ / ₂ "	11
SHADESFL	Dec. End Section-Fnt In, Left		7
SHADESFR	Dec. End Section-Fnt In, Right		7
SHASP	Splice Plate	0" - 1/4"	1
SHAFL3	Filler Section 3"	0" - 3"	1
SHAFL6	Filler Section 7"	3" - 6"	1
SHAFL9	Filler Section 9"	6" - 9"	2
SHAFL12	Filler Section 12"	9" - 12"	3
SHAFL18	Filler Section 18"	15" - 18"	5
SHADRF	Receptacle Section-Fnt In		
SHADRB	Receptacle Section-Bot In	4 ¹ / ₂ "	2
**PK5S	Standard Pedestal	-	2
**PK5A	Architectural Pedestal	-	2
SO1A	Stand-Off Bracket	-	1

N/A - Not Available.

*Add suffix -P for painted, -C for clear anodized, -B for bronze anodized (excludes PK5S - Black only).

**One pedestal. Two required on units up to 10', three required on units over 10'.

Note: For optional built-in controls see page 42.

ARCHITECTURAL SILL-HEIGHT CONVECTION HEATERS

PEDESTAL PLACEMENT

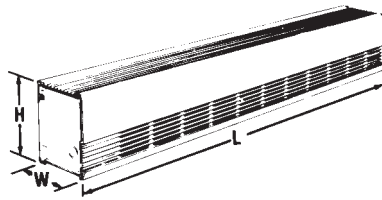


*Pedestal placement and K.O.'s shown are for standard units custom enclosures and/or heat decks will have pedestal placement and K.O.'s in various locations. Consult factory.

CATALOG NUMBER	A	B	L
DBA	2"	2-1/4"	28" - 10'
SHA	2-25/32"	2-1/4"	28" - 10'

Note: On units longer than 10' three pedestals are required. Consult factory for placement.

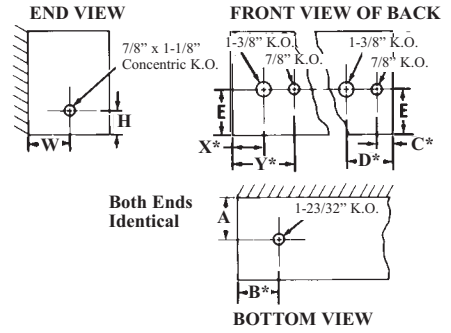
DIMENSIONS



CATALOG NUMBER	H	W	L
DBA	6"	3 5/8"	28" - 15'
SHA	7"	5-3/8"	28" - 12'

MINIMUM MOUNTING HEIGHT ABOVE FLOOR		
DBA & SHA	Front Inlet	0"
DBA & SHA	Bottom Inlet 9100w/ft. - 250 w/ft.	1-3/4"
SHA	Bottom Inlet (375 w/ft. - 750 w/ft.)	3"

KNOCKOUTS



*Pedestal placement and K.O.'s shown are for standard units custom enclosures and/or heat decks will have pedestal placement and K.O.'s in various locations. Consult factory.

	A	B	C	D	E
DBA	2"	2-1/4"	7/8"	2-1/4"	3-3/8"
SHA	2-25/32"	2-1/4"	7/8"	2-1/4"	3-3/8"

	H	W	X	Y
DBA	1-11/32"	1-7/8"	1-3/16"	2-9/16"
SHA	2"	2-3/8"	1-3/16"	2-9/16"

in a single cabinet (example: a 3 foot and a 28 inch heat deck in an 8'6" cabinet). A custom unit requires the use of a Custom Convector Layout Form to detail the unit for order entry.

VIII. CONTROLS—The controls that are available are

- T-single-pole thermostat,
- 2T-double-pole thermostat,
- DS-disconnect switch,
- TR-transformer relay,
- PR-power relay,
- PE-pneumatic/electric switch
- 2ST-2-stage thermostat.

HOW TO ORDER

QMARK's catalog number is made up of eight groups of numbers and letters to provide a complete description of the product. An example of a typical catalog number is shown below.

If the requirement is for an eight foot long, 5³/₈" x 7" bottom inlet, 750 w/ft., 208V, three phase heater with a built-in disconnect switch, the QMARK catalog number would be:

SHA - 08 - 750 - B - 20 - 3 - S - DSDS
I II III IV V VI VII VIII

- I. PREFIX—SHA designates the 5³/₈" x 7" cabinet size and DBA designates the 5³/₈" x 6" cabinet size.
- II. CABINET LENGTH—For standard heaters (see VII) the heat deck is the same length as the cabinet. Standard cabinet lengths are 02=28", 03=3', 04=4', 05=5', 06=6', 07=7', 08=8', 09=9', & 10=10'.
- III. WATT DENSITY—Standard watt densities for the DBA are 100 w/ft., 125 w/ft., 150 w/ft., 188 w/ft., 250 w/ft. Watt densities for the SHA include all the DBA watt densities plus 375 w/ft., 500 w/ft., 600 w/ft. and 750 w/ft. (750 w/ft. is bottom inlet only).
- IV. INLET AIR CONFIGURATION—
B—Bottom Inlet F—Front Inlet
- V. VOLTAGE—12-120V, 20-208V, 24-240V, 27-277V, 34 - 347V, 60 - 600V.
- VI. PHASE—1 - 1 Ph, 3 - 3 Ph.
- VII. UNIT DESIGNATIONS—
S—Standard Unit. This unit has the heat deck the same length as the cabinet.
C—Custom Unit. This unit can have the cabinet longer than the heat deck (example: 6 foot heat deck in a 7'3" cabinet) or multiple heat decks

OPTIONAL BUILT-IN CONTROLS (FOR DBA AND SHA CONVECTORS) Also see page 58

SUFFIX ADDITION TO BASIC CAT. NO. (SEE NOTE D)	OPTIONAL BUILT-IN CONTROL	RATINGS
T	1-Pole Thermostat	Rated 24 amps @ 120-240 VAC and 22 amps @ 277 VAC. Pilot duty rating of 125 VA (all voltages). 60-120°F temperature range; adjustable through outlet grille-tamper-resistant. (See Note B.) Not available on three-phase heaters.
2T	2-Pole Thermostat	Rated 24 amps @ 120-240 VAC and 22 amps @ 277 VAC. Pilot duty rating of 125 VA (all voltages). 60-120°F temperature range; adjustable through outlet grille-tamper-resistant. (See Note B for amperage restrictions.)
DS	Disconnect Switch	Double-pole, rated 20 amp @ 120-277 VAC. (See Note A.) For 3Ø heaters and 1Ø heaters over 20 amps specify two.
TR	Transformer Relay	Single-pole, low voltage relay with built-in transformer (24 VAC control), rated 25 amps @ 120-240 VAC and 22 amps @ 277 VAC. (See Note E) 17 amps @ 347V, 12 amps @ 600V. Not available for 3Ø heaters.
PR	Power Relay	Single-pole thermal time delay relay, rated 25 amps @ 120-600 VAC. (See Notes E & F). Specify control voltage.
2ST	2-Stage Thermostat	Rated 24 amps @ 120-240 VAC and 22 amps @ 277 VAC. Pilot duty rating of 125 VA (all voltages). 60-120°F temperature range, adjustable through outlet grille-tamper-resistant. Available on 2- or 3-element, single phase heaters only.
PE	Pneumatic/Electric Switch	Pressure set-point @ 10 PSIG adjustable to 30 PSIG. Can be set to "make" or "break" on pressure drop. Rated 25 amps @ 120-277 VAC. (See Note G.)
PDT	1-Pole Thermostat	Same as -T except Pilot Duty. (See note C)
2TPD	2-Pole Thermostat	Same as -2T except Pilot Duty. (See note C & D)
M	Outlet Mesh	Price per foot.
R	120V Receptacle	For cap mounted convenience receptacle. Note: No other controls can be mounted in junction box.

- NOTES:
- A. For 1Ø loads over 20A and all 3Ø loads, specify 2 disconnect switches.
 - B. This control option is not available on single-phase heaters over 24 amps (22 amps on 277 VAC). In combination with the disconnect switch option use the 2ST thermostat option on heaters over 20 amps.
 - C. A second transformer relay can be sequenced off the first transformer relay in the same heater. Up to 30 power relays in different heaters can be controlled by one single-stage pilot duty thermostat.
 - D. Up to 30 power relays in different heater can be controlled by each stage of a two-stage pilot duty thermostat.
 - E. Two relays are required on single-phase heaters over 20 amps with a disconnect switch, over 25 amps without a disconnect switch and on all three-phase heaters. Two relays are available for two-stage on two or three-element heaters only.
 - F. Three power relays are available for three-stage on three-element heaters only.
 - G. Fits in SHA unit only. For DBA, PE will be installed in 4 1/2" section.

DBSL SLIMLINE ALUMINUM CONVECTION HEATERS

APPLICATIONS

Made to order, slim compact design in a wide range of models, ratings and accessories for use in residential or light commercial settings. Architectural styling is perfect for multifamily homes, condominiums, institutions, retail spaces, restaurants, hotels, offices and similar areas. Approved for residential use.

FEATURES

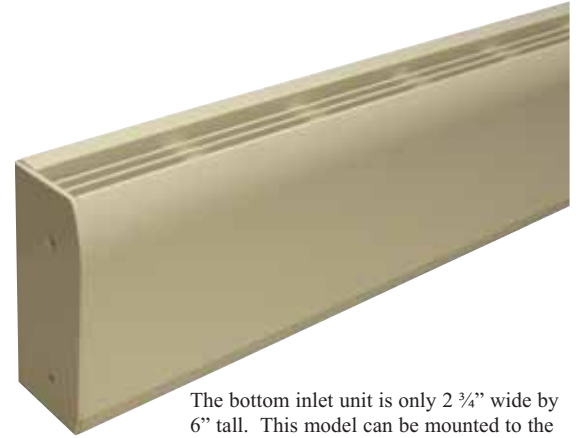
Two piece extruded aluminum housing comes in two styles, front inlet top outlet and bottom inlet top outlet with architectural pedestal mounts. Units can be mounted wall-to-wall or as discrete units in standard lengths of 24 inches to 12 feet. Epoxy powder coat paint colors and color matching (upon request at additional cost) will blend the units with the surrounding decor.

In addition to the standard end caps, available accessories include inside and outside corners, decorative end pieces and blank sections to complete a full length run. Inside and outside corners can be ordered factory cut and mitered to fit difficult or unusual spaces for a custom finished appearance.

Unique "Snap-Lock" closure design secures the one-piece extruded aluminum top and front grille to the one-piece back and bottom. This closure method provides a rapid, secure fit all along the length of the unit.

Standard units are equipped with a built-in wireway (equivalent to 1/2" conduit) with factory-installed wiring which permits multiple heater connections. Units can be ordered either right or left hand entry for easy connection of supply wiring from bottom, rear or end, as well as multiple wiring of adjacent heaters from one entry point.

NOTE: These heaters have been approved for residential and commercial applications.



The bottom inlet unit is only 2 3/4" wide by 6" tall. This model can be mounted to the wall (3" above the floor) or in front of a window application, mounted on pedestals.



The front inlet unit is also 2 3/4" wide by 6" tall. This model can be mounted to the wall or directly to the floor.



Hollow pedestals allow concealed wiring access when stubbed through concrete floors



SPECIFICATIONS

CATALOG NUMBER (See Note 2)	DIMENSIONS (SEE NOTE 1) W x H x L	WATT DENSITY	NO. OF ELEMENTS	SHIP WEIGHT LBS.
DBSL01	2 3/4" x 6" x 24"	125 W/Ft. ++ 150 W/Ft. +++ 188 W/Ft. + 250 W/Ft. ++++	1	8
DBSL02	2 3/4" x 6" x 28"	100 W/Ft. ‡ 125 W/Ft. * 150 W/Ft. * 188 W/Ft. * 250 W/Ft. **	1	8
DBSL03	2 3/4" x 6" x 3'	100 W/Ft. * 125 W/Ft. ** 150 W/Ft. ** 188 W/Ft. ** 250 W/Ft. **	1	10
DBSL04	2 3/4" x 6" x 4'	100 W/Ft. ** 125 W/Ft. ** 150 W/Ft. ** 188 W/Ft. ** 250 W/Ft. **	1	13
DBSL05	2 3/4" x 6" x 5'	100 W/Ft. ** 125 W/Ft. ** 150 W/Ft. ** 188 W/Ft. ** 250 W/Ft. **	1	17
DBSL06	2 3/4" x 6" x 6'	100 W/Ft. * 125 W/Ft. * 150 W/Ft. * 188 W/Ft. * 250 W/Ft. *	1	20
DBSL07	2 3/4" x 6" x 7'	100 W/Ft. * 125 W/Ft. * 150 W/Ft. * 188 W/Ft. * 250 W/Ft. *	1	24
DBSL08	2 3/4" x 6" x 8'	100 W/Ft. * 125 W/Ft. * 150 W/Ft. * 188 W/Ft. * 250 W/Ft. *	1	27
DBSL09	2 3/4" x 6" x 9'	100 W/Ft. * 125 W/Ft. * 150 W/Ft. * 188 W/Ft. * 250 W/Ft. *	1	30
DBSL10	2 3/4" x 6" x 10'	100 W/Ft. * 125 W/Ft. * 150 W/Ft. * 188 W/Ft. * 250 W/Ft. *	1	33

- Cabinet available up to 12' length.
 - Backs are provided standard with no finish. For finished backs, add 10% to List price.
 - Knockouts on back omitted by request only.
 - + Not available in 220V, 347V or 600V.
 - ++ Not available in 120V, 208V, 240V, 277V, 347V or 600V.
 - +++ Not available in 120V, 220V, 277V, 347V or 600V.
 - ++++ Not available in 120V, 220V, 347V or 600V.
 - * Not available in 347V or 600V.
 - ** Not available in 600V.
 - ‡ Not available in 277V, 347V, or 600V.
- NOTE:** All models are NON-STOCK made-to-order.s ordering, specify quantity, catalog number, voltage, wattage, optional controls, and color.
Consult sales representative for lead times.

SUFFIX ADDITION TO BASIC CAT. NO. (SEE NOTE D)	OPTIONAL BUILT-IN CONTROLS	RATINGS
T	1-Pole Thermostat	Rated 24 amps @ 120-240 VAC and 22 amps @ 277 VAC. Pilot duty rating of 125 VA (all voltages). 60-120°F temperature range adjustable through outlet grille-tamper-resistant. (See Note B.)
2T	2-Pole Thermostat	Rated 24 amps @ 120-240 VAC and 22 amps @ 277 VAC. Pilot duty rating of 125 VA (all voltages). 60-120°F temperature range adjustable through outlet grille-tamper-resistant. (See Note B for amperage restrictions.)
DS	Disconnect Switch	Double-pole, rated 20 amp @ 120-277 VAC. (See Note A.) For heaters over 20 amps specify two.
TR	Transformer Relay	Single-pole, low voltage relay with built-in transformer (24 VAC control), rated 25 amps @ 120-240 VAC and 22 amps @ 277 VAC. (See Note E and F) 17 amps @ 347V, 12 amps @ 600V. Not available for 3Ø heaters.
PR	Power Relay	Single-pole magnetic relay, rated 25 amps @ 120-600 VAC. (See Notes E). Specify control voltage.
PE	Pneumatic / Electric Switch	Pressure set-point @ 10 PSIG adjustable to 30 PSIG. Can be set to "make" or "break" on pressure drop. Rated 25 amps @ 120-277 VAC. (See Note F.)
PDT	1-Pole Thermostat	Same as -T except Pilot Duty. (See note C)
R	Receptacle	For built-in or as installed in a control section

- For 1Ø loads over 20A, specify 2 disconnect switches.
- This control option is not available on single-phase heaters over 24 amps (22 amps on 277 VAC). In combination with the disconnect switch option use the 2T thermostat option on heaters over 20 amps.
- Requires PR or TR.
- Up to 30 power relays in different heaters can be controlled by each stage of a two-stage pilot duty thermostat.
- Two relays are required on single-phase heaters over 20 amps with a disconnect switch, over 25 amps without a disconnect switch.
- For DBSL Series the TR (transformer relay) R (Duplex Receptacle) PE (Pneumatic switch) will be installed in separate 4 inch long internal control boxes.

BLANK SECTIONS & ACCESSORIES (FOR MODEL DBSL CONVECTORS)

CATALOG NUMBER (SEE NOTE 1)	DIMENSIONS W x H x L	INLET	SHIP WEIGHT LBS.
SLCBS1F SLCBS1B	2 3/4" x 6" x 1'	Front Inlet Bottom Inlet	4
SLCBS2F SLCBS2B	2 3/4" x 6" x 28"	Front Inlet Bottom Inlet	7
SLCBS3F SLCBS3B	2 3/4" x 6" x 3'	Front Inlet Bottom Inlet	9
SLCBS4F SLCBS4B	2 3/4" x 6" x 4'	Front Inlet Bottom Inlet	12
SLCBS5F SLCBS5B	2 3/4" x 6" x 5'	Front Inlet Bottom Inlet	16
SLCBS6F SLCBS6B	2 3/4" x 6" x 6'	Front Inlet Bottom Inlet	19
SLCBS7F SLCBS7B	2 3/4" x 6" x 7'	Front Inlet Bottom Inlet	22.5
SLCBS8F SLCBS8B	2 3/4" x 6" x 8'	Front Inlet Bottom Inlet	24
SLCBS9F SLCBS9B	2 3/4" x 6" x 9'	Front Inlet Bottom Inlet	27
SLCBS10F SLCBS10B	2 3/4" x 6" x 10'	Front Inlet Bottom Inlet	30

NOTE: Blank section grilles are not punched unless requested.

ACCESSORY CATALOG NUMBER *	DESCRIPTION	ADDITIONAL WALL SPACE REQUIRED	SHIP WEIGHT LBS.
SLCECL	End Cap - Left	1/8"	1
SLCECR	End Cap - Right	1/8"	1
SLCICF	Inside Corner-Front In	8 1/2"	5
SLCICB	Inside Corner-Bottom In	8 1/2"	5
SLCOCF	Outside Corner-Front In	5"	4
SLCOCB	Outside Corner-Bottom In	5"	4
SLCDESBL	Dec. End Section-Bot In, Left	9 9/64"	5
SLCDESBR	Dec. End Section-Bot In, Right	9 9/64"	5
SLCDESFL	Dec. End Section-Fnt In, Left	9 9/64"	4
SLCDESFR	Dec. End Section-Fnt In, Right	9 9/64"	4
SLCSP	Splice Plate	0" - 1/4"	1
SLCFL3	Filler Section 3"	0" - 3"	1
SLCFL6	Filler Section 6"	3" - 6"	1
SLCFL9	Filler Section 9"	6" - 9"	1
SLCFL12	Filler Section 12"	9" - 12"	1
SLCFL18	Filler Section 18"	12" - 18"	1.5
SLCFL24	Filler Section 24"	18" - 24"	1.5
SLCDRF	Receptacle Section-Fnt In	4 1/2"	1.5
SLCDRB	Receptacle Section-Bot In	4 1/2"	1.5
SLCPEF	Pneu/Ele Sw-Fnt In	4 1/2"	2
SLCPEB	Pneu/Ele Sw-Bot In	4 1/2"	2
SLCPK3A **	Architectural Pedestal	-	2
SO1A	Stand-Off Bracket	-	1

- * Add suffix -P for painted, -C for clear anodized, -B for bronze anodized.
** One pedestal. Two required on units up to 10', three required on units over 10'.

DBSL DRAFT BARRIER HEATERS



These draft barrier models are only 4 inches tall. These models can be mounted to the wall (2" above the floor) or mounted on pedestals. The maximum wattage available is up to 188 watts per linear foot.

APPLICATIONS

Qmark Draft Barrier Heaters are designed to provide supplementary heat directly under windows where they counteract cold down drafts, minimize condensation and prevent chilly areas from forming at floor level. They permit year-round use of all building space right up to the outside wall. No need to move desks, chairs, tables and people away from the windows in cold weather. The heaters spread a blanket of warm air precisely at the area of greatest heat loss — the windows. Ideal for residential or light commercial applications. Architectural styling is perfect for multifamily homes, condominiums, institutions, retail spaces, restaurants, hotels, offices and similar areas.

FEATURES

Two piece extruded aluminum housing is available in bottom inlet top outlet only and can be mounted directly to the wall or with architectural pedestal mounts. Custom powder coat paint colors or color matching (upon request) will blend the units with the surrounding decor.

In addition to the standard end caps, available accessories include inside and outside corners, decorative end pieces and blank sections to complete a full length run. Inside and outside corners can be ordered factory cut and mitered to fit difficult or unusual spaces for a custom finished appearance.

Unique "Snap-Lock" closure design secures the one-piece extruded aluminum top and front grille to the one-piece back and bottom. This closure method provides a rapid, secure fit all along the length of the unit.

Units can be mounted wall-to-wall or as discrete units in standard lengths of 24 inches to ten feet. Custom length cabinets are available, up to 12 feet.

Standard units are equipped with a built-in wireway with factory-installed wiring which permits multiple heater connections.

Units are designed for either right or left hand entry for easy connection of supply wiring from bottom, rear or end, as well as multiple wiring of adjacent heaters from one entry point.

NOTE: These heaters have been approved for residential use and commercial use applications.

SPECIFICATIONS

CATALOG NUMBER (See Note 2)	DIMENSIONS (SEE NOTE 1) W x H x L	WATT DENSITY	NO. OF ELEMENTS	SHIP WEIGHT LBS.
SLQDB024	2 5/8" x 4" x 24"	100 W/Ft. ‡ 125 W/Ft. * 150 W/Ft. * 188 W/Ft. *	1	8
SLQDB028	2 5/8" x 4" x 28"	100 W/Ft. ‡ 125 W/Ft. * 150 W/Ft. * 188 W/Ft. *	1	8
SLQDB03	2 5/8" x 4" x 3'	100 W/Ft. * 125 W/Ft. ** 150 W/Ft. ** 188 W/Ft. **	1	10
SLQDB04	2 5/8" x 4" x 4'	100 W/Ft. ** 125 W/Ft. ** 150 W/Ft. ** 188 W/Ft.	1	13
SLQDB05	2 5/8" x 4" x 5'	100 W/Ft. ** 125 W/Ft. 150 W/Ft. 188 W/Ft.	1	17
SLQDB06	2 5/8" x 4" x 6'	100 W/Ft. 125 W/Ft. 150 W/Ft. 188 W/Ft.	1	20
SLQDB07	2 5/8" x 4" x 7'	100 W/Ft. 125 W/Ft. 150 W/Ft. 188 W/Ft.	1	24
SLQDB08	2 5/8" x 4" x 8'	100 W/Ft. 125 W/Ft. 150 W/Ft. 188 W/Ft.	1	27
SLQDB09	2 5/8" x 4" x 9'	100 W/Ft. 125 W/Ft. 150 W/Ft. 188 W/Ft.	1	30
SLQDB10	2 5/8" x 4" x 10'	100 W/Ft. 125 W/Ft. 150 W/Ft. 188 W/Ft.	1	33

- Cabinet available up to 12' length. Custom length cabinets are priced with heater and blank to the next larger size.
 - Backs are provided standard with no finish. For finished backs, add 10% to List price.
 - Knockouts on back omitted by request only.
- * Not available in 347V or 600V.
** Not available in 600V.
‡ Not available in 277V, 347V, or 600V.

NOTE: All models are NON-STOCK made-to-order. When ordering, specify quantity, catalog number, voltage, wattage, optional controls, and color. Consult sales representative for lead times.

OPTIONAL BUILT-IN CONTROLS (FOR DRAFT BARRIER CONVECTORS)

SUFFIX ADDITION TO BASIC CAT. NO.	OPTIONAL BUILT-IN CONTROLS	RATINGS
T	1-Pole Thermostat	Rated 24 amps @ 120-240 VAC and 22 amps @ 277 VAC. Pilot duty rating of 125 VA (all voltages). 60-120°F temperature range adjustable through outlet grille-tamper-resistant. (See Note B.) Not available on three-phase heaters.
DS	Disconnect Switch	Double-pole, rated 20 amp @ 120-277 VAC. (See Note A.) For 3Ø heaters and 1Ø heaters over 20 amps specify two.

- A. For 1Ø loads over 20A and all 3Ø loads, specify 2 disconnect switches.
B. This control option is not available on single-phase heaters over 24 amps (22 amps on 277 VAC).

BLANK SECTIONS & ACCESSORIES (FOR MODEL SLQDB DRAFT BARRIER CONVECTORS)

CATALOG NUMBER (SEE NOTE 1)	DIMENSIONS W x H x L	SHIP WEIGHT LBS.
SLDBS1B	2 5/8" x 6" x 1'	4
SLDBS2B	2 5/8" x 6" x 28"	7
SLDBS3B	2 5/8" x 6" x 3'	9
SLDBS4B	2 5/8" x 6" x 4'	12
SLDBS5B	2 5/8" x 6" x 5'	16
SLDBS6B	2 5/8" x 6" x 6'	19
SLDBS7B	2 5/8" x 6" x 7'	22.5
SLDBS8B	2 5/8" x 6" x 8'	24
SLDBS9B	2 5/8" x 6" x 9'	27
SLDBS10B	2 5/8" x 6" x 10'	30

NOTE: Blank section grilles are not punched unless requested.

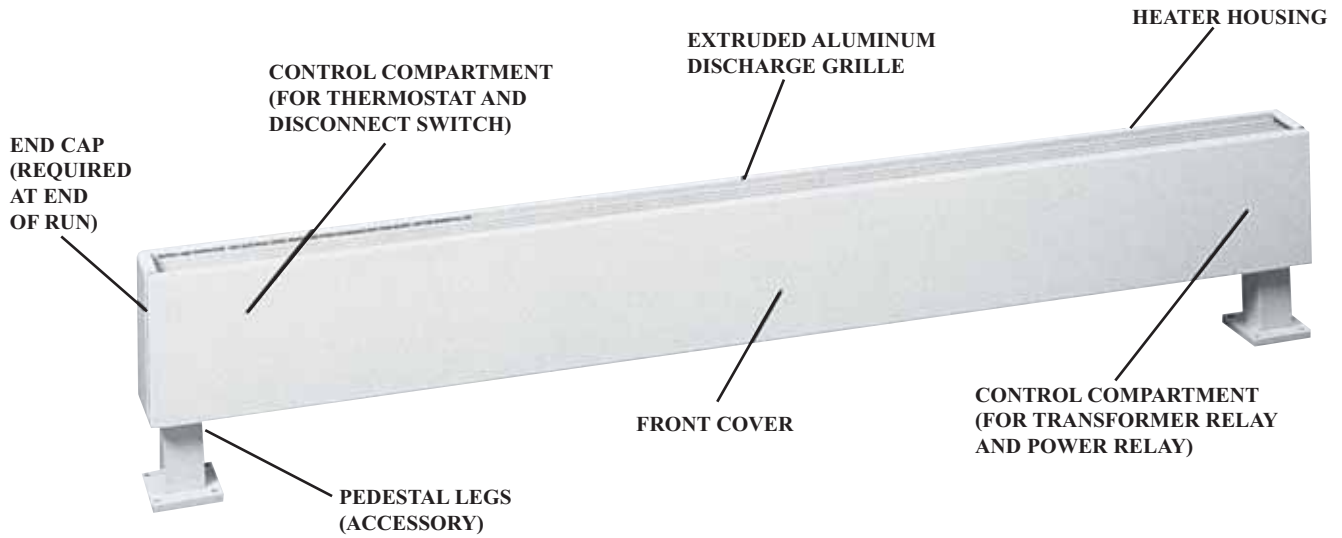
ACCESSORY CATALOG NUMBER *	DESCRIPTION	ADDITIONAL WALL SPACE REQUIRED	SHIP WEIGHT LBS.
SLDECL	End Cap - Left	1/8"	1
SLDECR	End Cap - Right		
SLDICB	Inside Corner-Bottom In	8 1/2"	5
SLDOCB	Outside Corner-Bottom In	5"	4
SLD135ICB	135° Inside Corner-Bot In	8 1/2"	5
SLD135OCB	135° Outside Corner-Bot In	5"	4
SLDSP	Splice Plate	0" - 1/4"	1
SLDFL3	Filler Section 3"	0" - 3"	1
SLDFL6	Filler Section 6"	3" - 6"	1
SLDFL9	Filler Section 9"	6" - 9"	1
SLDFL12	Filler Section 12"	9" - 12"	1
SLDFL18	Filler Section 18"	12" - 18"	1.5
SLDFL24	Filler Section 24"	18" - 24"	1.5
SLDDRB	Receptacle Section-Bot In (Must use 1ft blank section)	12"	
SLDPK3A **	Architectural Pedestal	-	2
SO1A	Stand-Off Bracket	-	1

N/A - Not Available.

* Add suffix -P for painted, -C for clear anodized, -B for bronze anodized (excludes PK3S - Black only).

** One pedestal. Two required on units up to 10', three required on units over 10'.

DECORATIVE AND COMMERCIAL PEDESTAL HEATERS



APPLICATIONS

DPH/CPH Series units are ideal for high traffic areas with high heat needs where wall mounted units are not appropriate such as air, rail or bus terminals, corridors, lobbies, foyers, auditoriums, etc. These are not intended for residential applications. They can be mounted singly, in lengths from 28 inches to 10 feet, or joined end-to-end for complete perimeter heating. They are ruggedly built to withstand years of hard usage in public and commercial buildings.

FEATURES

VARIABLE HEAT OUTPUT - Depending on the requirements of the space being heated, the DPH/CPH units may contain one to three heating elements that yield a broad range of heating capacity from 125 watts per foot (426 BTU per hour per foot) to 750 watts per foot (2560 BTU per hour per foot).

RUGGED CONSTRUCTION - The front cover is constructed of 16 gauge steel with 14 gauge being optional. Also available is optional 1/4-inch mesh located under the discharge grille to deter the insertion of objects into the unit.

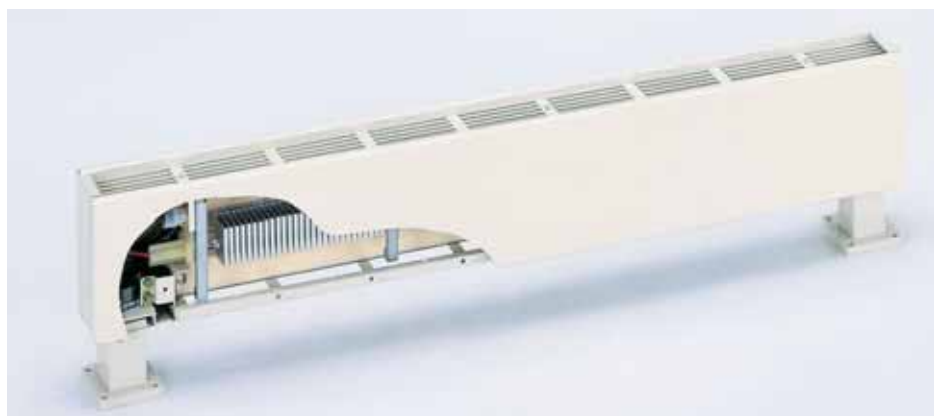
MULTIPLE CABINET SIZES - The DPH/CPH is available in two cabinet sizes. This provides heating flexibility as well as styling flexibility.

PRE-WIRED JUNCTION BOXES - Each unit has identical pre-wired junction boxes at either end of the unit to permit power supply entry and connection flexibility. Each unit has a wireway with factory installed wiring rated 35 amps for the CPH05 and 45 amps for the CPH07, eliminating the need to fish additional wires for multiple unit hook-up.

OPTIONAL CONTROLS - Each unit has available a selection of optional built-in controls that include a single pole or double pole line voltage thermostat, disconnect switch, power relay, or transformer relay.

ACCESSORIES - A full line of accessories is designed for the CSH Series is field adaptable for the CPH Series unit. This includes filler sections and corner sections. End caps are required to close off the junction box on all installations where the end of the unit does not mate with another unit.

FINISHES - Eight standard painted colors plus grey primer are available. Custom color matching is also available for a nominal color matching charge.



Pedestal Leg Kits priced separately under CPH Commercial Pedestal Convectector Accessories

NOTE: All models are NON-STOCK made-to-order. When ordering, specify quantity, catalog number, voltage, wattage, optional controls, and color. Consult sales representative for lead times.

NOTE: These products are Made-to-order and cannot be returned.



CPH

DECORATIVE AND COMMERCIAL PEDESTAL HEATERS

CATALOG NUMBER	LENGTH	NOMINAL WATTS/FT.	TOTAL HEATING CAPACITY		AMPERAGE						NO. OF ELEMENTS	SHIP WEIGHT		
			WATTS	BTU/HR.	120V	208V	240V	277V	347V	600V				
5" H x 3" D														
CPH05A2125	28 in.	125	250	853	2.1	1.2	1.0	0.9	0.7	0.4	1	11 lbs.		
CPH05A2188		188	375	1280	3.1	1.8	1.6	1.4	1.1	0.6				
CPH05A2250		250	500	1706	4.2	2.4	2.1	1.8	1.4	0.8				
CPH05A3125	3 ft.	125	375	1280	3.1	1.8	1.6	1.4	1.1	0.6	1	15 lbs.		
CPH05A3188		188	564	1925	4.7	2.7	2.4	2.0	1.6	0.9				
CPH05A3250		250	750	2560	6.2	3.6	3.1	2.7	2.2	1.2				
CPH05A4125	4 ft.	125	500	1706	4.2	2.4	2.1	1.8	1.4	0.8	1	18 lbs.		
CPH05A4188		188	750	2560	6.2	3.6	3.1	2.7	2.2	1.2				
CPH05A4250		250	1000	3412	8.3	4.8	4.2	3.6	2.9	1.7				
CPH05A5125	5 ft.	125	625	2133	5.2	3.0	2.6	2.3	1.8	1.0	1	25 lbs.		
CPH05A5188		188	940	3208	7.8	4.5	3.9	3.4	2.7	1.6				
CPH05A5250		250	1250	4266	10.4	6.0	5.2	4.5	3.6	2.1				
CPH05A6125	6 ft.	125	750	2560	6.2	3.6	3.1	2.7	2.2	1.2	1	29 lbs.		
CPH05A6188		188	1125	3840	9.4	5.4	4.7	4.1	3.2	1.9				
CPH05A6250		250	1500	5120	12.5	7.2	6.3	5.4	4.3	2.5				
CPH05A8125	8 ft.	125	1000	3412	-	4.8	4.2	3.6	2.8	1.7	1	38 lbs.		
CPH05A8188		188	1500	5120	-	7.2	6.3	5.4	4.3	2.5				
CPH05A8250		250	2000	6824	-	9.6	8.3	7.2	5.8	3.3				
CPH05A10125	10 ft.	125	1250	4266	-	6.0	5.2	4.5	3.6	2.1	1	47 lbs.		
CPH05A10188		188	1875	6400	-	9.0	7.8	6.8	5.4	3.1				
CPH05A10250		250	2500	8532	-	12.0	10.4	9.0	7.2	4.2				
7" H x 5" D														
CATALOG NUMBER	LENGTH	NOMINAL WATTS/FT.	TOTAL HEATING CAPACITY		AMPERAGE						NO. OF ELEMENTS	SHIP WEIGHT		
			WATTS	BTU/HR.	208V		240V		277V	347V			600V	
7" H x 5" D														
CPH07A2125	28 in.	125	250	853	1.2	-	1.0	-	0.9	0.7	0.4	-	1	18 lbs.
CPH07A2188		188	375	1280	1.8	-	1.6	-	1.4	1.1	0.6	-		
CPH07A2250		250	500	1706	2.4	-	2.1	-	1.8	1.4	0.8	-		
CPH07A2375	28 in.	375	750	2560	3.6	-	3.1	-	2.7	2.2	1.2	-	2	18 lbs.
CPH07A2500		500	1000	3412	4.8	-	4.2	-	3.6	2.9	1.7	-		
CPH07A2564		564	1125	3840	5.4	3.1	4.7	2.7	4.1	3.2	1.9	1.1		
CPH07A2625	625	1250	4266	6.0	3.5	5.2	3.0	4.5	3.6	2.1	1.2			
CPH07A2750	750	1500	5120	7.2	4.2	6.3	3.6	5.4	4.3	2.5	1.4			
CPH07A3125	3 ft.	125	375	1280	1.8	-	1.6	-	1.4	1.1	0.6	-	1	22 lbs.
CPH07A3188		188	564	1925	2.7	-	2.4	-	2.0	1.6	0.9	-		
CPH07A3250		250	750	2560	3.6	-	3.1	-	2.7	2.2	1.2	-		
CPH07A3375	3 ft.	375	1125	3840	5.4	-	4.7	-	4.1	3.2	1.9	-	2	22 lbs.
CPH07A3500		500	1500	5120	7.2	-	6.3	-	5.4	4.3	2.5	-		
CPH07A3564		564	1690	5768	8.1	4.7	7.0	4.1	6.1	4.8	2.8	1.6		
CPH07A3625	625	1875	6400	9.0	5.2	7.8	4.5	6.8	5.4	3.1	1.8			
CPH07A3750	750	2250	7680	10.8	6.3	9.4	5.4	8.1	6.5	3.7	2.1			
CPH07A4125	4 ft.	125	500	1706	2.4	-	2.1	-	1.8	1.4	0.8	-	1	29 lbs.
CPH07A4188		188	750	2560	3.6	-	3.1	-	2.7	2.2	1.2	-		
CPH07A4250		250	1000	3412	4.8	-	4.2	-	3.6	2.9	1.7	-		
CPH07A4375	4 ft.	375	1500	5120	7.2	-	6.3	-	5.4	4.3	2.5	-	2	29 lbs.
CPH07A4500		500	2000	6824	9.6	-	8.3	-	7.2	5.8	3.3	-		
CPH07A4564		564	2250	7680	10.8	6.3	9.4	5.4	8.1	6.5	3.7	2.1		
CPH07A4625	625	2500	8532	12.0	7.0	10.4	6.0	9.0	7.2	4.2	2.4			
CPH07A4750	750	3000	10,239	14.4	8.3	12.5	7.2	10.8	8.6	5.0	2.9			
CPH07A5125	5 ft.	125	625	2133	3.0	-	2.6	-	2.3	1.8	1.0	-	1	37 lbs.
CPH07A5188		188	940	3208	4.5	-	3.9	-	3.4	2.7	1.6	-		
CPH07A5250		250	1250	4266	6.0	-	5.2	-	4.5	3.6	2.1	-		
CPH07A5375	5 ft.	375	1875	6400	9.0	-	7.8	-	6.8	5.4	3.1	-	2	37 lbs.
CPH07A5500		500	2500	8532	12.0	-	10.4	-	9.0	7.2	4.2	-		
CPH07A5564		564	2820	9625	13.6	7.8	11.8	6.8	10.2	8.1	4.7	2.7		
CPH07A5625	625	3125	10,665	15.0	8.7	13.0	7.5	11.3	9.0	5.2	3.0			
CPH07A5750	750	3750	12,800	18.0	10.4	15.6	9.0	13.5	10.8	6.2	3.6			

DECORATIVE AND COMMERCIAL PEDESTAL HEATERS

CATALOG NUMBER	NOMINAL LENGTH	TOTAL HEATING CAPACITY			AMPERAGE						NO. OF ELEMENTS	SHIP WEIGHT		
		WATTS/FT.	WATTS	BTU/HR.	208V		240V		277V	347V			600V	
					1Ø	3Ø	1Ø	3Ø	1Ø	1Ø	1Ø	3Ø		
7" H x 5" D (Cont.)														
CPH07A6125		125	750	2560	3.6	–	3.1	–	2.7	2.2	1.2	–		
CPH07A6188		188	1125	3840	5.4	–	4.7	–	4.1	3.2	1.9	–	1	
CPH07A6250		250	1500	5120	7.2	–	6.3	–	5.4	4.3	2.5	–		
CPH07A6375	6 ft.	375	2250	7680	10.8	–	9.4	–	8.1	6.5	3.7	–	2	44 lbs.
CPH07A6500		500	3000	10,239	14.4	–	12.5	–	10.8	8.6	5.0	–		
CPH07A6564		564	3380	11,535	16.3	9.4	14.1	8.1	12.2	9.7	5.6	3.2	3	
CPH07A6625		625	3750	12,800	18.0	10.4	15.6	9.0	13.5	10.8	6.2	3.6		
CPH07A6750		750	4500	15,358	21.6	12.5	18.8	10.8	16.2	12.9	7.5	4.3		
CPH07A8125		125	1000	3412	4.8	–	4.2	–	3.6	2.9	1.7	–	1	
CPH07A8188		188	1500	5120	7.2	–	6.3	–	5.4	4.3	2.5	–		
CPH07A8250		250	2000	6824	9.6	–	8.3	–	7.2	5.8	3.3	–		
CPH07A8375	8 ft.	375	3000	10,239	14.4	–	12.5	–	10.8	8.6	5.0	–	2	58 lbs.
CPH07A8500		500	4000	13,652	19.2	–	16.7	–	14.4	11.5	6.7	–		
CPH07A8564		564	4500	15,358	21.6	12.5	18.8	10.8	16.2	13.0	7.5	4.3	3	
CPH07A8625		625	5000	17,065	24.0	13.9	20.8	12.0	18.1	14.4	8.3	4.8		
CPH07A8750		750	6000	20,478	28.8	16.7	25.0	14.5	21.7	17.3	10.0	5.8		
CPH07A10125		125	1250	4266	6.0	–	5.2	–	4.5	3.6	2.1	–	1	
CPH07A10188		188	1875	6400	9.0	–	7.8	–	6.8	5.4	3.1	–		
CPH07A10250		250	2500	8532	12.0	–	10.4	–	9.0	7.2	4.2	–		
CPH07A10375	10 ft.	375	3750	12,800	18.0	–	15.6	–	13.5	10.8	6.2	–	2	72 lbs.
CPH07A10500		500	5000	17,065	24.0	–	20.8	–	18.1	14.4	8.3	–		
CPH07A10564		564	5640	19,250	27.1	15.7	23.5	13.6	20.4	16.2	9.4	5.4	3	
CPH07A10625		625	6250	21,330	30.0	17.4	26.0	15.0	22.6	18.0	10.4	6.0		
CPH07A10750		750	7500	25,600	36.1	20.8	31.3	18.1	27.1	21.6	12.5	7.2		

CPH COMMERCIAL PEDESTAL CONVECTOR ACCESSORIES

CATALOG NUMBER	DESCRIPTION	USE WITH	SHIP WT.
CPH05BL21	28-Inch Blank Section	CPH05A Heaters	10 lbs.
CPH05BL31	3-Foot Blank Section		13 lbs.
CPH05BL41	4-Foot Blank Section		17 lbs.
CPH05BL51	5 Foot Blank Section		21 lbs.
CPH05BL61	6-Foot Blank Section	CPH05A Heaters	25 lbs.
CPH05BL81	8-Foot Blank Section		32 lbs.
CPH05BL101	10-Foot Blank Section		42 lbs.
CPH07BL21	28-Inch Blank Section	CPH07A Heaters	14 lbs.
CPH07BL31	3-Foot Blank Section		18 lbs.
CPH07BL41	4-Foot Blank Section		24 lbs.
CPH07BL51	5 Foot Blank Section		30 lbs.
CPH07BL61	6-Foot Blank Section	CPH07A Heaters	36 lbs.
CPH07BL81	8-Foot Blank Section		48 lbs.
CPH07BL101	10-Foot Blank Section		60 lbs.
PHB052	Pedestal Leg Kit for 2, 3 & 4 ft. units	Legs <u>MUST</u> be ordered with CPH05A Heaters/Blanks	3 lbs.
PHB053	Pedestal Leg Kit for 5, 6 & 8 ft. units		4 lbs.
PHB054	Pedestal Leg Kit for 10 ft. unit		5 lbs.
PHB072	Pedestal Leg Kit for 2, 3 & 4 ft. units	Legs <u>MUST</u> be ordered with CPH07A Heaters/Blanks	4 lbs.
PHB073	Pedestal Leg Kit for 5, 6 & 8 ft. units		5 lbs.
PHB074	Pedestal Leg Kit for 10 ft. unit		7 lbs.
CSH05ECR	Right Hand End Cap	CPH05/07A Heaters/Blanks	1 lb.
CSH07ECR	Right Hand End Cap		1 lb.
CSH05ECL	Left Hand End Cap	CPH05/07A Heaters/Blanks	1 lb.
CSH07ECL	Left Hand End Cap		1 lb.

NOTES:

- If color is not specified, front covers will be neutral grey. Back, grille, and accessories will be bronze brown.
- When ordering, specify heater Catalog No., voltage, phase, suffix Catalog No. for built-in controls, color, and options.
- Specify color for pedestal legs.

OPTIONS

Controls–Built-in: see page 63 .

Outlet Mesh–Price per ft.

14-Gauge Front Cover–add 10% to heater price.
Standard color included in base price.
Other colors available. See paint policy; page 31.
Receptacles in end caps; see page 63.

DPH DECORATIVE AND COMMERCIAL PEDESTAL HEATERS

CATALOG NUMBER	LENGTH	NOMINAL WATTS/FT.	TOTAL HEATING CAPACITY			AMPERAGE						NO. OF ELEMENTS	SHIP WT.
			WATTS	BTU/HR.	120V	208V	240V	277V	347V	600V			
5" H x 3" D													
DPH05A2125	28 in.	125	250	853	2.1	1.2	1.0	0.9	0.7	0.4	1	11 lbs.	
DPH05A2188		188	375	1280	3.1	1.8	1.6	1.4	1.1	0.6			
DPH05A2250		250	500	1706	4.2	2.4	2.1	1.8	1.4	0.8			
DPH05A3125	3 ft.	125	375	1280	3.1	1.8	1.6	1.4	1.1	0.6	1	15 lbs.	
DPH05A3188		188	564	1925	4.7	2.7	2.4	2.0	1.6	0.9			
DPH05A3250		250	750	2560	6.2	3.6	3.1	2.7	2.2	1.2			
DPH05A4125	4 ft.	125	500	1706	4.2	2.4	2.1	1.8	1.4	0.8	1	18 lbs.	
DPH05A4188		188	750	2560	6.2	3.6	3.1	2.7	2.2	1.2			
DPH05A4250		250	1000	3412	8.3	4.8	4.2	3.6	2.9	1.7			
DPH05A5125	5 ft.	125	625	2133	5.2	3.0	2.6	2.3	1.8	1.0	1	25 lbs.	
DPH05A5188		188	940	3208	7.8	4.5	3.9	3.4	2.7	1.6			
DPH05A5250		250	1250	4266	10.4	6.0	5.2	4.5	3.6	2.1			
DPH05A6125	6 ft.	125	750	2560	6.2	3.6	3.1	2.7	2.2	1.2	1	29 lbs.	
DPH05A6188		188	1125	3840	9.4	5.4	4.7	4.1	3.2	1.9			
DPH05A6250		250	1500	5120	12.5	7.2	6.3	5.4	4.3	2.5			
DPH05A8125	8 ft.	125	1000	3412	-	4.8	4.2	3.6	2.8	1.7	1	38 lbs.	
DPH05A8188		188	1500	5120	-	7.2	6.3	5.4	4.3	2.5			
DPH05A8250		250	2000	6824	-	9.6	8.3	7.2	5.8	3.3			
DPH05A10125	10 ft.	125	1250	4266	-	6.0	5.2	4.5	3.6	2.1	1	47 lbs.	
DPH05A10188		188	1875	6400	-	9.0	7.8	6.8	5.4	3.1			
DPH05A10250		250	2500	8532	-	12.0	10.4	9.0	7.2	4.2			

CATALOG NUMBER	LENGTH	NOMINAL WATTS/FT.	WATTS	TOTAL HEATING CAPACITY BTU/HR.	208V		AMPERAGE			347V	600V	NO. OF ELEMENTS	SHIP WT.
					1Ø	3Ø	240V	277V					
7" H x 5" D													
DPH07A2125	28 in.	125	250	853	1.2	-	1.0	-	0.9	0.7	0.4	-	1
DPH07A2188		188	375	1280	1.8	-	1.6	-	1.4	1.1	0.6	-	
DPH07A2250		250	500	1706	2.4	-	2.1	-	1.8	1.4	0.8	-	
DPH07A2375	3 ft.	375	750	2560	3.6	-	3.1	-	2.7	2.2	1.2	-	2
DPH07A2500		500	1000	3412	4.8	-	4.2	-	3.6	2.9	1.7	-	
DPH07A2564		564	1125	3840	5.4	3.1	4.7	2.7	4.1	3.2	1.9	1.1	
DPH07A2625	3 ft.	625	1250	4266	6.0	3.5	5.2	3.0	4.5	3.6	2.1	1.2	3
DPH07A2750		750	1500	5120	7.2	4.2	6.3	3.6	5.4	4.3	2.5	1.4	
DPH07A3125		125	375	1280	1.8	-	1.6	-	1.4	1.1	0.6	-	
DPH07A3188	3 ft.	188	564	1925	2.7	-	2.4	-	2.0	1.6	0.9	-	1
DPH07A3250		250	750	2560	3.6	-	3.1	-	2.7	2.2	1.2	-	
DPH07A3375		375	1125	3840	5.4	-	4.7	-	4.1	3.2	1.9	-	
DPH07A3500	3 ft.	500	1500	5120	7.2	-	6.3	-	5.4	4.3	2.5	-	2
DPH07A3564		564	1690	5768	8.1	4.7	7.0	4.1	6.1	4.8	2.8	1.6	
DPH07A3625		625	1875	6400	9.0	5.2	7.8	4.5	6.8	5.4	3.1	1.8	
DPH07A3750	3 ft.	750	2250	7680	10.8	6.3	9.4	5.4	8.1	6.5	3.7	2.1	3
DPH07A4125		125	500	1706	2.4	-	2.1	-	1.8	1.4	0.8	-	
DPH07A4188		188	750	2560	3.6	-	3.1	-	2.7	2.2	1.2	-	
DPH07A4250	3 ft.	250	1000	3412	4.8	-	4.2	-	3.6	2.9	1.7	-	1
DPH07A4375		375	1500	5120	7.2	-	6.3	-	5.4	4.3	2.5	-	
DPH07A4500		500	2000	6824	9.6	-	8.3	-	7.2	5.8	3.3	-	
DPH07A4564	4 ft.	564	2250	7680	10.8	6.3	9.4	5.4	8.1	6.5	3.7	2.1	3
DPH07A4625		625	2500	8532	12.0	7.0	10.4	6.0	9.0	7.2	4.2	2.4	
DPH07A4750		750	3000	10,239	14.4	8.3	12.5	7.2	10.8	8.6	5.0	2.9	
DPH07A5125	5 ft.	125	625	2133	3.0	-	2.6	-	2.3	1.8	1.0	-	1
DPH07A5188		188	940	3208	4.5	-	3.9	-	3.4	2.7	1.6	-	
DPH07A5250		250	1250	4266	6.0	-	5.2	-	4.5	3.6	2.1	-	
DPH07A5375	5 ft.	375	1875	6400	9.0	-	7.8	-	6.8	5.4	3.1	-	2
DPH07A5500		500	2500	8532	12.0	-	10.4	-	9.0	7.2	4.2	-	
DPH07A5564		564	2820	9625	13.6	7.8	11.8	6.8	10.2	8.1	4.7	2.7	
DPH07A5625	5 ft.	625	3125	10,665	15.0	8.7	13.0	7.5	11.3	9.0	5.2	3.0	3
DPH07A5750		750	3750	12,800	18.0	10.4	15.6	9.0	13.5	10.8	6.2	3.6	



Pedestal Leg Kits priced separately under DPH Commercial Pedestal Convector Accessories. See page 63.

NOTE: All models are NON-STOCK made-to-order. When ordering, specify quantity, catalog number, voltage, wattage, optional controls, and color. Consult sales representative for lead times.

CATALOG NUMBER	LENGTH	NOMINAL WATTS/FT.	TOTAL HEATING CAPACITY		AMPERAGE								NO. OF ELEMENTS	SHIP WT.
			WATTS	BTU/HR.	208V		240V		277V	347V	600V			
					1Ø	3Ø	1Ø	3Ø	1Ø	1Ø	1Ø	3Ø		
7" H x 5" D (Cont.)														
DPH07A6125		125	750	2560	3.6	–	3.1	–	2.7	2.2	1.2	-	1	
DPH07A6188		188	1125	3840	5.4	–	4.7	–	4.1	3.2	1.9	-		
DPH07A6250		250	1500	5120	7.2	–	6.3	–	5.4	4.3	2.5	-		
DPH07A6375	6 ft.	375	2250	7680	10.8	–	9.4	–	8.1	6.5	3.7	-	2	44 lbs.
DPH07A6500		500	3000	10,239	14.4	–	12.5	–	10.8	8.6	5.0	-		
DPH07A6564		564	3380	11,535	16.3	9.4	14.1	8.1	12.2	9.7	5.6	3.2	3	
DPH07A6625		625	3750	12,800	18.0	10.4	15.6	9.0	13.5	10.8	6.2	3.6		
DPH07A6750		750	4500	15,358	21.6	12.5	18.8	10.8	16.2	12.9	7.5	4.3		
DPH07A8125		125	1000	3412	4.8	–	4.2	–	3.6	2.9	1.7	-	1	
DPH07A8188		188	1500	5120	7.2	–	6.3	–	5.4	4.3	2.5	-		
DPH07A8250		250	2000	6824	9.6	–	8.3	–	7.2	5.8	3.3	-		
DPH07A8375	8 ft.	375	3000	10,239	14.4	–	12.5	–	10.8	8.6	5.0	-	2	58 lbs.
DPH07A8500		500	4000	13,652	19.2	–	16.7	–	14.4	11.5	6.7	-		
DPH07A8564		564	4500	15,358	21.6	12.5	18.8	10.8	16.2	13.0	7.5	4.3	3	
DPH07A8625		625	5000	17,065	24.0	13.9	20.8	12.0	18.1	14.4	8.3	4.8		
DPH07A8750		750	6000	20,478	28.8	16.7	25.0	14.5	21.7	17.3	10.0	5.8		
DPH07A10125		125	1250	4266	6.0	–	5.2	–	4.5	3.6	2.1	-	1	
DPH07A10188		188	1875	6400	9.0	–	7.8	–	6.8	5.4	3.1	-		
DPH07A10250		250	2500	8532	12.0	–	10.4	–	9.0	7.2	4.2	-		
DPH07A10375	10 ft.	375	3750	12,800	18.0	–	15.6	–	13.5	10.8	6.2	-	2	72 lbs.
DPH07A10500		500	5000	17,065	24.0	–	20.8	–	18.1	14.4	8.3	-		
DPH07A10564		564	5640	19,250	27.1	15.7	23.5	13.6	20.4	16.2	9.4	5.4	3	
DPH07A10625		625	6250	21,330	30.0	17.4	26.0	15.0	22.6	18.0	10.4	6.0		
DPH07A10750		750	7500	25,600	36.1	20.8	31.3	18.1	27.1	21.6	12.5	7.2		

DPH DECORATIVE PEDESTAL CONVECTOR ACCESSORIES

CATALOG NUMBER	DESCRIPTION	USE WITH	SHIP WT.
DPH05BL21	28-Inch Blank Section	DPH05A Heaters	10 lbs.
DPH05BL31	3-Foot Blank Section		13 lbs.
DPH05BL41	4-Foot Blank Section		17 lbs.
DPH05BL51	5 Foot Blank Section		21 lbs.
DPH05BL61	6-Foot Blank Section	DPH05A Heaters	25 lbs.
DPH05BL81	8-Foot Blank Section		32 lbs.
DPH05BL101	10-Foot Blank Section		42 lbs.
DPH07BL21	28-Inch Blank Section	DPH07A Heaters	14 lbs.
DPH07BL31	3-Foot Blank Section		18 lbs.
DPH07BL41	4-Foot Blank Section		24 lbs.
DPH07BL51	5 Foot Blank Section		30 lbs.
DPH07BL61	6-Foot Blank Section	DPH07A Heaters	36 lbs.
DPH07BL81	8-Foot Blank Section		48 lbs.
DPH07BL101	10-Foot Blank Section		60 lbs.
PHB052	Pedestal Leg Kit for 2, 3 & 4 ft. units	Legs <u>MUST</u> be ordered with DPH05A Heaters/Blanks	3 lbs.
PHB053	Pedestal Leg Kit for 5, 6 & 8 ft. units		4 lbs.
PHB054	Pedestal Leg Kit for 10 ft. unit		5 lbs.
PHB072	Pedestal Leg Kit for 2, 3 & 4 ft. units	Legs <u>MUST</u> be ordered with DPH07A Heaters/Blanks	4 lbs.
PHB073	Pedestal Leg Kit for 5, 6 & 8 ft. units		5 lbs.
PHB074	Pedestal Leg Kit for 10 ft. unit		7 lbs.
DSH05ECR	Right Hand End Cap	DPH05/07A Heaters/Blanks	1 lb.
DSH07ECR	Right Hand End Cap		1 lb.
DSH05ECL	Left Hand End Cap	DPH05/07A Heaters/Blanks	1 lb.
DSH07ECL	Left Hand End Cap		1 lb.

NOTES:

- If color is not specified, front covers will be neutral grey. Back, grille, and accessories will be Statuary Bronze.
- When ordering, specify heater Catalog No., voltage, phase, suffix Catalog No. for built-in controls, color, and options.
- Specify color for pedestal legs.

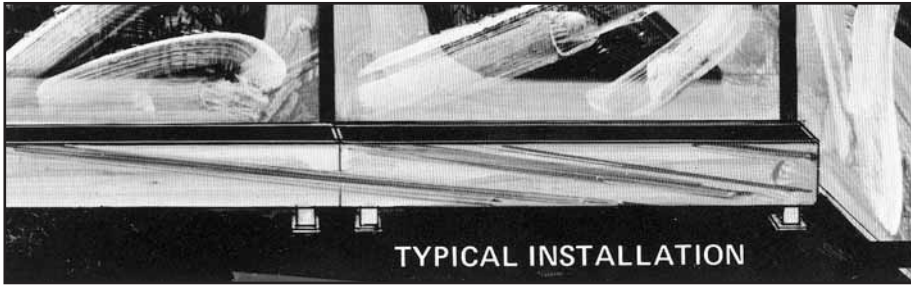
OPTIONS

Controls–Built-in: see page 63.

Outlet Mesh–Price per ft.

14-Gauge Front Cover–add 10% to heater price.
Standard color included in base price.
Other colors available. See paint policy; page 31.
Receptacles in end caps; see page 63.

DECORATIVE AND COMMERCIAL PEDESTAL HEATERS

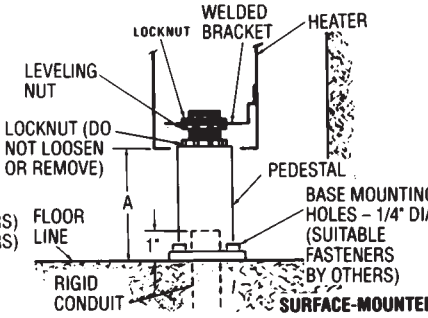
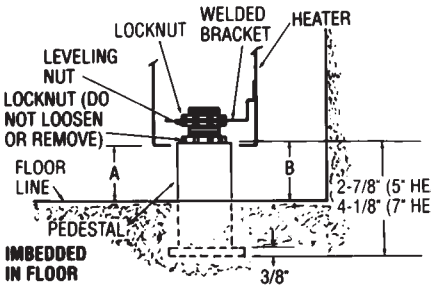


ACCESSORIES

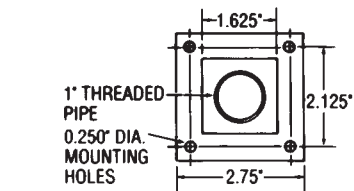
CATALOG NUMBER	USE W/DSH	DIMENSIONS (inches)			
		H	D	L	N*
LEFT END CAPS					
CSH05ECL**	CPH05A	5-1/2	2-1/2	—	1/8
CSH07ECL**	CPH07A	7	4-3/4	—	1/8
DSH05ECL**	DPH05A	5-1/2	2-1/2	—	1/8
DSH07ECL**	DPH07A	7	4-3/4	—	1/8
RIGHT END CAPS					
CSH05ECR**	CPH05A	5-1/2	2-1/2	—	1/8
CSH07ECR**	CPH07A	7	4-3/4	—	1/8
DSH05ECR**	DPH05A	5-1/2	2-1/2	—	1/8
DSH07ECR**	DPH07A	7	4-3/4	—	1/8
PEDESTAL LEGS (FOR CPH05 AND DPH05 HEATERS)					
PHB052**	2', 3', & 4' heaters and blank sections				
PHB053**	5', 6', & 8' heaters and blank sections				
PHB054**	10' heaters and blank sections				
PEDESTAL LEGS (FOR CPH07 AND DPH07 HEATERS)					
PHB072**	2', 3', & 4' heaters and blank sections				
PHB073**	5', 6', & 8' heaters and blank sections				
PHB074**	10' heaters and blank sections				
BLANK SECTIONS (CPH05)					
CPH05BL21	CPH05	5-1/2	3	28	28
CPH05BL31				36	36
CPH05BL41				48	48
CPH05BL51				60	60
CPH05BL61				72	72
CPH05BL81				96	96
CPH05BL101				120	120
BLANK SECTIONS (CPH07)					
CPH07BL21	CPH07	7	5	28	28
CPH07BL31				36	36
CPH07BL41				48	48
CPH07BL51				60	60
CPH07BL61				72	72
CPH07BL81				96	96
CPH07BL101				120	120
BLANK SECTIONS (DPH05)					
DPH05BL21	DPH05	5-1/2	3	28	28
DPH05BL31				36	36
DPH05BL41				48	48
DPH05BL51				60	60
DPH05BL61				72	72
DPH05BL81				96	96
DPH05BL101				120	120
BLANK SECTIONS (DPH07)					
DPH07BL21	DPH07	7	5	28	28
DPH07BL31				36	36
DPH07BL41				48	48
DPH07BL51				60	60
DPH07BL61				72	72
DPH07BL81				96	96
DPH07BL101				120	120

Heater Capacity (Watts/Ft. Heater Length)	Heater Dimension "A" (Minimum Mounting Height Above Floor)	Pedestal Dimension "B" (Minimum Height Above Floor)
125, 188 and 250 Watts/Ft.	1-3/4"	2"
376, 500, 564, 625 and 750 Watts/Ft.	3"	3-1/4"

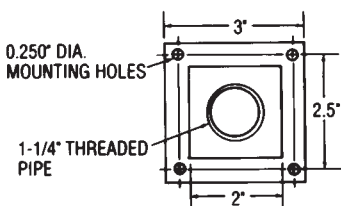
Heater Catalog Number	Height Above Floor (Dim. "A")	
	Min.	Max.
CPH05A, DPH05A	2-5/8"	3-3/8"
CPH07A, DPH07A	3-7/8"	4-5/8"



PEDESTAL DETAILS

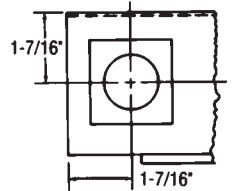


5" HEATER PEDESTAL

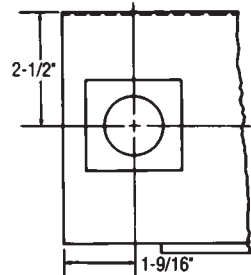


7" HEATER PEDESTAL

PEDESTAL LOCATION

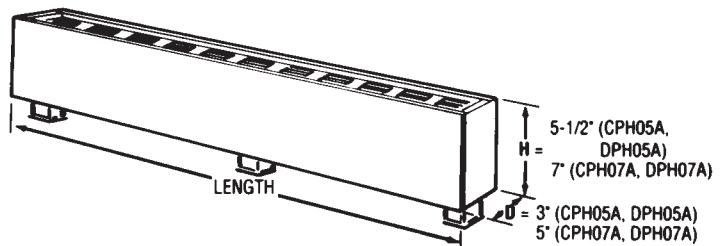


BOTTOM OF 5" HEATERS



BOTTOM OF 7" HEATERS

HEATING AND BLANK SECTIONS



COMMERCIAL SILL-HEIGHT CONVECTORS

APPLICATIONS

Provide total or supplemental heating for offices, corridors, lobbies or similar facilities. These units are not, however, designed for residential use. Mounted under expanses of glass, they prevent cold down-drafts.

FEATURES

With a broad range of heating capacities per foot length, 125 watts (436 BTU per hour) to 750 watts (2,560 BTU per hour), these units can be run from wall-to-wall or they can be mounted as discrete units in lengths of 28-inches to ten feet. Locate them at sill height (or lower) or run them from mullion-to-mullion.

125 to 250 watts per foot units can be positioned within 1-3/4 inches of the floor; 375 to 750 watts per foot units can be positioned to within 3 inches of the floor. The 5-1/2 inch high sill-height convectors are only 3 inches in depth (front to back); the seven and fourteen-inch high models are only 5 inches in depth.

5-1/2 and seven-inch high models are available with top outlet only; fourteen-inch models are available with top or front outlet.

Available in a spectrum of muted architectural colors in baked enamel finishes which are compatible with all interior decors.

Front cover is fabricated from 16-gauge steel (14-gauge optional). For service, all internal parts are accessible by removing cover. Top of front cover engages with grille supports; bottom of cover locks into place with concealed Phillips head screws.

Depending on capacity required, each unit may contain one to three heating elements. Elements are long life metal sheath type, anchored to allow for quiet expansion and contraction.

Thermal limit switch with linear type (full length) sensing bulb provides constant protection against overheating from any cause. The switch will automatically reset when normal operating temperatures are restored.

Standard units are prewired. Units without optional controls are designed for either right hand or left hand entry for easy connection of supply wiring from bottom, rear or end, as well as multiple wiring of adjacent heaters from one entry point.

Accessories include a complete line of matching blank sections, end caps, filler sections, inside and outside corners.

Optional 1/4-inch mesh screen located beneath outlet grille available to deter insertion of foreign objects through grille.

Optional built-in controls consist of line voltage thermostat (SPST or DPST); two-stage thermostat; disconnect switch; transformer relay; and power relay. (Refer to specification table for ratings.)



NOTE: These products are Made-to-order and cannot be returned.

CAT. NO. CSH05

COMMERCIAL SILL HEIGHT CONVECTORS (5½" HEIGHT, 3" DEPTH, ONE ELEMENT)

CATALOG NUMBER	LENGTH	NOMINAL WATTS/FT.	TOTAL HEATING CAPACITY			AMPERAGE					NO. OF ELEMENTS	SHIP WT.
			WATTS	BTU/HR.	120V	208V	240V	277V	347V	600V		
CSH05A2125	28 in.	125	250	853	2.1	1.2	1.0	0.9	0.7	0.4	1	11 lbs.
CSH05A2188		188	375	1280	3.1	1.8	1.6	1.4	1.1	0.6		
CSH05A2250		250	500	1706	4.2	2.4	2.1	1.8	1.4	0.8		
CSH05A3125	3 ft.	125	375	1280	3.1	1.8	1.6	1.4	1.1	0.6	1	14 lbs.
CSH05A3188		188	546	1925	4.7	2.7	2.4	2.0	1.6	0.9		
CSH05A3250		250	750	2560	6.2	3.6	3.1	2.7	2.2	1.2		
CSH05A4125	4 ft.	125	500	1706	4.2	2.4	2.1	1.8	1.4	0.8	1	19 lbs.
CSH05A4188		188	750	2560	6.2	3.6	3.1	2.7	2.2	1.2		
CSH05A4250		250	1000	3412	8.3	4.8	4.2	3.6	2.9	1.7		
CSH05A5125	5 ft.	125	625	2133	5.2	3.0	2.6	2.3	1.8	1.0	1	23 lbs.
CSH05A5188		188	940	3208	7.8	4.5	3.9	3.4	2.7	1.6		
CSH05A5250		250	1250	4266	10.4	6.0	5.2	4.5	3.6	2.1		
CSH05A6125	6 ft.	125	750	2560	6.2	3.6	3.1	2.7	2.2	1.2	1	27 lbs.
CSH05A6188		188	1125	3840	9.4	5.4	4.7	4.1	3.2	1.9		
CSH05A6250		250	1500	5120	12.5	7.2	6.3	5.4	4.3	2.5		
CSH05A8125	8 ft.	125	1000	3412	-	4.8	4.2	3.6	2.8	1.7	1	37 lbs.
CSH05A8188		188	1500	5120	-	7.2	6.3	5.4	4.3	2.5		
CSH05A8250		250	2000	6824	-	9.6	8.3	7.2	5.8	3.3		
CSH05A10125	10 ft.	125	1250	4266	-	6.0	5.2	4.5	3.6	2.1	1	47 lbs.
CSH05A10188		188	1875	6400	-	9.0	7.8	6.8	5.4	3.1		
CSH05A10250		250	2500	8532	-	12.0	10.4	9.0	7.2	4.2		

CAT. NO. CSH07

COMMERCIAL SILL HEIGHT CONVECTORS (7" HEIGHT, 5" DEPTH)

CATALOG NUMBER	LENGTH	NOMINAL WATTS/FT.	TOTAL HEATING CAPACITY			AMPERAGE						NO. OF ELEMENTS	SHIP WT.	
			WATTS	BTU/HR.	208V		240V		277V	347V	600V			
					1Ø	3Ø	1Ø	3Ø	1Ø	347V 1Ø	1Ø	3Ø		
CSH07A2125	28 in.	125	250	853	1.2	-	1.0	-	0.9	0.7	0.4	-	1	17 lbs.
CSH07A2188		188	375	1280	1.8	-	1.6	-	1.4	1.1	0.6	-		
CSH07A2250		250	500	1706	2.4	-	2.1	-	1.8	1.4	0.8	-		
CSH07A2375	28 in.	375	750	2560	3.6	-	3.1	-	2.7	2.2	1.2	-	2	17 lbs.
CSH07A2500		500	1000	3412	4.8	-	4.2	-	3.6	2.9	1.7	-		
CSH07A2564		564	1125	3840	5.4	3.1	4.7	2.7	4.1	3.2	1.9	1.1		
CSH07A2625	3 ft.	625	1250	4266	6.0	3.5	5.2	3.0	4.5	3.6	2.1	1.2	3	21 lbs.
CSH07A2750		750	1500	5120	7.2	4.2	6.3	3.6	5.4	4.3	2.5	1.4		
CSH07A3125		125	375	1280	1.8	-	1.6	-	1.4	1.1	0.6	-		
CSH07A3188	3 ft.	188	564	1925	2.7	-	2.4	-	2.0	1.6	0.9	-	1	21 lbs.
CSH07A3250		250	750	2560	3.6	-	3.1	-	2.7	2.2	1.2	-		
CSH07A3375		375	1125	3840	5.4	-	4.7	-	4.1	3.2	1.9	-		
CSH07A3500	3 ft.	500	1500	5120	7.2	-	6.3	-	5.4	4.3	2.5	-	2	21 lbs.
CSH07A3564		564	1690	5768	8.1	4.7	7.0	4.1	6.1	4.8	2.8	1.6		
CSH07A3625		625	1875	6400	9.0	5.2	7.8	4.5	6.8	5.4	3.1	1.8		
CSH07A-3750	4 ft.	750	2250	7680	10.8	6.3	9.4	5.4	8.1	6.5	3.7	2.1	3	28 lbs.
CSH07A4125		125	500	1706	2.4	-	2.1	-	1.8	1.4	0.8	-		
CSH07A4188		188	750	2560	3.6	-	3.1	-	2.7	2.2	1.2	-		
CSH07A4250	4 ft.	250	1000	3412	4.8	-	4.2	-	3.6	2.9	1.7	-	1	28 lbs.
CSH07A4375		375	1500	5120	7.2	-	6.3	-	5.4	4.3	2.5	-		
CSH07A4500		500	2000	6824	9.6	-	8.3	-	7.2	5.8	3.3	-		
CSH07A4564	5 ft.	564	2250	7680	10.8	6.3	9.4	5.4	8.1	6.5	3.7	2.1	3	35 lbs.
CSH07A4625		625	2500	8532	12.0	7.0	10.4	6.0	9.0	7.2	4.2	2.4		
CSH07A4750		750	3000	10,239	14.4	8.3	12.5	7.2	10.8	8.6	5.0	2.9		
CSH07A5125	5 ft.	125	625	2133	3.0	-	2.6	-	2.3	1.8	1.0	-	1	35 lbs.
CSH07A5188		188	940	3208	4.5	-	3.9	-	3.4	2.7	1.6	-		
CSH07A5250		250	1250	4266	6.0	-	5.2	-	4.5	3.6	2.1	-		
CSH07A5375	5 ft.	375	1875	6400	9.0	-	7.8	-	6.8	5.4	3.1	-	2	35 lbs.
CSH07A5500		500	2500	8532	12.0	-	10.4	-	9.0	7.2	4.2	-		
CSH07A5564		564	2820	9625	13.6	7.8	11.8	6.8	10.2	8.1	4.7	2.7		
CSH07A5625	5 ft.	625	3125	10,665	15.0	8.7	13.0	7.5	11.3	9.0	5.2	3.0	3	35 lbs.
CSH07A5750		750	3750	12,800	18.0	10.4	15.6	9.0	13.5	10.8	6.2	3.6		



NOTE: All models are NON-STOCK made-to-order. When ordering, specify quantity, catalog number, voltage, wattage, optional controls, and color. Consult sales representative for lead times.

CAT. NO. CSH07

COMMERCIAL SILL HEIGHT CONVECTORS (7" HEIGHT, 5" DEPTH) (Con't.)

CATALOG NUMBER	LENGTH	NOMINAL WATTS/FT.	TOTAL HEATING CAPACITY			AMPERAGE						NO. OF ELEMENTS	SHIP WT.	
			WATTS	BTU/HR.	208V	240V	277V	347V	600V	1Ø	3Ø			
CSH07A6125		125	750	2560	3.6	-	3.1	-	2.7	2.2	1.2	-	1	
CSH07A6188		188	1125	3840	5.4	-	4.7	-	4.1	3.2	1.9	-		
CSH07A6250		250	1500	5120	7.2	-	6.3	-	5.4	4.3	2.5	-		
CSH07A6375	6 ft.	375	2250	7680	10.8	-	9.4	-	8.1	6.5	3.7	-	2	42 lbs.
CSH07A6500		500	3000	10,239	14.4	-	12.5	-	10.8	8.6	5.0	-		
CSH07A6564		564	3380	11,535	16.3	9.4	14.1	8.1	12.2	9.7	5.6	3.2	3	
CSH07A6625		625	3750	12,800	18.0	10.4	15.6	9.0	13.5	10.8	6.2	3.6		
CSH07A6750		750	4500	15,358	21.6	12.5	18.8	10.8	16.2	12.9	7.5	4.3		
CSH07A8125		125	1000	3412	4.8	-	4.2	-	3.6	2.9	1.7	-	1	
CSH07A8188		188	1500	5120	7.2	-	6.3	-	5.4	4.3	2.5	-		
CSH07A8250		250	2000	6824	9.6	-	8.3	-	7.2	5.8	3.3	-		
CSH07A8375	8 ft.	375	3000	10,239	14.4	-	12.5	-	10.8	8.6	5.0	-	2	56 lbs.
CSH07A8500		500	4000	13,652	19.2	-	16.7	-	14.4	11.5	6.7	-		
CSH07A8564		564	4500	15,358	21.6	12.5	18.8	10.8	16.2	13.0	7.5	4.3	3	
CSH07A8625		625	5000	17,065	24.0	13.9	20.8	12.0	18.1	14.4	8.3	4.8		
CSH07A8750		750	6000	20,478	28.8	16.7	25.0	14.5	21.7	17.3	10.0	5.8		
CSH07A10125		125	1250	4266	6.0	-	5.2	-	4.5	3.6	2.1	-	1	
CSH07A10188		188	1875	6400	9.0	-	7.8	-	6.8	5.4	3.1	-		
CSH07A10250		250	2500	8532	12.0	-	10.4	-	9.0	7.2	4.2	-		
CSH07A10375	10 ft.	375	3750	12,800	18.0	-	15.6	-	13.5	10.8	6.2	-	2	70 lbs.
CSH07A10500		500	5000	17,065	24.0	-	20.8	-	18.1	14.4	8.3	-		
CSH07A10564		564	5640	19,250	27.1	15.7	23.5	13.6	20.4	16.2	9.4	5.4	3	
CSH07A10625		625	6250	21,330	30.0	17.4	26.0	15.0	22.6	18.0	10.4	6.0		
CSH07A10750		750	7500	25,600	36.1	20.8	31.3	18.1	27.1	21.6	12.5	7.2		

CAT. NO. CSH14

COMMERCIAL SILL HEIGHT CONVECTORS (14" HEIGHT, 5" DEPTH)

CATALOG NUMBER	LENGTH	NOMINAL WATTS/FT.	TOTAL HEATING CAPACITY			AMPERAGE						NO. OF ELEMENTS	SHIP WT.	
			WATTS	BTU/HR.	208V	240V	277V	347V	600V	1Ø	3Ø			
CSH14A2125		125	250	853	1.2	-	1.0	-	0.9	0.7	0.4	-	1	
CSH14A2188		188	375	1280	1.8	-	1.6	-	1.4	1.1	0.6	-		
CSH14A2250		250	500	1706	2.4	-	2.1	-	1.8	1.4	0.8	-		
CSH14A2375	28 in.	375	750	2560	3.6	-	3.1	-	2.7	2.2	1.2	-	2	25 lbs.
CSH14A2500		500	1000	3412	4.8	-	4.2	-	3.6	2.9	1.7	-		
CSH14A2564		564	1125	3840	5.4	3.1	4.7	2.7	4.1	3.2	1.9	1.1	3	
CSH14A2625		625	1250	4266	6.0	3.5	5.2	3.0	4.5	3.6	2.1	1.2		
CSH14A2750		750	1500	5120	7.2	4.2	6.3	3.6	5.4	4.3	2.5	1.4		
CSH14A3125		125	375	1280	1.8	-	1.6	-	1.4	1.1	0.6	-	1	
CSH14A3188		188	564	1925	2.7	-	2.4	-	2.0	1.6	0.9	-		
CSH14A3250		250	750	2560	3.6	-	3.1	-	2.7	2.2	1.2	-		
CSH14A3375	3 ft.	375	1125	3840	5.4	-	4.7	-	4.1	3.2	1.9	-	2	32 lbs.
CSH14A3500		500	1500	5120	7.2	-	6.3	-	5.4	4.3	2.5	-		
CSH14A3564		564	1690	5768	8.1	4.7	7.0	4.1	6.1	4.8	2.8	1.6	3	
CSH14A3625		625	1875	6400	9.0	5.2	7.8	4.5	6.8	5.4	3.1	1.8		
CSH14A3750		750	2250	7680	10.8	6.3	9.4	5.4	8.1	6.5	3.7	2.1		
CSH14A4125		125	500	1706	2.4	-	2.1	-	1.8	1.4	0.8	-	1	
CSH14A4188		188	750	2560	3.6	-	3.1	-	2.7	2.2	1.2	-		
CSH14A4250		250	1000	3412	4.8	-	4.2	-	3.6	2.9	1.7	-		
CSH14A4375	4 ft.	375	1500	5120	7.2	-	6.3	-	5.4	4.3	2.5	-	2	42 lbs.
CSH14A4500		500	2000	6824	9.6	-	8.3	-	7.2	5.8	3.3	-		
CSH14A4564		564	2250	7680	10.8	6.3	9.4	5.4	8.1	6.5	3.7	2.1	3	
CSH14A4625		625	2500	8532	12.0	7.0	10.4	6.0	9.0	7.2	4.2	2.4		
CSH14A4750		750	3000	10,239	14.4	8.3	12.5	7.2	10.8	8.6	5.0	2.9		
CSH14A5125		125	625	2133	3.0	-	2.6	-	2.3	1.8	1.0	-	1	
CSH14A5188		188	940	3208	4.5	-	3.9	-	3.4	2.7	1.6	-		
CSH14A5250		250	1250	4266	6.0	-	5.2	-	4.5	3.6	2.1	-		
CSH14A5375	5 ft.	375	1875	6400	9.0	-	7.8	-	6.8	5.4	3.1	-	2	53 lbs.
CSH14A5500		500	2500	8532	12.0	-	10.4	-	9.0	7.2	4.2	-		
CSH14A5564		564	2820	9625	13.6	7.8	11.8	6.8	10.2	8.1	4.7	2.7	3	
CSH14A5625		625	3125	10,665	15.0	8.7	13.0	7.5	11.3	9.0	5.2	3.0		
CSH14A5750		750	3750	12,800	18.0	10.4	15.6	9.0	13.5	10.8	6.2	3.6		

CAT. NO. CSH14 COMMERCIAL SILL HEIGHT CONVECTORS (14" HEIGHT, 5" DEPTH) (Con't.)

CATALOG NUMBER	LENGTH	TOTAL HEATING CAPACITY			AMPERAGE								NO. OF ELEMENTS	SHIP WT.
		NOMINAL WATTS/FT.	WATTS	BTU/HR.	208V 1Ø	3Ø	240V 1Ø	3Ø	277V 1Ø	347V 1Ø	600V 1Ø	3Ø		
CSH14A6125		125	750	2560	3.6	-	3.1	-	2.7	2.2	1.2	-	1	
CSH14A6188		188	1125	3840	5.4	-	4.7	-	4.1	3.2	1.9	-		
CSH14A6250		250	1500	5120	7.2	-	6.3	-	5.4	4.3	2.5	-		
CSH14A6375	6 ft.	375	2250	7680	10.8	-	9.4	-	8.1	6.5	3.7	-	2	63 lbs.
CSH14A6500		500	3000	10,239	14.4	-	12.5	-	10.8	8.6	5.0	-		
CSH14A6564		564	3380	11,535	16.3	9.4	14.1	8.1	12.2	9.7	5.6	3.2	3	
CSH14A6625		625	3750	12,800	18.0	10.4	15.6	9.0	13.5	10.8	6.2	3.6		
CSH14A6750		750	4500	15,358	21.6	12.5	18.8	10.8	16.2	12.9	7.5	4.3		
CSH14A8125		125	1000	3412	4.8	-	4.2	-	3.6	2.9	1.7	-	1	
CSH14A8188		188	1500	5120	7.2	-	6.3	-	5.4	4.3	2.5	-		
CSH14A8250		250	2000	6824	9.6	-	8.3	-	7.2	5.8	3.3	-		
CSH14A8375	8 ft.	375	3000	10,239	14.4	-	12.5	-	10.8	8.6	5.0	-	2	84 lbs.
CSH14A8500		500	4000	13,652	19.2	-	16.7	-	14.4	11.5	6.7	-		
CSH14A8564		564	4500	15,358	21.6	12.5	18.8	10.8	16.2	13.0	7.5	4.3	3	
CSH14A8625		625	5000	17,065	24.0	13.9	20.8	12.0	18.1	14.4	8.3	4.8		
CSH14A8750		750	6000	20,478	28.8	16.7	25.0	14.5	21.7	17.3	10.0	5.8		
CSH14A10125		125	1250	4266	6.0	-	5.2	-	4.5	3.6	2.1	-	1	
CSH14A10188		188	1875	6400	9.0	-	7.8	-	6.8	5.4	3.1	-		
CSH14A10250		250	2500	8532	12.0	-	10.4	-	9.0	7.2	4.2	-		
CSH14A10375	10 ft.	375	3750	12,800	18.0	-	15.6	-	13.5	10.8	6.2	-	2	105 lbs.
CSH14A10500		500	5000	17,065	24.0	-	20.8	-	18.1	14.4	8.3	-		
CSH14A10564		564	5640	19,250	27.1	15.7	23.5	13.6	20.4	16.2	9.4	5.4	3	
CSH14A10625		625	6250	21,330	30.0	17.4	26.0	15.0	22.6	18.0	10.4	6.0		
CSH14A10750		750	7500	25,600	36.1	20.8	31.3	18.1	27.1	21.6	12.5	7.2		

NOTE: For CSH14A, specify outlet mode (front outlet limited to 250 watts per ft. maximum).

COMMERCIAL SILL HEIGHT CONVECTOR ACCESSORIES

DESCRIPTION	CATALOG NUMBER	USE WITH	SHIP WT.	DESCRIPTION	CATALOG NUMBER	USE WITH	SHIP WT.
Left End Caps	CSH05ECL CSH07ECL CSH14ECL	CSH05 CSH07 CSH14	1 lb. 1 lb. 1 lb.	CSH-05 BLANK SECTIONS:			
Right End Caps	CSH05ECR CSH07ECR CSH14ECR	CSH05 CSH07 CSH14	1 lb. 1 lb. 1 lb.	28-Inch	CSH05BL21	CSH05	10 lbs.
FILLER SECTIONS:				3-Foot	CSH05BL31		14 lbs.
3-Inch	CSH05FL3 CSH07FL3 CSH14FL3	CSH05 CSH07 CSH14	1 lb. 2 lbs. 3 lbs.	4-Foot	CSH05BL41		18 lbs.
6-Inch	CSH05FL6 CSH07FL6 CSH14FL6	CSH05 CSH07 CSH14	2 lbs. 3 lbs. 5 lbs.	5-Foot	CSH05BL51	CSH05	23 lbs.
9-Inch	CSH05FL9 CSH07FL9 CSH14FL9	CSH05 CSH07 CSH14	3 lbs. 4 lbs. 6 lbs.	6-Foot	CSH05BL61		27 lbs.
12-Inch	CSH05FL12 CSH07FL12 CSH14FL12	CSH05 CSH07 CSH14	4 lbs. 5 lbs. 8 lbs.	8-Foot	CSH05BL81		36 lbs.
18-Inch	CSH05FL18 CSH07FL18 CSH14FL18	CSH05 CSH07 CSH14	5 lbs. 6 lbs. 9 lbs.	10-Foot	CSH05BL101		45 lbs.
Inside Corners	CSH05IC1 CSH07IC1 CSH14IC1	CSH05 CSH07 CSH14	2 lbs. 4 lbs. 6 lbs.	CSH-07 BLANK SECTIONS:			
Outside Corners	CSH05OC1 CSH07OC1 CSH14OC1	CSH05 CSH07 CSH14	1 lb. 2 lbs. 4 lbs.	28-Inch	CSH07BL21		16 lbs.
Conduit Covers	SHCC05 SHCC0714	CSH05 CSH07, CSH14	4 lbs. 5 lbs.	3-Foot	CSH07BL31		20 lbs.
				4-Foot	CSH07BL41		26 lbs.
				5-Foot	CSH07BL51	CSH07	33 lbs.
				6-Foot	CSH07BL61		39 lbs.
				8-Foot	CSH07BL81		52 lbs.
				10-Foot	CSH07BL101		65 lbs.
				CSH-14 BLANK SECTIONS:			
				28-Inch	CSH14BL21		23 lbs.
				3-Foot	CSH14BL31		30 lbs.
				4-Foot	CSH14BL41		40 lbs.
				5-Foot	CSH14BL51	CSH14	50 lbs.
				6-Foot	CSH14BL61		60 lbs.
				8-Foot	CSH14BL81		80 lbs.
				10-Foot	CSH14BL101		100 lbs.
				Stand-Off Bracket	SO1	CSH05	1 lb.
					SO2	CSH07	

*Cat. No. suffix -1 indicates bottom inlet, top outlet; -3 indicates bottom inlet, front outlet.

OPTIONS

Controls—Built-in: see page 63.

Outlet Mesh—Price per ft.

14-Gauge Front Cover-add 10% to heater price.

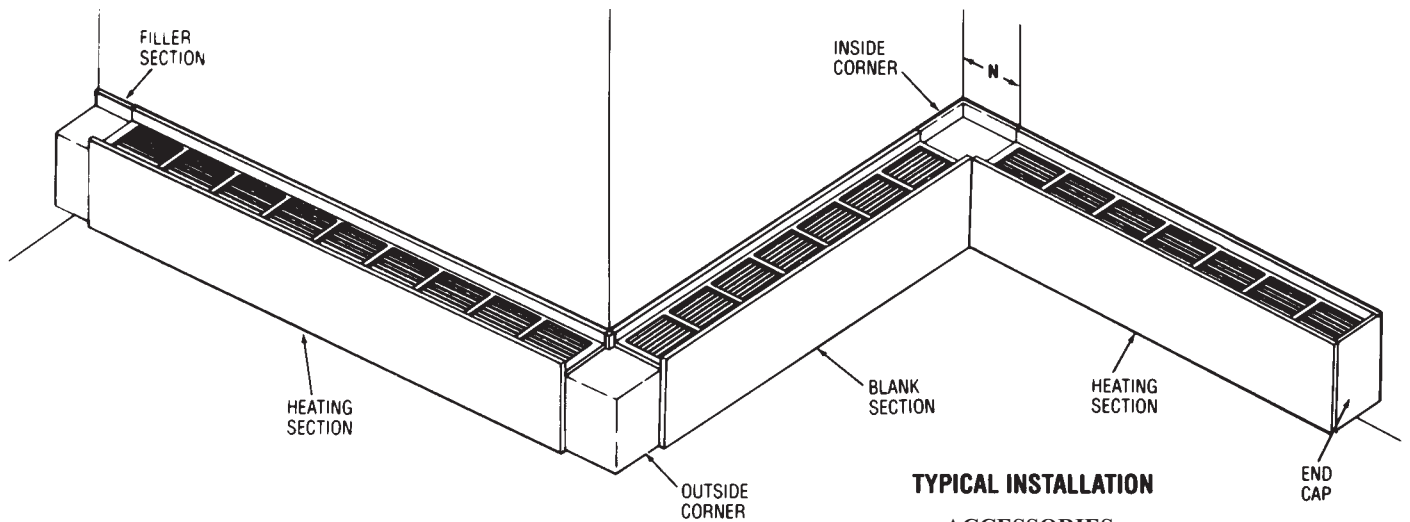
Standard color included in base price.

Other colors available. See paint policy; page 31

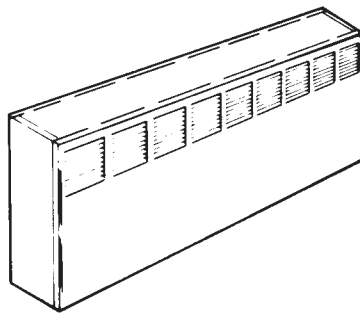
Receptacles in end caps and filler sections see page 63.

NOTES:

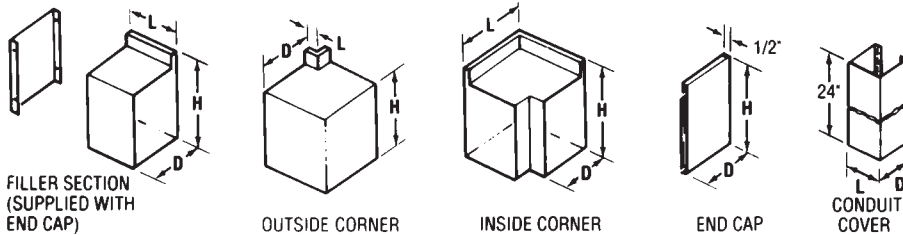
1. Maximum of 250 watts per ft. on front outlet models.
2. If color is not specified, front covers will be neutral grey.
3. When ordering, specify heater Catalog No., voltage, phase, suffix Catalog No. for built-in controls, color, and options.
4. Front outlet models available only in 14" height and 125, 188 and 250W/foot configuration. Outlet mesh is not available on front outlet models.



TYPICAL INSTALLATION



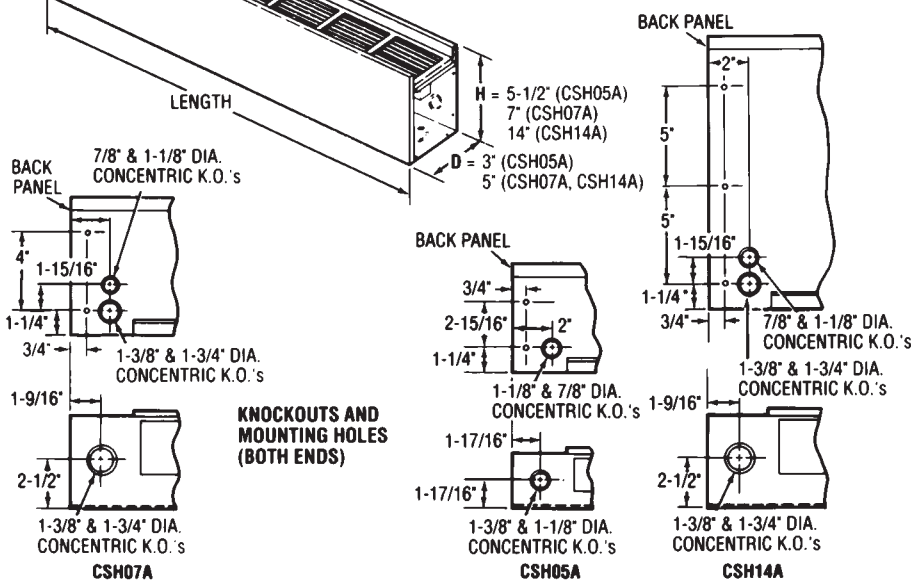
FRONT OUTLET MODEL
 Front outlet is available on Catalog No. CSH14A heaters only, in 125, 188 and 250 watts/foot configuration. Outlet mesh is not available on front outlet models.



ACCESSORIES

CATALOG NUMBER	USE W/CSH	DIMENSIONS (inches)			
		H	D	L	N*
LEFT END CAPS					
CSH05ECL**	05	5-1/2	2-1/2	—	1/8
CSH07ECL**	07	7	4-1/4	—	1/8
CSH14ECL**	14	14	4-1/4	—	1/8
RIGHT END CAPS					
CSH05ECR**	05	5-1/2	2-1/2	—	1/8
CSH07ECR**	07	7	4-1/4	—	1/8
CSH14ECR**	14	14	4-1/4	—	1/8
FILLER SECTIONS					
CSH05FL3	05	5-1/2	5-1/8	4	0-3
CSH07FL3	07	7	6-1/8	—	—
CSH14FL3	14	14	13-1/8	—	—
CSH05FL6**	05	5-1/8	2-1/2	—	—
CSH07FL6**	07	6-1/8	4-1/2	7	3-6
CSH14FL6**	14	13-1/8	4-1/2	—	—
CSH05FL9**	05	5-1/8	2-1/2	—	—
CSH07FL9**	07	6-1/8	4-1/2	10	6-9
CSH14FL9**	14	13-1/8	4-1/2	—	—
CSH05FL12**	05	5-1/8	2-1/2	—	—
CSH07FL12**	07	6-1/8	4-1/2	13	9-12
CSH14FL12**	14	13-1/8	4-1/2	—	—
CSH05FL18**	05	5-1/8	2-1/2	—	—
CSH07FL18**	07	6-1/8	4-1/2	19	15-18
CSH14FL18**	14	13-1/8	4-1/2	—	—
INSIDE CORNERS					
CSH05IC1	05	5-1/8	2-1/2	4-1/2	3-3-1/2
CSH07IC1	07	6-1/8	4-1/2	6	5-5-1/2
CSH14IC1	14	13-1/8	4-1/2	6	5-5-1/2
OUTSIDE CORNERS					
CSH05OC1	05	5-1/8	2-1/2	1	0-1/2
CSH07OC1	07	6-1/8	4-1/2	—	—
CSH14OC1	14	13-1/8	4-1/2	—	—
CONDUIT CORNERS					
SHCC05	05	—	2-5/8	2-1/2	—
SHCC07	07	—	—	—	—
SHCC14	14	—	3-5/8	3	—
STAND-OFF BRACKETS					
SO1	05	4-3/4	3/4	3	—
SO2	07	6-3/4	3/4	3	—
BLANK SECTIONS (CSH05)					
CSH05BL21				28	28
CSH05BL31				36	36
CSH05BL41				48	48
CSH05BL51	05	5-1/2	3	60	60
CSH05BL61				72	72
CSH05BL81				96	96
CSH05BL101				120	120
BLANK SECTIONS (CSH07)					
CSH07BL21				28	28
CSH07BL31				36	36
CSH07BL41				48	48
CSH07BL51	07	7	5	60	60
CSH07BL61				72	72
CSH07BL81				96	96
CSH07BL101				120	120
BLANK SECTIONS (CSH14)					
CSH14BL21				28	28
CSH14BL31				36	36
CSH14BL41				48	48
CSH14BL51	14	14	5	60	60
CSH14BL61				72	72
CSH14BL81				96	96
CSH14BL101				120	120

HEATING AND BLANK SECTIONS



† N is the additional length the accessory adds to the total installation length.

* Add model numbers suffix "-1" for bottom inlet - top outlet; add suffix "-3" for bottom inlet - front outlet.

** Built-in duplex receptacle available.

DECORATIVE SILL-HEIGHT CONVECTORS

APPLICATIONS

Provide total or supplemental heating for offices, corridors, lobbies or similar facilities. Mounted under expanses of glass, they prevent cold down-drafts.

FEATURES

With a broad range of heating capacities per foot length, 125 watts (426 BTU per hour) to 750 watts (2560 BTU per hour), these units can be run from wall-to-wall or they can be mounted as discrete units in lengths of 28-inches to ten feet. Locate them at sill height (or lower) or run them from mullion-to-mullion.

Front inlet models mount flush with floor. 125 to 250 watts per foot units can be positioned within 1-3/4-inches to the floor; 375 to 750 watts per foot units can be positioned to within 3-inches of the floor. The 5-1/2-inch high sill-height convectors are only 3-inches in depth (front to back); the seven and fourteen-inch high models are 5-inches in depth.

Bottom Inlet-Top Outlet or Front Inlet-Top Outlet are available in a spectrum of muted architectural colors in baked enamel finishes which are compatible with all interior decors.

Front cover is fabricated from 16-gauge steel (14-gauge optional). For service, all internal parts are accessible by removing cover. Top of front cover engages with grille supports; bottom of cover locks into place with concealed Phillips head screws.

Depending on capacity required, each unit may contain one to three heating elements. Elements are long life metal sheath type, anchored to allow for quiet expansion and contraction.

Thermal limit switch with linear type (full length) sensing bulb provides constant protection against overheating from any cause. The switch will automatically reset when normal operating temperatures are restored.



Standard units are prewired. Units without optional controls are designed for either right hand or left hand entry for easy connection of supply wiring from bottom, rear or end, as well as multiple wiring of adjacent heaters from one entry point.

Accessories include a complete line of matching blank sections, end caps, filler sections, inside and outside corners.

Optional 1/4-inch mesh screen located beneath outlet grille available to deter insertion of foreign objects through grille.

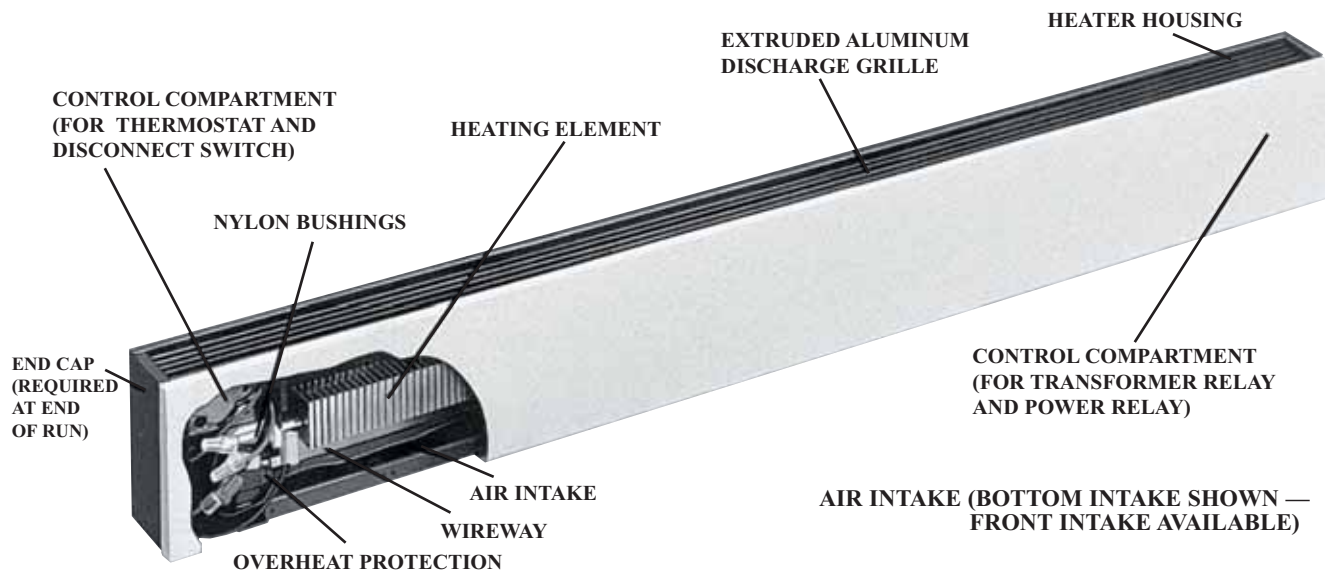
Optional built-in controls consist of line voltage thermostat (SPST or DPST); two-stage thermostat; disconnect switch; transformer relay; and power relay. (Refer to specification table for ratings.)

Note: DSH05 Models with 250 watt a linear foot or less, without wire mesh, are UL approved for residential use.

NOTE: These products are Made-to-order and cannot be returned.



File #E37116



CAT. NO. DSH05

DECORATIVE SILL HEIGHT CONVECTORS (5½” HEIGHT, 3” DEPTH, ONE ELEMENT)

CATALOG NUMBER	LENGTH	NOMINAL WATTS/FT.	TOTAL HEATING CAPACITY			AMPERAGE					NO. OF ELEMENTS	SHIP WT.
			WATTS	BTU/HR.	208V	240V	277V	347V	600V			
DSH05A2125	28 in.	125	250	853	2.1	1.2	1.0	0.9	0.7	0.4	1	10 lbs.
DSH05A2188		188	375	1280	3.1	1.8	1.6	1.4	1.1	0.6		
DSH05A2250		250	500	1706	4.2	2.4	2.1	1.8	1.4	0.8		
DSH05A3125	3 ft.	125	375	1280	3.1	1.8	1.6	1.4	1.1	0.6	1	13 lbs.
DSH05A3188		188	546	1925	4.7	2.7	2.4	2.0	1.6	0.9		
DSH05A3250		250	750	2560	6.2	3.6	3.1	2.7	2.2	1.2		
DSH05A4125	4 ft.	125	500	1706	4.2	2.4	2.1	1.8	1.4	0.8	1	17 lbs.
DSH05A4188		188	750	2560	6.2	3.6	3.1	2.7	2.2	1.2		
DSH05A4250		250	1000	3412	8.3	4.8	4.2	3.6	2.9	1.7		
DSH05A5125	5 ft.	125	625	2133	5.2	3.0	2.6	2.3	1.8	1.0	1	22 lbs.
DSH05A5188		188	940	3208	7.8	4.5	3.9	3.4	2.7	1.6		
DSH05A5250		250	1250	4266	10.4	6.0	5.2	4.5	3.6	2.1		
DSH05A6125	6 ft.	125	750	2560	6.2	3.6	3.1	2.7	2.2	1.2	1	26 lbs.
DSH05A6188		188	1125	3840	9.4	5.4	4.7	4.1	3.2	1.9		
DSH05A6250		250	1500	5120	12.5	7.2	6.3	5.4	4.3	2.5		
DSH05A8125	8 ft.	125	1000	3412	-	4.8	4.2	3.6	2.8	1.7	1	35 lbs.
DSH05A8188		188	1500	5120	-	7.2	6.3	5.4	4.3	2.5		
DSH05A8250		250	2000	6824	-	9.6	8.3	7.2	5.8	3.3		
DSH05A10125	10 ft.	125	1250	4266	-	6.0	5.2	4.5	3.6	2.1	1	43 lbs.
DSH05A10188		188	1875	6400	-	9.0	7.8	6.8	5.4	3.1		
DSH05A10250		250	2500	8532	-	12.0	10.4	9.0	7.2	4.2		

CAT. NO. DSH07

DECORATIVE SILL HEIGHT CONVECTORS (7” HEIGHT, 5” DEPTH)

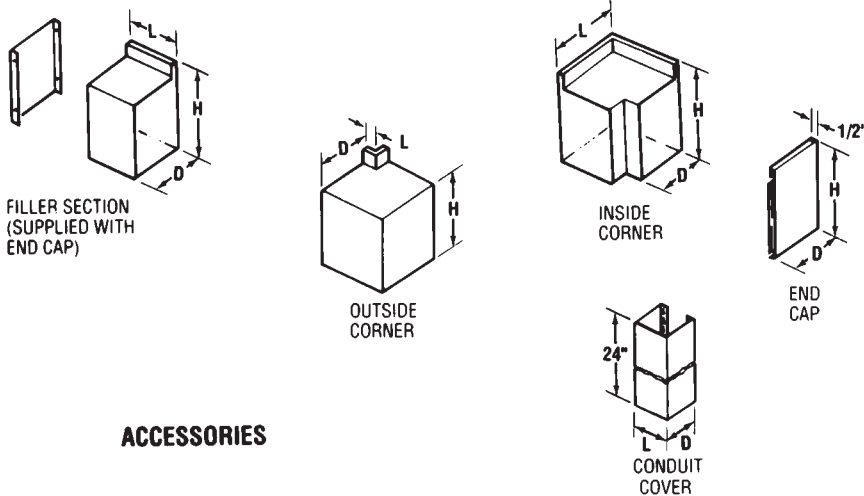
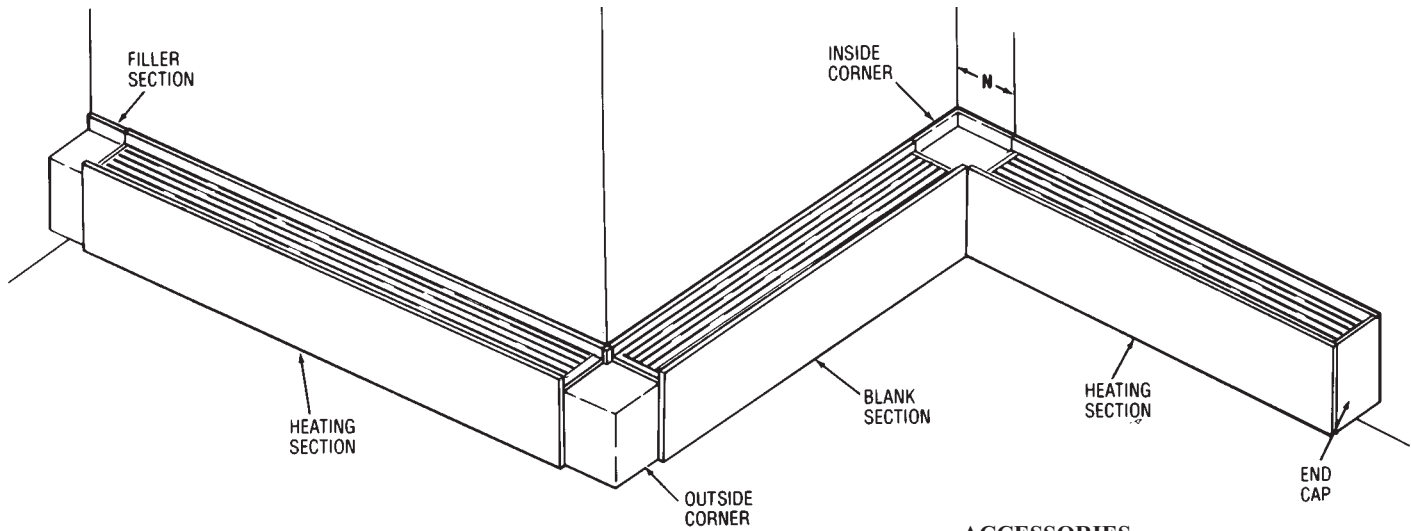
CATALOG NUMBER	LGTH	NOMINAL WATTS/FT.	TOTAL HEATING CAPACITY			AMPERAGE						NO. OF ELEMENTS	SHIP WT.	
			WATTS	BTU/HR.	208V 1Ø	208V 3Ø	240V 1Ø	240V 3Ø	277V 1Ø	347V 1Ø	600V 1Ø			600V 3Ø
DSH07A2125	28 in.	125	250	853	1.2	-	1.0	-	0.9	0.7	0.4	-	1	15 lbs.
DSH07A2188		188	375	1280	1.8	-	1.6	-	1.4	1.1	0.6	-		
DSH07A2250		250	500	1706	2.4	-	2.1	-	1.8	1.4	0.8	-		
DSH07A2375	28 in.	375	750	2560	3.6	-	3.1	-	2.7	2.2	1.2	-	2	15 lbs.
DSH07A2500		500	1000	3412	4.8	-	4.2	-	3.6	2.9	1.7	-		
DSH07A2564		564	1125	3840	5.4	3.1	4.7	2.7	4.1	3.2	1.9	1.1		
DSH07A2625	625	1250	4266	6.0	3.5	5.2	3.0	4.5	3.6	2.1	1.2			
DSH07A2750	750	1500	5120	7.2	4.2	6.3	3.6	5.4	4.3	2.5	1.4			
DSH07A3125	3 ft.	125	375	1280	1.8	-	1.6	-	1.4	1.1	0.6	-	1	20 lbs.
DSH07A3188		188	564	1925	2.7	-	2.4	-	2.0	1.6	0.9	-		
DSH07A3250		250	750	2560	3.6	-	3.1	-	2.7	2.2	1.2	-		
DSH07A3375	3 ft.	375	1125	3840	5.4	-	4.7	-	4.1	3.2	1.9	-	2	20 lbs.
DSH07A3500		500	1500	5120	7.2	-	6.3	-	5.4	4.3	2.5	-		
DSH07A3564		564	1690	5768	8.1	4.7	7.0	4.1	6.1	4.8	2.8	1.6		
DSH07A3625	625	1875	6400	9.0	5.2	7.8	4.5	6.8	5.4	3.1	1.8			
DSH07A3750	750	2250	7680	10.8	6.3	9.4	5.4	8.1	6.5	3.7	2.1			
DSH07A4125	4 ft.	125	500	1706	2.4	-	2.1	-	1.8	1.4	0.8	-	1	26 lbs.
DSH07A4188		188	750	2560	3.6	-	3.1	-	2.7	2.2	1.2	-		
DSH07A4250		250	1000	3412	4.8	-	4.2	-	3.6	2.9	1.7	-		
DSH07A4375	4 ft.	375	1500	5120	7.2	-	6.3	-	5.4	4.3	2.5	-	2	26 lbs.
DSH07A4500		500	2000	6824	9.6	-	8.3	-	7.2	5.8	3.3	-		
DSH07A4564		564	2250	7680	10.8	6.3	9.4	5.4	8.1	6.5	3.7	2.1		
DSH07A4625	625	2500	8532	12.0	7.0	10.4	6.0	9.0	7.2	4.2	2.4			
DSH07A4750	750	3000	10,239	14.4	8.3	12.5	7.2	10.8	8.6	5.0	2.9			
DSH07A5125	5 ft.	125	625	2133	3.0	-	2.6	-	2.3	1.8	1.0	-	1	33 lbs.
DSH07A5188		188	940	3208	4.5	-	3.9	-	3.4	2.7	1.6	-		
DSH07A5250		250	1250	4266	6.0	-	5.2	-	4.5	3.6	2.1	-		
DSH07A5375	5 ft.	375	1875	6400	9.0	-	7.8	-	6.8	5.4	3.1	-	2	33 lbs.
DSH07A5500		500	2500	8532	12.0	-	10.4	-	9.0	7.2	4.2	-		
DSH07A5564		564	2820	9625	13.6	7.8	11.8	6.8	10.2	8.1	4.7	2.7		
DSH07A5625	625	3125	10,665	15.0	8.7	13.0	7.5	11.3	9.0	5.2	3.0			
DSH07A5750	750	3750	12,800	18.0	10.4	15.6	9.0	13.5	10.8	6.2	3.6			

NOTE: All models are NON-STOCK made-to-order. When ordering, specify quantity, catalog number, voltage, wattage, optional controls, and color. Consult sales representative for lead times.

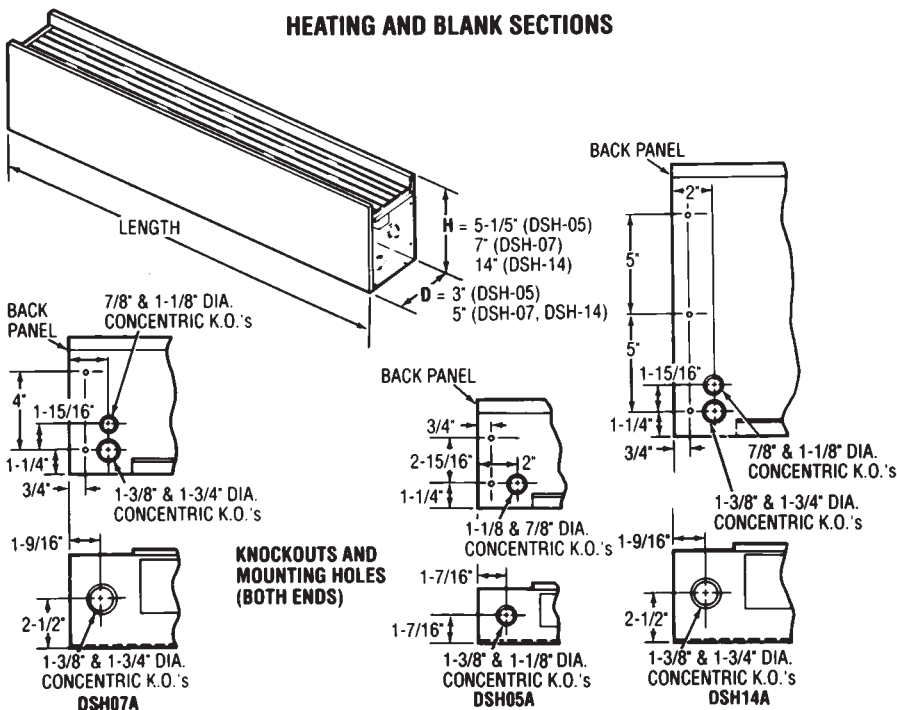
Available as front inlet or bottom inlet.

*DSH05 Models @ 250W or less without wire mesh are UL approved for residential use.





ACCESSORIES



HEATING AND BLANK SECTIONS

ACCESSORIES

CATALOG NUMBER	USE W/DSH	DIMENSIONS (inches)			
		H	D	L	N*
LEFT END CAPS					
DSH05ECL**	05	5-1/2	2-1/2	—	1/8
DSH07ECL**	07	7	4-1/4	—	1/8
DSH14ECL**	14	14	4-1/4	—	1/8
RIGHT END CAPS					
DSH05ECR**	05	5-1/2	2-1/2	—	1/8
DSH07ECR**	07	7	4-1/4	—	1/8
DSH14ECR**	14	14	4-1/4	—	1/8
FILLER SECTIONS					
DSH05FL3	05	5-1/2	5-1/8	—	—
DSH07FL3	07	7	6-1/8	4	0-3
DSH14FL3	14	14	13-1/8	—	—
DSH05FL6**	05	5-1/8	2-1/2	—	—
DSH07FL6**	07	6-1/8	4-1/2	7	3-6
DSH14FL6**	14	13-1/8	4-1/2	—	—
DSH05FL9**	05	5-1/8	2-1/2	—	—
DSH07FL9**	07	6-1/8	4-1/2	10	6-9
DSH14FL9**	14	13-1/8	4-1/2	—	—
DSH05FL12**	05	5-1/8	2-1/2	—	—
DSH07FL12**	07	6-1/8	4-1/2	13	9-12
DSH14FL12**	14	13-1/8	4-1/2	—	—
DSH05FL18**	05	5-1/8	2-1/2	—	—
DSH07FL18**	07	6-1/8	4-1/2	19	15-18
DSH14FL18**	14	13-1/8	4-1/2	—	—
INSIDE CORNERS					
DSH05IC***	05	5-1/8	2-1/2	4-1/2	3-3-1/2
DSH07IC***	07	6-1/8	4-1/2	6	5-5-1/2
DSH14IC***	14	13-1/8	4-1/2	6	5-5-1/2
OUTSIDE CORNERS					
DSH05OC***	05	5-1/8	2-1/2	4-1/2	3-3-1/2
DSH07OC***	07	6-1/8	4-1/2	6	5-5-1/2
DSH14OC***	14	13-1/8	4-1/2	6	5-5-1/2
CONDUIT CORNERS					
SHCC05	05	—	2-5/8	3	—
SHCC07	07	—	—	—	—
SHCC14	14	—	3-5/8	3	—
STAND-OFF BRACKETS					
SO1	05	4-3/4	3/4	2-1/2	—
SO2	07	6-3/4	3/4	3	—
BLANK SECTIONS (DSH05)					
DSH05BL2***	—	—	—	28	28
DSH05BL3***	—	—	—	36	36
DSH05BL4***	—	—	—	48	48
DSH05BL5***	05	5-1/2	3	60	60
DSH05BL6***	—	—	—	72	72
DSH05BL8***	—	—	—	96	96
DSH05BL10***	—	—	—	120	120
BLANK SECTIONS (DSH07)					
DSH07BL2***	—	—	—	28	28
DSH07BL3***	—	—	—	36	36
DSH07BL4***	—	—	—	48	48
DSH07BL5***	07	7	5	60	60
DSH07BL6***	—	—	—	72	72
DSH07BL8***	—	—	—	96	96
DSH07BL10***	—	—	—	120	120
BLANK SECTIONS (DSH14)					
DSH14BL2***	—	—	—	28	28
DSH14BL3***	—	—	—	36	36
DSH14BL4***	—	—	—	48	48
DSH14BL5***	14	14	5	60	60
DSH14BL6***	—	—	—	72	72
DSH14BL8***	—	—	—	96	96
DSH14BL10***	—	—	—	120	120

* N is the additional length the accessory adds to the total installation length.

** Built-in duplex receptacle available.

*** For bottom inlet-top outlet; add suffix "-1". Add suffix "-2" for front inlet-top outlet.

**CAT. NO. DSH07
DECORATIVE SILL HEIGHT CONVECTORS (7" HEIGHT, 5" DEPTH) (Con't.)**

CATALOG NUMBER	LENGTH	NOMINAL WATTS/FT.	TOTAL HEATING CAPACITY			AMPERAGE						NO. OF ELEMENTS	SHIP WT.	
			WATTS	BTU/HR.	208V	240V		277V		347V				600V
					1Ø	3Ø	1Ø	3Ø	1Ø	1Ø	1Ø	3Ø		
DSH07A6125		125	750	2560	3.6	-	3.1	-	2.7	2.2	1.2	-		
DSH07A6188		188	1125	3840	5.4	-	4.7	-	4.1	3.2	1.9	-	1	
DSH07A6250		250	1500	5120	7.2	-	6.3	-	5.4	4.3	2.5	-		
DSH07A6375	6 ft.	375	2250	7680	10.8	-	9.4	-	8.1	6.5	3.7	-	2	39 lbs.
DSH07A6500		500	3000	10,239	14.4	-	12.5	-	10.8	8.6	5.0	-		
DSH07A6564		564	3380	11,535	16.3	9.4	14.1	8.1	12.2	9.7	5.6	3.2	3	
DSH07A6625		625	3750	12,800	18.0	10.4	15.6	9.0	13.5	10.8	6.2	3.6		
DSH07A6750		750	4500	15,358	21.6	12.5	18.8	10.8	16.2	12.9	7.5	4.3		
DSH07A8125		125	1000	3412	4.8	-	4.2	-	3.6	2.9	1.7	-	1	
DSH07A8188		188	1500	5120	7.2	-	6.3	-	5.4	4.3	2.5	-		
DSH07A8250		250	2000	6824	9.6	-	8.3	-	7.2	5.8	3.3	-		
DSH07A8375	8 ft.	375	3000	10,239	14.4	-	12.5	-	10.8	8.6	5.0	-	2	52 lbs.
DSH07A8500		500	4000	13,652	19.2	-	16.7	-	14.4	11.5	6.7	-		
DSH07A8564		564	4500	15,358	21.6	12.5	18.8	10.8	16.2	13.0	7.5	4.3	3	
DSH07A8625		625	5000	17,065	24.0	13.9	20.8	12.0	18.1	14.4	8.3	4.8		
DSH07A8750		750	6000	20,478	28.8	16.7	25.0	14.5	21.7	17.3	10.0	5.8		
DSH07A10125		125	1250	4266	6.0	-	5.2	-	4.5	3.6	2.1	-	1	
DSH07A10188		188	1875	6400	9.0	-	7.8	-	6.8	5.4	3.1	-		
DSH07A10250		250	2500	8532	12.0	-	10.4	-	9.0	7.2	4.2	-		
DSH07A10375	10 ft.	375	3750	12,800	18.0	-	15.6	-	13.5	10.8	6.2	-	2	65 lbs.
DSH07A10500		500	5000	17,065	24.0	-	20.8	-	18.1	14.4	8.3	-		
DSH07A10564		564	5640	19,250	27.1	15.7	23.5	13.6	20.4	16.2	9.4	5.4	3	
DSH07A10625		625	6250	21,330	30.0	17.4	26.0	15.0	22.6	18.0	10.4	6.0		
DSH07A10750		750	7500	25,600	36.1	20.8	31.3	18.1	27.1	21.6	12.5	7.2		

**CAT. NO. DSH14
DECORATIVE SILL HEIGHT CONVECTORS (14" HEIGHT, 5" DEPTH)**

CATALOG NUMBER	LENGTH	NOMINAL WATTS/FT.	TOTAL HEATING CAPACITY			AMPERAGE						NO. OF ELEMENTS	SHIP WT.	
			WATTS	BTU/HR.	208V	240V		277V		347V				600V
					1Ø	3Ø	1Ø	3Ø	1Ø	1Ø	1Ø	3Ø		
DSH14A2125		125	250	853	1.2	-	1.0	-	0.9	0.7	0.4	-	1	
DSH14A2188		188	375	1280	1.8	-	1.6	-	1.4	1.1	0.6	-		
DSH14A2250		250	500	1706	2.4	-	2.1	-	1.8	1.4	0.8	-		
DSH14A2375	28 in.	375	750	2560	3.6	-	3.1	-	2.7	2.2	1.2	-	2	23 lbs.
DSH14A2500		500	1000	3412	4.8	-	4.2	-	3.6	2.9	1.7	-		
DSH14A2564		564	1125	3840	5.4	3.1	4.7	2.7	4.1	3.2	1.9	1.1	3	
DSH14A2625		625	1250	4266	6.0	3.5	5.2	3.0	4.5	3.6	2.1	1.2		
DSH14A2750		750	1500	5120	7.2	4.2	6.3	3.6	5.4	4.3	2.5	1.4		
DSH14A3125		125	375	1280	1.8	-	1.6	-	1.4	1.1	0.6	-	1	
DSH14A3188		188	564	1925	2.7	-	2.4	-	2.0	1.6	0.9	-		
DSH14A3250		250	750	2560	3.6	-	3.1	-	2.7	2.2	1.2	-		
DSH14A3375	3 ft.	375	1125	3840	5.4	-	4.7	-	4.1	3.2	1.9	-	2	30 lbs.
DSH14A3500		500	1500	5120	7.2	-	6.3	-	5.4	4.3	2.5	-		
DSH14A3564		564	1690	5768	8.1	4.7	7.0	4.1	6.1	4.8	2.8	1.6	3	
DSH14A3625		625	1875	6400	9.0	5.2	7.8	4.5	6.8	5.4	3.1	1.8		
DSH14A3750		750	2250	7680	10.8	6.3	9.4	5.4	8.1	6.5	3.7	2.1		
DSH14A4125		125	500	1706	2.4	-	2.1	-	1.8	1.4	0.8	-	1	
DSH14A4188		188	750	2560	3.6	-	3.1	-	2.7	2.2	1.2	-		
DSH14A4250		250	1000	3412	4.8	-	4.2	-	3.6	2.9	1.7	-		
DSH14A4375	4 ft.	375	1500	5120	7.2	-	6.3	-	5.4	4.3	2.5	-	2	40 lbs.
DSH14A4500		500	2000	6824	9.6	-	8.3	-	7.2	5.8	3.3	-		
DSH14A4564		564	2250	7680	10.8	6.3	9.4	5.4	8.1	6.5	3.7	2.1	3	
DSH14A4625		625	2500	8532	12.0	7.0	10.4	6.0	9.0	7.2	4.2	2.4		
DSH14A4750		750	3000	10,239	14.4	8.3	12.5	7.2	10.8	8.6	5.0	2.9		
DSH14A5125		125	625	2133	3.0	-	2.6	-	2.3	1.8	1.0	-	1	
DSH14A5188		188	940	3208	4.5	-	3.9	-	3.4	2.7	1.6	-		
DSH14A5250		250	1250	4266	6.0	-	5.2	-	4.5	3.6	2.1	-		
DSH14A5375	5 ft.	375	1875	6400	9.0	-	7.8	-	6.8	5.4	3.1	-	2	50 lbs.
DSH14A5500		500	2500	8532	12.0	-	10.4	-	9.0	7.2	4.2	-		
DSH14A5564		564	2820	9625	13.6	7.8	11.8	6.8	10.2	8.1	4.7	2.7	3	
DSH14A5625		625	3125	10,665	15.0	8.7	13.0	7.5	11.3	9.0	5.2	3.0		
DSH14A5750		750	3750	12,800	18.0	10.4	15.6	9.0	13.5	10.8	6.2	3.6		

CAT. NO. DSH14 DECORATIVE SILL HEIGHT CONVECTORS (14" HEIGHT, 5" DEPTH)

CATALOG NUMBER	LENGTH	NOMINAL WATTS/FT.	TOTAL HEATING CAPACITY			AMPERAGE						NO. OF ELEMENTS	SHIP WT.	
			WATTS	BTU/HR.	208V	240V	277V	347V	600V					
					1Ø	3Ø	1Ø	3Ø	1Ø	3Ø	1Ø	3Ø		
DSH14A6125		125	750	2560	3.6	-	3.1	-	2.7	2.2	1.2	-		
DSH14A6188		188	1125	3840	5.4	-	4.7	-	4.1	3.2	1.9	-	1	
DSH14A6250		250	1500	5120	7.2	-	6.3	-	5.4	4.3	2.5	-		
DSH14A6375	6 ft.	375	2250	7680	10.8	-	9.4	-	8.1	6.5	3.7	-	2	60 lbs.
DSH14A6500		500	3000	10,239	14.4	-	12.5	-	10.8	8.6	5.0	-		
DSH14A6564		564	3380	11,535	16.3	9.4	14.1	8.1	12.2	9.7	5.6	3.2		
DSH14A6625		625	3750	12,800	18.0	10.4	15.6	9.0	13.5	10.8	6.2	3.6	3	
DSH14A6750		750	4500	15,358	21.6	12.5	18.8	10.8	16.2	12.9	7.5	4.3		
DSH14A8125		125	1000	3412	4.8	-	4.2	-	3.6	2.9	1.7	-		
DSH14A8188		188	1500	5120	7.2	-	6.3	-	5.4	4.3	2.5	-	1	
DSH14A8250		250	2000	6824	9.6	-	8.3	-	7.2	5.8	3.3	-		
DSH14A8375	8 ft.	375	3000	10,239	14.4	-	12.5	-	10.8	8.6	5.0	-	2	80 lbs.
DSH14A8500		500	4000	13,652	19.2	-	16.7	-	14.4	11.5	6.7	-		
DSH14A8564		564	4500	15,358	21.6	12.5	18.8	10.8	16.2	13.0	7.5	4.3		
DSH14A8625		625	5000	17,065	24.0	13.9	20.8	12.0	18.1	14.4	8.3	4.8	3	
DSH14A8750		750	6000	20,478	28.8	16.7	25.0	14.5	21.7	17.3	10.0	5.8		
DSH14A10125		125	1250	4266	6.0	-	5.2	-	4.5	3.6	2.1	-		
DSH14A10188		188	1875	6400	9.0	-	7.8	-	6.8	5.4	3.1	-	1	
DSH14A10250		250	2500	8532	12.0	-	10.4	-	9.0	7.2	4.2	-		
DSH14A10375	10 ft.	375	3750	12,800	18.0	-	15.6	-	13.5	10.8	6.2	-	2	100 lbs.
DSH14A10500		500	5000	17,065	24.0	-	20.8	-	18.1	14.4	8.3	-		
DSH14A10564		564	5640	19,250	27.1	15.7	23.5	13.6	20.4	16.2	9.4	5.4		
DSH14A10625		625	6250	21,330	30.0	17.4	26.0	15.0	22.6	18.0	10.4	6.0	3	
DSH14A10750		750	7500	25,600	36.1	20.8	31.3	18.1	27.1	21.6	12.5	7.2		

DECORATIVE SILL HEIGHT CONVECTOR ACCESSORIES

DESCRIPTION	CATALOG NUMBER	USE WITH	SHIP WT.	DESCRIPTION	CATALOG NUMBER	USE WITH	SHIP WT.
Left End Caps	DSH05ECL DSH07ECL DSH14ECL	DSH05 DSH07 DSH14	1 lb. 1 lb. 1 lb.	DSH05 BLANK SECTIONS:			
				28-Inch	DSH05-BL2*		10 lbs.
				3-Foot	DSH05BL3*		13 lbs.
Right End Caps	DSH05ECR DSH07ECR DSH14ECR	DSH05 DSH07 DSH14	1 lb. 1 lb. 1 lb.	4-Foot	DSH05BL4*	DSH05	17 lbs.
				5-Foot	DSH05BL5*		21 lbs.
FILLER SECTIONS:				6-Foot	DSH05BL6*		25 lbs.
3-Inch	DSH05FL3 DSH07FL3 DSH14FL3	DSH05 DSH07 DSH14	1 lb. 2 lbs. 3 lbs.	8-Foot	DSH05BL8*		32 lbs.
				10-Foot	DSH05BL10*		42 lbs.
6-Inch	DSH05FL6 DSH07FL6 DSH14FL6	DSH05 DSH07 DSH14	2 lbs. 3 lbs. 5 lbs.	DSH07 BLANK SECTIONS:			
				28-Inch	DSH07BL2*		14 lbs.
9-Inch	DSH05FL9 DSH07FL9 DSH14FL9	DSH05 DSH07 DSH14	3 lbs. 4 lbs. 6 lbs.	3-Foot	DSH07BL3*		18 lbs.
				4-Foot	DSH07BL4*		24 lbs.
12-Inch	DSH05FL12 DSH07FL12 DSH14FL12	DSH05 DSH07 DSH14	4 lbs. 5 lbs. 8 lbs.	5-Foot	DSH07BL5*	DSH07	30 lbs.
				6-Foot	DSH07BL6*		36 lbs.
18-Inch	DSH05FL18 DSH07FL18 DSH14FL18	DSH05 DSH07 DSH14	5 lbs. 6 lbs. 9 lbs.	8-Foot	DSH07BL8*		48 lbs.
				10-Foot	DSH07BL10*		60 lbs.
Inside Corners	DSH05IC* DSH07IC* DSH14IC*	DSH05 DSH07 DSH14	2 lbs. 4 lbs. 6 lbs.	DSH14 BLANK SECTIONS:			
				28-Inch	DSH14BL2*		22 lbs.
Outside Corners	DSH05OC* DSH07OC* DSH14OC*	DSH05 DSH07 DSH14	1 lb. 2 lbs. 4 lbs.	3-Foot	DSH14BL3*		29 lbs.
				4-Foot	DSH14BL4*		38 lbs.
Conduit Covers	SHCC05 SHCC0714	DSH05 DSH07, DSH14	4 lbs. 5 lbs.	5-Foot	DSH14BL5*	DSH14	48 lbs.
				6-Foot	DSH14BL6*		57 lbs.
				8-Foot	DSH14BL8*		76 lbs.
				10-Foot	DSH14BL10*		95 lbs.
				Stand-Off Bracket	SO1	DSH05	1 lb.
					SO2	DSH07	

OPTIONS

Controls-Built-in: see page 63.

Outlet Mesh-Price per ft.

14-Gauge Front Cover-add 10% to heater price.

Standard color included in base price.

Other colors available. See paint policy; page 31.

Receptacles in end caps and filler sections see page 63.

NOTES:

- 1.If color is not specified, front covers will be neutral grey.
2. When ordering, specify heater Catalog No., voltage, phase, suffix Catalog No. for built-in controls, color, and options.

* Suffix 1 is for Bottom Inlet and Suffix 2 is for Front Inlet.

CONTROL SECTIONS (FOR DBA, SHA, CSH, DSH CONVECTORS)

Two types of control sections are available; a relay control section which may have Mercury Relays, Circuit Breakers, Thermostat, Pilot Duty Disconnect Switch, P.E. Switch, or Control Transformer. An SCR Control Section which may have Master and Slave SCR's with an SCR type thermostat. Control sections are 28 inches long and available in 7-inch high and 14-inch high models plus the DBA. To develop a complete catalog number, first start with the catalog number of the selected Blank Control Section. Example: CSH07BCS1, then add slash marks to separate the catalog numbers that describe the individual controls desired. Example: CSH07BCS1/M630/2CB3P30/PE. This catalog number would be for a 5-inch deep, 7-inch high commercial type control section with six 30 amp Mercury Relays, two 3-pole 30 amp Circuit Breakers with the unit controlled by a P.E. Switch. Also specify finish, heater voltage, phase 1 or 3, and control voltage.

BLANK CONTROL SECTION (SEE NOTE 1)	
CATALOG NUMBER	DESCRIPTION
DBABCSF	Control Section, Front Inlet, 3 3/8" x 6" x 28" long
DBABCSB	Control Section, Bottom Inlet, 3 3/8" x 6" x 28" long
SHABCSF	Control Section, Front Inlet, 5 1/8" x 7" x 28" long
SHABCSB	Control Section, Bottom Inlet, 5 1/8" x 7" x 28" long
CSH07BCS1	Commercial Style, 7" High, Bottom Inlet/Top Outlet
CSH14BCS1	Commercial Style, 14" High Bottom Inlet/Top Outlet
CSH14BCS3	Commercial Style, 14" High, Bottom Inlet/Front Outlet
DSH07BCS1	Decorative Style, 7" High, Bottom Inlet/Top Outlet
DSH14BCS1	Decorative Style, 14" High, Bottom Inlet/Top Outlet
DSH07BCS2	Decorative Style, 7" High, Front Inlet/Top Outlet
DSH14BCS2	Decorative Style, 14" High, Front Inlet/Top Outlet
CIRCUIT BREAKERS (SEE NOTE 3)	
1CB2P30	1-Two Pole Circuit Breaker Rated 30 Amps @ 208, 240, 277 VAC.
1CB2P60	1-Two Pole Circuit Breaker Rated 60 Amps @ 208, 240, 277 VAC.
1CB3P30	1-Three Pole Circuit Breaker Rated 30 Amps @ 208, 240, 277 VAC.
1CB3P60	1-Three Pole Circuit Breaker Rated 60 Amps @ 208, 240, 277 VAC.
2CB2P30	2-Two Pole Circuit Breaker Rated 30 Amps @ 208, 240, 277 VAC.
2CB2P60	2-Two Pole Circuit Breaker Rated 60 Amps @ 208, 240, 277 VAC.
2CB3P30	2-Three Pole Circuit Breaker Rated 30 Amps @ 208, 240, 277 VAC.
2CB3P60	2-Three Pole Circuit Breaker Rated 60 Amps @ 208, 240, 277 VAC.

HOW TO ORDER

When ordering, specify the following:

- BASE HEATER** — Specify model number (which denotes heater height, length and watts/ft.) and the following:
 - Heater voltage and phase
 - Optional controls (also indicate coil voltage when specifying power relay). Add suffix letters shown above to basic Model No.
 - Optional protective outlet mesh. Add suffix "-M" to Model No.
 - Finish
- END CAPS** — Specify model number (which denotes size and either left or right hand fit) and specify finish.
- SPLICE PLATE KIT** — Specify model number (which denotes size) and specify finish.

NOTES:

- For 1Ø loads over 20A and all 3Ø loads, specify 2 disconnect switches.
- This control option is not available on single-phase heaters over 24 amps (22 amps on 277 VAC). In combination with the disconnect switch option use the 2ST thermostat option on heaters over 20 amps.
- A second transformer relay can be sequenced off the first transformer relay in the same heater. Up to 30 power relays in different heaters can be controlled by one single-stage pilot duty thermostat.
- Up to 30 power relays in different heater can be controlled by each stage of a two-stage pilot duty thermostat.
- Two relays are required on single-phase heaters over 20 amps with a disconnect switch, over 25 amps without a disconnect switch and on all three-phase heaters. Two relays are available for two-stage on two or three-element heaters only.
- Three power relays are available for three-stage on three-element heaters only.
- Fits in SHA unit only. For DBA, PE will be installed in 4 1/2" section.

CONTROL TRANSFORMER, 50 VA RATING (SEE NOTE 3)

CATALOG NUMBER	DESCRIPTION
TR24	Low Voltage Transformer, 24V Secondary

PNEUMATIC CONTROL

PE	Pneumatic Operated Electric Switch—SPDT switch rated 16A @ 120 VAC, 9A @ 208 VAC, 8A @ 240 VAC, 7A @ 277 VAC, pilot duty 125 VA @ 24-277 VAC, pressure 0 - 20 psig.
----	---

THERMOSTAT & RECEPTACLE

1PDT	Single Pole Pilot Duty Thermostat, 60° to 120°F Temperature Range—125 VA Rating.
2PDT	Two Stage Pilot Duty Thermostat, 60° to 120°F Temperature Range—125 VA Rating. Available on 2- or 3-element, single phase heaters only.
2ST	2-Stage Thermostat 60-120°F temperature range, adjustable through outlet grille-tamper-resistant. Available on 2- or 3-element, single phase heaters only.
** R	120V Receptacle Duplex receptacle, 120V/20A, mounting in left or right end cap of 6, 9, 12 or 18-inch filler sections only.

DISCONNECT SWITCH

DS	Pilot Duty Disconnect Switch—Double Pole (Disconnects relay holding coil circuit)
----	---

SCR CONTROLS

M90525A	Master SCR Control Rated 25 Amps @120 - 480V AC. Master units accept 0 -10V DC, 4-20mA, or 135 ohm proportional control inputs.
M90548A	Master SCR Control Rated 48 Amps @120 - 480V AC
M90548A-2	Master SCR Control Rated 48 Amps @120 - 480V AC

SCR SLAVE CONTROLLER

S90525A	SCR Slave unit controller. Rated 25 Amps.
S90548A	SCR Slave unit controller. Rated 48 Amps

SCR THERMOSTAT

T90613V	Provides a proportional 2-10 VDC output for controlling 0-100% of the connected load to each Master*3.
---------	--

NOTES:

- Each SCR incorporates its own zero-firing logic, providing any combination or connection arrangement for single or three phase applicatons.
- 25A single phase SCR can be mounted in the SHA aluminum convector
- *3. A Maximum of 8 SCR's is the limit for one thermostat output signal, regardless
- Each Master and Thermostat will require 24V AC Transformer

** - For use with DSH and CSH end caps and filler sections only.

NOTES:

- Blank control sections are subject to the same color selections and pricing as the appropriate matching heater.
- Specify holding coil voltage where applicable.
- Not available in DBA control sections.
- **R (For use with DSH, CSH, and DPH end caps and filler sections only.)
- On all 5inch high steel convectors the two pole thermostat must go in the right hand junction box.

COMMERCIAL SLOPE TOP CONVECTORS

APPLICATIONS

Commercial Slope Top electric convectors provides total or supplemental heating in offices, corridors, lobbies, motel hallways and stairwells, apartment maintenance rooms and stairwells or other similar facilities. Can be mounted under windows to help prevent cold down drafts. This heater is not intended for residential use.

FEATURES

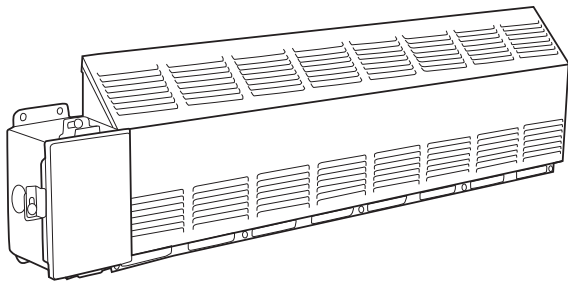
- With a range of heating capacities from 125 watts (426 BTU per hour) to 250 watts (852 BTU per hour) per foot length, these units can run from wall-to-wall or they can be mounted as discrete units in lengths of 28-inches to ten feet.
- The attractive 45 degree sloped top discourages use of heater as a shelf or a “stepstool.”
- The unit is designed to mount on the wall at sill height (or lower) and can be positioned directly on the floor. The end of the unit can be positioned against adjacent sidewall if desired.
- Standard finish is neutral grey. Also available in a spectrum of muted architectural colors in baked enamel finishes which are compatible with all interior decors.
- Front cover is fabricated from 16-gauge steel, while the back is constructed of 18-gauge steel.



- For service, all internal parts are accessible by removing cover. Top of front cover engages with back; bottom of cover locks into place with screws.
- Elements are long life metal sheath, aluminum fin type anchored to allow for quiet expansion and contraction.
- Thermal limit switch with linear type (full length) sensing bulb provides constant protection against overheating from any cause. The switch will automatically reset when normal operating temperatures are restored.
- Units are prewired. Units without optional con-

trols are designed for either right hand or left hand entry for easy connection of supply wiring from bottom, rear or end, as well multiple wiring of adjacent heaters from one entry point.

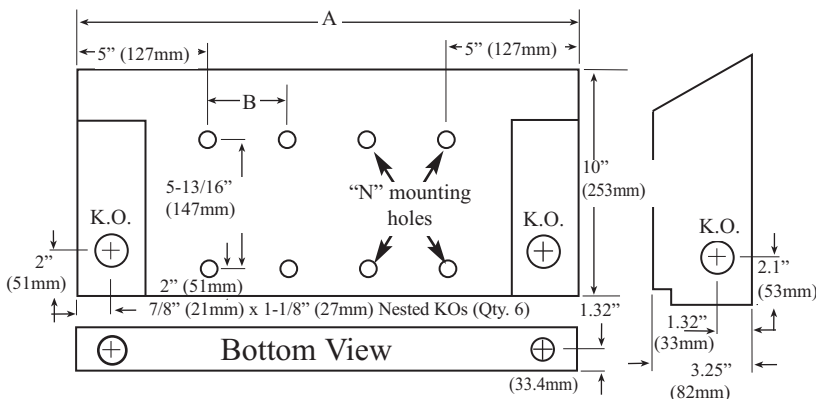
- Accessories include a complete line of matching splice sections, inside and outside corners.
- Optional built-in controls consist of: thermostat, disconnect switch, transformer relay, and power relay. (Refer to specification table for ratings.)
- **Stainless Steel, NEMA 4X models available for washdown and corrosive applications. Contact Sales Rep. Refer to pricebook for stainless steel NEMA 4X prices.**



The NEMA 4X series slope top convectors were specifically designed for use in wet or corrosive environments like those found in food processing areas, dairies, breweries, locker rooms, stadium dugouts, and other areas that are subject to high pressure hosing and / or constantly wet conditions. They are suitable for use in areas where severe corrosion problems exist from either salt spray or chemical exposure like a sewage treatment plant or indoor swimming pool.

- Rugged 16-gauge Stainless Steel front and back covers.
- NEMA 4X rated for washdown and corrosive environments.
- 250 Watts per foot.
- Automatic thermal cutout.

NOTE: Optional built-in controls are not compatible with the NEMA 4X series of slope top convectors.



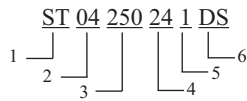
**NEMA 4X Models available for washdown and corrosive applications.
Contact Sales Representative.**

SPECIFICATIONS

WATTAGE	DIMENSIONS		
	A	B	N Holes
500	28" 709 mm	—	—
750	36" 912 mm	—	—
1000	48" 1216 mm	19" 481 mm	2
1250	60" 1520 mm	16.68" 423 mm	4
1500	72" 1842 mm	20.63" 523 mm	4
2000	96" 2432 mm	21.5" 545 mm	6
2500	120" 3040 mm	27.5" 697 mm	6

NOTE: These products are Made-to-order and cannot be returned.

HOW TO ORDER THE ST CONVECTORS:



- Prefix: ST designates 3" x 10" slope top convector
- Cabinet length:
02 = 28", 03 = 36", 04 = 48", 05 = 60"
06 = 72", 08 = 96", 10 = 120"

Ex. 4', 250 W/ft., 240V, 1 phase unit with a built-in disconnect switch.

- Watt Density:
125W/ft., 188W/ft., 250W/ft.
- Voltage: 12 = 120V, 20 = 208V, 24 = 240V
27 = 277V, 34 = 347V, 60 = 600V
- Phase: 1 = 1 PH.
- Optional built-in controls:
2T - double pole thermostat
T - single pole thermostat
DS - disconnect switch
PR - power relay
TR - transformer relay
PDT - pilot duty thermostat for 347V and 600V

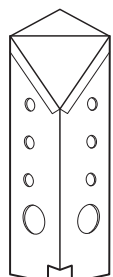
CATALOG NUMBER	LENGTH	TOTAL HEATING CAPACITY			AMPERAGE						SHIP WT.
		NOMINAL WATTS/FT.	WATTS	BTU/HR.	120V	208V	240V	277V	347V	600V	
ST02	28"	125	250	853	2.1	1.2	1.0	0.9	-	-	12 lbs.
		188	375	1280	3.1	1.8	1.6	1.4	-	-	
		250	500	1706	4.2	2.4	2.1	1.8	1.4	-	
ST03	36"	125	375	1280	3.1	1.8	1.6	1.4	1.1	-	15 lbs.
		188	546	1925	4.7	2.7	2.4	2.0	1.6	-	
		250	750	2560	6.2	3.6	3.1	2.7	2.2	-	
ST04	48"	125	500	1706	4.2	2.4	2.1	1.8	1.4	-	19 lbs.
		188	750	2560	6.2	3.6	3.1	2.7	2.2	1.3	
		250	1000	3412	8.3	4.8	4.2	3.6	2.9	1.7	
ST05	60"	125	625	2133	5.2	3.0	2.6	2.3	1.8	1.0	24 lbs.
		188	940	3208	7.8	4.5	3.9	3.4	2.7	1.6	
		250	1250	4266	10.4	6.0	5.3	4.5	3.6	2.1	
ST06	72"	125	750	2560	6.2	3.6	3.1	2.7	2.1	1.3	26 lbs.
		188	1125	3840	9.4	5.4	4.7	4.1	3.2	1.9	
		250	1500	5120	12.5	7.2	6.3	5.4	4.3	2.5	
ST08	96"	125	1000	3412	-	4.8	4.2	3.6	2.9	1.7	37 lbs.
		188	1500	5120	-	7.2	6.3	5.4	4.3	2.5	
		250	2000	6824	-	9.6	8.3	7.2	5.8	3.3	
ST10	120"	125	1250	4266	-	6.0	5.2	4.5	3.6	2.1	45 lbs.
		188	1875	6400	-	9.0	7.8	6.8	5.4	3.1	
		250	2500	8532	-	12.0	10.4	9.0	7.2	4.2	

OPTIONAL BUILT-IN CONTROLS AND OPTIONAL ACCESSORIES

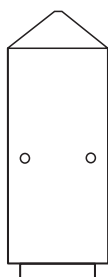
SUFFIX ADDITION TO BASIC CAT. NO. (SEE NOTE 4)	OPTIONAL BUILT-IN CONTROLS (SEE NOTE 5)	RATINGS (SEE NOTE 2)
* T	1-Pole Thermostat	Rated 24 amps @ 120-240 VAC and 22 amps @ 277 VAC. Pilot duty rating of 125 VA (all voltages). 60-120°F temperature range; adjustable through outlet grille-tamper-resistant. Not available on three-phase heaters.
* 2T	2-Pole Thermostat	Rated 24 amps @ 120-240 VAC and 22 amps @ 277 VAC. Pilot duty rating of 125 VA (all voltages). 60-120°F temperature range; adjustable through outlet grille-tamper-resistant. (See Note 2 for amperage restrictions.)
* DS	Disconnect Switch	Double-pole, rated 20 amp @ 120-277 VAC. Two required for 3Ø heaters and 1Ø heaters over 20 amps (See Note 1)
* TR	Transformer Relay	Single-pole, low voltage relay with built-in transformer (24 VAC control), rated 25 amps @ 120-240 VAC and 22 amps @ 277 VAC. 17 amps @ 347V, 12 amps @ 600V (See Note 6). Not available on 3Ø heaters.
* PR	Power Relay	Single-pole magnetic relay, rated 18 amps @ 120-600 VAC. (See Notes 1, 3 and 6.) Specify control voltage. Rated 24 amps @ 120-240 VAC and 22 amps @ 277 VAC. Pilot duty rating of 125 VA (all voltages).
ICSTIC	2	Inside corner (requires additional wall space - use with ST model only).
ICSTOC	2	Outside corner (requires additional wall space - use with ST model only).
ICSTJS	1	Splice plate wide, coverage gap up to 1/2" (use with ST model only).
STO2BS		2-foot Blank Section (unheated section)
STO4BS		4-foot Blank Section (unheated section)
STO6BS		6-foot Blank Section (unheated section)
STO8BS		8-foot Blank Section (unheated section)

NOTE: For 347Volt and 600Volt units options T, 2T, DS, are not available. Specify PDT as the suffix for a thermostat.

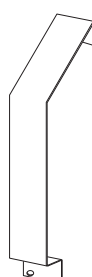
ACCESSORIES



STOC



STIC



STSP

* - Factory built-in. Add suffix to heater catalog number.

NOTES:

- For 1Ø loads over 20A and all 3Ø loads, specify 2 disconnect switches.
- A control combination is not available on heaters that have an amperage draw which exceeds the rated limit of the lowest rated control.
- This control combination is not available on 2-element heaters drawing more than 36 amperes, single-phase 3-element heaters drawing more than 54.0 amperes, or three-phase heater drawing more than 18 amperes per line.
- To develop a catalog no. for a heater with built-in controls, add the appropriate letters as suffix to the basic heater catalog no. Example: CSLAS4250TDS is a CSL, 4 foot long, 250 watts per foot, with a thermostat and disconnect switch.
- For non-standard controls or combinations, contact Factory.
- Specify holding coil voltage where applicable.
- To develop a catalog no. for any accessory with built-in device, add the appropriate letter as suffix to the basic accessory Catalog Number.

RADIANT CEILING PANELS

APPLICATIONS

For complete or supplemental heating in commercial, residential and institutional structures—new or remodeled construction of offices, classrooms, family rooms, bathrooms... whenever the utility and comfort of radiant ceiling heating is desired.

FEATURES

Radiant ceiling panel applications as primary or supplemental heat include...

COMMERCIAL building perimeters to neutralize down-drafts over glass, enclosed outside walkways, and washrooms.

SCHOOL locker rooms, cafeterias, laboratories and classrooms.

HOSPITAL burn and trauma areas, recovery and examination rooms.

RESIDENTIAL isolated cold spots, above sliding glass doors and floor to ceiling windows.

Clean, gentle, comfortable heat that is ideal for off-setting perimeter heat loss; saving substantial energy over other systems by heating people and objects rather than all the air in a room or building.

People are comfortable at lower room temperatures with a radiant system than with a hot air convective system. . .comfortable in the 60's rather than in the 70's. And lower thermostat settings can save hundreds of dollars in energy bills each year.

Ceiling panels allow full usage of wall and floor space. No noise. No moving parts. No maintenance. No ceilings, walls or drapes to clean. No dried out air.

A simple system, easy to install, easy to control room by room without wasting energy needlessly heating unoccupied spaces.

Radiant ceiling panels allow full usage of wall and floor space.

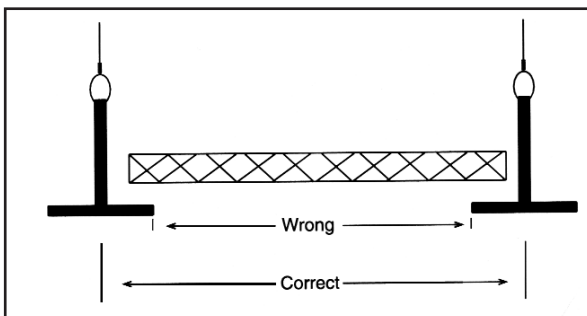
- No noise.
- No moving parts.
- No maintenance.
- No ceiling, walls or drapes to clean.
- No dried out air.



BUILDING RESTORATION: Ceiling panels make attractive, energy saving restoration of old buildings possible or they can be used to replace expensive, outdated heating systems.

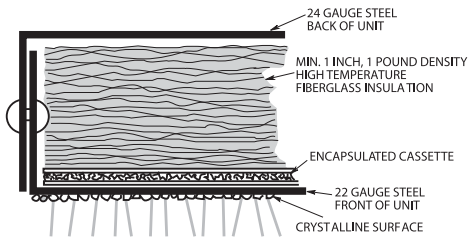


Measuring for Custom Ceiling Panels:



- Panels are built to fit inside the dimensions given.
- Measurements must be from "T" Bar Center Line to "T" Bar Center Line
- Do Not Measure Opening

STANDARD FEATURES CUTAWAY DRAWING OF HEATING PANEL



METAL:

Back - 24 Gauge Galvanized or Aluminized Steel.
 Front - 22 Gauge Galvanized or Aluminized Steel.
 Sides - Overlapping Front and Back.

WIRE:

Internal - 200°C, 14 Gauge, Teflon insulated.
 External - Pig Tails with 48" of 1/2" flexible conduit and connector for J-Box.

ELEMENT:

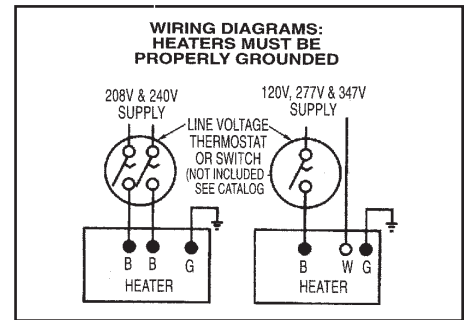
The encapsulated cassette element delivers a uniform temperature distribution over entire panel surface.

INSULATION:

Minimum 1 inch, 1 pound density, high temperature fiberglass.

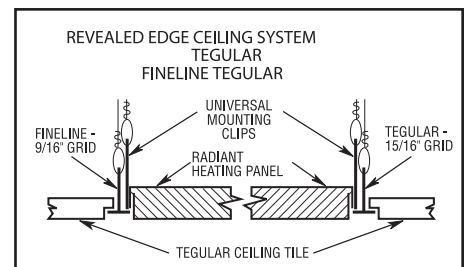
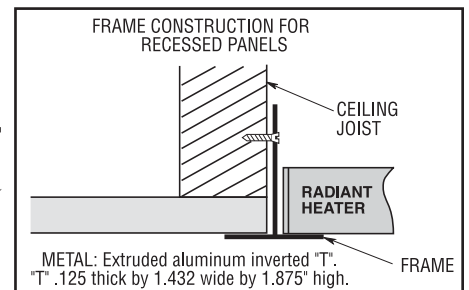
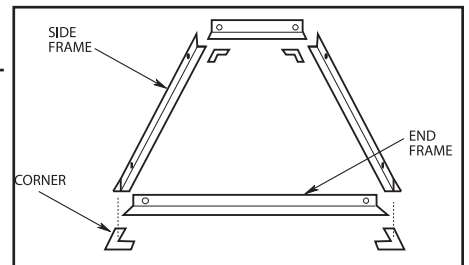
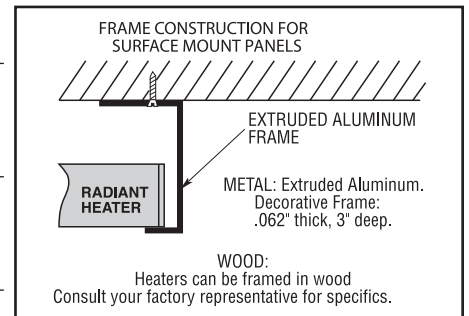
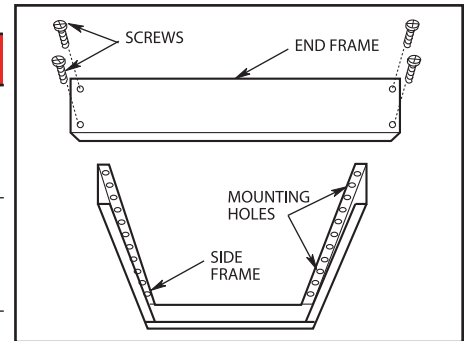
SURFACE:

All ceiling and wall mounted panels are coated with unique crystalline surface. Birch white finish.



CATALOG NUMBER	UPC 6 85360	VOLTS	WATTS	AMPS	SIZE	SHIP WT.
CP251	01658 0	120	250	2.1	24"x24"	15 lbs.
CP258	01663 4	208	250	1.2	24"x24"	15 lbs.
CP252	01659 7	240	250	1.0	24"x24"	15 lbs.
CP257	01662 7	277	250	0.9	24"x24"	15 lbs.
CP253	01660 3	347	250	0.7	24"x24"	15 lbs.
CP311	01669 6	120	310	2.6	24"x24"	15 lbs.
CP318	01674 0	208	310	1.5	24"x24"	15 lbs.
CP312	01670 2	240	310	1.3	24"x24"	15 lbs.
CP317	01671 9	277	310	1.1	24"x24"	15 lbs.
CP313	01673 3	347	310	0.9	24"x24"	15 lbs.
CP371	01675 7	120	375	3.1	24"x24"	15 lbs.
CP378	01685 6	208	375	1.8	24"x24"	15 lbs.
CP372	01676 4	240	375	1.6	24"x24"	15 lbs.
CP377	01677 1	277	375	1.4	24"x24"	15 lbs.
CP373	01684 9	347	375	1.1	24"x24"	15 lbs.
CP501	01691 7	120	500	4.2	24"x48"	28 lbs.
CP508	01696 2	208	500	2.4	24"x48"	28 lbs.
CP502	01692 4	240	500	2.1	24"x48"	28 lbs.
CP507	01695 5	277	500	1.8	24"x48"	28 lbs.
CP503	01693 1	347	500	1.4	24"x48"	28 lbs.
CP621	01697 9	120	625	5.2	24"x48"	28 lbs.
CP628	01707 5	208	625	3.0	24"x48"	28 lbs.
CP622	01698 6	240	625	2.6	24"x48"	28 lbs.
CP627	01706 8	277	625	2.3	24"x48"	28 lbs.
CP623	01699 3	347	625	1.8	24"x48"	28 lbs.
CP751	01713 6	120	750	6.3	24"x48"	28 lbs.
CP758	01718 1	208	750	3.6	24"x48"	28 lbs.
CP752	01714 3	240	750	3.1	24"x48"	28 lbs.
CP757	01717 4	277	750	2.7	24"x48"	28 lbs.
CP753	01715 0	347	750	2.1	24"x48"	28 lbs.

CATALOG PRODUCT	6 85360	DESCRIPTION
QSF2424	20184 3	Surface Mounting Frame for 24" x 24" Panels
QSF2448	20185 0	Surface Mounting Frame for 24" x 48" Panels
QRF2424	20186 7	Recess Mounting Frame for 24" x 24" Panels
QRF2448	20187 4	Recess Mounting Frame for 24" x 48" Panels



CRYSTALLINE SURFACE - The panel's unique crystalline surface greatly enhances the radiant characteristics of the heating panel.

Radiant output is in the 8-10 micron wavelength. This is ideal for comfort. Human skin will absorb 99% of the radiant energy in these wavelengths. Humans themselves radiate heat predominately in that micron range. Without the panel's crystalline surface a panel will be less radiant, operate at higher temperature and produce energy at shorter wavelengths.

ELEMENT - Encapsulated cassette heating element assures uniform temperatures and long life.

WIRING - For connection to the main power supply, the heater is completely prewired including green ground wire, with the lead wires housed in a 48-inch length of flexible metal conduit and connector for J-Box mounting.

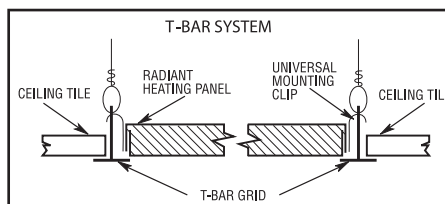
STANDARD FINISH - Standard mounting kits finished white to blend with standard panel birch white finish.

UNIVERSAL HANGING CLIPS - All radiant ceiling panels are supplied with COMBINATION EARTHQUAKE/T-BAR GRIP CLIPS as a standard feature. These clips have holes for support chains or can be folded over the T-BAR to reduce lateral movement.

CERTIFICATION AND SAFETY

FIRE RATING - Heating panels do not have a fire rating, but construction is of fire retardant materials. Panels normally are treated like light fixtures. If necessary, acoustical tile can be placed on top of the panels.

HAZARDOUS AREAS - Heating panels do not have a hazardous rating.



CUSTOM FEATURES

1. CUSTOM SIZE PANELS While a wide variety of panel sizes are listed as standard, the factory produces thousands of panels each year of varying widths and lengths to order.

CATALOG NUMBER	PANEL WIDTH	WATT DENSITY	WATTS PER PANEL						
			NOMINAL PANEL LENGTH						
			24" - 35"	36" - 47"	48" - 59"	60" - 71"	72" - 83"	84" - 95"	96"
QT+**@@#	10" - 13"	High	155	235	315	390^	N/A	N/A	N/A
		Med.	130	195	260	325^	N/A	N/A	N/A
		Low	105	155	210	260^	N/A	N/A	N/A
	14" - 17"	High	235	350	470	585^	N/A	N/A	N/A
		Med.	195	295	390	490^	N/A	N/A	N/A
		Low	155	235	315	390^	N/A	N/A	N/A
	18" - 21"	High	315	470	625	780^^	N/A	N/A	N/A
		Med.	260	390	520	650	780^^	N/A	N/A
		Low	210	315	415	520	625^^	N/A	N/A
	22" - 28"	High	375	565	750	940	1125	1315	1500
		Med.	310	470	625	785	940	1095	1250
		Low	250	375	500	625	750	875	1000

LEGEND: + Watt Density: H = High, M = Medium, L = Low
 **Width of Panel
 @@Length of Panel

^ Maximum Panel Length = 60 inches
 ^^ Maximum Panel Length = 72 Inches.
 # Voltage Designation: 1 = 120, 8 = 208, 2 = 240, 7 = 277, 3 = 347

2. CUSTOM SIZE FRAMES

ACCESSORIES

CATALOG NUMBER	DESCRIPTION
QSF**@@	Surface Mounting Frame
QRF**@@	Recess Mounting Frame

**Width of Heater (10" to 28")
 @@Length of Heater (10" to 96")

3. TEGULAR (revealed edge) Tegular systems may utilize a standard grid with a 15/16" cross-T or a "fine line" grid with a 9/16" cross-T. The acoustical tile is notched to hang below the grid creating the revealed edge. Tegular panels are built with a support angle on all four sides to allow the panel front to drop flush with the finished ceiling. Tegular and Fine line Tegular panels are supplied **standard** with universal mounting clips installed for support chain.

4. SILKSCREEN Radiant heating panels can be silk screened to provide an architectural blend with leading acoustical tiles. For T-bar, concealed spline and tegular ceiling systems.

5. CUSTOM COLORS Radiant heating panels can be painted any color desired with high temperature acrylic paints without affecting panel performance. Radiant energy is emitted from heating panels in the 8-10 micron wavelength range. One of the principal characteristics of this wavelength is that it is not color selective as are shorter wavelengths. Consequently, the surface color of the panel is unimportant to heating efficiency and can be considered solely in the light of aesthetics.

6. PANEL FRONTS FOR A CONTINUOUS CEILING LINE

To provide a continuous ceiling line around the perimeter of a building, the factory can provide panel fronts to be interspersed between the functioning heating panels.

7. SEAL TIGHT FLEXIBLE CONDUIT AND CONNECTORS Radiant ceiling panels come with 1/2" greenfield flexible conduit and straightconnectors as standard equipment. Seal tight connectors and conduit can be substituted at the factory if panels are to be used in high moisture areas or if required by local electrical codes.

8. FACTORY SILICONE SEALED PANELS FOR USE IN HIGH MOISTURE AREAS - Exterior moisture and condensation do not affect heating panel performance, but water inside the unit can cause the panel to fail. Panels being used in locker rooms and swimming pool areas should be totally sealed with silicone at the factory before shipment. If there is a chance of moisture above the ceiling, then seal tight conduit and seal tight connectors also should be used.

9. LONGER FLEXIBLE CONDUIT
 Panels will replace the standard 48" greenfield with up to 11' of 1/2" flexible conduit.

10. CONTROLS P/E Switches - factory prewired to heaters. 20 amps - 120V, 240V, 208V and 277V. Power Relay - factory prewired to heaters. 30 amps single pole, 120 volt holding coil.

11. HEAVIER DUTY PANELS For special installations the factory can use heavier gauge steel in the construction of the panels.

12. STAINLESS STEEL CONSTRUCTION PANELS FOR CHLORINE STORAGE AREAS - Special stainless steel panels are available for chlorine storage areas. Panels will be equipped with seal tight connectors and silicone sealed. If orders call for stainless steel construction the panels will be painted unless specified different.

13. MODULAR WIRING SYSTEMS For specific jobs, the factory can substitute modular connectors for the straight connectors and pig tails that are standard equipment.

NOTE: These products are Made-to-order and cannot be returned.

CUSTOM PANEL OPTIONS	DESCRIPTION
SILKSCREEN	To provide an architectural blend with leading ceiling tile - 2' x 5' max. If QMark does not have a tile pattern screen there is an additional one time \$850.00 NET charge.
CUSTOM PAINT	Solid color custom painted panel - To provide an accent strip.
TEGULAR or FINELINE TEGULAR	Tegular - Reveal edge detail - (For 15/16" grid) CONSTRUCTION Fineline Tegular - Reveal edge detail - (For 9/16" grid)
EXTRA-LENGTH GREENFIELD FLEX (1/2" x 48" Standard)	Custom Flex Length: 1/2" x 60" 1/2" x 72" 1/2" x 84" 1/2" x 96" 1/2" x 108" 1/2" x 120" 1/2" x 132"
SEALTITE CONDUIT	1/2" x 48" 1/2" x 60" 1/2" x 72" 1/2" x 84" 1/2" x 96" 1/2" x 108" 1/2" x 120" 1/2" x 132"
SILICONE SEAL	Seams sealed for added moisture protection. For use in shower rooms and above pool windows.
STAINLESS STEEL CONSTRUCTION	Stainless steel - 22 gauge front panel, 24 gauge back panel. Includes 1/2" x 48" sealtite flex and silicone seal.
HEAVY DUTY CONSTRUCTION	16 gauge Galvanized or Aluminized Steel front panel. 18 gauge Galvanized or Aluminized Steel back panel.
FILLER PANELS	Finished to match Standard, Silkscreen or Custom painted panel. Does not contain an element or flex conduit. Standard construction: Front only. Tegular / Fineline Tegular: Front and back only.
PE Switch	Pneumatic electric switch.
Power Contactor	Power contactor.

COVE HEATERS

FEATURES

- Dual Function Heating
- “Sunshine” Type Heating
- Room comfort at lower temperatures
- Convenient wall mounting
- High efficiency textured radiating surface
- Easy surface mount installation
- Unique hanging system
- New Profile for maximum convection



APPLICATIONS

Type RCC Series Cove Heaters can fulfill the requirements of virtually any type residential or commercial heating situation. Individual room control, ease of installation and out of the way mounting make it equally desirable for total or supplemental comfort heating. Typical uses are day care centers, apartments, bathrooms, bedrooms, living rooms, kitchens, and foyers.

COLOR COORDINATED: Heaters are an off-white color to complement any interior wall design. (Dove Grey DG and Desert Tan DT are optional)

“INFRARED” TYPE HEAT – Radiant heat provides heating comfort in much the same manner as the sun. Heat energy, in form similar to light rays, travel in a straight line from the heater to the nearest object, where the energy is absorbed and the object becomes warm. Some rays are reflected and strike other objects, warming them also.

DUAL FUNCTION HEATING: In addition to radiant heat, the RCC Series uses part of its energy to heat air passing behind and over the heater by convection flow, thus helping to “mix” the air in the room and achieving balanced heating throughout.

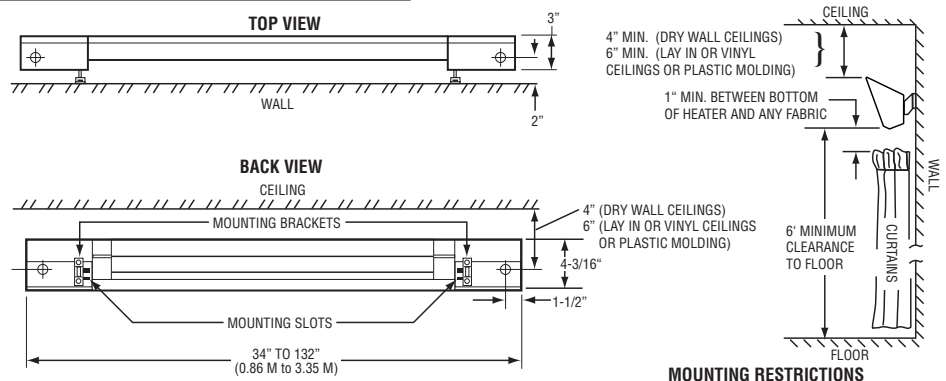
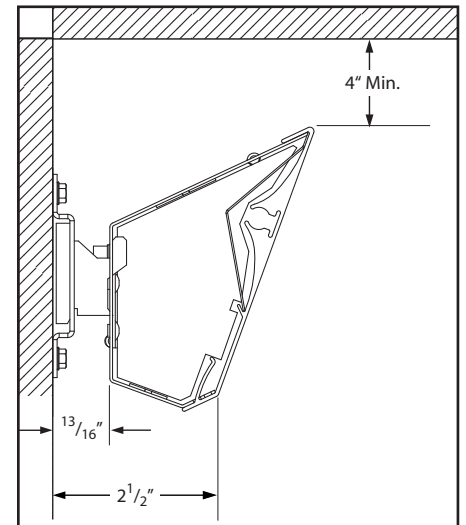
COMFORT AT LOWER TEMPERATURES – In non-radiant types of heating systems, it is necessary to warm and circulate air in order to keep the temperature in a room at a comfortable level. The warmer air warms the furniture and people in the room. With radiant heating, furniture and people are heated directly. The surrounding air eventually becomes warm, but the comfort level is not dependent upon the air temperature. Room temperature can be lowered 3 to 5 degrees while still maintaining the same comfort level. Furniture, walls, floors, etc., absorb some of the energy and act as a heat bank, releasing some of the warmth into the room during the “off” period of the normal “on-off” cycle of the cove heaters.

NEW EXTRUSION DESIGN: The extruded aluminum front panel is coated with high temperature textured paint radiating a majority of its heat energy from the front surface. The remaining energy is “wiped off” by a convection flow behind and over the top of the heater which circulates warm air into the room.

WALL MOUNTING – This cove heater mounts on any wall surface, near the ceiling where its dual function heating can be fully utilized. Radiant heat energy is directed downward, warming people and objects near the floor.

SELECTION CHART

CATALOG NUMBER	UPC 685360	WATTS	VOLTAGE	BTUH	AMPS	LENGTH (INCHES)	SHIPPING WEIGHT	
RCC4508C	14717 8	450W	208V	1536	2.2	34	4 lbs	
RCC4512C	14718 5		120V		3.7	34		
RCC4524C	14719 2		240V		1.9	34		
RCC6008C	14720 8	600W	208V	2048	2.9	47	6 lbs	
RCC6012C	14721 5		120V		5.0	47		
RCC6024C	14722 2		240V		2.5	47		
RCC6027C	14723 9		277V		2.2	47		
RCC7508C	14724 6	750W	208V	2560	3.6	59	7 lbs	
RCC7512C	14725 3		120V		6.2	59		
RCC7524C	14726 0		240V		3.1	59		
RCC7527C	14727 7		277V		2.7	59		
RCC9008C	14728 4	900W	208V	3072	4.3	71	8 lbs	
RCC9012C	14729 1		120V		7.5	71		
RCC9024C	14730 7		240V		3.7	71		
RCC9027C	14731 4		277V		3.2	71		
RCC10508C	14732 1	1050W	208V	3583	5.0	83	9 lbs	
RCC10512C	14733 8		120V		8.8	83		
RCC10524C	14745 1		240V		4.4	83		
RCC10527C	14734 5		277V		3.8	83		
RCC12008C	14735 2	1200W	208V	4095	5.8	94	10 lbs	
RCC12012C	14736 9		120V		10.0	94		
RCC12024C	14737 6		240V		5.0	94		
RCC12027C	14738 3		277V		4.3	94		
RCC15008C	14739 0	1500W	208V	5120	7.2	118	13 lbs	
RCC15024C	14740 6		240V		6.2	118		
RCC15027C	14741 3		277V		5.4	118		
RCC18008C	14742 0	1800W	208V	6142	8.7	132	15 lbs	
RCC18024C	14743 7		240V		7.5	132		
RCC18027C	14744 4		277V		6.5	132		
RCCT	06566 3	Integral Thermostat: Range 45-90°F will positive off.						1 lb
RCCSPC	14766 6	Splice Plate Assembly						2 lbs



2 ELEMENT & 3 ELEMENT INFRARED HEATERS

APPLICATIONS

Total or supplement (spot) heating in commercial and industrial areas, assembly lines, aircraft hangers, outside smoking areas, work stations and shipping areas.

Snow melting for waiting areas and entryways, stairs, parking lots, driveways and loading docks, smoking areas.

Available with Stainless Steel or Painted Steel enclosure.

Double element and three element heaters provide concentrated heating capacity in a single infrared radiant heater.

FEATURES

- Two or three element design.
- Painted or Stainless Steel enclosure.
- Heavy gauge gold anodized reflectors, offer a wide selection of beam patterns.
- Easy one person installation - attach upper mounting support to ceiling or optional wall bracket, rough in wiring, hang heater by tabs to complete wiring, swing heater into place to complete installation.

Type FRP – 20 gauge galvanized steel enclosure and heater support / wiring compartment painted in a Statuary Bronze powder coat finish.

Type FRS – Type 304, brush finished, 20 gauge, stainless steel enclosure and heater support / wiring compartment for applications requiring additional corrosion resistance.



ELEMENTS

METAL SHEATH, QUARTZ TUBE OR QUARTZ LAMP ELEMENTS – used interchangeably provide the flexibility necessary for multiple application projects.

METAL SHEATHED ELEMENTS – used indoors, or outdoors protected from the wind, in areas where physical abuse is a problem.

QUARTZ TUBE AND QUARTZ LAMP – used indoors and outdoors in areas where abuse is not a problem for snow melting and spot heating.

Pigtail element leads for a more positive connection on applications where physical abuse is a problem.

2 ELEMENT ENCLOSURE

PAINTED CATALOG NUMBER	UPC 6 85360	STAINLESS CATALOG NUMBER	UPC 6 85360	REFLECTIVE ANGLE	HEIGHT in. (mm)	DIMENSIONS		SHIP WT. lbs. (kg)
						WIDTH in. (mm)	LENGTH in. (mm)	
FRP223S	02931 6	FRS223S	03051 7	30 Sym	7.125 (181)	15 (381)	24 (610)	19 (8.6)
FRP226S	02846 0	FRS226S	03067 8	60 Sym				
FRP226AS	02839 2	FRS226AS	03059 3	60 Asym				
FRP229S	02854 5	FRS229S	03075 3	90 Sym	7.125 (181)	15 (381)	33 (838)	24 (10.9)
FRP233S	02870 5	FRS233S	03091 3	30 Sym				
FRP236S	02886 6	FRS236S	03107 1	60 Sym				
FRP236AS	02878 1	FRS236AS	03099 9	60 Asym	7.125 (181)	15 (381)	46 (1168)	31 (14.1)
FRP239S	02894 1	FRS239S	03115 6	90 Sym				
FRP243S	02907 8	FRS243S	03128 6	30 Sym				
FRP246S	02917 7	FRS246S	03138 5	60 Sym	7.125 (181)	15 (381)	46 (1168)	31 (14.1)
FRP246AS	02912 2	FRS246AS	03133 0	60 Asym				
FRP249S	02922 1	FRS249S	03143 9	90 Sym				

(Enclosure only - Select appropriate element from element selection chart)

3 ELEMENT ENCLOSURE

PAINTED CATALOG NUMBER	UPC 6 85360	STAINLESS CATALOG NUMBER	UPC 6 85360	REFLECTIVE ANGLE	HEIGHT in. (mm)	DIMENSIONS		SHIP WT. lbs. (kg)
						WIDTH in. (mm)	LENGTH in. (mm)	
FRP323S	02935 1	FRS323S	03156 9	30 Sym	7.125 (181)	21.5 (546)	24 (610)	23 (10.4)
FRP326S	02951 1	FRS326S	03172 9	60 Sym				
FRP326AS	02943 6	FRS326AS	03164 4	60 Asym				
FRP329S	02959 7	FRS329S	03180 4	90 Sym	7.125 (181)	21.5 (546)	33 (838)	31 (14.1)
FRP333S	02975 7	FRS333S	03197 2	30 Sym				
FRP336S	02991 7	FRS336S	03213 9	60 Sym				
FRP336AS	02983 2	FRS336AS	03205 4	60 Asym	7.125 (181)	21.5 (546)	46 (1168)	39 (17.7)
FRP339S	02999 3	FRS339S	03221 4	90 Sym				
FRP343S	03012 8	FRS343S	03234 4	30 Sym				
FRP346S	03025 8	FRS346S	03244 3	60 Sym	7.125 (181)	21.5 (546)	46 (1168)	39 (17.7)
FRP346AS	03020 3	FRS346AS	03239 9	60 Asym				
FRP349S	03030 2	FRS349S	03249 8	90 Sym				

(Enclosure only - Select appropriate element from element selection chart)

2 ELEMENT & 3 ELEMENT INFRARED HEATERS

ELEMENT SELECTION CHART (1)

CATALOG NUMBER	UPC 6 85360	VOLTS	ELEMENT WATTS	ELEMENT TYPE	USED WITH FIXTURE	SHIP WT. lbs. (kg)
F2MS08208	03275 7	208				
F2MS08240	03276 4	240				
F2MS08277	03277 1	277	850	Metal Sheath		1 (454)
F2MS08347	03278 8	347			FRP22 (22"L)	
F2MS08480	03280 1	480			FRS22 (24"L)	
F2MS08600	03281 8	600				
F2QT10208	03289 4	208		Quartz Tube		1 (454)
F2QT10240	03290 0	240	1000			
F2QT10277	03291 7	277			FRP32 (24"L)	
F2QL16208	03282 5	208			FRS32 (24"L)	
F2QL16240	03283 2	240			FRS32 (24"L)	
F2QL16277	03284 9	277	1600	Quartz Lamp		1 (454)
F2QL16347	03285 6	347				
F2QL16480	03287 0	480				
F2QL16600	03288 7	600				
F3MS15208	03323 5	208				
F3MS15240	03324 2	240				
F3MS15277	03325 9	277	1500	Metal Sheath		1 (454)
F3MS15347	03326 6	347				
F3MS15480	03328 0	480				
F3MS15600	03329 7	600			FRP2 (33"L)	
F3QT15208	03337 2	208		Quartz Tube	FRS2 (33"L)	1 (454)
F3QT15240	03338 9	240	1500			
F3QT15277	03339 6	277			FRP3 (33"L)	
F3QT15347	03340 2	347				
F3QT15480	03342 6	480			FRS3 (33"L)	
F3QT15600	03343 3	600				
F3QL25208	03330 3	208				
F3QL25240	03331 0	240				
F3QL25277	03332 7	277	2500	Quartz Lamp		1 (454)
F3QL25347	03333 4	347				
F3QL25480	03335 8	480				
F3QL25600	03336 5	600				
F4MS20208	03344 0	208				
F4MS20240	03345 7	240				
F4MS20277	03346 4	277	2000	Metal Sheath		1 (454)
F4MS20347	03347 1	347			FRP2 (46"L)	
F4MS20480	03349 5	480			FRS2 (46"L)	
F4MS20600	03350 1	600				
F4QT20208	03355 6	208		Quartz Tube		1 (454)
F4QT20240	03356 3	240				
F4QT20277	03357 0	277	2000			
F4QT20347	03358 7	347			FRP3 (46"L)	
F4QT20480	03360 0	480			FRS3 (46"L)	
F4QT20600	03361 7	600				
F4QL36347	03351 8	347		Quartz Lamp		1 (454)
F4QL36480	03353 2	480	3650			
F4QL36600	03354 9	600				

APPLICATION LIMITATIONS and PRECAUTIONS:

HAZARDOUS ATMOSPHERE – These heaters are **not** suitable for use in hazardous locations.
MOUNTING CLEARANCES – Maintain minimum clearances of:

- 24" (610 mm) to vertical side walls.
- 36" (914 mm) between heaters mounted side by side.
- Heaters may be mounted end to end.
- 6" (152 mm) to ceiling.
- 84" (2134 mm) to floor.

Maintain at least 5 ft. (1.5 m), in radiant path, between bottom of heater and combustible material.

CORROSIVE ATMOSPHERES – The high quality finish and aluminized steel of the FRP series will give excellent service under normal to severe operating conditions, including coastal salt air and most industrial atmospheres. However for severe conditions such as swimming pool, green houses, etc., the FRS stainless steel enclosure should be used.

(1) 1 element per carton order, 2 for 2 element enclosure or 3 for 3 element enclosures.

** Denotes remaining catalog number (See Enclosure Chart).

*** Denotes voltage.

OPTIONAL MECHANICAL ACCESSORIES

CATALOG NUMBER	UPC 6 85360	DESCRIPTION	USED WITH FIXTURE	CARTON QTY	WEIGHT lbs (gr)
FWG22	08406 0	Wire Guard for 2 Element Heaters	FRS2/FRP2 (24"L)	1	1 (454)
FWG23	08407 7	Wire Guard for 2 Element Heaters	FRS2/FRP2 (33"L)	1	1.5 (680)
FWG24	08408 4	Wire Guard for 2 Element Heaters	FRS2/FRP2 (46"L)	1	2 (907)
FWG32	08409 1	Wire Guard for 3 Element Heaters	FRS3/FRP3 (24"L)	1	1.5 (680)
FWG33	08410 7	Wire Guard for 3 Element Heaters	FRS3/FRP3 (33"L)	1	2 (907)
FWG34	08411 4	Wire Guard for 3 Element Heaters	FRS3/FRP3 (46"L)	1	2.5 (1134)
FRPATMB	08402 2	Adjustable Tilt Mounting Bracket - FRP Series		1 Set	1 (454)
FRSATMB	08404 6	Adjustable Tilt Mounting Bracket - FRS Series		1 Set	1 (454)
FRPWMB	08403 9	Wall Mounting Bracket - FRP Series		1 Set	6 (2722)
FRSWMB	08405 3	Wall Mounting Bracket - FRS Series		1 Set	6 (2722)
RVS2	13765 0	24" Red Vycor sleeve	FR(*)22/FR(*)32	1	
RVS3	13766 7	33" Red Vycor sleeve	FR(*)23/FR(*)33	1	
RVS4	13767 4	46" Red Vycor sleeve	FR(*)24/FR(*)34	1	

2 ELEMENT ENCLOSURE

LENGTH	MAXIMUM WATTAGE		
	METAL SHEATH	QUARTZ TUBE	QUARTZ LAMP
24"	1700	2000	3200
33"	3000	3000	5000
46"	4000	4000	7300

3 ELEMENT ENCLOSURE

LENGTH	MAXIMUM WATTAGE		
	METAL SHEATH	QUARTZ TUBE	QUARTZ LAMP
24"	2500	3000	4800
33"	4500	4500	7500
46"	6000	6000	10950

HRK

SINGLE ELEMENT INFRARED HEATERS

APPLICATIONS

Total or supplemental (spot) indoor heating in residential, commercial and light industrial areas, assembly lines, work stations, aircraft hangers, loading docks, and shipping areas.



FEATURES

- Painted Steel enclosure with gold anodized 60 degree symmetrical reflector and Quartz Tube element.
- For indoor use, horizontal mounting.
- Mounts to ceiling with supplied chains or to wall using the optional FRP-WMB wall mounting bracket.
- High efficiency gold anodized reflector has one of the highest levels for radiating heat energy.
- No moving parts, No noise, No maintenance, easy to install.
- Optional HWG wire guard provides a protective safety screen that helps prevent objects coming in contact with the hot element.

APPLICATION LIMITATIONS and PRECAUTIONS:

HAZARDOUS ATMOSPHERE – These heaters are **not** suitable for use in hazardous locations.

INDOOR USE ONLY.

MOUNTING CLEARANCES – Maintain minimum clearances of:

- 12" (305 mm) to vertical side walls.
- 36" (914 mm) between heaters mounted side by side. Heaters may be mounted end to end.
- 3" (76 mm) to ceiling.
- 8' (2.4 m) to floor.

Maintain at least 5 ft. (1.5 m), in radiant path, between bottom of heater and combustible material.

CORROSIVE ATMOSPHERES – The high quality finish and steel internal sheet metal parts will give excellent service under most operating conditions, including coastal salt air and most industrial atmospheres. However, the finish is not intended for direct salt spray exposure in marine applications or highly corrosive greenhouse, swimming pool, chemical storage or industrial atmospheres.

CATALOG NUMBER	UPC 6 85360	VOLTS	WATTS	DIMENSIONS		HEIGHT in. (mm)	WIDTH in. (mm)	SHIP LENGTH in. (mm)	WT. lbs. (kg)
				REFLECTIVE ANGLE					
HRK41512	08280 6	120	1500	60 Sym		3.375 (86)	5.5 (140)	46 (1168)	9 (4.1)
HRK42020	08281 3	208	2000	60 Sym		3.375 (86)	5.5 (140)	46 (1168)	9 (4.1)
HRK42024	08282 0	240	2000	60 Sym		3.375 (86)	5.5 (140)	46 (1168)	9 (4.1)
HRK42027	08283 7	277	2000	60 Sym		3.375 (86)	5.5 (140)	46 (1168)	9 (4.1)
HRK42034	08284 4	347	2000	60 Sym		3.375 (86)	5.5 (140)	46 (1168)	9 (4.1)
HRK42048	08286 8	480	2000	60 Sym		3.375 (86)	5.5 (140)	46 (1168)	9 (4.1)
HRK42060	08287 5	600	2000	60 Sym		3.375 (86)	5.5 (140)	46 (1168)	9 (4.1)
HRK53020	08288 2	208	3000	60 Sym		3.375 (86)	5.5 (140)	57 (1448)	11 (5.0)
HRK53024	08289 9	240	3000	60 Sym		3.375 (86)	5.5 (140)	57 (1448)	11 (5.0)
HRK53027	08290 5	277	3000	60 Sym		3.375 (86)	5.5 (140)	57 (1448)	11 (5.0)
HRK53034	08291 2	347	3000	60 Sym		3.375 (86)	5.5 (140)	57 (1448)	11 (5.0)
HRK53048	08293 6	480	3000	60 Sym		3.375 (86)	5.5 (140)	57 (1448)	11 (5.0)
HRK53060	08294 3	600	3000	60 Sym		3.375 (86)	5.5 (140)	57 (1448)	11 (5.0)

OPTIONAL MECHANICAL ACCESSORIES

CATALOG NUMBER	UPC 6 85360	DESCRIPTION	USE WITH	CTN. QTY.	SHIP WT. lbs. (gr)
HWG46	10850 6	Wire Guard	HRK4	1	1 (454)
HWG57	10851 3	Wire Guard	HRK5	1	1.5 (680)



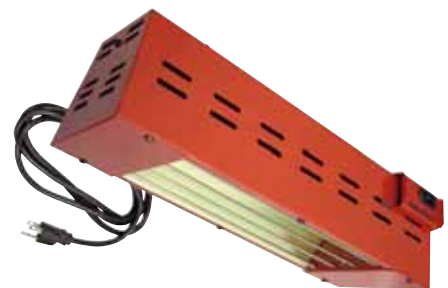
FRR

PLUG-IN RADIANT HEATERS

The FRR10512B Series heaters have Quartz Tube elements and three prong cord set.

Six models, at two voltages, provide a wide range of heating capacities from 500 to 5700 watts (1711 to 19,488 BTU/HR).

Apply heat only where needed. Convenient ceiling chain mounting and cord set allow custom heating of only the areas being used. No need to waste energy heating the entire room or building.



Model shown: FRR10512B

APPLICATIONS

Designed for supplemental indoor heating in residential and commercial areas; Laundry rooms, Work shops, Toll booths, Garages, Assembly areas, Loading and Shipping docks and Well houses.

CATALOG NUMBER	UPC	VOLTS	WATTS	DIMENSIONS			SHIP WT. lbs. (kg)	
				REFLECTIVE ANGLE	HEIGHT in. (mm)	WIDTH in. (mm)		LENGTH in. (mm)
FRR10512B	0 98319 88970 6	120	500	60 Sym	4.65	5.75	16.75	8 (3.7)
FRR11012B	6 85360 08790 0	120	1000/500*	60 Sym	3.375 (86)	5.5 (140)	45 (1168)	9 (4.1)

*FRR11012 has switches for 500 or 1000 watt operation. **Color:** Gold anodized aluminum enclosure.



CHRR PLUG-IN RADIANT HEATERS

For commercial and industrial applications with Statuary Bronze painted steel enclosure and gold anodized reflector.



CATALOG NUMBER	UPC 6 85360	VOLTS	WATTS	REFLECTIVE ANGLE	DIMENSIONS			SHIP WT. lbs. (kg)
					HEIGHT in. (mm)	WIDTH in. (mm)	LENGTH in. (mm)	
CHRR41512	08236 3	120	1500	60 Sym	3.375 (86)	5.5 (140)	46 (1168)	9 (4.1)
CHRR53024	08237 0	240	3000	60 Sym	3.375 (86)	5.5 (140)	57 (1448)	11 (5.0)



The versatility of these heaters is doubled... They can be mounted on the ceiling or they can be mounted on the optional cart and rolled to any location for maximum spot heating effect. Both heaters have switches for full or 50% operation.

For commercial and industrial applications with Statuary Bronze powder coated steel enclosure and gold anodized reflector.



CATALOG NUMBER	UPC 6 85360	VOLTS	WATTS	REFLECTIVE ANGLE	DIMENSIONS			SHIP WT. lbs. (kg)
					HEIGHT in. (mm)	WIDTH in. (mm)	LENGTH in. (mm)	
FRR22012	14784 0	120	2000/1000	60 Sym	3.375 (86)	11 (280)	25 (637)	12 (5.5)
CHRR35724	10602 1	240	5700/2850	60 Sym	3.375 (86)	19 (484)	34 (866)	22 (10)

ROLL-AROUND CART ACCESSORIES



CATALOG NUMBER	UPC 6 85360	DESCRIPTION	USE WITH	SHIP WT. lbs. (kg)
CHRRCART1	14129 9	Roll Around Cart	CHRR22012	11 (5)
CHRRCART2	14130 5	Roll Around Cart	CHRR35724	11 (5)
ITEMS BELOW DO NOT INCLUDE CART (Two wheeled cart supplied by others.)				
CHRRCMK1	14131 2	Flat bracket hardware	CHRR22012	3 (1.36)
CHRRCMK2	14132 9	Formed bracket hardware	CHRR35724	3 (1.36)

BRM

INDUSTRIAL INFRARED HEATERS

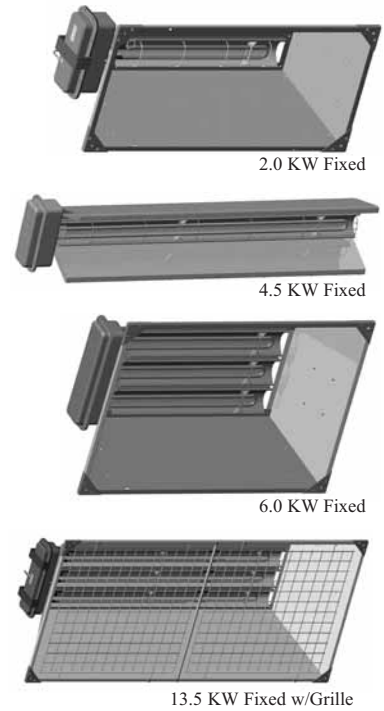
APPLICATIONS

The higher watt density, industrial infrared heaters are designed to provide a rugged source of heat for use in areas where dependence on air movement is impractical. The BRM Series infrared heaters are designed primarily for permanent mounting on the ceiling, but may be used in any orientation. Waste water treatment plants, loading docks, foundries, auto or marine repair facilities, walkways, assembly areas, enclosed smoking areas, repair stations and indoor or outdoor storage areas are just a few examples of where the BRM Series infrared heaters can be used.

FEATURES

- Heavy duty u-bend metal sheath heating element
- Electric heaters convert energy to heat at 100% efficiency
- UL listed and CSA registered models
- Optional safety grilles are available
- Optional safety grilles and rollcarts are available.
- 2.0, 4.5, 6.0 and 13.5 Kw heat outputs available
- Voltages include 208, 240, 277, 480 and 600
- Single or three phase operation
- Heater has gasketed wiring compartment that allows units for washdown

CATALOG NUMBER	WATTS	VOLTS	PHASE	REFLECTOR ANGLE	ELEMENT TYPE	SHIP WT.
BRM2081		208				
BRM2021	2,000	240	1			18lbs.
BRM2041		480				
BRM2061		600				
BRM4581		208				
BRM4521	4,500	240	1			18lbs.
BRM4541		480				
BRM4561		600				
BRM6083		208	1 and 3	90° Symm	Metal Sheath	
BRM6023		240	1 and 3			
BRM6071	6,000	277	1			25lbs.
BRM6043		480	1 and 3			
BRM6063		600	1 and 3			
BRM13583		208	3			
BRM13523		240	3			
BRM13571	13,500	277	1			55lbs.
BRM13543		480	1 and 3			
BRM13563		600	1 and 3			



Ground Fault Detection: Ground fault detection equipment is designed to monitor for any gradual changes in the insulation level due to humidity or mechanical damage as it develops, thus, deenergizing the load to prevent arcing type faults, preventing premature element failure and potential fire damage. As a safety pre-caution it is highly recommended that industrial infrared heaters must be protected by ground fault detection. Failure to comply could result in a building fire or serious equipment damage.

Note: See page 71 for infrared accessories

CRN

INDUSTRIAL PERMANENT INFRARED HEATERS

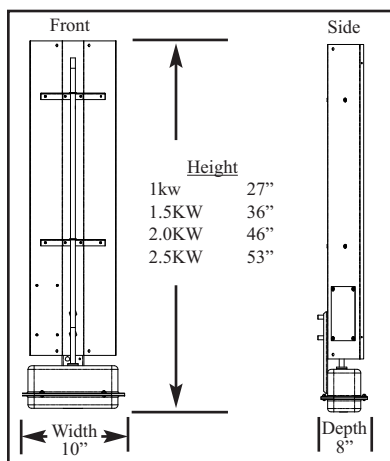


The CRN Series infrared heater is an excellent choice for spot heating. Often, a series of spot heat areas can be incorporated within the total area to avoid maintaining a higher ambient temperature throughout the building or room. Comfort levels will depend on the intensity of the wattage output. The CRN Series has four wattage outputs to choose from and starting as low as 1KW.

The construction of the CRN Series heater is simple. Aluminum extruded housing keeps the heating element secure while providing a focal point where a highly polished aluminum reflector extends over the assembly to provide a uniform heating pattern.

The heating element connects to a gasketed, moisture resistant terminal enclosure. This allows the heater to be washed down provided the heater is disconnected from the power supply.

DIMENSIONS



- Heavy duty straight metal sheath element
- UL and CUL approved
- 1.0, 1.5, 2.0 and 2.5 KW heat outputs available
- Voltages include 120, 208, 240, 277 and 347
- Single phase operation only
- Heater can be washed down **AFTER BEING DISCONNECTED**
- Safety grilles available
- Min. Mounting Height 10 Ft.
- One year warranty

CATALOG NUMBER	WATTS	VOLTS	PHASE	REFLECTOR ANGLE	ELEMENT TYPE	SHIP WT.
CRN1011		120				
CRN1081	1,000	208	1	90° Symm	Metal Sheath	10 lbs
CRN1021		240				
CRN1511		120				
CRN1581		208				
CRN1521	1,500	240	1	90° Symm	Metal Sheath	15 lbs
CRN1571		277				
CRN1531		347				
CRN2001		208				
CRN2021	2,000	240	1	90° Symm	Metal Sheath	18 lbs
CRN2071		277				
CRN2031		347				
CRN2501		208				
CRN2521	2,500	240	1	90° Symm	Metal Sheath	20 lbs
CRN2571		277				
CRN2531		347				

Note: See page 71 for infrared accessories

ARL PORTABLE INFRARED HEATERS

APPLICATION

This type portable low watt density industrial infrared heater is designed to provide clean, odor-free heat for indoor and outdoor work stations and is a good source of heat for use in areas where dependence on air movement is impractical. Loading docks, walkways, assembly areas, enclosed smoking areas, repair stations and storage areas are just a few examples of where ARL Series infrared heaters are often used.

FEATURES

- Heavy duty harpin metal sheath heating element
- 1.5, 2.0 and 4.5 Kw heat output available
- Voltages include 120, 208, 240, 277, 480 and 600
- Single phase operation only
- 1500 watt 120 volt model has attached cord and plug
- Sturdy base assembly provides tip resistant design



1.5KW Portable



4.5KW Portable

CATALOG NUMBER	UPC 6 85360	WATTS	VOLTS	PHASE	REFLECTOR ANGLE	ELEMENT TYPE	SHIP WT.
ARL1511	14360 6	1500	120	1	90° Symm	Metal Sheath	15 lbs

Note: This hand carry model includes cord and standard 2-prong grounding plug.

CATALOG NUMBER	UPC 6 85360	WATTS	VOLTS	PHASE	REFLECTOR ANGLE	ELEMENT TYPE	SHIP WT.
ARL2081	14361 3		208				
ARL2021	14362 0		240				
ARL2071	14363 7	2000	277	1	90° Symm	Metal Sheath	18 lbs
ARL2041	14364 4		480				
ARL2061	14365 1		600				
ARL4581	14366 8		208				
ARL4521	14367 5		240				
ARL4571	14368 2	4500	277	1	90° Symm	Metal Sheath	25 lbs
ARL4541	14369 9		480				
ARL4561	14370 5		600				

Note: See page 71 for all accessories.

ELECTRIC CONTROL PANELS

APPLICATIONS

CP Series Power Control Panels are factory wired for efficient installations and include terminal blocks, On-Off selector switches, power ON pilot light, and a 24volt or 120volt control circuit. Panels are available for use in 208, 240, 277, 480, and 600 volt systems, with amp loads up to 40, 50, 100, 200, and 300 amps (inductive load - see chart below for resistive load rating).

FEATURES

- Nema 1 enclosure, UL / cUL listed and labeled control panel.
- Control Transformer with fused primary and secondary.
- On / Off Control Switch.
- Power ON Pilot Light.



CATALOG NUMBER	UPC 6 85360	DESCRIPTION	AMP RATING INDUCTIVE LOAD	VOLTAGE	SUPPLY VOLTAGE	CONTROL PANEL DIM.	SHIP WT. (lbs.)
CP404801PT	13893 0	Percentage Timer Panel, One 3 Pole Contactor	40A	208-480V	120V	14.5"H x 14.5"W x 7.5"D	45
CP404801CT	13892 3	Time Delay Controller, One 3 Pole Contactor	40A	208-480V	120V	14.5"H x 14.5"W x 7.5"D	45
CP504801	13900 5	Single 3 Pole Contactor Panel	50A	208-480V	120V	14.5"H x 14.5"W x 7.5"D	45
CP1004801	13880 0	Two 3 Pole Contactor Panel	100A	208-480V	120V	14"H x 15"W x 7.75"D	55
CP2004801	13884 8	Four 3 Pole Contactor Panel	200A	208-480V	120V	31.5"H x 18.2"W x 10"D	65
CP3004801	13888 6	Six 3 Pole Contactor Panel	300A	208-480V	120V	36"H x 30"W x 7"D	70

NOTE: Line fusing supplied by installer.

Percentage Timer Panel for Metal Sheath Heaters only.

Contact factory for 24volt control, 600volt supply, and Nema 4 enclosures.

NOTE: Add 25% to list price for stainless steel (Nema 4x) rating.

ACCESSORIES

CORD AND PLUG KITS FOR INDUSTRIAL M, N, AND L SERIES HEATERS

MARLEY MODEL	KW	VOLTS	PHASE	AMPS	WIRE SIZE	POWER CORDS	PLUGS LOCKING	NON LOCKING
L2081B	2	208	1	9.6	14/3	CS25143	LPS25083	NPS25650
L2021B	2	240	1	8.3	14/3	CS25143	LPS25083	NPS25650
L2071B	2	277	1	7.2	14/3	CS25143	LPS25083	
L2041B	2	480	1	4.2	14/3	CS25143	LPS25083	
L2061B	2	600	1	3.3	14/3	CS25143	LPS25083	
M4581B	4.5	208	1	21.6	12/3	CS25123	LPS25083	NPS25650
M4521B	4.5	240	1	18.8	12/3	CS25123	LPS25083	NPS25650
M4541B	4.5	480	1	9.4	14/3	CS25143	LPS25083	
M4561B	4.5	600	1	7.5	14/3	CS25143	LPS25083	
M6083B	6	208	1	28.8	6/3	CS25063	LPS25083	NPS25650
M6083B	6	208	3	16.7	6/4	CS25064	LPS25124	NPS1550
M6023B	6	240	1	25.0	6/3	CS25063	LPS25083	NPS25650
M6023B	6	240	3	14.5	6/4	CS25064	LPS25124	NPS1550
M6071B	6	277	1	21.7	6/3	CS25063	LPS25083	
M6043B	6	480	1	12.5	6/3	CS25063	LPS25083	
M6043B	6	480	3	7.2	6/4	CS25064	LPS25104	
M6063B	6	600	1	10.0	6/3	CS25063	LPS25083	
M6063B	6	600	3	5.8	6/4	CS25064	LPS25084	
MI3583B	13.5	208	3	37.5	6/4	CS25064	LPS25083	NPS1550
MI3523B	13.5	240	3	32.5	6/4	CS25064	LPS25083	NPS1550
MI3571B	13.5	277	1	48.7	6/3	CS25063	LPS25083	
MI3543B	13.5	480	1	28.1	6/3	CS25063	LPS25083	
MI3543B	13.5	480	3	16.3	6/4	CS25064	LPS25104	
MI3563B	13.5	600	1	22.5	6/3	CS25063	LPS25083	
MI3563B	13.5	600	3	13.0	6/4	CS25064	LPS25084	

CORD AND PLUG KITS FOR ELECTRIC BLOWER HEATER

MARLEY MODEL	KW	VOLTS	PHASE	AMPS	WIRE SIZE	25FT CORD SET	LOCKING TYPE	NON LOCKING TYPE	SHIP WT.
MEDH1021A	10	240	1	39.6	6/3	SCS10063 (10ft. long)	-	Included	18 lbs
MEDH1583A	15	208	3	41.8	6/4	SCS25064	LPS25064	-	20 lbs
MEDH1521A	15	240	1	62.5	4/3	SCS25043	-	-	22 lbs
MEDH1523A	15	240	3	36.3	6/4	SCS25064	LPS25064	-NPS1550	20 lbs
MEDH1543A	15	480	1	31.2	6/4	SCS25064	LPS25064	-NPS1550	20 lbs
			3	18.1	12/4	SCS25124	LPS25104		10 lbs
MEDH3043A	30	480	3	36.3	6/4	SCS25064		-	20 lbs

Note: Models designated 1 and 3 phase can be field wired for single phase operation.

BRM SAFETY GRILLES, HANGING KITS, AND ROLLAROUND CART KITS

CATALOG NUMBER	UPC	DESCRIPTION	SHIPPING WEIGHT
BRMWG2	14332 3	Safety Grille Kit for BRM 2KW heaters	3 lbs
BRMWG45	14333 0	Safety Grille Kit for BRM 4.5KW heaters	3 lbs
BRMWG60	14334 7	Safety Grille Kit for BRM 6KW heaters	4 lbs
BRMWG135	14335 4	Safety Grille Kit for BRM 13.5KW heaters	14 lbs
BRMHK	14336 1	Hanging Kit to mount BRM or YRN heaters, includes chain and hooks.	2 lbs
BRM45	14337 8	Rollaround Cart kit for 4.5KW BRM heaters (Includes safety grilles)	7 lbs
BRM60	14338 5	Rollaround Cart kit for 6.0KW BRM heaters (Includes safety grilles)	8 lbs
BRM135	14339 2	Rollaround Cart kit for 13.5KW BRM heaters (Includes safety grilles)	8 lbs

CRN SAFETY GRILLES

CATALOG NUMBER	UPC	DESCRIPTION	SHIPPING WEIGHT
CRNKG01	14356 9	Safety Grille Kit for CRN 1KW heaters	3 lbs
CRNKG105	14357 6	Safety Grille Kit for CRN 1.5KW heaters	3 lbs
CRNKG200	14358 3	Safety Grille Kit for CRN 2KW heaters	7 lbs
CRNKG250	14359 0	Safety Grille Kit for CRN 2.5KW heaters	10 lbs

CONTROL ACCESSORIES FOR INDUSTRIAL INFRARED HEATERS

CATALOG NUMBER	UPC	DESCRIPTION	KW MODELS	AVAILABILITY	SHIPPING WEIGHT
PDS60050	15233 2	Power Disconnect Kit for Fixed or Portable (M Series)	ALL	S	8 lbs
TOS240	15166 3	Tipover Switch for Fixed or Portable(Mseries) 240V only	6 or 13.5	NS	15 lbs
TOS480	15167 0	Tipover Switch for Fixed or Portable(Mseries) 480V only	6 or 13.5	NS	15 lbs
WMGF240	15234 9	Wall mounted Ground Fault Detection for 240V Nema 4	ALL	NS	17 lbs
WMGF480	15235 6	Wall mounted Ground Fault Detection for 480V Nema 4	ALL	NS	17 lbs

WPC1500

PORTABLE RADIANT CONVECTION HEATER

- Efficient multi-watt design allows user to choose between three wattage levels for greater comfort control and energy savings
- Removable wheel kit allows unit to be wall mounted near electrical outlet

- Positive OFF switch
- Easy to use adjustable thermostat
- Tip-over switch and linear limit for added safety
- Three prong grounded cordset



MODEL	VOLTS	WATTS	AMPS	HEATER DIMENSIONS			WT.
				HEIGHT	WIDTH	DEPTH	
WPC1500	120	1500 / 1000 / 500	12.5 / 8.3 / 4.2	21"	30"	4"	27 lbs

202SL

RADIANT PLUG-IN UNDER DESK HEATER



An ideal, economical, safe way to provide warmth for cold secretaries, bank tellers, receptionists, cashiers, accountants, architects, engineers — in fact, anyone who sits at a desk, counter or table whether at work or at home! The 200 Series gives you personalized warmth just where it's needed - when it's needed. This amazing heater costs just one or two cents per hour to operate... based on your local electricity rate.



Note: Includes 3-Prong cord and plug.

CATALOG NO.	UPC NO.	WATTS	AMPS	VOLT	SIZE	SHIP WT.
202SLB	0 98319 88965 2	170	1.4	120	15 x 22 x 1	8
MC202SLR	Master Carton (6pcs)	170	1.4	120	17 x 27 x 10	50
APT2	0 98319 88964	5	Portable Thermostat			

MMHD

PORTABLE FAN-FORCED UTILITY HEATER



- Two heat settings for a full range of comfort.
- Automatic thermostat.
- Fan only feature to circulate air during non-heating periods.
- Tip over safety switch and thermal limit.
- Built-in carrying handle and guards.
- Safety limits.
- MMHD has grounded cord and plug.
- 2 year warranty



CATALOG NO.	UPC NO.	WATTS	AMPS	VOLTS	BTUH	SHIP WT.
MMHD1502T	0 98319 86168 9	1500	12.5	120	5120	9.2
		1300	10.8	120	4437	

MCM

PORTABLE FAN-FORCED/RADIANT UTILITY HEATER

- 3 heat settings:
 - 600W radiant.
 - 900W fan-forced.
 - 1500W fan-forced and radiant.
- Chromed safety grille.

- Automatic thermostat.
- Ceramic core element.
- Tip over safety switch and thermal limit.
- 2 year warranty



CATALOG NO.	UPC NO.	WATTS	AMPS	VOLTS	BTUH	SHIP WT.
MCM1503	0 98319 86166 5	1500	12.5	120	5120	9
		900	7.5	120	3072	
		600	5	120	2048	

QPH4A

PORTABLE UNIT HEATER

- Easy to carry with built-in handles.
- Two heat settings: 9100 BTUs (2667 Watts), 13650 BTUs (4000 Watts).
- Permanently lubricated, unit-bearing fan motor.
- Three-way bracket lets you stand unit on floor or other flat surface, or mount to ceiling or wall. Adjustable thermostat to maintain heating comfort levels.
- Operates on 240 volts. Comes with 6' cord.
- 5-year limited warranty on heating elements.



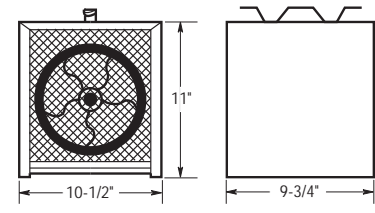
CATALOG NO.	UPC NO.	WATTS	AMPS	VOLTS	BTUH	SHIP WT.
QPH4A	0 98319 86114 6	Low - 2667/2000	20	240/208	9,102/9,526	25
		High - 4000/3000	20	240/208	13,652/10,239	

BRH

CONTRACTOR HEATER

For construction job sites, commercial workshops and other large unheated areas.

- Built-in thermostat.
- Safety high temperature limit.
- Industrial finger proof, steel intake and discharge grilles.
- Steel spiral fin brazed to metal sheathed element for maximum heat transfer.
- 6' Heavy-duty cord.
- Built-in handle/cord storage.
- Permanently lubricated motor.
- BRH562 has continuous fan feature.
- Red finish — Portable — Quiet.



BRH402
PLUG TYPE
20 Amp 240V
NEMA #6-20P



BRH562
PLUG TYPE
30 Amp 240V
NEMA #6-30P

CATALOG NO.	UPC NO.	WATTS	AMPS	VOLTS	BTUH	SHIP WT.
BRH402	0 98319 86200 6	4000/3000	16.7/14.1	240/208	13,650/10,238	17
BRH562	0 98319 86202 0	5600/4200	23.3/20.2	240/208	19,110/14,333	19

PT268

PORTABLE ELECTRIC HEATER

- Adjustable, automatic thermostat.
- Efficient fan-forced heat.
- Safety overload switch with caution light.
- Heater automatically shuts off if unit overheats.
- Live power signal light.
- 6' Heavy-duty cord.
- Full one-year warranty.



PT268
PLUG TYPE
20 Amp 240V
NEMA #6-20P



CATALOG NUMBER	UPC NUMBER	VOLTS	WATTS	AMPS	BTU/HR	WT. (LBS.)	DIMENSIONS H x W x L
PT268	6 85360 09646 9	240	4000	16.7	13,648	12	16.25" x 15.5" x 11.5"

FBE

PORTABLE ELECTRIC CONVECTOR HEATERS



DIMENSIONS:
45"L x 7-1/2" H x 5-1/2"D

- Don't waste energy and heat rooms you aren't using. Maintain individual room control with portable electric convector heat — and get heat only in the places you want.
- 100% energy efficient. Heat is dissipated by large fins into a strong convection flow. This delivers every bit of available heat.
- Distinctively designed. High-impact Lexan® end panels with built-in handles. Low profile design enhances the unique appearance and add to the units overall stability.
- Fills entire room with even comfort. No cold spots. No hot spots. The complete heating cycle fills your entire room with uniform, gentle floor-to-ceiling warmth and comfort.
- Safety thermal cutout protection. Linear high temperature cutout safety checks the entire length of heater and will automatically shut off heater a in the event of accidental air blockage.
- 2-year limited warranty.

CATALOG NO.	UPC NO.	WATTS	AMPS	VOLTS	BTUH	SHIP WT.
FBE15002	0 98319 86156 6	1000/1500	8.3/12.5	120	3413/5120	11

LFP

PORTABLE ELECTRIC HYDRONIC HEATERS



DIMENSIONS:
58"L x 8-1/2" H x 3"D

- For supplemental heating of bedrooms, game rooms, family rooms and small areas in-homes, apartments, condos and office.
- Large area fins dissipate heat into a strong convection flow, delivering all available heat into the room.
- Low profile design and Navajo White color blends with any room decor. Tuck away carrying handle is out of sight when not in use.
- Automatic thermostat lets you maintain desired comfort level. Heater design produces gentle, radiant heat even after the thermostat's been satisfied.
- High-impact Lexan® and steel unitized body resists dents, scratches and rust for long-cabinet life.
- Specifically designed welded bar grille provides protection against insertion of foreign matter.
- Linear high temperature cutout safety checks the entire length of heater and will automatically shut off heater in the event of accidental air blockage.
- Large copper element reservoir maximizes heat retention.

CATALOG NO.	UPC NO.	WATTS	AMPS	VOLTS	BTUH	SHIP WT.
LFP6152	0 98319 86155 9	750/1500	6.3/12.5	120	2560/5120	21

DIGITAL THERMOSTATS AND CONTROLS

HEATER TYPE	2500 SERIES BASEBOARD	HBB/OBD BASEBOARD	LARGE WALL HEATER	SMALL WALL HEATER	SMALL WALL HEATER	REGISTER WALL HEATER	TOE SPACE HEATER
Heater Series	2500 Series QMKC	HBB CBD	AWH CWH LFK	CWHDSAG CWHDS	CRA SED 1235 & 2400	GFR, QFG	QTS
Refer to the Notes Section where specified	See Note 1		See Note 2	See Note 3	See Note 4		See Note 6
Thermostats below are electronic with digital display.							
TH110DPP	Yes	Yes	The electronic thermostats are not recommended for this heater	No	See model selection chart.	See model selection chart.	Yes
TH300024	Yes	Yes		No			No
TH36004	Yes	Yes		No			Yes
TH400024	Yes	Yes		No			Yes
TH522D1003	No	No		No			No
Thermostats listed below are of mechanical type and want to control temperature setting manually.							
MS26	Yes	Yes	See model selection chart for the recommended thermostat	No	See model selection chart.	See model selection chart.	Yes
MD26	Yes	Yes		No			Yes
M601W	Yes	Yes		Yes			Yes
M601TPW	Yes	Yes		Yes			Yes
M602W	Yes	Yes		No			Yes
M602TPW	Yes	Yes		No			Yes
M611W	Yes	Yes		No			Yes
M612W	Yes	Yes		No			Yes
M600S	These stats are used when there are two elements to control. Two-stage operation and modulating type. Not normally used for above products.						
M600MTP							
T100	Yes	Yes	See model selection chart for the recommended thermostat	Yes	See model selection chart.	See model selection chart.	Yes
T200	Yes	Yes		No			Yes
WR651	Yes	Yes		No			Yes
WR661	Yes	Yes		No			Yes
Thermostats below are more commercial / Industrial and not normally used on residential applications.							
WT11A	No	Yes	See model selection chart for the recommended thermostat	No	No	No	No
WT12A	No	Yes		No	No	No	No
WR80	Yes	Yes		No	No	No	No
WR80EP	No	No		No	No	No	No
Thermostats below are low voltage (18 to 26 volts) See note #6 below.							
T8775A1009	Yes	Yes	No	No	No	No	No
T8775C1005	Yes	Yes	No	No	No	No	No
Electronic transformer relays with built-in transformer.							
LTR1120							
LTR208240							
LTR1277							
LTR2240							
LT186F01	Yes	Yes	Yes	Yes		Yes	Yes

Highlighted items are "Subject to Stock Availability"

† For infrared type heaters, controls may be different for the type of element used. See your technical service person for recommendation.

Note 1: Electronic thermostats have amperage minimums and each model has different voltage requirements, please check catalog thermostat specifications.

Note 2: AWH, CWH, LFK Series models require the removal of the internal thermostat and wire wall thermostat in its place for proper fan operation. See model selection for specific thermostat.

Note 3: CWHDSAG and CWHDS Series models require the removal of the internal thermostat from unit. Wire wall thermostat for proper fan operation. See model selection for specific thermostats.

Note 4: CRA, SED, 1235, and 2400 Series models require the removal of the internal thermostat from unit. Wire wall thermostat for proper fan operation. See model selection for specific thermostats.

Note 5: Low voltage thermostats operate in conjunction with low voltage control systems using relays. Compatible with all standard 24V two wire thermostats.

Note 6: The 1100 watt units can use either single pole or double stats. The higher wattage, 1500watt, must use a double pole stat. (3 conductors from stat to heater) See website for further details.

Note 7: CDF and EFF Series models require different thermostats based on internal wiring. Wire wall thermostat for proper fan operation. See model selection for specific thermostats. Can not use digital thermostat with this unit.

Note 8: Due to the complexity of wiring variations for remote wall thermostats with these products, we recommend that you contact Technical Services for assistance.

Note 9: Remove internal thermostat and wire wall thermostat in its place for proper fan operation.

Note 10: Thermostat wire to the two white wires on the heater.

Note 11: Wire wall thermostats as directed in the Installation Manual for proper fan operation.

CEILING HEATER	UNIT HEATER	CABINET UNIT HEATER	PLENUM HEATER	ALUMINUM AND STEEL CONVECTORS	COVE RADIANT	CP RADIANT	RP & RS INFRARED HEATERS*	INDUSTRIAL RADIANT
CDF EFF QCH	MUH IUH	CU900	MSPH	All Series	RCC	CP	RP & RS	M, N, and L

See note 7

See note 8

See note 8

Thermostats below are electronic with digital display.

See model selection chart.	Contact Tech Services for assistance	Yes	No	Contact Tech Services for assistance	Yes	Yes	†	†
		No	No		Yes	Yes	†	†
		Yes	No		Yes	Yes	†	†
		No	Yes		No	No	†	†

Thermostats listed below are of mechanical type and want to control temperature setting manually.

See model selection chart.	Contact Tech Services for assistance	No	No	Contact Tech Services for assistance	Yes	Yes	†	†
		No	No		Yes	Yes	†	†
		Yes	No		Yes	Yes	†	†
		Yes	No		Yes	Yes	†	†
		Yes	No		Yes	Yes	†	†
		Yes	No		Yes	Yes	†	†

See model selection chart.	Contact Tech Services for assistance	Yes	No	Contact Tech Services for assistance	Yes	Yes	†	†
		Yes	No		Yes	Yes	†	†
		No	No		Yes	Yes	†	†
		No	No		Yes	Yes	†	†

Thermostats below are more commercial / Industrial and not normally used on residential applications.

Yes	Contact Tech Services for assistance	Yes	No	Contact Tech Services for assistance	No	Yes	†	†
No		Yes	No		No	Yes	†	†
Yes		Yes	No		Yes	Yes	†	†
No		No	No		No	No	†	†

Thermostats below are low voltage (18 to 26 volts) See note #6 below.

No	No	Yes	No	Yes	Yes	Yes	†	†
No	No	Yes	Yes	Yes	Yes	Yes	†	†

Electronic transformer relays with built-in transformer.

Yes	Yes	Yes	No	Yes	Yes	Yes	†	†
-----	-----	-----	----	-----	-----	-----	---	---

THERMOSTATS

ELECTRONIC DIGITAL LINE VOLTAGE



CATALOG NO.	TH300024	TH36004	TH400024	TH110DPP
Action	Triac: Silent Operation	Electronic Switch	Triac: Silent Operation	Microprocessor
Type	12.5A Resistive 2 wire SPST	15 A Resistive 4 wire DPST	16.7A Resistive 2 wire SPST	16.7 A Resistive 4 wire DPST
Watt Rating	Minimum: 2 amp load	No minimum load	Minimum: 2 amp load	No minimum load
120V	1500 watts	n/a	2000 watts	n/a
208V	n/a	n/a	n/a	3000 watts
240V	3000 watts	3600 watts	4000 watts	4000 watts
277V	n/a	n/a	n/a	n/a
Pilot Duty	No	No	No	No
Range (°F)	40°F to 85°F	40°F to 85°F	40°F to 85°F	40°F to 85°F
Differential	Accuracy: Within +/- 0.27°F	Accuracy: Within 1°F of setpoint	Accuracy: Within +/- 0.27°F	Accuracy: Within 1°F of setpoint
Features	Digital, non-programmable 12.5amp model delivers exceptional accuracy. Ideal for radiant ceiling panels, and baseboard. Not for fan-forced heaters.	Digital, non-programmable model delivers exceptional accuracy. Ideal for radiant ceiling panels, and baseboard. Can be used for fan-forced heaters..	Digital, programmable high capacity model delivers exceptional accuracy. Ideal for radiant ceiling panels, and baseboard. Can be used for fan-forced heaters and resistive loads.	Digital, programmable model delivers exceptional accuracy. Ideal for radiant ceiling panels, and baseboard. Can be used for fan-forced heaters.

THERMOSTATS

ELECTRONIC DIGITAL LOW VOLTAGE



CATALOG NO.	T8775A1009	T8775C1005	TH5220D1003	LT186F01
Action	Electronic Switch	Electronic Switch	Electronic Switch	Microprocessor
Type	24 volt .015 -1.0A @ 30V 2-wire	24 volt .015 -1.0A @ 30V 2-wire	24 volt .015 -1.0A @ 30V 5-wire	Wall thermistor
Watt Rating				
120V	n/a	n/a	n/a	22A
208V	n/a	n/a	n/a	22A
240V	n/a	n/a	n/a	22A
277V	n/a	n/a	n/a	19A
Pilot Duty	24VAC	24VAC	24VAC	n/a
Range (°F)	40°F to 90°F	40°F to 90°F	40°F to 90°F	40°F to 90°F
Differential	Accuracy: Within 1°F of setpoint	Accuracy: Within 1°F of setpoint	Accuracy: Within 1°F of set	Accuracy Within 1°F of setpoint
Features	Digital, non-programmable 24 volt "Round" model delivers exceptional accuracy. (Heat Only)	Digital, non-programmable 24 volt "Round" model delivers exceptional accuracy. (Heat and Cool)	Digital, 24volt programmable 2 stage 5-7 wire heat and cool thermostat. One touch temperature control with exceptional accuracy. Ideal for plenum heaters, and HVAC systems.	Proportional and Integral non-programmable electronic room sensor thermostat with set point capability, providing exceptional accuracy. Transmits actual temperature to a LTR relay.

THERMOSTATS

LINE VOLTAGE



CATALOG NO.	MS26	MD26	M601W	M602W	M601TPW	M602TPW	M611W	M612W
Action	Snap Action		Snap Action		Snap Action		Snap Action	
Type	SPST	DPST	SPST	DPST	SPST	DPST	SPST	DPST
Amp Rating	Model MD26 has Positive OFF		Model M602W has Positive OFF		Model M602TPW has Positive OFF		Model M612W has Positive OFF	
120V	22A		22A		22A		22A	
208V	22A		22A		22A		22A	
240V	22A		22A		22A		22A	
277V	18A		18A		18A		18A	
Pilot Duty	No		Yes 125VA		Yes 125VA		Yes 125VA	
Range (°F)	50°F to 80°F		45°F to 75°F		45°F to 75°F		45°F to 75°F	
Differential	+/- 5°F		+/- 4°F		+/- 4°F		+/- 2 1/2°F	
Features	These economy thermostats are the snap action type that are used in apartment construction. Good thermostat for its value. Ideal for radiant cove heaters and baseboard.		These bi-metal snap action thermostats are sensitive. Large knob allow for easy adjustment.		Same as M601W and M602W except the cover mounting cover offer tamper proof feature.		Built-in heat anticipator assures closer control of room temperature. These snap action thermostats are more sensitive that	

THERMOSTATS

LINE VOLTAGE



CATALOG NO.	M600MTP	M600S	T100	T200	WR651	WR661
Action	Modulation (2 stage)	Simultaneous switching (double ckt)	Snap Action with Heat Anticipator		Creep (Hydraulic) Action	
Type	DPST		SPST	DPST	SPST	DPST
Watt Rating						
120V	22A	22A	22A		22A	
208V	22A	22A	22A		22A	
240V	22A	22A	22A		22A	
277V	18A	18A	18A		na	
Pilot Duty	Yes 125VA	Yes 125VA	Yes 125VA		No	
Range (°F)	50°F to 80°F	50°F to 80°F	50°F to 90°F		40°F to 85°F	
Differential	Accuracy: Within 3°F of setpoint		+/- 2 1/2°F		+/- 2°F	
Features	One thermostat controls two separate heating circuits and reduces input during light load periods. Second stage activates when temperature drops to approx. 1 1/2°F below the first stage turn-ON temperature.	Simultaneous control of two heating loads. Used where the total load slightly exceeds capacity of a single switch, where two thermostats are impractical. Both switches are calibrated to operate at approx. the same temperature.	Line voltage thermostat with everything; Performance, reliability, durability, and a large knob. Built-in heat anticipation assures close temperature regulation. Large knob for easy rotation.		Extra-sensitive element in control knob senses radiant heat as well as air temperature for ultimate control. May cause slight radio or television interference in outlying fringe areas.	

SPECIALTY CONTROLS



CAT. NO.	VOLT	AMPS
LTR1120	120V	22A
LTR208240	208/240V	22A
LTR1277	277V	19A

CATALOG NO.	WR80	WR80EP	WT11A	WT12A	LTR SERIES
Action	Snap Action Switch	Snap Action Switch	Positive snap action switch		Electronic Relays
Type	SPST	SPST	SPDT		Microprocessor base design
Amp Rating			Nema 4X rated		These electronic relays have been designed for silent control of high voltage resistive loads from a low voltage control circuit. Inductive motor loads can also be controlled (120V to 240V only). Compatible with 24V thermostats and accepts analog signal of 0-10V DC.
120V	25A	25A	25A	n/a	
208V	22A	22A	25A		
240V	22A	22A	25A		
277V	18A	18A	22A		
Pilot Duty	Yes 125VA	Yes 125VA	Yes 125VA		The relays can be used with model LT186F01 electronic room sensor, providing proportional and integral control. Also can be tied to building management systems.
Range (°F)	40°F to 90°F	40°F to 90°F	40°F to 110°F		
Differential	+/- 3°F	+/- 3°F	+/- 2 1/2°F		
Features	Rugged design for garages, factories, warehouses and similar commercial and industrial installations. The WR80 can control several heaters by using an external contactor.	This explosion proof room thermostat is suitable for Class 1, Group D and Class II, Groups E, F, and G locations.	Nema 4X weatherproof enclosure. The control has a SPDT output and can be used for heating or cooling (ventilation) Multi-positional mounting offers flexibility in new or existing installations.		

SPECIALTY CONTROLS



CATALOG NO.	LTR2240	TC1	M600THW	M600THB
Action	Dual Silent Relay	Enclosure protection for thermostats.	M600THW -White thermostat cover with built-in thermometer. For M600 Series stats.	
Type	2 single pole switches.	Material: Impact resistant polycarbonate. Clear. Dimensions are: 7"L X 4.28"H X 2.75" D	M600THB - Beige thermostat cover with built-in thermometer. For M600 Series stats.	
Watt Rating	Resistive Inductive			
120V	N/A			
208V	25A 1HP, 8.8A			
240V	25A 1HP, 8A			
277V	N/A			
Pilot Duty	Yes 125VA	Thermostat enclosure kits are designed to protect the thermostat. Circulating slots allow air-flow for proper operation.		
Range (°F)	Can be operate in 20 to 140°F	Guards are lockable and a key is provided to maintain security.	Minimum 50pcs Allow 4 weeks.	
Differential	Accuracy: Within 1.5°F of setpoint			
Features	This dual level temperature relay may be used to operate two separate heating loads by means of a single low voltage thermostat. Relay is mounted in an enclosure.			

THERMOSTAT MODEL SELECTION

From Notes 2, 3, 4 and 7 (see page 78)

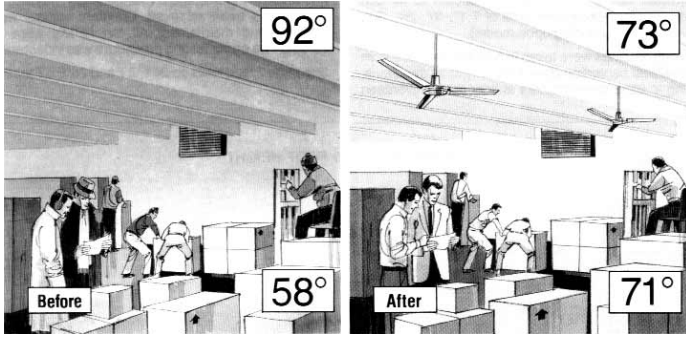
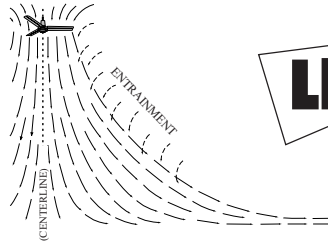
HEATER MODEL	WALL THERMOSTAT	HEATER MODEL	WALL THERMOSTAT
AWH3150	M601W	LFK151	M602W
AWH3180	M601W	LFK204	M602W
AWH4408	M601W	LFK304	M602W
AWH4404	M601W	LFK404	M602W
AWH4407	M601W	LFK484	M602W
AWH4307	M601W		
AWH4303	NA		
AWH4508	M601W		
AWH4504	M601W		
AWH4507	M601W		
AWH4503	NA		
AWH4506	NA		
AWH44083	NA		
AWH44043	NA		
AWH4306	NA		
NOTE: See note 9, pg. 78			
CWH1101DSAG	M601W		
CWH1151DSAG	M601W		
CWH1201DSAG	M601W		
CWH1202DSAG	M601W		
CWH1207DSAG	M601W		
CWH1157DSAG	M601W		
CWH1208DSAG	M601W		
NOTE: See note 9, pg. 78			
CWH1101DS	M601W		
CWH1151DS	M601W		
CWH1201DS	M601W		
CWH1202DS	M601W		
CWH1207DS	M601W		
CWH1157DS	M601W		
CWH1208DS	M601W		
NOTE: See note 9, pg. 78			
CWH3150	M602W		
CWH3180	M602W		
CWH3404	M602W		
CWH3407	M602W		
CWH3307	M602W		
CWH3408	M602W		
CWH34083	NA		
CWH34043	NA		
CWH3504	M602W		
CWH3507	M602W		
CWH3508	NA		
CWH35083	NA		
CWH35043	NA		
CWH3203	NA		
CWH3206	NA		
CWH3153	NA		
CWH3156	NA		
CWH3303	NA		
CWH3306	NA		
CWH3403	NA		
CWH3406	NA		
CWH3503	NA		
CWH3506	NA		
NOTE: See note 9, pg. 78			
GFR1500	TH400024, M601W, M611W, T100, WR651		
GFR2004	TH110DPP, TH400024, TH300024, M602W, M612W, T200, WR661		
GFR2404	TH110DPP, TH400024, TH300024, M602W, M612W, T200, WR661		
GFR1500T2	TH400024, M601W, M611W, T100, WR651		
GFR2004T2	TH110DPP, TH400024, TH300024, M602W, M612W, T200, WR661		
GFR2404T2	TH110DPP, TH400024, TH300024, M602W, M612W, T200, WR661		
QFG1512IFM	TH400024, M601W, M611W, T100, WR651		
QFG2024IFM	TH110DPP, TH400024, TH300024, M602W, M612W, T200, WR661		
QFG2224IFM	TH110DPP, TH400024, TH300024, M602W, M612W, T200, WR661		
QFG2228IF	M602W, M612W, T200, WR661		
QFG1512T2M	TH400024, M601W, M611W, T100, WR651		
QFG2024T2M	TH110DPP, TH400024, TH300024, M602W, M612W, T200, WR661		
QFG2224T2M	TH110DPP, TH400024, TH300024, M602W, M612W, T200, WR661		

LFK151	M602W
LFK204	M602W
LFK304	M602W
LFK404	M602W
LFK484	M602W
NOTE: See note 9, pg. 78	
SED1012C	TH400024, TH300024, M601W, M611W, T100, WR651
SED1024C	TH110DPP, TH400024, TH300024, M602W, M612W, T200, WR661
SED1512	TH400024, TH300024, M601W, M611W, T100, WR651
SED2024	TH110DPP, TH400024, TH300024, M602W, M612W, T200, WR661
ECP1024	TH110DPP, TH400024, TH300024, M602W, M612W, T200, WR661
ECP1524	TH110DPP, TH400024, TH300024, M602W, M612W, T200, WR661
CRA1512IF	TH400024, M601W, M611W, T100, WR651
CRA2028IF	M602W, M612W, T200, WR661
CRA2024IF	TH110DPP, TH400024, TH300024, M602W, M612W, T200, WR661
CRA2224IF	TH110DPP, TH400024, TH300024, M602W, M612W, T200, WR661
CRA1512T2	TH400024, M601W, M611W, T100, WR651
CRA2024T2	TH110DPP, TH400024, TH300024, M602W, M612W, T200, WR661
CRA2224T2	TH110DPP, TH400024, TH300024, M602W, M612W, T200, WR661
1235	TH400024, M601W, M611W, T100, WR651
1235P	TH400024, M601W, M611W, T100, WR651
2435	TH110DPP, TH400024, TH300024, M602W, M612W, T200, WR661
2435P	TH110DPP, TH400024, TH300024, M602W, M612W, T200, WR661
CDF548	MS26, M601W
CDF542	TH400024, MS26, M601W
CDF547	MS26, M601W
CDF558	MS26, M601W
CDF552	MS26, M601W
CDF557	MS26, M601W
NOTE: See note 9, pg. 78	
EFF1500	TH400024, MS26, M601W
EFF3007	MS26, M601W
EFF4008	MS26, M601W
EFF4004	TH400024, MS26, M601W
EFF4007	MS26, M601W
EFF4804	MS26, M601W
EFF4807	MS26, M601W
EFF3003	NA
EFF3006	NA
EFF4003	NA
EFF4006	NA
EFF4803	NA
EFF4806	NA
NOTE: See note 11, pg. 78	
QCH1101	TH400024, TH300024, M601W, MS26
QCH1151	TH400024, M601W, MS26
QCH1202	TH400024, TH300024, M601W, MS26
QCH1207	TH400024, TH300024, M601W, MS26
NOTE: See note 11, pg. 78	

HEAT RECOVERY CEILING FANS

DUAL PURPOSE

ENERGY CONSERVATION SYSTEM



THE HEAT-DROPPER®

CONCEPT AND HOW IT WORKS

WINTER-Recovers wasted heat by eliminating heat stratification. Trapped warm air at the ceiling caused by natural heat rise and poor air circulation is equalized by the movement of the massive blade span. Thus ceiling to floor temperature is equalized. With a heat cost savings of 30k percent, the LEADING EDGE fan system can pay for itself in one year. The elimination of cold spots increases employee productivity and comfort.

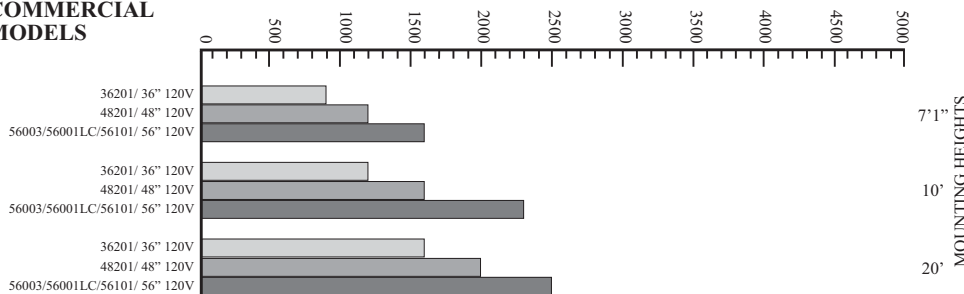


SUMMER-General air recirculation in non air-conditioned buildings creates a cooling breeze and a "Wind Chill Factor" providing evaporation cooling of the skin surface dropping shin temperature by 6 degrees. The LEADING EDGE fan system supplements air-conditioned buildings by allowing the thermostat settings to be 8 degrees higher. You'll feel the coolness of 72 degrees with the thermostat set on 80 degrees - an incomparable energy savings. Additional advantages, eliminates mold and mildew caused by stagnant air, perfect for high humidity areas. No other fan has our higher air velocity capabilities. Small fans do not develop sufficient CFM to be effective in warm weather.

Only Leading Edge provides university documented performance data. Compare this exclusive data to any other fan available.

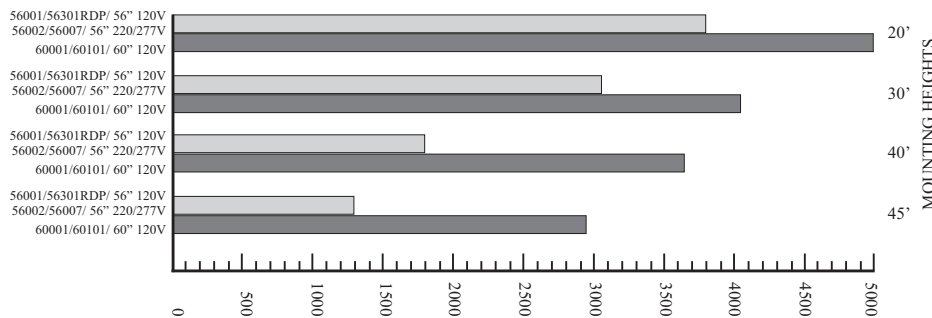
AREA COVERAGE SUMMARY BY FAN BY HEIGHT

COMMERCIAL MODELS



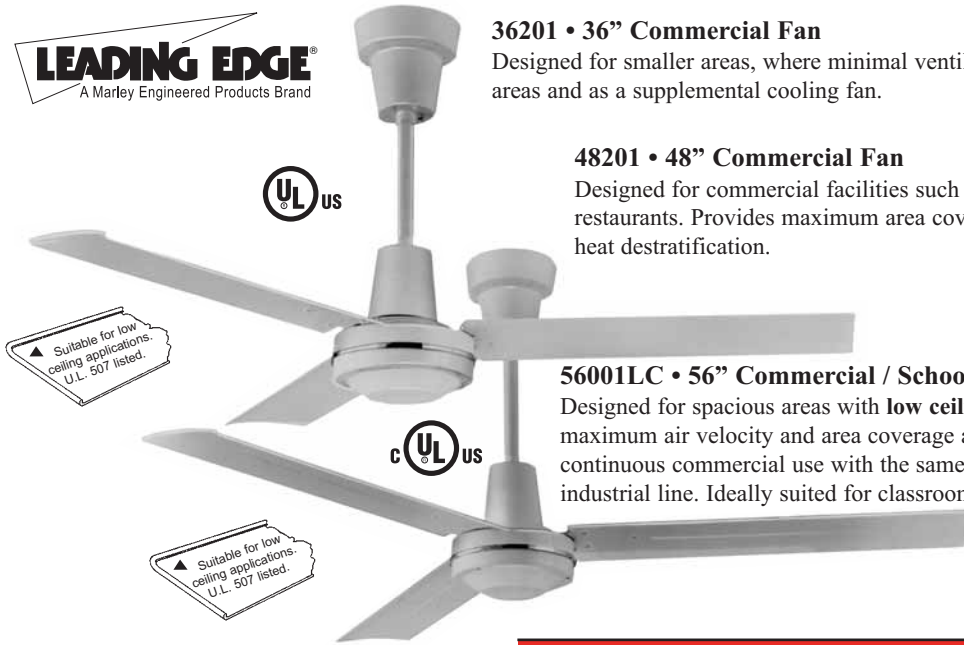
INDUSTRIAL & SPECIAL APPLICATION MODELS

TOTAL SQUARE FOOT AREA COVERAGE



HEAVY DUTY COMMERCIAL CEILING FANS

Provides Superior Air Velocity and Efficiency, The Ideal School Classroom Fans (Models 48" and 56").



36201 • 36" Commercial Fan

Designed for smaller areas, where minimal ventilation is required. Ideally suited for isolated areas and as a supplemental cooling fan.

48201 • 48" Commercial Fan

Designed for commercial facilities such as school classrooms, offices, retail stores, restaurants. Provides maximum area coverage for both summer cooling and winter heat destratification.

56001LC • 56" Commercial / School Classroom Fan

Designed for spacious areas with **low ceilings** where larger blade diameter span creates maximum air velocity and area coverage at lower RPM's. Engineered specifically for continuous commercial use with the same manufacturing criteria as our heavy duty industrial line. Ideally suited for classrooms.

▲ Suitable for low ceiling applications. U.L. 507 listed.

▲ Suitable for low ceiling applications. U.L. 507 listed.

UL 507 states Ceiling Fans suspended from 7 feet to less than 10 feet (blade height to floor) must have minimum thickness of edge of blade 3/16"

U.S. PATENT# 5,645,403

BLADE SIZE	ORDER NUMBER	VOLT	MAX CFM†	AREA COVERAGE††	SHIPPING WEIGHT
▲ 36"	36201	120	12,500	1,600 sq ft	20 lbs.
▲ 48"	48201	120	21,000	2,025 sq ft	22 lbs.
▲ 56"	56001LC	120	25,500	3,025 sq ft	24 lbs.

Note: Supplied with 8" and 24" downrods.

Secondary mounting cable supplied.

† Effective amount of air volume moved past a plane 20ft. from fan. All specifications subject to change and improvement.

†† Area coverage rated for heat destratification at 20' blade mounting height.

Maximum continuous operation ambient temperature 105°F.

HEAVY DUTY INDUSTRIAL CEILING FANS

Maximum Area Coverage at Lowest Total Installed Cost.



56001 / 56011 / 56002 / 56007 56" Industrial Fans

Engineered and designed for spacious applications where maximum area coverage is required.

Designed for both winter heat destratification and summertime cooling.

Designed for general applications for above average area coverage and cooling velocity. Ideally suited for factories, gymnasiums, high bay storage facilities.

Powerful, heavy-duty motor for mounting heights to 45 feet.

60001 / 60011 • 60" Industrial Fans

This is the world's most powerful ceiling fan. Its massive contoured blade design and high RPM efficiency creates the largest square foot area coverage and cooling effectiveness available. Capable of heat destratification to heights of 75 feet.

56" Reversible Fan 56301RDP

Finally a fan that provides the identical air flow volume, in either forward or reverse rotation.

The dual pitch blade (Patented), is the only blade designed for maximum reverse direction

Ideally suited for exhausting, condensation removal and prevention, reverse destratification and other draft free applications

For industrial applications with mounting heights of 10' or higher.

U.S. PATENT# 5,575,624

BLADE SIZE	ORDER NUMBER	VOLT	MAX CFM†	AREA COVERAGE††	COLOR	SHIPPING WEIGHT
56"	56001	120	27,500	3,800 sq ft	White	24 lbs.
56"	56011	120	27,500	3,800 sq ft	Brown	24 lbs.
56"	56002	220	26,000	3,800 sq ft	White	24 lbs.
**56"	56007	277	26,000	3,800 sq ft	White	24 lbs.
60"	60001	120	46,000	5,000 sq ft	White	30 lbs.
60"	60002	220	46,000	5,000 sq ft	White	30 lbs.
60"	60011	120	46,000	5,000 sq ft	Brown	30 lbs.
**56"	56301RDP*	120	27,000	3,800 sq ft	White	24 lbs.

Note: Supplied with 24" downrods.

Secondary mounting cable supplied.

† Effective amount of air volume moved past a plane 20ft. from fan, industry test. All specifications subject to change and improvement.

†† Area coverage rated for heat destratification at 20' blade mounting height.

Maximum continuous operation ambient temperature 105°F

*Reversible fan includes remote mounted toggle switch suitable for up to 12 fans. Switch requires pulling 4 wires (not including ground) from fan to switch.

SPECIALTY CEILING FANS



▲ Suitable for low ceiling applications. U.L. 507 listed.



SPECIALTY CEILING FANS

56101 / 60101 / 56111 / 60111 Harsh Environment Ceiling Fans

Designed and engineered specifically for food processing plants, wet factory locations, exposed shipping areas, outdoor restaurants, agricultural applications such as poultry houses and greenhouses. Harsh environmental fans include outdoor location installation kit. Agricultural fan has grounded plug.

Harsh Environment Spray Proof Models

BLADE SIZE	ORDER NUMBER	VOLT	MAX CFM†	AREA COVERAGE††	COLOR	SHIPPING WEIGHT
▲ 56"	56101	120	25,500	3,025 sq ft	White	24 lbs.
60"	60101	120	41,000	5,000 sq ft	White	30 lbs.

Supplied with 12" down rod.

Agricultural Models

BLADE SIZE	ORDER NUMBER	VOLT	MAX CFM†	AREA COVERAGE††	COLOR	SHIPPING WEIGHT
▲ 56"	56111	120	25,500	3,025 sq ft	White	24 lbs.
60"	60111	120	41,000	5,000 sq ft	White	30 lbs.

Supplied with 12" down rod.

3 Speed Pull Chain Models

BLADE SIZE	ORDER NUMBER	VOLT	MAX CFM†	AREA COVERAGE††	COLOR	SHIPPING WEIGHT
▲ 48"	48203	120	27,500	3,800 sq ft	White	23 lbs.
▲ 56"	56003	120	25,500	3,025 sq ft	White	24 lbs.

Supplied with 8" and 24" down rod.

Theater Fan Models

BLADE SIZE	ORDER NUMBER	VOLT	MAX CFM†	AREA COVERAGE††	COLOR	SHIPPING WEIGHT
▲ 48"	48201B	120	21,000	2,025 sq ft	Black	23 lbs.
56"	56001B	120	27,500	3,800 sq ft	Black	24 lbs.

Supplied with 24" down rod.

Secondary mounting cable supplied.

† Effective amount of air volume moved past a plane 20ft. from fan, industry test. All specifications subject to change and improvement.

†† Area coverage rated for heat destratification at 20' blade mounting height. Maximum continuous operation ambient temperature 105°F

3-Speed Pull Chain

For spot cooling in areas where wall switches are not desired. Also designed for production areas where single unit designation operation is required.



CEILING FANS ACCESSORIES



Ceiling Fan Guard

For gymnasiums and public facilities.

ORDER NUMBER	ITEM	SHIPPING WEIGHT
28001	FAN GUARD 62" DIAMETER FOR INDUSTRIAL 56" AND 60" FANS ◆	50 lbs.
28002	FAN GUARD 52" DIAMETER FOR COMMERCIAL 36" AND 48" FANS ONLY ◆	40 lbs.
9FP024	WHITE TILTED CANOPY COVER - BROWN(9FP023), BLACK(9FP023B)	1 lb.
9D12BW	DOWNRODS - 12" Also available in brown, replace "W" in model number with "B"	1 lb.
9D18BW	DOWNRODS - 18" Also available in brown, replace "W" in model number with "B"	1 lb.
9D36BW	DOWNRODS - 36" Also available in brown, replace "W" in model number with "B"	3 lb.
9D48BW	DOWNRODS - 48" (FOR LONGER SIZES - CONSULT FACTORY)	4 lb.
99992	OUTDOOR LOCATION INSTALLATION KIT*	1 lb.
9DKIT	DOWNROD Extension kit	
9DKITB	DOWNROD Extension kit (Brown)	

Custom models available. Consult with factory for information and specifications.

Use only with heavy-duty / industrial models - Not recommended for low ceiling applications.

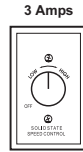
◆Fan Guards ship via UPS *Only for use with harsh env. fans.

OPTIONAL MOTOR SPEED CONTROLS

Only Leading Edge motor speed controls are custom engineered, manufactured and U.L. listed to all Leading Edge Fans.

- For single and multiple fan installations.
- Dial-on/off switch allows high-to-low variable speed control above factory set "anti-stall" level.

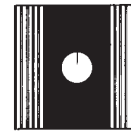
Available in 3, 8, 12 Amp Models, 120/220/277 Volt



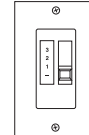
Models:
12003
22003



Models:
12008



Models:
12012



Models:
12001N
12005N

Model:
12001N
For Single Fan
Model:
12005N
For Two Fans

MODEL FAN AND QUANTITY PER CONTROL								
ORDER NUMBER	VOLTS	AMPS	56001					
			36201	48201	56001LC	56301RDP	56002	60001
					56101	56007	60101	
12003	120 Volts	3 Amps	3	2	2	–	1	
12006	120 Volts	6 Amps	7	5	5	–	3	
12008	120 Volts	8 Amps	10	6	6	–	4	
12012	120 Volts	12 Amps	12	10	10	–	8	
22003	220 Volts	3 Amps	–	–	–	2	–	
Noiseless Mechanical Control								
12001N	120 Volts	1 Amp	–	1	1	Controls 48" & 56" Models Only		
12005N	120 Volts	5 Amps	–	2	2	Controls 48" & 56" Models Only		

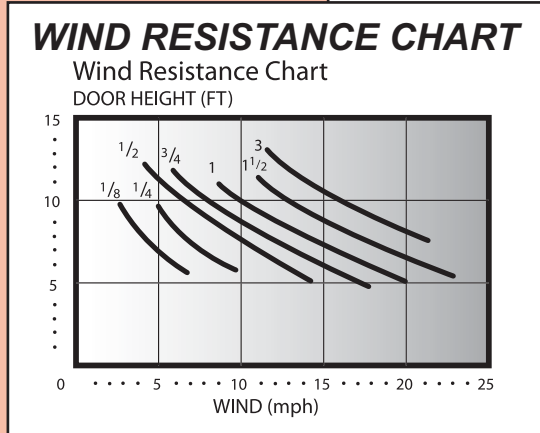
INTRODUCTION TO AIR CURTAINS

For interactive selection guide, visit our website www.leadingedgeinc.com.

Air Curtains are used for a wide variety of applications from thermal barriers at shopping mall entrances, to fly and insect prevention at restaurant service doors, to factory freight doors for wind resistance and temperature separation. The air curtain enables traffic to flow unobstructed through openings while maintaining distinct environments, thus resulting in energy savings.

The most common type of air curtain is the horizontal, non-recirculating, single jet type. It will satisfy the majority of needs for commercial and industrial applications. The discharge velocity of the air curtain can range from 600 ft/min, for entranceways, to over 5,000 ft/min, for sealing environments from wind effects and insects.

Applications by Door Height	*Wind Conditions are Classified as Follows: ●GENTLE=1 to 5mph ○LIGHT=5 to 8mph ■MODERATE=8 to 12mph □STRONG=12 to 15 ◇SEVERE=15 to 21mph						
	Low Profile	Environmental Series			High Velocity Series		
Basic Motor HP / Series	1/8 HP	1/4 HP	1/2 HP	3/4 HP	1 HP	1 1/2 HP	3 HP
RETAIL APPLICATIONS							
THERMAL BARRIER							
7' RETAIL ENTRANCE	●						
COMMERCIAL APPLICATIONS							
INTERIOR SEPARATION							
8' INTERIOR		●					
10' INTERIOR			●				
THERMAL BARRIER							
8' EXTERIOR		○	■	□			
10' EXTERIOR			○	■			
FOOD SERVICE APPLICATIONS							
THERMAL BARRIER							
7' CUSTOMER ENTRANCE		○					
8' CUSTOMER ENTRANCE		○					
FLY & INSECT CONTROL							
7' SERVICE ENTRANCE			■	□			
8' SERVICE ENTRANCE			○	■			
REFRIGERATION APPLICATIONS							
THERMAL BARRIER							
7' COOLER	●						
8' COOLER		●					
10' COOLER			●				
12' COOLER				●			
8' FREEZER			●				
10' FREEZER				●			
12' FREEZER				●			
SANITATION APPLICATIONS							
FLY & INSECT CONTROL							
8' EXTERIOR				■	□	◇	
10' EXTERIOR				■	□		
LIGHT INDUSTRIAL APPLICATIONS							
INTERIOR SEPARATION							
12' INTERIOR OPENING					○		
14' INTERIOR OPENING						○	
WIND RESISTANCE							
10' EXTERIOR DOORWAY					■	□	◇
12' EXTERIOR DOORWAY						○	■
14' EXTERIOR DOORWAY							○



* Guide does not include negative pressures or wind tunnel conditions. Wind resistance values are for normal applications.

LOW-PROFILE SERIES



For use as a *Thermal Barrier* in retail customer entrances, malls, stores, hospitals, post offices, restaurants, concession windows and walk-in coolers.

FEATURES

- Modern contemporary design with choice of electro-static powder paint or quality stainless steel.
- Cross-flow blower wheels for maximum outlet uniformity
- Easily adjustable air directional vanes.
- Two speed motor with convenient selector switch
- Pre-wired 48 inch molded cord/plug for simple installation.
- Quick-Mount mounting plate included. No Template required to locate mounting screws
- Units can be installed in series for side by side continuous mounting.

APPLICATION GUIDELINES:

- Create an “open door” atmosphere in retail establishments.
- For mounting heights of 7 ft. for exterior customer entrances or 8 ft. interior doors.
- Reduce infiltration of exterior air, fumes, dust and dirt.
- Act as a temperature separation device, repelling outside air while maintaining interior environment.
- Patented design allows for continuous mounting.

EXCLUSIVE FEATURES ARCHITECTURAL SERIES:

- Extruded anodized aluminum design that compliments store interiors and public facilities.
- Custom paint to accent architectural sill-height heaters in vestibules and reception areas.

Low-Profile - Contemporary Series



Low-Profile - Architectural Series



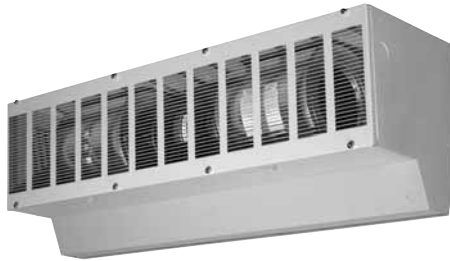
MODEL	NOZZLE WIDTH (IN)	VOLTS	AMPS	MAX VEL FPM	AVG VEL FPM	AIRFLOW CFM	WT. LBS	MOTORS HP
Contemporary Powder Paint								
MLP36001115GR	36	120	1.3	1800	1800 / 1350	1200 / 900	32	1 @ 1/15
MLP42001110GR	42	120	1.6	1800	1800 / 1350	1380 / 1040	37	1 @ 1/10
MLP48001108GR	48	120	2.1	1800	1800 / 1350	1600 / 1210	42	1 @ 1/8
MLP60001108GR	60	120	2.1	1800	1800 / 1350	2060 / 1550	53	1 @ 1/8
MLP36001208GR	36	240	0.7	1800	1800 / 1350	1200 / 900	32	1 @ 1/8
MLP42001208GR	42	240	0.7	1800	1800 / 1350	1380 / 1040	37	1 @ 1/8
MLP48001206GR	48	240	1.0	1800	1800 / 1350	1600 / 1210	42	1 @ 1/6
MLP60001206GR	60	240	1.0	1800	1800 / 1350	2060 / 1550	53	1 @ 1/6
Contemporary Stainless Steel								
MLP36001115GRSS	36	120	1.3	1800	1800 / 1350	1200 / 900	32	1 @ 1/15
MLP42001110GRSS	42	120	1.6	1800	1800 / 1350	1380 / 1040	37	1 @ 1/10
MLP48001108GRSS	48	120	2.1	1800	1800 / 1350	1600 / 1210	42	1 @ 1/8
MLP60001108GRSS	60	120	2.1	1800	1800 / 1350	2060 / 1550	53	1 @ 1/8
MLP36001208GRSS	36	240	0.7	1800	1800 / 1350	1200 / 900	32	1 @ 1/8
MLP42001208GRSS	42	240	0.7	1800	1800 / 1350	1380 / 1040	37	1 @ 1/8
MLP48001206GRSS	48	240	1.0	1800	1800 / 1350	1600 / 1210	42	1 @ 1/6
MLP60001206GRSS	60	240	1.0	1800	1800 / 1350	2060 / 1550	53	1 @ 1/6
Architectural Series								
MLP36001115GA	36	120	1.3	1800	1800 / 1350	1200 / 900	32	1 @ 1/15
MLP42001110GA	42	120	1.6	1800	1800 / 1350	1380 / 1040	37	1 @ 1/10
MLP48001108GA	48	120	2.1	1800	1800 / 1350	1600 / 1210	42	1 @ 1/8
MLP60001108GA	60	120	2.1	1800	1800 / 1350	2060 / 1550	53	1 @ 1/8
MLP36001208GA	36	240	0.7	1800	1800 / 1350	1200 / 900	32	1 @ 1/8
MLP42001208GA	42	240	0.7	1800	1800 / 1350	1380 / 1040	37	1 @ 1/8
MLP48001206GA	48	240	1.0	1800	1800 / 1350	1600 / 1210	42	1 @ 1/6
MLP60001206GA	60	240	1.0	1800	1800 / 1350	2060 / 1550	53	1 @ 1/6

ENVIRONMENTAL SERIES

AIR CURTAINS



- Commercial - supermarkets, schools, hospitals
- Food Service - restaurants, bakeries, cafeterias
- Refrigeration - freezers, coolers, processing plants



- Galvanized, corrosion-resistant, heavy duty steel cabinet.
- Easy access; no tools required for inspection and cleaning.
- Heavy duty, totally enclosed motors with permanently lubricated bearings.
- Electrically heated models available
- Hot Water/Steam Heated Models
- Exclusive Smart-Trac II Adjustable Mounting System (Pat. Pend.) allows for 6-way adjustment and alignment at the cabinet to compensate for possible overhead obstacles such as sprinkler pipes, conduit and beams. (Optional on all models).



AIR DELIVERY @ NOZZLE OUTLET

MODEL NUMBER	WIDTH	MAX VELOCITY (FPM)	AVG VELOCITY (FPM) HI/LOW†	AVG. AIR FLOW RATE (CFM) HI/LOW†	# MOTORS @ H.P.	INPUT POWER RATING (KW)*		APPROX. SHIPPING WEIGHT (LBS)
						1-PH	3-PH	
1/4 HP Models								
E36001#25	36"	2500/1850	2000/1480	1620/1200	1@1/4	0.41	0.24	65
E38001#25	38"	2500/1850	1955/1450	1670/1240	1@1/4	0.41	0.24	67
E42001#25	42"	2500/1850	1900/1410	1795/1330	1@1/4	0.41	0.24	70
E48001#25	48"	2500/1850	1855/1375	2000/1480	1@1/4	0.41	0.24	77
E60002#25	60"	2500/1850	2125/1575	2880/2135	2@1/4	0.82	0.48	128
E72002#25	72"	2500/1850	2000/1480	3240/2400	2@1/4	0.82	0.48	130
E76002#25	76"	2500/1850	1955/1450	3340/2475	2@1/4	0.82	0.48	134
E84002#25	84"	2500/1850	1915/1420	3620/2680	2@1/4	0.82	0.48	142
E96002#25	96"	2500/1850	1855/1375	4000/2960	2@1/4	0.82	0.48	154
E10803#25	108"	2500/1850	2000/1480	4860/3600	3@1/4	1.23	0.72	195
E12003#25	120"	2500/1850	1945/1440	5240/3880	3@1/4	1.23	0.72	207
E13203#25	132"	2500/1850	1895/1405	5620/4160	3@1/4	1.23	0.72	219
E14403#25	144"	2500/1850	1855/1375	6000/4440	3@1/4	1.23	0.72	231
1/2 HP Models								
E36001#50	36"	3800/2815	3040/2250	2460/1820	1@1/2	0.62	0.40	74
E38001#50	38"	3800/2815	2965/2195	2535/1880	1@1/2	0.62	0.40	76
E42001#50	42"	3800/2815	2890/2140	2730/2020	1@1/2	0.62	0.40	79
E48001#50	48"	3800/2815	2815/2085	3040/2250	1@1/2	0.62	0.40	86
E60002#50	60"	3800/2815	3230/2390	4375/3240	2@1/2	1.25	0.80	148
E72002#50	72"	3800/2815	3040/2250	4920/3645	2@1/2	1.25	0.80	148
E76002#50	76"	3800/2815	2965/2195	5070/3755	2@1/2	1.25	0.80	152
E84002#50	84"	3800/2815	2910/2155	5500/4070	2@1/2	1.25	0.80	160
E96002#50	96"	3800/2815	2815/2085	6080/4500	2@1/2	1.25	0.80	172
E10803#50	108"	3800/2815	3040/2250	7380/5465	3@1/2	1.87	1.20	222
E12003#50	120"	3800/2815	2950/2184	7960/5890	3@1/2	1.87	1.20	234
E13203#50	132"	3800/2815	2875/2130	8540/6320	3@1/2	1.87	1.20	246
E14403#50	144"	3800/2815	2815/2085	9120/6750	3@1/2	1.87	1.20	258
3/4 HP Models								
E36001#75	36"	4850/3590	3880/2875	3140/2325	1@3/4	0.94	1.20	83
E38001#75	38"	4850/3590	3790/2805	3240/2400	1@3/4	0.94	1.20	86
E42001#75	42"	4850/3590	3685/2730	3480/2575	1@3/4	0.94	1.20	89
E48001#75	48"	4850/3590	3595/2660	3880/2875	1@3/4	0.94	1.20	96
E60001#75	60"	4850/3590	3395/2510	4580/3390	1@3/4	1.87	2.39	112
E72002#75	72"	4850/3590	3880/2875	6280/4650	2@3/4	1.87	2.39	166
E76002#75	76"	4850/3590	3790/2805	6480/4795	2@3/4	1.87	2.39	172
E84002#75	84"	4850/3590	3715/2750	7020/5195	2@3/4	1.87	2.39	179
E96002#75	96"	4850/3590	3595/2660	7760/5745	2@3/4	1.87	2.39	192
E10803#75	108"	4850/3590	3880/2875	9420/6975	3@3/4	2.81	3.59	249
E12003#75	120"	4850/3590	3765/2790	10160/7520	3@3/4	2.81	3.59	262
E13203#75	132"	4850/3590	3670/2720	10900/8070	3@3/4	2.81	3.59	275
E14403#75	144"	4850/3590	3595/2660	11640/8615	3@3/4	2.81	3.59	288

- Indicate Voltage: 1 = 120/1, 2 = 220/1, 3 = 208/3, 4 = 230/3, 5 = 460/3

* - AMP Draw maybe Estimated as Follows: 1 -ph = $\frac{\text{Power Rating} \cdot 1000}{\text{Voltage}}$; 3-ph = $\frac{\text{Power Rating} \cdot 1000}{\text{Voltage} \cdot 1.732}$

† - Low speed only available on 1-PH units

3-PHASE ENVIRONMENTAL ELECTRICALLY HEATED SERIES



Applications:

For use in vestibules, lobbies, staging areas, reception areas, waiting rooms and other customer greeting areas.

Heated air curtains are not designed to hold 100% of incoming cold air, as the required air velocity generated would be uncomfortable to patrons. The incoming cold air is entrained in the warm curtain of air, thus maintaining comfort levels.

Heated units also reduce the wind chill effect of personnel walking through or standing near openings.

Special Features:

- New modular designed cabinet allows 8 to 48 kilowatts of heating capacity, in lengths ranging from 36 to 144 inches.
- Large, easily accessible pre-wired control box is side mounted and features a hinged swing down access panel.
- Easily visible indicator lights on control panel alerts operator when power to the unit is on and when fan and heat are operating.
- Helical coil heating element modules are easily replaceable.
- Heating elements are thermally protected and include a pilot light feature.
- Hinged element control panel is located in front of nozzle and swings down for servicing.
- Air-flow safety sensor disables heating element in the event motor/blowers need servicing or are wired incorrectly.
- Use Wall-mounted 24-volt thermostat for temperature control. (Not Included)
- Can be operated with or without heat for winter and summer operation.
- Exclusive Smart-Trac II Adjustable Mounting System Optional on all models.



Available in:

Three phase 60Hz, 208 volt motor and heat.

Three phase 60Hz, 240 / 208 volt motor and heat.

Three phase 60Hz, 480 volt motor and heat.

For additional models consult factory.

AIR DELIVERY @ NOZZLE OUTLET							APPROX.	# MOTORS
MODEL NUMBER	NOZZLE WIDTH (IN)	NUMBER OF CABINETS	CONTROL VOLTAGE	MAX VEL (FPM)	AVG VEL (FPM)	AIRFLOW (CFM)	SHIPPING WEIGHT (LBS)	@ HP
1/2 HP Models								
E36++1#50HE	36	1	24	3800	3040	2460	93	1 @ 1/2
E42++1#50HE	42	1	24	3800	2890	2730	98	1 @ 1/2
E48++1#50HE	48	1	24	3800	2815	3040	105	1 @ 1/2
E60++1#50HE	60	1	24	3800	2740	3350	117	1 @ 1/2
E72++2#50HE	72	2	24	3800	3040	4920	177	2 @ 1/2
E84++2#50HE	84	2	24	3800	2910	5460	181	2 @ 1/2
E96++2#50HE	96	2	24	3800	2815	6080	189	2 @ 1/2
E108++3#50HE	108	3	24	3800	3040	7380	261	3 @ 1/2
E120++3#50HE	120	3	24	3800	2950	7920	273	3 @ 1/2
E132++3#50HE	132	3	24	3800	2875	8540	285	3 @ 1/2
E144++3#50HE	144	3	24	3800	2815	9120	297	3 @ 1/2
3/4 HP Models								
E42++1#75HE	42	1	24	4850	3685	3480	108	1 @ 3/4
E48++1#75HE	48	1	24	4850	3595	3880	115	1 @ 3/4
E60++1#75HE	60	1	24	4850	3395	4580	131	1 @ 3/4
E72++2#75HE	72	2	24	4850	3880	6280	195	2 @ 3/4
E84++2#75HE	84	2	24	4850	3715	6960	208	2 @ 3/4
E96++2#75HE	96	2	24	4850	3595	7760	221	2 @ 3/4
E108++3#75HE	108	3	24	4850	3880	9420	288	3 @ 3/4
E120++3#75HE	120	3	24	4850	3765	10100	301	3 @ 3/4
E132++3#75HE	132	3	24	4850	3670	10900	314	3 @ 3/4
E144++3#75HE	144	3	24	4850	3595	11640	327	3 @ 3/4

++ TOTAL HEATER KW AVAILABLE (SELECT FROM BELOW)

	KW	BTU/HR	KW	BTU/HR	KW	BTU/HR
1- CABINET	08	27,320	12	40,980	16	54,640
2- CABINET	16	54,640	24	81,960	32	109,280
3- CABINET	24	81,960	36	122,940	48	163,920

NOTE: Multiply listed wattage by .75 for actual 208V rating. Maximum 15 kilowatts per cabinet at 240V.

- SELECT VOLTAGE: 3 = 208V 3-PH, 4 = 240V/208V 3-PH, 5 = 480V 3-PH.

Note: Stock Cabinet and Grille color is Neutral Gray. Other standard colors available on request include: Navajo White, Northern White, Black, Charcoal Gray, Aluminum, Statuary Bronze and Desert Tan.

SINGLE PHASE ENVIRONMENTAL SERIES ELECTRICALLY HEATED



- For use in vestibules, lobbies, staging areas, reception areas, waiting rooms and other customer greeting areas.
- Heated air curtains are not designed to hold 100% of incoming cold air, as the required air velocity generated would be uncomfortable to patrons. The incoming cold air is entrained in the warm curtain of air, thus maintaining comfort levels.
- Heated units also reduce the wind chill effect of personnel walking through or standing near an opening.

- Heated units supplied with pre-wired heater control box for efficient installation.
- Wall-mounted 24-volt thermostat for temperature control.
- Multiple coil capacities for proper application requirements.
- Heater control panel mounts in front of nozzle, below grill.



Available In:
Single phase 60Hz, 120 volt motor, 240 volt heat.

MODEL NUMBER	WIDTH (IN)	HEATER		CONTROL VOLTAGE	MAX VEL (fpm)	AVG VEL (fpm)	AIRFLOW (cfm)	# MOTORS @HP
		WATTS	BUT/HR					
E36061125H	36				2500	2000	1620	1@1/4
E42061125H	42	6,000	20,478	24	2500	1900	1795	1@1/4
E48061125H	48				2500	1855	2000	1@1/4
E36091125H	36				2500	2000	1620	1@1/4
E42091125H	42	9,000	30,717	24	2500	1900	1795	1@1/4
E48091125H	48				2500	1855	2000	1@1/4

- Indicate Voltage: 1 = 120V-MTR/240V-HTR

HOT WATER / STEAM HEATED

- For use in facilities with continuously open doors or which require supplemental perimeter heating.
- Provides an economical source of heat when steam or hot water is readily available
- Treats incoming air and prevents cold air from infiltrating large areas.
- Also used as supplemental heat when operated with door closed to provide additional perimeter heating.

- Unique universal construction method designed for both low-pressure steam or hot water applications.
- Premium quality coils provide superior heat transfer effectiveness for both low-pressure steam and hot water applications.
- Universal left- or right-hand opposite end connected coils.
- Single- or double-row coils available for desired capacity.
- Constructed of highly-effective 1/2-inch copper tubing with corrugated aluminum fins.

HOT WATER Based on 70°F entering air, 200°F entering water & 180° exiting water						STEAM Based on 5 psig steam, 70°F entering air				
WIDTH* (IN)	MODEL NO.	ONE ROW		TWO ROW		MODEL NO.	ONE ROW		TWO ROW	
		CAPACITY (MBH)	TEMP RISE (F)	CAPACITY (MBH)	TEMP RISE (F)		CAPACITY (MBH)	TEMP RISE (F)	CAPACITY (MBH)	TEMP RISE (F)
1/2 HP Models										
48	E48001#50HW@	54.1	16.3	104	31.2	E48001#50HS@	81.6	24.7	-	-
60	E60002#50HW@	77.4	16.2	149	31.1	E60002#50HS@	111	23.4	-	-
72	E72002#50HW@	91.8	17.1	176	32.7	E72002#50HS@	128	24.1	-	-
84	E84002#50HW@	106	17.6	203	33.7	E84002#50HS@	145	24.1	-	-
96	E96002#50HW@	121	18.2	231	34.7	E96002#50HS@	164	24.8	-	-
108	E10803#50HW@	134	16.6	267	33.0	E10803#50HS@	186	23.0	-	-
120	E12003#50HW@	159	18.3	304	35.0	E12003#50HS@	210	24.3	-	-
132	E13203#50HW@	173	18.5	331	35.4	E13203#50HS@	226	24.2	-	-
144	E14403#50HW@	188	18.9	359	36.1	E14403#50HS@	244	24.7	-	-
3/4 HP Models										
48	E48001#75HW@	63.2	14.9	122	28.7	E48001#75HS@	94.2	22.4	180	42.7
60	E60002#75HW@	93.3	15.3	180	29.6	E60002#75HS@	131	21.7	251	41.5
72	E72002#75HW@	107	15.6	207	30.1	E72002#75HS@	148	21.7	283	41.5
84	E84002#75HW@	123	16.0	239	31.1	E84002#75HS@	168	21.8	321	41.7
96	E96002#75HW@	142	16.7	272	32.1	E96002#75HS@	189	22.4	360	42.8
108	E10803#75HW@	163	15.8	315	30.5	E10803#75HS@	215	20.8	410	39.8
120	E12003#75HW@	187	16.8	359	31.5	E12003#75HS@	242	21.9	462	41.9
132	E13203#75HW@	203	17.0	391	32.7	E13203#75HS@	261	21.9	499	41.8
144	E14403#75HW@	221	17.4	424	32.5	E14403#75HS@	282	22.3	538	42.6

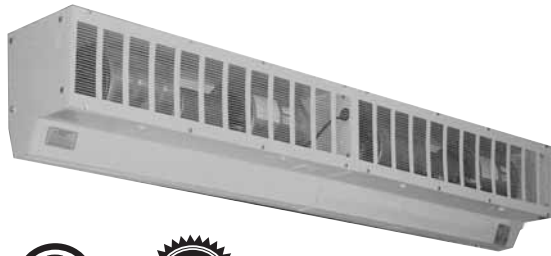
- Indicate Voltage: 1 = 120/1, 2 = 200/1, 3 = /208/3, 4 = 230/3, 5 = 460/3; @ denote no. of rows

* Add 12" for total unit width

▲ Hot Water/Steam units require 6 week lead time.

HIGH VELOCITY SERIES

- For use in warehouses, manufacturing plants and other large facilities.



- Galvanized, corrosion-resistant cabinet and intake grill.
- Corrosion-resistant dual-intake scrolls.
- Precision-balanced twin stainless steel blower wheels.
- Exclusive *Smart-Trac II* Adjustable Mounting System (Pat. Pend.) allows for 6-way adjustment and alignment at the cabinet to compensate for possible overhead obstacles such as sprinkler pipes, conduit and beams. *(Optional on all models).*
- Steam and Hot Water heat available.

AIR DELIVERY @ NOZZLE OUTLET								APPROX. SHIP-WEIGHT (LBS)
ORDER NUMBER	WIDTH	MAX VELOCITY (FPM)	AVG VELOCITY (FPM)	AVG. AIR FLOW RATE (CFM)	# MOTORS @ H.P.	INPUT POWER RATING (kW)* 3-ph		
1 H.P. Models								
EL36001#00LI	36"	5250	4200	3400	1@1	1.20	84	
EL38001#00LI	38"	5250	4095	3500	1@1	1.20	87	
EL42001#00LI	42"	5250	3990	3770	1@1	1.20	90	
EL48001#00LI	48"	5250	3890	4200	1@1	1.20	97	
EL60001#00LI	60"	5250	3675	4960	1@1	2.39	113	
EL72002#00LI	72"	5250	4200	6800	2@1	2.39	168	
EL76002#00LI	76"	5250	4095	7000	2@1	2.39	174	
EL84002#00LI	84"	5250	4025	7600	2@1	2.39	181	
EL96002#00LI	96"	5250	3890	8400	2@1	2.39	194	
EL10803#00LI	108"	5250	4200	10200	3@1	3.59	252	
EL12003#00LI	120"	5250	4075	11000	3@1	3.59	265	
EL13203#00LI	132"	5250	3975	11800	3@1	3.59	278	
EL14403#00LI	144"	5250	3890	12600	3@1	3.59	291	
1 1/2 H.P. Models								
EL36001#05LI	36"	5900	4130	3345	1@1 1/2	3.19	80	
EL38001#05LI	38"	5900	4015	3430	1@1 1/2	3.19	82	
EL42001#05LI	42"	5900	3895	3680	1@1 1/2	3.19	88	
EL48001#05LI	48"	5900	3780	4080	1@1 1/2	3.19	92	
EL60001#05LI	60"	5900	3540	4780	1@1 1/2	6.37	108	
EL72002#05LI	72"	5900	4130	6690	2@1 1/2	6.37	160	
EL76002#05LI	76"	5900	4015	6860	2@1 1/2	6.37	164	
EL84002#05LI	84"	5900	3930	7425	2@1 1/2	6.37	172	
EL96002#05LI	96"	5900	3780	8160	2@1 1/2	6.37	184	
EL10803#05LI	108"	5900	4130	10035	3@1 1/2	9.56	240	
EL12003#05LI	120"	5900	3990	10770	3@1 1/2	9.56	252	
EL13203#05LI	132"	5900	3875	11505	3@1 1/2	9.56	264	
EL14403#05LI	144"	5900	3780	12240	3@1 1/2	9.56	276	
3 H.P. Models								
EL36001#30LI	36"	7200	5040	4080	1@3	1.51	91	
EL38001#30LI	38"	7200	4905	4190	1@3	1.51	94	
EL42001#30LI	42"	7200	4760	4495	1@3	1.51	98	
EL48001#30LI	48"	7200	4615	4980	1@3	1.51	106	
EL60001#30LI	60"	7200	4320	5830	1@3	3.03	122	
EL72002#30LI	72"	7200	5040	8160	2@3	3.03	182	
EL76002#30LI	76"	7200	4905	8380	2@3	3.03	188	
EL84002#30LI	84"	7200	4795	9060	2@3	3.03	197	
EL96002#30LI	96"	7200	4615	9960	2@3	3.03	212	
EL10803#30LI	108"	7200	5040	12240	3@3	4.54	273	
EL12003#30LI	120"	7200	4870	13140	3@3	4.54	288	
EL13203#30LI	132"	7200	4730	14040	3@3	4.54	303	
EL14403#30LI	144"	7200	4615	14940	3@3	4.54	318	

- Indicate Voltage: 3 = 208/3, 4 = 230/3, 5 = 460/3, 6 = 600/3

* - AMP Draw maybe Estimated as Follows: 3 -ph =

$$\frac{\text{Power Rating} \cdot 1000}{\text{Voltage} \cdot 1.732}$$

3-PHASE HIGH VELOCITY ELECTRICALLY HEATED SERIES



Applications:

For use in warehouses, manufacturing plants and other large facilities with continuously open doors or provide supplemental heat when operated with doors closed.

Heated air curtains are not designed to hold 100% of incoming cold air, as the required air velocity generated would be uncomfortable to patrons. The incoming cold air is entrained in the warm curtain of air, thus maintaining comfort levels.

Heated units also reduce the wind chill effect of personnel walking through or standing near openings.

Special Features:

- New modular designed cabinet allows 8 to 48 kilowatts of heating capacity, in lengths ranging from 42 to 144 inches.
- Large, easily accessible pre-wired control box is side mounted and features a hinged swing down access panel.
- Easily visible indicator lights on control panel alerts operator when power to the unit is on and when fan and heat are operating.
- Helical coil heating element modules are easily replaceable.
- Heating elements are thermally protected and include a pilot light feature.
- Hinged element control panel is located in front of nozzle and swings down for servicing.
- Air-flow safety sensor disables heating element in the event motor/blowers need servicing or are wired incorrectly.
- Use Wall-mounted 24-volt thermostat for temperature control. (Not Included)
- Can be operated with or without heat for winter and summer operation.
- Exclusive Smart-Trac II Adjustable Mounting System Optional on all models.



Available in:

Three phase 60Hz, 208 volt motor and heat.

Three phase 60Hz, 240 / 208 volt motor and heat.

Three phase 60Hz, 480 volt motor and heat.

For additional models consult factory.

AIR DELIVERY @ NOZZLE OUTLET							APPROX. SHIPPING WEIGHT (LBS)	# MOTORS @ HP
MODEL NUMBER	NOZZLE WIDTH (IN)	NUMBER OF CABINETS	CONTROL VOLTAGE	MAX VEL (FPM)	AVG VEL (FPM)	AIRFLOW (CFM)		
1 HP Models								
E42++1#00HE	42	1	24	5250	3990	3770	109	1 @ 1
E48++1#00HE	48	1	24	5250	3890	4200	116	1 @ 1
E60++1#00HE	60	1	24	5250	3675	4960	132	1 @ 1
E72++2#00HE	72	2	24	5250	4200	6800	197	2 @ 1
E84++2#00HE	84	2	24	5250	3990	7540	210	2 @ 1
E96++2#00HE	96	2	24	5250	3890	8400	268	2 @ 1
E108++3#00HE	108	3	24	5250	4200	10200	291	3 @ 1
E120++3#00HE	120	3	24	5250	4075	10940	304	3 @ 1
E132++3#00HE	132	3	24	5250	3975	11800	317	3 @ 1
E144++3#00HE	144	3	24	5250	3890	12600	330	3 @ 1
3 HP Models								
E42++1#30HE	42	1	24	7200	4760	4495	117	1 @ 3
E48++1#30HE	48	1	24	7200	4615	4980	125	1 @ 3
E60++1#30HE	60	1	24	7200	4320	5830	141	1 @ 3
E72++2#30HE	72	2	24	7200	5040	8160	211	2 @ 3
E84++2#30HE	84	2	24	7200	4760	8990	226	2 @ 3
E96++2#30HE	96	2	24	7200	4615	9960	241	2 @ 3
E108++3#30HE	108	3	24	7200	5040	12240	312	3 @ 3
E120++3#30HE	120	3	24	7200	4870	13070	327	3 @ 3
E132++3#30HE	132	3	24	7200	4730	14040	342	3 @ 3
E144++3#30HE	144	3	24	7200	4615	14940	357	3 @ 3

++ TOTAL HEATER KW AVAILABLE (SELECT FROM BELOW)

	KW	BTU/HR	KW	BTU/HR	KW	BTU/HR
1- CABINET	08	27,320	12	40,980	16	54,640
2- CABINET	16	54,640	24	81,960	32	109,280
3- CABINET	24	81,960	36	122,940	48	163,920

NOTE: Multiply listed wattage by .75 for actual 208V rating. Maximum 15 kilowatts per cabinet at 240V.

- SELECT VOLTAGE: 3 = 208V 3-PH, 4 = 240V/208V 3-PH, 5 = 480V 3-PH.

Note: Stock Cabinet and Grille color is Neutral Gray. Other standard colors available on request include: Navajo White, Northern White, Black, Charcoal Gray, Aluminum, Statuary Bronze and Desert Tan.

HIGH VELOCITY SERIES - HOT WATER / STEAM HEATED ▲



- For use in facilities with continuously open doors or which require supplemental perimeter heating.



- Provides an economical source of heat when steam or hot water is readily available.
- Treats incoming air and prevents cold air from infiltrating large areas.
- Also used as supplemental heat when operated with door closed to provide additional perimeter heating.
- Unique universal construction method designed for both low-pressure steam or hot water applications.
- Premium quality coils provide superior heat transfer effectiveness for both low-pressure steam and hot water applications.
- Universal left- or right-hand installation on all coils.
- Single- or double-row coils available for desired capacity.
- Constructed of highly-effective 1/2-inch copper tubing with corrugated aluminum fins.

WIDTH*	HOT WATER					STEAM				
	Based on 70° F Entering Air, -200° F Entering Water & 180° F Leaving Water					-Based on 5 psig steam, 70° F Entering Air				
	BASE MODEL	ONE ROW		TWO ROW		BASE MODEL	ONE ROW		TWO ROW	
Capacity (MBH)		Temp Rise (F)	Capacity (MBH)	Temp Rise (F)	Capacity (MBH)		Temp Rise (F)	Capacity (MBH)	Temp Rise (F)	
1 HP Models										
48"	EL48001#00HW@	66.4	14.5	128	27.9	EL48001#00HS@	98.5	21.6	189	41.4
60"	EL60001#00HW@	98.1	14.9	190	28.7	EL60001#00HS@	137	20.9	263	40.2
72"	EL72002#00HW@	113	15.2	217	29.3	EL72002#00HS@	154	20.9	296	40.1
84"	EL84002#00HW@	129	15.5	251	30.2	EL84002#00HS@	175	21.0	336	40.4
96"	EL96002#00HW@	149	16.2	287	31.2	EL96002#00HS@	197	21.6	378	41.4
108"	EL10803#00HW@	172	15.4	332	29.7	EL10803#00HS@	224	20.0	430	38.5
120"	EL12003#00HW@	196	16.3	378	31.5	EL12003#00HS@	252	21.2	484	40.6
132"	EL13203#00HW@	213	16.5	412	31.9	EL13203#00HS@	272	21.1	523	40.5
144"	EL14403#00HW@	232	16.9	447	32.5	EL14403#00HS@	294	21.5	564	41.2
1-1/2 HP Models										
48"	EL48001#05HW@	65.2	14.6	126	28.2	EL48001#05HS@	96.9	21.9	185	41.9
60"	EL60001#05HW@	97.6	14.9	188	28.8	EL60001#05HS@	136	21	262	40.3
72"	EL72002#05HW@	112	15.3	215	29.4	EL72002#05HS@	153	21.1	293	40.4
84"	EL84002#05HW@	128	15.8	247	30.4	EL84002#05HS@	173	21.2	331	40.7
96"	EL96002#05HW@	146	16.4	281	31.5	EL96002#05HS@	194	21.9	371	41.9
108"	EL10803#05HW@	169	15.4	326	29.7	EL10803#05HS@	221	20.1	424	38.6
120"	EL12003#05HW@	194	16.5	373	31.7	EL12003#05HS@	249	21.4	478	41.4
132"	EL13203#05HW@	210	16.7	405	32.2	EL13203#05HS@	269	21.3	515	40.9
144"	EL14403#05HW@	228	17.1	439	32.8	EL14403#05HS@	290	21.8	554	41.8
3 HP Models										
48"	EL48001#30HW@	73.6	13.5	143	26.2	EL48001#30HS@	108	20	208	38.5
60"	EL60001#30HW@	110	13.8	214	26.8	EL60001#30HS@	152	19.2	293	37
72"	EL72002#30HW@	126	14.1	244	27.4	EL72002#30HS@	170	19.2	328	37.1
84"	EL84002#30HW@	143	14.4	278	28.0	EL84002#30HS@	191	19.2	368	37.1
96"	EL96002#30HW@	162	15.4	314	29.7	EL96002#30HS@	213	20.3	409	39
108"	EL10803#30HW@	188	14.0	368	27.5	EL10803#30HS@	245	18.3	471	35.2
120"	EL12003#30HW@	219	15.3	424	29.6	EL12003#30HS@	278	19.5	535	37.5
132"	EL13203#30HW@	238	15.5	461	30.0	EL13203#30HS@	300	19.5	577	37.6
144"	EL14403#30HW@	259	15.8	500	30.6	EL14403#30HS@	323	19.9	621	38.3

NOTE: #- Denotes Unit Voltage: 3 = 208/3, 4 = 230/3, 5 = 460/3, 6 = 600/3

@ - Indicates Number of Rows (1 or 2)

*Add 12" for total unit width

▲ Hot Water/Steam units require 6 week lead time.

Standard coils are opposite ends connected. For pricing on same end connected coils, consult factory.

24" DRIVE-THRU WINDOW UNIT



For use in restaurants, fast food windows, schools and drive-ins.

- Designed to provide protection against flies and insects, dust and odors. For service windows up to 30" wide with a maximum mounting height of 5 ft. nozzle-to-counter



MODEL NUMBER	ITEM DESCRIPTION	MAX FPM AT NOZZLE	MAX CFM AT NOZZLE	MAX FPM 2' ABOVE COUNTER	H.P.	VOLTS	MAX AMPS	APPROX. SHIP WEIGHT
E24001115F	With filter only.	3000	1600	750	1/15	120	1.3	25 lbs.
E24001115G	With intake grille only.	3000	1600	750	1/15	120	1.3	25 lbs.
E24001115FG	With filter and grille.	3000	1600	750	1/15	120	1.3	25 lbs.

ACCESSORIES AND CONTROLS



Door Switches

For use with all air curtains for instant activation or de-activation of unit upon door opening or closing.

- Automatic switches available for all models.
(Three-phase motors require a control panel. See below.)
- Plunger Style for hinged doors or Roller Style for sliding and track doors.

Note: not recommended for use with heated units.



C1200R
20 AMP

MODEL	STYLE	VOLTAGE	MAX AMPS	SHIP WT.
C1200R	Plunger/Roller	120	20	1 lb

Control Panels

For three-phase air curtains requiring instant on/off automatic switches

Control Panels contain a single contactor with one adjustable overload relay per motor, control transformer with fused primary and secondary to meet NEC requirements, Hand-Off-Auto selector switch and terminal strip for power wiring and remote door switch.

MODEL BREAKDOWN

Use this example for ordering the proper control panel necessary for air curtain unit.

BASE MODEL NUMBER

AP CP 101

SERIES DESIGNATION

AP = Environmental & High Velocity

OF MOTORS

1 to 4 motors

SPECIFIED WITH ORDER

208 - 25

VOLTAGE

208

230

460

600

BASE MOTOR HP

25 = 1/4 HP

50 = 1/2 HP

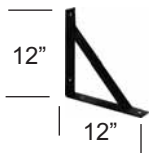
00 = 1 HP

05 = 1 1/2 HP

03 = 3 HP

MODEL	# OF MOTORS	SHIP WT.
APCP101	1	20 lbs
APCP201	2	20 lbs
APCP301	3	20 lbs
APCP401	4	20 lbs

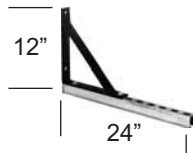
Light Duty Brackets



For wall mounting of Environmental Series.

MODEL NUMBER	SET OF	SHIP WT.
ACWBL	2	10 lbs

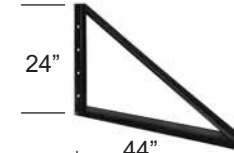
Medium Duty Brackets



For mounting of Environmental Series up to 12-inches from wall. Smart-Trac II recommended.

MODEL NUMBER	SET OF	SHIP WT.
ACWBM2	2	52 lbs
ACWBM3	3	78 lbs

Heavy Duty Brackets



For mounting of High Velocity and High Volume Series over roll-up doors. Smart-Trac II recommended.

MODEL NUMBER	SET OF	SHIP WT.
HVWB2	2	72 lbs
HVWB3	3	98 lbs

SMART TRAC II Adjustable Mounting System



- For use with suspension rod or wall mount applications.
- This unique mounting system is now available for Environmental and High Velocity Series air curtains

MODEL NUMBER	SIZE	SHIP WT.
ACSMTRK72	72"	50 lbs
ACSMTRK84	84"	50 lbs
ACSMTRK96	96"	60 lbs
ACSMTRK108	108"	65 lbs
ACSMTRK120	120"	70 lbs
ACSMTRK132	132"	75 lbs
ACSMTRK144	144"	80 lbs

Filters

- For certain applications, such as food service or sanitation, filtering the air curtains intake may be desirable.
- Washable aluminum mesh filters for Low-Profile and Environmental Series air curtains.

S= Mounts on interior behind grille
L= Exterior in place of grille

MODEL NUMBER	SIZE	SHIP WT.
24" Drive-Thru		
APF2400S	24"	1 lb
APF2400L	24"	1 lb
Low-Profile		
CLPF3600L	36"	1 lb
CLPF4800L	48"	1 lb
CLPF6000L	60"	1 lb
Environmental		
APF3600S	36"	2 lbs
APF3800S	38"	2 lbs
APF4200S	42"	2 lbs
APF4800S	48"	3 lbs
APF6000S	60"	4 lbs
APF3600L	36"	2 lbs
APF3800L	38"	2 lbs
APF4200L	42"	2 lbs
APF4800L	48"	3 lbs
APF6000L	60"	4 lbs

Grilles

- Optional anodized aluminum architectural grille for Environmental and Low-Profile Series air curtains.

Environmental

MODEL NUMBER	SIZE	SHIP WT.
API036A	36"	5 lbs
API048A	48"	6 lbs
API060A	60"	7 lbs

Tamper Resistant Kit

- For use in schools, hospitals, correctional facilities or other locations prone to vandalism.
- Prevents unauthorized access to air curtain.
- Complete tool and hardware package provided.

MODEL NUMBER	SHIP WT.
ACTRK	2 lbs

