

# Plugs & Receptacles

## Section P

Rugged construction, extensive configurations, custom capabilities and numerous interlocked designs provide safe and reliable NEC and IEC solutions for fixed or portable power applications



### New Products in the Plugs & Receptacles Product Line

- Ark•Gard® Portable ENR-GFCI Assemblies
- Portable GFCI Cable Assemblies
- Posi-Max Power Distribution Panels
- PowerMate™ Plugs, Receptacles and Connectors
- PowerGard™ Universal Receptacles and Back Boxes
- Roughneck Single-Conductor Connectors
- Cam-Lok™ Single Pole Connectors
- Quik-Loc™ Connectors
- Metallic Quik-Loc™ Connectors
- LynxPOWER™ Passive Connectors
- LynxPOWER™ Network Connectors

### Section

- 2P
- 9P
- 9P
- 10P
- 10P
- 10P, 11P
- 11P
- 11P
- 11P
- 11P
- 11P

### Notable changes to the Plugs & Receptacles section of this catalog

- Section 8P now contains special purpose plugs and receptacles for both hazardous and non-hazardous areas (previously 8P & 9P)
- New section 10P for Drilling Connectivity Solutions
- New section 11P for Industrial Connectivity

# P Plugs and Receptacles

## Table of Contents

### Section 1P

#### Industrial Heavy Duty Plugs and Receptacles

(for use in non-hazardous areas)

Receptacles	Plugs
AR	AP, APJ, CPH, CPP, NPJ
APR	AP, APJ, APQ, CPH, CPP, NPJ, NPQ
NR	APJ, CPH, CPP, NPJ
NPR	APJ, CPH, CPP, NPJ, NPQ

### Section 2P

#### Industrial Heavy Duty Plugs and Receptacles

(for use in hazardous areas)

Receptacles	Plugs
CES, CESD	CPH
CPR*	CPP
CPS	APJ, NPJ
ENR	ENP
Connectors	
ENC*	

### Section 3P

#### Interlocked Heavy Duty Plugs and Receptacles

(for use in non-hazardous areas)

Receptacles	Plugs
CSR	APJ, NPJ
NBR	APJ, CPH, NPJ
WSR, WSRD	APJ, CPH, NPJ
NSR	APJ, CPH, NPJ
WSQC	APJ, CPH, NPJ

### Section 4P

#### Interlocked Heavy Duty Plugs and Receptacles

(for use in hazardous areas)

Receptacles	Plugs
BHR	BHP, SP
DBR	APJ, CPH, NPJ
EPC	APJ, DP, CPH, NPJ
EBBR	APJ, CPH, NPJ
EPCB	APJ, CPH, NPJ
FSQ	APJ, BP, CPH, NPJ
SRD	SP, BHP

### Section 5P

#### IEC 309 Pin & Sleeve Devices

(for use in hazardous and non-hazardous areas)

IEC 309 Heavy Duty Hazardous  
IEC 309 Heavy Duty Industrial

\*Not suitable for hazardous areas in the United States in compliance with NEC regulations.

### Section 6P

#### Wiring Devices with Covers

(for use in non-hazardous areas)

WLRS/WLRD Covers  
GFCI Covers

### Section 7P

#### Industrial Cord and Cable Reels

Cable-Gard™ Series  
Static Discharge Reels

### Section 8P

#### Special Purpose Plugs and Receptacles

ARK-trol® Series  
(for use in non-hazardous areas)  
RPC  
RPE  
(for use in hazardous areas)  
RPX

### Section 9P

#### Portable Power Solutions

(for use in hazardous and non-hazardous areas)  
Custom Portable Power Solutions  
Cable Assemblies  
Portable GFCI Cable Assemblies  
Posi-Max Power Distribution Panels

### Section 10P

#### Drilling Connectivity Solutions

(for use in hazardous and non-hazardous areas)  
PowerMate™ Series  
PowerGard™ Series  
Roughneck Series

### Section 11P

#### Industrial Connectivity

(for use in non-hazardous areas)  
Cam-Lok™ Series  
Posi-Lok™ Series  
Roughneck Series  
Quik-Loc™ Series  
LynxPOWER™ Passive Series  
LynxPOWER™ Network Series

## Considerations for Selection

The Plugs and Receptacles Section of the Eaton's Crouse-Hinds Product Catalog contains complete technical information on the Eaton's Crouse-Hinds line of these products.

In addition to product listings and features, the section contains information on interchangeability of plugs and receptacles, the different grounding methods incorporated in the construction of the units, and separate sections devoted to receptacles interlocked with switches and/or circuit breakers.

The plugs, receptacles, and interlocks featured in this section include the Arktime<sup>®</sup> pin and sleeve offering, Ark•Gard<sup>®</sup> NEMA blade-style units, IEC 309 devices, ARK-trol<sup>®</sup> electrical connectors, and Cable-Gard<sup>™</sup> cord and cable reels.

### Arktime<sup>®</sup> Series

Metallic and non-metallic Arktime series units are available for use in hazardous and non-hazardous areas for general purpose, heavy duty applications in power circuits. All units through 100 ampere rating offer circuit breaking capability under load; some units are offered with interlocking mechanism with switch and/or circuit breaker, where dead front receptacles are desired, 400 ampere units are for service disconnect use only and are not for current interrupting.

An interchangeability table on the next page graphically shows interchangeability between products in the complete line of pin and sleeve type plugs and receptacles. Full electrical rating details are shown in the interchangeability charts at the beginning of each section in the Plugs and Receptacles Section of this catalog.

### Ark•Gard<sup>®</sup> Series

The Ark•Gard<sup>®</sup> series is the ideal solution for rugged and industrial NEMA blade-style applications up to 20 amperes. This offering now includes the exciting new hazardous rated ENC Connector, the upgraded Frustration-Free ENP Plug and the ENR-GFCI Kit. The Ark•Gard line includes features that provide ease of installation, added safety, reduced maintenance costs, and increased product life.

### IEC 309 Series

Eaton's Crouse-Hinds has combined years of field-proven Arktime pin and sleeve expertise with German-North American precision engineering and manufacturing to offer the world's best IEC 309 plug and socket product line. Available in heavy duty industrial and hazardous area designs, this global product line features the latest technological innovations to lead the way in IEC 309 performance.

### ARK-trol<sup>®</sup> Series

Units are available for use in hazardous and non-hazardous areas for special purpose application in power and/or control circuits where environmental factors are important or a wide range of contacts, sizes and configurations is required.

### Cable-Gard<sup>™</sup> Series

Electric cord and cable reels are used extensively in modern factories for "managing" all loose extension cables to ensure safety, increase efficiency, and extend cable and portable equipment life.

Electric reels automatically transmit electric current (power or control) from a stationary position to a moving consumer of current.

## Considerations for Selection

The considerations in the selection of plugs and receptacles are the electrical ratings desired and the physical location of the units. This information, together with the product features, construction details, and customer benefits, is shown on the individual pages in selecting the proper plugs and receptacles, other factors in addition to the electrical ratings and the physical aspects regarding location of the application (e.g., hazardous areas) should be considered. Principally, these factors are: interchangeability of plug and receptacle, interlocking and grounding.

## Grounding

Eaton's Crouse-Hinds utilizes two methods for completing the grounding circuit in plugs and receptacles.

#### Style 1:

A Style 1 plug is one in which the grounding conductor in the flexible cable is bonded to the plug sleeve by a pressure connector. A Style 1 receptacle is one which is grounded by virtue of the fact that it is an integral part of a grounded conduit system. On insertion, the plug sleeve makes contact with detent springs of the grounded receptacle housing before line and load poles engage, and on withdrawal, remains in contact until after line and load poles disengage. Therefore, exposed metal parts of the portable equipment or plug are suitably grounded.

#### Style 2:

A Style 2 plug is one in which the grounding conductor in the flexible cable is bonded to the extra (grounding) pole and sleeve by a pressure connector. A Style 2 receptacle is one in which the extra (grounding) pole is electrically connected to the equipment grounding conductor and the receptacle housing which itself is grounded by virtue of the fact that it is an integral part of a grounded conduit system. In a Style 2 receptacle, the grounding connection is made before line and load poles engage, and is broken after line and load poles disengage. Furthermore, upon insertion, the plug sleeve of metal shelled units makes contact with detent springs of the grounded receptacle housing before line and load poles engage, and on withdrawal, remains in contact until after line and load poles disengage. Therefore, exposed metal parts of the portable equipment or plug are suitably grounded.

This method is used on plugs and receptacles for hazardous areas, on configured Arktime and on all Arktime products made of Krydon<sup>®</sup> material.

It meets the National Electrical Code/Canadian Electrical Code requirements for this equipment. The Arktime line offers a choice of both methods; other plugs and receptacles are offered in one of the two styles (details are given on the individual pages). Details on construction and diagrams of both methods are found in Section 1P, see pages 1312-1314.

## Interlocked Units

Where added safety is desired and for units of higher ratings, Sections 3P and 4P detail receptacles with interlocked switches and/or circuit breakers. The ability to break the load before removal of the plug, circuit protection and disconnect capability are the prime benefits to be derived from equipment shown in those sections.

## Interchangeability Between Eaton's Crouse-Hinds Product Families

A unique capability exists throughout much of the Eaton's Crouse-Hinds plug and receptacle line that enables a variety of receptacles to be used with the same plug – provided the electrical rating and style of plug and receptacle are the same (see Interchangeability Table on next page). Where a common wiring system is in use, it is possible to use the same standard plug with a number of different receptacle assemblies located in different areas where each receptacle is selected to meet the physical or environmental requirement of the specific area. For example, a process industry facility could include Class I, Groups C and D areas and Class II, Group G areas as well as non-hazardous areas. A portable device suitable for use in the hazardous areas could be equipped with an APJ Arktime plug or NPJ Arktime plug made of Krydon<sup>®</sup> material and be used in all areas of the plant. The receptacle installation could include AR or NR units in the non-hazardous areas; DBR interlocked receptacles in the Class II, Groups F and G areas and FSQC or EPC interlocked receptacles in the Class I, Groups C and D areas – all of which will accept the same APJ or NPJ plug.

CPH plugs can also be used with any receptacle which accepts a standard APJ or NPJ Arktime plug of the same ampere rating, style, and number of poles. This feature permits the use of a portable device, suitable for hazardous locations, in all areas of a plant, but prevents the use of an "ordinary locations" device in the hazardous areas. The following table is a summary of possible combinations. Full details describing the possibilities for interchanging plugs and receptacles are given in this section of the Eaton's Crouse-Hinds Product Catalog.









## Crouse-Hinds

by **E.T.N**



# P Plugs and Receptacles

## Interchangeability Table

Eaton's Crouse-Hinds Heavy Duty Receptacles and Connectors†	Eaton's Crouse-Hinds Pin and Sleeve Design Plugs†							
								
Cat. Pg.	APJ	AP	BHP	CPH	CPP	DP	NPJ	SP
<b>Delayed Action for Hazardous Areas</b>								
CPS see pages 1344–1347					•			
CES/CESD see pages 1361–1363				•				
<b>Non-interlocked For Non-hazardous Areas</b>								
APR see page 1312	•	•		•	•		•	
AR see page 1312	•	•		•	•		•	
CPR see page 1348					•			
NR see page 1329	•			•	•		•	
NPR see page 1329	•			•	•		•	
<b>Interlocked for Hazardous Areas</b>								
BHR see pages 1392–1393			•					•
EBBR see pages 1389–1390	•			•			•	
EPC see pages 1396–1397	•			•		•	•	
EPCB see pages 1399–1400	•			•			•	
FSQC see pages 1386–1387	•			•			•	
SRD see pages 1394–1395			•					•
<b>Interlocked for Non-hazardous Areas</b>								
CSR see pages 1374–1376	•			•			•	
DBR see pages 1401–1402	•			•			•	
NBR see pages 1379–1380	•			•			•	
NSR see pages 1381–1382	•			•			•	
WSR see pages 1368–1369	•			•			•	
WSQC see page 1378	•			•			•	
WSRD see pages 1368–1369	•			•			•	
WSRD SS see pages 1370–1372	•			•			•	
WSRDW see pages 1368–1369	•			•			•	

• Plugs mate with indicated receptacles.

† Consult individual catalog pages for complete listing of Eaton's Crouse-Hinds plugs, receptacles and connectors.

## Interlock Selection Guide

### Industrial Selection Guide (Non-Hazardous)

Arktime Pin & Sleeve					IEC 309				
Metallic			Non-Metallic (NEMA 4X)			Non-Metallic (NEMA 4X, IP66)			
Standard Size		Compact Size		Standard Size		Compact Size			
Fusible/ Non-Fusible			HP Rated Switch	Circuit Breaker	Circuit Breaker	Fusible/ Non-Fusible	Fusible/ Non-Fusible	Heavy-Duty Industrial	Light Industrial
Cast Aluminum	Painted Sheet Metal	Stainless Steel (NEMA 4X)							
WSR (3P)	WSRD/WSRDW (3P)	WSRDW SM S901 (3P)	WSQC (3P)	M4IPM (3P)	NBR (3P)	NSR (3P)	CSR (3P)	GH Series (5P)	CH Series (5P)

### Hazardous Selection Guide

Arktime Pin & Sleeve					NEMA Blade Style		Custom Configuration		IEC 309		
Delayed Action		Interlocked Receptacle			Delayed Action		Mates with BHP Plug	Mates with SP Plug	Non-Metallic GRP	Metallic Stainless Steel	
Low Amperage (20-30A)	High Amperage (30-60A)	HP Rated	Circuit Breaker		Hinged Cover	Lockout Hinged Threaded Cover					
Threaded Cover	Hinged Cover	Threaded Cover	Bolted Cover								
Groups C,D	Groups C,D	Groups B,C,D	Groups B,C,D	Groups B,C,D	Groups F, G Only	Groups B,C,D	Groups B,C,D	Groups B,C,D	Group D	Zones 1 & 2	Zones 1 & 2
CPS (2P)	CES (2P)	FSQC (4P)	EBBR (4P)	EPC (4P)	DBR (4P)	ENR M3 (2P)	ENR M4 (2P)	BHR (4P)	SRD (4P)	GHG51 GRP Series (5P)	GHG51 SS Series (5P)

P

---

P

# Plugs and Receptacles Industrial Heavy Duty Non-hazardous

1P

Description	Page No.
Application/Selection	see page 1310
<b>Arktite® Series</b>	
<b>Technical Data</b>	see pages 1312–1313
<b>Aluminum AR/APJ Style</b>	
20A	see page 1317
30A	see pages 1318–1319
60A	see pages 1320–1321
100A	see pages 1322–1323
150A	see pages 1322–1323
200A	see pages 1324–1325
400A	see pages 1327–1328
<b>Back Boxes</b>	see page 1332
<b>Krydon® NR/NPJ Style</b>	
<b>Technical Data</b>	see page 1329
30, 60, 100A	see page 1330
<b>Flanged Panel Mount</b>	see page 1336
<b>Motor Plugs</b>	see page 1338

1P

# 1P Plugs and Receptacles

## Industrial Heavy Duty Application and Selection

### Applications:

- Distribution of secondary electrical power
- Provide quick disconnect from power source

### Considerations for Selection:

#### Electrical System:

- Amperage and voltage required for application

Wiring system and number of conductors required. See page 1316 for contact sizes.

#### Compatibility with System:

- Need for interchangeability with plugs in existing system and within parts of new system. Grounding styles. Two styles utilized. See page 1314 for complete description to determine which is suitable for needs.

#### Mounting Arrangement:

- Three types of mounting available – surface, flush and panel

#### Application:

- Fixed receptacle for power outlet; cable connectors for portable cable extensions

#### Other Considerations:

- Wire sizes and recess dimensions available. See page 1316 for complete details. National Electrical Code, UL, NEMA, Canadian Electrical Code, CSA compliances
- Environment – need for operation in harsh, dirty or corrosive conditions

### Options:

- Special polarity arrangements available as well as special back boxes and hub arrangements. See listing pages for details.

### Quick Selector Chart

Receptacle Series	Receptacle Type	Electrical Characteristics			Grounding Style†	Mounting	Mating Plug
		Amperage (Range)	Volts (Max.)	No. of Poles (Range)			
APR	Portable cable	20, 30, 60, 100, 200, 400	600VAC 250VDC	2–5	1-2		APJ, NPJ, APQ, AP
AR	Fixed	20, 30, 60, 100, 150, 200, 400	600VAC 250VDC	2–5	1-2	Back box (surface)	APJ, NPJ, AP
AR Panel Mount	Fixed	30, 60, 100, 200	600VAC 250VDC	2–4	1-2	Panel mtg. (semi-flush)	APJ, NPJ, AP
NPR	Portable cable	30, 60, 100	600VAC 250VDC	3–4	2		NPQ, APJ, NPJ (fixed)
NR	Fixed	30, 60, 100	600VAC 250VDC	3–4	2	Back box (surface)	APJ, NPJ

†See page 1314 for detailed explanation.



## Industrial Heavy Duty Interchangeability Chart

### Interchangeability Chart

Many of the plugs listed in this section can be used interchangeably with receptacles from other sections, both in hazardous and non-hazardous areas, **provided electrical rating and style of plug and receptacle are the same**. The following table is a summary of possible combinations.

Plugs Shown in Section 1P	Can be Used with These Receptacle Series	Listed in Section	Plugs & Receptacle Electrical Rating
APJ, NPJ*	DBR	4P	30, 60, 100 amp. 3-wire, 3-pole 3-wire, 4-pole
	FSQ	4P	30 amp. 2-wire, 3-pole 3-wire, 4-pole
	EPC, EPCB, EBBR	4P	30, 60, 100 amp.† 2-wire, 3-pole 3-wire, 4-pole
	NBR, NSR	3P	30, 60, 100 amp. 3-wire, 3-pole 3-wire, 4-pole
	WSR	3P	30, 60, 100 amp. 3-wire, 3-pole 3-wire, 4-pole
	WSRD	3P	60 amp. 3-wire, 3-pole 3-wire, 4-pole

\*NPJ, NR and NPR available in 2-wire, 3-pole and 3-wire, 4-pole electrical ratings only.  
†150A EBBR available in 3-wire, 4-pole electrical rating.

**1P**

# Arktite® Heavy Duty Circuit Breaking Plugs and Receptacles

NEMA 4 Watertight

## Industrial Heavy Duty Non-hazardous Areas

### Applications:

Arktite circuit breaking plugs and receptacles are used:

- To supply power to portable electrically operated devices such as motor-generator sets, compressors, heating and cooling units, welders, conveyors, lighting systems and similar equipment
- Where temporary power is needed, such as at trailers, building units, heavy machinery and similar equipment
- Wherever electrical loads must be quickly disconnected from power source
- In a typical installation, where a large machine utilizes a number of electrical motor drives and for ease of adjustment, removal, maintenance and replacement, each motor is connected by portable cord and Arktite receptacles rather than permanently wired
- In areas where dust, dirt, moisture and corrosion are a problem
- Indoors and outdoors in non-hazardous areas of chemical plants, process industry facilities, meat packing plants, manufacturing plants and similar industrial locations

### Features:

- Circuit breaking: plugs through 100 ampere rating may be disconnected under load; 150-400 ampere units are for service disconnect use only.
- Receptacles accept only plugs of the same amperage rating, style and number of poles, making it impossible to mismatch, and provides for positive polarization.
- Extra wide electrical spacing allows for maximum safety.
- Insulator materials are the result of intensive testing. Selection has been made based on highest dielectric strength, maximum mechanical and impact resistance, lowest moisture absorption and highest arc tracking resistance.
- A variety of installations is possible due to the availability of several types of back boxes.
- Designed to withstand rough usage and the effects of adverse environments.
- Reversible interiors, 30, 60 and 100 ampere (except 30 and 60 ampere, 5-pole) Arktite plug and receptacle interiors are interchangeable using a screwdriver. This makes it possible to feed a normally de-energized receptacle from an energized plug with usual Arktite safety; no energized contacts are exposed.

### Certifications and Compliances:

- UL Standards: 1203\*; 1682, 1686
- CSA Standard: C22.2 No. 182.1
- CE (LVD) 2006/95/EEC\*\*

**1P**

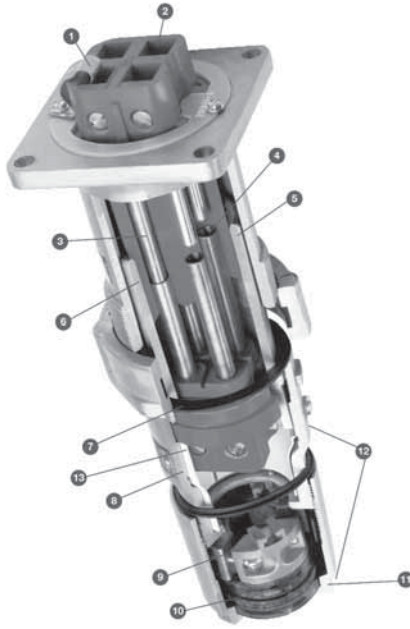
\* APJ and NPJ plugs only  
 \*\* Excludes 200A and 400A APR Connectors

# Arktite® Heavy Duty Circuit Breaking Plugs and Receptacles

NEMA 4 Watertight

1P

Industrial Heavy Duty  
Non-hazardous Areas



## Split Pin Contact Design:

- Provides nearly 360° of contact at every insertion, ensuring protection against heat rise and eliminating arcing on critical surfaces
- Continuous contact over length and circumference of mated pins provides superior safety and long-term performance
- Self-wiping at every insertion to prevent environmental contamination build-up



### • The additional features below are called out in the illustration on this page

- 1 The ground contact is bonded to the receptacle housing (Style 2)
- 2 Unimpeded, easy-access phase and ground terminals make wire termination quick and easy
- 3 Grounding contacts that make-first and break-last in the unlikely event of keyway failure
- 4 An arc formed when the plug is being removed is instantly snuffed in the deep confined insulated arcing chamber
- 5 A detent spring forms a parallel grounding path through the metallic plug sleeve and receptacle housing and is the first contact to make and the last to break
- 6 The plug sleeve is keyed to the receptacle to prevent mispolarization
- 7 The gasketing system provides unsurpassed watertight integrity (NEMA 4)
- 8 All aluminum Uni-Shell™ construction provides superior strength in abusive environments
- 9 The Tri-Lock™ cable grip has 3-piece design that equally distributes gripping power around perimeter of cable. Cord jacket does not get pinched, eliminating potential for damage to both internal conductors and external cable jacket. Cable grip is located inside plug housing, eliminating corrosion of vital hardware and making plug maintenance easy.
- 10 The unique Sure-Seal™ cable gland has two gasket sizes which fit entire range of cable diameters, reducing risk of improper assembly. The gasket ratchets into the Tri-Lock™ cable grip to prevent plug from turning or loosening in high vibration areas.
- 11 Wrenching surfaces make Arktite plugs quick and easy to assemble
- 12 Smooth and contoured design of plug housing eliminates occurrence of cable grip snagging or breaking off. Tri-Lock™ screws are captive so cable grip cannot come apart during assembly. Prevents critical screws from getting lost during installation.
- 13 Plastic sleeve between insulator body and housing minimizes possibility of electrical shock in event of ground failure. Increases creepage and clearance protection.

## Arktite® Advantage Features:

### Internal Plug Safety Insulator

- Plastic barrier between insulator body and metal housing minimizes risk of energizing handle body due to stray conductor strands
- Increases creepage and clearance protection

### CE Marked

- Offers a borderless solution with no additional inspection or documentation required for approval

### Lockout Plug

- Allows users to comply with OSHA lockout/tagout requirements
- Ensures plug cannot be inserted into receptacle when maintenance is being performed downstream of power supply

### Tri-Lock Cable Grip

- Three-piece design equally distributes grip around perimeter of cable
- Cable jacket does not get pinched, eliminating potential for damage to internal conductors
- Captive screws allow maximum extension of cord grip without risk of loose components

### Sure-Seal Cable Gland

- Two gasket sizes fit entire cable range, reducing risk of improper assembly
- Gasket ratchets into Tri-Lock cable grip to provide environmental protection in high vibration areas



### Plug Housing

- Smooth design eliminates occurrence of cable grip snagging or breaking off
- Houses Tri-Lock cable grip to eliminate corrosion of vital hardware and increase ease of maintenance



### Combination Drive Stainless Steel Hardware

- Increases ease of installation by allowing for more than one option for installation tools
- Stainless steel external hardware eliminates corrosion on critical components and extends product life



### Insulator Assemblies

- Unimpeded, easy access phase and ground terminals make wire termination quick and easy
- Lug screws secured with tape to prevent them from vibrating loose and falling out during shipping



### Combination Slot and Hex Mechanical Lugs\*

- Increases ease of installation by allowing for more than one option for installation tools
- Hex head allows for easy achievement of specified torque value



### Receptacle Cover

- Automatic weatherproof seal every time plug is disengaged
- Field replaceable design allows for new cover to be threaded on quickly and easily



\*60, 100, and 150A offering.

Crouse-Hinds

by E.T.O.N

www.crouse-hinds.com US: 1-866-764-5454 CAN: 1-800-265-0502 Copyright© 2013 Eaton's Crouse-Hinds Business

1313

1P

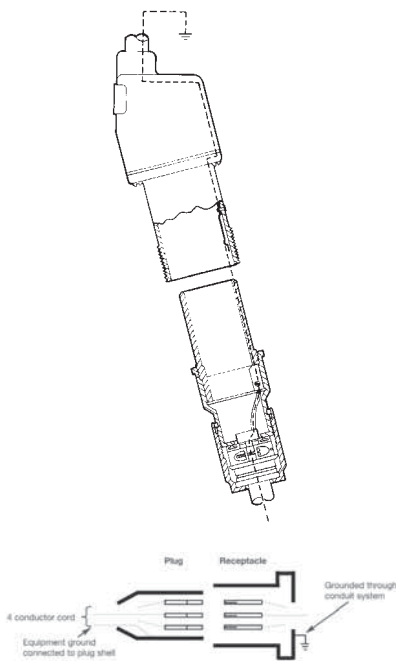
## Industrial Heavy Duty Non-hazardous Areas

### Grounding: Style 1 vs. Style 2

Eaton's Crouse-Hinds Arktite devices utilize two methods, or styles, for completing the grounding circuit in plugs and receptacles. NEC reference 250.138 (A) & (B).

#### Style 1 – Metallic

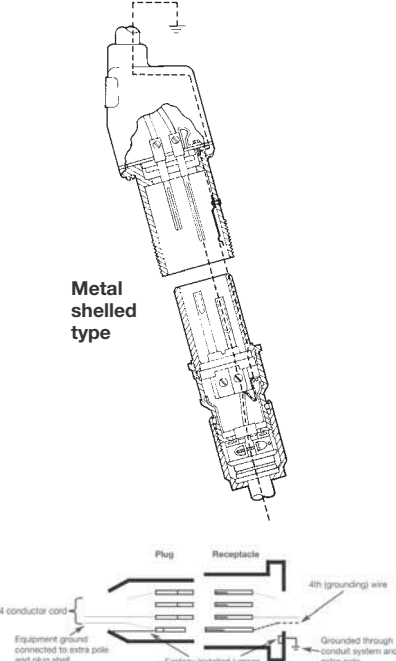
A Style 1 plug is one in which the grounding conductor in the flexible cable is bonded to the plug sleeve by a pressure connector. A Style 1 receptacle is one which is grounded by virtue of the fact that it is an integral part of a grounded conduit system. On insertion, the plug sleeve makes contact with detent springs of the grounded receptacle housing before line and load poles engage, and on withdrawal, remains in contact until after line and load poles disengage. Therefore, exposed metal parts of the portable equipment or plug are suitably grounded.



**Style 1**  
Ground conductor attaches to shell.

#### Style 2 – Metallic

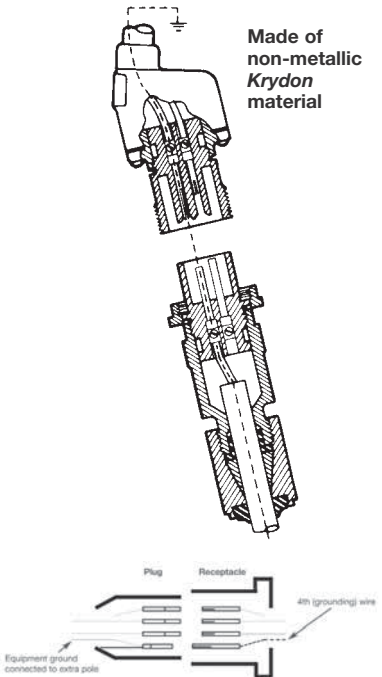
A Style 2 metallic housing plug is one in which the grounding conductor in the flexible cable is bonded to the extra (grounding) pole and metal plug sleeve by a pressure connector. A Style 2 metallic housing receptacle is one in which the extra (grounding) pole is electrically connected to the equipment grounding conductor and the metal receptacle housing which itself is grounded by virtue of the fact that it is an integral part of a grounded conduit system. In Style 2, non-metallic housing plugs and receptacles, the extra pole is used for grounding since the housings are non-conductive.



**Style 2**  
Ground conductor attaches to contact, which is bonded to shell.

#### Style 2 – Non-metallic

In a Style 2 receptacle, the grounding connection is made before line and load poles engage, and is broken after the line load poles disengage. Furthermore, upon insertion, the plug sleeve of metal shelled units makes contact with detent springs of the grounded receptacle housing before line and load poles engage, and on withdrawal, remains in contact until after line and load poles disengage. Therefore, exposed metal parts of the portable equipment or plug are suitably grounded.



1P

# Arktime® Heavy Duty Circuit Breaking Plugs and Receptacles

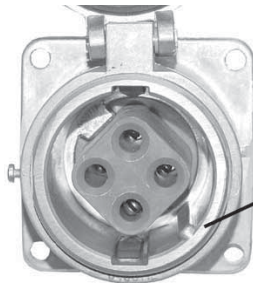
NEMA 4 Watertight

1P

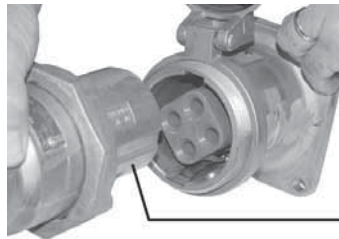
## Industrial Heavy Duty Non-hazardous Areas

### Standard Materials:

- Metallic receptacle housings, plug and cord connector bodies – high impact strength copper-free aluminum
- Non-metallic receptacles, plugs and cord connectors – *Krydon*® fiberglass-reinforced polyester material
- Back boxes: 20, 30, 60, 100, 150 and 200 ampere – cast aluminum; 400 ampere – *Feraloy*® iron alloy
- Insulation (metallic products): (2-, 3-, and 4-pole) 30, 60, 100, 200, 400 ampere – fiberglass-reinforced polyester; 20, 30 ampere (5-pole) – melamine
- Contacts: pressure, solder, binding screw – brass; crimp/solder 20, 30, 60, 100 ampere – leaded red brass; crimp/solder 150, 200, 400 ampere – tellurium copper



Arktime receptacles have a cast raised rib located inside the receptacle sleeve. The location of the rib is in a specific relationship to the receptacle insulator that houses the contacts.



The mating plug has a cast groove located on the outside of the plug sleeve. This groove lines up with the raised rib.

### Standard Finishes:

- *Feraloy* – electrogalvanized and aluminum acrylic paint
- Aluminum – natural
- *Krydon* fiberglass-reinforced polyester material – gray
- Fiberglass-reinforced polyester insulation – (red)
- Melamine – natural (brown)
- Brass – natural
- Leaded red brass – electro-tin-plate

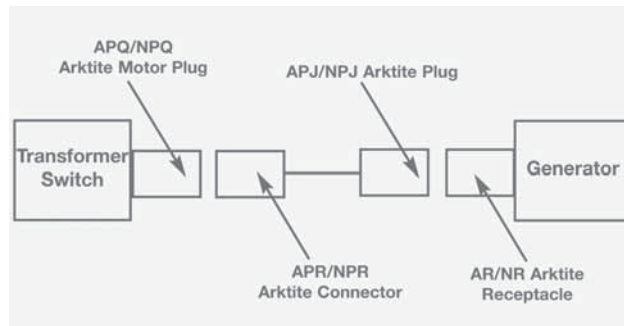
### Options:

The following special options are available from factory by adding the suffix to the Cat. #:

- | Description   | Suffix |
|---|--------|
| • Reversed contacts. Receptacle assembled with plug interior (exposed contacts), plug assembled with receptacle interior (recessed contacts). For applications where plug is energized to feed normally de-energized receptacle. Available on 30 through 400 ampere units... <b>S22</b>   |        |
| • Special polarity. For use where two or more receptacles of the same ampere rating, style and number of poles are to be installed in the same area for use on different voltages and/or frequencies. Prevents insertion of a plug in a receptacle with different electrical rating. Available on 20 through 400 ampere units as follows: |        |
| • Receptacle interior rotated 22½° to right and plug changed to match (see photo to right)..... <b>S4</b>   |        |
| • Corro-free™ epoxy powder finish for added corrosion resistance..... <b>S752</b>   |        |

### Accessories:

- Accessories include a variety of angle adapters, panel adapters and back boxes for *Arktime* receptacles, see pages 1332–1335.
- Included throughout 1P are wire mesh cable grips and protective caps for *Arktime* plugs.



Typical Installation

§150A, 200A and 400A rated units are for service disconnect use only.

## Crouse-Hinds

by **E.T.N**

### Arktite Horsepower Ratings Locked-Rotor Interrupting

Ampere Rating Plug and Receptacle	Motor Horsepower†			
	120 Volts	240 Volts	480 Volts	600 Volts
<b>Single-phase Electrical System</b>				
30	2	3	7.5	10
60	5	10	25	20
100	10	20		
200	15	40		
<b>Three-phase Electrical System</b>				
30	3	5	10	10
60	10	20	40	50
100	15	30	40	25
200	30	60	25	15

### Maximum Horsepower for Plug and Receptacle Combinations by Input Voltage\*

Following values are typical horsepower ratings based on NEC Article 430 tables.

HP Ratings are based on the largest conductor size for each plug and receptacle combination per the Wire Size table below.

Ampere Rating Plug and Receptacle	Motor Horsepower‡		
	240 Volts	480 Volts	600 Volts
30	15	30	40
60	20	40	50
100	30	60	75
150	40	75	100
200	60	125	150

### Wire Sizes:

The table below lists the diameter of the wire recess in *Arktite* plug and receptacle contacts so that maximum size of bare conductor can be figured. Range of wire sizes shown in table is intended only as a guide. Depending on type of wire used (building wire, flexible or extra flexible cable) and its construction (number and size of strands), bare copper diameters vary widely.

### Diameter of Wire Recess in Plug and Receptacle Contacts

Ampere Rating	Contact Type	Diameter of Recess	Wire Size‡	
			Building	Extra Flex
20	Binding Screw	N/A	#14-#12	#14-#12
30 (2, 3, & 4-pole)	Pressure	.281	#10-#6	#10-#8
30 (2, 3, & 4-pole)	Crimp/Solder	.180	#10-#8**	#10-#8
30 (5-pole)	Solder	.188	#12-#6	#12-#8
60 (2, 3, 4 & 5-pole)	Pressure	.312	#6-#4	#8-#4
60 (3 & 4-pole)	Crimp/Solder	.277	#6-#4**	#8-#4
100 (2, 3 & 4-pole)	Pressure	.390	#4-#1	#4-#2
100 (3 & 4-pole)	Crimp/Solder	.390	#2-#1**	#2-#2
150 (4-pole)	Pressure	.390	#2-2/0	#2-1/0
200 (3 & 4-pole)	Pressure	.687	2/0-4/0	2/0-3/0
200 (Std. 3 & 4-pole)	Crimp/Solder	.560	#1-4/0	#1-3/0
200 (Lg. 3 & 4-pole)	Crimp/Solder	.750	4/0-250MCM	3/0-250MCM
400 (Std. 3 & 4-pole)	Crimp/Solder	.840	250-500MCM	250-400MCM
400 (Lg. 3 & 4-pole)	Crimp/Solder	1.25	500-1000MCM	400-750MCM

§150A, 200A and 400A rated units are for service disconnect use only.

† Horsepower ratings are based on Eaton's Crouse-Hinds testing in which locked-rotor currents were interrupted by withdrawing the plug from the receptacle. It is highly recommended, however, that such use be limited to emergency conditions only, and that a horsepower rated switch be used for motor disconnect.

\* This guide is for reference only. Consult your local electrical codes before installation.

‡ Eaton's Crouse-Hinds does not recommend our plug and receptacle be used for disconnect under load.

\*\*Smaller sizes may be used with well reducers - information available upon request.

‡Do not use wire size smaller than minimum size recommended.



# Arktite® Heavy Duty Circuit Breaking Receptacles, Plugs and Connectors

NEMA 4 Watertight

**1P**

20 A, 600 VAC/250 VDC, 50\*\* – 400 hertz



## Receptacle with Back Box

Config.	Hub Size	Descrip.	Cat. #
2W 2P	1/2	Spring Door	ARE2211
	1/2	Threaded Cap	ARE2271
2W 2P	3/4	Spring Door	ARE2212
	3/4	Threaded Cap	ARE2272

## Receptacle

Config.	Descrip.	Cat. #
2W 2P	Spring Door	AR221
	Threaded Cap	AR227

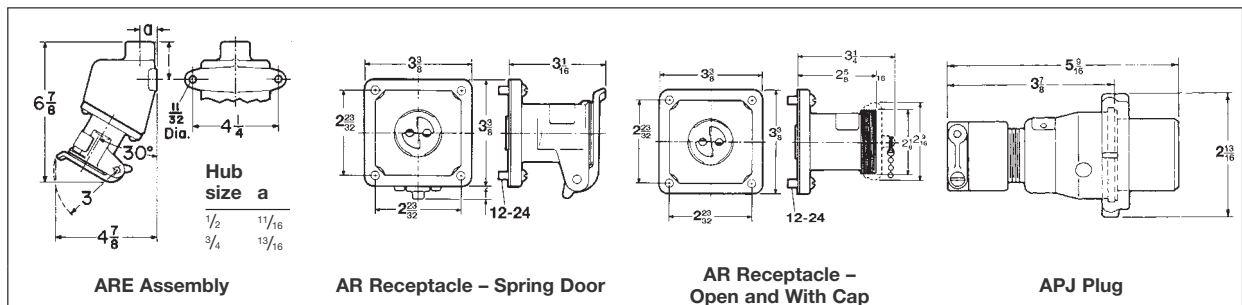
## Plug

Config.	Cable Dia.	Descrip.	Cat. #
2W 2P	.250-.500	Fastening Ring	APJ2271
	.250-.500	Without Fastening Ring	APJ2251
2W 2P	.500-.875	Fastening Ring	APJ2273
	.500-.875	Without Fastening Ring	APJ2253

## Connector

Config.	Cable Dia.	Descrip.	Cat. #
2W 2P	.250-.500	Connector	APR2251
	.500-.850	Connector	APR2253

## Dimensions In Inches:



Note: For listing of additional back boxes, see page 1333.

\*\*When used on systems less than 60 hertz, the receptacles, plugs and connectors are for disconnect use only.

**1P**

**Arktite® Heavy Duty Circuit Breaking Receptacle Assemblies and Housings**

NEMA 4 Watertight

**30 A, 600 VAC/250 VDC, 50† – 400 hertz**

**Ordering Information:**



With ARE Back Boxes



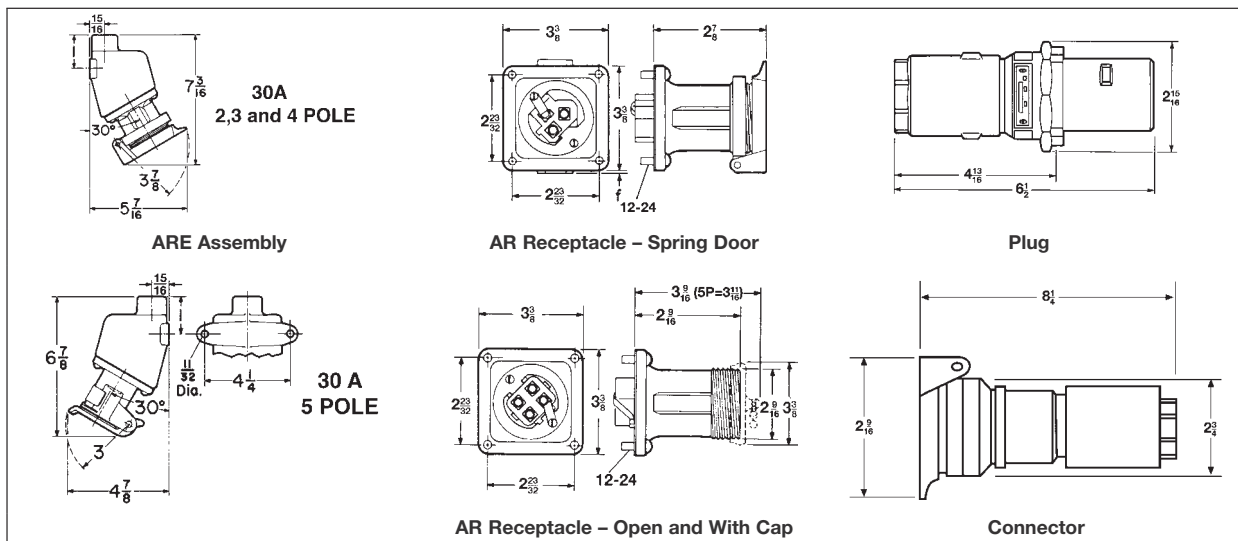
Mating APJ Plugs†



Mating APR Connectors

Description	Hub Size (In.)	Spring Door Cat. #	Spring Door Cat. #	Threaded Cap Only Cat. #	Cat. #	Cable Dia.	Cat. #	Cable Dia.
<b>Style 1</b>								
2-wire, 2-pole }	1/2 3/4	ARE3211	AR321	AR327	APJ3275	0.39 to 1.20	APR3255	0.39 to 1.20
		ARE3212						
3-wire, 3-pole }	3/4 1	ARE3312	AR331	AR337	APJ3375	0.39 to 1.20	APR3355	0.39 to 1.20
		ARE3313						
4-wire, 4-pole }	3/4 1	ARE3412	AR341	AR347	APJ3475	0.39 to 1.20	APR3455	0.87 to 1.20
		ARE3413						
5-wire, 5-pole }	1	ARE3513	AR351		APJ3573	.500 to .875	APR3553	.500 to .875
<b>Style 2</b>								
2-wire, 3-pole }	3/4 1	ARE3322	AR332	AR338	APJ3385	0.39 to 1.20	APR3365	0.39 to 1.20
		ARE3323						
3-wire, 4-pole }	3/4 1	ARE3422	AR342	AR348	APJ3485	0.39 to 1.20	APR3465	0.39 to 1.20
		ARE3423						
4-wire, 5-pole }	1	ARE3523	AR352		APJ3583	.500 to .875	APR3563	.500 to .875
							APJ3585	.875 to 1.375

**Dimensions In Inches:**



†For use on systems less than 60 hertz the receptacles, plugs and connectors are for disconnect use only.

1P



# Arktite® Heavy Duty Circuit Breaking Receptacle Assemblies and Housings

NEMA 4 Watertight

1P

30 A, 600 VAC/250 VDC, 50† – 400 hertz

## Plug Closure Caps:

### Applications:

CPK caps for Arktite plugs are used:

- Where portable equipment is on a standby basis and plugs are not in use
- To effectively protect insulation and contacts from excessive moisture, dirt, dust and corrosion
- With 30, 60, 100, 150 and 200 ampere plugs with fastening ring and standard 200 ampere plugs for the clamp door housing



### Ordering Information:

Config.	Cat. #
2P & 3P & 4P	CPK13
5P	CPK32

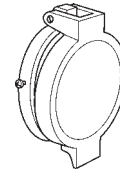
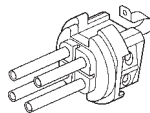
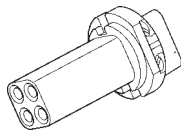
### Standard Materials:

- Copper-free aluminum

### Standard Finishes:

- Natural

### Replacement Parts:



Config.	Receptacle Interior	Plug Interior	Spring Door	Screw Cap
2W 2P	ATP275	ATP270	QE50	QE13
2W 3P	ATP278	ATP273		
3W 3P	ATP276	ATP271		
3W 4P	ATP279	ATP274		
4W 4P	ATP277	ATP272		
4W 5P	ATP125	ATP109	N/A	N/A
5W 5P	ATP94	ATP73		

### Replacement Pin & Sleeve Contacts:

Description	Recep	Plug
Available as a kit only. 5 phase contacts & 1 ground contact included.	AR30CONKIT	AP30CONKIT

†For use on systems less than 60 hertz the receptacles, plugs and connectors are for disconnect use only.

1P

**1P**

# Arktite® Heavy Duty Circuit Breaking Receptacle Assemblies and Housings

NEMA 4 Watertight

60 A, 600 VAC/250 VDC, 50† – 400 hertz

## Ordering Information:



Receptacle Assembly



With ARE Back Boxes



Receptacle Housing Only



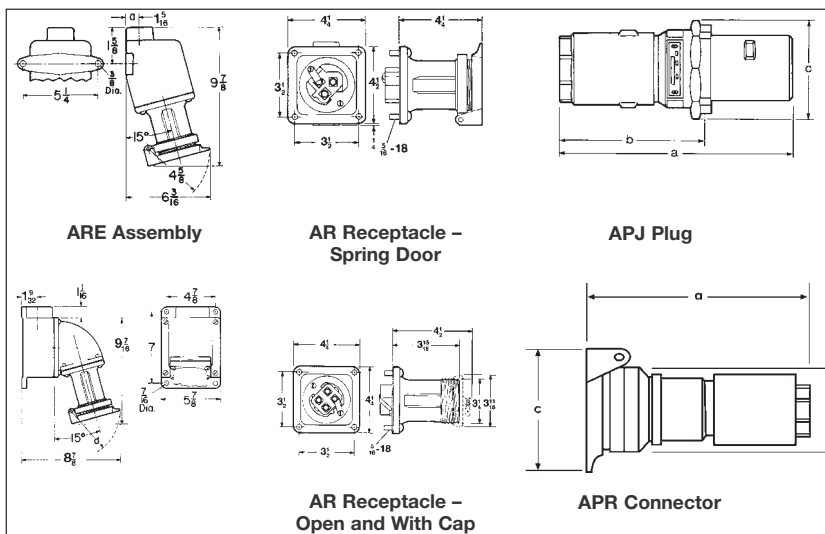
Mating Plug



Mating Connector

Description	Hub Size (In.)	With AJ Back Boxes and Angle Adapters		Spring Door Cat. #	Threaded Cap Only Cat. #	With ARE Back Boxes		Spring Door Cat. #	Threaded Cap Only Cat. #	Cable Dia.	Cat. #	Cat. #
		Spring Door Cat. #	Threaded Cap Only Cat. #			Spring Door Cat. #	Threaded Cap Only Cat. #					
<b>Style 1</b>												
2-wire, 2-pole }	1	AREA6213		ARE6213		AR621	AR627			0.50 to 1.45	APJ6275	APR6255
	1 1/4	AREA6214		ARE6214								
3-wire, 3-pole }	1	AREA6313		ARE6313		AR631	AR637			0.50 to 1.45	APJ6375	APR6355
	1 1/4	AREA6314		ARE6314								
4-wire, 4-pole }	1 1/4	AREA6414		ARE6414		AR641	AR647			0.50 to 1.45	APJ6475	APR6455
	1 1/2	AREA6415		ARE6415								
5-wire, 5-pole }	1 1/4				AREA6574				AR657	0.50 to 1.45	APJ6575	
	1 1/2				AREA6575							
<b>Style 2</b>												
2-wire, 3-pole }	1	AREA6323		ARE6323		AR632	AR638			0.50 to 1.45	APJ6385	APR6365
	1 1/4	AREA6324		ARE6324								
3-wire, 4-pole }	1 1/4	AREA6424		ARE6424		AR642	AR648			0.50 to 1.45	APJ6485	APR6465
	1 1/2	AREA6425		ARE6425								
4-wire, 5-pole }	1 1/4				AREA6584				AR658	0.75 to 1.45	APJ6585	APR6565
	1 1/2				AREA6585							

## Dimensions (In Inches):



Config.	Plug			Connector		
	a	b	c	a	b	c
2P or 3P	8 1/2	5 3/4	3 5/8	6 1/2	3 7/8	2 15/16
4P	8 1/2	5 13/16	3 3/4	8 1/4	3 5/8	2 15/16
5P	9	6 3/16	4 7/16	8 1/4	3 5/8	3 1/4

†For use on systems less than 60 hertz the receptacles, plugs and connectors are for disconnect use only.

**1P**

# Arktite® Heavy Duty Circuit Breaking Receptacle Assemblies and Housings

NEMA 4 Watertight

**1P**

**60 A, 600 VAC/250 VDC, 50† – 400 hertz**

## Plug Closure Caps:

### Applications:

CPK caps for *Arktite* plugs are used:

- Where portable equipment is on a standby basis and plugs are not in use
- To effectively protect insulation and contacts from excessive moisture, dirt, dust and corrosion
- With 30, 60, 100, 150 and 200 ampere plugs with fastening ring and standard 200 ampere plugs for the clamp door housing



### Ordering Information:

Config.	Cat. #
2P & 3P	<b>CPK32</b>
4P	<b>CPK34</b>

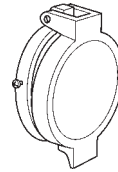
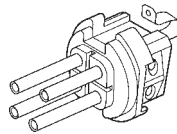
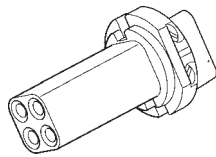
### Standard Materials:

- Copper-free aluminum

### Standard Finishes:

- Natural

## Replacement Parts:



Config.	Receptacle Interior	Plug Interior	Spring Door	Screw Cap
2W 2P	<b>ATP295</b>	<b>ATP290</b>	<b>QE51</b>	<b>QE32</b>
2W 3P	<b>ATP298</b>	<b>ATP293</b>		
3W 3P	<b>ATP296</b>	<b>ATP291</b>		
3W 4P	<b>ATP299</b>	<b>ATP294</b>	<b>QE52</b>	<b>QE34</b>
4W 4P	<b>ATP297</b>	<b>ATP292</b>		
4W 5P	<b>ATP385</b>	<b>ATP387</b>	<b>N/A</b>	<b>AR:11393B</b>
5W 5P	<b>ATP384</b>	<b>ATP386</b>	<b>N/A</b>	

## Replacement Pin & Sleeve Contacts:

Description	Recep	Plug
Available as a kit only. 5 phase contacts & 1 ground contact included.	<b>AR60CONKIT</b>	<b>AP60CONKIT</b>

†For use on systems less than 60 hertz the receptacles, plugs and connectors are for disconnect use only.

**1P**

1P

# Arktite® Heavy Duty Circuit Breaking Receptacle Assemblies and Housings

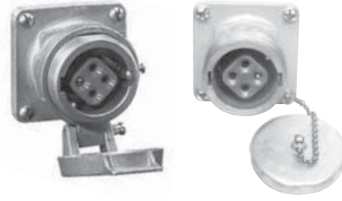
NEMA 4 Watertight

100 A, 600 VAC/250 VDC, 50† – 400 hertz  
 150 A, 600 VAC/250 VDC, 50† – 400 hertz

## Ordering Information:



Receptacle Assembly



Receptacle

Receptacle Housings Only



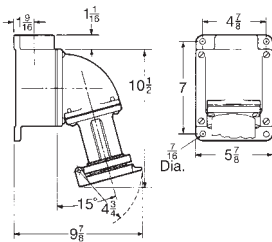
Mating Plug



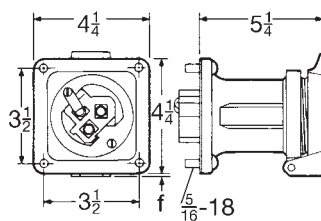
Mating Connector

Description	Hub Size (In.)	Spring Door Cat. #	Receptacle Housings Only		Cable Dia.	Cat. #	Cat. #
			Spring Door Cat. #	Threaded Cap Only Cat. #			
<b>100A - Style 1</b>							
2-wire, } 2-pole }	1¼ 1½	AREA10214 AREA10215	AR1021	AR1027	0.875 to 1.70	APJ10277	APR10257
3-wire, } 3-pole }	1¼ 1½	AREA10314 AREA10315	AR1031	AR1037	0.875 to 1.70	APJ10377	APR10357
4-wire, } 4-pole }	1½ 2	AREA10415 AREA10416	AR1041	AR1047	0.875 to 1.70	APJ10477	APR10457
<b>100 A - Style 2</b>							
2-wire, } 3-pole }	1¼ 1½	AREA10324 AREA10325	AR1032	AR1038	0.875 to 1.70	APJ10387	APR10367
3-wire, } 4-pole }	1½ 2	AREA10425 AREA10426	AR1042	AR1048	0.875 to 1.70	APJ10487	APR10467
<b>150 A - Style 2 *</b>							
3-wire, } 4-pole }			AR1542	AR1548	0.875 to 1.70	APJ15487	

## Dimensions (In Inches):

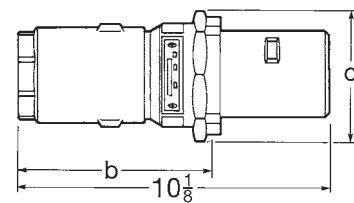


ARE Assembly



AR Receptacle – Spring Door

No. Poles	f
2 or 3	9/32
4	13/32

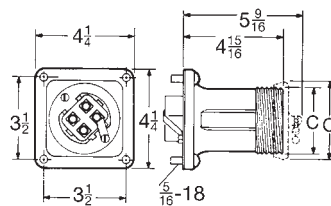


APJ Plug

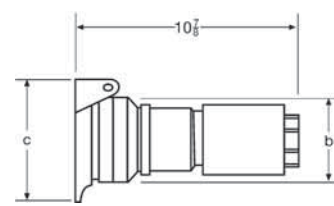
No. Poles	b	c
3	6 7/16	3 3/4
4	6 5/8	4 1/8

No. Poles	Housing	c
2 or 3	open	3 3/16
4	open	3 7/16
2 or 3	with cap	3 11/16
4	with cap	3 7/8

No. Poles	b	c
3	3 3/8	3 3/16
4	3 1/2	3 7/16



AR Receptacle – Open and With Cap



APR Connector

† For use on systems less than 60 hertz the receptacles, plugs and connectors are for disconnect use only.  
 \* For 150A - Consult factory for additional options and configurations. Consult factory for certifications information.

**Crouse-Hinds**  
by **EATON**

# Arktite® Heavy Duty Circuit Breaking Receptacle Assemblies and Housings

NEMA 4 Watertight

1P

**100 A, 600 VAC/250 VDC, 50† – 400 hertz**  
**150 A, 600 VAC/250 VDC, 50† – 400 hertz**

## Plug Closure Caps:

### Applications:

CPK caps for Arktite plugs are used:

- Where portable equipment is on a standby basis and plugs are not in use
- To effectively protect insulation and contacts from excessive moisture, dirt, dust and corrosion
- With 30, 60, 100, 150 and 200 ampere plugs with fastening ring and standard 200 ampere plugs for the clamp door housing



### Ordering Information

Config.	Cat. #
2P & 3P	CPK62
4P	CPK64

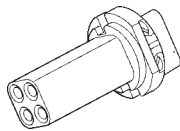
### Standard Materials:

- Copper-free aluminum

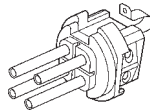
### Standard Finishes:

- Natural

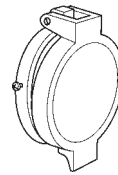
### Replacement Parts:



Receptacle Interior



Plug Interior



Spring Door



Screw Cap

Config.	Receptacle Interior	Plug Interior	Spring Door	Screw Cap
2W 2P	ATP315	ATP310	QE53	QE62
2W 3P	ATP318	ATP313		
3W 3P	ATP316	ATP311		
3W 4P	ATP319	ATP314	QE54	QE64
4W 4P	ATP317	ATP312		
4W 5P	N/A	N/A	N/A	N/A
5W 5P	N/A	N/A		

### Replacement Pin & Sleeve Contacts:

Description	Recep	Plug
Available as a kit only. 5 phase contacts & 1 ground contact included.	AR100CONKIT	AP100CONKIT

† For use on systems less than 60 hertz the receptacles, plugs and connectors are for disconnect use only.

**1P****Arktite® Heavy Duty Circuit Breaking Receptacle Assemblies**

NEMA 3R

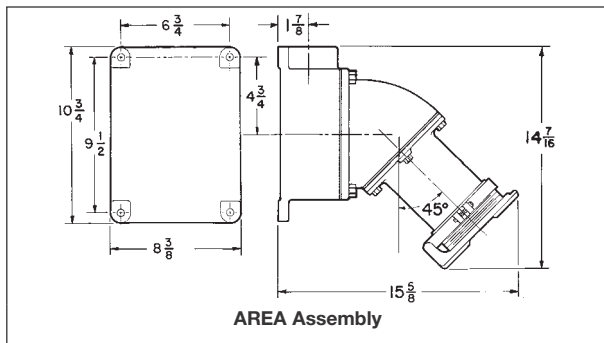
**200 A, 600 VAC/250 VDC, 50† – 400 hertz**

See pages 1312–1316 for general Application, Features, Grounding, Standard Materials, Standard Finishes, Options, Accessories, Compliances, Electrical Rating Ranges, and Wire Sizes.

**Features:**

- Grounding contact wire terminators will accommodate ground wire of same size as phase wire
- Spring band contact design provides multiple points of electrical contact. Improves electrical reliability and significantly reduces effort required for insertion and withdrawal
- Crimp/solder and mechanical lug type contacts are available
- Large wire wells are available for "extra flexible" wire
- Larger wire well size connectors will interchange with connectors of other wire well size of same amperage and contact configuration
- Mechanical lug connectors will interchange with crimp/solder connectors of the same amperage and contact configuration
- Self-closing spring doors on receptacles and cord connectors provide environmental sealing
- Threaded nuts provide positive plug retention
- Two piece plug and cord connector design provide easy installation

1. For listing of additional back boxes, see page 1333.
2. S22 suffix for reverse interiors is available from factory only. Field conversion cannot be done.
3. Replacement interiors for standard units vs. S22 units vary in length. Specify the unit type when ordering parts.

**Dimensions In Inches:****AREA Assembly****Plug Closure Caps:****Applications:**

- CPK caps for Arktite plugs are used:
- Where portable equipment is on a standby basis and plugs are not in use
  - To effectively protect insulation and contacts from excessive moisture, dirt, dust and corrosion
  - With 30, 60, 100, 150 and 200 ampere plugs with fastening ring and standard 200 ampere plugs for the clamp door housing

**Ordering Information:**

Config.	Cat. #
4P	CPK104

**Standard Materials:**

- Copper-free aluminum

**Standard Finishes:**

- Natural

**Wire Mesh Grips:****Applications:**

- Wire mesh grips are used:
- To provide secure cable termination
  - To extend cable life
  - With 20, 200 and 400 ampere plugs

**Features:**

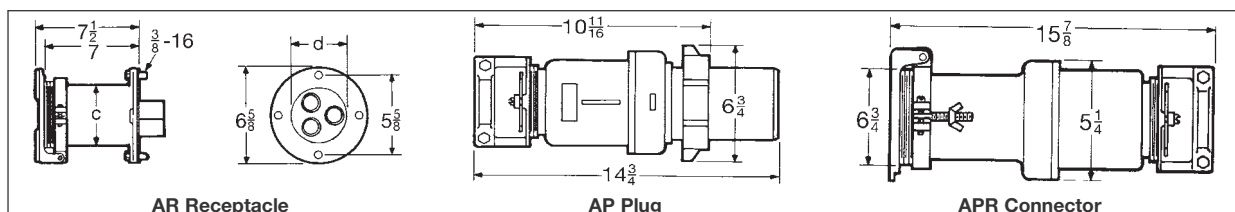
- Eliminate sharp radius of cable bend at the point where cable enters plug, thereby reducing cable failure
- Absorb longitudinal stresses placed on the point of termination caused by pulling the cable
- Gripping action increases in direct proportion to amount of tension applied to cable

**Standard Material and Finishes:**

- Stainless steel wire braid – Natural

**Ordering Information:**

Plug Cable Range	Grip Range	Nominal Grip Length-Inches	Grip Cat. #
1.375 to 1.875	1.375 to 1.625	8	K163
	1.625 to 1.875	11	K188
1.875 to 2.500	1.875 to 2.000	10	K200
	2.000 to 2.250	11 1/4	K225

**1P****AR Receptacle****AP Plug****APR Connector**

No. Poles	c	d
3	4 3/16	3 1/4
4	4 9/16	3 5/8

†For use on system less than 60 hertz the receptacles, plugs and connectors are for disconnect use only.

# Arktite® Heavy Duty Circuit Breaking Receptacle Assemblies

NEMA 3R

1P

200 A, 600 VAC/250 VDC, 50† – 400 hertz

## Ordering Information - Mechanical Lug Termination:



Receptacle Assembly

Receptacle Assembly with AJ Back Boxes and Angle Adapters



Receptacle w/ Mechanical Lug



Mating Plug



Mating Connector

Receptacle Assembly with AJ Back Boxes and Angle Adapters			Receptacle Housings only		Plug Cat. #	Connector Cat. #
Description	Hub Size (In.)	Cat. #	Cat. #	Cable Dia.		
<b>Style 1 – Wire Well Takes 0.687" Maximum Conductor Size</b>						
3-wire, 3-pole	1½	AREAL20315	ARL2031	0.875 to 1.375	APL20355 APL20357 APL20358	APRL20315 APRL20317 APRL20318
	2	AREAL20316		1.375 to 1.875		
	2½	AREAL20317		1.875 to 2.500		
4-wire, 4-pole	2	AREAL20416	ARL2041	0.875 to 1.375	APL20455 APL20457 APL20458 APL20451	APRL20415 APRL20417 APRL20418 APRL204113
	2½	AREAL20417		1.375 to 1.875 1.875 to 2.500 2.500 to 3.000		
<b>Style 2 – Wire Well Takes 0.687" Maximum Conductor Size</b>						
2-wire, 3-pole	1½	AREAL20325	ARL2032	0.875 to 1.375	APL20365 APL20367 APL20368	APRL20325 APRL20327 APRL20328
	2	AREAL20326		1.375 to 1.875		
	2½	AREAL20327		1.875 to 2.500		
3-wire, 4-pole	1½	AREAL20425	ARL2042	0.875 to 1.375	APL20465 APL20467 APL20468	APRL20425 APRL20427 APRL20428
	2	AREAL20426		1.375 to 1.875		
	2½	AREAL20427		1.875 to 2.500		

## Ordering Information - Crimp/Solder Termination:

Receptacle Assembly with AJ Back Boxes and Angle Adapters

Receptacle Assembly with AJ Back Boxes and Angle Adapters			Receptacle Housings only		Plug Cat. #	Connector Cat. #
Description	Hub Size (In.)	Cat. #	Cat. #	Cable Dia.		
<b>Style 1 – Wire Well Takes 0.56" Maximum Conductor Size</b>						
3-wire, 3-pole	1½	AREA20315	AR2031	0.875 to 1.375	AP20355 AP20357 AP20358	APR20315 APR20317 APR20318
	2	AREA20316		1.375 to 1.875		
	2½	AREA20317		1.875 to 2.500		
4-wire, 4-pole	2	AREA20416	AR2041	0.875 to 1.375	AP20455 AP20457 AP20458	APR20415 APR20417 APR20418
	2½	AREA20417		1.375 to 1.875 1.875 to 2.500		
<b>Style 1 – Wire Well Takes 0.75" Maximum Conductor Size</b>						
3-wire, 3-pole	1½	AREA203125	AR20312	1.375 to 1.875	AP203511 AP203512	APR203111 APR203112
	2	AREA203126		1.875 to 2.500		
	2½	AREA203127		1.875 to 2.500		
4-wire, 4-pole	2	AREA204126	AR20412	1.375 to 1.875	AP204511 AP204512 AP204513	APR204111 APR204112 APR204113
	2½	AREA204127		1.875 to 2.500 2.500 to 3.000		
<b>Style 2 – Wire Well Takes 0.56" Maximum Conductor Size</b>						
2-wire, 3-pole	1½	AREA20325	AR2032	0.875 to 1.375	AP20365 AP20367 AP20368	APR20325 APR20327 APR20328
	2	AREA20326		1.375 to 1.875		
	2½	AREA20327		1.875 to 2.500		
3-wire, 4-pole	1½	AREA20425	AR2042	0.875 to 1.375	AP20465 AP20467 AP20468	APR20425 APR20427 APR20428
	2	AREA20426		1.375 to 1.875		
	2½	AREA20427		1.875 to 2.500		
<b>Style 2 – Wire Well Takes 0.75" Maximum Conductor Size</b>						
2-wire, 3-pole	1½	AREA203225	AR20322	0.875 to 1.375	AP203610 AP203611 AP203612	APR203210 APR203211 APR203212
	2	AREA203226		1.375 to 1.875		
	2½	AREA203227		1.875 to 2.500		
3-wire, 4-pole	1½	AREA204225	AR20422	1.375 to 1.875	AP204611 AP204612	APR204211 APR204212
	2	AREA204226		1.875 to 2.500		
	2½	AREA204227		1.875 to 2.500		

†For use on system less than 60 hertz the receptacles, plugs and connectors are for disconnect use only.

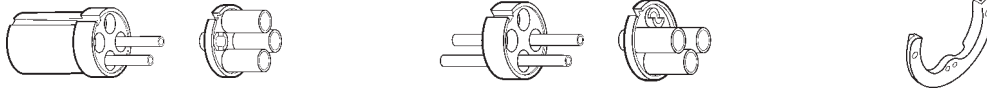
## Crouse-Hinds

by E.T.N

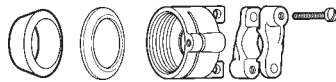
1P

**1P****Arktite® Heavy Duty Circuit  
Breaking Receptacle Assemblies**

Weatherproof

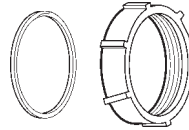
**200 A, 600 VAC/250 VDC, 50† – 400 hertz****200A Replacement Parts**

Config.	Receptacle Interior		Plug Interior		Brass Retaining Shoe	
	.56 wire well Cat. #	.75 wire well Cat. #	.56 wire well Cat. #	.75 wire well Cat. #	.56 wire well Cat. #	.75 wire well Cat. #
<b>200A Standard and S4</b>						
2W 3P	ATP401	ATP402	ATP433	ATP434	0490335	0490335
3W 3P	ATP397	ATP398	ATP429	ATP430	0490327	0490328
3W 4P	ATP403	ATP404	ATP435	ATP436	0490337	0490337
4W 4P	ATP399	ATP400	ATP431	ATP432	0490331	0490332
<b>200A ST22 and S4 S22</b>						
2W 3P	ATP417	ATP418	ATP449	ATP450	0490335	0490335
3W 3P	ATP413	ATP414	ATP445	ATP446	0490327	0490328
3W 4P	ATP419	ATP420	ATP451	ATP452	0490337	0490337
4W 4P	ATP415	ATP416	ATP447	ATP448	0490331	0490332

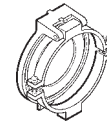
**Cord Grip Assembly**

Cord Diameter Range

.875 – 1.375	AP2 KIT1 M80
1.375 – 1.875	AP2 KIT2 M80
1.875 – 2.500	AP2 KIT3 M80

**Plug Clamp Nut**

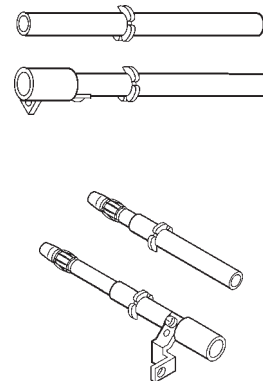
2W 3P	AP:0401965
3W 3P	
2W 3P	AP:0401964
3W 4P	

**Rec Spring Door**

AR:0401502-2
AR:0401502-1

**Replacement Pin & Sleeve Contacts:**

Type	Receptacle		Plug	
	Cat. #	Cat. #	Cat. #	Cat. #
<b>200A Standard &amp; S4</b>	.56 wire well	.75 wire well	.56 wire well	.75 wire well
Phase Contact	0490339	0490340	0490319	0490320
Ground Contact	0490343	0490344	0490323	0490324
<b>200A S22 &amp; S4 S22</b>	.56 wire well	.75 wire well	.56 wire well	.75 wire well
Phase Contact	0490351	0490352	0490355T	0490356
Ground Contact	0490347	0490348	0490359	0490360
<b>200A Mechanical Lug</b>	.687 wire well		.687 wire well	
Phase Contact	ARL:0403688 1		APL:0403678 1	
Ground Contact	ARL:0403687 1		APL:0403677 1	



†For use on system less than 60 hertz the receptacles, plugs and connectors are for disconnect use only.

**Crouse-Hinds**  
by **EATON**



# Arktime® Heavy Duty Receptacle Assemblies

Weatherproof

1P

400 A, 600 VAC/250 VDC, 50–400 hertz

## Features:

- Grounding contact wire terminators will accommodate ground wire of same size as phase wire
  - Spring band contact design provides multiple points of electrical contact. Improves electrical reliability and significantly reduces effort required for insertion and withdrawal
  - Crimp/solder type contacts are standard
  - Large wire wells are available for "extra flexible" wire
  - Larger wire well size connectors will interchange with connectors of other wire well size of same amperage and contact configuration
  - Self-closing spring doors on receptacles and cord connectors provide environmental sealing
  - Threaded nuts provide positive plug retention
  - Two piece plug and cord connector design provide easy installation
  - For disconnect use only – not for current interrupting
1. For listing of additional back boxes, see page 1333. Illustration shows 3 blank plates and 1 hub plate.
  2. S22 suffix for reverse interiors is available from factory only. Field conversion cannot be done.
  3. Replacement interiors for standard units vs. S22 units vary in length. Specify the unit type when ordering parts.

## Wire Mesh Grips:



## Applications:

- Wire mesh grips are used:
- To provide secure cable termination
  - To extend cable life
  - With 20, 200 and 400 ampere plugs

## Features:

- Eliminate sharp radius of cable bend at the point where cable enters plug, thereby reducing cable failure
- Absorb longitudinal stresses placed on the point of termination caused by pulling the cable
- Gripping action increases in direct proportion to amount of tension applied to cable

## Standard Material and Finishes:

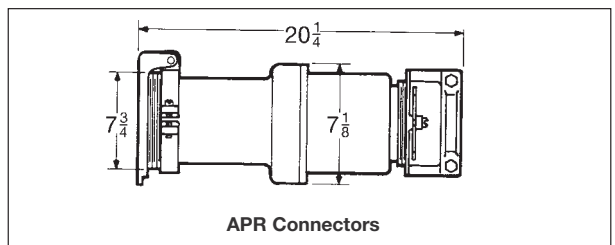
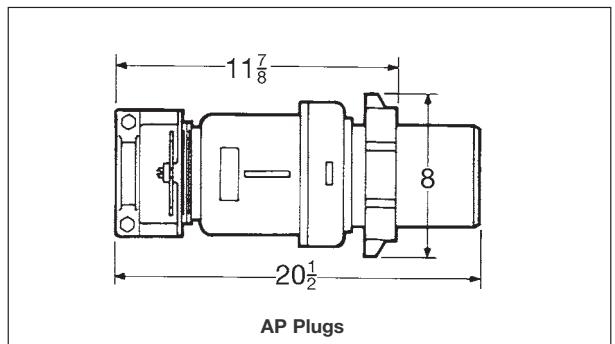
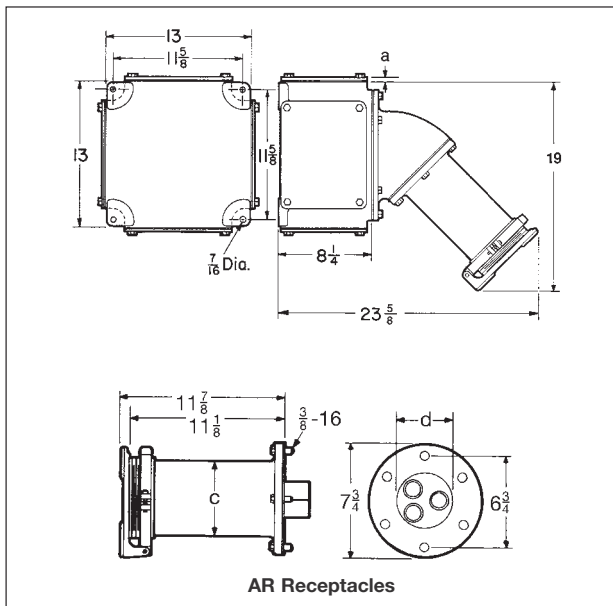
- Stainless steel wire braid – Natural

## Ordering Information:

Plug Cable Range	Grip Range	Nominal Grip Length–Inches	Grip Cat. #
1.375 to 1.875	1.375 to 1.625	8	K163
	1.625 to 1.875	11	K188
1.875 to 2.500	1.875 to 2.000	10	K200
	2.000 to 2.250	11 <sup>3</sup> / <sub>4</sub>	K225

## Dimensions

In Inches:



## AREX Assemblies

Description	a	No. Poles	c	d
With blank hub plate	7/16	3	5 <sup>3</sup> / <sub>16</sub>	4 <sup>3</sup> / <sub>16</sub>
With hub plate max.	4 <sup>5</sup> / <sub>16</sub>	4	5 <sup>13</sup> / <sub>16</sub>	4 <sup>11</sup> / <sub>16</sub>

## Crouse-Hinds

by E.T.N

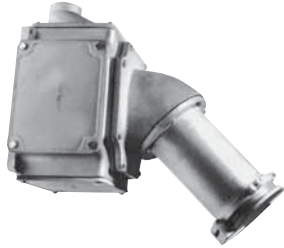
1P

# 1P Arktite® Heavy Duty Receptacle Assemblies

Weatherproof

400 A, 600 VAC/250 VDC, 50–400 hertz

## Ordering Information:



Receptacle Assembly



Receptacle



Mating Plug



Mating Connector

With AJ Back Boxes and Angle Adapters‡

Receptacle Housings only

Description	Hub Size (In.)	Spring Door Cover Cat. #	Spring Door Cat. #	Cable Dia.	Plug Cat. #	Connector Cat. #
<b>Style 1 – Wire Well Takes .84" Maximum Conductor Size</b>						
3-wire, 3-pole	2½ 3	AREX40317 AREX40318	AR4031	1.375 to 1.875 1.875 to 2.500	AP40357 AP40358	APR40317 APR40318
4-wire, 4-pole	2½ 3	AREX40417 AREX40418	AR4041	1.375 to 1.875 1.875 to 2.500	AP40457 AP40458	APR40417 APR40418
<b>Style 1 – Wire Well Takes 1.25" Maximum Conductor Size</b>						
3-wire, 3-pole	3 3½ 4	AREX403128 AREX403129 AREX4031210	AR40312	2.500 to 3.000 3.000 to 3.800	AP403510 AP403512	APR403110 APR403112
4-wire, 4-pole	4 5	AREX4041210 AREX4041212	AR40412	2.500 to 3.000 3.000 to 3.800	AP404510 AP404512	APR404110 APR404112
<b>Style 2 – Wire Well Takes .84" Maximum Conductor Size</b>						
2-wire, 3-pole	2 2½ 3	AREX40326 AREX40327 AREX40328	AR4032	1.375 to 1.875 1.875 to 2.500	AP40367 AP40368	APR40327 APR40328
3-wire, 4-pole	2½ 3	AREX40427 AREX40428	AR4042	1.375 to 1.875 1.875 to 2.500	AP40467 AP40468	APR40427 APR40428
<b>Style 2 – Wire Well Takes 1.25" Maximum Conductor Size</b>						
2-wire, 3-pole	3 3½ 4	AREX403228 AREX403229 AREX4032210	AR40322	2.500 to 3.000 3.000 to 3.500	AP403610 AP403612	APR403210 APR403212
3-wire, 4-pole	4 5	AREX4042210 AREX4042212	AR40422	2.500 to 3.000 3.000 to 3.500	AP404610 AP404612	APR404210 APR404212

‡Hub plates and blank plates may be interchanged to permit conduit feed from bottom or sides.

**Crouse-Hinds**  
by **E.T.N.**

# Non-metallic Arktite® Heavy Duty Circuit Breaking Plugs and Receptacles

Watertight§  
Corrosion-Resistant  
NEMA 4X

**1P**

Made of Krydon® Material, 600 VAC/250 VDC, 50–400 hertz

## Applications:

Arktite circuit breaking plugs, receptacles, cord connectors and motor plugs are used:

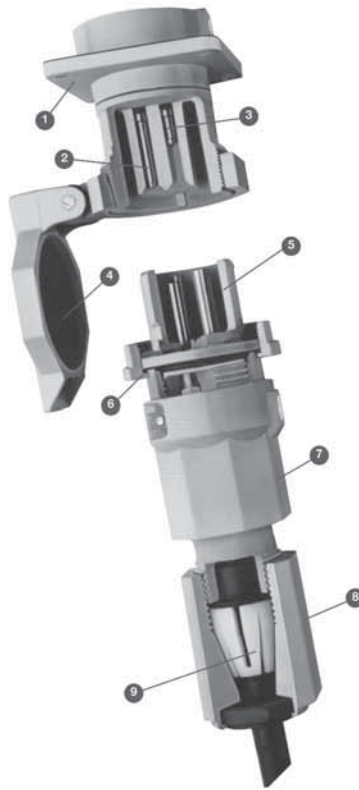
- To supply power to portable electrical devices such as welders, motors, pumps, conveyors and other similar equipment
- Where electrical loads must be quickly disconnected from power sources
- In areas where severe corrosion hose down, moisture, dirt and dust are problems
- Indoors and outdoors in non-hazardous areas of chemical plants, sewage treatment facilities, cement plants, pulp and paper plants, food processing plants and other similar industries

## Features:

- Plugs, receptacles, cord connectors, and motor plugs are molded of Krydon fiberglass-reinforced polyester material which is highly resistant to corrosion, heat, weathering and physical abuse
- ① Molded of Krydon fiberglass-reinforced non-metallic material which is highly resistant to corrosion, heat, weathering, and physical abuse
- ② Grounding contacts that make-first and break-last in the unlikely event of a keyway failure
- ③ Split-pin contact design provides 360° of electrical contact
- ④ Spring door provides environmental protection of receptacle (NEMA 4)
- ⑤ Keyed for a perfect match in the molded one-piece insulator housing
- ⑥ Sealing gaskets at all critical points inside Arktite plugs and receptacles protect against dust, dirt, mud, water, and corrosive contaminants
- ⑦ Plugs can be used in both hazardous and non-hazardous areas when used with appropriately rated Arktite receptacles
- ⑧ Total interchangeability with all existing Arktite products for comparable ratings and configurations
- ⑨ A unique patented strain relief design prevents stress from reaching wire terminations at the contacts

## Certifications and Compliances:

- UL Standard: 1682
- UL 1010 hazardous locations (NPJ plug only)
- Wet and damp locations, watertight
- CSA Standard C22.2 No. 182.1



## Grounding:

- NPJ plugs are Style 2, which includes a grounding conductor in the flexible cord or cable that is electrically connected to the extra (grounding) pole.
- NR receptacles are Style 2, in which the ground connection is made before line and load poles engage, and is broken after line and load poles disengage.
- The National Electrical Code® and Canadian Electrical Code requires that under conditions favorable to corrosion, the grounding conductor for enclosures and equipment be of copper or other corrosion-resistant material in alternating current systems. This necessitates running another conductor, usually of copper, back to the common grounding electrode. This may be run through the conduit containing the circuit conductors. At the receptacle, this grounding conductor should be connected to the extra (grounding) pole by the pressure connector provided for that purpose. Where such an extra ground conductor is required, Style 2 receptacles should be used.

## Interchangeability of Plugs With Other Non-hazardous and Hazardous Location Receptacles:

- Plugs listed for use with NRE/NREA assemblies are standard NPJ Arktite plugs. Other standard APJ and CPH plugs of the same rating, style and number of poles may be used with NR receptacles, as well as with AR and AREA, receptacles listed in Section 1P, with DR receptacles listed in Section 2P, with DBR, NBR, NSR, WSR, CSR, WSQC, and WSRD receptacles listed in Section 3P and with FSQ, EPC, FSQC, W2SR, C2SR and EPCB receptacles listed in Section 4P.
- Portable equipment, suitable for locations and equipped with the proper NPJ plug, can be used with non-hazardous AR receptacles; with DBR and WSR interlocked receptacles located in non-hazardous locations; with EPC, EPCB and FSQC receptacles for Class I, Groups B, C, D hazardous locations; with DR and DBR receptacles for Class II, Groups F, G hazardous locations; and with NBR/NSR, CSR interlocked receptacles for hose down and corrosive locations.

## Standard Materials:

- Housing, interiors, spring doors, clamping rings – Krydon fiberglass-reinforced polyester material
- Gaskets and o-rings – neoprene
- Cable clamping basket – nylon
- Contacts – pressure – brass; crimp/solder – leaded brass
- Snap-on cap – molded elastomer
- Back boxes – copper-free aluminum

## Standard Finishes:

- Krydon material – natural (gray)
- Neoprene – natural
- Elastomer – natural
- Brass – natural
- Leaded red brass – electro-tin-plated
- Aluminum – natural
- Stainless steel – natural

## Options:

Description	Suffix
• Alternate polarization (4-pole plugs and receptacles only) – receptacle interior rotated 22½° to right and plug changed to match.....	S4
• Crimp/solder terminals.....	T
• Corro-free™ epoxy powder coat on back boxes and angle adapters.....	Information on request

§Wet and damp locations when used with spring door or snap-on cap, watertight when used with QE threaded cap.

## Crouse-Hinds

by E.T.N



# 1P

## Non-metallic Arktite® Heavy Duty Circuit Breaking Plugs and Receptacles

Watertight  
Corrosion-Resistant  
NEMA 4X

Made of Krydon® Material, 30 A, 60 A and 100 A  
600 VAC/250 VDC, 50■ – 400 hertz

### Ordering Information:



NREA



NRE

Receptacle  
Assembly



Receptacle



Mating  
Plugs



Mating  
Connectors



Motor  
Plugs

Amps	Description	Hub Size (In.)	Snap-on Cap/ Spring Door Cat. #†	Snap-on Cap/ Spring Door Cat. #†	Cord Dia.	Plug Cat. #	Cord Connector Cat. #	Motor Plug Cat. #
30	2-wire, 3-pole	3/4	NRE3322	NR332	0.55–0.70	NPJ3383	NPR3363	NPQ338
		1	NRE3323		0.70–0.85	NPJ3384	NPR3364	
	3-wire, 4-pole	3/4	NRE3422	NR342	0.55–0.70	NPJ3483	NPR3463	NPQ348
		1	NRE3423		0.70–0.85	NPJ3484	NPR3464	
60	2-wire, 3-pole	1	NRE6323	NR632	0.75–1.07	NPJ6384	NPR6364	NPQ638
		1 1/4	NRE6324		1.07–1.35	NPJ6385	NPR6365	
	3-wire, 4-pole	1 1/4	NRE6424	NR642	0.75–1.07	NPJ6484	NPR6464	NPQ648
		1 1/2	NRE6425		1.07–1.35	NPJ6485	NPR6465	
100	2-wire, 3-pole	1 1/4	NREA10324‡	NR1032	0.93–1.21	NPJ10386	NPR10366	NPQ1038
		1 1/2	NREA10325‡		1.21–1.50	NPJ10387	NPR10367	
	3-wire, 4-pole	1 1/2	NREA10425‡	NR1042	0.93–1.21	NPJ10486	NPR10466	NPQ1048
		2	NREA10426‡		1.21–1.50	NPJ10487	NPR10467	

■ For use on systems less than 60 hertz the receptacles, plugs and connectors are for disconnect use only.  
§Wet and damp locations when used with spring door or snap-on cap, watertight when used with QE threaded cap.  
†Krydon Arktite Receptacles are supplied with both a spring door and snap-on cap.  
‡AJ back boxes are square, making it possible to install with hub in several positions.

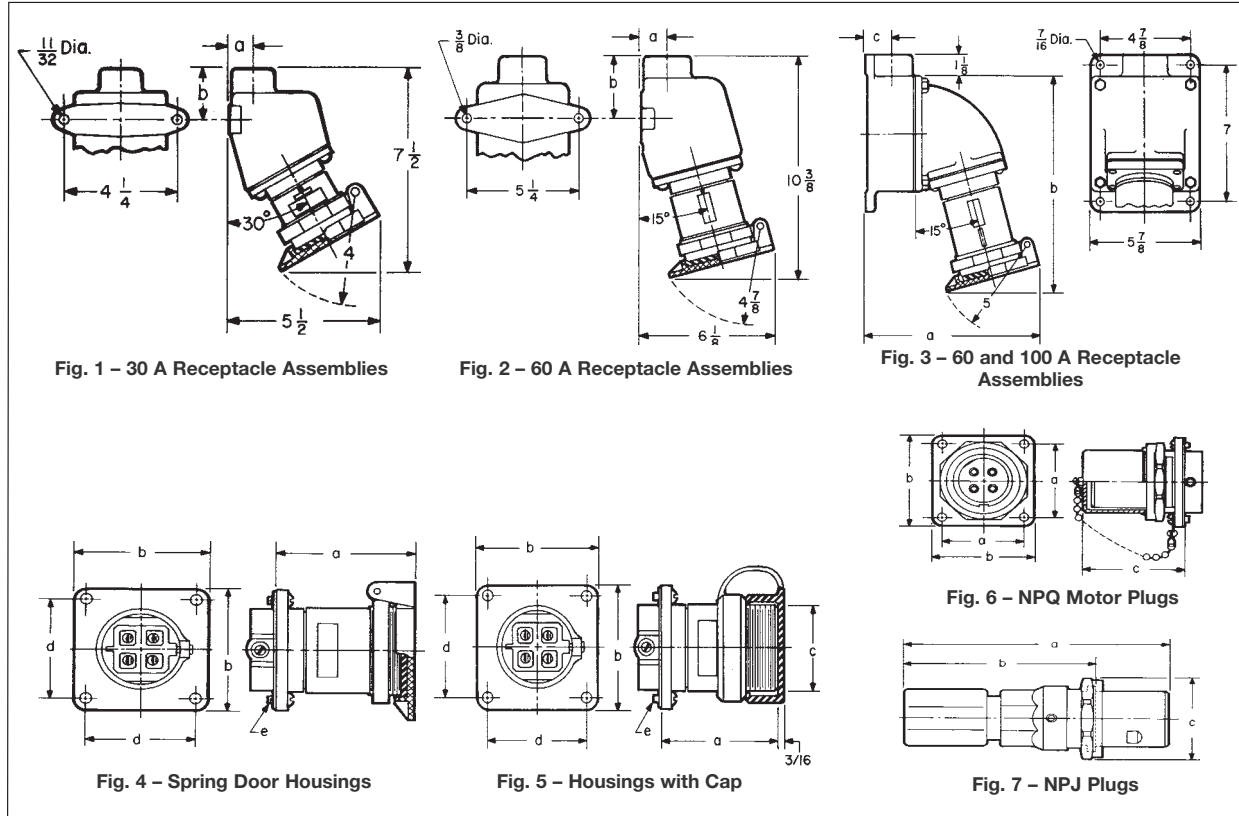
# Non-metallic Arktite® Heavy Duty Circuit Breaking Plugs and Receptacles

Dimensions

1P

Made of Krydon® Material, 30 A, 60 A and 100 A  
600 VAC/250 VDC, 50 – 400 hertz

## Dimensions In Inches:



### NRE 30 and 60 A Assemblies – Fig. 1 and 2

Hub Size	Dimension a		Dimension b	
	30 A	60 A	30 A	60 A
3/4	13/16	17/16	1 7/8	2 1/8
1	15/16	1 1/16	2	2 5/16
1 1/4	1 1/16	1 5/16	2 1/8	2 9/16
1 1/2	1 3/16	1 7/8	2 1/4	2 13/16

### NRE 60 and 100 A Assemblies – Fig. 3

Dim.	60 A Hub Size		100 A Hub Size
	1, 1 1/4, 1 1/2	1 1/4, 1 1/2	2
a	9	9 1/4	9 13/16
b	11	12	12
c	1 15/16	1 9/16	1 9/16

### Housings – Fig. 4 and 5

Amps	No. Poles	Housing	a	b	c	d	e
30	3 or 4	Spring Door	3 1/4	3 3/8	—	2 3/4	12–24
	3 or 4	Open	2 19/16	3 3/8	2 9/16	2 3/4	12–24
60	3	Spring Door	4 1/2	4 1/4	—	3 1/2	5/16–18
	4	Spring Door	4 1/2	4 1/4	—	3 1/2	5/16–18
	3	Open	4 1/16	4 1/4	2 15/16	3 1/2	5/16–18
	4	Open	4 1/16	4 1/4	3 1/4	3 1/2	5/16–18
100	3	Spring Door	5 3/4	4 1/4	—	3 1/2	5/16–18
	4	Spring Door	5 3/4	4 1/4	—	3 1/2	5/16–18
	3	Open	5 7/16	4 1/4	3 3/16	3 1/2	5/16–18
	4	Open	5 7/16	4 1/4	3 1/16	3 1/2	5/16–18

■ For use on systems less than 60 hertz the receptacles, plugs and disconnectors are for disconnect use only.

### NPQ Motor Plugs – Fig. 6

Amps/Poles	a	b	c
30 / 3 or 4	2 3/4	3 3/8	2 15/16
60 / 3 or 4	3 1/2	4 1/4	4 5/16
100 / 3 or 4	3 1/2	4 1/4	5 7/16

### NPJ Plugs – Fig. 7

Amps/Poles	a	b	c
30 / 3 or 4	8 1/2	7	3 3/16
60 / 3	9 1/2	6 13/16	3 5/8
60 / 4	9 1/2	6 13/16	4
100 / 3	11 1/4	7 3/4	4
100 / 4	11 1/4	7 3/4	4 1/4

### NPR Cord Connectors – Fig. 8

Amps/Poles	a	b	c
30 / 3 or 4	8 7/8	2 9/16	2 5/8
60 / 3	9 3/4	2 15/16	2 15/16
60 / 4	9 3/4	3 1/4	2 15/16
100 / 3	11 1/2	3 3/16	3 3/16
100 / 4	11 1/2	3 7/16	3 5/16

**Crouse-Hinds**

by **E•T•N**

www.crouse-hinds.com US: 1-866-764-5454 CAN: 1-800-265-0502 Copyright© 2013 Eaton's Crouse-Hinds Business

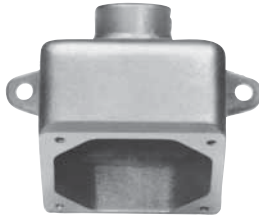
1331

1P

# 1P AR Back Boxes and Accessories for 20, 30, & 60 A Receptacle Housings

Dimensions see pages 1334–1335

## ARE



Hub Size	20 / 30 A Cat. #	60 A Cat. #
1/2	ARE13	
3/4	ARE23	
1	ARE33	ARE36
1 1/4		ARE46
1 1/2		ARE56

## ARRC



Hub Size	20 / 30 A Cat. #	60 A Cat. #
1/2	ARRC13	
3/4	ARRC23	
1	ARRC33	ARRC36
1 1/4		ARRC46
1 1/2		ARRC56

## AR 15° Angle Adapter



For ARRH and ARRC back boxes      For steel panel or cabinet

Mounts On	Takes AR Receptacle Housings	Cat. #
ARRH and ARRC back boxes	20 and 30 amp.	AR30
ARRH and ARRC back boxes	60 amp.	AR60
Steel panel or cabinet	60, 100 and 150 amp.	AR610

## ARRH



Hub Size	20 / 30 A Cat. #	60 A Cat. #
1/2	ARRH13	
3/4	ARRH23	
1	ARRH33	ARRH36
1 1/4		ARRH46
1 1/2		ARRH56

## ARD



Hub Size	20 / 30 A Cat. #	60 A Cat. #
1/2	ARD13	
3/4	ARD23	
1	ARD33	ARD36
1 1/4		ARD46
1 1/2		ARD56

## Spring Door Assembly



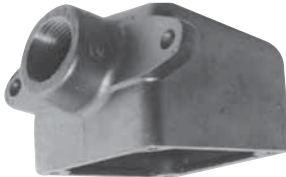
Used With	Cat. #
30 amp, 2, 3 & 4-pole	QE50
60 amp, 2 & 3-pole	QE51
60 amp, 4-pole	QE52
100 and 150 amp, 2 & 3-pole	QE53
100 and 150 amp, 4-pole	QE54

## ARJ



Hub Size	20 / 30 A Cat. #	60 A Cat. #
1/2	ARJ13	
3/4	ARJ23	
1	ARJ33	ARJ36
1 1/4		ARJ46
1 1/2		ARJ56

## ARJG



Hub Size	20 / 30 A Cat. #	60 A Cat. #
1/2	ARJG13	
3/4	ARJG23	
1	ARJG33	ARJG36
1 1/4		ARJG46
1 1/2		ARJG56

## Cap and Chain



Used With	Cat. #
30 amp, 2, 3 & 4-pole	QE13
60 amp, 2 & 3-pole	QE32
60 amp, 4-pole	QE34
100 and 150 amp, 2 & 3-pole	QE62
100 and 150 amp, 4-pole	QE64

1P

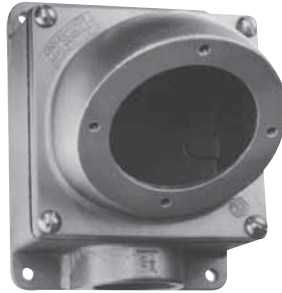
# AJ and AJC Back Boxes with Angle Adapters for 60, 100, 200 & 400 A Receptacle Housings AJX Assemblies and Component Parts For 200 and 400 A Receptacle Housings

Dimensions  
see pages 1334–1335

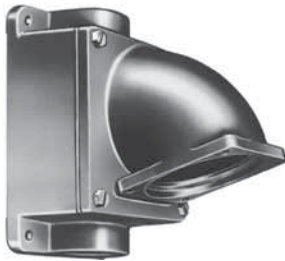
**1P**



AJ Back Box with 60 / 100 / 150 A Angle Adapter



AJ Back Box with 200 / 400 A Angle Adapter



AJC Back Box with 60 / 100 / 150 A AJA Angle Adapter



AJC Back Box with 200 A Angle Adapter

## AJ and AJC Back Boxes†

		60, 100 & 150 A		200 A		400 A	
Hub Size	Type	Box Only	Box & Adapter Assembly	Box Only	Box & Adapter Assembly	Box Only	Box & Adapter Assembly
1"	One Hub Feed Thru	AJ56* AJC56*	AJ37 AJC37				
1¼"	One Hub Feed Thru	AJ56* AJC56*	AJ47 AJC47				
1½"	One Hub Feed Thru	AJ56* AJC56*	AJ57 AJC57	AJ71*	AJ58		
2"	One Hub Feed Thru	AJ66 AJC66	AJ67 AJC67	AJ71*	AJ68	AJ82*	AJ69‡
2½"	One Hub Feed Thru			AJ71* AJC71	AJ78 AJC78	AJ82*	AJ79‡
3"	One Hub Feed Thru					AJ82*	AJ89‡
Angle Adapter		AJA6		AJA1		AJA2	

\*Reducer supplied with assembly.

†AJ and AJC back boxes are square, making it possible to install with hub in several positions.

‡Use AJ69, AJ79 or AJ89 for cables up to 2 – #350MCM, 3 – #300MCM or 4 – #250MCM. For larger cables, use AJX69, etc., listed under assemblies.

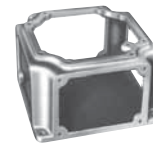
## AJX Assemblies Back Box with Angle Adapter, 3 Blank Plates and 1 Hub Plate



Hub Size	400 A Cat. #
2	AJX69
2½	AJX79
3	AJX89
3½	AJX929
4	AJX9210
5	AJX9212

## AJX Component Parts

For use in making up assemblies with arrangements of hub plates (4 required) other than those listed.



Back Box



Angle Adapter

Type	Cat. #
Back Box 400 A	AJX99
Angle Adapter 400 A	AJ245



Hub Plate



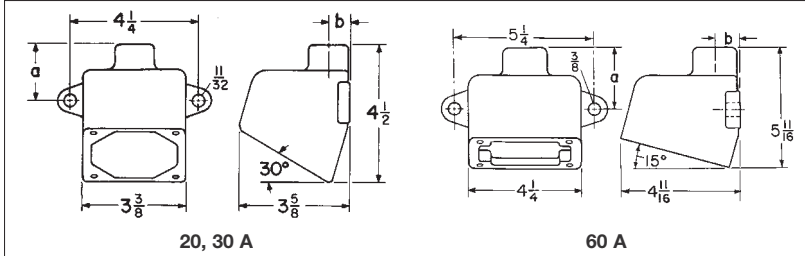
Blank Plate

Hub Size	Hub Plate 400 A Cat. #	Blank Plate 400 A Cat. #
2	YYP96	YYP900
2½	YYP97	
3	YYP98	
3½	YYP99	
4	YYP910	
5	YYP9012	

# 1P Back Boxes

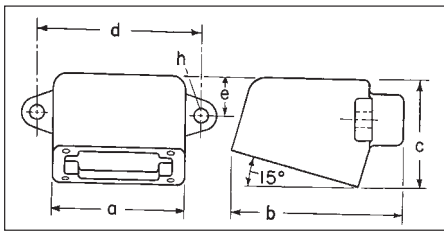
## Dimensions

### Dimensions (In Inches): ARE Back Boxes



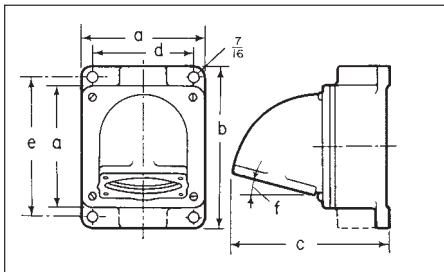
Cat. #	Rating	Size	a	b
13	20, 30 A	1/2	1 <sup>27</sup> / <sub>32</sub>	1 <sup>11</sup> / <sub>16</sub>
23	20, 30 A	3/4	1 <sup>27</sup> / <sub>32</sub>	1 <sup>9</sup> / <sub>16</sub>
33	20, 30 A	1	1 <sup>31</sup> / <sub>32</sub>	1 <sup>5</sup> / <sub>16</sub>
36	60 A	1	2 <sup>9</sup> / <sub>16</sub>	1 <sup>5</sup> / <sub>16</sub>
46	60 A	1 1/4	2 <sup>9</sup> / <sub>8</sub>	1 <sup>9</sup> / <sub>16</sub>
56	60 A	1 1/2	2 <sup>11</sup> / <sub>16</sub>	1 <sup>9</sup> / <sub>16</sub>

### ARJG Back Boxes



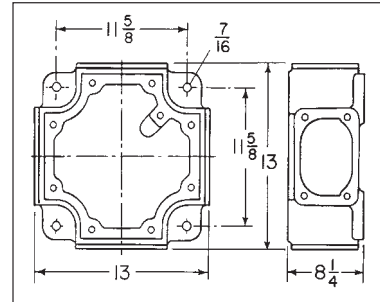
Cat. #	Rating	Size	a	b	c	d	e	h Dia.
13	20, 30 A	1/2	3 <sup>3</sup> / <sub>8</sub>	4 <sup>15</sup> / <sub>32</sub>	2 <sup>3</sup> / <sub>4</sub>	4 <sup>1</sup> / <sub>4</sub>	1 <sup>1</sup> / <sub>8</sub>	1 <sup>11</sup> / <sub>32</sub>
23	20, 30 A	3/4	3 <sup>3</sup> / <sub>8</sub>	4 <sup>15</sup> / <sub>32</sub>	2 <sup>3</sup> / <sub>4</sub>	4 <sup>1</sup> / <sub>4</sub>	1 <sup>1</sup> / <sub>8</sub>	1 <sup>11</sup> / <sub>32</sub>
33	20, 30 A	1	3 <sup>3</sup> / <sub>8</sub>	4 <sup>19</sup> / <sub>32</sub>	2 <sup>3</sup> / <sub>4</sub>	4 <sup>1</sup> / <sub>4</sub>	1 <sup>1</sup> / <sub>8</sub>	1 <sup>11</sup> / <sub>32</sub>
36	60 A	1	4 <sup>1</sup> / <sub>4</sub>	5 <sup>5</sup> / <sub>8</sub>	4 <sup>1</sup> / <sub>16</sub>	5 <sup>1</sup> / <sub>4</sub>	1 <sup>5</sup> / <sub>8</sub>	3 <sup>3</sup> / <sub>8</sub>
46	60 A	1 1/4	4 <sup>1</sup> / <sub>4</sub>	5 <sup>11</sup> / <sub>16</sub>	4 <sup>1</sup> / <sub>16</sub>	5 <sup>1</sup> / <sub>4</sub>	1 <sup>5</sup> / <sub>8</sub>	3 <sup>3</sup> / <sub>8</sub>
56	60 A	1 1/2	4 <sup>1</sup> / <sub>4</sub>	5 <sup>1</sup> / <sub>4</sub>	4 <sup>1</sup> / <sub>16</sub>	5 <sup>1</sup> / <sub>4</sub>	1 <sup>5</sup> / <sub>8</sub>	3 <sup>3</sup> / <sub>8</sub>

### AJ and AJC With 60, 100, 150, 200 and 400 Ampere Angle Adapters

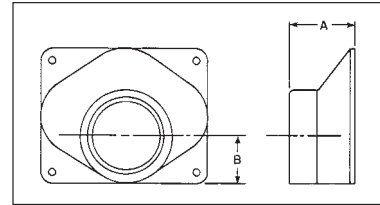


Cat. #	Rating	Size	a	b	c	d	e	f
37, 47, 57	60, 100 A	1, 1 1/4, 1 1/2	5 <sup>5</sup> / <sub>8</sub>	8	7 <sup>7</sup> / <sub>16</sub>	4 <sup>7</sup> / <sub>8</sub>	7	15°
67	60, 100 A	2	5 <sup>5</sup> / <sub>8</sub>	8	8	4 <sup>7</sup> / <sub>8</sub>	7	15°
58, 68, 78	200 A	1 1/2, 2, 2 1/2	8	10 <sup>3</sup> / <sub>4</sub>	9 <sup>7</sup> / <sub>8</sub>	6 <sup>3</sup> / <sub>4</sub>	9 1/2	45°
69, 79, 89	400 A	2, 2 1/2, 3	9	11 <sup>5</sup> / <sub>8</sub>	11 <sup>13</sup> / <sub>16</sub>	7 <sup>3</sup> / <sub>4</sub>	10 <sup>3</sup> / <sub>8</sub>	45°

### AJX Back Body - 400 Amperes

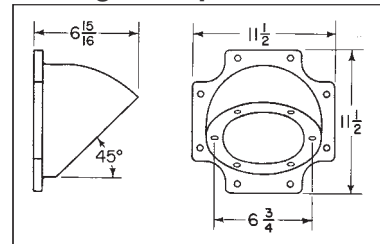


### Hub Plate - 400 Amperes



Cat. #	Hub Size	"A"	"B"
YYP96	2	3 <sup>3</sup> / <sub>4</sub>	1 <sup>11</sup> / <sub>16</sub>
YYP97	2 1/2	3 <sup>7</sup> / <sub>8</sub>	2 <sup>5</sup> / <sub>16</sub>
YYP98	3	3 <sup>7</sup> / <sub>8</sub>	2 <sup>9</sup> / <sub>16</sub>
YYP99	3 1/2	3 <sup>7</sup> / <sub>8</sub>	2 <sup>9</sup> / <sub>16</sub>
YYP910	4	3 <sup>7</sup> / <sub>8</sub>	2 <sup>13</sup> / <sub>16</sub>
YYP9012	5	4 <sup>7</sup> / <sub>8</sub>	3 <sup>7</sup> / <sub>16</sub>

### AJ Angle Adapter



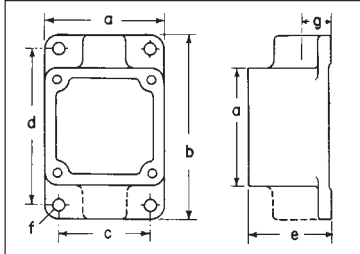


# Back Boxes

1P

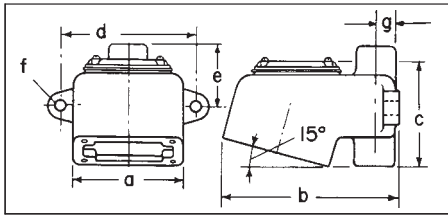
## Dimensions

### ARRC and ARRH Back Boxes



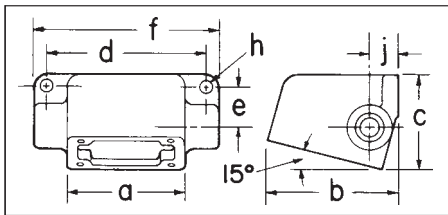
Cat. #	Rating	Size	a	b	c	d	e	f Dia.	g
13	20 / 30 A	1/2	3 3/8	5 5/16	2 5/8	4 9/16	2 1/4	1 1/32	1 1/16
23	20 / 30 A	3/4	3 3/8	5 5/16	2 5/8	4 9/16	2 1/4	1 1/32	1 3/16
33	20 / 30 A	1	3 3/8	5 5/16	2 5/8	4 9/16	2 1/4	1 1/32	1 5/16
36	60 A	1	4 1/4	6 1/2	3 1/2	5 3/4	3 3/8	7/16	1 3/8
46	60 A	1 1/4	4 1/4	6 1/2	3 1/2	5 3/4	3 3/8	7/16	1 3/8
56	60 A	1 1/2	4 1/4	6 1/2	3 1/2	5 3/4	3 3/8	7/16	1 3/8

### ARD Back Boxes



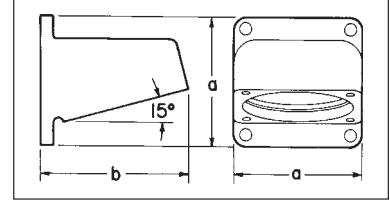
Cat. #	Rating	Size	a	b	c	d	e	f Dia.	g
13	20 / 30 A	1/2	3 3/8	5 5/16	3 23/32	4 1/4	1 27/32	1 1/32	1 1/16
23	20 / 30 A	3/4	3 3/8	5 5/16	3 23/32	4 1/4	1 27/32	1 1/32	1 3/16
33	20 / 30 A	1	3 3/8	5 5/16	3 23/32	4 1/4	1 27/32	1 1/32	1 5/16
36	60 A	1	4 1/4	7 1/16	5 5/4	5 5/8	2 3/4	3/8	1 5/16
46	60 A	1 1/4	4 1/4	7 1/16	5 5/4	5 5/8	2 3/4	3/8	1 5/16
56	60 A	1 1/2	4 1/4	7 1/16	5 5/4	5 5/8	2 3/4	3/8	1 5/16

### ARJ Back Boxes



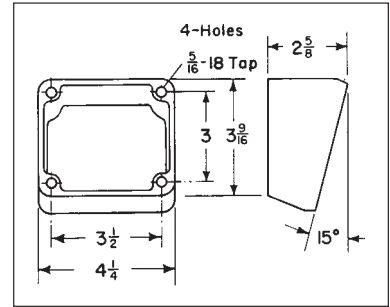
Cat. #	Rating	Size	a	b	c	d	e	f	h Dia.	j
13	20 / 30 A	1/2	3 3/8	3 3/8	2 3/4	4 5/8	1 7/32	5 5/16	1 1/32	1 5/16
23	20 / 30 A	3/4	3 3/8	3 3/8	2 3/4	4 5/8	1 7/32	5 5/16	1 1/32	1 5/16
33	20 / 30 A	1	3 3/8	3 3/8	2 3/4	4 5/8	1 7/32	5 5/16	1 1/32	1 5/16
36	60 A	1	4 1/4	4 11/16	4 11/16	5	1 23/32	6 3/8	3/8	1 5/16
46	60 A	1 1/4	4 1/4	4 11/16	4 11/16	5	1 23/32	6 3/8	3/8	1 5/16
56	60 A	1 1/2	4 1/4	4 11/16	4 11/16	5	1 23/32	6 3/8	3/8	1 5/16

### AR30 and AR60 Angle Adapters



Cat. #	Rating	a	b
AR30	20 / 30 A	3 3/8	4 7/8
AR60	60 A	4 1/4	4 15/16

### AR610 Angle Adapter



# 1P

## AR Arktite® Circuit Breaking Round Flange Receptacle Housings for Panel Mounting

Weatherproof  
For use with APJ and AP Plugs

30/60/100/200 A, 600 VAC/250 VDC

### Applications:

- AR round flange receptacle housings are designed specifically for semi-flush mounting in sheet metal panels or cabinets.

### Features:

- Back boxes are not needed for these receptacle assemblies.
- Where wiring behind a panel is exposed and subject to either mechanical injury or contact by personnel, suitable shields or guards should be provided.

### Certifications and Compliances:

- UL Standard: 1682

### Standard Materials:

- Receptacle housings – copper-free aluminum
- Plug exteriors – copper-free aluminum
- Insulation: 30, 60, 100, 200 ampere – fiberglass-reinforced polyester
- Pressure and solder contacts – brass
- Crimp/solder contacts – leaded red brass

### Standard Finishes:

- Copper-free aluminum – natural
- Brass – natural
- Fiberglass-reinforced polyester – natural (red)
- Leaded red brass – electro-tin-plate

### Options:

Description	Suffix
-------------	--------

Available with these assemblies are:

- |                           |            |
|---------------------------|------------|
| • Reversed interiors..... | <b>S22</b> |
| • Special polarity.....   | <b>S4</b>  |

See page 1315 for details.

For general information on application, features and grounding, see pages 1312–1316.



AR Receptacle housings with round flange and threaded cap



APJ Plugs with cable grip, neoprene bushing and fastening ring



APJ Plugs with cable grip, neoprene bushing and fastening ring

# AR Arktite® Circuit Breaking Round Flange Receptacle Housings for Panel Mounting

Weatherproof  
For use with APJ and AP Plugs

1P

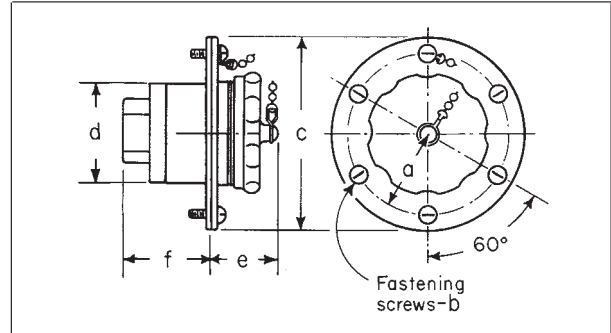
30/60/100/200 A, 600 VAC/250 VDC

## Ordering Information:

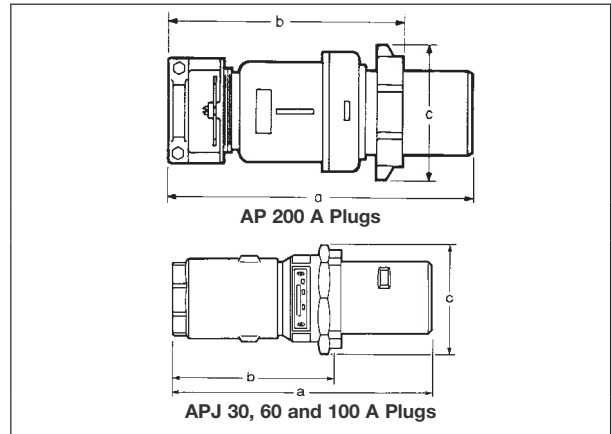
Amps	Style†	Description	Recept. Cat. #	Cable Dia.	Plug Cat. #
30	1	3-wire, 3-pole*	AR6337	0.60 to 1.20	APJ3375
		4-wire, 4-pole*	AR6347	0.60 to 1.20	APJ3475
	2	3-wire, 4-pole*	AR6348	0.60 to 1.20	APJ3485
		3-wire, 4-pole*	AR6348	0.60 to 1.20	APJ3485
60	1	3-wire, 3-pole*	AR6637	0.75 to 1.45	APJ6375
		4-wire, 4-pole*	AR6647	0.75 to 1.45	APJ6475
	2	3-wire, 4-pole*	AR6648	0.75 to 1.45	APJ6485
		3-wire, 4-pole*	AR6648	0.75 to 1.45	APJ6485
100	1	3-wire, 3-pole*	AR61037	1.00 to 1.70	APJ10377
		4-wire, 4-pole*	AR61047	1.00 to 1.70	APJ10477
	2	3-wire, 4-pole*	AR61048	1.00 to 1.70	APJ10487
		3-wire, 4-pole*	AR61048	1.00 to 1.70	APJ10487
200	1	3-wire, 3-pole	AR62031§	.875 to 1.375	AP20355
		3-wire, 3-pole	AR62031§	1.875 to 2.500	AP20358
	2	2-wire, 3-pole	AR62032§	.875 to 1.375	AP20365
		2-wire, 3-pole	AR62032§	1.875 to 2.500	AP20368

†Style 1 – Grounded through shell. Style 2 – Grounded through extra pole and shell.  
§200 ampere size is provided with clamp cover.  
\*Pressure connectors are standard. Crimp/solder type terminators are optionally available for 2, 3 and 4-pole 30 ampere, 3 and 4-pole 60 and 100 ampere. For details, see table on page 1316. To specify, add the suffix "T" to the catalog number. For example: APJ3375-T (Plug) AR6337-T (Receptacle).

## Dimensions (In Inches): AR Round Flange Receptacles



Description	a	b	c	d	e	f
30 amp. 2, 3, 4-pole	2	12-24	4 <sup>3</sup> / <sub>4</sub>	2 <sup>7</sup> / <sub>16</sub>	1 <sup>1</sup> / <sub>8</sub>	2 <sup>1</sup> / <sub>4</sub>
60 amp. 2, 3-pole	2	12-24	4 <sup>3</sup> / <sub>4</sub>	2 <sup>13</sup> / <sub>16</sub>	1 <sup>1</sup> / <sub>8</sub>	3 <sup>3</sup> / <sub>8</sub>
60 amp. 4-pole	2	12-24	4 <sup>3</sup> / <sub>4</sub>	3 <sup>1</sup> / <sub>8</sub>	1 <sup>1</sup> / <sub>8</sub>	3 <sup>3</sup> / <sub>8</sub>
100 amp. 2, 3-pole	2	12-24	4 <sup>3</sup> / <sub>4</sub>	3 <sup>1</sup> / <sub>16</sub>	1 <sup>1</sup> / <sub>8</sub>	4 <sup>9</sup> / <sub>16</sub>
100 amp. 4-pole	2	12-24	4 <sup>3</sup> / <sub>4</sub>	3 <sup>5</sup> / <sub>16</sub>	1 <sup>1</sup> / <sub>8</sub>	4 <sup>9</sup> / <sub>16</sub>
200 amp. 3-pole	3 <sup>3</sup> / <sub>8</sub>	3 <sup>1</sup> / <sub>8</sub> -16	7 <sup>3</sup> / <sub>4</sub>	4 <sup>3</sup> / <sub>16</sub>	2 <sup>1</sup> / <sub>8</sub>	5 <sup>1</sup> / <sub>8</sub>



Amps	No. Poles	a	b	c
30	2, 3 or 4	6 <sup>1</sup> / <sub>2</sub>	4 <sup>13</sup> / <sub>16</sub>	2 <sup>15</sup> / <sub>16</sub>
60	2 or 3	8 <sup>1</sup> / <sub>2</sub>	5 <sup>3</sup> / <sub>4</sub>	3 <sup>5</sup> / <sub>8</sub>
60	4	8 <sup>1</sup> / <sub>2</sub>	5 <sup>13</sup> / <sub>16</sub>	3 <sup>3</sup> / <sub>4</sub>
100	2 or 3	10 <sup>1</sup> / <sub>8</sub>	6 <sup>9</sup> / <sub>16</sub>	3 <sup>3</sup> / <sub>4</sub>
100	4	10 <sup>1</sup> / <sub>8</sub>	6 <sup>5</sup> / <sub>8</sub>	4 <sup>1</sup> / <sub>8</sub>
200	3	14 <sup>3</sup> / <sub>4</sub>	10 <sup>11</sup> / <sub>16</sub>	6 <sup>3</sup> / <sub>4</sub>

These dimensions are approximate and vary with cable size.

# 1P

## APQ Arktite® Circuit Breaking Motor Plugs

NEMA 4 Watertight

**APJ Plugs, APR Cable Connector Receptacles  
30/60/100 A, 250 VDC/600 VAC, 50† – 400 hertz**

### Applications:

APQ motor plugs are used:

- On portable electric equipment

### Features:

- Eliminates problem of storing and protecting a long length of portable cord and plug on portable device
- Connection to fixed receptacle used as power source is made with cord sets which may be hung on wall, out of the way
- Cord sets are made up using an APR receptacle at one end and an APJ plug at the other
- Cord sets may be used singly or connected together to provide longer lengths when needed
- With spare cord sets on hand, portable equipment may be kept in service while normal cord replacement is being made
- Where design of portable equipment permits, APQ motor plugs can be attached directly to a sheet metal panel or cabinet
- May be mounted on AR and AJ back boxes for conduit connection
- See typical installation diagram on next page

### Certifications and Complies:

- UL Standards: 1682
- CSA Standard: C22.2 No. 182.1

### Standard Materials:

- Motor plugs: mounting plate – *Feraloy*®, iron alloy; protective sleeve – copper-free aluminum
- Plug and receptacle exteriors – copper-free aluminum
- Back boxes – copper-free aluminum
- Insulation – fiberglass-reinforced polyester
- Pressure and solder contacts – brass
- Crimp/solder contacts – leaded red brass

### Standard Finishes:

- *Feraloy* – electrogalvanized and aluminum acrylic paint
- Copper-free aluminum – natural
- Brass – natural
- Fiberglass-reinforced polyester – natural (red)
- Leaded red brass – electro-tin-plate

### Options:

Available with these assemblies are:

Description	Suffix
Special polarity.....	<b>S4</b>

See page 1315 for details.



**APQ Motor Plugs**  
with square flange, gaskets, fastening ring, and exposed contacts.



**APR Cable Connector Receptacles**  
with cable grip, neoprene bushing, and protected contacts.



**APJ Plugs**  
with cable grip, neoprene bushing, exposed contacts, and fastening ring.

### Ordering Information:

Amps	Style‡	Description	Plug Cat. #	Cable Dia.	Cable Connector Receptacle Cat. #	Motor Plug Cat. #
30	1	2-wire,* 2-pole	<b>APJ3275</b>	0.39 to 1.20	<b>APR3255</b>	<b>APQ327</b>
		3-wire,* 3-pole	<b>APJ3375</b>	0.39 to 1.20	<b>APR3355</b>	<b>APQ337</b>
		4-wire,* 4-pole	<b>APJ3475</b>	0.39 to 1.20	<b>APR3455</b>	<b>APQ347</b>
	2	2-wire,* 3-pole	<b>APJ3385</b>	0.39 to 1.20	<b>APR3365</b>	<b>APQ338</b>
		3-wire,* 4-pole	<b>APJ3485</b>	0.39 to 1.20	<b>APR3465</b>	<b>APQ348</b>
		2-wire,* 2-pole	<b>APJ6275</b>	0.50 to 1.45	<b>APR6255</b>	<b>APQ627</b>
60	1	3-wire,* 3-pole	<b>APJ6375</b>	0.50 to 1.45	<b>APR6355</b>	<b>APQ637</b>
		4-wire,* 4-pole	<b>APJ6475</b>	0.50 to 1.45	<b>APR6455</b>	<b>APQ647</b>
		2-wire,* 3-pole	<b>APJ6385</b>	0.50 to 1.45	<b>APR6365</b>	<b>APQ638</b>
	2	3-wire,* 4-pole	<b>APJ6485</b>	0.50 to 1.45	<b>APR6465</b>	<b>APQ648</b>
		2-wire,* 2-pole	<b>APJ10277</b>	0.875 to 1.70	<b>APR10257</b>	<b>APQ1027</b>
		3-wire,* 3-pole	<b>APJ10377</b>	0.875 to 1.70	<b>APR10357</b>	<b>APQ1037</b>
100	2	4-wire,* 4-pole	<b>APJ10477</b>	0.875 to 1.70	<b>APR10457</b>	<b>APQ1047</b>
		2-wire,* 3-pole	<b>APJ10387</b>	0.875 to 1.70	<b>APR10367</b>	<b>APQ1038</b>
		3-wire,* 4-pole	<b>APJ10487</b>	0.875 to 1.70	<b>APR10467</b>	<b>APQ1048</b>

‡Style 1 – Grounded through shell. Style 2 – Grounded through extra pole and shell.  
\*Pressure connectors are standard. Crimp/solder type terminators are optionally available for 2, 3 and 4-pole 30 ampere, 3 and 4-pole 60 and 100 ampere. For details, see page 1316. To specify, add the suffix "T" to the catalog number.  
For example: APJ3375-T (Plug) AR6337-T (Receptacle).

†For use on systems less than 60 hertz the receptacles, plugs and connectors are for disconnect use only.

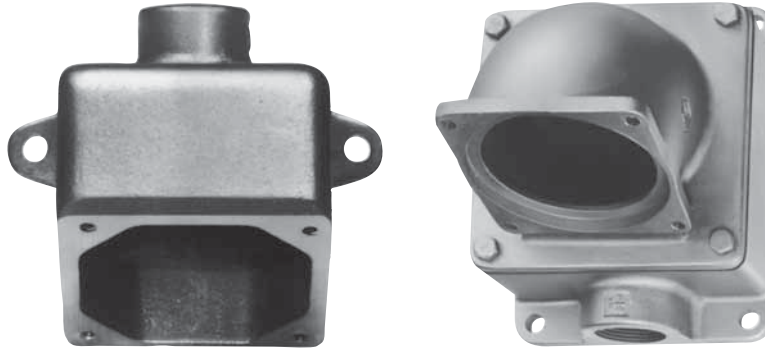
**Crouse-Hinds**  
by **EATON**

# Typical Back Boxes

Weatherproof

1P

## For APQ Arktite® Circuit Breaking Motor Plugs



Typical back boxes used with APQ Motor Plugs

### ARE

For APQ 30 Amp.

Hub Size	Cat. #
1/2	ARE13
3/4	ARE23
1	ARE33

For APQ 60 Amp.

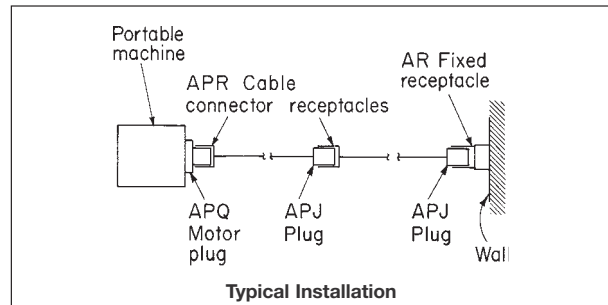
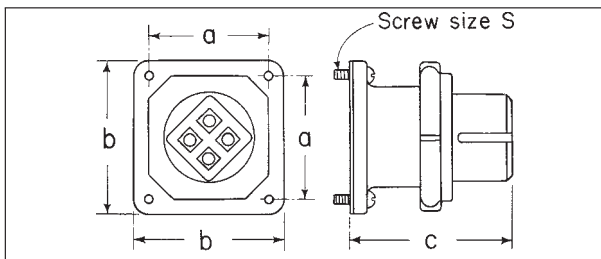
Hub Size	Cat. #
1	ARE36
1 1/4	ARE46
1 1/2	ARE56

### AJ

For APQ 60 and 100 Amp.

Hub Size	Cat. #
1	AJ37
1 1/4	AJ47
1 1/2	AJ57
2	AJ67

### Dimensions In Inches:



### APQ Motor Plugs

Amps	a	b	c	s
30	2 3/4	3 3/8	3 3/8	12-24
60	3 1/2	4 1/4	4 7/8	5/16-18
100 (2 & 3-pole)	3 1/2	4 1/4	6 1/8	5/16-18
100 (4-pole)	3 1/2	4 1/4	6 7/16	5/16-18

For additional back box listings, see pages 1332-1333.  
For back box dimensions, see pages 1334-1335.

**1P**

---

**1P**

Description	Page No.
<b>Application/Selection</b>	<b>see pages 1342–1343</b>
<b>Ark•Gard® NEMA Interlocked/Circuit Breaking</b>	
15 & 20A ENP Plugs	see page 1349
15 & 20A ENR Receptacles - Premier Series	see page 1351
15 & 20A ENR Receptacles - Value Series	see page 1353
15 & 20A ENC Connectors	see pages 1355–1356
<b>GFS Ground Fault</b>	
GFS Ground Fault Circuit Interrupter	see page 1360
ENR-GFCI Kits	see pages 1357–1358
Portable ENR-GFCI Assemblies	see page 1359
<b>Arktite® Delayed Action Circuit Breaking</b>	
Technical Data	see pages 1344–1346
20 & 30A CPS Receptacle	see pages 1346–1347
20 & 30A CPP Plug	see pages 1346–1347
20A CPR Connector	see page 1348
<b>Delayed Action/Circuit Breaking</b>	
Technical Data	see page 1361
7 thru 60A CES/CESD Receptacles	see page 1361
CPH Plugs	see page 1361

## 2P

# Plugs and Receptacles For Industrial Heavy Duty Hazardous Area Use

## Application and Selection

### Applications:

- To connect portable or movable electrical equipment, such as motors, motor-generator sets, tools, light systems.

### Considerations for Selection:

#### Environmental:

- The environment of the enclosure location in terms of NEC/CEC compliance.
- Material and construction to withstand rough usage and atmospheric conditions.

#### Electrical:†

- Sufficient current carrying capacity to meet load requirements.
- Compatibility with electrical system (new or existing installation).
- Interchangeability of plugs with other hazardous and non-hazardous area receptacles.

See "Quick Selector" below and "Interchangeability Chart" on next page .

### Options:

- Special polarity arrangements available as options, as well as special back boxes and hub arrangements for some series. See listing pages for details.

### Quick Selector Chart

Receptacle Series	NEC Compliances	Electrical Rating†		Mating Plug
		Poles	Amps & Volts	
<b>CES, CESD</b>	Cl. I, Division 1 and 2, Groups C, D	2-wire, 3-pole 3-wire, 4-pole	30A, 120-240VAC 7A, 460VAC‡ 60A, 115-230VAC 30A, 460VAC‡	CPH
<b>CPR</b>	Non-hazardous	2-wire, 3-pole	20A, 125-250VAC 20A, 18VDC	CPP
<b>CPS</b>	Cl. I, Division 1 and 2, Groups C, D	2-wire, 3-pole  3-wire, 4-pole	20A, 125-250VAC 20A, 18VDC 30A, 125-250VAC 7A, 480VAC‡  30A, 125-250VAC 7A, 460VAC‡	CPP
<b>ENR</b>	Cl. I, Division 1 and 2, Groups B, C, D Cl. II, Division 1 and 2, Groups F, G Cl. III	NEMA 5 & 6 Config.	15A, 125VAC 15A, 250VAC 20A, 125VAC 20A, 250VAC	ENP

‡CSA certified units are rated at 600 VAC.

†If higher ratings are needed, refer to receptacles interlocked with safety switches and circuit breakers in Section 4P.

**WARNING:** CPR *Arktite*® cable connectors are for use in non-hazardous areas only.



# Plugs and Receptacles For Industrial Heavy Duty Hazardous Area Use

2P

## Interchangeability Chart

### Interchangeability Chart

Many of the plugs listed in this section can be used interchangeably with receptacles from other sections, both in hazardous and non-hazardous areas, **provided electrical rating and style of plug and receptacle are the same.** The following table is a summary of possible combinations.

Plugs Shown in Section 2P	Can be Used with these Receptacle Series	Listed in Section	Plugs & Receptacle Electrical Rating
APJ	AR, NR, NPR FSQ, EPC, EPCB, EBBR  DBR, WSR, NSR, NBR	1P 4P  3P, 4P	30 and 60 amp. 2-wire, 3-pole 3-wire, 4-pole 30 and 60 amp. 3-wire, 4-pole
CPH	AR, NR, NPR FSQ, EPC, EPCB, EBBR  DBR, WSR, NBR, NSR	1P 4P  3P, 4P	30 and 60 amp. 2-wire, 3-pole 3-wire, 4-pole 30 and 60 amp. 3-wire, 4-pole
CPP	AR, NR, NPR   DBR, WSR, NBR, NSR	1P   3P, 4P	30 amp. 2-wire, 3-pole 3-wire, 4-pole  30 amp. 3-wire, 4-pole

2P

## Arktite® Circuit Breaking CPS Receptacles and CPP Plugs

Cl. I, Div. 1 & 2, Groups C, D  
Explosionproof  
Wet Locations

### Delayed Action Factory Sealed

#### Applications:

CPS receptacles, angle and straight types, and CPP plugs are used:

- With portable electrically operated devices such as motor-generator sets, compressors, conveyors, portable tools, lighting systems and similar equipment
- In locations which are hazardous due to the presence of flammable vapors or gases
- In damp or corrosive locations
- In petroleum refineries, chemical and petrochemical plants, and other process industry facilities where similar hazards exist



Fig. 1

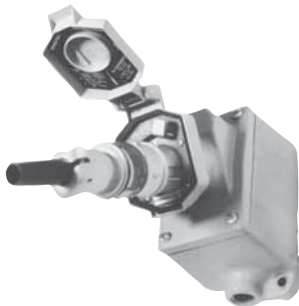


Fig. 2



Fig. 3

#### Features:

- The delayed action feature permits the plug to be used as an emergency push-pull switch
- CPS receptacles are equipped with a rotating mechanism which prevents complete withdrawal of the CPP plug in one continuous movement. Details of operation are illustrated and explained below

**Figure 1** shows a CPS angle type receptacle assembly with CPP plug fully engaged.

**Figure 2** shows the plug withdrawn until it is stopped by the delayed action mechanism. In this position the circuit has been broken and the arc has been snuffed in the contact chambers. To completely withdraw the plug as shown in **Figure 3**, the delayed action release lever must be rotated counterclockwise. The time required to actuate the mechanism permits dissipation of the arc-generated heat before contacts and arcing chambers are opened to the atmosphere. When inserting the plug, the reverse procedure is followed.

- CPS receptacles are factory sealed to simplify installation and wiring – external seals are not required
- Series 152 receptacles have top hinged cover design, with 45° downward angled receptacle housing, to provide superior environmental protection from accumulations of dust, snow, ice, and water
- Back boxes used for angle type receptacles are standard EDS bodies. Assemblies are listed with single and two gang bodies and dead end or through feed hubs – 1/2" to 1" sizes
- Back boxes used for straight type receptacles are available with a variety of hub arrangements in 1/2" and 3/4" sizes
- All receptacles and 30 ampere plugs are provided with pressure terminals for ease of field wiring. 20 ampere plugs have solder terminals.

#### Certifications and Compliances:

- NEC/CEC:  
Class I, Division 1 and 2, Groups C, D
- UL Standard: 1203
- CSA Standard: C22.2 No. 30

#### Standard Materials:

- Receptacle housings – die cast copper-free aluminum
- EDS Back boxes – *Feraloy*® iron alloy (U.S.)/Copper-free aluminum (Canada)
- Other back boxes – Feraloy iron alloy
- Plug exteriors – copper-free aluminum or Krydon® fiberglass-reinforced polyester material (see listings)
- Insulation – all receptacles and plugs – Krydon fiberglass-reinforced polyester material
- Pressure or solder contacts – brass
- Crimp/solder contacts – leaded red brass

#### Standard Finishes:

- Copper-free aluminum – aluminum acrylic paint
- *Feraloy* – electrogalvanized and aluminum lacquer
- Fiberglass-reinforced polyester – natural (red, white)
- Brass – natural
- Leaded red brass – electro-tin-plate

#### Electrical Rating Ranges:

- Angle type – 20 and 30 amperes; 125 and 250 VAC
- Straight type – 20 amperes; 125 and 250 VAC

#### Grounding:

- NEC Article 501 and CEC Part 1 Section 18 requires that metal frames or exposed non-current-carrying metal parts of portable devices used in hazardous locations be grounded through an extra conductor in the portable cord
- CPS receptacles and CPP plugs are provided with an extra grounding pole
- In plugs, provision is made for attachment of the grounding wire to the grounding pole. In addition, direct connection is provided between plug and receptacle housings and the grounding pole. In the receptacle, grounding is accomplished through the conduit system

#### Interchangeability of Plugs with Non-hazardous Location Receptacles:

- 30 ampere GPP plugs can also be used with standard 30 ampere AR Arktite receptacles of the same style and number of poles, thus permitting portable devices suitable for use in hazardous locations to be connected to receptacles in both hazardous and non-hazardous areas

**Note:** Equipment to be used in hazardous areas must be suitable for use in the specific hazardous location.

**Crouse-Hinds**  
by **EATON**

# Arktite® Circuit Breaking CPS Receptacles and CPP Plugs

Cl. I, Div. 1 & 2, Groups C, D  
Explosionproof  
Wet Locations

**2P**

**Delayed Action  
Factory Sealed**

## Options:

The following special options are available from factory by adding suffix to Cat. #:

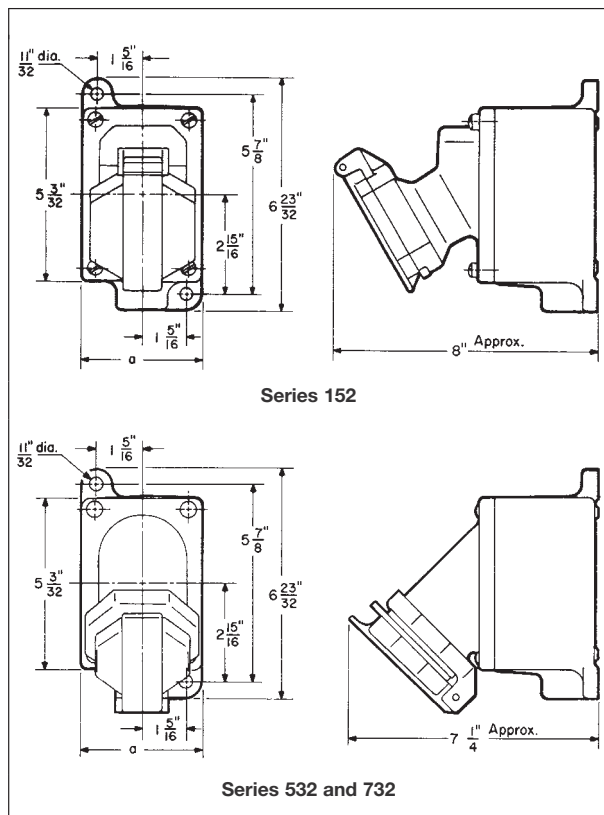
### Description

Material: copper-free aluminum, natural finish, is available on certain back boxes. See listings..... **Suffix SA**  
 Receptacle interior rotated 22½° to right (viewed from face) and plug changed to match. 30 ampere units only..... **S4**  
 Combination of receptacles and EFS/EFD or EDS series devices, such as pilot lights, switches, pushbutton stations, etc., can be furnished using three, four and five gang bodies..... **Specify**  
 Hub arrangements other than those listed can be supplied..... **Specify**

## Dimensions

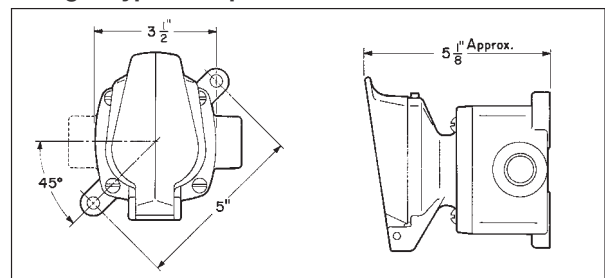
In Inches:

### Angle Type Receptacles

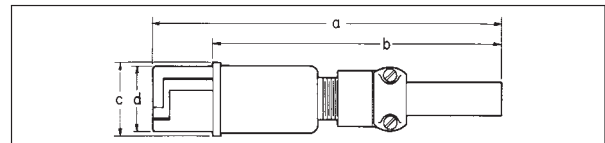


a = 3½ for single gang  
7¾ for two gang

### Straight Type Receptacles



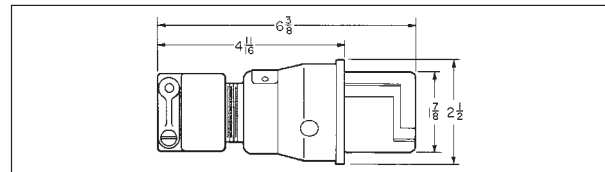
### 20 Ampere Plugs



Cat. #	a†	b†	c	d
CPP516‡	8⅞	6⅞	1¼	1⅞
CPP512‡	7	5½	1¼	1⅞

†These dimensions are approximate and vary with cable size.  
‡ 20 amp plugs are furnished with solder terminations at standard, ground contacts have pressure terminations.

### 30 Ampere Plugs

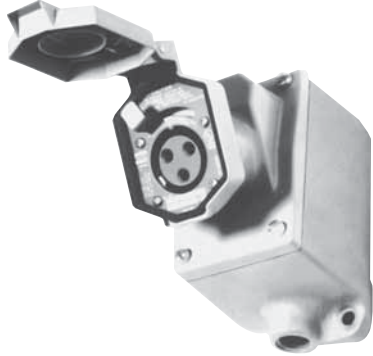


**2P**

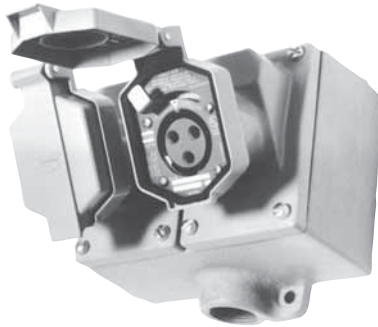
**Arktite® Circuit Breaking CPS Receptacles and CPP Plugs**

Cl. I, Div. 1 & 2, Groups C, D  
Explosionproof  
Wet Locations

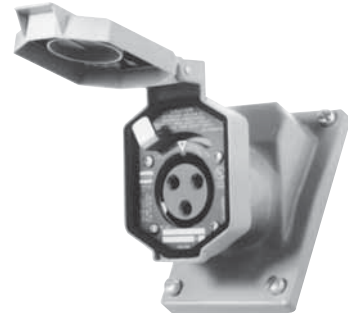
**Delayed Action  
Factory Sealed**



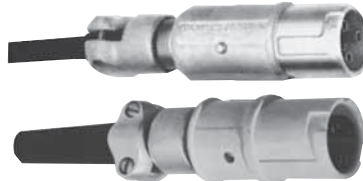
CPS152 – Single gang angle type



CPS152 – Two gang angle type



CPS152R – Receptacle unit only



CPP Plugs with mechanical cable grip and neoprene bushing

**Style 2 – Grounded Through Extra Pole and Shell**

Rating	Description		Hub Size (In.)	Single Gang Receptacle Assembly Cat. #	Two Gang Receptacle Assembly Cat. #	Cable Dia. (In.)	Plug with Aluminum Handles Cat. #	Plug with High Impact Molded Composition Handle Cat. #	Receptacle Unit only Cat. #
20A, 1 HP, 125–250VAC, 60 hertz, 20A, 18VDC	2-wire, 3-pole	Dead End	1/2	CPS152 101*	CPS152 102*	.312 to .625†	CPP516‡	CPP512‡	CPS152R
			3/4	CPS152 201*	CPS152 202*				
			1	CPS152 301*	CPS152 302*				
	Through Feed	1/2	CPS152 111*	CPS152 112*					
		3/4	CPS152 211*	CPS152 212*					
		1	CPS152 311*	CPS152 312*					
30A, 1 1/2 HP, 125–250VAC, 60 hertz, 7A, 1/2 HP, 480VAC**, 60 hertz	2-wire, 3-pole	Dead End	1/2	CPS532 101	CPS532 102	.375 to .875†	CPP4553		CPS532R
			3/4	CPS532 201	CPS532 202				
			1	CPS532 301	CPS532 302				
	Through Feed	1/2	CPS532 111	CPS532 112					
		3/4	CPS532 211	CPS532 212					
		1	CPS532 311	CPS532 312					
30A, 3 HP, 125–250VAC, 60 hertz, 7A, 1 HP, 480VAC**, 60 hertz	3-wire, 4-pole	Dead End	1/2	CPS732 101	CPS732 102	.375 to .875†	CPP4752		CPS732R
			3/4	CPS732 201	CPS732 202				
			1	CPS732 301	CPS732 302				
	Through Feed	1/2	CPS732 111	CPS732 112					
		3/4	CPS732 211	CPS732 212					
		1	CPS732 311	CPS732 312					

\* Back boxes are available in copper-free aluminum. To order, add suffix SA to the Cat. No.  
 \*\* CSA certified units are rated at 600 VAC at 7A.  
 † Receptacles will take any of the plugs grouped in the bracket opposite the receptacle listings.  
 ‡ 20 amp plugs are furnished with solder terminations at standard, ground contacts have pressure terminations.

2P

# Arktite® Circuit Breaking CPS Receptacles and CPP Plugs

Cl. I, Div. 1 & 2, Groups C, D  
Explosionproof  
Wet Locations

**2P**

**Delayed Action  
Factory Sealed**

## CPS Straight Type

2-wire, 3-pole

20A, 1HP, 125–250VAC, 60–400 hertz, 20A, 18VDC

### CPS Dead End



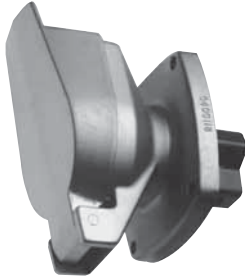
Hub Size (In.)	Assembly Cat. #	Body Cat. #
1/2	CPS14 120	CPS120
3/4	CPS14 20	CPS20

### CPS Through Feed



Hub Size (In.)	Assembly Cat. #	Body Cat. #
1/2	CPS14 121	CPS121
3/4	CPS14 21	CPS21

### CPS Receptacle Unit With Spring Door



Type	Cat. #
CPS Receptacle Unit with Spring Door	CPS14R

### CPP Plugs

With Mechanical Cable Grip and Neoprene Bushing

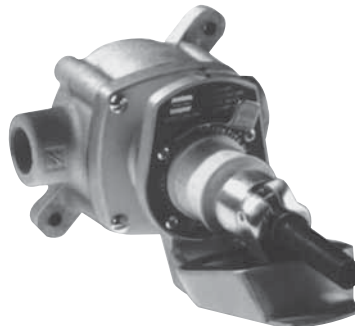


With aluminum handle



With high impact molded composition handle

Cable Dia. (In.)	Aluminum Cat. #	Composition Cat. #
.312 to .625	CPP516	CPP512



CPS straight type shown with plug

**2P**

## 2P **Arktite® CPR Cable Connector Receptacles** **Delayed Action** **Circuit Breaking**

### Applications:

CPR *Arktite* delayed action cable connector receptacles are used in **non-hazardous areas only**:

- To make up adapter sets for connecting portable devices having CPP plugs to receptacles in non-hazardous areas. This is accomplished by equipping one end of the length of cable with the CPR receptacle and the other with a plug to mate with the receptacle in the non-hazardous area.
- To make up extension cords using the CPR receptacle at one end and a CPP plug at the other.

### Features:

- Spring door housing with the same delayed action rotating mechanism provided in CPS receptacles
- Pressure terminals are furnished for ease of wiring
- Gland nut with mechanical cable grip and bushing for effective strain relief

### Standard Materials:

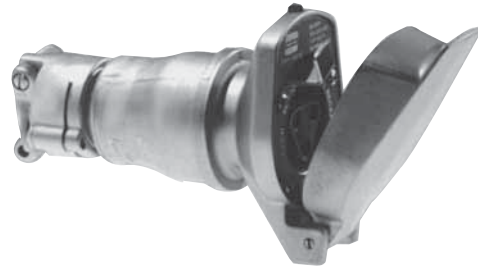
- Housing – copper-free aluminum
- Insulation – fiberglass-reinforced polyester
- Contacts – brass

### Standard Finishes:

- Copper-free aluminum – natural
- Fiberglass-reinforced polyester – natural (red)
- Brass – natural

### Style 2 – Grounded Through Extra Pole and Shell

For Use With CPP516 and CPP512 Series Plugs



Description	Rating	Cable Dia.	Cat. #
2-wire, 3-pole	20A, 1HP, 125–250VAC, 60 hertz 20A, 18 VDC	.375 to .625	<b>CPR154</b>

\*CSA certified unit suitable for Class I, Groups C and D (not available in USA).

# ENP Plugs for Ark•Gard® ENR Receptacles and ENC Connectors

Cl. I, Div. 1 & 2, Groups B, C, D  
Cl. II, Div. 1 & 2, Groups F, G  
Cl. III  
NEMA 3, 7BCD, 9FG, 12

Explosionproof  
Dust-Ignitionproof  
Raintight  
Wet Locations

**2P**

## Applications:

ENP plugs are used:

- With portable electrical equipment such as compressors, tools, lighting systems, and similar devices
- In areas made hazardous by the presence of flammable vapors and gases or combustible dusts
- Whenever portable electrical equipment is likely to be transferred from hazardous to non-hazardous areas
- In damp and corrosive areas
- When power requirements do not exceed 20 amperes
- Where general purpose application is required

## Features:

- Captive set screw design is now standard on all ENP plugs.
- Design assures ease of installation and reduces likelihood of losing critical components in the field.
- Insulator and contact components are now a single piece assembly.
- ENP plugs can be used in non-hazardous areas with standard U-ground NEMA/EEMAC configuration 5 and 6 receptacles, eliminating the need for two separately equipped portable units of the same type. The ENR receptacle will not accept standard NEMA/EEMAC configuration plugs.
- ENP plug handle body is designed with an internal cord strain relief mechanism and a cable sealing grommet which will accept various cable diameters.
- Field assembly is accomplished with standard tools.
- Ark•Gard 2 receptacle incorporates three spring-loaded slide keys that prevent the receptacle face plate from being rotated until the ENP plug is fully inserted into the receptacle. To make the connection, the ENP plug is fully inserted, and the receptacle face moved inward by pushing the plug forward. The plug is then rotated, closing the circuit. As rotation begins, the plug becomes locked in the receptacle and cannot be accidentally disengaged. In making or breaking the circuit, any resulting electrical arc is confined in the factory-sealed chamber.

## Certifications and Compliances:

- NEC:  
Class I, Division 1 and 2, Groups B, C, D  
Class II, Division 1 and 2, Groups F, G  
Class III
- ANSI/UL Standard 1010
- NEMA/EEMAC 3, 7BCD, 9FG
- CEC:  
Class I, Division 1 and 2, Groups B, C, D  
Class II, Division 1 and 2, Group G  
Class III

## Standard Materials:

- Plug body – die cast copper-free
- Interior – nylon 100
- Contacts – brass
- Plug bushing – neoprene

## Standard Finishes:

- Copper-free aluminum – aluminum acrylic paint
- Brass – natural

## Electrical Rating Ranges:

- Plugs:  
15 amperes; 125 VAC and 250 VAC, 50–400 hertz  
20 amperes; 125 VAC and 250 VAC, 50–400 hertz

## Grounding:

- NEC Article 501 and CEC Section 18 requires that metal frames or exposed non-current-carrying metal parts of portable devices used in hazardous locations be grounded through an extra conductor in the portable cord. ENR Receptacles and ENP Plugs are provided with an extra grounding pole.

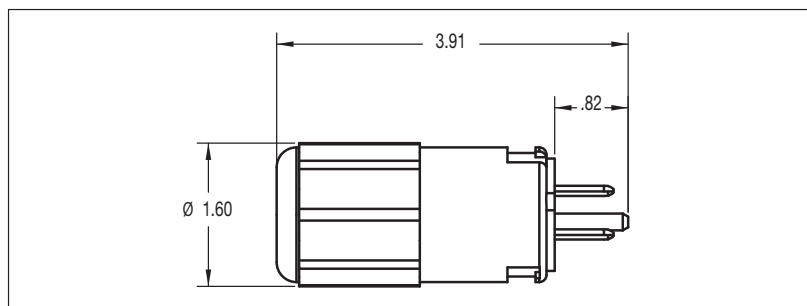
**CAUTION:** To reduce the risk of ignition of hazardous atmospheres, do not use plugs or receptacles in Class II, Group F locations that contain electrically conductive dusts.



## Ordering Information:

Plug Rating	NEMA Config.	Cat. #
15 Amp 125 Volt		ENP5151
15 Amp 250 Volt		ENP6152
20 Amp 125 Volt		ENP5201
20 Amp 250 Volt		ENP6202

## Dimensions In Inches:



**Crouse-Hinds**  
by **Eaton**

**2P**

Premier and Value Series

**Ark•Gard® Premier Series:**

- The premier line of ENR Receptacles (M4) come equipped with exclusive features that increase the life of the product, reduce maintenance costs, and eliminate the need to purchase costly replacement parts. There is no other product offering on the market today that comes equipped with time-saving saddle clamp terminals or the added safety of a lockout/tagout hole. The premier ENR Receptacle Series is the ideal solution for applications where increased safety and reliability are critical.

**Ark•Gard® Value Series:**

- The value line of ENR Receptacles is the ideal solution for rugged and industrial NEMA configured applications up to 20 amperes. Like the premier line, this product comes equipped with built-in safety features that reject standard NEMA configuration plugs that could cause an arc in hazardous areas.

**FEATURES AND BENEFITS - Premier Solution (M4)**

**Gasketed Screw Cap Cover Design:**

- Offers superior protection from harsh environments for increased product life
- Eliminates the need to purchase a separate environmental cover for added protection

**Complies with OSHA lockout/tagout requirements:**

- Lockout tagout hole in cover gives users the ability to lock the cover closed while not-in-use



**Spring-Loaded Sliding Key Offers Increased Safety:**


- Rejects standard NEMA/EEMAC configuration plugs that could cause an arc in a hazardous area.
- Also prevents the receptacle faceplate from being rotated until the ENP plug is fully inserted.

**Protected Hinge:**

- Cap design provides 360° of protection around cover hinge to reduce damage from dirt and corrosion

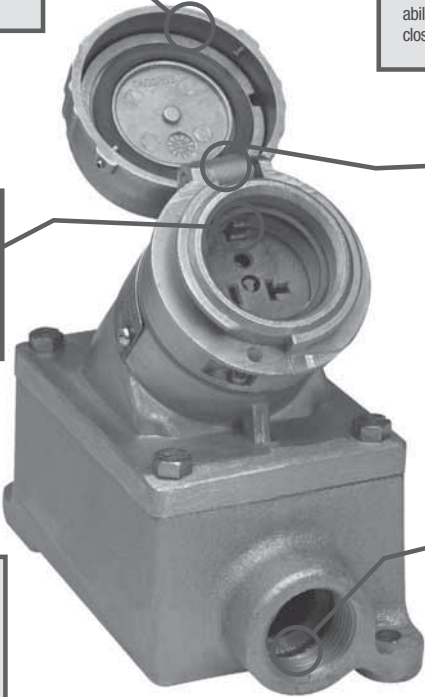
**Saddle Clamp Terminals:**

- Reduce installation and maintenance costs – easy to wire, time-saving terminals



**Integral Bushings:**

- Taper tapped hubs protect wire installation during wire-pulling

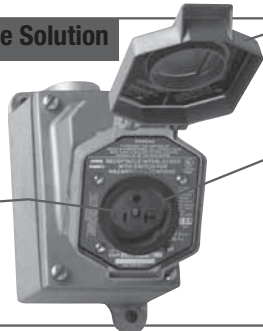


**FEATURES AND BENEFITS - Traditional Value Solution**

- To make connection, simply insert the ENP plug and rotate to close the circuit
- Built-in features cause the ENP plug to become locked in the receptacle and cannot be accidentally disengaged while in use

- Top hinged cover design with 45° downward angle provides protection in damp, wet and dirty locations

- Molded-in contact design provides for superior interior contact reliability
- Incorporates three spring-loaded slide keys that prevent the receptacle face plate from being rotated until the ENP plug is fully inserted into the receptacle.





# ENR Premier Series Dead Front Interlocked Circuit Breaking Receptacles

Cl. I, Div. 1 & 2, Groups B\*, C, D  
Cl. II, Div. 1 & 2, Groups F, G  
Cl. III  
NEMA 3, 3R, 7BCD, 9FG, 12

Explosionproof  
Dust-Ignitionproof  
Raintight  
Wet Locations

**2P**

## ENP Plugs

### Applications:

Ark•Gard® products are used:

- In applications that require additional environmental protection
- With portable or fixed electrical equipment such as motor generator units, welders, pumps, compressors, heating and cooling units, cellular relay stations, conveyors, lighting systems, and similar equipment
- In areas made hazardous by the presence of flammable vapors and gases or combustible dusts
- When power requirements do not exceed 20 amperes

### Certifications and Compliances:

- NEC:
  - Class I, Division 1, Groups B\*, C, D
  - Class II, Groups F, G
  - Class III
  - NEMA 3, 3R
- CEC‡:
  - Class I, Division 1, Groups B\*, C, D
  - Class II, Group G
  - Class III
  - NEMA 3, 3R

### Standard Materials:

- Receptacle housing, spring door and plug body – die cast copper-free aluminum
- Interiors: receptacle – *Krydon*® fiberglass-reinforced polyester material; plug – nylon 100
- Contacts: receptacle blade – brass; receptacle switch – silver; plug – brass
- Receptacle cover hinge pin and spring – stainless steel
- Receptacle gasket – neoprene
- Plug bushing – neoprene
- Back boxes – copper-free aluminum

### Standard Finishes:

- Copper-free aluminum – aluminum acrylic paint
- Brass – natural

### Options:

#### Description

Corro-free™ epoxy powder finish for added corrosion resistance .....

Suffix

**S752**

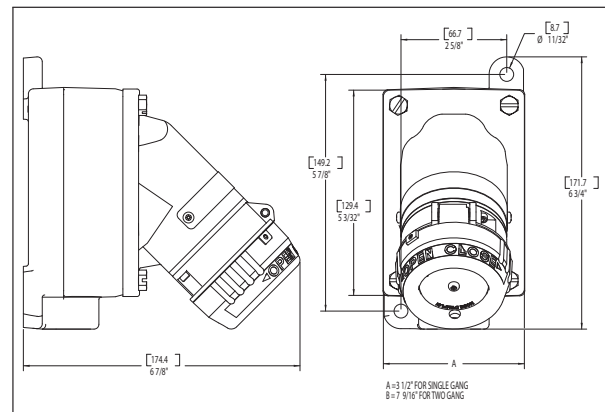
### Electrical Rating Ranges:

- Receptacles:
  - 15 amperes; 125 VAC and 250 VAC, 50–400 hertz
  - 20 amperes; 125 VAC and 250 VAC, 50–400 hertz
- Plugs:
  - 15 amperes; 125 VAC and 250 VAC, 50–400 hertz
  - 20 amperes; 125 VAC and 250 VAC, 50–400 hertz

### Grounding:

- NEC Article 501 and CEC Section 18 requires that metal frames or exposed non-current-carrying metal parts of portable devices used in hazardous locations be grounded through an extra conductor in the portable cord. ENR Receptacles and ENP Plugs are provided with an extra grounding pole.

### Dimensions In Inches:



#### Type

Single Gang  
Double Gang

#### Dimension A

3 1/2"  
7 9/16"

\*Single gang assemblies purchased with an EFS back box are suitable for Class I, Group B.  
‡15A units are CSA Listed only.

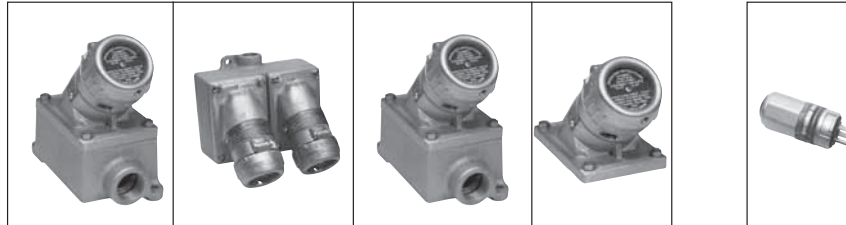
2P

# ENR Premier Series Dead Front Interlocked Circuit Breaking Receptacles ENP Plugs

Cl. I, Div. 1 & 2, Groups B\*, C, D  
Cl. II, Div. 1 & 2, Groups F, G  
Cl. III  
NEMA 3, 3R, 7BCD, 9FG, 12

Explosionproof  
Dust-Ignitionproof  
Raintight  
Wet Locations

## Ordering Information:



15 A	15 A Receptacle Rating	Description	Hub Size	Single Gang* Receptacle Assembly Cat. #	Two Gang** Receptacle Assembly Cat. #	Group B Listed‡ Single Gang Assembly Cat. #	Receptacle§ Unit Only Cat. #	NEMA Config.	15 A Plug†† Cat. #	NEMA Config.
SP	15 Amp 125 Volt	Dead End	1/2"	ENR11151 M4	ENRB11151 M4	ENRB11151 M4	ENR5151 M4		ENP5151	
			3/4"	ENR21151 M4	ENRB21151 M4	ENRB21151 M4				
			1"	ENR31151 M4	ENRB31151 M4	ENRB31151 M4				
		Through Feed	1/2"	ENRC11151 M4	ENRCB11151 M4	ENRCB11151 M4				
			3/4"	ENRC21151 M4	ENRCB21151 M4	ENRCB21151 M4				
			1"	ENRC31151 M4	ENRCB31151 M4	ENRCB31151 M4				
15 Amp 250 Volt	Dead End	1/2"	ENR11152 M4	ENRB11152 M4	ENRB11152 M4	ENR6152 M4		ENP6152		
		3/4"	ENR21152 M4	ENRB21152 M4	ENRB21152 M4					
		1"	ENR31152 M4	ENRB31152 M4	ENRB31152 M4					
	Through Feed	1/2"	ENRC11152 M4	ENRCB11152 M4	ENRCB11152 M4					
		3/4"	ENRC21152 M4	ENRCB21152 M4	ENRCB21152 M4					
		1"	ENRC31152 M4	ENRCB31152 M4	ENRCB31152 M4					
20 A	20 A Receptacle Rating	Description	Hub Size	Single Gang* Receptacle Assembly Cat. #	Two Gang** Receptacle Assembly Cat. #	Group B Listed‡ Single Gang Assembly Cat. #	Receptacle§ Unit Only Cat. #	NEMA Config.	20 A Plug†† Cat. #	NEMA Config.
UL	20 Amp 125 Volt	Dead End	1/2"	ENR11201 M4	ENRB11201 M4	ENRB11201 M4	ENR5201 M4		ENP5201	
			3/4"	ENR21201 M4	ENRB21201 M4	ENRB21201 M4				
			1"	ENR31201 M4	ENRB31201 M4	ENRB31201 M4				
		Through Feed	1/2"	ENRC11201 M4	ENRCB11201 M4	ENRCB11201 M4				
			3/4"	ENRC21201 M4	ENRCB21201 M4	ENRCB21201 M4				
			1"	ENRC31201 M4	ENRCB31201 M4	ENRCB31201 M4				
SP	20 Amp 250 Volt	Dead End	1/2"	ENR11202 M4	ENRB11202 M4	ENRB11202 M4	ENR6202 M4		ENP6202	
			3/4"	ENR21202 M4	ENRB21202 M4	ENRB21202 M4				
			1"	ENR31202 M4	ENRB31202 M4	ENRB31202 M4				
		Through Feed	1/2"	ENRC11202 M4	ENRCB11202 M4	ENRCB11202 M4				
			3/4"	ENRC21202 M4	ENRCB21202 M4	ENRCB21202 M4				
			1"	ENRC31202 M4	ENRCB31202 M4	ENRCB31202 M4				

\*Single gang assemblies purchased with an EDS back box are suitable for Class I, Groups C, D only. For self-certified Class I, Group B rating, add the suffix "GB" to the catalog number (i.e. ENR21201 GB M4).

\*\*Dual gang assemblies purchased with an EDS back box are suitable for Class I, Groups C, D only. For self-certified Class I, Group B rating, add the suffix "GB" to the catalog number (i.e. ENR22201 GB M4).

‡Single gang assemblies purchased with an EFS back box are suitable for Class I, Group B.

§Receptacle units alone (i.e. ENR5201) are not suitable for Class I, Group B.

††ENP plugs use #12 or #14 AWG type S, SO, ST or STO cord with range of .540 to .635 inches diameter.

Note: Assemblies standard with copper-free aluminum EDS, EDSC, EFS, EFSC back boxes.

**Crouse-Hinds**  
by **EATON**

# ENR Value Series Dead Front Interlocked Circuit Breaking Receptacles

Cl. I, Div. 1 & 2, Groups B†, C, D  
 Cl. II, Div. 1 & 2, Groups F, G  
 Cl. III  
 NEMA 3, 7BCD, 9FG, 12

Explosionproof  
 Dust-Ignitionproof  
 Raintight  
 Wet Locations

**2P**

## ENP Plugs

### Applications:

ENR receptacles and ENP plugs are used:

- With portable electrical equipment such as compressors, tools, lighting systems, and similar devices
- In areas made hazardous by the presence of flammable vapors and gases or combustible dusts
- Wherever portable electrical equipment is likely to be transferred from hazardous to non-hazardous areas
- In damp and corrosive areas
- When power requirements do not exceed 20 amperes
- Where general purpose application is required

### Features:

- *Ark•Gard 2* receptacle incorporates three spring-loaded slide keys that prevent the receptacle face plate from being rotated until the ENP plug is fully inserted into the receptacle. To make the connection, the ENP plug is fully inserted, and the receptacle face moved inward by pushing the plug forward. The plug is then rotated, closing the circuit. As rotation begins, the plug becomes locked in the receptacle and cannot be accidentally disengaged. In making or breaking the circuit, any resulting electrical arc is confined in the factory-sealed chamber.
- Factory-sealed chamber encloses the potential arcing components between two explosionproof threaded joints. These threads are specially coated to guarantee freedom of movement, which ensures on-off action. No additional seals are required.
- One piece molded gasket seals cover plate and ENP plug when plug is inserted, providing full environmental protection at the receptacle face.
- Top-hinged cover design with 45° downward angle provides superior protection in damp, wet, and dirty locations.
- Field assembly is accomplished with standard tools.
- Use standard EDS back boxes.

### Certifications and Compliances:

- NEC:
  - Class I, Division 1 and 2, Groups B†, C, D
  - Class II, Division 1 and 2, Groups F, G
  - Class III
- ANSI/UL Standard 1010
- NEMA/EEMAC 3, 7BCD, 9FG
- CEC:
  - Class I, Division 1 and 2, Groups B, C, D
  - Class II, Division 1 and 2, Group G
  - Class III

### Standard Materials:

- Receptacle housing and spring door – die cast copper-free aluminum
- Interior – *Krydon*® fiberglass-reinforced polyester material
- Contacts: receptacle blade – brass; receptacle switch – silver
- Receptacle cover hinge pin and spring – stainless steel
- Receptacle gasket – neoprene

### Standard Finishes:

- Copper-free aluminum – aluminum acrylic paint
- Brass – natural

### Electrical Rating Ranges:

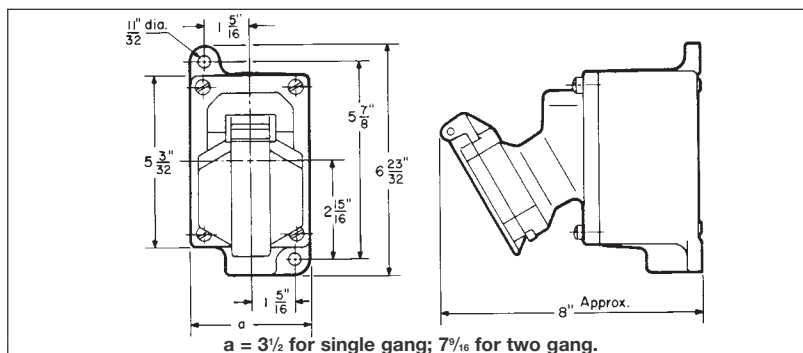
- Receptacles:
  - 15 amperes; 125 VAC and 250 VAC, 50–400 hertz
  - 20 amperes; 125 VAC and 250 VAC, 50–400 hertz

### Grounding:

- NEC Article 501 and CEC Section 18 requires that metal frames or exposed non-current-carrying metal parts of portable devices used in hazardous locations be grounded through an extra conductor in the portable cord. ENR Receptacles and ENP Plugs are provided with an extra grounding pole.

**CAUTION:** To reduce the risk of ignition of hazardous atmospheres, do not use plugs or receptacles in Class II, Group F locations that contain electrically conductive dusts.

### Dimensions In Inches:



†Receptacle units alone (i.e. ENR5201) are not suitable for Class I, Group B.





**2P**

# 2P ENR Value Series Dead Front Interlocked Circuit Breaking Receptacles

## ENP Plugs

Cl. I, Div. 1 & 2, Groups B†, C, D Explosionproof  
 Cl. II, Div. 1 & 2, Groups F, G Dust-Ignitionproof  
 Cl. III Raintight  
 NEMA 3, 7BCD, 9FG, 12 Wet Locations

### Ordering Information:

										
15 A	15 A Receptacle Rating	Description	Hub Size	Single Gang* Receptacle Assembly Cat. #	Two Gang** Receptacle Assembly Cat. #	Receptacle† Unit Only Cat. #	NEMA Config.	15 A Plug‡ Cat. #	NEMA Config.	
SFR	15 Amp 125 Volt	Dead End	1/2"	ENR11151	ENR12151	ENR5151	5-15R	ENP5151	5-15P	
			3/4"	ENR21151	ENR22151					
			1"	ENR31151	ENR32151					
		Through Feed	1/2"	ENRC11151	ENRC12151					
			3/4"	ENRC21151	ENRC22151					
			1"	ENRC31151	ENRC32151					
15 Amp 250 Volt	Dead End	1/2"	ENR11152	ENR12152	ENR6152	6-15R	ENP6152	6-15P		
		3/4"	ENR21152	ENR22152						
		1"	ENR31152	ENR32152						
	Through Feed	1/2"	ENRC11152	ENRC12152						
		3/4"	ENRC21152	ENRC22152						
		1"	ENRC31152	ENRC32152						
UL SFR	20 A Receptacle Rating	20 Amp 125 Volt	Dead End	1/2"	ENR11201	ENR12201	ENR5201	5-20R	ENP5201	5-20P
				3/4"	ENR21201	ENR22201				
				1"	ENR31201	ENR32201				
		Through Feed	1/2"	ENRC11201	ENRC12201					
			3/4"	ENRC21201	ENRC22201					
			1"	ENRC31201	ENRC32201					
	20 Amp 250 Volt	Dead End	1/2"	ENR11202	ENR12202	ENR6202	6-20R	ENP6202	6-20P	
			3/4"	ENR21202	ENR22202					
			1"	ENR31202	ENR32202					
		Through Feed	1/2"	ENRC11202	ENRC12202					
			3/4"	ENRC21202	ENRC22202					
			1"	ENRC31202	ENRC32202					

†Receptacle units alone (i.e. ENR5201) are not suitable for Class I, Group B.  
 \*Single gang assemblies purchased with an EDS back box are suitable for Class I, Group B.  
 \*\*Dual gang assemblies purchased with an EDS back box are suitable for Class I, Group C, D only. For Class I, Group B rating, add the letter B to the Cat. No. Example: ENRB22201. Seals must be installed within 1/2" of each conduit opening.  
 ‡ENP Plugs use #12 or #14 AWG type S, SO, ST or STO cord with range of .540 to .635 inches diameter.  
**Note:** 15A with copper-free aluminum EDS, EDSC back boxes. 20A with Feraloy® iron alloy EDS, EDSC back boxes.

2P

# Ark•Gard® ENC Connectors

Hazardous Locations:  
 CSA Certified  
 Cl. I, Groups B, C, D  
 Cl. II, Group G, Coal Dust  
 Cl. III  
 NEMA 3R, Weatherproof

**2P**

## ENC Connector:

- This ENC connector makes it safe and easy to bring power wherever it is needed. It provides versatility for making cord sets for connecting portable devices in both hazardous and non-hazardous locations

## Applications:

Hazardous ENC Connectors are used:

### Standard maintenance or plant turnarounds to provide power connections for:

- Portable hand lamps for visual inspections
- Portable light fixtures for general illumination
- Portable hand tools such as saws or grinders

### Standard operation to provide a means of quick disconnect to move or disassemble equipment such as:

- Motor generator units
- Portable control rooms
- Pumps and motors

### Common applications include:

- Refineries
- Chemical Plants
- LNG facilities
- Wastewater Treatment Facilities
- Drilling and Exploration

## Certifications and Compliances:

- CSA Certified CSA C22.2 No. 159M
- Class I, Groups B, C, D
- Class II, Group G, Coal Dust
- Class III
- NEMA 3R, Weatherproof
- NEC article 501.140 compliance

## Standard Materials:

- Connector bodies – high impact strength copper-free aluminum
- Insulation – fiberglass-reinforced polyester material
- Contacts: receptacle blade – brass; receptacle switch – silver; plug – brass

## Standard Finishes:

- Aluminum – natural
- Fiberglass-reinforced polyester - red









## Options:

- |  |               |
|--|---------------|
| <b>Description</b>   | <b>Suffix</b> |
| • Corro-free™ epoxy powder finish for added corrosion resistance | S752          |

## Electrical Rating Ranges:

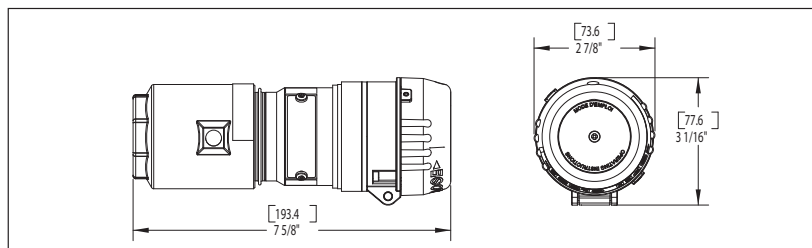
- 15 Amp and 20 Amp
- 125 VAC and 250 VAC

## Ordering Information:

15A/20A Rating	Cord Range	Connector Cat. #	NEMA Config.	Plug Cat. #	NEMA Config.
15 Amp 125 Volt	0.39-1.20	ENC5151 CAN	 5-15R	ENP5151	 5-15P
15 Amp 250 Volt	0.39-1.20	ENC6152 CAN	 6-15R	ENP6152	 6-15P
20 Amp 125 Volt	0.39-1.20	ENC5201 CAN	 5-20R	ENP5201	 5-20P
20 Amp 250 Volt	0.39-1.20	ENC6202 CAN	 6-20R	ENP6202	 6-20P

## Dimensions

In Inches:



## Crouse-Hinds

by **EATON**

**2P**

# 2P Ark•Gard® ENC Connectors

Hazardous Locations:  
 CSA Certified  
 Cl. I, Groups B, C, D  
 Cl. II, Group G, Coal Dust  
 Cl. III  
 NEMA 3R, Weatherproof

## FEATURES AND BENEFITS

### Uni-Shell™ Handle Body:

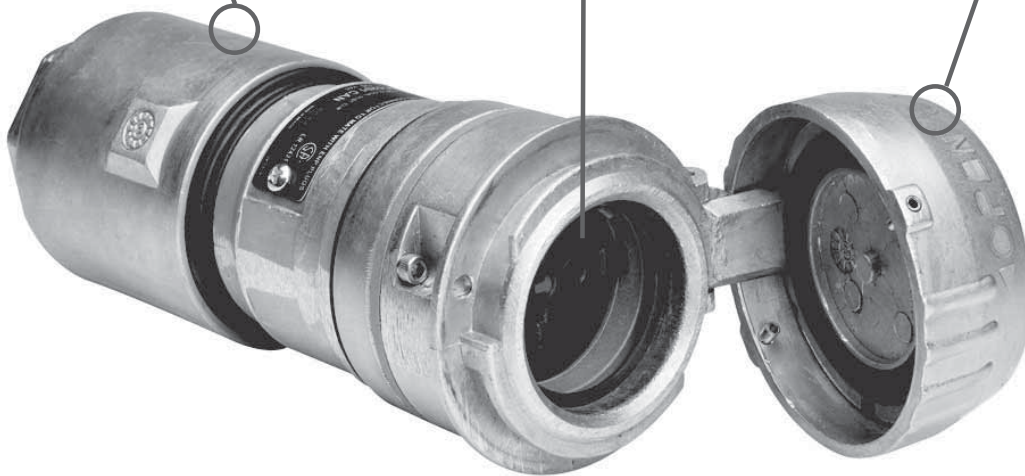
- Provides a smooth durable external surface that prevents the connector from getting snagged on equipment or other cables

### Spring-Loaded Sliding Key Offers Increased Safety:

- Rejects standard NEMA/EEMAC configuration plugs that could cause an arc in a hazardous area
- Prevents the faceplate from being rotated until the ENP plug is fully inserted

### Increased Environmental Reliability with Hinged-Locking Cover:

- Provides weather protection in damp, wet and dirty locations
- Cover stays closed until connection with ENP plug is required



### Plug Gaskets:

- Two gaskets cover the entire range of cable diameters reducing risk of improper assembly
- Gasket ratchets into Tri-Lock cable grip to prevent connector from turning or loosening



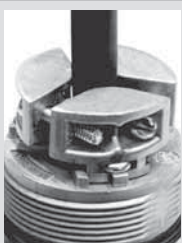
### Improved Safety with Integral Lockout/Tagout:

- Eliminates risk of operator or contractor plugging in process equipment when conditions are unsafe



### Increased Safety with Captive Tri-Lock Design:

- Three points of contact prevent pinching of cables that could damage internal conductors or cable jacket
- Captive screws prevent critical components from getting lost during installation



### Saddle Clamp Terminals:

- Increased safety with easy-to-terminate connection points for reliable conductor terminations



Mates with  
 Eaton's Crouse-Hinds  
 Frustration-Free  
 ENP Plug



### Snap-In Internal Insulator:

- Increases safety of personnel with intermediate insulator between conductors and metallic outer shell



**Crouse-Hinds**  
 by **EAT•N**

## Ark•Gard® Series ENR-GFCI Kits

Cl. I, Div. 1 & 2, Groups B\*, C, D  
Cl. II, Div. 1, Groups E, F, G  
Cl. II, Div. 2, Groups F, G  
Cl. III  
NEMA 3, 7B\*CD, 9EFG, 12

Explosionproof  
Dust-Ignitionproof

**2P**

### Applications:

ENR-GFCI Kits are used:

- To interrupt a circuit when ground fault is detected on equipment which may be handled by personnel in hazardous locations
- With portable electrical equipment such as tools, lighting systems, compressors and similar devices for personnel protection
- In branch circuits of 15 to 20 amperes at 125 volts AC

In applications such as:

- Refineries
- Chemical Plants
- LNG Facilities
- Wastewater Treatment Facilities
- Drilling and Exploration

### Features:

- Allows for a single part number to be specified, ordered and delivered on-site, significantly reducing the cost of order processing, material handling and misplacement of materials.
- Ark•Gard ENR-GFCI Kit components meet all UL and CSA requirements for ground fault protection in hazardous locations.
- Includes all of the value-added features of the ENR Receptacle.
- The GFCI protects personnel against possible injury due to unwanted ground faults; meets requirements for personnel protection as defined in the National Electrical Code®.
- Field installation is accomplished with standard tools.

### Standard Materials:

ENR Receptacle:

- Receptacle housing, spring door and plug body – die cast copper-free aluminum
- Interiors: receptacle – *Krydon*® fiberglass-reinforced polyester material
- Contacts: receptacle blade – brass; receptacle switch – silver
- Receptacle cover hinge pin and spring – stainless steel
- Receptacle gasket – neoprene
- Back Box – Feraloy® iron alloy

GFS Ground Fault Circuit Interrupter:

- Cover – sand cast copper-free aluminum
- Sealing well – die cast copper-free aluminum
- Pushbuttons and guards – stainless steel
- Shaft seals – neoprene
- Interior: body – polycarbonate; contacts – brass

### Standard Finishes:

ENR Receptacle:

- Feraloy iron alloy – electrogalvanized and aluminum acrylic paint
- Copper-free aluminum – aluminum acrylic paint
- Brass – natural

GFS Ground Fault Circuit Interrupter:

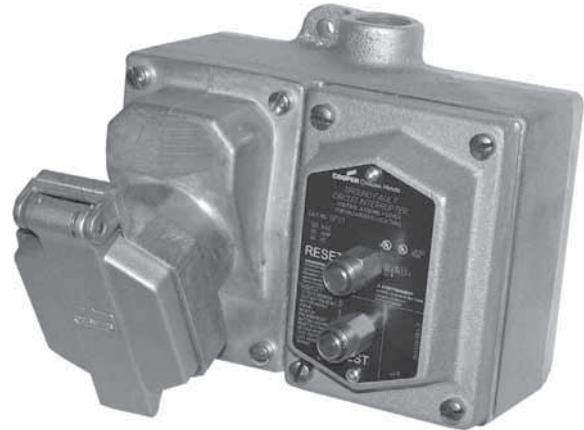
- Copper-free aluminum – aluminum lacquer
- Stainless steel – natural
- Polycarbonate – natural (ivory)
- Brass – natural

### Electrical Rating Ranges:

- 15 and 20 amperes
- 125 VAC
- 5 milliampere trip setting
- Class A per ANSI/UL943

### Certifications and Compliances:

- NEC/CEC Listed Components  
Class I, Division 1 and 2, Groups B\*, C, D  
Class II, Division 1, Groups E, F, G  
Class II, Division 2, Groups F, G  
Class III
- ANSI/UL Standard: 943, 1203
- NEMA/EEMAC 3, 7CD, 9EFG, 12
- CSA Standard: C22.2 No. 30, 144



\*Tested and Eaton's Crouse-Hinds certified for Group B.

**Crouse-Hinds**

by **E•T•N**

www.crouse-hinds.com US: 1-866-764-5454 CAN: 1-800-265-0502 Copyright© 2013 Eaton's Crouse-Hinds Business

1357

**2P**





2P

**Ark•Gard® Series  
ENR-GFCI Kits**

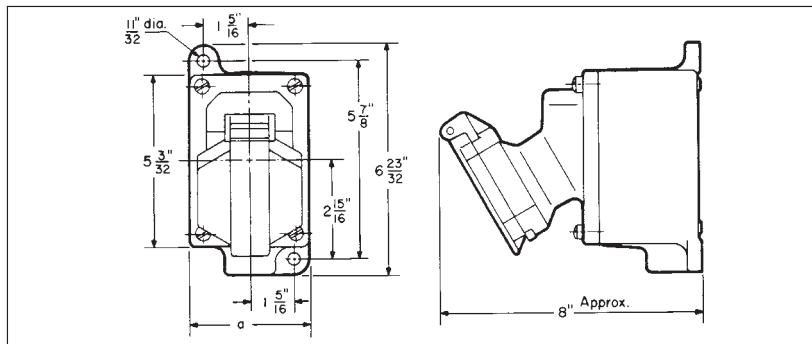
Cl. I, Div. 1 & 2, Groups B\*, C, D  
Cl. II, Div. 1, Groups E, F, G  
Cl. II, Div. 2, Groups F, G  
Cl. III  
NEMA 3, 7B\*CD, 9EFG, 12

Explosionproof  
Dust-Ignitionproof

**Ordering Information:**

Receptacle Rating	Description	Hub Size	Cat. #	NEMA Config.	Plug Cat. #	NEMA Config.
15 Amp 125 Volt	Dead End	1/2" 3/4" 1"	ENR12151 GFI ENR22151 GFI ENR32151 GFI		ENP5151	
	Through Feed	1/2" 3/4" 1"	ENRC12151 GFI ENRC22151 GFI ENRC32151 GFI	5-15R		5-15P
20 Amp 125 Volt	Dead End	1/2" 3/4" 1"	ENR12201 GFI ENR22201 GFI ENR32201 GFI		ENP5201	
	Through Feed	1/2" 3/4" 1"	ENRC12201 GFI ENRC22201 GFI ENRC32201 GFI	5-20R		5-20P

**Dimensions  
In Inches:**



\*Tested and Eaton's Crouse-Hinds certified for Group B.

2P



## Applications:

Portable ENR-GFCI Assemblies are used:

- To interrupt a circuit when a ground fault is detected on portable equipment which may be handled by personnel in hazardous locations
- With electrical equipment such as portable hazardous-rated hand lamps

In applications such as:

- Refineries
- Chemical plants
- LNG facilities

## Features:

- Provides earth leakage protection to maximize safety of plant personnel
- Solution to OSHA's requirements for GFCI protection when using portable equipment in hazardous locations
- LED indicator light provides indication that the receptacle is energized and ready for use
- Available with either a red or green LED indicator light to provide indication that the receptacle is energized and ready for use
- Assemblies still consist of the same high quality components that make up the industry-leading Ark•Gard Series

## Certifications and Compliances:

- UL Standard: 943, 11203
- CSA Standard: C22.2 No. 30

## Standard Materials:

### ENR Receptacle:

- Receptacle housing, spring door and plug body – die cast copper-free aluminum
- Interiors: receptacle – *Krydon*® fiberglass-reinforced polyester material
- Contacts: receptacle blade – brass; receptacle switch – silver
- Receptacle cover hinge pin and spring – stainless steel
- Receptacle gasket – neoprene
- Back box – Feraloy® iron alloy

### GFS Ground Fault Circuit Interrupter:

- Cover – sand cast copper-free aluminum
- Sealing well – die cast copper-free aluminum
- Pushbuttons and guards – stainless steel
- Shaft seals – neoprene
- Interior: body – polycarbonate; contacts – brass

## Standard Finishes:

### ENR Receptacle:

- Feraloy iron alloy – electrogalvanized and aluminum acrylic paint
- Copper-free aluminum – aluminum acrylic paint
- Brass – natural

### GFS Ground Fault Circuit Interrupter:

- Copper-free aluminum – aluminum lacquer
- Stainless steel – natural
- Polycarbonate – natural (ivory)
- Brass – natural

## Electrical Rating Ranges:

- 20 amperes
- 125 VAC
- 5 milliampere trip setting
- Class A per ANSI/UL943

## Options:

- Incandescent pilot light available, consult factory



## Ordering Information:

Amp	Volt	Ground Trip Current	Pilot Light	Cat. #
20	125	5mA	Red LED	ENR22201 PGF1 RLED
			Green LED	ENR22201 PGF1 GLED

2P

# GFS Ground Fault Circuit Interrupter

Cl. I, Div. 1 & 2, Groups C, D  
Cl. II, Div. 1, Groups E, F, G  
Cl. II, Div. 2, Groups F, G  
Cl. III  
NEMA 3, 7CD, 9EFG, 12

Explosionproof  
Dust-Ignitionproof

### Applications:

GFS ground fault circuit interrupters are used:

- With portable electrical equipment such as tools, lighting systems, compressors and similar devices for personnel protection
- In areas made hazardous by the presence of flammable vapors, gases or combustible dusts
- In branch circuits of 15 to 20 amperes at 125 volts AC
- In conjunction with ENR or CPS152 receptacles

### Features:

- Factory sealed chamber encloses the ground fault circuit interrupter (GFCI) and its potentially arcing components in an enclosure with explosionproof ground joints. No additional sealing is required when proper body is used.
- GFCI protects personnel against possible injury due to unwanted ground faults; meets requirements for personnel protection as defined in the *National Electrical Code*®.
- GFCI is feed-through type to serve several receptacles.
- Decentralized GFCI protection on branch circuits permits immediate identification of circuit where a ground fault is occurring; does not interrupt power on total branch circuit if tripped or when periodically tested; significantly reduces incidence of nuisance tripping; provides for use of 125 VAC portable lighting even when working on metal floors or catwalks.
- Field installation is accomplished with standard tools.
- Can be installed on any Eaton's Crouse-Hinds single or multiple gang EDS or EDSC device box.

### Certifications and Compliances:

- NEC/CEC
  - Class I, Division 1 and 2, Groups C, D
  - Class II, Division 1, Groups E, F, G
  - Class II, Division 2, Groups F, G
  - Class III
- ANSI/UL Standard: 943, 1203
- NEMA/EEMAC 3, 7CD, 9EFG, 12
- CSA Standard: C22.2 No. 30, 144

### Standard Materials:

- Cover – sand cast copper-free aluminum
- Sealing well – die cast copper-free aluminum
- Pushbuttons and guards – stainless steel
- Shaft seals – neoprene
- Interior: body – polycarbonate; contacts – brass



### Standard Finishes:

- Copper-free aluminum – aluminum lacquer
- Stainless steel – natural
- Polycarbonate – natural (ivory)
- Brass – natural

### Electrical Rating Ranges:

- 20 amperes
- 125 VAC
- 5 milliamperes trip setting
- Class A per ANSI/UL943

### Ordering Information:

Amps	Description	Cat. #
20	Factory-sealed ground fault circuit interrupter – 5 milliamperes trip	GFS1

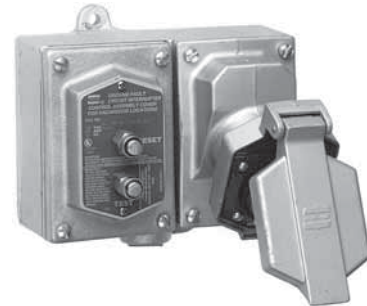
### Application Recommendations:

- GFS-1 can be installed in an EDS back box (see page 517) for point-of-use protection or for protection of downstream receptacles.



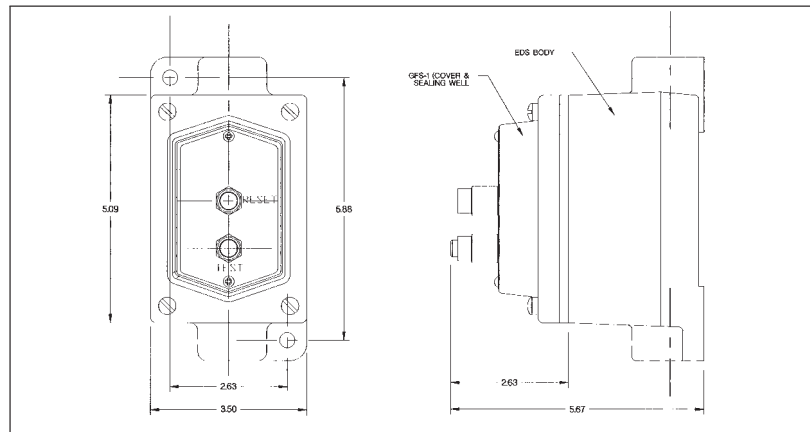
GFS-1 with EDS271 back box

GFS-1 can be used with ENR or CPS receptacles and EDS back box for circuit interrupter protection of portable equipment.



GFS-1 with EDS172 back box and ENR5201 receptacle

### Dimensions In Inches:



**Crouse-Hinds**  
by **EATON**

# CES and CESD Arktite Receptacles

CESD – Cl. I, Div. 1 & 2, Group D\*  
 CES – Cl. I, Div. 1 & 2, Groups C, D  
 Explosionproof  
 Wet Locations  
 Factory Sealed

**2P**

## Delayed Action Circuit Breaking CPH Plugs

### Applications:

CES and CESD receptacles with CPH plugs are used:

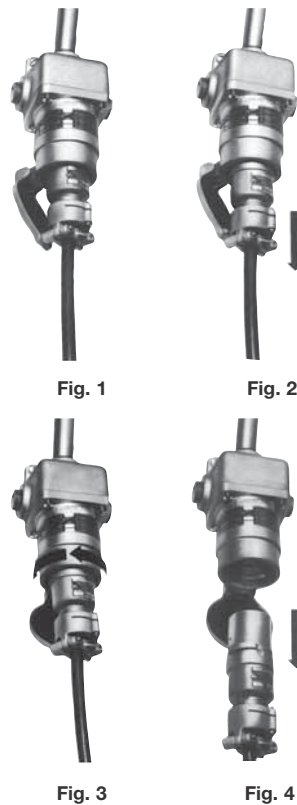
- With portable electrically operated devices such as motor-generator sets, compressors, conveyors, portable tools, lighting systems and similar equipment
- In locations which are hazardous due to the presence of flammable vapors or gases
- In damp or corrosive locations
- At petroleum refineries, chemical and petrochemical plants, and other process industry facilities where similar hazards exist

### Features:

- CES and CESD receptacles are equipped with a delayed action rotating sleeve which prevents complete withdrawal of the CPH plug in one continuous movement
- The delayed action feature permits the plug to be used as an emergency push-pull switch
- Details of operation are illustrated and described to the right:
- Receptacles are factory sealed to simplify installation and wiring. External seals are not required.
- The 30 ampere receptacles are provided with pressure terminals for field connection. The 60 ampere receptacles have flexible leads. Plugs are equipped with solder terminals.
- Two arrangements are provided for the 3/4" and 1 1/4" conduit hubs, as shown in the listings and dimensions see page 1362.

### Certifications and Compliances:

- NEC/CEC:  
 CES – Class I, Division 1 and 2, Groups C, D;  
 CESD – Class I, Division 1 and 2, Group D\*
- ANSI/UL Standard: 1010
- CSA Standard: C22.2 No. 182.1



**Figure 1** above shows a CES receptacle assembly with CPH plug fully engaged.

**Figure 2** shows the plug withdrawn until it is stopped by the delayed action sleeve. In this position the circuit has been broken and the arc has been snuffed in the contact chambers.

**Figure 3** shows the delayed action receptacle sleeve rotated approximately 45° to allow withdrawal of plug from receptacle.

**Figure 4** shows the plug completely withdrawn. To accomplish this, the delayed action sleeve must be rotated counterclockwise. The time required to actuate the mechanism permits dissipation of the arc-generated heat before contacts and arcing chambers are opened to the atmosphere. When inserting the plug, the reverse procedure is followed.

### Options:

The following special options are available from the factory by adding the suffix to the Cat. #:

Description	Suffix
• Special polarity – for use where two or more receptacles of the same ampere rating, style and number of poles are to be installed in the same area for use on different voltages. Receptacle interior rotated 22 1/2° clockwise when viewed from face and plug changed to match .....	S4

### Standard Materials:

- Back boxes – *Feraloy*® iron alloy
- Receptacle housings – 30 ampere – copper-free aluminum; 60 ampere – *Feraloy*® iron alloy
- Plug bodies – copper-free aluminum
- Insulation – *Krydon*® fiberglass-reinforced polyester
- Contacts – brass or hard-drawn copper

### Standard Finishes:

- *Feraloy* – electrogalvanized and aluminum acrylic paint
- Copper-free aluminum – natural
- *Krydon* material – red
- Brass and copper – natural

### Grounding:

- NEC article 501 and CEC Part 1 Section 18 require that metal frames or exposed non-current-carrying metal parts of portable devices used in hazardous locations be grounded through an extra conductor in the portable cord.
- CES and CESD receptacles and CPH plugs are provided with an extra grounding pole for attachment of the grounding wire. In the plugs, provision is made for attachment of the grounding wire to the grounding pole. In addition, direct connection is provided between plug and receptacle housings and the ground pole. In the receptacles, grounding is accomplished through the conduit system.

### Interchangeability of Plugs with Non-hazardous Location Receptacles:

- CPH plugs can also be used with standard AR and NR receptacles of the same ampere rating, style and number of poles, thus permitting portable devices which are suitable for use in hazardous locations to be connected to receptacles in both hazardous and non-hazardous areas
- Portable devices for non-hazardous areas equipped with APJ and NPJ *Arktite* plugs cannot be used with CES and CESD receptacles

### Electrical Rating Ranges:

- 30 and 60 amperes

**2P**

\*For U.S. CESD are also suitable for Class I, Group C when used with immediately adjacent seals.

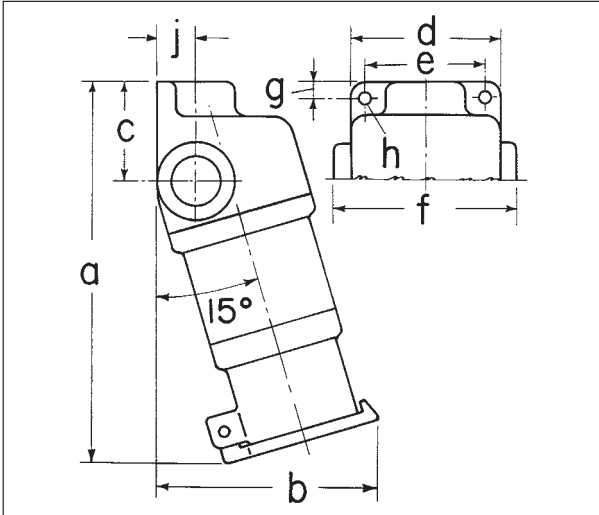
# 2P

## CES and CESD Arktite® Receptacles

Delayed Action Circuit Breaking  
CPH Plugs Dimensions

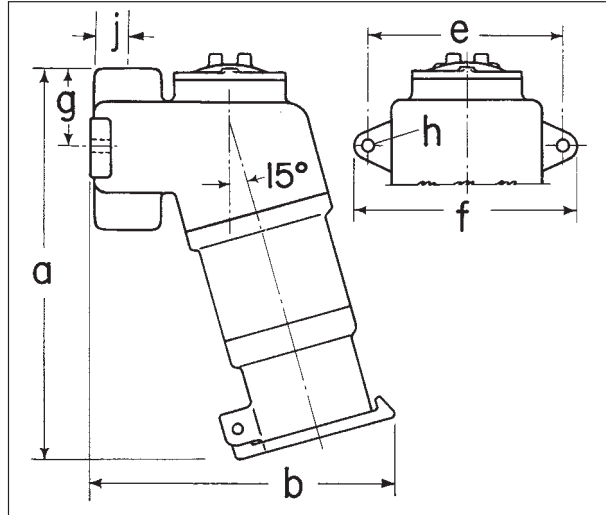
CESD – Cl. I, Div. 1 & 2, Group D\*  
CES – Cl. I, Div. 1 & 2, Groups C, D  
Explosionproof  
Wet Locations  
Factory Sealed

### Dimensions In Inches:



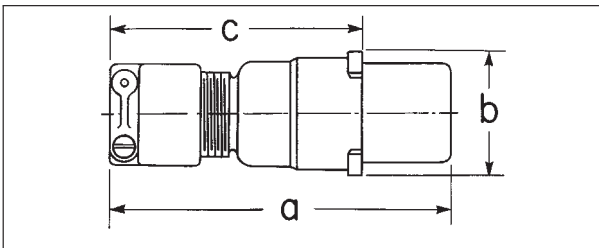
#### CES

Cat. #	a	b	c	d	e	f	g	h	j
CES2213									
CES2214	7 <sup>7</sup> / <sub>16</sub>	4 <sup>5</sup> / <sub>8</sub>	2 <sup>3</sup> / <sub>16</sub>	3 <sup>3</sup> / <sub>8</sub>	2 <sup>3</sup> / <sub>4</sub>	4 <sup>1</sup> / <sub>8</sub>	5 <sup>5</sup> / <sub>16</sub>	1 <sup>1</sup> / <sub>32</sub>	7 <sup>7</sup> / <sub>8</sub>
CES4233									
CES4234	12	7	2 <sup>7</sup> / <sub>8</sub>	5 <sup>1</sup> / <sub>4</sub>	4 <sup>3</sup> / <sub>8</sub>	6 <sup>1</sup> / <sub>8</sub>	7 <sup>7</sup> / <sub>16</sub>	1 <sup>3</sup> / <sub>32</sub>	1 <sup>1</sup> / <sub>8</sub>



#### CESD

Cat. #	a	b	e	f	g	h	j
CESD2213							
CESD2214	7 <sup>5</sup> / <sub>8</sub>	6 <sup>3</sup> / <sub>8</sub>	4 <sup>1</sup> / <sub>4</sub>	5	1 <sup>7</sup> / <sub>8</sub>	1 <sup>1</sup> / <sub>32</sub>	1 <sup>3</sup> / <sub>16</sub>
CESD4233							
CESD4234	13 <sup>1</sup> / <sub>2</sub>	9 <sup>5</sup> / <sub>8</sub>	6 <sup>1</sup> / <sub>4</sub>	7 <sup>1</sup> / <sub>4</sub>	3	1 <sup>3</sup> / <sub>32</sub>	1 <sup>3</sup> / <sub>16</sub>



#### CPH

Cat. #	a	b	c
CPH7713	6	2 <sup>3</sup> / <sub>8</sub>	4 <sup>5</sup> / <sub>16</sub>
CPH7913	6 <sup>7</sup> / <sub>16</sub>	2 <sup>3</sup> / <sub>8</sub>	4 <sup>3</sup> / <sub>4</sub>
CPH7714	6	2 <sup>3</sup> / <sub>8</sub>	4 <sup>5</sup> / <sub>16</sub>
CPH7914	6 <sup>7</sup> / <sub>16</sub>	2 <sup>3</sup> / <sub>8</sub>	4 <sup>3</sup> / <sub>4</sub>
CPH7733	7 <sup>3</sup> / <sub>4</sub>	2 <sup>3</sup> / <sub>4</sub>	5
CPH7933	8 <sup>1</sup> / <sub>8</sub>	2 <sup>3</sup> / <sub>4</sub>	5 <sup>3</sup> / <sub>8</sub>
CPH7734	7 <sup>3</sup> / <sub>4</sub>	3 <sup>1</sup> / <sub>16</sub>	5
CPH7934	8 <sup>1</sup> / <sub>8</sub>	3 <sup>1</sup> / <sub>16</sub>	5 <sup>3</sup> / <sub>8</sub>

2P

\*In U.S. CESD are also suitable for Class I, Group C when used with immediately adjacent seals.

# CES and CESD Arktite® Receptacles

CESD – Cl. I, Div. 1 & 2, Group D\*  
 CES – Cl. I, Div. 1 & 2, Groups C, D  
 Explosionproof  
 Wet Locations  
 Factory Sealed

**2P**

## Delayed Action Circuit Breaking CPH Plugs



CES Receptacles with three hubs – one on each side and one at top – and two pipe plugs with CPH plug fully engaged.



CESD Receptacles with vertical through feed hubs and one pipe plug. Removable threaded cover at top to facilitate pulling wires.

### CES/CESD Receptacles

Hub Size (In.)	Circuit	Phase	Max. HP	Max. Amps	Volts at 60 Cycles AC	CES Cat. #	CESD Cat. #
3/4	2-wire, 3-pole	1	1/2 1 1/2	7 30	480† 120 to 240	CES2213	CESD2213
3/4	3-wire, 4-pole	3	1 3	7 30	480† 120 to 240	CES2214	CESD2214
1 1/4	2-wire, 3-pole	1	3	30 60	480† 120 to 240	CES4233	CESD4233
1 1/4	3-wire, 4-pole	3	5	30 60	480† 120 to 240	CES4234	CESD4234



CPH Plugs with mechanical cable grip and neoprene bushing.

### CPH Plugs

Circuit	Phase	Max. HP	Max. Amps	Volts at 60 Cycles AC	Cable Diameter		
					.375 to .875	.500 to .875	.875 to 1.375
2-wire, 3-pole	1	1/2 1 1/2	7 30	480† 120 to 240	CPH7713		CPH7913
3-wire, 4-pole	3	1 3	7 30	480† 120 to 240	CPH7714		CPH7914
2-wire, 3-pole	1	3	30 60	480† 120 to 240		CPH7733	CPH7933
3-wire, 4-pole	3	5	30 60	480† 120 to 240		CPH7734	CPH7934

†CSA certified units are rated at 600 volts.

\*In U.S. CESD are also suitable for Class I, Group C when used with immediately adjacent seals.

### Crouse-Hinds

by **Eaton**

**2P**

**2P**

---

**2P**

# Plugs and Receptacles Industrial Heavy Duty Interlocked Non-hazardous

3P

Description	Page No.
<b>Application/Selection</b>	<b>see pages 1366–1367</b>
<b>Interlocked Receptacle with –</b>	
<b>Disconnect Switch</b>	
WSR 30, 60, 100A Aluminum	<b>see page 1368</b>
WSRD 30, 60, 100A Sheet Metal	<b>see page 1368</b>
WSRDW 30, 60, 100A Viewing Window	<b>see page 1368</b>
WSRD SM S901 Stainless Steel	<b>see pages 1370–1372</b>
Arkrite® Welder Series	<b>see page 1377</b>
<b>Rotary Switch</b>	
CSR 30 & 60A Non-metallic NEMA 4X	<b>see pages 1374–1376</b>
WSQC 30 & 60A Aluminum	<b>see page 1378</b>
<b>Watertight Krydon® NEMA 4X</b>	
NSR 30, 60 & 100A Switch	<b>see page 1381</b>
NBR 30, 60 & 100A Breaker	<b>see page 1379</b>

3P

# 3P Plugs and Receptacles

## Industrial Heavy Duty Interlocked Application and Selection

### Applications:

- Where extra protection is a requirement; interlocked units provide dead front receptacles; connection cannot be made or broken when unit is under load
- In areas where dirt, moisture, and corrosion are a problem; to supply power for portable electrical equipment and provide safe disconnect means and short circuit protection

### Considerations for Selection:

#### Environmental:

- The environment of the enclosure location in terms of NEMA/EEMAC type required
- Material and construction to withstand rough usage and corrosive atmospheric conditions

#### Electrical:

- Sufficient current carrying capacity to meet load requirements
- Compatibility with electrical system (new or existing installations)
- Interchangeability of plugs with hazardous and non-hazardous area receptacles

#### Function:

- Switch vs. circuit breaker See "Quick Selector Chart" below and "Interchangeability Chart" on next page.

### Options:

- Special polarity and conduit arrangements are available to meet specific needs. See individual listing pages for details.

### Quick Selector Chart

Series	Receptacle Interlocked With	NEMA/EEMAC Rating	Mating Plug	Electrical Characteristics	
CSR	Disconnect switch	3, 4X, 12	APJ/NPJ	Circuit breaker: 30, 60 amp. 600VAC Fusible or non-fusible	Receptacle: 30, 60 amp. 600VAC 3-wire, 4-pole
NBR	Circuit breaker	3, 12	APJ/NPJ	Circuit breaker: 100 amp. frame size 250VDC/600VAC 3-pole	Receptacle: 30, 60, 100 amp. 250VDC/600VAC 3-wire, 3-pole 3-wire, 4-pole
NSR	Disconnect switch	3, 12	APJ/NPJ	Switch: 30, 60, 100 amp. 250VDC/240VAC 600VAC 3-pole Fusible or non-fusible	Receptacle: 30, 60, 100 amp. 250VDC/600VAC 3-wire, 3-pole 3-wire, 4-pole
WSR	Disconnect switch	3R, 4, 12	APJ/NPJ	Switch: 30, 60, 100 amp. 250VDC/240VAC 600VAC 3-pole Fusible or non-fusible	Receptacle: 30, 60, 100 amp. 250VDC/600VAC 3-wire, 3-pole 3-wire, 4-pole
WSRD	Disconnect switch	3R, 12	APJ/NPJ	Switch: 60 amp. 250VDC/240VAC 600VAC 3-pole Fusible or non-fusible	Receptacle: 60 amp. 250VDC/600VAC 3-wire, 3-pole 3-wire, 4-pole

3P



## Industrial Heavy Duty Interlocked Interchangeability Chart

### Interchangeability Chart

Many of the plugs listed in this section can be used interchangeably with receptacles from other sections, both in hazardous and non-hazardous areas, **provided electrical rating and style of plug and receptacle are the same**. The following table is a summary of possible combinations.

Plugs Shown in Section 3P	Can be Used with these Receptacle Series	Listed in Section	Plug & Receptacle Electrical Rating
AP	AR	1P	200 and 400 amp. 3-wire, 4-pole
APJ/NPJ	AR DBR, EBBR FSQ, EPC, EPCB	1P 4P 4P	30, 60, 100 amp. 3-wire, 3-pole 3-wire, 4-pole
SP	BHR	4P	30, 60, 100 amp. 2-wire, 3-pole 3-wire, 4-pole 4-wire, 5-pole



# 3P

## WSR, WSRD, WSRDW Interlocked Arktite® Receptacles with Enclosed Disconnect Switches

30, 60, 100A  
 NEMA 3, 3R, 4, 12  
 Raintight  
 Watertight  
 Corrosion-Resistant  
 UL and cUL Listed

**WSR**



**Aluminum  
 NEMA 3R, 4, 12**

**WSRD**



**Sheet Metal  
 NEMA 3R, 12**

**WSRDW**



**Sheet Metal  
 Viewing Window  
 NEMA 3R, 12**

### Applications:

- The WSR and WSRD disconnect switches are used as a service outlet for portable or fixed electrical equipment – generators, compressors, welders, etc.
- They are designed for use in non-hazardous areas where dust, moisture and corrosion may be a problem.
- Designed for flush or surface mounting.
- A fusible type switch, when used, also provides short circuit protection.

### Features:

#### WSR and WSRD/WSRDW:

- Switches are NEMA type HD heavy duty 3-pole, with visible blades; a quick make-and-break mechanism with reinforced, positive pressure type blade and jaw construction. Fusible types have fuse clips with steel reinforcing springs of positive pressure type. Pressure connectors are used for wire connectors.
- For maximum safety, the spring door receptacle at the bottom of the unit is mechanically interlocked with the switch operating mechanism. The switch *cannot be closed* until the plug is fully inserted and the plug *cannot be withdrawn or inserted* unless the switch is open. With the switch open, *accidental plug withdrawal is prevented* by the interlock mechanism. Withdrawal can only be accomplished by activation of the interlock release lever located on the receptacle.
- Enclosures are compact and rectangular in shape with a gasketed, hinged door.
- Enclosure, handle and other exterior parts are corrosion resistant.

- The switch enclosure covers are interlocked with the body and operating mechanism and cannot be opened when the plug is engaged and the switch is closed ("ON"). When the switch *is open*, the switch *cannot* be put in a closed ("ON") position with the door open.

#### WSR:

- Mounting lugs may be rotated 90° or moved to the vertical centerline portion for pole mounting.
- Side hinged covers are retained in a closed position by compression spring draw-pull catches, which permit the opening or closing of the cover without tools.
- The switch operating handle may be padlocked in the "ON" or "OFF" position, thereby preventing unauthorized operation of the switch and/or opening of the enclosure. Up to three padlocks may be used. In addition, a unique hinge arrangement has been devised to allow the door of the unit to be padlocked. This feature allows operation while preventing unqualified or unauthorized entry.

### Certifications and Compliances:

#### WSR:

- NEMA 3R, 4, 12 (enclosure)
- UL Standard 98
- cUL Standard C22.2 No. 4

#### WSRD/WSRDW:

- NEMA 3R, 12
- UL Standard 98
- cUL Standard C22.2 No. 4

### Standard Materials:

#### WSR and WSRD/WSRDW:

- Receptacle housings and plug exteriors – copper-free aluminum
- Insulation (plug and receptacle) – fiberglass-reinforced polyester
- Pressure contacts – brass
- Crimp/solder contacts – leaded red brass

#### WSR:

- Enclosure – copper-free aluminum
- Operating handle – copper-free aluminum
- Other exterior parts – stainless steel

#### WSRD/WSRDW:

- Enclosure – sheet steel
- Operating handle – sheet steel
- Other exterior parts – stainless steel

### Standard Finishes:

- Copper-free aluminum – WSR enclosure, plug exteriors – natural
- Leaded red brass – electro-tin-plate
- Brass – natural
- Sheet steel – baked grey enamel
- Fiberglass-reinforced polyester – natural (red)

### Electrical Rating Ranges:

- 3 and 4 pole; fusible or non-fusible; 240 VAC, 250 VDC; 600 VAC
- 30, 60, 100 amperes
- 7½ to 75 HP

### Options:

Description	Suffix
• Interiors rotated 22½° to the right (viewed from face).....	<b>S4</b>
• Auxiliary switch, 600 VAC-DC heavy duty pushbutton station rating, can be supplied, and its contacts will close after safety switch contacts open and close before safety switch opens.....	<b>S483</b>

**Crouse-Hinds**  
 by **EATON**

3P

# WSR, WSRD, WSRDW Interlocked Arktite® Receptacles with Enclosed Disconnect Switches

30, 60, 100A  
NEMA 3, 3R, 4, 12  
Raintight  
Watertight  
Corrosion-Resistant  
UL and cUL Listed

**3P**

## APJ/NPJ Plugs

System	Amps	Conduit Opening Sizes§	WSR			WSRD‡■ For viewing window see note 2			
			240VAC 600VAC 250VDC Cat. #	Max. HP Rating 240VAC	Max. HP Rating 480VAC	Max. HP Rating 600VAC	600VAC 250VDC Cat. #	Max.† HP Rating 480VAC	Max.† HP Rating 600VAC
3-Wire, 3-Pole Style 1, Fusible	30	1	WSR3351*	7½	15	20	WSRD3351*	15	20
	60	1¼	WSR6351*	15	30	50	WSRD6351*	30	50
	100	1½	WSR10351*	30	60	75	WSRD10351*	60	75
3-Wire, 4-Pole Style 2, Fusible	30	1	WSR3352*	7½	15	20	WSRD3352*	15	20
	60	1¼	WSR6352*	15	30	50	WSRD6352*	30	50
	100	1½	WSR10352*	30	60	75	WSRD10352*	60	75
3-Wire, 3-Pole Style 1, Non-fusible	30	1	WSR33541	7½	15	20	WSRD33541	15	20
	60	1¼	WSR63541	15	30	50	WSRD63541	30	50
	100	1½	WSR103541	30	60	75	WSRD103541	60	75
3-Wire, 4-Pole Style 2, Non-fusible	30	1	WSR33542	7½	15	20	WSRD33542	15	20
	60	1¼	WSR63542	15	30	50	WSRD63542	30	50
	100	1½	WSR103542	30	60	75	WSRD103542	60	75

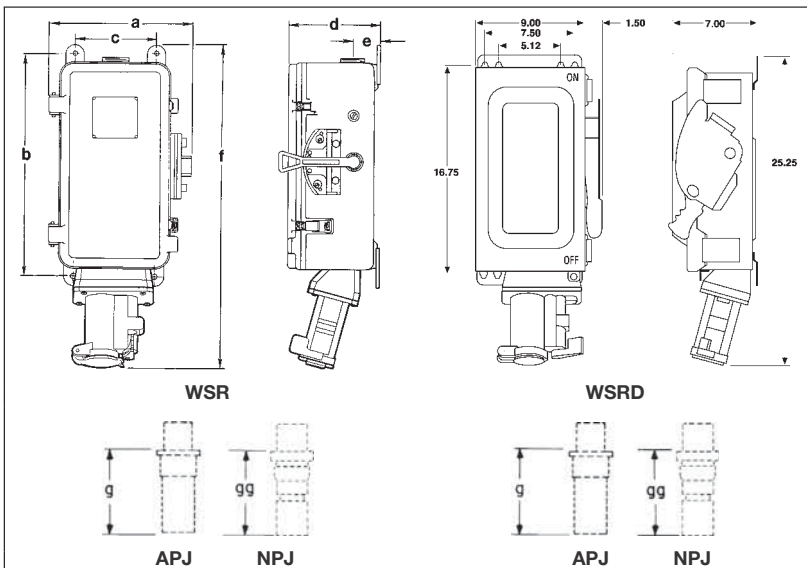
\*Arranged for NEC Class H fuses. May be field converted to NEC Class J fuses.  
§Furnished with reducer which may be removed to obtain one size larger opening. Locknut and bushing used must meet NEC requirements (WSR only).  
†Ratings of unfused and fusible switches with time delay fuses.  
■ Viewing window – add "W" to prefix, i.e.: WSRDW6352.  
‡Conduit entrances not furnished.

## APJ/NPJ Plugs

Amps	Max. Volts	Outside Dia. of Cable, Flexible Conduit or Armored Cable	Style 1†† 3-wire, 3-pole Cat. #	Style 2†† 3-wire, 4-pole Cat. #
30	250 DC	0.60 to 1.20	APJ3375	APJ3485
	600 AC	0.55 to .070 0.70 to 0.85		NPJ3483 NPJ3484
60	250 DC	0.75 to 1.45	APJ6375	APJ6485
	600 AC	0.75 to 1.07 1.07 to 1.35		NPJ6484 NPJ6485
100	250 DC	1.00 to 1.70	APJ10377	APJ10487
	600 AC	0.93 to 1.21 1.21 to 1.50		NPJ10486 NPJ10487

††Style 1 - Grounded through shell. Style 2 - Grounded through extra pole and shell. For a detailed description of these grounding methods, see pages 1312-1313.

## Dimensions In Inches:



### WSR

Dims.	30 Amps	60 Amps	100 Amps
a	11¼	11¼	14⅞
b	20⅞	20⅞	26⅞
c	6⅞	6⅞	9⅞
d	7¼	7¼	8¼
e	2⅝	2⅝	2⅞
f	27⅞	28⅞	35⅞
g	4¾	5¼	7¼
gg	7	6⅞	7¾
Mtg. Holes	⅜	⅜	7/16

Dim. "g" and "gg" are exposed portion of plug when engaged with receptacle.

### WSRD

Dims.	60 Amps
g	5⅞
gg	6⅞
Mtg. Holes	5/16

Dim. "g" and "gg" are exposed portion of plug when engaged with receptacle.

## Crouse-Hinds

by E.T.N

www.crouse-hinds.com US: 1-866-764-5454 CAN: 1-800-265-0502 Copyright© 2013 Eaton's Crouse-Hinds Business

1369

**3P**

3P

# Arktite® WSRD SM S901 Stainless Steel Interlocked Receptacles

Fused and Non-fused

30, 60 and 100 Amp  
Enclosure Type 3, 4, 4X, 12  
IP66  
UL and cUL Listed

Watertight  
Corrosion-Resistant

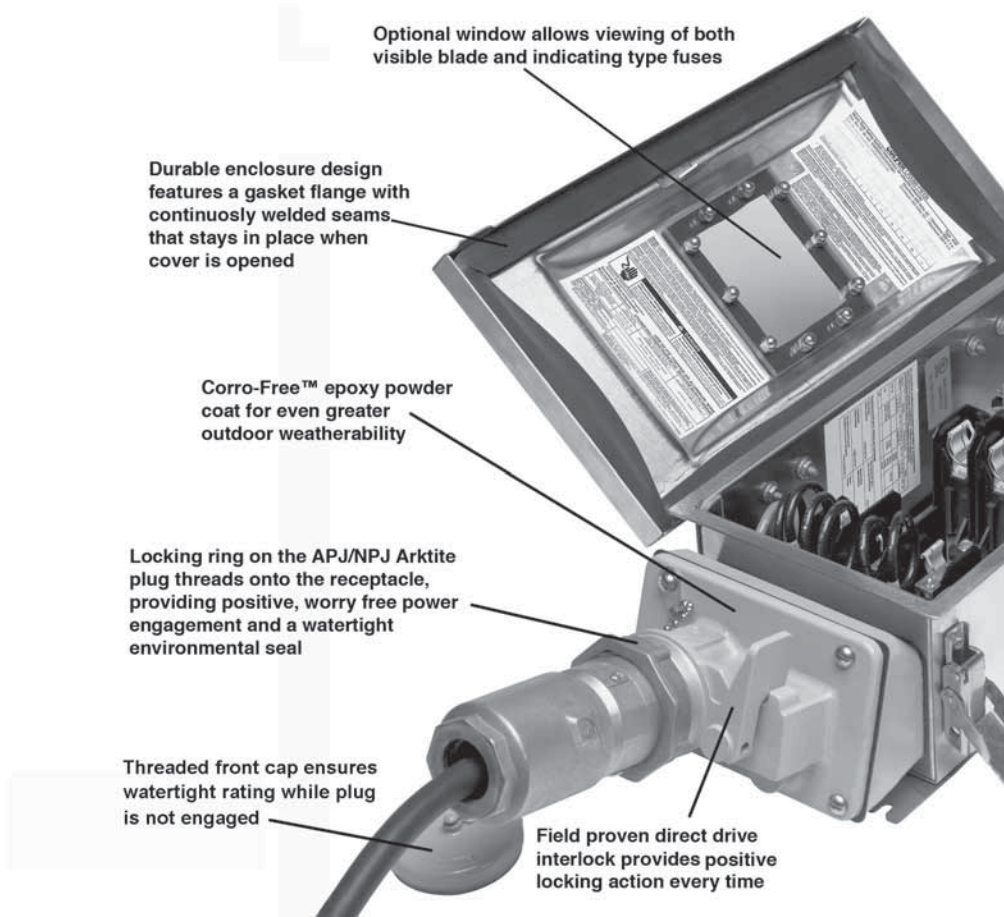
## WSRD SM S901 Series Stainless Steel Arktite® Interlocked Receptacles

Eaton's Crouse-Hinds Arktite Stainless Steel Interlocks prevent engagement and disengagement of the plug under load, providing safe portable connections and extended product life.

Available in 30-100 Amp in both fused and non-fused versions, the Stainless Steel Interlock is rated Enclosure Type 4X watertight and features an optional viewing window.

## Arktite Stainless Steel Interlocked Receptacles:

- Supply power to portable or fixed electrical equipment such as welders, compressors, conveyors, portable tools, lighting systems and similar equipment.
- Are used in damp or corrosive locations.
- Are ideal for use in wet locations and hosedown areas.



### Additional Features and Benefits:

- Heavy duty Arktite receptacle is compatible with existing Eaton's Crouse-Hinds Arktite plugs of same rating and configuration
- Self-wiping, naval brass contacts in receptacle assure reliable performance and long, dependable life
- Stainless steel interior hardware
- Ground bar supplied as standard and connected to 4th wire in receptacle
- UL and cUL Listed

### Ordering Information: 3-Pole, 4-Wire, 600 VAC

Amps	Cat. #	Description	Weight (lbs.)	Eaton's Crouse-Hinds Mating Arktite Plug Cat. #
30	WSRDW3352 SM S901	Fused with Window	24	APJ3485 & NPJ3485
30	WSRD33542 SM S901	Non-fused	22	APJ3485 & NPJ3485
30	WSRDW33542 SM S901	Non-fused with Window	22	APJ3485 & NPJ3485
60	WSRDW6352 SM S901	Fused with Window	30	APJ6485 & NPJ6485
60	WSRD63542 SM S901	Non-fused	29	APJ6485 & NPJ6485
60	WSRDW63542 SM S901	Non-fused with Window	29	APJ6485 & NPJ6485
100	WSRDW10352 SM S901	Fused with Window	36	APJ10487 & NPJ10487
100	WSRD103542 SM S901	Non-fused	35	APJ10487 & NPJ10487
100	WSRDW103542 SM S901	Non-fused with Window	35	APJ10487 & NPJ10487

**Crouse-Hinds**  
by **EATON**

3P

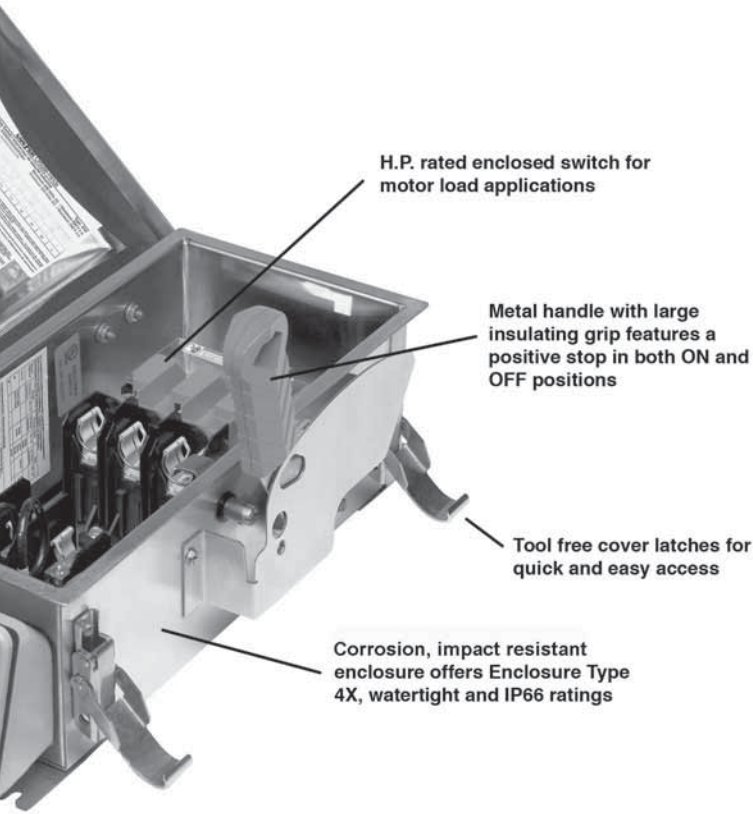
# Arktite® WSRD SM S901 Stainless Steel Interlocked Receptacles

Fused and Non-fused

30, 60 and 100 Amp  
Enclosure Type 3, 4, 4X, 12  
IP66  
UL and cUL Listed

Watertight  
Corrosion-Resistant

**3P**



H.P. rated enclosed switch for motor load applications

Metal handle with large insulating grip features a positive stop in both ON and OFF positions

Tool free cover latches for quick and easy access

Corrosion, impact resistant enclosure offers Enclosure Type 4X, watertight and IP66 ratings



Optional window allows viewing of both visible blade and indicating type fuses.



Plug locks into receptacle, providing positive, worry-free power engagement as well as watertight protection.



Complies with OSHA lockout/tagout requirements.

## Certifications and Compliances:

- UL Listed – (UL Standards 98, 1682)
- cUL Listed (Certified by UL to CSA Standards C22.2 Nos. 4, 182.1)
- Enclosure Type 3, 4, 4X, 12
- IP66 Enclosure

## Standard Materials:

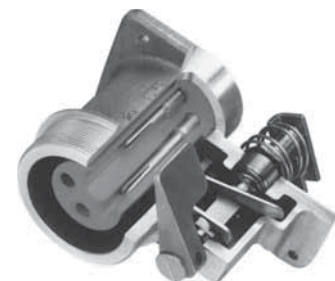
- Enclosure – Type 304 stainless steel
- Hardware – stainless steel
- Receptacle Housing – aluminum
- Power Contacts – naval brass
- Interlock Mechanism – stainless steel

## Standard Finishes:

- Stainless Steel – natural
- Aluminum – Corro-free™ epoxy powder
- Brass – natural

## Options:

Description	Suffix
• Factory Installed Auxiliary Contacts.....	<b>S483</b>
• Rotated Interior (22½° to right).....	<b>S4</b>



Heavy-duty, epoxy coated cast aluminum receptacle with stainless steel interlocking mechanism for superior durability and corrosion resistance.

**3P**

**Crouse-Hinds**

by **Eaton**

**3P**

# Arktite® WSRD SM S901 Stainless Steel Interlocked Receptacles

Fused and Non-fused

30, 60 and 100 Amp  
Enclosure Type 3, 4, 4X, 12  
IP66  
UL and cUL Listed

Watertight  
Corrosion-Resistant

## Horsepower Ratings

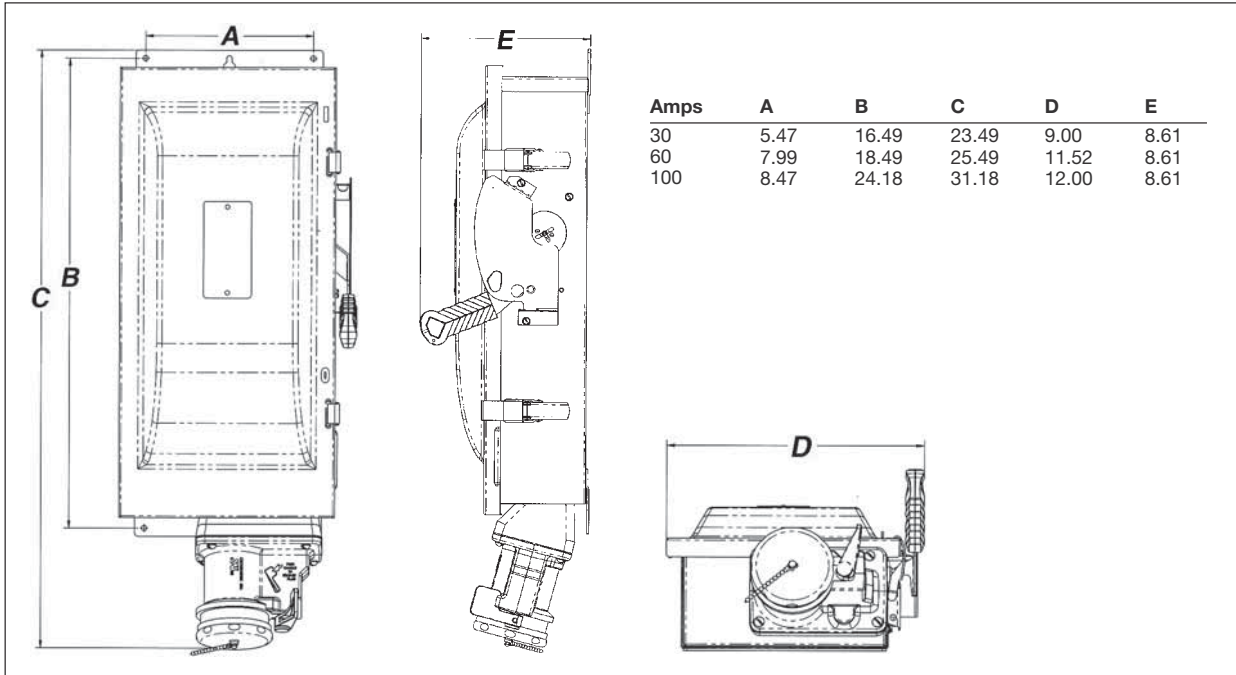
Cat. #	Amps	Fusing	240 VAC (1 PH)	240 VAC (3 PH)	480 VAC (1 PH)	480 VAC (3 PH)	600 VAC (1 PH)	600 VAC (3 PH)	250 VDC
WSRD33542 SM S901	30	Non-fused	5	10	7.5	20	10	30	5
WSRDW33542 SM S901	30	Non-fused	5	10	7.5	20	10	30	5
WSRDW3352 SM S901	30	Fused	1.5 (3)	3 (7.5)	3 (7.5)	5 (15)	3 (10)	7.5 (20)	5
WSRD63542 SM S901	60	Non-fused	10	20	20	50	25	60	10
WSRDW63542 SM S901	60	Non-fused	10	20	20	50	25	60	10
WSRDW6352 SM S901	60	Fused	3 (10)	7.5 (15)	5 (20)	15 (30)	10 (25)	15 (50)	10
WSRD103542 SM S901	100	Non-fused	15	40	30	75	40	100	20
WSRDW103542 SM S901	100	Non-fused	15	40	30	75	40	100	20
WSRDW10352 SM S901	100	Fused	7.5 (15)	15 (30)	10 (30)	25 (60)	15 (40)	30 (75)	20

**Note:**

Values for Non-Fused units are maximum horsepower.

Values for Fused units are standard horsepower with standard fuse and (maximum horsepower with time delay).

## Dimensions In Inches:



3P



3P

# Arktite® CSR Series Non-metallic Interlocked Receptacles

Fused and Non-fused

30, 60 and 100 Amp  
Enclosure Type 3, 4, 4X, 12  
IP66  
UL and cUL Listed

Watertight  
Corrosion-Resistant

## CSR Series Compact Interlocked Arktite® Receptacles

*Eaton's Crouse-Hinds interlocked receptacles prevent engagement and disengagement of the plug under load, providing safe portable connections and extended product life.*

### Arktite Compact Interlocked Receptacles are Used:

- To supply power to portable or fixed electrical equipment such as welders, compressors, conveyors, portable tools, lighting systems and similar equipment.
- In damp or corrosive locations.
- In wet locations.
- In hosedown areas.

Threaded front cap ensures watertight rating while plug is not engaged

Locking ring on the APJ/NPJ Arktite plug threads onto the receptacle, providing positive, worry free power engagement and a watertight environmental seal

Field proven direct drive interlock provides positive locking action every time

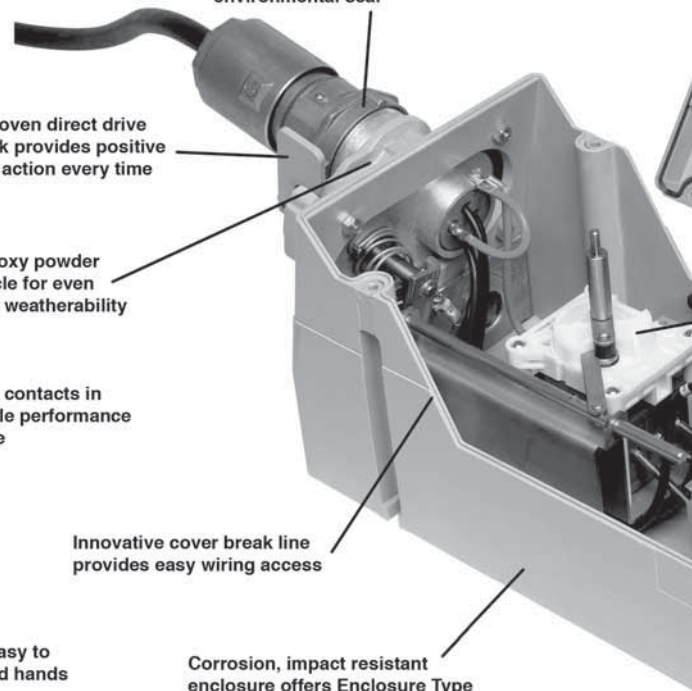
Corro-free™ epoxy powder coated receptacle for even greater outdoor weatherability

Self-wiping, naval brass contacts in receptacle assure reliable performance and long dependable life

Innovative cover break line provides easy wiring access

Large rotary handle is easy to operate even with gloved hands

Corrosion, impact resistant enclosure offers Enclosure Type 4X, watertight, IP66 rating



### Additional Features and Benefits:

- Enclosure Type 4X, watertight, IP66.
- Compact enclosure is designed to fit into the web of an I-beam.
- Heavy duty Arktite® receptacle is compatible with existing Eaton's Crouse-Hinds Arktite® plugs of same rating and configuration.
- Eaton's Bussmann CubeFuse™ with Indicator – the world's first "finger-safe" industrial power fuse.
- Front mounted handle permits the interlocked receptacles to be easily mounted side by side or in tight spots.
- Molded-in-place mounting feet require only four screws to mount the entire unit.
- UL and cUL Listed.

### Ordering Information: 600 VAC

Amps	Configuration	Hub Size	Fusing	Cat. #	Mating Cat. #
30	3W, 4P	1"	Fused	CSR3352	APJ3485/NPJ3484
30	3W, 4P	1"	Non-fused	CSR33542	APJ3485/NPJ3484
60	3W, 4P	1 1/4"	Fused	CSR6352	APJ6485/NPJ6484
60	3W, 4P	1 1/4"	Non-fused	CSR63542	APJ6485/NPJ6484

**Crouse-Hinds**  
by **EATON**



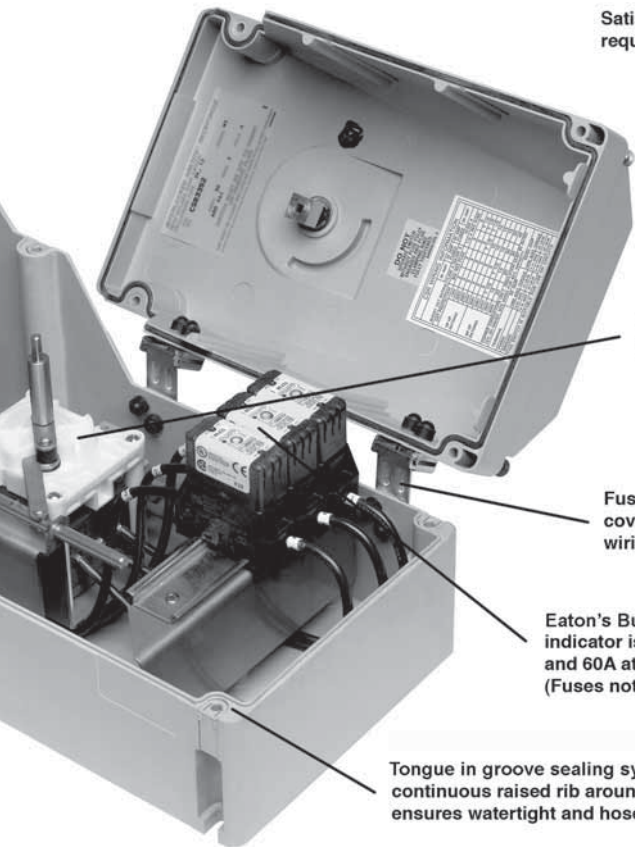
# Arktite® CSR Series Non-metallic Interlocked Receptacles

Fused and Non-fused

30, 60 and 100 Amp  
Enclosure Type 3, 4, 4X, 12  
IP66  
UL and cUL Listed

Watertight  
Corrosion-Resistant

**3P**



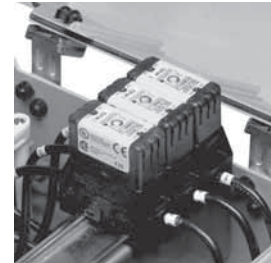
Satisfies OSHA lockout / tagout requirements

H.P. rated enclosed switch for motor load applications

Fused CSR offers a hinged cover for easy access when wiring or replacing fuses.

Eaton's Bussmann CubeFuse™ with indicator is fully rated for 30A and 60A at 600VAC. (Fuses not included.)

Tongue in groove sealing system with continuous raised rib around enclosure ensures watertight and hosedown ratings



Fully rated for 30A and 60A at 600 VAC. For use with Eaton's Bussmann CubeFuse. Fuses not included.



Plug locks into receptacle, providing positive, worry-free power engagement as well as watertight protection.



Complies with OSHA lockout / tagout requirements.

## Certifications and Compliances:

- UL Listed – (UL Standards 508, 1682)
- cUL Listed (Certified by UL to CSA Standards C22.2 Nos. 14, 182.1)
- Enclosure Type 3, 4, 4X, 12
- IP66 Enclosure

## Standard Materials:

- Enclosure – fiber reinforced polyester
- Hardware – stainless steel
- Receptacle Housing – aluminum
- Power Contacts – naval brass
- Interlock Mechanism – stainless steel
- Zinc Hubs – NEMA 4X

## Standard Finishes:

- Aluminum – Corro-free™ epoxy powder
- Brass – natural
- Stainless Steel – natural

## Options:

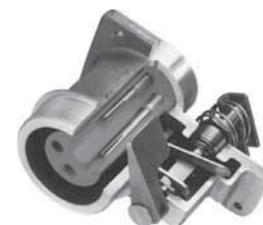
Description	Suffix
• Factory Installed Auxiliary Contacts.....	<b>S483</b>
• Rotated Interior (22½° to right).....	<b>S4</b>

## Horsepower Ratings:

Amps	250 VAC	480 VAC	600 VAC
30	10 HP	20 HP	25 HP
60	20 HP	40 HP	40 HP

## Crouse-Hinds

by **E.T.N**



Heavy-duty, epoxy coated cast aluminum receptacle with stainless steel interlocking mechanism for superior durability and corrosion resistance.

**3P**

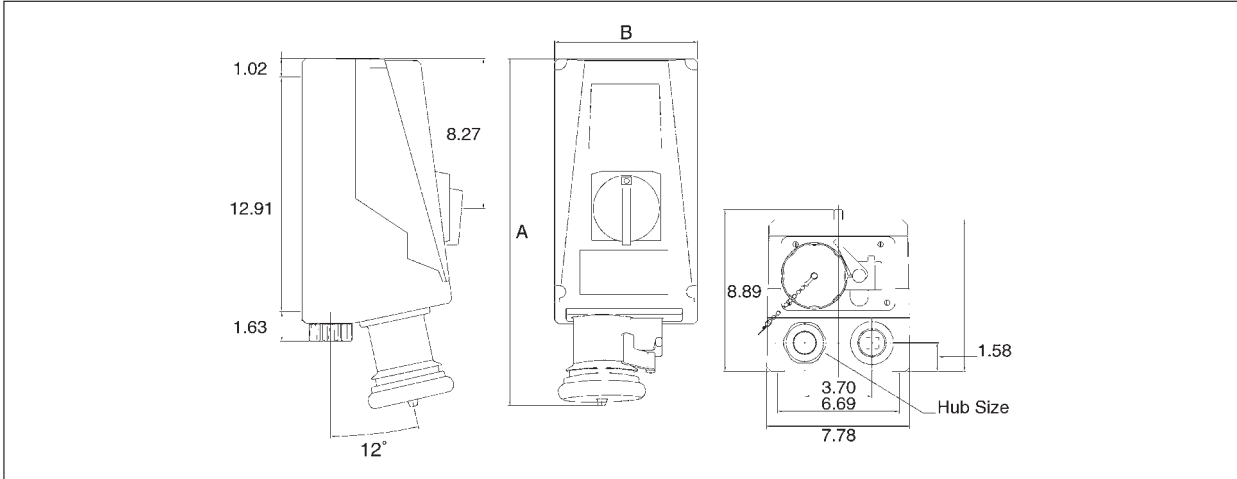
**3P**

**Arktite® CSR Series  
Non-metallic Interlocked  
Receptacles  
Fused and Non-fused**

30, 60 and 100 Amp  
Enclosure Type 3, 4, 4X, 12  
IP66  
UL and cUL Listed

Watertight  
Corrosion-Resistant

**Dimensions  
In Inches:**



Amps	Style	Dimension A	Dimension B	Hub Size
30	Fused	18.26	8.00	1"
30	Non-fused	18.26	7.87	1"
60	Fused	19.26	8.00	1¼"
60	Non-fused	19.26	7.87	1¼"

3P

Interlocked Power Modules

Eaton's Crouse-Hinds Interlocked Power Modules are ideal for the harsh, heavy duty environments of welding applications. The Welder Series Power Module is a unique patented design that employs a mechanical interlock linkage system that interfaces with the power receptacle and the built in circuit breaker. It is ideal for protecting the safety of your personnel and your valuable welding equipment.

Applications:

- Ship building yards
- Ports
- Offshore platform fabrication yards
- Test stations at remote sites
- Military heavy equipment manufacturing

Features:

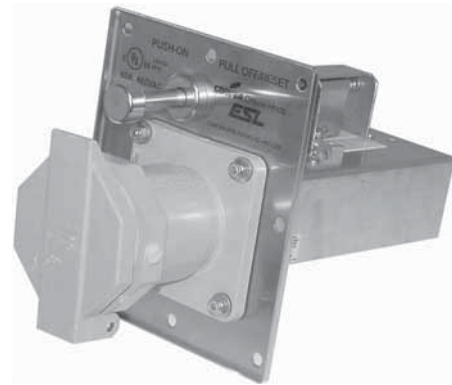
- Mechanically interlocked to prevent insertion or withdrawal of plug under load
- Circuit breaker protected
- Stainless steel and die cast construction provides durability and corrosion resistance
- Flanged design for easy panel mounting and flexibility of Power Stand design
- Arktite® receptacle accepts existing Eaton's Crouse-Hinds Arktite die cast and Krydon® plugs of the same rating and configuration

Certifications and Compliances:

- UL/cUL Listed Module
- UL 498 Listed
- CSA Certified Molded Case Circuit Breaker

Standard Materials and Finishes:

- Frame, On/Off Rod, Interlock Mechanism, Fasteners - Stainless steel
- Receptacle Housing - Die cast aluminum or Krydon
- Power Contacts - Naval brass
- Receptacle Insulator - Krydon



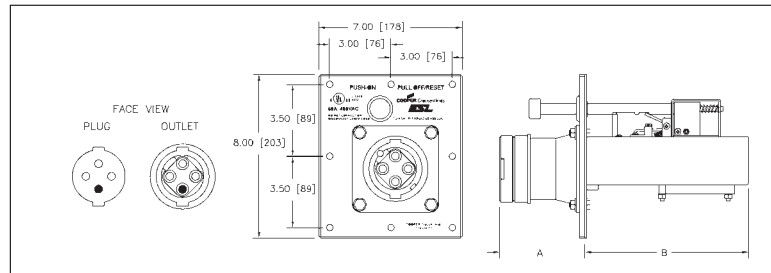
Ordering Information:

3 Wire 4 Pole 480 VAC 22K AIC Rating\*

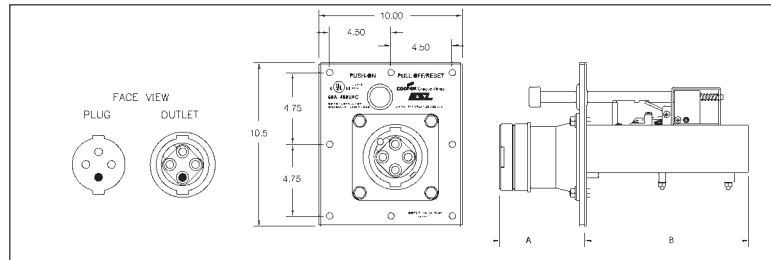
Amps	Recept.	Cat. #	Dimensions	
			A	B
30	Die cast	<b>M4IPM AR342 3048022K</b>	2.8	8.00
30	Krydon	<b>M4IPM NR342 3048022K</b>	3.1	8.00
60	Die cast	<b>M4IPM AR642 6048022K</b>	4.3	8.00
60	Krydon	<b>M4IPM NR642 6048022K</b>	4.5	8.00
100	Die cast	<b>M4IPM AR1042 10048022K</b>	5.3	8.00
100	Krydon	<b>M4IPM NR1042 10048022K</b>	5.6	8.00
200	Die cast	<b>M4IPM AR2042 20048022K</b>	7.3	10.0
200	Die cast	<b>M4IPM AR2042 20060010K</b>	7.3	10.0
200	Die cast	<b>M4IPM AR2042 20060025K</b>	7.3	10.0

\*65K AIC rating available, substitute 65K for 22K in catalog number

Dimensions - 30, 60, 100 A  
In Inches:



Dimensions - 200 A  
In Inches:



**3P****WSQC Interlocked Arktite®  
Receptacles with Enclosed  
Switches****APJ Plugs**30 and 60A  
600 VAC  
NEMA 3R, 12Raintight  
Dust-tight**Applications:**

WSQC dead front interlocked receptacles with APJ, NPJ, BP or FP plugs are used:

- To supply power to portable electrical equipment such as hand lamps, lighting systems, power tools, conveyors, welders, compressors, etc.
- In damp, wet or corrosive locations
- Indoors or outdoors in non-hazardous areas
- In locations where mounting area is confined and compact equipment is required

**Features:**

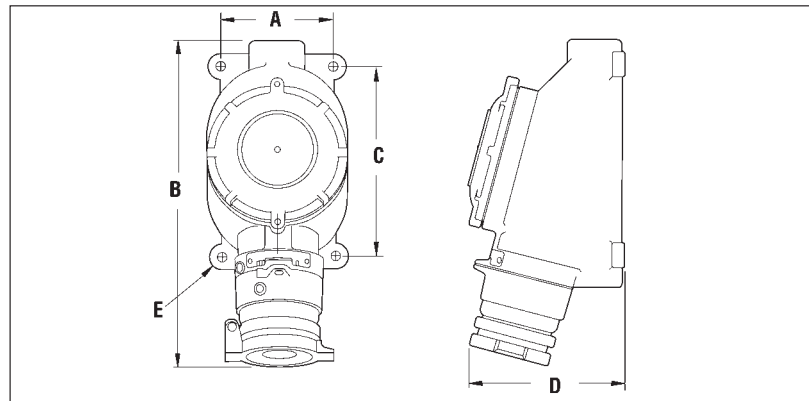
- NEMA 3R, 12
- Rainproof, dust-tight
- Available in 30 and 60 amps
- Horsepower rated switch
- Smallest footprint for interlocked receptacles
- Padlockable in OFF position; meets OSHA lockout/tagout requirements
- Compatible with Arktite® APJ aluminum and NPJ Krydon® material non-metallic plugs

**Certifications and  
Compliances:**

- NEMA 3R, 12
- CSA Standard: C22.2 No. 14, 182.1
- UL and cUL Listed

**Standard Materials:**

- Enclosure – copper-free aluminum
- Cover and spring door – copper-free aluminum
- Insulator – Krydon® material
- Contacts – brass
- Cover gasket – neoprene

**Dimensions  
In Inches:**

Amps	A	B	C	D	E
30A	3 <sup>1</sup> / <sub>8</sub>	9 <sup>3</sup> / <sub>4</sub>	—	5 <sup>3</sup> / <sub>4</sub>	3 <sup>3</sup> / <sub>8</sub>
60A	5	14 <sup>7</sup> / <sub>16</sub>	8 <sup>1</sup> / <sub>2</sub>	7	1 <sup>13</sup> / <sub>32</sub>

**Horsepower Ratings:**

Amps	Single Phase				Three Phase			
	120V	240V	480V	600V	120V	240V	480V	600V
30A	2	5	7 <sup>1</sup> / <sub>2</sub>	7 <sup>1</sup> / <sub>2</sub>	3	7 <sup>1</sup> / <sub>2</sub>	15	15
60A		10	25	30		10	25	30

**Ordering Information:**

Amps	Hub	Config.	Cat. #
30A	3 <sup>3</sup> / <sub>4</sub> "	2W3P	<b>WSQC2330</b>
	1"	2W3P	<b>WSQC3330</b>
	3 <sup>3</sup> / <sub>4</sub> "	3W4P	<b>WSQC2340</b>
	1"	3W4P	<b>WSQC3340</b>
60A	1 <sup>1</sup> / <sub>2</sub> "	2W3P	<b>WSQC5630</b>
	1 <sup>1</sup> / <sub>2</sub> "	3W4P	<b>WSQC5640</b>

**Options:**

- Description** **Suffix**
- Interior rotated 22<sup>1</sup>/<sub>2</sub>° to the right (viewed from face).....**S4**  
ex: WSQC5640 S4

**Crouse-Hinds**  
by **E.T.N**

# NBR Arktite® Interlocked Receptacles with Enclosed Circuit Breakers

NEMA 3, 3R, 4\*, 4X\*, 12  
Watertight  
Corrosion-Resistant

**3P**

## APJ/NPJ Arktite Plugs

### Applications:

NBR *Arktite* interlocked receptacles with enclosed circuit breakers are used:

- To supply power and provide short circuit protection, thermal overload protection, and a disconnect means for portable electrical equipment such as motor generator sets, compressors, conveyors, and other similar equipment
- In locations where corrosion is present such as in offshore and marine locations, pulp and paper mills, chemical plants, food processing, and sewage treatment plants
- Indoors and outdoors in damp, wet or hosedown locations

### Features:

- Enclosures are made of *Krydon*® high impact strength fiberglass-reinforced polyester material having excellent resistance to corrosion and heat
- Receptacles are mechanically interlocked with circuit breakers which provide a disconnect means, short circuit protection, and thermal time delay overload protection
- For maximum safety, the spring door receptacle at the bottom is mechanically interlocked with the circuit breaker operating mechanism. The circuit breaker cannot be closed until the plug is fully inserted and the plug cannot be withdrawn unless the breaker is open
- Enclosure has hinged access door for easy wiring and maintenance. Three screws, hidden behind access door in door frame, prevent disassembly when door is locked
- Enclosure access door is mechanically interlocked with operating handle and cannot be opened unless operating handle operator is in "OFF" position
- A *Krydon* material hub (not mounted) is supplied with each enclosure as follows:

Rating	Hub Size (In.)	Cat. #
30A	3/4	NHUB2
60A	1 1/4	NHUB4
100A	2	NHUB6

For alternate hub sizes, see page 677

- Receptacle has self-closing spring door assembly to provide environmental protection
- Operating handle can be padlocked in "OFF" position. Breaker is trip-free of handle and will open under short circuit or overload when handle is in the "ON" position
- Provided with top and bottom mounting feet which may be rotated 90° to vertical or horizontal mounting positions

### Certifications and Compliances:

- NEMA 3, 3R, 4\*, 4X\*, 12
- ANSI/UL Standard: 489
- UL Standard: 1682
- CSA

### Standard Materials:

- Enclosure, covers and operating handles – *Krydon* fiberglass-reinforced polyester material
- Operating shafts – stainless steel
- Receptacle housings – copper-free aluminum
- Receptacle insulators – *Krydon* material
- Crimp/solder contacts – leaded red brass

### Standard Finishes:

- Copper-free aluminum – baked on powder epoxy
- Stainless steel – natural
- Enclosure – natural
- Receptacle insulators – natural (red)
- Brass – natural
- Leaded red brass – electro-tin-plated

### Electrical Rating Range:

- Receptacles – 30, 60 and 100 amperes
- Circuit Breakers – 100 ampere frame size

**Note:** For additional dimensional data, see page 510, enclosure catalog number NCB1024.

### Options:

**Description**  
Special polarity – for use where two or more receptacles of the same ampere rating, style and number of poles are to be installed on the same premises for use of different voltages. Receptacle interior rotated 22 1/2° to right (viewed from face) and plug changed to match .....  
Hubs for other conduit sizes can be supplied. See page 677.

**Suffix**

**S4**



### Interchangeability of Plugs With Other Non-hazardous and Hazardous Location Receptacles:

- Plugs listed for use with NBR assemblies are standard *Arktite* APJ/NPJ plugs. Other standard APJ/NPJ and CPH plugs of the same rating, style and number of poles may be used with NBR receptacles, as well as EBBR, EPC and EPCB receptacles listed in Section 4P
- Portable equipment, suitable for the locations and equipped with the proper plug, can be used with non-hazardous rated AR receptacles, DBR and WSR interlocked receptacles located in non-hazardous locations, with EBBR, EPC and EPCB receptacles for Class I, Groups B, C, D hazardous locations, with DR and DBR interlocked receptacles for Class II, Groups F, G hazardous locations, and with NBR/NSR interlocked receptacles for wet and corrosive locations

\*30 and 60A Style 2 only.

**Crouse-Hinds**

by **E.T.N**



**3P**

# NBR Arktite® Interlocked Receptacles with Enclosed Circuit Breakers

3-Pole, 600 VAC  
NEMA 3, 3R, 4, 4X, 12  
Watertight  
Corrosion-Resistant

## APJ/NPJ Arktite Plugs▲

### 100 Ampere Frame Size with Non-interchangeable Trip‡§ Enclosure

Receptacle With Spring Door Housing	Hub Size (In.)	Ckt. Brkr. Amps	Without Circuit Breaker Cat. #	With Cutler-Hammer Circuit Breaker Cat. #
<b>Style 1†</b>				
30 amp., 3-wire, 3-pole	¾	20	<b>NBR53731</b>	<b>NBR53731 WT20 3</b>
		30		<b>NBR53731 WT30 3</b>
		40		<b>NBR53731 WT40 3*</b>
		50		<b>NBR53731 WT50 3*</b>
60 amp., 3-wire, 3-pole	1¼	50	<b>NBR56731</b>	<b>NBR56731 WT50 3</b>
		60		<b>NBR56731 WT60 3</b>
		70		<b>NBR56731 WT70 3*</b>
		90		<b>NBR56731 WT90 3*</b>
100	<b>NBR56731 WT100 3*</b>			
100 amp., 3-wire, 3-pole	2	60	<b>NBR51731</b>	<b>NBR51731 WT60 3</b>
		70		<b>NBR51731 WT70 3</b>
		90		<b>NBR51731 WT90 3</b>
		100		<b>NBR51731 WT100 3</b>
<b>Style 2†</b>				
30 amp., 3-wire, 4-pole	¾	20	<b>NBR53742</b>	<b>NBR53742 WT20 3</b>
		30		<b>NBR53742 WT30 3</b>
		40		<b>NBR53742 WT40 3*</b>
		50		<b>NBR53742 WT50 3*</b>
60 amp., 3-wire, 4-pole	1¼	50	<b>NBR56742</b>	<b>NBR56742 WT50 3</b>
		60		<b>NBR56742 WT60 3</b>
		70		<b>NBR56742 WT70 3*</b>
		90		<b>NBR56742 WT90 3*</b>
100	<b>NBR56742 WT100 3*</b>			
100 amp., 3-wire, 4-pole	2	60	<b>NBR51742</b>	<b>NBR51742 WT60 3</b>
		70		<b>NBR51742 WT70 3</b>
		90		<b>NBR51742 WT90 3</b>
		100		<b>NBR51742 WT100 3</b>

\*Circuit breaker trip rating may exceed receptacle rating for welding equipment applications only, as higher trip rating may not protect wiring.

†Style 1 – Grounded through shell. Style 2 – Grounded through extra pole and shell. For a detailed description of these grounding methods, see page 1314.

‡Also available with interchangeable trip breakers. Specify on order.

§For detailed information on circuit breaker selection, see Section 3C.

▲ Pressure connectors are standard. Crimp/solder type terminators are optionally available for 3 and 4-pole 30, 60 and 100 ampere. For details, see page 1316. To specify, add the suffix "T" to the catalog number. For example: APJ3375-T (Plug).

### APJ/NPJ Plugs 600 VAC With Cable Grip and Neoprene Bushing



APJ



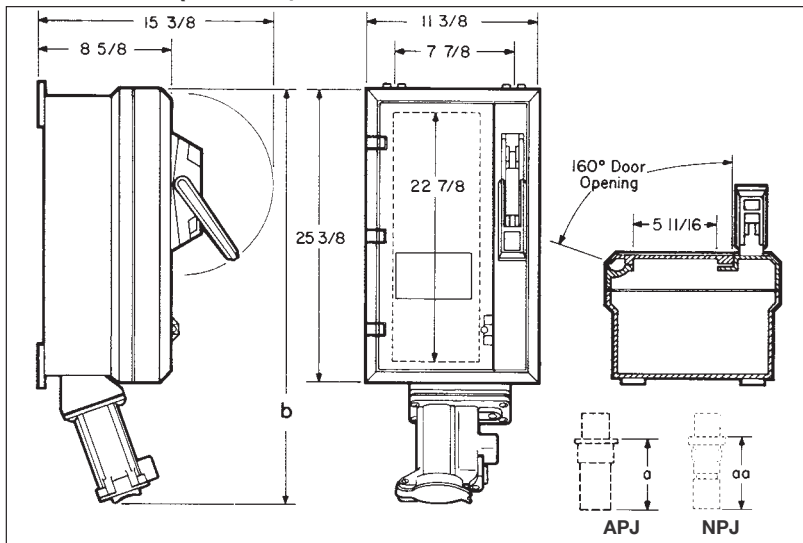
NPJ

Amps	Cable O.D. Range	Style 1† 3-wire, 3-pole Cat. #	Style 2† 3-wire, 4-pole Cat. #
30	0.60 to 1.20	<b>APJ3375</b>	<b>APJ3485</b>
	0.55 to 0.70		<b>NPJ3483</b>
	0.70 to 0.85		<b>NPJ3484</b>
60	0.75 to 1.45	<b>APJ6375</b>	<b>APJ6485</b>
	0.75 to 1.07		<b>NPJ6484</b>
	1.07 to 1.35		<b>NPJ6485</b>
100	1.00 to 1.70	<b>APJ10377</b>	<b>APJ10487</b>
	0.93 to 1.21		<b>NPJ10486</b>
	1.21 to 1.50		<b>NPJ10487</b>

Amps	b	a	aa
30	31 <sup>3</sup> / <sub>8</sub>	4 <sup>13</sup> / <sub>16</sub>	7
60	33	5 <sup>13</sup> / <sub>16</sub>	6 <sup>3</sup> / <sub>16</sub>
100	33 <sup>3</sup> / <sub>4</sub>	6 <sup>5</sup> / <sub>8</sub>	7 <sup>3</sup> / <sub>4</sub>

Dim. "a" and "aa" are exposed portion of plug when engaged with receptacle.

### Dimensions (In Inches):



# NSR Arktite® Interlocked Receptacles With Enclosed Disconnect Switches

NEMA 3, 3R, 4\*, 4X\*, 12  
Watertight  
Corrosion-Resistant

**3P**

## APJ/NPJ Arktite Plugs

### Applications:

NSR Arktite interlocked receptacles with enclosed disconnect switches are used:

- To provide a power disconnect for fixed or portable electrical equipment such as welders, generators and compressors where the switch will be subject to frequent operation
- To provide short circuit protection when a fusible switch is needed
- In non-hazardous indoor or outdoor areas where corrosion, dust, hosedown and moisture may be a problem such as in offshore and marine locations, pulp and paper mills, chemical plants, sewage treatment plants and food processing facilities

### Features:

- Enclosures are made of Krydon® high impact strength fiberglass-reinforced polyester material having excellent resistance to corrosion and heat
- Switches are NEMA type HD heavy duty 3-pole, enclosed blade; a quick make-and-break mechanism with reinforced, positive pressure type blade and jaw construction. Fusible switches have fuse clips with steel reinforcing springs
- For maximum safety, the spring door receptacle at the bottom is mechanically interlocked with the switch operating mechanism. The switch cannot be closed until the plug is fully inserted and the plug cannot be withdrawn unless the switch is open
- Switch enclosure access door is mechanically interlocked with switch and cannot be opened unless switch operator is in "OFF" position
- Enclosure has hinged access door for easy wiring and maintenance. Three screws, located behind access door in door frame, prevent disassembly when door is locked
- A Krydon material hub (not mounted) is supplied with each enclosure as follows:

Rating	Hub Size (In.)	Cat. #
30A	3/4	NHUB2
60A	1 1/4	NHUB4
100A	2	NHUB6

For alternate hub sizes, see page 677

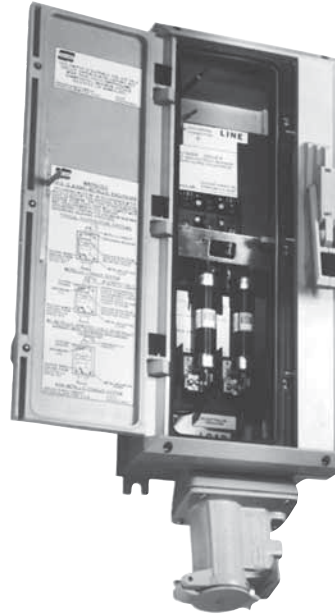
- Receptacle has self-closing spring door assembly to provide environmental protection
- Mounting feet may be rotated 90° to horizontal or vertical mounting positions
- Switch operating handle may be padlocked in the "OFF" position, preventing unauthorized operation of the switch

### Certifications and Compliances:

- NEMA 3, 3R, 4\*, 4X\*, 12
- UL Standard: 1682, 98

### Crouse-Hinds

by **E.T.N**



### Interchangeability of Plugs With Other Non-hazardous and Hazardous Location Receptacles:

- Plugs listed for use with NSR assemblies are standard Arktite APJ/NPJ plugs. Other standard APJ/NPJ and CPH plugs of the same rating, style and number of poles may be used with NSR receptacles, as well as with EBBR, EPC and EPCB receptacles listed in Section 4P
- Portable equipment, suitable for the locations and equipped with the proper plug, can be used with non-hazardous rated AR receptacles, DBR and WSR interlocked receptacles located in non-hazardous locations, with EBBR, EPC and EPCB receptacles for Class I, Groups B, C, D hazardous locations, with DR and DBR interlocked receptacles for Class II, Groups F, G hazardous locations, and with NBR/NSR interlocked receptacles for wet and corrosive locations

### Standard Materials:

- Receptacle housings – copper-free aluminum
- Insulators (plug and receptacle) – Krydon material
- Crimp/solder contacts – leaded red brass
- Enclosure and operating handle – Krydon fiberglass-reinforced polyester material
- Other exterior parts – stainless steel

### Standard Finishes:

- Copper-free aluminum – baked-on powder epoxy
- Stainless steel – natural
- Leaded red brass – electro-tin-plated
- Enclosure – natural (gray)
- Insulator (plug and receptacle) – natural (red)

### Options:

**Description** Special polarity – for use where two or more receptacles for the same ampere rating, style and number of poles are to be installed in the same area for use on different voltages. Receptacle interior rotated 22 1/2° to right (viewed from face) and matching plug ..... **S4**

Hubs for other conduit sizes can be supplied. See page 677.

\*30 and 60A Style 2 only.



# 3P

## NSR Arktite® Interlocked Receptacles With Enclosed Disconnect Switches

### APJ/NPJ Arktite Plugs††

240 and 600 VAC  
250 VDC  
NEMA 3, 3R, 4, 4X, 12  
Watertight  
Corrosion-Resistant

Amps	Conduit Opening Sizes§	240VAC/250VDC				600VAC/250VDC			
		Style 1† 3-wire, 3-pole Cat. #	Style 2† 3-wire, 4-pole Cat. #	AC HP Rating	DC HP Rating	Style 1† 3-wire, 3-pole Cat. #	Style 2† 3-wire, 4-pole Cat. #	AC HP Rating	DC HP Rating
<b>Fusible</b>									
30	3/4	NSR331‡	NSR332‡	3	5	NSR3351*	NSR3352*	7½	5
60	1¼	NSR631‡	NSR632‡	5	10	NSR6351*	NSR6352*	20	10
100	2	NSR1031‡	NSR1032‡	10	20	NSR10351*	NSR10352*	30	20
<b>Non-Fusible</b>									
30	3/4	NSR3341	NSR3342	7½	5	NSR33541	NSR33542	20	5
60	1¼	NSR6341	NSR6342	20	10	NSR63541	NSR63542	50	10
100	2	NSR10341	NSR10342	30	20	NSR103541	NSR103542	75	20

### APJ/NPJ Plugs

600VAC/250VDC, with Cable Grip and Neoprene Bushing

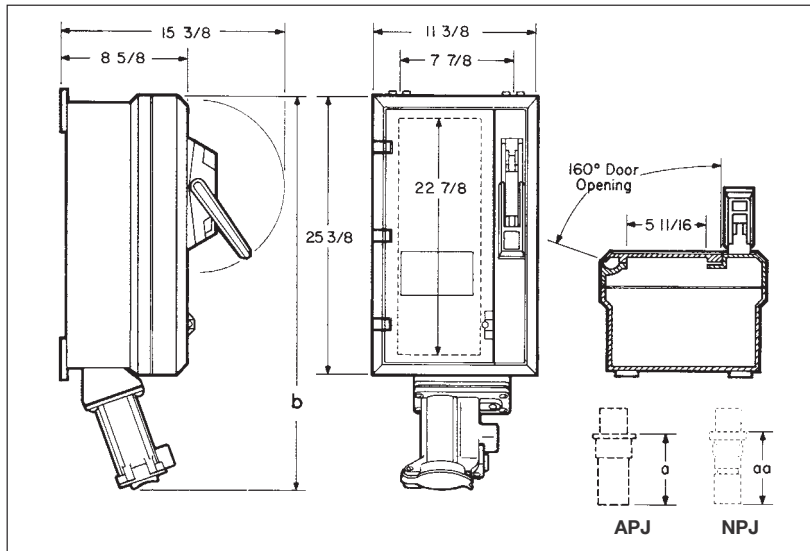


Amps	Cable O.D. Range	Style 1† 3-wire, 3-pole Cat. #	Style 2† 3-wire, 4-pole Cat. #
30	0.60 to 1.20	APJ3375	APJ3485
	0.55 to 0.70 0.70 to 0.85		NPJ3483 NPJ3484
60	0.75 to 1.45	APJ6375	APJ6485
	0.75 to 1.07 1.07 to 1.35		NPJ6484 NPJ6485
100	1.00 to 1.70	APJ10377	APJ10487
	0.93 to 1.21 1.21 to 1.50		NPJ10486 NPJ10487

\*Arranged for NEC Class H fuses. May be field converted to NEC Class J fuses.  
‡Fuse clips accommodate NEC Class H fuses. For NEC Class J fuses, use 600V switches.  
†Style 1 – Grounded through shell. Style 2 – Grounded through extra pole and shell. For a detailed description of these grounding methods, see page 1314.  
§For alternate hub sizes, refer to catalog page 856.  
††Pressure connectors are supplied as standard. To specify crimp/solder type terminators add the suffix "T" to the catalog number. For example: APJ3375-T (Plug).

### Dimensions

In Inches:



Amps	b	a	aa
30	31 <sup>1</sup> / <sub>8</sub>	4 <sup>19</sup> / <sub>16</sub>	7
60	33	5 <sup>13</sup> / <sub>16</sub>	6 <sup>13</sup> / <sub>16</sub>
100	33 <sup>3</sup> / <sub>4</sub>	6 <sup>5</sup> / <sub>8</sub>	7 <sup>1</sup> / <sub>4</sub>

Dim. "a" and "aa" are exposed portion of plug when engaged with receptacle.

3P

**Crouse-Hinds**  
by **E.T.N**



# Plugs and Receptacles Industrial Heavy Duty Interlocked Hazardous

4P

Description	Page No.
<b>Application/Selection</b>	<b>see pages 1384–1385</b>
<b>Interlocked Receptacle with –</b>	
<b>H.P. Rated Switch</b>	
Technical Data	<b>see pages 1386–1387</b>
FSQC 30A & 60A / APJ Plugs	<b>see pages 1386–1387</b>
FSQC 100A / APJ Plugs	<b>see page 1388</b>
<b>Factory Sealed Switch</b>	
BHR 30A, 60A & 100A / BHP Plugs	<b>see pages 1392–1393</b>
SRD 30A & 60A / SP Plugs	<b>see page 1394</b>
<b>Circuit Breaker</b>	
EBBR 30A, 60A, 100A	<b>see pages 1389–1391</b>
EPC, 30A, 60A, 100A, 200A	<b>see page 1396</b>
EPCB 30A, 60A, 100A	<b>see page 1399</b>
DBR 30A, 60A, 100A	<b>see page 1401</b>

4P

# 4P

## Plugs and Receptacles Industrial Heavy Duty Interlocked Application and Selection Hazardous

### Applications:

- Where extra protection is a requirement. Interlocked units provide dead front receptacles; connection cannot be made or broken when unit is under load.
- In areas made hazardous by flammable vapors, gases or dusts; to supply power for portable electrical equipment and provide safe disconnect means and short circuit protection.

### Considerations for Selection:

#### Environmental:

- The environment of the enclosure location in terms of NEC/CEC compliance and NEMA/EEMAC type required.
- Material and construction to withstand rough usage and atmospheric conditions.

#### Electrical:

- Sufficient current-carrying capacity to meet load requirements.
- Compatibility with electrical system (new or existing installation).
- Interchangeability of plugs with other hazardous and non-hazardous area receptacles.

#### Function:

- Switch vs. circuit breaker.

### Options:

- Special polarity arrangements, material options, accessories, and optional arrangements of enclosure interiors are available to meet specific application needs. See listing pages for details.

### Quick Selector Chart

Series	NEC/CEC & NEMA/EEMAC Compliances	Receptacles Interlocked With	Page	Mating Plugs	Electrical Rating
<b>BHR</b>	Class I, Division 1 and 2, Groups B, C, D Class II, Division 1 and 2, Groups F, G Class III NEMA: 3, 4, 7BCD, 9FG, 12	Factory sealed switch	See pages 1392–1393	BHP	30, 60, 100 amp. 480VAC 2-wire, 3-pole 3-wire, 4-pole 4-wire, 5-pole
<b>DBR</b>	NEC: Class II, Division 1 and 2, Groups F, G NEC: Class III NEMA/EFC: 3, 9FG, 12 CEC: Class II, Division 1 and 2, Group G CEC: Class III Encl. 3, 5	Circuit breaker	See page 1401	APJ/NPJ	Circuit breaker: 100 amp. frame size 250VDC/600VAC Receptacle: 30, 60, 100 amp. 2-wire, 3-pole 3-wire, 3-pole 3-wire, 4-pole
<b>EBBR</b>	Class I, Division 1 and 2, Groups B, C, D Class II, Division 1 and 2, Groups F, G Class III NEMA 3, 3R, 7BCD, 9FG, 12	Circuit breaker	See pages 1389–1391	APJ/NPJ	Receptacle: 30, 60, 100, 150 amp. 3-wire, 4-pole
<b>EPC</b>	NEC: Class I, Division 1 and 2, Groups C, D NEC: Class II, Division 1 and 2, Groups F, G NEC: Class III NEMA: 3, 7CD, 9FG, 12 CEC: Class I, Division 1 and 2, Groups C, D CEC: Class II, Division 1 and 2, Group G CEC: Class III Encl. 3, 4	Circuit breaker	See pages 1396–1398	APJ/NPJ	Circuit breaker: 100 amp. frame size 480VAC/250VDC Receptacle: 30, 60, 100 amp. 2-wire, 3-pole 3-wire, 4-pole
<b>EPC</b>	Class I, Division 1 and 2, Group D Class II, Division 1 and 2, Groups F, G Class III NEMA: 3, 7D, 9FG, 12	Circuit breaker	See pages 1396–1398	DP	Circuit breaker: 225 amp. frame size 600VAC/250VDC Receptacle: 200 amp. 3-wire, 4-pole
<b>EPCB</b>	NEC: Class I, Division 1 and 2, Groups B, C, D NEC: Class II, Division 1 and 2, Groups F, G NEC: Class III NEMA: 3, 7BCD, 9FG, 12 CEC: Class I, Division 1 and 2, Groups B, C, D CEC: Class II, Division 1 and 2, Group G CEC: Class III Encl. 3, 4	Circuit breaker	See page 1399	APJ/NPJ	Circuit breaker: 100 amp. frame size 600VAC/250VDC Receptacle: 30, 60, 100 amp. 2-wire, 3-pole 3-wire, 4-pole

# Plugs and Receptacles

## Industrial Heavy Duty Interlocked

### Quick Selector and Interchangeability Chart

#### Hazardous

4P

### Quick Selector Chart

Series	NEC/CEC & NEMA/EEMAC Compliances	Receptacles Interlocked With	Page	Mating Plugs	Electrical Rating
FSQ	NEC: Class I, Division 1 and 2, Groups B, C, D NEC: Class II, Division 1 and 2, Groups F, G NEC: Class III NEMA: 3, 7BCD, 9FG, 12 CEC: Class I, Division 1 and 2, Groups B, C, D CEC: Class II, Division 1 and 2, Groups G CEC: Class III Encl. 3, 5	Switch	See pages 1386–1388	APJ/NPJ	30A 250V/20A 600VAC 2-wire, 3-pole 3-wire, 4-pole 60 & 100 amp. 2-wire, 3-pole 3-wire, 4-pole
SRD	Class I, Division 1 and 2, Group D Class II, Division 1 and 2, Groups F, G Class III NEMA: 3, 7D, 9FG, 12	Factory sealed switch	See pages 1394–1395	5P	30 & 60 amp. 480VAC 2-wire, 3-pole 3-wire, 4-pole 4-wire, 5-pole

### Interchangeability Chart

Many of the plugs listed in this section can be used interchangeably with receptacles from other sections, both in hazardous and non-hazardous areas, **provided electrical rating and style of plug and receptacle are the same**. The following table is a summary of possible combinations.

Plugs Shown in Section 4P	Can be Used with These Receptacle Series	Listed in Section	Plug & Receptacle Electrical Rating
APJ/NPJ	AR, NR EPC, EPCB, DBR, EBBR, CSR, FSQC	1P 4P	30, 60, 100 amp. 3-wire, 4-pole
	NBR, NSR, WSR, CSR, WSRD, WSRDW, WSQC, WSRD SM S901	3P	30, 60, 100 amp. 3-wire, 3-pole 3-wire, 4-pole
BHP	BHR SRD	4P	30, 60, 100 amp. 2-wire, 3-pole 3-wire, 4-pole 4-wire, 5-pole
SP	BHR SRD	4P	30, 60 amp. 2-wire, 3-pole 3-wire, 4-pole 4-wire, 5-pole

**CAUTION:** To reduce the risk of ignition of hazardous atmospheres, do not use plugs or receptacles in Class II, Group F locations that contain electrically conductive dusts.

4P

# 4P

## FSQC Arktite® Dead Front Interlocked Receptacles and Switches

### APJ/NPJ Arktite Plugs

Cl. I, Div. 1 and 2, Groups B, C, D  
 Cl. II, Div. 1 and 2, Groups F, G  
 Cl. III  
 NEMA/EEMAC 3, 7BCD, 9FG, 12

Explosionproof  
 Dust-Ignitionproof  
 Raintight  
 Wet Locations

#### Applications:

FSQC dead front switched interlock receptacles are used:

- To supply power to portable electrical equipment such as hand lamps, lighting systems, power tools, conveyors, welders and similar equipment.
- In areas which are hazardous due to the presence of flammable vapors or gases and combustible dusts.
- In damp, wet or corrosive locations.
- Indoors or outdoors at petroleum refineries, chemical and petrochemical plants and facilities for processing and handling grain, flour and starch.

#### Features:

- Compatible with Arktite® APJ aluminum and NPJ Krydon® plugs
- Switch cannot be turned "ON" until plug is fully inserted and rotated
- Plug cannot be withdrawn under load
- Cover cannot be removed when switch is "ON"
- Satisfies OSHA lockout tagout requirement
- Smallest mounting footprint for interlocks

#### Certifications and Compliances:

- NEMA 3, 7BCD, 9FG, 12
- NEC/CEC:
  - Class I, Division 1 & 2, Groups B, C, D
  - Class I, Zone 1, Group IIB + Hydrogen
  - Class II, Division 1 & 2, Groups F, G
  - Class III
- ANSI/UL Standards: 1010 UL Listed
- CSA Standards: C22.2 No. 30 cUL Listed & C22.2 No. 159

#### Materials:

- Enclosure – copper-free aluminum
- Cover and spring door – copper-free aluminum
- Insulator – Krydon®
- Contacts – brass



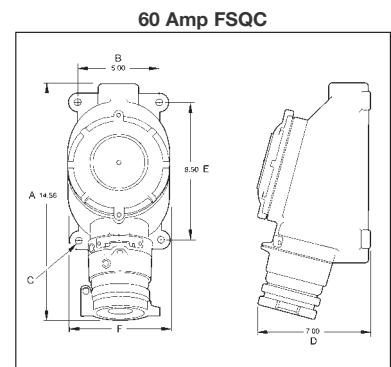
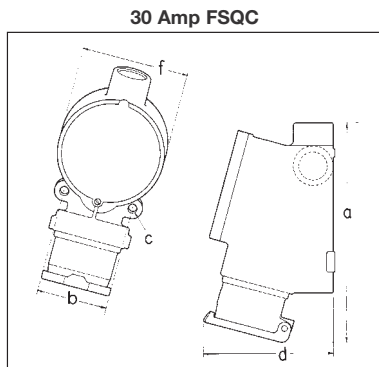
#### Options:

Description	Suffix
Special polarity, receptacle interior rotated 22½°.....	S4

#### Interchangeability of Plugs with Other Hazardous and Non-hazardous Location Receptacles:

- Plugs listed for FSQC receptacles on 1043 are standard APJ/NPJ plugs. Other standard APJ/NPJ of the same rating, style and number of poles may be used with FSQC receptacles as well as with DBR, EBBR, EPC and EPCB receptacles listed in Section 2P and 4P.
- As a result, portable equipment suitable for the location and equipped with the proper plug can be used with AR series receptacles for non-hazardous areas, EBBR, EPC, EPCB, and FSQC receptacles for Class I hazardous locations; DBR receptacles for Class II hazardous locations.

#### Dimensions In Inches:



#### Dimensions

	Maximum Dimensions					
	a	b	c	d	e	f
30A	10.00	3.12	Ø .38	5.75	N/A	4.75
60A	14.56	5.00	Ø .41	7.00	8.50	6.35

# FSQC Arktite® Dead Front Interlocked Receptacles and Switches

## APJ/NPJ Arktite Plugs

Cl. I, Div. 1 and 2, Groups B, C, D  
 Cl. II, Div. 1 and 2, Groups F, G  
 Cl. III  
 NEMA/EEMAC 3, 7BCD, 9FG, 12

Explosionproof  
 Dust-Ignitionproof  
 Raintight  
 Wet Locations

**4P**

### FSQC Receptacles With Spring Door Through Feed Hubs

#### Horsepower Rating:

Amps	Single Phase			
	120V	240V	480V	600V
30A	2	5	7½	7½
60A	—	10	25	30

Amps	Three Phase			
	120V	240V	480V	600V
30A	3	7½	15	15
60A	—	10	25	30



#### Ordering Information:

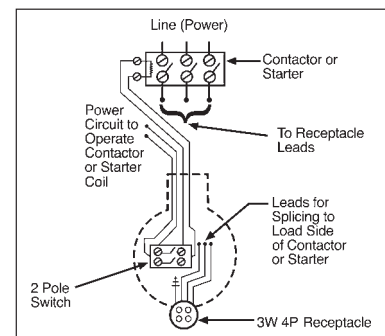
Amps	Hub	Config.	Description	Cat. #	Matching Plug
30A	¾"	2W3P	2-Pole Switch	FSQC2320	APJ3385
		3W4P	3-Pole Switch	FSQC2430	APJ3485
	1"	2W3P	2-Pole Switch	FSQC3320	APJ3385
		3W4P	3-Pole Switch	FSQC3430	APJ3485
60A	1½"	2W3P	2-Pole Switch	FSQC5630	APJ6385
		3W4P	3-Pole Switch	FSQC5640	APJ6485

### FSQC for Use with Magnetic Motor Starters or Contactors

FSQC units listed below operate in the same way as standard units but are intended *only for use with magnetic motor starters or contactors* (see Wiring Diagram 1).

Receptacles have leads for splicing to conductors from the load side of contactor. The switch actuated by the plug is wired into the starter or contactor coil circuit and controls only this circuit. The starter or contactor is energized only when the plug is fully inserted and rotated to close the switch. Since the plug is inserted or withdrawn only when the switch is open, the circuit cannot be made or broken under the load.

Plugs used are standard APJ units and special polarity units listed are recommended where interchange with devices for other wiring systems is possible.



Wiring Diagram 1  
 FSQC2390 and 3390 only

### FSQC Receptacles With Spring Door Through Feed Hubs

No. of Poles	Hub Size	Receptacle Cat. #	Cable Dia.	Mating Plug Cat. #	
<b>Standard Configuration</b>					
3W, 4P	¾"	FSQC2390	} 0.39-1.20	APJ3485	
3W, 4P	1"	FSQC3390		} 0.55-0.70	NPJ3483
3W, 4P	1"				NPJ3484
<b>Special Polarity Configuration</b>					
3W, 4P	¾"	FSQC2390 S4	} 0.39-1.20	APJ3485 S4	
3W, 4P	1"	FSQC3390 S4		} 0.55-0.70	NPJ3483 S4
					NPJ3484 S4

## Crouse-Hinds

by **E.T.N**

**4P**

**4P****100 Amp FSQ Dead Front Interlocked**

Cl. I, Div. 1 and 2, Groups B, C, D  
 Cl. II, Div. 1 and 2, Groups F, G  
 Cl. III  
 NEMA 3, 3R, 4, 4X\*, 7BCD, 9FG, 12  
 Explosionproof

NEMA 4  
 Watertight

**Applications:**

- To supply power to portable or fixed electrical equipment such as welders, pumps, motors, machine tools, conveyors, oil rigs, mixers, grain elevators, petroleum refineries, chemical and petrochemical plants
- In hazardous areas containing flammable vapors or gases and combustible dusts
- In damp, wet or hosedown environments
- In highly corrosive locations

**Features:**

- NEMA Type 4 watertight
- Suitable for Group B
- Compact housing
- Simple operation
- Compatible with Arkrite® APJ aluminium and NPJ Krydon® plugs
- H.P.-rated enclosed switch
- 4 mounting feet can be rotated for flexibility in positioning to surface
- Wiring channel provided under switch for easy wire routing to terminals
- Dual bottom-feed hubs and one top hub for convenient feed-through installation
- Break-loose fork lugs case in place for easy removal of cover

**Certifications and Compliances:**

- NEMA 3, 3R, 4, 4X\*, 7BCD, 12  
 Class I, Divisions 1 and 2, Groups B, C, D  
 Class I, Zone 1, Group IIB + H<sub>2</sub>  
 Class II, Divisions 1 and 2, Groups F, G  
 Class III
- ANSI/UL Standards: 1010 and 98 UL Listed
- cUL Listed, CSA Standard C22.2 No. 30, C22.2 No. 159

\*NEMA 4X when ordered with suffix S752.

**Materials:**

- Body – copper-free aluminum
- Cover – copper-free aluminum
- Locking collar – Feraloy® iron alloy
- Insulator – Krydon® material
- Contacts – brass

**Options:**

- | Description   | Suffix       |
|---|--------------|
| • Special polarity – receptacle interior rotated 22½° to right..... | <b>S4</b>    |
| (example: FSQC61040 S4)   |              |
| • NEMA 4X – epoxy powder coated.....                                | <b>S752</b>  |
| (example: FSQC61040 S752)   |              |
| • Auxiliary contact.....  | <b>S483</b>  |
| • Breather/Drain.....   | <b>S756V</b> |

**Safety First:**

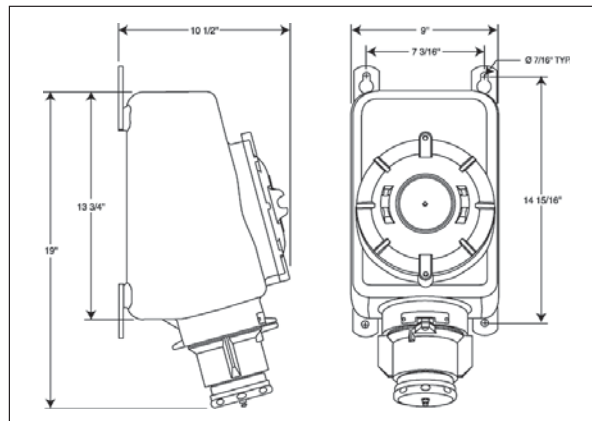
- Power cannot be turned "on" until plug is fully inserted and Uni-Loc collar is rotated
- When Uni-Loc collar is in "on" position, plug is locked in place to prevent disengagement under load
- Cover cannot be removed while switch is "on"
- Cover-Loc™ design prevents switch from being turned "on" while cover is removed
- Uni-Loc collar aligns with lug on housing to permit OSHA lockout/tagout in the "off" position

**Electrical Rating:**

- 100A, 600VAC

**Ordering Information:**

Rating	Config.	Hub Size	HP Rating	Cat. #
100A,			50 HP	
600	3W4P	2"	@ 600V,	<b>FSQC61040</b>
VAC			480V	

**Dimensions In Inches:**

**Crouse-Hinds**  
 by **EATON**

# EBBR Series Interlocked Arktite® Receptacles with Circuit Breakers

## 30, 60, 100 Amp Interlocked Receptacles

Cl. I, Div. 1 and 2, Groups B, C, D  
Cl. II, Div. 1 and 2, Groups F†, G  
Cl. III  
NEMA 3, 3R, 7BCD, 9FG, 12  
Explosionproof

Dust-Ignitionproof  
Raintight  
Wet Locations

**4P**

### Applications:

EBBR interlocked receptacles with circuit breakers are used:

- As a service outlet for portable equipment – indoors or outdoors – in damp, wet, corrosive locations, without the need for a protective shelter.
- In areas which are hazardous due to flammable vapors, gases or combustible dust, e.g., refineries, chemical plants, and other processing and handling facilities of a hazardous nature.
- In areas where frequent washdowns are necessary or where heavy rain or water spray is prevalent.

### Features:

- Rugged, corrosion resistant, cast copper-free aluminum construction.
- Accepts compatible Arktite plug of same rating and configuration.
- Mechanical interlock mechanism for dead front construction.
- Receptacles are mechanically interlocked with circuit breakers to provide disconnect means, short circuit protection and thermal time delay overload protection.
- A spring door receptacle, located at the bottom of the unit, is mechanically interlocked with the circuit breaker operating mechanism for safe and dependable operation.
- Plug and receptacle contacts cannot be made or broken under load. The circuit breaker cannot be closed until the plug is fully inserted and the plug cannot be withdrawn unless the breaker is de-energized.
- Operating handles can be padlocked in either "ON" or "OFF" positions. Breakers are trip-free of the handles and will open under short circuit or overload even if the handle is locked in the "ON" position.
- Component operating handles located through the right side wall of the body permits visual confirmation of correct component assembly and operation.
- Total compliance to the wiring and room requirements of the National Electrical Code®.
- Semi-clamshell enclosure design, with an external machined flat joint flamepath between body and cover makes interior components easily accessible.
- Minimum enclosure-to-enclosure spacing with little interference between the opened cover and an adjacent enclosure.
- Copper-free aluminum hinges allow the cover to swing well out of the way.
- Stainless steel, quick release, captive, hex head cover bolts. Stainless steel springs provide clear indication cover bolts are fully retracted from body.
- Versatile, internal operating mechanisms allow for field adjustment to accommodate popular manufacturers' breakers.



- Simple, straightforward installation of breaker on pre-drilled mounting plate within enclosure.
- Neoprene cover gasket permanently attached to the cover seals out moisture.
- Bodies have top drilled and tapped entrance for power conduit (1½") plus one at the top and one at the bottom for a breather and drain (½"). Breather and drain entrances are plugged.
- Tap-on mounting feet.

### Certifications and Compliances:

- NEC:
  - Class I, Division 1 and 2, Groups B, C, D
  - Class II, Division 1 and 2, Groups F†, G
  - Class III
- NEMA: 3, 3R, 7BCD, 9FG, 12
- UL Standard: 1203

### Standard Materials:

- Body, cover, and receptacle – copper-free aluminum
- Contact insulator (receptacles and plugs) – fiberglass-reinforced polyester
- Receptacle contacts – leaded red brass
- Pressure contacts (plugs) – brass
- Operating handle – copper-free aluminum
- Operating shafts and bushings – stainless steel
- Interior parts – heavy gauge sheet steel, zinc plated
- Cover bolts, washer and retractile springs – stainless steel

### Standard Finishes:

- Copper-free aluminum – natural
- Fiberglass-reinforced polyester – natural (red)
- Brass – natural
- Leaded red brass – electro-tin-plated
- Stainless steel – natural

### Electrical Rating Ranges:

- Circuit breakers – 20–150 amps
- Receptacles – 30, 60, 100, 150 amp
- 3-wire, 4-pole configuration

### Options:

The following options are available from the factory by adding suffix to the Cat. #:

Description	Suffix
• Receptacle interior rotated 22½° to right (viewed from face) and plug changed to match.....	<b>S4</b>
• Group B Breather and Drain.....	<b>S756V</b>
• External Powder Epoxy Finish.....	<b>S752</b>
• Aux. switch on circuit breaker, 1A & 1B contacts.....	<b>S784</b>
• Aux. switch on circuit breaker, 2A & 2B contacts.....	<b>S785</b>

### Grounding:

- EBBR interlocked receptacles and matching plugs are provided with an extra grounding pole for attaching a grounding wire. In addition, direct connection is provided between receptacle and metallic plug and the grounding pole. If a compatible non-metallic plug made of Krydon® fiberglass-reinforced polyester material is used, grounding is accomplished through the extra grounding pole only. If a separate grounding wire is not installed in the enclosure, grounding is accomplished through the conduit system.

†Caution: To reduce the risk of ignition of hazardous atmospheres, do not use plugs or receptacles in Class II, Group F locations that contain electrically conductive dusts.

### Crouse-Hinds

by **E.T.N**

# 4P EBBR Series Interlocked Arktite® Receptacles with Circuit Breakers

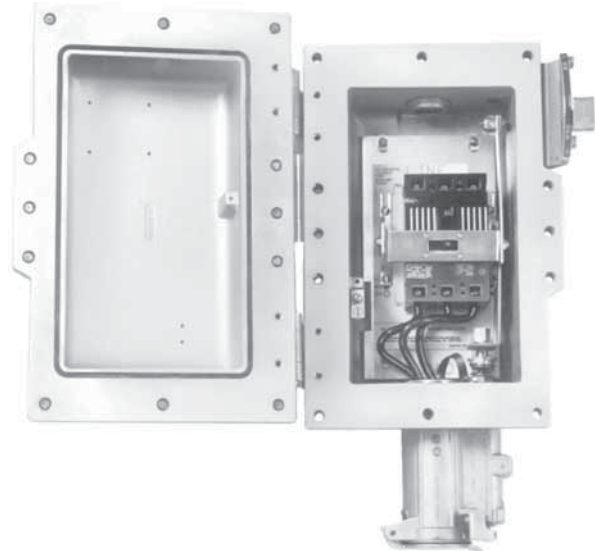
## 30, 60, 100 Amp Interlocked Receptacles

Cl. I, Div. 1 and 2, Groups B, C, D  
 Cl. II, Div. 1 and 2, Groups F†, G  
 Cl. III  
 NEMA 3, 3R, 7BCD, 9FG, 12  
 Explosionproof

Dust-Ignitionproof  
 Raintight  
 Wet Locations

### Interchangeability of Plugs with Other Hazardous and Non-hazardous Location Receptacles:

- Plugs listed for use with EBBR receptacles are standard Arktite APJ/NPJ plugs. Standard APJ/NPJ and also CPH plugs of the same rating, style and number of poles may be used with EBBR receptacles, as well as with DBR, EPC and EPCB receptacles listed in Section 4P of the catalog.
- As a result, portable equipment suitable for the location and equipped with the proper plug can be used with AR/NR series receptacles for non-hazardous locations; EBBR, EPC and EPCB receptacles for Class I and II hazardous locations; and DR and DBR receptacles for Class II hazardous locations.



Complete EBBR receptacle with circuit breaker installed.

### Ordering Information:

Receptacle With Spring Door Housing	Hub Size (In.)	Circuit Breaker		Without Circuit Breaker Cat. #	w/Cutler-Hammer Breaker	w/G.E. Breaker	w/Square D Breaker
		Rating	Amps				
30 Amp 3-wire 4-pole Style 2	1½	3-pole	20	EBBRA304	EBBRA304 WT20 3	EBBRA304 TT20 3	EBBRA304 DT20 3
		480VAC+	30	EBBRA304	EBBRA304 WT30 3	EBBRA304 TT30 3	EBBRA304 DT30 3
		or	40	EBBRA304	EBBRA304 WT40 3*	EBBRA304 TT40 3*	EBBRA304 DT40 3*
		250 VDC	50	EBBRA304	EBBRA304 WT50 3*	EBBRA304 TT50 3*	EBBRA304 DT50 3*
60 Amp 3-wire 4-pole Style 2	1½	3-pole	50	EBBRA604	EBBRA604 WT50 3	EBBRA604 TT50 3	EBBRA604 DT50 3
		480VAC+	60	EBBRA604	EBBRA604 WT60 3	EBBRA604 TT60 3	EBBRA604 DT60 3
		or	70	EBBRA604	EBBRA604 WT70 3*	EBBRA604 TT70 3*	EBBRA604 DT70 3*
		250 VDC	90	EBBRB604	EBBRB604 WT90 3*	EBBRB604 TT90 3*	EBBRB604 DT90 3*
			100	EBBRB604	EBBRB604 WT100 3*	EBBRB604 TT100 3*	EBBRB604 DT100 3*
100 Amp 3-wire 4-pole Style 2	1½	3-pole	50	EBBRA104	EBBRA104 WT50 3	EBBRA104 TT50 3	EBBRA104 DT50 3
		480VAC+	60	EBBRA104	EBBRA104 WT60 3	EBBRA104 TT60 3	EBBRA104 DT60 3
		or	70	EBBRA104	EBBRA104 WT70 3	EBBRA104 TT70 3	EBBRA104 DT70 3
		250 VDC	90	EBBRB104	EBBRB104 WT90 3	EBBRB104 TT90 3	EBBRB104 DT90 3
			100	EBBRB104	EBBRB104 WT100 3	EBBRB104 TT100 3	EBBRB104 DT100 3
150 Amp‡ 3-wire 4-pole Style 2	1½	3-pole	100	EBBRB154	EBBRB154 WT100 3		
		480VAC+	125	EBBRB154	EBBRB154 WT125FDB 3		
		or	150	EBBRB154	EBBRB154 WT150FDB 3		
		250 VDC					

+Enclosures with 600 Volt circuit breakers are available. Add suffix "FDB" Ex: EBBRA304 – WT20FDB-3.

\*Circuit breaker trip rating may exceed receptacle rating for welding equipment applications only, as higher trip rating may not protect wiring.

‡150A also available in A size enclosure for areas with space constraints (ie EBBRA154).

†Caution: To reduce the risk of ignition of hazardous atmospheres, do not use plugs or receptacles in Class II, Group F locations that contain electrically conductive dusts.

**Crouse-Hinds**  
 by **EATON**



# EBBR Series Interlocked Arktite® Receptacles with Circuit Breakers

## 30, 60, 100 Amp Interlocked Receptacles

Cl. I, Div. 1 and 2, Groups B, C, D  
 Cl. II, Div. 1 and 2, Groups F†, G  
 Cl. III  
 NEMA 3, 3R, 7BCD, 9FG, 12  
 Explosionproof

Dust-Ignitionproof  
 Raintight  
 Wet Locations

**4P**

Amps	Cable O.D. Range	3-wire, 4-pole Cat. #	
		Aluminum	Krydon material
30	0.60 to 1.20	APJ3485	NPJ3483 NPJ3484
	0.55 to 0.70		
	0.70 to 0.85		
60	0.75 to 1.45	APJ6485	NPJ6484 NPJ6485
	0.75 to 1.07		
	1.07 to 1.35		
100	1.00 to 1.70	APJ10487	NPJ10486 NPJ10487
	0.93 to 1.21		
	1.21 to 1.50		

### APJ and NPJ Arktite Plugs



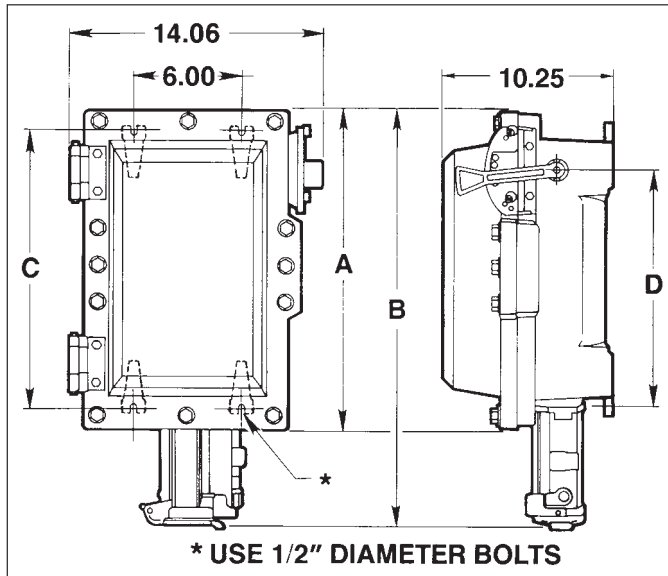
Aluminum APJ series



Krydon® material NPJ series (non-metallic)

Both APJ and NPJ series plugs may be used with EBBR series interlocked receptacles.

### Dimensions In Inches:



#### EBBRA

Amps	A	B	C	D
30	19.40	22.85	17.25	14.50
60	19.40	23.95	17.25	14.50
100	19.40	24.70	17.25	14.50
150	19.40	24.70	17.25	14.50

#### EBBRB

A	B	C	D
26.90	31.45	24.75	22.00
26.90	32.20	24.75	22.00
26.90	32.20	24.75	22.00

†Caution: To reduce the risk of ignition of hazardous atmospheres, do not use plugs or receptacles in Class II, Group F locations that contain electrically conductive dusts.

**4P**

## 4P

# BHR Dead Front Interlocked Receptacles with Factory Sealed Switch

## BHP Plugs

Cl. I, Div. 1 and 2, Groups B, C, D  
 Cl. II, Div. 1 and 2, Groups F, G  
 Cl. III  
 NEMA 3, 4, 7BCD, 9FG, 12  
 Explosionproof

Dust-Ignitionproof  
 Raintight  
 Wet Locations

### Applications:

BHR dead front interlocked receptacles and switches with BHP plugs are used:

- To supply power to portable electrical equipment such as motor-generator sets, compressors, heating and cooling units, lighting systems, conveyors, and similar equipment
- Primarily in areas which are hazardous due to the presence of hydrogen or gases, or vapors of equivalent hazard such as manufactured gas
- In damp, wet, or corrosive locations
- Indoors or outdoors in hydrogen areas of process industries, missile bases where hydrogen fuel is used, and gas manufacturing plants

### Features:

- BHR receptacles feature a built-in rotary switch which is operated automatically when the plug is inserted and withdrawn. The switch, capable of making and breaking the circuit at full rated load, is operated by a helical blade in the center of the plug
- The plug and receptacle contacts cannot be made or broken under load. When the plug is inserted, the plug and receptacle contacts engage before the switch closes. When the plug is withdrawn, the switch opens before the plug and receptacle contacts disengage. This sequence of operation provides maximum safety in a dead front receptacle. Arcing is isolated in a flame and dust-tight chamber
- Operation is simple, safe and positive. To disconnect the portable device, the plug fastening ring is unscrewed and the plug simply pulled straight out. No separate interlock device or operating handle need be actuated
- Positive engagement without mismatching is assured by a distinct physical polarization of the plug and receptacle in every rating
- Plugs are furnished with pressure terminations. Receptacles are furnished with flexible leads for splicing to the supply conductors. A large threaded cover provides access to the wiring compartment
- As shown in the listings, assemblies are available for top, bottom or through feed conduit arrangements in  $\frac{3}{4}$ " to 2" sizes

### Certifications and Compliances:

- Class I, Division 1 and 2, Groups B, C, D
- Class II, Division 1 and 2, Groups F, G
- Class III
- NEMA: 3, 4, 7BCD, 9FG, 12
- ANSI/UL Standard: 1010

### Standard Materials:

- Receptacle housings – copper-free aluminum
- Seals – malleable iron
- Plug exteriors – copper-free aluminum
- Insulation – high impact glass filled phenolic
- Contacts – brass

### Standard Finishes:

- Copper-free aluminum – natural
- Malleable iron – electrogalvanized and aluminum lacquer
- Phenolic – natural (black)
- Brass – silver plated

### Options:

- Special polarity – where two or more receptacles of the same ampere rating and number of poles are to be installed in the same areas for use on different voltages, alternate polarizations can be furnished. Details on request.

### Electrical Rating Ranges:

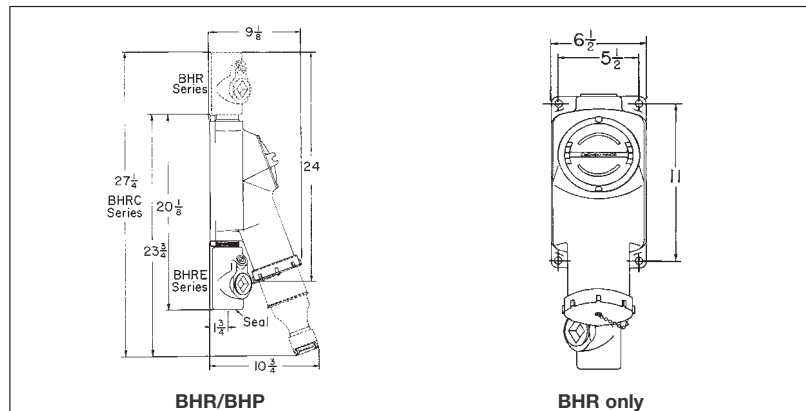
- 30, 60 and 100 amperes, 480VAC

### Grounding:

- BHR receptacles and BHP plugs are provided with an extra grounding pole. In plugs, provision is made for attachment of the grounding wire to the grounding pole. In addition, direct connection is provided between the plug and receptacle housings and the grounding pole. In the receptacle, grounding is accomplished through the conduit system

**CAUTION:** To reduce the risk of ignition of hazardous atmospheres, do not use plugs or receptacles in Class II, Group F locations that contain electrically conductive dusts.

### Dimensions In Inches:



BHR/BHP in use.



BHR/BHP separated showing helical driver.

**Crouse-Hinds**  
 by **EATON**

# BHR Dead Front Interlocked Receptacles with Factory Sealed Switch

Cl. I, Div. 1 and 2, Groups B, C, D  
 Cl. II, Div. 1 and 2, Groups F, G  
 Cl. III  
 NEMA 3, 4, 7BCD, 9FG, 12

Explosionproof  
 Dust-Ignitionproof  
 Raintight  
 Wet Locations

**4P**

## BHP Plugs, 480 VAC, 60–400 hertz

### Receptacles

Receptacles are supplied ready to install with a threaded cap. Through feed hubs are standard. Sealing fittings, nipples and closure plugs ordered separately depending on application. Receptacles can be configured for Top Feed, Bottom feed or Through feed.

Amps	Config.	Hub Size (In.)	Cat. #
30	2-wire, 3-pole	3/4	<b>BHRC3382N</b>
	2-wire, 3-pole	1	<b>BHRC3383N</b>
	3-wire, 4-pole	3/4	<b>BHRC3482D</b>
	3-wire, 4-pole	1	<b>BHRC3483D</b>
	4-wire, 5-pole	1	<b>BHRC3583 NW</b>
	4-wire, 5-pole	1 1/4	<b>BHRC3584 NW</b>
60	2-wire, 3-pole	1 1/4	<b>BHRC6384N</b>
	2-wire, 3-pole	1 1/2	<b>BHRC6385N</b>
	3-wire, 4-pole	1 1/4	<b>BHRC6484D</b>
	3-wire, 4-pole	1 1/2	<b>BHRC6485D</b>
	4-wire, 5-pole	1 1/4	<b>BHRC6584 NW</b>
	4-wire, 5-pole	1 1/2	<b>BHRC6585 NW</b>
100	2-wire, 3-pole	1 1/4	<b>BHRC10384N</b>
	2-wire, 3-pole	1 1/2	<b>BHRC10385N</b>
	3-wire, 4-pole	1 1/2	<b>BHRC10485D</b>
	3-wire, 4-pole	2	<b>BHRC10486D</b>
	4-wire, 5-pole	1 1/2	<b>BHRC10585 NW</b>
	4-wire, 5-pole	2	<b>BHRC10586 NW</b>



### Plugs

Plugs mate to BHR receptacles. Plugs are supplied with threaded locking ring that threads onto receptacle housing for secure connection and environmental seal. Mechanical external cord grip and neoprene bushing provided for secure cord retention and environmental seal.

Amps	Config.	Cable Dia.	Cat. #
30	2-wire, 3-pole	.500 - .875	<b>BHP3383N</b>
	2-wire, 3-pole	.875 - 1.375	<b>BHP3385N</b>
	3-wire, 4-pole	.500 - .875	<b>BHP3483D</b>
	3-wire, 4-pole	.875 - 1.375	<b>BHP3485D</b>
	4-wire, 5-pole	.500 - .875	<b>BHP3583 NW</b>
	4-wire, 5-pole	.875 - 1.375	<b>BHP3585 NW</b>
60	2-wire, 3-pole	.500 - .875	<b>BHP6383N</b>
	2-wire, 3-pole	.875 - 1.375	<b>BHP6385N</b>
	3-wire, 4-pole	.500 - .875	<b>BHP6483D</b>
	3-wire, 4-pole	.875 - 1.375	<b>BHP6485D</b>
	4-wire, 5-pole	.875 - 1.375	<b>BHP6585 NW</b>
	4-wire, 5-pole	1.375 - 1.875	<b>BHP6587 NW</b>
100	2-wire, 3-pole	.875 - 1.375	<b>BHP10385N</b>
	2-wire, 3-pole	1.375 - 1.875	<b>BHP10387N</b>
	3-wire, 4-pole	.875 - 1.375	<b>BHP10485D</b>
	3-wire, 4-pole	1.375 - 1.875	<b>BHP10487D</b>
	4-wire, 5-pole	.875 - 1.375	<b>BHP10585 NW</b>
	4-wire, 5-pole	1.375 - 1.875	<b>BHP10587 NW</b>



4P

**4P**

## SRD Dead Front Interlocked Receptacles with Factory Sealed Switch

**SP Plugs, 480 VAC, 60–400 hertz**

Cl. I, Div. 1 and 2, Group D  
 Cl. II, Div. 1 and 2, Groups F, G  
 Cl. III  
 NEMA 3, 7D, 9FG, 12  
 Explosionproof

Dust-Ignitionproof  
 Raintight  
 Wet Locations

### Applications:

SRD dead front interlocked receptacles, switches, and SP plugs are used:

- To supply power to portable electrical equipment such as motor-generator sets, compressors, heating and cooling units, lighting systems, conveyors and similar equipment
- In areas which are hazardous due to the presence of flammable vapors or gases and combustible dusts
- In damp, wet or corrosive locations
- Indoors or outdoors at petroleum refineries, chemical and petrochemical plants, as well as facilities for processing and handling grain, flour and starch

### Features:

- SRD receptacles feature a built-in rotary switch that operates automatically when the plug is inserted and withdrawn. The switch, capable of making and breaking the circuit at full rated load, is operated by a helical blade in the center of the plug.
- The plug and receptacle contacts cannot be made or broken under load. When the plug is inserted, the plug and receptacle contacts engage before the switch closes. When the plug is withdrawn, the switch opens before the plug and receptacle contacts disengage. This sequence of operation provides the maximum safety of a dead front receptacle. Arcing is isolated in a flame and dust-tight chamber.
- Operation is simple, safe and positive. To disconnect the portable device, the plug is simply pulled straight out. No separate interlock device or operating handle need be actuated.
- Positive engagement without mismatching is assured by a distinct physical polarization of plug and receptacle in every rating.
- Plugs are furnished with pressure terminations. Receptacles are furnished with flexible leads for splicing to the supply conductors. A threaded cover at the top provides access to the wiring compartment.
- Back box is provided with 1 1/4" vertical through feed hubs.

### Certifications and Compliances:

- NEC:
  - Class I, Division 1 and 2, Group D
  - Class II, Division 1 and 2, Groups F, G
  - Class III
- NEMA 3, 7D, 9FG, 12
- ANSI/UL Standard: 1010

### Standard Materials:

- Back box – *Feraloy*® iron alloy
- Threaded cover – copper-free aluminum
- Receptacle housings and plug exteriors – copper-free aluminum
- Insulation – high impact glass filled phenolic
- Contacts – brass

### Standard Finishes:

- *Feraloy* iron alloy – electrogalvanized and aluminum acrylic paint
- Copper-free aluminum – natural
- Phenolic – natural (black)
- Brass – silver plated

### Options:

- Special polarity – where two or more receptacles of the same ampere rating and number of poles are to be installed in the same area for use on different voltages, alternate polarizations can be furnished. Details on request.

### Electrical Rating Ranges:

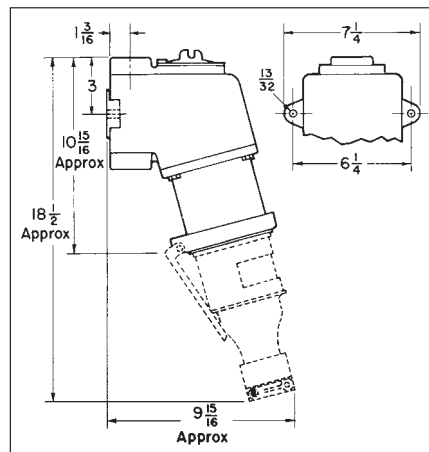
- 30 and 60 amperes, 480VAC

### Grounding:

- SRD receptacles and SP plugs are provided with an extra grounding pole. In plugs, provision is made for attachment of a grounding wire to the grounding pole. In addition, direct connection is provided between plug and receptacle housings and the grounding pole. In the receptacle, grounding is accomplished through the conduit system.

**CAUTION:** To reduce the risk of ignition of hazardous atmospheres, do not use plugs or receptacles in Class II, Group F locations that contain electrically conductive dusts.

### Dimensions In Inches:



**Crouse-Hinds**  
 by **EATON**

# SRD Dead Front Interlocked Receptacles with Factory Sealed Switch

SP Plugs, 480 VAC, 60–400 hertz

Cl. I, Div. 1 and 2, Group D  
Cl. II, Div. 1 and 2, Groups F, G  
Cl. III  
NEMA 3, 7D, 9FG, 12  
Explosionproof

Dust-Ignitionproof  
Raintight  
Wet Locations

**4P**



SRD Receptacle with spring door



SP Plug



SRD Receptacle with threaded cap



SP Plug with fastening ring

## Back Box – 1¼" Vertical Through Feed Hubs

Rating	Description	With Spring Door	With Cable Grip and Neoprene Bushing		With Threaded Cap	With Cable Grip and Neoprene Bushing	
		Cat. #	Cable Dia.	Cat. #	Cat. #	Cable Dia.	Cat. #
30 amp.	2-wire, 3-pole	SRD3324N	[.500 to .875 .875 to 1.375	SP3363N SP3365N	SRD3384N	[.500 to .875 .875 to 1.375	SP3383N SP3385N
	3-wire, 4-pole	SRD3424D	[.500 to .875 .875 to 1.375	SP3463D SP3465D	SRD3484D	[.500 to .875 .875 to 1.375	SP3483D SP3485D
	4-wire, 5-pole	SRD3524 NW	[.500 to .875 .875 to 1.375	SP3563 NW SP3565 NW	SRD3584 NW	[.500 to .875 .875 to 1.375	SP3583 NW SP3585 NW
60 amp.	2-wire, 3-pole	SRD6324N	[.500 to .875 .875 to 1.375	SP6363N SP6365N	SRD6384N	[.500 to .875 .875 to 1.375	SP6383N SP6385N
	3-wire, 4-pole	SRD6424D	[.500 to .875 .875 to 1.375	SP6463D SP6465D	SRD6484D	[.500 to .875 .875 to 1.375	SP6483D SP6485D
	4-wire, 5-pole	SRD6524 NW	[.875 to 1.375 1.375 to 1.875	SP6565 NW SP6567 NW	SRD6584 NW	[.875 to 1.375 1.375 to 1.875	SP6585 NW SP6587 NW

4P

# 4P

## EPC Circuit Breakers and Enclosures with Interlocked Arktite® Receptacles

### APJ/NPJ† and DP Arktite Plugs

Cl. I, Div. 1 and 2, Groups C, D  
 Cl. II, Div. 1 and 2, Groups F, G  
 Cl. III  
 NEMA/EFC 3, 7CD, 9FG, 12  
 Explosionproof

Dust-Ignitionproof  
 Raintight  
 Wet Locations

#### Applications:

- The EPC interlock receptacle is designed for use as a service outlet for portable equipment
- It is designed for use in damp, wet and corrosive locations, indoors or outdoors, in areas which are hazardous due to flammable vapors, gases or combustible dust. For example: refineries, chemical plants, and other processing and handling facilities of a hazardous nature

#### Features:

- Mechanical interlock mechanism for dead front construction
- Receptacles are mechanically interlocked with circuit breakers to provide disconnect means, short circuit protection and thermal time delay overload protection
- A spring door receptacle, located at bottom of 30, 60 and 100 ampere units and at front of 200 ampere units, is mechanically interlocked with the circuit breaker operating mechanism for maximum safety
- Plug and receptacle contacts cannot be made or broken under load. The circuit breaker cannot be closed until the plug is fully inserted and the plug cannot be withdrawn unless the breaker is open
- Operating handles can be padlocked in either "ON" or "OFF" positions. Breakers are trip-free of the handles and will open under short circuit or overload even if the handle is locked in the "ON" position
- Quick installation and leveling is provided by the three-point mounting arrangement which has one keyhole slot at top and two open slots at bottom
- Bodies have four taper-tapped conduit hubs with integral bushings. Two are located at top and two directly below. Sizes are as shown in the listings.

#### Certifications and Compliances:

- NEC:
  - Class I, Division 1 and 2, Groups C, D
  - Class II, Division 1 and 2, Groups F, G
  - Class III
- NEMA: 3, 7CD, 9FG, 12
- ANSI/UL Standard: 1010
- CEC:
  - Class I, Division 1 and 2, Groups C, D
  - Class II, Division 1 and 2, Group G
  - Class III
  - Encl. 3, 4

#### Standard Materials:

- Bodies, covers and receptacle housings – copper-free aluminum
- Operating handles – copper-free aluminum
- Operating shafts – stainless steel
- Interior parts – sheet steel
- Insulation (receptacles and plugs) – fiberglass-reinforced polyester
- Pressure contacts – brass
- Crimp/solder contacts – leaded red brass

#### Standard Finishes:

- Copper-free aluminum – natural
- Stainless steel – natural
- Sheet steel – electrogalvanized with chromate finish
- Brass – natural
- Fiberglass-reinforced polyester – natural (red)
- Leaded red brass – electro-tin-plate

#### Electrical Rating Ranges:

- Receptacle ratings: 30, 60, 100 and 200 amperes
- Circuit breakers: 100 and 225 ampere frame sizes

#### Grounding:

- EPC interlocked receptacles and matching plugs are provided with an extra grounding pole for attaching a grounding wire. In addition, direct connection is provided between plug and receptacle and the grounding pole. If a separate grounding wire is not installed in the enclosure, grounding is accomplished through the conduit system.

#### Options:

The following special options are available by adding suffix to Cat. #:

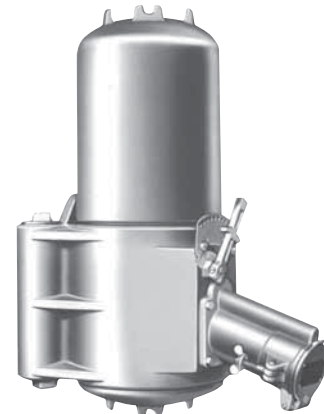
Description	Suffix
Special polarity – used where two or more receptacles of the same ampere rating, style and number of poles are to be installed in the same area for use on different voltages. Available on 30, 60 and 100 ampere units as follows: Receptacle interior rotated 22½° clockwise when viewed from face of receptacle and plug changed to match.....	S4
Side bosses drilled and tapped same size as standard hubs, 30, 60 and 100 ampere units only .....	S366
Back boss drilled and tapped same size as standard hubs, 30, 60 and 100 ampere units only .....	S367
Breather and drain (Class I, Class II) .....	S198V
Breather and drain (Class I only).....	S454V

**CAUTION:** To reduce the risk of ignition of hazardous atmospheres, do not use plugs or receptacles in Class II, Group F locations that contain electrically conductive dusts.

†Pressure connectors are standard. Crimp/solder type terminators are optionally available for 2, 3 and 4-pole 30 ampere, 3 and 4-pole 60 and 100 ampere. For details, see page 1316. To specify, add the suffix "T" to the catalog number. For example: APJ3365-T (Plug).



30, 60 and 100 ampere size EPC



200 ampere size EPC

# EPC Circuit Breakers and Enclosures with Interlocked Arktite® Receptacles

Cl. I, Div. 1 and 2, Groups C, D  
 Cl. II, Div. 1 and 2, Groups F, G  
 Cl. III  
 NEMA/EFC 3, 7CD, 9FG, 12  
 Explosionproof

Dust-Ignitionproof  
 Raintight  
 Wet Locations

**4P**

## Interchangeability of Plugs with Other Hazardous and Non-hazardous Location Receptacles:

- Plugs listed for use with 30, 60 and 100 ampere EPC assemblies are standard *Arktite* APJ/NPJ plugs. Other standard APJ and CPH plugs of the same rating, style and number of poles may be used with EPC receptacles, as well as with DBR, EBBR and EPCB receptacles listed elsewhere in this section.
- As a result, portable equipment suitable for the location and equipped with the proper plug can be used with AR/NR series receptacles for non-hazardous locations: EBBR, EPC and EPCB receptacles for Class I hazardous locations; DR and DBR receptacles for Class II hazardous locations.

## Ordering Information:

### 100 Ampere Frame Size Thermal-magnetic Circuit Breaker with Non-interchangeable Thermal Trip and Non-adjustable Magnetic Trip

Circuit Breaker		Enclosure			With Circuit Breaker		
Receptacle with Spring Door Housing	Rating	Hub Size (In.)	Ckt. Bkr. Amps	Without Circuit Breaker Cat. #	Cutler-Hammer "EHD" Cat. #	General Electric "TED" Cat. #	
30 amp. 2-wire, 3-pole, Style 2	2-pole, 480VAC‡ or 250 VDC	600VAC†	1¼	20	EPC43032	EPC43032 WT20 2	EPC43032 TT20 2
				30		EPC43032 WT30 2	EPC43032 TT30 2
				40*		EPC43032 WT40 2	EPC43032 TT40 2
				50*		EPC43032 WT50 2	EPC43032 TT50 2
30 amp. 3-wire, 4-pole, Style 2	3-pole, 480VAC‡ or 250 VDC	600VAC†	1¼	20	EPC43042	EPC43042 WT20 3	EPC43042 TT20 3
				30		EPC43042 WT30 3	EPC43042 TT30 3
				40*		EPC43042 WT40 3	EPC43042 TT40 3
				50*		EPC43042 WT50 3	EPC43042 TT50 3
60 amp. 2-wire, 3 pole, Style 2	2-pole, 480VAC‡ or 250 VDC	600VAC†	1¼	50	EPC46032	EPC46032 WT50 2	EPC46032 TT50 2
				60		EPC66032 WT60 2	EPC66032 TT60 2
		2	2	70*	EPC66032	EPC66032 WT70 2	EPC66032 TT70 2
				90*		EPC66032 WT90 2	EPC66032 TT90 2
60 amp. 3-wire, 4-pole, Style 2	3-pole, 480VAC‡ or 250 VDC	600VAC†	1¼	50	EPC46042	EPC46042 WT50 3	EPC46042 TT50 3
				60		EPC66042 WT60 3	EPC66042 TT60 3
		2	2	70*	EPC66042	EPC66042 WT70 3	EPC66042 TT70 3
				90*		EPC66042 WT90 3	EPC66042 TT90 3
100 amp. 2-wire, 3-pole, Style 2	2-pole, 480VAC‡ or 250 VDC	600VAC†	2	60	EPC61032	EPC61032 WT60 2	EPC61032 TT60 2
				70		EPC61032 WT70 2	EPC61032 TT70 2
				90		EPC61032 WT90 2	EPC61032 TT90 2
				100		EPC61032 WT100 2	EPC61032 TT100 2
100 amp. 3-wire, 4-pole, Style 2	3-pole, 480VAC‡ or 250VDC	600VAC†	2	60	EPC61042	EPC61042 WT60 3	EPC61042 TT60 3
				70		EPC61042 WT70 3	EPC61042 TT70 3
				90		EPC61042 WT90 3	EPC61042 TT90 3
				100		EPC61042 WT100 3	EPC61042 TT100 3

### 225 Ampere Frame Size Circuit Breaker with Interchangeable Thermal Magnetic Trip††

Circuit Breaker		Enclosure			With Circuit Breaker	
Receptacle with Spring Door Housing	Rating	Hub Size (In.)	Ckt. Bkr. Amps	Without Circuit Breaker Cat. #	Cutler-Hammer "KB" Cat. #	General Electric "TFK" Cat. #
200 amp. 3-wire, 4-pole, Style 2	3-pole, 600VAC or 250 VDC	3	125	EPC604 2042	EPC604 2042 WT125 3	EPC605 2042 TT125 3
			150		EPC604 2042 WT150 3	EPC605 2042 TT150 3
		3	175	EPC605 2042	EPC604 2042 WT175 3	EPC605 2042 TT175 3
			200		EPC604 2042 WT200 3	EPC605 2042 TT200 3
		225*		EPC604 2042 WT225 3	EPC605 2042 TT225 3	

\*Circuit breaker trip rating may exceed receptacle rating for welding equipment applications only, as higher trip rating may not protect wiring.  
 ††200 ampere units are suitable for Class I, Group D (NEMA 7D).  
 ‡Enclosures with 600 volt circuit breakers from U.S.A. are available. Information on request.  
 †CSA Certified units are supplied with 600VAC FDB frame circuit breakers.

**CAUTION:** To reduce the risk of ignition of hazardous atmospheres, do not use plugs or receptacles in Class II, Group F locations that contain electrically conductive dusts.

4P

# APJ/NPJ† and DP Arktite® Plugs with Cable Grip and Neoprene Bushing

Cl. I, Div. 1 and 2, Groups C, D  
Cl. II, Div. 1 and 2, Groups F, G  
Cl. III  
NEMA/EFC 3, 7CD, 9FG, 12  
Explosionproof

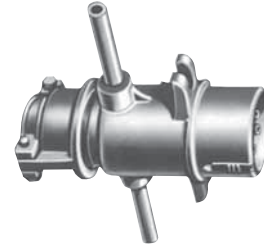
Dust-Ignitionproof  
Raintight  
Wet Locations



APJ Plug



NPJ Plug



DP Plug

## Ordering Information - APJ/NPJ and DP Arktite Plugs

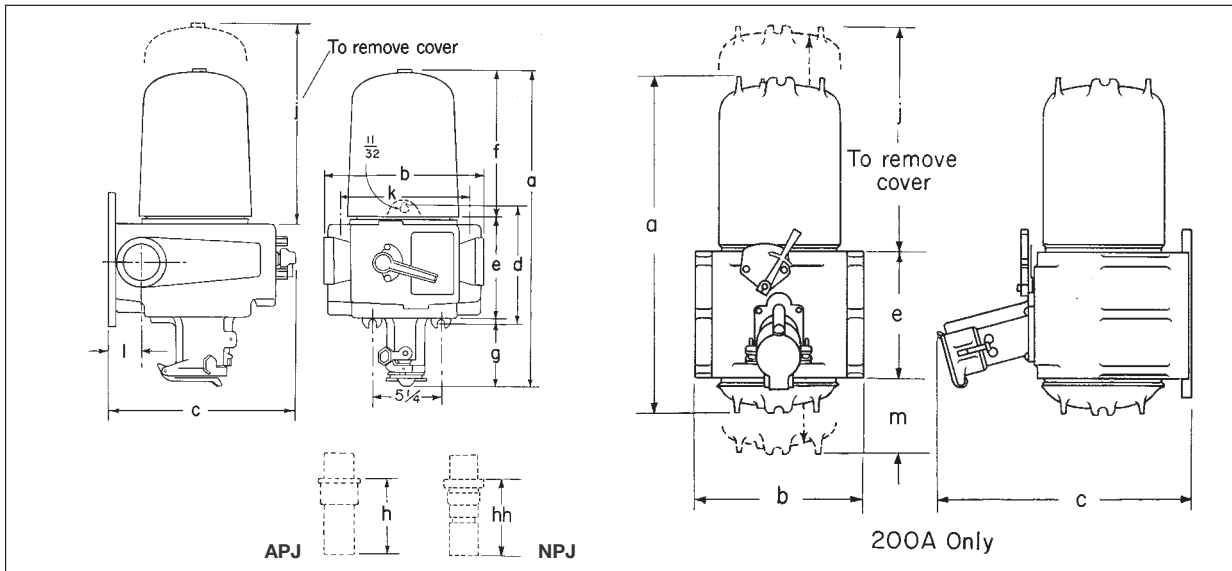
### 600VAC/250VDC with Cable Grip and Neoprene Bushing – Style 2

Amps	Cable O.D. Range	2-wire, 3-pole Cat. #	3-wire, 4-pole Cat. #
30	0.60 to 1.20	APJ3385	APJ3485
	0.55 to 0.70	NPJ3383	NPJ3483
	0.70 to 0.85	NPJ3384	NPJ3484
60	0.75 to 1.45	APJ6385	APJ6485
	0.75 to 1.07	NPJ6384	NPJ6484
	1.07 to 1.35	NPJ6385	NPJ6485
100	1.00 to 1.70	APJ10387	APJ10487
	0.93 to 1.21	NPJ10386	NPJ10486
	1.21 to 1.50	NPJ10387	NPJ10487
200†	1.875 to 2.50		DP20468

†Pressure connectors are supplied as standard. To specify crimp/solder type terminations add the suffix "T" to the catalog number. For example: APJ3385-T (Plug).

## Dimensions

In Inches:



Recept.	Breaker	a	b	c	d	e	f	g	h	hh	j	k	l	m
30 Amp.	20–50 Amp.	24	10 <sup>3</sup> / <sub>8</sub>	14 <sup>3</sup> / <sub>8</sub>	9 <sup>3</sup> / <sub>8</sub>	7 <sup>11</sup> / <sub>16</sub>	11 <sup>3</sup> / <sub>4</sub>	4 <sup>9</sup> / <sub>16</sub>	4 <sup>13</sup> / <sub>16</sub>	7	20 <sup>3</sup> / <sub>4</sub>	7 <sup>3</sup> / <sub>8</sub>	2 <sup>1</sup> / <sub>16</sub>	
60 Amp.	50 Amp.	24 <sup>1</sup> / <sub>2</sub>	10 <sup>7</sup> / <sub>8</sub>	14 <sup>3</sup> / <sub>8</sub>	9 <sup>3</sup> / <sub>8</sub>	7 <sup>11</sup> / <sub>16</sub>	11 <sup>3</sup> / <sub>4</sub>	5 <sup>1</sup> / <sub>16</sub>	5 <sup>3</sup> / <sub>16</sub>	6 <sup>3</sup> / <sub>16</sub>	20 <sup>3</sup> / <sub>4</sub>	7 <sup>3</sup> / <sub>8</sub>	2 <sup>1</sup> / <sub>16</sub>	
60 Amp.	70–100 Amp.	24 <sup>1</sup> / <sub>2</sub>	12 <sup>13</sup> / <sub>16</sub>	14 <sup>3</sup> / <sub>8</sub>	9 <sup>3</sup> / <sub>8</sub>	7 <sup>11</sup> / <sub>16</sub>	11 <sup>3</sup> / <sub>4</sub>	5 <sup>1</sup> / <sub>16</sub>	5 <sup>13</sup> / <sub>16</sub>	6 <sup>13</sup> / <sub>16</sub>	20 <sup>3</sup> / <sub>4</sub>	9 <sup>1</sup> / <sub>4</sub>	2 <sup>5</sup> / <sub>8</sub>	
100 Amp.	70–100 Amp.	25 <sup>1</sup> / <sub>4</sub>	12 <sup>13</sup> / <sub>16</sub>	14 <sup>3</sup> / <sub>8</sub>	9 <sup>3</sup> / <sub>8</sub>	7 <sup>11</sup> / <sub>16</sub>	11 <sup>3</sup> / <sub>4</sub>	5 <sup>13</sup> / <sub>16</sub>	6 <sup>5</sup> / <sub>8</sub>	7 <sup>3</sup> / <sub>4</sub>	20 <sup>3</sup> / <sub>4</sub>	9 <sup>1</sup> / <sub>4</sub>	2 <sup>5</sup> / <sub>8</sub>	
200 Amp.	125–225 Amp.	36	18	27		13 <sup>1</sup> / <sub>2</sub>					34 <sup>1</sup> / <sub>4</sub>			5 <sup>1</sup> / <sub>2</sub>

Dim. "h" and "hh" are exposed portion of plug when engaged with receptacle.

**Crouse-Hinds**  
by **EATON**



# EPCB Circuit Breakers and Enclosures with Interlocked Arktite® Receptacles

## APJ/NPJ Arktite Plugs‡

Cl. I, Div. 1 and 2, Groups B, C, D  
 Cl. II, Div. 1 and 2, Groups F, G  
 Cl. III  
 NEMA/EFC 3, 7BCD, 9FG, 12  
 Explosionproof

Dust-Ignitionproof  
 Raintight  
 Wet Locations

**4P**

### Applications:

- The EPCB interlock receptacle is designed for use as a service outlet for portable equipment. The circuit breaker provides overcurrent and short circuit protection
- It has a mechanical interlock mechanism for dead front construction and no load make or break feature
- It is designed for use in damp, wet and corrosive locations, indoors or outdoors, in areas which are hazardous due to flammable vapors, gases or combustible dust. For example: refineries, chemical plants, and other processing and handling facilities of a hazardous nature

### Features:

- Spring door receptacle located at the bottom is mechanically interlocked with the circuit breaker operating mechanism for maximum safety. Plug and receptacle contacts cannot be made or broken under load. The circuit breaker cannot be closed until the plug is fully inserted and the plug cannot be withdrawn unless the breaker is open
- Operating handles can be padlocked in either "ON" or "OFF" positions. Breakers are trip-free of the handles and will open under short circuit or overload even if the handle is locked in the "ON" position
- Quick installation and leveling is provided by the three-point mounting arrangement having one keyhole slot at top and two open slots at bottom
- Bodies have four 1/4" taper tapped conduit hubs with integral bushings. Two are located at top and two directly below
- When installing, seals suitable for Class I, Group B hazardous areas must be located within 1/2" of each conduit opening

### Certifications and Compliances:

- NEC:  
 Class I, Division 1 and 2, Groups B, C, D  
 Class II, Division 1 and 2, Groups F, G  
 Class III
- NEMA: 3, 7BCD, 9FG, 12
- ANSI/UL Standard: 1010
- CEC:  
 Class I, Division 1 and 2, Groups B, C, D  
 Class II, Division 1 and 2, Group G  
 Class III
- Encl. 3, 4

### Standard Materials:

- Bodies, covers and receptacle housings – copper-free aluminum
- Operating handles – copper-free aluminum
- Operating shafts – stainless steel
- Interior parts – sheet steel
- Insulation – fiberglass-reinforced polyester
- Pressure contacts – brass
- Crimp/solder contacts – leaded red brass

### Standard Finishes:

- Copper-free aluminum – natural
- Stainless steel – natural
- Sheet steel – zinc electroplate with chromate finish
- Brass – natural
- Fiberglass-reinforced polyester – natural (red)
- Leaded red brass – electro-tin-plate

### Electrical Rating Ranges:

- Receptacle ratings: 30, 60 and 100 amperes
- Circuit breakers: 100 ampere frame size

### Options:

The following special options are available by adding the suffix to the Cat. #:

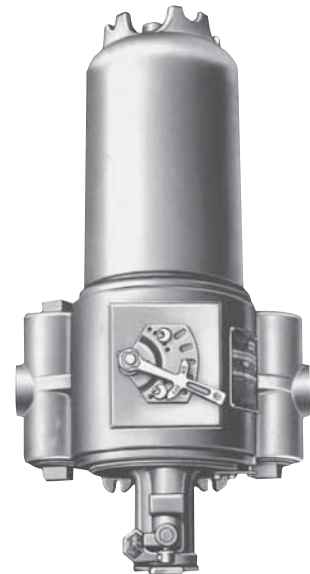
Description	Suffix
• Special polarity. For use where two or more receptacles of the same ampere rating, style and number of poles are to be installed in the same area for use on different voltages. Receptacle interior rotated 22 1/2° to right (viewed from face) and plug changed to match .....	S4
• Side bosses drilled and tapped same size as standard hubs .....	S366
• Back boss drilled and tapped same size as standard hubs.....	S367

### Interchangeability of Plugs with Other Hazardous and Non-hazardous Location Receptacles:

- Plugs listed for use with EPCB assemblies are standard *Arktite* APJ/NPJ plugs. Other standard APJ and CPH plugs of the same rating, style and number of poles may be used with EPCB receptacles as well as DBR and EPC receptacles listed elsewhere in this section
- As a result, portable equipment suitable for the location and equipped with the proper plug can be used with AR/NR series receptacles for non-hazardous locations; EBBR, EPC and EPCB receptacles for Class I hazardous locations; DR and DBR receptacles for Class II hazardous locations

### Grounding:

- EPCB interlocked receptacles and matching plugs are provided with an extra grounding pole for attaching a grounding wire. In addition, direct connection is provided between plug and receptacle and the grounding pole. If a separate grounding wire is not installed in the enclosure, grounding is accomplished through the conduit system



‡Pressure connectors are supplied as standard. To specify crimp/solder type terminations add the suffix "T" to the catalog number. For example: APJ3365-T (Plug).

# 4P EPCB Circuit Breakers and Enclosures with Interlocked Arktite® Receptacles APJ/NPJ Arktite Plugs‡

Cl. I, Div. 1 and 2, Groups B, C, D  
 Cl. II, Div. 1 and 2, Groups F, G  
 Cl. III  
 NEMA/EFC 3, 7BCD, 9FG, 12  
 Explosionproof

Dust-Ignitionproof  
 Raintight  
 Wet Locations

## Ordering Information:

### 100 Ampere Frame Size Thermal-magnetic Circuit Breaker with Non-interchangeable Thermal Trip and Non-adjustable Magnetic Trip

Circuit Breaker Receptacle with Spring Door Housing	Rating	Enclosure with Circuit Breaker		Cutler-Hammer		General Electric	
		Hub Size (In.)	Ckt. Amps				
30 amp. 2-wire, 3-pole, Style 2	2-pole, 600VAC or 250 VDC	1 1/4	20	EPCB43632 WT20HFD 2	EPCB43632 TT20TED 2		
			30	EPCB43632 WT30HFD 2	EPCB43632 TT30TED 2		
			40*	EPCB43632 WT40HFD 2	EPCB43632 TT40TED 2		
			50*	EPCB43632 WT50HFD 2	EPCB43632 TT50TED 2		
30 amp. 3-wire, 4-pole, Style 2	3-pole, 600VAC or 250 VDC	1 1/4	20	EPCB43642 WT20HFD 3	EPCB43642 TT20TED 3		
			30	EPCB43642 WT30HFD 3	EPCB43642 TT30TED 3		
			40*	EPCB43642 WT40HFD 3	EPCB43642 TT40TED 3		
			50*	EPCB43642 WT50HFD 3	EPCB43642 TT50TED 3		
60 amp. 2-wire, 3-pole, Style 2	2-pole, 600VAC or 250 VDC	1 1/4	50	EPCB46632 WT50HFD 2	EPCB46632 TT50TED 2		
			60*	EPCB46632 WT60HFD 2	EPCB46632 TT60TED 2		
			70*	EPCB46632 WT70HFD 2	EPCB46632 TT70TED 2		
			90*	EPCB46632 WT90HFD 2	EPCB46632 TT90TED 2		
			100*	EPCB46632 WT100HFD 2	EPCB46632 TT100TED 2		
60 amp. 3-wire, 4-pole, Style 2	3-pole, 600VAC or 250 VDC	1 1/4	50	EPCB46642 WT50HFD 3	EPCB46642 TT50TED 3		
			60*	EPCB46642 WT60HFD 3	EPCB46642 TT60TED 3		
			70*	EPCB46642 WT70HFD 3	EPCB46642 TT70TED 3		
			90*	EPCB46642 WT90HFD 3	EPCB46642 TT90TED 3		
			100*	EPCB46642 WT100HFD 3	EPCB46642 TT100TED 3		
100 amp. 2-wire, 3-pole, Style 2	2-pole, 600VAC or 250 VDC	1 1/4	70	EPCB41632 WT70HFD 2	EPCB41632 TT70TED 2		
			90	EPCB41632 WT90HFD 2	EPCB41632 TT90TED 2		
			100	EPCB41632 WT100HFD 2	EPCB41632 TT100TED 2		
100 amp. 3-wire, 4-pole, Style 2	3-pole, 600VAC or 250 VDC	1 1/4	70†	EPCB41642 WT70HFD 3	EPCB41642 TT70TED 3		
			90†	EPCB41642 WT90HFD 3	EPCB41642 TT90TED 3		
			100†	EPCB41642 WT100HFD 3	EPCB41642 TT100TED 3		

‡Pressure connectors are supplied as standard. To specify crimp/solder type terminators add the suffix "T" to the catalog number. For example: APJ3385-T (Plug).  
 \*Circuit breaker trip rating may exceed receptacle rating for welding equipment applications only, as higher trip rating may not protect wiring.  
 †For detailed information on circuit breaker selection see Section 3C.

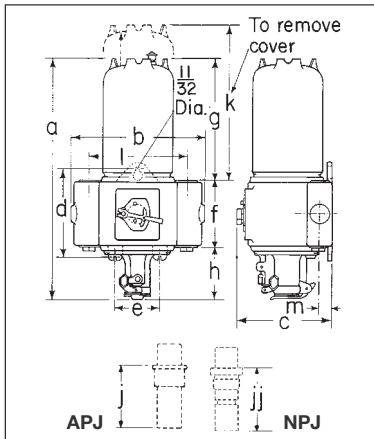


APJ Plug



NPJ Plug

## Dimensions In Inches:



## APJ/NPJ Arktite Plugs 600VAC/250VDC with Cable Grip and Neoprene Bushing – Style 2

Amps	Cable O.D. Range	2-wire, 3-pole Cat. #	3-wire, 4-pole Cat. #
30	0.60 to 1.20	APJ3385	APJ3485
	0.55 to 0.70	NPJ3383	NPJ3483
	0.70 to 0.85	NPJ3384	NPJ3484
60	0.75 to 1.45	APJ6385	APJ6485
	0.75 to 1.07	NPJ6384	NPJ6484
	1.07 to 1.35	NPJ6385	NPJ6485
100	1.00 to 1.70	APJ10387	APJ10487
	0.93 to 1.21	NPJ10386	NPJ10486
	1.21 to 1.50	NPJ10387	NPJ10487

Receptacle	a	b	c	d	e	f
30 Amp.	26 1/4	11 9/16	11 3/4	8 5/8	5	7 3/4
60 Amp.	26 3/4	11 9/16	11 3/4	8 5/8	5	7 3/4
100 Amp.	27 1/2	11 9/16	11 3/4	8 5/8	5	7 3/4

Receptacle	g	h	j	jj	k	l	m
30 Amp.	13 9/16	4 15/16	4 13/16	7	24 3/4	8 3/16	1 5/8
60 Amp.	13 9/16	5 7/16	5 13/16	6 13/16	24 3/4	8 3/16	1 5/8
100 Amp.	13 9/16	6 3/16	6 5/8	7 3/4	24 3/4	8 3/16	1 5/8

Dim "j" and "jj" are exposed portion of plug when engaged with receptacle.

**Crouse-Hinds**  
 by **E.T.N.**

# DBR Interlocked Arktite® Receptacles With Enclosed Circuit Breakers

## APJ/NPJ Arktite Plugs‡

Cl. II, Div. 1 and 2, Groups F, G  
Cl. III  
NEMA/EEMAC 3, 9FG, 12  
Dust-Ignitionproof  
Raintight

**4P**

### Applications:

DBR interlocked Arktite receptacles with enclosed circuit breakers and APJ/NPJ Arktite plugs are used:

- To supply power to portable electrical equipment such as motor-generator sets, compressors, heating and cooling units, conveyors, and similar equipment
- In locations where hazardous dusts are present, as in grain processing and handling plants, chemical plants and certain food processing industries
- Indoors or outdoors in damp, wet or corrosive locations

### Features:

- Receptacles are mechanically interlocked with circuit breakers to provide disconnect means, short circuit protection and thermal time delay overload protection.
- Enclosures are compact and rectangular in shape permitting close spacing.
- For maximum safety, the spring door receptacle at the bottom is mechanically interlocked with the circuit breaker operating mechanism. The circuit breaker cannot be closed until the plug is fully inserted and the plug cannot be withdrawn unless the breaker is open.
- Operating handles can be padlocked in either "ON" or "OFF" positions. Breakers are trip-free of the handles and will open under short circuit or overload even if the handle is locked in the "ON" position.
- Enclosure is provided with a drilled and tapped conduit opening at top center, equipped with a threaded-in bushing. The size furnished is 1½", and removing the bushing permits the use of a 2" conduit.

### Certifications and Compliances:

- NEC:  
Class II, Division 1 and 2, Groups F, G  
Class III
- NEMA/EEMAC: 3, 9FG, 12
- UL Standard: 698, 1010
- CEC:  
Class II, Division 1 and 2, Group G  
Class III
- Encl. 3, 5

### Standard Materials:

- Bodies, covers and operating handles – copper-free aluminum
- Operating shafts – stainless steel
- Receptacle housings and plug exteriors – copper-free aluminum
- Insulation: plugs and receptacles – fiberglass-reinforced polyester
- Pressure contacts – brass
- Crimp/solder contacts – leaded red brass

### Crouse-Hinds

by **E.T.N**

### Standard Finishes:

- Copper-free aluminum – plug exterior, enclosure and receptacle housing – natural
- Stainless steel – natural
- Brass – natural
- Fiberglass-reinforced polyester – natural (red)
- Leaded red brass – electro-tin-plate

### Options:

The following special options are available by adding suffix to Cat. #:

- | Description   | Suffix      |
|---|-------------|
| • Special polarity – for use where two or more receptacles of the same ampere rating, style and number of poles are to be installed in the same area for use on different voltages. Receptacle interior rotated 22½° clockwise when viewed from receptacle face and plug changed to match ..... | <b>S4</b>   |
| • Breather (drain furnished as standard).....   | <b>S219</b> |
| • Conduit arrangements other than standard can be supplied. Details on request.   |             |

### Electrical Rating Ranges:

- Receptacle ratings: 30, 60 and 100 amperes
- Circuit breakers: 100 ampere frame size

### Interchangeability of Plugs with Other Hazardous and Non-hazardous Location Receptacles:

- Plugs listed for use with DBR assemblies are standard Arktite APJ/NPJ plugs. Other standard APJ/NPJ and CPH plugs of the same rating, style and number of poles may be used with DBR receptacles, as well as with EBBR, EPC and EPCB receptacles listed in Section 4P.
- As a result, portable equipment suitable for the locations and equipped with the proper plug can be used with AR receptacles for non-hazardous locations, with EBBR, EPC and EPCB receptacles for Class I hazardous locations, and with DR and DBR interlocked receptacles for Class II hazardous locations.

### Dimensions:

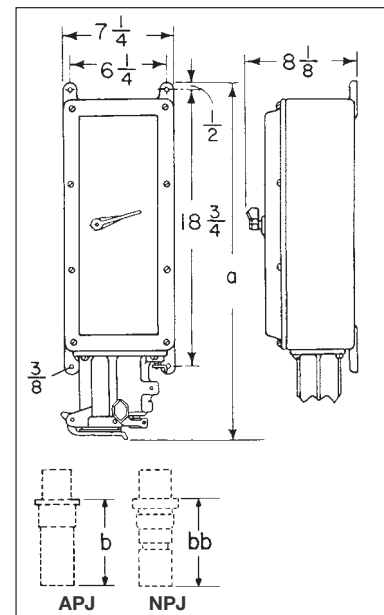
Amps	a	b	bb
30	21¼	6½	7
60	22¾	8½	6 <sup>13</sup> / <sub>16</sub>
100	23½	10½	7¼

Dim. "b" and "bb" are exposed portion of plug when engaged with receptacle.



**CAUTION:** To reduce the risk of ignition of hazardous atmospheres, do not use plugs or receptacles in Class II, Group F locations that contain electrically conductive dusts.

### Dimensions In Inches:



**4P**

‡Pressure connectors are standard. Crimp/solder type terminators are optionally available for 3 and 4-pole, 30, 60 and 100 ampere. For details, see page 1316. To specify, add the suffix "T" to the catalog number. For example: AP3375-T (Plug).

# 4P DBR Interlocked Arktite® Receptacles With Enclosed Circuit Breakers

Cl. II, Div. 1 and 2, Groups F, G  
Cl. III  
NEMA/EEMAC 3, 9FG, 12  
Dust-Ignitionproof  
Raintight

## Ordering Information:

100 Ampere Frame Size with Non-interchangeable Thermal Trip and Non-adjustable Magnetic Trip

Receptacle With Spring Door Housing†	Circuit Breaker Rating	Enclosure		Without Circuit Breaker Cat. #	With Circuit Breaker Cat. # Cutler-Hammer "FDB"
		Hub Size (In.)	Ckt. Bkr. Amps		
30 amp., 3-wire, 3-pole, Style 1	3-pole 600VAC	1½	20	DBR53731	DBR53731 WT20 3
			30		DBR53731 WT30 3
			40		DBR53731 WT40 3*
			50		DBR53731 WT50 3*
30 amp., 2-wire, 3-pole, Style 2	2-pole 600VAC or 250 VDC	1½	20	DBR53732	DBR53732 WT20 2
			30		DBR53732 WT30 2
			40		DBR53732 WT40 2*
			50		DBR53732 WT50 2*
30 amp., 3-wire, 4-pole, Style 2	3-pole 600VAC	1½	20	DBR53742	DBR53742 WT20 3
			30		DBR53742 WT30 3
			40		DBR53742 WT40 3*
			50		DBR53742 WT50 3*
60 amp., 3-wire, 3-pole, Style 1	3-pole 600VAC	1½	50	DBR56731	DBR56731 WT50 3
			60		DBR56731 WT60 3
			70		DBR56731 WT70 3*
			90		DBR56731 WT90 3*
			100		DBR56731 WT100 3*
60 amp., 2-wire, 3-pole, Style 2	2-pole 600VAC or 250 VDC	1½	50	DBR56732	DBR56732 WT50 2
			60		DBR56732 WT60 2
			70		DBR56732 WT70 2*
			90		DBR56732 WT90 2*
			100		DBR56732 WT100 2*
60 amp., 3-wire, 4-pole, Style 2	3-pole 600VAC	1½	50	DBR56742	DBR56742 WT50 3
			60		DBR56742 WT60 3
			70		DBR56742 WT70 3*
			90		DBR56742 WT90 3*
			100		DBR56742 WT100 3*
100 amp., 3-wire, 3-pole, Style 1	3-pole 600VAC	1½	60	DBR51731	DBR51731 WT60 3
			70		DBR51731 WT70 3
			90		DBR51731 WT90 3
			100		DBR51731 WT100 3
100 amp., 2-wire, 3-pole, Style 2	2-pole 600VAC or 250 VDC	1½	60	DBR51732	DBR51732 WT60 2
			70		DBR51732 WT70 2
			90		DBR51732 WT90 2
			100		DBR51732 WT100 2
100 amp., 3-wire, 4-pole, Style 2	3-pole 600VAC	1½	60	DBR51742	DBR51742 WT60 3
			70		DBR51742 WT70 3
			90		DBR51742 WT90 3
			100		DBR51742 WT100 3

\*Circuit breaker trip rating may exceed receptacle rating for welding equipment applications only, as higher trip rating may not protect wiring.  
†Style 1 – Grounded through shell. Style 2 – Grounded through extra pole and shell. For a detailed description of these grounding methods, see page 1314.

## APJ/NPJ Arktite Plugs



APJ Plug



NPJ Plug

Amps	Cable O.D. Range	Style 1†	Style 2†	3-wire, 4-pole Cat. #
		3-wire, 3-pole Cat. #	2-wire, 3-pole Cat. #	
30	0.60 to 1.20	APJ3375	APJ3385	APJ3485
	0.55 to 0.70			NPJ3483
	0.70 to 0.85			NPJ3384
60	0.75 to 1.45	APJ6375	APJ6385	APJ6485
	0.75 to 1.07			NPJ6484
	1.07 to 1.35			NPJ6385
100	1.00 to 1.70	APJ10377	APJ10387	APJ10487
	0.93 to 1.21			NPJ10486
	1.21 to 1.50			NPJ10387

**Crouse-Hinds**  
by **EATON**

# IEC 309 Plugs, Connectors, Receptacles, Inlets, and Interlocks

5P

## Non-hazardous and Hazardous

---

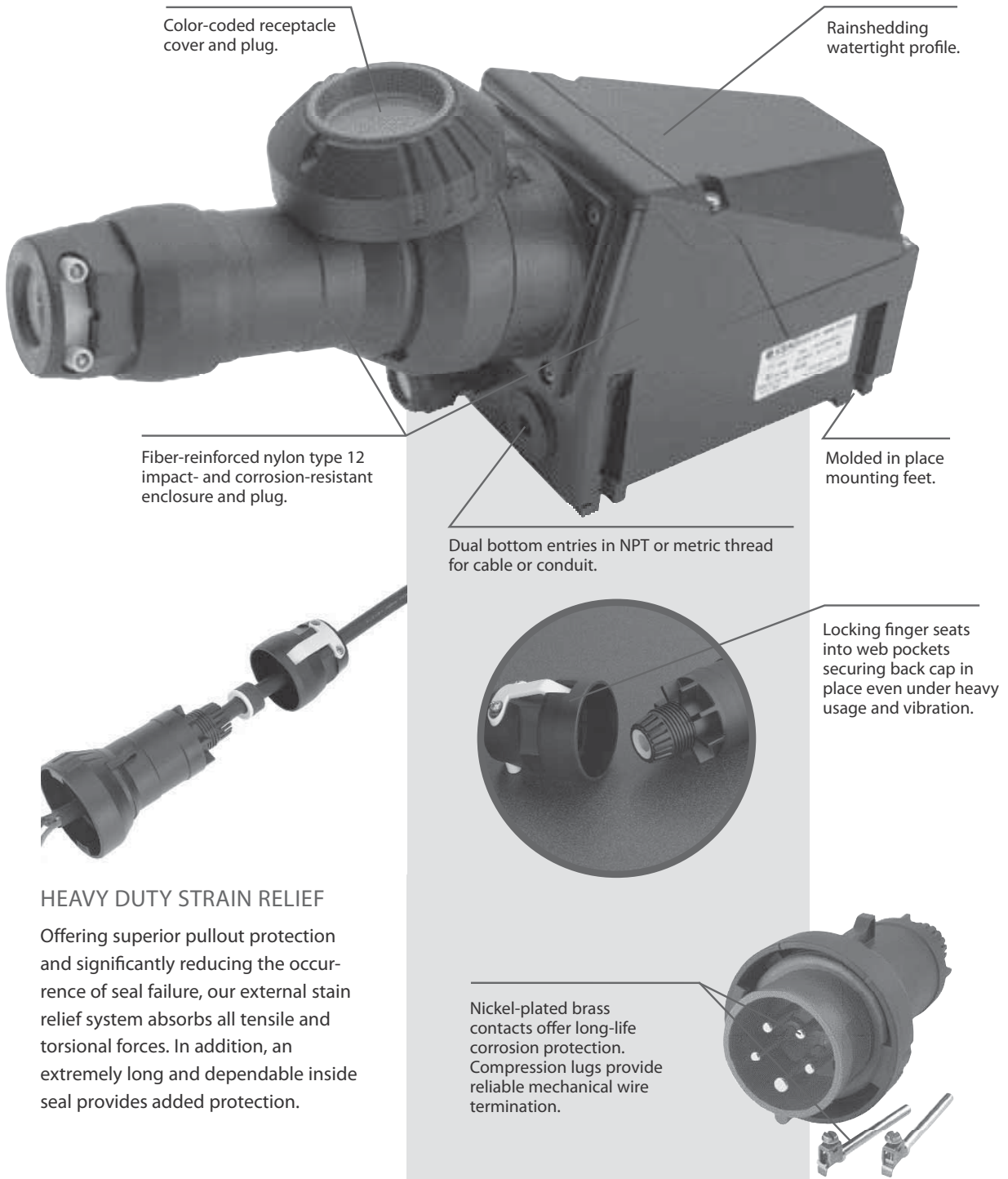
Description	Page No.
<b>Hazardous Heavy Duty IEC 309 Offering</b>	
Applications, Technical Data	see pages 1404–1408
Ordering Information	see pages 1404–1408
Dimensional Data	see pages 1404–1408
<b>Non-hazardous Heavy Duty Industrial IEC 309 Offering</b>	
Applications, Technical Data	see page 1409
Ordering Information	see page 1413
Dimensional Data	see page 1417

5P

# 5P IEC 309 Plugs and Interlocks

Cl. I, Zone 1 & 2, Div. 2  
NEMA 4X  
IP66  
GOST-R

**Hazardous Heavy Duty**



## HEAVY DUTY STRAIN RELIEF

Offering superior pullout protection and significantly reducing the occurrence of seal failure, our external strain relief system absorbs all tensile and torsional forces. In addition, an extremely long and dependable inside seal provides added protection.

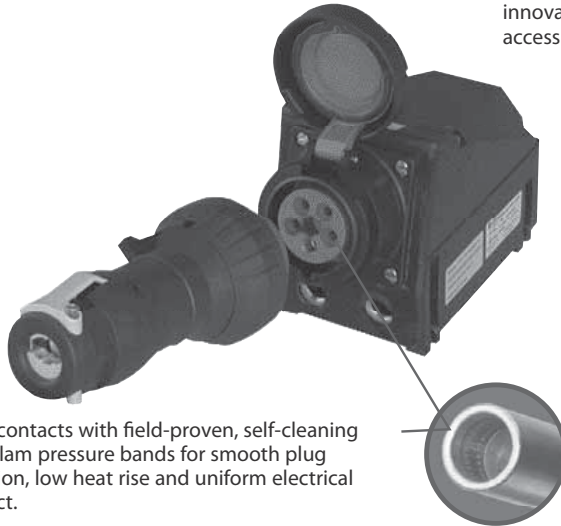
5P

# IEC 309 Plugs and Interlocks

Cl. I, Zone 1 & 2, Div. 2  
NEMA 4X  
IP66  
GOST-R

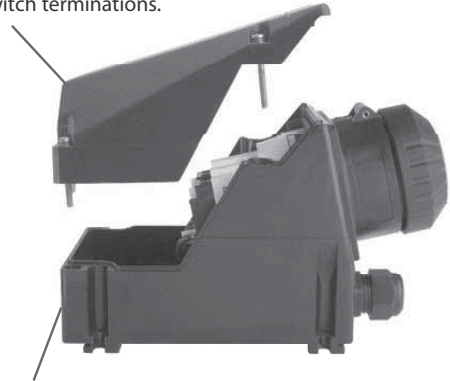
**5P**

## Hazardous Heavy Duty



Brass contacts with field-proven, self-cleaning multi-lam pressure bands for smooth plug insertion, low heat rise and uniform electrical contact.

Easy to wire. Cover removes along an innovative break line that permits full access to internal switch terminations.



Factory sealed switch provides Zone 1 & 2, Div. 2 explosion protection. Receptacle is dead-front until plug is fully engaged and rotated to activate switch. Plug cannot be removed under load. Switch is horsepower, and AIC-rated.

### Applications:

- Where hazardous gases may be present
- In areas prone to dust, dirt, vibration, hard use, and abuse
- In locations where complete protection against water jets and even temporary flooding is required
- In corrosive environments caused by chemicals, atmospheres, and water
- Ideal for heavy duty industrial applications, such as: chemical plants, mining, drilling, steel/grain/flour mills, pharmaceuticals, portable power

### Features:

- Mechanically interlocked plug and receptacle - plug cannot be engaged or disengaged under load
- Simple "insert plug and twist" design to activate internal switch
- Self-cleaning multi-lam contacts provide reliable power connection
- Compact size, easy to handle and install
- OSHA lockout/tagout
- Dual bottom entry Zone 1 Myers™ Hubs
- Full wiring access, saves time and money
- VØ rated materials

### Certifications and Compliances:

- AEx de IIC T6
- Class I, Zone 1, Division 2, Groups A, B, C, D
- EEx ed IIC T6
- Ex II 2G/D
- UL\*, cUL
- PTB 99 ATEX 1039
- IP66, NEMA 4X
- CE
- VDE
- GOST-R

\*20A, 30A, 60A, 100A Pin Configuration to IEC 309½ Series 2 - UL Listed  
16A, 32A, 63A, 125A Pin Configuration to IEC 309½ Series 1 - Not UL Listed

### Standard Materials:

- Enclosure - type 12 nylon
- Plug Body - fiber-reinforced nylon
- Hardware - stainless steel
- Contacts - brass

### Options:

**Description** Auxiliary contacts for PLC or pilot light applications..... **Suffix** **S483**

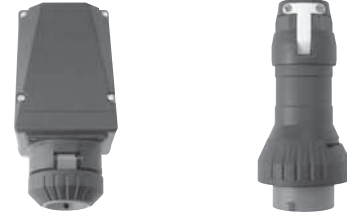
# 5P

# IEC 309 Plugs and Interlocks

Cl. I, Zone 1 & 2, Div. 2  
 NEMA 4X  
 IP66  
 GOST-R

## Hazardous Heavy Duty

### Hazardous Area Pin and Sleeve Ordering Information:



Amps	Cable Gland	Myers Hub	Wires and Poles	Configuration		Voltage	Interlock Receptacle	Plug
				Receptacle / Connector	Plug / Inlet			
16A	M20		2W3P			110-120	GHG 511 4304 R3001	GHG 511 7304 R0001
	M20		2W3P			220-240	GHG 511 4306 R3001	GHG 511 7306 R0001
	M25		3W4P			220-240	GHG 511 4409 R3001	GHG 511 7409 R0001
	M25		3W4P			380-415	GHG 511 4406 R3001	GHG 511 7406 R0001
	M25		3W4P			500	GHG 511 4407 R3001	GHG 511 7407 R0001
	M25		3W4P			690	GHG 511 4405 R3001	GHG 511 7405 R0001
	M25		4W5P			380-415	GHG 511 4506 R3001	GHG 511 7506 R0001
20A		1/2	2W3P			125	GHG 511 4304 L3001	GHG 511 7304 L0001
		1/2	2W3P			250	GHG 511 4306 L3001	GHG 511 7306 L0001
		3/4	3W4P			3Ø250	GHG 511 4409 L3001	GHG 511 7409 L0001
		3/4	3W4P			3Ø480	GHG 511 4407 L3001	GHG 511 7407 L0001
		3/4	3W4P			3Ø600	GHG 511 4405 L3001	GHG 511 7405 L0001
30A		1	3W4P			3Ø250	GHG 512 4409 L3001	GHG 512 7409 L0001
		1	3W4P			3Ø480	GHG 512 4407 L3001	GHG 512 7407 L0001
		1	3W4P			3Ø600	GHG 512 4405 L3001	GHG 512 7405 L0001
32A	M32		3W4P			220-240	GHG 512 4409 R3001	GHG 512 7409 R0001
	M32		3W4P			380-415	GHG 512 4406 R3001	GHG 512 7406 R0001
	M32		3W4P			500	GHG 512 4407 R3001	GHG 512 7407 R0001
	M32		3W4P			690	GHG 512 4405 R3001	GHG 512 7405 R0001
	M32		4W5P			380-415	GHG 512 4506 R3001	GHG 512 7506 R0001
60A		1 1/4	3W4P			3Ø250	GHG 514 4409 L3001	GHG 514 7409 L0001
		1 1/4	3W4P			3Ø480	GHG 514 4407 L3001	GHG 514 7407 L0001
		1 1/4	3W4P			3Ø600	GHG 514 4405 L3001	GHG 514 7405 L0001

5P

































# IEC 309 Plugs and Interlocks

Cl. I, Zone 1 & 2, Div. 2  
 NEMA 4X  
 IP66  
 GOST-R

**5P**

**Hazardous Heavy Duty**

## Hazardous Area Pin and Sleeve Ordering Information:

Amps	Cable Gland	Myers Hub	Wires and Poles	Configuration		Voltage	Interlock Receptacle	Plug
				Receptacle / Connector	Plug / Inlet			
63A	M40		3W4P			220-240	<b>GHG 514 4409 R3001</b>	<b>GHG 514 7409 R0001</b>
	M40		3W4P			380-415	<b>GHG 514 4406 R3001</b>	<b>GHG 514 7406 R0001</b>
	M40		3W4P			500	<b>GHG 514 4407 R3001</b>	<b>GHG 514 7407 R0001</b>
	M40		3W4P			690	<b>GHG 514 4405 R3001</b>	<b>GHG 514 7405 R0001</b>
	M40		4W5P			380-415	<b>GHG 514 4506 R3001</b>	<b>GHG 514 7506 R0001</b>
100A		1½	3W4P			125/250	<b>GHG 515 4412 L3001</b>	<b>GHG 515 7412 L0001</b>
		1½	3W4P			3Ø250	<b>GHG 515 4409 L3001</b>	<b>GHG 515 7409 L0001</b>
		1½	3W4P			3Ø480	<b>GHG 515 4407 L3001</b>	<b>GHG 515 7407 L0001</b>
		1½	3W4P			3Ø600	<b>GHG 515 4405 L3001</b>	<b>GHG 515 7405 L0001</b>
		1½	4W5P			230-400	<b>GHG 515 4506 L3001</b>	<b>GHG 515 7506 L0001</b>
125A	M63		3W4P			220-240	<b>GHG 515 4409 R3001</b>	<b>GHG 515 7409 R0001</b>
	M63		3W4P			380-415	<b>GHG 515 4406 R3001</b>	<b>GHG 515 7406 R0001</b>
	M63		3W4P			500	<b>GHG 515 4407 R3001</b>	<b>GHG 515 7407 R0001</b>
	M63		3W4P			690	<b>GHG 515 4405 R3001</b>	<b>GHG 515 7405 R0001</b>
	M63		4W5P			380-415	<b>GHG 515 4506 R3001</b>	<b>GHG 515 7506 R0001</b>



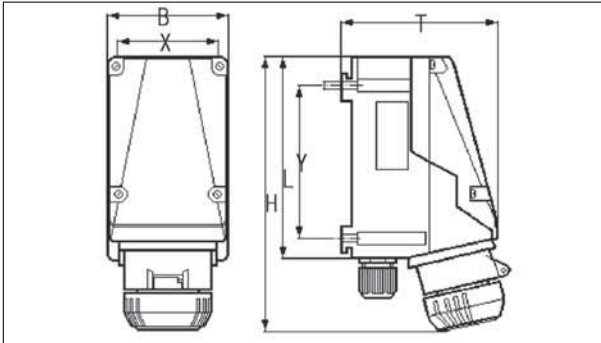
**5P**

# 5P IEC 309 Plugs and Interlocks

Cl. I, Zone 1 & 2, Div. 2  
 NEMA 4X  
 IP66  
 GOST-R

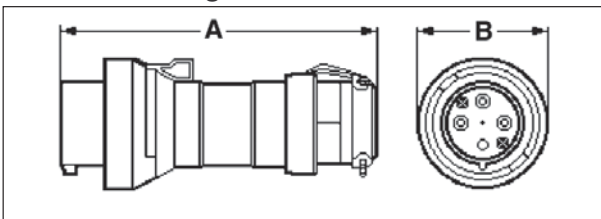
**Hazardous Heavy Duty**

## Hazardous Interlock Receptacle Dimensions



	16/20A		30/32A	60/63A	
	3P	4/5P	4/5P	4/5P	100/125A
B	3.50	4.30	4.70	7.90	8.90
X	3.15	3.94	4.33	7.09	8.10
T	4.80	5.80	6.60	8.90	10.00
Y	4.53	5.31	6.70	10.87	11.90
L	6.10	6.90	8.10	14.60	13.30
H	8.80	9.30	11.50	18.70	21.10

## Hazardous Plug Dimensions



	16/20A			30/32A	60/63A	
	3P	4P	5P	4/5P	4/5P	100/125A
A	6.70	7.40	7.40	9.80	10.70	12.32
B	2.80	3.00	3.30	3.90	4.30	5.16
Cord Dia. Range (In.)	0.515-0.827			0.515-1.102	0.630-1.378	0.827-2.28

## Additional Products

10A and 20A multi-pin interlock receptacle and plugs are available - please contact factory for ordering information.



16A and 32A flange receptacles and connectors are available - please contact factory for ordering information.



5P

**Crouse-Hinds**  
 by **E.T.N**

# IEC 309 Plugs, Connectors, Receptacles, and Inlets

NEMA 4X  
IP66  
Watertight

**5P**

## Non-hazardous Heavy Duty Industrial

### Applications:

- Where complete protection against dirt, dust, and water jets is required
- In damp or corrosive locations
- In areas prone to vibration, hard use, and abuse
- In environments that demand safety, ease of use, reliability, and durability
- Ideal for heavy duty industrial applications, such as: shipyards, military, marine/marina environments, pulp and paper, heavy manufacturing, wastewater treatment, portable power

### Features:

- Voltage, configured, color coded
- Watertight
- Impact- and corrosion-resistant
- Receptacles mount to Eaton's Crouse-Hinds back boxes
- Innovative finger lock keeps cord grip secured
- Positive grommet seal system at cord entry
- Funneled wire pockets
- Lockout/tagout
- High grade brass contacts
- VØ insulating material
- Multi-lam sleeve bands

### Certifications and Compliances:

- IEC 309-1 and 309-2
- NEMA 4X
- IEC IP66
- 20 Amp & 30 Amp
- Certified to CSA C22.2 No. 182.1 and UL1682
- 60 Amp & 100 Amp
- Complies with CSA C22.2 No. 182.1 and UL1682

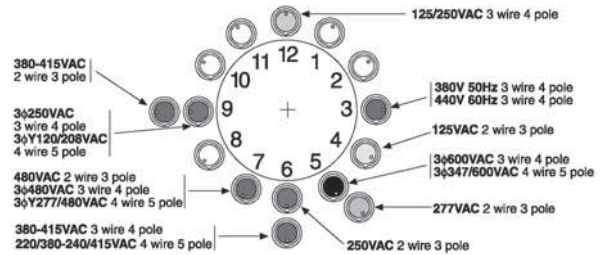
### Making a Connection is Easy

A clock face is used to represent the grounding contact position for all female connectors and receptacles. With the keyway at the bottom, the female grounding contact will appear to one of the twelve hour positions. To identify the system voltage, identify the housing color and hour location of the connector or receptacle grounding contact.



### Standard Materials:

- Receptacle, Plug, Inlet and Connector Housings - type 12 nylon
- Contact Carrier - glass fiber-reinforced nylon 6/6
- Pins and Sleeves - brass, nickel plated
- Multi-lam Bands - copper beryllium, nickel plated
- Assembly Screws - stainless steel
- Hinge Pin - stainless steel
- Gaskets - silicon



### Ordering is Easy

GH Prefix	4 1st digit	20 2nd-4th digit	R 1st letter	7 Last digit	W Last letter
GH = Eaton's Crouse-Hinds Heavy Duty Industrial	3 = 3 pole 4 = 4 pole 5 = 5 pole	16 = 16 Amp 20 = 20 Amp 30 = 30 Amp 32 = 32 Amp 60 = 60 Amp 63 = 63 Amp 100 = 100 Amp 125 = 125 Amp	P = Plug C = Connector R = Receptacle Straight B = Inlet MI = Mechanical Interlock	Clock position of female grounding contact	W = Watertight

**Crouse-Hinds**

by **E.T.N**

www.crouse-hinds.com US: 1-866-764-5454 CAN: 1-800-265-0502 Copyright© 2013 Eaton's Crouse-Hinds Business

1409

**5P**

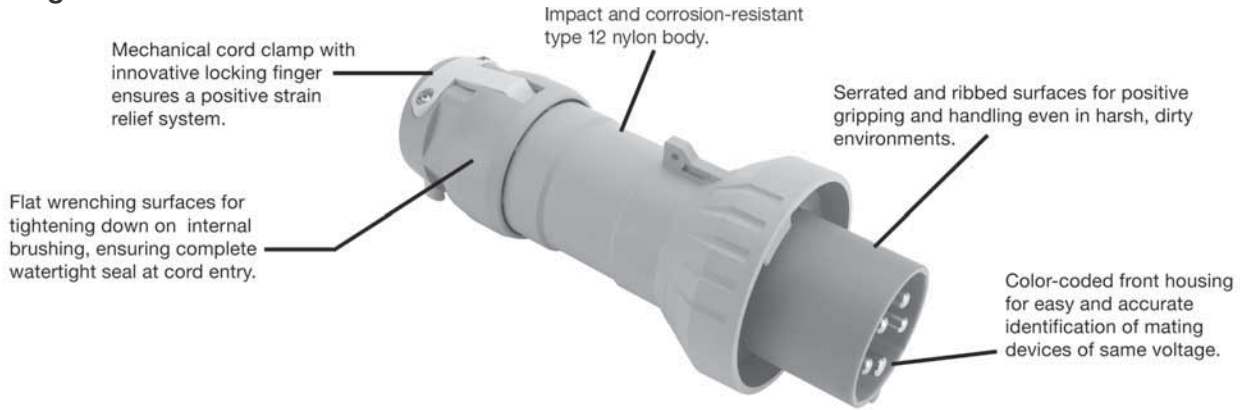
5P

# IEC 309 Plugs, Connectors, Receptacles, and Inlets

NEMA 4X  
IP66  
Watertight

Non-hazardous Heavy Duty Industrial

## Plug



Locking finger seats into web pockets when cord grip is tightened down, securing back cap in place even under heavy usage and vibration.

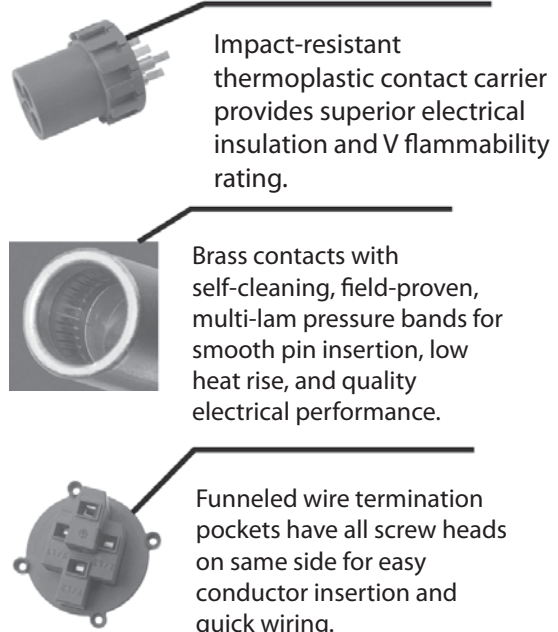
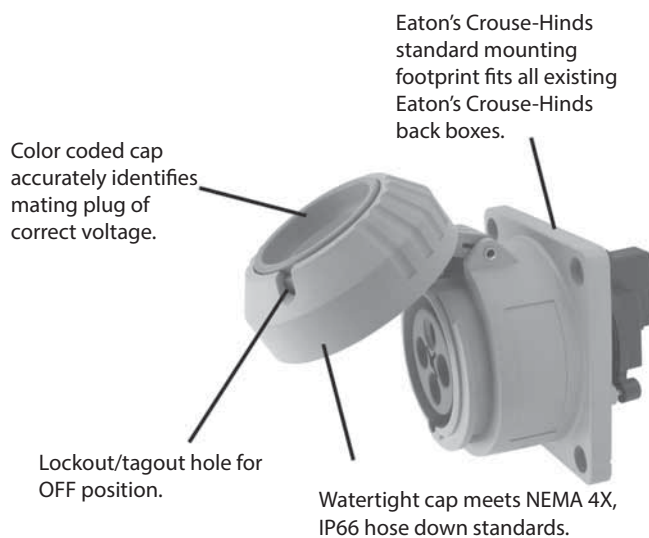


Nickel-plated brass contacts offer long-life corrosion protection. Compression lugs provide reliable mechanical wire termination.



Funneled wiring pockets for ease of inserting stranded wire. Deep pocket marked X, Y, and Z keep bare conductors safely confined and isolated from adjacent wires.

## Receptacle



Impact-resistant thermoplastic contact carrier provides superior electrical insulation and V flammability rating.

Brass contacts with self-cleaning, field-proven, multi-lam pressure bands for smooth pin insertion, low heat rise, and quality electrical performance.

Funneled wire termination pockets have all screw heads on same side for easy conductor insertion and quick wiring.

**Crouse-Hinds**  
by **EATON**

5P

# IEC 309 Pin and Sleeve Mechanical Interlocks

NEMA 4X  
IP66  
Watertight

**5P**

**Non-hazardous Heavy Duty Industrial  
20 & 30A - North American Ratings Series 2  
16 & 32A - International Ratings Series 1**

## Applications:

- To supply power to portable or fixed electrical equipment, such as welders, motor generator sets, compressors, conveyors, portable tools, lighting systems, and similar equipment
- In damp or corrosive locations
- In wet locations
- In hose down areas

## Features:

- Mechanically interlocked, dead-front receptacle - plug cannot be engaged or disengaged under load
- Enclosure has continuous form-in-place gasket
- Meets OSHA's lockout/tagout requirements - can be padlocked in "OFF" position
- Industrial switch is horsepower rated for motor load applications

## Certifications and Compliances:

- UL Standards: 508, 1682
- CSA Standard: C22.2 Nos. 14, 182.1
- Enclosure type: 3, 4X, 12
- IP66

## Standard Materials:

- Enclosure - glass reinforced polyamide (GRP)
- External Hardware - stainless steel
- Contacts - brass, nickel plated
- Contact Carrier - glass fiber reinforced nylon 6/6

## Options:

Description	Suffix
Auxiliary contacts for PLC or pilot light applications.....	<b>S483</b>

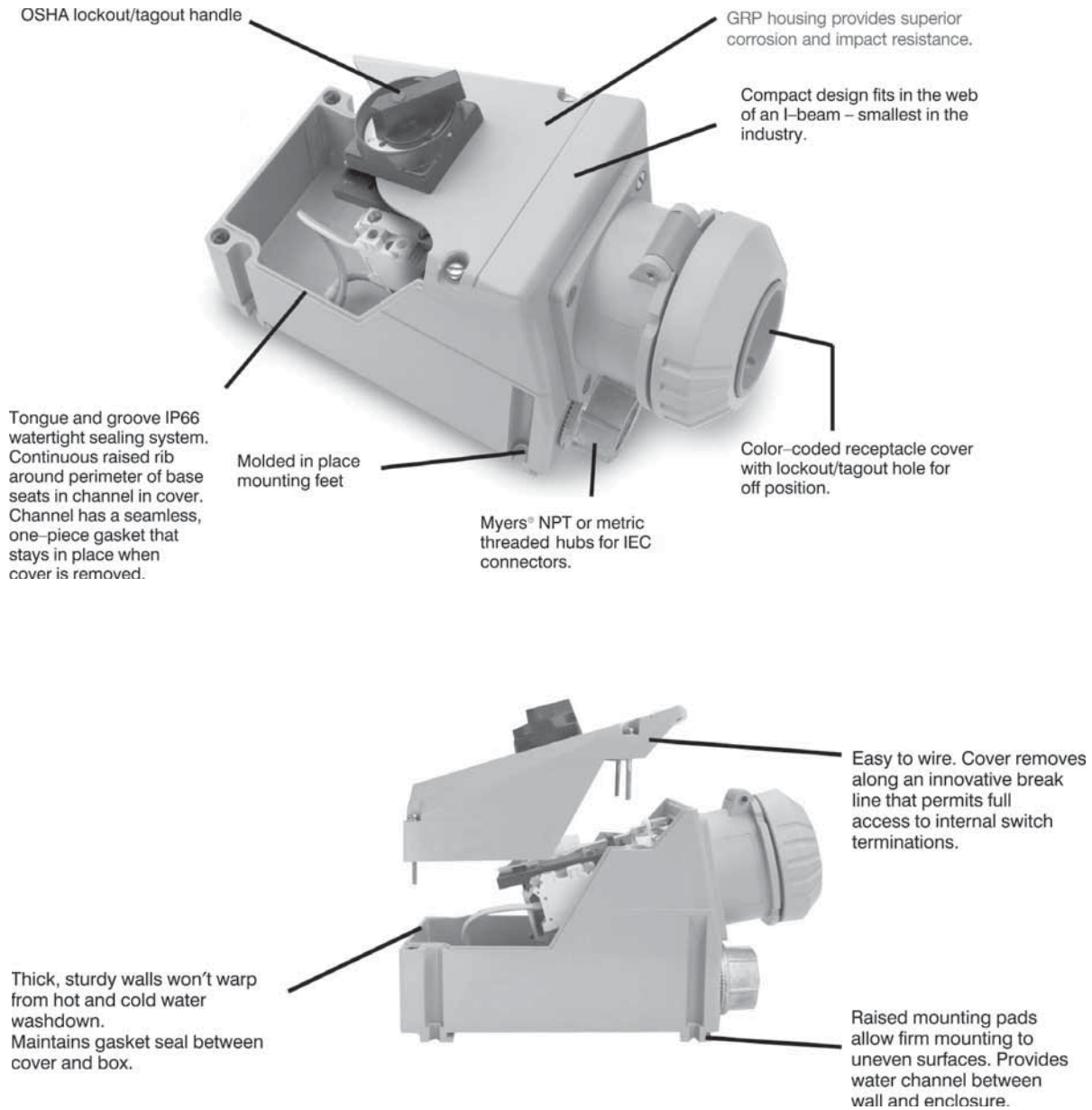


# 5P

## IEC 309 Pin and Sleeve Mechanical Interlocks

**Non-hazardous Heavy Duty Industrial**  
**20 & 30A - North American Ratings Series 2**  
**16 & 32A - International Ratings Series 1**

NEMA 4X  
IP66  
Watertight



5P

# IEC 309 Pin and Sleeve Mechanical Interlocks

NEMA 4X  
IP66  
Watertight

**5P**

**Non-hazardous Heavy Duty Industrial**  
**20 and 30A - North America Ratings Series 2**  
**16 and 32A - International Ratings Series 1**

## Ordering Information:

Amps	Wires & Poles	Configuration		Voltage	Watertight Devices				
		Recept./Conn.	Plug/Inlet		Receptacle	Plug	Connector	Inlet	Interlock Unfused
16A	2W3P			110-120	GH316R4W	GH316P4W	GH316C4W	GH316B4W	GH316MI4W*
	2W3P			220-240	GH316R6W	GH316P6W	GH316C6W	GH316B6W	GH316MI6W*
	3W4P			380-415	GH416R6W	GH416P6W	GH416C6W	GH416B6W	GH416MI6W
	4W5P			220/380 240/415	GH516R6W	GH516P6W	GH516C6W	N/A	GH516MI6W*
20A	2W3P			125	GH320R4W	GH320P4W	GH320C4W	GH320B4W	GH320MI4W*
	2W3P			250	GH320R6W	GH320P6W	GH320C6W	GH320B6W	GH320MI6W*
	2W3P			480	GH320R7W	GH320P7W	GH320C7W	GH320B7W	GH320MI7W*
	3W4P			125/250	GH420R12W	GH420P12W	GH420C12W	GH420B12W	GH420MI12W
	3W4P			3Ø250	GH420R9W	GH420P9W	GH420C9W	GH420B9W	GH420MI9W
	3W4P			3Ø480	GH420R7W	GH420P7W	GH420C7W	GH420B7W	GH420MI7W
	3W4P			3Ø600	GH420R5W	GH420P5W	GH420C5W	GH420B5W	GH420MI5W
	4W5P			3ØY120/208	GH520R9W	GH520P9W	GH520C9W	N/A	GH520MI9W*
	4W5P			3ØY277/480	GH520R7W	GH520P7W	GH520C7W	N/A	GH520MI7W*
	4W5P			3ØY347/600	GH520R5W	GH520P5W	GH520C5W	N/A	GH520MI5W*
30A	2W3P			125	GH330R4W	GH330P4W	GH330C4W	GH330B4W	GH330MI4W
	2W3P			250	GH330R6W	GH330P6W	GH330C6W	GH330B6W	GH330MI6W
	2W3P			480	GH330R7W	GH330P7W	GH330C7W	GH330B7W	GH330MI7W
	3W4P			125/250	GH430R12W	GH430P12W	GH430C12W	GH430B12W	GH430MI12W
	3W4P			3Ø250	GH430R9W	GH430P9W	GH430C9W	GH430B9W	GH430MI9W
	3W4P			3Ø480	GH430R7W	GH430P7W	GH430C7W	GH430B7W	GH430MI7W
	3W4P			3Ø600	GH430R5W	GH430P5W	GH430C5W	GH430B5W	GH430MI5W
	4W5P			3ØY120/208	GH530R9W	GH530P9W	GH530C9W	N/A	GH530MI9W
	4W5P			3ØY277/480	GH530R7W	GH530P7W	GH530C7W	N/A	GH530MI7W
	4W5P			3ØY347/600	GH530R5W	GH530P5W	GH530C5W	N/A	GH530MI5W
32A	2W3P			110-120	GH332R4W	GH332P4W	GH332C4W	GH332B4W	GH332MI4W
	2W3P			220-240	GH332R6W	GH332P6W	GH332C6W	GH332B6W	GH332MI6W
	3W4P			380-415	GH432R6W	GH432P6W	GH432C6W	GH432B6W	GH432MI6W
	4W5P			220/380	GH532R6W	GH532P6W	GH532C6W	N/A	GH532MI6W

\*Alternate Switch Design. Does not have a switch handle. Switch is activated by inserting plug; rotating plug to turn switch 'ON'.

**Crouse-Hinds**  
by **Eaton**

**5P**





















































# 5P

## IEC 309 Pin and Sleeve Mechanical Interlocks

NEMA 4X  
IP66  
Watertight

**Non-hazardous Heavy Duty Industrial**  
**60 and 100A - North America Ratings Series 2**  
**63 and 125A - International Ratings Series 1**

### Ordering Information:

Amps	Wires & Poles	Configuration		Voltage	Watertight Devices				
		Recept./Conn.	Plug/Inlet		Receptacle	Plug	Connector	Inlet	Interlock Unfused
60A	2W3P			125	GH360R4W	GH360P4W	GH360C4W	GH360B4W	GH360MI4W
	2W3P			250	GH360R6W	GH360P6W	GH360C6W	GH360B6W	GH360MI6W
	2W3P			480	GH360R7W	GH360P7W	GH360C7W	GH360B7W	GH360MI7W
	3W4P			125/250	GH460R12W	GH460P12W	GH460C12W	GH460B12W	GH460MI12W
	3W4P			3Ø250	GH460R9W	GH460P9W	GH460C9W	GH460B9W	GH460MI9W
	3W4P			3Ø480	GH460R7W	GH460P7W	GH460C7W	GH460B7W	GH460MI7W
	3W4P			3Ø600	GH460R5W	GH460P5W	GH460C5W	GH460B5W	GH460MI5W
	4W5P			3ØY120/208	GH560R9W	GH560P9W	GH560C9W	GH560B9W	GH560MI9W
	4W5P			3ØY277/480	GH560R7W	GH560P7W	GH560C7W	GH560B7W	GH560MI7W
	4W5P			3ØY347/600	GH560R5W	GH560P5W	GH560C5W	GH560B5W	GH560MI5W
63A	2W3P			220-240	GH363R6W	GH363P6W	GH363C6W	GH363B6W	GH363MI6W
	3W4P			380-415	GH463R6W	GH463P6W	GH463C6W	GH463B6W	GH463MI6W
	4W5P			220/380 240/415	GH563R6W	GH563P6W	GH563C6W	GH563B6W	GH563MI6W
100A	2W3P			125	N/A	GH3100P4W	GH3100C4W	GH3100B4W	GH3100MI4W
	2W3P			250	N/A	GH3100P6W	GH3100C6W	GH3100B6W	GH3100MI6W
	2W3P			480	N/A	GH3100P7W	GH3100C7W	GH3100B7W	GH3100MI7W
	3W4P			125/250	N/A	GH4100P12W	GH4100C12W	GH4100B12W	GH4100MI12W
	3W4P			3Ø250	N/A	GH4100P9W	GH4100C9W	GH4100B9W	GH4100MI9W
	3W4P			3Ø480	N/A	GH4100P7W	GH4100C7W	GH4100B7W	GH4100MI7W
	3W4P			3Ø600	N/A	GH4100P5W	GH4100C5W	GH4100B5W	GH4100MI5W
	4W5P			3ØY120/208	N/A	GH5100P9W	GH5100C9W	GH5100B9W	GH5100MI9W
	4W5P			3ØY277/480	N/A	GH5100P7W	GH5100C7W	GH5100B7W	GH5100MI7W
	4W5P			3ØY347/600	N/A	GH5100P5W	GH5100C5W	GH5100B5W	GH5100MI5W
125A	2W3P			220-240	GH3125R6W	GH3125P6W	GH3125C6W	GH3125B6W	GH3125MI6W
	3W4P			380-415	GH4125R6W	GH4125P6W	GH4125C6W	GH4125B6W	GH4125MI6W
	4W5P			220/380 240/415	GH5125R6W	GH5125P6W	GH5125C6W	GH5125B6W	GH5125MI6W

5P



# Angled Back Box Adapters

5P

## Non-hazardous Heavy Duty Industrial For 20, 30, 60 & 100 Amp IEC 309 Receptacles and Inlets

Eaton's Crouse-Hinds Angled Back Box Adapters install IEC 309 receptacles or inlets to existing back boxes at a 15° angle, eliminating plug cord stress and maximizing wiring capacity.

Designed with a square footprint, the angled back box adapter allows the conduit openings to be positioned vertically or horizontally.

### Features:

- Square footprint on adapter allows back box conduit openings to be positioned vertically or horizontally
- 15° angle eliminates cord stress on attached plug
- Heavy duty cast aluminum back boxes are ideal for abusive environments
- Epoxy powder coat finish available for additional corrosion resistance
- Stainless steel hardware
- Quick and easy to install
- Neoprene gasket provided between adapter and back box for additional weather resistance

Angled adapters install directly onto existing Eaton's Crouse-Hinds Back Boxes!



20/30 Amp



60 Amp



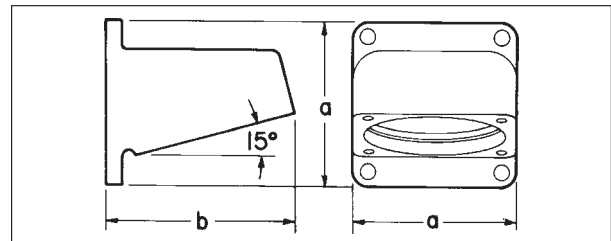
100 Amp

### Ordering Information:

Rating of Receptacle or Inlet	Angled Adapter Cat. #	Mating Square Back Box Cat. #
20A	AR30	ARRH/ARRC 13, 23, 33
30A	AR30	ARRH/ARRC 13, 23, 33
60A	AR601	ARRH/ARRC 36, 46, 56
100A	AR100	AJ/AJC 46, 56

### Dimensions

In Inches:



Cat. #	A	B	Receptacle/Inlet Footprint
AR30	3.4	3.9	2.74 × 2.74
AR601	4.3	4.9	3.03 × 3.34
AR100	5.9	6.2	4.09 × 4.09

Crouse-Hinds

by EATON

5P

# 5P Adapter Plates

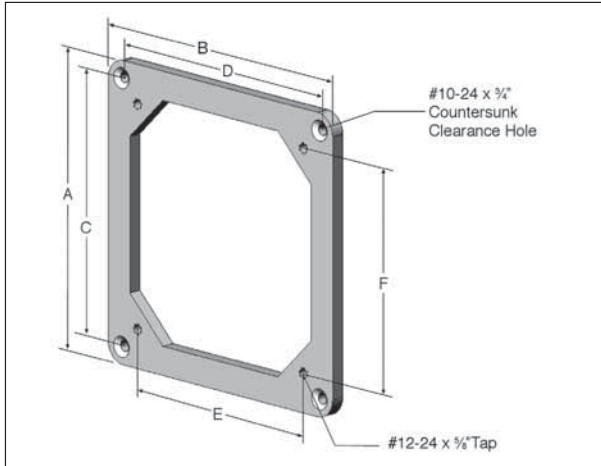
## Non-hazardous Heavy Duty Industrial For 20, 30, 60 & 100 Amp IEC 309 Receptacles and Inlets

Eaton's Crouse-Hinds H-Series Adapter Plates permit an Eaton's Crouse-Hinds IEC 309 receptacle or inlet to be mounted to back boxes of other manufacturers. Please ask your sales representative for further assistance.

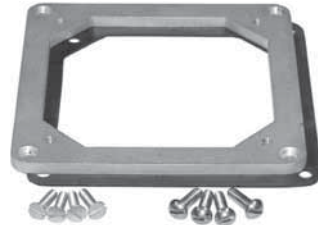
### Features:

- Heavy duty aluminum plate fits directly to the Hubbell footprint
- Adapter plate is engineered to be used with the gasket that is provided with the Eaton's Crouse-Hinds receptacle or inlet
- Provided gasket maintains watertight integrity between adapter plate and back box
- Stainless steel hardware provided for attaching adapter plate to back box and receptacle or inlet to adapter plate
- Corrosion-resistant
- Quick and easy to install

### Dimensions In Inches:



Cat. #	Overall Size		Hubbell Footprint		Eaton's Crouse-Hinds Footprint	
	A	B	C	D	E	F
CHAP30H	4.03	3.78	3.13	3.13	2.74	2.74
CHAP60H	4.53	4.53	3.88	3.88	3.03	3.35
CHAP100H	5.53	5.53	4.88	4.88	4.09	4.09



### Ordering Information:

Rating of Eaton's Crouse-Hinds Receptacle or Inlet	Cat. # of Hubbell Back Box	Adapter Plate Cat. #
20A/30A	BB201W/BB301W	CHAP30H
60A	BB601W/BB602W	CHAP60H
100A	BB1001W/BB1002W	CHAP100H

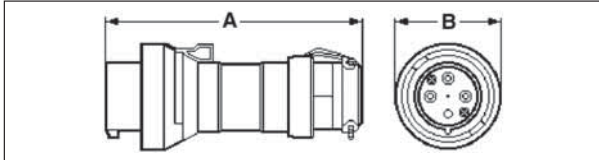
# IEC 309 Pin and Sleeve Devices

5P

## Non-hazardous Heavy Duty Industrial Dimensions

### Plug Dimensions

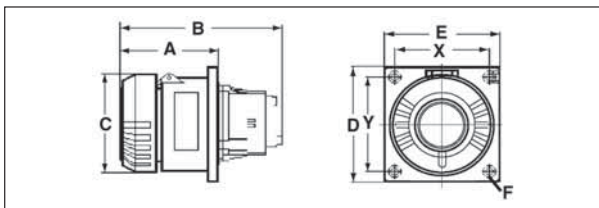
In Inches:



Amps	A	B	Cord Range		
			3-Pole	4-Pole	5-Pole
20/16A	7.37	3.00	0.315-0.748	0.315-0.748	0.472-0.827
30/32A	7.37	3.00	0.314-0.748	0.315-0.748	0.472-0.827
60/63A	10.71	4.33	0.630-1.378	0.630-1.378	0.827-1.378
100/125A	12.32	5.16	0.827-1.89	0.827-2.28	1.22-2.28

### Receptacle Dimensions

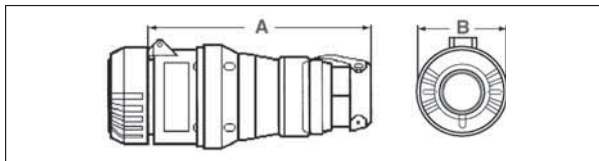
In Inches:



Amps	A	B	C	D	E	F Dia.	MTC. X	Dims. Y
20/16A	2.95	4.37	3.31	3.38	3.38	0.236	2.74	2.74
30/32A	3.35	4.92	3.74	3.38	3.38	0.236	2.74	2.74
60/63A	4.57	6.18	4.61	4.13	4.13	0.236	3.50	3.50
100/125A	4.81	6.56	4.80	5.12	5.32	0.250	4.09	4.09

### Connector Dimensions

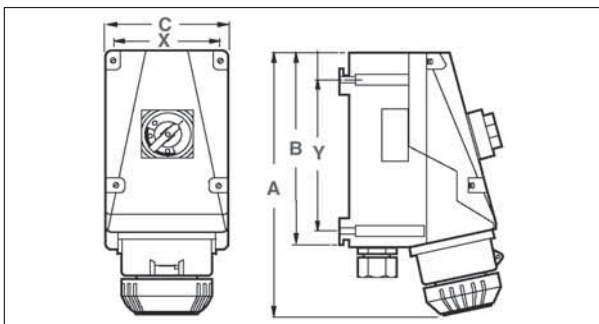
In Inches:



Amps	A	B	Cord Range		
			3-Pole	4-Pole	5-Pole
20/16A	8.58	3.38	0.315-0.748	0.315-0.827	0.472-0.827
30/32A	10.40	3.82	0.315-0.748	0.315-0.827	0.472-0.827
60/63A	12.52	4.61	0.630-1.378	0.630-1.378	0.827-1.378
100/125A	13.40	5.32	0.827-1.89	0.827-2.28	1.22-2.28

### Interlock Dimensions

In Inches:

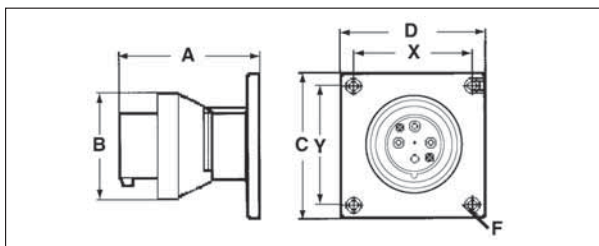


Amps	A	B	C	X	Y	20, 30, 60, 100A Hub	16, 32, 63, 125A Cable Gland
20/16A*	8.8	6.7	3.5	3.7	4.5	1/2	M20
20/16A	9.3	6.9	4.3	3.9	5.3	3/4	M25
30/32A	11.2	8.07	4.7	4.3	6.7	1	M32
60/63A	18.7	12.3	7.9	7.1	10.9	1 1/4	M40
100/125A	21.1	13.3	8.9	8.1	11.9	1 1/2	M63

\*3 Pole only.

### Inlet Dimensions

In Inches:



Amps	A	B	C	D	F Dia.	MTC. X	Dims. Y
20/16A	3.27	3.02	3.38	3.38	0.236	2.74	2.74
30/32A	4.26	3.75	3.38	3.38	0.236	2.74	2.74
60/63A	5.44	4.34	4.13	4.13	0.236	3.50	3.50
100/125A	5.48	5.20	5.12	5.32	0.250	4.09	4.09

## Crouse-Hinds

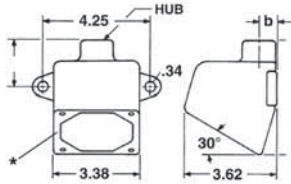
by E.T.N

5P

# 5P IEC 309 Pin and Sleeve Devices

## Non-hazardous Heavy Duty Industrial Accessories

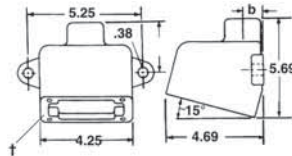
### Back Box Dimensions In Inches:



Cat. #	Hub	A	B
ARE13	1/2	1.84	0.69
ARE23	3/4	1.84	0.81
ARE33	1	1.97	0.94

\*Footprint: 2.74 x 2.74

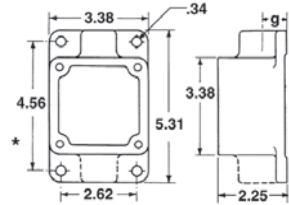
### 60A & 63A Cast Aluminum



Cat. #	Hub	A	B
ARE36	1	2.56	0.69
ARE46	1 1/4	2.62	1.19
ARE56	1 1/2	2.69	1.31

†Footprint: 5.4 x 2.74

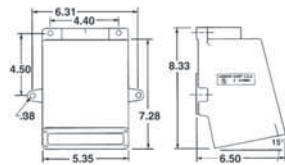
### 16, 20, 30, & 32A Cast Aluminum



Cat. #	Hub	Hub Config.	G
ARRH13	1/2	Dead End	0.69
ARRH23	3/4	Dead End	0.81
ARRH33	1	Dead End	0.94
ARRC13	1/2	Feed Thru	0.69
ARRC23	3/4	Feed Thru	0.81
ARRD33	1	Feed Thru	0.94

\*Footprint: 2.74 x 2.74

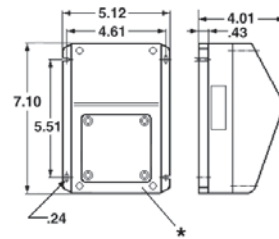
### 100A & 125A Cast Aluminum



Cat. #	Type
CHBB1	100A & 125A Cast Aluminum

‡Footprint: 4.09 x 4.09

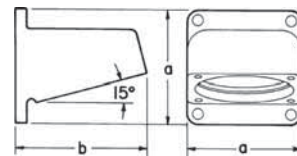
### 30A Non-metallic



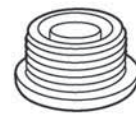
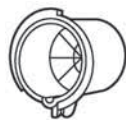
Cat. #	Type
CHBB2	30A Non-metallic

\*Footprint: 2.74 x 2.74 (Not UL Listed)

### Aluminum Fits ARRH and ARRC 30A Angle Adapter Cast



Cat. #	A	B
AR30	3.38	4.12



Type	Plug Closure Cap	Enclosure Myers Hub	Enclosure Cable Gland	Enclosure Closure Plug
20/16A	3-pole	CHCC320	STM 1	CHCP20
	4-pole	CHCC420	STM 2	CHCP25
	5-pole	CHCC520		
30/32A	3-pole	CHCC3430	STM 3	CHCG40
	4-pole	CHCC530		
	5-pole			
60/63A	3-pole	CHCC60	STM 4	CHCG50
	4-pole			
	5-pole			
100/125A	3-pole	CHCC100	STM 5	CHCG63
	4-pole			
	5-pole			

# Wiring Devices With Covers Non-hazardous

6P

---

Description	Page No.
<hr/>	
<b>Wet Location Covers</b>	
Applications/Features	see pages 1420–1421
Ordering Information	see pages 1420–1421

---

6P

# 6P

## WLRS, WLRD and WLGf Wet Location Covers

### For NEMA Configuration Receptacle Interiors For FS and FD Cast Device Boxes Flush Device Boxes

#### Applications:

WLRS, WLRD and WLGf series covers are suitable for use in wet and damp locations. WLGf is suitable for damp and wet locations only when cover is closed. WLRS and WLRD series wiring device covers are designed to meet the total NEC Code requirements for wet locations – Article 410-57:

"A receptacle installed outdoors where exposed to weather or in other wet locations shall be in a weatherproof enclosure, the integrity of which is not affected when the receptacle is in use (attachment plug cap inserted)."

Use WLRS, WLRD and WLGf:

- Wherever portable equipment is required
- As general purpose utility receptacle covers
- For industrial, commercial or residential use
- In areas where electrical requirements do not exceed medium duty ratings
- To mount FS and FD single-gang or multi-gang boxes having individual cover openings (see Sect. 2F for listings)
- To mount on most flush device boxes (see Accessories)

#### Features:

##### WLRS, WLRD and WLGf covers:

- Self-closing spring door assures protection of wiring device at all times, in wet and damp locations
- One piece EPDM gasket provides environmental protection of wiring device at all times
- Specially formulated elastomeric gasketing material offers excellent resistance to ozone, weather and temperature extremes of -50°F to 260°F
- Die cast, copper-free aluminum construction with aluminum lacquer finish provides maximum corrosion resistance
- Positive ground path ensured for all exposed metal parts

##### NEMA configuration receptacle interiors:

- Comply with NEMA Standards WD-1 and WD-5
- Grounded through an extra contact in all types except 3-phase applications; self-grounded in duplex variety
- Back and side wired
- Offered in single and duplex configurations for use with standard plugs
- Specification grade

#### Certifications and Complies:

- ANSI/UL Standard: 514A
- NEC Code 410-57
- NEMA Standards: WD-1, 1983 (Straight Blade) and WD-5, 1982 (Locking Type)

#### Standard Materials:

- WLRS, WLRD and WLGf face plate and cover – die cast copper-free aluminum
- Cover hinge spring – stainless steel
- Cover screws – corrosion resistant metal
- Gasket – WLRS and WLRD – ethylene propylene rubber (EPDM)
- Gasket – WLGf – neoprene

#### Standard Finishes:

- Copper-free aluminum

#### Electrical Rating Ranges:

- 15 amperes; 125, 250, or 277 volts
- 20 and 30 amperes; 125, 250, 277, 480, 600, 125/250, 208/120, 480/277 or 600/347 volts

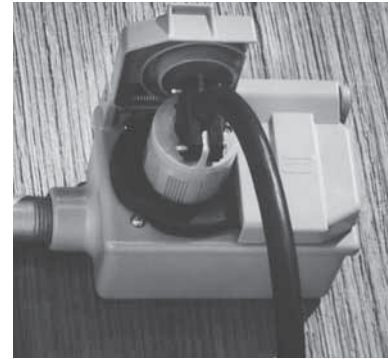
#### Accessories:

- Flush mounting adapter – WLRA-1 required for mounting on device boxes (not required with WLGf)

#### Spring Door Covers – with Gasket\*



Single Cover



Typical Installation



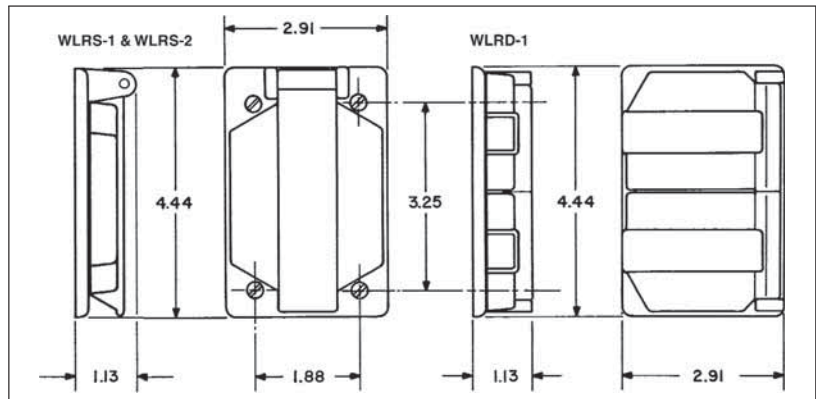
Duplex Cover

Cat. #	Description	Opening Dia.
WLRS1	Single cover	1 3/8"
WLRS2	Single cover	1 1/2"
WLRD1	Duplex cover	1 3/8"

\*Patent Number 4,058,358

#### Dimensions

##### In Inches:











Crouse-Hinds  
by E.T.N






# WLRS, WLRD and WLGf Wet Location Covers

6P

## Covers with and without NEMA Configuration Receptacles Single Device

Type	Volts	NEMA Configuration	Complete Cover with Receptacle Assy. Cat. #	Spring Door Cover & Gasket Only Cat. #‡
<b>For Non-locking Blade Plugs</b>				
2-Pole 3-Wire Grounding <b>15 Amp</b>	125V		5-15R	<b>WLRS 5 15 WLRS1</b>
	250V		6-15R	<b>WLRS 6 15 WLRS1</b>
2-Pole 3-Wire Grounding <b>20 Amp</b>	125V		5-20R	<b>WLRS 5 20 WLRS1</b>
	250V		6-20R	<b>WLRS 6 20 WLRS1</b>
<b>For Locking Blade Plugs</b>				
2-Pole 3-Wire Grounding <b>15 Amp</b>	125V		L5-15R	<b>WLRS L5 15 WLRS1</b>
	250V		L6-15R	<b>WLRS L6 15 WLRS1</b>
2-Pole 3-Wire Grounding <b>20 Amp</b>	125V		L5-20R	<b>WLRS L5 20 WLRS2</b>
	250V		L6-20R	<b>WLRS L6 20 WLRS2</b>

## Duplex Device

Type	Volts	NEMA Configuration	Complete Cover with Receptacle Assy. Cat. #	Spring Door Cover & Gasket Only Cat. #‡
<b>For Non-locking Blade Plugs</b>				
2-Pole 3-Wire Grounding <b>15 Amp</b>	125V		5-15R	<b>WLRD 5 15 WLRD1</b>
	250V		6-15R	<b>WLRD 6 15 WLRD1</b>
2-Pole 3-Wire Grounding <b>20 Amp</b>	125V		5-20R	<b>WLRD 5 20 WLRD1</b>
	250V		6-20R	<b>WLRD 6 20 WLRD1</b>
<b>For Locking Blade Plugs</b>				
2-Pole 3-Wire Grounding <b>15 Amp</b>	125V		L5-15R	<b>WLRD L5 15 WLRD1</b>

## Wet Location Covers for GFCI Duplex Receptacles:



WLGF - horizontal mount for flush device boxes.

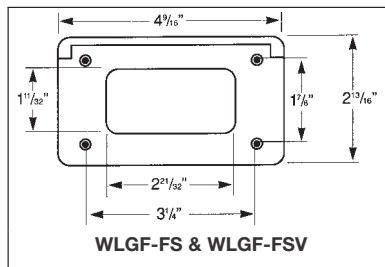
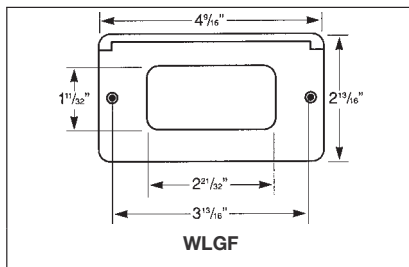


WLGf FS - horizontal mount for FS and FD device boxes.



WLGf FSV - vertical mount for FS and FD device boxes.

## Dimensions In Inches:



‡ Must be used with a wet locations rated wiring device.

**Crouse-Hinds**  
by **Eaton**

6P

**6P**

---

**6P**



# Cable-Gard™ Industrial Cable Management System

## Non-hazardous

7P

---

Description	Page No.
<b>Static Discharge Reels</b>	see page 1424
<b>Cable Reels</b>	
Application	see pages 1425–1426
Technical Data	see pages 1425–1426
Lifting/Stretching Reels	see page 1427
Retrieve Reels	see page 1428

---

7P

# 7P Cable-Gard™ Static Discharge Reels

## Applications:

Static discharge reels are used for grounding portable machines and equipment in hazardous areas, such as fuel transfer trucks, grain elevators, dockside loading facilities and barges. When properly clamped to ground the static discharge reel safely dissipates static electrical build-up and reduces the chance of sparking and the potential for explosion.

## Features:

- Automatic rewinding
- Rugged steel construction
- Compact enclosed design
- Positive ratchet lock
- Lock on/lock off switch
- Steel cable installed
- 100 amp universal jaw-type grounding clamp
- Safety orange polyester baked-on finish



SDR-50

## Standard Materials:

- Housing – steel construction

## Standard Finishes:

- Housing – orange polyester; baked on finish

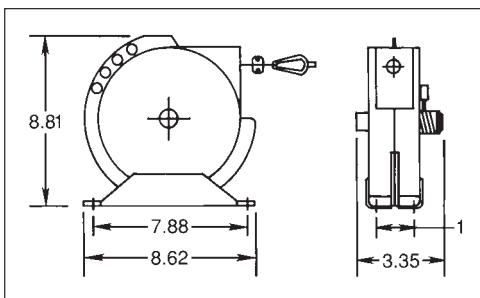
## Ordering Information:

Cable Length (Feet)	Description	Weight Complete		Cat. #
		lbs.	(Kg)	
50	Single 7 × 30 steel*	12	(5.4)	<b>SDR 50</b>
50	35' plus 2 × 15' for Y (steel*)	13	(5.9)	<b>SDR 50Y</b>
50	Nylon covered cable*	12	(5.4)	<b>SDR 50N</b>

\*Static discharge reels are supplied complete with 7/32" steel aircraft cable. DC resistance is approximately one ohm per 50 ft. of steel cable.

## Dimensions

### In Inches:



7P

## Applications:

Cable-Gard cable reels are designed for the constant, predictable pull of a machine and are designed for reliable operation in many applications. Typical uses include travelling cars, mobile hoists and various objects being lifted under power such as lifting magnets on cranes.

## Features:

- Unitized slip ring assembly transfers current from stationary to rotary. Brushes are an integral part of the slip ring assembly.
- Safe to change spring motor that is sized per application, clock type spring with window shade type action. Sealed in disposable housing, spring is never exposed to unravel and possibly harm.
- Watertight cable entrance terminates cord to reel spool with positive grip, watertight seal.
- Large junction box with 3/4" NPT conduit entrance may be positioned in choice of four directions.
- Multi-position roller guide is adjustable to 4 different positions. Allows easy adaptation of reel to positioning requirements of the application and controlled uniform retraction of cable onto spool. Roller guides are optional; consult factory.
- Baked-on powder epoxy finish provides tightly bonded, homogenous shield to abrasion and corrosion.
- Ratchet lock is provided for window shade type action. May be easily disengaged in field for constant tension applications.

## Certifications and Compliances:

- ANSI/UL 355
- CSA C22.2
- NEMA 3, 3R

## Standard Materials:

- Frame, spool – steel

## Standard Finishes:

- Baked on powder epoxy – orange

## Options:

**Description** **Suffix**  
• Ball stop – keeps cable from rewinding out of reach in hand-pull applications.

**Cable Range O.D. Min./Max.** **Suffix**  
.38 – .50..... **C1**  
.50 – .75..... **C2**  
.75 – 1.00..... **C3**

Ball stop may be ordered separately; use suffix number as catalog number.

• Pivot base – Pivot base allows 340° rotation of reel. Required for applications demanding reel self-alignment to direction of the cable run..... **S**

To order separately:

Series	Pivot Base Cat. #
W14	<b>PB14</b>
W16	<b>PB16</b>
W19	<b>PB19</b>

• Reel supplied less cable..... **NS**

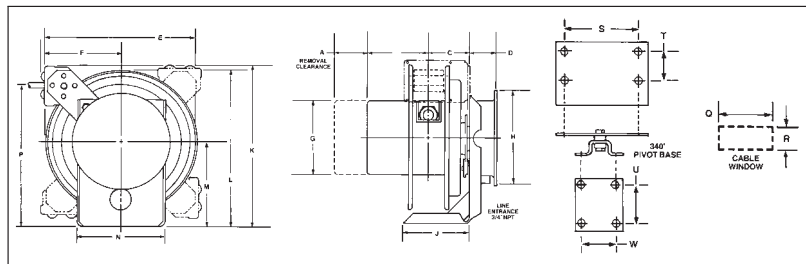


## Electrical Ranges:

- 600 VAC (cable reel)
- Cord: #16 – #10, Type "SO", #8, Type "W", or Type "G" (see listings).

## Dimensions

In Inches:



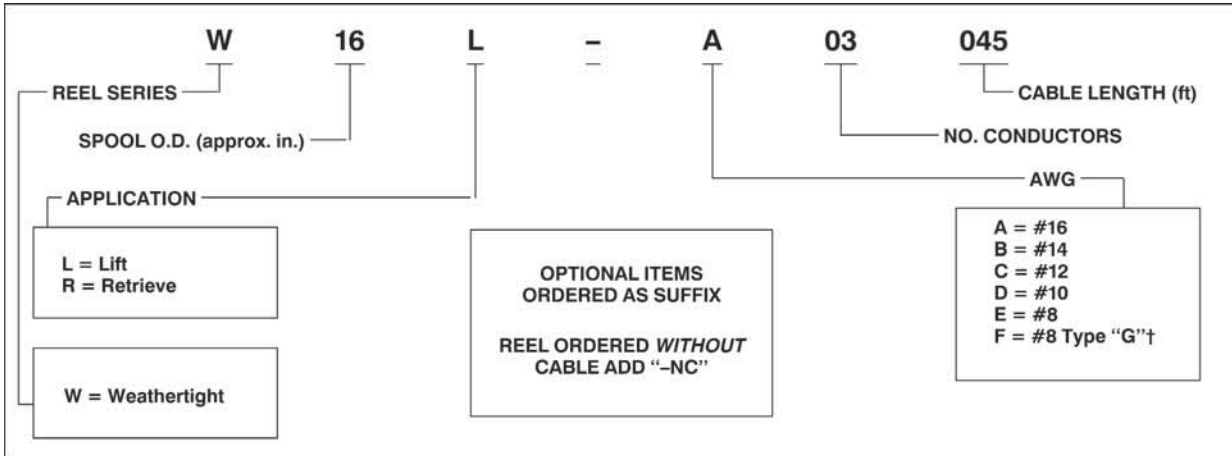
### Frame

Frame Size	C	D	E	F	G	H	J	K	L	M	N	P	Q	R
<b>W14</b>	3.75	2.75	13.75	8.25	7.00	9.25	6.12	16.25	15.00	8.12	8.00	14.25	2.50	1.25
<b>W16</b>	5.50	2.75	15.75	9.31	7.00	9.25	7.94	18.25	17.00	9.12	8.50	16.25	3.00	1.25
<b>W19</b>	5.75	2.75	19.00	10.00	10.50	9.25	7.00	20.50	20.25	10.75	11.00	18.50	3.50	1.25

## Slip Ring Housing Dimensions:

Poles/Amps	W14		W16		W19	
	A	B	A	B	A	B
1-4; 30 Amps	4.50	5.69	4.50	5.94	3.25	5.44
5-8; 30 Amps	6.00	7.19	6.00	7.44	4.50	6.69
9-12; 30 Amps	7.50	8.69	7.50	8.94	6.00	8.19
1-4; 55 Amps	6.00	7.19	6.00	7.44	4.50	6.69

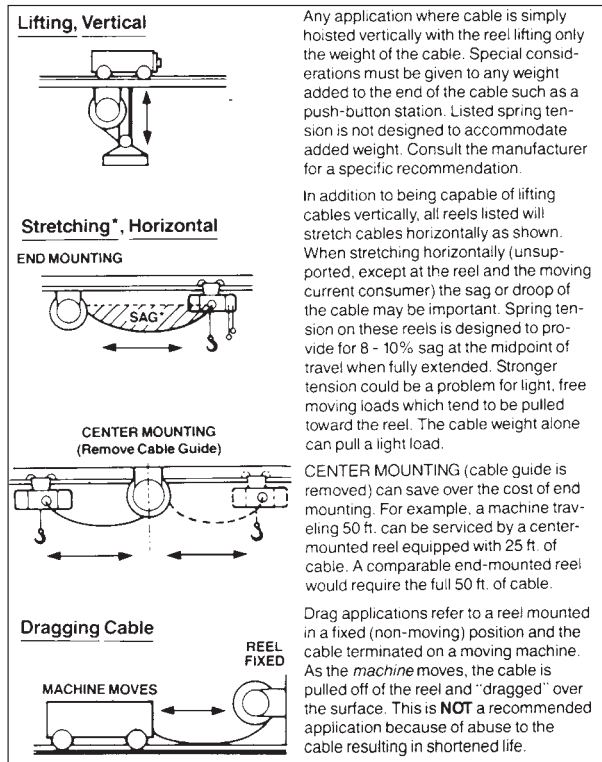
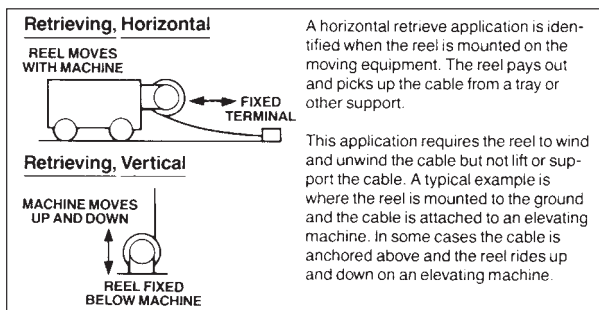
## Catalog Numbering System:



† Type "G" cable is supplied with a ground conductor.

## Reel Selection Process: Determine:

- Cable Size and No. of Conductors**  
Be sure to choose cable that will adequately handle the current load (include ground when stating number of conductors). If the desired cable is not listed, consult factory.
- Cable Length**  
Reels in this brochure will handle up to 150 feet of cable. Decide how far your equipment will travel from the reel and choose the appropriate column. The amount of cable needed to install the cable on the reel has been included. However, you must add:  
1) the amount of cable needed for Hook-Up to your equipment, and  
2) Cable Sag Allowance if "Stretch" applications (see footnote\*). Round up to the nearest footage on the selection chart.  
Cable Length Needed = Equipment Travel Distance Plus Hook-Up Plus Sag Allowance. (Sag allowance needed for "stretch" applications only.)
- Type Of Cable**  
This is important as stranding and construction vary. Cable-Gard reels are provided with cable as listed in the electrical ranges listed on previous page.
- Application**



\*Sag allowance must be considered when figuring cable length for STRETCH applications. Add 1 ft. of cable for each 50 ft. of working cable calculated for your application. (Working cable excludes hook-up length.)

## Reels for Lifting/Stretching:

### EXAMPLES:

A hoist is to travel 52 feet along an I-beam – this is a Stretch application. Required cable is 4 Conductor/No. 14. Hook-up is 2 feet.

The following EXAMPLES appear in bold type in the selection charts.

1. If the reel must be END MOUNTED, the required cable length would be 52 feet, plus 2 feet for the hook-up plus 2 feet for sag consideration\*. Round up to 60 feet per the available footage in the chart below. The correct model to choose would be **W16L-B04060**.

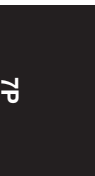
2. If the reel may be CENTER MOUNTED, only half as much cable is required – it will be used in both directions. Half of the required length would be 26 feet, plus 2 feet for the hook-up plus 1 foot for sag consideration for a total of 29 feet. Round up to 30 feet and choose model **W14L-B04030**. A savings will be realized because less cable was used and, thus, a smaller reel was required.

### Selection Chart:

Wire Size	No. of Cond.	20 Feet	30 Feet	40 Feet	50 Feet	60 Feet	70 Feet
16	3	W14L A03020	W14L A03030	W14L A03040	W16L A03050	W16L A03060	W19L A03070
	4	W14L A04020	W14L A04030	W14L A04040	W16L A04050	W16L A04060	W19L A04070
	6	W14L A06020	W14L A06030	W14L A06040	W14L A06050	W16L A06060	W19L A06070
	8	W16L A08020	W16L A08030	W16L A08040	W16L A08050	W16L A08060	W19L A08070
	10	W16L A10020	W16L A10030	W16L A10040	W16L A10050	W19L A10060	W19L A10070
	12	W16L A12020	W16L A12030	W16L A12040	W16L A12050	W19L A12060	W19L A12070
14	3	W14L B03020	W14L B03030	W14L B03040	W14L B03050	W16L B03060	W16L B03070
	4	W14L B04020	<b>W14L B04030</b>	W14L B04040	W14L B04050	<b>W16L B04060</b>	W16L B04070
	6	W14L B06020	W14L B06030	W16L B06040	W16L B06050	W16L B06060	W19L B06070
	8	W14L B08020	W16L B08030	W16L B08040	W16L B08050	W19L B08060	W19L B08070
	10	W14L B10020	W16L B10030	W19L B10040			
	12	W16L B12020	W16L B12030	W19L B12040			
12	3	W14L C03020	W14L C03030	W14L C03040	W14L C03050	W16L C03060	W19L C03070
	4	W14L C04020	W14L C04030	W14L C04040	W16L C04050	W16L C04060	W19L C04070
	6	W14L C06020	W16L C06030	W16L C06040	W19L C06050	W19L C06060	
	8	W14L C08020	W16L C08030	W19L C08040			
10	3	W14L D03020	W14L D03030	W14L D03040	W16L D03050	W16L D03060	W19L D03070
	4	W14L D04020	W14L D04030	W16L D04040	W16L D04050	W19L D04060	W19L D04070
	6	W16L D06020					
8	2	W14L E02020	W16L E02030	W16L E02040	W19L E02050		
	3	W16L E03020	W16L E03030	W19L E03040			
	3†	W14L F03020	W16L F03030	W19L F03040			
	4	W16L E04020	W16L E04030	W19L E04040			

\*Sag allowance must be considered when figuring cable length for Stretch applications. Add 1 foot of cable for each 50 feet of working cable calculated for your application. (Working cable excludes hook-up length.)

†Type "G" cable.



# 7P Retrieve Reels

## Reels for Retrieving:

### EXAMPLES:

A moving car is to travel 55 feet. Required cable is 4 Conductor/No. 10. Extra cables needed to hook up to the car is 2 feet.

The following EXAMPLES appear in bold type in the selection charts.

1. If the reel must be END MOUNTED, the required cable length would be 55 feet, plus 2 feet for the hook-up. Round up to 60 feet per the available footage in the chart below. The correct model to choose would be **W19R-D04060**.

2. If the reel may be CENTER MOUNTED, only half as much cable is required – it will be used in both directions. Half of the required length would be 27.5 feet, plus 2 feet for the hook-up for a total of 29.5 feet. Round up to 30 feet and choose model **W14R-D04030**. A savings will be realized because less cable was used and, thus, a smaller reel was required.

## Selection Chart:

Wire Size	No. of Cond.	20 Feet	30 Feet	40 Feet	50 Feet	60 Feet	70 Feet
16	3	W14R A03020	W14R A03030	W14R A03040	W16R A03050	W16R A03060	W19R A03070
	4	W14R A04020	W14R A04030	W14R A04040	W16R A04050	W16R A04060	W19R A04070
	6	W14R A06020	W14R A06030	W14R A06040	W14R A06050	W16R A06060	W19R A06070
	8	W14R A08020	W14R A08030	W16R A08040	W16R A08050	W16R A08060	W19R A08070
	10	W14R A10020	W14R A10030	W16R A10040	W16R A10050	W19R A10060	W19R A10070
	12	W14R A12020	W14R A12030	W16R A12040	W16R A12050	W19R A12060	W19R A12070
14	3	W14R B03020	W14R B03030	W14R B03040	W14R B03050	W16R B03060	W19R B03070
	4	W14R B04020	W14R B04030	W14R B04040	W14R B04050	W16R B04060	W19R B04070
	6	W14R B06020	W14R B06030	W16R B06040	W16R B06050	W16R B06060	W19R B06070
	8	W14R B08020	W16R B08030	W16R B08040	W19R B08050	W19R B08060	W19R B08070
	10	W14R B10020	W16R B10030	W19R B10040			
	12	W16R B12020	W16R B12030	W19R B12040			
12	3	W14R C03020	W14R C03030	W14R C03040	W14R C03050	W16R C03060	W16R C03070
	4	W14R C04020	W14R C04030	W14R C04040	W16R C04050	W16R C04060	W19R C04070
	6	W14R C06020	W16R C06030	W16R C06040	W19R C06050	W19R C06060	W19R 06070
	8	W14R C08020	W16R C08030	W19R C08040			
	10						
	12						
10	3	W14R D03020	W14R D03030	W14R D03040	W16R D03050	W16R D03060	W16R D03070
	4	W14R D04020	<b>W14R D04030</b>	W16R D04040	W16R D04050	<b>W19R D04060</b>	W19R D04070
	6	W14R D06020	W19R D06030	W19R D06040			
	8	W19R D08020	W19R D08030				
8	2	W14R E02020	W16R E02030	W16R E02040	W19R E02050	W20AR E02060	
	3	W14R E03020	W16R E03030	W19R E03040			
	3†	W14R F03020	W16R F03030	W19R F03040			
	4	W16R E04020	W16R E04030	W19R E04040			

†Type "G" cable.

# Special Purpose Plugs and Receptacles Hazardous and Non-hazardous

8P

Description	Page No.
<b>Application/Selection</b>	see page 1430
<b>Circuit Breaking Power Connectors – ARK-trol®</b>	
<b>RPC Series (Non-hazardous)</b>	
Accessories	see page 1444
Adapters and Back Boxes	see page 1445
Dimensions	see pages 1446–1447
General Information	see page 1431
Listings	see pages 1434–1441
<b>Control Circuit and Power Connectors – ARK-trol®</b>	
<b>RPE Series (Non-hazardous)</b>	
Accessories	see page 1444
Adapters and Back Boxes	see page 1445
Dimensions	see pages 1446–1447
General Information	see page 1431
Listings	see pages 1442–1443
<b>Delayed Action</b>	
<b>RPX "Time-Slot" Series (Hazardous)</b>	see pages 1450–1451

8P

# 8P Special Purpose Plugs and Receptacles

## Application

---

### Applications:

Special purpose plugs and receptacles listed in this section are for use in non-hazardous areas, where environmental or application considerations require non-standard plugs and receptacles. Included in this section are ARK-trol® plugs and receptacles (RPC and RPE).

### ARK-trol Plugs and Receptacles:

- Are used with a wide range of equipment requiring a variety of contact configurations under conditions of hard usage and exposure to rigorous environments.
- Two basic non-hazardous types:  
RPC – circuit breaking power connectors;  
RPE – control circuit, power and welding connectors.
- One hazardous type: RPX – "Time Slot" delayed action connectors.

RPC – A variety of configurations (with a maximum of five-poles) are available for one and three-phase circuits. Electrical range is 30, 60, 100, 200 amperes at a maximum of 600 VAC.

RPE – A wider range of configurations are available, including options with up to 39 pins.

Both types are available (either as standard or as option) with solder well terminals for high reliability, or crimp or pressure terminals for ease of installation. Listings on the following pages show complete assemblies with mating plugs and components.

RPX – Available in similar configurations as the RPC line, but can be used in areas which are hazardous.



## RPC Circuit Breaking Power Connectors RPE Control Circuit and Power Connectors Non-hazardous Areas

### Applications:

ARK-trol RPC circuit breaking power connectors and RPE control circuit power connectors are used:

- With a wide variety of portable electrical equipment
- For connection of devices ranging from simple lighting units, power tools, and similar portables requiring only a power supply circuit, to sophisticated control and instrumentation assemblies requiring disconnect
- Under conditions of hard usage and where exposed to dust, dirt, water, corrosion and chemical attack, providing high reliability and trouble-free service
- Indoors or outdoors in non-hazardous areas of petroleum refineries, chemical and petrochemical plants, manufacturing plants, military installations and similar locations
- On machine tools and similar equipment

### Features:

- All ARK-trol connectors have the same properties, characteristics and environmental capabilities outlined under "Compliances"

### Construction:

- All ARK-trol plug, receptacle and cord connector shell parts are of high-strength impact extruded aluminum, hard coated with a high density anodize finish. The resultant assemblies are lightweight, extremely strong, free from surface defects and flaws, and with superior resistance to abrasion, corrosion and chemical attack.
- "Tri-Disc" insert assemblies consist of two rigid insulators with a silicone rubber wafer between to provide a cushioning action against mechanical damage and to effect a positive seal against penetration by water, moisture, dust, gas and other undesirable matter. Assembly of the inserts compresses the silicone wafer to seal against the inner wall of the plug or receptacle shell, and around each individual contact.
- ARK-trol insulating material is of high dielectric and mechanical strength with low moisture absorption and excellent resistance to arc tracking. Socket contacts are each enclosed in a separate chamber in the silo insulator. Arcs formed while making or breaking a circuit are quickly snuffed out in the chambers.
- Contacts are removable and, for ease of installation, are snapped into the insert assemblies after wire termination. Termination methods employed are solder, crimp and pressure. Solder well contacts are standard and are furnished unless otherwise specified. Crimp

contacts are available in all sizes and configurations. Pressure contacts, due to increased terminal area, are available only in certain assemblies as shown in the listings.

- For cable strain relief and watertight seal, plugs and cord connector receptacles are provided with gland nut and tapered neoprene bushing.
- Contacts are removable and, for ease of installation, are snapped into the insert assemblies after wire termination. Termination methods employed are solder, crimp and pressure. Solder well contacts are standard and are furnished unless otherwise specified. Crimp contacts are available in all sizes and configurations. Pressure contacts, due to increased terminal area, are available only in certain assemblies as shown in the listings.
- For cable strain relief and watertight seal, plugs and cord connector receptacles are provided with gland nut and tapered neoprene bushing.

### Positive Polarization:

- Polarization of ARK-trol connectors is such that plugs and receptacles cannot be mated incorrectly.
- Insert assemblies must be correctly aligned and will fit plug and receptacle shells in one position only, because of a raised key on the inner wall of the shells.
- Seven keys on the inner wall of the receptacle and seven mating keyways on the outer diameter of the plug shell are spaced so that the plug and receptacle can be mated in one position only. One key and one keyway are larger than the other six as a guide to rapid connection, easily performed under adverse field conditions – even in total darkness.

### Interchangeability:

- Shell components and insert assemblies in each diameter are interchangeable. Both male and female basic shells will accept either pin or socket inserts. This feature permits the use of both plug and receptacle in either an energized or de-energized condition.

### Grounding:

- Grounded connectors have pin and socket contacts with integral grounding straps which press against the inner wall of plug, receptacle and cord connector shells, effectively bonding the shells to the grounding contacts.
- Grounding socket contacts are longer than current carrying contacts to make first and break last, assuring a positive ground before circuits are energized and after circuits are de-energized.

### Standard Materials:

- Back boxes and adapters – copper-free aluminum
- Plug, receptacle and cord connector shells – impact extruded aluminum
- Insulation – diallyl phthalate (DAP)
- Insulation – fiberglass-reinforced polyester material
- Sealing wafer – silicone rubber
- Contacts – hard drawn copper

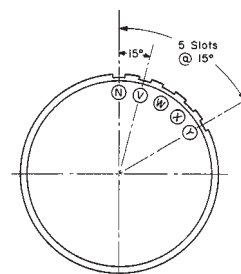
### Standard Finishes:

- Copper-free aluminum – natural
- Impact extruded aluminum – hard coat anodized
- Diallyl phthalate – natural (blue)
- Fiberglass-reinforced polyester material – natural (red)
- Silicone – natural (grey)
- Copper – silver plated

### Options:

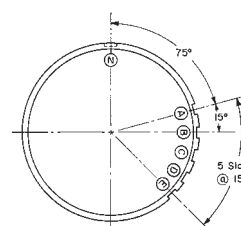
- Alternate polarities – ungrounded connectors. Standard polarity is position "N" shown below. Alternate positions "V", "W", "X" or "Y" can be furnished. To order, substitute for the letter "N" in the listed Cat. No., the letter for the desired polarization.

Example: RPC217-127-SO1N-ARE23 with polarity "X" becomes RCP217-127-SO1X-ARE23.



- Alternate polarities – grounded connectors. Standard polarity is position "A" shown below. Alternate positions "B", "C", "D" or "E" can be furnished. To order, substitute for the letter "A" in the listed Cat. No., the letter for the desired polarization.

Example: RPC217-127-SO2A-ARE23 with polarity "D" becomes RPC217-127-SO2D-ARE23.



**RPC Circuit Breaking Power Connectors  
RPE Control Circuit and Power Connectors  
Non-hazardous Areas**

**Options (continued):**

- Crimp type contacts – available on all assemblies with solder well contacts. To order, add letter "T" to Cat. No., immediately following polarity letter.

Examples: RPC217-127-S01N-ARE23 and RPC217-127-S02A-ARE23 except with crimp contacts would be ordered as RPC217-127-S01NT-ARE23 and RPC217-127-S02AT-ARE23 respectively.

- Alternate cable strain relief methods for plugs and connectors:

Stainless steel wire mesh cord grip. To order, add letter "K" to first section of Cat. No.

Example: RPC117-150-P01N with wire mesh grip would be ordered as RPCK117-150-P01N.



Adapter for use with liquid tight/rigid conduit. To order, add letters "LT" to first section of catalog number.

Example: RPC117-150-P01N with liquid tight/conduit adapter would be ordered as RPCLT117-150-P01N.

**Electrical Rating Ranges:**

- Voltage – 250, 480 and 600VAC
- Frequency – 50\* to 400 hertz
- See listings for specific ratings

**Ampere Ratings:**

- Ratings given in the table at right are applicable to RPC circuit breaking power connectors and RPE control connectors, as indicated.
- RPC connectors are capable of making or breaking circuits at the full rated load indicated in the table on the listing pages.
- Contact assemblies of RPE connectors have the current carrying capabilities shown in the table, as defined by applicable military specifications (MS) and NEC requirements, for circuits not made or broken under load. It should be noted that these non-interrupting ampere ratings exceed the NEC rating of the corresponding wire size.

Contact Size AWG	RPC Circuit Breaking Connectors NEC Rating	RPE Connectors Non-Interrupting Ampere Rating	
		MS(AN)	NEC
#16		22	16
#12	20A	41	30
#10	30A	57	40
#4	60A	135	90
1 / 0	100A	250	160
4 / 0	200A	335	225

**Certifications and Compliances:**

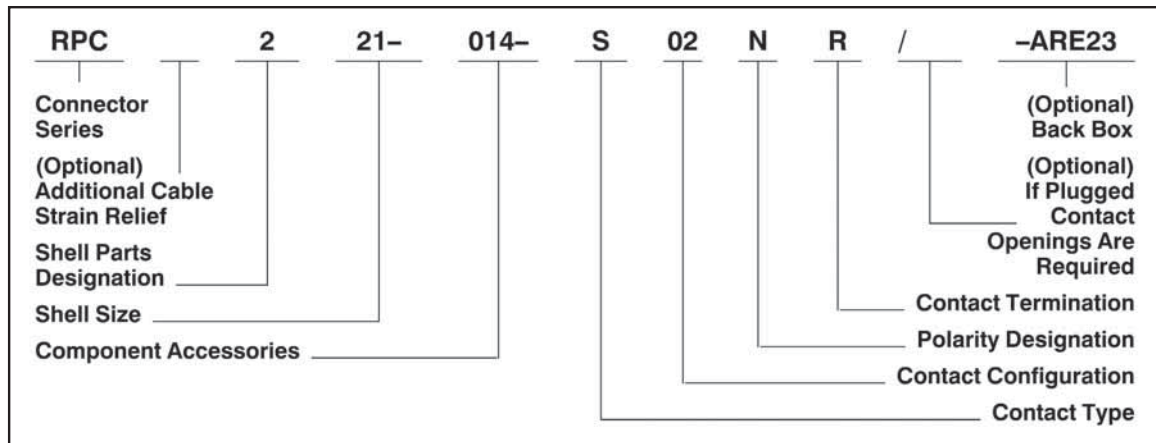
Properties	Characteristics
Industrial use	excludes dust, lint, fibers and flying, oil seepage and coolant seepage – meets J.I.C. Standard
Driptight	excludes falling moisture or dirt – materials unaffected by condensation
Weather resistant (weatherproof)	performs normally in outdoor areas
Watertight	excludes water by hose spray or stream
Dust-tight	excludes dust, but performs normally if dust is accidentally enclosed during disconnect
Chemical resistance	high resistant to alkalis, strong caustics, acids, petroleum base and organic solvents
Pressure	300 psi external – 200 psi internal

**Compliance with Military Specifications**

Environment	Performance Data
Corrosion resistance	salt spray 300 days. MIL-STD-810E
Temperature	-80°F to 275°F, meeting requirements of MIL-STD-810E
Air leakage	exceeds Class E specification MIL-STD-810E
Dust resistance	exceeds requirements of MIL-STD-810E
Shock resistance	50G exceeds MIL-STD-810E
Vibration	exceeds 20G, method II, MIL-STD-810E
Humidity & moisture	exceeds Class E specification MIL-STD-810E
ANSI/UL Standard	498

\*For use on system less than 60 hertz the receptacles, plugs and connectors are for disconnect use only.

## Catalog Numbering System



### Connector Series:

RPC – circuit breaking  
 RPE – for disconnect use only  
 RPX – hazardous (gasoline or equivalent hazards)

### Additional Cable Strain Relief (Optional):

K = Wire mesh cord grip  
 LT = Liquidtight/conduit connection

### Shell Parts Designation:

- 0 = No shell part required
- 1 = Plug shell
- 2 = Receptacle
- 3 = Cord connector
- 4 = Connector handle body only
- 5 = Plug shell (long)
- 6 = Receptacle (long)
- 7 = Cord connector (long)

### Shell Size:

Inside Diameter measured in X/16" (017, 021, 033, 041, i.e., 017 shell size = 17/16")

### Component Accessories:

This code indicates the combination of shell parts to fit your application; e.g., 014 = square flanged receptacle with insert retaining nut and dust cap; 150 = plug handle body, bushing, and clamping nut for cable with a diameter of .250 to .625.

### Contact Type:

P = Pin (male)  
 S = Socket (female)

### Contact Configuration:

This assigned code indicates the actual configuration of the contacts (pin and socket) in the insert assembly for a particular shell size. This is based upon electrical ratings (amperage and voltage) and the number of contacts required. It does not indicate the number of contacts in the configuration.

### Polarity Designation:

N = Standard position – ungrounded  
 V, W, X or Y = Alternate positions – (ungrounded)  
 A = Standard position – grounded  
 B, C, D or E = Alternate positions – (grounded)

### Contact Termination:

Blank = Solder well (standard unless noted)  
 R = Pressure (See complete ordering information that follows for availability)  
 T = Crimp (available in all configurations)

### Plugged Contact Openings (Optional):

This option allows greater flexibility, allowing for unique wiring requirements. The number following the slash indicates the total number of contacts that will be supplied (including ground contact, if applicable); all other openings in the insert assembly will be plugged.

### Back Boxes (Optional):

See page 1445 for back box information.

# 8P ARK-trol® Electrical Connectors

Raintight

## RPC Circuit Breaking Power Connectors With Solder Well Terminals†



	Circuit Description	Volts (VAC)	Contact Size	Shell Size	Hub Size (In.)	Square Flanged Receptacle, Dust Cap and Back Box Cat. # (For Surface Mounting)‡*	Motor Plug with Dust Cap Cat. #
<b>20 Amps</b>							
Grounded	4w, 5p	480	#12	017	3/4 1	RPC217 014 S09A ARE23 RPC217 014 S09A ARE33	RPC117 157 P09A
Ungrounded	5w, 5p	480	#12	017	3/4 1	RPC217 014 S08N ARE23 RPC217 014 S08N ARE33	RPC117 157 P08N
<b>30 Amps</b>							
Grounded	2w, 3p	480	#10	017	3/4 1	RPC217 014 S02A ARE23 RPC217 014 S02A ARE33	RPC117 157 P02A
	3w, 4p	480	#10	017	3/4 1	RPC217 014 S04A ARE23 RPC217 014 S04A ARE33	RPC117 157 P04A
	4w, 5p	480	#10	021	3/4 1	RPC221 014 S17A ARE23 RPC221 014 S17A ARE33	RPC121 157 P17A
Ungrounded	3w, 3p	480	#10	017	3/4 1	RPC217 014 S01N ARE23 RPC217 014 S01N ARE33	RPC117 157 P01N
	4w, 4p	480	#10	017	3/4 1	RPC217 014 S03N ARE23 RPC217 014 S03N ARE33	RPC117 157 P03N
	5w, 5p	480	#10	021	3/4 1	RPC221 014 S16N ARE23 RPC221 014 S16N ARE33	RPC121 157 P16N
<b>60 Amps</b>							
Grounded	3w, 4p	600	#4	033	1 1/4 1 1/2	RPC233 014 S08A ARE46 RPC233 014 S08A ARE56	RPC133 157 P08A
	4w, 5p	480	#4	033	1 1/4 1 1/2	RPC233 014 S09A ARE46 RPC233 014 S09A ARE56	RPC133 157 P09A
Ungrounded	4w, 4p	600	#4	033	1 1/4 1 1/2	RPC233 014 S05N ARE46 RPC233 014 S05N ARE56	RPC133 157 P05N
	5w, 5p	480	#4	033	1 1/4 1 1/2	RPC233 014 S06N ARE46 RPC233 014 S06N ARE56	RPC133 157 P06N

8P

**RPC Circuit Breaking Power Connectors  
With Solder Well Terminals†**



Cable Diameter Range	Cord Connector Cat. #§	Plug Cat. #§
.250 to .625 .625 to .875	RPC317 160 S09A RPC317 161 S09A	RPC117 150 P09A RPC117 151 P09A
.250 to .625 .625 to .875	RPC317 160 S08N RPC317 161 S08N	RPC117 150 P08N RPC117 151 P08N
.250 to .625 .625 to .875	RPC317 160 S02A RPC317 161 S02A	RPC117 150 P02A RPC117 151 P02A
.250 to .625 .625 to .875	RPC317 160 S04A RPC317 161 S04A	RPC117 150 P04A RPC117 151 P04A
.625 to 1.000 1.000 to 1.187	RPC321 161 S17A RPC321 395 S17A	RPC121 151 P17A RPC121 387 P17A
.250 to .625 .625 to .875	RPC317 160 S01N RPC317 161 S01N	RPC117 150 P01N RPC117 151 P01N
.250 to .625 .625 to .875	RPC317 160 S03N RPC317 161 S03N	RPC117 150 P03N RPC117 151 P03N
.625 to 1.000 1.000 to 1.187	RPC321 161 S16N RPC321 395 S16N	RPC121 151 P16N RPC121 387 P16N
.875 to 1.375 1.375 to 1.625 1.625 to 1.875	RPC333 163 S08A RPC333 396 S08A RPC333 397 S08A	RPC133 153 P08A RPC133 388 P08A RPC133 389 P08A
.875 to 1.375 1.375 to 1.625 1.625 to 1.875	RPC333 163 S09A RPC333 396 S09A RPC333 397 S09A	RPC133 153 P09A RPC133 388 P09A RPC133 389 P09A
.875 to 1.375 1.375 to 1.625 1.625 to 1.875	RPC333 163 S05N RPC333 396 S05N RPC333 397 S05N	RPC133 153 P05N RPC133 388 P05N RPC133 389 P05N
.875 to 1.375 1.375 to 1.625 1.625 to 1.875	RPC333 163 S06N RPC333 396 S06N RPC333 397 S06N	RPC133 153 P06N RPC133 388 P06N RPC133 389 P06N

†Solder well terminals provided as standard. Crimp contacts are optionally available, add suffix T to catalog number. Example: RPC217-014-S09AT-ARE23.  
 ‡For square flanged receptacle *without* dust cap, change the middle three digits of the catalog number from 014 to 127. Example: RPC217-127-S09A-ARE23.  
 \*For square flanged receptacle with dust cap for panel mounting, delete the last digits of the catalog number specifying the backbox. Example: RPC217-014-S09A.  
 §For plugs and cord connectors:  
**Liquidtight/Conduit Adapter –**  
 To order with adapter, add letters "LT" to first section of catalog number. Example: RPCLT317-160-S09A.  
**Additional Cable Strain Relief Options –**  
 • Stainless steel wire mesh grip – To order, add letter "K" to first section of catalog number. Example: RPCK317-160-S09A.

Note: RPC with pressure terminals are also available, see pages 1438–1441.



# 8P ARK-trol® Electrical Connectors

Raintight

## RPC Circuit Breaking Power Connectors With Solder Well Terminals†



	Circuit Description	Volts (VAC)	Contact Size	Shell Size	Hub Size (In.)	Square Flanged Receptacle, Dust Cap and Back Box Cat. # (For Surface Mounting)‡*	Motor Plug Cat. #	
<b>100 Amps</b>	Grounded	4w, 5p	600	1/8	041	1 1/2 2	RPC641 014 S04A AJ57 RPC641 014 S04A AJ67	RPC541 157 P04A
	Ungrounded	5w, 5p	600	1/8	041	1 1/2 2	RPC641 014 S02N AJ57 RPC641 014 S02N AJ67	RPC541 157 P02N
<b>200 Amps</b>	Grounded	3w, 4p	480	1/8	041	2 2 1/2	RPC641 014 S10A AJ68 RPC641 014 S10A AJ78	RPC541 157 P10A

**RPC Circuit Breaking Power Connectors  
With Solder Well Terminals†**



†Solder well terminals provided as standard. Crimp contacts are optionally available, add suffix T to catalog number. Example: RPC217-014-S09AT-ARE23.

‡For square flanged receptacle *without* dust cap, change the middle three digits of the catalog number from 014 to 127. Example: RPC217-127-S09A-ARE23.

\*For square flanged receptacle with dust cap for panel mounting, delete the last digits of the catalog number specifying the backbox. Example: RPC217-014-S09A.

§For plugs and cord connectors:

**Liquidtight/Conduit Adapter –**

To order with adapter, add letters "LT" to first section of catalog number. Example: RPCLT317-160-S09A.

**Additional Cable Strain Relief Options –**

• Stainless steel wire mesh grip – To order, add letter

"K" to first section of catalog number. Example: RPCK317-160-S09A.

Cable Diameter Range	Cord Connector Cat. #§	Plug Cat. #§
1.375 to 1.875	RPC741 164 S04A	RPC541 154 P04A
1.875 to 2.062	RPC741 398 S04A	RPC541 390 P04A
2.062 to 2.250	RPC741 399 S04A	RPC541 391 P04A
1.375 to 1.875	RPC741 164 S02N	RPC541 154 P02N
1.875 to 2.062	RPC741 398 S02N	RPC541 390 P02N
2.062 to 2.250	RPC741 399 S02N	RPC541 391 P02N
1.375 to 1.875	RPC741 164 S10A	RPC541 154 P10A
1.875 to 2.062	RPC741 398 S10A	RPC541 390 P10A
2.062 to 2.250	RPC741 399 S10A	RPC541 391 P10A

Note: RPC with pressure terminals are also available, see pages 1438–1441.

# 8P ARK-trol® Electrical Connectors

Raintight

## RPC Circuit Breaking Power Connectors With Pressure Terminals



	Circuit Description	Volts (VAC)	Contact Size	Shell Size	Hub Size (In.)	Square Flanged Receptacle, Dust Cap and Back Box Cat. # (For Surface Mounting)■†	Motor Plug Cat. #
<b>30 Amps</b>							
Grounded	2w, 3p	600	#10	021	3/4 1	RPC221 014 S04AR ARE23 RPC221 014 S04AR ARE33	RPC121 157 P04AR
Ungrounded	3w, 3p	600	#10	021	3/4 1	RPC221 014 S02NR ARE23 RPC221 014 S02NR ARE33	RPC121 157 P02NR
<b>60 Amps</b>							
Grounded	3w, 4p	600	#4	033	1/4 1/2	RPC233 014 S08AR ARE46 RPC233 014 S08AR ARE56	RPC133 157 P08AR
	4w, 5p	480	#4	033	1/4	RPC233 014 S09AR ARE46	RPC133 157 P09AR
					1/2	RPC233 014 S09AR ARE56	
Ungrounded	4w, 4p	600	#4	033	1/4	RPC233 014 S05NR ARE46	RPC133 157 P05NR
					1/2	RPC233 014 S05NR ARE56	
	5w, 5p	480	#4	033	1/4 1/2	RPC233 014 S06NR ARE46 RPC233 014 S06NR ARE56	RPC133 157 P06NR

For alternate polarizations, see page 1431, "Options" section.



## RPC Circuit Breaking Power Connectors With Pressure Terminals



Cable Diameter Range	Cord Connector Cat. #*	Plug Cat. #*
.250 to .625 .625 to 1.000	RPC321 160 S04AR RPC321 161 S04AR	RPC121 150 P04AR RPC121 151 P04AR
.250 to .625 .625 to 1.000	RPC321 160 S02NR RPC321 161 S02NR	RPC121 150 P02NR RPC121 151 P02NR
.875 to 1.375 1.375 to 1.625 1.625 to 1.875	RPC333 163 S08AR RPC333 396 S08AR RPC333 397 S08AR	RPC133 153 P08AR RPC133 388 P08AR RPC133 389 P08AR
.875 to 1.375 1.375 to 1.625 1.625 to 1.875	RPC333 163 S09AR RPC333 396 S09AR RPC333 397 S09AR	RPC133 153 P09AR RPC133 388 P09AR RPC133 389 P09AR
.875 to 1.375 1.375 to 1.625 1.625 to 1.875	RPC333 163 S05NR RPC333 396 S05NR RPC333 397 S05NR	RPC133 153 P05NR RPC133 388 P05NR RPC133 389 P05NR
.875 to 1.375 1.375 to 1.625 1.625 to 1.875	RPC333 163 S06NR RPC333 396 S06NR RPC333 397 S06NR	RPC133 153 P06NR RPC133 388 P06NR RPC133 389 P06NR

■ For square flanged receptacle *without* dust cap, change the middle three digits of the catalog number from 014 to 127. Example: RPC221-127-S04AR-ARE23.  
 ‡For square flanged receptacle with dust cap for panel mounting, delete the last digits of the catalog number specifying the backbox. Example: RPC221-014-S04AR.  
 \*For plugs and cord connectors:  
**Liquidtight/Conduit Adapter –**  
 To order with adapter, add letters "LT" to first section of catalog number. Example: RPCLT321-160-S04AR.  
**Additional Cable Strain Relief Options –**  
 • Stainless steel wire mesh grip – To order, add letter "K" to first section of catalog number. Example: RPCK321-160-S04AR.

# 8P ARK-trol® Electrical Connectors

Raintight

## RPC Circuit Breaking Power Connectors With Pressure Terminals



	Circuit Description	Volts (VAC)	Contact Size	Shell Size	Hub Size (In.)	Square Flanged Receptacle, Dust Cap and Back Box Cat. # (For Surface Mounting)■‡	Motor Plug Cat. #	
100 Amps	Grounded	4w, 5p	600	1/0	041	1 1/2 2	RPC641 014 S04AR AJ57 RPC641 014 S04AR AJ67	RPC541 157 P04AR
	Ungrounded	5w, 5p	600	1/0	041	1 1/2 2	RPC641 014 S02NR AJ57 RPC641 014 S02NR AJ67	RPC541 157 P02NR

For alternate polarizations, see page 1431, "Options" section.

**RPC Circuit Breaking Power Connectors  
With Pressure Terminals**



Cable Diameter Range	Cord Connector Cat. #*	Plug Cat. #*
1.375 to 1.875	<b>RPC741 164 S04AR</b>	<b>RPC541 154 P04AR</b>
1.875 to 2.062	<b>RPC741 398 S04AR</b>	<b>RPC541 390 P04AR</b>
2.062 to 2.250	<b>RPC741 399 S04AR</b>	<b>RPC541 391 P04AR</b>
1.375 to 1.875	<b>RPC741 164 S02NR</b>	<b>RPC541 154 P02NR</b>
1.875 to 2.062	<b>RPC741 398 S02NR</b>	<b>RPC541 390 P02NR</b>
2.062 to 2.250	<b>RPC741 399 S02NR</b>	<b>RPC541 391 P02NR</b>

■ For square flanged receptacle *without* dust cap, change the middle three digits of the catalog number from 014 to 127. Example: RPC221-127-S04AR-ARE23.  
 ‡For square flanged receptacle with dust cap for panel mounting, delete the last digits of the catalog number specifying the backbox. Example: RPC221-014-S04AR.  
 \*For plugs and cord connectors:  
**Liquidtight/Conduit Adapter –**  
 To order with adapter, add letters "LT" to first section of catalog number. Example: RPCLT321-160-S04AR.  
**Additional Cable Strain Relief Options –**  
 • Stainless steel wire mesh grip – To order, add letter "K" to first section of catalog number. Example: RPCK321-160-S04AR.

**RPE Control Circuit and Power Connectors  
With Solder Well Terminals†**



Circuit Description	Contact Size	Amps	Volts (VAC)	Shell Size	Hub Size (In.)	Square Flanged Receptacle, Dust Cap and Back Box Cat. # (For Surface Mounting)†*	Motor Plug Cat. #
<b>Control</b>							
6w, 7p	#12	20	480	017	3/4 1	RPE217 014 S06A ARE23 RPE217 014 S06A ARE33	RPE117 157 P06A
7w, 7p	#12	20	480	017	3/4 1	RPE217 014 S05N ARE23 RPE217 014 S05N ARE33	RPE117 157 P05N
12w, 12p	#16	16	250	017	3/4 1	RPE217 014 S07N ARE23 RPE217 014 S07N ARE33	RPE117 157 P07N
18w, 19p	#12	20	250	021	3/4 1	RPE221 014 S08A ARE23 RPE221 014 S08A ARE33	RPE121 157 P08A
19w, 19p	#12	20	250	021	3/4 1	RPE221 014 S09N ARE23 RPE221 014 S09N ARE33	RPE121 157 P09N
38w, 39p	#12	20	250	033	1 1/4 1 1/2	RPE233 014 S19A ARE46 RPE233 014 S19A ARE56	RPE133 157 P19A
39w, 39p	#12	20	250	033	1 1/4 1 1/2	RPE233 014 S17N ARE46 RPE233 014 S17N ARE56	RPE133 157 P17N

## RPE Control Circuit and Power Connectors With Solder Well Terminals



Cable Diameter Range	Cord Connector Cat. #§	Plug Cat. #§
.250 to .625 .625 to .875	RPE317 160 S06A RPE317 161 S06A	RPE117 150 P06A RPE117 151 P06A
.250 to .625 .625 to .875	RPE317 160 S05N RPE317 161 S05N	RPE117 150 P05N RPE117 151 P05N
.250 to .625 .625 to .875	RPE317 160 S07N RPE317 161 S07N	RPE117 150 P07N RPE117 151 P07N
.625 to 1.000 1.000 to 1.187	RPE321 161 S08A RPE321 395 S08A	RPE121 151 P08A RPE121 387 P08A
.625 to 1.000 1.000 to 1.187	RPE321 161 S09N RPE321 395 S09N	RPE121 151 P09N RPE121 387 P09N
.875 to 1.375 1.375 to 1.625	RPE333 163 S19A RPE333 396 S19A	RPE133 153 P19A RPE133 388 P19A
.875 to 1.375 1.375 to 1.625	RPE333 163 S17N RPE333 396 S17N	RPE133 153 P17N RPE133 388 P17N

†Solder well terminals provided as standard. Crimp contacts are optionally available, add suffix T to catalog number. Example: RPE633-014-S24NT-AJ57.

‡For square flanged receptacle *without* dust cap, change the middle three digits of the catalog number from 014 to 127. Example: RPE633-127-S24N-AJ57.

\*For square flanged receptacle with dust cap for panel mounting, delete the last three digits of the catalog number specifying the backbox. Example: RPE633-014-S24N.

§For plugs and cord connectors:

**Liquidtight/Conduit Adapter –**

To order with adapter, add letters "LT" to the first section of the catalog number. Example: RPELT733-396-S24N.

**Additional Cable Strain Relief Options –**

- Stainless steel wire mesh grip – To order, add letter "K" to first section of the catalog number. Example: RPEK733-396-S24N.

# 8P RPC and RPE Connectors

## Accessories



### For #16 Through #10 Contacts:

The RPE017-440 crimping tool has been designed to crimp a wide range of solid and stranded type conductors. The crimping head is adjusted and sealed at the factory. The tool automatically crimps and gauges all size contacts without readjustment.



### Contact Removal Tools:

The contact removal tool extracts the contact from the insert assembly without complete disassembly of the connector.

Cat #	Description
RPE017 402T	for use with #16 contacts.
RPE017 403T	for use with #12 contacts.
RPE017 404T	for use with #10 contacts.

### Dust Caps: For Receptacles For RPC or RPE Series



Cat. #	Description
RPE017 009	
RPE021 009	Dust Cap w/Eyelet for Receptacle
RPE033 009	
RPE041 009	

# Back Boxes and Adapters

8P

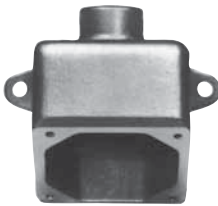
## For Mounting RPC and RPE Square Flanged Receptacles



FS Back Box

### Back Boxes FS and FSC

Hub Size in.	FS† Cat. #	FSC† Cat. #
1/2	FS1 SA	FSC1 SA
3/4	FS2 SA	FSC2 SA
1	FS3 SA	FSC3 SA



ARE Back Box

### ARE‡

Hub Size in.	Cat. #	Rating
1/2	ARE13	30A
3/4	ARE23	
1	ARE33	
1	ARE36	60A
1 1/4	ARE46	
1 1/2	ARE56	



AJ Black Box

### AJ‡

Hub Size in.	Cat. #	Rating
1	AJ37	60A and 100A
1 1/4	AJ47	
1 1/2	AJ57	
2	AJ67	
1 1/2	AJ58	200A
2	AJ68	
2 1/2	AJ78	



45° Angle adapter



Flat adapter

### Adapters

#### Shell Sizes of Square Flanged Receptacles

45° Angle		Flat	
017 Cat. #	021 Cat. #	017 Cat. #	021 Cat. #
RPE017 156	RPE021 156	RPE017 141	RPE021 142

#### Shell Sizes of Square Flanged Receptacles

Flat			
017 Cat. #	021 Cat. #	033 Cat. #	041 Cat. #
RPE017 143	RPE021 144		
		RPE033 145	RPE041 146

#### Shell Sizes of Square Flanged Receptacles

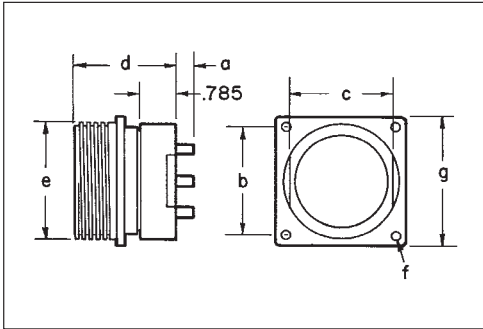
Flat	
033 Cat. #	041 Cat. #
RPE033 145	RPE041 146
	RPE041 147

† Any of the FS or FD single gang, two gang tandem or multiple gang boxes with individual cover openings may be used with these adapters. For listings, dimensions and other details refer to Section 3F.

‡ Other AR and AJ back boxes may be used with these adapters. For listings, dimensions and other details refer to Section 1P.

# 8P ARK-trol® Electrical Connectors

**RPC Circuit Breaking Power Connectors**  
**RPE Control Circuit and Power Connectors**  
**Dimensions (Inches)**

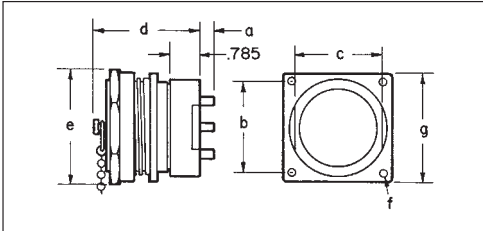


### Square Flanged Receptacle

Shell Type and Size	b	c	d	e	f	g
217	1.375	1.317	2.165	1.562	.190	1.750
221	1.750	1.692	2.165	2.000	.190	2.250
233	2.375	2.317	2.165	2.625	.214	2.875
241	2.813	2.817	2.165	3.187	.250	3.438
633	2.375	2.317	2.915	2.625	.214	2.875
641	2.813	2.817	2.915	3.187	.250	3.438

#### a Contact for AWG Wire

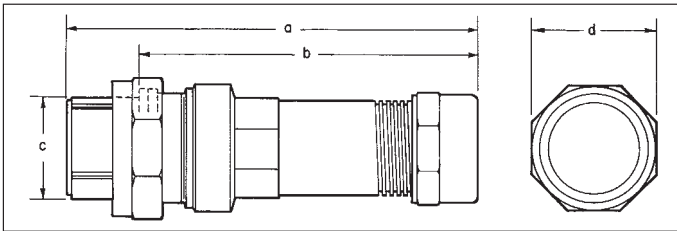
0.1875	#16, #12, #10
0.250	#4
0.375	1/8
0.500	1/4



### Square Flanged Receptacle with Dust Cap

Shell Type and Size	b	c	d	e	f	g
217	1.375	1.317	2.812	1.927	.190	1.750
221	1.750	1.692	2.812	2.468	.190	2.250
233	2.375	2.317	2.812	3.145	.214	2.875
241	2.813	2.817	2.812	3.754	.250	3.438
633	2.375	2.317	3.552	3.145	.214	2.875
641	2.813	2.817	3.552	3.754	.250	3.438

Dimension a – same as above



### Plug

Shell Type and Size	a†	b†	c	d
117	5.033	4.133	1.270	1.921
121	5.090	4.190	1.675	2.468
133	6.093	5.193	2.295	3.140
141	6.653	5.753	2.800	3.750
533	6.843	5.193	2.295	3.140
541	7.403	5.753	2.800	3.750

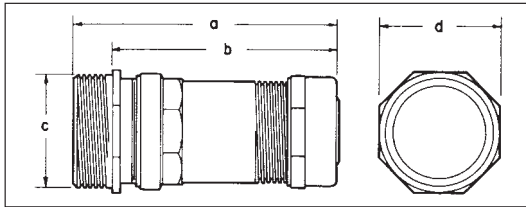
† These dimensions are approximate and vary with cable size.



# ARK-trol® Electrical Connectors

8P

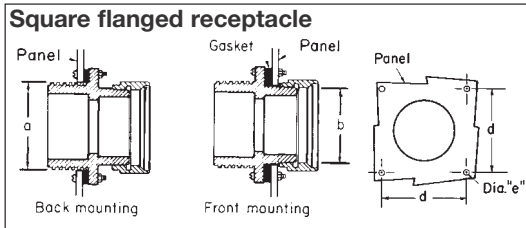
RPC Circuit Breaking Power Connectors  
RPE Control Circuit and Power Connectors  
Dimensions (Inches)



### Cord Connector Receptacle

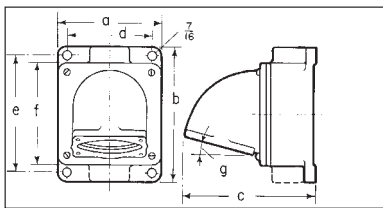
Shell Type and Size	a†	b†	c	d
317	5.033	4.116	1.562	1.812
321	5.090	4.173	1.885	2.300
333	6.093	5.176	2.625	3.140
341	6.653	5.736	3.187	3.730
733	6.843	5.176	2.625	3.140
741	7.403	5.736	3.187	3.730

† These dimensions are approximate and vary with cable size.



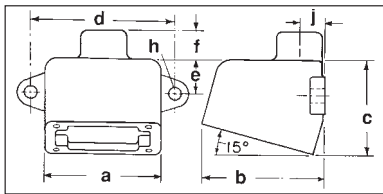
### Panel Mounting Methods

Shell Size	Back Mounting			Front Mounting		
	a	d	e	b	d	e
017	1 <sup>19</sup> / <sub>32</sub>	1 <sup>3</sup> / <sub>8</sub>	<sup>3</sup> / <sub>16</sub>	1 <sup>17</sup> / <sub>32</sub>	1 <sup>3</sup> / <sub>8</sub>	<sup>3</sup> / <sub>16</sub>
021	2 <sup>1</sup> / <sub>32</sub>	1 <sup>3</sup> / <sub>4</sub>	<sup>3</sup> / <sub>16</sub>	1 <sup>31</sup> / <sub>32</sub>	1 <sup>3</sup> / <sub>4</sub>	<sup>3</sup> / <sub>16</sub>
033	2 <sup>21</sup> / <sub>32</sub>	2 <sup>3</sup> / <sub>8</sub>	<sup>7</sup> / <sub>32</sub>	2 <sup>21</sup> / <sub>32</sub>	2 <sup>3</sup> / <sub>8</sub>	<sup>7</sup> / <sub>32</sub>
041	3 <sup>7</sup> / <sub>32</sub>	2 <sup>13</sup> / <sub>16</sub>	<sup>1</sup> / <sub>4</sub>	3 <sup>3</sup> / <sub>32</sub>	2 <sup>13</sup> / <sub>16</sub>	<sup>1</sup> / <sub>4</sub>



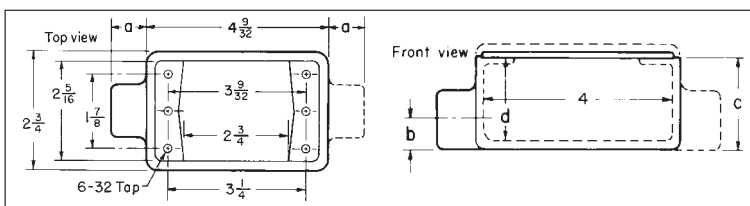
### AJ Back Boxes

Form	Size	a	b	c	d	e	f	g
C and D	<sup>3</sup> / <sub>4</sub> , 1, 1 <sup>1</sup> / <sub>4</sub> , 1 <sup>1</sup> / <sub>2</sub>	5 <sup>7</sup> / <sub>8</sub>	8	7 <sup>7</sup> / <sub>16</sub>	4 <sup>7</sup> / <sub>8</sub>	7	5 <sup>7</sup> / <sub>8</sub>	15°
C and D	2	5 <sup>7</sup> / <sub>8</sub>	8	8	4 <sup>7</sup> / <sub>8</sub>	7	5 <sup>7</sup> / <sub>8</sub>	15°
E	1 <sup>1</sup> / <sub>2</sub> , 2, 2 <sup>1</sup> / <sub>2</sub>	8	10 <sup>3</sup> / <sub>4</sub>	9 <sup>7</sup> / <sub>8</sub>	6 <sup>3</sup> / <sub>4</sub>	9 <sup>1</sup> / <sub>2</sub>	8	45°



### ARE Back Boxes

Form	Size	a	b	c	d	e	f	h dia.
B	<sup>1</sup> / <sub>2</sub>	3 <sup>3</sup> / <sub>8</sub>	3 <sup>3</sup> / <sub>8</sub>	2 <sup>3</sup> / <sub>4</sub>	4 <sup>1</sup> / <sub>4</sub>	1	2 <sup>7</sup> / <sub>32</sub>	1 <sup>1</sup> / <sub>32</sub>
B	<sup>3</sup> / <sub>4</sub>	3 <sup>3</sup> / <sub>8</sub>	3 <sup>3</sup> / <sub>8</sub>	2 <sup>3</sup> / <sub>4</sub>	4 <sup>1</sup> / <sub>4</sub>	1	2 <sup>7</sup> / <sub>32</sub>	1 <sup>1</sup> / <sub>32</sub>
B	1	3 <sup>3</sup> / <sub>8</sub>	3 <sup>3</sup> / <sub>8</sub>	2 <sup>3</sup> / <sub>4</sub>	4 <sup>1</sup> / <sub>4</sub>	1	3 <sup>1</sup> / <sub>32</sub>	1 <sup>1</sup> / <sub>32</sub>
C	1	4 <sup>1</sup> / <sub>4</sub>	4 <sup>11</sup> / <sub>16</sub>	4 <sup>11</sup> / <sub>16</sub>	5 <sup>1</sup> / <sub>4</sub>	1 <sup>5</sup> / <sub>8</sub>	1 <sup>5</sup> / <sub>16</sub>	<sup>3</sup> / <sub>8</sub>
C	1 <sup>1</sup> / <sub>4</sub>	4 <sup>1</sup> / <sub>4</sub>	4 <sup>11</sup> / <sub>16</sub>	4 <sup>11</sup> / <sub>16</sub>	5 <sup>1</sup> / <sub>4</sub>	1 <sup>5</sup> / <sub>8</sub>	1	<sup>3</sup> / <sub>8</sub>
C	1 <sup>1</sup> / <sub>2</sub>	4 <sup>1</sup> / <sub>4</sub>	4 <sup>11</sup> / <sub>16</sub>	4 <sup>11</sup> / <sub>16</sub>	5 <sup>1</sup> / <sub>4</sub>	1 <sup>5</sup> / <sub>8</sub>	1 <sup>1</sup> / <sub>16</sub>	<sup>3</sup> / <sub>8</sub>



### FS/FSC Boxes

Series	Hub Size	a	b	c	d
FS	<sup>1</sup> / <sub>2</sub>	7 <sup>7</sup> / <sub>8</sub>	<sup>5</sup> / <sub>8</sub>	1 <sup>7</sup> / <sub>8</sub>	1 <sup>11</sup> / <sub>16</sub>
	<sup>3</sup> / <sub>4</sub>	7 <sup>7</sup> / <sub>8</sub>	<sup>3</sup> / <sub>4</sub>	1 <sup>7</sup> / <sub>8</sub>	1 <sup>11</sup> / <sub>16</sub>
	1	1	<sup>7</sup> / <sub>8</sub>	1 <sup>7</sup> / <sub>8</sub>	1 <sup>11</sup> / <sub>16</sub>

# 8P ARK-trol® Electrical Connectors

## RPX "Time Slot" Delayed Action Connectors Hazardous Locations

Cl. I, Div. 1 and 2, Group D\*  
Explosionproof  
Raintight  
Dimensions see page 1454

### Applications:

RPX "Time-Slot" delayed action connectors are used:

- In areas which are hazardous due to the presence of gasoline or gases or vapors of equivalent hazard (comparable to NEC Class I, Group D), where construction and test procedures are required to meet applicable sections of MIL-STD-810E
- For connection of devices ranging from simple lighting units, power tools and similar portables requiring only a power circuit to sophisticated control and instrumentation assemblies requiring disconnect

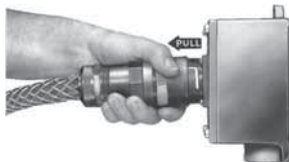
### Features:

The same basic features, described in detail for RPC and RPE connectors, apply to RPX connectors as well and include the following:

- High-strength impact extruded aluminum shell parts
- "Tri-Disc" insert assemblies
- Contacts snap in after termination
- Positive polarization
- Interchangeability of inserts in each shell size
- Grounding contacts, where used, make first and break last
- The RPX "Time-Slot" delayed action feature prevents complete withdrawal of the plug in one continuous movement, eliminating the possibility of a circuit-breaking arc occurring in a hazardous area. Details of operation are shown in the illustrations below.



A. Turn plug clamping nut counterclockwise 45° to unlock plug.



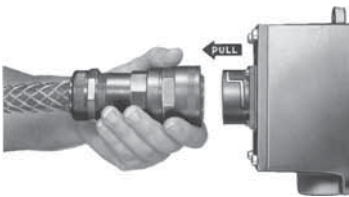
B. Pull to disengage pin and socket contacts, breaking circuit while contacts are still inside the receptacle. Any resulting electrical arc is quenched within the receptacle sockets.

\*RPX series are suitable for hazardous areas due to the presence of gasoline or other gases or vapors of equivalent hazard (comparable to N.E.C. Class I, Group D), where construction and test procedures are required to meet applicable sections of MIL-STD-810E.

†For use on systems less than 60 hertz the receptacles, plugs and connectors are for disconnect use only.



C. Turn plug clamping nut an additional 45° counterclockwise to the release position, thereby effecting delayed action.



D. Disengage plug and receptacle.

### Certifications and Complies:

- RPX delayed action connectors have the same physical properties, characteristics and environmental capabilities of RPC and RPE connectors. For detailed information on these properties, refer to see page 1432.
- In addition to these properties, the "Time-Slot" delayed action feature permits disconnect under full rated load with no possibility of an exposed arc, thus meeting the stringent requirements of Military Specifications MIL-STD-810E

### Standard Materials:

- Back boxes and adapters – *Feraloy*® iron alloy
- Plug, receptacle and cord connector shells – impact extruded aluminum
- Insulation – diallyl phthalate (DAP)
- Sealing wafer – silicone rubber
- Contacts – hard drawn copper

### Standard Finishes:

- *Feraloy* – zinc electroplate and aluminum acrylic paint
- Impact extruded aluminum – hard coat anodized
- Diallyl phthalate – natural (blue)
- Silicone rubber – natural (grey)



### Options:

The following options available for RPC and RPE connectors are also applicable to RPX connectors. For complete details see pages 1431–1432

- Alternate polarities – ungrounded and grounded connectors
- Crimp type contacts
- Wire mesh cord grip

### Electrical Rating Ranges:

- 10, 20, 30 and 60 amperes
- 50† to 400 hertz
- 250, 480 and 600VAC
- See listings for specific ratings



# 8P

## Special Purpose†; ARK-trol® Electrical Connectors

**RPX "Time-Slot" Delayed Action Connectors  
With Solder Well Terminals‡, Hazardous Areas\***

Cl. I, Div. 1 & 2, Group D\*  
Explosionproof  
Raintight  
Dimensions see page 1454



POWER	Circuit Description	Contact Size	Amps	Volts (VAC)	Shell Size	Hub Size (In.)	Square Flanged Receptacle, Dust Cap and Back Box Cat. # (For Surface Mounting)§
20 amps	Grounded	4w, 5p	20	480	017	¾ 1	RPX217 914 S09A EDSC271 RPX217 914 S09A EDSC371
	Ungrounded	5w, 5p	20	480	017	¾ 1	RPX217 914 S08N EDSC271 RPX217 914 S08N EDSC371
30 amps	Grounded	2w, 3p	30	480	017	¾ 1	RPX217 914 S02A EDSC371
		3w, 4p	30	480	017	¾ 1	RPX217 914 S04A EDSC271 RPX217 914 S04A EDSC371
		4w, 5p	30	480	021	¾ 1	RPX221 914 S17A EDSC271 RPX221 914 S17A EDSC371
	Ungrounded	3w, 3p	30	480	017	¾ 1	RPX217 914 S01N EDSC271 RPX217 914 S01N EDSC371
		4w, 4p	30	480	017	¾ 1	RPX217 914 S03N EDSC271 RPX217 914 S03N EDSC371
		5w, 5p	30	480	021	¾ 1	RPX221 914 S16N EDSC271 RPX221 914 S16N EDSC371

# Special Purpose†; ARK-trol® Electrical Connectors

## RPX "Time-Slot" Delayed Action Connectors With Solder Well Terminals, Hazardous Areas\*

Cl. I, Div. 1 & 2, Group D\*  
Explosionproof  
Raintight  
Dimensions see page 1454

**8P**



Cable Diameter Range	Cord Connector Cat. #■	Plug Cat. #■
.250 to .625 .625 to .875	RPX317 160 S09A RPX317 161 S09A	RPX117 150 P09A RPX117 151 P09A
.250 to .625 .625 to .875	RPX317 160 S08N RPX317 161 S08N	RPX117 150 P08N RPX117 151 P08N
.250 to .625 .625 to .875	RPX317 160 S02A RPX317 161 S02A	RPX117 150 P02A RPX117 151 P02A
.250 to .625 .625 to .875	RPX317 160 S04A RPX317 161 S04A	RPX117 150 P04A RPX117 151 P04A
.625 to 1.000 1.000 to 1.187	RPX321 161 S17A RPX321 395 S17A	RPX121 151 P17A RPX121 387 P17A
.250 to .625 .625 to .875	RPX317 160 S01N RPX317 161 S01N	RPX117 150 P01N RPX117 151 P01N
.250 to .625 .625 to .875	RPX317 160 S03N RPX317 161 S03N	RPX117 150 P03N RPX117 151 P03N
.625 to 1.000 1.000 to 1.187	RPX321 161 S16N RPX321 395 S16N	RPX121 151 P16N RPX121 387 P16N

† For alternate polarizations, see page 1431, "Options" section.  
‡ Solder well terminals provided as standard. Crimp contacts are optionally available, add suffix T to catalog number. Example: RPX217-914-S09AT-EDSC271.  
§ For square flanged receptacle *without* dust cap, change the middle three digits of the catalog number from 914 to 913. Example: RPX217-913-S09A-EDSC271.  
■ For plugs and cord connectors:  
**Liquidtight/Conduit Adapter** – To order with adapter, add letters "LT" to first section of catalog number. Example: RPXLT317-160-S09A.  
**Additional Cable Strain Relief Options** –  
• Stainless steel wire mesh grip – To order, add letter "K" to first section of catalog number. Example: RPXK317-160-S09A.

\*RPX series are suitable for hazardous areas due to the presence of gasoline or other gases or vapors of equivalent hazard (comparable to N.E.C. Class I, Group D), where construction and test procedures are required to meet applicable sections of MIL-E-5272C and MIL-E-4970A.

**8P**

# 8P

## Special Purpose†; ARK-trol® Electrical Connectors

**RPX "Time-Slot" Delayed Action Connectors  
With Solder Well Terminals‡, Hazardous Areas\***

Cl. I, Div. 1 & 2, Group D\*  
Explosionproof  
Raintight  
Dimensions see page 1454



	Circuit Description	Contact Size	Amps	Volts (VAC)	Shell Size	Hub Size (In.)	Square Flanged Receptacle, Dust Cap and Back Box Cat. # (For Surface Mounting)§
<b>POWER</b>							
<b>60 Amps</b>							
Grounded	3w, 4p	#4	60	600	033	1¼	<b>RPX233 914 S08A CES42</b>
	4w, 5p	#4	60	480	033	1¼	<b>RPX233 914 S09A CES42</b>
	4w, 4p	#4	60	600	033	1¼	<b>RPX233 914 S05N CES42</b>
Ungrounded	5w, 5p	#4	60	480	033	1¼	<b>RPX233 914 S06N CES42</b>
<b>CONTROL</b>							
6w, 7p		#12	20	480	017	¾	<b>RPX217 914 S06A EDSC271</b>
						1	<b>RPX217 914 S06A EDSC371</b>
7w, 7p		#12	20	480	017	¾	<b>RPX217 914 S05N EDSC271</b>
						1	<b>RPX217 914 S05N EDSC371</b>
18w, 19p		#12	20	250	021	¾	<b>RPX221 914 S08A EDSC271</b>
						1	<b>RPX221 914 S08A EDSC371</b>
19w, 19p		#12	20	250	021	¾	<b>RPX221 914 S09N EDSC271</b>
						1	<b>RPX221 914 S09N EDSC371</b>
38w, 39p		#12	20	250	033	1¼	<b>RPX233 914 S19A CES42</b>
39w, 39p		#12	20	250	033	1¼	<b>RPX233 914 S17N CES42</b>

8P

# Special Purpose†; ARK-trol® Electrical Connectors

Cl. I, Div. 1 & 2, Group D\*  
Explosionproof  
Raintight  
Dimensions see page 1454

**8P**

## RPX "Time-Slot" Delayed Action Connectors With Solder Well Terminals, Hazardous Areas\*



Cable Diameter Range	Cord Connector Cat. #■	Plug Cat. #■
.875 to 1.375 1.375 to 1.625 1.625 to 1.875	RPX333 163 S08A RPX333 396 S08A RPX333 397 S08A	RPX133 153 P08A RPX133 388 P08A RPX133 389 P08A
.875 to 1.375 1.375 to 1.625 1.625 to 1.875	RPX333 163 S09A RPX333 396 S09A RPX333 397 S09A	RPX133 153 P09A RPX133 388 P09A RPX133 389 P09A
.875 to 1.375 1.375 to 1.625 1.625 to 1.875	RPX333 163 S05N RPX333 396 S05N RPX333 397 S05N	RPX133 153 P05N RPX133 388 P05N RPX133 389 P05N
.875 to 1.375 1.375 to 1.625 1.625 to 1.875	RPX333 163 S06N RPX333 396 S06N RPX333 397 S06N	RPX133 153 P06N RPX133 388 P06N RPX133 389 P06N
.250 to .625 .625 to .875	RPX317 160 S06A RPX317 161 S06A	RPX117 150 P06A RPX117 151 P06A
.250 to .625 .625 to .875	RPX317 160 S05N RPX317 161 S05N	RPX117 150 P05N RPX117 151 P05N
.625 to 1.000 1.000 to 1.187	RPX321 161 S08A RPX321 395 S08A	RPX121 151 P08A RPX121 387 P08A
.625 to 1.000 1.000 to 1.187	RPX321 161 S09N RPX321 395 S09N	RPX121 151 P09N RPX121 387 P09N
.875 to 1.375 1.375 to 1.625	RPX333 163 S19A RPX333 396 S19A	RPX133 153 P19A RPX133 388 P19A
.875 to 1.375 1.375 to 1.625	RPX333 163 S17N RPX333 396 S17N	RPX133 153 P17N RPX133 388 P17N

† For alternate polarizations, see page 1431, "Options" section.

‡ Solder well terminals provided as standard. Crimp contacts are optionally available, add suffix T to catalog number. Example: RPX217-914-S09AT-EDSC271.

§ For square flanged receptacle *without* dust cap, change the middle three digits of the catalog number from 914 to 913. Example: RPX217-913-S09A-EDSC271.

■ For plugs and cord connectors:

**Liquidtight/Conduit Adapter –**

To order with adapter, add letters "LT" to first section of catalog number. Example: RPXLT317-160-S09A.

**Additional Cable Strain Relief Options –**

• Stainless steel wire mesh grip – To order, add letter "K" to first section of catalog number. Example: RPXK317-160-S09A.

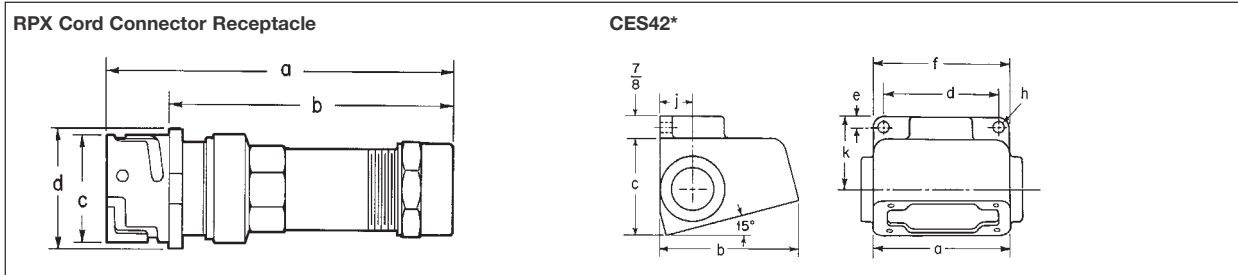
\*RPX series are suitable for hazardous areas due to the presence of gasoline or other gases or vapors of equivalent hazard (comparable to N.E.C. Class I, Group D), where construction and test procedures are required to meet applicable sections of MIL-E-5272C and MIL-E-4970A.

**8P**

# 8P ARK-trol® Electrical Connectors

## RPX "Time-Slot" Delayed Action Connectors

### Dimensions In Inches:

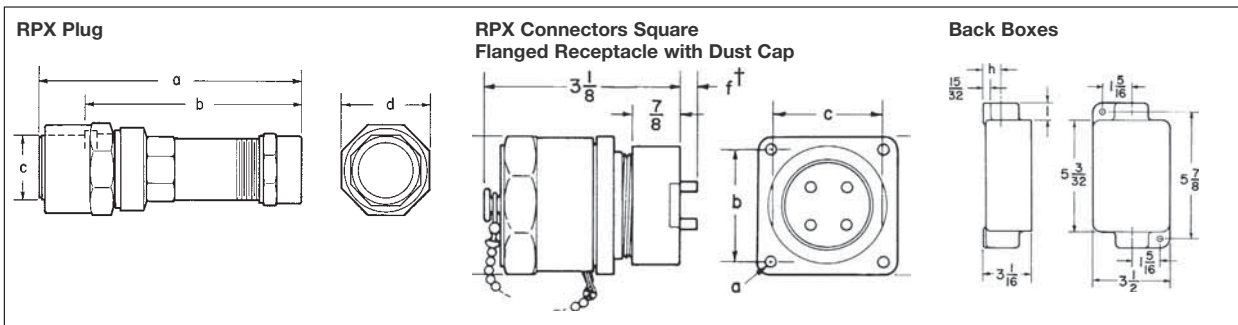


### Cord Connector Receptacle

Shell Type and Size	a†	b‡	c	d
317	5.033	4.116	1.560	1.812
321	5.090	4.173	2.000	2.300
333	6.093	5.176	2.625	3.140

### CES42\*

Size	a	b	c	d	e	f	h dia.	j	k
1¼	5¼	5¼	3 <sup>11</sup> / <sub>16</sub>	4 <sup>9</sup> / <sub>8</sub>	7 <sup>1</sup> / <sub>16</sub>	5¼	7 <sup>1</sup> / <sub>16</sub>	1 <sup>1</sup> / <sub>8</sub>	2 <sup>7</sup> / <sub>8</sub>



### RPX Plug

Shell Type and Size	a†	b‡	c	d
117	5.033	4.133	1.270	1.921
121	5.090	4.190	1.675	2.468
133	6.093	5.193	2.295	3.140

### RPX Connectors Square Flanged Receptacle with Dust Cap

Shell Type and Size	a	b	c	d
217	.190	1.375	1.317	1.750
221	.190	1.750	1.692	2.250
233	.214	2.375	2.317	2.875

### Back Boxes

Cat. #	h	l
EDSC271	7/8	13/16
EDSC371	1	15/16

†Dimension "f"; 0.1875 for #16, #12 and #10 contacts 0.250 for #4 contacts.

‡These dimensions are approximate and vary with cable size.

\*CES42 takes 60 ampere receptacle housings.



---

<b>Description</b>	<b>Page No.</b>
<b>Portable Power Capabilities</b>	<b>see page 1456</b>
<b>Cable Assemblies</b>	<b>see pages 1457–1458</b>
<b>Portable GFCI Cable Assemblies</b>	<b>see page 1459</b>
<b>Posi-Max Power Distribution Panel</b>	<b>see pages 1460–1462</b>
<b>Power Carts</b>	<b>see pages 1463–1464</b>

# 9P Portable Power Capabilities

**Total solutions from Eaton's Crouse-Hinds to meet the industry's ever-increasing need for safe and reliable temporary power**

Virtually all industries today need equipment to provide temporary power, either in the event of an emergency or during standard operations such as maintenance in a factory. Eaton's Crouse-Hinds offers turn-key solutions as well as traditional out-of-the box products that effectively meet these needs.

## Eaton's Crouse-Hinds Advantage:

- Custom turn-key capabilities allow customers to specify and order complete portable power carts and enclosures
- Increase safety for temporary power needs by eliminating the opportunity of incorrect product being assembled together for temporary power and maintenance turnarounds which can result in injury to on-site personnel and contractors
- Minimize time for maintenance work, plant turnaround planning, and preparation by having completely assembled, reliable and robust solutions provided directly to site
- Dedicated staff with a focus on the oil and gas, military, disaster relief, and entertainment industries
- Engineering support, including AutoCAD and design specifications
- UL approved assemblies, including suitability for Class I, Division 1 & 2 applications

## Target Markets and Applications:

- Petrochemical facilities (land and offshore)
- Cellular towers and telecommunications
- Disaster relief
- Generator / power packs / power distribution center manufacturers
- Military bases / installations (defense contractors)
- Government agencies (Department of Homeland Security, etc.)
- Gas stations / convenience stores / pharmacies
- Shipyards (new construction and repair)
- Entertainment
- Food service / commissaries
- Manufacturing
- Surface mining
- Wind or solar power
- Backfeeding buildings for super structures; hard-wired outlets fed from generators or power packs and carts; provision of power to engines, conveyor belts, welding equipment, ventilation fans; cable assemblies and wiring harnesses; construction applications; special customized applications for the provision of temporary power

## Classifications and Available Electrical Standards:

- **NEC Solutions** - NEC designs, components, and standards compliance
- **IEC Solutions** - IEC designs, components, and standards compliance

## Portable Power Solutions Offering:

- Pre-assembled cable assemblies
- Power distribution receptacle panels
- Power carts and specialty products



Eaton's Crouse-Hinds provides the broadest offering of custom cable assembly solutions to be utilized in conjunction with portable power needs. Customers can choose from a variety of connectors, sizes, and lengths. Whether you are looking for NEC configurations such as a Cam-Lok®, Posi-Lok®, or Arktite®, or IEC configurations such as IEC 309 or Ex-Link, Eaton's Crouse-Hinds can meet customers' needs.



The cable assembly incorporates a custom-made solution utilizing either Eaton's Crouse-Hinds branded connectors or any other connector on the market. These units are offered in jumper and tail configurations from 52A to 600A solutions. They can be customized to meet the needs of the customer with UL/cUL Listed devices and UL1581 standard cable. Canadian specific cable requirements are also available. Not only will you receive a complete turn-key solution of the best quality, you will also have the reputation of Eaton's Crouse-Hinds behind your product.

## Applications:

### Heavy Industrial Applications

- Mining
- Hazardous locations
- Facility maintenance
- Military grade needs

### Emergency Preparedness / Disaster Relief

- Hurricane regions
- Severe weather (ice storms / tornadoes)
- Data centers
- Cell towers
- Pharmacies
- Banks
- Retail
- Water treatment
- Utilities
- Gas stations
- Toll roads

### Construction Applications

- Portable generators
- Welding equipment
- Heavy tools

## Features:

- Customizable assembly offers a turn-key solution, providing significant cost and time savings
- Offers a one-stop solution and eliminates contractors assembling on-site
- Color coded assemblies (available in black, yellow, red, orange, green, white, blue, and brown) provide easy mateability identification and ensure safety
- Temperature rated cable allows for reliable performance in demanding environments
- Resistant to oil, solvent, ozone, aging, and abrasion
- Flame retardant jacket
- Ranges from 52 amp - 600 amp

## Certifications and Compliances:

- UL/cUL Listed devices
- ATEX certified devices
- UL1581 standard cable
- Canadian specific cable requirements available
- MSHA
- OSHA compliant



Ordering Information - Cable Assembly Configurator\*

	Cable Assembly	Type	Cable Size	Cable Type	Connector Series	Connector Color Configuration	Cable Length
<b>Example:</b>	<b>C</b>	<b>1</b>	<b>20</b>	<b>W</b>	<b>16</b>	<b>A</b>	<b>25</b>
<b>Options:</b>	<b>C</b>	1 (Extension) 2 (Pigtail)	2 (#2) 20 (2/0) 40 (4/0)	SC (Type SC) W (Type W) DLO (Type DLO)	<sup>(1)</sup> 15 (E1015) 16 (EZ1016) <sup>(1)</sup> 17 (E1017) 200 (E0200) 315 (E0315) 400 (E0400)	A (Black) B (White) C (Red) D (Blue) E (Green) F (Brown) G (Orange) H (Yellow)	<sup>(2)</sup> 3M (3 Feet Male) <sup>(2)</sup> 3F (3 Feet Female) <sup>(2)</sup> 5M (5 Feet Male) <sup>(2)</sup> 5F (5 Feet Female) <sup>(2)</sup> 10M (10 Feet Male) <sup>(2)</sup> 10F (10 Feet Female) <sup>(3)</sup> 25 (25 Feet) <sup>(3)</sup> 50 (50 Feet) <sup>(3)</sup> 100 (100 Feet)
<b>Notes:</b>	<p>(1) Denotes quotes available upon request                  (2) Pigtail only                  (3) Extension cables only (custom lengths available upon request)</p>						

Connector Color Configuration Code:

<p><b>16 Series Extension Cable Connectors</b>                  A (EZ1016-8362/8387)                  B (EZ1016-8367/8392)                  C (EZ1016-8364/8389)                  D (EZ1016-8368/8393)                  E (EZ1016-8366/8391)                  F (EZ1016-8369/8394)                  G (EZ1016-8365/8390)                  H (EZ1016-8363/8388)</p>	<p><b>200 Series Extension Cable Connectors</b>                  A (E0200-183/283)                  B (E0200-182/282)                  C (E0200-184/284)                  D (E0200-185/285)                  E (E0200-181/281)                  F (E0200-199/288)                  G (E0200-195/289)                  H (E0200-192/286)</p>	<p><b>315 Series Extension Cable Connectors</b>                  A (E0315-183/283)                  B (E0315-182/282)                  C (E0315-184/284)                  D (E0315-185/285)                  E (E0315-181/281)                  F (E0315-196/296)                  G (E0315-195/295)                  H (E0315-192/292)</p>	<p><b>400 Series Extension Cable Connectors</b>                  A (E0400-183/283)                  B (E0400-182/282)                  C (E0400-184/284)                  D (E0400-185/285)                  E (E0400-181/281)                  F (E0400-196/296)                  G (E0400-195/295)                  H (E0400-192/292)</p>
<p><b>16 Series Pigtail Female</b>                  A (EZ1016-8387)                  B (EZ1016-8392)                  C (EZ1016-8389)                  D (EZ1016-8393)                  E (EZ1016-8391)                  F (EZ1016-8394)                  G (EZ1016-8390)                  H (EZ1016-8388)</p>	<p><b>200 Series Pigtail Female</b>                  A (E0200-283)                  B (E0200-282)                  C (E0200-284)                  D (E0200-285)                  E (E0200-281)                  F (E0200-288)                  G (E0200-289)                  H (E0200-286)</p>	<p><b>315 Series Pigtail Female</b>                  A (E0315-283)                  B (E0315-282)                  C (E0315-284)                  D (E0315-285)                  E (E0315-281)                  F (E0315-296)                  G (E0315-295)                  H (E0315-292)</p>	<p><b>400 Series Pigtail Female</b>                  A (E0400-283)                  B (E0400-282)                  C (E0400-284)                  D (E0400-285)                  E (E0400-281)                  F (E0400-296)                  G (E0400-295)                  H (E0400-292)</p>
<p><b>16 Series Pigtail Male</b>                  A (EZ1016-8362)                  B (EZ1016-8367)                  C (EZ1016-8364)                  D (EZ1016-8368)                  E (EZ1016-8366)                  F (EZ1016-838369)                  G (EZ1016-8365)                  H (EZ1016-8363)</p>	<p><b>200 Series Pigtail Male</b>                  A (E0200-183)                  B (E0200-1820)                  C (E0200-184)                  D (E0200-185)                  E (E0200-181)                  F (E0200-199)                  G (E0200-195)                  H (E0200-192)</p>	<p><b>315 Series Pigtail Male</b>                  A (E0315-183)                  B (E0315-182)                  C (E0315-184)                  D (E0315-185)                  E (E0315-181)                  F (E0315-196)                  G (E0315-195)                  H (E0315-192)</p>	<p><b>400 Series Pigtail Male</b>                  A (E0400-183)                  B (E0400-182)                  C (E0400-184)                  D (E0400-185)                  E (E0400-181)                  F (E0400-196)                  G (E0400-195)                  H (E0400-192)</p>

\*Eaton's Crouse-Hinds is able to manufacture multiple combinations of extension and feeder cable assemblies for both NEC and IEC applications. Cable assemblies can be custom designed using a large variety of product series, cable lengths, and cable types. Splitter or adapter combinations are also available (Arktite to Cam-Lok, Arktite to IEC, IEC to Mil-spec, Arktite to Mil-spec, etc.). Please consult factory for custom configurations.

# Portable GFCI Cable Assemblies

9P

## Applications:

Portable GFCI Cable Assemblies allow for:

- Non-hazardous equipment connections with hazardous receptacles\*
- Earth leakage protection when operating equipment such as drills, saws, grinders, and hand lamps

Typically used during plant turnarounds in installations such as:

- Refineries
- Chemical plants
- LNG facilities

## Features:

- Increased safety - earth leakage protection provides assurance that personnel and equipment are protected from ground fault hazards when performing maintenance
- Increased reliability - construction meets Eaton's Crouse-Hinds' superior quality standards
- Increased time savings - turn-key solution eliminates need for hazardous plug installed on non-hazardous equipment
- Increased flexibility - available with a variety of plug options to mate with a range of installed base of Eaton's Crouse-Hinds receptacles
- Consult factory for customizable options, including:
  - Cable Color (i.e. black)
  - Connector Type (i.e. twist lock)
  - Cable Length (i.e. 3 ft.)

## Certifications and Compliances:

- GFCI Compliances: UL/cUL 943 Listed
- Plug Compliances: UL and CSA Listed Plug (consult Plug catalog pages for details)



## Ordering Information:

Plug Style	Plug Pin Configuration	Plug Ratings	Ground Trip Current	Cord Length	Cord Gauge	Cat. #
ENP5201	NEMA 5-20	20 Amp 125 Volt	4-6 mA	2'	12/3 AWG	<b>ENP5201 GFI</b>
ENP5151	NEMA 5-20	15 Amp 125 Volt	4-6 mA	2'	12/3 AWG	<b>ENP5151 GFI</b>
CPP516	UL1686 2W3P	20 Amp 125 Volt	4-6 mA	2'	12/3 AWG	<b>CPP516 GFI</b>
CPP516	UL1686 2W3P	20 Amp 240 Volt	4-6 mA	2'	12/3 AWG	<b>CPP516 GFI 240V</b>

Portable GFCI Cable Assemblies mate with a variety of our industry-leading receptacle solutions:



**ENR Receptacle**  
see page 1350



**ENC Connector**  
see pages 1355-1356



**ENR-GFCI Kit**  
see pages 1357-1358



**CPS Receptacle**  
see pages 1344-1346

\*For use only in non-hazardous atmospheres (i.e. plant turnarounds).

**Crouse-Hinds**

by **EATON**

www.crouse-hinds.com US: 1-866-764-5454 CAN: 1-800-265-0502 Copyright© 2013 Eaton's Crouse-Hinds Business

1459

9P

Customized solutions for providing temporary power.

No other manufacturer has the unique ability to deliver customized portable power solutions quickly and safely in the event of a power outage.

Eaton's Crouse-Hinds Posi-Max is a power distribution panel that provides a quick and safe method of connection to portable generators. The unique Posi-Max design allows for quick and safe restoration of essential power services.

The Posi-Max Series is available in 200A to 1200A and the enclosure can be customized to meet specific environmental and configuration needs. The heart of the system is the field-proven Posi-Lok® power distribution system designed to meet Articles 520.53(K) and 530.22(A) of the NEC®. The sequential port interlock requires the user to connect and disconnect each plug in the proper sequence ensuring ground connection. This single pole system allows for easy connection in any situation.

## Applications:

The Posi-Max Series is used to back feed buildings for quick power restoration in the event of an outage. It is an ideal solution for safe and reliable power restoration for:

- Banks
- Cell Towers
- Data Centers
- Gas Stations
- Pharmacies
- Retail Stores
- Stadiums, Sports Arenas
- Toll Roads
- Utilities
- Water Treatment Facilities

## Features and Benefits:

- 200A - 1200A service
- Color coded polarity for ease of use
- Quick access cable entry door
- Lockout capability for safety and security
- Available with E1016 Cam-Lok® connection for enhanced safety and sequential interlocked capability
- Available with manual transfer switches
- Quick restoration of essential services
- Limit switch options available



Posi-Max panel in cold rolled steel with epoxy powder paint

## Component Certifications and Complies:

- NEMA 3R, 4\*, 4X\*, 12
- Enclosure UL and cUL Listed
- Posi-Lok panel UL and CSA Listed
- Posi-Lok and Cam-Lok connector UL and CSA Listed
- Article compliance: 520.53(K) and 530.22(A) of the NEC

## Materials and Finishes:

- Enclosure:
  - Cold rolled steel - epoxy powder paint
  - Stainless steel - natural
- Hardware - stainless steel
- Gasket - neoprene

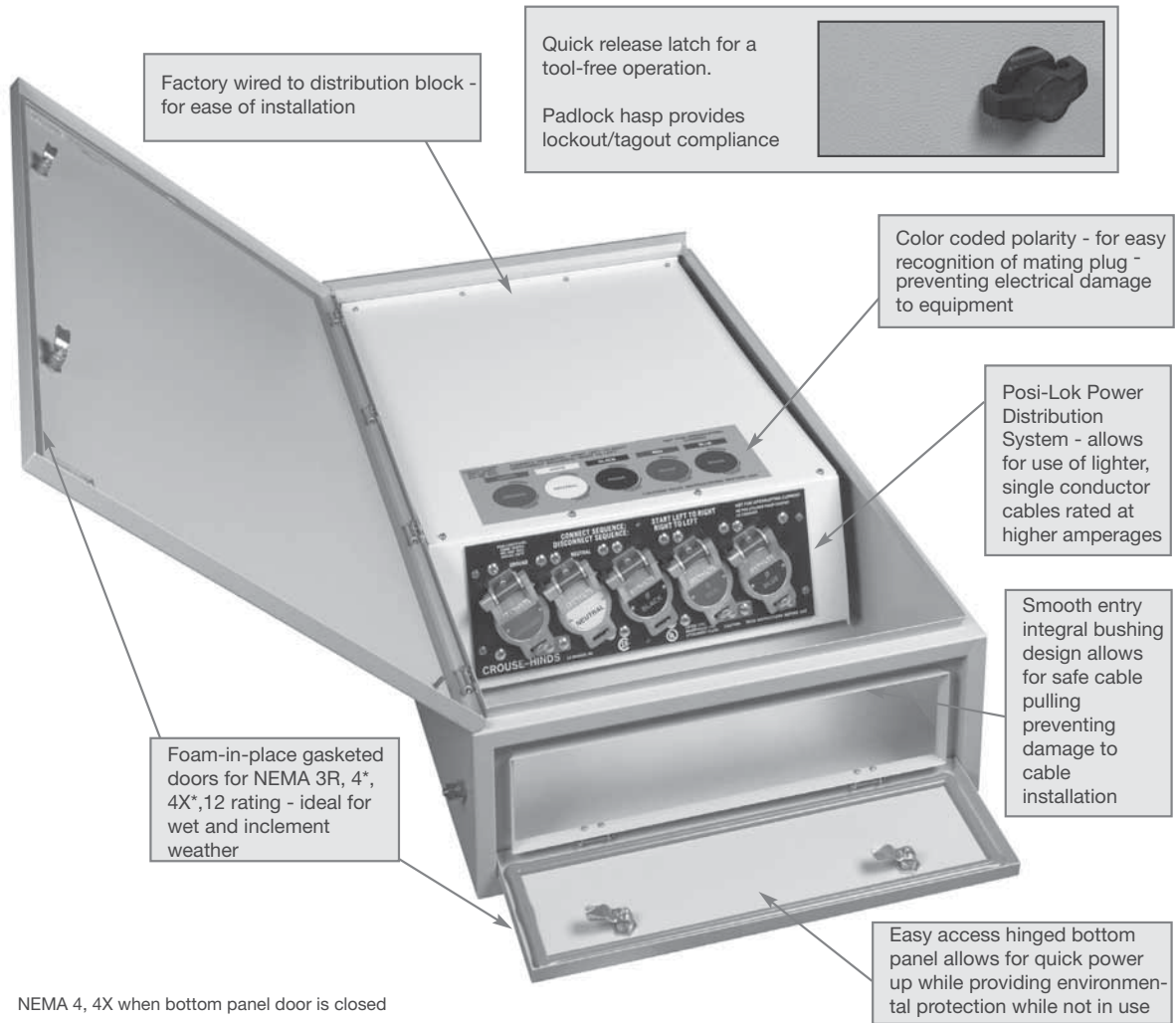
\*NEMA 4, 4X when bottom panel door is closed.

# Posi-Max Series Power Distribution Panel

UL / cUL Listed Components

9P

## Posi-Max Features:



## Custom Capabilities

We can design the Posi-Max unit to meet your exact specifications for color, material, and finish.

**All the design choices are yours!**

9P

# Posi-Max Series Power Distribution Panel

## Ordering Information:

	Posi Max Type	Connection Type	Amp	Panel Posi / Cam-Lok Color Configuration	Enclosure Type	Limit Switch Options	Disconnect Options (PM3 only)
<b>Example:</b>	<b>PM1</b>	<b>EO</b>	<b>400</b>	<b>1687</b>	<b>N3RPS</b>	<b>LS5</b>	<b>CB</b>
Options:	PM1 (Wired to distribution block)	EO (Posi Lok)	200	1685 (Female GR, WH, BK)	N1PS (NEMA 1 Painted Steel)	LS1 (1st Position)	CB† (Circuit breaker)
	PM2 (Direct wire; no distribution block)	CO (Cam Lok)	315	1686NN (Female Non Neutral GR, BK, RD, BU)	N3RPS (NEMA 3R Painted Steel)	LS2 (2nd Position)	FDS‡ (Fused disconnect switch)
	PM3 (With disconnect options)		400	1696 (Female GR, WH, BK, RD)	N3RSS (NEMA 3R Stainless Steel)	LS3 (3rd Position)	NFDS (Non-fused disconnect switch)
			600	1687 (Female GR, WH, BK, RD, BU)		LS4 (4th Position)	CBMTS† (Circuit breaker manual transfer switch)
			800	1702* / 1890 (Female GR, WH, BR, ORG, YEL)		LS5 (5th Position)	FMTS‡ (Fused manual transfer switch)
			1200	1885 (Female GR, WH, WH, BK, RD, BU)		LS6 (6th Position)	NFMTS (Non-fused manual transfer switch)
				1660 (Male GR, WH, BK)		LSAll (All Positions)	NFMTS (Non-fused manual transfer switch)
			1661NN (Male Non Neutral GR, BK, RD, BU)				
			1672 (Male GR, WH, BK, RD)				
			1662 (Male GR, WH, BK, RD, BU)				
			1703** / 1891 (Male GR, WH, BR, ORG, YEL)				
			1860 (Male GR, WH, WH, BK, RD, BU)				

**Note:**

\*1702 panel configuration for 315 AMP to 1200 AMP; 1890 panel configuration for 200 AMP.  
 \*\*1703 panel configuration for 315 AMP to 1200 AMP; 1891 panel configuration for 200 AMP.  
 †Voltage and AIC rating required.  
 ‡Voltage required.

Panel Posi / Cam Lok Configuration Code:

- BK: Black
- BR: Brown
- BU: Blue
- GR: Green
- ORG: Orange
- RD: Red
- WH: White
- YEL: Yellow





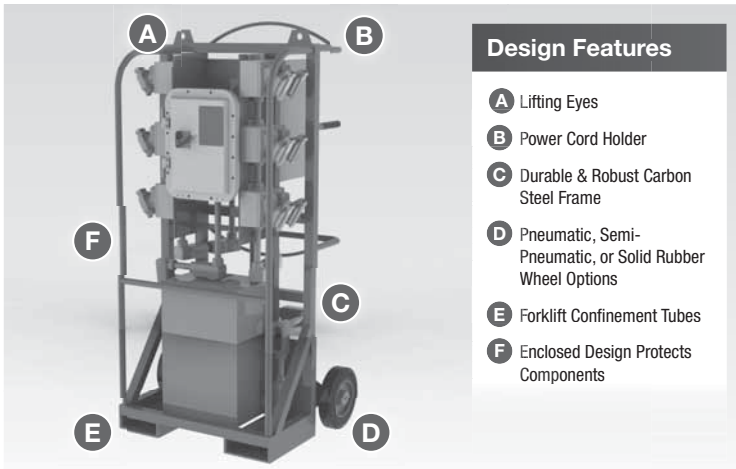
## Hazardous and Non-hazardous

### Solutions designed for industrial and hazardous applications

Plant turnarounds can be complex, chaotic, and costly events. During your next shutdown, turn to Eaton's Crouse-Hinds for safe, reliable electrical power equipment that ensures efficient and successful operations.


- UL1640 compliant
- 2-wheel, 4-wheel, and skid options
- Standardized cart sizes reduce lead times and eliminate potential on-site placement issues
- Hazardous area power carts eliminate need for time-consuming area declassification and equipment monitoring

### 2-Wheel Power Carts



- #### Design Features
- A** Lifting Eyes
  - B** Power Cord Holder
  - C** Durable & Robust Carbon Steel Frame
  - D** Pneumatic, Semi-Pneumatic, or Solid Rubber Wheel Options
  - E** Forklift Confinement Tubes
  - F** Enclosed Design Protects Components

Technical Specifications			
Hazardous		Industrial Non-Hazardous	
<b>Specifications</b>		<b>Specifications</b>	
Primary Voltage: 240 – 600V	Max Secondary Current: 225A	Primary Voltage: 240 – 600V	Max Secondary Current: 225A
Max Primary Current: 100A	Max Secondary Current w/ Main: 100A	Max Primary Current: 100A	Max Secondary Current w/ Main: 225A
Max Secondary Voltage: 240V		Max Secondary Voltage: 480V	
<b>Compatible Components</b>		<b>Compatible Components</b>	
<b>Receptacles</b>	<b>Transformers</b>	<b>Receptacles</b>	<b>Transformers</b>
ENR	7.5 kVA	CPS AR	7.5 kVA
CPS	9 kVA	ENR WSQC	9 kVA
CES	10 kVA	CES WLRS	10 kVA
FSQC	15 kVA	FSQC WLRD	15 kVA
	25 kVA	Water tight	25 kVA
		Twist lock	
	<b>Panelboards</b>		<b>Panelboards</b>
	EJB 12 circuit		18 circuit
			30 circuit
	<b>Disconnects</b>		<b>Disconnects</b>
	EIB		30A, 60A, 100A

Cart/Skid Sizes	
Non-Hazardous	Hazardous
 <p><b>Cart 1</b> Width: 28" Length: 14" Height: 58"</p>	 <p><b>Cart 2</b> Width: 28" Length: 14" Height: 58"</p>

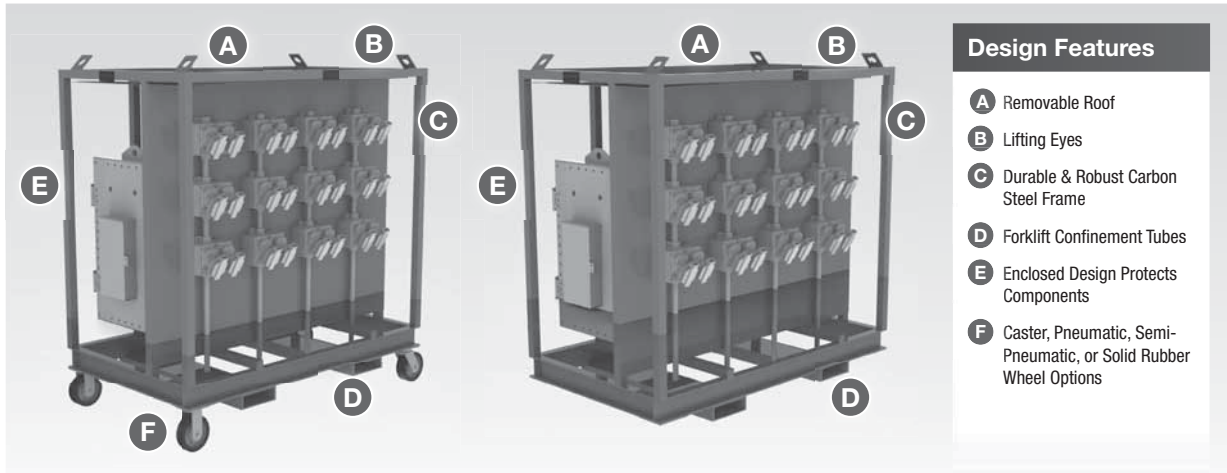
## Crouse-Hinds

by **EATON**

# 9P Power Carts

## Hazardous and Non-hazardous

### 4-Wheel Power Carts and Skids



- Design Features**
- A** Removable Roof
  - B** Lifting Eyes
  - C** Durable & Robust Carbon Steel Frame
  - D** Forklift Confinement Tubes
  - E** Enclosed Design Protects Components
  - F** Caster, Pneumatic, Semi-Pneumatic, or Solid Rubber Wheel Options

### Technical Specifications

Hazardous			Industrial Non-Hazardous		
<b>Specifications</b>			<b>Specifications</b>		
Primary Voltage: 240 – 600V Max Primary Current: 100A Max Secondary Voltage: 480V	Max Secondary Current: 225A Max Secondary Current w/ Main: 100A		Primary Voltage: 240 – 600V Max Primary Current: 200A Max Secondary Voltage: 480V	Max Secondary Current: 225A Max Secondary Current w/ Main: 225A	
<b>Compatible Components</b>			<b>Compatible Components</b>		
<b>Receptacles</b> CPS ENR CES FSQC CESD	<b>Transformers</b> 30 kVA 45 kVA	<b>Panelboards</b> EPLBN 24 circuit EXDBN 24 circuit  <b>Disconnects</b> EIB	<b>Receptacles</b> CPS AR ENR WSQC CES WLRS FSQC WLRD	<b>Transformers</b> 25 kVA 45 kVA 30 kVA 50 kVA 37.5 kVA 75 kVA	<b>Panelboards</b> 18 circuit 30 circuit 42 circuit  <b>Disconnects</b> 30A, 60A, 100A, 200A

### Cart/Skid Sizes

9P

Non-Hazardous		Hazardous	
Non-Hazardous		Non-Hazardous	
	<b>Cart / Skid 1</b> Width: 30" Length: 40" Height: 58"		<b>Cart / Skid 2</b> Width: 42" Length: 46" Height: 58"
			<b>Cart / Skid 3</b> Width: 40" Length: 62" Height: 58"
			<b>Cart / Skid 4</b> Width: 33" Length: 62" Height: 58"

# Plugs and Receptacles Drilling Connectivity Solutions Hazardous and Non-hazardous

---

Description	Page No.
<b>PowerMate™ Series</b>	
<b>Technical Data</b>	see page 1466
<b>Plugs, Receptacles, and Connectors</b>	
30A	see page 1470
60A	see page 1471
100A	see page 1472
150A	see page 1473
<b>Product Dimensions</b>	see page 1475
<b>Replacement Parts and Accessories</b>	see page 1476
<b>PowerGard™ Series</b>	see page 1477
<b>Roughneck Series</b>	see page 1480



# 10P

# PowerMate™ Series Plugs, Receptacles, and Connectors

NEMA 4X Watertight

## Industrial Heavy Duty Non-hazardous Areas

### PowerMate™ Drilling Rig Power Connections

The PowerMate™ offering is designed to support modularity of drilling rig systems by providing safe and reliable power connections for rigging up and rigging down equipment quickly and efficiently.

This offering is the ideal rig power connection solution providing:

- Longer product life
- Reduced maintenance
- Enhanced safety
- Easy installation

The PowerMate product offering is also compatible with all UL1686 Listed plugs and receptacles, including:

- Eaton's Crouse-Hinds Arktite®
- Appleton Powertite®
- Killark VersaMate®

### Applications:

PowerMate Plugs, Receptacles, and Connectors are used:

- On SCR/VFD houses to provide power to rig equipment such as shakers, agitators, lighting circuits, mud pumps, motors, etc.
- To quickly and efficiently connect power during rig ups and disconnect power during rig downs

### Specifiable Features:

- Lockout plug (patented)
- Safety insulator (patent pending)
- Diamond clamp (patent pending)
- Split pin contacts
- Type P cable

### Certifications and Compliances:

- UL Standards: UL1682, UL1686, NEMA 250
- CSA Standard: C22.2 No. 182.1
- Listed for use with Type P cable, flexible cord, and cables rated for extra hard usage
- CE (LVD) 2006/95/EEC
- NEMA 4X

### Standard Materials:

- Receptacle housing, plug, and cord connector bodies - high impact strength copper-free aluminum (less than 0.4% copper)
- Back boxes - cast aluminum
- Insulation - fiberglass-reinforced polyester
- Contacts - naval brass

### Standard Finishes:

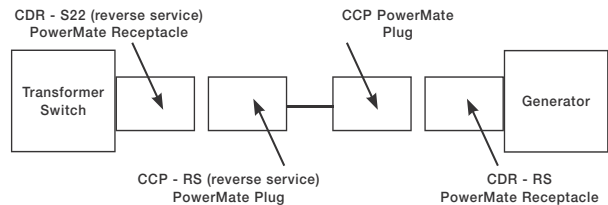
- Copper-free aluminum - epoxy powder coat
- Fiberglass-reinforced polyester - natural (red)
- Naval brass - natural



### Options:

<b>Description</b>	<b>Suffix</b>
--------------------	---------------

Reverse service. Receptacle assembled with plug interior and plug assembled with receptacle interior. For applications where plug is energized to feed normally de-energized receptacle. **NOTE:** 30, 60, and 100A interiors can be interchanged in the field using a screwdriver . . . . .RS



Special polarity. Receptacle interior rotated 22-1/2° to right and plug changed to match. For use where two or more receptacles of the same ampere rating, style, and number of poles are to be installed in the same area for use on different voltages and/or frequencies. Prevents insertion of a plug in a receptacle with different electrical rating . . . . .P4

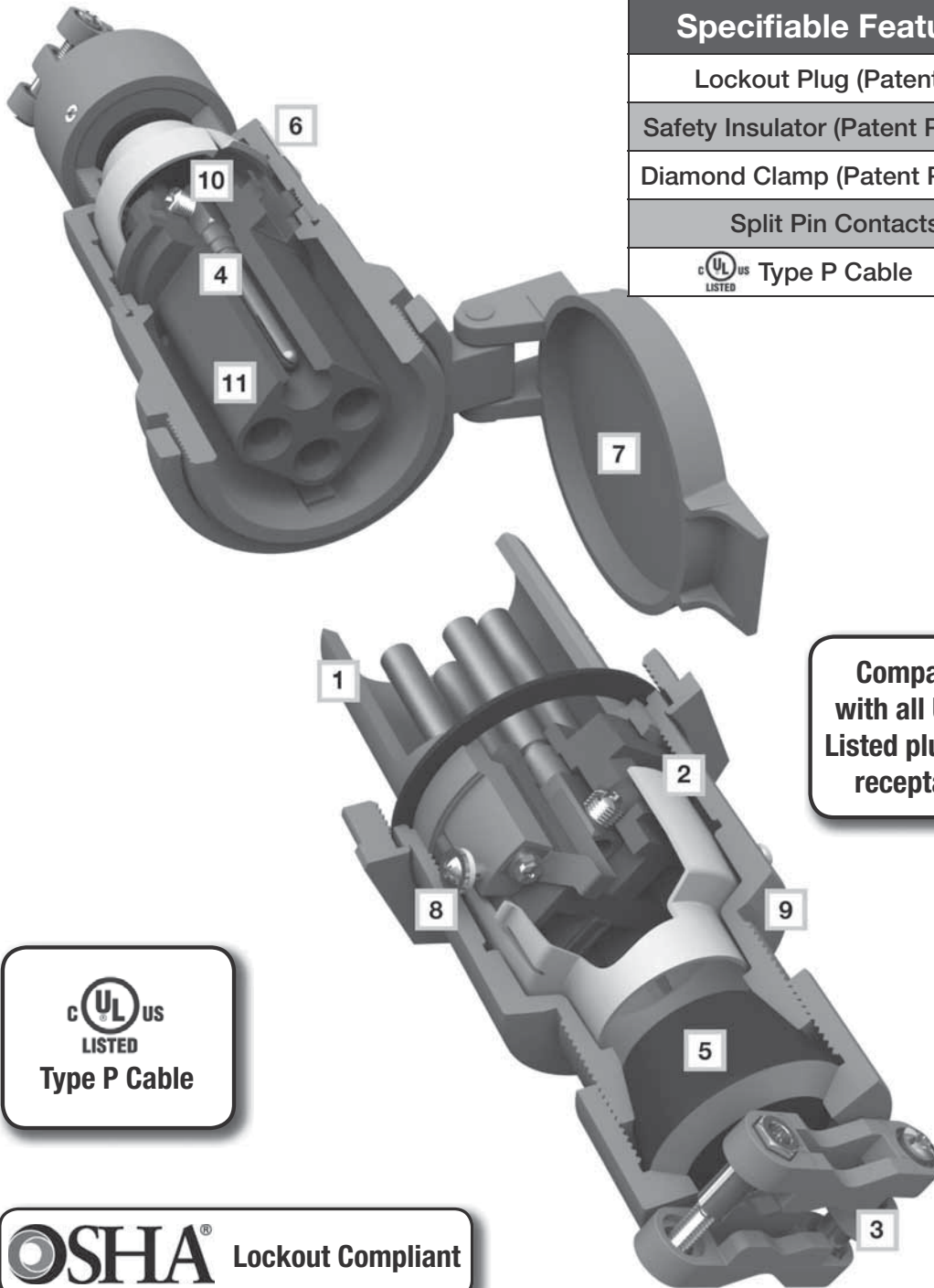
10P


# PowerMate™ Series Plugs, Receptacles, and Connectors

NEMA 4X Watertight


10P

Industrial Heavy Duty  
Non-hazardous Areas



Specifiable Features	
Lockout Plug (Patented)	
Safety Insulator (Patent Pending)	
Diamond Clamp (Patent Pending)	
Split Pin Contacts	
 Type P Cable	



Compatible with all UL1686 Listed plugs and receptacles

  
LISTED  
Type P Cable

 **OSHA**® Lockout Compliant

TOP

**Industrial Heavy Duty  
Non-hazardous Areas**

1	<p><b>Lockout Plug (Patented)</b></p> <ul style="list-style-type: none"> <li>• Guarantees isolated power supply with OSHA compliant lockout/tagout.</li> <li>• Ensures plug cannot be inserted into receptacle when maintenance is being performed downstream of power supply.</li> </ul>	
2	<p><b>Fixed Safety Insulator (Patent Pending)</b></p> <ul style="list-style-type: none"> <li>• Prevents electrical shock and shorts with plastic barrier between insulator body and metal housing.</li> <li>• Fixed-in-place design ensures insulator will not be lost or discarded during cable termination process.</li> </ul>	
3	<p><b>8-Point Diamond Cable Clamps (Patent Pending)</b></p> <ul style="list-style-type: none"> <li>• 8 points of contact around diameter of cable for increased grip and even distribution of pressure.</li> <li>• Cable jacket does not get pinched, eliminating potential for damage to internal conductors.</li> </ul>	
4	<p><b>Split Pin Contact Design</b></p> <ul style="list-style-type: none"> <li>• Provides nearly 360° of contact at every insertion, ensuring protection against heat rise and eliminating arcing on critical surfaces.</li> <li>• Self-wiping at every insertion to remove foreign particles that create electrical resistance and product failure.</li> </ul>	
5	<p><b>Extended Cable Range</b></p> <ul style="list-style-type: none"> <li>• Industry's largest cable diameter range.</li> <li>• Specifically designed, third party tested and certified for use with Type P cable.</li> <li>• Sealing system utilizes industry standard bushings.</li> </ul>	
6	<p><b>Enhanced Nomenclature and Nameplate</b></p> <ul style="list-style-type: none"> <li>• Easily understandable nomenclature increases ease of part configuration identification.</li> <li>• Mechanically attached nameplate ensures that critical information is permanently fixed to product.</li> </ul>	
7	<p><b>Spring and Threaded Cover</b></p> <ul style="list-style-type: none"> <li>• Each receptacle comes with both spring cap and threaded cap to provide a variety of cover options.</li> </ul>	
8	<p><b>Combination Drive Stainless Steel Hardware</b></p> <ul style="list-style-type: none"> <li>• Increases ease of installation by allowing for more than one option for installation tools.</li> <li>• Stainless steel external hardware eliminates corrosion on critical components and extends product life.</li> </ul>	
9	<p><b>Handle Body</b></p> <ul style="list-style-type: none"> <li>• Thick epoxy powder coating is standard finish on PowerMate products.</li> <li>• Coating reduces corrosion and increases life of product.</li> <li>• Industry standard profile increases ease of plugging and unplugging.</li> </ul>	
10	<p><b>Combination Slot and Hex Mechanical Lugs*</b></p> <ul style="list-style-type: none"> <li>• Increases ease of installation by allowing for more than one option for installation tools.</li> <li>• Hex head allows for easy achievement of specified torque value.</li> </ul>	
11	<p><b>Insulator Assemblies</b></p> <ul style="list-style-type: none"> <li>• Unimpeded, easy-access phase and ground terminals make wire termination quick and easy.</li> <li>• Molded-in-place markings for phase/ground and conductor strip lengths reduce installation errors.*</li> </ul>	

\*60, 100, and 150A offering.

# PowerMate™ Series Plugs, Receptacles, and Connectors

Technical Data

10P

## Industrial Heavy Duty Non-hazardous Areas

### Electrical Ratings:

**Voltage** - 600 VAC, 50 to 400 Hz; 250 VDC\*

**Amperes** - 30, 60, 100, 150

### Maximum Horsepower for Plug and Receptacle

#### Combinations by Input Voltage\*\*

The following values are typical horsepower ratings based on NEC Article 430 tables. Horsepower ratings are based on the largest conductor size for each plug and receptacle combination per the Wire Size table below.

Ampere Rating Plug and Receptacle	Motor Horsepower**		
	240 Volts	480 Volts	600 Volts
30	15	30	40
60	20	40	50
100	30	60	75
150	40	75	100
200	60	125	150

\*This guide is for reference only. Consult your local electrical codes before installation.

\*\*Eaton's Crouse-Hinds recommends circuit breaking use be limited to emergency conditions only and that a horsepower rated switch or Eaton's Crouse-Hinds interlocked receptacle be used for making and breaking under load.

### Wire Sizes:

The table below lists the diameter of the wire recess in PowerMate plug and receptacle contacts so that maximum size of bare conductor can be determined. Range of wire sizes shown in table are intended only as a guide. Depending on type of wire used (building wire, flexible, or extra flexible cable) and its construction (number and size of strands), bare copper diameters vary widely.

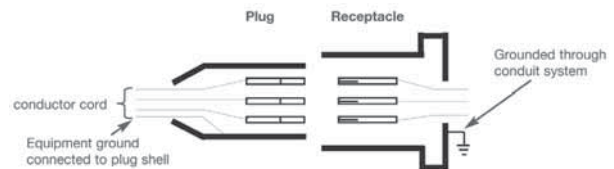
#### Diameter of Wire Recess in Plug and Receptacle Contacts

Amperage Rating	Contact Type	Diameter of Recess	Wire Size† Extra Flex
30 (2-, 3-, and 4-pole)	Pressure	0.281"	#10-#8
60 (2-, 3-, and 4-pole)	Pressure	0.312"	#8-#4
100 (2-, 3-, and 4-pole)	Pressure	0.390"	#4-#2
150 (4-pole)	Pressure	0.390"	#2-1/0

†Do not use wire size smaller than minimum size recommended.

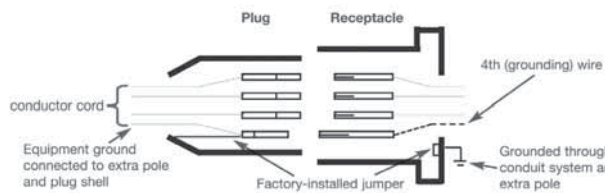
### Grounding: Style 1 vs. Style 2

#### Style 1



Style 1 units complete the grounding circuit through the metallic plug shell, receptacle housing, or connector shell.

#### Style 2



Style 2 metallic units with metal housing have a separate designated ground contact that is bonded to the metallic housing. The metallic housing of the plug, receptacle, or connector forms a parallel ground circuit through the receptacle or connector detent spring.

# 10P

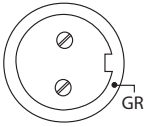
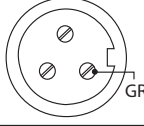
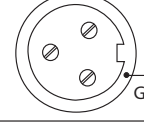
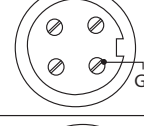
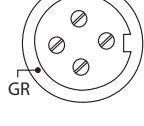
# PowerMate™ Series Plugs, Receptacles, and Connectors

NEMA 4X Watertight

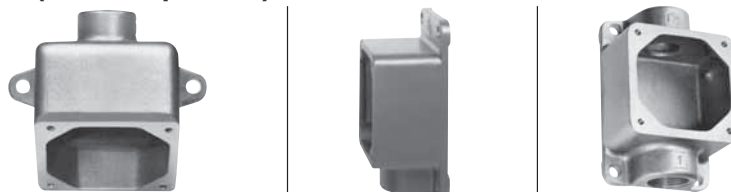
30 A, 600 VAC/250 VDC, 50† – 400 hertz



### Ordering Information:

Description and Configuration	Receptacle	Plug		Cord Connector	
		Cable Range	Cat. #	Cable Range	Cat. #
2-wire, 2-pole, Style 1 	<b>CDR3022</b>	0.390-1.375"	<b>CCP3022BC</b>	0.390-1.375"	<b>CRC3022BC</b>
2-wire, 3-pole, Style 2 	<b>CDR3023</b>	0.390-1.375"	<b>CCP3023BC</b>	0.390-1.375"	<b>CRC3023BC</b>
3-wire, 3-pole, Style 1 	<b>CDR3033</b>	0.390-1.375"	<b>CCP3033BC</b>	0.390-1.375"	<b>CRC3033BC</b>
3-wire, 4-pole, Style 2 	<b>CDR3034</b>	0.390-1.375"	<b>CCP3034BC</b>	0.390-1.375"	<b>CRC3034BC</b>
4-wire, 4-pole, Style 1 	<b>CDR3044</b>	0.390-1.375"	<b>CCP3044BC</b>	0.390-1.375"	<b>CRC3044BC</b>

### Back Boxes (for Receptacles):



Hub Size	CEE	CERH	CERC
1/2"	<b>CEE13</b>	<b>CERH13</b>	<b>CERC13</b>
3/4"	<b>CEE23</b>	<b>CERH23</b>	<b>CERC23</b>
1"	<b>CEE33</b>	<b>CERH33</b>	<b>CERC33</b>

The back boxes are standard with Corro-free™ epoxy powder coat finish for increased corrosion resistance.  
 For optional reversed interior, use suffix RS see page 1466  
 For optional rotated interior, use suffix P4 see page 1466  
 For dimensions, see page 1475  
 Maximum conductor size (wire well) 0.281" see page 1469  
 For replacement parts, see page 1476

†For use on systems less than 60 hertz, the receptacles, plugs, and connectors are for disconnect use only.

**Crouse-Hinds**  
by **EATON**



# PowerMate™ Series Plugs, Receptacles, and Connectors

NEMA 4X Watertight

10P

60 A, 600 VAC/250 VDC, 50† – 400 hertz



## Ordering Information:

Description and Configuration	Receptacle	Plug		Cord Connector	
		Cable Range	Cat. #	Cable Range	Cat. #
2-wire, 2-pole, Style 1		<b>CDR6022</b>	0.440-1.375"	<b>CCP6022BC</b>	0.440-1.375" <b>CRC6022BC</b>
2-wire, 3-pole, Style 2		<b>CDR6023</b>	0.440-1.375"	<b>CCP6023BC</b>	0.440-1.375" <b>CRC6023BC</b>
3-wire, 3-pole, Style 1		<b>CDR6033</b>	0.440-1.375"	<b>CCP6033BC</b>	0.440-1.375" <b>CRC6033BC</b>
3-wire, 4-pole, Style 2		<b>CDR6034</b>	0.440-1.375"	<b>CCP6034BC</b>	0.440-1.375" <b>CRC6034BC</b>
4-wire, 4-pole, Style 1		<b>CDR6044</b>	0.440-1.375"	<b>CCP6044BC</b>	0.440-1.375" <b>CRC6044BC</b>

## Back Boxes (for Receptacles):

Hub Size	CEE	CERH	CJA	CERC
1/2"	<b>CEE36</b>	<b>CERH36</b>	<b>CJA310</b>	<b>CERC36</b>
1 1/4"	<b>CEE46</b>	<b>CERH46</b>	<b>CJA410</b>	<b>CERC46</b>
1 1/2"	<b>CEE56</b>	<b>CERH56</b>	<b>CJA510</b>	<b>CERC56</b>
2"	-	-	<b>CJA610</b>	-

The back boxes are standard with Corro-free™ epoxy powder coat finish for increased corrosion resistance.

For optional reversed interior, use suffix RS see page 1466

For optional rotated interior, use suffix P4 see page 1466

For dimensions, see page 1475

Maximum conductor size (wire well) 0.312" see page 1469

For replacement parts, see page 1476

†For use on systems less than 60 hertz, the receptacles, plugs, and connectors are for disconnect use only.

**Crouse-Hinds**

by **Eaton**

www.crouse-hinds.com US: 1-866-764-5454 CAN: 1-800-265-0502 Copyright© 2013 Eaton's Crouse-Hinds Business

1471

10P

# 10P

## PowerMate™ Series Plugs, Receptacles, and Connectors

NEMA 4X Watertight

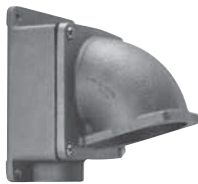
100 A, 600 VAC/250 VDC, 50† – 400 hertz



### Ordering Information:

Description and Configuration	Receptacle	Plug		Cord Connector		
		Cable Range	Cat. #	Cable Range	Cat. #	
2-wire, 2-pole, Style 1		<b>CDR1022</b>	0.875-1.906"	<b>CCP1022CD</b>	0.875-1.906"	<b>CRC1022CD</b>
2-wire, 3-pole, Style 2		<b>CDR1023</b>	0.875-1.906"	<b>CCP1023CD</b>	0.875-1.906"	<b>CRC1023CD</b>
3-wire, 3-pole, Style 1		<b>CDR1033</b>	0.875-1.906"	<b>CCP1033CD</b>	0.875-1.906"	<b>CRC1033CD</b>
3-wire, 4-pole, Style 2		<b>CDR1034</b>	0.875-1.906"	<b>CCP1034CD</b>	0.875-1.906"	<b>CRC1034CD</b>
4-wire, 4-pole, Style 1		<b>CDR1044</b>	0.875-1.906"	<b>CCP1044CD</b>	0.875-1.906"	<b>CRC1044CD</b>

### Back Boxes (for Receptacles):



Hub Size	CJA	CJA Adapter Only
1/2"	<b>CJA310</b>	
1 1/4"	<b>CJA410</b>	
1 1/2"	<b>CJA510</b>	<b>CJA100</b>
2"	<b>CJA610</b>	

The back boxes are standard with Corro-free™ epoxy powder coat finish for increased corrosion resistance.

For optional reversed interior, use suffix RS see page 1466

For optional rotated interior, use suffix P4 see page 1466

For dimensions, see page 1475

Maximum conductor size (wire well) 0.390" see page 1469

For replacement parts, see page 1476

†For use on systems less than 60 hertz, the receptacles, plugs, and connectors are for disconnect use only.

**Crouse-Hinds**  
by **EATON**

# PowerMate™ Series Plugs, Receptacles, and Connectors

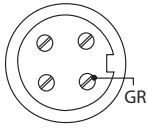
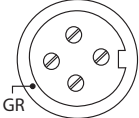
NEMA 4X Watertight

10P

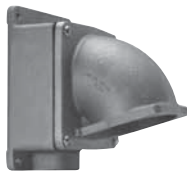
150 A, 600 VAC/250 VDC, 50† – 400 hertz



## Ordering Information:

Description and Configuration	Receptacle	Plug		Cord Connector	
		Cable Range	Cat. #	Cable Range	Cat. #
3-wire, 4-pole, Style 2 	CDR15034	0.875-1.906"	CCP15034CD	0.875-1.906"	CRC15034CD
		1.250-2.190"	CCP15034DE	1.250-2.190"	CRC15034DE
4-wire, 4-pole, Style 1 	CDR15044	0.875-1.906"	CCP15044CD	0.875-1.906"	CRC15044CD
		1.250-2.190"	CCP15044DE	1.250-2.190"	CRC15044DE

## Back Boxes (for Receptacles):



Hub Size	CJA	CJA Adapter Only
1/2"	CJA310	
1 1/4"	CJA410	
1 1/2"	CJA510	CJA100
2"	CJA610	

The back boxes are standard with Corro-free™ epoxy powder coat finish for increased corrosion resistance.

For optional reversed interior, use suffix RS see page 1466

For optional rotated interior, use suffix P4 see page 1466

For dimensions, see page 1475

Maximum conductor size (wire well) 0.390" see page 1469

For replacement parts, see page 1476







†For use on systems less than 60 hertz, the receptacles, plugs, and connectors are for disconnect use only.

# 10P PowerMate™ Series Plugs, Receptacles, and Connectors

200 A, 600 VAC/250 VDC, 50† – 400 hertz  
 400 A, 600 VAC/250 VDC, 50† – 400 hertz

## Ordering Information:

200A and 400A options available as part of our Eaton's Crouse-Hinds Arktite® Series

Amperage and Configuration	Receptacle	Plug	Cord Connector
200A 2 Wire, 3 Pole, Style 2 3 Wire, 3 Pole, Style 1 3 Wire, 4 Pole, Style 2 4 Wire, 4 Pole, Style 1			
400A 2 Wire, 3 Pole, Style 2 3 Wire, 3 Pole, Style 1 3 Wire, 4 Pole, Style 2 4 Wire, 4 Pole, Style 1			

For detailed part numbers and technical information, see pages 1324–1325

## Back Boxes (for Receptacles):



Hub Size	CJA	CJA Adapter Only
1/2"	<b>CJA310</b>	
1 1/4"	<b>CJA410</b>	
1 1/2"	<b>CJA510</b>	<b>CJA100</b>
2"	<b>CJA610</b>	

The back boxes are standard with Corro-free™ epoxy powder coat finish for increased corrosion resistance.  
 For optional reversed interior, use suffix RS see page 1466  
 For optional rotated interior, use suffix P4 see page 1466  
 For dimensions, see page 1475  
 Maximum conductor size (wire well) 0.390" see page 1469  
 For replacement parts, see page 1476

†For use on systems less than 60 hertz, the receptacles, plugs, and connectors are for disconnect use only.

10P

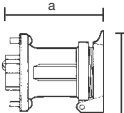
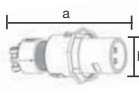
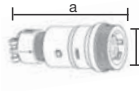
# PowerMate™ Series Plugs, Receptacles, and Connectors

Dimensions

10P

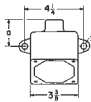
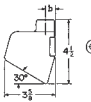
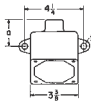
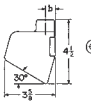
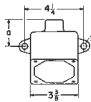
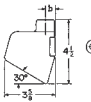
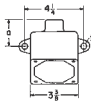
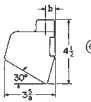
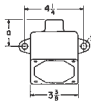
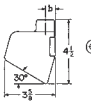
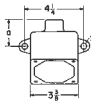
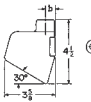
Industrial Heavy Duty  
Non-hazardous Areas

## Dimensions - Receptacle, Plug, Cord Connector:

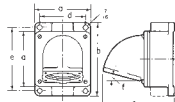
Amps	CDR Receptacle			CCP Plug†			CRC Cord Connector†		
	a	b		a	b		a	b	
30A	2 <sup>7</sup> / <sub>8</sub> "	3 <sup>3</sup> / <sub>8</sub> "		6 <sup>1</sup> / <sub>2</sub> "	2 <sup>5</sup> / <sub>16</sub> "		6 <sup>3</sup> / <sub>5</sub> "	2 <sup>9</sup> / <sub>16</sub> "	
60A 3P	4 <sup>1</sup> / <sub>4</sub> "	4 <sup>1</sup> / <sub>2</sub> "		8 <sup>7</sup> / <sub>16</sub> "	3 <sup>5</sup> / <sub>8</sub> "		8 <sup>3</sup> / <sub>10</sub> "	2 <sup>5</sup> / <sub>16</sub> "	
60A 4P	4 <sup>1</sup> / <sub>4</sub> "	4 <sup>1</sup> / <sub>2</sub> "		8 <sup>7</sup> / <sub>16</sub> "	3 <sup>3</sup> / <sub>4</sub> "		8 <sup>3</sup> / <sub>10</sub> "	2 <sup>5</sup> / <sub>16</sub> "	
100A 3P	5 <sup>1</sup> / <sub>4</sub> "	4 <sup>1</sup> / <sub>4</sub> "		10 <sup>9</sup> / <sub>16</sub> "	3 <sup>3</sup> / <sub>4</sub> "		11 <sup>1</sup> / <sub>2</sub> "	3 <sup>3</sup> / <sub>16</sub> "	
100A 4P	5 <sup>1</sup> / <sub>4</sub> "	4 <sup>1</sup> / <sub>4</sub> "		10 <sup>9</sup> / <sub>16</sub> "	4 <sup>1</sup> / <sub>8</sub> "		11 <sup>1</sup> / <sub>2</sub> "	3 <sup>3</sup> / <sub>16</sub> "	
150A (CD)	5 <sup>1</sup> / <sub>4</sub> "	4 <sup>1</sup> / <sub>4</sub> "		10 <sup>9</sup> / <sub>16</sub> "	4 <sup>1</sup> / <sub>8</sub> "		11 <sup>1</sup> / <sub>2</sub> "	3 <sup>3</sup> / <sub>16</sub> "	
150A (DE)	5 <sup>1</sup> / <sub>4</sub> "	4 <sup>1</sup> / <sub>4</sub> "		10 <sup>9</sup> / <sub>16</sub> "	4 <sup>1</sup> / <sub>8</sub> "		11 <sup>1</sup> / <sub>2</sub> "	3 <sup>3</sup> / <sub>16</sub> "	

†Dimensions are approximate and vary with cable size.

## Dimensions - CEE Back Boxes:

Cat. #	Rating	Size	a	b	30A	60A
CEE13	30A	1/2"	1 <sup>27</sup> / <sub>32</sub> "	1 <sup>1</sup> / <sub>16</sub> "		
CEE23	30A	3/4"	1 <sup>27</sup> / <sub>32</sub> "	1 <sup>3</sup> / <sub>16</sub> "		
CEE33	30A	1"	1 <sup>31</sup> / <sub>32</sub> "	1 <sup>5</sup> / <sub>16</sub> "		
CEE36	60A	1"	2 <sup>9</sup> / <sub>16</sub> "	1 <sup>5</sup> / <sub>16</sub> "		
CEE46	60A	1 1/4"	2 <sup>5</sup> / <sub>8</sub> "	1 <sup>3</sup> / <sub>16</sub> "		
CEE56	60A	1 1/2"	2 <sup>11</sup> / <sub>16</sub> "	1 <sup>5</sup> / <sub>16</sub> "		

## Dimensions - CJA Back Boxes: With 60, 100, and 150A Angle Adapters

Cat. #	Hub Size	a	b	c	d	e	f	
CJA310	1"	5 <sup>7</sup> / <sub>8</sub> "	8"	7 <sup>7</sup> / <sub>16</sub> "	4 <sup>7</sup> / <sub>8</sub> "	7"	15°	
CJA410	1 1/4"	5 <sup>7</sup> / <sub>8</sub> "	8"	7 <sup>7</sup> / <sub>16</sub> "	4 <sup>7</sup> / <sub>8</sub> "	7"	15°	
CJA510	1 1/2"	5 <sup>7</sup> / <sub>8</sub> "	8"	7 <sup>7</sup> / <sub>16</sub> "	4 <sup>7</sup> / <sub>8</sub> "	7"	15°	
CJA610	2"	5 <sup>7</sup> / <sub>8</sub> "	8"	8"	4 <sup>7</sup> / <sub>8</sub> "	7"	15°	

Back boxes are standard with Corro-free™ epoxy powder coat finish for increased corrosion resistance.

Thru-feed back boxes are furnished with one close-up plug in bottom recessed hub.

CJA back boxes are recommended when additional wiring space is required.

The angle adapter on CJA back boxes can be installed at 90° rotations, making it possible to enter hub from several directions.

**Industrial Heavy Duty Non-hazardous Areas**

**Replacement Parts:**

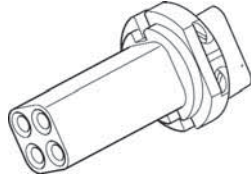
**Standard Replacement Parts**

Replacement Interiors 30, 60, 100, 150A

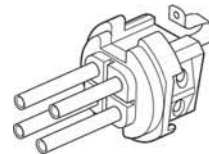
Complete Insulator and Contact Assembly		30A	60A	100A	150A
2W2P	CDR-CRC CCP	CRI-3022 CPI-3022	CRI-6022 CPI-6022	CRI-1022 CPI-1022	- -
2W3P	CDR-CRC CCP	CRI-3023 CPI-3023	CRI-6023 CPI-6023	CRI-1023 CPI-1023	- -
3W3P	CDR-CRC CCP	CRI-3033 CPI-3033	CRI-6033 CPI-6033	CRI-1033 CPI-1033	- -
3W4P	CDR-CRC CCP	CRI-3034 CPI-3034	CRI-6034 CPI-6034	CRI-1034 CPI-1034	CRI-15034 CPI-15034
4W4P	CDR-CRC CCP	CRI-3044 CPI-3044	CRI-6044 CPI-6044	CRI-1044 CPI-1044	CRI-15044 CPI-15044

**Miscellaneous Replacement Parts**

Amperage Center	Configuration Center	CDR Spring Cover	CDR Threaded Cover	CCP Fastening Ring	Bushing Kits Center
30A	2-pole, 3-pole, 4-pole	PTSC30	PTTC30	CLMPR30	PTGB30
60A	2-pole, 3-pole 4-pole	PTSC60A PTSC60B	PTTC60A PTTC60B	CLMPR23P60 CLMPR4P60	PTGB60
100A	2-pole, 3-pole 4-pole	PTSC100A PTSC100B	PTTC100A PTTC100B	CLMPR23P100 CLMPR4P100	PTGBCD
150A	4-pole	PTSC150B	PTTC150B	CLMPR4P150	PTGBCD (CD Size) PTGBCD (DE Size)



GRI Receptacle and Connector Interior



CPI Plug Interior



Spring Cover



Threaded Cover



Bushing Kit

10P

# PowerGard™ Series Universal Receptacles and Back Boxes

Cl. I, Groups B, C, D  
Cl. II, Groups F, G  
Cl. III  
NEMA 3, 3R, 3RX

Explosionproof  
Dust-ignitionproof  
Raintight  
Wet Locations

**10P**

Whether you are powering lighting fixtures or portable equipment, you need a receptacle solution that stands up to the harsh environmental and physical demands of land-based drilling applications.

PowerGard™ Receptacles and Back Boxes meet and exceed your power needs with an easy install, universal footprint suitable for rig maintenance, retrofits, and new builds.

## Applications:

PowerGard Receptacles are used:

- To supply power to lighting systems and lighting panels on land-based drilling rigs

## Features:

- Classified for use with Appleton® U-Line Series
- Easy-to-wire saddle clamp terminals reduce installation time and effort
- Molded-in-place phase/ground markings reduce installation errors
- Can handle temperature extremes ranging from -50°C to +55°C where comparable products are not certified to operate
- Epoxy powder coat finish, integral gasket design, and stainless steel hardware for NEMA 3RX applications
- Vibration tested at 1G to ensure continuity in high vibration areas
- Rugged Krydon® faceplate stands up to abuse in the field without cracking
- Positive on/off position identifies when unit has been engaged and disengaged
- Clearly marked operating instructions to eliminate risk of improper operation

## Certifications and Compliances:

- NEC/CEC:
  - Class I, Groups B, C, D
  - Class II, Groups F, G
  - Class III
- UL Standard:
  - UL1203 Explosionproof and Dust-ignitionproof Electrical Equipment for Use in Hazardous (Classified) Locations
- CSA Standard:
  - CSA 30 Explosionproof Enclosures for Use in Class I Hazardous Locations



## Environmental Ratings:

- NEMA 3, 3R, 3RX

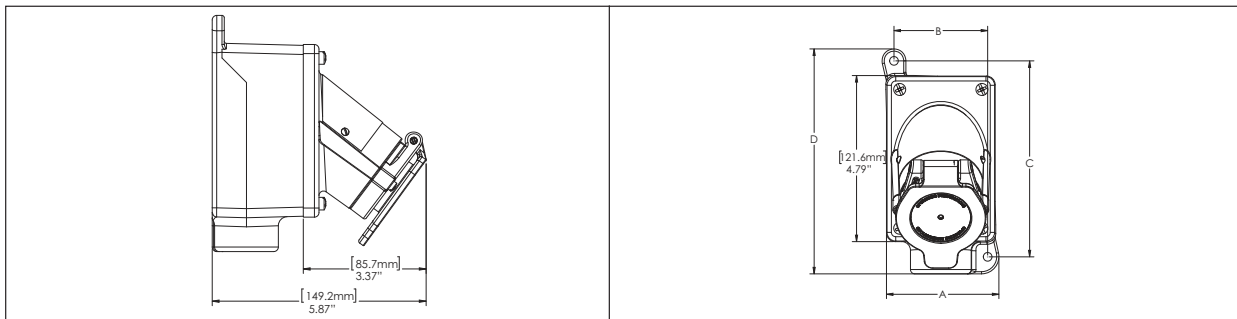
## Electrical Ratings:

- 15 Amp, 125 VAC
- 20 Amp, 125 VAC
- 20 Amp, 250 VAC

## Standard Materials:

- Housing, covers, and back boxes - copper-free aluminum with Corro-free™ epoxy powder coat
- Insulator and faceplate - Krydon® fiberglass-reinforced polyester material
- External hardware - stainless steel

## Dimensions:



Box Style	A	B	C	D
Single Gang	3.24" (82.3)	2.70" (68.6)	5.65" (143.5)	6.48" (164.7)
Double Gang	6.38" (162.2)	5.50" (139.7)	5.69" (144.4)	6.55" (166.5)

## Crouse-Hinds

by **Eaton**

10P

10P

# PowerGard™ Series Universal Receptacles and Back Boxes

Cl. I, Groups B, C, D  
Cl. II, Groups F, G  
Cl. III  
NEMA 3, 3R, 3RX

Explosionproof  
Dust-ignitionproof  
Raintight  
Wet Locations

## Features and Benefits:

### Universal Footprint

- Provides field flexibility for retrofits or installation in tight places
- UL classified for use with Appleton® U-Line Series

### Superior Hardware

- Stainless steel external hardware eliminates corrosion on critical components and extends product life
- Hex head screws allow for easy achievement of specified torque values

### Enhanced Safety

- Rejects standard NEMA/EEMAC plug configurations that could potentially cause an arc in hazardous areas
- Plug cannot be disengaged under load

### Robust Construction

- Can handle temperature extremes ranging from -50°C to +55°C where comparable products are not certified to operate
- Epoxy powder coat finish, integral gasket, and stainless steel hardware ensure suitability for NEMA 3RX applications
- Vibration tested at 1G to ensure continuity in high vibration areas



## Features and Benefits:

### Safe Spring Faceplate

- Spring loaded faceplate design prevents receptacle from being energized without use of UL certified hazardous location plug
- Rugged Krydon® faceplate won't crack after continued use in the field

### Easy Install Terminals



- Molded-in-place phase and ground markings reduce installation errors
- Easy-to-wire saddle clamp terminals reduce installation time and effort

### Best-in-class Cover

- Combo head, stainless steel screws make replacement easy
- Clearly marked operating instructions ensure proper operation and safety when plugging and unplugging
- Threaded cover option available for exceptional watertight integrity



## Ordering Information - Receptacle and Mounting Box:

Type	Configuration	Wire Pole	Hub Size	20 Amp 125 VAC Cat. #	20 Amp 250 VAC Cat. #	15 Amp 125 VAC Cat. #
 Single Gang Assembly	Dead-end	2W, 3P	1/2 3/4 1	CFS150-2023 CFS175-2023 CFS110-2023	CFS150-20232 CFS175-20232 CFS110-20232	CFS150-1523 CFS175-1523 CFS110-1523
	Thru-feed	2W, 3P	1/2 3/4 1	CFSC150-2023 CFSC175-2023 CFSC110-2023	CFSC150-20232 CFSC175-20232 CFSC110-20232	CFSC150-1523 CFSC175-1523 CFSC110-1523
 Double Gang Assembly	Dead-end	2W, 3P	1/2 3/4 1	CFS250-2023 CFS275-2023 CFS210-2023	CFS250-20232 CFS275-20232 CFS210-20232	CFS250-1523 CFS275-1523 CFS210-1523
	Thru-feed	2W, 3P	1/2 3/4 1	CFSC250-2023 CFSC275-2023 CFSC210-2023	CFSC250-20232 CFSC275-20232 CFSC210-20232	CFSC250-1523 CFSC275-1523 CFSC210-1523

10P

**Crouse-Hinds**  
by **EATON**




# PowerGard™ Series Universal Receptacles and Back Boxes

Cl. I, Groups B, C, D  
Cl. II, Groups F, G  
Cl. III  
NEMA 3, 3R, 3RX





Explosionproof  
Dust-ignitionproof  
Raintight  
Wet Locations

**10P**



## Ordering Information - Replacement Receptacle:

	Wire Pole	20 Amp 125 VAC Cat. #	20 Amp 250 VAC Cat. #	15 Amp 125 VAC Cat. #
	2W, 3P	CFSR-2023	CFSR-20232	CFSR-1523



## Ordering Information - Ark•Gard® ENP Plug:

	Wire Pole	20 Amp 125 VAC Cat. #	20 Amp 250 VAC Cat. #	15 Amp 125 VAC Cat. #
	2W, 3P	 ENP5201	 ENP6202	 ENP5151



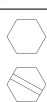
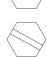
## Ordering Information - Single Gang Back Box:

Type	Configuration	Hub Size	Cat. #
	Dead-end	1/2	CFD150
		3/4	CFD175
	Thru-feed	1	CFD110
	Thru-feed	1/2	CFDC150
		3/4	CFDC175
		1	CFDC110

## Ordering Information - Double Gang Back Box:

Type	Configuration	Hub Size	Cat. #
	Dead-end	1/2	CFD250
		3/4	CFD275
	Thru-feed	1	CFD210
	Thru-feed	1/2	CFDC250
		3/4	CFDC275
		1	CFDC210

## Ordering Information - Replacement Parts:

Type	Cat. #
	PGSCA
	PGTCA
	PG SCREW PACK
	PG SCREW PACK SLOT

**10P**

Roughneck High Amperage Connectors are rugged and weatherproof and provide a high level of indestructibility. They are built to take heavy abuse (resistant to wind, rain, mud, oil, and sea water), yet can be quickly connected and disconnected without any tools.

Specially designed to handle a variety of drilling applications, they can be quickly and safely connected to the switchgear, AC or DC sides of the SCR package, and carry power to mud pumps and traction motors.

The latching device locks the halves together, eliminating the possibility of accidental disengagement, which can cause disruption of service and electrical shock hazards. The latching device is designed to permit insertion of a lockout/tagout device to provide additional security or the ability to padlock.

Roughneck Plugs and Receptacles feature totally shielded contacts. The rubber insulator extends past the ends of both male and female contacts for complete safety. Male contacts are equipped with an insulated tip to minimize potential shock hazard. Roughneck products provide the safest high amperage connector in the industry.

Ten colors are available to provide easy circuit identification when mating plugs with receptacles. Color coding helps prevent reverse phasing on AC circuits or cross polarization on DC circuits to assure correct rotation of motors while providing for operator safety.

### Applications:

- Roughneck Plugs and Receptacles are built to take heavy abuse while providing a simple, secure, and safe connection
- Roughneck products are designed specifically for oil and gas drilling applications

### Features:

- 1 Receptacle bus bar can be mounted in the vertical, horizontal or 45° angle position for the ultimate in flexibility
- 2 Industry exclusive stainless steel rotating latch provides a tool-free, secure connection; also available in short throw configuration
- 3 Lockout/tagout compatible
- 4 Epoxy powder coated shells provide superior corrosion resistance, color-coded to prevent cross-phasing
- 5 Male contacts are equipped with Cam-Lok's safe front insulated tip
- 6 Specially plated copper contacts provide minimum resistance and heating

### Electrical Ratings:

- 1000 Volts, Max. AC/DC
- 1135 amps continuous (1300 amps intermittent)

### Temperature Ratings:

- -40°C to 125°C

### Certifications and Compliances:

- cURus: E73864

### Environmental Ratings:

- NEMA 3

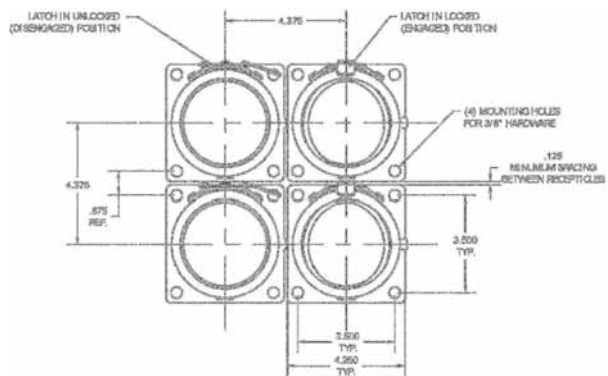
### Standard Materials:

- Cable sizes - 313-777 MCM
- Insulator - rubber
- Receptacle shell - epoxy powder coated aluminum alloy
- Hardware - stainless steel
- Contact - copper

### Amperage Rating - 40°C Ambient

Cable Size	90°C†	125°C†
313 MCM	513 amps	636 amps
444 MCM	642 amps	796 amps
535 MCM	724 amps	898 amps
646 MCM	814 amps	1009 amps
777 MCM	916 amps	1135 amps

†Conductor temperature shall not exceed these ratings.



Receptacle housing mounting pattern (rotating latch)  
(0.125" minimum spacing required between receptacles)

10P

# Roughneck E1049 Series Male & Female Plugs

NEMA 3

10P

**Cable Size 313 MCM**  
**1000V AC/DC, Up to 636A Continuous**

## Roughneck E1049 Series Hex Crimp or Solder

### Features:

- Contacts machined from solid copper and specially plated for corrosion resistance and superior conductivity
- Color-coded rubber insulator provides quick visual identification of circuit and phase connections
- Watertight insulators provide maximum protection
- Male and female contacts are assembled to cable with standard crimp tools
- Drive pins on contacts securely lock it to the insulator
- Male contacts are equipped with Safe Front Insulated Tip


### Testing and Code Compliance:

- cURus: E73864


### Material Characteristics:

- Insulator: rubber
- Environmental: NEMA 3
- Temperature rating: -40°C to 125°C

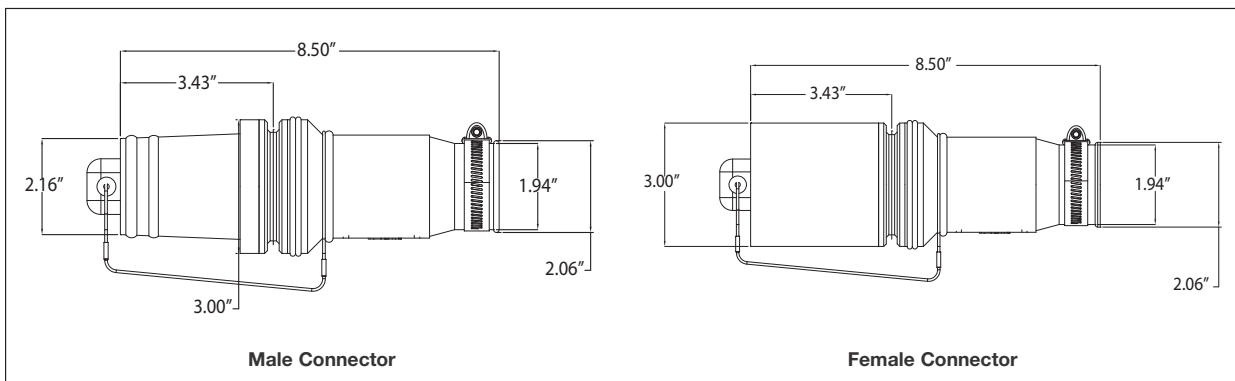
### Ordering Information - Male Plugs:

	Type of Connection and Wire Size	Color	Complete Male Connector Cat. #	Insulator Only Cat. #	Contact Only Cat. #
 <p>Hexagon Crimp or Solder for 313 MCM</p> <p>E1049-34</p>		Black	E1049-31	A201106-1	
		Yellow	E1049-32	A201106-2	
		Red	E1049-33	A201106-3	
		Orange	E1049-34	A201106-4	
		Green	E1049-35	A201106-5	A201107-4
		White	E1049-36	A201106-6	
		Blue	E1049-37	A201106-7	
		Brown	E1049-38	A201106-8	
		Purple	E1049-39	A201106-20	
		Gray	E1049-40	A201106-21	

### Ordering Information - Female Plugs:

	Type of Connection and Wire Size	Color	Complete Female Connector Cat. #	Insulator Only Cat. #	Contact Only Cat. #
 <p>Hexagon Crimp or Solder for 313 MCM</p> <p>E1049-82</p>		Black	E1049-80	A201100-1	
		Yellow	E1049-81	A201100-2	
		Red	E1049-82	A201100-3	
		Orange	E1049-83	A201100-4	
		Green	E1049-84	A201100-5	A201103-4
		White	E1049-85	A201100-6	
		Blue	E1049-86	A201100-7	
		Brown	E1049-87	A201100-8	
		Purple	E1049-88	A201100-25	
		Gray	E1049-89	A201100-26	

### Dimensions:



**Crouse-Hinds**

by **E.T.N**

www.crouse-hinds.com US: 1-866-764-5454 CAN: 1-800-265-0502 Copyright© 2013 Eaton's Crouse-Hinds Business

1481

10P

10P

# Roughneck E1049 Series Male & Female Plugs

NEMA 3

**Cable Size 444 MCM  
1000V AC/DC, Up to 796A Continuous**

## Roughneck E1049 Series Hex Crimp or Solder

### Features:

- Contacts machined from solid copper and specially plated for corrosion resistance and superior conductivity
- Color-coded rubber insulator provides quick visual identification of circuit and phase connections
- Watertight insulators provide maximum protection
- Male and female contacts are assembled to cable with standard crimp tools
- Drive pins on contacts securely lock it to the insulator
- Male contacts are equipped with Safe Front Insulated Tip

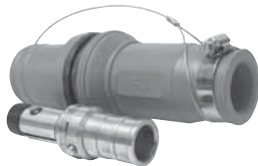
### Testing and Code Compliance:

- cURus: E73864

### Material Characteristics:

- Insulator: rubber
- Environmental: NEMA 3
- Temperature rating: -40°C to 125°C

### Ordering Information - Male Plugs:



E1049-210

Hexagon Crimp  
or Solder for  
444 MCM

Type of Connection and Wire Size	Color	Complete Male Connector Cat. #	Insulator Only Cat. #	Contact Only Cat. #
	Black	E1049-201	A201106-1	
	Yellow	E1049-202	A201106-2	
	Red	E1049-203	A201106-3	
	Orange	E1049-204	A201106-4	
	Green	E1049-205	A201106-5	A201107-8
	White	E1049-206	A201106-6	
	Blue	E1049-207	A201106-7	
	Brown	E1049-208	A201106-8	
	Purple	E1049-209	A201106-20	
	Gray	E1049-210	A201106-21	

### Ordering Information - Female Plugs:

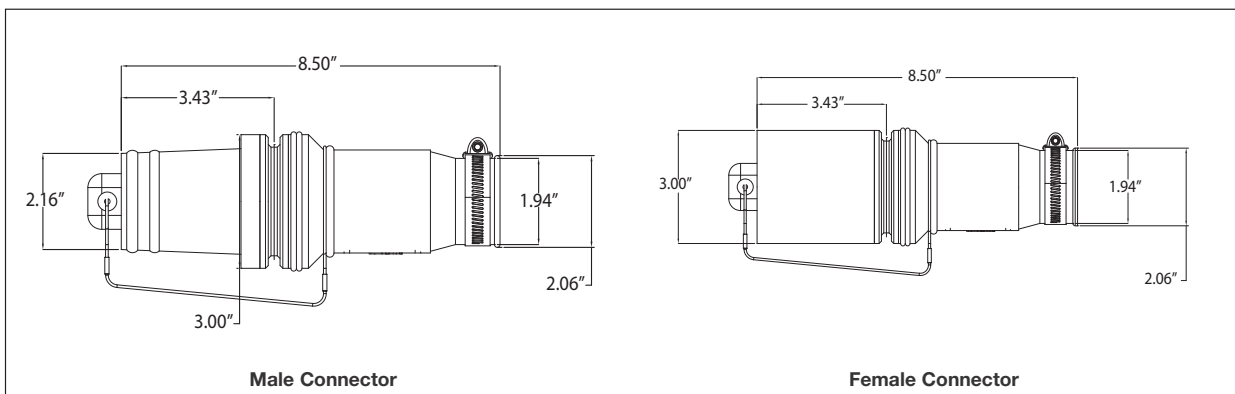


E1049-256

Hexagon Crimp  
or Solder for  
444 MCM

Type of Connection and Wire Size	Color	Complete Female Connector Cat. #	Insulator Only Cat. #	Contact Only Cat. #
	Black	E1049-250	A201100-1	
	Yellow	E1049-251	A201100-2	
	Red	E1049-252	A201100-3	
	Orange	E1049-253	A201100-4	
	Green	E1049-254	A201100-5	A201103-8
	White	E1049-255	A201100-6	
	Blue	E1049-256	A201100-7	
	Brown	E1049-257	A201100-8	
	Purple	E1049-258	A201100-25	
	Gray	E1049-259	A201100-26	

### Dimensions:



Male Connector

Female Connector

**Crouse-Hinds**  
by **EATON**

# Roughneck E1049 Series Male & Female Plugs

NEMA 3

10P

**Cable Size 535 MCM**  
**1000V AC/DC, Up to 898A Continuous**

## Roughneck E1049 Series Hex Crimp or Solder

### Features:

- Contacts machined from solid copper and specially plated for corrosion resistance and superior conductivity
- Color-coded rubber insulator provides quick visual identification of circuit and phase connections
- Watertight insulators provide maximum protection
- Male and female contacts are assembled to cable with standard crimp tools
- Drive pins on contacts securely lock it to the insulator
- Male contacts are equipped with Safe Front Insulated Tip


### Testing and Code Compliance:

- cURus: E73864


### Material Characteristics:

- Insulator: rubber
- Environmental: NEMA 3
- Temperature rating: -40°C to 125°C

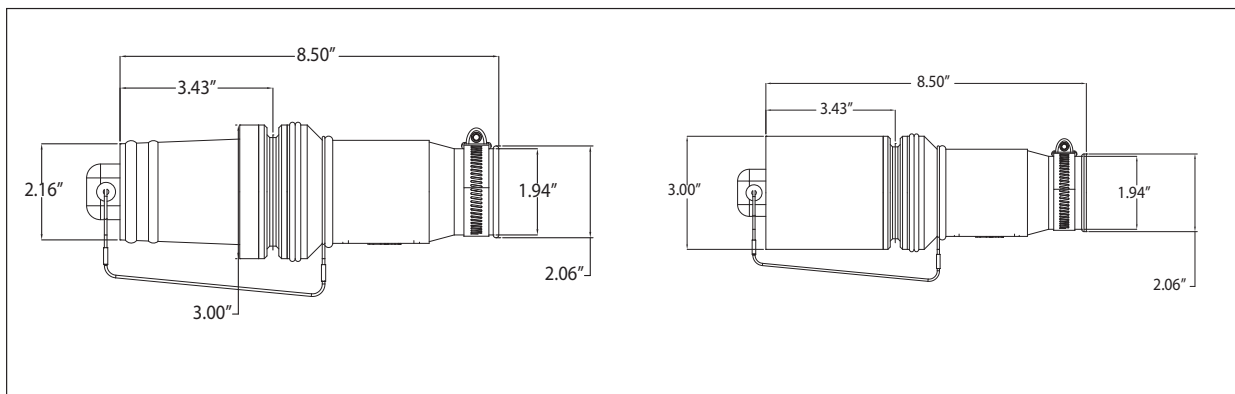
### Ordering Information - Male Plugs:

Type of Connection and Wire Size	Color	Complete Male Connector Cat. #	Insulator Only Cat. #	Contact Only Cat. #
 <p>Hexagon Crimp or Solder for 535 MCM</p> <p><b>E1049-10</b></p>	Black	<b>E1049-1</b>	<b>A201106-1</b>	<b>A201107-1</b>
	Yellow	<b>E1049-2</b>	<b>A201106-2</b>	
	Red	<b>E1049-3</b>	<b>A201106-3</b>	
	Orange	<b>E1049-4</b>	<b>A201106-4</b>	
	Green	<b>E1049-5</b>	<b>A201106-5</b>	
	White	<b>E1049-6</b>	<b>A201106-6</b>	
	Blue	<b>E1049-7</b>	<b>A201106-7</b>	
	Brown	<b>E1049-8</b>	<b>A201106-8</b>	
	Purple	<b>E1049-9</b>	<b>A201106-20</b>	
	Gray	<b>E1049-10</b>	<b>A201106-21</b>	

### Ordering Information - Female Plugs:

Type of Connection and Wire Size	Color	Complete Female Connector Cat. #	Insulator Only Cat. #	Contact Only Cat. #
 <p>Hexagon Crimp or Solder for 535 MCM</p> <p><b>E1049-58</b></p>	Black	<b>E1049-50</b>	<b>A201100-1</b>	<b>A201103-1</b>
	Yellow	<b>E1049-51</b>	<b>A201100-2</b>	
	Red	<b>E1049-52</b>	<b>A201100-3</b>	
	Orange	<b>E1049-53</b>	<b>A201100-4</b>	
	Green	<b>E1049-54</b>	<b>A201100-5</b>	
	White	<b>E1049-55</b>	<b>A201100-6</b>	
	Blue	<b>E1049-56</b>	<b>A201100-7</b>	
	Brown	<b>E1049-57</b>	<b>A201100-8</b>	
	Purple	<b>E1049-58</b>	<b>A201100-25</b>	
	Gray	<b>E1049-59</b>	<b>A201100-26</b>	

### Dimensions:



**Crouse-Hinds**

by **E.T.N**

www.crouse-hinds.com US: 1-866-764-5454 CAN: 1-800-265-0502 Copyright© 2013 Eaton's Crouse-Hinds Business

1483

10P

10P

# Roughneck E1049 Series Male & Female Plugs

NEMA 3

**Cable Size 646 MCM**  
**1000V AC/DC, Up to 1009A Continuous**

## Roughneck E1049 Series Hex Crimp or Solder

### Features:

- Contacts machined from solid copper and specially plated for corrosion resistance and superior conductivity
- Color-coded rubber insulator provides quick visual identification of circuit and phase connections
- Watertight insulators provide maximum protection
- Male and female contacts are assembled to cable with standard crimp tools
- Drive pins on contacts securely lock it to the insulator
- Male contacts are equipped with Safe Front Insulated Tip


### Testing and Code Compliance:

- cURus: E73864


### Material Characteristics:

- Insulator: rubber
- Environmental: NEMA 3
- Temperature rating: -40°C to 125°C

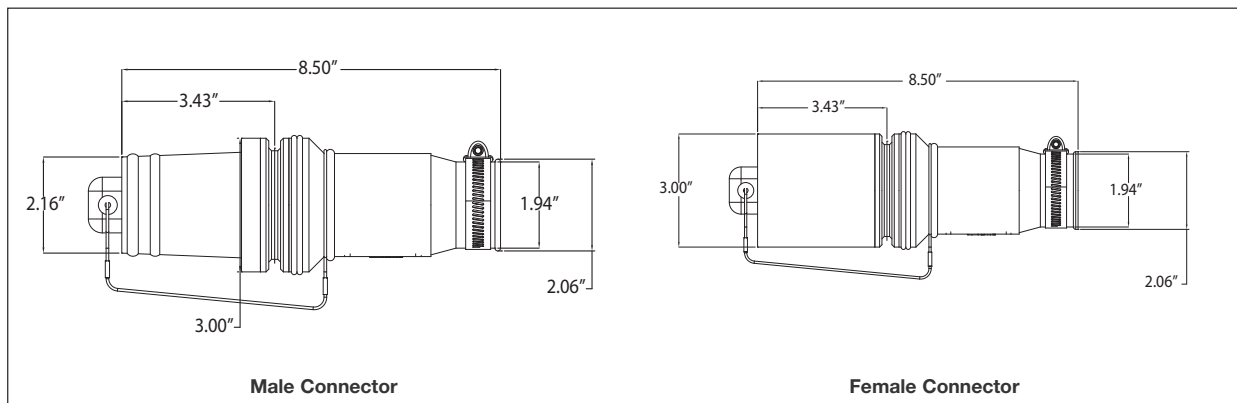
### Ordering Information - Male Plugs:

	Type of Connection and Wire Size	Color	Complete Male Connector Cat. #	Insulator Only Cat. #	Contact Only Cat. #
 <p>Hexagon Crimp or Solder for 646 MCM</p> <p><b>E1049-14</b></p>		Black	<b>E1049-11</b>	<b>A201106-1</b>	
		Yellow	<b>E1049-12</b>	<b>A201106-2</b>	
		Red	<b>E1049-13</b>	<b>A201106-3</b>	
		Orange	<b>E1049-14</b>	<b>A201106-4</b>	
		Green	<b>E1049-15</b>	<b>A201106-5</b>	<b>A201107-2</b>
		White	<b>E1049-16</b>	<b>A201106-6</b>	
		Blue	<b>E1049-17</b>	<b>A201106-7</b>	
		Brown	<b>E1049-18</b>	<b>A201106-8</b>	
		Purple	<b>E1049-19</b>	<b>A201106-20</b>	
		Gray	<b>E1049-20</b>	<b>A201106-21</b>	

### Ordering Information - Female Plugs:

	Type of Connection and Wire Size	Color	Complete Female Connector Cat. #	Insulator Only Cat. #	Contact Only Cat. #
 <p>Hexagon Crimp or Solder for 646 MCM</p> <p><b>E1049-64</b></p>		Black	<b>E1049-60</b>	<b>A201100-1</b>	
		Yellow	<b>E1049-61</b>	<b>A201100-2</b>	
		Red	<b>E1049-62</b>	<b>A201100-3</b>	
		Orange	<b>E1049-63</b>	<b>A201100-4</b>	
		Green	<b>E1049-64</b>	<b>A201100-5</b>	<b>A201103-2</b>
		White	<b>E1049-65</b>	<b>A201100-6</b>	
		Blue	<b>E1049-66</b>	<b>A201100-7</b>	
		Brown	<b>E1049-67</b>	<b>A201100-8</b>	
		Purple	<b>E1049-68</b>	<b>A201100-25</b>	
		Gray	<b>E1049-69</b>	<b>A201100-26</b>	

### Dimensions:



10P

**Crouse-Hinds**  
by **EATON**

# Roughneck E1049 Series Male & Female Plugs

NEMA 3

10P

**Cable Size 777 MCM**  
**1000V AC/DC, Up to 1135A Continuous**

## Roughneck E1049 Series Hex Crimp or Solder

### Features:

- Contacts machined from solid copper and specially plated for corrosion resistance and superior conductivity
- Color-coded rubber insulator provides quick visual identification of circuit and phase connections
- Watertight insulators provide maximum protection
- Male and female contacts are assembled to cable with standard crimp tools
- Drive pins on contacts securely lock it to the insulator
- Male contacts are equipped with Safe Front Insulated Tip


### Testing and Code Compliance:

- cURus: E73864


### Material Characteristics:

- Insulator: rubber
- Environmental: NEMA 3
- Temperature rating: -40°C to 125°C

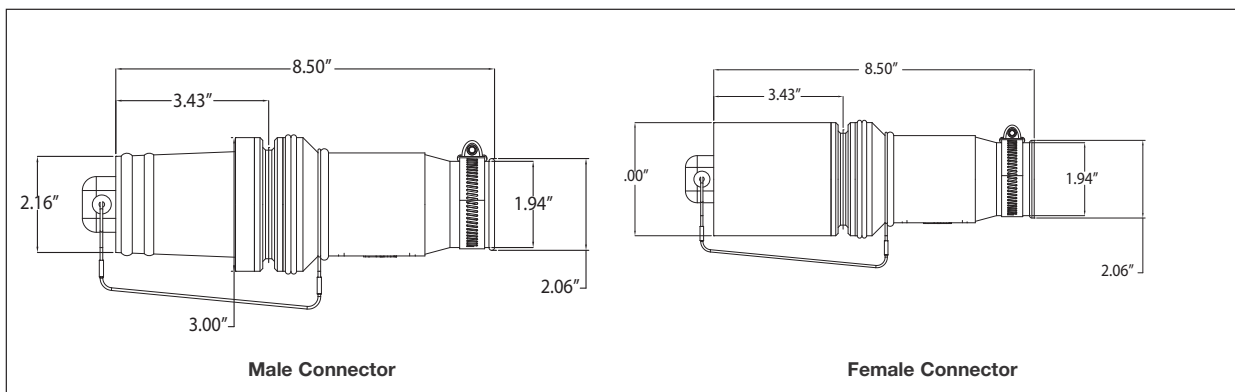
### Ordering Information - Male Plugs:

Type of Connection and Wire Size	Color	Complete Male Connector Cat. #	Insulator Only Cat. #	Contact Only Cat. #
 Hexagon Crimp or Solder for 777 MCM E1049-29	Black	E1049-21	A201106-1	A201107-3
	Yellow	E1049-22	A201106-2	
	Red	E1049-23	A201106-3	
	Orange	E1049-24	A201106-4	
	Green	E1049-25	A201106-5	
	White	E1049-26	A201106-6	
	Blue	E1049-27	A201106-7	
	Brown	E1049-28	A201106-8	
	Purple	E1049-29	A201106-20	
	Gray	E1049-30	A201106-21	

### Ordering Information - Female Plugs:

Type of Connection and Wire Size	Color	Complete Female Connector Cat. #	Insulator Only Cat. #	Contact Only Cat. #
 Hexagon Crimp or Solder for 777 MCM E1049-76	Black	E1049-70	A201100-1	A201103-3
	Yellow	E1049-71	A201100-2	
	Red	E1049-72	A201100-3	
	Orange	E1049-73	A201100-4	
	Green	E1049-74	A201100-5	
	White	E1049-75	A201100-6	
	Blue	E1049-76	A201100-7	
	Brown	E1049-77	A201100-8	
	Purple	E1049-78	A201100-25	
	Gray	E1049-79	A201100-26	

### Dimensions:



**Crouse-Hinds**

by **E.T.N**

www.crouse-hinds.com US: 1-866-764-5454 CAN: 1-800-265-0502 Copyright© 2013 Eaton's Crouse-Hinds Business

1485

10P

**Cable Size 313-777 MCM  
1000V AC/DC, 1135A**

## Roughneck Receptacles Single and Double Hole Bus Bar - Rotating Latch

### Features:

- Color-coded receptacle housings are designed to provide easy circuit identification
- Epoxy powder shell coating provides superior corrosion resistance
- Receptacle housing allows bus bar positioning at vertical, horizontal, and 45° to ease cable routing
- Receptacle assembly provides 360° mounting capabilities
- Ten standard colors available
- Locking device is lockout compatible
- Dust cover is secured to the receptacle housing
- Stainless steel hardware
- Recessed contacts protected by insulating jacket that extends beyond contact ends for safety

### Testing and Code Compliance:

- cURus: E73864

### Material Characteristics:

- Receptacle body: rubber
- Environmental: NEMA 3
- Temperature rating: -40°C to 125°C

### Ordering Information - Female Bus Bar:

Female Double Hole Bus Bar				Female Single Hole Bus Bar		
Complete Assembly Cat. #	Housing Assembly Cat. #	Contact Assembly Cat. #	Color	Complete Assembly Cat. #	Housing Assembly Cat. #	Contact Assembly Cat. #
E1049-1833X-BK	3326695-1	A201108-9	Black	E1049-1825X-BK	3326695-1	A201108-1
E1049-1834X-Y	3326695-2	A201108-10	Yellow	E1049-1826X-Y	3326695-2	A201108-2
E1049-1835X-R	3326695-3	A201108-11	Red	E1049-1827X-R	3326695-3	A201108-3
E1049-1836X-OR	3326695-4	A201108-12	Orange	E1049-1828X-OR	3326695-4	A201108-4
E1049-1837X-G	3326695-5	A201108-13	Green	E1049-1829X-G	3326695-5	A201108-5
E1049-1838X-W	3326695-6	A201108-14	White	E1049-1830X-W	3326695-6	A201108-6
E1049-1839X-BL	3326695-7	A201108-15	Blue	E1049-1831X-BL	3326695-7	A201108-7
E1049-1840X-BR	3326695-8	A201108-16	Brown	E1049-1832X-BR	3326695-8	A201108-8
E1049-1822X-PR	3326695-9	A201108-19	Purple	E1049-1820X-PR	3326695-9	A201108-17
E1049-1823X-GY	3326695-10	A201108-20	Gray	E1049-1821X-GY	3326695-10	A201108-18



E1049-1835X-R

### Ordering Information - Male Bus Bar:

Male Double Hole Bus Bar				Male Single Hole Bus Bar		
Complete Assembly Cat. #	Housing Assembly Cat. #	Contact Assembly Cat. #	Color	Complete Assembly Cat. #	Housing Assembly Cat. #	Contact Assembly Cat. #
E1049-1808X-BK	3326695-1	A201099-9	Black	E1049-1800X-BK	3326695-1	A201099-1
E1049-1809X-Y	3326695-2	A201099-10	Yellow	E1049-1801X-Y	3326695-2	A201099-2
E1049-1810X-R	3326695-3	A201099-11	Red	E1049-1802X-R	3326695-3	A201099-3
E1049-1811X-OR	3326695-4	A201099-12	Orange	E1049-1803X-OR	3326695-4	A201099-4
E1049-1812X-G	3326695-5	A201099-13	Green	E1049-1804X-G	3326695-5	A201099-5
E1049-1813X-W	3326695-6	A201099-14	White	E1049-1805X-W	3326695-6	A201099-6
E1049-1814X-BL	3326695-7	A201099-15	Blue	E1049-1806X-BL	3326695-7	A201099-7
E1049-1815X-BR	3326695-8	A201099-16	Brown	E1049-1807X-BR	3326695-8	A201099-8
E1049-1818X-PR	3326695-9	A201099-19	Purple	E1049-1816X-PR	3326695-9	A201099-17
E1049-1819X-GY	3326695-10	A201099-20	Gray	E1049-1817X-GY	3326695-10	A201099-18



E1049-1808X-BK

Receptacle assembly part numbers include the insulator, receptacle housing, gasket, and dust cover.  
Dust cover receptacle male or female catalog number: A201113-5.

10P



# Roughneck E1049 Series Receptacles

NEMA 3

10P

**Cable Size 313-777 MCM  
1000V AC/DC, 1135A**

## Roughneck Receptacles Single and Double Hole Bus Bar - Short Throw Latch

### Features:

- Color-coded receptacle housings are designed to provide easy circuit identification
- Epoxy powder shell coating provides superior corrosion resistance
- Receptacle housing allows bus bar positioning at vertical, horizontal, and 45° to ease cable routing
- Receptacle assembly provides 360° mounting capabilities
- Ten standard colors available
- Locking device is lockout compatible
- Dust cover can be secured to the receptacle housing
- Stainless steel hardware
- Recessed contacts protected by insulating jacket that extends beyond contact ends for safety

### Testing and Code Compliance:

- cURus: E73864

### Material Characteristics:

- Receptacle body: rubber
- Environmental: NEMA 3
- Temperature rating: -40°C to 125°C

### Ordering Information - Female Bus Bar:

Female Double Hole Bus Bar				Female Single Hole Bus Bar		
Complete Assembly Cat. #	Housing Assembly Cat. #	Contact Assembly Cat. #	Color	Complete Assembly Cat. #	Housing Assembly Cat. #	Contact Assembly Cat. #
E1049-1833ST-BK	3326695-1ST	A201108-9	Black	E1049-1825ST-BK	3326695-1ST	A201108-1
E1049-1834ST-Y	3326695-2ST	A201108-10	Yellow	E1049-1826ST-Y	3326695-2ST	A201108-2
E1049-1835ST-R	3326695-3ST	A201108-11	Red	E1049-1827ST-R	3326695-3ST	A201108-3
E1049-1836ST-OR	3326695-4ST	A201108-12	Orange	E1049-1828ST-OR	3326695-4ST	A201108-4
E1049-1837ST-G	3326695-5ST	A201108-13	Green	E1049-1829ST-G	3326695-5ST	A201108-5
E1049-1838ST-W	3326695-6ST	A201108-14	White	E1049-1830ST-W	3326695-6ST	A201108-6
E1049-1839ST-BL	3326695-7ST	A201108-15	Blue	E1049-1831ST-BL	3326695-7ST	A201108-7
E1049-1840ST-BR	3326695-8ST	A201108-16	Brown	E1049-1832ST-BR	3326695-8ST	A201108-8
E1049-1822ST-PR	3326695-9ST	A201108-19	Purple	E1049-1820ST-PR	3326695-9ST	A201108-17
E1049-1823ST-GY	3326695-10ST	A201108-20	Gray	E1049-1821ST-GY	3326695-10ST	A201108-18



E1049-1833ST-BK

### Ordering Information - Male Bus Bar:

Male Double Hole Bus Bar				Male Single Hole Bus Bar		
Complete Assembly Cat. #	Housing Assembly Cat. #	Contact Assembly Cat. #	Color	Complete Assembly Cat. #	Housing Assembly Cat. #	Contact Assembly Cat. #
E1049-1808ST-BK	3326695-1ST	A201099-9	Black	E1049-1800ST-BK	3326695-1ST	A201099-1
E1049-1809ST-Y	3326695-2ST	A201099-10	Yellow	E1049-1801ST-Y	3326695-2ST	A201099-2
E1049-1810ST-R	3326695-3ST	A201099-11	Red	E1049-1802ST-R	3326695-3ST	A201099-3
E1049-1811ST-OR	3326695-4ST	A201099-12	Orange	E1049-1803ST-OR	3326695-4ST	A201099-4
E1049-1812ST-G	3326695-5ST	A201099-13	Green	E1049-1804ST-G	3326695-5ST	A201099-5
E1049-1813ST-W	3326695-6ST	A201099-14	White	E1049-1805ST-W	3326695-6ST	A201099-6
E1049-1814ST-BL	3326695-7ST	A201099-15	Blue	E1049-1806ST-BL	3326695-7ST	A201099-7
E1049-1815ST-BR	3326695-8ST	A201099-16	Brown	E1049-1807ST-BR	3326695-8ST	A201099-8
E1049-1818ST-PR	3326695-9ST	A201099-19	Purple	E1049-1816ST-PR	3326695-9ST	A201099-17
E1049-1819ST-GY	3326695-10ST	A201099-20	Gray	E1049-1817ST-GY	3326695-10ST	A201099-18



E1049-1814ST-BL

Receptacle assembly part numbers include the insulator, receptacle housing, gasket, and dust cover.

Dust cover receptacle male or female catalog number: A201113-1.

**Crouse-Hinds**

by **E.T.N**

www.crouse-hinds.com US: 1-866-764-5454 CAN: 1-800-265-0502 Copyright© 2013 Eaton's Crouse-Hinds Business

1487

10P

# 10P Roughneck E1049 Series Receptacles

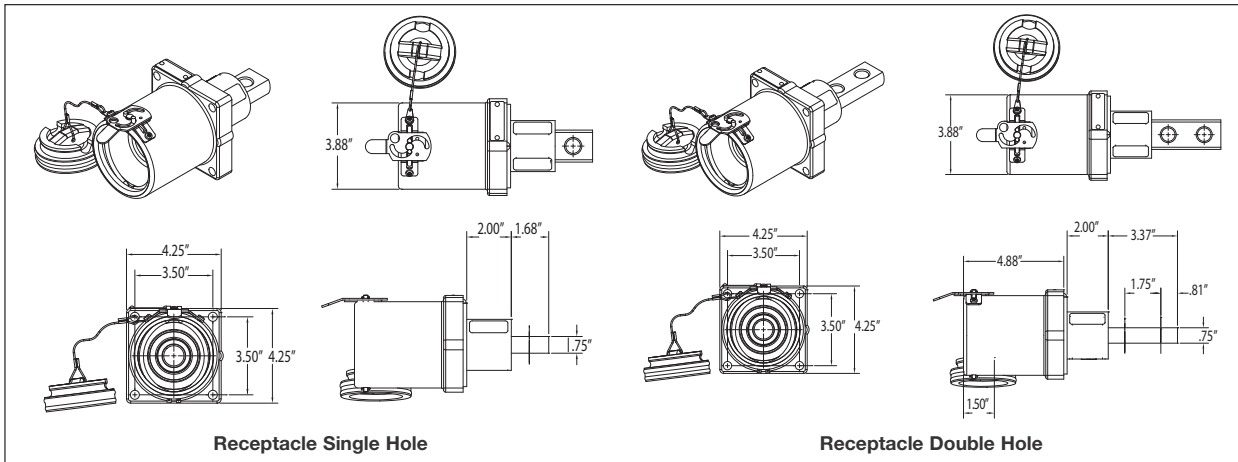
NEMA 3

**Cable Size 313-777 MCM  
1000V AC/DC, 1135A**

## Accessories:

Description	Cat. #
Receptacle Repair Kit - Short Throw	K3326821
Clevis Pin for Coupler	A101058-2
Adhesive, 8 oz. Can	100312-2
Receptacle Dust Cover - Short Throw	A201113-1
Dust Cover for Male Plug, Black	A201113-2
Dust Cover for Female Plug, Black	A201114-2
Gasket for Receptacle Housing	201115
Lockout Kit for Padlocking Receptacle	A201120-1
Coupler for Mating Male to Female Plug	A201096-1
Receptacle Dust Cover - Rotating Latch	A201113-5
Neoprene Vulcanizing Tape	319735-1

## Dimensions:



---

<b>Description</b>	<b>Page No.</b>
<b>Cam-Lok™ Series</b>	<b>see page 1490</b>
<b>Posi-Lok™ Series</b>	<b>see page 1540</b>
<b>Roughneck Series</b>	<b>see page 1553</b>
<b>Quik-Loc™ Series</b>	<b>see pages 1574–1577</b>
<b>Metallic Quik-Loc™ Series</b>	<b>see pages 1578–1581</b>
<b>LynxPOWER™ Passive Series</b>	<b>see pages 1582–1588</b>
<b>LynxPOWER™ Network Series</b>	<b>see pages 1600–1609</b>

# 11P Cam-Lok™ Single Pole Connectors

## Product Selector Guide

Selecting the correct Cam-Lok™ product series is easy  
Just identify the cable size, voltage, amperage, and approval requirements.

### "F" Series

Series	Ampacity Rating (Max.)	Voltage Rating (Max.)	Cable Sizes	Approvals
E1010	200	120	#8 - #4	OSHA
E1012	315	120	#2 - 4 / 0	OSHA

### "J" Series

Series	Ampacity Rating (Max.)	Voltage Rating (Max.)	Cable Sizes	Approvals
E1015	150	600	#8 - #4	UL/CSA
E1016 / EZ1016	400	600	#2 - 4 / 0	UL/CSA
E1017	690	600	250-800 MCM	UL/CSA
E1018 / EZ1018	400	600	#2 - 4 / 0	CSA

Cam-Lok™ F Series Connectors are specifically designed to meet the needs of harsh industrial welding applications. F Series Plugs and Receptacles offer superior reliability and safety while reducing downtime.

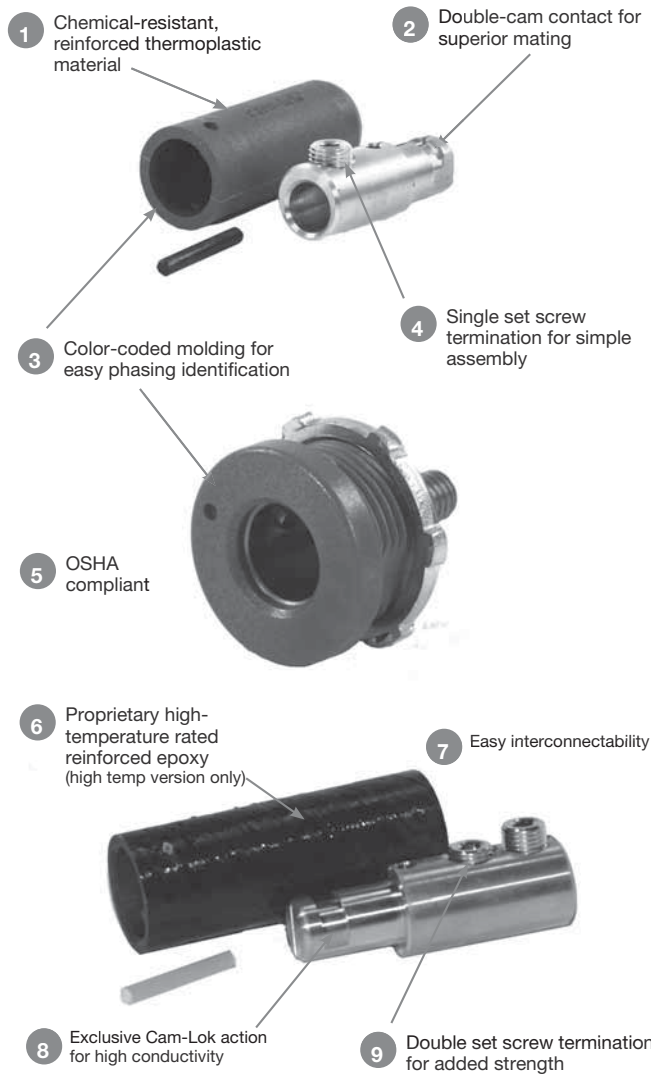
### Applications:

- F Series Plugs and Receptacles are specifically designed for industrial applications where electrical equipment is exposed to harsh environments
- Ideal for welding equipment, power distribution panels, patch panels, and heat tracing applications, and are insulated for safety with reinforced thermoplastic or epoxy, or watertight elastomeric

### Certifications and Compliances:

- Meets OSHA requirements for welding connectors
- Meets NEC® Code requirements for listed connectors that are of the locking type

### Features:



### Environmental Rating:

- NEMA 3

### Standard Materials:

- Accepts cable sizes: #8 AWG - 4 / 0
- Insulator - reinforced thermoplastic (E1010, E1012); reinforced epoxy (E1012 high temperature); elastomeric (E1012 only)
- Contact - brass or silver-plated brass

### Electrical Ratings:

- 120 Volts AC
- Up to 315 Amps continuous, 550 Amps intermittent

### Temperature Ratings:

- Standard: up to 105°C
- High temperature: up to 180°C (365°F)

# 11P Cam-Lok™ F Series E1010 Plugs and Receptacles

**Cable Size #8 - #4 AWG**  
**120VAC**  
**Up to 150A Continuous, 200A Intermittent**

## F Series E1010, Reinforced Thermoplastic

### Features:

- Double cam principle provides a positive, vibration-proof connection
- Self-compensating for wear
- No moving contact surfaces, eliminating arcing or burning
- Superior electro-mechanical connections
- Locked contacts will withstand a pulling force of 1,000 lbs.
- 1/3 of a turn assures a high pressure contact approaching 600 lbs. per sq. in., providing minimum resistance
- Contacts carefully machined from a high conductivity brass to a smooth sliding fit and easy locking action
- Thermoplastic insulators molded from colorfast material, color-coded for easy identification
- Panel receptacles are safety insulated for direct mounting to steel panels
- Accepts a wide range of cable sizes


### Testing and Code Compliance:

- OSHA compliant

### Material Characteristics:

- Insulator - reinforced thermoplastic
- Temperature rating: -40°C to 105°C

### Ordering Information - Plugs:

	Male Plugs				Female Plugs			
	Cable Size	Color	Complete Cat. #	Insulator Cat. #	Complete Cat. #	Insulator Cat. #	Retaining Pin Cat. #	
 E1010-61	Set	#8 - #4	Red	E1010-61	201281-410RM	E1010-71	201281-410RF	100091-2
	Screw	#8 - #4	Black	E1010-62	201281-410BM	E1010-72	201281-410BF	100091-2
	Solder	#8 - #4	Red	E1010-101	201281-410RM	E1010-111	201281-410RF	100091-2
		#8 - #4	Black	E1010-102	201281-410BM	E1010-112	201281-410BF	100091-2

### Ordering Information - Female Terminal Connectors:

Cable Size	Color	Angle Style Cat. #	Offset Style Cat. #
#8 - #4	Red	E1010-181	E1010-201
#8 - #4	Black	E1010-182	E1010-202

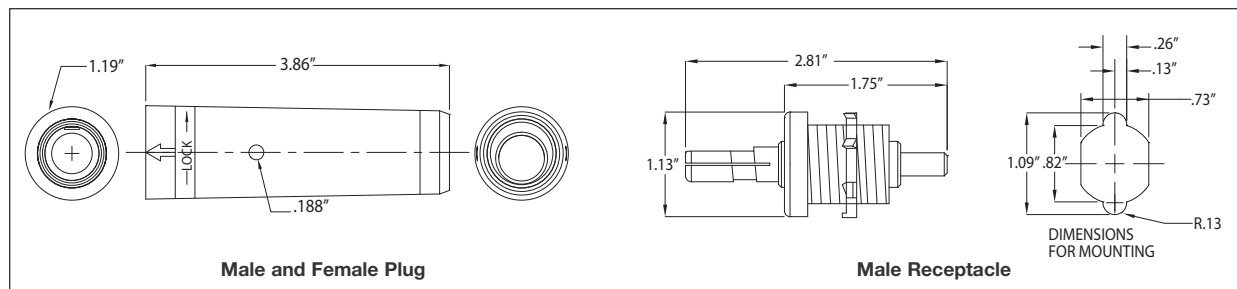
Bolt hole: 1/16"

### Ordering Information - High Impact Plastic Receptacles:

Cable Size	Color	Cat. #	Description
#8 - #4	Red	E1010-301	Female Receptacle
#8 - #4	Black	E1010-302	Female Receptacle
#8 - #4	Red	E1010-307	Male Receptacle
#8 - #4	Black	E1010-308	Male Receptacle

To order single packaged products, add a "K" suffix to the complete catalog number.

### Dimensions:



**Crouse-Hinds**  
by **E.T.N.**

# Cam-Lok™ F Series E1012 Plugs

11P

**Cable Size #2 AWG - 4 / 0**  
**120VAC**

**Up to 315A Continuous, 550A Intermittent**

## F Series E1012, Reinforced Thermoplastic

### Features:

- Double cam principle provides a positive, vibration-proof connection
- Self-compensating for wear
- No moving contact surfaces, eliminating arcing or burning
- Superior electro-mechanical connections
- Locked contacts will withstand a pulling force of 1,000 lbs.
- 1/3 of a turn assures a high pressure contact approaching 600 lbs. per sq. in., providing minimum resistance
- Contacts carefully machined from a high conductivity brass to a smooth sliding fit and easy locking action
- Thermoplastic insulators molded from colorfast material, color-coded for easy identification
- Accepts a wide range of cable sizes

### Testing and Code Compliance:

- OSHA compliant

### Material Characteristics:

- Insulator - reinforced thermoplastic
- Temperature rating: -40°C to 105°C

### Ordering Information - Set Screw Plugs:



E1012-66

#### Set Screw Male Plugs

Cable Size	Color	Complete Cat. #	Insulator Cat. #
#2 - 1 / 0	Red	E1012-61	201281-612RM
#2 - 1 / 0	Black	E1012-62	201281-612BM
1 / 0 - 3 / 0	Red	E1012-63	201281-712RM
1 / 0 - 3 / 0	Black	E1012-64	201281-712BM
3 / 0 - 4 / 0	Red	E1012-65	201281-812RM
3 / 0 - 4 / 0	Black	E1012-66	201281-812BM

#### Set Screw Female Plugs

Complete Cat. #	Insulator Cat. #	Retaining Pin Cat. #
N/A	N/A	100091-4
N/A	N/A	100091-4
E1012-71	201281-712RF	100091-5
E1012-72	201281-712BF	100091-5
E1012-73	201281-812RF	100091-6
E1012-74	201281-812BF	100091-6

### Ordering Information - Solder Plugs:



E1012-71

#### Solder Male Plugs

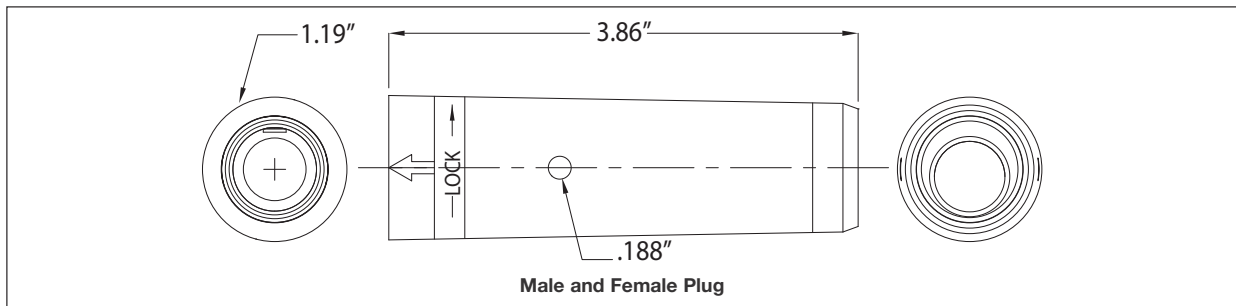
Cable Size	Color	Complete Cat. #	Insulator Cat. #
#2 - 1 / 0	Red	E1012-101	201281-612RM
#2 - 1 / 0	Black	E1012-102	201281-612BM
1 / 0 - 3 / 0	Red	E1012-103	201281-712RM
1 / 0 - 3 / 0	Black	E1012-104	201281-712BM
3 / 0 - 4 / 0	Red	E1012-105	201281-812RM
3 / 0 - 4 / 0	Black	E1012-106	201281-812BM

#### Solder Female Plugs

Complete Cat. #	Insulator Cat. #	Retaining Pin Cat. #
N/A	N/A	100091-4
N/A	N/A	100091-4
E1012-111	201281-712RF	100091-5
E1012-112	201281-712BF	100091-5
E1012-113	201281-812RF	100091-6
E1012-114	201281-812BF	100091-6

To order single packaged products, add a "K" suffix to the complete catalog number.

### Dimensions:



11P

# 11P Cam-Lok™ F Series E1012 Plugs

**Cable Size #2 AWG - 4 / 0**  
**120VAC**  
**Up to 315A Continuous, 550A Intermittent**

## F Series E1012, Elastomeric

### Features:

- Double cam principle provides a positive, vibration-proof connection
- Self-compensating for wear
- No moving contact surfaces, eliminating arcing or burning
- Superior electro-mechanical connections
- Locked contacts will withstand a pulling force of 1,000 lbs.
- 1/3 of a turn assures a high pressure contact approaching 600 lbs. per sq. in., providing minimum resistance
- Contacts carefully machined from a high conductivity brass to a smooth sliding fit and easy locking action
- Watertight elastomeric insulators molded from colorfast material, color-coded for easy identification
- Accepts a wide range of cable sizes

### Testing and Code Compliance:

- OSHA compliant

### Material Characteristics:

- Insulator - TPE
- Temperature rating: -40°C to 105°C

### Ordering Information - Single Set Screw Plugs:



E1012-8350

#### Single Set Screw Male Plugs

Cable Size	Color	Complete Cat. #	Contact Cat. #	Insulator Cat. #
#2 - 2 / 0	Black	E1012-8300	A200081-1	A200068-19
#2 - 2 / 0	Red	E1012-8302	A200081-1	A200068-21
2 / 0 - 4 / 0	Black	E1012-8312	A200080-1	A200068-13
2 / 0 - 4 / 0	Red	E1012-8314	A200080-1	A200068-15

#### Single Set Screw Female Plugs

Complete Cat. #	Contact Cat. #	Insulator Cat. #
E1012-8325	A200067-1	A200069-19
E1012-8327	A200067-1	A200069-21
E1012-8337	A200066-1	A200069-13
E1012-8339	A200066-1	A200069-15

### Ordering Information - Double Set Screw Plugs:



E1012-8377

#### Double Set Screw Male Plugs

Cable Size	Color	Complete Cat. #	Contact Cat. #	Insulator Cat. #
#2 - 2 / 0	Black	E1012-8350	A200643-1	A200068-19
#2 - 2 / 0	Red	E1012-8352	A200643-1	A200068-21
2 / 0 - 4 / 0	Black	E1012-8362	A200644-1	A200068-13
2 / 0 - 4 / 0	Red	E1012-8364	A200644-1	A200068-15

#### Double Set Screw Female Plugs

Complete Cat. #	Contact Cat. #	Insulator Cat. #
E1012-8375	A200640-1	A200069-19
E1012-8377	A200640-1	A200069-21
E1012-8387	A200642-1	A200069-13
E1012-8389	A200642-1	A200069-15

### Ordering Information - Crimp or Solder Plugs:

#### Crimp or Solder Male Plugs

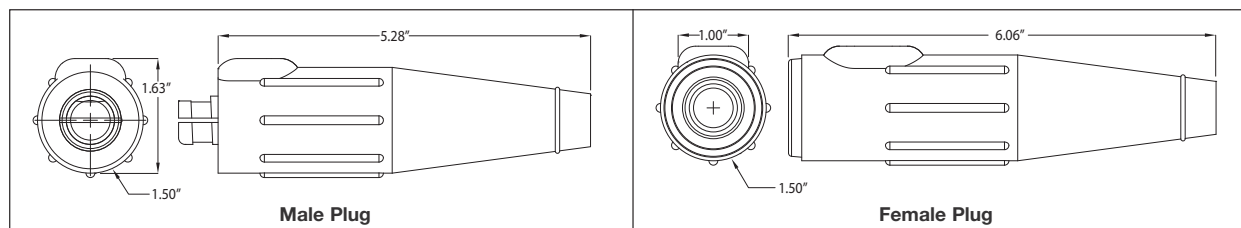
Cable Size	Color	Complete Cat. #	Contact Cat. #	Insulator Cat. #
#2 - #1	Black	E1012-8006	A200036-30	A200068-19
#2 - #1	Red	E1012-8008	A200036-30	A200068-21
1 / 0 - 2 / 0	Black	E1012-8012	A200036-31	A200068-19
1 / 0 - 2 / 0	Red	E1012-8014	A200036-31	A200068-21
3 / 0 - 4 / 0	Black	E1012-8030	A200038-30	A200068-13
3 / 0 - 4 / 0	Red	E1012-8032	A200038-30	A200068-15

#### Crimp or Solder Female Plugs

Complete Cat. #	Contact Cat. #	Insulator Cat. #
E1012-8056	A200037-35	A200069-19
E1012-8058	A200037-35	A200069-21
E1012-8062	A200037-36	A200069-19
E1012-8064	A200037-35	A200069-21
E1012-8080	A200035-53	A200069-13
E1012-8082	A200035-53	A200069-15

To order single packaged products, add a "K" suffix to the complete catalog number.

### Dimensions:



**Crouse-Hinds**  
by **EATON**



# Cam-Lok™ F Series E1012 Receptacles and Accessories

11P

**Cable Size #2 AWG - 4 / 0**  
**120VAC**  
**Up to 315A Continuous, 550A Intermittent**

## F Series E1012, Reinforced Thermoplastic or Elastomeric

### Features:

- Double cam principle provides a positive, vibration-proof connection
- Self-compensating for wear
- No moving contact surfaces, eliminating arcing or burning
- Superior electro-mechanical connections
- Locked contacts will withstand a pulling force of 1,000 lbs.
- 1/3 of a turn assures a high pressure contact approaching 600 lbs. per sq. in., providing minimum resistance
- Contacts carefully machined from a high conductivity brass to a smooth sliding fit and easy locking action
- Product body molded from colorfast material, color-coded for easy identification
- Panel receptacles are safety insulated for direct mounting to steel panels
- Accepts a wide range of cable sizes


### Testing and Code Compliance:

- OSHA compliant

### Material Characteristics:

- Insulator - reinforced thermoplastic or TPE
- Temperature rating: -40°C to 105°C

### Ordering Information - Female Terminal Connectors:

	Cable Size	Color	Angle Style Cat. #	Offset Style Cat. #
	#2 - 3 / 0	Red	A201317-1	A201317-5
	#2 - 3 / 0	Black	A201317-2	A201317-6
	4 / 0	Red	A201317-3	N/A
	4 / 0	Black	A201317-4	N/A

A201317-6

Bolt hole: 1/2"

### Ordering Information - Three Way "T" Connectors:

Cable Size	Color	Paralleling "T" Cat. # M-M-F	Tapping "T" Cat. # M-F-F
#2 - 4 / 0	Red	E1012-2324	E1012-2314
#2 - 4 / 0	Black	E1012-2326	E1012-2312

### Ordering Information - High Impact Receptacles:

Cable Size	Color	Cat. #	Description	Contact Material
#2 - 3 / 0	Red	E1012-301	Female Receptacle	Brass
#2 - 3 / 0	Black	E1012-302	Female Receptacle	Brass
#2 - 4 / 0	Red	E1012-303	Female Receptacle	Brass
#2 - 4 / 0	Black	E1012-304	Female Receptacle	Brass
#2 - 4 / 0	Red	E1012-305	Female Receptacle	Copper
#2 - 4 / 0	Black	E1012-306	Female Receptacle	Copper
#2 - 4 / 0	Red	E1012-307	Male Receptacle	Brass
#2 - 4 / 0	Black	E1012-308	Male Receptacle	Brass

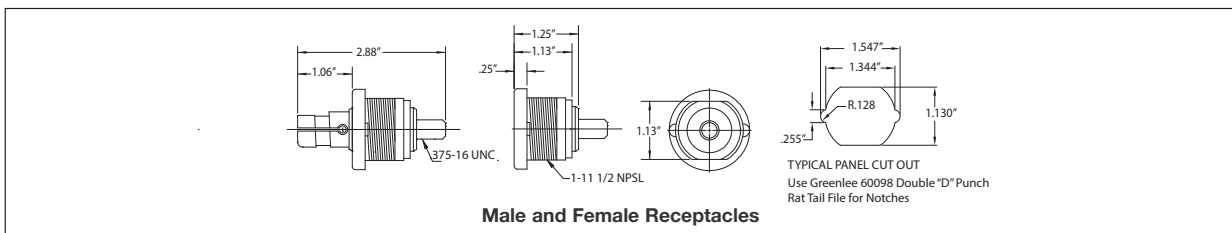


E1012-2324

Maximum torque: 20 ft.

To order single packaged products, add a "K" suffix to the complete catalog number.

### Dimensions:



**Crouse-Hinds**

by **Eaton**

11P

# 11P Cam-Lok™ F Series E1012 High Temperature Plugs and Receptacles

**Cable Size 2 / 0 - 4 / 0**  
**120VAC**  
**Up to 400A Continuous, 670A Intermittent**

## F Series E1012, High Temperature, Reinforced Epoxy

### Features:

- Double cam principle provides a positive, vibration-proof connection
- Self-compensating for wear
- No moving contact surfaces, eliminating arcing or burning
- Superior electro-mechanical connections
- Locked contacts will withstand a pulling force of 1,000 lbs.
- 1/3 of a turn assures a high pressure contact approaching 600 lbs. per sq. in., providing minimum resistance
- Contacts carefully machined from a high conductivity brass or silver-plated brass to a smooth sliding fit and easy locking action
- Material designed to deliver superior performance in high temperature applications up to 365° (180°C)

### Testing and Code Compliance:

- OSHA compliant

### Material Characteristics:

- Insulator - reinforced thermoplastic or TPE
- Temperature rating: -40°C to 180°C

### Ordering Information - Double Set Screw Male Plugs:



E1012-88

Cable Size	Contact Material	Color	Complete Cat. #	Contact Cat. #	Insulator Cat. #	Retaining Pin Cat. #
2 / 0 - 4 / 0	Brass	Black	E1012-88	200639-4	101037-2	100091-22
2 / 0 - 4 / 0	Silver Plate	Black	E1012-85	200639-9	101037-2	100091-22

### Ordering Information - Double Set Screw Female Plugs:

Cable Size	Contact Material	Color	Insulator Cat. #	Complete Cat. #	Contact Cat. #	Retaining Pin Cat. #
2 / 0 - 4 / 0	Brass	Black	101036-2	E1012-98	200641-10	100091-22
2 / 0 - 4 / 0	Silver Plate	Black	101036-2	E1012-95	200641-11	100091-22

### Ordering Information - High Temperature Receptacles:

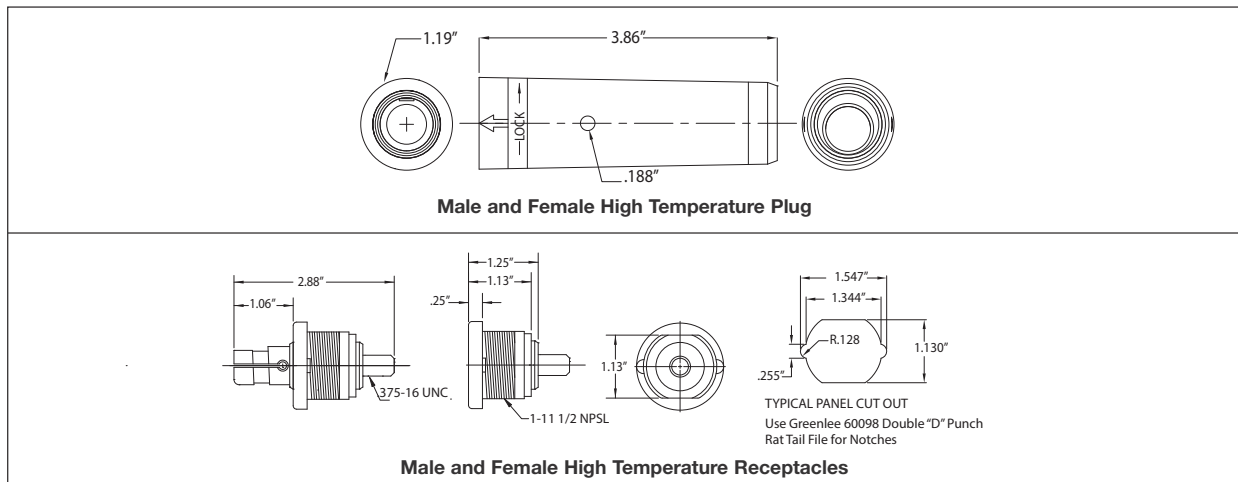


E1012-502

Cable Size	Color	Cat. #	Description	Contact Material
2 / 0 - 4 / 0	Black	E1012-502	Female Receptacle	Brass
2 / 0 - 4 / 0	Black	E1012-508	Male Receptacle	Brass

To order single packaged products, add a "K" suffix to the complete catalog number.

### Dimensions:



**Crouse-Hinds**  
 by **E.T.N.**

Cam-Lok™ J Series Connectors are specifically designed to meet the needs of demanding portable applications. J Series Plugs and Receptacles are the proven industry standard single pole connectors for reliability and service with added safety.

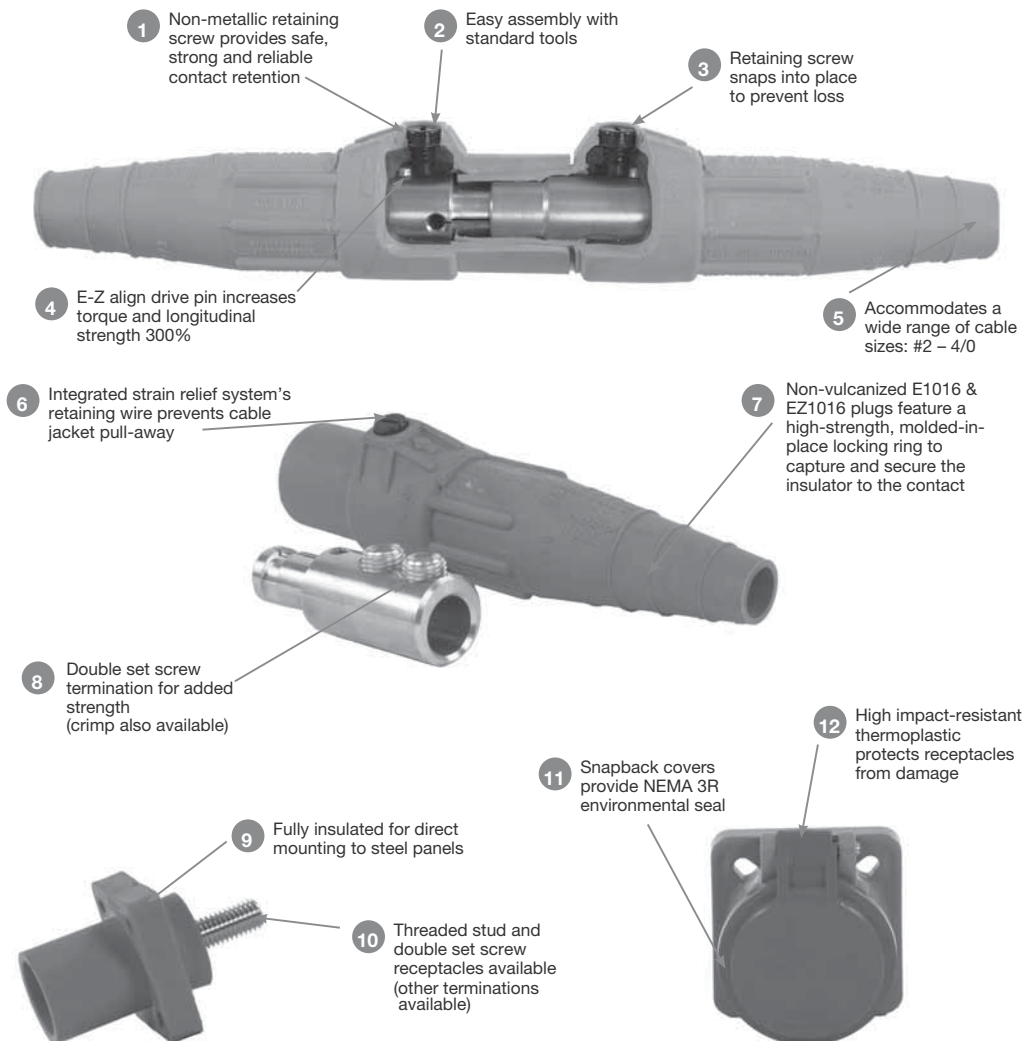
### Applications:

- J Series Plugs and Receptacles are specifically designed for industrial power distribution applications requiring quick, tool-free connections
- Ideal for portable power, power distribution, motors, generators, and entertainment applications
- J Series replaces traditional hard wiring while cutting downtime and maintenance
- J Series Connectors are insulated, shatter/crack-resistant and watertight, plus heat-, weather-, ozone-, oil-, and abrasion-resistant

### Certifications and Compliances:

- Listed to UL498, File No. E67181
- CSA certified to C22.2 No. 182.3 LR13963

### Features:



**Crouse-Hinds**

by **Eaton**

# 11P Cam-Lok™ J Series E1015 Plugs

NEMA 3R

**Cable Size #8 - #4 AWG**  
**600V AC/DC**  
**Up to 150A Continuous**

## J Series E1015, Elastomeric, Non-vulcanized, Single Set Screw Connection

### Features:

- Double cam principle provides a positive, vibration-proof connection
- Self-compensating for wear
- No moving contact surfaces, eliminating arcing or burning
- Superior electro-mechanical connections
- Locked contacts will withstand a pulling force of 1,000 lbs.
- 1/3 of a turn assures a high pressure contact approaching 600 lbs. per sq. in., providing minimum resistance
- Contacts carefully machined from a high conductivity brass to a smooth sliding fit and easy locking action
- Watertight elastomeric insulators molded from colorfast material, color-coded for easy phase identification
- Recessed contacts protected by insulating jacket that extends beyond contact ends for safety
- Integrated strain relief system features a retaining wire that prevents cable jacket pull-away and bare conductor exposure
- Accepts a wide range of cable sizes

### Testing and Code Compliance:

- Listed to UL498, File No. E67181
- CSA certified to C22.2 No. 182.3-M1987, File No. LR13963

### Material Characteristics:

- Insulator - TPE
- Environmental rating: NEMA 3R
- Temperature rating: -40°C to 105°C

### Ordering Information - Set Screw Non-vulcanized Male Plugs:



E1015-8313

Cable Size	Color	Complete Cat. #	Contact Only Cat. #	Insulator Only Cat. #
#8 - #4	Black	E1015-8306	A100864-1	A100869-7
#8 - #4	Red	E1015-8308	A100864-1	A100869-9
#8 - #4	Green	E1015-8310	A100864-1	A100869-11
#8 - #4	White	E1015-8311	A100864-1	A100869-12
#8 - #4	Blue	E1015-8313	A100864-1	A100869-14
#8 - #4	Brown	E1015-8314	A100864-1	A100869-15
#8 - #4	Orange	E1015-8309	A100864-1	A100869-10
#8 - #4	Yellow	E1015-8307	A100864-1	A100869-8

### Ordering Information - Set Screw Non-vulcanized Female Plugs:

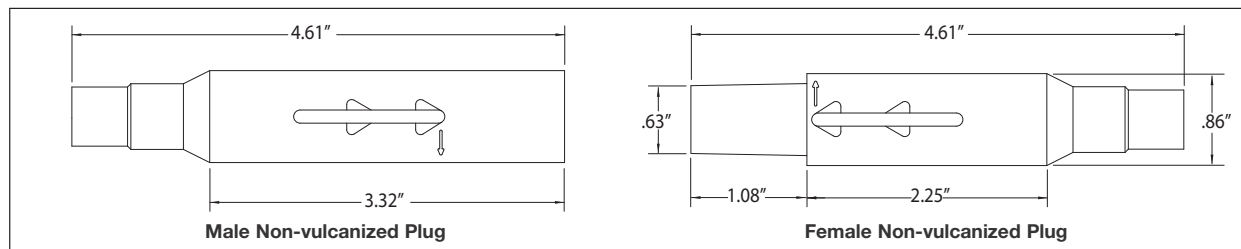


E1015-8333

Cable Size	Color	Complete Cat. #	Contact Only Cat. #	Insulator Only Cat. #
#8 - #4	Black	E1015-8331	A100865-1	A100868-7
#8 - #4	Red	E1015-8333	A100865-1	A100868-9
#8 - #4	Green	E1015-8335	A100865-1	A100868-11
#8 - #4	White	E1015-8336	A100865-1	A100868-12
#8 - #4	Blue	E1015-8338	A100865-1	A100868-14
#8 - #4	Brown	E1015-8339	A100865-1	A100868-15
#8 - #4	Orange	E1015-8334	A100865-1	A100868-10
#8 - #4	Yellow	E1015-8332	A100865-1	A100868-8

To order single packaged products, add a "K" suffix to the complete catalog number.

### Dimensions:



**Crouse-Hinds**  
by **E.T.N**

**Cable Size #8 - #4 AWG**  
**600V AC/DC**  
**Up to 150A Continuous**

## J Series E1015, Rubber, Vulcanized, Crimp Connection

### Features:

- Vulcanizing permanently affixes plug insulator to cable for maximum protection against bare conductors, water, all kinds of weather, corrosion, and other contaminants (requires vulcanizing kit/presses)
- Vulcanizing also reduces cable breakage by distributing flexing over a wide area for an effective strain relief system
- Double cam principle provides a positive, vibration-proof connection
- Self-compensating for wear
- No moving contact surfaces, eliminating arcing or burning
- Superior electro-mechanical connections
- Locked contacts will withstand a pulling force of 1,000 lbs.
- 1/3 of a turn assures a high pressure contact approaching 600 lbs. per sq. in., providing minimum resistance
- Contacts carefully machined from a high conductivity brass to a smooth sliding fit and easy locking action
- Watertight neoprene insulators molded from colorfast material, color-coded for easy phase identification
- Recessed contacts protected by insulating jacket that extends beyond contact ends for safety

### Testing and Code Compliance:

- Listed to UL498, File No. E67181
- CSA certified to C22.2 No. 182.3-M1987, File No. LR13963

### Material Characteristics:

- Insulator - rubber
- Environmental rating: NEMA 4
- Temperature rating: -40°C to 105°C

### Ordering Information - Crimp Vulcanized Male Plugs:



E1015-2

Cable Size	Color	Complete Cat. #	Contact Only Cat. #	Insulator Only Cat. #
#8 - #4	Black	E1015-1	A100087-1	A100092-1
#8 - #4	Red	E1015-3	A100087-1	A100092-3
#8 - #4	Green	E1015-5	A100087-1	A100092-5
#8 - #4	White	E1015-6	A100087-1	A100092-6
#8 - #4	Blue	E1015-19	A100087-1	A100092-7
#8 - #4	Brown	E1015-22	A100087-1	A100092-8
#8 - #4	Orange	E1015-4	A100087-1	A100092-4
#8 - #4	Yellow	E1015-2	A100087-1	A100092-2

### Ordering Information - Crimp Vulcanized Female Plugs:

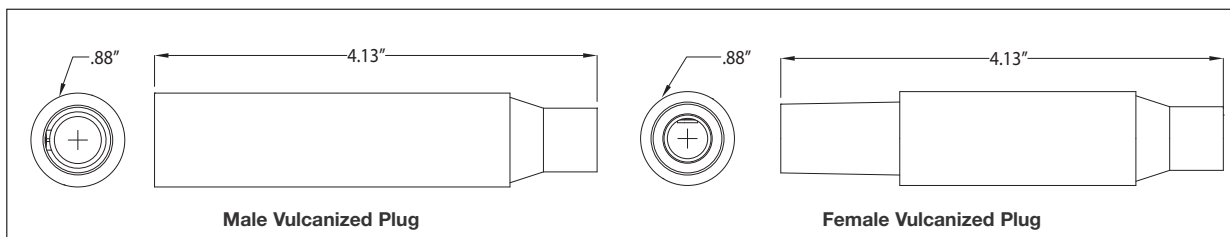


E1015-55

Cable Size	Color	Complete Cat. #	Contact Only Cat. #	Insulator Only Cat. #
#8 - #4	Black	E1015-50	A100088-1	A100093-1
#8 - #4	Red	E1015-52	A100088-1	A100093-3
#8 - #4	Green	E1015-54	A100088-1	A100093-5
#8 - #4	White	E1015-55	A100088-1	A100093-6
#8 - #4	Blue	E1015-47	A100088-1	A100093-14
#8 - #4	Brown	E1015-44	A100088-1	A100093-15
#8 - #4	Orange	E1015-53	A100088-1	A100093-4
#8 - #4	Yellow	E1015-51	A100088-1	A100093-2

To order single packaged products, add a "K" suffix to the complete catalog number.

### Dimensions:



**Crouse-Hinds**

by **E.T.N**

# Cam-Lok™ J Series E1015 Receptacles and Terminals

NEMA 3R

**Cable Size #8 - #4 AWG 600V AC/DC  
Up to 150A Continuous**

## J Series E1015, Elastomeric or Rubber

### Features:

- Double cam principle provides a positive, vibration-proof connection
- Self-compensating for wear
- No moving contact surfaces, eliminating arcing or burning
- Superior electro-mechanical connections
- Locked contacts will withstand a pulling force of 1,000 lbs.
- 1/3 of a turn assures a high pressure contact approaching 600 lbs. per sq. in., providing minimum resistance
- Contacts carefully machined from a high conductivity brass to a smooth sliding fit and easy locking action
- Product body molded from colorfast material, color-coded for easy phase identification
- Receptacles are watertight elastomeric; terminals are rubber
- Recessed contacts protected by insulating jacket that extends beyond contact ends for safety
- Receptacles are safety insulated for direct mounting to steel panels

### Testing and Code Compliance:

- Listed to UL498, File No. E67181
- CSA certified to C22.2 No. 182.3-M1987, File No. LR13963

### Material Characteristics:

- Body - TPE (receptacles) or rubber (terminals)
- Environmental rating: NEMA 3R
- Temperature rating: -40°C to 105°C

### Ordering Information - Threaded Studs:



E1015-1604

Stud size: 5/16"; torque: 15 ft.-lbs.

Cable Size	Color	Male Receptacle Complete Cat. #	Female Receptacle Complete Cat. #
#8 - #4	Black	E1015-1600	E1015-1625
#8 - #4	Red	E1015-1602	E1015-1627
#8 - #4	Green	E1015-1604	E1015-1629
#8 - #4	White	E1015-1605	E1015-1630
#8 - #4	Blue	E1015-1606	E1015-1631
#8 - #4	Brown	E1015-1607	E1015-1632
#8 - #4	Orange	E1015-1603	E1015-1628
#8 - #4	Yellow	E1015-1601	E1015-1626

### Ordering Information - Female Terminals:

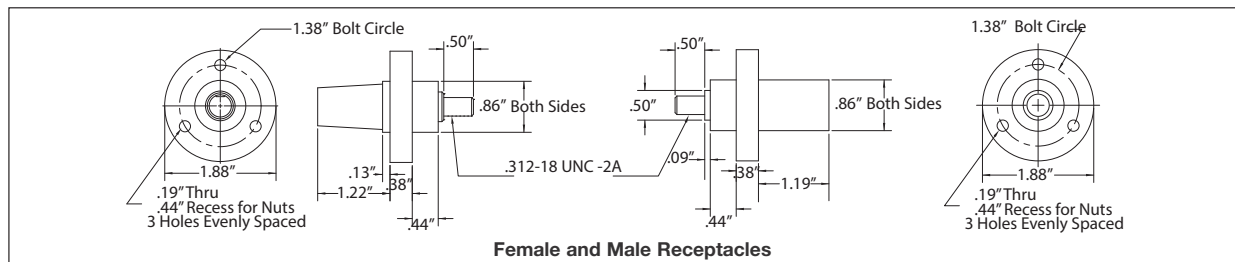


E1015-1625

Cable Size	Color	Angle Style Cat. #	Offset Style Cat. #
#8 - #4	Black	E1015-575	E1015-625
#8 - #4	Red	E1015-577	E1015-627
#8 - #4	Green	E1015-579	E1015-629
#8 - #4	White	E1015-580	E1015-630
#8 - #4	Blue	E1015-581	E1015-631
#8 - #4	Brown	E1015-589	E1015-632
#8 - #4	Orange	E1015-578	E1015-628
#8 - #4	Yellow	E1015-576	E1015-626

To order single packaged products, add a "K" suffix to the complete catalog number.

### Dimensions:



**Crouse-Hinds**  
by **EATON**

# Cam-Lok™ J Series E1015 Accessories

NEMA 3R

11P

**Cable Size #8 - #4 AWG 600V AC/DC  
Up to 150A Continuous**

## J Series E1015, Rubber Features:

- Double cam principle provides a positive, vibration-proof connection
- Self-compensating for wear
- No moving contact surfaces, eliminating arcing or burning
- Superior electro-mechanical connections
- Locked contacts will withstand a pulling force of 1,000 lbs.
- 1/3 of a turn assures a high pressure contact approaching 600 lbs. per sq. in., providing minimum resistance
- Contacts carefully machined from a high conductivity brass to a smooth sliding fit, even before to locking
- Watertight neoprene insulators molded from colorfast material, color-coded for easy phase identification
- Recessed contacts protected by insulating jacket that extends beyond contact ends for safety

## Testing and Code Compliance:

- Listed to UL498, File No. E67181
- CSA certified to C22.2 No. 182.3-M1987, File No. LR13963

## Material Characteristics:

- Body - rubber
- Environmental rating: NEMA 3R
- Temperature rating: -40°C to 105°C

## Ordering Information - Three Way "T" Connectors:

Color	Paralleling "T" Complete Cat. # M-M-F	Tapping "T" Complete Cat. # M-F-F
Black	E1015-2324	E1015-2312
Red	E1015-2326	E1015-2314
Green	E1015-2328	E1015-2316
White	E1015-2329	E1015-2317
Blue	E1015-2348	E1015-2350
Brown	E1015-2342	E1015-2370
Orange	E1015-2327	E1015-2315
Yellow	E1015-2325	E1015-2313



E1015-2314

## Ordering Information - Adapters:

Double Female Complete Cat. #	Double Male Complete Cat. #	Male/Female Complete Cat. #	Double Female Complete Cat. #	Double Male Complete Cat. #	Male/Female Complete Cat. #
E1015-2352	E1015-2362	E1015-2336	E1015-2358	E1015-2368	E1015-2361
E1015-2354	E1015-2364	E1015-2338	E1015-2359	E1015-2369	E1015-2371
E1015-2356	E1015-2366	E1015-2340	E1015-2355	E1015-2365	E1015-2339
E1015-2357	E1015-2367	E1015-2341	E1015-2353	E1015-2363	E1015-2337

## Ordering Information - Protective Caps:

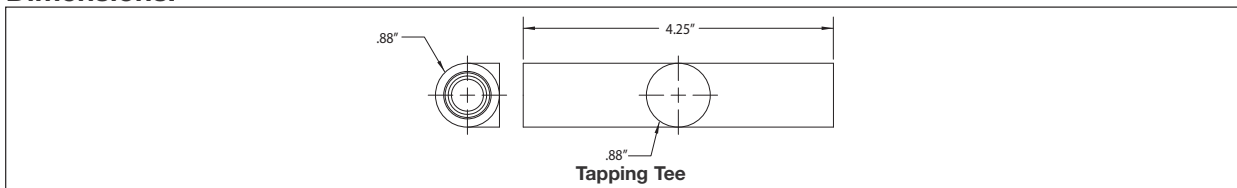
Color	Male Cat. #	Female Cat. #
Black	A100793-1	A100792-1
Red	A100793-3	A100792-3
Green	A100793-5	A100792-5
White	A100793-6	A100792-6
Blue	A100793-7	A100792-13
Brown	A100793-8	A100792-7
Orange	A100793-4	A100792-4
Yellow	A100793-2	A100792-2



A100792-1

To order single packaged products, add a "K" suffix to the complete catalog number.

## Dimensions:



## Crouse-Hinds

by **E.T.N**

www.crouse-hinds.com US: 1-866-764-5454 CAN: 1-800-265-0502 Copyright© 2013 Eaton's Crouse-Hinds Business

1501

11P

**11P****Cam-Lok™ J Series E-Z1016 Plugs**

NEMA 3R

**Cable Size #2 AWG - 2 / 0 600V AC/DC  
Up to 300A Continuous****J Series E-Z1016, Elastomeric, Non-vulcanized, Double Set Screw Connection****Features:**

- E-Z assembly and disassembly - no tools needed
- Double cam principle provides a positive, vibration-proof connection
- Self-compensating for wear
- No moving contact surfaces, eliminating arcing or burning
- Superior electro-mechanical connections
- Locked contacts will withstand a pulling force of 1,000 lbs.
- 1/3 of a turn assures a high pressure contact approaching 600 lbs. per sq. in., providing minimum resistance
- Contacts carefully machined from a high conductivity brass to a smooth sliding fit and easy locking action
- Watertight elastomeric insulators molded from colorfast material, color-coded for easy phase identification
- Recessed contacts protected by insulating jacket that extends beyond contact ends for safety
- Integrated strain relief system features a retaining wire that prevents cable jacket pull-away and bare conductor exposure
- Plugs feature a high strength, molded-in-place locking ring to capture and secure the insulator to the contact
- Accepts a wide range of cable sizes

**Testing and Code Compliance:**

- Listed to UL498, File No. E67181
- CSA certified to C22.2 No. 182.3-M1987, File No. LR13963

**Material Characteristics:**

- Insulator - TPE
- Environmental rating: NEMA 3R
- Temperature rating: -40°C to 105°C

**Ordering Information - Double Set Screw Non-vulcanized Male Plugs:**

E-Z1016-8354

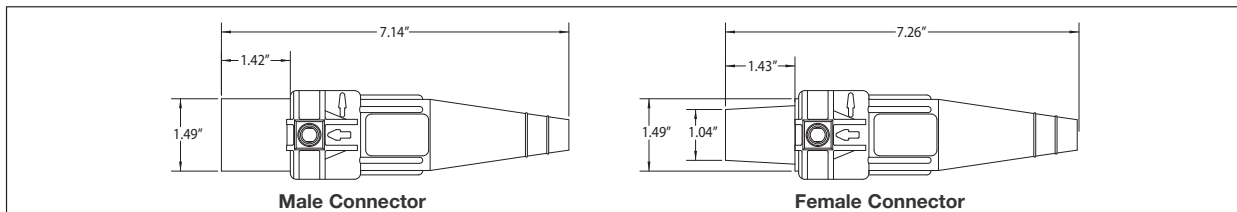
Cable Size	Color	Complete Cat. #	Contact Only Cat. #	Insulator Only Cat. #
#2 - 2 / 0	Black	E-Z1016-8350	A200630-1	E-Z200074-19
#2 - 2 / 0	Red	E-Z1016-8352	A200630-1	E-Z200074-21
#2 - 2 / 0	Green	E-Z1016-8354	A200630-1	E-Z200074-23
#2 - 2 / 0	White	E-Z1016-8355	A200630-1	E-Z200074-24
#2 - 2 / 0	Blue	E-Z1016-8356	A200630-1	E-Z200074-38
#2 - 2 / 0	Brown	E-Z1016-8357	A200630-1	E-Z200074-47
#2 - 2 / 0	Orange	E-Z1016-8353	A200630-1	E-Z200074-22
#2 - 2 / 0	Yellow	E-Z1016-8351	A200630-1	E-Z200074-20

**Ordering Information - Double Set Screw Non-vulcanized Female Plugs:**

E-Z1016-8380

Cable Size	Color	Complete Cat. #	Contact Only Cat. #	Insulator Only Cat. #
#2 - 2 / 0	Black	E-Z1016-8375	A200640-3	E-Z200075-19
#2 - 2 / 0	Red	E-Z1016-8377	A200640-3	E-Z200075-21
#2 - 2 / 0	Green	E-Z1016-8379	A200640-3	E-Z200075-23
#2 - 2 / 0	White	E-Z1016-8380	A200640-3	E-Z200075-24
#2 - 2 / 0	Blue	E-Z1016-8381	A200640-3	E-Z200075-44
#2 - 2 / 0	Brown	E-Z1016-8382	A200640-3	E-Z200075-52
#2 - 2 / 0	Orange	E-Z1016-8378	A200640-3	E-Z200075-22
#2 - 2 / 0	Yellow	E-Z1016-8376	A200640-3	E-Z200075-20

To order single packaged products, add a "K" suffix to the complete catalog number.

**Dimensions:**

Male Connector

Female Connector

**Crouse-Hinds**  
by **E.T.N**



# Cam-Lok™ J Series E-Z1016 Plugs

NEMA 3R

11P

**Cable Size 2 / 0 - 4 / 0 600V AC/DC  
Up to 400A Continuous**

## J Series E-Z1016, Elastomeric, Non-vulcanized, Double Set Screw Connection

### Features:

- E-Z assembly and disassembly - no tools needed
- Double cam principle provides a positive, vibration-proof connection
- Self-compensating for wear
- No moving contact surfaces, eliminating arcing or burning
- Superior electro-mechanical connections
- Locked contacts will withstand a pulling force of 1,000 lbs.
- 1/3 of a turn assures a high pressure contact approaching 600 lbs. per sq. in., providing minimum resistance
- Contacts carefully machined from a high conductivity brass to a smooth sliding fit and easy locking action
- Watertight elastomeric insulators molded from colorfast material, color-coded for easy phase identification
- Recessed contacts protected by insulating jacket that extends beyond contact ends for safety
- Integrated strain relief system features a retaining wire that prevents cable jacket pull-away and bare conductor exposure
- Plugs feature a high strength, molded-in-place locking ring to capture and secure the insulator to the contact
- Accepts a wide range of cable sizes

### Testing and Code Compliance:

- Listed to UL498, File No. E67181
- CSA certified to C22.2 No. 182.3-M1987, File No. LR13963

### Material Characteristics:

- Insulator - TPE
- Environmental rating: NEMA 3R
- Temperature rating: -40°C to 105°C

### Ordering Information - Double Set Screw Non-vulcanized Male Plugs:



E-Z1016-8368

Cable Size	Color	Complete Cat. #	Contact Only Cat. #	Insulator Only Cat. #
2 / 0 - 4 / 0	Black	E-Z1016-8362	A200639-1	E-Z200074-60
2 / 0 - 4 / 0	Red	E-Z1016-8364	A200639-1	E-Z200074-62
2 / 0 - 4 / 0	Green	E-Z1016-8366	A200639-1	E-Z200074-64
2 / 0 - 4 / 0	White	E-Z1016-8367	A200639-1	E-Z200074-65
2 / 0 - 4 / 0	Blue	E-Z1016-8368	A200639-1	E-Z200074-66
2 / 0 - 4 / 0	Brown	E-Z1016-8369	A200639-1	E-Z200074-67
2 / 0 - 4 / 0	Orange	E-Z1016-8365	A200639-1	E-Z200074-63
2 / 0 - 4 / 0	Yellow	E-Z1016-8363	A200639-1	E-Z200074-61

### Ordering Information - Double Set Screw Non-vulcanized Female Plugs:

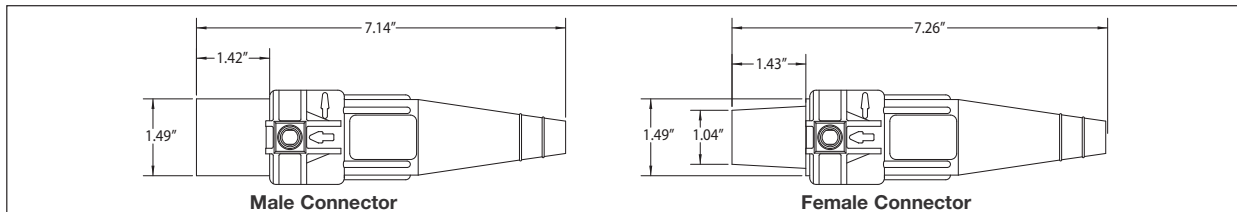


E-Z1016-8389

Cable Size	Color	Complete Cat. #	Contact Only Cat. #	Insulator Only Cat. #
2 / 0 - 4 / 0	Black	E-Z1016-8387	A200641-1	E-Z200075-60
2 / 0 - 4 / 0	Red	E-Z1016-8389	A200641-1	E-Z200075-62
2 / 0 - 4 / 0	Green	E-Z1016-8391	A200641-1	E-Z200075-64
2 / 0 - 4 / 0	White	E-Z1016-8392	A200641-1	E-Z200075-65
2 / 0 - 4 / 0	Blue	E-Z1016-8393	A200641-1	E-Z200075-66
2 / 0 - 4 / 0	Brown	E-Z1016-8394	A200641-1	E-Z200075-67
2 / 0 - 4 / 0	Orange	E-Z1016-8390	A200641-1	E-Z200075-63
2 / 0 - 4 / 0	Yellow	E-Z1016-8388	A200641-1	E-Z200075-61

To order single packaged products, add a "K" suffix to the complete catalog number.

### Dimensions:



## Crouse-Hinds

by **E.T.N**

11P

**Cable Size #2 - #1 AWG 600V AC/DC  
Up to 190A Continuous**

**J Series E-Z1016, Elastomeric, Non-vulcanized, Crimp Connection**

**Features:**

- E-Z assembly and disassembly - no tools needed
- Double cam principle provides a positive, vibration-proof connection
- Self-compensating for wear
- No moving contact surfaces, eliminating arcing or burning
- Superior electro-mechanical connections
- Locked contacts will withstand a pulling force of 1,000 lbs.
- 1/3 of a turn assures a high pressure contact approaching 600 lbs. per sq. in., providing minimum resistance
- Contacts carefully machined from a high conductivity brass to a smooth sliding fit and easy locking action
- Watertight elastomeric insulators molded from colorfast material, color-coded for easy phase identification
- Recessed contacts protected by insulating jacket that extends beyond contact ends for safety
- Integrated strain relief system features a retaining wire that prevents cable jacket pull-away and bare conductor exposure
- Plugs feature a high strength, molded-in-place locking ring to capture and secure the insulator to the contact

**Testing and Code Compliance:**

- Listed to UL498, File No. E67181
- CSA certified to C22.2 No. 182.3-M1987, File No. LR13963

**Material Characteristics:**

- Insulator - TPE
- Environmental rating: NEMA 3R
- Temperature rating: -40°C to 105°C

**Ordering Information - Crimp Non-vulcanized Male Plugs:**



E-Z1016-8006

Cable Size	Color	Complete Cat. #	Contact Only Cat. #	Insulator Only Cat. #
#2 - #1	Black	E-Z1016-8006	A200036-18	E-Z200074-19
#2 - #1	Red	E-Z1016-8008	A200036-18	E-Z200074-21
#2 - #1	Green	E-Z1016-8010	A200036-18	E-Z200074-23
#2 - #1	White	E-Z1016-8011	A200036-18	E-Z200074-24
#2 - #1	Blue	E-Z1016-7700	A200036-18	E-Z200074-38
#2 - #1	Brown	E-Z1016-7701	A200036-18	E-Z200074-47
#2 - #1	Orange	E-Z1016-8009	A200036-18	E-Z200074-22
#2 - #1	Yellow	E-Z1016-8007	A200036-18	E-Z200074-20

**Ordering Information - Crimp Non-vulcanized Female Plugs:**

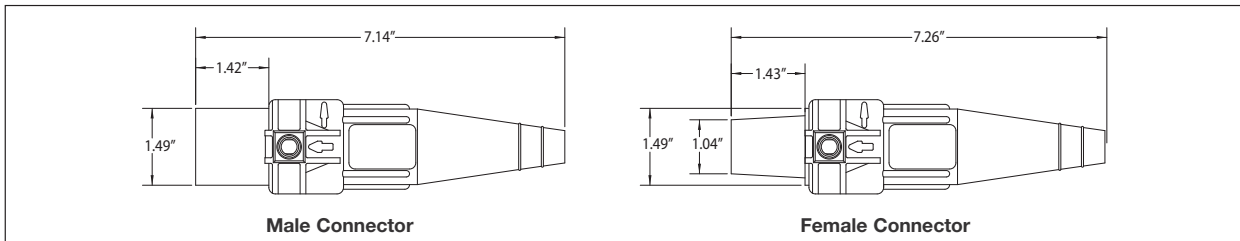


E-Z1016-8058

Cable Size	Color	Complete Cat. #	Contact Only Cat. #	Insulator Only Cat. #
#2 - #1	Black	E-Z1016-8056	A200037-23	E-Z200075-19
#2 - #1	Red	E-Z1016-8058	A200037-23	E-Z200075-21
#2 - #1	Green	E-Z1016-8060	A200037-23	E-Z200075-23
#2 - #1	White	E-Z1016-8061	A200037-23	E-Z200075-24
#2 - #1	Blue	E-Z1016-7716	A200037-23	E-Z200075-44
#2 - #1	Brown	E-Z1016-7717	A200037-23	E-Z200075-52
#2 - #1	Orange	E-Z1016-8059	A200037-23	E-Z200075-22
#2 - #1	Yellow	E-Z1016-8057	A200037-23	E-Z200075-20

To order single packaged products, add a "K" suffix to the complete catalog number.

**Dimensions:**



Male Connector

Female Connector

# Cam-Lok™ J Series E-Z1016 Plugs

NEMA 3R

11P

**Cable Size 1 / 0 - 2 / 0 600V AC/DC  
Up to 300A Continuous**

## J Series E-Z1016, Elastomeric, Non-vulcanized, Crimp Connection

### Features:

- E-Z assembly and disassembly
- Double cam principle provides a positive, vibration-proof connection
- Self-compensating for wear
- No moving contact surfaces, eliminating arcing or burning
- Superior electro-mechanical connections
- Locked contacts will withstand a pulling force of 1,000 lbs.
- 1/3 of a turn assures a high pressure contact approaching 600 lbs. per sq. in., providing minimum resistance
- Contacts carefully machined from a high conductivity brass to a smooth sliding fit and easy locking action
- Watertight elastomeric insulators molded from colorfast material, color-coded for easy phase identification
- Recessed contacts protected by insulating jacket that extends beyond contact ends for safety
- Integrated strain relief system features a retaining wire that prevents cable jacket pull-away and bare conductor exposure
- Plugs feature a high strength, molded-in-place locking ring to capture and secure the insulator to the contact

### Testing and Code Compliance:

- Listed to UL498, File No. E67181
- CSA certified to C22.2 No. 182.3-M1987, File No. LR13963

### Material Characteristics:

- Insulator - TPE
- Environmental rating: NEMA 3R
- Temperature rating: -40°C to 105°C

### Ordering Information - Crimp Non-vulcanized Male Plugs:



E-Z1016-8021

Cable Size	Color	Complete Cat. #	Contact Only Cat. #	Insulator Only Cat. #
1 / 0 - 2 / 0	Black	E-Z1016-8018	A200038-11	E-Z200074-60
1 / 0 - 2 / 0	Red	E-Z1016-8020	A200038-11	E-Z200074-62
1 / 0 - 2 / 0	Green	E-Z1016-8022	A200038-11	E-Z200074-64
1 / 0 - 2 / 0	White	E-Z1016-8023	A200038-11	E-Z200074-65
1 / 0 - 2 / 0	Blue	E-Z1016-7704	A200038-11	E-Z200074-66
1 / 0 - 2 / 0	Brown	E-Z1016-7705	A200038-11	E-Z200074-67
1 / 0 - 2 / 0	Orange	E-Z1016-8021	A200038-11	E-Z200074-63
1 / 0 - 2 / 0	Yellow	E-Z1016-8019	A200038-11	E-Z200074-61

### Ordering Information - Crimp Non-vulcanized Female Plugs:

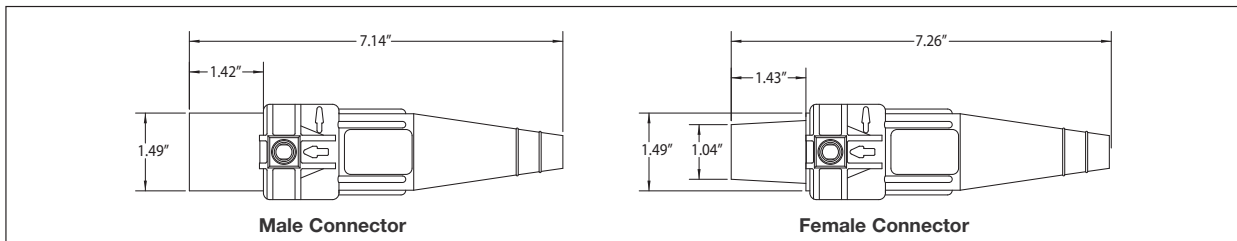


E-Z1016-8073

Cable Size	Color	Complete Cat. #	Contact Only Cat. #	Insulator Only Cat. #
1 / 0 - 2 / 0	Black	E-Z1016-8068	A200035-17	E-Z200075-60
1 / 0 - 2 / 0	Red	E-Z1016-8070	A200035-17	E-Z200075-62
1 / 0 - 2 / 0	Green	E-Z1016-8072	A200035-17	E-Z200075-64
1 / 0 - 2 / 0	White	E-Z1016-8073	A200035-17	E-Z200075-65
1 / 0 - 2 / 0	Blue	E-Z1016-7720	A200035-17	E-Z200075-66
1 / 0 - 2 / 0	Brown	E-Z1016-7721	A200035-17	E-Z200075-67
1 / 0 - 2 / 0	Orange	E-Z1016-8071	A200035-17	E-Z200075-63
1 / 0 - 2 / 0	Yellow	E-Z1016-8069	A200035-17	E-Z200075-61

To order single packaged products, add a "K" suffix to the complete catalog number.

### Dimensions:



## Crouse-Hinds

by E.T.N

www.crouse-hinds.com US: 1-866-764-5454 CAN: 1-800-265-0502 Copyright© 2013 Eaton's Crouse-Hinds Business

1505

11P

**Cable Size 3 / 0 - 4 / 0 600V AC/DC  
Up to 400A Continuous**

## J Series E-Z1016, Elastomeric, Non-vulcanized, Crimp Connection

### Features:

- E-Z assembly and disassembly - no tools needed
- Double cam principle provides a positive, vibration-proof connection
- Self-compensating for wear
- No moving contact surfaces, eliminating arcing or burning
- Superior electro-mechanical connections
- Locked contacts will withstand a pulling force of 1,000 lbs.
- 1/3 of a turn assures a high pressure contact approaching 600 lbs. per sq. in., providing minimum resistance
- Contacts carefully machined from a high conductivity brass to a smooth sliding fit and easy locking action
- Watertight elastomeric insulators molded from colorfast material, color-coded for easy phase identification
- Recessed contacts protected by insulating jacket that extends beyond contact ends for safety
- Integrated strain relief system features a retaining wire that prevents cable jacket pull-away and bare conductor exposure
- Plugs feature a high strength, molded-in-place locking ring to capture and secure the insulator to the contact

### Testing and Code Compliance:

- Listed to UL498, File No. E67181
- CSA certified to C22.2 No. 182.3-M1987, File No. LR13963

### Material Characteristics:

- Insulator - TPE
- Environmental rating: NEMA 3R
- Temperature rating: -40°C to 105°C

### Ordering Information - Crimp Non-vulcanized Male Plugs:



E-Z1016-8031

Cable Size	Color	Complete Cat. #	Contact Only Cat. #	Insulator Only Cat. #
3 / 0 - 4 / 0	Black	E-Z1016-8030	A200038-6	E-Z200074-60
3 / 0 - 4 / 0	Red	E-Z1016-8032	A200038-6	E-Z200074-62
3 / 0 - 4 / 0	Green	E-Z1016-8034	A200038-6	E-Z200074-64
3 / 0 - 4 / 0	White	E-Z1016-8035	A200038-6	E-Z200074-65
3 / 0 - 4 / 0	Blue	E-Z1016-7708	A200038-6	E-Z200074-66
3 / 0 - 4 / 0	Brown	E-Z1016-7709	A200038-6	E-Z200074-67
3 / 0 - 4 / 0	Orange	E-Z1016-8033	A200038-6	E-Z200074-63
3 / 0 - 4 / 0	Yellow	E-Z1016-8031	A200038-6	E-Z200074-61

### Ordering Information - Crimp Non-vulcanized Female Plugs:

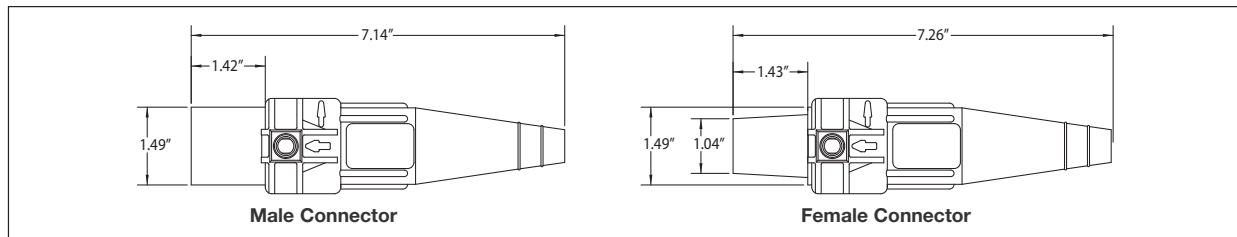


E-Z1016-7724

Cable Size	Color	Complete Cat. #	Contact Only Cat. #	Insulator Only Cat. #
3 / 0 - 4 / 0	Black	E-Z1016-8080	A200035-14	E-Z200075-60
3 / 0 - 4 / 0	Red	E-Z1016-8082	A200035-14	E-Z200075-62
3 / 0 - 4 / 0	Green	E-Z1016-8084	A200035-14	E-Z200075-64
3 / 0 - 4 / 0	White	E-Z1016-8085	A200035-14	E-Z200075-65
3 / 0 - 4 / 0	Blue	E-Z1016-7724	A200035-14	E-Z200075-66
3 / 0 - 4 / 0	Brown	E-Z1016-7725	A200035-14	E-Z200075-67
3 / 0 - 4 / 0	Orange	E-Z1016-8083	A200035-14	E-Z200075-63
3 / 0 - 4 / 0	Yellow	E-Z1016-8081	A200035-14	E-Z200075-61

To order single packaged products, add a "K" suffix to the complete catalog number.

### Dimensions:



Male Connector

Female Connector

# Cam-Lok™ J Series E1016 Plugs

NEMA 3R

11P

**Cable Size #2 AWG - 2 / 0 600V AC/DC  
Up to 300A Continuous**

## J Series E1016, Elastomeric, Non-vulcanized, Double Set Screw Connection

### Features:

- Double cam principle provides a positive, vibration-proof connection
- Self-compensating for wear
- No moving contact surfaces, eliminating arcing or burning
- Superior electro-mechanical connections
- Locked contacts will withstand a pulling force of 1,000 lbs.
- 1/3 of a turn assures a high pressure contact approaching 600 lbs. per sq. in., providing minimum resistance
- Contacts carefully machined from a high conductivity brass to a smooth sliding fit and easy locking action
- Watertight elastomeric insulators molded from colorfast material, color-coded for easy phase identification
- Recessed contacts protected by insulating jacket that extends beyond contact ends for safety
- Integrated strain relief system features a retaining wire that prevents cable jacket pull-away and bare conductor exposure
- Plugs feature a high strength, molded-in-place locking ring to capture and secure the insulator to the contact
- Accepts a wide range of cable sizes

### Testing and Code Compliance:

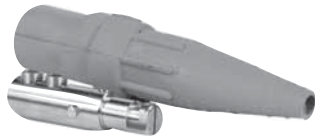
- Listed to UL498, File No. E67181
- CSA certified to C22.2 No. 182.3-M1987, File No. LR13963

### Material Characteristics:

- Insulator - TPE
- Environmental rating: NEMA 3R
- Temperature rating: -40°C to 105°C

### Ordering Information - Double Set Screw Non-vulcanized Male Plugs:

Cable Size	Color	Complete Cat. #	Contact Only Cat. #	Insulator Only Cat. #
#2 - 2 / 0	Black	E1016-8350	A200630-1	A200074-19
#2 - 2 / 0	Red	E1016-8352	A200630-1	A200074-21
#2 - 2 / 0	Green	E1016-8354	A200630-1	A200074-23
#2 - 2 / 0	White	E1016-8355	A200630-1	A200074-24
#2 - 2 / 0	Blue	E1016-8356	A200630-1	A200074-38
#2 - 2 / 0	Brown	E1016-8357	A200630-1	A200074-47
#2 - 2 / 0	Orange	E1016-8353	A200630-1	A200074-22
#2 - 2 / 0	Yellow	E1016-8351	A200630-1	A200074-20



E1016-8354

### Ordering Information - Double Set Screw Non-vulcanized Female Plugs:

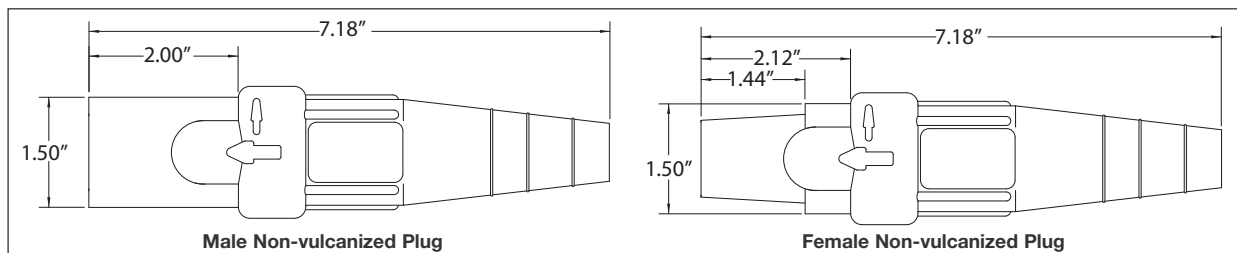
Cable Size	Color	Complete Cat. #	Contact Only Cat. #	Insulator Only Cat. #
#2 - 2 / 0	Black	E1016-8375	A200640-3	A200075-19
#2 - 2 / 0	Red	E1016-8377	A200640-3	A200075-21
#2 - 2 / 0	Green	E1016-8379	A200640-3	A200075-23
#2 - 2 / 0	White	E1016-8380	A200640-3	A200075-24
#2 - 2 / 0	Blue	E1016-8381	A200640-3	A200075-44
#2 - 2 / 0	Brown	E1016-8382	A200640-3	A200075-52
#2 - 2 / 0	Orange	E1016-8378	A200640-3	A200075-22
#2 - 2 / 0	Yellow	E1016-8376	A200640-3	A200075-20



E1016-8380

To order single packaged products, add a "K" suffix to the complete catalog number.

### Dimensions:



## Crouse-Hinds

by E.T.N

www.crouse-hinds.com US: 1-866-764-5454 CAN: 1-800-265-0502 Copyright© 2013 Eaton's Crouse-Hinds Business

1507

11P

**11P**

# Cam-Lok™ J Series E1016 Plugs

NEMA 3R

**Cable Size 2 / 0 - 4 / 0 600V AC/DC  
Up to 400A Continuous****J Series E1016, Elastomeric, Non-vulcanized, Double Set Screw Connection****Features:**

- Double cam principle provides a positive, vibration-proof connection
- Self-compensating for wear
- No moving contact surfaces, eliminating arcing or burning
- Superior electro-mechanical connections
- 400A continuous duty rating when used with 90°C 4 / 0 cable
- Locked contacts will withstand a pulling force of 1,000 lbs.
- 1/3 of a turn assures a high pressure contact approaching 600 lbs. per sq. in., providing minimum resistance
- Contacts carefully machined from a high conductivity brass to a smooth sliding fit and easy locking action
- Watertight elastomeric insulators molded from colorfast material, color-coded for easy phase identification
- Recessed contacts protected by insulating jacket that extends beyond contact ends for safety
- Integrated strain relief system features a retaining wire that prevents cable jacket pull-away and bare conductor exposure
- Plugs feature a high strength, molded-in-place locking ring to capture and secure the insulator to the contact
- Accepts a wide range of cable sizes

**Testing and Code Compliance:**

- Listed to UL498, File No. E67181
- CSA certified to C22.2 No. 182.3-M1987, File No. LR13963

**Material Characteristics:**

- Insulator - TPE
- Environmental rating: NEMA 3R
- Temperature rating: -40°C to 105°C

**Ordering Information - Double Set Screw Non-vulcanized Male Plugs:**

E1016-8367

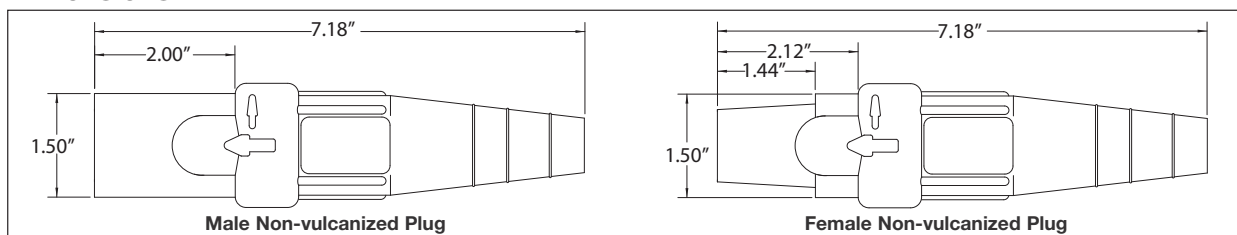
Cable Size	Color	Complete Cat. #	Contact Only Cat. #	Insulator Only Cat. #
2 / 0 - 4 / 0	Black	E1016-8362	A200639-1	A200074-60
2 / 0 - 4 / 0	Red	E1016-8364	A200639-1	A200074-62
2 / 0 - 4 / 0	Green	E1016-8366	A200639-1	A200074-64
2 / 0 - 4 / 0	White	E1016-8367	A200639-1	A200074-65
2 / 0 - 4 / 0	Blue	E1016-8368	A200639-1	A200074-66
2 / 0 - 4 / 0	Brown	E1016-8369	A200639-1	A200074-67
2 / 0 - 4 / 0	Orange	E1016-8365	A200639-1	A200074-63
2 / 0 - 4 / 0	Yellow	E1016-8363	A200639-1	A200074-61

**Ordering Information - Double Set Screw Non-vulcanized Female Plugs:**

E1016-8393

Cable Size	Color	Complete Cat. #	Contact Only Cat. #	Insulator Only Cat. #
2 / 0 - 4 / 0	Black	E1016-8387	A200641-1	A200075-60
2 / 0 - 4 / 0	Red	E1016-8389	A200641-1	A200075-62
2 / 0 - 4 / 0	Green	E1016-8391	A200641-1	A200075-64
2 / 0 - 4 / 0	White	E1016-8392	A200641-1	A200075-65
2 / 0 - 4 / 0	Blue	E1016-8393	A200641-1	A200075-66
2 / 0 - 4 / 0	Brown	E1016-8394	A200641-1	A200075-67
2 / 0 - 4 / 0	Orange	E1016-8390	A200641-1	A200075-63
2 / 0 - 4 / 0	Yellow	E1016-8388	A200641-1	A200075-61

To order single packaged products, add a "K" suffix to the complete catalog number.

**Dimensions:**

Male Non-vulcanized Plug

Female Non-vulcanized Plug

**Crouse-Hinds**  
by **E.T.N**

# Cam-Lok™ J Series E1016 Plugs

NEMA 3R

11P

**Cable Size #2 - #1 AWG 600V AC/DC  
Up to 190A Continuous**

## J Series E1016, Elastomeric, Non-vulcanized, Crimp Connection

### Features:

- Double cam principle provides a positive, vibration-proof connection
- Self-compensating for wear
- No moving contact surfaces, eliminating arcing or burning
- Superior electro-mechanical connections
- Locked contacts will withstand a pulling force of 1,000 lbs.
- 1/3 of a turn assures a high pressure contact approaching 600 lbs. per sq. in., providing minimum resistance
- Contacts carefully machined from a high conductivity brass to a smooth sliding fit and easy locking action
- Watertight elastomeric insulators molded from colorfast material, color-coded for easy phase identification
- Recessed contacts protected by insulating jacket that extends beyond contact ends for safety
- Integrated strain relief system features a retaining wire that prevents cable jacket pull-away and bare conductor exposure
- Plugs feature a high strength, molded-in-place locking ring to capture and secure the insulator to the contact

### Testing and Code Compliance:

- Listed to UL498, File No. E67181
- CSA certified to C22.2 No. 182.3-M1987, File No. LR13963

### Material Characteristics:

- Insulator - TPE
- Environmental rating: NEMA 3R
- Temperature rating: -40°C to 105°C

### Ordering Information - Crimp Non-vulcanized Male Plugs:

Cable Size	Color	Complete Cat. #	Contact Only Cat. #	Insulator Only Cat. #
#2 - #1	Black	<b>E1016-8006</b>	<b>A200036-18</b>	<b>A200074-19</b>
#2 - #1	Red	<b>E1016-8008</b>	<b>A200036-18</b>	<b>A200074-21</b>
#2 - #1	Green	<b>E1016-8010</b>	<b>A200036-18</b>	<b>A200074-23</b>
#2 - #1	White	<b>E1016-8011</b>	<b>A200036-18</b>	<b>A200074-24</b>
#2 - #1	Blue	<b>E1016-7700</b>	<b>A200036-18</b>	<b>A200074-38</b>
#2 - #1	Brown	<b>E1016-7701</b>	<b>A200036-18</b>	<b>A200074-47</b>
#2 - #1	Orange	<b>E1016-8009</b>	<b>A200036-18</b>	<b>A200074-22</b>
#2 - #1	Yellow	<b>E1016-8007</b>	<b>A200036-18</b>	<b>A200074-20</b>



E1016-8006

### Ordering Information - Crimp Non-vulcanized Female Plugs:

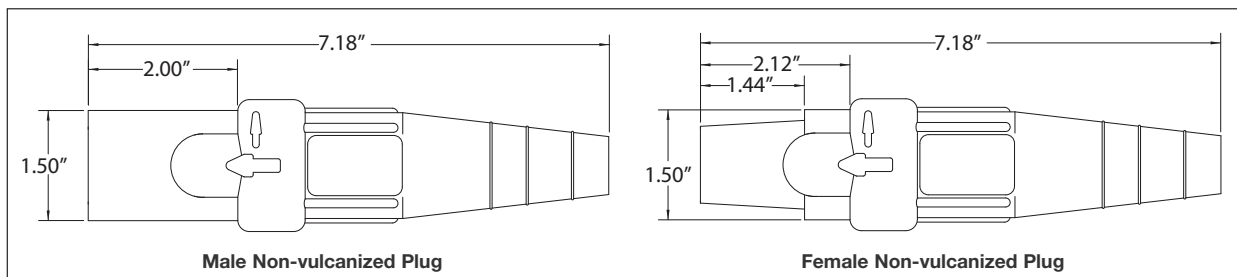
Cable Size	Color	Complete Cat. #	Contact Only Cat. #	Insulator Only Cat. #
#2 - #1	Black	<b>E1016-8056</b>	<b>A200037-23</b>	<b>A200075-19</b>
#2 - #1	Red	<b>E1016-8058</b>	<b>A200037-23</b>	<b>A200075-21</b>
#2 - #1	Green	<b>E1016-8060</b>	<b>A200037-23</b>	<b>A200075-23</b>
#2 - #1	White	<b>E1016-8061</b>	<b>A200037-23</b>	<b>A200075-24</b>
#2 - #1	Blue	<b>E1016-7716</b>	<b>A200037-23</b>	<b>A200075-44</b>
#2 - #1	Brown	<b>E1016-7717</b>	<b>A200037-23</b>	<b>A200075-52</b>
#2 - #1	Orange	<b>E1016-8059</b>	<b>A200037-23</b>	<b>A200075-22</b>
#2 - #1	Yellow	<b>E1016-8057</b>	<b>A200037-23</b>	<b>A200075-20</b>



E1016-8058

To order single packaged products, add a "K" suffix to the complete catalog number.

### Dimensions:



## Crouse-Hinds

by **E.T.N**

www.crouse-hinds.com US: 1-866-764-5454 CAN: 1-800-265-0502 Copyright© 2013 Eaton's Crouse-Hinds Business

1509

11P

**Cable Size 1 / 0 - 2 / 0 600V AC/DC  
Up to 235A Continuous**

## J Series E1016, Elastomeric, Non-vulcanized, Crimp Connection

### Features:

- Double cam principle provides a positive, vibration-proof connection
- Self-compensating for wear
- No moving contact surfaces, eliminating arcing or burning
- Superior electro-mechanical connections
- Locked contacts will withstand a pulling force of 1,000 lbs.
- 1/3 of a turn assures a high pressure contact approaching 600 lbs. per sq. in., providing minimum resistance
- Contacts carefully machined from a high conductivity brass to a smooth sliding fit and easy locking action
- Watertight elastomeric insulators molded from colorfast material, color-coded for easy phase identification
- Recessed contacts protected by insulating jacket that extends beyond contact ends for safety
- Integrated strain relief system features a retaining wire that prevents cable jacket pull-away and bare conductor exposure
- Plugs feature a high strength, molded-in-place locking ring to capture and secure the insulator to the contact

### Testing and Code Compliance:

- Listed to UL498, File No. E67181
- CSA certified to C22.2 No. 182.3-M1987, File No. LR13963

### Material Characteristics:

- Insulator - TPE
- Environmental rating: NEMA 3R
- Temperature rating: -40°C to 105°C

### Ordering Information - Crimp Non-vulcanized Male Plugs:



E1016-8020

Cable Size	Color	Complete Cat. #	Contact Only Cat. #	Insulator Only Cat. #
1 / 0 - 2 / 0	Black	E1016-8018	A200038-11B	A200074-13
1 / 0 - 2 / 0	Red	E1016-8020	A200038-11B	A200074-15
1 / 0 - 2 / 0	Green	E1016-8022	A200038-11B	A200074-17
1 / 0 - 2 / 0	White	E1016-8023	A200038-11B	A200074-18
1 / 0 - 2 / 0	Blue	E1016-7704	A200038-11B	A200074-37
1 / 0 - 2 / 0	Brown	E1016-7705	A200038-11B	A200074-46
1 / 0 - 2 / 0	Orange	E1016-8021	A200038-11B	A200074-16
1 / 0 - 2 / 0	Yellow	E1016-8019	A200038-11B	A200074-14

### Ordering Information - Crimp Non-vulcanized Female Plugs:

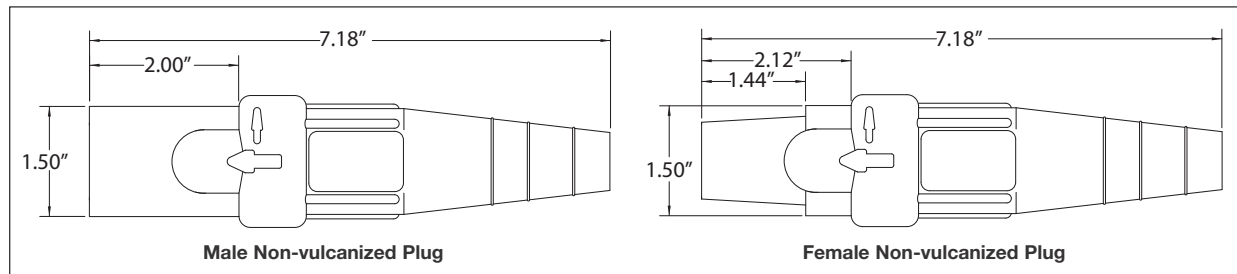


E1016-8069

Cable Size	Color	Complete Cat. #	Contact Only Cat. #	Insulator Only Cat. #
1 / 0 - 2 / 0	Black	E1016-8068	A200035-17B	A200075-13
1 / 0 - 2 / 0	Red	E1016-8070	A200035-17B	A200075-15
1 / 0 - 2 / 0	Green	E1016-8072	A200035-17B	A200075-17
1 / 0 - 2 / 0	White	E1016-8073	A200035-17B	A200075-18
1 / 0 - 2 / 0	Blue	E1016-7720	A200035-17B	A200075-37
1 / 0 - 2 / 0	Brown	E1016-7721	A200035-17B	A200075-51
1 / 0 - 2 / 0	Orange	E1016-8071	A200035-17B	A200075-16
1 / 0 - 2 / 0	Yellow	E1016-8069	A200035-17B	A200075-14

To order single packaged products, add a "K" suffix to the complete catalog number.

### Dimensions:





# Cam-Lok™ J Series E1016 Plugs

NEMA 3R

11P

**Cable Size 3 / 0 - 4 / 0 600V AC/DC  
Up to 315A Continuous**

## J Series E1016, Elastomeric, Non-vulcanized, Crimp Connection

### Features:

- Double cam principle provides a positive, vibration-proof connection
- Self-compensating for wear
- No moving contact surfaces, eliminating arcing or burning
- Superior electro-mechanical connections
- Locked contacts will withstand a pulling force of 1,000 lbs.
- 1/3 of a turn assures a high pressure contact approaching 600 lbs. per sq. in., providing minimum resistance
- Contacts carefully machined from a high conductivity brass to a smooth sliding fit and easy locking action
- Watertight elastomeric insulators molded from colorfast material, color-coded for easy phase identification
- Recessed contacts protected by insulating jacket that extends beyond contact ends for safety
- Integrated strain relief system features a retaining wire that prevents cable jacket pull-away and bare conductor exposure
- Plugs feature a high strength, molded-in-place locking ring to capture and secure the insulator to the contact

### Testing and Code Compliance:

- Listed to UL498, File No. E67181
- CSA certified to C22.2 No. 182.3-M1987, File No. LR13963

### Material Characteristics:

- Insulator - TPE
- Environmental rating: NEMA 3R
- Temperature rating: -40°C to 105°C

### Ordering Information - Crimp Non-vulcanized Male Plugs:

Cable Size	Color	Complete Cat. #	Contact Only Cat. #	Insulator Only Cat. #
3 / 0 - 4 / 0	Black	E1016-8030	A200038-6B	A200074-13
3 / 0 - 4 / 0	Red	E1016-8032	A200038-6B	A200074-15
3 / 0 - 4 / 0	Green	E1016-8034	A200038-6B	A200074-17
3 / 0 - 4 / 0	White	E1016-8035	A200038-6B	A200074-18
3 / 0 - 4 / 0	Blue	E1016-7708	A200038-6B	A200074-37
3 / 0 - 4 / 0	Brown	E1016-7709	A200038-6B	A200074-46
3 / 0 - 4 / 0	Orange	E1016-8033	A200038-6B	A200074-16
3 / 0 - 4 / 0	Yellow	E1016-8031	A200038-6B	A200074-14



E1016-8035

### Ordering Information - Crimp Non-vulcanized Female Plugs:

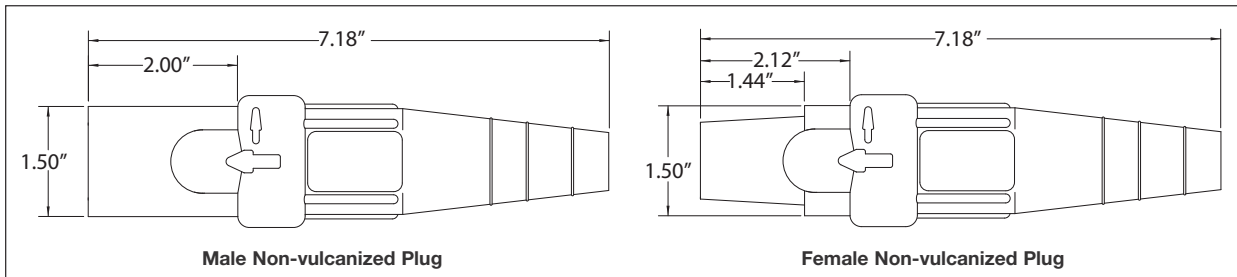
Cable Size	Color	Complete Cat. #	Contact Only Cat. #	Insulator Only Cat. #
3 / 0 - 4 / 0	Black	E1016-8080	A200035-14B	A200075-13
3 / 0 - 4 / 0	Red	E1016-8082	A200035-14B	A200075-15
3 / 0 - 4 / 0	Green	E1016-8084	A200035-14B	A200075-17
3 / 0 - 4 / 0	White	E1016-8085	A200035-14B	A200075-18
3 / 0 - 4 / 0	Blue	E1016-7724	A200035-14B	A200075-37
3 / 0 - 4 / 0	Brown	E1016-7725	A200035-14B	A200075-51
3 / 0 - 4 / 0	Orange	E1016-8083	A200035-14B	A200075-16
3 / 0 - 4 / 0	Yellow	E1016-8081	A200035-14B	A200075-14



E1016-7724

To order single packaged products, add a "K" suffix to the complete catalog number.

### Dimensions:



## Crouse-Hinds

by E.T.N

www.crouse-hinds.com US: 1-866-764-5454 CAN: 1-800-265-0502 Copyright© 2013 Eaton's Crouse-Hinds Business

1511

11P

**Cable Size #2 - #1 AWG 600V AC/DC  
Up to 190A Continuous**

## J Series E1016, Rubber, Vulcanized, Crimp Connection

### Features:

- Vulcanizing permanently affixes plug insulator to cable for maximum protection against water, all kinds of weather, corrosion, and other contaminants (requires vulcanizing kit/presses)
- Vulcanizing also reduces cable breakage by distributing flexing over a wide area for an effective strain relief system
- Double cam principle provides a positive, vibration-proof connection
- Self-compensating for wear
- No moving contact surfaces, eliminating arcing or burning
- Superior electro-mechanical connections
- Locked contacts will withstand a pulling force of 1,000 lbs.
- 1/3 of a turn assures a high pressure contact approaching 600 lbs. per sq. in., providing minimum resistance
- Contacts carefully machined from a high conductivity brass to a smooth sliding fit and easy locking action
- Watertight neoprene insulators molded from colorfast material, color-coded for easy phase identification
- Recessed contacts protected by insulating jacket that extends beyond contact ends for safety

### Testing and Code Compliance:

- Listed to UL498, File No. E67181
- CSA certified to C22.2 No. 182.3-M1987, File No. LR13963

### Material Characteristics:

- Insulator - rubber
- Environmental rating: NEMA 4
- Temperature rating: -40°C to 105°C

### Ordering Information - Crimp Vulcanized Male Plugs:



E1016-7

Cable Size	Color	Complete Cat. #	Contact Only Cat. #	Insulator Only Cat. #
#2 - #1	Black	E1016-7	A200036-2	A200706-7
#2 - #1	Red	E1016-9	A200036-2	A200706-9
#2 - #1	Green	E1016-11	A200036-2	A200706-11
#2 - #1	White	E1016-12	A200036-2	A200706-12
#2 - #1	Blue	E1016-46	A200036-2	A200706-97
#2 - #1	Brown	E1016-118	A200036-2	A200706-101
#2 - #1	Orange	E1016-10	A200036-2	A200706-10
#2 - #1	Yellow	E1016-8	A200036-2	A200706-8

### Ordering Information - Crimp Vulcanized Female Plugs:

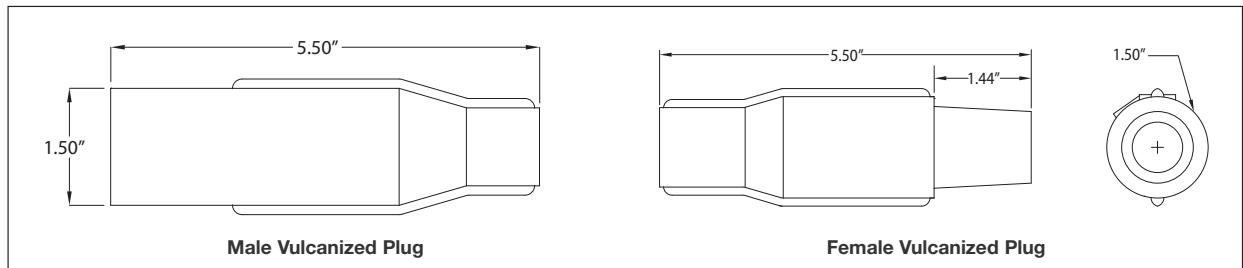


E1016-58

Cable Size	Color	Complete Cat. #	Contact Only Cat. #	Insulator Only Cat. #
#2 - #1	Black	E1016-56	A200037-2	A200705-7
#2 - #1	Red	E1016-58	A200037-2	A200705-9
#2 - #1	Green	E1016-60	A200037-2	A200705-11
#2 - #1	White	E1016-61	A200037-2	A200705-12
#2 - #1	Blue	E1016-95	A200037-2	A200705-64
#2 - #1	Brown	E1016-119	A200037-2	A200705-101
#2 - #1	Orange	E1016-59	A200037-2	A200705-10
#2 - #1	Yellow	E1016-57	A200037-2	A200705-8

To order single packaged products, add a "K" suffix to the complete catalog number.

### Dimensions:



Male Vulcanized Plug

Female Vulcanized Plug

# Cam-Lok™ J Series E1016 Plugs

NEMA 4

11P

**Cable Size 1 / 0 - 2 / 0 600V AC/DC  
Up to 235A Continuous**

## J Series E1016, Rubber, Vulcanized, Crimp Connection

### Features:

- Vulcanizing permanently affixes plug insulator to cable for maximum protection against water, all kinds of weather, corrosion, and other contaminants (requires vulcanizing kit/presses)
- Vulcanizing also reduces cable breakage by distributing flexing over a wide area for an effective strain relief system
- Double cam principle provides a positive, vibration-proof connection
- Self-compensating for wear
- No moving contact surfaces, eliminating arcing or burning
- Superior electro-mechanical connections
- Locked contacts will withstand a pulling force of 1,000 lbs.
- 1/3 of a turn assures a high pressure contact approaching 600 lbs. per sq. in., providing minimum resistance
- Contacts carefully machined from a high conductivity brass to a smooth sliding fit and easy locking action
- Watertight neoprene insulators molded from colorfast material, color-coded for easy phase identification
- Recessed contacts protected by insulating jacket that extends beyond contact ends for safety

### Testing and Code Compliance:

- Listed to UL498, File No. E67181
- CSA certified to C22.2 No. 182.3-M1987, File No. LR13963

### Material Characteristics:

- Insulator - rubber
- Environmental rating: NEMA 4
- Temperature rating: -40°C to 105°C

### Ordering Information - Crimp Vulcanized Male Plugs:



E1016-120

Cable Size	Color	Complete Cat. #	Contact Only Cat. #	Insulator Only Cat. #
1 / 0 - 2 / 0	Black	E1016-13	A200036-3	A200706-7
1 / 0 - 2 / 0	Red	E1016-15	A200036-3	A200706-9
1 / 0 - 2 / 0	Green	E1016-17	A200036-3	A200706-11
1 / 0 - 2 / 0	White	E1016-18	A200036-3	A200706-12
1 / 0 - 2 / 0	Blue	E1016-43	A200036-3	A200706-97
1 / 0 - 2 / 0	Brown	E1016-120	A200036-3	A200706-101
1 / 0 - 2 / 0	Orange	E1016-16	A200036-3	A200706-10
1 / 0 - 2 / 0	Yellow	E1016-14	A200036-3	A200706-8

### Ordering Information - Crimp Vulcanized Female Plugs:

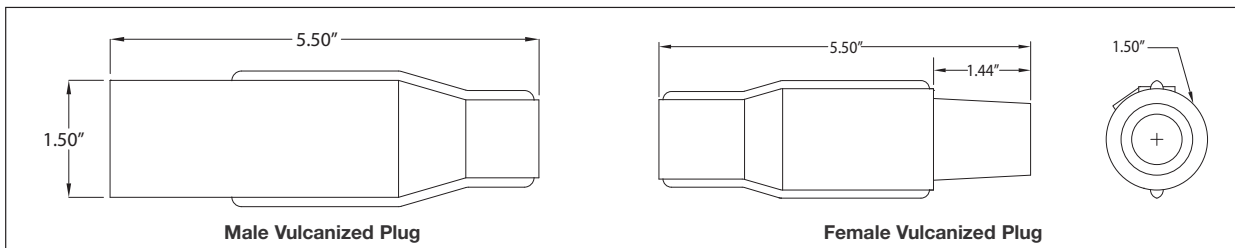


E1016-66

Cable Size	Color	Complete Cat. #	Contact Only Cat. #	Insulator Only Cat. #
1 / 0 - 2 / 0	Black	E1016-62	A200037-3	A200705-7
1 / 0 - 2 / 0	Red	E1016-64	A200037-3	A200705-9
1 / 0 - 2 / 0	Green	E1016-66	A200037-3	A200705-11
1 / 0 - 2 / 0	White	E1016-67	A200037-3	A200705-12
1 / 0 - 2 / 0	Blue	E1016-92	A200037-3	A200705-64
1 / 0 - 2 / 0	Brown	E1016-121	A200037-3	A200705-101
1 / 0 - 2 / 0	Orange	E1016-65	A200037-3	A200705-10
1 / 0 - 2 / 0	Yellow	E1016-63	A200037-3	A200705-8

To order single packaged products, add a "K" suffix to the complete catalog number.

### Dimensions:



## Crouse-Hinds

by E.T.N

www.crouse-hinds.com US: 1-866-764-5454 CAN: 1-800-265-0502 Copyright© 2013 Eaton's Crouse-Hinds Business

1513

11P

**Cable Size 3 / 0 - 4 / 0 600V AC/DC  
Up to 315A Continuous**

## J Series E1016, Rubber, Vulcanized, Crimp Connection

### Features:

- Vulcanizing permanently affixes plug insulator to cable for maximum protection against water, all kinds of weather, corrosion, and other contaminants (requires vulcanizing kit/presses)
- Vulcanizing also reduces cable breakage by distributing flexing over a wide area for an effective strain relief system
- Double cam principle provides a positive, vibration-proof connection
- Self-compensating for wear
- No moving contact surfaces, eliminating arcing or burning
- Superior electro-mechanical connections
- Locked contacts will withstand a pulling force of 1,000 lbs.
- 1/3 of a turn assures a high pressure contact approaching 600 lbs. per sq. in., providing minimum resistance
- Contacts carefully machined from a high conductivity brass to a smooth sliding fit and easy locking action
- Watertight neoprene insulators molded from colorfast material, color-coded for easy phase identification
- Recessed contacts protected by insulating jacket that extends beyond contact ends for safety

### Testing and Code Compliance:

- Listed to UL498, File No. E67181
- CSA certified to C22.2 No. 182.3-M1987, File No. LR13963

### Material Characteristics:

- Insulator - rubber
- Environmental rating: NEMA 4
- Temperature rating: -40°C to 105°C

### Ordering Information - Crimp Vulcanized Male Plugs:



E1016-45

Cable Size	Color	Complete Cat. #	Contact Only Cat. #	Insulator Only Cat. #
3 / 0 - 4 / 0	Black	E1016-31	A200038-2	A200706-13
3 / 0 - 4 / 0	Red	E1016-33	A200038-2	A200706-15
3 / 0 - 4 / 0	Green	E1016-35	A200038-2	A200706-17
3 / 0 - 4 / 0	White	E1016-36	A200038-2	A200706-18
3 / 0 - 4 / 0	Blue	E1016-45	A200038-2	A200706-64
3 / 0 - 4 / 0	Brown	E1016-465	A200038-2	A200706-19
3 / 0 - 4 / 0	Orange	E1016-34	A200038-2	A200706-16
3 / 0 - 4 / 0	Yellow	E1016-32	A200038-2	A200706-14

### Ordering Information - Crimp Vulcanized Female Plugs:

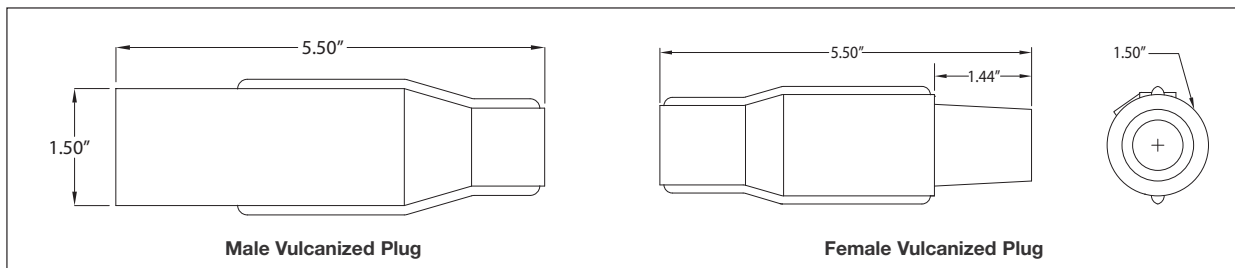


E1016-86

Cable Size	Color	Complete Cat. #	Contact Only Cat. #	Insulator Only Cat. #
3 / 0 - 4 / 0	Black	E1016-80	A200035-2	A200705-13
3 / 0 - 4 / 0	Red	E1016-82	A200035-2	A200705-15
3 / 0 - 4 / 0	Green	E1016-84	A200035-2	A200705-17
3 / 0 - 4 / 0	White	E1016-85	A200035-2	A200705-18
3 / 0 - 4 / 0	Blue	E1016-94	A200035-2	A200705-65
3 / 0 - 4 / 0	Brown	E1016-98	A200035-2	A200705-19
3 / 0 - 4 / 0	Orange	E1016-83	A200035-2	A200705-16
3 / 0 - 4 / 0	Yellow	E1016-81	A200035-2	A200705-14

To order single packaged products, add a "K" suffix to the complete catalog number.

### Dimensions:



Male Vulcanized Plug

Female Vulcanized Plug

# Cam-Lok™ J Series E1016 Receptacles

NEMA 3R

11P

**Cable Size #6 AWG - 250 MCM 600V AC/DC  
Up to 400A Continuous**

## J Series E1016, Elastomeric, Threaded Stud

### Features:

- Double cam principle provides a positive, vibration-proof connection
- Self-compensating for wear
- No moving contact surfaces, eliminating arcing or burning
- Superior electro-mechanical connections
- Locked contacts will withstand a pulling force of 1,000 lbs.
- 1/3 of a turn assures a high pressure contact approaching 600 lbs. per sq. in., providing minimum resistance
- Contacts carefully machined from a high conductivity brass to a smooth sliding fit and easy locking action
- Watertight elastomeric body molded from colorfast material, color-coded for easy phase identification
- Recessed contacts protected by insulating jacket that extends beyond contact ends for safety
- Receptacles are safety insulated for direct mounting to steel panels

### Testing and Code Compliance:

- Listed to UL498, File No. E67181
- CSA certified to C22.2 No. 182.3-M1987, File No. LR13963

### Material Characteristics:

- Body - TPE
- Environmental rating: NEMA 3R
- Temperature rating: -40°C to 105°C

## Ordering Information - Insulated Receptacles - 1 1/8" Threaded Stud:



E1016-1602S 1 1/8"

Stud size: 1/2" - 13; maximum torque: 40 ft.-lbs.

Color	Male Complete Cat. #	Female Complete Cat. #
Black	E1016-1600S	E1016-1631S
Red	E1016-1602S	E1016-1633S
Green	E1016-1604S	E1016-1635S
White	E1016-1605S	E1016-1636S
Blue	E1016-1612S	E1016-1643S
Brown	E1016-1619S	E1016-1687S
Orange	E1016-1603S	E1016-1634S
Yellow	E1016-1601S	E1016-1632S

## Ordering Information - Insulated Receptacles - 3/4" Threaded Stud:



E1016-1600 3/4"

Stud size: 1/2" - 13; maximum torque: 40 ft.-lbs.

Color	Male Complete Cat. #	Female Complete Cat. #
Black	E1016-1600	E1016-1631
Red	E1016-1602	E1016-1633
Green	E1016-1604	E1016-1635
White	E1016-1605	E1016-1636
Blue	E1016-1612	E1016-1643
Brown	E1016-1619	E1016-1687
Orange	E1016-1603	E1016-1634
Yellow	E1016-1601	E1016-1632

To order single packaged products, add a "K" suffix to the complete catalog number.

11P

**Cable Size #2 AWG - 4 / 0 600V AC/DC  
Up to 400A Continuous**

## J Series E1016, Elastomeric, Busbar

### Features:

- Double cam principle provides a positive, vibration-proof connection
- Self-compensating for wear
- No moving contact surfaces, eliminating arcing or burning
- Superior electro-mechanical connections
- Locked contacts will withstand a pulling force of 1,000 lbs.
- 1/3 of a turn assures a high pressure contact approaching 600 lbs. per sq. in., providing minimum resistance
- Contacts carefully machined from a high conductivity brass to a smooth sliding fit and easy locking action
- Watertight elastomeric body molded from colorfast material, color-coded for easy phase identification
- Recessed contacts protected by insulating jacket that extends beyond contact ends for safety
- Receptacles are safety insulated for direct mounting to steel panels

### Testing and Code Compliance:

- Listed to UL498, File No. E67181
- CSA certified to C22.2 No. 182.3-M1987, File No. LR13963

### Material Characteristics:

- Body - TPE
- Environmental rating: NEMA 3R
- Temperature rating: -40°C to 105°C

### Ordering Information - Insulated Receptacles - Single Hole Busbar:



E1016-1700B

Color	Male Complete Cat. #	Female Complete Cat. #
Black	E1016-1700B	E1016-1725B
Red	E1016-1702B	E1016-1727B
Green	E1016-1704B	E1016-1729B
White	E1016-1705B	E1016-1730B
Blue	E1016-1706B	E1016-1731B
Brown	E1016-1707B	E1016-1732B
Orange	E1016-1703B	E1016-1728B
Yellow	E1016-1701B	E1016-1726B

### Ordering Information - Insulated Receptacles - Double Hole Busbar:



E1016-1704BB

Color	Male Complete Cat. #	Female Complete Cat. #
Black	E1016-1700BB	E1016-1725BB
Red	E1016-1702BB	E1016-1727BB
Green	E1016-1704BB	E1016-1729BB
White	E1016-1705BB	E1016-1730BB
Blue	E1016-1706BB	E1016-1731BB
Brown	E1016-1707BB	E1016-1732BB
Orange	E1016-1703BB	E1016-1728BB
Yellow	E1016-1701BB	E1016-1726BB

To order single packaged products, add a "K" suffix to the complete catalog number.

**Cable Size #2 AWG - 4 / 0**  
**600V AC/DC, Up to 400A Continuous**  
**480V AC/DC, Up to 315A Continuous**

## J Series E1016, Elastomeric, Double Set Screw/Interlock Switch

### Features:

- Double cam principle provides a positive, vibration-proof connection
- Self-compensating for wear
- No moving contact surfaces, eliminating arcing or burning
- Superior electro-mechanical connections
- Locked contacts will withstand a pulling force of 1,000 lbs.
- 1/3 of a turn assures a high pressure contact approaching 600 lbs. per sq. in., providing minimum resistance
- Contacts carefully machined from a high conductivity brass to a smooth sliding fit and easy locking action
- Watertight elastomeric body molded from colorfast material, color-coded for easy phase identification
- Recessed contacts protected by insulating jacket that extends beyond contact ends for safety
- Receptacles are safety insulated for direct mounting to steel panels

### Testing and Code Compliance:

- Listed to UL498, File No. E67181
- CSA certified to C22.2 No. 182.3-M1987, File No. LR13963

### Material Characteristics:

- Body - TPE
- Environmental rating: NEMA 3R
- Temperature rating: -40°C to 105°C

### Insulated Receptacles - Double Set Screw Tightening Torque:

Cable	Torque (Lbs.)
#2 - #1	100
1 / 0 - 2 / 0	120
3 / 0 - 4 / 0	220

### Ordering Information - Insulated Receptacles - Double Set Screw:

Color	Male Complete Cat. #	Female Complete Cat. #
Black	E1016-1700	E1016-1725
Red	E1016-1702	E1016-1727
Green	E1016-1704	E1016-1729
White	E1016-1705	E1016-1730
Blue	E1016-1706	E1016-1731
Brown	E1016-1707	E1016-1732
Orange	E1016-1703	E1016-1728
Yellow	E1016-1701	E1016-1726



E1016-1706

### Ordering Information - Insulated Receptacles with Interlock Switch:

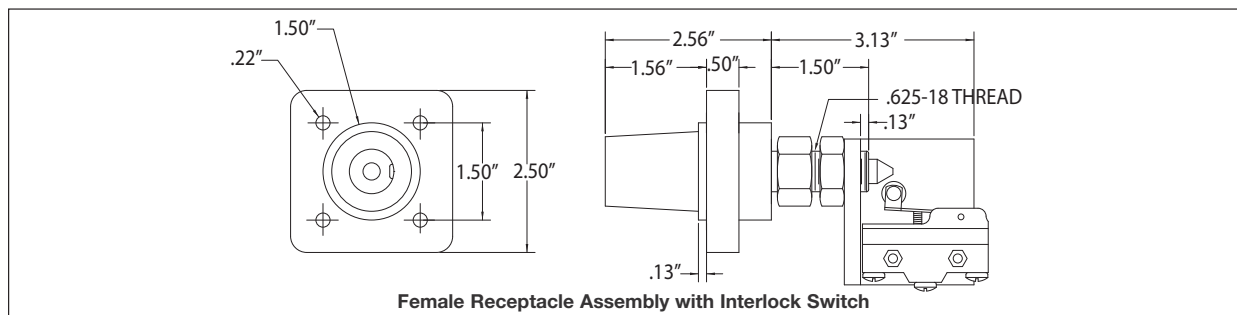
Color	Female Complete Cat. #
Black	E1016-2267
Red	E1016-2269
Green	E1016-2271
White	E1016-2272
Blue	E1016-2294
Brown	E1016-2295
Orange	E1016-2270
Yellow	E1016-2268



E1016-2269

To order single packaged products, add a "K" suffix to the complete catalog number.

### Dimensions:



Female Receptacle Assembly with Interlock Switch

**Crouse-Hinds**

by **Eaton**

# 11P Cam-Lok™ Receptacle Covers

NEMA 3R

**Cable Size 350-500 MCM 600V AC/DC  
Up to 545A Continuous**

## J Series E1015/E1016, NEMA 3R Receptacle Covers

### Features:

- Molded from colorfast material, color-coded for easy phase identification
- Mounts directly to new or existing receptacles
- Provides NEMA 3R protection
- High impact-resistant thermoplastic covers and bodies
- Stainless steel hardware
- Complete color offering

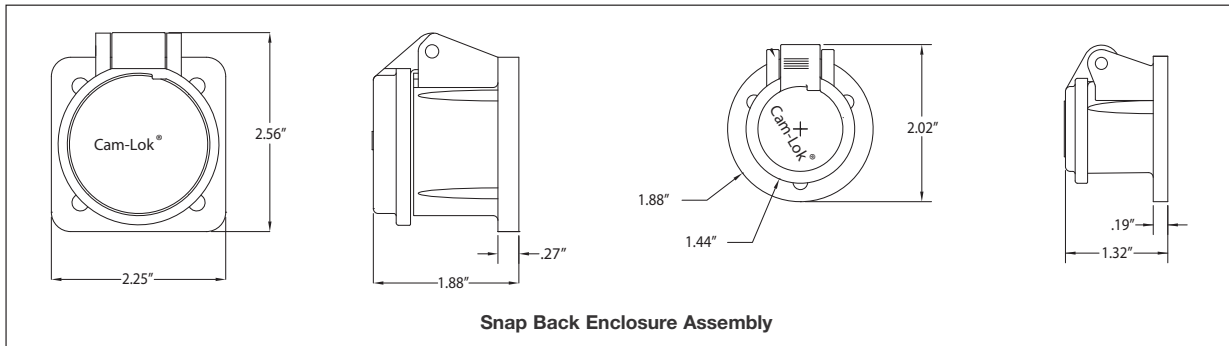
### Material Characteristics:

- Body - thermoplastic
- Environmental rating: NEMA 3R
- Temperature rating: -40°C to 105°C

### Ordering Information - NEMA 3R Receptacle Covers:

Color	E1015 Series Cat. #	E1016 Series Cat. #
Black	E1015SC-32	E1016SC-32
Red	E1015SC-36	E1016SC-36
Green	E1015SC-35	E1016SC-35
White	E1015SC-38	E1016SC-38
Blue	E1015SC-34	E1016SC-34
Yellow	E1015SC-37	E1016SC-37
Orange	E1015SC-39	E1016SC-39
Brown	E1015SC-31	E1016SC-31
Gray	E1015SC-33	E1016SC-33

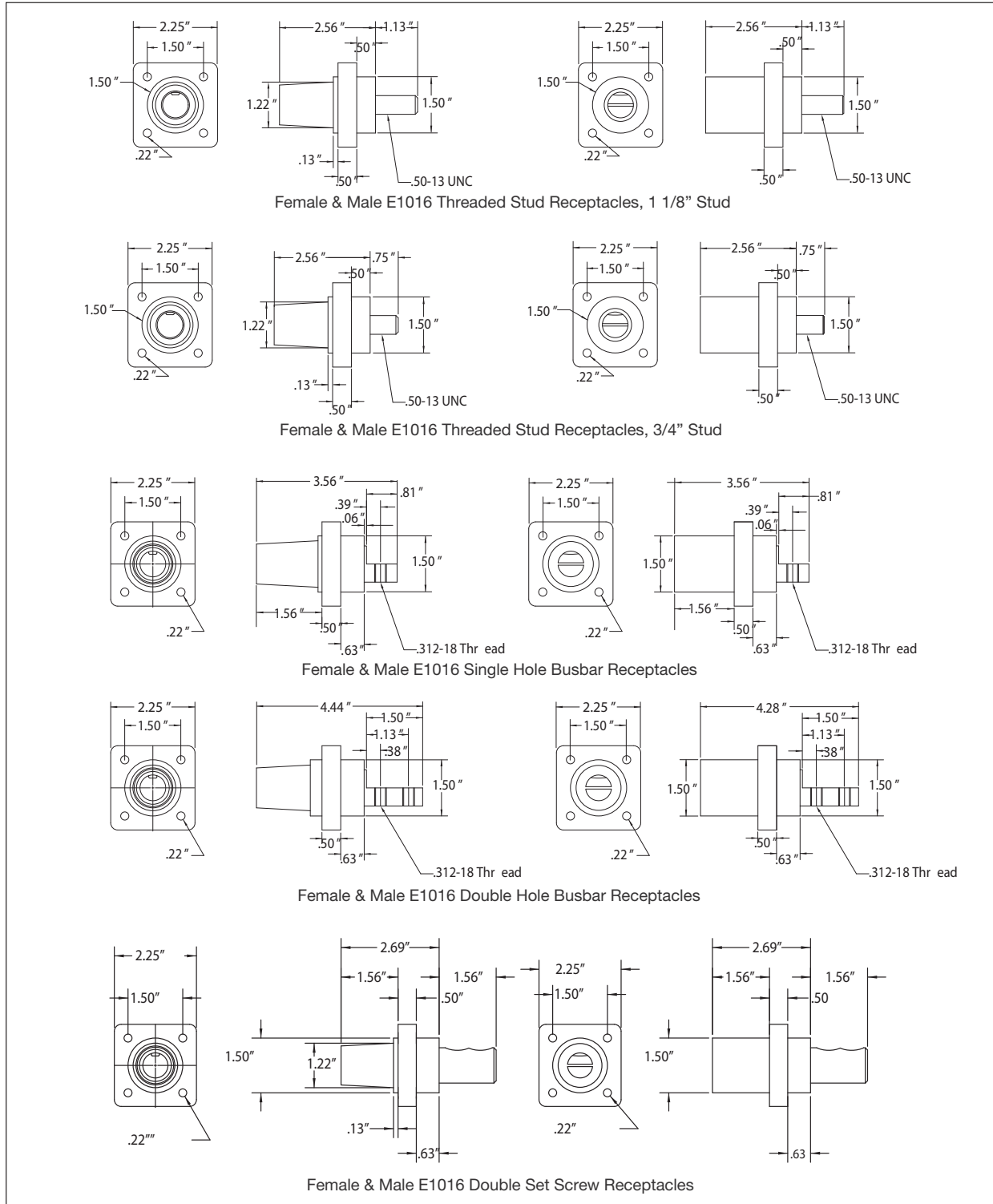
### Dimensions:



11P



## Dimensions:



**600V AC/DC  
Up to 400A Continuous**

**J Series E1016, Elastomeric**

**Features:**

- Double cam principle provides a positive, vibration-proof connection
- Self-compensating for wear
- No moving contact surfaces, eliminating arcing or burning
- Superior electro-mechanical connections
- Locked contacts will withstand a pulling force of 1,000 lbs.
- 1/3 of a turn assures a high pressure contact approaching 600 lbs. per sq. in., providing minimum resistance
- Contacts carefully machined from a high conductivity brass to a smooth sliding fit and easy locking action
- Watertight elastomeric body molded from colorfast material, color-coded for easy phase identification
- Recessed contacts protected by insulating jacket that extends beyond contact ends for safety

**Testing and Code Compliance:**

- Listed to UL498, File No. E67181
- CSA certified to C22.2 No. 182.3-M1987, File No. LR13963

**Material Characteristics:**

- Body - TPE
- Environmental rating: NEMA 3R
- Temperature rating: -40°C to 105°C

**Ordering Information - Three-Way Lay Down "T" Connectors:**



E1016-2324

Color	Paralleling "T" M-M-F Cat. #	Tapping "T" M-F-F Cat. #	Tapping "T" M-F-M Cat. #	Tapping "T" M-M-M Cat. #	Tapping "T" F-F-F Cat. #	Tapping "T" F-F-M Cat. #
Black	E1016-2324	E1016-2312	E1016-2318	E1016-2300	E1016-2306	E1016-2330
Red	E1016-2326	E1016-2314	E1016-2320	E1016-2302	E1016-2308	E1016-2332
Green	E1016-2328	E1016-2316	E1016-2322	E1016-2304	E1016-2310	E1016-2334
White	E1016-2329	E1016-2317	E1016-2323	E1016-2305	E1016-2311	E1016-2335
Blue	E1016-2348	E1016-2350	E1016-2359	E1016-2351	E1016-2349	E1016-2360
Brown	E1016-2371	E1016-2395	E1016-2372	E1016-2373	E1016-2374	E1016-2375
Orange	E1016-2327	E1016-2315	E1016-2321	E1016-2303	E1016-2309	E1016-2333
Yellow	E1016-2325	E1016-2313	E1016-2319	E1016-2301	E1016-2307	E1016-2331

**Ordering Information - Protective Caps with Lanyards (Not UL Listed):**



A100601-17

Color	Male Cap Cat. #	Female Cap Cat. #
Black	A100601-17	A100602-17
Red	A100601-19	A100602-19
Green	A100601-21	A100602-21
White	A100601-22	A100602-22
Blue	A100601-24	A100602-24
Brown	A100601-23	A100602-23
Orange	A100601-20	A100602-20
Yellow	A100601-18	A100602-18
Plated	A100895-1	SNAP BACK METAL COVER (Not NEMA 3R)
Aluminum	100444	SPACER

To order single packaged products, add a "K" suffix to the complete catalog number.

11P

# Cam-Lok™ J Series E1016 Accessories

NEMA 3R

11P

**600V AC/DC  
Up to 400A Continuous**

## J Series E1016, Elastomeric

### Features:

- Double cam principle provides a positive, vibration-proof connection
- Self-compensating for wear
- No moving contact surfaces, eliminating arcing or burning
- Superior electro-mechanical connections
- Locked contacts will withstand a pulling force of 1,000 lbs.
- 1/3 of a turn assures a high pressure contact approaching 600 lbs. per sq. in., providing minimum resistance
- Contacts carefully machined from a high conductivity brass to a smooth sliding fit and easy locking action
- Watertight elastomeric body molded from colorfast material, color-coded for easy phase identification
- Recessed contacts protected by insulating jacket that extends beyond contact ends for safety

### Testing and Code Compliance:

- Listed to UL498, File No. E67181
- CSA certified to C22.2 No. 182.3-M1987, File No. LR13963

### Material Characteristics:

- Body - TPE
- Environmental rating: NEMA 3R
- Temperature rating: -40°C to 105°C

### Ordering Information - Three-Fer Tapping Tees:



E1016-9502

Color	90° M-F-F-F Cat. #	45° M-F-F-F Cat. #	45° F-M-M-M Cat. #
Black	E1016-9500	E1016-9510	E1016-9580
Red	E1016-9502	E1016-9512	E1016-9600
Green	E1016-9504	E1016-9514	E1016-9620
White	E1016-9505	E1016-9515	E1016-9630
Blue	E1016-9506	E1016-9516	E1016-9640
Brown	E1016-9507	E1016-9517	E1016-9650
Orange	E1016-9503	E1016-9513	E1016-9610
Yellow	E1016-9501	E1016-9511	E1016-9590

### Ordering Information - Adapters:

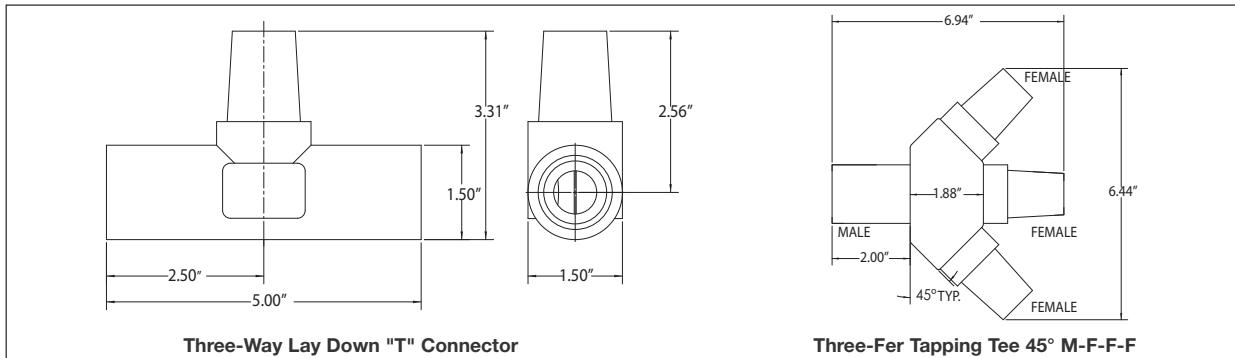


E1016-9510

Color	Double Female Adapter Cat. #	Double Male Adapter Cat. #
Black	E1016-2352	E1016-2382
Red	E1016-2354	E1016-2384
Green	E1016-2356	E1016-2386
White	E1016-2357	E1016-2387
Blue	E1016-2358	E1016-2388
Brown	E1016-2397	E1016-2389
Orange	E1016-2355	E1016-2385
Yellow	E1016-2353	E1016-2383

To order single packaged products, add a "K" suffix to the complete catalog number.

### Dimensions:



Three-Way Lay Down "T" Connector

Three-Fer Tapping Tee 45° M-F-F-F

**Crouse-Hinds**

by **E.T.N**

www.crouse-hinds.com US: 1-866-764-5454 CAN: 1-800-265-0502 Copyright© 2013 Eaton's Crouse-Hinds Business

1521

11P

**Cable Size #2 AWG - 4 / 0 600V AC/DC  
Up to 400A Continuous**

## J Series E1016, Elastomeric or Rubber

### Features:

- Double cam principle provides a positive, vibration-proof connection
- Self-compensating for wear
- No moving contact surfaces, eliminating arcing or burning
- Superior electro-mechanical connections
- Locked contacts will withstand a pulling force of 1,000 lbs.
- 1/3 of a turn assures a high pressure contact approaching 600 lbs. per sq. in., providing minimum resistance
- Contacts carefully machined from a high conductivity brass to a smooth sliding fit and easy locking action
- Product body molded from colorfast material, color-coded for easy phase identification; safety terminals are watertight elastomeric; terminals are rubber

### Testing and Code Compliance:

- Listed to UL498, File No. E67181
- CSA certified to C22.2 No. 182.3-M1987, File No. LR13963

### Material Characteristics:

- Body - TPE or rubber
- Environmental rating: NEMA 3R
- Temperature rating: -40°C to 105°C

### Ordering Information - Female Terminal Connectors:



E1016-627

Hole size: 1/2"

Cable Size	Color	Angle Style Complete Cat. #	Offset Style Complete Cat. #
#2 - 4 / 0	Black	E1016-575	E1016-625
#2 - 4 / 0	Red	E1016-577	E1016-627
#2 - 4 / 0	Green	E1016-579	E1016-629
#2 - 4 / 0	White	E1016-580	E1016-630
#2 - 4 / 0	Blue	E1016-587	E1016-638
#2 - 4 / 0	Brown	E1016-590	E1016-639
#2 - 4 / 0	Orange	E1016-578	E1016-628
#2 - 4 / 0	Yellow	E1016-576	E1016-626

### Ordering Information - Female Safety Terminals:



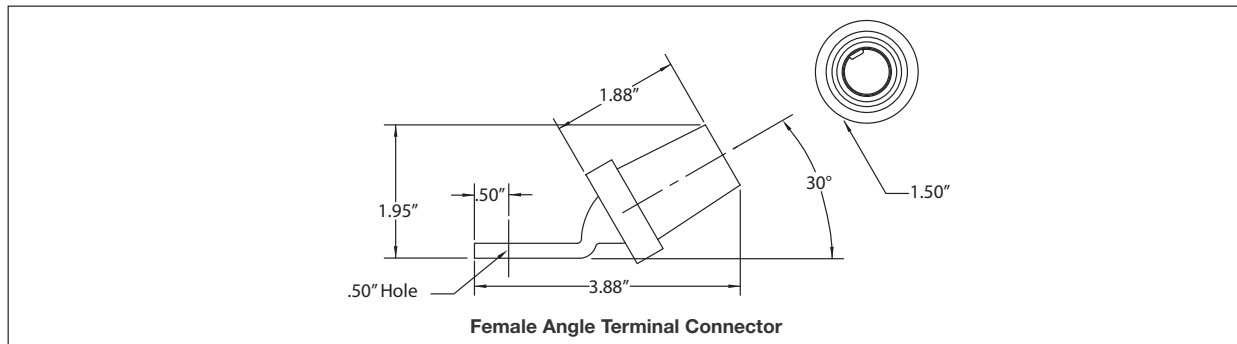
E1016-817

Tap hole: 1/2"-13

To order single packaged products, add a "K" suffix to the complete catalog number.

Cable Size	Color	Round Complete Cat. #	Rectangular Complete Cat. #
#2 - 4 / 0	Black	E1016-813	E1016-801
#2 - 4 / 0	Red	E1016-815	E1016-803
#2 - 4 / 0	Green	E1016-817	E1016-805
#2 - 4 / 0	White	E1016-818	E1016-806
#2 - 4 / 0	Blue	E1016-819	E1016-807
#2 - 4 / 0	Brown	E1016-820	E1016-808
#2 - 4 / 0	Orange	E1016-816	E1016-804
#2 - 4 / 0	Yellow	E1016-814	E1016-802

### Dimensions:



11P

**Cam-Lok™ J Series E1017**  
**Non-vulcanized Plugs**  
**Cable Size 350-500 MCM**  
**600V AC/DC**  
**Up to 545A Continuous**

NEMA 3R

**11P**

**J Series E1017, Rubber, Non-vulcanized, Double Set Screw Connection**

**Features:**

- Double cam principle provides a positive, vibration-proof connection
- Self-compensating for wear
- No moving contact surfaces, eliminating arcing or burning
- Superior electro-mechanical connections
- Locked contacts will withstand a pulling force of 1,000 lbs.
- 1/3 of a turn assures a high pressure contact approaching 600 lbs. per sq. in., providing minimum resistance
- Contacts carefully machined from a high conductivity brass to a smooth sliding fit and easy locking action
- Watertight rubber insulators molded from colorfast material, color-coded for easy phase identification
- Recessed contacts protected by insulating jacket that extends beyond contact ends for safety
- Integrated strain relief system features a retaining wire that prevents cable jacket pull-away and bare conductor exposure
- Plugs feature a high strength, molded-in-place locking ring to capture and secure the insulator to the contact
- Accepts a wide range of cable sizes

**Testing and Code Compliance:**

- Listed to UL498, File No. E67181
- CSA certified to C22.2 No. 182.3-M1987, File No. LR13963

**Material Characteristics:**

- Insulator - rubber
- Environmental rating: NEMA 3R
- Temperature rating: -40°C to 105°C

**Ordering Information - Double Set Screw Non-vulcanized Male Plugs:**



E1017-356

Cable Size	Color	Complete Cat. #	Contact Only Cat. #	Insulator Only Cat. #
350-500 MCM	Black	E1017-350	A200612-1	A200056-1
350-500 MCM	Red	E1017-352	A200612-1	A200056-3
350-500 MCM	Green	E1017-354	A200612-1	A200056-5
350-500 MCM	White	E1017-355	A200612-1	A200056-6
350-500 MCM	Blue	E1017-356	A200612-1	A200056-37
350-500 MCM	Brown	E1017-357	A200612-1	A200056-42
350-500 MCM	Orange	E1017-353	A200612-1	A200056-4
350-500 MCM	Yellow	E1017-351	A200612-1	A200056-2

**Ordering Information - Double Set Screw Non-vulcanized Female Plugs:**

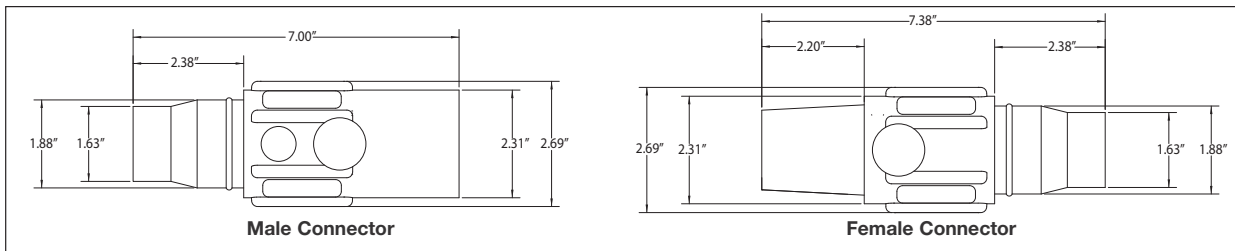


E1017-377

Cable Size	Color	Complete Cat. #	Contact Only Cat. #	Insulator Only Cat. #
350-500 MCM	Black	E1017-375	A200614-2	A200040-1
350-500 MCM	Red	E1017-377	A200614-2	A200040-3
350-500 MCM	Green	E1017-379	A200614-2	A200040-5
350-500 MCM	White	E1017-380	A200614-2	A200040-6
350-500 MCM	Blue	E1017-381	A200614-2	A200040-39
350-500 MCM	Brown	E1017-382	A200614-2	A200040-37
350-500 MCM	Orange	E1017-378	A200614-2	A200040-4
350-500 MCM	Yellow	E1017-376	A200614-2	A200040-2

To order single packaged products, add a "K" suffix to the complete catalog number.

**Dimensions:**



**Crouse-Hinds**

by **E.T.N**

**11P**

**11P**

# Cam-Lok™ J Series E1017 Vulcanized Plugs

Cable Size 250 MCM  
600V AC/DC  
Up to 340A Continuous

NEMA 3R

## J Series E1017, Rubber, Vulcanized, Crimp Connection

### Features:

- Double cam principle provides a positive, vibration-proof connection
- Self-compensating for wear
- No moving contact surfaces, eliminating arcing or burning
- Superior electro-mechanical connections
- Locked contacts will withstand a pulling force of 1,000 lbs.
- 1/3 of a turn assures a high pressure contact approaching 600 lbs. per sq. in., providing minimum resistance
- Contacts carefully machined from a high conductivity brass to a smooth sliding fit and easy locking action
- Watertight rubber insulators molded from colorfast material, color-coded for easy phase identification
- Recessed contacts protected by insulating jacket that extends beyond contact ends for safety
- Integrated strain relief system features a retaining wire that prevents cable jacket pull-away and bare conductor exposure
- Plugs feature a high strength, molded-in-place locking ring to capture and secure the insulator to the contact

### Testing and Code Compliance:

- Listed to UL498, File No. E67181
- CSA certified to C22.2 No. 182.3-M1987, File No. LR13963

### Material Characteristics:

- Insulator - rubber
- Environmental rating: NEMA 3R
- Temperature rating: -40°C to 105°C

### Ordering Information - Crimp Vulcanized Male Plugs (Not UL Listed):



E1017-108

Cable Size	Color	Complete Cat. #	Contact Only Cat. #	Insulator Only Cat. #
250 MCM	Black	E1017-94	A200028-13	A200056-1
250 MCM	Red	E1017-92	A200028-13	A200056-3
250 MCM	Green	E1017-93	A200028-13	A200056-5
250 MCM	White	E1017-95	A200028-13	A200056-6
250 MCM	Blue	E1017-96	A200028-13	A200056-37
250 MCM	Brown	E1017-108	A200028-13	A200056-42
250 MCM	Orange	E1017-109	A200028-13	A200056-4
250 MCM	Yellow	E1017-110	A200028-13	A200056-2

### Ordering Information - Crimp Vulcanized Female Plugs (Not UL Listed):

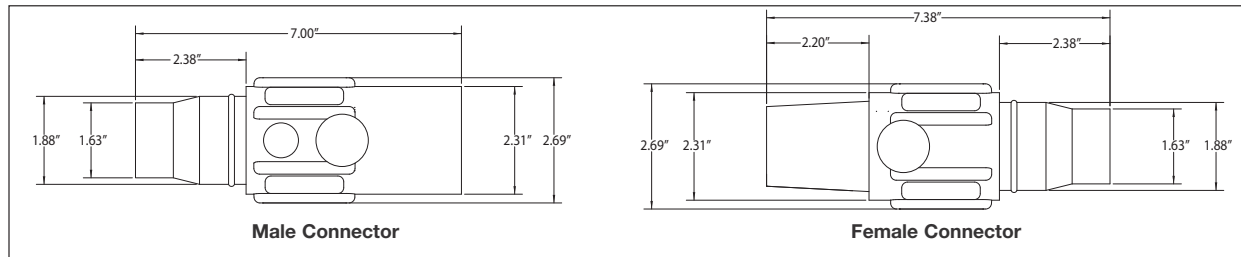


E1017-113

Cable Size	Color	Complete Cat. #	Contact Only Cat. #	Insulator Only Cat. #
250 MCM	Black	E1017-90	A200027-5	A200040-1
250 MCM	Red	E1017-88	A200027-5	A200040-3
250 MCM	Green	E1017-89	A200027-5	A200040-5
250 MCM	White	E1017-91	A200027-5	A200040-6
250 MCM	Blue	E1017-98	A200027-5	A200040-39
250 MCM	Brown	E1017-111	A200027-5	A200040-37
250 MCM	Orange	E1017-112	A200027-5	A200040-4
250 MCM	Yellow	E1017-113	A200027-5	A200040-2

To order single packaged products, add a "K" suffix to the complete catalog number.

### Dimensions:



**Crouse-Hinds**  
by **E.T.N.**

**Cam-Lok™ J Series E1017**  
**Vulcanized Plugs**  
**Cable Size 350 MCM**  
**600V AC/DC**  
**Up to 445A Continuous**

NEMA 3R

**11P**

**J Series E1017, Rubber, Vulcanized, Crimp Connection**

**Features:**

- Double cam principle provides a positive, vibration-proof connection
- Self-compensating for wear
- No moving contact surfaces, eliminating arcing or burning
- Superior electro-mechanical connections
- Locked contacts will withstand a pulling force of 1,000 lbs.
- 1/3 of a turn assures a high pressure contact approaching 600 lbs. per sq. in., providing minimum resistance
- Contacts carefully machined from a high conductivity brass to a smooth sliding fit and easy locking action
- Watertight rubber insulators molded from colorfast material, color-coded for easy phase identification
- Recessed contacts protected by insulating jacket that extends beyond contact ends for safety
- Integrated strain relief system features a retaining wire that prevents cable jacket pull-away and bare conductor exposure
- Plugs feature a high strength, molded-in-place locking ring to capture and secure the insulator to the contact

**Testing and Code Compliance:**

- Listed to UL498, File No. E67181
- CSA certified to C22.2 No. 182.3-M1987, File No. LR13963

**Material Characteristics:**

- Insulator - rubber
- Environmental rating: NEMA 3R
- Temperature rating: -40°C to 105°C

**Ordering Information - Crimp Vulcanized Male Plugs:**



E1017-26

Cable Size	Color	Complete Cat. #	Contact Only Cat. #	Insulator Only Cat. #
350 MCM	Black	E1017-1	A200028-1	A200056-1
350 MCM	Red	E1017-3	A200028-1	A200056-3
350 MCM	Green	E1017-5	A200028-1	A200056-5
350 MCM	White	E1017-6	A200028-1	A200056-6
350 MCM	Blue	E1017-26	A200028-1	A200056-37
350 MCM	Brown	E1017-31	A200028-1	A200056-42
350 MCM	Orange	E1017-4	A200028-1	A200056-4
350 MCM	Yellow	E1017-2	A200028-1	A200056-2

**Ordering Information - Crimp Vulcanized Female Plugs:**

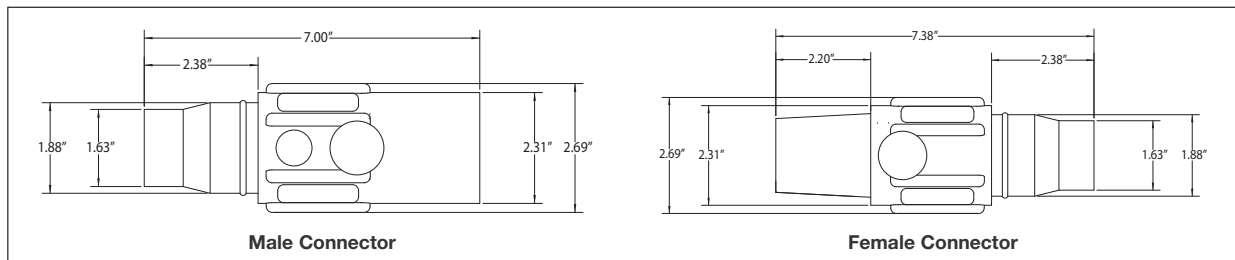


E1017-79

Cable Size	Color	Complete Cat. #	Contact Only Cat. #	Insulator Only Cat. #
350 MCM	Black	E1017-50	A200027-5	A200040-1
350 MCM	Red	E1017-52	A200027-5	A200040-3
350 MCM	Green	E1017-54	A200027-5	A200040-5
350 MCM	White	E1017-55	A200027-5	A200040-6
350 MCM	Blue	E1017-74	A200027-5	A200040-39
350 MCM	Brown	E1017-79	A200027-5	A200040-37
350 MCM	Orange	E1017-53	A200027-5	A200040-4
350 MCM	Yellow	E1017-51	A200027-5	A200040-2

To order single packaged products, add a "K" suffix to the complete catalog number.

**Dimensions:**



**Crouse-Hinds**

by **Eaton**

**11P**

**Cam-Lok™ J Series E1017  
Vulcanized Plugs**  
Cable Size 500 MCM  
600V AC/DC  
Up to 545A Continuous

NEMA 3R

**J Series E1017, Rubber, Vulcanized, Crimp Connection**

**Features:**

- Double cam principle provides a positive, vibration-proof connection
- Self-compensating for wear
- No moving contact surfaces, eliminating arcing or burning
- Superior electro-mechanical connections
- Locked contacts will withstand a pulling force of 1,000 lbs.
- 1/3 of a turn assures a high pressure contact approaching 600 lbs. per sq. in., providing minimum resistance
- Contacts carefully machined from a high conductivity brass to a smooth sliding fit and easy locking action
- Watertight rubber insulators molded from colorfast material, color-coded for easy phase identification
- Recessed contacts protected by insulating jacket that extends beyond contact ends for safety
- Integrated strain relief system features a retaining wire that prevents cable jacket pull-away and bare conductor exposure
- Plugs feature a high strength, molded-in-place locking ring to capture and secure the insulator to the contact

**Testing and Code Compliance:**

- Listed to UL498, File No. E67181
- CSA certified to C22.2 No. 182.3-M1987, File No. LR13963

**Material Characteristics:**

- Insulator - rubber
- Environmental rating: NEMA 3R
- Temperature rating: -40°C to 105°C

**Ordering Information - Crimp Vulcanized Male Plugs:**



E1017-9

Cable Size	Color	Complete Cat. #	Contact Only Cat. #	Insulator Only Cat. #
500 MCM	Black	E1017-7	A200028-2	A200056-1
500 MCM	Red	E1017-9	A200028-2	A200056-3
500 MCM	Green	E1017-11	A200028-2	A200056-5
500 MCM	White	E1017-12	A200028-2	A200056-6
500 MCM	Blue	E1017-27	A200028-2	A200056-37
500 MCM	Brown	E1017-32	A200028-2	A200056-42
500 MCM	Orange	E1017-10	A200028-2	A200056-4
500 MCM	Yellow	E1017-8	A200028-2	A200056-2

**Ordering Information - Crimp Vulcanized Female Plugs:**

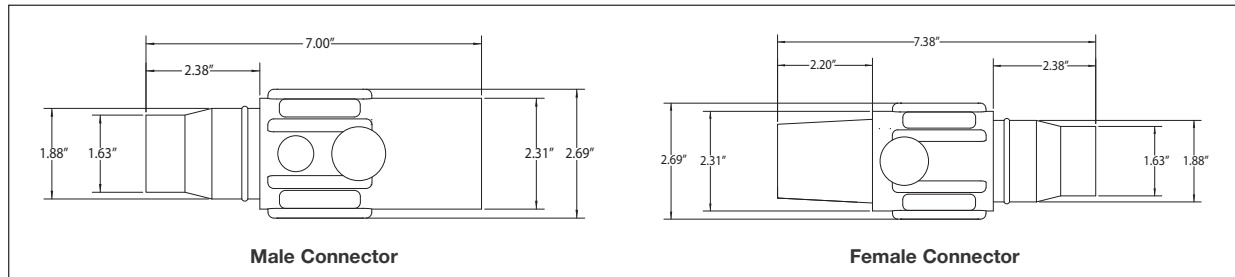


E1017-61

Cable Size	Color	Complete Cat. #	Contact Only Cat. #	Insulator Only Cat. #
500 MCM	Black	E1017-56	A200027-6	A200040-1
500 MCM	Red	E1017-58	A200027-6	A200040-3
500 MCM	Green	E1017-60	A200027-6	A200040-5
500 MCM	White	E1017-61	A200027-6	A200040-6
500 MCM	Blue	E1017-75	A200027-6	A200040-39
500 MCM	Brown	E1017-80	A200027-6	A200040-37
500 MCM	Orange	E1017-59	A200027-6	A200040-4
500 MCM	Yellow	E1017-57	A200027-6	A200040-2

To order single packaged products, add a "K" suffix to the complete catalog number.

**Dimensions:**



**Crouse-Hinds**  
by **E.T.N**



**Cam-Lok™ J Series E1017**  
**Vulcanized Plugs**  
**Cable Size 750 MCM**  
**600V AC/DC**  
**Up to 690A Continuous**

NEMA 3R

**11P**

**J Series E1017, Rubber, Vulcanized, Crimp Connection**

**Features:**

- Double cam principle provides a positive, vibration-proof connection
- Self-compensating for wear
- No moving contact surfaces, eliminating arcing or burning
- Superior electro-mechanical connections
- Locked contacts will withstand a pulling force of 1,000 lbs.
- 1/3 of a turn assures a high pressure contact approaching 600 lbs. per sq. in., providing minimum resistance
- Contacts carefully machined from a high conductivity brass to a smooth sliding fit and easy locking action
- Watertight rubber insulators molded from colorfast material, color-coded for easy phase identification
- Recessed contacts protected by insulating jacket that extends beyond contact ends for safety
- Integrated strain relief system features a retaining wire that prevents cable jacket pull-away and bare conductor exposure
- Plugs feature a high strength, molded-in-place locking ring to capture and secure the insulator to the contact

**Testing and Code Compliance:**

- Listed to UL498, File No. E67181
- CSA certified to C22.2 No. 182.3-M1987, File No. LR13963

**Material Characteristics:**

- Insulator - rubber
- Environmental rating: NEMA 3R
- Temperature rating: -40°C to 105°C

**Ordering Information - Crimp Vulcanized Male Plugs:**



E1017-18

Cable Size	Color	Complete Cat. #	Contact Only Cat. #	Insulator Only Cat. #
750 MCM	Black	E1017-13	A200028-3	A200056-7
750 MCM	Red	E1017-15	A200028-3	A200056-9
750 MCM	Green	E1017-17	A200028-3	A200056-11
750 MCM	White	E1017-18	A200028-3	A200056-12
750 MCM	Blue	E1017-28	A200028-3	A200056-41
750 MCM	Brown	E1017-33	A200028-3	A200056-43
750 MCM	Orange	E1017-16	A200028-3	A200056-10
750 MCM	Yellow	E1017-14	A200028-3	A200056-8

**Ordering Information - Crimp Vulcanized Female Plugs:**

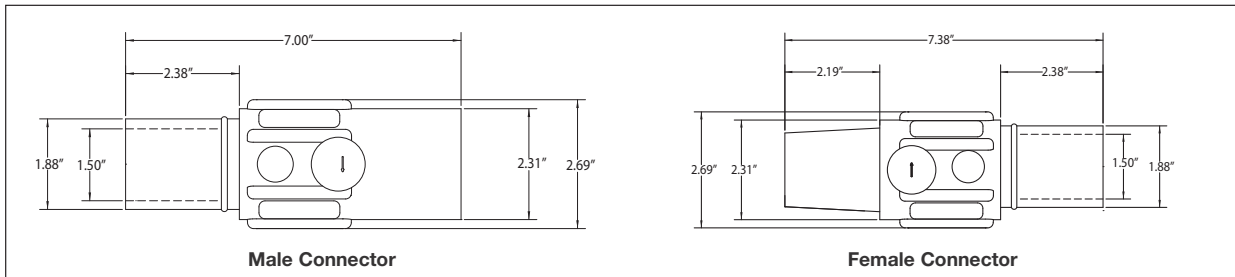


E1017-76

Cable Size	Color	Complete Cat. #	Contact Only Cat. #	Insulator Only Cat. #
750 MCM	Black	E1017-62	A200027-7	A200040-7
750 MCM	Red	E1017-64	A200027-7	A200040-9
750 MCM	Green	E1017-66	A200027-7	A200040-11
750 MCM	White	E1017-67	A200027-7	A200040-12
750 MCM	Blue	E1017-76	A200027-7	A200040-40
750 MCM	Brown	E1017-81	A200027-7	A200040-38
750 MCM	Orange	E1017-65	A200027-7	A200040-10
750 MCM	Yellow	E1017-63	A200027-7	A200040-8

To order single packaged products, add a "K" suffix to the complete catalog number.

**Dimensions:**



**Crouse-Hinds**

by **E.T.N**

**11P**

11P

**Cam-Lok™ J Series E1017  
Vulcanized Plugs**  
Cable Size 800 MCM  
600V AC/DC  
Up to 690A Continuous

NEMA 3R

**J Series E1017, Rubber, Vulcanized, Crimp Connection**

**Features:**

- Double cam principle provides a positive, vibration-proof connection
- Self-compensating for wear
- No moving contact surfaces, eliminating arcing or burning
- Superior electro-mechanical connections
- Locked contacts will withstand a pulling force of 1,000 lbs.
- 1/3 of a turn assures a high pressure contact approaching 600 lbs. per sq. in., providing minimum resistance
- Contacts carefully machined from a high conductivity brass to a smooth sliding fit and easy locking action
- Watertight rubber insulators molded from colorfast material, color-coded for easy phase identification
- Recessed contacts protected by insulating jacket that extends beyond contact ends for safety
- Integrated strain relief system features a retaining wire that prevents cable jacket pull-away and bare conductor exposure
- Plugs feature a high strength, molded-in-place locking ring to capture and secure the insulator to the contact

**Testing and Code Compliance:**

- Listed to UL498, File No. E67181
- CSA certified to C22.2 No. 182.3-M1987, File No. LR13963

**Material Characteristics:**

- Insulator - rubber
- Environmental rating: NEMA 3R
- Temperature rating: -40°C to 105°C

**Ordering Information - Crimp Vulcanized Male Plugs (Not UL Listed):**



E1017-24

Cable Size	Color	Complete Cat. #	Contact Only Cat. #	Insulator Only Cat. #
800 MCM	Black	E1017-19	A200028-4	A200056-7
800 MCM	Red	E1017-21	A200028-4	A200056-9
800 MCM	Green	E1017-23	A200028-4	A200056-11
800 MCM	White	E1017-24	A200028-4	A200056-12
800 MCM	Blue	E1017-29	A200028-4	A200056-41
800 MCM	Brown	E1017-34	A200028-4	A200056-43
800 MCM	Orange	E1017-22	A200028-4	A200056-10
800 MCM	Yellow	E1017-20	A200028-4	A200056-8

**Ordering Information - Crimp Vulcanized Female Plugs (Not UL Listed):**

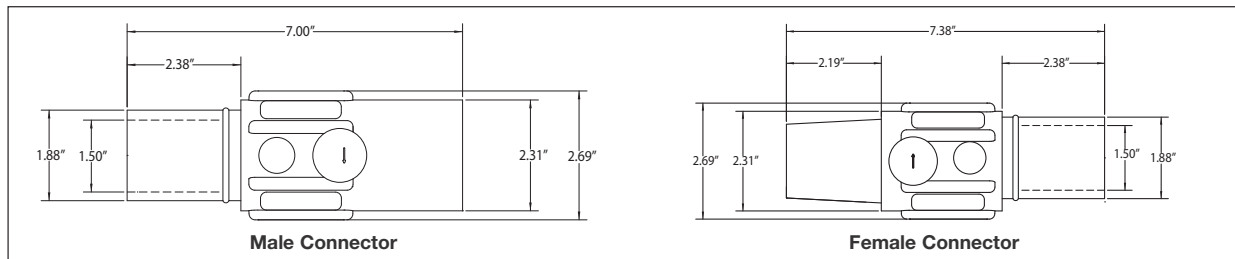


E1017-71

Cable Size	Color	Complete Cat. #	Contact Only Cat. #	Insulator Only Cat. #
800 MCM	Black	E1017-68	A200027-8	A200040-7
800 MCM	Red	E1017-70	A200027-8	A200040-9
800 MCM	Green	E1017-72	A200027-8	A200040-11
800 MCM	White	E1017-73	A200027-8	A200040-12
800 MCM	Blue	E1017-77	A200027-8	A200040-40
800 MCM	Brown	E1017-82	A200027-8	A200040-38
800 MCM	Orange	E1017-71	A200027-8	A200040-10
800 MCM	Yellow	E1017-69	A200027-8	A200040-8

To order single packaged products, add a "K" suffix to the complete catalog number.

**Dimensions:**



**Crouse-Hinds**  
by **E.T.N**

# Cam-Lok™ J Series E1017 Receptacles

Cable Size 350-750 MCM  
600V AC/DC  
Up to 690A Continuous

NEMA 3R

11P

## J Series E1017, Rubber, Threaded Stud

### Features:

- Double cam principle provides a positive, vibration-proof connection
- Self-compensating for wear
- No moving contact surfaces, eliminating arcing or burning of contacts
- Superior electro-mechanical connections
- Locked contacts will withstand a pulling force of 1,000 lbs.
- 1/3 of a turn assures a high pressure contact approaching 600 lbs. per sq. in., providing minimum resistance
- Contacts carefully machined from a high conductivity brass to a smooth sliding fit and easy locking action
- Watertight rubber body molded from colorfast material, color-coded for easy phase identification
- Recessed contacts protected by insulating jacket that extends beyond contact ends for safety
- Receptacles are safety insulated for direct mounting to steel panels
- Accepts a wide range of cable sizes


### Testing and Code Compliance:

- Listed to UL498, File No. E67181
- CSA certified to C22.2 No. 182.3-M1987, File No. LR13963

### Material Characteristics:


- Insulator - rubber
- Environmental rating: NEMA 3R
- Temperature rating: -40°C to 105°C

### Ordering Information - Threaded Male Receptacles:

	Cable Size	Color	90° Complete Cat. #	30° Complete Cat. #
	350-750 MCM	Black	E1017-1600	E1017-1601
	350-750 MCM	Red	E1017-1604	E1017-1605
	350-750 MCM	Green	E1017-1608	E1017-1609
	350-750 MCM	White	E1017-1610	E1017-1611
	350-750 MCM	Blue	E1017-1612	E1017-1613
	350-750 MCM	Brown	E1017-1614	E1017-1615
	350-750 MCM	Orange	E1017-1606	E1017-1607
	350-750 MCM	Yellow	E1017-1602	E1017-1603

E1017-1604

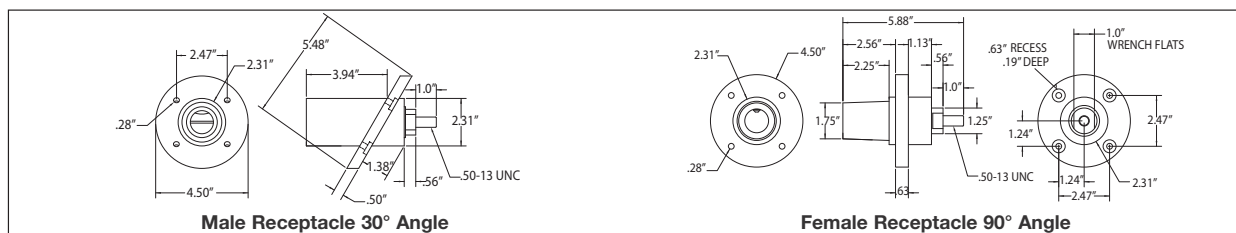
### Ordering Information - Threaded Female Receptacles:

	Cable Size	Color	90° Complete Cat. #	30° Complete Cat. #
	350-750 MCM	Black	E1017-1625	E1017-1626
	350-750 MCM	Red	E1017-1629	E1017-1630
	350-750 MCM	Green	E1017-1633	E1017-1634
	350-750 MCM	White	E1017-1635	E1017-1636
	350-750 MCM	Blue	E1017-1637	E1017-1638
	350-750 MCM	Brown	E1017-1641	E1017-1642
	350-750 MCM	Orange	E1017-1631	E1017-1632
	350-750 MCM	Yellow	E1017-1627	E1017-1628

E1017-1637

Stud size: 1/2"-13; maximum torque: 40 ft.-lbs.  
To order single packaged products, add a "K" suffix to the complete catalog number.

### Dimensions:



## Crouse-Hinds

by E.T.N

www.crouse-hinds.com US: 1-866-764-5454 CAN: 1-800-265-0502 Copyright© 2013 Eaton's Crouse-Hinds Business

1529

11P

**Cam-Lok™ J Series E1017  
Receptacles and Terminals**  
Cable Size 350-750 MCM  
600V AC/DC  
Up to 690A Continuous

**J Series E1017, Receptacles and Terminal Connectors**

**Features:**

- Double cam principle provides a positive, vibration-proof connection
- Self-compensating for wear
- No moving contact surfaces, eliminating arcing or burning
- Superior electro-mechanical connections
- Locked contacts will withstand a pulling force of 1,000 lbs.
- 1/3 of a turn assures a high pressure contact approaching 600 lbs. per sq. in., providing minimum resistance
- Contacts carefully machined from a high conductivity brass to a smooth sliding fit and easy locking action
- Watertight rubber body molded from colorfast material, color-coded for easy phase identification
- Recessed contacts protected by insulating jacket that extends beyond contact ends for safety
- Accepts a wide range of cable sizes


**Testing and Code Compliance:**

- Listed to UL498, File No. E67181
- CSA certified to C22.2 No. 182.3-M1987, File No. LR13963


**Material Characteristics:**

- Insulator - rubber
- Environmental rating: NEMA 3R
- Temperature rating: -40°C to 105°C

**Ordering Information - Female Receptacles with Interlock Switch (Not UL Listed):**

	Cable Size	Color	Style	90° Complete Cat. #	30° Complete Cat. #
 <p>E1017-515</p>	350-750 MCM	Black	With Interlock Switch 480 Volts Max.	E1017-509	E1017-501
	350-750 MCM	Red		E1017-511	E1017-503
	350-750 MCM	Green		E1017-513	E1017-505
	350-750 MCM	White		E1017-514	E1017-506
	350-750 MCM	Blue		E1017-515	E1017-507
	350-750 MCM	Brown		E1017-516	E1017-508
	350-750 MCM	Orange		E1017-512	E1017-504
	350-750 MCM	Yellow		E1017-510	E1017-502

**Ordering Information - Female Terminals:**

	Color	Angle Style Complete Cat. #	Offset Style Complete Cat. #
 <p>E1017-575</p>	Black	E1017-575	E1017-625
	Red	E1017-577	E1017-627
	Green	E1017-579	E1017-629
	White	E1017-580	E1017-630
	Blue	E1017-581	E1017-631
	Brown	E1017-582	E1017-632
	Orange	E1017-578	E1017-628
	Yellow	E1017-576	E1017-626

To order single packaged products, add a "K" suffix to the complete catalog number.

11P

# Cam-Lok™ J Series E1017 Protective Caps

NEMA 3R

11P

## J Series E1017, Rubber

### Features:

- Resilient rubber body provides superior protection against elements
- Molded from colorfast material, color-coded for easy phase identification
- Attaches directly to new or existing plugs and receptacles
- Provides NEMA 3R protection
- Complete color offering
- Lanyard provided to prevent loss



### Testing and Code Compliance:

- Listed to UL498, File No. E67181
- CSA certified to C22.2 No. 182.3-M1987, File No. LR13963

### Material Characteristics:

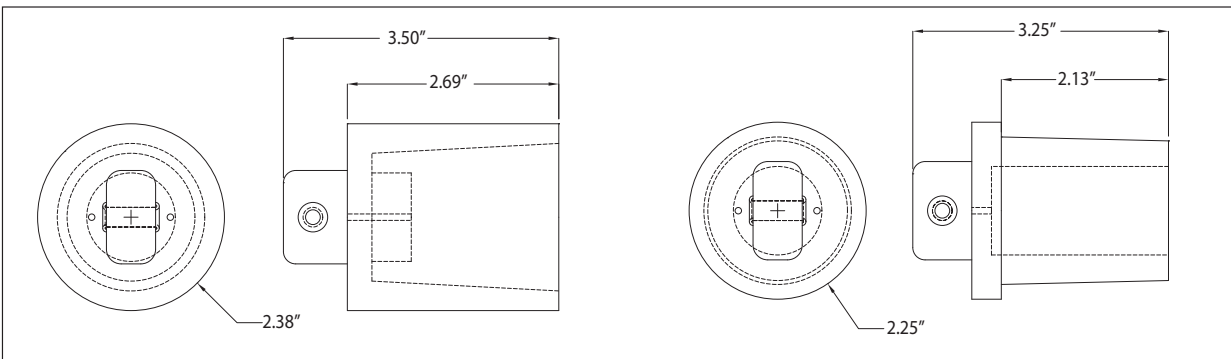
- Body - rubber
- Environmental rating: NEMA 3R
- Temperature rating: -40°C to 105°C

### Ordering Information - Protective Caps (Not UL Listed):

	Color	Male Cap Cat. #	Female Cap Cat. #
	Black	A100603-2	A100604-2
	Red	A100603-6	A100604-6
	Green	A100603-10	A100604-10
	White	A100603-12	A100604-12
	Blue	A100603-16	A100604-16
	Brown	A100603-14	A100604-14
	Orange	A100603-8	A100604-8
	Yellow	A100603-4	A100604-4

To order single packaged products, add a "K" suffix to the complete catalog number.

### Dimensions:



11P

**11P****Cam-Lok™ Standard Series E-Z1018 Plugs**

NEMA 3R

**Cable Size #2 AWG - 2 / 0  
600V AC/DC  
Up to 300A Continuous****Standard Series E-Z1018, Elastomeric, Non-vulcanized, Double Set Screw Connection****Features:**

- E-Z assembly and disassembly
- Double cam principle provides a positive, vibration-proof connection
- Self-compensating for wear
- No moving contact surfaces, eliminating arcing or burning
- Superior electro-mechanical connections
- Locked contacts will withstand a pulling force of 1,000 lbs.
- 1/3 of a turn assures a high pressure contact approaching 600 lbs. per sq. in., providing minimum resistance
- Contacts carefully machined from a high conductivity brass to a smooth sliding fit and easy locking action
- Watertight elastomeric insulators molded from colorfast material, color-coded for easy phase identification
- Accepts a wide range of cable sizes

**Testing and Code Compliance:**

- CSA certified to C22.2 No. 182.3-M1987, File No. LR13963

**Material Characteristics:**

- Insulator - TPE
- Environmental rating: NEMA 3R
- Temperature rating: -40°C to 105°C

**Ordering Information - Double Set Screw Non-vulcanized Male Plugs:**

E-Z1018-8354

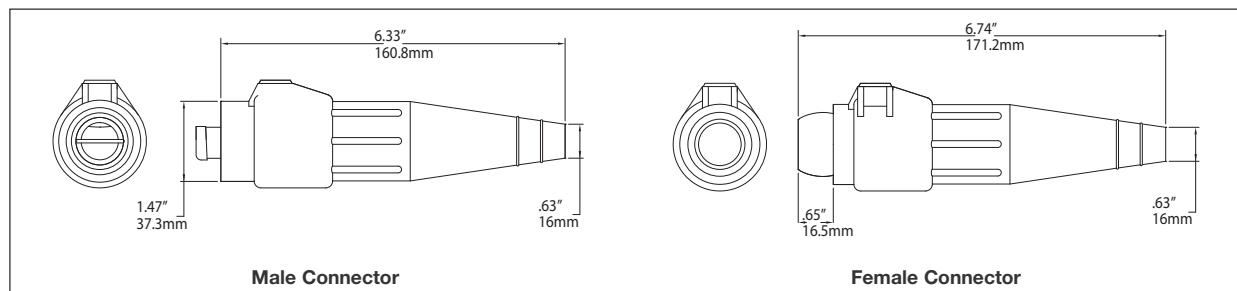
Cable Size	Color	Complete Cat. #	Contact Only Cat. #	Insulator Only Cat. #
#2 - 2 / 0	Black	E-Z1018-8350	A200630-1	E-Z200071-19
#2 - 2 / 0	Red	E-Z1018-8352	A200630-1	E-Z200071-21
#2 - 2 / 0	Green	E-Z1018-8354	A200630-1	E-Z200071-23
#2 - 2 / 0	White	E-Z1018-8355	A200630-1	E-Z200071-24
#2 - 2 / 0	Blue	E-Z1018-8356	A200630-1	E-Z200071-37
#2 - 2 / 0	Brown	E-Z1018-8357	A200630-1	E-Z200071-39
#2 - 2 / 0	Orange	E-Z1018-8353	A200630-1	E-Z200071-22
#2 - 2 / 0	Yellow	E-Z1018-8351	A200630-1	E-Z200071-20

**Ordering Information - Double Set Screw Non-vulcanized Female Plugs:**

E-Z1018-8381

Cable Size	Color	Complete Cat. #	Contact Only Cat. #	Insulator Only Cat. #
#2 - 2 / 0	Black	E-Z1018-8375	A200640-4	E-Z200072-19
#2 - 2 / 0	Red	E-Z1018-8377	A200640-4	E-Z200072-21
#2 - 2 / 0	Green	E-Z1018-8379	A200640-4	E-Z200072-23
#2 - 2 / 0	White	E-Z1018-8380	A200640-4	E-Z200072-24
#2 - 2 / 0	Blue	E-Z1018-8381	A200640-4	E-Z200072-37
#2 - 2 / 0	Brown	E-Z1018-8382	A200640-4	E-Z200072-39
#2 - 2 / 0	Orange	E-Z1018-8378	A200640-4	E-Z200072-22
#2 - 2 / 0	Yellow	E-Z1018-8376	A200640-4	E-Z200072-20

To order single packaged products, add a "K" suffix to the complete catalog number.

**Dimensions:****Crouse-Hinds**  
by **E.T.N**

# Cam-Lok™ Standard Series E-Z1018 Plugs

NEMA 3R

11P

**Cable Size 2 / 0 - 4 / 0**  
**600V AC/DC**  
**Up to 400A Continuous**

## Standard Series E-Z1018, Elastomeric, Non-vulcanized, Double Set Screw Connection

### Features:

- E-Z assembly and disassembly
- Double cam principle provides a positive, vibration-proof connection
- Self-compensating for wear
- No moving contact surfaces, eliminating arcing or burning
- Superior electro-mechanical connections
- Locked contacts will withstand a pulling force of 1,000 lbs.
- 1/3 of a turn assures a high pressure contact approaching 600 lbs. per sq. in., providing minimum resistance
- Contacts carefully machined from a high conductivity brass to a smooth sliding fit and easy locking action
- Watertight elastomeric insulators molded from colorfast material, color-coded for easy phase identification
- Accepts a wide range of cable sizes

### Testing and Code Compliance:

- CSA certified to C22.2 No. 182.3-M1987, File No. LR13963

### Material Characteristics:

- Insulator - TPE
- Environmental rating: NEMA 3R
- Temperature rating: -40°C to 105°C

### Ordering Information - Double Set Screw Non-vulcanized Male Plugs:

Cable Size	Color	Complete Cat. #	Contact Only Cat. #	Insulator Only Cat. #
2 / 0 - 4 / 0	Black	E-Z1018-8362	A200639-1	E-Z200071-13
2 / 0 - 4 / 0	Red	E-Z1018-8364	A200639-1	E-Z200071-15
2 / 0 - 4 / 0	Green	E-Z1018-8366	A200639-1	E-Z200071-17
2 / 0 - 4 / 0	White	E-Z1018-8367	A200639-1	E-Z200071-18
2 / 0 - 4 / 0	Blue	E-Z1018-8368	A200639-1	E-Z200071-38
2 / 0 - 4 / 0	Brown	E-Z1018-8369	A200639-1	E-Z200071-40
2 / 0 - 4 / 0	Orange	E-Z1018-8365	A200639-1	E-Z200071-16
2 / 0 - 4 / 0	Yellow	E-Z1018-8363	A200639-1	E-Z200071-14



E-Z1018-8364

### Ordering Information - Double Set Screw Non-vulcanized Female Plugs:

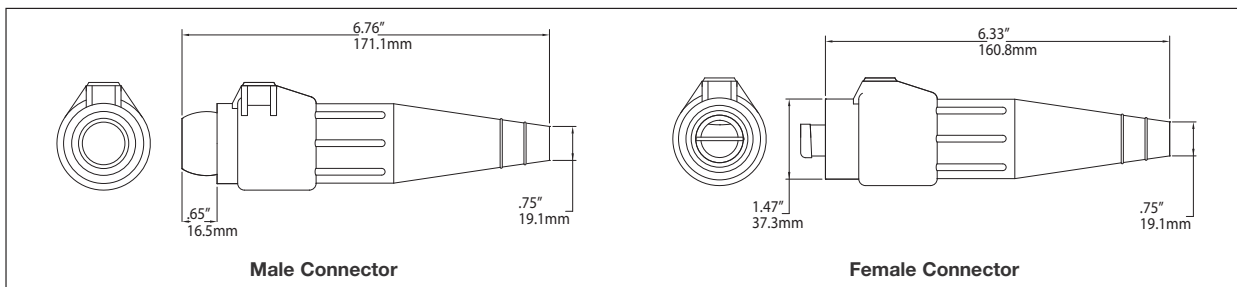
Cable Size	Color	Complete Cat. #	Contact Only Cat. #	Insulator Only Cat. #
2 / 0 - 4 / 0	Black	E-Z1018-8387	A200641-2	E-Z200072-13
2 / 0 - 4 / 0	Red	E-Z1018-8389	A200641-2	E-Z200072-15
2 / 0 - 4 / 0	Green	E-Z1018-8391	A200641-2	E-Z200072-17
2 / 0 - 4 / 0	White	E-Z1018-8392	A200641-2	E-Z200072-18
2 / 0 - 4 / 0	Blue	E-Z1018-8393	A200641-2	E-Z200072-38
2 / 0 - 4 / 0	Brown	E-Z1018-8394	A200641-2	E-Z200072-40
2 / 0 - 4 / 0	Orange	E-Z1018-8390	A200641-2	E-Z200072-16
2 / 0 - 4 / 0	Yellow	E-Z1018-8388	A200641-2	E-Z200072-14



E-Z1018-8390

To order single packaged products, add a "K" suffix to the complete catalog number.

### Dimensions:



Male Connector

Female Connector

**Crouse-Hinds**

by **E.T.N**

www.crouse-hinds.com US: 1-866-764-5454 CAN: 1-800-265-0502 Copyright© 2013 Eaton's Crouse-Hinds Business

1533

11P

**Cam-Lok™ Standard Series E1018  
Receptacles and Accessories**  
Cable Size #2 AWG - 4 / 0  
600V AC/DC  
Up to 400A Continuous

**Standard Series E1018, Elastomeric, Double Set Screw**

**Features:**

- Double cam principle provides a positive, vibration-proof connection
- Self-compensating for wear
- No moving contact surfaces, eliminating arcing or burning
- Superior electro-mechanical connections
- Locked contacts will withstand a pulling force of 1,000 lbs.
- 1/3 of a turn assures a high pressure contact approaching 600 lbs. per sq. in., providing minimum resistance
- Contacts carefully machined from a high conductivity brass to a smooth sliding fit and easy locking action
- Watertight elastomeric body molded from colorfast material, color-coded for easy phase identification
- Recessed contacts protected by insulating jacket that extends beyond contact ends for safety
- Receptacles are safety insulated for direct mounting to steel panels

**Testing and Code Compliance:**

- CSA certified to C22.2 No. 182.3-M1987, File No. LR13963

**Material Characteristics:**

- Insulator - TPE
- Environmental rating: NEMA 3R
- Temperature rating: -40°C to 105°C

**Insulated Receptacles - Double Set Screw  
Tightening Torque:**

Cable	Torque (Lbs.)
#2 - #1	100
1 / 0 - 2 / 0	120
3 / 0 - 4 / 0	220

**Ordering Information - Insulated Receptacles - Double Set Screw:**

Color	Male Complete Cat. #	Female Complete Cat. #
Black	E1018-1700	E1018-1725
Red	E1018-1702	E1018-1727
Green	E1018-1704	E1018-1729
White	E1018-1705	E1018-1730
Blue	E1018-1706	E1018-1731
Brown	E1018-1707	E1018-1732
Orange	E1018-1703	E1018-1728
Yellow	E1018-1701	E1018-1726



E1018-1700



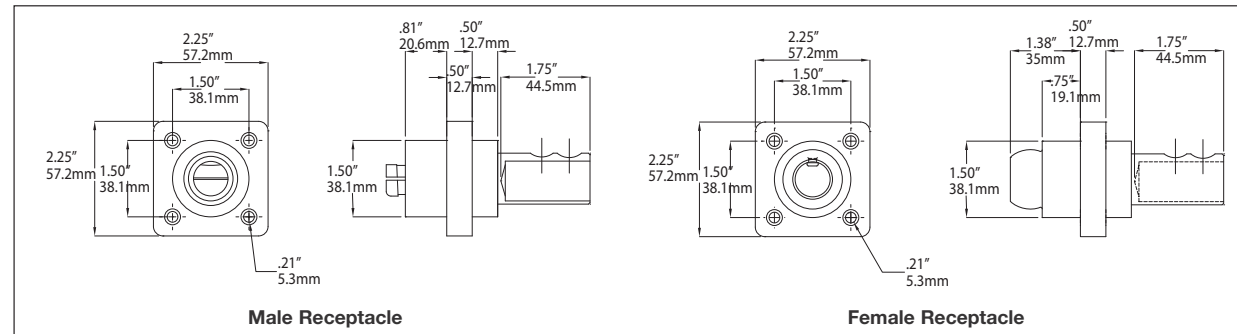
E1018-1725

**Ordering Information - Three-Fer Tapping Tee 45° M-F-F-F:**

Color	Cat. #
Black	E1018-9510
Red	E1018-9512
Green	E1018-9514
White	E1018-9515
Blue	E1018-9516
Brown	E1018-9517
Orange	E1018-9513
Yellow	E1018-9511

To order single packaged products, add a "K" suffix to the complete catalog number.

**Dimensions:**



Male Receptacle

Female Receptacle

11P



**Cable Size #2 AWG - 4 / 0**  
**600V AC/DC**  
**Up to 400A Continuous**

**Standard Series E1018, Elastomeric, Threaded Stud**

**Features:**

- Double cam principle provides a positive, vibration-proof connection
- Self-compensating for wear
- No moving contact surfaces, eliminating arcing or burning
- Superior electro-mechanical connections
- Locked contacts will withstand a pulling force of 1,000 lbs.
- 1/3 of a turn assures a high pressure contact approaching 600 lbs. per sq. in., providing minimum resistance
- Contacts carefully machined from a high conductivity brass to a smooth sliding fit and easy locking action
- Watertight elastomeric body molded from colorfast material, color-coded for easy phase identification
- Recessed contacts protected by insulating jacket that extends beyond contact ends for safety
- Receptacles are safety insulated for direct mounting to steel panels

**Testing and Code Compliance:**

- CSA certified to C22.2 No. 182.3-M1987, File No. LR13963

**Material Characteristics:**

- Insulator - TPE
- Environmental rating: NEMA 3R
- Temperature rating: -40°C to 105°C

**Ordering Information - Insulated Receptacles 1 1/8" (28.6mm) Threaded Stud:**

Color	Male Complete Cat. #	Female Complete Cat. #
Black	E1018-1600S	E1018-1631S
Red	E1018-1602S	E1018-1633S
Green	E1018-1604S	E1018-1635S
White	E1018-1605S	E1018-1636S
Blue	E1018-1606S	E1018-1637S
Brown	E1018-1607S	E1018-1638S
Orange	E1018-1603S	E1018-1634S
Yellow	E1018-1601S	E1018-1632S

Stud size: 1/2"-13; maximum torque: 40 ft.-lbs.

**Ordering Information - Insulated Receptacles 3/4" (19.1mm) Threaded Stud:**

Color	Male Complete Cat. #	Female Complete Cat. #
Black	E1018-1600	E1018-1631
Red	E1018-1602	E1018-1633
Green	E1018-1604	E1018-1635
White	E1018-1605	E1018-1636
Blue	E1018-1606	E1018-1637
Brown	E1018-1607	E1018-1638
Orange	E1018-1603	E1018-1634
Yellow	E1018-1601	E1018-1632



E1018-1600

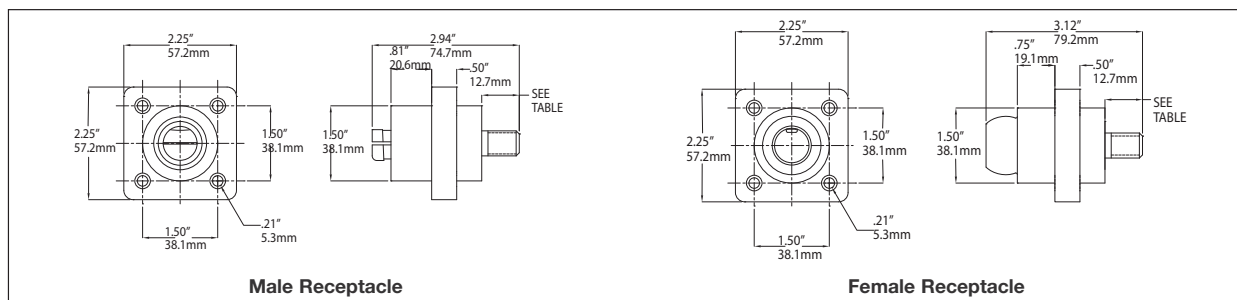


E1018-1631

Stud size: 1/2"-13; maximum torque: 40 ft.-lbs.

To order single packaged products, add a "K" suffix to the complete catalog number.

**Dimensions:**



# 11P Cam-Lok™ Standard Series E1018 Terminals

NEMA 3R

**600V AC/DC  
Up to 400A Continuous**

## Standard Series E1018, Rubber Terminal

### Features:

- Double cam principle provides a positive, vibration-proof connection
- Self-compensating for wear
- No moving contact surfaces, eliminating arcing or burning
- Superior electro-mechanical connections
- Locked contacts will withstand a pulling force of 1,000 lbs.
- 1/3 of a turn assures a high pressure contact approaching 600 lbs. per sq. in., providing minimum resistance
- Contacts carefully machined from a high conductivity brass to a smooth sliding fit and easy locking action
- Watertight body molded from colorfast material, color-coded for easy phase identification
- Recessed contacts protected by insulating jacket that extends beyond contact ends for safety

### Testing and Code Compliance:

- CSA certified to C22.2 No. 182.3-M1987, File No. LR13963

### Material Characteristics:

- Body - rubber
- Environmental rating: NEMA 3R
- Temperature rating: -40°C to 105°C

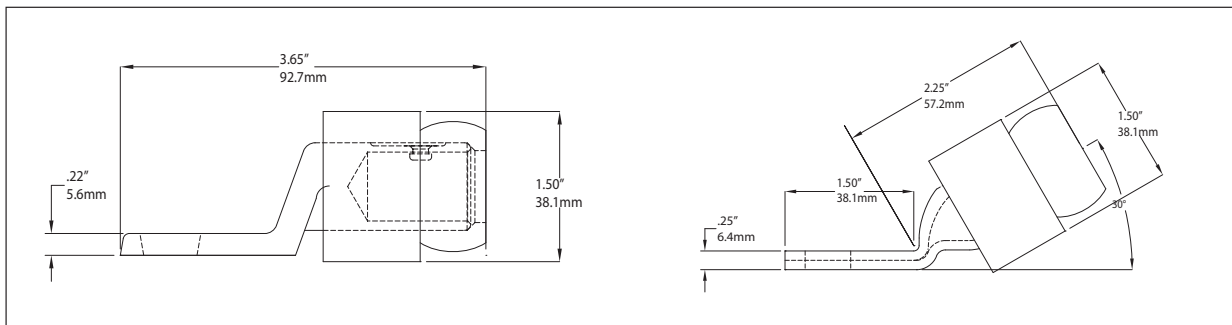
### Ordering Information - Female Terminal Connectors:

	Color	Angle Style Complete Cat. #	Offset Style Complete Cat. #
	Black	E1018-575	E1018-625
	Red	E1018-577	E1018-627
	Green	E1018-579	E1018-629
	White	E1018-580	E1018-630
	Blue	E1018-587	E1018-638
	Brown	E1018-590	E1018-639
	Orange	E1018-578	E1018-628
	Yellow	E1018-576	E1018-626

Stud hole: 21/32" (16.7mm)

To order single packaged products, add a "K" suffix to the complete catalog number.

### Dimensions:



11P

# Cam-Lok™ Standard Series E1018 Accessories

NEMA 3R

11P

**Cable Size #2 AWG - 4 / 0**  
**600V AC/DC**  
**Up to 400A Continuous**

## Standard Series E1018, Elastomeric

### Features:

- Double cam principle provides a positive, vibration-proof connection
- Self-compensating for wear
- No moving contact surfaces, eliminating arcing or burning
- Superior electro-mechanical connections
- Locked contacts will withstand a pulling force of 1,000 lbs.
- 1/3 of a turn assures a high pressure contact approaching 600 lbs. per sq. in., providing minimum resistance
- Contacts carefully machined from a high conductivity brass to a smooth sliding fit and easy locking action
- Watertight elastomeric body molded from colorfast material, color-coded for easy phase identification
- Recessed contacts protected by insulating jacket that extends beyond contact ends for safety


### Testing and Code Compliance:

- CSA certified to C22.2 No. 182.3-M1987, File No. LR13963

### Material Characteristics:


- Insulator - TPE
- Environmental rating: NEMA 3R
- Temperature rating: -40°C to 105°C

### Ordering Information - Three-Way Lay Down "T" Connectors:

	Color	Paralleling "T" M-M-F Cat. #	Tapping "T" M-F-F Cat. #
	Black	E1018-2324	E1018-2312
	Red	E1018-2326	E1018-2314
	Green	E1018-2328	E1018-2316
	White	E1018-2329	E1018-2317
	Blue	E1018-2348	E1018-2350
	Brown	E1018-2396	E1018-2395
	Orange	E1018-2327	E1018-2315
	Yellow	E1018-2325	E1018-2313

E1018-2324

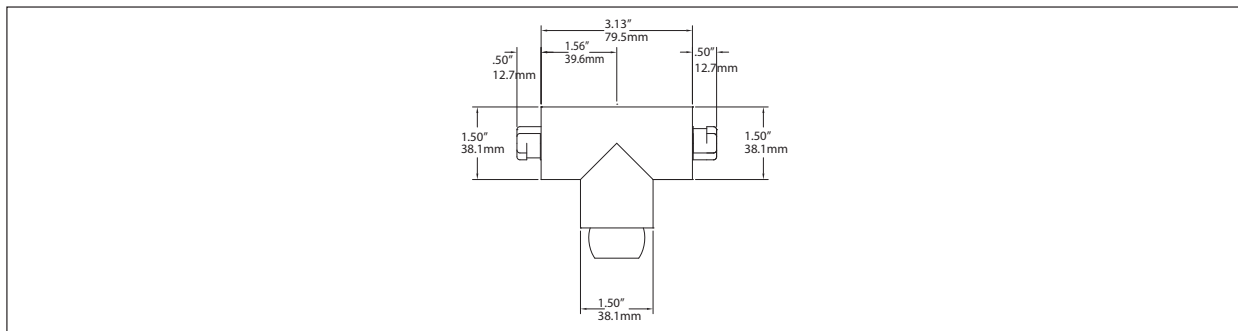
### Ordering Information - Protective Caps:

	Color	Male Cap Cat. #	Female Cap Cat. #
	Black	A100435-1	A100433-1
	Red	A100435-5	A100433-5
	Green	A100435-9	A100433-9
	White	A100435-11	A100433-11
	Blue	A100435-15	A100433-15
	Brown	A100435-13	A100433-13
	Orange	A100435-7	A100433-7
	Yellow	A100435-3	A100433-3

A100435-1

To order single packaged products, add a "K" suffix to the complete catalog number.

### Dimensions:



**Crouse-Hinds**

by **E.T.N**

www.crouse-hinds.com US: 1-866-764-5454 CAN: 1-800-265-0502 Copyright© 2013 Eaton's Crouse-Hinds Business

1537

11P

# 11P Cam-Lok™ Parts and Accessories

## Portable Vulcanizing Kits and Presses

### Ordering Information - Complete Vulcanizing Kits:

Cable Size	Cable O.D.	E1015 Series Cat. #	E1016 Series Cat. #
#8	.440	A300120-1	-
#6	.510	A300120-2	-
#4	.570	A300120-3	-
#2	.660	-	A300100-3
#1	.740	-	A300100-4
1 / 0	.770	-	A300100-5
2 / 0	.820	-	A300100-6
3 / 0	.870	-	A300100-7
4 / 0	.930	-	A300100-8

Kit contains: vulcanizing press, male and female COM-A-LONG, cable cutter, crimp press, and neoprene tape.

### Ordering Information - Vulcanizing Presses Only:

Cable Size	Cable O.D.	E1015 Series Cat. #	E1016 Series Cat. #	E1017 Series Cat. #
#8	.440	A300121-1	-	-
#6	.510	A300100-2	-	-
#4	.570	A300100-3	-	-
#2	.660	-	A300103-3	-
#1	.740	-	A300103-4	-
1 / 0	.770	-	A300103-5	-
2 / 0	.820	-	A300103-6	-
3 / 0	.870	-	A300103-7	-
4 / 0	.930	-	A300103-8	-
350 MCM	1.150	-	-	A300106-1
500 MCM	1.310	-	-	A300106-2
750 MCM	1.580	-	-	A300106-3

### Ordering Information - Plug Molding Bushings:

Cable Size	Nominal Cable O.D.	E1015 Series Cat. #	E1016 Series Cat. #	E1017 Series Cat. #
#8	.440	201015-3	-	-
#6	.510	201015-15	-	-
#4	.570	201015-18	-	-
#2	.660	-	200895-20	-
#1	.740	-	200895-21	-
1 / 0	.770	-	200895-22	-
2 / 0	.820	-	200895-23	-
3 / 0	.870	-	200895-24	-
4 / 0	.930	-	200895-17	-
350 MCM	1.150	-	-	200006-3
500 MCM	1.310	-	-	200006-6
750 MCM	1.580	-	-	200006-8

11P

**Molding Press and Accessories**

**Ordering Information - Molding Press Parts and Vulcanizing Accessories:**

Cat. #	Description	Cat. #	Description
	All Mold Kits and Presses	<b>100827-3</b>	Mold Press Pilot Light - Red, Complete with Wired Socket
<b>A400001</b>	E1016/E0400 Assembly Tool	<b>200704-2</b>	Cartridge Heater - 350-750 MCM Molds
<b>319735-1</b>	Neoprene Vulcanizing Tape, 3/4" x 30" Roll	<b>200704-3</b>	Cartridge Heater - #2 - 4 / 0 Molds
<b>100566-1</b>	Mold Press Thermostat	<b>A100072</b>	Cable Cutter - #2 - 4 / 0 Cable
<b>A100632</b>	Tool for Removing Contacts from Insulators	<b>A200020-3</b>	COM-A-LONG for Pulling Male Contact in E1012, E1016, E1018, and E0400 Series
<b>100826-3</b>	Mold Press Power On/Off Switch	<b>A200020-4</b>	COM-A-LONG for Pulling Female Contact in E1012, E1016, E1018, and E0400 Series
<b>A200020-1</b>	COM-A-LONG for Pulling Male Contact in E1015 Series	<b>A200020-5</b>	COM-A-LONG for Pulling Male Contact in E1017 Series
<b>A200020-2</b>	COM-A-LONG for Pulling Female Contact in E1015 Series	<b>A200020-6</b>	COM-A-LONG for Pulling Female Contact in E1017 Series
		<b>A101208</b>	2 Oz. Tube Silicon Grease for Lubricating Synthetic Rubber Insulators

**Ordering Information - E1015 and E1016 Series Crimping Nest and Presses:**

Cable Size	Crimping Nests Cat. #	Crimping Presses Cat. #
#8	<b>100514-1</b>	<b>A200914-1</b>
#4-6	<b>100514-2</b>	<b>A200914-2</b>
#1-2	<b>100514-3</b>	<b>A200914-3</b>
1 / 0 - 2 / 0	<b>100514-4</b>	<b>A200914-4</b>
3 / 0	<b>100514-5</b>	<b>A200914-5</b>
4 / 0	<b>100514-6</b>	<b>A200914-6</b>

Gauge block for calibrating crimper: #100891.

**Ordering Information - Other Accessories:**

Connector Series	Set Screw Cat. #	Copper Shim Cat. #	Quantity	Pressure Pad Cat. #	Retaining Wire Cat. #
E1010 All	<b>100012-25</b>	<b>A100400-1</b>	25	N/A	<b>100573-1</b>
E1012-61 and 62	<b>100012-7</b>	<b>A100400-3</b>	20	<b>100575</b>	<b>100573-1</b>
E1012 Single Set Screw	<b>100012-18</b>	<b>A100400-3</b>	20	N/A	<b>100573-1</b>
E1016 Single Set Screw	<b>100012-18</b>	<b>A100400-3</b>	20	N/A	<b>100573-1</b>
E1017 Double Set Screw	<b>100012-5</b>	<b>A100400-9</b>	10	N/A	<b>100573-2</b>
E1018 Single Set Screw	<b>100012-18</b>	<b>A100400-3</b>	20	N/A	<b>100573-1</b>
E1012 Double Set Screw	<b>100012-18</b>	<b>A100400-4</b>	20	<b>101214</b>	<b>100573-1</b>
E1016 Double Set Screw	<b>100012-18</b>	<b>A100400-4</b>	20	<b>101214</b>	<b>100573-1</b>

11P

# 11P Posi-Lok™ Power Distribution Panels

## Product Selector Guide

Selecting the correct Posi-Lok™ product series is easy  
Just identify the cable size, voltage, amperage, and approval requirements.

Posi-Lok™

Series	Ampacity Rating (Max.)	Voltage Rating (Max.)	Cable Sizes	Approvals
E0200	200	600	#2 - 2 / 0	UL/CSA
E0400	400	600	#2 - 4 / 0	UL/CSA

Posi-Lok™ Distribution Panels use lightweight, single conductor cables to provide the means for hurried personnel to quickly and safely connect and disconnect power systems without having to use any tools.

### Applications:

- Posi-Lok™ Power Distribution Panels utilize single conductor cable that can be used to full amperage capability without the need to derate like multi-conductor solutions
- Ideal for disaster relief, temporary power, stand-by emergency power, and power distribution applications

### Certifications and Compliances:

- UL Listed: E67181
- CSA certified: LR13963-48

### Environmental Rating:

- NEMA 3

### Features:

### Standard Materials:

- Cable sizes: #2 - 4 / 0
- Insulator - elastomeric
- Contact - copper

### Electrical Ratings:

- 600 Volts
- 200 Amps continuous (E0200)
- 400 Amps continuous (E0400)

### Temperature Ratings:

- -40°C to 105°C



Cut-away view of E0400 male plug

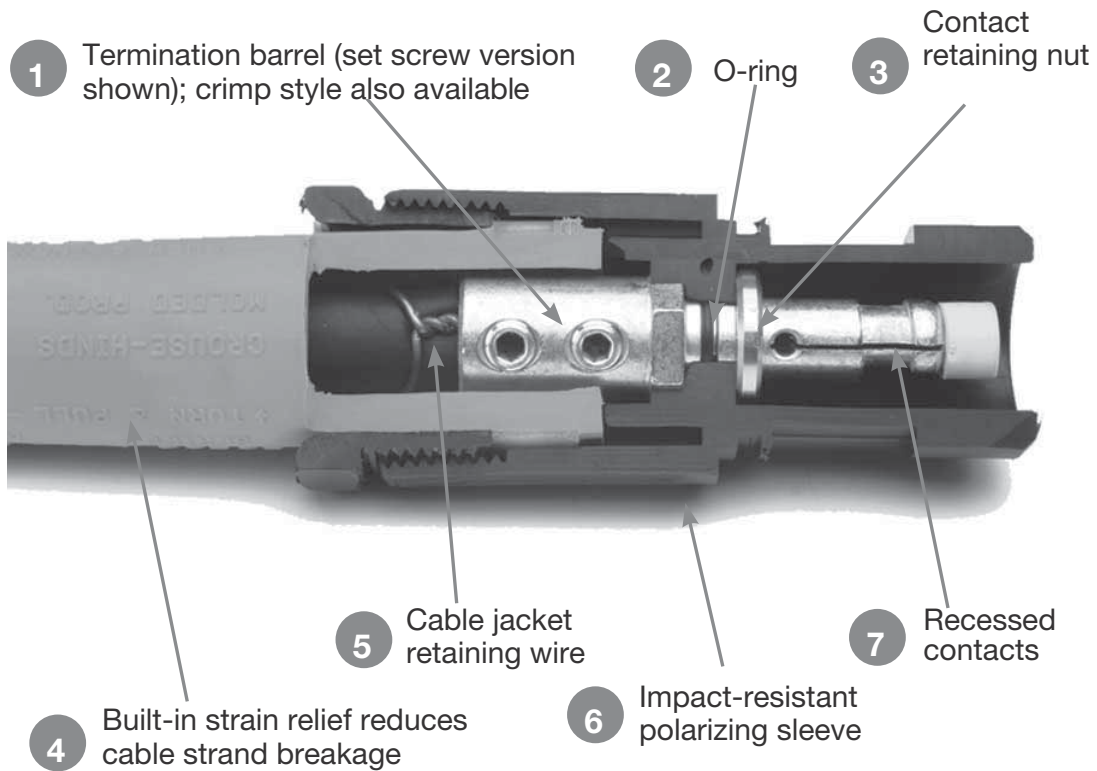
# 11P Posi-Lok™ Connectors

Now there's no need to haul around huge, multi-conductor cables. Posi-Lok™ Power Distribution Systems let you use lighter, single conductor cables rated at higher amperages.

Posi-Lok™ Plugs feature recessed electrical contacts that are protected by shatter-resistant insulators and impact-resistant molded sleeves.

More than 25 years of field testing has proven that the unique elastomeric tapered insulator allows maximum flexing with minimum breakage. There are no metal clamps or grommets to cause cable failure.

The same plugs that connect to panels also connect to each other so that you can use long runs of cable. Polarity is assured because each plug is uniquely keyed and color-coded for easy, positive connecting.



Cut-away view of E0200 male plug

11P



# Posi-Lok™ Plugs and Panels

## E0200 Series

Cable Size #2 AWG - 2 / 0  
600V AC/DC  
Up to 200A Continuous

11P

### Posi-Lok™ E0200 Series Female Panels and Male Plugs

#### Features:

- Designed to meet Article 520-53 Section K and Article 530-22 Section A (NEC) standards
- Sequential interlock system requires the user to connect and disconnect each plug in sequence
- Polarized plugs and panels eliminate the possibility of cross-phasing
- Built-in strain relief reduces cable strain
- Proven Cam-Lok™ double cam principle provides a positive, vibration-proof connection
- No moving contact surfaces, eliminating arcing or burning of contacts
- Recessed contacts protected by insulating jacket that extends beyond contact ends for safety

#### Testing and Code Compliance:

- Listed to UL498, File No. E67181
- CSA certified to C22.2 No. 182.3-M1987, File No. LR13963

#### Material Characteristics:

- Insulator - TPE
- Polarizing shell - thermoplastic
- Temperature rating: -40°C to 105°C

#### Ordering Information - Female Panels:

Receptacles Per Panel	Cat. #	Cover Color Code
3	E0200-1685	GR, WH, BK
4	E0200-1686-NN	GR, BK, RD, BU
4	E0200-1696	GR, WH, BK, RD
4	E0200-1892-NN	GR, BRN, ORG, YEL
5	E0200-1687	GR, WH, BK, RD, BU
5	E0200-1890	GR, WH, BRN, ORG, YEL
6	E0200-1885	GR, WH, WH, BK, RD, BU

GR = Green; WH = White; BK = Black; RD = Red; BU = Blue; BRN = Brown;  
ORG = Orange; YEL = Yellow; NN = Panel without Neutral  
Add "LS" suffix to end of catalog number to order panels with a limit switch. Available on last position only. Example: E0200-1687LS. Limit switch ratings are 5A, 250 VAC.  
**Plugs must be ordered separately.**

#### Ordering Information - Male Plugs:

Termination	Position	Complete Cat. #	Contact Only Cat. #	Insulator Polarizing Shell Cat. #
Crimp	Green	E0200-141	A201293-5	A201315-3
	White	E0200-142	A201293-5	A201315-2
	Black	E0200-143	A201293-5	A201315-1
	Red	E0200-144	A201293-5	A201315-5
	Blue	E0200-145	A201293-5	A201315-4
	Brown	E0200-147	A201293-5	A201315-9
	Orange	E0200-148	A201293-5	A201315-10
	Yellow	E0200-149	A201293-5	A201315-8
	Double Set Screw	Green	E0200-181	A201293-1
White		E0200-182	A201293-1	A201315-2
Black		E0200-183	A201293-1	A201315-1
Red		E0200-184	A201293-1	A201315-5
Blue		E0200-185	A201293-1	A201315-4
Brown		E0200-199	A201293-1	A201315-9
Orange		E0200-195	A201293-1	A201315-10
Yellow		E0200-192	A201293-1	A201315-8



Male plug assembled length is 8-3/4"

# 11P Posi-Lok™ Plugs and Panels

## E0200 Series

Cable Size #2 AWG - 2 / 0  
600V AC/DC  
Up to 200A Continuous

### Posi-Lok™ E0200 Series Male Panels and Female Plugs

#### Features:

- Designed to meet Article 520-53 Section K and Article 530-22 Section A (NEC) standards
- Sequential interlock system requires the user to connect and disconnect each plug in sequence
- Polarized plugs and panels eliminate the possibility of cross-phasing
- Built-in strain relief reduces cable strain
- Proven Cam-Lok™ double cam principle provides a positive, vibration-proof connection
- No moving contact surfaces, eliminating arcing or burning of contacts
- Recessed contacts protected by insulating jacket that extends beyond contact ends for safety

#### Testing and Code Compliance:

- Listed to UL498, File No. E67181
- CSA certified to C22.2 No. 182.3-M1987, File No. LR13963

#### Material Characteristics:

- Insulator - TPE
- Polarizing shell - thermoplastic
- Temperature rating: -40°C to 105°C

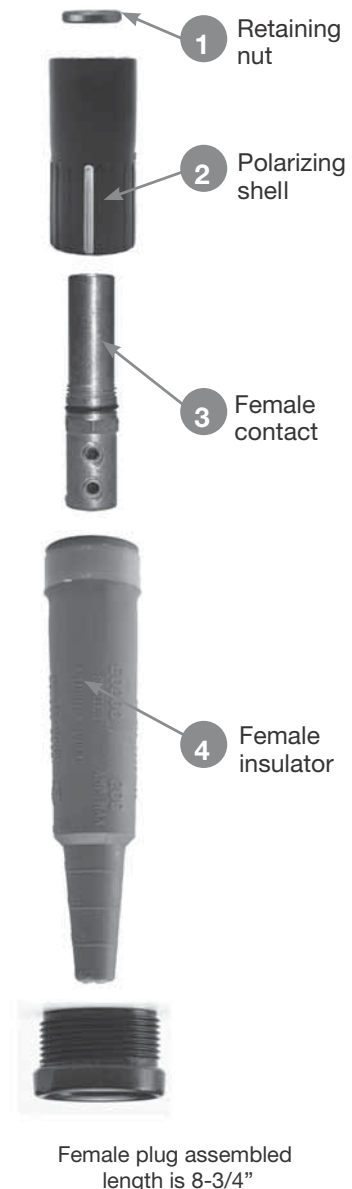
#### Ordering Information - Male Panels:

Receptacles Per Panel	Cat. #	Cover Color Code
3	<b>E0200-1660</b>	GR, WH, BK
4	<b>E0200-1661-NN</b>	GR, BK, RD, BU
4	<b>E0200-1672</b>	GR, WH, BK, RD
4	<b>E0200-1893-NN</b>	GR, BRN, ORG, YEL
5	<b>E0200-1662</b>	GR, WH, BK, RD, BU
5	<b>E0200-1891</b>	GR, WH, BRN, ORG, YEL

6 **E0200-1860** GR, WH, WH, BK, RD, BU  
 GR = Green; WH = White; BK = Black; RD = Red; BU = Blue; BRN = Brown;  
 ORG = Orange; YEL = Yellow; NN = Panel without Neutral  
 Add "LS" suffix to end of catalog number to order panels with a limit switch. Available on last position only. Example: E0200-1662LS. Limit switch ratings are 5A, 250 VAC.  
**Plugs must be ordered separately.**

#### Ordering Information - Female Plugs:

Termination	Position	Complete Cat. #	Contact Only Cat. #	Insulator Polarizing Shell Cat. #
Crimp	Green	<b>E0200-241</b>	<b>A201292-5</b>	<b>A201315-27</b>
	White	<b>E0200-242</b>	<b>A201292-5</b>	<b>A201315-26</b>
	Black	<b>E0200-243</b>	<b>A201292-5</b>	<b>A201315-25</b>
	Red	<b>E0200-244</b>	<b>A201292-5</b>	<b>A201315-29</b>
	Blue	<b>E0200-245</b>	<b>A201292-5</b>	<b>A201315-28</b>
	Brown	<b>E0200-247</b>	<b>A201292-5</b>	<b>A201315-33</b>
	Orange	<b>E0200-248</b>	<b>A201292-5</b>	<b>A201315-34</b>
	Yellow	<b>E0200-249</b>	<b>A201292-5</b>	<b>A201315-32</b>
	Double Set Screw	Green	<b>E0200-281</b>	<b>A201292-1</b>
White		<b>E0200-282</b>	<b>A201292-1</b>	<b>A201315-26</b>
Black		<b>E0200-283</b>	<b>A201292-1</b>	<b>A201315-25</b>
Red		<b>E0200-284</b>	<b>A201292-1</b>	<b>A201315-29</b>
Blue		<b>E0200-285</b>	<b>A201292-1</b>	<b>A201315-28</b>
Brown		<b>E0200-288</b>	<b>A201292-1</b>	<b>A201315-33</b>
Orange		<b>E0200-289</b>	<b>A201292-1</b>	<b>A201315-34</b>
Yellow	<b>E0200-286</b>	<b>A201292-1</b>	<b>A201315-32</b>	



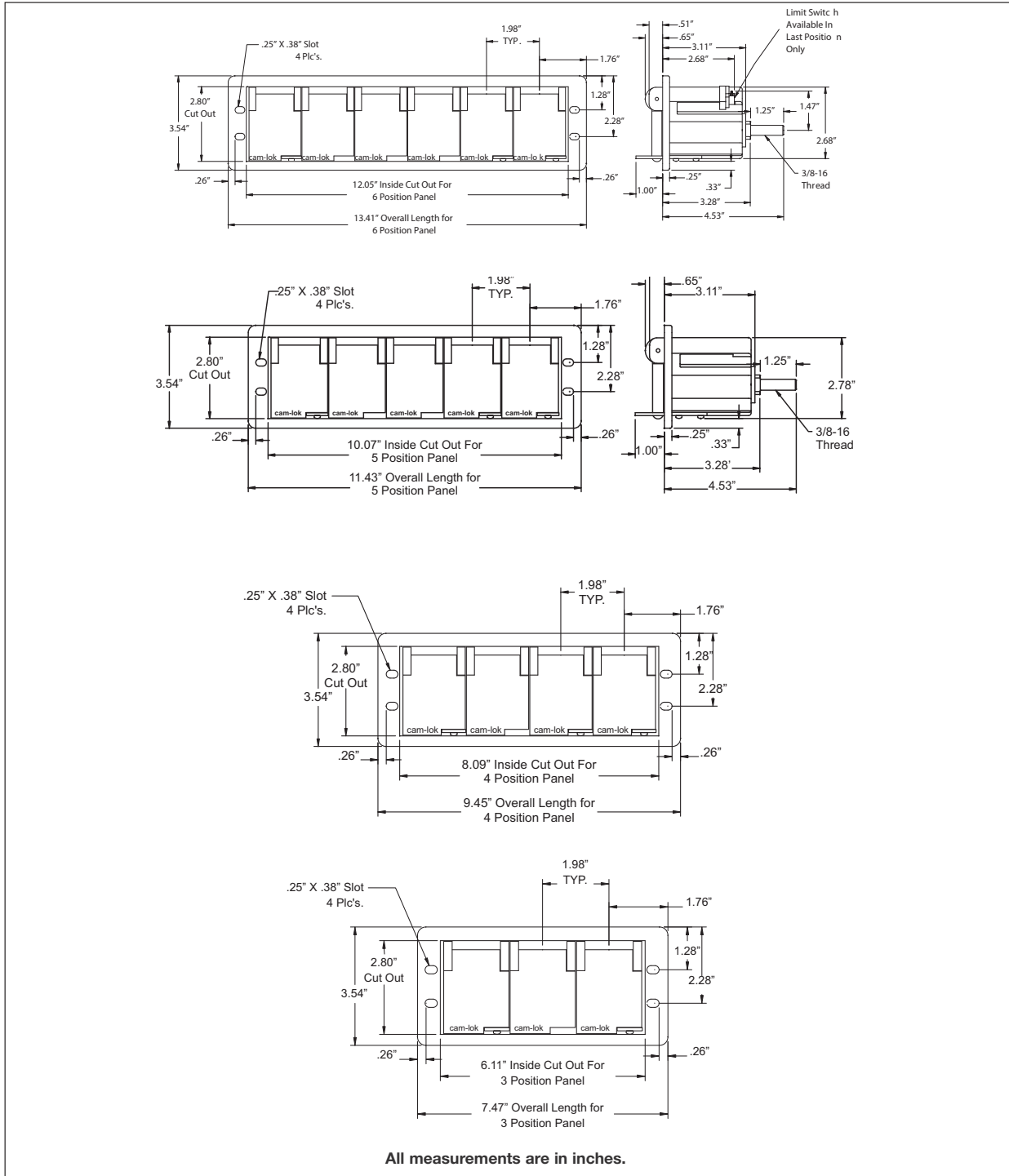
# Posi-Lok™ Plugs and Panels

## E0200 Series

11P

Cable Size #2 AWG - 2 / 0  
600V AC/DC  
Up to 200A Continuous

### Dimensions:



# 11P Posi-Lok™ Plugs and Panels

## E0200 Series

Cable Size #2 AWG - 2 / 0  
600V AC/DC  
Up to 200A Continuous

---

### Posi-Lok™ Plugs and Panels

- Ampacity is based on cable size or continuous rating, whichever is less
- Panel does not include enclosure or breakers; Posi-Lok™ system must be installed per local and national standards
- Panel receptacles have lock washers, flat washers, and jam nuts included
- Plugs and panels have silver-plated copper contacts

### Posi-Lok™ E0200 Ratings:

Cable Size	Amperage Rating	Voltage Rating
#2 AWG	190 Amps	600 VAC
#1 AWG	200 Amps	600 VAC
1 / 0	200 Amps	600 VAC
2 / 0	200 Amps	600 VAC

### Posi-Lok™ E0400 Ratings:

Cable Size	Amperage Rating	Voltage Rating
#2 AWG	190 Amps	600 VAC
#1 AWG	220 Amps	600 VAC
1 / 0	260 Amps	600 VAC
2 / 0	300 Amps	600 VAC
3 / 0	350 Amps	600 VAC
4 / 0	400 Amps	600 VAC

**Posi-Lok™ Panels**  
**E0400 Series**  
**Cable Size #2 AWG - 4 / 0**  
**600V AC/DC**  
**Up to 400A Continuous**

**11P**

**Posi-Lok™ E0400 Series Female Panels**

**Features:**

- Designed to meet Article 520-53 Section K and Article 530-22 Section A (NEC) standards
- Sequential interlock system requires the user to connect and disconnect each plug in sequence
- Polarized panels eliminate the possibility of cross-phasing
- Proven Cam-Lok™ double cam principle provides a positive, vibration-proof connection
- No moving contact surfaces, eliminating arcing or burning of contacts
- Recessed contacts protected by insulating jacket that extends beyond contact ends for safety



**Testing and Code Compliance:**

- Listed to UL498, File No. E67181
- CSA certified to C22.2 No. 182.3-M1987, File No. LR13963

**Material Characteristics:**

- Panel - steel
- Temperature rating: -40°C to 105°C

**Ordering Information - Female Panels:**

Receptacles Per Panel	Cat. #	Cover Color Code
3	E0400-1685	GR, WH, BK
4	E0400-1686-NN	GR, BK, RD, BU
4	E0400-1696	GR, WH, BK, RD
4	E0400-1883-NN	GR, BRN, ORG, YEL
5	E0400-1687	GR, WH, BK, RD, BU
5	E0400-1702	GR, WH, BRN, ORG, YEL
6	E0400-1885	GR, WH, WH, BK, RD, BU

GR = Green; WH = White; BK = Black; RD = Red; BU = Blue; BRN = Brown; ORG = Orange; YEL = Yellow; NN = Panel without Neutral

Add "LS" suffix to end of catalog number to order panels with a limit switch. Available on all positions - consult factory. Limit switch ratings are [125, 250, 480 VAC, 15A], [125 VDC, .5A], [250 VDC, .25A]. **Plugs must be ordered separately.**

**11P**

11P

**Posi-Lok™ Plugs**  
**E0400 Series**  
**Cable Size #2 AWG - 4 / 0**  
**600V AC/DC**  
**Up to 400A Continuous**

**Posi-Lok™ E0400 Series Male Plugs, Crimp and Double Set Screw**

**Features:**

- Designed to meet Article 520-53 Section K and Article 530-22 Section A (NEC) standards
- Polarized plugs eliminate the possibility of cross-phasing
- Built-in strain relief reduces cable strain
- Proven Cam-Lok™ double cam principle provides a positive, vibration-proof connection
- No moving contact surfaces, eliminating arcing or burning of contacts
- Recessed contacts protected by insulating jacket that extends beyond contact ends for safety

**Testing and Code Compliance:**

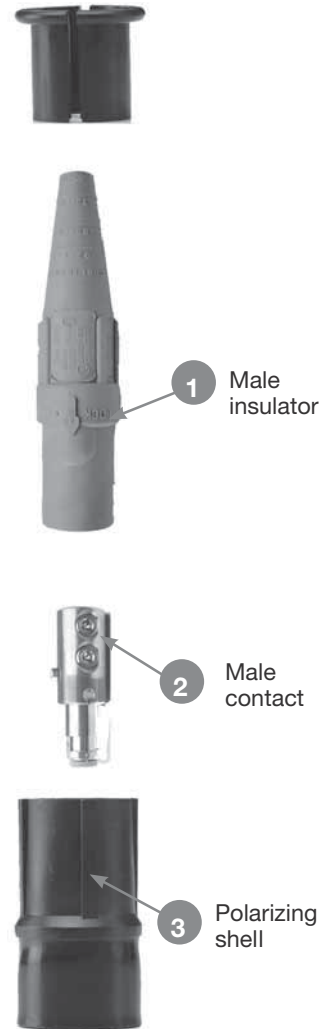
- Listed to UL498, File No. E67181
- CSA certified to C22.2 No. 182.3-M1987, File No. LR13963

**Material Characteristics:**

- Insulator - TPE
- Polarizing shell - thermoplastic
- Temperature rating: -40°C to 105°C

**Ordering Information - Male Plugs:**

Termination	Position	Complete Cat. #	Contact Only Cat. #	Insulator Cat. #	Polarizing Shell Cat. #
Crimp 1 / 0 - 2 / 0	Green	E0400-141	A201271-2	3336200-1	A201263-6
	White	E0400-142	A201271-2	3336200-2	A201263-7
	Black	E0400-143	A201271-2	3336200-3	A201263-8
	Red	E0400-144	A201271-2	3336200-4	A201263-9
	Blue	E0400-145	A201271-2	3336200-5	A201263-10
	Brown	E0400-146	A201271-2	3336200-6	A201263-29
	Orange	E0400-147	A201271-2	3336200-7	A201263-30
	Yellow	E0400-148	A201271-2	3336200-8	A201263-31
	Crimp 3 / 0 - 4 / 0	Green	E0400-161	A201271-1	3336200-9
White		E0400-162	A201271-1	3336200-10	A201263-2
Black		E0400-163	A201271-1	3336200-11	A201263-3
Red		E0400-164	A201271-1	3336200-12	A201263-4
Blue		E0400-165	A201271-1	3336200-13	A201263-5
Brown		E0400-166	A201271-1	3336200-14	A201263-26
Orange		E0400-167	A201271-1	3336200-15	A201263-23
Yellow		E0400-168	A201271-1	3336200-16	A201263-25
Double Set Screw #2 - 2 / 0		Green	E0400-151	A201283-3	3336200-1
	White	E0400-152	A201283-3	3336200-2	A201263-7
	Black	E0400-153	A201283-3	3336200-3	A201263-8
	Red	E0400-154	A201283-3	3336200-4	A201263-9
	Blue	E0400-155	A201283-3	3336200-5	A201263-10
	Brown	E0400-156	A201283-3	3336200-6	A201263-29
	Orange	E0400-157	A201283-3	3336200-7	A201263-30
	Yellow	E0400-158	A201283-3	3336200-8	A201263-31
	Double Set Screw 3 / 0 - 4 / 0	Green	E0400-181	A201283-1	3336200-9
White		E0400-182	A201283-1	3336200-10	A201263-2
Black		E0400-183	A201283-1	3336200-11	A201263-3
Red		E0400-184	A201283-1	3336200-12	A201263-4
Blue		E0400-185	A201283-1	3336200-13	A201263-5
Yellow		E0400-192	A201283-1	3336200-16	A201263-25



Assembled length is 7-1/4"

11P

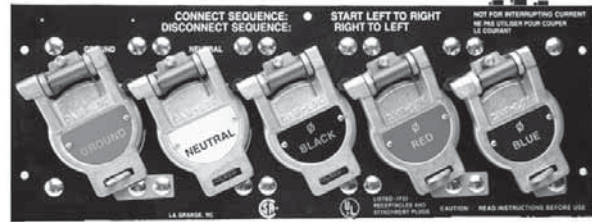
**Posi-Lok™ Plugs and Panels**  
**E0400 Series**  
**Cable Size #2 AWG - 4 / 0**  
**600V AC/DC**  
**Up to 400A Continuous**

**11P**

**Posi-Lok™ E0400 Series Male Panels**

**Features:**

- Designed to meet Article 520-53 Section K and Article 530-22 Section A (NEC) standards
- Sequential interlock system requires the user to connect and disconnect each plug in sequence
- Polarized panels eliminate the possibility of cross-phasing
- Proven Cam-Lok™ double cam principle provides a positive, vibration-proof connection
- No moving contact surfaces, eliminating arcing or burning of contacts
- Recessed contacts protected by insulating jacket that extends beyond contact ends for safety



**Testing and Code Compliance:**

- Listed to UL498, File No. E67181
- CSA certified to C22.2 No. 182.3-M1987, File No. LR13963

**Material Characteristics:**

- Insulator - TPE
- Temperature rating: -40°C to 105°C

**Ordering Information - Male Panels:**

Receptacles Per Panel	Cat. #	Cover Color Code
3	<b>E0400-1660</b>	GR, WH, BK
4	<b>E0400-1661-NN</b>	GR, BK, RD, BU
4	<b>E0400-1672</b>	GR, WH, BK, RD
4	<b>E0400-1862-NN</b>	GR, BRN, ORG, YEL
5	<b>E0400-1662</b>	GR, WH, BK, RD, BU
5	<b>E0400-1703</b>	GR, WH, BRN, ORG, YEL
6	<b>E0400-1860</b>	GR, WH, WH, BK, RD, BU

GR = Green; WH = White; BK = Black; RD = Red; BU = Blue; BRN = Brown; ORG = Orange; YEL = Yellow; NN = Panel without Neutral  
 Add "LS" suffix to end of catalog number to order panels with a limit switch. Available on all positions - consult factory. Limit switch ratings are [125, 250, 480 VAC, 15A], [125 VDC, .5A], [250 VDC, .25A]. **Plugs must be ordered separately.**

**11P**

# 11P

## Posi-Lok™ Plugs and Panels E0400 Series Cable Size #2 AWG - 4 / 0 600V AC/DC Up to 200A Continuous

### Posi-Lok™ E0400 Series Female Plugs, Crimp and Double Set Screw

#### Features:

- Designed to meet Article 520-53 Section K and Article 530-22 Section A (NEC) standards
- Polarized plugs eliminate the possibility of cross-phasing
- Built-in strain relief reduces cable strain
- Proven Cam-Lok™ double cam principle provides a positive, vibration-proof connection
- No moving contact surfaces, eliminating arcing or burning of contacts
- Recessed contacts protected by insulating jacket that extends beyond contact ends for safety

#### Testing and Code Compliance:

- Listed to UL498, File No. E67181
- CSA certified to C22.2 No. 182.3-M1987, File No. LR13963

#### Material Characteristics:

- Insulator - TPE
- Polarizing shell - thermoplastic
- Temperature rating: -40°C to 105°C

#### Ordering Information - Female Plugs:

Termination	Position	Complete Cat. #	Contact Only Cat. #	Insulator Cat. #	Polarizing Shell Cat. #
Crimp 1 / 0 - 2 / 0	Green	E0400-241	A201272-4	3336199-1	A201262-6
	White	E0400-242	A201272-4	3336199-2	A201262-7
	Black	E0400-243	A201272-4	3336199-3	A201262-8
	Red	E0400-244	A201272-4	3336199-4	A201262-9
	Blue	E0400-245	A201272-4	3336199-5	A201262-10
	Brown	E0400-246	A201272-4	3336199-6	A201262-27
	Orange	E0400-247	A201272-4	3336199-7	A201262-28
	Yellow	E0400-248	A201272-4	3336199-8	A201262-29
	Crimp 3 / 0 - 4 / 0	Green	E0400-261	A201272-2	3336199-9
White		E0400-262	A201272-2	3336199-10	A201262-2
Black		E0400-263	A201272-2	3336199-11	A201262-3
Red		E0400-264	A201272-2	3336199-12	A201262-4
Blue		E0400-265	A201272-2	3336199-13	A201262-5
Brown		E0400-266	A201272-2	3336199-14	A201262-26
Orange		E0400-267	A201272-2	3336199-15	A201262-23
Yellow		E0400-268	A201272-2	3336199-16	A201262-25
Double Set Screw #2 - 2 / 0		Green	E0400-251	A201284-3	3336199-1
	White	E0400-252	A201284-3	3336199-2	A201262-7
	Black	E0400-253	A201284-3	3336199-3	A201262-8
	Red	E0400-254	A201284-3	3336199-4	A201262-9
	Blue	E0400-255	A201284-3	3336199-5	A201262-10
	Brown	E0400-256	A201284-3	3336199-6	A201262-27
	Orange	E0400-257	A201284-3	3336199-7	A201262-28
	Yellow	E0400-258	A201284-3	3336199-8	A201262-29
	Double Set Screw 3 / 0 - 4 / 0	Green	E0400-281	A201284-1	3336199-9
White		E0400-282	A201284-1	3336199-10	A201262-2
Black		E0400-283	A201284-1	3336199-11	A201262-3
Red		E0400-284	A201284-1	3336199-12	A201262-4
Blue		E0400-285	A201284-1	3336199-13	A201262-5
Brown		E0400-299	A201284-1	3336199-14	A201262-26
Orange		E0400-295	A201284-1	3336199-15	A201262-23
Yellow		E0400-292	A201284-1	3336199-16	A201262-25



1 Female insulator



2 Female contact



3 Polarizing shell

Assembled length is 7-1/4"

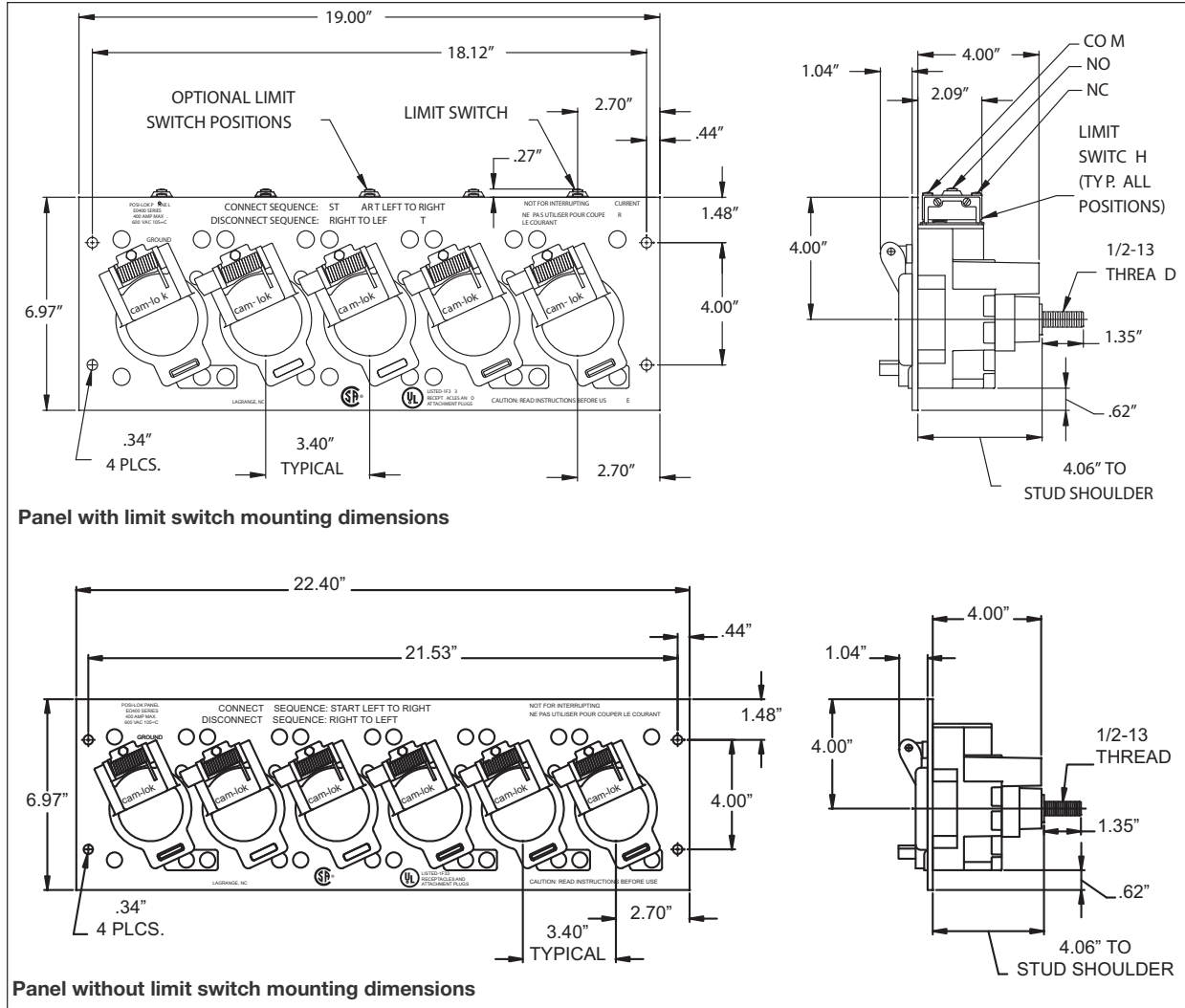
**Crouse-Hinds**  
by **EATON**



**Posi-Lok™ Plugs and Panels**  
**E0400 Series**  
**Cable Size #2 AWG - 4 / 0**  
**600V AC/DC**  
**Up to 200A Continuous**

**11P**

**Dimensions:**



**Protective Plug Caps:**

Cat. #	Description
A100601-17	Cap for Male E0400
A100602-17	Cap for Female E0400
A201319-1	Cap for Male E0200
A201319-1	Cap for Female E0200

**11P**

# 11P Posi-Lok™ Tools and Accessories

## Replacement Parts, Crimping Nest and Presses

### Ordering Information:

Cat. #	Description
A400001	Assembly Tool
A100632	Tool for Removing Contacts from Insulators
A100072	Cable Cutter - #2 - 4 / 0 Cable
201310	Insulator Holding Bracket
A201303	Assembly Tool for 200A Plugs
A200020-3	COM-A-LONG for Pulling Male Contact
A200020-4	COM-A-LONG for Pulling Female Contact
A101208	2 Oz. Tube Silicon Grease for Lubricating Mating End of Synthetic Rubber Insulators

### Ordering Information - Crimping Nest and Presses:

Cable Size	Crimping Nests Cat. #	Crimping Presses (Includes Crimp Nest) Cat. #
#2 - #1	100514-3	A200914-3
1 / 0 - 2 / 0	100514-4	A200914-4
3 / 0	100514-5	A200914-5
4 / 0	100514-6	A200914-6

### Ordering Information - Other Accessories:

Connector Series	Set Screw Cat. #	Copper Shim Cat. #	Pressure Pad Cat. #	Retaining Wire Cat. #
E0200	100012-33	100400-5	-	100573-1
E0400	100012-18	100400-8	101214	100573-1



11P

# Roughneck Single-Conductor Connectors

cURus: E73864  
NEMA 3

11P

Roughneck High Amperage Connectors are rugged and weatherproof and provide a high level of indestructibility. They are built to take heavy abuse (resistant to wind, rain, mud, oil, and sea water), yet can be quickly connected and disconnected without any tools.

Specially designed to handle a variety of drilling applications, they can be quickly and safely connected to the switchgear, AC or DC sides of the SCR package, and carry power to mud pumps and traction motors.

The latching device locks the halves together, eliminating the possibility of accidental disengagement, which can cause disruption of service and electrical shock hazards. The latching device is designed to permit insertion of a lockout/tagout device to provide additional security or the ability to padlock.

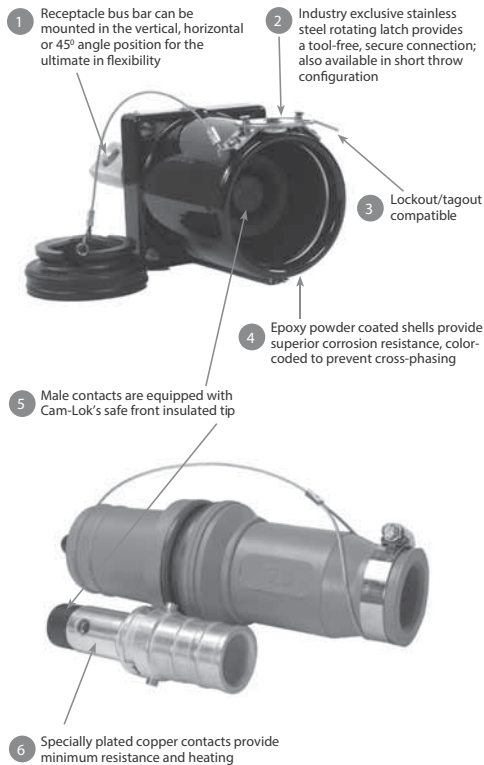
Roughneck Plugs and Receptacles feature totally shielded contacts. The rubber insulator extends past the ends of both male and female contacts for complete safety. Male contacts are equipped with an insulated tip to minimize potential shock hazard. Roughneck products provide the safest high amperage connector in the industry.

Ten colors are available to provide easy circuit identification when mating plugs with receptacles. Color coding helps prevent reverse phasing on AC circuits or cross polarization on DC circuits to assure correct rotation of motors while providing for operator safety.

## Applications:

- Roughneck Plugs and Receptacles are built to take heavy abuse while providing a simple, secure, and safe connection
- Roughneck products are designed specifically for oil and gas drilling applications

## Features:



## Electrical Ratings:

- 1000 Volts, Max. AC/DC
- 1135 amps continuous (1300 amps intermittent)

## Temperature Ratings:

- -40°C to 125°C

## Certifications and Compliances:

- cURus: E73864

## Environmental Ratings:

- NEMA 3

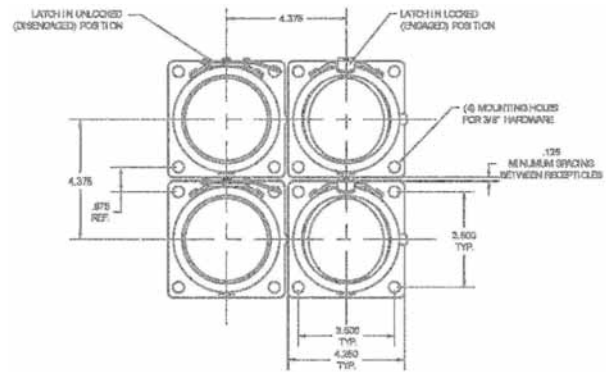
## Standard Materials:

- Cable sizes - 313-777 MCM
- Insulator - rubber
- Receptacle shell - epoxy powder coated aluminum alloy
- Hardware - stainless steel
- Contact - copper

## Ampacity Rating - 40°C Ambient

Cable Size	90°C†	125°C†
313 MCM	513 amps	636 amps
444 MCM	642 amps	796 amps
535 MCM	724 amps	898 amps
646 MCM	814 amps	1009 amps
777 MCM	916 amps	1135 amps

†Conductor temperature shall not exceed these ratings.



Receptacle housing mounting pattern (rotating latch)  
(0.125" minimum spacing required between receptacles)

Crouse-Hinds

by E.T.N

www.crouse-hinds.com US: 1-866-764-5454 CAN: 1-800-265-0502 Copyright© 2013 Eaton's Crouse-Hinds Business

1553

11P

**Cable Size 313 MCM  
1000V AC/DC, Up to 636A Continuous**

## Roughneck E1049 Series Hex Crimp or Solder

### Features:

- Contacts machined from solid copper and specially plated for corrosion resistance and superior conductivity
- Color-coded rubber insulator provides quick visual identification of circuit and phase connections
- Watertight insulators provide maximum protection
- Male and female contacts are assembled to cable with standard crimp tools
- Drive pins on contacts securely lock it to the insulator
- Male contacts are equipped with Safe Front Insulated Tip


### Testing and Code Compliance:

- cURus: E73864


### Material Characteristics:

- Insulator: rubber
- Environmental: NEMA 3
- Temperature rating: -40°C to 125°C

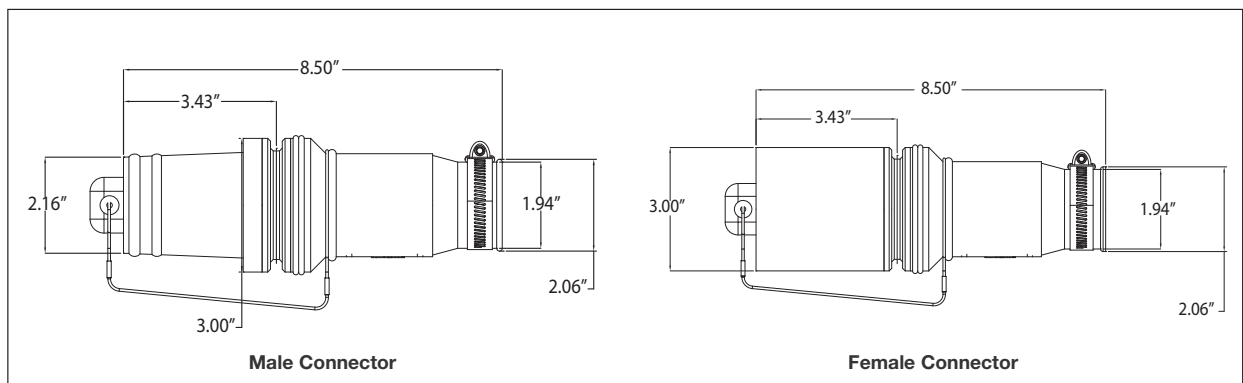
### Ordering Information - Male Plugs:

Type of Connection and Wire Size	Color	Complete Male Connector Cat. #	Insulator Only Cat. #	Contact Only Cat. #
 <p>Hexagon Crimp or Solder for 313 MCM</p> <p><b>E1049-34</b></p>	Black	<b>E1049-31</b>	<b>A201106-1</b>	<b>A201107-4</b>
	Yellow	<b>E1049-32</b>	<b>A201106-2</b>	
	Red	<b>E1049-33</b>	<b>A201106-3</b>	
	Orange	<b>E1049-34</b>	<b>A201106-4</b>	
	Green	<b>E1049-35</b>	<b>A201106-5</b>	
	White	<b>E1049-36</b>	<b>A201106-6</b>	
	Blue	<b>E1049-37</b>	<b>A201106-7</b>	
	Brown	<b>E1049-38</b>	<b>A201106-8</b>	
	Purple	<b>E1049-39</b>	<b>A201106-20</b>	
	Gray	<b>E1049-40</b>	<b>A201106-21</b>	

### Ordering Information - Female Plugs:

Type of Connection and Wire Size	Color	Complete Female Connector Cat. #	Insulator Only Cat. #	Contact Only Cat. #
 <p>Hexagon Crimp or Solder for 313 MCM</p> <p><b>E1049-82</b></p>	Black	<b>E1049-80</b>	<b>A201100-1</b>	<b>A201103-4</b>
	Yellow	<b>E1049-81</b>	<b>A201100-2</b>	
	Red	<b>E1049-82</b>	<b>A201100-3</b>	
	Orange	<b>E1049-83</b>	<b>A201100-4</b>	
	Green	<b>E1049-84</b>	<b>A201100-5</b>	
	White	<b>E1049-85</b>	<b>A201100-6</b>	
	Blue	<b>E1049-86</b>	<b>A201100-7</b>	
	Brown	<b>E1049-87</b>	<b>A201100-8</b>	
	Purple	<b>E1049-88</b>	<b>A201100-25</b>	
	Gray	<b>E1049-89</b>	<b>A201100-26</b>	

### Dimensions:



# Roughneck E1049 Series Male & Female Plugs

NEMA 3

11P

**Cable Size 444 MCM**  
**1000V AC/DC, Up to 796A Continuous**

## Roughneck E1049 Series Hex Crimp or Solder

### Features:

- Contacts machined from solid copper and specially plated for corrosion resistance and superior conductivity
- Color-coded rubber insulator provides quick visual identification of circuit and phase connections
- Watertight insulators provide maximum protection
- Male and female contacts are assembled to cable with standard crimp tools
- Drive pins on contacts securely lock it to the insulator
- Male contacts are equipped with Safe Front Insulated Tip


### Testing and Code Compliance:

- cURus: E73864


### Material Characteristics:

- Insulator: rubber
- Environmental: NEMA 3
- Temperature rating: -40°C to 125°C

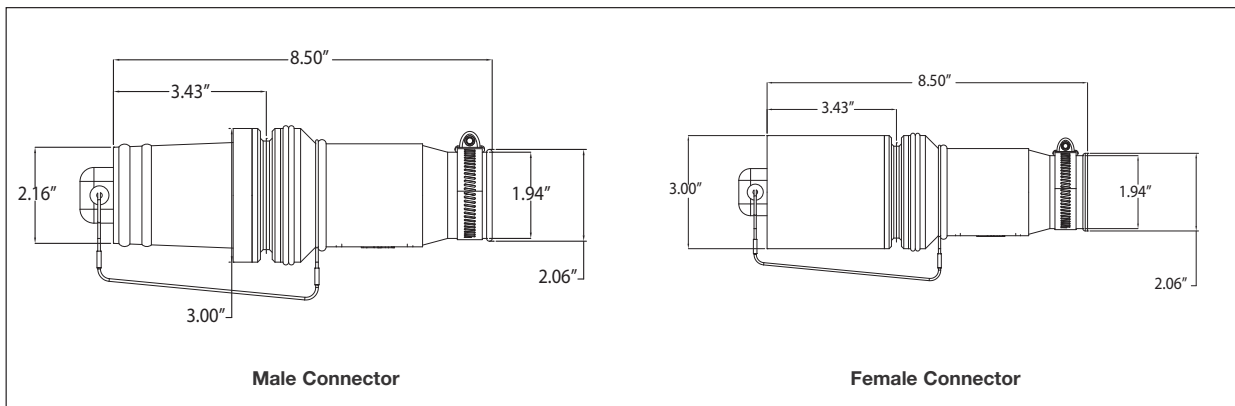
### Ordering Information - Male Plugs:

Type of Connection and Wire Size	Color	Complete Male Connector Cat. #	Insulator Only Cat. #	Contact Only Cat. #
 Hexagon Crimp or Solder for 444 MCM  E1049-210	Black	E1049-201	A201106-1	A201107-8
	Yellow	E1049-202	A201106-2	
	Red	E1049-203	A201106-3	
	Orange	E1049-204	A201106-4	
	Green	E1049-205	A201106-5	
	White	E1049-206	A201106-6	
	Blue	E1049-207	A201106-7	
	Brown	E1049-208	A201106-8	
	Purple	E1049-209	A201106-20	
	Gray	E1049-210	A201106-21	

### Ordering Information - Female Plugs:

Type of Connection and Wire Size	Color	Complete Female Connector Cat. #	Insulator Only Cat. #	Contact Only Cat. #
 Hexagon Crimp or Solder for 444 MCM  E1049-256	Black	E1049-250	A201100-1	A201103-8
	Yellow	E1049-251	A201100-2	
	Red	E1049-252	A201100-3	
	Orange	E1049-253	A201100-4	
	Green	E1049-254	A201100-5	
	White	E1049-255	A201100-6	
	Blue	E1049-256	A201100-7	
	Brown	E1049-257	A201100-8	
	Purple	E1049-258	A201100-25	
	Gray	E1049-259	A201100-26	

### Dimensions:



**Crouse-Hinds**

by **E.T.N**

11P

# 11P Roughneck E1049 Series Male & Female Plugs

NEMA 3

**Cable Size 535 MCM  
1000V AC/DC, Up to 898A Continuous**

## Roughneck E1049 Series Hex Crimp or Solder

### Features:

- Contacts machined from solid copper and specially plated for corrosion resistance and superior conductivity
- Color-coded rubber insulator provides quick visual identification of circuit and phase connections
- Watertight insulators provide maximum protection
- Male and female contacts are assembled to cable with standard crimp tools
- Drive pins on contacts securely lock it to the insulator
- Male contacts are equipped with Safe Front Insulated Tip


### Testing and Code Compliance:

- cURus: E73864


### Material Characteristics:

- Insulator: rubber
- Environmental: NEMA 3
- Temperature rating: -40°C to 125°C

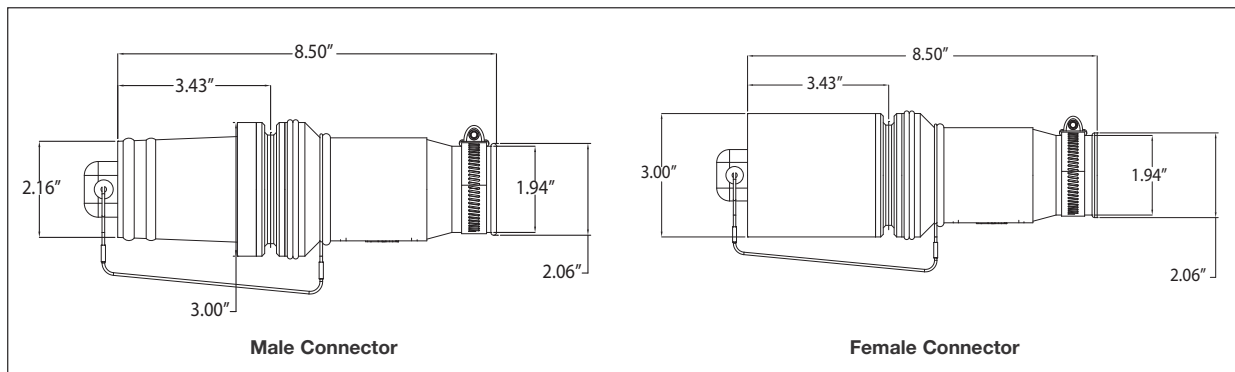
### Ordering Information - Male Plugs:

Type of Connection and Wire Size	Color	Complete Male Connector Cat. #	Insulator Only Cat. #	Contact Only Cat. #
 <p>Hexagon Crimp or Solder for 535 MCM</p> <p><b>E1049-10</b></p>	Black	<b>E1049-1</b>	<b>A201106-1</b>	<b>A201107-1</b>
	Yellow	<b>E1049-2</b>	<b>A201106-2</b>	
	Red	<b>E1049-3</b>	<b>A201106-3</b>	
	Orange	<b>E1049-4</b>	<b>A201106-4</b>	
	Green	<b>E1049-5</b>	<b>A201106-5</b>	
	White	<b>E1049-6</b>	<b>A201106-6</b>	
	Blue	<b>E1049-7</b>	<b>A201106-7</b>	
	Brown	<b>E1049-8</b>	<b>A201106-8</b>	
	Purple	<b>E1049-9</b>	<b>A201106-20</b>	
	Gray	<b>E1049-10</b>	<b>A201106-21</b>	

### Ordering Information - Female Plugs:

Type of Connection and Wire Size	Color	Complete Female Connector Cat. #	Insulator Only Cat. #	Contact Only Cat. #
 <p>Hexagon Crimp or Solder for 535 MCM</p> <p><b>E1049-58</b></p>	Black	<b>E1049-50</b>	<b>A201100-1</b>	<b>A201103-1</b>
	Yellow	<b>E1049-51</b>	<b>A201100-2</b>	
	Red	<b>E1049-52</b>	<b>A201100-3</b>	
	Orange	<b>E1049-53</b>	<b>A201100-4</b>	
	Green	<b>E1049-54</b>	<b>A201100-5</b>	
	White	<b>E1049-55</b>	<b>A201100-6</b>	
	Blue	<b>E1049-56</b>	<b>A201100-7</b>	
	Brown	<b>E1049-57</b>	<b>A201100-8</b>	
	Purple	<b>E1049-58</b>	<b>A201100-25</b>	
	Gray	<b>E1049-59</b>	<b>A201100-26</b>	

### Dimensions:



11P

# Roughneck E1049 Series Male & Female Plugs

NEMA 3

11P

**Cable Size 646 MCM**  
**1000V AC/DC, Up to 1009A Continuous**

## Roughneck E1049 Series Hex Crimp or Solder

### Features:

- Contacts machined from solid copper and specially plated for corrosion resistance and superior conductivity
- Color-coded rubber insulator provides quick visual identification of circuit and phase connections
- Watertight insulators provide maximum protection
- Male and female contacts are assembled to cable with standard crimp tools
- Drive pins on contacts securely lock it to the insulator
- Male contacts are equipped with Safe Front Insulated Tip


### Testing and Code Compliance:

- cURus: E73864


### Material Characteristics:

- Insulator: rubber
- Environmental: NEMA 3
- Temperature rating: -40°C to 125°C

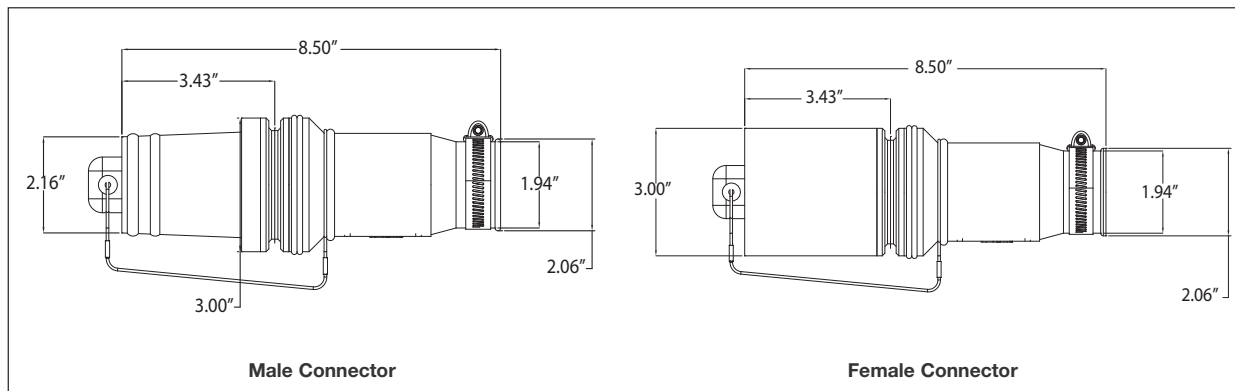
### Ordering Information - Male Plugs:

Type of Connection and Wire Size	Color	Complete Male Connector Cat. #	Insulator Only Cat. #	Contact Only Cat. #
 <p>Hexagon Crimp or Solder for 646 MCM</p> <p>E1049-14</p>	Black	E1049-11	A201106-1	A201107-2
	Yellow	E1049-12	A201106-2	
	Red	E1049-13	A201106-3	
	Orange	E1049-14	A201106-4	
	Green	E1049-15	A201106-5	
	White	E1049-16	A201106-6	
	Blue	E1049-17	A201106-7	
	Brown	E1049-18	A201106-8	
	Purple	E1049-19	A201106-20	
	Gray	E1049-20	A201106-21	

### Ordering Information - Female Plugs:

Type of Connection and Wire Size	Color	Complete Female Connector Cat. #	Insulator Only Cat. #	Contact Only Cat. #
 <p>Hexagon Crimp or Solder for 646 MCM</p> <p>E1049-64</p>	Black	E1049-60	A201100-1	A201103-2
	Yellow	E1049-61	A201100-2	
	Red	E1049-62	A201100-3	
	Orange	E1049-63	A201100-4	
	Green	E1049-64	A201100-5	
	White	E1049-65	A201100-6	
	Blue	E1049-66	A201100-7	
	Brown	E1049-67	A201100-8	
	Purple	E1049-68	A201100-25	
	Gray	E1049-69	A201100-26	

### Dimensions:



**Crouse-Hinds**

by **E.T.N**

11P

**Cable Size 777 MCM  
1000V AC/DC, Up to 1135A Continuous**

## Roughneck E1049 Series Hex Crimp or Solder

### Features:

- Contacts machined from solid copper and specially plated for corrosion resistance and superior conductivity
- Color-coded rubber insulator provides quick visual identification of circuit and phase connections
- Watertight insulators provide maximum protection
- Male and female contacts are assembled to cable with standard crimp tools
- Drive pins on contacts securely lock it to the insulator
- Male contacts are equipped with Safe Front Insulated Tip


### Testing and Code Compliance:

- cURus: E73864


### Material Characteristics:

- Insulator: rubber
- Environmental: NEMA 3
- Temperature rating: -40°C to 125°C

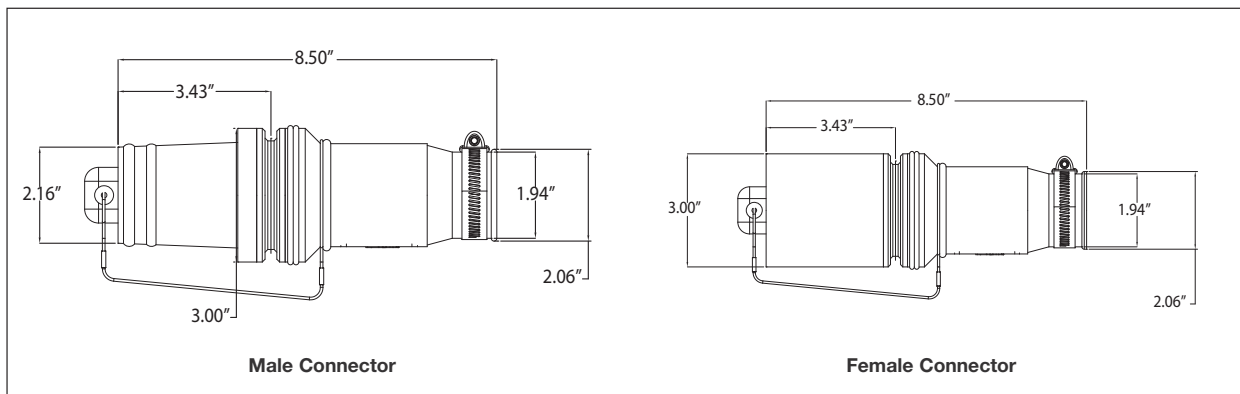
### Ordering Information - Male Plugs:

Type of Connection and Wire Size	Color	Complete Male Connector Cat. #	Insulator Only Cat. #	Contact Only Cat. #
 <p>Hexagon Crimp or Solder for 777 MCM</p> <p><b>E1049-29</b></p>	Black	<b>E1049-21</b>	<b>A201106-1</b>	<b>A201107-3</b>
	Yellow	<b>E1049-22</b>	<b>A201106-2</b>	
	Red	<b>E1049-23</b>	<b>A201106-3</b>	
	Orange	<b>E1049-24</b>	<b>A201106-4</b>	
	Green	<b>E1049-25</b>	<b>A201106-5</b>	
	White	<b>E1049-26</b>	<b>A201106-6</b>	
	Blue	<b>E1049-27</b>	<b>A201106-7</b>	
	Brown	<b>E1049-28</b>	<b>A201106-8</b>	
	Purple	<b>E1049-29</b>	<b>A201106-20</b>	
	Gray	<b>E1049-30</b>	<b>A201106-21</b>	

### Ordering Information - Female Plugs:

Type of Connection and Wire Size	Color	Complete Female Connector Cat. #	Insulator Only Cat. #	Contact Only Cat. #
 <p>Hexagon Crimp or Solder for 777 MCM</p> <p><b>E1049-76</b></p>	Black	<b>E1049-70</b>	<b>A201100-1</b>	<b>A201103-3</b>
	Yellow	<b>E1049-71</b>	<b>A201100-2</b>	
	Red	<b>E1049-72</b>	<b>A201100-3</b>	
	Orange	<b>E1049-73</b>	<b>A201100-4</b>	
	Green	<b>E1049-74</b>	<b>A201100-5</b>	
	White	<b>E1049-75</b>	<b>A201100-6</b>	
	Blue	<b>E1049-76</b>	<b>A201100-7</b>	
	Brown	<b>E1049-77</b>	<b>A201100-8</b>	
	Purple	<b>E1049-78</b>	<b>A201100-25</b>	
	Gray	<b>E1049-79</b>	<b>A201100-26</b>	

### Dimensions:



11P



# Roughneck E1049 Series Receptacles

NEMA 3

11P

**Cable Size 313-777 MCM  
1000V AC/DC, 1135A**

## Roughneck Receptacles Single and Double Hole Bus Bar - Rotating Latch

### Features:

- Color-coded receptacle housings are designed to provide easy circuit identification
- Epoxy powder shell coating provides superior corrosion resistance
- Receptacle housing allows bus bar positioning at vertical, horizontal, and 45° to ease cable routing
- Receptacle assembly provides 360° mounting capabilities
- Ten standard colors available
- Locking device is lockout compatible
- Dust cover is secured to the receptacle housing
- Stainless steel hardware
- Recessed contacts protected by insulating jacket that extends beyond contact ends for safety

### Testing and Code Compliance:

- cURus: E73864

### Material Characteristics:

- Receptacle body: rubber
- Environmental: NEMA 3
- Temperature rating: -40°C to 125°C

### Ordering Information - Female Bus Bar:

Female Double Hole Bus Bar				Female Single Hole Bus Bar		
Complete Assembly Cat. #	Housing Assembly Cat. #	Contact Assembly Cat. #	Color	Complete Assembly Cat. #	Housing Assembly Cat. #	Contact Assembly Cat. #
E1049-1833X-BK	3326695-1	A201108-9	Black	E1049-1825X-BK	3326695-1	A201108-1
E1049-1834X-Y	3326695-2	A201108-10	Yellow	E1049-1826X-Y	3326695-2	A201108-2
E1049-1835X-R	3326695-3	A201108-11	Red	E1049-1827X-R	3326695-3	A201108-3
E1049-1836X-OR	3326695-4	A201108-12	Orange	E1049-1828X-OR	3326695-4	A201108-4
E1049-1837X-G	3326695-5	A201108-13	Green	E1049-1829X-G	3326695-5	A201108-5
E1049-1838X-W	3326695-6	A201108-14	White	E1049-1830X-W	3326695-6	A201108-6
E1049-1839X-BL	3326695-7	A201108-15	Blue	E1049-1831X-BL	3326695-7	A201108-7
E1049-1840X-BR	3326695-8	A201108-16	Brown	E1049-1832X-BR	3326695-8	A201108-8
E1049-1822X-PR	3326695-9	A201108-19	Purple	E1049-1820X-PR	3326695-9	A201108-17
E1049-1823X-GY	3326695-10	A201108-20	Gray	E1049-1821X-GY	3326695-10	A201108-18



E1049-1835X-R

### Ordering Information - Male Bus Bar:

Male Double Hole Bus Bar				Male Single Hole Bus Bar		
Complete Assembly Cat. #	Housing Assembly Cat. #	Contact Assembly Cat. #	Color	Complete Assembly Cat. #	Housing Assembly Cat. #	Contact Assembly Cat. #
E1049-1808X-BK	3326695-1	A201099-9	Black	E1049-1800X-BK	3326695-1	A201099-1
E1049-1809X-Y	3326695-2	A201099-10	Yellow	E1049-1801X-Y	3326695-2	A201099-2
E1049-1810X-R	3326695-3	A201099-11	Red	E1049-1802X-R	3326695-3	A201099-3
E1049-1811X-OR	3326695-4	A201099-12	Orange	E1049-1803X-OR	3326695-4	A201099-4
E1049-1812X-G	3326695-5	A201099-13	Green	E1049-1804X-G	3326695-5	A201099-5
E1049-1813X-W	3326695-6	A201099-14	White	E1049-1805X-W	3326695-6	A201099-6
E1049-1814X-BL	3326695-7	A201099-15	Blue	E1049-1806X-BL	3326695-7	A201099-7
E1049-1815X-BR	3326695-8	A201099-16	Brown	E1049-1807X-BR	3326695-8	A201099-8
E1049-1818X-PR	3326695-9	A201099-19	Purple	E1049-1816X-PR	3326695-9	A201099-17
E1049-1819X-GY	3326695-10	A201099-20	Gray	E1049-1817X-GY	3326695-10	A201099-18



E1049-1808X-BK

Receptacle assembly part numbers include the insulator, receptacle housing, gasket, and dust cover.  
Dust cover receptacle male or female catalog number: A201113-5.

**Cable Size 313-777 MCM  
1000V AC/DC, 1135A**

## Roughneck Receptacles Single and Double Hole Bus Bar - Short Throw Latch

### Features:

- Color-coded receptacle housings are designed to provide easy circuit identification
- Epoxy powder shell coating provides superior corrosion resistance
- Receptacle housing allows bus bar positioning at vertical, horizontal, and 45° to ease cable routing
- Receptacle assembly provides 360° mounting capabilities
- Ten standard colors available
- Locking device is lockout compatible
- Dust cover can be secured to the receptacle housing
- Stainless steel hardware
- Recessed contacts protected by insulating jacket that extends beyond contact ends for safety

### Testing and Code Compliance:

- cURus: E73864

### Material Characteristics:

- Receptacle body: rubber
- Environmental: NEMA 3
- Temperature rating: -40°C to 125°C

### Ordering Information - Female Bus Bar:

#### Female Double Hole Bus Bar

Complete Assembly Cat. #	Housing Assembly Cat. #	Contact Assembly Cat. #	Color
E1049-1833ST-BK	3326695-1ST	A201108-9	Black
E1049-1834ST-Y	3326695-2ST	A201108-10	Yellow
E1049-1835ST-R	3326695-3ST	A201108-11	Red
E1049-1836ST-OR	3326695-4ST	A201108-12	Orange
E1049-1837ST-G	3326695-5ST	A201108-13	Green
E1049-1838ST-W	3326695-6ST	A201108-14	White
E1049-1839ST-BL	3326695-7ST	A201108-15	Blue
E1049-1840ST-BR	3326695-8ST	A201108-16	Brown
E1049-1822ST-PR	3326695-9ST	A201108-19	Purple
E1049-1823ST-GY	3326695-10ST	A201108-20	Gray

#### Female Single Hole Bus Bar

Complete Assembly Cat. #	Housing Assembly Cat. #	Contact Assembly Cat. #
E1049-1825ST-BK	3326695-1ST	A201108-1
E1049-1826ST-Y	3326695-2ST	A201108-2
E1049-1827ST-R	3326695-3ST	A201108-3
E1049-1828ST-OR	3326695-4ST	A201108-4
E1049-1829ST-G	3326695-5ST	A201108-5
E1049-1830ST-W	3326695-6ST	A201108-6
E1049-1831ST-BL	3326695-7ST	A201108-7
E1049-1832ST-BR	3326695-8ST	A201108-8
E1049-1820ST-PR	3326695-9ST	A201108-17
E1049-1821ST-GY	3326695-10ST	A201108-18



E1049-1833ST-BK

### Ordering Information - Male Bus Bar:

#### Male Double Hole Bus Bar

Complete Assembly Cat. #	Housing Assembly Cat. #	Contact Assembly Cat. #	Color
E1049-1808ST-BK	3326695-1ST	A201099-9	Black
E1049-1809ST-Y	3326695-2ST	A201099-10	Yellow
E1049-1810ST-R	3326695-3ST	A201099-11	Red
E1049-1811ST-OR	3326695-4ST	A201099-12	Orange
E1049-1812ST-G	3326695-5ST	A201099-13	Green
E1049-1813ST-W	3326695-6ST	A201099-14	White
E1049-1814ST-BL	3326695-7ST	A201099-15	Blue
E1049-1815ST-BR	3326695-8ST	A201099-16	Brown
E1049-1818ST-PR	3326695-9ST	A201099-19	Purple
E1049-1819ST-GY	3326695-10ST	A201099-20	Gray

#### Male Single Hole Bus Bar

Complete Assembly Cat. #	Housing Assembly Cat. #	Contact Assembly Cat. #
E1049-1800ST-BK	3326695-1ST	A201099-1
E1049-1801ST-Y	3326695-2ST	A201099-2
E1049-1802ST-R	3326695-3ST	A201099-3
E1049-1803ST-OR	3326695-4ST	A201099-4
E1049-1804ST-G	3326695-5ST	A201099-5
E1049-1805ST-W	3326695-6ST	A201099-6
E1049-1806ST-BL	3326695-7ST	A201099-7
E1049-1807ST-BR	3326695-8ST	A201099-8
E1049-1816ST-PR	3326695-9ST	A201099-17
E1049-1817ST-GY	3326695-10ST	A201099-18



E1049-1814ST-BL

Receptacle assembly part numbers include the insulator, receptacle housing, gasket, and dust cover.

Dust cover receptacle male or female catalog number: A201113-1.

# Roughneck E1049 Series Receptacles

NEMA 3

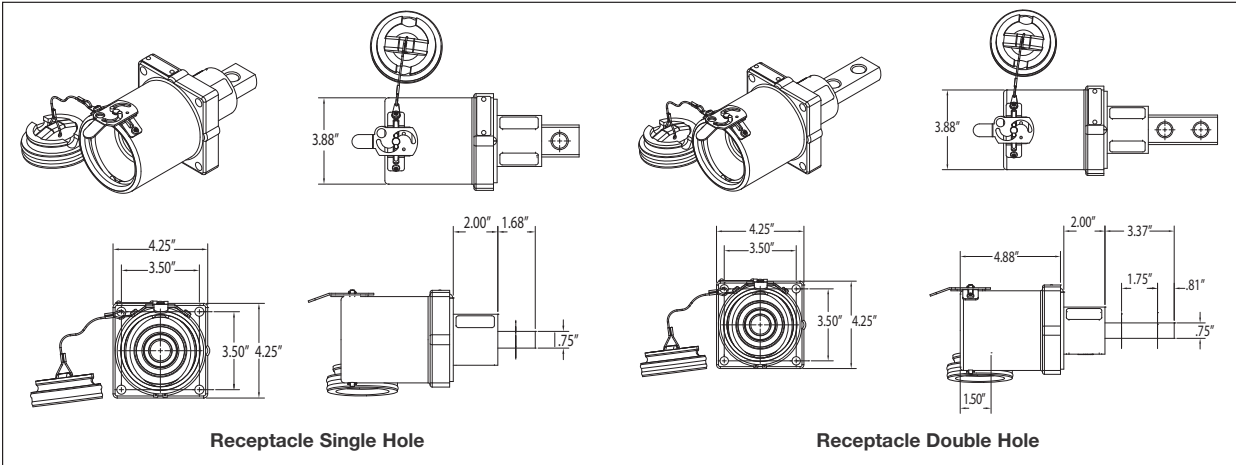
11P

**Cable Size 313-777 MCM  
1000V AC/DC, 1135A**

## Accessories:

Description	Cat. #
Receptacle Repair Kit - Short Throw	K3326821
Clevis Pin for Coupler	A101058-2
Adhesive, 8 oz. Can	100312-2
Receptacle Dust Cover - Short Throw	A201113-1
Dust Cover for Male Plug, Black	A201113-2
Dust Cover for Female Plug, Black	A201114-2
Gasket for Receptacle Housing	201115
Lockout Kit for Padlocking Receptacle	A201120-1
Coupler for Mating Male to Female Plug	A201096-1
Receptacle Dust Cover - Rotating Latch	A201113-5
Neoprene Vulcanizing Tape	319735-1

## Dimensions:



11P

# 11P Quik-Loc™ Connectors

## 600 Volt Standard

### Applications:

- Drills
- Shuttle cars
- Conveyors
- Power distribution
- Slusher hoists
- Motors
- Heavy equipment
- Ship-to-shore power

### Features:

- Corrosion-resistant - molded neoprene components (insert body, sleeve, grommets), neoprene covered alloy couplings, and stainless steel clamps are unaffected by most chemicals and acids
- Field attachable - quick field assembly requires standard tools with color-coded wiring terminals indicating proper conductor locations; dual set screw design enhances connection
- Quick disconnect - couplers with "pin and groove" design support engagement and disengagement in just  $\frac{3}{4}$  turn; couplers revolve freely on replaceable ball bearings
- Safe - all metal components are thoroughly insulated using a barrier of molded neoprene; a reversed ground pin assures positive polarization
- Watertight - compression fit of neoprene components and cable hugging grommets provide a moisture-tight seal; positive water seal between mated connectors is provided by an o-ring type seal molded to the connector

Non-slipping, worm-gear driven clamps assure a watertight fit between protective sleeve, terminal area and cable. Stainless steel components resist corrosion.

One-piece neoprene protective sleeve seals wiring area from dirt, grit and moisture.

Sturdy neoprene covered metal couplings withstand rough handling and abuse. Pin and groove threads engage or disengage in just  $\frac{3}{4}$  turn; won't cross thread or burr. (Largest model has double pitch Acme thread).

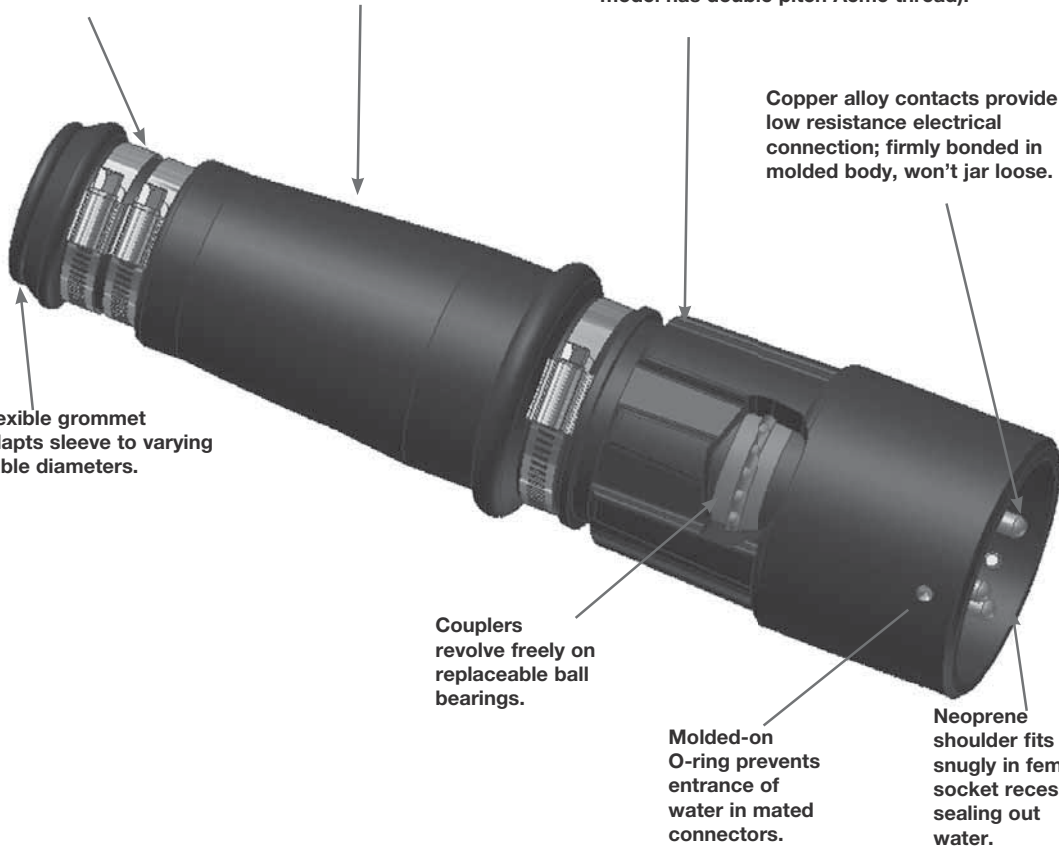
Copper alloy contacts provide low resistance electrical connection; firmly bonded in molded body, won't jar loose.

Flexible grommet adapts sleeve to varying cable diameters.

Couplers revolve freely on replaceable ball bearings.

Molded-on O-ring prevents entrance of water in mated connectors.

Neoprene shoulder fits snugly in female socket recess, sealing out water.



## 600 Volt Plugs

Quik-Loc™ male and female connectors provide electrical, mechanical, and environmental protection for 600 volt AC and DC applications.

### Certifications and Compliances:

- 600 volt MSHA (Mine Safety Health Administration) approval for underground mining

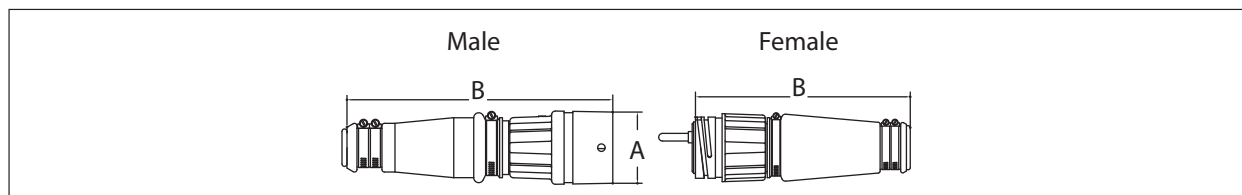


### Ordering Information - 600 Volt Plugs:

Max. Cable Size (AWG)	Suggested Cable Rating	Connector Rating Only† Amps (600V)	Dimensions (Approximate Inches)		Cat. #		Protective Cap for Plug Receptacle Cat. #	
			A	B	Male	Female	Male	Female
<b>For DC 2 Power + 1 Ground without Pilot Circuit Contacts</b>								
4	70	125	4	13 <sup>9</sup> / <sub>16</sub>	X8323-4C	X8323-3C	3325656-2	3325656-1
2	95	160	4	13 <sup>11</sup> / <sub>16</sub>	X8324-2C	X8324-1C	3325656-2	3325656-1
2 / 0	150	225	4 <sup>3</sup> / <sub>16</sub>	15 <sup>5</sup> / <sub>16</sub>	X8325-3C	X8325-2C	3325656-4	3325656-3
4 / 0	200	325	4 <sup>5</sup> / <sub>8</sub>	13 <sup>15</sup> / <sub>16</sub>	X8326-1C	X8326-2C	3325656-8	3325656-7
400 MCM	280	500	6	19 <sup>9</sup> / <sub>16</sub>	X8327-1C	X8326-2C	3325656-10	3325656-9
<b>For DC 2 Power + 1 Ground with Pilot Circuit Contacts</b>								
8	40	75	4	13 <sup>7</sup> / <sub>16</sub>	X8329-2C	X8329-1C	3325656-2	3325656-1
4	70	125	1	13 <sup>9</sup> / <sub>16</sub>	X8330-3C	X8330-4C	3325656-2	3325656-1
2	95	160	4 <sup>3</sup> / <sub>16</sub>	14 <sup>15</sup> / <sub>16</sub>	X8331-1C	X8331-4C	3325656-4	3325656-3
2 / 0	150	225	4 <sup>5</sup> / <sub>8</sub>	16 <sup>15</sup> / <sub>16</sub>	X8332-1C	X8332-8C	3325656-6	3325656-5
4 / 0	200	325	5	16 <sup>1</sup> / <sub>2</sub>	X8333-4C	X8333-3C	3325656-8	3325656-7
300 MCM	240	425	6 <sup>7</sup> / <sub>16</sub>	22 <sup>1</sup> / <sub>4</sub>	X8334-2C	X8334-1C	3325656-10	3325656-9
500 MCM	320	625	4 <sup>7</sup> / <sub>16</sub>	29 <sup>15</sup> / <sub>16</sub>	X8335-1C	X8335-2C	3325656-12	3325656-11
<b>For AC 3 Power + 1 Ground without Pilot Circuit Contacts</b>								
8	35	75	3 <sup>5</sup> / <sub>8</sub>	11 <sup>13</sup> / <sub>16</sub>	X8336-3D	X8336-2D	3325656-2	3325656-1
4	65	125	4	13 <sup>9</sup> / <sub>16</sub>	X8337-3D	X8337-4D	3325656-2	3325656-1
2	90	160	3 <sup>7</sup> / <sub>8</sub>	13 <sup>1</sup> / <sub>16</sub>	X8338-2D	X8338-3D	3325656-4	3325656-3
2 / 0	135	225	4 <sup>3</sup> / <sub>16</sub>	14 <sup>1</sup> / <sub>16</sub>	X8339-1D	X8339-2D	3325656-6	3325656-5
4 / 0	180	325	5	16 <sup>1</sup> / <sub>2</sub>	X8340-5D	X8340-4D	3325656-8	3325656-7
300 MCM	220	425	6 <sup>7</sup> / <sub>16</sub>	22 <sup>1</sup> / <sub>4</sub>	X8341-2C	X8341-1C	3325656-10	3325656-9
<b>For AC 3 Power + 1 Ground with Pilot Circuit Contacts</b>								
8	35	75	4	13 <sup>7</sup> / <sub>16</sub>	X8343-5D	X8343-4D	3325656-2	3325656-1
4	65	125	3 <sup>7</sup> / <sub>8</sub>	13	X8344-5D	X8344-4D	3325656-4	3325656-3
2	90	160	4 <sup>3</sup> / <sub>16</sub>	14 <sup>1</sup> / <sub>16</sub>	X8345-5D	X8345-6D	3325656-6	3325656-5
2 / 0	135	225	4 <sup>5</sup> / <sub>8</sub>	13 <sup>15</sup> / <sub>16</sub>	X8346-2D	X8346-1D	3325656-6	3325656-7
4 / 0	180	325	6 <sup>7</sup> / <sub>16</sub>	21 <sup>15</sup> / <sub>16</sub>	X8347-2D	X8347-1D	3325656-8	3325656-9
400 MCM	250	500	7 <sup>7</sup> / <sub>16</sub>	29 <sup>1</sup> / <sub>16</sub>	X8348-3B	X8348-2B	3325656-10	3325656-11

†This is connector rating only. Operating rating must be based on cable capacity.

### Dimensions:



**Crouse-Hinds**

by **Eaton**

# 11P Quik-Loc™ Connectors

## 600 Volt Dust-tight Receptacles

Male and female receptacles use machined manganese bronze mounting shells with 3/4 turn rotation.

### Certifications and Compliances:

- 600 volt MSHA (Mine Safety Health Administration) approval for underground mining

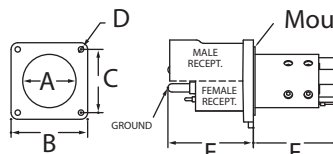


### Ordering Information - 600 Volt Dust-tight Receptacles:

Cat. #		Dimensions (Approximate Inches)						Pilot Short Circuiting Cap or Fem. Rec. Cat. #
Male	Female	A	B	C	D	E	F	
<b>For DC 2 Power + 1 Ground without Pilot Circuit Contacts</b>								
X8323-13C	X8323-8C	2	3 3/8	2 3/4	5/16	5 1/16	4	
X8324-13C	X8324-8C	2	3 3/8	2 3/4	5/16	5 9/16	4	
X8325-13C	X8325-8C	2 5/16	3 3/8	2 7/8	5/16	5 9/16	4 1/2	
X8326-13C	X8326-8C	3	4 1/2	3 1/2	3/8	6 1/8	5 1/16	
X8327-11C	X8327-6C	4	6	4 3/4	7/16	7 1/2	6 1/16	
<b>For DC 2 Power + 1 Ground with Pilot Circuit Contacts</b>								
X8329-15C	X8329-10C	2	3 3/8	2 3/4	5/16	4 15/16	4	X8329-3
X8330-16C	X8330-12C	2	3 3/8	2 3/4	5/16	5 1/16	3 3/8	X8330-7
X8331-15C	X8331-11C	2 5/16	3 3/8	2 7/8	5/16	5 9/16	4 1/2	X8331-6
X8332-16C	X8332-13C	2 5/8	4	3 1/8	5/16	6 1/16	4 15/16	X8332-9
X8333-7C	X8333-1C	3	4 1/2	3 1/2	3/8	6 1/2	5 1/16	X8333-12
X8334-15C	X8334-10C	4	6	4 3/4	7/16	7 9/16	6 1/16	X8334-5
X8335-8C	X8335-4C	5	7 1/4	5 7/8	9/16	8 7/8	6 1/4	X8335-6
<b>For AC 3 Power + 1 Ground without Pilot Circuit Contacts</b>								
X8336-13D	X8336-8D	2	3 3/8	2 3/4	5/16	5 1/16	4	
X8337-14C	X8337-11C	2	3 3/8	2 3/4	5/16	5 1/16	4	
X8338-13C	X8338-8C	2 5/16	3 3/8	2 7/8	5/16	5 9/16	4 1/2	
X8339-13C	X8339-3C	2 5/8	4	3 1/4	5/16	6 1/16	4 15/16	
X8340-2C	X8340-10C	3	4 1/2	3 1/2	3/8	6 1/2	5 1/16	
<b>For AC 3 Power + 1 Ground with Pilot Circuit Contacts</b>								
X8343-16C	X8343-12C	2	3 3/8	2 3/4	5/16	5 1/16	4	X8343-7
X8344-2C	X8344-1C	2 5/16	3 3/8	2 7/8	5/16	5 1/16	4 1/2	X8344-6
X8345-15C	X8345-10C	2 5/8	4	3 1/4	5/16	5 11/16	4 15/16	X8345-3
X8346-13C	X8346-8C	3	4 1/2	3 1/2	3/18	6 3/16	5 1/16	X8346-3
X8347-13C	X8347-8C	4	6	4 3/4	7/16	6 15/16	6 1/16	X8347-3
X8348-10B	X8348-7B	5	7 1/4	5 7/8	9/16	8 7/8	6 1/4	X8348-8

### Dimensions:

Panel Opening



Mounting Compression

**Crouse-Hinds**  
by **EATON**

600 Volt Receptacles for Permissible Enclosures

Short circuiting cap - used to jumper the pilot circuit in a disengaged connector when series wired control line to other equipment must be closed.



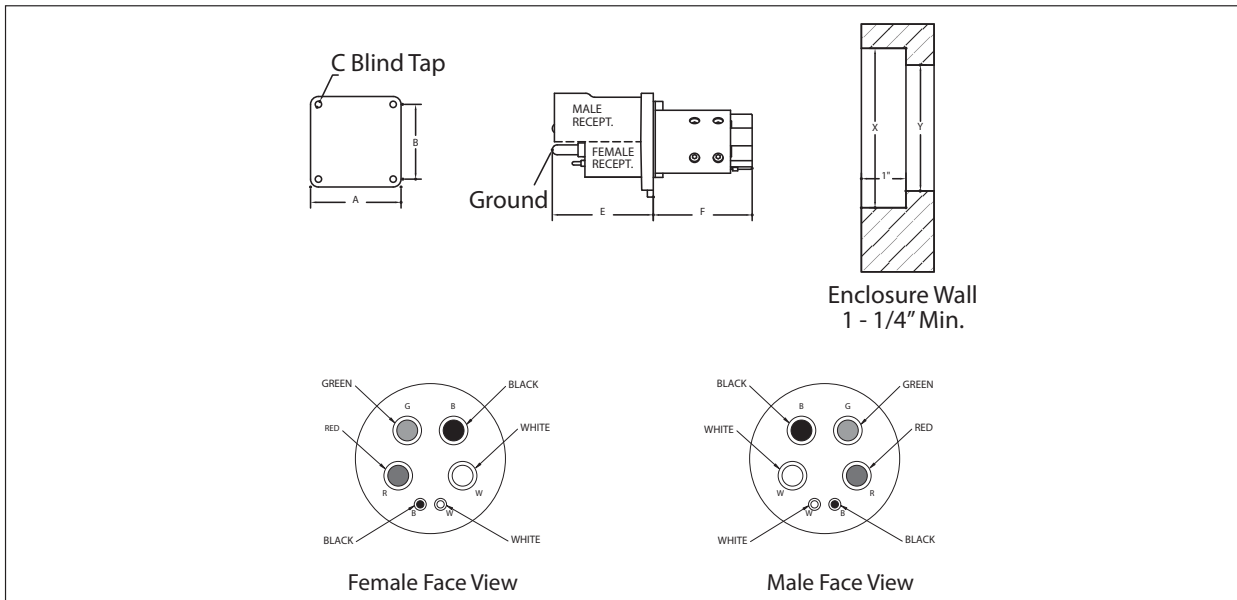
Certifications and Compliances:

- 600 volt MSHA (Mine Safety Health Administration) approval for underground mining

Ordering Information - 600 Volt Receptacles for Permissible Enclosures:

Cat. #		Dimensions (Approximate Inches)							Pilot Short Circuiting Cap or Fem. Rec. Cat. #
Male	Female	A	B	C	D	E	X	Y	
<b>For DC 2 Power + 1 Ground with Pilot Circuit Contacts</b>									
X8329-13C	X8329-8C	4 <sup>1</sup> / <sub>8</sub>	2 <sup>7</sup> / <sub>8</sub>	1/2-13	5 <sup>5</sup> / <sub>16</sub>	4	2 <sup>3</sup> / <sub>4</sub>	2	X8329-3
X8330-14C	X8330-10C	4 <sup>1</sup> / <sub>8</sub>	2 <sup>7</sup> / <sub>8</sub>	1/2-13	5 <sup>7</sup> / <sub>16</sub>	3 <sup>7</sup> / <sub>8</sub>	2 <sup>3</sup> / <sub>4</sub>	2	X8330-7
X8331-13C	X8331-9C	4 <sup>1</sup> / <sub>2</sub>	3 <sup>1</sup> / <sub>4</sub>	1/2-13	4 <sup>9</sup> / <sub>16</sub>	4 <sup>1</sup> / <sub>2</sub>	3	2 <sup>5</sup> / <sub>16</sub>	X8331-6
X8332-14C	X8332-11C	4 <sup>3</sup> / <sub>4</sub>	3 <sup>1</sup> / <sub>2</sub>	1/2-13	6 <sup>1</sup> / <sub>16</sub>	4 <sup>15</sup> / <sub>16</sub>	3 <sup>3</sup> / <sub>8</sub>	2 <sup>5</sup> / <sub>8</sub>	X8332-9
X8333-14C	X8333-10C	5	3 <sup>3</sup> / <sub>4</sub>	1/2-13	5 <sup>1</sup> / <sub>2</sub>	4 <sup>13</sup> / <sub>16</sub>	3 <sup>3</sup> / <sub>4</sub>	2 <sup>15</sup> / <sub>16</sub>	X8333-12
X8334-13C	X8334-8C	6	4 <sup>7</sup> / <sub>8</sub>	1/2-13	6 <sup>3</sup> / <sub>16</sub>	5 <sup>13</sup> / <sub>16</sub>	5 <sup>1</sup> / <sub>8</sub>	3 <sup>15</sup> / <sub>16</sub>	X8334-5
<b>For AC 3 Power + 1 Ground with Pilot Circuit Contacts</b>									
X8343-14C	X8343-10C	4 <sup>1</sup> / <sub>8</sub>	2 <sup>7</sup> / <sub>8</sub>	1/2-13	5 <sup>5</sup> / <sub>16</sub>	4	2 <sup>3</sup> / <sub>4</sub>	2	X8343-7
X8344-12C	X8344-8C	4 <sup>1</sup> / <sub>2</sub>	3 <sup>1</sup> / <sub>4</sub>	1/2-13	5 <sup>7</sup> / <sub>16</sub>	4 <sup>1</sup> / <sub>2</sub>	3	2 <sup>5</sup> / <sub>16</sub>	X8344-6
X8345-15C	X8345-10C	4 <sup>3</sup> / <sub>4</sub>	3 <sup>1</sup> / <sub>2</sub>	1/2-13	5 <sup>11</sup> / <sub>16</sub>	4 <sup>3</sup> / <sub>8</sub>	3 <sup>3</sup> / <sub>8</sub>	2 <sup>5</sup> / <sub>8</sub>	X8345-3
X8346-11C	X8346-6C	5	3 <sup>3</sup> / <sub>4</sub>	1/2-13	6 <sup>3</sup> / <sub>16</sub>	5 <sup>1</sup> / <sub>16</sub>	3 <sup>3</sup> / <sub>4</sub>	2 <sup>15</sup> / <sub>16</sub>	X8346-3
X8347-11C	X8347-6C	6	3 <sup>7</sup> / <sub>8</sub>	1/2-13	6 <sup>15</sup> / <sub>16</sub>	6 <sup>1</sup> / <sub>16</sub>	5 <sup>1</sup> / <sub>8</sub>	3 <sup>15</sup> / <sub>16</sub>	X8347-3

Dimensions:

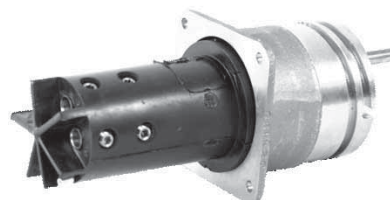


11P

# 11P Quik-Loc™ Connectors

## 600 Volt Accessories

Receptacles mate with the attachable plugs and are equipped with sleeve-type wiring terminals and molded neoprene wiring barriers. Bronze alloy mounting shells and molded neoprene inserts protect against almost any environment. Receptacles are available as dust-tight and for permissible use.



### Certifications and Compliances:

- 600 volt MSHA (Mine Safety Health Administration) approval for underground mining

### Ordering Information - 600 Volt Accessories:

Molded Insert		Mounting Shell			
Male Cat. #	Female Cat. #	Dust-tight		Permissible	
Male Cat. #	Female Cat. #	Male Cat. #	Female Cat. #	Male Cat. #	Female Cat. #
X8323-2	X8323-1	A324289	324088	-	-
X8324-3	X8324-4	A324289	324088	-	-
X8325-4	X8325-1	A324357	324063	-	-
X8326-5	X8326-4	A324232	324059	-	-
X8327-14	X8327-13	A324166	324094	-	-
X8329-4	X8329-5	A324289	324088	A324292	324300
X8330-5	X8330-6	A324289	324088	A324292	324300
X8331-5	X8331-3	A324357	324063	A324350	324353
X8332-7	X8332-5	A324119	324093	A324206	324198
X8333-6	X8333-5	A324232	324059	A324231	324238
X8334-3	X8334-4	A324166	324094	A324174	324170
X8335-11	X8335-10	324095	324065	-	-
X8336-4	X8336-1	A324289	324088	-	-
X8337-6	X8337-7	A324289	324088	-	-
X8338-4	X8338-1	A324357	324063	-	-
X8339-6	X8339-5	A324119	324093	-	-
X8344-16	X8344-15	A324357	324063	A324350	324353
X8345-2	X8345-1	A324119	324093	A324206	324198
X8346-16	X8346-15	A324232	324059	A324231	324238
X8347-16	X8347-15	A324166	324094	A324174	324170
X8348-4	X8348-5	324095	324065	-	-



## 600 Volt Sleeves and Grommets

Elastomeric molded sleeve and grommet design support flexible field installation with multi-conductor cables.

Sleeve and grommet capability promote environmental protection with superior chemical resistance.

### Ordering Information - 600 Volt Sleeves and Grommets:

Listed below are the sleeve and grommet catalog numbers which are supplied with each plug.

Plug Cat. #	Sleeve Cat. #	Grommet #1 Cat. #	Grommet #2 Cat. #	Grommet #3 Cat. #	Plug Cat. #	Sleeve Cat. #	Grommet #1 Cat. #	Grommet #2 Cat. #	Grommet #3 Cat. #
X8323	325298	313305-1	313305-2	313305-5	X8336	325298	313305-2	-	-
X8324	325298	313305-1	313305-2	313305-5	X8337	325298	313305-1	313305-2	-
X8325	325292	313327-1	313327-2	313327-7	X8338	325292	313327-1	313327-2	-
X8326	325245	324153-1	324153-2	-	X8339	325286	324044-1	324044-2	-
X8327	325271	324089-1	324089-2	-	X8340	325245	324153-1	324153-2	-
X8329	325298	313305-2	-	-	X8341	325271	313089-1	313089-2	-
X8330	325298	313305-1	313305-2	313305-5	X8343	325298	313305-1	-	-
X8331	325292	313327-2	313327-3	313327-6	X8344	325292	313327-2	313327-3	-
X8332	325286	324044-1	324044-2	324044-5	X8345	325286	324044-3	324044-4	-
X8333	325245	324153-1	324153-2	324153-6	X8346	325245	324153-2	324153-3	-
X8334	325271	324089-1	324089-2	-	X8347	325271	324089-2	324089-3	-
X8335	325305	324024-4	324024-5	-	X8348	325305	324024-4	324024-5	-

For round cable: select grommet that adapts inside diameter of sleeve (supplied on plug) to outside diameter of cable being used.

Sleeve Cat. #	Fits Cable (Without Grommet)		Extension Range of "Adapter Grommets" for Sleeves Listed at Left					
	From	To	Grommet Cat. #	Range	Grommet Cat. #	Range	Grommet Cat. #	Range
325298	1.500	1.250	313305-3	1.250 1.000	313305-2	1.000 0.750	313305-3	0.750 0.562
325292	1.813	1.562	313327-1	1.562 1.312	313327-2	1.312 1.062	313327-3	1.062 0.812
325286	2.000	1.812	324044-1	1.812 1.625	324044-2	1.625 1.437	324044-3	1.437 1.250
325245	2.375	2.125	324153-1	2.125 1.937	324153-2	1.937 1.750	324153-3	1.750 1.562
325271	2.937	2.625	324089-1	2.625 2.312	324089-2	2.312 2.000	324089-3	2.000 1.812
325305	3.281	3.000	324024-4	3.000 2.812	324024-5	2.812 2.625	324024-6	2.625 2.531

Sleeve Cat. #	Fits Cable (Without Grommet)		Extension Range of "Adapter Grommets" for Sleeves Listed at Left			
	From	To	Grommet Cat. #	Range	Grommet Cat. #	Range
325298	1.500	1.250	-	-	-	-
325292	1.813	1.562	313327-4	0.812 0.625	-	-
325286	2.000	1.812	324044-4	1.250 1.062	-	-
325245	2.375	2.125	324153-4	1.562 1.375	-	-
325271	2.937	2.625	-	-	-	-
325305	3.281	3.000	324024-2	2.531 2.312	324024-3	2.312 2.125

11P

# 11P Quik-Loc™ Connectors

## 600 Volt Sleeves and Grommets

### Ordering Information - 600 Volt Sleeves and Grommets:

For Twin W and Twin G cable: select grommet that adapts inside diameter of sleeve (supplied on plug) to outside diameter of cable being used.

Wire Size†	#8		#6		#4		#3		#2	
Cable	.51	.51	.56	.56	.61	.61	.68	.68	.73	.73
Dimensions	X	X	X	X	X	X	X	X	X	X
	.84	.92	.93	1.02	1.05	1.15	1.14	1.26	1.35	1.40

Sleeve Cat. #	Grommets Cat. #									
325298	313305-4				313305-5					
325292	313327-6									
325286										
325245										

Wire Size†	#1		#1 / 0		#2 / 0		#3 / 0		#4 / 0	
Cable	.81	.81	.93	.93	.99	.99	1.03	1.03	1.10	1.10
Dimensions	X	X	X	X	X	X	X	X	X	X
	1.40	1.55	1.51	1.67	1.63	1.85	1.77	2.00	1.89	2.10

Sleeve Cat. #	Grommets Cat. #									
325298										
325292	313327-7									
325286	324044-5									
325245						324153-5			324153-6	

†Major and minor axis of Twin W and Twin G type cables.



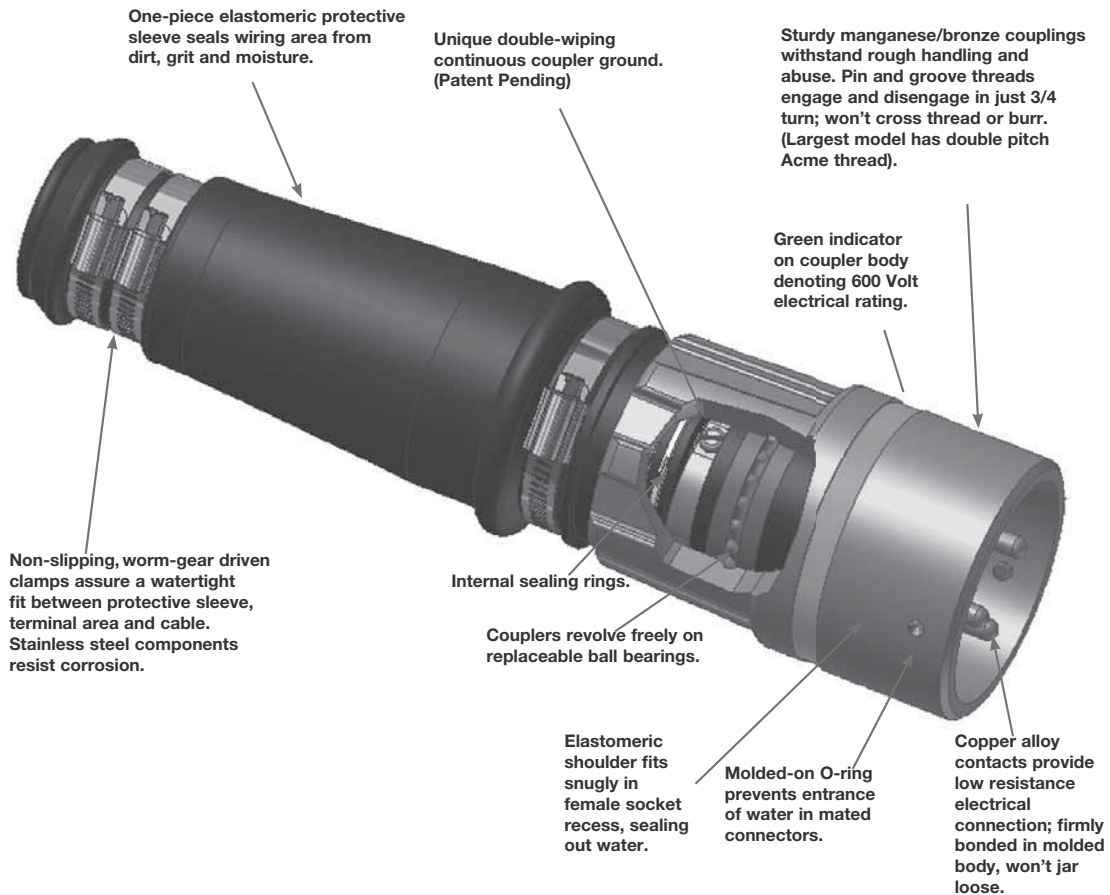
## 600 Volt Grounded

### Applications:

- Drills
- Shuttle cars
- Conveyors
- Power distribution
- Slusher hoists
- Motors
- Heavy equipment
- Ship-to-shore power

### Features:

- Grounded coupler - machined manganese bronze hardware connected to ground contact
- Copper alloy contacts - machined copper alloy D-shaped contacts provide additional set screw threads
- Field attachable - quick field assembly requires standard tools with color-coded wiring terminals indicating proper conductor locations; dual set screw design enhances connection
- Quick disconnect - couplers with "pin and groove" design support engagement and disengagement in just 3/4 turn; couplers revolve freely on replaceable ball bearings
- Visual indicator - green coupler marker identifies 600 volt product rating
- Watertight - compression fit of neoprene components and cable hugging grommets provide a moisture-tight seal; positive water seal between mated connectors is provided by an o-ring type seal molded to the connector



11P

# 11P Quik-Loc™ Connectors

## 600 Volt Grounded Plugs

"G" Series Quik-Loc™ product constructed with durable elastomeric compound, machined manganese bronze coupler, and copper alloy contact design.

Heavy duty ground spring provides sturdy circuit-to-ground contact and coupler to ensure electrical safety.

### Certifications and Compliances:

- 600 volt "G" Series CSA certified on File No. LR13963 for mining applications

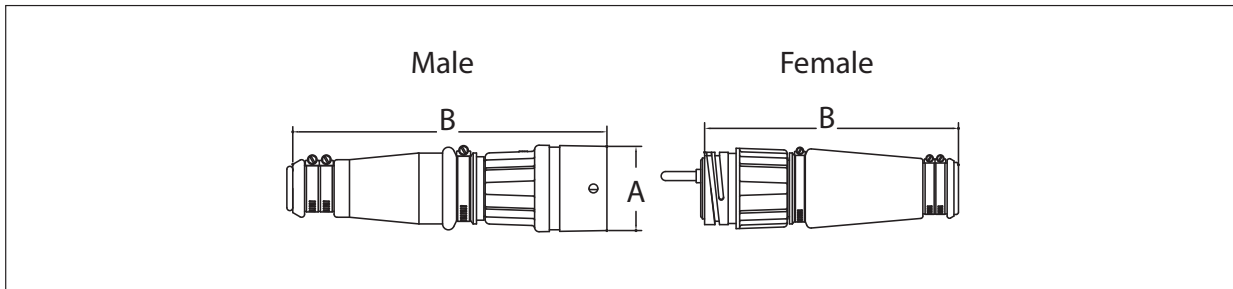


### Ordering Information - 600 Volt Grounded Plugs:

Max. Cable Size (AWG)	Suggested Cable Rating	Connector Rating Only† Amps (600V)	Dimensions (Approximate Inches)		Cat. #		Protective Cap for Plug Receptacle Cat. #	
			A	B	Male	Female	Male	Female
<b>For AC 3 Power + 1 Ground without Pilot Circuit Contacts</b>								
2 / 0	135	225	4 <sup>3</sup> / <sub>16</sub>	14 <sup>1</sup> / <sub>16</sub>	X8339-1G	X8339-2G	3325656-6	3325656-3
4 / 0	180	325	5	16 <sup>1</sup> / <sub>2</sub>	X8340-5G	X8340-4G	3325656-8	3325656-7
<b>For AC 3 Power + 1 Ground with Pilot Circuit Contacts</b>								
8	35	75	4	13 <sup>7</sup> / <sub>16</sub>	X8343-5G	X8343-4G	3325656-2	3325656-1
4	65	125	3 <sup>7</sup> / <sub>8</sub>	13	X8344-5G	X8344-4G	3325656-4	3325656-3
2	90	160	4 <sup>3</sup> / <sub>16</sub>	14 <sup>1</sup> / <sub>16</sub>	X8345-5G	X8346-6G	3325656-6	3325656-5
2 / 0	135	225	4 <sup>5</sup> / <sub>8</sub>	13 <sup>15</sup> / <sub>16</sub>	X8346-2G	X8646-1G	3325656-6	3325656-7
4 / 0	180	325	6 <sup>7</sup> / <sub>16</sub>	21 <sup>15</sup> / <sub>16</sub>	X8347-2G	X8347-1G	3325656-8	3325656-9
400 MCM	250	500	7 <sup>7</sup> / <sub>16</sub>	29 <sup>7</sup> / <sub>16</sub>	X8348-3G	X8348-2G	3325656-10	3325656-11

†This is connector rating only. Operating rating must be based on cable capacity.

### Dimensions:



## 600 Volt Grounded Dust-tight Receptacles

The "G" Series Quik-Loc™ receptacle mates with attachable plug to ensure reliable electrical connection and environmental protection.

### Certifications and Compliances:

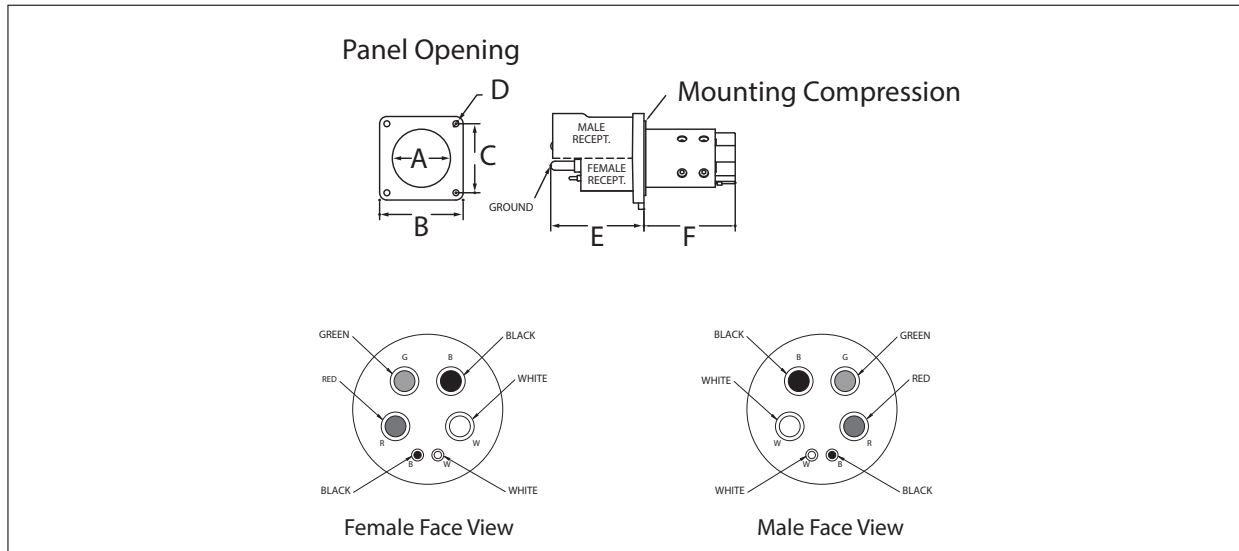
- 600 volt "G" Series CSA certified on File No. LR13963 for mining applications



### Ordering Information - 600 Volt Grounded Dust-tight Receptacles:

Cat. #		Dimensions (Approximate Inches)						Pilot Short Circuiting Cap or Fem. Rec. Cat. #
Male	Female	A	B	C	D	E	F	
<b>For AC 3 Power + 1 Ground without Pilot Circuit Contacts</b>								
X8339-13C	X8339-3C	2 <sup>5</sup> / <sub>8</sub>	4	3 <sup>1</sup> / <sub>4</sub>	5 <sup>1</sup> / <sub>16</sub>	6 <sup>1</sup> / <sub>16</sub>	4 <sup>15</sup> / <sub>16</sub>	
X8340-2C	X8340-10C	3	4 <sup>1</sup> / <sub>2</sub>	3 <sup>1</sup> / <sub>2</sub>	3 <sup>3</sup> / <sub>8</sub>	6 <sup>1</sup> / <sub>2</sub>	5 <sup>1</sup> / <sub>16</sub>	
<b>For AC 3 Power + 1 Ground with Pilot Circuit Contacts</b>								
X8343-16C	X8343-12C	2	3 <sup>3</sup> / <sub>8</sub>	2 <sup>3</sup> / <sub>4</sub>	5 <sup>1</sup> / <sub>16</sub>	5 <sup>5</sup> / <sub>16</sub>	4	X8343-7
X8344-2C	X8344-1C	2 <sup>5</sup> / <sub>16</sub>	3 <sup>5</sup> / <sub>8</sub>	2 <sup>7</sup> / <sub>8</sub>	5 <sup>1</sup> / <sub>16</sub>	5 <sup>7</sup> / <sub>16</sub>	4 <sup>1</sup> / <sub>2</sub>	X8344-6
X8345-15C	X8345-10C	2 <sup>5</sup> / <sub>8</sub>	4	3 <sup>1</sup> / <sub>4</sub>	5 <sup>1</sup> / <sub>16</sub>	5 <sup>11</sup> / <sub>16</sub>	4 <sup>15</sup> / <sub>16</sub>	X8345-3
X8346-13C	X8346-8C	3	4 <sup>1</sup> / <sub>2</sub>	3 <sup>1</sup> / <sub>2</sub>	3 <sup>3</sup> / <sub>8</sub>	6 <sup>3</sup> / <sub>16</sub>	5 <sup>1</sup> / <sub>16</sub>	X8346-3
X8347-13C	X8347-8C	4	6	4 <sup>3</sup> / <sub>4</sub>	7 <sup>1</sup> / <sub>16</sub>	6 <sup>15</sup> / <sub>16</sub>	6 <sup>1</sup> / <sub>16</sub>	X8347-3
X8348-10B	X8348-7B	5	7 <sup>1</sup> / <sub>4</sub>	5 <sup>7</sup> / <sub>8</sub>	9 <sup>1</sup> / <sub>16</sub>	8 <sup>7</sup> / <sub>8</sub>	6 <sup>1</sup> / <sub>4</sub>	X8348-8

### Dimensions:



# 11P Quik-Loc™ Connectors

## 1000 Volt Grounded

The medium voltage Quik-Loc™ Connector was designed for service under the most severe mining conditions. The resilient elastomeric molded body, along with a uniquely grounded coupling, provide a tough, watertight, corrosion-resistant connection that is practically indestructible.

### Features:

- Corrosion-resistant - molded elastomeric components, manganese bronze couplings, stainless steel clamps, and copper alloy contacts are unaffected by most chemicals and acids
- Field attachable - quick field assembly requires no special tools; color-labeled wiring terminals indicate proper conductor locations; set screws hold conductors in place; clamps secure protective sleeve over terminal area
- Quick disconnect - couplers with "pin and groove" design revolve on low friction ball bearings, permitting positive engagement or disengagement in just 3/4 turn; sealing rings under coupler protect grounding mechanism and bearings from dirt and grime, making the coupler easier to rotate
- Safe - unique, positively grounded coupler and heavy elastomeric molded body and sleeve provide electrical protection; a reversed ground pin assures positive polarization
- Watertight - compression fit of elastomeric components and a cable hugging grommet provide a moisture-tight seal; a positive water seal between mated connectors is provided by an o-ring type seal molded to the connector face; a double seal is provided by elastomeric shoulders around each male contact, which fit like a cork within the female socket



11P

## 1000 Volt Grounded Plugs

The 1000 volt Quik-Loc™ Connector is constructed with durable elastomeric compound, machined manganese bronze coupler, and copper alloy contact design.

Heavy duty ground spring provides sturdy circuit-to-ground contact and coupler to ensure electrical safety.

Manganese coupler thread with 165° design to prevent intermating with 600 volt product.

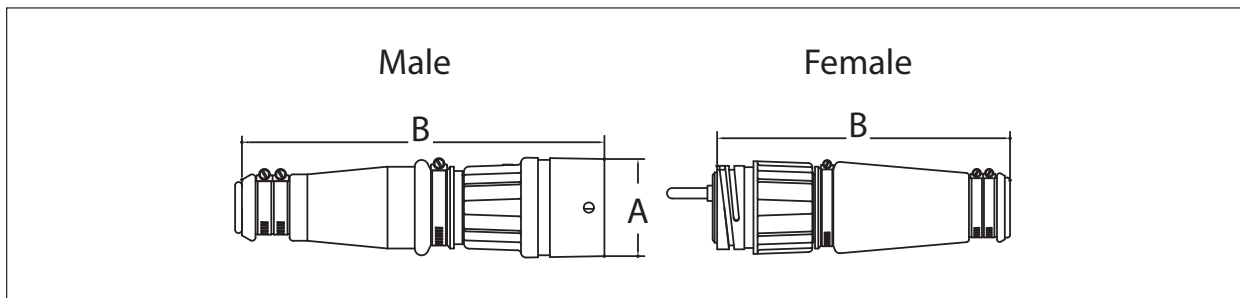


### Ordering Information - 1000 Volt Grounded Plugs:

Cat. #	Max. Cable Size (AWG)	90°C, 1000V Ratings		Dimensions (Approximate Inches)		Protective Cap for Plug or Receptacle Cat. #
		Cable Only	Connector Only†	A	B	Male
<b>1000V for AC 3 Power + 1 Ground with Pilot Circuit Contacts</b>						
568024-1	8	59	75	3 <sup>5</sup> / <sub>8</sub>	11 <sup>13</sup> / <sub>16</sub>	3325656-2
568025-1	4	104	125	3 <sup>7</sup> / <sub>8</sub>	13	3325656-4
568026-1	2	138	160	4 <sup>3</sup> / <sub>16</sub>	14 <sup>1</sup> / <sub>16</sub>	3325656-6
568027-1	2 / 0	215	225	4 <sup>5</sup> / <sub>8</sub>	13 <sup>15</sup> / <sub>16</sub>	3325656-8
568028-1	4 / 0	287	325	6	19 <sup>9</sup> / <sub>16</sub>	3325656-10
568029-1	500 MCM	487	500	7 <sup>5</sup> / <sub>16</sub>	23 <sup>5</sup> / <sub>16</sub>	3325656-11

†This is connector rating only. Operating rating must be based on cable capacity.

### Dimensions:



# 11P Quik-Loc™ Connectors

## 1000 Volt Dust-tight Receptacles

The 1000 volt Quik-Loc™ Receptacle mates with attachable plug to ensure reliable electrical connection and environmental protection.

Manganese receptacle shell thread design with 165° design to prevent intermate with 600 volt product.

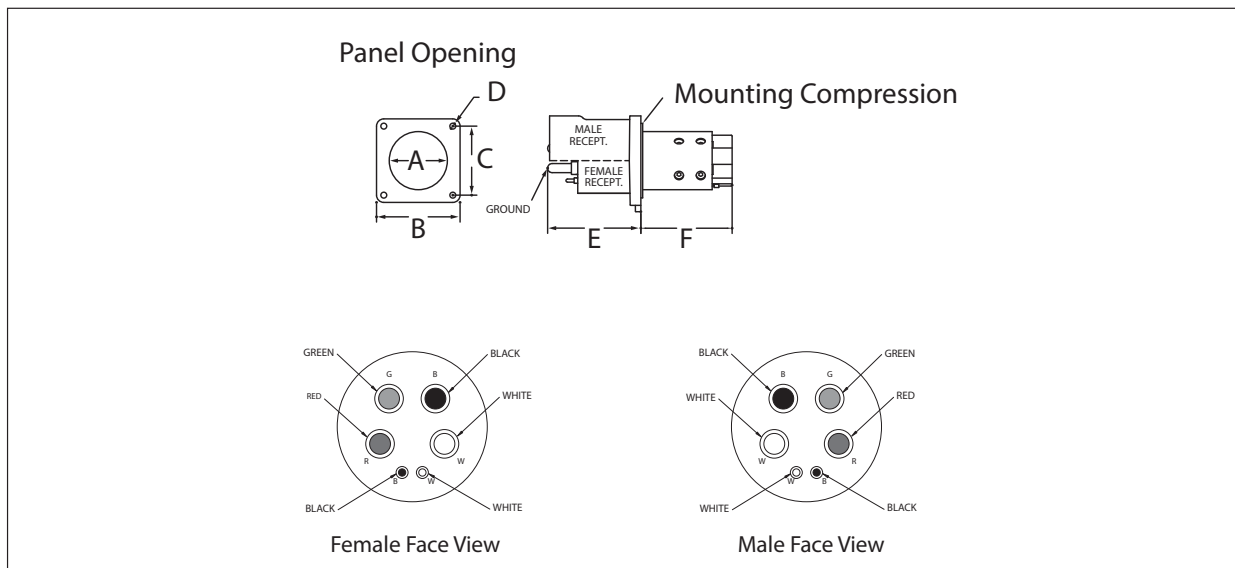


### Ordering Information - 1000 Volt Dust-tight Receptacles:

Cat. #	Max. Cable Size (AWG)	90°C, 1000V Ratings		Dimensions (Approximate Inches)		Protective Cap for Plug or Receptacle Cat. #
		Cable Only	Connector Only†	A	B	Female
<b>1000V for AC 3 Power + 1 Ground with Pilot Circuit Contacts</b>						
568024-2	8	59	75	3 <sup>5</sup> / <sub>8</sub>	11 <sup>13</sup> / <sub>16</sub>	3326195
568025-2	4	104	125	3 <sup>7</sup> / <sub>8</sub>	13	3326196
568026-2	2	138	160	4 <sup>3</sup> / <sub>16</sub>	14 <sup>7</sup> / <sub>16</sub>	3326197
568027-2	2 / 0	215	225	4 <sup>5</sup> / <sub>8</sub>	13 <sup>15</sup> / <sub>16</sub>	3326198
568028-2	4 / 0	287	325	6	19 <sup>9</sup> / <sub>16</sub>	3326199
568029-2	500 MCM	487	500	7 <sup>5</sup> / <sub>16</sub>	23 <sup>5</sup> / <sub>16</sub>	3325656-12

†This is connector rating only. Operating rating must be based on cable capacity.

### Dimensions:

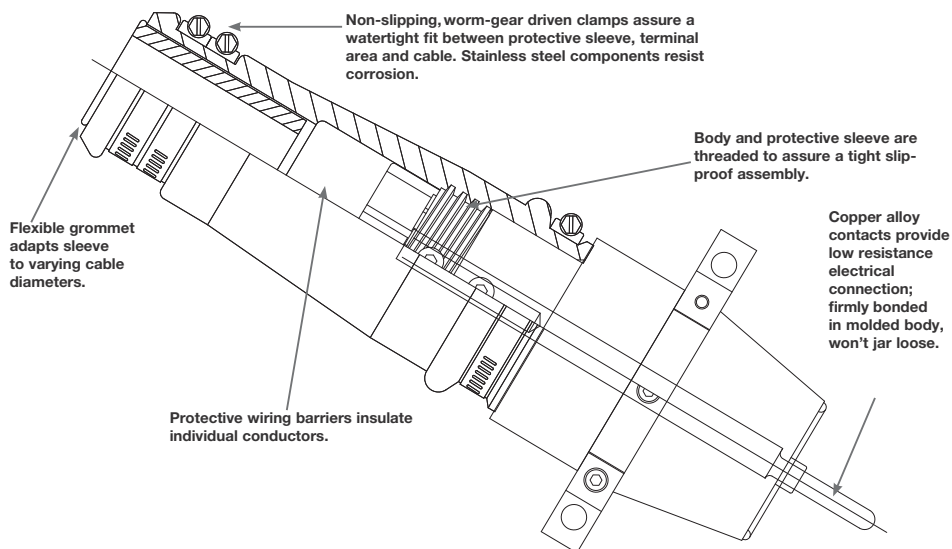
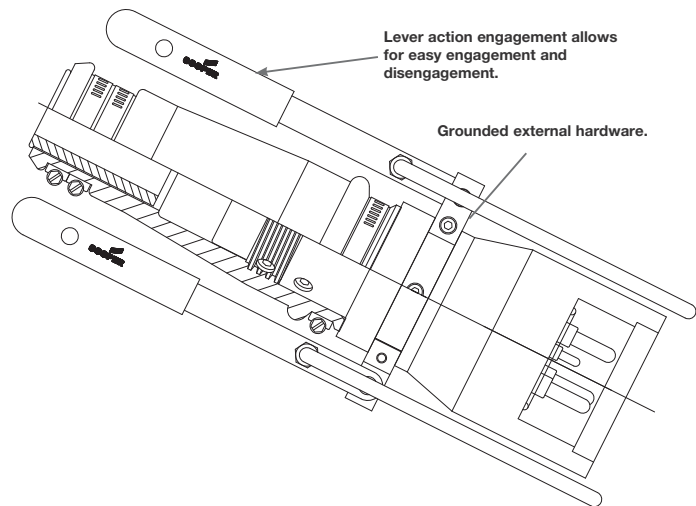
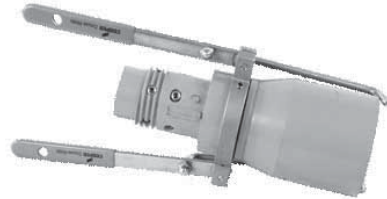




## "L" Series Lever Action

### Features:

- Quick disconnect - lever action engagement allows for easy assembly and disassembly
- Safe - grounded brackets connected to ground contact support electrical safety of plug and receptacle
- Protected contacts - extended male shroud protects contacts while disengaged; recessed contacts prevent arcing and slip easy contact designs allows for maximum engagement while ensuring high conductivity
- Visual indicator - color-coded plugs allow for quick identification for ampacity rating
- Corrosion-resistant - stainless steel handles and levers resist corrosion
- Rugged - neoprene body is impact- and chemical-resistant and designed to support rugged, harsh environments
- Intermateable - fully intermateable with competitive lever style connectors



# 11P Quik-Loc™ Connectors

## "L" Series Lever Action Plugs

The "L" Series Lever Action Connector is a one-piece neoprene molded body that provides rugged, durable, and reliable service. Color-coded male and female plugs support easy identification of circuit ampacity ratings.



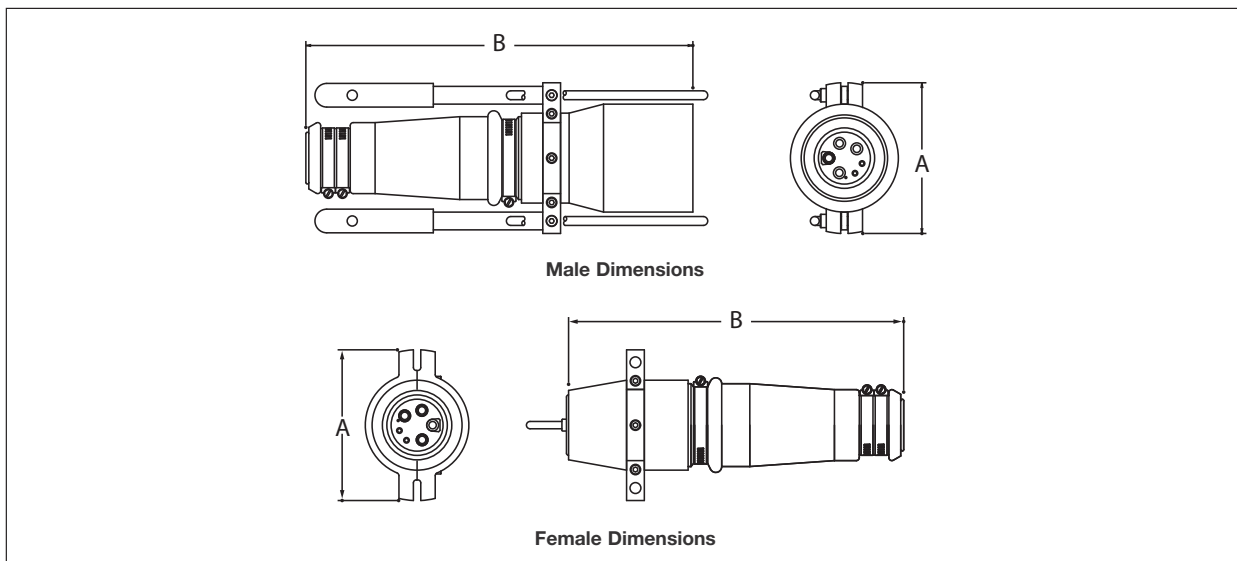
### Certifications and Compliances:

- CSA certified on File No. LR13963

### Ordering Information - "L" Series Lever Action Plugs:

Max. Cable Size (AWG)	Connector Rating 600V	Cat. #		Dimensions (Approximate Inches)				Color	Protective Caps Cat. #	
		Male	Female	Male A	Male B	Female A	Female B		Male	Female
8	75A	X8343-5L	X8343-4L	16 <sup>3</sup> / <sub>8</sub>	6 <sup>3</sup> / <sub>8</sub>	14 <sup>3</sup> / <sub>16</sub>	6 <sup>3</sup> / <sub>8</sub>	Blue	L-MAL-CAP-1	L-FEM-CAP-1
4	125A	X8344-5L	X8344-4L	16 <sup>3</sup> / <sub>8</sub>	6 <sup>3</sup> / <sub>8</sub>	14 <sup>3</sup> / <sub>16</sub>	6 <sup>3</sup> / <sub>8</sub>	Red	L-MAL-CAP-1	L-FEM-CAP-1
2	160A	X8345-5L	X8345-6L	16 <sup>3</sup> / <sub>8</sub>	6 <sup>3</sup> / <sub>8</sub>	14 <sup>3</sup> / <sub>16</sub>	6 <sup>3</sup> / <sub>8</sub>	Orange	L-MAL-CAP-1	L-FEM-CAP-1
2 / 0	225A	X8346-2L	X8346-2L	16 <sup>3</sup> / <sub>8</sub>	6 <sup>3</sup> / <sub>8</sub>	16 <sup>3</sup> / <sub>8</sub>	6 <sup>3</sup> / <sub>8</sub>	Black	L-MAL-CAP-1	L-FEM-CAP-2

### Dimensions:

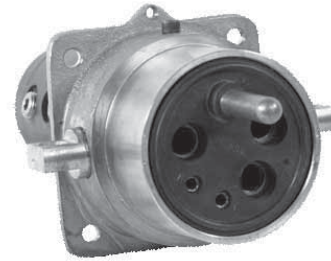


11P

## "L" Series Lever Action Receptacles

The "L" Series female receptacle grounded shell, attached to the ground contact, ensures electrical safety.

The lever action receptacle shell provides easy assembly and disassembly with reduced effort.



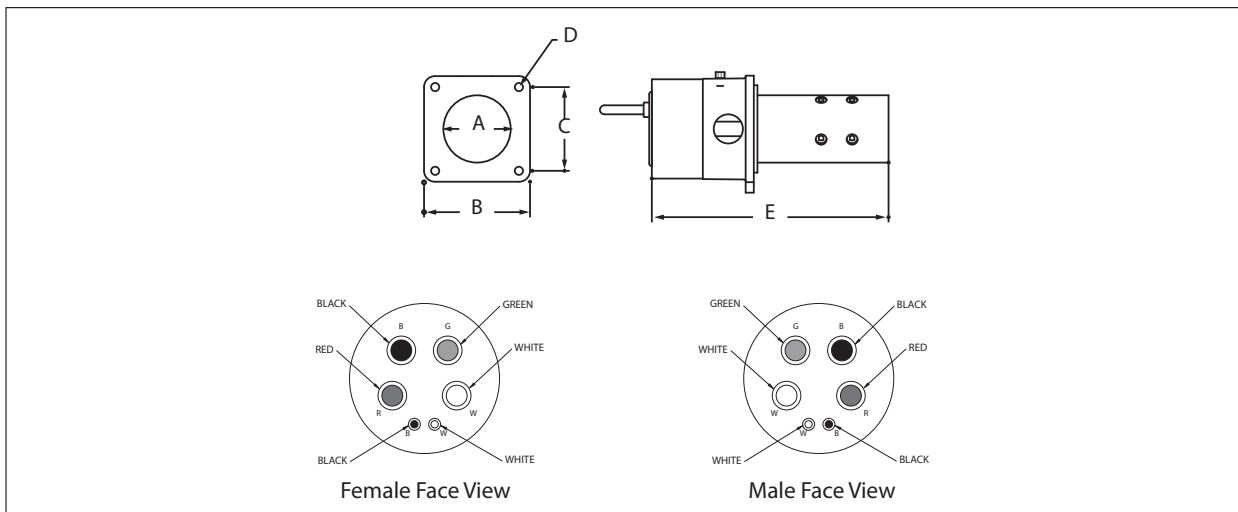
### Certifications and Compliances:

- CSA certified on File No. LR13963

### Ordering Information - "L" Series Lever Action Receptacles:

Max. Cable Size (AWG)	Connector Rating 600V	Cat. #	Dimensions (Approximate Inches)					Color	Protective Caps	
			Female	A	B	C	D		E	Cat. #
8	75A	<b>X8343-12L</b>		2	3 <sup>11</sup> / <sub>16</sub>	2 <sup>3</sup> / <sub>4</sub>	<sup>9</sup> / <sub>32</sub>	7 <sup>9</sup> / <sub>16</sub>	Blue	<b>L-FEM-CAP-1</b>
4	125A	<b>X8344-1L</b>		2 <sup>5</sup> / <sub>16</sub>	3 <sup>11</sup> / <sub>16</sub>	2 <sup>7</sup> / <sub>8</sub>	<sup>9</sup> / <sub>32</sub>	8 <sup>1</sup> / <sub>8</sub>	Red	<b>L-FEM-CAP-1</b>
2	160A	<b>X8345-10L</b>		2 <sup>5</sup> / <sub>8</sub>	3 <sup>11</sup> / <sub>16</sub>	3 <sup>1</sup> / <sub>4</sub>	<sup>9</sup> / <sub>32</sub>	9 <sup>1</sup> / <sub>16</sub>	Orange	<b>L-FEM-CAP-1</b>
2 / 0	225A	<b>X8346-8L</b>		3 <sup>1</sup> / <sub>2</sub>	4 <sup>9</sup> / <sub>16</sub>	3	<sup>11</sup> / <sub>32</sub>	8 <sup>7</sup> / <sub>8</sub>	Black	<b>L-FEM-CAP-2</b>

### Dimensions:



# 11P Metallic Quik-Loc™ Connectors

Metallic Quik-Loc™ Plugs and Receptacles are designed for service under the most severe mining conditions. The sturdy metallic body and coupler provide a tough, watertight, and corrosion-resistant assembly for rugged and dependable service. The Lever Action Series Connectors provide for easy engagement.

Metallic Quik-Loc™ Receptacles mate with attachable plugs and are equipped with color-coded set screws and molded wiring barriers. Cast mounting shells and molded inserts protect against most environments. Panel mount receptacles are available in straight and angled configurations.

## Features:

- Field attachable - quick field assembly requires no special tools; color-coded set screws indicate proper conductor locations; set screws hold conductors in place to secure electrical connection
- Quick disconnect - couplers with "pin and groove" design or lever action configuration support engagement and disengagement
- Safe - all exposed metal components are epoxy coated for product safety
- Watertight - positive water seal between mated connectors is assured by an o-ring type seal molded into the connector face
- Standard and lever action design - versatile standard or lever action design available to support application needs
- Ground identification - plug provides external "green ground" indicator marking to support ease of ground identification during assembly and engagement
- Replaceable hardware - male and female contact replacement capability for damaged pins
- Intermateable - mates with current Quik-Loc™ products

## Certifications and Compliances:

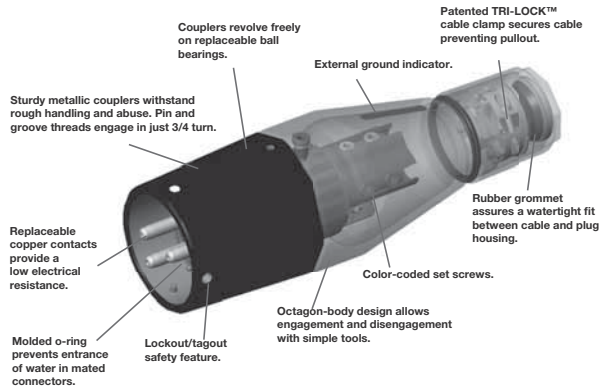
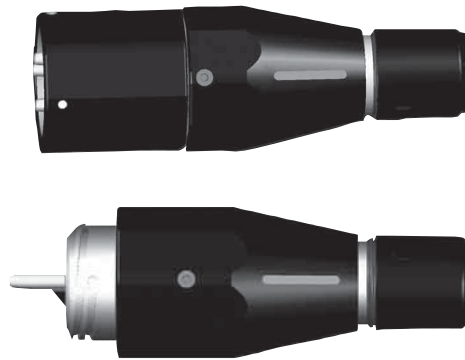
- CSA certified - File No. 245585

## Ordering Information - Plugs:

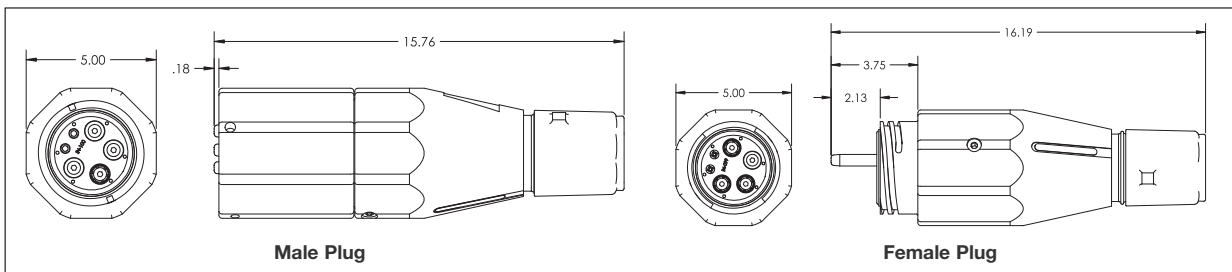
Cat. #	Description
CIJP225MS	Male Plug, Cable Mount
CIJP225FS	Female Plug, Cable Mount

## Metallic Quik-Loc™ Plugs

Metallic Quik-Loc™ Connectors provide electrical, mechanical, and environmental protection for 600 volt AC applications to 225 amperes (2 / 0 cable).



## Dimensions:



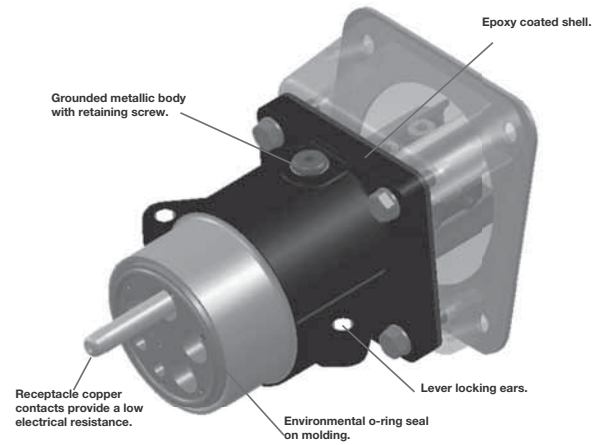
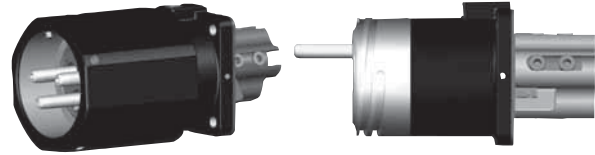
11P

### Certifications and Compliances:

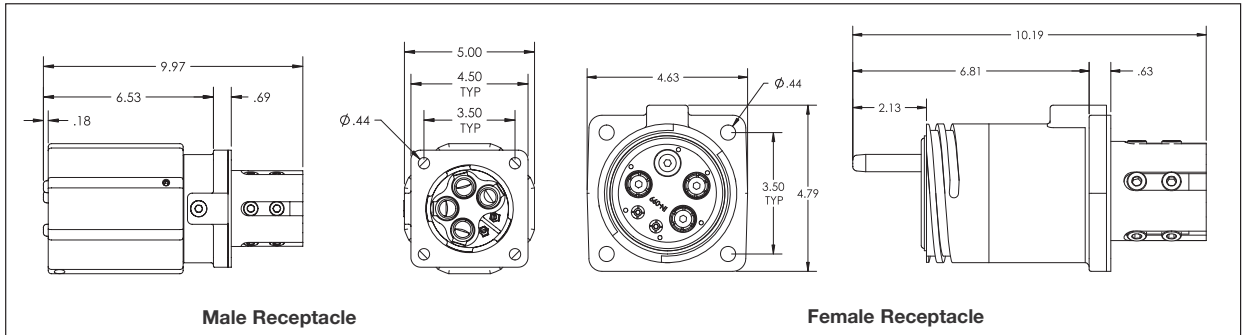
- CSA certified - File No. 245585

### Ordering Information - Receptacles:

Cat. #	Description
CIJR225MF	Male Receptacle, Panel Mount
CIJR225FF	Female Receptacle, Panel Mount
CIJR225ME	Male Receptacle, Angled Panel Mount
CIJR225FE	Female Receptacle, Angled Panel Mount



### Dimensions:



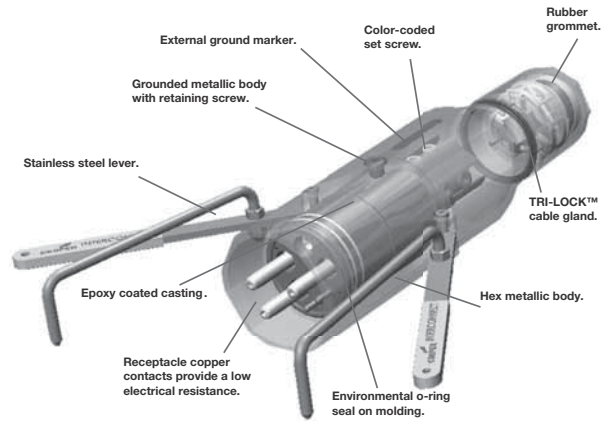
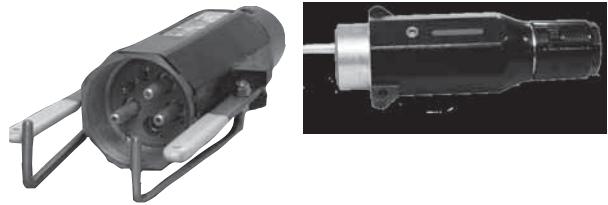
# 11P Metallic Quik-Loc™ Lever Plugs

## Certifications and Compliances:

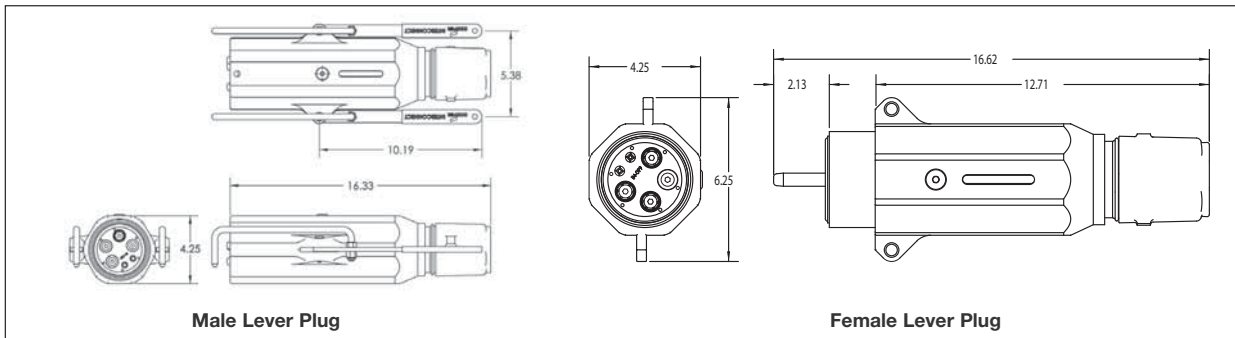
- CSA certified - File No. 245585

## Ordering Information - Lever Plugs:

Cat. #	Description
CILP225MS	Male Plug, Lever Cable Mount
CILP225FS	Female Plug, Lever Cable Mount



## Dimensions:



11P

# Metallic Quik-Loc™ Lever Receptacles

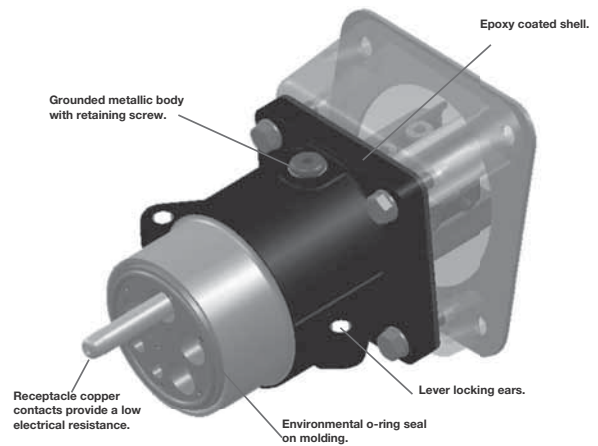
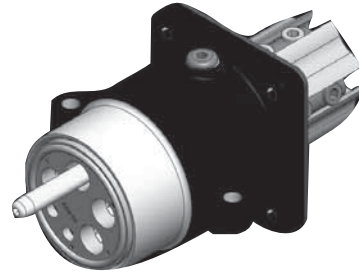
11P

## Certifications and Compliances:

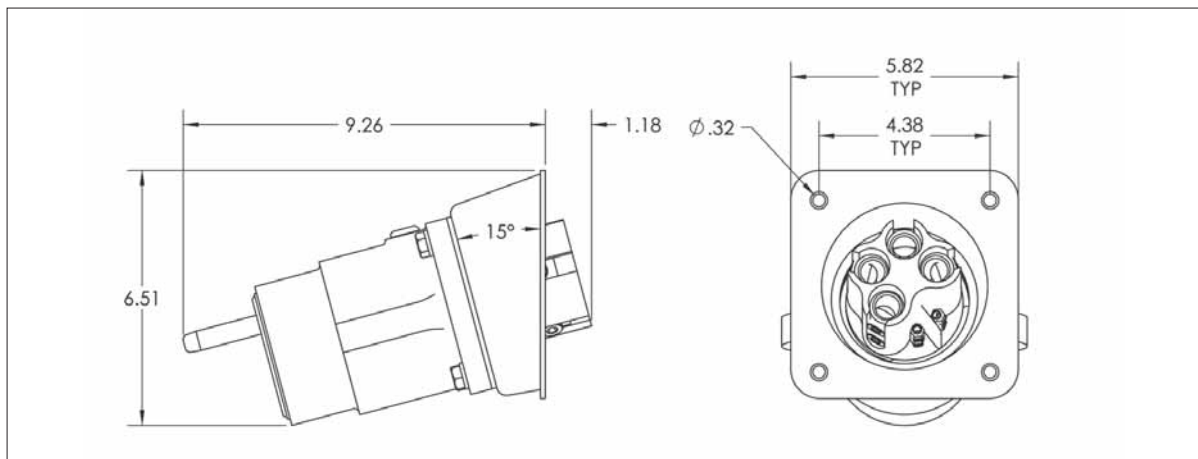
- CSA certified - File No. 245585

## Ordering Information - Lever Receptacles:

Cat. #	Description
CILR225FF	Female Receptacle, Lever Panel Mount
CILR225FE	Female Receptacle, Lever Angled Panel Mount



## Dimensions:



11P

# 11P LynxPOWER™ Passive Connectors

## Mini-Line Cordsets and Receptacles

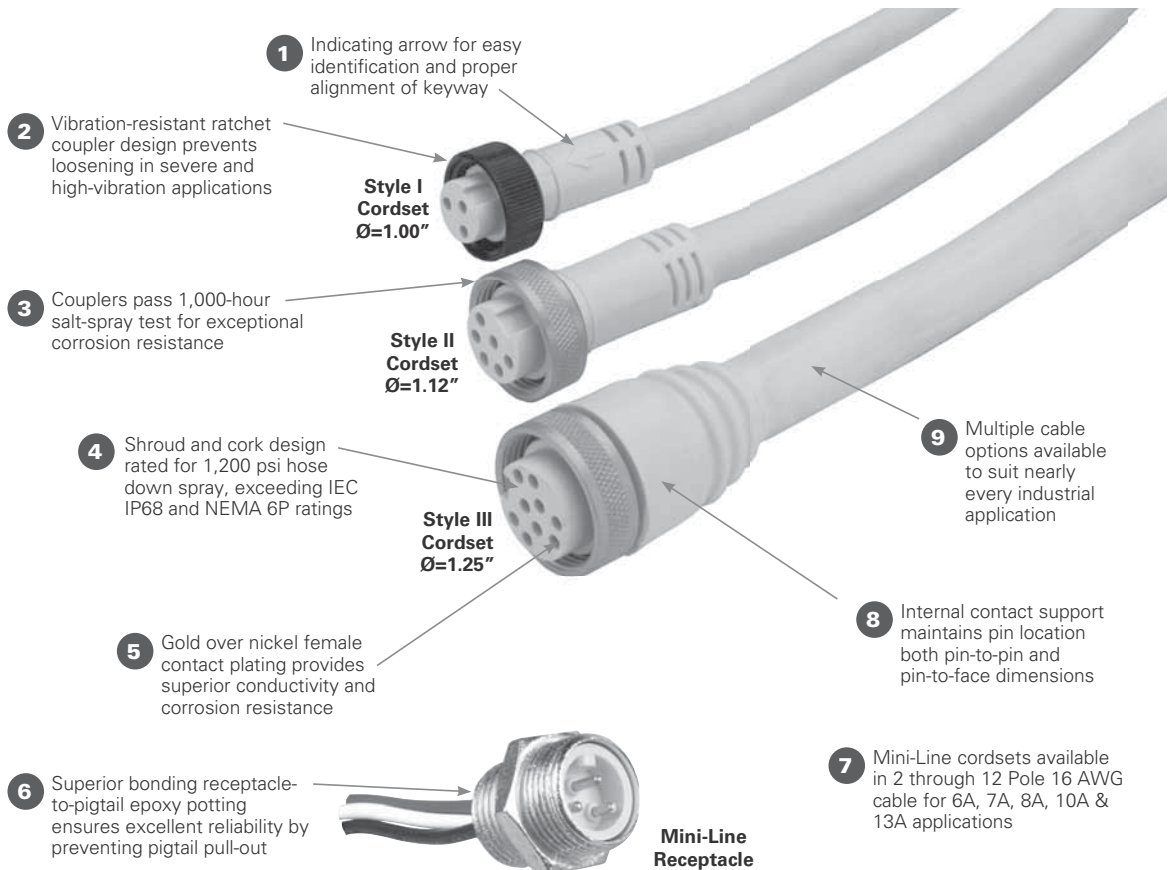
Mini-Line Cordsets and Receptacles are designed for modular use in abusive applications where cable assemblies are exposed to constant flexing and/or dirty, oily, or harsh environments.

### Applications:

- Specifically designed for industrial automation applications in which power or signal connections are exposed to long-term physical stresses and subjected to liquids or oils
- Ideal for industrial manufacturing, production line equipment, packaging equipment, conveyors and assembly lines, plus food and beverage processing equipment
- Mini-Line connection points mean less downtime, easier maintenance, and increased safety by replacing traditional hard wiring with a plug-and-run modular pre-wired system
- These products have excellent resistance to welding flash, hot chips, and other severe conditions found in demanding manufacturing settings
- The molded-to-cable construction of the one-piece cordset ends creates a bond that is impervious to penetration from external contaminants



### Features:



11P



## Mini-Line Cordsets

### Male and Female Cordsets

#### Features:

- Factory molded-to-cable cordsets provide quick connect capability
- Modular components allow for easy expansion and reconfiguration without the need for rewiring; eliminates the need for multiple cable assemblies, reduces installation time, reduces design time, and lessens the need for special tools
- Environmentally sealed ends rated at IP68 to prevent the ingress of dust, water, and other contaminants to reduce maintenance and downtime
- Vibration-resistant ratchet couplers assure cordsets stay connected under load
- Superior female contact design with stainless steel sleeve for minimal degradation
- End-to-cable molded junction securely bonds for excellent reliability
- Internal contact support maintains pin location and proper keyway alignment
- Shroud and cork design exceeds IP68 and NEMA 6P rating (rated 1,200 PSI hose-down spray)
- Easy stripping jacketed cable with "fillerless" design allows fast stripping with simple hand tools; high flex copper stranding delivers improved flexibility; multiple cable options



**ML3C4WC030F**  
Style I Female Plug



**MLWC4WC030F**  
Style II Female Plug



**ML9C4WC030F**  
Style III Female Plug

#### Certifications and Compliances:

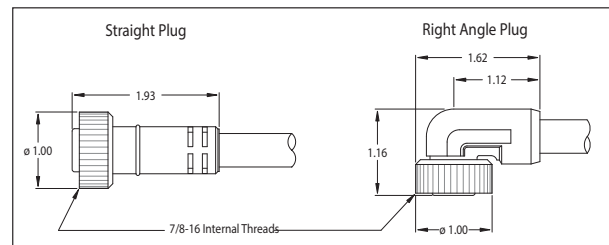
- UL recognized, cURus, File No. E169897

#### Style I Male and Female Plugs

**2-Pole: 13A; 3-Pole: 13A; 4-Pole: 10A; 5-Pole: 8A; 6-Pole: 6A**

2, 3, 4, 5, 6 Conductor 16 AWG Standard Color Code

- Cable options: STOOW or SOOW
- Straight and right angle body designs
- Vibration-proof ratchet coupler design
- Zinc, nylon, and stainless steel coupler options
- Meets current SAE #H1738-2 specifications

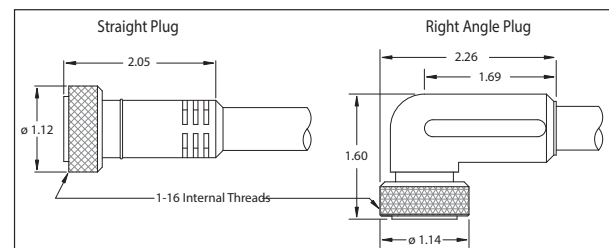


#### Style II Male and Female Plugs

**6-Pole: 8A; 7-Pole: 7A; 8-Pole: 7A**

6, 7, 8 Conductor 16 AWG Standard Color Code

- Cable options: STOOW or SOOW
- Straight and right angle body designs
- Vibration-proof ratchet coupler design
- Zinc, nylon, and stainless steel coupler options
- Meets current SAE #H1738-2 specifications

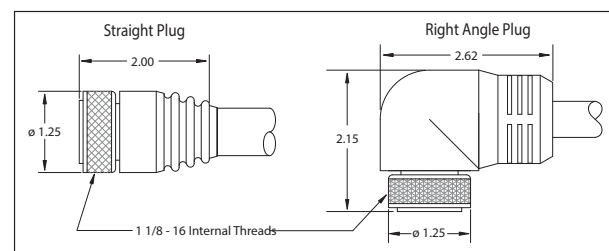


#### Style III Male and Female Plugs

**9-Pole: 7A; 10-Pole: 7A; 12-Pole: 7A**

9, 10, 12 Conductor 16 AWG Standard Color Code

- Cable options: STOOW or SOOW
- Straight and right angle body designs
- Vibration-proof ratchet coupler design
- Zinc, nylon, and stainless steel coupler options
- Meets current SAE #H1738-2 specifications



11P

Mini-Line Cordsets

Pin Configurations and Color Coding:

	2-Pole	3-Pole	4-Pole	5-Pole	6-Pole	6-Pole	7-Pole	8-Pole	9-Pole	10-Pole	12-Pole
<b>Female Faces</b>											
	2-Pole Style I	3-Pole Style I	4-Pole Style I	5-Pole Style I	6-Pole Style I	6-Pole Style II	7-Pole Style II	8-Pole Style II	9-Pole Style III	10-Pole Style III	12-Pole Style III
<b>Male Faces</b>											
	2-Pole Style I	3-Pole Style I	4-Pole Style I	5-Pole Style I	6-Pole Style I	6-Pole Style II	7-Pole Style II	8-Pole Style II	9-Pole Style III	10-Pole Style III	12-Pole Style III
<b>Conductor Color Coding</b>	<b>Standard</b> 1. WHT 2. BLK	<b>Standard</b> 1. GRN 2. BLK 3. WHT	<b>Standard</b> 1. BLK 2. WHT 3. RED 4. GRN	<b>Standard</b> 1. WHT 2. RED 3. GRN 4. ORG 5. BLK	<b>Standard</b> 1. WHT 2. RED 3. GRN 4. ORG 5. BLK 6. BLU	<b>Standard</b> 1. ORG 2. BLU 3. BLK 4. WHT 5. RED 6. GRN	<b>Standard</b> 1. WHT/BLK 2. BLK 3. WHT 4. RED 5. ORG 6. BLU 7. GRN	<b>Standard</b> 1. ORG 2. BLU 3. WHT/BLK 4. BLK 5. WHT 6. RED 7. GRN 8. RED/BLK	<b>Standard</b> 1. ORG 2. BLU 3. RED/BLK 4. GRN/BLK 5. WHT 6. RED 7. GRN 8. WHT/BLK 9. BLK	<b>Standard</b> 1. ORG 2. BLU 3. WHT/BLK 4. RED/BLK 5. GRN/BLK 6. ORG/BLK 7. RED 8. GRN 9. BLK 10. WHT	<b>Standard</b> 1. ORG 2. BLU 3. WHT/BLK 4. RED/BLK 5. GRN/BLK 6. ORG/BLK 7. BLU/BLK 8. BLK/WHT 9. GRN 10. RED 11. WHT 12. BLK

Mini-Line Cordset Catalog Number Matrix:

Sample Number:

**ML4A4WC120FX** =  
LynxPOWER™ Mini-Line 4-Pole Male  
Plug, 16 AWG Yellow STOOW-U.S. std.  
color code, 12 foot length, stainless  
steel coupler.

**Product**  
ML = Mini-Line Cordset

**# of Poles**  
2 = 2, Style I    6 = 6, Style I    9 = 9, Style III  
3 = 3, Style I    7 = 7, Style II    A = 10, Style III  
4 = 4, Style I    8 = 8, Style II    C = 12, Style III  
5 = 5, Style I

**Gender & Configuration**  
A = Male Straight Internal Thread  
C = Female Straight Internal Thread  
D = Male 90° Internal Thread  
F = Female 90° Internal Thread  
G = Male 90° - Female Straight  
J = Male 90° - Female 90°  
P = Male Straight - Female Straight  
S = Male Straight - Female 90°

**Cable Specifications**  
4AC = 16 AWG TPE- U.S. Std Color Code  
4WC = 16 AWG STOOW- U.S. Std Color Code  
4SC = 16 AWG SOOW- U.S. Std Color Code

**Unit of Measure**  
F = Feet

**Length (00.0)**  
1st Digit = 10 x Length  
2nd Digit = 1 x Length  
3rd Digit = 0.1 x Length  
(Standard Lengths are:  
3, 6, 12, 20 and 30 Feet)

**Special Features**  
X = Stainless Steel Coupler  
Y = Nylon Coupler  
L = Neon Plug (3 pole only)

11P

Mini-Line Receptacles

Male and Female Receptacles

Features:

- Modular components allow for easy expansion and reconfiguration without the need for rewiring; eliminates the need for multiple cable assemblies, reduces installation time, reduces design time, and lessens the need for special tools
- Environmentally sealed connectors rated at IP68 to prevent the ingress of dust, water, and other contaminants to reduce maintenance and downtime
- Compact, space-saving receptacle bodies
- Superior female contact design with stainless steel sleeve for minimal degradation
- Receptacle-to-pigtail potting bonds securely for excellent reliability
- Internal contact support maintains pin location and proper keyway alignment
- Shroud and cork design exceeds IP68 and NEMA 6P rating (rated 1,200 PSI hose-down spray)

Certifications and Compliances:

- UL recognized, cURus, File No. E169897



MR3E4BC120A  
Style I Male Receptacle



MRWE4BC120A  
Style II Male Receptacle



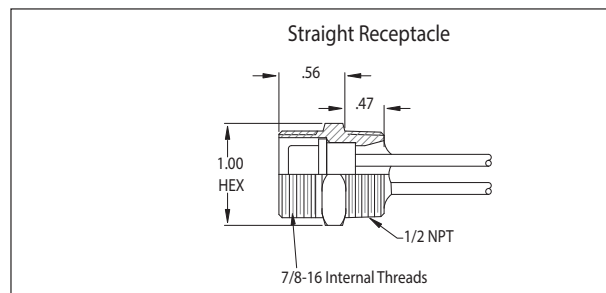
MR9E4BC120A  
Style III Male Receptacle

Style I Male and Female Receptacles

2-Pole: 13A; 3-Pole: 13A; 4-Pole: 10A; 5-Pole: 8A; 6-Pole: 6A

2, 3, 4, 5, 6 Conductor 16 AWG U.S. Standard Color Code

- Cable options: PVC single conductor flying leads
- 1/2"-14 NPT mounting threads
- Zinc, nylon, and stainless steel shell options
- Meets current SAE #H1738-2 specifications

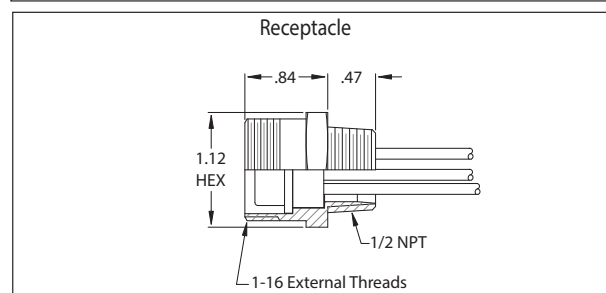


Style II Male and Female Receptacles

6-Pole: 8A; 7-Pole: 7A; 8-Pole: 7A

6, 7, 8 Conductor 16 AWG U.S. Standard Color Code

- Cable options: PVC single conductor flying leads
- 1/2"-14 NPT mounting threads
- Aluminum, nylon, and stainless steel shell options
- Meets current SAE #H1738-2 specifications

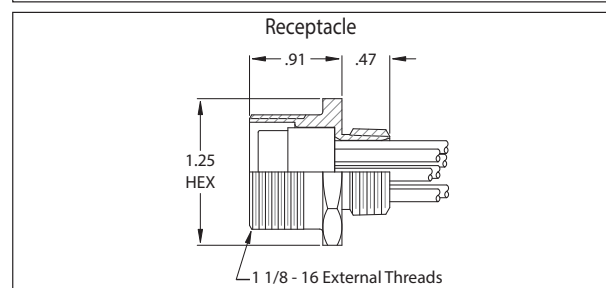


Style III Male and Female Receptacles

9-Pole: 7A; 10-Pole: 7A; 12-Pole: 7A

9, 10, 12 Conductor 16 AWG U.S. Standard Color Code

- Cable options: PVC single conductor flying leads
- 1/2"-14 NPT mounting threads
- Aluminum, nylon, and stainless steel shell options
- Meets current SAE #H1738-2 specifications



Crouse-Hinds

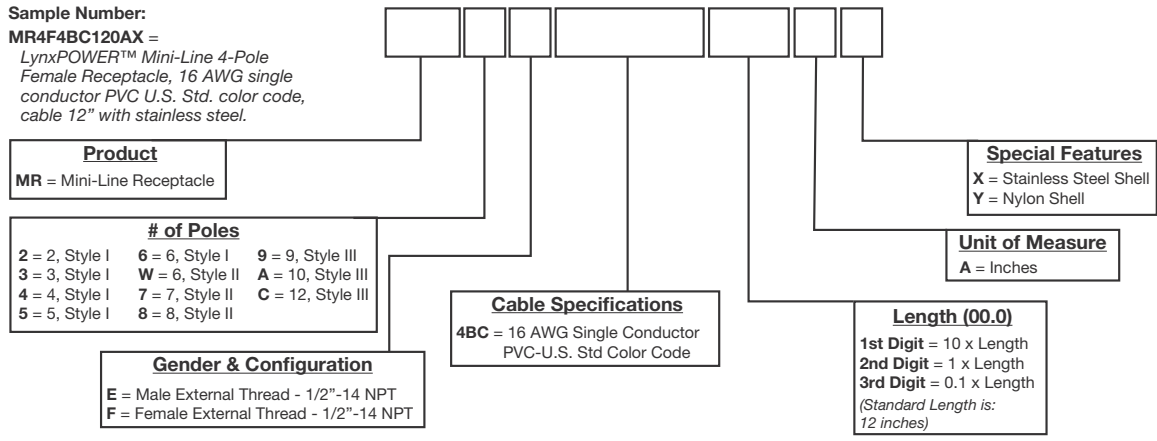
by E.T.N

Mini-Line Receptacles

Pin Configurations and Color Coding:

	2-Pole	3-Pole	4-Pole	5-Pole	6-Pole	6-Pole	7-Pole	8-Pole	9-Pole	10-Pole	12-Pole
<b>Female Faces</b>											
	2-Pole Style I	3-Pole Style I	4-Pole Style I	5-Pole Style I	6-Pole Style I	6-Pole Style II	7-Pole Style II	8-Pole Style II	9-Pole Style III	10-Pole Style III	12-Pole Style III
<b>Male Faces</b>											
	2-Pole Style I	3-Pole Style I	4-Pole Style I	5-Pole Style I	6-Pole Style I	6-Pole Style II	7-Pole Style II	8-Pole Style II	9-Pole Style III	10-Pole Style III	12-Pole Style III
<b>Conductor Color Coding</b>	<b>Standard</b> 1. WHT 2. BLK	<b>Standard</b> 1. GRN 2. BLK 3. WHT	<b>Standard</b> 1. BLK 2. WHT 3. RED 4. GRN	<b>Standard</b> 1. WHT 2. RED 3. GRN 4. ORG 5. BLK	<b>Standard</b> 1. WHT 2. RED 3. GRN 4. ORG 5. BLK 6. BLU	<b>Standard</b> 1. ORG 2. BLU 3. BLK 4. WHT 5. RED 6. GRN	<b>Standard</b> 1. WHT/BLK 2. BLK 3. WHT 4. RED 5. ORG 6. BLU 7. GRN	<b>Standard</b> 1. ORG 2. BLU 3. WHT/BLK 4. BLK 5. WHT 6. RED 7. GRN 8. RED/BLK	<b>Standard</b> 1. ORG 2. BLU 3. RED/BLK 4. GRN/BLK 5. WHT 6. RED 7. GRN 8. WHT/BLK 9. BLK	<b>Standard</b> 1. ORG 2. BLU 3. WHT/BLK 4. RED/BLK 5. GRN/BLK 6. ORG/BLK 7. RED 8. GRN 9. BLK 10. WHT	<b>Standard</b> 1. ORG 2. BLU 3. WHT/BLK 4. RED/BLK 5. GRN/BLK 6. ORG/BLK 7. BLU/BLK 8. BLK/WHT 9. GRN 10. RED 11. WHT 12. BLK

Mini-Line Receptacles Catalog Number Matrix:

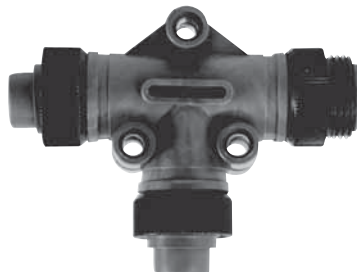


**Mini-Line Tees and Accessories**

**Mini-Line Tees and Accessories**

**Features:**

- Modular components allow for easy expansion and reconfiguration without the need for rewiring; reduces installation time and lessens the need for special tools
- Factory molded tees offer quick and easy circuit branching options
- Field attachable connectors allow users to create custom cable lengths using their own cable
- Optional 316 stainless steel couplers support for food and beverage industry applications



**MT5RC4R**  
**Style I Male-Female-Female Tee**



**MF4B1**  
**Style I Male In-line Field Attachable**

**Certifications and Compliances:**

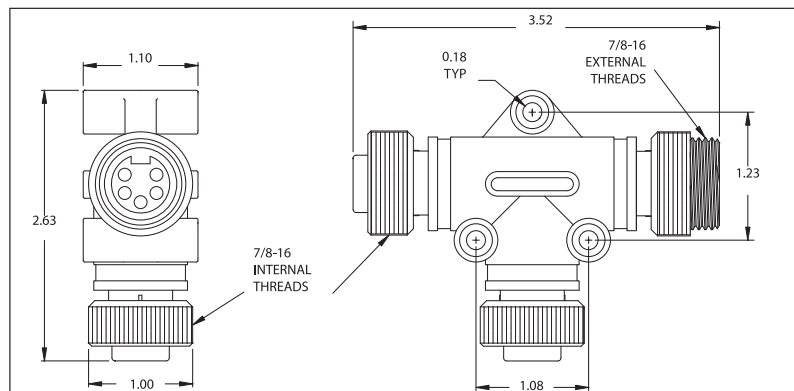
- UL recognized, cURus, File No. E169897

**Style I Tees**

**2-Pole: 13A; 3-Pole: 13A; 4-Pole: 10A; 5-Pole: 8A; 6-Pole: 6A**

*2, 3, 4, 5, 6 Conductor 16 AWG Tees Available*

- Male and female plug connectivity
- Available with molded drop cable
- Black and gray molded body options
- Zinc, nylon, and stainless steel coupler options available
- IP68

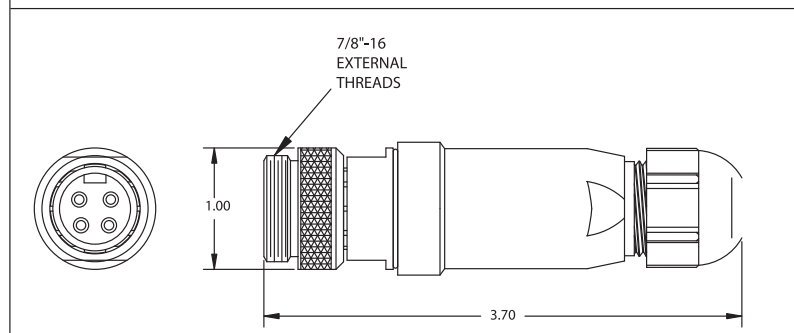
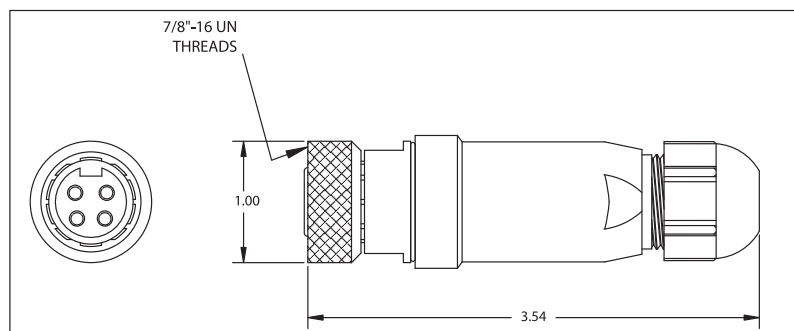


**Style I Field Attachables**

**2-Pole: 13A; 3-Pole: 13A; 4-Pole: 10A; 5-Pole: 8A; 6-Pole: 6A**

*3, 4, 5 Conductor Available to Support 16 AWG Cable*

- Field attachables feature an impact-resistant PVC body
- Provide IP67 environment protection
- Nickel-plated brass coupler provides easy to use, durable connection
- IP67

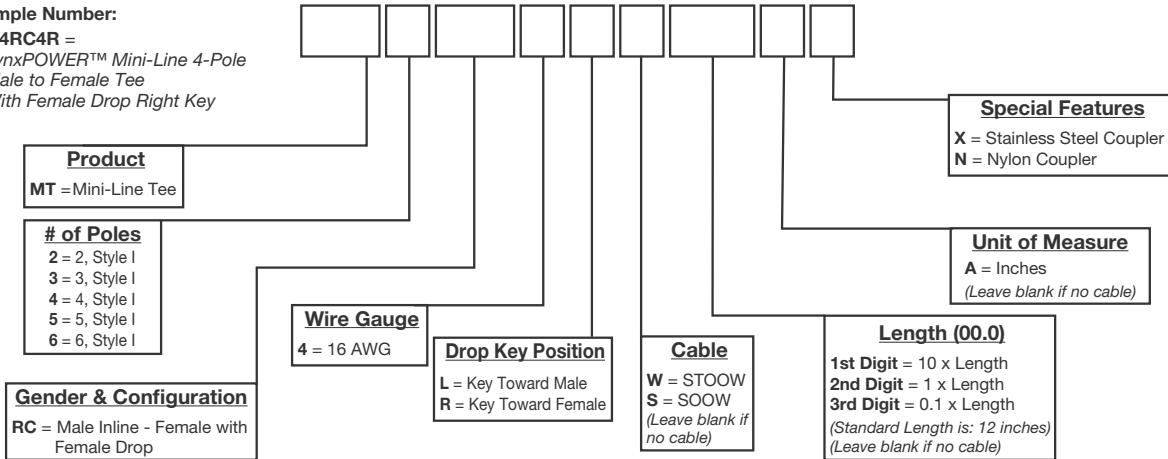


## Mini-Line Tees and Accessories

### Mini-Line Tees Catalog Number Matrix:

Sample Number:

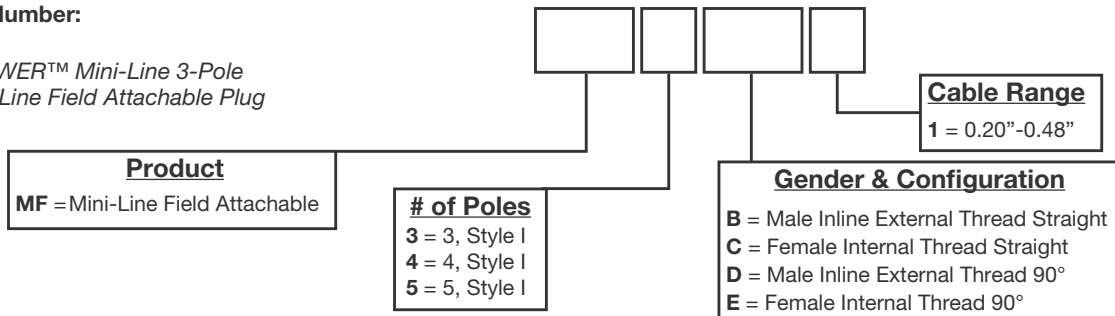
**MT4RC4R** =  
LynxPOWER™ Mini-Line 4-Pole  
Male to Female Tee  
With Female Drop Right Key



### Mini-Line Field Attachable Catalog Number Matrix:

Sample Number:

**MF3B1** =  
LynxPOWER™ Mini-Line 3-Pole  
Male In-Line Field Attachable Plug



### Ordering Information - Passive Accessories:

#### Mini-Line Caps

Description	Cat. #
ML1 Cap for Plugs	M1MC
ML2 Cap for Plugs	M2MC
ML3 Cap for Plugs	M3MC
ML1 Cap for Receptacles	M1FC
ML2 Cap for Receptacles	M2FC
ML3 Cap for Receptacles	M3FC

**Micro-Mini Cordsets and Receptacles**

Micro-Mini Cordsets and Receptacles are specifically designed for sensor and control equipment used in today's manufacturing environments.

**Applications:**

- Specifically designed for industrial automation applications that expose signal connections to constant flexing and vibration, plus contaminants, hot chips, or welding flash
- Ideal for industrial manufacturing, production line equipment, pick-n-place machines, robotic equipment, and processing sensors
- Designed specifically for low amperage AC or DC control systems, compatible with pin configurations used by major sensor manufacturers in the U.S. and Europe, and meet current SAE H1738-2 and IEC 60176-2-101 specifications
- The molded-to-cable construction of the one-piece cordset ends creates a bond that is impervious to penetration from external contaminants
- Receptacle shells are made from materials chosen to mate with Micro-Mini Cordsets and provide a cable assembly with far superior service



**Features:**

**1** Indicating arrow for easy identification and proper alignment of keyway

**2** Vibration-resistant ratchet coupler design prevents loosening in severe and high-vibration applications

**3** Couplers pass 1,000-hour salt-spray test for exceptional corrosion resistance

**4** Heavy-duty contact insert provides superior strength for even the most abusive applications

**5** Gold over nickel female contact plating provides superior conductivity and corrosion resistance

**6** Superior bonding receptacle-to-pigtail epoxy potting ensures excellent reliability by preventing pigtail pull-out

**7** Multiple cable options available to suit nearly every industrial application

**8** Micro-Mini cordsets available in 2- through 6-pole 18 or 22 AWG cable for 3A, 4A and 5A applications

**9** 360° shielded to coupler options available to protect circuits from EMI

*Micro-Mini Dual Key AC Cordset*

*Micro-Mini DC DIN Cordset*

*Micro-Mini Receptacle*

# 11P LynxPOWER™ Passive Connectors

NEMA 1, 3, 4, 6P, 13  
IEC IP68

## Micro-Mini Cordsets AC Dual Key

### Male and Female Cordsets

#### Features:

- Designed for low amperage control systems in abusive manufacturing environments
- Factory molded-to-cable ends provide quick connect capability
- Modular components allow for easy expansion and reconfiguration without the need for rewiring; eliminates the need for multiple cable assemblies, reduces installation time, reduces design time, and lessens the need for special tools
- Environmentally sealed ends rated at IP68 to prevent the ingress of dust, water, and other contaminants to reduce maintenance and downtime; internal gasket assures watertightness
- Vibration-resistant ratchet couplers assure cordsets stay coupled under load
- Contact inserts securely bonded in place with a proprietary process; superior side load strength is in excess of 100 lbs., five times industry standards
- End-to-cable molded junction securely bonds for excellent reliability
- Gold-plated contacts provide superior conductivity and corrosion resistance
- Easy stripping jacketed cable with "fillerless" design allows fast stripping with simple hand tools; high flex copper stranding delivers improved flexibility; multiple cable type options



AM3B2MG010M  
AC Dual Key Male Plug



AM5C3AG010M  
AC Dual Key Female Plug

#### Certifications and Compliances:

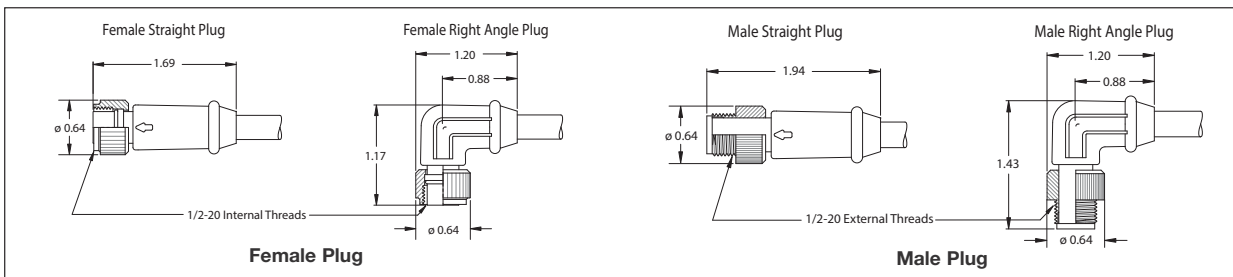
- UL recognized, cURus, File No. E169897

#### AC Dual Key, Male and Female Plugs

**2-Pole: 4A; 3-Pole: 4A; 4-Pole: 4A; 5-Pole: 4A; 6-Pole: 3A / 300 VAC**

2, 3, 4, 5, 6 Conductor 18 and 22 AWG U.S. AC Color Code

- Cable options: PVC (AWM) or TPE
- Straight and right angle body designs
- Vibration-proof ratchet coupler design
- Zinc, nylon, and stainless steel coupler options
- Meets current SAE #H1738-2 specifications



#### AC Dual Key Pin Configurations and Color Coding:

Female Faces	Female Faces					Male Faces	Male Faces						
	2-Pole	3-Pole	4-Pole	5-Pole	6-Pole		2-Pole	3-Pole	4-Pole	5-Pole	6-Pole		
	Dual Key AC	Dual Key AC	Dual Key AC	Dual Key AC	Dual Key AC	Dual Key AC	Dual Key AC	Dual Key AC	Dual Key AC	Dual Key AC	Dual Key AC	Dual Key AC	Dual Key AC
<b>Conductor Color Coding</b>	<b>Standard</b> 1. BRN 2. BLU	<b>Standard</b> 1. GRN 2. RED/BLK 3. RED/WHT	<b>Standard</b> 1. RED/BLK 2. RED/WHT 3. RED 4. GRN	<b>Standard</b> 1. RED/WHT 2. RED 3. GRN 4. RED/YEL 5. RED/BLK	<b>Standard</b> 1. RED/WHT 2. RED 3. GRN 4. RED/YEL 5. RED/BLK 6. RED/BLU	<b>Conductor Color Coding</b>	<b>Standard</b> 1. BRN 2. BLU	<b>Standard</b> 1. GRN 2. RED/BLK 3. RED/WHT	<b>Standard</b> 1. RED/BLK 2. RED/WHT 3. RED 4. GRN	<b>Standard</b> 1. RED/WHT 2. RED 3. GRN 4. RED/YEL 5. RED/BLK	<b>Standard</b> 1. RED/WHT 2. RED 3. GRN 4. RED/YEL 5. RED/BLK 6. RED/BLU		

**Crouse-Hinds**  
by **EATON**



**Micro-Mini Cordsets**  
**DC Single Key**

**Male and Female Cordsets**

**Features:**

- Designed for low amperage control systems in abusive manufacturing environments
- Factory molded-to-cable ends provide quick connect capability
- Modular components allow for easy expansion and reconfiguration without the need for rewiring; eliminates the need for multiple cable assemblies, reduces installation time, reduces design time, and lessens the need for special tools
- Environmentally sealed ends rated at IP68 to prevent the ingress of dust, water, and other contaminants to reduce maintenance and downtime; internal gasket assures watertightness
- Vibration-resistant ratchet couplers assure cordsets stay coupled under load
- Contact inserts securely bonded in place with a proprietary process; superior side load strength is in excess of 100 lbs., five times industry standards
- End-to-cable molded junction securely bonds for excellent reliability
- Gold-plated contacts provide superior conductivity and corrosion resistance
- Easy stripping jacketed cable with "fillerless" design allows fast stripping with simple hand tools; high flex copper stranding delivers improved flexibility; multiple cable type options



**DM3B2ME010M**  
**DC Single Key Male Plug**



**DM3F2ME010MN**  
**DC Single Key Female LED Plug**

**Certifications and Compliances:**

- UL recognized, cURus, File No. E169897

**DC Single Key (M12), Male and Female Plugs**

**3-Pole: 4A; 4-Pole: 4A; 5-Pole: 4A / 3-Pole: 5A; 4-Pole: 5A / 300 VDC**

*2, 3, 4, 5 Conductor 18 and 22 AWG Euro DC Color Code*

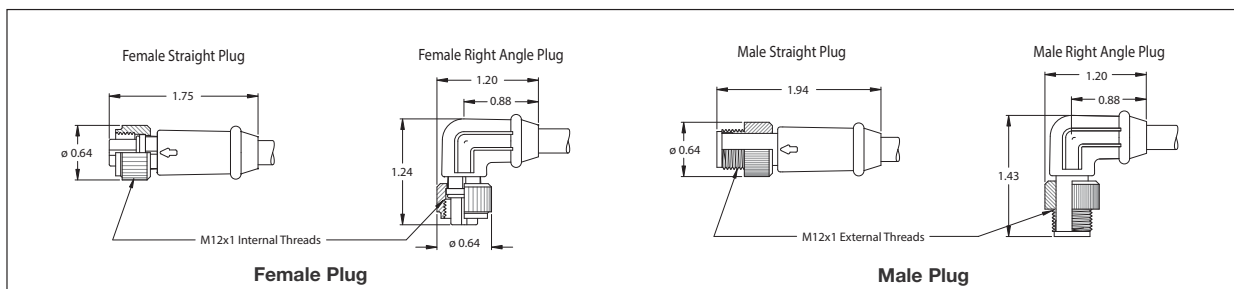
- Cable options: PVC (AWM) or SJOOW
- Straight and right angle body designs
- Vibration-proof ratchet coupler design
- Zinc, nylon, and stainless steel coupler options
- Meets current IEC 61076-2-101 specifications

**DC Single Key (M12), LED Female Plugs**

**3-Pole: 3A / 10-30 VDC**

*2, 3, 4, 5 Conductor 18 and 22 AWG Euro DC Color Code*

- Same options as DC single key male and female plugs
- Right angle body designs with PNP or NPN wiring



**Micro DIN Pin Configurations and Color Coding:**

**Female Faces**



3-Pole DC DIN    4-Pole DC DIN    5-Pole DC DIN

**Conductor Color Coding**

Euro DC	Euro DC	Euro DC
1. BRN	1. BRN	1. BRN
2. N/C	2. WHT	2. WHT
3. BLU	3. BLU	3. BLU
4. BLK	4. BLK	4. BLK
5. N/C	5. N/C	5. GRY

**Male Faces**



3-Pole DC DIN    4-Pole DC DIN    5-Pole DC DIN

**Conductor Color Coding**

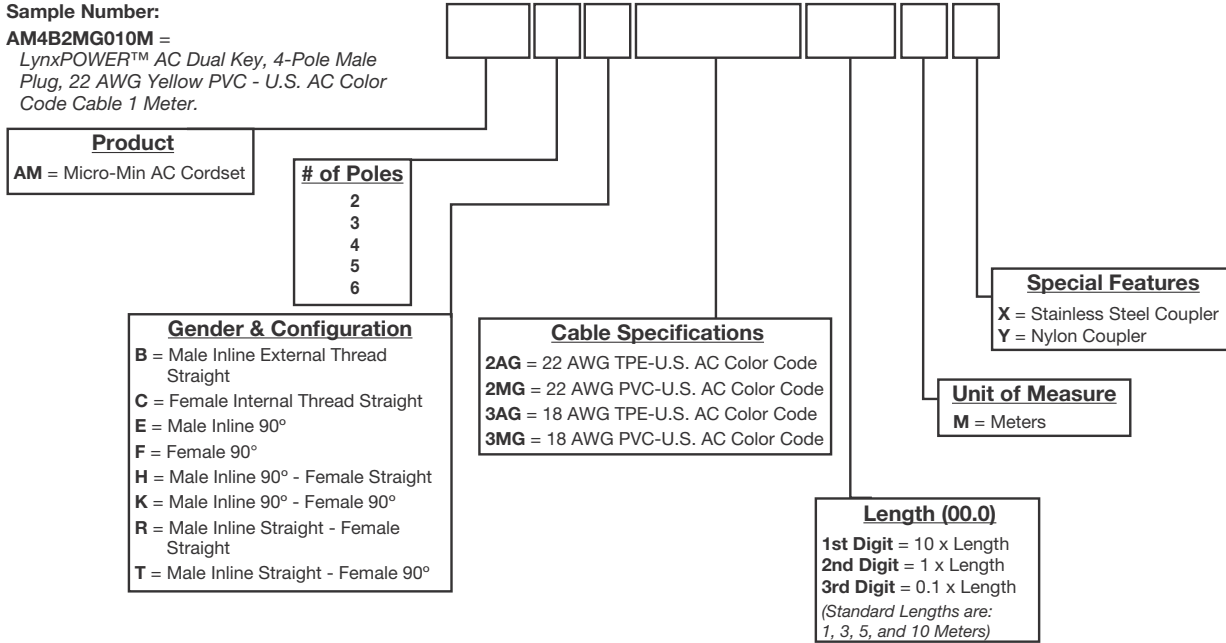
Euro DC	Euro DC	Euro DC
1. BRN	1. BRN	1. BRN
2. N/C	2. WHT	2. WHT
3. BLU	3. BLU	3. BLU
4. BLK	4. BLK	4. BLK
5. N/C	5. N/C	5. GRY

Micro-Mini Cordsets

Micro-Mini AC Dual Key Cordsets Catalog Number Matrix:

Sample Number:

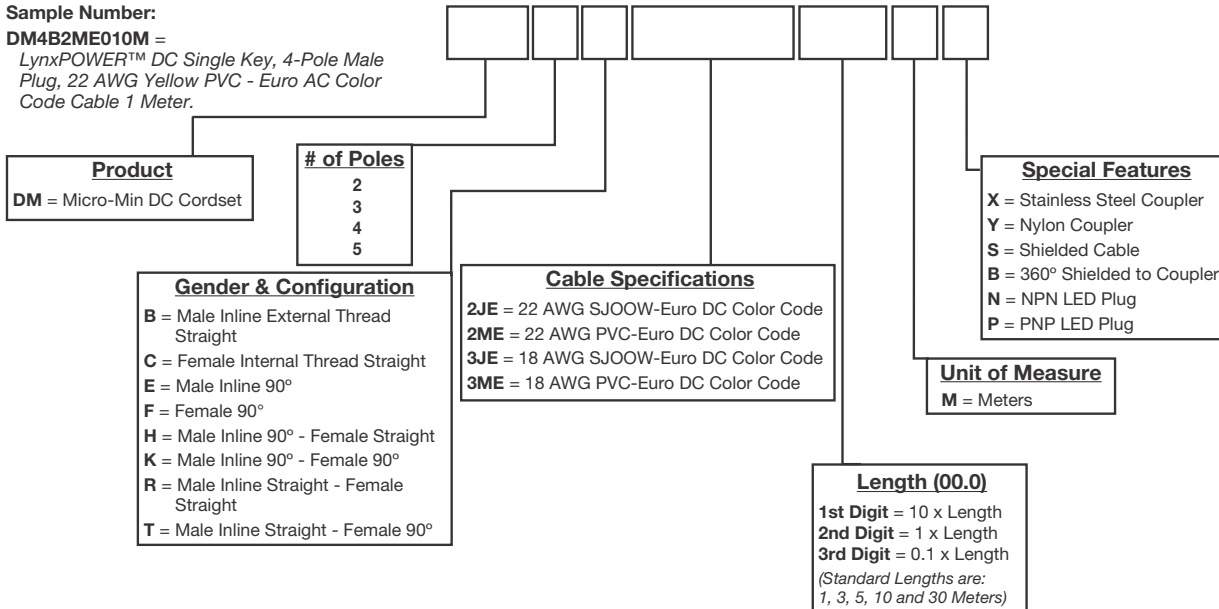
**AM4B2MG010M** =  
LynxPOWER™ AC Dual Key, 4-Pole Male  
Plug, 22 AWG Yellow PVC - U.S. AC Color  
Code Cable 1 Meter.



Micro-Mini DC Single Key Cordsets Catalog Number Matrix:

Sample Number:

**DM4B2ME010M** =  
LynxPOWER™ DC Single Key, 4-Pole Male  
Plug, 22 AWG Yellow PVC - Euro AC Color  
Code Cable 1 Meter.



11P

## Micro-Mini Receptacles AC Dual Key

### Male and Female Receptacles

#### Features:

- Designed for low amperage AC control systems in abusive manufacturing environments
- Available in straight designs with standard color coding in AWM / MTW style 1430 / 1569 leads
- Modular components allow for easy expansion and reconfiguration without the need for rewiring; eliminates the need for multiple cable assemblies, reduces installation time, reduces design time, and lessens the need for special tools
- Environmentally sealed connectors rated at IP68 to prevent the ingress of dust, water, and other contaminants to reduce maintenance and downtime; internal gasket assures watertightness
- Contact inserts securely bonded in place with a proprietary process
- Receptacle-to-pigtail potting bonds securely for excellent reliability
- Gold over nickel-plated contacts provide superior conductivity and corrosion resistance
- Internal contact support maintains pin location and proper keyway alignment
- Internal gasket assures watertight performance to IP68 and NEMA 6P ratings



**AR3E2CG003M**  
Male Receptacle



**AR3D2CG003M**  
Female Receptacle

#### Certifications and Compliances:

- UL recognized, cURus, File No. E169897

### AC Dual Key, Male and Female Receptacles

**2-Pole: 4A; 3-Pole: 4A; 4-Pole: 4A; 5-Pole: 4A; 6-Pole: 3A / 300 VAC**

- 2, 3, 4, 5, 6 Conductor 18 and 22 AWG U.S. AC Color Code
- Cable options: PVC single conductor flying leads
- 1/2"-14 NPT and 1/4"-18 NPT mounting threads available
- Aluminum, nylon, and stainless steel shell options
- Meets current SAE #H1738-2 specifications

### AC Dual Key Pin Configurations and Color Coding:

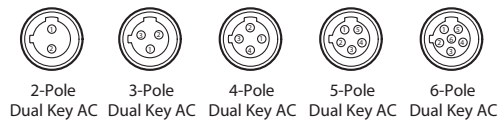
#### Female Faces



#### Conductor Color Coding

Standard	Standard	Standard	Standard	Standard
1. BRN 2. BLU	1. GRN 2. RED/BLK 3. RED/WHT	1. RED/BLK 2. RED/WHT 3. RED 4. GRN	1. RED/WHT 2. RED 3. GRN 4. RED/YEL 5. RED/BLK	1. RED/WHT 2. RED 3. GRN 4. RED/YEL 5. RED/BLK 6. RED/BLU

#### Male Faces



#### Conductor Color Coding

Standard	Standard	Standard	Standard	Standard	Standard
1. BRN 2. BLU	1. GRN 2. RED/BLK 3. RED/WHT	1. RED/BLK 2. RED/WHT 3. RED 4. GRN	1. RED/WHT 2. RED 3. GRN 4. RED/YEL 5. RED/BLK	1. RED/WHT 2. RED 3. GRN 4. RED/YEL 5. RED/BLK 6. RED/BLU	1. RED/WHT 2. RED 3. GRN 4. RED/YEL 5. RED/BLK 6. RED/BLU



# 11P LynxPOWER™ Passive Connectors

NEMA 1, 3, 4, 6P, 13  
IEC IP68

## Micro-Mini Receptacles DC Single Key

### Male and Female Receptacles

#### Features:

- Designed for low amperage DC control systems in abusive manufacturing environments
- Available in straight designs with standard color coding in AWM / MTW style 1430 / 1569 leads
- Modular components allow for easy expansion and reconfiguration without the need for rewiring; eliminates the need for multiple cable assemblies, reduces installation time, reduces design time, and lessens the need for special tools
- Environmentally sealed connectors rated at IP68 to prevent the ingress of dust, water, and other contaminants to reduce maintenance and downtime; internal gasket assures watertightness
- Contact inserts securely bonded in place with a proprietary process
- Receptacle-to-pigtail potting bonds securely for excellent reliability
- Gold over nickel-plated contacts provide superior conductivity and corrosion resistance
- Internal contact support maintains pin location and proper keyway alignment
- Internal gasket assures watertight performance to IP68 and NEMA 6P ratings



**DR4E2CE00M**  
Male Receptacle



**DR4D2CE003M**  
Female Receptacle

#### Certifications and Compliances:

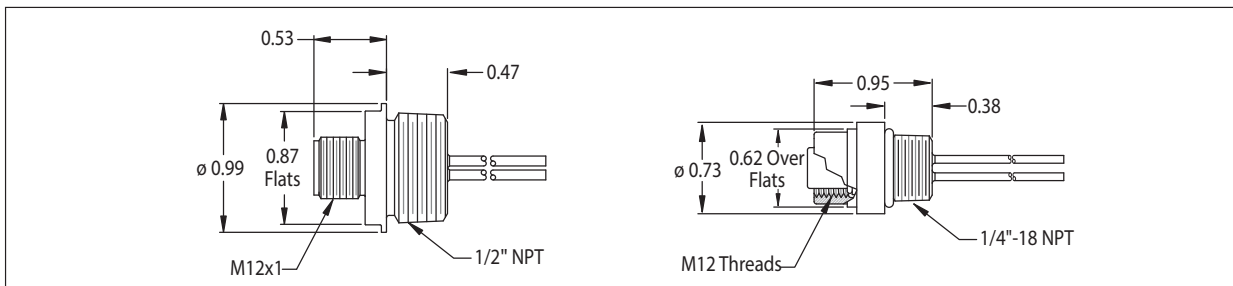
- UL recognized, cURus, File No. E169897

#### DC DIN, Male and Female Receptacles

**3-Pole: 4A; 4-Pole: 4A; 5-Pole: 4A / 300 VDC**

2, 3, 4, 5, 6 Conductor 18 and 22 AWG U.S. DC Color Code

- Cable options: PVC single conductor flying leads
- 1/2"-14 NPT and 3/4"-18 NPT mounting threads available
- Aluminum, nylon, and stainless steel shell options
- Meets current IEC 61076-2-101 specifications



#### DC DIN Pin Configurations and Color Coding:

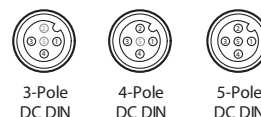
##### Female Faces



##### Conductor Color Coding

Euro DC	Euro DC	Euro DC
1. BRN	1. BRN	1. BRN
2. N/C	2. WHT	2. WHT
3. BLU	3. BLU	3. BLU
4. BLK	4. BLK	4. BLK
5. N/C	5. N/C	5. GRN

##### Male Faces



##### Conductor Color Coding

Euro DC	Euro DC	Euro DC
1. BRN	1. BRN	1. BRN
2. N/C	2. WHT	2. WHT
3. BLU	3. BLU	3. BLU
4. BLK	4. BLK	4. BLK
5. N/C	5. N/C	5. GRN

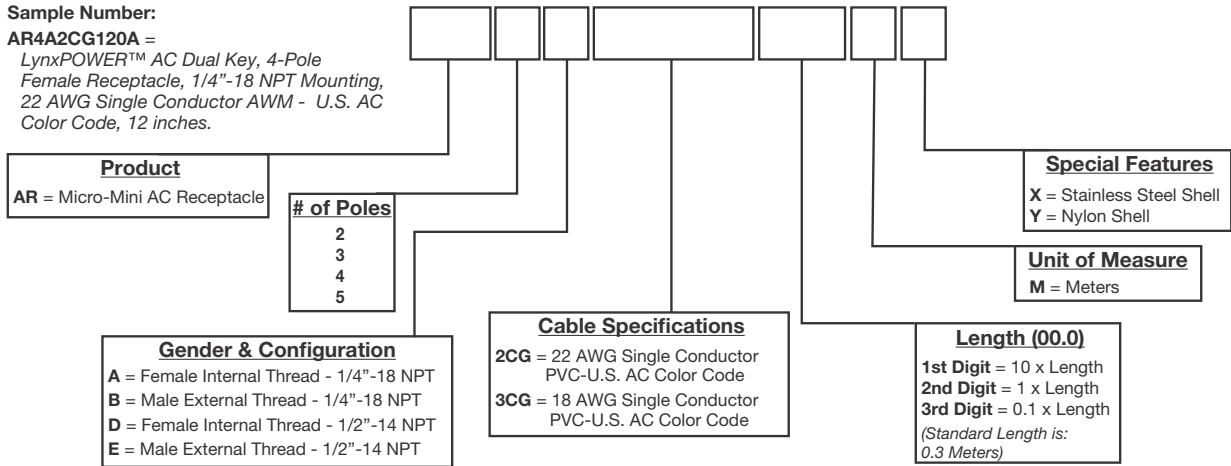
**Crouse-Hinds**  
by **EATON**

Micro-Mini Receptacles

Micro-Mini AC Dual Key Receptacles Catalog Number Matrix:

Sample Number:

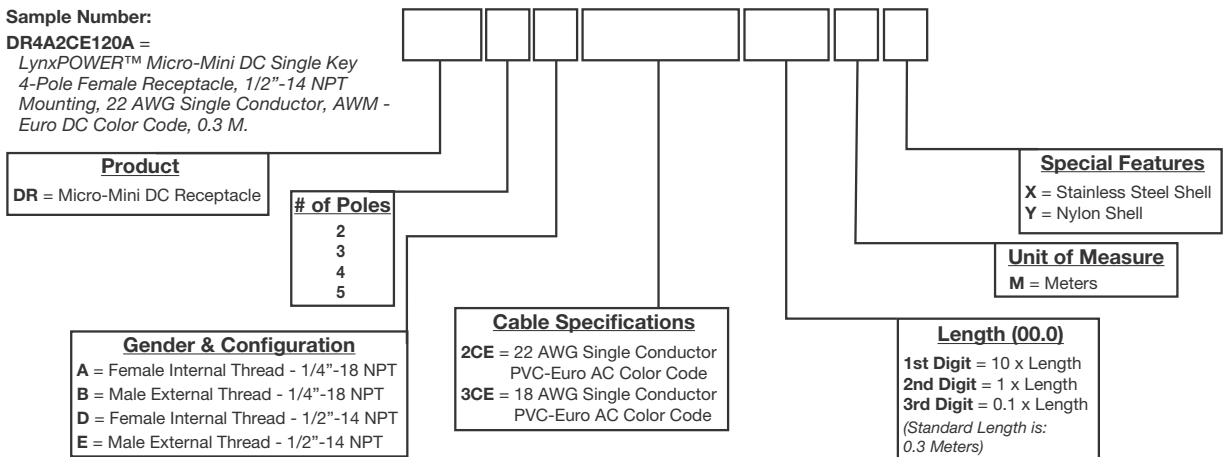
**AR4A2CG120A** =  
LynxPOWER™ AC Dual Key, 4-Pole  
Female Receptacle, 1/4"-18 NPT Mounting,  
22 AWG Single Conductor AWM - U.S. AC  
Color Code, 12 inches.



Micro-Mini DC Single Key Receptacles Catalog Number Matrix:

Sample Number:

**DR4A2CE120A** =  
LynxPOWER™ Micro-Mini DC Single Key  
4-Pole Female Receptacle, 1/2"-14 NPT  
Mounting, 22 AWG Single Conductor, AWM -  
Euro DC Color Code, 0.3 M.



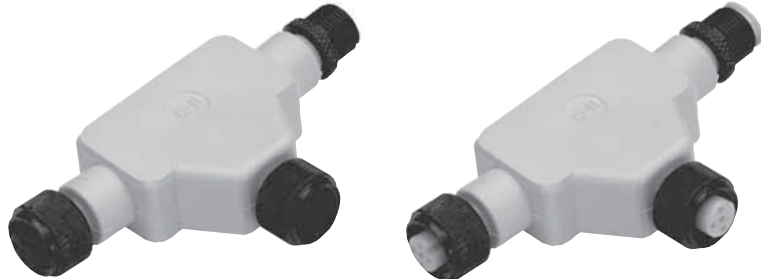
11P

## Micro-Mini Tees and Accessories

### Micro-Mini AC Dual Key and DC Single Tees

#### Features:

- Factory molded tees offer quick and easy circuit branching options, eliminating the need for hard wired boxes
- Tees are available with molded-to-cable drops as well as molded wiring harnesses with multiple drops
- Compact body reduces the overall connectivity footprint
- Flexible gender configurations allow the user to customize the product to fit their application



**AT3RC3R**  
AC Dual Key Male-Female-Female Tee

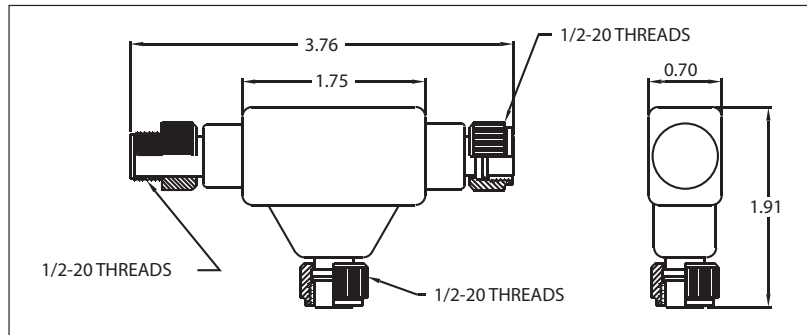
**DT4RC3R**  
DC Single Key Male-Female-Female Tee

### Micro-Mini AC Dual Key Tapping Tees

#### 2-Pole, 3-Pole, 4-Pole, 5-Pole: 5A / 300V

2, 3, 4, 5 Conductor 18 AWG

- Standard low profile configurations
- 18 AWG and 22 AWG standard color code
- 300V 105°C
- Epoxy coated zinc die cast hardware
- Meets current SAE #H1738-2 specifications
- Vibration-resistant ratchet design (die cast coupler)

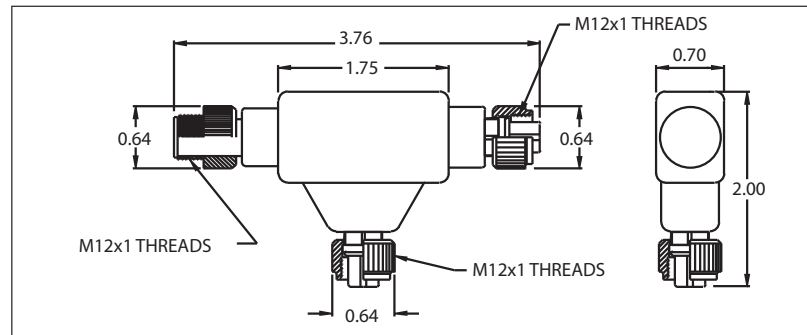


### Micro-Mini DC Single Key Tapping Tees

#### 3-Pole, 4-Pole, 5-Pole: 5A / 300V

3, 4, 5 Conductor 18 AWG

- 18 AWG and 22 AWG standard color code
- 300V 105°C
- Black epoxy coated hardware
- Meets current SAE #H1738-2 specifications



### AC Dual Key Pin Configurations and Color Coding:

<b>Female Faces</b>				
	2-Pole Dual Key AC	3-Pole Dual Key AC	4-Pole Dual Key AC	5-Pole Dual Key AC
<b>Male Faces</b>				
	2-Pole Dual Key AC	3-Pole Dual Key AC	4-Pole Dual Key AC	5-Pole Dual Key AC
<b>Conductor Color Coding</b>	<b>Standard</b> 1. BRN 2. BLU	<b>Standard</b> 1. GRN 2. RED/BLK 3. RED/WHT	<b>Standard</b> 1. RED/BLK 2. RED/WHT 3. RED 4. GRN	<b>Standard</b> 1. RED/WHT 2. RED 3. GRN 4. RED/YEL 5. RED/BLK

### DC Single Key Pin Configurations and Color Coding:

<b>Female Faces</b>			
	3-Pole DC DIN	4-Pole DC DIN	5-Pole DC DIN
<b>Male Faces</b>			
	3-Pole DC DIN	4-Pole DC DIN	5-Pole DC DIN
<b>Conductor Color Coding</b>	<b>Euro DC</b> 1. BRN 2. N/C 3. BLU 4. BLK 5. N/C	<b>Euro DC</b> 1. BRN 2. WHT 3. BLU 4. BLK 5. N/C	<b>Euro DC</b> 1. BRN 2. WHT 3. BLU 4. BLK 5. GRY

**Micro-Mini Tees and Accessories**

**Micro-Mini AC Dual Key Field Attachables**

**Features:**

- Field attachable connectors allow users to quickly repair damaged molded cordsets
- Allow users to create custom cordset lengths using their own cable
- Optional 316 stainless steel couplers support food and beverage applications
- Easy to use set screw terminals provide secure conductor to contact termination

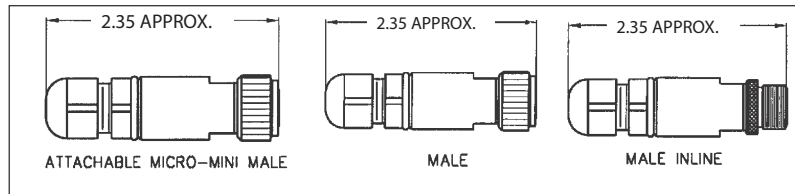


**Micro-Mini AC Dual Key Field Attachables**

**2-Pole, 3-Pole, 4-Pole, 5-Pole: 5A / 300V**

2, 3, 4, 5 Conductor

- Female, male, and male in-line versions
- Crimp style contact design
- Meets current SAE #H1738-2 specifications

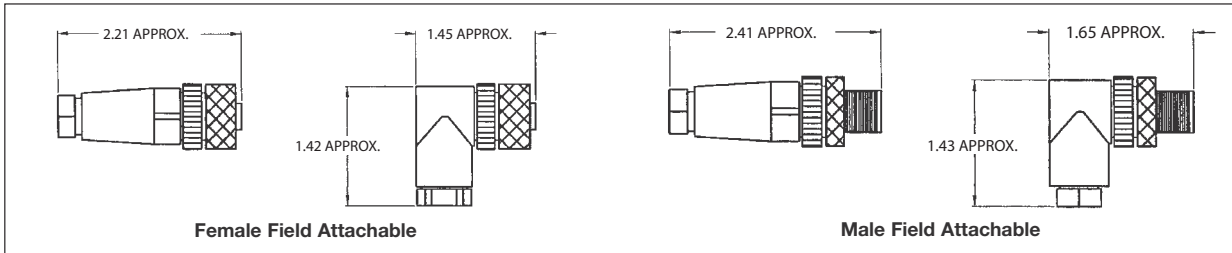


**Micro-Mini DC Single Key Field Attachables**

**4-Pole: 4A / 300V; 5-Pole: 3A / 300V**

4, 5 Conductor

- PG7 and PG9 thread (grommet) sizes
- Female and male in-line versions
- Straight and right angle configuration
- Terminal screw attachments
- Meets current SAE #H1738-2 specifications



**AC Dual Key Pin Configurations and Color Coding:**

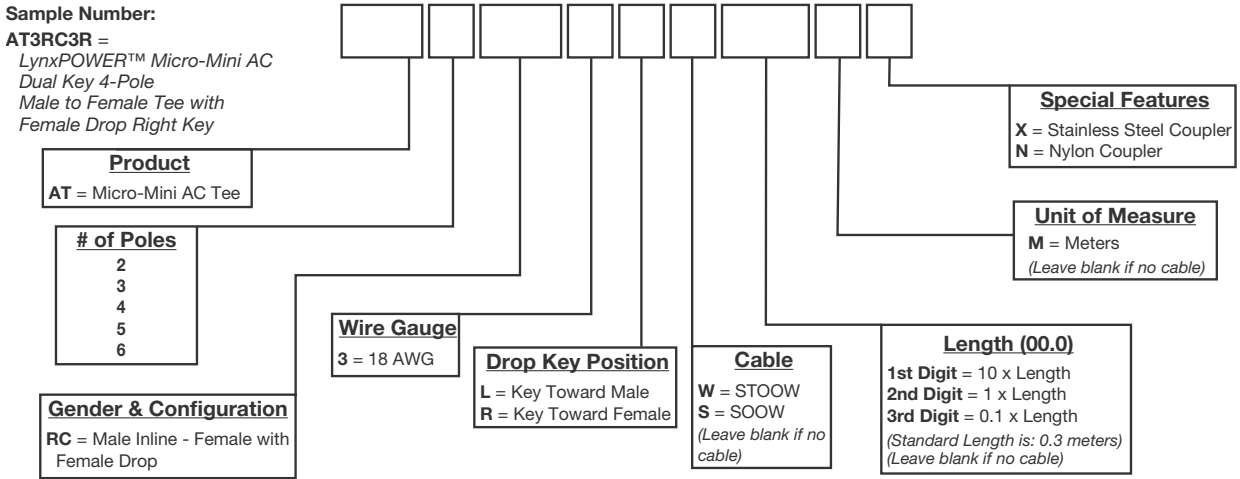
<b>Female Faces</b>				
	2-Pole Dual Key AC	3-Pole Dual Key AC	4-Pole Dual Key AC	5-Pole Dual Key AC
<b>Male Faces</b>				
	2-Pole Dual Key AC	3-Pole Dual Key AC	4-Pole Dual Key AC	5-Pole Dual Key AC
<b>Conductor Color Coding</b>	<b>Standard</b> 1. BRN 2. BLU	<b>Standard</b> 1. GRN 2. RED/BLK 3. RED/WHT	<b>Standard</b> 1. RED/BLK 2. RED/WHT 3. RED 4. GRN	<b>Standard</b> 1. RED/WHT 2. RED 3. GRN 4. RED/YEL 5. RED/BLK

**DC Single Key Pin Configurations and Color Coding:**

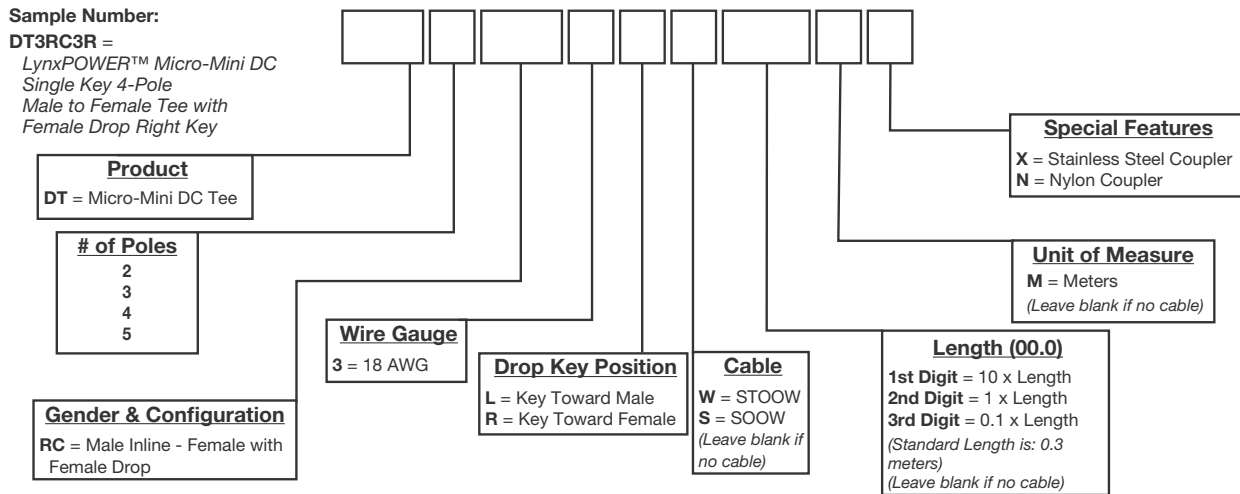
<b>Female Faces</b>		
	4-Pole DC DIN	5-Pole DC DIN
<b>Male Faces</b>		
	4-Pole DC DIN	5-Pole DC DIN
<b>Conductor Color Coding</b>	<b>Euro DC</b> 1. BRN 2. WHT 3. BLU 4. BLK 5. N/C	<b>Euro DC</b> 1. BRN 2. WHT 3. BLU 4. BLK 5. GRY

## Micro-Mini Tees and Accessories

### Micro-Mini AC Dual Key Tees Catalog Number Matrix:



### Micro-Mini DC Single Key Tees Catalog Number Matrix:



11P

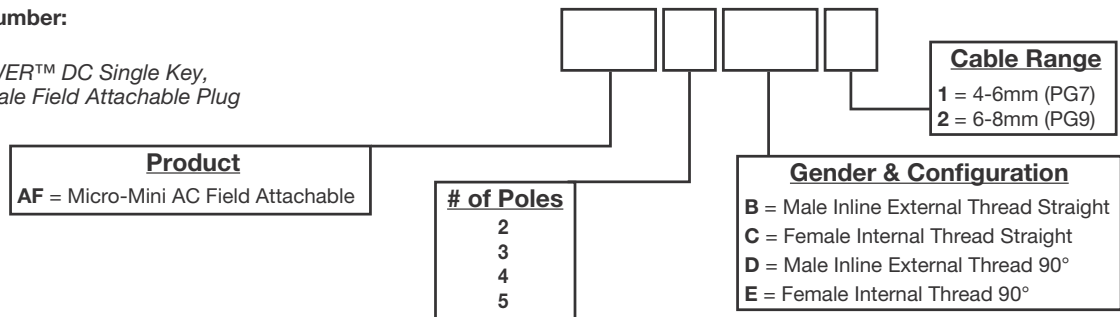


**Micro-Mini Tees and Accessories**

**Micro-Mini AC Dual Key Field Attachables Catalog Number Matrix:**

Sample Number:

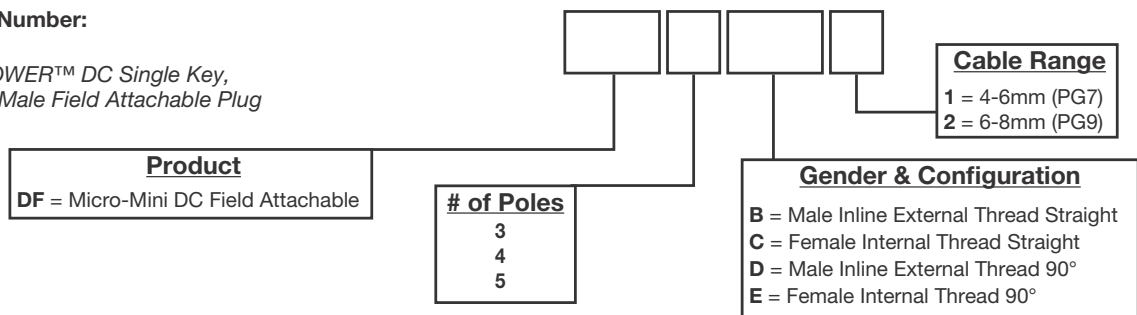
**AF4B1** =  
LynxPOWER™ DC Single Key,  
4-Pole Male Field Attachable Plug



**Micro-Mini DC Single Key Field Attachables Catalog Number Matrix:**

Sample Number:

**DF4B1** =  
LynxPOWER™ DC Single Key,  
4-Pole Male Field Attachable Plug



**Ordering Information - Micro-Mini Accessories:**

**Micro-Mini AC Dual Key Caps**

Description	Cat. #
Cap for Micro-Mini AC Dual Key Male Internal Thread	<b>AMC</b>
Cap for Micro-Mini AC Dual Key Female External Thread	<b>AFC</b>

**Micro-Mini DC Single Key Caps**

Description	Cat. #
Cap for Micro-Mini DC Single Key Male Internal Thread	<b>DMC</b>
Cap for Micro-Mini DC Single Key Female External Thread	<b>DFC</b>

# 11P LynxPOWER™ Network Connectors

Industrial network products are specifically designed for data and signal transfer in industrial environments under complex physical and environmental conditions.

## Applications:

- Ideal for industrial manufacturing, production line equipment, factory automation and production monitoring, plus industrial data networks
- These products have excellent resistance to welding flash, hot chips, and other severe conditions found in demanding manufacturing settings
- The molded-to-cable construction of the one-piece cordset ends creates a bond that is impervious to penetration from external contaminants
- Receptacle shells are made from materials chosen to mate with industrial network cordsets and provide a cable assembly with far superior service



## Features:

**Industrial Ethernet Micro-Mini Cordsets**

**Industrial Ethernet RJ45 Cordsets**

**Network Receptacles**

- Industrial grade Cat 5e cable available in your choice of shielded, solid, stranded and high-flex
- RJ45 connectors feature a polyolefin snagless boot
- Industrial Ethernet cordsets available with RJ45, Micro-Mini 4-pin or Micro-Mini 8-pin ends for Ethernet and IP applications
- Modular components allow for easy creation, expansion and reconfiguration of systems
- Factory molded-to-cable connectors provide quick connect capability

**DeviceNet Cordsets**

- DeviceNet trunk cordsets available with Mini-Line cordsets in 5-pole mid thick and thick high flex cables
- DeviceNet drop cordsets available with Mini-Line or Micro-Mini cordsets with thin and thin high flex cables
- Flexible high flex cable options ease installation and deliver signal without interruption
- Vibration-resistant couplers assure devices stay connected under load
- Environmentally-sealed ends prevent the ingress of dust, water and other contaminants for superior service

11P

**Industrial Ethernet  
Cordsets and Receptacles**

**RJ45 and Micro-Mini Cordsets and Receptacles**

**Features:**

- Industrial Cat 5e cable
- Factory molded-to-cable connectors provide quick connect and disconnect capability
- Modular components allow for easy expansion and reconfiguration without the need for rewiring; eliminates the need for multiple cable assemblies, reduces installation time, reduces design time, and lessens the need for special tools
- Environmentally sealed ends rated at IP68 to prevent the ingress of dust, water, and other contaminants to reduce maintenance and downtime
- Micro-Mini vibration-resistant ratchet couplers assure cordsets stay coupled under load
- Micro-Mini internal gasket assures watertight performance to IP68 and NEMA 6P ratings
- Compact, space-saving thermoplastic bodies
- Every unit is 100% electrically tested using state-of-the-art automated test equipment to stringent ANSI/TIA/EIA and ODVA specifications



**EC8B1WE100M  
RJ45 to RJ45**



**EC4C1WE010M  
RJ45 to Receptacle**



**EC4F1WE010M  
4-Pin Micro-Mini Male Cordset**



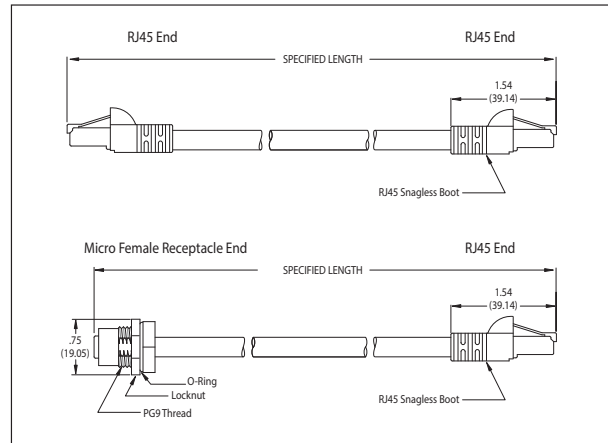
**ER4A1WE005M  
4-Pin Micro-Mini Female Receptacle**

**RJ45 and RJ45 to Micro-Mini (M12)  
Cordsets**

**Ethernet Cordsets**

*Configuration Options:*

- RJ45 to RJ45
- RJ45 to Female Panel Mount Receptacle (PG9)
- RJ45 to Female 1/2"-14 NPT Receptacle
- RJ45 to Male Panel Mount Receptacle (PG9)
- Straight design, double-ended configuration, receptacles have 4-pin or 8-pin options
- Cable: 24 AWG, 0.280" dia., meets TIA 568-B.2 specification for Ethernet physical layer
- Nickel-plated brass or stainless steel receptacle coupler options

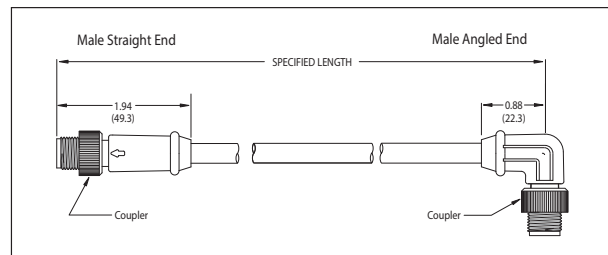


**Micro-Mini (M12) Cordsets and  
Receptacles**

**Ethernet Cordsets**

*Configuration Options:*

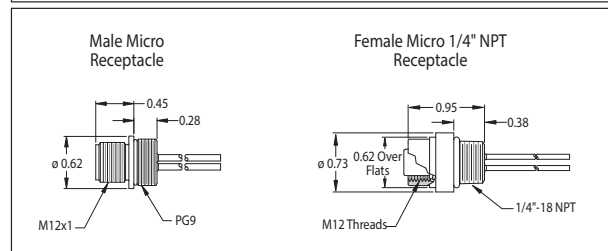
- Male to Male Straight or Angled
- Female to Female Straight or Angled
- Male to Female Straight or Angled
- Double-ended configuration, 4-pin or 8-pin options
- Cable: 24 AWG, 0.280" dia., meets TIA 568-B.2 specification for Ethernet physical layer
- Black epoxy coated zinc, nickel-plated brass, or stainless steel coupler options



**Ethernet Receptacles**

*Configuration Options:*

- Female Internal Thread Panel Back Mount (PG9)
- Male External Thread Panel Back Mount (PG9)
- Female Internal Thread Panel Front Mount (1/2"-14 NPT)
- 4-pin or 8-pin options
- Black epoxy coated zinc, nickel-plated brass, or stainless steel shell options



**Crouse-Hinds**

by **Eaton**

**11P**

**Industrial Ethernet  
Cordsets and Receptacles**

**Pin Configurations and Color Coding:**

RJ45 Face



Female Faces,  
Micro-Mini  
(M12)



4-Pole



8-Pole

Male Faces,  
Micro-Mini  
(M12)



4-Pole



8-Pole

Conductor  
Color  
Coding

Cat 5e	
1. WHT/ORG (TX+)	5. -
2. ORG (TX-)	6. BLU (RX+)
3. WHT/BLU (RX+)	7. -
4. -	8. -

Conductor  
Color  
Coding

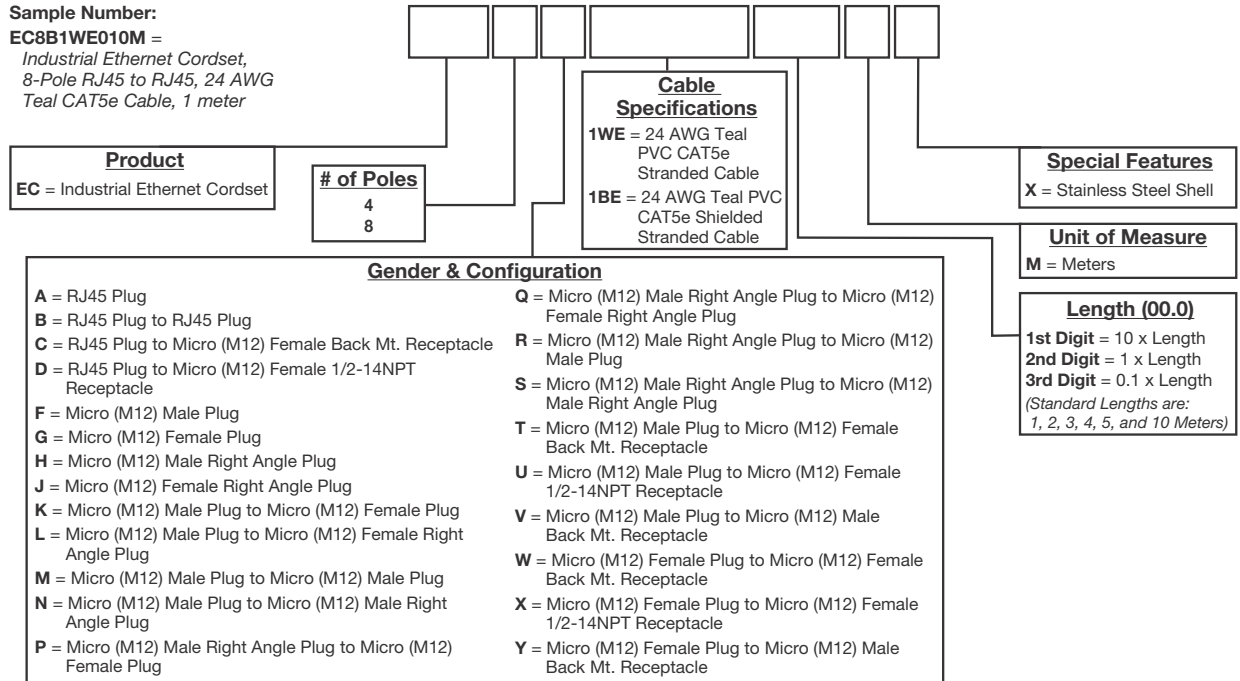
Micro Cat 5e		Micro Cat 5e	
1. WHT/ORG	1. LT BLU	5. LT GRN	
2. WHT/BLU	2. LT BRN	6. WHT	
3. ORG	3. BRN	7. BLU	
4. BLU	4. ORG	8. GRN	

Micro Cat 5e		Micro Cat 5e	
1. WHT/ORG	1. LT BLU	5. LT GRN	
2. WHT/BLU	2. LT BRN	6. WHT	
3. ORG	3. BRN	7. BLU	
4. BLU	4. ORG	8. GRN	

**Industrial Ethernet Cordsets Catalog Number Matrix:**

Sample Number:

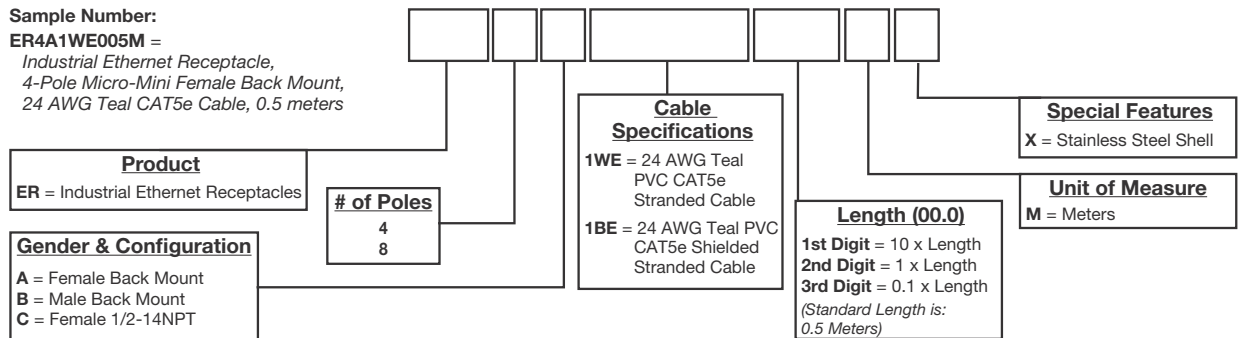
**EC8B1WE010M** =  
Industrial Ethernet Cordset,  
8-Pole RJ45 to RJ45, 24 AWG  
Teal CAT5e Cable, 1 meter



**Industrial Ethernet Receptacles Catalog Number Matrix:**

Sample Number:

**ER4A1WE005M** =  
Industrial Ethernet Receptacle,  
4-Pole Micro-Mini Female Back Mount,  
24 AWG Teal CAT5e Cable, 0.5 meters



11P

## DeviceNet Trunk 300V AC/DC

### DeviceNet Trunk Cordsets and Receptacles

#### Features:

- Industrial trunk or drop assembly cable
- Factory molded-to-cable connectors provide quick connect and disconnect capability
- Modular components allow for easy expansion and reconfiguration without the need for rewiring; eliminates the need for multiple cable assemblies, reduces installation time, reduces design time, and lessens the need for special tools
- Environmentally sealed ends rated at IP68 to prevent the ingress of dust, water, and other contaminants to reduce maintenance and downtime
- Vibration-resistant ratchet couplers assure cordsets stay coupled under load
- Mini-Line shroud and cork design exceeds IP68 and NEMA 6P rating (rated 1,200 PSI hose-down spray)
- Compact, space-saving thermoplastic bodies
- Every unit is 100% electrically tested using state-of-the-art automated test equipment to stringent ODVA specifications

#### Certifications and Complies:

- UL listing pending

#### Trunk Cordsets

##### 5-Pole: 8A

5 Conductor:

- Male and female plugs
- Straight and right angle designs
- Single- and double-ended configurations
- Plug to back mount receptacle options
- Vibration-resistant ratchet coupler design
- Supports THIN, THIN HI-FLEX, MID, THICK, and THICK HI-FLEX cables
- Epoxy coated zinc and stainless steel coupler options
- IP68

#### Trunk Receptacles

##### 5-Pole: 8A

5 Conductor:

- Male and female receptacles
- Plug to back mount receptacle options
- Receptacle with cable only options
- Supports THIN, THIN HI-FLEX, MID, THICK, and THICK HI-FLEX cables
- M30 back mount or 1/2"-14 NPT front mount configurations
- Epoxy coated zinc and stainless steel shell options
- IP68

#### Crouse-Hinds

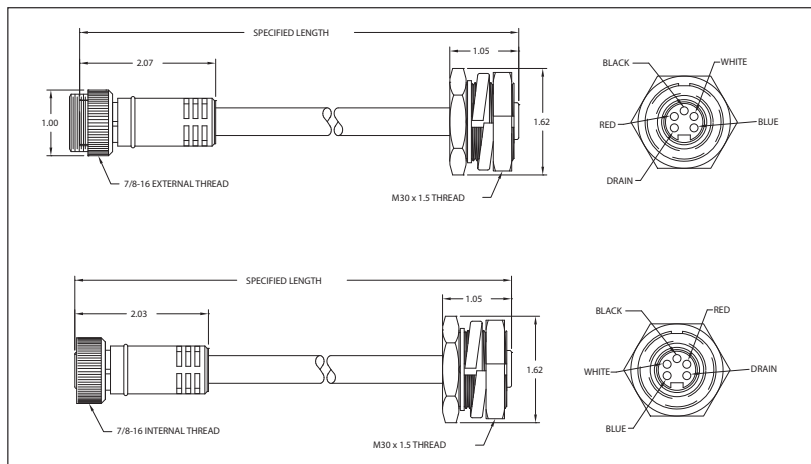
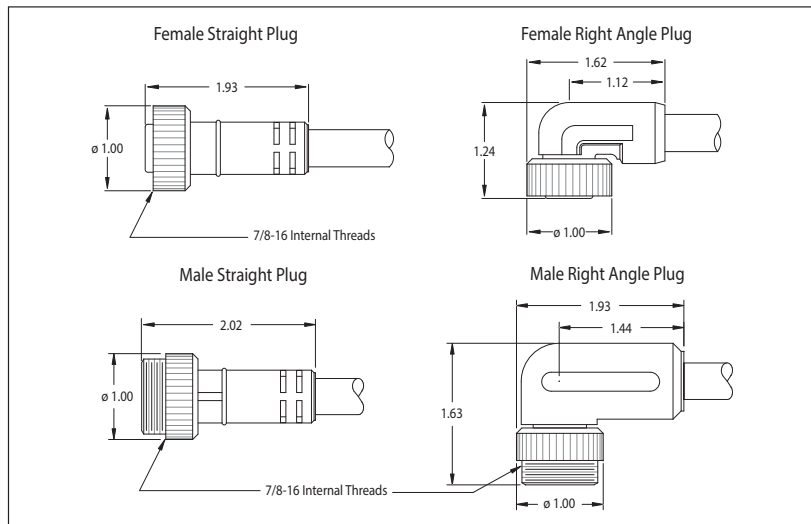
by **E.T.N**



**KC5EBTD050M**  
Female Trunk



**KC5JBTD050M**  
Male 90° to Female Trunk



**11P**

# 11P LynxPOWER™ Network Connectors

NEMA 1, 3, 4, 6P, 13  
IEC IP68

## DeviceNet Trunk Cordsets and Receptacles 300V AC/DC

### Mini Pin Configurations and Color Coding:

**Female  
Face,  
Mini-Line**



5-Pole  
Style I

**Male  
Face,  
Mini-Line**



5-Pole  
Style I

**Conductor  
Color  
Coding**

- DeviceNet**
1. DRAIN (bus shield)
  2. RED (V+)
  3. BLK (V-)
  4. WHT (CAN\_H)
  5. BLU (CAN\_L)

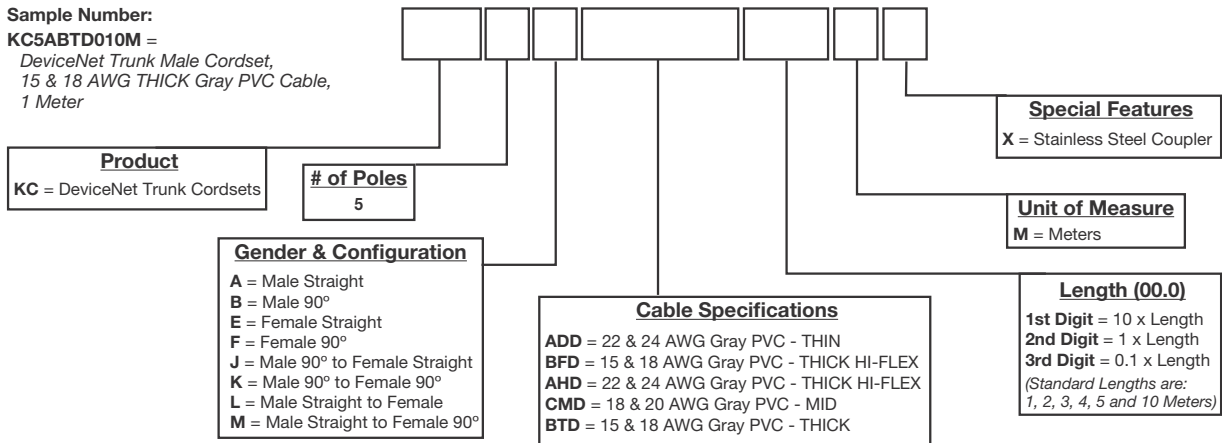
**DeviceNet**

1. DRAIN (bus shield)
2. RED (V+)
3. BLK (V-)
4. WHT (CAN\_H)
5. BLU (CAN\_L)

### DeviceNet Trunk (Mini-Line) Cordsets Catalog Number Matrix:

**Sample Number:**

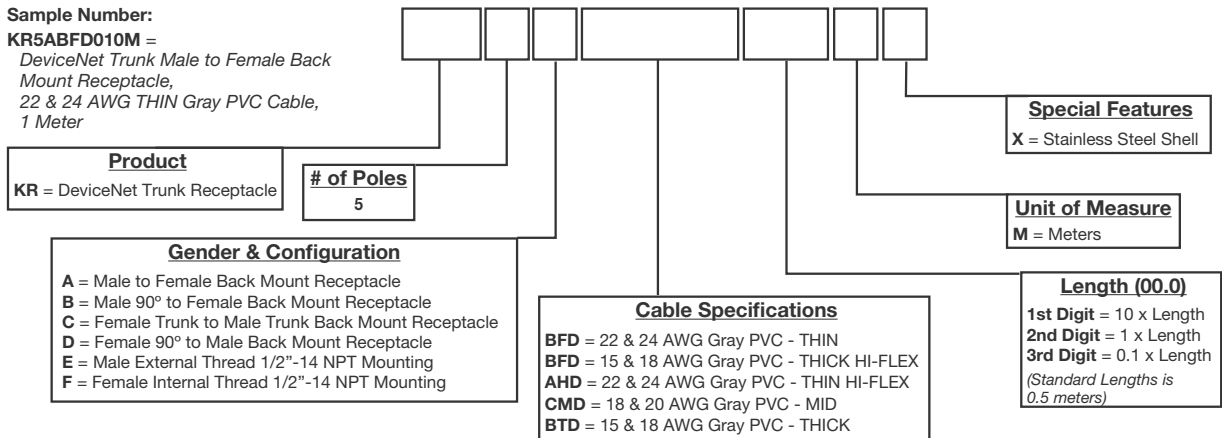
**KC5ABTD010M** =  
DeviceNet Trunk Male Cordset,  
15 & 18 AWG THICK Gray PVC Cable,  
1 Meter



### DeviceNet Trunk (Mini-Line) Receptacles Catalog Number Matrix:

**Sample Number:**

**KR5ABFD010M** =  
DeviceNet Trunk Male to Female Back  
Mount Receptacle,  
22 & 24 AWG THIN Gray PVC Cable,  
1 Meter



11P

## DeviceNet Drop 300V AC/DC

### DeviceNet Drop Cordsets and Receptacles

#### Features:

- Industrial trunk or drop assembly cable
- Factory molded-to-cable connectors provide quick connect and disconnect capability
- Modular components allow for easy expansion and reconfiguration without the need for rewiring; eliminates the need for multiple cable assemblies, reduces installation time, reduces design time, and lessens the need for special tools
- Environmentally sealed ends rated at IP68 to prevent the ingress of dust, water, and other contaminants to reduce maintenance and downtime
- Vibration-resistant ratchet couplers assure cordsets stay coupled under load
- Micro-Mini internal gasket assures watertight performance to IP68 and NEMA 6P ratings
- Compact, space-saving thermoplastic bodies
- Every unit is 100% electrically tested using state-of-the-art automated test equipment to stringent ODVA specifications

#### Certifications and Compliances:

- UL listing pending

#### Drop Cordsets

##### 5-Pole: 2A

5 Conductor:

- Male and female plugs
- Straight and right angle designs
- Single- and double-ended configurations
- Plug to back mount receptacle options
- Vibration-resistant ratchet coupler design
- Supports THIN and THIN HI-FLEX cables
- Epoxy coated zinc and stainless steel coupler options
- IP68

#### Drop Receptacles

##### 5-Pole: 2A

5 Conductor:

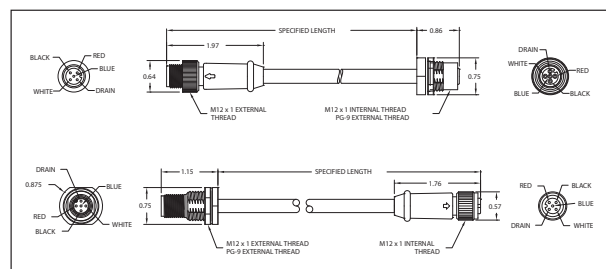
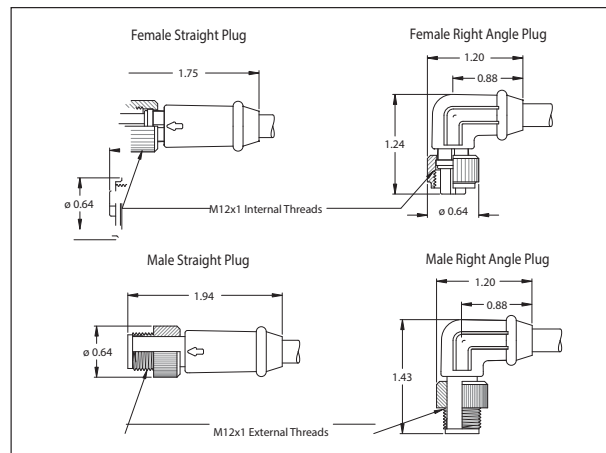
- Male and female receptacles
- Plug to back mount receptacle options
- Receptacle with cable only options
- Supports THIN and THIN HI-FLEX cables
- PG90 back mount or 1/2"-14 NPT front mount configurations
- Epoxy coated zinc and stainless steel shell options
- IP68



**PC5CADD010M  
Male Drop**



**KC5EBTD050M  
Female Receptacle**



# 11P LynxPOWER™ Network Connectors

NEMA 1, 3, 4, 6P, 13  
IEC IP68

## DeviceNet Drop Cordsets and Receptacles 300V AC/DC

### Micro Pin Configurations and Color Coding:

**Female  
Face,  
Micro-Mini  
(M12)**



5-Pole  
DC DIN

**Male  
Face,  
Micro-Mini  
(M12)**



5-Pole  
DC DIN

**Conductor  
Color  
Coding**

**DeviceNet**  
1. DRAIN (bus shield)  
2. RED (V+)  
3. BLK (V-)  
4. WHT (CAN\_H)  
5. BLU (CAN\_L)

**DeviceNet**  
1. DRAIN (bus shield)  
2. RED (V+)  
3. BLK (V-)  
4. WHT (CAN\_H)  
5. BLU (CAN\_L)

### DeviceNet Drop (Micro-Mini) (M12) Cordsets Catalog Number Matrix:

**Sample Number:**  
**PC5CADD010M** =  
DeviceNet Drop Cordset, Male  
Straight, 22 & 24 AWG THIN Gray  
Cable, 1 Meter

**Product**  
PC = DeviceNet Drop Cordsets

**# of Poles**  
5

**Gender & Configuration**  
C = Male Straight  
D = Male 90°  
G = Female Straight  
H = Female 90°  
N = Male 90° to Female Straight  
P = Male 90° to Female 90°  
Q = Male Straight to Female  
R = Male Straight to Female 90°

**Cable Specifications**  
ADD = 22 & 24 AWG Gray PVC - THIN  
AHD = 22 & 24 AWG Gray PVC - THIN HI-FLEX

**Special Features**  
X = Stainless Steel Coupler

**Unit of Measure**  
M = Meters

**Length (00.0)**  
1st Digit = 10 x Length  
2nd Digit = 1 x Length  
3rd Digit = 0.1 x Length  
(Standard Lengths are:  
1, 2, 3, 4, 5 and 10 Meters)

### DeviceNet Drop (Micro-Mini) (M12) Receptacles Catalog Number Matrix:

**Sample Number:**  
**PR5EADD005M** =  
DeviceNet Male Drop to Female  
Drop Back Mount Receptacle,  
22 & 24 AWG THIN Gray PVC,  
0.5 meters

**Product**  
PR = DeviceNet Drop Receptacle

**# of Poles**  
5

**Gender & Configuration**  
E = Male Drop to Female Drop Back Mount Receptacle  
F = Female Internal Thread PG 9 Mounting  
G = Male External Thread M14 Mounting  
H = Female to Male Back Mt. Receptacle  
J = Female 90° to Male Back Mount Receptacle  
K = Female Internal Thread - 1/2"-14 NPT Mounting  
M = Male External Thread PG9 Mounting  
N = Male External Thread - 1/2"-14 NPT Mounting  
P = Male 90° to Female Back Mount Receptacle

**Cable Specifications**  
ADD = 22 & 24 AWG Gray PVC - THIN  
AHD = 22 & 24 AWG Gray PVC - THIN HI-FLEX

**Special Features**  
X = Stainless Steel Coupler

**Unit of Measure**  
M = Meters

**Length (00.0)**  
1st Digit = 10 x Length  
2nd Digit = 1 x Length  
3rd Digit = 0.1 x Length  
(Standard Lengths is 0.5  
meters)



DeviceNet Tees

Tees

Features:

- Modular components allow for easy expansion and reconfiguration without the need for rewiring; reduces installation time and lessens the need for special tools
- Factory molded tees offer quick and easy circuit branching options, eliminating the need for hard wired junctions
- Compact body reduces the overall connectivity footprint
- Tees are available with molded-to-cable drops as well as molded wiring harnesses with multiple drops
- Flexible gender configurations allow the user to customize the product to fit their application
- Optional 316 stainless steel couplers support food and beverage industry applications



**KT5RCRB**  
Male-Female-Female Trunk Tee



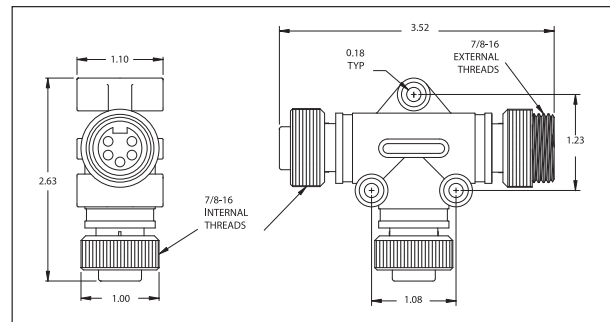
**PT5RCRA**  
Male-Female-Female Drop Tee

Trunk Tees

5-Pole: 8A

5 Conductor:

- Male and female plug connectivity
- Available with THIN, THIN HI-FLEX, MID, THICK, and THICK HI-FLEX molded drop cable options
- Multiple trunk and drop configurations to choose from
- Epoxy coated zinc, nylon, and stainless steel coupler options available
- IP68

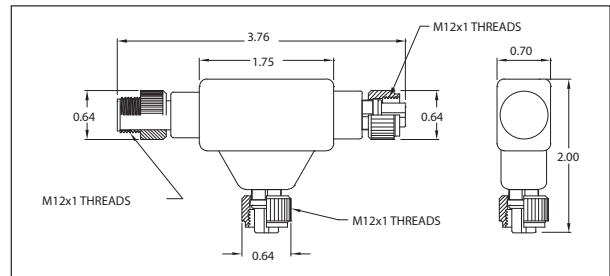


Drop Tees

3-Pole, 4-Pole, 5-Pole: 5A / 300V

5 Conductor:

- Male and female plug connectivity
- Available with THIN and THIN HI-FLEX molded drop cable options
- Epoxy coated zinc, nylon, and stainless steel coupler options available
- IP68



Trunk Tee DC Pin Configurations and Color Coding:

Female Faces



5-Pole  
Style I

Male Faces



5-Pole  
Style I

Conductor Color Coding

- Euro DC**
1. DRAIN (bus shield)
  2. RED (V+)
  3. BLK (V-)
  4. WHT (CAN\_H)
  5. BLU (CAN\_L)

Drop Tee DC Pin Configurations and Color Coding:

Female Faces



5-Pole  
DC DIN

Male Faces



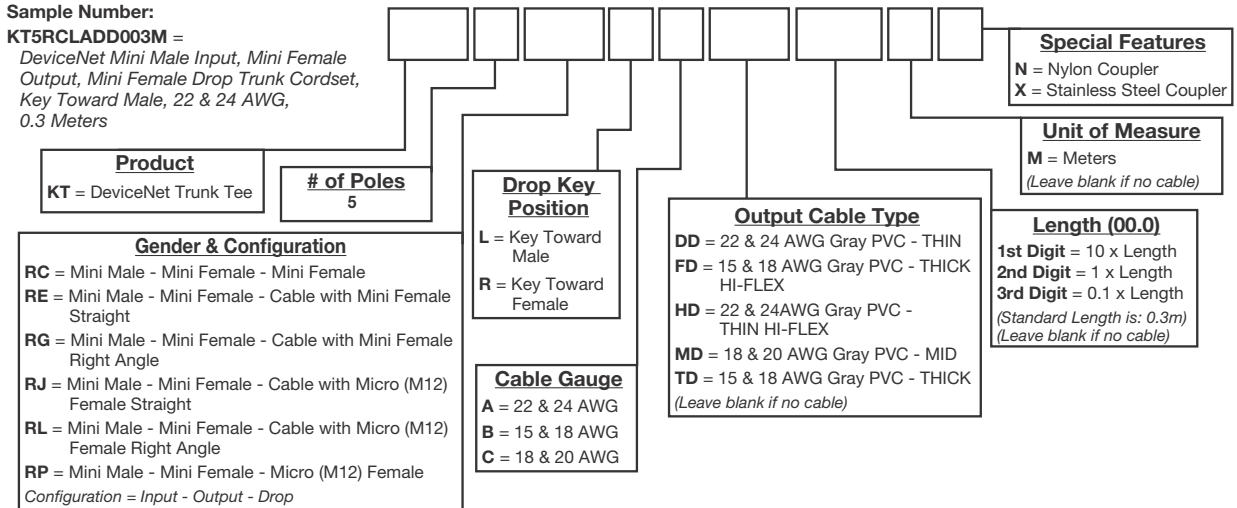
5-Pole  
DC DIN

Conductor Color Coding

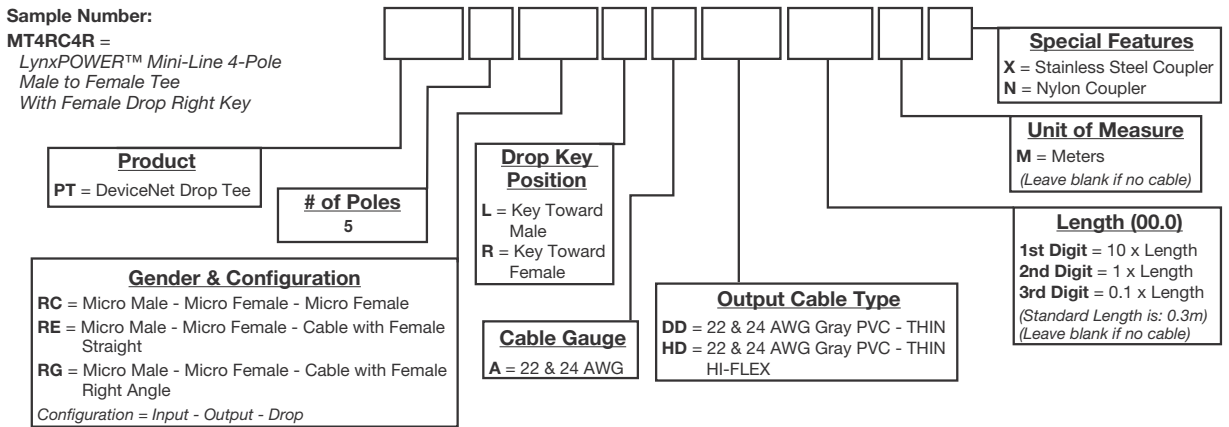
- Euro DC**
1. DRAIN (bus shield)
  2. RED (V+)
  3. BLK (V-)
  4. WHT (CAN\_H)
  5. BLU (CAN\_L)

## DeviceNet Tees

### DeviceNet Trunk (Mini-Line) Tees Catalog Number Matrix:



### DeviceNet Drop (Micro-Mini) (M12) Tees Catalog Number Matrix:



## DeviceNet Accessories

### Accessories

#### Features:

- Field attachable connectors allow users to quickly repair damaged molded cordsets and to create custom cordset lengths using their own cable
- Easy to use set screw terminals on field attachables provide secure conductor to contact termination
- Terminators are designed to minimize communication reflections



**KX5B**  
Mini Male In-line Terminator



**PX5B**  
Male Drop Terminator

### Terminators

#### 5-Pole: 8A

5 Conductor:

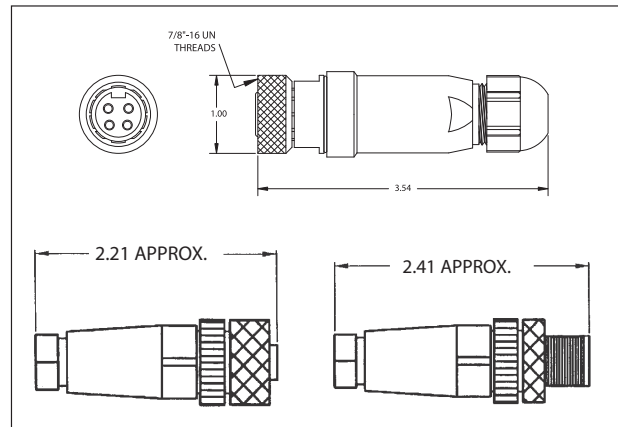
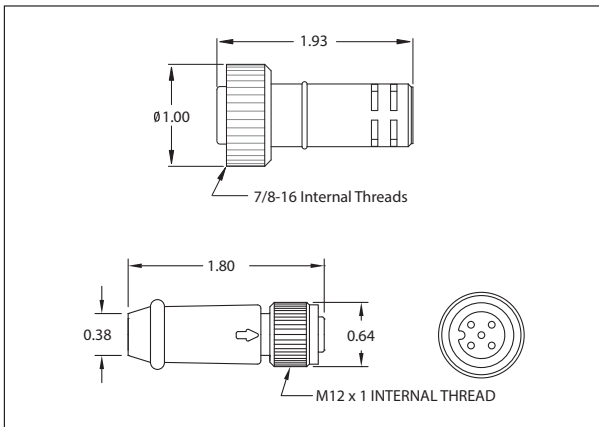
- Male and female options
- Manufactured with a 121 Ω resistor between CAN\_H and CAN\_L
- Multiple trunk and drop configurations
- Epoxy coated zinc coupler available
- IP68

### Field Attachables

#### 3-Pole, 4-Pole, 5-Pole: 5A / 300V

5 Conductor:

- Impact-resistant PVC body
- Supports THIN, THIN HI-FLEX, MID, THICK, and THICK HI-FLEX cables
- Nickel-plated brass coupler provides easy to use, durable connection
- IP67



### Ordering Information - Network Accessories: Terminators, Attachables, and Caps

Product	Description	Cat. #
Trunk Terminator	Male Trunk Terminator	<b>KX5B</b>
	Female Trunk Terminator	<b>KX5C</b>
Drop Terminator	Male Drop Terminator	<b>PX5B</b>
	Female Drop Terminator	<b>PX5C</b>
Trunk Field Attachable	Male In-line Trunk Field Attachable Plug	<b>KF5B</b>
	Female Trunk Field Attachable Plug	<b>KF5C</b>
Drop Field Attachable	Male In-line Drop Field Attachable Plug	<b>PF5B</b>
	Female Drop Field Attachable Plug	<b>PF5C</b>
Caps	Internal Thread Cap for Male Trunk	<b>KMC</b>
	External Thread Cap for Female Trunk	<b>KFC</b>
	Internal Thread Cap for Male Drop	<b>PMC</b>
	External Thread Cap for Female Drop	<b>PFC</b>