

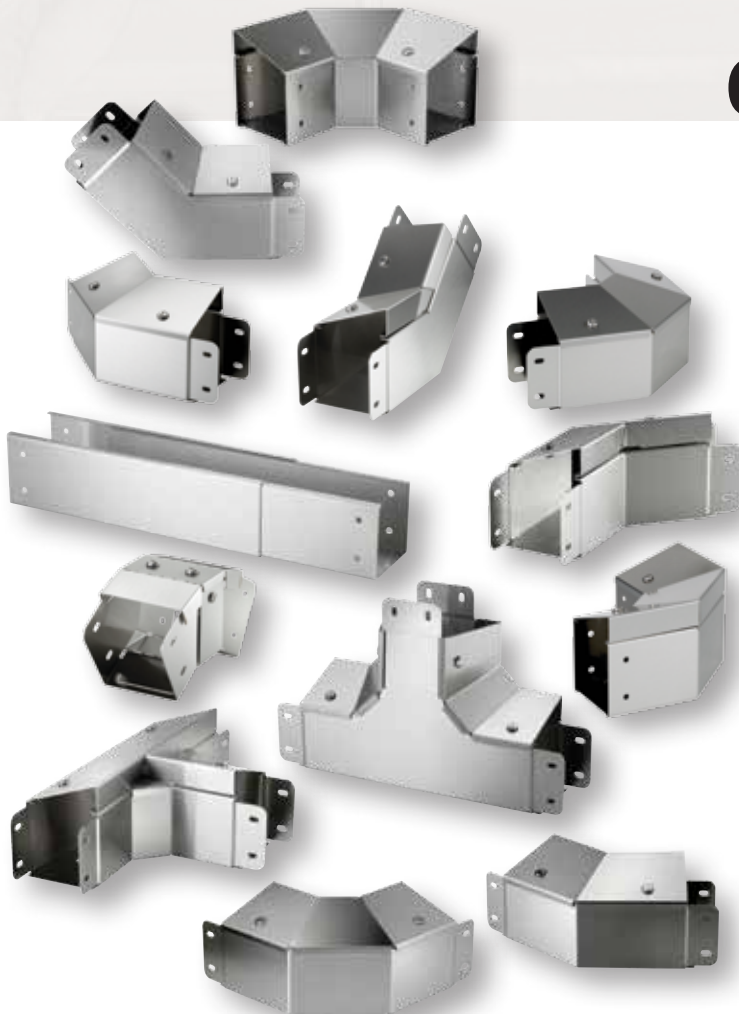
# CHAPTER Cable & Wire Management

# 10

## Featured Products in this Chapter

- ▶ **CLEAN TRAY® Stainless Steel**  
Cable Tray, Type 1 P. 1094
- ▶ **Lay-In Galvanized**  
Wireway, NEMA Type 1 P. 1024
- ▶ **Quick Tray Wire Mesh**  
Cable Tray System P. 1110

## CHAPTER CONTENTS



### Lay-In Wireway

#### Lay-In NEMA Type 1 Galvanized Wireway

Lay-In Galvanized Wireway, NEMA Type 1 .....	1024
Straight Section .....	1026
Galvanized 90-Degree Flush Tee .....	1027
Galvanized Sweep Tee .....	1027
Galvanized Cross Fitting .....	1028
Galvanized 90-Degree Sweep Elbow .....	1028
Galvanized 90-Degree Elbow-Tee-Cross .....	1028
Galvanized 90-Degree Elbow .....	1029
Galvanized 90-Degree Elbow—Outside Opening .....	1029
Galvanized 90-Degree Elbow—Inside Opening .....	1029
Galvanized 45-Degree Elbow .....	1030
Galvanized Telescope Fitting .....	1030
Galvanized Panel Adapter .....	1030
Galvanized Closure Plate, With and Without Knockouts .....	1031
Reducer .....	1031
Galvanized Support Hanger .....	1031
Drop and Bracket Hangers .....	1032
Galvanized Universal U-Connector .....	1032

#### Lay-In NEMA Type 1 Painted Flat-Cover Wireway

Lay-In Painted Flat-Cover Wireway, NEMA Type 1 .....	1034
Straight Section .....	1035
90-Degree Flush Tee .....	1037
Sweep Tee .....	1037
Cross Fitting .....	1037
90-Degree Sweep Elbow .....	1037
90-Degree Elbow-Tee-Cross .....	1038
90-Degree Elbow .....	1038
90-Degree Elbow—Outside Opening .....	1038
90-Degree Elbow—Inside Opening .....	1038
45-Degree Elbow .....	1039
Telescope Fitting .....	1039
Open Adapter .....	1039
Panel Adapter .....	1039
Closure Plate .....	1040
Drop and Bracket Hangers .....	1040
Support Hanger .....	1040



Universal U-Connector.....1041  
 Barrier Kit, Bolt-On.....1041  
 Reducer.....1041

**Lay-In NEMA Type 1 Hinged-Cover Wireway**  
 Lay-In Hinged-Cover Wireway, NEMA Type 1.....1042  
 Straight Section.....1043  
 90-Degree Flush Tee.....1045  
 Sweep Tee.....1045  
 Cross Fitting.....1045  
 90-Degree Sweep Elbow.....1045  
 90-Degree Elbow-Tee-Cross.....1046  
 90-Degree Elbow.....1046  
 90-Degree Elbow—Outside Opening.....1046  
 90-Degree Elbow—Inside Opening.....1046  
 45-Degree Elbow.....1047  
 Telescope Fitting.....1047  
 Open Adapter.....1047  
 Panel Adapter.....1047  
 Closure Plate.....1048  
 Reducer.....1048  
 Drop and Bracket Hangers.....1048  
 Support Hanger.....1049  
 Universal U-Connector.....1049  
 Barrier Kit, Bolt-On.....1049

**Lay-In NEMA Type 3R Wireway**  
 Lay-In Wireway, NEMA Type 3R.....1050  
 Straight Section.....1051  
 90-Degree Flush Tee.....1051  
 30-Degree Sweep Elbow.....1052  
 90-Degree Elbow-Tee-Cross.....1052  
 90-Degree Elbow.....1052  
 Panel Adapter.....1052  
 Closure Plate.....1052  
 Reducer.....1053  
 Drop and Bracket Hanger.....1053  
 Wall Hanger.....1053  
 U-Connector.....1053

**Lay-In NEMA Type 12 Wireway**  
 Lay-In Wireway, NEMA Type 12.....1054  
 Straight Section.....1057  
 Cut-Off Fitting, Lay-In.....1058  
 Cut-Off Fitting, Non-Lay-In.....1058  
 Telescope Fitting, Lay-In.....1058  
 Cross Fitting.....1058  
 90-Degree Elbows.....1059  
 90-Degree Elbow—Outside Top Opening.....1059  
 45-Degree Elbows.....1060  
 Tee Fitting—Top Opening.....1061  
 Tee Fitting—Outside Top Opening.....1061  
 Junction Box.....1061  
 Closure Plate.....1062  
 Reducer.....1062  
 Nipple.....1062  
 Drop Hanger.....1063  
 Bracket Hanger.....1063  
 Box Connector.....1063  
 Transposition Sections.....1064  
 Barrier Kit, Bolt-On.....1064  
 Barrier Kits, Bracket-Mounted.....1065  
 90-Degree Angle Sealing Plate.....1065  
 Quick-Release Flat Sealing Plate.....1065

**Feed-Through Wireway**

**Feed-Through NEMA Type 12 Wireway**  
 Feed-Through Wireway, NEMA Type 12.....1066  
 Straight Section.....1068  
 Flexible Fitting.....1069

Telescope Fitting.....1069  
 Cut-Off Fitting.....1069  
 Cross.....1069  
 22.50-Degree Elbow.....1070  
 45-Degree Elbow.....1070  
 90-Degree Elbow.....1070  
 Tee.....1070  
 Closure Plate.....1071  
 Reducer Bushings.....1071  
 Nipple.....1071  
 Swivel Nipples.....1072  
 Hangers.....1072  
 Box Connector.....1073  
 Barrier Kits.....1073  
 Gasket and Screws.....1073

**Stainless Steel Feed-Through NEMA**

**Type 4X Wireway**  
 Stainless Steel Feed-Through Wireway, NEMA Type 4X.....1074  
 Straight Section.....1075  
 Flexible Fitting.....1075  
 Telescope Fitting.....1075  
 45-Degree Elbow.....1075  
 90-Degree Elbow.....1076  
 Tee.....1076  
 Closure Plate.....1076  
 Reducer Bushings.....1076  
 Nipple.....1077  
 Swivel Nipple.....1077  
 Drop Hanger.....1077  
 Bracket Hanger.....1077  
 Box Connector.....1077  
 Gasket and Screws.....1077

**Fiberglass Feed-Through Type 12 and 3R Wireway**

Fiberglass Feed-Through Wireway, NEMA Type 12 and 3R.....1078  
 Straight Section.....1079  
 Straight Tube Section.....1079  
 Cross Fitting.....1079  
 Flexible Fitting.....1079  
 45-Degree Elbow.....1080  
 90-Degree Elbow.....1080  
 Cut-Off Fitting.....1080  
 Tee Fitting.....1080  
 Closure Plate.....1080  
 Wireway Hanger.....1081  
 Box Connector.....1081

**Wiring Troughs**

**Wiring Troughs**  
 Wiring Trough, NEMA Type 1.....1082  
 Wiring Trough, NEMA Type 3R.....1084  
 EconoTrough, NEMA Type 3R.....1086  
 Padlock Hasp Kit.....1087  
 Hinged Cover Wiring Trough, NEMA Type 12.....1088  
 Screw Cover Wiring Trough, NEMA Type 12.....1090  
 Fiberglass Wiring Trough, NEMA Type 12 and 3R.....1092

**Stainless Steel Cable Tray**

**CLEAN TRAY® Stainless Steel Cable Tray**  
 CLEAN TRAY® Stainless Steel Cable Tray, Type 1.....1094  
 Straight Section.....1095  
 Divider Straight Section.....1095  
 Telescopic Straight Section.....1095  
 Divider, Telescopic Straight Section.....1096  
 90-Degree Elbows.....1096  
 90-Degree Elbows—Perforated without Tabs.....1097  
 90-Degree Elbows—Front Cover Sloped Inward without Tabs.....1097  
 90-Degree Elbows—Front Cover Sloped Outward with Tabs.....1097

90-Degree Elbows—Front Cover Sloped Outward without Tabs.....1098  
 90-Degree Elbows—Inside Cover Sloped.....1098  
 90-Degree Elbows—Outside Cover Sloped.....1098  
 45-Degree Elbows.....1099  
 45-Degree Elbows—Front Cover Sloped Outward.....1100  
 45-Degree Elbows—Inside Cover Sloped.....1100  
 45-Degree Elbows—Outside Cover Sloped.....1100  
 Variable-Angle Elbow Fitting.....1101  
 90-Degree Tee.....1101  
 90-Degree Tee—Front Cover Sloped Outward.....1102  
 90-Degree Tee—Inside Cover Sloped.....1102  
 90-Degree Tee—Outside Cover Sloped.....1102  
 Cross.....1103  
 Divider 90-Degree Tee.....1103  
 Divider 90-Degree Elbow.....1104  
 Divider 45-Degree Elbow.....1104  
 U-Connector.....1105  
 Closure Plate.....1105  
 Enclosure Adapter.....1105  
 Reducer.....1106  
 Cable Exit Cover.....1106  
 Straight Section Splice.....1107  
 Divider Straight Section Splice.....1107  
 Transition Cover.....1108  
 Side Coupling.....1108  
 Fastener Package.....1108  
 Hanger Bracket.....1109  
 L-Bracket.....1109  
 Wall Bracket.....1109  
 Latch Hardware Kits.....1109

**Quick Tray Wire Mesh Cable Tray System**

**Quick Tray Straight Section**  
 Quick Tray Wire Mesh Cable Tray System.....1110

**Splicing Hardware**  
 Splice Washers.....1111  
 Splice Plate and Connection Tool.....1111  
 Splice Bars.....1111

**Hanging Supports**  
 Trapeze Hanging Clip.....1112  
 Trapeze Mount.....1112  
 C-Bracket.....1112  
 Suspension Shoe.....1112  
 Single Hanger Suspension Bracket.....1112  
 Quick-Hanging Accessory for C- and L-Brackets.....1113  
 Center Hangers.....1113

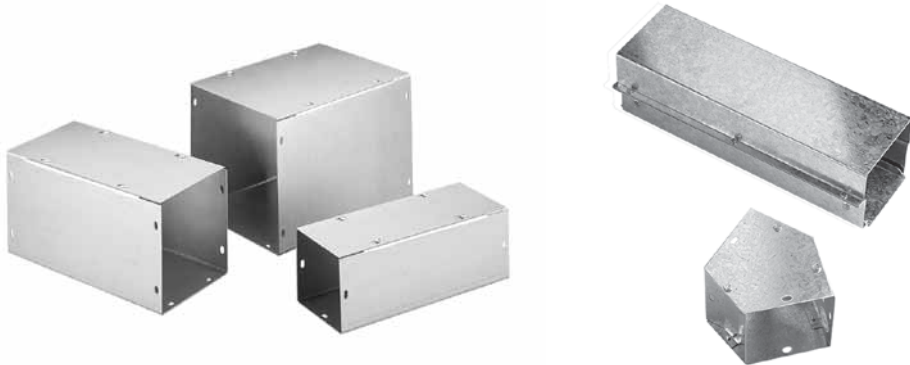
**Wall Supports**  
 Wall-Mount Attachment.....1114  
 Snap-In Wall Hanger Support.....1114  
 L-Brackets.....1114  
 Reinforced Wall Bracket.....1114

**Under-Floor Supports**  
 Under-Floor Support Clamp.....1115  
 Under-Floor Support.....1115  
 Under-Floor Support Stand.....1115

**Quick Tray Cable Tray System Accessories**  
 Divider Strips.....1116  
 Side-Action Bolt Cutter.....1116  
 Cable Dropout.....1116  
 Wall-Termination Bracket.....1116  
 Beam Clamp.....1117  
 Fasteners.....1117

# Lay-In NEMA Type 1 Galvanized Wireway

## Lay-In Galvanized Wireway, NEMA Type 1



45° Elbow (bottom) and Telescope Fitting (top)

### Industry Standards

UL 870 Listed; File No. E27524  
 cUL Listed per CSA C22.2 No. 26; File No. E27524

NEMA/EEMAC: Type 1  
 IEC 60529, IP30

### Application

This galvanized wireway features an open design on one side so wires and cables can be laid in safely along the entire run without pulling. A variety of lengths and fittings accommodate design requirements.

### Features

- Flat cover design
- Open top assembly
- Available with or without knockouts
- Keyhole screw slots on flat covers
- Knockouts on wireway sides

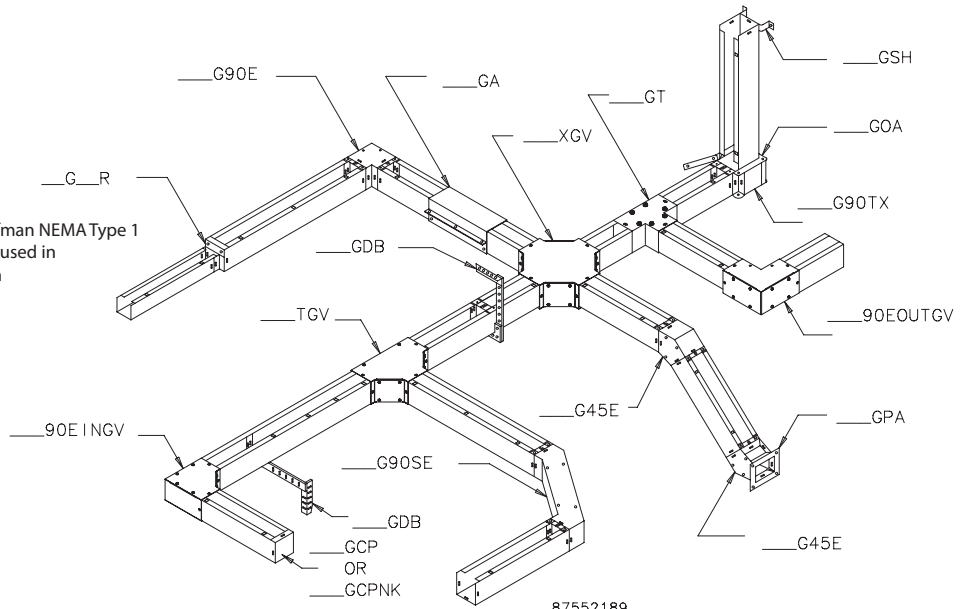
### Specifications

- 16 or 14 gauge galvanized steel covers and bodies

### Finish

Unpainted galvanized steel

This drawing illustrates how most of the Hoffman NEMA Type 1 lay-in wireway sections and fittings could be used in an actual wireway run. The covers have been omitted to present the lay-in feature more clearly. Many different sections and fittings can be combined in any configuration desired.



## Lay-In NEMA Type 1 Galvanized Wireway

**Standard Product Selection Matrix**

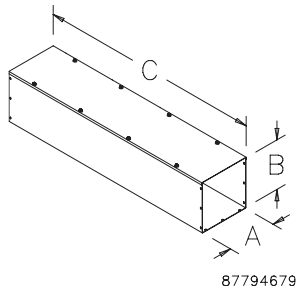
Description	2.50 x 2.50 in. (64 x 64 mm)	4.00 x 4.00 in. (102 x 102 mm)	6.00 x 6.00 in. (152 x 152 mm)	8.00 x 8.00 in. (203 x 203 mm)	10.00 x 10.00 in. (254 x 254 mm)	12.00 x 12.00 in. (305 x 305 mm)
12.00-in. (305-mm) Straight Section with knockouts	—	F44T112GVWK	F66T112GVWK	F88T112GVWK	—	—
12.00-in. (305-mm) Straight Section without knockouts	F22T112GV	F44T112GV	F66T112GV	F88T112GV	F1010T112GV	F1212T112GV
18.00-in. (455-mm) Straight Section without knockouts	—	F44T118GV	F66T118GV	F88T118GV	—	—
24.00-in. (610-mm) Straight Section with knockouts	F22T124GVWK	F44T124GVWK	F66T124GVWK	F88T124GVWK	—	—
24.00-in. (610-mm) Straight Section without knockouts	F22T124GV	F44T124GV	F66T124GV	F88T124GV	F1010T124GV	F1212T124GV
24.00-in. (610-mm) Straight Section without knockouts	F22T136GVWK	F44T136GVWK	F66T136GVWK	F88T136GVWK	—	—
24.00-in. (610-mm) Straight Section without knockouts	F22T136GV	F44T136GV	F66T136GV	F88T136GV	F1010T136GV	F1212T136GV
48.00-in. (1219-mm) Straight Section with knockouts	—	F44T148GVWK	F66T148GVWK	F88T148GVWK	—	—
48.00-in. (1219-mm) Straight Section without knockouts	F22T148GV	F44T148GV	F66T148GV	F88T148GV	F1010T148GV	F1212T148GV
60.00-in. (1524-mm) Straight Section with knockouts	F22T160GVWK	F44T160GVWK	F66T160GVWK	F88T160GVWK	—	—
60.00-in. (1524-mm) Straight Section without knockouts	F22T160GV	F44T160GV	F66T160GV	F88T160GV	F1010T160GV	F1212T160GV
72.00-in. (1829-mm) Straight Section with knockouts	—	F44T172GVWK	F66T172GVWK	F88T172GVWK	—	—
72.00-in. (1829-mm) Straight Section without knockouts	—	F44T172GV	F66T172GV	F88T172GV	F1010T172GV	—
120.00-in. (3048-mm) Straight Section with knockouts	F22T1120GVWK	F44T1120GVWK	F66T1120GVWK	F88T1120GVWK	—	—
120.00-in. (3048-mm) Straight Section without knockouts	F22T1120GV	F44T1120GV	F66T1120GV	F88T1120GV	F1010T1120GV	F1212T1120GV
90° Flush Tee	F22GTGV	F44GTGV	F66GTGV	F88GTGV	F1010GTGV	F1212GTGV
Sweep Tee	F22TGV	F44TGV	F66TGV	F88TGV	F1010TGV	F1212TGV
Cross Fitting	F22XGV	F44XGV	F66XGV	F88XGV	F1010XGV	F1212XGV
90° Sweep Elbow	F2290SEGV	F4490SEGV	F6690SEGV	F8890SEGV	F101090SEGV	F121290SEGV
90° Elbow-Tee-Cross	F2290TXGV	F4490TXGV	F6690TXGV	F8890TXGV	F101090TXGV	F121290TXGV
90° Elbow	F2290EGV	F4490EGV	F6690EGV	F8890EGV	F101090EGV	F121290EGV
90° Elbow Outside Opening	F2290INGV	F4490INGV	F6690INGV	F8890INGV	F101090INGV	F121290INGV
90° Elbow Outside Opening	F2290EOUTGV	F4490EOUTGV	F6690EOUTGV	F8890EOUTGV	F101090EOUTGV	F121290EOUTGV
45° Elbow	F2245EGV	F4445EGV	F6645EGV	F8845EGV	F101045EGV	F121245EGV
Telescope Fitting <sup>a</sup>	F22GAGV	F44GAGV	F66GAGV	F88GAGV	F1010GAGV	F1212GAGV
Panel Adapter	F22GPAGV	F44GPAGV	F66GPAGV	F88GPAGV	F1010GPAGV	F1212GPAGV
Closure Plate with knockouts	F22GCPGV	F44GCPGV	F66GCPGV	F88GCPGV	—	F1212GCPGV
Closure Plate without knockouts	F22GCPNKGV	F44GCPNKGV	F66GCPNKGV	F88GCPNKGV	F1010GCPNKGV	F1212GCPNKGV
Reducer	—	F44G22R	F66G44R	F88G66R	F1010G88R	F1212G88R 1212G1010R
Drop and Bracket Hanger	F22GDB	F44GDB	F66GDB	F88GDB	F1010GDB	F1212GDB
Support Hanger	F22GSHGV	F44GSHGV	F66GSHGV	F88GSHGV	F1010GSHGV	F1212GSHGV
Universal U-Connector	F22GUCGV	F44GUCGV	F66GUCGV	F88GUCGV	F1010GUCGV	F1212GUCGV

<sup>a</sup>Not UL/cUL listed.



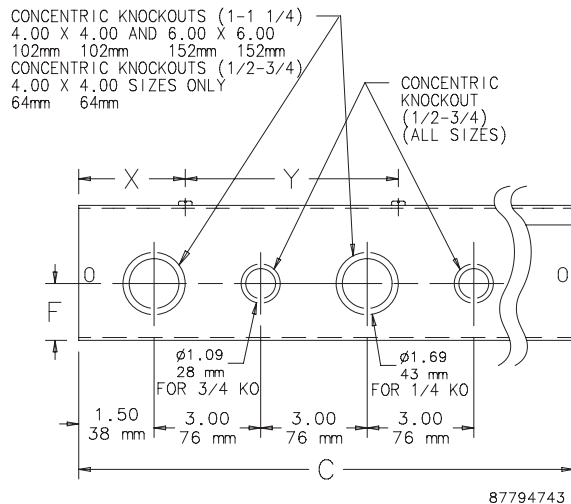
# Lay-In NEMA Type 1 Galvanized Wireway

## Straight Section



Available in lengths from 12.00 in. (305 mm) to 120.00 in. (3048 mm), with or without knockouts.

Bulletin: F40, F40G



PATTERN REPEATS EVERY 12.00 305 mm

## Straight Sections

Catalog Number	AxBxC in.	AxBxC mm	Number of Knockouts, .50 in.-.75 in.	Number of Knockouts, 1.00 in.-1.25 in.	F (in.)	F (mm)	X (in.)	X (mm)	Y (in.)	Y (mm)
F22T112GV	2.50 x 2.50 x 12.00	64 x 64 x 305	—	—	—	—	—	—	—	—
F22T124GVVK	2.50 x 2.50 x 24.00	64 x 64 x 610	16	—	1.06	27	6.00	152	12.00	305
F22T124GV	2.50 x 2.50 x 24.00	64 x 64 x 610	—	—	—	—	—	—	—	—
F22T136GVVK	2.50 x 2.50 x 36.00	64 x 64 x 914	24	—	1.06	27	6.00	152	12.00	305
F22T136GV	2.50 x 2.50 x 36.00	64 x 64 x 914	—	—	—	—	—	—	—	—
F22T148GV	2.50 x 2.50 x 48.00	64 x 64 x 1219	—	—	—	—	—	—	—	—
F22T160GVVK	2.50 x 2.50 x 60.00	64 x 64 x 1524	40	—	1.06	27	6.00	152	12.00	305
F22T160GV	2.50 x 2.50 x 60.00	64 x 64 x 1524	—	—	—	—	—	—	—	—
F22T1120GVVK	2.50 x 2.50 x 120.00	64 x 64 x 3048	80	—	1.06	27	6.00	152	12.00	305
F22T1120GV	2.50 x 2.50 x 120.00	64 x 64 x 3048	—	—	—	—	—	—	—	—
F44T112GVVK	4.00 x 4.00 x 12.00	102 x 102 x 305	4	4	1.62	41	3.00	76	6.00	152
F44T112GV	4.00 x 4.00 x 12.00	102 x 102 x 305	—	—	—	—	—	—	—	—
F44T118GV	4.00 x 4.00 x 18.00	102 x 102 x 455	—	—	—	—	—	—	—	—
F44T124GVVK	4.00 x 4.00 x 24.00	102 x 102 x 610	8	8	1.62	41	6.00	152	12.00	305
F44T124GV	4.00 x 4.00 x 24.00	102 x 102 x 610	—	—	—	—	—	—	—	—
F44T136GVVK	4.00 x 4.00 x 36.00	102 x 102 x 914	12	12	1.62	41	6.00	152	12.00	305
F44T136GV	4.00 x 4.00 x 36.00	102 x 102 x 914	—	—	—	—	—	—	—	—
F44T148GVVK	4.00 x 4.00 x 48.00	102 x 102 x 1219	16	16	1.62	41	6.00	152	12.00	305
F44T148GV	4.00 x 4.00 x 48.00	102 x 102 x 1219	—	—	—	—	—	—	—	—
F44T160GVVK	4.00 x 4.00 x 60.00	102 x 102 x 1524	20	20	1.62	41	6.00	152	12.00	305
F44T160GV	4.00 x 4.00 x 60.00	102 x 102 x 1524	—	—	—	—	—	—	—	—
F44T172GVVK	4.00 x 4.00 x 72.00	102 x 102 x 1829	24	24	1.62	41	6.00	152	12.00	305
F44T172GV	4.00 x 4.00 x 72.00	102 x 102 x 1829	—	—	—	—	—	—	—	—
F44T1120GVVK	4.00 x 4.00 x 120.00	102 x 102 x 3048	40	40	1.62	41	6.00	152	12.00	305
F44T1120GV	4.00 x 4.00 x 120.00	102 x 102 x 3048	—	—	—	—	—	—	—	—
F66T112GVVK	6.00 x 6.00 x 12.00	152 x 152 x 305	4	4	1.62	41	6.00	152	12.00	305
F66T112GV	6.00 x 6.00 x 12.00	152 x 152 x 305	—	—	—	—	—	—	—	—
F66T118GV	6.00 x 6.00 x 18.00	152 x 152 x 455	—	—	—	—	—	—	—	—
F66T124GVVK	6.00 x 6.00 x 24.00	152 x 152 x 610	8	8	1.62	41	6.00	152	12.00	305
F66T124GV	6.00 x 6.00 x 24.00	152 x 152 x 610	—	—	—	—	—	—	—	—
F66T136GVVK	6.00 x 6.00 x 36.00	152 x 152 x 914	12	12	1.62	41	6.00	152	12.00	305
F66T136GV	6.00 x 6.00 x 36.00	152 x 152 x 914	—	—	—	—	—	—	—	—
F66T148GVVK	6.00 x 6.00 x 48.00	152 x 152 x 1219	16	16	1.62	41	6.00	152	12.00	305
F66T148GV	6.00 x 6.00 x 48.00	152 x 152 x 1219	—	—	—	—	—	—	—	—
F66T160GVVK	6.00 x 6.00 x 60.00	152 x 152 x 1524	20	20	1.62	41	6.00	152	12.00	305
F66T160GV	6.00 x 6.00 x 60.00	152 x 152 x 1524	—	—	—	—	—	—	—	—
F66T172GVVK	6.00 x 6.00 x 72.00	152 x 152 x 1829	24	24	1.62	41	6.00	152	12.00	305
F66T172GV	6.00 x 6.00 x 72.00	152 x 152 x 1829	—	—	—	—	—	—	—	—
F66T1120GVVK	6.00 x 6.00 x 120.00	152 x 152 x 3048	40	40	1.62	41	6.00	152	12.00	305
F66T1120GV	6.00 x 6.00 x 120.00	152 x 152 x 3048	—	—	—	—	—	—	—	—
F88T112GVVK	8.00 x 8.00 x 12.00	203 x 203 x 305	4	4	1.62	41	3.00	76	6.00	152
F88T112GV	8.00 x 8.00 x 12.00	203 x 203 x 305	—	—	—	—	—	—	—	—
F88T118GV	8.00 x 8.00 x 18.00	203 x 203 x 455	—	—	—	—	—	—	—	—
F88T124GVVK	8.00 x 8.00 x 24.00	203 x 203 x 610	8	8	1.62	41	6.00	152	12.00	305
F88T124GV	8.00 x 8.00 x 24.00	203 x 203 x 610	—	—	—	—	—	—	—	—
F88T136GVVK	8.00 x 8.00 x 36.00	203 x 203 x 914	12	12	1.62	41	6.00	152	12.00	305
F88T136GV	8.00 x 8.00 x 36.00	203 x 203 x 914	—	—	—	—	—	—	—	—
F88T148GVVK	8.00 x 8.00 x 48.00	203 x 203 x 1219	16	16	1.62	41	6.00	152	12.00	305
F88T148GV	8.00 x 8.00 x 48.00	203 x 203 x 1219	—	—	—	—	—	—	—	—

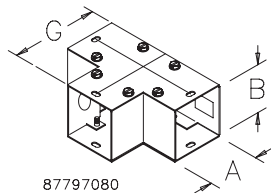
## Lay-In NEMA Type 1 Galvanized Wireway

Catalog Number	AxBxC in.	AxBxC mm	Number of Knockouts, .50 in.-.75 in.	Number of Knockouts, 1.00 in.-1.25 in.	F (in.)	F (mm)	X (in.)	X (mm)	Y (in.)	Y (mm)
F88T160GVWK	8.00 x 8.00 x 60.00	203 x 203 x 1524	20	20	1.62	41	6.00	152	12.00	305
F88T160GV	8.00 x 8.00 x 60.00	203 x 203 x 1524	—	—	—	—	—	—	—	—
F88T172GVWK	8.00 x 8.00 x 72.00	203 x 203 x 1829	24	24	1.62	41	6.00	152	12.00	305
F88T172GV	8.00 x 8.00 x 72.00	203 x 203 x 1829	—	—	—	—	—	—	—	—
F88T1120GVWK	8.00 x 8.00 x 120.00	203 x 203 x 3048	40	40	1.62	41	6.00	152	12.00	305
F88T1120GV	8.00 x 8.00 x 120.00	203 x 203 x 3048	—	—	—	—	—	—	—	—
F1010T112GV	10.00 x 10.00 x 12.00	254 x 254 x 305	—	—	—	—	—	—	—	—
F1010T124GV	10.00 x 10.00 x 24.00	254 x 254 x 610	—	—	—	—	—	—	—	—
F1010T136GV	10.00 x 10.00 x 36.00	254 x 254 x 914	—	—	—	—	—	—	—	—
F1010T148GV	10.00 x 10.00 x 48.00	254 x 254 x 1219	—	—	—	—	—	—	—	—
F1010T160GV	10.00 x 10.00 x 60.00	254 x 254 x 1524	—	—	—	—	—	—	—	—
F1010T172GV	10.00 x 10.00 x 72.00	254 x 254 x 1829	—	—	—	—	—	—	—	—
F1010T1120GV	10.00 x 10.00 x 120.00	254 x 254 x 3048	—	—	—	—	—	—	—	—
F1212T112GV	12.00 x 12.00 x 12.00	305 x 305 x 305	—	—	—	—	—	—	—	—
F1212T124GV	12.00 x 12.00 x 24.00	305 x 305 x 610	—	—	—	—	—	—	—	—
F1212T136GV	12.00 x 12.00 x 36.00	305 x 305 x 914	—	—	—	—	—	—	—	—
F1212T148GV	12.00 x 12.00 x 48.00	305 x 305 x 1219	—	—	—	—	—	—	—	—
F1212T160GV	12.00 x 12.00 x 60.00	305 x 305 x 1524	—	—	—	—	—	—	—	—
F1212T1120GV	12.00 x 12.00 x 120.00	305 x 305 x 3048	—	—	—	—	—	—	—	—

### Galvanized 90-Degree Flush Tee

For flush mounting against a vertical or horizontal surface.

Bulletin: F40GF

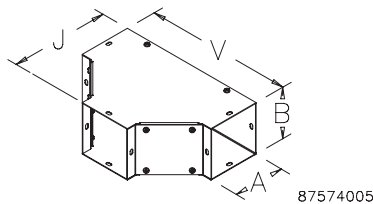


Catalog Number	AxB in./mm	G in./mm
F22GTGV	2.50 x 2.50 64 x 64	4.50 114
F44GTGV	4.00 x 4.00 102 x 102	6.00 152
F66GTGV	6.00 x 6.00 152 x 152	8.00 203
F88GTGV	8.00 x 8.00 203 x 203	10.00 254
F1010GTGV	10.00 x 10.00 254 x 254	12.00 305
F1212GTGV	12.00 x 12.00 305 x 305	14.00 356

### Galvanized Sweep Tee

For large radius turns. Mounts against vertical or horizontal surfaces. Top and inside covers removable.

Bulletin: F40GF



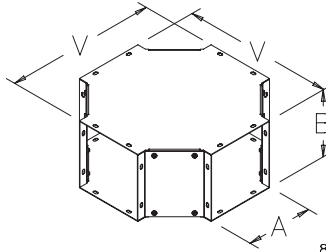
Catalog Number	AxB in./mm	J in./mm	V in./mm
F22TGV	2.50 x 2.50 64 x 64	6.50 165	10.35 263
F44TGV	4.00 x 4.00 102 x 102	8.00 203	11.85 301
F66TGV	6.00 x 6.00 152 x 152	10.00 254	13.85 352
F88TGV	8.00 x 8.00 203 x 203	12.00 305	15.84 402
F1010TGV	10.00 x 10.00 254 x 254	14.00 356	17.84 453
F1212TGV	12.00 x 12.00 305 x 305	16.00 406	19.84 504

## Lay-In NEMA Type 1 Galvanized Wireway

### Galvanized Cross Fitting

For routing cables in four directions. Top, bottom and side covers removable.

Bulletin: F40GF



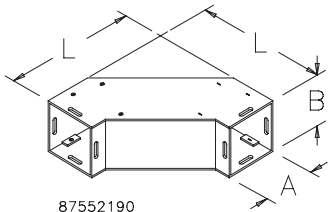
87574006

Catalog Number	AxB in./mm	V in./mm
F22XGV	2.50 x 2.50 64 x 64	10.35 263
F44XGV	4.00 x 4.00 102 x 102	11.85 301
F66XGV	6.00 x 6.00 152 x 152	13.85 352
F88XGV	8.00 x 8.00 203 x 203	15.84 402
F1010XGV	10.00 x 10.00 254 x 254	17.84 453
F1212XGV	12.00 x 12.00 305 x 305	19.84 504

### Galvanized 90-Degree Sweep Elbow

90-Degree Sweep Elbow for large-radius turns.

Bulletin: F40GF



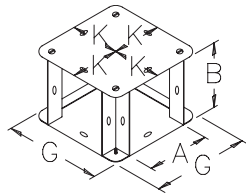
87552190

Catalog Number	AxB in./mm	L in./mm
F2290SEGV	2.50 x 2.50 64 x 64	7.91 201
F4490SEGV	4.00 x 4.00 102 x 102	9.41 239
F6690SEGV	6.00 x 6.00 152 x 152	11.34 288
F8890SEGV	8.00 x 8.00 203 x 203	13.44 341
F101090SEGV	10.00 x 10.00 254 x 254	15.62 395
F121290SEGV	12.00 x 12.00 305 x 305	17.44 443

### Galvanized 90-Degree Elbow-Tee-Cross

Forms left or right 90-degree turns. Can be used as a tee or cross. Use with open adapter for cable entrance in top and bottom. Includes two closure plates.

Bulletin: F40GF



87797075

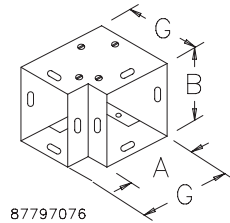
Catalog Number	AxB in./mm	G in./mm	K in./mm
F2290TXGV	2.50 x 2.50 64 x 64	4.50 114	2.25 57
F4490TXGV	4.00 x 4.00 102 x 102	6.00 152	3.00 76
F6690TXGV	6.00 x 6.00 152 x 152	8.00 203	4.00 102
F8890TXGV	8.00 x 8.00 203 x 203	10.00 254	5.00 127
F101090TXGV	10.00 x 10.00 254 x 254	12.00 305	6.00 152
F121290TXGV	12.00 x 12.00 305 x 305	14.00 356	7.00 178

## Lay-In NEMA Type 1 Galvanized Wireway

### Galvanized 90-Degree Elbow

Any side can be removed, retaining lay-in feature regardless of how the elbow is oriented. Sides are held together with screws.

Bulletin: F40GF



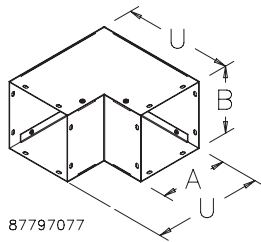
87797076

Catalog Number	AxB in./mm	G in./mm
<b>F2290EGV</b>	2.50 x 2.50 64 x 64	4.50 114
<b>F4490EGV</b>	4.00 x 4.00 102 x 102	6.00 152
<b>F6690EGV</b>	6.00 x 6.00 152 x 152	8.00 203
<b>F8890EGV</b>	8.00 x 8.00 203 x 203	10.00 254
<b>F101090EGV</b>	10.00 x 10.00 254 x 254	12.00 305
<b>F121290EGV</b>	12.00 x 12.00 305 x 305	14.00 356

### Galvanized 90-Degree Elbow—Outside Opening

For continuous run with 90-degree turns. Top, bottom and outside covers removable.

Bulletin: F40GF



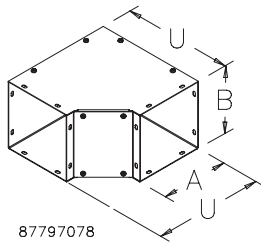
87797077

Catalog Number	AxB in./mm	U in./mm
<b>F2290EOUTGV</b>	2.50 x 2.50 64 x 64	6.50 165
<b>F4490EOUTGV</b>	4.00 x 4.00 102 x 102	8.00 203
<b>F6690EOUTGV</b>	6.00 x 6.00 152 x 152	10.00 254
<b>F8890EOUTGV</b>	8.00 x 8.00 203 x 203	12.00 305
<b>F101090EOUTGV</b>	10.00 x 10.00 254 x 254	14.00 356
<b>F121290EOUTGV</b>	12.00 x 12.00 305 x 305	16.00 406

### Galvanized 90-Degree Elbow—Inside Opening

For continuous run with 90-degree turns. Top and inside covers removable.

Bulletin: F40GF



87797078

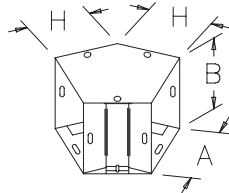
Catalog Number	AxB in./mm	U in./mm
<b>F2290EINGV</b>	2.50 x 2.50 64 x 64	6.50 165
<b>F4490EINGV</b>	4.00 x 4.00 102 x 102	8.00 203
<b>F6690EINGV</b>	6.00 x 6.00 152 x 152	10.00 254
<b>F8890EINGV</b>	8.00 x 8.00 203 x 203	12.00 305
<b>F101090EINGV</b>	10.00 x 10.00 254 x 254	14.00 356
<b>F121290EINGV</b>	12.00 x 12.00 305 x 305	16.00 406

## Lay-In NEMA Type 1 Galvanized Wireway

### Galvanized 45-Degree Elbow

Any side can be removed, retaining lay-in feature regardless of how the elbow is oriented. Sides are held together with screws.

Bulletin: F40GF



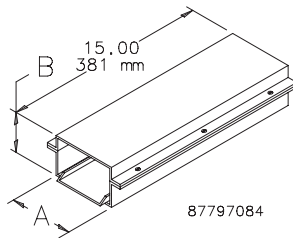
87797079

Catalog Number	AxB in./mm	H in./mm
<b>F2245EGV</b>	2.50 x 2.50 64 x 64	2.75 70
<b>F4445EGV</b>	4.00 x 4.00 102 x 102	3.38 86
<b>F6645EGV</b>	6.00 x 6.00 152 x 152	4.25 108
<b>F8845EGV</b>	8.00 x 8.00 203 x 203	5.06 129
<b>F101045EGV</b>	10.00 x 10.00 254 x 254	6.00 152
<b>F121245EGV</b>	12.00 x 12.00 305 x 305	6.75 171

### Galvanized Telescope Fitting

Length easily adjusts to approximately 12.00 in. (305 mm). No cutting or welding required.

Bulletin: F40GF



87797084

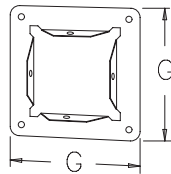
Catalog Number	AxB in./mm
<b>F22GAGV</b>	2.50 x 2.50 64 x 64
<b>F44GAGV</b>	4.00 x 4.00 102 x 102
<b>F66GAGV</b>	6.00 x 6.00 152 x 152
<b>F88GAGV</b>	8.00 x 8.00 203 x 203
<b>F1010GAGV</b>	10.00 x 10.00 254 x 254
<b>F1212GAGV</b>	12.00 x 12.00 305 x 305

Not UL/cUL listed.

### Galvanized Panel Adapter

A flanged fitting which allows the wireway to be securely connected to an enclosure.

Bulletin: F40GF



87797082

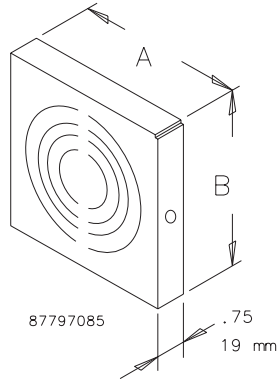
Catalog Number	G (in.)	G (mm)
<b>F22GPAGV</b>	4.50	114
<b>F44GPAGV</b>	6.00	152
<b>F66GPAGV</b>	8.00	203
<b>F88GPAGV</b>	10.00	254
<b>F1010GPAGV</b>	12.00	305
<b>F1212GPAGV</b>	14.00	356

## Lay-In NEMA Type 1 Galvanized Wireway

### Galvanized Closure Plate, With and Without Knockouts

Closes the end of a wireway section or run.

Bulletin: F40GF

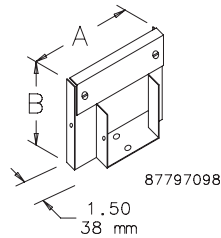


Catalog Number	AxB in./mm	Knockouts
F22GCPGV	2.00 x 2.00 64 x 64	With knockouts
F22GCPNKGV	2.00 x 2.00 64 x 64	Without knockouts
F44GCPGV	4.00 x 4.00 102 x 102	With knockouts
F44GCPNKGV	4.00 x 4.00 102 x 102	Without knockouts
F66GCPGV	6.00 x 6.00 152 x 152	With knockouts
F66GCPNKGV	6.00 x 6.00 152 x 152	Without knockouts
F88GCPGV	8.00 x 8.00 203 x 203	With knockouts
F88GCPNKGV	8.00 x 8.00 203 x 203	Without knockouts
F1010GCPNKGV	10.00 x 10.00 254 x 254	Without knockouts
F1212GCPGV	12.00 x 12.00 305 x 305	With knockouts
F1212GCPNKGV	12.00 x 12.00 305 x 305	Without knockouts

### Reducer

Reduces wireway to a smaller size.

Bulletin: F40PF

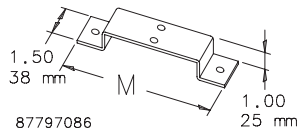


Catalog Number	AxB in./mm
F44G22R	4.00 x 4.00 102 x 102
F66G44R	6.00 x 6.00 152 x 152
F88G66R	8.00 x 8.00 203 x 203
F1010G88R	10.00 x 10.00 254 x 254
F1212G88R	12.00 x 12.00 305 x 305
F1212G1010R	12.00 x 12.00 305 x 305

### Galvanized Support Hanger

For floor or wall installations.

Bulletin: F40GF



Catalog Number	M (in.)	M (mm)
F22GSHGV	4.62	117
F44GSHGV	6.12	155
F66GSHGV	8.12	206
F88GSHGV	10.12	257
F1010GSHGV	12.12	308
F1212GSHGV	14.12	359



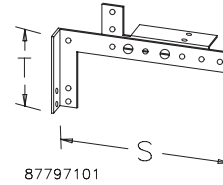
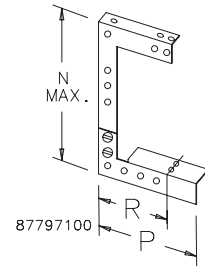
## Lay-In NEMA Type 1 Galvanized Wireway

### Drop and Bracket Hangers

Drop and bracket hangers support a wireway run.

Bulletin: F40PF

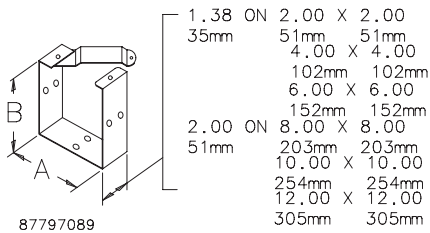
Catalog Number	N max. (in.)	N max. (mm)	P (in.)	P (mm)	R (in.)	R (mm)	S (in.)	S (mm)	T (in.)	T (mm)
F22GDB	8.50	216	4.50	114	3.38	86	7.25	184	3.75	95
F44GDB	10.50	267	6.00	152	4.12	105	9.25	235	4.50	114
F66GDB	15.00	381	7.12	181	5.12	130	13.75	349	5.50	140
F88GDB	21.00	533	10.81	275	7.00	178	13.75	349	7.75	197
F1010GDB	22.00	559	13.81	335	8.38	213	13.75	349	10.25	260
F1212GDB	23.00	584	15.56	395	9.78	248	13.75	349	12.50	318



### Galvanized Universal U-Connector

Joins wireway sections and fittings. Top swings aside to retain the lay-in feature. One U-connector required at each wireway joint except telescope fittings, panel adapters, open adapters, closure plates or reducers.

Bulletin: F40GF



Catalog Number	AxB in./mm
F22GUCGV	2.50 x 2.50 64 x 64
F44GUCGV	4.00 x 4.00 102 x 102
F66GUCGV	6.00 x 6.00 152 x 152
F88GUCGV	8.00 x 8.00 203 x 203
F1010GUCGV	10.00 x 10.00 254 x 254
F1212GUCGV	12.00 x 12.00 305 x 305



## Lay-In NEMA Type 1 Galvanized Wireway

### Notes

# Lay-In NEMA Type 1 Painted Flat-Cover Wireway

## Lay-In Painted Flat-Cover Wireway, NEMA Type 1

### Industry Standards

UL 870 Listed; File No. E27524  
 cUL Listed per CSA C22.2 No. 26; File No. E27524

NEMA/EEMAC Type 1  
 IEC 60529

### Application

This painted wireway features an open design on one side so wires and cables can be laid in safely along the entire run without pulling, a practice that can damage insulation. A variety of lengths and fittings provide design flexibility.

### Features

- Flat cover design
- Open top assembly
- Available with or without knockouts
- Keyhole screw slots on flat covers

### Specifications

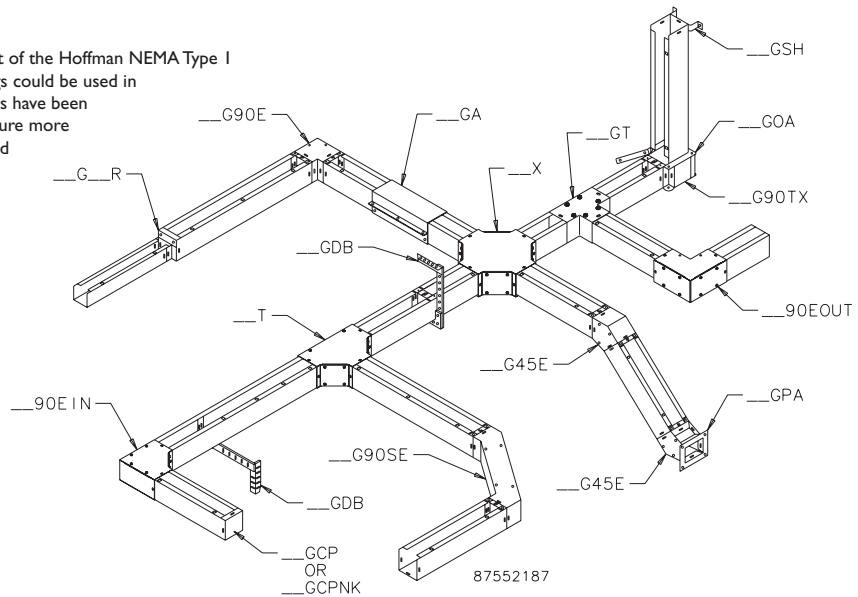
- 16 and 14 gauge pre-painted steel covers and bodies

### Finish

ANSI 61 gray polyester powder paint finish inside and out.



This drawing illustrates how most of the Hoffman NEMA Type 1 lay-in wireway sections and fittings could be used in an actual wireway run. The covers have been omitted to present the lay-in feature more clearly. Many different sections and fittings can be combined in any configuration desired.



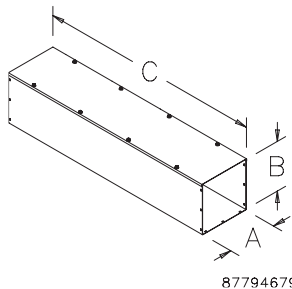
# Lay-In NEMA Type 1 Painted Flat-Cover Wireway

## Standard Product Selection Matrix

Description	2.50 x 2.50 in. (64 x 64 mm)	3.00 x 3.00 in. (76 x 76 mm)	4.00 x 4.00 in. (102 x 102 mm)	6.00 x 6.00 in. (152 x 152 mm)	8.00 x 8.00 in. (203 x 203 mm)	10.00 x 10.00 in. (254 x 254 mm)	12.00 x 12.00 in. (305 x 305 mm)
12.00-in. (305-mm) Straight Section with knockouts	F22T112GVPWK	—	F44T112GVPWK	F66T112GVPWK	F88T112GVPWK	—	F1212T112GVPWK
12.00-in. (305-mm) Straight Section without knockouts	F22T112GVP	—	F44T112GVP	F66T112GVP	F88T112GVP	F1010T112GVP	F1212T112GVP
18.00-in. (455-mm) Straight Section without knockouts	—	—	F44T118GVP	F66T118GVP	F88T118GVP	—	—
24.00-in. (610-mm) Straight Section with knockouts	F22T124GVPWK	—	F44T124GVPWK	F66T124GVPWK	F88T124GVPWK	—	F1212T124GVPWK
24.00-in. (610-mm) Straight Section without knockouts	F22T124GVP	—	F44T124GVP	F66T124GVP	F88T124GVP	F1010T124GVP	F1212T124GVP
36.00-in. (914-mm) Straight Section with knockouts	F22T136GVPWK	—	F44T136GVPWK	F66T136GVPWK	F88T136GVPWK	—	F1212T136GVPWK
36.00-in. (914-mm) Straight Section without knockouts	F22T136GVP	—	F44T136GVP	F66T136GVP	F88T136GVP	F1010T136GVP	F1212T136GVP
48.00-in. (1219-mm) Straight Section with knockouts	F22T148GVPWK	—	F44T148GVPWK	F66T148GVPWK	F88T148GVPWK	—	F1212T148GVPWK
48.00-in. (1219-mm) Straight Section without knockouts	F22T148GVP	—	F44T148GVP	F66T148GVP	F88T148GVP	F1010T148GVP	F1212T148GVP
60.00-in. (1524-mm) Straight Section with knockouts	F22T160GVPWK	—	F44T160GVPWK	F66T160GVPWK	F88T160GVPWK	—	F1212T160GVPWK
60.00-in. (1524-mm) Straight Section without knockouts	F22T160GVP	F33T160GVP	F44T160GVP	F66T160GVP	F88T160GVP	F1010T160GVP	F1212T160GVP
72.00-in. (1829-mm) Straight Section with knockouts	—	—	F44T172GVPWK	F66T172GVPWK	—	—	—
72.00-in. (1829-mm) Straight Section without knockouts	—	—	F44T172GVP	F66T172GVP	F88T172GVP	F1010T172GVP	—
120.00-in. (3048-mm) Straight Section with knockouts	F22T1120GVPWK	—	F44T1120GVPWK	F66T1120GVPWK	F88T1120GVP	—	—
120.00-in. (3048-mm) Straight Section without knockouts	F22T1120GVP	F33T1120GVP	F44T1120GVP	F66T1120GVP	F88T1120GVP	F1010T1120GVP	F1212T1120GVP
90° Flush Tee	F22GT	F33GT	F44GT	F66GT	F88GT	F1010GT	F1212GT
Sweep Tee	F22T	—	F44T	F66T	F88T	F1010T	F1212T
Cross Fitting	F22X	—	F44X	F66X	F88X	F1010X	F1212X
90° Sweep Elbow	F22G90SE	—	F44G90SE	F66G90SE	F88G90SE	F1010G90SE	F1212G90SE
90° Elbow-Tee-Cross	F22G90TX	F33G90TX	F44G90TX	F66G90TX	F88G90TX	F1010G90TX	F1212G90TX
90° Elbow	F22G90E	F33G90E	F44G90E	F66G90E	F88G90E	F1010G90E	F1212G90E
90° Elbow Outside Opening	F2290EOUT	—	F4490EOUT	F6690EOUT	F8890EOUT	F101090EOUT	F121290EOUT
90° Elbow Inside Opening	F2290EIN	—	F4490EIN	F6690EIN	F8890EIN	F101090EIN	F121290EIN
45° Elbow	F22G45E	F33G45E	F44G45E	F66G45E	F88G45E	F1010G45E	F1212G45E
Telescope Fitting <sup>a</sup>	F22GA	—	F44GA	F66GA	F88GA	F1010GA	F1212GA
Open Adapter	F22GOA	—	F44GOA	F66GOA	F88GOA	F1010GOA	F1212GOA
Panel Adapter	F22GPA	F33GPA	F44GPA	F66GPA	F88GPA	F1010GPA	F1212GPA
Closure Plate with knockouts	F22GCP	—	F44GCP	F66GCP	F88GCP	F1010GCP	F1212GCP
Closure Plate without knockouts	F22GCPNK	F33GCPNK	F44GCPNK	F66GCPNK	F88GCPNK	F1010GCPNK	F1212GCPNK
Reducer	—	F33G22R	F44G22R	F66G44R	F88G66R	F1010G88R	F1212G88R
Drop and Bracket Hanger	F22GDB	—	F44GDB	F66GDB	F88GDB	F1010GDB	F1212GDB
Support Hanger	F22GSH	—	F44GSH	F66GSH	F88GSH	F1010GSH	F1212GSH
Universal U-Connector	F22GUC	F33GUC	F44GUC	F66GUC	F88GUC	F1010GUC	F1212GUC
Barrier Kit, bolt-on	—	F33BK60	F44BK60	F66BK60	F88BK60	—	—

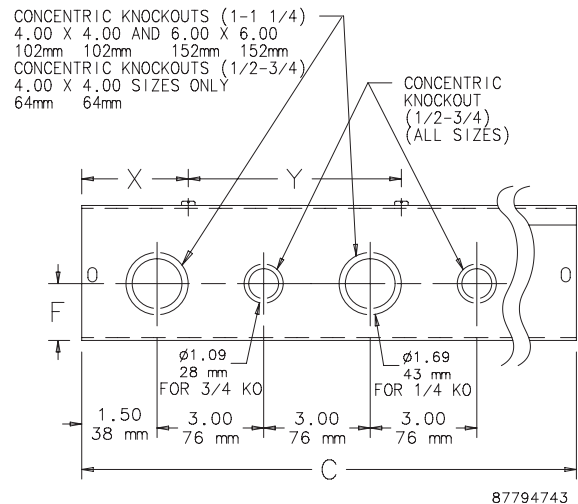
<sup>a</sup>Not UL/cUL listed.

## Straight Section



Protects electrical wiring in applications where dust, dirt, oil and water are not serious problems. All sections and fittings are completely open on one side so wires and cables can be laid in along wireway run. No pulling through of wires or cables prevents damage to insulation that often occurs in a pull-through wiring system. Flat cover design allows for mounting flush with walls or ceilings. Keyhole screw slots on flat covers provide easy access.

**Bulletin: F40FC, F40G**



PATTERN REPEATS EVERY 12.00  
305 mm

**Lay-In NEMA Type 1 Painted Flat-Cover Wireway****Straight Sections**

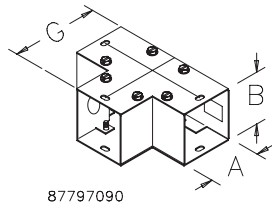
Catalog Number	AxBxC in.	AxBxC mm	Number of Knockouts, .50 in.-.75 in.	Number of Knockouts, 1.00 in.-1.25 in.	F (in.)	F (mm)	X (in.)	X (mm)	Y (in.)	Y (mm)
F22T112GVPWK	2.50 x 2.50 x 12.00	64 x 64 x 305	8	—	1.06	27	3.00	76	6.00	152
F22T112GVP	2.50 x 2.50 x 12.00	64 x 64 x 305	—	—	—	—	—	—	—	—
F22T124GVPWK	2.50 x 2.50 x 24.00	64 x 64 x 610	16	—	1.06	27	6.00	152	12.00	305
F22T124GVP	2.50 x 2.50 x 24.00	64 x 64 x 610	—	—	—	—	—	—	—	—
F22T136GVPWK	2.50 x 2.50 x 36.00	64 x 64 x 914	24	—	1.06	27	6.00	152	12.00	305
F22T136GVP	2.50 x 2.50 x 36.00	64 x 64 x 914	—	—	—	—	—	—	—	—
F22T148GVPWK	2.50 x 2.50 x 48.00	64 x 64 x 1219	32	—	1.06	27	6.00	152	12.00	305
F22T148GVP	2.50 x 2.50 x 48.00	64 x 64 x 1219	—	—	—	—	—	—	—	—
F22T160GVPWK	2.50 x 2.50 x 60.00	64 x 64 x 1524	40	—	1.06	27	6.00	152	12.00	305
F22T160GVP	2.50 x 2.50 x 60.00	64 x 64 x 1524	—	—	—	—	—	—	—	—
F22T1120GVPWK	2.50 x 2.50 x 120.00	64 x 64 x 3048	80	—	1.06	27	6.00	152	12.00	305
F22T1120GVP	2.50 x 2.50 x 120.00	64 x 64 x 3048	—	—	—	—	—	—	—	—
F33T160GVP	3.00 x 3.00 x 60.00	76 x 76 x 1524	—	—	—	—	—	—	—	—
F33T1120GVP	3.00 x 3.00 x 120.00	76 x 76 x 3048	—	—	—	—	—	—	—	—
F44T112GVPWK	4.00 x 4.00 x 12.00	102 x 102 x 305	4	4	1.62	41	3.00	76	6.00	152
F44T112GVP	4.00 x 4.00 x 12.00	102 x 102 x 305	—	—	—	—	—	—	—	—
F44T118GVP	4.00 x 4.00 x 18.00	102 x 102 x 455	—	—	—	—	—	—	—	—
F44T124GVPWK	4.00 x 4.00 x 24.00	102 x 102 x 610	8	8	1.62	41	6.00	152	12.00	305
F44T124GVP	4.00 x 4.00 x 24.00	102 x 102 x 610	—	—	—	—	—	—	—	—
F44T136GVPWK	4.00 x 4.00 x 36.00	102 x 102 x 914	12	12	1.62	41	6.00	152	12.00	305
F44T136GVP	4.00 x 4.00 x 36.00	102 x 102 x 914	—	—	—	—	—	—	—	—
F44T148GVPWK	4.00 x 4.00 x 48.00	102 x 102 x 1219	16	16	1.62	41	6.00	152	12.00	305
F44T148GVP	4.00 x 4.00 x 48.00	102 x 102 x 1219	—	—	—	—	—	—	—	—
F44T160GVPWK	4.00 x 4.00 x 60.00	102 x 102 x 1524	20	20	1.62	41	6.00	152	12.00	305
F44T160GVP	4.00 x 4.00 x 60.00	102 x 102 x 1524	—	—	—	—	—	—	—	—
F44T172GVPWK	4.00 x 4.00 x 72.00	102 x 102 x 1829	24	24	1.62	41	6.00	152	12.00	305
F44T172GVP	4.00 x 4.00 x 72.00	102 x 102 x 1829	—	—	—	—	—	—	—	—
F44T1120GVPWK	4.00 x 4.00 x 120.00	102 x 102 x 3048	40	40	1.62	41	6.00	152	12.00	305
F44T1120GVP	4.00 x 4.00 x 120.00	102 x 102 x 3048	—	—	—	—	—	—	—	—
F66T112GVPWK	6.00 x 6.00 x 12.00	152 x 152 x 305	4	4	1.62	41	6.00	152	12.00	305
F66T112GVP	6.00 x 6.00 x 12.00	152 x 152 x 305	—	—	—	—	—	—	—	—
F66T118GVP	6.00 x 6.00 x 18.00	152 x 152 x 455	—	—	—	—	—	—	—	—
F66T124GVPWK	6.00 x 6.00 x 24.00	152 x 152 x 610	8	8	1.62	41	6.00	152	12.00	305
F66T124GVP	6.00 x 6.00 x 24.00	152 x 152 x 610	—	—	—	—	—	—	—	—
F66T136GVPWK	6.00 x 6.00 x 36.00	152 x 152 x 914	12	12	1.62	41	6.00	152	12.00	305
F66T136GVP	6.00 x 6.00 x 36.00	152 x 152 x 914	—	—	—	—	—	—	—	—
F66T148GVPWK	6.00 x 6.00 x 48.00	152 x 152 x 1219	16	16	1.62	41	6.00	152	12.00	305
F66T148GVP	6.00 x 6.00 x 48.00	152 x 152 x 1219	—	—	—	—	—	—	—	—
F66T160GVPWK	6.00 x 6.00 x 60.00	152 x 152 x 1524	20	20	1.62	41	6.00	152	12.00	305
F66T160GVP	6.00 x 6.00 x 60.00	152 x 152 x 1524	—	—	—	—	—	—	—	—
F66T172GVPWK	6.00 x 6.00 x 72.00	152 x 152 x 1829	24	24	1.62	41	6.00	152	12.00	305
F66T172GVP	6.00 x 6.00 x 72.00	152 x 152 x 1829	—	—	—	—	—	—	—	—
F66T1120GVPWK	6.00 x 6.00 x 120.00	152 x 152 x 3048	40	40	1.62	41	6.00	152	12.00	305
F66T1120GVP	6.00 x 6.00 x 120.00	152 x 152 x 3048	—	—	—	—	—	—	—	—
F88T112GVPWK	8.00 x 8.00 x 12.00	203 x 203 x 305	4	4	1.62	41	3.00	76	6.00	152
F88T112GVP	8.00 x 8.00 x 12.00	203 x 203 x 305	—	—	—	—	—	—	—	—
F88T118GVP	8.00 x 8.00 x 18.00	203 x 203 x 455	—	—	—	—	—	—	—	—
F88T124GVPWK	8.00 x 8.00 x 24.00	203 x 203 x 610	8	8	1.62	41	6.00	152	12.00	305
F88T124GVP	8.00 x 8.00 x 24.00	203 x 203 x 610	—	—	—	—	—	—	—	—
F88T136GVPWK	8.00 x 8.00 x 36.00	203 x 203 x 914	12	12	1.62	41	6.00	152	12.00	305
F88T136GVP	8.00 x 8.00 x 36.00	203 x 203 x 914	—	—	—	—	—	—	—	—
F88T148GVPWK	8.00 x 8.00 x 48.00	203 x 203 x 1219	16	16	1.62	41	6.00	152	12.00	305
F88T148GVP	8.00 x 8.00 x 48.00	203 x 203 x 1219	—	—	—	—	—	—	—	—
F88T160GVPWK	8.00 x 8.00 x 60.00	203 x 203 x 1524	20	20	1.62	41	6.00	152	12.00	305
F88T160GVP	8.00 x 8.00 x 60.00	203 x 203 x 1524	—	—	—	—	—	—	—	—
F88T172GVP	8.00 x 8.00 x 72.00	203 x 203 x 1829	—	—	—	—	—	—	—	—
F88T1120GVP	8.00 x 8.00 x 120.00	203 x 203 x 3048	—	—	—	—	—	—	—	—
F1010T112GVP	10.00 x 10.00 x 12.00	254 x 254 x 305	—	—	—	—	—	—	—	—
F1010T124GVP	10.00 x 10.00 x 24.00	254 x 254 x 610	—	—	—	—	—	—	—	—
F1010T136GVP	10.00 x 10.00 x 36.00	254 x 254 x 914	—	—	—	—	—	—	—	—
F1010T148GVP	10.00 x 10.00 x 48.00	254 x 254 x 1219	—	—	—	—	—	—	—	—
F1010T160GVP	10.00 x 10.00 x 60.00	254 x 254 x 1524	—	—	—	—	—	—	—	—
F1010T172GVP	10.00 x 10.00 x 72.00	254 x 254 x 1829	—	—	—	—	—	—	—	—
F1010T1120GVP	10.00 x 10.00 x 120.00	254 x 254 x 3048	—	—	—	—	—	—	—	—
F1212T112GVPWK	12.00 x 12.00 x 12.00	305 x 305 x 305	4	4	1.62	41	3.00	76	6.00	152
F1212T112GVP	12.00 x 12.00 x 12.00	305 x 305 x 305	—	—	—	—	—	—	—	—
F1212T124GVPWK	12.00 x 12.00 x 24.00	305 x 305 x 610	8	8	1.62	41	6.00	152	12.00	305
F1212T124GVP	12.00 x 12.00 x 24.00	305 x 305 x 610	—	—	—	—	—	—	—	—
F1212T136GVPWK	12.00 x 12.00 x 36.00	305 x 305 x 914	12	12	1.62	41	6.00	152	12.00	305
F1212T136GVP	12.00 x 12.00 x 36.00	305 x 305 x 914	—	—	—	—	—	—	—	—
F1212T148GVPWK	12.00 x 12.00 x 48.00	305 x 305 x 1219	16	16	1.62	41	6.00	152	12.00	305
F1212T148GVP	12.00 x 12.00 x 48.00	305 x 305 x 1219	—	—	—	—	—	—	—	—
F1212T160GVPWK	12.00 x 12.00 x 60.00	305 x 305 x 1524	20	20	1.62	41	6.00	152	12.00	305
F1212T160GVP	12.00 x 12.00 x 60.00	305 x 305 x 1524	—	—	—	—	—	—	—	—
F1212T1120GVP	12.00 x 12.00 x 120.00	305 x 305 x 3048	—	—	—	—	—	—	—	—

## Lay-In NEMA Type 1 Painted Flat-Cover Wireway

### 90-Degree Flush Tee

For flush mounting against a vertical or horizontal surface.

Bulletin: F40PF



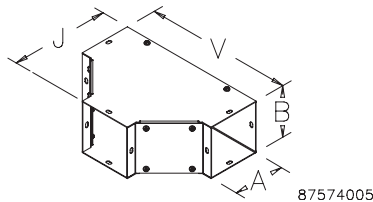
87797090

Catalog Number	AxB in./mm	G in./mm
F22GT	2.50 x 2.50 64 x 64	4.50 114
F33GT	3.00 x 3.00 76 x 76	5.00 127
F44GT	4.00 x 4.00 102 x 102	6.00 152
F66GT	6.00 x 6.00 152 x 152	8.00 203
F88GT	8.00 x 8.00 203 x 203	10.00 254
F1010GT	10.00 x 10.00 254 x 254	12.00 305
F1212GT	12.00 x 12.00 305 x 305	14.00 356

### Sweep Tee

For large radius turns. Mounts against vertical or horizontal surfaces. Top and inside covers removable.

Bulletin: F40PF



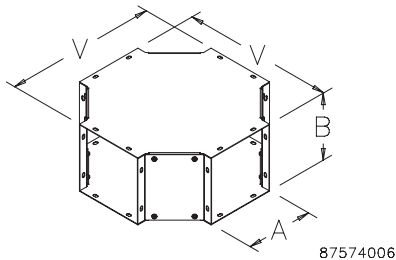
87574005

Catalog Number	AxB in./mm	J in./mm	V in./mm
F22T	2.50 x 2.50 64 x 64	6.50 165	10.35 263
F44T	4.00 x 4.00 102 x 102	8.00 203	11.85 301
F66T	6.00 x 6.00 152 x 152	10.00 254	13.85 352
F88T	8.00 x 8.00 203 x 203	12.00 305	15.84 402
F1010T	10.00 x 10.00 254 x 254	14.00 356	17.84 453
F1212T	12.00 x 12.00 305 x 305	16.00 406	19.84 504

### Cross Fitting

For routing cables in four directions. Top, bottom and side covers removable.

Bulletin: F40PF



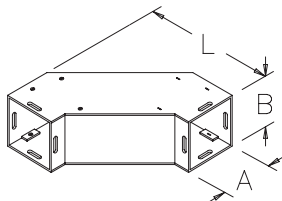
87574006

Catalog Number	AxB in./mm	V in./mm
F22X	2.50 x 2.50 64 x 64	10.35 263
F44X	4.00 x 4.00 102 x 102	11.85 301
F66X	6.00 x 6.00 152 x 152	13.85 352
F88X	8.00 x 8.00 203 x 203	15.84 402
F1010X	10.00 x 10.00 254 x 254	17.84 453
F1212X	12.00 x 12.00 305 x 305	19.84 504

### 90-Degree Sweep Elbow

For large radius turns.

Bulletin: F40PF



87797091

Catalog Number	AxB in./mm	L in./mm
F22G90SE	2.50 x 2.50 64 x 64	7.91 201
F44G90SE	4.00 x 4.00 102 x 102	9.41 239
F66G90SE	6.00 x 6.00 152 x 152	11.34 288
F88G90SE	8.00 x 8.00 203 x 203	13.44 341
F1010G90SE	10.00 x 10.00 254 x 254	15.62 395
F1212G90SE	12.00 x 12.00 305 x 305	17.44 443

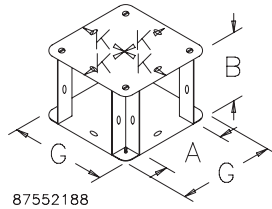


## Lay-In NEMA Type 1 Painted Flat-Cover Wireway

### 90-Degree Elbow-Tee-Cross

Forms left or right 90-degree turns. Can be used as a tee or cross. Use with open adapter for cable entrance in top and bottom. Includes two closure plates.

Bulletin: F40PF

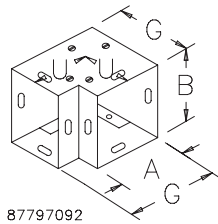


Catalog Number	AxB in./mm	G in./mm	K in./mm
F22G90TX	2.50 x 2.50 64 x 64	4.50 114	2.25 57
F33G90TX	3.00 x 3.00 76 x 76	5.00 127	2.50 64
F44G90TX	4.00 x 4.00 102 x 102	6.00 152	3.00 76
F66G90TX	6.00 x 6.00 152 x 152	8.00 203	4.00 102
F88G90TX	8.00 x 8.00 203 x 203	10.00 254	5.00 127
F1010G90TX	10.00 x 10.00 254 x 254	12.00 305	6.00 152
F1212G90TX	12.00 x 12.00 305 x 305	14.00 356	7.00 178

### 90-Degree Elbow

Any side can be removed, retaining lay-in feature regardless of how the elbow is oriented. Sides are held together with screws.

Bulletin: F40PF

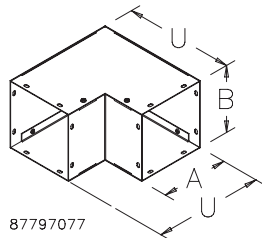


Catalog Number	AxB in./mm	G in./mm
F22G90E	2.50 x 2.50 64 x 64	4.50 114
F33G90E	3.00 x 3.00 76 x 76	5.00 127
F44G90E	4.00 x 4.00 102 x 102	6.00 152
F66G90E	6.00 x 6.00 152 x 152	8.00 203
F88G90E	8.00 x 8.00 203 x 203	10.00 254
F1010G90E	10.00 x 10.00 254 x 254	12.00 305
F1212G90E	12.00 x 12.00 305 x 305	14.00 356

### 90-Degree Elbow—Outside Opening

For continuous run with 90-degree turns. Top, bottom and outside covers removable.

Bulletin: F40PF

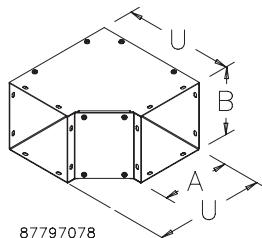


Catalog Number	AxB in./mm	U in./mm
F2290EOUT	2.50 x 2.50 64 x 64	6.50 165
F4490EOUT	4.00 x 4.00 102 x 102	8.00 203
F6690EOUT	6.00 x 6.00 152 x 152	10.00 254
F8890EOUT	8.00 x 8.00 203 x 203	12.00 305
F101090EOUT	10.00 x 10.00 254 x 254	14.00 356
F121290EOUT	12.00 x 12.00 305 x 305	16.00 406

### 90-Degree Elbow—Inside Opening

For continuous run with 90-degree turns. Top and inside covers removable.

Bulletin: F40PF



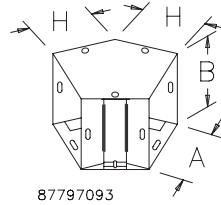
Catalog Number	AxB in./mm	U in./mm
F2290EIN	2.50 x 2.50 64 x 64	6.50 165
F4490EIN	4.00 x 4.00 102 x 102	8.00 203
F6690EIN	6.00 x 6.00 152 x 152	10.00 254
F8890EIN	8.00 x 8.00 203 x 203	12.00 305
F101090EIN	10.00 x 10.00 254 x 254	14.00 356
F121290EIN	12.00 x 12.00 305 x 305	16.00 406

## Lay-In NEMA Type 1 Painted Flat-Cover Wireway

### 45-Degree Elbow

For continuous run with 45-degree turns. Top and inside covers removable.

Bulletin: F40PF

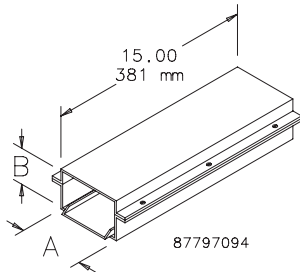


Catalog Number	AxB in./mm	H in./mm
F22G45E	2.50 x 2.50 64 x 64	2.75 70
F33G45E	3.00 x 3.00 76 x 76	2.99 76
F44G45E	4.00 x 4.00 102 x 102	3.38 86
F66G45E	6.00 x 6.00 152 x 152	4.25 108
F88G45E	8.00 x 8.00 203 x 203	5.06 129
F1010G45E	10.00 x 10.00 254 x 254	6.00 152
F1212G45E	12.00 x 12.00 305 x 305	6.75 171

### Telescope Fitting

Length easily adjusts to approximately 12.00 in. (305 mm). No cutting or welding required.

Bulletin: F40PF



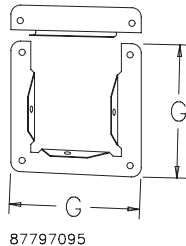
Catalog Number	AxB in./mm
F22GA	2.50 x 2.50 64 x 64
F44GA	4.00 x 4.00 102 x 102
F66GA	6.00 x 6.00 152 x 152
F88GA	8.00 x 8.00 203 x 203
F1010GA	10.00 x 10.00 254 x 254
F1212GA	12.00 x 12.00 305 x 305

These items not UL/cUL listed.

### Open Adapter

Used with the 90-Degree Elbow-Tee-Cross fitting to permit a run directly up or down.

Bulletin: F40PF

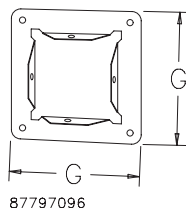


Catalog Number	G (in.)	G (mm)
F22G0A	4.50	114
F44G0A	6.00	152
F66G0A	8.00	203
F88G0A	10.00	254
F1010G0A	12.00	305
F1212G0A	14.00	356

### Panel Adapter

A flanged fitting which allows the wireway to be securely connected to an enclosure.

Bulletin: F40PF



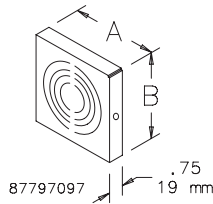
Catalog Number	G (in.)	G (mm)
F22GPA	4.50	114
F33GPA	5.00	127
F44GPA	6.00	152
F66GPA	8.00	203
F88GPA	10.00	254
F1010GPA	12.00	305
F1212GPA	14.00	356

# Lay-In NEMA Type 1 Painted Flat-Cover Wireway

## Closure Plate

Closes the end of a wireway section or run.

Bulletin: F40PF



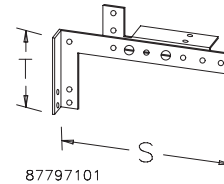
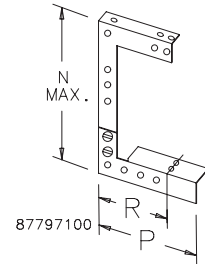
Catalog Number	AxB in.	AxB mm	Knockouts
F22GCP	2.50 x 2.50	64 x 64	With knockouts
F22GCPNK	2.50 x 2.50	64 x 64	Without knockouts
F44GCP	4.00 x 4.00	102 x 102	With knockouts
F33GCPNK	3.00 x 3.00	76 x 76	Without knockouts
F44GCPNK	4.00 x 4.00	102 x 102	Without knockouts
F66GCP	6.00 x 6.00	152 x 152	With knockouts
F66GCPNK	6.00 x 6.00	152 x 152	Without knockouts
F88GCP	8.00 x 8.00	203 x 203	With knockouts
F88GCPNK	8.00 x 8.00	203 x 203	Without knockouts
F1010GCP	10.00 x 10.00	254 x 254	With knockouts
F1010GCPNK	10.00 x 10.00	254 x 254	Without knockouts
F1212GCP	12.00 x 12.00	305 x 305	With knockouts
F1212GCPNK	12.00 x 12.00	305 x 305	Without knockouts

## Drop and Bracket Hangers

Drop and bracket hangers support a wireway run.

Bulletin: F40PF

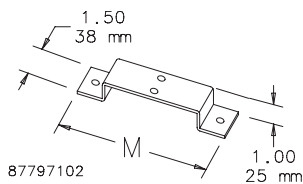
Catalog Number	N max. (in.)	N max. (mm)	P (in.)	P (mm)	R (in.)	R (mm)	S (in.)	S (mm)	T (in.)	T (mm)
F22GDB	8.50	216	4.50	114	3.38	86	7.25	184	3.75	95
F44GDB	10.50	267	6.00	152	4.12	105	9.25	235	4.50	114
F66GDB	15.00	381	7.12	181	5.12	130	13.75	349	5.50	140
F88GDB	21.00	533	10.81	275	7.00	178	13.75	349	7.75	197
F1010GDB	22.00	559	13.81	335	8.38	213	13.75	349	10.25	260
F1212GDB	23.00	584	15.56	395	9.78	248	13.75	349	12.50	318



## Support Hanger

For floor or wall installations.

Bulletin: F40PF



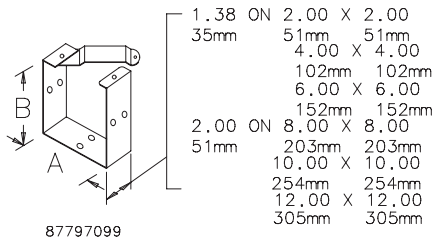
Catalog Number	AxB in./mm	M in./mm
F22GSH	2.50 x 2.50	4.62
	64 x 64	117
F44GSH	4.00 x 4.00	6.12
	102 x 102	155
F66GSH	6.00 x 6.00	8.12
	152 x 152	206
F88GSH	8.00 x 8.00	10.12
	203 x 203	257
F1010GSH	10.00 x 10.00	12.12
	254 x 254	308
F1212GSH	12.00 x 12.00	14.12
	305 x 305	359

## Lay-In NEMA Type 1 Painted Flat-Cover Wireway

### Universal U-Connector

Joins wireway sections and fittings. Top swings aside to retain the lay-in feature. One U-connector required at each wireway joint except telescope fittings, panel adapters, open adapters, closure plates or reducers.

Bulletin: F40PF



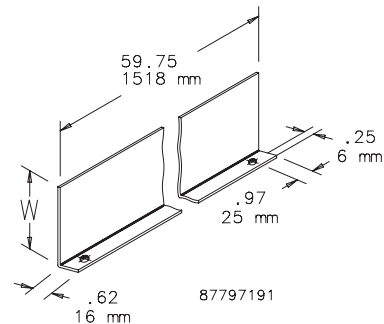
Catalog Number	AxB in./mm
F22GUC	2.50 x 2.50 64 x 64
F33GUC	3.00 x 3.00 76 x 76
F44GUC	4.00 x 4.00 102 x 102
F66GUC	6.00 x 6.00 152 x 152
F88GUC	8.00 x 8.00 203 x 203
F1010GUC	10.00 x 10.00 254 x 254
F1212GUC	12.00 x 12.00 305 x 305

### Barrier Kit, Bolt-On

Divides wireway into two or more compartments. Barriers are fastened to wireway sections with screws. Sealing washers are included.

Bulletin: F20

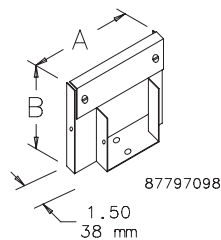
Catalog Number	AxB in./mm	W in./mm
F33BK60	3.00 x 3.00 76 x 76	2.00 51
F44BK60	4.00 x 4.00 102 x 102	3.00 76
F66BK60	6.00 x 6.00 152 x 152	4.50 114
F88BK60	8.00 x 8.00 203 x 203	6.00 152



### Reducer

Reduces wireway to a smaller size.

Bulletin: F10, F40PF



Catalog Number	AxB in./mm
F33G22R	3.00 x 3.00 76 x 76
F44G22R	4.00 x 4.00 102 x 102
F44G33R	4.00 x 4.00 101 x 101
F66G44R	6.00 x 6.00 152 x 152
F88G66R	8.00 x 8.00 203 x 203
F1010G88R	10.00 x 10.00 254 x 254
F1212G88R	12.00 x 12.00 305 x 305
F1212G1010R	12.00 x 12.00 305 x 305

## Lay-In NEMA Type 1 Hinged-Cover Wireway

### Lay-In Hinged-Cover Wireway, NEMA Type 1



#### Application

This wireway provides convenient cable installation and maintenance with its top hinged cover and an opening on one side so wires and cables can be laid in along the entire run without pulling. A variety of lengths and fittings provide increased design flexibility.

#### Features

- Open top assembly
- Removable hinged cover latches with captive screws
- 12.00 x 12.00-in. models available in hinged or non-hinged styles
- Available with or without knockouts on wireway sides
- Covers include captivated plated screw fasteners

#### Specifications

- 16 gauge or 14 gauge steel covers and bodies

#### Finish

ANSI 61 gray polyester powder paint finish inside and out over pretreated surfaces.

#### Accessories

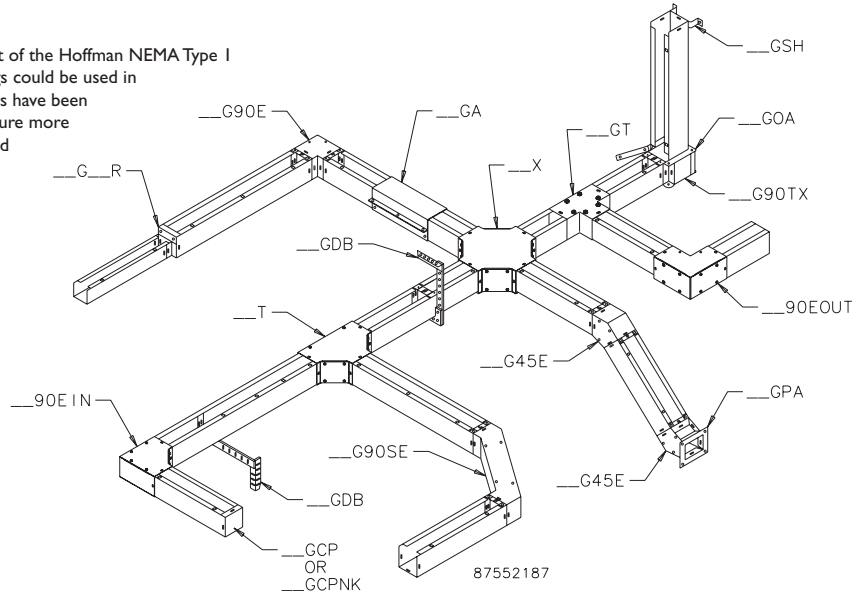
See *Accessories* chapter.  
Touch-Up Paint (ATPPY61)

#### Industry Standards

UL 870 Listed; File No. E27524  
cUL Listed per CSA C22.2 No. 26; File No. E27524

NEMA/EEMAC Type 1  
IEC 60529, IP30

This drawing illustrates how most of the Hoffman NEMA Type 1 lay-in wireway sections and fittings could be used in an actual wireway run. The covers have been omitted to present the lay-in feature more clearly. Many different sections and fittings can be combined in any configuration desired.



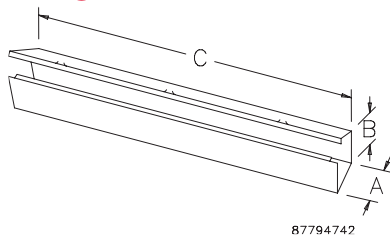
# Lay-In NEMA Type 1 Hinged-Cover Wireway

## Standard Product Selection Matrix

Description	2.50 x 2.50 in. (64 x 64 mm)	4.00 x 4.00 in. (102 x 102 mm)	6.00 x 6.00 in. (152 x 152 mm)	8.00 x 8.00 in. (203 x 203 mm)	10.00 x 10.00 in. (254 x 254 mm)	Not Hinged 12.00 x 12.00 in. (305 x 305 mm)	Hinged 12.00 x 12.00 in. (305 x 305 mm)
	16 Gauge	16 Gauge	16 Gauge	14 Gauge	14 Gauge	14 Gauge	14 Gauge
12.00-in. (305-mm) Straight Section with knockouts	F22G12WK	F44G12WK	F66G12WK	—	—	—	—
12.00-in. (305-mm) Straight Section without knockouts	F22G12	F44G12	F66G12	F66G12	F1010G12	F1212G12	F1212G12H
18.00-in. (455-mm) Straight Section without knockouts	—	F44G18	F66G18	F88G18	—	—	—
24.00-in. (610-mm) Straight Section with knockouts	F22G24WK	F44G24WK	F66G24WK	—	—	—	—
24.00-in. (610-mm) Straight Section without knockouts	F22G24	F44G24	F66G24	F88G24	F1010G24	F1212G24	F1212G24H
36.00-in. (914-mm) Straight Section with knockouts	F22G36WK	F44G36WK	F66G36WK	—	—	—	—
36.00-in. (914-mm) Straight Section without knockouts	F22G36	F44G36	F66G36	F88G36	F1010G36	F1212G36	F1212G36H
48.00-in. (1219-mm) Straight Section with knockouts	F22G48WK	F44G48WK	F66G48WK	—	—	—	—
48.00-in. (1219-mm) Straight Section without knockouts	F22G48	F44G48	F66G48	F88G48	F1010G48	F1212G48	F1212G48H
60.00-in. (1524-mm) Straight Section with knockouts	F22G60WK	F44G60WK	F66G60WK	—	—	—	—
60.00-in. (1524-mm) Straight Section without knockouts	F22G60	F44G60	F66G60	F88G60	F1010G60	F1212G60	F1212G60H
72.00-in. (1829-mm) Straight Section with knockouts	—	F44G72WK	F66G72WK	—	—	—	—
72.00-in. (1829-mm) Straight Section without knockouts	—	F44G72	F66G72	F88G72	F1010G72	F1212G72	F1212G72H
96.00-in. (2438-mm) Straight Section without knockouts	—	F44G96	F66G96	F88G96	F1010G96	F1212G96	—
120.00-in. (3048-mm) Straight Section with knockouts	F22G120WK	F44G120WK	F66G120WK	—	—	—	—
120.00-in. (3048-mm) Straight Section without knockouts	F22G120	F44G120	F66G120	F66G120	F1010G120	F1212G120	F1212G120H
90° Flush Tee	F22GT	F44GT	F66GT	F88GT	F1010GT	F1212GT	F1212GT
Sweep Tee	F22T	F44T	F66GT	F88T	F1010T	F1212T	F1212T
Cross Fitting	F22X	F44X	F66X	F88X	F1010X	F1212X	F1212X
90° Sweep Elbow	F22G90SE	F44G90SE	F66G90SE	F88G90SE	F1010G90SE	F1212G90SE	F1212G90SE
90° Elbow-Tee-Cross	F22G90TX	F44G90TX	F66G90TX	F88G90TX	F1010G90TX	F1212G90TX	F1212G90TX
90° Elbow	F22G90E	F44G90E	F66G90E	F88G90E	F1010G90E	F1212G90E	F1212G90E
90° Elbow Outside Opening	F2290EOUT	F4490EOUT	F6690EOUT	F8890EOUT	F101090EOUT	F121290EOUT	F121290EOUT
90° Elbow Inside Opening	F2290EIN	F4490EIN	F6690EIN	F8890EIN	F101090EIN	F121290EIN	F121290EIN
45° Elbow	F22G45E	F44G45E	F66G45E	F88G45E	F1010G45E	F1212G45E	F1212G45E
Telescope Fitting*	F22GA	F44GA	F66GA	F88GA	F1010GA	F1212GA	F1212GA
Open Adapter	F22GOA	F44GOA	F66GOA	F88GOA	F1010GOA	F1212GOA	F1212GOA
Panel Adapter	F22GPA	F44GPA	F66GPA	F88GPA	F1010GPA	F1212GPA	F1212GPA
Closure Plate without knockouts	F22GCPNK	F44GCPNK	F66GCPNK	F88GCPNK	F1010GCPNK	F1212GCPNK	F1212GCPNK
Closure Plate with knockouts	F22GCP	F44GCP	F66GCP	F88GCP	F1010GCP	F1212GCP	F1212GCP
Reducer	—	F44G22R	F66G44R	F88G66R	F1010G88R	F1212G88R	F1212G88R
Drop and Bracket Hanger	F22GDB	F44GDB	F66GDB	F88GDB	F1010GDB	F1212GDB	F1212GDB
Support Hanger	F22GSH	F44GSH	F66GSH	F88GSH	F1010GSH	F1212GSH	F1212GSH
Universal U-Connector	F22GUC	F44GUC	F66GUC	F88GUC	F1010GUC	F1212GUC	F1212GUC
Barrier Kit, bolt-on h barrier 60.00 in. (1524 mm)	—	F44BK60	F66BK60	F88BK60	—	—	—

\*Not UL/cUL listed.

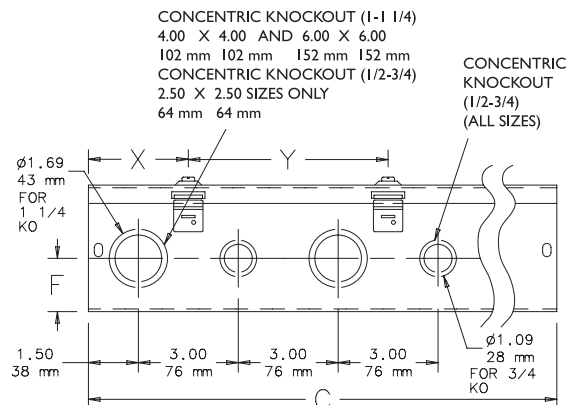
## Straight Section



87794742

Available in lengths from 12.00 in. (305 mm), with or without knockouts.

Bulletin: F40, F40PF



87794694

Patented hidden hinge permits usual plated steel screw cover arrangement to be converted to hinge cover system on all sizes except 12.00 in x 12.00 in. (305mm x 305mm).



## Lay-In NEMA Type 1 Hinged-Cover Wireway

## Straight Sections

Catalog Number	AxBxC in.	AxBxC mm	Number of Knockouts, .50 in.-.75 in.	Number of Knockouts, 1.00 in.-1.25 in.	F (in.)	F (mm)	X (in.)	X (mm)	Y (in.)	Y (mm)
F22G12WK	2.50 x 2.50 x 12.00	64 x 64 x 305	8	—	1.06	27	3.00	76	6.00	152
F22G12	2.50 x 2.50 x 12.00	64 x 64 x 305	—	—	—	—	—	—	—	—
F22G24WK	2.50 x 2.50 x 24.00	64 x 64 x 610	16	—	1.06	27	6.00	152	12.00	305
F22G24	2.50 x 2.50 x 24.00	64 x 64 x 610	—	—	—	—	—	—	—	—
F22G36WK	2.50 x 2.50 x 36.00	64 x 64 x 914	24	—	1.06	27	6.00	152	12.00	305
F22G36	2.50 x 2.50 x 36.00	64 x 64 x 914	—	—	—	—	—	—	—	—
F22G48WK	2.50 x 2.50 x 48.00	64 x 64 x 1219	32	—	1.06	27	6.00	152	12.00	305
F22G48	2.50 x 2.50 x 48.00	64 x 64 x 1219	—	—	—	—	—	—	—	—
F22G60WK	2.50 x 2.50 x 60.00	64 x 64 x 1524	40	—	1.06	27	6.00	152	12.00	305
F22G60	2.50 x 2.50 x 60.00	64 x 64 x 1524	—	—	—	—	—	—	—	—
F22G120WK	2.50 x 2.50 x 120.00	64 x 64 x 3048	80	—	1.06	27	6.00	152	12.00	305
F22G120	2.50 x 2.50 x 120.00	64 x 64 x 3048	—	—	—	—	—	—	—	—
F44G12WK	4.00 x 4.00 x 12.00	102 x 102 x 305	4	4	1.62	41	3.00	76	6.00	152
F44G12	4.00 x 4.00 x 12.00	102 x 102 x 305	—	—	—	—	—	—	—	—
F44G18	4.00 x 4.00 x 18.00	102 x 102 x 455	—	—	—	—	—	—	—	—
F44G24WK	4.00 x 4.00 x 24.00	102 x 102 x 610	8	8	1.62	41	6.00	152	12.00	305
F44G24	4.00 x 4.00 x 24.00	102 x 102 x 610	—	—	—	—	—	—	—	—
F44G36WK	4.00 x 4.00 x 36.00	102 x 102 x 914	12	12	1.62	41	6.00	152	12.00	305
F44G36	4.00 x 4.00 x 36.00	102 x 102 x 914	—	—	—	—	—	—	—	—
F44G48WK	4.00 x 4.00 x 48.00	102 x 102 x 1219	16	16	1.62	41	6.00	152	12.00	305
F44G48	4.00 x 4.00 x 48.00	102 x 102 x 1219	—	—	—	—	—	—	—	—
F44G60WK	4.00 x 4.00 x 60.00	102 x 102 x 1524	20	20	1.62	41	6.00	152	12.00	305
F44G60	4.00 x 4.00 x 60.00	102 x 102 x 1524	—	—	—	—	—	—	—	—
F44G72WK	4.00 x 4.00 x 72.00	102 x 102 x 1829	24	24	1.62	41	6.00	152	12.00	305
F44G72	4.00 x 4.00 x 72.00	102 x 102 x 1829	—	—	—	—	—	—	—	—
F44G96	4.00 x 4.00 x 96.00	102 x 102 x	—	—	—	—	—	—	—	—
F44G120WK	4.00 x 4.00 x 120.00	102 x 102 x 3048	40	40	1.62	41	6.00	152	12.00	305
F44G120	4.00 x 4.00 x 120.00	102 x 102 x 3048	—	—	—	—	—	—	—	—
F66G12WK	6.00 x 6.00 x 12.00	152 x 152 x 305	4	4	1.62	41	3.00	76	6.00	152
F66G12	6.00 x 6.00 x 12.00	152 x 152 x 305	—	—	—	—	—	—	—	—
F66G18	6.00 x 6.00 x 18.00	152 x 152 x 455	—	—	—	—	—	—	—	—
F66G24WK	6.00 x 6.00 x 24.00	152 x 152 x 610	8	8	1.62	41	6.00	152	12.00	305
F66G24	6.00 x 6.00 x 24.00	152 x 152 x 610	—	—	—	—	—	—	—	—
F66G36WK	6.00 x 6.00 x 36.00	152 x 152 x 914	12	12	1.62	41	6.00	152	12.00	305
F66G36	6.00 x 6.00 x 36.00	152 x 152 x 914	—	—	—	—	—	—	—	—
F66G48WK	6.00 x 6.00 x 48.00	152 x 152 x 1219	16	16	1.62	41	6.00	152	12.00	305
F66G48	6.00 x 6.00 x 48.00	152 x 152 x 1219	—	—	—	—	—	—	—	—
F66G60WK	6.00 x 6.00 x 60.00	152 x 152 x 1524	20	20	1.62	41	6.00	152	12.00	305
F66G60	6.00 x 6.00 x 60.00	152 x 152 x 1524	—	—	—	—	—	—	—	—
F66G72WK	6.00 x 6.00 x 72.00	152 x 152 x 1829	24	24	1.62	41	6.00	152	12.00	305
F66G72	6.00 x 6.00 x 72.00	152 x 152 x 1829	—	—	—	—	—	—	—	—
F66G96	6.00 x 6.00 x 96.00	152 x 152 x 2438	—	—	—	—	—	—	—	—
F66G120WK	6.00 x 6.00 x 120.00	152 x 152 x 3048	40	40	1.62	41	6.00	152	12.00	305
F66G120	6.00 x 6.00 x 120.00	152 x 152 x 3048	—	—	—	—	—	—	—	—
F88G12	8.00 x 8.00 x 12.00	203 x 203 x 305	—	—	—	—	—	—	—	—
F88G18	8.00 x 8.00 x 18.00	203 x 203 x 455	—	—	—	—	—	—	—	—
F88G24	8.00 x 8.00 x 24.00	203 x 203 x 610	—	—	—	—	—	—	—	—
F88G36	8.00 x 8.00 x 36.00	203 x 203 x 914	—	—	—	—	—	—	—	—
F88G48	8.00 x 8.00 x 48.00	203 x 203 x 1219	—	—	—	—	—	—	—	—
F88G60	8.00 x 8.00 x 60.00	203 x 203 x 1524	—	—	—	—	—	—	—	—
F88G72	8.00 x 8.00 x 72.00	203 x 203 x 1829	—	—	—	—	—	—	—	—
F88G96	8.00 x 8.00 x 96.00	203 x 203 x 2438	—	—	—	—	—	—	—	—
F88G120	8.00 x 8.00 x 120.00	203 x 203 x 3048	—	—	—	—	—	—	—	—
F1010G12	10.00 x 10.00 x 12.00	254 x 254 x 305	—	—	—	—	—	—	—	—
F1010G24	10.00 x 10.00 x 24.00	254 x 254 x 610	—	—	—	—	—	—	—	—
F1010G36	10.00 x 10.00 x 36.00	254 x 254 x 914	—	—	—	—	—	—	—	—
F1010G48	10.00 x 10.00 x 48.00	254 x 254 x 1219	—	—	—	—	—	—	—	—
F1010G60	10.00 x 10.00 x 60.00	254 x 254 x 1524	—	—	—	—	—	—	—	—
F1010G72	10.00 x 10.00 x 72.00	254 x 254 x 1829	—	—	—	—	—	—	—	—
F1010G96	10.00 x 10.00 x 96.00	254 x 254 x 2438	—	—	—	—	—	—	—	—
F1010G120	10.00 x 10.00 x 120.00	254 x 254 x 3048	—	—	—	—	—	—	—	—
F1212G12	12.00 x 12.00 x 12.00	305 x 305 x 305	—	—	—	—	—	—	—	—
F1212G12H	12.00 x 12.00 x 12.00	305 x 305 x 305	—	—	—	—	—	—	—	—
F1212G24	12.00 x 12.00 x 24.00	305 x 305 x 610	—	—	—	—	—	—	—	—
F1212G24H	12.00 x 12.00 x 24.00	305 x 305 x 610	—	—	—	—	—	—	—	—
F1212G36	12.00 x 12.00 x 36.00	305 x 305 x 914	—	—	—	—	—	—	—	—
F1212G36H	12.00 x 12.00 x 36.00	305 x 305 x 914	—	—	—	—	—	—	—	—
F1212G48	12.00 x 12.00 x 48.00	305 x 305 x 1219	—	—	—	—	—	—	—	—
F1212G48H	12.00 x 12.00 x 48.00	305 x 305 x 1219	—	—	—	—	—	—	—	—
F1212G60	12.00 x 12.00 x 60.00	305 x 305 x 1524	—	—	—	—	—	—	—	—
F1212G60H	12.00 x 12.00 x 60.00	305 x 305 x 1524	—	—	—	—	—	—	—	—
F1212G72	12.00 x 12.00 x 72.00	305 x 305 x 1829	—	—	—	—	—	—	—	—
F1212G72H	12.00 x 12.00 x 72.00	305 x 305 x 1829	—	—	—	—	—	—	—	—
F1212G96	12.00 x 12.00 x 96.00	305 x 305 x 2438	—	—	—	—	—	—	—	—
F1212G120	12.00 x 12.00 x 120.00	305 x 305 x 3048	—	—	—	—	—	—	—	—
F1212G120H	12.00 x 12.00 x 120.00	305 x 305 x 3048	—	—	—	—	—	—	—	—

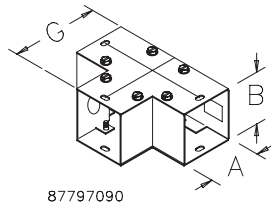
F1212GXX catalog numbers without "H" are not hinged. F1212GXXH catalog numbers are hinged.

## Lay-In NEMA Type 1 Hinged-Cover Wireway

### 90-Degree Flush Tee

For flush mounting against a vertical or horizontal surface.

Bulletin: F40PF



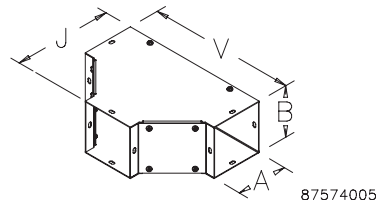
87797090

Catalog Number	AxB in./mm	G in./mm
F22GT	2.50 x 2.50 64 x 64	4.50 114
F33GT	3.00 x 3.00 76 x 76	5.00 127
F44GT	4.00 x 4.00 102 x 102	6.00 152
F66GT	6.00 x 6.00 152 x 152	8.00 203
F88GT	8.00 x 8.00 203 x 203	10.00 254
F1010GT	10.00 x 10.00 254 x 254	12.00 305
F1212GT	12.00 x 12.00 305 x 305	14.00 356

### Sweep Tee

For large radius turns. Mounts against vertical or horizontal surfaces. Top and inside covers removable.

Bulletin: F40PF



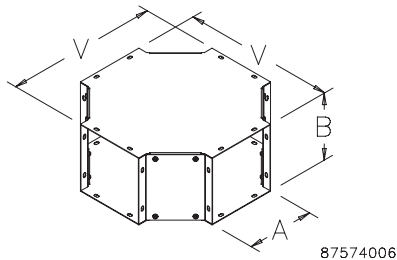
87574005

Catalog Number	AxB in./mm	J in./mm	V in./mm
F22T	2.50 x 2.50 64 x 64	6.50 165	10.35 263
F44T	4.00 x 4.00 102 x 102	8.00 203	11.85 301
F66T	6.00 x 6.00 152 x 152	10.00 254	13.85 352
F88T	8.00 x 8.00 203 x 203	12.00 305	15.84 402
F1010T	10.00 x 10.00 254 x 254	14.00 356	17.84 453
F1212T	12.00 x 12.00 305 x 305	16.00 406	19.84 504

### Cross Fitting

For routing cables in four directions. Top, bottom and side covers removable.

Bulletin: F40PF



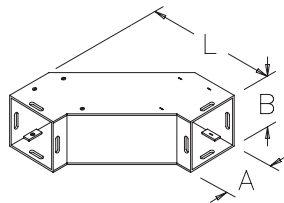
87574006

Catalog Number	AxB in./mm	V in./mm
F22X	2.50 x 2.50 64 x 64	10.35 263
F44X	4.00 x 4.00 102 x 102	11.85 301
F66X	6.00 x 6.00 152 x 152	13.85 352
F88X	8.00 x 8.00 203 x 203	15.84 402
F1010X	10.00 x 10.00 254 x 254	17.84 453
F1212X	12.00 x 12.00 305 x 305	19.84 504

### 90-Degree Sweep Elbow

For large radius turns.

Bulletin: F40PF



87797091

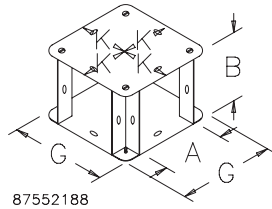
Catalog Number	AxB in./mm	L in./mm
F22G90SE	2.50 x 2.50 64 x 64	7.91 201
F44G90SE	4.00 x 4.00 102 x 102	9.41 239
F66G90SE	6.00 x 6.00 152 x 152	11.34 288
F88G90SE	8.00 x 8.00 203 x 203	13.44 341
F1010G90SE	10.00 x 10.00 254 x 254	15.62 395
F1212G90SE	12.00 x 12.00 305 x 305	17.44 443

## Lay-In NEMA Type 1 Hinged-Cover Wireway

### 90-Degree Elbow-Tee-Cross

Forms left or right 90-degree turns. Can be used as a tee or cross. Use with open adapter for cable entrance in top and bottom. Includes two closure plates.

Bulletin: F40PF

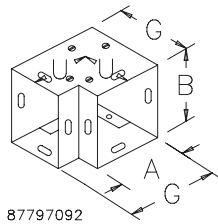


Catalog Number	AxB in./mm	G in./mm	K in./mm
F22G90TX	2.50 x 2.50 64 x 64	4.50 114	2.25 57
F33G90TX	3.00 x 3.00 76 x 76	5.00 127	2.50 64
F44G90TX	4.00 x 4.00 102 x 102	6.00 152	3.00 76
F66G90TX	6.00 x 6.00 152 x 152	8.00 203	4.00 102
F88G90TX	8.00 x 8.00 203 x 203	10.00 254	5.00 127
F1010G90TX	10.00 x 10.00 254 x 254	12.00 305	6.00 152
F1212G90TX	12.00 x 12.00 305 x 305	14.00 356	7.00 178

### 90-Degree Elbow

Any side can be removed, retaining lay-in feature regardless of how the elbow is oriented. Sides are held together with screws.

Bulletin: F40PF

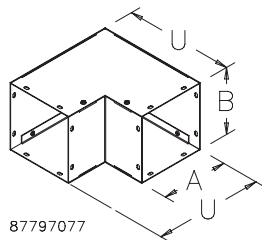


Catalog Number	AxB in./mm	G in./mm
F22G90E	2.50 x 2.50 64 x 64	4.50 114
F33G90E	3.00 x 3.00 76 x 76	5.00 127
F44G90E	4.00 x 4.00 102 x 102	6.00 152
F66G90E	6.00 x 6.00 152 x 152	8.00 203
F88G90E	8.00 x 8.00 203 x 203	10.00 254
F1010G90E	10.00 x 10.00 254 x 254	12.00 305
F1212G90E	12.00 x 12.00 305 x 305	14.00 356

### 90-Degree Elbow—Outside Opening

For continuous run with 90-degree turns. Top, bottom and outside covers removable.

Bulletin: F40PF

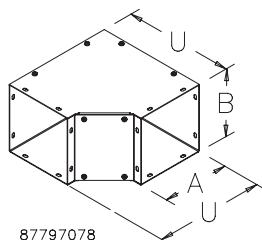


Catalog Number	AxB in./mm	U in./mm
F2290EOUT	2.50 x 2.50 64 x 64	6.50 165
F4490EOUT	4.00 x 4.00 102 x 102	8.00 203
F6690EOUT	6.00 x 6.00 152 x 152	10.00 254
F8890EOUT	8.00 x 8.00 203 x 203	12.00 305
F101090EOUT	10.00 x 10.00 254 x 254	14.00 356
F121290EOUT	12.00 x 12.00 305 x 305	16.00 406

### 90-Degree Elbow—Inside Opening

For continuous run with 90-degree turns. Top and inside covers removable.

Bulletin: F40PF



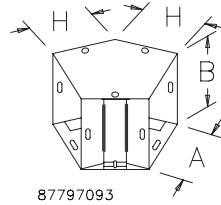
Catalog Number	AxB in./mm	U in./mm
F2290EIN	2.50 x 2.50 64 x 64	6.50 165
F4490EIN	4.00 x 4.00 102 x 102	8.00 203
F6690EIN	6.00 x 6.00 152 x 152	10.00 254
F8890EIN	8.00 x 8.00 203 x 203	12.00 305
F101090EIN	10.00 x 10.00 254 x 254	14.00 356
F121290EIN	12.00 x 12.00 305 x 305	16.00 406

## Lay-In NEMA Type 1 Hinged-Cover Wireway

### 45-Degree Elbow

For continuous run with 45-degree turns. Top and inside covers removable.

Bulletin: F40PF

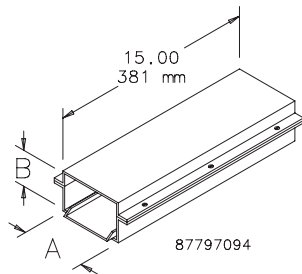


Catalog Number	AxB in./mm	H in./mm
F22G45E	2.50 x 2.50 64 x 64	2.75 70
F33G45E	3.00 x 3.00 76 x 76	2.99 76
F44G45E	4.00 x 4.00 102 x 102	3.38 86
F66G45E	6.00 x 6.00 152 x 152	4.25 108
F88G45E	8.00 x 8.00 203 x 203	5.06 129
F1010G45E	10.00 x 10.00 254 x 254	6.00 152
F1212G45E	12.00 x 12.00 305 x 305	6.75 171

### Telescope Fitting

Length easily adjusts to approximately 12.00 in. (305 mm). No cutting or welding required.

Bulletin: F40PF



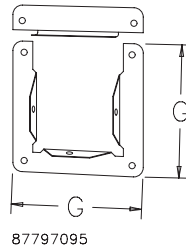
Catalog Number	AxB in./mm
F22GA	2.50 x 2.50 64 x 64
F44GA	4.00 x 4.00 102 x 102
F66GA	6.00 x 6.00 152 x 152
F88GA	8.00 x 8.00 203 x 203
F1010GA	10.00 x 10.00 254 x 254
F1212GA	12.00 x 12.00 305 x 305

These items not UL/cUL listed.

### Open Adapter

Used with the 90-Degree Elbow-Tee-Cross fitting to permit a run directly up or down.

Bulletin: F40PF

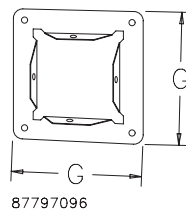


Catalog Number	G (in.)	G (mm)
F22G0A	4.50	114
F44G0A	6.00	152
F66G0A	8.00	203
F88G0A	10.00	254
F1010G0A	12.00	305
F1212G0A	14.00	356

### Panel Adapter

A flanged fitting which allows the wireway to be securely connected to an enclosure.

Bulletin: F40PF



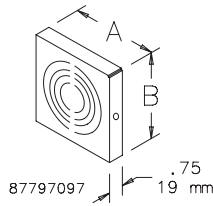
Catalog Number	G (in.)	G (mm)
F22GPA	4.50	114
F33GPA	5.00	127
F44GPA	6.00	152
F66GPA	8.00	203
F88GPA	10.00	254
F1010GPA	12.00	305
F1212GPA	14.00	356

## Lay-In NEMA Type 1 Hinged-Cover Wireway

### Closure Plate

Closes the end of a wireway section or run.

Bulletin: F40PF

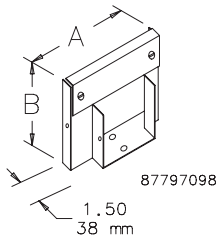


Catalog Number	AxB in.	AxB mm	Knockouts
F22GCP	2.50 x 2.50	64 x 64	With knockouts
F22GCPNK	2.50 x 2.50	64 x 64	Without knockouts
F44GCP	4.00 x 4.00	102 x 102	With knockouts
F33GCPNK	3.00 x 3.00	76 x 76	Without knockouts
F44GCPNK	4.00 x 4.00	102 x 102	Without knockouts
F66GCP	6.00 x 6.00	152 x 152	With knockouts
F66GCPNK	6.00 x 6.00	152 x 152	Without knockouts
F88GCP	8.00 x 8.00	203 x 203	With knockouts
F88GCPNK	8.00 x 8.00	203 x 203	Without knockouts
F1010GCP	10.00 x 10.00	254 x 254	With knockouts
F1010GCPNK	10.00 x 10.00	254 x 254	Without knockouts
F1212GCP	12.00 x 12.00	305 x 305	With knockouts
F1212GCPNK	12.00 x 12.00	305 x 305	Without knockouts

### Reducer

Reduces wireway to a smaller size.

Bulletin: F10, F40PF



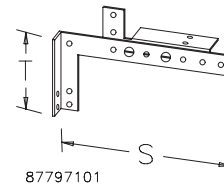
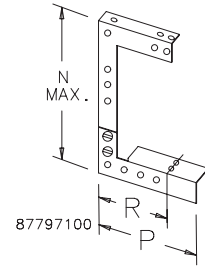
Catalog Number	AxB in./mm
F33G22R	3.00 x 3.00 76 x 76
F44G22R	4.00 x 4.00 102 x 102
F44G33R	4.00 x 4.00 101 x 101
F66G44R	6.00 x 6.00 152 x 152
F88G66R	8.00 x 8.00 203 x 203
F1010G88R	10.00 x 10.00 254 x 254
F1212G88R	12.00 x 12.00 305 x 305
F1212G1010R	12.00 x 12.00 305 x 305

### Drop and Bracket Hangers

Drop and bracket hangers support a wireway run.

Bulletin: F40PF

Catalog Number	N max. (in.)	N max. (mm)	P (in.)	P (mm)	R (in.)	R (mm)	S (in.)	S (mm)	T (in.)	T (mm)
F22GDB	8.50	216	4.50	114	3.38	86	7.25	184	3.75	95
F44GDB	10.50	267	6.00	152	4.12	105	9.25	235	4.50	114
F66GDB	15.00	381	7.12	181	5.12	130	13.75	349	5.50	140
F88GDB	21.00	533	10.81	275	7.00	178	13.75	349	7.75	197
F1010GDB	22.00	559	13.81	335	8.38	213	13.75	349	10.25	260
F1212GDB	23.00	584	15.56	395	9.78	248	13.75	349	12.50	318

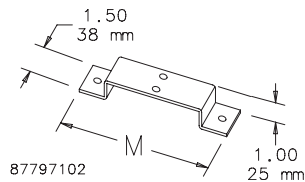


## Lay-In NEMA Type 1 Hinged-Cover Wireway

### Support Hanger

For floor or wall installations.

Bulletin: F40PF

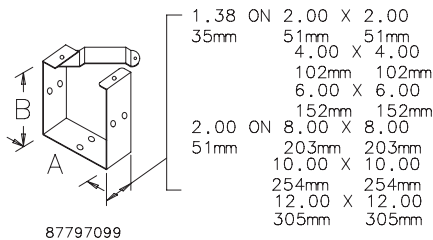


Catalog Number	AxB in./mm	M in./mm
F22GSH	2.50 x 2.50 64 x 64	4.62 117
F44GSH	4.00 x 4.00 102 x 102	6.12 155
F66GSH	6.00 x 6.00 152 x 152	8.12 206
F88GSH	8.00 x 8.00 203 x 203	10.12 257
F1010GSH	10.00 x 10.00 254 x 254	12.12 308
F1212GSH	12.00 x 12.00 305 x 305	14.12 359

### Universal U-Connector

Joins wireway sections and fittings. Top swings aside to retain the lay-in feature. One U-connector required at each wireway joint except telescope fittings, panel adapters, open adapters, closure plates or reducers.

Bulletin: F40PF



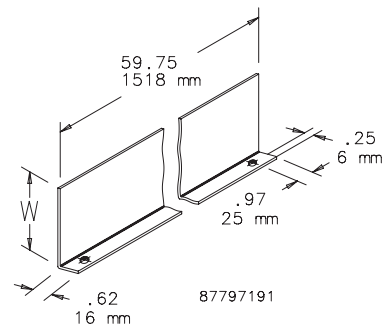
Catalog Number	AxB in./mm
F22GUC	2.50 x 2.50 64 x 64
F33GUC	3.00 x 3.00 76 x 76
F44GUC	4.00 x 4.00 102 x 102
F66GUC	6.00 x 6.00 152 x 152
F88GUC	8.00 x 8.00 203 x 203
F1010GUC	10.00 x 10.00 254 x 254
F1212GUC	12.00 x 12.00 305 x 305

### Barrier Kit, Bolt-On

Divides wireway into two or more compartments. Barriers are fastened to wireway sections with screws. Sealing washers are included.

Bulletin: F20

Catalog Number	AxB in./mm	W in./mm
F33BK60	3.00 x 3.00 76 x 76	2.00 51
F44BK60	4.00 x 4.00 102 x 102	3.00 76
F66BK60	6.00 x 6.00 152 x 152	4.50 114
F88BK60	8.00 x 8.00 203 x 203	6.00 152





## Lay-In NEMA Type 3R Wireway

### Lay-In Wireway, NEMA Type 3R



#### Application

This moisture-proof wireway features a quick-release latch cover for convenient access and an opening on one side so wires and cables can be laid in along the entire run without pulling.

#### Features

- Open top assembly
- Self-connecting system
- Removable covers with quick-release latches

#### Specifications

- 16 or 14 gauge galvanized steel

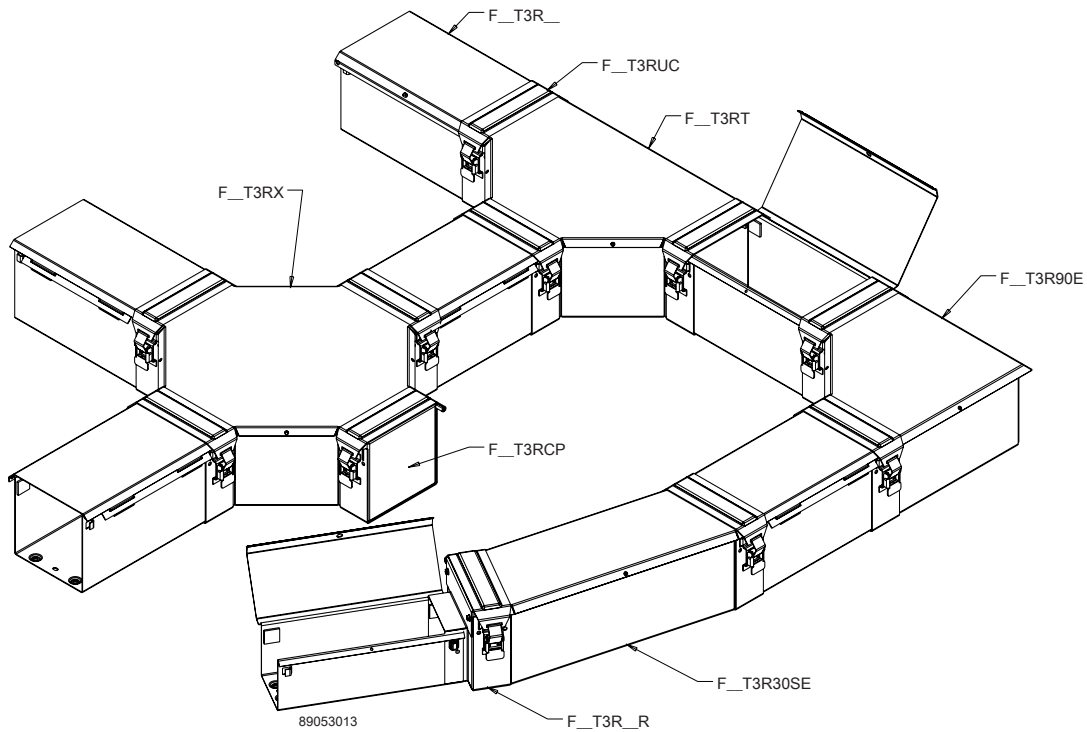
#### Finish

ANSI 61 gray polyester powder paint finish inside and out over pretreated surfaces.

#### Industry Standards

UL 870 Listed; File No. E27524; Raintight

NEMA/EEMAC Type 3R  
CSA File No. 42184, Type 3R  
IEC 60529, IP32



## Lay-In NEMA Type 3R Wireway

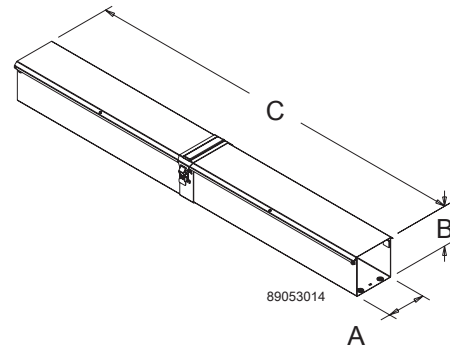
### Standard Product Selection Matrix

Description	4.00 x 4.00 in. (102 x 102 mm)	6.00 x 6.00 in. (152 x 152 mm)	8.00 x 8.00 in. (203 x 203 mm)
12.00-in. (305-mm) Straight Section*	F44T3R12	F66T3R12	F88T3R12
60.00-in. (1524-mm) Straight Section*	F44T3R60	F66T3R60	F88T3R60
120.00-in. (3048-mm) Straight Section*	F44T3R120	F66T3R120	F88T3R120
90° Flush Tee	F44T3RT	F66T3RT	F88T3RT
30° Sweep Elbow	F44T3R30SE	F66T3R30SE	F88T3R30SE
90° Elbow-Tee-Cross	F44T3RTX	F66T3RTX	F88T3RTX
90° Elbow	F44T3R90E	F66T3R90E	F88T3R90E
Panel Adapter	F44T3RPA	F66T3RPA	F88T3RPA
Closure Plate	F44T3RCP	F66T3RCP	F88T3RCP
Reducer	—	F66T3R44R	F88T3R66R
Drop and Bracket Hanger	F44T3RDH	F66T3RDH	F88T3RDH
Wall Hanger	F44T3RWH	F66T3RWH	F88T3RWH
Universal U-Connector	F44T3RUC	F66T3RUC	F88T3RUC

### Straight Section

Available in lengths from 12 in. (305 mm) to 120 in. (3038 mm).

Bulletin: F30G



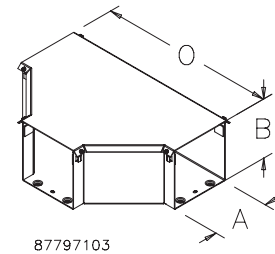
Catalog Number	AxBxC in.	AxBxC mm
F44T3R12	4.00 x 4.00 x 12.00	102 x 102 x 305
F44T3R60	4.00 x 4.00 x 60.00	102 x 102 x 1524
F44T3R120	4.00 x 4.00 x 120.00	102 x 102 x 3048
F66T3R12	6.00 x 6.00 x 12.00	152 x 152 x 305
F66T3R60	6.00 x 6.00 x 60.00	152 x 152 x 1524
F66T3R120	6.00 x 6.00 x 120.00	152 x 152 x 3048
F88T3R12	8.00 x 8.00 x 12.00	203 x 203 x 305
F88T3R60	8.00 x 8.00 x 60.00	203 x 203 x 1524
F88T3R120	8.00 x 8.00 x 120.00	203 x 203 x 3048

### 90-Degree Flush Tee

Use whenever flush mounting against a vertical surface is required.

Bulletin: F30G

Catalog Number	AxB in./mm	O in./mm
F44T3RT	4.00 x 4.00	16.00
	102 x 102	406
F66T3RT	6.00 x 6.00	18.00
	152 x 152	457
F88T3RT	8.00 x 8.00	20.00
	203 x 203	508



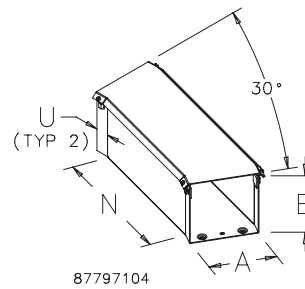
## Lay-In NEMA Type 3R Wireway

### 30-Degree Sweep Elbow

When a large radius is needed, use this sweep elbow.

Bulletin: F30G

Catalog Number	AxB in./mm	N in./mm	U in./mm
F44T3R30SE	4.00 x 4.00 102 x 102	13.00 330	1.25 31
F66T3R30SE	6.00 x 6.00 152 x 152	13.00 330	1.25 31
F88T3R30SE	8.00 x 8.00 203 x 203	13.00 330	1.25 31

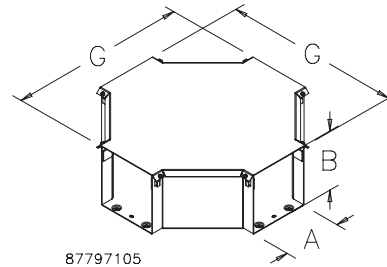


### 90-Degree Elbow-Tee-Cross

Use when there are four branches. It can be used as a 90-degree elbow or a 90-degree flush tee by adding Closure Plates.

Bulletin: F30G

Catalog Number	AxB in./mm	G in./mm
F44T3RTX	4.00 x 4.00 102 x 102	16.00 406
F66T3RTX	6.00 x 6.00 152 x 152	18.00 457
F88T3RTX	8.00 x 8.00 203 x 203	20.00 508

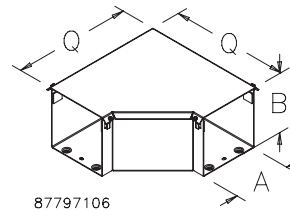


### 90-Degree Elbow

Used whenever a right-angle installation is needed.

Bulletin: F30G

Catalog Number	AxB in./mm	Q in./mm
F44T3R90E	4.00 x 4.00 102 x 102	10.00 254
F66T3R90E	6.00 x 6.00 152 x 152	12.00 305
F88T3R90E	8.00 x 8.00 203 x 203	14.00 356

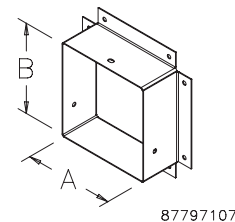


### Panel Adapter

Allows the wireway to be securely connected to an enclosure.

Bulletin: F30G

Catalog Number	AxB in./mm
F44T3RPA	4.00 x 4.00 102 x 102
F66T3RPA	6.00 x 6.00 152 x 152
F88T3RPA	8.00 x 8.00 203 x 203

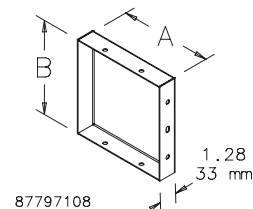


### Closure Plate

Closes the end of a wireway section or run. A U-connector must be used in combination with a closure plate to close the end of a wireway section or run.

Bulletin: F30G

Catalog Number	AxB in./mm
F44T3RCP	4.00 x 4.00 102 x 102
F66T3RCP	6.00 x 6.00 152 x 152
F88T3RCP	8.00 x 8.00 203 x 203



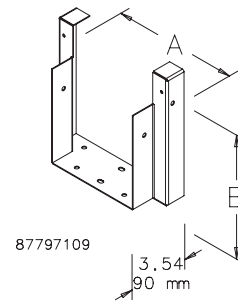
## Lay-In NEMA Type 3R Wireway

### Reducer

Used to reduce to a smaller wireway size.

Bulletin: F30G

Catalog Number	AxB in./mm
F66T3R44R	6.00 x 6.00 152 x 152
F88T3R66R	8.00 x 8.00 203 x 203

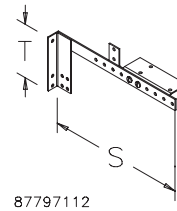
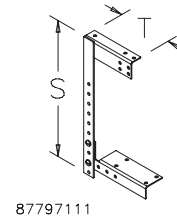


### Drop and Bracket Hanger

Used to support a wireway run.

Bulletin: F30G

Catalog Number	AxB in./mm	S in./mm	T in./mm
F44T3RDH	4.00 x 4.00 102 x 102	9.50 241	4.50 114
F66T3RDH	6.00 x 6.00 152 x 152	14.00 356	5.50 140
F88T3RDH	8.00 x 8.00 203 x 203	14.00 356	8.00 203

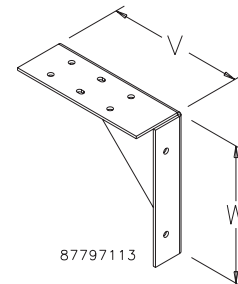


### Wall Hanger

Used to support a wireway run.

Bulletin: F30G

Catalog Number	V in./mm	W in./mm
F44T3RWH	5.00 127	5.00 127
F66T3RWH	7.00 178	7.00 178
F88T3RWH	9.00 229	9.00 229

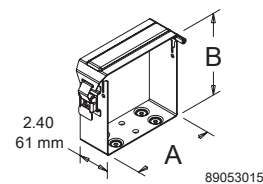


### U-Connector

Used to rigidly join fittings to straight sections.

Bulletin: F30G

Catalog Number	AxB in./mm
F44T3RUC	4.00 x 4.00 102 x 102
F66T3RUC	6.00 x 6.00 152 x 152
F88T3RUC	8.00 x 8.00 203 x 203



## Lay-In NEMA Type 12 Wireway

### Lay-In Wireway, NEMA Type 12



*Clockwise from top: Tee, Flange Gasket, Quick-Release Sealing Plate, Barriers, Barrier Bracket, 90° Elbow*

#### Industry Standards

UL 870 Listed; File No. E27524

NEMA/EEMAC Type 12  
 JIC standards EGP-1-1967 and EMP-1-1967  
 CSA, File No. 42184, Type 1  
 IEC 60529, IP54

#### Application

Used primarily in industrial applications to protect wiring against exposure to oil and other contaminants, this gasketed wireway features quick-release latches for easy access and an opening on one side so wires and cables can be laid in along the entire run without pulling. Available in multiple sizes, this wireway's finish color and texture can be customized to meet application requirements.

#### Features

- Seams continuously welded and ground smooth
- No holes or knockouts
- Smooth, rounded edges on all sections and fittings
- Butt hinges and strong latches
- Quick-release cover latches
- Oil-resistant gasket and adhesive
- Gasketed quick-release sealing plate

#### Specifications

- 14 gauge steel covers and bodies
- 10 gauge steel end flanges

#### Finish

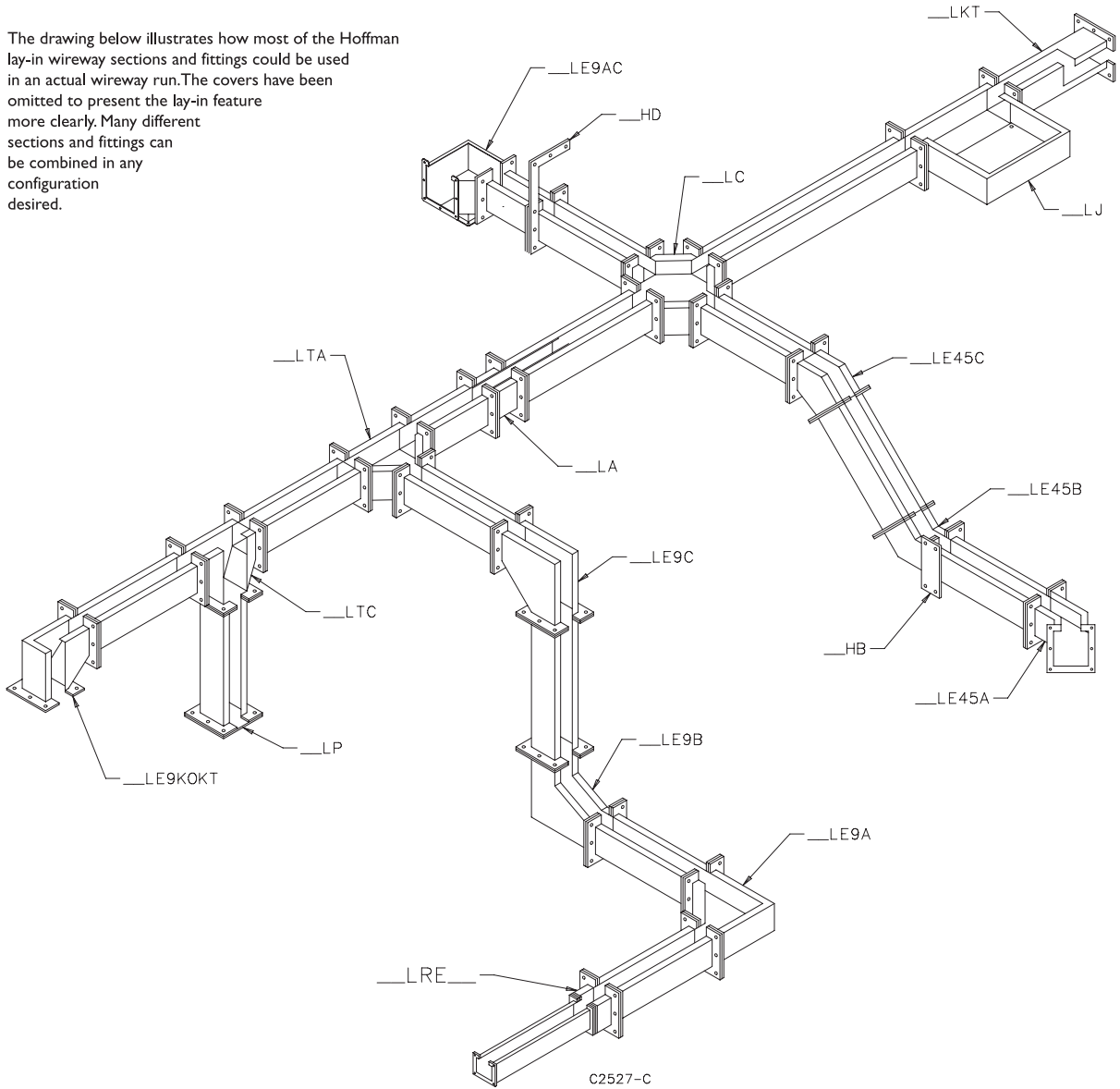
- ANSI 61 gray polyester powder finish inside and out over pretreated surfaces
- Box connector is gray ANSI 61
- LSGQR sealing plate and quick-release latches are plated

#### Accessories

Touch-Up Paint (ATPPY61)

### Lay-In NEMA Type 12 Wireway

The drawing below illustrates how most of the Hoffman lay-in wireway sections and fittings could be used in an actual wireway run. The covers have been omitted to present the lay-in feature more clearly. Many different sections and fittings can be combined in any configuration desired.



## Lay-In NEMA Type 12 Wireway

### Standard Product Selection Matrix

Description	Sealing Plates <sup>a</sup> Type	Sealing Plates <sup>a</sup> Qty.	2.50 x 2.50 in. (64 x 64 mm)	4.00 x 4.00 in. (102 x 102 mm)	6.00 x 6.00 in. (152 x 152 mm)	8.00 x 8.00 in. (203 x 203 mm)	12.00 x 6.00 in. (305 x 152 mm)
6.00-in. (152-mm) Straight Section	Flat	1	F22L06 <sup>c,d</sup>	F44L06 <sup>c,d</sup>	F66L06 <sup>c,d</sup>	F88L06 <sup>c,d</sup>	F126L06 <sup>c,d</sup>
12.00-in. (305-mm) Straight Section	Flat	1	F22L12 <sup>c,d</sup>	F44L12 <sup>c,d</sup>	F66L12 <sup>c,d</sup>	F88L12 <sup>c,d</sup>	F126L12 <sup>c,d</sup>
24.00-in. (610-mm) Straight Section	Flat	1	F22L24 <sup>c,d</sup>	F44L24 <sup>c,d</sup>	F66L24 <sup>c,d</sup>	F88L24 <sup>c,d</sup>	F126L24 <sup>c,d</sup>
36.00-in. (914-mm) Straight Section	Flat	1	F22L36 <sup>c,d</sup>	F44L36 <sup>c,d</sup>	F66L36 <sup>c,d</sup>	F88L36 <sup>c,d</sup>	F126L36 <sup>c,d</sup>
48.00-in. (1219-mm) Straight Section	Flat	1	F22L48 <sup>c,d</sup>	F44L48 <sup>c,d</sup>	F66L48 <sup>c,d</sup>	F88L48 <sup>c,d</sup>	F126L48 <sup>c,d</sup>
60.00-in. (1524-mm) Straight Section	Flat	1	F22L60 <sup>c,d</sup>	F44L60 <sup>c,d</sup>	F66L60 <sup>c,d</sup>	F88L60 <sup>c,d</sup>	F126L60 <sup>c,d</sup>
120.00-in. (3048-mm) Straight Section	Flat	1	F22L120 <sup>c,d</sup>	F44L120 <sup>c,d</sup>	F66L120 <sup>c,d</sup>	F88L120 <sup>c,d</sup>	F126L120 <sup>c,d</sup>
Cutoff Fitting, Lay-In	Flat	1	F22LXL	F44LXL	F66LXL	F88LXL	F126LXL
Cutoff Fitting, Not Lay-In	90° Angle	1	F22LX	F44LX	F66LX	F88LX	F126LX
Telescope Fitting, Lay-In	Special	1	F22LA	F44LA	F66LA	F88LA	F126LA
Cross Fitting	Flat	3	F22LC <sup>d</sup>	F44LC <sup>d</sup>	F66LC <sup>d</sup>	F88LC <sup>d</sup>	F126LC <sup>d</sup>
90° Elbow, top opening	Flat	1	F22LE9A <sup>c,d</sup>	F44LE9A <sup>c,d</sup>	F66LE9A <sup>c,d</sup>	F88LE9A <sup>c,d</sup>	F126LE9A <sup>c,d</sup>
90° Elbow, inside opening	Flat	1	F22LE9B <sup>c,d</sup>	F44LE9B <sup>c,d</sup>	F66LE9B <sup>c,d</sup>	F88LE9B <sup>c,d</sup>	F126LE9B <sup>c,d</sup>
90° Elbow, outside opening	Flat	1	F22LE9C <sup>c,d</sup>	F44LE9C <sup>c,d</sup>	F66LE9C <sup>c,d</sup>	F88LE9C <sup>c,d</sup>	F126LE9C <sup>c,d</sup>
90° Elbow, outside top opening	Flat	2	—	F44LE9AC <sup>d</sup>	F66LE9AC <sup>d</sup>	F88LE9AC <sup>d</sup>	—
45° Elbow, top opening	Flat	1	F22LE45A <sup>c,d</sup>	F44LE45A <sup>c,d</sup>	F66LE45A <sup>c,d</sup>	F88LE45A <sup>c,d</sup>	F126LE45A <sup>c,d</sup>
45° Elbow, inside opening	Flat	1	F22LE45B <sup>c,d</sup>	F44LE45B <sup>c,d</sup>	F66LE45B <sup>c,d</sup>	F88LE45B <sup>c,d</sup>	—
45° Elbow, outside opening	Flat	1	F22LE45C <sup>c,d</sup>	F44LE45C <sup>c,d</sup>	F66LE45C <sup>c,d</sup>	F88LE45C <sup>c,d</sup>	—
Tee Fitting, top opening	Flat	2	F22LTA <sup>c,d</sup>	F44LTA <sup>c,d</sup>	F66LTA <sup>c,d</sup>	F88LTA <sup>c,d</sup>	F126LTA <sup>c,d</sup>
Tee Fitting, outside top opening	Flat	2	F22LTC <sup>d</sup>	F44LTC <sup>d</sup>	F66LTC <sup>d</sup>	F88LTC <sup>d</sup>	—
Junction Box	Flat	1	F22LJ <sup>d</sup>	F44LJ <sup>d</sup>	F66LJ <sup>d</sup>	F88LJ <sup>d</sup>	—
Closure Plate	90°	1	F22LP	F44LP	F66LP	F88LP	—
Box Connector	90°	1	F22LB	F44LB	F66LB	F88LB	—
Reducer 4.00 x 4.00 to 2.50 x 2.50 (102 x 102) to (64 x 64)	None	0	—	F44LRE2	—	—	—
Reducer 6.00 x 6.00 to 4.00 x 4.00 (152 x 152) to (102 x 102)	None	0	—	—	F66LRE44 <sup>c,d</sup>	—	—
Reducer 8.00 x 8.00 to 6.00 x 6.00 (203 x 203) to (152 x 152)	None	0	—	—	—	F88LRE66 <sup>d</sup>	—
Reducer 12.00 x 6.00 to 6.00 x 6.00 (305 x 152) to (152 x 152)	None	0	—	—	—	—	F126LRE66 <sup>c,d</sup>
Reducer 12.00 x 6.00 to 4.00 x 4.00 (305 x 152) to (102 x 102)	None	0	—	—	—	—	F126LRE44 <sup>c,d</sup>
1.00-in. (25-mm) Nipple	Special	1	F22LN1 <sup>c,d</sup>	F44LN1 <sup>c,d</sup>	F66LN1 <sup>c,d</sup>	—	—
2.00-in. (51-mm) Nipple	Special	1	F22LN2 <sup>c,d</sup>	F44LN2 <sup>c,d</sup>	F66LN2 <sup>c,d</sup>	—	—
3.00-in. (76-mm) Nipple	Special	1	F22LN3 <sup>c,d</sup>	F44LN3 <sup>c,d</sup>	F66LN3 <sup>c,d</sup>	—	—
Drop Hanger	None	0	F22HD	F44HD	F66HD	F88HD	—
Bracket Hanger	None	0	F22HB	F44HB	F66HB	F88HB	—
Clockwise Transposition Section	Flat	1	F22LKT <sup>c,d</sup>	F44LKT <sup>c,d</sup>	F66LKT <sup>c,d</sup>	—	—
Counterclockwise Transposition Section	Flat	1	F22LKOKT <sup>c,d</sup>	F44LKOKT <sup>c,d</sup>	F66LKOKT <sup>c,d</sup>	—	—
90° Elbow, Clockwise Transposition	Flat	1	F22LE9KT <sup>c,d</sup>	F44LE9KT <sup>c,d</sup>	F66LE9KT <sup>c,d</sup>	F88LE9KT <sup>c,d</sup>	—
90° Elbow, Counterclockwise Transposition	Flat	1	F22LE9KOKT <sup>c,d</sup>	F44LE9KOKT <sup>c,d</sup>	F66LE9KOKT <sup>c,d</sup>	F88LE9KOKT <sup>c,d</sup>	—
Barrier Kit, bolt-on	None	0	—	F44BK60	F66BK60	F88BK60	F66BK60
Each barrier 60.00 in. (1524 mm)	—	—	—	—	—	—	—
Barrier, bracket-mounted <sup>b</sup> Each barrier 60.00 in. (1524 mm) <sup>b</sup>	—	1 pkg. (5 pcs.)	—	F44B360	F66B560	—	—
Barrier Brackets, 2 compartment <sup>b</sup>	—	1 pkg. (5 pcs.)	—	F44BB2C	F66BB2C	—	—
Barrier Brackets, 3 compartment <sup>b</sup>	—	1 pkg. (5 pcs.)	—	F44BB3C	F66BB3C	—	—
Flat Sealing Plate <sup>a</sup>	—	—	F22LSGQR	F44LSGQR	F66LSGQR	F88LSGQR	F126LSGQR
90° Angle Sealing Plate <sup>a</sup>	—	—	F22LSAG	F44LSAG	F66LSAG	F88LSAG	F126LSAG

<sup>a</sup> Each sealing plate also includes one gasket and one set of screws to join sections.

<sup>b</sup> Package consists of five barriers or five brackets. Each barrier is 60-in. long.

<sup>c</sup> Certified by Canadian Standards Association.

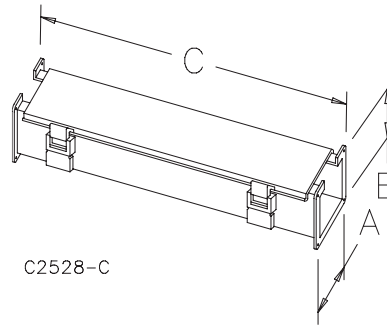
<sup>d</sup> UL 870

## Lay-In NEMA Type 12 Wireway

### Straight Section

Available in lengths from 6.00 in. (152 mm) to 120.00 in. (3048 mm).

Bulletin: F10

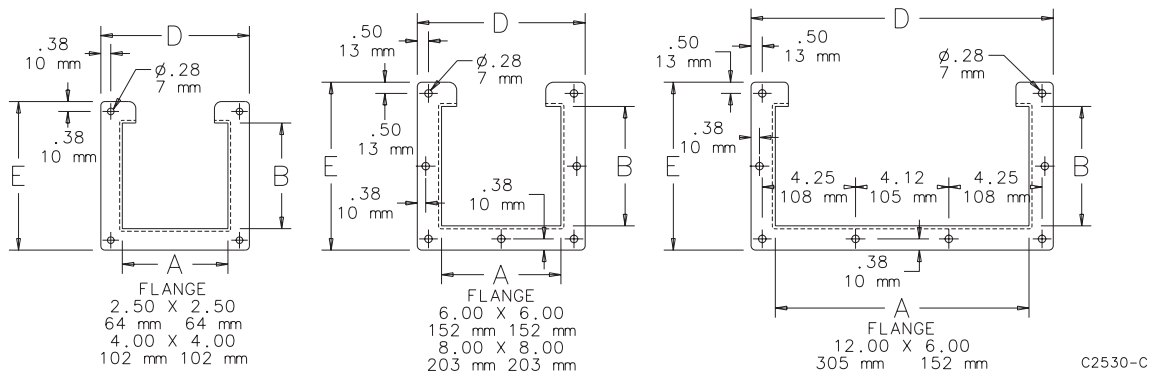


### Straight Sections

Catalog Number	AxBxCin.	AxBxCmm	Sealing Plates, Type <sup>a</sup>	Sealing Plates, Qty. <sup>a</sup>	D (in.)	D (mm)	E (in.)	E (mm)
F22L06	2.50 x 2.50 x 6.00	64 x 64 x 152	Flat	1	3.88	99	3.88	99
F22L12	2.50 x 2.50 x 12.00	64 x 64 x 305	Flat	1	3.88	99	3.88	99
F22L24	2.50 x 2.50 x 24.00	64 x 64 x 610	Flat	1	3.88	99	3.88	99
F22L36	2.50 x 2.50 x 36.00	64 x 64 x 914	Flat	1	3.88	99	3.88	99
F22L48	2.50 x 2.50 x 48.00	64 x 64 x 1219	Flat	1	3.88	99	3.88	99
F22L60	2.50 x 2.50 x 60.00	64 x 64 x 1524	Flat	1	3.88	99	3.88	99
F22L120	2.50 x 2.50 x 120.00	64 x 64 x 3048	Flat	1	3.88	99	3.88	99
F44L06	4.00 x 4.00 x 6.00	102 x 102 x 152	Flat	1	5.38	137	5.38	137
F44L12	4.00 x 4.00 x 12.00	102 x 102 x 305	Flat	1	5.38	137	5.38	137
F44L24	4.00 x 4.00 x 24.00	102 x 102 x 610	Flat	1	5.38	137	5.38	137
F44L36	4.00 x 4.00 x 36.00	102 x 102 x 914	Flat	1	5.38	137	5.38	137
F44L48	4.00 x 4.00 x 48.00	102 x 102 x 1219	Flat	1	5.38	137	5.38	137
F44L60	4.00 x 4.00 x 60.00	102 x 102 x 1524	Flat	1	5.38	137	5.38	137
F44L120	4.00 x 4.00 x 120.00	102 x 102 x 3048	Flat	1	5.38	137	5.38	137
F66L06	6.00 x 6.00 x 6.00	152 x 152 x 152	Flat	1	7.62	194	7.62	194
F66L12	6.00 x 6.00 x 12.00	152 x 152 x 305	Flat	1	7.62	194	7.62	194
F66L24	6.00 x 6.00 x 24.00	152 x 152 x 610	Flat	1	7.62	194	7.62	194
F66L36	6.00 x 6.00 x 36.00	152 x 152 x 914	Flat	1	7.62	194	7.62	194
F66L48	6.00 x 6.00 x 48.00	152 x 152 x 1219	Flat	1	7.62	194	7.62	194
F66L60	6.00 x 6.00 x 60.00	152 x 152 x 1524	Flat	1	7.62	194	7.62	194
F66L120	6.00 x 6.00 x 120.00	152 x 152 x 3048	Flat	1	7.62	194	7.62	194
F88L06	8.00 x 8.00 x 6.00	203 x 203 x 152	Flat	1	9.62	244	9.62	244
F88L12	8.00 x 8.00 x 12.00	203 x 203 x 305	Flat	1	9.62	244	9.62	244
F88L24	8.00 x 8.00 x 24.00	203 x 203 x 610	Flat	1	9.62	244	9.62	244
F88L36	8.00 x 8.00 x 36.00	203 x 203 x 914	Flat	1	9.62	244	9.62	244
F88L48	8.00 x 8.00 x 48.00	203 x 203 x 1219	Flat	1	9.62	244	9.62	244
F88L60	8.00 x 8.00 x 60.00	203 x 203 x 1524	Flat	1	9.62	244	9.62	244
F88L120	8.00 x 8.00 x 120.00	203 x 203 x 3048	Flat	1	9.62	244	9.62	244
F126L06	12.00 x 6.00 x 6.00	305 x 152 x 152	Flat	1	13.62	346	7.62	194
F126L12	12.00 x 6.00 x 12.00	305 x 152 x 305	Flat	1	13.62	346	7.62	194
F126L24	12.00 x 6.00 x 24.00	305 x 152 x 610	Flat	1	13.62	346	7.62	194
F126L36	12.00 x 6.00 x 36.00	305 x 152 x 914	Flat	1	13.62	346	7.62	194
F126L48	12.00 x 6.00 x 48.00	305 x 152 x 1219	Flat	1	13.62	346	7.62	194
F126L60	12.00 x 6.00 x 60.00	305 x 152 x 1524	Flat	1	13.62	346	7.62	194
F126L120	12.00 x 6.00 x 120.00	305 x 152 x 3048	Flat	1	13.62	346	7.62	194

<sup>a</sup>Each sealing plate also includes one gasket and one set of screws to join sections.

Certified by Canadian Standards Association.





## Lay-In NEMA Type 12 Wireway

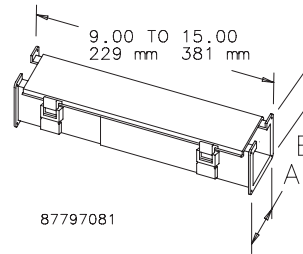
### Cut-Off Fitting, Lay-In

For lengths of 9.00 in. (229 mm) to 15.00 in. (381 mm) only. Body comes in two pieces. Shorten body and cover to the desired length and weld together.

Bulletin: F10

Catalog Number	AxB in.	AxB mm	Sealing Plates, Type <sup>a</sup>	Sealing Plates, Qty. <sup>a</sup>
F22LXL	2.50 x 2.50	64 x 64	Flat	1
F44LXL	4.00 x 4.00	102 x 102	Flat	1
F66LXL	6.00 x 6.00	152 x 152	Flat	1
F88LXL	8.00 x 8.00	203 x 203	Flat	1
F126LXL	12.00 x 6.00	305 x 152	Flat	1

<sup>a</sup>Each sealing plate also includes one gasket and one set of screws to join sections.



87797081

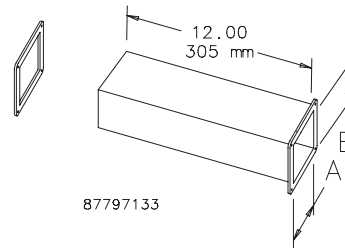
### Cut-Off Fitting, Non-Lay-In

For lengths up to 12.00 in. (305 mm). Shorten body to desired length and weld on flange. This is not a "lay-in" fitting but often is used when entering an enclosure.

Bulletin: F10

Catalog Number	AxB in.	AxB mm	Sealing Plates, Type <sup>a</sup>	Sealing Plates, Qty. <sup>a</sup>
F22LX	2.50 x 2.50	64 x 64	90° Angle	1
F44LX	4.00 x 4.00	102 x 102	90° Angle	1
F66LX	6.00 x 6.00	152 x 152	90° Angle	1
F88LX	8.00 x 8.00	203 x 203	90° Angle	1
F126LX	12.00 x 6.00	305 x 152	90° Angle	1

<sup>a</sup>Each sealing plate also includes one gasket and one set of screws to join sections.



87797133

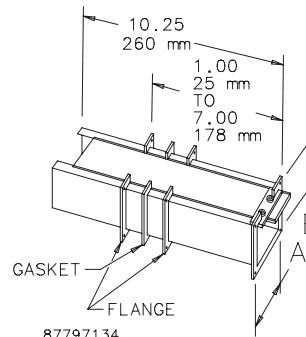
### Telescope Fitting, Lay-In

Length is easily adjustable from 1.00 in. (25 mm) to 7.00 in. (178 mm). No cutting or welding required.

Bulletin: F10

Catalog Number	AxB in.	AxB mm	Sealing Plates, Type <sup>a</sup>	Sealing Plates, Qty. <sup>a</sup>
F22LA	2.50 x 2.50	64 x 64	Special	1
F44LA	4.00 x 4.00	102 x 102	Special	1
F66LA	6.00 x 6.00	152 x 152	Special	1
F88LA	8.00 x 8.00	203 x 203	Special	1
F126LA	12.00 x 6.00	305 x 152	Special	1

<sup>a</sup>Each sealing plate also includes one gasket and one set of screws to join sections.



87797134

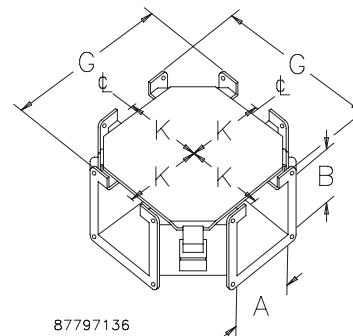
### Cross Fitting

Used when there are four branches, all open along the same side.

Bulletin: F10

Catalog Number	AxB in./mm	Sealing Plates, Type <sup>a</sup>	Sealing Plates, Qty. <sup>a</sup>	G in./mm	K in./mm
F22LC	2.50 x 2.50	Flat	3	8.50	4.25
	64 x 64			216	108
F44LC	4.00 x 4.00	Flat	3	10.00	5.00
	102 x 102			254	127
F66LC	6.00 x 6.00	Flat	3	12.00	6.00
	152 x 152			305	152
F88LC	8.00 x 8.00	Flat	3	14.00	7.00
	203 x 203			356	178
F126LC	12.00 x 6.00	Flat	3	18.00	9.00
	305 x 152			457	229

<sup>a</sup>Each sealing plate also includes one gasket and one set of screws to join sections.



87797136

Certified by Canadian Standards Association

## Lay-In NEMA Type 12 Wireway

### 90-Degree Elbows

Because sections of lay-in wireway can be mounted with covers oriented in any direction, three different 90-degree elbows are available. Proper selection allows the user to maintain the same access and thereby preserve the lay-in feature for right-angle installations.

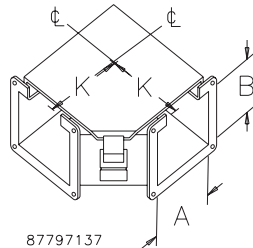
Bulletin: F10

#### Top Opening

Catalog Number	AxB in./mm	Sealing Plates, Type <sup>a</sup>	Sealing Plates, Qty. <sup>a</sup>	K in./mm
<b>F22LE9A</b>	2.50 x 2.50 64 x 64	Flat	1	4.25 108
<b>F44LE9A</b>	4.00 x 4.00 102 x 102	Flat	1	5.00 127
<b>F66LE9A</b>	6.00 x 6.00 152 x 152	Flat	1	6.00 152
<b>F88LE9A</b>	8.00 x 8.00 203 x 203	Flat	1	7.00 178
<b>F126LE9A</b>	12.00 x 6.00 305 x 152	Flat	1	9.00 229

<sup>a</sup>Each sealing plate also includes one gasket and one set of screws to join sections.

Certified by Canadian Standards Association.

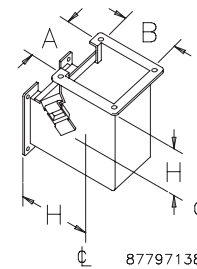


#### Inside Opening

Catalog Number	AxB in./mm	Sealing Plates, Type <sup>a</sup>	Sealing Plates, Qty. <sup>a</sup>	H in./mm
<b>F22LE9B</b>	2.50 x 2.50 64 x 64	Flat	1	4.25 108
<b>F44LE9B</b>	4.00 x 4.00 102 x 102	Flat	1	5.00 127
<b>F66LE9B</b>	6.00 x 6.00 152 x 152	Flat	1	6.00 152
<b>F88LE9B</b>	8.00 x 8.00 203 x 203	Flat	1	7.00 178
<b>F126LE9B</b>	12.00 x 6.00 305 x 152	Flat	1	6.00 152

<sup>a</sup>Each sealing plate also includes one gasket and one set of screws to join sections.

Certified by Canadian Standards Association.

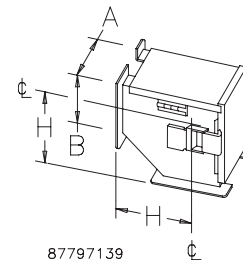


#### Outside Opening

Catalog Number	AxB in./mm	Sealing Plates, Type <sup>a</sup>	Sealing Plates, Qty. <sup>a</sup>	H in./mm
<b>F22LE9C</b>	2.50 x 2.50 64 x 64	Flat	1	4.25 108
<b>F44LE9C</b>	4.00 x 4.00 102 x 102	Flat	1	5.00 127
<b>F66LE9C</b>	6.00 x 6.00 152 x 152	Flat	1	6.00 152
<b>F88LE9C</b>	8.00 x 8.00 203 x 203	Flat	1	7.00 178
<b>F126LE9C</b>	12.00 x 6.00 305 x 152	Flat	1	6.00 152

<sup>a</sup>Each sealing plate also includes one gasket and one set of screws to join sections.

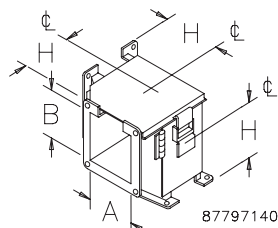
Certified by Canadian Standards Association.



### 90-Degree Elbow—Outside Top Opening

This elbow fitting allows a vertical drop to equipment below at a 90-degree corner while maintaining the top opening lay-in feature.

Bulletin: F10



Catalog Number	AxB in./mm	Sealing Plates, Type <sup>a</sup>	Sealing Plates, Qty. <sup>a</sup>	H in./mm
<b>F44LE9AC</b>	4.00 x 4.00 102 x 102	Flat	2	5.00 127
<b>F66LE9AC</b>	6.00 x 6.00 152 x 152	Flat	2	6.00 152
<b>F88LE9AC</b>	8.00 x 8.00 203 x 203	Flat	2	7.00 178

<sup>a</sup>Each sealing plate also includes one gasket and one set of screws to join sections.

# Lay-In NEMA Type 12 Wireway

## 45-Degree Elbows

Because sections of lay-in wireway can be mounted with covers oriented in any direction, three different 45-degree elbows are available. Proper selection allows the user to maintain the same access and thereby preserve the lay-in feature for right-angle installations.

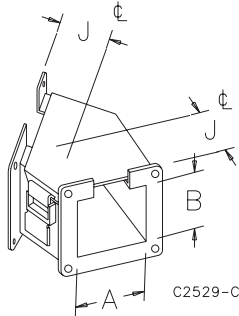
Bulletin: F10

### Top Opening

Catalog Number	AxB in./mm	Sealing Plates, Type <sup>a</sup>	Sealing Plates, Qty. <sup>a</sup>	J in./mm
<b>F22LE45A</b>	2.50 x 2.50 64 x 64	Flat	1	2.00 51
<b>F44LE45A</b>	4.00 x 4.00 102 x 102	Flat	1	2.44 62
<b>F66LE45A</b>	6.00 x 6.00 152 x 152	Flat	1	3.00 76
<b>F88LE45A</b>	8.00 x 8.00 203 x 203	Flat	1	3.75 95
<b>F126LE45A</b>	12.00 x 6.00 305 x 152	Flat	1	4.75 121

<sup>a</sup>Each sealing plate also includes one gasket and one set of screws to join sections.

Certified by Canadian Standards Association

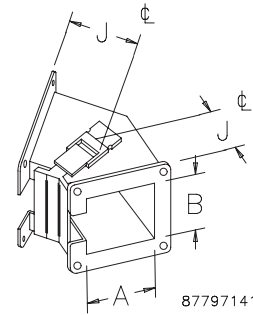


### Inside Opening

Catalog Number	AxB in./mm	Sealing Plates, Type <sup>a</sup>	Sealing Plates, Qty. <sup>a</sup>	J in./mm
<b>F22LE45B</b>	2.50 x 2.50 64 x 64	Flat	1	2.00 51
<b>F44LE45B</b>	4.00 x 4.00 102 x 102	Flat	1	2.44 62
<b>F66LE45B</b>	6.00 x 6.00 152 x 152	Flat	1	3.00 76
<b>F88LE45B</b>	8.00 x 8.00 203 x 203	Flat	1	3.75 95

<sup>a</sup>Each sealing plate also includes one gasket and one set of screws to join sections.

Certified by Canadian Standards Association.

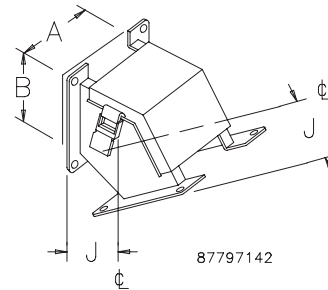


### Outside Opening

Catalog Number	AxB in./mm	Sealing Plates, Type <sup>a</sup>	Sealing Plates, Qty. <sup>a</sup>	J in./mm
<b>F22LE45C</b>	2.50 x 2.50 64 x 64	Flat	1	2.00 51
<b>F44LE45C</b>	4.00 x 4.00 102 x 102	Flat	1	2.44 62
<b>F66LE45C</b>	6.00 x 6.00 152 x 152	Flat	1	3.00 76
<b>F88LE45C</b>	8.00 x 8.00 203 x 203	Flat	1	3.75 95

<sup>a</sup>Each sealing plate also includes one gasket and one set of screws to join sections.

Certified by Canadian Standards Association



## Lay-In NEMA Type 12 Wireway

### Tee Fitting—Top Opening

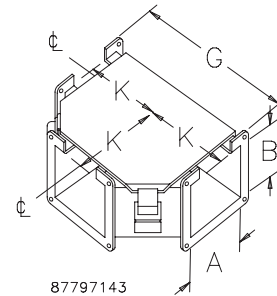
This fitting is used when the covers of all three branches of the wireway run are open along the same side.

Bulletin: F10

Catalog Number	AxB in./mm	Sealing Plates, Type <sup>a</sup>	Sealing Plates, Qty. <sup>a</sup>	G in./mm	K in./mm
F22LTA	2.50 x 2.50	Flat	2	8.50	4.25
	64 x 64			216	108
F44LTA	4.00 x 4.00	Flat	2	10.00	5.00
	102 x 102			254	127
F66LTA	6.00 x 6.00	Flat	2	12.00	6.00
	152 x 152			305	152
F88LTA	8.00 x 8.00	Flat	2	14.00	7.00
	203 x 203			356	178
F126LTA	12.00 x 6.00	Flat	2	18.00	9.00
	305 x 152			457	229

<sup>a</sup>Each sealing plate also includes one gasket and one set of screws to join sections.

Certified by Canadian Standards Association.



### Tee Fitting—Outside Top Opening

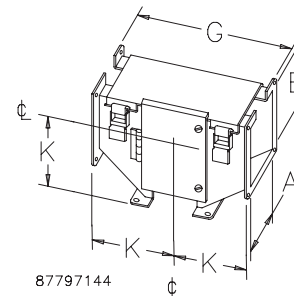
This fitting is used when the covers of two branches are on the same side and the third is on a different side.

Bulletin: F10

Catalog Number	AxB in./mm	Sealing Plates, Type <sup>a</sup>	Sealing Plates, Qty. <sup>a</sup>	G in./mm	K in./mm
F22LTC	2.50 x 2.50	Flat	2	8.50	4.25
	64 x 64			216	108
F44LTC	4.00 x 4.00	Flat	2	10.00	5.00
	102 x 102			254	127
F66LTC	6.00 x 6.00	Flat	2	12.00	6.00
	152 x 152			305	152
F88LTC	8.00 x 8.00	Flat	2	14.00	7.00
	203 x 203			356	178

<sup>a</sup>Each sealing plate also includes one gasket and one set of screws to join sections.

Certified by Canadian Standards Association.



### Junction Box

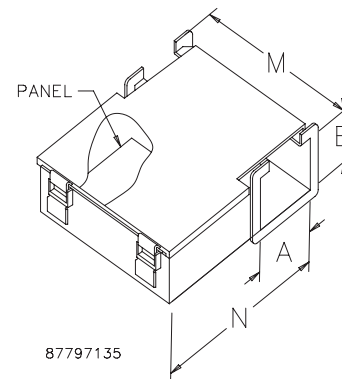
The junction box has a removable panel on which terminal blocks and other components may be mounted.

Bulletin: F10

Catalog Number	AxB in./mm	Sealing Plates, Type	Sealing Plates, Qty. <sup>a</sup>	M in./mm	N in./mm	Removable Panel Size in./mm
F22LJ	2.50 x 2.50	Flat	1	12.00	10.25	8.75 x 6.88
	64 x 64			305	260	222 x 175
F44LJ	4.00 x 4.00	Flat	1	14.00	13.88	10.75 x 8.88
	102 x 102			356	353	273 x 225
F66LJ	6.00 x 6.00	Flat	1	16.00	17.88	12.75 x 10.88
	152 x 152			406	454	324 x 276
F88LJ	8.00 x 8.00	Flat	1	18.00	21.88	14.75 x 12.88
	203 x 203			457	556	375 x 327

<sup>a</sup>Each sealing plate also includes one gasket and one set of screws to join sections.

Certified by Canadian Standards Association.



## Lay-In NEMA Type 12 Wireway

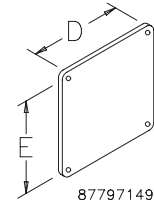
### Closure Plate

Used to seal the end of a wireway section or run.

Bulletin: F10

Catalog Number	Sealing Plates, Type <sup>a</sup>	Sealing Plates, Qty. <sup>a</sup>	D in./mm	E in./mm
F22LP	90°	1	3.88 99	3.88 99
F44LP	90°	1	5.38 137	5.38 137
F66LP	90°	1	7.62 194	7.62 194
F88LP	90°	1	9.62 244	9.62 244
F126LP	90°	1	13.62 346	7.62 194

<sup>a</sup>Each sealing plate also includes one gasket and one set of screws to join sections.



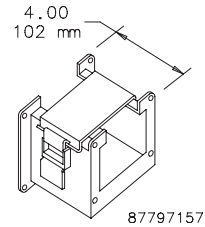
### Reducer

This fitting permits the lay-in feature to be retained when reducing to a smaller wireway size.

Bulletin: F10

Catalog Number	Sealing Plates, Type	Sealing Plates, Qty.	From A x B in./mm	To A x B in./mm
F44LRE22	None	0	4.00 x 4.00 102 x 102	2.50 x 2.50 64 x 64
F66LRE44	None	0	6.00 x 6.00 152 x 152	4.00 x 4.00 102 x 102
F88LRE66	None	0	8.00 x 8.00 203 x 203	6.00 x 6.00 152 x 152
F126LRE66	None	0	12.00 x 6.00 305 x 152	6.00 x 6.00 152 x 152
F126LRE44	None	0	12.00 x 6.00 305 x 152	4.00 x 4.00 102 x 102

Certified by Canadian Standards Association.



### Nipple

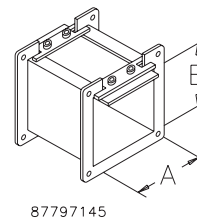
Available in lengths of 1.00 in. (25 mm), 2.00 in. (51 mm) and 3.00 in. (76 mm).

Bulletin: F10

Catalog Number	AxBxC in./mm	Sealing Plates, Type <sup>a</sup>	Sealing Plates, Qty. <sup>a</sup>
F22LN1	2.50 x 2.50 x 1.00 64 x 64 x 25	Special	1
F22LN2	2.50 x 2.50 x 2.00 64 x 64 x 51	Special	1
F22LN3	2.50 x 2.50 x 3.00 64 x 64 x 76	Special	1
F44LN1	4.00 x 4.00 x 1.00 102 x 102 x 25	Special	1
F44LN2	4.00 x 4.00 x 2.00 102 x 102 x 51	Special	1
F44LN3	4.00 x 4.00 x 3.00 102 x 102 x 76	Special	1
F66LN1	6.00 x 6.00 x 1.00 152 x 152 x 25	Special	1
F66LN2	6.00 x 6.00 x 2.00 152 x 152 x 51	Special	1
F66LN3	6.00 x 6.00 x 3.00 152 x 152 x 76	Special	1

<sup>a</sup>Each sealing plate also includes one gasket and one set of screws to join sections.

Certified by Canadian Standards Association.



## Lay-In NEMA Type 12 Wireway

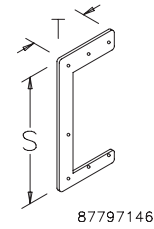
### Drop Hanger

Hangers are used to support a wireway run. The drop hanger is normally attached to an overhead beam or ceiling.

Bulletin: F20

Catalog Number	Sealing Plates, Type <sup>a</sup>	Sealing Plates, Qty. <sup>a</sup>	S in./mm	T in./mm
F22HD	None	0	9.25 235	4.50 114
F44HD	None	0	11.75 298	6.00 152
F66HD	None	0	15.25 387	8.12 206
F88HD	None	0	20.56 522	12.12 308

<sup>a</sup>Each sealing plate also includes one gasket and one set of screws to join sections.



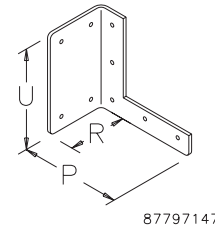
87797146

### Bracket Hanger

Hangers are used to support a wireway run. The bracket hanger can be used for wall, floor or ceiling installations.

Bulletin: F20

Catalog Number	P in./mm	R in./mm	U in./mm
F22HB	4.62 117	3.62 92	4.38 111
F44HB	6.12 155	3.62 92	5.88 149
F66HB	8.25 210	3.62 92	7.88 200
F88HB	10.25 260	3.62 92	11.25 286



87797147

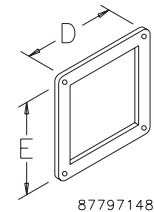
### Box Connector

When wireway enters an enclosure, a box connector should be used on the inside of the enclosure to ensure a tight seal.

Bulletin: F10

Catalog Number	Sealing Plates, Type <sup>a</sup>	Sealing Plates, Qty. <sup>a</sup>	D in./mm	E in./mm
F22LB	90°	1	3.88 99	3.88 99
F44LB	90°	1	5.38 137	5.38 137
F66LB	90°	1	7.62 194	7.62 194
F88LB	90°	1	9.62 244	9.62 244
F126LB	90°	1	13.62 346	7.62 194

<sup>a</sup>Each sealing plate also includes one gasket and one set of screws to join sections.



87797148

## Lay-In NEMA Type 12 Wireway

### Transposition Sections

These fittings are used when it is necessary to rotate the open side of the wireway run by 90 degrees and still retain the lay-in feature.

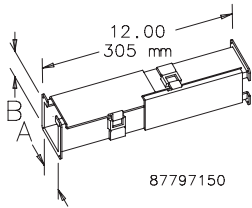
Bulletin: F10

#### Clockwise

Catalog Number	AxB in./mm	Sealing Plates, Type <sup>a</sup>	Sealing Plates, Qty. <sup>a</sup>
F22LKT	2.50 x 2.50 64 x 64	Flat	1
F44LKT	4.00 x 4.00 102 x 102	Flat	1
F66LKT	6.00 x 6.00 152 x 152	Flat	1

<sup>a</sup>Each sealing plate also includes one gasket and one set of screws to join sections.

Certified by Canadian Standards Association.



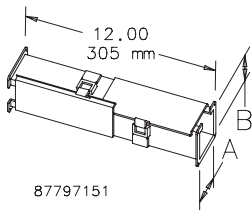
87797150

#### Counterclockwise

Catalog Number	AxB in./mm	Sealing Plates, Type <sup>a</sup>	Sealing Plates, Qty. <sup>a</sup>
F22LKOKT	2.50 x 2.50 64 x 64	Flat	1
F44LKOKT	4.00 x 4.00 102 x 102	Flat	1
F66LKOKT	6.00 x 6.00 152 x 152	Flat	1

<sup>a</sup>Each sealing plate also includes one gasket and one set of screws to join sections.

Certified by Canadian Standards Association.



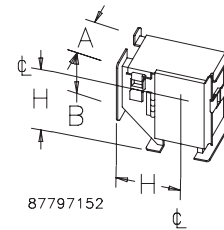
87797151

#### 90-Degree Elbow—Clockwise

Catalog Number	AxB in./mm	Sealing Plates, Type <sup>a</sup>	Sealing Plates, Qty. <sup>a</sup>	H in./mm
F22LE9KT	2.50 x 2.50 64 x 64	Flat	1	2.45 108
F44LE9KT	4.00 x 4.00 102 x 102	Flat	1	5.00 127
F66LE9KT	6.00 x 6.00 152 x 152	Flat	1	6.00 452
F88LE9KT	8.00 x 8.00 203 x 203	Flat	1	7.00 178

<sup>a</sup>Each sealing plate also includes one gasket and one set of screws to join sections.

Certified by Canadian Standards Association.



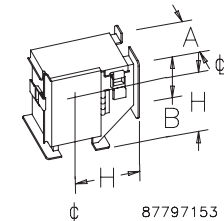
87797152

#### 90-Degree Elbow—Counterclockwise

Catalog Number	AxB in./mm	Sealing Plates, Type <sup>a</sup>	Sealing Plates, Qty. <sup>a</sup>	H in./mm
F22LE9KOKT	2.50 x 2.50 64 x 64	Flat	1	4.25 108
F44LE9KOKT	4.00 x 4.00 102 x 102	Flat	1	5.00 127
F66LE9KOKT	6.00 x 6.00 152 x 152	Flat	1	6.00 152
F88LE9KOKT	8.00 x 8.00 203 x 203	Flat	1	7.00

<sup>a</sup>Each sealing plate also includes one gasket and one set of screws to join sections.

Certified by Canadian Standards Association.



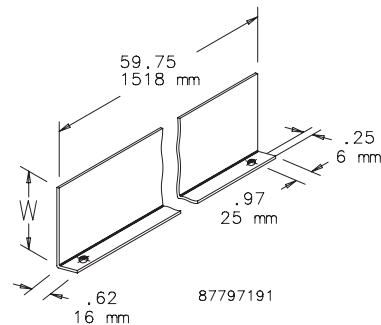
87797153

### Barrier Kit, Bolt-On

Divides wireway into two or more compartments. Barriers are fastened to wireway sections with screws. Sealing washers are included.

Bulletin: F20

Catalog Number	AxB in./mm	W in./mm
F33BK60	3.00 x 3.00 76 x 76	2.00 51
F44BK60	4.00 x 4.00 102 x 102	3.00 76
F66BK60	6.00 x 6.00 152 x 152	4.50 114
F88BK60	8.00 x 8.00 203 x 203	6.00 152



87797191

## Lay-In NEMA Type 12 Wireway

### Barrier Kits, Bracket-Mounted

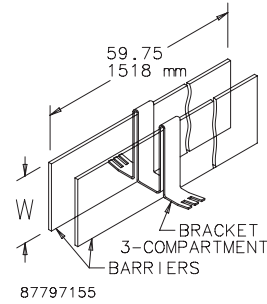
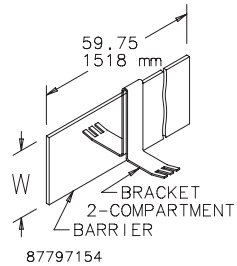
Spring steel brackets hold barriers in place by friction fit inside wireway. Order barrier and bracket separately. Recommended spacing in increments of 3 ft. (.9 m).

Bulletin: F10

#### Two or Three Compartment

Catalog Number	Sealing Plates (qty.) <sup>a</sup>	W (in.)	W (mm)
F44B360	1 pkg.* (5 pcs.)	3.00	76
F66B560	1 pkg.* (5 pcs.)	4.50	114

<sup>a</sup>Package consists of five barriers or five brackets. Each barrier is 60 inches long.



#### Two Compartment

Catalog Number	Sealing Plates (qty.) <sup>a</sup>	W (in.)	W (mm)
F44BB2C	1 pkg.	3.00	76
F66BB2C	1 pkg.	4.50	114

<sup>a</sup>Package consists of five barriers or five brackets. Each barrier is 60 inches long.

#### Three Compartment

Catalog Number	Sealing Plates (qty.) <sup>a</sup>	W (in.)	W (mm)
F44BB3C	1 pkg.	3.00	76
F66BB3C	1 pkg.	4.50	114

<sup>a</sup>Package consists of five barriers or five brackets. Each barrier is 60 inches long.

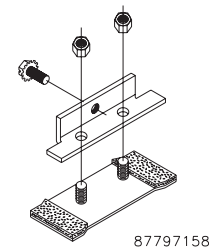
### 90-Degree Angle Sealing Plate

When joining a lay-in section or fitting to a closure plate, a box connector, a non-lay-in cut-off fitting or any similar non-lay-in section or fitting, a F\_\_\_\_LSAG 90-degree angle sealing plate is required at each junction. Hoffman furnishes this plate with fittings. Additional 90-degree angle sealing plates may be required in some cases. Plate includes a flange gasket and flange screws, not shown in drawing.

Bulletin: F10

Catalog Number	AxB in./mm
F22LSAG	2.50 x 2.50 64 x 64
F44LSAG	4.00 x 4.00 102 x 102
F66LSAG	6.00 x 6.00 152 x 152
F88LSAG	8.00 x 8.00 203 x 203
F126LSAG	12.00 x 6.00 305 x 152

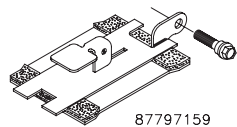
Each sealing plate also includes one gasket and one set of screws to join sections.



### Quick-Release Flat Sealing Plate

This exclusive Hoffman-designed hinged sealing plate permits quick and easy access to the wireway interior without using a tool.

Bulletin: F10



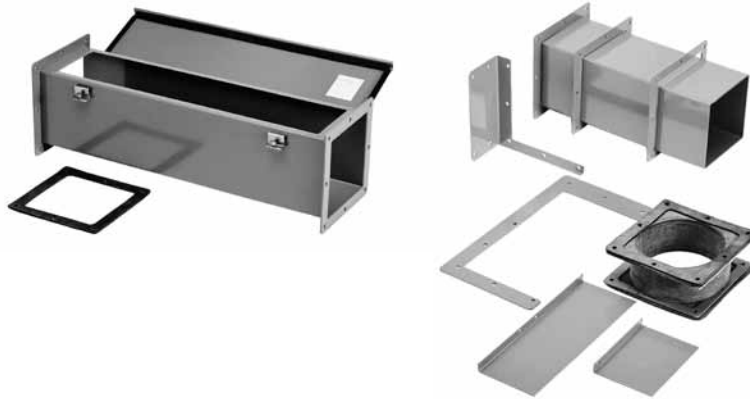
Catalog Number	AxB in./mm
F22LSGQR	2.50 x 2.50 64 x 64
F44LSGQR	4.00 x 4.00 102 x 102
F66LSGQR	6.00 x 6.00 152 x 152
F88LSGQR	8.00 x 8.00 203 x 203
F126LSGQR	12.00 x 6.00 305 x 152

Each sealing plate also includes one gasket and one set of screws to join sections.



## Feed-Through NEMA Type 12 Wireway

### Feed-Through Wireway, NEMA Type 12



#### Industry Standards

UL 870; File No. E27524

NEMA/EEMAC Type 12  
 JIC standards EGP-1-1967 and EMP-1-1967  
 CSA, File No. 42184, Type 1  
 IEC 60529, IP54

#### Application

With a variety of fittings and brackets, this traditional-design wireway is suitable for a broad range of industrial applications.

#### Features

- Seams continuously welded and ground smooth
- No holes or knockouts
- Smooth, rounded edges on all sections and fittings
- Heavy butt hinges and external screw clamps
- Oil-resistant gasket and adhesive

#### Specifications

- 14 gauge steel covers and bodies
- 10 gauge steel end flanges

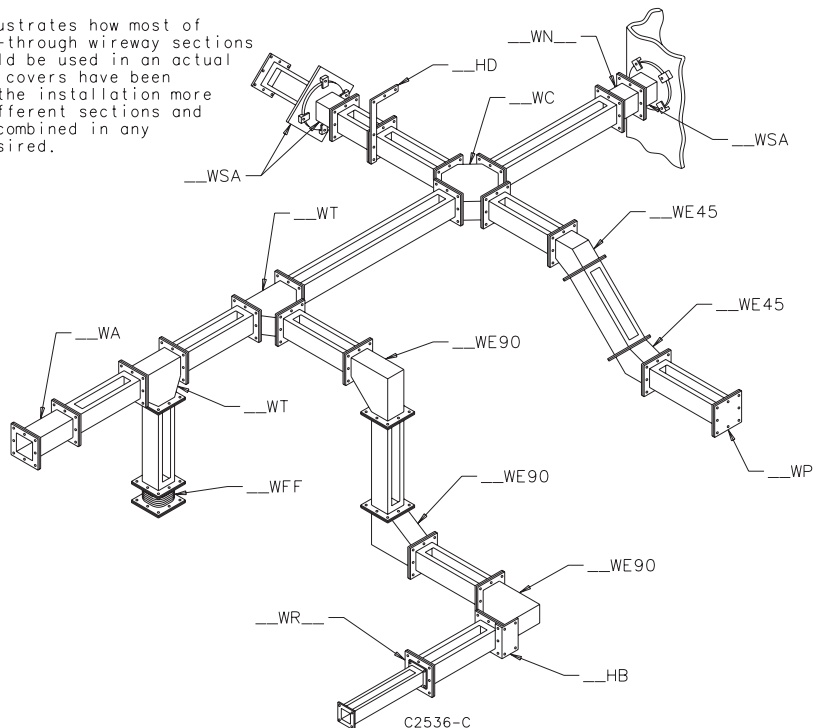
#### Finish

ANSI 61 gray polyester powder finish inside and out over pretreated surfaces. Box connector is gray ANSI 61. Clamps and screws are plated.

#### Accessories

Touch-Up Paint (ATPPY61)

This drawing illustrates how most of the Hoffman feed-through wireway sections and fittings could be used in an actual wireway run. The covers have been omitted to show the installation more clearly. Many different sections and fittings can be combined in any configuration desired.



## Feed-Through NEMA Type 12 Wireway

### Standard Product Selection Matrix

Description	2.50 x 2.50 in. (64 x 64 mm)	4.00 x 4.00 in. (102 x 102 mm)	6.00 x 6.00 in. (152 x 152 mm)	8.00 x 8.00 in. (203 x 203 mm)
12.00-in. (305-mm) Straight Section	F22W12 <sup>d</sup>	F44W12 <sup>d</sup>	F66W12 <sup>d</sup>	F88W12 <sup>d</sup>
24.00-in. (610-mm) Straight Section	F22W24 <sup>d</sup>	F44W24 <sup>d</sup>	F66W24 <sup>d</sup>	F88W24 <sup>d</sup>
36.00-in. (914-mm) Straight Section	F22W36 <sup>d</sup>	F44W36 <sup>d</sup>	F66W36 <sup>d</sup>	F88W36 <sup>d</sup>
48.00-in. (1219-mm) Straight Section	F22W48 <sup>d</sup>	F44W48 <sup>d</sup>	F66W48 <sup>d</sup>	F88W48 <sup>d</sup>
60.00-in. (1524-mm) Straight Section	F22W60 <sup>d</sup>	F44W60 <sup>d</sup>	F66W60 <sup>d</sup>	F88W60 <sup>d</sup>
120.00-in. (3048-mm) Straight Section	F22W120 <sup>d</sup>	F44W120 <sup>d</sup>	F66W120 <sup>d</sup>	F88W120 <sup>d</sup>
90° Elbow	F22WE90 <sup>d</sup>	F44WE90 <sup>d</sup>	F66WE90 <sup>d</sup>	F88WE90 <sup>d</sup>
45° Elbow	F22WE45 <sup>d</sup>	F44WE45 <sup>d</sup>	F66WE45 <sup>d</sup>	F88WE45 <sup>d</sup>
22.50° Elbow	F22WE225 <sup>d</sup>	F44WE225 <sup>d</sup>	F66WE225 <sup>d</sup>	F88WE225 <sup>d</sup>
Cross	F22WC <sup>d</sup>	F44WC <sup>d</sup>	F66WC <sup>d</sup>	F88WC <sup>d</sup>
Closure Plate	F22WP <sup>c</sup>	F44WP <sup>c</sup>	F66WP <sup>c</sup>	F88WP <sup>c</sup>
Tee	F22WT <sup>d</sup>	F44WT <sup>d</sup>	F66WT <sup>d</sup>	F88WT <sup>d</sup>
Telescope Fitting	F22WA	F44WA	F66WA	F88WA
Cutoff Fitting	F22WX	F44WX	F66WX	F88WX
Swivel Nipple (Box Entry)	F22WSA <sup>d</sup>	F44WSA <sup>d</sup>	F66WSA <sup>d</sup>	F88WSA <sup>d</sup>
Swivel Nipple (Regular)	F22WSC <sup>d</sup>	F44WSC <sup>d</sup>	F66WSC <sup>d</sup>	F88WSC <sup>d</sup>
1.00-in. (25-mm) Nipple	F22WN1 <sup>d</sup>	F44WN1 <sup>d</sup>	F66WN1 <sup>d</sup>	F88WN1 <sup>d</sup>
2.00-in. (51-mm) Nipple	F22WN2 <sup>d</sup>	F44WN2 <sup>d</sup>	F66WN2 <sup>d</sup>	F88WN2 <sup>d</sup>
3.00-in. (76-mm) Nipple	F22WN3 <sup>d</sup>	F44WN3 <sup>d</sup>	F66WN3 <sup>d</sup>	F88WN3 <sup>d</sup>
6.00-in. (152-mm) Nipple	F22WN6 <sup>d</sup>	F44WN6 <sup>d</sup>	F66WN6 <sup>d</sup>	F88WN6 <sup>d</sup>
Box Connector	F22WB	F44WB	F66WB	F88WB
Flexible Fitting	F22WFF	F44WFF	F66WFF	F88WFF
Reducer Bushings: 4.00-in. (102-mm) to 2.50-in. (64-mm) Center Hole	—	F44WR22 <sup>d</sup>	—	—
Reducer Bushings: 4.00-in. (102-mm) to 2.50-in. (64-mm) Edge Hole	—	F44WRE22 <sup>d</sup>	—	—
Reducer Bushings: 6.00-in. (152-mm) to 4.00-in. (102-mm) Center Hole	—	—	F66WR44 <sup>d</sup>	—
Reducer Bushings: 6.00-in. (152-mm) to 4.00-in. (102-mm) Edge Hole	—	—	F66WRE44 <sup>d</sup>	—
Reducer Bushings: 8.00-in. (203-mm) to 6.00-in. (152-mm) Center Hole	—	—	—	F88WR66 <sup>d</sup>
8.00-in. (203-mm) to 6.00-in. (152-mm) Edge Hole	—	—	—	F88WRE66 <sup>d</sup>
Reducer Bushings: 8.00-in. (203-mm) to 4.00-in. (102-mm) Center Hole	—	—	—	F88WR44 <sup>d</sup>
Reducer Bushings: 8.00-in. (203-mm) to 4.00-in. (102-mm) Edge Hole	—	—	—	F88WRE44 <sup>d</sup>
Drop Hanger	F22HD	F44HD	F66HD	F88HD
Bracket Hanger	F22HB	F44HB	F66HB	F88HB
Barrier Kit, bolton barrier 60.00 in. (1524 mm)	—	F44BK60	F66BK60	F88BK60
Barrier, bracketmounted Each barrier 60.00 in. (1524 mm) <sup>a</sup>	—	F44B360	F66B560	—
Barrier Brackets, 2 compartment <sup>a</sup>	—	F44BB2C	F66BB2C	—
Barrier Brackets, 3 compartment <sup>a</sup>	—	F44BB3C	F66BB3C	—
Gasket and Screws <sup>b</sup>	F22WG	F44WG	F66WG	F88WG

<sup>a</sup> Package consists of five barriers or five barrier brackets. Each barrier is 60-in. long.

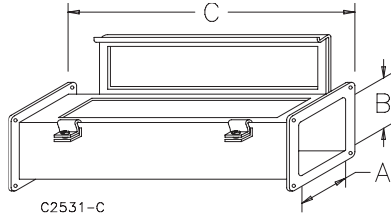
<sup>b</sup> Standard packages of wireway contain one gasket and one set of screws to join sections, except "Cross" fittings which contain three of each, "Tee" fittings which contain two of each and Telescope" fittings which contain none. Additional gasket and screw sets may be ordered by catalog number.

<sup>c</sup> Certified by Canadian Standards Association.

<sup>d</sup> UL 870

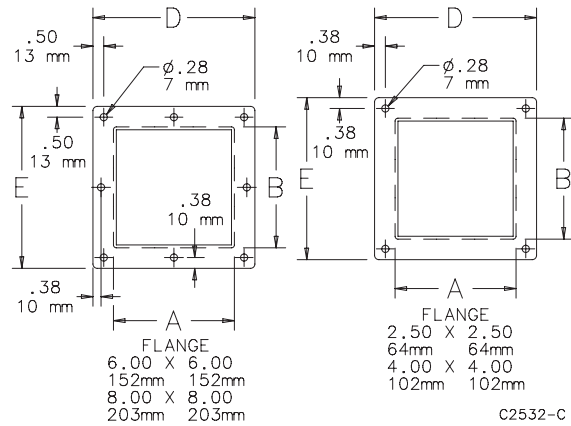
### Feed-Through NEMA Type 12 Wireway

#### Straight Section



Available in lengths from 12.00 in. (305 mm) to 120.00 in. (3048 mm).

Bulletin: F20



#### Straight Section

Catalog Number	AxBxC in.	AxBxC mm	D (in.)	D (mm)	E (in.)	E (mm)
F22W12	2.50 x 2.50 x 12.00	64 x 64 x 305	3.88	99	3.88	99
F22W24	2.50 x 2.50 x 24.00	64 x 64 x 610	3.88	99	3.88	99
F22W36	2.50 x 2.50 x 36.00	64 x 64 x 914	3.88	99	3.88	99
F22W48	2.50 x 2.50 x 48.00	64 x 64 x 1219	3.88	99	3.88	99
F22W60	2.50 x 2.50 x 60.00	64 x 64 x 1524	3.88	99	3.88	99
F22W120	2.50 x 2.50 x 120.00	64 x 64 x 3048	3.88	99	3.88	99
F44W12	4.00 x 4.00 x 12.00	102 x 102 x 305	5.38	137	5.38	137
F44W24	4.00 x 4.00 x 24.00	102 x 102 x 610	5.38	137	5.38	137
F44W36	4.00 x 4.00 x 36.00	102 x 102 x 914	5.38	137	5.38	137
F44W48	4.00 x 4.00 x 48.00	102 x 102 x 1219	5.38	137	5.38	137
F44W60	4.00 x 4.00 x 60.00	102 x 102 x 1524	5.38	137	5.38	137
F44W120	4.00 x 4.00 x 120.00	102 x 102 x 3048	5.38	137	5.38	137
F66W12	6.00 x 6.00 x 12.00	152 x 152 x 305	7.62	194	7.62	194
F66W24	6.00 x 6.00 x 24.00	152 x 152 x 610	7.62	194	7.62	194
F66W36	6.00 x 6.00 x 36.00	152 x 152 x 914	7.62	194	7.62	194
F66W48	6.00 x 6.00 x 48.00	152 x 152 x 1219	7.62	194	7.62	194
F66W60	6.00 x 6.00 x 60.00	152 x 152 x 1524	7.62	194	7.62	194
F66W120	6.00 x 6.00 x 120.00	152 x 152 x 3048	7.62	194	7.62	194
F88W12	8.00 x 8.00 x 12.00	203 x 203 x 305	9.62	244	9.62	244
F88W24	8.00 x 8.00 x 24.00	203 x 203 x 610	9.62	244	9.62	244
F88W36	8.00 x 8.00 x 36.00	203 x 203 x 914	9.62	244	9.62	244
F88W48	8.00 x 8.00 x 48.00	203 x 203 x 1219	9.62	244	9.62	244
F88W60	8.00 x 8.00 x 60.00	203 x 203 x 1524	9.62	244	9.62	244
F88W120	8.00 x 8.00 x 120.00	203 x 203 x 3048	9.62	244	9.62	244

All dimensions are to outside surfaces. Allow .12 in. (3 mm) additional for gasket at joints.

Certified by Canadian Standards Association.

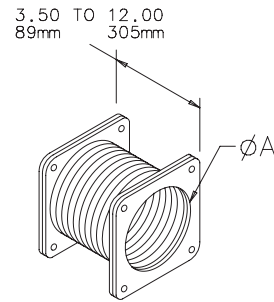
## Feed-Through NEMA Type 12 Wireway

### Flexible Fitting

Isolates a wireway run from shock and vibration. Compensates for misalignment. Used where an odd angle is required (but not to exceed 90 degrees). Permits movement of a machine or control station connected to a wireway run. Hypalon bellow with steel flanges.

Bulletin: F20

Catalog Number	AxB in./mm
F22WFF	2.50 x 2.50 64 x 64
F44WFF	4.00 x 4.00 102 x 102
F66WFF	6.00 x 6.00 152 x 152
F88WFF	8.00 x 8.00 203 x 203



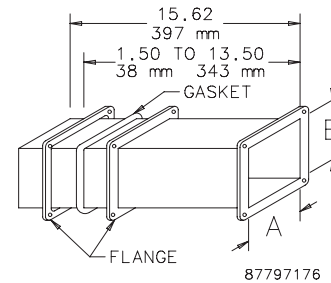
87797188

### Telescope Fitting

Length is easily adjustable from 1.50 in. (38 mm) to 13.50 in. (343 mm). No cutting or welding required.

Bulletin: F20

Catalog Number	AxB in./mm
F22WA	2.50 x 2.50 64 x 64
F44WA	4.00 x 4.00 102 x 102
F66WA	6.00 x 6.00 152 x 152
F88WA	8.00 x 8.00 203 x 203



87797176

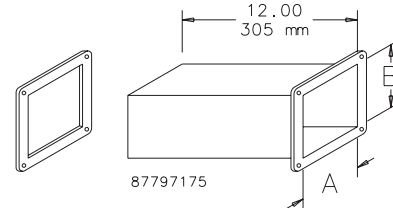
All dimensions are to outside surfaces. Allow .12 in. (3 mm) additional for gasket at joints.

### Cut-Off Fitting

For lengths up to 12.00 in. (305 mm). Shorten body to desired length and weld on flange.

Bulletin: F20

Catalog Number	AxB in./mm
F22WX	2.50 x 2.50 64 x 64
F44WX	4.00 x 4.00 102 x 102
F66WX	6.00 x 6.00 152 x 152
F88WX	8.00 x 8.00 203 x 203



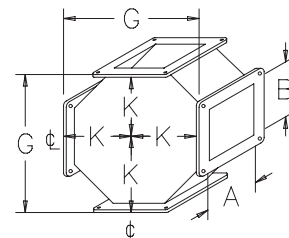
87797175

All dimensions are to outside surfaces. Allow .12 in. (3 mm) additional for gasket at joints.

### Cross

Bulletin: F20

Catalog Number	AxB in./mm	G in./mm	K in./mm
F22WC	2.50 x 2.50 64 x 64	8.50 216	4.25 108
F44WC	4.00 x 4.00 102 x 102	10.00 254	5.00 127
F66WC	6.00 x 6.00 152 x 152	12.00 305	6.00 152
F88WC	8.00 x 8.00 203 x 203	14.00 356	7.00 178



87797183

All dimensions are to outside surfaces. Allow .12 in. (3 mm) additional for gasket at joints. Dimension K are from intersection of center lines.

Certified by Canadian Standards Association.

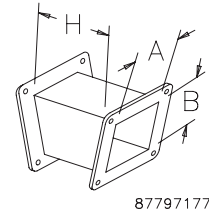
## Feed-Through NEMA Type 12 Wireway

### 22.50-Degree Elbow

Bulletin: F20

Catalog Number	AxB in./mm	H in./mm
<b>F22WE225</b>	2.50 x 2.50 64 x 64	2.50 64
<b>F44WE225</b>	4.00 x 4.00 102 x 102	3.25 83
<b>F66WE225</b>	6.00 x 6.00 152 x 152	4.25 108
<b>F88WE225</b>	8.00 x 8.00 203 x 203	5.25 133

All dimensions are to outside surfaces. Allow .12 in. (3 mm) additional for gasket at joints.  
Certified by Canadian Standards Association.



87797177

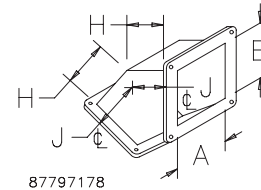
### 45-Degree Elbow

Bulletin: F20

Catalog Number	AxB in./mm	H in./mm	J in./mm
<b>F22WE45</b>	2.50 x 2.50 64 x 64	2.50 64	2.00 51
<b>F44WE45</b>	4.00 x 4.00 102 x 102	3.25 83	2.44 62
<b>F66WE45</b>	6.00 x 6.00 152 x 152	4.25 108	3.00 76
<b>F88WE45</b>	8.00 x 8.00 203 x 203	5.25 133	3.62 92

All dimensions are to outside surfaces. Allow .12 in. (3 mm) additional for gasket at joints. Dimension J is from intersection of center lines.

Certified by Canadian Standards Association.



87797178

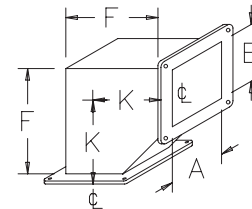
### 90-Degree Elbow

Bulletin: F20

Catalog Number	AxB in./mm	F in./mm	K in./mm
<b>F22WE90</b>	2.50 x 2.50 64 x 64	5.50 140	4.25 108
<b>F44WE90</b>	4.00 x 4.00 102 x 102	7.00 178	5.00 127
<b>F66WE90</b>	6.00 x 6.00 152 x 152	9.00 229	6.00 152
<b>F88WE90</b>	8.00 x 8.00 203 x 203	11.00 279	7.00 178

All dimensions are to outside surfaces. Allow .12 in. (3 mm) additional for gasket at joints. Dimension K is from intersection of center lines.

Certified by Canadian Standards Association.



87797206

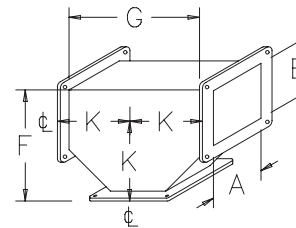
### Tee

Bulletin: F20

Catalog Number	AxB in./mm	F in./mm	G in./mm	K in./mm
<b>F22WT</b>	2.50 x 2.50 64 x 64	5.50 140	8.50 216	4.25 108
<b>F44WT</b>	4.00 x 4.00 102 x 102	7.00 178	10.00 254	5.00 127
<b>F66WT</b>	6.00 x 6.00 152 x 152	9.00 229	12.00 305	6.00 152
<b>F88WT</b>	8.00 x 8.00 203 x 203	11.00 279	14.00 356	7.00 178

All dimensions are to outside surfaces. Allow .12 in. (3 mm) additional for gasket at joints. Dimension K is from intersection of center lines.

Certified by Canadian Standards Association.



87797182

# Feed-Through NEMA Type 12 Wireway

## Closure Plate

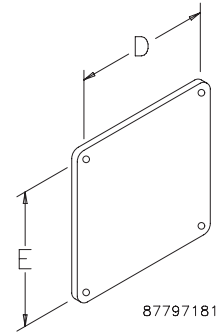
Used to seal the end on a wireway section or run.

Bulletin: F20

Catalog Number	D in./mm	E in./mm
F22WP	3.88	3.88
	99	99
F44WP	5.38	5.38
	137	137
F66WP	7.62	7.62
	194	194
F88WP	9.62	9.62
	244	244

All dimensions are to outside surfaces. Allow .12 in. (3 mm) additional for gasket at joints.

Certified by Canadian Standards Association.



## Reducer Bushings

Used to reduce to a smaller wireway size. The center hole bushing centers the two wireway sizes relative to each other while the edge hole bushing keeps the top surfaces even.

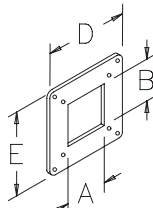
Bulletin: F20

### Center Hole

Catalog Number	AxB in./mm	D in./mm	E in./mm
F44WR22	4.00 x 4.00	5.38	5.38
	102 x 102	137	137
F66WR44	6.00 x 6.00	7.62	7.62
	152 x 152	194	194
F88WR44	8.00 x 8.00	9.62	9.62
	203 x 203	244	244
F88WR66	8.00 x 8.00	9.62	9.62
	203 x 203	244	244

All dimensions are to outside surfaces. Allow .12 in. (3 mm) additional for gasket at joints.

Certified by Canadian Standards Association.



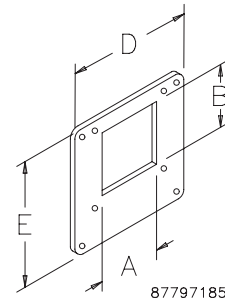
87797184

### Edge Hole

Catalog Number	AxB in./mm	D in./mm	E in./mm
F44WRE22	4.00 x 4.00	5.38	5.38
	102 x 102	137	137
F66WRE44	6.00 x 6.00	7.62	7.62
	152 x 152	194	194
F88WRE44	8.00 x 8.00	9.62	9.62
	203 x 203	244	244
F88WRE66	8.00 x 8.00	9.62	9.62
	203 x 203	244	244

All dimensions are to outside surfaces. Allow .12 in. (3 mm) additional for gasket at joints.

Certified by Canadian Standards Association.

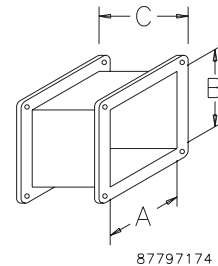


## Nipple

Bulletin: F20

Catalog Number	AxBxC in.	AxBxC mm
F22WN1	2.50 x 2.50 x 1.00	64 x 64 x 25
F22WN2	2.50 x 2.50 x 2.00	64 x 64 x 51
F22WN3	2.50 x 2.50 x 3.00	64 x 64 x 76
F22WN6	2.50 x 2.50 x 6.00	64 x 64 x 152
F44WN1	4.00 x 4.00 x 1.00	102 x 102 x 25
F44WN2	4.00 x 4.00 x 2.00	102 x 102 x 51
F44WN3	4.00 x 4.00 x 3.00	102 x 102 x 76
F44WN6	4.00 x 4.00 x 6.00	102 x 102 x 152
F66WN1	6.00 x 6.00 x 1.00	152 x 152 x 25
F66WN2	6.00 x 6.00 x 2.00	152 x 152 x 51
F66WN3	6.00 x 6.00 x 3.00	152 x 152 x 76
F66WN6	6.00 x 6.00 x 6.00	152 x 152 x 152
F88WN1	8.00 x 8.00 x 1.00	203 x 203 x 25
F88WN2	8.00 x 8.00 x 2.00	203 x 203 x 51
F88WN3	8.00 x 8.00 x 3.00	203 x 203 x 76
F88WN6	8.00 x 8.00 x 6.00	203 x 203 x 152

Certified by Canadian Standards Association.



## Feed-Through NEMA Type 12 Wireway

### Swivel Nipples

Allows wireway run to be adjusted to any angle. Regular type is used between adjacent wireway sections or fittings while the box entry type is used when entering an enclosure.

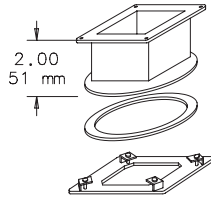
Bulletin: F20

#### Regular

Catalog Number	AxB in.	AxB mm
F22WSC	2.50 x 2.50	64 x 64
F44WSC	4.00 x 4.00	102 x 102
F66WSC	6.00 x 6.00	152 x 152
F88WSC	8.00 x 8.00	203 x 203

All dimensions are to outside surfaces. Allow .12 in. (3 mm) additional for gasket at joints.

Certified by Canadian Standards Association.



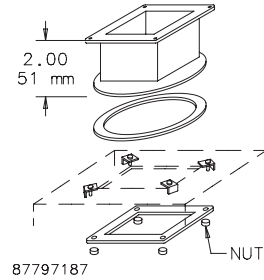
87797186

#### Box Entry

Catalog Number	AxB in.	AxB mm
F22WSA	2.50 x 2.50	64 x 64
F44WSA	4.00 x 4.00	102 x 102
F66WSA	6.00 x 6.00	152 x 152
F88WSA	8.00 x 8.00	203 x 203

All dimensions are to outside surfaces. Allow .12 in. (3 mm) additional for gasket at joints.

Certified by Canadian Standards Association.



87797187

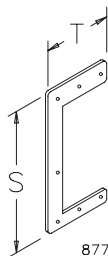
### Hangers

Hangers are used to support a wireway run. The drop hanger is normally attached to an overhead beam or ceiling while the bracket hanger can be used for wall, floor or ceiling installations.

Bulletin: F20

#### Drop Hanger

Catalog Number	S in./mm	T in./mm
F22HD	9.25 235	4.50 114
F44HD	11.75 298	6.00 152
F66HD	15.25 387	8.12 206
F88HD	20.56 522	12.12 308

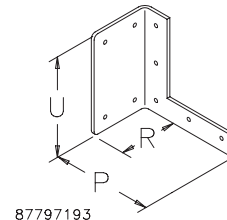


87797192

#### Bracket Hanger

Catalog Number	P in./mm	R in./mm	U in./mm
F22HB	4.62 117	3.62 92	4.38 111
F44HB	6.12 155	3.62 92	5.88 149
F66HB	8.25 210	3.62 92	7.88 200
F88HB	10.25 260	3.62 92	11.25 286

All dimensions are to outside surfaces. Allow .12 in. (3 mm) additional for gasket at joints.



87797193

## Feed-Through NEMA Type 12 Wireway

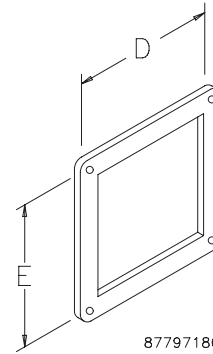
### Box Connector

When wireway enters an enclosure, a box connector should be used on the inside of the enclosure to ensure a tight and stable seal.

Bulletin: F20

Catalog Number	D in./mm	E in./mm
F22WB	3.88 99	3.88 99
F44WB	5.38 137	5.38 137
F66WB	7.62 194	7.62 194
F88WB	9.62 244	9.62 244

All dimensions are to outside surfaces. Allow .12 in. (3 mm) additional for gasket at joints.



87797180

### Barrier Kits

Divides wireway into two or three compartments. Plated spring steel brackets hold barriers in place by friction fit inside wireway. Order barrier and bracket separately. Recommended spacing increments of 3 ft.

W = 3.00 in. (76 mm) for 4.00 x 4.00 in. (102 x 102 mm)

W = 4.50 in. (114 mm) for 6.00 x 6.00 in. (152 x 152 mm)

Bulletin: F10, F20

#### Bracket Mounted

Catalog Number	AxB in.	AxB mm	W (in.)	W (mm)
F44B360	0.00	3.00	76	
F66B560	0.00	4.50	114	

All dimensions are to outside surfaces. Allow .12 in. (3 mm) additional for gasket at joints.

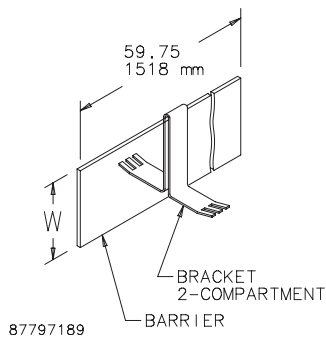
Package consists of five barriers or five barrier brackets. Each barrier is 60 in. long.

#### 2 Compartment

Catalog Number	in.	mm	W (in.)	W (mm)
F44BB2C	0.00	3.00	76	
F66BB2C	0.00	4.50	114	

All dimensions are to outside surfaces. Allow .12 in. (3 mm) additional for gasket at joints.

Package consists of five barriers or five barrier brackets. Each barrier is 60 in. long.



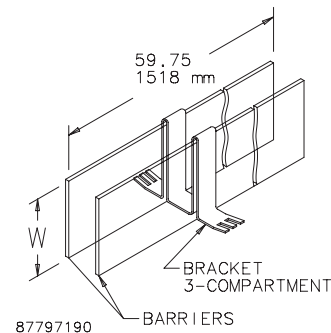
87797189

### 3 Compartment

Catalog Number	in.	mm	W (in.)	W (mm)
F44BB3C	0.00	3.00	76	
F66BB3C	0.00	4.50	114	

All dimensions are to outside surfaces. Allow .12 in. (3 mm) additional for gasket at joints.

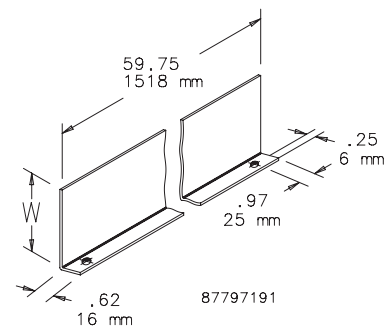
Package consists of five barriers or five barrier brackets. Each barrier is 60 in. long.



87797190

### Bolt-On

Catalog Number	in.	mm	W (in.)	W (mm)
F44BK60	4.00 x 4.00	102 x 102	3.00	76
F66BK60	6.00 x 6.00	152 x 152	4.50	114
F88BK60	8.00 x 8.00	203 x 203	6.00	152



87797191

### Gasket and Screws

Standard packages of wireway contain one gasket and one set of screws to join sections, except Cross fittings which contain three of each, Tee fittings which contain two of each and Telescope fittings which contain none. Additional gasket and screw sets may be ordered by catalog number.

Bulletin: F20

Catalog Number	AxB in./mm
F22WG	2.50 x 2.50 64 x 64
F44WG	4.00 x 4.00 102 x 102
F66WG	6.00 x 6.00 152 x 152
F88WG	8.00 x 8.00 203 x 203



# Stainless Steel Feed-Through NEMA Type 4X Wireway

## Stainless Steel Feed-Through Wireway, NEMA Type 4X



### Features

- Seams continuously welded and ground smooth
- No holes or knockouts
- Smooth, rounded edges on all sections and fittings
- Butt hinges and external screw clamps
- Oil-resistant gasket and adhesive

### Specifications

- 16 gauge Type 304 stainless steel covers and bodies
- 10 gauge stainless steel flanges

### Finish

No. 2B finish.

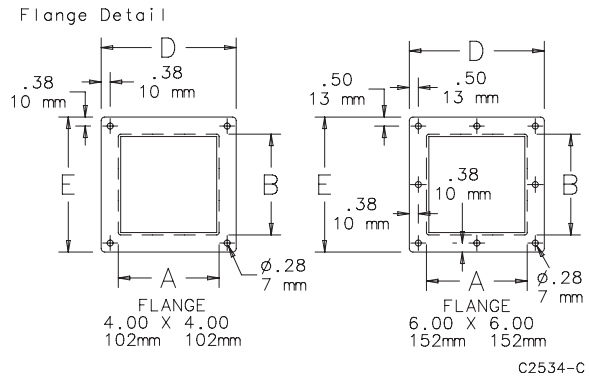
### Industry Standards

UL 870 Listed; File No. E27524

NEMA Type 4, 4X, 12  
 CSA, File No. 42184, Type 1  
 IEC 60529, IP66

### Application

Stainless steel wireway protects wiring in applications that are regularly hosed down, very wet or highly corrosive. A complete selection of sections and fittings is available in multiple sizes for customization and design flexibility.



### Standard Product Selection Matrix

Description	4.00 x 4.00 in. (102 x 102 mm)	6.00 x 6.00 in. (152 x 152 mm)
12.00-in. (305-mm) Straight Section	F44W12SS <sup>b,c</sup>	F66W12SS <sup>b,c</sup>
24.00-in. (610-mm) Straight Section	F44W24SS <sup>b,c</sup>	F66W24SS <sup>b,c</sup>
36.00-in. (914-mm) Straight Section	F44W36SS <sup>b,c</sup>	F66W36SS <sup>b,c</sup>
48.00-in. (1219-mm) Straight Section	F44W48SS <sup>b,c</sup>	F66W48SS <sup>b,c</sup>
60.00-in. (1524-mm) Straight Section	F44W60SS <sup>b,c</sup>	F66W60SS <sup>b,c</sup>
120.00-in. (3048-mm) Straight Section	F44W120SS <sup>b,c</sup>	F66W120SS <sup>b,c</sup>
Flexible Fitting	F44WFFSS	F66WFFSS
Telescope Fitting	F44WASS	F66WASS
45° Elbow	F44WE45SS <sup>b,c</sup>	F66WE45SS <sup>b,c</sup>
90° Elbow	F44WE90SS <sup>b,c</sup>	F66WE90SS <sup>b,c</sup>
Tee	F44WTSS <sup>b,c</sup>	F66WTSS <sup>b,c</sup>
Closure Plate	F44WPSS	F66WPSS
Reducer Bushings: 6.00-in. (152-mm) to 4.00-in. (102-mm) Center Hole	—	F66WR44SS
Reducer Bushings: 6.00-in. (152-mm) to 4.00-in. (102-mm) Edge Hole	—	F66WRE44SS
6.00-in. (152-mm) Nipple	F44WN6SS <sup>b</sup>	F66WN6SS <sup>b,c</sup>
Swivel Nipple (Regular)	F44WSCSS <sup>b,c</sup>	—
Drop Hanger	F44HDSS	F66HDSS
Bracket Hanger	F44HBSS	F66HBSS
Box Connector	F44WBSS	F66WBSS
Gasket and Screws <sup>a</sup>	F44WGSS	F66WGSS

<sup>a</sup>Standard packages of wireway contain one gasket and one set of screws to join sections, except "Tee" fittings which contain two of each, and "Telescope" fittings which contain none. Additional gasket and screw sets may be ordered by catalog number.

<sup>b</sup>Certified by Canadian Standards Association.

<sup>c</sup>UL 870

## Stainless Steel Feed-Through NEMA Type 4X Wireway

### Straight Section

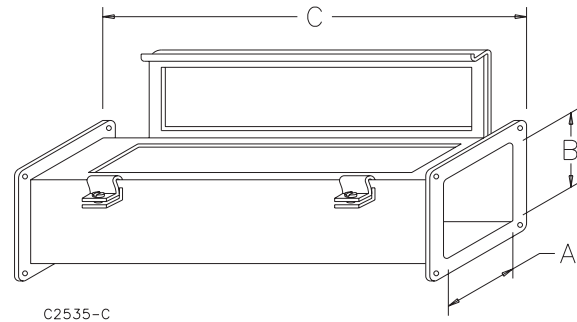
Available in lengths from 12.00 in. (305 mm) to 120.00 in. (3048 mm).

Bulletin: F22

Catalog Number	AxBxC in.	AxBxC mm
F44W12SS	4.00 x 4.00 x 12.00	102 x 102 x 305
F44W24SS	4.00 x 4.00 x 24.00	102 x 102 x 610
F44W36SS	4.00 x 4.00 x 36.00	102 x 102 x 914
F44W48SS	4.00 x 4.00 x 48.00	102 x 102 x 1219
F44W60SS	4.00 x 4.00 x 60.00	102 x 102 x 1524
F44W120SS	4.00 x 4.00 x 120.00	102 x 102 x 3048
F66W12SS	6.00 x 6.00 x 12.00	152 x 152 x 305
F66W24SS	6.00 x 6.00 x 24.00	152 x 152 x 610
F66W36SS	6.00 x 6.00 x 36.00	152 x 152 x 914
F66W48SS	6.00 x 6.00 x 48.00	152 x 152 x 1219
F66W60SS	6.00 x 6.00 x 60.00	152 x 152 x 1524
F66W120SS	6.00 x 6.00 x 120.00	152 x 152 x 3048

All dimensions are to outside surfaces. Allow .12 in. (3 mm) additional for gasket at joints.

Certified by Canadian Standards Association.



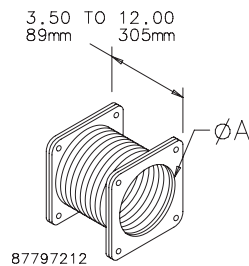
### Flexible Fitting

Isolates a wireway run from shock and vibration. Compensates for misalignment. Used where an odd angle is required (but not to exceed 90 degrees). Permits movement of a machine or control station connected to a wireway run. Hypalon bellow with steel flanges.

Bulletin: F22

Catalog Number	AxB in./mm
F44WFFSS	4.00 x 4.00 102 x 102
F66WFFSS	6.00 x 6.00 152 x 152

All dimensions are to outside surfaces. Allow .12 in. (3 mm) additional for gasket at joints.



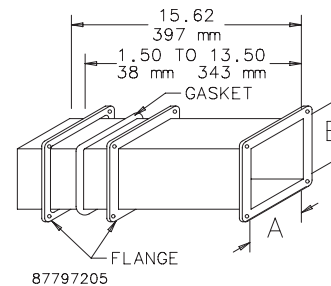
### Telescope Fitting

Length is easily adjustable from 1.50 in. (38 mm) to 13.50 in. (343 mm). No cutting or welding required.

Bulletin: F22

Catalog Number	AxB in./mm
F44WASS	4.00 x 4.00 102 x 102
F66WASS	6.00 x 6.00 152 x 152

All dimensions are to outside surfaces. Allow .12 in. (3 mm) additional for gasket at joints.



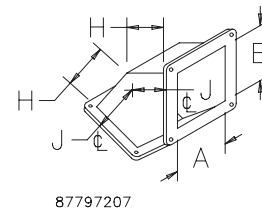
### 45-Degree Elbow

Bulletin: F22

Catalog Number	AxB in./mm	H in./mm	J in./mm
F44WE45SS	4.00 x 4.00 102 x 102	3.25 83	2.44 62
F66WE45SS	6.00 x 6.00 152 x 152	4.25 108	3.00 76

All dimensions are to outside surfaces. Allow .12 in. (3 mm) additional for gasket at joints. Dimension J is from intersection of center lines.

Certified by Canadian Standards Association.



# Stainless Steel Feed-Through NEMA Type 4X Wireway

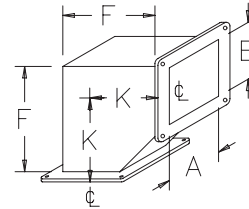
## 90-Degree Elbow

Bulletin: F22

Catalog Number	AxB in./mm	F in./mm	K in./mm
<b>F44WE90SS</b>	4.00 x 4.00	7.00	5.00
	102 x 102	178	127
<b>F66WE90SS</b>	6.00 x 6.00	9.00	6.00
	152 x 152	229	152

All dimensions are to outside surfaces. Allow .12 in. (3 mm) additional for gasket at joints. Dimension K is from intersection of center lines.

Certified by Canadian Standards Association.



87797206

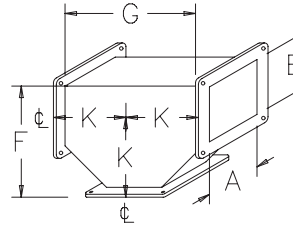
## Tee

Bulletin: F22

Catalog Number	AxB in./mm	F in./mm	G in./mm	K in./mm
<b>F44WTSS</b>	4.00 x 4.00	7.00	10.00	5.00
	102 x 102	178	254	127
<b>F66WTSS</b>	6.00 x 6.00	9.00	12.00	6.00
	152 x 152	229	305	152

All dimensions are to outside surfaces. Allow .12 in. (3 mm) additional for gasket at joints. Dimension K is from intersection of center lines.

Certified by Canadian Standards Association.



87797208

## Closure Plate

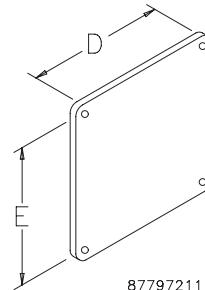
Used to seal the end of a wireway section or run.

Bulletin: F22

Catalog Number	D in./mm	E in./mm
<b>F44WPSS</b>	5.38	5.38
	137	137
<b>F66WPSS</b>	7.62	7.62
	194	194

Note: All dimensions are to outside surfaces. Allow .12 in. (3mm) additional for gasket at joints.

Certified by Canadian Standards Association.



87797211

## Reducer Bushings

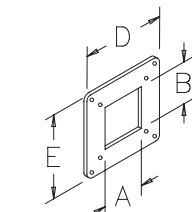
Used to reduce to a smaller wireway size. The center hole bushing centers the two wireway sizes relative to each other while the edge hole bushing keeps the top surfaces even.

Bulletin: F22

### Center Hole

Catalog Number	AxB in./mm	D in./mm	E in./mm
<b>F66WR44SS</b>	6.00 x 6.00	5.38	5.38
	152 x 152	137	137

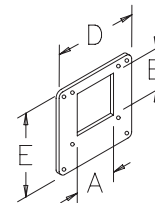
All dimensions are to outside surfaces. Allow .12 in. (3 mm) additional for gasket at joints.



87797213

### Edge Hole

Catalog Number	AxB in./mm	D in./mm	E in./mm
<b>F66WRE44SS</b>	6.00 x 6.00	5.38	5.38
	152 x 152	137	137



87797214

## Stainless Steel Feed-Through NEMA Type 4X Wireway

### Nipple

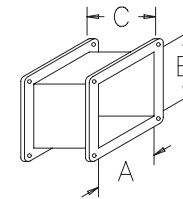
Available in 6.00-in. (152-mm) length.

Bulletin: F22

Catalog Number	AxBxC in./mm
F44WN6SS	4.00 x 4.00 x 6.00 102 x 102 x 152
F66WN6SS	6.00 x 6.00 x 6.00 152 x 152 x 152

All dimensions are to outside surfaces. Allow .12 in. (3 mm) additional for gasket at joints.

Certified by Canadian Standards Association.



87797204

### Swivel Nipple

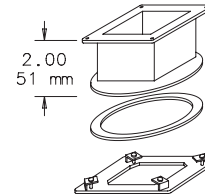
Allows wireway run to be adjusted to any angle. Regular type is used between adjacent wireway sections or fittings.

Bulletin: F22

Catalog Number	AxB in./mm
F44WSCSS	4.00 x 4.00 102 x 102

All dimensions are to outside surfaces. Allow .12 in. (3 mm) additional for gasket at joints.

Certified by Canadian Standards Association.



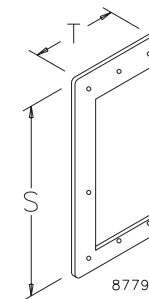
87797209

### Drop Hanger

Bulletin: F22

Catalog Number	S in./mm	T in./mm
F44HDSS	11.75 298	6.00 152
F66HDSS	15.25 387	8.12 206

All dimensions are to outside surfaces. Allow .12 in. (3 mm) additional for gasket at joints.



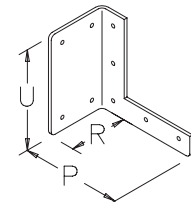
87797215

### Bracket Hanger

Bulletin: F22

Catalog Number	P in./mm	R in./mm	U in./mm
F44HBSS	6.12 155	3.62 92	5.88 149
F66HBSS	8.25 210	3.62 92	7.88 200

All dimensions are to outside surfaces. Allow .12 in. (3 mm) additional for gasket at joints.



87797216

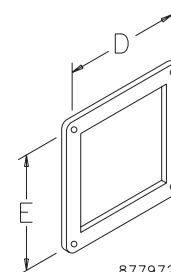
### Box Connector

When wireway enters an enclosure, a box connector should be used on the inside of the enclosure to ensure a tight and stable seal.

Bulletin: F22

Catalog Number	D in./mm	E in./mm
F44WBSS	5.38 137	5.38 137
F66WBSS	7.62 194	7.62 194

All dimensions are to outside surfaces. Allow .12 in. (3 mm) additional for gasket at joints.



87797210

### Gasket and Screws

Standard packages of wireway contain one gasket and one set of screws to join sections, except Tee fittings which contain two of each and Telescope fittings which contain none. Additional gasket and screw sets may be ordered by catalog number.

Bulletin: F22

Catalog Number	AxB in./mm
F44WGSS	4.00 x 4.00 102 x 102
F66WGSS	6.00 x 6.00 152 x 152

## Fiberglass Feed-Through Type 12 and 3R Wireway

### Fiberglass Feed-Through Wireway, NEMA Type 12 and 3R

#### Application

This temperature- and chemically-resistant fiberglass wireway protects wires and cables in corrosive or dirty indoor or outdoor applications.

#### Features

- Seams are sealed
- No holes or knockouts
- Captivated Monel cover screws
- Oil-resistant cover gasket attached with oil-resistant adhesive
- Stainless steel flange screws
- Solid oil-resistant flange gasket
- Pultruded fiberglass polyester covers and bodies

#### Finish

Fiberglass wireway is gray inside and out.



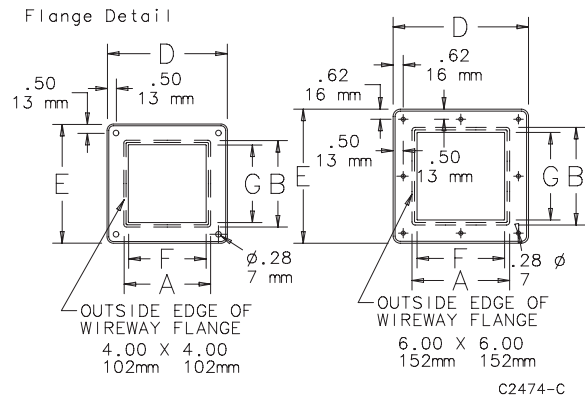
#### Industry Standards

Material Flammability Rating UL 94-5V  
Meets UL cold impact test for temperatures to -35 C

NEMA Type 12, 3R

IEC 60529, IP55

Recognized by National Electric Code for indoor and outdoor applications



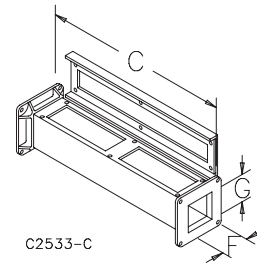
#### Standard Product Selection Matrix

Description	4.00 x 4.00 in. (102 x 102 mm)	6.00 x 6.00 in. (152 x 152 mm)
12.00-in. (305-mm) Straight Section	F44W12FG	F66W12FG
24.00-in. (610-mm) Straight Section	F44W24FG	F66W24FG
36.00-in. (914-mm) Straight Section	F44W36FG	F66W36FG
48.00-in. (1219-mm) Straight Section	F44W48FG	F66W48FG
60.00-in. (1524-mm) Straight Section	F44W60FG	F66W60FG
12.00-in. (305-mm) Straight Tube Section	F44W12STFG	—
24.00-in. (610-mm) Straight Tube Section	F44W24STFG	—
36.00-in. (914-mm) Straight Tube Section	F44W36STFG	—
48.00-in. (1219-mm) Straight Tube Section	F44W48STFG	—
60.00-in. (1524-mm) Straight Tube Section	F44W60STFG	—
120.00-in. (3048-mm) Straight Tube Section	F44W120STFG	—
Cross Fitting	F44WCFG	F66WCFG
Flexible Fitting	F44WFFF	F66WFFF
45° Elbow	F44WE45FG	F66WE45FG
90° Elbow	F44WE90FG	F66WE90FG
Cutoff Fitting	F44WXFG	F66WXFG
Tee Fitting	F44WTFG	F66WTFG
Closure Plate	F44WPFG	F66WPFG
Wireway Hanger	F44HBEP	F66HBEP
Box Connector	F44WBFG	F66WBFG

**Fiberglass Feed-Through Type 12 and 3R Wireway**
**Straight Section**

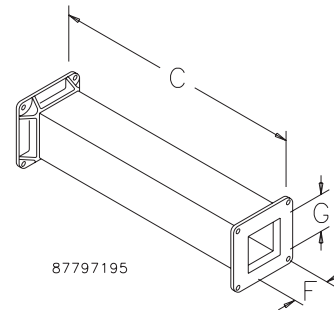
Bulletin: F25

Catalog Number	AxBxC in.	AxBxC mm	F (in.)	F (mm)	G (in.)	G (mm)
F44W12FG	4.00 x 4.00 x 12.00	102 x 102 x 305	3.38	86	3.38	86
F44W24FG	4.00 x 4.00 x 24.00	102 x 102 x 610	3.38	86	3.38	86
F44W36FG	4.00 x 4.00 x 36.00	102 x 102 x 914	3.38	86	3.38	86
F44W48FG	4.00 x 4.00 x 48.00	102 x 102 x 1219	3.38	86	3.38	86
F44W60FG	4.00 x 4.00 x 60.00	102 x 102 x 1524	3.38	86	3.38	86
F66W12FG	6.00 x 6.00 x 12.00	152 x 152 x 305	5.38	137	5.38	137
F66W24FG	6.00 x 6.00 x 24.00	152 x 152 x 610	5.38	137	5.38	137
F66W36FG	6.00 x 6.00 x 36.00	152 x 152 x 914	5.38	137	5.38	137
F66W48FG	6.00 x 6.00 x 48.00	152 x 152 x 1219	5.38	137	5.38	137
F66W60FG	6.00 x 6.00 x 60.00	152 x 152 x 1524	5.38	137	5.38	137


**Straight Tube Section**

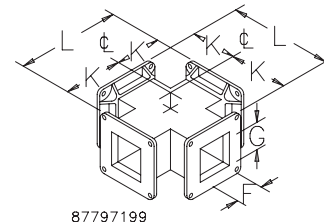
Bulletin: F25

Catalog Number	AxBxC in./mm	F in./mm	G in./mm
F44W12STFG	4.00 x 4.00 x 12.00 102 x 102 x 305	3.38 86	3.38 86
F44W24STFG	4.00 x 4.00 x 24.00 102 x 102 x 610	3.38 86	3.38 86
F44W36STFG	4.00 x 4.00 x 36.00 102 x 102 x 914	3.38 86	3.38 86
F44W48STFG	4.00 x 4.00 x 48.00 102 x 102 x 1219	3.38 86	3.38 86
F44W60STFG	4.00 x 4.00 x 60.00 102 x 102 x 1524	3.38 86	3.38 86
F44W120STFG	4.00 x 4.00 x 120.00 102 x 102 x 3048	3.38 86	3.38 86


**Cross Fitting**

Bulletin: F25

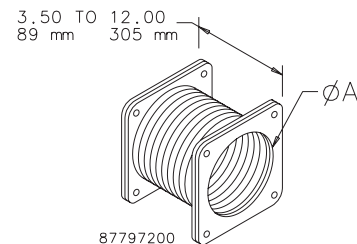
Catalog Number	F in./mm	G in./mm	K in./mm	L in./mm
F44WCFG	3.38 86	3.38 86	6.00 152	12.00 305
F66WCFG	5.38 137	5.38 137	6.00 152	12.00 305


**Flexible Fitting**

Isolates a wireway run from shock and vibration. Compensates for misalignment. Used where an odd angle is required (but not to exceed 90 degrees). Permits movement of a machine or control station connected to a wireway run. Hypalon bellow with stainless steel flanges.

Bulletin: F25

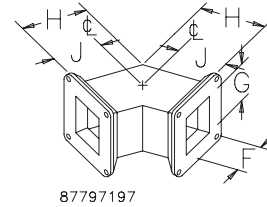
Catalog Number	AxB in./mm
F44WFFFG	4.00 x 4.00 102 x 102
F66WFFFG	6.00 x 6.00 152 x 152



**Fiberglass Feed-Through Type 12 and 3R Wireway**
**45-Degree Elbow**

Bulletin: F25

Catalog Number	F in./mm	G in./mm	H in./mm	J in./mm
F44WE45FG	3.38 86	3.38 86	5.81 148	5.00 127
F66WE45FG	5.38 137	5.38 137	7.62 194	6.62 168

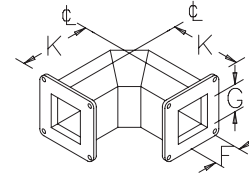


87797197

**90-Degree Elbow**

Bulletin: F25

Catalog Number	F in./mm	G in./mm	K in./mm
F44WE90FG	3.38 86	3.38 86	6.00 152
F66WE90FG	5.38 137	5.38 137	6.00 152



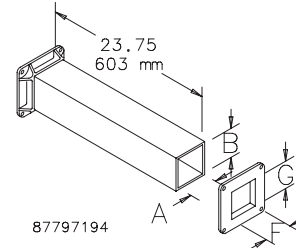
87797196

**Cut-Off Fitting**

For lengths up to 24.00 in. (610 mm). Shorten body to desired length and bond flange to body. Adhesive is furnished.

Bulletin: F25

Catalog Number	AxB in./mm	F in./mm	G in./mm
F44WXFG	4.00 x 4.00 102 x 102	3.38 86	3.38 86
F66WXFG	6.00 x 6.00 152 x 152	5.38 137	5.38 137

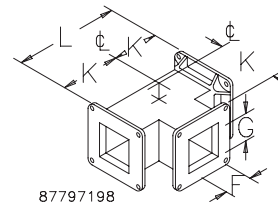


87797194

**Tee Fitting**

Bulletin: F25

Catalog Number	F in./mm	G in./mm	K in./mm	L in./mm
F44WTFG	3.38 86	3.38 86	6.00 152	12.00 305
F66WTFG	5.38 137	5.38 137	6.00 152	12.00 305



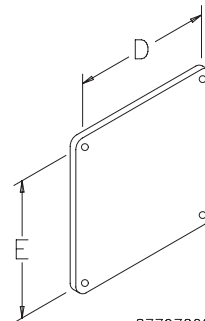
87797198

**Closure Plate**

10 gauge 316 stainless steel, used to seal the end of a wireway section or run. 6.00 x 6.00 in. (152 x 152 mm) can be used for transition to 4.00 x 4.00-in. (102 x 102-mm) size.

Bulletin: F25

Catalog Number	D (in.)	D (mm)	E (in.)	E (mm)
F44WPFG	6.00	152	6.00	152
F66WPFG	8.25	210	8.25	210



87797202

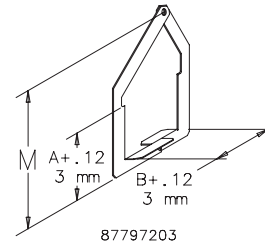
## Fiberglass Feed-Through Type 12 and 3R Wireway

### Wireway Hanger

10 gauge epoxy-coated steel, used to support wireway from overhead.

Bulletin: F25

Catalog Number	AxB in./mm	M in./mm
F44HBEP	4.00 x 4.00	9.23
	102 x 102	234
F66HBEP	6.00 x 6.00	12.36
	152 x 152	314



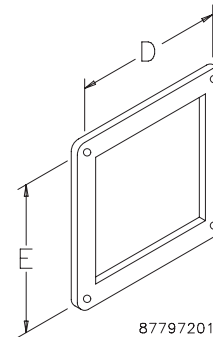
87797203

### Box Connector

When wireway enters an enclosure, a box connector should be used on the inside of the enclosure to ensure a tight seal. Made from epoxy-coated 10 gauge steel.

Bulletin: F25

Catalog Number	D (in.)	D (mm)	E (in.)	E (mm)
F44WBFG	6.00	152	6.00	152
F66WBFG	8.25	210	8.25	210

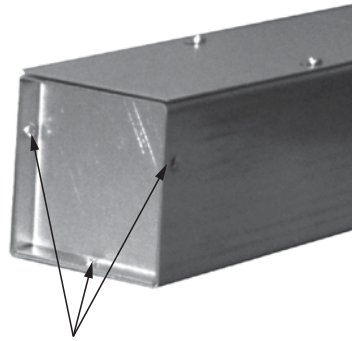


87797201



## Wiring Troughs

### Wiring Trough, NEMA Type 1



Joining Locations

#### Industry Standards

UL 870 Listed; File No. E27524  
 cUL CSA C22.2 No. 26 Listed; File No. E27524

NEMA/EEMAC: Type 1  
 IEC 60529, IP30

#### Application

Using a unique joining method that mechanically locks components together without fasteners or heat, this wiring trough ships completely assembled to save both time and labor. Designed for indoor use, this trough is available in various lengths.

#### Features

- Keyhole screw slots in cover
- Shipped completely assembled—no end caps to install
- Mounting holes on the back of the enclosure
- Flat cover fastened with plated steel screws
- No gasketing or knockouts

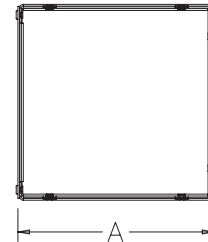
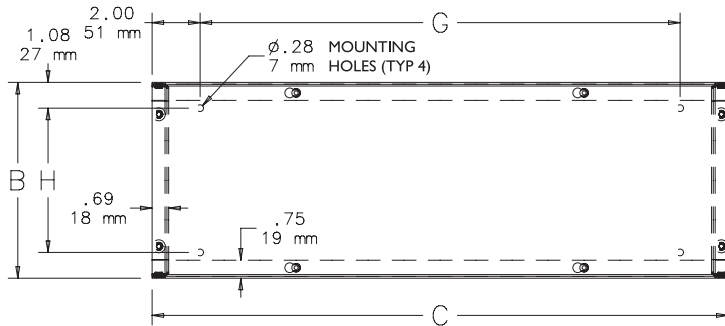
#### Specifications

- 16 or 14 gauge plated steel

#### Finish

Unpainted plated steel

Bulletin: F40T1



87572058

## Wiring Troughs

**Standard Product**

Catalog Number	AxBxC in./mm	Gauge	Mounting G in./mm	Mounting H in./mm
A4412T1T	4.00 x 4.00 x 12.00 102 x 102 x 305	16	8.00 203	2.00 51
A4424T1T	4.00 x 4.00 x 24.00 102 x 102 x 610	16	20.00 508	2.00 51
A4436T1T	4.00 x 4.00 x 36.00 102 x 102 x 914	16	24.00 610	2.00 51
A4448T1T	4.00 x 4.00 x 48.00 102 x 102 x 1219	16	36.00 914	2.00 51
A4460T1T	4.00 x 4.00 x 60.00 102 x 102 x 1524	16	48.00 1219	2.00 51
A4472T1T	4.00 x 4.00 x 72.00 102 x 102 x 1829	16	60.00 1524	2.00 51
A4496T1T	4.00 x 4.00 x 96.00 102 x 102 x 2438	16	84.00 2134	2.00 51
A6612T1T	6.00 x 6.00 x 12.00 152 x 152 x 305	16	8.00 203	4.00 102
A6624T1T	6.00 x 6.00 x 24.00 152 x 152 x 610	16	20.00 508	4.00 102
A6636T1T	6.00 x 6.00 x 36.00 152 x 152 x 914	16	24.00 610	4.00 102
A6648T1T	6.00 x 6.00 x 48.00 152 x 152 x 1219	16	36.00 914	4.00 102
A6660T1T	6.00 x 6.00 x 60.00 152 x 152 x 1524	16	48.00 1219	4.00 102
A6672T1T	6.00 x 6.00 x 72.00 152 x 152 x 1829	16	60.00 1524	4.00 102
A6696T1T	6.00 x 6.00 x 96.00 152 x 152 x 2438	16	84.00 2134	4.00 102
A8824T1T	8.00 x 8.00 x 24.00 203 x 203 x 610	14	8.00 203	6.01 153
A8836T1T	8.00 x 8.00 x 36.00 203 x 203 x 914	14	20.00 508	6.01 153
A8848T1T	8.00 x 8.00 x 48.00 203 x 203 x 1219	14	36.00 914	6.01 153
A8860T1T	8.00 x 8.00 x 60.00 230 x 600 x 1524	14	48.00 1219	6.01 153
A8872T1T	8.00 x 8.00 x 72.00 203 x 203 x 1829	14	60.00 1524	6.01 153
A8896T1T	8.00 x 8.00 x 96.00 203 x 203 x 2438	14	84.00 2134	6.01 153
A101048T1T	10.00 x 10.00 x 48.00 254 x 254 x 1219	14	36.00 914	8.01 203
A121224T1T	12.00 x 12.00 x 24.00 305 x 305 x 610	14	8.00 203	10.01 254
A121236T1T	12.00 x 12.00 x 36.00 305 x 305 x 914	14	20.00 508	10.01 254
A121248T1T	12.00 x 12.00 x 48.00 305 x 305 x 1219	14	36.00 914	10.01 254
A121260T1T	12.00 x 12.00 x 60.00 305 x 305 x 1524	14	48.00 1219	10.01 254
A121272T1T	12.00 x 12.00 x 72.00 305 x 305 x 1829	14	60.00 1524	10.01 254
A121296T1T	12.00 x 12.00 x 96.00 305 x 305 x 2438	14	84.00 2134	10.01 254
A1212120T1T	12.00 x 12.00 x 120.00 305 x 305 x 3048	14	108.00 2743	10.01 254

## Wiring Troughs

### Wiring Trough, NEMA Type 3R



#### Industry Standards

UL 870 Listed; File No. E27524; Raintight  
 cUL CSA C22.2 No. 26 Listed; File No. E27524; Raintight

NEMA/EEMAC Type 3R  
 IEC 60529, IP32

#### Application

Available in a range of sizes, this wiring trough meets basic functionality requirements for applications subjected to moisture.

#### Features

- Drip shield top and seam-free sides, front, and back
- Slip-on removable cover
- Embossed mounting holes on back of enclosure
- Provision for padlocking
- No gasketing or knockouts

#### Specifications

- 16 or 14 gauge plated steel

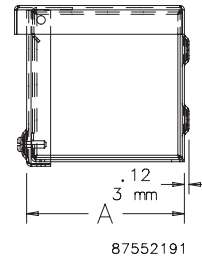
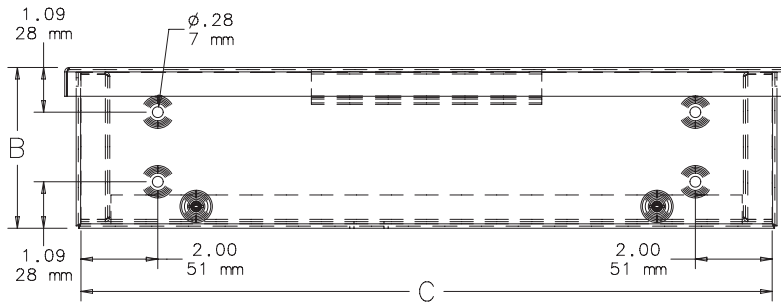
#### Finish

ANSI 61 gray polyester powder paint finish inside and out over pretreated surfaces.

#### Accessories

See also *Accessories chapter*.  
 Touch-Up Paint (ATPPY61)

Bulletin: F40PT



## Wiring Troughs

**Standard Product**

Catalog Number	AxBxC in.	AxBxC mm	Gauge
A4412RT	4.00 x 4.00 x 12.00	102 x 102 x 305	16
A4418RT	4.00 x 4.00 x 18.00	102 x 102 x 457	16
A4424RT	4.00 x 4.00 x 24.00	102 x 102 x 610	16
A4436RT	4.00 x 4.00 x 36.00	102 x 102 x 914	16
A4448RT	4.00 x 4.00 x 48.00	102 x 102 x 1219	16
A4460RT	4.00 x 4.00 x 60.00	102 x 102 x 1524	16
A4472RT	4.00 x 4.00 x 72.00	102 x 102 x 1829	16
A6612RT	6.00 x 6.00 x 12.00	152 x 152 x 305	16
A6618RT	6.00 x 6.00 x 18.00	152 x 152 x 457	16
A6624RT	6.00 x 6.00 x 24.00	152 x 152 x 610	16
A6636RT	6.00 x 6.00 x 36.00	152 x 152 x 914	16
A6648RT	6.00 x 6.00 x 48.00	152 x 152 x 1219	16
A6660RT	6.00 x 6.00 x 60.00	152 x 152 x 1524	16
A6672RT	6.00 x 6.00 x 72.00	152 x 152 x 1829	16
A8812RT	8.00 x 8.00 x 12.00	203 x 203 x 305	14
A8824RT	8.00 x 8.00 x 24.00	203 x 203 x 610	14
A8836RT	8.00 x 8.00 x 36.00	203 x 203 x 914	14
A8848RT	8.00 x 8.00 x 48.00	203 x 203 x 1219	14
A8860RT	8.00 x 8.00 x 60.00	203 x 203 x 1524	14
A8872RT	8.00 x 8.00 x 72.00	203 x 203 x 1829	14
A8896RT	8.00 x 8.00 x 96.00	203 x 203 x 2438	14
A88116RT	8.00 x 8.00 x 116.00	203 x 203 x	14
A101024RT	10.00 x 10.00 x 24.00	254 x 254 x 610	14
A101036RT	10.00 x 10.00 x 36.00	254 x 254 x 914	14
A101048RT	10.00 x 10.00 x 48.00	254 x 254 x 1219	14
A101060RT	10.00 x 10.00 x 60.00	254 x 254 x 1524	14
A101072RT	10.00 x 10.00 x 72.00	254 x 254 x 1829	14
A101096RT	10.00 x 10.00 x 96.00	254 x 254 x	14
A1010116RT	10.00 x 10.00 x 116.00	254 x 254 x 2946	14
A121224RT	12.00 x 12.00 x 24.00	305 x 305 x 610	14
A121236RT	12.00 x 12.00 x 36.00	305 x 305 x 914	14
A121248RT	12.00 x 12.00 x 48.00	305 x 305 x 1219	14
A121260RT	12.00 x 12.00 x 60.00	305 x 305 x 1524	14
A121272RT	12.00 x 12.00 x 72.00	305 x 305 x 1829	14
A121284RT	12.00 x 12.00 x 84.00	305 x 305 x 2134	14
A121296RT	12.00 x 12.00 x 96.00	305 x 305 x 2438	14
A1212116RT	12.00 x 12.00 x 116.00	305 x 305 x 2946	14
A141448RT	14.00 x 14.00 x 48.00	356 x 356 x 1219	14
A141472RT	14.00 x 14.00 x 72.00	356 x 356 x 1829	14
A141484RT	14.00 x 14.00 x 84.00	356 x 356 x 2134	14
A141496RT	14.00 x 14.00 x 96.00	356 x 356 x 2438	14
A1414116RT	14.00 x 14.00 x 116.00	356 x 356 x 2946	14

## Wiring Troughs

### EconoTrough, NEMA Type 3R



#### Industry Standards

UL 870 Listed; File No. E27524; Raintight  
 cUL CSA C22.2 No. 26 Listed; File No. E27524; Raintight

NEMA/EEMAC Type 3R  
 IEC 60529, IP 32

#### Application

The EconoTrough meets basic functionality requirements for outdoor applications that may be exposed to wet conditions. A Padlock Hasp Kit can be installed for increased security.

#### Features

- Drip-shield top covers sides, front and back
- Removable cover
- Embossed mounting holes on back of enclosure
- Provision for utility seal
- No gasketing or knockouts
- Padlock Hasp Kit available

#### Specifications

- 16 or 14 gauge galvanized steel

#### Finish

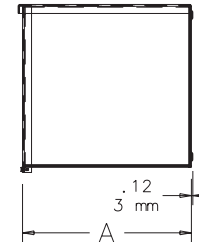
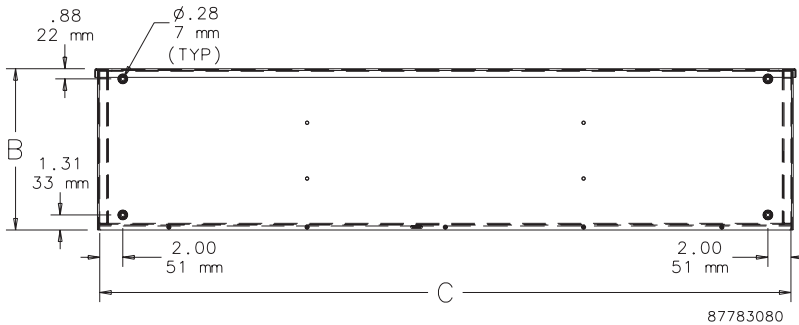
Unpainted galvanized steel

#### Accessories

See also *Accessories*.

Padlock Hasp Kit

Bulletin: F40GT, F40PT



## Wiring Troughs

### Standard Product

Catalog Number	AxBxC in.	AxBxC mm	Gauge
F4412RTGV	4.00 x 4.00 x 12.00	102 x 102 x 305	16
F4424RTGV	4.00 x 4.00 x 24.00	102 x 102 x 610	16
F4436RTGV	4.00 x 4.00 x 36.00	102 x 102 x 914	16
F4448RTGV	4.00 x 4.00 x 48.00	102 x 102 x 1219	16
F4460RTGV	4.00 x 4.00 x 60.00	102 x 102 x 1524	16
F4472RTGV	4.00 x 4.00 x 72.00	102 x 102 x 1829	16
F6612RTGV	6.00 x 6.00 x 12.00	152 x 152 x 305	16
F6618RTGV	6.00 x 6.00 x 18.00	152 x 152 x 457	16
F6624RTGV	6.00 x 6.00 x 24.00	152 x 152 x 610	16
F6636RTGV	6.00 x 6.00 x 36.00	152 x 152 x 914	16
F6648RTGV	6.00 x 6.00 x 48.00	152 x 152 x 1219	16
F6660RTGV	6.00 x 6.00 x 60.00	152 x 152 x 1524	16
F6672RTGV	6.00 x 6.00 x 72.00	152 x 152 x 1829	16
F8812RTGV	8.00 x 8.00 x 12.00	203 x 203 x 305	14
F8824RTGV	8.00 x 8.00 x 24.00	203 x 203 x 610	14
F8836RTGV	8.00 x 8.00 x 36.00	203 x 203 x 914	14
F8848RTGV	8.00 x 8.00 x 48.00	203 x 203 x 1219	14
F8860RTGV	8.00 x 8.00 x 60.00	203 x 203 x 1524	14
F8872RTGV	8.00 x 8.00 x 72.00	203 x 203 x 1829	14
F8896RTGV	8.00 x 8.00 x 96.00	203 x 203 x 2438	14
F88116RTGV	8.00 x 8.00 x 116.00	203 x 203 x 2946	14
F101024RTGV	10.00 x 10.00 x 24.00	254 x 254 x 610	14
F101036RTGV	10.00 x 10.00 x 36.00	254 x 254 x 914	14
F101048RTGV	10.00 x 10.00 x 48.00	254 x 254 x 1219	14
F101060RTGV	10.00 x 10.00 x 60.00	254 x 254 x 1524	14
F101072RTGV	10.00 x 10.00 x 72.00	254 x 254 x 1829	14
F101096RTGV	10.00 x 10.00 x 96.00	254 x 254 x 2438	14
F1010116RTGV	10.00 x 10.00 x 116.00	254 x 254 x 2946	14
F121224RTGV	12.00 x 12.00 x 24.00	305 x 305 x 610	14
F121236RTGV	12.00 x 12.00 x 36.00	305 x 305 x 914	14
F121248RTGV	12.00 x 12.00 x 48.00	305 x 305 x 1219	14
F121260RTGV	12.00 x 12.00 x 60.00	305 x 305 x 1524	14
F121272RTGV	12.00 x 12.00 x 72.00	305 x 305 x 1829	14
F121284RTGV	12.00 x 12.00 x 84.00	305 x 305 x 2134	14
F121296RTGV	12.00 x 12.00 x 96.00	305 x 305 x 2438	14
F1212116RTGV	12.00 x 12.00 x 116.00	305 x 305 x 2946	14
F141448RTGV	14.00 x 14.00 x 48.00	356 x 356 x 1219	14
F141472RTGV	14.00 x 14.00 x 72.00	356 x 356 x 1829	14
F141496RTGV	14.00 x 14.00 x 96.00	356 x 356 x 2438	14
F1414116RTGV	14.00 x 14.00 x 116.00	356 x 3065 x 2946	14

### Padlock Hasp Kit



Provides a means to padlock NEMA Type 3R trough. Includes mounting screws.

**Bulletin: F40GT**

Catalog Number	Description	Kit Qty.
APLK3R	Padlock Hasp	1

## Wiring Troughs

### Hinged Cover Wiring Trough, NEMA Type 12



#### Application

This wiring trough meets basic functionality requirements for moist or dirty applications, with the added feature of a hinged, screw clamp cover for easy access.

#### Features

- Ends and seams continuously welded and ground smooth
- No holes or knockouts
- Butt hinges
- External screw clamps
- Screw clamps
- Oil-resistant gasket and adhesive

#### Specifications

- 14 gauge steel covers and bodies

#### Finish

ANSI 61 gray polyester powder coating inside and out over pretreated surfaces.

#### Accessories

See also *Accessories*.

Touch-Up Paint

Bulletin: F20HC

#### Industry Standards

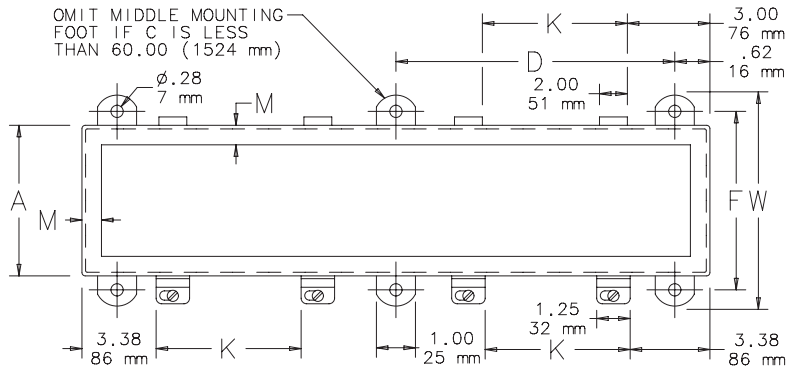
UL 870 Listed; File No. E27524

NEMA Type 12

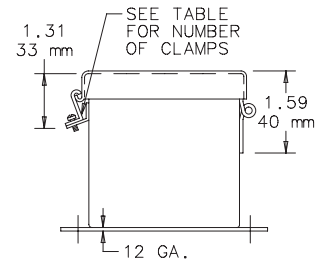
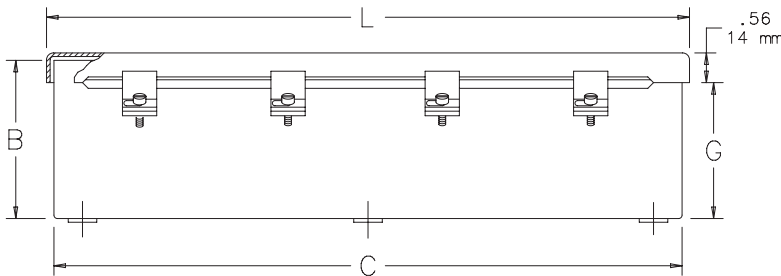
JIC standards EGP-1-1967 and EMP-1-1967

CSA, File No. 42184, Type 1

IEC 60529, IP55



TOP VIEW WITH COVER REMOVED



C2537-C

## Wiring Troughs

**Standard Product**

Catalog Number	AxBxC in./mm	Clamps	Mounting Bracket	D in./mm	F in./mm	G in./mm	K in./mm	L in./mm	M in./mm	W in./mm
F22T12HC	2.50 x 2.50 x 12.00 64 x 64 x 305	2	2	—	3.19 81	2.11 54	—	12.25 311	0.41 10	4.00 102
F22T18HC	2.50 x 2.50 x 18.00 64 x 64 x 457	2	2	—	3.19 81	2.11 54	—	18.25 464	0.41 10	4.00 102
F22T24HC	2.50 x 2.50 x 24.00 64 x 64 x 610	2	2	—	3.19 81	2.11 54	—	24.25 616	0.41 10	4.00 102
F22T36HC	2.50 x 2.50 x 36.00 64 x 64 x 914	3	3	—	3.19 81	2.11 54	14.00 356	36.25 921	0.41 10	4.00 102
F22T48HC	2.50 x 2.50 x 48.00 64 x 64 x 1219	3	2	—	3.19 81	2.11 54	20.00 508	48.25 1226	0.41 10	4.00 102
F22T60HC	2.50 x 2.50 x 60.00 64 x 64 x 1524	4	3	29.38 746	3.19 81	2.11 54	17.34 440	60.25 1530	0.41 10	4.00 102
F22T72HC	2.50 x 2.50 x 72.00 64 x 64 x 1829	5	3	35.38 899	3.19 81	2.11 54	16.00 406	72.25 1835	0.41 10	4.00 102
F44T12HC	4.00 x 4.00 x 12.00 102 x 102 x 305	2	2	—	4.69 119	3.59 91	—	12.25 311	0.41 10	5.50 140
F44T18HC	4.00 x 4.00 x 18.00 102 x 102 x 457	2	2	—	4.69 119	3.59 91	—	18.25 464	0.41 10	5.50 140
F44T24HC	4.00 x 4.00 x 24.00 102 x 102 x 610	2	2	—	4.69 119	3.59 91	—	24.25 616	0.41 10	5.50 140
F44T30HC	4.00 x 4.00 x 30.00 102 x 102 x 762	3	2	—	4.69 119	3.59 91	11.00 279	30.25 768	0.41 10	5.50 140
F44T36HC	4.00 x 4.00 x 36.00 102 x 102 x 914	3	2	—	4.69 119	3.59 91	14.00 356	36.25 921	0.41 10	5.50 140
F44T48HC	4.00 x 4.00 x 48.00 102 x 102 x 1219	3	2	—	4.69 119	3.59 91	20.00 508	48.25 1226	0.41 10	5.50 140
F44T60HC	4.00 x 4.00 x 60.00 102 x 102 x 1524	4	3	29.38 746	4.69 119	3.59 91	17.34 440	60.25 1530	0.41 10	5.50 140
F44T72HC	4.00 x 4.00 x 72.00 102 x 102 x 1829	5	3	35.38 899	4.69 119	3.59 91	16.00 406	72.25 1835	0.56 14	5.50 140
F66T12HC	6.00 x 6.00 x 12.00 152 x 152 x 305	2	2	—	6.69 170	5.59 142	—	12.25 311	0.41 10	7.50 191
F66T18HC	6.00 x 6.00 x 18.00 152 x 152 x 457	2	2	—	6.69 170	5.59 142	—	18.25 464	0.41 10	7.50 191
F66T24HC	6.00 x 6.00 x 24.00 152 x 152 x 610	2	2	—	6.69 170	5.59 142	—	24.25 616	0.41 10	7.50 191
F66T30HC	6.00 x 6.00 x 30.00 152 x 152 x 762	3	2	—	6.69 170	5.59 142	11.00 279	30.25 768	0.41 10	7.50 191
F66T36HC	6.00 x 6.00 x 36.00 152 x 152 x 914	3	2	—	6.69 170	5.59 142	14.00 356	36.25 921	0.41 10	7.50 191
F66T48HC	6.00 x 6.00 x 48.00 152 x 152 x 1219	3	2	—	6.69 170	5.59 142	20.00 508	48.25 1226	0.41 10	7.50 191
F66T60HC	6.00 x 6.00 x 60.00 152 x 152 x 1524	4	3	29.38 746	6.69 170	5.59 142	17.34 440	60.25 1530	0.41 10	7.50 191
F66T72HC	6.00 x 6.00 x 72.00 152 x 152 x 1829	5	3	35.38 899	6.69 170	5.59 142	16.00 406	72.25 1835	0.56 14	7.50 191
F88T12HC	8.00 x 8.00 x 12.00 203 x 203 x 305	2	2	—	8.69 221	7.61 193	—	12.25 311	0.75 19	9.50 241
F88T24HC	8.00 x 8.00 x 24.00 203 x 203 x 610	2	2	—	8.69 221	7.61 193	n/a	24.25 616	0.75 19	9.50 241
F88T36HC	8.00 x 8.00 x 36.00 203 x 203 x 914	3	2	—	8.69 221	7.61 193	14.00 356	36.25 921	0.75 19	9.50 241
F88T48HC	8.00 x 8.00 x 48.00 203 x 203 x 1219	3	2	—	8.69 221	7.61 193	20.00 508	48.25 1226	0.75 19	9.50 241
F88T60HC	8.00 x 8.00 x 60.00 203 x 203 x 1524	4	3	29.38 746	8.69 221	7.61 193	17.34 440	60.25 1530	0.75 19	9.50 241
F1212T60HC	12.00 x 12.00 x 60.00 305 x 305 x 1524	4	3	29.38 746	12.69 322	11.61 295	17.34 440	60.25 1530	0.75 19	13.50 343
F1212T24HC	12.00 x 12.00 x 24.00 305 x 305 x 610	2	2	—	12.69 322	11.61 295	—	24.25 616	0.75 19	13.50 343
F1212T36HC	12.00 x 12.00 x 36.00 305 x 305 x 914	3	2	—	12.69 322	11.61 295	14.00 357	36.25 921	0.75 19	13.50 343
F1212T48HC	12.00 x 12.00 x 48.00 305 x 305 x 1219	3	2	—	12.69 322	11.61 295	20.00 508	48.25 1226	0.75 19	13.50 343



## Wiring Troughs

## Screw Cover Wiring Trough, NEMA Type 12

**Industry Standards**

UL 870 Listed; File No. E27524
--------------------------------

NEMA/EEMAC Type 12  
 JIC standards EGP-1-1967 and EMP-1-1967  
 CSA, File No. 42184: Type 12  
 IEC 60529, IP55

**Application**

This wiring trough meets basic functionality requirements for applications in which frequent access is not needed. Providing protection in moist or dirty environments, the trough can be customized with different finish colors and textures.

**Features**

- Ends and seams continuously welded and ground smooth; no holes or knockouts
- Captivated cover screws thread into sealed wells
- Oil-resistant gasket and adhesive

**Specifications**

- 14 gauge steel covers and bodies
- F2212SC is 16 gauge steel

**Finish**

ANSI 61 gray polyester powder finish inside and out over pretreated surfaces.

**Accessories**

See also *Accessories chapter*.  
 Touch-Up Paint (ATPPY61)

**Modification and Customization**

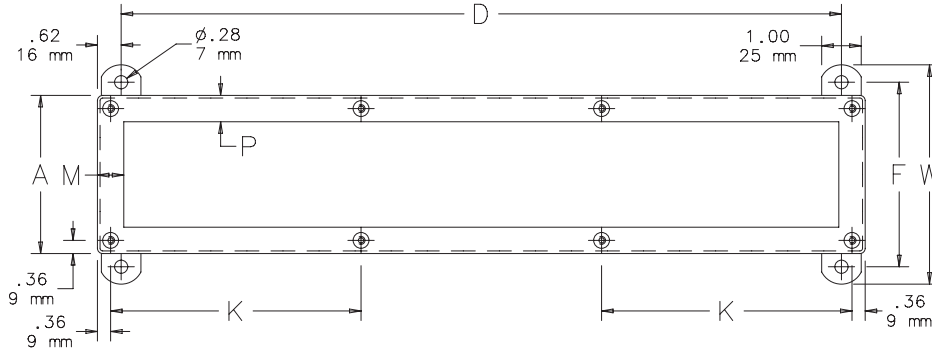
Hoffman excels at modifying and customizing products to your specifications. Contact your local Hoffman sales office or distributor for complete information.

Bulletin: F20SC

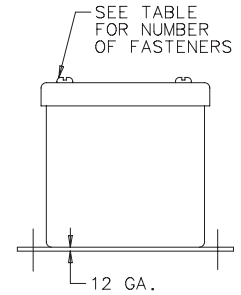
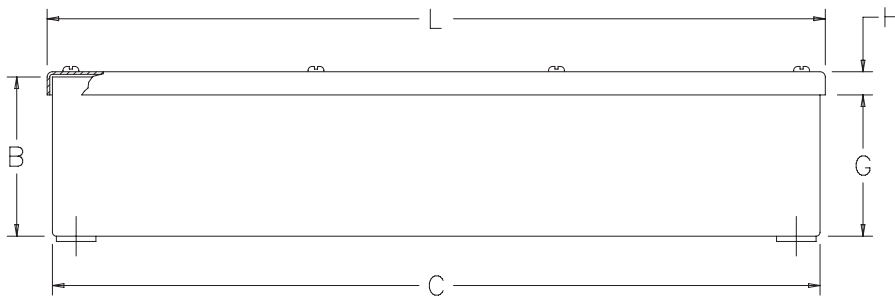
# Wiring Troughs

**Standard Product**

Catalog Number	AxBxC in./mm	Number of Fasteners	D in./mm	F in./mm	G in./mm	H in./mm	K in./mm	L in./mm	M in./mm	P in./mm	W in./mm
F2212SC	2.50 x 2.50 x 12.00	4	10.75	3.19	2.09	0.56	—	12.22	0.69	0.41	4.00
	64 x 64 x 305		273	81	53	14	—	310	18	10	102
F4412SC	4.00 x 4.00 x 12.00	4	10.75	4.69	3.59	0.58	—	12.25	0.69	0.69	5.50
	102 x 102 x 305		273	119	91	15	—	311	18	18	140
F4418SC	4.00 x 4.00 x 18.00	6	16.75	4.69	3.59	0.58	8.64	18.25	0.69	0.69	5.50
	102 x 102 x 457		425	119	91	15	219	464	18	18	140
F4424SC	4.00 x 4.00 x 24.00	6	22.75	4.69	3.59	0.58	11.64	24.25	0.69	0.69	5.50
	102 x 102 x 610		578	119	91	15	296	616	18	18	140
F4430SC	4.00 x 4.00 x 30.00	8	28.75	4.69	3.59	0.58	9.77	30.25	0.69	0.69	5.50
	102 x 102 x 762		730	119	91	15	248	768	18	18	140



TOP VIEW WITH COVER REMOVED



C2538-C

## Wiring Troughs

### Fiberglass Wiring Trough, NEMA Type 12 and 3R



#### Industry Standards

Flammability Rating UL 94-5V Meets UL cold impact test for temperatures to -35 C
---

NEMA Type 12 and Type 3R

IEC 60529, IP55

Recognized by National Electric Code for indoor and outdoor applications

#### Application

This lightweight, temperature- and chemically-resistant fiberglass trough is designed for use in corrosive or dirty indoor or outdoor applications.

#### Features

- Seams are sealed
- No holes or knockouts
- Captivated Monel cover screws
- Oil-resistant gasket attached with oil-resistant adhesive

#### Specifications

- Pultruded fiberglass polyester bodies and covers

#### Finish

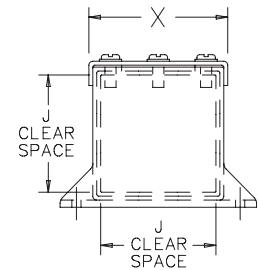
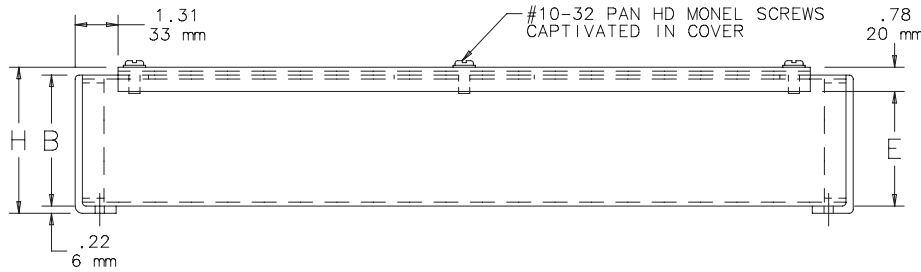
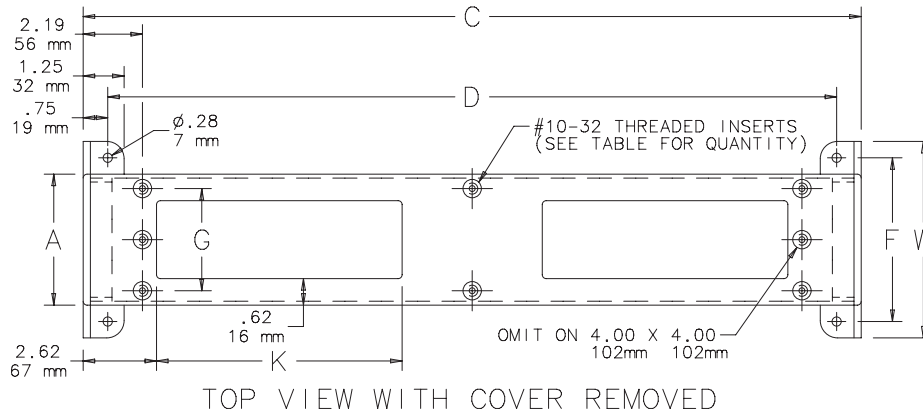
Fiberglass wireway is gray inside and out.

Bulletin: F25

# Wiring Troughs

## Standard Product

Catalog Number	AxBxC in./mm	Number of Openings	Number of Cover Screws	D in./mm	E in./mm	F in./mm	G in./mm	H in./mm	J in./mm	K in./mm	W in./mm	X in./mm
F4412FG	4.00 x 4.00 x 11.88	1	4	10.38	3.50	5.00	3.12	4.50	3.12	6.62	6.00	4.34
	102 x 102 x 302			264	89	127	79	114	79	168	152	110
F4424FG	4.00 x 4.00 x 23.88	2	6	22.38	3.50	5.00	3.12	4.50	3.12	8.50	6.00	4.34
	102 x 102 x 607			568	89	127	79	114	79	216	152	110
F4436FG	4.00 x 4.00 x 35.88	3	8	34.38	3.50	5.00	3.12	4.50	3.12	8.50	6.00	4.34
	102 x 102 x 911			873	89	127	79	114	79	216	152	110
F4448FG	4.00 x 4.00 x 47.88	4	10	46.38	3.50	5.00	3.12	4.50	3.12	8.50	6.00	4.34
	102 x 102 x 1216			1178	89	127	79	114	79	216	152	110
F4460FG	4.00 x 4.00 x 59.88	5	12	58.38	3.50	5.00	3.12	4.50	3.12	8.50	6.00	4.34
	102 x 102 x 1521			1483	89	127	79	114	79	216	152	110
F6612FG	6.00 x 6.00 x 11.88	1	6	10.38	5.50	7.00	5.12	6.50	5.12	6.62	8.00	6.34
	152 x 152 x 302			264	140	178	130	165	130	168	203	161
F6624FG	6.00 x 6.00 x 23.88	2	8	22.38	5.50	7.00	5.12	6.50	5.12	8.50	8.00	6.34
	152 x 152 x 607			568	140	178	130	165	130	216	203	161
F6636FG	6.00 x 6.00 x 35.88	3	10	34.38	5.50	7.00	5.12	6.50	5.12	8.50	8.00	6.34
	152 x 152 x 911			873	140	178	130	165	130	216	203	161
F6648FG	6.00 x 6.00 x 47.88	4	12	46.38	5.50	7.00	5.12	6.50	5.12	8.50	8.00	6.34
	152 x 152 x 1216			1178	140	178	130	165	130	216	203	161
F6660FG	6.00 x 6.00 x 59.88	5	14	58.38	5.50	7.00	5.12	6.50	5.12	8.50	8.00	6.34
	152 x 152 x 1521			1483	140	178	130	165	130	216	203	161



C2539-C

# CLEAN TRAY® Stainless Steel Cable Tray

## CLEAN TRAY® Stainless Steel Cable Tray, Type 1



### Industry Standards

UL Classified; File No. E263414  
 This product is classified as to its suitability as an equipment grounding conductor only.

NEMA/EEMAC Type 1

### Application

The CLEAN TRAY® Stainless Steel Cable Tray is designed to protect rated cabling in applications that require frequent washdown. A variety of sloped-top fittings with front, inside or outside cover options allows for highly-customized runs using standard catalog product and supports directional control of washdown effluent.

### Features

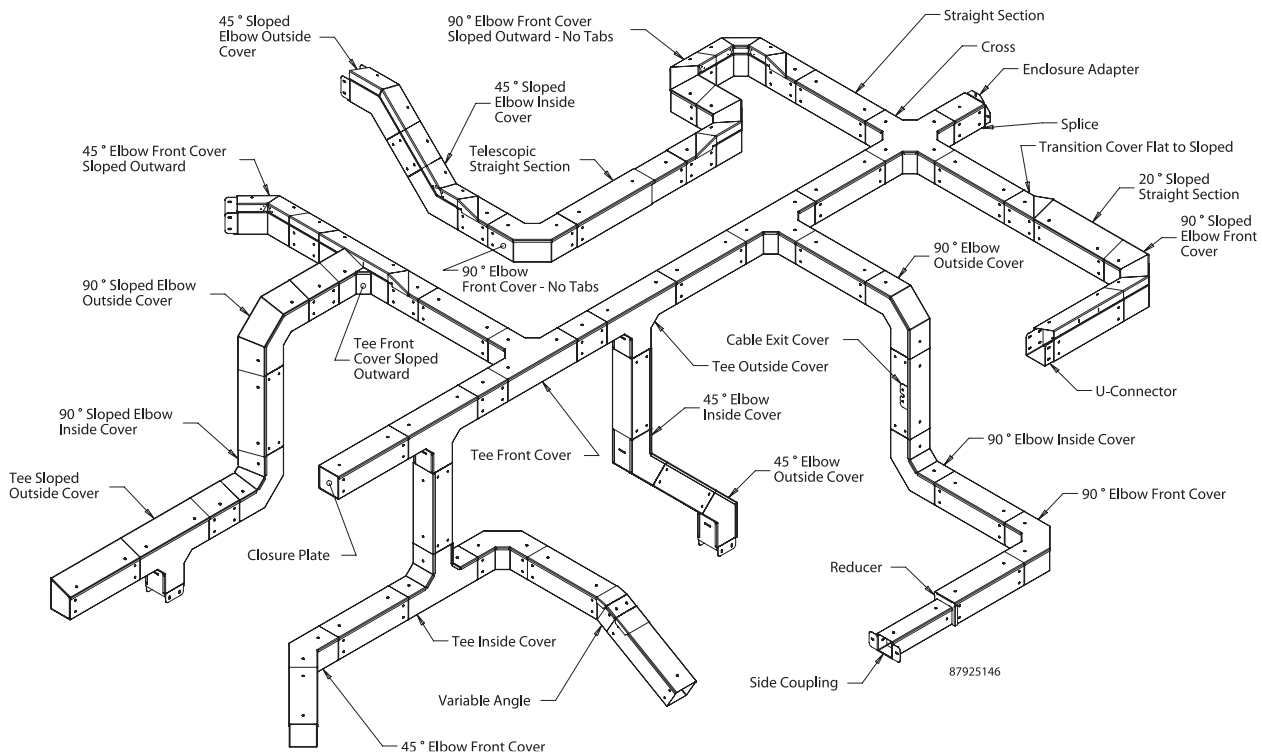
- Adjustable dividers
- Tops and sides can completely open
- Flat cover and 20-degree sloped cover models available
- Perforated fittings and straight sections
- Elbows contain three cover options: front, inside and outside
- Connecting hardware is included with each model
- Quarter-turn latches

### Specifications

- 18 gauge stainless steel

### Finish

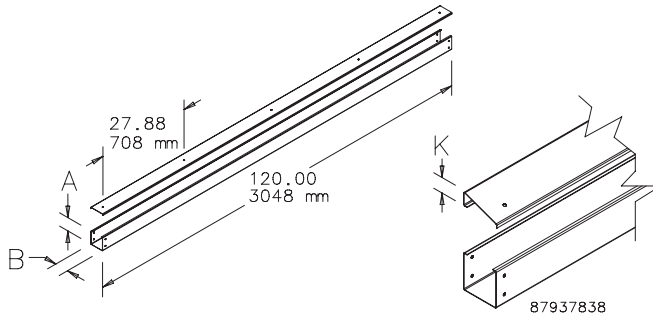
Smooth brushed finish



**CLEAN TRAY® Stainless Steel Cable Tray**
**Straight Section**


Straight sections are available in 10-ft. lengths with or without perforations. Available with a 20-degree sloped cover in some sizes. One U-connector and hardware is supplied with each straight section.

Bulletin: F23



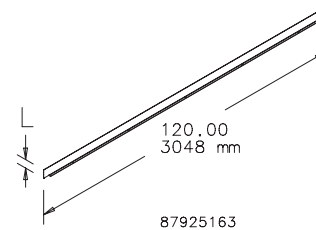
Catalog Number	AxB in./mm	Description	K in./mm
CT22120SS	2.00 x 2.00 51 x 51	Standard	—
CT33120SS	3.00 x 3.00 76 x 76	Standard	—
CT44120SS	4.00 x 4.00 102 x 102	Standard	—
CT46120SS	4.00 x 6.00 102 x 152	Standard	—
CT66120SS	6.00 x 6.00 152 x 152	Standard	—
CT22P120SS	2.00 x 2.00 51 x 51	Perforated	—
CT33P120SS	3.00 x 3.00 76 x 76	Perforated	—
CT44P120SS	4.00 x 4.00 102 x 102	Perforated	—
CT46P120SS	4.00 x 6.00 102 x 152	Perforated	—
CT66P120SS	6.00 x 6.00 152 x 152	Perforated	—
CTS33120SS	3.00 x 3.00 76 x 76	Sloped Top	1.06 24
CTS44120SS	4.00 x 4.00 102 x 102	Sloped Top	1.42 36
CTS46120SS	4.00 x 6.00 102 x 152	Sloped Top	2.16 55
CTS66120SS	6.00 x 6.00 152 x 152	Sloped Top	2.16 55
CTS33P120SS	3.00 x 3.00 76 x 76	Sloped Top Perforated	1.06 27
CTS44P120SS	4.00 x 4.00 102 x 102	Sloped Top Perforated	1.42 36
CTS46P120SS	4.00 x 6.00 102 x 152	Sloped Top Perforated	2.16 55
CTS66P120SS	6.00 x 6.00 152 x 152	Sloped Top Perforated	2.16 55

**Divider Straight Section**

Used to divide one straight section into two sections.

Bulletin: F23

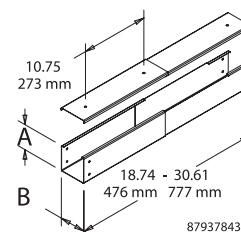
Catalog Number	AxB in./mm	Fits Cable Tray Size in./mm	L in./mm
CT33DSS	3.00 x 3.00 76 x 76	4.00 x 4.00 102 x 102	2.13 54
CT44DSS	4.00 x 4.00 102 x 102	4.00 x 6.00 102 x 152	3.13 79
CT66DSS	6.00 x 6.00 152 x 152	6.00 x 6.00 152 x 152	5.13 130


**Telescopic Straight Section**


Adjusts from 18.74 in. to 30.61 in.

Bulletin: F23

Catalog Number	AxB in.	AxB mm
CT22TSS	2.00 x 2.00	51 x 51
CT33TSS	3.00 x 3.00	76 x 76
CT44TSS	4.00 x 4.00	102 x 102
CT46TSS	4.00 x 6.00	102 x 152
CT66TSS	6.00 x 6.00	152 x 152



# CLEAN TRAY® Stainless Steel Cable Tray

## Divider, Telescopic Straight Section

Must be trimmed to length.

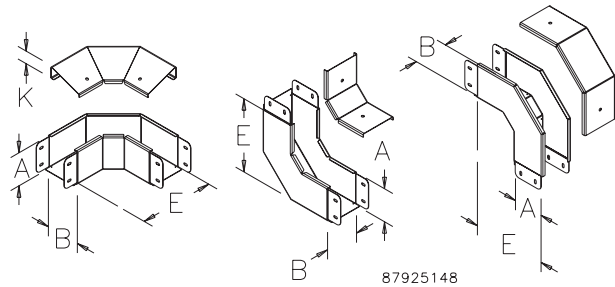
Bulletin: F23

Catalog Number	AxB in.	AxB mm
CT33TDSPSS	3.00 x 3.00	76 x 76
CT44TDSPSS	4.00 x 4.00	102 x 102
CT66TDSPSS	6.00 x 6.00	152 x 152

## 90-Degree Elbows

Used wherever a 90-degree transition is required. Models without tabs connect directly to another elbow without using a splice.

Bulletin: F23



Catalog Number	AxB in.	AxB mm	Description	E (in.)	E (mm)	K (in.)	K (mm)
CT22EFC90SS	2.00 x 2.00	51 x 51	Front Cover	6.00	152	—	—
CT33EFC90SS	3.00 x 3.00	76 x 76	Front Cover	7.00	178	—	—
CT44EFC90SS	4.00 x 4.00	102 x 102	Front Cover	9.00	229	—	—
CT46EFC90SS	4.00 x 6.00	102 x 152	Front Cover	11.00	279	—	—
CT66EFC90SS	6.00 x 6.00	152 x 152	Front Cover	11.00	279	—	—
CT22EFCNT90SS	2.00 x 2.00	51 x 51	Front Cover without Tabs	6.00	152	—	—
CT33EFCNT90SS	3.00 x 3.00	76 x 76	Front Cover without Tabs	7.00	178	—	—
CT44EFCNT90SS	4.00 x 4.00	102 x 102	Front Cover without Tabs	9.00	229	1.42	36
CT46EFCNT90SS	4.00 x 6.00	102 x 152	Front Cover without Tabs	11.00	279	2.16	55
CT66EFCNT90SS	6.00 x 6.00	152 x 152	Front Cover without Tabs	11.00	279	2.16	55
CT22EIC90SS	2.00 x 2.00	51 x 51	Inside Cover	6.00	152	—	—
CT33EIC90SS	3.00 x 3.00	76 x 76	Inside Cover	7.00	178	—	—
CT44EIC90SS	4.00 x 4.00	102 x 102	Inside Cover	9.00	229	—	—
CT46EIC90SS	4.00 x 6.00	102 x 152	Inside Cover	11.00	279	—	—
CT66EIC90SS	6.00 x 6.00	152 x 152	Inside Cover	11.00	279	—	—
CT22E0C90SS	2.00 x 2.00	51 x 51	Outside Cover	6.00	152	—	—
CT33E0C90SS	3.00 x 3.00	76 x 76	Outside Cover	7.00	178	—	—
CT44E0C90SS	4.00 x 4.00	102 x 102	Outside Cover	9.00	229	—	—
CT46E0C90SS	4.00 x 6.00	102 x 152	Outside Cover	11.00	279	—	—
CT66E0C90SS	6.00 x 6.00	152 x 152	Outside Cover	11.00	279	—	—
CT22PEFC90SS	2.00 x 2.00	51 x 51	Front Cover Perforated	6.00	152	—	—
CT33PEFC90SS	3.00 x 3.00	76 x 76	Front Cover Perforated	7.00	178	—	—
CT44PEFC90SS	4.00 x 4.00	102 x 102	Front Cover Perforated	9.00	229	—	—
CT46PEFC90SS	4.00 x 5.00	102 x 127	Front Cover Perforated	11.00	279	—	—
CT66PEFC90SS	6.00 x 5.00	152 x 127	Front Cover Perforated	11.00	279	—	—
CTS33EFC90SS	3.00 x 3.00	76 x 76	Front Cover Sloped Inward	7.00	178	1.06	27
CTS44EFC90SS	4.00 x 4.00	102 x 102	Front Cover Sloped Inward	9.00	229	1.42	36
CTS46EFC90SS	4.00 x 6.00	102 x 152	Front Cover Sloped Inward	11.00	279	2.16	55
CTS66EFC90SS	6.00 x 6.00	152 x 152	Front Cover Sloped Inward	11.00	279	2.16	55
CTS33PEFC90SS	3.00 x 3.00	76 x 76	Front Cover Sloped Inward Perforated	7.00	178	1.06	27
CTS44PEFC90SS	4.00 x 4.00	102 x 102	Front Cover Sloped Inward Perforated	9.00	229	1.42	36
CTS46PEFC90SS	4.00 x 6.00	102 x 152	Front Cover Sloped Inward Perforated	11.00	279	2.16	55
CTS66PEFC90SS	6.00 x 6.00	152 x 152	Front Cover Sloped Inward Perforated	11.00	279	2.16	55

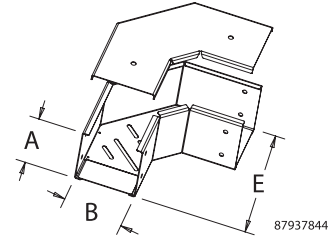
### CLEAN TRAY® Stainless Steel Cable Tray

#### 90-Degree Elbows—Perforated without Tabs



Used wherever a 90-degree transition is required.  
Bulletin: F23

Catalog Number	AxB in.	AxB mm	E (in.)	E (mm)
CT22PEFCNT90SS	2.00 x 2.00	51 x 51	6.00	152
CT33PEFCNT90SS	3.00 x 3.00	76 x 76	7.00	178
CT44PEFCNT90SS	4.00 x 4.00	102 x 102	9.00	229
CT46PEFCNT90SS	4.00 x 6.00	102 x 152	11.00	279
CT66PEFCNT90SS	6.00 x 6.00	152 x 152	11.00	279

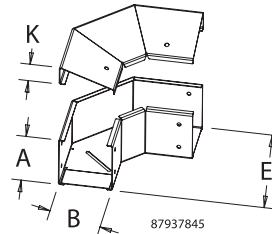


#### 90-Degree Elbows—Front Cover Sloped Inward without Tabs



Used wherever a 90-degree transition is required.  
Bulletin: F23

Catalog Number	AxB in./mm	E in./mm	K in./mm
CTS44EFCNT90SS	4.00 x 4.00	9.00	1.42
	102 x 102	229	36
CTS46EFCNT90SS	4.00 x 6.00	11.00	2.16
	102 x 152	279	55
CTS66EFCNT90SS	6.00 x 6.00	11.00	2.16
	152 x 152	279	55

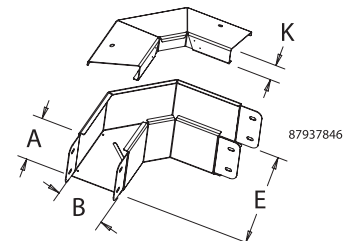


#### 90-Degree Elbows—Front Cover Sloped Outward with Tabs



Used wherever a 90-degree transition is required.  
Bulletin: F23

Catalog Number	AxB in./mm	E in./mm	K in./mm
CTS44EFC090SS	4.00 x 4.00	9.00	1.42
	102 x 102	229	36
CTS46EFC090SS	4.00 x 6.00	11.00	2.16
	102 x 152	279	55
CTS66EFC090SS	6.00 x 6.00	11.00	2.16
	152 x 152	279	55





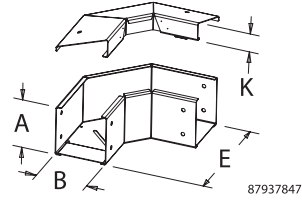
### CLEAN TRAY® Stainless Steel Cable Tray

#### 90-Degree Elbows—Front Cover Sloped Outward without Tabs



Used wherever a 90-degree transition is required.  
Bulletin: F23

Catalog Number	AxB in./mm	E in./mm	K in./mm
CTS44EFCONT90SS	4.00 x 4.00	9.00	1.42
	102 x 102	229	36
CTS46EFCONT90SS	4.00 x 6.00	11.00	2.16
	102 x 152	279	55
CTS66EFCONT90SS	6.00 x 6.00	11.00	2.16
	152 x 152	279	55

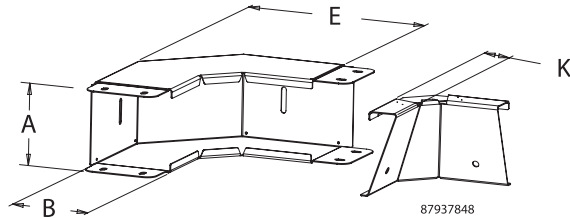


#### 90-Degree Elbows—Inside Cover Sloped



Used wherever a 90-degree transition is required.  
Bulletin: F23

Catalog Number	AxB in./mm	E in./mm	K in./mm
CTS44EIC90SS	4.00 x 4.00	9.00	1.42
	102 x 102	229	36
CTS46EIC90SS	4.00 x 6.00	11.00	2.16
	102 x 152	279	55
CTS66EIC90SS	6.00 x 6.00	11.00	2.16
	152 x 152	279	55

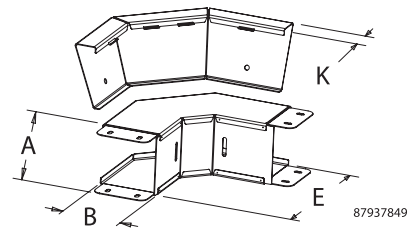


#### 90-Degree Elbows—Outside Cover Sloped



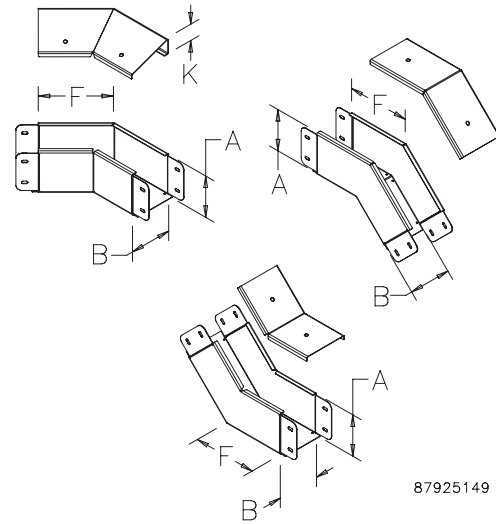
Used wherever a 90-degree transition is required.  
Bulletin: F23

Catalog Number	AxB in./mm	E in./mm	K in./mm
CTS44E0C90SS	4.00 x 4.00	9.00	1.42
	102 x 102	229	36
CTS46E0C90SS	4.00 x 6.00	11.00	2.16
	102 x 152	279	55
CTS66E0C90SS	6.00 x 6.00	11.00	2.16
	152 x 152	279	55



### CLEAN TRAY® Stainless Steel Cable Tray

#### 45-Degree Elbows



Used wherever a 45-degree transition is required.

Bulletin: F23

87925149

Catalog Number	AxB in.	AxB mm	Description	F (in.)	F (mm)	K (in.)	K (mm)
CT22EFC45SS	2.00 x 2.00	51 x 51	Front Cover	4.57	116	—	—
CT33EFC45SS	3.00 x 3.00	76 x 76	Front Cover	4.98	127	—	—
CT44EFC45SS	4.00 x 4.00	102 x 102	Front Cover	5.96	151	—	—
CT46EFC45SS	4.00 x 6.00	102 x 152	Front Cover	6.79	173	—	—
CT66EFC45SS	6.00 x 6.00	152 x 152	Front Cover	6.79	173	—	—
CT22EIC45SS	2.00 x 2.00	51 x 51	Inside Cover	4.57	116	—	—
CT33EIC45SS	3.00 x 3.00	76 x 76	Inside Cover	4.98	127	—	—
CT44EIC45SS	4.00 x 4.00	102 x 102	Inside Cover	5.96	151	—	—
CT46EIC45SS	4.00 x 6.00	102 x 152	Inside Cover	6.79	173	—	—
CT66EIC45SS	6.00 x 6.00	152 x 152	Inside Cover	6.79	173	—	—
CT22E0C45SS	2.00 x 2.00	51 x 51	Outside Cover	4.57	116	—	—
CT33E0C45SS	3.00 x 3.00	76 x 76	Outside Cover	4.98	127	—	—
CT44E0C45SS	4.00 x 4.00	102 x 102	Outside Cover	5.96	151	—	—
CT46E0C45SS	4.00 x 6.00	102 x 152	Outside Cover	6.79	173	—	—
CT66E0C45SS	6.00 x 6.00	152 x 152	Outside Cover	6.79	173	—	—
CT22PEFC45SS	2.00 x 2.00	51 x 51	Front Cover Perforated	4/57	116	—	—
CT33PEFC45SS	3.00 x 3.00	76 x 76	Front Cover Perforated	4.98	127	—	—
CT44PEFC45SS	4.00 x 4.00	102 x 102	Front Cover Perforated	5.96	151	—	—
CT46PEFC45SS	4.00 x 6.00	102 x 152	Front Cover Perforated	6.79	173	—	—
CT66PEFC45SS	6.00 x 6.00	152 x 152	Front Cover Perforated	6.79	173	—	—
CTS33EFC45SS	3.00 x 3.00	76 x 76	Front Cover Sloped	4.98	127	1.06	27
CTS44EFC45SS	4.00 x 4.00	102 x 102	Front Cover Sloped	5.96	151	1.42	36
CTS46EFC45SS	4.00 x 6.00	102 x 152	Front Cover Sloped	6.79	173	2.16	55
CTS66EFC45SS	6.00 x 6.00	152 x 152	Front Cover Sloped	6.79	173	2.16	55
CTS33PEFC45SS	3.00 x 3.00	76 x 76	Front Cover Sloped Perforated	4.98	127	1.06	27
CTS44PEFC45SS	4.00 x 4.00	102 x 102	Front Cover Sloped Perforated	5.96	151	1.42	36
CTS46PEFC45SS	4.00 x 6.00	102 x 152	Front Cover Sloped Perforated	6.79	173	2.16	55
CTS66PEFC45SS	6.00 x 6.00	152 x 152	Front Cover Sloped Perforated	6.79	173	2.16	55

### CLEAN TRAY® Stainless Steel Cable Tray

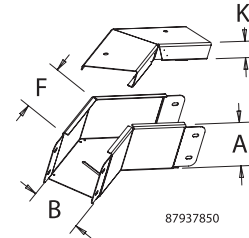
#### 45-Degree Elbows—Front Cover Sloped Outward



Used wherever a 45-degree transition is required.

Bulletin: F23

Catalog Number	AxB in./mm	F in./mm	K in./mm
CTS44EFC045SS	4.00 x 4.00 102 x 102	5.96 151	1.42 36
CTS46EFC045SS	4.00 x 6.00 102 x 152	6.79 173	2.16 55
CTS66EFC045SS	6.00 x 6.00 152 x 152	6.79 173	2.16 55



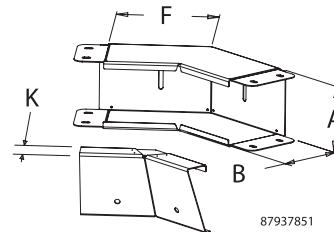
#### 45-Degree Elbows—Inside Cover Sloped



Used wherever a 45-degree transition is required.

Bulletin: F23

Catalog Number	AxB in./mm	F in./mm	K in./mm
CTS46EIC45SS	4.00 x 6.00 102 x 152	6.79 173	2.16 55
CTS66EIC45SS	6.00 x 6.00 152 x 152	6.79 173	2.16 55



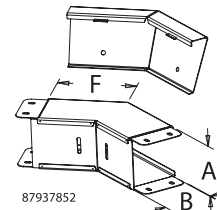
#### 45-Degree Elbows—Outside Cover Sloped



Used wherever a 45-degree transition is required.

Bulletin: F23

Catalog Number	AxB in./mm	F in./mm	K in./mm
CTS44E0C45SS	4.00 x 4.00 102 x 102	5.96 151	1.42 36
CTS46E0C45SS	4.00 x 6.00 102 x 152	6.79 173	2.16 55
CTS66E0C45SS	6.00 x 6.00 152 x 152	6.79 173	2.16 55

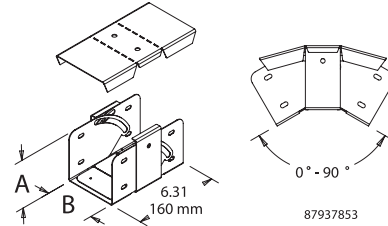


**CLEAN TRAY® Stainless Steel Cable Tray**
**Variable-Angle Elbow Fitting**


Adjustable from 0 to 90 degrees. Simplifies and saves field integration and installation time.

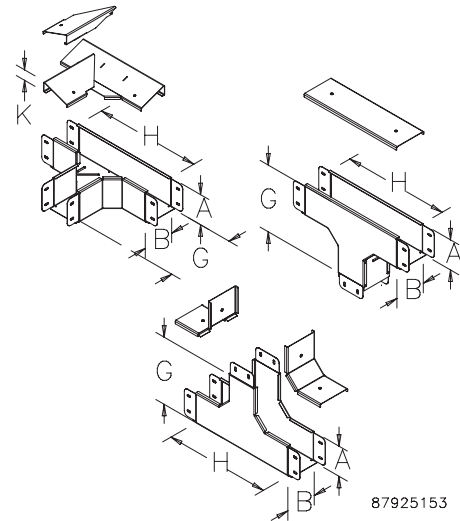
Bulletin: F23

Catalog Number	AxB in.	AxB mm
CT22VSS	2.00 x 2.00	51 x 51
CT33VSS	3.00 x 3.00	76 x 76
CT44VSS	4.00 x 4.00	102 x 102
CT46VSS	4.00 x 6.00	102 x 152
CT66VSS	6.00 x 6.00	152 x 152


**90-Degree Tee**


Available with or without perforations in three cover options: front, inside and outside. Used wherever two 90-degree transitions are required. Available with a 20-degree sloped cover in some sizes (Front Cover only).

Bulletin: F23



Catalog Number	AxB in.	AxB mm	Description	G (in.)	G (mm)	H (in.)	H (mm)	K (in.)	K (mm)
CT22TFCSS	2.00 x 2.00	51 x 51	Front Cover	3.00	152	10.00	254	—	—
CT33TFCSS	3.00 x 3.00	76 x 76	Front Cover	9.00	229	14.00	356	—	—
CT44TFCSS	4.00 x 4.00	102 x 102	Front Cover	7.00	178	11.00	279	—	—
CT46TFCSS	4.00 x 6.00	102 x 152	Front Cover	11.00	279	16.00	406	—	—
CT66TFCSS	6.00 x 6.00	152 x 152	Front Cover	11.00	279	16.00	406	—	—
CT33TICSS	3.00 x 3.00	76 x 76	Inside Cover	7.00	178	11.00	279	—	—
CT44TICSS	4.00 x 4.00	102 x 102	Inside Cover	9.00	229	14.00	356	—	—
CT46TICSS	4.00 x 6.00	102 x 152	Inside Cover	11.00	279	16.00	406	—	—
CT66TICSS	6.00 x 6.00	152 x 152	Inside Cover	11.00	279	16.00	406	—	—
CT22TOCSS	2.00 x 2.00	51 x 51	Outside Cover	6.00	152	10.00	254	—	—
CT33TOCSS	3.00 x 3.00	76 x 76	Outside Cover	7.00	178	11.00	279	—	—
CT44TOCSS	4.00 x 4.00	102 x 102	Outside Cover	9.00	229	14.00	356	—	—
CT46TOCSS	4.00 x 6.00	102 x 152	Outside Cover	11.00	279	16.00	406	—	—
CT66TOCSS	6.00 x 6.00	152 x 152	Outside Cover	11.00	279	16.00	406	—	—
CT22PTFCSS	2.00 x 2.00	51 x 51	Front Cover Perforated	6.00	152	10.00	254	—	—
CT33PTFCSS	3.00 x 3.00	76 x 76	Front Cover Perforated	7.00	178	11.00	279	—	—
CT44PTFCSS	4.00 x 4.00	102 x 102	Front Cover Perforated	9.00	229	14.00	356	—	—
CT46PTFCSS	4.00 x 6.00	102 x 152	Front Cover Perforated	11.00	279	16.00	406	—	—
CT66PTFCSS	6.00 x 6.00	152 x 152	Front Cover Perforated	11.00	279	16.00	406	—	—
CTS33TFCSS	3.00 x 3.00	76 x 76	Front Cover Sloped	7.00	178	11.00	279	1.06	27
CTS44TFCSS	4.00 x 4.00	102 x 102	Front Cover Sloped	9.00	229	14.00	356	1.42	36
CTS46TFCSS	4.00 x 6.00	102 x 152	Front Cover Sloped	11.00	279	16.00	406	2.16	55
CTS66TFCSS	6.00 x 6.00	152 x 152	Front Cover Sloped	11.00	279	16.00	406	2.16	55
CTS33PTFCSS	3.00 x 3.00	76 x 76	Front Cover Sloped Perforated	7.00	178	11.00	279	1.06	27
CTS44PTFCSS	4.00 x 4.00	102 x 102	Front Cover Sloped Perforated	9.00	229	14.00	356	1.42	36
CTS46PTFCSS	4.00 x 6.00	102 x 152	Front Cover Sloped Perforated	11.00	279	16.00	406	2.16	55
CTS66PTFCSS	6.00 x 6.00	152 x 152	Front Cover Sloped Perforated	11.00	279	16.00	406	2.16	55

### CLEAN TRAY® Stainless Steel Cable Tray

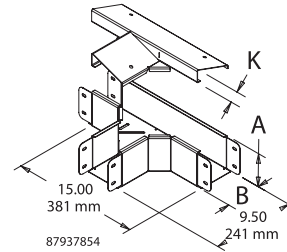
#### 90-Degree Tee—Front Cover Sloped Outward



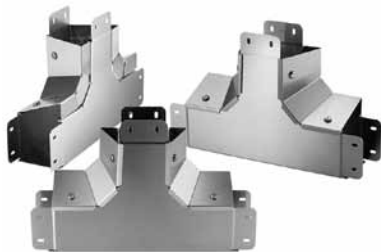
Used wherever two 90-degree transitions are required.

Bulletin: F23

Catalog Number	AxB in.	AxB mm	K (in.)	K (mm)
CTS44TFCOSS	4.00 x 4.00	102 x 102	1.42	36
CTS46TFCOSS	4.00 x 6.00	102 x 152	2.16	55
CTS66TFCOSS	6.00 x 6.00	152 x 152	2.16	55



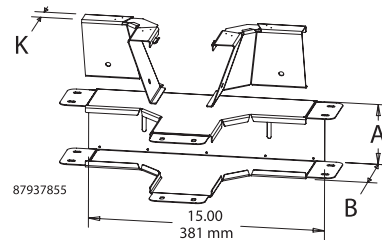
#### 90-Degree Tee—Inside Cover Sloped



Used wherever two 90-degree transitions are required.

Bulletin: F23

Catalog Number	AxB in.	AxB mm	K (in.)	K (mm)
CTS44TICSS	4.00 x 4.00	102 x 102	1.42	36
CTS46TICSS	4.00 x 6.00	102 x 152	2.16	55
CTS66TICSS	6.00 x 6.00	152 x 152	2.16	55



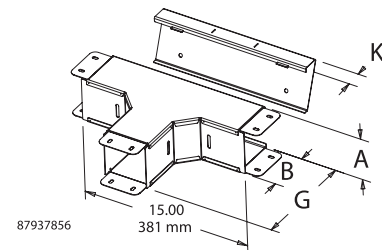
#### 90-Degree Tee—Outside Cover Sloped



Used wherever two 90-degree transitions are required.

Bulletin: F23

Catalog Number	AxB in.	AxB mm	G (in.)	G (mm)	K (in.)	K (mm)
CTS44TOCSS	4.00 x 4.00	102 x 102	9.00	229	1.42	36
CTS46TOCSS	4.00 x 6.00	102 x 152	11.00	279	2.16	55
CTS66TOCSS	6.00 x 6.00	152 x 152	11.00	279	2.16	55



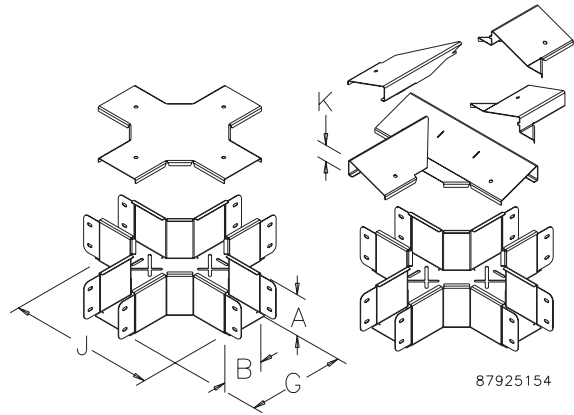
### CLEAN TRAY® Stainless Steel Cable Tray

#### Cross



Available with or without perforations. Used where there are four branches. Available with 20-degree sloped cover in some sizes. Kit includes both left and right sloped covers to create any configuration.

Bulletin: F23



87925154

Catalog Number	AxB in.	AxB mm	Description	G (in.)	G (mm)	J (in.)	J (mm)	K (in.)	K (mm)
CT22CSS	2.00 x 2.00	51 x 51	Standard	6.00	152	10	254	—	—
CT33CSS	3.00 x 3.00	76 x 76	Standard	7.00	178	11.00	279	—	—
CT44CSS	4.00 x 4.00	102 x 102	Standard	9.00	229	14.00	356	—	—
CT46CSS	4.00 x 6.00	102 x 152	Standard	11.00	279	16.00	406	—	—
CT66CSS	6.00 x 6.00	152 x 152	Standard	11.00	279	16.00	406	—	—
CT22PCSS	2.00 x 2.00	51 x 51	Perforated	6.00	152	10.00	254	—	—
CT33PCSS	3.00 x 3.00	76 x 76	Perforated	7.00	178	11.00	279	—	—
CT44PCSS	4.00 x 4.00	102 x 102	Perforated	9.00	229	14.00	356	—	—
CT46PCSS	4.00 x 6.00	102 x 152	Perforated	11.00	279	16.00	406	—	—
CT66PCSS	6.00 x 6.00	152 x 152	Perforated	11.00	279	16.00	406	—	—
CTS33CSS	3.00 x 3.00	76 x 76	Sloped Top	7.00	178	11.00	279	1.06	27
CTS44CSS	4.00 x 4.00	102 x 102	Sloped Top	9.00	229	14.00	356	1.42	36
CTS46CSS	4.00 x 6.00	102 x 152	Sloped Top	11.00	279	16.00	406	2.16	55
CTS66CSS	6.00 x 6.00	152 x 152	Sloped Top	11.00	279	16.00	406	2.16	55
CTS33PCSS	3.00 x 3.00	76 x 76	Sloped Top Perforated	7.00	178	11.00	279	1.06	27
CTS44PCSS	4.00 x 4.00	102 x 102	Sloped Top Perforated	9.00	229	14.00	356	1.42	36
CTS46PCSS	4.00 x 6.00	102 x 152	Sloped Top Perforated	11.00	279	16.00	406	2.16	55
CTS66PCSS	6.00 x 6.00	152 x 152	Sloped Top Perforated	11.00	279	16.00	406	2.16	55

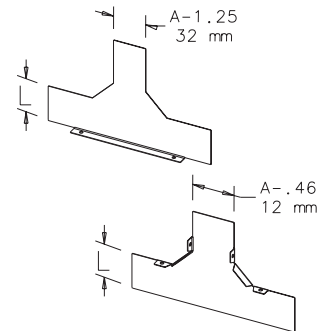
#### Divider 90-Degree Tee



Used to divide a 90-degree tee into two sections.

Bulletin: F23

Catalog Number	AxB in.	AxB mm	Fits Cable			
			Tray Size	Description	L (in.)	L (mm)
CT33DTFCSS	3.00 x 3.00	76 x 76	3 x 3	Front Cover	2.13	54
CT44DTFCSS	4.00 x 4.00	102 x 102	4 x 4	Front Cover	3.13	79
CT46DTFCSS	4.00 x 6.00	102 x 152	4 x 6	Front Cover	3.13	79
CT66DTFCSS	6.00 x 6.00	152 x 152	6 x 6	Front Cover	5.13	130
CT33DTICSS	3.00 x 3.00	76 x 76	3 x 3	Inside Cover	2.13	54
CT44DTICSS	4.00 x 4.00	102 x 102	4 x 4	Inside Cover	3.13	79
CT66DTICSS	6.00 x 6.00	152 x 152	6 x 6	Inside Cover	5.13	130
CT33DTOCSS	3.00 x 3.00	76 x 76	3 x 3	Outside Cover	2.13	54
CT44DTOCSS	4.00 x 4.00	102 x 102	4 x 4	Outside Cover	3.13	79
CT66DTOCSS	6.00 x 6.00	152 x 152	6 x 6	Outside Cover	5.13	130



87925167

**CLEAN TRAY® Stainless Steel Cable Tray**

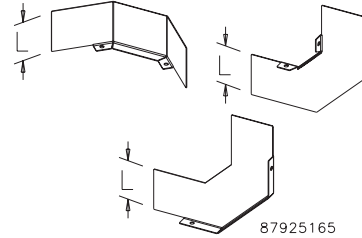
**Divider 90-Degree Elbow**



Used to divide a 90-degree elbow into two sections.

Bulletin: F23

Catalog Number	Ax B in.	Ax B mm	Description	Fits Cable		
				Tray Size	L (in.)	L (mm)
CT33DEFC90SS	3.00 x 3.00	76 x 76	Front Cover	3 x 3	2.13	54
CT44DEFC90SS	4.00 x 4.00	102 x 102	Front Cover	4 x 4	3.13	79
CT46DEFC90SS	4.00 x 6.00	102 x 152	Front Cover	4 x 6	3.13	79
CT66DEFC90SS	6.00 x 6.00	152 x 152	Front Cover	6 x 6	5.13	130
CT33DEIC90SS	3.00 x 3.00	76 x 76	Inside Cover	3 x 3	2.13	54
CT44DEIC90SS	4.00 x 4.00	102 x 102	Inside Cover	4 x 4, 4 x 6	3.13	79
CT66DEIC90SS	6.00 x 6.00	152 x 152	Inside Cover	6 x 6	5.13	130
CT33DEOC90SS	3.00 x 3.00	76 x 76	Outside Cover	3 x 3	2.13	54
CT44DEOC90SS	4.00 x 4.00	102 x 102	Outside Cover	4 x 4, 4 x 6	3.13	79
CT66DEOC90SS	6.00 x 6.00	152 x 152	Outside Cover	6 x 6	5.13	130



87925165

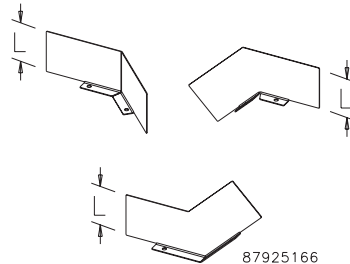
**Divider 45-Degree Elbow**



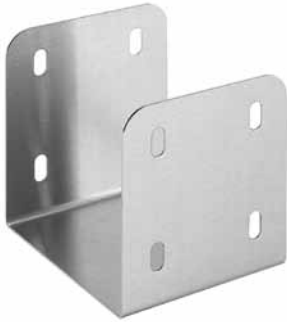
Used to divide a 45-degree elbow into two sections.

Bulletin: F23

Catalog Number	Ax B in.	Ax B mm	Description	Fits Cable		
				Tray Size	L (in.)	L (mm)
CT33DEFC45SS	3.00 x 3.00	76 x 76	Front Cover	3 x 3	2.13	54
CT44DEFC45SS	4.00 x 4.00	102 x 102	Front Cover	4 x 4	3.13	79
CT46DEFC45SS	4.00 x 6.00	102 x 152	Front Cover	4 x 6	3.13	79
CT66DEFC45SS	6.00 x 6.00	152 x 152	Front Cover	6 x 6	5.13	130
CT33DEIC45SS	3.00 x 3.00	76 x 76	Inside Cover	3 x 3	2.13	54
CT44DEIC45SS	4.00 x 4.00	102 x 102	Inside Cover	4 x 4, 4 x 6	3.13	79
CT66DEIC45SS	6.00 x 6.00	152 x 152	Inside Cover	6 x 6	5.13	130
CT33DEOC45SS	3.00 x 3.00	76 x 76	Outside Cover	3 x 3	2.13	54
CT44DEOC45SS	4.00 x 4.00	102 x 102	Outside Cover	4 x 4, 4 x 6	3.13	79
CT66DEOC45SS	6.00 x 6.00	152 x 152	Outside Cover	6 x 6	5.13	130



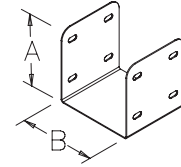
87925166

**CLEAN TRAY® Stainless Steel Cable Tray**
**U-Connector**


Used to connect two straight sections.

Bulletin: F23

Catalog Number	AxB in./mm
CT22UCSS	2.00 x 2.00 51 x 51
CT33UCSS	3.00 x 3.00 76 x 76
CT44UCSS	4.00 x 4.00 102 x 102
CT46UCSS	4.00 x 6.00 102 x 152
CT66UCSS	6.00 x 6.00 152 x 152



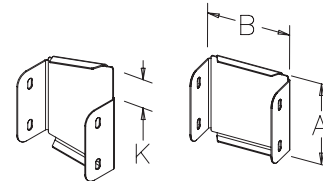
87925155

**Closure Plate**


Closes the end of a cable tray section or run. Available with 20-degree slope in some sizes (left slope shown).

Bulletin: F23

Catalog Number	AxB in.	AxB mm	Description	K (in.)	K (mm)
CT22CPSS	2.00 x 2.00	51 x 51	Standard	—	—
CT33CPSS	3.00 x 3.00	76 x 76	Standard	—	—
CT44CPSS	4.00 x 4.00	102 x 102	Standard	—	—
CT46CPSS	4.00 x 6.00	102 x 152	Standard	—	—
CT66CPSS	6.00 x 6.00	152 x 152	Standard	—	—
CTS33CPRSS	3.00 x 3.00	76 x 76	Sloped Right	1.06	27
CTS33CPLSS	3.00 x 3.00	76 x 76	Sloped Left	1.06	27
CTS44CPRSS	4.00 x 4.00	102 x 102	Sloped Right	1.42	36
CTS44CPLSS	4.00 x 4.00	102 x 102	Sloped Left	1.42	36
CTS46CPRSS	4.00 x 6.00	102 x 152	Sloped Right	2.16	55
CTS46CPLSS	4.00 x 6.00	102 x 152	Sloped Left	2.16	55
CTS66CPRSS	6.00 x 6.00	152 x 152	Sloped Right	2.16	55
CTS66CPLSS	6.00 x 6.00	152 x 152	Sloped Left	2.16	55



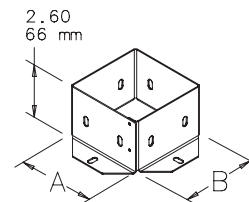
87925156

**Enclosure Adapter**


Allows the cable tray to be securely connected to an enclosure.

Bulletin: F23

Catalog Number	AxB in./mm
CT22AESS	2.00 x 2.00 51 x 51
CT33AESS	3.00 x 3.00 76 x 76
CT44AESS	4.00 x 4.00 102 x 102
CT46AESS	4.00 x 6.00 102 x 152
CT66AESS	6.00 x 6.00 152 x 152



87925157

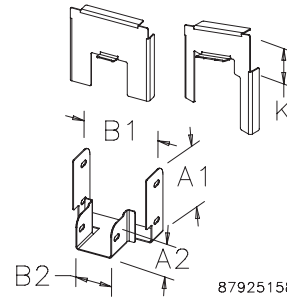
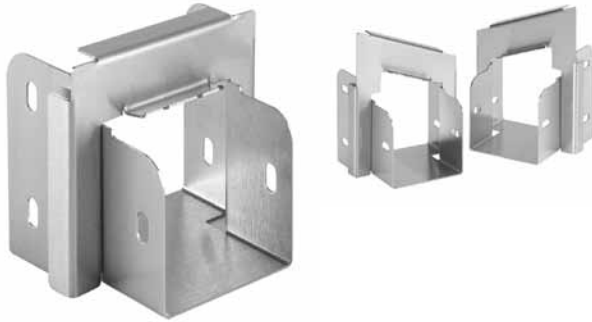


### CLEAN TRAY® Stainless Steel Cable Tray

#### Reducer

Used to reduce to a smaller size cable tray. Available with 20-degree slope in some sizes (right slope shown).

Bulletin: F23



87925158

Catalog Number	AxB in.	AxB mm	Description	A2 (in.)	A2 (mm)	B2 (in.)	B2 (mm)	K (in.)	K (mm)
CT3322RSS	3.00 x 3.00	76 x 76	3 x 3 2 x 2 Standard	2.00	51	2.00	51	—	—
CT4433RSS	4.00 x 4.00	102 x 102	4 x 4 3 x 3 Standard	3.00	76	3.00	76	—	—
CT4422RSS	4.00 x 4.00	102 x 102	4 x 4 2 x 2 Standard	2.00	51	2.00	51	—	—
CT4644RSS	4.00 x 6.00	102 x 152	4 x 6 4 x 4 Standard	4.00	102	4.00	102	—	—
CT4633RSS	4.00 x 6.00	102 x 152	4 x 6 3 x 3 Standard	3.00	76	3.00	76	—	—
CT6622RSS	6.00 x 6.00	152 x 152	6 x 6 2 x 2 Standard	2.00	51	2.00	51	—	—
CT6646RSS	6.00 x 6.00	152 x 152	6 x 6 4 x 6 Standard	4.00	102	6.00	152	—	—
CT6644RSS	6.00 x 6.00	152 x 152	6 x 6 4 x 4 Standard	4.00	102	4.00	102	—	—
CT6633RSS	6.00 x 6.00	152 x 152	6 x 6 3 x 3 Standard	3.00	76	3.00	76	—	—
CTS4433RRSS	4.00 x 4.00	102 x 102	4 x 4 3 x 3 Sloped Right	3.00	76	3.00	76	1.42	36
CTS4433RLSS	4.00 x 4.00	102 x 102	4 x 4 3 x 3 Sloped Left	3.00	76	3.00	76	1.42	36
CTS4644RRSS	4.00 x 6.00	102 x 152	4 x 6 4 x 4 Sloped Right	4.00	102	4.00	102	2.16	55
CTS4644RLSS	4.00 x 6.00	102 x 152	4 x 6 4 x 4 Sloped Left	4.00	102	4.00	102	2.16	55
CTS4633RRSS	4.00 x 6.00	102 x 152	4 x 6 3 x 3 Sloped Right	3.00	76	3.00	76	2.16	55
CTS4633RLSS	4.00 x 6.00	102 x 152	4 x 6 3 x 3 Sloped Left	3.00	76	3.00	76	2.16	55
CTS6646RRSS	6.00 x 6.00	152 x 152	6 x 6 4 x 6 Sloped Right	4.00	102	6.00	152	2.16	55
CTS6646RLSS	6.00 x 6.00	152 x 152	6 x 6 4 x 6 Sloped Left	4.00	102	6.00	152	2.16	55
CTS6644RRSS	6.00 x 6.00	152 x 152	6 x 6 4 x 4 Sloped Right	4.00	102	4.00	102	2.16	55
CTS6644RLSS	6.00 x 6.00	152 x 152	6 x 6 4 x 4 Sloped Left	4.00	102	4.00	102	2.16	55
CTS6633RRSS	6.00 x 6.00	152 x 152	6 x 6 3 x 3 Sloped Right	3.00	76	3.00	76	2.16	55
CTS6633RLSS	6.00 x 6.00	152 x 152	6 x 6 3 x 3 Sloped Left	3.00	76	3.00	76	2.16	55

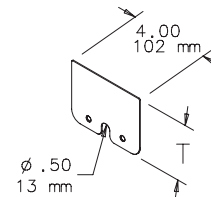
#### Cable Exit Cover



Catalog Number	T in./mm
CT2233CEC	1.50
	38
CT4466CEC	3.00
	76

Covers cables that exit the side of the cable tray. Will cover a keyhole or slot used to pass the cable through.

Bulletin: F23



87925159

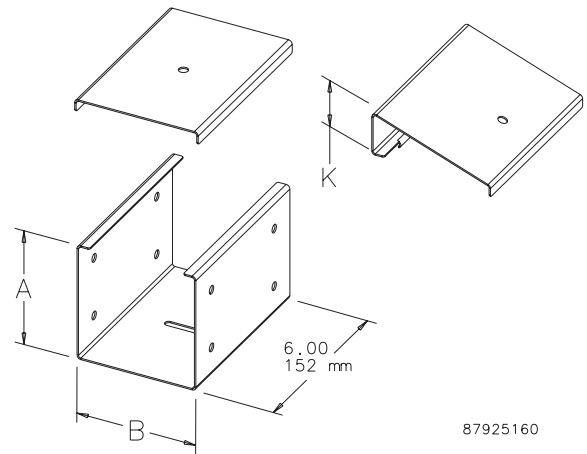
### CLEAN TRAY® Stainless Steel Cable Tray

#### Straight Section Splice



Used to connect two fittings with tabs. Available with 20-degree slope in some sizes.

Bulletin: F23



87925160

Catalog Number	AxB in.	AxB mm	Description	K (in.)	K (mm)
CT22SPSS	2.00 x 2.00	51 x 51	Standard	—	—
CT33SPSS	3.00 x 3.00	76 x 76	Standard	—	—
CT44SPSS	4.00 x 4.00	102 x 102	Standard	—	—
CT46SPSS	4.00 x 6.00	102 x 152	Standard	—	—
CT66SPSS	6.00 x 6.00	152 x 152	Standard	—	—
CT22PSPSS	2.00 x 2.00	51 x 51	Perforated	—	—
CT33PSPSS	3.00 x 3.00	76 x 76	Perforated	—	—
CT44PSPSS	4.00 x 4.00	102 x 102	Perforated	—	—
CT46PSPSS	4.00 x 6.00	102 x 152	Perforated	—	—
CT66PSPSS	6.00 x 6.00	152 x 152	Perforated	—	—
CTS33SPSS	3.00 x 3.00	76 x 76	Sloped Top	1.06	27
CTS44SPSS	4.00 x 4.00	102 x 102	Sloped Top	1.42	36
CTS46SPSS	4.00 x 6.00	102 x 152	Sloped Top	2.16	55
CTS66SPSS	6.00 x 6.00	152 x 152	Sloped Top	2.16	55
CTS33PSPSS	3.00 x 3.00	76 x 76	Sloped Top Perforated	1.06	27
CTS44PSPSS	4.00 x 4.00	102 x 102	Sloped Top Perforated	1.42	36
CTS46PSPSS	4.00 x 6.00	102 x 152	Sloped Top Perforated	2.16	55
CTS66PSPSS	6.00 x 6.00	152 x 152	Sloped Top Perforated	2.16	55

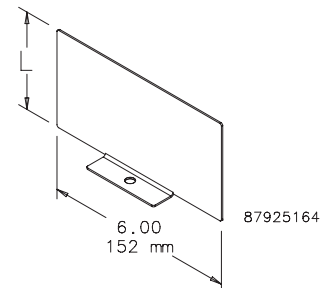
#### Divider Straight Section Splice



Used to divide a straight section splice into two sections.

Bulletin: F23

Catalog Number	AxB in./mm	Fits Cable Tray Size	L in./mm
CT33DSPSS	3.00 x 3.00	3 x 3	2.13
	76 x 76		54
CT44DSPSS	4.00 x 4.00	4 x 4, 4 x 6	3.13
	102 x 102		79
CT66DSPSS	6.00 x 6.00	6 x 6	5.13
	152 x 152		130



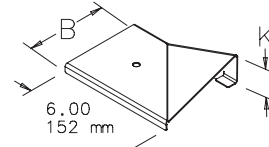
87925164

**CLEAN TRAY® Stainless Steel Cable Tray**
**Transition Cover**

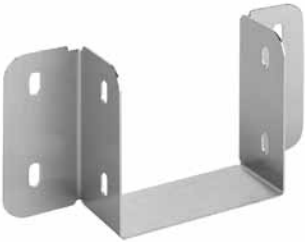

Transitions from a sloped to standard cable tray. Available with right- and left-hand slope. Will fit the Splice (order separately) or anywhere on a straight section (transition cover sloped to flat left-hand shown in drawing).

Bulletin: F23

Catalog Number	Description	Fits Cable Tray Size	B in./mm	K in./mm
CTS33TCRSS	Transition Cover Sloped to Flat Right Hand	3 x 3	3.00 76	1.06 27
CTS33TCLSS	Transition Cover Sloped to Flat Left Hand	3 x 3	3.00 76	1.06 27
CTS44TCRSS	Transition Cover Sloped to Flat Right Hand	4 x 4	4.00 102	1.42 36
CTS44TCLSS	Transition Cover Sloped to Flat Left Hand	4 x 4	4.00 102	1.42 36
CTS46TCRSS	Transition Cover Sloped to Flat Right Hand	4 x 6, 6 x 6	6.00 152	2.16 55
CTS46TCLSS	Transition Cover Sloped to Flat Left Hand	4 x 6, 6 x 6	6.00 152	2.16 55



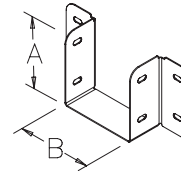
87925161

**Side Coupling**


Used to connect straight sections or fittings to the side of a cable tray run. A cutout will be required in the side of the cable tray.

Bulletin: F23

Catalog Number	AxB in.	AxB mm
CT22SCSS	2.00 x 2.00	51 x 51
CT33SCSS	3.00 x 3.00	76 x 76
CT44SCSS	4.00 x 4.00	102 x 102
CT46SCSS	4.00 x 6.00	102 x 152
CT66SCSS	6.00 x 6.00	152 x 152



87925162

**Fastener Package**

1/4-20 stainless steel fasteners used to connect cable tray components.

Bulletin: F23

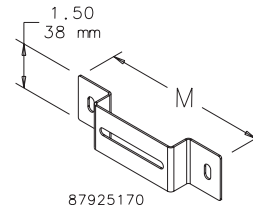
Catalog Number	Screws	Nuts
CT1420SS	100	100

**CLEAN TRAY® Stainless Steel Cable Tray**
**Hanger Bracket**

Used to support a cable tray run.

Bulletin: F23

Catalog Number	AxB in./mm	M in./mm	Pkg. Qty.
CT22HB	2.00 x 2.00	3.58	20
	51 x 51	91	
CT33HB	3.00 x 3.00	4.58	20
	76 x 76	116	
CT44HB	4.00 x 4.00	5.58	20
	102 x 102	142	
CT66HB	6.00 x 6.00	7.58	20
	152 x 152	193	

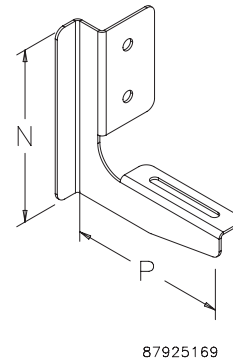

**L-Bracket**

Used to support a cable tray run. Can be mounted to a vertical UNISTRUT® channel.

UNISTRUT is a registered trademark of Unistrut Corporation.

Bulletin: F23

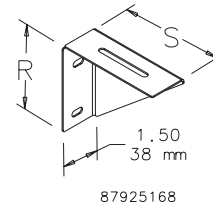
Catalog Number	AxB in./mm	N in./mm	P in./mm	Pkg. Qty.
CT22LB	2.00 x 2.00	3.00	3.64	20
	51 x 51	76	92	
CT33LB	3.00 x 3.00	4.00	4.64	20
	76 x 76	102	118	
CT44LB	4.00 x 4.00	5.00	5.64	20
	102 x 102	127	143	
CT66LB	6.00 x 6.00	7.64	7.64	20
	152 x 152	194	194	


**Wall Bracket**

Used to support a cable tray run.

Bulletin: F23

Catalog Number	AxB in./mm	R in./mm	S in./mm	Pkg. Qty.
CT22WB	2.00 x 2.00	1.55	2.25	20
	51 x 51	39	57	
CT33WB	3.00 x 3.00	2.55	3.25	20
	76 x 76	65	83	
CT44WB	4.00 x 4.00	3.55	4.25	20
	102 x 102	90	108	
CT66WB	6.00 x 6.00	5.55	6.25	20
	152 x 152	141	159	


**Latch Hardware Kits**

Bulletin: F23

Catalog Number	Use on (in.)	Use on (mm)
CTLCHSS	2.00 x 2.00, 4.00 x 6.00, 6.00 x 6.00	51 x 51, 102 x 152, 152 x 152
CTLCH3SS	3.00 x 3.00	76 x 76
CTLCH4SS	4.00 x 4.00	102 x 102
CTSLCHSS	Sloped	—

## Quick Tray Wire Mesh Cable Tray System



### Industry Standards

UL Classified for suitability as equipment ground conductor only.

NFPA 70, National Electrical Code, Article 392: Cable Trays; provides UL Classification and labels  
 IEC 61537, Cable Tray Systems and Cable Ladder systems for Cable Management  
 NEMA VE 1, Metal Cable Tray Systems, for materials, sizes and configurations

### Application

This cable tray routes cables through unused space while keeping them accessible for easy maintenance. Combine components to configure a system that meets application requirements.

### Features

- Variety of lengths available
- Large mesh openings
- Deep tray allowance

### Specifications

- Made of high-strength plated steel wires

### Finish

Zinc plated steel

Bulletin: QT

### Standard Product

Catalog Number	AxBxC in.	AxBxC mm	Description
QT2X2	2.00 x 2.00 x 118.11	51 x 51 x 3000	2-in. x 2-in. plated steel cable tray straight section
QT2X4	2.00 x 4.00 x 118.11	51 x 102 x 3000	2-in. x 4-in. plated steel cable tray straight section
QT2X6	2.00 x 6.00 x 118.11	51 x 152 x 3000	2-in. x 6-in. plated steel cable tray straight section
QT2X8	2.00 x 8.00 x 118.11	51 x 203 x 3000	2-in. x 8-in. plated steel cable tray straight section
QT2X12	2.00 x 12.00 x 118.11	51 x 305 x 3000	2-in. x 12-in. plated steel cable tray straight section
QT2X16	2.00 x 16.00 x 118.11	51 x 406 x 3000	2-in. x 16-in. plated steel cable tray straight section
QT2X18	2.00 x 18.00 x 118.11	51 x 457 x 3000	2-in. x 18-in. plated steel cable tray straight section
QT2X20	2.00 x 20.00 x 118.11	51 x 508 x 3000	2-in. x 20-in. plated steel cable tray straight section
QT2X24	2.00 x 24.00 x 118.11	51 x 610 x 3000	2-in. x 24-in. plated steel cable tray straight section
QT4X4	4.00 x 4.00 x 118.11	102 x 102 x 3000	4-in. x 4-in. plated steel cable tray straight section
QT4X8	4.00 x 8.00 x 118.11	102 x 203 x 3000	4-in. x 8-in. plated steel cable tray straight section
QT4X12	4.00 x 12.00 x 118.11	102 x 305 x 3000	4-in. x 12-in. plated steel cable tray straight section
QT4X16	4.00 x 16.00 x 118.11	102 x 407 x 3000	4-in. x 16-in. plated steel cable tray straight section
QT4X18	4.00 x 18.00 x 118.11	102 x 457 x 3000	4-in. x 18-in. plated steel cable tray straight section
QT4X20	4.00 x 20.00 x 118.11	102 x 508 x 3000	4-in. x 20-in. plated steel cable tray straight section
QT4X24	4.00 x 24.00 x 118.11	102 x 610 x 3000	4-in. x 24-in. plated steel cable tray straight section

### Splice Washers



Splice Washers are used with QTBN1 screws and flange nuts for bolting turns, bends and tees; connecting Quick Tray sections; and fastening splice bars.

**Bulletin:** QT

Catalog Number	Description	Pkg. Qty.
QTSSW1	1-in. (25-mm) square spliced washer	50
QTSSW2	1-1/2-in. (38-mm) square spliced washer	50
QTBN1	1/4-in. round head screws with flange nuts	50
QTBNWK	Kit includes (50) each: QTSSW1 1-in. (25-mm) square splice washers, QTSSW2 1-1/2-in. (38-mm) square splice washers and QTBN1 1/4-in. round head screw with flange nut	50

### Splice Plate and Connection Tool



Splice Plate quickly connects Quick Tray sections. Made of plated steel. Requires special installation tool, included with each package and available separately.

**Bulletin:** QT

Catalog Number	Description	Pkg. Qty.
QTFS	Splice Plate	50
QTFST	Splice Plate Connection Tool	1

QTFS includes one QTFST Splice Plate Connection Tool.

### Splice Bars



Splice Bars provide extra support and stability to tray sides when connecting tray sections with splice washers. Universal bars can be cut to fit with bolt cutters and bent for use in tees and elbows. Made of plated steel. Requires QTSSW1 1-in. (25-mm) Square Splice Washers and QTBN1 Screws and Flange Nuts to fasten to side of tray.

**Bulletin:** QT

Catalog Number	Description	Pkg. Qty.
QTTS	T-Connection Splice Bars	50
QTUS10	10-in. (254-mm) Universal Splice Bars	50
QTUS43	43-in. (1092-mm) Universal Splice Bar	1
QT90TKIT	Includes: Universal Splice Bar for (1) tee or (2) 90° bends; washer, nut, bolts	1

### Trapeze Hanging Clip



For trapeze hung installations. Use with 1/4- or 3/8-in. threaded rod; obtain locally. Poly grommet retains tray in slot-unsnap to detach one side of tray for loading cables. Corrosion-resistant pre-galvanized finish.

**Bulletin:** QT

Catalog Number	Description	Pkg. Qty.
QTTH	Trapeze Hanging Clips	50

### Trapeze Mount



The Trapeze Mount hangs Quick Tray from a ceiling on two threaded rods up to 3/8-in. diameter (obtain locally). Can be used with L-Brackets in multiple-level tray installations. For use with up to 24-in. (610-mm) tray widths. Use one fastener set with up to 8-in. (203-mm) tray; two sets for wider tray. Corrosion-resistant plated finish.

**Bulletin:** QT

Catalog Number	Description
QTTM	39-in. Trapeze Mount

### C-Bracket



For Quick Tray installations under ceiling or overhangs. Use with tray widths up to 12 in. (305 mm). To secure tray to bracket, use one QTSSW1 splice washer and one QTBN1 screw and flange nut on sizes up to 8 in. (203 mm); use two on 12-in. (305-mm) trays. Can be stacked for multi-level tray installations. Corrosion resistant plated finish.

**Bulletin:** QT

Catalog Number	Description	Tray Width in./mm
QTCB4	C-Bracket	4 102
QTCB8	C-Bracket	8 203
QTCB12	C-Bracket	12 305

### Suspension Shoe



The Suspension Shoe is used with the Snap-In Wall Hanger Support (QTSIWS) for trapeze hanging 2-in. (51-mm) Quick Tray. Requires 1/4-in. threaded rod (obtain locally) and QTHN25 1/4-in. hex nut. Corrosion-resistant plated finish.

**Bulletin:** QT

Catalog Number	Description	Use With
QTSS	Suspension Shoe	QTSIWS

### Single Hanger Suspension Bracket



For center-hung mounting of 4- and 6-in. (102- and 152-mm) wide tray. Use with 1/4-in. threaded rod (obtain locally) and QTHN25 1/4-in. hex nut. Snap-in attachment requires no bolts, nuts or tools to attach tray. Corrosion-resistant plated finish.

**Bulletin:** QT

Catalog Number	Description	Pkg. Qty.
QTSHSB	Single Hanger Suspension Brackets for 1/4 inch threaded rods	50

Hex nuts required (for use with CS profiles only)

**Quick-Hanging Accessory for C- and L-Brackets**



Slides onto C- and L-Brackets to provide quick snap-on attachment for tray.

Bulletin: QT

Catalog Number	Description	Pkg. Qty.
QTQHA	Quick Hanging Accessory	50

**Center Hangers**



Use with up to 1/2-in. threaded rod (obtain locally). Only one rod needed to suspend tray. Snap-on attachment holds cable tray secure without nuts and bolts. For use with 8- to 24-in. (203- to 610-mm) tray widths. Can be used for multiple-level installations; 1/2-in. threaded rod recommended. Corrosion-resistant plated finish.

Bulletin: QT

Catalog Number	Description	Tray Width in./mm
QTCH12	Center Hanger	12 305
QTCH24	Center Hanger	24 610



### Wall-Mount Attachment



Use to hang 2-in. (51-mm) tray on wall and attach junction boxes to tray for connections and conduit dropouts. No screws required for tray attachment; simply slip Quick Tray over tabs and crimp. Made of steel with corrosion-resistant plated finish.

**Bulletin:** QT

Catalog Number	Description
QTWMA	Wall-Mount Attachment

### Snap-In Wall Hanger Support



The Snap-In Wall Hanger Support keeps 2-in. (51-mm) wide tray secure when attached to supports. Use where easy removal of tray is required. No screws required for tray attachment; tabs snap onto tray. Fastens to L- and C-Brackets or to metal channel framing or mount 2-in. (51-mm) tray to the wall. Can also be used with QTSS Suspension Shoe for overhead mounting of tray. Made of steel with corrosion-resistant plated finish.

**Bulletin:** QT

Catalog Number	Description
QTSIWS	Snap-In Wall Hanger Support

### L-Brackets



L-Brackets mount directly to wall for overhead mounting. Corrosion-resistant plated finish. Fasten Quick Tray to bracket with one QTSSW1 splice washer and one QTBN1 screw and flange nut on sizes up to 8 in. (203 mm); use two on 12-in. (305-mm) trays.

**Bulletin:** QT

Catalog Number	Description
QTLB4	4-in. L-Bracket
QTLB8	8-in. L-Bracket
QTLB12	12-in. L-Bracket

### Reinforced Wall Bracket



For heavy-duty applications. Mounts on 1-5/8-in. wide metal channel. To secure tray to bracket, use one QTSSW1 splice washer and one QTBN1 screw and flange nut on sizes up to 8 in. (203 mm); use two on 12-in. (305-mm) and wider trays. Made of plated steel for corrosion resistance.

**Bulletin:** QT

Catalog Number	Description	Width in./mm
QTRWB4	Reinforced Wall Bracket	4 102
QTRWB6	Reinforced Wall Bracket	6 152
QTRWB8	Reinforced Wall Bracket	8 203
QTRWB12	Reinforced Wall Bracket	12 305
QTRWB16	Reinforced Wall Bracket	16 406
QTRWB20	Reinforced Wall Bracket	20 508
QTRWB24	Reinforced Wall Bracket	24 610

### Under-Floor Support Clamp



Attaches L-Brackets to floor access posts. Unique support plate works with square or round posts. Includes U Bolt, 2 nuts and support plate. Corrosion-resistant plated finish.

Bulletin: QT

Catalog Number	Description
QTUFC	Under-Floor Support Clamp

### Under-Floor Support



Use to support tray 2.5 in. (64 mm) above floor. Can also be used as a standoff support on equipment cabinets to avoid covering ventilation fans. Use one support for tray widths up to 6 in. (152 mm); use two for wider tray. Tray snaps in without nuts and bolts. Predrilled mounting holes. Corrosion-resistant plated finish.

Bulletin: QT

Catalog Number	Description	Height in./mm
QTUFS	Under Floor Support	2.50 64

### Under-Floor Support Stand



Use to support tray 6 in. (152 mm) above floor. Use one support for up to 12 in. (305 mm) wide tray; use two for wider tray. Tray snaps in without nuts and bolts. Predrilled mounting holes. Corrosion-resistant plated finish.

Bulletin: QT

Catalog Number	Description	Height in./mm	Length in./mm
QTUFS6X8	Long Under Floor Support	6 152	8 203

### Divider Strips



For wire separation within a single cable tray. 10-ft. (3-m) long strips are available in 2- and 4-in. (51- and 102-mm) heights. To secure divider strips to tray, use QTSSW1 splice washers and QTBN1 screws and flange nuts for each strip.

Bulletin: QT

Catalog Number	Description	Size in./mm
QTDS2	Divider Strip	2
		51
QTDS4	Divider Strip	4
		102

### Side-Action Bolt Cutter



Side-Action Bolt Cutter insures a flush cut and helps create a protective coating for the new cut.

Bulletin: QT

Catalog Number	Description
QTBC	Side-Action Bolt Cutter

### Cable Dropout



Protects cables when exiting and entering tray. Slotted design allows for cable tie or VELCRO® cable wrap. Attach to tray with QTSSW1 Splice Washers and QTBN1 Screws and Flange Nuts. Corrosion-resistant plated finish.

*VELCRO is a trademark of Velcro Industries B.V.*

Bulletin: QT

Catalog Number	Description	Width in./mm
QTDO4	Cable Dropout	4
		102
QTDO	Cable Dropout	12
		305

### Wall-Termination Bracket



Fastens end of tray to wall. Attach to tray with QTSSW1 Splice Washers and QTBN1 Screws and Flange Nuts.

Bulletin: QT

Catalog Number	Description
QTWTB	Wall-Termination Bracket

## Beam Clamp



Beam clamps are used to attach threaded rod to either an I-beam or a C channel. Catalog number QTBC25 has two 1/4-in. machined tapped holes to fasten threaded rod from either the bottom or the side. Catalog number QTBC38 is machined to accept 3/8-in. threaded rod from the bottom only. Made of cast iron with an attaching bolt.

Bulletin: QT

Catalog Number	Description
QTBC25	1/4-in. Beam Clamp
QTBC38	3/8-in. Beam Clamp

## Fasteners

Convenient packages of nuts and washers and lengths of threaded rod help to complete tray installations.

Bulletin: QT

Catalog Number	Description	Pkg. Qty.
QTCN25	1/4-in. coupling nut	100
QTCN38	3/8-in. coupling nut	100
QTFW25	1/4-in. flat washer	100
QTFW38	3/8-in. flat washer	100
QTHN25	1/4-in. hex nut	100
QTHN38	3/8-in. hex nut	100
QTTHRD25	1/4-in. threaded rod	1
QTTHRD38	3/8-in. threaded rod	1