

TABLE OF CONTENTS

Section 1	Type 1 & 3R Enclosures	pg. 2 - 19
Section 2	Type 4 & 12 Enclosures	pg. 20 - 47
Section 3	Flange Mounted Disconnect Enclosures	pg. 48 - 89
Section 4	Type 4, 12 & 13 Oiltight Enclosures	pg. 90 - 111
Section 5	Pushbutton Enclosures & Consolets	pg. 112 - 129
Section 6	Wireways & Trough Products	pg. 130 - 163
Section 7	Accessories	pg. 164 - 181
Section 8	Locks & Latches	pg. 182 - 185
Section 9	Index	pg. 186 - 189

Type 1 & 3R
Enclosures

Type 4 & 12
Enclosures

Flange-Mounted
Disconnect
Enclosures

Type 4, 12 &
13 Oiltight
Enclosures

Pushbutton
Enclosures &
Consolets

Wireways
& Trough
Products

Accessories

Locks &
Latches

Index

TYPE 1 SCREW COVER BOXES

Austin screw cover boxes are Underwriters Laboratories Listed for Junction and Pull box applications. All screw cover boxes meet the general-purpose indoor requirements.

Construction:

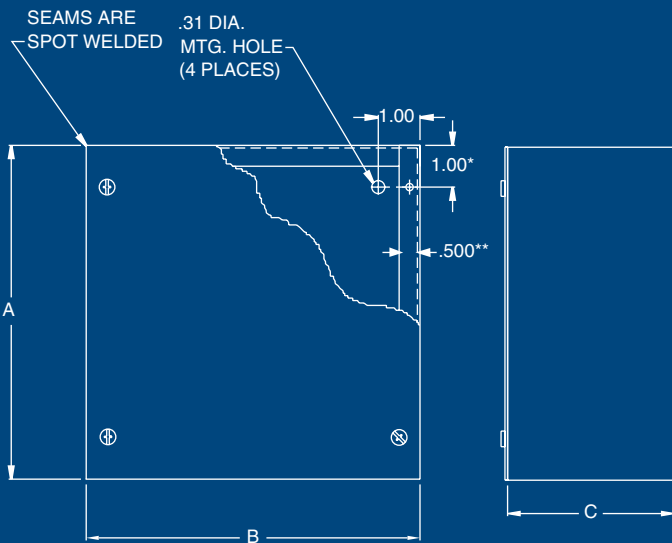
- Fabricated in accordance with UL specifications from code gauge steel.
- Boxes are furnished with or without knockouts. If knockouts are requested, a combination of 1/2 - 3/4" and 3/4 - 1" standard conduit sizes are furnished.
- Boxes under 48" x 36" have 5/16" mounted holes.
- Boxes 48" x 36" and over have 7/16" mounted holes.

Finish:

Austin screw cover boxes are constructed standard in galvanized steel. An ANSI 61 gray polyester powder coating over CRS is available on request.

Options:

- Special knockouts or knockout arrangements.
- Special materials.
- Special finishes.
- Custom box size or construction.



*THIS DIMENSION IS .750 WHEN "A" AND "B" ARE 24 x 24 AND OVER

**THIS DIMENSION IS 1.250 WHEN "A" AND "B" ARE 24 x 24 AND OVER



**INDUSTRY
STANDARDS**

UL 50 Type 1
NEMA Type 1
CUL Type 1

Austin Electrical Enclosures
Post Office Box 2320
Yadkinville, NC 27055

Phone: 336.468.2851
800.288.2851

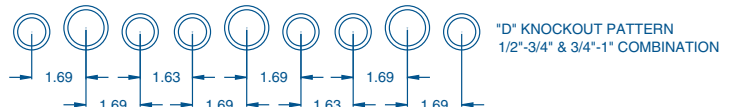
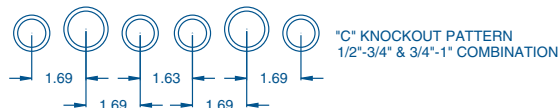
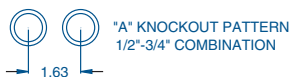
SCREW COVER BOXES

Catalog Number	Bundle Quantity	Bundle Weight	Enclosure Size (AxBxC)	Knockout Pattern Sides "A"	Knockout Pattern Sides "B"	Catalog Number	Bundle Quantity	Bundle Weight	Enclosure Size (AxBxC)	Knockout Pattern (A) Sides "A"	Knockout Pattern (B) Sides "B"
AB-444SB	5	10	4x4x4	A	A	AB-48366SB	1	140.5	48x36x6	NA	NA
AB-644SB	5	10	6x4x4	B	B	AB-48486SB	1	206	48x48x6	NA	NA
AB-664SB	5	15	6x6x4	B	B						
AB-864SB	5	20	8x6x4	B	B	AB-888SB	1	7	8x8x8	B	B
AB-1064SB	5	22.5	10x6x4	B	B	AB-10108SB	1	9.5	10x10x8	B	B
AB-1264SB	5	25	12x6x4	C	B	AB-12128SB	1	12	12x12x8	C	C
AB-884SB	5	25	8x8x4	B	B	AB-15128SB	1	15	15x12x8	C	C
AB-1084SB	5	25	10x8x4	B	B	AB-18128SB	1	17	18x12x8	D	C
AB-1284SB	5	32.5	12x8x4	C	B	AB-24128SB	1	21	24x12x8	D	C
AB-10104SB	5	35	10x10x4	B	B	AB-15158SB	1	17	15x15x8	C	C
AB-12104SB	5	40	12x10x4	C	B	AB-18158SB	1	20	18x15x8	D	C
AB-12124SB	5	45	12x12x4	C	C	AB-18188SB	1	22.5	18x18x8	D	D
AB-15124SB	1	11	15x12x4	C	C	AB-24188SB	1	28	24x18x8	D	D
AB-18124SB	1	13	18x12x4	D	C	AB-24248SB	1	39.5	24x24x8	D	D
AB-24124SB	1	15	24x12x4	D	C	AB-30248SB	1	47.5	30x24x8	D	D
AB-15154SB	1	14	15x15x4	C	C	AB-36248SB	1	61	36x24x8	D	D
AB-18154SB	1	16	18x15x4	D	C	AB-48248SB	1	79	48x24x8	D	D
AB-18184SB	1	17	18x18x4	D	D	AB-30308SB	1	75	30x30x8	NA	NA
AB-24184SB	1	23	24x18x4	D	D	AB-36308SB	1	87	36x30x8	NA	NA
AB-24244SB	1	35	24x24x4	D	D	AB-36368SB	1	101.5	36x36x8	NA	NA
AB-30244SB	1	43	30x24x4	D	D	AB-48368SB	1	151	48x36x8	NA	NA
AB-36244SB	1	51	36x24x4	D	D	AB-48488SB	1	220	48x48x8	NA	NA
AB-666SB	5	20	6x6x6	A	A	AB-121210SB	1	14	12x12x10	C	C
AB-866SB	5	25	8x6x6	B	B	AB-181210SB	1	19	18x12x10	D	C
AB-1266SB	5	35	12x6x6	C	B	AB-181810SB	1	25	18x18x10	D	D
AB-886SB	5	30	8x8x6	B	B	AB-241810SB	1	31.5	24x18x10	D	D
AB-1086SB	5	35	10x8x6	B	B	AB-242410SB	1	43.5	24x24x10	D	D
AB-1286SB	5	40	12x8x6	C	B	AB-362410SB	1	67	36x24x10	D	D
AB-10106SB	5	45	10x10x6	B	B	AB-303010SB	1	81	30x30x10	NA	NA
AB-12106SB	5	45	12x10x6	C	B	AB-363010SB	1	94	36x30x10	NA	NA
AB-12126SB	5	55	12x12x6	C	C	AB-363610SB	1	109	36x36x10	NA	NA
AB-15126SB	1	13	15x12x6	C	C	AB-483610SB	1	161.5	48x36x10	NA	NA
AB-18126SB	1	15	18x12x6	D	C	AB-484810SB	1	234	48x48x10	NA	NA
AB-24126SB	1	21	24x12x6	D	C						
AB-15156SB	1	16	15x15x6	C	C	AB-121212SB	1	16	12x12x12	C	C
AB-18156SB	1	17	18x15x6	D	C	AB-181212SB	1	21	18x12x12	D	C
AB-18186SB	1	20	18x18x6	D	D	AB-241212SB	1	26.5	24x12x12	D	C
AB-24186SB	1	25	24x18x6	D	D	AB-181812SB	1	28	18x18x12	D	D
AB-24246SB	1	36	24x24x6	D	D	AB-241812SB	1	34.5	24x18x12	D	D
AB-30246SB	1	43	30x24x6	D	D	AB-242412SB	1	47.5	24x24x12	D	D
AB-36246SB	1	56	36x24x6	D	D	AB-362412SB	1	72	36x24x12	D	D
AB-48246SB	1	72	48x24x6	D	D	AB-303012SB	1	88	30x30x12	NA	NA
AB-30306SB	1	68	30x30x6	NA	NA	AB-363612SB	1	117	36x36x12	NA	NA
AB-36306SB	1	80	36x30x6	NA	NA	AB-483612SB	1	172	48x36x12	NA	NA
AB-36366SB	1	94	36x36x6	NA	NA	AB-484812SB	1	247.5	48x48x12	NA	NA

NOTE:

Replace "SB" Suffix with: SBK: Screw Cover w/KO's
 SBGK: Screw Cover Gray w/KO's
 SBG: Screw Cover Gray

POSSIBLE KNOCKOUT PATTERNS



NOTE: REFER TO BOX TABLE FOR APPLICABLE KNOCKOUT PATTERN

TYPE 1 HINGED COVER BOXES

Austin hinge cover boxes are Underwriters Laboratories Listed for Cabinet and Cutout box applications. All hinge cover boxes meet the general-purpose indoor requirements.

Construction:

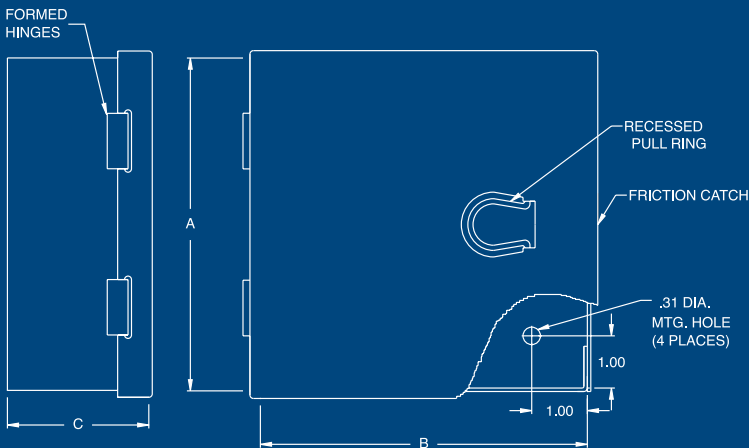
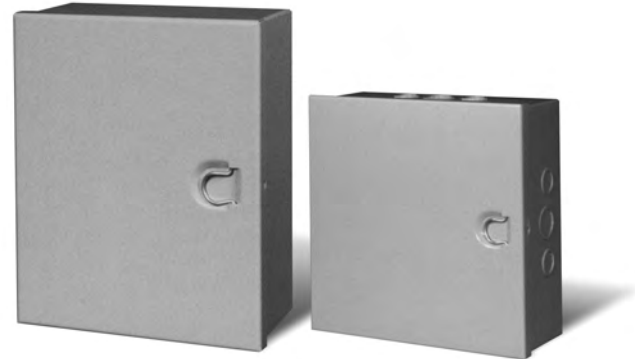
- Fabricated in accordance with UL specifications from code gauge steel.
- Hinge cover boxes with a maximum dimension of 18" are fabricated with formed hinges and a pull ring catch.
- Boxes are furnished with or without knockouts. If knockouts are requested, a combination of 1/2" - 3/4" and 3/4" - 1" standard conduit sizes are furnished.
- Back of boxes have mounting holes.

Finish:

Austin hinge cover boxes are constructed standard in galvanized steel. An ANSI 61 gray polyester powder coating is available on request.

Options:

- Special knockouts or knockout arrangements.
- Special materials.
- Special finishes.
- Custom box size or construction.



**INDUSTRY
STANDARDS**

UL 50 Type 1
NEMA Type 1
CUL Type 1

Austin Electrical Enclosures
Post Office Box 2320
Yadkinville, NC 27055

Phone: 336.468.2851
800.288.2851

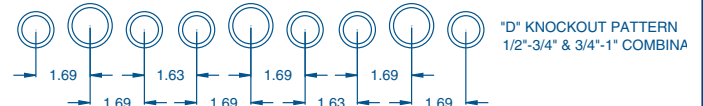
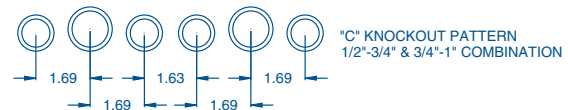
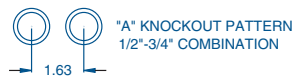
HINGE COVER BOXES

Catalog Number	Bundle Qty.	Bundle Weight	Enclosure Size (AxBxC)	KO Pattern "A" Side	KO Pattern "B" Side
AB-644HC	5	10	6x4x4	B	B
AB-664HC	5	15	6x6x4	B	B
AB-864HC	5	20	8x6x4	B	B
AB-1064HC	5	22.5	10x6x4	B	B
AB-1264HC	5	25	12x6x4	C	B
AB-884HC	5	25	8x8x4	B	B
AB-1084HC	5	25	10x8x4	B	B
AB-1284HC	5	32.5	12x8x4	C	B
AB-10104HC	5	35	10x10x4	B	B
AB-12104HC	5	40	12x10x4	C	B
AB-12124HC	5	45	12x12x4	C	C
AB-15124HC	1	11	15x12x4	C	C
AB-18124HC	1	13	18x12x4	D	C
AB-15154HC	1	14	15X15X4	C	C
AB-18154HC	1	16	18X15X4	D	C
AB-18184HC	1	17	18x18x4	D	D
AB-666HC	5	20	6x6x6	A	A
AB-866HC	5	25	8x6x6	B	B
AB-886HC	5	30	8x8x6	B	B
AB-1086HC	5	35	10x8x6	B	B
AB-1286HC	5	40	12x8x6	C	B
AB-10106HC	5	45	10x10x6	B	B
AB-12106HC	5	45	12x10x6	C	B
AB-12126HC	5	55	12x12x6	C	C
AB-15126HC	1	13	15x12x6	C	C
AB-18126HC	1	15	18x12x6	D	C
AB-15156HC	1	16	15X15X6	C	C
AB-18156HC	1	17	18X15X6	D	C
AB-18186HC	1	20	18x18x6	D	D

NOTE:

Replace "HC" Suffix with: HCK: Hinge Cover w/KO's
 HCGK: Hinge Cover Gray w/KO's
 HCG: Hinge Cover Gray

POSSIBLE KNOCKOUT PATTERNS



NOTE: REFER TO BOX TABLE FOR APPLICABLE KNOCKOUT PATTERN

TYPE 3, 12 SCREW COVER GASKETED BOXES

Austin gasketed screw cover boxes are Underwriters Laboratories Listed for Wiring, Pull, Terminal, and Junction box application. They provide a degree of protection against rain, sleet, dust, dirt, external ice formation, and noncorrosive liquids.

Construction:

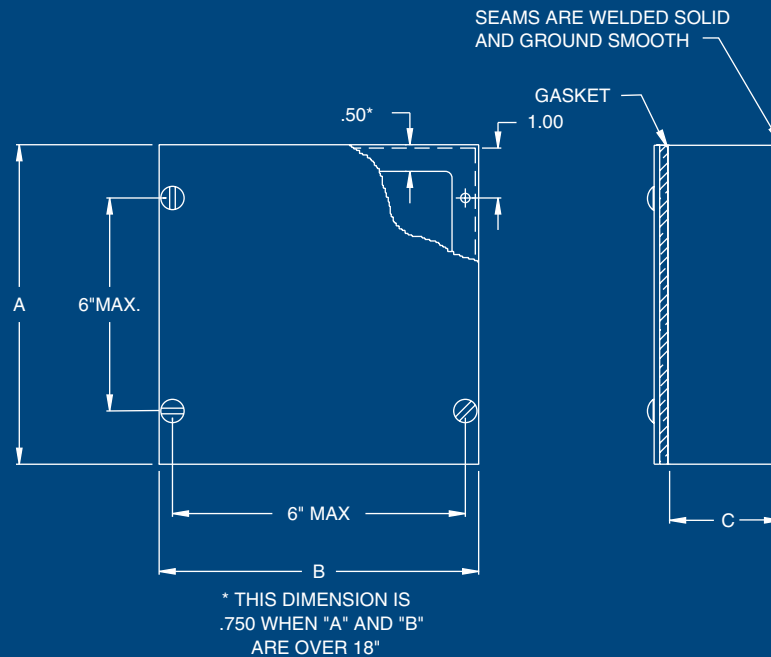
- Fabricated in accordance with UL specifications from code gauge steel.
- Continuously welded seams ground smooth.
- Neoprene gasket attached to cover with oil resistant adhesive.
- No mounting holes or mounting feet.

Finish:

Austin gasketed screw cover boxes are constructed standard in galvanized steel. An ANSI 61 gray polyester powder coating over phosphatized surfaces is available on request.

Options:

- Special materials.
- Special finishes.
- Custom box size or construction.



**INDUSTRY
STANDARDS**

UL 50 Types 3 & 12
NEMA Types 3 & 12
(except for mounting
provisions)
CUL Types 3 & 0

Austin Electrical Enclosures
Post Office Box 2320
Yadkinville, NC 27055

Phone: 336.468.2851
800.288.2851

SCREW COVER GASKETED BOXES

Catalog Number	Enclosure Size (AxBxC)	Weight	Catalog Number	Enclosure Size (AxBxC)	Weight
AB-444GSB	4x4x4	2	AB-888GSB	8x8x8	7
AB-664GSB	6x6x4	3	AB-12128GSB	12x12x8	12
AB-864GSB	8x6x4	4	AB-18188GSB	18x18x8	23
AB-884GSB	8x8x4	5	AB-24248GSB	24x24x8	42
AB-1084GSB	10x8x4	5	AB-30248GSB	30x24x8	51
AB-10104GSB	10x10x4	7	AB-36248GSB	36x24x8	60
AB-12104GSB	12x10x4	7	AB-30308GSB	30x30x8	88
AB-12124GSB	12x12x4	9	AB-36308GSB	36x30x8	102
			AB-181810GSB	18x18x10	25
AB-666GSB	6x6x6	4	AB-242410GSB	24x24x10	48
AB-1266GSB	12x6x6	7	AB-302410GSB	30x24x10	58
AB-886GSB	8x8x6	6	AB-362410GSB	36x24x10	67
AB-10106GSB	10x10x6	9	AB-303010GSB	30x30x10	96
AB-12126GSB	12x12x6	11	AB-363010GSB	36x30x10	111
AB-15126GSB	15x12x6	13			
AB-15156GSB	15x15x6	16	AB-181812GSB	18x18x12	28
AB-18186GSB	18x18x6	20	AB-242412GSB	24x24x12	53
AB-24186GSB	24x18x6	26	AB-303012GSB	30x30x12	103
AB-24246GSB	24x24x6	39	AB-363612GSB	36x36x12	137

NOTE:

Replace "GSB" Suffix with: GSBG: Gasket Screw Cover Box Gray



TYPE 3R RAINPROOF BOXES

Austin rainproof boxes are Underwriters Laboratories Listed for Wiring or Junction box applications. All rainproof boxes are designed for outdoor use primarily to provide a degree of protection against rain, sleet, and damage from external ice formation.

Construction:

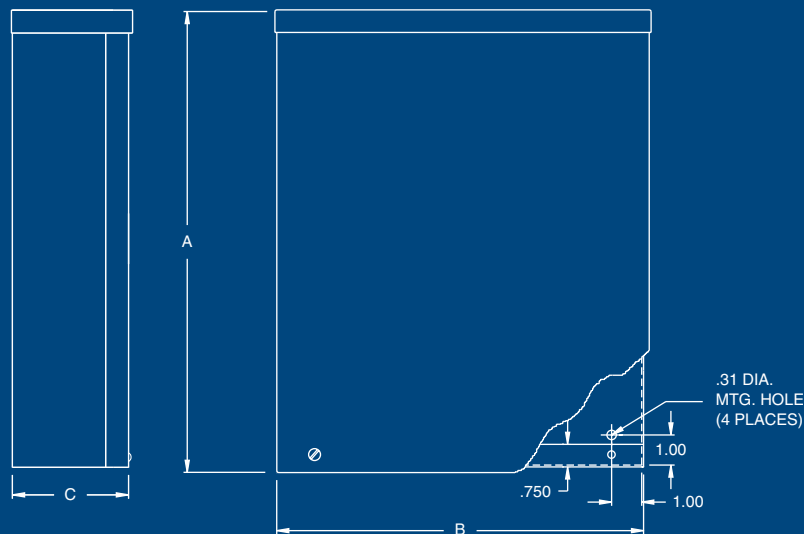
- Fabricated in accordance with UL specifications from code gauge steel.
- Dripshield along top of box.
- Slip-on seamless cover attached by screws at bottom edge.
- Embossed mounting holes on back of enclosure.

Finish:

Austin rainproof boxes are constructed standard in galvanized steel. An ANSI 61 gray polyester powder coating over phosphatized surfaces is provided on request.

Options:

- Special knockouts or knockout arrangements in bottom only.
- Special materials.
- Special finishes.
- Custom box size or construction.



**INDUSTRY
STANDARDS**

UL 50 Type 3R
NEMA Type 3R
CUL Type 3R

Austin Electrical Enclosures
Post Office Box 2320
Yadkinville, NC 27055

Phone: 336.468.2851
800.288.2851

RAINPROOF BOXES

Catalog Number	Bundle Quantity	Bundle Weight	Enclosure Size (AxBxC)	Catalog Number	Bundle Quantity	Bundle Weight	Enclosure Size (AxBxC)
AB-664RB	5	20	6x6x4	AB-15126RB	1	13	15x12x6
AB-864RB	5	20	8x6x4	AB-18126RB	1	16	18x12x6
AB-884RB	5	25	8x8x4	AB-18156RB	1	16	18x15x6
AB-1084RB	5	30	10x8x4	AB-18186RB	1	21	18x18x6
AB-10104RB	5	35	10x10x4	AB-24246RB	1	40	24x24x6
AB-1284RB	5	35	12x8x4				
AB-12124RB	5	50	12x12x4	AB-18158RB	1	20	18x15x8
				AB-18188RB	1	23	18x18x8
AB-666RB	5	20	6x6x6	AB-24188RB	1	35	24x18x8
AB-886RB	5	30	8x8x6	AB-24248RB	1	44	24x24x8
AB-10106RB	5	45	10x10x6				
AB-12126RB	5	60	12x12x6	AB-242410RB	1	48	24x24x10

NOTE:
Replace "RB" Suffix with: RBG: Rainproof Gray



TYPE 1 SMALL NEMA 1 O.E.M. CABINET

Austin Small O.E.M. enclosures are Underwriters Laboratories Listed and designed for use as control and instrument enclosures which do not require an oil-tight or dust-tight rating.

Construction:

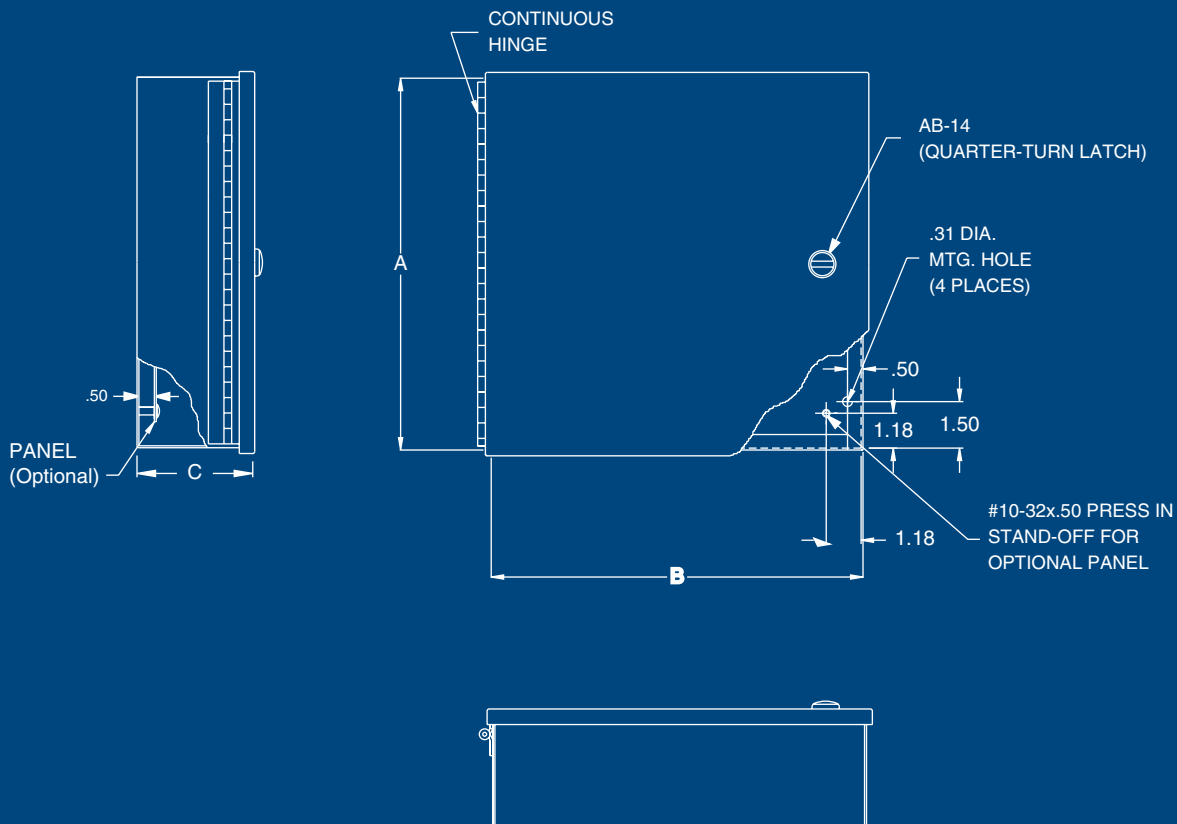
- Fabricated in accordance with UL specifications from code gauge steel.
- Continuous hinge.
- Flush latch; AB-14.
- Stand-offs provided for mounting optional panel.

Finish:

Austin Small O.E.M. enclosures are provided standard with an ANSI 61 gray polyester powder coating. Optional panels are painted white.

Options:

- Special materials.
- Special finishes.
- Custom box size or construction.



**INDUSTRY
STANDARDS**

UL 50 Type 1
NEMA Type 1
CUL Type 1

Austin Electrical Enclosures
Post Office Box 2320
Yadkinville, NC 27055

Phone: 336.468.2851
800.288.2851

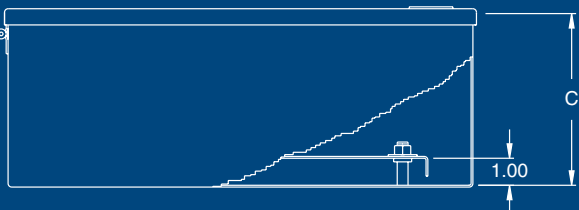
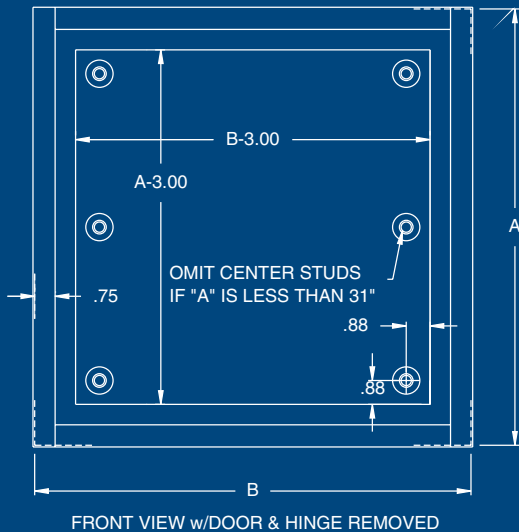
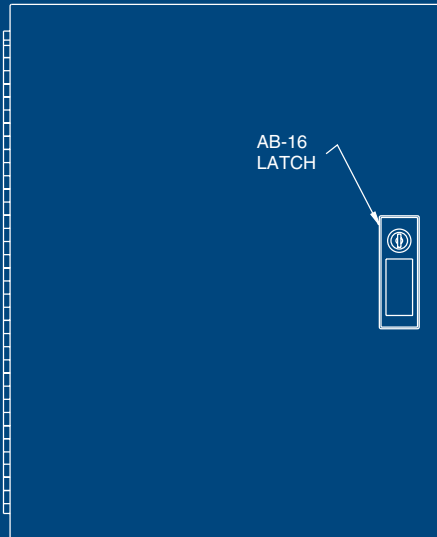
SMALL NEMA 1 O.E.M. CABINET

Catalog Number	Enclosure Size (AxBxC)	Weight	Panel Catalog
AB-664SM	6x6x4	4	AB-66NP
AB-864SM	8x6x4	4	AB-86NP
AB-884SM	8x8x4	6	AB-88NP
AB-1084SM	10x8x4	6	AB-108NP
AB-10104SM	10x10x4	7	AB-1010NP
AB-12104SM	12x10x4	9	AB-1210NP
AB-12124SM	12x12x4	9	AB-1212NP
AB-14124SM	14x12x4	11	AB-1412NP
AB-866SM	8x6x6	5	AB-86NP
AB-886SM	8x8x6	6	AB-88NP
AB-1086SM	10x8x6	8	AB-108NP
AB-10106SM	10x10x6	8	AB-1010NP
AB-12106SM	12x10x6	11	AB-1210NP
AB-12126SM	12x12x6	11	AB-1212NP
AB-14126SM	14x12x6	13	AB-1412NP
AB-12128SM	12x12x8	13	AB-1212NP
AB-14128SM	14x12x8	15	AB-1412NP



TYPE 1 LARGE NEMA 1 O.E.M. CABINET

Austin Large O.E.M. enclosures are Underwriters Laboratories Listed and designed for housing electrical and electronic controls.



Construction:

- Fabricated in accordance with UL specifications from code gauge steel.
- Removable mounting panel.
- Continuous hinge.
- Enclosures have an AB-16 flush latch except as noted.

Finish:

Austin Large O.E.M. enclosures are provided standard with an ANSI 61 gray polyester powder coating. Panels are painted white.

Options:

- Special materials.
- Special finishes.
- Custom box size or construction.

**INDUSTRY
STANDARDS**

UL 50 Type 1
NEMA Type 1
CUL Type 1

Austin Electrical Enclosures
Post Office Box 2320
Yadkinville, NC 27055

Phone: 336.468.2851
800.288.2851

LARGE O.E.M. CABINET ENCLOSURES WITH PANELS

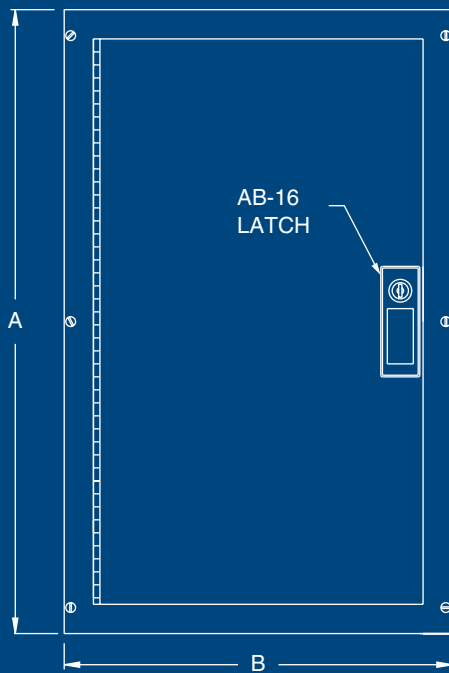
Catalog Number	Enclosure Size (AxBxC)	Weight
AB-16126LM	16x12x6 5/8	21
AB-16166LM	16x16x6 5/8	27
AB-20166LM	20x16x6 5/8	31
AB-24166LM	24x16x6 5/8	36
AB-20206LM	20x20x6 5/8	37
AB-24206LM	24x20x6 5/8	43
AB-24246LM	24x24x6 5/8	56
AB-30246LM	30x24x6 5/8	67
AB-36246LM	36x24x6 5/8	78
AB-36306LM*	36x30x6 5/8	95
AB-16128LM	16x12x8 5/8	23
AB-20168LM	20x16x8 5/8	35
AB-20208LM	20x20x8 5/8	40
AB-24208LM	24x20x8 5/8	48
AB-24248LM	24x24x8 5/8	58
AB-30248LM	30x24x8 5/8	74
AB-36248LM	36x24x8 5/8	81
AB-36308LM*	36x30x8 5/8	104
AB-242010LM	24x20x10 5/8	53
AB-302410LM	30x24x10 5/8	81
AB-363010LM*	36x30x10 5/8	114
AB-242412LM	24x24x12 5/8	69
AB-363012LM*	36x30x12 5/8	123

***NOTE:**
If "A" and "B" are 36 x 30, an AB-10 tee handle is standard

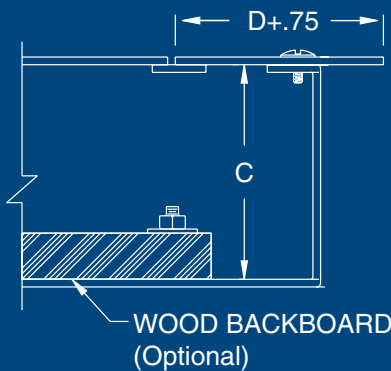


TYPE 1 TELEPHONE CABINETS

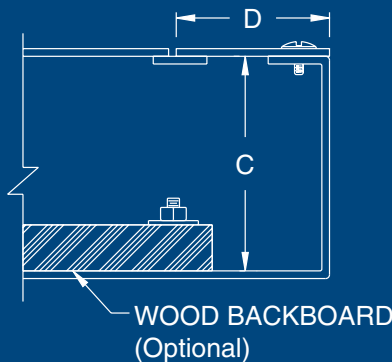
Austin Telephone Cabinets are Underwriters Laboratories Listed and are designed for use in telephone, panel junction, or cutout cabinet applications. They provide a degree of protection against limited amounts of dirt.



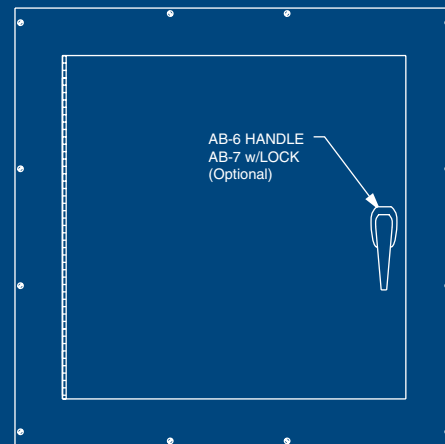
TYPE A



FLUSH MOUNT



SURFACE MOUNT



TYPE B

TYPE B TELEPHONE CABINET IS AVAILABLE w/DOUBLE DOORS AND LEVER HANDLE

Construction:

- Fabricated in accordance with UL specifications from code gauge steel.
- Removable trim.
- Cabinets 36" and under have an AB-16 flush locking latch.
- Cabinets 37" and over have an AB-6 three point latch handle with roller arms.
- Surface or flush covers.
- Continuous hinge.
- Optional Backboard studs for mounting optional Backboard.

Finish:

Austin Telephone Cabinets are furnished standard with an ANSI 61 gray polyester powder coating. Box is furnished in galvanized steel.

Options:

- Special finishes.
- Custom box size or construction.

**INDUSTRY
STANDARDS**

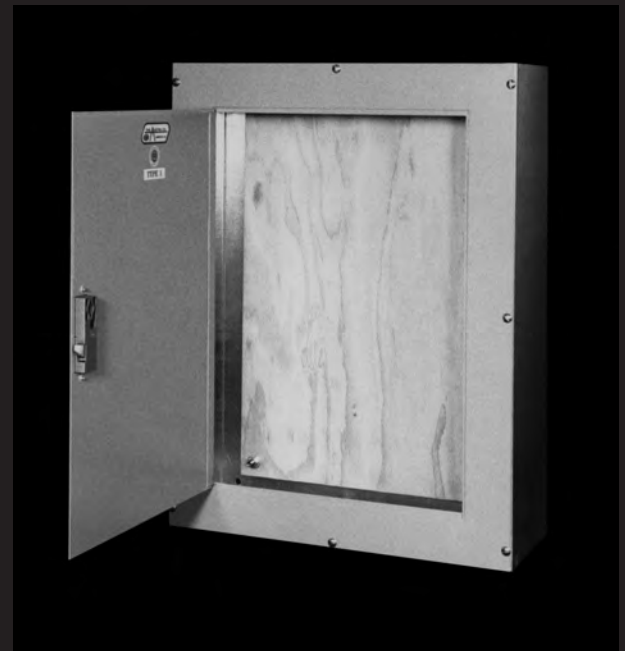
UL 50 Type 1
NEMA Type 1
CUL Type 1

Austin Electrical Enclosures
Post Office Box 2320
Yadkinville, NC 27055

Phone: 336.468.2851
800.288.2851

TELEPHONE CABINETS AND PLYWOOD BACKBOARDS

Catalog Number	Type	Enclosure Size (AxBxC)	"D"	Weight	Backboard Catalog Number	Panel Weight	Catalog Number	Type	Enclosure Size (AxBxC)	"D"	Weight	Backboard Catalog Number	Panel Weight
AB-884T	A	8x8x4	1 1/16"	7	NA	NA	AB-16126T	A	16x12x6	1 1/16"	14	AB-1612TB	1
AB-10104T	A	10x10x4	1 1/16"	9	AB-1010TB	1	AB-18126T	A	18x12x6	1 1/16"	18	AB-1812TB	1
AB-12124T	A	12x12x4	1 1/16"	11	AB-1212TB	1	AB-24126T	A	24x12x6	1 1/16"	23	AB-2412TB	2
AB-16124T	A	16x12x4	1 1/16"	13	AB-1612TB	1	AB-18186T	A	18x18x6	2 1/4"	25	AB-1818TB	2
AB-18124T	A	18x12x4	1 1/16"	16	AB-1812TB	1	AB-24186T	A	24x18x6	2 1/4"	30	AB-2418TB	3
AB-24124T	A	24x12x4	1 1/16"	22	AB-2412TB	2	AB-30186T	A	30x18x6	2 1/4"	38	AB-3018TB	3
AB-18184T	A	18x18x4	2 1/4"	23	AB-1818TB	2	AB-24246T	A	24x24x6	2 1/4"	37	AB-2424TB	4
AB-24184T	A	24x18x4	2 1/4"	28	AB-2418TB	3	AB-30246T	A	30x24x6	2 1/4"	45	AB-3024TB	5
AB-30184T	A	30x18x4	2 1/4"	33	AB-3018TB	3	AB-36246T	A	36x24x6	2 1/4"	59	AB-3624TB	6
AB-24244T	A	24x24x4	2 1/4"	35	AB-2424TB	4	AB-30306T	A	30x30x6	2 1/4"	62	AB-3030TB	6
AB-30244T	A	30x24x4	2 1/4"	40	AB-3024TB	5	AB-36306T	A	36x30x6	2 1/4"	78	AB-3630TB	7
AB-36244T	A	36x24x4	2 1/4"	57	AB-3624TB	6	AB-48306T	B	48x30x6	3 1/4"	124	AB-4830TB	8
AB-30304T	A	30x30x4	2 1/4"	60	AB-3030TB	6	AB-48366T	B	48x36x6	3 1/4"	150	AB-4836TB	12
AB-36304T	A	36x30x4	2 1/4"	71	AB-3630TB	7							
AB-48304T	B	48x30x4	3 1/4"	101	AB-4830TB	8							



NEMA TYPE 3R SMALL WEATHERPROOF CABINETS

Austin small hinge cover NEMA 3R cabinets are Underwriters Laboratories Listed and designed for outdoor use primarily to provide a degree of protection against rain, sleet, and damage from external ice formation.

Construction:

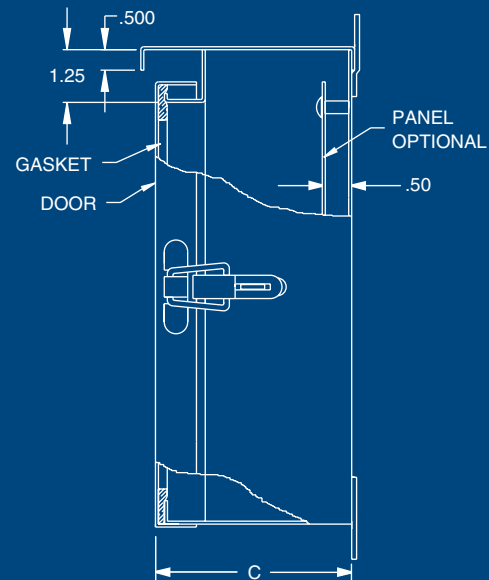
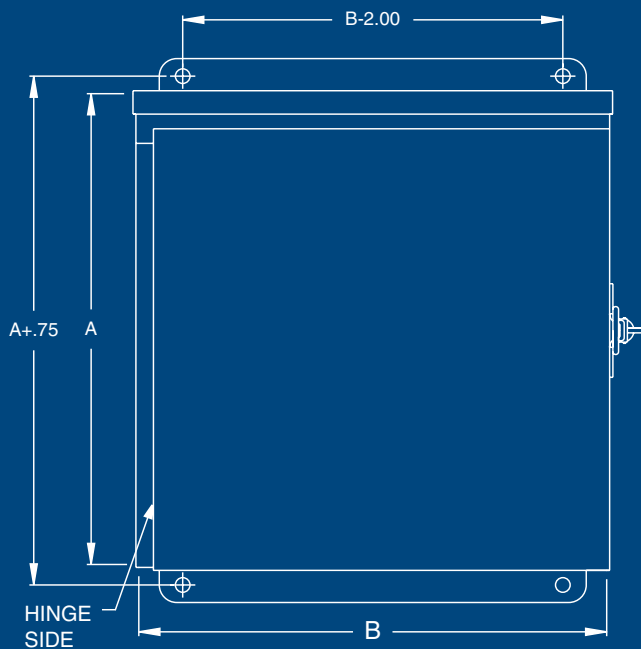
- Fabricated in accordance with UL specifications from code gauge steel.
- Galvanized continuous hinge with stainless steel hinge pin.
- Draw pull catch; AB-1.
- Seamless dripshield.
- External mounting feet.
- Stand-offs provided for mounting optional panel.

Finish:

Austin small hinge cover NEMA 3R cabinets are constructed standard in galvanized steel with an ANSI 61 gray polyester powder coating. Optional panels are painted white.

Options:

- Special knockouts or knockout arrangements in bottom only.
- Special materials.
- Special finishes.
- Custom box size or construction.



**INDUSTRY
STANDARDS**

UL 50 Type 3R
NEMA Type 3R
CUL Type 3R

Austin Electrical Enclosures
Post Office Box 2320
Yadkinville, NC 27055

Phone: 336.468.2851
800.288.2851

NEMA TYPE 3R SMALL WEATHERPROOF CABINETS

Catalog Number	Enclosure Size (AxBxC)	Weight	Panel Catalog Number	Panel Weight
AB-664WS	6x6x4	5	AB-66NP	0.5
AB-864WS	8x6x4	6	AB-86NP	1
AB-886WS	8x8x6	8	AB-88NP	1
AB-1086WS	10x8x6	9	AB-108NP	1.5
AB-10106WS	10x10x6	10	AB-1010NP	2
AB-12106WS	12x10x6	11	AB-1210NP	2
AB-12126WS	12x12x6	14	AB-1212NP	3
AB-14126WS	14x12x6	16	AB-1412NP	3



NEMA TYPE 3R LARGE WEATHERPROOF CABINETS

Austin large hinge cover NEMA 3R cabinets are Underwriters Laboratories Listed and are designed for outdoor use primarily to provide a degree of protection against rain, sleet, and damage from external ice formation.

Construction:

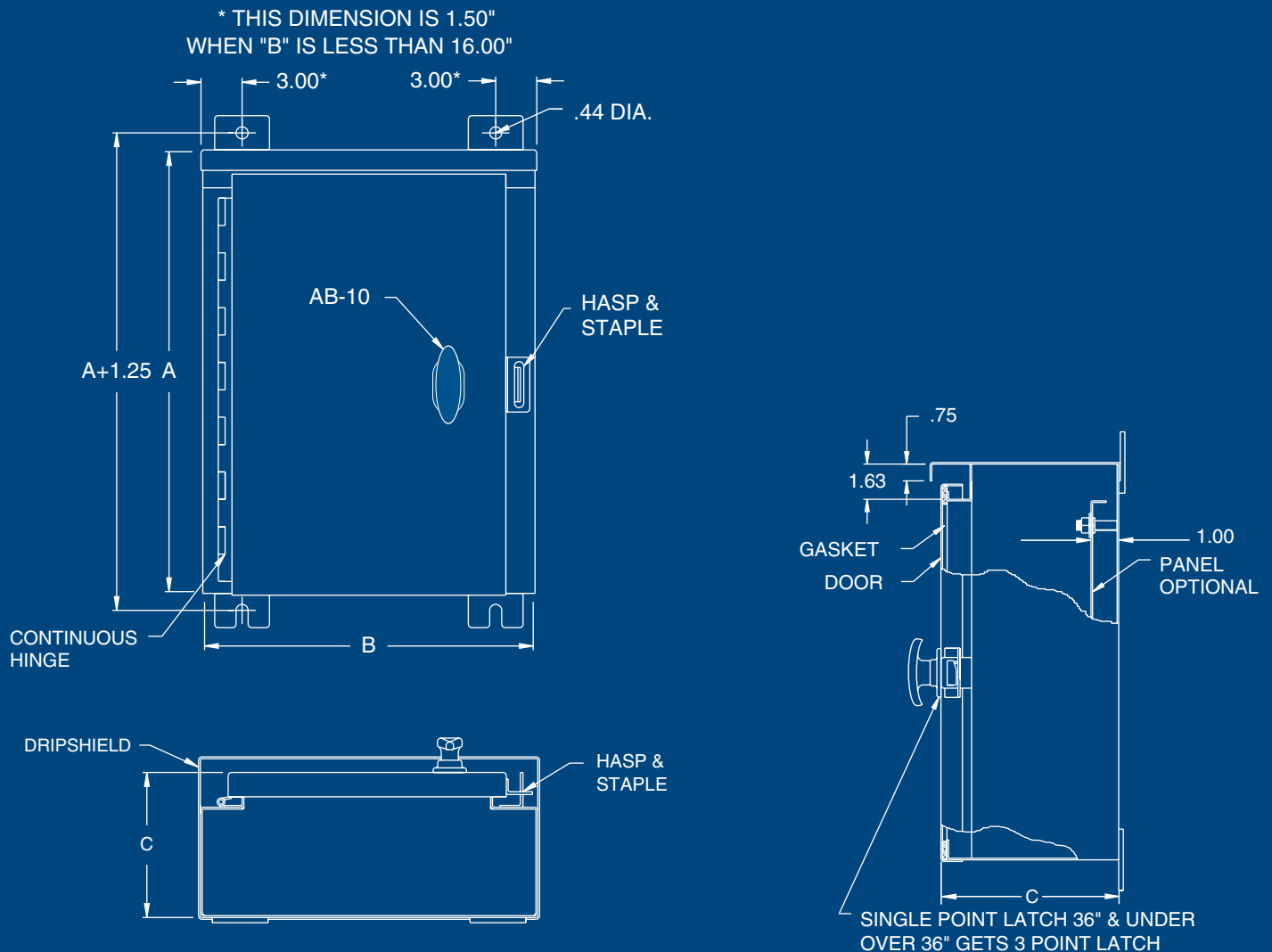
- Fabricated in accordance with UL specifications from code gauge steel.
- Galvanized continuous hinge with stainless steel hinge pin.
- Cabinets under 37" have an AB-10 tee handle.
- Cabinets 37" and over have an AB-6 three point lever handle with roller arms.
- Seamless dripshield.
- External mounting feet.
- Standard collar studs for mounting optional panel.

Finish:

Austin large hinge cover NEMA 3R cabinets are constructed standard in galvanized steel with an ANSI 61 gray polyester powder coating. Optional panels are painted white.

Options:

- Special knockouts or knockout arrangements in bottom only.
- Special materials.
- Special finishes.
- Custom box size or construction.



**INDUSTRY
STANDARDS**

UL 50 Type 3R
NEMA Type 3R
CUL Type 3R

Austin Electrical Enclosures
Post Office Box 2320
Yadkinville, NC 27055

Phone: 336.468.2851
800.288.2851

NEMA TYPE 3R LARGE WEATHERPROOF CABINETS

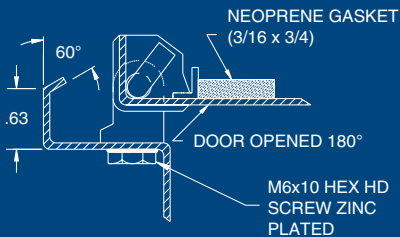
Catalog Number	Enclosure Size (AxBxC)	Weight	Panel Catalog Number	Panel Weight	Catalog Number	Enclosure Size (AxBxC)	Weight	Panel Catalog Number	Panel Weight
AB-16126WL	16x12x6	13	AB-1612TP	4	AB-242410WL	24x24x10	44	AB-2424TP	15
AB-16166WL	16x16x6	17	AB-1616TP	6	AB-362410WL	36x24x10	67	AB-3624TP	24
AB-20166WL	20x16x6	20	AB-2016TP	7	AB-363610WL	36x36x10	109	AB-3636TP	37
AB-24186WL	24x18x6	27	AB-2418TP	8	AB-484810WL	48x48x10	234	AB-4848TP	80
AB-24246WL	24x24x6	36	AB-2424TP	15					
AB-36366WL	36x36x6	94	AB-3636TP	37	AB-303012WL	30x30x12	88	AB-3030TP	24
					AB-362412WL	36x24x12	72	AB-3624TP	24
AB-20208WL	20x20x8	27	AB-2020TP	9	AB-363012WL	36x30x12	102	AB-3630TP	30
AB-24208WL	24x20x8	31	AB-2420TP	13	AB-363612WL	36x36x12	117	AB-3636TP	37
AB-24248WL	24x24x8	40	AB-2424TP	15	AB-423012WL	42x30x12	115	AB-4230TP	35
AB-30248WL	30x24x8	47	AB-3024TP	19	AB-423612WL	42x36x12	133	AB-4236TP	43
AB-36248WL	36x24x8	61	AB-3624TP	24	AB-483612WL	48x36x12	172	AB-4836TP	49
AB-36308WL	36x30x8	87	AB-3630TP	30	AB-484812WL	48x48x12	247	AB-4848TP	75
AB-36368WL	36x36x8	102	AB-3636TP	37	AB-603612WL	60x36x12	208	AB-6036TP	61



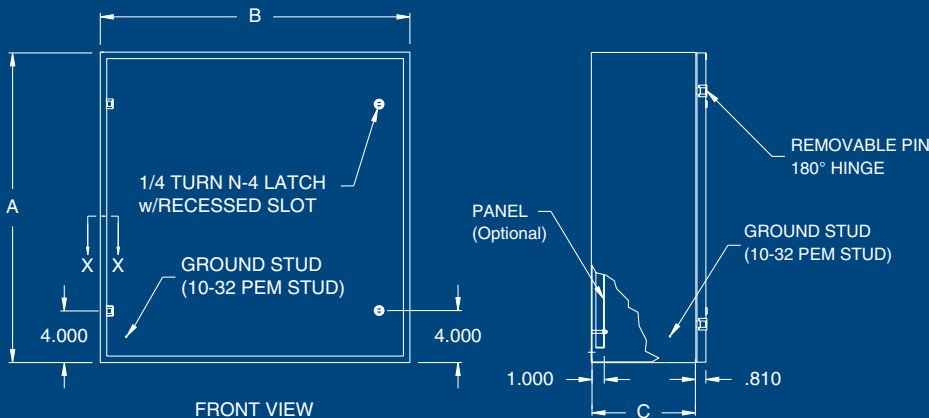
NEMA 4, 12 STYLE-LINE ENCLOSURES

Type 4 & 12 Enclosures

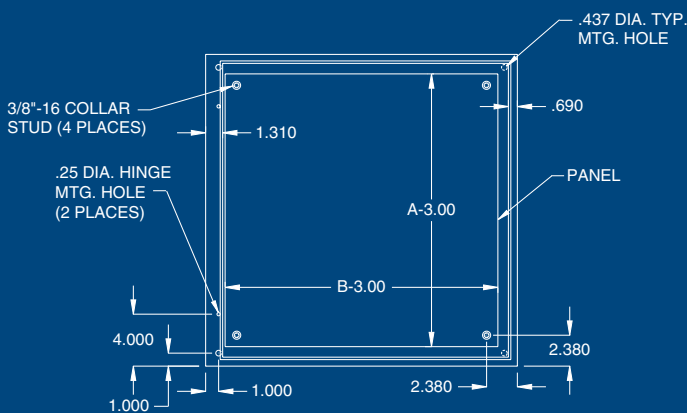
Austin Style-Line enclosures are Underwriters Laboratories Listed and are designed to provide a degree of protection against windblown dust and rain, splashing water, hose-directed water and damage from external ice formation.



SECTION X-X



FRONT VIEW



FRONT VIEW w/DOOR REMOVED

Construction:

- Fabricated in accordance with UL specifications from UL approved gauge steel.
- Continuously welded seams ground smooth.
- Standard collar studs for mounting optional panel.
- Mounting holes in back of enclosure for direct mounting or for optional external mounting feet.
- Enclosure opening has a rolled lip to exclude liquids and contaminants.
- Doors can be easily removed by pulling captive hinge pins.
- Neoprene gasket attached to door with oil resistant adhesive.
- Grounding stud in body.
- Door stiffener and/or body stiffener required for larger sizes.
- Quarter turn latches for enclosures up through 36".
- Three-point latch on enclosures over 36".

**INDUSTRY
STANDARDS**

UL 50 Types 4 & 12
 UL 508 Types 4 & 12
 CUL Types 4 & 12
 NEMA Types 4 & 12

Austin Electrical Enclosures
 Post Office Box 2320
 Yadkinville, NC 27055

Phone: 336.468.2851
 800.288.2851

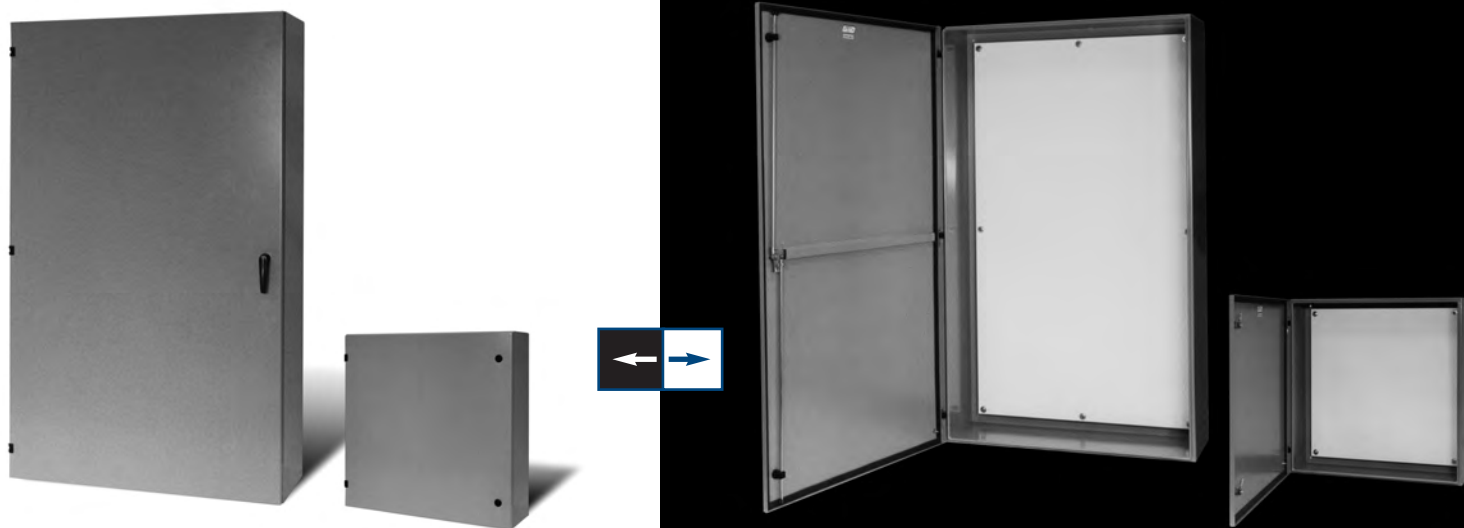
NEMA 4, NEMA 12 STYLE-LINE ENCLOSURES

Finish:

Austin Style-Line enclosures are provided standard with an ANSI 61 gray polyester powder coating inside and out. Stainless steel Style-Line enclosures are provided standard in Type 304 stainless steel. Optional panels are painted white.

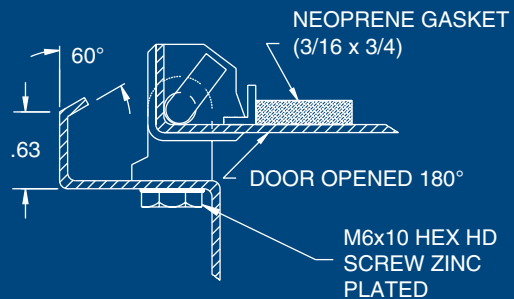
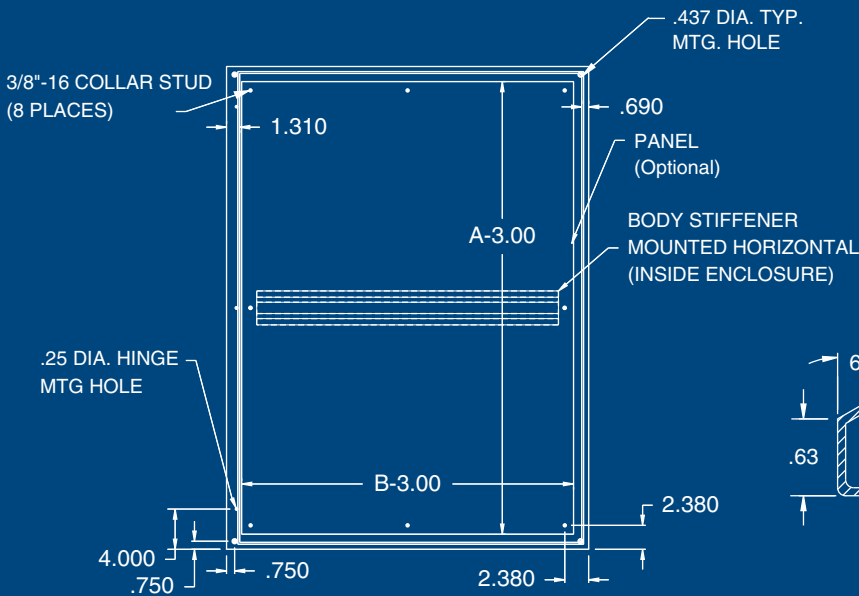
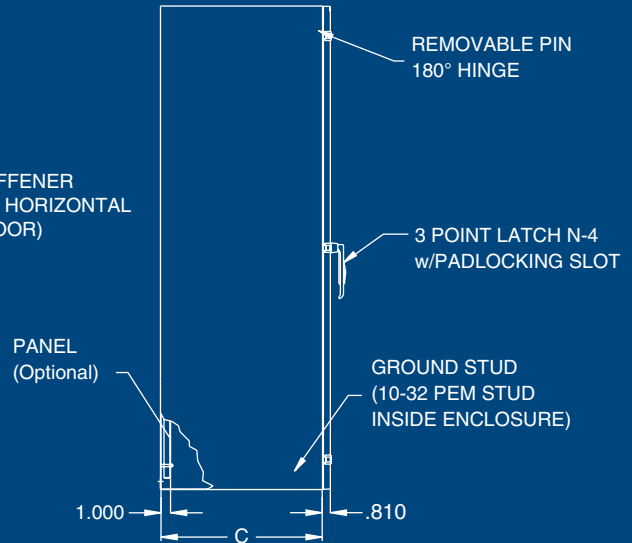
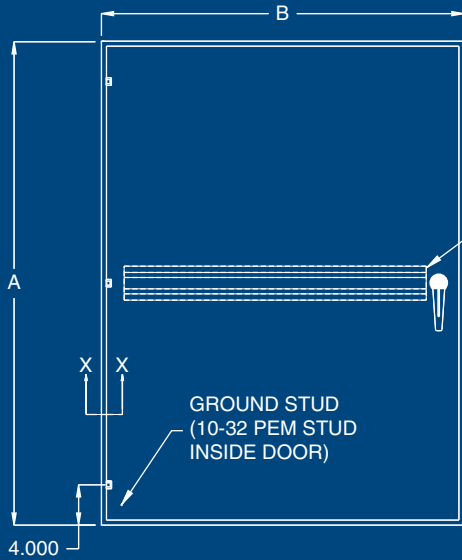
Options:

- Special finishes.
- Handles or inserts



NEMA 4, 12 STYLE-LINE ENCLOSURES

Type 4 & 12
Enclosures



**INDUSTRY
STANDARDS**

UL 50 Types 4 & 12
UL 508 Types 4 & 12
CUL Types 4 & 12
NEMA Types 4 & 12

Austin Electrical Enclosures
Post Office Box 2320
Yadkinville, NC 27055

Phone: 336.468.2851
800.288.2851

NEMA 4, NEMA 12 STYLE-LINE ENCLOSURES

Catalog Number	Catalog Number Stainless Steel	Enclosure Size (AxBxC)	Weight	Panel Catalog Number	Door Stiffener	Body Stiffener	Hinge Qty.	Latch Qty.
AB-12126SL	AB-12126SLX	12x12x6	13	AB-1212TP	-	-	2	1
AB-16126SL	AB-16126SLX	16x12x6	16	AB-1612TP	-	-	2	1
AB-16166SL	AB-16166SLX	16x16x6	19	AB-1616TP	-	-	2	1
AB-20166SL	AB-20166SLX	20x16x6	23	AB-2016TP	-	-	2	1
AB-20206SL	AB-20206SLX	20x20x6	28	AB-2020TP	-	-	2	1
AB-16208SL	AB-16208SLX	16x20x8	26	AB-1620TP	-	-	2	1
AB-20168SL	AB-20168SLX	20x16x8	26	AB-2016TP	-	-	2	1
AB-20208SL	AB-20208SLX	20x20x8	31	AB-2020TP	-	-	2	1
AB-20248SL	AB-20248SLX	20x24x8	36	AB-2420TP	-	-	2	2
AB-24168SL	AB-24168SLX	24x16x8	31	AB-2416TP	-	-	2	2
AB-24208SL	AB-24208SLX	24x20x8	36	AB-2420TP	-	-	2	2
AB-24248SL	AB-24248SLX	24x24x8	42	AB-2424TP	-	-	2	2
AB-24308SL	AB-24308SLX	24x30x8	50	AB-3024TP	-	-	2	2
AB-30208SL	AB-30208SLX	30x20x8	43	AB-3020TP	-	-	2	2
AB-30248SL	AB-30248SLX	30x24x8	50	AB-3024TP	-	-	2	2
AB-30308SL	AB-30308SLX	30x30x8	60	AB-3030TP	-	1	2	2
AB-36248SL	AB-36248SLX	36x24x8	58	AB-3624TP	-	-	3	2
AB-36308SL	AB-36308SLX	36x30x8	70	AB-3630TP	-	1	3	2
AB-202012SL	AB-202012SLX	20x20x12	38	AB-2020TP	-	-	2	1
AB-242412SL	AB-242412SLX	24x24x12	50	AB-2424TP	-	-	2	2
AB-302412SL	AB-302412SLX	30x24x12	59	AB-3024TP	-	-	2	2
AB-363012SL	AB-363012SLX	36x30x12	81	AB-3630TP	-	1	3	2
AB-363612SL	AB-363612SLX	36x36x12	94	AB-3636TP	1	1	3	2
AB-402412SL	AB-402412SLX	40x24x12	75	AB-4024TP	-	-	3	3 pt.
AB-423612SL	AB-423612SLX	42x36x12	106	AB-4236TP	1	1	3	3 pt.
AB-482412SL	AB-482412SLX	48x24x12	88	AB-4824TP	1	-	3	3 pt.
AB-483612SL	AB-483612SLX	48x36x12	118	AB-4836TP	1	1	3	3 pt.
AB-602412SL	AB-602412SLX	60x24x12	106	AB-6024TP	1	-	3	3 pt.
AB-603612SL	AB-603612SLX	60x36x12	144	AB-6036TP	1	1	3	3 pt.
AB-242416SL	AB-242416SLX	24x24x16	58	AB-2424TP	-	-	2	2
AB-363016SL	AB-363016SLX	36x30x16	93	AB-3630TP	-	1	3	2
AB-483616SL	AB-483616SLX	48x36x16	133	AB-4836TP	1	1	3	3 pt.

NEMA 4 SINGLE DOOR ENCLOSURES

Type 4 & 12 Enclosures

Austin NEMA 4 single door enclosures are Underwriters Laboratories Listed and are designed for use primarily to provide a degree of protection against windblown dust and rain, splashing water, hose directed water and damage from external ice formation.

Construction:

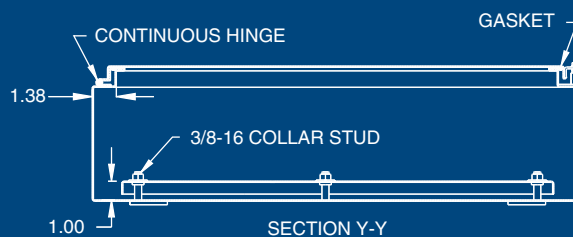
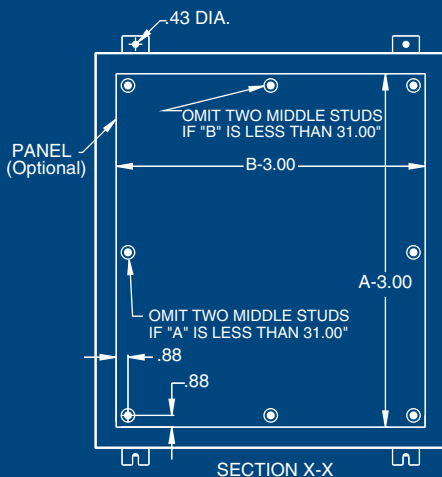
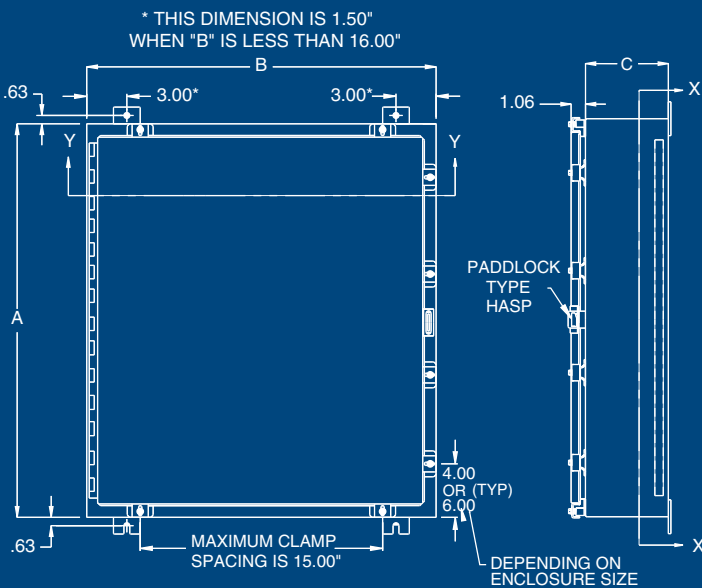
- Fabricated in accordance with UL specifications from code gauge steel.
- All seams continuously welded and ground smooth.
- Rolled lip around three sides of door and all sides of door opening for watertight seal.
- Door removed by pulling stainless steel continuous hinge pin.
- Neoprene gasket attached to door with oil resistant adhesive.
- Clamps on three sides of door for watertight seal.
- Stainless steel external hardware.
- Hasp and staple provided for padlocking.
- External mounting feet.
- Standard plastic self-adhesive print pocket.
- Standard collar studs for mounting optional panel.

Finish:

Austin NEMA 4 single door enclosures are provided standard with an ANSI 61 gray polyester powder coating inside and out. Optional panels are painted white.

Options:

- Special materials.
- Special finishes.
- Custom box size or construction.



INDUSTRY STANDARDS

UL 50 Types 4 & 12
 UL 508 Types 4 & 12
 NEMA Types 4 & 12
 CUL Types 4 & 12

Austin Electrical Enclosures
 Post Office Box 2320
 Yadkinville, NC 27055

Phone: 336.468.2851
 800.288.2851

NEMA 4 SINGLE DOOR ENCLOSURES

Type 4 & 12
Enclosures

Catalog Number	Enclosure Size (AxBxC)	Weight	Panel Catalog Number	Catalog Number	Enclosure Size (AxBxC)	Weight	Panel Catalog Number
AB-16126NF	16x12x6	23	AB-1612TP	AB-30308NF	30x30x8	78	AB-3030TP
AB-16166NF	16x16x6	28	AB-1616TP	AB-36248NF	36x24x8	74	AB-3624TP
AB-20166NF	20x16x6	32	AB-2016TP	AB-36308NF	36x30x8	92	AB-3630TP
AB-16206NF	16x20x6	32	AB-1620TP	AB-42308NF	42x30x8	106	AB-4230TP
AB-20206NF	20x20x6	38	AB-2020TP	AB-42368NF	42x36x8	125	AB-4236TP
AB-24126NF	24x12x6	31	AB-2412TP	AB-48368NF	48x36x8	139	AB-4836TP
AB-24166NF	24x16x6	37	AB-2416TP	AB-60368NF	60x36x8	167	AB-6036TP
AB-24206NF	24x20x6	43	AB-2420TP				
AB-24246NF	24x24x6	49	AB-2424TP				
AB-30206NF	30x20x6	53	AB-3020TP	AB-201610NF	20x16x10	39	AB-2016TP
AB-30246NF	30x24x6	60	AB-3024TP	AB-242010NF	24x20x10	52	AB-2420TP
AB-36246NF	36x24x6	69	AB-3624TP	AB-302410NF	30x24x10	70	AB-3024TP
				AB-363010NF	36x30x10	98	AB-3630TP
AB-16128NF	16x12x8	25	AB-1612TP	AB-483010NF	48x30x10	125	AB-4830TP
AB-20168NF	20x16x8	35	AB-2016TP	AB-483610NF	48x36x10	147	AB-4836TP
AB-20208NF	20x20x8	42	AB-2020TP	AB-603610NF	60x36x10	176	AB-6036TP
AB-24208NF	24x20x8	47	AB-2420TP				
AB-24248NF	24x24x8	54	AB-2424TP	AB-302412NF	30x24x12	75	AB-3024TP
AB-30208NF	30x20x8	57	AB-3020TP	AB-363012NF	36x30x12	104	AB-3630TP
AB-30248NF	30x24x8	65	AB-3024TP	AB-483612NF	48x36x12	154	AB-4836TP



NEMA 4 DOUBLE DOOR ENCLOSURES

Type 4 & 12
Enclosures

Austin NEMA 4 double door enclosures are Underwriters Laboratories Listed and designed for use primarily to provide a degree of protection against windblown dust and rain, splashing water, hose directed water and damage from external ice formation.

Construction:

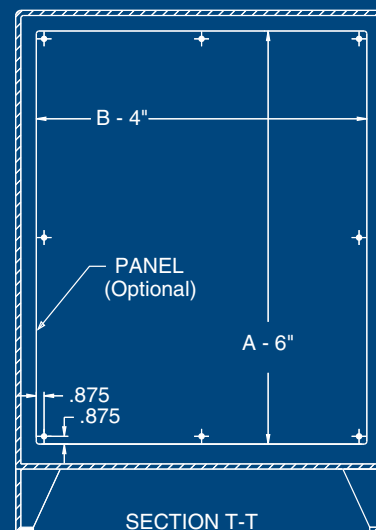
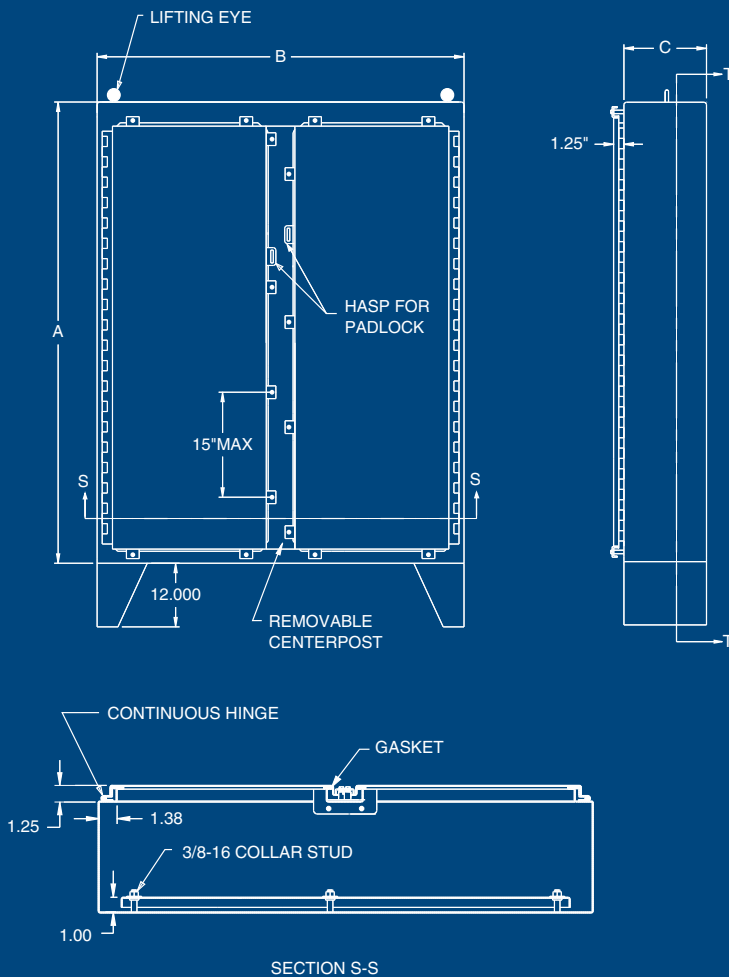
- Fabricated in accordance with UL specifications from code gauge steel.
- Rolled lip around three sides of door and along top of enclosure for watertight seal.
- All seams continuously welded and ground smooth.
- Removable centerpost with gasket.
- Neoprene gasket attached to doors with oil resistant adhesive.
- Clamps on three sides of door for watertight seal.
- Stainless steel external hardware.
- Hasp and staple provided for padlocking.
- Standard plastic self-adhesive print pocket.
- 12" floor stands welded on.
- Heavy duty lifting eyes.
- Standard collar studs for mounting optional panel.

Finish:

Austin NEMA 4 double door enclosures are provided standard with an ANSI 61 gray polyester powder coating inside and out. Optional panels are painted white.

Options:

- Special materials.
- Special finishes.
- Custom box size or construction.



**INDUSTRY
STANDARDS**

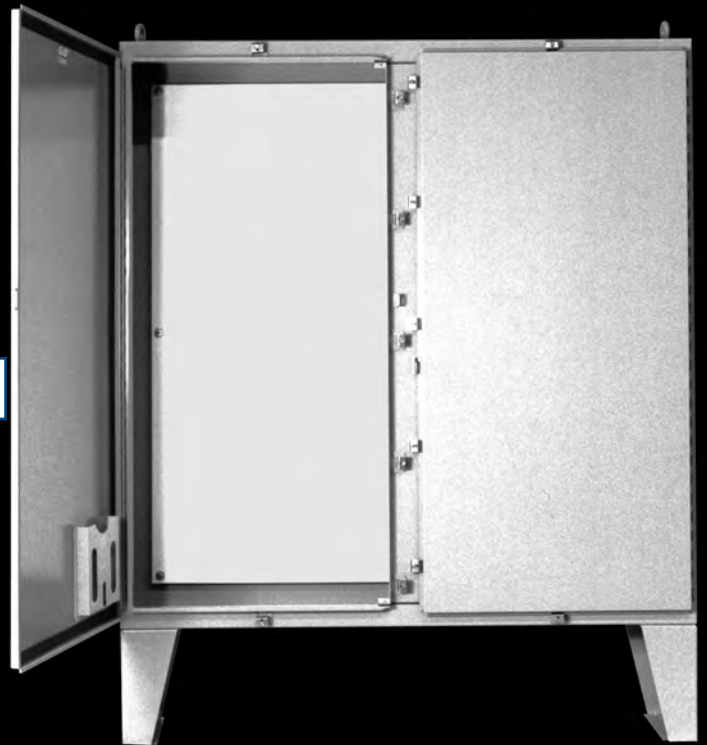
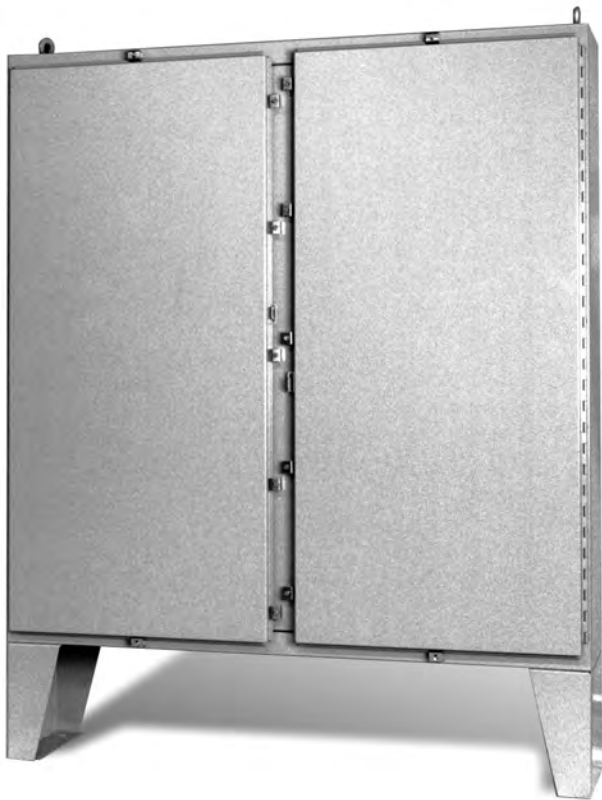
UL 50 Types 4 & 12
UL 508 Types 4 & 12
NEMA Types 4 & 12
CUL Types 4 & 12

Austin Electrical Enclosures
Post Office Box 2320
Yadkinville, NC 27055

Phone: 336.468.2851
800.288.2851

NEMA 4 DOUBLE DOOR ENCLOSURES

Catalog Number	Enclosure Size (AxBxC)	Weight	Panel Catalog Number
AB-624810NFD	62x48x10	357	AB-6048DP
AB-626010NFD	62x60x10	507	AB-6060DP
AB-746012NFD	74x60x12	560	AB-7260DP
AB-747212NFD	74x72x12	626	AB-7272DP



NEMA 4X STAINLESS STEEL ENCLOSURES

Type 4 & 12 Enclosures

Austin NEMA 4X stainless steel single door enclosures are Underwriters Laboratories Listed and are designed for use primarily to provide a degree of protection against windblown dust and rain, splashing water, hose directed water and damage from external ice formation.

Construction:

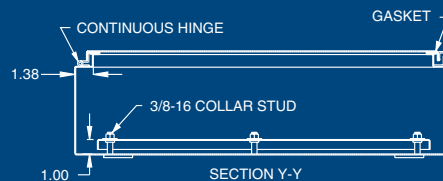
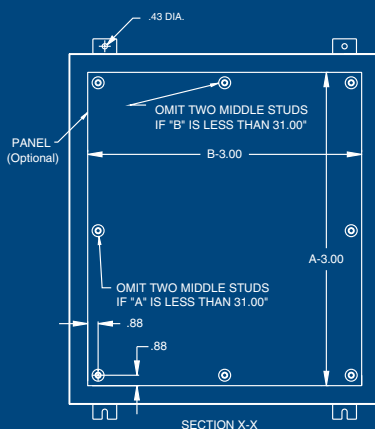
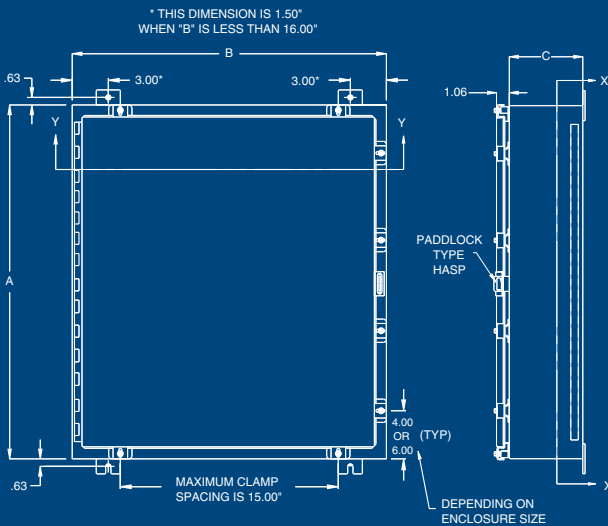
- Fabricated in accordance with UL specifications from 14 or 12 gauge Type 304 stainless steel standard, Type 316 stainless steel optional.
- All seams continuously welded and ground smooth.
- Rolled lip around three sides of door and all sides of door opening for watertight seal.
- Neoprene gasket attached to door with oil resistant adhesive.
- Clamps on three sides of door for watertight seal.
- Stainless steel external hardware.
- Hasp and staple provided for padlocking.
- External mounting feet.
- Standard plastic self-adhesive print pocket.
- Standard collar studs for mounting optional panel.

Finish:

Austin NEMA 4X stainless steel single door enclosures are provided standard in type 304 polished stainless steel. Optional panels are painted white, stainless steel panels are unpainted.

Options:

- Custom box size or construction.
- Type 316 stainless steel.



INDUSTRY STANDARDS

UL 50 Types 4X, 4 & 12
 UL 508 Types 4X, 4 & 12
 NEMA Types 4X, 4 & 12
 CUL Types 4X, 4 & 12

Austin Electrical Enclosures
 Post Office Box 2320
 Yadkinville, NC 27055

Phone: 336.468.2851
 800.288.2851

STAINLESS STEEL NEMA 4X ENCLOSURES

Catalog Number	Enclosure Size (AxBxC)	Enclosure Weight	Panel Catalog Number	Panel Weight	Catalog Number	Enclosure Size (AxBxC)	Enclosure Weight	Panel Catalog Number	Panel Weight
AB-16126NFX	16x12x6	16	AB-1612TP	4	AB-48368NFX	48x36x8	146	AB-4836TP	49
AB-16166NFX	16x16x6	20	AB-1616TP	6					
AB-20166NFX	20x16x6	23	AB-2016TP	7	AB-201610NFX	20x16x10	30	AB-2016TP	7
AB-20206NFX	20x20x6	28	AB-2020TP	9	AB-242010NFX	24x20x10	40	AB-2420TP	13
AB-24246NFX	24x24x6	38	AB-2424TP	15	AB-362410NFX	36x24x10	64	AB-3624TP	24
					AB-363010NFX	36x30x10	106	AB-3630TP	30
AB-24248NFX	24x24x8	42	AB-2424TP	15	AB-423010NFX	42x30x10	120	AB-4230TP	35
AB-24308NFX	24x30x8	50	AB-3024TP	19					
AB-30208NFX	30x20x8	43	AB-3020TP	16	AB-242412NFX	24x24x12	50	AB-2424TP	15
AB-30248NFX	30x24x8	50	AB-3024TP	19	AB-302412NFX	30x24x12	59	AB-3024TP	19
AB-36248NFX	36x24x8	58	AB-3624TP	24	AB-363012NFX	36x30x12	114	AB-3630TP	30
AB-36308NFX	36x30x8	98	AB-3630TP	30	AB-483612NFX	48x36x12	166	AB-4836TP	49
AB-42368NFX	42x36x8	130	AB-4236TP	43	AB-603612NFX	60x36x12	201	AB-6036TP	61

*Optional stainless steel panels are available



NEMA 4X ALUMINUM ENCLOSURES

Type 4 & 12 Enclosures

Austin NEMA 4X aluminum enclosures are Underwriters Laboratories Listed and are designed for use primarily to provide a degree of protection against windblown dust and rain, splashing water, hose directed water and damage from external ice formation.

Construction:

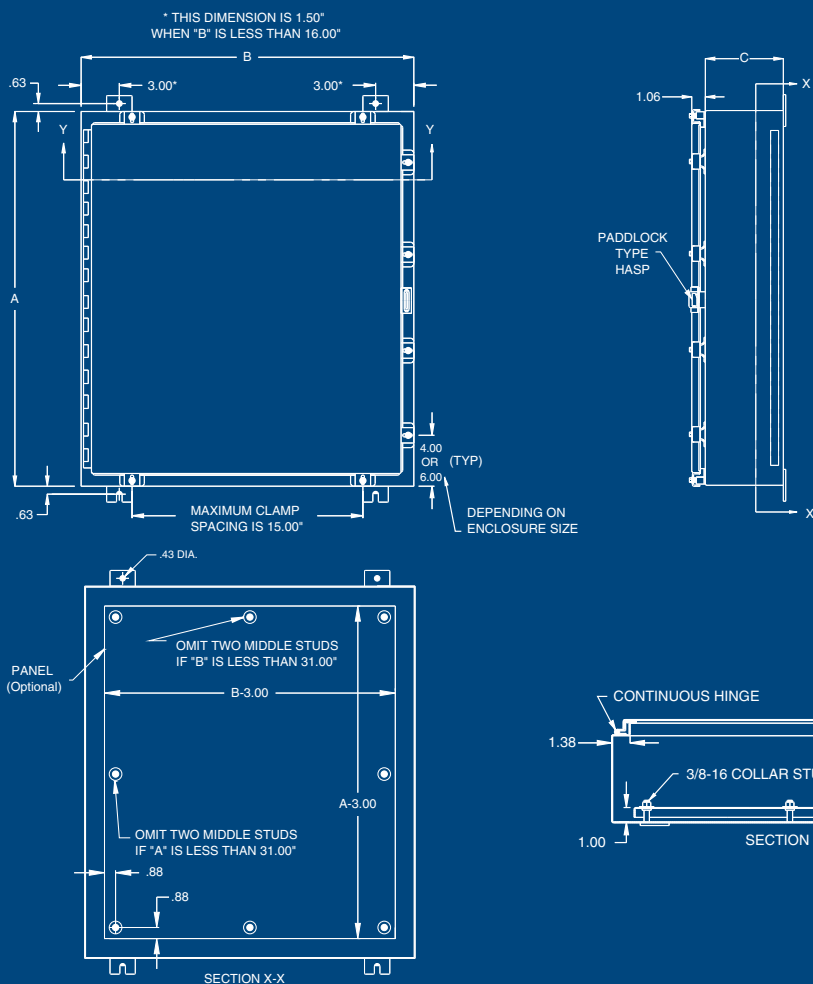
- Fabricated in accordance with UL specifications form Type 5052-H32 aluminum.
- All seams continuously welded and ground smooth.
- Rolled lip around three sides of door and all sides of door opening for watertight seal.
- Neoprene gasket attached to door with oil resistant adhesive.
- Clamps on three sides of door for watertight seal.
- Aluminum continuous hinge.
- Stainless steel external hardware.
- Hasp and staple provided for padlocking.
- External mounting feet
- Standard plastic self-adhesive print pocket.
- Standard collar studs for mounting optional panel.

Finish:

Austin NEMA 4X aluminum enclosures are provided standard in Type 5052-H32 aluminum. Optional panels are painted white. Aluminum panels are unpainted.

Options:

- Custom box size or construction.



**INDUSTRY
STANDARDS**

UL 50 Types 4X, 4 & 12
 UL 508 Types 4X, 4 & 12
 NEMA Types 4X, 4 & 12
 CUL Types 4X, 4 & 12

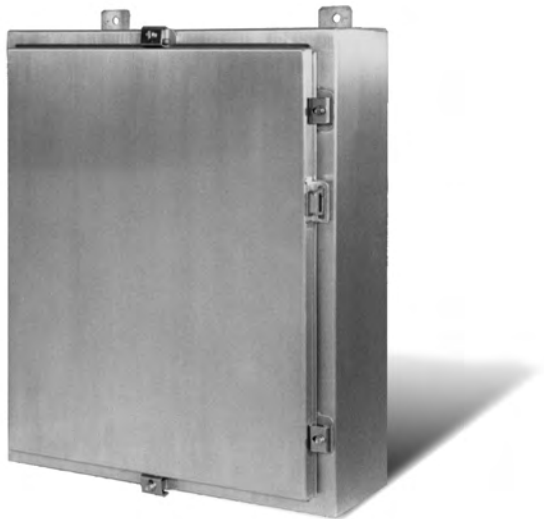
Austin Electrical Enclosures
 Post Office Box 2320
 Yadkinville, NC 27055

Phone: 336.468.2851
 800.288.2851

ALUMINUM NEMA 4X ENCLOSURES

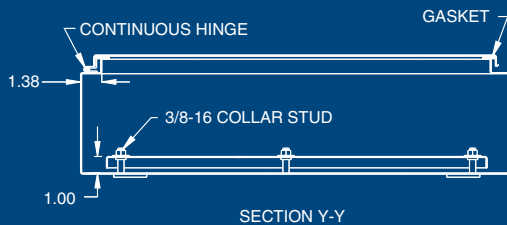
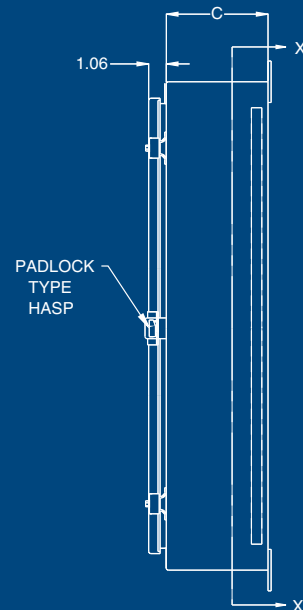
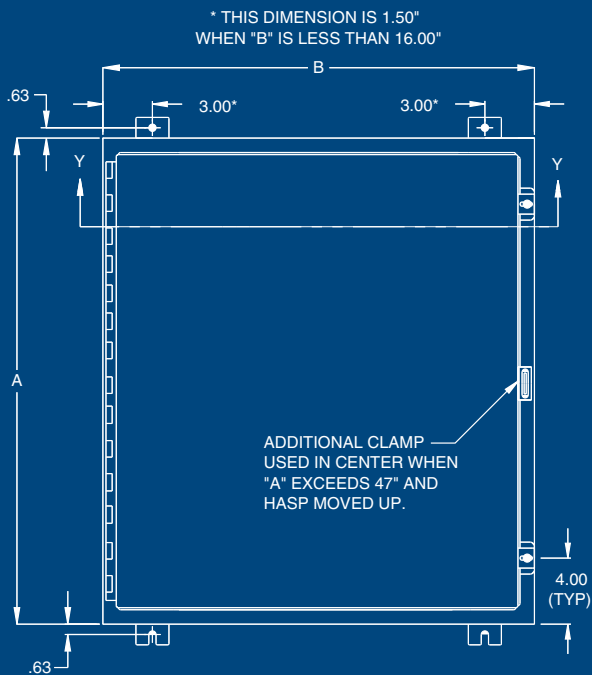
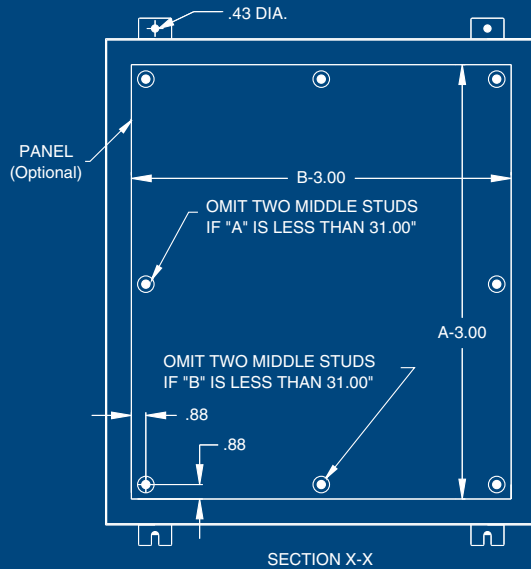
Catalog Number	Enclosure Size (AxBxC)	Weight	Steel Panel Catalog Number
AB-16126NFA	16x12x6	6	AB-1612TP
AB-20166NFA	20x16x6	8	AB-2016TP
AB-20206NFA	20x20x6	10	AB-2020TP
AB-24206NFA	24x20x6	12	AB-2420TP
AB-24248NFA	24x24x8	17	AB-2424TP
AB-30248NFA	30x24x8	20	AB-3024TP
AB-36248NFA	36x24x8	24	AB-3624TP
AB-36308NFA	36x30x8	32	AB-3630TP
AB-48368NFA	48x36x8	47	AB-4836TP
AB-201610NFA	20x16x10	11	AB-2016TP
AB-242010NFA	24x20x10	14	AB-2420TP
AB-302412NFA	30x24x12	24	AB-3024TP
AB-363012NFA	36x30x12	37	AB-3630TP
AB-603612NFA	60x36x12	65	AB-6036TP

*Optional aluminum panels are available



NEMA 12 SINGLE DOOR ENCLOSURES

Type 4 & 12
Enclosures



**INDUSTRY
STANDARDS**

UL 50 Type 12
UL 508 Type 12
NEMA Type 12
CUL Type 12

Austin Electrical Enclosures
Post Office Box 2320
Yadkinville, NC 27055

Phone: 336.468.2851
800.288.2851

NEMA 12 SINGLE DOOR ENCLOSURES

Austin NEMA 12 single door enclosures are Underwriters Laboratories Listed and are designed for indoor use primarily to provide a degree of protection against circulating dust, falling dirt, and dripping noncorrosive liquids.

Construction:

- Fabricated in accordance with UL specifications from code gauge steel.
- Continuously welded seams ground smooth.
- Door removed by pulling continuous hinge pin.
- Neoprene gasket attached to door with oil resistant adhesive.
- Hasp and staple provided for padlocking.
- External feet for mounting enclosure.
- Standard plastic self-adhesive print pocket.
- Standard collar studs for mounting optional panel.

Finish:

Austin Type 12 Single door enclosures are provided standard with an ANSI 61 gray polyester powder coating inside and out. Optional panels are finished white.

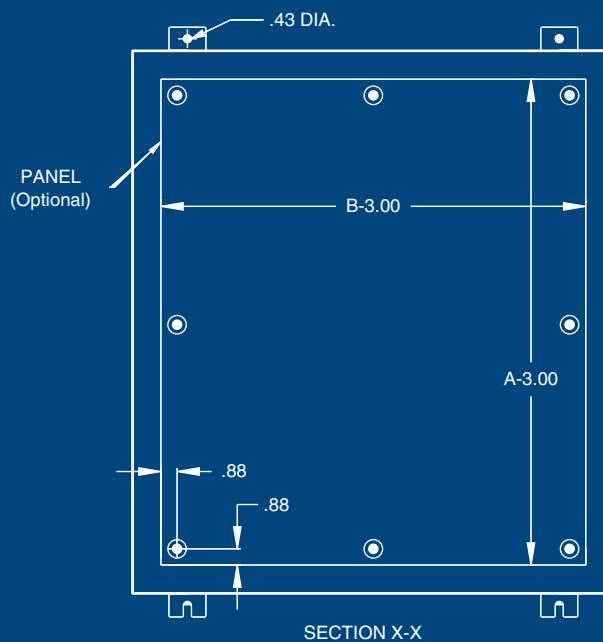
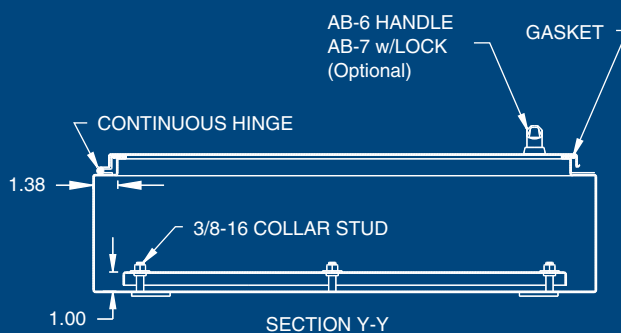
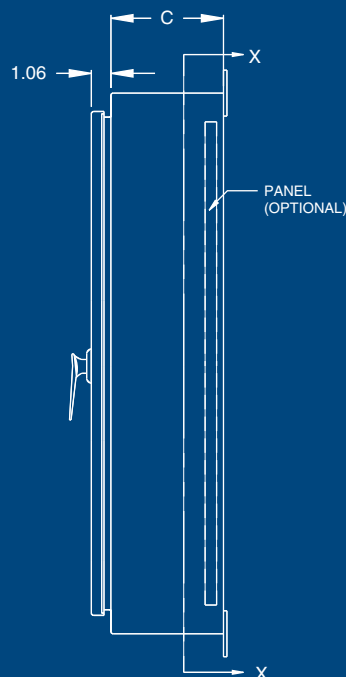
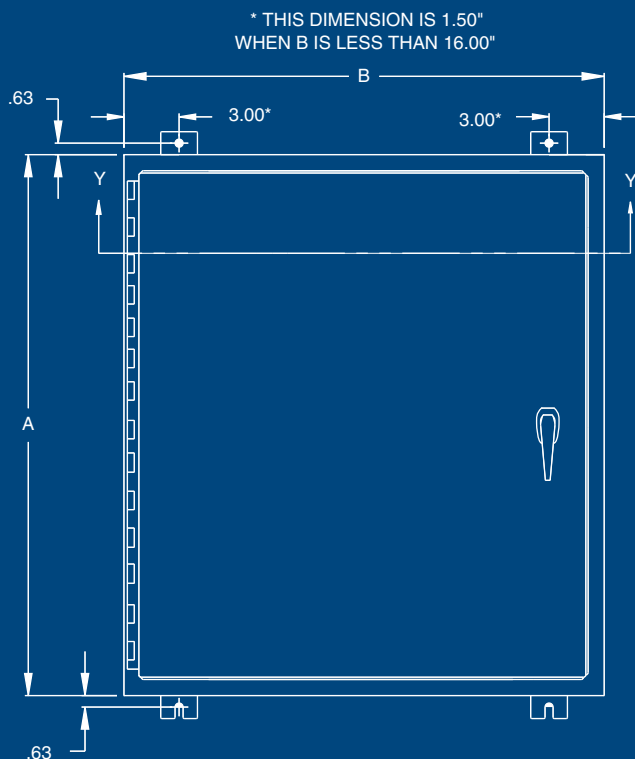
Options:

- Special materials.
- Special finishes.
- Custom box size or construction.



NEMA 12 SINGLE DOOR ENCLOSURES

Type 4 & 12
Enclosures



**INDUSTRY
STANDARDS**

UL 50 Type 12
UL 508 Type 12
NEMA Type 12
CUL Type 12

Austin Electrical Enclosures
Post Office Box 2320
Yadkinville, NC 27055

Phone: 336.468.2851
800.288.2851

NEMA 12 SINGLE DOOR ENCLOSURES

Catalog Number	Enclosure Size (AxBxC)	Enclosure Weight	Panel Catalog Number	Panel Weight	Catalog Number	Enclosure Size (AxBxC)	Enclosure Weight	Panel Catalog Number	Panel Weight
AB-12246N	12x24x6	29	AB-1224TP	8	AB-202010N	20x20x10	44	AB-2020TP	9
AB-16126N	16x12x6	22	AB-1612TP	4	AB-241210N	24x12x10	36	AB-2412TP	7
AB-16166N	16x16x6	27	AB-1616TP	6	AB-242010N	24x20x10	50	AB-2420TP	13
AB-20126N	20x12x6	26	AB-2012TP	5	AB-242410N	24x24x10	56	AB-2424TP	15
AB-20166N	20x16x6	31	AB-2016TP	7	AB-302010N	30x20x10	60	AB-3020TP	16
AB-16206N	16x20x6	31	AB-1620TP	7	AB-302410N	30x24x10	68	AB-3024TP	19
AB-20206N	20x20x6	36	AB-2020TP	9	AB-362410N	36x24x10	78	AB-3624TP	24
AB-24126N	24x12x6	30	AB-2412TP	7	AB-363010N	36x30x10	96	AB-3630TP	30
AB-24166N	24x16x6	37	AB-2416TP	9	AB-423010N	42x30x10	108	AB-4230TP	35
AB-20246N	20x24x6	42	AB-2024TP	13	AB-423610N	42x36x10	126	AB-4236TP	43
AB-24206N	24x20x6	41	AB-2420TP	13	AB-483010N	48x30x10	120	AB-4830TP	40
AB-24246N	24x24x6	48	AB-2424TP	15	AB-483610N	48x36x10	141	AB-4836TP	49
AB-30166N	30x16x6	41	AB-3016TP	12	AB-603610N	60x36x10	169	AB-6036TP	61
AB-30206N	30x20x6	51	AB-3020TP	16					
AB-30246N	30x24x6	58	AB-3024TP	19	AB-201612N	20x16x12	41	AB-2016TP	7
AB-36246N	36x24x6	69	AB-3624TP	24	AB-242012N	24x20x12	54	AB-2420TP	13
AB-36306N	36x30x6	84	AB-3630TP	30	AB-242412N	24x24x12	61	AB-2424TP	15
					AB-302412N	30x24x12	73	AB-3024TP	19
AB-16128N	16x12x8	24	AB-1612TP	4	AB-303012N	30x30x12	89	AB-3030TP	24
AB-16168N	16x16x8	31	AB-1616TP	6	AB-362412N	36x24x12	83	AB-3624TP	24
AB-20128N	20x12x8	28	AB-2012TP	5	AB-363012N	36x30x12	102	AB-3630TP	30
AB-20168N	20x16x8	34	AB-2016TP	7	AB-363612N	36x36x12	117	AB-3636TP	37
AB-16208N	16x20x8	34	AB-1620TP	7	AB-423012N	42x30x12	115	AB-4230TP	35
AB-20208N	20x20x8	40	AB-2020TP	9	AB-423612N	42x36x12	132	AB-4236TP	43
AB-24128N	24x12x8	33	AB-2412TP	7	AB-483612N	48x36x12	148	AB-4836TP	49
AB-12248N	12x24x8	33	AB-1224TP	7	AB-603612N	60x36x12	178	AB-6036TP	61
AB-24168N	24x16x8	40	AB-2416TP	15	AB-723012N	72x30x12	177	AB-7230TP	62
AB-24208N	24x20x8	46	AB-2420TP	13					
AB-20248N	20x24x8	46	AB-2024TP	13					
AB-24248N	24x24x8	52	AB-2424TP	15	AB-242016N	24x20x16	62	AB-2420TP	13
AB-30208N	30x20x8	55	AB-3020TP	16	AB-242416N	24x24x16	70	AB-2424TP	15
AB-30248N	30x24x8	63	AB-3024TP	19	AB-302416N	30x24x16	82	AB-3024TP	19
AB-24308N	24x30x8	62	AB-2430TP	19	AB-363016N	36x30x16	114	AB-3630TP	30
AB-30308N	30x30x8	75	AB-3030TP	30	AB-423616N	42x36x16	147	AB-4236TP	43
AB-36248N	36x24x8	72	AB-3624TP	24	AB-483616N	48x36x16	164	AB-4836TP	49
AB-36308N	36x30x8	90	AB-3630TP	30	AB-603616N	60x36x16	195	AB-6036TP	61
AB-30368N	30x36x8	89	AB-3036TP	30	AB-723016N	72x30x16	196	AB-7230TP	62
AB-36368N	36x36x8	102	AB-3636TP	37					
AB-42248N	42x24x8	82	AB-4224TP	28	AB-722418N	72x24x18	157	AB-7224TP	49
AB-42308N	42x30x8	101	AB-4230TP	35					
AB-42368N	42x36x8	119	AB-4236TP	43	AB-302420N	30x24x20	92	AB-3024TP	19
AB-48248N	48x24x8	92	AB-4824TP	32	AB-363020N	36x30x20	125	AB-3630TP	30
AB-48308N	48x30x8	113	AB-4830TP	40	AB-483620N	48x36x20	178	AB-4836TP	49
AB-48368N	48x36x8	133	AB-4836TP	49	AB-603620N	60x36x20	211	AB-6036TP	61
AB-60368N	60x36x8	160	AB-6036TP	61	AB-723020N	72x30x20	215	AB-7230TP	62
AB-161210N	16x12x10	27	AB-1612TP	4	AB-722424N	72x24x24	184	AB-7224TP	49
AB-201610N	20x16x10	38	AB-2016TP	7	AB-723024N	72x30x24	234	AB-7230TP	62

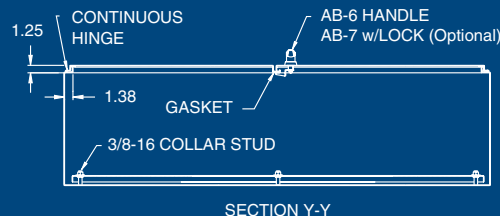
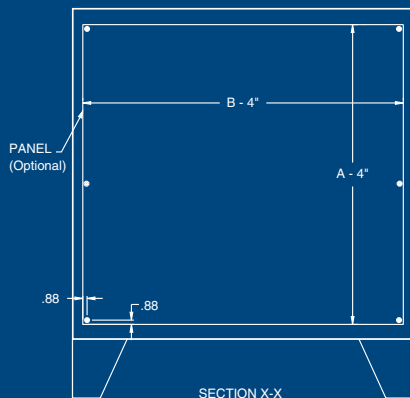
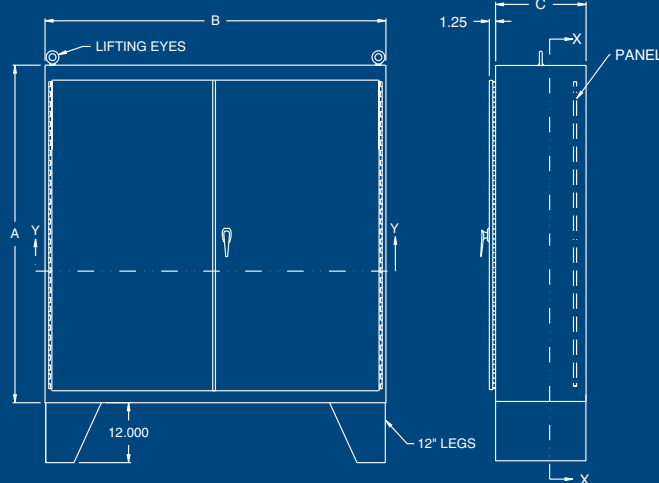
NEMA 12 DOUBLE DOOR ENCLOSURES

Type 4 & 12 Enclosures

Austin NEMA 12 double door enclosures are Underwriters Laboratories Listed and are designed to house electrical controls, terminals, and instruments. They provide a degree of protection against circulating dust, falling dirt, and dripping noncorrosive liquids.

Construction:

- Fabricated in accordance with UL specifications from code gauge steel.
- Continuously welded seams ground smooth.
- Overlapping doors eliminate need for centerpost.
- An AB-6 three point lever handle with roller arms holds doors securely.
- 12" legs are welded to enclosure.
- Heavy duty lifting eyes.
- Heavy gauge continuous hinge.
- Neoprene gasket attached to doors with oil resistant adhesive.
- Standard plastic self-adhesive print pocket.
- Standard collar studs provided for mounting optional panel.



Finish:

Austin double door NEMA 12 enclosures are provided standard with an ANSI 61 gray polyester powder coating. Optional panels are painted white.

Options:

- Special materials.
- Special finishes.
- Custom box size or construction.

**INDUSTRY
STANDARDS**

UL 50 Type 12
UL 508 Type 12
NEMA Type 12
CUL Type 12

Austin Electrical Enclosures
Post Office Box 2320
Yadkinville, NC 27055

Phone: 336.468.2851
800.288.2851

NEMA 12 DOUBLE DOOR ENCLOSURES

Catalog Number	Enclosure Size (AxBxC)	Weight	Panel Catalog Number	Catalog Number	Enclosure Size (AxBxC)	Weight	Panel Catalog Number
AB-54428ND	54x42x8	210	AB-5442DP	AB-604816ND	60x48x16	420	AB-6048DP
AB-60488ND	60x48x8	319	AB-6048DP	AB-606016ND	60x60x16	520	AB-6060DP
				AB-726016ND	72x60x16	582	AB-7260DP
AB-604810ND	60x48x10	330	AB-6048DP	AB-727216ND	72x72x16	630	AB-7272DP
AB-606010ND	60x60x10	390	AB-6060DP				
AB-726010ND	72x60x10	450	AB-7260DP	AB-604820ND	60x48x20	486	AB-6048DP
AB-727210ND	72x72x10	525	AB-7272DP	AB-726020ND	72x60x20	577	AB-7260DP
				AB-727220ND	72x72x20	650	AB-7272DP
AB-604812ND	60x48x12	360	AB-6048DP	AB-604824ND	60x48x24	500	AB-6048DP
AB-606012ND	60x60x12	400	AB-6060DP	AB-606024ND	60x60x24	566	AB-6060DP
AB-726012ND	72x60x12	475	AB-7260DP	AB-726024ND	72x60x24	614	AB-7260DP
AB-727212ND	72x72x12	560	AB-7272DP	AB-727224ND	72x72x24	690	AB-7272DP



NEMA 12 FLUSH MOUNT ENCLOSURES

Type 4 & 12 Enclosures

Austin flush NEMA 12 enclosures are Underwriters Laboratories Listed and are designed to house electrical controls, terminals, and instruments. They provide a degree of protection against circulating dust, falling dirt, and noncorrosive liquids.

Construction:

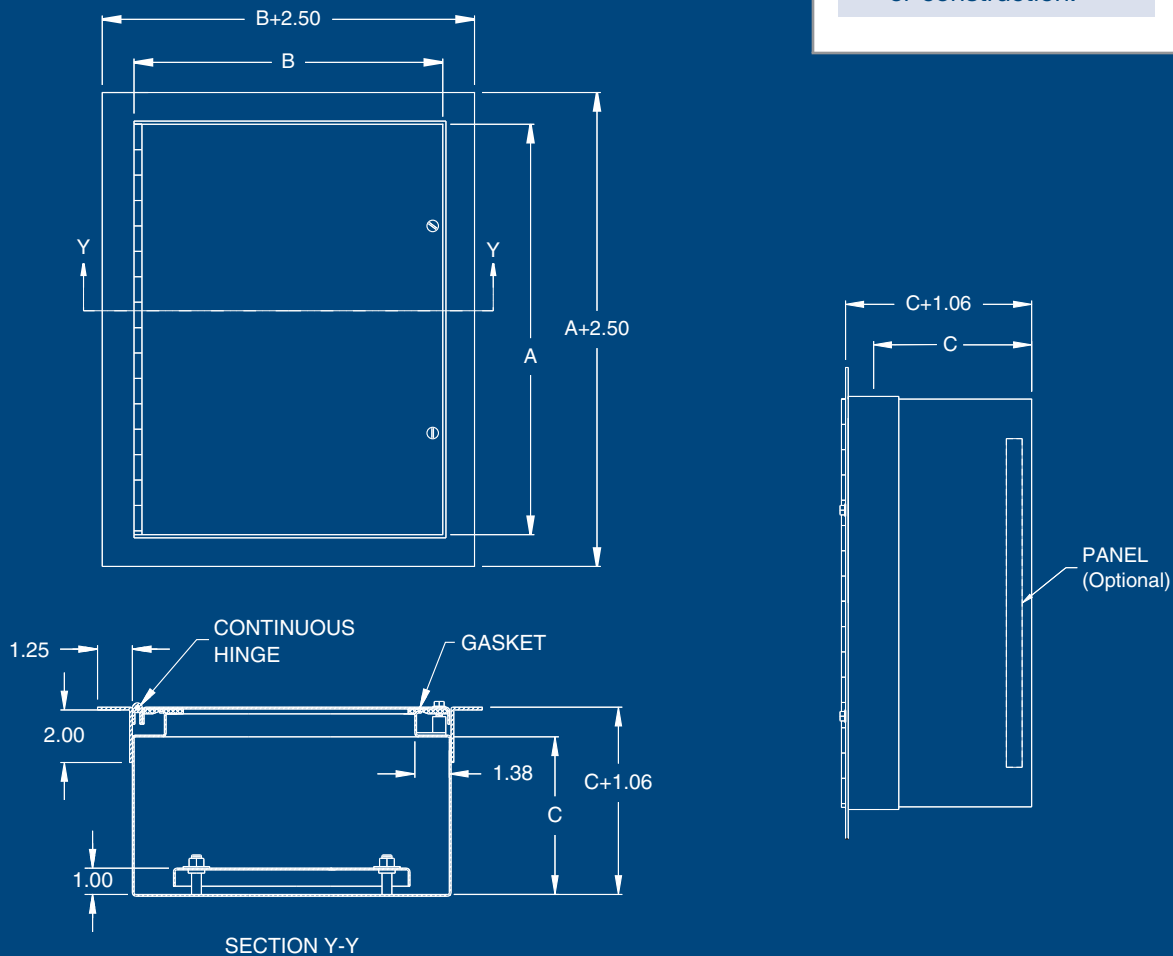
- Fabricated in accordance with UL specifications from code gauge steel.
- Continuously welded seams ground smooth.
- Neoprene gasket attached to door with oil resistant adhesive.
- Continuous hinge on one side and screws on opposite side to hold door in place.
- 10 gauge trim around enclosure.
- Standard plastic self-adhesive print pocket.
- Standard collar studs for mounting optional panel.

Finish:

Austin flush NEMA 12 enclosures are provided standard with an ANSI 61 gray polyester powder coating. Optional panels are painted white.

Options:

- Special materials.
- Special finishes.
- Custom box size or construction.



**INDUSTRY
STANDARDS**

UL 50 Type 12
UL 508 Type 12
NEMA Type 12
CUL Type 12

Austin Electrical Enclosures
Post Office Box 2320
Yadkinville, NC 27055

Phone: 336.468.2851
800.288.2851

NEMA 12 FLUSH ENCLOSURES

Catalog Number	Enclosure Size (AxBxC)	Weight	Panel Catalog Number
AB-16126FN	16x12x6	27	AB-1612TP
AB-20166FN	20x16x6	38	AB-2016TP
AB-20206FN	20x20x6	44	AB-2020TP
AB-24206FN	24x20x6	50	AB-2420TP
AB-24248FN	24x24x8	61	AB-2424TP
AB-30248FN	30x24x8	73	AB-3024TP
AB-36248FN	36x24x8	83	AB-3624TP
AB-36308FN	36x30x8	104	AB-3630TP



NEMA 12 ALUMINUM ENCLOSURES

Type 4 & 12 Enclosures

Austin NEMA 12 aluminum enclosures are Underwriters Laboratories Listed and are designed to house electrical controls, terminals, and instruments. They provide a degree of protection against circulating dust, falling dirt, and noncorrosive liquids.

Construction:

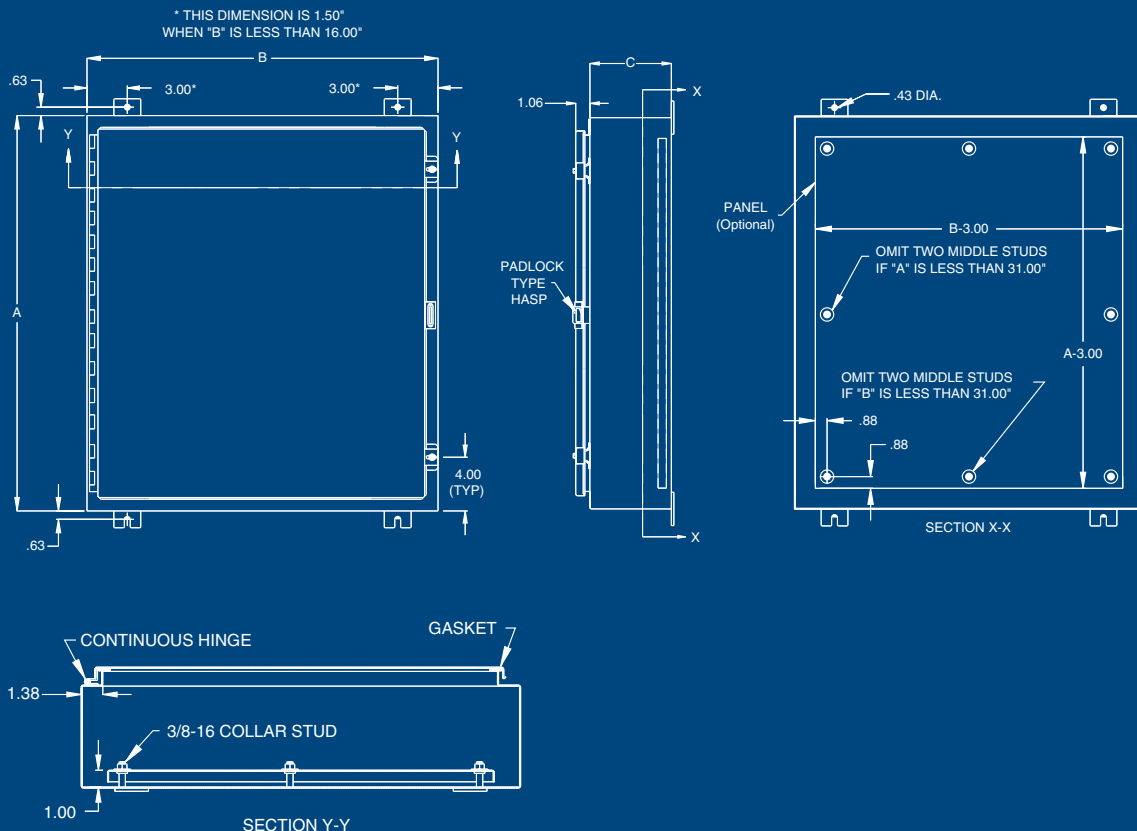
- Fabricated in accordance with UL specifications from 5052-H32 aluminum.
- Continuously welded seams ground smooth.
- Aluminum continuous hinge.
- Neoprene gasket attached to door with oil resistant adhesive.
- Hasp and staple provided for padlocking.
- External feet for mounting enclosure.
- Standard plastic self-adhesive print pocket.
- Standard collar studs for mounting optional panel.

Finish:

Austin NEMA 12 aluminum enclosures are provided standard in 5052-H32 aluminum. Optional steel panels are painted white. Aluminum panels are unpainted.

Options:

- Custom box size or construction.



**INDUSTRY
STANDARDS**

UL 50 Type 12
UL 508 Type 12
NEMA Type 12
CUL Type 12

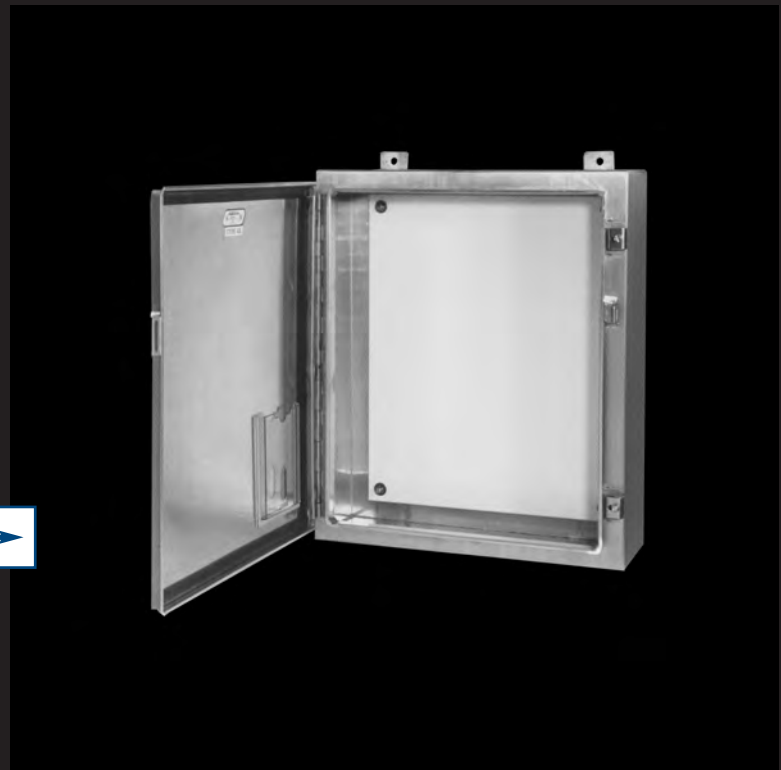
Austin Electrical Enclosures
Post Office Box 2320
Yadkinville, NC 27055

Phone: 336.468.2851
800.288.2851

NEMA 12 ALUMINUM ENCLOSURES

Catalog Number	Enclosure Size (AxBxC)	Weight	Steel Panel Catalog Number
AB-16126NA	16x12x6	6	AB-1612TP
AB-20166NA	20x16x6	9	AB-2016TP
AB-20206NA	20x20x6	10	AB-2020TP
AB-24206NA	24x20x6	12	AB-2420TP
AB-24248NA	24x24x8	17	AB-2424TP
AB-30248NA	30x24x8	20	AB-3024TP
AB-36248NA	36x24x8	24	AB-3624TP
AB-36308NA	36x30x8	31	AB-3630TP
AB-48368NA	48x36x8	47	AB-4836TP
AB-201610NA	20x16x10	11	AB-2016TP
AB-242010NA	24x20x10	14	AB-2420TP
AB-302412NA	30x24x12	24	AB-3024TP
AB-363012NA	36x30x12	37	AB-3630TP
AB-603612NA	60x36x12	65	AB-6036TP

*Optional aluminum panels are available



NEMA 12 SINGLE DOOR FREESTANDING ENCLOSURES

Type 4 & 12 Enclosures

Austin freestanding single door NEMA 12 enclosures are Underwriters Laboratories Listed and are designed to house electrical controls, terminals, and instruments. They provide a degree of protection against circulating dust, falling dirt, and dripping noncorrosive liquids.

Construction:

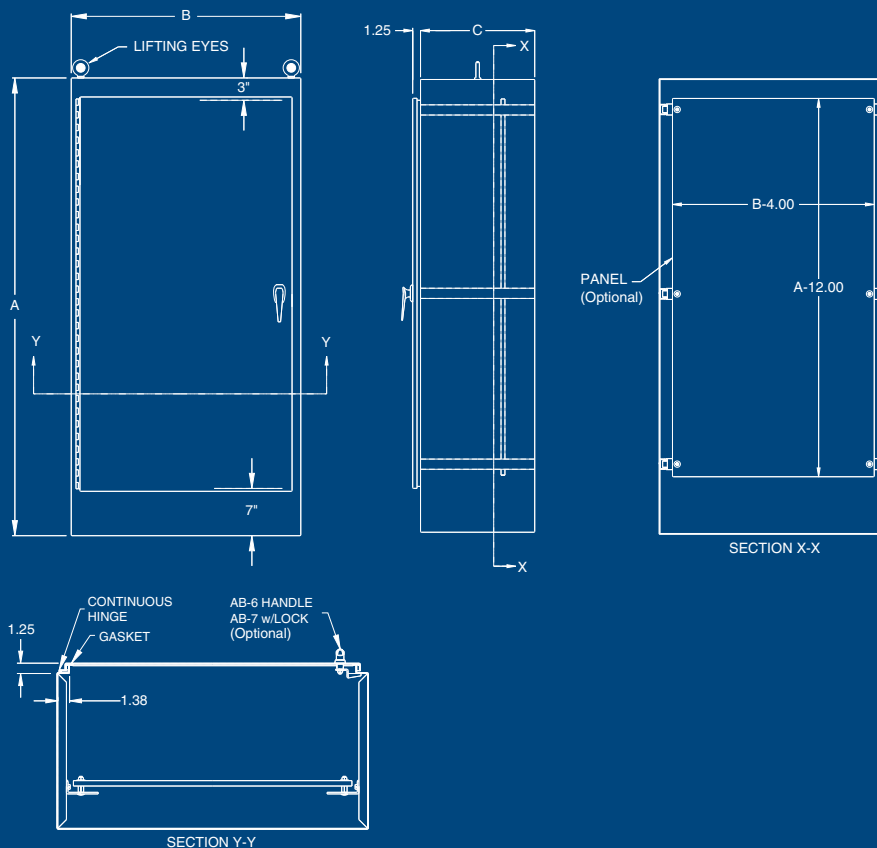
- Fabricated in accordance with UL specifications from code gauge steel.
- Continuously welded seams ground smooth.
- Neoprene gasket attached to door with oil resistant adhesive.
- An AB-6 three point lever handle with roller arms holds door securely.
- Heavy gauge continuous hinge.
- Heavy duty lifting eyes.
- Standard plastic self-adhesive print pocket.
- Mounting channels welded horizontally to enclosure interior sides at top, bottom, and center for optional panel.

Finish:

Austin freestanding single door NEMA 12 enclosures are provided standard with an ANSI 61 gray polyester powder coating. Optional panels are painted white.

Options:

- Special materials.
- Special finishes.
- Custom box size or construction.



INDUSTRY STANDARDS

UL 50 Type 12
 UL 508 Type 12
 NEMA Type 12
 CUL Type 12

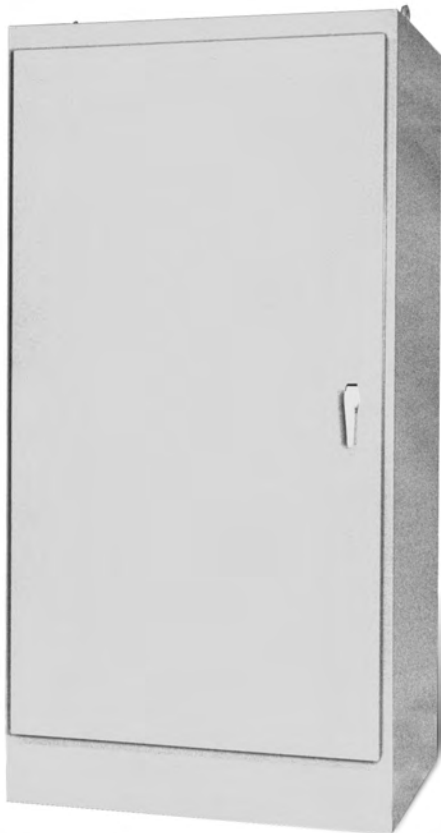
Austin Electrical Enclosures
 Post Office Box 2320
 Yadkinville, NC 27055

Phone: 336.468.2851
 800.288.2851

NEMA 12 SINGLE DOOR FREESTANDING ENCLOSURES

Type 4 & 12
Enclosures

Catalog Number	Enclosure Size (AxBxC)	Weight	Panel Catalog Number	Weight
AB-722418FSN	72x24x18	246	AB-7224FTP	65
AB-723018FSN	72x30x18	285	AB-7230FTP	74
AB-723618FSN	72x36x18	325	AB-7236FTP	98
AB-903620FSN	90x36x20	406	AB-9036FTP	108
AB-722424FSN	72x24x24	300	AB-7224FTP	65
AB-723024FSN	72x30x24	335	AB-7230FTP	74
AB-723624FSN	72x36x24	370	AB-7236FTP	98
AB-903624FSN	90x36x24	440	AB-9036FTP	108
AB-722430FSN	72x24x30	355	AB-7224FTP	65
AB-723630FSN	72x36x30	420	AB-7236FTP	74
AB-722436FSN	72x24x36	400	AB-7224FTP	65
AB-723636FSN	72x36x36	465	AB-7236FTP	74
AB-903636FSN	90x36x36	525	AB-9036FTP	108



NEMA 12 DOUBLE DOOR FREESTANDING ENCLOSURES

Type 4 & 12 Enclosures

Austin freestanding double door NEMA 12 enclosures are Underwriters Laboratories Listed and are designed to house electrical controls, terminals, and instruments. They provide a degree of protection against circulating dust, falling dirt, and dripping noncorrosive liquids.

Construction:

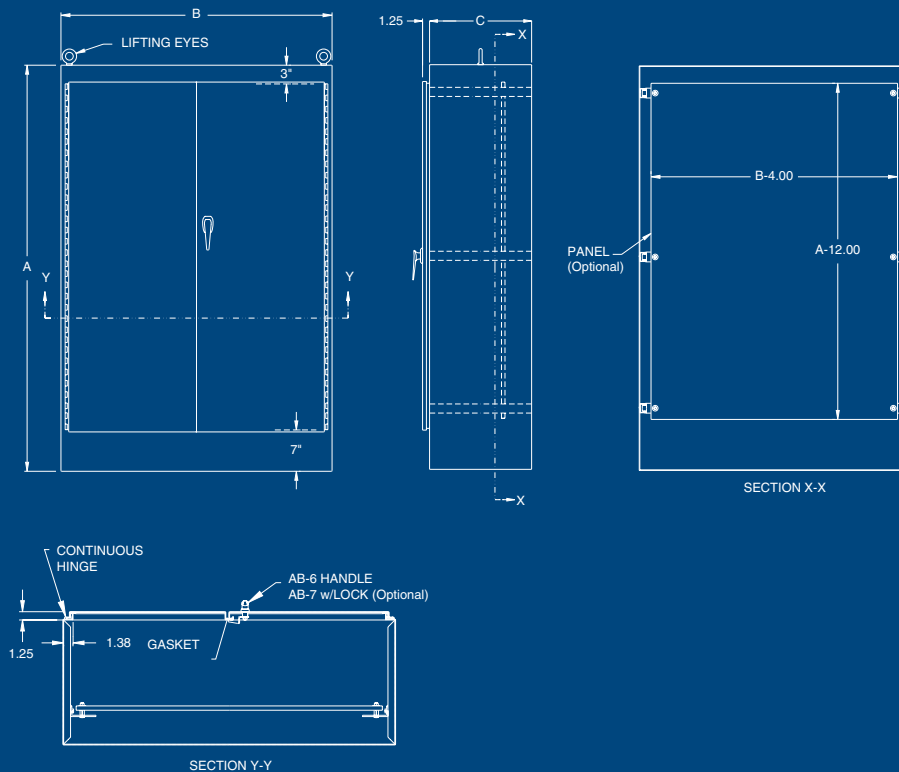
- Fabricated in accordance with UL specifications from code gauge steel.
- Continuously welded seams ground smooth.
- Overlapping doors eliminate need for centerpost.
- Neoprene gasket attached to door with oil resistant adhesive.
- An AB-6 three point lever handle with roller arms holds doors securely.
- Heavy gauge continuous hinge.
- Heavy duty lifting eyes.
- Standard plastic self-adhesive print pocket.
- Mounting channels welded horizontally to enclosure interior sides at top, bottom, and center for optional panel.

Finish:

Austin freestanding double door NEMA 12 enclosures are provided standard with an ANSI 61 gray polyester powder coating. Optional panels are painted white.

Options:

- Special materials.
- Special finishes.
- Custom box size or construction.



**INDUSTRY
STANDARDS**

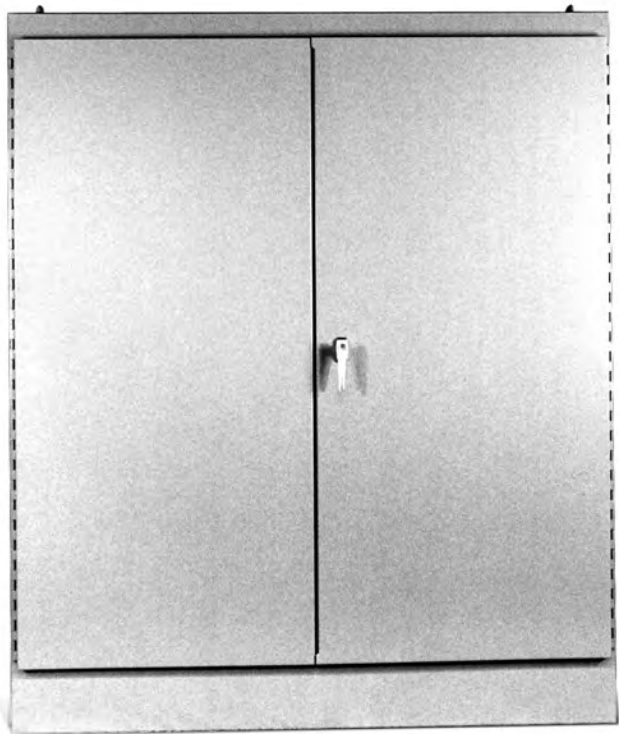
UL 50 Type 12
UL 508 Type 12
NEMA Type 12
CUL Type 12

Austin Electrical Enclosures
Post Office Box 2320
Yadkinville, NC 27055

Phone: 336.468.2851
800.288.2851

NEMA 12 DOUBLE DOOR FREESTANDING ENCLOSURES

Catalog Number	Enclosure Size (AxBxC)	Weight	Panel Catalog Number	Weight
AB-724818FSND	72x48x18	500	AB-7248FTP	131
AB-726018FSND	72x60x18	568	AB-7260FTP	159
AB-727218FSND	72x72x18	645	AB-7272FTP	187
AB-907220FSND	90x72x20	781	AB-9072FTP	238
AB-724824FSND	72x48x24	560	AB-7248FTP	131
AB-726024FSND	72x60x24	645	AB-7260FTP	159
AB-727224FSND	72x72x24	695	AB-7272FTP	187
AB-907224FSND	90x72x24	825	AB-9072FTP	238
AB-726036FSND	72x60x36	750	AB-7260FTP	159
AB-907236FSND	90x72x36	1000	AB-9072FTP	238



NEMA 12 DOUBLE DOOR WALL MOUNT ENCLOSURES

Type 4 & 12 Enclosures

Austin double door NEMA 12 wall mount enclosures are Underwriters Laboratories Listed and are designed to house electrical controls, instruments, and components. They provide a degree of protection against circulating dust, falling dirt, and noncorrosive liquids.

Construction:

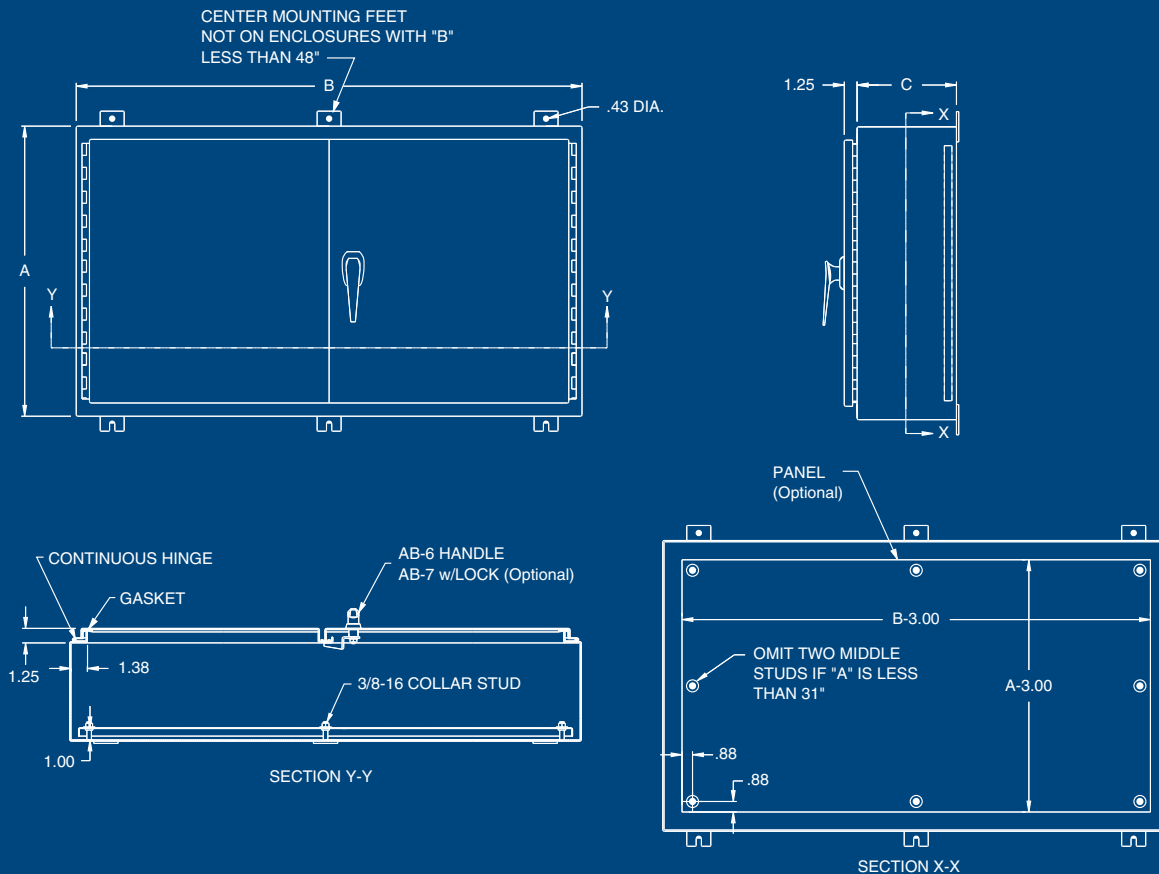
- Fabricated in accordance with UL specifications from code gauge steel.
- Continuously welded seams ground smooth.
- An AB-6 three point lever handle with roller arms holds doors securely.
- Neoprene gasket attached to door with oil resistant adhesive.
- Overlapping doors eliminate need for centerpost.
- Heavy gauge continuous hinge.
- Standard plastic self-adhesive print pocket.
- External mounting feet.
- Standard collar studs for mounting optional panel.

Finish:

Austin double door NEMA 12 wall mount enclosures are provided standard with an ANSI 61 gray polyester powder coating. Optional panels are painted white.

Options:

- Special materials.
- Special finishes.
- Custom box size or construction.



**INDUSTRY
STANDARDS**

UL 50 Type 12
UL 508 Type 12
NEMA Type 12
CUL Type 12

Austin Electrical Enclosures
Post Office Box 2320
Yadkinville, NC 27055

Phone: 336.468.2851
800.288.2851

NEMA 12 DOUBLE DOOR WALL MOUNT ENCLOSURES

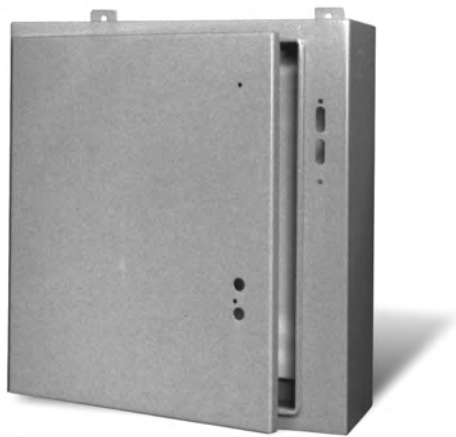
Type 4 & 12
Enclosures

Catalog Number	Enclosure Size (AxBxC)	Weight	Panel Catalog Number
AB-24428WDN	24x42x8	67	AB-4224TP
AB-24488WDN	24x48x8	75	AB-4824TP
AB-304210WDN	30x42x10	103	AB-4230TP
AB-304810WDN	30x48x10	116	AB-4830TP
AB-306010WDN	30x60x10	141	AB-6030TP
AB-364212WDN	36x42x12	128	AB-4236TP
AB-364812WDN	36x48x12	166	AB-4836TP
AB-366012WDN	36x60x12	201	AB-6036TP
AB-426012WDN	42x60x12	228	AB-6042TP



TYPE 12 SINGLE DOOR ENCLOSURES FOR FLANGE-MOUNTED DISCONNECTS

Flange-Mounted
Disconnect
Enclosures



Finish:

ANSI 61 gray polyester powder paint outside and inside. Optional panels are painted white polyester powder.

Construction:

- 14 gauge steel.
- Seams are continuously welded and ground smooth.
- External mounting feet.
- Door and body stiffeners in larger enclosures for rigidity.
- Formed lip around all sides of enclosure opening excludes liquids and contaminants.
- Door removable by pulling continuous hinge pin.
- Print pocket included.
- Oil-resistant gasket.
- 3/8-16 threaded collar studs provided for mounting optional panel.
- Holes in body and door for mounting operating handle, operating mechanism, and door closing mechanism.
- Cover interlock bracket welded to door.
- Furnished with door latch bar for door hardware. (disconnect switch, operating handle, operating mechanism, and door hardware are not furnished with the enclosure. They must be ordered separately from the disconnect manufacturer.)
- Enclosures under 40" height require 2-point door hardware.
- Enclosures 40" high and taller require 3-point door hardware.

**INDUSTRY
STANDARDS**

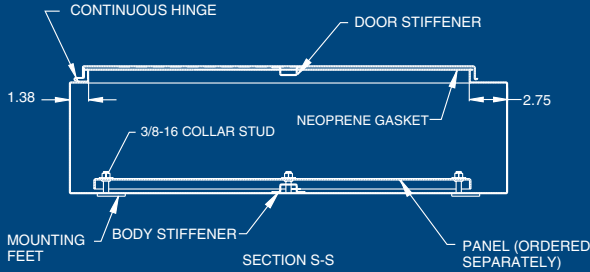
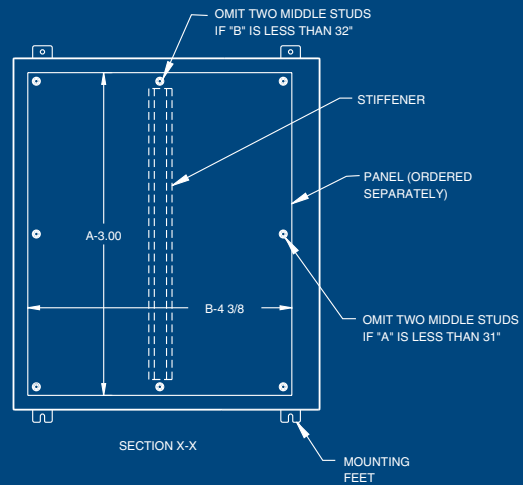
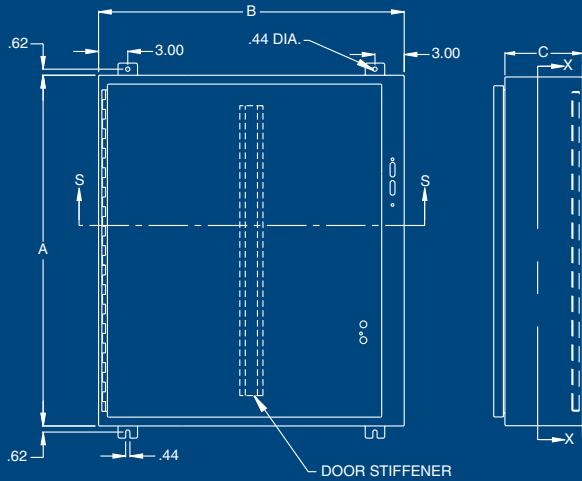
UL 508 Type 12
CUL Type 12
NEMA Type 12

Austin Electrical Enclosures
Post Office Box 2320
Yadkinville, NC 27055

Phone: 336.468.2851
800.288.2851

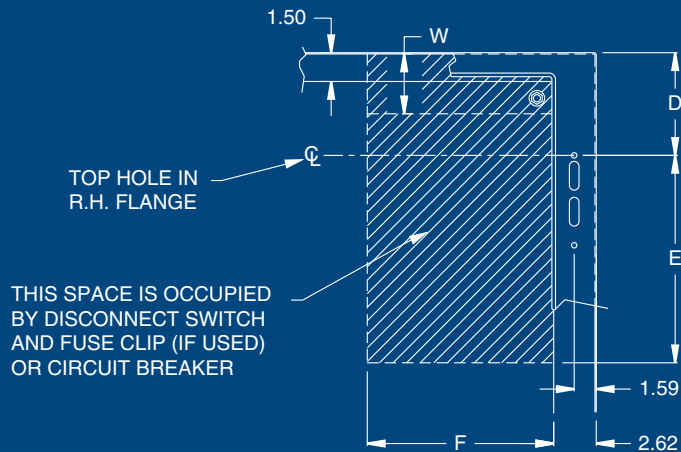
SINGLE DOOR ENCLOSURES FOR FLANGE-MOUNTED DISCONNECTS

Flange-Mounted
Disconnect
Enclosures



SPACE OCCUPIED BY DISCONNECT

NOTE: D = 4.75 WHEN C = 8.00
 D = 7.09 WHEN C = 12.00
 D = 11.62 WHEN C = 12.00
 D = 11.62 WHEN C = 16.00
 W = WIRING SPACE



TYPE 12 SINGLE DOOR ENCLOSURES FOR FLANGE-MOUNTED DISCONNECTS

Austin Type 12 and Type 13 single door enclosures for flange-mounted disconnects are designed to house the following safety disconnect equipment:

- **ABB Controls** flange-mounted variable depth operating mechanisms for disconnect switches and circuit breakers.
- **Allen-Bradley** Bulletin 1494V disconnect switches with flange-mounted variable depth operating mechanisms and Bulletin 1494V flange-mounted variable depth operating mechanisms for circuit breakers. *(These enclosures will not accept Allen-Bradley Bulletin 1494F disconnect devices or Bulletin 1494D circuit breaker operators.)*
- **Cutler-Hammer/Westinghouse** Type C361 flange-mounted variable depth operating mechanisms with disconnect switches and Type C371 flange-mounted variable depth operating mechanisms for circuit breakers.
- **General Electric** Type STDA flange handles and variable depth operating mechanisms for disconnect switches and circuit breakers.
- **I-T-E** Max-Flex flange-mounted variable depth operating handle for disconnect switches and circuit breakers.
- **Square D** Class 9422 disconnect switches with flange-mounted variable depth operating mechanisms and Class 9422 flange-mounted variable depth operating mechanisms for circuit breakers. *(These enclosures will not accept Square D Class 9422 bracket-mounted disconnect devices.)*

Flange-Mounted
Disconnect
Enclosures

Catalog Number	Enclosure Size AxBxC	Panel Catalog Number	Panel Size Ht. X Wd.	Print Pocket	Stiffener	
					Door	Body
AB-20228N/DSC	20x21.38x8	AB-2020TP	17x17	Small	0	0
AB-24228N/DSC	24x21.38x8	AB-2420TP	21x17	Small	0	0
AB-24268N/DSC	24x25.38x8	AB-2424TP	21x21	Small	0	0
AB-30228N/DSC	30x21.38x8	AB-3020TP	27x17	Small	0	0
AB-30268N/DSC	30x25.38x8	AB-3024TP	27x21	Large	0	0
AB-36268N/DSC	36x25.38x8	AB-3624TP	33x21	Large	0	0
AB-36328N/DSC	36x31.38x8	AB-3630TP	33x27	Large	0	1
AB-42328N/DSC	42x31.38x8	AB-4230TP	39x27	Small	1	1
AB-42388N/DSC	42x37.38x8	AB-4236TP	39x33	Large	1	1
AB-48388N/DSC	48x37.38x8	AB-4836TP	45x33	Large	1	1
AB-60388N/DSC	60x37.38x8	AB-6036TP	57x33	Large	1	1
AB-202210N/DSC	20x21.38x10	AB-2020TP	17x17	Small	0	0
AB-242210N/DSC	24x21.38x10	AB-2420TP	21x17	Small	0	0
AB-242610N/DSC	24x25.38x10	AB-2424TP	21x21	Small	0	0
AB-302210N/DSC	30x21.38x10	AB-3020TP	27x17	Small	0	0
AB-302610N/DSC	30x25.38x10	AB-3024TP	27x21	Large	0	0
AB-362610N/DSC	36x25.38x10	AB-3624TP	33x21	Large	0	0
AB-363210N/DSC	36x31.38x10	AB-3630TP	33x27	Large	0	1
AB-423210N/DSC	42x31.38x10	AB-4230TP	39x27	Small	1	1
AB-423810N/DSC	42x37.38x10	AB-4236TP	39x33	Large	1	1
AB-483810N/DSC	48x37.38x10	AB-4836TP	45x33	Large	1	1
AB-603810N/DSC	60x37.38x10	AB-6036TP	57x33	Large	1	1
AB-302612N/DSC	30x25.38x12	AB-3024TP	27x21	Large	0	0
AB-363212N/DSC	36x31.38x12	AB-3630TP	33x27	Large	0	1
AB-423212N/DSC	42x31.38x12	AB-4230TP	39x27	Small	1	1
AB-423812N/DSC	42x37.38x12	AB-4236TP	39x33	Large	1	1
AB-483812N/DSC	48x37.38x12	AB-4836TP	45x33	Large	1	1
AB-603812N/DSC	60x37.38x12	AB-6036TP	57x33	Large	1	1
AB-363216N/DSC	36x31.38x16	AB-3630TP	33x27	Large	0	1
AB-483816N/DSC	48x37.38x16	AB-4836TP	45x33	Large	1	1
AB-603816N/DSC	60x37.38x16	AB-6036TP	57x33	Large	1	1

**INDUSTRY
STANDARDS**

UL 508 Type 12
CUL Type 12
NEMA Type 12

Austin Electrical Enclosures
Post Office Box 2320
Yadkinville, NC 27055

Phone: 336.468.2851
800.288.2851

Disconnect Ordering Information:

When ordering wall-mounted disconnects from the various manufacturers, be sure to order the necessary items. Each company has a different system, so make sure to order the following items from the disconnect manufacturer.

Allen-Bradley

When using a Bulletin 1494F flange-mounted disconnect switch, order:

- A disconnect switch with operating mechanism (Bulletin 1494V)
- Bulletin 1494V-H1 operating handle
- A connecting rod [Bulletin 1494V-RA1 for 8" and 10" deep enclosures; Bulletin 1494V-RA2 for 12" and 16" deep enclosures]
- A trailer fuse block kit, if required (Bulletin 1494V)
- A fuse clip kit, if required
- Line and load connectors, if required
- Door hardware (Bulletin 1494V-L1 for 2-point latching or Bulletin 1494V-L2 for 3-point latching)

When using a Bulletin 1494V circuit breaker operating mechanism, order:

- A circuit breaker (C-H/Westinghouse)
- A circuit breaker operating mechanism (Bulletin 1494V)
- An operating handle (Bulletin 1494V-H11)
- A connecting rod [Bulletin 1494V-RA1 for 8" and 10" deep enclosures or Bulletin 1494V-RA2 for 12" and 16" deep enclosures]
- Door hardware (Bulletin 1494V-L1 for 2-point latching, or Bulletin 1494V-L2 for 3-point latching)

ABB Controls

When using a disconnect switch, order:

- A flange operated switch (fusible or non-fusible)
- A shaft [DSFHS-12 for 8", 10", and 12" deep enclosures or DSFHS-17 for 16" deep enclosures]
- A handle (DSFGN-HS12)
- Door hardware (FH-DHK for 2-point latching or FH-DHK and FH-3RL for 3-point latching)

When using a circuit breaker, order:

- A circuit breaker (ABB)
- An operating mechanism
- A shaft [FHS-12 for 8", 10", and 12" deep enclosures or FHS-17 for 16" deep enclosures]
- A handle mechanism (FHN-HS12)
- Door hardware (FH-DHK for 2-point latching or FH-DHK and FH-3RL for 3-point latching)

Cutler-Hammer/Westinghouse

When using a Type C361 disconnect switch, order:

- A disconnect switch with an operating mechanism
- An operating handle (C361H1 or C361H3)
- Door hardware (C361KJ4 or C361KJ6 and C361KR for 3-point latching)

When using a Type C371 circuit breaker operating mechanism with a C-H/Westinghouse circuit breaker, order:

- A circuit breaker
- An operating mechanism
- An operating handle
- Door hardware (C361KJ4 or C361KJ6 for 2-point latching, C361KJ4 or C361KJ6 and C361KR for 3-point latching)

When using a C-H/Westinghouse circuit breaker with a Flex Shaft handle mechanism, order:

- A circuit breaker
- A complete Flex Shaft handle mechanism
- Door hardware (C361KJ4 or C361KJ6 for 2-point latching, C361KJ4 or C361KJ6 and C361KR for 3-point latching)

General Electric

When using a disconnect switch, order:

- A disconnect switch (Type QMR or QMW)
- A fuse clip or no-fuse kit
- A flange handle (STDA1 or STDA2)
- A variable depth operating mechanism
- Door hardware (TDV1 for 2-point latching or TDV1 and TDV3 for 3-point latching)

When using a circuit breaker with a Spectra Flex cable operator, order:

- A circuit breaker
- A flange-mounted handle mechanism
- A breaker-mounted mechanism
- An operating cable
- Door hardware (TDV1 for 2-point latching or TDV1 and TDV3 for 3-point latching)

When using a circuit breaker, order:

- A circuit breaker
- A flange handle (STDA1 or STDA2)
- A variable depth operating mechanism
- Door hardware (TDV1 for 2-point latching or TDV1 and TDV3 for 3-point latching)

I-T-E Siemens

When using a disconnect switch, order:

- A basic switch (right hand)
- A fuse or no-fuse kit
- FHOHS flange-mounted handle
- Switch operator
- Cable, 36"
- Door hardware (DKR2 for 2-point latching or DKR3 for 3-point latching)

When using a circuit breaker, order:

- A circuit breaker
- Pressure wire connectors
- FHOH flange-mounted handle
- A circuit breaker operator mechanism
- An operating cable (standard 36" for 125 amp to 600 amp circuit breakers and 48" for 800 amp to 1200 amp circuit breakers)
- Door hardware (DKR2 for 2-point latching or DKR3 for 3-point latching)

Square D

When using a Class 9422 disconnect switch, order:

- A disconnect switch with operating mechanism (Class 9422)
- A handle mechanism (Class 9422 Type A-1)
- A door closing mechanism (Class 9423 Type M4 for 2-point latching, or Class 9423 Type M9 or M4 and Class 9423 Type M3 for 3-point latching)

When using a circuit breaker, order:

- A circuit breaker (Square D)
- An operating mechanism (Class 9422)
- A handle mechanism (Class 9423 Type M4 for 2-point latching, or Class Type M9 or M4 and Class 9423 Type M3 for 3-point latching)

When using a Class 9422 Type "T" disconnect switch with a cable mechanism, order:

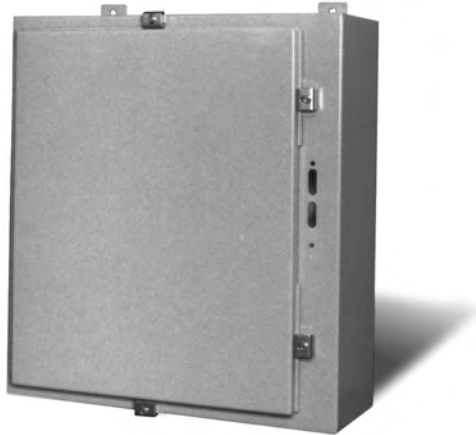
- A disconnect switch with operating mechanism (Class 9422, Type T)
- A handle mechanism (Class 9422 Type A-1)
- A cable mechanism (Class 9422 CFT_O) 3-, 5-, or 10-foot
- A door closing mechanism (Class 9423 Type M4 for 2-point latching, or Class 9423 Type M9 or M4 and Class 9423 Type M3 for 3-point latching)

When using a circuit breaker with a cable mechanism, order:

- A circuit breaker (Square D)
- A handle mechanism (Class 9422 Type A-1)
- A cable mechanism (Class 9422 CFT_O) 3-, 5-, or 10-foot
- A door closing mechanism (Class 9423 Type M4 for 2-point latching, or Class 9423 Type M9 or M4 and Class 9423 Type M3 for 3-point latching)

TYPE 4, 4X SINGLE DOOR ENCLOSURES FOR FLANGE-MOUNTED DISCONNECTS

Flange-Mounted
Disconnect
Enclosures



Finish:

Type 4 enclosures are painted ANSI 61 gray polyester powder outside and inside. Type 4X enclosures are unpainted. Optional panels are painted white polyester powder.

INDUSTRY STANDARDS

Steel

UL 508 **Types 4 & 12**
CUL **Types 4 & 12**
NEMA **Types 4, 12, & 3**

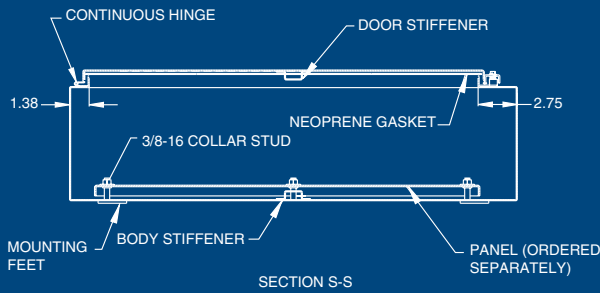
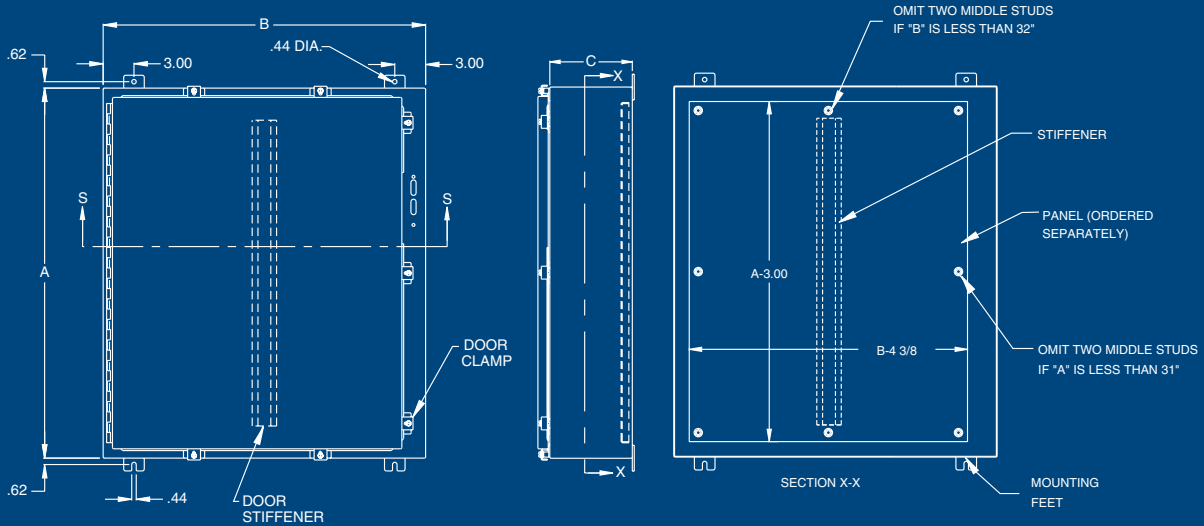
Stainless Steel

UL 508 **Types 4X, 4, & 12**
CUL **Types 4X, 4, & 12**
NEMA **Types 4X, 4, 12, & 3**

Construction:

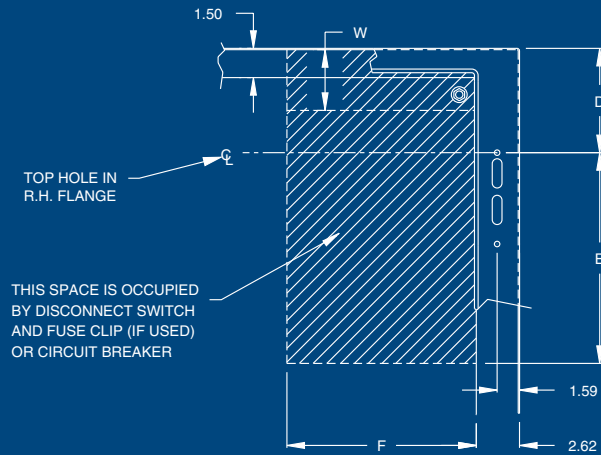
- 14 gauge steel or 14 gauge Type 304 stainless steel.
- Seams are continuously welded and ground smooth.
- External mounting feet.
- Door and body stiffeners in larger enclosures for rigidity.
- Formed lip around all sides of enclosure opening excludes liquids and contaminants.
- Stainless steel exterior hardware.
- Stainless steel door clamps on three sides of door provide a watertight seal.
- Door removable by pulling continuous hinge pin.
- Print pocket included.
- Oil-resistant gasket.
- 3/8-16 threaded collar studs provided for mounting optional panel.
- Holes in body for mounting disconnect operating handle and operating mechanism
- Cover interlock bracket welded to door.
- Disconnect switch, operating handle, and operating mechanism are not furnished with the enclosure. They must be ordered separately from the disconnect manufacturer.

SINGLE DOOR ENCLOSURES FOR FLANGE-MOUNTED DISCONNECTS



SPACE OCCUPIED BY DISCONNECT

NOTE: D = 8.62 WHEN C = 8.00
 D = 11.62 WHEN C = 12.00
 W = WIRING SPACE



Flange-Mounted
Disconnect
Enclosures

TYPE 4, 4X SINGLE DOOR ENCLOSURES FOR FLANGE-MOUNTED DISCONNECTS

Austin Type 4 and Type 4X single door enclosures for flange-mounted disconnects are designed to house the following safety disconnect equipment:

Flange-Mounted Disconnect Enclosures

- **ABB Controls** flange-mounted variable depth operating mechanisms for disconnect switches and circuit breakers.
- **Allen-Bradley** Bulletin 1494V disconnect switches with flange-mounted variable depth operating mechanisms and Bulletin 1494V flange-mounted variable depth operating mechanisms for circuit breakers. *(These enclosures will not accept Allen-Bradley Bulletin 1494F disconnect devices or Bulletin 1494D circuit breaker operators.)*
- **Cutler-Hammer/Westinghouse** Type C361 flange-mounted variable depth operating mechanisms with disconnect switches and Type C371 flange-mounted variable depth operating mechanisms for circuit breakers.
- **General Electric** Type STDA flange handles and variable depth operating mechanisms for disconnect switches and circuit breakers.
- **I-T-E** Max-Flex flange-mounted variable depth operating handle for disconnect switches and circuit breakers.
- **Square D Class 9422** disconnect switches with flange-mounted variable depth operating mechanisms and Class 9422 flange-mounted variable depth operating mechanisms for circuit breakers. *(These enclosures will not accept Square D Class 9422 bracket-mounted disconnect devices.)*

Catalog Number	Stainless Steel Catalog Number	Enclosure Size AxBxC	Panel Catalog Number	Panel Size Ht.xWd.	Print Pocket	No. of Clamps	Stiffener	
							Door	Body
AB-24228NF/DSC	AB-24228NFX/DSC	24x21.38x8	AB-2420TP	21x17	Small	6	0	0
AB-24268NF/DSC	AB-24268NFX/DSC	24x25.38x8	AB-2424TP	21x21	Small	6	0	0
AB-30268NF/DSC	AB-30268NFX/DSC	30x25.38x8	AB-3024TP	27x21	Large	9	0	0
AB-36268NF/DSC	AB-36268NFX/DSC	36x25.38x8	AB-3624TP	33x21	Large	9	0	0
AB-36328NF/DSC	AB-36328NFX/DSC	36X31.38X8	AB-3630TP	33x27	Large	9	0	1
AB-423212NF/DSC	AB-423212NFX/DSC	42x31.38x12	AB-4230TP	39x27	Small	9	1	1
AB-423812NF/DSC	AB-423812NFX/DSC	42x37.38x12	AB-4236TP	39x33	Large	9	1	1
AB-483812NF/DSC	AB-483812NFX/DSC	48x37.38x12	AB-4836TP	45x33	Large	10	1	1
AB-603812NF/DSC	AB-603812NFX/DSC	60x37.38x12	AB-6036TP	57x33	Large	13	1	1

DISCONNECT ORDERING INFORMATION

When ordering wall-mounted disconnects from the various manufacturers, be sure to order the necessary items. Each company has a different system, so make sure to order the following items from the disconnect manufacturer.

Allen-Bradley

When using a Bulletin 1494V disconnect switch, order:

- A disconnect switch with operating mechanism (Bulletin 1494V)
- An operating handle (Bulletin 1494V-W1)
- A connecting rod [Bulletin 1494V-RA1 for 8" deep enclosures; Bulletin 1494V-RA2 for 12" deep enclosures]
- A trailer fuse block kit, if required (Bulletin 1494V)
- A fuse clip kit, if required
- Line and load connectors, if required

When using a Bulletin 1494V circuit breaker operating mechanism, order:

- A circuit breaker (C-H/Westinghouse)
- A circuit breaker operating mechanism (Bulletin 1494V)
- An operating handle (Bulletin 1494V-W11)
- A connecting rod [Bulletin 1494V-RA1 for 8" deep enclosures; Bulletin 1494V-RA2 for 12" deep enclosures]

ABB Controls

When using a disconnect switch, order:

- A flange-operated switch (fusible or non-fusible)
- A shaft (DSFHS-12)
- A handle (DSFHN-HS4)

When using a circuit breaker, order:

- A circuit breaker (ABB)
- An operating mechanism
- A shaft (FHS-12)
- A handle (FHN-HS4)

Cutler-Hammer/Westinghouse

When using a Type C361 disconnect switch, order:

- A disconnect switch with an operating mechanism
- An operating handle (C361H2 or C361H4)

When using a Type C371 circuit breaker operating mechanism with a C-H/Westinghouse circuit breaker, order:

- A circuit breaker
- An operating mechanism
- An operating handle (C371H2 or C371H4)

When using a C-H/Westinghouse circuit breaker with Type 4/4X Flex Shaft handle mechanism, order:

- A circuit breaker
- A complete Flex Shaft handle mechanism

General Electric

When using a disconnect switch, order:

- A disconnect switch (QMR or QMW)
- A fuse clip kit or no-fuse kit
- A flange handle (STDA1X)
- A variable depth operating mechanism

When using a circuit breaker, order:

- A circuit breaker
- A flange handle (STDA1X)
- A variable depth operating mechanism

When using a circuit breaker with a Spectra Flex cable operator, order:

- A circuit breaker
- A flange-mounted handle mechanism
- A breaker-mounted mechanism
- An operating cable

I-T-E Siemens

When using a disconnect switch, order:

- A basic switch (right hand)
- A fuse or non-fuse kit
- A flange-mounted handle (FHOHS4)
- Switch operator
- Cable, 36'

When using a circuit breaker, order:

- A circuit breaker
- Pressure wire connectors
- A flange-mounted handle (FHOHS4)
- A circuit breaker operator mechanism
- An operating cable (standard 36")

Square D

When using a Class 9422 disconnect switch, order:

- A disconnect switch with operating mechanism (Class 9422)
- A handle mechanism (Class 9422 Type A-2 or A-1)

When using a circuit breaker, order:

- A circuit breaker (Square D)
- An operating mechanism (Class 9422)
- A handle mechanism (Class 9422 Type A-2 or A-1)

When using a Class 9422 Type "T" disconnect switch with a cable mechanism, order:

- A disconnect switch with operating mechanism (Class 9422, Type T)
- A handle mechanism (Class 9422 Type A-1)
- A cable mechanism (Class 9422 CFT-O) 3-, 5-, or 10-foot

When using a circuit breaker with a cable mechanism, order:

- A circuit breaker
- A handle mechanism (Class 9422 Type A-1)
- A cable mechanism (Class 9422 CFT_O) 3-, 5-, or 10-foot

TYPE 4, 4X, 12 SINGLE DOOR ENCLOSURES FOR FLANGE-MOUNTED DISCONNECTS

Flange-Mounted Disconnect Enclosures

Wire Bend Space Above Disconnect

Allen-Bradley Bulletin 1494V Disconnects

Type Number	Amp Rating	Fuse Clip	Fuse Class	Space Occupied		Type 12			Type 4 & 12	
				E	F*	When C = 8	When C = 10	When C = 12 or 16	When C = 8	When C = 12
						W	W	W	W	W
DS30	30A	NO FUSE	NA	3.88	6.62	2.88	5.25	9.75	6.75	9.75
DS30	30A	30A-250V	H,K,R	5.25	6.62	2.88	5.25	9.75	6.75	9.75
DS30	30A	30A-600V	H,K,R	8.00	6.62	2.88	5.25	9.75	6.75	9.75
DS30	30A	30A-600V	J	5.25	6.62	2.88	5.25	9.75	6.75	9.75
DS30	30A	60A-250V	H,K	6.00	6.62	2.88	5.25	9.75	6.75	9.75
DS30	30A	60A-600V	H,K	8.50	6.62	2.88	5.25	9.75	6.75	9.75
DS30	30A	60A-600V	J	5.38	6.62	2.88	5.25	9.75	6.75	9.75
DS60	60A	NO FUSE	NA	3.88	6.62	2.75	5.12	9.62	6.62	9.62
DS60	60A	60A-250V	H,K,R	6.00	6.62	2.75	5.12	9.62	6.62	9.62
DS60	60A	60A-600V	H,K,R	8.50	6.62	2.75	5.12	9.62	6.62	9.62
DS60	60A	60A-600V	J	5.38	6.62	2.75	5.12	9.62	6.62	9.62
DS60	60A	30A-600V	H,K,R	8.00	6.62	2.75	5.12	9.62	6.62	9.62
DS60	60A	100A-250V	H,K	8.50	6.62	2.75	5.12	9.62	6.62	9.62
DS60	60A	100A-600V	H,K	10.50	6.62	2.75	5.12	9.62	6.62	9.62
DS60	60A	100A-600V	J	7.25	6.62	2.75	5.12	9.62	6.62	9.62
DS100**	100A	NO FUSE	NA	3.88	6.62	NA	5.12	9.62	6.44	9.62
DS100**	100A	100A-250V	H,K,R	8.12	6.62	NA	5.12	9.62	6.44	9.62
DS100**	100A	100A-600V	H,K,R	10.12	6.62	NA	5.12	9.62	6.44	9.62
DS100**	100A	100A-600V	J	6.88	6.62	NA	5.12	9.62	6.44	9.62
DS100**	100A	60A-600V	H,K,R	10.12	6.62	NA	5.12	9.62	6.44	9.62
DS100**	100A	60A-600V	J	8.88	6.62	NA	5.12	9.62	6.44	9.62
DS200**	200A	NO FUSE	NA	4.75	7.88	NA	NA	8.12	NA	8.12
DS200**	200A	200A-250V	H,K,R	10.88	7.88	NA	NA	8.12	NA	8.12
DS200**	200A	200A-600V	H,K,R	13.38	7.88	NA	NA	8.12	NA	8.12
DS200**	200A	200A-600V	J	9.50	7.88	NA	NA	8.12	NA	8.12
DS200**	200A	100A-600V	H,K,R	12.00	7.88	NA	NA	8.12	NA	8.12
DS200**	200A	100A-600V	J	8.75	7.88	NA	NA	8.12	NA	8.12
M40	15A-150A	Westinghouse Circuit Breakers EHD, FD, FDB FDC, HFD, HMCP	NA	5.00	4.50	4.25	6.62	11.12	8.12	11.12
M50	70A-250A	Westinghouse Circuit Breakers JD, JDB, JDC, HJD, HMCP	NA	9.75	4.75	NA	NA	10.62	NA	10.62
M60	100A-400A	Westinghouse Circuit Breakers KD, KDB, KDC HKD, HMCP	NA	9.69	6.12	NA	NA	10.50	NA	10.50

*Does not include space for optional auxiliary switch .

**Series B

DISCONNECT WIRING SPACE INFORMATION

ABB Controls Disconnect Switches with Flange-Mounted Operators				Wire Bend Space Above Disconnect						
				Space Occupied		Type 12			Type 4 & 12	
						When C = 8 W	When C = 10 W	When C = 12 or 16 W	When C = 8 W	When C = 12 W
Switch Number	Amp Rating	Fuse Clip	Fuse Class	E	F					
OETL-NF30-F	40A	NO FUSE	NA	4.45	3.78	6.41	8.75	13.28	10.28	13.28
OETL-NF60-F	80A	NO FUSE	NA	4.86	3.78	6.22	8.56	13.09	10.09	13.09
OETL-NF100-F	100A	NO FUSE	NA	4.86	4.78	5.66	8.00	12.53	9.53	12.53
OETL-NF175-F	175A	NO FUSE	NA	7.30	6.49	NA	5.75	10.28	7.28	10.28
OETL-NF200-F	200A	NO FUSE	NA	7.36	7.28	NA	5.75	10.28	7.28	10.28
OESA-F30J6-F	30A	30A-600V	J	4.28	6.58	4.73	7.07	11.61	8.61	11.61
OESA-F60J6-F	60A	60A-600V	J	4.28	6.26	4.73	7.07	11.61	8.61	11.61
OESA-F100J6-F	100A	100A-600V	J	6.54	7.65	4.30	6.64	11.17	8.17	11.17

ABB Controls Circuit Breakers with Flange-Mounted Operators				Wire Bend Space Above Disconnect						
				Space Occupied		Type 12			Type 4 & 12	
						When C = 8 W	When C = 10 W	When C = 12 or 16 W	When C = 8 W	When C = 12 W
Mechanism	Amp Rating	Frame Type	E	F						
FHD-M	150A	D	6.92	3.94	5.29	7.64	12.17	9.17	12.17	
FHF-M	150A-225A	E/Q	5.98	4.23	3.84	6.19	10.72	7.72	10.72	
FHF-M	225A	F	7.44	4.23	3.84	6.19	10.72	7.72	10.72	
FHJ-M	400A	J	9.71	5.62	NA	NA	8.77	NA	8.77	
FHM-M	600A	L	8.28	11.26	NA	NA	8.28	NA	8.28	
FHM-M	800A	M	10.11	11.26	NA	NA	7.87	NA	7.87	

TYPE 4, 4X, 12 SINGLE DOOR ENCLOSURES FOR FLANGE-MOUNTED DISCONNECTS

Flange-Mounted Disconnect Enclosures

Cutler-Hammer C361 Disconnect Switches							Wire Bend Space Above Disconnect										
							Switch Number			Type Number		Amp Rating		Type 12		Type 4 & 12	
														When C = 8 W	When C = 10 W	When C = 12 or 16 W	When C = 8 W
Fuse Clip		Fuse Class		Space Occupied													
				E		F											
C361	NC	30A	NO FUSE	NA	5.75	7.43	3.44	5.75	10.31	7.31	10.31						
C361	SC21	30A	30A-250V	H,K,R	8.38	7.43	3.44	5.75	10.31	7.31	10.31						
C361	SC61	30A	60A-250V	H,K,R	8.38	7.43	3.44	5.75	10.31	7.31	10.31						
C361	SC61	30A	30A-600V	H,J,K,R	8.38	7.43	3.44	5.75	10.31	7.31	10.31						
C361	ND	60A	NO FUSE	NA	5.75	7.43	3.44	5.75	10.31	7.31	10.31						
C361	SD22	60A	60A-250V	H,K,R	8.38	7.43	3.44	5.75	10.31	7.31	10.31						
C361	SD22	60A	30A-600V	J	8.38	7.43	3.44	5.75	10.31	7.31	10.31						
C361	SD62	60A	60A-600V	H,K,R	8.38	7.43	3.44	5.75	10.31	7.31	10.31						
C361	SD62	60A	60A-600V	J	8.38	7.43	3.44	5.75	10.31	7.31	10.31						
C361	NE	100A	NO FUSE	NA	5.56	8.95	3.00	5.38	9.91	7.47	9.91						
C361	SE263	100A	100A-250V	H,K,R	10.31	8.95	3.00	5.38	9.91	7.47	9.91						
C361	SE263	100A	100A-600V	H,K,R	10.31	8.95	3.00	5.38	9.91	7.47	9.91						
C361	SE263	100A	100A-600V	J	10.31	8.95	3.00	5.38	9.91	7.47	9.91						
C361	NF*	200A	NO FUSE	NA	13.06	10.00	NA	NA	7.94	4.94	7.94						
C361	SF264*	200A	200A-250V	H,K,R	13.06	10.00	NA	NA	7.94	4.94	7.94						
C361	SF264*	200A	200A-600V	H,J,K,R	13.06	10.00	NA	NA	7.94	4.94	7.94						

Cutler-Hammer C371 Circuit Breaker Operators for C-H / Westinghouse Circuit Breakers					Wire Bend Space Above Disconnect									
					Mechanism		Max Amp Rating		Frame Type		Type 12		Type 4 & 12	
											When C = 8 W	When C = 10 W	When C = 12 or 16 W	When C = 8 W
				Space Occupied										
				E		F								
C371E	225A	F-Frame: EHD, FDB, FD, HFD, FDC		6.00	5.50	4.44	6.81	11.44	8.44	11.44				
C371E	150A	F-Frame: HMCP		6.00	5.50	4.44	6.81	11.44	8.44	11.44				
C371F	250A	J Frame: JDB, JD, HJD, JDC		8.94	8.00	NA	6.75	11.25	NA	11.25				
C371F	250A	J Frame: HCMP		10.94	8.00	NA	6.75	11.25	NA	11.25				
C371F	400A	K Frame: DK, KDB, KD, HKD		9.75	8.00	NA	NA	10.75	NA	10.75				
C371F	400A	K Frame: HMCP		9.75	8.00	NA	NA	10.75	NA	10.75				
C371G	600A	L Frame: LD, HLD, LDC		8.44	11.88	NA	NA	9.18	NA	9.18				
C371G	600A	L Frame: HMCP		8.44	11.88	NA	NA	9.18	NA	9.18				

DISCONNECT WIRING SPACE INFORMATION

Cutler-Hammer Flex Shaft Operator Mechanisms for C-H/Westinghouse Circuit Breakers

Complete Operator Mechanism	Amp Rating	Frame Type	Breaker Height	Breaker Width
F1S03	225A	F-Frame/EHD, FDB, FD, HFD, FDC	6.00	4.12
F1S03	150A	F-Frame HMCP	6.00	4.12
F2S03	250A	J-Frame/JDB, JD, HJD, JDC	10.00	4.12
F2S03	250A	J-Frame HMCP	10.00	4.12
F3S03	400A	K-Frame/DK, KDB, KD, HKD	10.12	5.50
F3S03	400A	K-Frame HMCP	12.45	5.50
F4S03	600A	L-Frame/LD, HLD, LDC	10.75	8.25
F4S03	600A	L-Frame HMCP	12.50	8.25
F7S04	800A	M-Frame/MD, MDS	16.00	8.25
F5S04	1200A	N-Frame/ND, HND, NDC	16.00	8.25
F6S04	2500A	R-Frame/RD, CRD, RDC	16.00	15.50

-Catalog numbers for complete mechanisms include a flange-mounted handle, flexible shaft and circuit breaker mechanism.
 -The last digit of the catalog number denotes the length of shaft (F1S03 = 3 foot shaft). The F, J, K frame Flex Shafts are available in 3-foot to 10-foot lengths. The L, N, R frame Flex Shafts are available in 4-foot to 6-foot lengths.

Space Occupied by Disconnect

- *The Flex Shaft system allows the circuit breaker to be positioned independent from the flange-mounted handle mechanism.
- *Refer to **National Electrical Code 1999**, article 430-10(b) for wiring space "W" required for line side conductors.
- *Choose the length of shaft based on placement of the circuit breaker in the enclosure ensuring a 4" minimum bending radius for the Flex Shaft.
- *Space occupied by circuit breaker is determined by overall height "X", width "Y", wire bend space "W" and location "F" as selected from right to left.

General Electric Type STDA Operators for Disconnects

Wire Bend Space Above Disconnect

Mechanism	Amp Rating	Fuse Clip	Fuse Class	Space Occupied		Type 12			Type 4 & 12	
						When C = 8	When C = 10	When C = 12 or 16	When C = 8	When C = 12
						W	W	W	W	W
TD0M1A	30A	NO FUSE	NA	7.75**	5.25	6.18*	7.62	12.12	9.12	12.12
TD0M1A	30A	30A-250V	H,R	7.75**	5.25	6.18*	7.62	12.12	9.12	12.12
TD0M1B	30A	30A-600V	H,R	12.38**	5.25	6.18*	7.62	12.12	9.12	12.12
TD0M1B	30A	60A-250V	H,R	12.38**	5.25	6.18*	7.62	12.12	9.12	12.12
TD0M1B	30A	60A-600V	H,R	12.38**	5.25	6.18*	7.62	12.12	9.12	12.12
TD0M1A	60A	NO FUSE	NA	7.75**	5.25	6.18*	7.62	12.12	9.12	12.12
TD0M1B	60A	60A-250V	H,R	12.38**	5.25	6.18*	7.62	12.12	9.12	12.12
TD0M1B	60A	60A-600V	H,R	12.38**	5.25	6.18*	7.62	12.12	9.12	12.12
TD0M1B	60A	100A-250V	H,R	12.38**	5.25	6.18*	7.62	12.12	9.12	12.12
TD0M1B	60A	100A-600V	H,R	12.38**	5.25	6.18*	7.62	12.12	9.12	12.12
TD0M1A	100A	NO FUSE	NA	7.75**	5.25	6.18*	7.62	12.12	9.12	12.12
TD0M1B	100A	100A-250V	H,R	12.38**	5.25	6.18*	7.62	12.12	9.12	12.12
TD0M1B	100A	100A-600V	H,R	12.38**	5.25	6.18*	7.62	12.12	9.12	12.12
TD0M1B	100A	200A-250V	H,R	12.38**	5.25	6.18*	7.62	12.12	9.12	12.12
TD0M1B	100A	200A-600V	H,R	12.38**	5.25	6.18*	7.62	12.12	9.12	12.12
TD0M2	200A	NO FUSE	NA	7.00	9.12	NA	NA	9.50	6.50	9.50
TD0M2	200A	200A-250V	H,R	15.38	9.12	NA	NA	9.50	6.50	9.50
TD0M2	200A	200A-600V	H,R	15.38	9.12	NA	NA	9.50	6.50	9.50

*Disconnect moved down .88" to fit on panel
 **Dimension applies to 8" deep enclosures and is .88" less in deeper enclosures

TYPE 4, 4X, 12 SINGLE DOOR ENCLOSURES FOR FLANGE-MOUNTED DISCONNECTS

Flange-Mounted Disconnect Enclosures

Wire Bend Space Above Disconnect

General Electric Type STDA Operators for Circuit Breakers					Type 12					Type 4 & 12	
Mechanism	Amp Rating	Frame Type	Space Occupied		When C = 8	When C = 10	When C = 12 or 16	When C = 8	When C = 12		
			E	F	W	W	W	W	W		
SD0M1A	150A	TEB, TED, THED	7.75**	5.25	6.06*	7.50	12.06	9.06	12.06		
SD0M1A	150A	TEC	7.75**	5.25	6.06*	7.50	12.06	9.06	12.06		
TD0M1B	150A	TB1	12.38**	5.25	6.06*	7.50	12.06	9.06	12.06		
TD0M1B	150A	TEC, TECL	12.38**	5.25	6.06*	7.50	12.06	9.06	12.06		
TD0M1C	150A	TEL	7.75**	5.25	6.06*	7.50	12.06	9.06	12.06		
TD0M1D	150A	THLC1	7.75**	5.25	NA	5.12	9.62	6.62	9.62		
TD0M3	225A	TFJ	10.38	5.75	NA	6.06	10.62	7.62	10.62		
TD0M3	225A	TFK, THFK, TFL	10.38	5.75	NA	6.06	10.62	7.62	10.62		
TD0M4	400A	TJJ, TJK4, THJK4, TJL4V	8.25	9.38	NA	5.12	9.69	6.69	9.69		
TD0M4	600A	TJK6, THJK6, TJ4V, TJL4V	8.25	9.38	NA	5.12	9.69	6.69	9.69		
TD0M5	400A	TB4, TJH6S	14.25	9.38	NA	5.12	9.69	6.69	9.69		
TD0M6	225A	TLB2, THLC2	11.75	9.38	NA	NA	9.12	6.12	9.12		
TD0M6	400A	TLB4, THLC4	11.75	9.38	NA	NA	7.75	4.75	7.75		
SD0M1A	150A	SPECTRA SE150	7.75**	5.25	6.06*	7.50	12.06	9.06	12.06		
SD0M3	250A	SPECTRA SF250	10.38	5.75	NA	6.06	10.62	7.06	10.06		
SD0M4	600A	SPECTRA SG600	10.00	7.00	NA	NA	7.93	NA	7.93		

*Disconnect moved down .88" to fit on panel.
**Dimension applies to 8" deep enclosures and is .88" less in deeper enclosures.

General Electric Circuit Breakers with Spectra Flex Cable Operators			
Frame Size	Max Amp Rating	Circuit Breaker Height "X"	Circuit Breaker Width "Y"
E150	150A	6.31	4.12
SE150	150A	6.31	4.12
SF250	250A	10.12	4.12
SG600	600A	10.09	5.50
SK1200	1200A	15.50	8.25

See enclosure size tables for enclosures that will accept these devices

Frame Size	Breaker Mechanism	Flange-Mounted Handle	Operating Cable
E150	SC0M1A	SCH1	SC3L
SE150/SF250	SC0M1EF	SCH1	SC3L
SG600	SC0M1G	SCH1	SC3L
SK1200	SC0M1K	SCH2K	SC3H

*Operating cables are available in 3-foot to 10-foot lengths. (The number 3 in the catalog number denotes 3-foot cable.)
**Add "X" for NEMA 4 or 4X flange mounted handle.

Space Occupied by Circuit Breaker

- The General Electric Spectra-Flex cable operators allow a circuit breaker to be positioned independent from the flange-mounted handle mechanism.
- Refer to **National Electrical Code 1999** article 430-10(b) for wiring space "W" required for line side conductors.
- Choose the operating cable length based on placement of circuit breaker in the enclosure ensuring a 3" minimum bending radius for the cable.
- Space occupied by circuit breaker is determined by overall circuit breaker size ("X" height and "Y" width) plus "W" wire bend space and location "F" from right to left as selected.

DISCONNECT WIRING SPACE INFORMATION

I-T-E Disconnect Switches for Max-Flex Operators

Switch	Amp Rating	Fuse Clip	Fuse Class	Disconnect Height "X"	Disconnect Width "Y"
MCS603R	30A	NO FUSE	NA	5.52	6.13
MCS603R	30A	30A-250V	H,K,R	8.11	6.13
MCS603R	30A	30A-600V	H,K,R	10.11	6.13
MCS603R	30A	30A-600V	J	8.48	6.13
MCS606R	60A	NO FUSE	NA	5.52	6.13
MCS606R	60A	60A-250V	H,K,R	7.86	6.13
MCS606R	60A	60A-600V	H,K,R	10.38	6.13
MCS606R	60A	60A-600V	J	8.36	6.13
MCS610R	100A	NO FUSE	NA	7.59	7.38
MCS610R	100A	100A-250V	H,K,R	11.85	7.38
MCS610R	100A	100A-600V	H,K,R	13.85	7.38
MCS610R	100A	100A-600V	J	10.60	7.38
MCS620R	200A	NO FUSE	NA	9.02	9.17
MCS620R	200A	200A-250V	H,K,R	14.70	9.17
MCS620R	200A	200A-600V	H,K,R	17.20	9.17
MCS620R	200A	200A-600V	J	13.32	9.17

See enclosure size table for enclosures that accept these devices

I-T-E Circuit Breakers with Max-Flex Operators

Complete (1) (2) Operator Mechanism	Circuit Breaker Frame	Maximum Amp Rating	Circuit Breaker Height "X"	Circuit Breaker Width "Y"	Circuit Breaker Type
FH0E036	ED	125A	6.34	3.00	ED2, ED4, ED6, HED4, HED6
FH0E36	CED	125A	9.58	3.00	CED6
FH0F036	FD	250A	9.50	4.50	FXD6-A, FD6-A, HFD6, FXD6-ETJ, HHFD6, HHFXD6
FH0J036	CFD	250A	14.25	4.50	CFD6, CFD6-ETI
FH0J036	JD	400A	11.00	7.50	JXD2, JXD6, JD6, HJD6, HHJD6, HHJXD6, JXD6-ETI
FH0J036	CJD	400A	17.86	7.50	CJD6, CJD6-ETI
FH0J036	LD	600A	11.00	7.50	LXD6, LD6, HLD6, HHLXD6, HHLXD6, LXD6-ETI
FH0J036	CLD	600A	17.86	7.50	CLD6, CLD6-ETI
FH0LM036	LMD	800A	16.00	9.00	LMD6, LMXD6, HLMD6, HLMXD6, LMXD6-ETI

1) The last 3 digits of operator mechanism number indicate cable length in inches. 48" cables are available for ED, FD, JD/LD operators and 60" cables for MD/ND, PD/RD operators

2) For Type 4 applications order handle, cable and circuit breaker operator separately.

Space Occupied by Disconnect

- The I-T-E Max-Flex cable system allows the disconnect to be positioned independent from the flange-mounted handle operator.
- Refer to **National Electrical Code 1999** article 430-10(b) for wiring space "W" required for line side conductors.
- Refer to Siemens I-T-E installation instructions for limits on disconnect location when using 36" or 48" Max-Flex cables
- Space occupied by disconnect is determined by overall disconnect height "X", width "Y", wire bend space "W", and location "F" as selected from right to left.

TYPE 4, 4X, 12 SINGLE DOOR ENCLOSURES FOR FLANGE-MOUNTED DISCONNECTS

Flange-Mounted
Disconnect
Enclosures

Square D Class 9422 Disconnect Switches used with Cable Mechanism 9422-CFT30* and 9422A-1 Handle Mechanism

Switch	Amp Rating	Fuse Clip	Fuse Class	Disconnect Height "X"	Disconnect Width "Y"
TCN-30	30A	NO FUSE	NA	5.90	6.20
TCF-30	30A	30A-250V	H,K,R	7.50	6.20
TCF-33	30A	30A-600V	H,K,R	10.15	6.20
TCF-33	30A	60A-250V	H,K,R	8.15	6.20
TCF-33	30A	30A-600V	J	7.50	6.20
TDN-60	60A	NO FUSE	NA	5.90	6.20
TDF-60	60A	30A-600V	H,K,R	10.15	6.20
TDF-60	60A	60A-250V	H,K,R	8.15	6.20
TDF-63	60A	60A-600V	H,K,R	10.65	6.20
TDF-63	60A	60A-600V	J	7.50	6.20
TEN-10	100A	NO FUSE	NA	5.90	6.20
TEF-10	100A	100A-250V	H,K,R	10.35	6.20
TEF-10	100A	100A-600V	H,K,R	12.35	6.20
TEF-10	100A	100A-600V	J	10.35	6.20

See enclosure size table for enclosures that accept these devices.

*Use switch with appropriate cable mechanism and 9422-A1 handle mechanism.

Square D Class 9422 Cable Mechanisms for Circuit Breakers

Cable Type* Switch	Amp Rating	Frame Type	Circuit Breaker Height "X"	Circuit Breaker Width "Y"
9422 CGJ30	75A	GJL	4.75	3.50
9422 CEJ30	100A	GJL	4.75	3.50
9422 CFA30	100A	FAL, FHL	6.00	4.50
9422 CKA30	250A	KAL, KHL	8.00	4.50
9422 CLA30	400A	LAL, LHL, Q4L	11.00	6.00

See enclosure size table for enclosures that accept these devices.

Use cable mechanism with appropriate circuit breaker and 9422-A1 handle mechanism.

*Cable operators are available in 3, 5, and 10 foot lengths. Numbers shown (30) are for 3 foot cables.

Space Occupied by Disconnect Switch or Circuit Breaker

- Square D cable mechanisms allow disconnect device to be positioned independent from the flange mounted handle mechanism.
- Refer to **National Electrical Code 1999** article 430-10(b) for wiring space "W" required for line side conductors.
- Choose cable mechanism length based on placement of disconnect in enclosure. See Square D Instruction Bulletin for minimum bend radius for cable.
- Space occupied by disconnect is determined by overall disconnect ("X" height and "Y" width) plus "W" wire bend space and location "F" from right to left as selected.

DISCONNECT WIRING SPACE INFORMATION

Square D Class 9422 Disconnects						Wire Bend Space Above Disconnect							
						Space Occupied			Type 12			Type 4 & 12	
									When C = 8 W	When C = 10 W	When C = 12 or 16 W	When C = 8 W	When C = 12 W
Type Number	Amp Rating	Fuse Clip	Fuse Class	E	F								
TCN-30	30A	NO FUSE	NA	3.80	6.84	3.69	6.03	10.56	7.56	10.56			
TCF-30	30A	30A-250V	H,K,R	5.53	6.84	3.69	6.03	10.56	7.56	10.56			
TCF-33	30A	30A-600V	H,K,R	8.15	6.84	3.69	6.03	10.56	7.56	10.56			
TCF-33	30A	60A-250V	H,K,R	6.15	6.84	3.69	6.03	10.56	7.56	10.56			
TCF-33	30A	30A-600V	J	5.53	6.84	3.69	6.03	10.56	7.56	10.56			
TDN-60	60A	NO FUSE	NA	3.80	6.84	3.69	6.03	10.56	7.56	10.56			
TDF-60	60A	30A-600V	H,K,R	8.15	6.84	3.69	6.03	10.56	7.56	10.56			
TDF-60	60A	60A-250V	H,K,R	6.15	6.84	3.69	6.03	10.56	7.56	10.56			
TDF-63	60A	60A-600V	H,K,R	8.65	6.84	3.69	6.03	10.56	7.56	10.56			
TDF-63	60A	60A-600V	J	5.53	6.84	3.69	6.03	10.56	7.56	10.56			
TEN-10	100A	NO FUSE	NA	3.80	6.84	NA	5.91	10.44	7.44	10.44			
TEF-10	100A	100A-250V	H,K,R	8.25	6.84	NA	5.91	10.44	7.44	10.44			
TEF-10	100A	100A-600V	H,K,R	10.25	6.84	NA	5.91	10.44	7.44	10.44			
TEF-10	100A	100A-600V	J	7.05	6.84	NA	5.91	10.44	7.44	10.44			
TC-1	30A	NO FUSE	NA	5.75	6.00	3.12	5.12	9.62	6.62	9.62			
TC-2	30A	30A-250V	H,K,R	5.75	6.00	3.12	5.12	9.62	6.62	9.62			
TC-3	30A	30A-600V	H,K,R	7.75	6.00	3.12	5.12	9.62	6.62	9.62			
TC-3	30A	60A-250V	H,K,R	5.88	6.00	3.12	5.12	9.62	6.62	9.62			
TC-3	30A	30A-600V	J	5.75	6.00	3.12	5.12	9.62	6.62	9.62			
TD-1	60A	NO FUSE	NA	6.38	6.62	3.62	6.00	10.50	7.50	10.50			
TD-2	60A	30A-600V	H,K,R	8.50	6.62	3.62	6.00	10.50	7.50	10.50			
TD-2	60A	60A-250V	H,K,R	6.50	6.62	3.62	6.00	10.50	7.50	10.50			
TD-3	60A	60A-600V	H,K,R	9.00	6.62	3.62	6.00	10.50	7.50	10.50			
TD-3	60A	60A-600V	J	6.38	6.62	3.62	6.00	10.50	7.50	10.50			
TE-1	100A	NO FUSE	NA	4.75	8.38	NA	5.75	10.25	NA	10.2			
TE-2	100A	100A-250V	H,K,R	7.50	8.38	NA	5.75	10.25	NA	10.25			
TE-2	100A	100A-600V	H,K,R	9.50	8.38	NA	5.75	10.25	NA	10.25			
TE-2	100A	100A-600V	J	6.25	8.38	NA	5.75	10.25	NA	10.25			
TE-3	100A	200A-600V	J	13.75	8.38	NA	5.75	10.25	NA	10.25			
TF-1	200A	NO FUSE	NA	5.50	11.62	NA	NA	8.88	NA	8.88			
TF-2	200A	200A-250V	H,K,R	11.50	11.62	NA	NA	8.88	NA	8.88			
TF-2	200A	200A-600V	H,K,R	14.00	11.62	NA	NA	8.88	NA	8.88			
TF-2	200A	200A-600V	J	10.12	11.62	NA	NA	8.88	NA	8.88			
TF-3	200A	400A-600V	J	14.50	11.62	NA	NA	8.88	NA	8.88			
RG-1	75A	GJL	Circuit Breaker	3.53	3.74	3.59	5.93	10.47	7.47	10.47			
RG-1	100A	GJL	Circuit Breaker	3.53	3.74	3.59	5.93	10.47	7.47	10.47			
RN-1	100A	FAL, FHL	Circuit Breaker	5.12	5.25	3.75	6.12	10.62	7.62	10.62			
RP-1	250A	KAL, KHL	Circuit Breaker	7.12	5.62	4.25*	6.88	11.37	8.38	11.38			
RR-1	400A	LAL, LHL, Q4L	Circuit Breaker	7.62	8.75	NA	NA	7.00	NA	7.00			

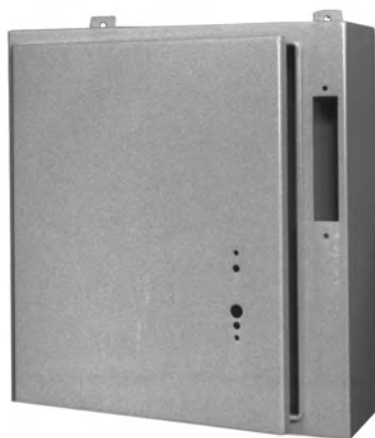
*Not recommended except with #1 or smaller line conductors.

Flange-Mounted
Disconnect
Enclosures

TYPE 12 SINGLE DOOR ENCLOSURES FOR A-B FLANGE-MOUNTED DISCONNECTS

Austin Type 12 and Type 13 single door enclosures for Allen-Bradley disconnects are designed to house Allen-Bradley Bulletin 1494F disconnect devices and Bulletin 1494D circuit breaker operators.

Flange-Mounted
Disconnect
Enclosures



Finish:

ANSI 61 gray polyester powder paint outside and inside. Optional panels are painted white polyester powder.

Construction:

- 14 gauge steel.
- Seams are continuously welded and ground smooth.
- External mounting feet.
- Door and body stiffeners in larger enclosures for rigidity.
- Formed lip around all sides of enclosure opening excludes liquids and contaminants.
- Door removable by pulling continuous hinge pin.
- Print pocket included.
- Oil-resistant gasket.
- 3/8-16 threaded collar studs provided for mounting optional panel.
- Holes in body and door for mounting operating handle, operating mechanism, and door closing mechanism.
- Cover interlock bracket welded to door.
- Furnished with door latch bar for door hardware. (disconnect switch, operating handle, operating mechanism, and door hardware are not furnished with the enclosure. They must be ordered separately from the disconnect manufacturer.)
- Enclosures under 40" high require 2-point door hardware.
- Enclosures 40" high and taller require 3-point door hardware.

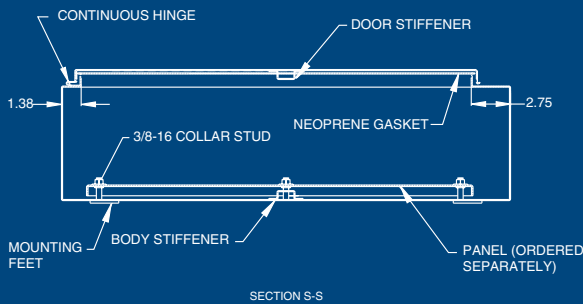
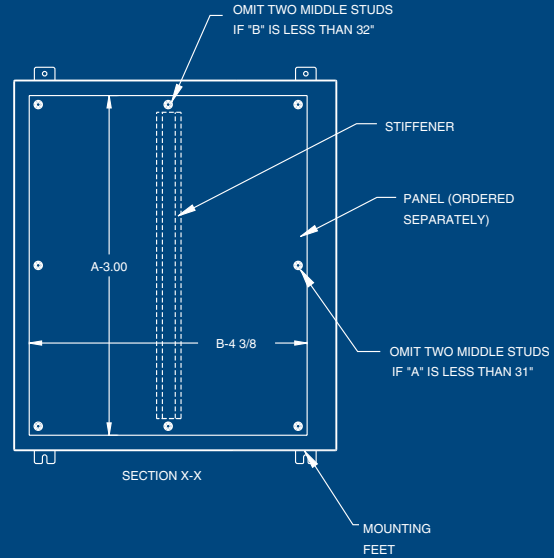
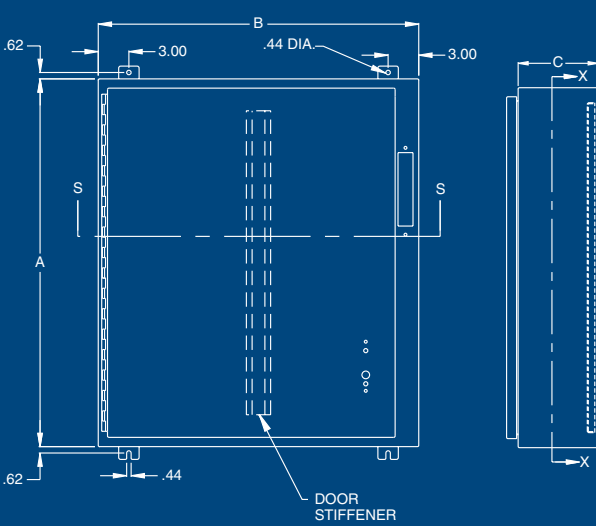
**INDUSTRY
STANDARDS**

UL 508 Type 12
CUL Type 12
NEMA Type 12

Austin Electrical Enclosures
Post Office Box 2320
Yadkinville, NC 27055

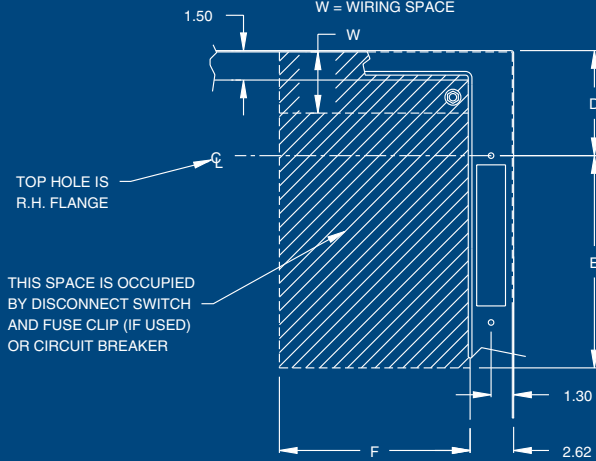
Phone: 336.468.2851
800.288.2851

SINGLE DOOR ENCLOSURES FOR A-B FLANGE-MOUNTED DISCONNECTS



SPACE OCCUPIED BY DISCONNECT

NOTE: D = 3.84 WHEN C = 8.00
 D = 6.75 WHEN C = 10.00
 D = 9.50 WHEN C = 12.00
 (except enclosures for 200 amp switches)
 D = 9.50 WHEN C = 16.00
 D = 10.50 WHEN C = 12.00
 (for enclosures with 200 amp switches)
 W = WIRING SPACE



Flange-Mounted
Disconnect
Enclosures

TYPE 12 SINGLE DOOR ENCLOSURES FOR A-B FLANGE-MOUNTED DISCONNECTS

Flange-Mounted
Disconnect
Enclosures

Type 12 Enclosures for Allen-Bradley Disconnects

Catalog Number	Enclosure Size AxBxC	Panel Catalog Number	Panel Size Ht.xWd.	Print Pocket	Stiffener Door/Body
AB-20228N/ABDSC	20x21.38x8	AB-2020TP	17x17	Small	0 0
AB-24228N/ABDSC	24x21.38x8	AB-2420TP	21x17	Small	0 0
AB-24268N/ABDSC	24x25.38x8	AB-2424TP	21x21	Small	0 0
AB-30228N/ABDSC	30x21.38x8	AB-3020TP	27x17	Small	0 0
AB-30268N/ABDSC	30x25.38x8	AB-3024TP	27x21	Large	0 0
AB-36268N/ABDSC	36x25.38x8	AB-3624TP	33x21	Large	0 0
AB-36328N/ABDSC	36X31.38X8	AB-3630TP	33x27	Large	0 1
AB-42328N/ABDSC	42X31.38X8	AB-4230TP	39x27	Small	1 1
AB-42388N/ABDSC	42X37.38X8	AB-4236TP	39x33	Large	1 1
AB-48388N/ABDSC	48X37.38X8	AB-4836TP	45x33	Large	1 1
AB-242210N/ABDSC	24x21.38x10	AB-2420TP	21x17	Small	0 0
AB-242610N/ABDSC	24x25.38x10	AB-2424TP	21x21	Small	0 0
AB-302210N/ABDSC	30x21.38x10	AB-3020TP	27x17	Small	0 0
AB-302610N/ABDSC	30x25.38x10	AB-3024TP	27x21	Large	0 0
AB-362610N/ABDSC	36x25.38x10	AB-3624TP	33x21	Large	0 0
AB-363210N/ABDSC	36x31.38x10	AB-3630TP	33x27	Large	0 1
AB-423210N/ABDSC	42x31.38x10	AB-4230TP	39x27	Small	1 1
AB-423810N/ABDSC	42x37.38x10	AB-4236TP	39x33	Large	1 1
AB-483810N/ABDSC	48x37.38x10	AB-4836TP	45x33	Large	1 1
AB-603810N/ABDSC	60x37.38x10	AB-6036TP	57x33	Large	1 1
AB-363212N/ABDSC	36x31.38x12	AB-3630TP	33x27	Large	0 1
AB-423212N/ABDSC	42x31.38x12	AB-4230TP	39x27	Small	1 1
AB-423812N/ABDSC	42x37.38x12	AB-4236TP	39x33	Large	1 1
AB-483812N/ABDSC	48x37.38x12	AB-4836TP	45x33	Large	1 1
AB-603812N/ABDSC	60x37.38x12	AB-6036TP	57x33	Large	1 1
AB-483816N/ABDSC	48x37.38x16	AB-4836TP	45x33	Large	1 1
AB-603816N/ABDSC	60x37.38x16	AB-6036TP	57x33	Large	1 1

SINGLE DOOR ENCLOSURES FOR A-B FLANGE-MOUNTED DISCONNECTS

Disconnect Ordering Information:

When using a Bulletin 1494F disconnect switch, order:

- A disconnect switch (30A, 60A, or 100A)
- A fuse block adapter, if required
- Line and load connectors, if required
- Door hardware (Bulletin 1494F-L1 for 2-point latching, or Bulletin 1494F-L2 and 1494F-L3 for 3-point latching)

When using a Bulletin 1494D circuit breaker operating mechanism, order:

- A circuit breaker (C-H/Westinghouse)
- An operator mechanism
- A slide mechanism
- Door hardware (Bulletin 1494F-L1 for 2-point latching, or Bulletin 1494F-L2 and 1494F-L3 for 3-point latching)

*Allen-Bradley 1494F Disconnect Switches										Wire Bend Space Above Disconnect				
Enclosure Depth				Type Number	Amp Rating	Fuse Clip	Fuse Class	Space Occupied		When D = 3.84 W	When D = 6.75 W	When D = 9.50 W		
8.00	10.00	12.00	16.00					E	F (1)					
*	*	*	*	N30	30A	NO FUSE	NA	4.62	6.25	3.25	6.25	8.88		
*	*	*	*	NF30	30A	30A-250V	H,K,R	6.25	6.25	3.25	6.25	8.88		
*	*	*	*	NF30	30A	60A-250V	H,K,R	7.25	6.25	3.25	6.25	8.88		
*	*	*	*	NF30	30A	30A-600V	H,K,R	9.25	6.25	3.25	6.25	8.88		
*	*	*	*	NF30	30A	60A-600V	H,K,R	9.75	6.25	3.25	6.25	8.88		
*	*	*	*	NF30	30A	30A-600V	J	6.50	6.25	3.25	6.25	8.88		
*	*	*	*	NF30	30A	60A-600V	J	6.62	6.25					
										2.50	5.25	8.12		
*	*	*	*	N60	60A	NO FUSE	NA	4.62	6.25	2.50	5.25	8.12		
*	*	*	*	NF60	60A	30A-600V	H,K,R	10.38	6.25	2.50	5.25	8.12		
*	*	*	*	NF60	60A	60A-250V	H,K,R	8.38	6.25	2.50	5.25	8.12		
*	*	*	*	NF60	60A	100A-250V	H,K,R	10.88	6.25	2.50	5.25	8.12		
*	*	*	*	NF60	60A	60A-600V	H,K,R	10.88	6.25	2.50	5.25	8.12		
*	*	*	*	NF60	60A	100A-600V	H,K,R	12.88	6.25	2.50	5.25	8.12		
*	*	*	*	NF60	60A	60A-600V	J	7.75	6.25	2.50	5.25	8.12		
*	*	*	*	NF60	60A	100A-600V	J	9.75	6.25	2.50	5.25	8.12		
*	*	*	*	N100	100A	NO FUSE	NA	4.62	7.00	NA	3.50	6.25		
*	*	*	*	NF100	100A	100A-250V	H,K,R	11.38	7.00	NA	3.50	6.25		
*	*	*	*	NF100	100A	200A-250V	H,K,R	12.25	7.25	NA	3.50	6.25		
*	*	*	*	NF100	100A	100A-600V	H,K,R	13.38	7.12	NA	3.50	6.25		
*	*	*	*	NF100	100A	200A-600V	H,K,R	14.75	7.38	NA	3.50	6.25		
*	*	*	*	NF100	100A	100A-600V	J	10.12	7.00	NA	3.50	6.25		
*	*	*	*	NF100	100A	200A-600V	J	10.88	7.25	NA	3.50	6.25		

*Allen-Bradley 1494D Circuit Breaker Operators										Wire Bend Space Above Disconnect				
Enclosure Depth				Type Number	Frame Rating	Breaker Type	Frame Size (3 pole)	Space Occupied		When D = 3.84 W	When D = 6.75 W	When D = 9.50 W		
8.00	10.00	12.00	16.00					E	F					
*	*	*	*	N4/N40	150A	C-H/Westinghouse	EHD, FD, FDB, FDC, HFD, HMCP	5.81	4.31	3.25	6.12	8.88		
*	*	*	*	N5/N55	225A	General Electric	TFC, TFK, THFK	8.81	4.50	NA	5.34	8.09		
*	*	*	*	N5/N50	250A	C-H/Westinghouse	JD, JDB, JDC, HJD, HMCP	8.81	4.50	NA	5.31	8.06		
*	*	*	*	N5/N60	400A	C-H/Westinghouse	KD, KDB, KDC, HKD, HMCP	8.81	5.62	NA	5.44	8.19		

(1) The "F" dimensions does not include space for auxiliary switches. See Allen-Bradley instructions for additional space required.

TYPE 12 DOUBLE DOOR ENCLOSURES FOR FLANGE-MOUNTED DISCONNECTS

Flange-Mounted
Disconnect
Enclosures



Construction:

- 10 gauge steel.
- Seams continuously welded and ground smooth.
- Body stiffeners in larger enclosures for extra rigidity.
- Removable centerpost for easy installation of optional panel.
- Heavy gauge continuous hinge.
- 3-point latching mechanisms operated by padlocking handle on all doors.
- Heavy duty lifting eyes.
- Print pocket included.
- 15" floor stands are welded to enclosure.
- Oil-resistant gasket.
- Panel supports for optional panel.
- 3/8-16 threaded collar studs provided for mounting optional panel.
- Defeater on master door requires a screwdriver to open.
- Mechanical interlock operated by master door prevents slave door from being opened first.

Finish:

ANSI 61 gray polyester powder paint outside and inside. Optional panels are painted white polyester powder.

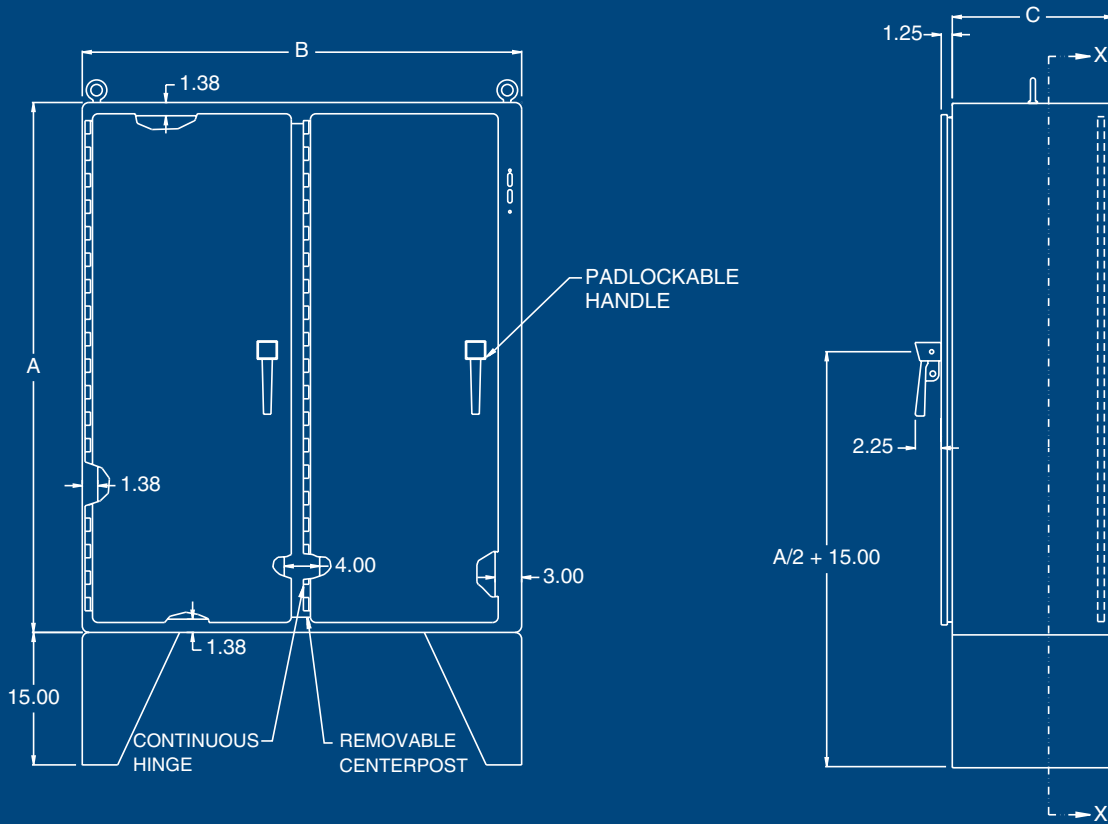
**INDUSTRY
STANDARDS**

UL 508 Type 12
NEMA Type 12
CUL Type 12

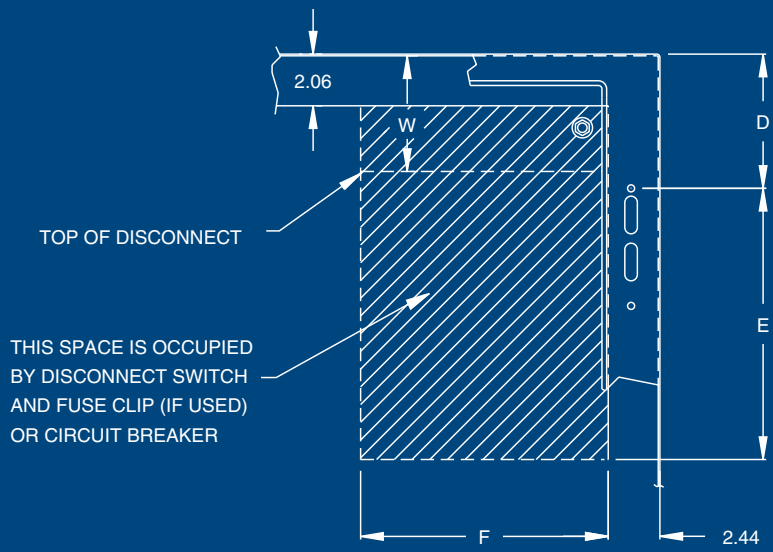
Austin Electrical Enclosures
Post Office Box 2320
Yadkinville, NC 27055

Phone: 336.468.2851
800.288.2851

DOUBLE DOOR ENCLOSURES FOR FLANGE-MOUNTED DISCONNECTS



Flange-Mounted
Disconnect
Enclosures



TYPE 12 DOUBLE DOOR ENCLOSURES FOR FLANGE-MOUNTED DISCONNECTS

Flange-Mounted
Disconnect
Enclosures

Austin Type 12 double door enclosures for flange-mounted disconnects are designed to house the following safety disconnect equipment:

- **ABB Controls** flange-mounted variable depth operating mechanisms for disconnect switches and circuit breakers.
- **Allen-Bradley** Bulletin 1494F flange-mounted disconnect switches and Bulletin 1494D flange-mounted operators for circuit breakers. Allen-Bradley Bulletin 1494V variable depth flange-operated disconnect switches and circuit breaker mechanisms.
- **Cutler-Hammer/Westinghouse** Type C361 disconnect switches and operator mechanisms, and Type C371 circuit breakers and circuit breaker operating mechanisms. Also Type SM safety handle mechanisms and Flex Shaft handle operators for circuit breakers.
- **General Electric** Type STDA flange handles and variable depth operating mechanisms for disconnect switches and circuit breakers. Also Spectra Flex cable operators for circuit breakers.
- **I-T-E** Max-Flex flange-mounted variable depth operating handles for disconnect switches and circuit breakers.
- **Square D** disconnect switches and circuit breakers used with Class 9422 flange-mounted variable depth operating mechanisms or cable mechanisms. *(These enclosures will not receive Class 9422 bracket-mounted disconnect devices, Class 9422TG1, or TG2 devices.)*

Catalog Number	Enclosure Size AxBxC	Panel Catalog Number	Panel Size Ht. X Wd.
AB-604812ND/FDSC	60x49.62x12	AB-6048DP	56x44
AB-606012ND/FDSC	60x61.62x12	AB-6060DP	56x56
AB-726012ND/FDSC	72x61.62x12	AB-7260DP	68x56
AB-727212ND/FDSC	72x73.62x12	AB-7272DP	68x68
AB-604818ND/FDSC	60x49.62x18	AB-6048DP	56x44
AB-606018ND/FDSC	60x61.62x18	AB-6060DP	56x56
AB-726018ND/FDSC	72x61.62x18	AB-7260DP	68x56
AB-727218ND/FDSC	72x73.62x18	AB-7272DP	68x68
AB-604824ND/FDSC	60x49.62x24	AB-6048DP	56x44
AB-606024ND/FDSC	60x61.62x24	AB-6060DP	56x56
AB-727224ND/FDSC	72x73.62x24	AB-7272DP	68x68

DISCONNECT ORDERING INFORMATION

When ordering floor-mounted disconnects from the various manufacturers, be sure to order the necessary items. Each company has a different system, so make sure to order the following items from the disconnect manufacturer.

Allen-Bradley

When using a Bulletin 1494F flange-mounted disconnect switch, order:

- A disconnect switch
- A fuse block adapter (if required)
- Line and load connector (if required)

When using a Bulletin 1494D flange-mounted operator for a circuit breaker, order:

- A circuit breaker (C-H/Westinghouse)
- A flange-mounted operator mechanism
- A slide mechanism

When using a Bulletin 1494V disconnect switch, order:

- A disconnect switch
- An operating handle
- A connecting rod (long)
- A trailer fuse block kit (if required)
- A fuse clip kit (if required)
- Line and load connectors (if required)

When using a Bulletin 1494V circuit breaker operating mechanism, order:

- A circuit breaker (C-H/Westinghouse)
- A circuit breaker operating mechanism
- An operating handle
- A connecting rod (long)

ABB Controls

When using a disconnect switch, order:

- A flange-operated switch (fusible or non-fusible)
- A shaft [DSFHS-12 for 12" deep or DSFHS-17 for 18" deep enclosures; in 24" deep enclosures platform must be used with shaft]
- A handle (DSFHN-HS12)

When using a circuit breaker, order:

- A circuit breaker (ABB)
- An operating mechanism
- A shaft [FSH-12 for 12" deep or FHS-17 for 18" deep enclosures; in 24" deep enclosures platform must be used with shaft]
- A handle mechanism (FHN-HS12)

Cutler-Hammer/Westinghouse

When using a File C361 disconnect switch, order:

- A disconnect switch with an operating mechanism
- An operating handle (C361H1 or C361H3)

When using a File C371 circuit breaker operating mechanism with C-H/Westinghouse circuit breaker, order:

- A circuit breaker
- An operating mechanism
- An operating handle

When using a Type SM handle mechanism, order:

- A circuit breaker
- A Type SM handle mechanism

When using a Flex Shaft handle mechanism, order:

- A circuit breaker
- A complete Flex Shaft handle mechanism

General Electric

When ordering a disconnect switch, order:

- A disconnect switch (Type QMR or QMW)
- A fuse clip or no-fuse kit
- A flange handle (STDA1 or STDA2)
- A variable depth operating mechanism
- An extended length drive rod (if required)

When using a circuit breaker, order:

- A circuit breaker
- A flange handle (STDA1 or STDA2)
- A variable depth operating mechanism
- An extended length drive rod (if required)

When using a circuit breaker with a Spectra Flex cable operator, order:

- A circuit breaker
- A flange-mounted handle mechanism
- A breaker-mounted mechanism
- An operating cable

I-T-E Siemens

When using a disconnect switch, order:

- A basic switch (right-hand)
- A fuse or no-fuse kit
- FHOHS flange-mounted handle
- Switch operator
- FHOECO36 cable for 12" deep or FHOECO48 for 18" and 24" deep enclosures

When using a circuit breaker, order:

- A circuit breaker
- Pressure wire connectors
- A flange-mounted handle
- An operating cable [12" deep or 18" deep enclosures accept 36" or 48" cables; 24" deep enclosures require a 48" cable]

Square D

When using a disconnect switch, order:

- A disconnect switch with operating mechanism
- A universal handle mechanism
- A long operating rod (if required)

When using a circuit breaker, order:

- A circuit breaker
- An operating mechanism
- A universal handle mechanism
- A long operating rod (if required)

When using a Class 9422 Type "T" disconnect switch with a cable mechanism, order:

- A disconnect switch with operating mechanism (Class 9422, Type T)
- A handle mechanism (Class 9422 Type A-1)
- A cable mechanism (Class 9422 CFT-O) 3-, 5-, or 10-foot

When using a circuit breaker with a cable mechanism, order:

- A circuit breaker (Square D)
- A handle mechanism (Class 9422 Type A-1)
- A cable mechanism (Class 9422 CFT-O) 3-, 5-, or 10-foot

TYPE 12 SINGLE DOOR FREESTANDING ENCLOSURE FOR FLANGE-MOUNTED DISCONNECT

Flange-Mounted
Disconnect
Enclosures



Construction:

- 10 gauge steel.
- Seams continuously welded and ground smooth.
- Body stiffeners in larger enclosures for extra rigidity.
- Heavy duty lifting eyes.
- Heavy gauge continuous hinges.
- 3-point latching mechanisms operated by padlocking handle doors.
- Print pocket included.
- Oil-resistant gasket.
- Panel supports for panel.
- 3/8-16 threaded collar studs provided for mounting panel.
- Defeater on door requires a screwdriver to open.

Finish:

ANSI 61 gray polyester powder outside and inside. Optional panels are painted white polyester powder.

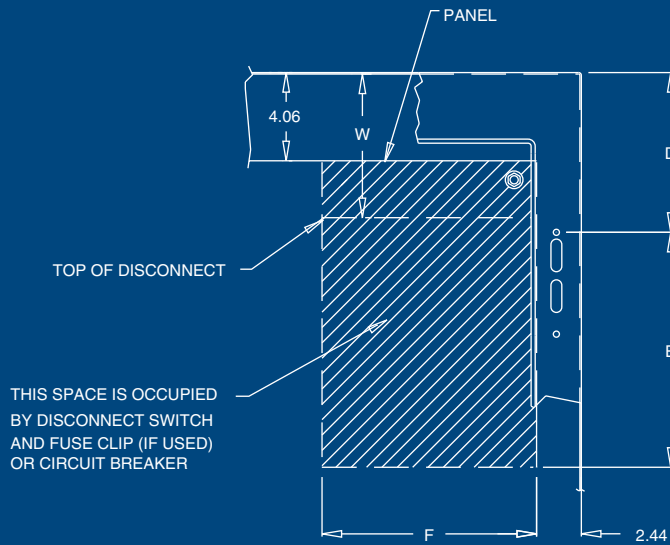
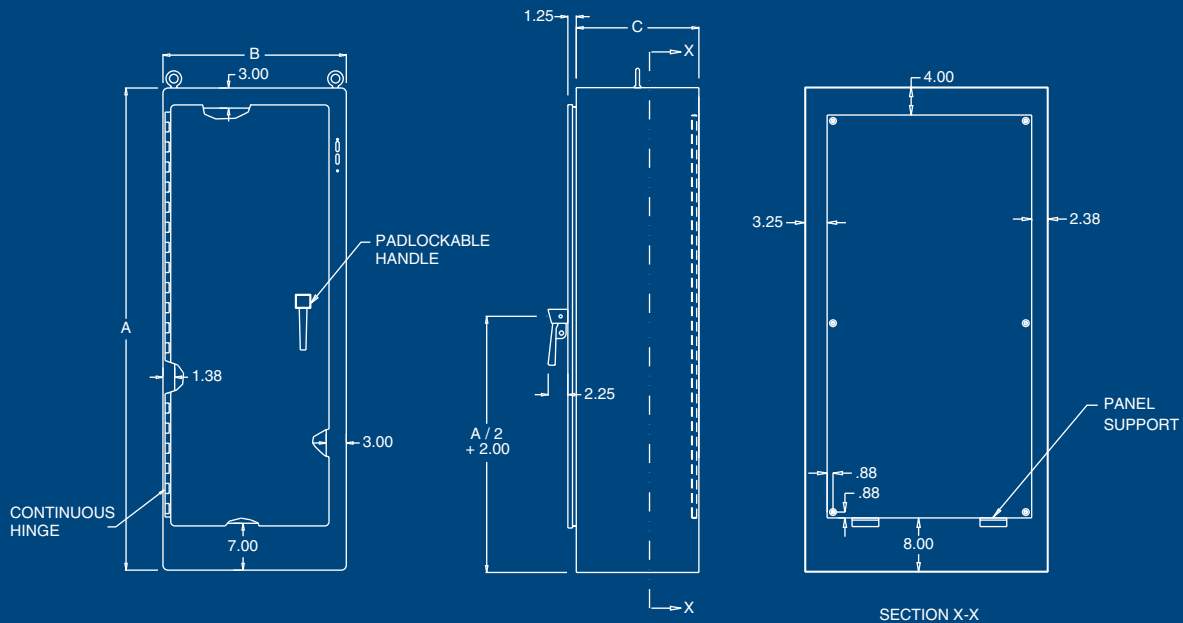
**INDUSTRY
STANDARDS**

UL 508 Type 12
NEMA Type 12
CUL Type 12

Austin Electrical Enclosures
Post Office Box 2320
Yadkinville, NC 27055

Phone: 336.468.2851
800.288.2851

SINGLE DOOR FREESTANDING ENCLOSURE FOR FLANGE-MOUNTED DISCONNECT



Flange-Mounted
Disconnect
Enclosures

TYPE 12 SINGLE DOOR FREESTANDING ENCLOSURE FOR FLANGE-MOUNTED DISCONNECT

Flange-Mounted Disconnect Enclosures

Austin Type 12 single door freestanding enclosures for flange-mounted disconnects are designed to house the following safety disconnect equipment:

- **ABB Controls** flange-mounted variable depth operating mechanisms for disconnect switches and circuit breakers.
- **Allen-Bradley** flange-mounted disconnect switches and Bulletin 1494D flange-mounted operators for circuit breakers. Allen-Bradley Bulletin 1494V variable depth flange-operated disconnect switches and circuit breaker mechanisms.
- **Cutler-Hammer/Westinghouse** Type C361 disconnect switches and operator mechanisms. Cutler-Hammer Type C371 circuit breaker operating mechanisms. Also Type SM safety handle mechanisms and Flex Shaft handle operators for circuit breakers.
- **General Electric** Type STDA flange handles and variable depth operating mechanisms for disconnect switches and circuit breakers. Also Spectra Flex cable operators for circuit breakers.
- **I-T-E** Max-Flex flange-mounted variable depth operating handles for disconnect switches and circuit breakers.
- **Square D** disconnect switches and circuit breakers used with Class 9422 flange-mounted variable-depth operating mechanisms or cable mechanisms. *(These enclosures will not receive Class 9422 bracket-mounted disconnect devices, Class 9422TG1 or TG2 devices.)*

Catalog Number	Enclosure Size AxBxC	Panel Catalog Number	Panel Size Ht. X Wd.
AB-722718FSN/DSC	72x27.38x18	AB-7227DSCP	60x21.75
AB-723318FSN/DSC	72x33.38x18	AB-7233DSCP	60x27.75
AB-723918FSN/DSC	72x39.38x18	AB-7239DSCP	60x33.75
AB-843918FSN/DSC	84x39.38x18	AB-8439DSCP	72x33.75
AB-903918FSN/DSC	90x39.38x20	AB-9039DSCP	78x33.75
AB-903920FSN/DSC	90x39.38x20	AB-9039DSCP	78x33.75
AB-843924FSN/DSC	84x39.38x24	AB-8439DSCP	72x33.75
AB-903924FSN/DSC	90x39.38x24	AB-9039DSCP	78x33.75

SINGLE DOOR FREESTANDING ENCLOSURES FOR FLANGE-MOUNTED DISCONNECTS

When ordering floor-mounted disconnects from the various manufacturers, be sure to order the necessary items. Each company has a different system, so make sure to order the following items from the disconnect manufacturer.

Allen-Bradley

When using a Bulletin 1494F flange-mounted disconnect switch, order:

- A disconnect switch
- A fuse block adapter (if required)
- Line and load connector (if required)

When using a Bulletin 1494D flange-mounted operator for a circuit breaker, order:

- A circuit breaker (C-H/Westinghouse)
- A flange-mounted operator mechanism
- A slide mechanism

When using a Bulletin 1494V disconnect switch, order:

- A disconnect switch
- An operating handle
- A connecting rod (long)
- A trailer fuse block kit (if required)
- A fuse clip kit (if required)
- Line and load connectors (if required)

When using a Bulletin 1494V circuit breaker operating mechanism, order:

- A circuit breaker (C-H/Westinghouse)
- A circuit breaker operating mechanism
- An operating handle
- A connecting rod (long)

ABB Controls

When using a disconnect switch, order:

- A flange-operated switch (fusible or non-fusible)
- A shaft [DSFHS-12 for 12" deep or DSFHS-17 for 18" deep enclosures; in 24" deep enclosures platform must be used with shaft]
- A handle (DSFHN-HS12)

When using a circuit breaker, order:

- A circuit breaker (ABB)
- An operating mechanism
- A shaft [FSH-12 for 12" deep or FHS-17 for 18" deep enclosures; in 24" deep enclosures platform must be used with shaft]
- A handle mechanism (FHN-HS12)

Cutler-Hammer/Westinghouse

When using a File C361 disconnect switch, order:

- A disconnect switch with an operating mechanism
- An operating handle (C361H1 or C361H3)

When using a File C371 circuit breaker operating mechanism with C-H/Westinghouse circuit breaker, order:

- A circuit breaker
- An operating mechanism
- An operating handle

When using a Type SM handle mechanism, order:

- A circuit breaker
- A Type SM handle mechanism

When using a Flex Shaft handle mechanism, order:

- A circuit breaker
- A complete Flex Shaft handle mechanism

General Electric

When ordering a disconnect switch, order:

- A disconnect switch (Type QMR or QMW)
- A fuse clip or no-fuse kit
- A flange handle (STDA1 or STDA2)
- A variable depth operating mechanism
- An extended length drive rod (if required)

When using a circuit breaker, order:

- A circuit breaker
- A flange handle (STDA1 or STDA2)
- A variable depth operating mechanism
- An extended length drive rod (if required)

When using a circuit breaker with a Spectra Flex cable operator, order:

- A circuit breaker
- A flange-mounted handle mechanism
- A breaker-mounted mechanism
- An operating cable

I-T-E Siemens

When using a disconnect switch, order:

- A basic switch (right-hand)
- A fuse or no-fuse kit
- FHOHS flange-mounted handle
- Switch operator
- FHOECO36 cable for 12" deep or FHOECO48 for 18" and 24" deep enclosures

When using a circuit breaker, order:

- A circuit breaker
- Pressure wire connectors
- A flange-mounted handle
- An operating cable [12" deep or 18" deep enclosures accept 36" or 48" cables; 24" deep enclosures require a 48" cable]

Square D

When using a disconnect switch, order:

- A disconnect switch with operating mechanism
- A universal handle mechanism
- A long operating rod (if required)

When using a circuit breaker, order:

- A circuit breaker
- An operating mechanism
- A universal handle mechanism
- A long operating rod (if required)

When using a Class 9422 Type "T" disconnect switch with a cable mechanism, order:

- A disconnect switch with operating mechanism (Class 9422, Type T)
- A handle mechanism (Class 9422 Type A-1)
- A cable mechanism (Class 9422 CFT-O) 3-, 5-, or 10-foot

When using a circuit breaker with a cable mechanism, order:

- A circuit breaker (Square D)
- A handle mechanism (Class 9422 Type A-1)
- A cable mechanism (Class 9422 CFT-O) 3-, 5-, or 10-foot

TYPE 12 FREESTANDING DOUBLE DOOR ENCLOSURE FOR FLANGE-MOUNTED DISCONNECT

Flange-Mounted
Disconnect
Enclosures



Construction:

- 10 gauge steel.
- Seams continuously welded and ground smooth.
- Body stiffeners in larger enclosures for extra rigidity.
- Heavy duty lifting eyes.
- Removable centerpost for easy installation of panel.
- Heavy gauge continuous hinges.
- 3-point latching mechanisms operated by padlocking handle on all doors.
- Print pocket included.
- Oil-resistant gasket.
- Panel supports for panel.
- 3/8-16 threaded collar studs provided for mounting panel.
- Defeater on master door requires a screwdriver to open.
- Mechanical interlock operated by master door prevents slave door from being opened first.

Finish:

ANSI 61 gray polyester powder outside and inside. Optional panels are painted white polyester powder.

**INDUSTRY
STANDARDS**

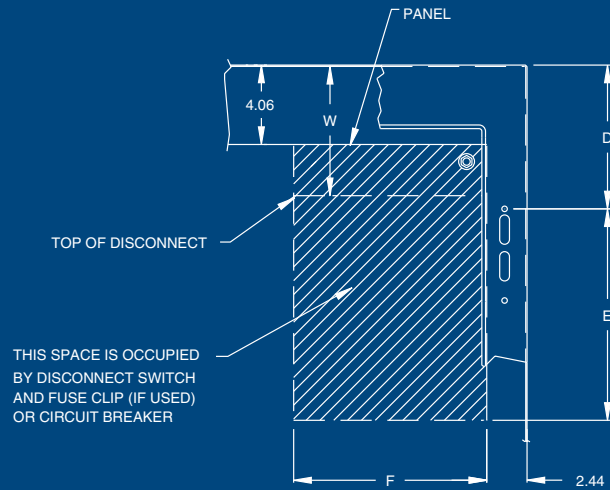
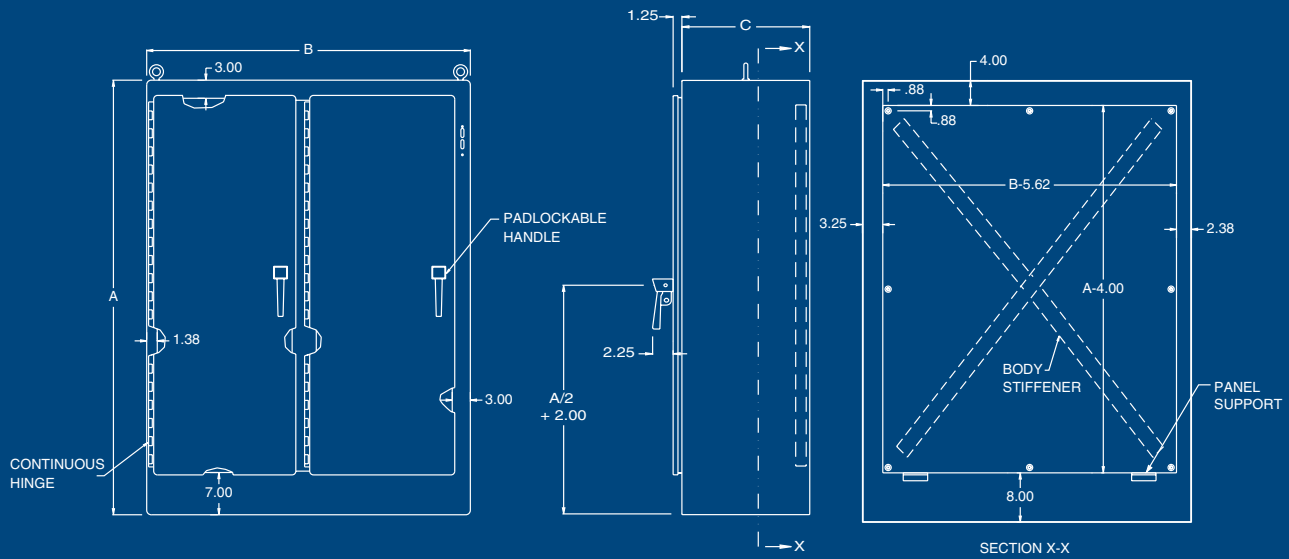
UL 508 Type 12
NEMA Type 12
CUL Type 12

Austin Electrical Enclosures
Post Office Box 2320
Yadkinville, NC 27055

Phone: 336.468.2851
800.288.2851

FREESTANDING DOUBLE DOOR ENCLOSURE FOR FLANGE-MOUNTED DISCONNECT

Flange-Mounted
Disconnect
Enclosures



TYPE 12 FREESTANDING DOUBLE DOOR ENCLOSURE FOR FLANGE-MOUNTED DISCONNECT

Flange-Mounted
Disconnect
Enclosures

Austin Type 12 double door freestanding enclosures for flange-mounted disconnects are designed to house the following safety disconnect equipment:

- **ABB Controls** flange-mounted variable depth operating mechanisms for disconnect switches and circuit breakers.
- **Allen-Bradley** Bulletin 1494F flange-mounted disconnect switches and Bulletin 1494D flange-mounted operators for circuit breakers. Allen-Bradley Bulletin 1494V variable depth flange-operated disconnect switches and circuit breaker mechanisms.
- **Cutler-Hammer/Westinghouse** Type C361 disconnect switches and operator mechanisms. Cutler-Hammer Type C371 circuit breaker operating mechanisms. Also Type SM safety handle mechanisms and Flex Shaft handle operators for circuit breakers.
- **General Electric** Type STDA flange handles and variable depth operating mechanisms for disconnect switches and circuit breakers. Also Spectra Flex cable operators for circuit breakers.
- **I-T-E** Max-Flex flange-mounted variable depth operating handles for disconnect switches and circuit breakers.
- **Square D** disconnect switches and circuit breakers used with Class 9422 flange-mounted variable-depth operating mechanisms or cable mechanisms. *(These enclosures will not receive Class 9422 bracket-mounted disconnect devices, Class 9422TG1 or TG2 devices.)*

Catalog Number	Enclosure Size AxBxC	Panel Catalog Number	Panel Size Ht. X Wd.
AB-725318FSND/DSC	72x53.62x18	AB-7253DSCP	60x48
AB-726518FSND/DSC	72x65.62x18	AB-7265DSCP	60x60
AB-727718FSND/DSC	72x77.62x18	AB-7277DSCP	72x60
AB-847718FSND/DSC	84x77.62x18	AB-8477DSCP	72x72
AB-907718FSND/DSC	90x77.62x18	AB-9077DSCP	78x72
AB-907720FSND/DSC	90x77.62x20	AB-9077DSCP	78x72
AB-727724FSND/DSC	72x77.62x24	AB-7277DSCP	72x60
AB-847724FSND/DSC	84x77.62x24	AB-8477DSCP	72x72
AB-907724FSND/DSC	90x77.62x24	AB-9077DSCP	78x72

FREESTANDING DOUBLE DOOR ENCLOSURE FOR FLANGE-MOUNTED DISCONNECT

When ordering floor-mounted disconnects from the various manufacturers, be sure to order the necessary items. Each company has a different system, so make sure to order the following items from the disconnect manufacturer.

Allen-Bradley

When using a Bulletin 1494F flange-mounted disconnect switch, order:

- A disconnect switch
- A fuse block adapter (if required)
- Line and load connector (if required)

When using a Bulletin 1494D flange-mounted operator for a circuit breaker, order:

- A circuit breaker (C-H/Westinghouse)
- A flange-mounted operator mechanism
- A slide mechanism

When using a Bulletin 1494V disconnect switch, order:

- A disconnect switch
- An operating handle
- A connecting rod (long)
- A trailer fuse block kit (if required)
- A fuse clip kit (if required)
- Line and load connectors (if required)

When using a Bulletin 1494V circuit breaker operating mechanism, order:

- A circuit breaker (C-H/Westinghouse)
- A circuit breaker operating mechanism
- An operating handle
- A connecting rod (long)

ABB Controls

When using a disconnect switch, order:

- A flange-operated switch (fusible or non-fusible)
- A shaft [DSFHS-12 for 12" deep or DSFHS-17 for 18" deep enclosures; in 24" deep enclosures platform must be used with shaft]
- A handle (DSFHN-HS12)

When using a circuit breaker, order:

- A circuit breaker (ABB)
- An operating mechanism
- A shaft [FSH-12 for 12" deep or FHS-17 for 18" deep enclosures; in 24" deep enclosures platform must be used with shaft]
- A handle mechanism (FHN-HS12)

Cutler-Hammer/Westinghouse

When using a File C361 disconnect switch, order:

- A disconnect switch with an operating mechanism
- An operating handle (C361H1 or C361H3)

When using a File C371 circuit breaker operating mechanism with C-H/Westinghouse circuit breaker, order:

- A circuit breaker
- An operating mechanism
- An operating handle

When using a Type SM handle mechanism, order:

- A circuit breaker
- A Type SM handle mechanism

When using a Flex Shaft handle mechanism, order:

- A circuit breaker
- A complete Flex Shaft handle mechanism

General Electric

When ordering a disconnect switch, order:

- A disconnect switch (Type QMR or QMW)
- A fuse clip or no-fuse kit
- A flange handle (STDA1 or STDA2)
- A variable depth operating mechanism
- An extended length drive rod (if required)

When using a circuit breaker, order:

- A circuit breaker
- A flange handle (STDA1 or STDA2)
- A variable depth operating mechanism
- An extended length drive rod (if required)

When using a circuit breaker with a Spectra Flex cable operator, order:

- A circuit breaker
- A flange-mounted handle mechanism
- A breaker-mounted mechanism
- An operating cable

I-T-E Siemens

When using a disconnect switch, order:

- A basic switch (right-hand)
- A fuse or no-fuse kit
- FHOHS flange-mounted handle
- Switch operator
- FHOECO36 cable for 12" deep or FHOECO48 for 18" and 24" deep enclosures

When using a circuit breaker, order:

- A circuit breaker
- Pressure wire connectors
- A flange-mounted handle
- An operating cable [12" deep or 18" deep enclosures accept 36" or 48" cables; 24" deep enclosures require a 48" cable]

Square D

When using a disconnect switch, order:

- A disconnect switch with operating mechanism
- A universal handle mechanism
- A long operating rod (if required)

When using a circuit breaker, order:

- A circuit breaker
- An operating mechanism
- A universal handle mechanism
- A long operating rod (if required)

When using a Class 9422 Type "T" disconnect switch with a cable mechanism, order:

- A disconnect switch with operating mechanism (Class 9422, Type T)
- A handle mechanism (Class 9422 Type A-1)
- A cable mechanism (Class 9422 CFT-O) 3-, 5-, or 10-foot

When using a circuit breaker with a cable mechanism, order:

- A circuit breaker (Square D)
- A handle mechanism (Class 9422 Type A-1)
- A cable mechanism (Class 9422 CFT-O) 3-, 5-, or 10-foot

TYPE 12 FLOOR MOUNT & FREESTANDING ENCLOSURE FOR FLANGE-MOUNTED DISCONNECT

Flange-Mounted Disconnect Enclosures

Allen-Bradley 1494F Disconnect Switches						Wire Bend Space Above Disconnect				
						Floor Mount Enclosures Type 12		Freestanding Enclosures Type 12		
						When A = 60 W	When A = 72 W	When A = 72 W	When A = 84 W	When A = 90 W
Type Number	Amp Rating	Fuse Clip	Fuse Class	Space Occupied						
				E	F*					
N30	30A	NO FUSE	NA	4.62	6.50	5.31	10.81	9.31	14.81	17.81
NF30	30A	30A-250V	H,K,R	6.25	6.50	5.31	10.81	9.31	14.81	17.81
NF30	30A	60A-250V	H,K,R	7.25	6.50	5.31	10.81	9.31	14.81	17.81
NF30	30A	30A-600V	H,K,R	9.25	6.50	5.31	10.81	9.31	14.81	17.81
NF30	30A	60A-600V	H,K,R	9.75	6.50	5.31	10.81	9.31	14.81	17.81
NF30	30A	30A-600V	J	6.50	6.50	5.31	10.81	9.31	14.81	17.81
NF30	30A	60A-600V	J	6.62	6.50	5.31	10.81	9.31	14.81	17.81
N60	60A	NO FUSE	NA	4.62	6.50	4.62	10.12	8.62	14.12	17.12
NF60	60A	30A-600V	H,K,R	10.38	6.50	4.62	10.12	8.62	14.12	17.12
NF60	60A	60A-250V	H,K,R	8.38	6.50	4.62	10.12	8.62	14.12	17.12
NF60	60A	100A-250V	H,K,R	10.88	6.50	4.62	10.12	8.62	14.12	17.12
NF60	60A	60A-600V	H,K,R	10.88	6.50	4.62	10.12	8.62	14.12	17.12
NF60	60A	100A-600V	H,K,R	12.88	6.50	4.62	10.12	8.62	14.12	17.12
NF60	60A	60A-600V	J	7.75	6.50	4.62	10.12	8.62	14.12	17.12
NF60	60A	100A-600V	J	9.75	6.50	4.62	10.12	8.62	14.12	17.12
N100	100A	NO FUSE	NA	4.62	7.25	NA	8.25	6.75	12.25	15.25
NF100	100A	100A-250V	H,K,R	11.38	7.38	NA	8.25	6.75	12.25	15.25
NF100	100A	200A-250V	H,K,R	12.25	7.62	NA	8.25	6.75	12.25	15.25
NF100	100A	100A-600V	H,K,R	13.38	7.50	NA	8.25	6.75	12.25	15.25
NF100	100A	200A-600V	H,K,R	14.75	7.75	NA	8.25	6.75	12.25	15.25
NF100	100A	100A-600V	J	10.12	7.38	NA	8.25	6.75	12.25	15.25
NF100	100A	200A-600V	J	10.88	7.50	NA	8.25	6.75	12.25	15.25
N200	200A	NO FUSE	NA	7.12	10.38	NA	6.62	5.12	10.62	13.62
NF200	200A	200A-250V	H,K,R	15.00	10.38	NA	6.62	5.12	10.62	13.62
NF200	200A	400A-250V	H,K,R	16.56	10.75	NA	6.62	5.12	10.62	13.62
NF200	200A	200A-600V	H,K,R	17.56	10.38	NA	6.62	5.12	10.62	13.62
NF200	200A	400A-600V	H,K,R	19.56	11.00	NA	6.62	5.12	10.62	13.62
NF200	200A	200A-600V	J	13.69	10.38	NA	6.62	5.12	10.62	13.62
NF200	200A	400A-600V	J	15.00	10.62	NA	6.62	5.12	10.62	13.62

*The "F" dimensions do not include space for auxiliary switches. See Allen-Bradley instructions for additional space required.

DISCONNECT WIRING SPACE INFORMATION

Flange-Mounted Disconnect Enclosures

Allen-Bradley Bulletin 1494D Operators for Circuit Breakers						Wire Bend Space Above Disconnect				
Type Number	Frame Rating	Circuit Breaker Type Frame Size	Space Occupied		Floor Mount Enclosures Type 12		Freestanding Enclosures Type 12			
			E	F*	When A = 60	When A = 72	When A = 72	When A = 84	When A = 90	
					W	W	W	W	W	
N4/N40	150A	Westinghouse EHD, FD, FDB, FDC, HFD, HMCP	5.81	4.31	5.25	10.75	9.25	14.75	17.75	
N5/N55	225A	General Electric TFC, TFK, THFK	8.81	4.50	4.44	9.94	8.44	13.94	16.94	
N5/N50	250A	Westinghouse JD, JDB, JDC, HJD, HMCP	8.81	4.50	4.44	9.84	8.44	13.94	16.94	
N5/N60	400A	Westinghouse KD, KDB, KDC, HKD, HMCP	8.81	5.62	NA	10.00	8.50	14.00	17.00	

*The "F" dimensions do not include space for auxiliary switches. See Allen-Bradley for additional space required.

For Floor Mount Disconnects:
 "D" = 5.88 when "A" = 60
 "D" = 11.38 when "A" = 72 (except for 200A switches)
 "D" = 10.06 when "A" = 72 (for 200A switches)

For Freestanding Disconnects:
 "D" = 9.88 when "A" = 72 (except for 200A switches)
 "D" = 8.56 when "A" = 72 (for 200 A switches)
 "D" = 15.38 when "A" = 84 (except for 200A switches)
 "D" = 14.06 when "A" = 84 (for 200A switches)
 "D" = 18.38 when "A" = 90 (except for 200A switches)
 "D" = 17.06 when "A" = 90 (for 200A switches)

Allen-Bradley 1494V Disconnect Switches						Wire Bend Space Above Disconnect				
Type Number	Amp Rating	Fuse Clip	Fuse Class	Space Occupied		Floor Mount Enclosures Type 12		Freestanding Enclosures Type 12		
				E	F*	When A = 60	When A = 72	When A = 72	When A = 84	When A = 90
						W	W	W	W	W
DS30	30A	NO FUSE	NA	3.88	6.75	6.00	11.50	10.00	15.50	18.50
DS30	30A	30A-250V	H,K,R	5.25	6.75	6.00	11.50	10.00	15.50	18.50
DS30	30A	30A-600V	H,K,R	8.00	6.75	6.00	11.50	10.00	15.50	18.50
DS30	30A	30A-600V	J	5.25	6.75	6.00	11.50	10.00	15.50	18.50
DS30	30A	60A-250V	H,K	6.00	6.75	6.00	11.50	10.00	15.50	18.50
DS30	30A	60A-600V	H,K	8.50	6.75	6.00	11.50	10.00	15.50	18.50
DS30	30A	60A-600V	J	5.38	6.75	6.00	11.50	10.00	15.50	18.50
DS60	60A	NO FUSE	NA	3.88	6.75	5.81	11.31	9.81	15.31	18.31
DS60	60A	60A-250V	H,K,R	6.00	6.75	5.81	11.31	9.81	15.31	18.31
DS60	60A	60A-600V	H,K,R	8.50	6.75	5.81	11.31	9.81	15.31	18.31
DS60	60A	60A-600V	J	5.38	6.75	5.81	11.31	9.81	15.31	18.31
DS60	60A	30A-600V	H,K,R	8.00	6.75	5.81	11.31	9.81	15.31	18.31
DS60	60A	100A-250V	H,K	8.50	6.75	5.81	11.31	9.81	15.31	18.31
DS60	60A	100A-600V	H,K	10.50	6.75	5.81	11.31	9.81	15.31	18.31
DS60	60A	100A-600V	J	7.25	6.75	5.81	11.31	9.81	15.31	18.31
DS100**	100A	NO FUSE	NA	3.88	6.75	5.81	11.31	9.81	15.31	18.31
DS100**	100A	100A-250V	H,K,R	8.12	6.75	5.81	11.31	9.81	15.31	18.31
DS100**	100A	100A-600V	H,K,R	10.12	6.75	5.81	11.31	9.81	15.31	18.31
DS100**	100A	100A-600V	J	6.80	6.75	5.81	11.31	9.81	15.31	18.31
DS100**	100A	60A-600V	H,K,R	10.12	6.75	5.81	11.31	9.81	15.31	18.31
DS100**	100A	60A-600V	J	8.88	6.75	5.81	11.31	9.81	15.31	18.31
DS200**	200A	NO FUSE	NA	4.75	8.00	4.34	9.84	8.34	13.84	16.84
DS200**	200A	200A-250V	H,K,R	10.88	8.00	4.34	9.84	8.34	13.84	16.84
DS200**	200A	200A-600V	H,K,R	13.88	8.00	4.34	9.84	8.34	13.84	16.84
DS200**	200A	200A-600V	J	9.50	8.00	4.34	9.84	8.34	13.84	16.84
DS200**	200A	100A-600V	H,K,R	12.00	8.00	4.34	9.84	8.34	13.84	16.84
DS200**	200A	100A-600V	J	8.75	8.00	4.34	9.84	8.34	13.84	16.84

*The "F" dimensions do not include space for auxiliary switches. See Allen-Bradley instructions for additional space required.
 **Series B

TYPE 12 FLOOR MOUNT & FREESTANDING ENCLOSURE FOR FLANGE-MOUNTED DISCONNECT

Flange-Mounted Disconnect Enclosures

Allen-Bradley Bulletin 1494V Operators for Circuit Breakers						Wire Bend Space Above Disconnect				
						Floor Mount Enclosures Type 12		Freestanding Enclosures Type 12		
						Type Number	Frame Rating	Circuit Breaker Type Frame Size	Space Occupied	
E	F*	W	W	W	W				W	
M40	15A-150A	Westinghouse EHD, FD, FDB, FDC, HFD, HMCP	5.00	4.62	7.25	12.75	11.25	16.75	19.75	
M50	70A-250A	Westinghouse JD, JDB, JDC, HJD, HMCP	9.75	4.88	6.81	12.31	10.81	16.31	19.31	
M60	100A-400A	Westinghouse KD, KDB, KDC, HKD, HMCP	9.69	6.25	NA	12.12	10.62	16.12	19.12	

*The "F" dimensions do not include space for auxiliary switches. See Allen-Bradley instructions for additional space required.

For Floor Mount Disconnects: "D" = 7.88 when "A" = 60
"D" = 13.38 when "A" = 72

For Freestanding Disconnects: "D" = 11.88 when "A" = 72
"D" = 17.38 when "A" = 84
"D" = 20.38 when "A" = 90

ABB Controls Disconnect Switches with Flange-Mounted Operators						Wire Bend Space Above Disconnect				
						Double Door Enclosures Type 12		Freestanding Enclosures Type 12		
						Switch Number	Amp Rating	Fuse Clip	Fuse Class	Space Occupied
E	F	W	W	W	W					W
OETL-NF30-F	40A	NO FUSE	NA	4.45	3.91	9.53	15.03	13.53	19.03	22.03
OETL-NF60-F	80A	NO FUSE	NA	4.86	3.91	9.34	14.84	13.34	18.84	21.84
OETL-NF100-F	100A	NO FUSE	NA	4.86	4.91	8.78	17.28	15.78	21.28	24.28
OETL-NF175-F	175A	NO FUSE	NA	7.30	6.62	6.53	12.03	10.53	16.03	19.03
OETL-NF200-F	200A	NO FUSE	NA	7.36	7.41	6.53	12.03	10.53	16.06	19.03
OESA-F30J6-F	30A	30A-600V	J	4.28	6.70	7.85	13.36	11.86	17.36	20.36
OESA-F60J6-F	60A	60A-600V	J	4.28	6.39	7.85	13.36	11.86	17.36	20.36
OESA-F100J6-F	100A	100A-600V	J	6.54	7.78	7.42	12.92	11.42	16.92	19.92

DISCONNECT WIRING SPACE INFORMATION

Flange-Mounted Disconnect Enclosures

ABB Controls Circuit Breakers with Flange-Mounted Operators					Wire Bend Space Above Disconnect				
					Floor Mount Enclosures Type 12		Freestanding Enclosures Type 12		
					Mechanism	Amp Rating	Frame Type	Space Occupied	
E	F	W	W	W				W	W
FHD-M	150A	D	6.92	4.06	8.42	13.92	12.42	17.92	20.92
FHF-M	150A-225A	E/Q	5.98	4.55	6.97	12.47	10.97	16.47	19.47
FHF-M	225A	F	7.44	4.55	6.97	12.47	10.97	16.47	19.47
FHJ-M	400A	J	9.71	5.75	5.02	10.52	9.02	14.52	17.52
FHM-M	600A	L	8.28	11.39	NA	10.03	8.53	14.03	17.03
FHM-M	800A	M	10.11	11.39	NA	9.62	8.12	13.62	16.62
FHN-M	1200A	N	12.18	11.39	NA	NA	NA	9.81	12.81

For Floor Mount Disconnects: "D" = 7.88 when "A" = 60
"D" = 13.38 when "A" = 72

For Freestanding Disconnects: "D" = 11.88 when "A" = 72
"D" = 17.38 when "A" = 84
"D" = 20.38 when "A" = 90

Cutler-Hammer C361 Disconnect Switches					Wire Bend Space Above Disconnect					
					Double Door Enclosures Type 12		Freestanding Enclosures Type 12			
					Switch Number	Amp Rating	Fuse Clip	Fuse Class	Space Occupied	
E	F	W	W	W					W	W
C361NC	30A	NO FUSE	NA	5.75	7.55	6.50	12.00	10.50	16.00	19.00
C361SC21	30A	30A-250V	H,K,R	8.38	7.55	6.50	12.00	10.50	16.00	19.00
C361SC61	30A	60A-250V	H,K,R	8.38	7.55	6.50	12.00	10.50	16.00	19.00
C361SC61	30A	30A-600V	H,J,K,R	8.38	7.55	6.50	12.00	10.50	16.00	19.00
C361ND	60A	NO FUSE	NA	5.75	7.55	6.50	12.00	10.50	16.00	19.00
C361SD22	60A	60A-250V	H,K,R	8.38	7.55	6.50	12.00	10.50	16.00	19.00
C361SD22	60A	30A-600V	J	8.38	7.55	6.50	12.00	10.50	16.00	19.00
C361SD62	60A	60A-600V	H,K,R	8.38	7.55	6.50	12.00	10.50	16.00	19.00
C361SD62	60A	60A-600V	J	8.38	7.55	6.50	12.00	10.50	16.00	19.00
C361NE	100A	NO FUSE	NA	5.56	9.07	6.06	11.56	10.06	15.56	18.56
C361SE263	100A	100A-250V	H,K,R	10.31	9.07	6.06	11.56	10.06	15.56	18.56
C361SE263	100A	100A-600V	H,K,R	10.31	9.07	6.06	11.56	10.06	15.56	18.56
C361SE263	100A	100A-600V	J	10.31	9.07	6.06	11.56	10.06	15.56	18.56
C361NF	200A	NO FUSE	NA	13.06	10.12	4.06	9.62	8.06	13.62	16.62
C361SF264	200A	200A-250V	H,K,R	13.06	10.12	4.06	9.62	8.06	13.62	16.62
C361SF264	200A	200A-600V	H,J,K,R	13.06	10.12	4.06	9.62	8.06	13.62	16.62

TYPE 12 FLOOR MOUNT & FREESTANDING ENCLOSURE FOR FLANGE-MOUNTED DISCONNECT

Flange-Mounted Disconnect Enclosures

Cutler-Hammer C371 Circuit Breaker Operators for C-H / Westinghouse Circuit Breakers					Wire Bend Space Above Disconnect						
					Space Occupied		Floor Mount Enclosures Type 12		Freestanding Enclosures Type 12		
							When A = 60 W	When A = 72 W	When A = 72 W	When A = 84 W	When A = 90 W
Mechanism	Max Amp Rating	Frame Type	E	F							
C371E	225A	F Frame: EHD, FDB, FD, HFD, FDC	6.00	5.62	7.62	13.12	11.62	17.12	20.12		
C371E	150A	F Frame: HMCP	6.00	5.62	7.62	13.12	11.62	17.12	20.12		
C371F	250A	J Frame: JDB, JD, HJD, JDC	8.94	8.12	7.50*	13.00	11.44	16.94	20.00		
C371F	250A	J Frame: HCMP	10.94	8.12	7.50*	13.00	11.44	16.94	20.00		
C371F	400A	K Frame: DK, KDB, KD, HKD	9.75	8.12	7.00*	12.50	11.00	16.50	19.50		
C371F	400A	K Frame: HMCP	9.75	8.12	7.00*	12.50	11.00	16.50	19.50		
C371G	600A	L Frame: LD, HLD, LDC	8.44	12.00	NA	10.88**	9.38	14.88	17.88		
C371G	600A	L Frame: HMCP	8.44	12.00	NA	10.88**	9.38	14.88	17.88		
C371K	800A	M Frame: MD, MDS	10.25	12.00	NA	NA	NA	11.31	14.31		
C371K	1200A	N Frame: ND, HND, NDC	10.25	12.00	NA	NA	NA	11.31***	14.31		

*Available wire bend space "W" does not allow cable sizes larger than 4/0 AWG in a 60" tall enclosure.
 **Available wire bend space "W" does not allow cable sizes larger than 300 MCM.
 ***Available wire bend space "W" does not allow cable sizes larger than 350 MCM in a 90" tall enclosure when using 4 cable per terminal.
 See **National Electrical Code 1999** table 373-6(b) for more information. Available wire bend space "W" is insufficient for use with Westinghouse breakers equipped with TA1201NB1 terminals.

For Floor Mount Disconnects: "D" = 7.88 when "A" = 60
 "D" = 13.38 when "A" = 72

For Freestanding Disconnects: "D" = 11.88 when "A" = 72
 "D" = 17.38 when "A" = 84
 "D" = 20.38 when "A" = 90

Cutler-Hammer Flex Shaft Operator Mechanisms for C-H/Westinghouse Circuit Breakers

Complete Operator Mechanism	Amp Rating	Frame Type	Breaker Height	Breaker Width
F1S03	225A	F-Frame/EHD, FDB, FD, HFD, FDC	6.00	4.12
F1S03	150A	F-Frame HMCP	6.00	4.12
F2S03	250A	J-Frame/JDB, JD, HJD, JDC	10.00	4.12
F2S03	250A	J-Frame HMCP	10.00	4.12
F3S03	400A	K-Frame/DK, KDB, KD, HKD	10.12	5.50
F3S03	400A	K-Frame HMCP	12.45	5.50
F4S03	600A	L-Frame/LD, HLD, LDC	10.75	8.25
F4S03	600A	L-Frame HMCP	12.50	8.25
F7S04	800A	M-Frame/MD, MDS	16.00	8.25
F5S04	1200A	N-Frame/ND, HND, NDC	16.00	8.25
F6S04	2500A	R-Frame/RD, CRD, RDC	16.00	15.50

-Catalog numbers for complete mechanisms include a flange-mounted handle, flexible shaft and circuit breaker mechanism.
 -The last digit of the catalog number denotes the length of shaft (F1S03 = 3 foot shaft). The F, J, K frame Flex Shafts are available in 3-foot to 10-foot lengths. The L, N, R frame Flex Shafts are available in 4-foot to 6-foot lengths.

Space Occupied by Disconnect

*The Flex Shaft system allows the circuit breaker to be positioned independent from the flange-mounted handle mechanism.
 *Refer to **National Electrical Code 1999**, article 430-10(b) for wiring space "W" required for line side conductors.
 *Choose the length of shaft based on placement of the circuit breaker in the enclosure ensuring a 4" minimum bending radius for the Flex Shaft.
 *Space occupied by circuit breaker is determined by overall height "X", width "Y", wire bend space "W" and location "F" as selected from right to left.

DISCONNECT WIRING SPACE INFORMATION

Flange-Mounted Disconnect Enclosures

Wire Bend Space Above Disconnect									
Cutler-Hammer Type SM Safety Handle Mechanisms for C-H/Westinghouse Circuit Breakers					Floor Mount Enclosures		Freestanding Enclosures		
					Type 12		Type 12		
					When A = 60	When A = 72	When A = 72	When A = 84	When A = 90
Handle Mechanism	Use with Circuit Breaker	Space Occupied		W	W	W	W	W	
		E	F						
SM101PR	FB Tri-Pac	8.00	5.38	6.50	12.00	10.50	16.00	19.00	
SM150R	F Frame EHD, FDB, FD, HFD, FDC	8.00	5.38	6.50	12.00	10.50	16.00	19.00	
SM250JR	J Frame JDB, JD, HJD, JDC	8.50	7.50	NA	9.50	8.00	13.50	16.50	
SM400KR	K Frame DK, KDB, KD, HKD	9.06	7.50	NA	9.12	7.62	13.12	16.12	
SM400PR	LA Tri-Pac	14.44	9.75	NA	9.25	7.75	13.25	16.25	
SM600R	L Frame LD, HLD, LDC	8.81	7.62	NA	NA	NA	12.38	15.38	
SM800R	M Frame MD, MDS, HMD	10.68	9.75	NA	NA	NA	9.66	12.66	
SM8000PR	NB Tri-Pac	16.81	9.75	NA	NA	NA	9.66	12.66	
For Floor Mount Disconnects:		"D" = 7.31 when "A" = 60 for up to type SM200 "D" = 12.81 when "A" = 72 for up to type SM200 "D" = 6.88 when "A" = 60 for type SM200 and larger "D" = 12.38 when "A" = 72 for type SM200 and larger							
For Freestanding Disconnects:		"D" = 11.31 when "A" = 72 for up to type SM200 "D" = 16.81 when "A" = 84 for up to type SM200 "D" = 19.81 when "A" = 90 for up to type SM200 "D" = 10.88 when "A" = 72 for type SM200 and larger "D" = 16.38 when "A" = 84 for type SM200 and larger "D" = 19.38 when "A" = 90 for type SM200 and larger							

Wire Bend Space Above Disconnect										
General Electric Type STDA Disconnect Switch Operators					Double Door Enclosures		Freestanding Enclosures			
					Type 12		Type 12			
					When A = 60	When A = 72	When A = 72	When A = 84	When A = 90	
Mechanism	Amp Rating	Fuse Clip	Fuse Class	Space Occupied		W	W	W	W	
				E	F					
TD0M1A	30A	NO FUSE	NA	6.88	5.38	8.38	13.88	12.38	17.88	20.88
TD0M1A	30A	30A-250V	H,R	6.88	5.38	8.38	13.88	12.38	17.88	20.88
TD0M1B	30A	30A-600V	H,R	11.50	5.38	8.38	13.88	12.38	17.88	20.88
TD0M1B	30A	60A-250V	H,R	11.50	5.38	8.38	13.88	12.38	17.88	20.88
TD0M1B	30A	60A-600V	H,R	11.50	5.38	8.38	13.88	12.38	17.88	20.88
TD0M1A	60A	NO FUSE	NA	6.88	5.38	8.38	13.88	12.38	17.88	20.88
TD0M1B	60A	60A-250V	H,R	11.50	5.38	8.38	13.88	12.38	17.88	20.88
TD0M1B	60A	60A-600V	H,R	11.50	5.38	8.38	13.88	12.38	17.88	20.88
TD0M1B	60A	100A-250V	H,R	11.50	5.38	8.38	13.88	12.38	17.88	20.88
TD0M1B	60A	100A-600V	H,R	11.50	5.38	8.38	13.88	12.38	17.88	20.88
TD0M1A	100A	NO FUSE	NA	6.88	5.38	8.38	13.88	12.38	17.88	20.88
TD0M1B	100A	100A-250V	H,R	11.50	5.38	8.38	13.88	12.38	17.88	20.88
TD0M1B	100A	100A-600V	H,R	11.50	5.38	8.38	13.88	12.38	17.88	20.88
TD0M1B	100A	200A-250V	H,R	11.50	5.38	8.38	13.88	12.38	17.88	20.88
TD0M1B	100A	200A-600V	H,R	11.50	5.38	8.38	13.88	12.38	17.88	20.88
TD0M2	200A	NO FUSE	NA	7.00	9.25	5.69	11.19	9.69	15.19	18.19
TD0M2	200A	200A-250V	H,R	15.38	9.25	5.69	11.19	9.69	15.19	18.19
TD0M2	200A	200A-600V	H,R	15.38	9.25	5.69	11.19	9.69	15.19	18.19

TYPE 12 FLOOR MOUNT & FREESTANDING ENCLOSURE FOR FLANGE-MOUNTED DISCONNECT

Flange-Mounted Disconnect Enclosures

General Electric Type STDA Operators for Circuit Breakers					Wire Bend Space Above Disconnect					
					Floor Mount Enclosures Type 12		Freestanding Enc Type 12			
					When A = 60 W	When A = 72 W	When A = 72 W	When A = 84 W		
Mechanism	Amp Rating	Frame Type	Space Occupied		E	F	A = 60 W	A = 72 W	A = 72 W	A = 84 W
			E	F						
SD0M1A	150A	TEB, TED, THED	6.88	5.38	7.24	12.74	11.24	16.74		
SD0M1A	150A	TEC	6.88	5.38	7.24	12.74	11.24	16.74		
TD0M1B	150A	TB1	11.50	5.38	7.24	12.74	11.24	16.74		
TD0M1B	150A	TEC, TECL	11.50	5.38	7.24	12.74	11.24	16.74		
TD0M1C	150A	TEL	6.88	5.38	7.24	12.74	11.24	16.74		
TD0M1D	150A	THLC1	6.88	5.38	5.87	11.37	9.87	15.37		
TD0M3	225A	TFJ	10.38	5.88	6.81	12.31	10.81	16.31		
TD0M3	225A	TFK, THFK, TFL	10.38	5.88	6.81	12.31	10.81	16.31		
TD0M4	400A	TJJ, TJK4, THJK4, TJL4V	8.25	9.50	NA	11.41	9.91	15.41		
TD0M4	600A	TJK6, THJK6, TJ4V, TJL4V	8.25	9.50	NA	11.41	9.91	15.41		
TD0M5	400A	TB4, TJH6S	14.25	9.50	NA	11.41	9.91	15.41		
TD0M6	225A	TLB2, THLC2	11.75	9.50	NA	10.85	NA	14.85		
TD0M6	400A	TLB4, THLC4	11.75	9.50	NA	9.47	NA	13.47		
TD0M6	800A-1200A	TKNA, THKMA, TK4V	11.75	9.50	NA	NA	NA	NA		
TD0M6	1200A	TK4V, THK4V	11.75	9.50	NA	NA	NA	NA		
TD0M7	600A	TB6	18.12	9.50	NA	NA	NA	11.75		
TD0M7	800A	TB8	18.12	9.50	NA	NA	NA	11.75		
TD0M7	1200A	TKL12S	18.12	9.50	NA	NA	NA	NA		
SD0M1A	150A	SPECTRA SE150	6.88	5.38	7.24	12.74	11.24	16.74		
SD0M3	250A	SPECTRA SF250	10.38	5.88	6.81	11.38	10.81	16.31		
SD0M4	600A	SPECTRA SG600	10.00	7.12	NA	8.68	NA	12.68		

For Floor Mount Disconnects: "D" = 7.88 when "A" = 60
"D" = 13.38 when "A" = 72

For Freestanding Disconnects: "D" = 11.88 when "A" = 72
"D" = 17.38 when "A" = 84
"D" = 20.38 when "A" = 90

Frame Size	Max Amp Rating	Circuit Breaker Height "X"	Circuit Breaker Width "Y"
E150	150A	6.31	4.12
SE150	150A	6.31	4.12
SF250	250A	10.12	4.12
SG600	600A	10.09	5.50
SK1200	1200A	15.50	8.25

See enclosure size tables for enclosures that will accept these devices

Frame Size	Breaker Mechanism	Flange Mounting Handle	Operating Cable*
E150	SC0M1A	SCH1	SC3L
SE150/SF250	SC0M1EF	SCH1	SC3L
SG600	SC0M1G	SCH1	SC3L
SK1200	SC0M1K	SCH3K	SC3H

*Operating cables are available in 3-foot to 10-foot lengths. (The number 3 in the catalog number denotes 3-foot cable).

Space Occupied by Circuit Breaker

*The General Electric Spectra-Flex cable operators allow a Circuit Breaker to be positioned independent from the flange-mounted handle mechanism.

*Refer to **National Electrical Code 1999** article 430-10(b) for wiring space "W" for line side conductors.

*Choose the operating cable length based on placement of circuit breaker in the enclosure ensuring a 3" minimum bending radius for the cable.

*Space occupied by circuit breaker is determined by overall circuit breaker size ("X" height and "Y" width) plus "W" wire bend space and location "F" (from right to left) as selected.

For Floor Mount Disconnects: "D" = 7.88 when "A" = 60
"D" = 13.38 when "A" = 72

For Freestanding Disconnects: "D" = 11.88 when "A" = 72
"D" = 17.38 when "A" = 84
"D" = 20.38 when "A" = 90

DISCONNECT WIRING SPACE INFORMATION

I-T-E Disconnect Switches for Max-Flex Operators

Switch	Amp Rating	Fuse Clip	Fuse Class	Disconnect Height "X"	Disconnect Width "Y"
MCS603R	30A	NO FUSE	NA	5.52	6.13
MCS603R	30A	30A-250V	H,K,R	8.11	6.13
MCS603R	30A	30A-600V	H,K,R	10.11	6.13
MCS603R	30A	30A-600V	J	8.48	6.13
MCS606R	60A	NO FUSE	NA	5.52	6.13
MCS606R	60A	60A-250V	H,K,R	7.86	6.13
MCS606R	60A	60A-600V	H,K,R	10.38	6.13
MCS606R	60A	60A-600V	J	8.36	6.13
MCS610R	100A	NO FUSE	NA	7.59	7.38
MCS610R	100A	100A-250V	H,K,R	11.85	7.38
MCS610R	100A	100A-600V	H,K,R	13.85	7.38
MCS610R	100A	100A-600V	J	10.60	7.38
MCS620R	200A	NO FUSE	NA	9.02	9.17
MCS620R	200A	200A-250V	H,K,R	14.70	9.17
MCS620R	200A	200A-600V	H,K,R	17.20	9.17
MCS620R	200A	200A-600V	J	13.32	9.17

See enclosure size table for enclosures that accept these devices

Floor Mount enclosures that are 24" deep require a 48" Max-Flex cable (minimum)

I-T-E Circuit Breakers with Max-Flex Operators

Complete (1)(2) Operator Mechanism	Circuit Breaker Frame	Maximum Amp Rating	Circuit Breaker Height "X"	Circuit Breaker Width "Y"	Circuit Breaker Type
FH0E036	ED	125A	6.34	3.00	ED2, ED4, ED6, HED4, HED6
FH0E36	CED	125A	9.58	3.00	CED6
FH0F036	FD	250A	9.50	4.50	FXD6-A, FD6-A, HFD6, FXD6-ETJ, HHFD6, HHFXD6
FH0J036	CFD	250A	14.25	4.50	CFD6, CFD6-ETI
FH0J036	JD	400A	11.00	7.50	JXD2, JXD6, JD6, HJD6, HHJD6, HHJXD6, JXD6-ETI
FH0J036	CJD	400A	17.86	7.50	CJD6, CJD6-ETI
FH0J036	LD	600A	11.00	7.50	LXD6, LD6, HLD6, HHLXD6, HHLDX6, LXD6-ETI
FH0J036	CLD	600A	17.86	7.50	CLD6, CLD6-ETI
FH0LM036	LMD	800A	16.00	9.00	LMD6, LMXD6, HLMXD6, HLMXD6-ETI

Mechanisms and Circuit Breakers listed above will fit any enclosure

(1)- The last 3 digits of operator mechanism number indicate cable length in inches. 48" cables are available for ED, FD, JD/LD operators, and 60" cables for MD/ND, PD/RD operators.

(2)- For Type 4 applications order handle, cable and circuit breaker operator separately

For Floor Mount Disconnects: "D" = 7.88 when "A" = 60
"D" = 13.38 when "A" = 72

For Freestanding Disconnects: "D" = 11.88 when "A" = 72
"D" = 17.38 when "A" = 84
"D" = 20.38 when "A" = 90

Space Occupied by Disconnect

*The I-T-E Max-Flex cable system allows the disconnect to be positioned independent from the flange-mounted handle operator.

*Refer to **National Electrical Code 1999** article 430-10(b) for wiring space "W" required for line side conductors.

*Refer to Siemens I-T-E installation instructions for limits on disconnect location when using a 36" or 48" Max-Flex cables.

*Space occupied by disconnect is determined by overall disconnect height "X", width "Y", wire bend space "W", and location "F" from right to left as selected.

TYPE 12 FLOOR MOUNT & FREESTANDING ENCLOSURE FOR FLANGE-MOUNTED DISCONNECT

Flange-Mounted Disconnect Enclosures

Wire Bend Space Above Disconnect										
Square D Class 9422 Variable Depth Disconnects Switches						Double Door Enclosures		Freestanding Enclosures		
						Type 12		Type 12		
						When A = 60 W	When A = 72 W	When A = 72 W	When A = 84 W	When A = 90 W
Type Number	Amp Rating	Fuse Clip	Fuse Class	Space Occupied						
				E	F					
TCN-30	30A	NO FUSE	NA	3.80	6.97	6.75	10.75	12.25	16.25	19.25
TCF-30	30A	30A-250V	H,K,R	5.53	6.97	6.75	10.75	12.25	16.25	19.25
TCF-33	30A	30A-600V	H,K,R	8.15	6.97	6.75	10.75	12.25	16.25	19.25
TCF-33	30A	60A-250V	H,K,R	6.15	6.97	6.75	10.75	12.25	16.25	19.25
TCF-33	30A	30A-600V	J	5.53	6.97	6.75	10.75	12.25	16.25	19.25
TDN-60	60A	NO FUSE	NA	3.80	6.97	6.75	10.75	12.25	16.25	19.25
TDF-60	60A	30A-600V	H,K,R	8.15	6.97	6.75	10.75	12.25	16.25	19.25
TDF-60	60A	60A-250V	H,K,R	6.15	6.97	6.75	10.75	12.25	16.25	19.25
TDF-63	60A	60A-600V	H,K,R	8.65	6.97	6.75	10.75	12.25	16.25	19.25
TDF-63	60A	60A-600V	J	5.53	6.97	6.75	10.75	12.25	16.25	19.25
TEN-10	100A	NO FUSE	NA	3.80	6.97	6.62	10.62	12.13	16.13	19.13
TEF-10	100A	100A-250V	H,K,R	8.25	6.97	6.62	10.62	12.13	16.13	19.13
TEF-10	100A	100A-600V	H,K,R	10.25	6.97	6.62	10.62	12.13	16.13	19.13
TEF-10	100A	100A-600V	J	7.05	6.97	6.62	10.62	12.13	16.13	19.13
TEF-13	100A	200A-600V	J	NA	NA	6.62	10.62	12.13	16.13	19.13
TC-1	30A	NO FUSE	NA	5.75	6.12	5.88	9.88	11.38	15.38	18.38
TC-2	30A	30A-250V	H,K,R	5.75	6.12	5.88	9.88	11.38	15.38	18.38
TC-3	30A	30A-600V	H,K,R	7.75	6.12	5.88	9.88	11.38	15.38	18.38
TC-3	30A	60A-250V	H,K,R	5.88	6.12	5.88	9.88	11.38	15.38	18.38
TC-3	30A	30A-600V	J	5.75	6.12	5.88	9.88	11.38	15.38	18.38
TD-1	60A	NO FUSE	NA	6.38	6.75	6.75	10.75	12.25	16.25	19.25
TD-2	60A	30A-600V	H,K,R	8.50	6.75	6.75	10.75	12.25	16.25	19.25
TD-2	60A	60A-250V	H,K,R	6.50	6.75	6.75	10.75	12.25	16.25	19.25
TD-3	60A	60A-600V	H,K,R	9.00	6.75	6.75	10.75	12.25	16.25	19.25
TD-3	60A	60A-600V	J	6.38	6.75	6.75	10.75	12.25	16.25	19.25
TE-1	100A	NO FUSE	NA	4.75	8.50	6.50	10.50	12.00	16.00	19.00
TE-2	100A	100A-250V	H,K,R	7.50	8.50	6.50	10.50	12.00	16.00	19.00
TE-2	100A	100A-600V	H,K,R	9.50	8.50	6.50	10.50	12.00	16.00	19.00
TE-2	100A	100A-600V	J	6.25	8.50	6.50	10.50	12.00	16.00	19.00
TE-3	100A	200A-600V	J	13.75	8.50	6.50	10.50	12.00	16.00	19.00
TF-1	200A	NO FUSE	NA	5.50	11.75	5.12	9.12	10.62	14.62	17.62
TF-2	200A	200A-250V	H,K,R	11.50	11.75	5.12	9.12	10.62	14.62	17.62
TF-2	200A	200A-600V	H,K,R	14.00	11.75	5.12	9.12	10.62	14.62	17.62
TF-2	200A	200A-600V	J	10.12	11.75	5.12	9.12	10.62	14.62	17.62
TF-3	200A	400A-600V	J	14.50	11.75	5.12	9.12	10.62	14.62	17.62

Wire Bend Space Above Disconnect										
Square D Class 9422 Variable Depth Operators-Circuit Breakers						Double Door Enclosures		Freestanding Enclosures		
						Type 12		Type 12		
						When A = 60 W	When A = 72 W	When A = 72 W	When A = 84 W	When A = 90 W
Type Number	Amp Rating	Fuse Clip	Space Occupied							
			E	F						
RG-1	75A	GJL	3.53	3.87	6.69	12.19	10.69	16.19	19.19	
RG-1	100A	GJL	3.53	3.87	6.69	12.19	10.69	16.19	19.19	
RN-1	100A	FAL, FHL	5.12	5.38	6.88	12.38	10.88	16.38	19.38	
RP-1	250A	KAL, KHL	7.12	5.75	7.56	13.06	11.56	17.06	20.06	
RR-1	400A	LAL, LHL, Q4L	7.62	8.88	NA	8.75	NA	12.75	15.75	
RT-1	800A	MEL, MXL	9.12	12.00	NA	NA	NA	12.62	15.62	
RT-1	1000A	MAL, MHL	9.12	12.00	NA	NA	NA	12.62	15.62	

For Floor Mount Disconnects: "D" = 7.88 when "A" = 60
"D" = 13.38 when "A" = 72

For Freestanding Disconnects: "D" = 11.88 when "A" = 72
"D" = 17.38 when "A" = 84
"D" = 20.38 when "A" = 90

DISCONNECT WIRING SPACE INFORMATION

Square D Class 9422 Disconnect Switches used with Cable Mechanism 9422-CFT30* and 9422A-1 Handle Mechanism

Switch	Amp Rating	Fuse Clip	Fuse Class	Disconnect Height "X"	Disconnect Width "Y"
TCN-30	30A	NO FUSE	NA	5.90	6.20
TCF-30	30A	30A-250V	H,K,R	7.50	6.20
TCF-33	30A	30A-600V	H,K,R	10.15	6.20
TCF-33	30A	60A-250V	H,K,R	8.15	6.20
TCF-33	30A	30A-600V	J	7.50	6.20
TDN-60	60A	NO FUSE	NA	5.90	6.20
TDF-60	60A	30A-600V	H,K,R	10.15	6.20
TDF-60	60A	60A-250V	H,K,R	8.15	6.20
TDF-63	60A	60A-600V	H,K,R	10.65	6.20
TDF-63	60A	60A-600V	J	7.50	6.20
TEN-10	100A	NO FUSE	NA	5.90	6.20
TEF-10	100A	100A-250V	H,K,R	10.35	6.20
TEF-10	100A	100A-600V	H,K,R	12.35	6.20
TEF-10	100A	100A-600V	J	10.35	6.20

See enclosure size table for enclosures that accept these devices.

*Use switches listed above with appropriate cable mechanism and 9422-A1 handle mechanism.
Cable operators are available in 3-foot, 5-foot and 10-foot lengths. Numbers shown (30) are for 3-foot cables

Square D Class 9422 Cable Mechanisms for Circuit Breakers

Cable Type* Switch	Amp Rating	Frame Type	Circuit Breaker Height "X"
9422 CGJ30	75A	GJL	4.75
9422 CEJ30	100A	GJL	4.75
9422 CFA30	100A	FAL, FHL	6.00
9422 CKA30	250A	KAL, KHL	8.00
9422 CLA30	400A	LAL, LHL, Q4L	11.00

See enclosure size table for enclosures that accept these devices.

Use cable mechanism with appropriate circuit breaker and 9422-A1 handle mechanism.
*Cable operators are available in 3-foot, 5-foot and 10-foot lengths. Numbers shown (30) are for 3-foot cables.

Space Occupied by Disconnect Switch or Circuit Breaker

- Space D cable mechanisms allow disconnect device to be positioned independent from the flange-mounted handle mechanism.
- Refer to **National Electrical Code 1999** article 430-10(b) for wiring space "W" required for line side conductors.
- Choose cable mechanism length based on placement of disconnect in enclosure. See Square D Instruction Bulletin for minimum bend radius for cable.
- Space occupied by disconnect is determined by overall disconnect ("X" height and "Y" width) plus "W" wire bend space and location "F" (from right to left) as selected.

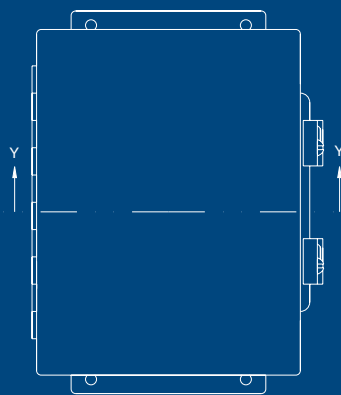
JIC CONTINUOUS HINGE BOXES

Austin JIC Continuous Hinge (JH) boxes are Underwriters Laboratories Listed and are designed for use as electrical junction boxes, terminal wiring boxes, and instruments housing. They provide a degree of protection against dust, dirt, spraying of water, oil, and noncorrosive liquids.

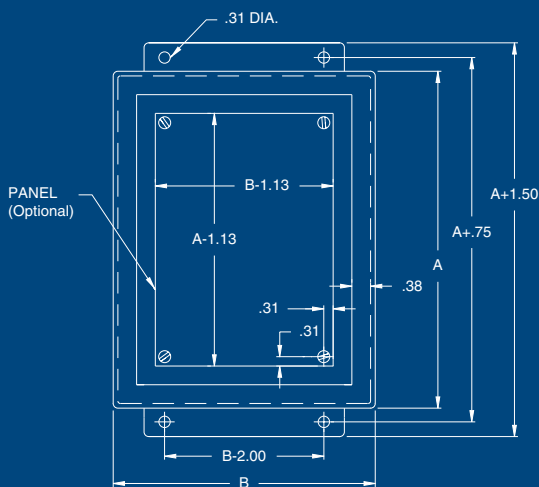
Construction:

- Fabricated in accordance with UL specifications from 14 gauge steel.
- Continuously welded seams ground smooth.
- Neoprene gasket attached to cover with oil resistant adhesive.
- Cover held in place by continuous hinge on one side and stainless steel external screw clamps on opposite side.
- External mounting feet.
- Enclosures that are 6x4x3 and over have stand-offs provided for mounting optional panel or terminal kit.

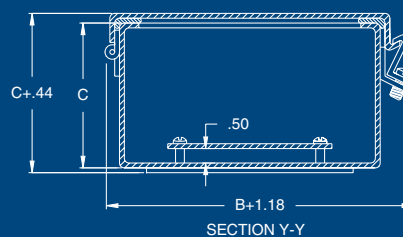
Type 4, 12 & 13
Oiltight
Enclosures



1 CLAMP USED WHEN "A" IS LESS THAN 8"



FRONT VIEW WITH NO COVER AND CLAMPS REMOVED



Finish:

Austin JIC Continuous Hinge boxes are provided standard with an ANSI 61 gray polyester powder coating. Optional panels are painted white.

Options:

- Special materials.
- Special finishes.
- Custom box size or construction.
- Hasp for padlocking.

**INDUSTRY
STANDARDS**

UL 50 **Type 12 & 13**
UL 508 **Type 12 & 13**
NEMA **Type 12 & 13**
CUL **Type 12 & 13**

Austin Electrical Enclosures
Post Office Box 2320
Yadkinville, NC 27055

Phone: 336.468.2851
800.288.2851

JIC CONTINUOUS HINGE BOXES

Catalog Number	Enclosure Size (AxBxC)	Weight	Panel Catalog Number	Catalog Number	Enclosure Size (AxBxC)	Weight	Panel Catalog Number
AB-443JH	4x4x3	2	NA	AB-866JH	8x6x6	7	AB-86JP
AB-643JH	6x4x3	3	AB-64JP	AB-1086JH	10x8x6	10	AB-108JP
AB-863.5JH	8x6x3 1/2	5	AB-86JP	AB-10106JH	10x10x6	11	AB-1010JP
AB-444JH	4x4x4	2	NA	AB-12126JH	12x12x6	15	AB-1212JP
AB-644JH	6x4x4	3	AB-64JP	AB-14126JH	14x12x6	17	AB-1412JP
AB-664JH	6x6x4	4	AB-66JP	AB-16146JH	16x14x6	20	AB-1614JP
AB-884JH	8x8x4	7	AB-88JP	AB-12108JH	12x10x8	15	AB-1210JP
AB-1084JH	10x8x4	8	AB-108JP	AB-14128JH	14x12x8	19	AB-1412JP
AB-1264JH	12x6x4	8	AB-126JP	AB-16148JH	16x14x8	23	AB-1614JP
AB-12105JH	12x10x5	12	AB-1210JP	AB-161410JH	16x14x10	26	AB-1614JP

Type 4, 12 & 13
Oiltight
Enclosures



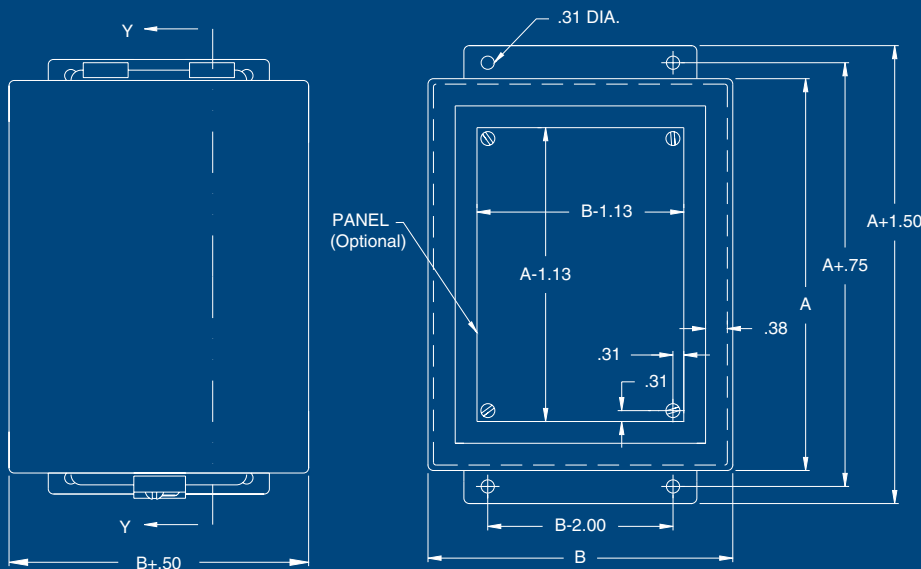
JIC LIFT-OFF HINGE BOXES

Austin JIC Lift-Off Hinge (JL) boxes are Underwriters Laboratories Listed and are designed for use as electrical junction boxes, terminal wiring boxes, and instruments housing. They provide a degree of protection against dust, dirt, spraying of water, oil, and noncorrosive liquids.

Construction:

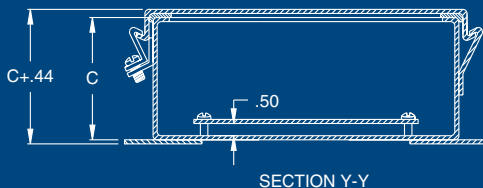
- Fabricated in accordance with UL specifications from 14 gauge steel.
- Continuously welded seams ground smooth.
- Neoprene gasket attached to cover with oil resistant adhesive.
- Cover held in place by stainless steel external screw clamps.
- Chain holds cover to box when cover is removed.
- Enclosures that are 6x4x3 and over have stand-offs provided for mounting optional panel.
- External mounting feet.

Type 4, 12 & 13
Ollight
Enclosures



COVER ATTACHED TO BOX BY SMALL CHAIN (NOT SHOWN). WHEN "B" = 8 OR MORE, 2 CLAMPS ARE USED AT THIS END

FRONT VIEW WITH NO COVER AND CLAMPS REMOVED



Finish:

Austin JIC Lift-Off Hinge boxes are provided standard with an ANSI 61 gray polyester powder coating. Optional panels are painted white.

Options:

- Special materials.
- Special finishes.
- Custom box size or construction.

**INDUSTRY
STANDARDS**

UL 50 **Type 12 & 13**
UL 508 **Type 12 & 13**
NEMA **Type 12 & 13**
CUL **Type 12 & 13**

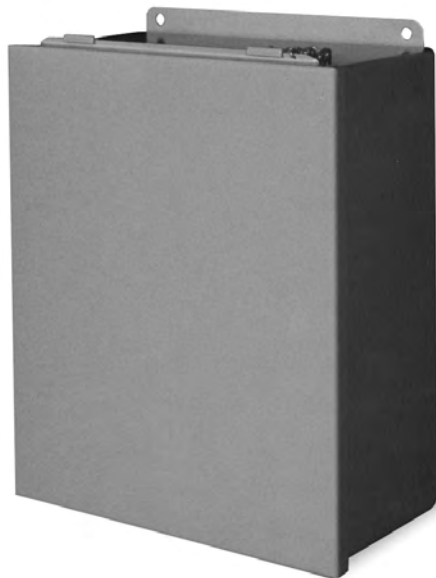
Austin Electrical Enclosures
Post Office Box 2320
Yadkinville, NC 27055

Phone: 336.468.2851
800.288.2851

JIC LIFT-OFF HINGE BOXES

Catalog Number	Enclosure Size (AxBxC)	Weight	Panel Catalog Number
AB-443JL	4x4x3	2	NA
AB-643JL	6x4x3	3	AB-64JP
AB-863.5JL	8x6x3 1/2	5	AB-86JP
AB-444JL	4x4x4	5	NA
AB-644JL	6x4x4	2	AB-64JP
AB-664JL	6x6x4	3	AB-66JP
AB-1084JL	10x8x4	8	AB-108JP
AB-12105JL	12x10x5	12	AB-1210JP
AB-14126JL	14x12x6	16	AB-1412JP
AB-16146JL	16x14x6	21	AB-1614JP

Type 4, 12 & 13
Oiltight
Enclosures



JIC SCREW COVER BOXES

Austin JIC Screw Cover (JS) boxes are Underwriters Laboratories Listed and are designed for use as electrical junction boxes, terminal wiring boxes, and instruments housing. They are designed for indoor or outdoor use primarily to provide a degree of protection against windblown dust and rain, splashing water, hose directed water and damage from external ice formation.

Construction:

- Fabricated in accordance with UL specifications from 14 gauge steel.
- Neoprene gasket attached to cover with oil resistant adhesive.
- Cover attached with captivated screws threaded into sealed wells.
- Continuously welded seams ground smooth.
- External mounting feet.
- Enclosures that are 6x4x3 and over are provided with stand-offs for mounting optional panel.

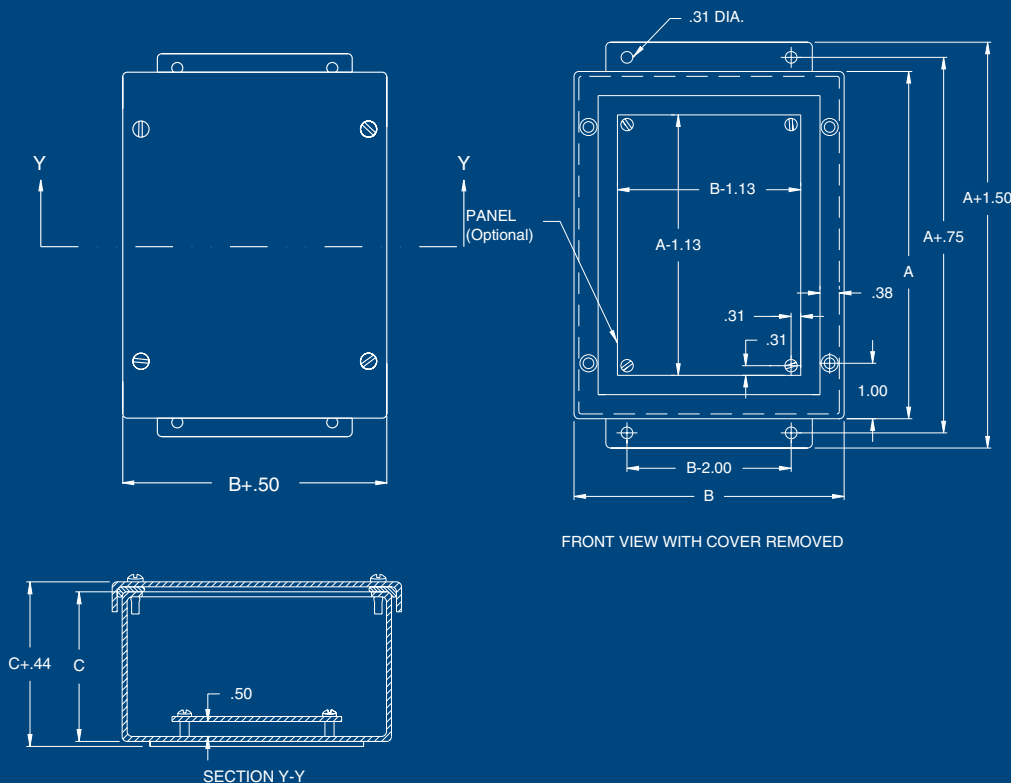
Type 4, 12 & 13
Oiltight
Enclosures

Finish:

Austin JIC Screw Cover boxes are provided standard with an ANSI 61 gray polyester powder coating. Optional panels are painted white.

Options:

- Special materials.
- Special finishes.
- Custom box size or construction.



**INDUSTRY
STANDARDS**

UL 50 **Type 4, 12 & 13**
 UL 508 **Type 4, 12 & 13**
 NEMA **Type 4, 12 & 13**
 CUL **Type 4, 12 & 13**

Austin Electrical Enclosures
 Post Office Box 2320
 Yadkinville, NC 27055

Phone: 336.468.2851
 800.288.2851

JIC SCREW COVER BOXES

Catalog Number	Enclosure Size (AxBxC)	Weight	Panel Catalog Number
AB-443JS	4x4x3	2	NA
AB-643JS	6x4x3	3	AB-64JP
AB-863.5JS	8x6x3 1/2	5	AB-86JP
AB444JS	4x4x4	2	NA
AB-644JS	6x4x4	3	AB-64JP
AB-664JS	6x6x4	4	AB-66JP
AB-884JS	8x8x4	7	AB-88JP
AB-1084JS	10x8x4	8	AB-108JP
AB-10104JS	10x10x4	9	AB-1010JP
AB-12105JS	12x10x5	11	AB-1210JP
AB-866JS	8x6x6	7	AB-86JP
AB-1086JS	10x8x6	10	AB-108JP
AB-10106JS	10x10x6	11	AB-1010JP
AB-12126JS	12x12x6	15	AB-1212JP
AB-14126JS	14x12x6	16	AB-1412JP
AB-16146JS	16x14x6	20	AB-1614JP

Type 4, 12 & 13
Oiltight
Enclosures



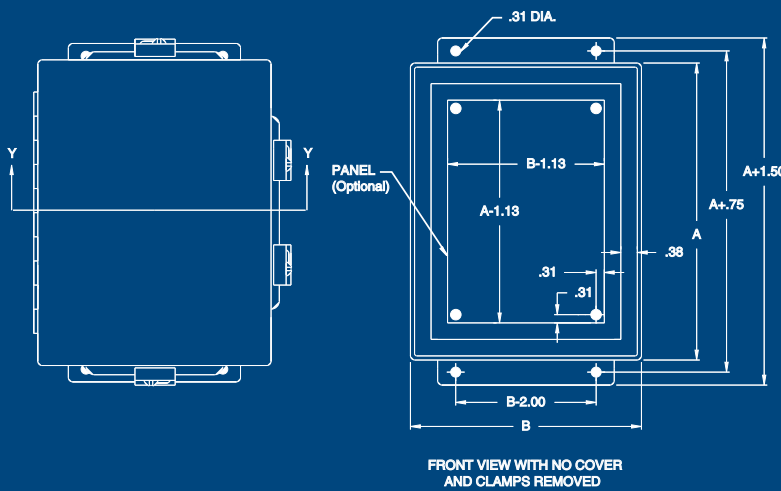
JIC NEMA 4 CONTINUOUS HINGE BOXES

Austin JIC Continuous Hinge NEMA 4 (JFH) boxes are Underwriters Laboratories Listed and are designed for use as electrical junction boxes, terminal wiring boxes, and instruments housing. They are designed for indoor or outdoor use primarily to provide a degree of protection against windblown dust and rain, splashing water, hose directed water and damage from external ice formation.

Construction:

- Fabricated in accordance with UL specifications from 14 gauge steel.
- Neoprene gasket attached to cover with oil resistant adhesive.
- Stainless steel external screw clamps on three sides.
- Stainless steel continuous hinge.
- Continuously welded seams ground smooth.
- External mounting feet.
- Enclosures that are 6x4x3 and over are provided with stand-offs for mounting optional panel.

Type 4, 12 & 13
Oiltight
Enclosures

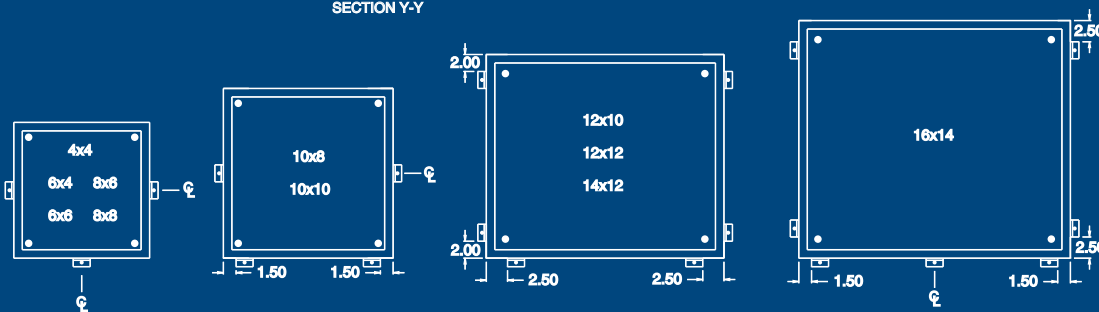


Finish:

Austin JIC Continuous Hinge NEMA 4 boxes are provided standard with an ANSI 61 gray polyester powder coating. Optional panels are painted white.

Options:

- Special materials.
- Special finishes.
- Custom box size or construction.
- Hasp for padlocking.



**INDUSTRY
STANDARDS**

UL 50 Type 4, 12 & 13
UL 508 Type 4, 12 & 13
NEMA Type 4, 12 & 13
CUL Type 4, 12 & 13

Austin Electrical Enclosures
Post Office Box 2320
Yadkinville, NC 27055

Phone: 336.468.2851
800.288.2851

JIC NEMA 4 CONTINUOUS HINGE BOXES

Catalog Number	Enclosure Size (AxBxC)	Weight	Panel Catalog Number
AB-443JFH	4x4x3	2	NA
AB-643JFH	6x4x3	3	AB-64JP
AB-863.5JFH	8x6x3 1/2	6	AB-86JP
AB-664JFH	6x6x4	4	AB-66JP
AB-1084JFH	10x8x4	9	AB-108JP
AB-12105JFH	12x10x5	13	AB-1210JP
AB-10106JFH	10x10x6	11	AB-1010JP
AB-12126JFH	12x12x6	15	AB-1212JP
AB-14126JFH	14x12x6	17	AB-1412JP
AB-16146JFH	16x14x6	20	AB-1614JP

Type 4, 12 & 13
Oiltight
Enclosures



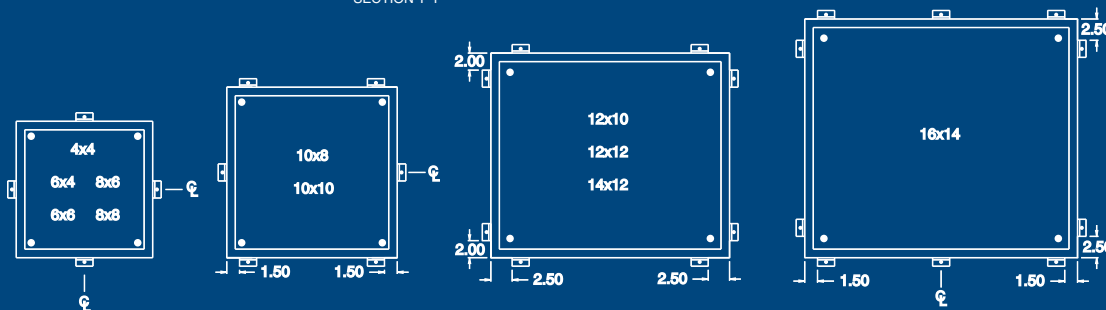
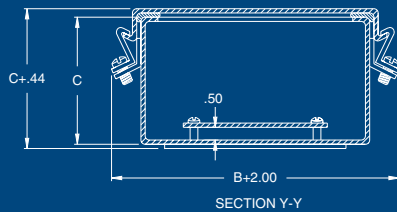
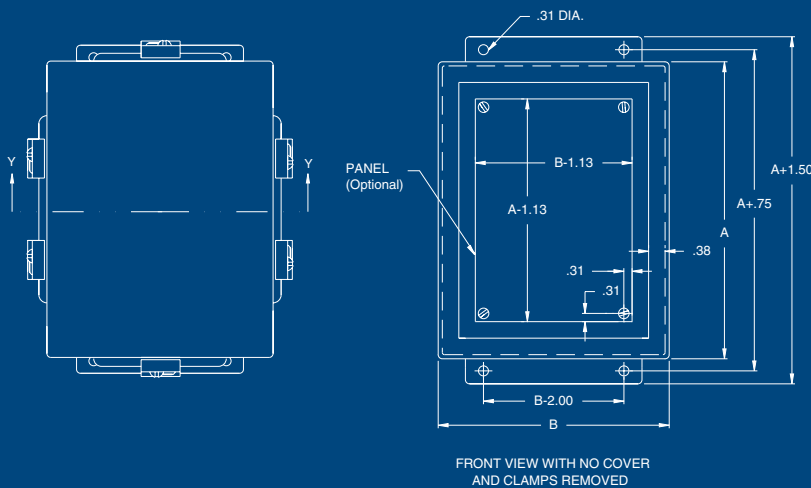
JIC NEMA 4 CLAMP COVER BOXES

Austin JIC Clamp Cover NEMA 4 (JFC) boxes are Underwriters Laboratories Listed and are designed for use as electrical junction boxes, terminal wiring boxes, and instruments housing. They are designed for indoor and outdoor use primarily to provide a degree of protection against windblown dust and rain, splashing water, hose directed water and damage from external ice formation.

Construction:

- Fabricated in accordance with UL specifications from 14 gauge steel.
- Continuously welded and ground smooth.
- Cover held in place by stainless steel external screw clamps all four sides.
- Neoprene gasket attached to cover with oil resistant adhesive.
- External mounting feet.
- Enclosures that are 6x4x3 and over have stand-offs provided for mounting optional panel.

Type 4, 12 & 13
Oiltight
Enclosures



Finish:

Austin JIC Clamp Cover NEMA 4 boxes are provided standard with an ANSI 61 gray polyester powder coating. Optional panels are painted white.

Options:

- Special materials.
- Special finishes.
- Custom box size or construction.

**INDUSTRY
STANDARDS**

UL 50 Type 4, 12 & 13
UL 508 Type 4, 12 & 13
NEMA Type 4, 12 & 13
CUL Type 4, 12 & 13

Austin Electrical Enclosures
Post Office Box 2320
Yadkinville, NC 27055

Phone: 336.468.2851
800.288.2851

JIC NEMA 4 CLAMP COVER BOXES

Catalog Number	Enclosure Size (AxBxC)	Weight	Panel Catalog Number
AB-443JFC	4x4x3	2	NA
AB-643JFC	6x4x3	3	AB-64JP
AB-863.5JFC	8x6x3 1/2	6	AB-86JP
AB-664JFC	6x6x4	4	AB-66JP
AB-1084JFC	10x8x4	9	AB-108JP
AB-12105JFC	12x10x5	12	AB-1210JP
AB-14126JFC	14x12x6	17	AB-1412JP
AB-16146JFC	16x14x6	21	AB-1614JP

Type 4, 12 & 13
Oiltight
Enclosures



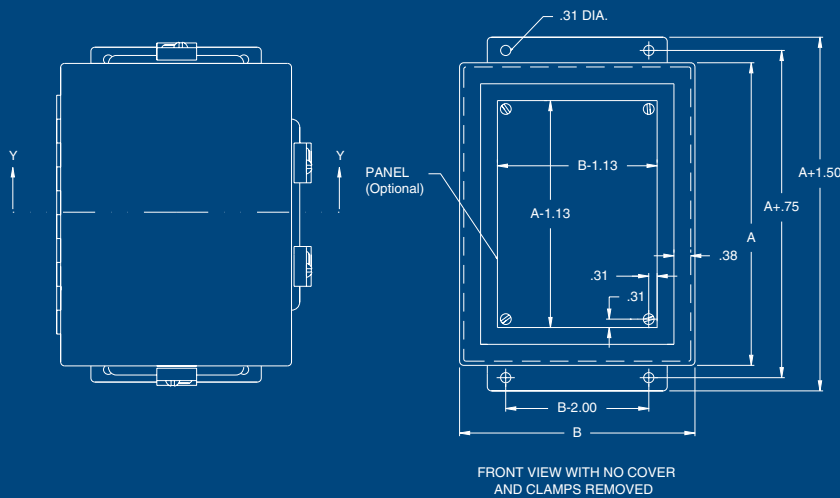
JIC NEMA 4X CONTINUOUS HINGE BOXES

Austin JIC Continuous Hinge NEMA 4X (JHFX) boxes are Underwriters Laboratories Listed and are designed for housing electrical components in highly corrosive environments. They are designed for indoor or outdoor use primarily to provide a degree of protection against corrosion, windblown dust and rain, splashing water, hose directed water and damage from external ice formation.

Construction:

- Fabricated in accordance with UL specifications from 14 gauge Type 304 stainless steel.
- Continuously welded seams ground smooth.
- Stainless steel external screw clamps.
- Stainless steel continuous hinge.
- Neoprene gasket attached to cover with oil resistant adhesive.
- External mounting feet.
- Enclosures that are 6x4x3 and over have stainless steel stand-offs provided for mounting optional panel.

Type 4, 12 & 13
Oiltight
Enclosures

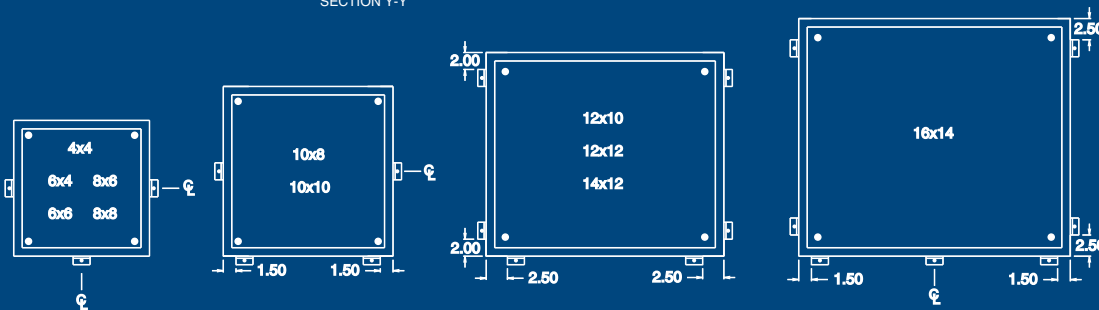


Finish:

Austin JIC Continuous Hinge NEMA 4X boxes are provided standard in Type 304 stainless steel. Optional panels are painted white or stainless steel panels are unpainted.

Options:

- Type 316 Stainless Steel.
- Custom box size or construction.
- Hasp for padlocking.



**INDUSTRY
STANDARDS**

UL 50 Types 4, 4X, 12 & 13
 UL 508 Types 4, 4X, 12 & 13
 NEMA Types 4, 4X, 12 & 13
 CUL Types 4, 4X, 12 & 13

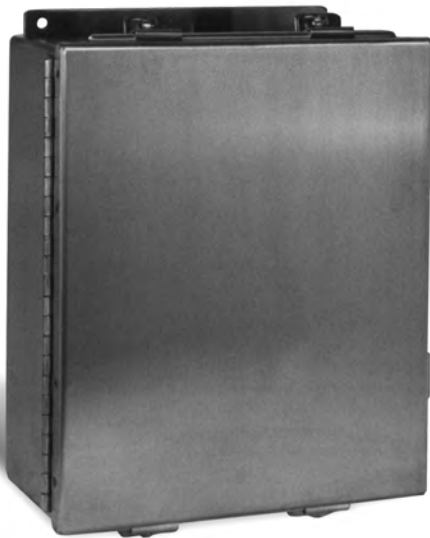
Austin Electrical Enclosures
 Post Office Box 2320
 Yadkinville, NC 27055

Phone: 336.468.2851
 800.288.2851

JIC NEMA 4X CONTINUOUS HINGE BOXES

Catalog Number	Enclosure Size (AxBxC)	Weight	Panel Catalog Number
AB-863.5JHFX	8x6x3 1/2	6	AB-86JP
AB-664JHFX	6x6x4	5	AB-66JP
AB-884JHFX	8x8x4	7	AB-88JP
AB-1084JHFX	10x8x4	9	AB-108JP
AB-12105JHFX	12x10x5	13	AB-1210JP
AB-14126JHFX	14x12x6	17	AB-1412JP
AB-16146JHFX	16x14x6	20	AB-1614JP

Type 4, 12 & 13
Oiltight
Enclosures



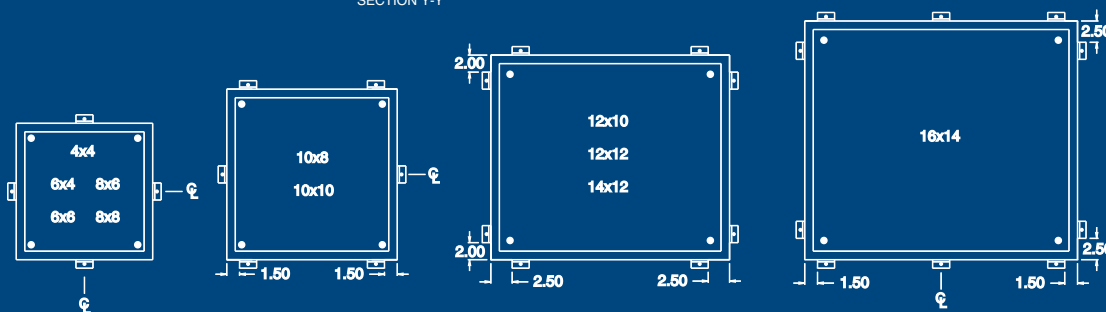
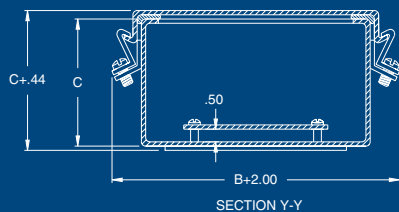
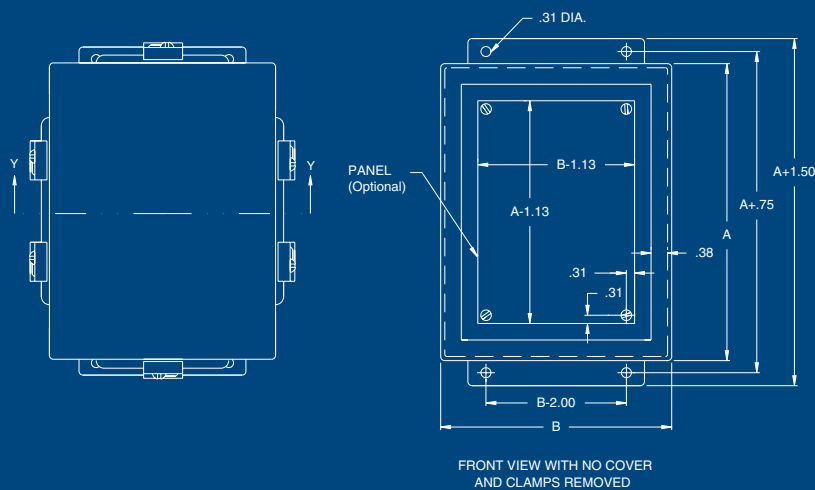
JIC NEMA 4X CLAMP COVER BOXES

Austin JIC Clamp Cover NEMA 4X (JFCX) boxes are Underwriters Laboratories Listed and are designed for housing electrical components in highly corrosive environments. They are designed for indoor or outdoor use primarily to provide a degree of protection against corrosion, windblown dust and rain, splashing water, hose directed water and damage from external ice formation.

Construction:

- Fabricated in accordance with UL specifications from 14 gauge Type 304 stainless steel.
- Continuously welded seams and ground smooth.
- Neoprene gasket attached to cover with oil resistant adhesive.
- Cover held in place by stainless steel external screw clamps.
- External mounting feet.
- Enclosures that are 6x4x3 and over have stainless steel stand-offs provided for mounting optional panel.

Type 4, 12 & 13
Oiltight
Enclosures



Finish:

Austin JIC Clamp Cover NEMA 4X boxes are provided standard in Type 304 stainless steel. Optional panels are painted white or stainless steel panels are unpainted.

Options:

- Type 316 Stainless Steel.
- Custom box size or construction.

**INDUSTRY
STANDARDS**

UL 50 Types 4, 4X, 12 & 13
 UL 508 Types 4, 4X, 12 & 13
 NEMA Types 4, 4X, 12 & 13
 CUL Types 4, 4X, 12 & 13

Austin Electrical Enclosures
 Post Office Box 2320
 Yadkinville, NC 27055

Phone: 336.468.2851
 800.288.2851

JIC NEMA 4X CLAMP COVER BOXES

Catalog Number	Enclosure Size (AxBxC)	Weight	Panel Catalog Number
AB-863.5JFCX	8x6x3 1/2	6	AB-86JP
AB-664JFCX	6x6x4	5	AB-66JP
AB-884JFCX	8x8x4	7	AB-88JP
AB-1084JFCX	10x8x4	9	AB-108JP
AB-12105JFCX	12x10x5	13	AB-1210JP
AB-12126JFCX	12x12x6	15	AB-1212JP
AB-14126JFCX	14x12x6	17	AB-1412JP
AB-16146JFCX	16x14x6	20	AB-1614JP

Type 4, 12 & 13
Oiltight
Enclosures



JIC ALUMINUM CONTINUOUS HINGE BOXES

Austin JIC Continuous Hinge aluminum (JHA) boxes are Underwriters Laboratories Listed and are designed for use as electrical junction boxes, terminal wiring boxes, and instruments housing. They provide a degree of protection against dust, dirt, spraying of water, oil, and noncorrosive liquids.

Construction:

- Fabricated in accordance with UL specifications from code gauge Type 5052 H-32 aluminum.
- Cover held in place by external screw clamps and aluminum continuous hinge.
- Continuously welded seams ground smooth.
- Neoprene gasket attached to cover with oil resistant adhesive.
- External mounting feet.
- Enclosures that are 6x4x3 and over have aluminum stand-offs provided for mounting optional panel.

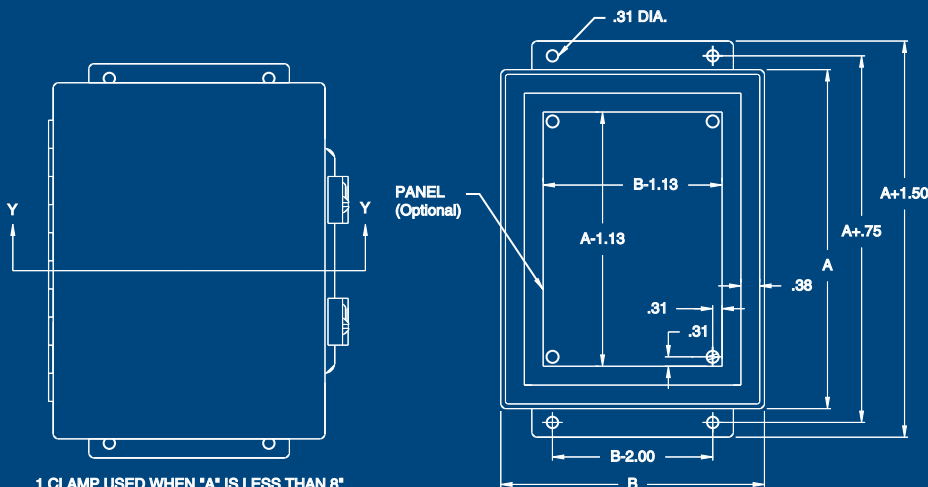
Type 4, 12 & 13
Olight
Enclosures

Finish:

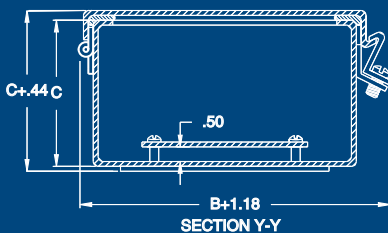
Austin JIC continuous hinge aluminum boxes are provided standard in Type 5052 H-32 aluminum. Optional aluminum panels are unpainted and optional steel panels are painted white.

Options:

- Custom box size or construction.
- Hasp for padlocking.



FRONT VIEW WITH NO COVER
AND CLAMPS REMOVED



SECTION Y-Y

**INDUSTRY
STANDARDS**

UL 50 **Type 12 & 13**
UL 508 **Type 12 & 13**
NEMA **Type 12 & 13**
CUL **Type 12 & 13**

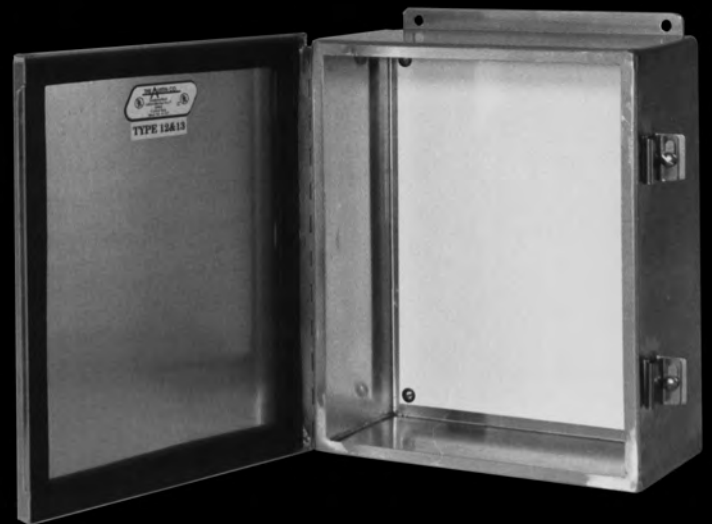
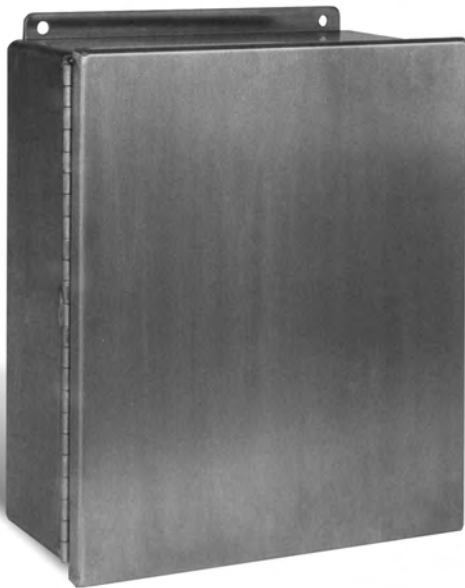
Austin Electrical Enclosures
Post Office Box 2320
Yadkinville, NC 27055

Phone: 336.468.2851
800.288.2851

JIC ALUMINUM CONTINUOUS HINGE BOXES

Catalog Number	Enclosure Size (AxBxC)	Weight	Panel Catalog Number
AB-643JHA	6X4X3	3	AB-64JP
AB-863.5JHA	8x6x3 1/2	2	AB-86JP
AB-664JHA	6x6x4	2	AB-66JP
AB-1084JHA	10x8x4	3	AB-108JP
AB-12105JHA	12x10x5	5	AB-1210JP
AB-14126JHA	14x12x6	7	AB-1412JP
AB-16146JHA	16x14x6	9	AB-1614JP

Type 4, 12 & 13
Oiltight
Enclosures



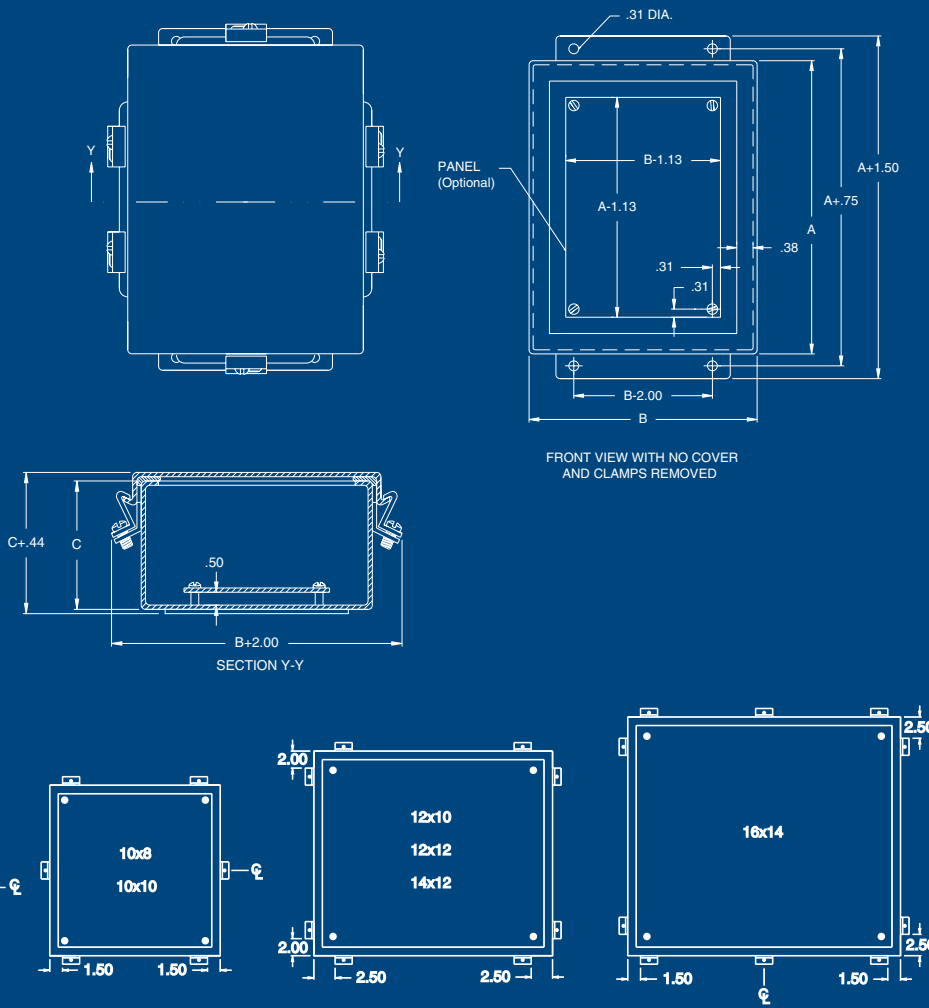
JIC NEMA 4X ALUMINUM CLAMP COVER BOXES

Austin JIC Clamp Cover NEMA 4X aluminum (JCA) boxes are Underwriters Laboratories Listed and are designed for use as electrical junction boxes, terminal wiring boxes, and instruments housing. They are designed for indoor or outdoor use primarily to provide a degree of protection against windblown dust and rain, splashing water, hose directed water, and damage from external ice formation.

Construction:

- Fabricated in accordance with UL specifications from code gauge Type 5052 H-32 aluminum.
- Cover is held in place by external screw clamps on all four sides.
- Continuously welded seams ground smooth.
- Neoprene gasket attached to cover with oil resistant adhesive.
- External mounting feet.
- Enclosures that are 6x4x3 and over have aluminum stand-offs provided for mounting optional panel.

Type 4, 12 & 13
Oiltight
Enclosures



Finish:

Austin JIC Clamp Cover NEMA 4X aluminum boxes are provided standard in Type 5052 H-32 aluminum. Optional aluminum panels are unpainted and optional steel panels are painted white.

Options:

- Custom box size or construction.

**INDUSTRY
STANDARDS**

UL 50 Types 4, 4X, 12 & 13
 UL 508 Types 4, 4X, 12 & 13
 NEMA Types 4, 4X, 12 & 13
 CUL Types 4, 4X, 12 & 13

Austin Electrical Enclosures
 Post Office Box 2320
 Yadkinville, NC 27055

Phone: 336.468.2851
 800.288.2851

JIC NEMA 4X ALUMINUM CLAMP COVER BOXES

Catalog Number	Enclosure Size (AxBxC)	Weight	Panel Catalog Number
AB-863.5JCA	8x6x3 1/2	2	AB-86JP
AB-664JCA	6x6x4	2	AB-66JP
AB-1084JCA	10x8x4	3	AB-108JP
AB-12106JCA	12x10x6	5	AB-1210JP
AB-14126JCA	14x12x6	7	AB-1412JP
AB-16146JCA	16x14x6	9	AB-1614JP

Type 4, 12 & 13
Oiltight
Enclosures



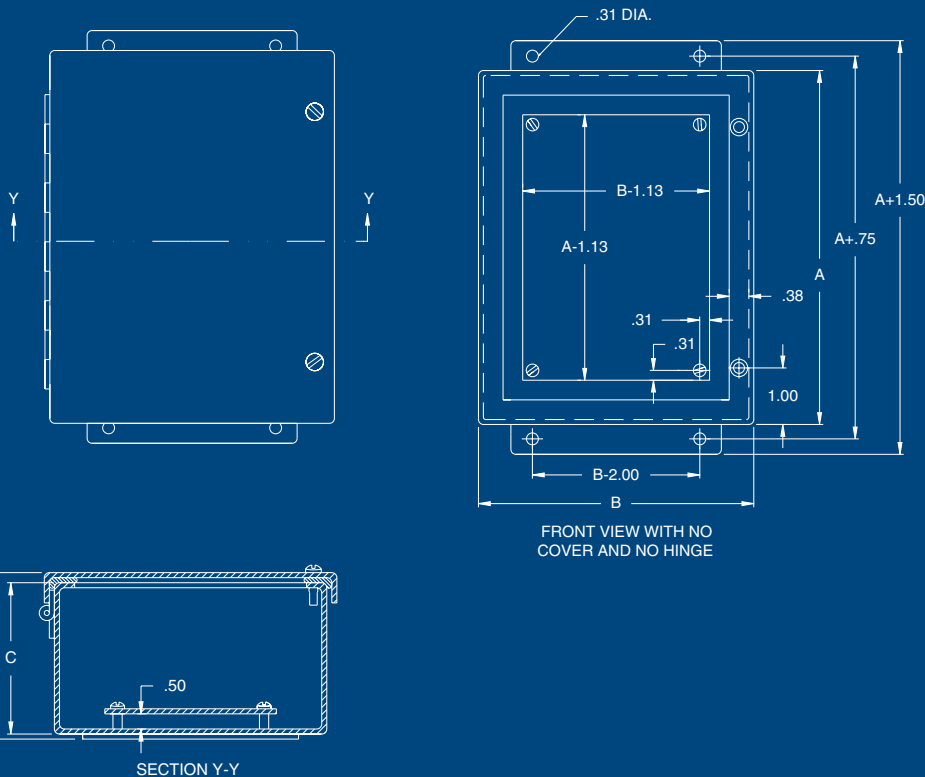
SMALL OILTIGHT ENCLOSURES

Austin small oiltight (STE) enclosures are Underwriters Laboratories Listed and are designed for use as electrical junction boxes, terminal wiring boxes, and instruments housing. They provide a degree of protection against dust, dirt, spraying of water, oil, and noncorrosive liquids.

Construction:

- Fabricated from 14 gauge steel.
- Door attached by continuous hinge and captivated screws threaded into sealed wells.
- Neoprene gasket attached to door with oil resistant adhesive.
- External mounting feet.
- Stand-offs provided for mounting optional panel.
- Continuously welded seams ground smooth.

Type 4, 12 & 13
Oiltight
Enclosures



Finish:

Austin small oiltight enclosures are provided standard with an ANSI 61 gray polyester powder coating. Optional panels are painted white.

Options:

- Special materials.
- Special finishes.
- Custom box size or construction.
- Hasp for padlocking.

**INDUSTRY
STANDARDS**

UL 50 **Type 12 & 13**
UL 508 **Type 12 & 13**
NEMA **Type 12 & 13**
CUL **Type 12 & 13**

Austin Electrical Enclosures
Post Office Box 2320
Yadkinville, NC 27055

Phone: 336.468.2851
800.288.2851

SMALL OILTIGHT ENCLOSURES

Catalog Number	Enclosure Size (AxBxC)	Weight	Panel Catalog Number
AB-664STE	6x6x4	4	AB-66JP
AB-864STE	8x6x4	5	AB-86JP
AB-884STE	8x8x4	6	AB-88JP
AB-1084STE	10x8x4	7	AB-108JP
AB-10104STE	10x10x4	8	AB-1010JP
AB-12104STE	12x10x4	10	AB-1210JP
AB-866STE	8x6x6	7	AB-86JP
AB-886STE	8x8x6	8	AB-88JP
AB-1086STE	10x8x6	9	AB-108JP
AB-10106STE	10x10x6	10	AB-1010JP
AB-12106STE	12x10x6	12	AB-1210JP
AB-12126STE	12x12x6	14	AB-1212JP
AB-14126STE	14x12x6	16	AB-1412JP

Type 4, 12 & 13
Oiltight
Enclosures



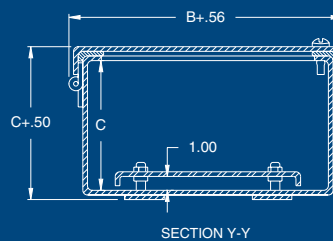
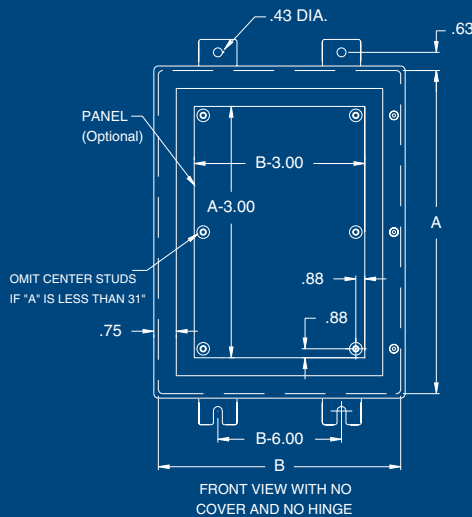
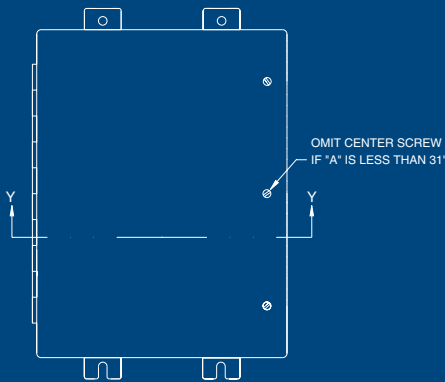
LARGE OILTIGHT ENCLOSURES

Austin large oiltight (JXL) enclosures are Underwriters Laboratories Listed and are designed to house electrical controls, instruments, and terminals. They provide a degree of protection against dust, dirt, spraying of water, oil, and noncorrosive liquids.

Construction:

- Fabricated in accordance with UL specifications from code gauge steel.
- Continuously welded seams ground smooth.
- Door attached by continuous hinge and captivated screws threaded into sealed wells.
- Neoprene gasket attached to door with oil resistant adhesive.
- Standard plastic self-adhesive print pocket.
- Standard collar studs provided for mounting optional panel.
- External mounting feet.

Type 4, 12 & 13
Oiltight
Enclosures



Finish:

Austin large oiltight enclosures are provided standard with an ANSI 61 gray polyester powder coating. Optional panels are painted white.

Options:

- Special materials.
- Special finishes.
- Custom box size or construction.

**INDUSTRY
STANDARDS**

UL 50 **Type 12 & 13**
UL 508 **Type 12 & 13**
NEMA **Type 12 & 13**
CUL **Type 12 & 13**

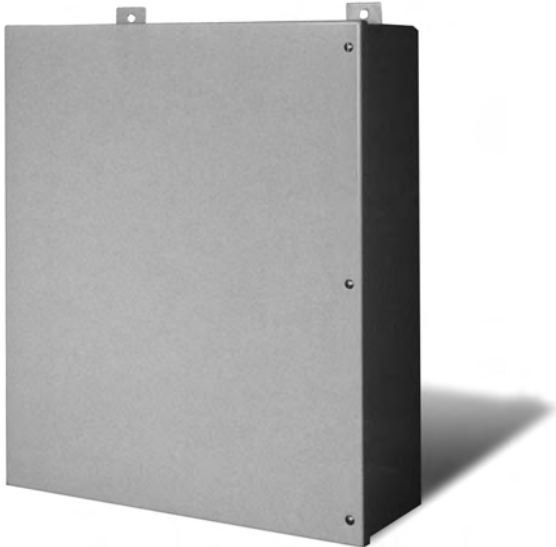
Austin Electrical Enclosures
Post Office Box 2320
Yadkinville, NC 27055

Phone: 336.468.2851
800.288.2851

LARGE OILTIGHT ENCLOSURES

Catalog Number	Enclosure Size (AxBxC)	Weight	Panel Catalog Number	Catalog Number	Enclosure Size (AxBxC)	Weight	Panel Catalog Number
AB-20167JXL	20x16x7	31	AB-2016TP	AB-30249JXL	30x24x9	66	AB-3024TP
AB-20207JXL	20x20x7	36	AB-2020TP	AB-36249JXL	36x24x9	76	AB-3624TP
AB-24207JXL	24x20x7	41	AB-2420TP	AB-36309JXL	36x30x9	90	AB-3630TP
AB-24247JXL	24x24x7	48	AB-2424TP	AB-42309JXL	42x30x9	102	AB-4230TP
AB-30207JXL	30x20x7	49	AB-3020TP	AB-42369JXL	42x36x9	121	AB-4236TP
AB-30247JXL	30x24x7	58	AB-3024TP				
AB-36247JXL	36x24x7	66	AB-3624TP	AB-242411JXL	24x24x11	57	AB-2424TP
				AB-362411JXL	36x24x11	80	AB-3624TP
AB-20169JXL	20x16x9	35	AB-2016TP	AB-483611JXL	48x36x11	155	AB-4836TP
AB-20209JXL	20x20x9	36	AB-2020TP				
AB-24209JXL	24x20x9	47	AB-2420TP				
AB-24249JXL	24x24x9	52	AB-2424TP	AB-302413JXL	30x24x13	72	AB-3024TP
AB-30209JXL	30x20x9	54	AB-3020TP	AB-363013JXL	36x30x13	104	AB-3630TP

Type 4, 12 & 13
Oiltight
Enclosures



AUSTIN STANDARD PUSHBUTTON ENCLOSURES

Austin standard pushbutton enclosures are Underwriters Laboratories Listed and are designed to house standard oiltight switches, pilot lights, and pushbutton switches. They provide a degree of protection against dust, dirt, oil, and water.

Construction:

- Fabricated from 14 gauge steel.
- Continuously welded seams ground smooth.
- Neoprene gasket attached to cover with oil resistant adhesive.
- Cover held in place by captivated screws threaded into sealed wells.
- External mounting feet.
- Standard “4-way” 30mm pushbutton holes.

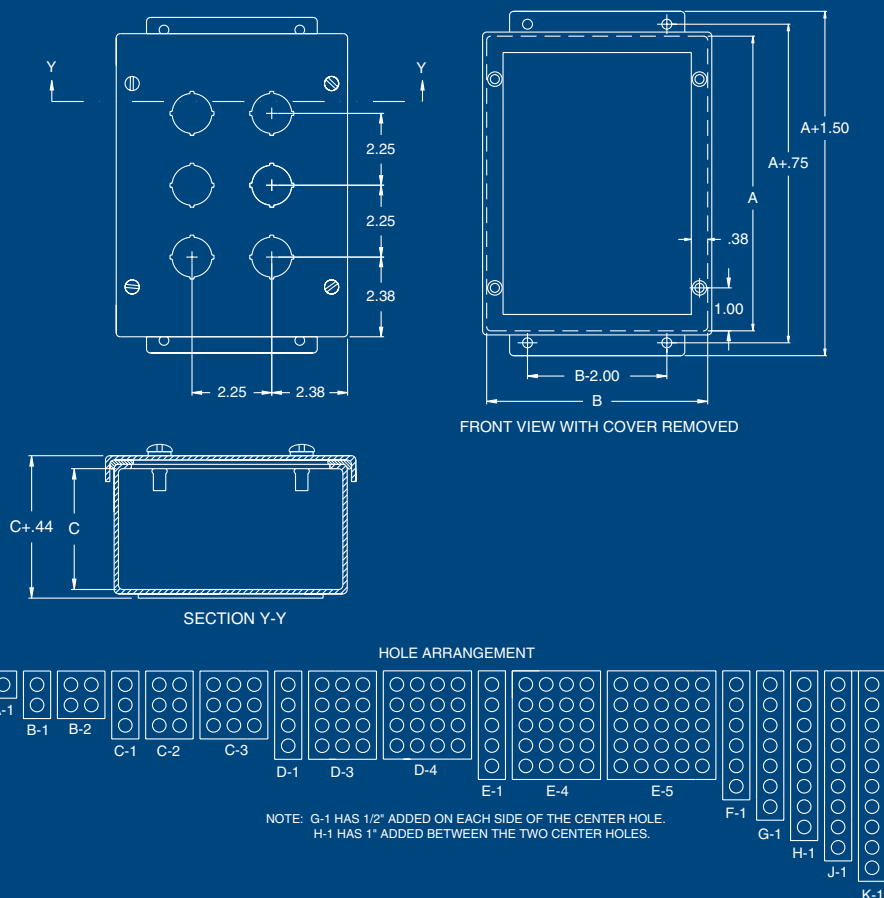
Finish:

Austin standard pushbutton enclosures are provided standard with an ANSI 61 gray polyester powder coating.

Options:

- Special materials.
- Special finishes.
- Custom box size or construction.
- “4-way” 22mm pushbutton holes.

Pushbutton Enclosures & Consoles



INDUSTRY STANDARDS

UL 50 **Types 4, 12 & 13**
 NEMA **Types 4, 12 & 13**
 CUL **Types 4, 12 & 13**

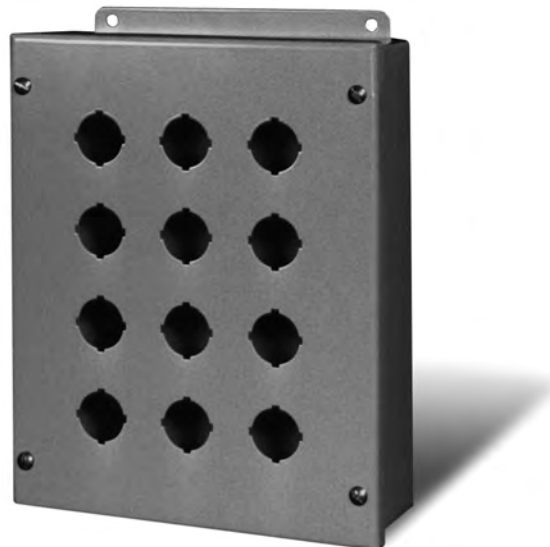
Austin Electrical Enclosures
 Post Office Box 2320
 Yadkinville, NC 27055

Phone: 336.468.2851
 800.288.2851

AUSTIN STANDARD PUSHBUTTON ENCLOSURES

					Blank Cover		
Catalog Number	Enclosure Size (AxBxC)	Holes	Hole Arrangement	Weight	Catalog Number	Enclosure Size (AxBxC)	Weight
AB-A1NPB	3 1/2x3 1/2x3	1	A-1	2	AB-A1NBPB	3 1/2x3 1/2x3	2
AB-B1NPB	6 3/4x3 1/2x3	2	B-1	2	AB-B1NBPB	6 3/4x3 1/2x3	2
AB-B2NPB	6 3/4x6 3/4x3	4	B-2	4	AB-B2NBPB	6 3/4x6 3/4x3	4
AB-C1NPB	9x3 1/2x3	3	C-1	3	AB-C1NBPB	9x3 1/2x3	3
AB-C2NPB	9x6 3/4x3	6	C-2	5	AB-C2NBPB	9x6 3/4x3	5
AB-C3NPB	9x9x3	9	C-3	7	AB-C3NBPB	9x9x3	7
AB-D1NPB	11 1/4x3 1/2x3	4	D-1	4	AB-D1NBPB	11 1/4x3 1/2x3	4
AB-D3NPB	11 1/4x9x3	12	D-3	8	AB-D3NBPB	11 1/4x9x3	8
AB-D4NPB	11 1/4x11 1/4x3	16	D-4	9	AB-D4NBPB	11 1/4x11 1/4x3	9
AB-E1NPB	13 1/2x3 1/2x3	5	E-1	5	AB-E1NBPB	13 1/2x3 1/2x3	5
AB-E4NPB	13 1/2x11 1/4x3	20	E-4	11	AB-E4NBPB	13 1/2x11 1/4x3	11
AB-E5NPB	13 1/2x13 1/2x3	25	E-5	13	AB-E5NBPB	13 1/2x13 1/2x3	13
AB-F1NPB	15 3/4x3 1/2x3	6	F-1	6	AB-F1NBPB	15 3/4x3 1/2x3	6
AB-G1NPB	19x3 1/2x3	7	G-1	6	AB-G1NBPB	19x3 1/2x3	6
AB-H1NPB	21 1/4x3 1/2x3	8	H-1	8	AB-H1NBPB	21 1/4x3 1/2x3	8
AB-J1NPB	23 1/2x3 1/2x3	9	J-1	8	AB-J1NBPB	23 1/2x3 1/2x3	8
AB-K1NPB	25 3/4x3 1/2x3	10	K-1	8	AB-K1NBPB	25 3/4x3 1/2x3	8

Pushbutton
Enclosures &
Consoles



AUSTIN EXTRA DEEP PUSHBUTTON ENCLOSURES

Austin extra deep pushbutton enclosures are Underwriters Laboratories Listed and are designed to house standard oiltight switches, pilot lights, and stacked pushbutton units. They provide a degree of protection against dust, dirt, oil, and water.

Construction:

- Fabricated from 14 gauge steel.
- Continuously welded seams ground smooth.
- Neoprene gasket attached to cover with oil resistant adhesive.
- Cover held in place by captivated screws threaded into sealed wells.
- External mounting feet.
- Standard “4-way” 30mm pushbutton holes.

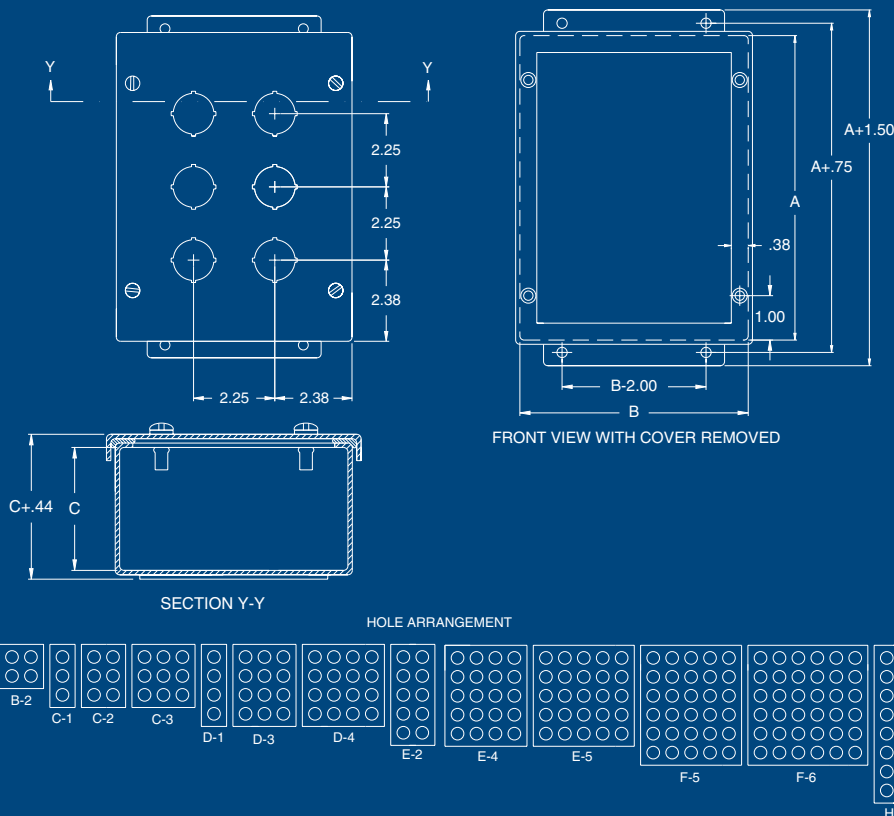
Finish:

Austin extra deep pushbutton enclosures are provided standard with an ANSI 61 gray polyester powder coating.

Options:

- Special materials.
- Special finishes.
- Custom box size or construction.
- “4-way” 22mm pushbutton holes.

Pushbutton Enclosures & Consoles



INDUSTRY STANDARDS

UL 50 **Types 4, 12 & 13**
 NEMA **Types 4, 12 & 13**
 CUL **Types 4, 12 & 13**

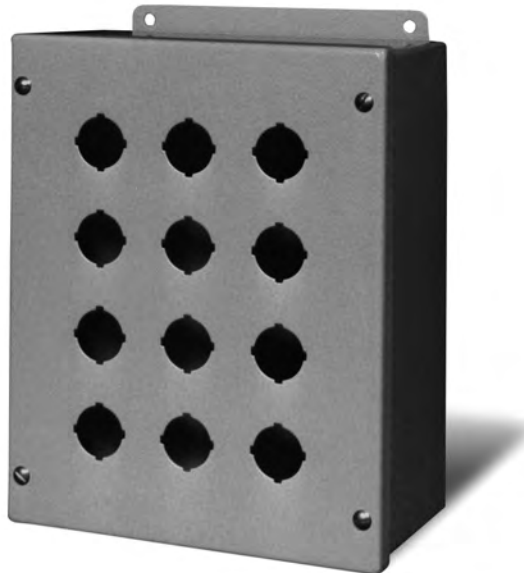
Austin Electrical Enclosures
 Post Office Box 2320
 Yadkinville, NC 27055

Phone: 336.468.2851
 800.288.2851

AUSTIN EXTRA DEEP PUSHBUTTON ENCLOSURES

Blank Cover							
Catalog Number	Enclosure Size (AxBxC)	Holes	Hole Arrangement	Weight	Catalog Number	Enclosure Size (AxBxC)	Weight
AB-A1DPB	3 1/2x3 1/2x4 1/2	1	A-1	3	AB-A1DBPB	3 1/2x3 1/2x4 1/2	3
AB-B1DPB	6 3/4x3 1/2x4 1/2	2	B-1	3	AB-B1DBPB	6 3/4x3 1/2x4 1/2	3
AB-B2DPB	6 3/4x6 3/4x4 1/2	4	B-2	6	AB-B2DBPB	6 3/4x6 3/4x4 1/2	6
AB-C1DPB	9x3 1/2x4 1/2	3	C-1	4	AB-C1DBPB	9x3 1/2x4 1/2	4
AB-C2DPB	9x6 3/4x4 1/2	6	C-2	6	AB-C2DBPB	9x6 3/4x4 1/2	6
AB-C3DPB	9x9x4 1/2	9	C-3	8	AB-C3DBPB	9x9x4 1/2	8
AB-D1DPB	11 1/4x3 1/2x4 1/2	4	D-1	5	AB-D1DBPB	11 1/4x3 1/2x4 1/2	5
AB-D3DPB	11 1/4x9x4 1/2	12	D-3	9	AB-D3DBPB	11 1/4x9x4 1/2	9
AB-D4DPB	11 1/4x11 1/4x4 1/2	16	D-4	10	AB-D4DBPB	11 1/4x11 1/4x4 1/2	10
AB-E2DPB	13 1/2x6 3/4x4 1/2	10	E-2	9	AB-E2DBPB	13 1/2x6 3/4x4 1/2	9
AB-E4DPB	13 1/2x11 1/4x4 1/2	20	E-4	13	AB-E4DBPB	13 1/2x11 1/4x4 1/2	13
AB-E5DPB	13 1/2x13 1/2x4 1/2	25	E-5	15	AB-E5DBPB	13 1/2x13 1/2x4 1/2	15
AB-F5DPB	15 3/4x13 1/2x4 1/2	30	F-5	17	AB-F5DBPB	15 3/4x13 1/2x4 1/2	17
AB-F6DPB	15 3/4x15 3/4x4 1/2	36	F-6	21	AB-F6DBPB	15 3/4x15 3/4x4 1/2	21
AB-H2DPB	20 1/4x6 3/4x4 1/2	16	H-2	10	AB-H2DBPB	20 1/4x6 3/4x4 1/2	10

Pushbutton
Enclosures &
Consoles



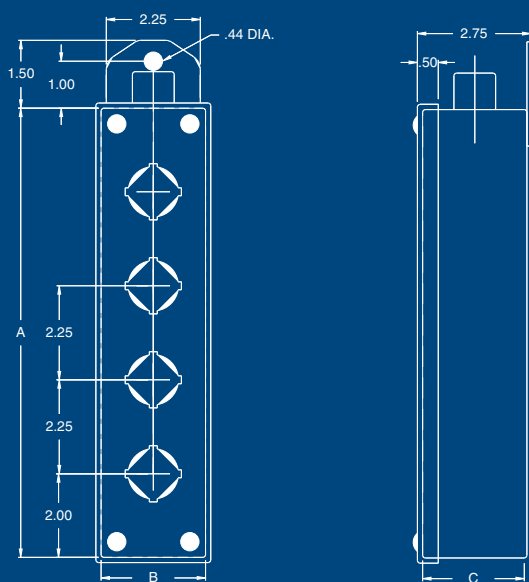
AUSTIN PENDANT PUSHBUTTON ENCLOSURES

Austin pendant pushbutton enclosures are Underwriters Laboratories Listed and are designed to house standard oiltight switches, pilot lights, and pushbutton switches. They provide a degree of protection against dust, dirt, oil, and water.

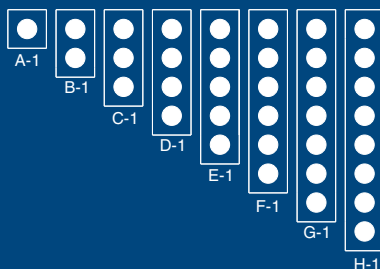
Construction:

- Fabricated from 14 gauge steel.
- Has hub and hanger bracket at top for overhead wiring and support.
- Continuously welded and ground smooth.
- Cover held in place by captivated screws threaded into sealed wells.
- Neoprene gasket attached to cover with oil resistant adhesive.
- Standard “4-way” 30mm pushbutton holes.

Pushbutton Enclosures & Consoles



HOLE ARRANGEMENT



Note: G-1 has .5” added on each side of center hole.
H-1 has 1” added between the two center holes.

Finish:

Austin pendant pushbutton enclosures are provided standard with as ANSI 61 gray polyester powder coating.

Options:

- Special materials.
- Special finishes.
- Custom box size or construction.
- “4-way” 22mm pushbutton holes.

INDUSTRY STANDARDS

UL 50 **Types 4, 12 & 13**
NEMA **Types 4, 12 & 13**
CUL **Types 4, 12 & 13**

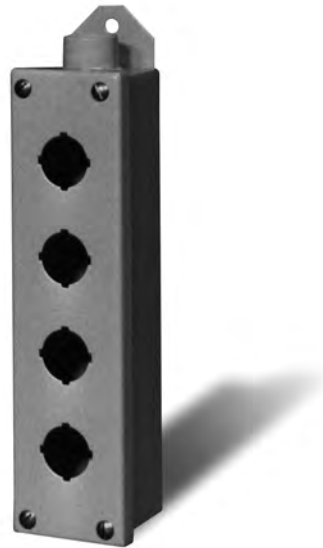
Austin Electrical Enclosures
Post Office Box 2320
Yadkinville, NC 27055

Phone: 336.468.2851
800.288.2851

AUSTIN PENDANT PUSHBUTTON ENCLOSURES

Catalog Number	Enclosure Size (AxBxC)	Holes	Hole Arrangement	Weight	"A" Dimension	Conduit Hub
AB-A1PPB	3 7/8x2 1/2x2 3/8	1	A-1	2	4	1/2
AB-B1PPB	6 1/8x2 1/2x2 3/8	2	B-1	2	6 1/4	3/4
AB-C1PPB	8 3/8x2 1/2x2 3/8	3	C-1	3	8 1/2	3/4
AB-D1PPB	10 5/8x2 1/2x2 3/8	4	D-1	3	10 3/4	3/4
AB-E1PPB	12 7/8x2 1/2x2 3/8	5	E-1	4	13	1
AB-F1PPB	15 1/8x2 1/2x2 3/8	6	F-1	4	15 1/4	1
AB-G1PPB	18 3/8x2 1/2x2 3/8	7	G-1	5	18 1/2	1
AB-H1PPB	20 5/8x2 1/2x2 3/8	8	H-1	5	20 3/4	1 1/4

Pushbutton
Enclosures &
Consoles

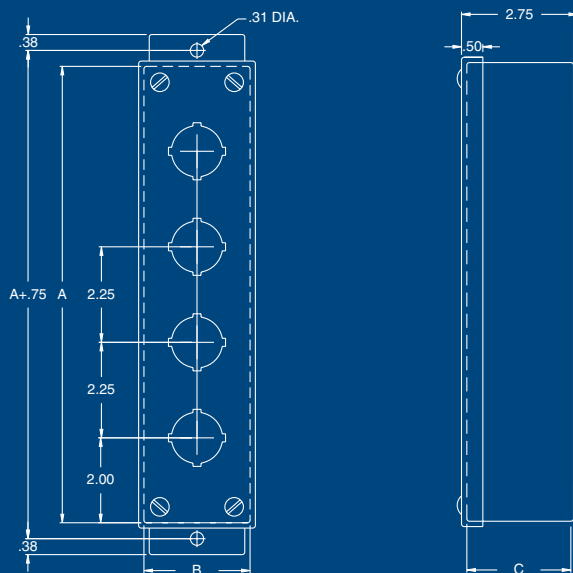


AUSTIN SLIM-LINE PUSHBUTTON ENCLOSURES

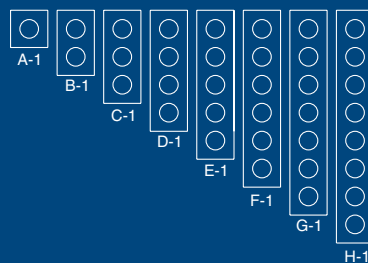
Austin slim-line pushbutton enclosures are Underwriters Laboratories Listed and are designed to house oiltight switches, pilot lights, and pushbutton switches where space is limited. They provide a degree of protection from dust, dirt, oil, and water.

Construction:

- Fabricated from 14 gauge steel.
- Cover is held in place by captivated screws threaded into sealed wells.
- Continuously welded seams and ground smooth.
- Neoprene gasket attached to cover with oil resistant adhesive.
- External mounting feet.
- Standard "4-way" 30mm pushbutton holes.



HOLE ARRANGEMENT



Note: G-1 has .5" added on each side of center hole.
H-1 has 1" added between the two center holes.

Finish:

Austin slim-line pushbutton enclosures are provided standard with as ANSI 61 gray polyester powder coating.

Options:

- Special materials.
- Special finishes.
- Custom box size or construction.
- "4-way" 22mm pushbutton holes.

Pushbutton Enclosures & Consoles

INDUSTRY STANDARDS

UL 50 **Types 4, 12 & 13**
NEMA **Types 4, 12 & 13**
CUL **Types 4, 12 & 13**

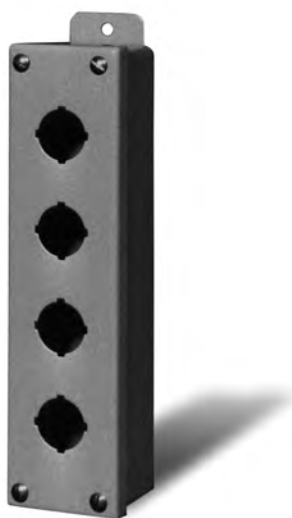
Austin Electrical Enclosures
Post Office Box 2320
Yadkinville, NC 27055

Phone: 336.468.2851
800.288.2851

AUSTIN SLIM-LINE PUSHBUTTON ENCLOSURES

Catalog Number	Enclosure Size (AxBxC)	Holes	Hole Arrangement	Weight
AB-A1MPB	3 7/8x2 1/2x2 3/8	1	A-1	1
AB-B1MPB	6 1/8x2 1/2x2 3/8	2	B-1	2
AB-C1MPB	8 3/8x2 1/2x2 3/8	3	C-1	2
AB-D1MPB	10 5/8x2 1/2x2 3/8	4	D-1	3
AB-E1MPB	12 7/8x2 1/2x2 3/8	5	E-1	3
AB-F1MPB	15 1/8x2 1/2x2 3/8	6	F-1	4
AB-G1MPB	18 3/8x2 1/2x2 3/8	7	G-1	4
AB-H1MPB	20 5/8x2 1/2x2 3/8	8	H-1	8

Pushbutton
Enclosures &
Consoles



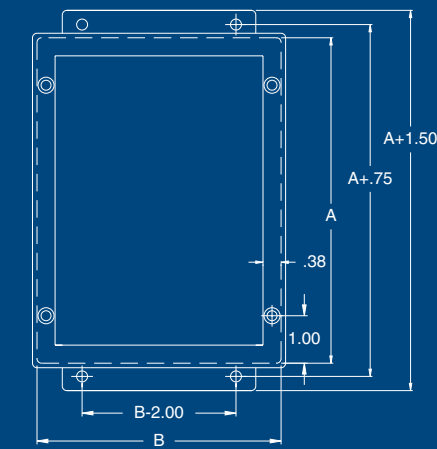
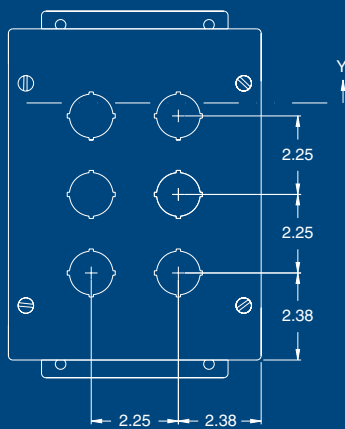
AUSTIN NEMA 4X PUSHBUTTON ENCLOSURES

Austin NEMA 4X pushbutton enclosures are Underwriters Laboratories Listed and are designed to house oiltight switches, pilot lights, and pushbutton switches. They provide a degree of protection against corrosion, windblown dust and rain, splashing water, hose directed water, and damage from external ice formation. They are also designed for use in areas where corrosion is a serious problem.

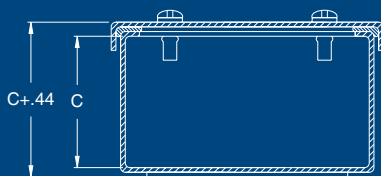
Construction:

- Fabricated from 14 gauge Type 304 steel.
- Cover is held in place by captivated screws threaded into sealed wells.
- Continuously welded seams and ground smooth.
- Neoprene gasket attached to cover with oil resistant adhesive.
- External mounting feet.
- Standard “4-way” 30mm pushbutton holes.

Pushbutton Enclosures & Consoles

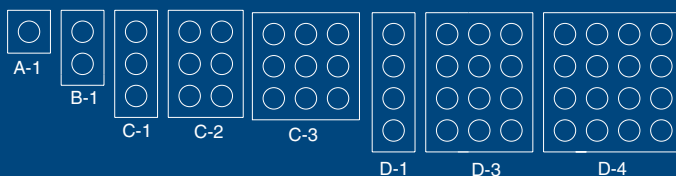


FRONT VIEW WITH COVER REMOVED



SECTION Y-Y

HOLE ARRANGEMENT



Finish:

Austin NEMA 4X pushbutton enclosures are provided standard in Type 304 stainless steel.

Options:

- Type 316 stainless steel.
- Custom box size or construction.
- “4-way” 22mm pushbutton holes.

INDUSTRY STANDARDS

UL 50 **Types 4, 12 & 13**
 NEMA **Types 4, 12 & 13**
 CUL **Types 4, 12 & 13**

Austin Electrical Enclosures
 Post Office Box 2320
 Yadkinville, NC 27055

Phone: 336.468.2851
 800.288.2851

AUSTIN NEMA 4X PUSHBUTTON ENCLOSURES

Catalog Number	Enclosure Size (AxBxC)	Holes	Hole Arrangement	Weight
AB-A1FPB	3 1/2x3 1/2x3	1	A-1	2
AB-B1FPB	6 3/4x3 1/2x3	2	B-1	2
AB-C1FPB	9x3 1/2x3	3	C-1	3
AB-C2FPB	9x6 3/4x3	6	C-2	6
AB-C3FPB	9x9x3	9	C-3	7
AB-D1FPB	11 1/4x3 1/2x3	4	D-1	4
AB-D3FPB	11 1/4x9x3	12	D-3	8
AB-D4FPB	11 1/4x11 1/4x3	16	D-4	10

Pushbutton
Enclosures &
Consoles



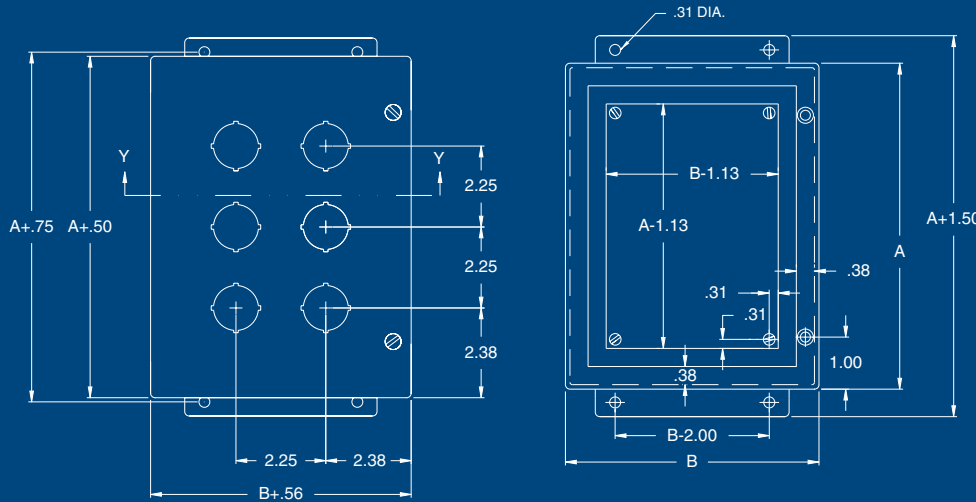
AUSTIN EXTRA LARGE HINGE COVER PUSH BUTTON ENCLOSURES WITH BACK

Austin extra large hinge cover oiltight pushbutton enclosures are Underwriters Laboratories Listed and are designed to house oiltight switches, pilot lights, and pushbutton switches. They provide a degree of protection against dust, dirt, oil, and water.

Construction:

- Fabricated from 14 gauge steel.
- Cover held in place by captivated screws threaded into sealed wells and a continuous hinge.
- Continuously welded seams ground smooth.
- Neoprene gasket attached to cover with oil resistant adhesive.
- Standard back panel.
- External mounting feet.
- Standard "4-way" 30mm pushbutton holes.

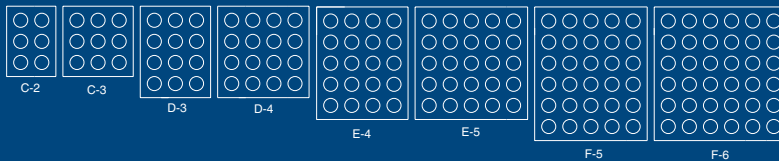
Pushbutton Enclosures & Consoles



FRONT VIEW WITH NO COVER AND NO HINGE

SECTION Y-Y

HOLE ARRANGEMENT



Finish:

Austin hinge cover oiltight pushbutton enclosures are provided standard with an ANSI 61 gray polyester powder coating. Back panels are painted white.

Options:

- Special materials.
- Special finishes.
- Custom box size or construction.
- "4-way" 22mm pushbutton holes.

**INDUSTRY
STANDARDS**

UL 50 **Type 12 & 13**
NEMA **Type 12 & 13**
CUL **Type 12 & 13**

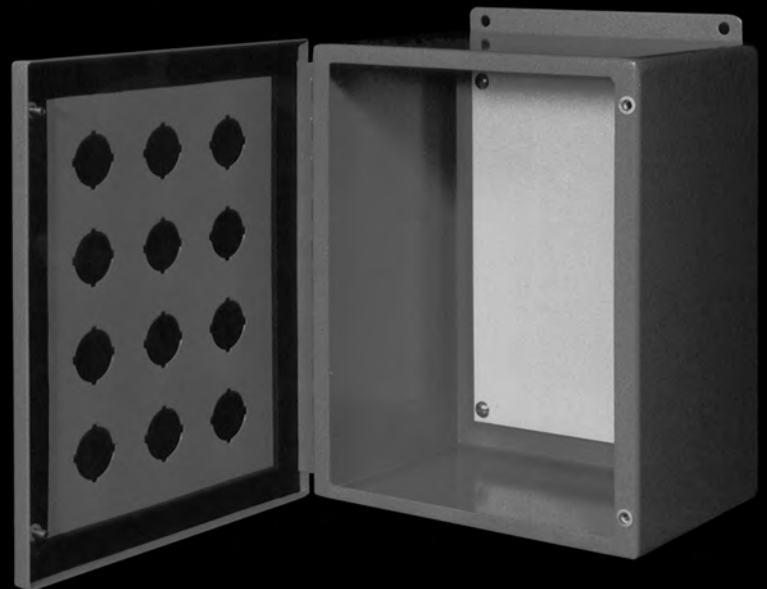
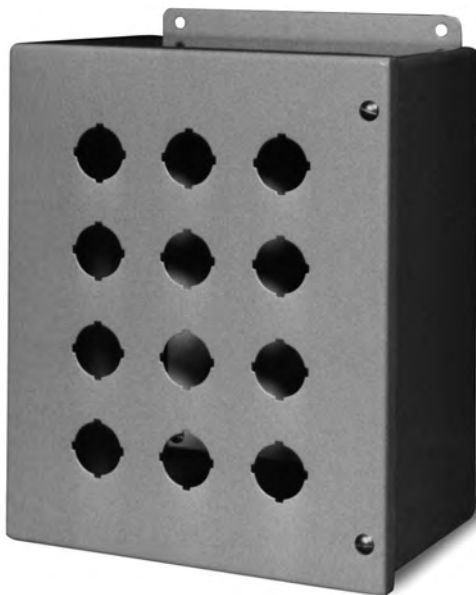
Austin Electrical Enclosures
Post Office Box 2320
Yadkinville, NC 27055

Phone: 336.468.2851
800.288.2851

AUSTIN EXTRA LARGE HINGE COVER PUSHBUTTON ENCLOSURES WITH BACK

Catalog Number	Enclosure Size (AxBxC)	Holes	Hole Arrangement	Weight
AB-C2XPB	9x6 3/4x6 1/4	6	C-2	10
AB-C3XPB	9x9x6 1/4	9	C-3	11
AB-D3XPB	11 1/4x9x6 1/4	12	D-3	15
AB-D4XPB	11 1/4x11 1/4x6 1/4	16	D-4	17
AB-E4XPB	13 1/2x11 1/4x6 1/4	20	E-4	19
AB-E5XPB	13 1/2x13 1/2x6 1/4	25	E-5	22
AB-F5XPB	15 3/4x13 1/2x6 1/4	30	F-5	23
AB-F6XPB	15 3/4x15 3/4x6 1/4	36	F-6	27

Pushbutton
Enclosures &
Consoles



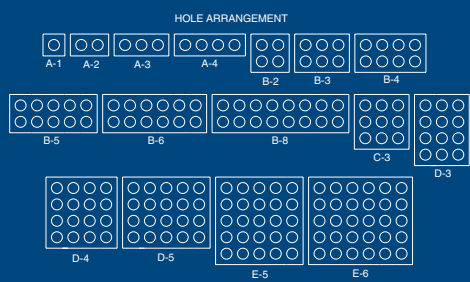
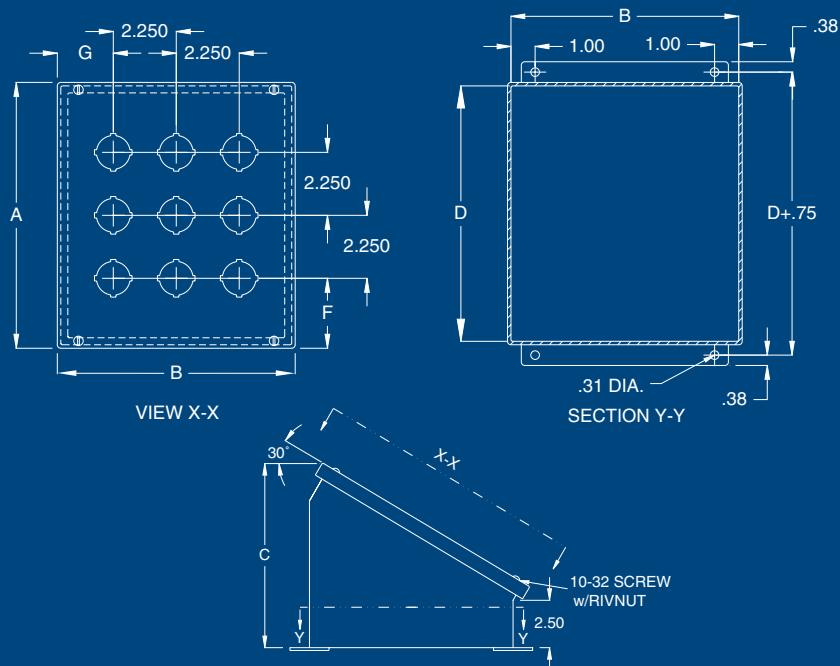
AUSTIN SLOPING PUSHBUTTON ENCLOSURES

Austin sloping pushbutton enclosures are Underwriters Laboratories Listed and are designed to house standard oiltight switches, pilot lights, and pushbutton switches where slanted control surfaces are desired. They provide a degree of protection against dust, dirt, oil, and water.

Construction:

- Fabricated from 14 gauge steel.
- Continuously welded seams ground smooth.
- Neoprene gasket attached to cover with oil resistant adhesive.
- Cover held in place by captivated screws threaded into sealed wells.
- External mounting feet.
- Standard “4-way” 30mm pushbutton holes.

Pushbutton Enclosures & Consoles



Finish:

Austin sloping pushbutton enclosures are provided standard with an ANSI 61 gray polyester powder coating.

Options:

- Special materials.
- Special finishes.
- “4-way” 22mm pushbutton holes.

INDUSTRY STANDARDS

UL 50 **Types 4, 12 & 13**
 NEMA **Types 4, 12 & 13**
 CUL **Types 4, 12 & 13**

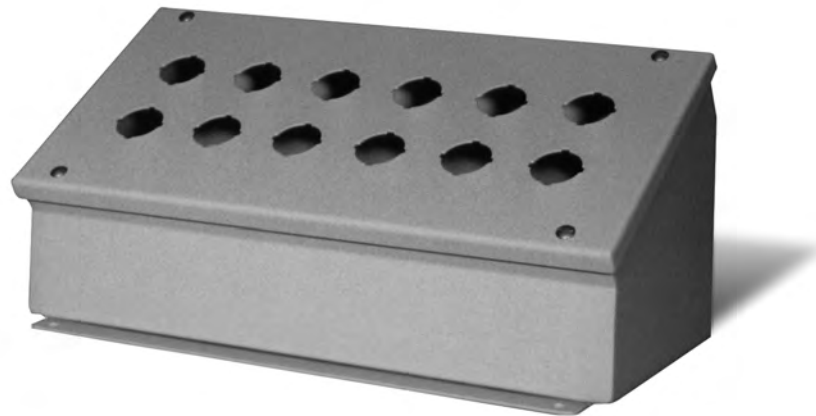
Austin Electrical Enclosures
 Post Office Box 2320
 Yadkinville, NC 27055

Phone: 336.468.2851
 800.288.2851

AUSTIN SLOPING PUSHBUTTON ENCLOSURES

Catalog Number	Enclosure Size (AxBxC)	Holes	Hole Arrangement	Weight	"F"	"G"
AB-A1SPB	3 1/2x3 1/4x4 7/8	1	A-1	2	1 3/4	1 5/8
AB-A2SPB	3 1/2x5 1/2x4 7/8	2	A-2	3	1 3/4	1 5/8
AB-A3SPB	3 1/2x7 3/4x4 7/8	3	A-3	4	1 3/4	1 5/8
AB-A4SPB	3 1/2x10x4 7/8	4	A-4	5	1 3/4	1 5/8
AB-B2SPB	7 1/4x6 1/4x6 3/4	4	B-2	6	2 1/2	2
AB-B3SPB	7 1/4x8 1/2x6 3/4	6	B-3	7	2 1/2	2
AB-B4SPB	7 1/4x10 3/4x6 3/4	8	B-4	9	2 1/2	2
AB-B5SPB	7 1/4x13x6 3/4	10	B-5	10	2 1/2	2
AB-B6SPB	7 1/4x15 1/4x6 3/4	12	B-6	11	2 1/2	2
AB-B8SPB	7 1/4x19 3/4x6 3/4	16	B-8	12	2 1/2	2
AB-C3SPB	9 1/2x8 1/2x7 7/8	9	C-3	9	2 1/2	2
AB-D3SPB	11 3/4x8 1/2x9	12	D-3	11	2 1/2	2
AB-D4SPB	11 3/4x10 3/4x9	16	D-4	13	2 1/2	2
AB-D5SPB	11 3/4x13x9	20	D-5	14	2 1/2	2
AB-E5SPB	14x13x10 1/8	25	E-5	17	2 1/2	2
AB-E6SPB	14x15 1/4x10 1/8	30	E-6	19	2 1/2	2

Pushbutton
Enclosures &
Consoles



AUSTIN OILTIGHT CONSOLETS AND PEDESTALS

Austin Oiltight Consoles are Underwriters Laboratories Listed and are designed to house electrical controls and instruments. The console can be mounted on machines, desk tops, or Austin console pedestals. It can also be mounted to give a control surface incline of 30° or 60° angle. They provide a degree of protection against circulating dust, falling dirt, and dripping noncorrosive liquids.

Construction:

- Fabricated in accordance with UL specifications from code gauge steel.
- Continuously welded seams ground smooth.
- Neoprene gasket attached to cover with oil resistant adhesive.
- Cover attached by captivated screws threaded into sealed wells and continuous hinge on opposite side.



Pushbutton
Enclosures &
Consoles

Finish:

Austin Oiltight Consoles are provided standard with an ANSI 61 gray polyester powder coating.

Options:

- Special materials.
- Special finishes.

**INDUSTRY
STANDARDS**

UL 50 **Type 12 & 13**
NEMA **Type 12 & 13**
(except for mounting
provisions)
CUL **Type 12 & 13**

Austin Electrical Enclosures
Post Office Box 2320
Yadkinville, NC 27055

Phone: 336.468.2851
800.288.2851

AUSTIN OILTIGHT CONSOLETS AND PEDESTALS

Austin Pedestals and Bases allow the consolets to be floor mounted. Wiring can be installed through the base, access opening in pedestal, or directly into the consolet.

Construction:

- Box connector fitting, a neoprene gasket on column flange, and screws are provided to attach the consolet to the pedestal.
- Pedestal fabricated from 14 gauge steel.
- Base fabricated from 10 gauge steel.

Finish:

Austin pedestals and bases are provided standard with an ANSI 61 gray polyester powder coating.

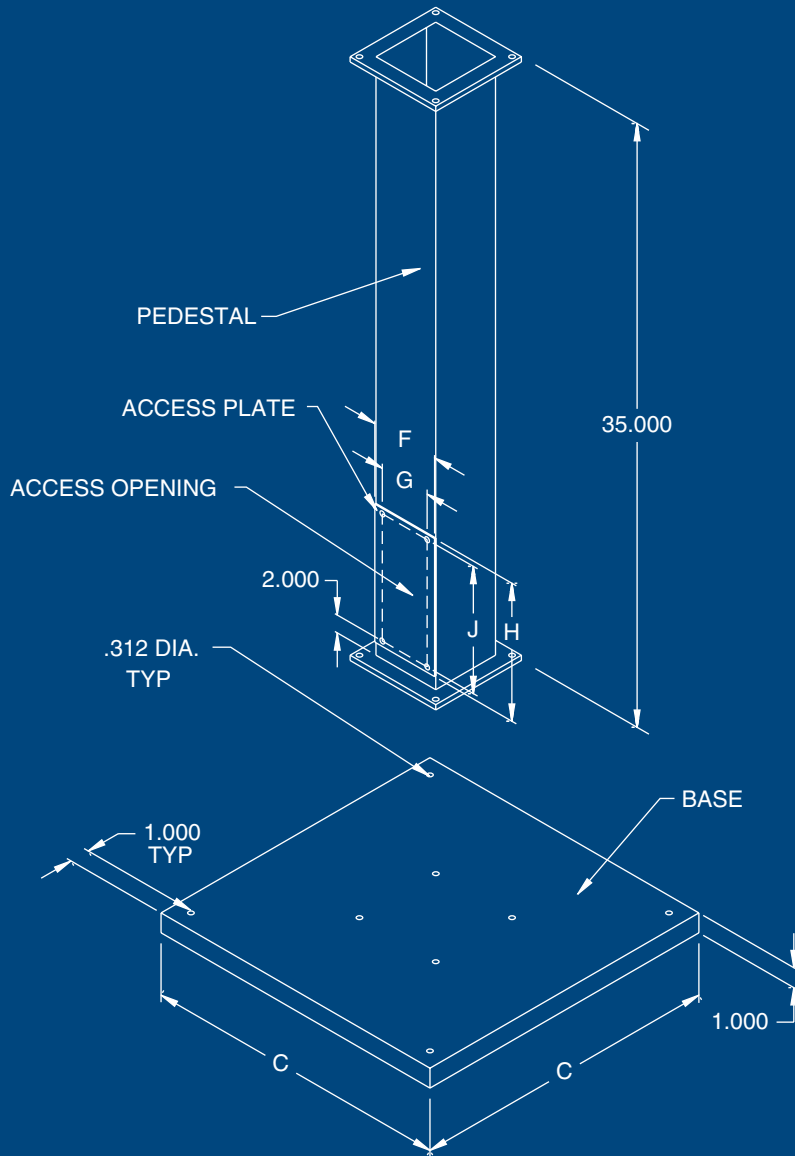
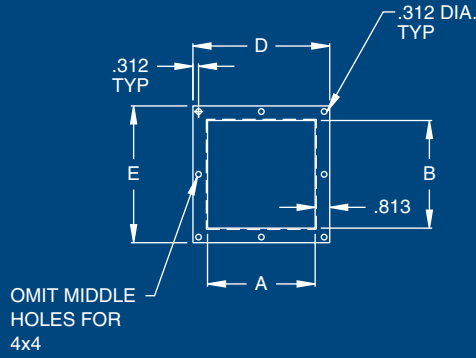
Options:

- Special materials.
- Special finishes.



Pushbutton
Enclosures &
Consolets

AUSTIN OILTIGHT CONSOLETS AND PEDESTALS



Pushbutton
Enclosures &
Consoles

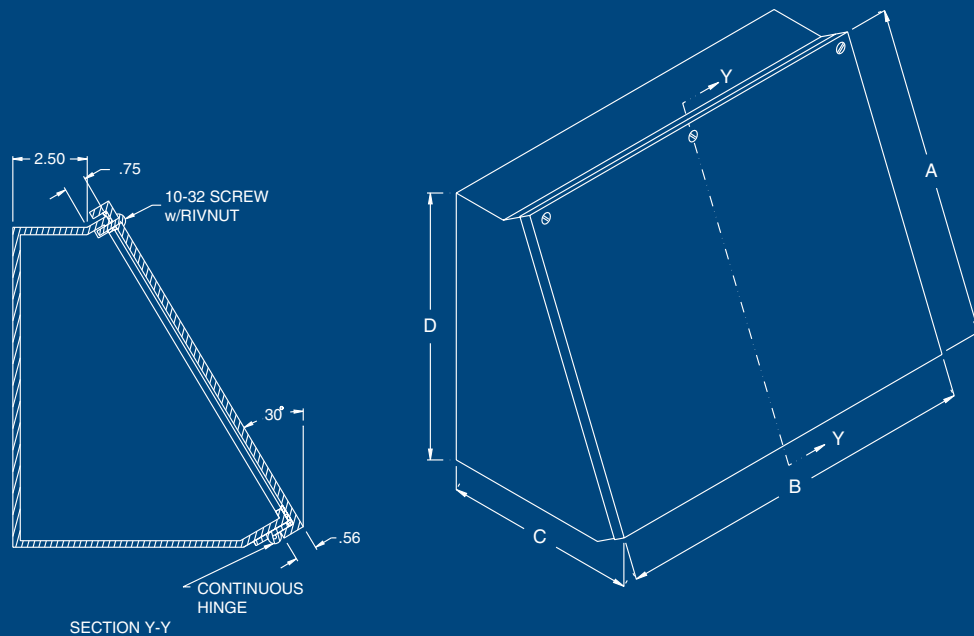
**INDUSTRY
STANDARDS**

UL 50 **Type 12 & 13**
 NEMA **Type 12 & 13**
 (except for mounting
 provisions)
 CUL **Type 12 & 13**

Austin Electrical Enclosures
 Post Office Box 2320
 Yadkinville, NC 27055

Phone: 336.468.2851
 800.288.2851

AUSTIN OILTIGHT CONSOLETS AND PEDESTALS



Pushbutton
Enclosures &
Consoles

Oiltight Consoles

Catalog Number	Enclosure Size (AxBxC)	"D" Dimension	Weight	Catalog Number	Enclosure Size (AxBxC)	"D" Dimension	Weight
AB-88PBC	8x8x7 5/32	7 7/16	8	AB-1616PBC	16x16x11 5/32	14 3/8	22
AB-812PBC	8x12x7 5/32	7 7/16	10	AB-1620PBC	16x20x11 5/32	14 3/8	27
AB-816PBC	8x16x7 5/32	7 7/16	12	AB-1624PBC	16x24x11 5/32	14 3/8	31
AB-820PBC	8x20x7 5/32	7 7/16	14	AB-1630PBC	16x30x11 5/32	14 3/8	34
				AB-1636PBC	16x36x11 5/32	14 3/8	45
AB-1212PBC	12x12x9 5/32	10 7/8	15				
AB-1216PBC	12x16x9 5/32	10 7/8	18	AB-2020PBC	20x20x13 5/32	17 7/8	34
AB-1220PBC	12x20x9 5/32	10 7/8	22	AB-2024PBC	20x24x13 5/32	17 7/8	35
AB-1224PBC	12x24x9 5/32	10 7/8	26	AB-2030PBC	20x30x13 5/32	17 7/8	51

Pedestals and Bases

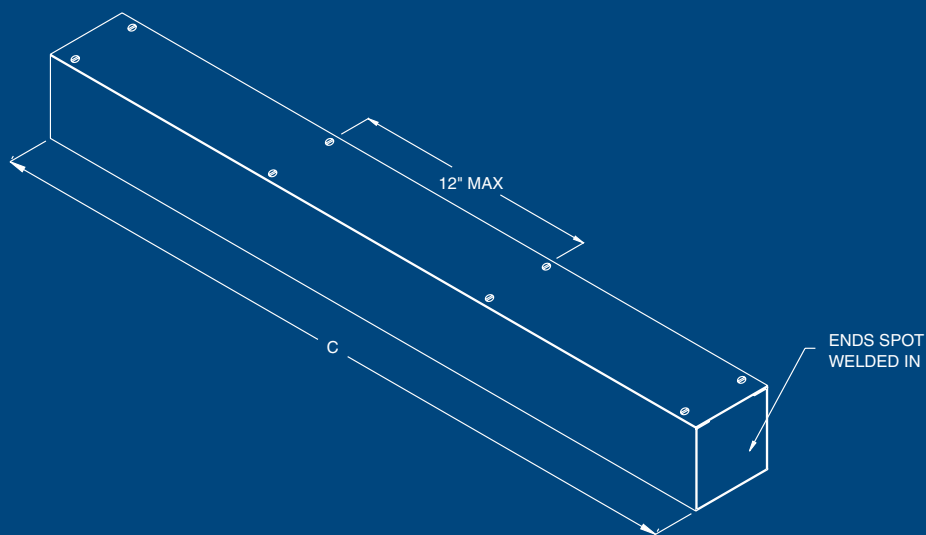
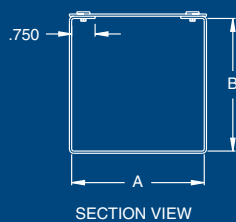
Catalog Number	Description (AxB)	"D"	"E"	"F"	"G"	"H"	"J"	Weight	Catalog Number	Description (Cx C)	Weight
AB-44PS	4x4 Pedestal	5.63	5.63	4.00	3.00	8.00	6.75	18	AB-1818B	18x18 Base	20
AB-66PS	6x6 Pedestal	7.63	7.63	6.00	4.75	8.00	6.75	24	AB-2424B	24x24 Base	47

AUSTIN SCREW COVER TROUGHS

Austin screw cover troughs are Underwriters Laboratories Listed for use of indoor wiring.

Construction:

- Fabricated in accordance with UL specifications from code gauge steel.
- End caps spot welded in.
- Single sheet steel for body.
- Cover attached by screws.



Finish:

Austin screw cover troughs are provided standard in galvanized steel. An ANSI 61 gray polyester powder coating over CRS is available on request.

Options:

- Special knockouts or knockout arrangements.
- Special materials.
- Special finishes.
- Custom trough size or construction.

Wireways
& Trough
Products

**INDUSTRY
STANDARDS**

UL 870
NEMA Type 1
CUL 870

Austin Electrical Enclosures
Post Office Box 2320
Yadkinville, NC 27055

Phone: 336.468.2851
800.288.2851

AUSTIN SCREW COVER TROUGHS

Catalog Number	Trough Size (AxBxC)	Weight	Catalog Number	Trough Size (AxBxC)	Weight
AB-4412ST	4x4x12	4	AB-8824ST	8x8x24	17
AB-4424ST	4x4x24	8	AB-8836ST	8x8x36	24
AB-4436ST	4x4x36	11	AB-8848ST	8x8x48	31
AB-4448ST	4x4x48	15	AB-8860ST	8x8x60	38
AB-4460ST	4x4x60	18	AB-8872ST	8x8x72	45
AB-4472ST	4x4x72	22	AB-8884ST	8x8x84	52
AB-4484ST	4x4x84	25	AB-8896ST	8x8x96	59
AB-4496ST	4x4x96	29			
			AB-101024ST	10x10x24	27
AB-6612ST	6x6x12	7	AB-101036ST	10x10x36	30
AB-6624ST	6x6x24	12	AB-101048ST	10x10x48	47
AB-6636ST	6x6x36	17	AB-101060ST	10x10x60	58
AB-6648ST	6x6x48	22	AB-101072ST	10x10x72	69
AB-6660ST	6x6x60	28	AB-101096ST	10x10x96	91
AB-6672ST	6x6x72	33	AB-1010120ST	10x10x120	112
AB-6684ST	6x6x84	39			
AB-6696ST	6x6x96	44	AB-121224ST	12x12x24	33
			AB-121236ST	12x12x36	45
			AB-121248ST	12x12x48	58
AB-6424ST	6x4x24	7	AB-121260ST	12x12x60	71
AB-6436ST	6x4x36	14	AB-121272ST	12x12x72	84
AB-6448ST	6x4x48	18	AB-121296ST	12x12x96	110
			AB-1212120ST	12x12x120	135
AB-8624ST	8x6x24	18			
AB-8636ST	8x6x36	25	AB-181836ST	18x18x36	74
AB-8648ST	8x6x48	33	AB-181860ST	18x18x60	113
AB-8660ST	8x6x60	41	AB-181896ST	18x18x96	172
AB-8672ST	8x6x72	48	AB-1818120ST	18x18x120	212

Replace "ST" Suffix with: STG: Screw Cover Trough Gray



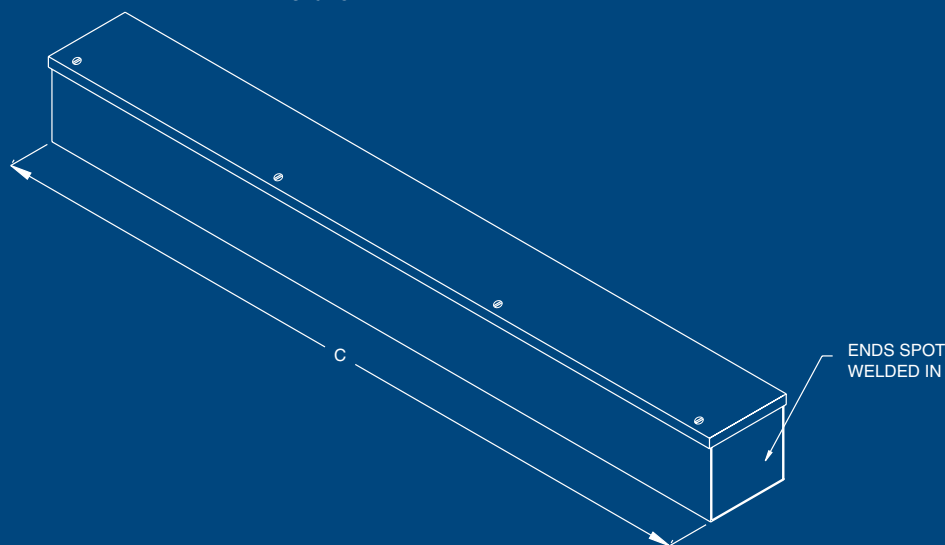
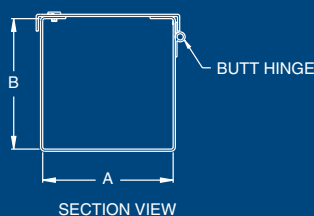
Wireways
& Trough
Products

AUSTIN HINGE COVER TROUGHS

Austin hinge cover troughs are Underwriters Laboratories Listed for use of indoor wiring.

Construction:

- Fabricated in accordance with UL specifications from code gauge steel.
- End caps spot welded in.
- Single sheet steel for body.
- Cover attached to trough with butt hinges one side and screws on opposite side.



Wireways
& Trough
Products

Finish:

Austin hinge cover troughs are provided standard in galvanized steel. An ANSI 61 gray polyester powder coating over CRS is available on request.

Options:

- Special knockouts or knockout arrangements.
- Special materials.
- Special finishes.
- Custom trough size or construction.

**INDUSTRY
STANDARDS**

UL 870
NEMA Type 1
CUL 870

Austin Electrical Enclosures
Post Office Box 2320
Yadkinville, NC 27055

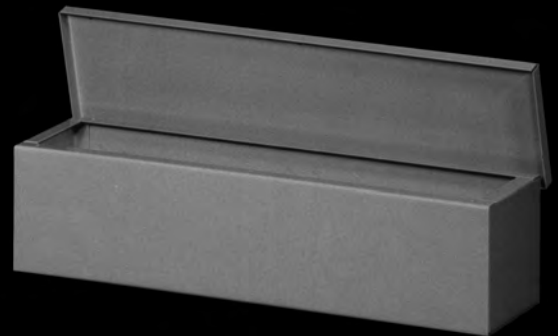
Phone: 336.468.2851
800.288.2851

AUSTIN HINGE COVER TROUGHS

Catalog Number	Trough Size (AxBxC)	Weight	Catalog Number	Trough Size (AxBxC)	Weight
AB-4412HT	4x4x12	4	AB-8836HT	8x8x36	24
AB-4424HT	4x4x24	8	AB-8848HT	8x8x48	31
AB-4436HT	4x4x36	11	AB-8860HT	8x8x60	38
AB-4448HT	4x4x48	15	AB-8872HT	8x8x72	45
AB-4460HT	4x4x60	18	AB-8884HT	8x8x84	52
AB-4472HT	4x4x72	22	AB-8896HT	8x8x96	59
AB-4484HT	4x4x84	25			
AB-4496HT	4x4x96	29	AB-101024HT	10x10x24	27
			AB-101036HT	10x10x36	30
AB-6612HT	6x6x12	7	AB-101048HT	10x10x48	47
AB-6624HT	6x6x24	12	AB-101060HT	10x10x60	58
AB-6636HT	6x6x36	17	AB-101072HT	10x10x72	69
AB-6648HT	6x6x48	22	AB-101096HT	10x10x96	91
AB-6660HT	6x6x60	28	AB-1010118HT	10x10x118	112
AB-6672HT	6x6x72	33			
AB-6684HT	6x6x84	39			
AB-6696HT	6x6x96	44	AB-121224HT	12x12x24	33
			AB-121236HT	12x12x36	45
AB-6424HT	6x4x24	7	AB-121248HT	12x12x48	58
AB-6436HT	6x4x36	14	AB-121260HT	12x12x60	71
AB-6448HT	6x4x48	18	AB-121272HT	12x12x72	84
			AB-121296HT	12x12x96	110
AB-8624HT	8x6x24	18	AB-1212118HT	12x12x118	135
AB-8636HT	8x6x36	25			
AB-8648HT	8x6x48	33			
AB-8660HT	8x6x60	41	AB-181836HT	18x18x36	74
AB-8672HT	8x6x72	48	AB-181860HT	18x18x60	113
			AB-181896HT	18x18x96	172
AB-8824HT	8x8x24	17	AB-1818118HT	18x18x118	212

Replace "HT" Suffix with: HTG: Hinge Cover Trough Gray

Wireways
& Trough
Products



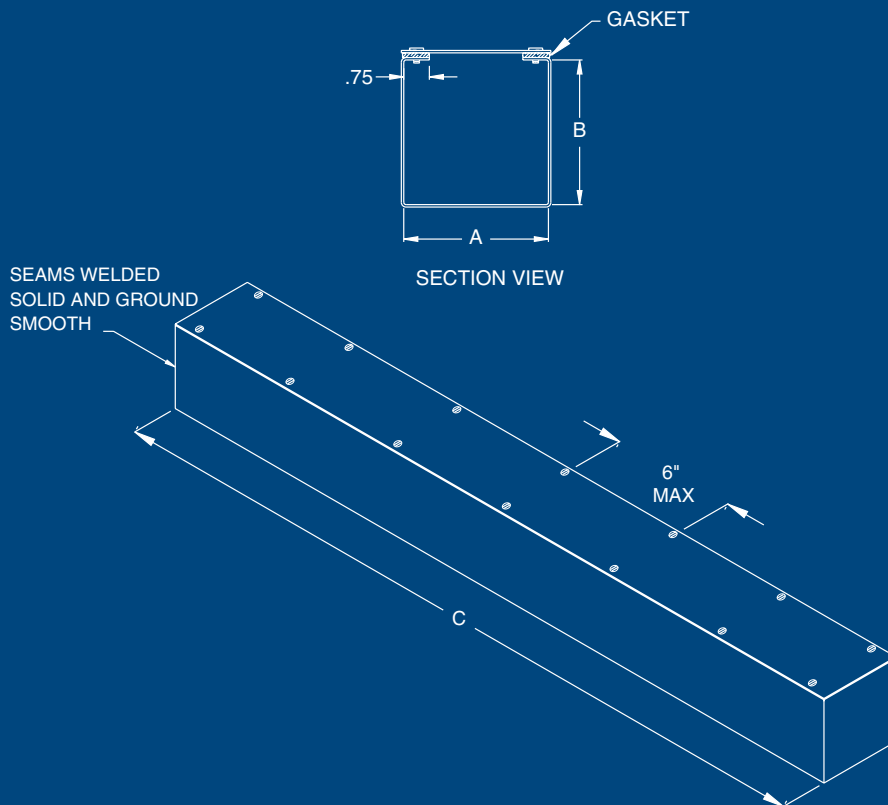
AUSTIN SCREW COVER GASKETED TROUGHS

Austin gasketed screw cover troughs are Underwriters Laboratories Listed and are designed to protect from rain, sleet, or snow in outdoor use. Indoor use, gasketed troughs protect from dust and moisture.

Construction:

- Fabricated in accordance with UL specifications from code gauge steel.
- Continuously welded seams ground smooth.
- Neoprene gasket attached to cover with oil resistant adhesive.

Wireways
& Trough
Products



Finish:

Austin gasketed screw cover troughs are constructed standard in galvanized steel. An ANSI 61 gray polyester powder coating over phosphatized surfaces is available on request.

Options:

- Special materials.
- Special finishes.
- Custom trough size or construction.

**INDUSTRY
STANDARDS**

UL 870
NEMA **Type 3 & 12**
CUL 870

Austin Electrical Enclosures
Post Office Box 2320
Yadkinville, NC 27055

Phone: 336.468.2851
800.288.2851

AUSTIN SCREW COVER GASKETED TROUGHS

Catalog Number	Trough Size (AxBxC)	Weight	Catalog Number	Trough Size (AxBxC)	Weight
AB-4412GST	4x4x12	4	AB-8884GST	8x8x84	52
AB-4424GST	4x4x24	8	AB-8896GST	8x8x96	59
AB-4436GST	4x4x36	11	AB-88120GST	8x8x120	73
AB-4448GST	4x4x48	15			
AB-4460GST	4x4x60	18	AB-101024GST	10x10x24	27
AB-4472GST	4x4x72	22	AB-101036GST	10x10x36	30
AB-4484GST	4x4x84	25	AB-101048GST	10x10x48	47
AB-4496GST	4x4x96	29	AB-101060GST	10x10x60	58
			AB-101072GST	10x10x72	69
AB-6612GST	6x6x12	7	AB-101096GST	10x10x96	91
AB-6624GST	6x6x24	12	AB-1010120GST	10x10x120	112
AB-6636GST	6x6x36	17			
AB-6648GST	6x6x48	22	AB-121224GST	12x12x24	33
AB-6660GST	6x6x60	28	AB-121236GST	12x12x36	45
AB-6672GST	6x6x72	33	AB-121248GST	12x12x48	58
AB-6684GST	6x6x84	39	AB-121260GST	12x12x60	71
AB-6696GST	6x6x96	44	AB-121272GST	12x12x72	84
AB-66120GST	6x6x120	54	AB-121296GST	12x12x96	110
			AB-1212120GST	12x12x120	135
AB-8824GST	8x8x24	17			
AB-8836GST	8x8x36	24	AB-181836GST	18x18x36	74
AB-8848GST	8x8x48	31	AB-181860GST	18x18x60	113
AB-8860GST	8x8x60	38	AB-181896GST	18x18x96	172
AB-8872GST	8x8x72	45	AB-1818120GST	18x18x120	212

Replace "GST" Suffix with: GSTG: Gasketed Screw Cover Trough Gray



Wireways
& Trough
Products

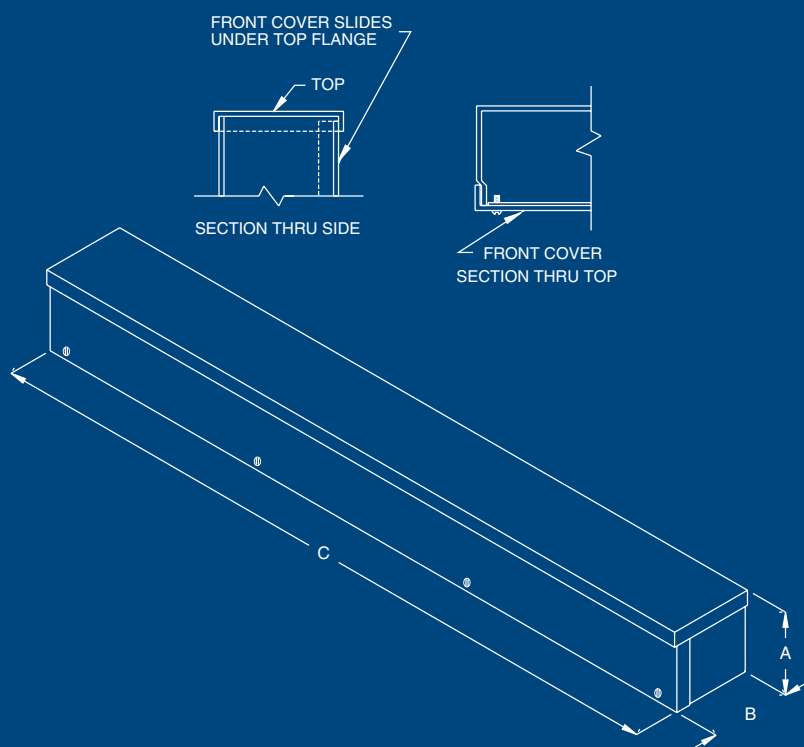
AUSTIN RAINPROOF TROUGHS

Austin rainproof troughs are Underwriters Laboratories Listed and are designed to provide a degree of protection against rain, sleet, and snow in outdoor use. Indoor use, rainproof troughs protect from dripping water.

Construction:

- Fabricated in accordance with UL specifications from code gauge steel.
- Dripshield along top of trough.
- Slip-on cover attached by screws at bottom edge.
- Embossed mounting holes on back.

Wireways
& Trough
Products



Finish:

Austin rainproof troughs are provided standard in galvanized. An ANSI 61 gray polyester powder coating over phosphatized surfaces is available on request.

Options:

- Special knockouts or knockout arrangements in bottom only.
- Special materials.
- Special finishes.
- Custom trough size or construction.

**INDUSTRY
STANDARDS**

UL 870
NEMA Type 3R
CUL 870

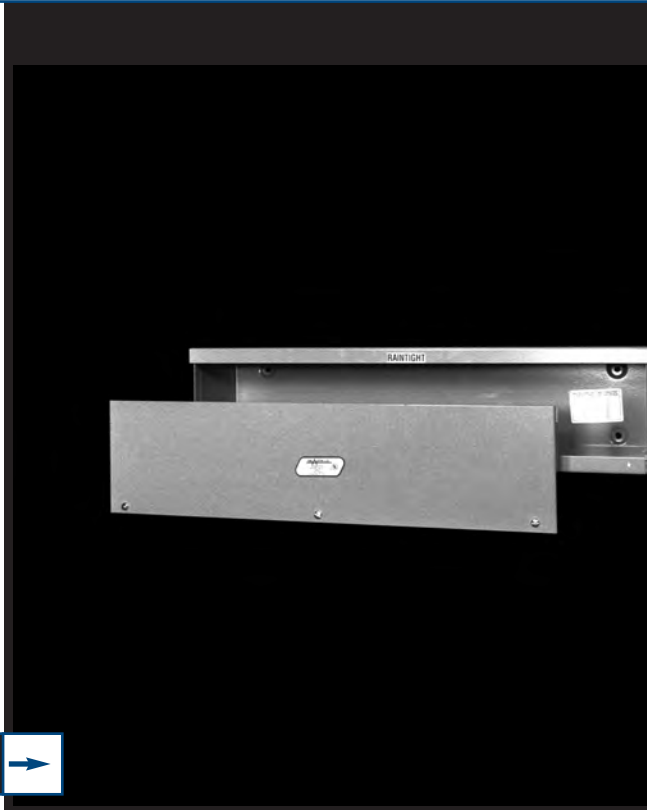
Austin Electrical Enclosures
Post Office Box 2320
Yadkinville, NC 27055

Phone: 336.468.2851
800.288.2851

AUSTIN RAINPROOF TROUGHS

Catalog Number	Trough Size (AxBxC)	Weight	Catalog Number	Trough Size (AxBxC)	Weight
AB-4412RT	4x4x12	4	AB-8860RT	8x8x60	38
AB-4418RT	4x4x18	6	AB-8872RT	8x8x72	45
AB-4424RT	4x4x24	8	AB-8884RT	8x8x84	52
AB-4436RT	4x4x36	11	AB-8896RT	8x8x96	59
AB-4448RT	4x4x48	15	AB-88118RT	8x8x118	72
AB-4460RT	4x4x60	18			
AB-4472RT	4x4x72	22	AB-101024RT	10x10x24	22
AB-4484RT	4x4x84	25	AB-101036RT	10x10x36	34
AB-4496RT	4x4x96	29	AB-101048RT	10x10x48	44
AB-44118RT	4x4x118	35	AB-101060RT	10x10x60	54
			AB-101072RT	10x10x72	63
AB-6612RT	6x6x12	7	AB-101084RT	10x10x84	73
AB-6624RT	6x6x24	12	AB-101096RT	10x10x96	83
AB-6636RT	6x6x36	17	AB-1010118RT	10x10x118	101
AB-6648RT	6x6x48	23			
AB-6660RT	6x6x60	28	AB-121224RT	12x12x24	30
AB-6672RT	6x6x72	33	AB-121236RT	12x12x36	46
AB-6684RT	6x6x84	39	AB-121248RT	12x12x48	59
AB-6696RT	6x6x96	44	AB-121260RT	12x12x60	72
AB-66118RT	6x6x118	54	AB-121272RT	12x12x72	86
			AB-121284RT	12x12x84	98
AB-8824RT	8x8x24	17	AB-121296RT	12x12x96	112
AB-8836RT	8x8x36	24	AB-1212118RT	12x12x118	136
AB-8848RT	8x8x48	31			

NOTE:
Replace "RT" Suffix with: RTG: Rainproof Trough Gray



Wireways
& Trough
Products



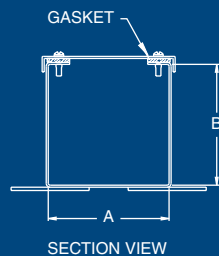
JIC OILTIGHT SCREW COVER TROUGHS

Austin JIC screw cover troughs are Underwriters Laboratories Listed and are designed to provide a degree of protection against dust, dirt, oil, and water.

Construction:

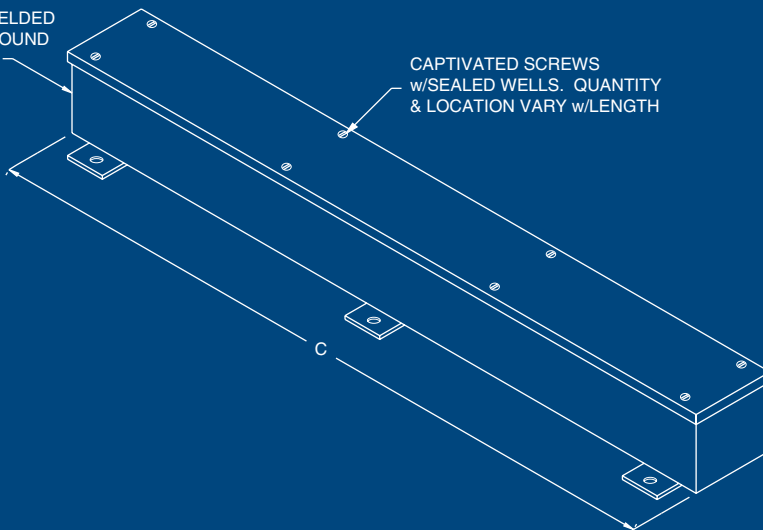
- Cover and body fabricated from 14 gauge steel.
- Continuously welded seams ground smooth.
- Cover held in place by captivated screws threaded into sealed wells.
- Neoprene gasket attached to cover with oil resistant adhesive.
- External mounting feet.

Wireways
& Trough
Products



SEAMS WELDED
SOLID GROUND
SMOOTH

CAPTIVATED SCREWS
w/SEALED WELLS. QUANTITY
& LOCATION VARY w/LENGTH



Finish:

Austin JIC screw cover troughs are provided standard with an ANSI 61 gray polyester powder coating.

Options:

- Special materials.
- Special finishes.
- Custom trough size or construction.

**INDUSTRY
STANDARDS**

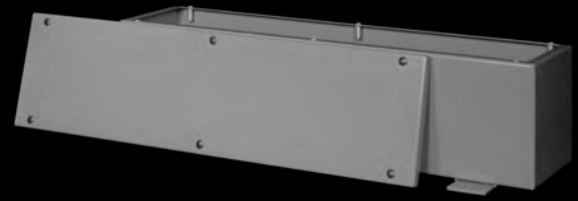
UL 870
NEMA Type 12
CUL 870

Austin Electrical Enclosures
Post Office Box 2320
Yadkinville, NC 27055

Phone: 336.468.2851
800.288.2851

JIC OILTIGHT SCEW COVER TROUGHS

Catalog Number	Trough Size (AxBxC)	Weight	Catalog Number	Trough Size (AxBxC)	Weight
AB-4412JTS	4x4x12	6	AB-8872JTS	8x8x72	58
AB-4424JTS	4x4x24	10			
AB-4436JTS	4x4x36	16	AB-101024JTS	10x10x24	27
AB-4448JTS	4x4x48	20	AB-101036JTS	10x10x36	38
			AB-101048JTS	10x10x48	48
AB-6612JTS	6x6x12	9	AB-101060JTS	10x10x60	59
AB-6624JTS	6x6x24	16	AB-101072JTS	10x10x72	70
AB-6636JTS	6x6x36	23	AB-101096JTS	10x10x96	92
AB-6648JTS	6x6x48	29			
AB-6660JTS	6x6x60	32			
AB-6672JTS	6x6x72	43	AB-121224JTS	12x12x24	34
			AB-121236JTS	12x12x36	49
AB-8824JTS	8x8x24	23	AB-121248JTS	12x12x48	60
AB-8836JTS	8x8x36	32	AB-121260JTS	12x12x60	73
AB-8848JTS	8x8x48	40	AB-121272JTS	12x12x72	86
AB-8860JTS	8x8x60	49	AB-121296JTS	12x12x96	99



Wireways
& Trough
Products

JIC OILTIGHT HINGE COVER TROUGHS

Austin JIC oiltight hinge cover troughs are Underwriters Laboratories Listed and are designed to provide a degree of protection against dust, dirt, oil, and water.

Construction:

- Cover and body fabricated from 14 gauge steel.
- Cover held in place by external quick release clamps on one side and butt hinges on opposite side.
- Continuously welded ends and seams ground smooth.
- Neoprene gasket attached to cover with oil resistant adhesive.
- External mounting feet.

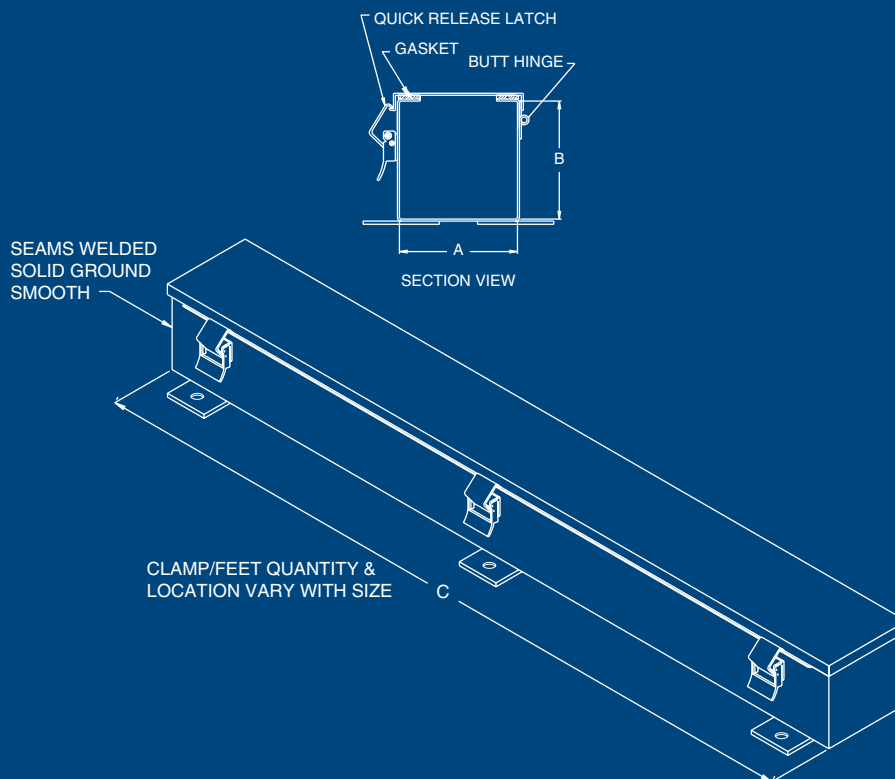
Finish:

Austin JIC oiltight troughs are provided standard with an ANSI 61 gray polyester powder coating.

Options:

- Special materials.
- Special finishes.
- Custom trough size or construction

Wireways
& Trough
Products



**INDUSTRY
STANDARDS**

UL 870
NEMA Type 12
CUL 870

Austin Electrical Enclosures
Post Office Box 2320
Yadkinville, NC 27055

Phone: 336.468.2851
800.288.2851

JIC OILTIGHT HINGE COVER TROUGHS

Catalog Number	Trough Size (AxBxC)	Weight	Catalog Number	Trough Size (AxBxC)	Weight
AB-2212JTR	2 1/2x2 1/2x12	3	AB-6618JTR	6x6x18	12
AB-2218JTR	2 1/2x2 1/2x18	5	AB-6624JTR	6x6x24	16
AB-2224JTR	2 1/2x2 1/2x24	6	AB-6630JTR	6x6x30	19
AB-2230JTR	2 1/2x2 1/2x30	9	AB-6636JTR	6x6x36	23
AB-2236JTR	2 1/2x2 1/2x36	10	AB-6648JTR	6x6x48	29
AB-2248JTR	2 1/2x2 1/2x48	13	AB-6660JTR	6x6x60	32
AB-2260JTR	2 1/2x2 1/2x60	16	AB-6672JTR	6x6x72	43
AB-2272JTR	2 1/2x2 1/2x72	19			
AB-4412JTR	4x4x12	6	AB-8812JTR	8x8x12	13
AB-4418JTR	4x4x18	8	AB-8824JTR	8x8x24	23
AB-4424JTR	4x4x24	10	AB-8836JTR	8x8x36	32
AB-4430JTR	4x4x30	13	AB-8848JTR	8x8x48	40
AB-4436JTR	4x4x36	16	AB-8860JTR	8x8x60	49
AB-4448JTR	4x4x48	20			
AB-4460JTR	4x4x60	25	AB-121224JTR	12x12x24	34
AB-4472JTR	4x4x72	30	AB-121236JTR	12x12x36	49
			AB-121248JTR	12x12x48	60
AB-6612JTR	6x6x12	9	AB-121260JTR	12x12x60	73



Wireways
& Trough
Products

NEMA 1 SCREW COVER WIREWAYS

Austin NEMA 1 screw cover wireway is Underwriters Laboratories Listed and is designed for use in housing electrical wiring. It provides a degree of protection against limited amounts of falling dirt. Fittings can be opened on any side to permit the laying in of entire runs of wiring.

Construction:

- Fabricated in accordance with UL specifications from code gauge steel.
- Cover has keyhole slots to permit easy removal without removing screws.
- Single sheet steel for body.
- Wireway is furnished with or without knockouts in 2 1/2x2 1/2, 4x4, and 6x6 only. 8x8, 10x10, and 12x12 furnished only without knockouts.

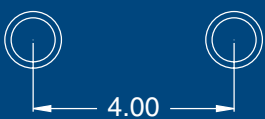
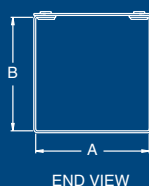
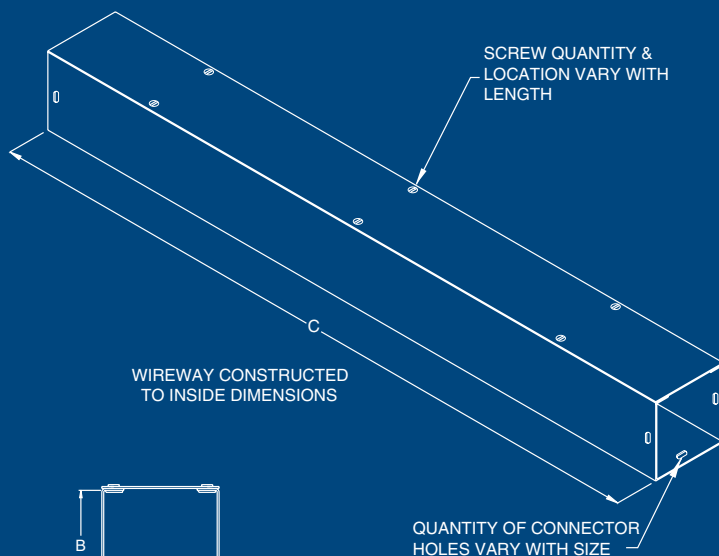
Finish:

Austin NEMA 1 screw cover wireway is provided standard in galvanized steel. An ANSI 61 gray polyester powder coating over CRS is available on request.

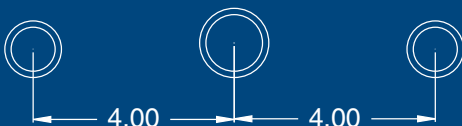
Options:

- Special knockouts or knockout arrangements.
- Special materials.
- Special finishes.

Wireways
& Trough
Products



KNOCKOUT PATTERN FOR 2.5 x 2.5
1/2"-3/4" COMBINATION



KNOCKOUT PATTERN FOR 4 x 4 & 6 x 6
1/2"-3/4" & 1"-1 1/4" COMBINATION

**INDUSTRY
STANDARDS**

UL 870
NEMA Type 1
CUL 870

Austin Electrical Enclosures
Post Office Box 2320
Yadkinville, NC 27055

Phone: 336.468.2851
800.288.2851

NEMA 1 SCREW COVER WIREWAYS

Catalog Number	Wireway Size (AxBxC) Description	Weight	Catalog Number	Wireway Size (AxBxC) Description	Weight	Catalog Number	Wireway Size (AxBxC) Description	Weight
AB-2212SW	2 1/2x2 1/2x12	2	AB-6612SW	6x6x12	5	AB-101012SW	10x10x12	10
AB-2224SW	2 1/2x2 1/2x24	4	AB-6624SW	6x6x24	10	AB-101024SW	10x10x24	20
AB-2236SW	2 1/2x2 1/2x36	6	AB-6636SW	6x6x36	15	AB-101036SW	10x10x36	30
AB-2248SW	2 1/2x2 1/2x48	8	AB-6648SW	6x6x48	20	AB-101048SW	10x10x48	40
AB-2260SW	2 1/2x2 1/2x60	10	AB-6660SW	6x6x60	25	AB-101060SW	10x10x60	50
AB-2272SW	2 1/2x2 1/2x72	13	AB-6672SW	6x6x72	30	AB-101072SW	10x10x72	60
AB-2284SW	2 1/2x2 1/2x84	16	AB-6684SW	6x6x84	39	AB-101084SW	10x10x84	70
AB-2296SW	2 1/2x2 1/2x96	18	AB-6696SW	6x6x96	44	AB-101096SW	10x10x96	80
AB-22120SW	2 1/2x2 1/2x120	20	AB-66120SW	6x6x120	50	AB-1010120SW	10x10x120	100
AB-4412SW	4x4x12	3	AB-8812SW	8x8x12	7	AB-121212SW	12x12x12	13
AB-4424SW	4x4x24	7	AB-8824SW	8x8x24	16	AB-121224SW	12x12x24	26
AB-4436SW	4x4x36	10	AB-8836SW	8x8x36	25	AB-121236SW	12x12x36	38
AB-4448SW	4x4x48	14	AB-8848SW	8x8x48	33	AB-121248SW	12x12x48	51
AB-4460SW	4x4x60	17	AB-8860SW	8x8x60	41	AB-121260SW	12x12x60	63
AB-4472SW	4x4x72	20	AB-8872SW	8x8x72	50	AB-121272SW	12x12x72	75
AB-4484SW	4x4x84	25	AB-8884SW	8x8x84	64	AB-121284SW	12x12x84	99
AB-4496SW	4x4x96	29	AB-8896SW	8x8x96	73	AB-121296SW	12x12x96	112
AB-44120SW	4x4x120	35	AB-88120SW	8x8x120	88	AB-1212120SW	12x12x120	126
AB-22EP	End Cap	.3	AB-66EP	End Cap	1	AB-1010EP	End Cap	2.5
AB-22TE	Tee	2	AB-66TE	Tee	8	AB-1010TE	Tee	20
AB-22L90	90 Elbow	2	AB-66L90	90 Elbow	7	AB-1010L90	90 Elbow	18
AB-22UC	U-Connector	.3	AB-66UC	U-Connector	.5	AB-1010UC	U-Connector	2
AB-22PA	Panel Adapter	.5	AB-66PA	Panel Adapter	2	AB-1010PA	Panel Adapter	3
AB-22L45	45 Elbow	2	AB-66L45	45 Elbow	5	AB-1010L45	45 Elbow	14
AB-22UH	U-Hanger	2	AB-66UH	U-Hanger	2	AB-1010UH	U-Hanger	5
AB-22X	Cross	4	AB-66X	Cross	10	AB-1010X	Cross	20
AB-22TS	Telescope	3	AB-66R	Reducer	2	AB-108R	Reducer	2
			AB-66TS	Telescope	9	AB-1010TS	Telescope	12
AB-44EP	End Cap	.5	AB-88EP	End Cap	2	AB-1212EP	End Cap	3
AB-44TE	Tee	5	AB-88TE	Tee	14	AB-1212TE	Tee	26
AB-44L90	90 Elbow	5	AB-88L90	90 Elbow	12	AB-1212L90	90 Elbow	24
AB-44UC	U-Connector	.3	AB-88UC	U-Connector	1	AB-1212UC	U-Connector	2
AB-44PA	Panel Adapter	1	AB-88PA	Panel Adapter	2	AB-1212PA	Panel Adapter	3
AB-44L45	45 Elbow	4	AB-88L45	45 Elbow	10	AB-1212L45	45 Elbow	19
AB-44UH	U-Hanger	2	AB-88UH	U-Hanger	3	AB-1212UH	U-Hanger	6
AB-44X	Cross	6	AB-88X	Cross	16	AB-1212X	Cross	24
AB-42R	Reducer	.5	AB-86R	Reducer	2	AB-1210R	Reducer	2
AB-44TS	Telescope	5	AB-88TS	Telescope	10	AB-1212TS	Telescope	15

Replace "SW" Suffix with: SWG: Screw Cover Wireway Gray
 SWGK: Screw Cover Wireway Gray w/KO's
 SWK: Screw Cover Wireway w/KO's

Wireways
& Trough
Products

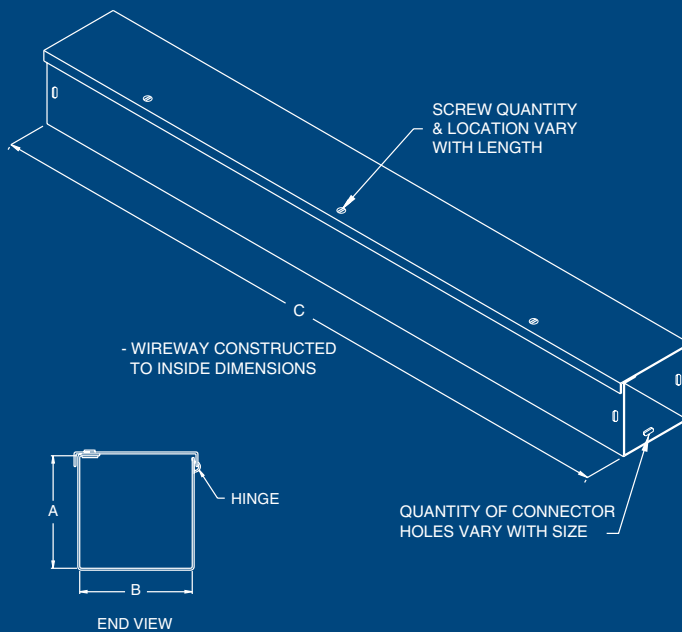


NEMA 1 HINGE COVER WIREWAYS

Austin NEMA 1 hinge cover wireway is Underwriters Laboratories Listed and is designed for use in housing electrical wiring. It provides a degree of protection against limited amounts of falling dirt. Fittings can be opened on any side to permit the laying in of entire runs of wiring.

Construction:

- Fabricated in accordance with UL specifications from code gauge steel.
- Wireway sizes 2.5x2.5, 4x4, and 6x6 have formed hinges.
- Wireway sizes 8x8, 10x10, and 12x12 have butt hinges.
- Cover is held in place by screws on opposite side of hinge.
- Single sheet steel for body.
- Wireway can be furnished with or without knockouts in 2.5x2.5, 4x4, and 6x6 only. 8x8, 10x10, and 12x12 furnished only without knockouts.



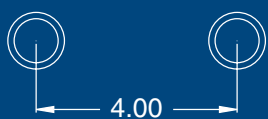
Wireways
& Trough
Products

Finish:

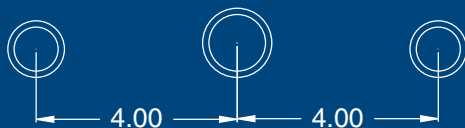
Austin NEMA 1 hinge cover wireway is provided standard in galvanized steel. An ANSI 61 gray polyester powder coating over CRS is available on request.

Options:

- Special knockouts or knockout arrangements.
- Special materials.
- Special finishes.



KNOCKOUT PATTERN FOR 2.5 x 2.5
1/2"-3/4" COMBINATION



KNOCKOUT PATTERN FOR 4 x 4 & 6 x 6
1/2"-3/4" & 1"-1 1/4" COMBINATION

**INDUSTRY
STANDARDS**

UL 870
NEMA Type 1
CUL 870

Austin Electrical Enclosures
Post Office Box 2320
Yadkinville, NC 27055

Phone: 336.468.2851
800.288.2851

NEMA 1 HINGE COVER WIREWAYS

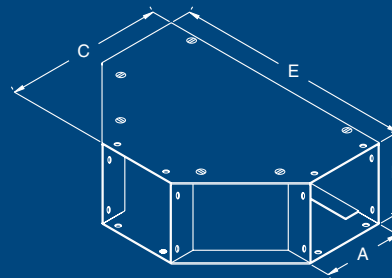
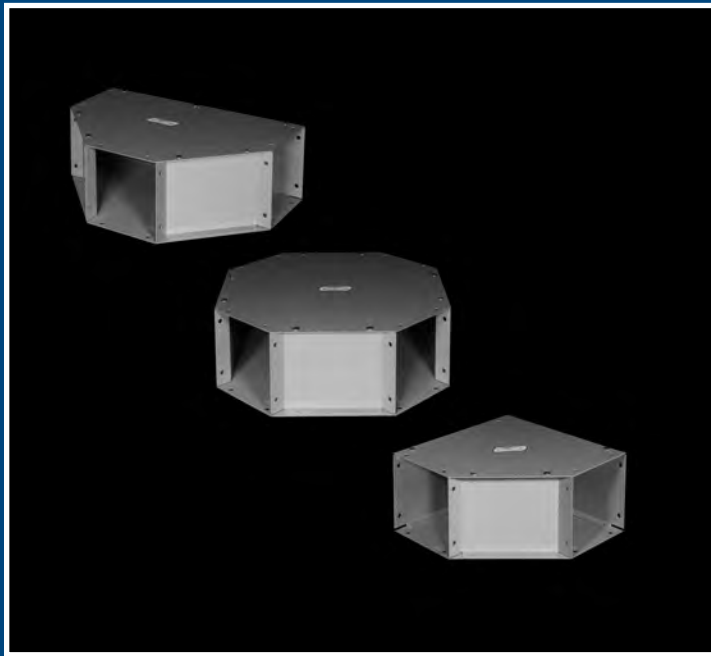
Catalog Number	Wireway Size (AxBxC) Description	Weight	Catalog Number	Wireway Size (AxBxC) Description	Weight	Catalog Number	Wireway Size (AxBxC) Description	Weight
AB-2212HW	2 1/2x2 1/2x12	2	AB-6612HW	6x6x12	5	AB-101012HW	10x10x12	10
AB-2224HW	2 1/2x2 1/2x24	4	AB-6624HW	6x6x24	10	AB-101024HW	10x10x24	20
AB-2236HW	2 1/2x2 1/2x36	6	AB-6636HW	6x6x36	15	AB-101036HW	10x10x36	30
AB-2248HW	2 1/2x2 1/2x48	8	AB-6648HW	6x6x48	20	AB-101048HW	10x10x48	40
AB-2260HW	2 1/2x2 1/2x60	10	AB-6660HW	6x6x60	25	AB-101060HW	10x10x60	50
AB-2272HW	2 1/2x2 1/2x72	13	AB-6672HW	6x6x72	30	AB-101072HW	10x10x72	60
AB-2284HW	2 1/2x2 1/2x84	16	AB-6684HW	6x6x84	39	AB-101084HW	10x10x84	70
AB-2296HW	2 1/2x2 1/2x96	18	AB-6696HW	6x6x96	44	AB-101096HW	10x10x96	80
AB-22120HW	2 1/2x2 1/2x120	20	AB-66120HW	6x6x120	50	AB-1010120HW	10x10x120	100
AB-4412HW	4x4x12	3	AB-8812HW	8x8x12	7	AB-121212HW	12x12x12	13
AB-4424HW	4x4x24	7	AB-8824HW	8x8x24	16	AB-121224HW	12x12x24	26
AB-4436HW	4x4x36	10	AB-8836HW	8x8x36	25	AB-121236HW	12x12x36	38
AB-4448HW	4x4x48	14	AB-8848HW	8x8x48	33	AB-121248HW	12x12x48	51
AB-4460HW	4x4x60	17	AB-8860HW	8x8x60	41	AB-121260HW	12x12x60	63
AB-4472HW	4x4x72	20	AB-8872HW	8x8x72	50	AB-121272HW	12x12x72	75
AB-4484HW	4x4x84	25	AB-8884HW	8x8x84	64	AB-121284HW	12x12x84	99
AB-4496HW	4x4x96	29	AB-8896HW	8x8x96	73	AB-121296HW	12x12x96	112
AB-44120HW	4x4x120	35	AB-88120HW	8x8x120	88	AB-1212120HW	12x12x120	126
AB-22EP	End Cap	.3	AB-66EP	End Cap	1	AB-1010EP	End Cap	2.5
AB-22TE	Tee	2	AB-66TE	Tee	8	AB-1010TE	Tee	20
AB-22L90	90 Elbow	2	AB-66L90	90 Elbow	7	AB-1010L90	90 Elbow	18
AB-22UC	U-Connector	.3	AB-66UC	U-Connector	.5	AB-1010UC	U-Connector	2
AB-22PA	Panel Adapter	.5	AB-66PA	Panel Adapter	2	AB-1010PA	Panel Adapter	3
AB-22L45	45 Elbow	2	AB-66L45	45 Elbow	5	AB-1010L45	45 Elbow	14
AB-22UH	U-Hanger	2	AB-66UH	U-Hanger	2	AB-1010UH	U-Hanger	5
AB-22X	Cross	4	AB-66X	Cross	10	AB-1010X	Cross	20
AB-22TS	Telescope	3	AB-64R	Reducer	2	AB-108R	Reducer	2
			AB-66TS	Telescope	9	AB-1010TS	Telescope	12
AB-44EP	End Cap	.5	AB-88EP	End Cap	2	AB-1212EP	End Cap	3
AB-44TE	Tee	5	AB-88TE	Tee	14	AB-1212TE	Tee	26
AB-44L90	90 Elbow	5	AB-88L90	90 Elbow	12	AB-1212L90	90 Elbow	24
AB-44UC	U-Connector	.3	AB-88UC	U-Connector	1	AB-1212UC	U-Connector	2
AB-44PA	Panel Adapter	1	AB-88PA	Panel Adapter	2	AB-1212PA	Panel Adapter	3
AB-44L45	45 Elbow	4	AB-88L45	45 Elbow	10	AB-1212L45	45 Elbow	19
AB-44UH	U-Hanger	2	AB-88UH	U-Hanger	3	AB-1212UH	U-Hanger	6
AB-44X	Cross	6	AB-88X	Cross	16	AB-1212X	Cross	24
AB-42R	Reducer	.5	AB-86R	Reducer	2	AB-1210R	Reducer	2
AB-44TS	Telescope	5	AB-88TS	Telescope	10	AB-1212TS	Telescope	15

Replace "HW" Suffix with: HWG: Hinge Cover Wireway Gray
 HWGK: Hinge Cover Wireway Gray w/KO's
 HWK: Hinge Cover Wireway w/KO's

Wireways
& Trough
Products

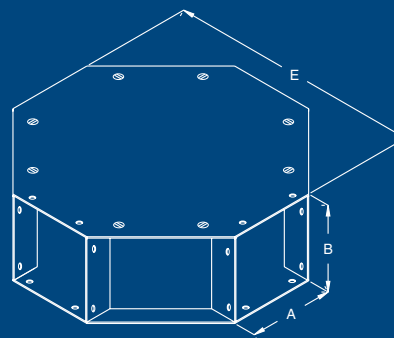


NEMA 1 WIREWAY FITTINGS



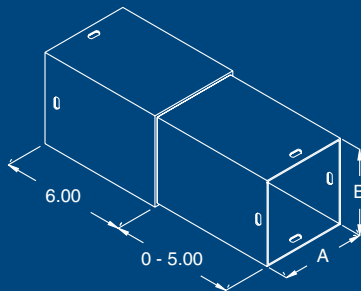
TEE

Allows runs of wireway to split off or come together at a 90° angle



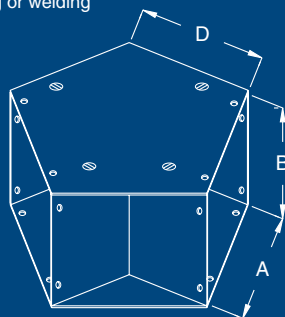
CROSS

Allows runs of wireway to intersect and cross or split off at 90° angles



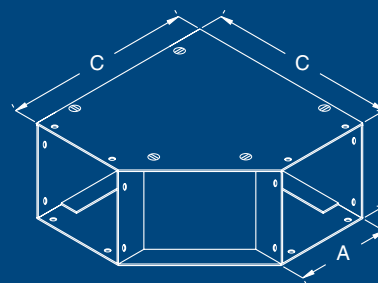
TELESCOPE

Length easily adjusts from 6" to 11". No cutting or welding is required



45° ELBOW

Similar to the 90° elbow but only makes a 45° turn



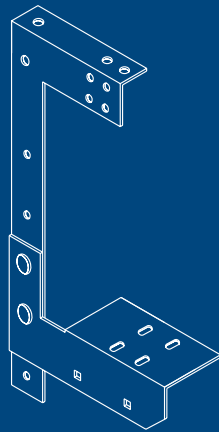
90° ELBOW

Any side can be removed to retain the lay-in feature of the wireway. Sides are held in place with screws

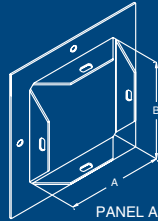
Wireways
& Trough
Products

NEMA 1 WIREWAY FITTINGS

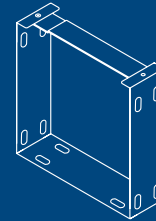
Wireway Size	A	B	C	D	E	F	G
2 1/2x2 1/2	2 1/2	2 1/2	5	3	7 1/2	NA	NA
4x4	4	4	8	4 5/8	12	2 1/2	2 1/2
6x6	6	6	12	5 7/16	18	4	4
8x8	8	8	14	6 1/4	20	6	6
10x10	10	10	16	7 1/8	22	8	8
12x12	12	12	18	7 15/16	24	10	10



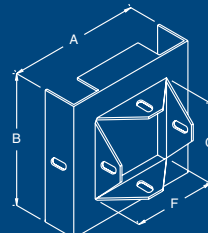
UNIVERSAL HANGER
Allows runs of wireway to be supported from either the ceiling or the wall



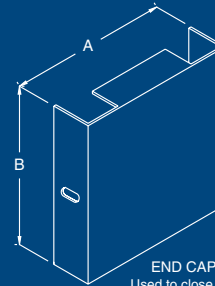
PANEL ADAPTER
Allows a run of wireway to be securely connected to an enclosure



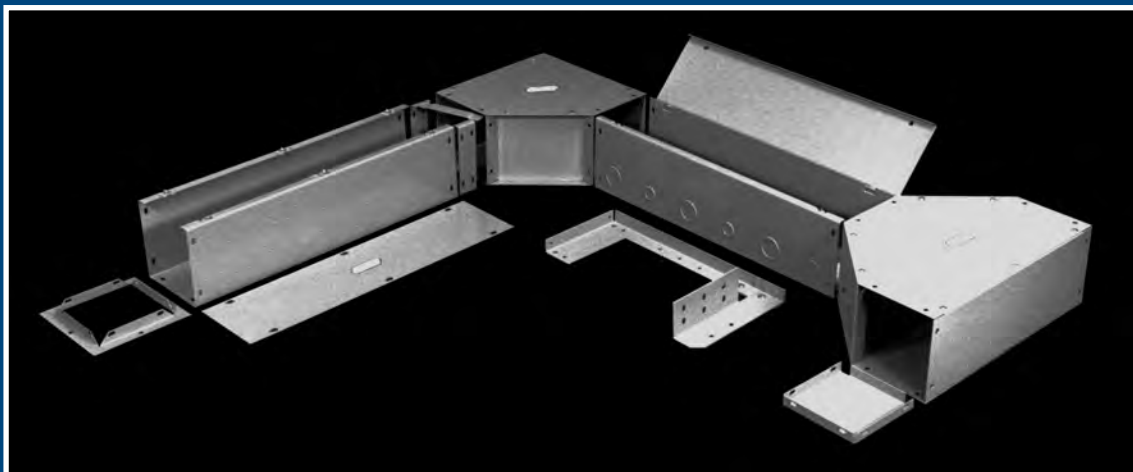
U-CONNECTOR
U-Connectors are used to join sections of wireway together. These must be ordered separately.



REDUCER
Allows the reduction of a run of wireway to a smaller wireway size



END CAP
Used to close off the end of a wireway run



Wireways
& Trough
Products

JIC PULL-THROUGH WIREWAY

Austin JIC Pull-Through wireway is Underwriters Laboratories Listed and is designed to protect electrical wiring from dust, dirt, oil, and water.

Construction:

- Fabricated in accordance with UL specifications from 14 gauge steel.
- Continuously welded seams.
- Neoprene gasket attached to cover with oil-resistant adhesive.
- Cover attached to body with heavy butt hinges and quick release clamps.
- One piece oil-resistant gasket is provided with each straight section and fitting for bolting sections together.

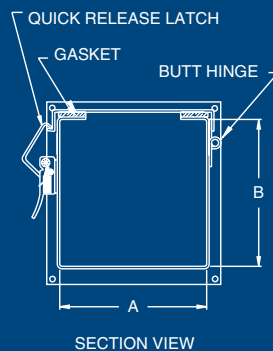
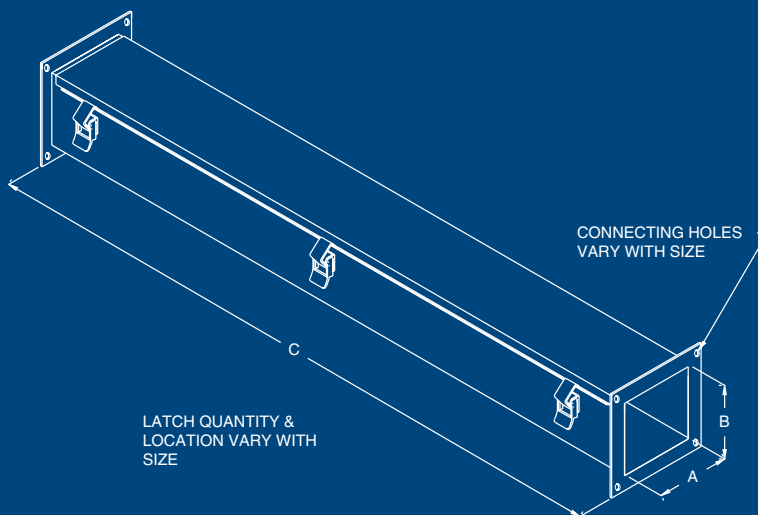
Finish:

Austin JIC Pull-Through wireway is provided standard with an ANSI 61 gray polyester powder coating inside and out.

Options:

- Special materials.
- Special finishes.

Wireways
& Trough
Products



**INDUSTRY
STANDARDS**

UL 870
NEMA Type 12
CUL 870

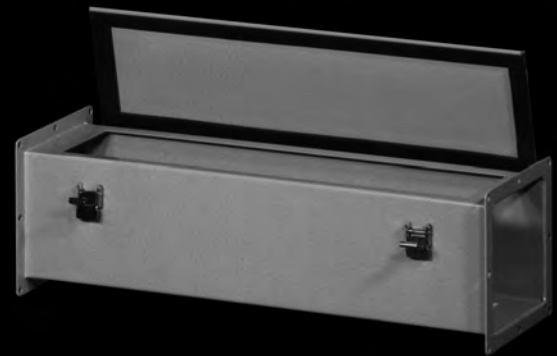
Austin Electrical Enclosures
Post Office Box 2320
Yadkinville, NC 27055

Phone: 336.468.2851
800.288.2851

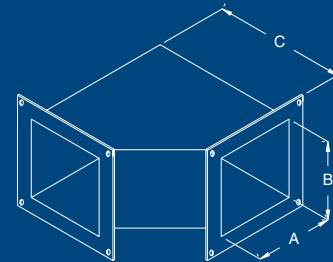
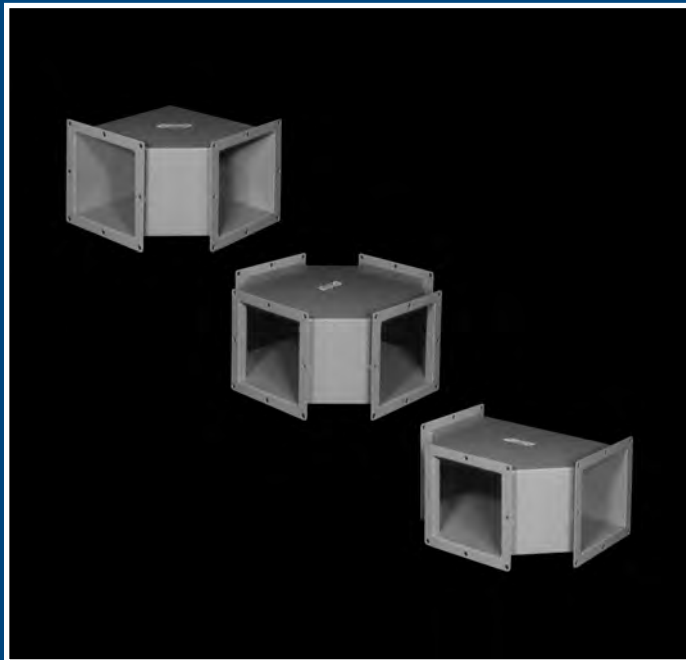
JIC PULL-THROUGH WIREWAY

Catalog Number	Wireway Size (AxBxC) Description	Weight	Catalog Number	Wireway Size (AxBxC) Description	Weight
AB-2212JW	2 1/2x2 1/2x12	4	AB-6612JW	6x6x12	10
AB-2224JW	2 1/2x2 1/2x24	7	AB-6624JW	6x6x24	18
AB-2236JW	2 1/2x2 1/2x36	11	AB-6636JW	6x6x36	24
AB-2248JW	2 1/2x2 1/2x48	15	AB-6648JW	6x6x48	32
AB-2260JW	2 1/2x2 1/2x60	19	AB-6660JW	6x6x60	40
AB-22120JW	2 1/2x2 1/2x120	35	AB-66120JW	6x6x120	76
AB-22JL90	90 Elbow	3	AB-66JL90	90 Elbow	8
AB-22JL45	45 Elbow	2	AB-66JL45	45 Elbow	6
AB-22JTE	Tee	4	AB-66JTE	Tee	10
AB-22JX	Cross	5	AB-66JX	Cross	13
AB-22JTSC	Telescope	4	AB-66JTSC	Telescope	11
NA	Reducer		AB-64JR	Reducer	2
AB-22JBF	Box Fitting	1	AB-66JBF	Box Fitting	1
AB-22JCF	Cut-off Fitting	3	AB-66JCF	Cut-off Fitting	8
AB-22JN1	Nipple 1"	1	AB-66JN1	Nipple 1"	3
AB-22JN2	Nipple 2"	1	AB-66JN2	Nipple 2"	3
AB-22JN3	Nipple 3"	2	AB-66JN3	Nipple 3"	4
AB-22JBH	Bracket Hanger	1	AB-66JBH	Bracket Hanger	3
AB-22JDH	Drop Hanger	1	AB-66JDH	Drop Hanger	2
AB-22JEP	End Plate	1	AB-66JEP	End Plate	3
AB-22JG	Gasket		AB-66JG	Gasket	
AB-4412JW	4x4x12	7	AB-8812JW	8x8x12	12
AB-4424JW	4x4x24	12	AB-8824JW	8x8x24	21
AB-4436JW	4x4x36	17	AB-8836JW	8x8x36	32
AB-4448JW	4x4x48	21	AB-8848JW	8x8x48	42
AB-4460JW	4x4x60	26	AB-8860JW	8x8x60	51
AB-44120JW	4x4x120	55	AB-88120JW	8x8x120	99
AB-44JL90	90 Elbow	5	AB-88JL90	90 Elbow	12
AB-44JL45	45 Elbow	3	AB-88JL45	45 Elbow	9
AB-44JTE	Tee	6	AB-88JTE	Tee	15
AB-44JX	Cross	8	AB-88JX	Cross	18
AB-44JTSC	Telescope	7	AB-88JTSC	Telescope	15
AB-42JR	Reducer	1	AB-86JR	Reducer	3
AB-44JBF	Box Fitting	1	AB-88JBF	Box Fitting	2
AB-44JCF	Cut-off Fitting	6	AB-88JCF	Cut-off Fitting	11
AB-44JN1	Nipple 1"	2	AB-88JN1	Nipple 1"	4
AB-44JN2	Nipple 2"	2	AB-88JN2	Nipple 2"	4
AB-44JN3	Nipple 3"	2	AB-88JN3	Nipple 3"	5
AB-44JBH	Bracket Hanger	1	AB-88JBH	Bracket Hanger	6
AB-44JDH	Drop Hanger	1	AB-88JDH	Drop Hanger	6
AB-44JEP	End Plate	1	AB-88JEP	End Plate	4
AB-44JG	Gasket		AB-88JG	Gasket	

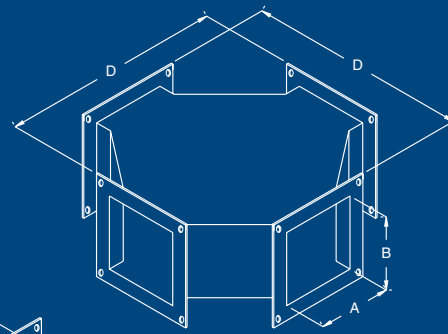
Wireways
& Trough
Products



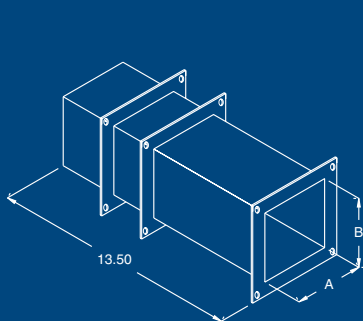
JIC PULL-THROUGH WIREWAY FITTINGS



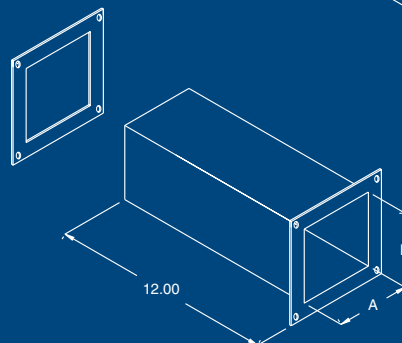
90° ELBOW
Allows a wireway run to turn at a 90° angle



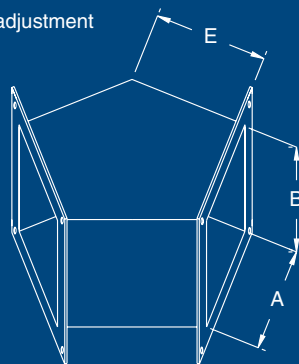
CROSS
Allows runs of wireway to intersect and cross or split off at 90° angles



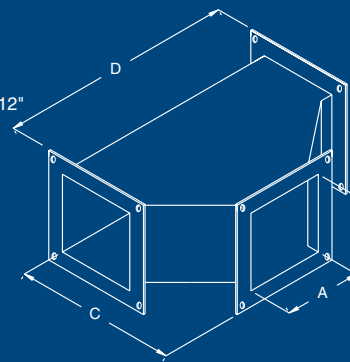
TELESCOPE
Allows easy adjustment for up to 12"



CUT-OFF FITTING
Allows user to cut off part of fitting and weld on flange to form a section between 1" and 12"



45° ELBOW
Similar to a 90° elbow but only makes a 45° turn

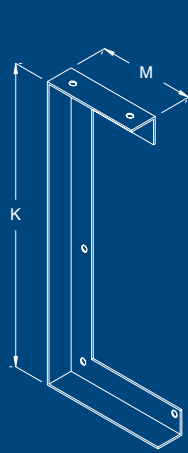


TEE
Allows runs of wireway to split off or come together at a 90° angle

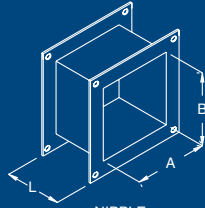
Wireways
& Trough
Products

JIC PULL-THROUGH WIREWAY FITTINGS

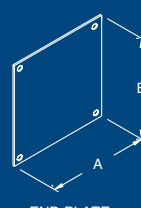
Wireway Size	A	B	C	D	E	F	G	K	M	R	S	T
2 1/2x2 1/2	2 1/2	2 1/2	6 1/2	10 1/2	3 3/8	NA	NA	11 3/4	4 5/8	4	4	4 1/2
4x4	4	4	8	12	4	2 1/2	2 1/2	13 1/4	6 1/8	5 1/2	5 1/2	6
6x6	6	6	10	14	4 7/8	4, 2 1/2	4, 2 1/2	15 1/4	8 1/8	7 1/2	5 1/2	8
8x8	8	8	12	16	5 5/8	6, 4, 2 1/2	6, 4, 2 1/2	19 1/4	10 1/8	9 1/2	5 1/2	10



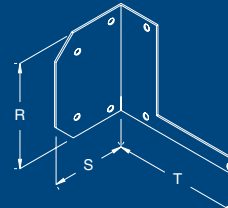
DROP HANGER
Allows a run of wireway to be suspended from the ceiling



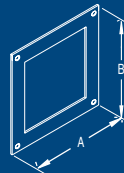
NIPPLE
Available in 1", 2", and 3" lengths



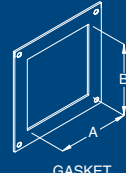
END PLATE
Used to close off the end of a wireway run



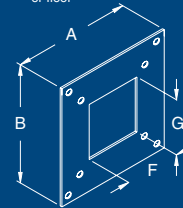
BRACKET HANGER
Allows a run of wireway to be attached to the wall, ceiling, or floor



BOX FITTING
Used when wireway enters an enclosure on the inside of the enclosure to provide a tight seal

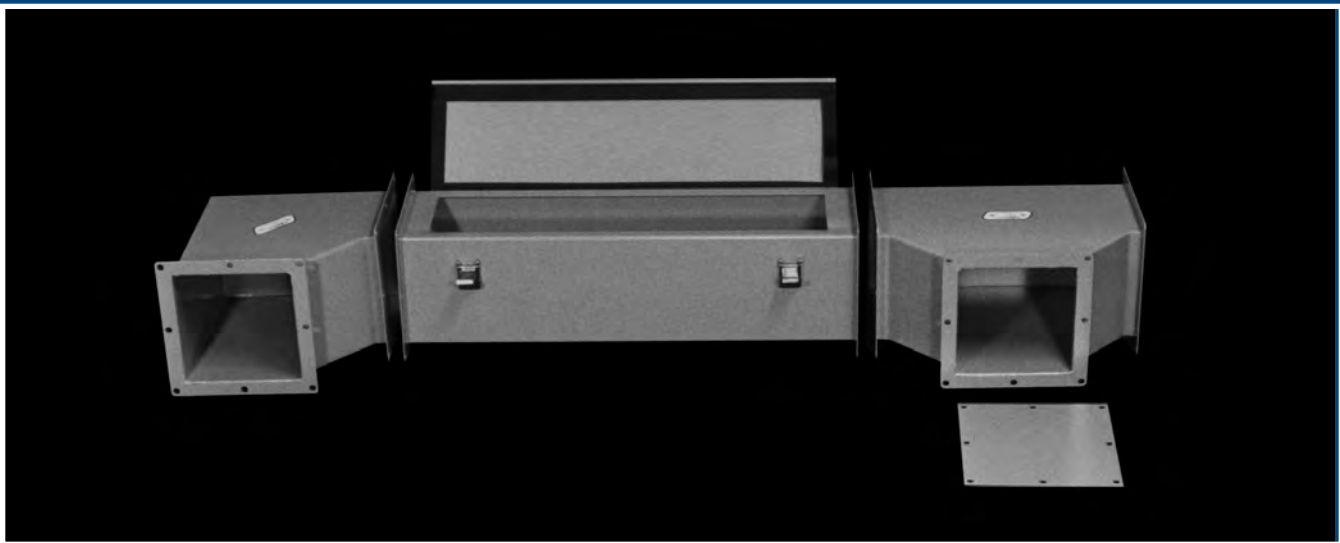


GASKET
Neoprene gasket used to provide a water tight seal between sections of wireway or between sections of wireway and fittings



REDUCER
Allows reduction of a wireway run to a smaller wireway size

Wireways
& Trough
Products



JIC PULL-THROUGH WIREWAY NEMA 4X

Austin JIC Pull-Through NEMA 4X wireway is Underwriters Laboratories Listed and is designed to protect electrical wiring from dust, dirt, oil, and water.

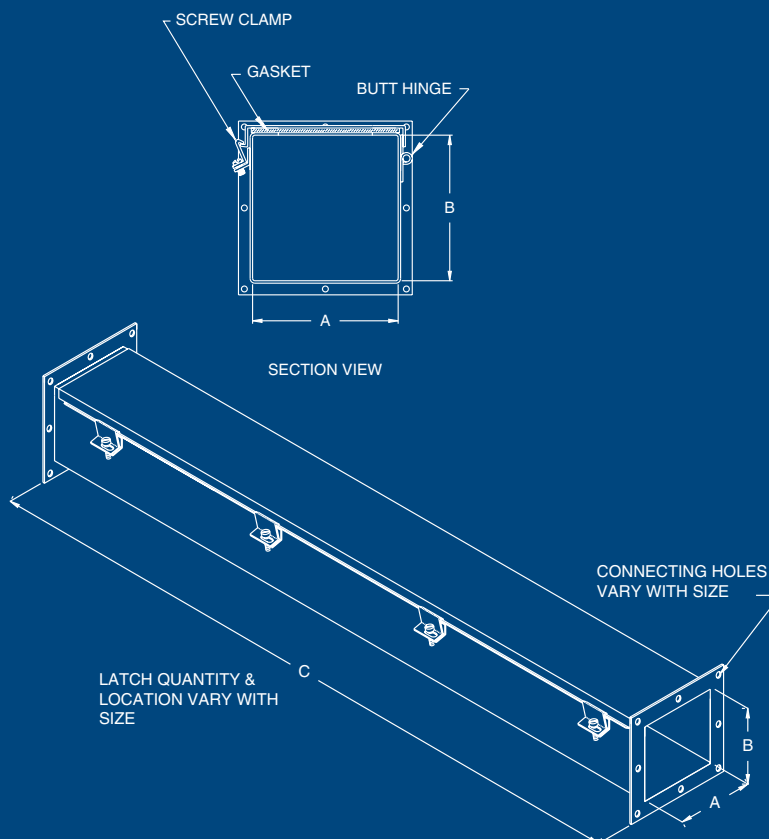
Construction:

- Fabricated in accordance with UL specifications from 14 gauge Type 304 stainless steel.
- Continuously welded seams.
- Neoprene gasket attached to cover with oil-resistant adhesive.
- Cover attached to body with heavy butt hinges and quick release clamps.
- One piece oil-resistant gasket is provided with each straight section and fitting for bolting sections together.

Finish:

Austin JIC Pull-Through 4X wireway is provided standard in Type 304 stainless steel.

Wireways
& Trough
Products



Options:

- Type 316 stainless steel

**INDUSTRY
STANDARDS**

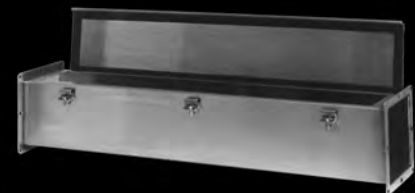
UL 870
NEMA **Type 4, 4X & 12**
CUL 870

Austin Electrical Enclosures
Post Office Box 2320
Yadkinville, NC 27055

Phone: 336.468.2851
800.288.2851

JIC PULL-THROUGH WIREWAY NEMA 4X

Catalog Number	Wireway Size (AxBxC) Description	Weight	Catalog Number	Wireway Size (AxBxC) Description	Weight
AB-4412JWFX	4x4x12	7	AB-6612JWFX	6x6x12	10
AB-4424JWFX	4x4x24	12	AB-6624JWFX	6x6x24	18
AB-4436JWFX	4x4x36	17	AB-6636JWFX	6x6x36	24
AB-4448JWFX	4x4x48	21	AB-6648JWFX	6x6x48	32
AB-4460JWFX	4x4x60	26	AB-6660JWFX	6x6x60	40
AB-44120JWFX	4x4x120	55	AB-66120JWFX	6x6x120	76
AB-44JL90X	90 Elbow	5	AB-66JL90X	90 Elbow	8
AB-44JL45X	45 Elbow	3	AB-66JL45X	45 Elbow	6
AB-44JTEX	Tee	6	AB-66JTEX	Tee	10
AB-44JXX	Cross	8	AB-66JXX	Cross	13
AB-44JTSX	Telescope	7	AB-66JTSX	Telescope	11
AB-42JRX	Reducer	1	AB-64JRX	Reducer	2
AB-44JBFX	Box Fitting	1	AB-66JBFX	Box Fitting	1
AB-44JCFX	Cut-off Fitting	6	AB-66JCFX	Cut-off Fitting	8
AB-44JN1X	Nipple 1"	2	AB-66JN1X	Nipple 1"	3
AB-44JN2X	Nipple 2"	2	AB-66JN2X	Nipple 2"	3
AB-44JN3X	Nipple 3"	2	AB-66JN3X	Nipple 3"	4
AB-44JBHX	Bracket Hanger	1	AB-66JBHX	Bracket Hanger	3
AB-44JDHX	Drop Hanger	1	AB-66JDHX	Drop Hanger	2
AB-44JEPX	End Plate	1	AB-66JEPX	End Plate	3
AB-44JG	Gasket		AB-66JG	Gasket	



Wireways
& Trough
Products

JIC LAY-IN WIREWAY

Austin JIC Lay-In wireway is Underwriters Laboratories Listed and is designed to protect electrical wiring from dust, dirt, oil, and water. All sections and fittings are completely open on one side to allow a complete run of wiring to be laid into the wireway run.

Construction:

- Fabricated in accordance with UL specifications from 14 gauge steel.
- Continuously welded seams.
- Neoprene gasket attached to cover with oil-resistant adhesive.
- Cover attached to body with heavy butt hinges and quick release clamps.
- One piece oil-resistant gasket and flat sealing plate (not shown) are provided with each straight section and fitting and a 90° sealing plate with each end plate for bolting sections together.

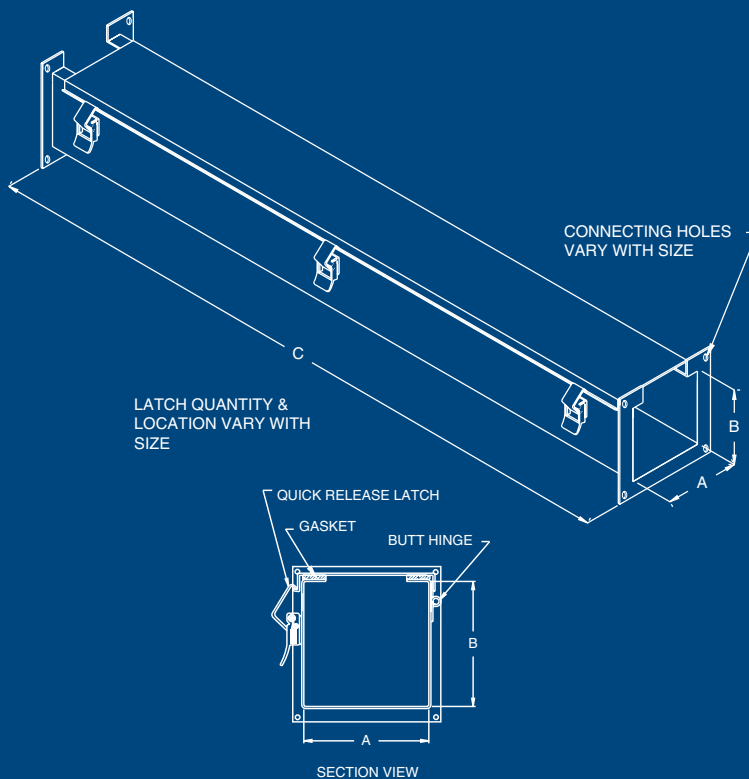
Finish:

Austin JIC Lay-In wireway is provided standard with an ANSI 61 gray polyester powder coating inside and out.

Options:

- Special materials.
- Special finishes.

Wireways
& Trough
Products



**INDUSTRY
STANDARDS**

UL 870
NEMA Type 12
CUL 870

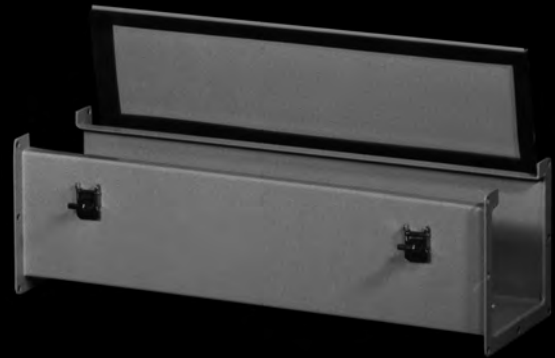
Austin Electrical Enclosures
Post Office Box 2320
Yadkinville, NC 27055

Phone: 336.468.2851
800.288.2851

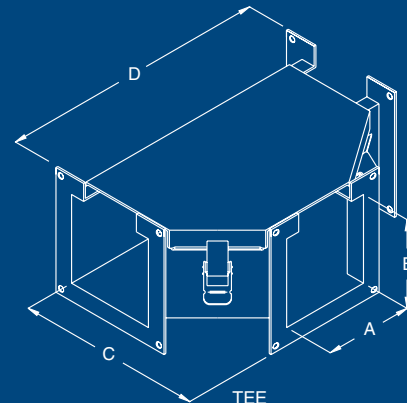
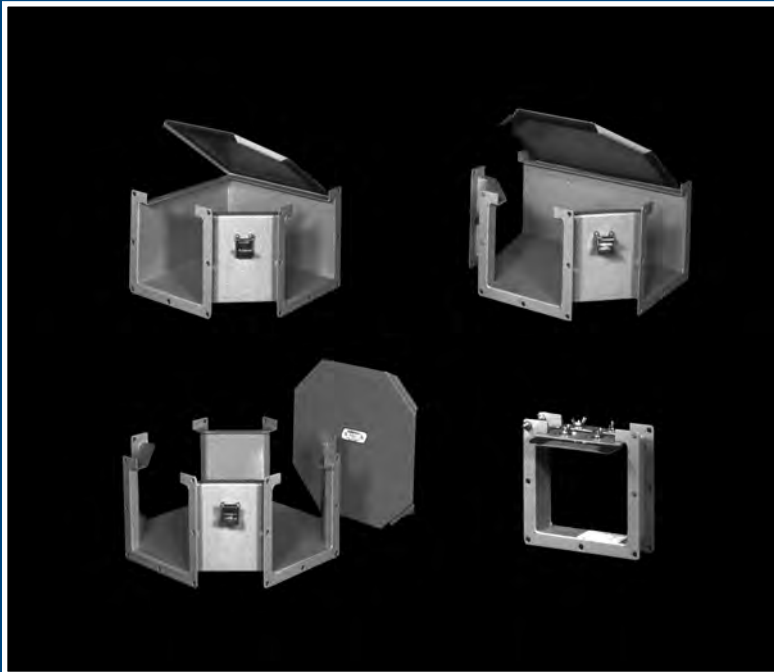
JIC LAY-IN WIREWAY

Catalog Number	Wireway Size (AxBxC) Description	Catalog Number	Wireway Size (AxBxC) Description	Catalog Number	Wireway Size (AxBxC) Description	Catalog Number	Wireway Size (AxBxC) Description
AB-2212LW	2 1/2x2 1/2x12	AB-4412LW	4x4x12	AB-6612LW	6x6x12	AB-8812LW	8x8x12
AB-2224LW	2 1/2x2 1/2x24	AB-4424LW	4x4x24	AB-6624LW	6x6x24	AB-8824LW	8x8x24
AB-2236LW	2 1/2x2 1/2x36	AB-4436LW	4x4x36	AB-6636LW	6x6x36	AB-8836LW	8x8x36
AB-2248LW	2 1/2x2 1/2x48	AB-4448LW	4x4x48	AB-6648LW	6x6x48	AB-8848LW	8x8x48
AB-2260LW	2 1/2x2 1/2x60	AB-4460LW	4x4x60	AB-6660LW	6x6x60	AB-8860LW	8x8x60
AB-22120LW	2 1/2x2 1/2x120	AB-44120LW	4x4x120	AB-66120LW	6x6x120	AB-88120LW	8x8x120
AB-22LL90T	90L Outside open	AB-44LL90T	90L Outside open	AB-66LL90T	90L Outside open	AB-88LL90T	90L Outside open
AB-22LL90N	90L Inside open	AB-44LL90N	90L Inside open	AB-66LL90N	90L Inside open	AB-88LL90N	90L Inside open
AB-22LL90	90L Top Open	AB-44LL90	90L Top Open	AB-66LL90	90L Top Open	AB-88LL90	90 Elbow
AB-22LL45T	45L Outside open	AB-44LL45T	45L Outside open	AB-66LL45T	45L Outside open	AB-88LL45T	45L Outside open
AB-22LL45N	45L Inside open	AB-44LL45N	45L Inside open	AB-66LL45N	45L Inside open	AB-88LL45N	45L Inside open
AB-22LL45	45L Top Open	AB-44LL45	45L Top Open	AB-66LL45	45L Top Open	AB-88LL45	45 Elbow
AB-22LTT	Tee Top open	AB-44LTT	Tee Top open	AB-66LTT	Tee Top open	AB-88LTT	Tee Top open
AB-22LT	Tee Outside open	AB-44LT	Tee Outside open	AB-66LT	Tee Outside open	AB-88LT	Tee Outside open
AB-22LX	Cross	AB-44LX	Cross	AB-66LX	Cross	AB-88LX	Cross
AB-22LL90R	Clockwise Transposition 90L	AB-44LL90R	Clockwise Transposition 90L	AB-66LL90R	Clockwise Transposition 90L	AB-88LL90R	Clockwise Transposition 90L
AB-22LL90L	Counter Clockwise Transposition 90L	AB-44LL90L	Counter Clockwise Transposition 90L	AB-66LL90L	Counter Clockwise Transposition 90L	AB-88LL90L	Counter Clockwise Transposition 90L
AB-22LCS	Straight Clockwise Transposition	AB-44LCS	Straight Clockwise Transposition	AB-66LCS	Straight Clockwise Transposition	AB-88LCS	Straight Clockwise Transposition
AB-22LCC	Straight Counter Clockwise Transposition	AB-44LCC	Straight Counter Clockwise Transposition	AB-66LCC	Straight Counter Clockwise Transposition	AB-88LCC	Straight Counter Clockwise Transposition
AB-22LJB	Junction Box	AB-44LJB	Junction Box	AB-66LJB	Junction Box	AB-88LJB	Junction Box
AB-22LTS	Telescope	AB-44LTS	Telescope	AB-66LTS	Telescope	AB-88LTS	Telescope
AB-22LBF	Box Fitting	AB-44LBF	Box Fitting	AB-66LBF	Box Fitting	AB-88LBF	Box Fitting
AB-22LCF	Cut-off Fitting	AB-44LCF	Cut-off Fitting	AB-66LCF	Cut-off Fitting	AB-88LCF	Cut-off Fitting
AB-22LN1	Nipple 1"	AB-44LN1	Nipple 1"	AB-66LN1	Nipple 1"	AB-88LN1	Nipple 1"
AB-22LN2	Nipple 2"	AB-44LN2	Nipple 2"	AB-66LN2	Nipple 2"	AB-88LN2	Nipple 2"
AB-22LN3	Nipple 3"	AB-44LN3	Nipple 3"	AB-66LN3	Nipple 3"	AB-88LN3	Nipple 3"
AB-22LR	Reducer	AB-44LR	Reducer	AB-64LR	Reducer	AB-86LR	Reducer
AB-22LBH	Bracket Hanger	AB-44LBH	Bracket Hanger	AB-66LBH	Bracket Hanger	AB-88LBH	Bracket Hanger
AB-22LDH	Drop Hanger	AB-44LDH	Drop Hanger	AB-66LDH	Drop Hanger	AB-88LDH	Drop Hanger
AB-22LEP	End Plate	AB-44LEP	End Plate	AB-66LEP	End Plate	AB-88LEP	End Plate
AB-22LFP	Flat Sealing Plate	AB-44LFP	Flat Sealing Plate	AB-66LFP	Flat Sealing Plate	AB-88LFP	Flat Sealing Plate
AB-22LNP	90 Sealing Plate	AB-44LNP	90 Sealing Plate	AB-66LNP	90 Sealing Plate	AB-88LNP	90 Sealing Plate

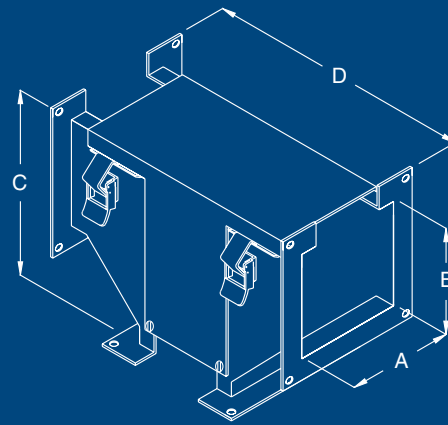
Wireways
& Trough
Products



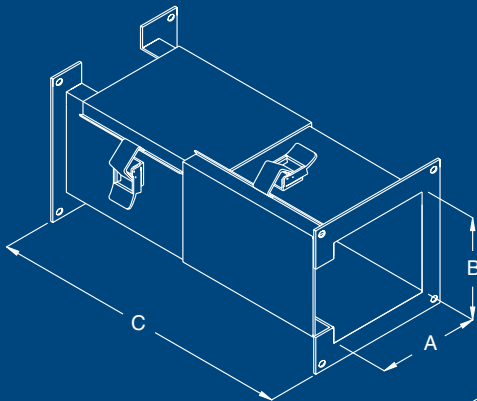
JIC LAY-IN WIREWAY FITTINGS



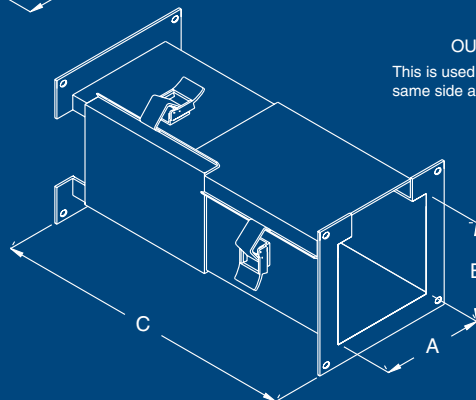
**TEE
TOP OPENING**
This is used when all the wireway branches open on the same side



**TEE
OUTSIDE OPENING**
This is used when two branches open on the same side and the third opens on another side



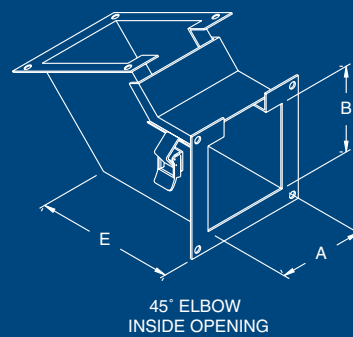
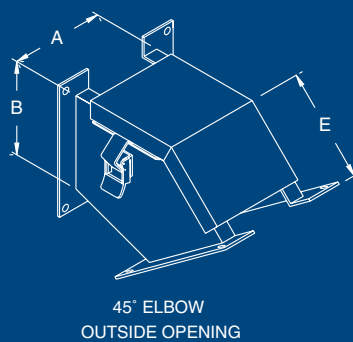
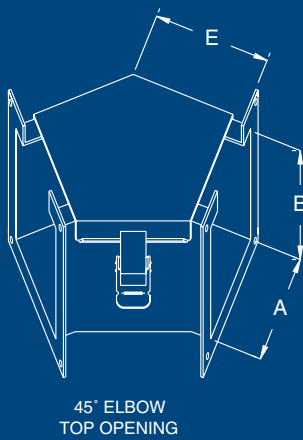
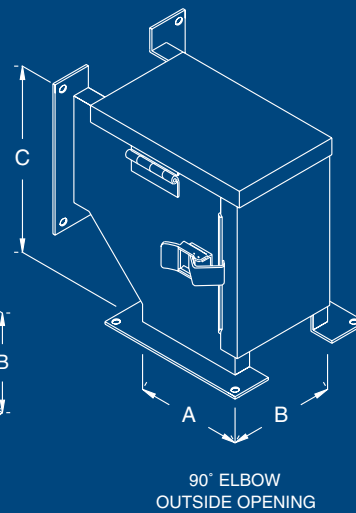
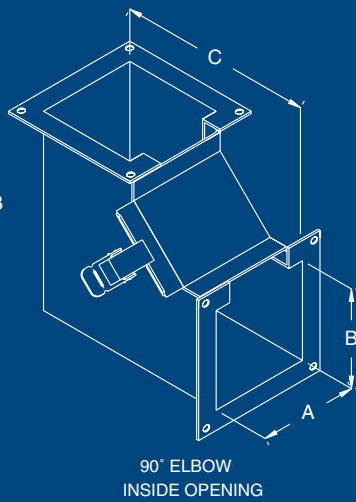
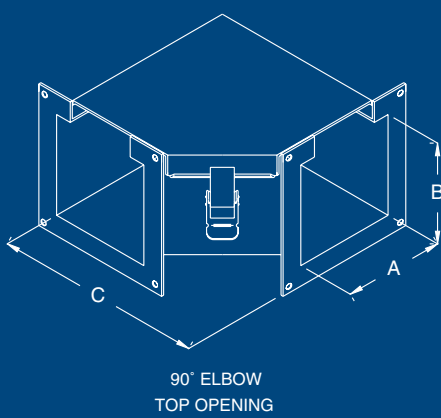
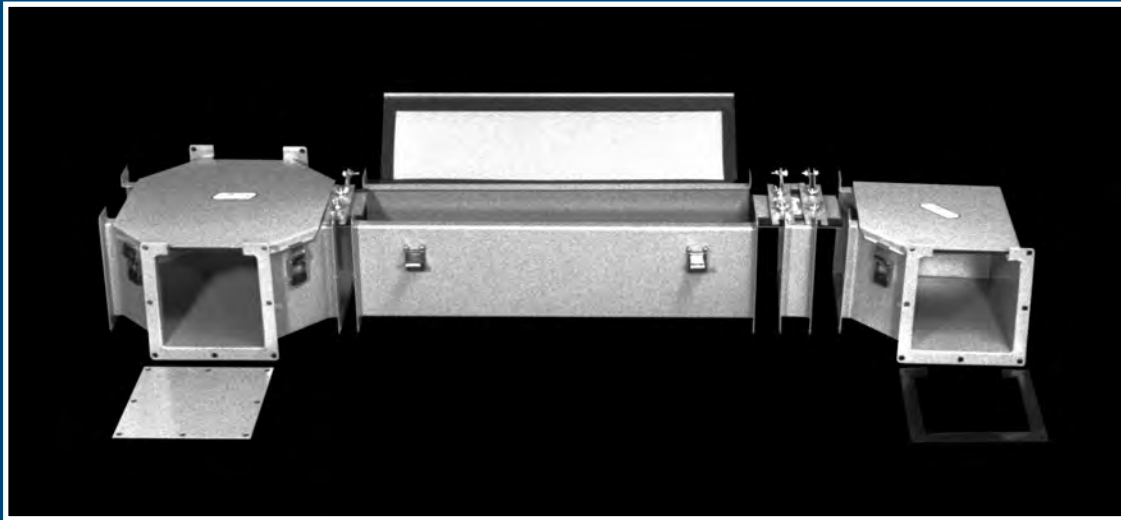
**STRAIGHT
TRANSPPOSITION
CLOCKWISE**



**STRAIGHT
TRANSPPOSITION
COUNTER CLOCKWISE**

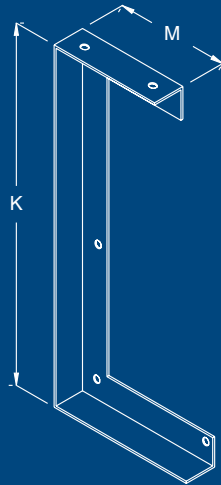
Wireways
& Trough
Products

JIC LAY-IN WIREWAY FITTINGS



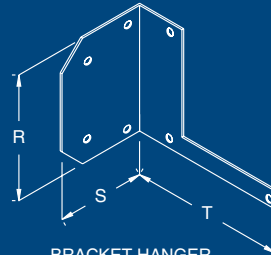
Wireways
& Trough
Products

JIC LAY-IN WIREWAY FITTINGS



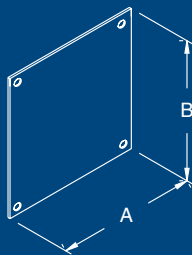
DROP HANGER

Allows a run of wireway to be suspended from the ceiling



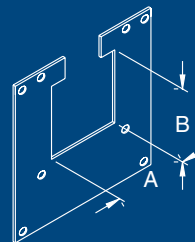
BRACKET HANGER

Allows a run of wireway to be attached to the wall, ceiling, or floor



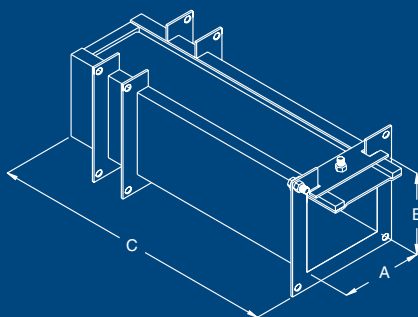
END PLATE

Used to close off the end of a wireway run



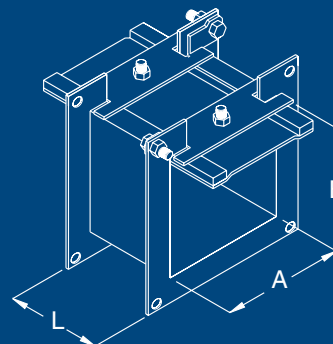
REDUCER

Reduces the run to a smaller wireway size without losing the lay-in feature. Furnished with special sealing plate



TELESCOPE

Allows easy adjustment for up to 12"



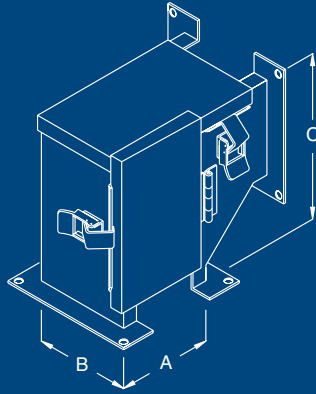
NIPPLE

Available in 1", 2", 3", and 6" lengths

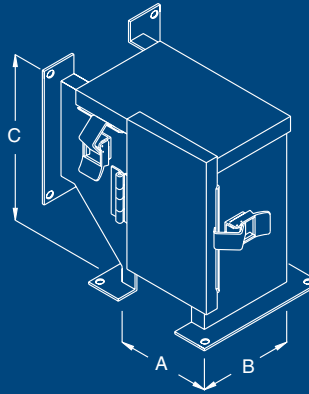
Wireways
& Trough
Products

JIC LAY-IN WIREWAY FITTINGS

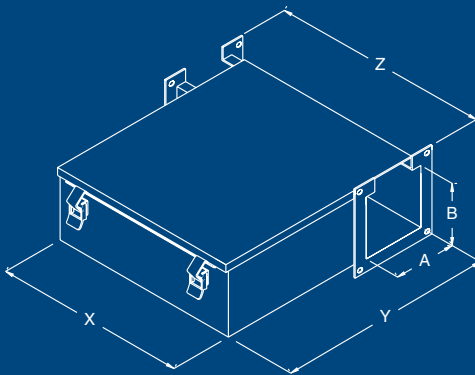
Wireway Size	A	B	C	D	E	F	G	K	M	R	S	T	X	Y	Z
2 1/2x2 1/2	2 1/2	2 1/2	6 1/2	10 1/2	3 3/8	NA	NA	11 3/4	4 5/8	4	4	4 1/2	10	10 1/2	12
4x4	4	4	8	12	4	2 1/2	2 1/2	13 1/4	6 1/8	5 1/2	5 1/2	6	12	14	14
6x6	6	6	10	14	4 7/8	4, 2 1/2	4, 2 1/2	15 1/4	8 1/8	7 1/2	5 1/2	8	14	18	16
8x8	8	8	12	16	5 5/8	6, 4, 2 1/2	6, 4, 2 1/2	19 1/4	10 1/8	9 1/2	5 1/2	10	16	22	18



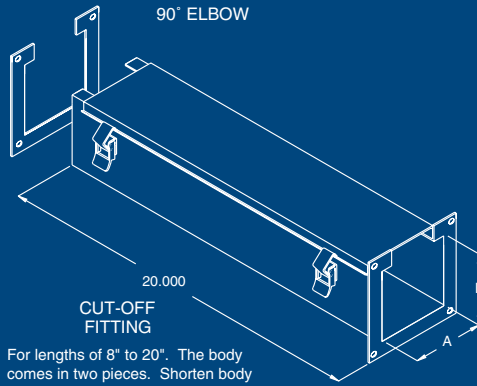
COUNTER CLOCKWISE
TRANSPPOSITION
90° ELBOW



CLOCKWISE
TRANSPPOSITION
90° ELBOW

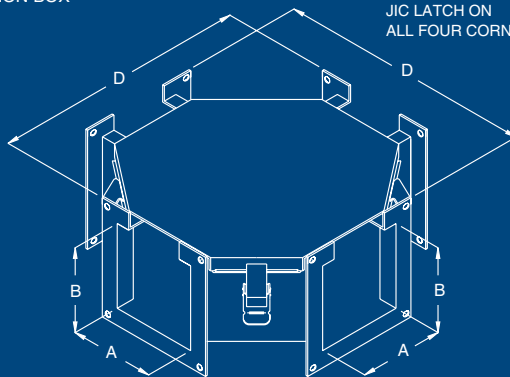


JUNCTION BOX



20.000
CUT-OFF
FITTING

For lengths of 8" to 20". The body comes in two pieces. Shorten body and cover to desired length and weld



CROSS

An intersection device used when all wireway opens on the same side

Wireways
& Trough
Products

NEMA 1 X-RAY EQUIPMENT LAY-IN DUCT

Austin Lay-In wireway for X-Ray equipment is Underwriters Laboratories Listed and is designed to house electrical wiring where protection from dust, dirt, oil, and water are not necessary.

Construction:

- Fabricated in accordance with UL specifications from code gauge steel.
- Single sheet steel for body.
- Cover attached to body with plated steel screws.

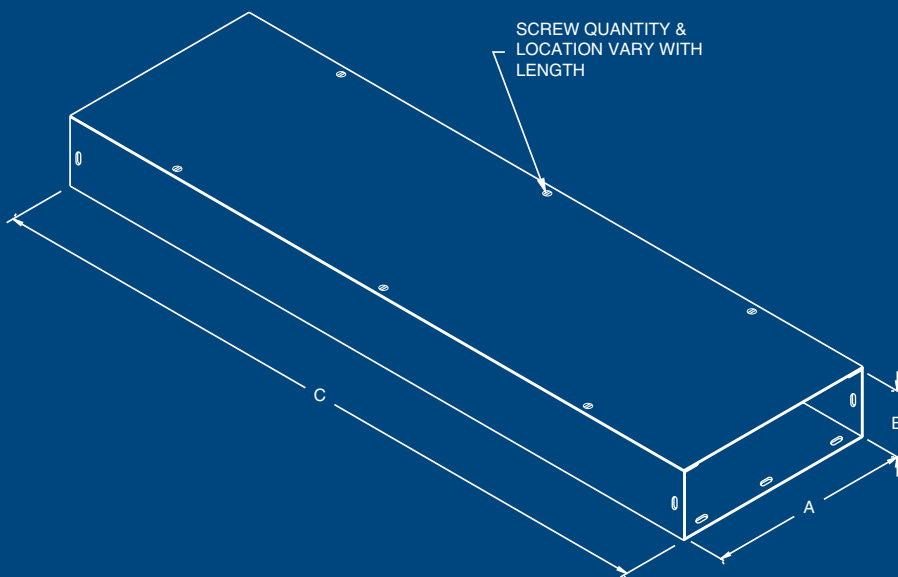
Finish:

Austin Lay-In wireway for X-Ray equipment is provided standard with an ANSI 61 gray polyester powder coating inside and out.

Options:

- Special materials.
- Special finishes.

Wireways
& Trough
Products



**INDUSTRY
STANDARDS**

UL 870
NEMA Type 1
CUL 870

Austin Electrical Enclosures
Post Office Box 2320
Yadkinville, NC 27055

Phone: 336.468.2851
800.288.2851

NEMA 1 X-RAY EQUIPMENT LAY-IN DUCT

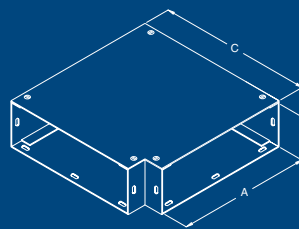
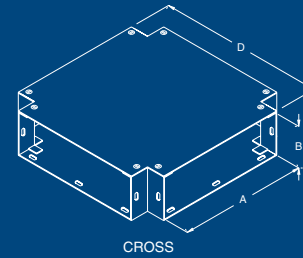
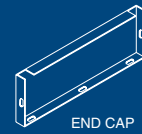
Catalog Number	Wireway Size (AxBxC)	Weight	Catalog Number	Wireway Size (AxBxC)	Weight
AB-1012YW	10x3 1/2x12	7	AB-1812YW	18x3 1/2x12	12
AB-1024YW	10x3 1/2x24	15	AB-1824YW	18x3 1/2x24	23
AB-1036YW	10x3 1/2x36	22	AB-1836YW	18x3 1/2x36	35
AB-1048YW	10x3 1/2x48	30	AB-1848YW	18x3 1/2x48	47
AB-1060YW	10x3 1/2x60	37	AB-1860YW	18x3 1/2x60	58
AB-1072YW	10x3 1/2x72	45	AB-1872YW	18x3 1/2x72	70
AB-1084YW	10x3 1/2x84	52	AB-1884YW	18x3 1/2x84	81
AB-1096YW	10x3 1/2x96	60	AB-1896YW	18x3 1/2x96	93
AB-10120YW	10x3 1/2x120	73	AB-18120YW	18x3 1/2x120	117

Catalog Number	Description	Weight	Catalog Number	Description	Weight
AB-60YD	60" Divider	5	AB-60YD	60" Divider	5
AB-10YHL	Horizontal 90 Elbow	8	AB-18YHL	Horizontal 90 Elbow	23
AB-10YVL	Vertical 90 Elbow	7	AB-18YVL	Vertical 90 Elbow	11
AB-10YHT	Horizontal Tee	7	AB-18YHT	Horizontal Tee	23
AB-10YVT	Vertical Tee	7	AB-18YVT	Vertical Tee	23
AB-10YX	Cross	8	AB-18YX	Cross	24
AB-10YEC	End Cap	1	AB-18YEC	End Cap	2
AB-10YC	U-Connector	1	AB-18YC	U-Connector	2
AB-10YPA	Panel Adapter	2	AB-18YPA	Panel Adapter	2

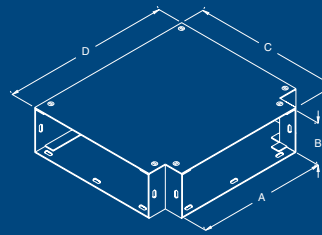


Wireways
& Trough
Products

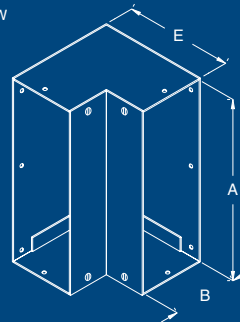
NEMA 1 X-RAY DUCT EQUIPMENT FITTINGS



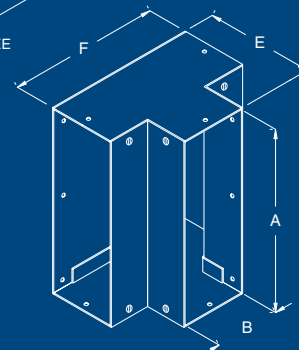
HORIZONTAL 90° ELBOW



HORIZONTAL TEE



VERTICAL 90° ELBOW



VERTICAL TEE

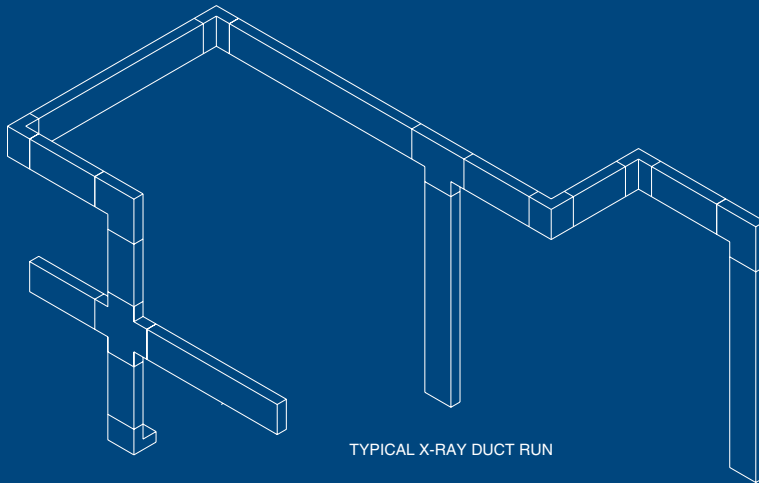
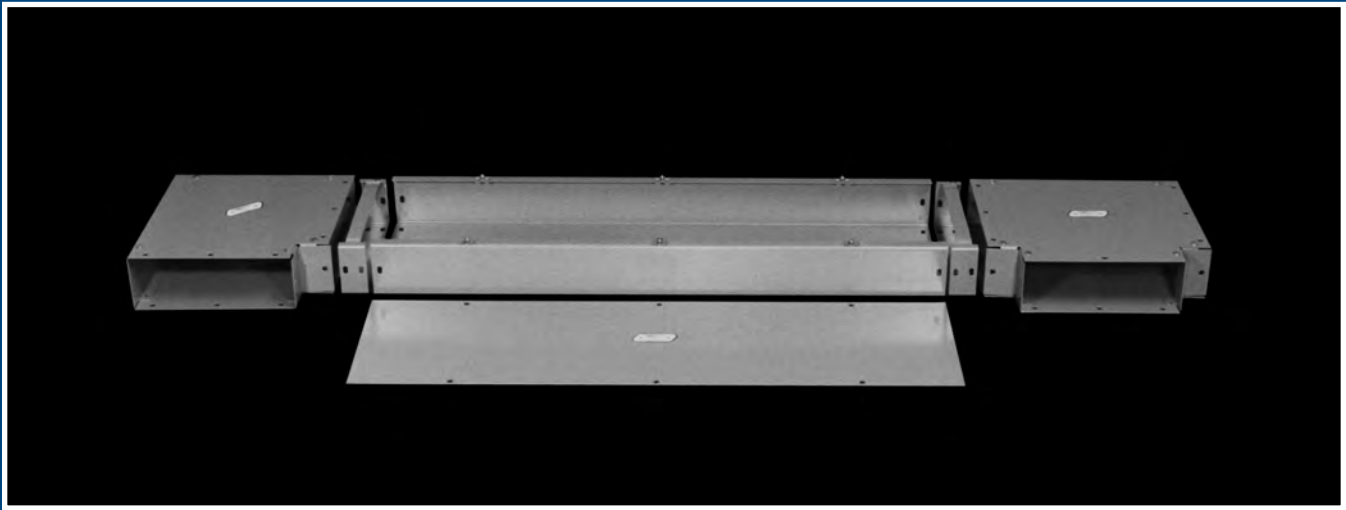
Wireway Size	A	B	C	D	E	F
10x3 1/2	10	3 1/2	12	14	6	8 1/2
18x3 1/2	18	3 1/2	20	22	6	8 1/2

Wireways
& Trough
Products

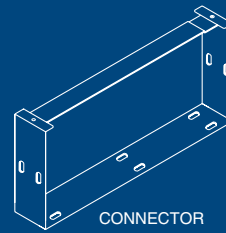
Austin Electrical Enclosures
Post Office Box 2320
Yadkinville, NC 27055

Phone: 336.468.2851
800.288.2851

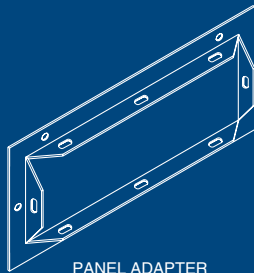
NEMA 1 X-RAY DUCT EQUIPMENT FITTINGS



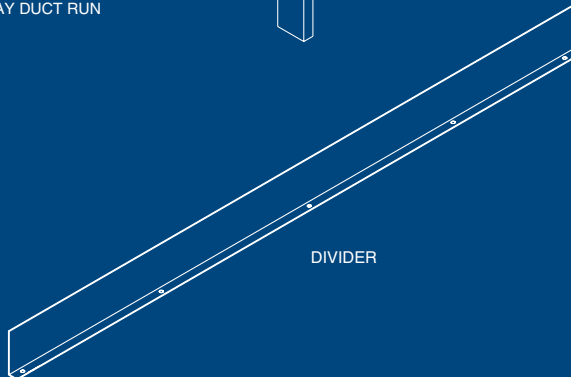
TYPICAL X-RAY DUCT RUN



CONNECTOR



PANEL ADAPTER



DIVIDER

Wireways
& Trough
Products

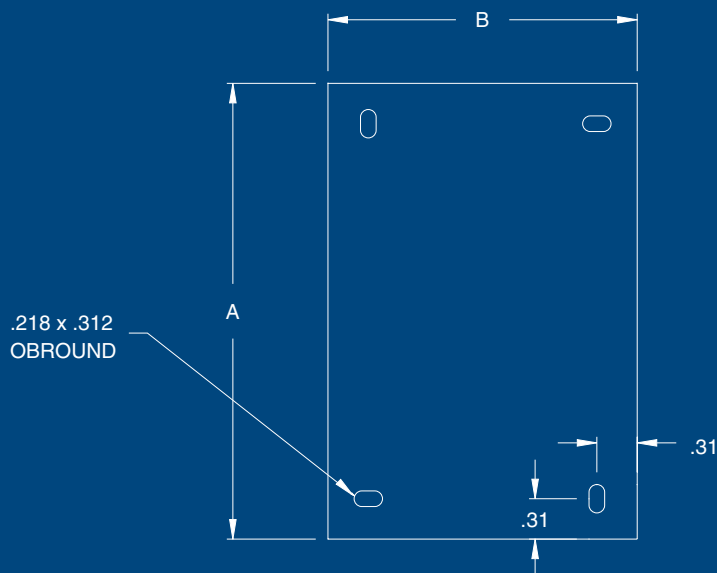
JIC PANELS STEEL, ALUMINUM, STAINLESS

JIC steel panels are 14 gauge painted white. Stainless steel panels are 14 gauge Type 304. Aluminum panels are 5052-H32 aluminum alloy. Mounting hardware is furnished with all enclosures that will accept these panels.



Catalog Number (Steel)	Panel Size (AxB)	Weight
AB-64JP	4 7/8 x 2 7/8	0.3
AB-66JP	4 7/8 x 4 7/8	0.5
AB-86JP	6 7/8 x 4 7/8	1
AB-88JP	6 7/8 x 6 7/8	1
AB-108JP	8 7/8 x 6 7/8	1.3
AB-1010JP	8 7/8 x 8 7/8	2
AB-126JP	10 7/8 x 4 7/8	1.3
AB-1210JP	10 7/8 x 8 7/8	2
AB-1212JP	10 7/8 x 10 7/8	3
AB-1412JP	12 7/8 x 10 7/8	3
AB-1614JP	14 7/8 x 12 7/8	5

Accessories

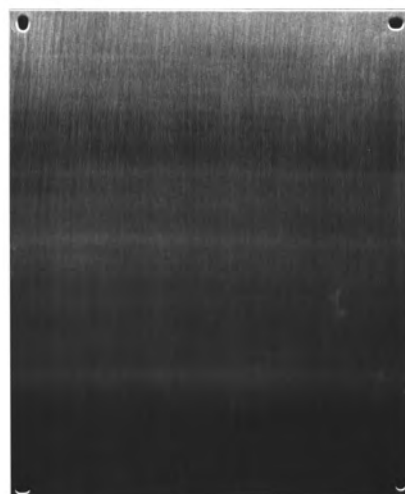


JIC PANELS STEEL, ALUMINUM, STAINLESS

Catalog Number (Aluminum)	Panel Size (AxB)	Weight
AB-64JPA	4 7/8 x 2 7/8	0.5
AB-66JPA	4 7/8 x 4 7/8	0.5
AB-86JPA	6 7/8 x 4 7/8	0.5
AB-108JPA	8 7/8 x 6 7/8	1
AB-1210JPA	10 7/8 x 8 7/8	1
AB-1412JPA	12 7/8 x 10 7/8	1
AB-1614JPA	14 7/8 x 12 7/8	2



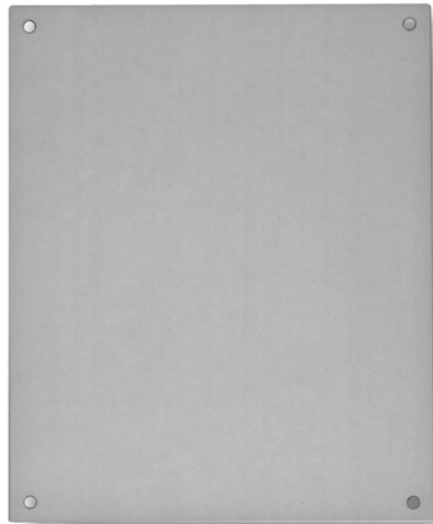
Catalog Number (Stainless Steel)	Panel Size (AxB)	Weight
AB-66JPX	4 7/8 x 4 7/8	0.5
AB-86JPX	6 7/8 x 4 7/8	1
AB-88JPX	6 7/8 x 6 7/8	1
AB-108JPX	8 7/8 x 6 7/8	1.5
AB-1210JPX	10 7/8 x 8 7/8	2
AB-1212JPX	10 7/8 x 10 7/8	3
AB-1412JPX	12 7/8 x 10 7/8	3
AB-1614JPX	14 7/8 x 12 7/8	5



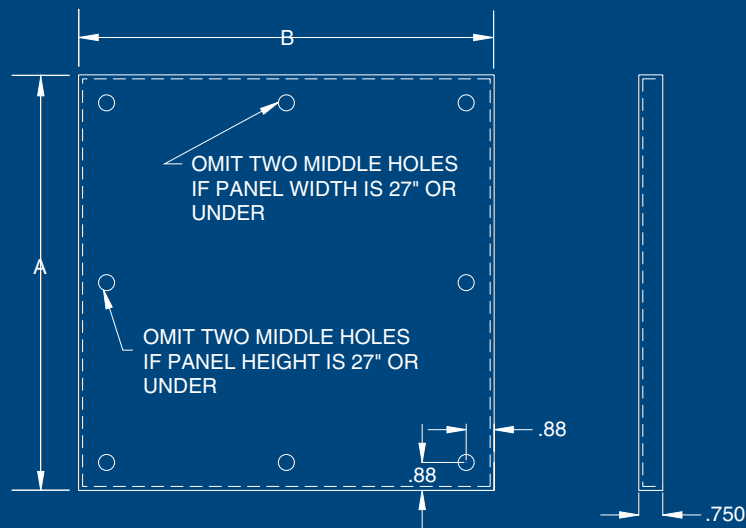
Accessories

NEMA STEEL PANELS FOR SINGLE AND DOUBLE DOOR

NEMA Panels are code gauge steel and painted white. All panels have flanges on all four sides. Stainless steel panels are Type 304 or optional 316 stainless steel. Panel mounting hardware is furnished with all enclosures that will accept these panels.



Accessories



NEMA STEEL PANELS FOR SINGLE AND DOUBLE DOOR

Steel Panels for Single Door NEMA 4 & 12 Enclosures and Double Door Wall-Mt N-12 Enclosures

Catalog Number	Stainless Steel Catalog Number	Panel Size (AxB)	Weight	Catalog Number	Stainless Steel Catalog Number	Panel Size (AxB)	Weight
AB-1612TP	AB-1612TPX	13x9	4	AB-3630TP	AB-3630TPX	33x27	30
AB-1616TP	AB-1616TPX	13x13	6	AB-3636TP	AB-3636TPX	33x33	37
AB-2012TP	AB-2012TPX	17x9	5	AB-4224TP	AB-4224TPX	39x21	28
AB-2016TP	AB-2016TPX	17x13	7	AB-4230TP	AB-4230TPX	39x27	35
AB-2020TP	AB-2020TPX	17x17	9	AB-4236TP	AB-4236TPX	39x33	43
AB-2412TP	AB-2412TPX	21x9	7	AB-4824TP	AB-4824TPX	45x21	32
AB-2416TP	AB-2416TPX	21x13	9	AB-4830TP	AB-4830TPX	45x27	40
AB-2418TP	AB-2418TPX	23x15	8	AB-4836TP	AB-4836TPX	45x33	49
AB-2420TP	AB-2420TPX	21x17	13	AB-6030TP	AB-6030TPX	57x27	43
AB-2424TP	AB-2424TPX	21x21	15	AB-6036TP	AB-6036TPX	57x33	61
AB-3016TP	AB-3016TPX	27x13	12	AB-6042TP	AB-6042TPX	57x39	71
AB-3020TP	AB-3020TPX	27x17	16	AB-7224TP	AB-7224TPX	69x21	49
AB-3024TP	AB-3024TPX	27x21	19	AB-7230TP	AB-7230TPX	69x27	62
AB-3030TP	AB-3030TPX	27x27	24	AB-4848TP	AB-4848TPX	45x45	80
AB-3624TP	AB-3624TPX	33x21	24				

Steel Panels for Double Door NEMA 12 Enclosures with Legs

Catalog Number	Panel Size (AxB)	Weight	Catalog Number	Panel Size (AxB)	Weight
AB-5442DP	50x38	62	AB-7260DP	68x56	158
AB-6048DP	56x44	103	AB-7272DP	68x68	191
AB-6060DP	56x56	130			

Steel Panels for Freestanding NEMA 12 Enclosures

Catalog Number	Panel Size (AxB)	Weight	Catalog Number	Panel Size (AxB)	Weight
AB-7224FTP	60x20	65	AB-7248FTP	60x44	131
AB-7230FTP	60x26	74	AB-7260FTP	60x56	159
AB-7236FTP	60x32	98	AB-7272FTP	60x68	187
AB-9036FTP	78x32	108	AB-9072FTP	78x68	238

Steel Panels for Double Door NEMA 4 Enclosures

Catalog Number	Panel Size (AxB)	Weight	Catalog Number	Panel Size (AxB)	Weight
AB-6248FP	56x44	103	AB-7460FP	68x56	158
AB-6260FP	56x56	130	AB-7472FP	68x68	191

JIC SWING-OUT PANEL KITS

Designed to allow mounting of switches, gauges, pilot lights, and other components near the front of enclosure for easy access. Each kit contains heavy-gauge brackets and hinges which can be installed by drilling holes in the sides of the enclosure and bolting the brackets in place. Mounting hardware and instructions are provided. Swing-out panels can be mounted on either side. Sealing washers are furnished to ensure that the enclosures will meet the original JIC standards after they are installed.



JIC box Swing-Out Panel Kit can be mounted in the following enclosures:

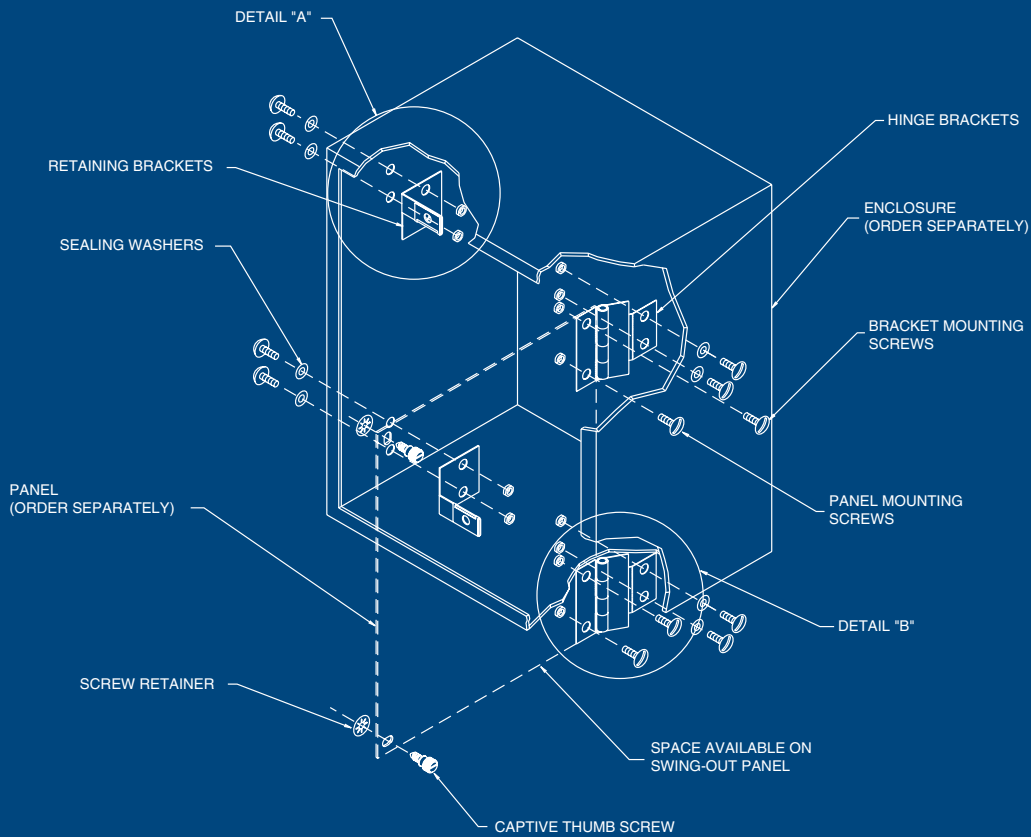
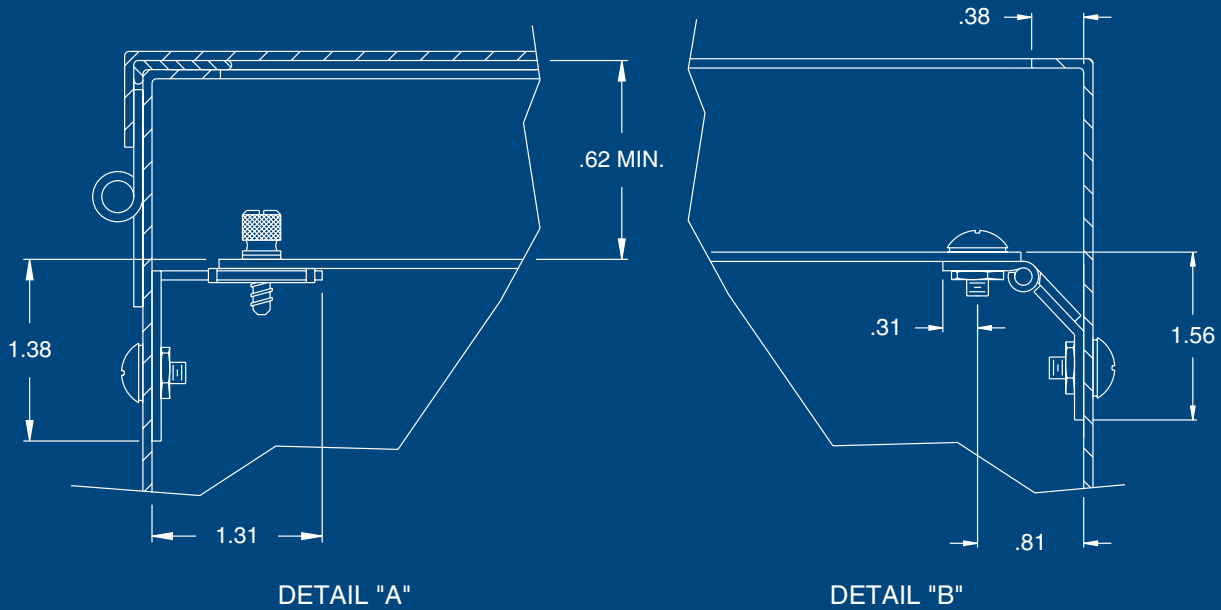
- All JIC boxes where A x B is 8 x 6 or larger.

Accessories

Catalog Number	Description
AB-JSOPK	JIC Swing-Out Panel Kit

*Panels must be ordered separately.
*The maximum load on JIC Panel Kit cannot exceed 25 pounds. The load includes the weight of the panel plus the weight of the added components, with the weight of the components spread evenly over the panel.

JIC SWING-OUT PANEL KITS



Accessories

NEMA SWING-OUT PANEL KITS

Designed to allow mounting of switches, gauges, pilot lights, and other components near the front of enclosure for easy access. Each kit contains heavy-gauge brackets and hinges which can be installed by drilling holes in the sides of the enclosure and bolting the brackets in place. Mounting hardware and instructions are provided. Swing-out panels can be mounted on either side. Sealing washers are furnished to ensure that the enclosures will meet the original NEMA standards after they are installed.



NEMA Swing-Out Panel Kit can be mounted in the following enclosures:

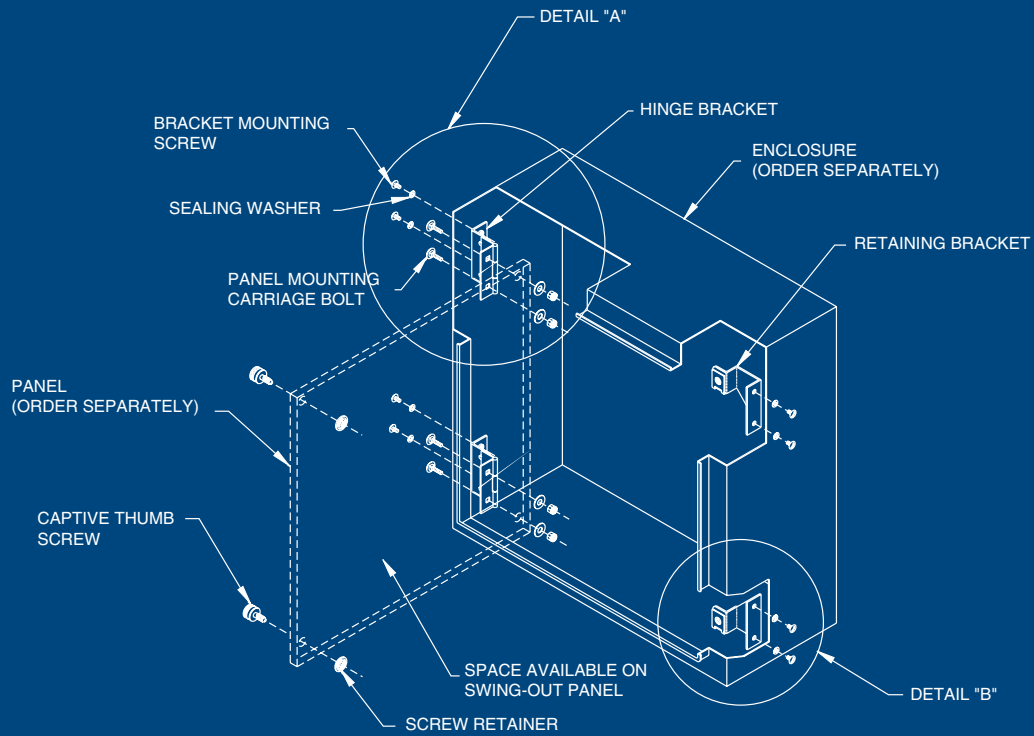
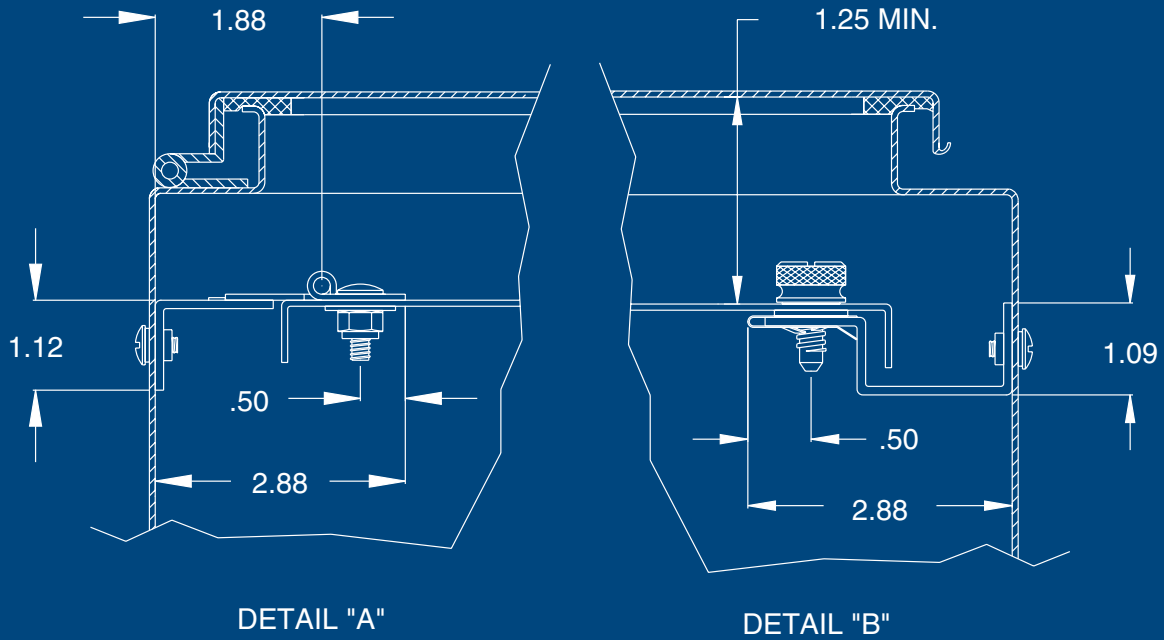
- All single door Type 4, 12, and 13 enclosures where A x B is 12 x 12 or larger.
- All "WL" Type 3R enclosures where A x B is 16 x 16 or larger.
- All "LM" Type 1 enclosures where A x B is 16 x 12 or larger.

Accessories

Catalog Number	Description
AB-NSOPK	NEMA Swing-Out Panel Kit

*Panels must be ordered separately.
*The maximum load on NEMA Panel Kit cannot exceed 100 pounds. The load includes the weight of the panel plus the weight of the added components, with the weight of the components spread evenly over the panel.

NEMA SWING-OUT PANEL KITS



Accessories

JIC TERMINAL STRAP KIT ASSEMBLY

Provides a strong, versatile, and easily installed means for mounting terminal blocks in JIC boxes. These kits can be installed in all JIC boxes.

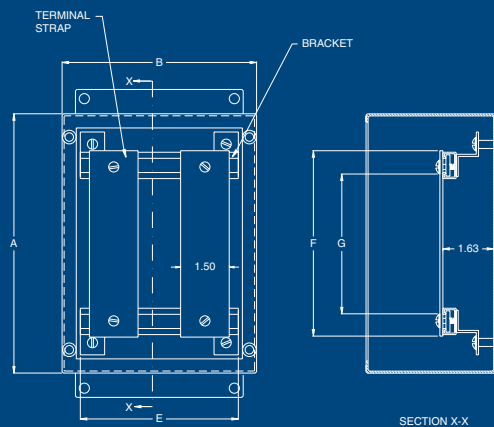


Bracket Assembly:

- Each bracket assembly consists of two brackets which mount on panel stand-offs in the box. Finish is white.

Terminal Strap:

- A 12 gauge flat strap that mounts on top of brackets. They can be positioned anywhere along the brackets and are held in place with spring locking nuts. Finish is white.



Accessories

Terminal Kit Assembly for JIC Boxes

Bracket Assemblies

Bracket Assembly Catalog Number	Enclosure Dimension Parallel to Brackets	"E" Dimension	Terminal Strap Catalog Number	Enclosure Dimension Parallel to Straps	"F" Dimension	"G" Dimension (Useable Space)
AB-6JBKTA	6	5	AB-8JTST	8	5.75	4.438
AB-8JBKTA	8	7	AB-10JTST	10	7.75	6.438
AB-10JBKTA	10	9	AB-12JTST	12	9.75	8.438
AB-12JBKTA	12	11	AB-14JTST	14	11.75	10.438
AB-14JBKTA	14	13	AB-16JTST	16	13.75	12.438

NEMA TERMINAL STRAP KIT ASSEMBLY

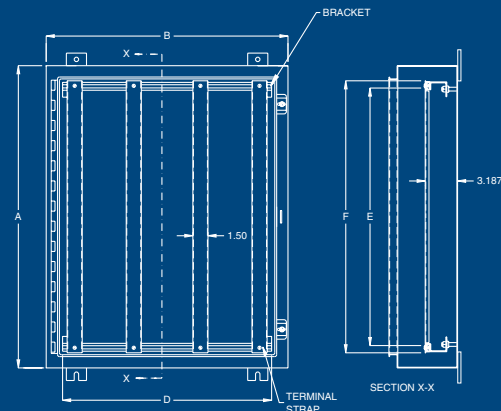
Provides a strong, versatile, and easily installed means for mounting terminal block supports. These kits fit Type 4, 12, and 13 enclosures as well as Large Type 1 enclosures.

Bracket Assembly:

- Each bracket assembly consists of two or three brackets which mount on panel stand-offs in the box. Finish is white.

Terminal Strap:

- A 12 gauge flat channel strap that mounts on top of brackets. They can be positioned anywhere along the brackets and are held in place with spring locking nuts. Finish is white.



Accessories

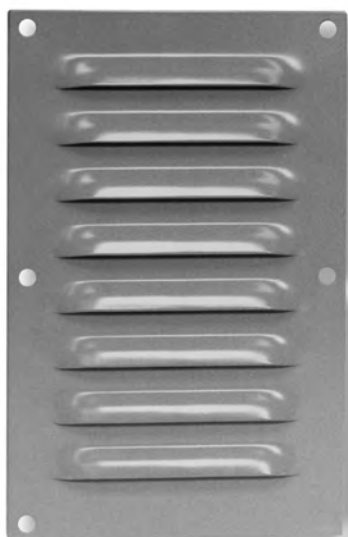
Terminal Kit Assembly for NEMA Enclosures

Bracket Assemblies

Bracket Assembly Catalog Number	Number of Brackets	Enclosure Dimension Parallel to Brackets	"D" Dimension	Terminal Strap Catalog Number	Enclosure Dimension Parallel to Straps	"F" Dimension	"E" Dimension (Useable Space)
AB-12NBKTA2	2	12	8.75	AB-16NTS	16	13	11.5
AB-16NBKTA2	2	16	12.75	AB-20NTS	20	17	15.5
AB-20NBKTA2	2	20	16.75	AB-24NTS	24	21	19.5
AB-24NBKTA2	2	24	20.75	AB-30NTS	30	27	25.5
AB-24NBKTA3	3	24	20.75	AB-36NTS	36	33	31.5
AB-30NBKTA2	2	30	26.75	AB-42NTS	42	39	37.5
AB-30NBKTA3	3	30	26.75	AB-48NTS	48	45	43.5
AB-36NBKTA2	2	36	32.75	AB-60NTS	60	57	55.5
AB-36NBKTA3	3	36	32.75				

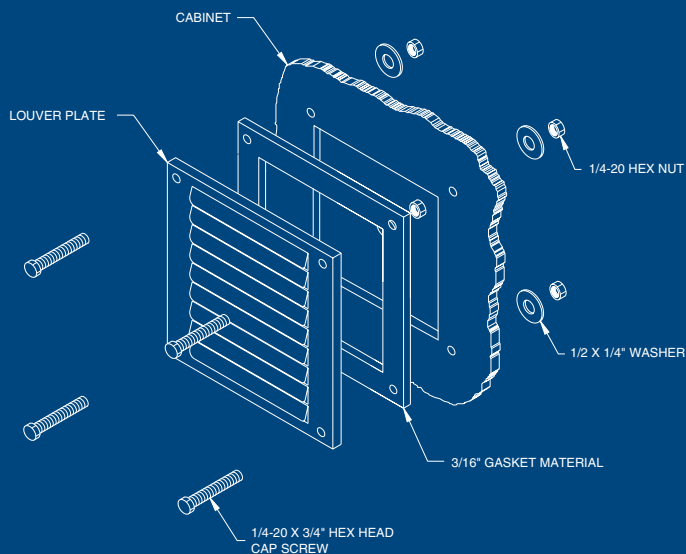
AUSTIN LOUVER PLATE KITS

Austin Louver Plate Kits are designed to provide ventilation for areas where excessive moisture or internal heat is present. They are easily installed by making a cutout of the proper size and attaching the louver plate to the enclosure. All hardware is furnished for mounting.



Catalog Number	Louver Length	Number of Louvers	Size of Plate	Weight
AB-44LK	4"	4	5 5/8" x 5 1/2"	1
AB-58LK	5"	8	6 1/2" x 9 1/2"	1

Accessories



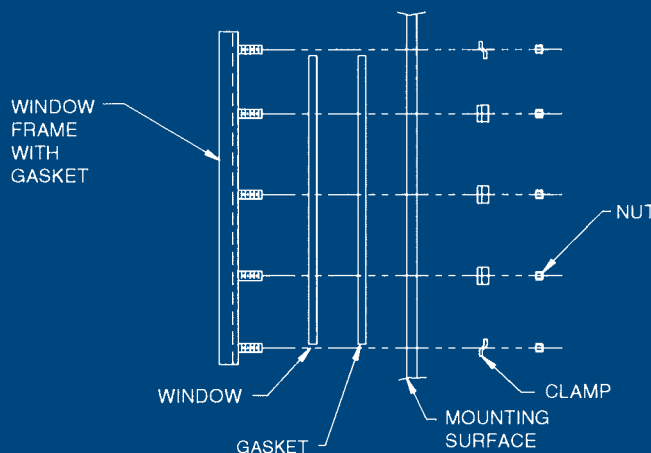
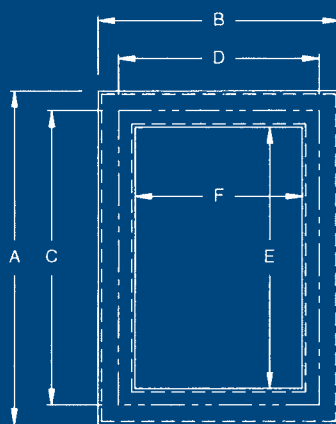
Austin Electrical Enclosures
 Post Office Box 2320
 Yadkinville, NC 27055

Phone: 336.468.2851
 800.288.2851

AUSTIN WINDOW KITS

Austin Window Kits are easily installed by making a cutout in the enclosure and attaching the window and frame in place. Frames are fabricated from 14 gauge steel with an ANSI 61 gray polyester powder coating or 14 gauge Type 304 stainless steel. The window is .25" clear acrylic plastic for both kits. A neoprene gasket around the frame preserves the watertight rating. All mounting hardware and installation instructions are furnished.

Catalog Number	S.S. Catalog Number	Window Size ExF	Frame Size AxB	Cut-Out Size CxD	Weight
AB-53WK	AB-53WKX	5x3	7.5x5.5	6.69x4.69	2
AB-95WK	AB-95WKX	9x5.5	11.5x8	10.69x7.19	3
AB-133WK	AB-133WKX	13x3	15.5x5.5	14.69x4.69	4
AB-138WK	AB-138WKX	13x8	15.5x10.5	14.69x9.69	4
AB-175WK	AB-175WKX	17x5.5	19.5x8	18.69x7.19	6
AB-1711WK	AB-1711WKX	17x11	19.5x13.5	18.69x12.69	7
AB-2315WK	AB-2315WKX	23x15	25.5x17.5	24.69x16.69	9
AB-2919WK	AB-2919WKX	29x19	31.5x21.5	30.69x20.69	12
AB-3523WK	AB-3523WKX	35x23	37.5x25.5	36.69x24.69	15



Accessories

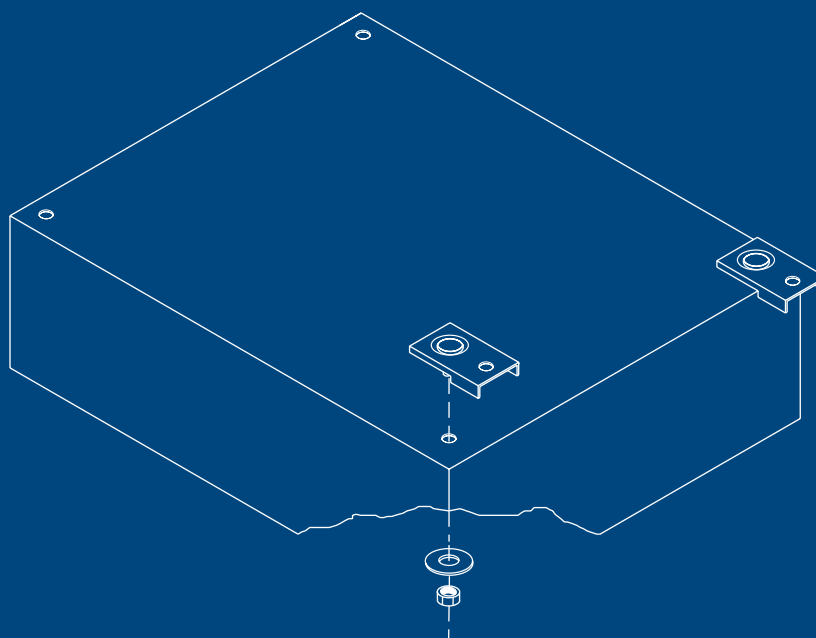
AUSTIN MOUNTING FOOT KITS

Austin Mounting Foot Kits contain four 14 gauge steel with an ANSI 61 gray polyester powder coating, galvanized, or Type 304 stainless steel external mounting feet and fasteners. Sealing washers are provided with each kit to maintain Type 4, 4X or Type 12 rating after field installation.



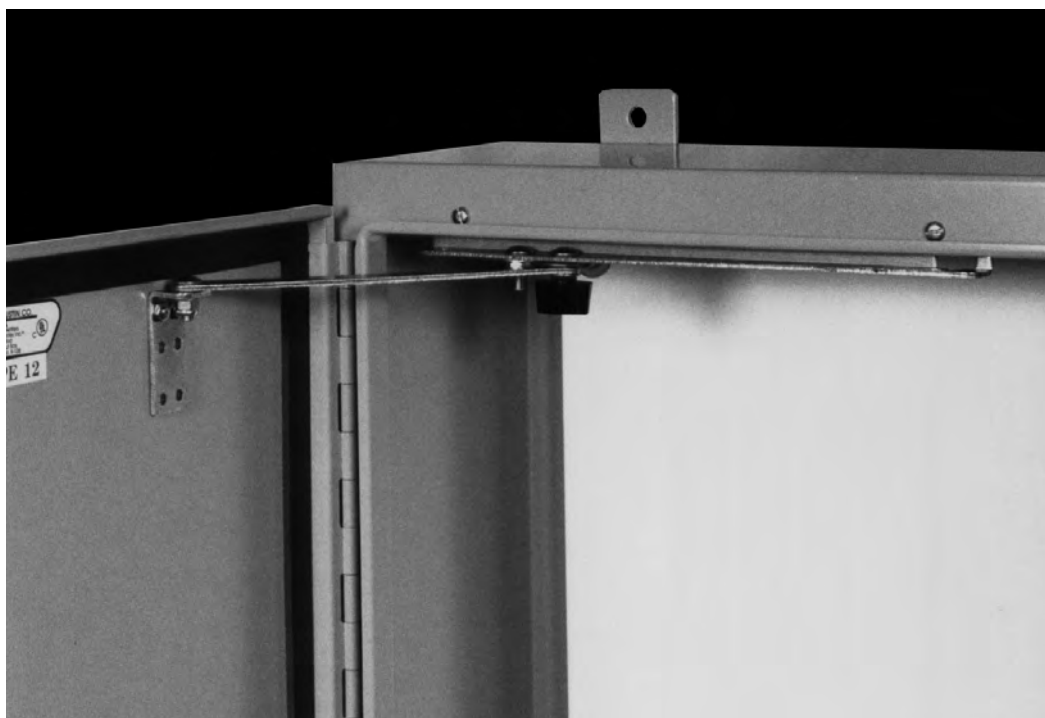
Catalog Number	Description
AB-MTGFT-GAL	Galvanized Mounting Foot Kit
AB-MTGFT-GRY	Steel Mounting Foot Kit - Painted Gray
AB-MTGFT-SS	Stainless Steel Mounting Foot Kit

Accessories



AUSTIN DOOR STOP KITS

Door Stop Kits are designed for securing the door of the enclosure in the open position. Kits can be mounted at the top or bottom of the door opening. Two holes must be drilled in the enclosure and in the door. The angle of the door is adjusted by a wingnut and the stop arm slides out of the way when the door is closed. Enclosures must have a "B" dimension of 16" or more and the door must open horizontally.



Accessories

Catalog Number	Description
AB-DSTOPK	Plated Steel Door Stop Kit
AB-DSTOPKX	Stainless Steel Door Stop Kit

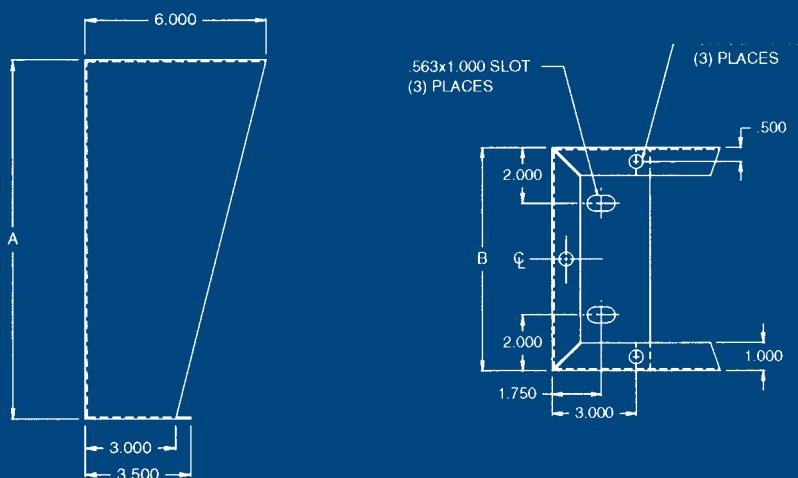
AUSTIN FLOOR STAND KITS

Austin Floor Stand Kits can be installed easily on Austin NEMA 4, 4X, and 12 single and double door enclosures. To install Floor Stand Kits, drill holes in bottom of enclosure and bolt on. Each kit includes two stands and is fabricated from 10 gauge steel with an ANSI 61 gray polyester powder coating or 12 gauge Type 304 stainless steel.



Catalog Number	Stainless Steel Catalog Number	Floor Stand Height	Depth of Enclosure "C" Dimension	Weight
AB-6SK8	AB-6SK8SS	6	8	16
AB-6SK10	AB-6SK10SS	6	10	17
AB-6SK12	AB-6SK12SS	6	12	18
AB-12SK8	AB-12SK8SS	12	8	23
AB-12SK10	AB-12SK10SS	12	10	26
AB-12SK12	AB-12SK12SS	12	12	32
AB-12SK16	AB-12SK16SS	12	16	35
AB-12SK20	AB-12SK20SS	12	20	42
AB-18SK8	AB-18SK8SS	18	8	32
AB-18SK10	AB-18SK10SS	18	10	36
AB-18SK12	AB-18SK12SS	18	12	41
AB-18SK16	AB-18SK16SS	18	16	47
AB-24SK8	AB-24SK8SS	24	8	40
AB-24SK10	AB-24SK10SS	24	10	45
AB-24SK12	AB-24SK12SS	24	12	50
AB-24SK16	AB-24SK16SS	24	16	58

Accessories



AUSTIN OILTIGHT HOLE SEALS

Knockouts, pushbutton holes, and conduit openings can be sealed against dust, dirt, oil, and water with Austin Hole Seals. Hole Seals are fabricated from 14 gauge steel with an ANSI 61 gray polyester powder coating or from 14 gauge Type 304 stainless steel. All Hole Seals are constructed with a neoprene oil resistant gasket, stainless steel stud and stainless steel wing nut.



Catalog Number	Stainless Steel Catalog Number	Description	Hole Seal Diameter
050HS	050HSSS	1/2" - conduit	1.375
075HS	075HSSS	3/4" conduit	1.625
100HS	100HSSS	1" conduit	1.875
125HS	125HSSS	1 1/4" conduit	2.250
150HS	150HSSS	1 1/2" conduit	2.500
200HS	200HSSS	2" conduit	3.000
250HS	250HSSS	2 1/2" conduit	3.500
300HS	300HSSS	3" conduit	4.000
350HS	350HSSS	3 1/2" conduit	4.625
400HS	400HSS	4" conduit	5.125
MHS	MHSSS	22.5mm pushbutton holes	1.250
PHS	PHSSS	30.5mm pushbutton holes	1.750

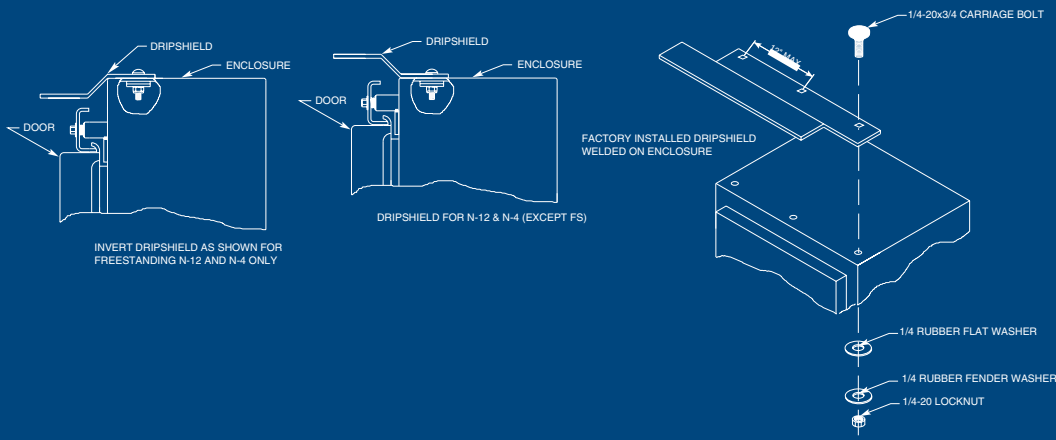
AUSTIN DRIPSHIELD KITS

Austin Dripshield Kits protect from dripping water and settling dust. Easily installed to enclosure with carriage bolts and sealing washers (hardware is furnished). Dripshield kits are fabricated from 12 gauge steel and provided standard with an ANSI 61 gray polyester powder coating or fabricated from Type 304 12 gauge stainless steel. (Stainless hardware is furnished).



Catalog Number	S.S. Catalog Number	Enclosure Width "B" Dimension	Weight
AB-12DK	AB-12DKX	12	1
AB-16DK	AB-16DKX	16	1
AB-20DK	AB-20DKX	20	2
AB-24DK	AB-24DKX	24	2
AB-30DK	AB-30DKX	30	3
AB-36DK	AB-36DKX	36	3
AB-42DK	AB-42DKX	42	3
AB-48DK	AB-48DKX	48	3
AB-60DK	AB-60DKX	60	5
AB-72DK	AB-72DKX	72	6

Accessories



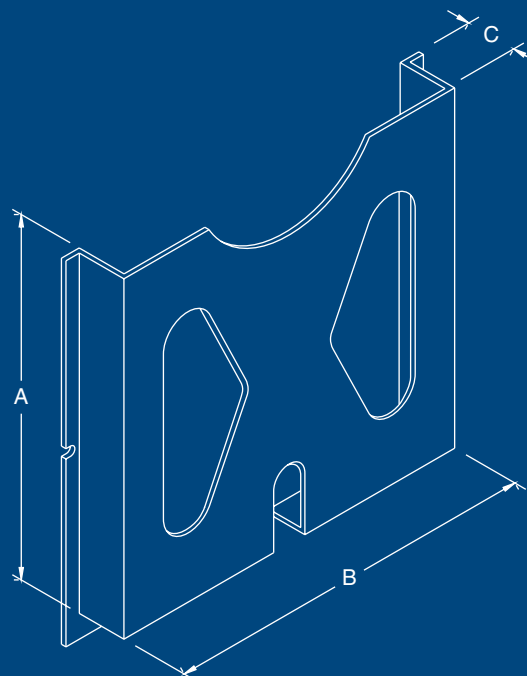
Austin Electrical Enclosures
 Post Office Box 2320
 Yadkinville, NC 27055

Phone: 336.468.2851
 800.288.2851

AUSTIN PRINT POCKETS

Austin print pockets provide a convenient place to store charts, wiring diagrams, and other documentation in the enclosure. Self-adhesive backs make for easy installation on the inside of enclosure door. Thermoplastic pockets are provided standard light gray.

Catalog Number	Description	Inside Dimensions AxBxC
AB-SMPRPKT	Small Print Pocket	5 7/8 x 5 7/8 x 1
AB-LGPRPKT	Large Print Pocket	9 1/8 x 8 5/8 x 1 3/16



Accessories

AUSTIN LOCKS, LATCHES AND ASSEMBLIES



Tee Handles

Catalog Number	Description
AB-9	Tee handle with lock
AB-10	Tee handle
AB-10X	Stainless Steel Tee handle (not pictured)



Locks &
Latches

Standard Lever Handles

Catalog Number	Description
AB-6	Lever handle
AB-7	Lever handle with lock

AUSTIN LOCKS, LATCHES AND ASSEMBLIES



Padlockable Lever Handle

Catalog Number	Description
AB-19	Zinc padlockable lever handle



Padlockable Lever Handle

Catalog Number	Description
AB-18	Stainless Steel padlockable lever handle

Locks And Latches

Catalog Number	Description
AB-8	Flush cylinder lock
AB-14	Quarter-turn latch
AB-17	NEMA-4 Quarter-turn latch
AB-17X	NEMA-4 Stainless Steel Quarter-turn latch



Locks &
Latches

AUSTIN LOCKS, LATCHES AND ASSEMBLIES



JIC Quick Release Latch

Catalog Number	Description
AB-15	Plated Steel JIC Quick Release Latch
AB-15X	Stainless Steel JIC Quick Release Latch



JIC Draw Pull Latches

Catalog Number	Description
AB-22	JIC Quick release catch for field installation
AB-22X	JIC Quick release catch stainless steel for field installation



Locks & Latches

Draw Pull Latch

Catalog Number	Description
AB-1	Draw pull catch with hasp
AB-1X	Stainless Steel Draw pull catch with hasp



Locking Flush Latch

Catalog Number	Description
AB-16	Flush lift-latch with lock

AUSTIN LOCKS, LATCHES AND ASSEMBLIES



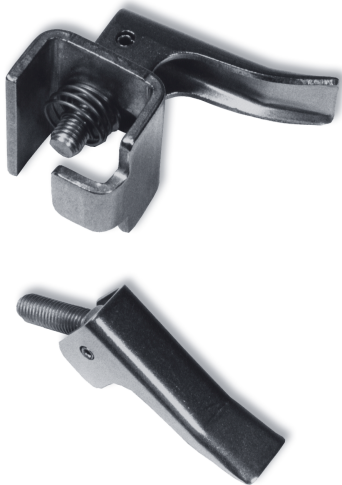
JIC Clamp Assembly

Catalog Number	Description
AB-CLAMPSET-JIC	JIC Clamp Assembly



Hasp and Staple

Catalog Number	Description
AB-3	Hasp and Staple



Quick Release NEMA Latch

Catalog Number	Description
AB-20ASM	Quick release NEMA clamp assembly
AB-20	Quick release NEMA Toggle Latch



NEMA Clamp Assembly

Catalog Number	Description
AB-CLAMPSET-NEMA	NEMA Clamp Assembly

Locks &
Latches

INDEX

Austin products are listed in catalog by a catalog number consisting of the following alpha codes:
(Air Conditioners, Heat Exchangers, Fans and Packaged Blowers are listed on the last page of index)

AB-000000-CODE

1. AB - Austin Box
2. 000000 - H x W x D
3. CODE - Product

Examples:

AB-664SB - 6 x 6 x 4 Screw Cover Box Galvanized

AB-1010120HW - 10 x 10 x 120 Hinge Cover Wireway Galvanized

The following is a list of product codes and page location:

Product Code	Description	Page Number
ABD	Extra Deep Pushbutton Enclosure	114,115
ABDB	Extra Deep Pushbutton Blank Cover Enclosure	114,115
ABF	NEMA 4X Pushbutton Enclosure	120,121
ABM	Slim-Line Pushbutton Enclosure	118,119
ABN	Standard Pushbutton Enclosure	112,113
ABNB	Standard Pushbutton Blank Cover Enclosure	112,113
ABP	Pendant Pushbutton Enclosure	116,117
ABS	Sloping Pushbutton Enclosure	124,125
AB-X	(Ex. AB-7) Locks & Latches	182-185
ABX	Extra Large Hinge Cover Pushbutton Enclosure with Back Panel	122,123
B	Base	127-129
DK	Dripshield Kit	180
DKX	Stainless Steel Dripshield Kit	180
DP	Double Door NEMA 12 Panel	166,167
DSTOPK	Door Stop Kit	177
DSTOPKX	Stainless Steel Door Stop Kit	177
EP	NEMA 1 End Plate	146,147
EPG	NEMA 1 End Plate Gray	146,147
FN	Flush NEMA 12 Enclosure	38,39
FP	Double Door NEMA 4 Panel	166,167
FSN	NEMA 12 Freestanding Single Door Enclosure	42,43
FSN/DSC	NEMA 12 Freestanding Single Door Disconnect Enclosure	72-75,80-89
FSND	NEMA 12 Freestanding Double Door Enclosure	44,45
FSND/DSC	NEMA 12 Freestanding Double Door Disconnect Enclosure	76-89
FTP	Freestanding NEMA 12 Panel	166,167
GSB	Gasket Screw Cover Box Galvanized	6,7
GSBG	Gasket Screw Cover Box Gray	6,7
GST	Gasket Screw Trough Galvanized	134,135
GSTG	Gasket Screw Trough Gray	134,135
HC	Hinge Cover Box Galvanized	4,5
HCG	Hinge Cover Box Gray	4,5
HCGK	Hinge Cover Box Gray with Knockouts	4,5
HCK	Hinge Cover Box with Knockouts	4,5
HS	Hole Seal	179

INDEX

Product Code	Description	Page Number
HSSS	Stainless Steel Hole Seal	179
HT	Hinge Cover Trough Galvanized	132,133
HTG	Hinge Cover Trough Gray	132,133
HW	Hinge Cover Wireway Galvanized	144,145
HWG	Hinge Cover Wireway Gray	144,145
HWGK	Hinge Cover Wireway Gray with Knockouts	144,145
HWK	Hinge Cover Wireway with Knockouts	144,145
JBF	JIC Pull-Through Box Fitting	150,151
JBFX	JIC Pull-Through Stainless Steel Box Fitting	150,151
JBH	JIC Pull-Through Bracket Hanger	150,151
JBHX	JIC Pull-Through Stainless Steel Bracket Hanger	150,151
JBKTA	JIC Bracket Assembly	172
JCA	JIC Clamp Cover Aluminum NEMA 4X Box	106,107
JCF	JIC Pull-Through Cut-Off Fitting	150,151
JCFX	JIC Pull-Through Stainless Steel Cut-Off Fitting	150,151
JDH	JIC Pull-Through Drop Hanger	150,151
JDHX	JIC Pull-Through Stainless Steel Drop Hanger	150,151
JEP	JIC End Plate	150,151
JEPX	JIC End Plate Stainless Steel	150,151
JFC	JIC Clamp Cover NEMA 4 Box	98,99
JFCX	JIC Clamp Cover NEMA 4X Stainless Steel Box	102,103
JFH	JIC Continuous Hinge NEMA 4 Box	96,97
JG	JIC Gasket	150,151,153,155
JH	JIC Continuous Hinge Box	90,91
JHA	JIC Continuous Hinge Aluminum Box	104,105
JHFX	JIC Continuous Hinge NEMA 4X Stainless Steel Box	100,101
JL	JIC Lift-Off Box	92,93
JL45	JIC Pull-Through 45 Elbow	150,151
JL45X	JIC Pull-Through Stainless Steel 45 Elbow	150,151
JL90	JIC Pull-Through 90 Elbow	150,151
JL90X	JIC Pull-Through Stainless Steel 90 Elbow	150,151
JN1	JIC Pull-Through 1" Nipple	150,151
JN1X	JIC Pull-Through Stainless Steel 1" Nipple	150,151
JN2	JIC Pull-Through 2" Nipple	150,151
JN2X	JIC Pull-Through Stainless Steel 2" Nipple	150,151
JN3	JIC Pull-Through 3" Nipple	150,151
JN3X	JIC Pull-Through Stainless Steel 3" Nipple	150,151
JP	JIC Panel	164,165
JPA	JIC Aluminum Panel	164,165
JPX	JIC Stainless Steel Panel	164,165
JR	JIC Pull-Through Reducer	150,151
JRX	JIC Pull-Through Stainless Steel Reducer	150,151
JS	JIC Screw Cover Box	94,95
JSOPK	JIC Swing-Out Panel Kit	168,169
JTE	JIC Pull-Through Tee	150,151
JTEX	JIC Pull-Through Stainless Steel Tee	150,151
JTR	JIC Hinge Cover Trough	140,141
JTS	JIC Pull-Through Telescope	150,151
JTS	JIC Screw Cover Trough	138,139
JTS	JIC Terminal Strap	172
JTSX	JIC Pull-Through Stainless Steel Telescope	150,151
JW	JIC Pull-Through Wireway	148,149
JWFX	JIC Pull-Through Wireway Nema 4X	152,153
JX	JIC Pull-Through Cross	150,151
JXL	Large Oiltight Enclosure	110,111

INDEX

Product Code	Description	Page Number
JXX	JIC Pull-Through Stainless Steel Cross	150,151
L45	NEMA 1 45 Elbow	146,147
L45G	NEMA 1 45 Elbow Gray	146,147
L90	NEMA 1 90 Elbow	146,147
L90G	NEMA 1 90 Elbow Gray	146,147
LBF	JIC Lay-In Box Fitting	158,159
LBH	JIC Lay-In Bracket Hanger	158,159
LCC	JIC Lay-In Straight Counter Clockwise Transposition	156,157
LCF	JIC Lay-In Cut-Off Fitting	158,159
LCS	JIC Lay-In Straight Clockwise Transposition	156,157
LDH	JIC Lay-In Drop Hanger	158,159
LEP	JIC End Plate	158,159
LFP	JIC Lay-In Flat Sealing Plate	158,159
LJB	JIC Lay-In Junction Box	158,159
LK	Louver Kit	174
LL45	JIC Lay-In Top Open 45 Elbow	156,157
LL45N	JIC Lay-In Inside Open 45 Elbow	156,157
LL45T	JIC Lay-In Outside Open 45 Elbow	156,157
LL90	JIC Lay-In Top Open 90 Elbow	156,157
LL90L	JIC Lay-In Counter Clockwise Transposition 90 Elbow	156,157
LL90N	JIC Lay-In Inside Open 90 Elbow	156,157
LL90R	JIC Lay-In Clockwise Transposition 90 Elbow	158,159
LL90T	JIC Lay-In Outside Open 90 Elbow	158,159
LM	Large O.E.M. Box	12,13
LN1	JIC Lay-In 1" Nipple	158,159
LN2	JIC Lay-In 2" Nipple	158,159
LN3	JIC Lay-In 3" Nipple	158,159
LNP	JIC Lay-In 90 Sealing Plate	158,159
LR	JIC Lay-In Reducer	158,159
LT	JIC Lay-In Tee Outside Open	156,157
LTS	JIC Lay-In Telescope	158,159
LTT	JIC Lay-In Tee Top Open	156,157
LW	JIC Lay-In Wireway	154,155
LX	JIC Lay-In Cross	158,159
MTGFT	Mounting Foot Kit	176
N	NEMA 12 Enclosure	32-35
N/ABDSC	NEMA 12 Allen-Bradley Disconnect Enclosure	64-67
N/DSC	NEMA 12 Disconnect Enclosure	48-51, 56-63
NA	NEMA 12 Aluminum Enclosure	40,41
NBKTA	NEMA Bracket Assembly	173
ND	NEMA 12 Double Door Enclosure	36,37
ND/FDSC	NEMA 12 Double Door Disconnect Enclosure	68-71, 80-89
NF	NEMA 4 Enclosure	24,25
NF/DSC	NEMA 4 Disconnect Enclosure	52-63
NFA	NEMA 4X Aluminum Enclosure	30,31
NFD	NEMA 4 Double Door Enclosure	26,27
NFX	NEMA 4X Stainless Steel Enclosure	28,29
NFX/DSC	NEMA 4X Stainless Steel Disconnect Enclosure	52-63
NSOPK	NEMA Swing-Out Panel Kit	170,171
NTS	NEMA Terminal Strap	173
PA	NEMA 1 Panel Adapter	146,147
PBC	Oiltight Console	126-129

INDEX

Product Code	Description	Page Number
PRPKT	Print Pocket	181
PS	Pedestal	127-129
R	NEMA 1 Reducer	146,147
RB	Rainproof Box Galvanized	8,9
RBG	Rainproof Box Gray	8,9
RG	NEMA 1 Reducer Gray	146,147
RT	Rainproof Trough Galvanized	136,137
RTG	Rainproof Trough Gray	136,137
SB	Screw Cover Box Galvanized	2,3
SBG	Screw Cover Box Gray	2,3
SBGK	Screw Cover Box Gray with Knockouts	2,3
SBK	Screw Cover Box with Knockouts	2,3
SK	Floor Stand Kit	178
SKX	Stainless Steel Floor Stand Kit	178
SL	Style-Line Enclosure	20-23
SLX	Style-Line Enclosure Stainless Steel	20-23
SM	Small O.E.M. Box	10,11
ST	Screw Trough Galvanized	130,131
STE	Small Oiltight Enclosure	108,109
STG	Screw Trough Gray	130,131
SW	Screw Cover Wireway Galvanized	142,143
SWG	Screw Cover Wireway Gray	142,143
SWGK	Screw Cover Wireway Gray with Knockouts	142,143
SWK	Screw Cover Wireway with Knockouts	142,143
T	Telephone Cabinet	14,15
TE	NEMA 1 Tee	146,147
TEG	NEMA 1 Tee Gray	146,147
TL	Telephone Cabinet Flush	14,15
TP	NEMA Panel	166,167
TPX	Stainless Steel NEMA Panel	166,167
TS	NEMA 1 Telescope	146,147
TSG	NEMA 1 Telescope Gray	146,147
UC	NEMA 1 U-Connector	146,147
UCG	NEMA 1 U-Connector Gray	146,147
UH	NEMA 1 U-Hanger	146,147
UHG	NEMA 1 U-Hanger Gray	146,147
WDN	NEMA 12 Double Door Wall-Mount Enclosure	46,47
WK	Window Kit	175
WKX	Stainless Steel Window Kit	175
WL	Large Weatherproof Cabinet	18,19
WS	Small Weatherproof Cabinet	16,17
X	NEMA 1 Cross	146,147
XG	NEMA 1 Cross Gray	146,147
YC	U-Connector (X-Ray)	162,163
YD	60" Divider (X-Ray)	162,163
YEC	End Cap (X-Ray)	162,163
YHL	Horizontal 90 Elbow (X-Ray)	162,163
YHT	Horizontal Tee (X-Ray)	162,163
YPA	Panel Adapter (X-Ray)	162,163
YVL	Vertical 90 Elbow (X-Ray)	162,163
YVT	Vertical Tee (X-Ray)	162,163
YW	Lay-In Duct for X-Ray Equipment	160,161
YX	Cross (X-Ray)	162,163

NOTES

NOTES

NOTES