

TYPE 1 SCREW COVER BOXES

Austin screw cover boxes are Underwriters Laboratories Listed for Junction and Pull box applications. All screw cover boxes meet the general-purpose indoor requirements.

Construction:

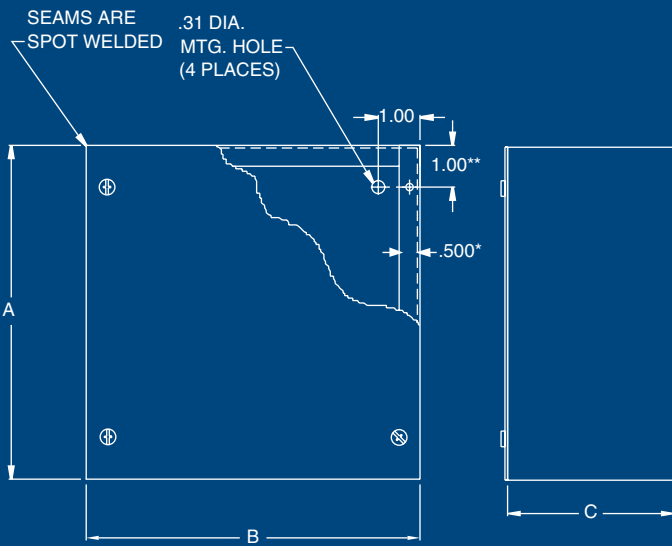
- Fabricated in accordance with UL specifications from code gauge steel.
- Boxes are furnished with or without knockouts. If knockouts are requested, a combination of 1/2 - 3/4" and 3/4 - 1" standard conduit sizes are furnished.
- Boxes under 48" x 36" have 5/16" mounted holes.
- Boxes 48" x 36" and over have 7/16" mounted holes.

Finish:

Austin screw cover boxes are constructed standard in galvanized steel. An ANSI 61 gray polyester powder coating over CRS is available on request.

Options:

- Special knockouts or knockout arrangements.
- Special materials.
- Special finishes.
- Custom box size or construction.



*THIS DIMENSION IS .750 WHEN "A" AND "B" ARE 24 x 24 AND OVER

**THIS DIMENSION IS 1.250 WHEN "A" AND "B" ARE 24 x 24 AND OVER



**INDUSTRY
STANDARDS**

UL 50 Type 1
NEMA Type 1
CUL Type 1

Austin Electrical Enclosures
Post Office Box 2320
Yadkinville, NC 27055

Phone: 336.468.2851
800.288.2851

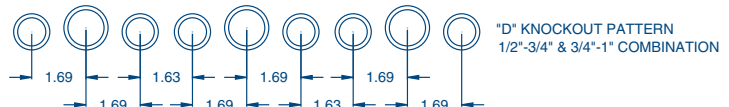
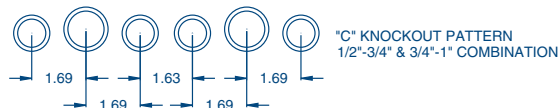
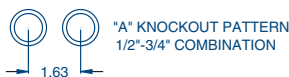
SCREW COVER BOXES

Catalog Number	Bundle Quantity	Bundle Weight	Enclosure Size (AxBxC)	Knockout Pattern Sides "A"	Knockout Pattern Sides "B"	Catalog Number	Bundle Quantity	Bundle Weight	Enclosure Size (AxBxC)	Knockout Pattern (A) Sides "A"	Knockout Pattern (B) Sides "B"
AB-444SB	5	10	4x4x4	A	A	AB-48366SB	1	140.5	48x36x6	NA	NA
AB-644SB	5	10	6x4x4	B	B	AB-48486SB	1	206	48x48x6	NA	NA
AB-664SB	5	15	6x6x4	B	B						
AB-864SB	5	20	8x6x4	B	B	AB-888SB	1	7	8x8x8	B	B
AB-1064SB	5	22.5	10x6x4	B	B	AB-10108SB	1	9.5	10x10x8	B	B
AB-1264SB	5	25	12x6x4	C	B	AB-12128SB	1	12	12x12x8	C	C
AB-884SB	5	25	8x8x4	B	B	AB-15128SB	1	15	15x12x8	C	C
AB-1084SB	5	25	10x8x4	B	B	AB-18128SB	1	17	18x12x8	D	C
AB-1284SB	5	32.5	12x8x4	C	B	AB-24128SB	1	21	24x12x8	D	C
AB-10104SB	5	35	10x10x4	B	B	AB-15158SB	1	17	15x15x8	C	C
AB-12104SB	5	40	12x10x4	C	B	AB-18158SB	1	20	18x15x8	D	C
AB-12124SB	5	45	12x12x4	C	C	AB-18188SB	1	22.5	18x18x8	D	D
AB-15124SB	1	11	15x12x4	C	C	AB-24188SB	1	28	24x18x8	D	D
AB-18124SB	1	13	18x12x4	D	C	AB-24248SB	1	39.5	24x24x8	D	D
AB-24124SB	1	15	24x12x4	D	C	AB-30248SB	1	47.5	30x24x8	D	D
AB-15154SB	1	14	15x15x4	C	C	AB-36248SB	1	61	36x24x8	D	D
AB-18154SB	1	16	18x15x4	D	C	AB-48248SB	1	79	48x24x8	D	D
AB-18184SB	1	17	18x18x4	D	D	AB-30308SB	1	75	30x30x8	NA	NA
AB-24184SB	1	23	24x18x4	D	D	AB-36308SB	1	87	36x30x8	NA	NA
AB-24244SB	1	35	24x24x4	D	D	AB-36368SB	1	101.5	36x36x8	NA	NA
AB-30244SB	1	43	30x24x4	D	D	AB-48368SB	1	151	48x36x8	NA	NA
AB-36244SB	1	51	36x24x4	D	D	AB-48488SB	1	220	48x48x8	NA	NA
AB-666SB	5	20	6x6x6	B	B	AB-121210SB	1	14	12x12x10	C	C
AB-866SB	5	25	8x6x6	B	B	AB-181210SB	1	19	18x12x10	D	C
AB-1266SB	5	35	12x6x6	C	B	AB-181810SB	1	25	18x18x10	D	D
AB-886SB	5	30	8x8x6	B	B	AB-241810SB	1	31.5	24x18x10	D	D
AB-1086SB	5	35	10x8x6	B	B	AB-242410SB	1	43.5	24x24x10	D	D
AB-1286SB	5	40	12x8x6	C	B	AB-362410SB	1	67	36x24x10	D	D
AB-10106SB	5	45	10x10x6	B	B	AB-303010SB	1	81	30x30x10	NA	NA
AB-12106SB	5	45	12x10x6	C	B	AB-363010SB	1	94	36x30x10	NA	NA
AB-12126SB	5	55	12x12x6	C	C	AB-363610SB	1	109	36x36x10	NA	NA
AB-15126SB	1	13	15x12x6	C	C	AB-483610SB	1	161.5	48x36x10	NA	NA
AB-18126SB	1	15	18x12x6	D	C	AB-484810SB	1	234	48x48x10	NA	NA
AB-24126SB	1	21	24x12x6	D	C						
AB-15156SB	1	16	15x15x6	C	C	AB-121212SB	1	16	12x12x12	C	C
AB-18156SB	1	17	18x15x6	D	C	AB-181212SB	1	21	18x12x12	D	C
AB-18186SB	1	20	18x18x6	D	D	AB-241212SB	1	26.5	24x12x12	D	C
AB-24186SB	1	25	24x18x6	D	D	AB-181812SB	1	28	18x18x12	D	D
AB-24246SB	1	36	24x24x6	D	D	AB-241812SB	1	34.5	24x18x12	D	D
AB-30246SB	1	43	30x24x6	D	D	AB-242412SB	1	47.5	24x24x12	D	D
AB-36246SB	1	56	36x24x6	D	D	AB-362412SB	1	72	36x24x12	D	D
AB-48246SB	1	72	48x24x6	D	D	AB-303012SB	1	88	30x30x12	NA	NA
AB-30306SB	1	68	30x30x6	NA	NA	AB-363612SB	1	117	36x36x12	NA	NA
AB-36306SB	1	80	36x30x6	NA	NA	AB-483612SB	1	172	48x36x12	NA	NA
AB-36366SB	1	94	36x36x6	NA	NA	AB-484812SB	1	247.5	48x48x12	NA	NA

NOTE:

Replace "SB" Suffix with: SBK: Screw Cover w/KO's
 SBGK: Screw Cover Gray w/KO's
 SBG: Screw Cover Gray

POSSIBLE KNOCKOUT PATTERNS



NOTE: REFER TO BOX TABLE FOR APPLICABLE KNOCKOUT PATTERN

TYPE 1 HINGED COVER BOXES

Austin hinge cover boxes are Underwriters Laboratories Listed for Cabinet and Cutout box applications. All hinge cover boxes meet the general-purpose indoor requirements.

Construction:

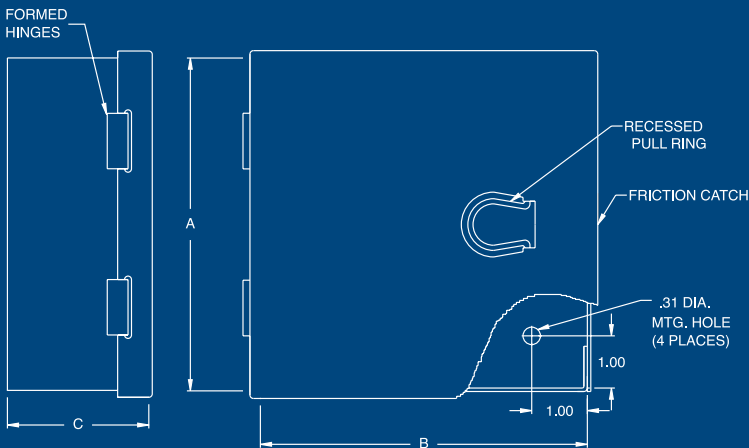
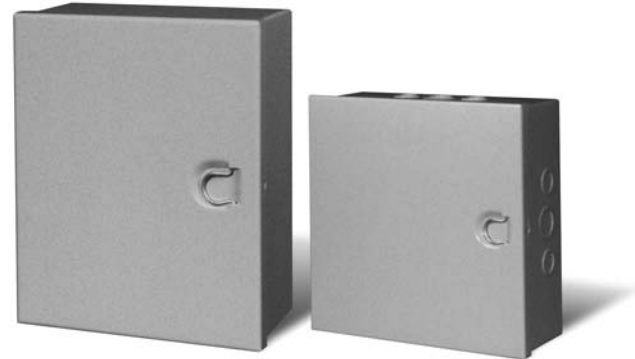
- Fabricated in accordance with UL specifications from code gauge steel.
- Hinge cover boxes with a maximum dimension of 18" are fabricated with formed hinges and a pull ring catch.
- Boxes are furnished with or without knockouts. If knockouts are requested, a combination of 1/2" - 3/4" and 3/4" - 1" standard conduit sizes are furnished.
- Back of boxes have mounting holes.

Finish:

Austin hinge cover boxes are constructed standard in galvanized steel. An ANSI 61 gray polyester powder coating is available on request.

Options:

- Special knockouts or knockout arrangements.
- Special materials.
- Special finishes.
- Custom box size or construction.



**INDUSTRY
STANDARDS**

UL 50 Type 1
NEMA Type 1
CUL Type 1

Austin Electrical Enclosures
Post Office Box 2320
Yadkinville, NC 27055

Phone: 336.468.2851
800.288.2851

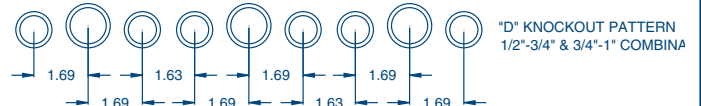
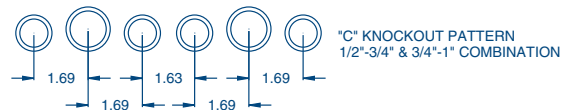
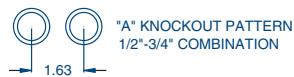
HINGE COVER BOXES

Catalog Number	Bundle Qty.	Bundle Weight	Enclosure Size (AxBxC)	KO Pattern "A" Side	KO Pattern "B" Side
AB-644HC	5	10	6x4x4	B	B
AB-664HC	5	15	6x6x4	B	B
AB-864HC	5	20	8x6x4	B	B
AB-1064HC	5	22.5	10x6x4	B	B
AB-1264HC	5	25	12x6x4	C	B
AB-884HC	5	25	8x8x4	B	B
AB-1084HC	5	25	10x8x4	B	B
AB-1284HC	5	32.5	12x8x4	C	B
AB-10104HC	5	35	10x10x4	B	B
AB-12104HC	5	40	12x10x4	C	B
AB-12124HC	5	45	12x12x4	C	C
AB-15124HC	1	11	15x12x4	C	C
AB-18124HC	1	13	18x12x4	D	C
AB-15154HC	1	14	15X15X4	C	C
AB-18154HC	1	16	18X15X4	D	C
AB-18184HC	1	17	18x18x4	D	D
AB-666HC	5	20	6x6x6	A	A
AB-866HC	5	25	8x6x6	B	B
AB-886HC	5	30	8x8x6	B	B
AB-1086HC	5	35	10x8x6	B	B
AB-1286HC	5	40	12x8x6	C	B
AB-10106HC	5	45	10x10x6	B	B
AB-12106HC	5	45	12x10x6	C	B
AB-12126HC	5	55	12x12x6	C	C
AB-15126HC	1	13	15x12x6	C	C
AB-18126HC	1	15	18x12x6	D	C
AB-15156HC	1	16	15X15X6	C	C
AB-18156HC	1	17	18X15X6	D	C
AB-18186HC	1	20	18x18x6	D	D

NOTE:

Replace "HC" Suffix with: HCK: Hinge Cover w/KO's
 HCGK: Hinge Cover Gray w/KO's
 HCG: Hinge Cover Gray

POSSIBLE KNOCKOUT PATTERNS



NOTE: REFER TO BOX TABLE FOR APPLICABLE KNOCKOUT PATTERN

TYPE 3, 12 SCREW COVER GASKETED BOXES

Austin gasketed screw cover boxes are Underwriters Laboratories Listed for Wiring, Pull, Terminal, and Junction box application. They provide a degree of protection against rain, sleet, dust, dirt, external ice formation, and noncorrosive liquids.

Construction:

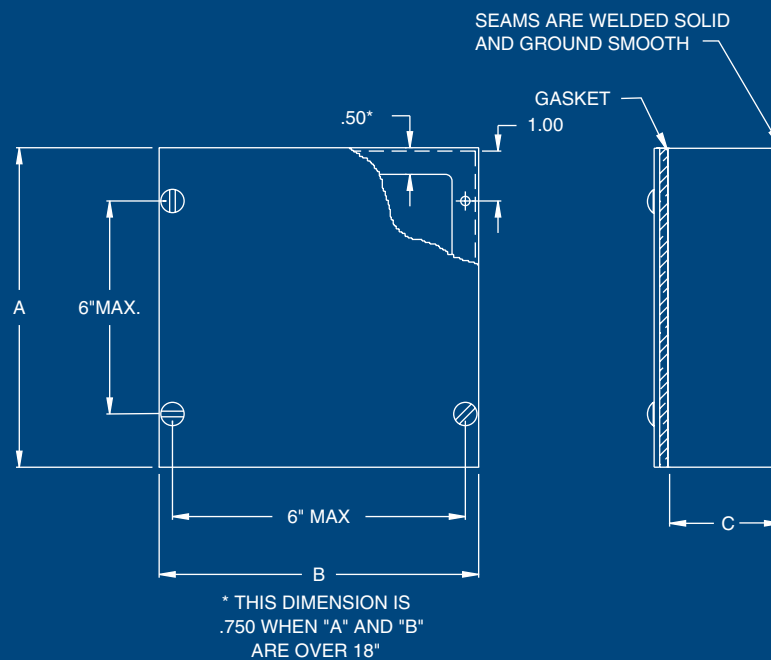
- Fabricated in accordance with UL specifications from code gauge steel.
- Continuously welded seams ground smooth.
- Neoprene gasket attached to cover with oil resistant adhesive.
- No mounting holes or mounting feet.

Finish:

Austin gasketed screw cover boxes are constructed standard in galvanized steel. An ANSI 61 gray polyester powder coating over phosphatized surfaces is available on request.

Options:

- Special materials.
- Special finishes.
- Custom box size or construction.



**INDUSTRY
STANDARDS**

UL 50 Types 3 & 12
NEMA Types 3 & 12
(except for mounting
provisions)
CUL Types 3 & 0

Austin Electrical Enclosures
Post Office Box 2320
Yadkinville, NC 27055

Phone: 336.468.2851
800.288.2851

SCREW COVER GASKETED BOXES

Catalog Number	Enclosure Size (AxBxC)	Weight	Catalog Number	Enclosure Size (AxBxC)	Weight
AB-444GSB	4x4x4	2	AB-888GSB	8x8x8	7
AB-664GSB	6x6x4	3	AB-12128GSB	12x12x8	12
AB-864GSB	8x6x4	4	AB-18188GSB	18x18x8	23
AB-884GSB	8x8x4	5	AB-24248GSB	24x24x8	42
AB-1084GSB	10x8x4	5	AB-30248GSB	30x24x8	51
AB-10104GSB	10x10x4	7	AB-36248GSB	36x24x8	60
AB-12104GSB	12x10x4	7	AB-30308GSB	30x30x8	88
AB-12124GSB	12x12x4	9	AB-36308GSB	36x30x8	102
			AB-181810GSB	18x18x10	25
AB-666GSB	6x6x6	4	AB-242410GSB	24x24x10	48
AB-1266GSB	12x6x6	7	AB-302410GSB	30x24x10	58
AB-886GSB	8x8x6	6	AB-362410GSB	36x24x10	67
AB-10106GSB	10x10x6	9	AB-303010GSB	30x30x10	96
AB-12126GSB	12x12x6	11	AB-363010GSB	36x30x10	111
AB-15126GSB	15x12x6	13			
AB-15156GSB	15x15x6	16	AB-181812GSB	18x18x12	28
AB-18186GSB	18x18x6	20	AB-242412GSB	24x24x12	53
AB-24186GSB	24x18x6	26	AB-303012GSB	30x30x12	103
AB-24246GSB	24x24x6	39	AB-363612GSB	36x36x12	137

NOTE:

Replace "GSB" Suffix with: GSBG: Gasket Screw Cover Box Gray



TYPE 3R RAINPROOF BOXES

Austin rainproof boxes are Underwriters Laboratories Listed for Wiring or Junction box applications. All rainproof boxes are designed for outdoor use primarily to provide a degree of protection against rain, sleet, and damage from external ice formation.

Construction:

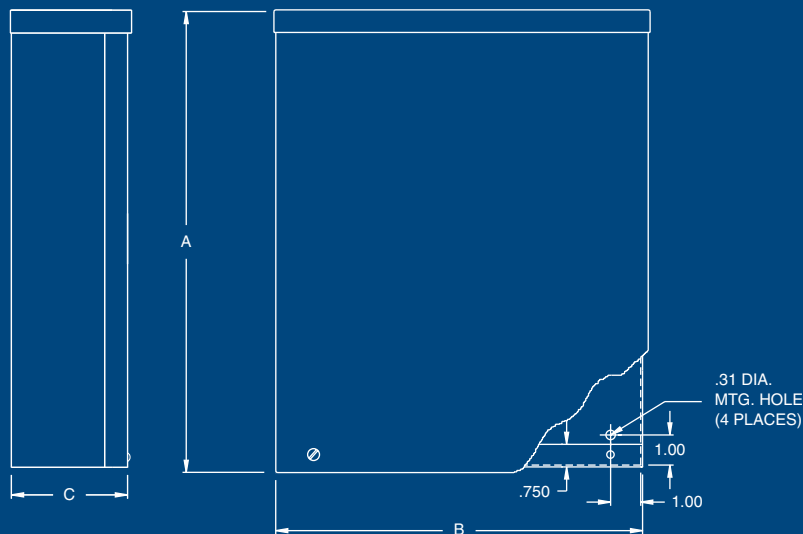
- Fabricated in accordance with UL specifications from code gauge steel.
- Dripshield along top of box.
- Slip-on seamless cover attached by screws at bottom edge.
- Embossed mounting holes on back of enclosure.

Finish:

Austin rainproof boxes are constructed standard in galvanized steel. An ANSI 61 gray polyester powder coating over phosphatized surfaces is provided on request.

Options:

- Special knockouts or knockout arrangements in bottom only.
- Special materials.
- Special finishes.
- Custom box size or construction.



**INDUSTRY
STANDARDS**

UL 50 Type 3R
NEMA Type 3R
CUL Type 3R

Austin Electrical Enclosures
Post Office Box 2320
Yadkinville, NC 27055

Phone: 336.468.2851
800.288.2851

RAINPROOF BOXES

Catalog Number	Bundle Quantity	Bundle Weight	Enclosure Size (AxBxC)	Catalog Number	Bundle Quantity	Bundle Weight	Enclosure Size (AxBxC)
AB-664RB	5	20	6x6x4	AB-15126RB	1	13	15x12x6
AB-864RB	5	20	8x6x4	AB-18126RB	1	16	18x12x6
AB-884RB	5	25	8x8x4	AB-18156RB	1	16	18x15x6
AB-1084RB	5	30	10x8x4	AB-18186RB	1	21	18x18x6
AB-10104RB	5	35	10x10x4	AB-24246RB	1	40	24x24x6
AB-1284RB	5	35	12x8x4				
AB-12124RB	5	50	12x12x4	AB-18158RB	1	20	18x15x8
				AB-18188RB	1	23	18x18x8
AB-666RB	5	20	6x6x6	AB-24188RB	1	35	24x18x8
AB-886RB	5	30	8x8x6	AB-24248RB	1	44	24x24x8
AB-10106RB	5	45	10x10x6				
AB-12126RB	5	60	12x12x6	AB-242410RB	1	48	24x24x10

NOTE:
Replace "RB" Suffix with: RBG: Rainproof Gray



TYPE 1 SMALL NEMA 1 O.E.M. CABINET

Austin Small O.E.M. enclosures are Underwriters Laboratories Listed and designed for use as control and instrument enclosures which do not require an oil-tight or dust-tight rating.

Construction:

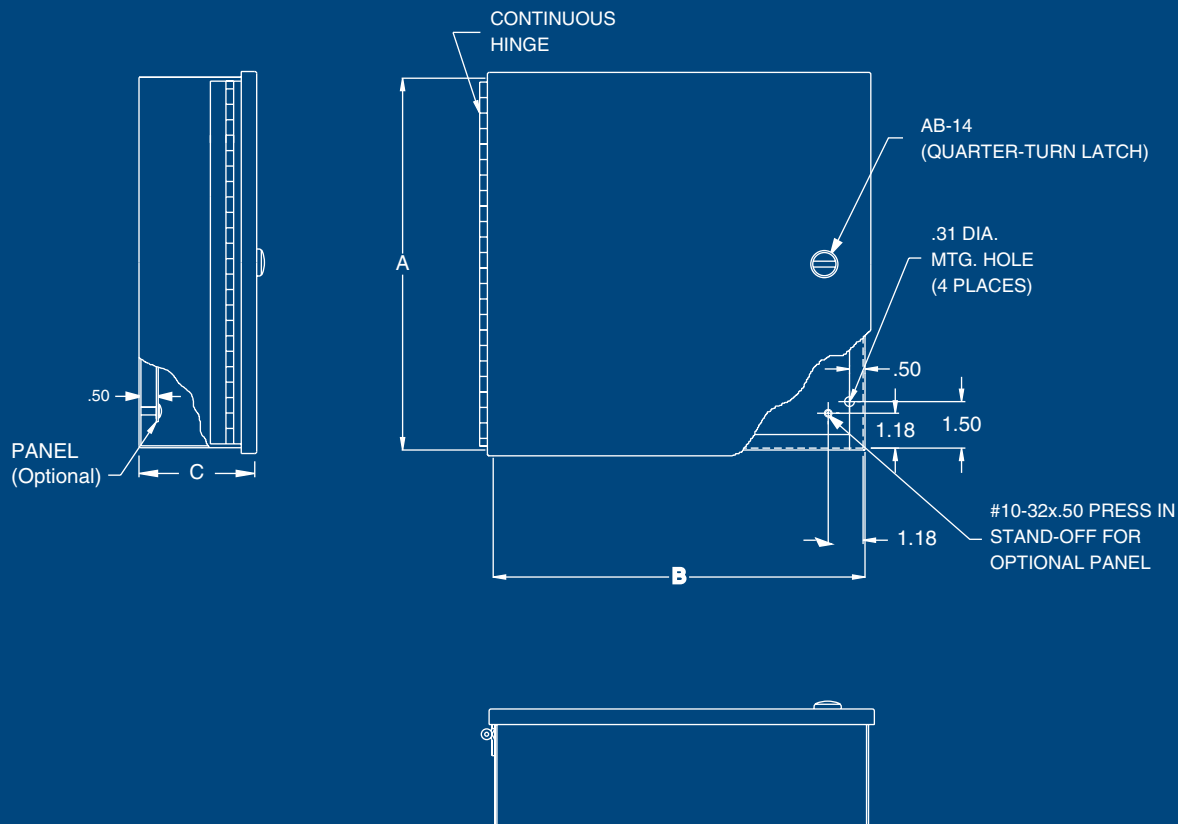
- Fabricated in accordance with UL specifications from code gauge steel.
- Continuous hinge.
- Flush latch; AB-14.
- Stand-offs provided for mounting optional panel.

Finish:

Austin Small O.E.M. enclosures are provided standard with an ANSI 61 gray polyester powder coating. Optional panels are painted white.

Options:

- Special materials.
- Special finishes.
- Custom box size or construction.



**INDUSTRY
STANDARDS**

UL 50 Type 1
NEMA Type 1
CUL Type 1

Austin Electrical Enclosures
Post Office Box 2320
Yadkinville, NC 27055

Phone: 336.468.2851
800.288.2851

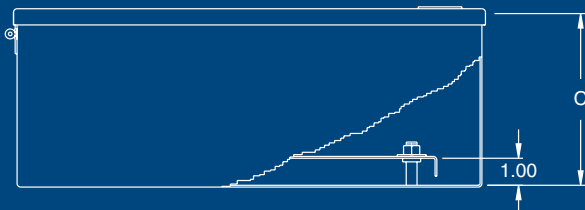
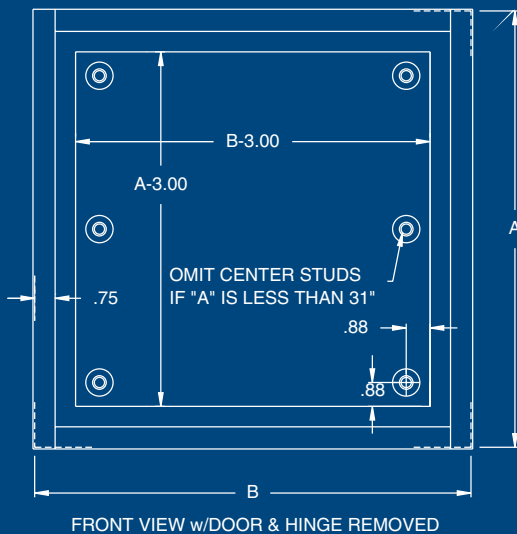
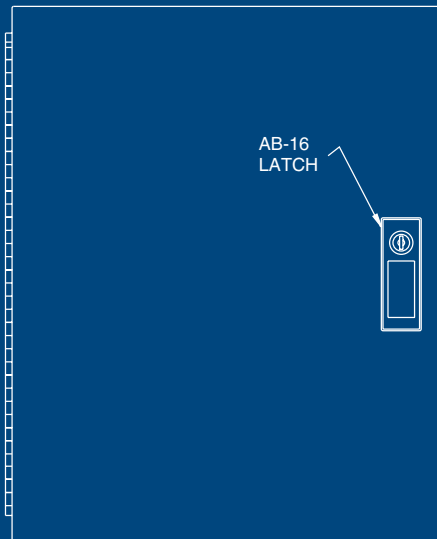
SMALL NEMA 1 O.E.M. CABINET

Catalog Number	Enclosure Size (AxBxC)	Weight	Panel Catalog
AB-664SM	6x6x4	4	AB-66NP
AB-864SM	8x6x4	4	AB-86NP
AB-884SM	8x8x4	6	AB-88NP
AB-1084SM	10x8x4	6	AB-108NP
AB-10104SM	10x10x4	7	AB-1010NP
AB-12104SM	12x10x4	9	AB-1210NP
AB-12124SM	12x12x4	9	AB-1212NP
AB-14124SM	14x12x4	11	AB-1412NP
AB-866SM	8x6x6	5	AB-86NP
AB-886SM	8x8x6	6	AB-88NP
AB-1086SM	10x8x6	8	AB-108NP
AB-10106SM	10x10x6	8	AB-1010NP
AB-12106SM	12x10x6	11	AB-1210NP
AB-12126SM	12x12x6	11	AB-1212NP
AB-14126SM	14x12x6	13	AB-1412NP
AB-12128SM	12x12x8	13	AB-1212NP
AB-14128SM	14x12x8	15	AB-1412NP



TYPE 1 LARGE NEMA 1 O.E.M. CABINET

Austin Large O.E.M. enclosures are Underwriters Laboratories Listed and designed for housing electrical and electronic controls.



Construction:

- Fabricated in accordance with UL specifications from code gauge steel.
- Removable mounting panel.
- Continuous hinge.
- Enclosures have an AB-16 flush latch except as noted.

Finish:

Austin Large O.E.M. enclosures are provided standard with an ANSI 61 gray polyester powder coating. Panels are painted white.

Options:

- Special materials.
- Special finishes.
- Custom box size or construction.

**INDUSTRY
STANDARDS**

UL 50 Type 1
NEMA Type 1
CUL Type 1

Austin Electrical Enclosures
Post Office Box 2320
Yadkinville, NC 27055

Phone: 336.468.2851
800.288.2851

LARGE O.E.M. CABINET ENCLOSURES WITH PANELS

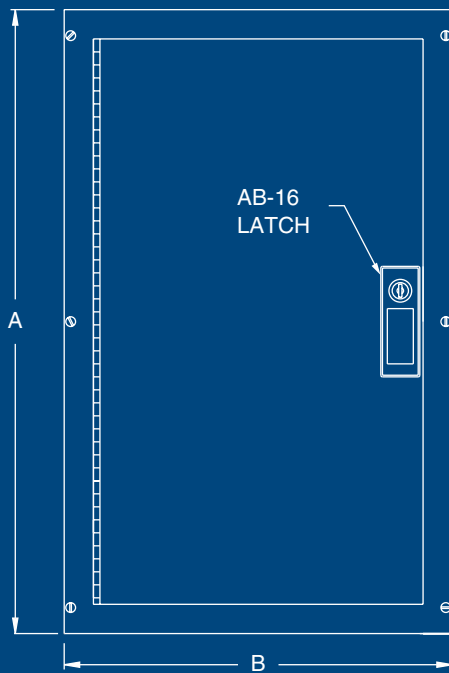
Catalog Number	Enclosure Size (AxBxC)	Weight
AB-16126LM	16x12x6 5/8	21
AB-16166LM	16x16x6 5/8	27
AB-20166LM	20x16x6 5/8	31
AB-24166LM	24x16x6 5/8	36
AB-20206LM	20x20x6 5/8	37
AB-24206LM	24x20x6 5/8	43
AB-24246LM	24x24x6 5/8	56
AB-30246LM	30x24x6 5/8	67
AB-36246LM	36x24x6 5/8	78
AB-36306LM*	36x30x6 5/8	95
AB-16128LM	16x12x8 5/8	23
AB-20168LM	20x16x8 5/8	35
AB-20208LM	20x20x8 5/8	40
AB-24208LM	24x20x8 5/8	48
AB-24248LM	24x24x8 5/8	58
AB-30248LM	30x24x8 5/8	74
AB-36248LM	36x24x8 5/8	81
AB-36308LM*	36x30x8 5/8	104
AB-242010LM	24x20x10 5/8	53
AB-302410LM	30x24x10 5/8	81
AB-363010LM*	36x30x10 5/8	114
AB-242412LM	24x24x12 5/8	69
AB-363012LM*	36x30x12 5/8	123

***NOTE:**
If "A" and "B" are 36 x 30, an AB-10 tee handle is standard

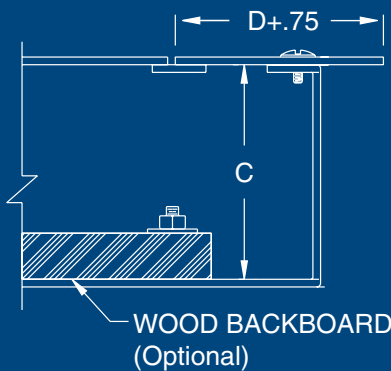


TYPE 1 TELEPHONE CABINETS

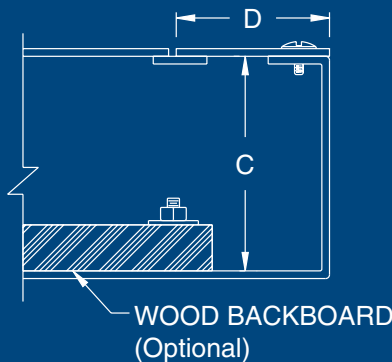
Austin Telephone Cabinets are Underwriters Laboratories Listed and are designed for use in telephone, panel junction, or cutout cabinet applications. They provide a degree of protection against limited amounts of dirt.



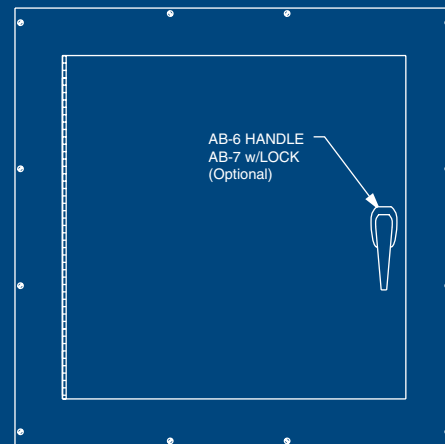
TYPE A



FLUSH MOUNT



SURFACE MOUNT



TYPE B

TYPE B TELEPHONE CABINET IS AVAILABLE w/DOUBLE DOORS AND LEVER HANDLE

Construction:

- Fabricated in accordance with UL specifications from code gauge steel.
- Removable trim.
- Cabinets 36" and under have an AB-16 flush locking latch.
- Cabinets 37" and over have an AB-6 three point latch handle with roller arms.
- Surface or flush covers.
- Continuous hinge.
- Optional Backboard studs for mounting optional Backboard.

Finish:

Austin Telephone Cabinets are furnished standard with an ANSI 61 gray polyester powder coating. Box is furnished in galvanized steel.

Options:

- Special finishes.
- Custom box size or construction.

**INDUSTRY
STANDARDS**

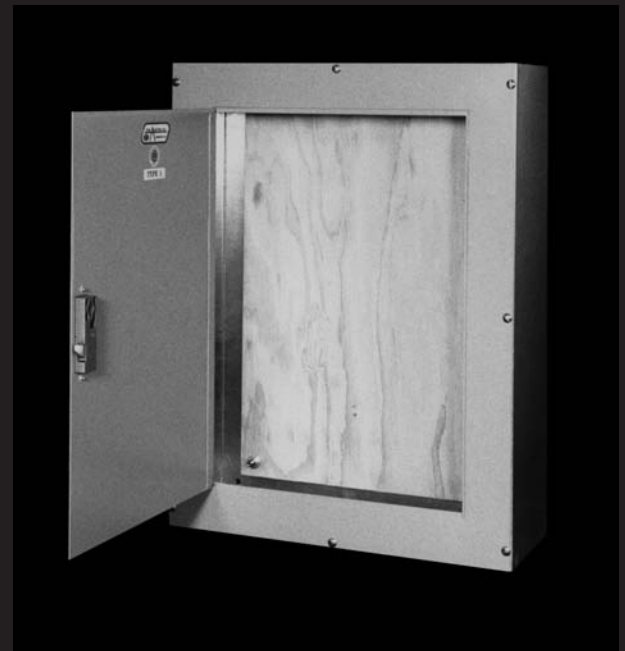
UL 50 Type 1
NEMA Type 1
CUL Type 1

Austin Electrical Enclosures
Post Office Box 2320
Yadkinville, NC 27055

Phone: 336.468.2851
800.288.2851

TELEPHONE CABINETS AND PLYWOOD BACKBOARDS

Catalog Number	Type	Enclosure Size (AxBxC)	"D"	Weight	Backboard Catalog Number	Panel Weight	Catalog Number	Type	Enclosure Size (AxBxC)	"D"	Weight	Backboard Catalog Number	Panel Weight
AB-884T	A	8x8x4	1 1/16"	7	NA	NA	AB-16126T	A	16x12x6	1 1/16"	14	AB-1612TB	1
AB-10104T	A	10x10x4	1 1/16"	9	AB-1010TB	1	AB-18126T	A	18x12x6	1 1/16"	18	AB-1812TB	1
AB-12124T	A	12x12x4	1 1/16"	11	AB-1212TB	1	AB-24126T	A	24x12x6	1 1/16"	23	AB-2412TB	2
AB-16124T	A	16x12x4	1 1/16"	13	AB-1612TB	1	AB-18186T	A	18x18x6	2 1/4"	25	AB-1818TB	2
AB-18124T	A	18x12x4	1 1/16"	16	AB-1812TB	1	AB-24186T	A	24x18x6	2 1/4"	30	AB-2418TB	3
AB-24124T	A	24x12x4	1 1/16"	22	AB-2412TB	2	AB-30186T	A	30x18x6	2 1/4"	38	AB-3018TB	3
AB-18184T	A	18x18x4	2 1/4"	23	AB-1818TB	2	AB-24246T	A	24x24x6	2 1/4"	37	AB-2424TB	4
AB-24184T	A	24x18x4	2 1/4"	28	AB-2418TB	3	AB-30246T	A	30x24x6	2 1/4"	45	AB-3024TB	5
AB-30184T	A	30x18x4	2 1/4"	33	AB-3018TB	3	AB-36246T	A	36x24x6	2 1/4"	59	AB-3624TB	6
AB-24244T	A	24x24x4	2 1/4"	35	AB-2424TB	4	AB-30306T	A	30x30x6	2 1/4"	62	AB-3030TB	6
AB-30244T	A	30x24x4	2 1/4"	40	AB-3024TB	5	AB-36306T	A	36x30x6	2 1/4"	78	AB-3630TB	7
AB-36244T	A	36x24x4	2 1/4"	57	AB-3624TB	6	AB-48306T	B	48x30x6	3 1/4"	124	AB-4830TB	8
AB-30304T	A	30x30x4	2 1/4"	60	AB-3030TB	6	AB-48366T	B	48x36x6	3 1/4"	150	AB-4836TB	12
AB-36304T	A	36x30x4	2 1/4"	71	AB-3630TB	7							
AB-48304T	B	48x30x4	3 1/4"	101	AB-4830TB	8							



NEMA TYPE 3R SMALL WEATHERPROOF CABINETS

Austin small hinge cover NEMA 3R cabinets are Underwriters Laboratories Listed and designed for outdoor use primarily to provide a degree of protection against rain, sleet, and damage from external ice formation.

Construction:

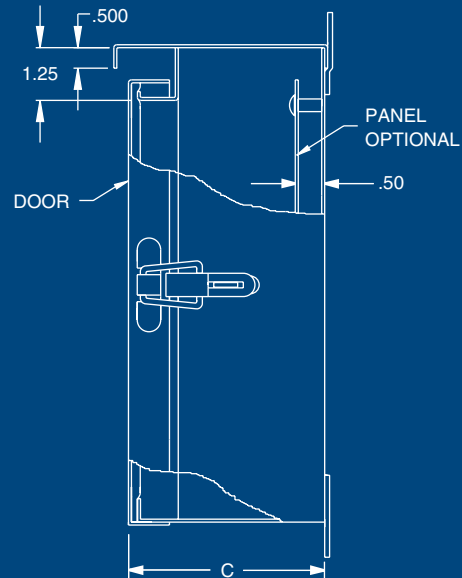
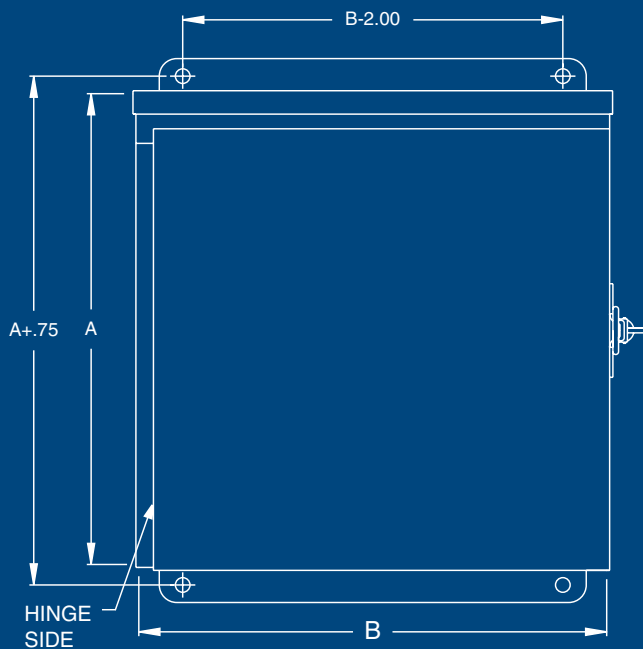
- Fabricated in accordance with UL specifications from code gauge steel.
- Galvanized continuous hinge with stainless steel hinge pin.
- Draw pull catch; AB-1.
- Seamless dripshield.
- External mounting feet.
- Stand-offs provided for mounting optional panel.

Finish:

Austin small hinge cover NEMA 3R cabinets are constructed standard in galvanized steel with an ANSI 61 gray polyester powder coating. Optional panels are painted white.

Options:

- Special knockouts or knockout arrangements in bottom only.
- Special materials.
- Special finishes.
- Custom box size or construction.



**INDUSTRY
STANDARDS**

UL 50 Type 3R
NEMA Type 3R
CUL Type 3R

Austin Electrical Enclosures
Post Office Box 2320
Yadkinville, NC 27055

Phone: 336.468.2851
800.288.2851

NEMA TYPE 3R SMALL WEATHERPROOF CABINETS

Catalog Number	Enclosure Size (AxBxC)	Weight	Panel Catalog Number	Panel Weight
AB-664WS	6x6x4	5	AB-66NP	0.5
AB-864WS	8x6x4	6	AB-86NP	1
AB-886WS	8x8x6	8	AB-88NP	1
AB-1086WS	10x8x6	9	AB-108NP	1.5
AB-10106WS	10x10x6	10	AB-1010NP	2
AB-12106WS	12x10x6	11	AB-1210NP	2
AB-12126WS	12x12x6	14	AB-1212NP	3
AB-14126WS	14x12x6	16	AB-1412NP	3



NEMA TYPE 3R LARGE WEATHERPROOF CABINETS

Austin large hinge cover NEMA 3R cabinets are Underwriters Laboratories Listed and are designed for outdoor use primarily to provide a degree of protection against rain, sleet, and damage from external ice formation.

Construction:

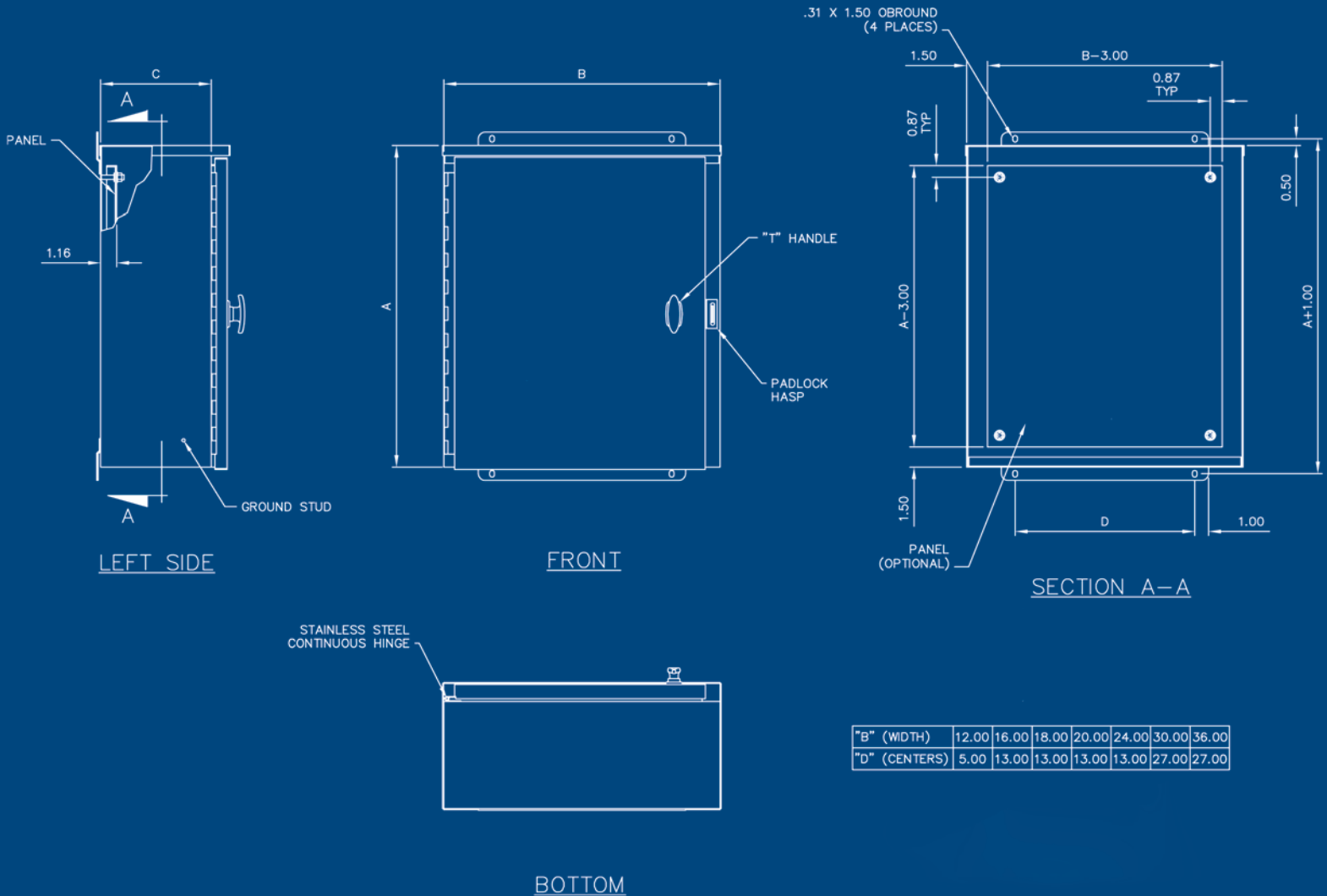
- Fabricated in accordance with UL specifications from code gauge steel.
- Corrosion resistant hardware hinge with stainless steel
- Stainless Steel Hinge
- Cabinets under 37" have an AB-10 tee handle.
- Cabinets 37" and over have an AB-6 three point lever handle with roller arms.
- Seamless dripshield.
- External mounting feet.
- Standard collar studs for mounting optional panel.

Finish:

Austin large hinge cover NEMA 3R cabinets are constructed standard in galvanized steel with an ANSI 61 gray polyester powder coating. Optional panels are painted white.

Options:

- Special knockouts or knockout arrangements in bottom only.
- Special materials.
- Special finishes.
- Custom box size or construction.



"B" (WIDTH)	12.00	16.00	18.00	20.00	24.00	30.00	36.00
"D" (CENTERS)	5.00	13.00	13.00	13.00	13.00	27.00	27.00

**INDUSTRY
STANDARDS**

UL 50 Type 3R
NEMA Type 3R
CUL Type 3R

Austin Electrical Enclosures
Post Office Box 2320
Yadkinville, NC 27055

Phone: 336.468.2851
800.288.2851

NEMA TYPE 3R LARGE WEATHERPROOF CABINETS

Catalog Number	Enclosure Size (AxBxC)	Weight	Panel Catalog Number	Panel Weight	Catalog Number	Enclosure Size (AxBxC)	Weight	Panel Catalog Number	Panel Weight
AB-16126WL	16x12x6	13	AB-1612TP	4	AB-242410WL	24x24x10	44	AB-2424TP	15
AB-16166WL	16x16x6	17	AB-1616TP	6	AB-362410WL	36x24x10	67	AB-3624TP	24
AB-20166WL	20x16x6	20	AB-2016TP	7	AB-363610WL	36x36x10	109	AB-3636TP	37
AB-24186WL	24x18x6	27	AB-2418TP	8	AB-484810WL	48x48x10	234	AB-4848TP	80
AB-24246WL	24x24x6	36	AB-2424TP	15					
AB-36366WL	36x36x6	94	AB-3636TP	37	AB-303012WL	30x30x12	88	AB-3030TP	24
					AB-362412WL	36x24x12	72	AB-3624TP	24
AB-20208WL	20x20x8	27	AB-2020TP	9	AB-363012WL	36x30x12	102	AB-3630TP	30
AB-24208WL	24x20x8	31	AB-2420TP	13	AB-363612WL	36x36x12	117	AB-3636TP	37
AB-24248WL	24x24x8	40	AB-2424TP	15	AB-423012WL	42x30x12	115	AB-4230TP	35
AB-30248WL	30x24x8	47	AB-3024TP	19	AB-423612WL	42x36x12	133	AB-4236TP	43
AB-36248WL	36x24x8	61	AB-3624TP	24	AB-483612WL	48x36x12	172	AB-4836TP	49
AB-36308WL	36x30x8	87	AB-3630TP	30	AB-484812WL	48x48x12	247	AB-4848TP	75
AB-36368WL	36x36x8	102	AB-3636TP	37	AB-603612WL	60x36x12	208	AB-6036TP	61

