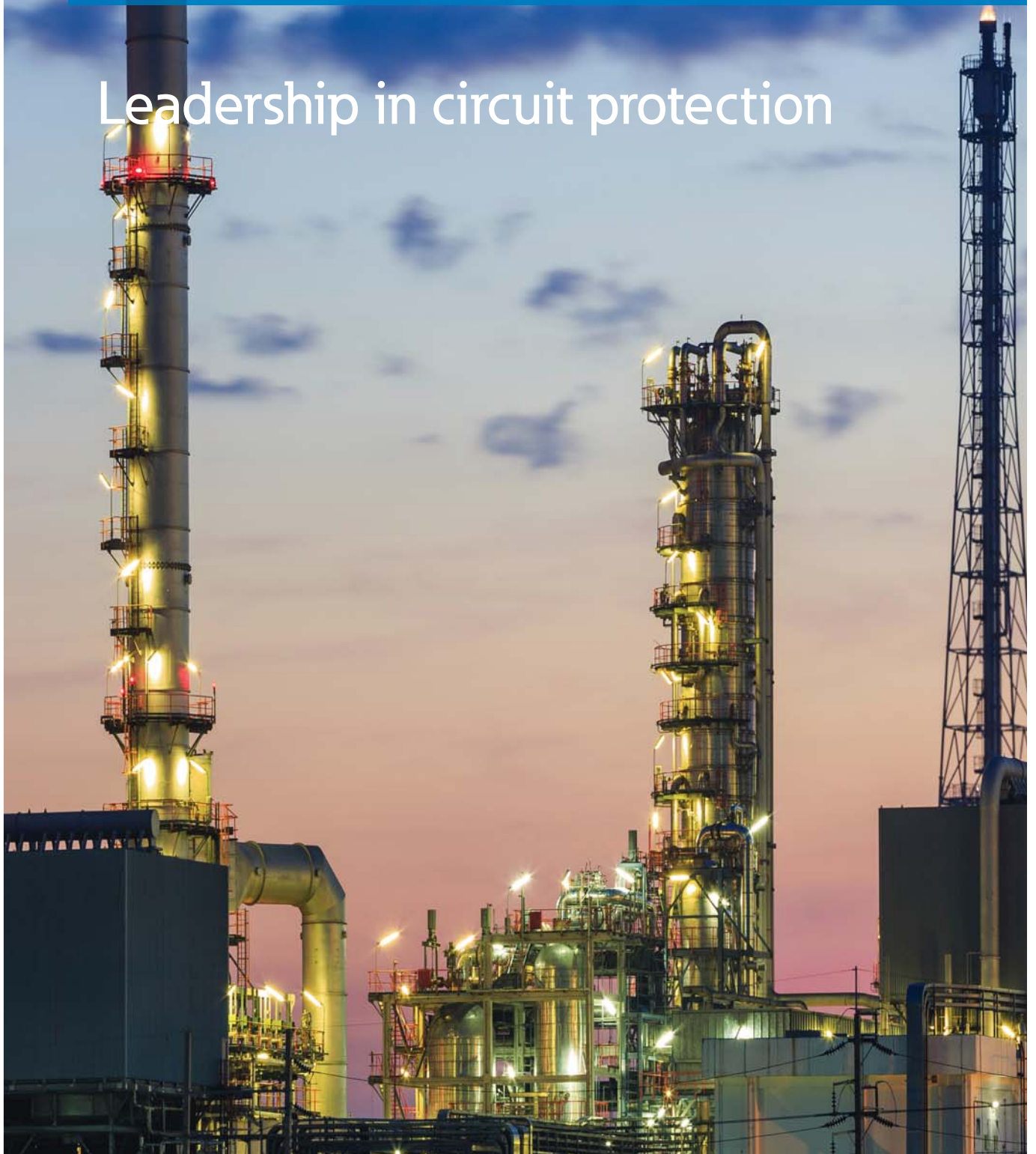


Leadership in circuit protection



Bussmann
by **EAT•N**



Eaton and Cooper united.

Energizing a world that demands more.

We deliver:

- **Electrical solutions** that use less energy, improve power reliability and make the places we live and work safer and more comfortable
- **Hydraulic and electrical solutions** that enable machines to deliver more productivity without wasting power
- **Aerospace solutions** that make aircraft lighter, safer and less costly to operate, and help airports operate more efficiently
- **Vehicle drivetrain and powertrain solutions** that deliver more power to cars, trucks and buses, while reducing fuel consumption and emissions

Discover today's Eaton.

Powering business worldwide

As a global power management company, we help customers worldwide manage the power needed for buildings, aircraft, trucks, cars, machinery and businesses.

Eaton's innovative technologies help customers manage electrical, hydraulic and mechanical power more reliably, efficiently, safely and sustainably.

We provide integrated solutions that help make energy, in all its forms, more practical and accessible.

With 2013 sales of \$22 billion, Eaton has approximately 100,000 employees around the world and sells products in more than 175 countries.

Eaton.com

EATON

Powering Business Worldwide

Company overview

Company

Leading source of circuit protection

Bussmann, a division of Eaton, is the leading source of circuit protection solutions in the global marketplace. Bussmann products are approved for use around the world and meet agency requirements and international standards: IEC, VDE, DIN, UL, CSA, BS and others.

Bussmann global headquarters are in St Louis, Missouri (US) and the European headquarters are in Burton-on-the-Wolds, Leicestershire (UK).

Bussmann manufactures over 50,000 part numbers covering extensive circuit protection solutions for a wide range of applications: residential, industrial, motor protection, power conversion, distribution, telecommunications and automotive.

Quality

Driving continuous improvement

From design conception to the end product, quality is paramount to the performance and reliability of Bussmann products. Rigorous testing helps to ensure global standards are met to the highest levels of quality throughout the entire product range.

Customer service

Ease of doing business, quality and delivery

Customer service representatives and field applications engineers are on hand to help with specific customer needs, offering custom technical solutions. Along with our technical support, C3, is the online solution designed to provide real time product availability, net pricing, order status and tracking. It's simple, fast and accurate.

Innovation

Leveraging technology to drive customer value

Bussmann recognises the need to continually innovate and develop new technology to meet the changing needs of the market.

Utilising nearly 100 years of circuit protection experience, Bussmann produces technical products that deliver technical solutions to meet today's demanding circuit protection needs.

Contents

	Page
Low voltage fuse links and fuse holders	5
Low voltage range overview	6
British standard fuse links and fuse holders	8
Cylindrical fuse links and fuse holders	54
NH Fuse links, fuse holders and accessories	61
D and DO Fuse links, fuse holders and accessories	76
North American fuse links and fuse holders	79
High speed fuse links and fuse holders	97
High speed range overview	98
British standard fuse links	100
Ferrule fuse links	106
European style square body fuse links	110
North American style fuse links	132
Photovoltaic protection fuse links and bases	137
Fuse holders and blocks	146
Medium voltage fuse links	149
Medium voltage range overview	150
MV DIN	152
MV fuse links for motor protection	156
MV fuse links for voltage and auxiliary transformers	161
MV fuse links for oil filled switchgear	164
Air MV fuse links	167
Fuse clips	169
Expulsion fuse links	170
Surge protection devices	175
Surge protection overview	175
SPD AC	177
SPD DC	181
SPD Wind	182
SPD Telecom	184
SPD UL	185
Combiner box overview	187
Index	192

Low voltage fuse links and fuse holders

Low voltage range overview	6
British standard fuse links and fuse holders	8
Domestic Applications to BS1361	8
Industrial and motor applications to BS88 - Offset bolted tags	8
Industrial and motor applications to BS88 - Centre bolted tags	10
Industrial and motor applications to BS88 - Offset blade tags	14
Industrial applications to BS88 - 500 VDC	15
Industrial and motor applications to BS88 - 660/690 VAC Offset bolted tags	16
Industrial and motor applications to BS88 - 660/690 VAC Centre bolted tags	17
BS88 Fuse holders - Camaster	19
BS88 Fuse holders - Safeloc	20
BS88 Fuse holders accessories	21
Red Spot fuse links - Industrial and motor applications to BS88 Offset bolted tags	21
Red Spot fuse links - Industrial and motor applications to BS88 Centre bolted tags	24
Red Spot fuse holders - Safeclip	31
Red Spot fuse holders - RS Series	38
Street lighting applications to BS88 - Offset bolted tags	48
Utility applications to BS88 - House service cut-out fuse links	49
Utility applications to BS88 - House service cut-out fuse holders	50
Utility applications to BS88 - J Type fuse links	51
Cylindrical fuse links and fuse holders	54
Cylindrical industrial fuse links - Class aM IEC 60269	54
Cylindrical industrial fuse links - Class gG IEC 60269	55
Modular industrial fuse holders	57
NH Fuse links and bases	61
NH Fuse Link dimensions	61
400 VAC Class gG/GL NH Fuse links dual indication	63
500 VAC Class gG/GL NH Fuse links dual indication	65
690 VAC Class gG/GL NH Fuse links dual indication	69
NH Fuse bases	71
NH Fuse bases - Accessories	74
D & DO Fuse links and accessories	76
D Fuse links - Time-delay, fast acting and ultra rapid	76
Accessories for type D fuse links	77
DO Fuse links - Time-delay and ultra rapid	78
Accessories for type DO fuse links	78
North American fuse links and fuse holders	79
CUBEFuse™ fuse links and fuse holders	79
Low Peak® dual element, time-delay fuse links	80
Low Peak® time-delay, rejection type fuse links	81
Time-delay fuse links	82
Fusetron® Dual-element, time delay fuse links	82
Limitron® Fast acting fuse links	85
Limitron® Rejection-type fuse links	86
CC-Tron® Rejection-type fuse links	87
T-Tron® Fast-acting fuse links	88
$\frac{13}{32} \times 1 \frac{1}{2}$ " Fast-acting fuse links	89
$\frac{13}{32} \times 1 \frac{1}{2}$ " Time-delay fuse links	90
$\frac{13}{32} \times 1 \frac{3}{8}$ " Time-delay fuse links	92
Circuit limiters	92
Fuse holders and blocks	93
Modular fuse blocks	94
Compact Circuit Protector (CCP) - Fuse switch disconnect	94
Modular knifeblade fuse blocks - JM	95
Modular knifeblade fuse blocks covers	95

LOW VOLTAGE RANGE OVERVIEW

British standard (BS) fuse links and fuse holders

Standard	BS88 part 1 to 6, IEC 60269 part 1 and 2
Voltage	415, 550 and 690 VAC
Current	2 to 1250 A
Breaking capacity	80 kA
Operating class	gG and aM
Sizes	A1 to A4, B1 to B4, C1 to C3, D2, E1, F1, F2 and non standard sizes
Fuse holders	Full range of fuse holders available (Red Spot, CAMaster and Safeloc)
Applications	Residential commercial and industrial



House service cut-out fuse links and fuse holders

Standard	ASTA certified and tested in accordance to BS1361 and BS88
Voltage	415 VAC
Current	20 to 100 A
Breaking capacity	33 kA
Operating class	gG
Sizes	22.2 and 30.2 mm diameter
Fuse holders	60/80SP for KR85 series or 100SP for LR85 series
Applications	Protection of incoming cables into residential and commercial properties
Other	Full range of accessories available



Type J Feeder pillar fuse links

Standard	BS88 part 5
Voltage	415 VAC
Current	20 to 800 A
Breaking capacity	80 kA
Operating class	gG
Sizes	76, 82 and 92 mm centres
Fuse holders	Designed to be used with wedge type fuse carriers
Applications	Utilities
Other	Available in cylindrical slotted and non slotted tag versions



IEC Cylindrical fuse links and fuse holders

Standard	IEC 60269
Voltage	400, 500 and 690 VAC
Current	0.5 to 125 A
Breaking capacity	20 to 120 kA
Operating class	gG and aM
Sizes	8 x 31, 10 x 38, 14 x 51 and 22 x 58 mm
Fuse holders	Full range of fuse holders available (CH Series)
Applications	Industrial and commercial



NH DIN Industrial fuse links and bases

Standard	IEC 60269 and VDE 0636
Voltage	400, 500 and 690 VAC
Current	2 to 1250 A
Breaking capacity	120 kA
Operating class	gG and aM
Sizes	000 to 4 (size 4 bolted only version)
Fuse holders	Available for all fuse links sizes
Applications	Industrial and commercial
Other	Available with Dual indication and IMGL. Fuse gear range available



D & DO Fuse links and fuse bases

Standard	IEC 60269 and VDE 0636
Voltage	400 and 500 VAC
Current	2 to 100 A
Breaking capacity	50 kA
Operating class	Time delay and ultra rapid
Sizes	D1 to DIV, D01 to D03
Fuse holders	Available for all fuse link sizes
Applications	Industrial and commercial
Other	DIN-Rail mounting with accessories available: screw caps, gauge rings, etc



North American fuse links and fuse holders

Standard	UL Listed and CSA Certified
Voltage	Up to 600 VAC
Current	1/10 to 6000 A
Breaking capacity	Up to 300 kA
Operating class	Time-delay, fast acting as per UL requirements
Sizes	Midget, class CC, G, H, J, K5, H, L, RK5, RK1 and T
Fuse holders	Modular fuse holder (finger protection) for midget and class CC fuse links. Finger safe protected fuse base for class J fuse links
Applications	Suitable for applications or equipments to be exported to the USA or other UL markets



Domestic applications to BS1361

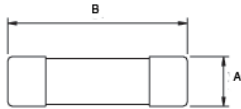
Consumer unit fuse links
5 - 45 A, 240 VAC

Catalogue number	Rated current (Amps)	Rated voltage	Material price group	Pack qty	MOQ	Dimensions (mm)	
						A	B
C55	5	240 VAC	PY	10	10	6.35	23
C1515	15	240 VAC	PY	10	10	10.32	26
C1520	20	240 VAC	PY	10	10	10.32	26
C3030	30	240 VAC	PY	10	10	12.70	29
C4545	45	240 VAC	PY	10	10	16.67	35



Consumer unit fuse links - Bulk pack
5 - 45 A, 240 VAC

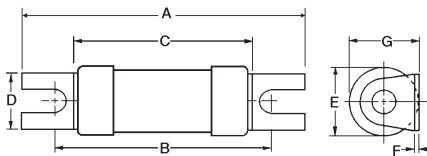
Catalogue number	Rated current (Amps)	Rated voltage	Material price group	Pack qty	MOQ	Dimensions (mm)	
						A	B
BK-C55	5	240 VAC	PY	100	100	6.35	23
BK-C1515	15	240 VAC	PY	100	100	10.32	26
BK-C1520	20	240 VAC	PY	100	100	10.32	26
BK-C3030	30	240 VAC	PY	100	100	12.70	29
BK-C4545	45	240 VAC	PY	100	100	16.67	35



Industrial and motor applications to BS88 - Offset bolted tags

NITD
2 - 32 A, 550 VAC (gG), 415 VAC (gM)

Catalogue number	BS Ref	Rated current (Amps)	Rated voltage	Material price group	Pack qty	MOQ	Dimensions (mm)							Fuse holders
							A	B	C	D	E	F	G	
NITD2	A1	2	550 VAC	PO	20	20	55	44.5	34.6	11.2	13.8	0.8	14	RS20 / CM32FC
NITD4	A1	4	550 VAC	PO	20	20	55	44.5	34.6	11.2	13.8	0.8	14	RS20 / CM32FC
NITD6	A1	6	550 VAC	PO	20	20	55	44.5	34.6	11.2	13.8	0.8	14	RS20 / CM32FC
NITD10	A1	10	550 VAC	PO	20	20	55	44.5	34.6	11.2	13.8	0.8	14	RS20 / CM32FC
NITD16	A1	16	550 VAC	PO	20	20	55	44.5	34.6	11.2	13.8	0.8	14	RS20 / CM32FC
NITD20	A1	20	550 VAC	PO	20	20	55	44.5	34.6	11.2	13.8	0.8	14	RS20 / CM32FC
NITD25	A1	25	550 VAC	PO	20	20	55	44.5	34.6	11.2	13.8	0.8	14	CM32FC
NITD32	A1	32	550 VAC	PO	20	20	55	44.5	34.6	11.2	13.8	0.8	14	CM32FC
NITD20M25	A1	20M25	415 VAC	PO	20	20	55	44.5	34.6	11.2	13.8	0.8	14	CM32FC
NITD20M32	A1	20M32	415 VAC	PO	20	20	55	44.5	34.6	11.2	13.8	0.8	14	CM32FC
NITD32M40	A1	32M40	415 VAC	PO	20	20	55	44.5	35.6	11.2	17.5	1.2	18.5	CM32FC
NITD32M50	A1	32M50	415 VAC	PO	20	20	55	44.5	35.6	11.2	17.5	1.2	18.5	CM32FC
NITD32M63	A1	32M63	415 VAC	PO	20	20	55	44.5	35.6	11.2	17.5	1.2	18.5	CM32FC

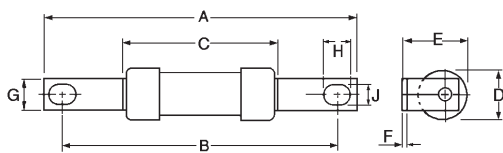


Industrial and motor applications to BS88 - Offset bolted tags

AAO

2 - 32 A, 500 - 550 VAC, gG and gM

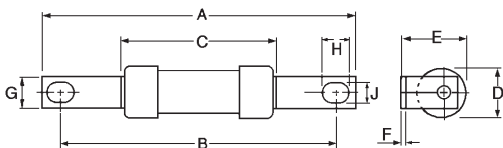
Catalogue number	BS Ref	Rated current (Amps)	Rated voltage	Material price group	Pack qty	MOQ	Dimensions (mm)										Fuse holders
							A	B	C	D	E	F	G	H	J		
AA02	A2	2	550 VAC	PO	20	20	85	73	35.5	13.7	14	1.2	8.7	8	5.5	CM32F / RS32	
AA04	A2	4	550 VAC	PO	20	20	85	73	35.5	13.7	14	1.2	8.7	8	5.5	CM32F / RS32	
AA06	A2	6	550 VAC	PO	20	20	85	73	35.5	13.7	14	1.2	8.7	8	5.5	CM32F / RS32	
AA010	A2	10	550 VAC	PO	20	20	85	73	35.5	13.7	14	1.2	8.7	8	5.5	CM32F / RS32	
AA016	A2	16	550 VAC	PO	20	20	85	73	35.5	13.7	14	1.2	8.7	8	5.5	CM32F / RS32	
AA020	A2	20	550 VAC	PO	20	20	85	73	35.5	13.7	14	1.2	8.7	8	5.5	CM32F / RS32	
AA025	A2	25	550 VAC	PO	20	20	85	73	35.5	13.7	14	1.2	8.7	8	5.5	CM32F / RS32	
AA032	A2	32	550 VAC	PO	20	20	85	73	35.5	13.7	14	1.2	8.7	8	5.5	CM32F / RS32	
AA032M35	A2	32M35	500 VAC	PO	20	20	85	73	54.5	21	22.3	1.2	8.7	8	5.5	CM32F / RS32	
AA032M40	A2	32M40	500 VAC	PO	20	20	85	73	54.5	21	22.3	1.2	8.7	8	5.5	CM32F / RS32	
AA032M50	A2	32M50	500 VAC	PO	20	20	85	73	54.5	21	22.3	1.2	8.7	8	5.5	CM32F / RS32	
AA032M63	A2	32M63	500 VAC	PO	20	20	85	73	54.5	21	22.3	1.2	8.7	8	5.5	CM32F / RS32	



BAO

35 - 63 A, 500 VAC, gG and gM

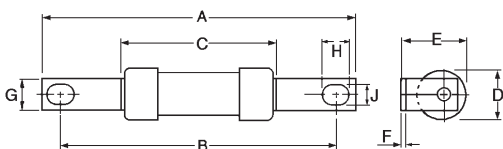
Catalogue number	BS Ref	Rated current (Amps)	Rated voltage	Material price group	Pack qty	MOQ	Dimensions (mm)										Fuse holders
							A	B	C	D	E	F	G	H	J		
BA035	A3	35	500 VAC	PO	20	20	87	73	54.5	21	22.5	1.2	12.7	8	5.5	CM63F / RS63	
BA040	A3	40	500 VAC	PO	20	20	87	73	54.5	21	22.5	1.2	12.7	8	5.5	CM63F / RS63	
BA050	A3	50	500 VAC	PO	20	20	87	73	54.5	21	22.5	1.2	12.7	8	5.5	CM63F / RS63	
BA063	A3	63	500 VAC	PO	20	20	87	73	54.5	21	22.5	1.2	12.7	8	5.5	CM63F / RS63	
BA063M80	A3	63M80	500 VAC	PO	20	20	87	73	54.5	21	22.5	1.2	12.7	8	5.5	CM63F / RS63	
BA063M100	A3	63M100	500 VAC	PO	20	20	87	73	54.5	21	22.5	1.2	12.7	8	5.5	CM63F / RS63	



OSD

80 - 100 A, 415 VAC (gG), 500 VAC (gM)

Catalogue number	Rated current (Amps)	Rated voltage	Material price group	Pack qty	MOQ	Dimensions (mm)										Fuse holder
						A	B	C	D	E	F	G	H	J		
OSD80	80	500 VAC	PO	20	20	95	73	54.5	21	22.5	1.2	12.7	8	5.5	CM100F	
OSD100	100	500 VAC	PO	20	20	95	73	54.5	21	22.5	1.2	12.7	8	5.5	CM100F	
OSD100M125	100M125	415 VAC	PQ	20	20	95	73	54.5	26	25.5	1.2	12.7	8	5.5	CM100F	
OSD100M160	100M160	415 VAC	PQ	20	20	95	73	54.5	26	25.5	1.2	12.7	8	5.5	CM100F	

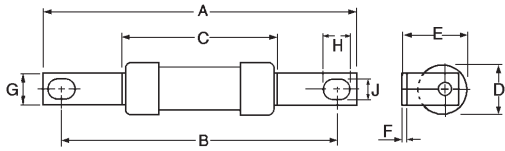


Low voltage

Industrial and motor applications to BS88 - Offset bolted tags

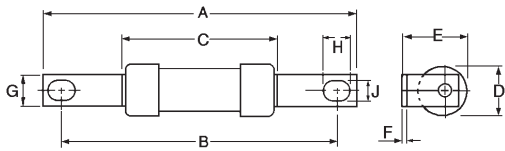
CEO
32 - 100 A, 500 VAC (gG), 415 VAC (gM)

Catalogue number	BS Ref	Rated current (Amps)	Rated voltage	Material price group	Pack qty	MOQ	Dimensions (mm)								Fuse holder	
							A	B	C	D	E	F	G	H		J
CEO32	A4	32	500 VAC	PO	10	10	110	94	58.5	21	24.5	3.2	14.3	11	8.7	RS100
CEO40	A4	40	500 VAC	PO	10	10	110	94	58.5	21	24.5	3.2	14.3	11	8.7	RS100
CEO50	A4	50	500 VAC	PO	10	10	110	94	58.5	21	24.5	3.2	14.3	11	8.7	RS100
CEO63	A4	63	500 VAC	PO	10	10	110	94	58.5	21	24.5	3.2	14.3	11	8.7	RS100
CEO80	A4	80	500 VAC	PO	10	10	110	94	58.5	21	24.5	3.2	14.3	11	8.7	RS100
CEO100	A4	100	500 VAC	PO	10	10	110	94	58.5	21	24.5	3.2	14.3	11	8.7	RS100
CEO100M125	A4	100M125	415 VAC	PQ	10	10	110	94	58.5	25.8	26.8	3.2	14.3	11	8.7	RS100
CEO100M160	A4	100M160	415 VAC	PQ	10	10	110	94	58.5	25.8	26.8	3.2	14.3	11	8.7	RS100
CEO100M200	A4	100M200	415 VAC	PQ	10	10	110	94	47	31	29.5	3.2	19	10	9	RS100



DEO
125 - 200 A, 415 VAC, gG and gM

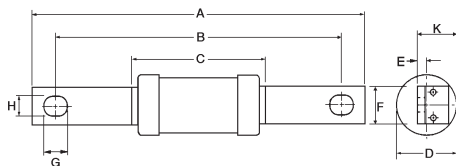
Catalogue number	Rated current (Amps)	Rated voltage	Material price group	Pack qty	MOQ	Dimensions (mm)								
						A	B	C	D	E	F	G	H	J
DEO125	125	415 VAC	PO	5	5	110	94	47	31	29.5	3.2	19	10	9
DEO160	160	415 VAC	PO	5	5	110	94	47	31	29.5	3.2	19	10	9
DEO200	200	415 VAC	PO	5	5	110	94	47	31	29.5	3.2	19	10	9
DEO200M250	200M250	415 VAC	PQ	5	5	110	94	47	31	29.5	3.2	19	10	9
DEO200M315	200M315	415 VAC	PQ	5	5	110	94	47	31	29.5	3.2	19	10	9



Industrial and motor applications to BS88 - Centre bolted tags

AC
2 - 32 A, 250 VDC, 550 VAC, gG

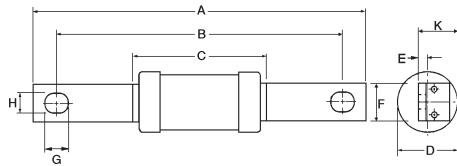
Catalogue number	Rated current (Amps)	Rated voltage	Material price group	Pack qty	MOQ	Dimensions (mm)								
						A	B	C	D	E	F	G	H	K
AC2	2	550 VAC/250 VDC	PQ	20	20	113.5	97.5	55.5	21	1.6	12.7	13.5	7	11.2
AC4	4	550 VAC/250 VDC	PQ	20	20	113.5	97.5	55.5	21	1.6	12.7	13.5	7	11.2
AC6	6	550 VAC/250 VDC	PQ	20	20	113.5	97.5	55.5	21	1.6	12.7	13.5	7	11.2
AC10	10	550 VAC/250 VDC	PQ	20	20	113.5	97.5	55.5	21	1.6	12.7	13.5	7	11.2
AC16	16	550 VAC/250 VDC	PQ	20	20	113.5	97.5	55.5	21	1.6	12.7	13.5	7	11.2
AC20	20	550 VAC/250 VDC	PQ	20	20	113.5	97.5	55.5	21	1.6	12.7	13.5	7	11.2
AC25	25	550 VAC/250 VDC	PQ	20	20	113.5	97.5	55.5	21	1.6	12.7	13.5	7	11.2
AC32	32	550 VAC/250 VDC	PQ	20	20	113.5	97.5	55.5	21	1.6	12.7	13.5	7	11.2



Industrial and motor applications to BS88 - Centre bolted tags

BC
35 - 63 A, 250 VDC (gG), 550 VAC (gG and gM)

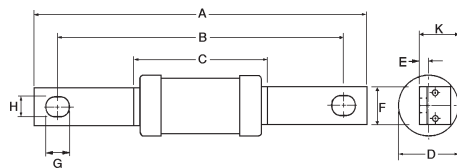
Catalogue number	Rated current (Amps)	Rated voltage	Material price group	Pack qty	MOQ	Dimensions (mm)										
						A	B	C	D	E	F	G	H	K		
BC35	35	550 VAC/250 VDC	PQ	20	20	113.5	97.5	55.5	21	1.6	7	13.5	12.7	11.2		
BC40	40	550 VAC/250 VDC	PQ	20	20	113.5	97.5	55.5	21	1.6	7	13.5	12.7	11.2		
BC50	50	550 VAC/250 VDC	PQ	20	20	113.5	97.5	55.5	21	1.6	7	13.5	12.7	11.2		
BC63	63	550 VAC/250 VDC	PQ	20	20	113.5	97.5	55.5	21	1.6	7	13.5	12.7	11.2		
BC63M80	63M80	550 VAC	PQ	20	20	113.5	97.5	55.5	21	1.6	7	13.5	12.7	11.2		
BC63M100	63M100	550 VAC	PQ	20	20	113.5	97.5	55.5	21	1.6	7	13.5	12.7	11.2		



Low voltage

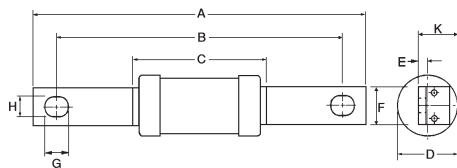
AD
2 - 32 A, 250 VDC, 550 VAC, gG

Catalogue number	Rated current (Amps)	Rated voltage	Material price group	Pack qty	MOQ	Dimensions (mm)										
						A	B	C	D	E	F	G	H	K		
AD2	2	550 VAC/250 VDC	PQ	20	20	128.5	111	55	21	1.4	14.2	11.8	8.7	11.2		
AD4	4	550 VAC/250 VDC	PQ	20	20	128.5	111	55	21	1.4	14.2	11.8	8.7	11.2		
AD6	6	550 VAC/250 VDC	PQ	20	20	128.5	111	55	21	1.4	14.2	11.8	8.7	11.2		
AD10	10	550 VAC/250 VDC	PQ	20	20	128.5	111	55	21	1.4	14.2	11.8	8.7	11.2		
AD16	16	550 VAC/250 VDC	PQ	20	20	128.5	111	55	21	1.4	14.2	11.8	8.7	11.2		
AD20	20	550 VAC/250 VDC	PQ	20	20	128.5	111	55	21	1.4	14.2	11.8	8.7	11.2		
AD25	25	550 VAC/250 VDC	PQ	20	20	128.5	111	55	21	1.4	14.2	11.8	8.7	11.2		
AD32	32	500 VAC/250 VDC	PQ	20	20	128.5	111	55	21	1.4	14.2	11.8	8.7	11.2		



BD
40 - 63 A, 250 VDC, 500 VAC, gG,

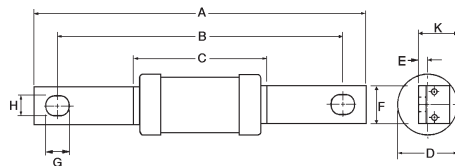
Catalogue number	Rated current (Amps)	Rated voltage	Material price group	Pack qty	MOQ	Dimensions (mm)											Fuse holder
						A	B	C	D	E	F	G	H	K			
BD40	40	500 VAC/250VDC	PQ	20	20	128.5	111	55	21	1.4	14.2	11.8	8.7	11.2	RS200		
BD50	50	500 VAC/250VDC	PQ	20	20	128.5	111	55	21	1.4	14.2	11.8	8.7	11.2	RS200		
BD63	63	500 VAC/250VDC	PQ	20	20	128.5	111	55	21	1.4	14.2	11.8	8.7	11.2	RS200		



Industrial and motor applications to BS88 - Centre bolted tags

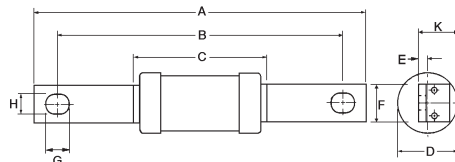
CD
80 - 100 A, 415 VAC, gG

Catalogue number	BS Ref	Rated current (Amps)	Rated voltage	Material price group	Pack qty	MOQ	Dimensions (mm)								Fuse holder	
							A	B	C	D	E	F	G	H		K
CD80	B1	80	415 VAC	PQ	10	10	126	111	58.5	21	3.2	14.3	11.1	8.7	19.5	RS200
CD100	B1	100	415 VAC	PQ	10	10	126	111	58.5	21	3.2	14.3	11.1	8.7	19.5	RS200
CD100M125	B1	100M125	415 VAC	PQ	10	10	126	111	58.5	26	3.2	14.3	11.1	8.7	22	RS200
CD100M160	B1	100M160	415 VAC	PQ	10	10	126	111	58.5	26	3.2	14.3	11.1	8.7	22	RS200
CD100M200	B1	100M200	415 VAC	PQ	10	10	136	111	47	31	3.2	19	12.5	8.7	22.5	RS200



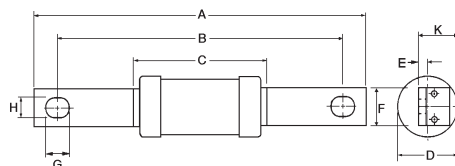
DD
125 - 200 A, 415 VAC, gG and gM

Catalogue number	BS Ref	Rated current (Amps)	Rated voltage	Material price group	Pack qty	MOQ	Dimensions (mm)								Fuse holder	
							A	B	C	D	E	F	G	H		K
DD125	B2	125	415 VAC	PQ	5	5	136	111	47	31	3.2	19	12.5	9	22.5	RS200
DD160	B2	160	415 VAC	PQ	5	5	136	111	47	31	3.2	19	12.5	9	22.5	RS200
DD200	B2	200	415 VAC	PQ	5	5	136	111	47	31	3.2	19	12.5	9	22.5	RS200
DD200M250	B2	200M250	415 VAC	PQ	5	5	136	111	47	31	3.2	19	12.5	9	22.5	RS200
DD200M315	B2	200M315	415 VAC	PQ	5	5	136	111	47	31	3.2	19	12.5	9	22.5	RS200



ED
250 - 400 A, 415 VAC, gG and gM

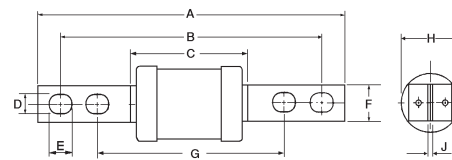
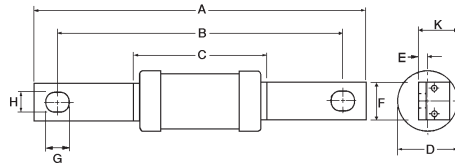
Catalogue number	BS Ref	Rated current (Amps)	Rated voltage	Material price group	Pack qty	MOQ	Dimensions (mm)								
							A	B	C	D	E	F	G	H	K
ED250	B3/B4	250	415 VAC	PQ	1	1	136	111	47	31	4.7	19	12.5	9	22.5
ED315	B3/B4	315	415 VAC	PQ	1	1	136	111	50	38	4.7	25.4	12.5	9	31
ED355	B3/B4	355	415 VAC	PQ	1	1	136	111	50	38	4.7	25.4	12.5	9	31
ED400	B3/B4	400	415 VAC	PQ	1	1	136	111	50	38	4.7	25.4	12.5	9	31
ED315M400	B3/B4	315M400	415 VAC	PQ	1	1	136	111	50	38	4.7	25.4	12.5	9	31
ED400M500	B3/B4	400M500	415 VAC	PQ	1	1	136	114	75	59	4.7	25.4	12.5	9	31



Industrial and motor applications to BS88 - Centre bolted tags

EFS
125 - 315 A, 415 VAC, gG

Catalogue number	Rated current (Amps)	Rated voltage	Material price group	Pack qty	MOQ	Dimensions (mm)									
						A	B	C	D	E	F	G	H	J	K
EFS125	125	415 VAC	PQ	1	1	158	133	47	31	3.2	19	12.5	10.5	N/A	22.5
EFS160	160	415 VAC	PQ	1	1	158	133	47	31	3.2	19	12.5	10.5	N/A	22.5
EFS200	200	415 VAC	PQ	1	1	158	133	47	31	3.2	19	12.5	10.5	N/A	22.5
EFS250	250	415 VAC	PQ	1	1	158	133	47	31	3.2	19	12.5	10.5	N/A	22.5
EFS315	315	415 VAC	PQ	1	1	209	184	50	10.5	12.5	25.4	133	38	4.7	N/A



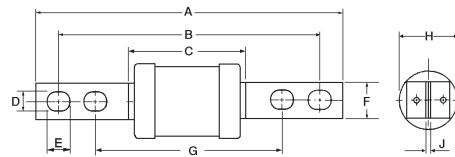
EFS315 Only



Low voltage

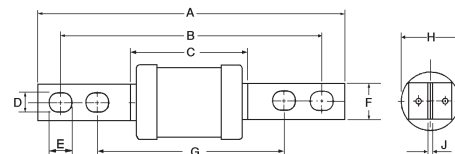
EF
355 - 400 A, 415 VAC, gG
550 VAC, gM for EF400M500

Catalogue number	BS Ref	Rated current (Amps)	Rated voltage	Material price group	Pack qty	MOQ	Dimensions (mm)										Fuse holder
							A	B	C	D	E	F	G	H	J		
EF355	C1	355	415 VAC	PQ	1	1	209	184	50	10.5	12.5	25.4	133	38	4.7	RS400	
EF400	C1	400	415 VAC	PQ	1	1	209	184	50	10.5	12.5	25.4	133	38	4.7	RS400	
EF400M500	C1	400M500	550 VAC	PQ	1	1	210	187	75	N/A	15.5	N/A	133	59	N/A	RS400	



FF
450 - 630 A, 550 VAC - 400 VDC, gG

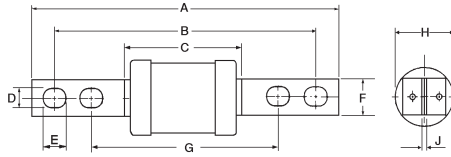
Catalogue number	Rated current (Amps)	Rated voltage	Material price group	Pack qty	MOQ	Dimensions (mm)									
						A	B	C	D	E	F	G	H	J	
FF450	450	500 VAC/400VDC	PQ	1	1	210	185	77.5	10.5	15.5	25.4	134	74	6.4	
FF500	500	500 VAC/400VDC	PQ	1	1	210	185	77.5	10.5	15.5	25.4	134	74	6.4	
FF560	560	500 VAC/400VDC	PQ	1	1	210	185	77.5	10.5	15.5	25.4	134	74	6.4	
FF630	630	500 VAC/400VDC	PQ	1	1	210	185	77.5	10.5	15.5	25.4	134	74	6.4	



Industrial and motor applications to BS88 - Centre bolted tags

GF
710 - 800 A, 550 VAC - 250 VDC, gG

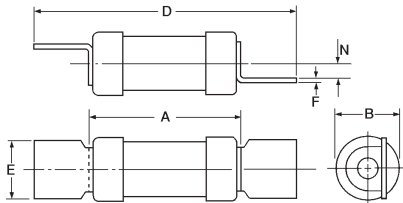
Catalogue number	BS Ref	Rated current (Amps)	Rated voltage	Material price group	Pack qty	MOQ	Dimensions (mm)								
							A	B	C	D	E	F	G	H	J
GF710	C3	710	550 VAC/250 VDC	PQ	1	1	210	184	80.5	10.5	15.5	25.4	134.5	83	9.5
GF800	C3	800	550 VAC/250 VDC	PQ	1	1	210	184	80.5	10.5	15.5	25.4	134.5	83	9.5



Industrial and motor applications to BS88 - Offset blade tags

SSD
2 - 32 A, 240 VAC, gG

Catalogue number	BS Ref	Rated current (Amps)	Rated voltage	Material price group	Pack qty	MOQ	Dimensions (mm)					
							A	B	C	E	F	N
SSD2	E1	2	240 VAC	PO	20	20	23	12	47	13	0.8	3.2
SSD4	E1	4	240 VAC	PO	20	20	23	12	47	13	0.8	3.2
SSD6	E1	6	240 VAC	PO	20	20	23	12	47	13	0.8	3.2
SSD10	E1	10	240 VAC	PO	20	20	23	12	47	13	0.8	3.2
SSD16	E1	16	240 VAC	PO	20	20	23	12	47	13	0.8	3.2
SSD20	E1	20	240 VAC	PO	20	20	23	12	47	13	0.8	3.2
SSD25	E1	25	240 VAC	PO	20	20	23	12	47	13	0.8	3.2
SSD32	E1	32	240 VAC	PO	20	20	23	12	47	13	0.8	3.2



NSD
2 - 32 A, 415 VAC (gG), 550 VAC (gG)

Catalogue number	BS Ref	Rated current (Amps)	Rated voltage	Material price group	Pack qty	MOQ	Dimensions (mm)						Fuse holders
							A	B	D	E	F	N	
NSD2	F1	2	550 VAC	PO	20	20	34.5	13.8	58.5	12.7	0.8	3.5	32NNS / SC32
NSD4	F1	4	550 VAC	PO	20	20	34.5	13.8	58.5	12.7	0.8	3.5	32NNS / SC32
NSD6	F1	6	550 VAC	PO	20	20	34.5	13.8	58.5	12.7	0.8	3.5	32NNS / SC32
NSD10	F1	10	550 VAC	PO	20	20	34.5	13.8	58.5	12.7	0.8	3.5	32NNS / SC32
NSD16	F1	16	550 VAC	PO	20	20	34.5	13.8	58.5	12.7	0.8	3.5	32NNS / SC32
NSD20	F1	20	550 VAC	PO	20	20	34.5	13.8	58.5	12.7	0.8	3.5	32NNS / SC32
NSD25	F1	25	550 VAC	PO	20	20	34.5	13.8	58.5	12.7	0.8	3.5	32NNS / SC32
NSD32	F1	32	550 VAC	PO	20	20	34.5	13.8	58.5	12.7	0.8	3.5	32NNS / SC32
NSD20M25	F2	20M25	415 VAC	PQ	20	20	34.5	13.8	58.5	12.7	0.8	3.5	32NNS / SC32
NSD20M32	F2	20M32	415 VAC	PQ	20	20	34.5	13.8	58.5	12.7	0.8	3.5	32NNS / SC32
NSD20M36	F2	20M36	415 VAC	PQ	20	20	34.5	17.5	58.5	12.7	0.8	3.5	32NNS / SC32
NSD32M36	F2	32M36	415 VAC	PQ	20	20	34.5	17.5	58.5	12.7	0.8	3.5	32NNS / SC32
NSD32M40	F2	32M40	415 VAC	PQ	20	20	34.5	17.5	58.5	12.7	0.8	3.5	32NNS / SC32
NSD32M50	F2	32M50	415 VAC	PQ	20	20	34.5	17.5	58.5	12.7	0.8	3.5	32NNS / SC32
NSD32M63	F2	32M63	415 VAC	PQ	20	20	34.5	17.5	58.5	12.7	0.8	3.5	32NNS / SC32

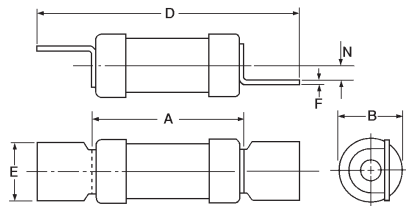


Same dimensions drawing as SSD

Industrial and motor applications to BS88 - Offset blade tags

ESD
2 - 32 A, 550 VAC, gG

Catalogue number	BS Ref	Rated current (Amps)	Rated voltage	Material price group	Pack qty	MOQ	Dimensions (mm)						Fuse holders
							A	B	D	E	F	N	
ESD2	F2	2	550 VAC	PO	20	20	35.5	13.8	68.0	15	1.2	3.5	63ENS / SC63
ESD4	F2	4	550 VAC	PO	20	20	35.5	13.8	68.0	15	1.2	3.5	63ENS / SC63
ESD6	F2	6	550 VAC	PO	20	20	35.5	13.8	68.0	15	1.2	3.5	63ENS / SC63
ESD10	F2	10	550 VAC	PO	20	20	35.5	13.8	68.0	15	1.2	3.5	63ENS / SC63
ESD16	F2	16	550 VAC	PO	20	20	35.5	13.8	68.0	15	1.2	3.5	63ENS / SC63
ESD20	F2	20	550 VAC	PO	20	20	35.5	13.8	68.0	15	1.2	3.5	63ENS / SC63
ESD25	F2	25	550 VAC	PO	20	20	35.5	13.8	68.0	15	1.2	3.5	63ENS / SC63
ESD32	F2	32	550 VAC	PO	20	20	35.5	13.8	68.0	15	1.2	3.5	63ENS / SC63
ESD40	F2	40	415 VAC	PO	20	20	35.5	17.5	68.0	15	1.2	3.5	63ENS / SC63
ESD50	F2	50	415 VAC	PO	20	20	35.5	17.5	68.0	15	1.2	3.5	63ENS / SC63
ESD63	F2	63	415 VAC	PO	20	20	35.5	17.5	68.0	15	1.2	3.5	63ENS / SC63
ESD63M80	F2	63M80	415 VAC	PQ	20	20	35.5	21.0	68.0	15	1.2	3.5	63ENS / SC63
ESD63M100	F2	63M100	415 VAC	PQ	20	20	35.5	21.0	68.0	15	1.2	3.5	63ENS / SC63

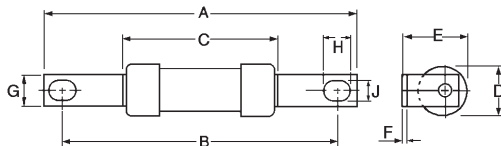


Low voltage

Industrial applications to BS88 - 500 VDC

HS07 and KS07 - Special DC range offset bolted tags
10 - 63 A, 500 VDC

Catalogue number	Rated current (Amps)	Rated voltage	Material price group	Pack qty	MOQ	Dimensions (mm)								Fuse holder
						A	B	C	D	E	G	H	J	
10HS07	10	500VDC	PQ	20	20	86	73	54	22	0.8	9.2	8	5	CM32F
16HS07	16	500VDC	PQ	20	20	86	73	54	22	0.8	9.2	8	5	CM32F
20HS07	20	500VDC	PQ	20	20	86	73	54	22	0.8	9.2	8	5	CM32F
25HS07	25	500VDC	PQ	20	20	86	73	54	22	0.8	9.2	8	5	CM32F
32HS07	32	500VDC	PQ	20	20	86	73	54	22	0.8	9.2	8	5	CM32F
40KS07	40	500VDC	PQ	20	20	91	73	54	27	1.2	13	10.5	5	CM63F
50KS07	50	500VDC	PQ	20	20	91	73	54	27	1.2	13	10.5	5	CM63F
63KS07	63	500VDC	PQ	20	20	91	73	54	27	1.2	13	10.5	5	CM63F

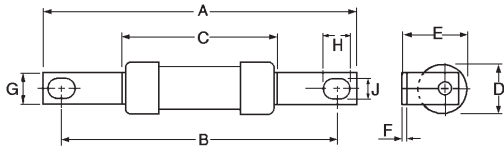
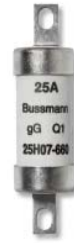


Industrial and motor applications to BS88 - 660/690 VAC Offset bolted tags

H07-660

2 - 32 A, 250 VDC, 660 - 690 VAC, gG,

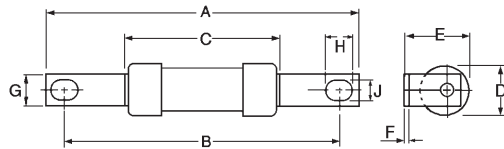
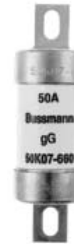
Catalogue number	BS Ref	Rated current (Amps)	Rated voltage	Material price group	Pack qty	MOQ	Dimensions (mm)										Fuse holder
							A	B	C	D	E	F	G	H	J		
2H07-660	A2	2	690 VAC/250VDC	PO	20	20	82.3	73	52	22	22.4	11.5	8.7	7.7	5.4	CM32F	
4H07-660	A2	4	690 VAC/250VDC	PO	20	20	82.3	73	52	22	22.4	11.5	8.7	7.7	5.4	CM32F	
6H07-660	A2	6	690 VAC/250VDC	PO	20	20	82.3	73	52	22	22.4	11.5	8.7	7.7	5.4	CM32F	
10H07-660	A2	10	690 VAC/250VDC	PO	20	20	82.3	73	52	22	22.4	11.5	8.7	7.7	5.4	CM32F	
16H07-660	A2	16	690 VAC/250VDC	PO	20	20	82.3	73	52	22	22.4	11.5	8.7	7.7	5.4	CM32F	
20H07-660	A2	20	690 VAC/250VDC	PO	20	20	82.3	73	52	22	22.4	11.5	8.7	7.7	5.4	CM32F	
25H07-660	A2	25	690 VAC/250VDC	PO	20	20	82.3	73	52	22	22.4	11.5	8.7	7.7	5.4	CM32F	
32H07-660	A2	32	690 VAC/250VDC	PO	20	20	82.3	73	52	22	22.4	11.5	8.7	7.7	5.4	CM32F	



K07-660

40 - 63 A, 250 VDC, 660 - 690 VAC

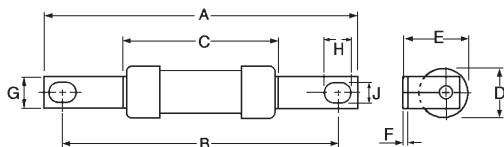
Catalogue number	BS Ref	Rated current (Amps)	Rated voltage	Material price group	Pack qty	MOQ	Dimensions (mm)										Fuse holder
							A	B	C	D	E	F	G	H	J		
40K07-660	A3	40	690 VAC/250VDC	PO	20	20	86	73	54.2	25.8	26.9	14	12.7	10.5	5.5	CM63F	
50K07-660		50	690 VAC/250VDC	PO	20	20	86	73	54.2	25.8	26.9	14	12.7	10.5	5.5	CM63F	
63K07-660		63	690 VAC/250VDC	PO	20	20	86	73	54.2	25.8	26.9	14	12.7	10.5	5.5	CM63F	



L14-660

400 VDC, 660 - 690 VAC, gG, 80 - 100 A

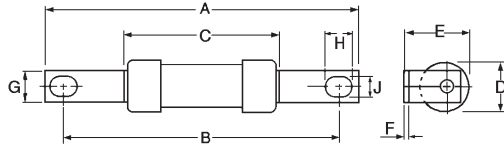
Catalogue number	BS Ref	Rated current (Amps)	Rated voltage	Material price group	Pack qty	MOQ	Dimensions (mm)										Fuse holder
							A	B	C	D	E	F	G	H	J		
80L14-660	A4	80	690 VAC/400VDC	PO	10	10	111	94	67	35.5	37	19.2	19	10.3	8.7	RS100	
100L14-660	A4	100	690 VAC/400VDC	PO	10	10	111	94	67	35.5	37	19.2	19	10.3	8.7	RS100	



Industrial and motor applications to BS88 - 660/690 VAC Offset bolted tags

M14-660
125 - 200 A, 400 VDC, 660 - 690 VAC, gG

Catalogue number	Rated current (Amps)	Rated voltage	Material price group	Pack qty	MOQ	Dimensions (mm)									
						A	B	C	D	E	F	G	H	J	
125M14-660	125	690 VAC/400VDC	OL	5	5	112	94	66	38	38	19	19	10	8.5	
160M14-660	160	690 VAC/400VDC	OL	5	5	112	94	66	38	38	19	19	10	8.5	
200M14-660	200	690 VAC/400VDC	OL	5	5	112	94	66	38	38	19	19	10	8.5	

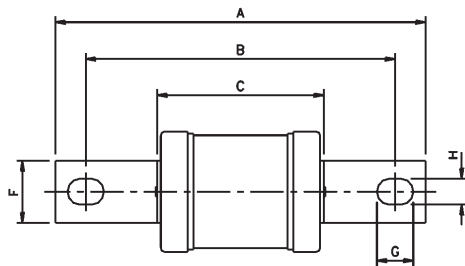


Low voltage

Industrial and motor applications to BS88 - 660/690 VAC Centre bolted tags

K09-660
10 - 63 A, 250 VDC, 660 - 690 VAC, gG,

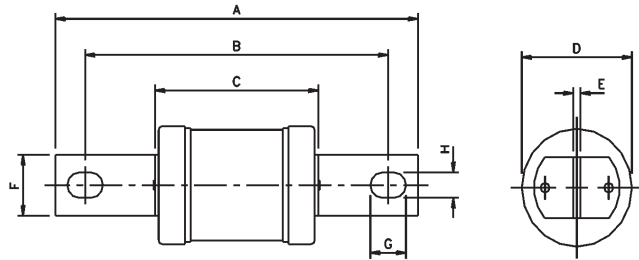
Catalogue number	Rated current (Amps)	Rated voltage	Material price group	Pack qty	MOQ	Dimensions (mm)								Fuse holder
						A	B	C	D	E	F	G	H	
10K09-660	10	660 VAC/250VDC	OL	20	20	128	111	53.7	22	2.4	14	15.2	8.7	RS200
16K09-660	16	660 VAC/250VDC	OL	20	20	128	111	53.7	22	2.4	14	15.2	8.7	RS200
20K09-660	20	660 VAC/250VDC	OL	20	20	128	111	53.7	22	2.4	14	15.2	8.7	RS200
25K09-660	25	660 VAC/250VDC	OL	20	20	128	111	53.7	22	2.4	14	15.2	8.7	RS200
32K09-660	32	660 VAC/250VDC	OL	20	20	128	111	54.2	25	2.4	14	15.2	8.7	RS200
40K09-660	40	660 VAC/250VDC	OL	20	20	128	111	54.2	25	2.4	14	15.2	8.7	RS200
50K09-660	50	660 VAC/250VDC	OL	20	20	128	111	54.2	25	2.4	14	15.2	8.7	RS200
63K09-660	63	660 VAC/250VDC	OL	20	20	128	111	54.2	25	2.4	14	15.2	8.7	RS200



Industrial and motor applications to BS88 - 660/690 VAC Centre bolted tags

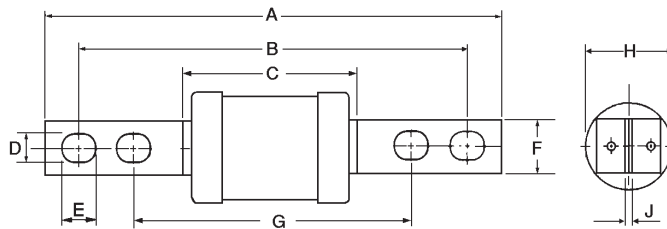
L09-660, M09-660, N09-660, P09-660, N11-660
 80 - 315 A, 400 VDC, 600 VAC, gG,

Catalogue number	BS Ref	Rated current (Amps)	Rated voltage	Material price group	Pack qty	MOQ	Dimensions (mm)								Fuse holders
							A	B	C	D	E	F	G	H	
80L09-660	B1	80	600 VAC/400VDC	OL	10	10	136	110.5	65.5	35.5	3.2	19	15.1	8.7	RS200
100L09-660	B1	100	600 VAC/400VDC	OL	10	10	136	110.5	65.5	35.5	3.2	19	15.1	8.7	RS200
125M09-660	B2	125	600 VAC/400VDC	OL	5	5	135	110	65	37	3.2	19	15	8.7	RS200
160M09-660	B2	160	600 VAC/400VDC	OL	5	5	135	110	65	37	3.2	19	15	8.7	RS200
200M09-660	B2	200	600 VAC/400VDC	OL	5	5	135	110	65	37	3.2	19	15	8.7	RS200
250N09-660	B3	250	600 VAC/400VDC	OL	1	1	135	111	73	49	3.2	25.4	12.7	9.5	N/A
315N09-660	B3	315	600 VAC/400VDC	OL	1	1	135	111	73	49	3.2	25.4	12.7	9.5	N/A
355P09-660	B4	355	600 VAC/400VDC	OL	1	1	135.5	111	75	58.5	4.7	25.4	12.7	9.5	N/A
400P09-660	B4	400	600 VAC/400VDC	OL	1	1	135.5	111	75	58.5	4.7	25.4	12.7	9.5	N/A
125N11-660	N/A	125	600 VAC/400VDC	OL	1	1	162	133	73	49	3.2	25.4	15.8	10.5	RS400
160N11-660	N/A	160	600 VAC/400VDC	OL	1	1	162	133	73	49	3.2	25.4	15.8	10.5	RS400
200N11-660	N/A	200	600 VAC/400VDC	OL	1	1	162	133	73	49	3.2	25.4	15.8	10.5	RS400
250N11-660	N/A	250	600 VAC/400VDC	OL	1	1	162	133	73	49	3.2	25.4	15.8	10.5	RS400
315N11-660	N/A	315	600 VAC/400VDC	OL	1	1	162	133	73	49	3.2	25.4	15.8	10.5	RS400



P11-660
 660 - 690 VAC, 400 VDC, gG, 355 - 400 A

Catalogue number	BS Ref	Rated current (Amps)	Rated voltage	Material price group	Pack qty	MOQ	Dimensions (mm)										Fuse holder
							A	B	C	D	E	F	G	H	J		
355P11-660	B4	355	660 VAC/400VDC	OL	1	1	212	184	133	75	25.4	16	10	59	5	RS400	
400P11-660	B4	400	660 VAC/400VDC	OL	1	1	212	184	133	75	25.4	16	10	59	5	RS400	



Special tag arrangements also available, please contact our technical department: 00 44 (0) 1509 882 699, buletechnical@eaton.com

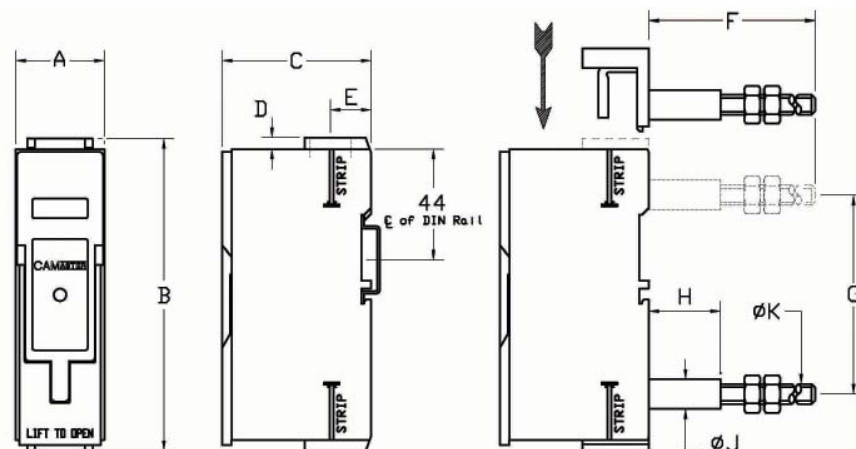
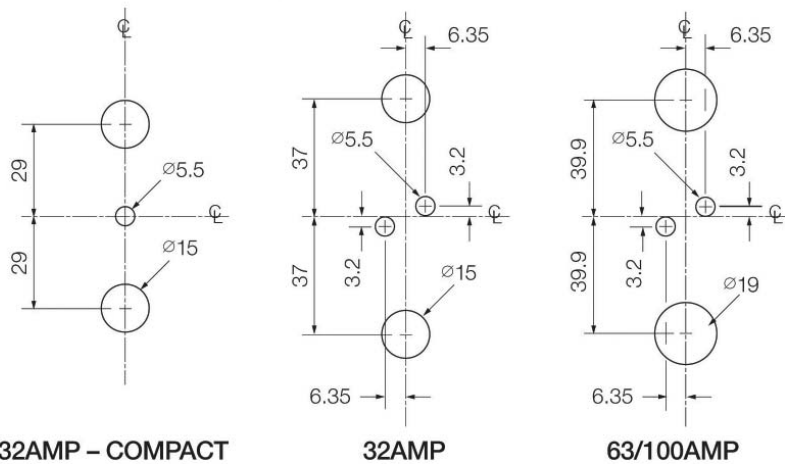
BS88 Fuse holders - Camaster

Camaster
20 - 100 A, 690 VAC

Rated current (Amps)	Catalogue number	Colour	Required fuse links	Rated voltage	Material price group	Pack qty	MOQ	Max cable mm ²	Dimensions (mm)										
									A	B	C	D	E	F	G	H	J	K	
20	CM20F	Black	NITD	690 VAC	QY	10	10	16	25.4	93.7	60	3.2	17.5	66	58	28.6	11.9	M6	
32	CM32FC	Black	NITD	690 VAC	QQ	10	10	16	25.4	93.7	60	3.2	17.5	66	58	28.6	11.9	M6	
32	CM32FCG	Green	NITD	690 VAC	QY	10	10	16	25.4	93.7	60	3.2	17.5	66	58	28.6	11.9	M6	
32	CM32FCW	White	NITD	690 VAC	QY	10	10	16	25.4	93.7	60	3.2	17.5	66	58	28.6	11.9	M6	
32	CM32F	Black	AAO	690 VAC	QQ	10	10	16	31.8	117.5	60	3.2	17.5	66	74	28.6	11.9	M6	
32	CM32FG	Green	AAO	690 VAC	QY	10	10	16	31.8	117.5	60	3.2	17.5	66	74	28.6	11.9	M6	
32	CM32FW	White	AAO	690 VAC	QY	10	10	16	31.8	117.5	60	3.2	17.5	66	74	28.6	11.9	M6	
63	CM63F	Black	BAO	690 VAC	QQ	10	10	70	35.6	125	60	4.75	16.4	86.5	81	28.6	11.9	M8	
63	CM63FW	White	BAO	690 VAC	QY	10	10	70	35.6	125	60	4.75	16.4	86.5	81	28.6	11.9	M8	
100	CM100F	Black	OSD	690 VAC	QQ	5	5	70	35.6	125	60	4.75	16.4	86.5	81	28.6	11.9	M8	
100	CM100FW	White	OSD	690 VAC	QY	5	5	70	35.6	125	60	4.75	16.4	86.5	81	28.6	11.9	M8	



Dimensions -mm

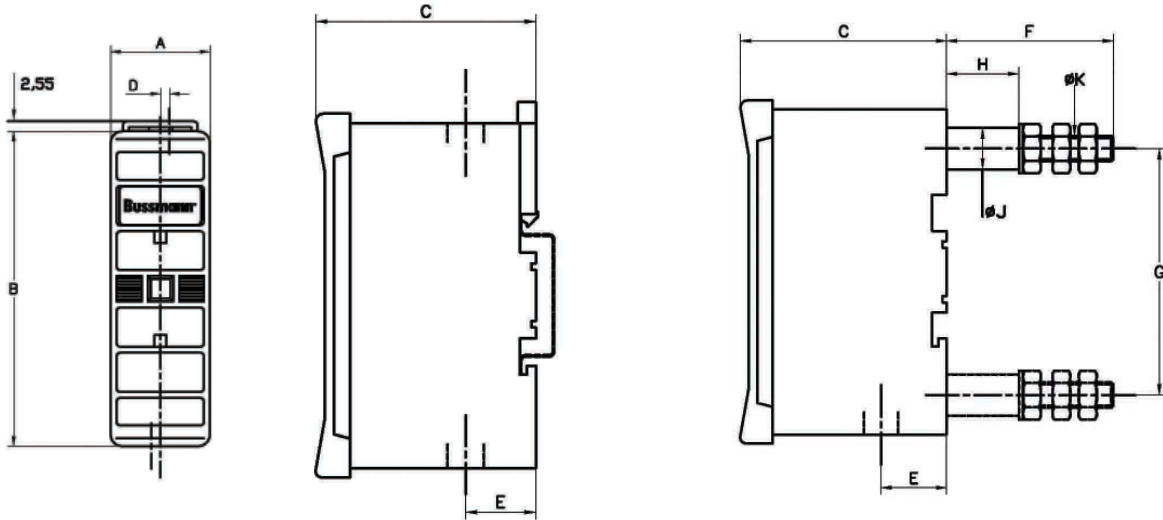


Low voltage

BS88 Fuse holders - Safeloc

Safeloc
32 - 63 A, 550 VAC

Rated current (Amps)	Catalogue number	Available variants	Required fuse links	Rated voltage	Material price group	Pack qty	MOQ	Max cable mm ²	Dimensions (mm)										
									A	B	C	D	E	F	G	H	J	K	
32	32NNSBS	Back stud/Back stud	NSD	550 VAC	QQ	10	10	16	25.4	80.3	48.5	2.3	16	39.2	57.7	17	9.7	M6	
32	32NNSBSGREEN		NSD	550 VAC	QX	10	10	16	25.4	80.3	48.5	2.3	16	39.2	57.7	17	9.7	M6	
32	32NNSBSWHITE		NSD	550 VAC	QX	10	10	16	25.4	80.3	48.5	2.3	16	39.2	57.7	17	9.7	M6	
32	32NNSF	Front connected/ Front connected	NSD	550 VAC	QQ	10	10	16	25.4	80.3	48.5	2.3	16	39.2	57.7	17	9.7	M6	
32	32NNSFGREEN		NSD	550 VAC	QQ	10	10	16	25.4	80.3	48.5	2.3	16	39.2	57.7	17	9.7	M6	
32	32NNSFWHITE		NSD	550 VAC	QX	10	10	16	25.4	80.3	48.5	2.3	16	39.2	57.7	17	9.7	M6	
32	32NNSFBS	Front connected/ Back stud	NSD	550 VAC	QX	10	10	16	25.4	80.3	48.5	2.3	16	39.2	57.7	17	9.7	M6	
32	32NNSFBSWHITE		NSD	550 VAC	QX	10	10	16	25.4	80.3	48.5	2.3	16	39.2	57.7	17	9.7	M6	
63	63ENSBS	Back stud/Back stud	ESD	550 VAC	QQ	5	5	35	29.1	90	55	3.3	17.7	75	67.9	39.2	11	M8	
63	63ENSBSWHITE		ESD	550 VAC	QX	5	5	35	29.1	90	55	3.3	17.7	75	67.9	39.2	11	M8	
63	63ENSF		ESD	550 VAC	QQ	5	5	35	29.1	90	55	3.3	17.7	75	67.9	39.2	11	M8	
63	63ENSFWHITE	ESD	550 VAC	QX	5	5	35	29.1	90	55	3.3	17.7	75	67.9	39.2	11	M8		
63	63ENSFBS	Front connected/ Back stud	ESD	550 VAC	QX	5	5	35	29.1	90	55	3.3	17.7	75	67.9	39.2	11	M8	
63	63ENSFBSWHITE		ESD	550 VAC	QX	5	5	35	29.1	90	55	3.3	17.7	75	67.9	39.2	11	M8	



Fuse holders available at 200 and 400 A, please contact our technical department: 00 44 (0) 1509 882 699, buletechnical@eaton.com

BS88 Fuse holders accessories

Catalogue number	Description	Material price group	Pack qty	MOQ
32BS	Back stud conversion kit 32 A	QQ	10	10
32BSC	Back stud for 20 - 32 A Compact Camaster	QQ	10	10
63-100BS	Back stud for 63 - 100 A Camaster	QY	5	5
32CMLC	Neutral link for 32 A Camaster Compact	QY	10	10
32CML	Neutral Link for 32 A Camaster standard	QY	1	1
63-100CML	Neutral link for 63 - 100 A Camaster	QY	1	1
32LSCC	Lockable safety carrier 20 - 32 A Compact	QY	3	3
32LSC	Lockable safety carrier 32 A	QY	3	3
63-100LSC	Lockable safety carrier 63 - 100 A	QY	3	3
NI	Neon indicator for 32 - 100 A	QY	3	3
32NNL	Neutral link for 32 A Safeloc	OZ	10	10
63ENL	Neutral link for 63 A Safeloc	QX	1	1

Low voltage

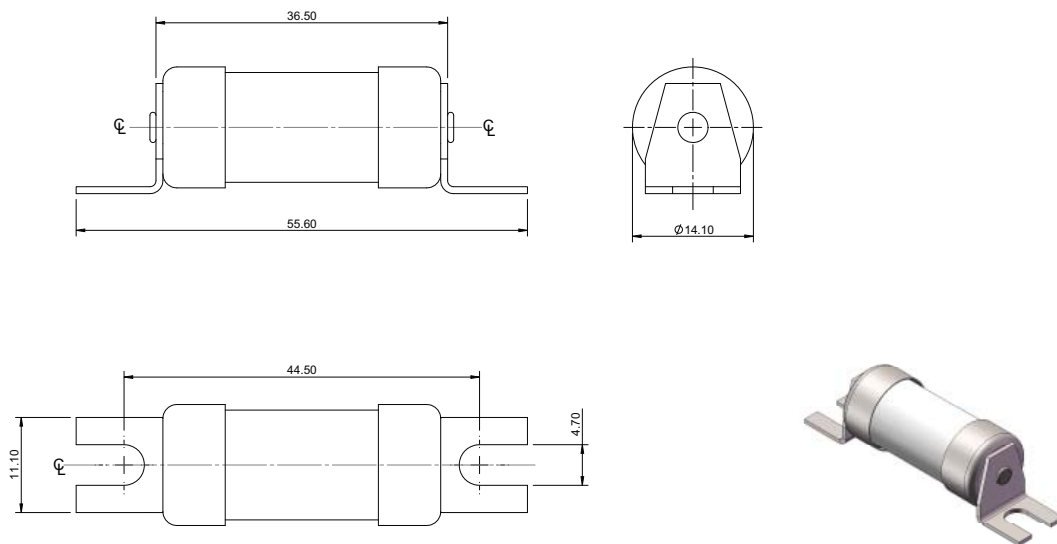
Red Spot fuse links - Industrial and motor applications to BS88 Offset bolted tags

NIT
2 - 20 A, 550 VAC, 250 VDC, gG

Catalogue number	BS Ref	Rated current (Amps)	Rated voltage	Material price group	Pack qty	MOQ	Fuse holders
NIT2	A1	2	550 VAC / 250 VDC	OL	20	20	CM32FC / RS20
NIT4	A1	4	550 VAC / 250 VDC	OL	20	20	CM32FC / RS20
NIT6	A1	6	550 VAC / 250 VDC	OL	20	20	CM32FC / RS20
NIT10	A1	10	550 VAC / 250 VDC	OL	20	20	CM32FC / RS20
NIT16	A1	16	550 VAC / 250 VDC	OL	20	20	CM32FC / RS20
NIT20	A1	20	550 VAC / 250 VDC	OL	20	20	CM32FC / RS20



Dimensions -mm

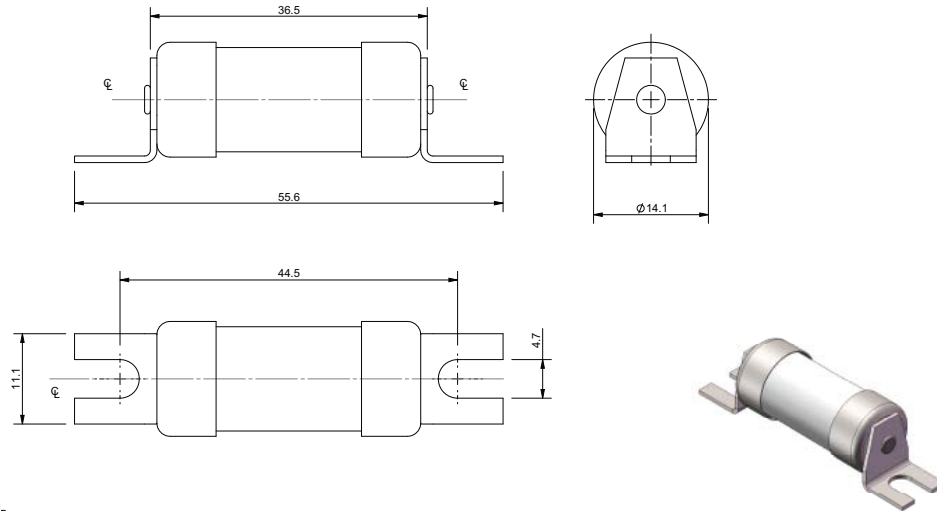


Red Spot fuse links - Industrial and motor applications to BS88 Offset bolted tags

NET
25 - 32 A, 440 VAC, 250 VDC, gG and gM

Catalogue number	BS Ref	Rated current (Amps)	Rated voltage	Material price group	Pack qty	MOQ	Fuse holder
NET25	A1	25	440 VAC/ 250 VDC	OL	20	20	CM32FC
NET32	A1	32	440 VAC/ 250 VDC	OL	20	20	CM32FC
NET32M40	A1	32M40	440 VAC/ 250 VDC	OL	20	20	CM32FC
NET32M50	A1	32M50	440 VAC/ 250 VDC	OL	20	20	CM32FC
NET32M63	A1	32M63	440 VAC/ 250 VDC	OL	20	20	CM32FC

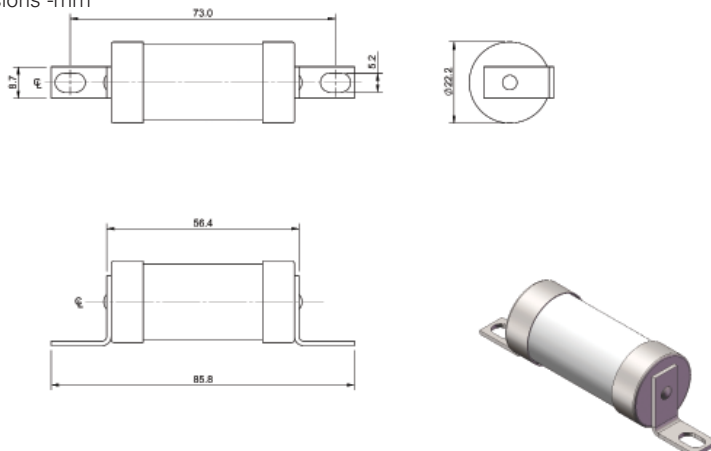
Dimensions -mm



TIA
2 - 32 A, 660 - 690 VAC, 460 VDC, gG and gM

Catalogue number	BS Ref	Rated current (Amps)	Rated voltage	Material price group	Pack qty	MOQ	Fuse holders
TIA2	A2	2	660-690 VAC/ 460 VDC	OL	20	20	CM32F / RS32
TIA4	A2	4	660-690 VAC/ 460 VDC	OL	20	20	CM32F / RS32
TIA6	A2	6	660-690 VAC/ 460 VDC	OL	20	20	CM32F / RS32
TIA10	A2	10	660-690 VAC/ 460 VDC	OL	20	20	CM32F / RS32
TIA16	A2	16	660-690 VAC/ 460 VDC	OL	20	20	CM32F / RS32
TIA20	A2	20	660-690 VAC/ 460 VDC	OL	20	20	CM32F / RS32
TIA25	A2	25	660-690 VAC/ 460 VDC	OL	20	20	CM32F / RS32
TIA32	A2	32	660-690 VAC/ 460 VDC	OL	20	20	CM32F / RS32
TIA32M35	A2	32M35	660-690 VAC/ 460 VDC	OL	20	20	CM32F / RS32
TIA32M40	A2	32M40	660-690 VAC/ 460 VDC	OL	20	20	CM32F / RS32
TIA32M50	A2	32M50	660-690 VAC/ 460 VDC	OL	20	20	CM32F / RS32
TIA32M63	A2	32M63	660-690 VAC/ 460 VDC	OL	20	20	CM32F / RS32

Dimensions -mm

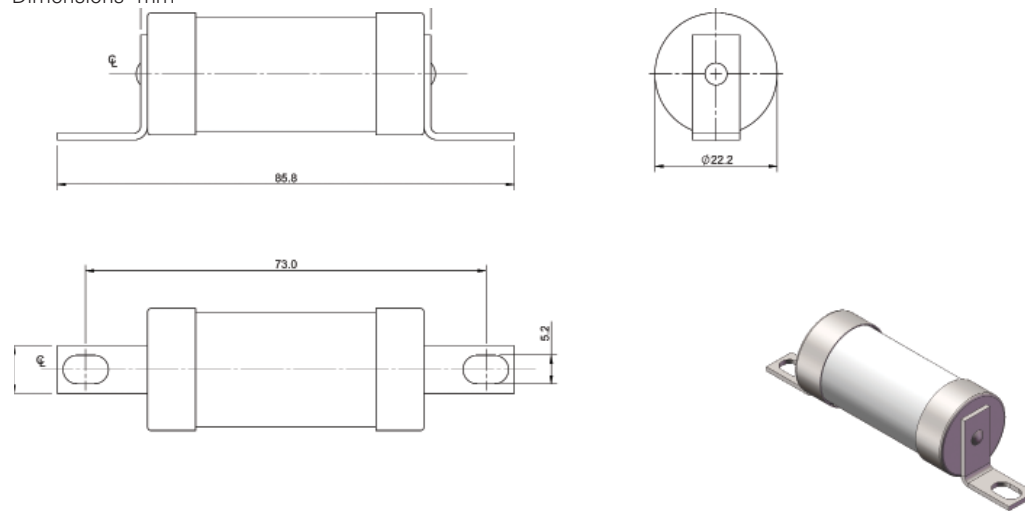


Red Spot fuse links - Industrial and motor applications to BS88 Offset bolted tags

TIS
35 - 63 A, 660 - 690 VAC, 460 VDC, gG and gM

Catalogue number	BS Ref	Rated current (Amps)	Rated voltage	Material price group	Pack qty	MOQ	Fuse holder
TIS35	A3	35	660-690 VAC/ 460 VDC	OL	20	20	RS63
TIS40	A3	40	660-690 VAC/ 460 VDC	OL	20	20	RS63
TIS50	A3	50	660-690 VAC/ 460 VDC	OL	20	20	RS63
TIS63	A3	63	660-690 VAC/ 460 VDC	OL	20	20	RS63
TIS63M80	A3	63M80	660-690 VAC/ 460 VDC	OL	20	20	RS63
TIS63M100	A3	63M100	660-690 VAC/ 460 VDC	OL	20	20	RS63

Dimensions -mm

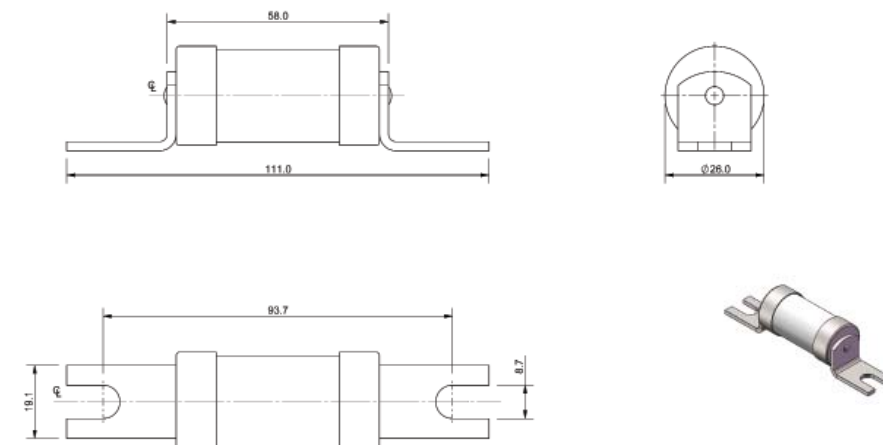


Low voltage

TCP
32 - 100 A, 660 - 690 VAC, 460 VDC, gG and gM

Catalogue number	BS Ref	Rated current (Amps)	Rated voltage	Material price group	Pack qty	MOQ	Fuse holder
TCP32	A4	32	660-690 VAC/ 460 VDC	OL	10	10	RS100
TCP40	A4	40	660-690 VAC/ 460 VDC	OL	10	10	RS100
TCP50	A4	50	660-690 VAC/ 460 VDC	OL	10	10	RS100
TCP63	A4	63	660-690 VAC/ 460 VDC	OL	10	10	RS100
TCP80	A4	80	660-690 VAC/ 460 VDC	OL	10	10	RS100
TCP100	A4	100	660-690 VAC/ 460 VDC	OL	10	10	RS100
TCP100M125	A4	100M125	660-690 VAC/ 460 VDC	OL	10	10	RS100
TCP100M160	A4	100M160	660-690 VAC/ 460 VDC	OL	10	10	RS100
TCP100M200	A4	100M200	660-690 VAC/ 460 VDC	OL	10	10	RS100

Dimensions -mm



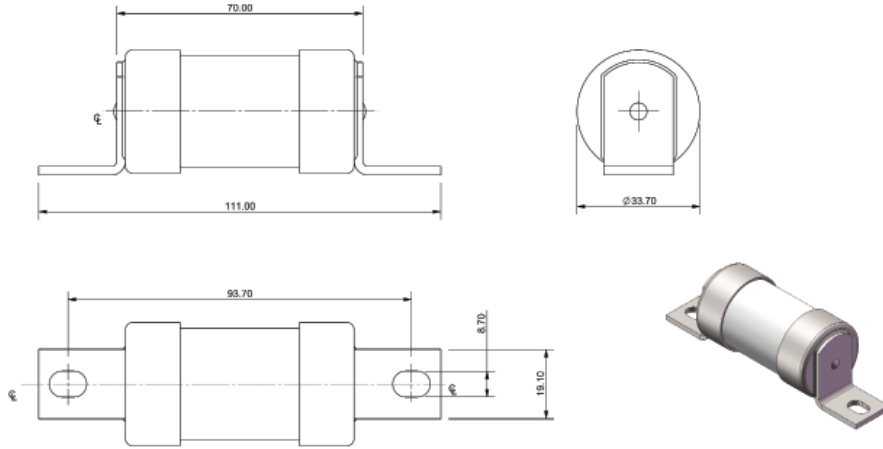
Red Spot fuse links - Industrial and motor applications to BS88 Offset bolted tags

TFP
125 - 200 A, 660 - 690 VAC, 460 VDC, gG and gM

Catalogue number	BS Ref	Rated current (Amps)	Rated voltage	Material price group	Pack qty	MOQ
TFP125	A4	125	660-690 VAC/ 460 VDC	OL	10	10
TFP160	A4	160	660-690 VAC/ 460 VDC	OL	10	10
TFP200	A4	200	660-690 VAC/ 460 VDC	OL	10	10
TFP200M250	A4	200M250	660-690 VAC / 460 VDC	OL	10	10



Dimensions -mm

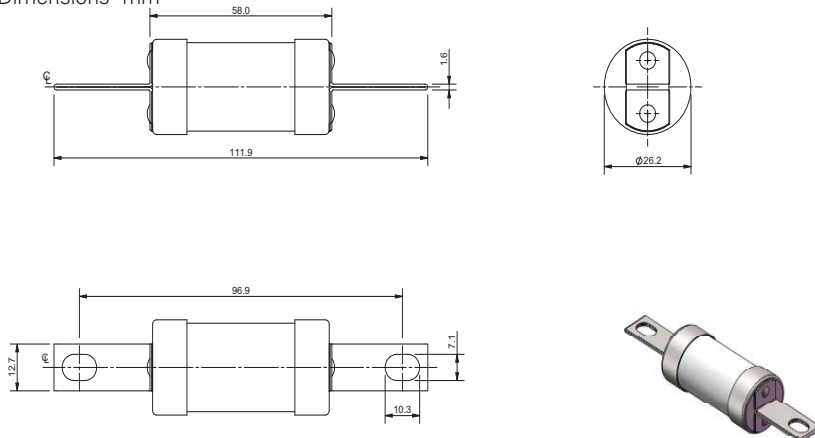


Red Spot fuse links - Industrial and motor applications to BS88 Centre bolted tags

TB
2 - 63 A, 660 VAC, gG

Catalogue number	Rated current (Amps)	Rated voltage	Material price group	Pack qty	MOQ
TB2	2	660 VAC	OL	20	20
TB4	4	660 VAC	OL	20	20
TB6	6	660 VAC	OL	20	20
TB10	10	660 VAC	OL	20	20
TB16	16	660 VAC	OL	20	20
TB20	20	660 VAC	OL	20	20
TB25	25	660 VAC	OL	20	20
TB32	32	660 VAC	OL	20	20
TB40	40	660 VAC	OL	20	20
TB50	50	660 VAC	OL	20	20
TB63	63	660 VAC	OL	20	20

Dimensions -mm

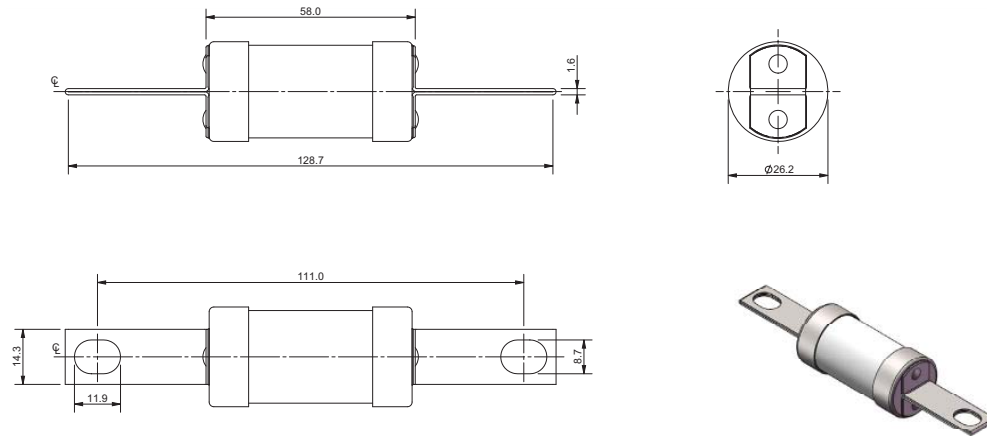


Red Spot fuse links - Industrial and motor applications to BS88 Centre bolted tags

TBC
2 - 63 A, 660 VAC, gG

Catalogue number	Rated current (Amps)	Rated voltage	Material price group	Pack qty	MOQ	Fuse holder
TBC2	2	660 VAC	OL	20	20	RS200
TBC4	4	660 VAC	OL	20	20	RS200
TBC6	6	660 VAC	OL	20	20	RS200
TBC10	10	660 VAC	OL	20	20	RS200
TBC16	16	660 VAC	OL	20	20	RS200
TBC20	20	660 VAC	OL	20	20	RS200
TBC25	25	660 VAC	OL	20	20	RS200
TBC32	32	660 VAC	OL	20	20	RS200
TBC40	40	660 VAC	OL	20	20	RS200
TBC50	50	660 VAC	OL	20	20	RS200
TBC63	63	660 VAC	OL	20	20	RS200

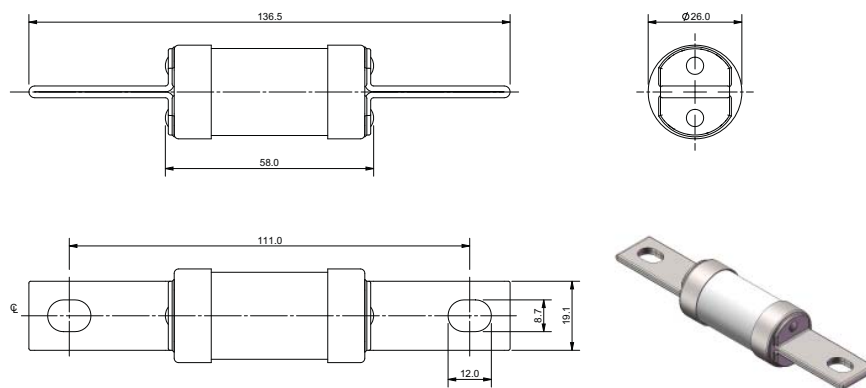
Dimensions -mm



TC
80 - 100 A, 660 - 690 VAC, 350 VDC, gG and gM

Catalogue number	BS Ref	Rated current (Amps)	Rated voltage	Material price group	Pack qty	MOQ	Fuse holder
TC80	B1	80	660-690 VAC/350 VDC	OL	10	10	RS200
TC100	B1	100	660-690 VAC/350 VDC	OL	10	10	RS200
TC100M125	B1	100M125	660-690 VAC/350 VDC	OL	10	10	RS200
TC100M160	B1	100M160	660-690 VAC/350 VDC	OL	10	10	RS200
TC100M200	B1	100M200	660-690 VAC/350 VDC	OL	10	10	RS200

Dimensions -mm

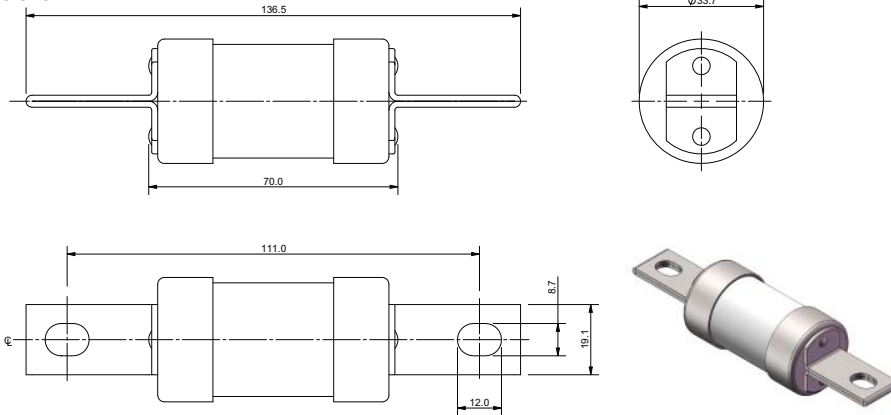


Red Spot fuse links - Industrial and motor applications to BS88 Centre bolted tags

TF
125 - 200 A, 660 - 690 VAC and 350 VDC (gG), 550 VAC (gM)

Catalogue number	BS Ref	Rated current (Amps)	Rated voltage	Material price group	Pack qty	MOQ	Fuse holder
TF125	B2	125	660-690 VAC/ 350 VDC	OL	10	10	RS200
TF160	B2	160	660-690 VAC/ 350 VDC	OL	10	10	RS200
TF200	B2	200	660-690 VAC/ 350 VDC	OL	10	10	RS200
TF200M250	B2	200M250	660-690 VAC/ 350 VDC	OL	10	10	RS200
TF200M315	B2	200M315	550 VAC	OL	10	10	RS200

Dimensions -mm

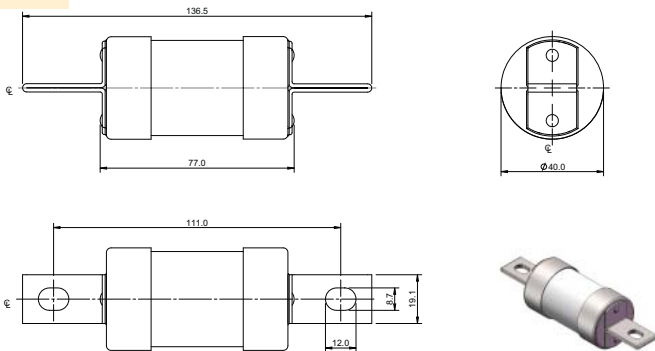


TKF
250 - 315 A, 660 - 690 VAC, 460 VDC, gG and gM

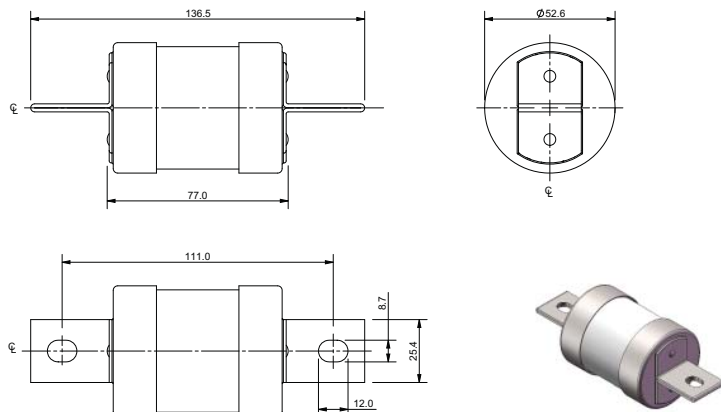
Catalogue number	BS Ref	Rated current (Amps)	Rated voltage	Material price group	Pack qty	MOQ
TKF250	B3	250	660-690 VAC/ 460 VDC	OL	5	5
TKF315	B3	315	660-690 VAC/ 460 VDC	OL	5	5
TKF315M355	B3	315M355	660-690 VAC/ 460 VDC	OL	5	5

Dimensions -mm

TKF250



TKF315 and TKF315M355

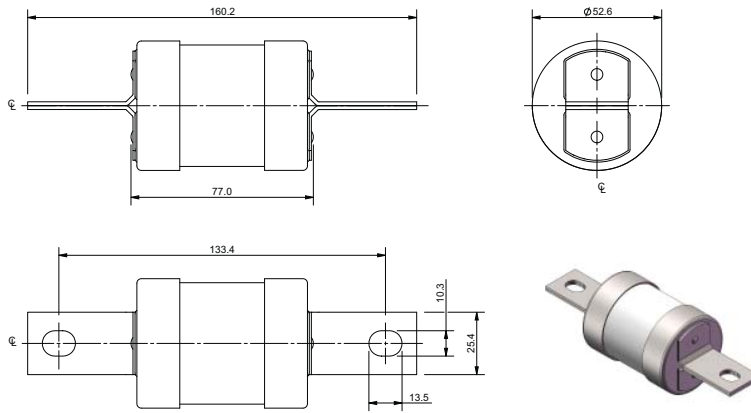


Red Spot fuse links - Industrial and motor applications to BS88 Centre bolted tags

TKM
250 - 315 A, 660 - 690 VAC and 460 VDC, gG and gM

Catalogue number	Rated current (Amps)	Rated voltage	Material price group	Pack qty	MOQ	Fuse holder
TKM250	250	660-690 VAC / 460 VDC	OL	1	1	RS400
TKM315	315	660-690 VAC / 460 VDC	OL	1	1	RS400
TKM315M355	315M355	660-690 VAC / 460 VDC	OL	1	1	RS400

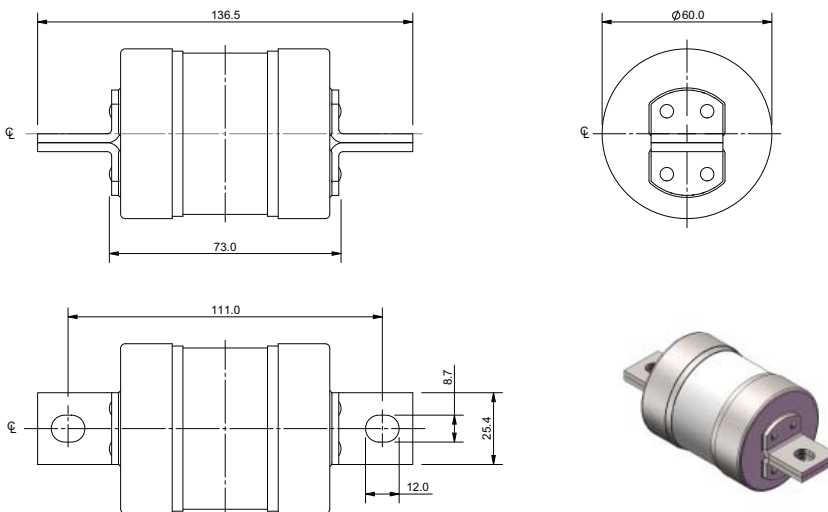
Dimensions -mm



TMF
355 - 400 A, 660 - 690 VAC, 460 VDC, gG and gM

Catalogue number	BS Ref	Rated current (Amps)	Rated voltage	Material price group	Pack qty	MOQ
TMF355	B4	355	660-690 VAC / 460 VDC	OL	1	1
TMF400	B4	400	660-690 VAC / 460 VDC	OL	1	1
TMF400M450	B4	400M450	660-690 VAC / 460 VDC	OL	1	1

Dimensions -mm

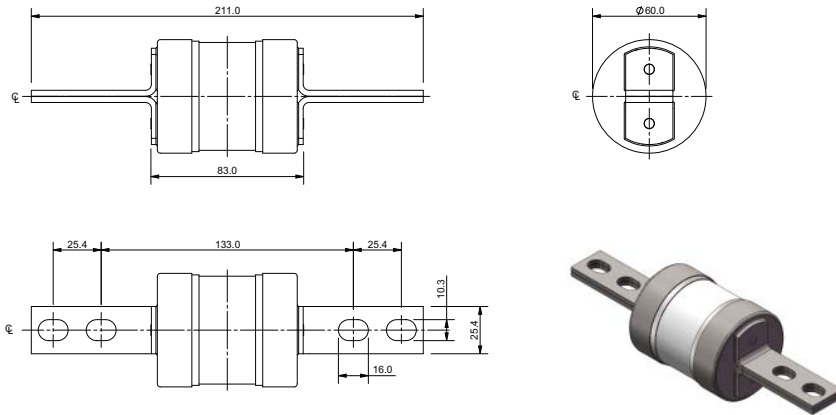


Red Spot fuse links - Industrial and motor applications to BS88 Centre bolted tags

TM
355 - 400 A, 660 - 690 VAC and 460 VDC, gG and gM

Catalogue number	Rated current (Amps)	Rated voltage	Material price group	Pack qty	MOQ	Fuse holder
TM355	355	660-690 VAC / 460 VDC	OL	1	1	RS400
TM400	400	660-690 VAC / 460 VDC	OL	1	1	RS400
TM400M450	400M450	660-690 VAC / 460 VDC	OL	1	1	RS400

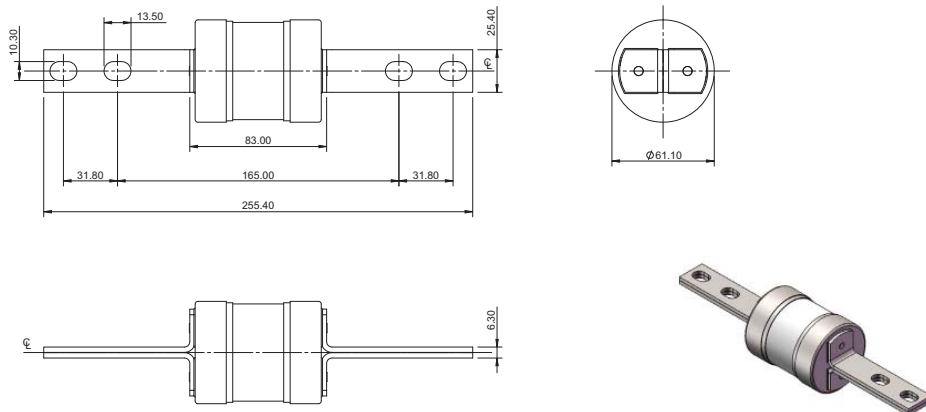
Dimensions -mm



TMT
355 - 400 A, 660 VAC, gG

Catalogue number	Rated current (Amps)	Rated voltage	Material price group	Pack qty	MOQ
TMT355	355	660 VAC	OL	1	1
TMT400	400	660 VAC	OL	1	1

Dimensions -mm

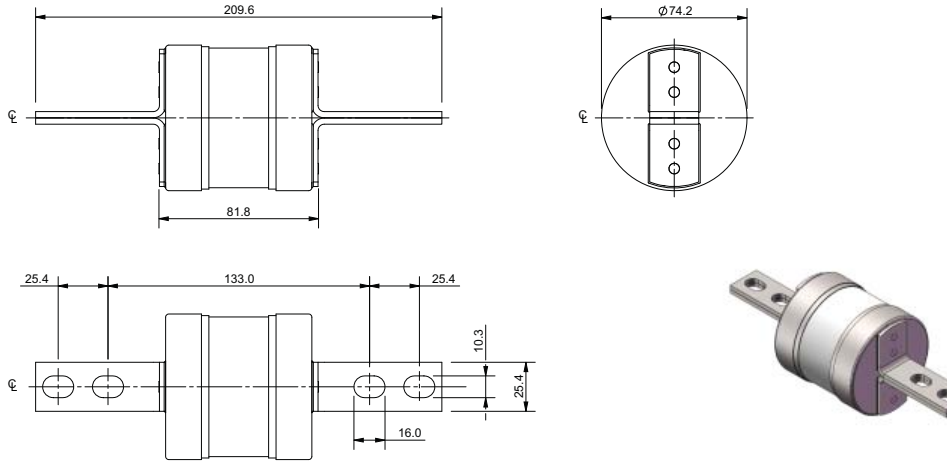


Red Spot fuse links - Industrial and motor applications to BS88 Centre bolted tags

TTM
450 - 630 A, 660 - 690 VAC and 450 VDC, gG and gM

Catalogue number	Rated current (Amps)	Rated voltage	Material price group	Pack qty	MOQ
TTM450	450	660-690 VAC / 450 VDC	OL	1	1
TTM500	500	660-690 VAC / 450 VDC	OL	1	1
TTM560	560	660-690 VAC / 450 VDC	OL	1	1
TTM630	630	660-690 VAC / 450 VDC	OL	1	1
TTM630M670	630M670	660-690 VAC / 450 VDC	OL	1	1

Dimensions -mm

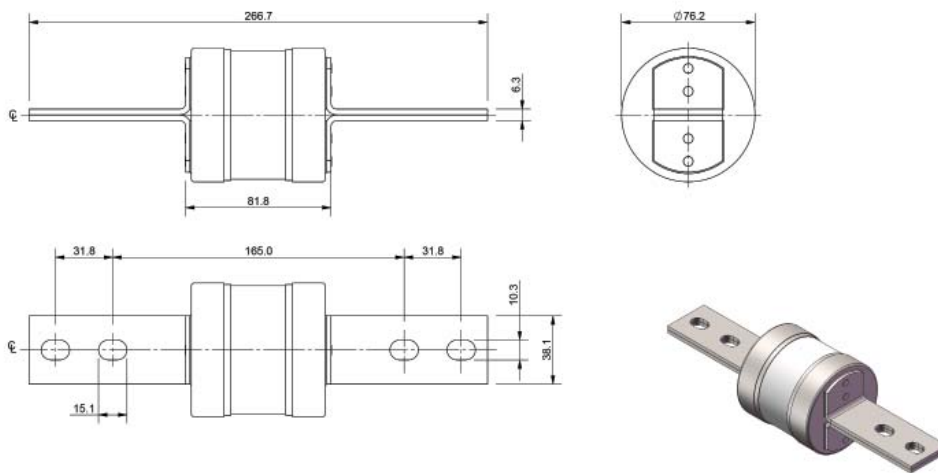


Low voltage

TT
500 - 630 A, 660 VAC, gG

Catalogue number	Rated current (Amps)	Rated voltage	Material price group	Pack qty	MOQ
TT500	500	660 VAC	OL	1	1
TT560	560	660 VAC	OL	1	1
TT630	630	660 VAC	OL	1	1

Dimensions -mm

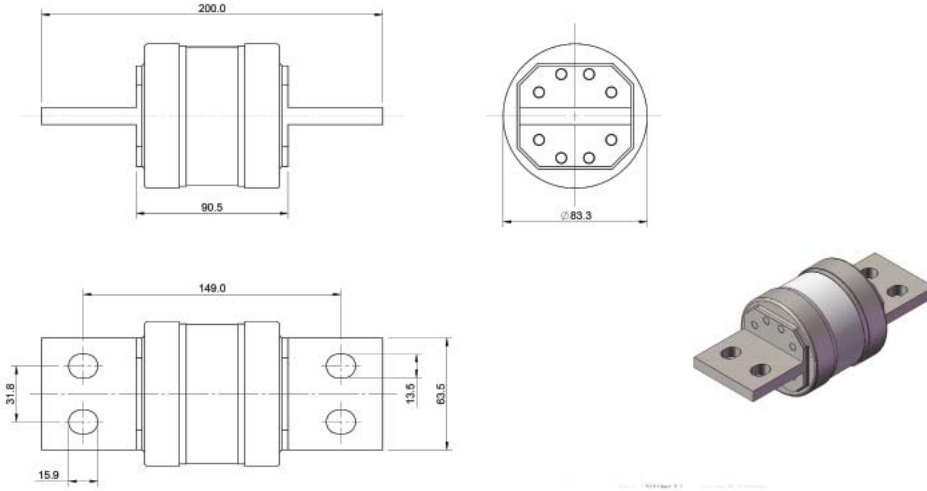


Red Spot fuse links - Industrial and motor applications to BS88 Centre bolted tags

TLU
560 - 800 A, 660 VAC, gG

Catalogue number	BS Ref	Rated current (Amps)	Rated voltage	Material price group	Pack qty	MOQ
TLU560	D1	560	660 VAC	OL	1	1
TLU630	D1	630	660 VAC	OL	1	1
TLU750	D1	750	660 VAC	OL	1	1
TLU800	D1	800	660 VAC	OL	1	1

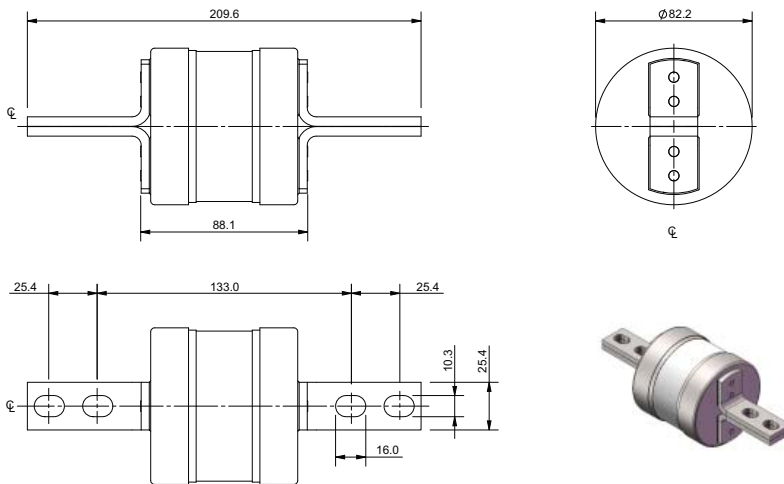
Dimensions -mm



TLM
670 - 850 A, 660 - 690 VAC, 350 VDC, gG

Catalogue number	Rated current (Amps)	Rated voltage	Material price group	Pack qty	MOQ
TLM670	670	660-690 VAC / 350 VDC	OL	1	1
TLM710	710	660-690 VAC / 350 VDC	OL	1	1
TLM750	750	660-690 VAC / 350 VDC	OL	1	1

Dimensions -mm



Red Spot fuse holders - Safeclip

Safeclip Series
20 - 125 A, 550 VAC

Rated current (Amps)	Catalogue number	Type	Colour	Required fuse links	Rated voltage	Material price group	Pack qty	MOQ	Max cable mm ²
20A	SC20H	Front connected	Black	SS	550 VAC	OS	10	10	16
20A	SC20HWH	Front connected	White	SS	550 VAC	OS	10	10	16
20A	SC20HGN	Front connected	Green	SS	550 VAC	OS	10	10	16
20A	SC20P	Back stud connected	Black	SS	550 VAC	OS	10	10	16
20A	SC20PWH	Back stud connected	White	SS	550 VAC	OS	10	10	16
20A	SC20PGN	Back stud connected	Green	SS	550 VAC	OS	10	10	16
20A	SC20BH	Busbar/Front connected	Black	SS	550 VAC	OS	10	10	16
32A	SC32H-D	Front connected	Black	NS	550 VAC	OS	10	10	16
32A	SC32H-DWH	Front connected	White	NS	550 VAC	OS	10	10	16
32A	SC32H-DGN	Front connected	Green	NS	550 VAC	OS	10	10	16
32A	SC32P	Back stud connected	Black	NS	550 VAC	OS	10	10	16
32A	SC32PWH	Back stud connected	White	NS	550 VAC	OS	10	10	16
32A	SC32PGN	Back stud connected	Green	NS	550 VAC	OS	10	10	16
32A	SC32BH	Busbar/Front connected	Black	NS	550 VAC	OS	10	10	16
32A	SC32PH-D	Front/back stud connected	Black	NS	550 VAC	OS	10	10	16
32A	SC32PH-DWH	Front/back stud connected	White	NS	550 VAC	OS	10	10	16
63A	SC63H-D	Front connected	Black	ES	550 VAC	OS	10	10	25
63A	SC63H-DWH	Front connected	White	ES	550 VAC	OS	10	10	25
63A	SC63P	Back stud connected	Black	ES	550 VAC	OS	10	10	25
63A	SC63BH	Busbar/Front connected	White	ES	550 VAC	OS	10	10	25
100A	SC100H	Front connected	Black	OS	550 VAC	OS	5	5	50
125A	SC125H-D	Front connected	Black	OS	550 VAC	OS	1	1	70

Safeclip accessories

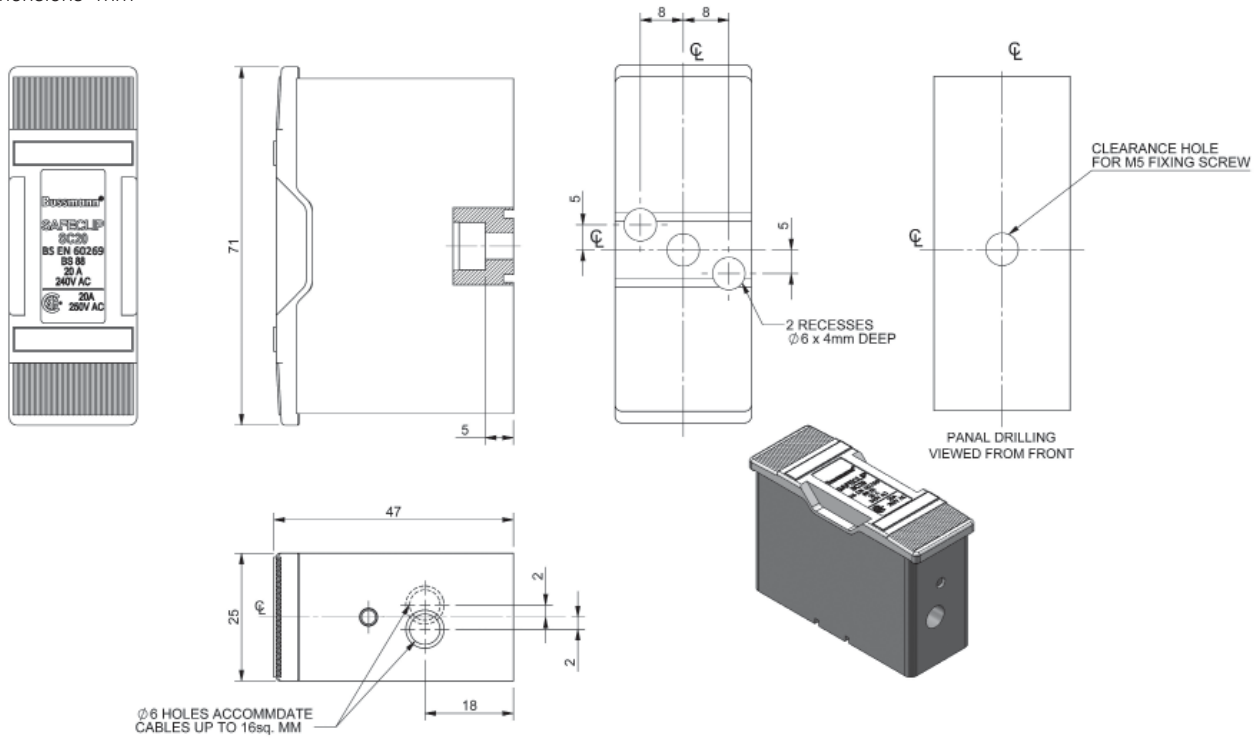
Type	Catalogue number	To be used with fuse links	To be used with fuse holders	MOQ
Copper links	SSC-LINK	N/A	SC20	10
Copper links	NSC-LINK	N/A	SC32	10
Copper links	ESC-LINK	N/A	SC63	10
Copper links	OSC-LINK	N/A	SC100	10
Copper links	XSC-LINK	N/A	SC125	10
Padlockable inserts	SC32LOCK	N/A	SC32	10
Padlockable inserts	SC63LOCK	N/A	SC63	10
Adaptor carrier	SCA63CAR	NS	SC63	10
DIN-Rail adaptor	DIN-20-32	N/A	SC20 and RS20	10

Red Spot fuse holders - Safeclip

Safeclip Series - SC20, 20 A, 550 VAC

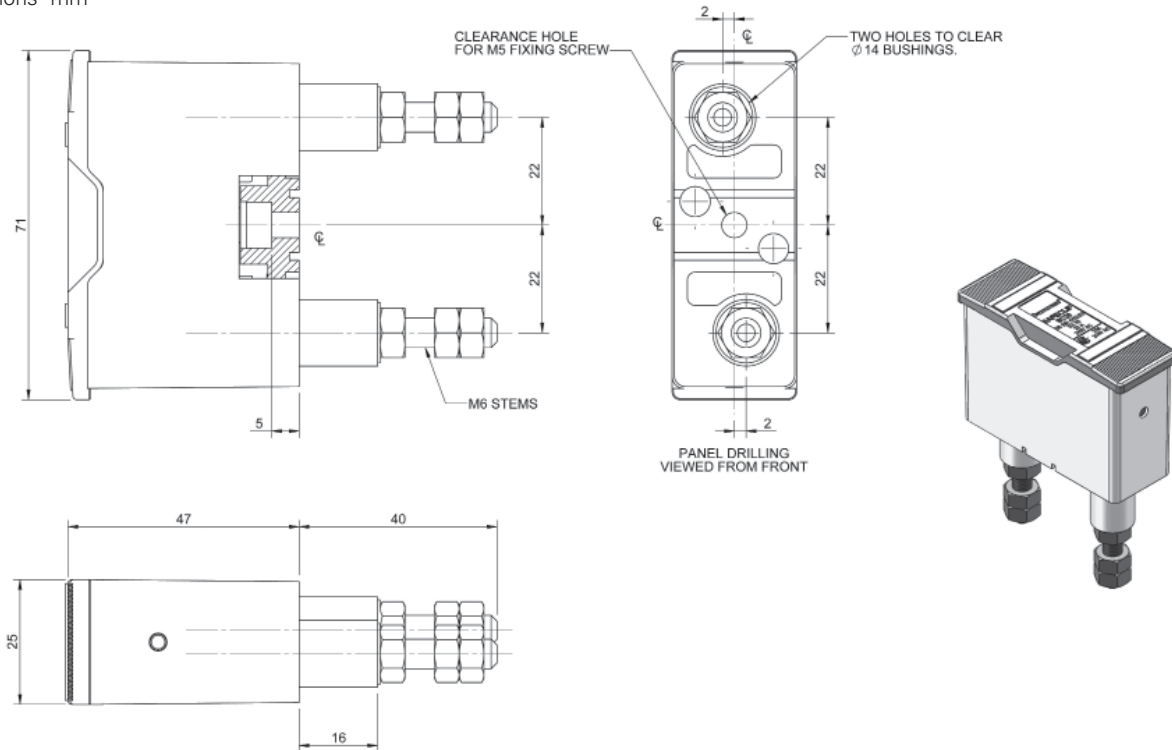
20 A, Front connected

Dimensions -mm



20 A, Back stud connected

Dimensions -mm

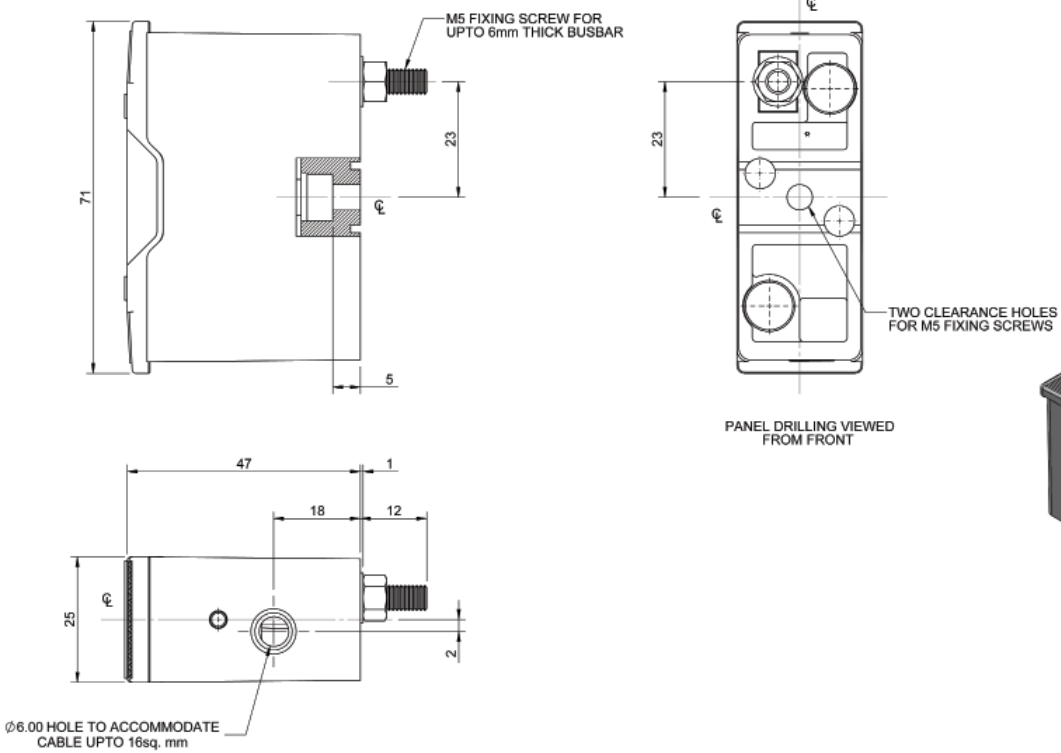


Red Spot fuse holders - Safeclip

Safeclip Series - SC20, 20 A, 550 VAC

20 A, Busbar/Front connected

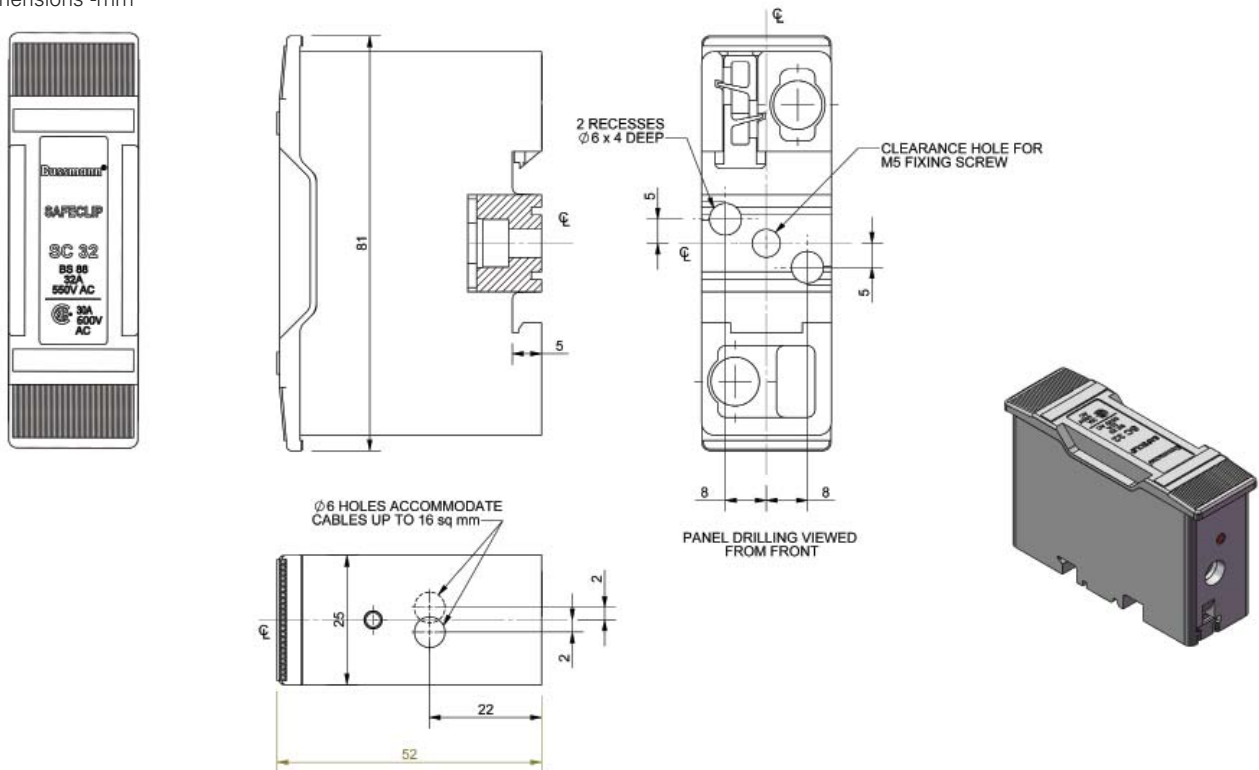
Dimensions -mm



Safeclip Series - SC32, 32 A, 550 VAC

32 A, Front connected

Dimensions -mm

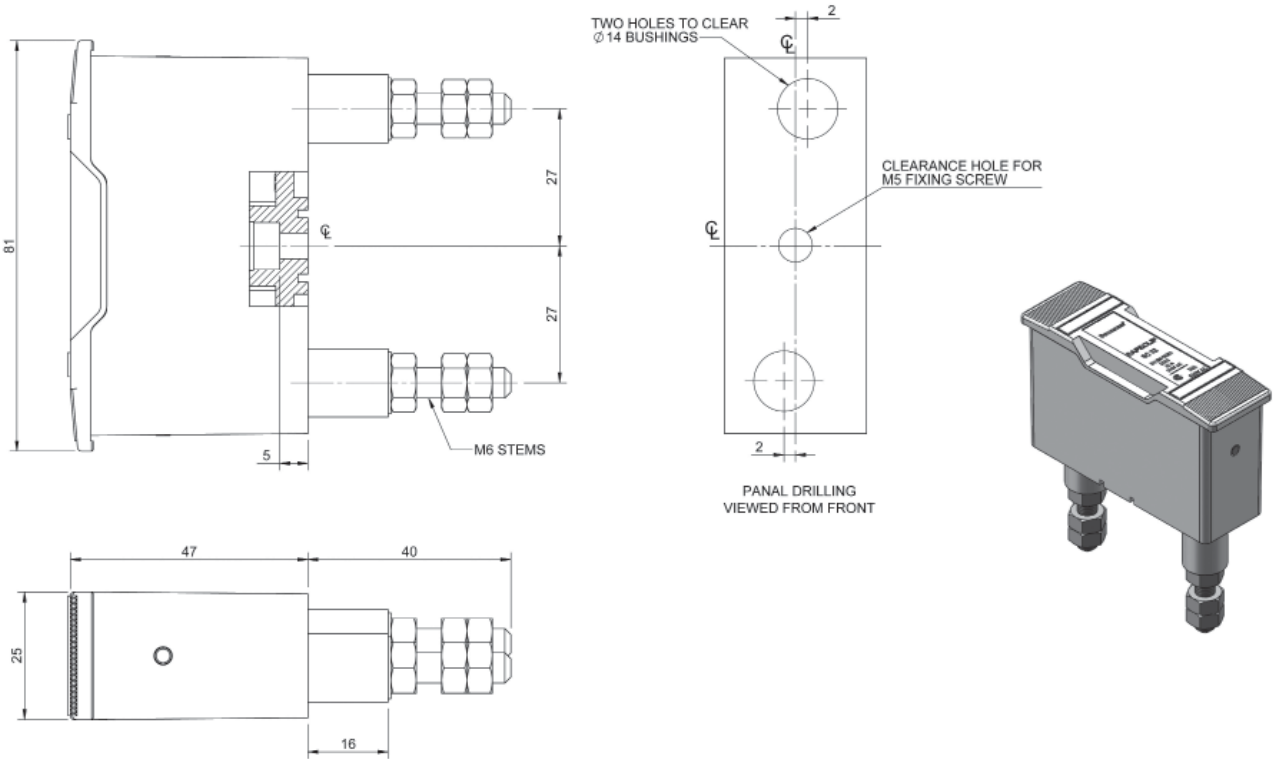


Red Spot fuse holders - Safeclip

Safeclip Series - SC32, 32 A, 550 VAC

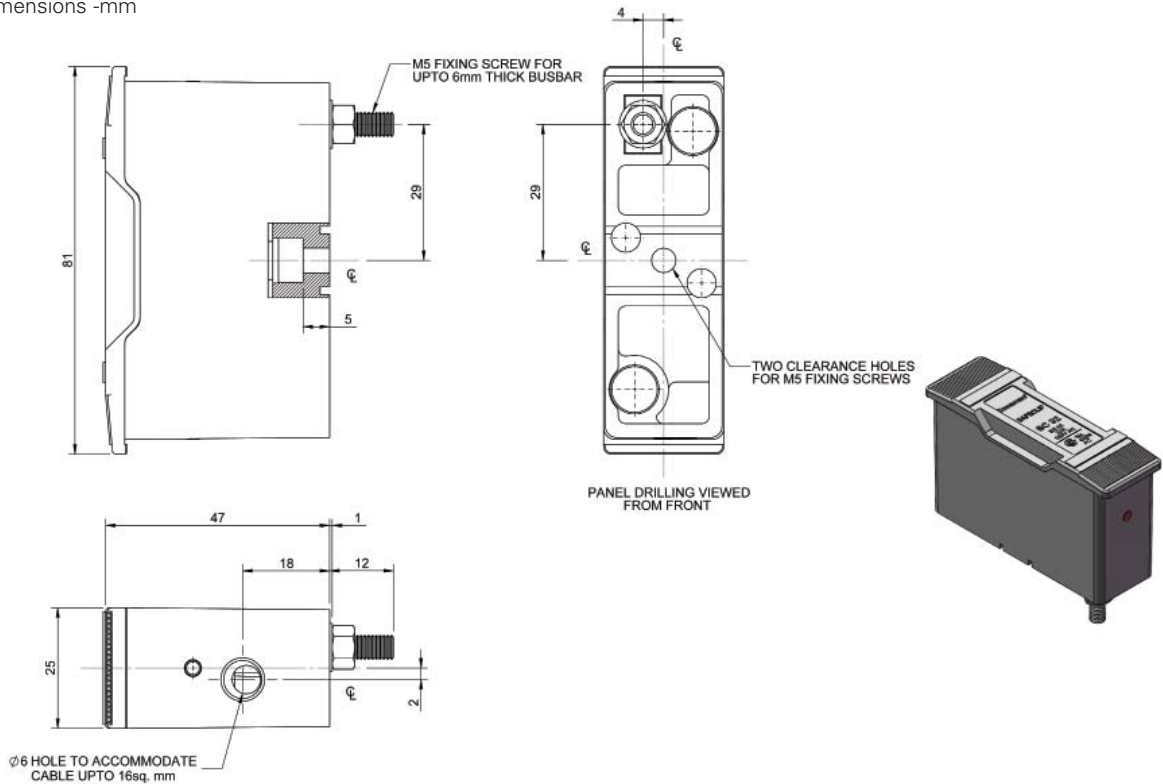
32 A, Back stud connected

Dimensions -mm



32 A, Busbar / Front connected

Dimensions -mm

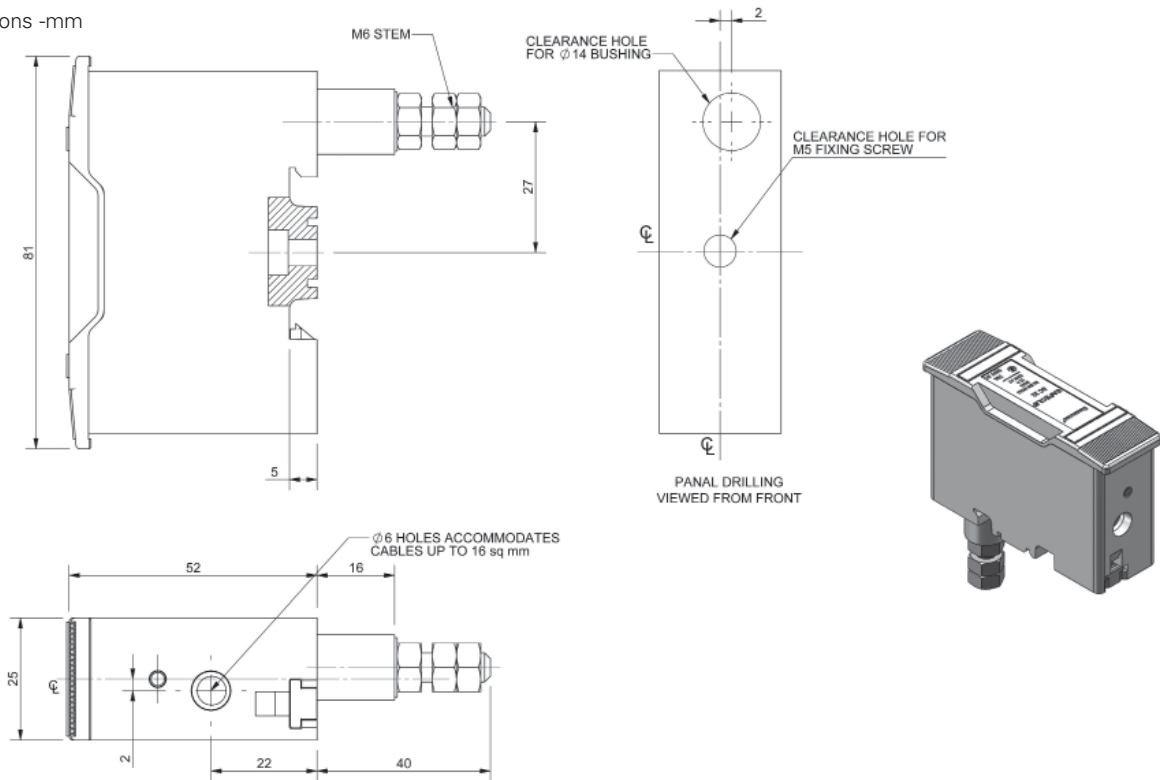


Red Spot fuse holders - Safeclip

Safeclip Series - SC32, 32 A, 550 VAC

32 A, Front / Back stud connected

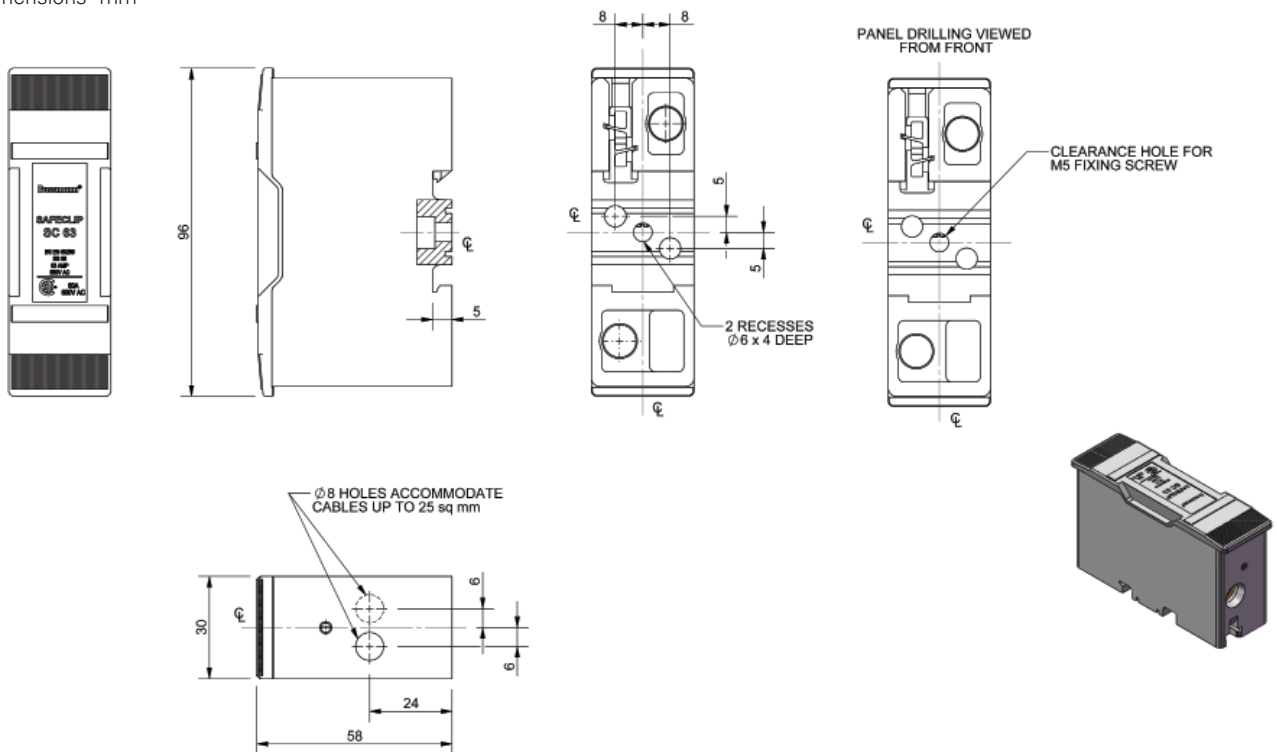
Dimensions -mm



Safeclip Series - SC63, 63 A, 550 VAC

63 A, Front connected

Dimensions -mm

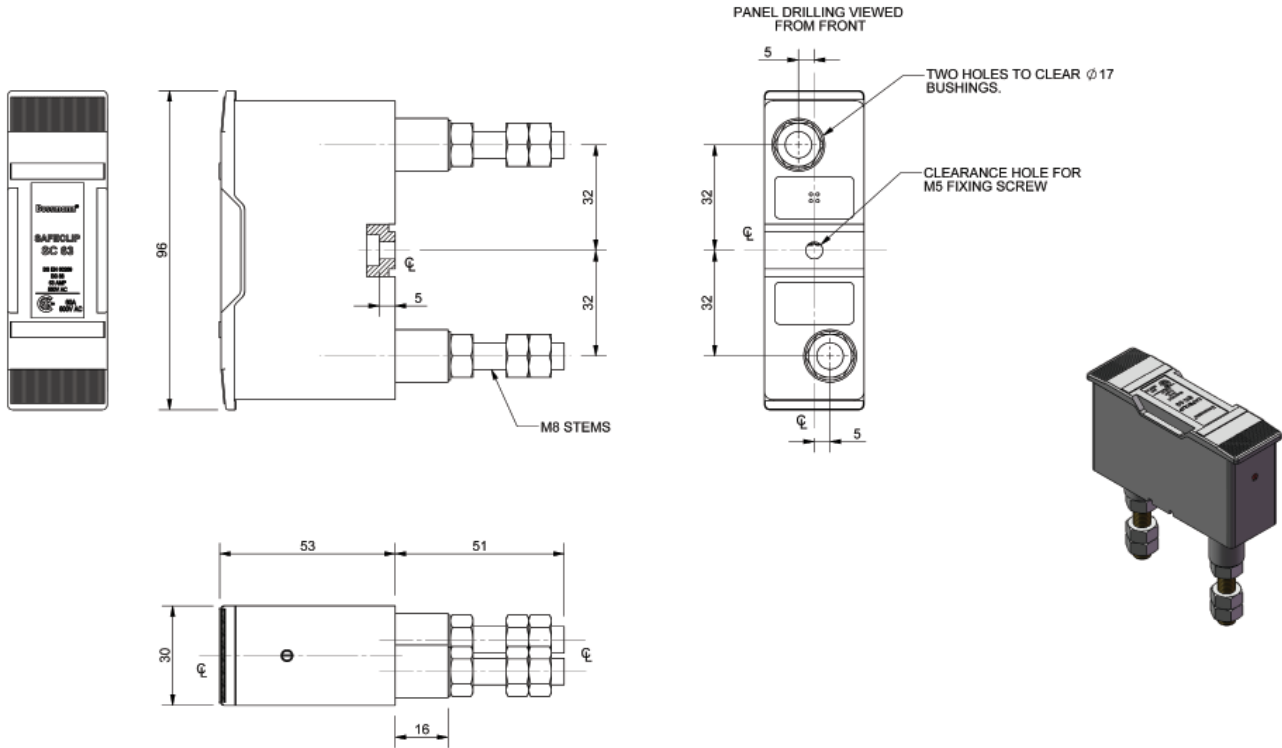


Red Spot fuse holders - Safeclip

Safeclip Series - SC63, 63 A, 550 VAC

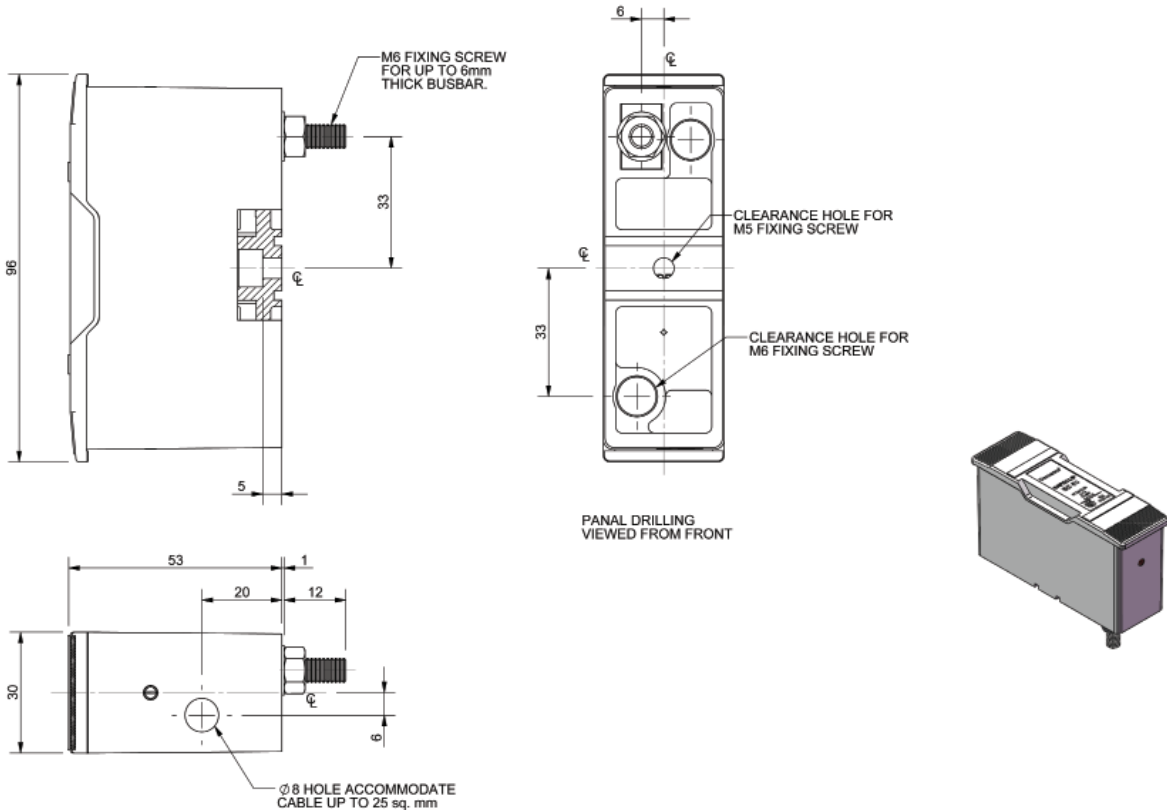
63 A, Back stud connected

Dimensions -mm



63 A, Busbar/Front connected

Dimensions -mm

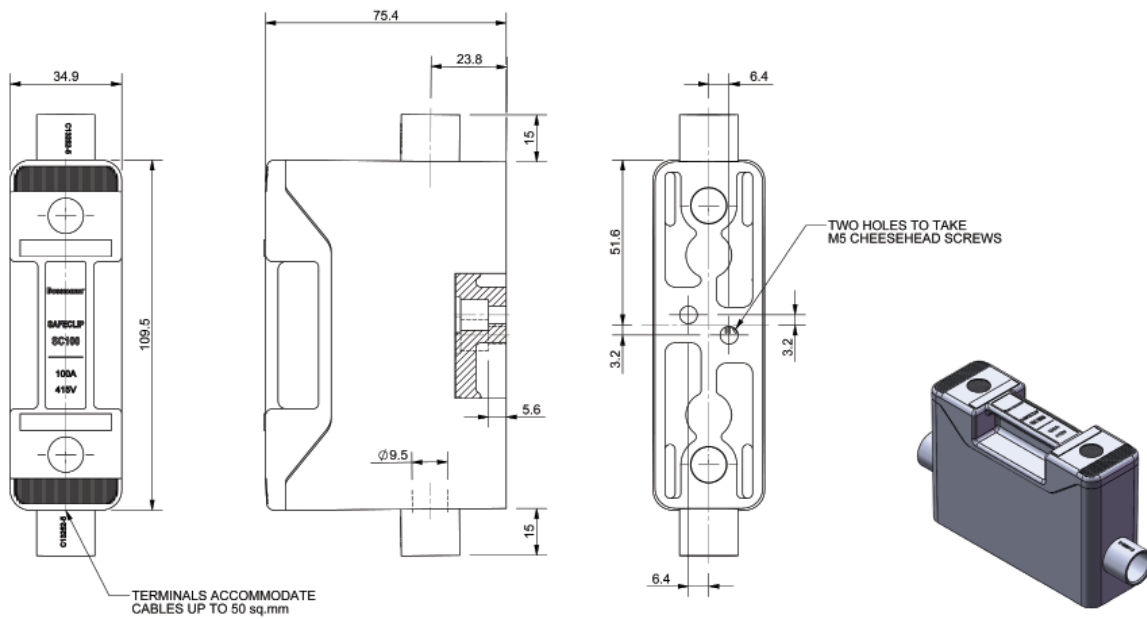


Red Spot fuse holders - Safeclip

Safeclip Series - SC100H, 100 A, 550 VAC

100 A, Front connected

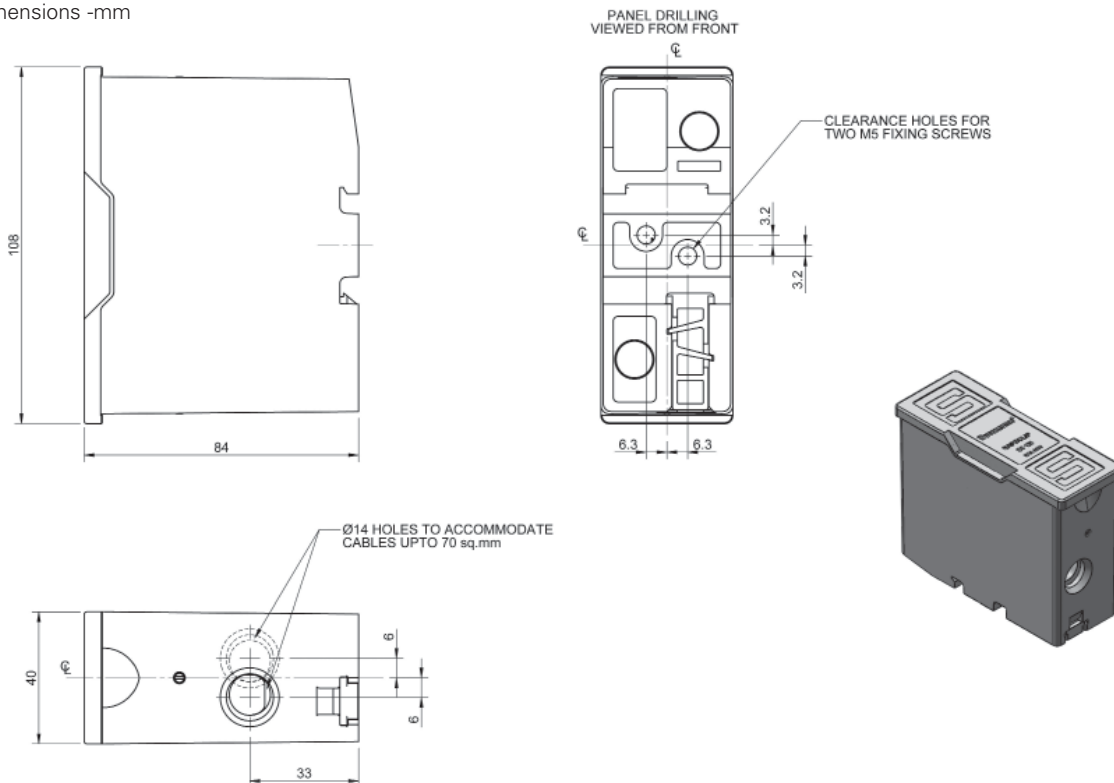
Dimensions -mm



Safeclip Series - SC125H-D, 550 VAC, 125 A

125 A, Front connected

Dimensions -mm



Red Spot fuse holders - RS Series

RS Series, 20 - 400 A, 690 VAC

Rated current (Amps)	Catalogue number	Type	Colour	Required fuse links	Rated voltage	Material price group	Pack qty	MOQ	Max cable mm ²
20A	RS20H	Front connected	Black	NITD, NIT	690 VAC	OS	10	10	10
20A	RS20HWH		White	NITD, NIT	690 VAC	OS	10	10	10
20A	RS20HGN		Green	NITD, NIT	690 VAC	OS	10	10	10
20A	RS20HGY		Grey	NITD, NIT	690 VAC	OS	10	10	10
20A	RS20P-G	Back stud connected	Black	NITD, NIT	690 VAC	OS	10	10	10
20A	RS20P-GWH		White	NITD, NIT	690 VAC	OS	10	10	10
20A	RS20P-GGN		Green	NITD, NIT	690 VAC	OS	10	10	10
20A	RS20P-GGY		Grey	NITD, NIT	690 VAC	OS	10	10	10
20A	RS20PH-G	Front/back stud connected	Black	NITD, NIT	690 VAC	OS	10	10	10
20A	RS20F	Back stud connected/Flush mounted	Black	NITD, NIT	690 VAC	OS	10	10	10
20A	RS20FWH		White	NITD, NIT	690 VAC	OS	10	10	10
20A	RS20FGN		Green	NITD, NIT	690 VAC	OS	10	10	10
20A	RS20FGY		Grey	NITD, NIT	690 VAC	OS	10	10	10
32A	RS32H	Front connected	Black	TIA, AAO, H07-660	690 VAC	OS	10	10	16
32A	RS32HWH		White	TIA, AAO, H07-660	690 VAC	OS	10	10	16
32A	RS32HGN		Green	TIA, AAO, H07-660	690 VAC	OS	10	10	16
32A	RS32P	Back stud connected	Black	TIA, AAO, H07-660	690 VAC	OS	10	10	16
32A	RS32PWH		White	TIA, AAO, H07-660	690 VAC	OS	10	10	16
32A	RS32PGN		Green	TIA, AAO, H07-660	690 VAC	OS	10	10	16
32A	RS32PH	Front/back stud connected	Black	TIA, AAO, H07-660	690 VAC	OS	10	10	16
63A	RS63H	Front connected	Black	TIS, BAO, K07-660	690 VAC	OS	10	10	50
63A	RS63HWH		White	TIS, BAO, K07-660	690 VAC	OS	10	10	50
63A	RS63P	Back stud connected	Black	TIS, BAO, K07-660	690 VAC	OS	10	10	50
63A	RS63PWH		White	TIS, BAO, K07-660	690 VAC	OS	10	10	50
63A	RS63PH	Front/back stud connected	Black	TIS, BAO, K07-660	690 VAC	OS	10	10	50
63A	RS63PHWH		White	TIS, BAO, K07-660	690 VAC	OS	10	10	50
100A	RS100H	Front connected	Black	TCP, CEO, L14-660	690 VAC	OS	5	5	70
100A	RS100HWH		White	TCP, CEO, L14-660	690 VAC	OS	5	5	70
100A	RS100P	Back stud connected	Black	TCP, CEO, L14-660	690 VAC	OS	5	5	70
100A	RS100PWH		White	TCP, CEO, L14-660	690 VAC	OS	5	5	70
100A	RS100PH	Front/back stud connected	Black	TCP, CEO, L14-660	690 VAC	OS	5	5	70
200A	RS200H	Front connected	Black	TF, DD, M09-660	690 VAC	OS	1	1	120
200A	RS200HWH		White	TF, DD, M09-660	690 VAC	OS	1	1	120
200A	RS200P	Back stud connected	Black	TF, DD, M09-660	690 VAC	OS	1	1	120
200A	RS200PWH		White	TF, DD, M09-660	690 VAC	OS	1	1	120
200A	RS200PH	Front/back stud connected	Black	TF, DD, M09-660	690 VAC	OS	1	1	120
400A	RS400H	Front connected	Black	TM, EF, P11-660	690 VAC	OS	1	1	240
400A	RS400P	Back stud connected	Black	TM, EF, P11-660	690 VAC	OS	1	1	240
400A	RS400PH	Front/back stud connected	Black	TM, EF, P11-660	690 VAC	OS	1	1	240

Accessories

Catalogue number	Description	Material price group	Pack qty	MOQ
RS20LOCK	Padlockable inserts	OS	20	20
RS32LOCK		OS	10	10
RS63LOCK		OS	10	10
RS100LOCK		OS	10	10
RS20RED	Red warning carriers	OS	10	10
RS32RED		OS	10	10
RS63RED		OS	10	10
RS100RED		OS	1	1
P5372-10	Fuse link adaptors kits*	OS	1	1
TCA2		OS	1	1

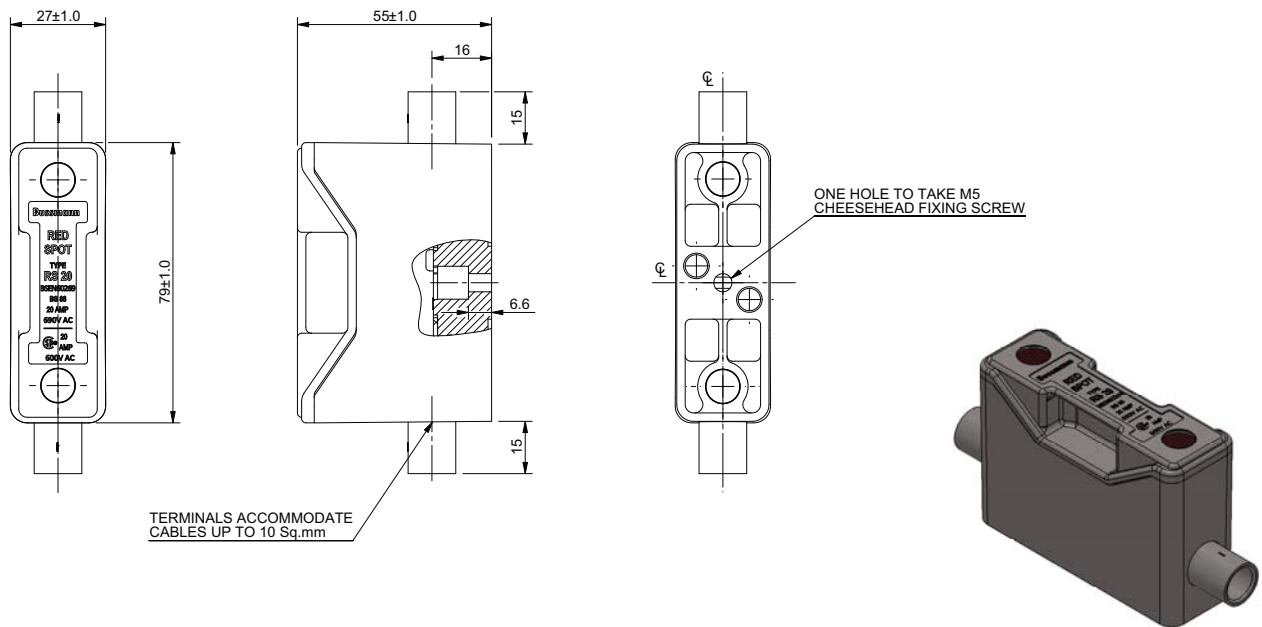
* One adaptor kit required per fuse link

Red Spot fuse holders - RS Series

RS20 Series, 20 A , 690 VAC

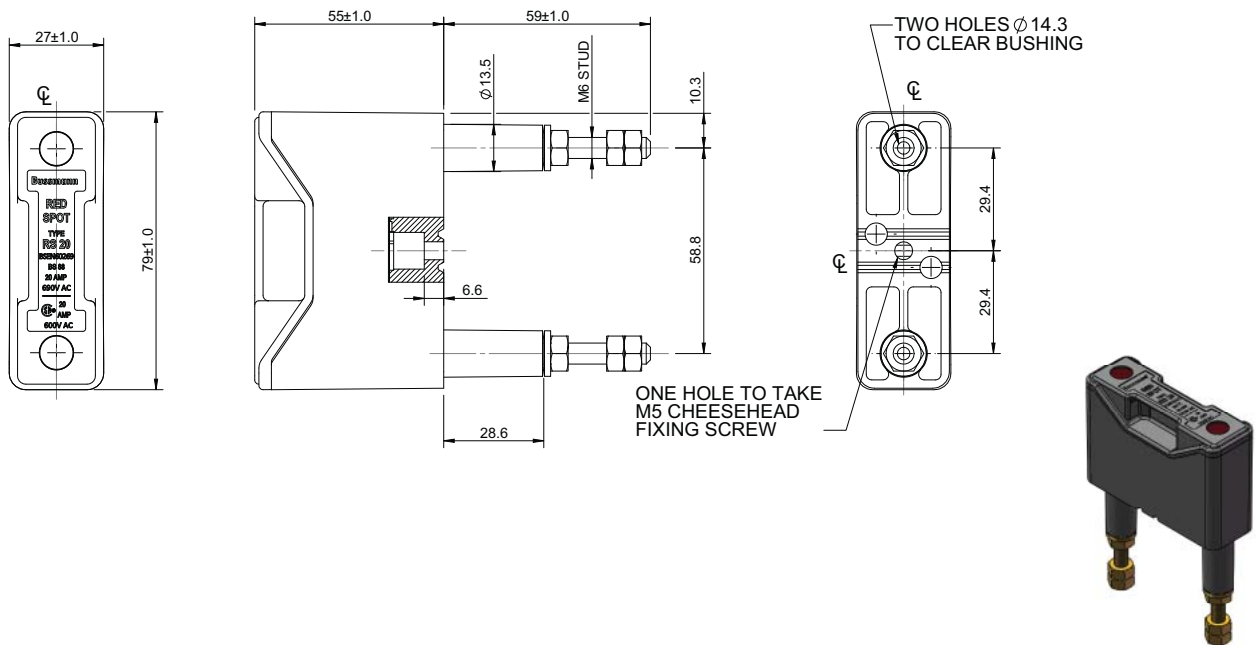
20 A, Front connected

Dimensions -mm



20 A, Back stud connected

Dimensions -mm

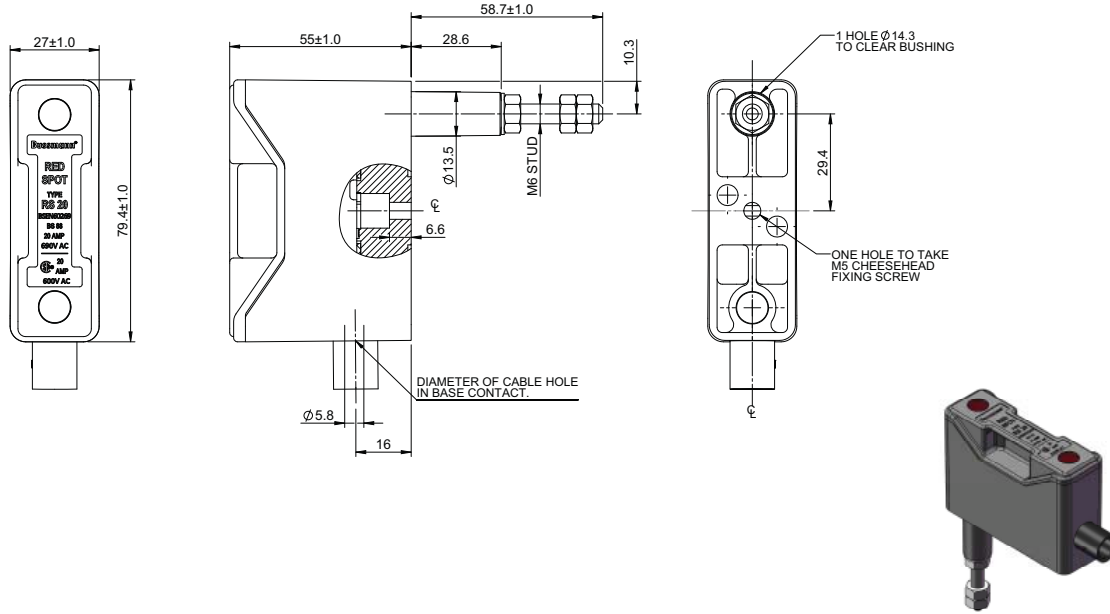


Red Spot fuse holders - RS Series

RS20 Series, 20 A, 690 VAC

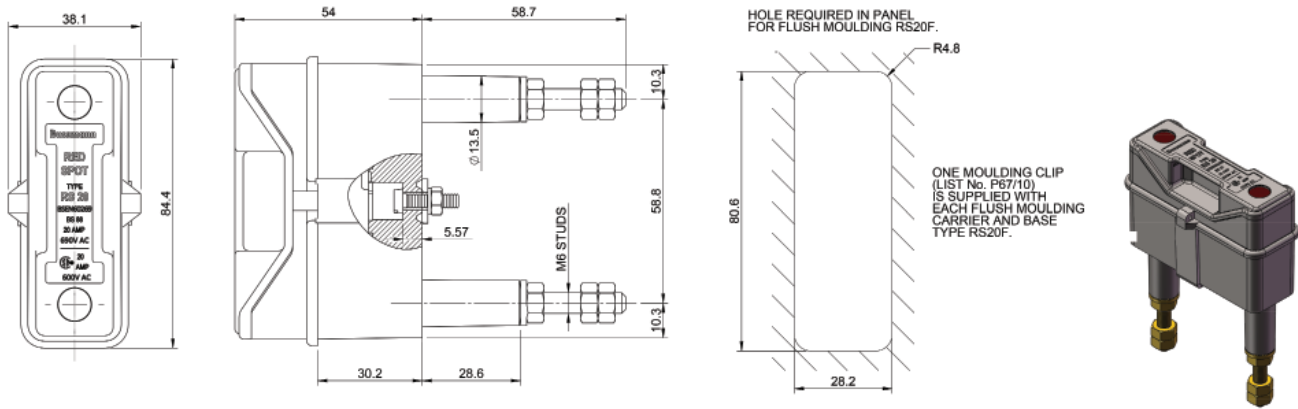
20 A, Front / Back stud connected

Dimensions -mm



20 A, Back stud connected - Flush mounted

Dimensions -mm

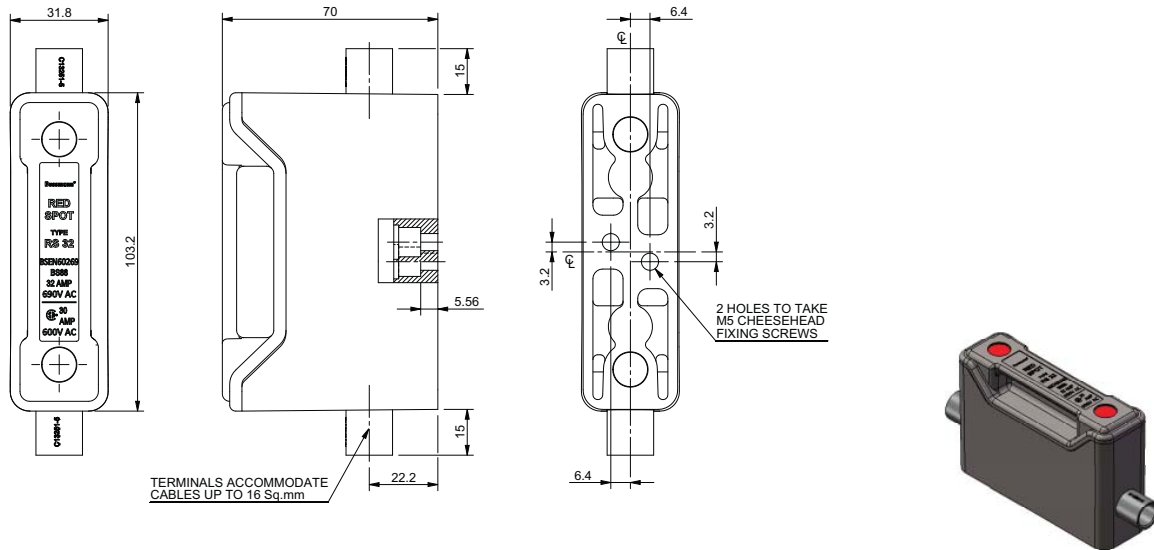


Red Spot fuse holders - RS Series

RS32 Series, 32 A, 690 VAC

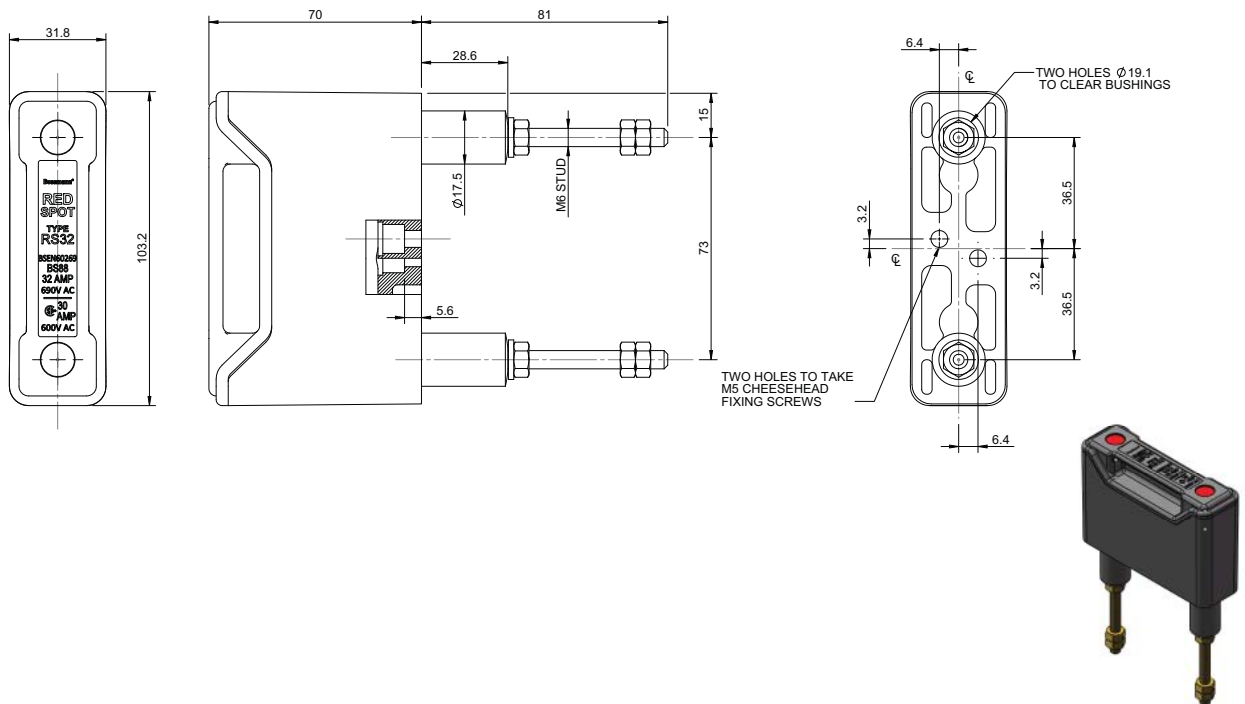
32 A, Front connected

Dimensions -mm



32 A, Back stud connected

Dimensions -mm

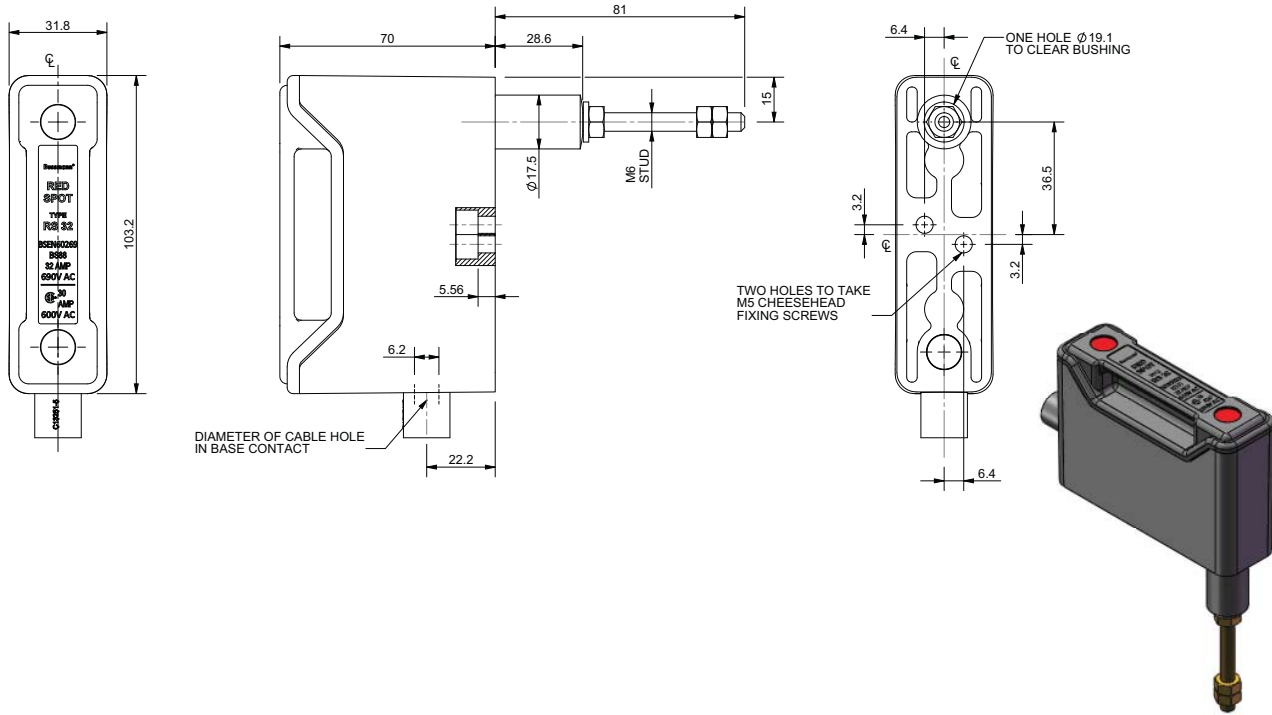


Red Spot fuse holders - RS Series

RS32 Series, 32 A, 690 VAC

32 A, Front / Back stud connected

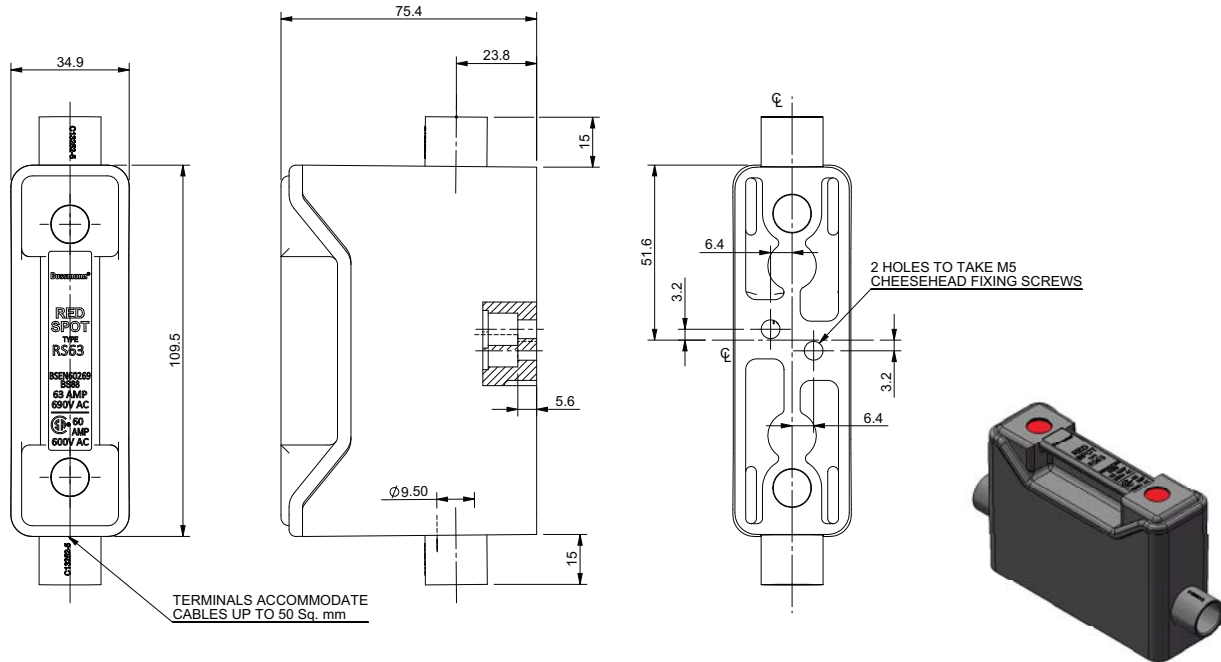
Dimensions -mm



RS63 Series, 63 A, 690 VAC

63 A, Front connected

Dimensions -mm

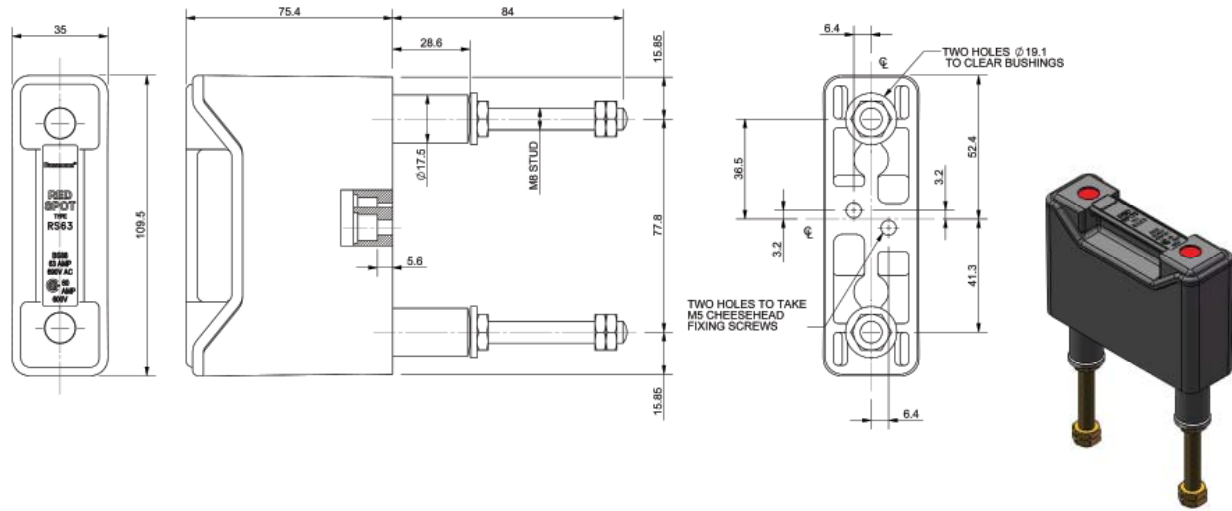


Red Spot fuse holders - RS Series

RS63 Series, 63 A, 690 VAC

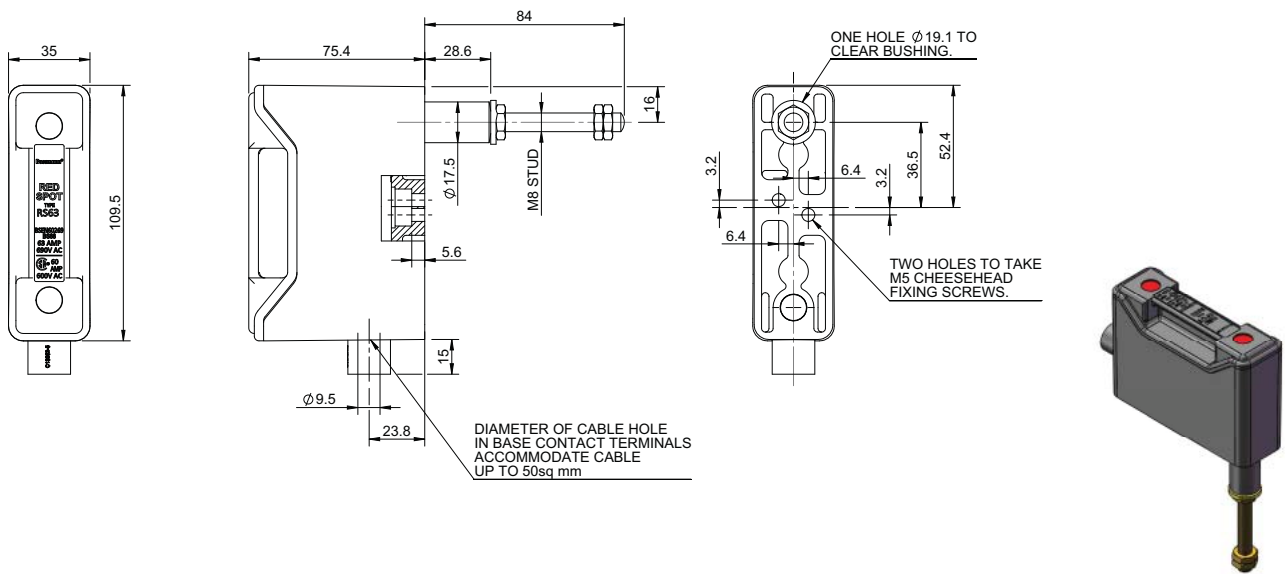
63 A, Back stud connected

Dimensions -mm



63 A, Front / back stud connected

Dimensions -mm

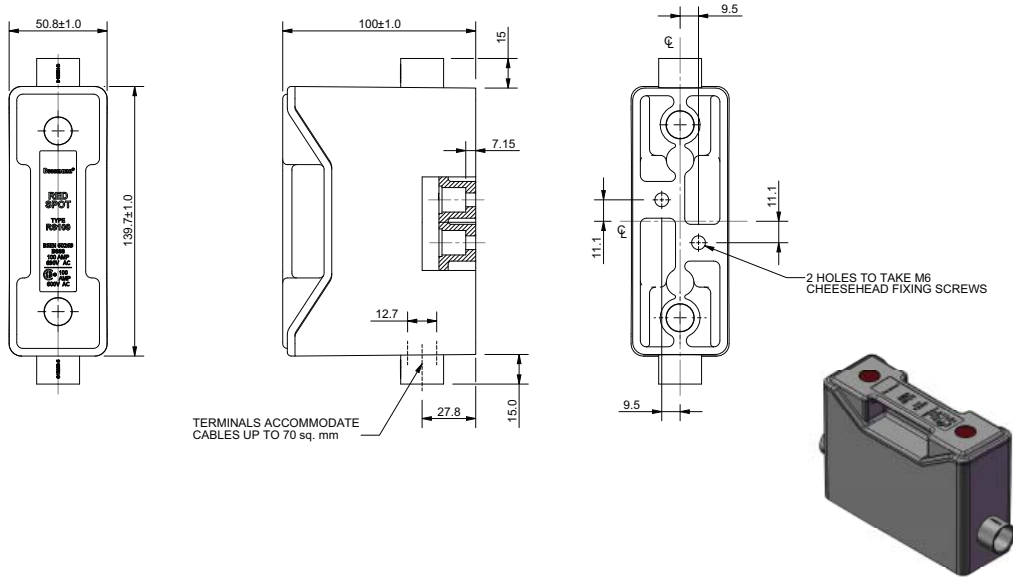


Red Spot fuse holders - RS Series

RS100 Series, 100 A, 690 VAC

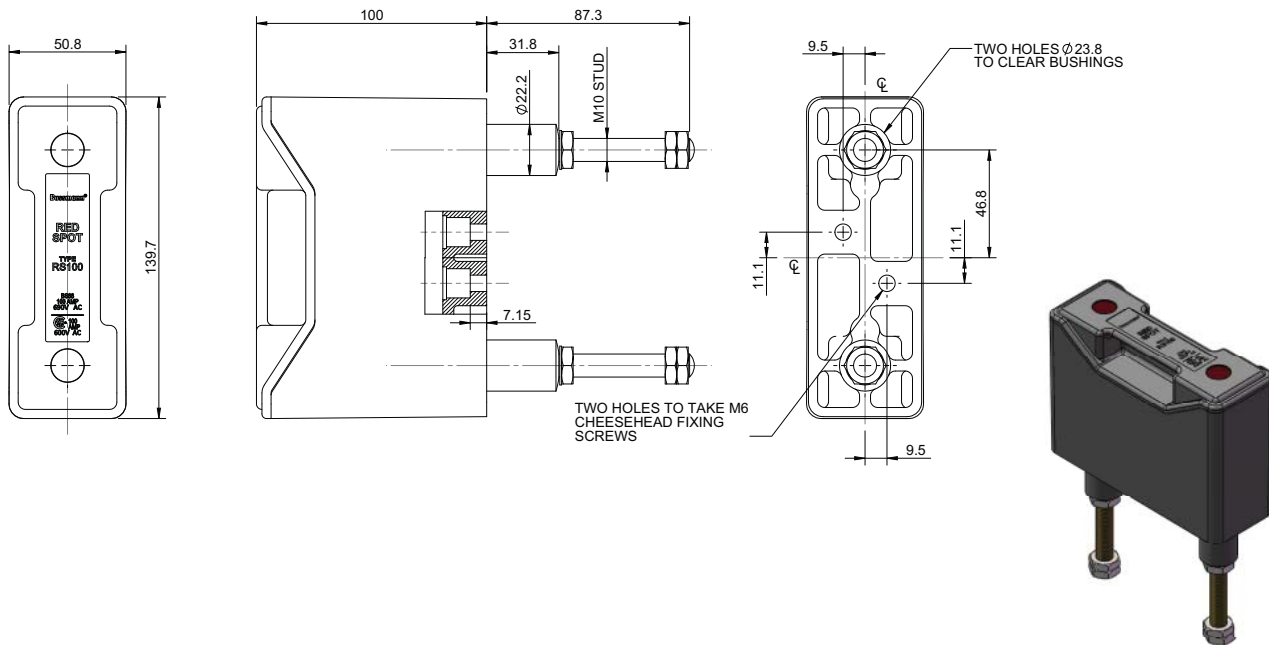
100 A, Front connected

Dimensions -mm



100 A, Back stud connected

Dimensions -mm

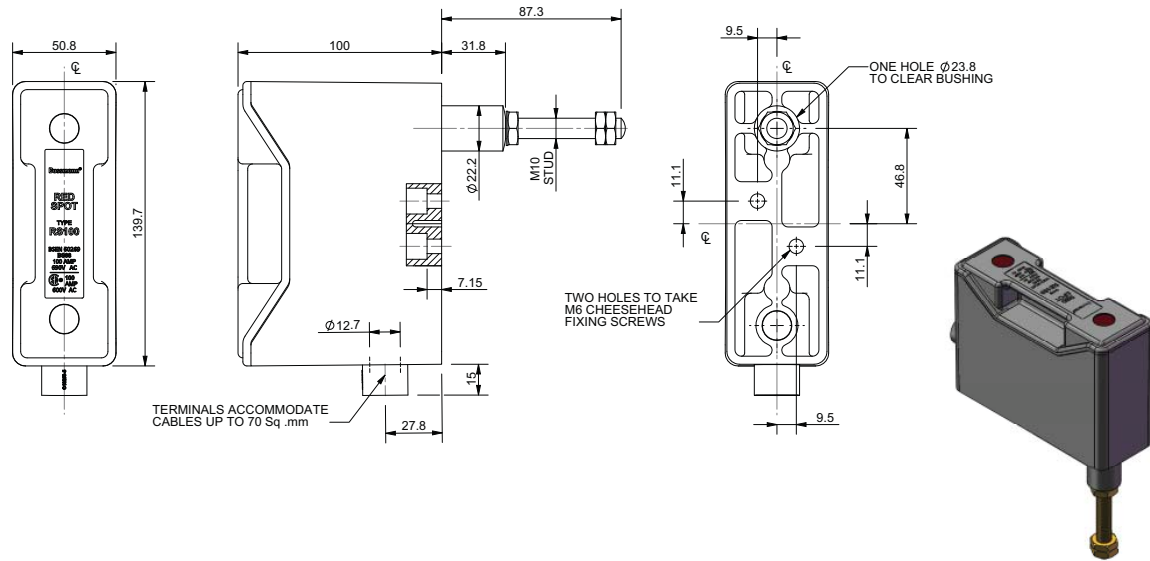


Red Spot fuse holders - RS Series

RS100 Series, 100 A, 690 VAC

100 A, Front / Back stud connected

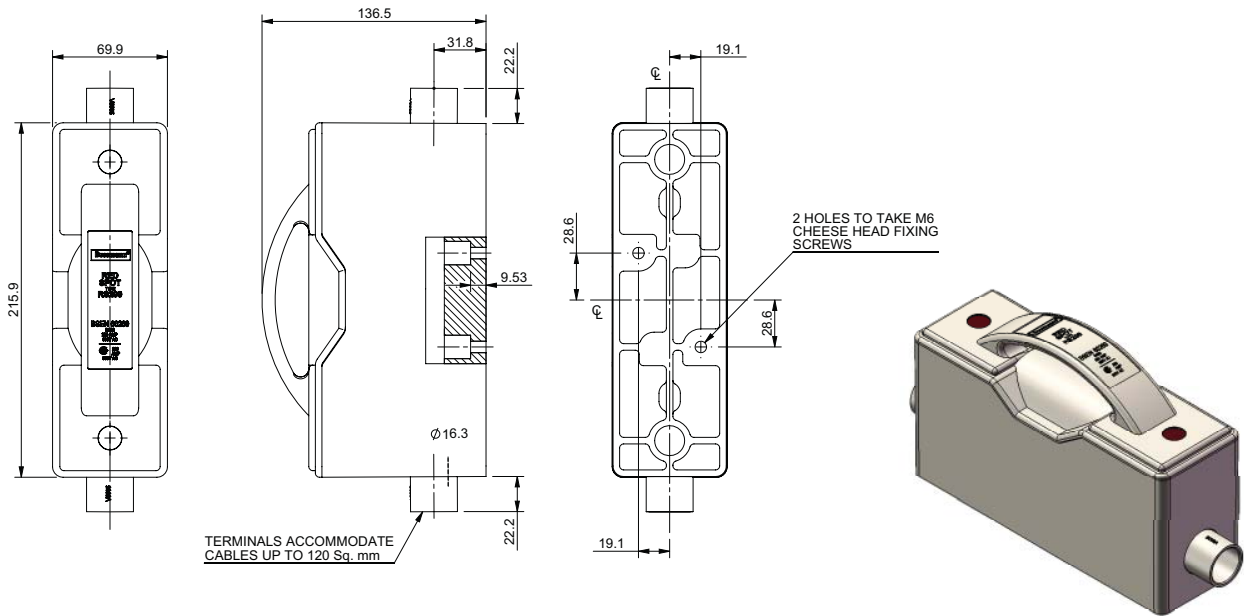
Dimensions -mm



RS200 Series, 200 A, 690 VAC

200 A, Front connected

Dimensions -mm

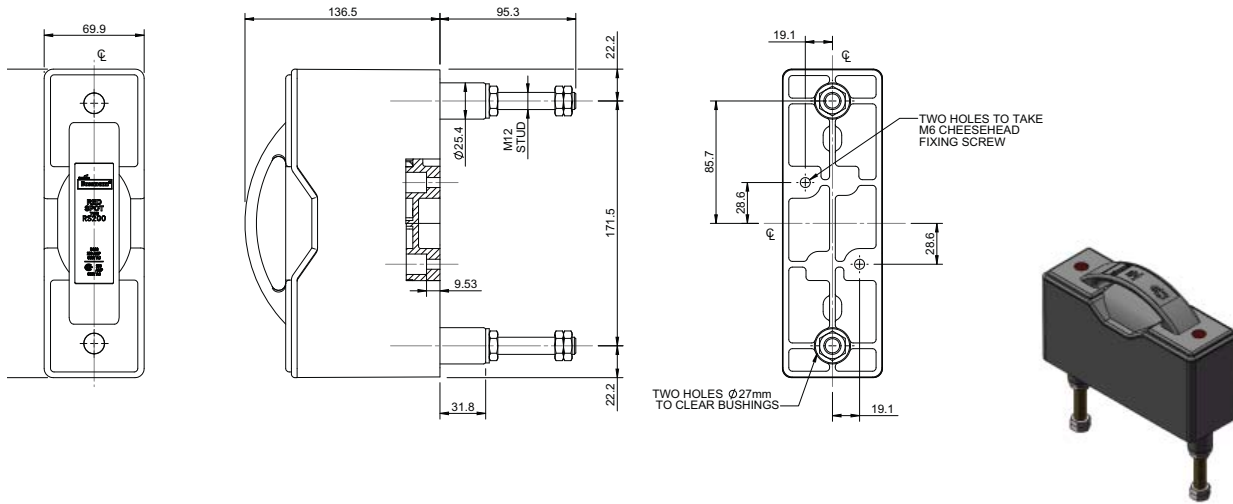


Red Spot fuse holders - RS Series

RS200 Series, 200 A, 690 VAC

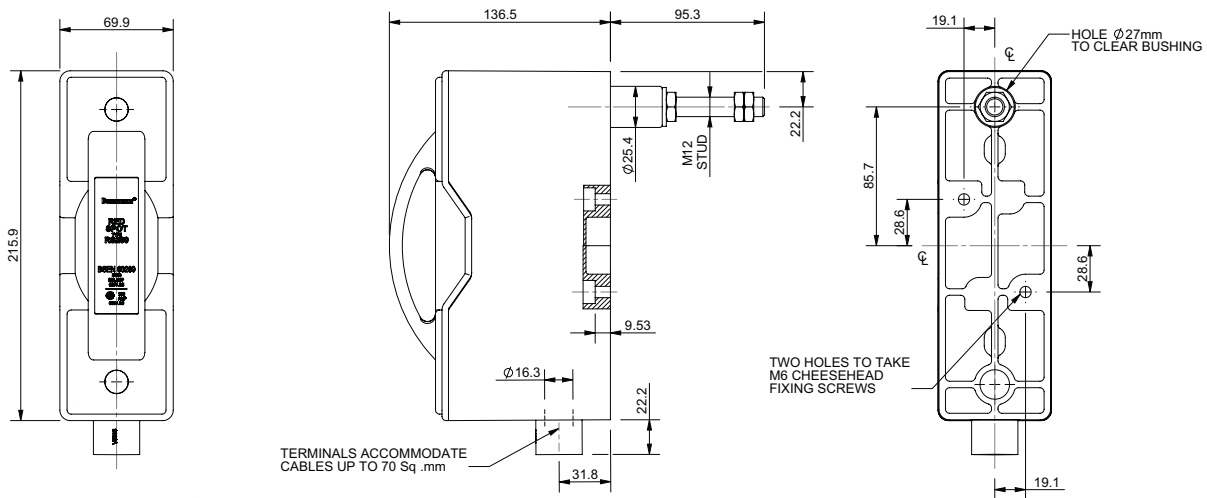
200 A, Back stud connected

Dimensions -mm



200 A, Front / Back stud connected

Dimensions -mm

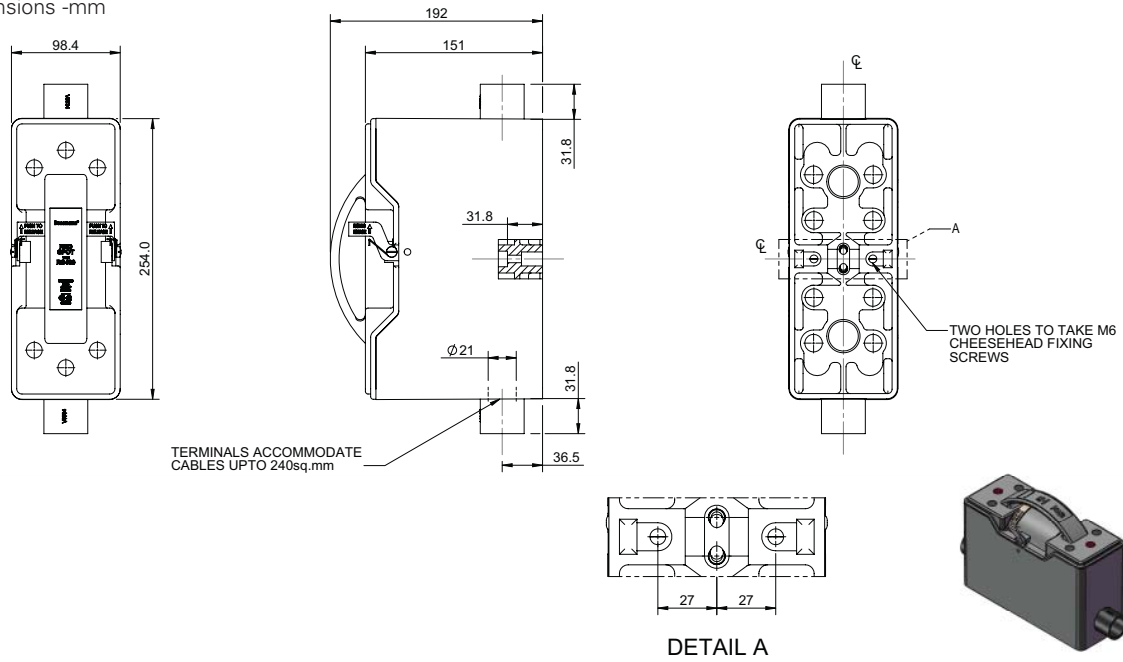


Red Spot fuse holders - RS Series

RS400 Series, 400 A, 690 VAC

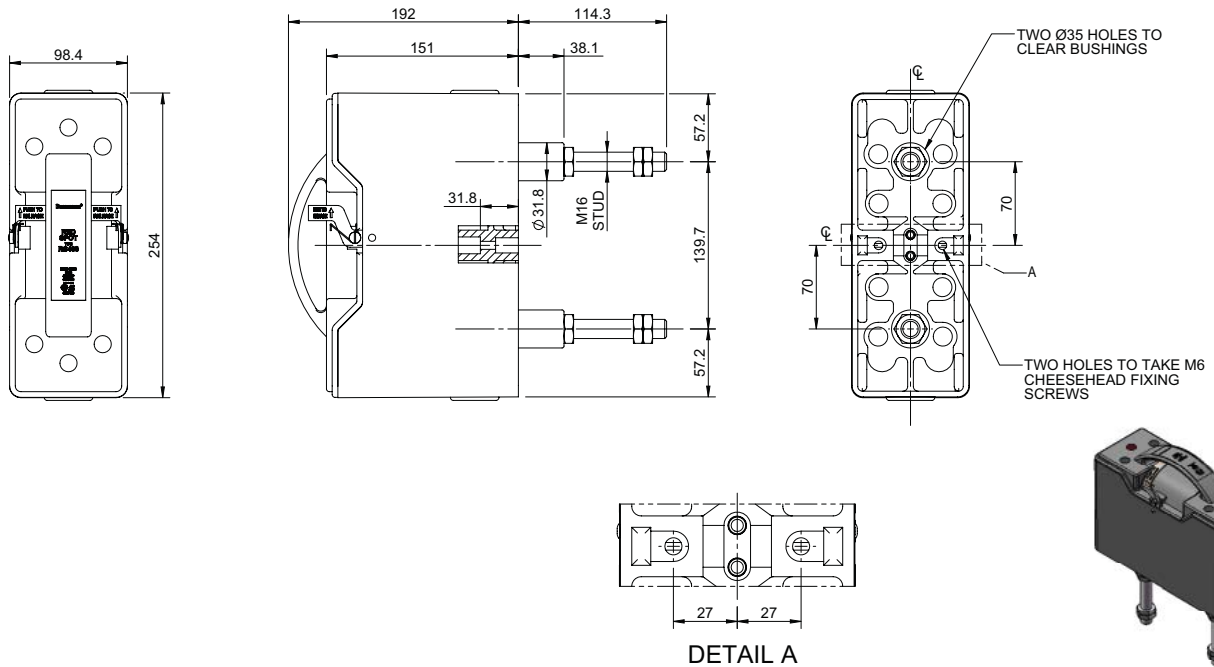
400 A, Front connected

Dimensions -mm



400 A, Back stud connected

Dimensions -mm

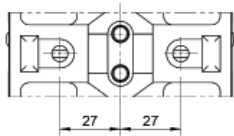
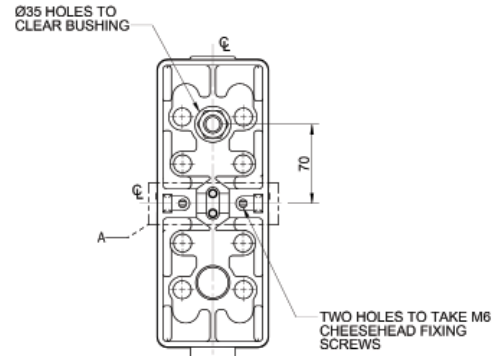
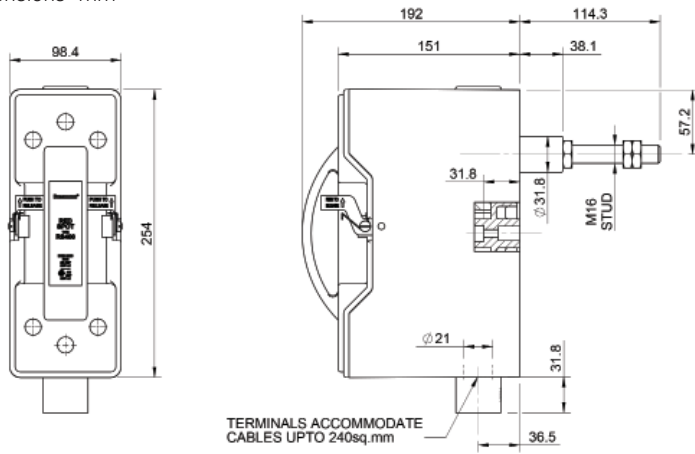


Red Spot fuse holders - RS Series

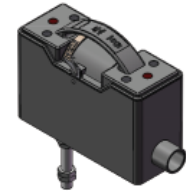
RS400 Series, 400 A, 690 VAC

400 A, Front / Back stud connected

Dimensions -mm



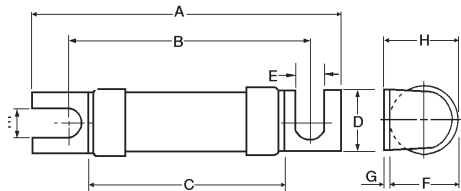
DETAIL A



Street lighting applications to BS88 - Offset bolted tags

STD
2 - 32 A, 240 VAC

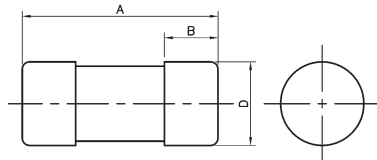
Catalogue number	Rated current (Amps)	Rated voltage	Material price group	Pack qty	MOQ	Dimensions (mm)							
						A	B	C	D	E	F	G	H
STD2	2	240 VAC	P0	20	20	47	35	24	11	4.7	12	0.8	13
STD4	4	240 VAC	P0	20	20	47	35	24	11	4.7	12	0.8	13
STD6	6	240 VAC	P0	20	20	47	35	24	11	4.7	12	0.8	13
STD10	10	240 VAC	P0	20	20	47	35	24	11	4.7	12	0.8	13
STD16	16	240 VAC	P0	20	20	47	35	24	11	4.7	12	0.8	13
STD20	20	240 VAC	P0	20	20	47	35	24	11	4.7	12	0.8	13
STD25	25	240 VAC	P0	20	20	47	35	24	11	4.7	12	0.8	13
STD32	32	240 VAC	P0	20	20	47	35	24	11	4.7	12	0.8	13



Street lighting applications to BS88 - Offset bolted tags

SMD
2 - 32 A, 415 VAC

Catalogue number	Rated current (Amps)	Rated voltage	Material price group	Pack qty	MOQ	Dimensions (mm)		
						A	B	C
SMD2	2	415 VAC	PO	20	20	29	12.7	16
SMD4	4	415 VAC	PO	20	20	29	12.7	16
SMD6	6	415 VAC	PO	20	20	29	12.7	16
SMD10	10	415 VAC	PO	20	20	29	12.7	16
SMD16	16	415 VAC	PO	20	20	29	12.7	16
SMD20	20	415 VAC	PO	20	20	29	12.7	16
SMD25	25	415 VAC	PO	20	20	29	12.7	16
SMD32	32	415 VAC	PO	20	20	29	12.7	16



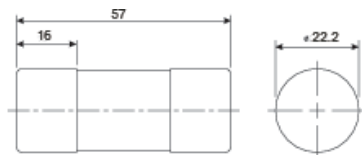
Low voltage

Utility applications to BS88 - House service cut-out fuse links

KR85
5 - 100 A, 415 VAC, gG

Catalogue number	Rated current (Amps)	Rated voltage	Material price group	Pack qty	MOQ	Dimensions (mm)		
						A	B	C
5KR85	5	415 VAC	PS	20	20	57	22.2	16
10KR85	10	415 VAC	PS	20	20	57	22.2	16
15KR85	15	415 VAC	PS	20	20	57	22.2	16
20KR85	20	415 VAC	PS	20	20	57	22.2	16
25KR85	25	415 VAC	PS	20	20	57	22.2	16
30KR85	30	415 VAC	PS	20	20	57	22.2	16
40KR85	40	415 VAC	PS	20	20	57	22.2	16
45KR85	45	415 VAC	PS	20	20	57	22.2	16
50KR85	50	415 VAC	PS	20	20	57	22.2	16
60KR85	60	415 VAC	PS	20	20	57	22.2	16
80KR85	80	415 VAC	PS	20	20	57	22.2	16
100KR85	100	415 VAC	PS	20	20	57	22.2	16

Dimensions -mm



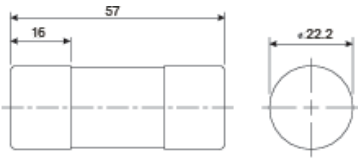
Utility applications to BS88 - House service cut-out fuse links

LR85
30 - 100 A, 415 VAC, gG

Catalogue number	Rated current (Amps)	Rated voltage	Material price group	Pack qty	MOQ	Dimensions (mm)		
						A	B	C
30LR85	30	415 VAC	PS	20	20	57	30.2	16
40LR85	40	415 VAC	PS	20	20	57	30.2	16
50LR85	50	415 VAC	PS	20	20	57	30.2	16
60LR85	60	415 VAC	PS	20	20	57	30.2	16
80LR85	80	415 VAC	PS	20	20	57	30.2	16
100LR85	100	415 VAC	PS	20	20	57	30.2	16



Dimensions -mm



Utility applications to BS88 - House service cut-out fuse holders

Modular fuse holders
60 - 100 A, 415 - 240 VAC

Catalogue number	Description	Rated current (Amps)	Rated voltage	Material price group	Pack qty	MOQ
6080SP	Single-pole unit 60/80A	60/80A	240 VAC/415 VAC	QS	10	10
100SP	Single-pole unit 100A	100A	240 VAC/415 VAC	QS	10	10
CNE-HS	Combined neutral and earth module	N/A	240 VAC/415 VAC	QS	10	10
SNE-HS	Separate neutral and earth module	N/A	240 VAC/415 VAC	QS	10	10



60/80SP



100SP

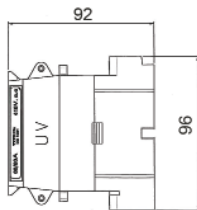


CNE

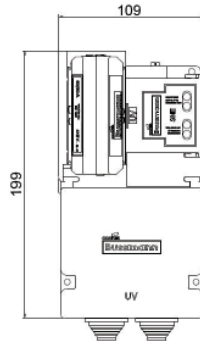


SNE

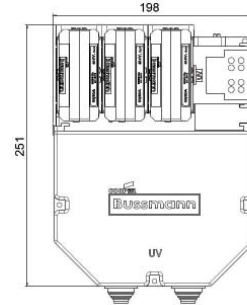
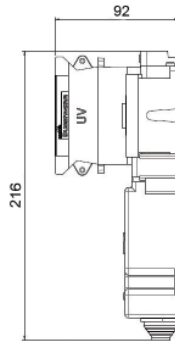
Dimensions -mm



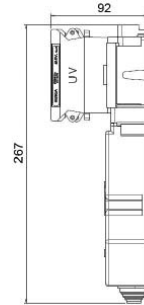
Single-pole configuration



Single-pole and CNE or SNE configuration



Three-pole and CNE or SNE configuration



Utility applications to BS88 - House service cut-out fuse holders

Modular fuse holders accessories

Catalogue number	Description	Material price group	Pack qty	MOQ
SP-HS-COVER	Single-pole crutch cover	QS	10	10
TP-HS-COVER	Three-pole crutch cover	QS	10	10
SPBP-HS	Single-pole base cover	QS	10	10
TPBP-HS	Triple-pole base cover	QS	10	10
TC-HS	Terminal connector	QS	50	50
BUSBAR-HS	Busbar link	QS	50	50
LTS-HS	Live terminal shroud	QS	50	50
TOOL-HS	Cable plug extraction tool	QS	1	1



SP-HS-COVER



SPBP-HS



TP-HS-COVER



TPBP-HS



TC-HS



BUSBAR-HS



LTS-HS



TOOL-HS

Utility applications to BS88 - J Type fuse links

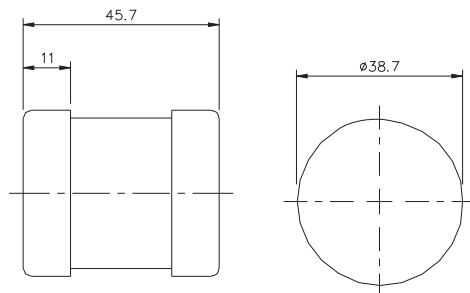
MJ25-6

20 - 250 A, 415 VAC, gG

Catalogue number	Rated current (Amps)	Rated voltage	Tag type	Material price group	Pack qty	MOQ
20MJ25-6	20	415 VAC	Cylindrical	PR	10	10
32MJ25-6	32	415 VAC	Cylindrical	PR	10	10
40MJ25-6	40	415 VAC	Cylindrical	PR	10	10
63MJ25-6	63	415 VAC	Cylindrical	PR	10	10
80MJ25-6	80	415 VAC	Cylindrical	PR	10	10
100MJ25-6	100	415 VAC	Cylindrical	PR	10	10
125MJ25-6	125	415 VAC	Cylindrical	PR	10	10
160MJ25-6	160	415 VAC	Cylindrical	PR	10	10
200MJ25-6	200	415 VAC	Cylindrical	PR	10	10
250MJ25-6	250	415 VAC	Cylindrical	PR	10	10



Dimensions -mm



Utility applications to BS88 - J Type fuse links to BS88: Part 5 Cylindrical slotted and non slotted types

MJ30-7 abd MJ30-8
32 - 315 A, 415 VAC, gG

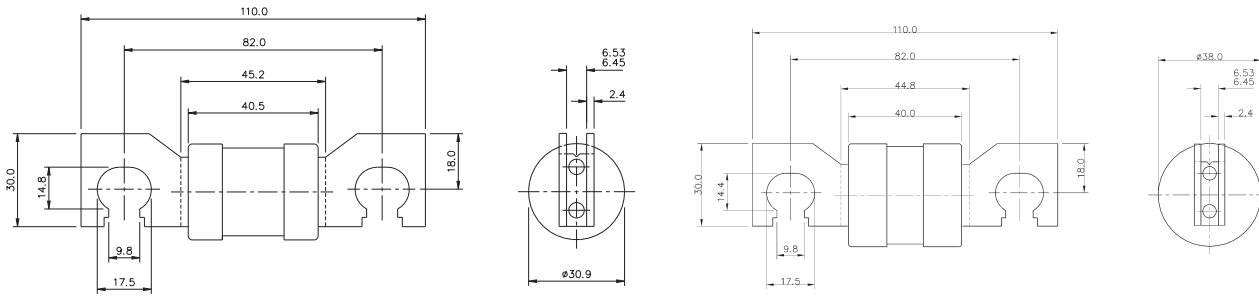
Catalogue number	Rated current (Amps)	Rated voltage	Fixing centres (mm)	Tag type	Material price group	Pack qty	MOQ	Fuse holder
32MJ30-8	32	415 VAC	82	Slot	PR	10	10	JW3
40MJ30-8	40	415 VAC	82	Slot	PR	10	10	JW3
50MJ30-8	50	415 VAC	82	Slot	PR	10	10	JW3
63MJ30-8	63	415 VAC	82	Slot	PR	10	10	JW3
80MJ30-7	80	415 VAC	82	Slot	PR	10	10	JW3
100MJ30-7	100	415 VAC	82	Slot	PR	10	10	JW3
125MJ30-7	125	415 VAC	82	Slot	PR	10	10	JW3
160MJ30-7	160	415 VAC	82	Slot	PR	10	10	JW3
200MJ30-7	200	415 VAC	82	Slot	PR	10	10	JW3
250MJ30-7	250	415 VAC	82	Slot	PR	5	5	JW3
315MJ30-7	315	415 VAC	82	Slot	PR	5	5	JW3



Dimensions -mm

Up to 200 A

250 and 315 A

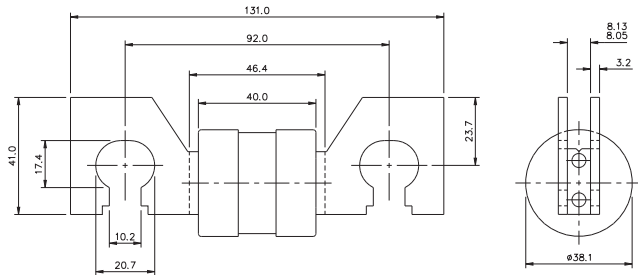


PJ31-7
355 - 400 A, 415 VAC, gG

Catalogue number	Rated current (Amps)	Rated voltage	Fixing centres (mm)	Tag type	Material price group	Pack qty	MOQ	Fuse holder
355PJ31-7	355	415 VAC	92	Slot	PR	5	5	JW3
400PJ31-7	400	415 VAC	92	Slot	PR	5	5	JW3



Dimensions -mm

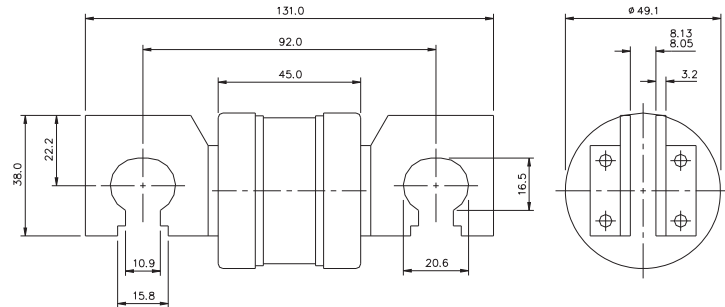


Utility applications to BS88 - J Type fuse links to BS88: Part 5 Cylindrical slotted and non slotted types

RJ31-7
450 and 500 A, 415 VAC, gG

Catalogue number	Rated current (Amps)	Rated voltage	Fixing centres (mm)	Tag type	Material price group	Pack qty	MOQ	Fuse holder
450RJ31-7	450	415 VAC	92	Slot	PR	1	1	JW4
500RJ31-7	500	415 VAC	92	Slot	PR	1	1	JW4

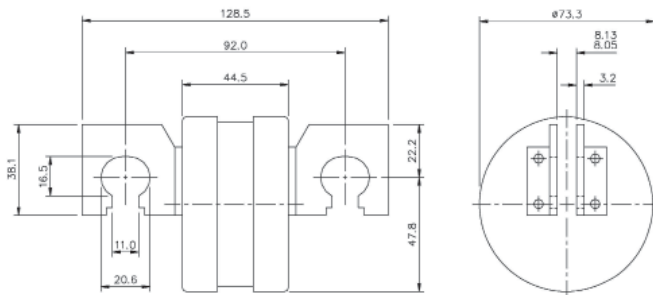
Dimensions -mm



SJ31-6
560 and 630 A, 415 VAC, gG

Catalogue number	Rated current (Amps)	Rated voltage	Fixing centres (mm)	Tag type	Material price group	Pack qty	MOQ	Fuse holder
560SJ31-6	560	415 VAC	92	Slot	PR	1	1	JW4
630SJ31-6	630	415 VAC	92	Slot	PR	1	1	JW4

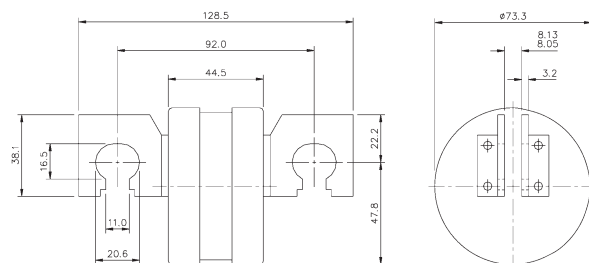
Dimensions -mm



SJ28
800 A, 415 VAC, gG

Catalogue number	Rated current (Amps)	Rated voltage	Fixing centres (mm)	Tag type	Material price group	Pack qty	MOQ	Fuse holder
800SJ28	800	415 VAC	92	Hole	PR	1	1	JW4

Dimensions -mm



Low voltage

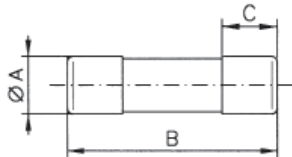


CYLINDRICAL FUSE LINKS AND FUSE HOLDERS

Cylindrical industrial fuse links - Class aM IEC 60269

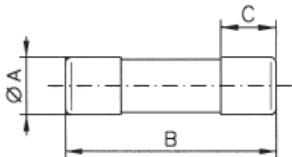
8 x 31 mm
1 - 8 A, 400 VAC, aM

Catalogue number	Rated current (Amps)	Rated voltage	Material price group	Pack qty	MOQ	Dimensions (mm)		
						A	B	C
C08M1	1	400 VAC	PP	10	60	8.5	31.5	6.3
C08M2	2	400 VAC	PP	10	60	8.5	31.5	6.3
C08M4	4	400 VAC	PP	10	10	8.5	31.5	6.3
C08M6	6	400 VAC	PP	10	10	8.5	31.5	6.3
C08M8	8	400 VAC	PP	10	60	8.5	31.5	6.3



10 x 38 mm
0.25 - 25 A, 400 - 500 VAC, aM

Catalogue number	Rated current (Amps)	Rated voltage	Material price group	Pack qty	MOQ	Dimensions (mm)			Fuse holder
						A	B	C	
C10M0-25	0.25	500 VAC	PP	10	10	10	38	10	CHM1DU
C10M0-5	0.5	500 VAC	PP	10	10	10	38	10	CHM1DU
C10M1	1	500 VAC	PP	10	10	10	38	10	CHM1DU
C10M2	2	500 VAC	PP	10	10	10	38	10	CHM1DU
C10M4	4	500 VAC	PP	10	10	10	38	10	CHM1DU
C10M6	6	500 VAC	PP	10	10	10	38	10	CHM1DU
C10M8	8	500 VAC	PP	10	10	10	38	10	CHM1DU
C10M10	10	500 VAC	PP	10	10	10	38	10	CHM1DU
C10M12	12	500 VAC	PP	10	10	10	38	10	CHM1DU
C10M16	16	500 VAC	PP	10	10	10	38	10	CHM1DU
C10M20	20	400 VAC	PP	10	10	10	38	10	CHM1DU
C10M25	25	400 VAC	PP	10	10	10	38	10	CHM1DU



14 x 51 mm
0.25 - 50 A, 400 - 500 VAC, aM

Catalogue number	Rated current (Amps)	Rated voltage	Material price group	Pack qty	MOQ	Dimensions (mm)			Fuse holder
						A	B	C	
C14M0-25	0.25	500 VAC	PP	10	10	14.3	51	13	CH141DU
C14M1	1	500 VAC	PP	10	10	14.3	51	13	CH141DU
C14M2	2	500 VAC	PP	10	10	14.3	51	13	CH141DU
C14M4	4	500 VAC	PP	10	10	14.3	51	13	CH141DU
C14M6	6	500 VAC	PP	10	10	14.3	51	13	CH141DU
C14M8	8	500 VAC	PP	10	10	14.3	51	13	CH141DU
C14M10	10	500 VAC	PP	10	10	14.3	51	13	CH141DU
C14M12	12	500 VAC	PP	10	10	14.3	51	13	CH141DU
C14M16	16	500 VAC	PP	10	10	14.3	51	13	CH141DU
C14M20	20	500 VAC	PP	10	10	14.3	51	13	CH141DU
C14M25	25	500 VAC	PP	10	10	14.3	51	13	CH141DU
C14M32	32	500 VAC	PP	10	10	14.3	51	13	CH141DU
C14M40	40	500 VAC	PP	10	10	14.3	51	13	CH141DU
C14M50	50	400 VAC	PP	10	10	14.3	51	13	CH141DU



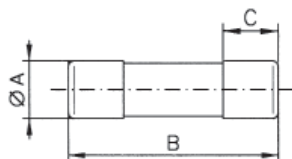
Cylindrical industrial fuse links - Class aM IEC 60269

22 x 58 mm
2 - 125 A, 400, 500 and 690 VAC, aM

Catalogue number	Rated current (Amps)	Rated voltage	Material price group	Pack qty	MOQ	Dimensions (mm)			Fuse holder
						A	B	C	
C22M2	2	690 VAC	PP	10	10	22.2	58	16	CH223B
C22M4	4	690 VAC	PP	10	10	22.2	58	16	CH223B
C22M6	6	690 VAC	PP	10	10	22.2	58	16	CH223B
C22M8	8	690 VAC	PP	10	10	22.2	58	16	CH223B
C22M10	10	690 VAC	PP	10	10	22.2	58	16	CH223B
C22M12	12	690 VAC	PP	10	10	22.2	58	16	CH223B
C22M16	16	690 VAC	PP	10	10	22.2	58	16	CH223B
C22M20	20	690 VAC	PP	10	10	22.2	58	16	CH223B
C22M25	25	690 VAC	PP	10	10	22.2	58	16	CH223B
C22M32	32	690 VAC	PP	10	10	22.2	58	16	CH223B
C22M40	40	690 VAC	PP	10	10	22.2	58	16	CH223B
C22M50	50	690 VAC	PP	10	10	22.2	58	16	CH223B
C22M63	63	690 VAC	PP	10	10	22.2	58	16	CH223B
C22M80	80	500 VAC	PP	10	10	22.2	58	16	CH223B
C22M100	100	500 VAC	PP	10	10	22.2	58	16	CH223B
C22M125	125	400 VAC	PP	10	10	22.2	58	16	CH223B



Low voltage



References with Indicator and Striker also available, please contact our technical department for further information:

buletechnical@eaton.com, 00 44 (0) 1509 882 699

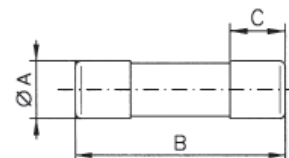
Neutral links

Catalogue number	Material price group	Pack qty	MOQ
C8NL	QR	10	10
C10NL	QR	10	10
C14NL	QR	10	10
C22NL	QR	10	10

Cylindrical industrial fuse links - Class gG IEC 60269

8 x 31 mm
0.5 - 20 A, 400 VAC, gG

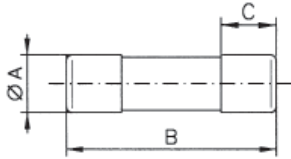
Catalogue number	Rated current (Amps)	Rated voltage	Material price group	Pack qty	MOQ	Dimensions (mm)		
						A	B	C
C08G0-5	0.5	400 VAC	PP	10	10	8.5	31.5	6.3
C08G1	1	400 VAC	PP	10	10	8.5	31.5	6.3
C08G2	2	400 VAC	PP	10	10	8.5	31.5	6.3
C08G4	4	400 VAC	PP	10	10	8.5	31.5	6.3
C08G6	6	400 VAC	PP	10	10	8.5	31.5	6.3
C08G8	8	400 VAC	PP	10	10	8.5	31.5	6.3
C08G10	10	400 VAC	PP	10	10	8.5	31.5	6.3
C08G12	12	400 VAC	PP	10	10	8.5	31.5	6.3
C08G16	16	400 VAC	PP	10	10	8.5	31.5	6.3
C08G20	20	400 VAC	PP	10	10	8.5	31.5	6.3



Cylindrical industrial fuse links - Class gG IEC 60269

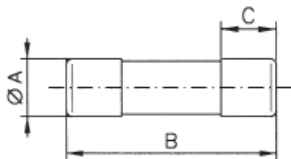
10 x 38 mm
0.5 - 32 A, 500 VAC, gG

Catalogue number	Rated current (Amps)	Rated voltage	Material price group	Pack qty	MOQ	Dimensions (mm)			Fuse holder
						A	B	C	
C10G0-5	0.5	500 VAC	PP	10	10	10	38	10	CHM1DU
C10G1	1	500 VAC	PP	10	10	10	38	10	CHM1DU
C10G2	2	500 VAC	PP	10	10	10	38	10	CHM1DU
C10G4	4	500 VAC	PP	10	10	10	38	10	CHM1DU
C10G6	6	500 VAC	PP	10	10	10	38	10	CHM1DU
C10G8	8	500 VAC	PP	10	10	10	38	10	CHM1DU
C10G10	10	500 VAC	PP	10	10	10	38	10	CHM1DU
C10G12	12	500 VAC	PP	10	10	10	38	10	CHM1DU
C10G16	16	500 VAC	PP	10	10	10	38	10	CHM1DU
C10G20	20	500 VAC	PP	10	10	10	38	10	CHM1DU
C10G25	25	500 VAC	PP	10	10	10	38	10	CHM1DU
C10G32	32	400 VAC	PP	10	10	10	38	10	CHM1DU



14 x 51 mm
1 - 50 A, 400 - 500 - 690 VAC, gG

Catalogue number	Rated current (Amps)	Rated voltage	Material price group	Pack qty	MOQ	Dimensions (mm)					Fuse holder
						A	B	C	D	E	
C14G1	1	690 VAC	PP	10	10	14.3	51	13	8	4	CH141DU
C14G2	2	690 VAC	PP	10	10	14.3	51	13	8	4	CH141DU
C14G4	4	690 VAC	PP	10	10	14.3	51	13	8	4	CH141DU
C14G6	6	690 VAC	PP	10	10	14.3	51	13	8	4	CH141DU
C14G8	8	690 VAC	PP	10	10	14.3	51	13	8	4	CH141DU
C14G10	10	690 VAC	PP	10	10	14.3	51	13	8	4	CH141DU
C14G12	12	690 VAC	PP	10	10	14.3	51	13	8	4	CH141DU
C14G16	16	690 VAC	PP	10	10	14.3	51	13	8	4	CH141DU
C14G20	20	690 VAC	PP	10	10	14.3	51	13	8	4	CH141DU
C14G25	25	690 VAC	PP	10	10	14.3	51	13	8	4	CH141DU
C14G32	32	500 VAC	PP	10	10	14.3	51	13	8	4	CH141DU
C14G40	40	500 VAC	PP	10	10	14.3	51	13	8	4	CH141DU
C14G50	50	400 VAC	PP	10	10	14.3	51	13	8	4	CH141DU



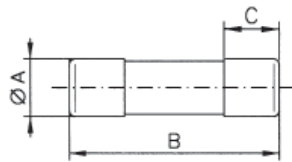
Cylindrical industrial fuse links - Class gG IEC 60269

22 x 58 mm
2 - 125 A, 400 - 500 - 690 VAC, gG

Catalogue number	Rated current (Amps)	Rated voltage	Material price group	Pack qty	MOQ	Dimensions (mm)					Fuse holder
						A	B	C	D	E	
C22G2	2	690 VAC	PP	10	10	22.2	58	16	8	4	CH221DU
C22G4	4	690 VAC	PP	10	10	22.2	58	16	8	4	CH221DU
C22G6	6	690 VAC	PP	10	10	22.2	58	16	8	4	CH221DU
C22G8	8	690 VAC	PP	10	10	22.2	58	16	8	4	CH221DU
C22G10	10	690 VAC	PP	10	10	22.2	58	16	8	4	CH221DU
C22G12	12	690 VAC	PP	10	10	22.2	58	16	8	4	CH221DU
C22G16	16	690 VAC	PP	10	10	22.2	58	16	8	4	CH221DU
C22G20	20	690 VAC	PP	10	10	22.2	58	16	8	4	CH221DU
C22G25	25	690 VAC	PP	10	10	22.2	58	16	8	4	CH221DU
C22G32	32	690 VAC	PP	10	10	22.2	58	16	8	4	CH221DU
C22G40	40	690 VAC	PP	10	10	22.2	58	16	8	4	CH221DU
C22G50	50	690 VAC	PP	10	10	22.2	58	16	8	4	CH221DU
C22G63	63	690 VAC	PP	10	10	22.2	58	16	8	4	CH221DU
C22G80	80	500 VAC	PP	10	10	22.2	58	16	8	4	CH221DU
C22G100	100	500 VAC	PP	10	10	22.2	58	16	8	4	CH221DU
C22G125	125	400 VAC	PP	10	10	22.2	58	16	8	4	CH221DU



Low voltage



References with Indicator and Striker also available, please contact our technical department for further information:
buletechnical@eaton.com, 00 44 (0) 1509 882 699

Modular industrial fuse holders

CHM 10 x 38 mm without indicator
32 A, 690 VAC

Catalogue number	Number of poles	Rated current (Amps)	Rated voltage	Material price group	Pack qty	MOQ	Fuses
CHM1DU	1-Pole	32	690 VAC	QR	12	12	C10M and C10G
CHM1DNXU	Neutral	32	690 VAC	QR	12	12	C10M and C10G
CHM1DNU	1-Pole + Neutral (2 Modules)	32	690 VAC	QR	12	12	C10M and C10G
CHM2DU	2-Pole	32	690 VAC	QR	12	12	C10M and C10G
CHM3DU	3-Pole	32	690 VAC	QR	12	12	C10M and C10G
CHM3DNU	3-Pole + Neutral (4 Modules)	32	690 VAC	QR	12	12	C10M and C10G
CHM4DU	4-Pole	32	690 VAC	QR	12	12	C10M and C10G



CHM 10 x 38 mm with indicator
32 A, 690 VAC

Catalogue number	Number of poles	Rated current (Amps)	Rated voltage	Material price group	Pack qty	MOQ	Fuses
CHM1DIU	1-Pole	32	690 VAC	QR	12	12	C10M and C10G
CHM1DNIU	1-Pole + Neutral (2 Modules)	32	690 VAC	QR	12	12	C10M and C10G
CHM2DIU	2-Pole	32	690 VAC	QR	12	12	C10M and C10G
CHM3DIU	3-Pole	32	690 VAC	QR	12	12	C10M and C10G
CHM3DNIU	3-Pole + Neutral (4 Modules)	32	690 VAC	QR	12	12	C10M and C10G
CHM4DIU	4-Pole	32	690 VAC	QR	12	12	C10M and C10G

Modular industrial fuse holders

CHPV 10 x 38 mm without indicator
32 A, 1000 VDC

Catalogue number	Number of poles	Rated current (Amps)	Rated voltage	Material price group	Pack qty	MOQ	Fuses
CHPV1U	1-Pole	32	1000 VDC	QR	12	12	PV-10
CHPV2U	2-Pole	32	1000 VDC	QR	12	12	PV-10



CHPV 10 x 38 mm with indicator
32 A, 1000 VDC

Catalogue number	Number of poles	Rated current (Amps)	Rated voltage	Material price group	Pack qty	MOQ	Fuses
CHPV1IU	1-Pole	32	1000 VDC	QR	12	12	PV-10
CHPV2IU	2-Pole	32	1000 VDC	QR	12	12	PV-10



CHCC 10 x 38 mm without indicator
30 A, 600 VDC

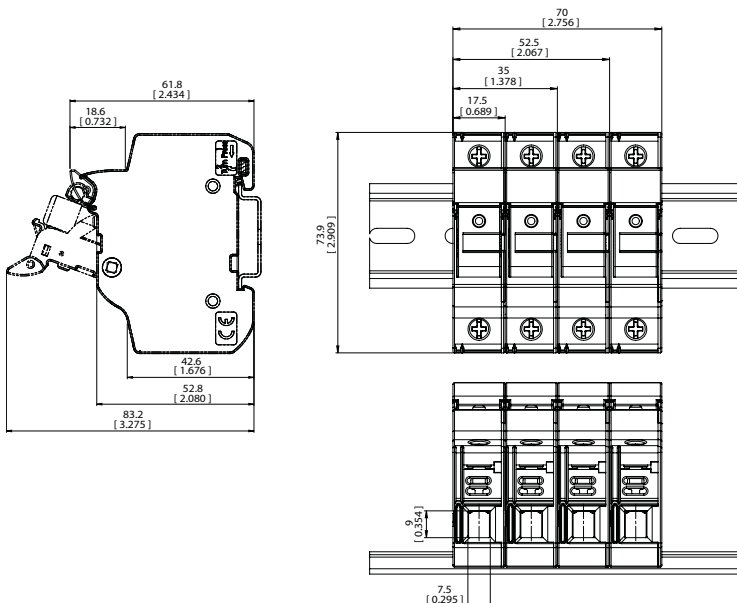
Catalogue number	Number of poles	Rated current (Amps)	Rated voltage	Material price group	Pack qty	MOQ	Fuses
CHCC1DU	1-Pole	30	600 VDC	QR	12	12	LP-CC / KTK-R / FNQ-R
CHCC2DU	2-Pole	30	600 VDC	QR	12	12	LP-CC / KTK-R / FNQ-R
CHCC3DU	3-Pole	30	600 VDC	QR	12	12	LP-CC / KTK-R / FNQ-R



CHCC 10 x 38 mm with indicator
30 A, 600 VDC

Catalogue number	Number of poles	Rated current (Amps)	Rated voltage	Material price group	Pack qty	MOQ	Fuses
CHCC1DIU	1-Pole	30	600 VDC	QR	12	12	LP-CC / KTK-R / FNQ-R
CHCC2DIU	2-Pole	30	600 VDC	QR	12	12	LP-CC / KTK-R / FNQ-R
CHCC3DIU	3-Pole	30	600 VDC	QR	12	12	LP-CC / KTK-R / FNQ-R

CHM, CHPV, CHCC 10 x 38 mm - Dimensions mm (inches)



Modular industrial fuse holders

CH 14 x 51 mm without indicator
50 A, 690 VAC

Catalogue number	Number of poles	Rated current (Amps)	Rated voltage	Material price group	Pack qty	MOQ	Fuses
CH141DNXU	Neutral	50	690 VAC	QR	6	6	C14M and C14G
CH141DU	1-Pole	50	690 VAC	QR	6	6	C14M and C14G
CH141DNU	1-Pole + Neutral (2 Modules)	50	690 VAC	QR	3	3	C14M and C14G
CH142DU	2-Pole (2 Modules)	50	690 VAC	QR	3	3	C14M and C14G
CH143DU	3-Pole (3 Modules)	50	690 VAC	QR	2	2	C14M and C14G
CH141DNU	3-Pole + Neutral (4 Modules)	50	690 VAC	QR	1	1	C14M and C14G
CH144DU	4 Poles (4 Modules)	50	690 VAC	QR	1	1	C14M and C14G



Low voltage

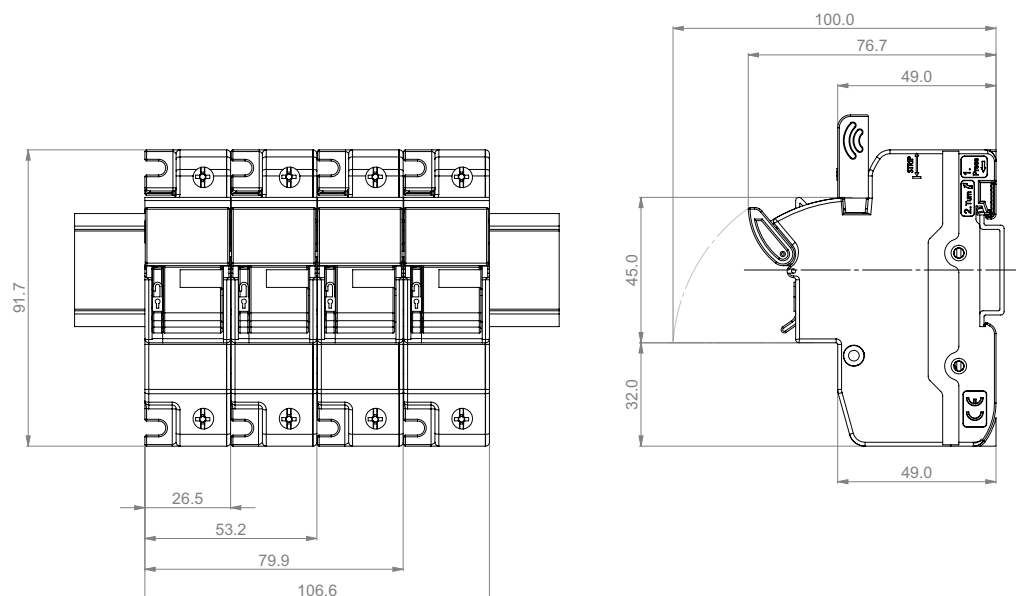
CH 14 x 51 mm with indicator
50 A, 690 VAC

Catalogue number	Number of poles	Rated current (Amps)	Rated voltage	Material price group	Pack qty	MOQ	Fuses
CH141DIU	1-Pole	50	690 VAC	QR	6	6	C14M and C14G
CH141DNIU	1-Pole + Neutral (2 Modules)	50	690 VAC	QR	3	3	C14M and C14G
CH142DIU	2-Pole (2 Modules)	50	690 VAC	QR	3	3	C14M and C14G
CH143DIU	3-Pole (3 Modules)	50	690 VAC	QR	2	2	C14M and C14G
CH143DNIU	3-Pole + Neutral (4 Modules)	50	690 VAC	QR	1	1	C14M and C14G
CH144DIU	4-Pole (4 Modules)	50	690 VAC	QR	1	1	C14M and C14G

CH 14 x 51 mm with microswitch
50 A, 690 VAC

Catalogue number	Number of poles	Rated current (Amps)	Rated voltage	Material price group	Pack qty	MOQ	Fuses
CH141DMSU-F	1-pole cylindrical fuse holder with microswitch (pre-breaking/fuse operation/presence)	50	690 VAC	QR	6	6	C14G(A)S
CH143DMSU-F	3-pole cylindrical fuse holder with microswitch (pre-breaking/fuse operation/presence)	50	690 VAC	QR	2	2	C14G(A)S
CH143DNMSU-F	3-pole + neutral cylindrical fuse holder with microswitch (pre-breaking/fuse operation/presence)	50	690 VAC	QR	1	1	C14G(A)S

Dimensions - mm



Modular industrial fuse holders

14 x 51 mm Accessories

Catalogue number	Description	Pack qty	MOQ
JV-L	Multi-pole connector kit, one kit will gang up to 4 poles together	12	12
CH14-SPS	Auxiliary switch to work on CH141D(I)U, 1n/o + n/c changeover type	3	3
CH14-TPS	Auxiliary switch to work on CH143D(I)U, 1n/o + n/c changeover type	3	3
CH14-CTP	IP20 protection accessory, provides IP20 protection to terminals with 10mm ² or less cable	12	12

CH 22 x 58 mm without indicator
125 A, 690 VAC

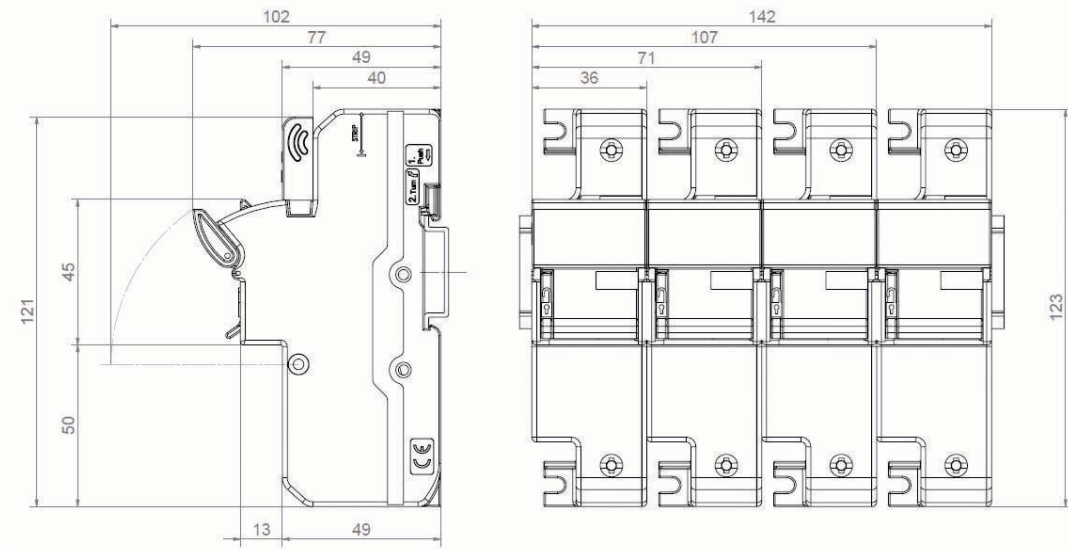
Catalogue number	Number of poles	Rated current (Amps)	Rated voltage	Material price group	Pack qty	MOQ	Fuses
CH221DNXU	Neutral holder	125	690 VAC	QR	6	6	C22NL
CH221DU	1-Pole	125	690 VAC	QR	6	6	C22G and C22M
CH221DNU	1-Pole + Neutral (2 Modules)	125	690 VAC	QR	3	3	C22G and C22M
CH222DU	2-Pole	125	690 VAC	QR	3	3	C22G and C22M
CH223DU	3-Pole	125	690 VAC	QR	2	2	C22G and C22M
CH223DNU	3-Pole + Neutral (4 Modules)	125	690 VAC	QR	1	1	C22G and C22M
CH224DU	4 -Pole	125	690 VAC	QR	1	1	C22G and C22M



CH 22 x 58 mm with microswitch
125 A, 690 VAC

Catalogue number	Number of poles	Rated current (Amps)	Rated voltage	Material price group	Pack qty	MOQ	Fuses
CH221DMSU-F	1-pole fuse holder with microswitch	125	690 VAC	QR	6	6	C22G(AS)
CH223DMSU-F	3-pole fuse holder with microswitch	125	690 VAC	QR	2	2	C22G(AS)

Dimensions - mm



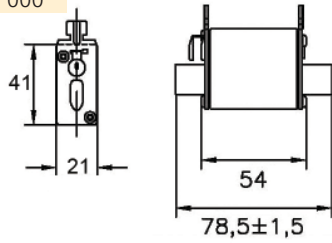
22 x 58 mm Accessories

Catalogue number	Description	Pack qty	MOQ
JV-L	Multi-pole connector kit, one kit will gang up to 4 poles together	12	12
CH22-SPS	1-pole microswitch accessory for fuse operation/presence and pre-disconnect remote indication	3	3
CH22-TPS	3-pole microswitch accessory for fuse operation/presence and pre-disconnect remote indication	3	3
CH22-CTP	IP20 protection accessory, provides IP20 protection to terminals with 10mm ² or less cable	12	12

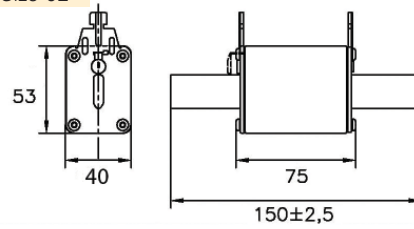
NH Fuse Links dimensions

Dimensions

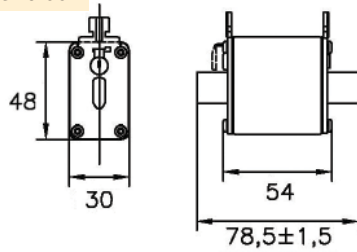
Size 000



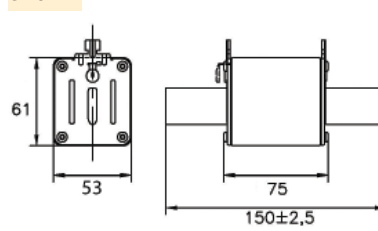
Size 02



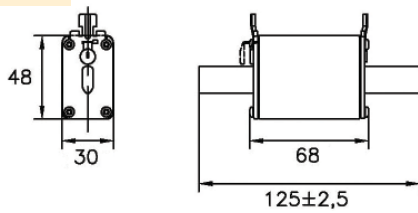
Size 00



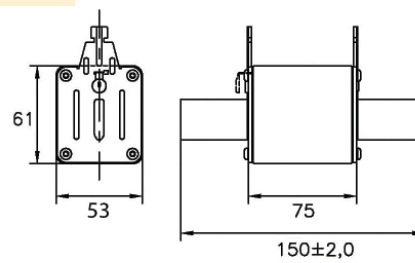
Size 2



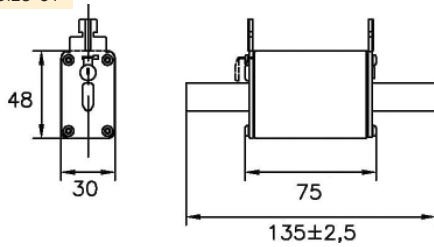
Size 0



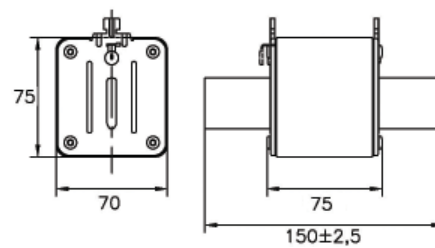
Size 03



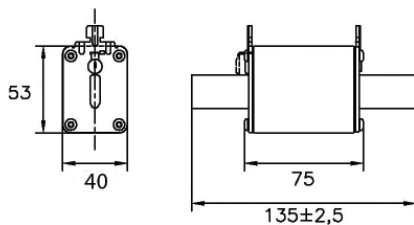
Size 01



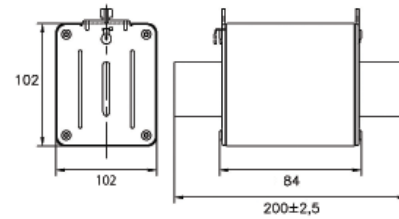
Size 3



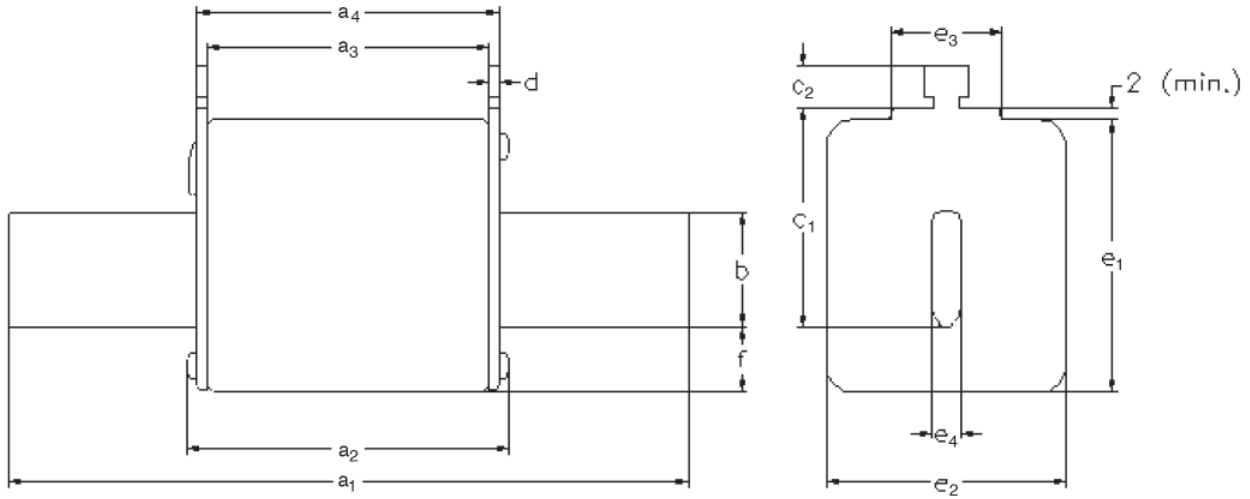
Size 1



Size 4



NH Fuse Link dimensions - mm



Size	a_1	a_2 (max)	a_3	a_4	b	c_1	c_2	d	e_1 (max)	e_2 (max)	e_3 (max)	e_4	f (max)
000	78.5 ± 1.5	54	45 ± 1.5	49 ± 1.5	15	35	10	2 ± 0.5	41	21	16	6	8
00	78.5 ± 1.5	54	45 ± 1.5	49 ± 1.5	15	35	11	2 ± 0.5	48	30	25	6	15
0	125 ± 2.5	68	$62 \begin{smallmatrix} -3 \\ -1.5 \end{smallmatrix}$	$62 \begin{smallmatrix} -3 \\ -1.5 \end{smallmatrix}$	15	35	11	2.5 ± 0.5	48	30	25	6	15
01	135 ± 2.5	75	62 ± 2.5	68 ± 2.5	15	40	11	2.5 ± 0.5	48	30	25	6	15
1	135 ± 2.5	75	62 ± 2.5	68 ± 2.5	20	40	11	2.5 ± 0.5	53	40	25	6	15
02	150 ± 2.5	75	62 ± 2.5	68 ± 2.5	20	48	11	2.5 ± 0.5	53	40	25	6	15
2	150 ± 2.5	75	62 ± 2.5	68 ± 2.5	25	48	11	2.5 ± 0.5	61	53	25	6	15
03	150 ± 2.5	75	62 ± 2.5	68 ± 2.5	25	60	11	2.5 ± 0.5	61	53	25	6	15
3	150 ± 2.5	75	62 ± 2.5	68 ± 2.5	32	60	11	3 ± 0.5	75	70	25	6	18
4	200	84	80	90	50	85	10	3	102	102	-	8	30

400 VAC Class gG/gL NH Fuse links dual indication

400 VAC NH with metal gripping lugs, 2 - 630 A, sizes 000 to 3, IEC 60269 and DIN 43620

Catalogue number	Size	Rated current (Amps)	Rated voltage	Material price group	Pack qty	MOQ	Fuse holders
2NHG000B-400	000	2	400 VAC	PU	3	3	SD00-D
4NHG000B-400	000	4	400 VAC	PU	3	3	SD00-D
6NHG000B-400	000	6	400 VAC	PU	3	3	SD00-D
10NHG000B-400	000	10	400 VAC	PU	3	3	SD00-D
16NHG000B-400	000	16	400 VAC	PU	3	3	SD00-D
20NHG000B-400	000	20	400 VAC	PU	3	3	SD00-D
25NHG000B-400	000	25	400 VAC	PU	3	3	SD00-D
32NHG000B-400	000	32	400 VAC	PU	3	3	SD00-D
35NHG000B-400	000	35	400 VAC	PU	3	3	SD00-D
40NHG000B-400	000	40	400 VAC	PU	3	3	SD00-D
50NHG000B-400	000	50	400 VAC	PU	3	3	SD00-D
63NHG000B-400	000	63	400 VAC	PU	3	3	SD00-D
80NHG000B-400	000	80	400 VAC	PU	3	3	SD00-D
100NHG000B-400	000	100	400 VAC	PU	3	3	SD00-D
125NHG000B-400	00	125	400 VAC	PU	3	3	SD00-D
160NHG000B-400	00	160	400 VAC	PU	3	3	SD00-D
35NHG01B-400	01	35	400 VAC	PU	3	3	SD1-D
40NHG01B-400	01	40	400 VAC	PU	3	3	SD1-D
50NHG01B-400	01	50	400 VAC	PU	3	3	SD1-D
63NHG01B-400	01	63	400 VAC	PU	3	3	SD1-D
80NHG01B-400	01	80	400 VAC	PU	3	3	SD1-D
100NHG01B-400	01	100	400 VAC	PU	3	3	SD1-D
125NHG01B-400	01	125	400 VAC	PU	3	3	SD1-D
160NHG01B-400	01	160	400 VAC	PU	3	3	SD1-D
200NHG1B-400	1	200	400 VAC	PU	3	3	SD1-D
224NHG1B-400	1	224	400 VAC	PU	3	3	SD1-D
250NHG1B-400	1	250	400 VAC	PU	3	3	SD1-D
35NHG02B-400	02	35	400 VAC	PU	3	3	SD2-D
40NHG02B-400	02	40	400 VAC	PU	3	3	SD2-D
50NHG02B-400	02	50	400 VAC	PU	3	3	SD2-D
63NHG02B-400	02	63	400 VAC	PU	3	3	SD2-D
80NHG02B-400	02	80	400 VAC	PU	3	3	SD2-D
100NHG02B-400	02	100	400 VAC	PU	3	3	SD2-D
125NHG02B-400	02	125	400 VAC	PU	3	3	SD2-D
160NHG02B-400	02	160	400 VAC	PU	3	3	SD2-D
200NHG02B-400	02	200	400 VAC	PU	3	3	SD2-D
224NHG02B-400	02	224	400 VAC	PU	3	3	SD2-D
250NHG02B-400	02	250	400 VAC	PU	3	3	SD2-D
315NHG2B-400	2	315	400 VAC	PU	3	3	SD2-D
355NHG2B-400	2	355	400 VAC	PU	3	3	SD2-D
400NHG2B-400	2	400	400 VAC	PU	3	3	SD2-D
630NHG2B-400	2	630	400 VAC	PU	3	3	SD2-D
250NHG03B-400	03	250	400 VAC	PU	3	3	SD3-D
315NHG03B-400	03	315	400 VAC	PU	3	3	SD3-D
355NHG03B-400	03	355	400 VAC	PU	3	3	SD3-D
400NHG03B-400	03	400	400 VAC	PU	3	3	SD3-D
500NHG3B-400	3	500	400 VAC	PU	3	3	SD3-D
630NHG3B-400	3	630	400 VAC	PU	3	3	SD3-D



Low voltage

400 VAC Class gG/gL NH Fuse links dual indication

400 VAC NH with insulated metal gripping lugs, 2 - 630 A, sizes 000 to 3, IEC 60269 and DIN 43620

Catalogue number	Size	Rated current (Amps)	Rated voltage	Material price group	Pack qty	MOQ	Fuse holders
2NHG000BI-400	000	2	400 VAC	PU	3	3	SD00-D
4NHG000BI-400	000	4	400 VAC	PU	3	3	SD00-D
6NHG000BI-400	000	6	400 VAC	PU	3	3	SD00-D
10NHG000BI-400	000	10	400 VAC	PU	3	3	SD00-D
16NHG000BI-400	000	16	400 VAC	PU	3	3	SD00-D
20NHG000BI-400	000	20	400 VAC	PU	3	3	SD00-D
25NHG000BI-400	000	25	400 VAC	PU	3	3	SD00-D
32NHG000BI-400	000	32	400 VAC	PU	3	3	SD00-D
35NHG000BI-400	000	35	400 VAC	PU	3	3	SD00-D
40NHG000BI-400	000	40	400 VAC	PU	3	3	SD00-D
50NHG000BI-400	000	50	400 VAC	PU	3	3	SD00-D
63NHG000BI-400	000	63	400 VAC	PU	3	3	SD00-D
80NHG000BI-400	000	80	400 VAC	PU	3	3	SD00-D
100NHG000BI-400	000	100	400 VAC	PU	3	3	SD00-D
125NHG000BI-400	00	125	400 VAC	PU	3	3	SD00-D
160NHG000BI-400	00	160	400 VAC	PU	3	3	SD00-D
35NHG01BI-400	01	35	400 VAC	PU	3	3	SD1-D
40NHG01BI-400	01	40	400 VAC	PU	3	3	SD1-D
50NHG01BI-400	01	50	400 VAC	PU	3	3	SD1-D
63NHG01BI-400	01	63	400 VAC	PU	3	3	SD1-D
80NHG01BI-400	01	80	400 VAC	PU	3	3	SD1-D
100NHG01BI-400	01	100	400 VAC	PU	3	3	SD1-D
125NHG01BI-400	01	125	400 VAC	PU	3	3	SD1-D
160NHG01BI-400	01	160	400 VAC	PU	3	3	SD1-D
200NHG1BI-400	1	200	400 VAC	PU	3	3	SD1-D
224NHG1BI-400	1	224	400 VAC	PU	3	3	SD1-D
250NHG1BI-400	1	250	400 VAC	PU	3	3	SD1-D
35NHG02BI-400	02	35	400 VAC	PU	3	3	SD2-D
40NHG02BI-400	02	40	400 VAC	PU	3	3	SD2-D
50NHG02BI-400	02	50	400 VAC	PU	3	3	SD2-D
63NHG02BI-400	02	63	400 VAC	PU	3	3	SD2-D
80NHG02BI-400	02	80	400 VAC	PU	3	3	SD2-D
100NHG02BI-400	02	100	400 VAC	PU	3	3	SD2-D
125NHG02BI-400	02	125	400 VAC	PU	3	3	SD2-D
160NHG02BI-400	02	160	400 VAC	PU	3	3	SD2-D
200NHG02BI-400	02	200	400 VAC	PU	3	3	SD2-D
224NHG02BI-400	02	224	400 VAC	PU	3	3	SD2-D
250NHG02BI-400	02	250	400 VAC	PU	3	3	SD2-D
315NHG2BI-400	2	315	400 VAC	PU	3	3	SD2-D
355NHG2BI-400	2	355	400 VAC	PU	3	3	SD2-D
400NHG2BI-400	2	400	400 VAC	PU	3	3	SD2-D
250NHG03BI-400	03	250	400 VAC	PU	3	3	SD3-D
315NHG03BI-400	03	315	400 VAC	PU	3	3	SD3-D
355NHG03BI-400	03	355	400 VAC	PU	3	3	SD3-D
400NHG03BI-400	03	400	400 VAC	PU	3	3	SD3-D
500NHG3BI-400	3	500	400 VAC	PU	3	3	SD3-D
630NHG3BI-400	3	630	400 VAC	PU	3	3	SD3-D



500 VAC Class gG/gL NH Fuse links dual indication

500 VAC NH with metal gripping lugs, 2 - 1250 A, sizes 000 to 4, IEC 60269 and DIN 43620

Catalogue number	Size	Rated current (Amps)	Rated voltage	Material price group	Pack qty	MOQ	Fuse holders
2NHG000B	000	2	500 VAC	PU	3	3	SD00-D
4NHG000B	000	4	500 VAC	PU	3	3	SD00-D
6NHG000B	000	6	500 VAC	PU	3	3	SD00-D
10NHG000B	000	10	500 VAC	PU	3	3	SD00-D
16NHG000B	000	16	500 VAC	PU	3	3	SD00-D
20NHG000B	000	20	500 VAC	PU	3	3	SD00-D
25NHG000B	000	25	500 VAC	PU	3	3	SD00-D
32NHG000B	000	32	500 VAC	PU	3	3	SD00-D
35NHG000B	000	35	500 VAC	PU	3	3	SD00-D
40NHG000B	000	40	500 VAC	PU	3	3	SD00-D
50NHG000B	000	50	500 VAC	PU	3	3	SD00-D
63NHG000B	000	63	500 VAC	PU	3	3	SD00-D
80NHG000B	000	80	500 VAC	PU	3	3	SD00-D
100NHG000B	000	100	500 VAC	PU	3	3	SD00-D
50NHG00B	00	50	500 VAC	PU	3	3	SD00-D
63NHG00B	00	63	500 VAC	PU	3	3	SD00-D
80NHG00B	00	80	500 VAC	PU	3	3	SD00-D
100NHG00B	00	100	500 VAC	PU	3	3	SD00-D
125NHG00B	00	125	500 VAC	PU	3	3	SD00-D
160NHG00B	00	160	500 VAC	PU	3	3	SD00-D
6NHG0B	0	6	500 VAC	PU	3	3	N/A
10NHG0B	0	10	500 VAC	PU	3	3	N/A
16NHG0B	0	16	500 VAC	PU	3	3	N/A
20NHG0B	0	20	500 VAC	PU	3	3	N/A
25NHG0B	0	25	500 VAC	PU	3	3	N/A
32NHG0B	0	32	500 VAC	PU	3	3	N/A
35NHG0B	0	35	500 VAC	PU	3	3	N/A
40NHG0B	0	40	500 VAC	PU	3	3	N/A
50NHG0B	0	50	500 VAC	PU	3	3	N/A
63NHG0B	0	63	500 VAC	PU	3	3	N/A
80NHG0B	0	80	500 VAC	PU	3	3	N/A
100NHG0B	0	100	500 VAC	PU	3	3	N/A
125NHG0B	0	125	500 VAC	PU	3	3	N/A
160NHG0B	0	160	500 VAC	PU	3	3	N/A
6NHG01B	01	6	500 VAC	PU	3	3	SD1-D
10NHG01B	01	10	500 VAC	PU	3	3	SD1-D
16NHG01B	01	16	500 VAC	PU	3	3	SD1-D
20NHG01B	01	20	500 VAC	PU	3	3	SD1-D
25NHG01B	01	25	500 VAC	PU	3	3	SD1-D
32NHG01B	01	32	500 VAC	PU	3	3	SD1-D
35NHG01B	01	35	500 VAC	PU	3	3	SD1-D
40NHG01B	01	40	500 VAC	PU	3	3	SD1-D
50NHG01B	01	50	500 VAC	PU	3	3	SD1-D
63NHG01B	01	63	500 VAC	PU	3	3	SD1-D
80NHG01B	01	80	500 VAC	PU	3	3	SD1-D
100NHG01B	01	100	500 VAC	PU	3	3	SD1-D
125NHG01B	01	125	500 VAC	PU	3	3	SD1-D
160NHG01B	01	160	500 VAC	PU	3	3	SD1-D



Low voltage

500 VAC Class gG/gL NH Fuse links dual indication

500 VAC NH with metal gripping lugs, 2 - 1250 A, sizes 000 to 4, IEC 60269 and DIN 43620

Catalogue number	Size	Rated current (Amps)	Rated voltage	Material	Pack qty	MOQ	Fuse holders
50NHG1B	1	50	500 VAC	PU	3	3	SD1-D
63NHG1B	1	63	500 VAC	PU	3	3	SD1-D
80NHG1B	1	80	500 VAC	PU	3	3	SD1-D
100NHG1B	1	100	500 VAC	PU	3	3	SD1-D
125NHG1B	1	125	500 VAC	PU	3	3	SD1-D
160NHG1B	1	160	500 VAC	PU	3	3	SD1-D
200NHG1B	1	200	500 VAC	PU	3	3	SD1-D
224NHG1B	1	224	500 VAC	PU	3	3	SD1-D
250NHG1B	1	250	500 VAC	PU	3	3	SD1-D
315NHG1B	1	315	440 VAC	PU	3	3	SD1-D
355NHG1B	1	355	440 VAC	PU	3	3	SD1-D
35NHG02B	02	35	500 VAC	PU	3	3	SD2-D
40NHG02B	02	40	500 VAC	PU	3	3	SD2-D
50NHG02B	02	50	500 VAC	PU	3	3	SD2-D
63NHG02B	02	63	500 VAC	PU	3	3	SD2-D
80NHG02B	02	80	500 VAC	PU	3	3	SD2-D
100NHG02B	02	100	500 VAC	PU	3	3	SD2-D
125NHG02B	02	125	500 VAC	PU	3	3	SD2-D
160NHG02B	02	160	500 VAC	PU	3	3	SD2-D
200NHG02B	02	200	500 VAC	PU	3	3	SD2-D
224NHG02B	02	224	500 VAC	PU	3	3	SD2-D
250NHG02B	02	250	500 VAC	PU	3	3	SD2-D
250NHG2B	2	250	500 VAC	PU	3	3	SD2-D
300NHG2B	2	300	500 VAC	PU	3	3	SD2-D
315NHG2B	2	315	500 VAC	PU	3	3	SD2-D
355NHG2B	2	355	500 VAC	PU	3	3	SD2-D
400NHG2B	2	400	500 VAC	PU	3	3	SD2-D
425NHG2B	2	425	500 VAC	PU	3	3	SD2-D
450NHG2B	2	450	500 VAC	PU	3	3	SD2-D
500NHG2B	2	500	440 VAC	PU	3	3	SD2-D
250NHG03B	03	250	500 VAC	PU	3	3	SD3-D
315NHG03B	03	315	500 VAC	PU	3	3	SD3-D
355NHG03B	03	355	500 VAC	PU	3	3	SD3-D
400NHG03B	03	400	500 VAC	PU	3	3	SD3-D
315NHG3B	3	315	500 VAC	PU	3	3	SD3-D
355NHG3B	3	355	500 VAC	PU	3	3	SD3-D
400NHG3B	3	400	500 VAC	PU	3	3	SD3-D
425NHG3B	3	425	500 VAC	PU	3	3	SD3-D
450NHG3B	3	450	500 VAC	PU	3	3	SD3-D
500NHG3B	3	500	500 VAC	PU	3	3	SD3-D
630NHG3B	3	630	500 VAC	PU	3	3	SD3-D
800NHG3B	3	800	440 VAC	PU	3	3	SD3-D
500NHG4G*	4	500	500 VAC	PU	1	1	SD4-S
630NHG4G*	4	630	500 VAC	PU	1	1	SD4-S
800NHG4G*	4	800	500 VAC	PU	1	1	SD4-S
1000NHG4G*	4	1000	500 VAC	PU	1	1	SD4-S
1250NHG4G*	4	1250	500 VAC	PU	1	1	SD4-S



* Single indication and slotted tags

500 VAC Class gG/gL NH Fuse links dual indication

500 VAC NH with insulated metal gripping lugs, 2 - 400 A, sizes 000 to 3, IEC 60269 and DIN 43620

Catalogue number	Size	Rated current (Amps)	Rated voltage	Material price group	Pack qty	MOQ	Fuse holders
2NHG000BI	000	2	500 VAC	PU	3	3	SD00-D
4NHG000BI	000	4	500 VAC	PU	3	3	SD00-D
6NHG000BI	000	6	500 VAC	PU	3	3	SD00-D
10NHG000BI	000	10	500 VAC	PU	3	3	SD00-D
16NHG000BI	000	16	500 VAC	PU	3	3	SD00-D
20NHG000BI	000	20	500 VAC	PU	3	3	SD00-D
25NHG000BI	000	25	500 VAC	PU	3	3	SD00-D
32NHG000BI	000	32	500 VAC	PU	3	3	SD00-D
35NHG000BI	000	35	500 VAC	PU	3	3	SD00-D
40NHG000BI	000	40	500 VAC	PU	3	3	SD00-D
50NHG000BI	000	50	500 VAC	PU	3	3	SD00-D
63NHG000BI	000	63	500 VAC	PU	3	3	SD00-D
80NHG000BI	000	80	500 VAC	PU	3	3	SD00-D
100NHG000BI	000	100	500 VAC	PU	3	3	SD00-D
50NHG00BI*	00	50	500 VAC	PU	3	3	SD00-D
63NHG00BI*	00	63	500 VAC	PU	3	3	SD00-D
80NHG00BI*	00	80	500 VAC	PU	3	3	SD00-D
100NHG00BI*	00	100	500 VAC	PU	3	3	SD00-D
125NHG00BI	00	125	500 VAC	PU	3	3	SD00-D
160NHG00BI	00	160	500 VAC	PU	3	3	SD00-D
6NHG01BI	01	6	500 VAC	PU	3	3	SD1-D
10NHG01BI	01	10	500 VAC	PU	3	3	SD1-D
16NHG01BI	01	16	500 VAC	PU	3	3	SD1-D
20NHG01BI	01	20	500 VAC	PU	3	3	SD1-D
25NHG01BI	01	25	500 VAC	PU	3	3	SD1-D
32NHG01BI	01	32	500 VAC	PU	3	3	SD1-D
35NHG01BI	01	35	500 VAC	PU	3	3	SD1-D
40NHG01BI	01	40	500 VAC	PU	3	3	SD1-D
50NHG01BI	01	50	500 VAC	PU	3	3	SD1-D
63NHG01BI	01	63	500 VAC	PU	3	3	SD1-D
80NHG01BI	01	80	500 VAC	PU	3	3	SD1-D
100NHG01BI	01	100	500 VAC	PU	3	3	SD1-D
125NHG01BI	01	125	500 VAC	PU	3	3	SD1-D
160NHG01BI	01	160	500 VAC	PU	3	3	SD1-D

* Available upon request



Low voltage

500 VAC Class gG/gL NH Fuse links dual indication

500 VAC NH with insulated metal gripping lugs, 2 - 400 A, sizes 000 to 3, IEC 60269 and DIN 43620

Catalogue number	Size	Rated current (Amps)	Rated voltage	Material	Pack qty	MOQ	Fuse holders
50NHG1BI*	1	50	500 VAC	PU	3	3	SD1-D
63NHG1BI*	1	63	500 VAC	PU	3	3	SD1-D
80NHG1BI*	1	80	500 VAC	PU	3	3	SD1-D
100NHG1BI*	1	100	500 VAC	PU	3	3	SD1-D
125NHG1BI*	1	125	500 VAC	PU	3	3	SD1-D
160NHG1BI*	1	160	500 VAC	PU	3	3	SD1-D
200NHG1BI	1	200	500 VAC	PU	3	3	SD1-D
224NHG1BI	1	224	500 VAC	PU	3	3	SD1-D
250NHG1BI	1	250	500 VAC	PU	3	3	SD1-D
315NHG1BI*	1	315	440 VAC	PU	3	3	SD1-D
355NHG1BI*	1	355	440 VAC	PU	3	3	SD1-D
35NHG02BI	02	35	500 VAC	PU	3	3	SD2-D
40NHG02BI	02	40	500 VAC	PU	3	3	SD2-D
50NHG02BI	02	50	500 VAC	PU	3	3	SD2-D
63NHG02BI	02	63	500 VAC	PU	3	3	SD2-D
80NHG02BI	02	80	500 VAC	PU	3	3	SD2-D
100NHG02BI	02	100	500 VAC	PU	3	3	SD2-D
125NHG02BI	02	125	500 VAC	PU	3	3	SD2-D
160NHG02BI	02	160	500 VAC	PU	3	3	SD2-D
200NHG02BI	02	200	500 VAC	PU	3	3	SD2-D
224NHG02BI	02	224	500 VAC	PU	3	3	SD2-D
250NHG02BI	02	250	500 VAC	PU	3	3	SD2-D
250NHG2BI*	2	250	500 VAC	PU	3	3	SD2-D
300NHG2BI*	2	300	500 VAC	PU	3	3	SD2-D
315NHG2BI	2	315	500 VAC	PU	3	3	SD2-D
355NHG2BI	2	355	500 VAC	PU	3	3	SD2-D
400NHG2BI	2	400	500 VAC	PU	3	3	SD2-D
425NHG2BI*	2	425	500 VAC	PU	3	3	SD2-D
450NHG2BI*	2	450	500 VAC	PU	3	3	SD2-D
500NHG2BI*	2	500	440 VAC	PU	3	3	SD2-D
250NHG03BI	03	250	500 VAC	PU	3	3	SD3-D
315NHG03BI	03	315	500 VAC	PU	3	3	SD3-D
355NHG03BI	03	355	500 VAC	PU	3	3	SD3-D
400NHG03BI	03	400	500 VAC	PU	3	3	SD3-D



* Available upon request

690 VAC Class gG/gL NH Fuse links dual indication

690 VAC NH with metal gripping lugs, 2 - 800 A, sizes 000 to 4, IEC 60269 and DIN 43620

Catalogue number	Size	Rated current (Amps)	Rated voltage	Material price group	Pack qty	MOQ	Fuse holders
2NHG000B-690	000	2	690 VAC	NU	3	3	SD00-D
4NHG000B-690	000	4	690 VAC	NU	3	3	SD00-D
6NHG000B-690	000	6	690 VAC	NU	3	3	SD00-D
10NHG000B-690	000	10	690 VAC	NU	3	3	SD00-D
16NHG000B-690	000	16	690 VAC	NU	3	3	SD00-D
20NHG000B-690	000	20	690 VAC	NU	3	3	SD00-D
25NHG000B-690	000	25	690 VAC	NU	3	3	SD00-D
32NHG000B-690	000	32	690 VAC	NU	3	3	SD00-D
35NHG000B-690	000	35	690 VAC	NU	3	3	SD00-D
40NHG000B-690	000	40	690 VAC	NU	3	3	SD00-D
50NHG000B-690	000	50	690 VAC	NU	3	3	SD00-D
63NHG000B-690	000	63	690 VAC	NU	3	3	SD00-D
50NHG00B-690	00	50	690 VAC	NU	3	3	SD00-D
63NHG00B-690	00	63	690 VAC	NU	3	3	SD00-D
80NHG00B-690	00	80	690 VAC	NU	3	3	SD00-D
100NHG00B-690	00	100	690 VAC	NU	3	3	SD00-D
125NHG00B-690	00	125	690 VAC	NU	3	3	SD00-D
160NHG00B-660	00	160	660 VAC	NU	3	3	SD00-D
50NHG1B-690	1	50	690 VAC	NU	3	3	SD1-D
63NHG1B-690	1	63	690 VAC	NU	3	3	SD1-D
80NHG1B-690	1	80	690 VAC	NU	3	3	SD1-D
100NHG1B-690	1	100	690 VAC	NU	3	3	SD1-D
125NHG1B-690	1	125	690 VAC	NU	3	3	SD1-D
160NHG1B-690	1	160	690 VAC	NU	3	3	SD1-D
200NHG1B-690	1	200	690 VAC	NU	3	3	SD1-D
224NHG1B-690	1	224	690 VAC	NU	3	3	SD1-D
250NHG1B-690	1	250	690 VAC	NU	3	3	SD1-D
200NHG2B-690	2	200	690 VAC	NU	3	3	SD2-D
224NHG2B-690	2	224	690 VAC	NU	3	3	SD2-D
250NHG2B-690	2	250	690 VAC	NU	3	3	SD2-D
315NHG2B-690	2	315	690 VAC	NU	3	3	SD2-D
250NHG3B-690	3	250	690 VAC	NU	3	3	SD3-D
315NHG3B-690	3	315	690 VAC	NU	3	3	SD3-D
355NHG3B-690	3	355	690 VAC	NU	3	3	SD3-D
400NHG3B-690	3	400	690 VAC	NU	3	3	SD3-D
425NHG3B-690	3	425	690 VAC	NU	3	3	SD3-D
500NHG3B-690	3	500	690 VAC	NU	3	3	SD3-D
630NHG4B-690	4	630	690 VAC	NU	3	3	SD4-S
800NHG4B-690	4	800	690 VAC	NU	3	3	SD4-S



Low voltage

690 VAC Class aM NH Fuse links dual indication

690 VAC NH with insulated metal gripping lugs, 6 - 500 A, sizes 000 to 3, IEC 60269 and DIN 43620

Catalogue number	Size	Rated current (Amps)	Rated voltage	Material price group	Pack qty	MOQ	Fuse holders
6NHM000B-690	000	6	690 VAC	NU	3	3	SD00-D
10NHM000B-690	000	10	690 VAC	NU	3	3	SD00-D
16NHM000B-690	000	16	690 VAC	NU	3	3	SD00-D
20NHM000B-690	000	20	690 VAC	NU	3	3	SD00-D
25NHM000B-690	000	25	690 VAC	NU	3	3	SD00-D
32NHM000B-690	000	32	690 VAC	NU	3	3	SD00-D
35NHM000B-690	000	35	690 VAC	NU	3	3	SD00-D
40NHM000B-690	000	40	690 VAC	NU	3	3	SD00-D
50NHM000B-690	000	50	690 VAC	NU	3	3	SD00-D
63NHM00B-690	00	63	690 VAC	NU	3	3	SD00-D
80NHM00B-690	00	80	690 VAC	NU	3	3	SD00-D
100NHM00B-690	00	100	690 VAC	NU	3	3	SD00-D
50NHM1B-690	1	50	690 VAC	NU	3	3	SD1-D
63NHM1B-690	1	63	690 VAC	NU	3	3	SD1-D
80NHM1B-690	1	80	690 VAC	NU	3	3	SD1-D
100NHM1B-690	1	100	690 VAC	NU	3	3	SD1-D
125NHM1B-690	1	125	690 VAC	NU	3	3	SD1-D
160NHM1B-690	1	160	690 VAC	NU	3	3	SD1-D
125NHM2B-690	2	125	690 VAC	NU	3	3	SD2-D
160NHM2B-690	2	160	690 VAC	NU	3	3	SD2-D
200NHM2B-690	2	200	690 VAC	NU	3	3	SD2-D
224NHM2B-690	2	224	690 VAC	NU	3	3	SD2-D
250NHM2B-690	2	250	690 VAC	NU	3	3	SD2-D
315NHM2B-690	2	315	690 VAC	NU	3	3	SD2-D
355NHM2B-690	2	355	690 VAC	NU	3	3	SD2-D
315NHM3B-690	3	315	690 VAC	NU	3	3	SD3-D
355NHM3B-690	3	355	690 VAC	NU	3	3	SD3-D
400NHM3B-690	3	400	690 VAC	NU	3	3	SD3-D
500NHM3B-690	3	500	690 VAC	NU	3	3	SD3-D



NH Fuse bases

SD and TD Series - DIN-Rail and Screw mounting

Catalogue number	Compatible fuse link size	Number of poles	Rated current (Amps)	Material price group	Pack qty	MOQ
SD00-D	000/00	1-pole	160	QV	3	3
TD00-D	000/00	3-pole	160	QV	1	1
TD00-DI*	000/00	3-pole	160	QV	1	1
SD1-D	1	1-pole	250	QV	3	3
TD1-D	1	3-pole	250	QV	1	1
SD2-D	2	1-pole	400	QV	3	3
SD2-DD**	2	1-pole	400	QV	3	3
TD2-D	2	3-pole	400	QV	1	1
TD2-DD**	2	3-pole	400	QV	1	1
SD3-D**	3	1-pole	630	QV	3	3
TD3-D**	3	3-pole	630	QV	1	1

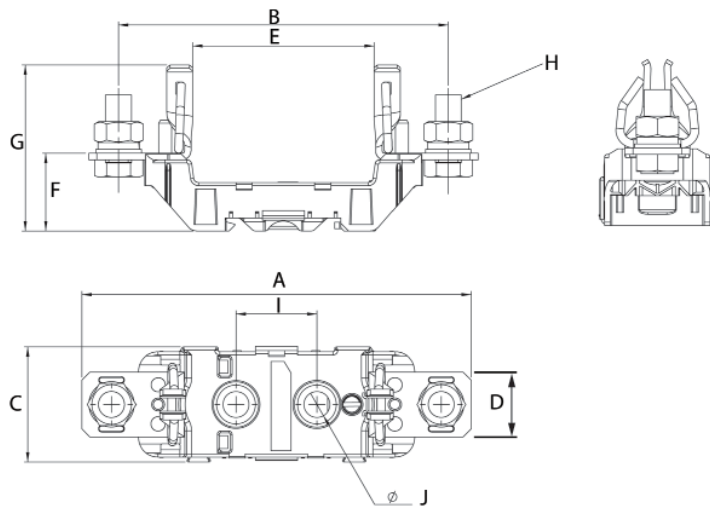
* 3-pole integral base moulding

** Double fuse contact clips

SD Series - Screw mounting only

Catalogue number	Compatible fuse link size	Number of poles	Rated current (Amps)	Material price group	Pack qty	MOQ
SD00-S	00	1-pole	160	QV	3	3
SD1-S	1	1-pole	250	QV	3	3
SD2-S	2	1-pole	400	QV	3	3
SD3-S	3	1-pole	630	QV	3	3
SD4-S	4	1-pole	1250	QV	1	1
SD4-S1600	4	1-pole	1600	QV	1	1

Dimensions - mm 1 pole size 00



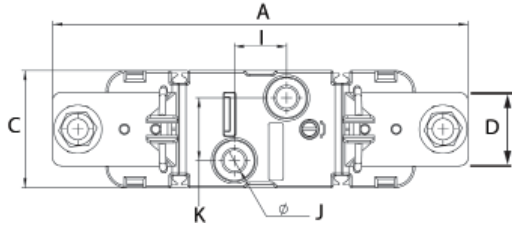
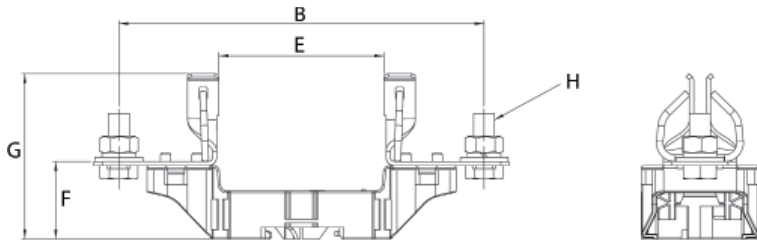
Size	Pole	A	B	C	D	E	F	G	H	I	J
NH00	1-pole	120	102	32.5	20	56	24	51	M8 x 20	25	8



Low voltage

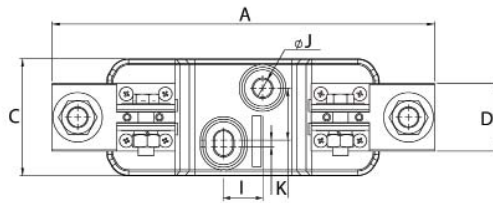
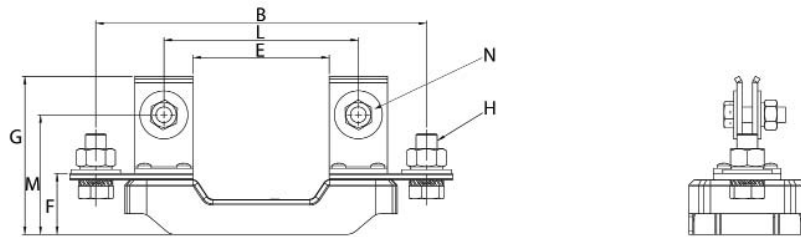
NH Fuse bases

Dimensions - mm 1-pole, sizes 1, 2 and 3



Size	Pole	A	B	C	D	E	F	G	H	I	J	K
NH1	1-pole	199	175	56	35	79	37	78	M10 x 25	25	10	30
NH2	1-pole	224	199	56	35	79	37.5	86	M10 x 25	25	10	30
NH2	1-pole double clip	223	199	56	35	82	37	79	M10 x 25	25	10	30
NH3	1-pole	239	209	56	36	82	37.5	88	M12 x 30	25	10	30

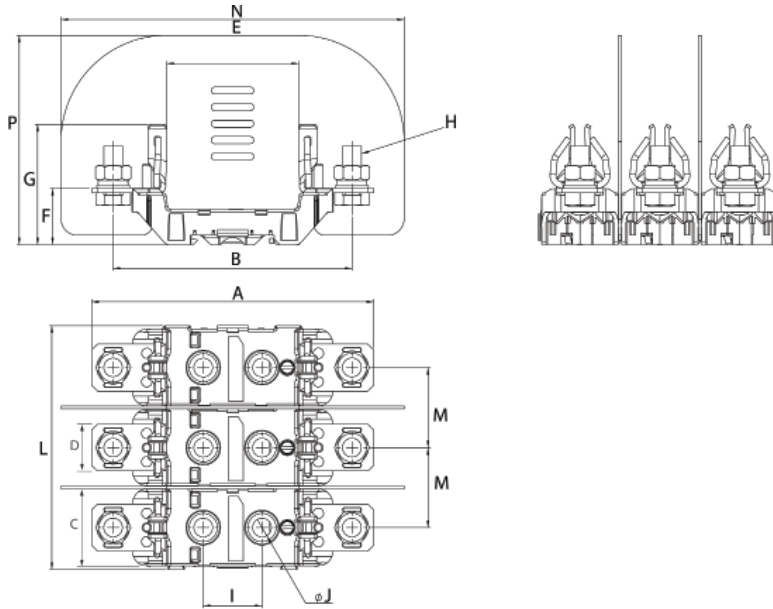
Dimensions - mm 1-pole, size 4



Size	Pole	A	B	C	D	E	F	G	H	I	J	K	L	M	N
NH4	1-pole 1250 A	295	255	90	52	105	47	122	M16 x 40	30	14	40	150	92	M12 x 40
NH4	1-pole 1600 A	295	255	90	60	105	50	125	M16 x 40	30	14	40	150	92	M12 x 40

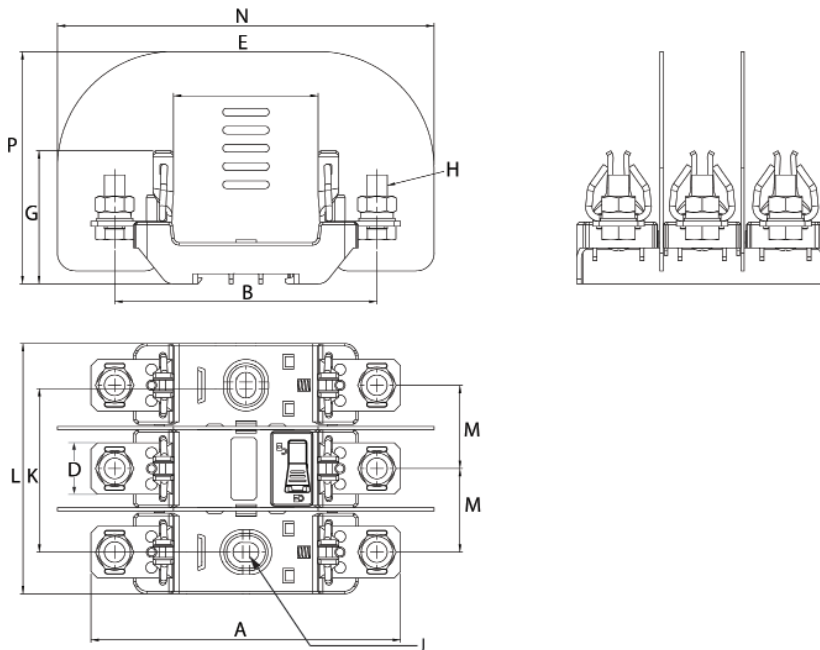
NH Fuse bases

Dimensions - mm 3-pole, size 00



Size	Pole	A	B	C	D	E	F	G	H	I	J	K	L	M	N	P
NH00	3-pole	120	102	35.5	20	56	24	51	M8 x 20	25	8	-	103.5	34	146	89

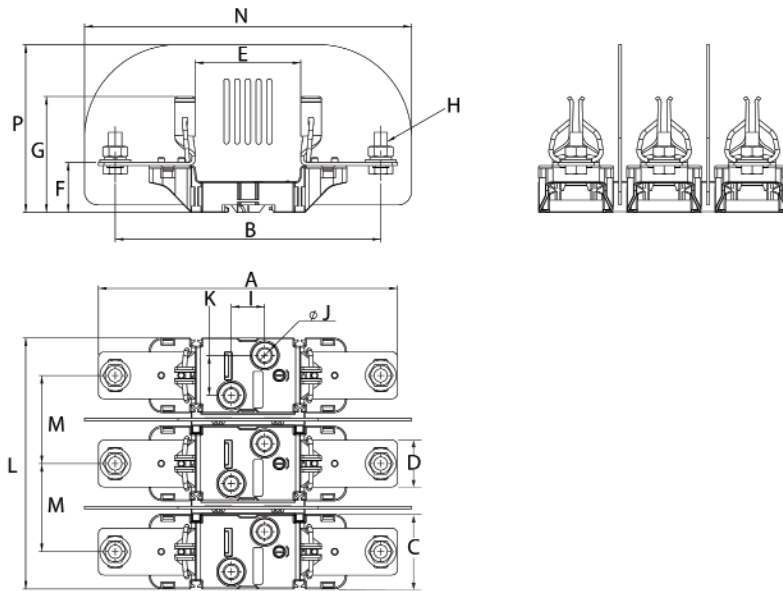
Dimensions - mm Integral 3-pole, size 000



Size	Pole	A	B	C	D	E	F	G	H	I	J	K	L	M	N	P
NH00	3-pole integral	120	102	-	20	56	24	51	M8 x 20	-	7.5 x 10	63.5	97	32.3	146	90

NH Fuse bases

Dimensions - mm 3-pole, sizes 1, 2 and 3



Size	Pole	A	B	C	D	E	F	G	H	I	J	K	L	M	N	P
NH1	3-pole	199	175	56	35	79	37	78	M10 x 25	25	10	30	188	66	245	125.5
NH2	3-pole	224	199	56	35	79	37.5	86	M10 x 25	25	10	30	188	66	245	125.5
NH2	3-pole double clip	223	199	56	35	82	37	79	M10 x 25	25	10	30	188	66	245	125.5
NH3	3-pole	239	209	56	36	82	37.5	88	M12 x 30	25	10	30	221	82.5	260	137.5

Neutral links

Catalogue number	Description	Compatible fuse link size	Rated current (Amps)	Material price group	Pack qty	MOQ
SDL-00	Neutral Link	00	160	QV	3	3
SDL-1	Neutral Link	1	250	QV	3	3
SDL-2	Neutral Link	2	400	QV	3	3
SDL-3	Neutral Link	3	630	QV	3	3

NH Fuse bases - Accessories

Fuse extraction handle

Catalogue number	Description	Compatible fuse link size	Rated current (Amps)	Material price group	Pack qty	MOQ
FEH	Fuse extraction handle	00-3	N/A	QV	1	1



Shroud kits

Catalogue number	Fuse base series	Description	Fuse size	Rated current (Amps)	Material price group	Pack qty	MOQ
SD12-SK	SD1	Kit includes 2 shrouds + 1 fuse cover	NH1	250	QV	1	1
SD12-SK	SD2	Kit includes 2 shrouds + 1 fuse cover	NH2	400	QV	1	1
SD3-SK	SD3	Kit includes 2 shrouds + 1 fuse cover	NH3	630	QV	1	1



NH Fuse bases - Accessories

Protection accessories

Catalogue number	Description	Compatible fuse link size	Rated current (Amps)	Material price group	Pack qty	MOQ
SD00-PB	2-Phase barriers	NH00	160	QV	2	2
SD12-PB	2-Phase barriers and 2 ganging links	NH1	250	QV	2	2
SD12-PB	2-Phase barriers and 2 ganging links	NH2	400	QV	2	2
SD3-PB	2-Phase barriers and 2 ganging links	NH3	630	QV	2	2



Low voltage

IP Protection kits

Catalogue number	Fuse links size	Rated current (Amps)	Material price group	Pack qty	MOQ
TD00-IP20	NH00	160	QV	1	1
TD00-IP20I	NH00	160	QV	1	1
TD00-IP20IC	NH00	160	QV	1	1
TD1-IP20	NH1	250	QV	1	1
TD2-IP20	NH2	400	QV	1	1
TD3-IP20	NH3	630	QV	1	1

Size	Current (Amps)	Part number	Fuse cover	Shroud	Phase barrier	Ganging link	Integral kit	Description
NH00	160	TD00-IP20						Triple pole protection kit for TD00-D with shrouds, fuse covers and phase barriers
NH00	160	TD00-IP20I					1	Integral triple pole protection kit for TD00-DI with moulded shrouds and phase barriers
NH00	160	TD00-IP20IC	3				1	Integral triple pole protection kit for TD00-DI with fuse covers, moulded shrouds and phase barriers
NH1	250	TD1-IP20	3	6	2	2		Triple protection kit with shrouds, fuse covers, phase barriers and ganging links
NH2	400	TD2-IP20	3	6	2	2		
NH3	630	TD3-IP20	3	6	2	2		



TD00-IP20



TD00-IP20I



TD00-IP20IC



TD(size 1 to 3)IP20

Microswitch

Catalogue number	Description	Compatible fuse link size	Rated current (Amps)	Material price group	Pack qty	MOQ
BVL50	Microswitch	000-3	5	QV	1	1



D & DO FUSE LINKS AND ACCESSORIES

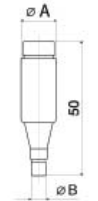
D Fuse links - Time-delay, fast acting and ultra rapid

D16, D27, D33
2 - 63 A, 500 VAC

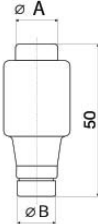
Catalogue number	Type	Colour code	To fit Base	Rated current (Amps)	Rated voltage	Material price group	Pack qty	MOQ	Dimensions (mm)	
									A	B
2D16	Time Delay	Pink	E16/DI	2	500 VAC	PV	20	20	13.2	6
4D16	Time Delay	Brown	E16/DI	4	500 VAC	PV	20	20	13.2	6
6D16	Time Delay	Green	E16/DI	6	500 VAC	PV	20	20	13.2	6
10D16	Time Delay	Red	E16/DI	10	500 VAC	PV	20	20	13.2	8
16D16	Time Delay	Grey	E16/DI	16	500 VAC	PV	20	20	13.2	10
20D16	Time Delay	Blue	E16/DI	20	500 VAC	PV	20	20	13.2	12
25D16	Time Delay	Yellow	E16/DI	25	500 VAC	PV	20	20	13.2	14
2D16Q	Fast Acting	Pink	E16/DI	2	500 VAC	PV	20	20	13.2	6
4D16Q	Fast Acting	Brown	E16/DI	4	500 VAC	PV	20	20	13.2	6
6D16Q	Fast Acting	Green	E16/DI	6	500 VAC	PV	20	20	13.2	6
10D16Q	Fast Acting	Red	E16/DI	10	500 VAC	PV	20	20	13.2	8
16D16Q	Fast Acting	Grey	E16/DI	16	500 VAC	PV	20	20	13.2	10
20D16Q	Fast Acting	Blue	E16/DI	20	500 VAC	PV	20	20	13.2	12
25D16Q	Fast Acting	Yellow	E16/DI	25	500 VAC	PV	20	20	13.2	14
2D16R	Ultra Rapid	Pink	E16/DI	2	500 VAC	PV	20	20	13.2	6
4D16R	Ultra Rapid	Brown	E16/DI	4	500 VAC	PV	20	20	13.2	6
6D16R	Ultra Rapid	Green	E16/DI	6	500 VAC	PV	20	20	13.2	6
10D16R	Ultra Rapid	Red	E16/DI	10	500 VAC	PV	20	20	13.2	8
16D16R	Ultra Rapid	Grey	E16/DI	16	500 VAC	PV	20	20	13.2	10
20D16R	Ultra Rapid	Blue	E16/DI	20	500 VAC	PV	20	20	13.2	12
25D16R	Ultra Rapid	Yellow	E16/DI	25	500 VAC	PV	20	20	13.2	14
2D27	Time Delay	Pink	E27/DII	2	500 VAC	PV	25	25	21.5	6
4D27	Time Delay	Brown	E27/DII	4	500 VAC	PV	25	25	21.5	6
6D27	Time Delay	Green	E27/DII	6	500 VAC	PV	25	25	21.5	6
10D27	Time Delay	Red	E27/DII	10	500 VAC	PV	25	25	21.5	8
16D27	Time Delay	Grey	E27/DII	16	500 VAC	PV	25	25	21.5	10
20D27	Time Delay	Blue	E27/DII	20	500 VAC	PV	25	25	21.5	12
25D27	Time Delay	Yellow	E27/DII	25	500 VAC	PV	25	25	21.5	14
2D27Q	Fast Acting	Pink	E27/DII	2	500 VAC	PV	25	25	21.5	6
4D27Q	Fast Acting	Brown	E27/DII	4	500 VAC	PV	25	25	21.5	6
6D27Q	Fast Acting	Green	E27/DII	6	500 VAC	PV	25	25	21.5	6
10D27Q	Fast Acting	Red	E27/DII	10	500 VAC	PV	25	25	21.5	8
16D27Q	Fast Acting	Grey	E27/DII	16	500 VAC	PV	25	25	21.5	10
20D27Q	Fast Acting	Blue	E27/DII	20	500 VAC	PV	25	25	21.5	12
25D27Q	Fast Acting	Yellow	E27/DII	25	500 VAC	PV	25	25	21.5	14
2D27R	Ultra Rapid	Pink	E27/DII	2	500 VAC	PV	25	25	21.5	6
4D27R	Ultra Rapid	Brown	E27/DII	4	500 VAC	PV	25	25	21.5	6
6D27R	Ultra Rapid	Green	E27/DII	6	500 VAC	PV	25	25	21.5	6
10D27R	Ultra Rapid	Red	E27/DII	10	500 VAC	PV	25	25	21.5	8
16D27R	Ultra Rapid	Grey	E27/DII	16	500 VAC	PV	25	25	21.5	10
20D27R	Ultra Rapid	Blue	E27/DII	20	500 VAC	PV	25	25	21.5	12
25D27R	Ultra Rapid	Yellow	E27/DII	25	500 VAC	PV	25	25	21.5	14
30D27R	Ultra Rapid	Black	E27/DII	30	500 VAC	PV	25	25	21.5	14
35D33	Time Delay	Black	E33/DIII	35	500 VAC	PV	25	25	27	16
50D33	Time Delay	White	E33/DIII	50	500 VAC	PV	25	25	27	16
63D33	Time Delay	Copper	E33/DIII	63	500 VAC	PV	25	25	27	18
35D33Q	Fast Acting	Black	E33/DIII	35	500 VAC	PV	25	25	27	16
50D33Q	Fast Acting	White	E33/DIII	50	500 VAC	PV	25	25	27	16
63D33Q	Fast Acting	Copper	E33/DIII	63	500 VAC	PV	25	25	27	18
35D33R	Ultra Rapid	Black	E33/DIII	35	500 VAC	PV	25	25	27	16
50D33R	Ultra Rapid	White	E33/DIII	50	500 VAC	PV	25	25	27	16
63D33R	Ultra Rapid	Copper	E33/DIII	63	500 VAC	PV	25	25	27	18



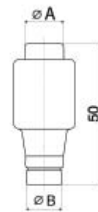
DI Dimensions



DII Dimensions



DIII Dimensions



Accessories for type D fuse links

SFD, SFRD, TFD, TFRD
25 - 63 A

Catalogue number	Description	Number of poles	Screw	Rated current (Amps)	Material price group	Pack qty	MOQ
SFD27	Panel Mount	Single-pole	E27	25	PV	36	36
TFD27	Panel Mount	Three-pole	E27	25	PV	4	4
TFD33	Panel Mount	Three-pole	E33	33	PV	6	6
SFRD27	DIN Rail Mounting	Single-pole	E27	25	PV	15	15
SFRD33	DIN Rail Mounting	Single-pole	E33	33	PV	15	15
TFRD27	DIN Rail Mounting	Three-pole	E27	25	PV	4	4
TFRD33	DIN Rail Mounting	Three-pole	E33	33	PV	6	6
CD27	Fuse Carriers	N/A	E27	25	PV	50	50
CD33	Fuse Carriers	N/A	E33	63	PV	6	6

Panel mount



Single pole DIN-Rail mounting



Fuse carrier



Gauge pieces for type D fuse links

GD27, GD33
25 - 63 A, sizes DII and DIII

Catalogue number	Rated current (Amps)	Size	Fuse base type	Material price group	Pack qty	MOQ
2GD27	2	DII	E27	PV	25	25
4GD27	4	DII	E27	PV	25	25
6GD27	6	DII	E27	PV	25	25
10GD27	10	DII	E27	PV	25	25
16GD27	16	DII	E27	PV	25	25
20GD27	20	DII	E27	PV	25	25
25GD27	25	DII	E27	PV	25	25
35GD33	35	DIII	E33	PV	25	25
50GD33	50	DIII	E33	PV	25	25
63GD33	63	DIII	E33	PV	25	25



DO Fuse links - Time-delay and ultra rapid

NZ01, NZ02, NZ03
2 - 100 A, 400 VAC, sizes D01 to D03

Catalogue number	Type	Size	Colour code	Rated current (Amps)	Rated voltage	Material price group	Pack qty	MOQ	Dimensions (mm)	
									Length	Diameter
2NZ01	Time Delay	D01	Pink	2	400 VAC	PV	10	10	36	11
4NZ01	Time Delay	D01	Brown	4	400 VAC	PV	10	10	36	11
6NZ01	Time Delay	D01	Green	6	400 VAC	PV	10	10	36	11
10NZ01	Time Delay	D01	Red	10	400 VAC	PV	10	10	36	11
16NZ01	Time Delay	D01	Grey	16	400 VAC	PV	10	10	36	11
2NZ01R	Ultra Rapid	D01	Pink	2	400 VAC	PV	10	10	36	11
4NZ01R	Ultra Rapid	D01	Brown	4	400 VAC	PV	10	10	36	11
6NZ01R	Ultra Rapid	D01	Green	6	400 VAC	PV	10	10	36	11
10NZ01R	Ultra Rapid	D01	Red	10	400 VAC	PV	10	10	36	11
16NZ01R	Ultra Rapid	D01	Grey	16	400 VAC	PV	10	10	36	11
20NZ02	Time Delay	D02	Blue	20	400 VAC	PV	10	10	36	15
25NZ02	Time Delay	D02	Yellow	25	400 VAC	PV	10	10	36	15
35NZ02	Time Delay	D02	White	35	400 VAC	PV	10	10	36	15
50NZ02	Time Delay	D02	White	50	400 VAC	PV	10	10	36	15
63NZ02	Time Delay	D02	Copper	63	400 VAC	PV	10	10	36	15
20NZ02R	Ultra Rapid	D02	Blue	20	400 VAC	PV	10	10	36	15
25NZ02R	Ultra Rapid	D02	Yellow	25	400 VAC	PV	10	10	36	15
35NZ02R	Ultra Rapid	D02	Black	35	400 VAC	PV	10	10	36	15
50NZ02R	Ultra Rapid	D02	White	50	400 VAC	PV	10	10	36	15
63NZ02R	Ultra Rapid	D02	Copper	63	400 VAC	PV	10	10	36	15
80NZ03	Time Delay	D03	Silver	80	400 VAC	PV	10	10	43	22.5
100NZ03	Time Delay	D03	Red	100	400 VAC	PV	10	10	43	22.5



D01 Dimensions



D02 Dimensions



D03 Dimensions



Accessories for type DO fuse links

Fuse bases and accessories for type DO fuse links

Catalogue number	Description	Material price group	Pack qty	MOQ
CN01	Fuse Cap DO	PV	20	20
CN02	Fuse Cap DO	PV	20	20
CN03	Fuse Cap DO	PV	20	20
DO-GPK	Gauge Piece Key	PV	20	20
FRN01C	Single Pole Fuse Base	PV	15	15
FRN02C	Single Pole Fuse Base	PV	15	15
TFRN01C	Three Pole Fuse Base	PV	5	5
TFRN02C	Three Pole Fuse Base	PV	5	5

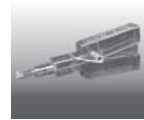
CN01



FRN01C



DO-GPK



TFRN01C



Gauge pieces for type DO fuse links - GN01, GN02
2 - 50 A, sizes D01 and D02

Catalogue number	Rated current (Amps)	Size	Fuse base type	Material price group	Pack qty	MOQ
2GN01	2	D01	E14	PV	50	50
4GN01	4	D01	E14	PV	50	50
6GN01	6	D01	E14	PV	50	50
10GN01	10	D01	E14	PV	50	50
10GN02	10	D02	E18	PV	50	50
16GN02	16	D02	E18	PV	50	50
20GN02	20	D02	E18	PV	50	50
25GN02	25	D02	E18	PV	50	50
35GN02	35	D02	E18	PV	50	50
50GN02	50	D02	E18	PV	50	50



CUBEFuse™ fuse links and fuse holders

CUBEFuse™ fuse links
6 - 100 A, 600 VAC, 300 VDC

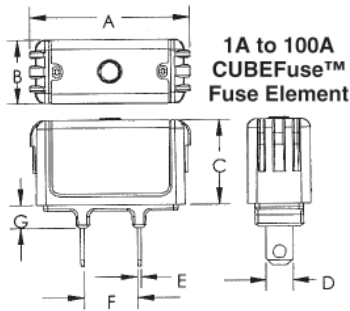
Catalogue number	Rated current (Amps)	Rated voltage	Material price group	Pack qty	MOQ
TCF6	6	600 VAC/ 300VDC	QL	12	12
TCF10	10	600 VAC/ 300VDC	QL	12	12
TCF15	15	600 VAC/ 300VDC	QL	12	12
TCF17-1-2	17.5	600 VAC/ 300VDC	QL	12	12
TCF20	20	600 VAC/ 300VDC	QL	12	12
TCF25	25	600 VAC/ 300VDC	QL	12	12
TCF30	30	600 VAC/ 300VDC	QL	12	12
TCF35	35	600 VAC/ 300VDC	QL	12	12
TCF40	40	600 VAC/ 300VDC	QL	12	12
TCF45	45	600 VAC/ 300VDC	QL	12	12
TCF50	50	600 VAC/ 300VDC	QL	12	12
TCF60	60	600 VAC/ 300VDC	QL	12	12
TCF70	70	600 VAC/ 300VDC	QL	6	6
TCF80	80	600 VAC/ 300VDC	QL	6	6
TCF90	90	600 VAC/ 300VDC	QL	6	6
TCF100	100	600 VAC/ 300VDC	QL	6	6



CUBEFuse™ fuse holders
30 - 100 A, 600 VAC, 300 VDC

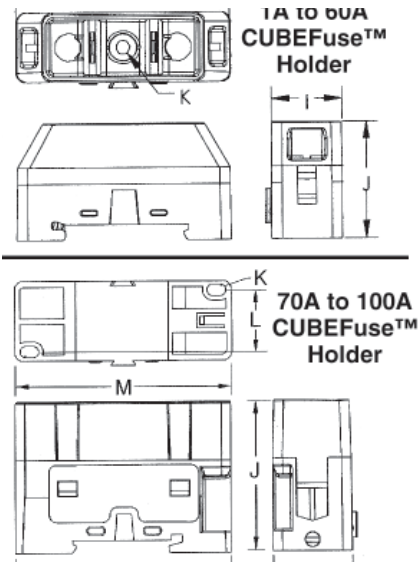
Catalogue number	Rated current (Amps)	Rated voltage	Material price group	Pack qty	MOQ
TCFH30N	30	600 VAC/ 300VDC	QL	12	12
TCFH60N	60	600 VAC/ 300VDC	QL	12	12
TCFH100N	100	600 VAC/ 300VDC	QL	12	12

TCF Dimensions -mm



	30A	60A	100A
A	47.76	54.10	76.45
B	19.05	25.40	25.40
C	25.40	28.58	32
D	7.94	11.11	14.48
E	1.02	1.02	1.6
F	15.88	15.88	15.88
G	6.86	9.65	9.93

TCFH Dimensions -mm

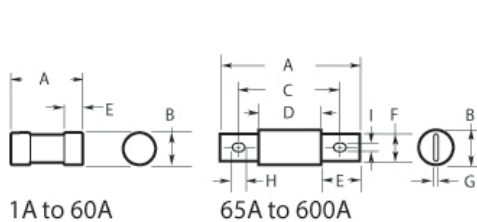


	30A	60A	100A
H	58.42	66.04	73.91
I	19.30	26.16	26.75
J	32.18	38.86	51.05
K	3.81	4.32	4.06
L	N/A	N/A	20.32

Low Peak® dual element, time-delay fuse links

LPJ_SP Class J
1 - 600 A, 600 VAC, 300 VDC

Catalogue number	Rated current (Amps)	Rated voltage	Material price group	Pack qty	MOQ	Dimensions (mm)										Fuse holders		
						A	B	C	D	E	F	G	H	I				
LPJ-1SP	1	600 VAC/ 300 VDC	QI	10	10	57.2	20.6											CH30JI
LPJ-1-1-4SP	1.25	600 VAC/ 300 VDC	QI	10	10	57.2	20.6											CH30JI
LPJ-1-6-10SP	1.6	600 VAC/ 300 VDC	QI	10	10	57.2	20.6											CH30JI
LPJ-1-8-10SP	1.8	600 VAC/ 300 VDC	QI	10	10	57.2	20.6											CH30JI
LPJ-2SP	2	600 VAC/ 300 VDC	QI	10	10	57.2	20.6											CH30JI
LPJ-2-1-4SP	2.25	600 VAC/ 300 VDC	QI	10	10	57.2	20.6											CH30JI
LPJ-2-1-2SP	2.5	600 VAC/ 300 VDC	QI	10	10	57.2	20.6											CH30JI
LPJ-2-8-10SP	2.8	600 VAC/ 300 VDC	QI	10	10	57.2	20.6											CH30JI
LPJ-3SP	3	600 VAC/ 300 VDC	QI	10	10	57.2	20.6											CH30JI
LPJ-3-2-10SP	3.2	600 VAC/ 300 VDC	QI	10	10	57.2	20.6											CH30JI
LPJ-3-1-2SP	3.5	600 VAC/ 300 VDC	QI	10	10	57.2	20.6											CH30JI
LPJ-4SP	4	600 VAC/ 300 VDC	QI	10	10	57.2	20.6											CH30JI
LPJ-4-1-2SP	4.5	600 VAC/ 300 VDC	QI	10	10	57.2	20.6											CH30JI
LPJ-5SP	5	600 VAC/ 300 VDC	QI	10	10	57.2	20.6											CH30JI
LPJ-5-6-10SP	5.6	600 VAC/ 300 VDC	QI	10	10	57.2	20.6											CH30JI
LPJ-6SP	6	600 VAC/ 300 VDC	QI	10	10	57.2	20.6											CH30JI
LPJ-7SP	7	600 VAC/ 300 VDC	QI	10	10	57.2	20.6											CH30JI
LPJ-8SP	8	600 VAC/ 300 VDC	QI	10	10	57.2	20.6											CH30JI
LPJ-9SP	9	600 VAC/ 300 VDC	QI	10	10	57.2	20.6											CH30JI
LPJ-10SP	10	600 VAC/ 300 VDC	QI	10	10	57.2	20.6											CH30JI
LPJ-12SP	12	600 VAC/ 300 VDC	QI	10	10	57.2	20.6											CH30JI
LPJ-15SP	15	600 VAC/ 300 VDC	QI	10	10	57.2	20.6											CH30JI
LPJ-17-1-2SP	17.5	600 VAC/ 300 VDC	QI	10	10	57.2	20.6											CH30JI
LPJ-20SP	20	600 VAC/ 300 VDC	QI	10	10	57.2	20.6											CH30JI
LPJ-25SP	25	600 VAC/ 300 VDC	QI	10	10	57.2	20.6											CH30JI
LPJ-30SP	30	600 VAC/ 300 VDC	QI	10	10	57.2	20.6											CH30JI
LPJ-35SP	35	600 VAC/ 300 VDC	QI	10	10	60.3	27.0											CH60JI
LPJ-40SP	40	600 VAC/ 300 VDC	QI	10	10	60.3	27.0											CH60JI
LPJ-45SP	45	600 VAC/ 300 VDC	QI	10	10	60.3	27.0											CH60JI
LPJ-50SP	50	600 VAC/ 300 VDC	QI	10	10	60.3	27.0											CH60JI
LPJ-60SP	60	600 VAC/ 300 VDC	QI	10	10	60.3	27.0											CH60JI
LPJ-70SP	70	600 VAC/ 300 VDC	QI	1	1	117.5	28.6	92.1	66.7	25.4	28.6	3.2	10.4	7.1				JM60100-1CR
LPJ-80SP	80	600 VAC/ 300 VDC	QI	1	1	117.5	28.6	92.1	66.7	25.4	28.6	3.2	10.4	7.1				JM60100-1CR
LPJ-90SP	90	600 VAC/ 300 VDC	QI	1	1	117.5	28.6	92.1	66.7	25.4	28.6	3.2	10.4	7.1				JM60100-1CR
LPJ-100SP	100	600 VAC/ 300 VDC	QI	1	1	117.5	28.6	92.1	66.7	25.4	28.6	3.2	10.4	7.1				JM60100-1CR
LPJ-110SP	110	600 VAC/ 300 VDC	QI	1	1	146.1	41.4	111.1	76.2	34.9	28.6	4.8	9.5	7.1				JM60200-1CR
LPJ-125SP	125	600 VAC/ 300 VDC	QI	1	1	146.1	41.4	111.1	76.2	34.9	28.6	4.8	9.5	7.1				JM60200-1CR
LPJ-150SP	150	600 VAC/ 300 VDC	QI	1	1	146.1	41.4	111.1	76.2	34.9	28.6	4.8	9.5	7.1				JM60200-1CR
LPJ-175SP	175	600 VAC/ 300 VDC	QI	1	1	146.1	41.4	111.1	76.2	34.9	28.6	4.8	9.5	7.1				JM60200-1CR
LPJ-200SP	200	600 VAC/ 300 VDC	QI	1	1	146.1	41.4	111.1	76.2	34.9	28.6	4.8	9.5	7.1				JM60200-1CR
LPJ-225SP	225	600 VAC/ 300 VDC	QI	1	1	181	53.6	133.3	38.3	47.6	41.2	6.4	14.2	10.3				JM60400-1CR
LPJ-250SP	250	600 VAC/ 300 VDC	QI	1	1	181	53.6	133.3	38.3	47.6	41.2	6.4	14.2	10.3				JM60400-1CR
LPJ-300SP	300	600 VAC/ 300 VDC	QI	1	1	181	53.6	133.3	38.3	47.6	41.2	6.4	14.2	10.3				JM60400-1CR
LPJ-350SP	350	600 VAC/ 300 VDC	QI	1	1	181	53.6	133.3	38.3	47.6	41.2	6.4	14.2	10.3				JM60400-1CR
LPJ-400SP	400	600 VAC/ 300 VDC	QI	1	1	181	53.6	133.3	38.3	47.6	41.2	6.4	14.2	10.3				JM60400-1CR
LPJ-450SP	450	600 VAC/ 300 VDC	QI	1	1	203.2	66	152.4	38.6	54	50.8	13.5	18.3	13.5				JM60600-1CR
LPJ-500SP	500	600 VAC/ 300 VDC	QI	1	1	203.2	66	152.4	38.6	54	50.8	13.5	18.3	13.5				JM60600-1CR
LPJ-600SP	600	600 VAC/ 300 VDC	QI	1	1	203.2	66	152.4	38.6	54	50.8	13.5	18.3	13.5				JM60600-1CR



Low Peak® time-delay, rejection type fuse links

LP-CC Class CC
0.5 - 30 A, 600 VAC, 150 - 300 VDC

Catalogue number	Rated current (Amps)	Rated voltage	Material price group	Pack qty	MOQ	Dimensions (mm)		Fuse holders
						Diameter	Length	
LP-CC-1-2	0.5	600 VAC/ 300VDC	QI	10	10	10.3	38.1	CHCC1DU
LP-CC-6-10	0.6	600 VAC/ 300VDC	QI	10	10	10.3	38.1	CHCC1DU
LP-CC-8-10	0.8	600 VAC/ 300VDC	QI	10	10	10.3	38.1	CHCC1DU
LP-CC-1	1	600 VAC/ 300VDC	QI	10	10	10.3	38.1	CHCC1DU
LP-CC-1-1-8	1.125	600 VAC/ 300VDC	QI	10	10	10.3	38.1	CHCC1DU
LP-CC-1-1-4	1.25	600 VAC/ 300VDC	QI	10	10	10.3	38.1	CHCC1DU
LP-CC-1-4-10	1.4	600 VAC/ 300VDC	QI	10	10	10.3	38.1	CHCC1DU
LP-CC-1-1-2	1.5	600 VAC/ 300VDC	QI	10	10	10.3	38.1	CHCC1DU
LP-CC-1-6-10	1.6	600 VAC/ 300VDC	QI	10	10	10.3	38.1	CHCC1DU
LP-CC-1-8-10	1.8	600 VAC/ 300VDC	QI	10	10	10.3	38.1	CHCC1DU
LP-CC-2	2	600 VAC/ 300VDC	QI	10	10	10.3	38.1	CHCC1DU
LP-CC-2-1-4	2.25	600 VAC/ 300VDC	QI	10	10	10.3	38.1	CHCC1DU
LP-CC-2-1-2	2.5	600 VAC/ 300VDC	QI	10	10	10.3	38.1	CHCC1DU
LP-CC-2-8-10	2.8	600 VAC/ 300VDC	QI	10	10	10.3	38.1	CHCC1DU
LP-CC-3	3	600 VAC/ 150VDC	QI	10	10	10.3	38.1	CHCC1DU
LP-CC-3-2-10	3.2	600 VAC/ 150VDC	QI	10	10	10.3	38.1	CHCC1DU
LP-CC-3-1-2	3.5	600 VAC/ 150VDC	QI	10	10	10.3	38.1	CHCC1DU
LP-CC-4	4	600 VAC/ 150VDC	QI	10	10	10.3	38.1	CHCC1DU
LP-CC-4-1-2	4.5	600 VAC/ 150VDC	QI	10	10	10.3	38.1	CHCC1DU
LP-CC-5	5	600 VAC/ 150VDC	QI	10	10	10.3	38.1	CHCC1DU
LP-CC-5-6-10	5.6	600 VAC/ 150VDC	QI	10	10	10.3	38.1	CHCC1DU
LP-CC-6	6	600 VAC/ 150VDC	QI	10	10	10.3	38.1	CHCC1DU
LP-CC-6-1-4	6.25	600 VAC/ 150VDC	QI	10	10	10.3	38.1	CHCC1DU
LP-CC-7	7	600 VAC/ 150VDC	QI	10	10	10.3	38.1	CHCC1DU
LP-CC-7-1-2	7.5	600 VAC/ 150VDC	QI	10	10	10.3	38.1	CHCC1DU
LP-CC-8	8	600 VAC/ 150VDC	QI	10	10	10.3	38.1	CHCC1DU
LP-CC-9	9	600 VAC/ 150VDC	QI	10	10	10.3	38.1	CHCC1DU
LP-CC-10	10	600 VAC/ 150VDC	QI	10	10	10.3	38.1	CHCC1DU
LP-CC-12	12	600 VAC/ 150VDC	QI	10	10	10.3	38.1	CHCC1DU
LP-CC-15	15	600 VAC/ 150VDC	QI	10	10	10.3	38.1	CHCC1DU
LP-CC-20	20	600 VAC/ 300VDC	QI	10	10	10.3	38.1	CHCC1DU
LP-CC-25	25	600 VAC/ 300VDC	QI	10	10	10.3	38.1	CHCC1DU
LP-CC-30	30	600 VAC/ 300VDC	QI	10	10	10.3	38.1	CHCC1DU

Dimensions -inches (mm)



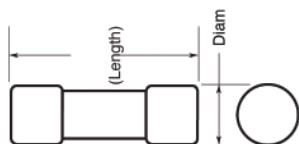
Low voltage

Time-delay fuse links

SC Class G

0.5 - 60 A, 480 - 600 VAC, 170 - 300 VDC

Catalogue number	Rated current (Amps)	Rated voltage	Material price group	Pack qty	MOQ	Dimensions (mm)		Fuse holders
						Length	Diameter	
SC-1-2	0.5	600 VAC / 170VDC	QI	10	10	33.3	10.4	BG3011B
SC-1	1	600 VAC / 170VDC	QI	10	10	33.3	10.4	BG3011B
SC-1-1-2	1.5	600 VAC / 170VDC	QI	10	10	33.3	10.4	BG3011B
SC-2	2	600 VAC / 170VDC	QI	10	10	33.3	10.4	BG3011B
SC-3	3	600 VAC / 170VDC	QI	10	10	33.3	10.4	BG3011B
SC-4	4	600 VAC / 170VDC	QI	10	10	33.3	10.4	BG3011B
SC-5	5	600 VAC / 170VDC	QI	10	10	33.3	10.4	BG3011B
SC-6	6	600 VAC / 170VDC	QI	10	10	33.3	10.4	BG3011B
SC-8	8	600 VAC / 170VDC	QI	10	10	33.3	10.4	BG3011B
SC-10	10	600 VAC / 170VDC	QI	10	10	33.3	10.4	BG3011B
SC-12	12	600 VAC / 170VDC	QI	10	10	33.3	10.4	BG3011B
SC-15	15	600 VAC / 170VDC	QI	10	10	33.3	10.4	BG3011B
SC-20	20	600 VAC / 170VDC	QI	10	10	35.8	10.4	BG3021B
SC-25	25	480 VAC / 300VDC	QI	10	10	41.2	10.4	BG3031B
SC-35	35	480 VAC / 300VDC	QI	10	10	57.1	10.4	G30060-1CR
SC-40	40	480 VAC / 300VDC	QI	10	10	57.1	10.4	G30060-1CR
SC-45	45	480 VAC / 300VDC	QI	10	10	57.1	10.4	G30060-1CR
SC-60	60	480 VAC / 300VDC	QI	10	10	57.1	10.4	G30060-1CR



Fusetron® Dual-element, time delay fuse links

FRN-R (250 V) Class RK5

0.1 - 600 A, 250 VAC, 125 - 250 VDC

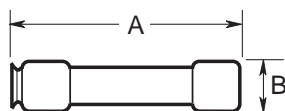
Catalogue number	Rated current (Amps)	Rated voltage	Material price group	Pack qty	MOQ	Fuse holders
FRN-R-1-10	0.1	250 VAC / 125VDC	QI	10	10	R25030-1CR
FRN-R-2-10	0.2	250 VAC / 125VDC	QI	10	10	R25030-1CR
FRN-R-1-4	0.25	250 VAC / 125VDC	QI	10	10	R25030-1CR
FRN-R-3-10	0.3	250 VAC / 125VDC	QI	10	10	R25030-1CR
FRN-R-4-10	0.4	250 VAC / 125VDC	QI	10	10	R25030-1CR
FRN-R-1-2	0.5	250 VAC / 125VDC	QI	10	10	R25030-1CR
FRN-R-6-10	0.6	250 VAC / 125VDC	QI	10	10	R25030-1CR
FRN-R-8-10	0.8	250 VAC / 125VDC	QI	10	10	R25030-1CR
FRN-R-1	1	250 VAC / 125VDC	QI	10	10	R25030-1CR
FRN-R-1-1-8	1.125	250 VAC / 125VDC	QI	10	10	R25030-1CR
FRN-R-1-1-4	1.25	250 VAC / 125VDC	QI	10	10	R25030-1CR
FRN-R-1-4-10	1.4	250 VAC / 125VDC	QI	10	10	R25030-1CR
FRN-R-1-1-2	1.5	250 VAC / 125VDC	QI	10	10	R25030-1CR
FRN-R-1-6-10	1.6	250 VAC / 125VDC	QI	10	10	R25030-1CR
FRN-R-1-8-10	1.8	250 VAC / 125VDC	QI	10	10	R25030-1CR
FRN-R-2	2	250 VAC / 125VDC	QI	10	10	R25030-1CR
FRN-R-2-1-4	2.25	250 VAC / 125VDC	QI	10	10	R25030-1CR
FRN-R-2-1-2	2.5	250 VAC / 125VDC	QI	10	10	R25030-1CR
FRN-R-2-8-10	2.8	250 VAC / 125VDC	QI	10	10	R25030-1CR
FRN-R-3	3	250 VAC / 125VDC	QI	10	10	R25030-1CR
FRN-R-3-2-10	3.2	250 VAC / 125VDC	QI	10	10	R25030-1CR
FRN-R-3-1-2	3.5	250 VAC / 125VDC	QI	10	10	R25030-1CR
FRN-R-4	4	250 VAC / 125VDC	QI	10	10	R25030-1CR
FRN-R-4-1-2	4.5	250 VAC / 125VDC	QI	10	10	R25030-1CR

Fusetron® Dual-element, time-delay fuse links

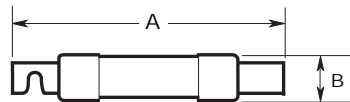
FRN-R (250 V) Class RK5
0.1 - 600 A, 250 VAC, 125 - 250 VDC

Catalogue number	Rated current (Amps)	Rated voltage	Material price group	Pack qty	MOQ	Fuse holders
FRN-R-5	5	250 VAC/ 125VDC	QI	10	10	R25030-1CR
FRN-R-5-6-10	5.6	250 VAC/ 125VDC	QI	10	10	R25030-1CR
FRN-R-6	6	250 VAC/ 125VDC	QI	10	10	R25030-1CR
FRN-R-6-1-4	6.25	250 VAC/ 125VDC	QI	10	10	R25030-1CR
FRN-R-7	7	250 VAC/ 125VDC	QI	10	10	R25030-1CR
FRN-R-7-1-2	7.5	250 VAC/ 125VDC	QI	10	10	R25030-1CR
FRN-R-8	8	250 VAC/ 125VDC	QI	10	10	R25030-1CR
FRN-R-9	9	250 VAC/ 125VDC	QI	10	10	R25030-1CR
FRN-R-10	10	250 VAC/ 125VDC	QI	10	10	R25030-1CR
FRN-R-12	12	250 VAC/ 125VDC	QI	10	10	R25030-1CR
FRN-R-15	15	250 VAC/ 125VDC	QI	10	10	R25030-1CR
FRN-R-17-1-2	17.5	250 VAC/ 125VDC	QI	10	10	R25030-1CR
FRN-R-20	20	250 VAC/ 125VDC	QI	10	10	R25030-1CR
FRN-R-25	25	250 VAC/ 125VDC	QI	10	10	R25030-1CR
FRN-R-30	30	250 VAC/ 125VDC	QI	10	10	R25030-1CR
FRN-R-35	35	250 VAC/ 125VDC	QI	10	10	R25060-1CR
FRN-R-40	40	250 VAC/ 125VDC	QI	10	10	R25060-1CR
FRN-R-45	45	250 VAC/ 125VDC	QI	10	10	R25060-1CR
FRN-R-50	50	250 VAC/ 125VDC	QI	10	10	R25060-1CR
FRN-R-60	60	250 VAC/ 125VDC	QI	10	10	R25060-1CR
FRN-R-70	70	250 VAC/ 125VDC	QI	5	5	RM250100-1CR
FRN-R-75	75	250 VAC/ 125VDC	QI	5	5	RM250100-1CR
FRN-R-80	80	250 VAC/ 125VDC	QI	5	5	RM250100-1CR
FRN-R-85	85	250 VAC/ 125VDC	QI	5	5	RM250100-1CR
FRN-R-90	90	250 VAC/ 125VDC	QI	5	5	RM250100-1CR
FRN-R-100	100	250 VAC/ 125VDC	QI	5	5	RM250100-1CR
FRN-R-110	110	250 VAC/ 125VDC	QI	5	5	RM25200-1CR
FRN-R-125	125	250 VAC/ 125VDC	QI	1	1	RM25200-1CR
FRN-R-150	150	250 VAC/ 125VDC	QI	1	1	RM25200-1CR
FRN-R-175	175	250 VAC/ 125VDC	QI	1	1	RM25200-1CR
FRN-R-200	200	250 VAC/ 125VDC	QI	1	1	RM25200-1CR
FRN-R-225	225	250 VAC/ 250VDC	QI	1	1	RM25400-1CR
FRN-R-250	250	250 VAC/ 250VDC	QI	1	1	RM25400-1CR
FRN-R-300	300	250 VAC/ 250VDC	QI	1	1	RM25400-1CR
FRN-R-350	350	250 VAC/ 250VDC	QI	1	1	RM25400-1CR
FRN-R-400	400	250 VAC/ 250VDC	QI	1	1	RM25400-1CR
FRN-R-600	600	250 VAC/ 250VDC	QI	1	1	RM25600-1CR

Dimensions -mm



Amp	A	B
1/10 - 30	50.8	14.3
35 - 60	76.2	20.6



Amp	A	B
70 - 100	149.2	26.9
110 - 200	181	39.6
225 - 400	219.1	52.3
450 - 600	263.5	65.8



Fusetron® Dual-element, time delay fuse links

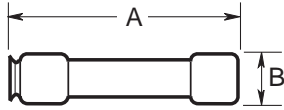
FRS-R (600 V) Class RK5
0.1 - 600 A, 600 VAC, 300 VDC

Catalogue number	Rated current (Amps)	Rated voltage	Material price group	Pack qty	MOQ	Fuse holders
FRS-R-1-10	0.1	600 VAC/ 300VDC	QI	10	10	R60030-1CR
FRS-R-2-10	0.2	600 VAC/ 300VDC	QI	10	10	R60030-1CR
FRS-R-1-4	0.25	600 VAC/ 300VDC	QI	10	10	R60030-1CR
FRS-R-1-2	0.5	600 VAC/ 300VDC	QI	10	10	R60030-1CR
FRS-R-6-10	0.6	600 VAC/ 300VDC	QI	10	10	R60030-1CR
FRS-R-8-10	0.8	600 VAC/ 300VDC	QI	10	10	R60030-1CR
FRS-R-1	1	600 VAC/ 300VDC	QI	10	10	R60030-1CR
FRS-R-1-1-8	1.125	600 VAC/ 300VDC	QI	10	10	R60030-1CR
FRS-R-1-1-4	1.25	600 VAC/ 300VDC	QI	10	10	R60030-1CR
FRS-R-1-4-10	1.4	600 VAC/ 300VDC	QI	10	10	R60030-1CR
FRS-R-1-1-2	1.5	600 VAC/ 300VDC	QI	10	10	R60030-1CR
FRS-R-1-6-10	1.6	600 VAC/ 300VDC	QI	10	10	R60030-1CR
FRS-R-1-8-10	1.8	600 VAC/ 300VDC	QI	10	10	R60030-1CR
FRS-R-2	2	600 VAC/ 300VDC	QI	10	10	R60030-1CR
FRS-R-2-1-4	2.25	600 VAC/ 300VDC	QI	10	10	R60030-1CR
FRS-R-2-1-2	2.5	600 VAC/ 300VDC	QI	10	10	R60030-1CR
FRS-R-2-8-10	2.8	600 VAC/ 300VDC	QI	10	10	R60030-1CR
FRS-R-3	3	600 VAC/ 300VDC	QI	10	10	R60030-1CR
FRS-R-3-2-10	3.2	600 VAC/ 300VDC	QI	10	10	R60030-1CR
FRS-R-3-1-2	3.5	600 VAC/ 300VDC	QI	10	10	R60030-1CR
FRS-R-4	4	600 VAC/ 300VDC	QI	10	10	R60030-1CR
FRS-R-4-1-2	4.5	600 VAC/ 300VDC	QI	10	10	R60030-1CR
FRS-R-5	5	600 VAC/ 300VDC	QI	10	10	R60030-1CR
FRS-R-5-6-10	5.6	600 VAC/ 300VDC	QI	10	10	R60030-1CR
FRS-R-6	6	600 VAC/ 300VDC	QI	10	10	R60030-1CR
FRS-R-6-1-4	6.25	600 VAC/ 300VDC	QI	10	10	R60030-1CR
FRS-R-7	7	600 VAC/ 300VDC	QI	10	10	R60030-1CR
FRS-R-7-1-2	7.5	600 VAC/ 300VDC	QI	10	10	R60030-1CR
FRS-R-8	8	600 VAC/ 300VDC	QI	10	10	R60030-1CR
FRS-R-9	9	600 VAC/ 300VDC	QI	10	10	R60030-1CR
FRS-R-10	10	600 VAC/ 300VDC	QI	10	10	R60030-1CR
FRS-R-12	12	600 VAC/ 300VDC	QI	10	10	R60030-1CR
FRS-R-15	15	600 VAC/ 300VDC	QI	10	10	R60030-1CR
FRS-R-17-1-2	17.5	600 VAC/ 300VDC	QI	10	10	R60030-1CR
FRS-R-20	20	600 VAC/ 300VDC	QI	10	10	R60030-1CR
FRS-R-25	25	600 VAC/ 300VDC	QI	10	10	R60030-1CR
FRS-R-30	30	600 VAC/ 300VDC	QI	10	10	R60030-1CR
FRS-R-35	35	600 VAC/ 300VDC	QI	10	10	R60060-1CR
FRS-R-40	40	600 VAC/ 300VDC	QI	10	10	R60060-1CR
FRS-R-45	45	600 VAC/ 300VDC	QI	10	10	R60060-1CR
FRS-R-50	50	600 VAC/ 300VDC	QI	10	10	R60060-1CR
FRS-R-60	60	600 VAC/ 300VDC	QI	10	10	R60060-1CR
FRS-R-70	70	600 VAC/ 300VDC	QI	10	10	RM60100-1CR
FRS-R-75	75	600 VAC/ 300VDC	QI	10	10	RM60100-1CR
FRS-R-80	80	600 VAC/ 300VDC	QI	10	10	RM60100-1CR
FRS-R-90	90	600 VAC/ 300VDC	QI	10	10	RM60100-1CR
FRS-R-100	100	600 VAC/ 300VDC	QI	10	10	RM60100-1CR
FRS-R-110	110	600 VAC/ 300VDC	QI	10	10	RM60200-1CR
FRS-R-125	125	600 VAC/ 300VDC	QI	10	10	RM60200-1CR
FRS-R-150	150	600 VAC/ 300VDC	QI	10	10	RM60200-1CR
FRS-R-175	175	600 VAC/ 300VDC	QI	10	10	RM60200-1CR
FRS-R-200	200	600 VAC/ 300VDC	QI	10	10	RM60200-1CR
FRS-R-225	225	600 VAC/ 300VDC	QI	10	10	RM60400-1CR
FRS-R-250	250	600 VAC/ 300VDC	QI	10	10	RM60400-1CR
FRS-R-300	300	600 VAC/ 300VDC	QI	10	10	RM60400-1CR
FRS-R-350	350	600 VAC/ 300VDC	QI	10	10	RM60400-1CR
FRS-R-400	400	600 VAC/ 300VDC	QI	10	10	RM60400-1CR
FRS-R-450	450	600 VAC/ 300VDC	QI	10	10	RM60600-1CR
FRS-R-500	500	600 VAC/ 300VDC	QI	10	10	RM60600-1CR
FRS-R-600	600	600 VAC/ 300VDC	QI	10	10	RM60600-1CR

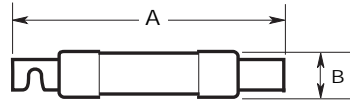


Fusetron® Dual-element, time delay fuse links

FRS-R (600 V) Class RK5
0.1 - 600 A, 600 VAC, 300 VDC



Amp	A	B
1/10 - 30	127	20.6
35 - 60	139.7	27

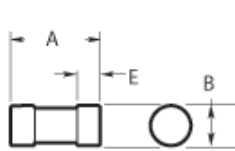


Amp	A	B
70 - 100	200	34
110 - 200	244.5	46.7
225 - 400	295.3	65.8
450 - 600	339.7	79.5

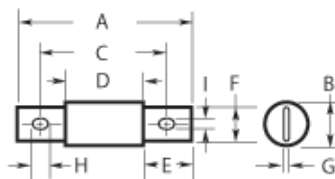
Limitron® Fast acting fuse links

JKS Class J
1 - 600 A, 600 VAC

Catalogue number	Rated current (Amps)	Rated voltage	Material price group	Pack qty	MOQ	Dimensions (mm)									Fuse holders	
						A	B	C	D	E	F	G	H	I		
JKS-1	1	600 VAC	QI	10	10	57.2	20.6			12.7						CH30J1
JKS-2	2	600 VAC	QI	10	10	57.2	20.6			12.7						CH30J1
JKS-3	3	600 VAC	QI	10	10	57.2	20.6			12.7						CH30J1
JKS-4	4	600 VAC	QI	10	10	57.2	20.6			12.7						CH30J1
JKS-5	5	600 VAC	QI	10	10	57.2	20.6			12.7						CH30J1
JKS-6	6	600 VAC	QI	10	10	57.2	20.6			12.7						CH30J1
JKS-10	10	600 VAC	QI	10	10	57.2	20.6			12.7						CH30J1
JKS-12	12	600 VAC	QI	10	10	57.2	20.6			12.7						CH30J1
JKS-15	15	600 VAC	QI	10	10	57.2	20.6			12.7						CH30J1
JKS-20	20	600 VAC	QI	10	10	57.2	20.6			12.7						CH30J1
JKS-25	25	600 VAC	QI	10	10	57.2	20.6			12.7						CH30J1
JKS-30	30	600 VAC	QI	10	10	57.2	20.6			12.7						CH30J1
JKS-35	35	600 VAC	QI	10	10	60.3	27			15.9						CH60J1
JKS-40	40	600 VAC	QI	10	10	60.3	27			15.9						CH60J1
JKS-45	45	600 VAC	QI	10	10	60.3	27			15.9						CH60J1
JKS-50	50	600 VAC	QI	10	10	60.3	27			15.9						CH60J1
JKS-60	60	600 VAC	QI	10	10	60.3	27			15.9						CH60J1
JKS-70	70	600 VAC	QI	1	1	117.5	28.6	92.1	66.7	25.4	28.6	3.2	10.4	7.1		JM60100-1CR
JKS-80	80	600 VAC	QI	1	1	117.5	28.6	92.1	66.7	25.4	28.6	3.2	10.4	7.1		JM60100-1CR
JKS-90	90	600 VAC	QI	1	1	117.5	28.6	92.1	66.7	25.4	28.6	3.2	10.4	7.1		JM60100-1CR
JKS-100	100	600 VAC	QI	1	1	117.5	28.6	92.1	66.7	25.4	28.6	3.2	10.4	7.1		JM60100-1CR
JKS-110	110	600 VAC	QI	1	1	146.1	41.4	111.1	76.2	34.9	28.6	4.8	9.5	7.1		JM60200-1CR
JKS-125	125	600 VAC	QI	1	1	146.1	41.4	111.1	76.2	34.9	28.6	4.8	9.5	7.1		JM60200-1CR
JKS-150	150	600 VAC	QI	1	1	146.1	41.4	111.1	76.2	34.9	28.6	4.8	9.5	7.1		JM60200-1CR
JKS-175	175	600 VAC	QI	1	1	146.1	41.4	111.1	76.2	34.9	28.6	4.8	9.5	7.1		JM60200-1CR
JKS-200	200	600 VAC	QI	1	1	146.1	41.4	111.1	76.2	34.9	28.6	4.8	9.5	7.1		JM60200-1CR
JKS-225	225	600 VAC	QI	1	1	181	53.6	133.3	38.3	47.6	41.2	6.4	14.2	10.3		JM60400-1CR
JKS-250	250	600 VAC	QI	1	1	181	53.6	133.3	38.3	47.6	41.2	6.4	14.2	10.3		JM60400-1CR
JKS-300	300	600 VAC	QI	1	1	181	53.6	133.3	38.3	47.6	41.2	6.4	14.2	10.3		JM60400-1CR
JKS-350	350	600 VAC	QI	1	1	181	53.6	133.3	38.3	47.6	41.2	6.4	14.2	10.3		JM60400-1CR
JKS-400	400	600 VAC	QI	1	1	181	53.6	133.3	38.3	47.6	41.2	6.4	14.2	10.3		JM60400-1CR
JKS-450	450	600 VAC	QI	1	1	203.2	66	152.4	38.6	54	50.8	13.5	18.3	13.5		JM60600-1CR
JKS-500	500	600 VAC	QI	1	1	203.2	66	152.4	38.6	54	50.8	13.5	18.3	13.5		JM60600-1CR
JKS-600	600	600 VAC	QI	1	1	203.2	66	152.4	38.6	54	50.8	13.5	18.3	13.5		JM60600-1CR



1A to 60A



65A to 600A



Limitron® Rejection-type fuse links

KTK-R Class CC
0.1 - 30 A, 600 VAC

Catalogue number	Rated current (Amps)	Rated voltage	Material price group	Pack qty	MOQ	Dimensions (mm)		Fuse holder
						Diameter	Length	
KTK-R-1-10	0.1	600 VAC	QI	10	10	10.3	38.1	CHCC1DU
KTK-R-1-8	0.125	600 VAC	QI	10	10	10.3	38.1	CHCC1DU
KTK-R-2-10	0.2	600 VAC	QI	10	10	10.3	38.1	CHCC1DU
KTK-R-1-4	0.25	600 VAC	QI	10	10	10.3	38.1	CHCC1DU
KTK-R-3-10	0.3	600 VAC	QI	10	10	10.3	38.1	CHCC1DU
KTK-R-4-10	0.4	600 VAC	QI	10	10	10.3	38.1	CHCC1DU
KTK-R-1-2	0.5	600 VAC	QI	10	10	10.3	38.1	CHCC1DU
KTK-R-6-10	0.6	600 VAC	QI	10	10	10.3	38.1	CHCC1DU
KTK-R-3-4	0.75	600 VAC	QI	10	10	10.3	38.1	CHCC1DU
KTK-R-1	1	600 VAC	QI	10	10	10.3	38.1	CHCC1DU
KTK-R-1-1-2	1.5	600 VAC	QI	10	10	10.3	38.1	CHCC1DU
KTK-R-2	2	600 VAC	QI	10	10	10.3	38.1	CHCC1DU
KTK-R-2-1-2	2.5	600 VAC	QI	10	10	10.3	38.1	CHCC1DU
KTK-R-3	3	600 VAC	QI	10	10	10.3	38.1	CHCC1DU
KTK-R-3-1-2	3.5	600 VAC	QI	10	10	10.3	38.1	CHCC1DU
KTK-R-4	4	600 VAC	QI	10	10	10.3	38.1	CHCC1DU
KTK-R-5	5	600 VAC	QI	10	10	10.3	38.1	CHCC1DU
KTK-R-6	6	600 VAC	QI	10	10	10.3	38.1	CHCC1DU
KTK-R-7	7	600 VAC	QI	10	10	10.3	38.1	CHCC1DU
KTK-R-8	8	600 VAC	QI	10	10	10.3	38.1	CHCC1DU
KTK-R-9	9	600 VAC	QI	10	10	10.3	38.1	CHCC1DU
KTK-R-10	10	600 VAC	QI	10	10	10.3	38.1	CHCC1DU
KTK-R-12	12	600 VAC	QI	10	10	10.3	38.1	CHCC1DU
KTK-R-15	15	600 VAC	QI	10	10	10.3	38.1	CHCC1DU
KTK-R-20	20	600 VAC	QI	10	10	10.3	38.1	CHCC1DU
KTK-R-25	25	600 VAC	QI	10	10	10.3	38.1	CHCC1DU
KTK-R-30	30	600 VAC	QI	10	10	10.3	38.1	CHCC1DU



Dimensions - inches (mm)



CC-Tron® Rejection-type fuse links

FNQ-R Class CC
0.25 - 30 A, 600 VAC

Catalogue number	Rated current (Amps)	Rated voltage	Material price group	Pack qty	MOQ	Dimensions (mm)		Fuse holder
						Diameter	Length	
FNQ-R-1-4	0.25	600 VAC	QI	10	10	10.3	38.1	CHCC1DU
FNQ-R-3-10	0.3	600 VAC	QI	10	10	10.3	38.1	CHCC1DU
FNQ-R-4-10	0.4	600 VAC	QI	10	10	10.3	38.1	CHCC1DU
FNQ-R-1-2	0.5	600 VAC	QI	10	10	10.3	38.1	CHCC1DU
FNQ-R-6-10	0.6	600 VAC	QI	10	10	10.3	38.1	CHCC1DU
FNQ-R-3-4	0.75	600 VAC	QI	10	10	10.3	38.1	CHCC1DU
FNQ-R-8-10	0.8	600 VAC	QI	10	10	10.3	38.1	CHCC1DU
FNQ-R-1	1	600 VAC	QI	10	10	10.3	38.1	CHCC1DU
FNQ-R-1-1-8	1.125	600 VAC	QI	10	10	10.3	38.1	CHCC1DU
FNQ-R-1-1-4	1.25	600 VAC	QI	10	10	10.3	38.1	CHCC1DU
FNQ-R-1-3-10	1.3	600 VAC	QI	10	10	10.3	38.1	CHCC1DU
FNQ-R-1-4-10	1.4	600 VAC	QI	10	10	10.3	38.1	CHCC1DU
FNQ-R-1-1-2	1.5	600 VAC	QI	10	10	10.3	38.1	CHCC1DU
FNQ-R-1-6-10	1.6	600 VAC	QI	10	10	10.3	38.1	CHCC1DU
FNQ-R-1-8-10	1.6	600 VAC	QI	10	10	10.3	38.1	CHCC1DU
FNQ-R-2	2	600 VAC	QI	10	10	10.3	38.1	CHCC1DU
FNQ-R-2-1-4	2.25	600 VAC	QI	10	10	10.3	38.1	CHCC1DU
FNQ-R-2-1-2	2.5	600 VAC	QI	10	10	10.3	38.1	CHCC1DU
FNQ-R-2-8-10	2.8	600 VAC	QI	10	10	10.3	38.1	CHCC1DU
FNQ-R-3	3	600 VAC	QI	10	10	10.3	38.1	CHCC1DU
FNQ-R-3-2-10	3.2	600 VAC	QI	10	10	10.3	38.1	CHCC1DU
FNQ-R-3-1-2	3.5	600 VAC	QI	10	10	10.3	38.1	CHCC1DU
FNQ-R-4	4	600 VAC	QI	10	10	10.3	38.1	CHCC1DU
FNQ-R-4-1-2	4.5	600 VAC	QI	10	10	10.3	38.1	CHCC1DU
FNQ-R-5	5	600 VAC	QI	10	10	10.3	38.1	CHCC1DU
FNQ-R-6	6	600 VAC	QI	10	10	10.3	38.1	CHCC1DU
FNQ-R-6-1-4	6.25	600 VAC	QI	10	10	10.3	38.1	CHCC1DU
FNQ-R-7	7	600 VAC	QI	10	10	10.3	38.1	CHCC1DU
FNQ-R-7-1-2	7.5	600 VAC	QI	10	10	10.3	38.1	CHCC1DU
FNQ-R-8	8	600 VAC	QI	10	10	10.3	38.1	CHCC1DU
FNQ-R-9	9	600 VAC	QI	10	10	10.3	38.1	CHCC1DU
FNQ-R-10	10	600 VAC	QI	10	10	10.3	38.1	CHCC1DU
FNQ-R-12	12	600 VAC	QI	10	10	10.3	38.1	CHCC1DU
FNQ-R-15	15	600 VAC	QI	10	10	10.3	38.1	CHCC1DU
FNQ-R-17-1-2	17.5	600 VAC	QI	10	10	10.3	38.1	CHCC1DU
FNQ-R-20	20	600 VAC	QI	10	10	10.3	38.1	CHCC1DU
FNQ-R-25	25	600 VAC	QI	10	10	10.3	38.1	CHCC1DU
FNQ-R-30	30	600 VAC	QI	10	10	10.3	38.1	CHCC1DU



Low voltage

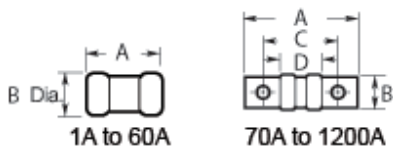
Dimensions - inches (mm)



T-Tron® Fast-acting fuse links

JJS Class T
1 - 800 A, 600 VAC

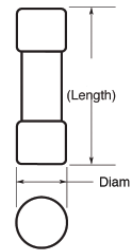
Catalogue number	Rated current (Amps)	Rated voltage	Material price group	Pack qty	MOQ	Dimensions (mm)				Fuse holders
						A	B	C	D	
JJS-1	1	600 VAC	QI	10	10	14.3	38.1	-	-	T30030-3CR
JJS-2	2	600 VAC	QI	10	10	14.3	38.1			T30030-3CR
JJS-3	3	600 VAC	QI	10	10	14.3	38.1			T30030-3CR
JJS-6	6	600 VAC	QI	10	10	14.3	38.1			T30030-3CR
JJS-10	10	600 VAC	QI	10	10	14.3	38.1			T30030-3CR
JJS-15	15	600 VAC	QI	10	10	14.3	38.1			T30030-3CR
JJS-20	20	600 VAC	QI	10	10	14.3	38.1			T30030-3CR
JJS-25	25	600 VAC	QI	10	10	14.3	38.1			T30030-3CR
JJS-30	30	600 VAC	QI	10	10	14.3	38.1			T30030-3CR
JJS-35	35	600 VAC	QI	10	10	20.6	39.7	-	-	T30060-3CR
JJS-40	40	600 VAC	QI	10	10	20.6	39.7			T30060-3CR
JJS-45	45	600 VAC	QI	10	10	20.6	39.7			T30060-3CR
JJS-50	50	600 VAC	QI	10	10	20.6	39.7			T30060-3CR
JJS-60	60	600 VAC	QI	10	10	20.6	39.7			T30060-3CR
JJS-70	70	600 VAC	QI	5	5	19.1	75	59.9	41.7	T30100-3CR
JJS-80	80	600 VAC	QI	5	5	19.1	75	59.9	41.7	T30100-3CR
JJS-90	90	600 VAC	QI	5	5	19.1	75	59.9	41.7	T30100-3CR
JJS-100	100	600 VAC	QI	5	5	19.1	75	59.9	41.7	T30100-3CR
JJS-110	110	600 VAC	QI	1	1	22.2	82.6	63.5	42.1	T30200-3C
JJS-125	125	600 VAC	QI	1	1	22.2	82.6	63.5	42.1	T30200-3C
JJS-150	150	600 VAC	QI	1	1	22.2	82.6	63.5	42.1	T30200-3C
JJS-175	175	600 VAC	QI	1	1	22.2	82.6	63.5	42.1	T30200-3C
JJS-200	200	600 VAC	QI	1	1	22.2	82.6	63.5	42.1	T30200-3C
JJS-225	225	600 VAC	QI	1	1	25.4	92.1	69.1	44.1	T30400-1C
JJS-250	250	600 VAC	QI	1	1	25.4	92.1	69.1	44.1	T30400-1C
JJS-300	300	600 VAC	QI	1	1	25.4	92.1	69.1	44.1	T30400-1C
JJS-350	350	600 VAC	QI	1	1	25.4	92.1	69.1	44.1	T30400-1C
JJS-400	400	600 VAC	QI	1	1	25.4	92.1	69.1	44.1	T30400-1C
JJS-450	450	600 VAC	QI	1	1	31.8	101.2	75	45.2	T30600-1C
JJS-500	500	600 VAC	QI	1	1	31.8	101.2	75	45.2	T30600-1C
JJS-600	600	600 VAC	QI	1	1	31.8	101.2	75	45.2	T30600-1C
JJS-800	800	600 VAC	QI	1	1	44.5	109.9	80.6	47.6	T30600-1C



$1\frac{13}{32} \times 1\frac{1}{2}$ " Fast-acting fuse links

BAF
0.5 - 30 A, 125 - 250 VAC

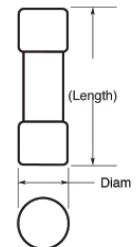
Catalogue number	Rated current (Amps)	Rated voltage	Material price group	Pack qty	MOQ	Dimensions (mm)		Fuse holder
						Diameter	Length	
BAF-1-2	0.5	250 VAC	QI	10	10	10.3	38.1	CHM1DU
BAF-1	1	250 VAC	QI	10	10	10.3	38.1	CHM1DU
BAF-1-1-2	1.5	250 VAC	QI	10	10	10.3	38.1	CHM1DU
BAF-2	2	250 VAC	QI	10	10	10.3	38.1	CHM1DU
BAF-2-1-2	2.5	250 VAC	QI	10	10	10.3	38.1	CHM1DU
BAF-3	3	250 VAC	QI	10	10	10.3	38.1	CHM1DU
BAF-4	4	250 VAC	QI	10	10	10.3	38.1	CHM1DU
BAF-5	5	250 VAC	QI	10	10	10.3	38.1	CHM1DU
BAF-6	6	250 VAC	QI	10	10	10.3	38.1	CHM1DU
BAF-7	7	250 VAC	QI	10	10	10.3	38.1	CHM1DU
BAF-8	8	250 VAC	QI	10	10	10.3	38.1	CHM1DU
BAF-9	9	250 VAC	QI	10	10	10.3	38.1	CHM1DU
BAF-10	10	250 VAC	QI	10	10	10.3	38.1	CHM1DU
BAF-12	12	250 VAC	QI	10	10	10.3	38.1	CHM1DU
BAF-15	15	250 VAC	QI	10	10	10.3	38.1	CHM1DU
BAF-20	20	125 VAC	QI	10	10	10.3	38.1	CHM1DU
BAF-25	25	125 VAC	QI	10	10	10.3	38.1	CHM1DU
BAF-30	30	125 VAC	QI	10	10	10.3	38.1	CHM1DU



Low voltage

KTK
0.1 - 30 A, 600 VAC

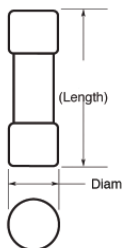
Catalogue number	Rated current (Amps)	Rated voltage	Material price group	Pack qty	MOQ	Dimensions (mm)		Fuse holder
						Diameter	Length	
KTK-1-10	0.1	600 VAC	QI	10	10	10.3	38.1	CHM1DU
KTK-1-8	0.125	600 VAC	QI	10	10	10.3	38.1	CHM1DU
KTK-2-10	0.2	600 VAC	QI	10	10	10.3	38.1	CHM1DU
KTK-1-4	0.25	600 VAC	QI	10	10	10.3	38.1	CHM1DU
KTK-3-10	0.3	600 VAC	QI	10	10	10.3	38.1	CHM1DU
KTK-4-10	0.4	600 VAC	QI	10	10	10.3	38.1	CHM1DU
KTK-1-2	0.5	600 VAC	QI	10	10	10.3	38.1	CHM1DU
KTK-6-10	0.6	600 VAC	QI	10	10	10.3	38.1	CHM1DU
KTK-3-4	0.75	600 VAC	QI	10	10	10.3	38.1	CHM1DU
KTK-1	1	600 VAC	QI	10	10	10.3	38.1	CHM1DU
KTK-1-1-4	1.25	600 VAC	QI	10	10	10.3	38.1	CHM1DU
KTK-1-1-2	1.5	600 VAC	QI	10	10	10.3	38.1	CHM1DU
KTK-2	2	600 VAC	QI	10	10	10.3	38.1	CHM1DU
KTK-2-1-2	2.5	600 VAC	QI	10	10	10.3	38.1	CHM1DU
KTK-3	3	600 VAC	QI	10	10	10.3	38.1	CHM1DU
KTK-3-1-2	3.5	600 VAC	QI	10	10	10.3	38.1	CHM1DU
KTK-4	4	600 VAC	QI	10	10	10.3	38.1	CHM1DU
KTK-5	5	600 VAC	QI	10	10	10.3	38.1	CHM1DU
KTK-6	6	600 VAC	QI	10	10	10.3	38.1	CHM1DU
KTK-7	7	600 VAC	QI	10	10	10.3	38.1	CHM1DU
KTK-7-1-2	7.5	600 VAC	QI	10	10	10.3	38.1	CHM1DU
KTK-8	8	600 VAC	QI	10	10	10.3	38.1	CHM1DU
KTK-9	9	600 VAC	QI	10	10	10.3	38.1	CHM1DU
KTK-10	10	600 VAC	QI	10	10	10.3	38.1	CHM1DU
KTK-12	12	600 VAC	QI	10	10	10.3	38.1	CHM1DU
KTK-15	15	600 VAC	QI	10	10	10.3	38.1	CHM1DU
KTK-20	20	600 VAC	QI	10	10	10.3	38.1	CHM1DU
KTK-25	25	600 VAC	QI	10	10	10.3	38.1	CHM1DU
KTK-30	30	600 VAC	QI	10	10	10.3	38.1	CHM1DU



$1\frac{3}{32} \times 1\frac{1}{2}$ " Time-delay fuse links

FNM
0.1 - 40 A, 250 VAC

Catalogue number	Rated current (Amps)	Rated voltage	Material price group	Pack qty	MOQ	Dimensions (mm)		Fuse holder
						Diameter	Length	
FNM-1-10	0.1	250 VAC	QI	10	10	10.3	38.1	CHM1DU
FNM-2-10	0.2	250 VAC	QI	10	10	10.3	38.1	CHM1DU
FNM-1-4	0.25	250 VAC	QI	10	10	10.3	38.1	CHM1DU
FNM-3-10	0.3	250 VAC	QI	10	10	10.3	38.1	CHM1DU
FNM-4-10	0.4	250 VAC	QI	10	10	10.3	38.1	CHM1DU
FNM-1-2	0.5	250 VAC	QI	10	10	10.3	38.1	CHM1DU
FNM-6-10	0.6	250 VAC	QI	10	10	10.3	38.1	CHM1DU
FNM-3-4	0.75	250 VAC	QI	10	10	10.3	38.1	CHM1DU
FNM-8-10	0.8	250 VAC	QI	10	10	10.3	38.1	CHM1DU
FNM-1	1	250 VAC	QI	10	10	10.3	38.1	CHM1DU
FNM-1-1-8	1.125	250 VAC	QI	10	10	10.3	38.1	CHM1DU
FNM-1-1-4	1.25	250 VAC	QI	10	10	10.3	38.1	CHM1DU
FNM-1-4-10	1.4	250 VAC	QI	10	10	10.3	38.1	CHM1DU
FNM-1-1-2	1.5	250 VAC	QI	10	10	10.3	38.1	CHM1DU
FNM-1-6-10	1.6	250 VAC	QI	10	10	10.3	38.1	CHM1DU
FNM-1-8-10	1.8	250 VAC	QI	10	10	10.3	38.1	CHM1DU
FNM-2	2	250 VAC	QI	10	10	10.3	38.1	CHM1DU
FNM-2-1-4	2.25	250 VAC	QI	10	10	10.3	38.1	CHM1DU
FNM-2-1-2	2.5	250 VAC	QI	10	10	10.3	38.1	CHM1DU
FNM-2-8-10	2.8	250 VAC	QI	10	10	10.3	38.1	CHM1DU
FNM-3	3	250 VAC	QI	10	10	10.3	38.1	CHM1DU
FNM-3-2-10	3.2	250 VAC	QI	10	10	10.3	38.1	CHM1DU
FNM-3-1-2	3.5	250 VAC	QI	10	10	10.3	38.1	CHM1DU
FNM-4	4	250 VAC	QI	10	10	10.3	38.1	CHM1DU
FNM-4-1-2	4.5	250 VAC	QI	10	10	10.3	38.1	CHM1DU
FNM-5	5	250 VAC	QI	10	10	10.3	38.1	CHM1DU
FNM-5-6-10	5.6	250 VAC	QI	10	10	10.3	38.1	CHM1DU
FNM-6	6	250 VAC	QI	10	10	10.3	38.1	CHM1DU
FNM-6-1-4	6.25	250 VAC	QI	10	10	10.3	38.1	CHM1DU
FNM-7	7	250 VAC	QI	10	10	10.3	38.1	CHM1DU
FNM-8	8	250 VAC	QI	10	10	10.3	38.1	CHM1DU
FNM-9	9	250 VAC	QI	10	10	10.3	38.1	CHM1DU
FNM-10	10	250 VAC	QI	10	10	10.3	38.1	CHM1DU
FNM-12	12	250 VAC	QI	10	10	10.3	38.1	CHM1DU
FNM-15	15	250 VAC	QI	10	10	10.3	38.1	CHM1DU
FNM-20	20	250 VAC	QI	10	10	10.3	38.1	CHM1DU
FNM-25	25	250 VAC	QI	10	10	10.3	38.1	CHM1DU
FNM-30	30	250 VAC	QI	10	10	10.3	38.1	CHM1DU
FNM-35	35	250 VAC	QI	10	10	10.3	38.1	CHM1DU
FNM-40	40	250 VAC	QI	10	10	10.3	38.1	CHM1DU



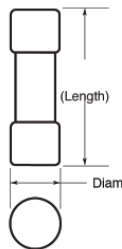
$1\frac{3}{32}$ x 1 $\frac{1}{2}$ " Time-delay fuse links

FNQ
0.1 - 30 A, 500 VAC

Catalogue number	Rated current (Amps)	Rated voltage	Material price group	Pack qty	MOQ	Dimensions (mm)		Fuse holder
						Diameter	Length	
FNQ-1-10	0.1	600 VAC	QI	10	10	10.3	38.1	CHM1DU
FNQ-1-8	0.125	600 VAC	QI	10	10	10.3	38.1	CHM1DU
FNQ-15-100	0.15	600 VAC	QI	10	10	10.3	38.1	CHM1DU
FNQ-3-16	0.1875	600 VAC	QI	10	10	10.3	38.1	CHM1DU
FNQ-2-10	0.2	600 VAC	QI	10	10	10.3	38.1	CHM1DU
FNQ-1-4	0.25	600 VAC	QI	10	10	10.3	38.1	CHM1DU
FNQ-3-10	0.3	600 VAC	QI	10	10	10.3	38.1	CHM1DU
FNQ-4-10	0.4	600 VAC	QI	10	10	10.3	38.1	CHM1DU
FNQ-1-2	0.5	600 VAC	QI	10	10	10.3	38.1	CHM1DU
FNQ-6-10	0.6	600 VAC	QI	10	10	10.3	38.1	CHM1DU
FNQ-8-10	0.8	600 VAC	QI	10	10	10.3	38.1	CHM1DU
FNQ-1	1	600 VAC	QI	10	10	10.3	38.1	CHM1DU
FNQ-1-1-8	1.125	600 VAC	QI	10	10	10.3	38.1	CHM1DU
FNQ-1-1-4	1.25	600 VAC	QI	10	10	10.3	38.1	CHM1DU
FNQ-1-1-2	1.5	600 VAC	QI	10	10	10.3	38.1	CHM1DU
FNQ-1-6-10	1.6	600 VAC	QI	10	10	10.3	38.1	CHM1DU
FNQ-2	2	600 VAC	QI	10	10	10.3	38.1	CHM1DU
FNQ-2-1-4	2.25	600 VAC	QI	10	10	10.3	38.1	CHM1DU
FNQ-2-1-2	2.5	600 VAC	QI	10	10	10.3	38.1	CHM1DU
FNQ-3	3	600 VAC	QI	10	10	10.3	38.1	CHM1DU
FNQ-3-2-10	3.2	600 VAC	QI	10	10	10.3	38.1	CHM1DU
FNQ-3-1-2	3.5	600 VAC	QI	10	10	10.3	38.1	CHM1DU
FNQ-4	4	600 VAC	QI	10	10	10.3	38.1	CHM1DU
FNQ-4-1-2	4.5	600 VAC	QI	10	10	10.3	38.1	CHM1DU
FNQ-5	5	600 VAC	QI	10	10	10.3	38.1	CHM1DU
FNQ-5-6-10	5.6	600 VAC	QI	10	10	10.3	38.1	CHM1DU
FNQ-6	6	600 VAC	QI	10	10	10.3	38.1	CHM1DU
FNQ-6-1-4	6.25	600 VAC	QI	10	10	10.3	38.1	CHM1DU
FNQ-7	7	600 VAC	QI	10	10	10.3	38.1	CHM1DU
FNQ-8	8	600 VAC	QI	10	10	10.3	38.1	CHM1DU
FNQ-9	9	600 VAC	QI	10	10	10.3	38.1	CHM1DU
FNQ-10	10	600 VAC	QI	10	10	10.3	38.1	CHM1DU
FNQ-12	12	600 VAC	QI	10	10	10.3	38.1	CHM1DU
FNQ-14	14	600 VAC	QI	10	10	10.3	38.1	CHM1DU
FNQ-15	15	600 VAC	QI	10	10	10.3	38.1	CHM1DU
FNQ-20	20	600 VAC	QI	10	10	10.3	38.1	CHM1DU
FNQ-25	25	600 VAC	QI	10	10	10.3	38.1	CHM1DU
FNQ-30	30	600 VAC	QI	10	10	10.3	38.1	CHM1DU



Low voltage

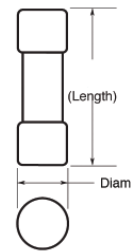


$1\frac{3}{32} \times 1\frac{3}{8}$ Time-delay fuse links

BBS

0.1 - 30 A, 250 - 480 - 600 VAC

Catalogue number	Rated current (Amps)	Rated voltage	Material price group	Pack qty	MOQ	Dimensions (mm)	
						Diameter	Length
BBS-1-10	0.1	600 VAC	QI	10	10	10.3	34.9
BBS-2-10	0.2	600 VAC	QI	10	10	10.3	34.9
BBS-1-4	0.25	600 VAC	QI	10	10	10.3	34.9
BBS-4-10	0.4	600 VAC	QI	10	10	10.3	34.9
BBS-1-2	0.5	600 VAC	QI	10	10	10.3	34.9
BBS-6-10	0.6	600 VAC	QI	10	10	10.3	34.9
BBS-3-4	0.75	600 VAC	QI	10	10	10.3	34.9
BBS-8-10	0.8	600 VAC	QI	10	10	10.3	34.9
BBS-1	1	600 VAC	QI	10	10	10.3	34.9
BBS-1-1-2	1.5	600 VAC	QI	10	10	10.3	34.9
BBS-1-6-10	1.6	600 VAC	QI	10	10	10.3	34.9
BBS-1-8-10	1.8	600 VAC	QI	10	10	10.3	34.9
BBS-2	2	600 VAC	QI	10	10	10.3	34.9
BBS-3	3	600 VAC	QI	10	10	10.3	34.9
BBS-4	4	600 VAC	QI	10	10	10.3	34.9
BBS-5	5	600 VAC	QI	10	10	10.3	34.9
BBS-6	6	250 VAC	QI	10	10	10.3	34.9
BBS-7	7	250 VAC	QI	10	10	10.3	34.9
BBS-8	8	250 VAC	QI	10	10	10.3	34.9
BBS-10	10	250 VAC	QI	10	10	10.3	34.9
BBS-12	12	480 VAC	QI	10	10	10.3	34.9
BBS-15	15	480 VAC	QI	10	10	10.3	34.9
BBS-20	20	480 VAC	QI	10	10	10.3	34.9
BBS-25	25	480 VAC	QI	10	10	10.3	34.9
BBS-30	30	480 VAC	QI	10	10	10.3	34.9



Circuit limiters

ANL

35 - 750 A, 80 VDC

Catalogue number	Rated current (Amps)	Rated voltage	Material price group	Pack qty	MOQ	Dimensions (mm)		Fuse holder
						Diameter	Length	
ANL-35	35	80VDC	QI	5	5	22.2	81	4164
ANL-40	40	80VDC	QI	5	5	22.2	81	4164
ANL-50	50	80VDC	QI	5	5	22.2	81	4164
ANL-60	60	80VDC	QI	5	5	22.2	81	4164
ANL-80	80	80VDC	QI	5	5	22.2	81	4164
ANL-100	100	80VDC	QI	5	5	22.2	81	4164
ANL-125	125	80VDC	QI	5	5	22.2	81	4164
ANL-130	130	80VDC	QI	5	5	22.2	81	4164
ANL-150	150	80VDC	QI	5	5	22.2	81	4164
ANL-175	175	80VDC	QI	5	5	22.2	81	4164
ANL-200	200	80VDC	QI	5	5	22.2	81	4164
ANL-225	225	80VDC	QI	5	5	22.2	81	4164
ANL-250	250	80VDC	QI	5	5	22.2	81	4164
ANL-275	275	80VDC	QI	5	5	22.2	81	4164
ANL-300	300	80VDC	QI	5	5	22.2	81	4164
ANL-325	325	80VDC	QI	5	5	22.2	81	4164
ANL-350	350	80VDC	QI	5	5	22.2	81	4164
ANL-400	400	80VDC	QI	5	5	22.2	81	4164
ANL-500	500	80VDC	QI	5	5	22.2	81	4164
ANL-600	600	80VDC	QI	5	5	22.2	81	4164
ANL-675	675	80VDC	QI	5	5	22.2	81	4164
ANL-750	750	80VDC	QI	5	5	22.2	81	4164



Fuse holders and blocks

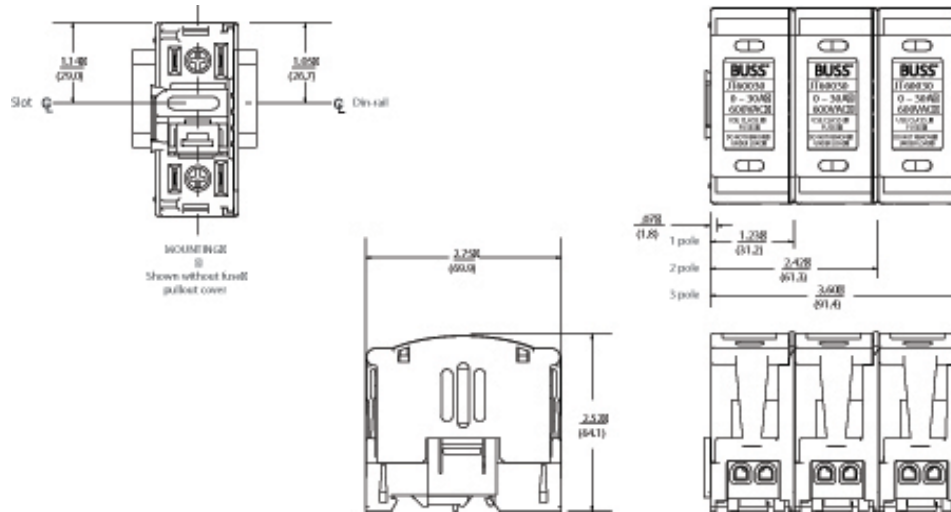
JT(N)60030 and JT(N)60060
 0.1 - 60 A, (JT(N)60060, 0 - 30 A JT(N)60030, 600 VAC

Catalogue number	Rated current (Amps)	Rated voltage	Description	Material price group	Pack qty	MOQ	Fuses
JT60030	30	600 VAC	Non Indicating	QI	12	12	Class J fuses up to 60A
JT60060	60	600 VAC	Non Indicating	QI	12	12	Class J fuses up to 60A
JTN60030	30	600 VAC	Indicating (Neon)	QI	12	12	Class J fuses up to 60A
JTN60060	60	600 VAC	Indicating (Neon)	QI	12	12	Class J fuses up to 60A

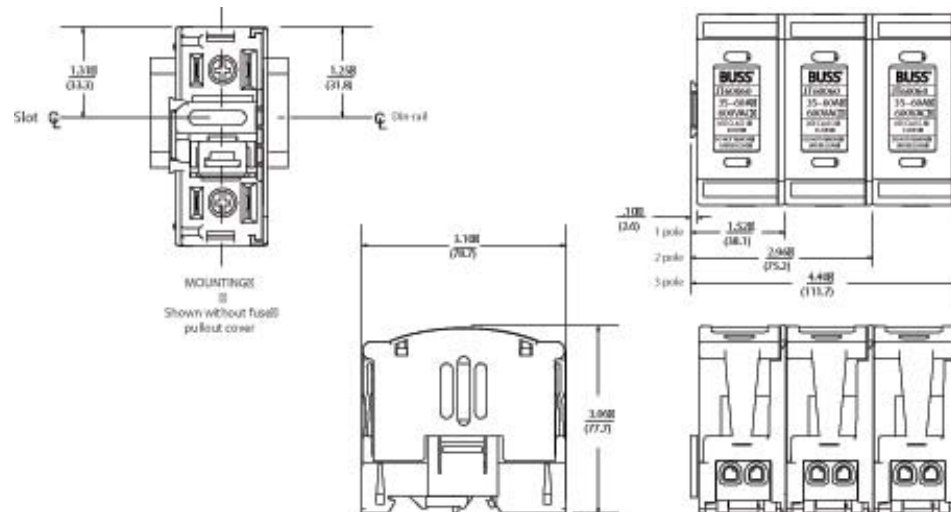


Low voltage

Dimensions for JT60030 & JTN60030 - in (mm)



Dimensions for JT60060 & JTN60060 - in (mm)



Modular fuse blocks

BH Series

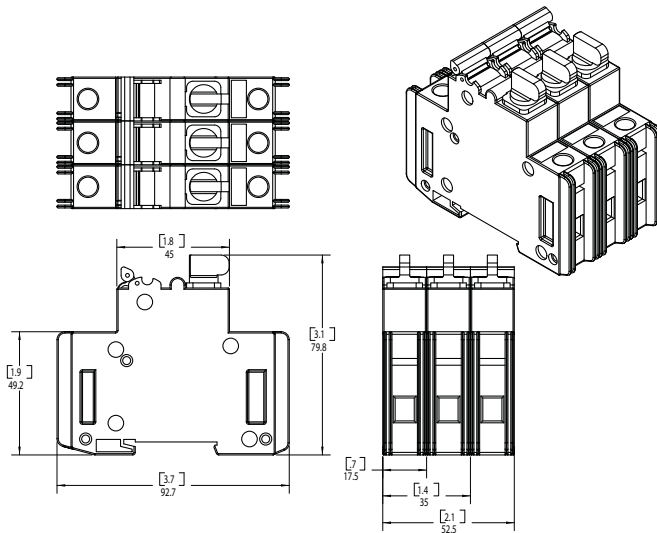
Catalogue number	Material price group	Pack qty	MOQ
BH-0111	QI	1	1
BH-1133	QI	1	1
BH-1131	QI	1	1
BH-2033	QI	1	1
BH-3145	QI	10	10



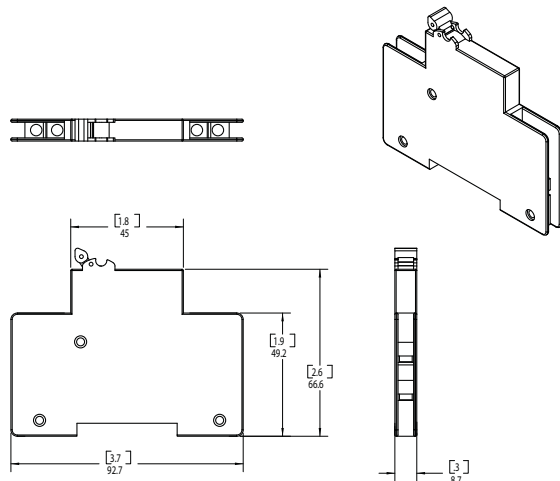
Compact Circuit Protector (CCP) - Fuse switch disconnect

Catalogue number	Description	Material price group	Pack qty	MOQ
CCP-1-30M	1 Pole 10x38 IEC / UL Midget CCP	QI	12	12
CCP-2-30M	2 Poles 10x38 IEC / UL Midget CCP	QI	6	6
CCP-3-30M	3 Poles 10x38 IEC / UL Midget CCP	QI	4	4
CCP-1-30CC	1 Pole UL Class CC CCP	QI	12	12
CCP-2-30CC	2 Poles UL Class CC CCP	QI	6	6
CCP-3-30CC	3 Poles UL Class CC CCP	QI	4	4
CCP-1-DCM	1 Pole DC 10x38 IEC / UL Midget CCP	QI	12	12
CCP-1-DCC	1 Pole DC UL Class CC	QI	12	12
CCP-AUX	Auxiliary Contacts NO + NC for Switch Status	QI	1	1
CCP-PLC-IND	Wired Remote Fuse Indication for PLC Applications	QI	1	1

Dimensions - CCP mm (in)

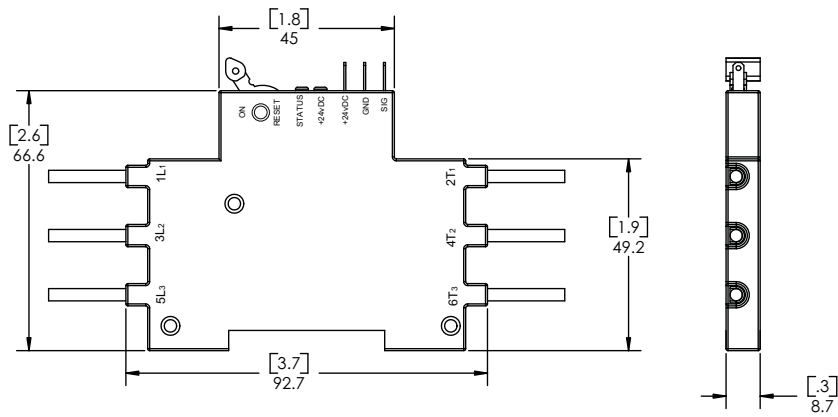


Dimensions - CCP -AUX mm (in)



Compact Circuit Protector (CCP) - Fuse switch disconnect

Dimensions - CCP-PLC-IND mm (in)



Low voltage

Modular knifeblade fuse blocks - JM

Catalogue number	Rated current (Amps)	Rated voltage	Number of poles	Material price group	Pack qty	MOQ	Fuses
JM60100-1CR	70-100	600 VDC	1	QI	1	1	LPJ-SP, PJ-SPI, JKS, DFJ
JM60100-2CR	70-100	600 VDC	2	QI	1	1	LPJ-SP, PJ-SPI, JKS, DFJ
JM60100-3CR	70-100	600 VDC	3	QI	1	1	LPJ-SP, PJ-SPI, JKS, DFJ
JM60200-1CR	110-200	600 VDC	1	QI	1	1	LPJ-SP, PJ-SPI, JKS, DFJ
JM60200-2CR	110-200	600 VDC	2	QI	1	1	LPJ-SP, PJ-SPI, JKS, DFJ
JM60200-3CR	110-200	600 VDC	3	QI	1	1	LPJ-SP, PJ-SPI, JKS, DFJ
JM60400-1CR	225-400	600 VDC	1	QI	1	1	LPJ-SP, PJ-SPI, JKS, DFJ
JM60400-2CR	225-400	600 VDC	2	QI	1	1	LPJ-SP, PJ-SPI, JKS, DFJ
JM60400-3CR	225-400	600 VDC	3	QI	1	1	LPJ-SP, PJ-SPI, JKS, DFJ
JM60600-1CR	450-600	600 VDC	1	QI	1	1	LPJ-SP, PJ-SPI, JKS, DFJ
JM60600-2CR	450-600	600 VDC	2	QI	1	1	LPJ-SP, PJ-SPI, JKS, DFJ
JM60600-3CR	450-600	600 VDC	3	QI	1	1	LPJ-SP, PJ-SPI, JKS, DFJ



See dimensions page 96

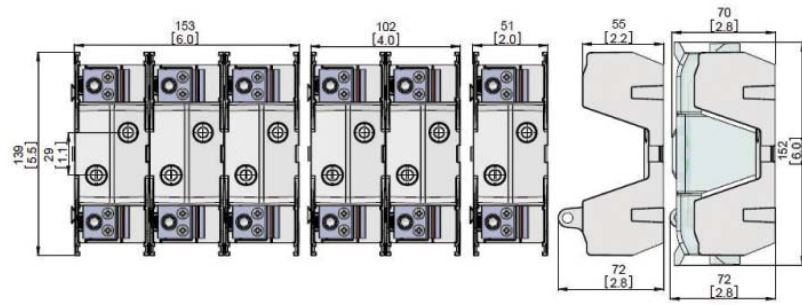
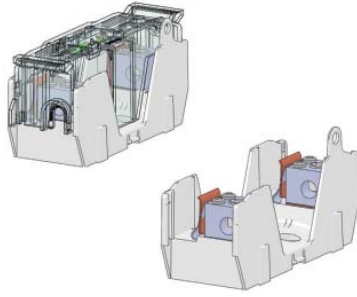
Modular knifeblade fuse blocks covers

Catalogue number	Description	Material price group	Pack qty	MOQ	Fuse holders
CVR-J-60100-M	Cover without indication	QI	1	1	JM60100
CVRI-J-60100-M	Cover with indication	QI	1	1	JM60100
CVR-J-60200-M	Cover without indication	QI	1	1	JM60200
CVRI-J-60200-M	Cover with indication	QI	1	1	JM60200
CVR-J-60400-M	Cover without indication	QI	1	1	JM60400
CVRI-J-60400-M	Cover with indication	QI	1	1	JM60400
CVR-J-60600	Cover without indication	QI	1	1	JM60600
CVRI-J-60600	Cover with indication	QI	1	1	JM60600

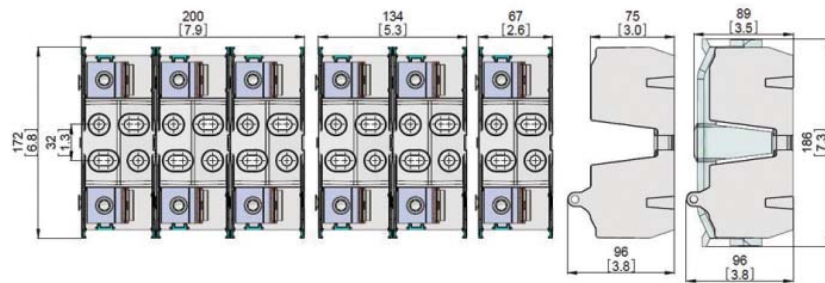
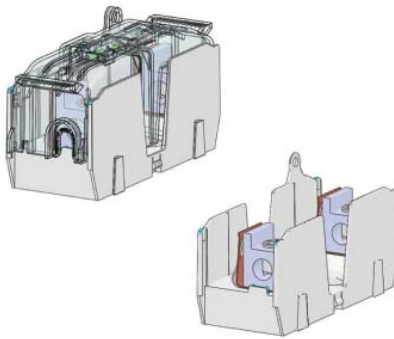
Modular knifeblade fuse blocks - JM

Dimensions - mm (in)

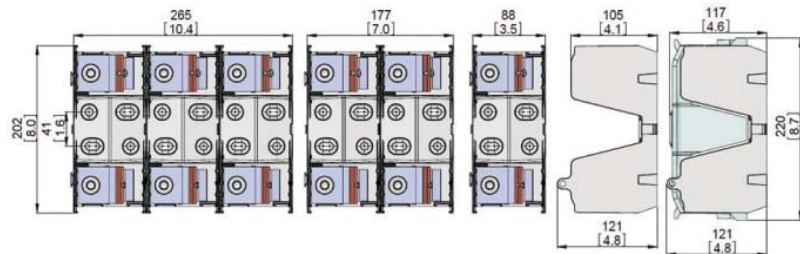
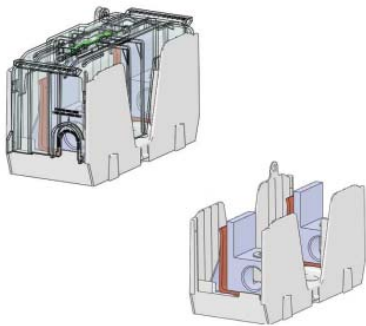
70-100A



110-200A



225-400A



High speed fuse links and fuse holders

High speed range overview 98

BS88 Fuse links 100

LCT, LET, LMT, LMMT	100
LCT, LET, LMT, LMMT	101
CT, ET, FE, EET	102
CT, ET, FE, EET	103
FEE, FM, FMM, MT, MMT	104
FEE, FM, FMM, MT, MMT	105

Ferrule Fuse links 106

FWA - 10 x 38 mm and 21 x 51 mm	106
FWH - 6 x 32 mm	106
FWC - 10 x 38 mm - aR	107
FWP - 14 x 51 mm and 22 x 58 mm	108
FWL and FWS - 20 x 127 mm	109

European style square body fuse links 110

DIN 43653	110
DIN 43620 - Dual Indicator	122
DIN 43620 - Full range	123
Flush end contact	125
French style	130
US Style	131

North American style fuse links 132

FWA	132
FWX	133
FWH	134
FWP	135
FWJ	136

Photovoltaic protection fuse links and bases 137

10 x 38 mm Fuse links	137
CHPV Fuse holders - 10 x 38 mm	138
14 x 51 mm Fuse links	139
CHPV Fuse holders - 14 x 51 mm	140
14 x 65 mm Fuse links	140
NH PV Fuse links	141
NH Bases	143
XL Style PV Fuse links	144
XL Bases	145

Fuse holders and blocks 146

Fixed center fuse bases for DIN 43653 Fuse links	146
Microswitches for square body fuse links	146
Microswitches for BS88 Fuse links	146
Trip indicator	146
1BS Series modular fuse holder	147
BH modular fuse holder	147

British standard fuse links

Standard	BS88 part 4 and IEC 60269-4
Voltage	240 to 690 VAC
Current	6 to 710 A
Breaking capacity	200 kA
Operating class	aR
Sizes	All sizes as per IEC 60269-4
Fuse holders	Email bulehighspeedtechnical@eaton.com
Applications	Used for the protection of DC Common bus, DC Drives, power converters/rectifiers, soft starters and inverters



Ferrule style fuse links

Standard	UL/CSA
Voltage	700 VAC. DC Ratings available
Current	1 to 100 A
Breaking capacity	20 kA
Operating class	aR
Sizes	6 x 32, 10 x 38, 14 x 51, 14 x 67, 22 x 58, 20 x 127 mm
Fuse holders	Email bulehighspeedtechnical@eaton.com
Applications	Used for the protection of DC Common bus, DC Drives, power converters/rectifiers and soft starters and inverters



North American fuse links

Standard	UL/CSA
Voltage	Up to 600 VAC
Current	1 to 6000 A
Breaking capacity	200 kA
Operating class	Fast acting
Sizes	Full range available
Fuse holders	Email bulehighspeedtechnical@eaton.com
Applications	Suitable for medium power applications for UL markets



Square body fuse links

Standard	IEC 60269-4, DIN 43653 and 43620, UL Recognition and CSA Component Acceptance
Voltage	690 to 1250 VAC, higher voltage ratings available
Current	10 to 7500 A
Breaking capacity	Up to 300 kA
Operating class	aR
Sizes	000, 00, 1 to 5
Fuse holders	Email bulehighspeedtechnical@eaton.com
Applications	Used for the protection of DC Common bus, DC Drives, power converters/rectifiers and reduced voltage starters. Custom solutions also available



Photovoltaic fuse links and fuse holders

Standard	IEC 60947-1, 61643-11, 60269-2 and 60269-7, UL Listed and CCC Accredited
Voltage	1000 to 1500 VDC
Current	1 to 630 A
Breaking capacity	Up to 50 kA
Operating class	gPV
Sizes	10 x 38, 14 x 51, 14 x 65 mm, NH Style and XL Style
Fuse holders	CHPV series for 10 x 38 fuse links, SD-D-PV for NH Style, SD-XLS for XL Style
Applications	PV panel, string, array protection



Electric vehicle fuse links

Standard	JASO D622, TS 16949 (Quality)
Voltage	500 VDC
Current	5 to 400 A
Breaking capacity	20 kA
Operating class	aR (standard), gR
Sizes	10 x 38, 20, 25 and 30 mm. Range of mounting options on the 10 x38 mm (Ferrule, bolt down, pluggable)
Applications	Hybrid Electric Vehicles: Batteries, Inverters, Cables, Auxiliaries. High cycling capability for sustained life in EV Applications. Custom options also available



High speed

LCT, LET, LMT, LMMT

6 - 900 A, 240 VAC, 150 VDC, aR

Catalogue number	Rated current (Amps)	Rated voltage	Material price group	Pack qty	MOQ	Fuse holders
6LCT	6	240 VAC/ 150 VDC	OE	20	20	BH-0111
10LCT	10	240 VAC/ 150 VDC	OE	20	20	BH-0111
12LCT	12	240 VAC/ 150 VDC	OE	20	20	BH-0111
16LCT	16	240 VAC/ 150 VDC	OE	20	20	BH-0111
20LCT	20	240 VAC/ 150 VDC	OE	20	20	BH-0111
7LET	7	240 VAC/ 150 VDC	OE	10	10	BH-0111
10LET	10	240 VAC/ 150 VDC	OE	10	10	BH-0111
12LET	12	240 VAC/ 150 VDC	OE	10	10	BH-0111
16LET	16	240 VAC/ 150 VDC	OE	10	10	BH-0111
25LET	25	240 VAC/ 150 VDC	OE	10	10	BH-0111
32LET	32	240 VAC/ 150 VDC	OE	10	10	BH-0111
35LET	35	240 VAC/ 150 VDC	OE	10	10	BH-0111
50LET	50	240 VAC/ 150 VDC	OE	10	10	BH-0111
63LET	63	240 VAC/ 150 VDC	OE	10	10	BH-0111
80LET	80	240 VAC/ 150 VDC	OE	10	10	BH-0111
100LET	100	240 VAC/ 150 VDC	OE	10	10	BH-0111
125LET	125	240 VAC/ 150 VDC	OE	10	10	BH-0111
160LET	160	240 VAC/ 150 VDC	OE	10	10	BH-0111
180LET	180	240 VAC/ 150 VDC	OE	10	10	BH-0111
160LMT	160	240 VAC/ 150 VDC	OE	1	1	BH-0111
200LMT	200	240 VAC/ 150 VDC	OE	1	1	BH-0111
250LMT	250	240 VAC/ 150 VDC	OE	1	1	BH-0111
315LMT	315	240 VAC/ 150 VDC	OE	1	1	BH-0111
355LMT	355	240 VAC/ 150 VDC	OE	1	1	BH-0111
400LMT	400	240 VAC/ 150 VDC	OE	1	1	BH-0111
450LMT	450	240 VAC/ 150 VDC	OE	1	1	BH-0111
400LMMT	400	240 VAC/ 150 VDC	OE	1	1	BH-0111
500LMMT	500	240 VAC/ 150 VDC	OE	1	1	BH-0111
630LMMT	630	240 VAC/ 150 VDC	OE	1	1	BH-0111
710LMMT	710	240 VAC/ 150 VDC	OE	1	1	BH-0111
800LMMT	800	240 VAC/ 150 VDC	OE	1	1	BH-0111
900LMMT	900	240 VAC/ 150 VDC	OE	1	1	BH-0111

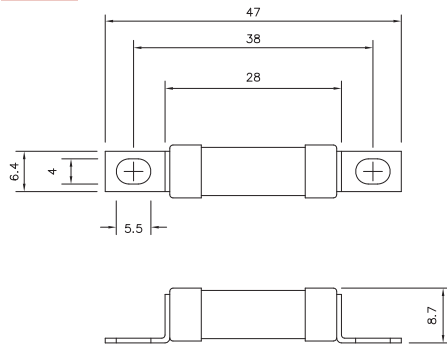
Note: 7LET, 10LET, 12LET and 16LET are available for replacement purposes on existing equipment.



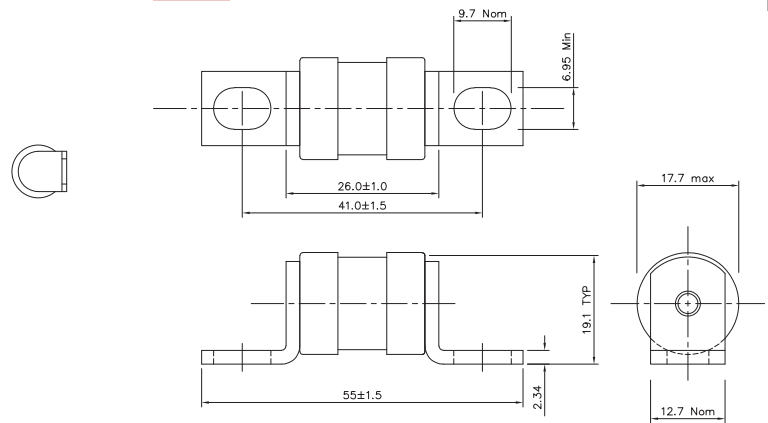
LCT, LET, LMT, LMMT
 6 - 900 A, 240 VAC, 150 VDC, aR

Dimensions - mm

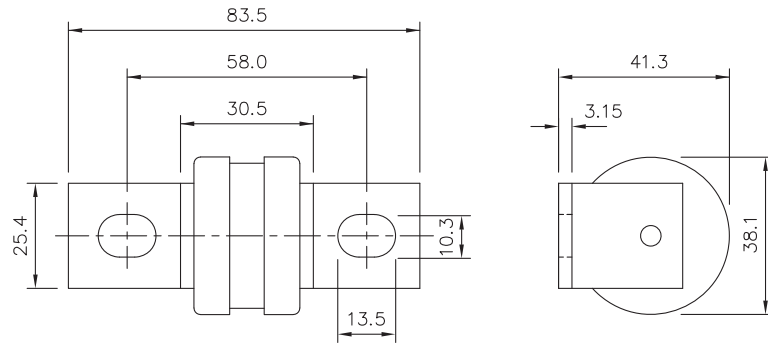
LCT



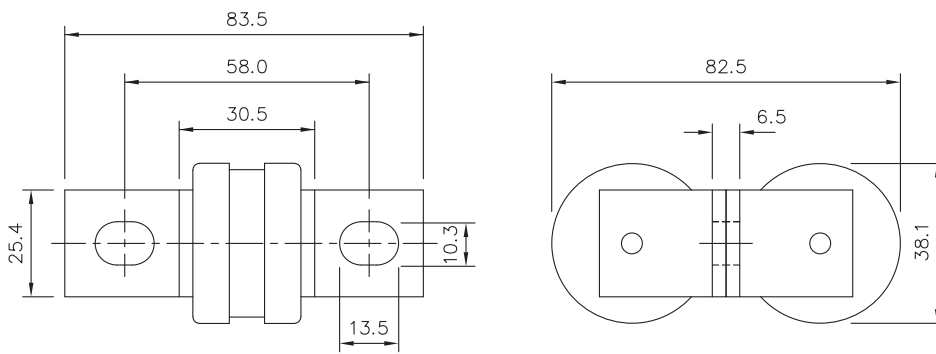
LET



LMT



LMMT



High speed

CT, ET, FE, EET

6 - 160 A, 690 VAC, 500 VDC, aR

Catalogue number	Rated current (Amps)	Rated voltage	Material price group	Pack qty	MOQ	Fuse holders
6CT	6	690 VAC/ 500 VDC	OE	20	20	N/A
10CT	10	690 VAC/ 500 VDC	OE	20	20	N/A
12CT	12	690 VAC/ 500 VDC	OE	20	20	N/A
16CT	16	690 VAC/ 500 VDC	OE	20	20	N/A
20CT	20	690 VAC/ 500 VDC	OE	20	20	N/A
8ET	8	690 VAC/ 500 VDC	OE	10	10	BH-0111
12ET	12	690 VAC/ 500 VDC	OE	10	10	BH-0111
15ET	15	690 VAC/ 500 VDC	OE	10	10	BH-0111
20ET	20	690 VAC/ 500 VDC	OE	10	10	BH-0111
25ET	25	690 VAC/ 500 VDC	OE	10	10	BH-0111
32ET	32	690 VAC/ 500 VDC	OE	10	10	BH-0111
35ET	35	690 VAC/ 500 VDC	OE	10	10	BH-0111
40ET	40	690 VAC/ 500 VDC	OE	10	10	BH-0111
45ET	45	690 VAC/ 500 VDC	OE	10	10	BH-0111
56ET	56	690 VAC/ 500 VDC	OE	10	10	BH-0111
63ET	63	690 VAC/ 500 VDC	OE	10	10	BH-0111
80ET	80	690 VAC/ 500 VDC	OE	10	10	BH-0111
35FE	35	690 VAC/ 500 VDC	OE	10	10	BH-0111
40FE	40	690 VAC/ 500 VDC	OE	10	10	BH-0111
45FE	45	690 VAC/ 500 VDC	OE	10	10	BH-0111
50FE	50	690 VAC/ 500 VDC	OE	10	10	BH-0111
63FE	63	690 VAC/ 500 VDC	OE	10	10	BH-0111
71FE	71	690 VAC/ 500 VDC	OE	10	10	BH-0111
80FE	80	690 VAC/ 500 VDC	OE	10	10	BH-0111
90FE	90	690 VAC/ 500 VDC	OE	10	10	BH-0111
100FE	100	690 VAC/ 500 VDC	OE	10	10	BH-0111
56EET	56	690 VAC/ 500 VDC	OE	5	5	BH-0122
65EET	65	690 VAC/ 500 VDC	OE	5	5	BH-0122
75EET	75	690 VAC/ 500 VDC	OE	5	5	BH-0122
90EET	90	690 VAC/ 500 VDC	OE	5	5	BH-0122
110EET	110	690 VAC/ 500 VDC	OE	5	5	BH-1132
140EET	140	690 VAC/ 500 VDC	OE	5	5	BH-1132
160EET	160	690 VAC/ 500 VDC	OE	5	5	BH-1132

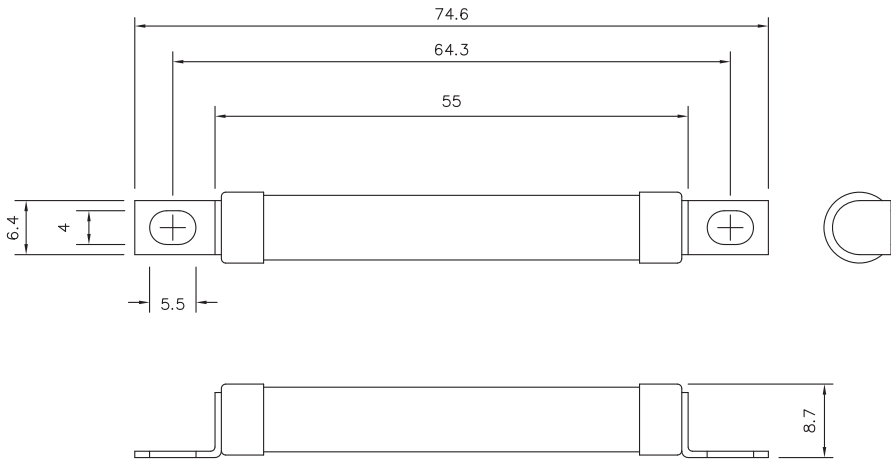


Note: 8ET, 12ET, 15ET, 20ET, 65EET and 75EET are available for replacement purposes on existing equipment.

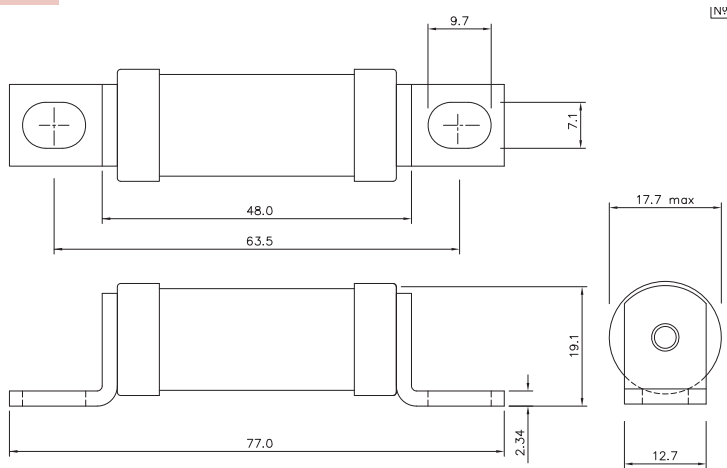
CT, ET, FE, EET
 6 - 160 A, 690 VAC, 500 VDC, aR

Dimensions - mm

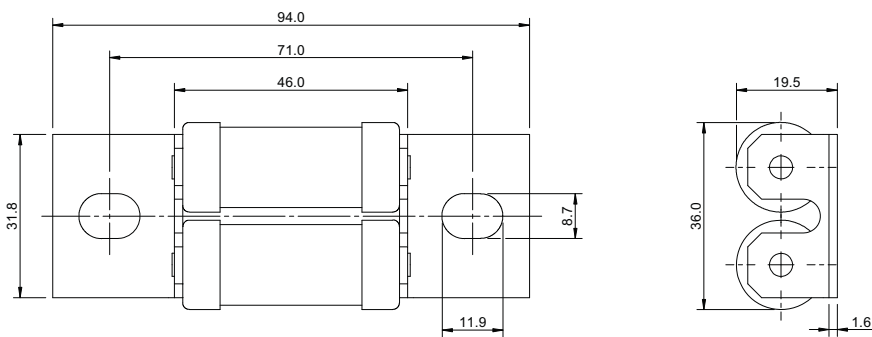
CT



ET, FE



EET



High speed

FEE, FM, FMM, MT, MMT

100 - 710 A, 690 VAC, 350 - 500 VDC, aR

Catalogue number	Rated current (Amps)	Rated voltage	Material price group	Pack qty	MOQ	Fuse holders
100FEE	100	690 VAC/ 500 VDC	OE	5	5	BH-0122
120FEE	120	690 VAC/ 500 VDC	OE	5	5	BH-1132
140FEE	140	690 VAC/ 500 VDC	OE	5	5	BH-1132
160FEE	160	690 VAC/ 500 VDC	OE	5	5	BH-1132
180FEE	180	690 VAC/ 500 VDC	OE	5	5	BH-1132
200FEE	200	690 VAC/ 500 VDC	OE	5	5	BH-1132
180FM	180	690 VAC/ 450 VDC	OE	1	1	BH-1133
200FM	200	690 VAC/ 450 VDC	OE	1	1	BH-1133
225FM	225	690 VAC/ 450 VDC	OE	1	1	BH-1133
250FM	250	690 VAC/ 450 VDC	OE	1	1	BH-1133
280FM	280	690 VAC/ 450VDC	OE	1	1	BH-1133
315FM	315	690 VAC/ 450 VDC	OE	1	1	BH-1133
350FM	350	690 VAC/ 450 VDC	OE	1	1	BH-1133
400FMM	400	690 VAC/ 450 VDC	OE	1	1	BH-1133
450FMM	450	690 VAC/ 450 VDC	OE	1	1	BH-1133
500FMM	500	690 VAC/ 450 VDC	OE	1	1	BH-1133
550FMM	550	690 VAC/ 450 VDC	OE	1	1	BH-1133
630FMM	630	690 VAC/ 450 VDC	OE	1	1	BH-1133
700FMM	700	690 VAC/ 450 VDC	OE	1	1	BH-1133
160MT	160	690 VAC/ 500 VDC	OE	1	1	BH-1133
180MT	180	690 VAC/ 500 VDC	OE	1	1	BH-1133
200MT	200	690 VAC/ 500 VDC	OE	1	1	BH-1133
250MT	250	690 VAC/ 500 VDC	OE	1	1	BH-1133
280MT	280	690 VAC/ 500 VDC	OE	1	1	BH-1133
315MT	315	690 VAC/ 500 VDC	OE	1	1	BH-1133
355MT	355	690 VAC/ 500 VDC	OE	1	1	BH-1133
180MMT	180	690 VAC/ 350 VDC	OE	1	1	BH-1133
200MMT	200	690 VAC/ 350 VDC	OE	1	1	BH-1133
225MMT	225	690 VAC/ 350 VDC	OE	1	1	BH-1133
280MMT	280	690 VAC/ 350 VDC	OE	1	1	BH-1133
315MMT	315	690 VAC/ 350 VDC	OE	1	1	BH-1133
355MMT	355	690 VAC/ 350 VDC	OE	1	1	BH-1133
400MMT	400	690 VAC/ 350 VDC	OE	1	1	BH-1133
450MMT	450	690 VAC/ 350 VDC	OE	1	1	BH-3133
500MMT	500	690 VAC/ 350 VDC	OE	1	1	BH-3133
560MMT	560	690 VAC/ 350 VDC	OE	1	1	BH-3133
630MMT	630	690 VAC/ 350 VDC	OE	1	1	BH-3133
710MMT	710	690 VAC/ 350 VDC	OE	1	1	BH-3133

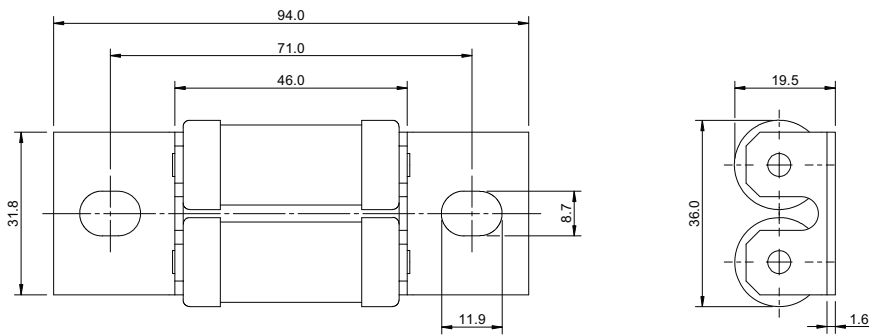


FEE, FM, FMM, MT, MMT

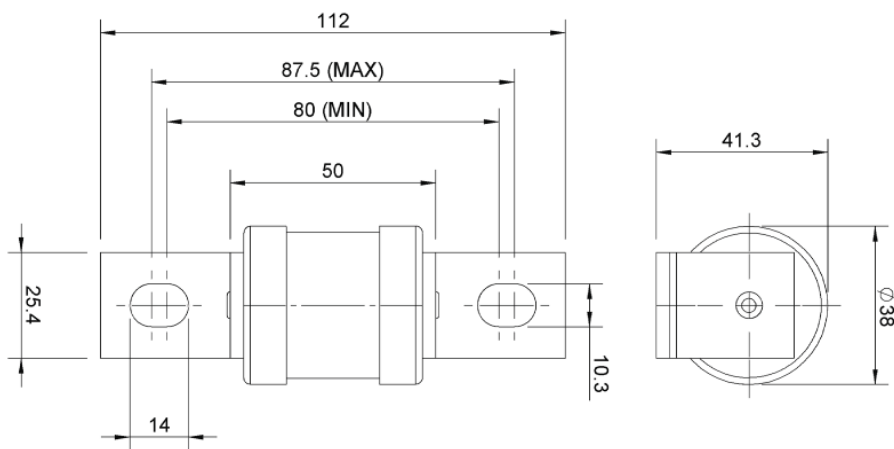
100 - 710 A, 690 VAC, 350 - 500 VDC, aR

Dimensions - mm

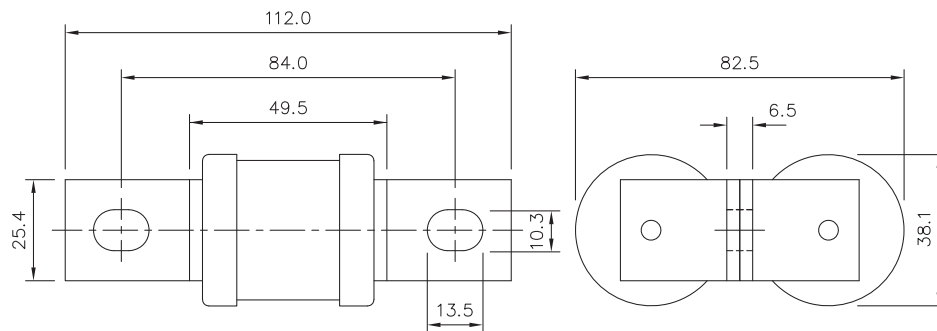
FEE



FM,MT



FMM, MMT



High speed

FERRULE FUSE LINKS

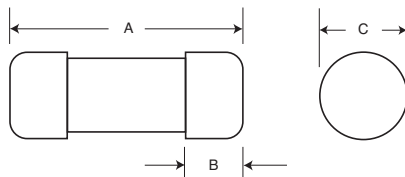
FWA - 10 x 38 mm and 21 x 51 mm

5 - 30 A (10 x 8 mm), 35 - 60 A (21 x 51 mm), 150 VAC / VDC, aR

Catalogue number	Size	Rated current (Amps)	Rated voltage	Material price group	Pack qty	MOQ	Dimensions (mm)			Fuse holders
							A	B	C	
FWA-5A10F	10x38mm	5	150 VAC/ 150 VDC	OG	10	10	38.1	9.5	10.3	CHM1DU*
FWA-10A10F	10x38mm	10	150 VAC/ 150 VDC	OG	10	10	38.1	9.5	10.3	CHM1DU*
FWA-12A10F	10x38mm	12	150 VAC/ 150 VDC	OG	10	10	38.1	9.5	10.3	CHM1DU*
FWA-15A10F	10x38mm	15	150 VAC/ 150 VDC	OG	10	10	38.1	9.5	10.3	CHM1DU*
FWA-20A10F	10x38mm	20	150 VAC/ 150 VDC	OG	10	10	38.1	9.5	10.3	CHM1DU*
FWA-25A10F	10x38mm	25	150 VAC/ 150 VDC	OG	10	10	38.1	9.5	10.3	CHM1DU*
FWA-30A10F	10x38mm	30	150 VAC/ 150 VDC	OG	10	10	38.1	9.5	10.3	CHM1DU*
FWA-35A21F	21x51mm	35	150 VAC/ 150 VDC	OG	10	10	50.8	15.9	20.6	N/A
FWA-40A21F	21x51mm	40	150 VAC/ 150 VDC	OG	10	10	50.8	15.9	20.6	N/A
FWA-45A21F	21x51mm	45	150 VAC/ 150 VDC	OG	10	10	50.8	15.9	20.6	N/A
FWA-50A21F	21x51mm	50	150 VAC/ 150 VDC	OG	10	10	50.8	15.9	20.6	N/A
FWA-60A21F	21x51mm	60	150 VAC/ 150 VDC	OG	10	10	50.8	15.9	20.6	N/A



Dimensions inches (cm)



Amp range	A	B	C
5 - 30	1.5 (38.1)	0.38 (9.5)	0.41 (10.3)
35 - 60	2 (50.8)	0.63 (15.9)	0.81 (20.6)

* Max watts loss 3 Watts. For further information please contact: bulehighspeedtechnical@eaton.com

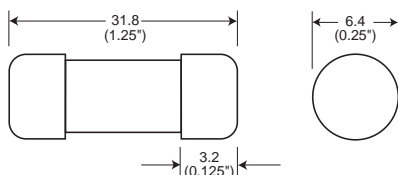
FWH - 6 x 32 mm

0.25 - 30 A, 500 VAC, aR

Catalogue number	Rated current (Amps)	Rated voltage	Material price group	Pack qty	MOQ
FWH--250A6F	0.25	500 VAC	OG	10	10
FWH--500A6F	0.5	500 VAC	OG	10	10
FWH-001A6F	1	500 VAC	OG	10	10
FWH-002A6F	2	500 VAC	OG	10	10
FWH-3-15A6F	3.15	500 VAC	OG	10	10
FWH-005A6F	5	500 VAC	OG	10	10
FWH-6-30A6F	6.3	500 VAC	OG	10	10
FWH-007A6F	7	500 VAC	OG	10	10
FWH-010A6F	10	500 VAC	OG	5	5
FWH-12-5A6F	12.5	500 VAC	OG	5	5
FWH-015A6F	15	500 VAC	OG	5	5
FWH-016A6F	16	500 VAC	OG	5	5
FWH-020A6F	20	500 VAC	OG	5	5
FWH-025A6F	25	500 VAC	OG	5	5
FWH-030A6F	30	500 VAC	OG	5	5



Dimensions mm (inches)



A 14 x 51 mm FWH range is also available, please contact buletechnical@eaton.com, 00 44 (0) 1509 882 699

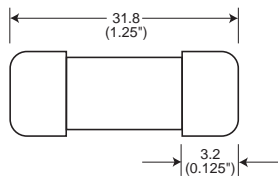
FWC - 10 x 38 mm - aR

1 - 32 A, 600 - 700 VAC

Catalogue number	Rated current (Amps)	Rated voltage	Material price group	Pack qty	MOQ	Fuse holders
FWC-1A10F	1	700 VAC	OG	10	10	CHM1DU*
FWC-2A10F	2	700 VAC	OG	10	10	CHM1DU*
FWC-3A10F	3	700 VAC	OG	10	10	CHM1DU*
FWC-4A10F	4	700 VAC	OG	10	10	CHM1DU*
FWC-6A10F	6	600 VAC	OG	10	10	CHM1DU*
FWC-8A10F	8	600 VAC	OG	10	10	CHM1DU*
FWC-10A10F	10	600 VAC	OG	10	10	CHM1DU*
FWC-12A10F	12	600 VAC	OG	10	10	CHM1DU*
FWC-16A10F	16	600 VAC	OG	10	10	CHM1DU*
FWC-20A10F	20	600 VAC	OG	10	10	CHM1DU*
FWC-25A10F	25	600 VAC	OG	10	10	CHM1DU*
FWC-30A10F	30	600 VAC	OG	10	10	CHM1DU*
FWC-32A10F	32	600 VAC	OG	10	10	CHM1DU*



Dimensions mm (inches)



* Max watts loss 3 Watts. For further information please contact: bulehighspeedtechnical@eaton.com

High speed

FWP - 14 x 51 mm and 22 x 58 mm

1 - 50 A (14 x 51 mm), 20 - 100 A (22 x 58 mm), 600 VAC (IEC) - 700 VAC (UL), aR

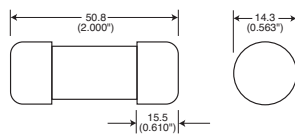


Catalogue number	Type	Rated current (Amps)	Rated voltage	Material price group	Pack qty	MOQ	Fuse holders
FWP-1A14F	Without Striker	1	690 VAC/ 700 VAC	OG	10	10	CH141B*
FWP-2A14F	Without Striker	2	690 VAC/ 700 VAC	OG	10	10	CH141B*
FWP-3A14F	Without Striker	3	690 VAC/ 700 VAC	OG	10	10	CH141B*
FWP-4A14F	Without Striker	4	690 VAC/ 700 VAC	OG	10	10	CH141B*
FWP-5A14F	Without Striker	5	690 VAC/ 700 VAC	OG	10	10	CH141B*
FWP-10A14F	Without Striker	10	690 VAC/ 700 VAC	OG	10	10	CH141B*
FWP-15A14F	Without Striker	15	690 VAC/ 700 VAC	OG	10	10	CH141B*
FWP-20A14F	Without Striker	20	690 VAC/ 700 VAC	OG	10	10	CH141B*
FWP-25A14F	Without Striker	25	690 VAC/ 700 VAC	OG	10	10	CH141B*
FWP-30A14F	Without Striker	30	690 VAC/ 700 VAC	OG	10	10	CH141B*
FWP-32A14F	Without Striker	32	690 VAC/ 700 VAC	OG	10	10	CH141B*
FWP-40A14F	Without Striker	40	690 VAC/ 700 VAC	OG	10	10	CH141B*
FWP-50A14F	Without Striker	50	690 VAC/ 700 VAC	OG	10	10	CH141B*
FWP-10A14FI	With Striker	10	690 VAC/ 700 VAC	OG	10	10	CH141B*
FWP-15A14FI	With Striker	15	690 VAC/ 700 VAC	OG	10	10	CH141B*
FWP-20A14FI	With Striker	20	690 VAC/ 700 VAC	OG	10	10	CH141B*
FWP-25A14FI	With Striker	25	690 VAC/ 700 VAC	OG	10	10	CH141B*
FWP-30A14FI	With Striker	30	690 VAC/ 700 VAC	OG	10	10	CH141B*
FWP-32A14FI	With Striker	32	690 VAC/ 700 VAC	OG	10	10	CH141B*
FWP-40A14FI	With Striker	40	690 VAC/ 700 VAC	OG	10	10	CH141B*
FWP-50A14FI	With Striker	50	690 VAC/ 700 VAC	OG	10	10	CH141B*
FWP-20A22F	Without Striker	20	690 VAC/ 700 VAC	OG	10	10	CH221B*
FWP-25A22F	Without Striker	25	690 VAC/ 700 VAC	OG	10	10	CH221B*
FWP-32A22F	Without Striker	32	690 VAC/ 700 VAC	OG	10	10	CH221B*
FWP-40A22F	Without Striker	40	690 VAC/ 700 VAC	OG	10	10	CH221B*
FWP-50A22F	Without Striker	50	690 VAC/ 700 VAC	OG	10	10	CH221B*
FWP-63A22F	Without Striker	63	690 VAC/ 700 VAC	OG	10	10	CH221B*
FWP-80A22F	Without Striker	80	690 VAC/ 700 VAC	OG	10	10	CH221B*
FWP-100A22F	Without Striker	100	690 VAC/ 700 VAC	OG	10	10	CH221B*
FWP-20A22FI	With Striker	20	690 VAC/ 700 VAC	OG	10	10	CH221B*
FWP-25A22FI	With Striker	25	690 VAC/ 700 VAC	OG	10	10	CH221B*
FWP-32A22FI	With Striker	32	690 VAC/ 700 VAC	OG	10	10	CH221B*
FWP-40A22FI	With Striker	40	690 VAC/ 700 VAC	OG	10	10	CH221B*
FWP-50A22FI	With Striker	50	690 VAC/ 700 VAC	OG	10	10	CH221B*
FWP-63A22FI	With Striker	63	690 VAC/ 700 VAC	OG	10	10	CH221B*
FWP-80A22FI	With Striker	80	690 VAC/ 700 VAC	OG	10	10	CH221B*
FWP-100A22FI	With Striker	100	690 VAC/ 700 VAC	OG	10	10	CH221B*

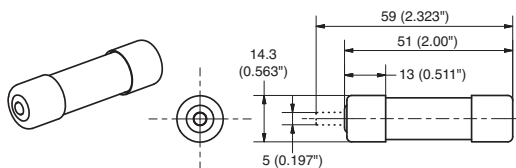
* Contact bulehighspeedtechnical@eaton.com, 00 44 1509 882 699 for applications information

Dimensions for 14 x 51 mm (inches)

Without striker

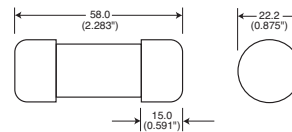


With striker

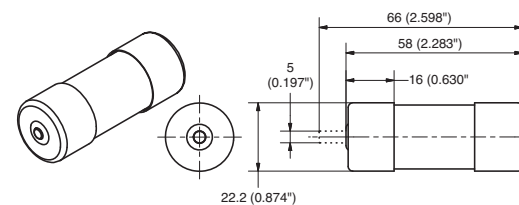


Dimensions for 22 x 58 mm (inches)

Without striker



With striker

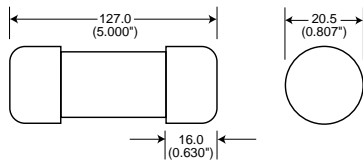


FWL and FWS - 20 x 127 mm

1250 VAC (FWL 20- 30 A), 1500 VAC (FWS 8 - 15 A), 2000 VAC (FWS 2 - 6 A), 1000 VDC for all ratings, gR

Catalogue number	Type	Rated current (Amps)	Rated voltage	Material price group	Pack qty	MOQ	Fuse holders
FWS-2A20F	Without Striker	2	2000 VAC/1000 VDC	OI	10	10	CH127-1
FWS-6A20F	Without Striker	6	2000 VAC/1000 VDC	OI	10	10	CH127-1
FWS-8A20F	Without Striker	8	1500 VAC/1000 VDC	OI	10	10	CH127-1
FWS-10A20F	Without Striker	10	1500 VAC/1000 VDC	OI	10	10	CH127-1
FWS-12A20F	Without Striker	12	1500 VAC/1000 VDC	OI	10	10	CH127-1
FWS-15A20F	Without Striker	15	1500 VAC/1000 VDC	OI	10	10	CH127-1
FWL-20A20F	Without Striker	20	1250 VAC/1000 VDC	OI	10	10	CH127-1
FWL-25A20F	Without Striker	25	1250 VAC/1000 VDC	OI	10	10	CH127-1
FWL-30A20F	Without Striker	30	1250 VAC/1000 VDC	OI	10	10	CH127-1
FWS-2A20FI	With Striker	2	2000 VAC/1000 VDC	OI	10	10	CH127-1
FWS-6A20FI	With Striker	6	2000 VAC/1000 VDC	OI	10	10	CH127-1
FWS-8A20FI	With Striker	8	1500 VAC/1000 VDC	OI	10	10	CH127-1
FWS-10A20FI	With Striker	10	1500 VAC/1000 VDC	OI	10	10	CH127-1
FWS-12A20FI	With Striker	12	1500 VAC/1000 VDC	OI	10	10	CH127-1
FWS-15A20FI	With Striker	15	1500 VAC/1000 VDC	OI	10	10	CH127-1
FWL-20A20FI	With Striker	20	1250 VAC/1000 VDC	OI	10	10	CH127-1
FWL-25A20FI	With Striker	25	1250 VAC/1000 VDC	OI	10	10	CH127-1
FWL-30A20FI	With Striker	30	1250 VAC/1000 VDC	OI	10	10	CH127-1

Dimensions mm (inches)



The followings Ferrule fuse links are also available:

- FWX (14 x 51 mm / 250 VAC / 1 - 50 A)
- FWK (20 x 127 mm / 25 x 146 mm, 750 VAC - 750 VDC for 5 - 60 A), 1400 VAC - 1000 VDC for 20 - 30 A)
- FWJ (14 x 67 mm, 1000 VAC - 800 VDC, 20 - 30 A)
- FWL (20 x 127 mm, 1250 VAC, 2 - 30 A)

Please contact our technical department: bulehighspeedtechnical@eaton.com, 00 44 (0) 1509 882 699



High speed

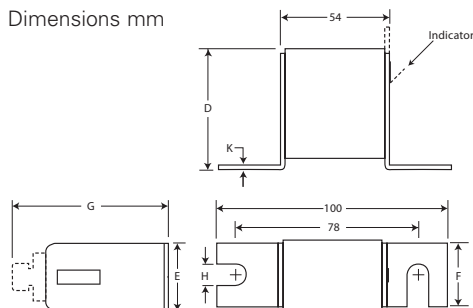
EUROPEAN STYLE SQUARE BODY FUSE LINKS

DIN 43653

Size 000, 10 - 350 A, 690 VAC - 700 VAC (IEC/UL), gR and aR

Catalogue number	Type	Size	Rated current (Amps)	Rated voltage	Material price group	Pack qty	MOQ	Dimensions (mm)					
								D	E	F	G	H	K
170M1309	-U/80 Without Indicator	000	16	690 VAC / 700 VAC	QJ	10	10	40	21	20	51	8	2
170M1310	-U/80 Without Indicator	000	20	690 VAC / 700 VAC	QJ	10	10	40	21	20	51	8	2
170M1311	-U/80 Without Indicator	000	25	690 VAC / 700 VAC	QJ	10	10	40	21	20	51	8	2
170M1312	-U/80 Without Indicator	000	32	690 VAC / 700 VAC	QJ	10	10	40	21	20	51	8	2
170M1313	-U/80 Without Indicator	000	40	690 VAC / 700 VAC	QJ	10	10	40	21	20	51	8	2
170M1314	-U/80 Without Indicator	000	50	690 VAC / 700 VAC	QJ	10	10	40	21	20	51	8	2
170M1315	-U/80 Without Indicator	000	63	690 VAC / 700 VAC	QJ	10	10	40	21	20	51	8	2
170M1316	-U/80 Without Indicator	000	80	690 VAC / 700 VAC	QJ	10	10	40	21	20	51	8	2
170M1317	-U/80 Without Indicator	000	100	690 VAC / 700 VAC	QJ	10	10	40	21	20	51	8	2
170M1318	-U/80 Without Indicator	000	125	690 VAC / 700 VAC	QJ	10	10	40	21	20	51	8	2
170M1319	-U/80 Without Indicator	000	160	690 VAC / 700 VAC	QJ	10	10	40	21	20	51	8	2
170M1320	-U/80 Without Indicator	000	200	690 VAC / 700 VAC	QJ	10	10	40	21	20	51	8	2
170M1321	-U/80 Without Indicator	000	250	690 VAC / 700 VAC	QJ	10	10	40	21	20	51	8	2
170M1322	-U/80 Without Indicator	000	315	690 VAC / 700 VAC	QJ	10	10	40	21	20	51	8	2
170M1358	-/80 Visual Indicator	000	10	690 VAC / 700 VAC	QJ	10	10	40	21	20	51	8	2
170M1359	-/80 Visual Indicator	000	16	690 VAC / 700 VAC	QJ	10	10	40	21	20	51	8	2
170M1360	-/80 Visual Indicator	000	20	690 VAC / 700 VAC	QJ	10	10	40	21	20	51	8	2
170M1361	-/80 Visual Indicator	000	25	690 VAC / 700 VAC	QJ	10	10	40	21	20	51	8	2
170M1362	-/80 Visual Indicator	000	32	690 VAC / 700 VAC	QJ	10	10	40	21	20	51	8	2
170M1363	-/80 Visual Indicator	000	40	690 VAC / 700 VAC	QJ	10	10	40	21	20	51	8	2
170M1364	-/80 Visual Indicator	000	50	690 VAC / 700 VAC	QJ	10	10	40	21	20	51	8	2
170M1365	-/80 Visual Indicator	000	63	690 VAC / 700 VAC	QJ	10	10	40	21	20	51	8	2
170M1366	-/80 Visual Indicator	000	80	690 VAC / 700 VAC	QJ	10	10	40	21	20	51	8	2
170M1367	-/80 Visual Indicator	000	100	690 VAC / 700 VAC	QJ	10	10	40	21	20	51	8	2
170M1368	-/80 Visual Indicator	000	125	690 VAC / 700 VAC	QJ	10	10	40	21	20	51	8	2
170M1369	-/80 Visual Indicator	000	160	690 VAC / 700 VAC	QJ	10	10	40	21	20	51	8	2
170M1370	-/80 Visual Indicator	000	200	690 VAC / 700 VAC	QJ	10	10	40	21	20	51	8	2
170M1371	-/80 Visual Indicator	000	250	690 VAC / 700 VAC	QJ	10	10	40	21	20	51	8	2
170M1372	-/80 Visual Indicator	000	315	690 VAC / 700 VAC	QJ	10	10	40	21	20	51	8	2
170M1373	-/80 Visual Indicator	000	350	690 VAC / 700 VAC	QJ	10	10	40	21	20	51	8	2
170M1408	-TN/80 Type T Indicator for Micro	000	10	690 VAC / 700 VAC	QJ	10	10	40	21	20	51	8	2
170M1409	-TN/80 Type T Indicator for Micro	000	16	690 VAC / 700 VAC	QJ	10	10	40	21	20	51	8	2
170M1410	-TN/80 Type T Indicator for Micro	000	20	690 VAC / 700 VAC	QJ	10	10	40	21	20	51	8	2
170M1411	-TN/80 Type T Indicator for Micro	000	25	690 VAC / 700 VAC	QJ	10	10	40	21	20	51	8	2
170M1412	-TN/80 Type T Indicator for Micro	000	32	690 VAC / 700 VAC	QJ	10	10	40	21	20	51	8	2
170M1413	-TN/80 Type T Indicator for Micro	000	40	690 VAC / 700 VAC	QJ	10	10	40	21	20	51	8	2
170M1414	-TN/80 Type T Indicator for Micro	000	50	690 VAC / 700 VAC	QJ	10	10	40	21	20	51	8	2
170M1415	-TN/80 Type T Indicator for Micro	000	63	690 VAC / 700 VAC	QJ	10	10	40	21	20	51	8	2
170M1416	-TN/80 Type T Indicator for Micro	000	80	690 VAC / 700 VAC	QJ	10	10	40	21	20	51	8	2
170M1417	-TN/80 Type T Indicator for Micro	000	100	690 VAC / 700 VAC	QJ	10	10	40	21	20	51	8	2
170M1418	-TN/80 Type T Indicator for Micro	000	125	690 VAC / 700 VAC	QJ	10	10	40	21	20	51	8	2
170M1419	-TN/80 Type T Indicator for Micro	000	160	690 VAC / 700 VAC	QJ	10	10	40	21	20	51	8	2
170M1420	-TN/80 Type T Indicator for Micro	000	200	690 VAC / 700 VAC	QJ	10	10	40	21	20	51	8	2
170M1421	-TN/80 Type T Indicator for Micro	000	250	690 VAC / 700 VAC	QJ	10	10	40	21	20	51	8	2
170M1422	-TN/80 Type T Indicator for Micro	000	315	690 VAC / 700 VAC	QJ	10	10	40	21	20	51	8	2

Dimensions mm

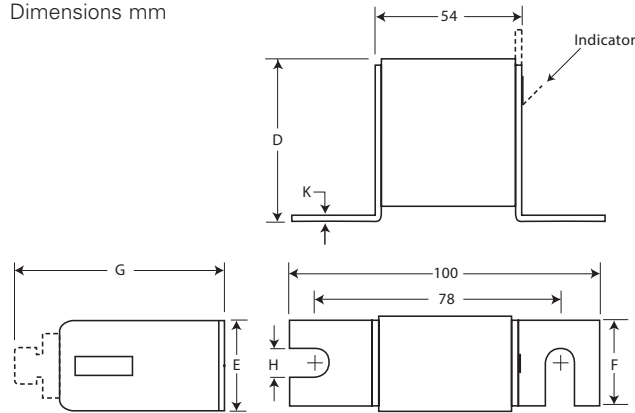


DIN 43653

Size 00, 25 - 400 A, 690 VAC - 700 VAC (IEC/UL), gR and aR

Catalogue number	Type	Size	Rated current (Amps)	Rated voltage	Material price group	Pack qty	MOQ	Dimensions (mm)					
								D	E	F	G	H	K
170M2608	-/80 Visual Indicator	00	25	690 VAC	QJ	6	6	51	30	28	67	10	2
170M2609	-/80 Visual Indicator	00	32	690 VAC	QJ	6	6	51	30	28	67	10	2
170M2610	-/80 Visual Indicator	00	40	690 VAC	QJ	6	6	51	30	28	67	10	2
170M2611	-/80 Visual Indicator	00	50	690 VAC	QJ	6	6	51	30	28	67	10	2
170M2612	-/80 Visual Indicator	00	63	690 VAC	QJ	6	6	51	30	28	67	10	2
170M2613	-/80 Visual Indicator	00	80	690 VAC	QJ	6	6	51	30	28	67	10	2
170M2614	-/80 Visual Indicator	00	100	690 VAC / 700 VAC	QJ	6	6	51	30	28	67	10	2
170M2615	-/80 Visual Indicator	00	125	690 VAC / 700 VAC	QJ	6	6	51	30	28	67	10	2
170M2616	-/80 Visual Indicator	00	160	690 VAC / 700 VAC	QJ	6	6	51	30	28	67	10	2
170M2617	-/80 Visual Indicator	00	200	690 VAC / 700 VAC	QJ	6	6	51	30	28	67	10	2
170M2618	-/80 Visual Indicator	00	250	690 VAC / 700 VAC	QJ	6	6	51	30	28	67	10	2
170M2619	-/80 Visual Indicator	00	315	690 VAC / 700 VAC	QJ	6	6	51	30	28	67	10	2
170M2620	-/80 Visual Indicator	00	350	690 VAC / 700 VAC	QJ	6	6	51	30	28	67	10	2
170M2621	-/80 Visual Indicator	00	400	690 VAC / 700 VAC	QJ	6	6	51	30	28	67	10	2
170M2658	-/TN80 Type T Indicator for Micro	00	25	690 VAC	QJ	6	6	51	30	28	67	10	2
170M2659	-/TN80 Type T Indicator for Micro	00	32	690 VAC	QJ	6	6	51	30	28	67	10	2
170M2660	-/TN80 Type T Indicator for Micro	00	40	690 VAC	QJ	6	6	51	30	28	67	10	2
170M2661	-/TN80 Type T Indicator for Micro	00	50	690 VAC	QJ	6	6	51	30	28	67	10	2
170M2662	-/TN80 Type T Indicator for Micro	00	63	690 VAC	QJ	6	6	51	30	28	67	10	2
170M2663	-/TN80 Type T Indicator for Micro	00	80	690 VAC	QJ	6	6	51	30	28	67	10	2
170M2664	-/TN80 Type T Indicator for Micro	00	100	690 VAC / 700 VAC	QJ	6	6	51	30	28	67	10	2
170M2665	-/TN80 Type T Indicator for Micro	00	125	690 VAC / 700 VAC	QJ	6	6	51	30	28	67	10	2
170M2666	-/TN80 Type T Indicator for Micro	00	160	690 VAC / 700 VAC	QJ	6	6	51	30	28	67	10	2
170M2667	-/TN80 Type T Indicator for Micro	00	200	690 VAC / 700 VAC	QJ	6	6	51	30	28	67	10	2
170M2668	-/TN80 Type T Indicator for Micro	00	250	690 VAC / 700 VAC	QJ	6	6	51	30	28	67	10	2
170M2669	-/TN80 Type T Indicator for Micro	00	315	690 VAC / 700 VAC	QJ	6	6	51	30	28	67	10	2
170M2670	-/TN80 Type T Indicator for Micro	00	350	690 VAC / 700 VAC	QJ	6	6	51	30	28	67	10	2
170M2671	-/TN80 Type T Indicator for Micro	00	400	690 VAC / 700 VAC	QJ	6	6	51	30	28	67	10	2

Dimensions mm



High speed

DIN 43653

Size 01, 40 - 630 A, 690 VAC - 700 VAC (IEC/UL), aR

Catalogue number	Type	Size	Rated current (Amps)	Rated voltage	Material price group	Pack qty	MOQ	Dimensions (mm)					
								A	B	C	D	E	H
170M3008	-/80 Visual Indicator	01	40	690 VAC / 700 VAC	QJ	6	6	50	104	78	N/A	45	22
170M3009	-/80 Visual Indicator	01	50	690 VAC / 700 VAC	QJ	6	6	50	104	78	N/A	45	22
170M3010	-/80 Visual Indicator	01	63	690 VAC / 700 VAC	QJ	6	6	50	104	78	N/A	45	22
170M3011	-/80 Visual Indicator	01	80	690 VAC / 700 VAC	QJ	6	6	50	104	78	N/A	45	22
170M3012	-/80 Visual Indicator	01	100	690 VAC / 700 VAC	QJ	6	6	50	104	78	N/A	45	22
170M3013	-/80 Visual Indicator	01	125	690 VAC / 700 VAC	QJ	6	6	50	104	78	N/A	45	22
170M3014	-/80 Visual Indicator	01	160	690 VAC / 700 VAC	QJ	6	6	50	104	78	N/A	45	22
170M3015	-/80 Visual Indicator	01	200	690 VAC / 700 VAC	QJ	6	6	50	104	78	N/A	45	22
170M3016	-/80 Visual Indicator	01	250	690 VAC / 700 VAC	QJ	6	6	50	104	78	N/A	45	22
170M3017	-/80 Visual Indicator	01	315	690 VAC / 700 VAC	QJ	6	6	50	104	78	N/A	45	22
170M3018	-/80 Visual Indicator	01	350	690 VAC / 700 VAC	QJ	6	6	50	104	78	N/A	45	22
170M3019	-/80 Visual Indicator	01	400	690 VAC / 700 VAC	QJ	6	6	50	104	78	N/A	45	22
170M3020	-/80 Visual Indicator	01	450	690 VAC / 700 VAC	QJ	6	6	50	104	78	N/A	45	22
170M3021	-/80 Visual Indicator	01	500	690 VAC / 700 VAC	QJ	6	6	50	104	78	N/A	45	22
170M3022	-/80 Visual Indicator	01	550	690 VAC / 700 VAC	QJ	6	6	50	104	78	N/A	45	22
170M3023	-/80 Visual Indicator	01	630	690 VAC / 700 VAC	QJ	6	6	50	104	78	N/A	45	22
170M3058	-TN/80 Type T Indicator for Micro	01	40	690 VAC / 700 VAC	QJ	6	6	50	104	78	58	45	22
170M3059	-TN/80 Type T Indicator for Micro	01	50	690 VAC / 700 VAC	QJ	6	6	50	104	78	58	45	22
170M3060	-TN/80 Type T Indicator for Micro	01	63	690 VAC / 700 VAC	QJ	6	6	50	104	78	58	45	22
170M3061	-TN/80 Type T Indicator for Micro	01	80	690 VAC / 700 VAC	QJ	6	6	50	104	78	58	45	22
170M3062	-TN/80 Type T Indicator for Micro	01	100	690 VAC / 700 VAC	QJ	6	6	50	104	78	58	45	22
170M3063	-TN/80 Type T Indicator for Micro	01	125	690 VAC / 700 VAC	QJ	6	6	50	104	78	58	45	22
170M3064	-TN/80 Type T Indicator for Micro	01	160	690 VAC / 700 VAC	QJ	6	6	50	104	78	58	45	22
170M3065	-TN/80 Type T Indicator for Micro	01	200	690 VAC / 700 VAC	QJ	6	6	50	104	78	58	45	22
170M3066	-TN/80 Type T Indicator for Micro	01	250	690 VAC / 700 VAC	QJ	6	6	50	104	78	58	45	22
170M3067	-TN/80 Type T Indicator for Micro	01	315	690 VAC / 700 VAC	QJ	6	6	50	104	78	58	45	22
170M3068	-TN/80 Type T Indicator for Micro	01	350	690 VAC / 700 VAC	QJ	6	6	50	104	78	58	45	22
170M3069	-TN/80 Type T Indicator for Micro	01	400	690 VAC / 700 VAC	QJ	6	6	50	104	78	58	45	22
170M3070	-TN/80 Type T Indicator for Micro	01	450	690 VAC / 700 VAC	QJ	6	6	50	104	78	58	45	22
170M3071	-TN/80 Type T Indicator for Micro	01	500	690 VAC / 700 VAC	QJ	6	6	50	104	78	58	45	22
170M3072	-TN/80 Type T Indicator for Micro	01	550	690 VAC / 700 VAC	QJ	6	6	50	104	78	58	45	22
170M3073	-TN/80 Type T Indicator for Micro	01	630	690 VAC / 700 VAC	QJ	6	6	50	104	78	58	45	22
170M3108	-KN/80 Type K Indicator for Micro	01	40	690 VAC / 700 VAC	QJ	6	6	50	104	78	59	45	22
170M3109	-KN/80 Type K Indicator for Micro	01	50	690 VAC / 700 VAC	QJ	6	6	50	104	78	59	45	22
170M3110	-KN/80 Type K Indicator for Micro	01	63	690 VAC / 700 VAC	QJ	6	6	50	104	78	59	45	22
170M3111	-KN/80 Type K Indicator for Micro	01	80	690 VAC / 700 VAC	QJ	6	6	50	104	78	59	45	22
170M3112	-KN/80 Type K Indicator for Micro	01	100	690 VAC / 700 VAC	QJ	6	6	50	104	78	59	45	22
170M3113	-KN/80 Type K Indicator for Micro	01	125	690 VAC / 700 VAC	QJ	6	6	50	104	78	59	45	22
170M3114	-KN/80 Type K Indicator for Micro	01	160	690 VAC / 700 VAC	QJ	6	6	50	104	78	59	45	22
170M3115	-KN/80 Type K Indicator for Micro	01	200	690 VAC / 700 VAC	QJ	6	6	50	104	78	59	45	22
170M3116	-KN/80 Type K Indicator for Micro	01	250	690 VAC / 700 VAC	QJ	6	6	50	104	78	59	45	22
170M3117	-KN/80 Type K Indicator for Micro	01	315	690 VAC / 700 VAC	QJ	6	6	50	104	78	59	45	22
170M3118	-KN/80 Type K Indicator for Micro	01	350	690 VAC / 700 VAC	QJ	6	6	50	104	78	59	45	22
170M3119	-KN/80 Type K Indicator for Micro	01	400	690 VAC / 700 VAC	QJ	6	6	50	104	78	59	45	22
170M3120	-KN/80 Type K Indicator for Micro	01	450	690 VAC / 700 VAC	QJ	6	6	50	104	78	59	45	22
170M3121	-KN/80 Type K Indicator for Micro	01	500	690 VAC / 700 VAC	QJ	6	6	50	104	78	59	45	22
170M3122	-KN/80 Type K Indicator for Micro	01	550	690 VAC / 700 VAC	QJ	6	6	50	104	108	59	45	22
170M3123	-KN/80 Type K Indicator for Micro	01	630	690 VAC / 700 VAC	QJ	6	6	50	104	108	59	45	22

See dimensions and type -TN/110 and -KN/110 page 113

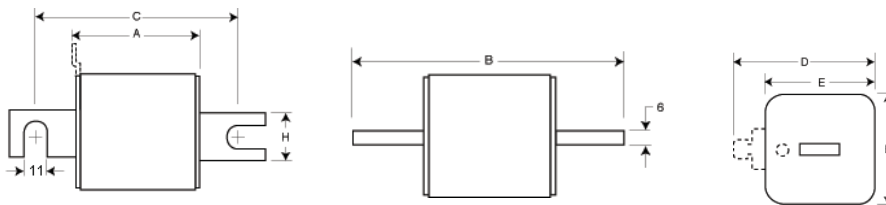
DIN 43653

Size 01, 40 - 630 A, 690 VAC - 700 VAC (IEC/UL), aR

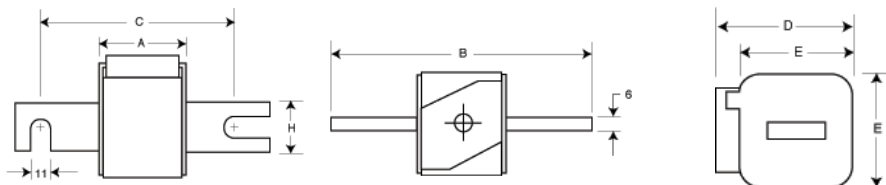
Catalogue number	Type	Size	Rated current (Amps)	Rated voltage	Material price group	Pack qty	MOQ	Dimensions (mm)					
								A	B	C	D	E	H
170M3209	-TN/110 Type T Indicator for Micro	01	50	690 VAC / 700 VAC	QJ	6	6	50	134	108	58	45	22
170M3210	-TN/110 Type T Indicator for Micro	01	63	690 VAC / 700 VAC	QJ	6	6	50	134	108	58	45	22
170M3211	-TN/110 Type T Indicator for Micro	01	80	690 VAC / 700 VAC	QJ	6	6	50	134	108	58	45	22
170M3212	-TN/110 Type T Indicator for Micro	01	100	690 VAC / 700 VAC	QJ	6	6	50	134	108	58	45	22
170M3213	-TN/110 Type T Indicator for Micro	01	125	690 VAC / 700 VAC	QJ	6	6	50	134	108	58	45	22
170M3214	-TN/110 Type T Indicator for Micro	01	160	690 VAC / 700 VAC	QJ	6	6	50	134	108	58	45	22
170M3215	-TN/110 Type T Indicator for Micro	01	200	690 VAC / 700 VAC	QJ	6	6	50	134	108	58	45	22
170M3216	-TN/110 Type T Indicator for Micro	01	250	690 VAC / 700 VAC	QJ	6	6	50	134	108	58	45	22
170M3217	-TN/110 Type T Indicator for Micro	01	315	690 VAC / 700 VAC	QJ	6	6	50	134	108	58	45	22
170M3218	-TN/110 Type T Indicator for Micro	01	350	690 VAC / 700 VAC	QJ	6	6	50	134	108	58	45	22
170M3219	-TN/110 Type T Indicator for Micro	01	400	690 VAC / 700 VAC	QJ	6	6	50	134	108	58	45	22
170M3220	-TN/110 Type T Indicator for Micro	01	450	690 VAC / 700 VAC	QJ	6	6	50	134	108	58	45	22
170M3221	-TN/110 Type T Indicator for Micro	01	500	690 VAC / 700 VAC	QJ	6	6	50	134	108	58	45	22
170M3222	-TN/110 Type T Indicator for Micro	01	550	690 VAC / 700 VAC	QJ	6	6	50	134	108	58	45	22
170M3223	-TN/110 Type T Indicator for Micro	01	630	690 VAC / 700 VAC	QJ	6	6	50	134	108	58	45	22
170M3258	-KN/110 Type K Indicator for Micro	01	40	690 VAC / 700 VAC	QJ	6	6	50	134	108	59	45	22
170M3259	-KN/110 Type K Indicator for Micro	01	50	690 VAC / 700 VAC	QJ	6	6	50	134	108	59	45	22
170M3260	-KN/110 Type K Indicator for Micro	01	63	690 VAC / 700 VAC	QJ	6	6	50	134	108	59	45	22
170M3261	-KN/110 Type K Indicator for Micro	01	80	690 VAC / 700 VAC	QJ	6	6	50	134	108	59	45	22
170M3262	-KN/110 Type K Indicator for Micro	01	100	690 VAC / 700 VAC	QJ	6	6	50	134	108	59	45	22
170M3263	-KN/110 Type K Indicator for Micro	01	125	690 VAC / 700 VAC	QJ	6	6	50	134	108	59	45	22
170M3264	-KN/110 Type K Indicator for Micro	01	160	690 VAC / 700 VAC	QJ	6	6	50	134	108	59	45	22
170M3265	-KN/110 Type K Indicator for Micro	01	200	690 VAC / 700 VAC	QJ	6	6	50	134	108	59	45	22
170M3266	-KN/110 Type K Indicator for Micro	01	250	690 VAC / 700 VAC	QJ	6	6	50	134	108	59	45	22
170M3267	-KN/110 Type K Indicator for Micro	01	315	690 VAC / 700 VAC	QJ	6	6	50	134	108	59	45	22
170M3268	-KN/110 Type K Indicator for Micro	01	350	690 VAC / 700 VAC	QJ	6	6	50	134	108	59	45	22
170M3269	-KN/110 Type K Indicator for Micro	01	400	690 VAC / 700 VAC	QJ	6	6	50	134	108	59	45	22
170M3270	-KN/110 Type K Indicator for Micro	01	450	690 VAC / 700 VAC	QJ	6	6	50	134	108	59	45	22
170M3271	-KN/110 Type K Indicator for Micro	01	500	690 VAC / 700 VAC	QJ	6	6	50	134	108	59	45	22
170M3272	-KN/110 Type K Indicator for Micro	01	550	690 VAC / 700 VAC	QJ	6	6	50	134	108	59	45	22
170M3273	-KN/110 Type K Indicator for Micro	01	630	690 VAC / 700 VAC	QJ	6	6	50	134	108	59	45	22

Dimensions

Type -/80, -TN/80, -/110, -TN/110



Type -KN/80, -KN/110



High speed

DIN 43653

Size 1, 200 - 900 A, 690 VAC - 700 VAC (IEC/UL), aR

Catalogue number	Type	Size	Rated current (Amps)	Rated voltage	Material price group	Pack qty	MOQ	Dimensions (mm)					
								A	B	C	D	E	H
170M4008	-/80 Visual Indicator	1	200	690 VAC / 700 VAC	QJ	3	3	50	108	78	N/A	53	25
170M4009	-/80 Visual Indicator	1	250	690 VAC / 700 VAC	QJ	3	3	50	108	78	N/A	53	25
170M4010	-/80 Visual Indicator	1	315	690 VAC / 700 VAC	QJ	3	3	50	108	78	N/A	53	25
170M4011	-/80 Visual Indicator	1	350	690 VAC / 700 VAC	QJ	3	3	50	108	78	N/A	53	25
170M4012	-/80 Visual Indicator	1	400	690 VAC / 700 VAC	QJ	3	3	50	108	78	N/A	53	25
170M4013	-/80 Visual Indicator	1	450	690 VAC / 700 VAC	QJ	3	3	50	108	78	N/A	53	25
170M4014	-/80 Visual Indicator	1	500	690 VAC / 700 VAC	QJ	3	3	50	108	78	N/A	53	25
170M4015	-/80 Visual Indicator	1	550	690 VAC / 700 VAC	QJ	3	3	50	108	78	N/A	53	25
170M4016	-/80 Visual Indicator	1	630	690 VAC / 700 VAC	QJ	3	3	50	108	78	N/A	53	25
170M4017	-/80 Visual Indicator	1	700	690 VAC / 700 VAC	QJ	3	3	50	108	78	N/A	53	25
170M4018	-/80 Visual Indicator	1	800	690 VAC / 700 VAC	QJ	3	3	50	108	78	N/A	53	25
170M4019	-/80 Visual Indicator	1	900	690 VAC	QJ	3	3	50	108	78	N/A	53	25
170M4058	-TN/80 Type T Indicator for Micro	1	200	690 VAC / 700 VAC	QJ	3	3	50	108	78	66	53	25
170M4059	-TN/80 Type T Indicator for Micro	1	250	690 VAC / 700 VAC	QJ	3	3	50	108	78	66	53	25
170M4060	-TN/80 Type T Indicator for Micro	1	315	690 VAC / 700 VAC	QJ	3	3	50	108	78	66	53	25
170M4061	-TN/80 Type T Indicator for Micro	1	350	690 VAC / 700 VAC	QJ	3	3	50	108	78	66	53	25
170M4062	-TN/80 Type T Indicator for Micro	1	400	690 VAC / 700 VAC	QJ	3	3	50	108	78	66	53	25
170M4063	-TN/80 Type T Indicator for Micro	1	450	690 VAC / 700 VAC	QJ	3	3	50	108	78	66	53	25
170M4064	-TN/80 Type T Indicator for Micro	1	500	690 VAC / 700 VAC	QJ	3	3	50	108	78	66	53	25
170M4065	-TN/80 Type T Indicator for Micro	1	550	690 VAC / 700 VAC	QJ	3	3	50	108	78	66	53	25
170M4066	-TN/80 Type T Indicator for Micro	1	630	690 VAC / 700 VAC	QJ	3	3	50	108	78	66	53	25
170M4067	-TN/80 Type T Indicator for Micro	1	700	690 VAC / 700 VAC	QJ	3	3	50	108	78	66	53	25
170M4068	-TN/80 Type T Indicator for Micro	1	800	690 VAC / 700 VAC	QJ	3	3	50	108	78	66	53	25
170M4069	-TN/80 Type T Indicator for Micro	1	900	690 VAC	QJ	3	3	50	108	78	66	53	25
170M4108	-KN/80 Type K Indicator for Micro	1	200	690 VAC / 700 VAC	QJ	3	3	50	108	78	69	53	25
170M4109	-KN/80 Type K Indicator for Micro	1	250	690 VAC / 700 VAC	QJ	3	3	50	108	78	69	53	25
170M4110	-KN/80 Type K Indicator for Micro	1	315	690 VAC / 700 VAC	QJ	3	3	50	108	78	69	53	25
170M4111	-KN/80 Type K Indicator for Micro	1	350	690 VAC / 700 VAC	QJ	3	3	50	108	78	69	53	25
170M4112	-KN/80 Type K Indicator for Micro	1	400	690 VAC / 700 VAC	QJ	3	3	50	108	78	69	53	25
170M4113	-KN/80 Type K Indicator for Micro	1	450	690 VAC / 700 VAC	QJ	3	3	50	108	78	69	53	25
170M4114	-KN/80 Type K Indicator for Micro	1	500	690 VAC / 700 VAC	QJ	3	3	50	108	78	69	53	25
170M4115	-KN/80 Type K Indicator for Micro	1	550	690 VAC / 700 VAC	QJ	3	3	50	108	78	69	53	25
170M4116	-KN/80 Type K Indicator for Micro	1	630	690 VAC / 700 VAC	QJ	3	3	50	108	78	69	53	25
170M4117	-KN/80 Type K Indicator for Micro	1	700	690 VAC / 700 VAC	QJ	3	3	50	108	78	69	53	25
170M4118	-KN/80 Type K Indicator for Micro	1	800	690 VAC / 700 VAC	QJ	3	3	50	108	78	69	53	25
170M4119	-KN/80 Type K Indicator for Micro	1	900	690 VAC	QJ	3	3	50	108	78	69	53	25

See dimensions and type -/110, -TN/110 and -KN/110 page 115

DIN 43653

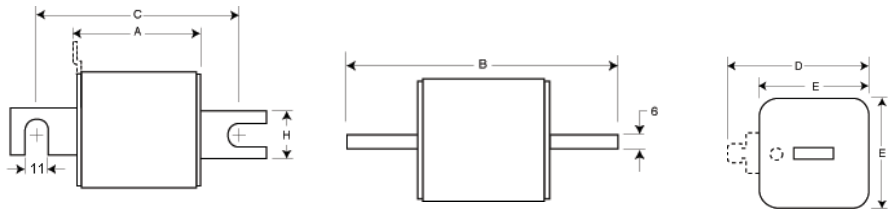
Size 1, 200 - 900 A, 690 VAC - 700 VAC (IEC/UL), aR

Catalogue number	Type	Size	Rated current (Amps)	Rated voltage	Material price group	Pack qty	MOQ	Dimensions (mm)					
								A	B	C	D	E	H
170M4158	-/110 Visual Indicator	1	200	690 VAC / 700 VAC	QJ	3	3	50	138	108	N/A	53	25
170M4159	-/110 Visual Indicator	1	250	690 VAC / 700 VAC	QJ	3	3	50	138	108	N/A	53	25
170M4160	-/110 Visual Indicator	1	315	690 VAC / 700 VAC	QJ	3	3	50	138	108	N/A	53	25
170M4161	-/110 Visual Indicator	1	350	690 VAC / 700 VAC	QJ	3	3	50	138	108	N/A	53	25
170M4162	-/110 Visual Indicator	1	400	690 VAC / 700 VAC	QJ	3	3	50	138	108	N/A	53	25
170M4163	-/110 Visual Indicator	1	450	690 VAC / 700 VAC	QJ	3	3	50	138	108	N/A	53	25
170M4164	-/110 Visual Indicator	1	500	690 VAC / 700 VAC	QJ	3	3	50	138	108	N/A	53	25
170M4165	-/110 Visual Indicator	1	550	690 VAC / 700 VAC	QJ	3	3	50	138	108	N/A	53	25
170M4166	-/110 Visual Indicator	1	630	690 VAC / 700 VAC	QJ	3	3	50	138	108	N/A	53	25
170M4167	-/110 Visual Indicator	1	700	690 VAC / 700 VAC	QJ	3	3	50	138	108	N/A	53	25
170M4168	-/110 Visual Indicator	1	800	690 VAC / 700 VAC	QJ	3	3	50	138	108	N/A	53	25
170M4208	-TN/110 Type T Indicator for Micro	1	200	690 VAC / 700 VAC	QJ	3	3	50	138	108	66	53	25
170M4209	-TN/110 Type T Indicator for Micro	1	250	690 VAC / 700 VAC	QJ	3	3	50	138	108	66	53	25
170M4210	-TN/110 Type T Indicator for Micro	1	315	690 VAC / 700 VAC	QJ	3	3	50	138	108	66	53	25
170M4211	-TN/110 Type T Indicator for Micro	1	350	690 VAC / 700 VAC	QJ	3	3	50	138	108	66	53	25
170M4212	-TN/110 Type T Indicator for Micro	1	400	690 VAC / 700 VAC	QJ	3	3	50	138	108	66	53	25
170M4213	-TN/110 Type T Indicator for Micro	1	450	690 VAC / 700 VAC	QJ	3	3	50	138	108	66	53	25
170M4214	-TN/110 Type T Indicator for Micro	1	500	690 VAC / 700 VAC	QJ	3	3	50	138	108	66	53	25
170M4215	-TN/110 Type T Indicator for Micro	1	550	690 VAC / 700 VAC	QJ	3	3	50	138	108	66	53	25
170M4216	-TN/110 Type T Indicator for Micro	1	630	690 VAC / 700 VAC	QJ	3	3	50	138	108	66	53	25
170M4217	-TN/110 Type T Indicator for Micro	1	700	690 VAC / 700 VAC	QJ	3	3	50	138	108	66	53	25
170M4218	-TN/110 Type T Indicator for Micro	1	800	690 VAC / 700 VAC	QJ	3	3	50	138	108	66	53	25
170M4219	-TN/110 Type T Indicator for Micro	1	900	690 VAC	QJ	3	3	50	138	108	66	53	25
170M4258	-KN/110 Type K Indicator for Micro	1	200	690 VAC / 700 VAC	QJ	3	3	50	138	108	69	53	25
170M4259	-KN/110 Type K Indicator for Micro	1	250	690 VAC / 700 VAC	QJ	3	3	50	138	108	69	53	25
170M4260	-KN/110 Type K Indicator for Micro	1	315	690 VAC / 700 VAC	QJ	3	3	50	138	108	69	53	25
170M4261	-KN/110 Type K Indicator for Micro	1	350	690 VAC / 700 VAC	QJ	3	3	50	138	108	69	53	25
170M4262	-KN/110 Type K Indicator for Micro	1	400	690 VAC / 700 VAC	QJ	3	3	50	138	108	69	53	25
170M4263	-KN/110 Type K Indicator for Micro	1	450	690 VAC / 700 VAC	QJ	3	3	50	138	108	69	53	25
170M4264	-KN/110 Type K Indicator for Micro	1	500	690 VAC / 700 VAC	QJ	3	3	50	138	108	69	53	25
170M4265	-KN/110 Type K Indicator for Micro	1	550	690 VAC / 700 VAC	QJ	3	3	50	138	108	69	53	25
170M4266	-KN/110 Type K Indicator for Micro	1	630	690 VAC / 700 VAC	QJ	3	3	50	138	108	69	53	25
170M4267	-KN/110 Type K Indicator for Micro	1	700	690 VAC / 700 VAC	QJ	3	3	50	138	108	69	53	25
170M4268	-KN/110 Type K Indicator for Micro	1	800	690 VAC / 700 VAC	QJ	3	3	50	138	108	69	53	25
170M4269	-KN/110 Type K Indicator for Micro	1	900	690 VAC / 700 VAC	QJ	3	3	50	138	108	69	53	25

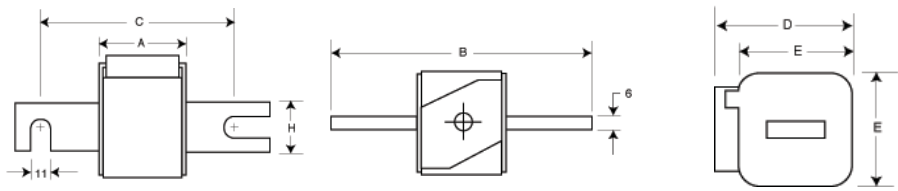
High speed

Dimensions

Type -/80, -TN/80, -/110, -TN/110



Type -KN/80, -KN/110



DIN 43653

Size 2, 400 - 1250 A, 690 - 700 VAC (IEC/UL), aR

Catalogue number	Type	Size	Rated current (Amps)	Rated voltage	Material price group	Pack qty	MOQ	Dimensions (mm)					
								A	B	C	D	E	H
170M5008	-/80 Visual Indicator	2	400	690 VAC / 700 VAC	QJ	3	3	50	108	78	N/A	61	25
170M5009	-/80 Visual Indicator	2	450	690 VAC / 700 VAC	QJ	3	3	50	108	78	N/A	61	25
170M5010	-/80 Visual Indicator	2	500	690 VAC / 700 VAC	QJ	3	3	50	108	78	N/A	61	25
170M5011	-/80 Visual Indicator	2	550	690 VAC / 700 VAC	QJ	3	3	50	108	78	N/A	61	25
170M5012	-/80 Visual Indicator	2	630	690 VAC / 700 VAC	QJ	3	3	50	108	78	N/A	61	25
170M5013	-/80 Visual Indicator	2	700	690 VAC / 700 VAC	QJ	3	3	50	108	78	N/A	61	25
170M5014	-/80 Visual Indicator	2	800	690 VAC / 700 VAC	QJ	3	3	50	108	78	N/A	61	25
170M5015	-/80 Visual Indicator	2	900	690 VAC / 700 VAC	QJ	3	3	50	108	78	N/A	61	25
170M5016	-/80 Visual Indicator	2	1000	690 VAC / 700 VAC	QJ	3	3	50	108	78	N/A	61	25
170M5017	-/80 Visual Indicator	2	1100	600 VAC / 700 VAC	QJ	3	3	50	108	78	N/A	61	25
170M5018	-/80 Visual Indicator	2	1250	600 VAC / 700 VAC	QJ	3	3	50	108	78	N/A	61	25
170M5058	-TN/80 Type T Indicator for Micro	2	400	690 VAC / 700 VAC	QJ	3	3	50	108	78	75	61	25
170M5059	-TN/80 Type T Indicator for Micro	2	450	690 VAC / 700 VAC	QJ	3	3	50	108	78	75	61	25
170M5060	-TN/80 Type T Indicator for Micro	2	500	690 VAC / 700 VAC	QJ	3	3	50	108	78	75	61	25
170M5061	-TN/80 Type T Indicator for Micro	2	550	690 VAC / 700 VAC	QJ	3	3	50	108	78	75	61	25
170M5062	-TN/80 Type T Indicator for Micro	2	630	690 VAC / 700 VAC	QJ	3	3	50	108	78	75	61	25
170M5063	-TN/80 Type T Indicator for Micro	2	700	690 VAC / 700 VAC	QJ	3	3	50	108	78	75	61	25
170M5064	-TN/80 Type T Indicator for Micro	2	800	690 VAC / 700 VAC	QJ	3	3	50	108	78	75	61	25
170M5065	-TN/80 Type T Indicator for Micro	2	900	690 VAC / 700 VAC	QJ	3	3	50	108	78	75	61	25
170M5066	-TN/80 Type T Indicator for Micro	2	1000	690 VAC / 700 VAC	QJ	3	3	50	108	78	75	61	25
170M5067	-TN/80 Type T Indicator for Micro	2	1100	600 VAC / 700 VAC	QJ	3	3	50	108	78	75	61	25
170M5068	-TN/80 Type T Indicator for Micro	2	1250	600 VAC / 700 VAC	QJ	3	3	50	108	78	75	61	25
170M5108	-KN/80 Type K Indicator for Micro	2	400	690 VAC / 700 VAC	QJ	3	3	50	108	78	77	61	25
170M5109	-KN/80 Type K Indicator for Micro	2	450	690 VAC / 700 VAC	QJ	3	3	50	108	78	77	61	25
170M5110	-KN/80 Type K Indicator for Micro	2	500	690 VAC / 700 VAC	QJ	3	3	50	108	78	77	61	25
170M5111	-KN/80 Type K Indicator for Micro	2	550	690 VAC / 700 VAC	QJ	3	3	50	108	78	77	61	25
170M5112	-KN/80 Type K Indicator for Micro	2	630	690 VAC / 700 VAC	QJ	3	3	50	108	78	77	61	25
170M5113	-KN/80 Type K Indicator for Micro	2	700	690 VAC / 700 VAC	QJ	3	3	50	108	78	77	61	25
170M5114	-KN/80 Type K Indicator for Micro	2	800	690 VAC / 700 VAC	QJ	3	3	50	108	78	77	61	25
170M5115	-KN/80 Type K Indicator for Micro	2	900	690 VAC / 700 VAC	QJ	3	3	50	108	78	77	61	25
170M5116	-KN/80 Type K Indicator for Micro	2	1000	690 VAC / 700 VAC	QJ	3	3	50	108	78	77	61	25
170M5117	-KN/80 Type K Indicator for Micro	2	1100	600 VAC / 700 VAC	QJ	3	3	50	108	78	77	61	25
170M5118	-KN/80 Type K Indicator for Micro	2	1250	600 VAC / 700 VAC	QJ	3	3	50	108	78	77	61	25
170M5158	-/110 Visual Indicator	2	400	690 VAC / 700 VAC	QJ	3	3	50	138	108	N/A	61	25
170M5159	-/110 Visual Indicator	2	450	690 VAC / 700 VAC	QJ	3	3	50	138	108	N/A	61	25
170M5160	-/110 Visual Indicator	2	500	690 VAC / 700 VAC	QJ	3	3	50	138	108	N/A	61	25
170M5161	-/110 Visual Indicator	2	550	690 VAC / 700 VAC	QJ	3	3	50	138	108	N/A	61	25
170M5162	-/110 Visual Indicator	2	630	690 VAC / 700 VAC	QJ	3	3	50	138	108	N/A	61	25
170M5163	-/110 Visual Indicator	2	700	690 VAC / 700 VAC	QJ	3	3	50	138	108	N/A	61	25
170M5164	-/110 Visual Indicator	2	800	690 VAC / 700 VAC	QJ	3	3	50	138	108	N/A	61	25
170M5165	-/110 Visual Indicator	2	900	690 VAC / 700 VAC	QJ	3	3	50	138	108	N/A	61	25
170M5166	-/110 Visual Indicator	2	1000	690 VAC / 700 VAC	QJ	3	3	50	138	108	N/A	61	25
170M5167	-/110 Visual Indicator	2	1100	600 VAC / 700 VAC	QJ	3	3	50	138	108	N/A	61	25
170M5168	-/110 Visual Indicator	2	1250	600 VAC / 700 VAC	QJ	3	3	50	138	108	N/A	61	25

See dimensions and type -TN/110 and -KN/110 page 117

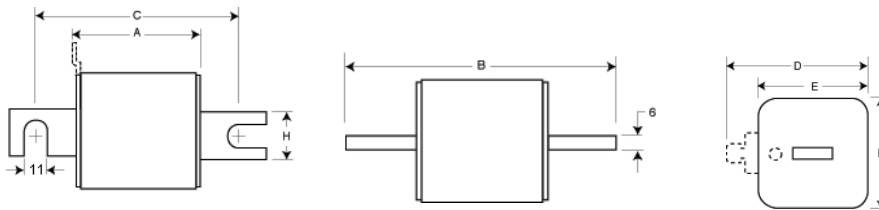
DIN 43653

Size 2, 400 - 1250 A, 690 - 700 VAC (IEC/UL), aR

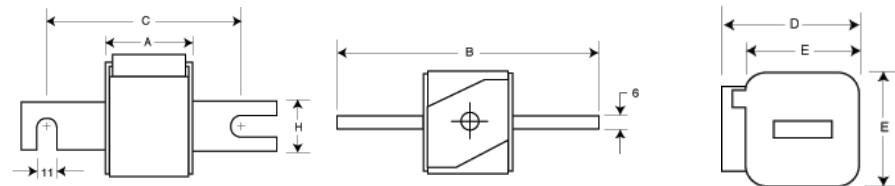
Catalogue number	Type	Size	Rated current (Amps)	Rated voltage	Material price group	Pack qty	MOQ	Dimensions (mm)					
								A	B	C	D	E	H
170M5208	-TN/110 Type T Indicator for Micro	2	400	690 VAC / 700 VAC	QJ	3	3	50	138	108	75	61	25
170M5209	-TN/110 Type T Indicator for Micro	2	450	690 VAC / 700 VAC	QJ	3	3	50	138	108	75	61	25
170M5210	-TN/110 Type T Indicator for Micro	2	500	690 VAC / 700 VAC	QJ	3	3	50	138	108	75	61	25
170M5211	-TN/110 Type T Indicator for Micro	2	550	690 VAC / 700 VAC	QJ	3	3	50	138	108	75	61	25
170M5212	-TN/110 Type T Indicator for Micro	2	630	690 VAC / 700 VAC	QJ	3	3	50	138	108	75	61	25
170M5213	-TN/110 Type T Indicator for Micro	2	700	690 VAC / 700 VAC	QJ	3	3	50	138	108	75	61	25
170M5214	-TN/110 Type T Indicator for Micro	2	800	690 VAC / 700 VAC	QJ	3	3	50	138	108	75	61	25
170M5215	-TN/110 Type T Indicator for Micro	2	900	690 VAC / 700 VAC	QJ	3	3	50	138	108	75	61	25
170M5216	-TN/110 Type T Indicator for Micro	2	1000	690 VAC / 700 VAC	QJ	3	3	50	138	108	75	61	25
170M5217	-TN/110 Type T Indicator for Micro	2	1100	600 VAC / 700 VAC	QJ	3	3	50	138	108	75	61	25
170M5218	-TN/110 Type T Indicator for Micro	2	1250	600 VAC / 700 VAC	QJ	3	3	50	138	108	75	61	25
170M5258	-KN/110 Type K Indicator for Micro	2	400	690 VAC / 700 VAC	QJ	3	3	50	138	108	77	61	25
170M5259	-KN/110 Type K Indicator for Micro	2	450	690 VAC / 700 VAC	QJ	3	3	50	138	108	77	61	25
170M5260	-KN/110 Type K Indicator for Micro	2	500	690 VAC / 700 VAC	QJ	3	3	50	138	108	77	61	25
170M5261	-KN/110 Type K Indicator for Micro	2	550	690 VAC / 700 VAC	QJ	3	3	50	138	108	77	61	25
170M5262	-KN/110 Type K Indicator for Micro	2	630	690 VAC / 700 VAC	QJ	3	3	50	138	108	77	61	25
170M5263	-KN/110 Type K Indicator for Micro	2	700	690 VAC / 700 VAC	QJ	3	3	50	138	108	77	61	25
170M5264	-KN/110 Type K Indicator for Micro	2	800	690 VAC / 700 VAC	QJ	3	3	50	138	108	77	61	25
170M5265	-KN/110 Type K Indicator for Micro	2	900	690 VAC / 700 VAC	QJ	3	3	50	138	108	77	61	25
170M5266	-KN/110 Type K Indicator for Micro	2	1000	690 VAC / 700 VAC	QJ	3	3	50	138	108	77	61	25
170M5267	-KN/110 Type K Indicator for Micro	2	1100	600 VAC / 700 VAC	QJ	3	3	50	138	108	77	61	25
170M5268	-KN/110 Type K Indicator for Micro	2	1250	600 VAC / 700 VAC	QJ	3	3	50	138	108	77	61	25

Dimensions

Type -/80, -TN/80, -/110, -TN/110



Type -KN/80, -KN/110



High speed

DIN 43653

Size 3, 500 - 2000 A, 690 - 700 VAC (IEC/UL), aR

Catalogue number	Type	Size	Rated current (Amps)	Rated voltage	Material price group	Pack qty	MOQ	Dimensions (mm)					
								A	B	C	D	E	H
170M6008	-/80 Visual Indicator	3	500	690 VAC/700 VAC	QJ	1	1	51	109	78	N/A	76	30
170M6009	-/80 Visual Indicator	3	550	690 VAC/700 VAC	QJ	1	1	51	109	78	N/A	76	30
170M6010	-/80 Visual Indicator	3	630	690 VAC/700 VAC	QJ	1	1	51	109	78	N/A	76	30
170M6011	-/80 Visual Indicator	3	700	690 VAC/700 VAC	QJ	1	1	51	109	78	N/A	76	30
170M6012	-/80 Visual Indicator	3	800	690 VAC/700 VAC	QJ	1	1	51	109	78	N/A	76	30
170M6013	-/80 Visual Indicator	3	900	690 VAC/700 VAC	QJ	1	1	51	109	78	N/A	76	30
170M6014	-/80 Visual Indicator	3	1000	690 VAC/700 VAC	QJ	1	1	51	109	78	N/A	76	30
170M6015	-/80 Visual Indicator	3	1100	690 VAC/700 VAC	QJ	1	1	51	109	78	N/A	76	30
170M6016	-/80 Visual Indicator	3	1250	690 VAC/700 VAC	QJ	1	1	51	109	78	N/A	76	30
170M6017	-/80 Visual Indicator	3	1400	690 VAC/700 VAC	QJ	1	1	51	109	78	N/A	76	30
170M6018	-/80 Visual Indicator	3	1500	690 VAC/700 VAC	QJ	1	1	51	109	78	N/A	76	30
170M6019	-/80 Visual Indicator	3	1600	690 VAC/700 VAC	QJ	1	1	51	109	78	N/A	76	30
170M6020	-/80 Visual Indicator	3	1800	600 VAC/500 VAC	QJ	1	1	51	109	78	N/A	76	30
170M6021	-/80 Visual Indicator	3	2000	550 VAC/500 VAC	QJ	1	1	51	109	78	N/A	76	30
170M6058	-TN/80 Type T Indicator for Micro	3	500	690 VAC/700 VAC	QJ	1	1	51	109	78	90	76	30
170M6059	-TN/80 Type T Indicator for Micro	3	550	690 VAC/700 VAC	QJ	1	1	51	109	78	90	76	30
170M6060	-TN/80 Type T Indicator for Micro	3	630	690 VAC/700 VAC	QJ	1	1	51	109	78	90	76	30
170M6061	-TN/80 Type T Indicator for Micro	3	700	690 VAC/700 VAC	QJ	1	1	51	109	78	90	76	30
170M6062	-TN/80 Type T Indicator for Micro	3	800	690 VAC/700 VAC	QJ	1	1	51	109	78	90	76	30
170M6063	-TN/80 Type T Indicator for Micro	3	900	690 VAC/700 VAC	QJ	1	1	51	109	78	90	76	30
170M6064	-TN/80 Type T Indicator for Micro	3	1000	690 VAC/700 VAC	QJ	1	1	51	109	78	90	76	30
170M6065	-TN/80 Type T Indicator for Micro	3	1100	690 VAC/700 VAC	QJ	1	1	51	109	78	90	76	30
170M6066	-TN/80 Type T Indicator for Micro	3	1250	690 VAC/700 VAC	QJ	1	1	51	109	78	90	76	30
170M6067	-TN/80 Type T Indicator for Micro	3	1400	690 VAC/700 VAC	QJ	1	1	51	109	78	90	76	30
170M6068	-TN/80 Type T Indicator for Micro	3	1500	690 VAC/700 VAC	QJ	1	1	51	109	78	90	76	30
170M6069	-TN/80 Type T Indicator for Micro	3	1600	690 VAC/700 VAC	QJ	1	1	51	109	78	90	76	30
170M6070	-TN/80 Type T Indicator for Micro	3	1800	600 VAC/500 VAC	QJ	1	1	51	109	78	90	76	30
170M6071	-TN/80 Type T Indicator for Micro	3	2000	550 VAC/500 VAC	QJ	1	1	51	109	78	90	76	30
170M6108	-KN/80 Type K Visual Indicator	3	500	690 VAC/700 VAC	QJ	1	1	51	109	78	92	76	30
170M6109	-KN/80 Type K Visual Indicator	3	550	690 VAC/700 VAC	QJ	1	1	51	109	78	92	76	30
170M6110	-KN/80 Type K Visual Indicator	3	630	690 VAC/700 VAC	QJ	1	1	51	109	78	92	76	30
170M6111	-KN/80 Type K Visual Indicator	3	700	690 VAC/700 VAC	QJ	1	1	51	109	78	92	76	30
170M6112	-KN/80 Type K Visual Indicator	3	800	690 VAC/700 VAC	QJ	1	1	51	109	78	92	76	30
170M6113	-KN/80 Type K Visual Indicator	3	900	690 VAC/700 VAC	QJ	1	1	51	109	78	92	76	30
170M6114	-KN/80 Type K Visual Indicator	3	1000	690 VAC/700 VAC	QJ	1	1	51	109	78	92	76	30
170M6115	-KN/80 Type K Visual Indicator	3	1100	690 VAC/700 VAC	QJ	1	1	51	109	78	92	76	30
170M6116	-KN/80 Type K Visual Indicator	3	1250	690 VAC/700 VAC	QJ	1	1	51	109	78	92	76	30
170M6117	-KN/80 Type K Visual Indicator	3	1400	690 VAC/700 VAC	QJ	1	1	51	109	78	92	76	30
170M6118	-KN/80 Type K Visual Indicator	3	1500	690 VAC/700 VAC	QJ	1	1	51	109	78	92	76	30
170M6119	-KN/80 Type K Visual Indicator	3	1600	690 VAC/700 VAC	QJ	1	1	51	109	78	92	76	30
170M6120	-KN/80 Type K Visual Indicator	3	1800	600 VAC/500 VAC	QJ	1	1	51	109	78	92	76	30
170M6121	-KN/80 Type K Visual Indicator	3	2000	550 VAC/500 VAC	QJ	1	1	51	109	78	92	76	30

See dimensions and type -TN/110 and -KN/110 page 119

DIN 43653

Size 3, 500 - 2000 A, 690 - 700 VAC (IEC/UL), aR

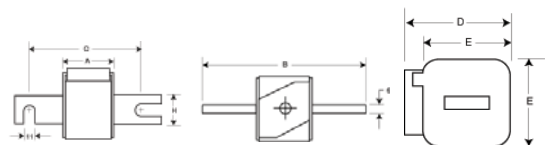
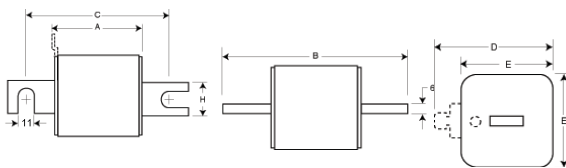
Catalogue number	Type	Size	Rated current (Amps)	Rated voltage	Material price group	Pack qty	MOQ	Dimensions (mm)					
								A	B	C	D	E	H
170M6158	-/110 Visual Indicator	3	500	690 VAC/700 VAC	QJ	1	1	51	139	108	N/A	76	30
170M6159	-/110 Visual Indicator	3	550	690 VAC/700 VAC	QJ	1	1	51	139	108	N/A	76	30
170M6160	-/110 Visual Indicator	3	630	690 VAC/700 VAC	QJ	1	1	51	139	108	N/A	76	30
170M6161	-/110 Visual Indicator	3	700	690 VAC/700 VAC	QJ	1	1	51	139	108	N/A	76	30
170M6162	-/110 Visual Indicator	3	800	690 VAC/700 VAC	QJ	1	1	51	139	108	N/A	76	30
170M6163	-/110 Visual Indicator	3	900	690 VAC/700 VAC	QJ	1	1	51	139	108	N/A	76	30
170M6164	-/110 Visual Indicator	3	1000	690 VAC/700 VAC	QJ	1	1	51	139	108	N/A	76	30
170M6165	-/110 Visual Indicator	3	1100	690 VAC/700 VAC	QJ	1	1	51	139	108	N/A	76	30
170M6166	-/110 Visual Indicator	3	1250	690 VAC/700 VAC	QJ	1	1	51	139	108	N/A	76	30
170M6167	-/110 Visual Indicator	3	1400	690 VAC/700 VAC	QJ	1	1	51	139	108	N/A	76	30
170M6168	-/110 Visual Indicator	3	1500	690 VAC/700 VAC	QJ	1	1	51	139	108	N/A	76	30
170M6169	-/110 Visual Indicator	3	1600	690 VAC/700 VAC	QJ	1	1	51	139	108	N/A	76	30
170M6170	-/110 Visual Indicator	3	1800	600 VAC/500 VAC	QJ	1	1	51	139	108	N/A	76	30
170M6171	-/110 Visual Indicator	3	2000	550 VAC/500 VAC	QJ	1	1	51	139	108	N/A	76	30
170M6208	-TN/110 Type T Indicator for Micro	3	500	690 VAC/700 VAC	QJ	1	1	51	139	108	90	76	30
170M6209	-TN/110 Type T Indicator for Micro	3	550	690 VAC/700 VAC	QJ	1	1	51	139	108	90	76	30
170M6210	-TN/110 Type T Indicator for Micro	3	630	690 VAC/700 VAC	QJ	1	1	51	139	108	90	76	30
170M6211	-TN/110 Type T Indicator for Micro	3	700	690 VAC/700 VAC	QJ	1	1	51	139	108	90	76	30
170M6212	-TN/110 Type T Indicator for Micro	3	800	690 VAC/700 VAC	QJ	1	1	51	139	108	90	76	30
170M6213	-TN/110 Type T Indicator for Micro	3	900	690 VAC/700 VAC	QJ	1	1	51	139	108	90	76	30
170M6214	-TN/110 Type T Indicator for Micro	3	1000	690 VAC/700 VAC	QJ	1	1	51	139	108	90	76	30
170M6215	-TN/110 Type T Indicator for Micro	3	1100	690 VAC/700 VAC	QJ	1	1	51	139	108	90	76	30
170M6216	-TN/110 Type T Indicator for Micro	3	1250	690 VAC/700 VAC	QJ	1	1	51	139	108	90	76	30
170M6217	-TN/110 Type T Indicator for Micro	3	1400	690 VAC/700 VAC	QJ	1	1	51	139	108	90	76	30
170M6218	-TN/110 Type T Indicator for Micro	3	1500	690 VAC/700 VAC	QJ	1	1	51	139	108	90	76	30
170M6219	-TN/110 Type T Indicator for Micro	3	1600	690 VAC/700 VAC	QJ	1	1	51	139	108	90	76	30
170M6220	-TN/110 Type T Indicator for Micro	3	1800	600 VAC/500 VAC	QJ	1	1	51	139	108	90	76	30
170M6221	-TN/110 Type T Indicator for Micro	3	2000	550 VAC/500 VAC	QJ	1	1	51	139	108	90	76	30
170M6258	-KN/110 Type K Indicator for Micro	3	500	690 VAC/700 VAC	QJ	1	1	51	139	108	92	76	30
170M6259	-KN/110 Type K Indicator for Micro	3	550	690 VAC/700 VAC	QJ	1	1	51	139	108	92	76	30
170M6260	-KN/110 Type K Indicator for Micro	3	630	690 VAC/700 VAC	QJ	1	1	51	139	108	92	76	30
170M6261	-KN/110 Type K Indicator for Micro	3	700	690 VAC/700 VAC	QJ	1	1	51	139	108	92	76	30
170M6262	-KN/110 Type K Indicator for Micro	3	800	690 VAC/700 VAC	QJ	1	1	51	139	108	92	76	30
170M6263	-KN/110 Type K Indicator for Micro	3	900	690 VAC/700 VAC	QJ	1	1	51	139	108	92	76	30
170M6264	-KN/110 Type K Indicator for Micro	3	1000	690 VAC/700 VAC	QJ	1	1	51	139	108	92	76	30
170M6265	-KN/110 Type K Indicator for Micro	3	1100	690 VAC/700 VAC	QJ	1	1	51	139	108	92	76	30
170M6266	-KN/110 Type K Indicator for Micro	3	1250	690 VAC/700 VAC	QJ	1	1	51	139	108	92	76	30
170M6267	-KN/110 Type K Indicator for Micro	3	1400	690 VAC/700 VAC	QJ	1	1	51	139	108	92	76	30
170M6268	-KN/110 Type K Indicator for Micro	3	1500	690 VAC/700 VAC	QJ	1	1	51	139	108	92	76	30
170M6269	-KN/110 Type K Indicator for Micro	3	1600	690 VAC/700 VAC	QJ	1	1	51	139	108	92	76	30
170M6270	-KN/110 Type K Indicator for Micro	3	1800	600 VAC/500 VAC	QJ	1	1	51	139	108	92	76	30
170M6271	-KN/110 Type K Indicator for Micro	3	2000	550 VAC/500 VAC	QJ	1	1	51	139	108	92	76	30

High speed

Dimensions

Type -/80, -TN/80, -/110, -TN/110

Type -KN/80, -KN/110



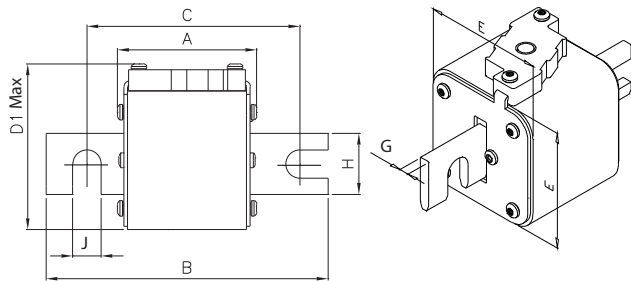
DIN 43653

Sizes 01 to 1, 63 - 630 A, 1000 VAC (IEC), aR

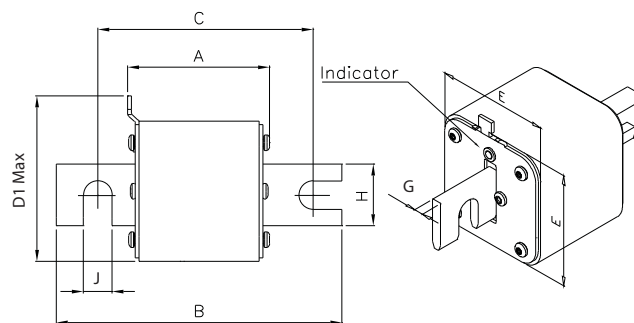
Catalogue number	Type	Size	Rated current (Amps)	Rated voltage	Material price group	Pack qty	MOQ	Dimensions (mm)							
								A	B	C	Max D1	E	G	H	J
170M3966	-KN/110 Type K Indicator for Micro	01	63	1000 VAC	QJ	6	6	80	138	108	61	43	6	22	11
170M3967	-KN/110 Type K Indicator for Micro	01	80	1000 VAC	QJ	6	6	80	138	108	61	43	6	22	11
170M3968	-KN/110 Type K Indicator for Micro	01	100	1000 VAC	QJ	6	6	80	138	108	61	43	6	22	11
170M3969	-KN/110 Type K Indicator for Micro	01	125	1000 VAC	QJ	6	6	80	138	108	61	43	6	22	11
170M3971	-KN/110 Type K Indicator for Micro	01	200	1000 VAC	QJ	6	6	80	138	108	61	43	6	22	11
170M3972	-KN/110 Type K Indicator for Micro	01	250	1000 VAC	QJ	6	6	80	138	108	61	43	6	22	11
170M3973	-KN/110 Type K Indicator for Micro	01	315	1000 VAC	QJ	6	6	80	138	108	61	43	6	22	11
170M3974	-KN/110 Type K Indicator for Micro	01	350	1000 VAC	QJ	6	6	80	138	108	61	43	6	22	11
170M3975	-KN/110 Type K Indicator for Micro	01	400	1000 VAC	QJ	6	6	80	138	108	61	43	6	22	11
170M3982	-TN/110 Type TN Indicator for Micro	01	63	1000 VAC	QJ	6	6	80	138	108	61	43	6	22	11
170M3983	-TN/110 Type TN Indicator for Micro	01	80	1000 VAC	QJ	6	6	80	138	108	61	43	6	22	11
170M3984	-TN/110 Type TN Indicator for Micro	01	100	1000 VAC	QJ	6	6	80	138	108	61	43	6	22	11
170M3985	-TN/110 Type TN Indicator for Micro	01	125	1000 VAC	QJ	6	6	80	138	108	61	43	6	22	11
170M3986	-TN/110 Type TN Indicator for Micro	01	160	1000 VAC	QJ	6	6	80	138	108	61	43	6	22	11
170M3987	-TN/110 Type TN Indicator for Micro	01	200	1000 VAC	QJ	6	6	80	138	108	61	43	6	22	11
170M3988	-TN/110 Type TN Indicator for Micro	01	250	1000 VAC	QJ	6	6	80	138	108	61	43	6	22	11
170M3989	-TN/110 Type TN Indicator for Micro	01	315	1000 VAC	QJ	6	6	80	138	108	61	43	6	22	11
170M3990	-TN/110 Type TN Indicator for Micro	01	350	1000 VAC	QJ	6	6	80	138	108	61	43	6	22	11
170M3991	-TN/110 Type TN Indicator for Micro	01	400	1000 VAC	QJ	6	6	80	138	108	61	43	6	22	11
170M4966	-KN/110 Type K Indicator for Micro	1	200	1000 VAC	QJ	3	3	80	138	108	69	51	6	25	11
170M4968	-KN/110 Type K Indicator for Micro	1	315	1000 VAC	QJ	3	3	80	138	108	69	51	6	25	11
170M4969	-KN/110 Type K Indicator for Micro	1	350	1000 VAC	QJ	3	3	80	138	108	69	51	6	25	11
170M4970	-KN/110 Type K Indicator for Micro	1	400	1000 VAC	QJ	3	3	80	138	108	69	51	6	25	11
170M4971	-KN/110 Type K Indicator for Micro	1	450	1000 VAC	QJ	3	3	80	138	108	69	51	6	25	11
170M4972	-KN/110 Type K Indicator for Micro	1	500	1000 VAC	QJ	3	3	80	138	108	69	51	6	25	11
170M4974	-KN/110 Type K Indicator for Micro	1	630	1000 VAC	QJ	3	3	80	138	108	69	51	6	25	11
170M4980	-TN/110 Type TN Indicator for Micro	1	160	1000 VAC	QJ	3	3	80	138	108	69	51	6	25	11
170M4981	-TN/110 Type TN Indicator for Micro	1	200	1000 VAC	QJ	3	3	80	138	108	69	51	6	25	11
170M4982	-TN/110 Type TN Indicator for Micro	1	250	1000 VAC	QJ	3	3	80	138	108	69	51	6	25	11
170M4983	-TN/110 Type TN Indicator for Micro	1	315	1000 VAC	QJ	3	3	80	138	108	69	51	6	25	11
170M4984	-TN/110 Type TN Indicator for Micro	1	350	1000 VAC	QJ	3	3	80	138	108	69	51	6	25	11
170M4985	-TN/110 Type TN Indicator for Micro	1	400	1000 VAC	QJ	3	3	80	138	108	69	51	6	25	11
170M4986	-TN/110 Type TN Indicator for Micro	1	450	1000 VAC	QJ	3	3	80	138	108	69	51	6	25	11
170M4987	-TN/110 Type TN Indicator for Micro	1	500	1000 VAC	QJ	3	3	80	138	108	69	51	6	25	11
170M4988	-TN/110 Type TN Indicator for Micro	1	550	1000 VAC	QJ	3	3	80	138	108	69	51	6	25	11
170M4989	-TN/110 Type TN Indicator for Micro	1	630	1000 VAC	QJ	3	3	80	138	108	69	51	6	25	11

Dimensions

Type -KN/110



Type -TN/110



DIN 43653

Sizes 2 to 3, 250 - 1400 A, 1000 VAC (IEC/UL), aR

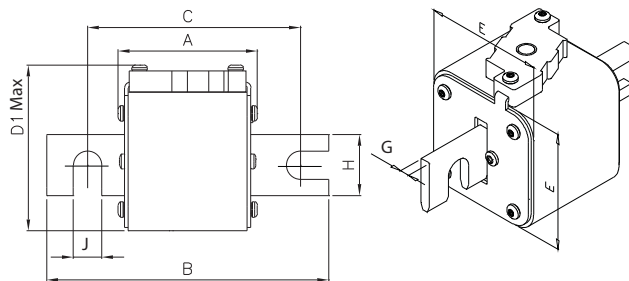
Catalogue number	Type	Size	Rated current (Amps)	Rated voltage	Material price group	Pack qty	MOQ	Dimensions (mm)							
								A	B	C	Max D1	E	G	H	J
170M5966	-KN/110 Type K Indicator for Micro	2	250	1000 VAC	QJ	3	3	80	138	108	77	59	6	25	11
170M5969	-KN/110 Type K Indicator for Micro	2	400	1000 VAC	QJ	3	3	80	138	108	77	59	6	25	11
170M5970	-KN/110 Type K Indicator for Micro	2	450	1000 VAC	QJ	3	3	80	138	108	77	59	6	25	11
170M5971	-KN/110 Type K Indicator for Micro	2	500	1000 VAC	QJ	3	3	80	138	108	77	59	6	25	11
170M5973	-KN/110 Type K Indicator for Micro	2	630	1000 VAC	QJ	3	3	80	138	108	77	59	6	25	11
170M5974	-KN/110 Type K Indicator for Micro	2	700	1000 VAC	QJ	3	3	80	138	108	77	59	6	25	11
170M5975	-KN/110 Type K Indicator for Micro	2	800	1000 VAC	QJ	3	3	80	138	108	77	59	6	25	11
170M5981	-TN/110 Type TN Indicator for Micro	2	250	1000 VAC	QJ	3	3	80	138	108	75	59	6	25	11
170M5982	-TN/110 Type TN Indicator for Micro	2	315	1000 VAC	QJ	3	3	80	138	108	75	59	6	25	11
170M5983	-TN/110 Type TN Indicator for Micro	2	350	1000 VAC	QJ	3	3	80	138	108	75	59	6	25	11
170M5984	-TN/110 Type TN Indicator for Micro	2	400	1000 VAC	QJ	3	3	80	138	108	75	59	6	25	11
170M5985	-TN/110 Type TN Indicator for Micro	2	450	1000 VAC	QJ	3	3	80	138	108	75	59	6	25	11
170M5986	-TN/110 Type TN Indicator for Micro	2	500	1000 VAC	QJ	3	3	80	138	108	75	59	6	25	11
170M5987	-TN/110 Type TN Indicator for Micro	2	550	1000 VAC	QJ	3	3	80	138	108	75	59	6	25	11
170M5988	-TN/110 Type TN Indicator for Micro	2	630	1000 VAC	QJ	3	3	80	138	108	75	59	6	25	11
170M5989	-TN/110 Type TN Indicator for Micro	2	700	1000 VAC	QJ	3	3	80	138	108	75	59	6	25	11
170M5990	-TN/110 Type TN Indicator for Micro	2	800	1000 VAC	QJ	3	3	80	138	108	75	59	6	25	11
170M8614	-KN/110 Type K Indicator for Micro	3	315	1000 VAC	QJ	1	1	80	139	108	92	74	6	30	11
170M8616	-KN/110 Type K Indicator for Micro	3	400	1000 VAC	QJ	1	1	80	139	108	92	74	6	30	11
170M8620	-KN/110 Type K Indicator for Micro	3	630	1000 VAC	QJ	1	1	80	139	108	92	74	6	30	11
170M8621	-KN/110 Type K Indicator for Micro	3	700	1000 VAC	QJ	1	1	80	139	108	92	74	6	30	11
170M8622	-KN/110 Type K Indicator for Micro	3	800	1000 VAC	QJ	1	1	80	139	108	92	74	6	30	11
170M8623	-KN/110 Type K Indicator for Micro	3	900	1000 VAC	QJ	1	1	80	139	108	92	74	6	30	11
170M8624	-KN/110 Type K Indicator for Micro	3	1000	1000 VAC	QJ	1	1	80	139	108	92	74	6	30	11
170M8625	-KN/110 Type K Indicator for Micro	3	1100	1000 VAC	QJ	1	1	80	139	108	92	74	6	30	11
170M8626	-KN/110 Type K Indicator for Micro	3	1250	1000 VAC	QJ	1	1	80	139	108	92	74	6	30	11
170M8629	-TN/110 Type TN Indicator for Micro	3	315	1000 VAC	QJ	1	1	81	139	108	90	74	6	30	11
170M8631	-TN/110 Type TN Indicator for Micro	3	400	1000 VAC	QJ	1	1	81	139	108	90	74	6	30	11
170M8632	-TN/110 Type TN Indicator for Micro	3	450	1000 VAC	QJ	1	1	81	139	108	90	74	6	30	11
170M8633	-TN/110 Type TN Indicator for Micro	3	500	1000 VAC	QJ	1	1	81	139	108	90	74	6	30	11
170M8634	-TN/110 Type TN Indicator for Micro	3	550	1000 VAC	QJ	1	1	81	139	108	90	74	6	30	11
170M8635	-TN/110 Type TN Indicator for Micro	3	630	1000 VAC	QJ	1	1	81	139	108	90	74	6	30	11
170M8636	-TN/110 Type TN Indicator for Micro	3	700	1000 VAC	QJ	1	1	81	139	108	90	74	6	30	11
170M8637	-TN/110 Type TN Indicator for Micro	3	800	1000 VAC	QJ	1	1	81	139	108	90	74	6	30	11
170M8638	-TN/110 Type TN Indicator for Micro	3	900	1000 VAC	QJ	1	1	81	139	108	90	74	6	30	11
170M8639	-TN/110 Type TN Indicator for Micro	3	1000	1000 VAC	QJ	1	1	81	139	108	90	74	6	30	11
170M8640	-TN/110 Type TN Indicator for Micro	3	1100	1000 VAC	QJ	1	1	81	139	108	90	74	6	30	11
170M8641	-TN/110 Type TN Indicator for Micro	3	1250	1000 VAC	QJ	1	1	81	139	108	90	74	6	30	11
170M8642	-TN/110 Type TN Indicator for Micro	3	1400	900 VAC	QJ	1	1	81	139	108	90	74	6	30	11

High speed

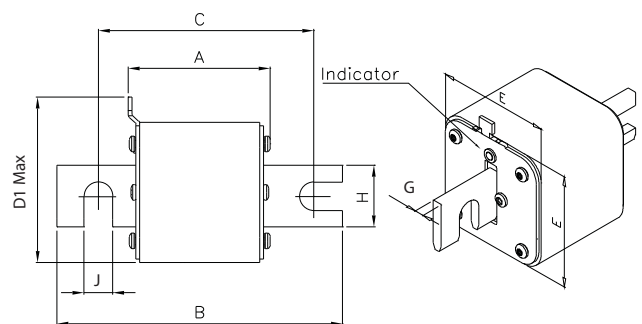
Note: 170M5966 to 170M8624 Voltage 1000VAC IEC and UL; 170M8629 to 170M8640 1000VAC IEC and UL

Dimensions

Type -KN/110



Type -TN/110



DIN 43620 - Dual Indicator

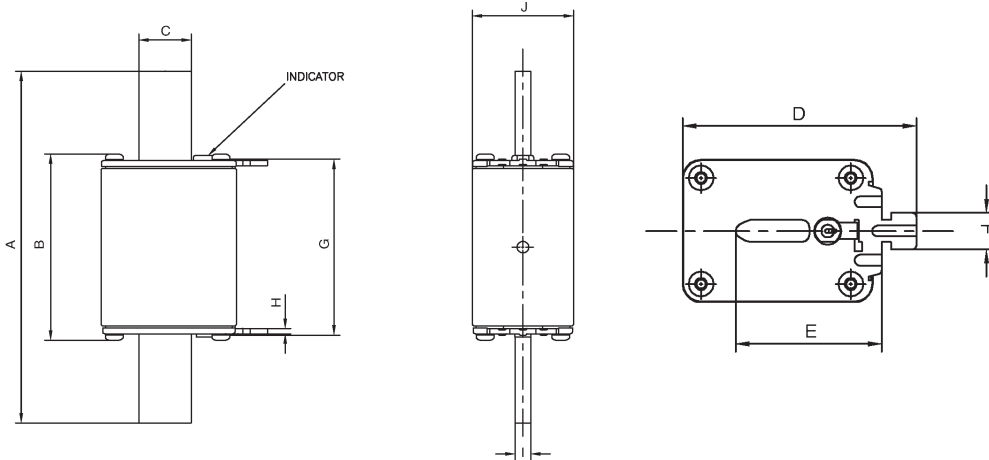
Sizes 000 to 3, 10 - 1600 A, 690 VAC IEC, 700 VAC UL, gR and aR, Type T Indicator for microswitch

Catalogue number	Size	Rated current (Amps)	Rated voltage	Material price group	Pack qty	MOQ	Dimensions (mm)									
							A	B	C	D	E	F	G	H	I	J
170M1558D	DIN 000	10	690 VAC	QJ	10	10	78.5	53	15	52	35	10	49.7	1.5	6	20.5
170M1559D	DIN 000	16	690 VAC	QJ	10	10	78.5	53	15	52	35	10	49.7	1.5	6	20.5
170M1560D	DIN 000	20	690 VAC	QJ	10	10	78.5	53	15	52	35	10	49.7	1.5	6	20.5
170M1561D	DIN 000	25	690 VAC	QJ	10	10	78.5	53	15	52	35	10	49.7	1.5	6	20.5
170M1562D	DIN 000	32	690 VAC	QJ	10	10	78.5	53	15	52	35	10	49.7	1.5	6	20.5
170M1563D	DIN 000	40	690 VAC	QJ	10	10	78.5	53	15	52	35	10	49.7	1.5	6	20.5
170M1564D	DIN 000	50	690 VAC	QJ	10	10	78.5	53	15	52	35	10	49.7	1.5	6	20.5
170M1565D	DIN 000	63	690 VAC	QJ	10	10	78.5	53	15	52	35	10	49.7	1.5	6	20.5
170M1566D	DIN 000	80	690 VAC	QJ	10	10	78.5	53	15	52	35	10	49.7	1.5	6	20.5
170M1567D	DIN 000	100	690 VAC	QJ	10	10	78.5	53	15	52	35	10	49.7	1.5	6	20.5
170M1568D	DIN 000	125	690 VAC	QJ	10	10	78.5	53	15	52	35	10	49.7	1.5	6	20.5
170M1569D	DIN 000	160	690 VAC	QJ	10	10	78.5	53	15	52	35	10	49.7	1.5	6	20.5
170M1570D	DIN 000	200	690 VAC	QJ	10	10	78.5	53	15	52	35	10	49.7	1.5	6	20.5
170M1571D	DIN 000	250	690 VAC	QJ	10	10	78.5	53	15	52	35	10	49.7	1.5	6	20.5
170M1572D	DIN 00	315	690 VAC	QJ	6	6	78.5	53	15	59	35	10	49.7	2	6	30
170M3808D	DIN 1	40	690 VAC	QJ	6	6	135	71.4	20	64	40	10	67.5	2	6	40
170M3809D	DIN 1	50	690 VAC	QJ	6	6	135	71.4	20	64	40	10	67.5	2	6	40
170M3810D	DIN 1	63	690 VAC	QJ	6	6	135	71.4	20	64	40	10	67.5	2	6	40
170M3811D	DIN 1	80	690 VAC	QJ	6	6	135	71.4	20	64	40	10	67.5	2	6	40
170M3812D	DIN 1	100	690 VAC	QJ	6	6	135	71.4	20	64	40	10	67.5	2	6	40
170M3813D	DIN 1	125	690 VAC	QJ	6	6	135	71.4	20	64	40	10	67.5	2	6	40
170M3814D	DIN 1	160	690 VAC	QJ	6	6	135	71.4	20	64	40	10	67.5	2	6	40
170M3815D	DIN 1	200	690 VAC	QJ	6	6	135	71.4	20	64	40	10	67.5	2	6	40
170M3816D	DIN 1	250	690 VAC	QJ	6	6	135	71.4	20	64	40	10	67.5	2	6	40
170M3817D	DIN 1	315	690 VAC	QJ	6	6	135	71.4	20	64	40	10	67.5	2	6	40
170M3818D	DIN 1	350	690 VAC	QJ	6	6	135	71.4	20	64	40	10	67.5	2	6	40
170M3819D	DIN 1	400	690 VAC	QJ	6	6	135	71.4	20	64	40	10	67.5	2	6	40
170M4863D	DIN 1	450	690 VAC	QJ	6	6	135	71.4	20	64	40	10	67.5	2	6	40
170M4864D	DIN 1	500	690 VAC	QJ	6	6	135	71.4	20	64	40	10	67.5	2	6	40
170M4865D	DIN 1	550	690 VAC	QJ	6	6	135	71.4	20	64	40	10	67.5	2	6	40
170M4866D	DIN 1	630	690 VAC	QJ	6	6	135	71.4	20	64	40	10	67.5	2	6	40
170M4867D	DIN 1	700	690 VAC	QJ	6	6	135	71.4	20	64	40	10	67.5	2	6	40
170M5808D	DIN 2	400	690 VAC	QJ	3	3	150	71.4	25.1	72	48	10	67.5	2	6	54
170M5809D	DIN 2	450	690 VAC	QJ	3	3	150	71.4	25.1	72	48	10	67.5	2	6	54
170M5810D	DIN 2	500	690 VAC	QJ	3	3	150	71.4	25.1	72	48	10	67.5	2	6	54
170M5811D	DIN 2	550	690 VAC	QJ	3	3	150	71.4	25.1	72	48	10	67.5	2	6	54
170M5812D	DIN 2	630	690 VAC	QJ	3	3	150	71.4	25.1	72	48	10	67.5	2	6	54
170M5813D	DIN 2	700	690 VAC	QJ	3	3	150	71.4	25.1	72	48	10	67.5	2	6	54
170M5814D	DIN 2	800	690 VAC	QJ	3	3	150	71.4	25.1	72	48	10	67.5	2	6	54
170M5816D	DIN 2	1000	690 VAC	QJ	3	3	150	71.4	25.1	72	48	10	67.5	2	6	54
170M5817D	DIN 2	1100	690 VAC	QJ	3	3	150	71.4	25.1	72	48	10	67.5	2	6	54
170M5820D	DIN 2	900	690 VAC	QJ	3	3	150	71.4	25.1	72	48	10	67.5	2	6	54
170M6808D	DIN 3	500	690 VAC	QJ	1	1	150	72.4	32	87	60	10	68.5	2.5	6	71
170M6809D	DIN 3	550	690 VAC	QJ	1	1	150	72.4	32	87	60	10	68.5	2.5	6	71
170M6810D	DIN 3	630	690 VAC	QJ	1	1	150	72.4	32	87	60	10	68.5	2.5	6	71
170M6811D	DIN 3	700	690 VAC	QJ	1	1	150	72.4	32	87	60	10	68.5	2.5	6	71
170M6812D	DIN 3	800	690 VAC	QJ	1	1	150	72.4	32	87	60	10	68.5	2.5	6	71
170M6813D	DIN 3	900	690 VAC	QJ	1	1	150	72.4	32	87	60	10	68.5	2.5	6	71
170M6814D	DIN 3	1000	690 VAC	QJ	1	1	150	72.4	32	87	60	10	68.5	2.5	6	71
170M6892D	DIN 3	1100	690 VAC	QJ	1	1	150	72.4	32	87	60	10	68.5	2.5	6	71
170M8554D	DIN 3	1250	690 VAC	QJ	1	1	150	72.4	32	87	60	10	68.5	2.5	6	71
170M8555D	DIN 3	1400	690 VAC	QJ	1	1	150	72.4	32	87	60	10	68.5	2.5	6	71
170M8557D	DIN 3	1600	690 VAC	QJ	1	1	150	72.4	32	87	60	10	68.5	2.5	6	71

See dimensions and type -TN/110 and -KN/110 page 123

DIN 43620 - Dual Indicator

Sizes 000 to 3, 10 - 1600 A, 690 VAC IEC, 700 VAC UL, gR and aR, Type T Indicator for microswitch

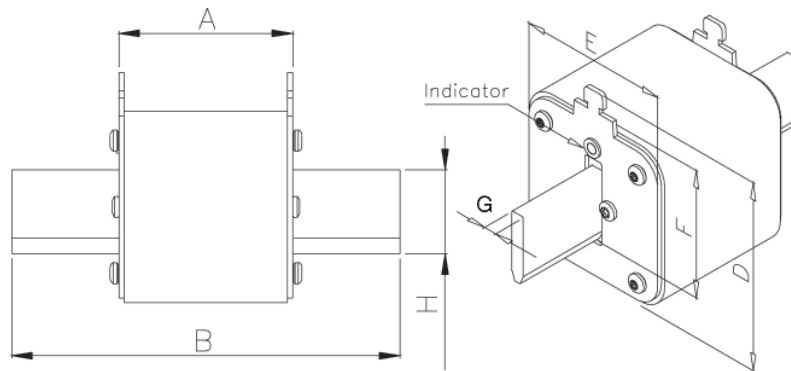


High speed

DIN 43620 - Full range

Size 00, 10 - 160 A, 690 VAC (IEC), gR, Type T Indicator for microswitch

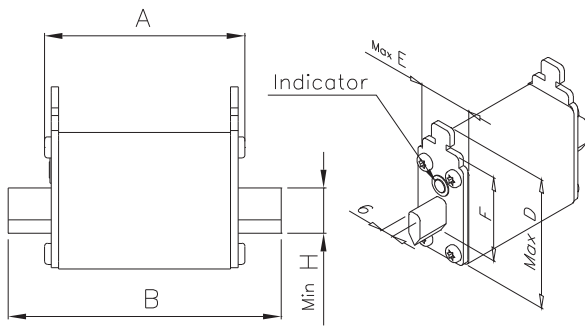
Catalogue number	Size	Rated current (Amps)	Rated voltage	Material price group	Pack qty	MOQ	Dimensions (mm)						
							A	B Max	D Max	E	F	G	H
170M2691	DIN 00	10	690 VAC	QJ	6	6	49	78.5	60	30	35	6	15
170M2692	DIN 00	16	690 VAC	QJ	6	6	49	78.5	60	30	35	6	15
170M2693	DIN 00	20	690 VAC	QJ	6	6	49	78.5	60	30	35	6	15
170M2694	DIN 00	25	690 VAC	QJ	6	6	49	78.5	60	30	35	6	15
170M2695	DIN 00	32	690 VAC	QJ	6	6	49	78.5	60	30	35	6	15
170M2696	DIN 00	40	690 VAC	QJ	6	6	49	78.5	60	30	35	6	15
170M2697	DIN 00	50	690 VAC	QJ	6	6	49	78.5	60	30	35	6	15
170M2698	DIN 00	63	690 VAC	QJ	6	6	49	78.5	60	30	35	6	15
170M2699	DIN 00	80	690 VAC	QJ	6	6	49	78.5	60	30	35	6	15
170M2700	DIN 00	100	690 VAC	QJ	6	6	49	78.5	60	30	35	6	15
170M2701	DIN 00	125	690 VAC	QJ	6	6	49	78.5	60	30	35	6	15
170M2702	DIN 00	160	690 VAC	QJ	6	6	49	78.5	60	30	35	6	15



DIN 43620 - Full range

Size 00, 10 - 225 A, 1000 VAC (IEC/UL), Type T Indicator for microswitch

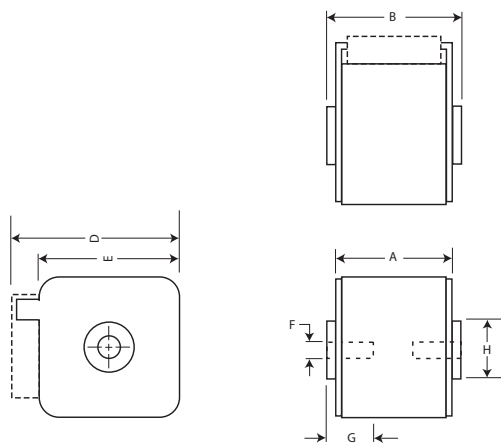
Catalogue number	Size	Rated current (Amps)	Rated voltage	Material price group	Pack qty	MOQ	Dimensions (mm)					
							A	B	D Max	E Max	F	Min H
170M2672	DIN 00	10	1000 VAC	QJ	6	6	52	78.5	60	30	35	15
170M2673	DIN 00	20	1000 VAC / 1000 VAC	QJ	6	6	52	78.5	60	30	35	15
170M2674	DIN 00	25	1000 VAC / 1000 VAC	QJ	6	6	52	78.5	60	30	35	15
170M2675	DIN 00	32	1000 VAC / 1000 VAC	QJ	6	6	52	78.5	60	30	35	15
170M2676	DIN 00	35	1000 VAC / 1000 VAC	QJ	6	6	52	78.5	60	30	35	15
170M2677	DIN 00	40	1000 VAC / 1000 VAC	QJ	6	6	52	78.5	60	30	35	15
170M2678	DIN 00	50	1000 VAC / 1000 VAC	QJ	6	6	52	78.5	60	30	35	15
170M2679	DIN 00	63	1000 VAC / 1000 VAC	QJ	6	6	52	78.5	60	30	35	15
170M2680	DIN 00	80	1000 VAC / 1000 VAC	QJ	6	6	52	78.5	60	30	35	15
170M2681	DIN 00	100	1000 VAC / 1000 VAC	QJ	6	6	52	78.5	60	30	35	15
170M2682	DIN 00	125	1000 VAC / 1000 VAC	QJ	6	6	52	78.5	60	30	35	15
170M2683	DIN 00	160	900 VAC	QJ	6	6	52	78.5	60	30	35	15
170M2684	DIN 00	200	900 VAC	QJ	6	6	52	78.5	60	30	35	15
170M2685	DIN 00	225	900 VAC	QJ	6	6	52	78.5	60	30	35	15



Flush end contact

Sizes 01 and 1, 63 - 900 A, 690 - 700 VAC (IEC/UL), aR

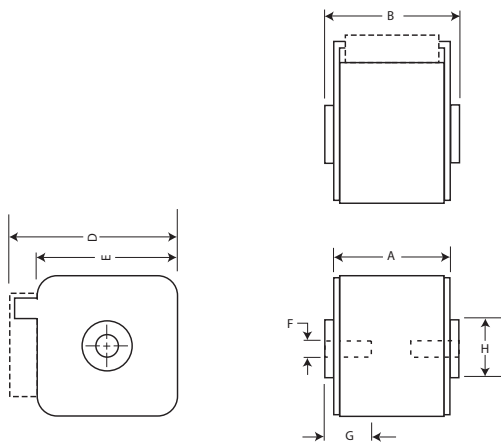
Catalogue number	Type	Size	Rated current (Amps)	Rated voltage	Material price group	Pack qty	MOQ	Dimensions (mm)							
								A	B	D	E	F	G	H	
170M3410	-B/- Visual Indicator	01	63	690 VAC/ 700 VAC	QJ	6	6	50	51	N/A	45	M8	5	17	
170M3411	-B/- Visual Indicator	01	80	690 VAC/ 700 VAC	QJ	6	6	50	51	N/A	45	M8	5	17	
170M3412	-B/- Visual Indicator	01	100	690 VAC/ 700 VAC	QJ	6	6	50	51	N/A	45	M8	5	17	
170M3413	-B/- Visual Indicator	01	125	690 VAC/ 700 VAC	QJ	6	6	50	51	N/A	45	M8	5	17	
170M3414	-B/- Visual Indicator	01	160	690 VAC/ 700 VAC	QJ	6	6	50	51	N/A	45	M8	5	17	
170M3415	-B/- Visual Indicator	01	200	690 VAC/ 700 VAC	QJ	6	6	50	51	N/A	45	M8	5	17	
170M3416	-B/- Visual Indicator	01	250	690 VAC/ 700 VAC	QJ	6	6	50	51	N/A	45	M8	5	17	
170M3417	-B/- Visual Indicator	01	315	690 VAC/ 700 VAC	QJ	6	6	50	51	N/A	45	M8	5	17	
170M3418	-B/- Visual Indicator	01	350	690 VAC/ 700 VAC	QJ	6	6	50	51	N/A	45	M8	5	17	
170M3419	-B/- Visual Indicator	01	400	690 VAC/ 700 VAC	QJ	6	6	50	51	N/A	45	M8	5	17	
170M3420	-B/- Visual Indicator	01	450	690 VAC/ 700 VAC	QJ	6	6	50	51	N/A	45	M8	5	17	
170M3421	-B/- Visual Indicator	01	500	690 VAC/ 700 VAC	QJ	6	6	50	51	N/A	45	M8	5	17	
170M3422	-B/- Visual Indicator	01	550	690 VAC/ 700 VAC	QJ	6	6	50	51	N/A	45	M8	5	17	
170M3423	-B/- Visual Indicator	01	630	690 VAC/ 700 VAC	QJ	6	6	50	51	N/A	45	M8	5	17	
170M3458	-BKN/- Type K Indicator for Micro	01	40	690 VAC/ 700 VAC	QJ	6	6	50	51	59	45	M8	5	17	
170M3459	-BKN/- Type K Indicator for Micro	01	50	690 VAC/ 700 VAC	QJ	6	6	50	51	59	45	M8	5	17	
170M3460	-BKN/- Type K Indicator for Micro	01	63	690 VAC/ 700 VAC	QJ	6	6	50	51	59	45	M8	5	17	
170M3461	-BKN/- Type K Indicator for Micro	01	80	690 VAC/ 700 VAC	QJ	6	6	50	51	59	45	M8	5	17	
170M3462	-BKN/- Type K Indicator for Micro	01	100	690 VAC/ 700 VAC	QJ	6	6	50	51	59	45	M8	5	17	
170M3463	-BKN/- Type K Indicator for Micro	01	125	690 VAC/ 700 VAC	QJ	6	6	50	51	59	45	M8	5	17	
170M3464	-BKN/- Type K Indicator for Micro	01	160	690 VAC/ 700 VAC	QJ	6	6	50	51	59	45	M8	5	17	
170M3465	-BKN/- Type K Indicator for Micro	01	200	690 VAC/ 700 VAC	QJ	6	6	50	51	59	45	M8	5	17	
170M3466	-BKN/- Type K Indicator for Micro	01	250	690 VAC/ 700 VAC	QJ	6	6	50	51	59	45	M8	5	17	
170M3467	-BKN/- Type K Indicator for Micro	01	315	690 VAC/ 700 VAC	QJ	6	6	50	51	59	45	M8	5	17	
170M3468	-BKN/- Type K Indicator for Micro	01	350	690 VAC/ 700 VAC	QJ	6	6	50	51	59	45	M8	5	17	
170M3469	-BKN/- Type K Indicator for Micro	01	400	690 VAC/ 700 VAC	QJ	6	6	50	51	59	45	M8	5	17	
170M3470	-BKN/- Type K Indicator for Micro	01	450	690 VAC/ 700 VAC	QJ	6	6	50	51	59	45	M8	5	17	
170M3471	-BKN/- Type K Indicator for Micro	01	500	690 VAC/ 700 VAC	QJ	6	6	50	51	59	45	M8	5	17	
170M3472	-BKN/- Type K Indicator for Micro	01	550	690 VAC/ 700 VAC	QJ	6	6	50	51	59	45	M8	5	17	
170M3473	-BKN/- Type K Indicator for Micro	01	630	690 VAC/ 700 VAC	QJ	6	6	50	51	59	45	M8	5	17	
170M4408	-B/- Visual Indicator	1	200	690 VAC/ 700 VAC	QJ	3	3	50	51	69	N/A	M8	8	20	
170M4409	-B/- Visual Indicator	1	250	690 VAC/ 700 VAC	QJ	3	3	50	51	69	N/A	M8	8	20	
170M4410	-B/- Visual Indicator	1	315	690 VAC/ 700 VAC	QJ	3	3	50	51	69	N/A	M8	8	20	
170M4411	-B/- Visual Indicator	1	350	690 VAC/ 700 VAC	QJ	3	3	50	51	69	N/A	M8	8	20	
170M4412	-B/- Visual Indicator	1	400	690 VAC/ 700 VAC	QJ	3	3	50	51	69	N/A	M8	8	20	
170M4413	-B/- Visual Indicator	1	450	690 VAC/ 700 VAC	QJ	3	3	50	51	69	N/A	M8	8	20	
170M4414	-B/- Visual Indicator	1	500	690 VAC/ 700 VAC	QJ	3	3	50	51	69	N/A	M8	8	20	
170M4415	-B/- Visual Indicator	1	550	690 VAC/ 700 VAC	QJ	3	3	50	51	69	N/A	M8	8	20	
170M4416	-B/- Visual Indicator	1	630	690 VAC/ 700 VAC	QJ	3	3	50	51	69	N/A	M8	8	20	
170M4417	-B/- Visual Indicator	1	700	690 VAC/ 700 VAC	QJ	3	3	50	51	69	N/A	M8	8	20	
170M4418	-B/- Visual Indicator	1	800	690 VAC/ 700 VAC	QJ	3	3	50	51	69	N/A	M8	8	20	
170M4419	-B/- Visual Indicator	1	900	550 VAC	QJ	3	3	50	51	69	N/A	M8	8	20	



Flush end contact

Sizes 1 and 2, 200 - 1250 A, 690 - 700 VAC (IEC/UL), aR

Catalogue number	Type	Size	Rated current (Amps)	Rated voltage	Material price group	Pack qty	MOQ	Dimensions (mm)							
								A	B	D	E	F	G	H	
170M4458	-BKN/- Type K Indicator for Micro	1	200	690 VAC/ 700 VAC	QJ	3	3	50	51	69	53	M8	8	20	
170M4459	-BKN/- Type K Indicator for Micro	1	250	690 VAC/ 700 VAC	QJ	3	3	50	51	69	53	M8	8	20	
170M4460	-BKN/- Type K Indicator for Micro	1	315	690 VAC/ 700 VAC	QJ	3	3	50	51	69	53	M8	8	20	
170M4461	-BKN/- Type K Indicator for Micro	1	350	690 VAC/ 700 VAC	QJ	3	3	50	51	69	53	M8	8	20	
170M4462	-BKN/- Type K Indicator for Micro	1	400	690 VAC/ 700 VAC	QJ	3	3	50	51	69	53	M8	8	20	
170M4463	-BKN/- Type K Indicator for Micro	1	450	690 VAC/ 700 VAC	QJ	3	3	50	51	69	53	M8	8	20	
170M4464	-BKN/- Type K Indicator for Micro	1	500	690 VAC/ 700 VAC	QJ	3	3	50	51	69	53	M8	8	20	
170M4465	-BKN/- Type K Indicator for Micro	1	550	690 VAC/ 700 VAC	QJ	3	3	50	51	69	53	M8	8	20	
170M4466	-BKN/- Type K Indicator for Micro	1	630	690 VAC/ 700 VAC	QJ	3	3	50	51	69	53	M8	8	20	
170M4467	-BKN/- Type K Indicator for Micro	1	700	690 VAC/ 700 VAC	QJ	3	3	50	51	69	53	M8	8	20	
170M4468	-BKN/- Type K Indicator for Micro	1	800	690 VAC/ 700 VAC	QJ	3	3	50	51	69	53	M8	8	20	
170M4469	-BKN/- Type K Indicator for Micro	1	900	550 VAC	QJ	3	3	50	51	69	53	M8	8	20	
170M5408	-B/- Visual Indicator	2	400	690 VAC/ 700 VAC	QJ	6	6	50	51.0	N/A	61	M10	10	24	
170M5409	-B/- Visual Indicator	2	450	690 VAC/ 700 VAC	QJ	6	6	50	51.0	N/A	61	M10	10	24	
170M5410	-B/- Visual Indicator	2	500	690 VAC/ 700 VAC	QJ	6	6	50	51.0	N/A	61	M10	10	24	
170M5411	-B/- Visual Indicator	2	550	690 VAC/ 700 VAC	QJ	6	6	50	51.0	N/A	61	M10	10	24	
170M5412	-B/- Visual Indicator	2	630	690 VAC/ 700 VAC	QJ	6	6	50	51.0	N/A	61	M10	10	24	
170M5413	-B/- Visual Indicator	2	700	690 VAC/ 700 VAC	QJ	6	6	50	51.0	N/A	61	M10	10	24	
170M5414	-B/- Visual Indicator	2	800	690 VAC/ 700 VAC	QJ	6	6	50	51.0	N/A	61	M10	10	24	
170M5415	-B/- Visual Indicator	2	900	690 VAC/ 700 VAC	QJ	6	6	50	51.0	N/A	61	M10	10	24	
170M5416	-B/- Visual Indicator	2	1000	690 VAC/ 700 VAC	QJ	6	6	50	51.0	N/A	61	M10	10	24	
170M5417	-B/- Visual Indicator	2	1100	600 VAC/ 700 VAC	QJ	4	4	50	65	N/A	61	M10	10	24	
170M5418	-B/- Visual Indicator	2	1250	600 VAC/ 700 VAC	QJ	4	4	50	65	N/A	61	M10	10	24	
170M5458	-BKN/- Type K Indicator for Micro	2	400	690 VAC/ 700 VAC	QJ	6	6	50	51.0	77	61	M10	10	24	
170M5459	-BKN/- Type K Indicator for Micro	2	450	690 VAC/ 700 VAC	QJ	6	6	50	51.0	77	61	M10	10	24	
170M5460	-BKN/- Type K Indicator for Micro	2	500	690 VAC/ 700 VAC	QJ	6	6	50	51.0	77	61	M10	10	24	
170M5461	-BKN/- Type K Indicator for Micro	2	550	690 VAC/ 700 VAC	QJ	6	6	50	51.0	77	61	M10	10	24	
170M5462	-BKN/- Type K Indicator for Micro	2	630	690 VAC/ 700 VAC	QJ	6	6	50	51.0	77	61	M10	10	24	
170M5463	-BKN/- Type K Indicator for Micro	2	700	690 VAC/ 700 VAC	QJ	6	6	50	51.0	77	61	M10	10	24	
170M5464	-BKN/- Type K Indicator for Micro	2	800	690 VAC/ 700 VAC	QJ	6	6	50	51.0	77	61	M10	10	24	
170M5465	-BKN/- Type K Indicator for Micro	2	900	690 VAC/ 700 VAC	QJ	6	6	50	51.0	77	61	M10	10	24	
170M5466	-BKN/- Type K Indicator for Micro	2	1000	690 VAC/ 700 VAC	QJ	6	6	50	51.0	77	61	M10	10	24	
170M5467	-BKN/- Type K Indicator for Micro	2	1100	600 VAC/ 700 VAC	QJ	4	4	50	65	77	61	M10	10	24	
170M5468	-BKN/- Type K Indicator for Micro	2	1250	600 VAC/ 700 VAC	QJ	4	4	50	65	77	61	M10	10	24	

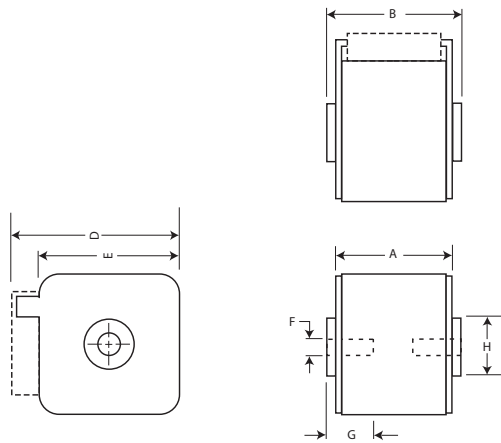


Flush end contact

Size 3, 500 - 2000 A, 550 - 690 VAC (IEC/UL), aR

Catalogue number	Type	Size	Rated current (Amps)	Rated voltage	Material price group	Pack qty	MOQ	Dimensions (mm)							
								A	B	D	E	F	G	H	
170M6408	-B/- Visual Indicator	3	500	690 VAC	QJ	3	3	51	53	N/A	76	M12	10	30	
170M6409	-B/- Visual Indicator	3	550	690 VAC	QJ	3	3	51	53	N/A	76	M12	10	30	
170M6410	-B/- Visual Indicator	3	630	690 VAC	QJ	3	3	51	53	N/A	76	M12	10	30	
170M6411	-B/- Visual Indicator	3	700	690 VAC	QJ	3	3	51	53	N/A	76	M12	10	30	
170M6412	-B/- Visual Indicator	3	800	690 VAC	QJ	3	3	51	53	N/A	76	M12	10	30	
170M6413	-B/- Visual Indicator	3	900	690 VAC	QJ	3	3	51	53	N/A	76	M12	10	30	
170M6414	-B/- Visual Indicator	3	1000	690 VAC	QJ	3	3	51	53	N/A	76	M12	10	30	
170M6415	-B/- Visual Indicator	3	1100	690 VAC	QJ	3	3	51	53	N/A	76	M12	10	30	
170M6416	-B/- Visual Indicator	3	1250	690 VAC	QJ	3	3	51	53	N/A	76	M12	10	30	
170M6417	-B/- Visual Indicator	3	1400	690 VAC	QJ	3	3	51	53	N/A	76	M12	10	30	
170M6418	-B/- Visual Indicator	3	1500	690 VAC	QJ	3	3	51	53	N/A	76	M12	10	30	
170M6419	-B/- Visual Indicator	3	1600	690 VAC	QJ	3	3	51	65	N/A	76	M12	10	30	
170M6420	-B/- Visual Indicator	3	1800	600 VAC / 500 VAC	QJ	3	3	51	65	N/A	76	M12	10	30	
170M6421	-B/- Visual Indicator	3	2000	550 VAC / 500 VAC	QJ	3	3	51	65	N/A	76	M12	10	30	
170M6458	-BKN/- Type K Indicator for Micro	3	500	690 VAC	QJ	3	3	51	53	92	76	M12	10	30	
170M6459	-BKN/- Type K Indicator for Micro	3	550	690 VAC	QJ	3	3	51	53	92	76	M12	10	30	
170M6460	-BKN/- Type K Indicator for Micro	3	630	690 VAC	QJ	3	3	51	53	92	76	M12	10	30	
170M6461	-BKN/- Type K Indicator for Micro	3	700	690 VAC	QJ	3	3	51	53	92	76	M12	10	30	
170M6462	-BKN/- Type K Indicator for Micro	3	800	690 VAC	QJ	3	3	51	53	92	76	M12	10	30	
170M6463	-BKN/- Type K Indicator for Micro	3	900	690 VAC	QJ	3	3	51	53	92	76	M12	10	30	
170M6464	-BKN/- Type K Indicator for Micro	3	1000	690 VAC	QJ	3	3	51	53	92	76	M12	10	30	
170M6465	-BKN/- Type K Indicator for Micro	3	1100	690 VAC	QJ	3	3	51	53	92	76	M12	10	30	
170M6466	-BKN/- Type K Indicator for Micro	3	1250	690 VAC	QJ	3	3	51	53	92	76	M12	10	30	
170M6467	-BKN/- Type K Indicator for Micro	3	1400	690 VAC	QJ	3	3	51	53	92	76	M12	10	30	
170M6468	-BKN/- Type K Indicator for Micro	3	1500	690 VAC	QJ	3	3	51	53	92	76	M12	10	30	
170M6469	-BKN/- Type K Indicator for Micro	3	1600	690 VAC	QJ	1	1	51	65	92	76	M12	10	30	
170M6470	-BKN/- Type K Indicator for Micro	3	1800	600 VAC / 500 VAC	QJ	1	1	51	65	92	76	M12	10	30	
170M6471	-BKN/- Type K Indicator for Micro	3	2000	550 VAC / 500 VAC	QJ	1	1	51	65	92	76	M12	10	30	

High speed



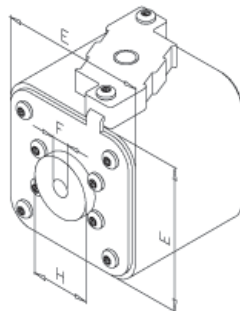
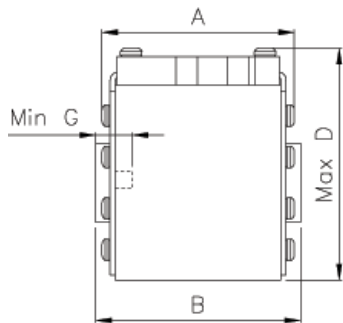
The following ranges are also available:

Sizes 01, 1, 2 & 3 Type -G/-Visual indicator and -GKN/- Type K indicator for Micro with UNC Thread, please contact our technical department: bulehighspeedtechnical@eaton.com

Flush end contact

Sizes 01 to 3, 80 - 1400 A, 1000 VAC, aR

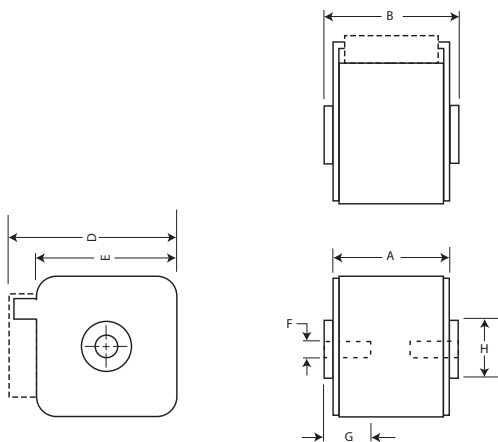
Catalogue number	Type	Size	Rated current (Amps)	Rated voltage	Material price group	Pack qty	MOQ	Dimensions (mm)							
								A	B	D Max	E	F	Min G	H	
170M3953	-BKN/-	Type K Indicator for Micro	01	80	1000 VAC	QJ	6	6	72.5	74	61	43	M8	5	17.5
170M3956	-BKN/-	Type K Indicator for Micro	01	160	1000 VAC	QJ	6	6	72.5	74	61	43	M8	5	17.5
170M3959	-BKN/-	Type K Indicator for Micro	01	315	1000 VAC	QJ	6	6	72.5	74	61	43	M8	5	17.5
170M3960	-BKN/-	Type K Indicator for Micro	01	350	1000 VAC	QJ	6	6	72.5	74	61	43	M8	5	17.5
170M3961	-BKN/-	Type K Indicator for Micro	01	400	1000 VAC	QJ	6	6	72.5	74	61	43	M8	5	17.5
170M4951	-BKN/-	Type K Indicator for Micro	1	160	1000 VAC	QJ	2	2	73.2	74	69	52	M8	8	20
170M4953	-BKN/-	Type K Indicator for Micro	1	250	1000 VAC	QJ	2	2	73.2	74	69	52	M8	8	20
170M4955	-BKN/-	Type K Indicator for Micro	1	350	1000 VAC	QJ	2	2	73.2	74	69	52	M8	8	20
170M4956	-BKN/-	Type K Indicator for Micro	1	400	1000 VAC	QJ	2	2	73.2	74	69	52	M8	8	20
170M4957	-BKN/-	Type K Indicator for Micro	1	450	1000 VAC	QJ	2	2	73.2	74	69	52	M8	8	20
170M4958	-BKN/-	Type K Indicator for Micro	1	500	1000 VAC	QJ	2	2	73.2	74	69	52	M8	8	20
170M4959	-BKN/-	Type K Indicator for Micro	1	550	1000 VAC	QJ	2	2	73.2	74	69	52	M8	8	20
170M4960	-BKN/-	Type K Indicator for Micro	1	630	1000 VAC	QJ	2	2	73.2	74	69	52	M8	8	20
170M4922	-GKN/-	Type K Indicator for Micro	1	200	1000 VAC	QJ	3	3	73.2	74	69	52	5/16" 18 UNC-2B	8	20
170M4926	-GKN/-	Type K Indicator for Micro	1	400	1000 VAC	QJ	3	3	73.2	74	69	52	5/16" 18 UNC-2B	8	20
170M4929	-GKN/-	Type K Indicator for Micro	1	550	1000 VAC	QJ	3	3	73.2	74	69	52	5/16" 18 UNC-2B	8	20
170M5952	-BKN/-	Type K Indicator for Micro	2	250	1000 VAC	QJ	4	4	73.2	74.4	77	59	M10	10	24.5
170M5953	-BKN/-	Type K Indicator for Micro	2	315	1000 VAC	QJ	4	4	73.2	74.4	77	59	M10	10	24.5
170M5954	-BKN/-	Type K Indicator for Micro	2	350	1000 VAC	QJ	4	4	73.2	74.4	77	59	M10	10	24.5
170M5955	-BKN/-	Type K Indicator for Micro	2	400	1000 VAC	QJ	4	4	73.2	74.4	77	59	M10	10	24.5
170M5956	-BKN/-	Type K Indicator for Micro	2	450	1000 VAC	QJ	4	4	73.2	74.4	77	59	M10	10	24.5
170M5957	-BKN/-	Type K Indicator for Micro	2	500	1000 VAC	QJ	4	4	73.2	74.4	77	59	M10	10	24.5
170M5958	-BKN/-	Type K Indicator for Micro	2	550	1000 VAC	QJ	4	4	73.2	74.4	77	59	M10	10	24.5
170M5959	-BKN/-	Type K Indicator for Micro	2	630	1000 VAC	QJ	4	4	73.2	74.4	77	59	M10	10	24.5
170M5960	-BKN/-	Type K Indicator for Micro	2	700	1000 VAC	QJ	4	4	73.2	74.4	77	59	M10	10	24.5
170M5961	-BKN/-	Type K Indicator for Micro	2	800	1000 VAC	QJ	4	4	73.2	74.4	77	59	M10	10	24.5
170M5922	-GKN/-	Type K Indicator for Micro	2	250	1000 VAC	QJ	4	4	73.2	74.4	77	59	5/16" 18 UNC-2B	10	24.5
170M5930	-GKN/-	Type K Indicator for Micro	2	700	1000 VAC	QJ	4	4	73.2	74.4	77	59	5/16" 18 UNC-2B	10	24.5
170M8604	-BKN/-	Type K Indicator for Micro	3	500	1000 VAC	QJ	2	2	73.3	75.4	92	74	M12	10	30
170M8605	-BKN/-	Type K Indicator for Micro	3	550	1000 VAC	QJ	2	2	73.3	75.4	92	74	M12	10	30
170M8606	-BKN/-	Type K Indicator for Micro	3	630	1000 VAC	QJ	2	2	73.3	75.4	92	74	M12	10	30
170M8607	-BKN/-	Type K Indicator for Micro	3	700	1000 VAC	QJ	2	2	73.3	75.4	92	74	M12	10	30
170M8608	-BKN/-	Type K Indicator for Micro	3	800	1000 VAC	QJ	2	2	73.3	75.4	92	74	M12	10	30
170M8609	-BKN/-	Type K Indicator for Micro	3	900	1000 VAC	QJ	2	2	73.3	75.4	92	74	M12	10	30
170M8610	-BKN/-	Type K Indicator for Micro	3	1000	1000 VAC	QJ	2	2	73.3	75.4	92	74	M12	10	30
170M8611	-BKN/-	Type K Indicator for Micro	3	1100	1000 VAC	QJ	2	2	73.3	75.4	92	74	M12	10	30
170M8612	-BKN/-	Type K Indicator for Micro	3	1250	1000 VAC	QJ	1	1	80.3	91.4	92	74	M12	10	30
170M8613	-BKN/-	Type K Indicator for Micro	3	1400	1000 VAC	QJ	1	1	80.3	91.4	92	74	M12	10	30
170M8506	-GKN/-	Type K Indicator for Micro	3	630	1000 VAC	QJ	2	2	73.3	75.4	92	74	1/2" 13 UNC-2B	10	30
170M8509	-GKN/-	Type K Indicator for Micro	3	900	1000 VAC	QJ	2	2	73.3	75.4	92	74	1/2" 13 UNC-2B	10	30
170M8510	-GKN/-	Type K Indicator for Micro	3	1000	1000 VAC	QJ	2	2	73.3	75.4	92	74	1/2" 13 UNC-2B	10	30
170M8511	-GKN/-	Type K Indicator for Micro	3	1100	1000 VAC	QJ	2	2	73.3	75.4	92	74	1/2" 13 UNC-2B	10	30



Flush end contact

Size 3, 315 - 1400 A, 1100 - 1250 VAC, aR

Catalogue number	Type	Size	Rated current (Amps)	Rated voltage	Material price group	Pack qty	MOQ	Dimensions (mm)						
								A	B	D	E	F	G	H
170M6338	-BKN/75 Type K Indicator for Micro	3	315	1250 VAC	QJ	2	2	74	76	92	76	M12	10	30
170M6339	-BKN/75 Type K Indicator for Micro	3	350	1250 VAC	QJ	2	2	74	76	92	76	M12	10	30
170M6340	-BKN/75 Type K Indicator for Micro	3	400	1250 VAC	QJ	2	2	74	76	92	76	M12	10	30
170M6342	-BKN/75 Type K Indicator for Micro	3	500	1250 VAC	QJ	2	2	74	76	92	76	M12	10	30
170M6343	-BKN/75 Type K Indicator for Micro	3	550	1250 VAC	QJ	2	2	74	76	92	76	M12	10	30
170M6344	-BKN/75 Type K Indicator for Micro	3	630	1250 VAC	QJ	2	2	74	76	92	76	M12	10	30
170M6345	-BKN/75 Type K Indicator for Micro	3	700	1250 VAC	QJ	2	2	74	76	92	76	M12	10	30
170M6346	-BKN/75 Type K Indicator for Micro	3	800	1100 VAC	QJ	2	2	74	76	92	76	M12	10	30
170M6347	-BKN/75 Type K Indicator for Micro	3	900	1000 VAC	QJ	2	2	74	76	92	76	M12	10	30
170M6348	-BKN/75 Type K Indicator for Micro	3	1000	1000 VAC	QJ	2	2	74	76	92	76	M12	10	30
170M6349	-BKN/75 Type K Indicator for Micro	3	1100	1000 VAC	QJ	2	2	74	76	92	76	M12	10	30
170M6538	-BKN/80 Type K Indicator for Micro	3	315	1250 VAC	QJ	1	1	81	83	92	76	M12	10	30
170M6540	-BKN/80 Type K Indicator for Micro	3	400	1250 VAC	QJ	1	1	81	83	92	76	M12	10	30
170M6541	-BKN/80 Type K Indicator for Micro	3	450	1250 VAC	QJ	1	1	81	83	92	76	M12	10	30
170M6542	-BKN/80 Type K Indicator for Micro	3	500	1250 VAC	QJ	1	1	81	83	92	76	M12	10	30
170M6543	-BKN/80 Type K Indicator for Micro	3	550	1250 VAC	QJ	1	1	81	83	92	76	M12	10	30
170M6544	-BKN/80 Type K Indicator for Micro	3	630	1250 VAC	QJ	1	1	81	83	92	76	M12	10	30
170M6545	-BKN/80 Type K Indicator for Micro	3	700	1250 VAC	QJ	1	1	81	83	92	76	M12	10	30
170M6546	-BKN/80 Type K Indicator for Micro	3	800	1250 VAC	QJ	1	1	81	83	92	76	M12	10	30
170M6547	-BKN/80 Type K Indicator for Micro	3	900	1100 VAC	QJ	1	1	81	83	92	76	M12	10	30
170M6548	-BKN/80 Type K Indicator for Micro	3	1000	1100 VAC	QJ	1	1	81	83	92	76	M12	10	30
170M6549	-BKN/80 Type K Indicator for Micro	3	1100	1000 VAC	QJ	1	1	81	83	92	76	M12	10	30
170M6496	-BKN/90 Type K Indicator for Micro	3	800	1250 VAC	QJ	1	1	81	91	92	76	M12	10	30
170M6497	-BKN/90 Type K Indicator for Micro	3	900	1250 VAC	QJ	1	1	81	91	92	76	M12	10	30
170M6498	-BKN/90 Type K Indicator for Micro	3	1000	1250 VAC	QJ	1	1	81	91	92	76	M12	10	30
170M6499	-BKN/90 Type K Indicator for Micro	3	1100	1250 VAC	QJ	1	1	81	91	92	76	M12	10	30
170M6500	-BKN/90 Type K Indicator for Micro	3	1250	1100 VAC	QJ	1	1	81	91	92	76	M12	10	30
170M6501	-BKN/90 Type K Indicator for Micro	3	1400	1100 VAC	QJ	1	1	81	91	92	76	M12	10	30



The following ranges are also available:

Sizes 01, - BKN/75 Type K Indicator for Micro, -BKN/80 Type K Indicator for Micro, -BKN/90 Type K Indicator for Micro, -GKN/75 Type K Indicator for Micro, - GKN/90 Type K Indicator for Micro

Size 3 - GKN/75 Type K Indicator for Micro, -GKN/90 Type K Indicator for Micro

Please contact our technical department:

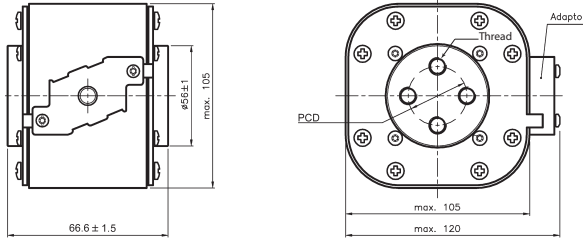
bulehighspeedtechnical@eaton.com

Flush end contact

Size 4, 1000 - 4000 A, 690 VAC

Catalogue number	Type	Size	Rated current (Amps)	Rated voltage	Material price group	Pack qty	MOQ	Dimensions (mm)		
								A	B	F
170M7078	-BKN/65 Type K indicator	4	1000	690 VAC	QJ	2	2	67	56	M-10
170M7079	-BKN/65 Type K indicator	4	1250	690 VAC	QJ	2	2	67	56	M-10
170M7080	-BKN/65 Type K indicator	4	1400	690 VAC	QJ	2	2	67	56	M-10
170M7081	-BKN/65 Type K indicator	4	1600	690 VAC	QJ	2	2	67	56	M-10
170M7082	-BKN/65 Type K indicator	4	2000	690 VAC	QJ	2	2	67	56	M-10
170M7083	-BKN/65 Type K indicator	4	2500	690 VAC	QJ	2	2	67	56	M-10
170M7084	-BKN/65 Type K indicator	4	3000	690 VAC	QJ	2	2	67	61	M-10
170M7085	-BKN/65 Type K indicator	4	3500	690 VAC	QJ	2	2	67	61	M-10
170M7086	-BKN/65 Type K indicator	4	4000	600 VAC	QJ	2	2	67	61	M-10

Dimensions - mm



Type	PCD	Thread
-BKN/65	∅ 33	M-10

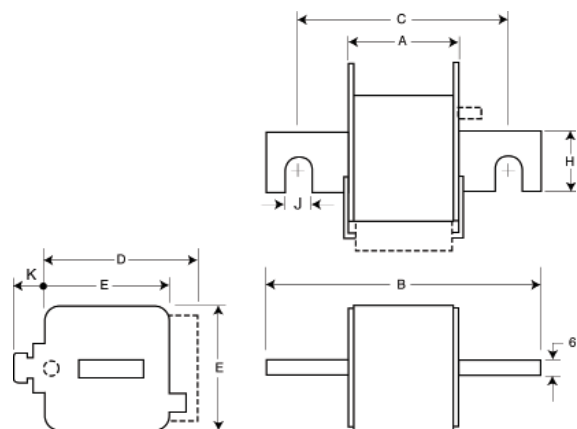
Please contact our technical department for our complete range of size 4 and double 4 Flush end contact fuse links:

buletechnical@eaton.com, 00 44 (0) 1509 882 699

French style

Sizes 01 and 2, 63 - 1000 A, 690 - 700 VAC (IEC/UL)

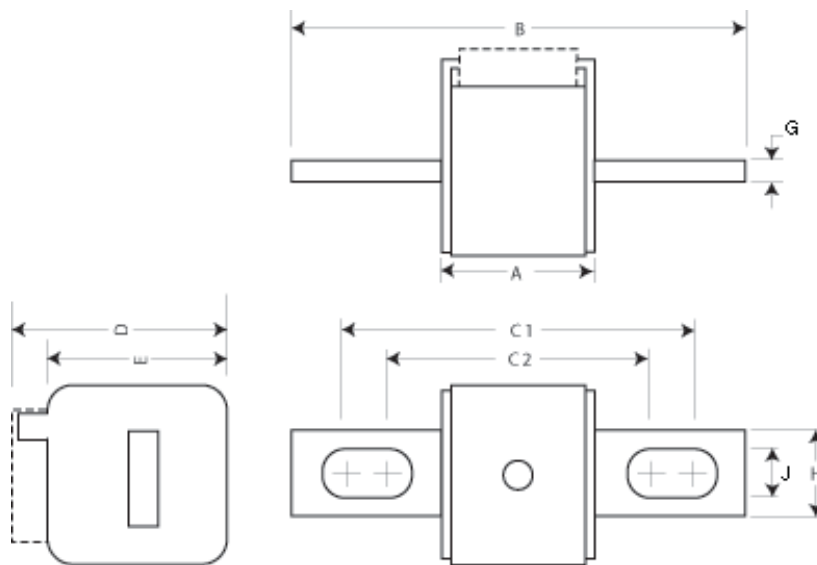
Catalogue number	Type	Size	Rated current (Amps)	Rated voltage	Material price group	Pack qty	MOQ	Dimensions (mm)									
								A	B	C	D	E	H	I	J		
170M3360	-EKN/- Type K Indicator for Micro	01	63	690 VAC/700 VAC	QJ	3	3	50	102	76	59	45	18	9	13		
170M3361	-EKN/- Type K Indicator for Micro	01	80	690 VAC/700 VAC	QJ	3	3	50	102	76	59	45	18	9	13		
170M3362	-EKN/- Type K Indicator for Micro	01	100	690 VAC/700 VAC	QJ	3	3	50	102	76	59	45	18	9	13		
170M3363	-EKN/- Type K Indicator for Micro	01	125	690 VAC/700 VAC	QJ	3	3	50	102	76	59	45	18	9	13		
170M3364	-EKN/- Type K Indicator for Micro	01	160	690 VAC/700 VAC	QJ	3	3	50	102	76	59	45	18	9	13		
170M3365	-EKN/- Type K Indicator for Micro	01	200	690 VAC/700 VAC	QJ	3	3	50	102	76	59	45	18	9	13		
170M3366	-EKN/- Type K Indicator for Micro	01	250	690 VAC/700 VAC	QJ	3	3	50	102	76	59	45	18	9	13		
170M3367	-EKN/- Type K Indicator for Micro	01	315	690 VAC/700 VAC	QJ	3	3	50	102	76	59	45	18	9	13		
170M5358	-EKN/- Type K Indicator for Micro	2	400	690 VAC/700 VAC	QJ	3	3	50	126	91	77	61	30	13	12		
170M5359	-EKN/- Type K Indicator for Micro	2	450	690 VAC/700 VAC	QJ	3	3	50	126	91	77	61	30	13	12		
170M5360	-EKN/- Type K Indicator for Micro	2	500	690 VAC/700 VAC	QJ	3	3	50	126	91	77	61	30	13	12		
170M5361	-EKN/- Type K Indicator for Micro	2	550	690 VAC/700 VAC	QJ	3	3	50	126	91	77	61	30	13	12		
170M5362	-EKN/- Type K Indicator for Micro	2	630	690 VAC/700 VAC	QJ	3	3	50	126	91	77	61	30	13	12		
170M5363	-EKN/- Type K Indicator for Micro	2	700	690 VAC/700 VAC	QJ	3	3	50	126	91	77	61	30	13	12		
170M5364	-EKN/- Type K Indicator for Micro	2	800	690 VAC/700 VAC	QJ	3	3	50	126	91	77	61	30	13	12		
170M5365	-EKN/- Type K Indicator for Micro	2	900	690 VAC/700 VAC	QJ	3	3	50	126	91	77	61	30	13	12		
170M5366	-EKN/- Type K Indicator for Micro	2	1000	690 VAC/700 VAC	QJ	3	3	50	126	91	77	61	30	13	12		



US Style

200 - 2000 A, 550 - 690 - 700 VAC, aR

Catalogue number	Type	Size	Rated current (Amps)	Rated voltage	Material price group	Pack qty	MOQ	Dimensions (mm)							
								A	B	C1	C2	D	E	H	I
170M4608	-FU/- Without Indicator	1	200	690 VAC/700 VAC	QJ	3	3	50	136	104	78	69	53	25	14
170M4609	-FU/- Without Indicator	1	250	690 VAC/700 VAC	QJ	3	3	50	136	104	78	69	53	25	14
170M4610	-FU/- Without Indicator	1	315	690 VAC/700 VAC	QJ	3	3	50	136	104	78	69	53	25	14
170M4611	-FU/- Without Indicator	1	350	690 VAC/700 VAC	QJ	3	3	50	136	104	78	69	53	25	14
170M4616	-FU/- Without Indicator	1	630	690 VAC/700 VAC	QJ	3	3	50	136	104	78	69	53	25	14
170M4617	-FU/- Without Indicator	1	700	690 VAC/700 VAC	QJ	3	3	50	136	104	78	69	53	25	14
170M6661	-FKE/- Type K Indicator for Micro	3	700	690 VAC/700 VAC	QJ	1	1	51	135	106	77	92	76	36	16
170M6662	-FKE/- Type K Indicator for Micro	3	800	690 VAC/700 VAC	QJ	1	1	51	135	106	77	92	76	36	16
170M6663	-FKE/- Type K Indicator for Micro	3	900	690 VAC/700 VAC	QJ	1	1	51	135	106	77	92	76	36	16
170M6664	-FKE/- Type K Indicator for Micro	3	1000	690 VAC/700 VAC	QJ	1	1	51	135	106	77	92	76	36	16
170M6665	-FKE/- Type K Indicator for Micro	3	1100	690 VAC/700 VAC	QJ	1	1	51	135	106	77	92	76	36	16
170M6666	-FKE/- Type K Indicator for Micro	3	1250	690 VAC/700 VAC	QJ	1	1	51	135	106	77	92	76	36	16
170M6667	-FKE/- Type K Indicator for Micro	3	1400	690 VAC/700 VAC	QJ	1	1	51	135	106	77	92	76	36	16
170M6668	-FKE/- Type K Indicator for Micro	3	1500	690 VAC/700 VAC	QJ	1	1	51	135	106	77	92	76	36	16
170M6669	-FKE/- Type K Indicator for Micro	3	1600	690 VAC/700 VAC	QJ	1	1	51	135	106	77	92	76	36	16
170M6670	-FKE/- Type K Indicator for Micro	3	1800	600 VAC/500 VAC	QJ	1	1	51	135	106	77	92	76	36	16
170M6708	-FU/115 Without Indicator	3	500	690 VAC/700 VAC	QJ	1	1	51	155	125	97	92	76	36	16
170M6709	-FU/115 Without Indicator	3	550	690 VAC/700 VAC	QJ	1	1	51	155	125	97	92	76	36	16
170M6710	-FU/115 Without Indicator	3	630	690 VAC/700 VAC	QJ	1	1	51	155	125	97	92	76	36	16
170M6711	-FU/115 Without Indicator	3	700	690 VAC/700 VAC	QJ	1	1	51	155	125	97	92	76	36	16
170M6712	-FU/115 Without Indicator	3	800	690 VAC/700 VAC	QJ	1	1	51	155	125	97	92	76	36	16
170M6713	-FU/115 Without Indicator	3	900	690 VAC/700 VAC	QJ	1	1	51	155	125	97	92	76	36	16
170M6714	-FU/115 Without Indicator	3	1000	690 VAC/700 VAC	QJ	1	1	51	155	125	97	92	76	36	16
170M6715	-FU/115 Without Indicator	3	1100	690 VAC/700 VAC	QJ	1	1	51	155	125	97	92	76	36	16
170M6716	-FU/115 Without Indicator	3	1250	690 VAC/700 VAC	QJ	1	1	51	155	125	97	92	76	36	16
170M6717	-FU/115 Without Indicator	3	1400	690 VAC/700 VAC	QJ	1	1	51	155	125	97	92	76	36	16
170M6718	-FU/115 Without Indicator	3	1500	690 VAC/700 VAC	QJ	1	1	51	155	125	97	92	76	36	16
170M6720	-FU/115 Without Indicator	3	1800	600 VAC/500 VAC	QJ	1	1	51	155	125	97	92	76	36	16
170M6721	-FU/115 Without Indicator	3	2000	550 VAC/500 VAC	QJ	1	1	51	155	125	97	92	76	36	16



Please contact our technical department for our complete range of US Style High speed fuse links: bulehighspeedtechnical@eaton.com

High speed

FWA

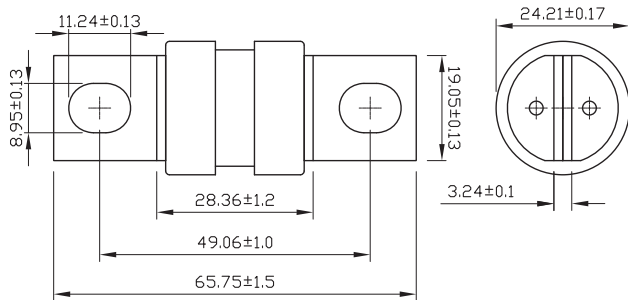
70 - 1000 A, 150 VAC

Catalogue number	Rated current (Amps)	Rated voltage	Material price group	Pack qty	MOQ	Fuse blocks
FWA-70B	70	150 VAC	OG	1	1	BH Series
FWA-80B	80	150 VAC	OG	1	1	BH Series
FWA-100B	100	150 VAC	OG	1	1	BH Series
FWA-125B	125	150 VAC	OG	1	1	BH Series
FWA-150B	150	150 VAC	OG	1	1	BH Series
FWA-200B	200	150 VAC	OG	1	1	BH Series
FWA-225B	225	150 VAC	OG	1	1	BH Series
FWA-250B	250	150 VAC	OG	1	1	BH Series
FWA-300B	300	150 VAC	OG	1	1	BH Series
FWA-350B	350	150 VAC	OG	1	1	BH Series
FWA-400B	400	150 VAC	OG	1	1	BH Series
FWA-500A	500	150 VAC	OG	1	1	BH Series
FWA-600A	600	150 VAC	OG	1	1	BH Series
FWA-700A	700	150 VAC	OG	1	1	BH Series
FWA-800A	800	150 VAC	OG	1	1	BH Series
FWA-1000A	1000	150 VAC	OG	1	1	BH Series

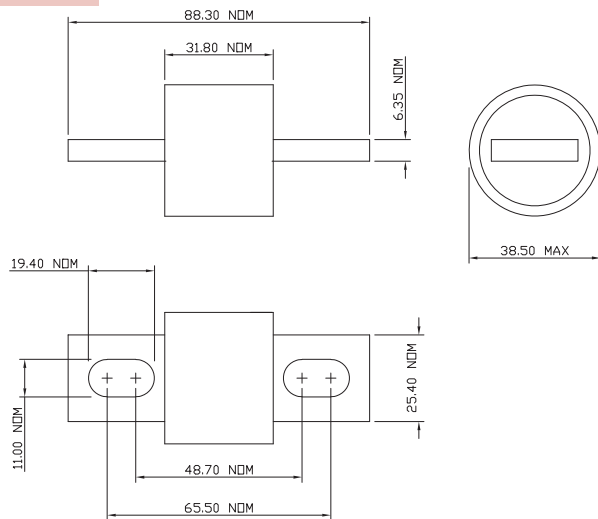


Dimensions mm

70 - 400 A



500 - 1000 A



FWX

35 - 2500 A, 250 VAC

Catalogue number	Rated current (Amps)	Rated voltage	Material price group	Pack qty	MOQ	Dimensions (in)										Tapped thread depth
						Fig	A	B	C	D	E	F	G	H	J	
FWX-35A	35	250 VAC	OG	5	5	1	3.19	0.81	1.59	2.59	2.25	0.34	0.63	0.13	0.52	
FWX-40A	40	250 VAC	OG	5	5	1	3.19	0.81	1.59	2.59	2.25	0.34	0.63	0.13	0.52	
FWX-45A	45	250 VAC	OG	5	5	1	3.19	0.81	1.59	2.59	2.25	0.34	0.63	0.13	0.52	
FWX-50A	50	250 VAC	OG	5	5	1	3.19	0.81	1.59	2.59	2.25	0.34	0.63	0.13	0.52	
FWX-60A	60	250 VAC	OG	5	5	1	3.19	0.81	1.59	2.59	2.25	0.34	0.63	0.13	0.52	
FWX-70A	70	250 VAC	OG	1	1	1	3.13	1.22	1.59	2.44	2.19	0.34	1.00	0.19	0.47	
FWX-80A	80	250 VAC	OG	1	1	1	3.13	1.22	1.59	2.44	2.19	0.34	1.00	0.19	0.47	
FWX-90A	90	250 VAC	OG	1	1	1	3.13	1.22	1.59	2.44	2.19	0.34	1.00	0.19	0.47	
FWX-100A	100	250 VAC	OG	1	1	1	3.13	1.22	1.59	2.44	2.19	0.34	1.00	0.19	0.47	
FWX-125A	125	250 VAC	OG	1	1	1	3.13	1.22	1.59	2.44	2.19	0.34	1.00	0.19	0.47	
FWX-150A	150	250 VAC	OG	1	1	1	3.13	1.22	1.59	2.44	2.19	0.34	1.00	0.19	0.47	
FWX-175A	175	250 VAC	OG	1	1	1	3.13	1.22	1.59	2.44	2.19	0.34	1.00	0.19	0.47	
FWX-200A	200	250 VAC	OG	1	1	1	3.13	1.22	1.59	2.44	2.19	0.34	1.00	0.19	0.47	
FWX-225A	225	250 VAC	OG	1	1	1	3.84	1.50	1.59	2.94	2.25	0.41	1.00	0.25	0.75	
FWX-250A	250	250 VAC	OG	1	1	1	3.84	1.50	1.59	2.94	2.25	0.41	1.00	0.25	0.75	
FWX-275A	275	250 VAC	OG	1	1	1	3.84	1.50	1.59	2.94	2.25	0.41	1.00	0.25	0.75	
FWX-300A	300	250 VAC	OG	1	1	1	3.84	1.50	1.59	2.94	2.25	0.41	1.00	0.25	0.75	
FWX-350A	350	250 VAC	OG	1	1	1	3.84	1.50	1.59	2.94	2.25	0.41	1.00	0.25	0.75	
FWX-400A	400	250 VAC	OG	1	1	1	3.84	1.50	1.59	2.94	2.25	0.41	1.00	0.25	0.75	
FWX-450A	450	250 VAC	OG	1	1	1	3.84	1.50	1.59	2.94	2.25	0.41	1.00	0.25	0.75	
FWX-500A	500	250 VAC	OG	1	1	1	3.84	1.50	1.59	2.94	2.25	0.41	1.00	0.25	0.75	
FWX-600A	600	250 VAC	OG	1	1	1	3.84	1.50	1.59	2.94	2.25	0.41	1.00	0.25	0.75	
FWX-700A	700	250 VAC	OG	1	1	1	3.84	2.00	1.59	3.03	2.28	0.41	1.50	0.25	0.78	
FWX-800A	800	250 VAC	OG	1	1	1	3.84	2.00	1.59	3.03	2.28	0.41	1.50	0.25	0.78	
FWX-1000AH	1000	250 VAC	OG	1	1	2	2.59	3.00	1.50							3/8 UNF 24 TPI* 1/2" Deep
FWX-1200AH	1200	250 VAC	OG	1	1	2	2.59	3.00	1.50							
FWX-1500AH	1500	250 VAC	OG	1	1	3	2.59	3.50	1.50	1.50						
FWX-1600AH	1600	250 VAC	OG	1	1	3	2.59	3.50	1.50	1.50						
FWX-2000AH	2000	250 VAC	OG	1	1	3	2.59	3.50	1.50	1.50						
FWX-2500AH	2500	250 VAC	OG	1	1	3	2.59	3.50	1.50	1.50						

High speed

* Threads per inch

Dimensions - inches

Figure 1: 35 - 800 A

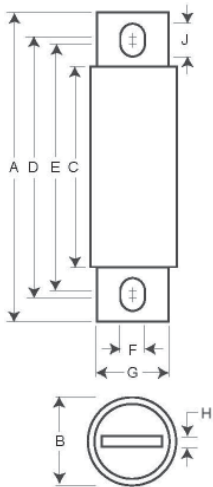


Figure 2: 1000 - 1200 A

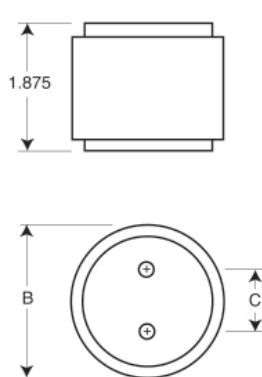
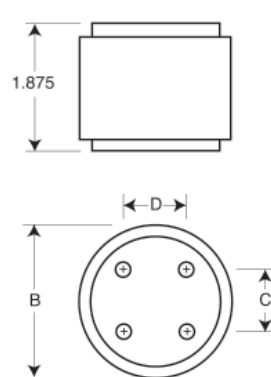


Figure 3: 1500 - 2500 A



FWH

35 - 1600 A, 500 VAC

Catalogue number	Rated current (Amps)	Rated voltage	Material price group	Pack qty	MOQ	Dimensions (inches)										Fuse holder
						A	B	C	D	E	F	G	H	J		
FWH-35B	35	500 VAC	OG	5	5	3.19	0.81	1.59	2.54	2.19	0.34	0.72	0.13	0.52	BH Series	
FWH-40B	40	500 VAC	OG	5	5	3.19	0.81	1.59	2.54	2.19	0.34	0.72	0.13	0.52	BH Series	
FWH-45B	45	500 VAC	OG	5	5	3.19	0.81	1.59	2.54	2.19	0.34	0.72	0.13	0.52	BH Series	
FWH-50B	50	500 VAC	OG	5	5	3.19	0.81	1.59	2.54	2.19	0.34	0.72	0.13	0.52	BH Series	
FWH-60B	60	500 VAC	OG	5	5	3.19	0.81	1.59	2.54	2.19	0.34	0.72	0.13	0.52	BH Series	
FWH-70B	70	500 VAC	OG	1	1	3.63	0.95	1.74	2.85	2.81	0.35	0.75	0.13	0.38	BH Series	
FWH-80B	80	500 VAC	OG	1	1	3.63	0.95	1.74	2.85	2.81	0.35	0.75	0.13	0.38	BH Series	
FWH-90B	90	500 VAC	OG	1	1	3.63	0.95	1.74	2.85	2.81	0.35	0.75	0.13	0.38	BH Series	
FWH-100B	100	500 VAC	OG	1	1	3.63	0.95	1.74	2.85	2.81	0.35	0.75	0.13	0.38	BH Series	
FWH-125B	125	500 VAC	OG	1	1	3.63	1.16	1.84	2.89	2.77	0.34	1.00	0.19	0.41	BH Series	
FWH-150B	150	500 VAC	OG	1	1	3.63	1.16	1.84	2.89	2.77	0.34	1.00	0.19	0.41	BH Series	
FWH-175B	175	500 VAC	OG	1	1	3.63	1.16	1.84	2.89	2.77	0.34	1.00	0.19	0.41	BH Series	
FWH-200B	200	500 VAC	OG	1	1	3.63	1.16	1.84	2.89	2.77	0.34	1.00	0.19	0.41	BH Series	
FWH-225A	225	500 VAC	OG	1	1	4.34	1.50	2.09	3.44	2.75	0.41	1.00	0.25	0.75	BH Series	
FWH-250A	250	500 VAC	OG	1	1	4.34	1.50	2.09	3.44	2.75	0.41	1.00	0.25	0.75	BH Series	
FWH-275A	275	500 VAC	OG	1	1	4.34	1.50	2.09	3.44	2.75	0.41	1.00	0.25	0.75	BH Series	
FWH-300A	300	500 VAC	OG	1	1	4.34	1.50	2.09	3.44	2.75	0.41	1.00	0.25	0.75	BH Series	
FWH-325A	325	500 VAC	OG	1	1	4.34	1.50	2.09	3.44	2.75	0.41	1.00	0.25	0.75	BH Series	
FWH-350A	350	500 VAC	OG	1	1	4.34	1.50	2.09	3.44	2.75	0.41	1.00	0.25	0.75	BH Series	
FWH-400A	400	500 VAC	OG	1	1	4.34	1.50	2.09	3.44	2.75	0.41	1.00	0.25	0.75	BH Series	
FWH-450A	450	500 VAC	OG	1	1	4.34	2.00	2.09	3.53	2.78	0.41	1.50	0.25	0.78	BH Series	
FWH-500A	500	500 VAC	OG	1	1	4.34	2.00	2.09	3.53	2.78	0.41	1.50	0.25	0.78	BH Series	
FWH-600A	600	500 VAC	OG	1	1	4.34	2.00	2.09	3.53	2.78	0.41	1.50	0.25	0.78	BH Series	
FWH-700A	700	500 VAC	OG	1	1	6.34	2.50	2.09	4.97	3.44	0.53	2.00	0.38	1.30	BH Series	
FWH-800A	800	500 VAC	OG	1	1	6.34	2.50	2.09	4.97	3.44	0.53	2.00	0.38	1.30	BH Series	
FWH-1000A	1000	500 VAC	OG	1	1	6.34	2.50	2.09	4.97	3.44	0.53	2.00	0.38	1.30	BH Series	
FWH-1200A	1200	500 VAC	OG	1	1	6.34	2.50	2.09	4.97	3.44	0.53	2.00	0.38	1.30	BH Series	
FWH-1400A	1400	500 VAC	OG	1	1	See fig 2									N/A	
FWH-1600A	1600	500 VAC	OG	1	1	See fig 2									N/A	

Dimensions - mm
FWH-35B to FWH-1200A

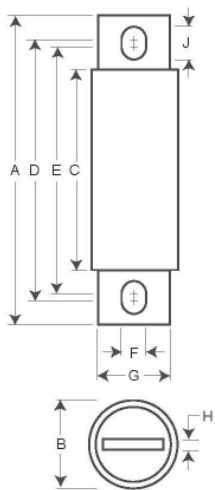
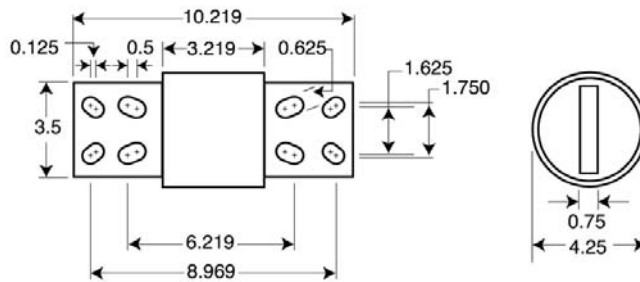


Figure 2 - Dimensions inches
FWH-1400 A and FWH-1600 A



FWP

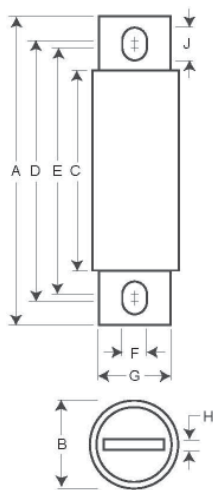
5 - 1200 A, 700 VAC

Catalogue number	Rated current (Amps)	Rated voltage	Material price group	Pack qty	MOQ	Dimensions (in)								Fuse blocks	
						A	B	C	D	E	F	G	H		J
FWP-5B	5	700 VAC	OG	10	10	2.87	0.56	1.86	2.48	2.48	0.25	0.41	0.06	0.25	BH Series
FWP-10B	10	700 VAC	OG	10	10	2.87	0.56	1.86	2.48	2.48	0.25	0.41	0.06	0.25	BH Series
FWP-15B	15	700 VAC	OG	10	10	2.87	0.56	1.86	2.48	2.48	0.25	0.41	0.06	0.25	BH Series
FWP-20B	20	700 VAC	OG	10	10	2.87	0.56	1.86	2.48	2.48	0.25	0.41	0.06	0.25	BH Series
FWP-25B	25	700 VAC	OG	10	10	2.87	0.56	1.86	2.48	2.48	0.25	0.41	0.06	0.25	BH Series
FWP-30B	30	700 VAC	OG	10	10	2.87	0.56	1.86	2.48	2.48	0.25	0.41	0.06	0.25	BH Series
FWP-35B	35	700 VAC	OG	5	5	4.38	0.81	2.75	3.71	3.31	0.34	0.73	0.13	0.54	BH Series
FWP-40B	40	700 VAC	OG	5	5	4.38	0.81	2.75	3.71	3.31	0.34	0.73	0.13	0.54	BH Series
FWP-50B	50	700 VAC	OG	5	5	4.38	0.81	2.75	3.71	3.31	0.34	0.73	0.13	0.54	BH Series
FWP-60B	60	700 VAC	OG	5	5	4.38	0.81	2.75	3.71	3.31	0.34	0.73	0.13	0.54	BH Series
FWP-70B	70	700 VAC	OG	5	5	4.41	0.95	2.59	3.63	3.56	0.34	0.75	0.13	0.38	BH Series
FWP-80B	80	700 VAC	OG	5	5	4.41	0.95	2.59	3.63	3.56	0.34	0.75	0.13	0.38	BH Series
FWP-90B	90	700 VAC	OG	5	5	4.41	0.95	2.59	3.63	3.56	0.34	0.75	0.13	0.38	BH Series
FWP-100B	100	700 VAC	OG	5	5	4.41	0.95	2.59	3.63	3.56	0.34	0.75	0.13	0.38	BH Series
FWP-125A	125	700 VAC	OG	1	1	5.09	1.50	2.84	4.19	3.50	0.41	1.00	0.25	0.75	BH Series
FWP-150A	150	700 VAC	OG	1	1	5.09	1.50	2.84	4.19	3.50	0.41	1.00	0.25	0.75	BH Series
FWP-175A	175	700 VAC	OG	1	1	5.09	1.50	2.84	4.19	3.50	0.41	1.00	0.25	0.75	BH Series
FWP-200A	200	700 VAC	OG	1	1	5.09	1.50	2.84	4.19	3.50	0.41	1.00	0.25	0.75	BH Series
FWP-225A	225	700 VAC	OG	1	1	5.09	2.00	2.84	4.28	3.53	0.41	1.50	0.25	0.78	BH Series
FWP-250A	250	700 VAC	OG	1	1	5.09	2.00	2.84	4.28	3.53	0.41	1.50	0.25	0.78	BH Series
FWP-300A	300	700 VAC	OG	1	1	5.09	2.00	2.84	4.28	3.53	0.41	1.50	0.25	0.78	BH Series
FWP-350A	350	700 VAC	OG	1	1	5.09	2.00	2.84	4.28	3.53	0.41	1.50	0.25	0.78	BH Series
FWP-400A	400	700 VAC	OG	1	1	5.09	2.00	2.84	4.28	3.53	0.41	1.50	0.25	0.78	BH Series
FWP-450A	450	700 VAC	OG	1	1	7.09	2.50	2.84	5.72	4.19	0.53	2.00	0.38	1.30	BH Series
FWP-500A	500	700 VAC	OG	1	1	7.09	2.50	2.84	5.72	4.19	0.53	2.00	0.38	1.30	BH Series
FWP-600A	600	700 VAC	OG	1	1	7.09	2.50	2.84	5.72	4.19	0.53	2.00	0.38	1.30	BH Series
FWP-700A	700	700 VAC	OG	1	1	6.63	2.00	2.84	5.56	5.06	0.63	1.50	0.25	0.88	BH Series
FWP-800A	800	700 VAC	OG	1	1	6.63	2.00	2.84	5.56	5.06	0.63	1.50	0.25	0.88	BH Series
FWP-900A	900	700 VAC	OG	1	1	See drawing 2									N/A
FWP-1000A	1000	700 VAC	OG	1	1	See drawing 2									N/A
FWP-1100A	1100	700 VAC	OG	1	1	See drawing 3									N/A
FWP-1200A	1200	700 VAC	OG	1	1	See drawing 3									N/A

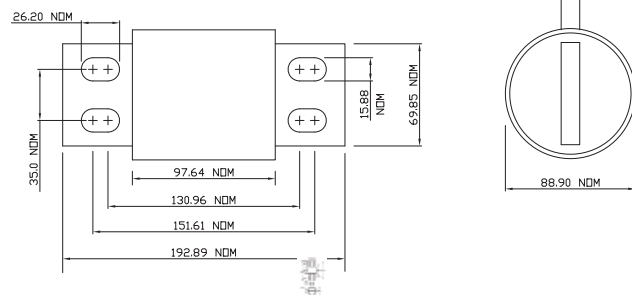


High speed

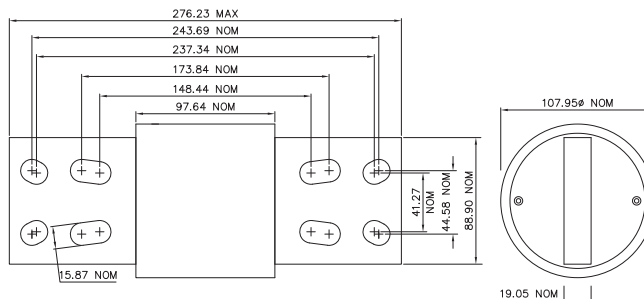
Dimensions inches
5 - 800 A



Dimensions mm
Drawing 2: 900 - 1000 A



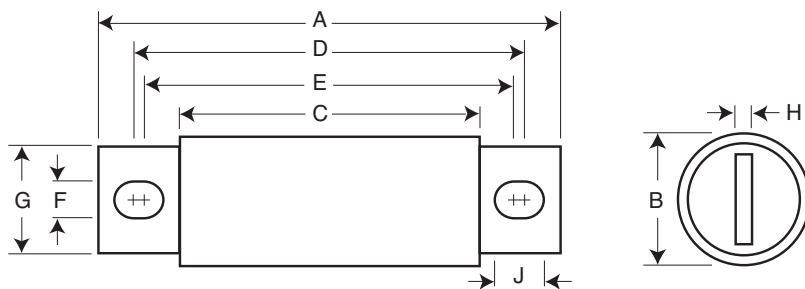
Dimensions - mm
Drawing 3: 1200 A



FWJ

35 - 2000 A, 1000 VAC

Catalogue number	Rated current (Amps)	Rated voltage	Material price group	Pack qty	MOQ	Dimensions (in)								
						A	B	C	D	E	F	G	H	J
FWJ-35A	35	1000 VAC	OG	10	10	5	0.94	3.11	4.24	4.81	0.35	0.75	0.13	0.38
FWJ-40A	40	1000 VAC	OG	10	10	5	0.94	3.11	4.24	4.81	0.35	0.75	0.13	0.38
FWJ-50A	50	1000 VAC	OG	10	10	5	0.94	3.11	4.24	4.81	0.35	0.75	0.13	0.38
FWJ-60A	60	1000 VAC	OG	10	10	5	0.94	3.11	4.24	4.81	0.35	0.75	0.13	0.38
FWJ-70A	70	1000 VAC	OG	10	10	5	0.94	3.11	4.24	4.81	0.35	0.75	0.13	0.38
FWJ-80A	80	1000 VAC	OG	10	10	5	0.94	3.11	4.24	4.81	0.35	0.75	0.13	0.38
FWJ-90A	90	1000 VAC	OG	10	10	5	0.94	3.11	4.24	4.81	0.35	0.75	0.13	0.38
FWJ-100A	100	1000 VAC	OG	10	10	5	0.94	3.11	4.24	4.81	0.35	0.75	0.13	0.38
FWJ-125A	125	1000 VAC	OG	1	1	5	0.94	3.11	4.24	4.81	0.35	0.75	0.13	0.38
FWJ-150A	150	1000 VAC	OG	1	1	5	0.94	3.11	4.24	4.81	0.35	0.75	0.13	0.38
FWJ-175A	175	1000 VAC	OG	1	1	5	0.94	3.11	4.24	4.81	0.35	0.75	0.13	0.38
FWJ-200A	200	1000 VAC	OG	1	1	5	0.94	3.11	4.24	4.81	0.35	0.75	0.13	0.38
FWJ-250A	250	1000 VAC	OG	1	1	5	0.94	3.11	4.24	4.81	0.35	0.75	0.13	0.38
FWJ-300A	300	1000 VAC	OG	1	1	5	0.94	3.11	4.24	4.81	0.35	0.75	0.13	0.38
FWJ-350A	350	1000 VAC	OG	1	1	5	0.94	3.11	4.24	4.81	0.35	0.75	0.13	0.38
FWJ-400A	400	1000 VAC	OG	1	1	5	0.94	3.11	4.24	4.81	0.35	0.75	0.13	0.38
FWJ-450A	450	1000 VAC	OG	1	1	5	0.94	3.11	4.24	4.81	0.35	0.75	0.13	0.38
FWJ-500A	500	1000 VAC	OG	1	1	5	0.94	3.11	4.24	4.81	0.35	0.75	0.13	0.38
FWJ-600A	600	1000 VAC	OG	1	1	5	0.94	3.11	4.24	4.81	0.35	0.75	0.13	0.38
FWJ-800A	800	1000 VAC	OG	1	1	5	0.94	3.11	4.24	4.81	0.35	0.75	0.13	0.38
FWJ-1000A	1000	1000 VAC	OG	1	1	5	0.94	3.11	4.24	4.81	0.35	0.75	0.13	0.38
FWJ-1200A	1200	1000 VAC	OG	1	1	5	0.94	3.11	4.24	4.81	0.35	0.75	0.13	0.38
FWJ-1400A	1400	1000 VAC	OG	1	1	5	0.94	3.11	4.24	4.81	0.35	0.75	0.13	0.38
FWJ-1600A	1600	1000 VAC	OG	1	1	5	0.94	3.11	4.24	4.81	0.35	0.75	0.13	0.38
FWJ-1800A	1800	1000 VAC	OG	1	1	5	0.94	3.11	4.24	4.81	0.35	0.75	0.13	0.38
FWJ-2000A	2000	1000 VAC	OG	1	1	5	0.94	3.11	4.24	4.81	0.35	0.75	0.13	0.38



10 x 38 mm Fuse links

1 - 20 A, 1000 VDC

Catalogue number	Description	Rated current (Amps)	Rated voltage	Material price group	Pack qty	MOQ	Fuse holders
PV-1A10F	Cylindrical	1	1000 VDC	OG	10	10	CHPV1U
PV-2A10F	Cylindrical	2	1000 VDC	OG	10	10	CHPV1U
PV-3A10F	Cylindrical	3	1000 VDC	OG	10	10	CHPV1U
PV-4A10F	Cylindrical	4	1000 VDC	OG	10	10	CHPV1U
PV-5A10F	Cylindrical	5	1000 VDC	OG	10	10	CHPV1U
PV-6A10F	Cylindrical	6	1000 VDC	OG	10	10	CHPV1U
PV-8A10F	Cylindrical	8	1000 VDC	OG	10	10	CHPV1U
PV-10A10F	Cylindrical	10	1000 VDC	OG	10	10	CHPV1U
PV-12A10F	Cylindrical	12	1000 VDC	OG	10	10	CHPV1U
PV-15A10F	Cylindrical	15	1000 VDC	OG	10	10	CHPV1U
PV-20A10F	Cylindrical	20	1000 VDC	OG	10	10	CHPV1U
PV-1A10-T	Bolt Fixing	1	1000 VDC	OG	10	10	N/A
PV-2A10-T	Bolt Fixing	2	1000 VDC	OG	10	10	N/A
PV-3A10-T	Bolt Fixing	3	1000 VDC	OG	10	10	N/A
PV-4A10-T	Bolt Fixing	4	1000 VDC	OG	10	10	N/A
PV-5A10-T	Bolt Fixing	5	1000 VDC	OG	10	10	N/A
PV-6A10-T	Bolt Fixing	6	1000 VDC	OG	10	10	N/A
PV-8A10-T	Bolt Fixing	8	1000 VDC	OG	10	10	N/A
PV-10A10-T	Bolt Fixing	10	1000 VDC	OG	10	10	N/A
PV-12A10-T	Bolt Fixing	12	1000 VDC	OG	10	10	N/A
PV-15A10-T	Bolt Fixing	15	1000 VDC	OG	10	10	N/A
PV-20A10-T	Bolt Fixing	20	1000 VDC	OG	10	10	N/A
PV-1A10-1P	PCB Fixing Single Pin	1	1000 VDC	OG	10	10	N/A
PV-2A10-1P	PCB Fixing Single Pin	2	1000 VDC	OG	10	10	N/A
PV-3A10-1P	PCB Fixing Single Pin	3	1000 VDC	OG	10	10	N/A
PV-4A10-1P	PCB Fixing Single Pin	4	1000 VDC	OG	10	10	N/A
PV-5A10-1P	PCB Fixing Single Pin	5	1000 VDC	OG	10	10	N/A
PV-6A10-1P	PCB Fixing Single Pin	6	1000 VDC	OG	10	10	N/A
PV-8A10-1P	PCB Fixing Single Pin	8	1000 VDC	OG	10	10	N/A
PV-10A10-1P	PCB Fixing Single Pin	10	1000 VDC	OG	10	10	N/A
PV-12A10-1P	PCB Fixing Single Pin	12	1000 VDC	OG	10	10	N/A
PV-15A10-1P	PCB Fixing Single Pin	15	1000 VDC	OG	10	10	N/A
PV-20A10-1P	PCB Fixing Single Pin	20	1000 VDC	OG	10	10	N/A
PV-1A10-2P	PCB Fixing Double Pin	1	1000 VDC	OG	10	10	N/A
PV-2A10-2P	PCB Fixing Double Pin	2	1000 VDC	OG	10	10	N/A
PV-3A10-2P	PCB Fixing Double Pin	3	1000 VDC	OG	10	10	N/A
PV-4A10-2P	PCB Fixing Double Pin	4	1000 VDC	OG	10	10	N/A
PV-5A10-2P	PCB Fixing Double Pin	5	1000 VDC	OG	10	10	N/A
PV-6A10-2P	PCB Fixing Double Pin	6	1000 VDC	OG	10	10	N/A
PV-8A10-2P	PCB Fixing Double Pin	8	1000 VDC	OG	10	10	N/A
PV-10A10-2P	PCB Fixing Double Pin	10	1000 VDC	OG	10	10	N/A
PV-12A10-2P	PCB Fixing Double Pin	12	1000 VDC	OG	10	10	N/A
PV-15A10-2P	PCB Fixing Double Pin	15	1000 VDC	OG	10	10	N/A
PV-20A10-2P	PCB Fixing Double Pin	20	1000 VDC	OG	10	10	N/A

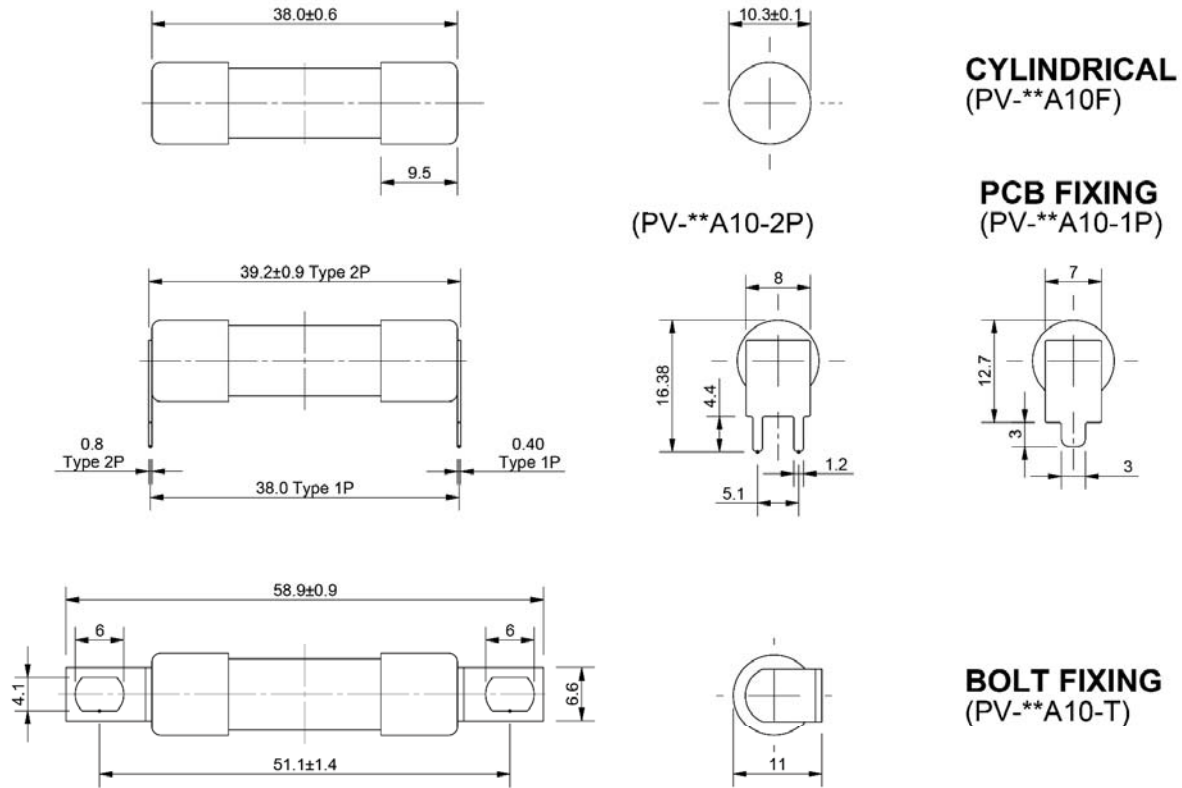


High speed

10 x 38 mm Fuse links

1 - 20 A, 1000 VDC

Dimensions - mm



CHPV Fuse holders - 10 x 38 mm

32 A, 1000 VDC, Without indicator

Catalogue number	Number of poles	Rated current (Amps)	Rated voltage	Material price group	Pack qty	MOQ	Fuses
CHPV1U	1-Pole	32	1000 VDC	QR	12	12	PV-A10F
CHPV2U	2-Pole	32	1000 VDC	QR	12	12	PV-A10F



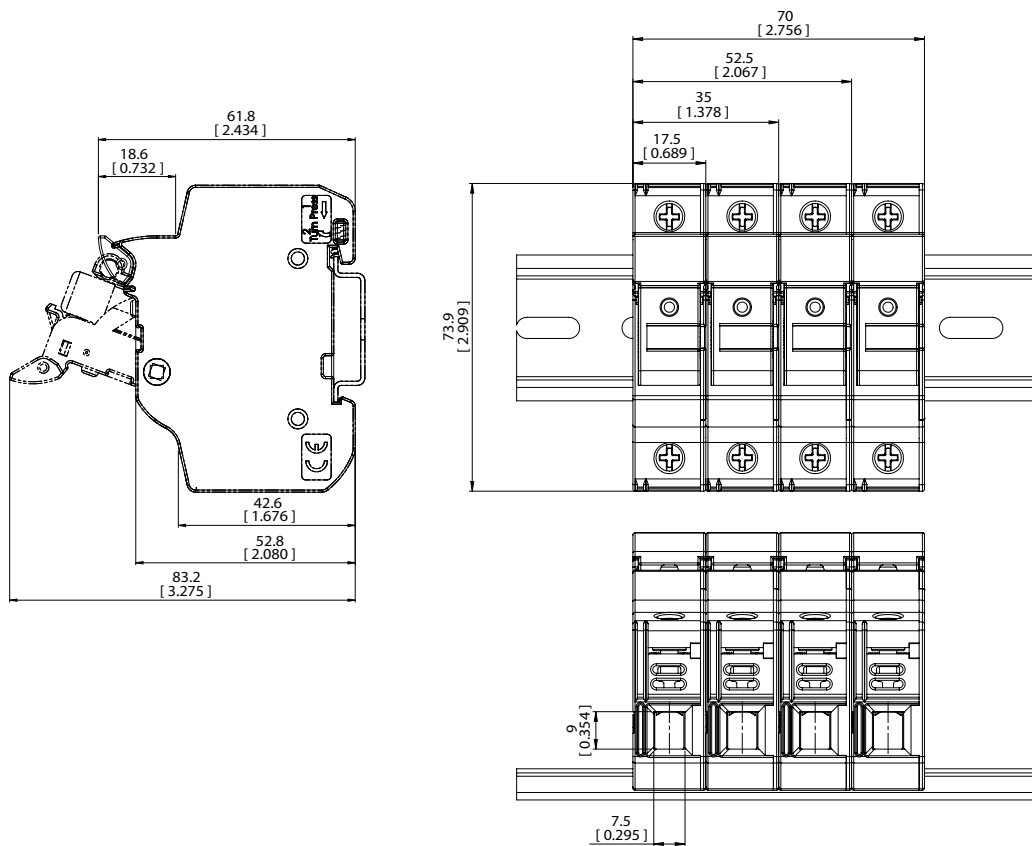
32 A, 1000 VDC, With indicator

Catalogue number	Number of poles	Rated current (Amps)	Rated voltage	Material price group	Pack qty	MOQ	Fuses
CHPV1IU	1-Pole	32	1000 VDC	QR	12	12	PV-A10F
CHPV2IU	2-Pole	32	1000 VDC	QR	12	12	PV-A10F



CHPV Fuse holders - 10 x 38 mm

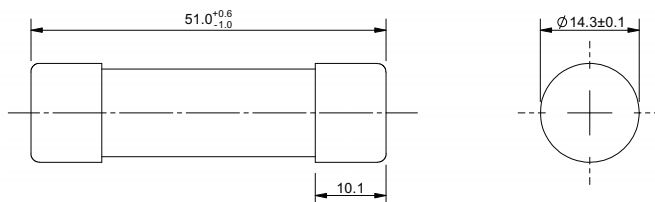
Dimensions - mm (inches)



14 x 51 mm Fuse links

15 - 32 A, 1000 and 1100 VDC

Catalogue number	Description	Rated current (Amps)	Rated voltage	Material price group	Pack qty	MOQ
PV-15A14F	Cylindrical	15	1100 VDC	OG	10	10
PV-20A14F	Cylindrical	20	1100 VDC	OG	10	10
PV-25A14F	Cylindrical	25	1000 VDC	OG	10	10
PV-32A14F	Cylindrical	32	1000 VDC	OG	10	10



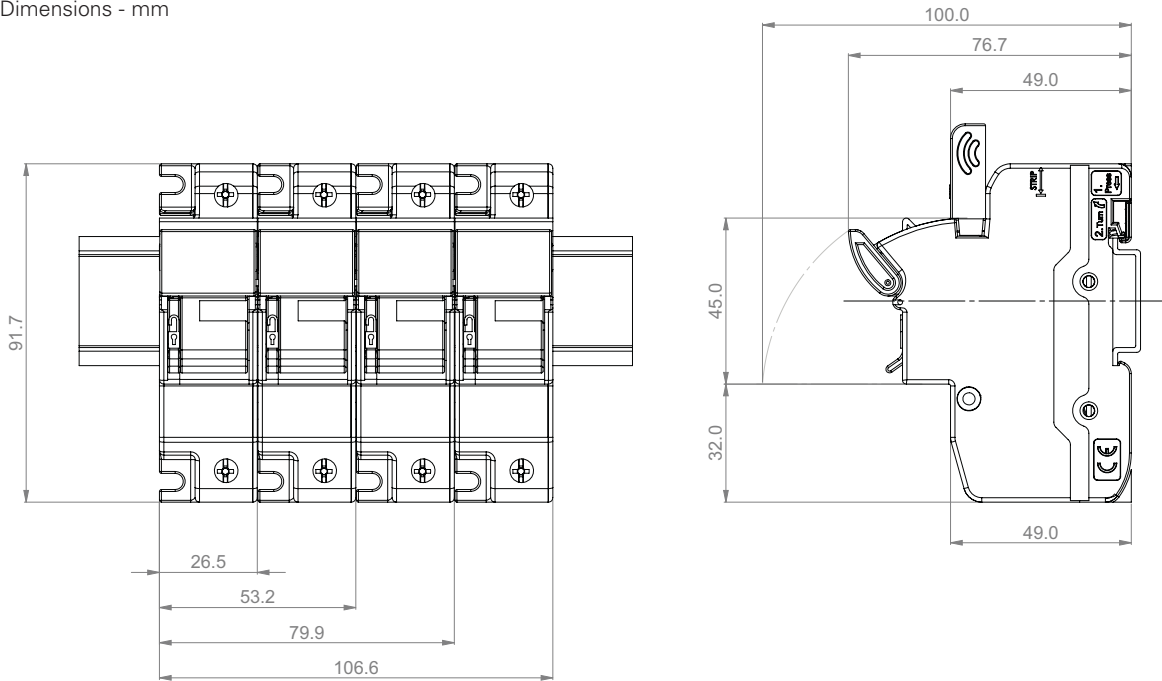
High speed

CHPV Fuse holders - 14 x 51 mm

32 A, 1500 VDC, Without indicator

Catalogue number	Number of poles	Rated current (Amps)	Rated voltage	Material price group	Pack qty	MOQ	Fuses
CHPV141U	1-Pole	32	1500 VDC	QR	6	6	PV-A14F
CHPV141IU	1-Pole with indicator	32	1500 VDC	QR	6	6	PV-A14F

Dimensions - mm



14 x 65 mm Fuse links

15 - 32 A, 1300 and 1500 VDC

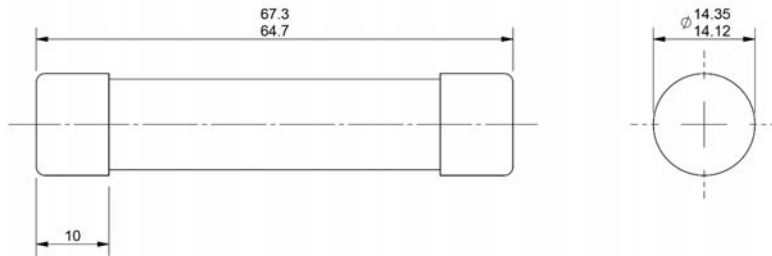
Catalogue number	Description	Rated current (Amps)	Rated voltage	Material price group	Pack qty	MOQ
PV-15A14F	Cylindrical	15	1500 VDC	OG	10	10
PV-20A14F	Cylindrical	20	1500 VDC	OG	10	10
PV-25A14F	Cylindrical	25	1300 VDC	OG	10	10
PV-32A14F	Cylindrical	32	1300 VDC	OG	10	10
PV-15A14L-T	Cylindrical with Tags	15	1500 VDC	OG	10	10
PV-20A14L-T	Cylindrical with Tags	20	1500 VDC	OG	10	10
PV-25A14L-T	Cylindrical with Tags	25	1300 VDC	OG	10	10
PV-32A14L-T	Cylindrical with Tags	32	1300 VDC	OG	10	10
PV-15A14F10F	Cylindrical with 10mm Fixings	15	1500 VDC	OG	10	10
PV-20A14F10F	Cylindrical with 10mm Fixings	20	1500 VDC	OG	10	10
PV-25A14F10F	Cylindrical with 10mm Fixings	25	1300 VDC	OG	10	10
PV-32A14F10F	Cylindrical with 10mm Fixings	32	1300 VDC	OG	10	10



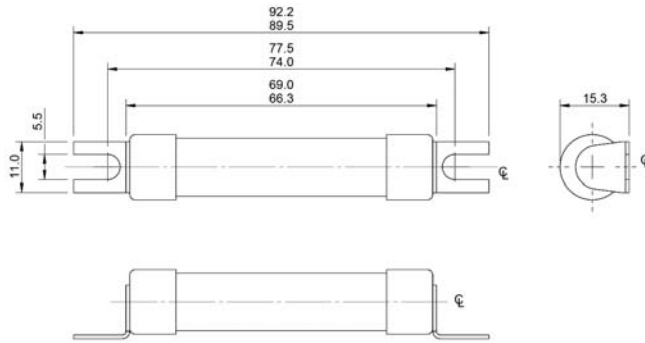
14 x 65 mm Fuse links

Dimensions - mm

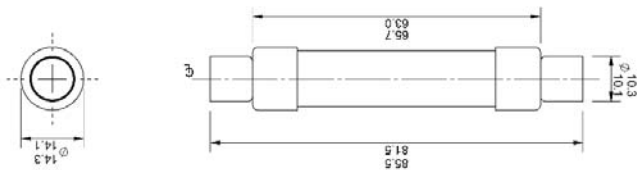
Cylindrical PV-(amp rating)A14LF



Cylindrical with tags PV-(amp rating)A14L-T



Cylindrical with 10 mm Fixings PV-(amp rating)A14LF10F



NH PV Fuse links

32 - 400 A, 1000 VDC

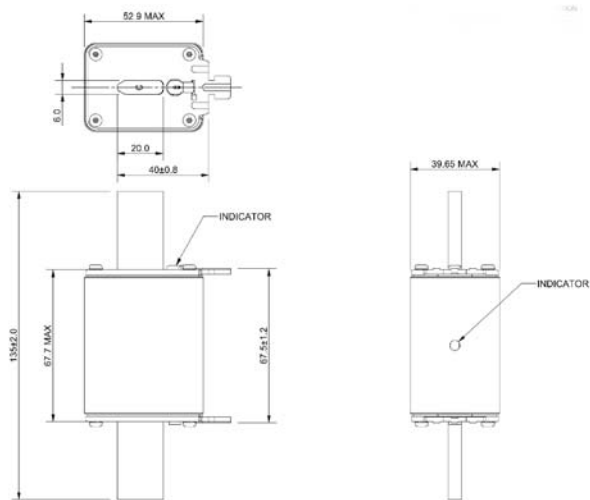
Catalogue number	Description	Rated current (Amps)	Rated voltage	Material price group	Pack qty	MOQ
PV-32ANH1	NH Body size 1	32	1000 VDC	PU	3	3
PV-40ANH1	NH Body size 1	40	1000 VDC	PU	3	3
PV-50ANH1	NH Body size 1	50	1000 VDC	PU	3	3
PV-63ANH1	NH Body size 1	63	1000 VDC	PU	3	3
PV-80ANH1	NH Body size 1	80	1000 VDC	PU	3	3
PV-100ANH1	NH Body size 1	100	1000 VDC	PU	3	3
PV-125ANH1	NH Body size 1	125	1000 VDC	PU	3	3
PV-160ANH1	NH Body size 1	160	1000 VDC	PU	3	3
PV-200ANH1	NH Body size 1	200	1000 VDC	PU	3	3
PV-250ANH2	NH Body size 2	250	1000 VDC	PU	3	3
PV-300ANH3	NH Body size 3	300	1000 VDC	PU	3	3
PV-315ANH3	NH Body size 3	315	1000 VDC	PU	3	3
PV-350ANH3	NH Body size 3	350	1000 VDC	PU	3	3
PV-355ANH3	NH Body size 3	355	1000 VDC	PU	3	3
PV-400ANH3	NH Body size 3	400	1000 VDC	PU	3	3



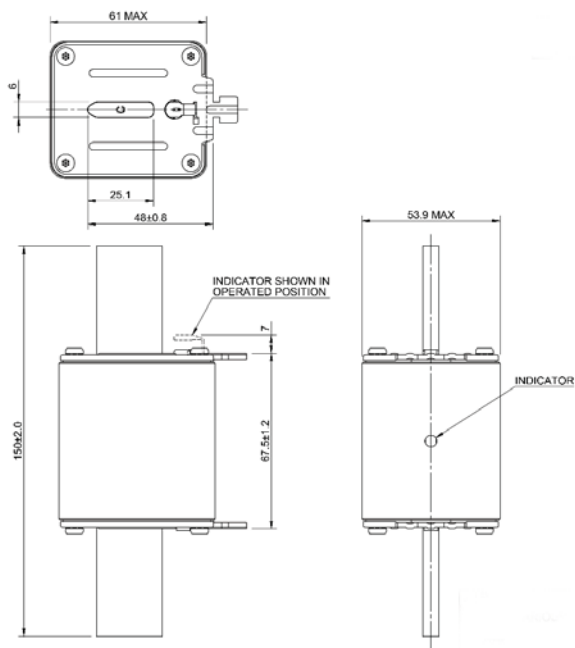
NH PV Fuse links

32 - 400 A, 1000 VDC

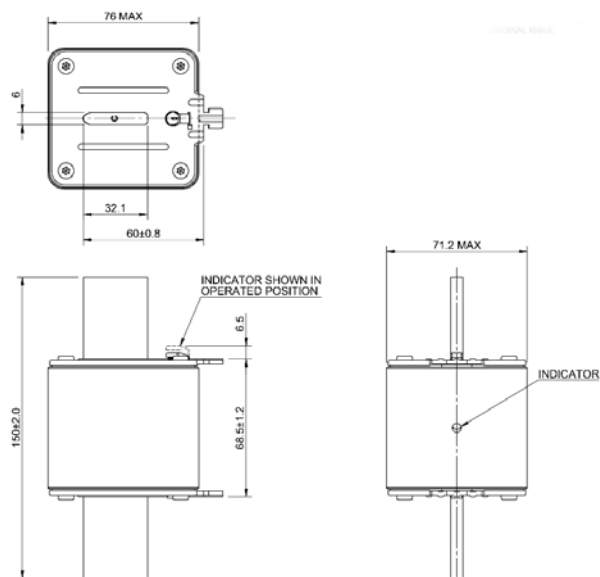
NH Size 1 - mm



NH Size 2 - mm



NH Size 3 - mm

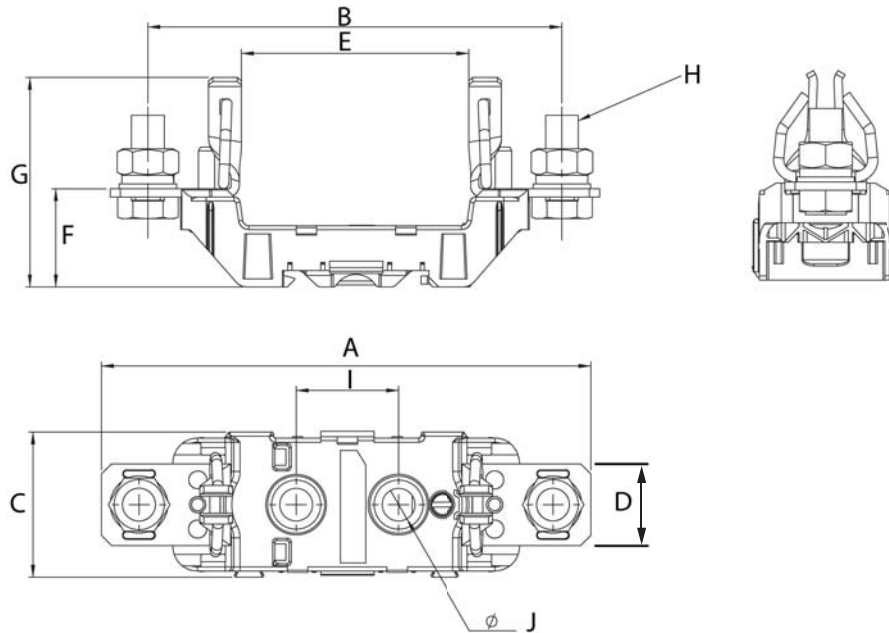


NH Bases

250 - 630 A, 1000 VDC

Catalogue number	Compatible fuse link size	Number of poles	Rated current (Amps)	Material price group	Pack qty	MOQ
SD1-D-PV	NH PV Size 1	1-pole	250	QV	3	3
SD2-D-PV	NH PV Size 2	1-pole	400	QV	3	3
SD3-D-PV	NH PV Size 3	1-pole	630	QV	3	3

Dimensions - mm 1-pole, sizes 1, 2 and 3



Fuse base	Fuse size	A	B	C	D	E	F	G	H	I	J	K
SD1	NH1	199	175	56	35	79	37	78	M10 x 25	25	10	30
SD2	NH2	224	199	56	35	79	37.5	86	M10 x 25	25	10	30
SD3	NH3	239	209	56	36	82	37.5	88	M10 x 30	25	10	30



High speed

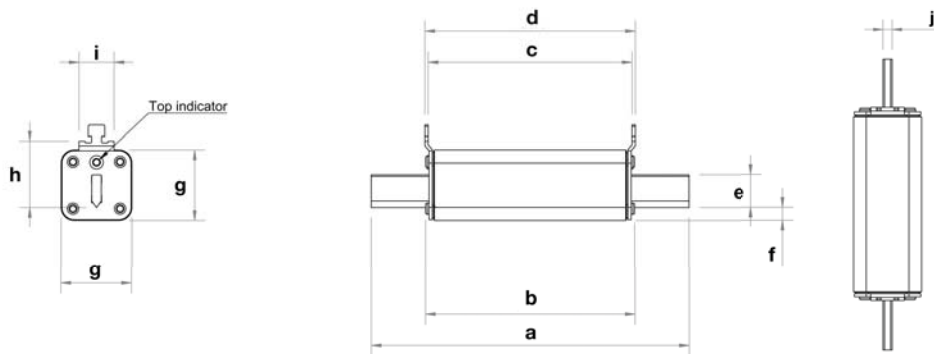
XL Style PV Fuse links

63 - 600 A, 1000 VDC, gPV

Catalogue number	Fuse link type	Body size	Rated current (Amps)	Rated voltage	Material price group	Pack qty	MOQ
PV-63A-01XL	Bladed	01	63	1000 VDC	OG	1	1
PV-80A-01XL	Bladed	01	80	1000 VDC	OG	1	1
PV-100A-01XL	Bladed	01	100	1000 VDC	OG	1	1
PV-125A-01XL	Bladed	01	125	1000 VDC	OG	1	1
PV-160A-01XL	Bladed	01	160	1000 VDC	OG	1	1
PV-200A-1XL	Bladed	1	200	1000 VDC	OG	1	1
PV-160A-2XL	Bladed	2	160	1000 VDC	OG	1	1
PV-200A-2XL	Bladed	2	200	1000 VDC	OG	1	1
PV-250A-2XL	Bladed	2	250	1000 VDC	OG	1	1
PV-315A-2XL	Bladed	2	315	1000 VDC	OG	1	1
PV-355A-2XL	Bladed	2	355	1000 VDC	OG	1	1
PV-350A-3L	Bladed	3	350	1000 VDC	OG	1	1
PV-400A-3L	Bladed	3	400	1000 VDC	OG	1	1
PV-500A-3L	Bladed	3	500	1000 VDC	OG	1	1
PV-600A-3L	Bladed	3	600	1000 VDC	OG	1	1
PV-63A-01XL-B	Bolted	01	63	1000 VDC	OG	1	1
PV-80A-01XL-B	Bolted	01	80	1000 VDC	OG	1	1
PV-100A-01XL-B	Bolted	01	100	1000 VDC	OG	1	1
PV-125A-01XL-B	Bolted	01	125	1000 VDC	OG	1	1
PV-160A-01XL-B	Bolted	01	160	1000 VDC	OG	1	1
PV-200A-1XL-B	Bolted	1	200	1000 VDC	OG	1	1
PV-160A-2XL-B	Bolted	2	160	1000 VDC	OG	1	1
PV-200A-2XL-B	Bolted	2	200	1000 VDC	OG	1	1
PV-250A-2XL-B	Bolted	2	250	1000 VDC	OG	1	1
PV-315A-2XL-B	Bolted	2	315	1000 VDC	OG	1	1
PV-355A-2XL-B	Bolted	2	355	1000 VDC	OG	1	1
PV-350A-3L-B	Bolted	3	350	1000 VDC	OG	1	1
PV-400A-3L-B	Bolted	3	400	1000 VDC	OG	1	1
PV-500A-3L-B	Bolted	3	500	1000 VDC	OG	1	1
PV-600A-3L-B	Bolted	3	600	1000 VDC	OG	1	1



Dimensions - mm Size 01XL, 1XL, 2XL and 3L



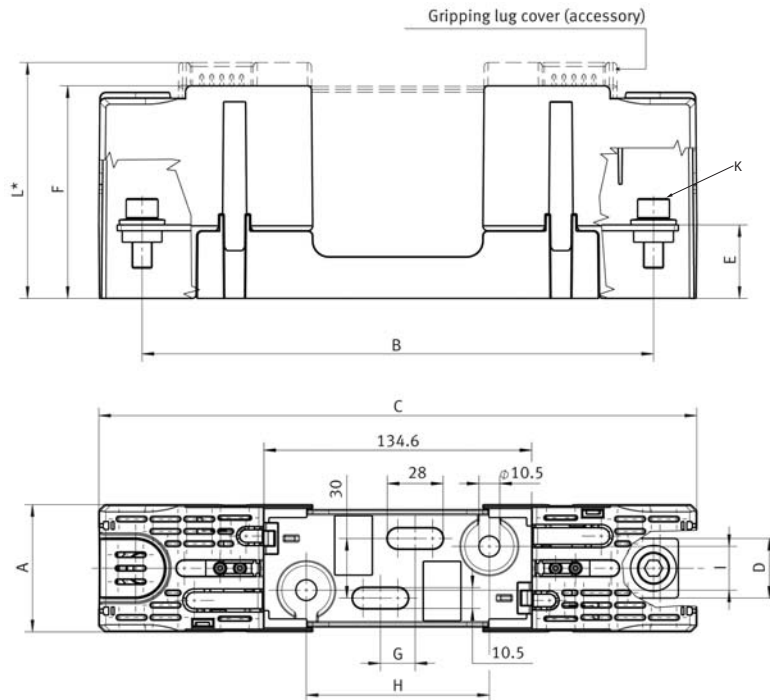
Size	a	b	c	d	e	f	g	h	i	j
01XL	193.8	127.8	124.6	128.6	20	7.9	43	40.4	21.3	5.8
1XL	189.8	127.8	119.6	123.6	20	13.4	39.8	39.8	20	5.8
2XL	204.5	128.5	119.3	123.3	26	14.4	47.9	47.9	20	5.8
3L	204.9	127.5	118.3	122.3	32.3	18.7	60	60	22	6

XL Bases

250 - 630 A, 1500 VDC, UL and IEC Approved

Catalogue number	Compatible fuse link size	Maximum fuse current	Material price group	Pack qty	MOQ
SB1XL-S	01XL, 1XL	250A	QV	1	1
SB2XL-S	2XL	400A	QV	1	1
SB3L-S	3L	630A	QV	1	1

Dimensions - mm



Catalogue number	XL Style fuse link size	Maximum fuse current (Amps)	Power acceptance	A	B	C	D	E	F	G	H	I	K	L
SB1XL-S	01XL, 1XL	250	56W	59	257	300.5	30	37	102.5	17.5	92	22	M10	111
SB2XL-S	2XL	400	70W	64	257	300.5	30	37	107	17.5	92	22	M10	119
SB3L-S	3L	630	96W	80	270	328	40	38	122.5	25	96	26	M12	134.5



High speed

Fixed center fuse bases for DIN 43653 Fuse links

Size 00 and 000 Fuse bases

Catalogue number	Centre distance	Fuse size	Rated current (Amps)	Rated voltage	Material price group	Pack qty	MOQ
170H1007	80mm	00,000	400	1000 VAC	QJ	3	3
170H1013	80mm	00,000	200	690 VAC	QJ	3	3



Sizes 1, 2 and 3 Fuse bases

Catalogue number	Centre distance	Rated current (Amps)	Rated voltage	Material price group	Pack qty	MOQ
170H3003	80mm	630	1000 VAC	QJ	1	1
170H3004	80mm	1250	1000 VAC	QJ	1	1
170H3005	110mm	630	1400 VAC	QJ	1	1
170H3006	110mm	1250	1400 VAC	QJ	1	1



Microswitches for square body fuse links

Indicator systems

Catalogue number	Lugs dimensions	Indicator Type	Material price group	Pack qty	MOQ
170H0069	6.3 x 0.8mm	K	QJ	25	25
170H0235	6.3 x 0.8mm	T	QJ	12	12
170H0236	6.3 x 0.8mm	T	QJ	12	12
170H0237	2.8 x 0.5mm	T	QJ	12	12
170H0238	2.8 x 0.5mm	T	QJ	12	12



Microswitches for BS88 Fuse links

Trip indicator kit

Catalogue number	Description	Material price group	Pack qty	MOQ
EC-250	For use with LET types	OF	1	1
EC-600	For use with ET, EET, FE and FEE types	OF	1	1
MC-250	For use with LMT and LMMT types	OF	1	1
MC-600	For use with FM and FMM types	OF	1	1
MC-700	For use with MT and MMT types	OF	1	1



Trip indicator

Replacement trip indicator for use with fuse links rated from 250 to 700 VAC

Catalogue number	Description	Rated voltage	Dim "A" Max	Material price group	Pack qty	MOQ
TI250	For use with LET, LMT and LMMT types	250 VAC	37.6	OF	1	1
TI500	For use with LET, LMT and LMMT types	500 VAC	47.5	OF	1	1
TI600	For use with ET, EET, FE, FEE, FM and FMM types	600 VAC	55.7	OF	1	1
TI700	For use with MT and MMT Types	700 VAC	61.8	OF	1	1



Trip indicator

Trip indicator for use with fuse links rated from 1100 to 2500 VAC

Catalogue number	Rated voltage	Dim "A" Max	Material price group	Pack qty	MOQ
TI1100	1100 VAC	98.4	OF	1	1
TI1500	1500 VAC	120.8	OF	1	1
TI2000	2000 VAC	147.5	OF	1	1
TI2500	2500 VAC	198.3	OF	1	1

Trip indicator accessories

Catalogue number	Description	Material price group	Pack qty	MOQ
MAI	Microswitch and adaptor assembly	OF	1	1
CL1	Clips (back connected) for use with trip indicators fuse links	OF	1	1
ECLIP	Clip for use with LET, ET, EET, FE and FEE types	OF	10	10
MCLIP	Clip for use with LMT, LMMT, MT, MMT, FM and FMM types	OF	10	10



1BS Series modular fuse holder

Catalogue number	Rated current (Amps)	Rated voltage	Material price group	Pack qty	MOQ
1BS101	100	600 VAC	QI	1	1
1BS102	400	600 VAC	QI	1	1
1BS103	400	600 VAC	QI	1	1
1BS104	600	600 VAC	QI	1	1

BH modular fuse holder

Catalogue number	Rated current (Amps)	Rated voltage	Material price group	Pack qty	MOQ
BH-0111	100	700 VAC	QI	1	1
BH-0112	100	700 VAC	QI	1	1
BH-0121	100	700 VAC	QI	1	1
BH-0122	100	700 VAC	QI	1	1
BH-1131	400	2500 VAC	QI	1	1
BH-1132	400	2500 VAC	QI	1	1
BH-1133	400	2500 VAC	QI	1	1
BH-2033	600	5000 VAC	QI	1	1
BH-3033	700	1250 VAC	QI	10	10
BH-3144	700	1250 VAC	QI	10	10
BH-3145	700	1250 VAC	QI	10	10



Medium voltage fuse links

Medium voltage range overview 150

Medium Voltage fuse links - DIN 152

45 mm DIN Clips	152
3.6 kV DIN Range	152
7.2 kV DIN T Range	152
12 kV DIN T Range	153
17.5 kV DIN T Range	153
24 kV DIN T Range	154
36 kV DIN T Range	154
12 kV DIN Full range	155
24 kV DIN Full range	155

Medium Voltage fuse links for motor protection 156

3.6 kV British Standard Motor range	156
7.2 kV British Standard Motor range	158
12 kV British Standard Motor range	159
5.5 kV US Motor range	159
3.6 kV DIN Motor range	159
7.2 kV DIN Motor range	160

Medium Voltage fuse links for voltage and auxiliary transformers 161

1.1 kV	161
3.6 kV	161
5.5 kV	161
7.2 kV	162
12 kV	162
15.5 kV	163
17.5 kV	163
24 kV	163
36 kV	163
38 kV	164

Medium Voltage fuse links for oil filled switchgear 164

3.6 kV	164
7.2 kV	164
12 kV	165
17.5 kV	165
24 kV	166
Test trip device	166

Medium Voltage fuse links for use in Air 167

7.2 kV	167
12 kV	168
24 kV	169
72.5 kV	169
Test trip device	169

Fuse clips..... 169

Expulsion fuse links..... 170

15 kV - Slow acting	170
15 kV - Fast acting	171
15 kV - Extra rapid	172
25 kV - Slow acting	172
46 kV - Slow acting	173
46 kV - Fast acting	174

MEDIUM VOLTAGE RANGE OVERVIEW

DIN Fuse links

Standard	DIN 43625, IEC 60282-1 and VDE 0670-4
Voltage	3.6 to 36 kV
Current	6.3 to 400 A
Breaking capacity	20 to 63 kA
Operating class	Back-up, Full range and General purpose
Applications	Suitable for primary side transformer protection, fuse switch combination, unit fuse bases and fuse switches



Motor start fuse links

Standard	IEC 60282-1, DIN 43625 and BS 2692
Voltage	2.75 to 7.2 kV
Current	6.3 to 400 A
Breaking capacity	Up to 63 kA
Operating class	Back-up
Applications	Provide short-circuit protection in motor circuits to both the motor starter and cables
Other	Fitted with pyrotechnic striker for open fuse indication



Voltage and auxiliary transformer fuse links

Standard	BS 2692-1 and IEC 60282-1
Voltage	1.1 to 36 kV
Current	1.1 to 6.3 A
Breaking capacity	50 kA
Operating class	Back-up
Applications	Used in the primary side of voltage transformers
Other	Clips available



Oil fuse links

Standard	IEC 60282-1, BS 2692-1 and ESI Standard 12-8
Voltage	3.6 to 24 kV
Current	6.3 to 250 A
Breaking capacity	Up to 50 kA
Operating class	Back-up
Applications	Primary side transformer protection and oil filled switch combination unit
Other	Fitted with pyrotechnic striker for open fuse indication



Air fuse links

Standard	BS 2692-1
Voltage	3.6 to 72.5 kV
Current	3.15 to 160 A
Breaking capacity	Up to 40 kA
Operating class	Back-up
Applications	Suitable for primary side transformer protection, fuse switch combination, unit fuse bases and fuse switches



Expulsion fuse links

Standard	ANSI
Voltage	15 to 72 kV
Current	1 to 100 A
Breaking capacity	20 to 63 kA
Operating class	Slow acting (T), fast acting (K) and extra rapid (XA) characteristics.
Applications	Suitable for primary side transformer protection, feeder protection and capacitor bank protection.



Automatic Sectionalising Links (ASL)

Standard	IEEE C37-63
Voltage	Up to 33 kV lines
Current	16 to 320 A
Operating class	Resettable
Applications	Suitable for spur line isolation in place of existing expulsion fuse links



Boric acid fuse links (BBU)

Standard	ANSI C.37 and Australian standard AS1033
Voltage	17 to 38 kV
Current	3 to 200 A
Breaking capacity	10 to 14 kA
Operating class	Standard, low and fast
Applications	Suitable for distribution transformer protection (indoors and outdoors)



MEDIUM VOLTAGE FUSE LINKS - DIN

45 mm DIN Clips

Catalogue number	Material price group	Pack qty	MOQ
2757BS	PH	25	25
2757C	PH	50	50

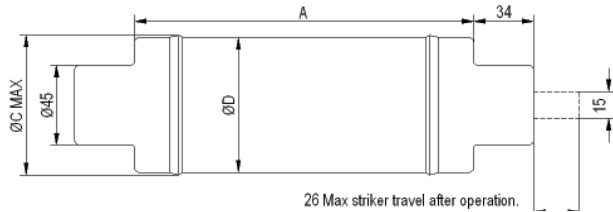
3.6 kV DIN Range

6.3 - 40 A

Catalogue number	Rated current (Amps)	Rated voltage	Material price group	Pack qty	MOQ	Dimensions (mm)		
						A	C	D
3-6ADOSJ6-3	6.3	3.6 kV	PH	3	3	192	54	51
3-6ADOSJ10	10	3.6 kV	PH	3	3	192	54	51
3-6ADOSJ16	16	3.6 kV	PH	3	3	192	54	51
3-6ADOSJ20	20	3.6 kV	PH	3	3	192	54	51
3-6ADOSJ25	25	3.6 kV	PH	3	3	192	54	51
3-6ADOSJ31-5	31.5	3.6 kV	PH	3	3	192	54	51
3-6ADOSJ40	40	3.6 kV	PH	3	3	192	54	51
3-6ADLSJ6-3	6.3	3.6 kV	PH	3	3	292	54	51
3-6ADLSJ10	10	3.6 kV	PH	3	3	292	54	51
3-6ADLSJ25	25	3.6 kV	PH	3	3	292	54	51
3-6ADLSJ31-5	31.5	3.6 kV	PH	3	3	292	54	51
3-6ADLSJ40	40	3.6 kV	PH	3	3	292	54	51



Dimensions - SJ Outline



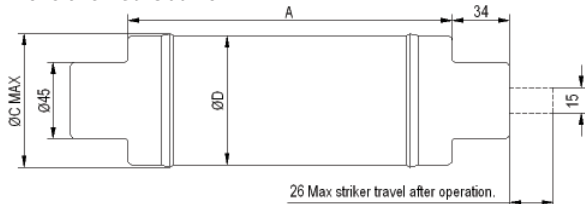
7.2 kV DINT Range

6.3 - 160 A

Catalogue number	Rated current (Amps)	Rated voltage	Material price group	Pack qty	MOQ	Dimensions (mm)		
						A	C	D
7-2TDLSJ6-3	6.3	7.2 kV	PH	3	3	292	54	51
7-2TDLSJ10	10	7.2 kV	PH	3	3	292	54	51
7-2TDLSJ16	16	7.2 kV	PH	3	3	292	54	51
7-2TDLSJ20	20	7.2 kV	PH	3	3	292	54	51
7-2TDLSJ25	25	7.2 kV	PH	3	3	292	54	51
7-2TDLSJ31-5	31.5	7.2 kV	PH	3	3	292	54	51
7-2TDLSJ40	40	7.2 kV	PH	3	3	292	54	51
7-2TDLSJ50	50	7.2 kV	PH	3	3	292	54	51
7-2TDLSJ63	63	7.2 kV	PH	3	3	292	54	51
7-2TFLSJ80	80	7.2 kV	PH	3	3	292	80	76
7-2TFLSJ100	100	7.2 kV	PH	3	3	292	80	76
7-2TFLSJ125	125	7.2 kV	PH	3	3	292	80	76
7-2TFLSJ160	160	7.2 kV	PH	3	3	292	80	76



Dimensions - SJ Outline



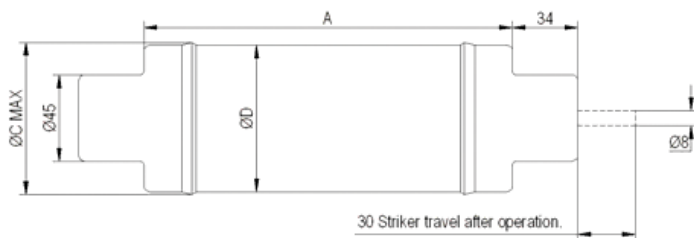
12 kV DINT Range

6.3 - 200 A

Catalogue number	Rated current (Amps)	Rated voltage	Material price group	Pack qty	MOQ	Dimensions (mm)		
						A	C	D
12TDLEJ6-3	6.3	12 kV	PH	3	3	292	54	51
12TDLEJ10	10	12 kV	PH	3	3	292	54	51
12TDLEJ16	16	12 kV	PH	3	3	292	54	51
12TDLEJ20	20	12 kV	PH	3	3	292	54	51
12TDLEJ25	25	12 kV	PH	3	3	292	54	51
12TDLEJ31-5	31.5	12 kV	PH	3	3	292	54	51
12TDLEJ40	40	12 kV	PH	3	3	292	54	51
12TDLEJ50	50	12 kV	PH	3	3	292	54	51
12TDLEJ63	63	12 kV	PH	3	3	292	54	51
12THLEJ80	80	12 kV	PH	3	3	292	67	64
12THLEJ100	100	12 kV	PH	3	3	292	67	64
12TKLEJ125	125	12 kV	PH	3	3	292	80	76
12TXLEJ160	160	12 kV	PH	1	3	292	88	88
12TXLEJ200	200	12 kV	PH	1	3	292	88	88



Dimensions - EJ Outline



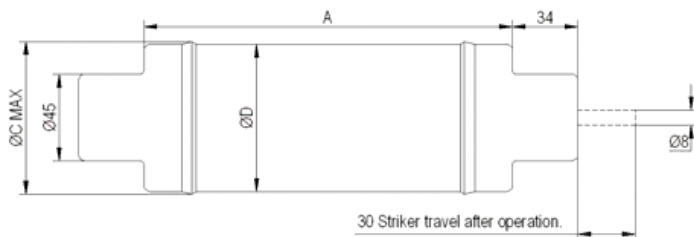
17.5 kV DINT Range

6.3 - 125 A

Catalogue number	Rated current (Amps)	Rated voltage	Material price group	Pack qty	MOQ	Dimensions (mm)		
						A	C	D
17-5TDMEJ6-3	6.3	17.5 kV	PH	3	3	442	54	51
17-5TDMEJ10	10	17.5 kV	PH	3	3	442	54	51
17-5TDMEJ16	16	17.5 kV	PH	3	3	442	54	51
17-5TDMEJ20	20	17.5 kV	PH	3	3	442	54	51
17-5TDMEJ25	25	17.5 kV	PH	3	3	442	54	51
17-5TDMEJ31-5	31.5	17.5 kV	PH	3	3	442	54	51
17-5TDMEJ40	40	17.5 kV	PH	3	3	442	54	51
17-5TDMEJ50	50	17.5 kV	PH	3	3	442	54	51
17-5TDMEJ63	63	17.5 kV	PH	3	3	442	54	51
17-5THMEJ80	80	17.5 kV	PH	1	3	442	67	64
17-5THMEJ100	100	17.5 kV	PH	1	3	442	67	64
17-5TKMEJ125	125	17.5 kV	PH	1	3	442	80	76



Dimensions - EJ Outline



Medium voltage

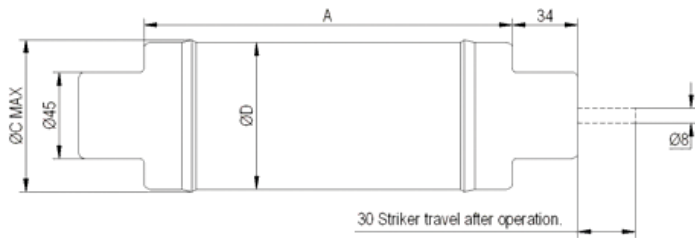
24 kV DINT Range

6.3 - 160 A

Catalogue number	Rated current (Amps)	Rated voltage	Material price group	Pack qty	MOQ	Dimensions (mm)		
						A	C	D
24TDMEJ6-3	6.3	24 kV	PH	3	3	442	54	51
24TDMEJ10	10	24 kV	PH	3	3	442	54	51
24TDMEJ16	16	24 kV	PH	3	3	442	54	51
24TDMEJ20	20	24 kV	PH	3	3	442	54	51
24TDMEJ25	25	24 kV	PH	3	3	442	54	51
24TDMEJ31-5	31.5	24 kV	PH	3	3	442	54	51
24TDMEJ40	40	24 kV	PH	3	3	442	54	51
24TDMEJ50	50	24 kV	PH	3	3	442	54	51
24THMEJ63	63	24 kV	PH	1	3	442	67	64
24TFMEJ80	80	24 kV	PH	1	3	442	80	76
24TFMEJ100	100	24 kV	PH	1	3	442	80	76
24TXMEJ125	125	24 kV	PH	1	3	442	88	88
24TXMEJ160	160	24 kV	PH	1	3	442	88	88



Dimensions - EJ Outline



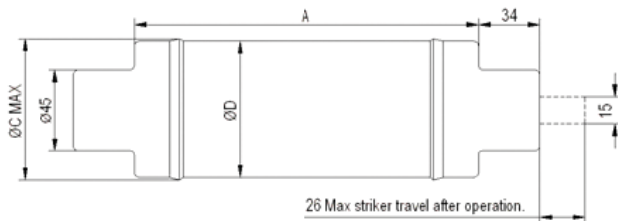
36 kV DINT Range

3.15 - 63 A

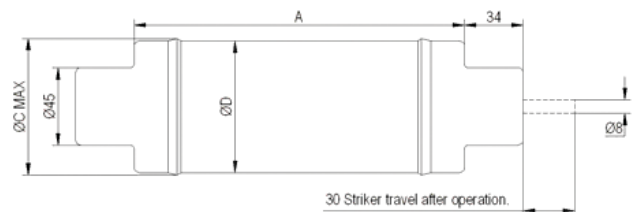
Catalogue number	Rated current (Amps)	Rated voltage	Material price group	Pack qty	MOQ	Dimensions (mm)		
						A	C	D
36TDQSJ3-15	3.15	36 kV	PH	1	3	537	54	51
36TDQSJ6-3	6.3	36 kV	PH	1	3	537	54	51
36TDQSJ10	10	36 kV	PH	1	3	537	54	51
36TDQSJ16	16	36 kV	PH	1	3	537	54	51
36TDQSJ20	20	36 kV	PH	1	3	537	54	51
36TDQSJ25	25	36 kV	PH	1	3	537	54	51
36TFQSJ31-5	31.5	36 kV	PH	1	3	537	80	76
36TFQSJ40	40	36 kV	PH	1	3	537	80	76
36TFQSJ50	50	36 kV	PH	1	3	537	80	76
36TXQEJ63	63	36 kV	PH	1	3	537	88	88



Dimensions - SJ Outline



Dimensions - EJ Outline



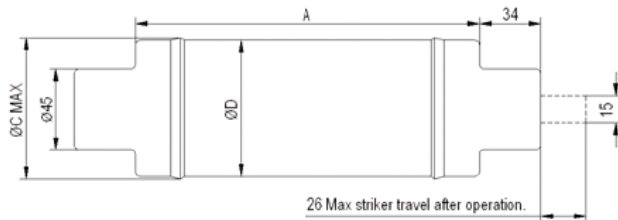
12 kV DIN Full range

6.3 - 100 A

Catalogue number	Rated current (Amps)	Rated voltage	Material price group	Pack qty	MOQ	Dimensions (mm)		
						A	C	D
12FDLSJ6-3	6.3	12 kV	PH	3	3	292	54	50.8
12FDLSJ10	10	12 kV	PH	3	3	292	54	50.8
12FDLSJ16	16	12 kV	PH	3	3	292	54	50.8
12FDLSJ20	20	12 kV	PH	3	3	292	54	50.8
12FDLSJ25	25	12 kV	PH	3	3	292	54	50.8
12FDLSJ31-5	31.5	12 kV	PH	3	3	292	54	50.8
12FFLSJ40	40	12 kV	PH	3	3	292	80	76.2
12FFLSJ50	50	12 kV	PH	3	3	292	80	76.2
12FFLSJ63	63	12 kV	PH	3	3	292	80	76.2
12FXLSJ80	80	12 kV	PH	1	1	292	93	88
12FXLSJ100	100	12 kV	PH	1	1	292	93	88



Dimensions - SJ Outline



24 kV DIN Full range

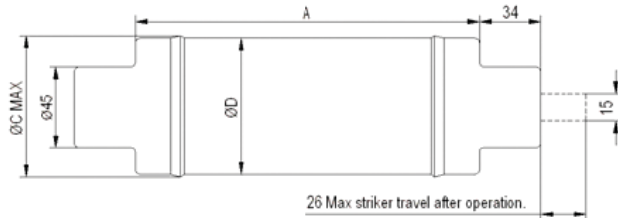
6.3 - 45 A

Catalogue number	Rated current (Amps)	Rated voltage	Material price group	Pack qty	MOQ	Dimensions (mm)		
						A	C	D
24FDMSJ6-3	6.3	24 kV	PH	3	3	442	54	50.8
24FDMSJ10	10	24 kV	PH	3	3	442	54	50.8
24FDMSJ16	16	24 kV	PH	3	3	442	54	50.8
24FDMSJ20	20	24 kV	PH	3	3	442	54	50.8
24FDMSJ25	25	24 kV	PH	3	3	442	54	50.8
24FDMSJ31-5	31.5	24 kV	PH	3	3	442	54	50.8
24FFMSJ40	40	24 kV	PH	1	1	442	80	76.2
24FFMSJ45	45	24 kV	PH	1	1	442	80	76.2



Medium voltage

Dimensions - SJ Outline



MEDIUM VOLTAGE FUSE LINKS FOR MOTOR PROTECTION

3.6 kV British Standard Motor range

31.5 - 250 A

Catalogue number	Rated current (Amps)	Rated voltage	Material price group	Pack qty	MOQ	Dimensions (mm)	
						Length	Diameter
3-6WDFHL50	50	3.6 kV	PM	3	3	254	51
3-6WDFHL63	63	3.6 kV	PM	3	3	254	51
3-6WDFHL80	80	3.6 kV	PM	3	3	254	51
3-6WDFHL100	100	3.6 kV	PM	3	3	254	51
3-6WDFHO50	50	3.6 kV	PM	3	3	254	51
3-6WDFHO63	63	3.6 kV	PM	3	3	254	51
3-6WDFHO80	80	3.6 kV	PM	3	3	254	51
3-6WDFHO100	100	3.6 kV	PM	3	3	254	51
3-6WDFHO125	125	3.6 kV	PM	3	3	254	51
3-6WDOH650	50	3.6 kV	PM	3	3	192	51
3-6WDOH663	63	3.6 kV	PM	3	3	192	51
3-6WDOH680	80	3.6 kV	PM	3	3	192	51
3-6WDOH6100	100	3.6 kV	PM	3	3	192	51
3-6WDON6125	125	3.6 kV	PM	3	3	192	51
3-6WDON663	63	3.6 kV	PM	3	3	192	51
3-6WDON680	80	3.6 kV	PM	3	3	192	51
3-6WDON6100	100	3.6 kV	PM	3	3	192	51
3-6WFDH5031-5	31.5	3.6 kV	PM	3	3	203	76
3-6WFDH5080	80	3.6 kV	PM	3	3	203	76
3-6WFDH50100	100	3.6 kV	PM	3	3	203	76
3-6WFDH50125	125	3.6 kV	PM	3	3	203	76
3-6WFDH50160	160	3.6 kV	PM	3	3	203	76
3-6WFFH5050	50	3.6 kV	PM	3	3	254	76
3-6WFFH5063	63	3.6 kV	PM	3	3	254	76
3-6WFFH50100	100	3.6 kV	PM	3	3	254	76
3-6WFFH50125	125	3.6 kV	PM	3	3	254	76
3-6WFFH50160	160	3.6 kV	PM	3	3	254	76
3-6WFFH50200	200	3.6 kV	PM	3	3	254	76
3-6WFFHO140	140	3.6 kV	PM	3	3	254	76
3-6WFFHO160	160	3.6 kV	PM	3	3	254	76
3-6WFFHO200	200	3.6 kV	PM	3	3	254	76
3-6WFGHO31-5	31.5	3.6 kV	PM	3	3	359	76
3-6WFGHO40	40	3.6 kV	PM	3	3	359	76
3-6WFGHO50	50	3.6 kV	PM	3	3	359	76
3-6WFGHO63	63	3.6 kV	PM	3	3	359	76
3-6WFGHO80	80	3.6 kV	PM	3	3	359	76
3-6WFGHO100	100	3.6 kV	PM	3	3	359	76
3-6WFGHO125	125	3.6 kV	PM	3	3	359	76
3-6WFGHO160	160	3.6 kV	PM	3	3	359	76
3-6WFGHO200	200	3.6 kV	PM	3	3	359	76
3-6WFGHO250	250	3.6 kV	PM	3	3	359	76



3.6 kV British Standard Motor range

5 - 450 A Single barrel, 450 - 639 A Double barrel

Catalogue number	Rated current (Amps)	Rated voltage	Material price group	Pack qty	MOQ	Dimensions (mm)	
						Length	Diameter
3-6WFGHA31-5	31.5	3.6 kV	PM	3	3	359	76
3-6WFGHA50	50	3.6 kV	PM	3	3	359	76
3-6WFGHA100	100	3.6 kV	PM	3	3	359	76
3-6WFGHA125	125	3.6 kV	PM	3	3	359	76
3-6WFGHA160	160	3.6 kV	PM	3	3	359	76
3-6WFGHA200	200	3.6 kV	PM	3	3	359	76
3-6WFGHA250	250	3.6 kV	PM	3	3	359	76
3-6WFGNO31-5	31.5	3.6 kV	PM	3	3	359	76
3-6WFGNO50	50	3.6 kV	PM	3	3	359	76
3-6WFGNO80	80	3.6 kV	PM	3	3	359	76
3-6WFGNO125	125	3.6 kV	PM	3	3	359	76
3-6WFGNO250	250	3.6 kV	PM	3	3	359	76
3-6WJON65	5	3.6 kV	PM	5	5	192	35
3-6WJON66-3	6.3	3.6 kV	PM	5	5	192	35
3-6WJON610	10	3.6 kV	PM	5	5	192	35
3-6WJON616	16	3.6 kV	PM	5	5	192	35
3-6WJON620	20	3.6 kV	PM	5	5	192	35
3-6WJON625	25	3.6 kV	PM	5	5	192	35
3-6WJON631-5	31.5	3.6 kV	PM	5	5	192	35
3-6WJON640	40	3.6 kV	PM	5	5	192	35
3-6WJON650	50	3.6 kV	PM	5	5	192	35
3-6WKFH50250	250	3.6 kV	PM	3	3	254	76
3-6WKFH50315	315	3.6 kV	PM	3	3	254	76
3-6WKFH50355	355	3.6 kV	PM	3	3	254	76
3-6WKFH50400	400	3.6 kV	PM	3	3	254	76
3-6WKFHA250	250	3.6 kV	PM	3	3	254	76
3-6WKFHA400	400	3.6 kV	PM	3	3	254	76
3-6WKFH022X250*	450	3.6 kV	PM	1	3	254	76
3-6WKFH022X315*	567	3.6 kV	PM	1	3	254	76
3-6WKFH022X355*	639	3.6 kV	PM	1	3	254	76
3-6WKFN0250	250	3.6 kV	PM	3	3	254	76
3-6WKFN0315	315	3.6 kV	PM	3	3	254	76
3-6WKFN0355	355	3.6 kV	PM	3	3	254	76
3-6WKFN0400	400	3.6 kV	PM	3	3	254	76
3-6WKFH0250	250	3.6 kV	PM	3	3	254	76
3-6WKFH0315	315	3.6 kV	PM	3	3	254	76
3-6WKFH0355	355	3.6 kV	PM	3	3	254	76
3-6WKFH0400	400	3.6 kV	PM	3	3	254	76
3-6WKGH0315	315	3.6 kV	PM	3	3	359	76
3-6WKGH0355	355	3.6 kV	PM	3	3	359	76
3-6WKGH0400	400	3.6 kV	PM	3	3	359	76
3-6WKGH0450	450	3.6 kV	PM	3	3	359	76
3-6WKLSJ355	355	3.6 kV	PM	3	3	292	76

* Double barrel fuse links



Medium voltage

7.2 kV British Standard Motor range

25 - 315 A Single barrel, 360 - 567 A Double barrel

Catalogue number	Rated current (Amps)	Rated voltage	Material price group	Pack qty	MOQ	Dimensions (mm)	
						Length	Diameter
7-2WFMH750	50	7.2 kV	PM	1	3	442	76
7-2WFMH763	63	7.2 kV	PM	1	3	442	76
7-2WFMH780	80	7.2 kV	PM	1	3	442	76
7-2WFMH7100	100	7.2 kV	PM	1	3	442	76
7-2WFMH7125	125	7.2 kV	PM	1	3	442	76
7-2WFMH7160	160	7.2 kV	PM	1	3	442	76
7-2WFMH7250	250	7.2 kV	PM	1	3	442	76
7-2WFNHA25	25	7.2 kV	PM	3	3	403	76
7-2WFNHA40	40	7.2 kV	PM	3	3	403	76
7-2WFNHA50	50	7.2 kV	PM	3	3	403	76
7-2WFNHA63	63	7.2 kV	PM	3	3	403	76
7-2WFNHA80	80	7.2 kV	PM	3	3	403	76
7-2WFNHA100	100	7.2 kV	PM	3	3	403	76
7-2WFNHA125	125	7.2 kV	PM	3	3	403	76
7-2WFNHA160	160	7.2 kV	PM	3	3	403	76
7-2WFNH025	25	7.2 kV	PM	3	3	403	76
7-2WFNH031-5	31.5	7.2 kV	PM	3	3	403	76
7-2WFNH040	40	7.2 kV	PM	3	3	403	76
7-2WFNH050	50	7.2 kV	PM	3	3	403	76
7-2WFNH063	63	7.2 kV	PM	3	3	403	76
7-2WFNH080	80	7.2 kV	PM	3	3	403	76
7-2WFNH0100	100	7.2 kV	PM	3	3	403	76
7-2WFNH0125	125	7.2 kV	PM	3	3	403	76
7-2WFNH0160	160	7.2 kV	PM	3	3	403	76
7-2WKMH7200	200	7.2 kV	PM	3	3	442	76
7-2WKMH7250	250	7.2 kV	PM	3	3	442	76
7-2WKMH7315	315	7.2 kV	PM	3	3	442	76
7-2WKMH7355	355	7.2 kV	PM	3	3	442	76
7-2WKNHA200	200	7.2 kV	PM	3	3	442	76
7-2WKNHA250	250	7.2 kV	PM	3	3	442	76
7-2WKNHA315	315	7.2 kV	PM	3	3	442	76
7-2WKNHO22X200*	360	7.2 kV	PM	1	3	403	76
7-2WKNHO22X224*	403	7.2 kV	PM	1	3	403	76
7-2WKNHO22X250*	450	7.2 kV	PM	1	3	403	76
7-2WKNHO22X315*	567	7.2 kV	PM	1	3	403	76
7-2WKNHO200	200	7.2 kV	PM	3	3	403	76
7-2WKNHO224	224	7.2 kV	PM	3	3	403	76
7-2WKNHO250	250	7.2 kV	PM	3	3	403	76
7-2WKNHO315	315	7.2 kV	PM	3	3	403	76

* Double barrel fuse links

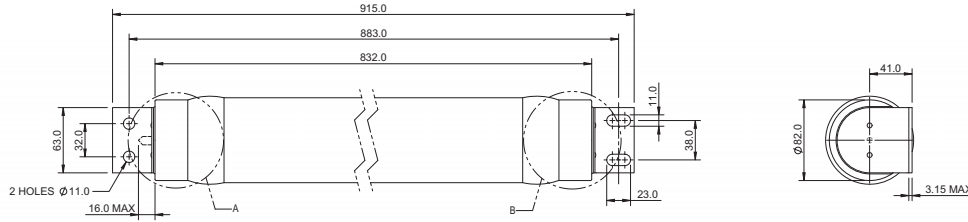
12 kV British Standard Motor range

250 - 350 A*

Catalogue number	Rated current (Amps)	Rated voltage	Material price group	Pack qty	MOQ
K81ERX250	250	12 kV	OP	1	1
K81ERX315	315	12 kV	OP	1	1
K81ERX350	350	12 kV	OP	1	1

* Lower ratings available on request

Dimensions - mm



5.5 kV US Motor range

2 - 30 R

Catalogue number	Rated current	System voltage	Material price group	Pack qty	MOQ	Dimensions (mm)	
						Length	Diameter
5-5VFNHA2R	70	5.5 kV	PM	1	3	403	76
5-5VFNHA3R	100	5.5 kV	PM	1	3	403	76
5-5VFNHA4R	130	5.5 kV	PM	1	3	403	76
5-5VFNHA6R	170	5.5 kV	PM	1	3	403	76
5-5VKNHA9R	200	5.5 kV	PM	1	3	403	76
5-5VKNHA12R	230	5.5 kV	PM	1	3	403	76
5-5VKNHK18R	390	5.5 kV	PM	1	3	403	76
5-5VKNHK24R	450	5.5 kV	PM	1	3	403	76
5-5VKNHK30R	550	5.5 kV	PM	1	3	403	76



Medium voltage

3.6 kV DIN Motor range

50 - 400 A

Catalogue number	Rated current (Amps)	Rated voltage	Material price group	Pack qty	MOQ	Dimensions (mm)	
						Length	Diameter
3-6WDOSJ50	50	3.6 kV	PM	3	3	192	51
3-6WDOSJ63	63	3.6 kV	PM	3	3	192	51
3-6WDOSJ80	80	3.6 kV	PM	3	3	192	51
3-6WDOSJ100	100	3.6 kV	PM	3	3	192	51
3-6WDOSJ125	125	3.6 kV	PM	3	3	192	51
3-6WFOSJ160	160	3.6 kV	PM	3	3	192	76
3-6WFOSJ200	200	3.6 kV	PM	3	3	192	76
3-6WDLJ50	50	3.6 kV	PM	3	3	292	51
3-6WDLJ63	63	3.6 kV	PM	3	3	292	51
3-6WDLJ80	80	3.6 kV	PM	3	3	292	51
3-6WDLJ100	100	3.6 kV	PM	3	3	292	51
3-6WDLJ125	125	3.6 kV	PM	3	3	292	51
3-6WFLSJ160	160	3.6 kV	PM	3	3	192	76
3-6WFLSJ200	200	3.6 kV	PM	3	3	192	76
3-6WKLSJ250	250	3.6 kV	PM	3	3	292	76
3-6WKLSJ315	315	3.6 kV	PM	3	3	292	76
3-6WKLSJ400	400	3.6 kV	PM	3	3	292	76



7.2 kV DIN Motor range

25 - 355 A

Catalogue number	Rated current (Amps)	Rated voltage	Material price group	Pack qty	MOQ	Dimensions (mm)	
						Length	Diameter
7-2WFMSJ25	25	7.2 kV	PM	1	3	442	76
7-2WFMSJ31-5	31.5	7.2 kV	PM	1	3	442	76
7-2WFMSJ40	40	7.2 kV	PM	1	3	442	76
7-2WFMSJ50	50	7.2 kV	PM	1	3	442	76
7-2WFMSJ63	63	7.2 kV	PM	1	3	442	76
7-2WFMSJ80	80	7.2 kV	PM	1	3	442	76
7-2WFMSJ100	100	7.2 kV	PM	1	3	442	76
7-2WFMSJ125	125	7.2 kV	PM	1	3	442	76
7-2WFMSJ160	160	7.2 kV	PM	1	3	442	76
7-2WKMSJ200	200	7.2 kV	PM	1	3	442	76
7-2WKMSJ224	224	7.2 kV	PM	1	3	442	76
7-2WKMSJ250	250	7.2 kV	PM	1	3	442	76
7-2WKMSJ315	315	7.2 kV	PM	1	3	442	76
7-2WKMSJ355	355	7.2 kV	PM	1	3	442	76

MEDIUM VOLTAGE FUSE LINKS FOR VOLTAGE AND AUXILIARY TRANSFORMERS

1.1 kV

2 - 6.3 A

Catalogue number	Rated current (Amps)	Rated voltage	Material price group	Pack qty	MOQ	Dimensions (mm)	
						Length	Diameter
1-1NBUNA2	2	1.2 kV	PL	6	6	86	25.4
1-1NBUNA3-15	3.15	1.2 kV	PL	6	6	86	25.4
1-1NBUNA6-3	6.3	1.2 kV	PL	6	6	86	25.4

3.6 kV

2 - 10 A

Catalogue number	Rated current (Amps)	Rated voltage	Material price group	Pack qty	MOQ	Dimensions (mm)	
						Length	Diameter
3-6ABWN223-15	3.15	3.6 kV	PL	12	12	142	25.4
3-6ABWN226-3	6.3	3.6 kV	PL	12	12	142	25.4
3-6ABWNA3-15	3.15	3.6 kV	PL	20	20	142	25.4
3-6ABWNA6-3	6.3	3.6 kV	PL	20	20	142	25.4
3-6ABCNA10	10	3.6 kV	PL	12	12	195	25.4
3-6ABCNA3-15	3.15	3.6 kV	PL	12	12	195	25.4
3-6ABCNA6-3	6.3	3.6 kV	PL	12	12	195	25.4
3-6CAV2	2	3.6 kV	PL	3	3	220	41.3



5.5 kV

0.5 - 15 A

Catalogue number	Rated current (Amps)	Rated voltage	Material price group	Pack qty	MOQ	Dimensions (mm)	
						Length	Diameter
5-5ABWNA0-5E	0.5	5.5 kV	PL	20	20	142	25.4
5-5ABWNA1E	1	5.5 kV	PL	20	20	142	25.4
5-5ABWNA2E	2	5.5 kV	PL	20	20	142	25.4
5-5ABWNA3E	3	5.5 kV	PL	20	20	142	25.4
5-5ABWNA5E	5	5.5 kV	PL	20	20	142	25.4
5-5AMWNA0-5E	0.5	5.5 kV	PL	1	3	142	20.6
5-5AMWNA1-0E	1	5.5 kV	PL	1	3	142	20.6
5-5AMWNA2-0E	2	5.5 kV	PL	1	3	142	20.6
5-5AMWNA3-0E	3	5.5 kV	PL	1	3	142	20.6
5-5AMWNA4-0E	4	5.5 kV	PL	1	3	142	20.6
5-5AMWNA5-0E	5	5.5 kV	PL	1	3	142	20.6
5-5CAV15E	15	5.5 kV	PL	5	5	187	41.3
5-5CAVH0-5E	0.5	5.5 kV	PL	5	5	187	41.3
5-5CAVH1E	1	5.5 kV	PL	5	5	187	41.3
5-5CAVH2E	2	5.5 kV	PL	5	5	187	41.3



Medium voltage

7.2 kV

0.62 - 10 A

Catalogue number	Rated current (Amps)	Rated voltage	Material price group	Pack qty	MOQ	Dimensions (mm)	
						Length	Diameter
7-2ABWN223-15	3.15	7.2 kV	PL	20	20	142	25.4
7-2ABWN226-3	6.3	7.2 kV	PL	20	20	142	25.4
7-2ABWNA3-15	3.15	7.2 kV	PL	20	20	142	25.4
7-2ABWNA6-3	6.3	7.2 kV	PL	20	20	142	25.4
7-2ABCN223-15	3.15	7.2 kV	PL	12	12	195	25.4
7-2ABCN226-3	6.3	7.2 kV	PL	12	12	195	25.4
7-2ABCNA3-15	3.15	7.2 kV	PL	12	12	195	25.4
7-2ABCNA6-3	6.3	7.2 kV	PL	12	12	195	25.4
7-2OBCN223-15	3.15	7.2 kV	PL	12	12	195	25.4
7-2OBCN226-3	6.3	7.2 kV	PL	12	12	195	25.4
7-2OBCNA3-15	3.15	7.2 kV	PL	12	12	195	25.4
7-2OBCNA6-3	6.3	7.2 kV	PL	12	12	195	25.4
7-2OBWN223-15	3.15	7.2 kV	PL	12	12	142	25.4
7-2OBWN226-3	6.3	7.2 kV	PL	20	20	142	25.4
7-2OBWNA3-15	3.15	7.2 kV	PL	20	20	142	25.4
7-2OBWNA6-3	6.3	7.2 kV	PL	20	20	142	25.4
7-2CAV2	2	7.2 kV	PL	5	5	220	41.3
7-2CAV10	10	7.2 kV	PL	5	5	220	41.3
7-2VTBNN0-62	0.62	7.2 kV	PL	20	20	143	22.2
7-2VTBNN1	1	7.2 kV	PL	20	20	143	22.2
7-2VTBNN2	2	7.2 kV	PL	20	20	143	22.2
7-2VTBNN3	3	7.2 kV	PL	20	20	143	22.2
7-2VTDNN0-62	0.62	7.2 kV	PL	12	12	143	22.2
7-2VTDNN3	3	7.2 kV	PL	12	12	143	22.2



12 kV

0.5 - 3.15 A

Catalogue number	Rated current (Amps)	Rated voltage	Material price group	Pack qty	MOQ	Dimensions (mm)	
						Length	Diameter
12ABCN223-15	3.15	12 kV	PL	1	12	195	25.4
12ABCNA3-15	3.15	12 kV	PL	1	12	195	25.4
12OBCN223	3	12 kV	PL	1	12	195	25.4
12OBCNA3	3	12 kV	PL	1	12	195	25.4
12OBCN223-15	3.15	12 kV	PL	12	24	195	25.4
12OBCNA3-15	3.15	12 kV	PL	1	12	195	25.4
12CAV2	2	12 kV	PL	5	5	220	41.3
12SMDNN1	1	12 kV	PL	12	12	195	25.4
12SMDNN3	3	12 kV	PL	12	12	195	25.4
12VTDNN0-5	0.5	12 kV	PL	12	12	197	22.2
12VTDNN0-62	0.62	12 kV	PL	12	12	197	22.2
12VTDNN1	1	12 kV	PL	12	12	197	22.2
12VTDNN3	3	12 kV	PL	12	12	197	22.2



15.5 kV

0.5 - 7 A

Catalogue number	Rated current (Amps)	Rated voltage	Material price group	Pack qty	MOQ	Dimensions (mm)	
						Length	Diameter
15-5ABFN223-15	3.15	15.5 kV	PL	12	12	254	25.4
15-5ABFNA3-15	3.15	15.5 kV	PL	12	12	254	25.4
15-50BFN223-15	3.15	15.5 kV	PL	12	12	254	25.4
15-50BFNA3-15	3.15	15.5 kV	PL	12	12	254	25.4
15-5CAV0-5E	0.5	15.5 kV	PL	5	5	327	41.3
15-5CAV1E	1	15.5 kV	PL	5	5	327	41.3
15-5CAV2E	2	15.5 kV	PL	5	5	327	41.3
15-5CAV3E	3	15.5 kV	PL	5	5	327	41.3
15-5CAV5E	5	15.5 kV	PL	5	5	327	41.3
15-5CAV7E	7	15.5 kV	PL	5	5	327	41.3
15-5CAVH0-5E	0.5	15.5 kV	PL	5	5	327	41.3
15-5CAVH1E	1	15.5 kV	PL	5	5	327	41.3
15-5CAVH2E	2	15.5 kV	PL	5	5	327	41.3



17.5 kV

2 - 10 A

Catalogue number	Rated current (Amps)	Rated voltage	Material price group	Pack qty	MOQ	Dimensions (mm)	
						Length	Diameter
17-50BGN223-15	3.15	17.5 kV	PL	12	12	359	25.4
17-50BGNA3-15	3.15	17.5 kV	PL	12	12	359	25.4
17-5ABGN223-15	3.15	17.5 kV	PL	12	12	359	25.4
17-5ABGNA3-15	3.15	17.5 kV	PL	12	12	359	25.4
17-5CAV2	2	17.5 kV	PL	5	5	220	41.3
17-5CAV4	4	17.5 kV	PL	5	5	220	41.3
17-5CAV6	6	17.5 kV	PL	5	5	220	41.3
17-5CAV10	10	17.5 kV	PL	5	5	220	41.3



24 kV

2 - 4 A

Catalogue number	Rated current (Amps)	Rated voltage	Material price group	Pack qty	MOQ	Dimensions (mm)	
						Length	Diameter
24ABGN223-15	3.15	24 kV	PL	12	12	359	25.4
24ABGNA3-15	3.15	24 kV	PL	12	12	359	25.4
24CAV2	2	24 kV	PL	5	5	340	41.3
24CAV3	3	24 kV	PL	5	5	340	41.3
24CAV4	4	24 kV	PL	5	5	340	41.3
240BGN223-15	3.15	24 kV	PL	12	12	359	25.4
240BGNA3-15	3.15	24 kV	PL	3	3	359	25.4



36 kV

2 - 4 A

Catalogue number	Rated current (Amps)	Rated voltage	Material price group	Pack qty	MOQ	Dimensions (mm)	
						Length	Diameter
36ABGN223-15	3.15	36 kV	PL	12	12	359	25.4
36ABGNA3-15	3.15	36 kV	PL	12	12	359	25.4
36CAV2	2	36 kV	PL	3	3	440	41.3
36CAV4	4	36 kV	PL	3	3	440	41.3
360BGN223-15	3.15	36 kV	PL	12	12	359	25.4
360BGNA3-15	3.15	36 kV	PL	12	12	359	25.4



Medium voltage

38 kV

0.5 - 4 A

Catalogue number	Rated current (Amps)	Rated voltage	Material price group	Pack qty	MOQ	Dimensions (mm)	
						Length	Diameter
38CAV4E	4	38 kV	PL	3	3	440	41.3
38CAVH0-5E	0.5	38 kV	PL	3	3	440	41.3
38CAVH1E	1	38 kV	PL	3	3	440	41.3
38CAVH2E	2	38 kV	PL	3	3	440	41.3



MEDIUM VOLTAGE FUSE LINKS FOR OIL FILLED SWITCHGEAR

3.6 kV

6.3- 250 A

Catalogue number	Rated current (Amps)	Rated voltage	Material price group	Pack qty	MOQ	Dimensions (mm)	
						Length	Diameter
3-60EFMA6-3	6.3	3.6 kV	PJ	3	3	254	63.5
3-60EFMA10	10	3.6 kV	PJ	3	3	254	63.5
3-60EFMA16	16	3.6 kV	PJ	3	3	254	63.5
3-60EFMA20	20	3.6 kV	PJ	3	3	254	63.5
3-60EFMA25	25	3.6 kV	PJ	3	3	254	63.5
3-60EFMA31-5	31.5	3.6 kV	PJ	3	3	254	63.5
3-60EFMA40	40	3.6 kV	PJ	3	3	254	63.5
3-60EFMA50	50	3.6 kV	PJ	3	3	254	63.5
3-60EFMA63	63	3.6 kV	PJ	3	3	254	63.5
3-60EFMA80	80	3.6 kV	PJ	3	3	254	63.5
3-60EFMA100	100	3.6 kV	PJ	3	3	254	63.5
3-60EFMA125	125	3.6 kV	PJ	3	3	254	63.5
3-60EFMA160	160	3.6 kV	PJ	3	3	254	63.5
3-60EFMA200	200	3.6 kV	PJ	3	3	254	63.5
3-60EGMA100	100	3.6 kV	PJ	3	3	254	63.5
3-60EGMA125	125	3.6 kV	PJ	3	3	254	63.5
3-60EGMA160	160	3.6 kV	PJ	3	3	254	63.5
3-60EGMA200	200	3.6 kV	PJ	3	3	254	63.5
3-60LGMA250	250	3.6 kV	PJ	3	3	254	63.5

7.2 kV

20 - 160 A

Catalogue number	Rated current (Amps)	Rated voltage	Material price group	Pack qty	MOQ	Dimensions (mm)	
						Length	Diameter
7-20EFMA20	20	7.2 kV	PJ	3	3	254	63.5
7-20EFMA31-5	31.5	7.2 kV	PJ	3	3	254	63.5
7-20EFMA35-5	35.5	7.2 kV	PJ	3	3	254	63.5
7-20EFMA40	40	7.2 kV	PJ	3	3	254	63.5
7-20EFMA50	50	7.2 kV	PJ	3	3	254	63.5
7-20EFMA71	71	7.2 kV	PJ	3	3	254	63.5
7-20EFMA80	80	7.2 kV	PJ	3	3	254	63.5
7-20EFMA100	100	7.2 kV	PJ	3	3	254	63.5
7-20EFMA112	112	7.2 kV	PJ	3	3	254	63.5
7-20HGMA80	80	7.2 kV	PJ	3	3	359	63.5
7-20HGMA100	100	7.2 kV	PJ	3	3	359	63.5
7-20HGMA125	125	7.2 kV	PJ	3	3	359	63.5
7-20HGMA140	140	7.2 kV	PJ	3	3	359	63.5
7-20HGMA160	160	7.2 kV	PJ	3	3	359	63.5



12 kV

6.3 - 100 A

Catalogue number	Rated current (Amps)	Rated voltage	Material price group	Pack qty	MOQ	Dimensions (mm)	
						Length	Diameter
120EFMA6-3	6.3	12 kV	PJ	3	3	254	63.5
120EFMA10	10	12 kV	PJ	3	3	254	63.5
120EFMA16	16	12 kV	PJ	3	3	254	63.5
120EFMA20	20	12 kV	PJ	3	3	254	63.5
120EFMA25	25	12 kV	PJ	3	3	254	63.5
120EFMA31-5	31.5	12 kV	PJ	3	3	254	63.5
120EFMA40	40	12 kV	PJ	3	3	254	63.5
120EFMA45	45	12 kV	PJ	3	3	254	63.5
120EFMA50	50	12 kV	PJ	3	3	254	63.5
120EFMA63	63	12 kV	PJ	3	3	254	63.5
120EFMA75	75	12 kV	PJ	3	3	254	63.5
120HFMA71	71	12 kV	PJ	3	3	254	63.5
120HFMA80	80	12 kV	PJ	3	3	254	63.5
120HFMA90	90	12 kV	PJ	3	3	254	63.5
120HFMA100	100	12 kV	PJ	3	3	254	63.5
120HGMA6-3	6.3	12 kV	PJ	3	3	359	63.5
120HGMA10	10	12 kV	PJ	3	3	359	63.5
120HGMA16	16	12 kV	PJ	3	3	359	63.5
120HGMA20	20	12 kV	PJ	3	3	359	63.5
120HGMA25	25	12 kV	PJ	3	3	359	63.5
120HGMA31-5	31.5	12 kV	PJ	3	3	359	63.5
120HGMA40	40	12 kV	PJ	3	3	359	63.5
120HGMA45	45	12 kV	PJ	3	3	359	63.5
120HGMA50	50	12 kV	PJ	3	3	359	63.5
120HGMA63	63	12 kV	PJ	3	3	359	63.5
120HGMA71	71	12 kV	PJ	3	3	359	63.5
120HGMA75	75	12 kV	PJ	3	3	359	63.5
120HGMA80	80	12 kV	PJ	3	3	359	63.5
120HGMA90	90	12 kV	PJ	3	3	359	63.5
120HGMA100	100	12 kV	PJ	3	3	359	63.5



17.5 kV

6.3 - 80 A

Catalogue number	Rated current (Amps)	Rated voltage	Material price group	Pack qty	MOQ	Dimensions (mm)	
						Length	Diameter
17-50HGMA6-3	6.3	17.5 kV	PJ	3	3	359	63.5
17-50HGMA10	10	17.5 kV	PJ	3	3	359	63.5
17-50HGMA16	16	17.5 kV	PJ	3	3	359	63.5
17-50HGMA20	20	17.5 kV	PJ	3	3	359	63.5
17-50HGMA25	25	17.5 kV	PJ	3	3	359	63.5
17-50HGMA31-5	31.5	17.5 kV	PJ	3	3	359	63.5
17-50HGMA40	40	17.5 kV	PJ	3	3	359	63.5
17-50HGMA50	50	17.5 kV	PJ	3	3	359	63.5
17-50HGMA63	63	17.5 kV	PJ	3	3	359	63.5
17-50HGMA80	80	17.5 kV	PJ	3	3	359	63.5



Medium voltage

24 kV

6.3 - 50 A

Catalogue number	Rated current (Amps)	Rated voltage	Material price group	Pack qty	MOQ	Dimensions (mm)	
						Length	Diameter
240EGMA6-3	6.3	24 kV	PJ	3	3	359	63.5
240EGMA10	10	24 kV	PJ	3	3	359	63.5
240EGMA16	16	24 kV	PJ	3	3	359	63.5
240EGMA20	20	24 kV	PJ	3	3	359	63.5
240EGMA25	25	24 kV	PJ	3	3	359	63.5
240EGMA31-5	31.5	24 kV	PJ	3	3	359	63.5
240EGMA40	40	24 kV	PJ	3	3	359	63.5
240EGMA50	50	24 kV	PJ	3	3	359	63.5

Test trip device

Catalogue number	Material price group	Pack qty	MOQ
TTD01	PJ	1	1
TTD01R	PJ	1	1

MEDIUM VOLTAGE FUSE LINKS FOR USE IN AIR

7.2 kV

6.3 - 160 A

Catalogue number	Rated current (Amps)	Rated voltage	Material price group	Pack qty	MOQ	Dimensions (mm)	
						Length	Diameter
7-2ADFHO6-3	6.3	7.2 kV	PK	3	3	254	50.8
7-2ADFHO20	20	7.2 kV	PK	3	3	254	50.8
7-2ADFHO25	25	7.2 kV	PK	3	3	254	50.8
7-2ADFHO31-5	31.5	7.2 kV	PK	3	3	254	50.8
7-2ADFHO40	40	7.2 kV	PK	3	3	254	50.8
7-2ADFHO50	50	7.2 kV	PK	3	3	254	50.8
7-2ADFHO63	63	7.2 kV	PK	3	3	254	50.8
7-2BDGHC6-3	6.3	7.2 kV	PK	3	3	359	50.8
7-2BDGHC10	10	7.2 kV	PK	3	3	359	50.8
7-2BDGHC16	16	7.2 kV	PK	3	3	359	50.8
7-2BDGHC25	25	7.2 kV	PK	3	3	359	50.8
7-2BDGHC31-5	31.5	7.2 kV	PK	3	3	359	50.8
7-2BDGHC50	50	7.2 kV	PK	3	3	359	50.8
7-2BDGHC63	63	7.2 kV	PK	3	3	359	50.8
7-2BDGHC80	80	7.2 kV	PK	3	3	359	50.8
7-2BDGHO6-3	6.3	7.2 kV	PK	3	3	359	50.8
7-2BDGHO10	10	7.2 kV	PK	3	3	359	50.8
7-2BDGHO16	16	7.2 kV	PK	3	3	359	50.8
7-2BDGHO20	20	7.2 kV	PK	3	3	359	50.8
7-2BDGHO25	25	7.2 kV	PK	3	3	359	50.8
7-2BDGHO31-5	31.5	7.2 kV	PK	3	3	359	50.8
7-2BDGHO40	40	7.2 kV	PK	3	3	359	50.8
7-2BDGHO50	50	7.2 kV	PK	3	3	359	50.8
7-2BDGHO63	63	7.2 kV	PK	3	3	359	50.8
7-2BDGHO80	80	7.2 kV	PK	3	3	359	50.8
7-2BFGHD100	100	7.2 kV	PK	3	3	359	76.2
7-2BFGHD125	125	7.2 kV	PK	3	3	359	76.2
7-2BFGHD140	140	7.2 kV	PK	3	3	359	76.2
7-2BFGHD160	160	7.2 kV	PK	3	3	359	76.2
7-2BFGHF100	100	7.2 kV	PK	3	3	359	76.2
7-2BFGHF125	125	7.2 kV	PK	3	3	359	76.2
7-2BFGHF160	160	7.2 kV	PK	3	3	359	76.2
7-2BFGHO90	90	7.2 kV	PK	3	3	359	76.2
7-2BFGHO100	100	7.2 kV	PK	3	3	359	76.2
7-2BFGHO125	125	7.2 kV	PK	3	3	359	76.2
7-2BFGHO140	140	7.2 kV	PK	3	3	359	76.2
7-2BFGHO160	160	7.2 kV	PK	3	3	359	76.2



Medium voltage

12 kV

6.3 - 180 A

Catalogue number	Rated current (Amps)	Rated voltage	Material price group	Pack qty	MOQ	Dimensions (mm)	
						Length	Diameter
12BDGHA6-3	6.3	12 kV	PK	3	3	359	50.8
12BDGHA10	10	12 kV	PK	3	3	359	50.8
12BDGHA16	16	12 kV	PK	3	3	359	50.8
12BDGHA20	20	12 kV	PK	3	3	359	50.8
12BDGHA25	25	12 kV	PK	3	3	359	50.8
12BDGHA31-5	31.5	12 kV	PK	3	3	359	50.8
12BDGHA35-5	35.5	12 kV	PK	3	3	359	50.8
12BDGHA40	40	12 kV	PK	3	3	359	50.8
12BDGHA45	45	12 kV	PK	3	3	359	50.8
12BDGHA50	50	12 kV	PK	3	3	359	50.8
12BDGHC6-3	6.3	12 kV	PK	3	3	359	50.8
12BDGHC10	10	12 kV	PK	3	3	359	50.8
12BDGHC16	16	12 kV	PK	3	3	359	50.8
12BDGHC20	20	12 kV	PK	3	3	359	50.8
12BDGHC25	25	12 kV	PK	3	3	359	50.8
12BDGHC31-5	31.5	12 kV	PK	3	3	359	50.8
12BDGHC35-5	35.5	12 kV	PK	3	3	359	50.8
12BDGHC40	40	12 kV	PK	3	3	359	50.8
12BDGHC45	45	12 kV	PK	3	3	359	50.8
12BDGHC50	50	12 kV	PK	3	3	359	50.8
12BDGHC63	63	12 kV	PK	3	3	359	50.8
12BDGHO6-3	6.3	12 kV	PK	3	3	359	50.8
12BDGHO10	10	12 kV	PK	3	3	359	50.8
12BDGHO16	16	12 kV	PK	3	3	359	50.8
12BDGHO20	20	12 kV	PK	3	3	359	50.8
12BDGHO22-4	22.4	12 kV	PK	3	3	359	50.8
12BDGHO25	25	12 kV	PK	3	3	359	50.8
12BDGHO31-5	31.5	12 kV	PK	3	3	359	50.8
12BDGHO35-5	35.5	12 kV	PK	3	3	359	50.8
12BDGHO40	40	12 kV	PK	3	3	359	50.8
12BDGHO45	45	12 kV	PK	3	3	359	50.8
12BDGHO50	50	12 kV	PK	3	3	359	50.8
12BFGHA16	16	12 kV	PK	3	3	359	76.2
12BFGHA31-5	31.5	12 kV	PK	3	3	359	76.2
12BFGHA50	50	12 kV	PK	3	3	359	76.2
12BFGHA56	56	12 kV	PK	3	3	359	76.2
12BFGHA63	63	12 kV	PK	3	3	359	76.2
12BFGHA71	71	12 kV	PK	3	3	359	76.2
12BFGHA80	80	12 kV	PK	3	3	359	76.2
12BFGHA90	90	12 kV	PK	3	3	359	76.2
12BFGHA100	100	12 kV	PK	3	3	359	76.2
12BFGHD40	40	12 kV	PK	3	3	359	76.2
12BFGHD56	56	12 kV	PK	3	3	359	76.2
12BFGHD63	63	12 kV	PK	3	3	359	76.2
12BFGHD71	71	12 kV	PK	3	3	359	76.2
12BFGHD75	75	12 kV	PK	3	3	359	76.2
12BFGHD80	80	12 kV	PK	3	3	359	76.2
12BFGHD90	90	12 kV	PK	3	3	359	76.2
12BFGHD100	100	12 kV	PK	3	3	359	76.2
12BFGHO56	56	12 kV	PK	3	3	359	76.2
12BFGHO63	63	12 kV	PK	3	3	359	76.2
12BFGHO71	71	12 kV	PK	3	3	359	76.2
12BFGHO80	80	12 kV	PK	3	3	359	76.2
12BFGHO90	90	12 kV	PK	3	3	359	76.2
12BFGHO100	100	12 kV	PK	3	3	359	76.2
12BFGHO22X100*	180	12 kV	PK	1	3	359	76.2



* Double barrel

24 kV

3.15 - 90 A

Catalogue number	Rated current (Amps)	Rated voltage	Material price group	Pack qty	MOQ	Dimensions (mm)	
						Length	Diameter
24AFINA3-15	3.15	24 kV	PK	1	9	565	76.2
24AFIHA6-3	6.3	24 kV	PK	1	9	565	76.2
24AFIHA20	20	24 kV	PK	1	9	565	76.2
24AFIHA25	25	24 kV	PK	1	9	565	76.2
24AFIHA31-5	31.5	24 kV	PK	1	9	565	76.2
24AFIHA40	40	24 kV	PK	1	9	565	76.2
24AFIHA50	50	24 kV	PK	1	9	565	76.2
24AFIHA63	63	24 kV	PK	1	9	565	76.2
24AFIHA80	80	24 kV	PK	1	9	565	76.2
24AFIHA90	90	24 kV	PK	1	9	565	76.2



72.5 kV

3.15 - 40 A

Catalogue number	Rated current (Amps)	Rated voltage	Material price group	Pack qty	MOQ	Dimensions (mm)	
						Length	Diameter
72-5AFKHA3-15	3.15	72.5 kV	PK	1	1	914	76.2
72-5AFKHA5	5	72.5 kV	PK	1	1	914	76.2
72-5AFKHA6-3	6.3	72.5 kV	PK	1	1	914	76.2
72-5AFKHA10	10	72.5 kV	PK	1	1	914	76.2
72-5AFKHA16	16	72.5 kV	PK	1	1	914	76.2
72-5AFKHA20	20	72.5 kV	PK	1	1	914	76.2
72-5AFKHA25	25	72.5 kV	PK	1	1	914	76.2
72-5AFKHA31-5	31.5	72.5 kV	PK	1	1	914	76.2
72-5AFKHA40	40	72.5 kV	PK	1	1	914	76.2



Test trip device

Catalogue number	Material price group	Pack qty	MOQ
TTD01	PJ	1	1
TTD01R	PJ	1	1

Medium voltage

FUSE CLIPS

Catalogue number	Description	Material price group	Pack qty	MOQ
A3354705	Clip for 25.4mm VT Fuse Links	OB	1	1
A3354710	Clip for 50.8mm fuse diameter	OB	1	1
A3354720	Clip for 63.5mm fuse diameter	OB	1	1
A3354730	Clip for 76.2mm fuse diameter	OB	1	1
A3354745	Clip for 45mm fuse diameter	OB	1	1



EXPULSION FUSE LINKS

15 kV - Slow acting

1 - 80 A

Catalogue number	Type	Rated current (Amps)	Rated voltage	Material price group	Pack qty	MOQ	Dimensions (mm) Length
15TB1	Standard button head - Slow acting	1	15 kV	OC	25	25	533
15TB2	Standard button head - Slow acting	2	15 kV	OC	25	25	533
15TB3	Standard button head - Slow acting	3	15 kV	OC	25	25	533
15TB5	Standard button head - Slow acting	5	15 kV	OC	25	25	533
15TB6	Standard button head - Slow acting	6	15 kV	OC	25	25	533
15TB8	Standard button head - Slow acting	8	15 kV	OC	25	25	533
15TB10	Standard button head - Slow acting	10	15 kV	OC	25	25	533
15TB12	Standard button head - Slow acting	12	15 kV	OC	25	25	533
15TB15	Standard button head - Slow acting	15	15 kV	OC	25	25	533
15TB20	Standard button head - Slow acting	20	15 kV	OC	25	25	533
15TB25	Standard button head - Slow acting	25	15 kV	OC	25	25	533
15TB30	Standard button head - Slow acting	30	15 kV	OC	25	25	533
15TB40	Standard button head - Slow acting	40	15 kV	OC	25	25	533
15TB50	Standard button head - Slow acting	50	15 kV	OC	25	25	533
15TB60	Standard button head - Slow acting	60	15 kV	OC	10	10	533
15TB65	Standard button head - Slow acting	65	15 kV	OC	10	10	533
15TB75	Standard button head - Slow acting	75	15 kV	OC	10	10	533
15TB80	Standard button head - Slow acting	80	15 kV	OC	10	10	533
15TU3	Universal link with double tail and slip-off NEMA button head - Slow acting	3	15 kV	OC	25	25	533
15TU5	Universal link with double tail and slip-off NEMA button head - Slow acting	5	15 kV	OC	25	25	533
15TU6	Universal link with double tail and slip-off NEMA button head - Slow acting	6	15 kV	OC	25	25	533
15TU10	Universal link with double tail and slip-off NEMA button head - Slow acting	10	15 kV	OC	25	25	533
15TU12	Universal link with double tail and slip-off NEMA button head - Slow acting	12	15 kV	OC	25	25	533
15TU15	Universal link with double tail and slip-off NEMA button head - Slow acting	15	15 kV	OC	25	25	533
15TU20	Universal link with double tail and slip-off NEMA button head - Slow acting	20	15 kV	OC	25	25	533
15TU25	Universal link with double tail and slip-off NEMA button head - Slow acting	25	15 kV	OC	25	25	533
15TU30	Universal link with double tail and slip-off NEMA button head - Slow acting	30	15 kV	OC	25	25	533
15TU40	Universal link with double tail and slip-off NEMA button head - Slow acting	40	15 kV	OC	25	25	533
15TU50	Universal link with double tail and slip-off NEMA button head - Slow acting	50	15 kV	OC	25	25	533
15TU60	Universal link with double tail and slip-off NEMA button head - Slow acting	60	15 kV	OC	10	10	533
15TU65	Universal link with double tail and slip-off NEMA button head - Slow acting	65	15 kV	OC	10	10	533
15TU80	Universal link with double tail and slip-off NEMA button head - Slow acting	80	15 kV	OC	10	10	533



15 kV - Fast acting

1 - 100 A

Catalogue number	Type	Rated current (Amps)	Rated voltage	Material price group	Pack qty	MOQ	Dimensions (mm) Length
15KB1	Standard button head - Fast acting	1	15 kV	OC	25	25	533
15KB3	Standard button head - Fast acting	3	15 kV	OC	25	25	533
15KB4	Standard button head - Fast acting	4	15 kV	OC	25	25	533
15KB5	Standard button head - Fast acting	5	15 kV	OC	25	25	533
15KB6	Standard button head - Fast acting	6	15 kV	OC	25	25	533
15KB8	Standard button head - Fast acting	8	15 kV	OC	25	25	533
15KB10	Standard button head - Fast acting	10	15 kV	OC	25	25	533
15KB12	Standard button head - Fast acting	12	15 kV	OC	25	25	533
15KB15	Standard button head - Fast acting	15	15 kV	OC	25	25	533
15KB20	Standard button head - Fast acting	20	15 kV	OC	25	25	533
15KB25	Standard button head - Fast acting	25	15 kV	OC	25	25	533
15KB30	Standard button head - Fast acting	30	15 kV	OC	25	25	533
15KB40	Standard button head - Fast acting	40	15 kV	OC	25	25	533
15KB50	Standard button head - Fast acting	50	15 kV	OC	25	25	533
15KB60	Standard button head - Fast acting	60	15 kV	OC	10	10	533
15KB65	Standard button head - Fast acting	65	15 kV	OC	10	10	533
15KB75	Standard button head - Fast acting	75	15 kV	OC	10	10	533
15KB80	Standard button head - Fast acting	80	15 kV	OC	10	10	533
15KB100	Standard button head - Fast acting	100	15 kV	OC	10	10	533
15KBR1	Removable button head - Fast acting	1	15 kV	OC	25	25	533
15KBR2	Removable button head - Fast acting	2	15 kV	OC	25	25	533
15KBR3	Removable button head - Fast acting	3	15 kV	OC	25	25	533
15KBR5	Removable button head - Fast acting	5	15 kV	OC	25	25	533
15KBR6	Removable button head - Fast acting	6	15 kV	OC	25	25	533
15KBR8	Removable button head - Fast acting	8	15 kV	OC	25	25	533
15KBR10	Removable button head - Fast acting	10	15 kV	OC	25	25	533
15KBR12	Removable button head - Fast acting	12	15 kV	OC	25	25	533
15KBR15	Removable button head - Fast acting	15	15 kV	OC	25	25	533
15KBR20	Removable button head - Fast acting	20	15 kV	OC	25	25	533
15KBR25	Removable button head - Fast acting	25	15 kV	OC	25	25	533
15KBR30	Removable button head - Fast acting	30	15 kV	OC	25	25	533
15KBR40	Removable button head - Fast acting	40	15 kV	OC	25	25	533
15KBR50	Removable button head - Fast acting	50	15 kV	OC	25	25	533
15KBR65	Removable button head - Fast acting	65	15 kV	OC	10	10	533
15KBR100	Removable button head - Fast acting	100	15 kV	OC	10	10	533
15KU3	Universal link with double tail and slip-off NEMA button head - Fast acting	3	15 kV	OC	25	25	533
15KU5	Universal link with double tail and slip-off NEMA button head - Fast acting	5	15 kV	OC	25	25	533
15KU8	Universal link with double tail and slip-off NEMA button head - Fast acting	8	15 kV	OC	25	25	533
15KU10	Universal link with double tail and slip-off NEMA button head - Fast acting	10	15 kV	OC	25	25	533
15KU15	Universal link with double tail and slip-off NEMA button head - Fast acting	15	15 kV	OC	25	25	533
15KU20	Universal link with double tail and slip-off NEMA button head - Fast acting	20	15 kV	OC	25	25	533
15KU25	Universal link with double tail and slip-off NEMA button head - Fast acting	25	15 kV	OC	25	25	533
15KU30	Universal link with double tail and slip-off NEMA button head - Fast acting	30	15 kV	OC	25	25	533
15KU40	Universal link with double tail and slip-off NEMA button head - Fast acting	40	15 kV	OC	25	25	533
15KU50	Universal link with double tail and slip-off NEMA button head - Fast acting	50	15 kV	OC	25	25	533
15KU65	Universal link with double tail and slip-off NEMA button head - Fast acting	65	15 kV	OC	25	25	533
15KU75	Universal link with double tail and slip-off NEMA button head - Fast acting	75	15 kV	OC	10	10	533
15KU100	Universal link with double tail and slip-off NEMA button head - Fast acting	100	15 kV	OC	10	10	533

Medium voltage



15 kV - Extra rapid

2 - 100 A

Catalogue number	Type	Rated current (Amps)	Rated voltage	Material price group	Pack qty	MOQ	Dimensions (mm) Length
15XAB2	Standard button head - Extra rapid	2	15 kV	OC	25	25	533
15XAB3	Standard button head - Extra rapid	3	15 kV	OC	25	25	533
15XAB5	Standard button head - Extra rapid	5	15 kV	OC	25	25	533
15XAB7-5	Standard button head - Extra rapid	7.5	15 kV	OC	25	25	533
15XAB8	Standard button head - Extra rapid	8	15 kV	OC	25	25	533
15XAB10	Standard button head - Extra rapid	10	15 kV	OC	25	25	533
15XAB15	Standard button head - Extra rapid	15	15 kV	OC	25	25	533
15XAB20	Standard button head - Extra rapid	20	15 kV	OC	25	25	533
15XAB25	Standard button head - Extra rapid	25	15 kV	OC	25	25	533
15XAB30	Standard button head - Extra rapid	30	15 kV	OC	25	25	533
15XAB40	Standard button head - Extra rapid	40	15 kV	OC	25	25	533
15XAB50	Standard button head - Extra rapid	50	15 kV	OC	25	25	533
15XAB65	Standard button head - Extra rapid	65	15 kV	OC	25	25	533
15XAB80	Standard button head - Extra rapid	80	15 kV	OC	10	10	533
15XAB100	Standard button head - Extra rapid	100	15 kV	OC	10	10	533



25 kV - Slow acting

1 - 100 A

Catalogue number	Type	Rated current (Amps)	Rated voltage	Material price group	Pack qty	MOQ	Dimensions (mm) Length
25TB1	Standard button head - Slow acting	1	25 kV	OC	25	25	660
25TB6	Standard button head - Slow acting	6	25 kV	OC	25	25	660
25TB10	Standard button head - Slow acting	10	25 kV	OC	25	25	660
25TB15	Standard button head - Slow acting	15	25 kV	OC	25	25	660
25TB20	Standard button head - Slow acting	20	25 kV	OC	25	25	660
25TB25	Standard button head - Slow acting	25	25 kV	OC	25	25	660
25TB30	Standard button head - Slow acting	30	25 kV	OC	25	25	660
25TB40	Standard button head - Slow acting	40	25 kV	OC	25	25	660
25TB50	Standard button head - Slow acting	50	25 kV	OC	25	25	660
25TB65	Standard button head - Slow acting	65	25 kV	OC	10	10	660
25TB100	Standard button head - Slow acting	100	25 kV	OC	10	10	660
25TBR6	Removable button head - Slow acting	6	25 kV	OC	25	25	660
25TBR15	Removable button head - Slow acting	15	25 kV	OC	25	25	660
25TBR20	Removable button head - Slow acting	20	25 kV	OC	25	25	660
25TBR25	Removable button head - Slow acting	25	25 kV	OC	25	25	660
25TBR30	Removable button head - Slow acting	30	25 kV	OC	25	25	660
25TBR40	Removable button head - Slow acting	40	25 kV	OC	25	25	660
25TBR50	Removable button head - Slow acting	50	25 kV	OC	25	25	660
25TBR65	Removable button head - Slow acting	65	25 kV	OC	10	10	660
25TBR100	Removable button head - Slow acting	100	25 kV	OC	10	10	660



46 kV - Slow acting

1 - 100 A

Catalogue number	Type	Rated current (Amps)	Rated voltage	Material price group	Pack qty	MOQ	Dimensions (mm) Length
46TB1	Standard button head - Slow acting	1	46 kV	OC	25	25	787
46TB2	Standard button head - Slow acting	2	46 kV	OC	25	25	787
46TB3	Standard button head - Slow acting	3	46 kV	OC	25	25	787
46TB5	Standard button head - Slow acting	5	46 kV	OC	25	25	787
46TB6	Standard button head - Slow acting	6	46 kV	OC	25	25	787
46TB8	Standard button head - Slow acting	8	46 kV	OC	25	25	787
46TB10	Standard button head - Slow acting	10	46 kV	OC	25	25	787
46TB15	Standard button head - Slow acting	15	46 kV	OC	25	25	787
46TB20	Standard button head - Slow acting	20	46 kV	OC	25	25	787
46TB25	Standard button head - Slow acting	25	46 kV	OC	25	25	787
46TB30	Standard button head - Slow acting	30	46 kV	OC	25	25	787
46TB40	Standard button head - Slow acting	40	46 kV	OC	25	25	787
46TB50	Standard button head - Slow acting	50	46 kV	OC	25	25	787
46TB60	Standard button head - Slow acting	60	46 kV	OC	10	10	787
46TB65	Standard button head - Slow acting	65	46 kV	OC	10	10	787
46TB75	Standard button head - Slow acting	75	46 kV	OC	10	10	787
46TB80	Standard button head - Slow acting	80	46 kV	OC	10	10	787
46TB100	Standard button head - Slow acting	100	46 kV	OC	10	10	787
46TBR6	Removable button head - Slow acting	6	46 kV	OC	25	25	787
46TBR10	Removable button head - Slow acting	10	46 kV	OC	25	25	787
46TBR12	Removable button head - Slow acting	12	46 kV	OC	25	25	787
46TBR15	Removable button head - Slow acting	15	46 kV	OC	25	25	787
46TBR25	Removable button head - Slow acting	25	46 kV	OC	25	25	787
46TBR30	Removable button head - Slow acting	30	46 kV	OC	25	25	787
46TBR40	Removable button head - Slow acting	40	46 kV	OC	25	25	787
46TBR50	Removable button head - Slow acting	50	46 kV	OC	25	25	787
46TBR65	Removable button head - Slow acting	65	46 kV	OC	10	10	787
46TBR80	Removable button head - Slow acting	80	46 kV	OC	10	10	787
46TBR100	Removable button head - Slow acting	100	46 kV	OC	10	10	787
46TU1	Universal link with double tail and slip off NEMA button head - Slow acting	1	46 kV	OC	25	25	787
46TU5	Universal link with double tail and slip off NEMA button head - Slow acting	5	46 kV	OC	25	25	787
46TU6	Universal link with double tail and slip off NEMA button head - Slow acting	6	46 kV	OC	25	25	787
46TU10	Universal link with double tail and slip off NEMA button head - Slow acting	10	46 kV	OC	25	25	787
46TU12	Universal link with double tail and slip off NEMA button head - Slow acting	12	46 kV	OC	25	25	787
46TU15	Universal link with double tail and slip off NEMA button head - Slow acting	15	46 kV	OC	25	25	787
46TU25	Universal link with double tail and slip off NEMA button head - Slow acting	25	46 kV	OC	25	25	787
46TU30	Universal link with double tail and slip off NEMA button head - Slow acting	30	46 kV	OC	25	25	787
46TU40	Universal link with double tail and slip off NEMA button head - Slow acting	40	46 kV	OC	25	25	787
46TU50	Universal link with double tail and slip off NEMA button head - Slow acting	50	46 kV	OC	25	25	787
46TU60	Universal link with double tail and slip off NEMA button head - Slow acting	60	46 kV	OC	10	10	787
46TU65	Universal link with double tail and slip off NEMA button head - Slow acting	65	46 kV	OC	10	10	787
46TU80	Universal link with double tail and slip off NEMA button head - Slow acting	80	46 kV	OC	10	10	787
46TU100	Universal link with double tail and slip off NEMA button head - Slow acting	100	46 kV	OC	10	10	787



46 kV - Fast acting

1 - 100 A

Catalogue number	Type	Rated current (Amps)	Rated voltage	Material price group	Pack qty	MOQ	Dimensions (mm) Length
46KB1	Standard button head - Fast acting	1	46 kV	OC	25	25	787
46KB2	Standard button head - Fast acting	2	46 kV	OC	25	25	787
46KB3	Standard button head - Fast acting	3	46 kV	OC	25	25	787
46KB5	Standard button head - Fast acting	5	46 kV	OC	25	25	787
46KB6	Standard button head - Fast acting	6	46 kV	OC	25	25	787
46KB7-5	Standard button head - Fast acting	7.5	46 kV	OC	25	25	787
46KB8	Standard button head - Fast acting	8	46 kV	OC	25	25	787
46KB10	Standard button head - Fast acting	10	46 kV	OC	25	25	787
46KB12	Standard button head - Fast acting	12	46 kV	OC	25	25	787
46KB15	Standard button head - Fast acting	15	46 kV	OC	25	25	787
46KB20	Standard button head - Fast acting	20	46 kV	OC	25	25	787
46KB25	Standard button head - Fast acting	25	46 kV	OC	25	25	787
46KB30	Standard button head - Fast acting	30	46 kV	OC	25	25	787
46KB40	Standard button head - Fast acting	40	46 kV	OC	25	25	787
46KB50	Standard button head - Fast acting	50	46 kV	OC	25	25	787
46KB60	Standard button head - Fast acting	60	46 kV	OC	10	10	787
46KB65	Standard button head - Fast acting	65	46 kV	OC	10	10	787
46KB75	Standard button head - Fast acting	75	46 kV	OC	10	10	787
46KB80	Standard button head - Fast acting	80	46 kV	OC	10	10	787
46KB100	Standard button head - Fast acting	100	46 kV	OC	10	10	787
46KBR1	Removable button head - Fast acting	1	46 kV	OC	25	25	787
46KBR2	Removable button head - Fast acting	2	46 kV	OC	25	25	787
46KBR3	Removable button head - Fast acting	3	46 kV	OC	25	25	787
46KBR5	Removable button head - Fast acting	5	46 kV	OC	25	25	787
46KBR6	Removable button head - Fast acting	6	46 kV	OC	25	25	787
46KBR8	Removable button head - Fast acting	8	46 kV	OC	25	25	787
46KBR10	Removable button head - Fast acting	10	46 kV	OC	25	25	787
46KBR12	Removable button head - Fast acting	12	46 kV	OC	25	25	787
46KBR15	Removable button head - Fast acting	15	46 kV	OC	25	25	787
46KBR20	Removable button head - Fast acting	20	46 kV	OC	25	25	787
46KBR25	Removable button head - Fast acting	25	46 kV	OC	25	25	787
46KBR30	Removable button head - Fast acting	30	46 kV	OC	25	25	787
46KBR40	Removable button head - Fast acting	40	46 kV	OC	25	25	787
46KBR50	Removable button head - Fast acting	50	46 kV	OC	25	25	787
46KBR60	Removable button head - Fast acting	60	46 kV	OC	10	10	787
46KBR65	Removable button head - Fast acting	65	46 kV	OC	25	25	787
46KBR75	Removable button head - Fast acting	75	46 kV	OC	10	10	787
46KBR80	Removable button head - Fast acting	80	46 kV	OC	10	10	787
46KBR100	Removable button head - Fast acting	100	46 kV	OC	10	10	787
46KU3	Double tail and slip off NEMA button head - Fast acting	3	46 kV	OC	25	25	787
46KU5	Double tail and slip off NEMA button head - Fast acting	5	46 kV	OC	25	25	787
46KU6	Double tail and slip off NEMA button head - Fast acting	6	46 kV	OC	25	25	787
46KU10	Double tail and slip off NEMA button head - Fast acting	10	46 kV	OC	25	25	787
46KU15	Double tail and slip off NEMA button head - Fast acting	15	46 kV	OC	25	25	787
46KU20	Double tail and slip off NEMA button head - Fast acting	20	46 kV	OC	25	25	787
46KU25	Double tail and slip off NEMA button head - Fast acting	25	46 kV	OC	25	25	787
46KU30	Double tail and slip off NEMA button head - Fast acting	30	46 kV	OC	25	25	787
46KU40	Double tail and slip off NEMA button head - Fast acting	40	46 kV	OC	25	25	787
46KU50	Double tail and slip off NEMA button head - Fast acting	50	46 kV	OC	25	25	787
46KU60	Double tail and slip off NEMA button head - Fast acting	60	46 kV	OC	10	10	787
46KU80	Double tail and slip off NEMA button head - Fast acting	80	46 kV	OC	10	10	787
46KU100	Double tail and slip off NEMA button head - Fast acting	100	46 kV	OC	10	10	787



Surge protection devices

Surge Protection Devices (SPD) overview	176
SPD AC	177
Single pole T1 and T1/T2	177
Single pole T2	177
TN-S Protections systems	178
TN-C Protections systems	178
TT Protections systems	179
Plug-in modules	179
Remote signalling contact	180
Lead through terminals	180
SPD DC	181
Class 1 and 2 Combined surge arrestors	181
Class 2 Surge arrestors	181
Plug-in modules	181
SPD Wind	182
Class I Lightning arresters	182
Class II Lightning arresters	182
SPD Telecom	184
Class II Surge arresters	184
Class III Surge arresters	184
SPD UL	185
Type 2 Surge arresters	185

SPD AC

Standard	IEC 61643-1
Voltage	75 to 580 VAC
Earth configuration	TNC, TT, TN and TNS
Poles	1 to 4
Applications	General industrial and commercial applications
Other	Remote signalling contact optional, built-in identification screen, replacement plug in modules available.



SPD DC

Standard	EN 50539-11, UL 1449, cUL and cULus
Voltage	600, 1000 VDC
Earth configuration	DC with and without lightning protection grid
Poles	2 and 3
Applications	Photovoltaic system protection
Other	Remote signalling contact available, built-in identification screen



Wind class I Lightning arresters and class II Surge arresters

Standard	IEC 60068-2
Voltage	Up to 1000 VAC
Earth configuration	IT, TNC, TT, TN and TNS
Poles	1 to 4
Applications	Wind turbine
Other	easyID™ Local status indication standard, remote contact signaling optional



Low voltage type 2 and 3 AC/DC Power and control

Standard	IEC 60068-2
Voltage	24 to 600 VAC / VDC
Earth configuration	Low voltage telecom protection
Poles	1 and 2
Applications	Low power and telecom protection
Other	easyID™ Local status indication standard, remote contact signaling optional



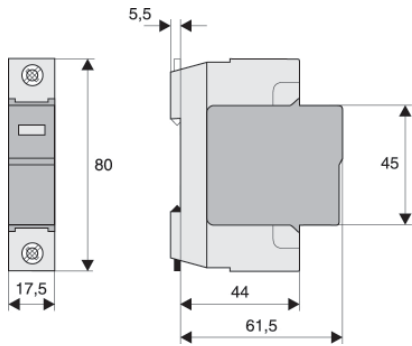
UL Type 2 Surge arresters

Standard	UL 508 A and UL 1449 3 rd edition
Voltage	120 to 600 VAC
Interrupting rating	High SCCR 125 and 200 kA
System types	Single-phase, split-phase, Wye, Delta and Highleg Delta
Poles	1 to 4
Applications	Suitable for UL Applications
Other	easyID™ Local status indication standard, remote contact signaling optional. Complement SurgePOD™ Heavy duty UL Type 1 SPDs for 120 to 600 VAC single-phase, split-phase, Wye, Delta and Highleg Delta systems



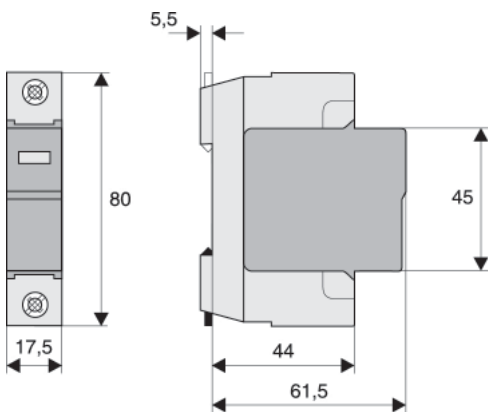
Single pole T1 and T1/T2

Catalogue number	Description	System AC Voltage	Poles	Protection level	Pack qty	MOQ
SPI-35-440	T1 Lightning Arrestors	440 V	1	T1	1	1
SPI-50-NPE	T1 Lightning Arrestors	260 V	1 NPE	T1	1	1
SPI-100-NPE	T1 Lightning Arrestors	260 V	1 NPE	T1	1	1
SPBT12-280-1	T1 / T2 Combined Lightning and Surge Arrestors	280 V	1	T1/T2	1	12
SPBT12-280-1-NPE	T1 / T2 Combined Lightning and Surge Arrestors	280 V	1 + 1 NPE	T1/T2	1	1
SPBT12-NPE100	T1 / T2 Combined Lightning and Surge Arrestors	255 V	1 NPE	T1/T2	1	1



Single pole T2

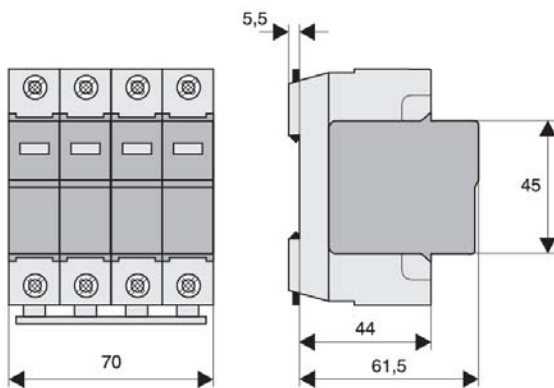
Catalogue number	Description	System AC Voltage	Poles	Protection level	Pack qty	MOQ
SPCT2-075-1	T2 Surge Arrestors	75	1	T2	2	2
SPCT2-135-1	T2 Surge Arrestors	135	1	T2	2	2
SPCT2-175-1	T2 Surge Arrestors	175	1	T2	2	2
SPCT2-280-1	T2 Surge Arrestors	280	1	T2	2	2
SPCT2-335-1	T2 Surge Arrestors	335	1	T2	2	2
SPCT2-385-1	T2 Surge Arrestors	385	1	T2	2	2
SPCT2-460-1	T2 Surge Arrestors	460	1	T2	2	2
SPCT2-580-1	T2 Surge Arrestors	580	1	T2	2	2
SPCT2-NPE60-1	T2 Surge Arrestors	260	1 NPE	T2	2	2
SPCT2-280-1-NPE	T2 Surge Arrestors	280	1 + 1 NPE	T2	1	1
SPCT2-335-1-NPE	T2 Surge Arrestors	335	1 + 1 NPE	T2	1	1
SPCT2-385-1-NPE	T2 Surge Arrestors	385	1 + 1 NPE	T2	1	1
SPCT2-460-1-NPE	T2 Surge Arrestors	460	1 + 1 NPE	T2	1	1
SPCT2-580-1-NPE	T2 Surge Arrestors	580	1 + 1 NPE	T2	1	1



SPD

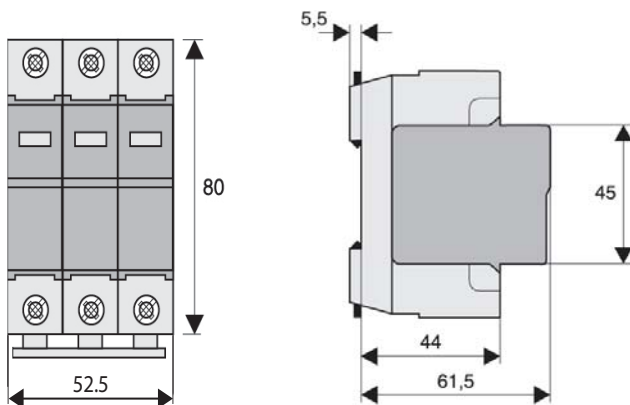
TN-S Protections systems

Catalogue number	Description	System AC Voltage	Poles	Protection level	Pack qty	MOQ
SPBT12-280-3-NPE	T1 / T2 Combined Lightning and Surge Arrestors	280	3 + 1 NPE	T1/T2	1	1
SPBT12-280-4	T1 / T2 Combined Lightning and Surge Arrestors	280	4	T1/T2	1	1
SPCT2-280-3-NPE	T2 Surge Arrestors	280	3 + 1 NPE	T2	1	1
SPCT2-335-3-NPE	T2 Surge Arrestors	335	3 + 1 NPE	T2	1	1
SPCT2-385-3-NPE	T2 Surge Arrestors	385	3 + 1 NPE	T2	1	1
SPCT2-460-3-NPE	T2 Surge Arrestors	460	3 + 1 NPE	T2	1	1
SPCT2-580-3-NPE	T2 Surge Arrestors	580	3 + 1 NPE	T2	1	1
SPCT2-075-4	T2 Surge Arrestors	75	4	T2	1	1
SPCT2-135-4	T2 Surge Arrestors	135	4	T2	1	1
SPCT2-175-4	T2 Surge Arrestors	175	4	T2	1	1
SPCT2-280-4	T2 Surge Arrestors	280	4	T2	1	1
SPCT2-335-4	T2 Surge Arrestors	335	4	T2	1	1
SPCT2-385-4	T2 Surge Arrestors	385	4	T2	1	1
SPCT2-460-4	T2 Surge Arrestors	460	4	T2	1	1
SPCT2-580-4	T2 Surge Arrestors	580	4	T2	1	1



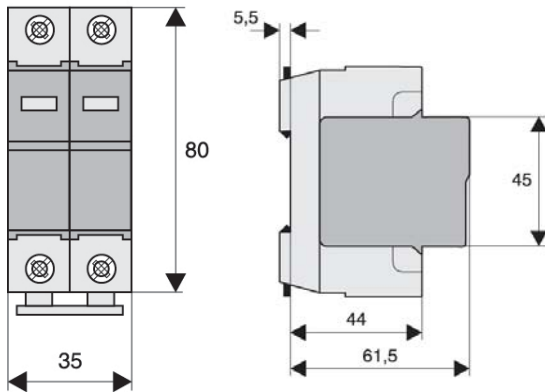
TN-C Protections systems

Catalogue number	Description	System AC Voltage	Poles	Protection level	Pack qty	MOQ
SPI-35-440-3	T1 Lightning Arrestors	440 V	3	T1	1	1
SPBT12-280-3	T1 / T2 Combined Lightning and Surge Arrestors	280 V	3	T1/T2	1	1
SPCT2-075-3	T2 Surge Arrestors	75 V	3	T2	1	1
SPCT2-135-3	T2 Surge Arrestors	135 V	3	T2	1	1
SPCT2-175-3	T2 Surge Arrestors	175 V	3	T2	1	1
SPCT2-280-3	T2 Surge Arrestors	280 V	3	T2	1	1
SPCT2-335-3	T2 Surge Arrestors	335 V	3	T2	1	1
SPCT2-385-3	T2 Surge Arrestors	385 V	3	T2	1	1
SPCT2-460-3	T2 Surge Arrestors	460 V	3	T2	1	1
SPCT2-580-3	T2 Surge Arrestors	580 V	3	T2	1	1



TT Protections systems

Catalogue number	Description	System AC Voltage	Poles	Protection level	Pack qty	MOQ
SPBT12-280-2	T1 / T2 Combined Lightning and Surge Arrestors	280	2	T1/T2	1	1
SPCT2-075-2	T2 Surge Arrestors	75	2	T2	1	1
SPCT2-135-2	T2 Surge Arrestors	135	2	T2	1	1
SPCT2-175-2	T2 Surge Arrestors	175	2	T2	1	1
SPCT2-280-2	T2 Surge Arrestors	280	2	T2	1	1
SPCT2-335-2	T2 Surge Arrestors	335	2	T2	1	1
SPCT2-385-2	T2 Surge Arrestors	385	2	T2	1	1
SPCT2-460-2	T2 Surge Arrestors	460	2	T2	1	1
SPCT2-580-2	T2 Surge Arrestors	580	2	T2	1	1



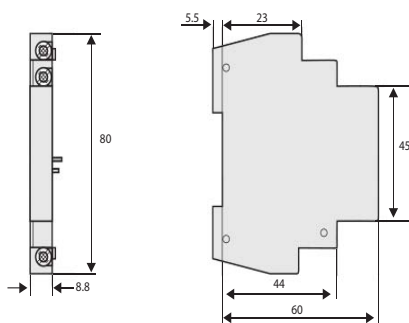
Plug-in modules

Catalogue number	Description	System AC Voltage	Protection level	Pack qty	MOQ
SPCT2-075	Replacement Modules	75	T2	2	2
SPCT2-135	Replacement Modules	135	T2	2	2
SPCT2-175	Replacement Modules	175	T2	2	2
SPCT2-280	Replacement Modules	280	T2	2	2
SPCT2-335	Replacement Modules	335	T2	2	2
SPCT2-385	Replacement Modules	385	T2	2	2
SPCT2-460	Replacement Modules	460	T2	2	2
SPCT2-580	Replacement Modules	580	T2	2	2



Remote signalling contact

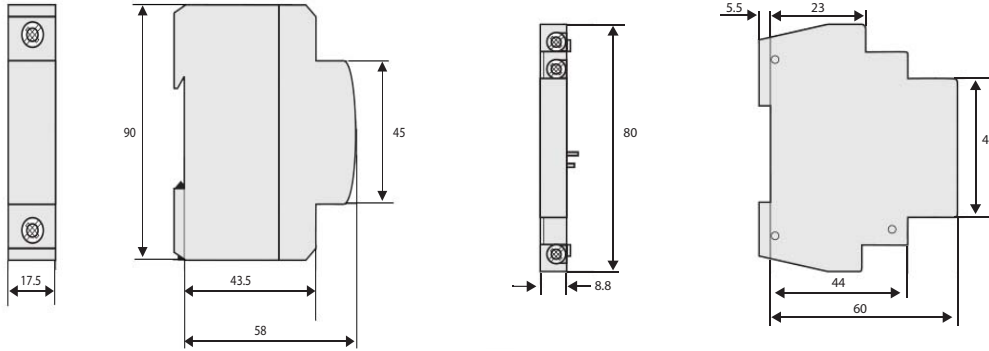
Catalogue number	Description	Pack qty	MOQ
ASAUXSC-SPM	Remote contact signalling	4	4



SPD

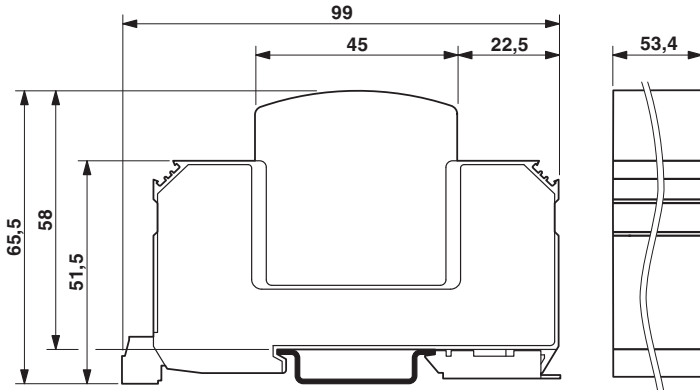
Lead through terminals

Catalogue number	Description	System AC Voltage	Poles	Pack qty	MOQ
SPB-D-125	Lead Through Terminal	550 VAC/VDC	1	1	1



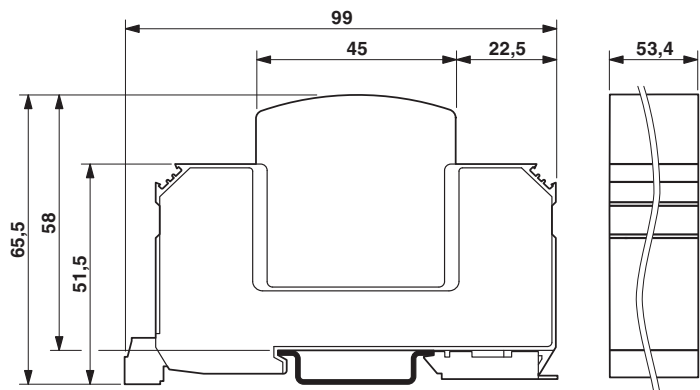
Class 1 and 2 Combined surge arrestors

Catalogue number	Description	Max System DC Voltage	Poles	Iscpv	Remote	Pack qty	MOQ
SPPVT12-06-2-PE	Combined PV T1 & PV T2 SPD Y-configuration	600	2 + PE	1000	N/A	1	1
SPPVT12-06-2-PE-AX	Combined PV T1 & PV T2 SPD Y-configuration	600	2 + PE	1000	Y	1	1
SPPVT12-10-2-PE	Combined PV T1 & PV T2 SPD Y-configuration	1000	2 + PE	1000	N/A	1	1
SPPVT12-10-2-PE-AX	Combined PV T1 & PV T2 SPD Y-configuration	1000	2 + PE	1000	Y	1	1



Class 2 Surge arrestors

Catalogue number	Description	Max System DC Voltage	Poles	Iscpv	Remote	Pack qty	MOQ
SPPVT2-06-2-PE	PV T2 SPD Y-configuration	600	2 + PE	160	N/A	1	1
SPPVT2-06-2-PE-AX	PV T2 SPD Y-configuration	600	2 + PE	160	Y	1	1
SPPVT2H-06-2-PE	PV T2 SPD Y-configuration	600	2 + PE	1000	N/A	1	1
SPPVT2H-06-2-PE-AX	PV T2 SPD Y-configuration	600	2 + PE	1000	Y	1	1
SPPVT2-10-2-PE	PV T2 SPD Y-configuration	1000	2 + PE	160	N/A	1	1
SPPVT2-10-2-PE-AX	PV T2 SPD Y-configuration	1000	2 + PE	160	Y	1	1
SPPVT2H-10-2-PE	PV T2 SPD Y-configuration	1000	2 + PE	1000	N/A	1	1
SPPVT2H-10-2-PE-AX	PV T2 SPD Y-configuration	1000	2 + PE	1000	Y	1	1



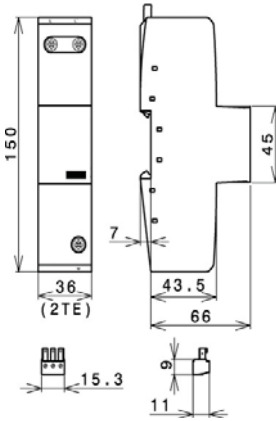
Plug-in modules

Catalogue number	Description	Max System DC Voltage	Iscpv	Protection level	Pack qty	MOQ
SPPVT12-06	Replacement PV insert modules	600	1000	PV T1/PV T2	1	1
SPPVT12-10		1000	1000	PV T1/PV T2	1	1
SPPVT2H-06		600	1000	PV T2	1	1
SPPVT2H-10		1000	1000	PV T2	1	1
SPPVT2-06		600	160	PV T2	1	1
SPPVT2-10		1000	160	PV T2	1	1



Class I Lightning arresters

Catalogue number	Description	System voltage	Poles	Power system	Remote	Pack qty	MOQ
BSPS1690WER	Lightning Arrestor	690	1	TNC, TNS, IT	Y	15	15

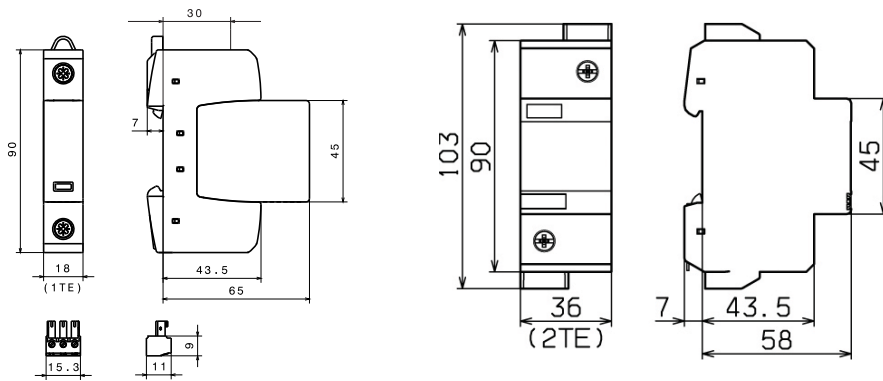


Shown with optional remote contact signaling

Class II Lightning arresters

Catalogue number	Description	System voltage	Poles	Power system	Remote	Pack qty	MOQ
BSPM1690WE	MOV SPD	690	1	TN, TT	N/A	72	72
BSPM1690WER	MOV SPD	690	1	TN, TT	y	72	72
BSPM3690WE	MOV SPD	690	3	TNC	N/A	27	27
BSPM3690WER	MOV SPD	690	3	TNC	y	27	27

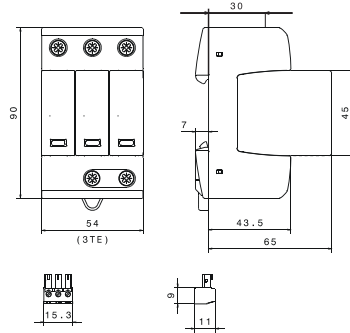
Class II Surge arresters 1 -pole



Shown with optional remote contact signaling

Class II Lightning arresters

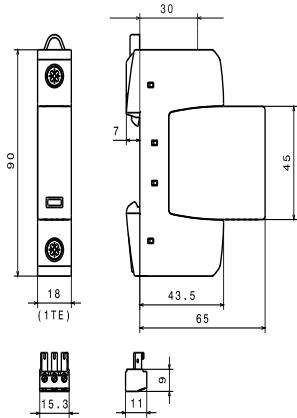
Class II Surge arresters 3 -pole



Shown with optional remote contact signaling

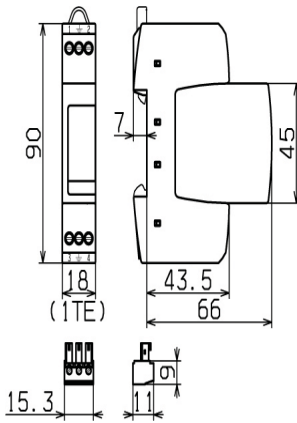
Class II Surge arresters

Catalogue number	Description	System voltage	Poles	Remote	Pack qty	MOQ
BSPM1A48D60LV	MOV SPD for LV	48VAC/60VDC	1	N/A	72	72
BSPM1A48D60LVR	MOV SPD for LV	48VAC/60VDC	1	Y	72	72
BSPM1A75D100LV	MOV SPD for LV	75VAC/100VDC	1	N/A	72	72
BSPM1A75D100LVR	MOV SPD for LV	75VAC/100VDC	1	Y	72	72
BSPM1A150D200LV	MOV SPD for LV	120VAC/200VDC	1	N/A	72	72
BSPM1A150D200LVR	MOV SPD for LV	120VAC/200VDC	1	Y	72	72



Class III Surge arresters

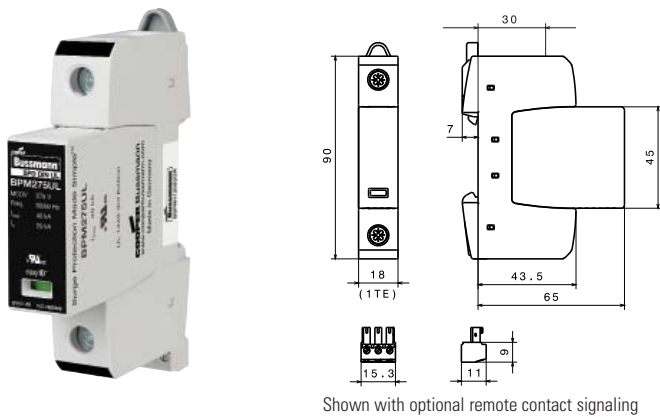
Catalogue number	Description	System voltage	Poles	Remote	Pack qty	MOQ
BSPH2A24D24LV	Hybrid SPD for LV	24VAC/24VDC	2	N/A	72	72
BSPH2A24D24LVR	Hybrid SPD for LV	24VAC/24VDC	2	Y	72	72
BSPH2A48D48LV	Hybrid SPD for LV	48VAC/48VDC	2	N/A	72	72
BSPH2A48D48LVR	Hybrid SPD for LV	48VAC/48VDC	2	Y	72	72
BSPH2A60D60LV	Hybrid SPD for LV	60VAC/60VDC	2	N/A	72	72
BSPH2A60D60LVR	Hybrid SPD for LV	60VAC/60VDC	2	Y	72	72
BSPH2A150D150LV	Hybrid SPD for LV	120VAC/120VDC	2	N/A	72	72
BSPH2A150D150LVR	Hybrid SPD for LV	120VAC/120VDC	2	Y	72	72
BSPH2A230D230LV	Hybrid SPD for LV	230VAC/230VDC	2	N/A	72	72
BSPH2A230D230LVR	Hybrid SPD for LV	230VAC/230VDC	2	Y	72	72



Type 2 Surge arresters

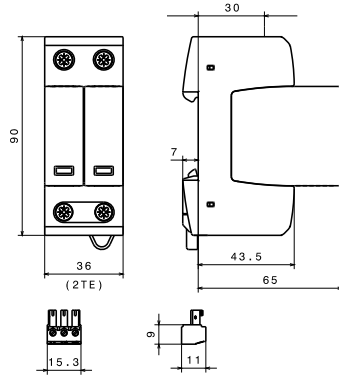
Catalogue number	Description	System voltage	Poles	Remote	Pack qty	MOQ
BSPM1120S2G	Single Phase SPD, 2 Wire	120	1	N/A	72	72
BSPM1120S2GR	Single Phase SPD, 2 Wire	120	1	Y	72	72
BSPM1240S2G	Single Phase SPD, 2 Wire	240	1	N/A	72	72
BSPM1240S2GR	Single Phase SPD, 2 Wire	240	1	Y	72	72
BSPM1347S2G	Single Phase SPD, 2 Wire	347	1	N/A	72	72
BSPM1347S2GR	Single Phase SPD, 2 Wire	347	1	Y	72	72
BSPM2240S3G	Single Phase (Split), 3 Wire	240	2	N/A	36	36
BSPM2240S3GR	Single Phase (Split), 3 Wire	240	2	Y	36	36
BSPM2480S3G	Single Phase (Split), 3 Wire	480	2	N/A	36	36
BSPM2480S3GR	Single Phase (Split), 3 Wire	480	2	Y	36	36
BSPM3240DLG	Delta SPD	240	3	N/A	27	27
BSPM3240DLGR	Delta SPD	240	3	Y	27	27
BSPM3480DLG	Delta SPD	480	3	N/A	27	27
BSPM3480DLGR	Delta SPD	480	3	Y	27	27
BSPM3208WYG	Wye SPD	208	3	N/A	27	27
BSPM3208WYGR	Wye SPD	208	3	Y	27	27
BSPM3480WYG	Wye SPD	480	3	N/A	27	27
BSPM3480WYGR	Wye SPD	480	3	Y	27	27
BSPM3600WYG	Wye SPD	600	3	N/A	27	27
BSPM3600WYGR	Wye SPD	600	3	Y	27	27
BSPM4240HLG	High Leg Delta	240	4	N/A	18	18
BSPM4240HLGR	High Leg Delta	240	4	Y	18	18
BSPM4480HLG	High Leg Delta	480	4	N/A	18	18
BSPM4480HLGR	High Leg Delta	480	4	Y	18	18
BSPM4208WYNG	Wye with Neutral & Ground SPD	208	4	N/A	18	18
BSPM4208WYNGR	Wye with Neutral & Ground SPD	208	4	Y	18	18
BSPM4480WYNG	Wye with Neutral & Ground SPD	480	4	N/A	18	18
BSPM4480WYNGR	Wye with Neutral & Ground SPD	480	4	Y	18	18
BSPM4600WYNG	Wye with Neutral & Ground SPD	600	4	N/A	18	18
BSPM4600WYNGR	Wye with Neutral & Ground SPD	600	4	Y	18	18

UL Type 2 - 1 Pole



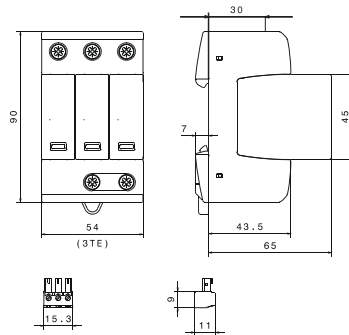
Type 2 Surge arresters

UL Type 2 - 2 pole



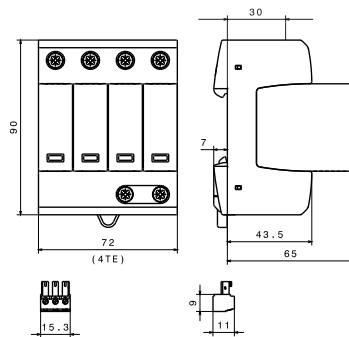
Shown with optional remote contact signaling

UL Type 2 - 3 pole



Shown with optional remote contact signaling

UL Type 2 - 4 pole



Shown with optional remote contact signaling

Combiner box



The intelligent solution to PV System protection

- Designed for harsh environments, Bussmann’s combiner box has superior thermal characteristics eliminating the need for forced ventilation in extreme ambient temperatures.
- Completely customisable from 3 to 24 strings offering genuine PV Circuit protection with Bussmann’s industry leading gPV fuses in ratings from 1 A to 32 A, up to 1000 VDC, PV Overvoltage surge protection and true PV DC rated disconnect switches.
- PV System performance and combiner box status can be remotely checked with a choice of monitoring solutions including wireless communications and a range of power supply options.
- Engineered to make installation and operation safe and easy, each combiner box is fully IEC Compliant with options for MC4 Connectors, interlock handle and all monitored units incorporating an external Modbus connector for quick diagnostics. All this wrapped up in durable IP65 Rated enclosures as standard.
- With a global manufacturing base and an integrated common system approach, Bussmann can locally develop and manufacture customised combiner boxes within competitive timeframes while maintaining exceptional levels of quality.

Combiner box

Standard	IEC 61439-1 and -2 and IEC 60363-7-712
Voltage	Up to 1000 VDC
Current	1 to 32 A
Number of strings	3 - 24 strings (20 A fuse max), 3 - 16 strings (32 A fuse max)
Operating class	gPV
IP Rating	IP65
Enclosure types	Glass reinforced polyester (GRP), painted steel, stainless steel
Overcurrent protection configurations	Positive and negative, positive only, negative only
DC Load isolation	DC switch disconnect 25 Adc to 500 Adc or fixed output
Input connection	Bottom or side entry MC4 connectors or glands types
Overvoltage protection options (SPD)	Class I PV, Class II PV, Class II 240 VAC IEC, Type 1 Modbus data line
Monitoring options	8 or 16 Strings shunt based monitoring
Communications options	2-Wire modbus RTU, Zigbee wireless or industrial wireless
Power supply options	External 24 VDC, Internal 240 VAC to 24 VDC, Internal 1000 VDC to 24 VDC
Applications	Solar PV applications including: Large scale residential, small to large scale commercial, large scale utility



Part numbers system

Cenn-xxAypsh-vm

C - Product Series Combiner Box

e - Enclosure Type

G = GRP M = Painted steel enclosure S = Stainless T = GRP with transparent polycarbonate window

nn - Number of Strings

03, 04, 05.....24

xxA - String Current Rating

1 to 6A, 10A, 12A, 15A, 20A, 25A, 32A

yy - System Voltage

06 = 600Vdc 08 = 800Vdc 10 = 1000Vdc 12 = 1000Vdc 15 = 1500Vdc

p - String Protection Type

Indicated Fuse Holders (CHPV1IU) P = Positive only fuse protection N = Negative only fuse protection B = Both positive and negative fuse protection
 Non-indicated Fuse Holders (CHPV1U) Q = Positive only fuse protection M = Negative only fuse protection C = Both positive and negative fuse protection

s - Switch Disconnect

D = Disconnect switch F = Fixed

h - PV String Input Connection Type

Standard Output Glands Armoured Output Glands
 G = Bottom entry glands U = Bottom entry glands
 M = Bottom entry MC4s W = Bottom entry MC4s
 S = Left and right side entry glands X = Left and right side entry glands
 T = Left and right side entry MC4s Y = Left and right side entry MC4s

v - SPD Overvoltage Protection

A = No SPD E = Class I PV SPD + Class 2 TN 240Vac SPD with remote* K = Class II PV SPD with remote + Class 2 TN 240Vac SPD with remote*
 B = Class I PV SPD F = Class I PV SPD + Class 2 TT 240Vac SPD with remote* L = Class II PV SPD with remote + Class 2 TT 240Vac SPD*
 C = Class II PV SPD G = Class I PV SPD + Class 2 TN 240Vac SPD with remote + Type 1 Modbus SPD* M = Class II PV SPD with remote + Class 2 TN 240Vac SPD with remote + Type 1 Modbus SPD*
 D = Class II PV SPD with remote H = Class I PV SPD + Class 2 TT 240Vac SPD with remote + Type 1 Modbus SPD* N = Class II PV SPD with remote + Class 2 TT 240Vac SPD with remote + Type 1 Modbus SPD*
 J = Class I PV SPD + Type 1 Modbus SPD* P = Class II PV SPD with remote + Type 1 Modbus SPD*

* Monitored box only

mm - Monitoring System

Wired Modbus M1 = Type S1 Shunt monitoring with 240Vac power supply M2 = Type S1 Shunt monitoring with no power supply M3 = Type S1 Shunt monitoring with PV power (self powered)
Wireless Zigbee Z1 = Type S1 Shunt monitoring with 240Vac power supply Z2 = Type S1 Shunt monitoring with no power supply Z3 = Type S1 Shunt monitoring with PV power (self powered)
Industrial Wireless W1 = Type S1 Shunt monitoring with 240Vac power supply W2 = Type S1 Shunt monitoring no power supply W3 = Type S1 Shunt monitoring with PV power (self powered)

Part numbers example

Complete part number C08-10A10BDM-C 'Standard box'

	C	G	08	10A	10	B	D	M	C
C = Combiner box	C								
e = Enclosure type (G = GRP)		G							
nn = Number of strings (8)			08						
xxA = Rated current (10A)				10A					
yy = System voltage (10 = 1000 VDC)					10				
p = String protection (B = Both positive and negative)						B			
s = Switch disconnect (D = Disconnect switch)							D		
h = PV String input connection type (M = Bottom entry MC4s/Standard output glands)								M	
v = Overvoltage protection (C = Class II PV SPD without remote)									C

Complete part number CG16-12A10BDU-NM1 'Monitored box'

	C	G	16	12A	10	B	D	M	N	M1
C = Combiner box	C									
e = Enclosure type (G = GRP)		G								
nn = Number of strings (16)			16							
xxA = Rated current (12A)				12A						
yy = System voltage (10 = 1000 VDC)					10					
p = String protection (B = Both positive and negative)						B				
s = Switch disconnect (D = Disconnect switch)							D			
h = PV String input connection type (U = Bottom entry glands / Armoured output glands)								M		
v = Overvoltage protection (N = Class II PV SPD with remote + Class 2 TT 240 VAC SPD with remote + Type 1 Modbus SPD))									N	
mm = Monitoring system (M1 = Type S1 Shunt monitoring with 240 VAC power supply - wired modbus)										M1

Anatomy of a Bussmann combiner box

PV Surge Protection Device (SPD) – Class I or Class II

Optional 240Vac SPD for internal power supply (monitored units)

240Vac/24Vdc or PV 1000/24Vdc power supply (for monitored units)

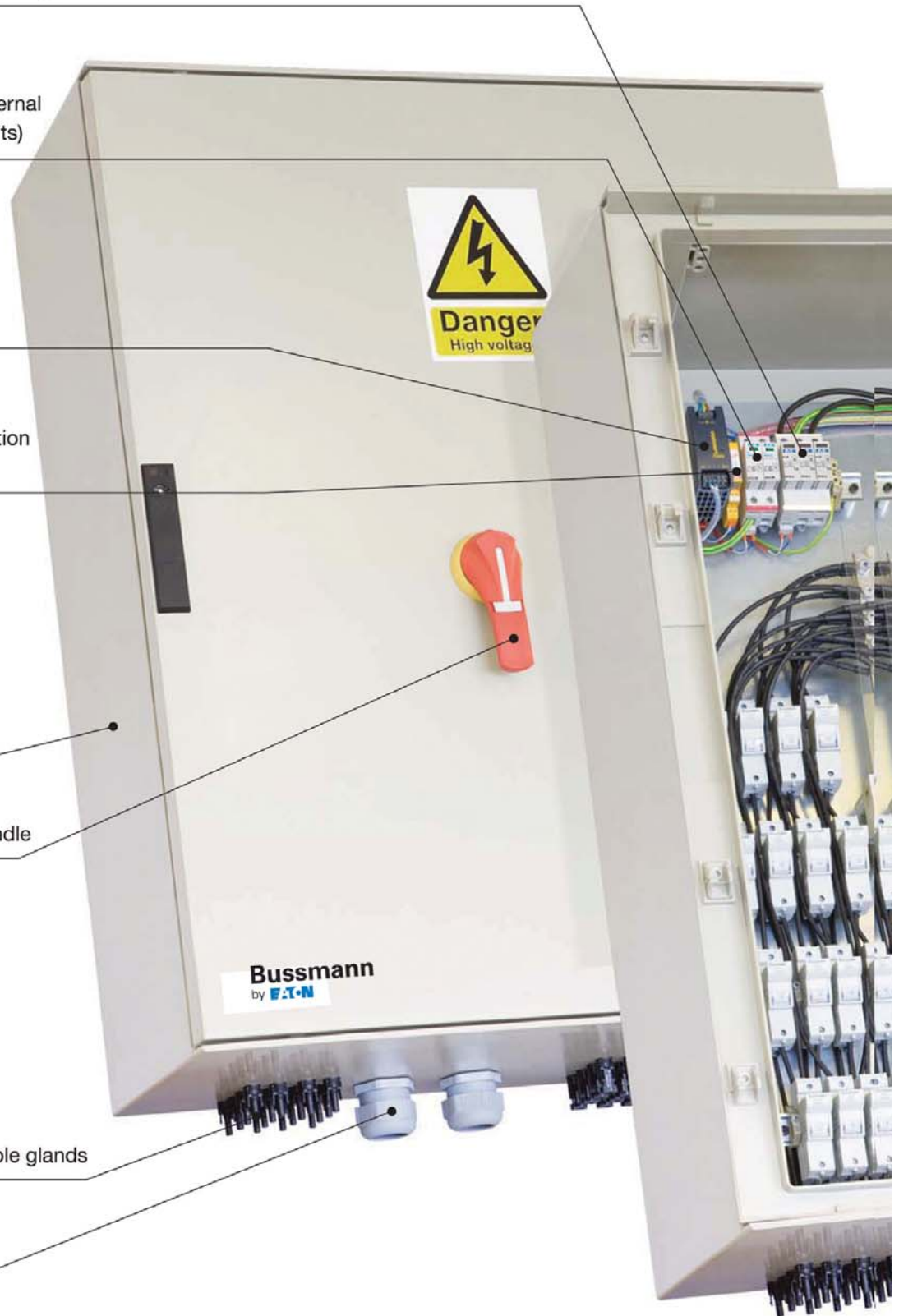
Optional SPD for 2-wire Modbus RS485 communication (monitored units)

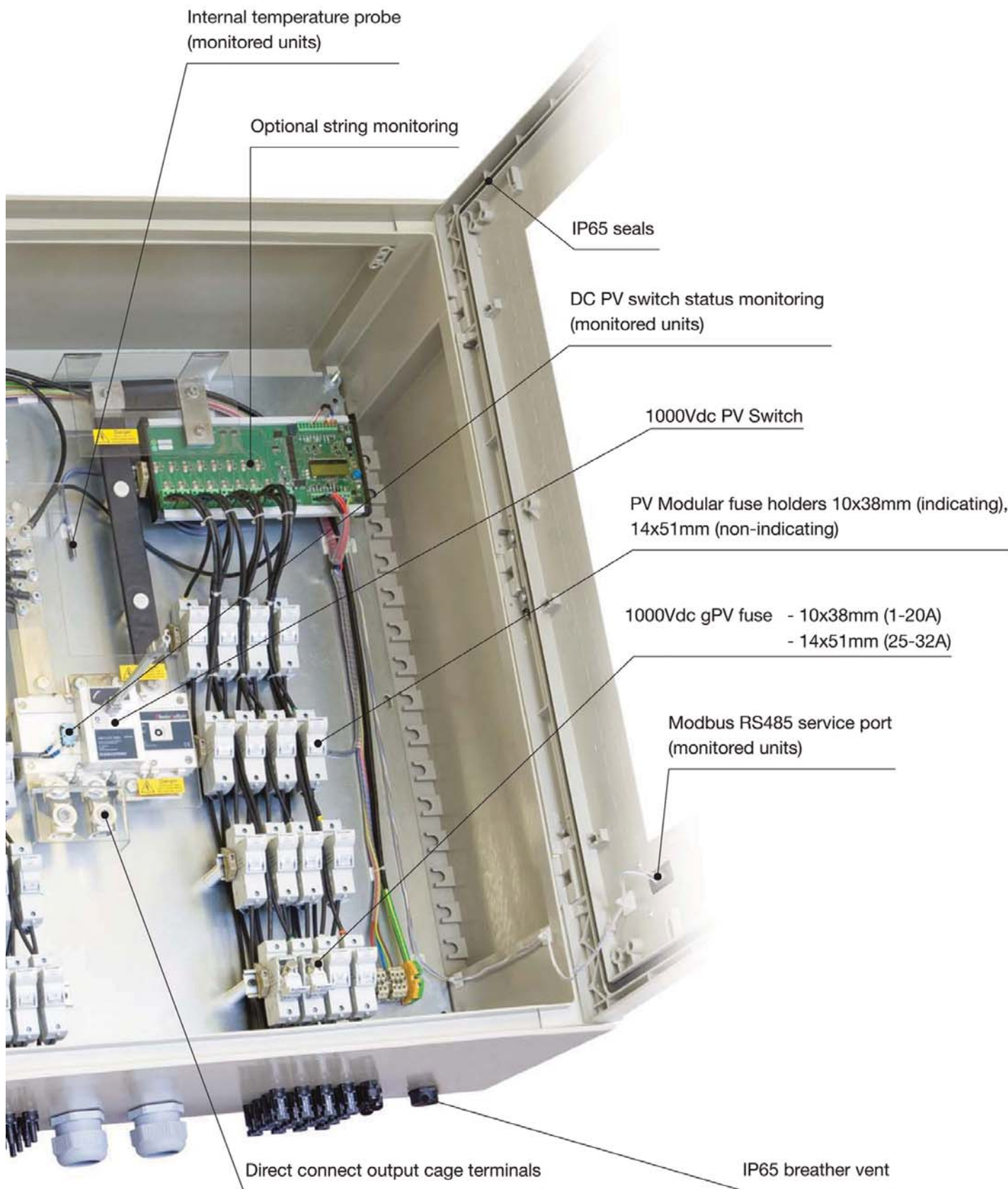
IP65 GRP, painted steel or stainless steel enclosure

External interlock switch handle

PV string inputs, MC4 or cable glands

PV output cable glands





Internal temperature probe
(monitored units)

Optional string monitoring

IP65 seals

DC PV switch status monitoring
(monitored units)

1000Vdc PV Switch

PV Modular fuse holders 10x38mm (indicating),
14x51mm (non-indicating)

1000Vdc gPV fuse - 10x38mm (1-20A)
- 14x51mm (25-32A)

Modbus RS485 service port
(monitored units)

Direct connect output cage terminals

IP65 breather vent

Index

Part numbers	Pages	Part numbers	Pages	Part numbers	Pages	Part numbers	Pages
2757	152	170M4922	128	17-5TxxEJ	153	7-20HGM	164
100SP	50	170M4926	128	1BS	147	7-2TxxSJ	152
1-1NBUN	161	170M4929	128	24ABGN	163	7-2VT	162
12ABCN	162	170M4951	128	24AFI	169	7-2WFMH	158
12BDGH	168	170M4953	128	24CAV	163	7-2WFMSJ	160
12BFGH	168	170M4955 to 170M4960	128	24FxxSJ	155	7-2WFNH	158
12CAV	162	170M4966 to 170M4972	120	24OBGN	163	7-2WK	158
12FxxSJ	155	170M4974	120	24OEGM	166	7-2WKMJ	158
12OBCN	162	170M4980 to 170M4989	120	24TxxEJ	154	7-2WKMSJ	160
12OEFMA	165	170M5008 to 170M5018	116	25TB	172	7-2WKNH	158
12OHFMA	165	170M5058 to 170M5068	116	32BS	21	A33547	169
12OHGMA	165	170M5108 to 170M5118	116	3-6ABCN	161	AAO	9
12SMD	162	170M5158 to 170M5168	116	36ABGN	163	AC	10
12TxxEJ	153	170M5208 to 170M5218	117	3-6ABWN	161	AD	11
12VTD	162	170M5258 to 170M5268	117	3-6ADxxSJ	152	ANL	92
15-5ABF	163	170M5358 to 170M5366	130	36CAV	163	ASAXSC-SPM	179
15-5CAV	163	170M5408 to 170M5418	126	3-6CAV	161	BAF	89
15-5OBF	163	170M5458 to 170M5468	126	36OBGN	163	BAO	9
15KB	171	170M5808D to 170M5817D	122	3-6OEFM	164	BBS	92
15KU	171	170M5820D	122	3-6OEGM	164	BC	11
15TB	170	170M5922	128	3-6OLGM	164	BD	11
15TU	170	170M5930	128	36TXQJ63	154	BH	94 & 147
15XAB	172	170M5952 to 170M5961	128	36TxxSJ	154	BK-C15	8
170H0069	146	170M5966	121	3-6WDF	156	BK-C3030	8
170H0235 to 170H0238	146	170M5969 to 170M5975	121	3-6WDLSJ	159	BK-C4545	8
170H1007	146	170M5981 to 170M5990	121	3-6WDOH	156	BK-C55	8
170H1013	146	170M6008 to 170M6021	118	3-6WDON	156	BSPH2A150D150LV	184
170H3003 to 170H3006	146	170M6058 to 170M6071	118	3-6WDOS	159	BSPH2A230D230LV	184
170M1309 to 170M1322	110	170M6108 to 170M6121	118	3-6WFD	156	BSPH2A24D24LV	184
170M1358 to 170M1373	110	170M6158 to 170M6171	119	3-6WFF	156	BSPH2A48D48LV	184
170M1408 to 170M1422	110	170M6208 to 170M6221	119	3-6WFGHA	157	BSPH2A60D60LV	184
170M1558D to 170M1572D	122	170M6258 to 170M6271	119	3-6WFGHO	156	BSPH4230WE	182
170M2608 to 170M2621	111	170M6338 to 170M6340	129	3-6WFGN	157	BSPM1120S2G	185
170M2658 to 170M2671	111	170M6342 to 170M6349	129	3-6WFLSJ	159	BSPM1240S2G	185
170M2672 to 170M2685	124	170M6408 to 170M6421	127	3-6WFOS	159	BSPM1347S2G	185
170M2691 to 170M2702	123	170M6458 to 170M6471	127	3-6WJO	157	BSPM1A150D200LV	184
170M3008 to 170M3023	112	170M6496 to 170M6501	129	3-6WKF	157	BSPM1A48D60LV	184
170M3058 to 170M3073	112	170M6538	129	3-6WKG	157	BSPM1A75D100LV	184
170M3108 to 170M3123	112	170M6540 to 170M6549	129	3-6WKL	157	BSPM2240S3G	185
170M3209 to 170M3223	113	170M6661 to 170M6670	131	3-6WKLSJ	159	BSPM2480S3G	185
170M3258 to 170M3273	113	170M6708 to 170M6718	131	38CAV	164	BSPM3208WYG	185
170M3360 to 170M3367	130	170M6720	131	46KB	174	BSPM3240DLG	185
170M3410 to 170M3423	125	170M6721	131	46KU	174	BSPM3480DLG	185
170M3458 to 170M3473	125	170M6808D to 170M6814D	122	46TB	173	BSPM3480WYG	185
170M3808D to 170M3819D	122	170M6892D	122	46TU	173	BSPM3600WYG	185
170M3953	128	170M7078 to 170M7086	130	5-5ABWN	161	BSPM3690WE	182
170M3956	128	170M8506	128	5-5AMWN	161	BSPM4208WYNG	185
170M3959 to 170M3961	128	170M8510	128	5-5CAV	161	BSPM4240HLG	185
170M3966 to 170M3975	120	170M8511	128	5-5VFN	159	BSPM4480HLG	185
170M3982 to 170M3991	120	170M8554D	122	5-5VKN	159	BSPM4480WYNG	185
170M4008 to 170M4019	114	170M8555D	122	6080SP	50	BSPM4600WYNG	185
170M4058 to 170M4069	114	170M8557D	122	63-100BS	21	BSPS1690WER	182
170M4108 to 170M4119	114	170M8604 to 170M8613	128	72-5AFK	169	BUSBAR-HS	51
170M4158 to 170M4168	115	170M8614	121	7-2ABCN	162	BVL50	75
170M4208 to 170M4219	115	170M8616	121	7-2ABWN	162	C08G	55
170M4258 to 170M4269	115	170M8620 to 170M8626	121	7-2ADF	167	C08M	54
170M4408 to 170M4419	125	170M8629	121	7-2BDGH	167	C10G	56
170M4458 to 170M4469	126	170M8631 to 170M8642	121	7-2BFGH	167	C10M	54
170M4608 to 170M4611	131	17-5ABGN	163	7-2BCAV	162	C14G	56
170M4616	131	17-5CAV	163	7-2OBCN	162	C14M	54
170M4617	131	17-5OBGN	163	7-2OBWN	162	C15	8
170M4863D to 170M4867D	122	17-5OHGMA	165	7-2OEFM	164	C22G	57

Index

Part numbers	Pages	Part numbers	Pages	Part numbers	Pages	Part numbers	Pages
C22M	55	FWA-A	132	NHGxxBI	67-68	SPCT2-135-2	179
C3030	8	FWA-A10F	106	NHMxxB-690	70	SPCT2-135-3	178
C4545	8	FWA-A21F	106	NHxxB-400	63	SPCT2-135-4	178
C55	8	FWA-B	132	NHxxBI-400	64	SPCT2-175	179
CCP	94	FWC	107	NI	21	SPCT2-175-1	177
CD100	12	FWH-A	134	NIT	21	SPCT2-175-2	179
CD27	77	FWH-A6F	106	NITD	8	SPCT2-175-3	178
CD33	77	FWH-B	134	NNL	21	SPCT2-175-4	178
CD80	12	FWJ	136	NNS	20	SPCT2-280	179
CEO	10	FWL	109	NSC-LINK	31	SPCT2-280-1	177
CH14-CTP	60	FWP-A	135	NSD	14	SPCT2-280-1-NPE	177
CH14-SPS	60	FWP-A14F	108	NZ	78	SPCT2-280-2	179
CH14-TPS	60	FWP-A22F	108	OSC-LINK	31	SPCT2-280-3	178
CH14xD	59	FWP-B	135	OSD	9	SPCT2-280-3-NPE	178
CH22-CTP	60	FWS	109	P09	18	SPCT2-280-4	178
CH22-SPS	60	FWX	133	P11	18	SPCT2-335	179
CH22-TPS	60	GD27	77	P5372-10	38	SPCT2-335-1	177
CH22xD	60	GD33	77	PJ31	52	SPCT2-335-1-NPE	177
CHCC	58	GF	14	PV-A10	137	SPCT2-335-2	179
CHM	57	GN	78	PV-A14F	139	SPCT2-335-3	178
CHPV	58 & 138	H07	16	PV-A14L	140	SPCT2-335-3-NPE	178
CHPV14	140	HS07	15	PV-NH	141	SPCT2-335-4	178
CL1	147	JJS	88	PV-XL	144	SPCT2-385	179
CM	19	JKS	85	RJ31	53	SPCT2-385-1	177
CML	21	JM60	95	RS Red Spot	38	SPCT2-385-1-NPE	177
CN	78	JT600	93	RSxxLOCK	38	SPCT2-385-2	179
CNE-HS	50	JTN600	93	RSxxRED	38	SPCT2-385-3	178
CT	102	JV-L	60	SB3L-S	145	SPCT2-385-3-NPE	178
CVR-J	95	K07	16	SBXL-S	145	SPCT2-385-4	178
CxNL	55	K09	17	SC	82	SPCT2-460	179
DO-GPK	78	K81ERX	159	SC Safeclip	31	SPCT2-460-1	177
D16	76	KR85	49	SC32LOCK	31	SPCT2-460-1-NPE	177
D27	76	KS07	15	SC63LOCK	31	SPCT2-460-2	179
D33	76	KTK	89	SCA63CAR	31	SPCT2-460-3	178
DD	12	KTK-R	86	SD-D	71	SPCT2-460-3-NPE	178
DEO	10	L09	18	SD-D-PV	143	SPCT2-460-4	178
DIN-20-32	31	L14	16	SDL	74	SPCT2-580	179
EC-250	146	LCT	100	SD-PB	75	SPCT2-580-1	177
EC-600	146	LET	100	SD-S	71	SPCT2-580-1-NPE	177
ECLIP	147	LMMT	100	SD-SK	74	SPCT2-580-2	179
ED	12	LMT	100	SFD	77	SPCT2-580-3	178
EET	102	LP-CC	81	SFRD	77	SPCT2-580-3-NPE	178
EF	13	LPJ	80	SJ28	53	SPCT2-580-4	178
EFS	13	LR85	50	SJ31	53	SPCT2-NPE60-1	177
ENL	21	LSC	21	SMD	49	SP-HS-COVER	51
ENS	20	LTS-HS	51	SNE-HS	50	SPI-100-NPE	177
ESC-LINK	31	M09	18	SPB-D-125	180	SPI-35-440	177
ESD	15	M14	17	SPBP-HS	51	SPI-35-440-3	178
ET	102	MAI	147	SPBT12-280-1	177	SPI-50-NPE	177
FE	102	MC-250	146	SPBT12-280-1-NPE	177	SPPVT12-06	181
FEE	104	MC-600	146	SPBT12-280-2	179	SPPVT12-06-2-PE	181
FEH	74	MC-700	146	SPBT12-280-3	178	SPPVT12-06-2-PE-AX	181
FF	13	MCLIP	147	SPBT12-280-3-NPE	178	SPPVT12-10	181
FM	104	MJ25	51	SPBT12-280-4	178	SPPVT12-10-2-PE	181
FMM	104	MJ30	52	SPBT12-NPE100	177	SPPVT12-10-2-PE-AX	181
FNM	90	MMT	104	SPCT2-075	179	SPPVT2-06	181
FNQ	91	MT	104	SPCT2-075-1	177	SPPVT2-06-2-PE	181
FNQ-R	87	N09	18	SPCT2-075-2	179	SPPVT2-06-2-PE-AX	181
FRN01C	78	N11	18	SPCT2-075-3	178	SPPVT2-10	181
FRN02C	78	NET	22	SPCT2-075-4	178	SPPVT2-10-2-PE	181
FRN-R	82 & 83	NHGB	65-66	SPCT2-135	179	SPPVT2-10-2-PE-AX	181
FRS-R	84	NHGxxB-690	69	SPCT2-135-1	177	SPPVT2H-06	181

Index

Part numbers	Pages
SPPVT2H-06-2-PE	181
SPPVT2H-06-2-PE-AX	181
SPPVT2H-10	181
SPPVT2H-10-2-PE	181
SPPVT2H-10-2-PE-AX	181
SSC-LINK	31
SSD	14
STD	48
TB	24
TBC	25
TC	25
TCA2	38
TCF	79
TC-HS	51
TCP	23
TD-D	71
TD-IP20	75
TF	26
TFD	77
TFP	24
TFRD	77
TFRN	78
TI1100	147
TI1500	147
TI2000	147
TI250	146
TI2500	147
TI500	146
TI600	146
TI700	146
TIA	22
TIS	23
TKF	26
TKM	27
TLM	30
TLU	30
TM	28
TMF	27
TMT	28
TOOL-HS	51
TPBP-HS	51
TP-HS-COVER	51
TT	29
TTD	166 & 169
TTM	29
XSC-LINK	31

At Eaton, we're energized by the challenge of powering a world that demands more. With over 100 years experience in electrical power management, we have the expertise to see beyond today. From groundbreaking products to turnkey design and engineering services, critical industries around the globe count on Eaton.

We power businesses with reliable, efficient and safe electrical power management solutions. Combined with our personal service, support and bold thinking, we are answering tomorrow's needs today. Follow the charge with Eaton. Visit eaton.com/electrical.

Contact your local Eaton office

Electrical Sector
Eaton's Bussmann business
Melton Road
Burton-on-the-Wolds
LE12 5TH
Leicestershire
United Kingdom
bulesales@eaton.com
www.bussmann.com

Eaton Industries Manufacturing GmbH
Electrical Sector EMEA
Route de la Longeraie
71110 Morges, Switzerland
Eaton.eu

© 2014 Eaton
All Rights Reserved
Printed in the UK
Publication No. CA132002EN
June 2014

Changes to the products, to the information contained in this document, and to prices are reserved; so are errors and omissions. Only order confirmations and technical documentation by Eaton is binding. Photos and pictures also do not warrant a specific layout or functionality. Their use in whatever form is subject to prior approval by Eaton. The same applies to Trademarks (especially Eaton, Moeller, and Cutler-Hammer). The Terms and Conditions of Eaton apply, as referenced on Eaton Internet pages and Eaton order confirmations.

Eaton is a registered trademark.

All other trademarks are property of their respective owners.

Follow us on social media to get the latest product and support information.

