

MILBANK[®]
ENERGY AT WORK



Enclosures

Product Catalog



Milbank Overview

Energy At Work since 1927

Milbank designs and manufactures electrical solutions that move and manage power for the residential, commercial, industrial, utility and transportation sectors. With 90 years of expertise in electrical engineering design and manufacturing, Milbank's portfolio includes metering equipment, enclosures and enclosed controls. Founded in 1927, Milbank is a family-owned, American manufacturer headquartered in Kansas City, Mo. For more information, please visit milbankworks.com.

METERING



As a market leader in electrical metering equipment, Milbank has set the standard for quality since 1927. Hundreds of configurations are available, including many sizes, knockout configurations, terminal configurations, bypass options, hubs, locks and connectors. Milbank has the socket you need with thousands of active products to meet your utility's requirements.

ENCLOSURES



Milbank's line of enclosures include commercial junction boxes, panel mount enclosures, transformer cabinets, wireway, trough and industrial panel mount and push-button enclosures. Built with high-quality craftsmanship and materials which meet or exceed industry standards, Milbank enclosures are made to protect controls and equipment from dust, dirt and other harmful elements found in a wide variety of environments.

ENCLOSED CONTROLS



Milbank doesn't just build empty enclosures. We can deliver the entire package, complete with custom control equipment built to your exact specifications by our engineers. Milbank commercial pedestals are an attractive, secure, easy to install and cost-effective solution when underground remote site power distribution and control equipment is required, replacing unsightly and inefficient strut and backboard structures. Milbank's manual and automatic transfer switches are durable, easy to install and compatible with most generators.



Utility requirements for this equipment may vary. Always consult the serving utility for their requirements prior to ordering or installing this equipment. This product must be installed by a licensed electrician. Installation of this equipment may require local electrical inspector approval.

Table of Contents

Commercial Enclosures

Type 1 junction boxes.....	4-8
Type 1 panel enclosures	9-12
Type 3R junction boxes.....	13-17
Type 3R telephone cabinets	18-19
Type 3R current transformer cabinets	20
Type 1, 3 & 12 gasketed screw cover junction boxes....	21
Type 1 telephone cabinet covers.....	22-23
FLC blank covers.....	24
Back panels.....	25-26
Type 1 wireway.....	27-33
Type 3R wiring trough	34-37
Wireway fittings.....	38-43
Hole Seals	44
Accessories	45-46

Industrial Enclosures

Environmental ratings & protection grades.....	48-51
Type 12 junction enclosures.....	52-61
Type 12 pushbutton enclosures.....	62-69
Type 12 oil-tight consolets	70
Type 12 wall mount enclosures.....	71-75
Type 12 floor mount enclosures	76-77
Type 12 freestanding enclosures	78-81
Type 12 multi-door enclosures with sub panels.....	82-85
Type 12 disconnect enclosures	86-96
Type 12 heavy-duty enclosures.....	97-102
Type 12 modular enclosures	103-107
Disconnect enclosure information.....	108-115
Series 1 and Series 9 consoles	116-118
Type 4 & 4X junction enclosures.....	119-124
Type 4 wall mount enclosures	125-127
Type 4 & 4X floor mount enclosures.....	128-129
Type 4 & 4X freestanding enclosures	130-131
Type 4 & 4X disconnect enclosures	132-133
Type 4 flush mounted enclosures	134-135
Millennium Series enclosures	136-140
Industrial enclosure accessories	141-163
Exterior color chart.....	164-165
Industrial enclosure specials	166-170
Index.....	172-187

Utility requirements for this equipment may vary. Always consult the serving utility for their requirements prior to ordering or installing this equipment. This product must be installed by a licensed electrician. Installation of this equipment may require local electrical inspector approval.



4

TYPE 1
SCREW COVER
JUNCTION BOXES

Screw Cover Junction Boxes

Type 1

Application

- Designed for use as a junction box or pull box.
- For indoor use to provide protection against contact with enclosed equipment where moisture and dust are not a problem.

Construction

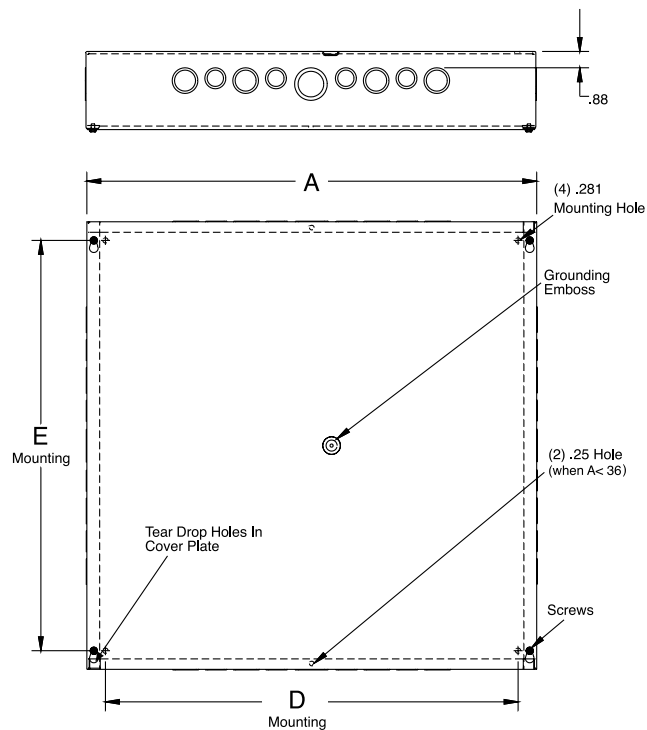
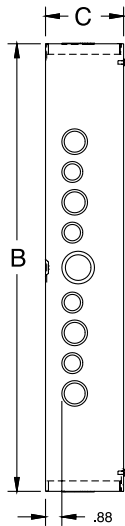
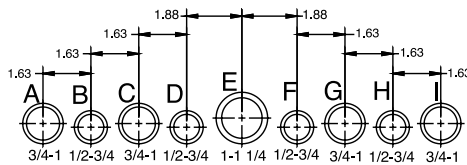
- Enclosure and cover are manufactured from 16, 14, or 12 gauge steel.
- Available with or without knockouts. Rectangular units have knockouts on all four sides; square units have knockouts on just two sides. For no knockouts, refer to suffix **-NK** in catalog number.
- Available with or without paint. For no paint, refer to suffix **-NP** in catalog number. Unpainted enclosures are made from galvanized steel.
- Covers have teardrop slots for easy installation and are attached to body with plated screws.
- Grounding emboss provided with green plated grounding screw.
- Holes are incorporated into the back of enclosure for mounting.

Finish

- ANSI 61 gray polyester powder coating inside and out unless otherwise specified.

Accessories

- Replacement covers: see Covers, pg. 8
- Touch-up paint: see Accessories, pg. 46.
- Wood back panels: see Panels, pg. 26.
- Replacement screws: see Accessories, pg. 46.



Utility requirements for this equipment may vary. Always consult the serving utility for their requirements prior to ordering or installing this equipment. This product must be installed by a licensed electrician. Installation of this equipment may require local electrical inspector approval.

Screw Cover Junction Boxes

Type 1

5

TYPE 1
SCREW COVER
JUNCTION BOXES

Catalog Number	Product Family	UPC Number 7-84572-	Weight (lbs)	Carton Quantity	W x H x D	Knockouts	
						A Side	B Side
444-SC1	SC1C	10650	2.2	6	4 x 4 x 4	B-C	None
444-SC1-NK	SC1C	10652	2.2	6	4 x 4 x 4	None	None
444-SC1-NK-NP	SC1C	15483	2.2	6	4 x 4 x 4	None	None
464-SC1	SC1C	10704	2.8	4	4 x 6 x 4	B-C	B-C-D
464-SC1-NK	SC1C	10705	4.5	4	4 x 6 x 4	None	None
464-SC1-NK-NP	SC1C	19632	2.8	4	4 x 6 x 4	None	None
464-SC1-NP	SC1C	31193	2.8	4	4 x 6 x 4	B-C	B-C-D
663-SC1	SC1C	10790	2.9	12	6 x 6 x 3	B-C-D	B-C-D
663-SC1-NK	SC1C	10791	2.9	12	6 x 6 x 3	None	None
663-SC1-NK-NP	SC1C	21830	2.9	12	6 x 6 x 3	None	None
664-SC1	SC1C	10801	3.4	9	6 x 6 x 4	B-C-D	None
664-SC1-NK	SC1C	10803	3.4	9	6 x 6 x 4	None	None
664-SC1-NK-NP	SC1C	10804	3.4	9	6 x 6 x 4	None	None
664-SC1-NP	SC1C	16191	3.4	9	6 x 6 x 4	B-C-D	None
666-SC1	SC1C	10818	4.5	6	6 x 6 x 6	B-C-D	None
666-SC1-NK	SC1C	10819	4.5	6	6 x 6 x 6	None	None
666-SC1-NK-NP	SC1C	15355	4.5	6	6 x 6 x 6	None	None
666-SC1-NP	SC1C	30985	4.5	6	6 x 6 x 6	B-C-D	None
684-SC1	SC1C	10859	4	9	6 x 8 x 4	B-C-D	F-G-H-I
684-SC1-NK	SC1C	10860	4	9	6 x 8 x 4	None	None
684-SC1-NK-NP	SC1C	20886	4	9	6 x 8 x 4	None	None
684-SC1-NP	SC1C	18007	4	9	6 x 8 x 4	B-C-D	F-G-H-I
686-SC1	SC1C	10863	5.2	6	6 x 8 x 6	B-C-D	F-G-H-I
686-SC1-NK	SC1C	10864	5.2	6	6 x 8 x 6	None	None
686-SC1-NK-NP	SC1C	21059	5.2	6	6 x 8 x 6	None	None
686-SC1-NP	SC1C	30159	5.2	6	6 x 8 x 6	B-C-D	F-G-H-I
6124-SC1	SC1C	10764	5.5	6	6 x 12 x 4	B-C-D	C-D-E-F-G
6124-SC1-NK	SC1C	15543	5.5	6	6 x 12 x 4	None	None
6126-SC1	SC1C	10765	7	2	6 x 12 x 6	B-C-D	C-D-E-F-G
6126-SC1-NK	SC1C	17754	7	2	6 x 12 x 6	None	None
884-SC1	SC1C	10938	5	6	8 x 8 x 4	F-G-H-I	None
884-SC1-NK	SC1C	10940	5	6	8 x 8 x 4	None	None
884-SC1-NK-NP	SC1C	15357	5	6	8 x 8 x 4	None	None
886-SC1	SC1C	10955	6.5	4	8 x 8 x 6	F-G-H-I	None
886-SC1-NK	SC1C	10956	6.5	4	8 x 8 x 6	None	None
886-SC1-NK-NP	SC1C	15358	6.5	4	8 x 8 x 6	None	None
886-SC1-NP	SC1C	19650	6.5	4	8 x 8 x 6	F-G-H-I	None
888-SC1	SC1C	10971	7.5	2	8 x 8 x 8	F-G-H-I	None
888-SC1-NK	SC1C	10972	7.5	2	8 x 8 x 8	None	None
888-SC1-NK-NP	SC1C	15509	7.5	2	8 x 8 x 8	None	None
888-SC1-NP	SC1C	32326	7.5	2	8 x 8 x 8	F-G-H-I	None
8104-SC1	SC1C	10879	7	5	8 x 10 x 4	F-G-H-I	F-G-H-I
8104-SC1-NK	SC1C	10880	7	5	8 x 10 x 4	None	None
8104-SC1-NK-NP	SC1C	21057	7	5	8 x 10 x 4	None	None
8104-SC1-NP	SC1C	30485	7	5	8 x 10 x 4	F-G-H-I	F-G-H-I
8106-SC1	SC1C	10885	7.5	4	8 x 10 x 6	F-G-H-I	F-G-H-I
8106-SC1-NK	SC1C	10886	7.5	4	8 x 10 x 6	None	None
8106-SC1-NK-NP	SC1C	24737	7.5	4	8 x 10 x 6	None	None
8106-SC1-NP	SC1C	31005	7.5	4	8 x 10 x 6	F-G-H-I	F-G-H-I
8124-SC1	SC1C	10892	6.7	3	8 x 12 x 4	F-G-H-I	C-D-E-F-G
8124-SC1-NK	SC1C	10893	6.7	3	8 x 12 x 4	None	None
8124-SC1-NK-NP	SC1C	23645	6.7	3	8 x 12 x 4	None	None
8126-SC1	SC1C	10898	8.5	2	8 x 12 x 6	F-G-H-I	C-D-E-F-G
8126-SC1-NK	SC1C	10899	8.5	2	8 x 12 x 6	None	None
8126-SC1-NK-NP	SC1C	21060	8.5	2	8 x 12 x 6	None	None
10104-SC1	SC1C	10017	7	3	10 x 10 x 4	F-G-H-I	None
10104-SC1-NK	SC1C	10018	7	3	10 x 10 x 4	None	None
10104-SC1-NK-NP	SC1C	15344	7	3	10 x 10 x 4	None	None
10104-SC1-NP	SC1C	16190	7	3	10 x 10 x 4	F-G-H-I	None
10106-SC1	SC1C	10030	8.5	2	10 x 10 x 6	C-D-E-F-G	None
10106-SC1-NK	SC1C	10031	8.5	2	10 x 10 x 6	None	None

Utility requirements for this equipment may vary. Always consult the serving utility for their requirements prior to ordering or installing this equipment. This product must be installed by a licensed electrician. Installation of this equipment may require local electrical inspector approval.



6

TYPE 1
SCREW COVER
JUNCTION BOXES

Screw Cover Junction Boxes

Type 1

Catalog Number	Product Family	UPC Number 7-84572-	Weight (lbs)	Carton Quantity	W x H x D	Knockouts	
						A Side	B Side
10106-SC1-NK-NP	SC1C	15456	8.5	2	10 x 10 x 6	None	None
10106-SC1-NP	SC1C	20888	8.5	2	10 x 10 x 6	C-D-E-F-G	None
10124-SC1	SC1C	10065	8	3	10 x 12 x 4	C-D-E-F-G	C-D-E-F-G
10124-SC1-NK	SC1C	10066	8	3	10 x 12 x 4	None	None
10124-SC1-NK-NP	SC1C	15345	8	3	10 x 12 x 4	None	None
10124-SC1-NP	SC1C	31006	8	3	10 x 12 x 4	C-D-E-F-G	C-D-E-F-G
10126-SC1	SC1C	10071	9.5	2	10 x 12 x 6	C-D-E-F-G	C-D-E-F-G
10126-SC1-NK	SC1C	10072	9.5	2	10 x 12 x 6	None	None
10126-SC1-NP	SC1C	32327	9.5	2	10 x 12 x 6	C-D-E-F-G	C-D-E-F-G
12124-SC1	SC1C	10113	9.2	4	12 x 12 x 4	C-D-E-F-G	None
12124-SC1-NK	SC1C	10115	9.2	4	12 x 12 x 4	None	None
12124-SC1-NK-NP	SC1C	10116	9.2	4	12 x 12 x 4	None	None
12124-SC1-NP	SC1C	17591	9.2	4	12 x 12 x 4	C-D-E-F-G	None
12126-SC1	SC1C	10133	11	3	12 x 12 x 6	C-D-E-F-G	None
12126-SC1-NK	SC1C	10135	11	3	12 x 12 x 6	None	None
12126-SC1-NK-NP	SC1C	10136	11	3	12 x 12 x 6	None	None
12126-SC1-NP	SC1C	16189	11	3	12 x 12 x 6	C-D-E-F-G	None
12128-SC1	SC1C	10153	13	2	12 x 12 x 8	C-D-E-F-G	None
12128-SC1-NK	SC1C	10154	13	2	12 x 12 x 8	None	None
12128-SC1-NK-NP	SC1C	15469	13	2	12 x 12 x 8	None	None
12128-SC1-NP	SC1C	20537	13	2	12 x 12 x 8	C-D-E-F-G	None
121212-SC1-NK	SC1C	24378	15.4	1	12 x 12 x 12	None	None
12164-SC1	SC1C	10177	11.3	3	12 x 16 x 4	C-D-E-F-G	B-C-D-E-F-G-H
12164-SC1-NK	SC1C	10178	11.3	3	12 x 16 x 4	None	None
12164-SC1-NK-NP	SC1C	15346	11.3	3	12 x 16 x 4	None	None
12164-SC1-NP	SC1C	32328	11.3	3	12 x 16 x 4	C-D-E-F-G	B-C-D-E-F-G-H
12166-SC1	SC1C	10183	13.5	2	12 x 16 x 6	C-D-E-F-G	B-C-D-E-F-G-H
12166-SC1-NK	SC1C	10184	13.5	2	12 x 16 x 6	None	None
12166-SC1-NK-NP	SC1C	15347	13.5	2	12 x 16 x 6	None	None
12166-SC1-NP	SC1C	30984	13.5	2	12 x 16 x 6	C-D-E-F-G	B-C-D-E-F-G-H
12184-SC1	SC1C	10202	12.7	3	12 x 18 x 4	C-D-E-F-G	A-B-C-D-E-F-G-H-I
12184-SC1-NK	SC1C	10203	12.7	3	12 x 18 x 4	None	None
12184-SC1-NK-NP	SC1C	21058	12.7	3	12 x 18 x 4	None	None
12186-SC1	SC1C	10209	14.5	2	12 x 18 x 6	C-D-E-F-G	A-B-C-D-E-F-G-H-I
12186-SC1-NK	SC1C	10210	14.5	2	12 x 18 x 6	None	None
12186-SC1-NK-NP	SC1C	16421	14.5	2	12 x 18 x 6	None	None
12188-SC1	SC1C	10216	17	1	12 x 18 x 8	C-D-E-F-G	A-B-C-D-E-F-G-H-I
12188-SC1-NK	SC1C	10217	17	1	12 x 18 x 8	None	None
12188-SC1-NK-NP	SC1C	31727	17	1	12 x 18 x 8	None	None
121810-SC1	SC1C	10198	19	1	12 x 18 x 10	C-D-E-F-G	A-B-C-D-E-F-G-H-I
12244-SC1	SC1C	10229	15.8	3	12 x 24 x 4	C-D-E-F-G	A-B-C-D-E-F-G-H-I
12244-SC1-NK	SC1C	15584	15.8	3	12 x 24 x 4	None	None
12246-SC1	SC1C	10232	18.8	2	12 x 24 x 6	C-D-E-F-G	A-B-C-D-E-F-G-H-I
12246-SC1-NK	SC1C	10233	18.8	2	12 x 24 x 6	None	None
12246-SC1-NK-NP	SC1C	23762	18.8	2	12 x 24 x 6	None	None
15186-SC1	SC1C	10265	17.5	2	15 x 18 x 6	B-C-D-E-F-G-H	A-B-C-D-E-F-G-H-I
15186-SC1-NK	SC1C	10266	17.5	2	15 x 18 x 6	None	None
15186-SC1-NK-NP	SC1C	28142	17.5	2	15 x 18 x 6	None	None
16164-SC1	SC1C	10283	14	3	16 x 16 x 4	B-C-D-E-F-G-H	None
16164-SC1-NK	SC1C	10284	14	3	16 x 16 x 4	None	None
16164-SC1-NK-NP	SC1C	25802	14	3	16 x 16 x 4	None	None
16166-SC1	SC1C	10285	16.5	2	16 x 16 x 6	B-C-D-E-F-G-H	None
16166-SC1-NK	SC1C	10286	16.5	2	16 x 16 x 6	None	None
16166-SC1-NK-NP	SC1C	15348	16.5	2	16 x 16 x 6	None	None
16166-SC1-NP	SC1C	30484	16.5	2	16 x 16 x 6	B-C-D-E-F-G-H	None
18184-SC1	SC1C	10300	17	3	18 x 18 x 4	A-B-C-D-E-F-G-H-I	None
18184-SC1-NK	SC1C	10301	17	3	18 x 18 x 4	None	None
18184-SC1-NK-NP	SC1C	10302	17	3	18 x 18 x 4	None	None
18184-SC1-NP	SC1C	20538	17	3	18 x 18 x 4	A-B-C-D-E-F-G-H-I	None
18186-SC1	SC1C	10309	20.5	2	18 x 18 x 6	A-B-C-D-E-F-G-H-I	None
18186-SC1-NK	SC1C	10310	20.5	2	18 x 18 x 6	None	None



Utility requirements for this equipment may vary. Always consult the serving utility for their requirements prior to ordering or installing this equipment. This product must be installed by a licensed electrician. Installation of this equipment may require local electrical inspector approval.

Screw Cover Junction Boxes

Type 1

Catalog Number	Product Family	UPC Number 7-84572-	Weight (lbs)	Carton Quantity	W x H x D	Knockouts	
						A Side	B Side
18186-SC1-NK-NP	SC1C	10311	20.5	2	18 x 18 x 6	None	None
18186-SC1-NP	SC1C	15955	20.5	2	18 x 18 x 6	A-B-C-D-E-F-G-H-I	None
18188-SC1	SC1C	10319	24	1	18 x 18 x 8	A-B-C-D-E-F-G-H-I	None
18188-SC1-NK	SC1C	10320	24	1	18 x 18 x 8	None	None
18188-SC1-NK-NP	SC1C	15349	24	1	18 x 18 x 8	None	None
18188-SC1-NP	SC1C	20536	24	1	18 x 18 x 8	A-B-C-D-E-F-G-H-I	None
181810-SC1	SC1C	10294	25	1	18 x 18 x 10	A-B-C-D-E-F-G-H-I	None
181810-SC1-NK	SC1C	10295	25	1	18 x 18 x 10	None	None
181810-SC1-NK-NP	SC1C	21064	25	1	18 x 18 x 10	None	None
181812-SC1	SC1C	10298	28	1	18 x 18 x 12	A-B-C-D-E-F-G-H-I	None
181812-SC1-NK	SC1C	10299	28	1	18 x 18 x 12	None	None
181812-SC1-NK-NP	SC1C	24736	28	1	18 x 18 x 12	None	None
18244-SC1	SC1C	10333	23.5	2	18 x 24 x 4	A-B-C-D-E-F-G-H-I	A-B-C-D-E-F-G-H-I
18244-SC1-NK	SC1C	10334	23.5	2	18 x 24 x 4	None	None
18244-SC1-NK-NP	SC1C	32330	23.5	2	18 x 24 x 4	None	None
18246-SC1	SC1C	10338	27	1	18 x 24 x 6	A-B-C-D-E-F-G-H-I	A-B-C-D-E-F-G-H-I
18246-SC1-NK	SC1C	10339	27	1	18 x 24 x 6	None	None
18246-SC1-NK-NP	SC1C	15350	27	1	18 x 24 x 6	None	None
18246-SC1-NP	SC1C	32331	27	1	18 x 24 x 6	A-B-C-D-E-F-G-H-I	A-B-C-D-E-F-G-H-I
18248-SC1	SC1C	10346	30	1	18 x 24 x 8	A-B-C-D-E-F-G-H-I	A-B-C-D-E-F-G-H-I
18248-SC1-NK	SC1C	10347	30	1	18 x 24 x 8	None	None
18248-SC1-NK-NP	SC1C	21063	30	1	18 x 24 x 8	None	None
182410-SC1	SC1C	10330	34	1	18 x 24 x 10	A-B-C-D-E-F-G-H-I	A-B-C-D-E-F-G-H-I
182410-SC1-NK	SC1C	24593	34	1	18 x 24 x 10	None	None
182410-SC1-NK-NP	SC1C	32332	34	1	18 x 24 x 10	None	None
182412-SC1	SC1C	10332	36	1	18 x 24 x 12	A-B-C-D-E-F-G-H-I	A-B-C-D-E-F-G-H-I
182412-SC1-NK	SC1C	20294	36	1	18 x 24 x 12	None	None
182412-SC1-NK-NP	SC1C	24797	36	1	18 x 24 x 12	None	None
24244-SC1	SC1C	10417	30.5	2	24 x 24 x 4	A-B-C-D-E-F-G-H-I	None
24244-SC1-NK	SC1C	10418	30.5	2	24 x 24 x 4	None	None
24244-SC1-NK-NP	SC1C	15473	30.5	2	24 x 24 x 4	None	None
24244-SC1-NP	SC1C	32333	30.5	2	24 x 24 x 4	A-B-C-D-E-F-G-H-I	None
24246-SC1	SC1C	10423	33.5	1	24 x 24 x 6	A-B-C-D-E-F-G-H-I	None
24246-SC1-NK	SC1C	10424	33.5	1	24 x 24 x 6	None	None
24246-SC1-NK-NP	SC1C	15352	33.5	1	24 x 24 x 6	None	None
24246-SC1-NP	SC1C	20539	33.5	1	24 x 24 x 6	A-B-C-D-E-F-G-H-I	None
24248-SC1	SC1C	10434	38	1	24 x 24 x 8	A-B-C-D-E-F-G-H-I	None
24248-SC1-NK	SC1C	10435	38	1	24 x 24 x 8	None	None
24248-SC1-NK-NP	SC1C	10436	38	1	24 x 24 x 8	None	None
242410-SC1	SC1C	10408	41	1	24 x 24 x 10	A-B-C-D-E-F-G-H-I	None
242410-SC1-NK	SC1C	10409	41	1	24 x 24 x 10	None	None
242410-SC1-NK-NP	SC1C	20887	41	1	24 x 24 x 10	None	None
242412-SC1	SC1C	10413	44	1	24 x 24 x 12	A-B-C-D-E-F-G-H-I	None
242412-SC1-NK	SC1C	10414	44	1	24 x 24 x 12	None	None
242412-SC1-NK-NP	SC1C	20648	44	1	24 x 24 x 12	None	None
24308-SC1	SC1C	10460	45	1	24 x 30 x 8	A-B-C-D-E-F-G-H-I	A-B-C-D-E-F-G-H-I
24308-SC1-NK	SC1C	10461	45	1	24 x 30 x 8	None	None
24308-SC1-NK-NP	SC1C	32334	45	1	24 x 30 x 8	None	None
243010-SC1	SC1C	10447	50	1	24 x 30 x 10	A-B-C-D-E-F-G-H-I	A-B-C-D-E-F-G-H-I
243010-SC1-NK	SC1C	10448	50	1	24 x 30 x 10	None	None
243010-SC1-NK-NP	SC1C	21065	50	1	24 x 30 x 10	None	None
243012-SC1	SC1C	10450	54	1	24 x 30 x 12	A-B-C-D-E-F-G-H-I	A-B-C-D-E-F-G-H-I
243012-SC1-NK-NP	SC1C	21067	54	1	24 x 30 x 12	None	None
24366-SC1	SC1C	10479	54	1	24 x 36 x 6	A-B-C-D-E-F-G-H-I	A-B-C-D-E-F-G-H-I
24366-SC1-NK	SC1C	10480	54	1	24 x 36 x 6	None	None
24366-SC1-NK-NP	SC1C	32335	54	1	24 x 36 x 6	None	None
24366-SC1-NP	SC1C	32336	54	1	24 x 36 x 6	A-B-C-D-E-F-G-H-I	A-B-C-D-E-F-G-H-I
24368-SC1	SC1C	10485	59	1	24 x 36 x 8	A-B-C-D-E-F-G-H-I	A-B-C-D-E-F-G-H-I
24368-SC1-NK	SC1C	10486	59	1	24 x 36 x 8	None	None
24368-SC1-NK-NP	SC1C	10487	59	1	24 x 36 x 8	None	None
243610-SC1	SC1C	10470	77	1	24 x 36 x 10	A-B-C-D-E-F-G-H-I	A-B-C-D-E-F-G-H-I

Utility requirements for this equipment may vary. Always consult the serving utility for their requirements prior to ordering or installing this equipment. This product must be installed by a licensed electrician. Installation of this equipment may require local electrical inspector approval.



Catalog Number	Product Family	UPC Number 7-84572-	Weight (lbs)	Carton Quantity	W x H x D	Knockouts	
						A Side	B Side
243610-SC1-NK	SC1C	24105	77	1	24 x 36 x 10	None	None
243612-SC1	SC1C	10471	83	1	24 x 36 x 12	A-B-C-D-E-F-G-H-I	A-B-C-D-E-F-G-H-I
243612-SC1-NK	SC1C	19903	83	1	24 x 36 x 12	None	None
243612-SC1-NK-NP	SC1C	10472	83	1	24 x 36 x 12	None	None
30306-SC1-NK	SC1C	10521	66	1	30 x 30 x 6	None	None
30306-SC1-NK-NP	SC1C	15475	66	1	30 x 30 x 6	None	None
30308-SC1-NK	SC1C	10528	76	1	30 x 30 x 8	None	None
30308-SC1-NK-NP	SC1C	24913	76	1	30 x 30 x 8	None	None
303010-SC1-NK	SC1C	10508	81	1	30 x 30 x 10	None	None
303010-SC1-NK-NP	SC1C	21066	81	1	30 x 30 x 10	None	None
303012-SC1-NK	SC1C	10511	95	1	30 x 30 x 12	None	None
303012-SC1-NK-NP	SC1C	21068	95	1	30 x 30 x 12	None	None
30366-SC1-NK	SC1C	10543	87	1	30 x 36 x 6	None	None
30366-SC1-NK-NP	SC1C	32337	87	1	30 x 36 x 6	None	None
30368-SC1-NK	SC1C	23846	95	1	30 x 36 x 8	None	None
30368-SC1-NK-NP	SC1C	16466	95	1	30 x 36 x 8	None	None
303610-SC1-NK-NP	SC1C	32338	103	1	30 x 36 x 10	None	None
303612-SC1-NK	SC1C	17923	111	1	30 x 36 x 12	None	None
303612-SC1-NK-NP	SC1C	32339	111	1	30 x 36 x 12	None	None
36364-SC1-NK	SC1C	10591	105	1	36 x 36 x 4	None	None
36366-SC1-NK	SC1C	10596	115	1	36 x 36 x 6	None	None
36366-SC1-NK-NP	SC1C	15477	115	1	36 x 36 x 6	None	None
36368-SC1	SC1C	24886	124	1	36 x 36 x 8	None	None
36368-SC1-NK	SC1C	10601	124	1	36 x 36 x 8	None	None
36368-SC1-NK-NP	SC1C	15353	124	1	36 x 36 x 8	None	None
363610-SC1-NK	SC1C	10584	134	1	36 x 36 x 10	None	None
363610-SC1-NK-NP	SC1C	24032	134	1	36 x 36 x 10	None	None
363612-SC1-NK	SC1C	10586	144	1	36 x 36 x 12	None	None
363612-SC1-NK-NP	SC1C	17418	144	1	36 x 36 x 12	None	None
363618-SC1-NK	SC1C	10590	173	1	36 x 36 x 18	None	None
36486-SC1-NK	SC1C	10612	150	1	36 x 48 x 6	None	None
48486-SC1-NK	SC1C	10731	192	1	48 x 48 x 6	None	None
484812-SC1-NK	SC1C	10724	220	1	48 x 48 x 12	None	None
Covers							
44XSC1	CNAC	10694	0.3	1	4 x 4		
46XSC1	CNAC	10719	0.4	1	4 x 6		
66XSC1	CNAC	10857	0.8	1	6 x 6		
68XSC1	CNAC	10867	1	1	6 x 8		
612XSC1	CNAC	10767	1.5	1	6 x 12		
88XSC1	CNAC	10999	1	1	8 x 8		
810XSC1	CNAC	10890	1.2	1	8 x 10		
812XSC1	CNAC	10908	1.4	1	8 x 12		
1010XSC1	CNAC	10062	2	1	10 x 10		
1012XSC1	CNAC	10081	2.2	1	10 x 12		
1212XSC1	CNAC	10175	2.5	1	12 x 12		
1216XSC1	CNAC	10197	2.9	1	12 x 16		
1218XSC1	CNAC	10225	3.2	1	12 x 18		
1224XSC1	CNAC	10244	4.3	1	12 x 24		
1518XSC1	CNAC	10274	4	1	15 x 18		
1616XSC1	CNAC	10288	3.8	1	16 x 16		
1818XSC1	CNAC	10328	4.8	1	18 x 18		
1824XSC1	CNAC	10354	6.4	1	18 x 24		
1830XSC1	CNAC	10366	8	1	18 x 30		
2424XSC1	CNAC	10446	10.9	1	24 x 24		
2430XSC1	CNAC	10468	12.3	1	24 x 30		
2436XSC1	CNAC	10492	16.4	1	24 x 36		
3030XSC1	CNAC	10535	12.3	1	30 x 30		
3036XSC1	CNAC	10553	19	1	30 x 36		
3636XSC1	CNAC	10606	23	1	36 x 36		
3648XSC1	CNAC	10621	26	1	36 x 48		
4848XSC1	CNAC	10740	42	1	48 x 48		



Utility requirements for this equipment may vary. Always consult the serving utility for their requirements prior to ordering or installing this equipment. This product must be installed by a licensed electrician. Installation of this equipment may require local electrical inspector approval.

Hinge Cover Junction Boxes

Type 1

Industry Standards

- NEMA Type 1
- UL 50 Type 1
- CUL Type 1 (Equivalent to CSA)

Application

- Designed for use as a junction or pull box
- For indoor use to provide protection against contact with enclosed equipment where dust and moisture are not a problem.

Construction

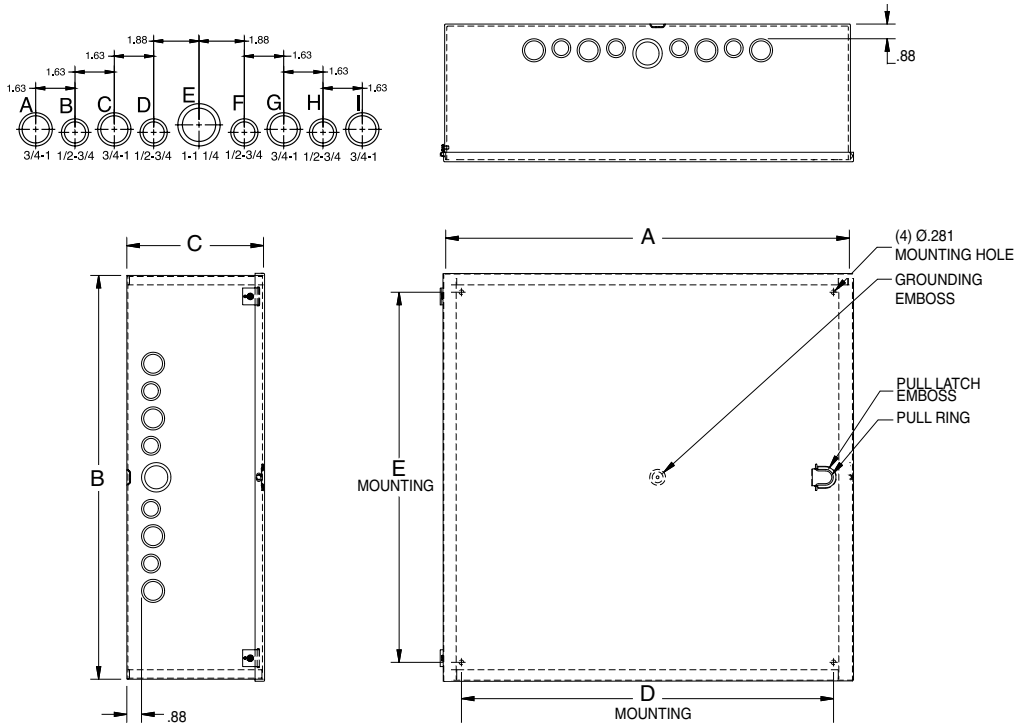
- Enclosure made from 16 or 14 gauge steel.
- Available with or without knockouts. For no knockouts, refer to suffix **-NK** in catalog number.
- Available with or without paint. For no paint, refer to suffix **-NP** in catalog number. Unpainted enclosures are made from galvanized steel.
- Formed stainless hinges.
- Mounting holes on back.
- Provision for grounding, with green grounding screw.
- Flush pull ring for easy opening of door.

Finish

- Finish: ANSI 61 gray polyester finish inside and out unless otherwise specified.

Accessories

- Note: Use wood panels only for HC1 enclosures (WB series, pg. 26).
- Touch-up paint: see Accessories, pg. 46..



Utility requirements for this equipment may vary. Always consult the serving utility for their requirements prior to ordering or installing this equipment. This product must be installed by a licensed electrician. Installation of this equipment may require local electrical inspector approval.



1 □

TYPE 1
HINGE COVER
JUNCTION BOXES

Hinge Cover Junction Boxes

Type 1

Catalog Number	Product Family	UPC Number 7-84572-	Weight (lbs)	Carton Quantity	W x H x D	Knockouts	
						A Side	B Side
664-HC1	HC1C	10798	3.4	9	6 x 6 x 4	B-C-D	None
664-HC1-NK	HC1C	19930	3.4	9	6 x 6 x 4	None	None
664-HC1-NK-NP	HC1C	21398	3.4	9	6 x 6 x 4	None	None
666-HC1	HC1C	10817	4.3	6	6 x 6 x 6	B-C-D	None
666-HC1-NK	HC1C	15354	4.3	6	6 x 6 x 6	None	None
684-HC1	HC1C	31817	4	9	6 x 8 x 4	B-C-D	F-G-H-I
684-HC1-NK	HC1C	21532	4	9	6 x 8 x 4	None	None
884-HC1	HC1C	10935	5.2	6	8 x 8 x 4	F-G-H-I	None
884-HC1-NK	HC1C	10936	5.2	6	8 x 8 x 4	None	None
884-HC1-NP	HC1C	30189	5.2	6	8 x 8 x 4	F-G-H-I	None
886-HC1	HC1C	10953	6.5	4	8 x 8 x 6	F-G-H-I	None
886-HC1-NK	HC1C	10954	6.5	4	8 x 8 x 6	None	None
886-HC1-NP	HC1C	30190	6.5	4	8 x 8 x 6	F-G-H-I	None
8124-HC1-NK	HC1C	32340	7	3	8 x 12 x 4	None	None
10104-HC1	HC1C	10013	7.3	3	10 x 10 x 4	C-D-E-F-G	None
10104-HC1-NK	HC1C	10014	7.3	3	10 x 10 x 4	None	None
10106-HC1	HC1C	10028	8	2	10 x 10 x 6	C-D-E-F-G	None
10106-HC1-NK	HC1C	10029	8	2	10 x 10 x 6	None	None
10124-HC1	HC1C	10064	7.9	3	10 x 12 x 4	C-D-E-F-G	C-D-E-F-G
1284-HC1	HC1C	10252	6.7	3	12 x 8 x 4	C-D-E-F-G	F-G-H-I
12124-HC1	HC1C	10110	9.3	4	12 x 12 x 4	C-D-E-F-G	None
12124-HC1-NK	HC1C	10111	9.3	4	12 x 12 x 4	None	None
12124-HC1-NK-NP	HC1C	21399	9.3	4	12 x 12 x 4	None	None
12126-HC1	HC1C	10129	11	3	12 x 12 x 6	C-D-E-F-G	None
12126-HC1-NK	HC1C	10130	11	3	12 x 12 x 6	None	None
12126-HC1-NK-NP	HC1C	30187	11	3	12 x 12 x 6	None	None
12184-HC1	HC1C	10201	12.5		12 x 18 x 4	C-D-E-F-G	A-B-C-D-E-F-G-H-I
18186-HC1	HC1C	10308	19.5	2	18 x 18 x 6	A-B-C-D-E-F-G-H-I	None
18186-HC1-NK	HC1C	32006	19.5	2	18 x 18 x 6	None	None
18186-HC1-NK-NP	HC1C	30188	19.5	2	18 x 18 x 6	None	None
18246-HC1	HC1C	10337	26	1	18 x 24 x 6	A-B-C-D-E-F-G-H-I	A-B-C-D-E-F-G-H-I
18246-HC1-NK	HC1C	32005	26	1	18 x 24 x 6	None	None



Utility requirements for this equipment may vary. Always consult the serving utility for their requirements prior to ordering or installing this equipment. This product must be installed by a licensed electrician. Installation of this equipment may require local electrical inspector approval.

Hinged Cover Panel Enclosure

Type 1

1 1
TYPE 1
HINGED COVER
PANEL
ENCLOSURES

Industry Standards

- NEMA Type 1
- UL 50 Type 1
- CUL Type1 (Equivalent to CSA)

Application

- Designed for use in control and instrumentation applications.
- For indoor use in applications where moisture and dust are not a problem.

Construction

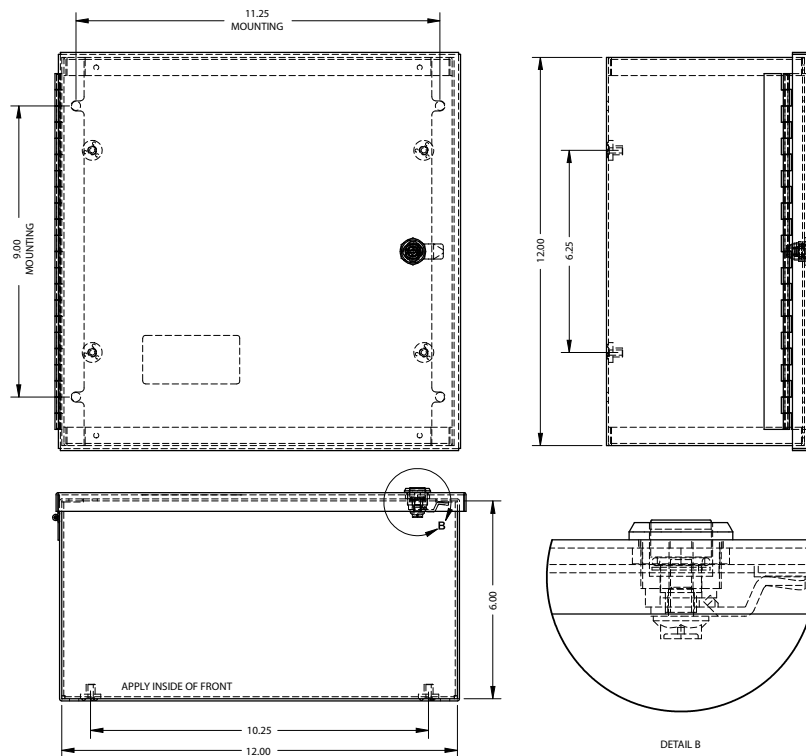
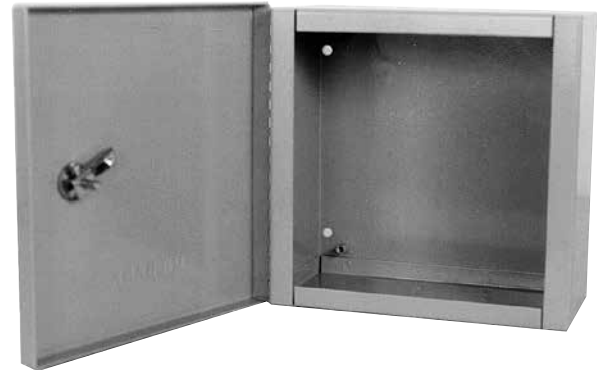
- Enclosure and cover manufactured from 16 gauge steel.
- The door is attached to the enclosure with a continuous hinge.
- The door is secured closed by a quarter-turn, screwdriver-operated flush catch.
- Panel mounting studs are provided for optional back panel.
- Provisions for mounting optional cylinder lock.
- Mounting holes are provided on the back of enclosure.

Finish

- ANSI 61 gray polyester powder coating over phosphatized steel.

Accessories

- Panel nos. listed below: see optional SBP Series pg. 26 for specification information. **Note:** Wood panels are not compatible with these units.
- Touch-up paint: see Accessories pg. 46.
- Locks: see Accessories pg. 45.



Utility requirements for this equipment may vary. Always consult the serving utility for their requirements prior to ordering or installing this equipment. This product must be installed by a licensed electrician. Installation of this equipment may require local electrical inspector approval.



1 2

TYPE 1
HINGED COVER
PANEL
ENCLOSURES

Hinged Cover Panel Enclosure

Type 1

Catalog Number	Product Family	UPC Number 7-84572-	Weight (lbs)	Carton Quantity	W x H x D	Panel
664-LC1	CAB1	18731	3.3	9	6 x 6 x 4	A-66SBP
684-LC1	CAB1	18734	4.1	9	6 x 8 x 4	A-86SBP
884-LC1	CAB1	18955	5.1	6	8 x 8 x 4	A-88SBP
8104-LC1	CAB1	18733	6	5	8 x 10 x 4	A-108SBP
8106-LC1	CAB1	18113	7.4	4	8 x 10 x 6	A-108SBP
10104-LC1	CAB1	18732	7.1	3	10 x 10 x 4	A-1010SBP
10106-LC1	CAB1	18098	8.6	2	10 x 10 x 6	A-1010SBP
10124-LC1	CAB1	18099	8.1	3	10 x 12 x 4	A-1210SBP
10126-LC1	CAB1	18100	9.8	2	10 x 12 x 6	A-1210SBP
12124-LC1	CAB1	16261	9.3	4	12 x 12 x 4	A-1212SBP
12126-LC1	CAB1	18101	11.5	3	12 x 12 x 6	A-1212SBP
12166-LC1	CAB1	18106	15	2	12 x 16 x 6	A-1612SBP
12206-LC1	CAB1	18107	17	2	12 x 20 x 6	A-2012SBP
16166-LC1	CAB1	27625	22.5	2	16 x 16 x 6	A-1616SBP
16206-LC1	CAB1	27623	24	2	16 x 20 x 6	A-2016SBP
18186-LC1	CAB1	26910	25	2	18 x 18 x 6	A-1818SBP
20206-LC1	CAB1	27635	26	1	20 x 20 x 6	A-2020SBP
20246-LC1	CAB1	27633	30	1	20 x 24 x 6	A-2420SBP
20248-LC1	CAB1	27632	32	1	20 x 24 x 8	A-2420SBP
24246-LC1	CAB1	26313	40	1	24 x 24 x 6	A-2424SBP
24248-LC1	CAB1	27631	42	1	24 x 24 x 8	A-2424SBP
242412-LC1	CAB1	18956	46	1	24 x 24 x 12	A-2424SBP
24306-LC1	CAB1	32296	47	1	24 x 30 x 6	A-3024SBP
24366-LC1	CAB1	26564	57.4	1	24 x 36 x 6	A-3624SBP
24368-LC1	CAB1	27629	62	1	24 x 36 x 8	A-3624SBP
30308-LC1	CAB1	27628	63.6	1	30 x 30 x 8	A-3030SBP
30366-LC1	CAB1	27627	69	1	30 x 36 x 6	A-3630SBP



Utility requirements for this equipment may vary. Always consult the serving utility for their requirements prior to ordering or installing this equipment. This product must be installed by a licensed electrician. Installation of this equipment may require local electrical inspector approval.

Screw Cover Junction Boxes

Type 3R

13
TYPE 3R
SCREW COVER
JUNCTION BOXES

Industry Standards

- NEMA Type 3R
- UL 50 Type 3R
- CUL Type 3R (Equivalent to CSA)

Application

- Designed for use as a junction box or pull box.
- For outdoor use to provide protection against rain, sleet or snow, or indoors where dripping water is a problem.

Construction

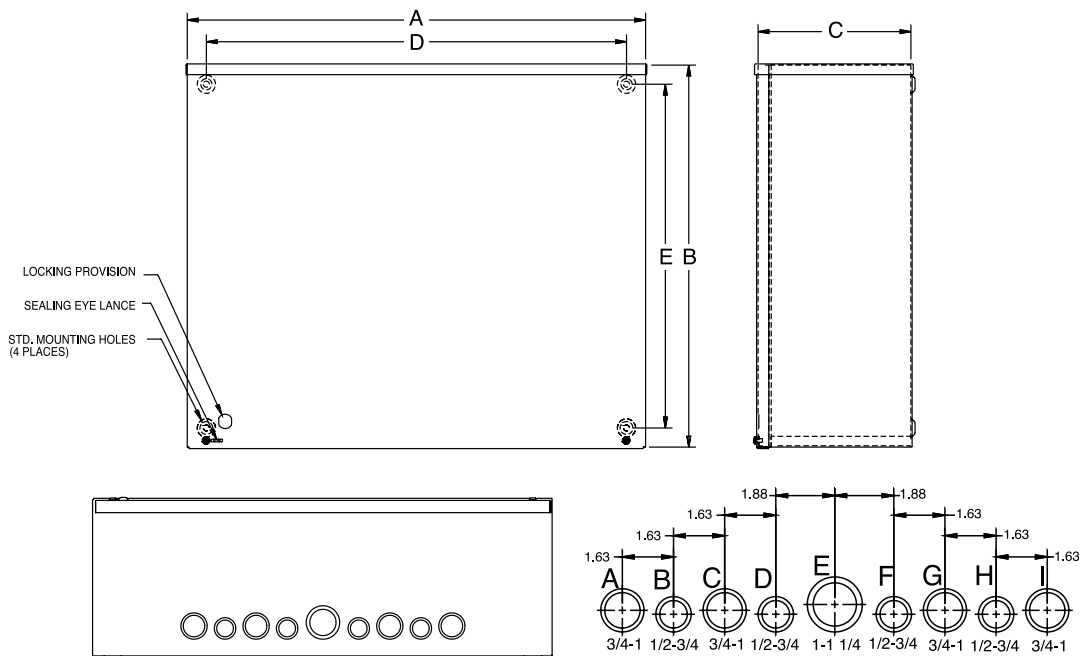
- Enclosure and cover are manufactured from 16, 14, or 12 gauge **G90** galvanized steel.
- The cover is designed to fit under the drip shield top, held in place with a plated steel screw.
- Available with or without paint—for no paint refer to suffix **-NP** in the catalog number.
- Boxes are available with or without concentric knockouts on the bottom—for no knockouts refer to suffix **-NK** in the catalog number.
- Mounting embosses are provided on the back of each enclosure.
- Sealing provisions on the front cover.

Finish

- ANSI 61 gray polyester powder coating over phosphatized **G90** galvanized steel.

Accessories

- Replacement cover: see pg. 16.
- Touch-up paint: see Accessories pg. 46.
- Cylinder Lock: see Accessories pg. 45.



Utility requirements for this equipment may vary. Always consult the serving utility for their requirements prior to ordering or installing this equipment. This product must be installed by a licensed electrician. Installation of this equipment may require local electrical inspector approval.



Catalog Number	Product Family	UPC Number 7-84572-	Weight (lbs)	Carton Quantity	W x H x D	KO Pattern
444-SC3R	SC3R	10653	2.2	6	4 x 4 x 4	B-C
444-SC3R-NK	SC3R	10654	2.2	6	4 x 4 x 4	None
444-SC3R-NK-NP	SC3R	15484	2.2	6	4 x 4 x 4	None
464-SC3R	SC3R	10706	2.8	4	4 x 6 x 4	B-C
464-SC3R-NK	SC3R	22258	2.8	4	4 x 6 x 4	None
664-SC3R	SC3R	10805	3.4	9	6 x 6 x 4	B-C-D
664-SC3R-NK	SC3R	10806	3.4	9	6 x 6 x 4	None
664-SC3R-NK-NP	SC3R	15495	3.4	9	6 x 6 x 4	None
664-SC3R-NP	SC3R	23225	3.4	9	6 x 6 x 4	B-C-D
666-SC3R	SC3R	10820	4.5	6	6 x 6 x 6	B-C
666-SC3R-NK	SC3R	10821	4.5	6	6 x 6 x 6	None
666-SC3R-NK-NP	SC3R	16179	4.5	6	6 x 6 x 6	None
684-SC3R	SC3R	10861	4.2	9	6 x 8 x 4	B-C-D
684-SC3R-NK	SC3R	15781	4.2	9	6 x 8 x 4	None
684-SC3R-NK-NP	SC3R	21089	4.2	9	6 x 8 x 4	None
686-SC3R	SC3R	10865	5.3	6	6 x 8 x 6	B-C-D
686-SC3R-NK	SC3R	15632	5.3	6	6 x 8 x 6	None
6124-SC3R	SC3R	21446	5.5	6	6 x 12 x 4	B-C-D
884-SC3R	SC3R	10941	5.2	6	8 x 8 x 4	F-G-H-I
884-SC3R-NK	SC3R	10942	5.2	6	8 x 8 x 4	None
884-SC3R-NK-NP	SC3R	15505	5.2	6	8 x 8 x 4	None
884-SC3R-NP	SC3R	23226	5.2	6	8 x 8 x 4	F-G-H-I
886-SC3R	SC3R	10957	6.5	4	8 x 8 x 6	F-G-H-I
886-SC3R-NK	SC3R	10958	6.5	4	8 x 8 x 6	None
886-SC3R-NK-NP	SC3R	16178	6.5	4	8 x 8 x 6	None
886-SC3R-NP	SC3R	23227	6.5	4	8 x 8 x 6	F-G-H-I
888-SC3R	SC3R	19529	7.5	2	8 x 8 x 8	F-G-H-I
888-SC3R-NK	SC3R	28467	7.5	2	8 x 8 x 8	None
8104-SC3R	SC3R	10882	6	6	8 x 10 x 4	F-G-H-I
8104-SC3R-NK	SC3R	10883	6	6	8 x 10 x 4	None
8106-SC3R	SC3R	10887	7.5	4	8 x 10 x 6	F-G-H-I
8106-SC3R-NK	SC3R	10888	7.5	4	8 x 10 x 6	None
8106-SC3R-NK-NP	SC3R	32341	7.5	4	8 x 10 x 6	None
8124-SC3R	SC3R	10895	7	3	8 x 12 x 4	F-G-H-I
8124-SC3R-NK	SC3R	15911	7	3	8 x 12 x 4	None
8126-SC3R	SC3R	10900	8.5	2	8 x 12 x 6	F-G-H-I
8126-SC3R-NK	SC3R	26004	8.5	2	8 x 12 x 6	None
10104-SC3R	SC3R	10019	7.3	3	10 x 10 x 4	C-D-E-F-G
10104-SC3R-NK	SC3R	10020	7.3	3	10 x 10 x 4	None
10104-SC3R-NK-NP	SC3R	18371	7.3	3	10 x 10 x 4	None
10104-SC3R-NP	SC3R	23228	7.3	3	10 x 10 x 4	C-D-E-F-G
10106-SC3R	SC3R	10032	9	2	10 x 10 x 6	C-D-E-F-G
10106-SC3R-NK	SC3R	10033	9	2	10 x 10 x 6	None
10106-SC3R-NK-NP	SC3R	15457	9	2	10 x 10 x 6	None
10124-SC3R	SC3R	10067	8.3	3	10 x 12 x 4	C-D-E-F-G
10126-SC3R	SC3R	10073	10	2	10 x 12 x 6	C-D-E-F-G
10126-SC3R-NK	SC3R	10074	10	2	10 x 12 x 6	None
10126-SC3R-NK-NP	SC3R	32342	10	2	10 x 12 x 6	None
12124-SC3R	SC3R	10117	9.5	4	12 x 12 x 4	C-D-E-F-G
12124-SC3R-NK	SC3R	10118	9.5	4	12 x 12 x 4	None
12124-SC3R-NK-NP	SC3R	15465	9.5	4	12 x 12 x 4	None
12124-SC3R-NP	SC3R	17679	9.5	4	12 x 12 x 4	C-D-E-F-G
12126-SC3R	SC3R	10137	11.5	3	12 x 12 x 6	C-D-E-F-G
12126-SC3R-NK	SC3R	10138	11.5	3	12 x 12 x 6	None
12126-SC3R-NK-NP	SC3R	15467	11.5	3	12 x 12 x 6	None
12126-SC3R-NP	SC3R	23229	11.5	3	12 x 12 x 6	C-D-E-F-G
12128-SC3R	SC3R	10156	13.7	2	12 x 12 x 8	C-D-E-F-G
12128-SC3R-NK	SC3R	10157	13.7	2	12 x 12 x 8	None
12128-SC3R-NK-NP	SC3R	19306	13.7	2	12 x 12 x 8	None
121212-SC3R-NK	SC3R	19257	17.2	1	12 x 12 x 12	None



Utility requirements for this equipment may vary. Always consult the serving utility for their requirements prior to ordering or installing this equipment. This product must be installed by a licensed electrician. Installation of this equipment may require local electrical inspector approval.

Screw Cover Junction Boxes

Type 3R

15

TYPE 3R
SCREW COVER
JUNCTION BOXES

Catalog Number	Product Family	UPC Number 7-84572-	Weight (lbs)	Carton Quantity	W x H x D	KO Pattern
121212-SC3R-NK-NP	SC3R	19429	17.2	1	12 x 12 x 12	None
12164-SC3R	SC3R	10179	11.7	3	12 x 16 x 4	C-D-E-F-G
12164-SC3R-NK	SC3R	22231	11.7	3	12 x 16 x 4	None
12166-SC3R	SC3R	10185	14.5	2	12 x 16 x 6	C-D-E-F-G
12166-SC3R-NK	SC3R	10186	14.5	2	12 x 16 x 6	None
12184-SC3R	SC3R	10204	12.7	3	12 x 18 x 4	C-D-E-F-G
12184-SC3R-NK	SC3R	21547	12.7	3	12 x 18 x 4	None
12186-SC3R	SC3R	10211	15.5	2	12 x 18 x 6	C-D-E-F-G
12186-SC3R-NK	SC3R	10212	15.5	2	12 x 18 x 6	None
12186-SC3R-NK-NP	SC3R	21091	15.5	2	12 x 18 x 6	None
12188-SC3R	SC3R	10219	18	1	12 x 18 x 8	C-D-E-F-G
12188-SC3R-NK	SC3R	10220	18	1	12 x 18 x 8	None
12188-SC3R-NK-NP	SC3R	21093	18	1	12 x 18 x 8	None
121810-SC3R	SC3R	10200	20	1	12 x 18 x 10	C-D-E-F-G
121812-SC3R-NK	SC3R	22432	22.3	1	12 x 18 x 12	None
12246-SC3R	SC3R	10235	18.8	2	12 x 24 x 6	C-D-E-F-G
16164-SC3R	SC3R	19380	14	3	16 x 16 x 4	B-C-D-E-F-G-H
16166-SC3R	SC3R	24648	16.5	2	16 x 16 x 6	B-C-D-E-F-G-H
16166-SC3R-NK	SC3R	26704	16.5	2	16 x 16 x 6	None
18184-SC3R	SC3R	10303	18.7	3	18 x 18 x 4	A-B-C-D-E-F-G-H-I
18184-SC3R-NK	SC3R	18648	18.7	3	18 x 18 x 4	None
18184-SC3R-NK-NP	SC3R	19308	18.7	3	18 x 18 x 4	None
18186-SC3R	SC3R	10312	21	2	18 x 18 x 6	A-B-C-D-E-F-G-H-I
18186-SC3R-NK	SC3R	10313	21	2	18 x 18 x 6	None
18186-SC3R-NK-NP	SC3R	19307	21	2	18 x 18 x 6	None
18188-SC3R	SC3R	10321	24	1	18 x 18 x 8	A-B-C-D-E-F-G-H-I
18188-SC3R-NK	SC3R	10322	24	1	18 x 18 x 8	None
18188-SC3R-NK-NP	SC3R	19417	24	1	18 x 18 x 8	None
18188-SC3R-NP	SC3R	23230	24	1	18 x 18 x 8	A-B-C-D-E-F-G-H-I
181810-SC3R	SC3R	10296	26	1	18 x 18 x 10	A-B-C-D-E-F-G-H-I
181810-SC3R-NK	SC3R	10297	26	1	18 x 18 x 10	None
181812-SC3R	SC3R	17317	28	1	18 x 18 x 12	A-B-C-D-E-F-G-H-I
181812-SC3R-NK	SC3R	32283	28	1	18 x 18 x 12	None
18246-SC3R	SC3R	10340	30	1	18 x 24 x 6	A-B-C-D-E-F-G-H-I
18246-SC3R-NK	SC3R	21148	30	1	18 x 24 x 6	None
18246-SC3R-NK-NP	SC3R	21092	30	1	18 x 24 x 6	None
18248-SC3R	SC3R	10348	33	1	18 x 24 x 8	A-B-C-D-E-F-G-H-I
18248-SC3R-NK	SC3R	21168	33	1	18 x 24 x 8	None
18248-SC3R-NK-NP	SC3R	21094	33	1	18 x 24 x 8	None
182410-SC3R	SC3R	10331	34	1	18 x 24 x 10	A-B-C-D-E-F-G-H-I
24244-SC3R	SC3R	23803	32	2	24 x 24 x 4	A-B-C-D-E-F-G-H-I
24244-SC3R-NP	SC3R	32343	32	2	24 x 24 x 4	A-B-C-D-E-F-G-H-I
24246-SC3R	SC3R	10427	34.5	1	24 x 24 x 6	A-B-C-D-E-F-G-H-I
24246-SC3R-NK	SC3R	10428	34.5	1	24 x 24 x 6	None
24246-SC3R-NK-NP	SC3R	15474	34.5	1	24 x 24 x 6	None
24248-SC3R	SC3R	10437	39	1	24 x 24 x 8	A-B-C-D-E-F-G-H-I
24248-SC3R-NK	SC3R	10438	39	1	24 x 24 x 8	None
24248-SC3R-NK-NP	SC3R	19305	39	1	24 x 24 x 8	None
242410-SC3R	SC3R	10410	43	1	24 x 24 x 10	A-B-C-D-E-F-G-H-I
242410-SC3R-NK	SC3R	10411	43	1	24 x 24 x 10	None
242410-SC3R-NK-NP	SC3R	21095	43	1	24 x 24 x 10	None
242412-SC3R	SC3R	10415	44	1	24 x 24 x 12	A-B-C-D-E-F-G-H-I
242412-SC3R-NK	SC3R	10416	44	1	24 x 24 x 12	None
242412-SC3R-NK-NP	SC3R	15472	44	1	24 x 24 x 12	None
243010-SC3R	SC3R	10449	50	1	24 x 30 x 10	A-B-C-D-E-F-G-H-I
243010-SC3R-NK	SC3R	26705	50	1	24 x 30 x 10	None
243012-SC3R	SC3R	21511	51	1	24 x 30 x 12	A-B-C-D-E-F-G-H-I
243612-SC3R	SC3R	10473	70	1	24 x 36 x 12	A-B-C-D-E-F-G-H-I
243612-SC3R-NK	SC3R	22433	70	1	24 x 36 x 12	None
30306-SC3R	SC3R	10522	66	1	30 x 30 x 6	A-B-C-D-E-F-G-H-I

Utility requirements for this equipment may vary. Always consult the serving utility for their requirements prior to ordering or installing this equipment. This product must be installed by a licensed electrician. Installation of this equipment may require local electrical inspector approval.



16

TYPE 3R
SCREW COVER
JUNCTION BOXES

Screw Cover Junction Boxes

Type 3R

Catalog Number	Product Family	UPC Number 7-84572-	Weight (lbs)	Carton Quantity	W x H x D	KO Pattern
30306-SC3R-NK	SC3R	20249	66	1	30 x 30 x 6	None
30308-SC3R	SC3R	23298	71	1	30 x 30 x 8	None
30308-SC3R-NK	SC3R	30025	71	1	30 x 30 x 8	None
303010-SC3R	SC3R	10509	62	1	30 x 30 x 10	None
303010-SC3R-NK	SC3R	19153	62	1	30 x 30 x 10	None
303010-SC3R-NK-NP	SC3R	21098	62	1	30 x 30 x 10	None
303012-SC3R	SC3R	23270	67	1	30 x 30 x 12	None
303012-SC3R-NK-NP	SC3R	32344	67	1	30 x 30 x 12	None
303612-SC3R-NK	SC3R	20927	77	1	30 x 36 x 12	None
36368-SC3R	SC3R	21637	77	1	36 x 36 x 8	None
363612-SC3R	SC3R	10587	88.8	1	36 x 36 x 12	None
363612-SC3R-NK	SC3R	10588	88.8	1	36 x 36 x 12	None
363612-SC3R-NK-NP	SC3R	15476	88.8	1	36 x 36 x 12	None
363618-SC3R-NK	SC3R	19959	107	1	36 x 36 x 18	None
364816-SC3R-NK	SC3R	23807	126.5	1	36 x 48 x 16	None
Covers						
44XSC3R	CNAC	10695	0.3	1	4 x 4	
46XSC3R	CNAC	19155	0.4	1	4 x 6	
66XSC3R	CNAC	10858	0.8	1	6 x 6	
68XSC3R	CNAC	10868	1	1	6 x 8	
88XSC3R	CNAC	11000	1.1	1	8 x 8	
810XSC3R	CNAC	15932	1.2	1	8 x 10	
1010XSC3R	CNAC	10063	2	1	10 x 10	
1012XSC3R	CNAC	15547	2.4	1	10 x 12	
1212XSC3R	CNAC	10176	2.8	1	12 x 12	
1818XSC3R	CNAC	10329	4.8	1	18 x 18	
1824XSC3R	CNAC	15548	8.2	1	18 x 24	
2424XSC3R	CNAC	20563	10.9	1	24 x 24	



Utility requirements for this equipment may vary. Always consult the serving utility for their requirements prior to ordering or installing this equipment. This product must be installed by a licensed electrician. Installation of this equipment may require local electrical inspector approval.

Hinged Cover Junction Boxes

Type 3R

17
TYPE 3R
HINGED COVER
JUNCTION BOXES

Industry Standards

- NEMA Type 3R
- UL 50 Type 3R
- CUL Type 3R (Equivalent to CSA)

Application

- Designed for use as a junction box or pull box.
- For outdoor use to provide protection against rain, sleet, or snow, or indoors where dripping water is a problem.

Construction

- Enclosure and cover are manufactured from 16, 14, and 12 gauge G90 steel.
- Formed steel hinge with padlockable flip latch.

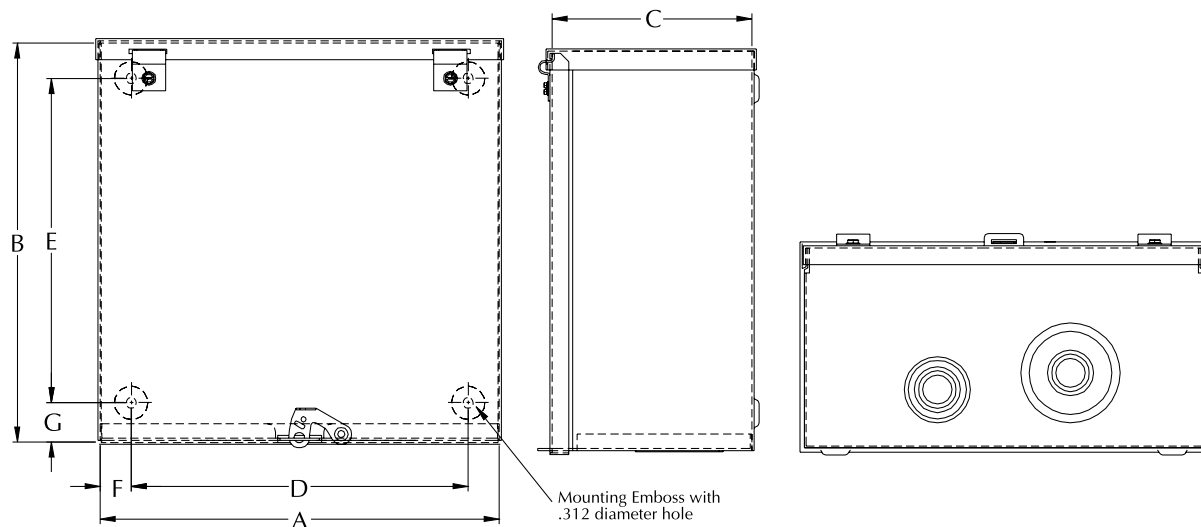
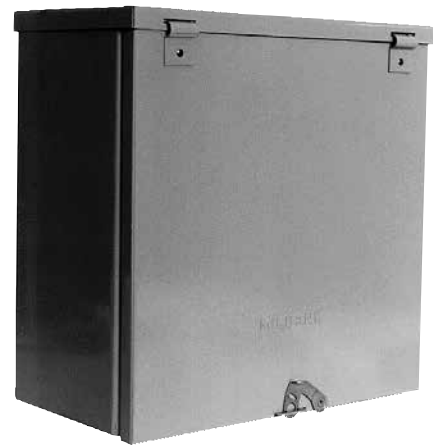
- Available with or without concentric knockouts on the bottom—for no knockouts refer to suffix **-NK** in the catalog number.
- Four mounting holes are supplied on back of box.
- Features a drip shield top and seam-free sides, front and back.

Finish

- ANSI 61 gray polyester powder coating over phosphatized G90 galvanized steel.

Accessories

- Touch-up paint: see Accessories pg. 46.



Catalog Number	Product Family	UPC Number 7-84572-	Weight (lbs)	Carton Quantity	W x H x D	KO Pattern
664-HC3R	HC3R	10800	3.5	9	6 x 6 x 4	D-D
884-HC3R	HC3R	10937	5.2	6	8 x 8 x 4	C-C
10104-HC3R	HC3R	10016	7	3	10 x 10 x 4	C-C
12124-HC3R	HC3R	10112	9.2	4	12 x 12 x 4	C-C-C
12126-HC3R	HC3R	10132	11	3	12 x 12 x 6	C-A
12126-HC3R-NK	HC3R	15839	11	3	12 x 12 x 6	NONE
12186-HC3R	HC3R	10208	15.7	2	12 x 18 x 6	C-A
18188-HC3R	HC3R	10318	24	1	18 x 18 x 8	C-A-C
242410-HC3R	HC3R	10407	42	1	24 x 24 x 10	C-C-A-C-C

Utility requirements for this equipment may vary. Always consult the serving utility for their requirements prior to ordering or installing this equipment. This product must be installed by a licensed electrician. Installation of this equipment may require local electrical inspector approval.



18

TYPE 3R
HINGED COVER
TELEPHONE
CABINET

Hinged Cover Telephone Cabinet

Type 3R

Industry Standards

- NEMA Type 3R
- UL 50 Type 3R
- CUL Type 3R (Equivalent to CSA)

Application

- Designed for use as a telephone cabinet, panel enclosure, or junction box.
- For outdoor use to provide protection against rain, sleet, or snow, or indoors where dripping water is a problem.

Construction

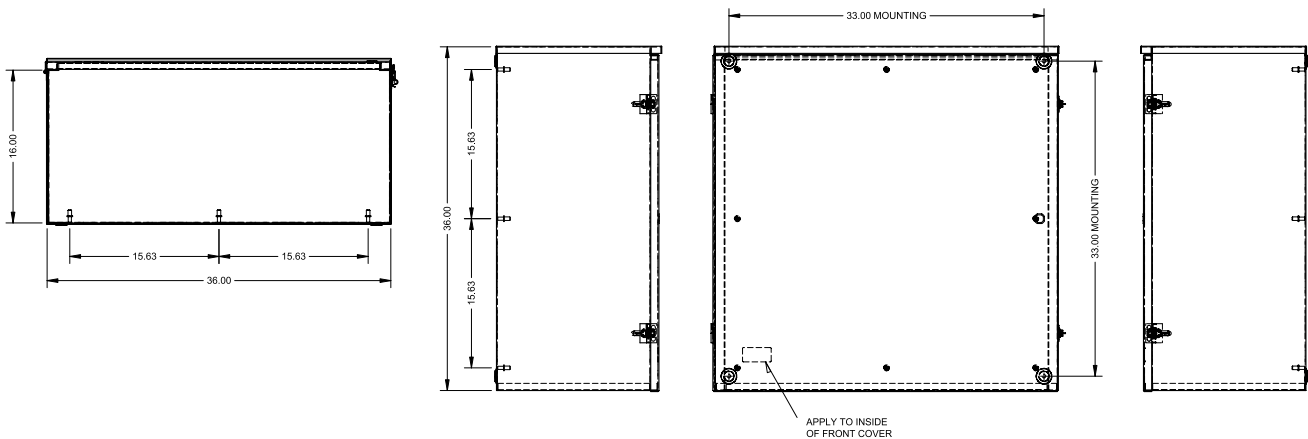
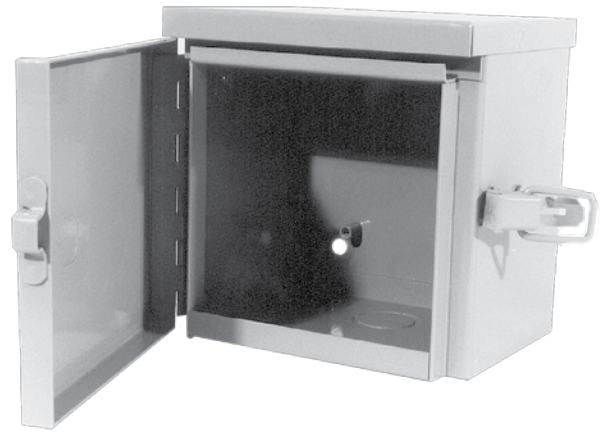
- Enclosure and cover are manufactured from 16, 14, 12, or 11 gauge G90 galvanized steel.
- The cover is mounted on galvanized lift-off hinges with stainless steel hinge pins. Cover is fastened with a padlockable draw latch.
- Panel mounting studs provided for optional back panel.
- Embossed mounting holes on back.
- Knockouts provided on the bottom of the **12126-TC3R** and smaller sizes.
- Drip shield top and seam-free sides, front and back.

Finish

- ANSI 61 gray polyester powder coating over phosphatized **G90** galvanized steel.

Accessories

- Panel: see optional P Series pg. 25.
- Touch-up paint: see Accessories pg. 46.
- T-Handle lock: see Accessories pg. 45.
- External mounting-foot kit: see Accessories pg. 46.



Utility requirements for this equipment may vary. Always consult the serving utility for their requirements prior to ordering or installing this equipment. This product must be installed by a licensed electrician. Installation of this equipment may require local electrical inspector approval.

Hinged Cover Telephone Cabinet

Type 3R

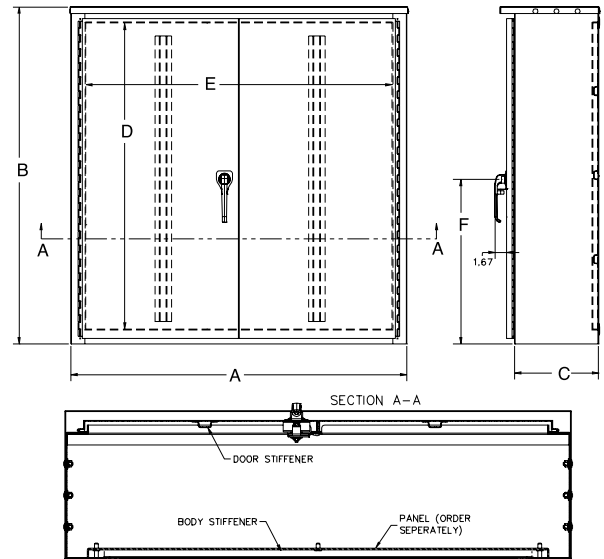
19
TYPE 3R
HINGED COVER
TELEPHONE
CABINET

Catalog Number	Product Family	UPC Number 7-84572-	Weight (lbs)	Carton Quantity	W x H x D	Knockout Pattern	Panel Catalog Number
664-TC3R	TC3R	18756	3.3	9	6 x 6 x 4	B-A-B	A-6P6R
684-TC3R	TC3R	18757	5.8	9	6 x 8 x 4	B-A-B	A-8P6R
886-TC3R	TC3R	18758	7.5	4	8 x 8 x 6	B-A-B-A	A-8P8R
8106-TC3R	TC3R	18759	8.8	4	8 x 10 x 6	B-A-B-A	A-10P8R
10126-TC3R	TC3R	18761	12.3	3	10 x 12 x 6	B-A-B-A-B	A-12P10R
12126-TC3R	TC3R	10143	14	3	12 x 12 x 6	B-A-B-A-B	A-12P12R
12166-TC3R	TC3R	15549	16	2	12 x 16 x 6	None	A-16P12
12186-TC3R	TC3R	10215	17	2	12 x 18 x 6	None	A-18P12
16166-TC3R	TC3R	22600	18	2	16 x 16 x 6	None	A-16P16
16206-TC3R	TC3R	22601	25	1	16 x 20 x 6	None	A-20P16
18186-TC3R	TC3R	10316	23	2	18 x 18 x 6	None	A-18P18
18246-TC3R	TC3R	10344	28	2	18 x 24 x 6	None	A-24P18
20208-TC3R	TC3R	22602	29.5	1	20 x 20 x 8	None	A-20P20
20248-TC3R	TC3R	22603	34	1	20 x 24 x 8	None	A-24P20
24248-TC3R	TC3R	22604	39.2	1	24 x 24 x 8	None	A-24P24
242410-TC3R	TC3R	22508	43.1	1	24 x 24 x 10	None	A-24P24
24306-TC3R	TC3R	10459	42.6	1	24 x 30 x 6	None	A-30P24
24366-TC3R	TC3R	10484	53	1	24 x 36 x 6	None	A-36P24
303012-TC3R	TC3R	22606	84	1	30 x 30 x 12	None	A-30P30
303612-TC3R	TC3R	23124	118	1	30 x 36 x 12	None	A-36P30
363010-TC3R	TC3R	27606	110	1	36 x 30 x 10	None	A-36P30
36366-TC3R	TC3R	15478	90	1	36 x 36 x 6	None	A-36P36
363612-TC3R	TC3R	22608	112	1	36 x 36 x 12	None	A-36P36
363616-TC3R	TC3R	27605	127	1	36 x 36 x 16	None	A-36P36
364812-TC3R	TC3R	24504	156	1	36 x 48 x 12	None	A-48P36
364816-TC3R	TC3R	22611	170	1	36 x 48 x 16	None	A-48P36

Note: 664-TC3R has a continuous hinge. All other models have lift-off hinges.

Utility requirements for this equipment may vary. Always consult the serving utility for their requirements prior to ordering or installing this equipment. This product must be installed by a licensed electrician. Installation of this equipment may require local electrical inspector approval.





Industry Standards

- NEMA Type 3R
- UL 50 Type 3R
- CUL Type 3R (Equivalent to CSA)

Application

- Designed for use as a current transformer cabinet or panel enclosure.
- For outdoor use to provide protection against rain, sleet, and snow, or indoor use to protect against dripping water.

Construction

- Enclosure and cover manufactured from 16 or 14 gauge G90 galvanized steel.
- The doors are overlapping with no center post.

- The cover is mounted on galvanized lift-off hinges with stainless steel hinge pins. Cover is fastened with a padlockable draw latch.
- Three point pad-lockable handle.
- Panel mounting studs provided for optional back panels.
- Drip shield top and seam-free sides, front and back.

Finish

- ANSI 61 gray polyester powder coating over phosphatized G90 galvanized steel.

Accessories

- Panel—see optional P Series pg. 25.
- Touch-up paint—see Accessories pg. 46.

Catalog Number	Product Family	UPC Number 7-84572-	Weight (lbs)	Hinge Type	Carton Quantity	W x H x D	Panel Catalog Number
363010-CT3R	CN3R	18823	99	Lift-off	1	36 x 30 x 10	A-36P30
363016-CT3R	CN3R	16181	121.5	Continuous	1	36 x 30 x 16	A-36P30
363610-CT3R	CN3R	17368	113	Lift-off	1	36 x 36 x 10	A-36P36
363612-CT3R	CN3R	16185	118	Lift-off	1	36 x 36 x 12	A-36P36
363616-CT3R	CN3R	18819	139	Lift-off	1	36 x 36 x 16	A-36P36
483616-CT3R	CN3R	25707	163	Lift-off	1	48 x 36 x 16	A-48P36
484812-CT3R	CN3R	16184	210	Lift-off	1	48 x 48 x 12	A-48P48
606013-CT3R	CN3R	18252	274	Continuous	1	60 x 60 x 13	A-60P60



Utility requirements for this equipment may vary. Always consult the serving utility for their requirements prior to ordering or installing this equipment. This product must be installed by a licensed electrician. Installation of this equipment may require local electrical inspector approval.

Gasketed Screw Cover Junction Boxes

Type 1, 3, & 12

21

TYPE 1, 3 & 12
GASKETED
SCREW COVER
JUNCTION BOXES

Industry Standards

- NEMA Type 1, Type 3, Type 12
- UL 508 Type 1, Type 3, Type 12
- CUL Type 1, Type 3, Type 12 (Equivalent to CSA)

Application

- Designed for use as a junction box or pull box.
- For indoor or outdoor use to provide protection against dust and moisture.

Construction

- Bodies are made from 14 gauge G90 galvanized steel.
- Covers are made from 16 gauge G90 galvanized steel.
- Body is a single piece of metal with continuous seam welds.
- Captivated stainless steel screws thread into sealed wells.
- Seamless gasket assures water-tight and dust-tight seal.
- Grounding stud on inside back of box.

Finish

- Body: ANSI 61 gray polyester powder coating over phosphatized G90 galvanized steel.
- Cover: painted G90 galvanized steel.

Accessories

- Touch-up paint: see Accessories, pg. 46.



Catalog Number	Product Family	UPC Number 7-84572-	Weight (lbs)	Carton Quantity	W x H x D
664-WSC2	CNSP	61722	2.9	9	6 x 6 x 4
666-WSC2	CNSP	61723	2.6	6	6 x 6 x 6
684-WSC2	CNSP	61724	3.95	6	6 x 8 x 4
8104-WSC2	CNSP	61725	3.71	4	8 x 10 x 4
884-WSC2	CNSP	61726	4.5	6	8 x 8 x 4
886-WSC2	CNSP	61727	5.55	4	8 x 8 x 6
888-WSC2	CNSP	61728	5.94	3	8 x 8 x 8
10104-WSC2	CNSP	61729	6.3	4	10 x 10 x 4
10106-WSC2	CNSP	61730	7.65	3	10 x 10 x 6
12106-WSC2	CNSP	61746	8.35	3	12 x 10 x 6
12124-WSC2	CNSP	61732	8.4	4	12 x 12 x 4
12126-WSC2	CNSP	61733	10.05	3	12 x 12 x 6
12128-WSC2	CNSP	61734	11.7	2	12 x 12 x 8
16166-WSC2	CNSP	61735	15.4	1	16 x 16 x 6
18184-WSC2	CNSP	61736	15.03	1	18 x 18 x 4
18186-WSC2	CNSP	61737	19.7	1	18 x 18 x 6
20208-WSC2	CNSP	61738	37.11	1	20 x 20 x 8
24246-WSC2	CNSP	61739	41.6	1	24 x 24 x 6
24248-WSC2	CNSP	61740	46	1	24 x 24 x 8
242412-WSC2	CNSP	61741	54.6	1	24 x 24 x 12
303012-WSC2	CNSP	61742	125.25	1	30 x 30 x 12
363612-WSC2	CNSP	61743	180.36	1	36 x 36 x 12

Utility requirements for this equipment may vary. Always consult the serving utility for their requirements prior to ordering or installing this equipment. This product must be installed by a licensed electrician. Installation of this equipment may require local electrical inspector approval.



22

TYPE 1
FLUSH MOUNT
TELEPHONE
CABINET COVERS

Flush Mount Telephone Cabinet Covers

Type 1

Industry Standards

- NEMA Type 1
- UL 50 Type 1
- CUL Type 1 (Equivalent to CSA)

Application

- Designed for use with the SC1 series enclosures for flush mount telephone cabinet applications.
- For indoor use to provide protection against contact with enclosed equipment where moisture and dust are not a problem.

Construction

- Covers are manufactured from 16, 14, and 12 gauge steel.
- The continuous hinge is made of stainless steel with a stainless steel hinge pin.
- Tumbler lock features slam-latching action on single door (24 wide or less.) Key is removable in unlocked position. Case is zinc-plated steel; lift lever is steel with a dull chrome finish.
- Double door (30 and wider) uses overlapping doors with 3 point latching mechanism.

Ordering Information

- To order a complete telephone cabinet, pick the SC1 enclosure of the appropriate size and match it with the corresponding cover (height and width must match).

Finish

- ANSI 61 gray polyester powder coating over phosphatized steel.

Accessories

- Plywood panel: furnished by contractor.
- Touch-up paint: see Accessories, pg. 46.



(photo shows SC1 box with TFLC attached)

Catalog Number	Product Family	UPC Number 7-84572-	Weight (lbs)	Enclosure Size
812TFLC	CNAC	10905	3.7	8 x 12
1010TFLC	CNAC	10059	3.8	10 x 10
1012TFLC	CNAC	10078	4	10 x 12
1212TFLC	CNAC	10172	4.9	12 x 12
1218TFLC	CNAC	10222	6.9	12 x 18
1224TFLC	CNAC	10241	9	12 x 24
1818TFLC	CNAC	10325	10.5	18 x 18
1824TFLC	CNAC	10350	13.7	18 x 24
2424TFLC	CNAC	10442	17.8	24 x 24
2430TFLC	CNAC	10464	21.9	24 x 30
2436TFLC	CNAC	10489	26	24 x 36
2448TFLC	CNAC	10501	34	24 x 48
3030TFLC	CNAC	10531	27	30 x 30
3036TFLC	CNAC	10549	32	30 x 36
3636TFLC	CNAC	10603	38	36 x 36
3648TFLC	CNAC	10618	51	36 x 48
4848TFLC	CNAC	10737	95	48 x 48



Utility requirements for this equipment may vary. Always consult the serving utility for their requirements prior to ordering or installing this equipment. This product must be installed by a licensed electrician. Installation of this equipment may require local electrical inspector approval.

Surface Mount Telephone Cabinet Covers

23

TYPE 1
SURFACE MOUNT
TELEPHONE
CABINET COVERS

Type 1

Industry Standards

- NEMA Type 1
- UL 50 Type 1
- CUL Type 1 (Equivalent to CSA)

Application

- Designed for use with the SC1 series enclosures for surface mount telephone cabinet applications.
- For indoor use to provide protection against contact with enclosed equipment where moisture and dust are not a problem.

Construction

- Covers are manufactured from 16, 14, and 12 gauge steel.
- The continuous hinge is made of stainless steel with a stainless steel hinge pin.
- Tumbler lock with self-latching bolt on single door (24 wide or less). Key is removable in unlocked position.
- Overlapping double door (30 and wider) uses 3 point latching mechanism.

Ordering Information

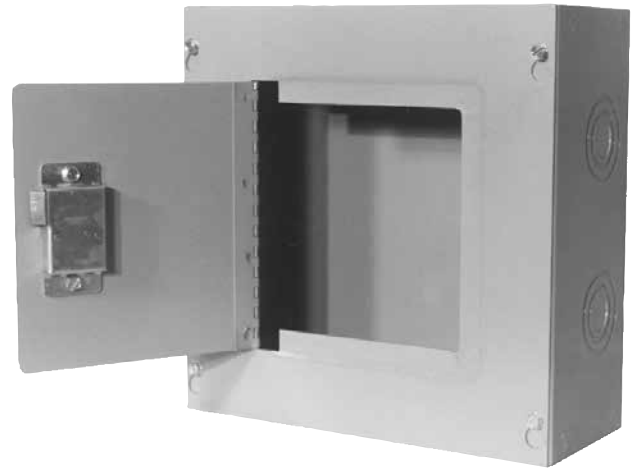
- To order a complete telephone cabinet, pick the SC1 enclosure of the appropriate size and match it with the corresponding cover (height and width must match).

Finish

- ANSI 61 gray polyester powder coating over phosphatized steel.

Accessories

- Plywood panel: furnished by contractor.
- Touch-up paint: see Accessories, pg. 46.



(photo shows SC1 box with TSC attached)

Catalog Number	Product Family	UPC Number 7-84572-	Weight (lbs)	Enclosure Size
88TSC	CNAC	10997	1.7	8 x 8
812TSC	CNAC	10906	2.5	8 x 12
1010TSC	CNAC	10060	2.6	10 x 10
1012TSC	CNAC	10079	3.5	10 x 12
1212TSC	CNAC	10173	3.8	12 x 12
1218TSC	CNAC	10223	5.6	12 x 18
1224TSC	CNAC	10242	7.6	12 x 24
1818TSC	CNAC	10326	8.5	18 x 18
1824TSC	CNAC	10351	11.4	18 x 24
2424TSC	CNAC	10443	15.2	24 x 24
2430TSC	CNAC	10465	19	24 x 30
2436TSC	CNAC	10490	23	24 x 36
2448TSC	CNAC	10502	33	24 x 48
3030TSC	CNAC	10532	24	30 x 30
3036TSC	CNAC	10550	28	30 x 36
3636TSC	CNAC	10604	38	36 x 36
3648TSC	CNAC	10619	50	36 x 48
4848TSC	CNAC	10738	88	48 x 48

Utility requirements for this equipment may vary. Always consult the serving utility for their requirements prior to ordering or installing this equipment. This product must be installed by a licensed electrician. Installation of this equipment may require local electrical inspector approval.



Industry Standards

- NEMA Type 1
- UL 50 Type 1
- CUL Type 1 (Equivalent to CSA)

Application

- Designed for use on a screw cover Type 1 (SC1) enclosures to add a flush edge.
- For Indoor use to provide protection against contact with enclosed equipment where moisture and dust are not a problem.
- Cover provides a 3/4 flange on each side of enclosure.

Construction

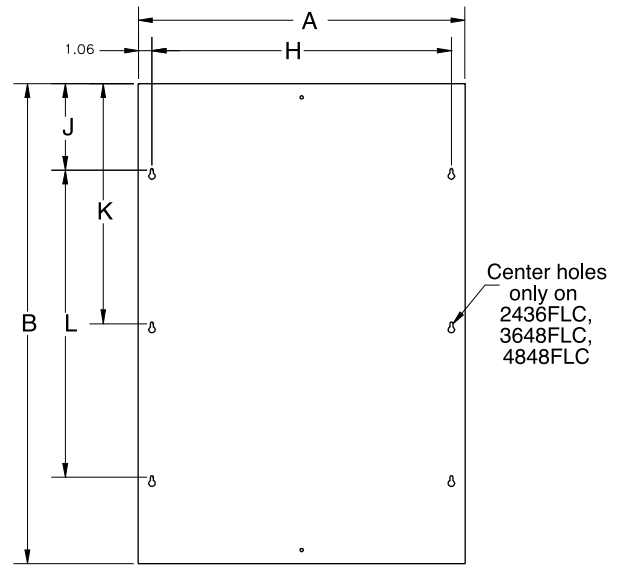
- Covers are manufactured from 16, 14, or 12 gauge steel.
- Covers have teardrop slots for easy installation and are attached to the body with plated steel screws.

Finish

- ANSI 61 gray polyester powder coating over phosphatized steel.

Accessories

- Touch-up paint: see Accessories, pg. 46.



FLC Cover

Catalog Number	Product Family	UPC Number 7-84572-	Weight (lbs)	Enclosure Size
44FLC	CNAC	10673	0.3	4 x 4
66FLC	CNAC	10836	0.6	6 x 6
88FLC	CNAC	10976	1.3	8 x 8
612FLC	CNAC	10766	1.2	6 x 12
810FLC	CNAC	10889	1.8	8 x 10
1010FLC	CNAC	10046	2	10 x 10
1012FLC	CNAC	10077	2.5	10 x 12
1212FLC	CNAC	10159	2.7	12 x 12
1216FLC	CNAC	10192	3.5	12 x 16
1218FLC	CNAC	10221	3.9	12 x 18
1224FLC	CNAC	10240	5.1	12 x 24
1616FLC	CNAC	10287	4.6	16 x 16
1818FLC	CNAC	10324	5.7	18 x 18
1824FLC	CNAC	10349	9.4	18 x 24
2424FLC	CNAC	10441	14.4	24 x 24
2430FLC	CNAC	10463	16.2	24 x 30
2436FLC	CNAC	10488	19.4	24 x 36
3030FLC	CNAC	10530	20.2	30 x 30
3036FLC	CNAC	10548	22	30 x 36
3636FLC	CNAC	10602	23	36 x 36
3648FLC	CNAC	10617	26	36 x 48



Utility requirements for this equipment may vary. Always consult the serving utility for their requirements prior to ordering or installing this equipment. This product must be installed by a licensed electrician. Installation of this equipment may require local electrical inspector approval.

P Series Back Panels

Steel and Wood Options

Application

- For use in electrical enclosures for mounting electronic controls and equipment.

Construction

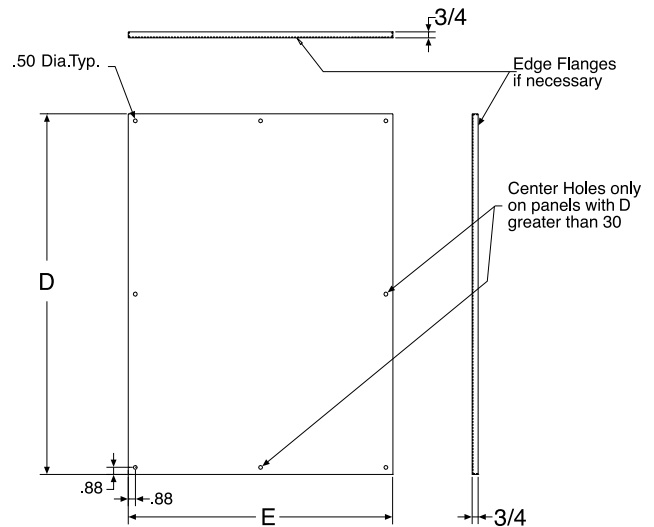
- Steel panels are 10 or 12 gauge steel.
- Wood panels are made from 3/4-inch 7-ply plywood.
- Panel mounting hardware is furnished with all enclosures that accept these panels.

Finish

- Painted White (Steel)
- Unpainted (Wood)

Accessories

- Touch-up paint: see Accessories, pg. 46.

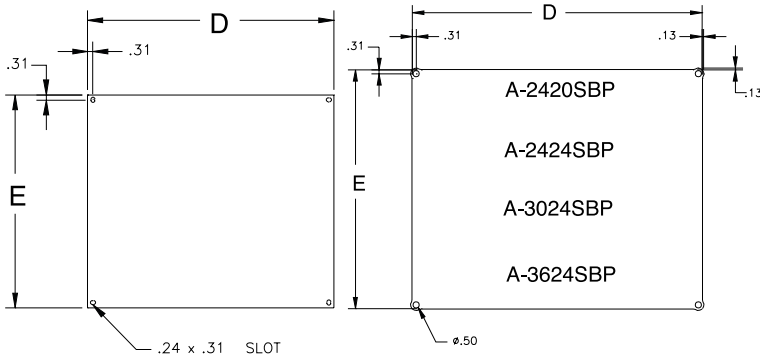


Catalog Number	Product Family	UPC # 7-84572-	Weight (lbs)	Carton Qty.	H x W
Steel (used with M4, M12, TC3R and CT3R)					
A-6P6R	IIAC	23988	0.3	1	6 x 6
A-8P6R	IIAC	23989	0.4	1	8 x 6
A-8P8R	IIAC	23990	0.53	1	8 x 8
A-10P8R	IIAC	23712	0.66	1	10 x 8
A-12P10R	IIAC	23391	2	1	12 x 10
A-12P12R	IIAC	23922	2.5	1	12 x 12
A-16P12	IIAC	17583	2.9	1	16 x 12
A-16P16	IIAC	17215	3.7	1	16 x 16
A-18P12	IIAC	22543	3.6	1	18 x 12
A-18P18	IIAC	18980	4.9	1	18 x 18
A-20P16	IIAC	22547	7	1	20 x 16
A-20P20	IIAC	18284	8.75	1	20 x 20
A-24P18	IIAC	18988	10	1	24 x 18
A-24P20	IIAC	22550	11.3	1	24 x 20
A-24P24	IIAC	17946	13.9	1	24 x 24
A-30P24	IIAC	16474	16	1	30 x 24
A-30P30	IIAC	18312	24	1	30 x 30
A-36P24	IIAC	18280	22	1	36 x 24
A-36P30	IIAC	18297	30	1	36 x 30
A-36P36	IIAC	18299	34	1	36 x 36
A-48P48	IIAC	17746	58	1	48 x 48
A-60P60	IIAC	18115	134	1	60 x 60

Catalog Number	Product Family	UPC # 7-84572-	Weight (lbs)	Carton Qty.	H x W
Wood (used with TC3R and CT3R)					
A-12P12W	CNAI	18873	2.1	1	12 x 12
A-16P12W	CNAI	18707	2.5	1	16 x 12
A-16P16W	CNAI	18717	3.4	1	16 x 16
A-18P18W	CNAI	18878	4.5	1	18 x 18
A-18P24W	CNAI	18877	5.1	1	18 x 24
A-20P20W	CNAI	18710	8.6	1	20 x 20
A-20P24W	CNAI	18711	10.5	1	20 x 24
A-24P24W	CNAI	18713	12.5	1	24 x 24
A-30P24W	CNAI	18716	15	1	30 x 24
A-30P30W	CNAI	18718	21	1	30 x 30
A-36P24W	CNAI	18289	20	1	36 x 24
A-36P30W	CNAI	18290	24	1	36 x 30
A-36P36W	CNAI	18721	29	1	36 x 36
A-48P36W	CNAI	18719	44	1	48 x 36
A-48P48W	CNAI	18720	56	1	48 x 48
A-60P60W	CNAI	21952	88	1	60 x 60

Utility requirements for this equipment may vary. Always consult the serving utility for their requirements prior to ordering or installing this equipment. This product must be installed by a licensed electrician. Installation of this equipment may require local electrical inspector approval.





Application

- For use in electrical enclosures for mounting electronic controls and equipment.

Construction

- Steel panels are 16 or 12 gauge steel and have a white finish.
- Wood back panels are made from ¾-inch 7-ply plywood.
- Panel mounting hardware is furnished with all enclosures that accept these panels.
- No mounting holes in boards

Finish

- Painted white (steel)
- Unpainted (wood)

Accessories

- Touch-up paint: see pg. 46.

Catalog Number	Product Family	UPC # 7-84572-	Weight (lbs)	Carton Qty.	H x W
Steel (used with LC1 and JIC)					
A-66SBP	IIAC	17412	0.25	1	6 x 6
A-86SBP	IIAC	17411	0.44	1	8 x 6
A-88SBP	IIAC	17410	0.58	1	8 x 8
A-108SBP	IIAC	17223	1.3	1	10 x 8
A-1010SBP	IIAC	17409	1.6	1	10 x 10
A-1210SBP	IIAC	17408	2	1	12 x 10
A-1212SBP	IIAC	17107	2.5	1	12 x 12
A-1612SBP	IIAC	18959	2.9	1	16 x 12
A-1616SBP	IIAC	18961	3.7	1	16 x 16
A-1818SBP	IIAC	17210	4.9	1	18 x 18
A-2012SBP	IIAC	18960	3.5	1	20 x 12
A-2016SBP	IIAC	19381	4.1	1	20 x 16
A-2020SBP	IIAC	29002	9.8	1	20 x 20
A-2420SBP	IIAC	17405	16.1	1	24 x 20
A-2424SBP	IIAC	18912	16.5	1	24 x 24
A-3024SBP	IIAC	18914	18	1	30 x 24
A-3030SBP	IIAC	32002	20	1	30 x 30
A-3624SBP	IIAC	18913	22	1	36 x 24
A-3630SBP	IIAC	28868	24	1	36 x 30

Catalog Number	Product Family	UPC # 7-84572-	Weight (lbs)	Carton Qty.	H x W
Wood (used with HC1, SC1, SC3R, HC3R)					
88WB	CNAC	10998	0.5	1	8 x 8
812WB	CNAC	10907	0.75	1	8 x 12
1010WB	CNAC	10061	0.8	1	10 x 10
1012WB	CNAC	10080	1	1	10 x 12
1212WB	CNAC	10174	1.5	1	12 x 12
1218WB	CNAC	10224	2	1	12 x 18
1224WB	CNAC	10243	2.8	1	12 x 24
1818WB	CNAC	10327	3.5	1	18 x 18
1824WB	CNAC	10352	4	1	18 x 24
2424WB	CNAC	10444	6.8	1	24 x 24
2430WB	CNAC	10466	8.5	1	24 x 30
2436WB	CNAC	10491	10.3	1	24 x 36
2448WB	CNAC	10503	14	1	24 x 48
3036WB	CNAC	10551	13.3	1	30 x 36
3636WB	CNAC	10605	16	1	36 x 36
3648WB	CNAC	10620	21.5	1	36 x 48
4848WB	CNAC	10739	29.3	1	48 x 48

NOTE

Do not use wood panels with LC1 enclosures.



Utility requirements for this equipment may vary. Always consult the serving utility for their requirements prior to ordering or installing this equipment. This product must be installed by a licensed electrician. Installation of this equipment may require local electrical inspector approval.

GSC1 Lay-In Wireway

Type 1

27
TYPE 1
LAY-IN
WIREWAY

Industry Standards

- NEMA Type 1
- UL 870 Type 1
- CUL Type 1 (Equivalent to CSA)

Application

- Designed to allow long interrupted runs of electrical wiring in applications where moisture and dust are not a problem.
- All straight sections and fittings are completely open on one side so wires can be laid-in to the wireway.

Construction

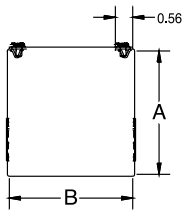
- Wireway and cover are manufactured from code gauge steel.
- Available with or without knockouts. For no knockouts, refer to suffix **-NK** in catalog number.
- Available with or without paint. For no paint, refer to suffix **-NP** in catalog number.
- Covers incorporate teardrop slots for easy installation and are attached with plated steel screws.
- Available in six standard sizes: 2.5 x 2.5, 4 x 4, 6 x 6, 8 x 8, 10 x 10 and 12 x 12.
- Wide range of fittings allows for change of direction, junctions, terminations as well as transition from competitors products.

Finish

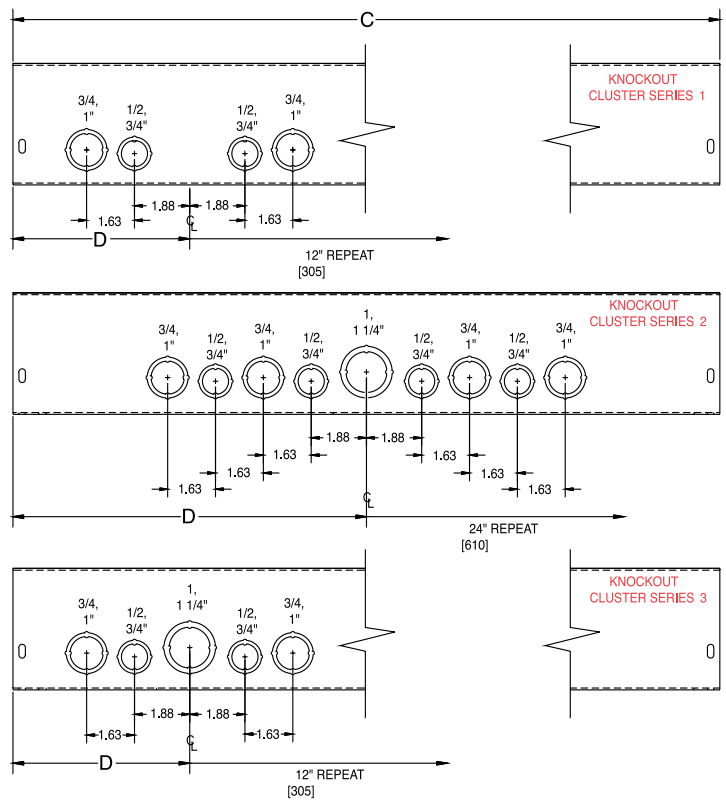
- ANSI 61 gray polyester powder paint coating.

ACCESSORIES

- Replacement covers: see pg. 30.
- Touch-up paint: see Accessories, pg. 46.
- Barrier Kit: see Accessories, pg. 46.



SCREW COVER — GSC1



Catalog Number	Product Family	UPC Number 7-84572-	Weight (lbs)	Carton Quantity	H x D x L	KO Clusters per Side	Number of Clusters
2212-GSC1	GSC1	26598	2.5	4	2.5 x 2.5 x 12	Series 1	1
2212-GSC1-NK	GSC1	26573	2.5	4	2.5 x 2.5 x 12	None	None
2212-GSC1-NK-NP	GSC1	26599	2.5	4	2.5 x 2.5 x 12	None	None
2218-GSC1	GSC1	26600	3.6	4	2.5 x 2.5 x 18	Series 1	1
2218-GSC1-NK	GSC1	26601	3.6	4	2.5 x 2.5 x 18	None	None
2218-GSC1-NK-NP	GSC1	26602	3.6	4	2.5 x 2.5 x 18	None	None
2218-GSC1-NP	GSC1	26621	3.6	4	2.5 x 2.5 x 18	Series 1	1
2224-GSC1	GSC1	26574	5	4	2.5 x 2.5 x 24	Series 1	2

Utility requirements for this equipment may vary. Always consult the serving utility for their requirements prior to ordering or installing this equipment. This product must be installed by a licensed electrician. Installation of this equipment may require local electrical inspector approval.



Catalog Number	Product Family	UPC Number 7-84572-	Weight (lbs)	Carton Quantity	H x D x L	KO Clusters per Side	Number of Clusters
2224-GSC1-NK	GSC1	26603	5	4	2.5 x 2.5 x 24	None	None
2224-GSC1-NK-NP	GSC1	26604	5	4	2.5 x 2.5 x 24	None	None
2236-GSC1	GSC1	26605	7	4	2.5 x 2.5 x 36	Series 1	3
2236-GSC1-NK	GSC1	26606	7	4	2.5 x 2.5 x 36	None	None
2248-GSC1	GSC1	26608	10	4	2.5 x 2.5 x 48	Series 1	4
2248-GSC1-NK	GSC1	26609	10	4	2.5 x 2.5 x 48	None	None
2260-GSC1	GSC1	26611	12	4	2.5 x 2.5 x 60	Series 1	5
2260-GSC1-NK	GSC1	26612	12	4	2.5 x 2.5 x 60	None	None
2272-GSC1	GSC1	26614	14	4	2.5 x 2.5 x 72	Series 1	6
2272-GSC1-NK	GSC1	26615	14	4	2.5 x 2.5 x 72	None	None
2272-GSC1-NK-NP	GSC1	26616	14	4	2.5 x 2.5 x 72	None	None
2296-GSC1-NK	GSC1	26782	19	4	2.5 x 2.5 x 96	None	None
22120-GSC1	GSC1	26617	25	4	2.5 x 2.5 x 120	Series 1	10
22120-GSC1-NK	GSC1	26618	25	4	2.5 x 2.5 x 120	None	None
22120-GSC1-NK-NP	GSC1	26619	25	4	2.5 x 2.5 x 120	None	None
4412-GSC1	GSC1	10627	3.8	4	4 x 4 x 12	Series 3	1
4412-GSC1-NK	GSC1	10628	3.8	4	4 x 4 x 12	None	None
4412-GSC1-NK-NP	GSC1	15479	3.8	4	4 x 4 x 12	None	None
4418-GSC1	GSC1	10635	5.5	4	4 x 4 x 18	Series 2	1
4418-GSC1-NK	GSC1	10636	5.5	4	4 x 4 x 18	None	None
4418-GSC1-NK-NP	GSC1	21069	5.5	4	4 x 4 x 18	None	None
4424-GSC1	GSC1	10640	7	4	4 x 4 x 24	Series 2	1
4424-GSC1-NK	GSC1	10641	7	4	4 x 4 x 24	None	None
4424-GSC1-NK-NP	GSC1	15481	7	4	4 x 4 x 24	None	None
4436-GSC1	GSC1	10646	7.8	4	4 x 4 x 36	Series 3	3
4436-GSC1-NK	GSC1	10647	7.8	4	4 x 4 x 36	None	None
4436-GSC1-NK-NP	GSC1	15482	7.8	4	4 x 4 x 36	None	None
4448-GSC1	GSC1	10658	14	4	4 x 4 x 48	Series 2	2
4448-GSC1-NK	GSC1	10659	14	4	4 x 4 x 48	None	None
4448-GSC1-NK-NP	GSC1	15485	14	4	4 x 4 x 48	None	None
4460-GSC1	GSC1	10664	17.5	4	4 x 4 x 60	Series 3	5
4460-GSC1-NK	GSC1	10665	17.5	4	4 x 4 x 60	None	None
4460-GSC1-NK-NP	GSC1	15486	17.5	4	4 x 4 x 60	None	None
4472-GSC1	GSC1	10669	20.8	4	4 x 4 x 72	Series 2	3
4472-GSC1-NK	GSC1	10670	20.8	4	4 x 4 x 72	None	None
4472-GSC1-NK-NP	GSC1	15487	20.8	4	4 x 4 x 72	None	None
4496-GSC1	GSC1	26542	27.5	2	4 x 4 x 96	Series 2	4
4496-GSC1-NK	GSC1	28677	27.5	2	4 x 4 x 96	None	None
44120-GSC1	GSC1	10633	35	2	4 x 4 x 120	Series 2	6
44120-GSC1-NK	GSC1	10634	35	2	4 x 4 x 120	None	None
44120-GSC1-NK-NP	GSC1	15480	35	2	4 x 4 x 120	None	None
6612-GSC1	GSC1	10772	5	2	6 x 6 x 12	Series 3	1
6612-GSC1-NK	GSC1	10773	5	2	6 x 6 x 12	None	None
6612-GSC1-NK-NP	GSC1	15491	5	2	6 x 6 x 12	None	None
6618-GSC1	GSC1	10780	8	2	6 x 6 x 18	Series 2	1
6618-GSC1-NK	GSC1	10781	8	2	6 x 6 x 18	None	None
6618-GSC1-NK-NP	GSC1	21070	8	2	6 x 6 x 18	None	None
6624-GSC1	GSC1	10786	10.5	2	6 x 6 x 24	Series 2	1
6624-GSC1-NK	GSC1	10787	10.5	2	6 x 6 x 24	None	None
6624-GSC1-NK-NP	GSC1	15493	10.5	2	6 x 6 x 24	None	None
6636-GSC1	GSC1	10794	16.5	2	6 x 6 x 36	Series 3	3
6636-GSC1-NK	GSC1	10795	16.5	2	6 x 6 x 36	None	None
6636-GSC1-NK-NP	GSC1	15494	16.5	2	6 x 6 x 36	None	None
6648-GSC1	GSC1	10813	21	2	6 x 6 x 48	Series 2	2
6648-GSC1-NK	GSC1	10814	21	2	6 x 6 x 48	None	None
6648-GSC1-NK-NP	GSC1	15496	21	2	6 x 6 x 48	None	None
6660-GSC1	GSC1	10824	25.5	2	6 x 6 x 60	Series 3	5
6660-GSC1-NK	GSC1	10825	25.5	2	6 x 6 x 60	None	None
6660-GSC1-NK-NP	GSC1	15497	25.5	2	6 x 6 x 60	None	None



Utility requirements for this equipment may vary. Always consult the serving utility for their requirements prior to ordering or installing this equipment. This product must be installed by a licensed electrician. Installation of this equipment may require local electrical inspector approval.

GSC1 Lay-In Wireway

Type 1

29

TYPE 1
LAY-IN
WIREWAY

Catalog Number	Product Family	UPC Number 7-84572-	Weight (lbs)	Carton Quantity	H x D x L	KO Clusters per Side	Number of Clusters
6672-GSC1	GSC1	10828	30.5	2	6 x 6 x 72	Series 2	3
6672-GSC1-NK	GSC1	10829	30.5	2	6 x 6 x 72	None	None
6672-GSC1-NK-NP	GSC1	15498	30.5	2	6 x 6 x 72	None	None
6696-GSC1	GSC1	27610	40.2	1	6 x 6 x 96	Series 2	4
6696-GSC1-NK	GSC1	31180	40.2	1	6 x 6 x 96	None	None
6696-GSC1-NK-NP	GSC1	31181	40.2	1	6 x 6 x 96	None	None
6696-GSC1-NP	GSC1	32345	40.2	1	6 x 6 x 96	Series 2	4
66120-GSC1	GSC1	10778	55	1	6 x 6 x 120	Series 2	6
66120-GSC1-NK	GSC1	10779	55	1	6 x 6 x 120	None	None
66120-GSC1-NK-NP	GSC1	15492	55	1	6 x 6 x 120	None	None
66120-GSC1-NP	GSC1	32346	55	1	6 x 6 x 120	Series 2	6
8812-GSC1	GSC1	10916	8	1	8 x 8 x 12	Series 3	1
8812-GSC1-NK	GSC1	10917	8	1	8 x 8 x 12	None	None
8812-GSC1-NK-NP	GSC1	15501	8	1	8 x 8 x 12	None	None
8818-GSC1	GSC1	10922	18	1	8 x 8 x 18	Series 2	1
8818-GSC1-NK	GSC1	19154	18	1	8 x 8 x 18	None	None
8824-GSC1	GSC1	10925	13	1	8 x 8 x 24	Series 2	1
8824-GSC1-NK	GSC1	10926	13	1	8 x 8 x 24	None	None
8824-GSC1-NK-NP	GSC1	15503	13	1	8 x 8 x 24	None	None
8836-GSC1	GSC1	10931	20	1	8 x 8 x 36	Series 3	3
8836-GSC1-NK	GSC1	10932	20	1	8 x 8 x 36	None	None
8836-GSC1-NK-NP	GSC1	15504	20	1	8 x 8 x 36	None	None
8848-GSC1	GSC1	10949	33	1	8 x 8 x 48	Series 2	2
8848-GSC1-NK	GSC1	10950	33	1	8 x 8 x 48	None	None
8848-GSC1-NK-NP	GSC1	15506	33	1	8 x 8 x 48	None	None
8860-GSC1	GSC1	10963	35	1	8 x 8 x 60	Series 3	5
8860-GSC1-NK	GSC1	10964	35	1	8 x 8 x 60	None	None
8860-GSC1-NK-NP	GSC1	15507	35	1	8 x 8 x 60	None	None
8872-GSC1	GSC1	10967	40	1	8 x 8 x 72	Series 2	3
8872-GSC1-NK	GSC1	10968	40	1	8 x 8 x 72	None	None
8872-GSC1-NK-NP	GSC1	15508	40	1	8 x 8 x 72	None	None
8896-GSC1	GSC1	21348	53.3	1	8 x 8 x 96	Series 2	4
8896-GSC1-NK	GSC1	21347	53.3	1	8 x 8 x 96	None	None
8896-GSC1-NK-NP	GSC1	21346	53.3	1	8 x 8 x 96	None	None
88120-GSC1	GSC1	10920	83.6	1	8 x 8 x 120	Series 2	6
88120-GSC1-NK	GSC1	10921	83.6	1	8 x 8 x 120	None	None
88120-GSC1-NK-NP	GSC1	15502	83.6	1	8 x 8 x 120	None	None
101012-GSC1	GSC1	10004	9	1	10 x 10 x 12	Series 3	1
101012-GSC1-NK	GSC1	15704	9	1	10 x 10 x 12	None	None
101012-GSC1-NK-NP	GSC1	19317	9	1	10 x 10 x 12	None	None
101024-GSC1	GSC1	10006	17	1	10 x 10 x 24	Series 2	1
101024-GSC1-NK	GSC1	10007	17	1	10 x 10 x 24	None	None
101024-GSC1-NK-NP	GSC1	19316	17	1	10 x 10 x 24	None	None
101036-GSC1	GSC1	10009	25	1	10 x 10 x 36	Series 3	3
101036-GSC1-NK	GSC1	10010	25	1	10 x 10 x 36	None	None
101036-GSC1-NK-NP	GSC1	15454	25	1	10 x 10 x 36	None	None
101048-GSC1	GSC1	10024	34	1	10 x 10 x 48	Series 2	2
101048-GSC1-NK	GSC1	10025	34	1	10 x 10 x 48	None	None
101048-GSC1-NK-NP	GSC1	15455	34	1	10 x 10 x 48	None	None
101060-GSC1	GSC1	10037	42	1	10 x 10 x 60	Series 3	5
101060-GSC1-NK	GSC1	10038	42	1	10 x 10 x 60	None	None
101060-GSC1-NK-NP	GSC1	15458	42	1	10 x 10 x 60	None	None
101072-GSC1	GSC1	10041	50	1	10 x 10 x 72	Series 2	3
101072-GSC1-NK	GSC1	10042	50	1	10 x 10 x 72	None	None
101072-GSC1-NK-NP	GSC1	15459	50	1	10 x 10 x 72	None	None
101096-GSC1	GSC1	24664	71	1	10 x 10 x 96	Series 2	4
101096-GSC1-NK	GSC1	26911	71	1	10 x 10 x 96	None	None
101096-GSC1-NK-NP	GSC1	24600	71	1	10 x 10 x 96	None	None
1010120-GSC1	GSC1	19100	80	1	10 x 10 x 120	Series 2	6

Utility requirements for this equipment may vary. Always consult the serving utility for their requirements prior to ordering or installing this equipment. This product must be installed by a licensed electrician. Installation of this equipment may require local electrical inspector approval.



30

TYPE 1
LAY-IN
WIREWAY

GSC1 Lay-In Wireway

Type 1

Catalog Number	Product Family	UPC Number 7-84572-	Weight (lbs)	Carton Quantity	H x D x L	KO Clusters per Side	Number of Clusters
1010120-GSC1-NK	GSC1	24933	80	1	10 x 10 x 120	None	None
1010120-GSC1-NK-NP	GSC1	32347	80	1	10 x 10 x 120	None	None
121212-GSC1	GSC1	10100	10	1	12 x 12 x 12	Series 3	1
121212-GSC1-NK	GSC1	10101	10	1	12 x 12 x 12	None	None
121212-GSC1-NK-NP	GSC1	15462	10	1	12 x 12 x 12	None	None
121224-GSC1	GSC1	10102	25	1	12 x 12 x 24	Series 2	1
121224-GSC1-NK	GSC1	10103	25	1	12 x 12 x 24	None	None
121224-GSC1-NK-NP	GSC1	15463	25	1	12 x 12 x 24	None	None
121236-GSC1	GSC1	10106	37	1	12 x 12 x 36	Series 3	3
121236-GSC1-NK	GSC1	10107	37	1	12 x 12 x 36	None	None
121236-GSC1-NK-NP	GSC1	15464	37	1	12 x 12 x 36	None	None
121248-GSC1	GSC1	10125	48	1	12 x 12 x 48	Series 2	2
121248-GSC1-NK	GSC1	10126	48	1	12 x 12 x 48	None	None
121248-GSC1-NK-NP	GSC1	15466	48	1	12 x 12 x 48	None	None
121260-GSC1	GSC1	10145	50	1	12 x 12 x 60	Series 3	5
121260-GSC1-NK	GSC1	10146	50	1	12 x 12 x 60	None	None
121260-GSC1-NK-NP	GSC1	15468	50	1	12 x 12 x 60	None	None
121272-GSC1	GSC1	10149	71	1	12 x 12 x 72	Series 2	3
121272-GSC1-NK	GSC1	10150	71	1	12 x 12 x 72	None	None
121272-GSC1-NK-NP	GSC1	20932	71	1	12 x 12 x 72	None	None
121296-GSC1	GSC1	24665	99	1	12 x 12 x 96	Series 2	4
121296-GSC1-NK	GSC1	27284	99	1	12 x 12 x 96	None	None
121296-GSC1-NK-NP	GSC1	24658	99	1	12 x 12 x 96	None	None
1212120-GSC1	GSC1	24705	120	1	12 x 12 x 120	Series 2	6
1212120-GSC1-NK	GSC1	24706	120	1	12 x 12 x 120	None	None
1212120-GSC1-NK-NP	GSC1	24707	120	1	12 x 12 x 120	None	None
1212120-GSC1-NP	GSC1	24708	120	1	12 x 12 x 120	Series 2	6
Covers							
4X12GSC1	CNAC	10742	0.75	1	4 x 12		
4X18GSC1	CNAC	10743	1.1	1	4 x 18		
4X24GSC1	CNAC	10744	1.4	1	4 x 24		
4X36GSC1	CNAC	10745	2	1	4 x 36		
4X48GSC1	CNAC	10746	2.6	1	4 x 48		
4X60GSC1	CNAC	10747	3.2	1	4 x 60		
4X72GSC1	CNAC	10748	3.8	1	4 x 72		
6X12GSC1	CNAC	10869	1	1	6 x 12		
6X18GSC1	CNAC	15356	1.5	1	6 x 18		
6X24GSC1	CNAC	10870	2	1	6 x 24		
6X36GSC1	CNAC	10871	3	1	6 x 36		
6X48GSC1	CNAC	10873	4	1	6 x 48		
6X60GSC1	CNAC	10874	5	1	6 x 60		
6X72GSC1	CNAC	10875	6	1	6 x 72		
8X12GSC1	CNAC	11002	1.3	1	8 x 12		
8X18GSC1	CNAC	17266	1.9	1	8 x 18		
8X24GSC1	CNAC	11003	2.5	1	8 x 24		
8X36GSC1	CNAC	11004	3.7	1	8 x 36		
8X48GSC1	CNAC	11005	5	1	8 x 48		
8X60GSC1	CNAC	11006	6.2	1	8 x 60		
8X72GSC1	CNAC	20901	7.4	1	8 x 72		
10X12GSC1	CNAC	19597	1.5	1	10 x 12		
10X24GSC1	CNAC	10087	3	1	10 x 24		
10X36GSC1	CNAC	10088	4.5	1	10 x 36		
10X48GSC1	CNAC	10089	6	1	10 x 48		
10X60GSC1	CNAC	10090	7.5	1	10 x 60		
12X24GSC1	CNAC	10253	3.6	1	12 x 24		
12X36GSC1	CNAC	10254	5.4	1	12 x 36		
12X48GSC1	CNAC	10255	7.2	1	12 x 48		
12X60GSC1	CNAC	10256	9	1	12 x 60		
12X72GSC1	CNAC	10257	10.8	1	12 x 72		



Utility requirements for this equipment may vary. Always consult the serving utility for their requirements prior to ordering or installing this equipment. This product must be installed by a licensed electrician. Installation of this equipment may require local electrical inspector approval.

GHC1 Lay-In Wireway

Type 1

3 1
TYPE 1
LAY-IN
WIREWAY

Industry Standards

- NEMA Type 1
- UL 870 Type 1
- CUL Type 1 (Equivalent to CSA)

Application

- Designed to allow long interrupted runs of electrical wiring in applications where moisture and dust are not a problem.
- All straight sections and fittings are completely open on one side so wires can be laid-in to the wireway.

Construction

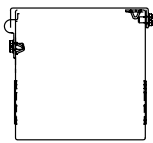
- Wireway and cover are manufactured from code gauge steel.
- Available with or without knockouts. For no knockouts, refer to suffix **-NK** in catalog number.
- Available with or without paint. For no paint, refer to suffix **-NP** in catalog number.
- Covers incorporate teardrop slots for easy installation and are attached with plated steel screws.
- Available in seven standard sizes, 2.5 x 2.5, 4 x 4, 4 x 6, 6 x 6, 8 x 8, 10 x 10 and 12 x 12.
- Wide range of fittings allows for change of direction, junctions, terminations as well as transition from competitors products.

Finish

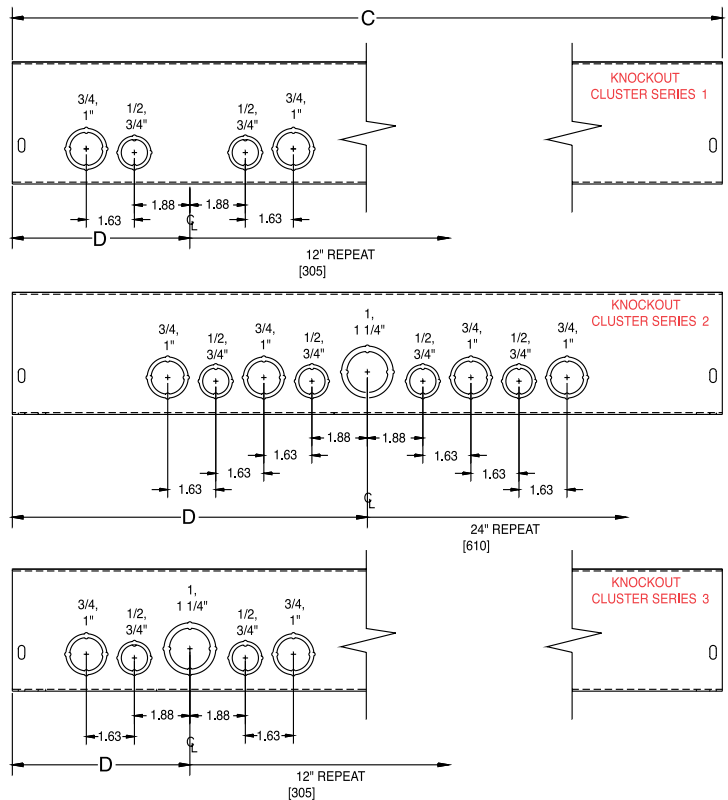
- ANSI 61 gray polyester powder paint coating.

Accessories

- Touch-up paint: see Accessories, pg. 46.
- Barrier kit: see Accessories, pg. 46.



HINGE COVER – GHC1



Catalog Number	Product Family	UPC Number 7-84572-	Weight (lbs)	Carton Quantity	H x D x L	KO Clusters per Side	Number of Clusters
2212-GHC1	GHC1	26572	2.5	4	2.5 x 2.5 x 12	Series 1	1
2212-GHC1-NK	GHC1	26576	2.5	4	2.5 x 2.5 x 12	None	None
2212-GHC1-NK-NP	GHC1	26587	2.5	4	2.5 x 2.5 x 12	None	None
2218-GHC1	GHC1	26801	3.6	4	2.5 x 2.5 x 18	Series 1	1
2218-GHC1-NK-NP	GHC1	26810	3.6	4	2.5 x 2.5 x 18	None	None
2224-GHC1	GHC1	26577	5	4	2.5 x 2.5 x 24	Series 1	2
2224-GHC1-NK	GHC1	26575	5	4	2.5 x 2.5 x 24	None	None
2236-GHC1	GHC1	26578	7	4	2.5 x 2.5 x 36	Series 1	3
2236-GHC1-NK	GHC1	32349	7	4	2.5 x 2.5 x 36	None	None

Utility requirements for this equipment may vary. Always consult the serving utility for their requirements prior to ordering or installing this equipment. This product must be installed by a licensed electrician. Installation of this equipment may require local electrical inspector approval.



Catalog Number	Product Family	UPC Number 7-84572-	Weight (lbs)	Carton Quantity	H x D x L	KO Clusters per Side	Number of Clusters
2236-GHC1-NK-NP	GHC1	26591	7	4	2.5 x 2.5 x 36	None	None
2248-GHC1	GHC1	26580	10	4	2.5 x 2.5 x 48	Series 1	4
2248-GHC1-NK	GHC1	26581	10	4	2.5 x 2.5 x 48	None	None
2260-GHC1	GHC1	26582	12	4	2.5 x 2.5 x 60	Series 1	5
2260-GHC1-NK	GHC1	26583	12	4	2.5 x 2.5 x 60	None	None
2272-GHC1	GHC1	26802	14	4	2.5 x 2.5 x 72	Series 1	6
2272-GHC1-NK	GHC1	26805	14	4	2.5 x 2.5 x 72	None	None
2296-GHC1-NK	GHC1	26806	19	4	2.5 x 2.5 x 96	None	None
22120-GHC1	GHC1	26584	25	4	2.5 x 2.5 x 120	Series 1	10
22120-GHC1-NK	GHC1	26585	25	4	2.5 x 2.5 x 120	None	None
4412-GHC1	GHC1	10625	3.5	4	4 x 4 x 12	Series 3	1
4412-GHC1-NK	GHC1	10626	3.5	4	4 x 4 x 12	None	None
4424-GHC1	GHC1	10638	7.3	4	4 x 4 x 24	Series 2	1
4424-GHC1-NK	GHC1	10639	7.3	4	4 x 4 x 24	None	None
4436-GHC1	GHC1	10644	10.8	4	4 x 4 x 36	Series 3	3
4436-GHC1-NK	GHC1	10645	10.8	4	4 x 4 x 36	None	None
4448-GHC1	GHC1	10656	14	4	4 x 4 x 48	Series 2	2
4448-GHC1-NK	GHC1	10657	14	4	4 x 4 x 48	None	None
4460-GHC1	GHC1	10662	17.5	4	4 x 4 x 60	Series 3	5
4460-GHC1-NK	GHC1	10663	17.5	4	4 x 4 x 60	None	None
4472-GHC1-NK	GHC1	27373	20.8	4	4 x 4 x 72	None	None
4496-GHC1-NK	GHC1	28961	27.5	4	4 x 4 x 96	None	None
44120-GHC1	GHC1	10631	35.5	2	4 x 4 x 120	Series 2	6
44120-GHC1-NK	GHC1	10632	35.5	2	4 x 4 x 120	None	None
6612-GHC1	GHC1	10770	6	2	6 x 6 x 12	Series 3	1
6612-GHC1-NK	GHC1	10771	6	2	6 x 6 x 12	None	None
6612-GHC1-NP	GHC1	32350	6	2	6 x 6 x 12	Series 3	1
6624-GHC1	GHC1	10784	10.5	2	6 x 6 x 24	Series 2	1
6624-GHC1-NK	GHC1	10785	10.5	2	6 x 6 x 24	None	None
6636-GHC1	GHC1	10792	16.5	2	6 x 6 x 36	Series 3	3
6636-GHC1-NK	GHC1	10793	16.5	2	6 x 6 x 36	None	None
6648-GHC1	GHC1	10811	21.5	2	6 x 6 x 48	Series 2	2
6648-GHC1-NK	GHC1	10812	21.5	2	6 x 6 x 48	None	None
6648-GHC1-NP	GHC1	32351	21.5	2	6 x 6 x 48	Series 2	2
6660-GHC1	GHC1	10823	27	2	6 x 6 x 60	Series 3	5
6660-GHC1-NK	GHC1	18647	27	2	6 x 6 x 60	None	None
6660-GHC1-NP	GHC1	32352	27	2	6 x 6 x 60	Series 3	5
6672-GHC1	GHC1	28944	32	2	6 x 6 x 72	Series 2	3
6672-GHC1-NK	GHC1	28954	32	2	6 x 6 x 72	None	None
66120-GHC1	GHC1	10776	57	1	6 x 6 x 120	Series 2	6
66120-GHC1-NK	GHC1	10777	57	1	6 x 6 x 120	None	None
66120-GHC1-NK-NP	GHC1	23372	57	1	6 x 6 x 120	None	None
66120-GHC1-NP	GHC1	32353	57	1	6 x 6 x 120	Series 2	6
8812-GHC1	GHC1	10914	8.5	1	8 x 8 x 12	Series 3	1
8812-GHC1-NK	GHC1	10915	8.5	1	8 x 8 x 12	None	None
8818-GHC1-NK	GHC1	28965	11.6	1	8 x 8 x 18	None	None
8824-GHC1	GHC1	10924	14	1	8 x 8 x 24	Series 2	1
8824-GHC1-NK	GHC1	17655	14	1	8 x 8 x 24	None	None
8836-GHC1	GHC1	10929	21	1	8 x 8 x 36	Series 3	3



Utility requirements for this equipment may vary. Always consult the serving utility for their requirements prior to ordering or installing this equipment. This product must be installed by a licensed electrician. Installation of this equipment may require local electrical inspector approval.

GHC1 Lay-In Wireway

Type 1

33

TYPE 1
LAY-IN
WIREWAY

Catalog Number	Product Family	UPC Number 7-84572-	Weight (lbs)	Carton Quantity	H x D x L	KO Clusters per Side	Number of Clusters
8836-GHC1-NK	GHC1	10930	21	1	8 x 8 x 36	None	None
8848-GHC1	GHC1	10947	28	1	8 x 8 x 48	Series 2	2
8848-GHC1-NK	GHC1	10948	28	1	8 x 8 x 48	None	None
8860-GHC1	GHC1	10960	35	1	8 x 8 x 60	Series 3	5
8860-GHC1-NK	GHC1	10961	35	1	8 x 8 x 60	None	None
8872-GHC1	GHC1	28946	40	1	8 x 8 x 72	Series 2	3
8872-GHC1-NK	GHC1	28947	40	1	8 x 8 x 72	None	None
88120-GHC1	GHC1	10919	69	1	8 x 8 x 120	Series 2	6
88120-GHC1-NK	GHC1	15705	69	1	8 x 8 x 120	None	None
101012-GHC1-NK	GHC1	28166	12	1	10 x 10 x 12	None	None
101024-GHC1-NK	GHC1	27094	20.4	1	10 x 10 x 24	None	None
101036-GHC1-NK	GHC1	27093	25	1	10 x 10 x 36	None	None
101048-GHC1-NK	GHC1	27092	43.4	1	10 x 10 x 48	None	None
101060-GHC1	GHC1	15880	49	1	10 x 10 x 60	Series 3	5
101060-GHC1-NK	GHC1	27091	49	1	10 x 10 x 60	None	None
101072-GHC1	GHC1	27962	58	1	10 x 10 x 72	Series 2	3
101096-GHC1-NK	GHC1	32012	76	1	10 x 10 x 96	None	None
1010120-GHC1-NK	GHC1	17625	90	1	10 x 10 x 120	None	None
121224-GHC1	GHC1	32354	25.2	1	12 x 12 x 24	Series 2	1
121224-GHC1-NK	GHC1	27090	25.2	1	12 x 12 x 24	None	None
121236-GHC1-NK	GHC1	27089	37.4	1	12 x 12 x 36	None	None
121236-GHC1-NK-NP	GHC1	32355	37.4	1	12 x 12 x 36	None	None
121248-GHC1-NK	GHC1	27088	49	1	12 x 12 x 48	None	None
121260-GHC1	GHC1	15881	58	1	12 x 12 x 60	Series 3	5
121260-GHC1-NK	GHC1	27087	58	1	12 x 12 x 60	None	None
121260-GHC1-NK-NP	GHC1	32356	58	1	12 x 12 x 60	None	None
121296-GHC1	GHC1	28118	90	1	12 x 12 x 96	Series 2	4
121296-GHC1-NK	GHC1	28119	90	1	12 x 12 x 96	None	None
1212120-GHC1	GHC1	18006	120	1	12 x 12 x 120	Series 2	6
1212120-GHC1-NK	GHC1	24050	120	1	12 x 12 x 120	None	None

Utility requirements for this equipment may vary. Always consult the serving utility for their requirements prior to ordering or installing this equipment. This product must be installed by a licensed electrician. Installation of this equipment may require local electrical inspector approval.



34

TYPE 3R
SCREW COVER
WIRING TROUGH

GSC3R Screw Cover Wiring Trough

Type 3R

Industry Standards

- NEMA Type 3R
- UL 870 Type 3R
- CUL Type 3R (Equivalent to CSA)

Application

- Designed to protect wiring in outdoor installations against rain, sleet, or snow, or indoors against dripping water.

Construction

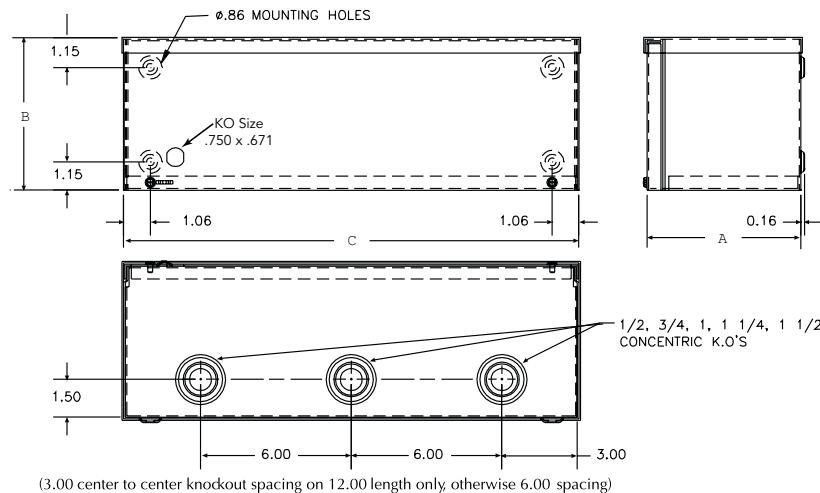
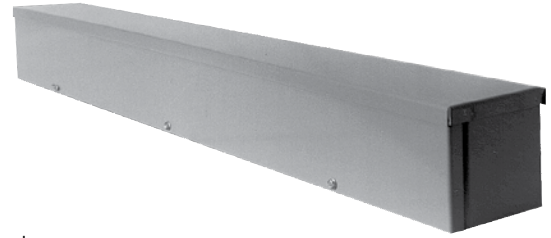
- Trough and cover are manufactured from 16 gauge G90 galvanized steel.
- Available with or without paint. For no paint, refer to suffix **-NP** in the catalog number.
- Cover is designed to fit under the drip shield top, and is held in place with plated steel screws.
- Wireway is available with or without concentric knockouts on the bottom—for no knockouts refer to suffix **-NK** in the catalog number.
- Embossed mounting holes are provided on the backs of the units.
- Sealing eye lance.
- Knockout for key locking cylinder latch.

Finish

- ANSI 61 gray polyester powder coating over phosphatized **G90** galvanized steel.

Accessories

- Touch-up paint: see Accessories, pg. 46.
- Locks: see Accessories, pg. 45.



NOTE
These units are UL Listed for horizontal runs only.

Catalog Number	Product Family	UPC Number 7-84572-	Weight (lbs)	Carton Quantity	H x D x L	Number of Knockouts
4412-GSC3R	GS3R	10629	4.5	4	4 x 4 x 12	3
4412-GSC3R-NK	GS3R	10630	4.5	4	4 x 4 x 12	None
4412-GSC3R-NK-NP	GS3R	16177	4.5	4	4 x 4 x 12	None
4418-GSC3R	GS3R	10637	6.5	4	4 x 4 x 18	3
4418-GSC3R-NK	GS3R	21813	6.5	4	4 x 4 x 18	None
4424-GSC3R	GS3R	10642	8.5	4	4 x 4 x 24	3
4424-GSC3R-NK	GS3R	10643	8.5	4	4 x 4 x 24	None



Utility requirements for this equipment may vary. Always consult the serving utility for their requirements prior to ordering or installing this equipment. This product must be installed by a licensed electrician. Installation of this equipment may require local electrical inspector approval.

GSC3R Screw Cover Wiring Trough

Type 3R

35
TYPE 3R
SCREW COVER
WIRING TROUGH

Catalog Number	Product Family	UPC Number 7-84572-	Weight (lbs)	Carton Quantity	H x D x L	Number of Knockouts
4424-GSC3R-NK-NP	GS3R	16176	8.5	4	4 x 4 x 24	None
4436-GSC3R	GS3R	10648	12	4	4 x 4 x 36	5
4436-GSC3R-NK	GS3R	10649	12	4	4 x 4 x 36	None
4436-GSC3R-NK-NP	GS3R	16175	12	4	4 x 4 x 36	None
4448-GSC3R	GS3R	10660	15.8	4	4 x 4 x 48	7
4448-GSC3R-NK	GS3R	10661	15.8	4	4 x 4 x 48	None
4448-GSC3R-NK-NP	GS3R	16174	15.8	4	4 x 4 x 48	None
4460-GSC3R	GS3R	10666	19.5	4	4 x 4 x 60	9
4460-GSC3R-NK	GS3R	10667	19.5	4	4 x 4 x 60	None
4460-GSC3R-NK-NP	GS3R	16173	19.5	4	4 x 4 x 60	None
4472-GSC3R	GS3R	10671	23.5	4	4 x 4 x 72	11
4472-GSC3R-NK	GS3R	10672	23.5	4	4 x 4 x 72	None
4472-GSC3R-NK-NP	GS3R	19304	23.5	4	4 x 4 x 72	None
4496-GSC3R	GS3R	21984	31.1	2	4 x 4 x 96	15
44120-GSC3R	GS3R	21985	38.7	2	4 x 4 x 120	19
6612-GSC3R	GS3R	10774	7	2	6 x 6 x 12	3
6612-GSC3R-NK	GS3R	10775	7	2	6 x 6 x 12	None
6612-GSC3R-NK-NP	GS3R	17550	7	2	6 x 6 x 12	None
6618-GSC3R	GS3R	10782	10	2	6 x 6 x 18	3
6618-GSC3R-NK	GS3R	10783	10	2	6 x 6 x 18	None
6618-GSC3R-NK-NP	GS3R	21096	10	2	6 x 6 x 18	None
6624-GSC3R	GS3R	10788	12.5	2	6 x 6 x 24	3
6624-GSC3R-NK	GS3R	10789	12.5	2	6 x 6 x 24	None
6624-GSC3R-NK-NP	GS3R	16172	12.5	2	6 x 6 x 24	None
6636-GSC3R	GS3R	10796	18	2	6 x 6 x 36	5
6636-GSC3R-NK	GS3R	10797	18	2	6 x 6 x 36	None
6636-GSC3R-NK-NP	GS3R	16171	18	2	6 x 6 x 36	None
6648-GSC3R	GS3R	10815	24	2	6 x 6 x 48	7
6648-GSC3R-NK	GS3R	10816	24	2	6 x 6 x 48	None
6648-GSC3R-NK-NP	GS3R	16170	24	2	6 x 6 x 48	None
6660-GSC3R	GS3R	10826	28.5	2	6 x 6 x 60	9
6660-GSC3R-NK	GS3R	10827	28.5	2	6 x 6 x 60	None
6660-GSC3R-NK-NP	GS3R	19303	28.5	2	6 x 6 x 60	None
6672-GSC3R	GS3R	10830	34	2	6 x 6 x 72	11
6672-GSC3R-NK	GS3R	10831	34	2	6 x 6 x 72	None
6672-GSC3R-NK-NP	GS3R	19004	34	2	6 x 6 x 72	None
6696-GSC3R	GS3R	10834	45	1	6 x 6 x 96	15
6696-GSC3R-NK	GS3R	10835	45	1	6 x 6 x 96	None
6696-GSC3R-NK-NP	GS3R	23847	45	1	6 x 6 x 96	None
66120-GSC3R	GS3R	20971	55	1	6 x 6 x 120	19
66120-GSC3R-NK	GS3R	26496	55	1	6 x 6 x 120	None
8812-GSC3R	GS3R	10918	9	1	8 x 8 x 12	3

Utility requirements for this equipment may vary. Always consult the serving utility for their requirements prior to ordering or installing this equipment. This product must be installed by a licensed electrician. Installation of this equipment may require local electrical inspector approval.



36

TYPE 3R
SCREW COVER
WIRING TROUGH

GSC3R Screw Cover Wiring Trough

Type 3R

Catalog Number	Product Family	UPC Number 7-84572-	Weight (lbs)	Carton Quantity	H x D x L	Number of Knockouts
8812-GSC3R-NK	GS3R	26487	9	1	8 x 8 x 12	None
8812-GSC3R-NK-NP	GS3R	16169	9	1	8 x 8 x 12	None
8818-GSC3R	GS3R	10923	14	1	8 x 8 x 18	3
8818-GSC3R-NK	GS3R	25662	14	1	8 x 8 x 18	None
8818-GSC3R-NK-NP	GS3R	21097	14	1	8 x 8 x 18	None
8824-GSC3R	GS3R	10927	17	1	8 x 8 x 24	3
8824-GSC3R-NK	GS3R	10928	17	1	8 x 8 x 24	None
8824-GSC3R-NK-NP	GS3R	16168	17	1	8 x 8 x 24	None
8836-GSC3R	GS3R	10933	24	1	8 x 8 x 36	5
8836-GSC3R-NK	GS3R	10934	24	1	8 x 8 x 36	None
8836-GSC3R-NK-NP	GS3R	16167	24	1	8 x 8 x 36	None
8848-GSC3R	GS3R	10951	32	1	8 x 8 x 48	7
8848-GSC3R-NK	GS3R	10952	32	1	8 x 8 x 48	None
8848-GSC3R-NK-NP	GS3R	16166	32	1	8 x 8 x 48	None
8860-GSC3R	GS3R	10965	38	1	8 x 8 x 60	9
8860-GSC3R-NK	GS3R	10966	38	1	8 x 8 x 60	None
8860-GSC3R-NK-NP	GS3R	19302	38	1	8 x 8 x 60	None
8872-GSC3R	GS3R	10969	45	1	8 x 8 x 72	11
8872-GSC3R-NK	GS3R	10970	45	1	8 x 8 x 72	None
8872-GSC3R-NK-NP	GS3R	16165	45	1	8 x 8 x 72	None
8896-GSC3R	GS3R	10974	59	1	8 x 8 x 96	15
8896-GSC3R-NK	GS3R	10975	59	1	8 x 8 x 96	None
8896-GSC3R-NK-NP	GS3R	21099	59	1	8 x 8 x 96	None
88120-GSC3R	GS3R	20882	67	1	8 x 8 x 120	19
88120-GSC3R-NK	GS3R	21811	67	1	8 x 8 x 120	None
88120-GSC3R-NK-NP	GS3R	26498	67	1	8 x 8 x 120	None
101024-GSC3R	GS3R	21550	17	1	10 x 10 x 24	3
101024-GSC3R-NK	GS3R	10008	17	1	10 x 10 x 24	None
101024-GSC3R-NK-NP	GS3R	19301	17	1	10 x 10 x 24	None
101036-GSC3R	GS3R	10011	30	1	10 x 10 x 36	5
101036-GSC3R-NK	GS3R	10012	30	1	10 x 10 x 36	None
101036-GSC3R-NK-NP	GS3R	18370	30	1	10 x 10 x 36	None
101048-GSC3R	GS3R	10026	39	1	10 x 10 x 48	7
101048-GSC3R-NK	GS3R	10027	39	1	10 x 10 x 48	None
101048-GSC3R-NK-NP	GS3R	18368	39	1	10 x 10 x 48	None
101060-GSC3R	GS3R	10039	48	1	10 x 10 x 60	9
101060-GSC3R-NK	GS3R	10040	48	1	10 x 10 x 60	None
101060-GSC3R-NK-NP	GS3R	19320	48	1	10 x 10 x 60	None
101072-GSC3R	GS3R	10043	55	1	10 x 10 x 72	11
101072-GSC3R-NK	GS3R	10044	55	1	10 x 10 x 72	None
101072-GSC3R-NK-NP	GS3R	17816	55	1	10 x 10 x 72	None
101096-GSC3R	GS3R	20455	78	1	10 x 10 x 96	15



Utility requirements for this equipment may vary. Always consult the serving utility for their requirements prior to ordering or installing this equipment. This product must be installed by a licensed electrician. Installation of this equipment may require local electrical inspector approval.

GSC3R Screw Cover Wiring Trough

Type 3R

37
TYPE 3R
SCREW COVER
WIRING TROUGH

Catalog Number	Product Family	UPC Number 7-84572-	Weight (lbs)	Carton Quantity	H x D x L	Number of Knockouts
101096-GSC3R-NK	GS3R	19985	78	1	10 x 10 x 96	None
101096-GSC3R-NK-NP	GS3R	24662	78	1	10 x 10 x 96	None
1010120-GSC3R	GS3R	21986	97	1	10 x 10 x 120	19
1010120-GSC3R-NK	GS3R	22991	97	1	10 x 10 x 120	None
1010120-GSC3R-NK-NP	GS3R	26499	97	1	10 x 10 x 120	None
1010120-GSC3R-NK-NP	GS3R	26499	97	1	10 x 10 x 120	None
121224-GSC3R	GS3R	10104	26	1	12 x 12 x 24	3
121224-GSC3R-NK	GS3R	10105	26	1	12 x 12 x 24	None
121224-GSC3R-NK-NP	GS3R	19430	26	1	12 x 12 x 24	None
121236-GSC3R	GS3R	10108	43	1	12 x 12 x 36	5
121236-GSC3R-NK	GS3R	10109	43	1	12 x 12 x 36	None
121236-GSC3R-NK-NP	GS3R	17773	43	1	12 x 12 x 36	None
121248-GSC3R	GS3R	10127	47	1	12 x 12 x 48	7
121248-GSC3R-NK	GS3R	10128	47	1	12 x 12 x 48	None
121248-GSC3R-NK-NP	GS3R	19431	47	1	12 x 12 x 48	None
121260-GSC3R	GS3R	10147	57	1	12 x 12 x 60	9
121260-GSC3R-NK	GS3R	10148	57	1	12 x 12 x 60	None
121260-GSC3R-NK-NP	GS3R	18369	57	1	12 x 12 x 60	None
121272-GSC3R	GS3R	10151	67	1	12 x 12 x 72	11
121272-GSC3R-NK	GS3R	10152	67	1	12 x 12 x 72	None
121272-GSC3R-NK-NP	GS3R	19432	67	1	12 x 12 x 72	None
121296-GSC3R	GS3R	16420	88	1	12 x 12 x 96	15
121296-GSC3R-NK	GS3R	16123	88	1	12 x 12 x 96	None
121296-GSC3R-NK-NP	GS3R	24018	88	1	12 x 12 x 96	None
1212120-GSC3R	GS3R	19101	125	1	12 x 12 x 120	19
1212120-GSC3R-NK	GS3R	16122	125	1	12 x 12 x 120	None
1212120-GSC3R-NK-NP	GS3R	26400	125	1	12 x 12 x 120	None
1212144-GSC3R	GS3R	27168	164	1	12 x 12 x 144	None
1212144-GSC3R-NK	GS3R	32357	164	1	12 x 12 x 144	None
1212144-GSC3R-NK-NP	GS3R	31063	164	1	12 x 12 x 144	None

Utility requirements for this equipment may vary. Always consult the serving utility for their requirements prior to ordering or installing this equipment. This product must be installed by a licensed electrician. Installation of this equipment may require local electrical inspector approval.

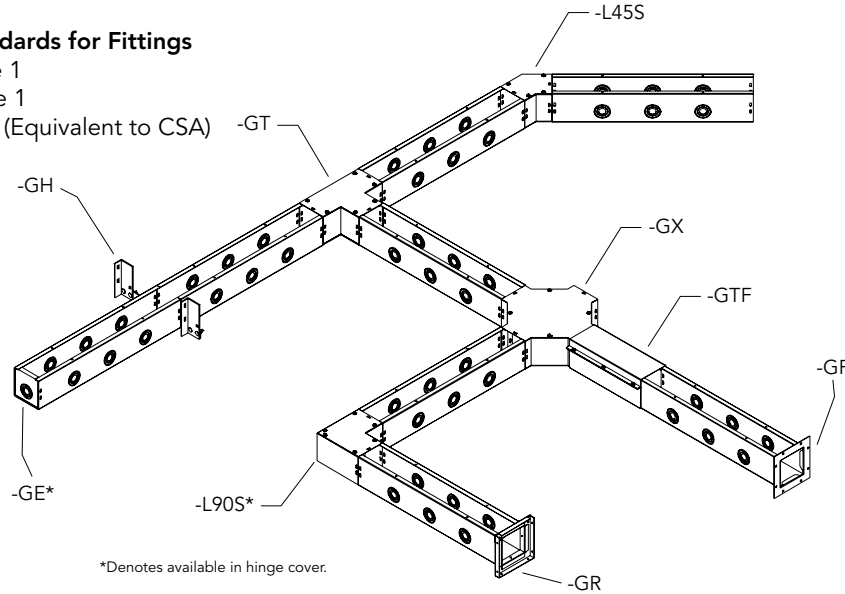


Wireway Fittings

For use with GSC1 and GHC1 wireway

Industry Standards for Fittings

- NEMA Type 1
- UL 870 Type 1
- CUL Type 1 (Equivalent to CSA)



*Denotes available in hinge cover.

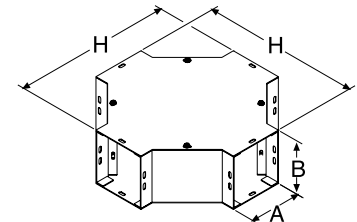
Dimensions for product drawings on pages 38-43

A x B Inches (mm)	E	F	G	H	J	K	N	P	V	U
3.00 x 3.00 (76 x 76)	5.06 (129)	5.06 (129)	6.06 (154)	11.25 (286)	2.58 (66)	3.20 (81)	11.00 (279)	4.63 (118)	9.00 (229)	4.62 (117)
4.00 x 4.00 (102 x 102)	6.06 (154)	6.06 (154)	7.06 (179)	12.25 (311)	2.80 (71)	3.63 (92)	13.25 (337)	13.25 (337)	10.00 (254)	5.13 (130)
4.00 x 6.00 (102 x 152)	6.06 (154)	8.06 (205)	8.00 (203)	—	—	—	—	—	12.00 (305)	5.06 (129)
6.00 x 6.00 (152 x 152)	8.06 (205)	8.06 (205)	10.00 (254)	14.25 (362)	3.21 (82)	4.45 (113)	17.75 (451)	7.63 (194)	14.00 (356)	7.06 (179)
8.00 x 8.00 (203 x 203)	10.06 (306)	10.06 (306)	12.00 (305)	16.25 (413)	3.62 (92)	5.28 (134)	22.25 (565)	9.63 (245)	16.00 (406)	8.06 (205)
10.00 x 10.00 (254 x 254)	12.06 (306)	12.06 (306)	14.00 (356)	18.25 (464)	4.04 (103)	6.11 (155)	25.63 (651)	11.63 (295)	18.00 (457)	9.06 (230)
12.00 x 12.00 (305 x 305)	14.06 (357)	14.06 (357)	16.00 (406)	20.25 (514)	4.42 (112)	6.91 (176)	30.13 (765)	13.63 (346)	20.00 (508)	10.06 (256)

GX | Crosses*

The cross fitting is for connecting 4 merging wireway runs from 2 different directions.

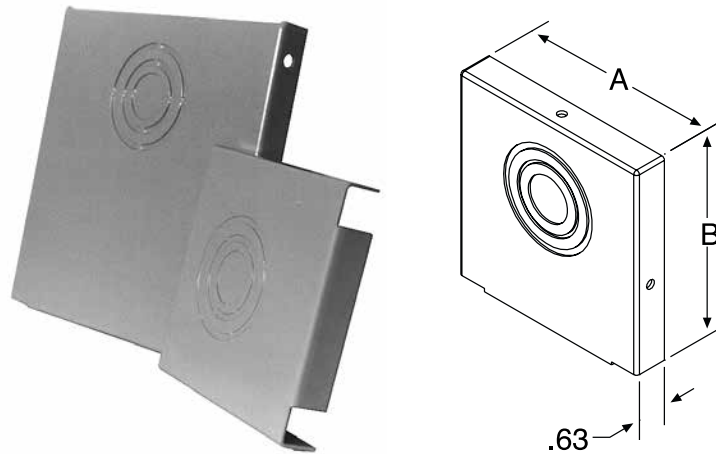
Catalog Number	Product Family	UPC # (7-84572)	Weight (lbs)	Std. Pkg.	Size
22GX	GFIT	26469	4.3	1	2.5 x 2.5
22GX-NP	GFIT	26470	4.3	1	2.5 x 2.5
44GX	GFIT	10688	6.3	1	4 x 4
66GX	GFIT	10851	8.3	1	6 x 6
88GX	GFIT	10990	13.3	1	8 x 8
1010GX	GFIT	17214	14	1	10 x 10
1212GX	GFIT	17128	15	1	12 x 12



Utility requirements for this equipment may vary. Always consult the serving utility for their requirements prior to ordering or installing this equipment. This product must be installed by a licensed electrician. Installation of this equipment may require local electrical inspector approval.

Wireway Fittings

For use with GSC1 and GHC1 wireway



GE | Ends*

Closes the end of a wireway section or run. All knockouts are concentric 1/2", 3/4", 1", 1 1/4", 1 1/2".

Catalog Number	Product Family	UPC # (7-84572)	Weight (lbs)	Std. Pkg.	Size
22GE	GFIT	26413	0.3	20	2.5 x 2.5
22GE-NK	GFIT	26414	0.3	20	2.5 x 2.5
22GE-NK-NP	GFIT	26415	0.3	20	2.5 x 2.5
22GE-NP	GFIT	26416	0.3	20	2.5 x 2.5
22GEU	GFIT	26426	0.3	20	2.5 x 2.5
22GFE	GFIT	26429	0.3	10	2.5 x 2.5
22GFE-NK	GFIT	26430	0.3	10	2.5 x 2.5
44GE	GFIT	10676	0.4	20	4 x 4
44GE-NK	GFIT	10677	0.4	20	4 x 4
44GE-NK-NP	GFIT	15538	0.4	20	4 x 4
44GE-NP	GFIT	20889	0.4	20	4 x 4
44GEU	GFIT	10678	0.4	20	4 x 4
44GEU-NK-NP	GFIT	21085	0.4	20	4 x 4
44GFE	GFIT	10680	0.4	10	4 x 4
44GFE-NK	GFIT	18771	0.4	10	4 x 4
66GE	GFIT	10839	0.8	20	6 x 6
66GE-NK	GFIT	10840	0.8	20	6 x 6
66GE-NK-NP	GFIT	15537	0.8	20	6 x 6
66GE-NP	GFIT	17355	0.8	20	6 x 6
66GEU	GFIT	10841	0.8	20	6 x 6
66GEU-NK	GFIT	24628	0.8	20	6 x 6
66GEU-NK-NP	GFIT	21084	0.8	20	6 x 6

Catalog Number	Product Family	UPC # (7-84572)	Weight (lbs)	Std. Pkg.	Size
66GFE	GFIT	10843	0.8	10	6 x 6
88GE	GFIT	10978	1.4	20	8 x 8
88GE-NK	GFIT	10979	1.4	20	8 x 8
88GE-NK-NP	GFIT	15535	1.4	20	8 x 8
88GE-NP	GFIT	20890	1.4	20	8 x 8
88GEU	GFIT	10980	1.4	20	8 x 8
88GEU-NK-NP	GFIT	21086	1.4	20	8 x 8
88GFE	GFIT	10982	2	10	8 x 8
88GFE-NK	GFIT	17686	2	10	8 x 8
1010GE	GFIT	10048	2.6	20	10 x 10
1010GE-NK	GFIT	10049	2.6	20	10 x 10
1010GE-NK-NP	GFIT	15536	2.6	20	10 x 10
1010GEU	GFIT	10050	2.6	20	10 x 10
1010GEU-NK	GFIT	31179	2.6	20	10 x 10
1010GEU-NK-NP	GFIT	21087	2.6	20	10 x 10
1212GE	GFIT	10161	2.8	20	12 x 12
1212GE-NK	GFIT	10162	2.8	20	12 x 12
1212GE-NK-NP	GFIT	15534	2.8	20	12 x 12
1212GE-NP	GFIT	20891	2.8	20	12 x 12
1212GEU	GFIT	10163	2.8	20	12 x 12
1212GEU-NK	GFIT	32358	2.8	20	12 x 12
1212GEU-NK-NP	GFIT	21088	2.8	20	12 x 12

NOTE

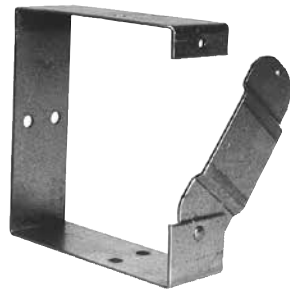
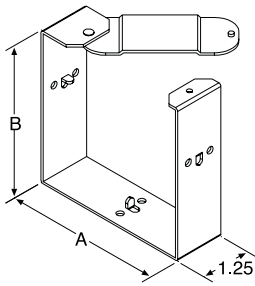
GFE is for GHC1 wireway (hinge cover)
GE is for GSC1 wireway (screw cover)

Utility requirements for this equipment may vary. Always consult the serving utility for their requirements prior to ordering or installing this equipment. This product must be installed by a licensed electrician. Installation of this equipment may require local electrical inspector approval.



Wireway Fittings

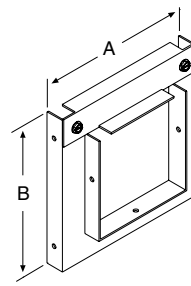
For use with GSC1 and GHC1 wireway



GC | Connectors*

A connector is required at each wireway joint (except at telescopic fittings, ends or reducers). The swing portion allows for easy lay-in wiring.

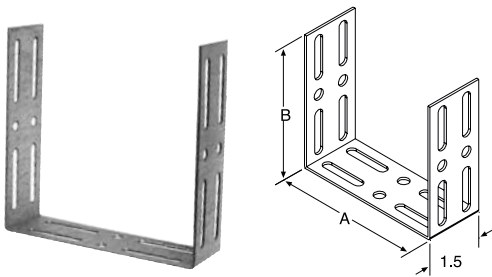
Catalog Number	Product Family	UPC # (7-84572)	Weight (lbs)	Std. Pkg.	Size
22GC	GFIT	26412	0.3	12	2.5 x 2.5
44GC	GFIT	10674	0.5	12	4 x 4
66GC	GFIT	10837	0.6	12	6 x 6
88GC	GFIT	10977	0.8	12	8 x 8
1010GC	GFIT	10047	1	12	10 x 10
1212GC	GFIT	10160	1.44	12	12 x 12



GR | Reducers*

Reduces one size wireway to a smaller size wireway. The inner opening is centered to keep the two wireway sizes relative to each other.

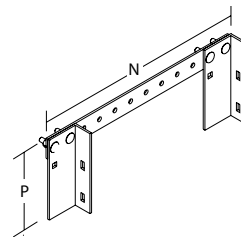
Catalog Number	Product Family	UPC # (7-84572)	Weight (lbs)	Std. Pkg.	Size
2244GR	GFIT	26410	3	4	2.5 x 2.5-4 x 4
4466GR	GFIT	10668	4	4	4 x 4-6 x 6
6688GR	GFIT	10833	6	4	6 x 6-8 x 8
881010GR	GFIT	15669	10	4	8 x 8-10 x 10
881212GR	GFIT	32359	11	4	8 x 8-12 x 12
10101212GR	GFIT	15648	12	4	10 x 10-12 x 12



GCU | Universal Connectors*

Universal Connectors can be used to connect a Milbank wireway to another brand of wireway.

Catalog Number	Product Family	UPC # (7-84572)	Weight (lbs)	Std. Pkg.	Size
22GCU	GFIT	26425	0.3	12	2.5 x 2.5
44GCU	GFIT	10675	0.5	12	4 x 4
66GCU	GFIT	10838	0.6	12	6 x 6
88GCU	GFIT	16255	0.8	12	8 x 8
1010GCU	GFIT	18917	1.2	12	10 x 10
1212GCU	GFIT	18996	1.7	12	12 x 12



GH | Hangers*

This adjustable hanger is used to support a wireway run and is placed at 5 foot intervals.

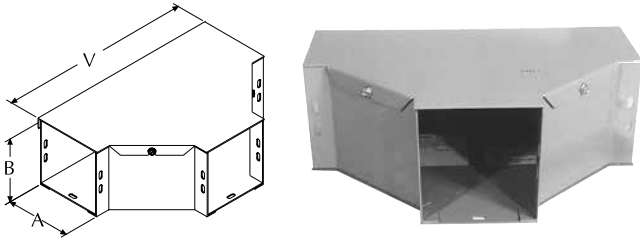
Catalog Number	Product Family	UPC # (7-84572)	Weight (lbs)	Std. Pkg.	Size
22GH	GFIT	26936	1	6	2.5 x 2.5
44GH	GFIT	10685	1.5	6	4 x 4
44GH-NP	GFIT	21072	1.5	6	4 x 4
66GH	GFIT	10848	2	6	6 x 6
66GH-NP	GFIT	21073	2	6	6 x 6
88GH	GFIT	10987	3	6	8 x 8
1010GH	GFIT	10052	7	6	10 x 10
1212GH	GFIT	10165	7	6	12 x 12



Utility requirements for this equipment may vary. Always consult the serving utility for their requirements prior to ordering or installing this equipment. This product must be installed by a licensed electrician. Installation of this equipment may require local electrical inspector approval.

Wireway Fittings

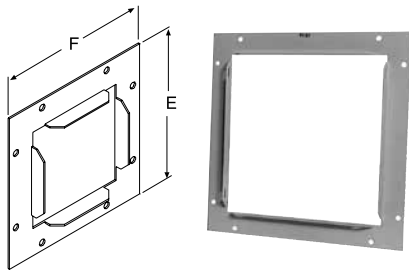
For use with GSC1 wireway



GFT | Tees (for Hinge Covers)*

The GFT for hinged covers is used when all three branches of the wireway run are open along the same side.

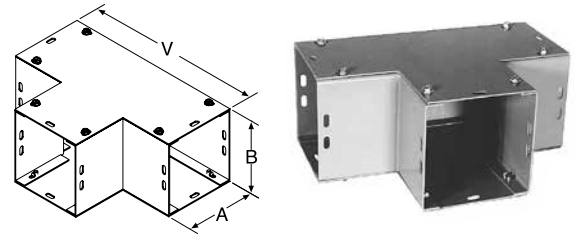
Catalog Number	Product Family	UPC # (7-84572)	Weight (lbs)	Std. Pkg.	Size
22GFT	GFIT	26463	2.5	1	2.5 x 2.5
22GFT-NP	GFIT	26464	2.5	10	2.5 x 2.5
44GFT	GFIT	10684	3	1	4 x 4
66GFT	GFIT	10847	7.3	1	6 x 6
66GFT-NP	GFIT	21079	7.3	10	6 x 6
88GFT	GFIT	10986	13	1	8 x 8
1212GFT	GFIT	15879	29	1	12 x 12



GF | End Flanges*

When access from a junction enclosure to a wireway is required, this piece mounts onto the opening of the enclosure and then secures to the wireway.

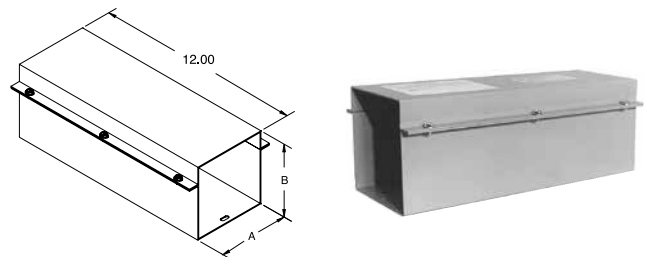
Catalog Number	Product Family	UPC # (7-84572)	Weight (lbs)	Std. Pkg.	Size
22GF	GFIT	26428	0.4	10	2.5 x 2.5
44GF	GFIT	10679	0.6	10	4 x 4
44GF-NP	GFIT	15520	0.6	10	4 x 4
66GF	GFIT	10842	0.8	10	6 x 6
66GF-NP	GFIT	15523	0.8	10	6 x 6
88GF	GFIT	10981	1	10	8 x 8
88GF-NP	GFIT	15526	1	10	8 x 8
1010GF	GFIT	10051	1.3	10	10 x 10
1010GF-NP	GFIT	15514	1.3	10	10 x 10
1212GF	GFIT	10164	1.5	10	12 x 12
1212GF-NP	GFIT	15517	1.5	10	12 x 12



GT | Tees*

This fitting can be used to branch from a GSC1 wireway (screw cover) run to a perpendicular run.

Catalog Number	Product Family	UPC # (7-84572)	Weight (lbs)	Std. Pkg.	Size
22GT	GFIT	26417	2.5	1	2.5 x 2.5
22GT-NP	GFIT	26418	2.5	1	2.5 x 2.5
44GT	GFIT	10686	3.5	1	4 x 4
44GT-NP	GFIT	19315	3.5	1	4 x 4
66GT	GFIT	10849	7.3	1	6 x 6
66GT-NP	GFIT	16422	7.3	1	6 x 6
88GT	GFIT	10988	13	1	8 x 8
88GT-NP	GFIT	19314	13	1	8 x 8
1010GT	GFIT	10053	17	1	10 x 10
1010GT-NP	GFIT	19313	17	1	10 x 10
1212GT	GFIT	10166	23	1	12 x 12
1212GT-NP	GFIT	19312	23	1	12 x 12



GTF | Telescopic Fittings*

This fitting will accommodate a wireway run where the remaining section is not a standard length. Attach fitting to the end of the short piece to fill in the required distance.

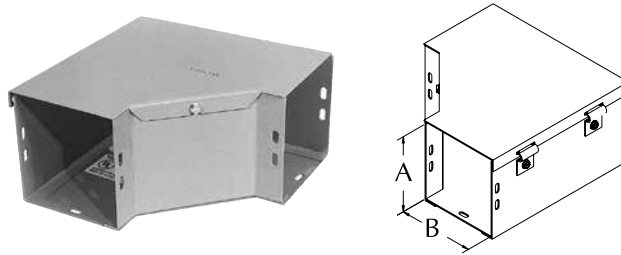
Catalog Number	Product Family	UPC # (7-84572)	Weight (lbs)	Std. Pkg.	Size
22GTF	GFIT	26431	2.5	1	2.5 x 2.5
44GTF	GFIT	10687	3.5	1	4 x 4
66GTF	GFIT	10850	7.2	1	6 x 6
88GTF	GFIT	10989	13	1	8 x 8
1010GTF	GFIT	18918	20.3	1	10 x 10
1212GTF	GFIT	18995	29.2	1	12 x 12

Utility requirements for this equipment may vary. Always consult the serving utility for their requirements prior to ordering or installing this equipment. This product must be installed by a licensed electrician. Installation of this equipment may require local electrical inspector approval.



Wireway Fittings

For use with *GHC1* wireway (hinge cover)

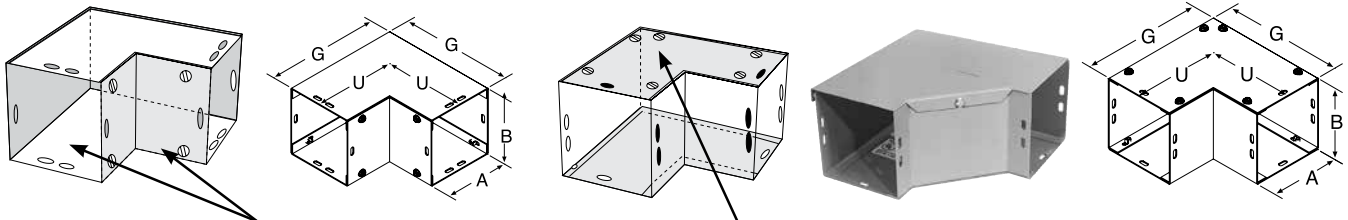


GFL | 90° Elbows (for Hinge Covers)*

These elbows are designed to turn a 90° corner in a wireway run.

Catalog Number	Product Family	UPC # (7-84572)	Weight (lbs)	Std. Pkg.	Size	Catalog Number	Product Family	UPC # (7-84572)	Weight (lbs)	Std. Pkg.	Size
22GFL90IS	GFIT	26472	1.2	10	2.5 x 2.5	66GFL90S	GFIT	10846	5	10	6 x 6
22GFL90OS	GFIT	26938	1.2	10	2.5 x 2.5	88GFL90IS	GFIT	10983	11.5	10	8 x 8
22GFL90OS-NP	GFIT	26939	1.2	10	2.5 x 2.5	88GFL90OS	GFIT	10984	11.5	10	8 x 8
22GFL90S	GFIT	26471	1.2	10	2.5 x 2.5	88GFL90S	GFIT	10985	11.5	10	8 x 8
44GFL90IS	GFIT	10681	3	10	4 x 4	88GFL90S-NP	GFIT	32369	11.5	10	8 x 8
44GFL90OS	GFIT	10682	3	10	4 x 4	1010GFL90IS	GFIT	28354	18.2	10	10 x 10
44GFL90S	GFIT	10683	3	10	4 x 4	1010GFL90OS	GFIT	28353	18.2	10	10 x 10
66GFL90IS	GFIT	10844	5	10	6 x 6	1010GFL90S	GFIT	17626	18.2	10	10 x 10
66GFL90OS	GFIT	10845	5	10	6 x 6	1212GFL90IS	GFIT	25494	19	10	12 x 12
66GFL90OS-NP	GFIT	32360	5	10	6 x 6	1212GFL90S	GFIT	32362	19	10	12 x 12

Suffix Designations

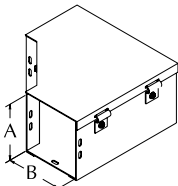


C | Corner

C Configuration on 90° screw cover elbow
Both inside and outside corners are removable for lay-in wiring.

S | Side

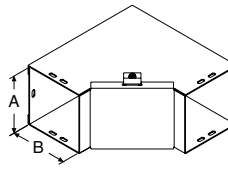
S Configuration on 90° screw cover elbow
Top and bottom are removable for lay-in wiring.



Side Opening | S Configuration
on Hinge Cover Elbow



Inside Opening | IS Configuration
on Hinge Cover Elbow



Outside Opening | OS Configuration
on Hinge Cover Elbow

Interchangeable Fittings

The following fittings are interchangeable between the screw cover and hinge cover wireways:
Connectors, Hangers, End Flanges, 45° Elbows, Crosses, Reducers, Telescopic Fittings.



Utility requirements for this equipment may vary. Always consult the serving utility for their requirements prior to ordering or installing this equipment. This product must be installed by a licensed electrician. Installation of this equipment may require local electrical inspector approval.

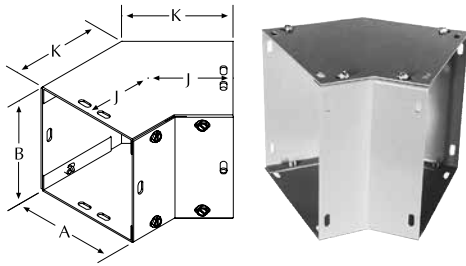
Wireway Fittings

For use with GSC1 wireway (screw cover)

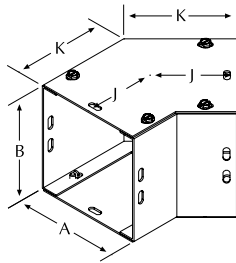
L45C & L45S | 45° Elbows (screw covers)

Similar to the 90° elbow in design and function, only used in 45° angle applications.

L45C (side access)



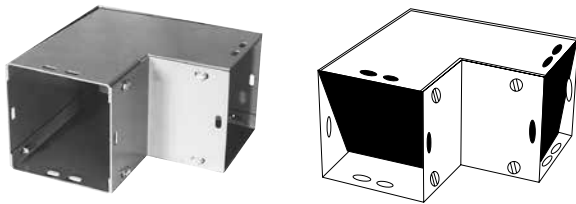
L45S (top access)



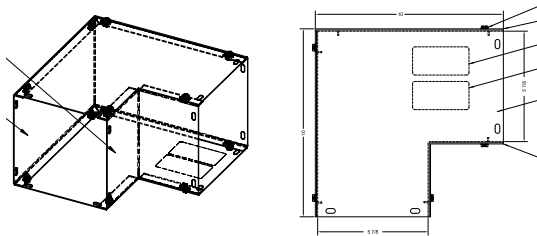
90° Elbows

These elbows are designed to turn a 90° corner in a wireway run.

90° Elbows (for Screw Covers)* (C - Side Access)



90° Elbows (for Screw Covers)* (S - Top Access)

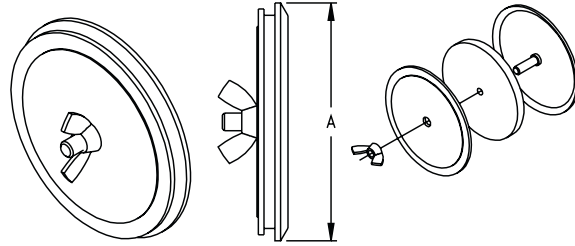


Catalog Number	Product Family	UPC # (7-84572)	Weight (lbs)	Std. Pkg.	Size
45° Elbows					
22L45C	GFIT	26419	3.6	2	2.5 x 2.5
22L45C-NP	GFIT	26420	3.6	2	2.5 x 2.5
22L45S	GFIT	26432	3.6	2	2.5 x 2.5
22L45S-NP	GFIT	26433	3.6	2	2.5 x 2.5
44L45C	GFIT	10689	7.1	2	4 x 4
44L45S	GFIT	10690	7.1	2	4 x 4
66L45C	GFIT	10852	10.8	2	6 x 6
66L45C-NP	GFIT	15499	10.8	2	6 x 6
66L45S	GFIT	10853	10.8	2	6 x 6
66L45S-NP	GFIT	15500	10.8	2	6 x 6
88L45C	GFIT	10991	14.4	2	8 x 8
88L45C-NP	GFIT	15510	14.4	2	8 x 8
88L45S	GFIT	10992	14.4	2	8 x 8
1010L45C	GFIT	10054	16	2	10 x 10
1010L45C-NP	GFIT	15460	16	2	10 x 10
1010L45S	GFIT	10055	16	2	10 x 10
1010L45S-NP	GFIT	15461	16	2	10 x 10
1212L45C	GFIT	10167	23	2	12 x 12
1212L45C-NP	GFIT	15470	23	2	12 x 12
1212L45S	GFIT	10168	23	2	12 x 12
1212L45S-NP	GFIT	15471	23	2	12 x 12
90° Elbows					
22L90C	GFIT	26465	3.6	2	2.5 x 2.5
22L90C-NP	GFIT	26466	3.6	2	2.5 x 2.5
22L90S	GFIT	26467	3.6	2	2.5 x 2.5
22L90S-NP	GFIT	26468	3.6	2	2.5 x 2.5
44L90C	GFIT	10691	7	2	4 x 4
44L90C-NP	GFIT	15521	7	2	4 x 4
44L90S	GFIT	10692	7	2	4 x 4
44L90S-NP	GFIT	15522	7	2	4 x 4
66L90C	GFIT	10854	9	2	6 x 6
66L90C-NP	GFIT	15524	9	2	6 x 6
66L90S	GFIT	10855	9	2	6 x 6
66L90S-NP	GFIT	15525	9	2	6 x 6
88L90C	GFIT	10993	13	2	8 x 8
88L90C-NP	GFIT	15527	13	2	8 x 8
88L90S	GFIT	10994	13	2	8 x 8
88L90S-NP	GFIT	15528	13	2	8 x 8
1010L90C	GFIT	10056	15	2	10 x 10
1010L90C-NP	GFIT	15515	15	2	10 x 10
1010L90S	GFIT	10057	15	2	10 x 10
1010L90S-NP	GFIT	15516	15	2	10 x 10
1212L90C	GFIT	10169	22	2	12 x 12
1212L90C-NP	GFIT	15518	22	2	12 x 12
1212L90S	GFIT	10170	22	2	12 x 12
1212L90S-NP	GFIT	15519	22	2	12 x 12

*Note: Screws not included with fittings. Fitting attachment screws are included with straight sections of wireway.

Utility requirements for this equipment may vary. Always consult the serving utility for their requirements prior to ordering or installing this equipment. This product must be installed by a licensed electrician. Installation of this equipment may require local electrical inspector approval.





Application

- Designed to seal extra push-button holes, knockout openings and conduit openings from dust, dirt, water and oil.
- A hole seal has a cover with a stud welded in the center and a gasket placed over the stud.

Construction

- **Steel:** Cover is painted ANSI 61 gray. Oil-resistant gasket. Back plate is unpainted galvanized steel.
- **Stainless Steel (-XS):** Cover is stainless steel with a #3 finish. Oil-resistant gasket. Back plate is stainless steel.

Installation

- The cover and gasket are typically placed on the outside of the enclosure, with the backplate and wing nut fastened to the seal from the inside of the enclosure.
- As the wing nut is tight-ened, the cover compresses the gasket and seals the hole. Can be used on holes ranging in size from .19 through 4.00 with a wall thickness of up to .31.

Catalog Number	Product Family	UPC # (7-84572)	Weight (lbs)	Max Hole Dia.	Seal Dia.
A-HSPBM	IIAC	18781	0.1	0.88	1.22
A-HSPBMXS	IIAC	20435	0.1	0.88	1.22
A-HSPB	IIAC	18782	0.1	1.25	1.75
A-HSPBXS	IIAC	20436	0.1	1.25	1.75
A-HS050	IIAC	18783	0.1	0.88	1.38
A-HS050XS	IIAC	20439	0.1	0.88	1.38
A-HS075	IIAC	18784	0.1	1.06	1.56
A-HS075XS	IIAC	20438	0.1	1.06	1.56
A-HS100	IIAC	18785	0.1	1.38	1.88
A-HS100XS	IIAC	19738	0.1	1.38	1.88

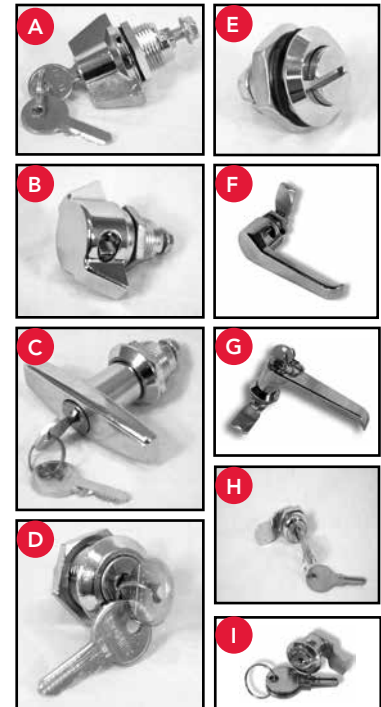
Catalog Number	Product Family	UPC # (7-84572)	Weight (lbs)	Max Hole Dia.	Seal Dia.
A-HS125	IIAC	19858	0.1	1.69	2.19
A-HS125XS	IIAC	20437	0.1	1.69	2.19
A-HS150	IIAC	18786	0.2	2	2.5
A-HS150XS	IIAC	19737	0.2	2	2.5
A-HS200	IIAC	18787	0.2	2.5	3
A-HS200XS	IIAC	19736	0.2	2.5	3
A-HS250	IIAC	21753	0.3	3	3.5
A-HS300	IIAC	21387	0.6	3.62	4.12
A-HS350	IIAC	21754	0.7	4.12	4.62
A-HS400	IIAC	21755	0.9	4.62	5.12



Utility requirements for this equipment may vary. Always consult the serving utility for their requirements prior to ordering or installing this equipment. This product must be installed by a licensed electrician. Installation of this equipment may require local electrical inspector approval.

Locks

Catalog Number	Description	Product Family	UPC # (7-84572)
A. Wing Handle Key Locking			
A-LKWHK3R1	For TC3R enclosures 30x30 & under	IIAC	27210
A-LKWHK3R2	For TC3R enclosures 30x30 & over	IIAC	27211
B. Wing Handle Pad Locking			
A-LKWHP3R1	For TC3R enclosures 30x30 & under	IIAC	27214
A-LKWHP3R2	For TC3R enclosures 30x30 & over	IIAC	27215
C. T-Handle Lock			
A-LKT3R1	For TC3R enclosures 30x30 & under	IIAC	27218
A-LKT3R2	For TC3R enclosures 30x30 & over	IIAC	27219
A-LKT3R1-K	Keys only for T-handle lock	IIAC	28209
D. Flush Mount Quarter Turn Key Locking			
A-LKFMKEY3R1	For TC3R enclosures 30x30 & under	IIAC	27222
A-LKFMKEY3R2	For TC3R enclosures 30x30 & over	IIAC	27223
A-LKFMKEYM-K	Keys only for flush mount quarter turn lock	IIAC	28271
E. Flush Mount Quarter-Turn Screwdriver Operated			
A-LKFM3R1	For TC3R enclosures 30x30 & under	IIAC	27225
A-LKFM3R2	For TC3R enclosures 30x30 & over	IIAC	27226
F. Padlocking L-Handle			
A-LKLPAD3R1	For TC3R enclosures 30x30 & under	IIAC	27229
A-LKLPAD3R2	For TC3R enclosures 30x30 & over	IIAC	27230
G. Keylocking L-Handle			
A-LKLKEY3R1	For TC3R enclosures 30x30 & under	IIAC	27233
A-LKLKEY3R2	For TC3R enclosures 30x30 & over	IIAC	27234
H. Keylocking Cylinder Lock (knockout is .75" x .671")			
A-LK3R	For SC3R and GSC3R enclosures	IIAC	27237
I. Small Flush Mount Key Locking			
A-LKSFMKEYL	For LC1 enclosures	IIAC	27236
Replacement Locks			
1. Slam Latch Lock			
A-LK3	Replacement lock for TSC and TFLC cabinet covers	IIAC	18800
2. Padlocking L-Handle for CT3R			
A-LKPH	Replacement padlock handle for CT3R enclosures	IIAC	25061
3. Small Flush Mount Screwdriver Operated			
A-LK10	Replacement lock for LC1 enclosures	IIAC	28068



Utility requirements for this equipment may vary. Always consult the serving utility for their requirements prior to ordering or installing this equipment. This product must be installed by a licensed electrician. Installation of this equipment may require local electrical inspector approval.



Mounting Kits, Paint, Barrier Kits, Screws



External Mounting Foot Kits (TC3R Enclosures)

Application

- For use with TC3R enclosures.

Features

- Easy installation, no drilling.
- Manufactured from G90 galvanized steel.
- Painted to match enclosure.

Catalog Number	Enclosure Width (B)	Product Family	UPC # (7-84572)
A-TC3RMFK6	6	CNAC	26714
A-TC3RMFK8	8	CNAC	26715
A-TC3RMFK10	10	CNAC	26716
A-TC3RMFK12	12	CNAC	26717
A-TC3RMFK16	16	CNAC	26718
A-TC3RMFK18	18	CNAC	26719
A-TC3RMFK24	24	CNAC	26720
A-TC3RMFKLG	30 & over	CNAC	26721

Touch-Up Paint

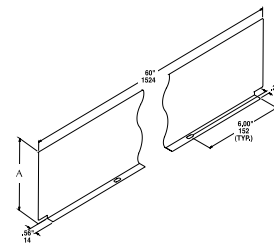
Catalog Number	Color	vDescription	Product Family	UPC # (7-84572)
A-GP	Light Gray	16 oz. spray	IIAC	18795
A-WP	White	16 oz. spray	IIAC	18796



Barrier Kits

For dividing wireway into two compartments. Barriers are easily secured to wireway with the use of screws (screws included).

Catalog Number	Wireway Size	Dim. A	Product Family	UPC # (7-84572)
A-BK460	4 x 4	3.53	CNAC	18503
A-BK660	6 x 6	5.53	CNAC	18409
A-BK860	8 x 8	7.53	CNAC	18511
A-BK1060	10 x 10	9.53	CNAC	18517
A-BK1260	12 x 12	11.53	CNAC	18523



Self-Tapping Screws

Catalog Number	Description	Product Family	UPC # (7-84572)
A-GSC	Self tapping screw, 4 per bag	CNAC	18798



Utility requirements for this equipment may vary. Always consult the serving utility for their requirements prior to ordering or installing this equipment. This product must be installed by a licensed electrician. Installation of this equipment may require local electrical inspector approval.

Utility requirements for this equipment may vary. Always consult the serving utility for their requirements prior to ordering or installing this equipment. This product must be installed by a licensed electrician. Installation of this equipment may require local electrical inspector approval.



Environmental Ratings

UL and CSA Cross Reference

Note: The specifications on this page are for comparative reference only and are not intended to provide the complete requirements or test qualifications published by various associations and agencies. Complete information may be obtained by contacting the appropriate organization.

Type	National Electrical Manufacturers' Association (NEMA Standard 250)	Underwriters' Laboratories (UL 50)	Canadian Standards Association (C22.2, #14, 40, and 94)
1	Enclosures constructed for indoor use to provide a degree of protection to personnel against incidental contact with the enclosed equipment and to provide a degree of protection against falling dirt.	Indoor use primarily to provide a degree of protection against limited amount of falling dirt	General purpose enclosure in ordinary locations.
2	Enclosures constructed for indoor use to provide a degree of protection to personnel against incidental contact with the enclosed equipment, to provide a degree of protection against falling dirt, and to provide a degree of protection against dripping and light splashing of liquids.	Indoor use primarily to provide a degree of protection against limited amounts of falling water and dirt.	Enclosure for indoor use, constructed to provide a degree of protection against dripping and light splashing of noncorrosive liquids and falling dirt.
3	Enclosures constructed for either indoor or outdoor use to provide a degree of protection to personnel against incidental contact with enclosed equipment, to provide a degree of protection against falling dirt, rain, sleet, snow and windblown dust and that will be undamaged by the external formation of ice on the enclosure.	Outdoor use primarily to provide a degree of protection against rain, sleet, windblown dust, and damage from external ice formation.	Enclosure for either indoor or outdoor use, constructed so as to provide a degree of protection against rain, snow, and windblown dust; undamaged by the external formation of ice on the enclosure.
3R	Enclosures constructed for either indoor or outdoor use to provide a degree of protection to personnel against incidental contact with enclosed equipment, to provide a degree of protection against falling dirt, rain, sleet, snow and that will be undamaged by the external formation of ice on the enclosure.	Outdoor use primarily to provide a degree of protection against rain, sleet; and damage from external ice formation.	Enclosure for either indoor or outdoor use, constructed so as to provide a degree of protection against rain, snow, undamaged by the external formation of ice on the enclosure.
4	Enclosures constructed for either indoor or outdoor use to provide a degree of protection to personnel against incidental contact with the enclosed equipment, to provide a degree of protection against falling dirt, rain, sleet, snow, windblown dust, splashing water, and that will be undamaged by the external formation of ice on the enclosure.	Indoor or outdoor use primarily to provide a degree of protection against windblown dust, and rain, splashing water, hose-directed water; and damage from external ice formation.	Enclosure for indoor or outdoor use, constructed to provide a degree of protection against rain, snow, windblown dust, splashing and hose-directed water; undamaged by the external formation of ice on the enclosure.
4X	Enclosures constructed for either indoor or outdoor use to provide a degree of protection to personnel against incidental contact with the enclosed equipment; to provide a degree of protection against falling dirt, rain, sleet, snow, windblown dust, splashing water, hose-directed water, and corrosion; and that will be undamaged by the external formation of ice on the enclosure.	Indoor or outdoor use primarily to provide a degree of protection against corrosion, windblown dust and rain, splashing water, hose-directed water; and damage from external ice formation.	Enclosure for either indoor or outdoor use, constructed so as to provide a degree of protection against rain, snow, windblown dust, splashing and hose-directed water; undamaged by the external formation of ice on the enclosure; resists corrosion.
12	Enclosures constructed (without knockouts) for indoor use to provide a degree of protection to personnel against incidental contact with the enclosed equipment; to provide a degree of protection against falling dirt; against circulating dust, lint, fibers and flyings; and against dripping and light splashing of liquids.	Indoor use primarily to provide a degree of protection against circulating dust, falling dirt, and dripping noncorrosive liquids.	Enclosure for indoor use, constructed so as to provide a degree of protection against circulating and settling dust, lint, fibres, and flyings; dripping and light splashing of non-corrosive liquids; no knockouts provided.
13	Enclosures constructed for indoor use to provide a degree of protection to personnel against incidental contact with the enclosed equipment; to provide a degree of protection against falling dirt; against circulating dust, lint, fibers, and flyings; and against the spraying, splashing, and seepage of water, oil, and noncorrosive coolants.	Indoor use primarily to provide a degree of protection against dust, spraying of water, oil, and noncorrosive coolant.	Enclosure for indoor use, constructed so as to provide a degree of protection against circulating and settling dust, lint, fibres, and flyings; seepage and spraying of noncorrosive liquids including oils and coolants.



Utility requirements for this equipment may vary. Always consult the serving utility for their requirements prior to ordering or installing this equipment. This product must be installed by a licensed electrician. Installation of this equipment may require local electrical inspector approval.

Definitions of Protection Grades

IEC 529

IEC publication 529, Classification of Degrees of Protection Provided by Enclosures, provides a system for specifying electrical equipment for enclosures on the basis of degree of protection provided by the enclosure. IEC 529 does not specify degrees of protection against mechanical damage of equipment, risk of explosions, or conditions such as moisture (produced for example by condensation), corrosive vapors, fungus or vermin. NEMA Standards Publication 250 does test for environmental conditions such as corrosion, rust, icing, oil and coolants. For this reason, and because the tests and evaluations for other characteristics are not identical, the IEC Enclosure Classification Designations cannot be exactly equated with NEMA Enclosure type Numbers.

The IEC designation consists of the letters IP followed by two numerals. The first characteristic numeral indicates the degree of protection provided by the enclosure with respect to persons and solid foreign objects entering the enclosure. The second characteristic numeral indicates the degree of protection provided by the enclosure with respect to the harmful ingress of water.

The IEC has established an enclosure grading system that produces an IP rating. (For example, IP 54 - 5 is the first character - refer to tables I & II. 4 is the second character - refer to table III - following page).

The following is provided for information only.

Table I: Degrees of Protection against Hazardous Parts

Degree of protection is indicated by the first characteristic numeral

First Characteristic Numeral	Protection of Persons	Protection of Equipment
0	Non Protected	Non-Protected
1	Protected against access to hazardous parts with the back of a hand.	Protected against objects of 50mm diameter and greater.
2	Protected against access to hazardous parts with a finger.	Protected against objects of 12.5mm diameter and greater.
3	Protected against access to hazardous parts with a tool of 2.5mm in diameter and greater.	Protected against objects of 2.5mm diameter and greater.
4	Protected against access to hazardous parts with a wire of 1.0mm in diameter and greater.	Protected against objects of 1.0mm diameter and greater.
5	Protected against access to hazardous parts with a wire of 1.0mm in diameter and greater.	Protected against dust. Ingress of dust is not totally prevented, but dust shall not penetrate in a quantity to interfere with satisfactory operation of the apparatus or to impair safety.
6	Protected against access to hazardous parts with a wire of 1.0mm in diameter and greater.	Protected against dust. No ingress of dust.

Note: In the case of the first characteristic numerals 3, 4, 5 and 6, protection against access to hazardous part is satisfied if adequate clearance is kept. The full diameter of the object probe shall not pass through an opening of the enclosure.

Utility requirements for this equipment may vary. Always consult the serving utility for their requirements prior to ordering or installing this equipment. This product must be installed by a licensed electrician. Installation of this equipment may require local electrical inspector approval.



Table II: Degrees of Protection against Water

Degree of protection is indicated by the second characteristic numeral

Second Characteristic Numeral	Description	Definition
0	Non-protected	
1	Protected against vertically falling water drops	Vertically falling drops shall have no harmful effects
2	Protected against vertically falling water drops when enclosure tilted up to 15 degrees	Vertically falling drops shall have no harmful effects when the enclosure is tilted at any angle up to 15° on either side of the vertical.
3	Protected against spraying water.	Water sprayed at any angle up to 60° on either side of the vertical shall have no harmful effects.
4	Protected against splashing water	Water splashed against the enclosure from any direction shall have no harmful effects.
5	Protected against water jets	Water projected in jets against the enclosure from any direction shall have no harmful effects.
6	Protected against powerful water jets	Water projected in powerful jets against the enclosure from any direction shall have no harmful effects.
7	Protected against the effects of temporary immersion in water.	Ingress of water in quantities causing harmful effects shall not be possible when the enclosure is temporarily immersed in water under standardized conditions of pressure and time.
8	Protected against the effects of continuous immersion in water.	Ingress of water in quantities causing harmful effects shall not be possible when the enclosure is continuously immersed in water under conditions which shall be agreed between manufacturer and user but which are more severe than for numeral 7.

NEMA TO IEC Enclosure Rating Cross-Reference¹

NEMA Type	IP23	IP30	IP32	IP55	IP64	IP65	IP66	IP67
1	x							
2		x						
3					x			
3R			x					
4							x	
4X							x	
6								x
12				x				
13						x		

¹This cross reference is an approximation of NEMA and IEC classifications for reference only. Please consult the appropriate JIC agencies for requirements and test qualifications for complete information.

Purge/Pressurization Systems

Purge/pressurization systems allow the use of general-purpose enclosures in hazardous locations as an alternative to NEMA Type 7 or 9 enclosures or those rated for zone classification. Purge/pressurization accessories are attached to an enclosure to prevent explosions in hazardous locations by purging combustible gases or dust and then maintaining a positive pressure with clean dry air, or other inert gas.

Purged and Pressurized Enclosures

1. Purged/pressurized Enclosures for Class I Hazardous Locations Purging is defined as the process of supplying an enclosure with clean air or an inert gas, at sufficient flow and positive pressure to reduce to an acceptable safe level the concentrations of any flammable gases or vapors initially present, and to maintain this safe level by positive pressure with or without continuous flow.
2. Pressurized Enclosures for Class II Hazardous Locations Pressurizing is similar to purging except that pressurizing is used to prevent the entrance of hazardous dusts and cannot be used to clean out dust that already exists inside an enclosure.

Purged or pressurized enclosures are acceptable alternatives for use in hazardous location as permitted by Article 500 of the National Electrical Code and the inspection authority having jurisdiction provided that the requirements and safeguards specified by NFPA 496, "Purged and Pressurized Enclosures for Electrical Equipment in Hazardous Locations" are strictly followed.

Milbank does not supply purged/pressurized enclosures. The above descriptions are provided for information only.



Utility requirements for this equipment may vary. Always consult the serving utility for their requirements prior to ordering or installing this equipment. This product must be installed by a licensed electrician. Installation of this equipment may require local electrical inspector approval.

Modification Services

Milbank offers a series of standard options to complement our wide range of catalog products. These options meet common industry and application requirements and are designed to offer a wide range of flexibility to meet many different needs. By utilizing standard catalog enclosure types and standard accessories or options, you can keep your price and delivery times to a minimum.

Wall-Mount Enclosures

- Finish options
- Dimension changes
- Hole and cutout options
- Hinge options
- Studs, nuts and tapped holes
- Sub-panel options
- Ventilation options

- Window options
- Floor mounting options
- Assembled accessories
- Disconnect options
- Special latching

Large Mild Steel Enclosures

- Finish options
- Dimensional changes
- Hole and cutout options
- Component mounting options
- Sub-panel options
- Ventilation options
- Window options
- Floor mounting options
- Hinge options
- Wire management choices
- Structural changes
- Assembled accessories
- Disconnect options
- Special latching

Stainless Steel Enclosures

- Type 304 or 316 stainless
- Hole and cutout options

- Studs, nuts and tapped holes
- Sub-panel options
- Ventilation options
- Window options
- Mounting options
- Drip shields
- Assembled accessories
- Disconnect options
- Hinge options
- Special latching

CAD Drawing Requirements

- Drawings to be AutoCad .DXF or .DWG.
- Provide CAD drawing scaled 1:1 (1" = 1 Drawing Unit / 1mm = 1 Drawing Unit) [Please specify on drawing 'Inch' or 'Metric' accordingly].
- Provide only pertinent information required to modify the enclosure. Electronic/component

layout drawings not required.

Layer Control

- Erase/omit all unnecessary drawing information.
- Turn on/thaw layers in which modifications are necessary (should be only information on drawing).
- Purge all unnecessary blocks / layers / line types / text styles / dimension styles.
- Clearly identify on the drawing, your company name and drawing number.
- Clearly identify revisions

Email Drawings

- Clearly state "Quote request" or "Engineering Drawings" in subject line. Provide brief explanation of revision or change if appropriate.

Minimum Requirements for Engineering/Estimating

1. Clearly specify what you are sending (i.e. Order, RFQ, Information Request, Credit Information or Change).
2. Specify complete customer name, address, city, state, zip.
3. Specify phone and fax number of customer.
4. Specify customer contact.
5. Specify exactly who is to receive a copy of the quote (i.e. Customer/Rep/Both).
6. Specify shipping information.
7. Specify requested ship date. Do not specify ASAP, Rush, or impossible dates.
8. Indicate on repeat orders when a change is taking place. Follow up with Engineering and Estimating to verify change.
9. Specify quantities required and indicate if a blanket order will be placed.
10. Specify part number if item is a repeat.
11. When referencing competitor's part numbers, cross-reference them before submitting RFQ.
12. Clearly describe product including environment (Nema), type, height, width, depth, number of doors, special construction (i.e. shelves, brackets, etc.), description of application is helpful.
13. Clearly specify if UL Environmental rating Labels Are Required. If so, specify type or indicate "none."
14. Clearly specify paint, paint type, paint color, paint part number, paint manufacture, and any special requirements if other than standard.
15. Specify type of finish for stainless enclosures (i.e. brushed, Scotch Brite). Indicate special requirements if other than standard.
16. Specify material requirements (i.e. stainless, mild steel).
17. Indicate if sub-panel is required.
18. When sending drawings, specify clear and complete information.
 - Engineering: specify customer name, job number, and revision if applicable.
 - Estimating: specify customer name and reference RFQ or quote number if applicable.
19. Specify any special requirements (i.e. penalty clauses, accessories, mil specs).

Utility requirements for this equipment may vary. Always consult the serving utility for their requirements prior to ordering or installing this equipment. This product must be installed by a licensed electrician. Installation of this equipment may require local electrical inspector approval.

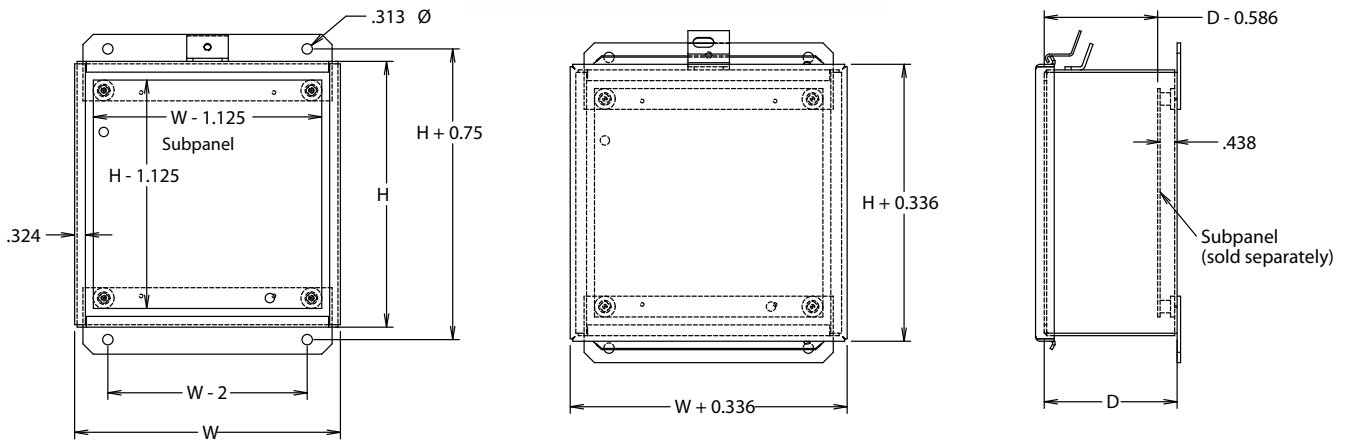
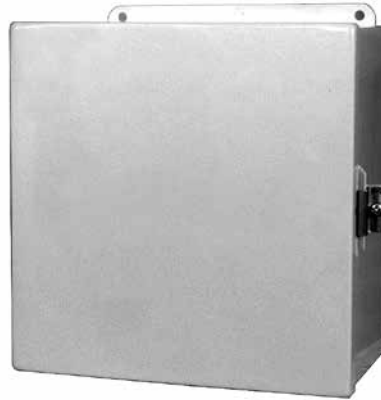


52

TYPE 12
CLAMP COVER
JUNCTION
ENCLOSURES

Clamp Cover Junction Enclosures

Type 12 | JIC



Applications

Designed to provide protection for electrical controls, instruments, and terminals from oil, dirt, dust and water entry.

Construction

- Fabricated from 16 or 14 gauge carbon steel, 14 gauge type 304 or type 316 stainless steel with continuously welded seams.
- Door secured with zinc coated clamps.
- Stainless steel doors are secured with type 316 stainless steel clamps.
- Oil resistant gasket applied to the doors.
- External mounting feet for wall or machinery mounting.
- Weld nuts for mounting optional sub-panel.
- Chain included.

Finish

Standard ANSI-61 gray finish on interior and exterior of

enclosures. Recoatable, smooth, white or RAL 7035 texture polyester powder coat available at no charge. Standard RAL and custom match finishes available for an additional charge, please contact Milbank for further assistance. All powder coat finishes applied over cleaned phosphatized surfaces. Carbon steel sub panels have a white polyester powder coat finish. Stainlesssteel enclosures have a polished #4 finish.

Options

Milbank can modify standard enclosures or custom design enclosures according to your specifications. Holes, cutouts, sizes, materials, and many more options are available. Quotations upon request.

Industry Standards

- UL 50 Listed
- CUL 50 Listed
- Type 12



Utility requirements for this equipment may vary. Always consult the serving utility for their requirements prior to ordering or installing this equipment. This product must be installed by a licensed electrician. Installation of this equipment may require local electrical inspector approval.

Clamp Cover Junction Enclosures

Type 12 | JIC

53

TYPE 12
CLAMP COVER
JUNCTION
ENCLOSURES

Carbon Steel #	Catalog Number		Enclosure Size H x W x D	Ship. Wt.	Sub Panel Part #	Sub Panel Size H x W (inches)
	304 Stainless Steel #	316 Stainless Steel #				
CC443JIC12	CC443JIC12XS	CC443JIC12XZ	4 x 4 x 3	2	—	—
CC643JIC12	CC643JIC12XS	CC643JIC12XZ	6 x 4 x 3	3	A-64SBP	4.88 x 2.88
CC863JIC12	CC863JIC12XS	CC863JIC12XZ	8 x 6 x 3.5	5	A-86SBP	6.88 x 4.88
CC444JIC12	CC444JIC12XS	CC444JIC12XZ	4 x 4 x 4	3	—	—
CC644JIC12	CC644JIC12XS	CC644JIC12XZ	6 x 4 x 4	4	A-64SBP	4.88 x 2.88
CC664JIC12	CC664JIC12XS	CC664JIC12XZ	6 x 6 x 4	5	A-66SBP	4.88 x 4.88
CC884JIC12	CC884JIC12XS	CC884JIC12XZ	8 x 8 x 4	8	A-88SBP	6.88 x 6.88
CC1084JIC12	CC1084JIC12XS	CC1084JIC12XZ	10 x 8 x 4	9	A-108SBP	8.88 x 6.88
CC1264JIC12	CC1264JIC12XS	CC1264JIC12XZ	12 x 6 x 4	9	A-126SBP	10.88 x 4.88
CC12105JIC12	CC12105JIC12XS	CC12105JIC12XZ	12 x 10 x 5	14	A-1210SBP	10.88 x 8.88
CC666JIC12	CC666JIC12XS	CC666JIC12XZ	6 x 6 x 6	6	A-66SBP	4.88 x 4.88
CC866JIC12	CC866JIC12XS	CC866JIC12XZ	8 x 6 x 6	8	A-86SBP	6.88 x 4.88
CC1086JIC12	CC1086JIC12XS	CC1086JIC12XZ	10 x 8 x 6	11	A-108SBP	8.88 x 6.88
CC10106JIC12	CC10106JIC12XS	CC10106JIC12XZ	10 x 10 x 6	13	A-1010SBP	8.88 x 8.88
CC12126JIC12	CC12126JIC12XS	CC12126JIC12XZ	12 x 12 x 6	17	A-1212SBP	10.88 x 10.88
CC1486JIC12	CC1486JIC12XS	CC1486JIC12XZ	14 x 8 x 6	15	A-148SBP	12.88 x 6.88
CC14126JIC12	CC14126JIC12XS	CC14126JIC12XZ	14 x 12 x 6	19	A-1412SBP	12.88 x 10.88
CC16106JIC12	CC16106JIC12XS	CC16106JIC12XZ	16 x 10 x 6	19	A-1610SBP	14.88 x 8.88
CC12108JIC12	CC12108JIC12XS	CC12108JIC12XZ	12 x 10 x 8	18	A-1210SBP	10.88 x 8.88
CC14128JIC12	CC14128JIC12XS	CC14128JIC12XZ	14 x 12 x 8	22	A-1412SBP	12.88 x 10.88
CC16146JIC12	CC16146JIC12XS	CC16146JIC12XZ	16 x 14 x 6	24	A-1614SBP	14.88 x 12.88
CC16148JIC12	CC16148JIC12XS	CC16148JIC12XZ	16 x 14 x 8	28	A-1614SBP	14.88 x 12.88
CC161410JIC12	CC161410JIC12XS	CC161410JIC12XZ	16 x 14 x 10	31	A-1614SBP	14.88 x 12.88

NOTE

When width is equal to or less than 8 inches, there will be on set of clamps on that side.

Utility requirements for this equipment may vary. Always consult the serving utility for their requirements prior to ordering or installing this equipment. This product must be installed by a licensed electrician. Installation of this equipment may require local electrical inspector approval.

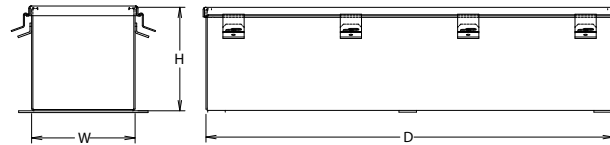
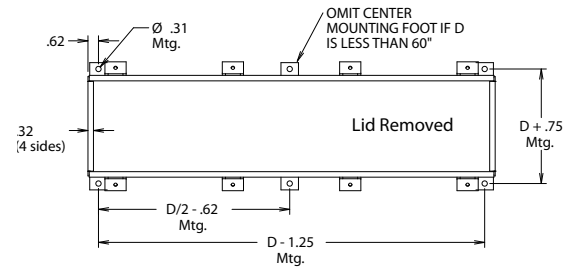


54

TYPE 12
WIRING
TROUGHES
WITH LIFT-OFF
COVERS

Wiring Troughs with Lift-Off Covers

Type 12



Applications

Designed to house electrical wiring where dust, dirt, oil and water are not serious problems.

Construction

- Fabricated from 16 or 14 gauge carbon steel, 14 gauge type 304 or type 316 stainless steel with continuously welded seams.
- No holes or knockouts.
- Troughs with lift-off lids and external screw clamps to ensure a complete seal between cover and body.
- Mounting feet provided.

Finish

Standard ANSI-61 gray finish on interior and exterior of enclosures. Recoatable, smooth, white or RAL 7035 texture

polyester powder coat available at no charge. Standard RAL and custom match finishes available for an additional charge, please contact Milbank for further assistance. All powder coat finishes applied over cleaned phosphatized surfaces. Stainless Steel enclosures have a polished #4 finish.

Options

Milbank can modify standard flangeless lay-in wireways according to your specifications. Sizes and many more options are available. Quotations upon request.

Industry Standards

- UL 50 Listed
- CUL 50 Listed
- Type 12

Carbon Steel #	Catalog Number		Product Size H x W x D (in.)	Shipping Weight	Gauge	# of Mounting Feet	Qty. Clamps & Screws
	304 Stainless Steel #	316 Stainless Steel #					
2212-GCC12	2212-GCC12XS	2212-GCC12XZ	2.5 x 2.5 x 12	5	16	2	2
2218-GCC12	2218-GCC12XS	2218-GCC12XZ	2.5 x 2.5 x 18	7	16	2	3
2224-GCC12	2224-GCC12XS	2224-GCC12XZ	2.5 x 2.5 x 24	8	16	2	3
4412-GCC12	4412-GCC12XS	4412-GCC12XZ	4 x 4 x 12	7	16	2	2
4418-GCC12	4418-GCC12XS	4418-GCC12XZ	4 x 4 x 18	9	16	2	3
4424-GCC12	4424-GCC12XS	4424-GCC12XZ	4 x 4 x 24	11	14	2	3
4436-GCC12	4436-GCC12XS	4436-GCC12XZ	4 x 4 x 36	17	14	2	4
4448-GCC12	4448-GCC12XS	4448-GCC12XZ	4 x 4 x 48	22	14	2	5
6612-GCC12	6612-GCC12XS	6612-GCC12XZ	6 x 6 x 12	10	14	2	2
6618-GCC12	6618-GCC12XS	6618-GCC12XZ	6 x 6 x 18	13	14	2	3
6624-GCC12	6624-GCC12XS	6624-GCC12XZ	6 x 6 x 24	17	14	2	3
6636-GCC12	6636-GCC12XS	6636-GCC12XZ	6 x 6 x 36	26	14	2	4
6648-GCC12	6648-GCC12XS	6648-GCC12XZ	6 x 6 x 48	31	14	2	5

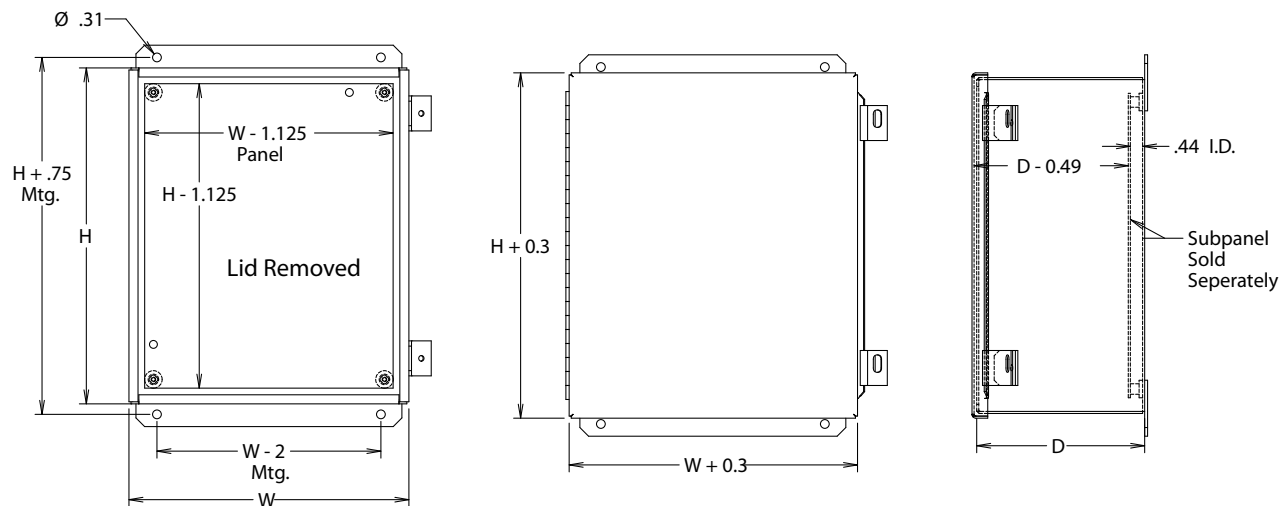


Utility requirements for this equipment may vary. Always consult the serving utility for their requirements prior to ordering or installing this equipment. This product must be installed by a licensed electrician. Installation of this equipment may require local electrical inspector approval.

Junction Enclosures

Type 12 | Continuous Hinge Cover

55
TYPE 12
JUNCTION
ENCLOSURES



Applications

Designed to provide protection for electrical controls, instruments, and terminals from oil, dirt, and dust

Construction

- Fabricated from 16 or 14 gauge carbon steel, 14 gauge type 304 or type 316 stainless steel with continuously welded seams.
- Door secured with a continuous hinge with removable pin and clamps.
- Oil resistant gasket applied to the doors.
- External mounting feet for wall or machinery mounting.
- Weld nuts for mounting optional sub panel.

Finish

Standard ANSI-61 gray finish on interior and exterior of enclosures. Recoatable, smooth, white or RAL 7035 texture

polyester powder coat available at no charge. Standard RAL and custom match finishes available for an additional charge, please contact Milbank for further assistance. All powder coat finishes applied over cleaned phosphatized surfaces. Carbon steel sub panels have a white polyester powder coat finish. Stainless steel enclosures have a polished #4 finish

Options

Milbank can modify standard enclosures or custom design enclosures according to your specifications. Holes, cutouts, sizes, materials, and many more options are available. Quotations upon request.

Industry Standards

- UL 50 Listed
- CUL 50 Listed
- Type 12

Utility requirements for this equipment may vary. Always consult the serving utility for their requirements prior to ordering or installing this equipment. This product must be installed by a licensed electrician. Installation of this equipment may require local electrical inspector approval.



Catalog Number			Product Size H x W x D (in.)	Ship. Weight	Sub Panel Part #	Sub Panel Size H x W (in.)
Carbon Steel #	304 Stainless Steel #	316 Stainless Steel #				
HC443JIC12	HC443JIC12XS	HC443JIC12XZ	4 x 4 x 3	2	—	—
HC643JIC12	HC643JIC12XS	HC643JIC12XZ	6 x 4 x 3	3	A-64SBP	4.88 x 2.88
HC863JIC12	HC863JIC12XS	HC863JIC12XZ	8 x 6 x 3.5	5	A-86SBP	6.88 x 4.88
HC444JIC12	HC444JIC12XS	HC444JIC12XZ	4 x 4 x 4	2	—	—
HC644JIC12	HC644JIC12XS	HC644JIC12XZ	6 x 4 x 4	3	A-64SBP	4.88 x 2.88
HC664JIC12	HC664JIC12XS	HC664JIC12XZ	6 x 6 x 4	4	A-66SBP	4.88 x 4.88
HC884JIC12	HC884JIC12XS	HC884JIC12XZ	8 x 8 x 4	6	A-88SBP	6.88 x 6.88
HC1084JIC12	HC1084JIC12XS	HC1084JIC12XZ	10 x 8 x 4	8	A-108SBP	8.88 x 6.88
HC1264JIC12	HC1264JIC12XS	HC1264JIC12XZ	12 x 6 x 4	7	A-126SBP	10.88 x 4.88
HC12105JIC12	HC12105JIC12XS	HC12105JIC12XZ	12 x 10 x 5	12	A-1210SBP	10.88 x 8.88
HC666JIC12	HC666JIC12XS	HC666JIC12XZ	6 x 6 x 6	5	A-66SBP	4.88 x 4.88
HC866JIC12	HC866JIC12XS	HC866JIC12XZ	8 x 6 x 6	7	A-86SBP	6.88 x 4.88
HC1086JIC12	HC1086JIC12XS	HC1086JIC12XZ	10 x 8 x 6	9	A-108SBP	8.88 x 6.88
HC10106JIC12	HC10106JIC12XS	HC10106JIC12XZ	10 x 10 x 6	11	A-1010SBP	8.88 x 8.88
HC12126JIC12	HC12126JIC12XS	HC12126JIC12XZ	12 x 12 x 6	14	A-1212SBP	10.88 x 10.88
HC1486JIC12	HC1486JIC12XS	HC1486JIC12XZ	14 x 8 x 6	12	A-148SBP	12.88 x 6.88
HC14126JIC12	HC14126JIC12XS	HC14126JIC12XZ	14 x 12 x 6	16	A-1412SBP	12.88 x 10.88
HC16106JIC12	HC16106JIC12XS	HC16106JIC12XZ	16 x 10 x 6	16	A-1610SBP	14.88 x 8.88
HC16146JIC12	HC16146JIC12XS	HC16146JIC12XZ	16 x 14 x 6	20	A-1614SBP	14.88 x 12.88
HC12108JIC12	HC12108JIC12XS	HC12108JIC12XZ	12 x 10 x 8	15	A-1210SBP	10.88 x 8.88
HC14128JIC12	HC14128JIC12XS	HC14128JIC12XZ	14 x 12 x 8	19	A-1412SBP	12.88 x 10.88
HC16148JIC12	HC16148JIC12XS	HC16148JIC12XZ	16 x 14 x 8	23	A-1614SBP	14.88 x 12.88
HC161410JIC12	HC161410JIC12XS	HC161410JIC12XZ	16 x 14 x 10	26	A-1614SBP	14.88 x 12.88

NOTE

When width is equal to or less than 8 inches, there will be on set of clamps on that side.

Sub panels must be ordered separately.

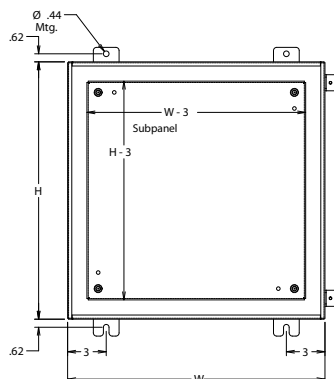


Utility requirements for this equipment may vary. Always consult the serving utility for their requirements prior to ordering or installing this equipment. This product must be installed by a licensed electrician. Installation of this equipment may require local electrical inspector approval.

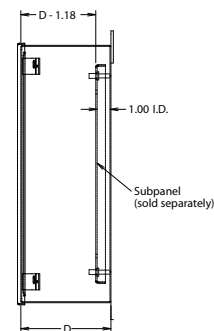
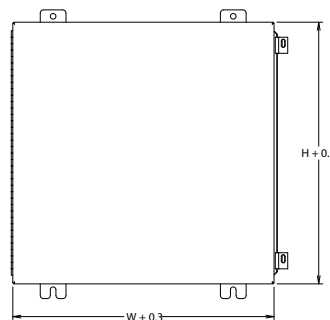
Junction Enclosures

Type 12 | Large Continuous Hinge Cover

57
TYPE 12
JUNCTION
ENCLOSURES



Lid Removed



Applications

For housing electrical controls, terminals, and instruments and to provide protection from dust, dirt, oil and water.

Construction

- Fabricated from 14 gauge carbon steel.
- Door secured with continuous hinge and clamps.
- Oil resistant gasket applied to doors.
- External mounting feet for wall or machinery mounting.

- Collar studs for mounting optional sub panel.

Finish

Standard ANSI-61 gray finish on interior and exterior of enclosures. Recoatable, smooth, white or RAL 7035 texture polyester powder coat available at no charge. Standard RAL and custom match finishes available for an additional charge, please contact Milbank for further assistance. All powder coat finishes applied over cleaned phosphatized surfaces. Carbon

steel sub panels have a white polyester powder coat finish.

Options

Milbank can modify standard enclosures or custom design enclosures according to your specifications. Holes, cutouts, sizes, materials, and many more options are available. Quotations upon request.

Industry Standards

- UL 50 Listed
- CUL 50 Listed
- Type 12

Catalog Number	Enclosure Size H x W x D (in.)	Shipping Wt.	Sub Panel Catalog Number	Sub Panel Size H x W (inches)
HC20167JIC12	20 x 16 x 7	31	A-20P16	17 x 13
HC20207JIC12	20 x 20 x 7	37	A-20P20	17 x 17
HC24207JIC12	24 x 20 x 7	43	A-24P20	21 x 17
HC24247JIC12	24 x 24 x 7	48	A-24P24	21 x 21
HC30207JIC12	30 x 20 x 7	50	A-30P20	27 x 17
HC30247JIC12	30 x 24 x 7	58	A-30P24	27 x 21
HC36247JIC12	36 x 24 x 7	69	A-36P24	33 x 21
HC20169JIC12	20 x 16 x 9	36	A-20P16	17 x 13
HC20209JIC12	20 x 20 x 9	41	A-20P20	17 x 17
HC24209JIC12	24 x 20 x 9	47	A-24P20	21 x 17
HC24249JIC12	24 x 24 x 9	54	A-24P24	21 x 21
HC30209JIC12	30 x 20 x 9	55	A-30P20	27 x 17
HC30249JIC12	30 x 24 x 9	62	A-30P24	27 x 21
HC36249JIC12	36 x 24 x 9	76	A-36P24	33 x 21
HC36309JIC12	36 x 30 x 9	90	A-36P30	33 x 27
HC42309JIC12	42 x 30 x 9	103	A-42P30	39 x 27
HC42369JIC12	42 x 36 x 9	115	A-42P36	39 x 33
HC242411JIC12	24 x 24 x 11	58	A-24P24	21 x 21
HC362411JIC12	36 x 24 x 11	77	A-36P24	33 x 21
HC483611JIC12	48 x 36 x 11	139	A-48P36	45 x 33
HC302413JIC12	30 x 24 x 13	70	A-30P24	27 x 21
HC363013JIC12	36 x 30 x 13	100	A-36P30	33 x 27

Notes:

1. Print pocket: 6" x 6" when H and W are 24" or less. Print pocket = 9" x 9" when H and W are greater than 24".
2. Panels will have formed flanges when either Height or Width is greater than or equal to 18".
3. Sub panels must be ordered separately.

Utility requirements for this equipment may vary. Always consult the serving utility for their requirements prior to ordering or installing this equipment. This product must be installed by a licensed electrician. Installation of this equipment may require local electrical inspector approval.



Applications

To protect wiring from dust, dirt, oil and water.

Construction

- Fabricated from 14 gauge carbon steel, type 304 or type 316 stainless steel with continuously welded seams.
- No holes or knockouts.
- Troughs have continuous hinges and external screw clamps to ensure a complete seal between cover and body.
- Mounting feet provided.

Finish

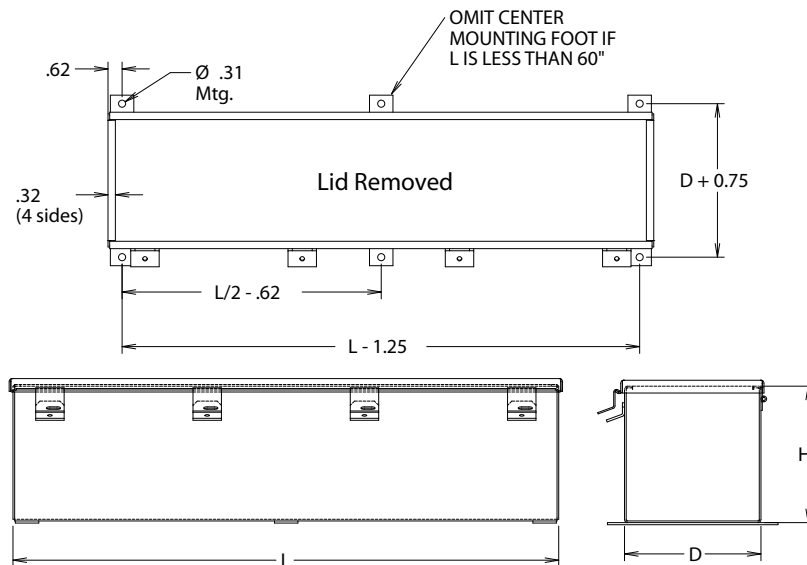
Standard ANSI-61 gray finish on interior and exterior of enclosures. Recoatable, smooth, white or RAL 7035 texture polyester powder coat available at no charge. Standard RAL and custom match finishes available for an additional charge, please contact Milbank for further assistance. All powder coat finishes applied over cleaned phosphatized surfaces. Stainless Steel enclosures have a polished #4 finish.

Options

Milbank can modify standard Flangeless Lay-in Wireways according to your specifications. Sizes and many more options are available. Quotations upon request.

Industry Standards

- UL 50 Listed
- CUL 50 Listed
- Type 12



Junction Enclosures

Type 12 | Wiring Troughs | Continuous Hinged Cover

59
TYPE 12
JUNCTION
ENCLOSURES

Carbon Steel #	Catalog Number		Product Size H x D x L (inches)	Ship. Weight (lbs)	# of Mounting Feet	Qty. Clamps & Screws
	304 Stainless Steel #	316 Stainless Steel #				
2212-GHC12	2212-GHC12XS	2212-GHC12XZ	2.5 x 2.5 x 12	3	2	2
2218-GHC12	2218-GHC12XS	2218-GHC12XZ	2.5 x 2.5 x 18	5	2	3
2224-GHC12	2224-GHC12XS	2224-GHC12XZ	2.5 x 2.5 x 24	6	2	3
2230-GHC12	2230-GHC12XS	2230-GHC12XZ	2.5 x 2.5 x 30	9	2	3
2236-GHC12	2236-GHC12XS	2236-GHC12XZ	2.5 x 2.5 x 36	10	2	4
2248-GHC12	2248-GHC12XS	2248-GHC12XZ	2.5 x 2.5 x 48	13	2	5
2260-GHC12	2260-GHC12XS	2260-GHC12XZ	2.5 x 2.5 x 60	16	3	6
2272-GHC12	2272-GHC12XS	2272-GHC12XZ	2.5 x 2.5 x 72	19	3	6
4412-GHC12	4412-GHC12XS	4412-GHC12XZ	4 x 4 x 12	6	2	2
4418-GHC12	4418-GHC12XS	4418-GHC12XZ	4 x 4 x 18	10	2	3
4424-GHC12	4424-GHC12XS	4424-GHC12XZ	4 x 4 x 24	11	2	3
4430-GHC12	4430-GHC12XS	4430-GHC12XZ	4 x 4 x 30	15	2	3
4436-GHC12	4436-GHC12XS	4436-GHC12XZ	4 x 4 x 36	18	2	4
4448-GHC12	4448-GHC12XS	4448-GHC12XZ	4 x 4 x 48	22	2	5
4460-GHC12	4460-GHC12XS	4460-GHC12XZ	4 x 4 x 60	25	3	6
4472-GHC12	4472-GHC12XS	4472-GHC12XZ	4 x 4 x 72	30	3	6
6612-GHC12	6612-GHC12XS	6612-GHC12XZ	6 x 6 x 12	10	2	2
6618-GHC12	6618-GHC12XS	6618-GHC12XZ	6 x 6 x 18	12	2	3
6624-GHC12	6624-GHC12XS	6624-GHC12XZ	6 x 6 x 24	16	2	3
6630-GHC12	6630-GHC12XS	6630-GHC12XZ	6 x 6 x 30	19	2	3
6636-GHC12	6636-GHC12XS	6636-GHC12XZ	6 x 6 x 36	24	2	4
6648-GHC12	6648-GHC12XS	6648-GHC12XZ	6 x 6 x 48	30	2	5
6660-GHC12	6660-GHC12XS	6660-GHC12XZ	6 x 6 x 60	32	3	6
6672-GHC12	6672-GHC12XS	6672-GHC12XZ	6 x 6 x 72	44	3	6
8812-GHC12	8812-GHC12XS	8812-GHC12XZ	8 x 8 x 12	13	2	2
8824-GHC12	8824-GHC12XS	8824-GHC12XZ	8 x 8 x 24	23	2	3
8836-GHC12	8836-GHC12XS	8836-GHC12XZ	8 x 8 x 36	32	2	4
8848-GHC12	8848-GHC12XS	8848-GHC12XZ	8 x 8 x 48	40	2	5
8860-GHC12	8860-GHC12XS	8860-GHC12XZ	8 x 8 x 60	49	3	6
121224-GHC12	121224-GHC12XS	121224-GHC12XZ	12 x 12 x 24	34	2	3
121236-GHC12	121236-GHC12XS	121236-GHC12XZ	12 x 12 x 36	49	2	4
121248-GHC12	121248-GHC12XS	121248-GHC12XZ	12 x 12 x 48	60	2	5
121260-GHC12	121260-GHC12XS	121260-GHC12XZ	12 x 12 x 60	73	3	6

Utility requirements for this equipment may vary. Always consult the serving utility for their requirements prior to ordering or installing this equipment. This product must be installed by a licensed electrician. Installation of this equipment may require local electrical inspector approval.



Pushbutton Enclosures

Type 12 | Standard Oil-Tight

Applications

Designed to provide protection from oil, dirt, and dust. Universal holes accommodate many types of pilot lights, switches and pushbuttons

Construction

- Fabricated from 14 gauge carbon steel or type 304 stainless steel with continuously welded seams.
- Cover secured with captivated screws.
- Oil resistant gasket applied to the cover.
- External mounting feet for wall or machinery mounting.
- Universal pushbutton holes (30.5mm).
- 22mm available with "M" addition to part number.

Finish

Standard ANSI-61 gray finish on interior and exterior of enclosures. Recoatable, smooth, white or RAL 7035 texture polyester powder coat available at no charge. Standard RAL and custom match finishes available for an additional charge, please contact Milbank for further assistance. All powder coat finishes applied over cleaned phosphatized surfaces. Stainless steel enclosures have a polished #4 finish.

Options

Milbank can modify standard enclosures or custom design enclosures according to your specifications. Custom sizes, materials, and many more options are available. Quotations upon request.

Industry Standards

- UL 50 Listed
- CUL 50 Listed
- Type 12



Catalog Number				# of Holes	Enclosure Size H x W x D (inches)	Ship. Weight (lbs)	Hole Location	
Carbon Steel 30.5mm Hole	304 Stainless Steel 30.5mm Hole	Carbon Steel 22.5mm Hole	304 Stainless Steel 22.5mm Hole				J	K
PB12S11	PB12XS11	PBM12S11	PBM12XS11	1	3.5 x 3.25 x 2.75	2	1.918	1.793
PB12S12	PB12XS12	PBM12S12	PBM12XS12	2	5.75 x 3.25 x 2.75	3	1.918	1.793
PB12S13	PB12XS13	PBM12S13	PBM12XS13	3	8 x 3.25 x 2.75	3	1.918	1.793
PB12S14	PB12XS14	PBM12S14	PBM12XS14	4	10.25 x 3.25 x 2.75	4	1.918	1.793
PB12S22	PB12XS22	PBM12S22	PBM12XS22	4	7.25 x 6.25 x 3	5	2.668	2.168
PB12S15	PB12XS15	PBM12S15	PBM12XS15	5	12.5 x 3.25 x 2.75	5	1.918	1.793
PB12S32	PB12XS32	PBM12S32	PBM12XS32	6	9.5 x 6.25 x 3	6	2.668	2.168
PB12S16	PB12XS16	PBM12S16	PBM12XS16	6	14.75 x 3.25 x 2.75	6	1.918	1.793
PB12S17	PB12XS17	PBM12S17	PBM12XS17	7	18 x 3.25 x 2.75	6	2.418	1.793
PB12S18	PB12XS18	PBM12S18	PBM12XS18	8	20.25 x 3.25 x 2.75	8	2.418	1.793
PB12S33	PB12XS33	PBM12S33	PBM12XS33	9	9.5 x 8.5 x 3	8	2.668	2.168
PB12S19	PB12XS19	PBM12S19	PBM12XS19	9	22.5 x 3.25 x 2.75	8	2.418	1.793
PB12S110	PB12XS110	PBM12S110	PBM12XS110	10	24.75 x 3.25 x 2.75	8	2.418	1.793
PB12S43	PB12XS43	PBM12S43	PBM12XS43	12	11.75 x 8.5 x 3	9	2.668	2.168
PB12S44	PB12XS44	PBM12S44	PBM12XS44	16	11.75 x 10.75 x 3	11	2.668	2.168
PB12S54	PB12XS54	PBM12S54	PBM12XS54	20	14 x 10.75 x 3	12	2.668	2.168
PB12S55	PB12XS55	PBM12S55	PBM12XS55	25	14 x 13 x 3	14	2.668	2.168

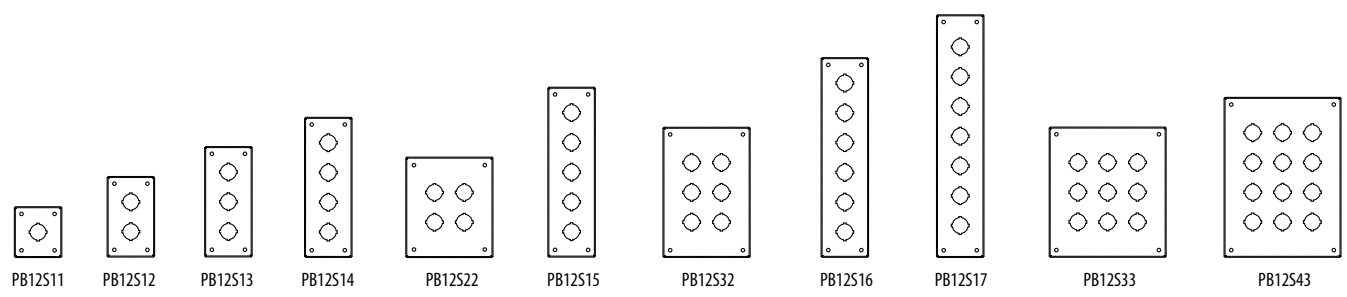
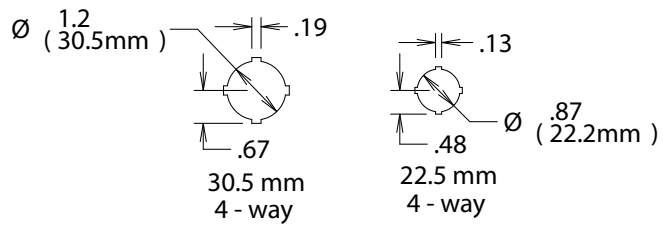
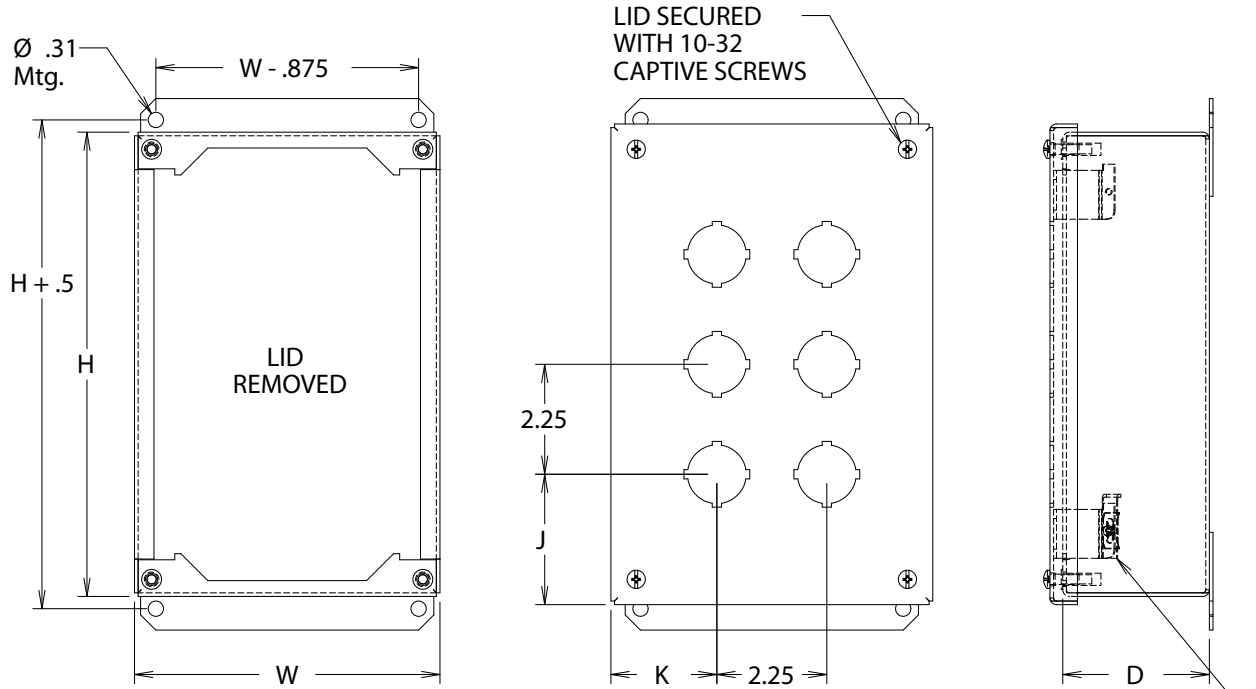


Utility requirements for this equipment may vary. Always consult the serving utility for their requirements prior to ordering or installing this equipment. This product must be installed by a licensed electrician. Installation of this equipment may require local electrical inspector approval.

Pushbutton Enclosures

Type 12 | Standard Oil-Tight

61
TYPE 12
PUSHBUTTON
ENCLOSURES



Utility requirements for this equipment may vary. Always consult the serving utility for their requirements prior to ordering or installing this equipment. This product must be installed by a licensed electrician. Installation of this equipment may require local electrical inspector approval.



Pushbutton Enclosures

Type 12 | Extra Deep Oil-Tight

Applications

Designed to provide protection from oil, dirt, and dust. Universal holes accommodate many types of pilot lights, switches and pushbuttons

Construction

- Fabricated from 14 gauge carbon steel or type 304 stainless steel with continuously welded seams.
- Additional inch of depth.
- Cover secured with captivated screws.
- Oil resistant gasket applied to the cover.
- External mounting feet for wall or machinery mounting.
- Universal pushbutton holes (30.5mm).
- 22mm available with "M" addition to part number.



Finish

Standard ANSI-61 gray finish on interior and exterior of enclosures. Recoatable, smooth, white or RAL 7035 texture polyester powder coat available at no charge. Standard RAL and custom match finishes available for an additional charge, please contact Milbank for further assistance. All powder coat finishes applied over cleaned phosphatized surfaces. Stainless steel enclosures have a polished #4 finish.

Options

Milbank can modify standard enclosures or custom design enclosures according to your specifications. Custom sizes, materials, and many more options are available. Quotations upon request.

Industry Standards

- UL 50 Listed
- CUL 50 Listed
- Type 12

Catalog Number				# of Holes	Enclosure Size H x W x D (inches)	Ship. Weight (lbs)	Hole Location	
Carbon Steel 30.5mm Hole	304 Stainless Steel 30.5mm Hole	Carbon Steel 22.5mm Hole	304 Stainless Steel 22.5mm Hole				J	K
PBD12S11	PBD12XS11	PBDM12S11	PBDM12XS11	1	4 x 4 x 4.75	3	2.168	2.168
PBD12S12	PBD12XS12	PBDM12S12	PBDM12XS12	2	6 x 4 x 4.75	4	2.043	2.168
PBD12S13	PBD12XS13	PBDM12S13	PBDM12XS13	3	8 x 4 x 4.75	5	1.918	2.168
PBD12S14	PBD12XS14	PBDM12S14	PBDM12XS14	4	10 x 4 x 4.75	6	1.793	2.168
PBD12S22	PBD12XS22	PBDM12S22	PBDM12XS22	4	7.25 x 6.25 x 4.75	6	2.668	2.168
PBD12S16	PBD12XS16	PBDM12S16	PBDM12XS16	6	9.5 x 6.25 x 4.75	8	2.668	2.168
PBD12S33	PBD12XS33	PBDM12S33	PBDM12XS33	9	9.5 x 8.5 x 4.75	9	2.668	2.168
PBD12S110	PBD12XS110	PBDM12S110	PBDM12XS110	10	14 x 6.25 x 4.75	10	2.668	2.168
PBD12S43	PBD12XS43	PBDM12S43	PBDM12XS43	12	11.75 x 8.5 x 4.75	9	2.668	2.168
PBD12S44	PBD12XS44	PBDM12S44	PBDM12XS44	16	11.75 x 10.75 x 4.75	12	2.668	2.168
PBD12S116	PBD12XS116	PBDM12S116	PBDM12XS116	16	20.75 x 6.25 x 4.75	13	2.668	2.168
PBD12S54	PBD12XS54	PBDM12S54	PBDM12XS54	20	14 x 10.75 x 4.75	15	2.668	2.168
PBD12S55	PBD12XS55	PBDM12S55	PBDM12XS55	25	14 x 13 x 4.75	16	2.668	2.168
PBD12S56	PBD12XS56	PBDM12S56	PBDM12XS56	30	16.25 x 13 x 4.75	18	2.668	2.168
PBD12S66	PBD12XS66	PBDM12S66	PBDM12XS66	36	16.25 x 15.25 x 4.75	20	2.668	2.168



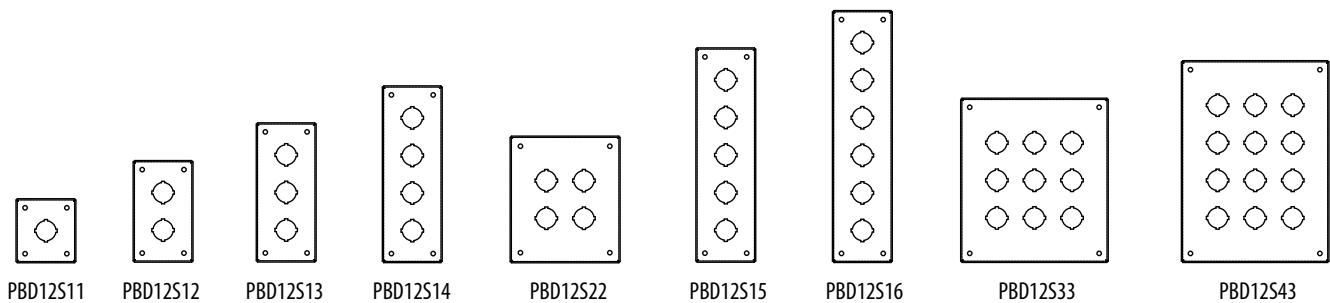
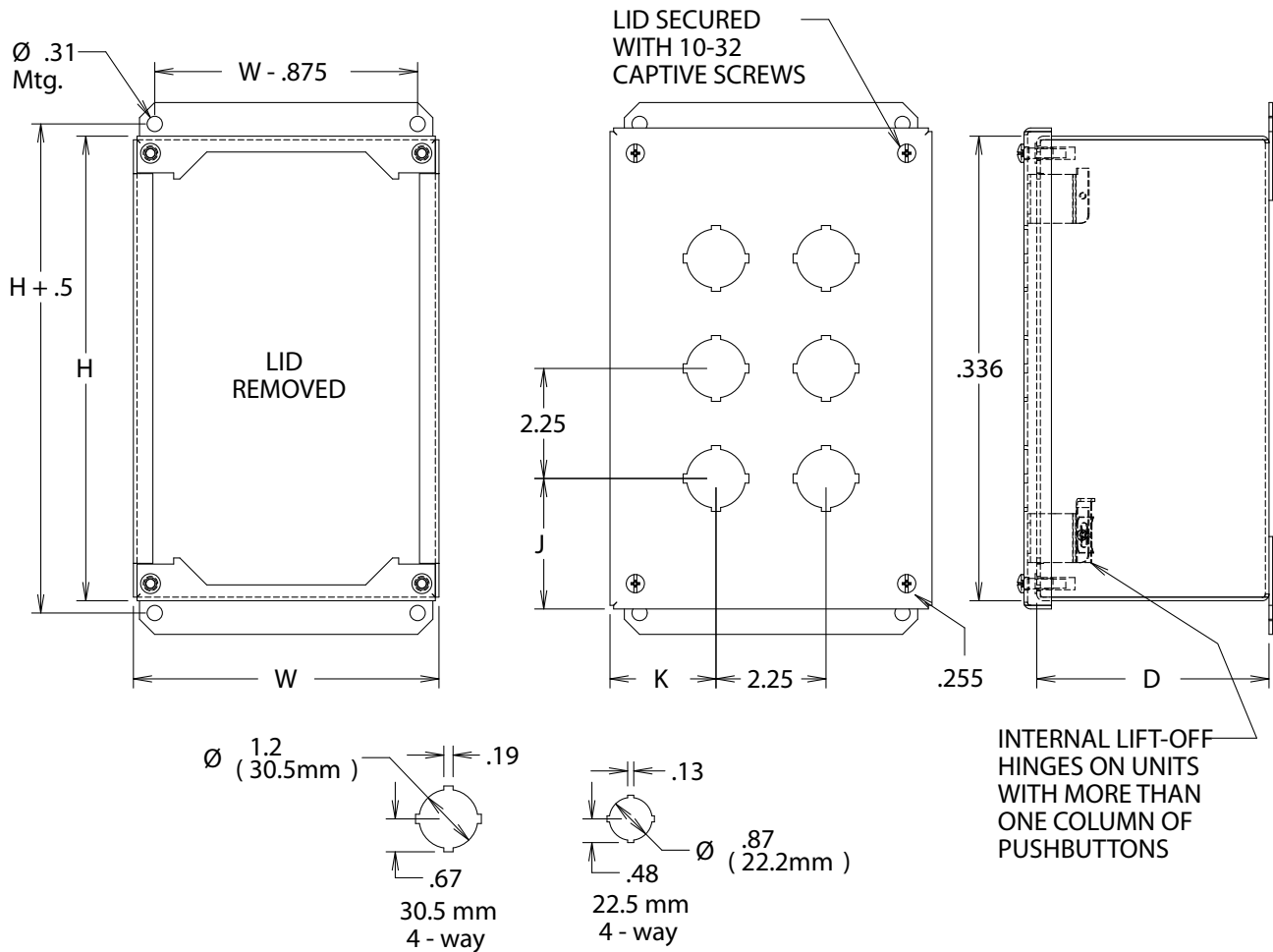
Utility requirements for this equipment may vary. Always consult the serving utility for their requirements prior to ordering or installing this equipment. This product must be installed by a licensed electrician. Installation of this equipment may require local electrical inspector approval.

Pushbutton Enclosures

Type 12 | Extra Deep Oil-Tight

63

TYPE 12
PUSHBUTTON
ENCLOSURES



Utility requirements for this equipment may vary. Always consult the serving utility for their requirements prior to ordering or installing this equipment. This product must be installed by a licensed electrician. Installation of this equipment may require local electrical inspector approval.



Pushbutton Enclosures

Type 12 | Pendant Type Oil-Tight

Applications

Designed to provide protection from oil, dirt, and dust. Universal holes accommodate many types of pilot lights, switches and pushbuttons.

Construction

Fabricated from 14 gauge carbon steel or type 304 stainless steel with continuously welded seams. Enclosures feature:

- Cover secured with captivated screws.
- Oil resistant gasket applied to the cover.
- External mounting feet for wall or machinery mounting.
- Universal pushbutton holes (30.5mm).

Finish

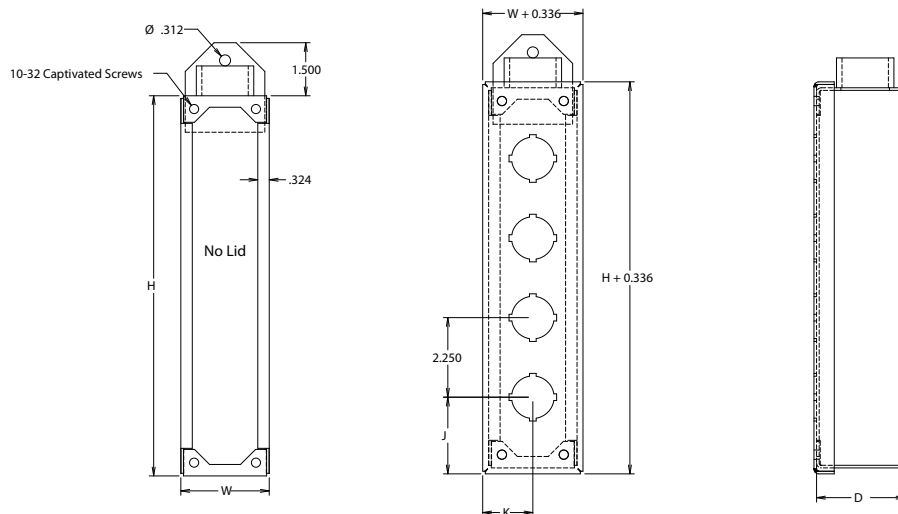
Standard ANSI-61 gray finish on interior and exterior of enclosures. Recoatable, smooth, white or RAL 7035 texture polyester powder coat available at no charge. Standard RAL and custom match finishes available for an additional charge, please contact Milbank for further assistance. All powder coat finishes applied over cleaned phosphatized surfaces. Stainless steel enclosures have a polished #4 finish.

Options

Milbank can modify standard enclosures or custom design enclosures according to your specifications. 0.88" [22mm] pushbutton holes, sizes, materials, and many more options are available. Quotations upon request.

Industry Standards

- UL 50 Listed
- CUL 50 Listed
- Type 12



Catalog Number		# of Holes	Enclosure Size H x W x D	Ship. Weight (lbs)	Hole Location	
Carbon Steel 30.5mm Hole	304 Stainless Steel 30.5mm Hole				J	K
PPB12S11	PPB12XS11	1	4 x 2.5 x 2.5	2	1.418	1.418
PPB12S12	PPB12XS12	2	6.25 x 2.5 x 2.5	3	2.168	1.418
PPB12S13	PPB12XS13	3	8.5 x 2.5 x 2.5	3	2.168	1.418
PPB12S14	PPB12XS14	4	10.75 x 2.5 x 2.5	4	2.168	1.418
PPB12S15	PPB12XS15	5	13 x 2.5 x 2.5	4	2.168	1.418
PPB12S16	PPB12XS16	6	16.25 x 2.5 x 2.5	5	2.668	1.418
PPB12S17	PPB12XS17	7	18.5 x 2.5 x 2.5	6	2.668	1.418
PPB12S18	PPB12XS18	8	20.75 x 2.5 x 2.5	6	2.668	1.418



Utility requirements for this equipment may vary. Always consult the serving utility for their requirements prior to ordering or installing this equipment. This product must be installed by a licensed electrician. Installation of this equipment may require local electrical inspector approval.

Pushbutton Enclosures

Type 12 | Sloping Front Oil-Tight

65
TYPE 12
PUSHBUTTON
ENCLOSURES

Applications

Designed to provide protection from oil, dirt, and dust. Universal holes accommodate many types of pilot lights, switches and pushbuttons.

Construction

- Fabricated from 14 gauge carbon steel or type 304 stainless steel with continuously welded seams.
- Cover secured with captivated screws.
- Oil resistant gasket applied to the cover.
- External mounting feet for wall or machinery mounting.
- Universal pushbutton holes (30.5mm)
- 22mm available with: M addition to part number.

Finish

Standard ANSI-61 gray finish on interior and exterior of enclosures. Recoatable,

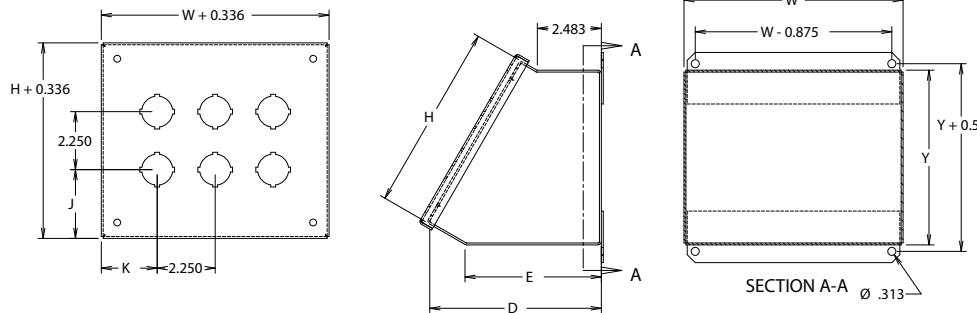
smooth, white or RAL 7035 texture polyester powder coat available at no charge. Standard RAL and custom match finishes available for an additional charge, please contact Milbank for further assistance. All powder coat finishes applied over cleaned phosphatized surfaces. Stainless steel enclosures have a polished #4 finish.

Options

Milbank can modify standard enclosures or custom design enclosures according to your specifications. Custom sizes, materials, and many more options are available. Quotations upon request.

Industry Standards

- UL 50 Listed
- CUL 50 Listed
- Type 12



Catalog Number				# of Holes	Enclosure Size H x W x D (inches)	Ship. Wt. (lbs)	Hole Location			
Carbon Steel 30.5mm Hole	304 Stainless Steel 30.5mm Hole	Carbon Steel 22.5mm Hole	304 Stainless Steel 22.5mm Hole				J	K	E	Y
PBSF12S11	PBSF12XS11	PBSFM12S11	PBSFM12XS11	1	3.5 x 3.25 x 4.87	7	1.86	1.73	3.34	3.53
PBSF12S12	PBSF12XS12	PBSFM12S12	PBSFM12XS12	2	3.5 x 5.5 x 4.87	4	1.86	1.73	3.34	3.53
PBSF12S13	PBSF12XS13	PBSFM12S13	PBSFM12XS13	3	3.5 x 7.75 x 4.87	4	1.86	1.73	3.34	3.53
PBSF12S14	PBSF12XS14	PBSFM12S14	PBSFM12XS14	4	3.5 x 10 x 4.87	5	1.86	1.73	3.34	3.53
PBSF12S22	PBSF12XS22	PBSFM12S22	PBSFM12XS22	4	7.25 x 6.25 x 6.75	6	2.61	2.11	5.22	6.78
PBSF12S23	PBSF12XS23	PBSFM12S23	PBSFM12XS23	6	7.25 x 8.5 x 6.75	7	2.61	2.11	5.22	6.78
PBSF12S24	PBSF12XS24	PBSFM12S24	PBSFM12XS24	8	7.25 x 10.75 x 6.75	9	2.61	2.11	5.22	6.78
PBSF12S33	PBSF12XS33	PBSFM12S33	PBSFM12XS33	9	9.5 x 8.50 x 7.87	10	2.61	2.11	6.34	8.73
PBSF12S25	PBSF12XS25	PBSFM12S25	PBSFM12XS25	10	7.25 x 13 x 6.75	13	2.61	2.11	5.22	6.78
PBSF12S26	PBSF12XS26	PBSFM12S26	PBSFM12XS26	12	7.25 x 15.25 x 6.75	13	2.61	2.11	5.22	6.78
PBSF12S43	PBSF12XS43	PBSFM12S43	PBSFM12XS43	12	11.75 x 8.50 x 9	11	2.61	2.11	7.47	10.69
PBSF12S28	PBSF12XS28	PBSFM12S28	PBSFM12XS28	16	7.25 x 19.75 x 6.75	16	2.61	2.11	5.22	6.78
PBSF12S44	PBSF12XS44	PBSFM12S44	PBSFM12XS44	16	11.75 x 10.75 x 9	13	2.61	2.11	7.47	10.69
PBSF12S45	PBSF12XS45	PBSFM12S45	PBSFM12XS45	20	11.75 x 13 x 9	16	2.61	2.11	7.49	10.69
PBSF12S55	PBSF12XS55	PBSFM12S55	PBSFM12XS55	25	14 x 13 x 10.12	20	2.61	2.11	8.59	12.62
PBSF12S56	PBSF12XS56	PBSFM12S56	PBSFM12XS56	30	14 x 15.25 x 10.12	20	2.61	2.11	8.59	12.62

Utility requirements for this equipment may vary. Always consult the serving utility for their requirements prior to ordering or installing this equipment. This product must be installed by a licensed electrician. Installation of this equipment may require local electrical inspector approval.



Pushbutton Enclosures

Type 12 | Large Continuous Hinge Cover

Applications

Designed to provide protection from oil, dirt, and dust. Universal holes accommodate many types of pilot lights, switches and pushbuttons.

Construction

- Fabricated from 14 gauge carbon steel or type 304 stainless steel with continuously welded seams.
- Cover secured with captivated screws.
- Oil resistant gasket applied to the cover.
- External mounting feet for wall or machinery mounting.
- Universal pushbutton holes (30.5mm).
- 22mm available with "M" addition to part number.
- Studs for optional panel included.

Finish

Standard ANSI-61 gray finish on interior and exterior of enclosures. Recoatable,

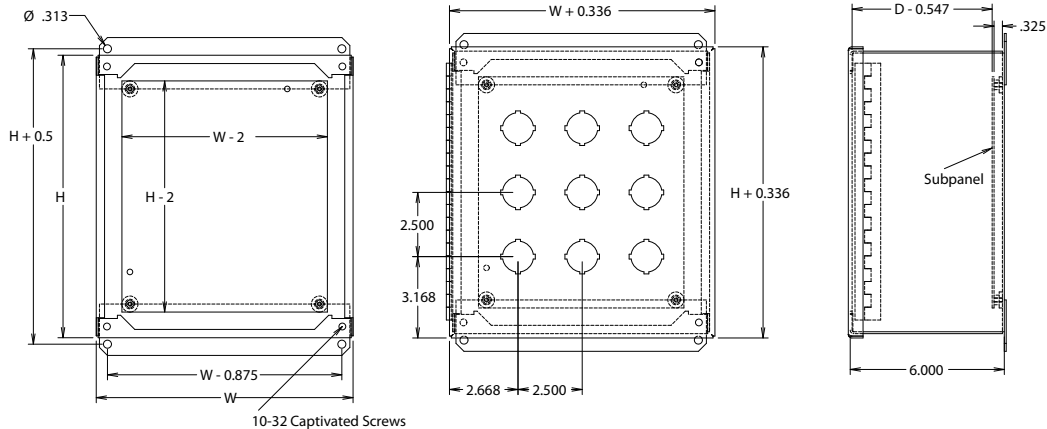
smooth, white or RAL 7035 texture polyester powder coat available at no charge. Standard RAL and custom match finishes available for an additional charge, please contact Milbank for further assistance. All powder coat finishes applied over cleaned phosphatized surfaces. Carbon steel sub panels have a white polyester powder coat finish. Stainless Steel enclosures have a polished #4 finish.

Options

Milbank can modify standard enclosures or custom design enclosures according to your specifications. Custom sizes, materials, and many more options are available. Quotations upon request.

Industry Standards

- UL 50 Listed
- CUL 50 Listed
- Type 12



Catalog Number				# of Holes	Enclosure Size H x W x D	Sub Panel Part #	Sub Panel H x W (inches)	Ship. Wt. (lbs)
Carbon Steel 30.5mm Hole	304 Stainless Steel 30.5mm Hole	Carbon Steel 22.5mm Hole	304 Stainless Steel 22.5mm Hole					
PBHC12S22	PBHC12XS22	PBHCM12S22	PBHCM12XS22	4	8.5 x 7.5 x 6	A-PB7P6	6.5 x 5.5	10
PBHC12S32	PBHC12XS32	PBHCM12S32	PBHCM12XS32	6	11 x 7 x 6	A-PB10P6	9 x 5	12
PBHC12S33	PBHC12XS33	PBHCM12S33	PBHCM12XS33	9	11 x 10 x 6	A-PB9P8	9 x 8	15
PBHC12S43	PBHC12XS43	PBHCM12S43	PBHCM12XS43	12	13.5 x 10 x 6	A-PB12P11	11.5 x 8	17
PBHC12S44	PBHC12XS44	PBHCM12S44	PBHCM12XS44	16	13.5 x 12.5 x 6	A-PB12P11	11.5 x 10.5	19
PBHC12S54	PBHC12XS54	PBHCM12S54	PBHCM12XS54	20	16 x 12.5 x 6	A-PB14P11	14 x 10.5	25
PBHC12S55	PBHC12XS55	PBHCM12S55	PBHCM12XS55	25	16 x 15 x 6	A-PB14P13	14 x 13	27
PBHC12S65	PBHC12XS65	PBHCM12S65	PBHCM12XS65	30	18.5 x 15 x 6	A-PB17P13	16.5 x 13	29
PBHC12S66	PBHC12XS66	PBHCM12S66	PBHCM12XS66	36	18.5 x 17.5 x 6	A-PB17P16	16.5 x 15.5	34
PBHC12S76	PBHC12XS76	PBHCM12S76	PBHCM12XS76	42	21 x 17.5 x 6	A-PB19P16	19 x 15.5	38



Utility requirements for this equipment may vary. Always consult the serving utility for their requirements prior to ordering or installing this equipment. This product must be installed by a licensed electrician. Installation of this equipment may require local electrical inspector approval.

Pushbutton Enclosures

Type 12 | Slimline Oil-Tight

67
TYPE 12
PUSHBUTTON
ENCLOSURES

Applications

Designed to provide protection from oil, dirt, and dust. Universal holes accommodate many types of pilot lights, switches and pushbuttons.

Construction

- Fabricated from 14 gauge carbon steel or type 304 stainless steel with continuously welded seams.
- Cover secured with captivated screws.
- Oil resistant gasket applied to the cover.
- External mounting feet for wall or machinery mounting.
- Universal pushbutton holes (30mm).
- 22mm available with "M" addition to part number.

Finish

Standard ANSI-61 gray finish on interior and

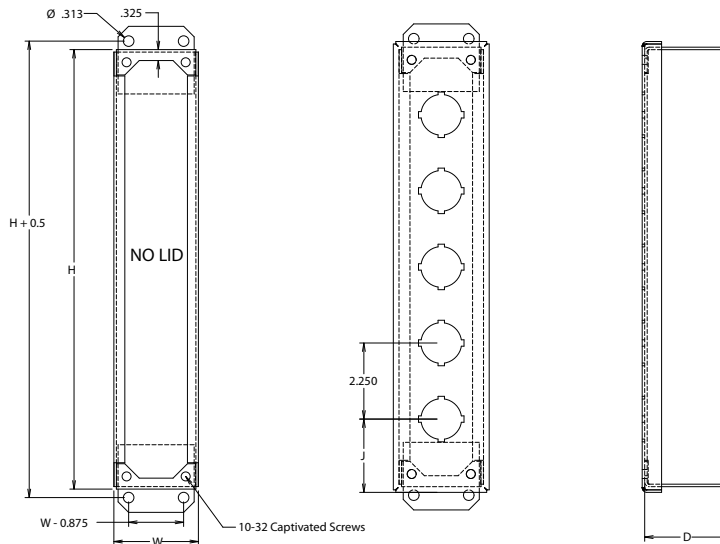
exterior of enclosures. Recoatable, smooth, white or RAL 7035 texture polyester powder coat available at no charge. Standard RAL and custom match finishes available for an additional charge, please contact Milbank for further assistance. All powder coat finishes applied over cleaned phosphatized surfaces. Stainless steel enclosures have a polished #4 finish.

Options

Milbank can modify standard enclosures or custom design enclosures according to your specifications. Custom sizes, materials, and many more options are available. Quotations upon request.

Industry Standards

- UL 50 Listed
- CUL 50 Listed
- Type 12



Catalog Number				# of Holes	Enclosure Size H x W x D	Ship. Wt. (lbs)	J (in.)
Carbon Steel 30mm Hole	304 Stainless Steel 30mm Hole	Carbon Steel 22.5mm Hole	304 Stainless Steel 22.5mm Hole				
PBSL12S11	PBSL12XS11	PBSLM12S11	PBSLM12XS11	1	4 x 2.5 x 2.5	2	2.168
PBSL12S12	PBSL12XS12	PBSLM12S12	PBSLM12XS12	2	6.25 x 2.5 x 2.5	3	2.168
PBSL12S13	PBSL12XS13	PBSLM12S13	PBSLM12XS13	3	8.5 x 2.5 x 2.5	3	2.168
PBSL12S14	PBSL12XS14	PBSLM12S14	PBSLM12XS14	4	10.75 x 2.5 x 2.5	4	2.168
PBSL12S15	PBSL12XS15	PBSLM12S15	PBSLM12XS15	5	13 x 2.5 x 2.5	4	2.168
PBSL12S16	PBSL12XS16	PBSLM12S16	PBSLM12XS16	6	16.25 x 2.5 x 2.5	6	2.668
PBSL12S17	PBSL12XS17	PBSLM12S17	PBSLM12XS17	7	18.5 x 2.5 x 2.5	7	2.668
PBSL12S18	PBSL12XS18	PBSLM12S18	PBSLM12XS18	8	20.75 x 2.5 x 2.5	8	2.668
PBSL12S19	PBSL12XS19	PBSLM12S19	PBSLM12XS19	9	23 x 2.5 x 2.5	8	2.668
PBSL12S110	PBSL12XS110	PBSLM12S110	PBSLM12XS110	10	25.25 x 2.5 x 2.5	8	2.668

Utility requirements for this equipment may vary. Always consult the serving utility for their requirements prior to ordering or installing this equipment. This product must be installed by a licensed electrician. Installation of this equipment may require local electrical inspector approval.

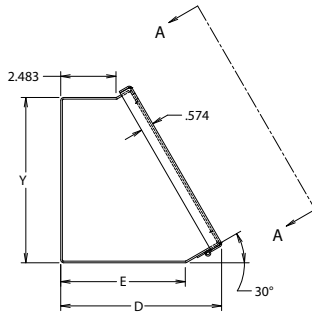


Applications

Consolets provide protection from oil, dirt, and dust. They can be mounted on either of two sides, providing a 30 degree or 60 degree inclined control surface. These enclosures can be mounted on machines, pedestals, or desk tops, etc.

Construction

- Fabricated from 14 gauge carbon steel or type 304 stainless steel with continuously welded seams.
- Oil resistant adhesive gasket applied to the cover secured by captivated screws.
- A continuous hinge with a removable hinge pin on the long side.



Finish

Standard ANSI-61 gray finish on interior and exterior of enclosures. Recoatable, smooth, white or RAL 7035 texture polyester powder coat available at no charge. Standard RAL and custom match finishes available for an additional charge, please contact Milbank for further assistance. All powder coat finishes applied over cleaned phosphatized surfaces. Stainless steel consolets are polished with a #4 finish on six sides.

Options

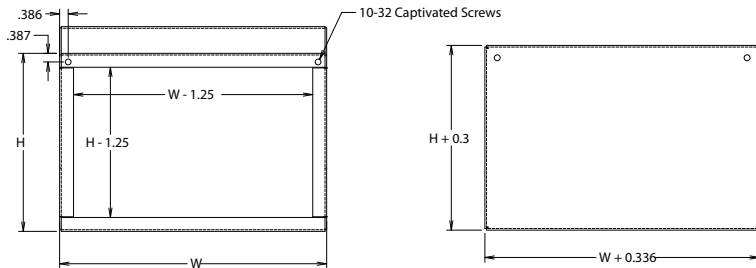
Milbank can modify standard enclosures or custom design enclosures according to your specifications.



Holes, hubs, cutouts, sizes, materials, and many more options are available. Quotations upon request.

Industry Standards

- UL 50 Listed
- CUL 50 Listed
- Type 12



Lid

Catalog Number		Surface Size H x W x D (inches)	Ship. Weight (lbs)	E (inches)	Y (inches)
Carbon Steel #	304 Stainless Steel #				
MC8C8	MCXS8C8	8 x 8 x 7.09	9	5.59	7.44
MC8C12	MCXS8C12	8 x 12 x 7.09	11	5.59	7.44
MC8C16	MCXS8C16	8 x 16 x 7.09	14	5.59	7.44
MC8C20	MCXS8C20	8 x 20 x 7.09	17	5.59	7.44
MC12C12	MCXS12C12	12 x 12 x 9.09	15	7.59	10.91
MC12C16	MCXS12C16	12 x 16 x 9.09	20	7.59	10.91
MC12C20	MCXS12C20	12 x 20 x 9.09	24	7.59	10.91
MC12C24	MCXS12C24	12 x 24 x 9.09	28	7.59	10.91
MC16C16	MCXS16C16	16 x 16 x 11.09	25	9.59	14.38
MC16C20	MCXS16C20	16 x 20 x 11.09	29	9.59	14.38
MC16C24	MCXS16C24	16 x 24 x 11.09	35	9.59	14.38
MC16C30	MCXS16C30	16 x 30 x 11.09	42	9.59	14.38
MC16C36	MCXS16C36	16 x 36 x 11.09	47	9.59	14.38
MC20C20	MCXS20C20	20 x 20 x 13.09	36	11.59	17.84
MC20C24	MCXS20C24	20 x 24 x 13.09	42	11.59	17.84
MC20C30	MCXS20C30	20 x 30 x 13.09	50	11.59	17.84



Utility requirements for this equipment may vary. Always consult the serving utility for their requirements prior to ordering or installing this equipment. This product must be installed by a licensed electrician. Installation of this equipment may require local electrical inspector approval.

Wall Mount Enclosures

Type 12 | Single Door

69
TYPE 12
WALL MOUNT
ENCLOSURES

Applications

Designed to offer protection for electrical controls, instruments, and terminals from dust, dripping liquids, oil, and dirt.

Construction

- Fabricated from 14 gauge carbon steel, type 304, type 316 stainless steel, or .125" 5052 H32 aluminum with continuous welded seams.
- Door secured with heavy-duty continuous hinge with removable hinge pin and clamps.
- Padlocking hasp and staple.
- Adhesive backed, oil resistant gasket applied to the doors.
- Print pocket.
- External mounting feet for wall or machinery mounting.
- Ground studs installed inside cabinet and door.

- Collar studs provided for mounting optional sub panels.

Finish

Standard ANSI-61 gray finish on interior and exterior of enclosures. Recoatable, smooth, white or RAL 7035 texture polyester powder coat available at no charge. Standard RAL and custom match finishes available for an additional charge, please contact Milbank for further assistance. All powder coat finishes applied over cleaned phosphatized surfaces. Carbon steel sub panel have a white polyester powder coat finish. Stainless steel and aluminum enclosures have a polished #4 finish.

Options

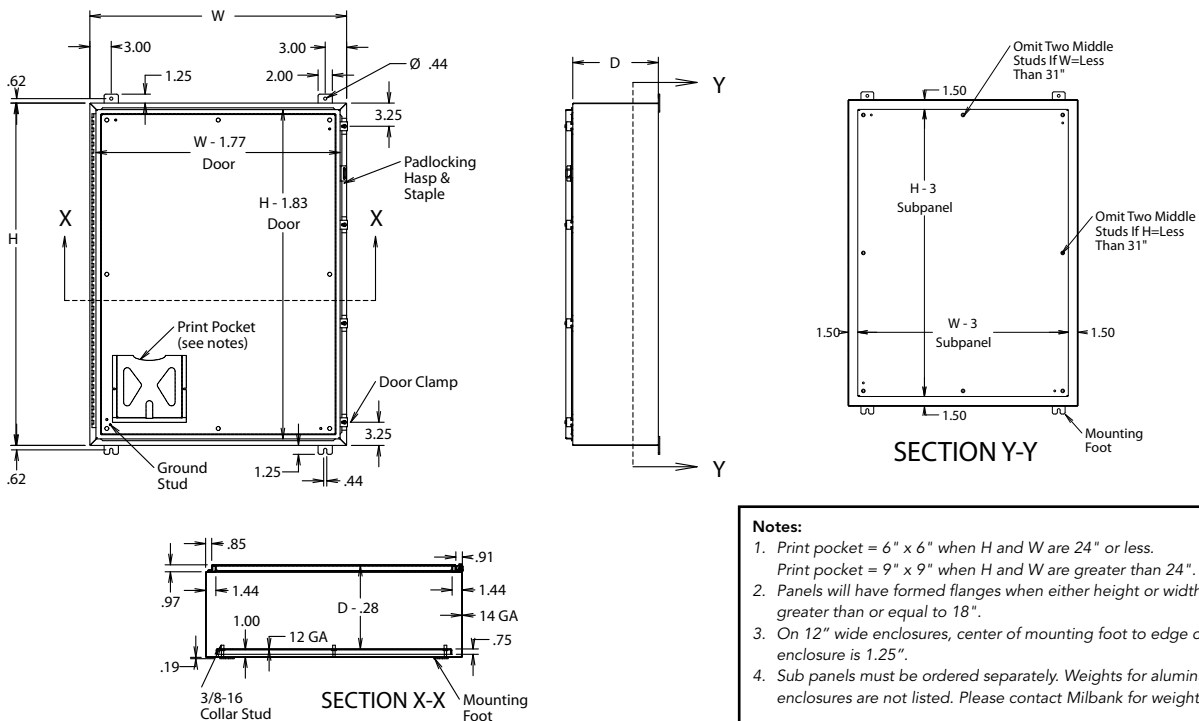
Milbank can modify standard enclosures or custom design enclosures according



to your specifications. Holes, cutouts, louvers, sizes, materials, and many more options are available. Quotations upon request.

Industry Standards

- UL 50 Listed
- CUL 50 Listed
- Type 12



Notes:

1. Print pocket = 6" x 6" when H and W are 24" or less.
Print pocket = 9" x 9" when H and W are greater than 24".
2. Panels will have formed flanges when either height or width is greater than or equal to 18".
3. On 12" wide enclosures, center of mounting foot to edge of enclosure is 1.25".
4. Sub panels must be ordered separately. Weights for aluminum enclosures are not listed. Please contact Milbank for weight.

Utility requirements for this equipment may vary. Always consult the serving utility for their requirements prior to ordering or installing this equipment. This product must be installed by a licensed electrician. Installation of this equipment may require local electrical inspector approval.



Carbon Steel #	Catalog Number			Enclosure Size H x W x D (inches)	Ship. Wt. (lbs)	Sub Panel Catalog Number	Sub Panel Size (H x L)
	304 Stainless Steel #	316 Stainless Steel #	Aluminum #				
M12S161206	M12XS161206	M12XZ161206	M12XA161206	16 x 12 x 6	24	A-16P12	13 x 9
M12S201206	M12XS201206	M12XZ201206	M12XA201206	20 x 12 x 6	29	A-20P12	17 x 9
M12S241206	M12XS241206	M12XZ241206	M12XA241206	24 x 12 x 6	32	A-24P12	21 x 9
M12S161606	M12XS161606	M12XZ161606	M12XA161606	16 x 16 x 6	29	A-16P16	13 x 13
M12S201606	M12XS201606	M12XZ201606	M12XA201606	20 x 16 x 6	33	A-20P16	17 x 13
M12S241606	M12XS241606	M12XZ241606	M12XA241606	24 x 16 x 6	39	A-24P16	21 x 13
M12S301606	M12XS301606	M12XZ301606	M12XA301606	30 x 16 x 6	46	A-30P16	27 x 13
M12S162006	M12XS162006	M12XZ162006	M12XA162006	16 x 20 x 6	33	A-20P16	17 x 13
M12S202006	M12XS202006	M12XZ202006	M12XA202006	20 x 20 x 6	38	A-20P20	17 x 17
M12S242006	M12XS242006	M12XZ242006	M12XA242006	24 x 20 x 6	45	A-24P20	21 x 17
M12S302006	M12XS302006	M12XZ302006	M12XA302006	30 x 20 x 6	53	A-30P20	27 x 17
M12S122406	M12XS122406	M12XZ122406	M12XA122406	12 x 24 x 6	32	A-24P12	21 x 9
M12S202406	M12XS202406	M12XZ202406	M12XA202406	20 x 24 x 6	46	A-24P20	17 x 21
M12S242406	M12XS242406	M12XZ242406	M12XA242406	24 x 24 x 6	51	A-24P24	21 x 21
M12S302406	M12XS302406	M12XZ302406	M12XA302406	30 x 24 x 6	61	A-30P24	21 x 21
M12S362406	M12XS362406	M12XZ362406	M12XA362406	36 x 24 x 6	69	A-36P24	33 x 21
M12S363006	M12XS363006	M12XZ363006	M12XA363006	36 x 30 x 6	86	A-36P30	33 x 27
M12S122408	M12XS122408	M12XZ122408	M12XA122408	12 x 24 x 8	35	A-24P12	9 x 21
M12S161208	M12XS161208	M12XZ161208	M12XA161208	16 x 12 x 8	27	A-16P12	13 x 9
M12S161608	M12XS161608	M12XZ161608	M12XA161608	16 x 16 x 8	31	A-16P16	13 x 13
M12S162008	M12XS162008	M12XZ162008	M12XA162008	16 x 20 x 8	29	A-20P16	13 x 17
M12S201208	M12XS201208	M12XZ201208	M12XA201208	20 x 12 x 8	30	A-20P12	17 x 9
M12S201608	M12XS201608	M12XZ201608	M12XA201608	20 x 16 x 8	36	A-20P16	17 x 13
M12S202008	M12XS202008	M12XZ202008	M12XA202008	20 x 20 x 8	43	A-20P20	17 x 17
M12S202408	M12XS202408	M12XZ202408	M12XA202408	20 x 24 x 8	50	A-24P20	17 x 21
M12S241608	M12XS241608	M12XZ241608	M12XA241608	24 x 16 x 8	41	A-24P16	21 x 13
M12S242008	M12XS242008	M12XZ242008	M12XA242008	24 x 20 x 8	50	A-24P20	21 x 17
M12S242408	M12XS242408	M12XZ242408	M12XA242408	24 x 24 x 8	57	A-24P24	21 x 21
M12S243008	M12XS243008	M12XZ243008	M12XA243008	24 x 30 x 8	66	A-30P24	21 x 27
M12S302008	M12XS302008	M12XZ302008	M12XA302008	30 x 20 x 8	56	A-30P20	27 x 17
M12S302408	M12XS302408	M12XZ302408	M12XA302408	30 x 24 x 8	67	A-30P24	27 x 21
M12S362408	M12XS362408	M12XZ362408	M12XA362408	36 x 24 x 8	75	A-36P24	33 x 21
M12S422408	M12XS422408	M12XZ422408	M12XA422408	42 x 24 x 8	85	A-42P24	39 x 21
M12S482408	M12XS482408	M12XZ482408	M12XA482408	48 x 24 x 8	97	A-48P24	45 x 21
M12S303008	M12XS303008	M12XZ303008	M12XA303008	30 x 30 x 8	79	A-30P30	27 x 27
M12S363008	M12XS363008	M12XZ363008	M12XA363008	36 x 30 x 8	95	A-36P30	33 x 27
M12S423008	M12XS423008	M12XZ423008	M12XA423008	42 x 30 x 8	105	A-42P30	39 x 27
M12S483008	M12XS483008	M12XZ483008	M12XA483008	48 x 30 x 8	119	A-48P30	45 x 27
M12S303608	M12XS303608	M12XZ303608	M12XA303608	30 x 36 x 8	90	A-36P30	27 x 33
M12S363608	M12XS363608	M12XZ363608	M12XA363608	36 x 36 x 8	104	A-36P36	33 x 33
M12S423608	M12XS423608	M12XZ423608	M12XA423608	42 x 36 x 8	120	A-42P36	39 x 33
M12S483608	M12XS483608	M12XZ483608	M12XA483608	48 x 36 x 8	137	A-48P36	45 x 33
M12S603608	M12XS603608	M12XZ603608	M12XA603608	60 x 36 x 8	164	A-60P36	57 x 33
M12S161210	M12XS161210	M12XZ161210	M12XA161210	16 x 12 x 10	29	A-16P12	13 x 9
M12S241210	M12XS241210	M12XZ241210	M12XA241210	24 x 12 x 10	39	A-24P12	21 x 9

Note: Sub panels must be ordered separately. Weights for aluminum enclosures are not listed. Please contact Milbank for weight.



Utility requirements for this equipment may vary. Always consult the serving utility for their requirements prior to ordering or installing this equipment. This product must be installed by a licensed electrician. Installation of this equipment may require local electrical inspector approval.

Wall Mount Enclosures

Type 12 | Single Door

71
TYPE 12
WALL MOUNT
ENCLOSURES

Carbon Steel #	Catalog Number			Enclosure Size H x W x D (inches)	Ship. Wt. (lbs)	Sub Panel Catalog Number	Sub Panel Size (H x L)
	304 Stainless Steel #	316 Stainless Steel #	Aluminum #				
M12S201610	M12XS201610	M12XZ201610	M12XA201610	20 x 16 x 10	39	A-20P16	17 x 13
M12S242010	M12XS242010	M12XZ242010	M12XA242010	24 x 20 x 10	53	A-24P20	21 x 17
M12S302010	M12XS302010	M12XZ302010	M12XA302010	30 x 20 x 10	60	A-30P20	27 x 17
M12S242410	M12XS242410	M12XZ242410	M12XA242410	24 x 24 x 10	63	A-24P24	21 x 21
M12S302410	M12XS302410	M12XZ302410	M12XA302410	30 x 24 x 10	73	A-30P24	27 x 21
M12S362410	M12XS362410	M12XZ362410	M12XA362410	36 x 24 x 10	82	A-36P24	33 x 21
M12S363010	M12XS363010	M12XZ363010	M12XA363010	36 x 30 x 10	100	A-36P30	33 x 27
M12S423010	M12XS423010	M12XZ423010	M12XA423010	42 x 30 x 10	116	A-42P30	39 x 27
M12S483010	M12XS483010	M12XZ483010	M12XA483010	48 x 30 x 10	124	A-48P30	45 x 27
M12S423610	M12XS423610	M12XZ423610	M12XA423610	42 x 36 x 10	124	A-42P36	39 x 33
M12S483610	M12XS483610	M12XZ483610	M12XA483610	48 x 36 x 10	148	A-48P36	45 x 33
M12S603610	M12XS603610	M12XZ603610	M12XA603610	60 x 36 x 10	166	A-60P36	57 x 33
M12S201612	M12XS201612	M12XZ201612	M12XA201612	20 x 16 x 12	42	A-20P16	17 x 13
M12S242012	M12XS242012	M12XZ242012	M12XA242012	24 x 20 x 12	57	A-24P20	21 x 17
M12S242412	M12XS242412	M12XZ242412	M12XA242412	24 x 24 x 12	64	A-24P24	21 x 21
M12S302412	M12XS302412	M12XZ302412	M12XA302412	30 x 24 x 12	77	A-30P24	27 x 21
M12S362412	M12XS362412	M12XZ362412	M12XA362412	36 x 24 x 12	89	A-36P24	33 x 21
M12S303012	M12XS303012	M12XZ303012	M12XA303012	30 x 30 x 12	94	A-30P30	27 x 27
M12S363012	M12XS363012	M12XZ363012	M12XA363012	36 x 30 x 12	103	A-36P30	33 x 27
M12S423012	M12XS423012	M12XZ423012	M12XA423012	42 x 30 x 12	122	A-42P30	39 x 27
M12S723012	M12XS723012	M12XZ723012	M12XA723012	72 x 30 x 12	181	A-72P30	69 x 27
M12S363612	M12XS363612	M12XZ363612	M12XA363612	36 x 36 x 12	127	A-36P36	33 x 33
M12S423612	M12XS423612	M12XZ423612	M12XA423612	42 x 36 x 12	135	A-42P36	39 x 33
M12S483612	M12XS483612	M12XZ483612	M12XA483612	48 x 36 x 12	152	A-48P36	45 x 33
M12S603612	M12XS603612	M12XZ603612	M12XA603612	60 x 36 x 12	176	A-60P36	57 x 33
M12S723612	M12XS723612	M12XZ723612	M12XA723612	72 x 36 x 12	215	A-72P36	69 x 33
M12S242016	M12XS242016	M12XZ242016	M12XA242016	24 x 20 x 16	67	A-24P20	21 x 17
M12S242416	M12XS242416	M12XZ242416	M12XA242416	24 x 24 x 16	75	A-24P24	21 x 21
M12S302416	M12XS302416	M12XZ302416	M12XA302416	30 x 24 x 16	88	A-30P24	27 x 21
M12S363016	M12XS363016	M12XZ363016	M12XA363016	36 x 30 x 16	121	A-36P30	33 x 27
M12S723016	M12XS723016	M12XZ723016	M12XA723016	72 x 30 x 16	206	A-72P30	69 x 27
M12S423616	M12XS423616	M12XZ423616	M12XA423616	42 x 36 x 16	155	A-42P36	39 x 33
M12S483616	M12XS483616	M12XZ483616	M12XA483616	48 x 36 x 16	170	A-48P36	45 x 33
M12S603616	M12XS603616	M12XZ603616	M12XA603616	60 x 36 x 16	199	A-60P36	57 x 33
M12S302420	M12XS302420	M12XZ302420	M12XA302420	30 x 24 x 20	96	A-30P24	27 x 21
M12S363020	M12XS363020	M12XZ363020	M12XA363020	36 x 30 x 20	127	A-36P30	33 x 27
M12S483620	M12XS483620	M12XZ483620	M12XA483620	48 x 36 x 20	170	A-48P36	45 x 33
M12S603620	M12XS603620	M12XZ603620	M12XA603620	60 x 36 x 20	219	A-60P36	57 x 33
M12S723020	M12XS723020	M12XZ723020	M12XA723020	72 x 30 x 20	227	A-72P30	69 x 27
M12S302424	M12XS302424	M12XZ302424	M12XA302424	30 x 24 x 24	109	A-30P24	27 x 21
M12S723024	M12XS723024	M12XZ723024	M12XA723024	72 x 30 x 24	243	A-72P30	69 x 27

Note: Sub panels must be ordered separately. Weights for aluminum enclosures are not listed. Please contact Milbank for weight.

Utility requirements for this equipment may vary. Always consult the serving utility for their requirements prior to ordering or installing this equipment. This product must be installed by a licensed electrician. Installation of this equipment may require local electrical inspector approval.



Wall Mount Enclosures

Type 12 | Double Door

Applications

Designed to provide protection for electrical controls, instruments, and terminals from dust, dripping liquids, dirt, and oil.

Construction

- Fabricated from 14 gauge carbon steel, type 304 or type 316 stainless steel with continuous welded seams.
- Overlapping doors secured with continuous hinges with removable hinge pins and key locking handle with three point latching system.
- Adhesive backed, oil resistant gasket applied to the doors.
- Print pocket.
- External mounting feet for wall or machinery mounting.
- Ground studs installed inside cabinet and door.
- Collar studs provided for mounting optional sub panels.

Finish

Standard ANSI-61 gray finish on interior and exterior of enclosures.



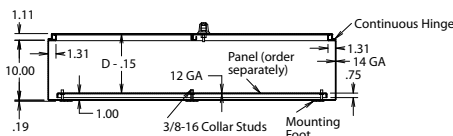
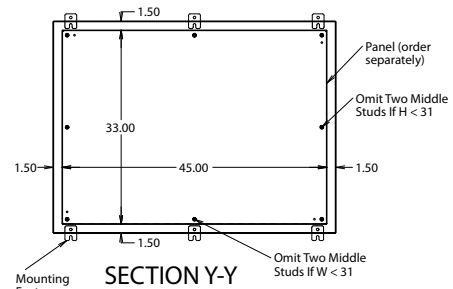
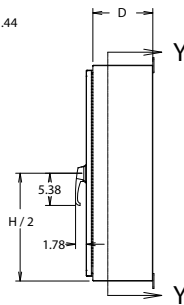
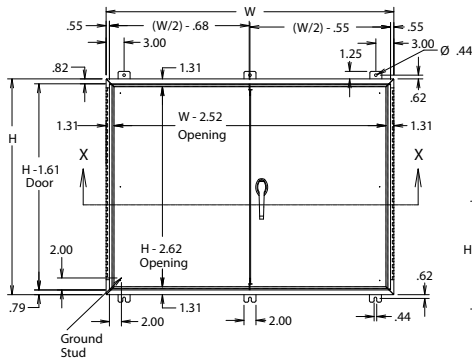
Recoatable, smooth, white or RAL 7035 texture polyester powder coat available at no charge. Standard RAL and custom match finishes available for an additional charge, please contact Milbank for further assistance. All powder coat finishes applied over cleaned phosphatized surfaces. Carbon steel sub panels have a white polyester powder coat finish. Stainless Steel enclosures have a polished #4 finish.

Options

Milbank can modify standard enclosures or custom design enclosures according to your specifications. Holes, hubs, cutouts, louvers, sizes, materials, and many more options are available. Quotations upon request.

Industry Standards

- UL 50 Listed
- CUL 50 Listed
- Type 12



SECTION X-X

Note: 9" x 9" Print pocket shipped inside enclosure.



Utility requirements for this equipment may vary. Always consult the serving utility for their requirements prior to ordering or installing this equipment. This product must be installed by a licensed electrician. Installation of this equipment may require local electrical inspector approval.

Wall Mount Enclosures

Type 12 | Double Door

73
TYPE 12
WALL MOUNT
ENCLOSURES

Catalog Number			Enclosure Size H x W x D (inches)	Ship. Wt. (lbs)	Sub Panel Part Number	Sub Panel Size H x W (inches)
Carbon Steel #	304 Stainless Steel #	316 Stainless Steel #				
M12D244208	M12DXS244208	M12DXZ244208	24 x 42 x 8	94	A-42P24	21 x 39
M12D244808	M12DXS244808	M12DXZ244808	24 x 48 x 8	106	A-48P24	21 x 45
M12D304210	M12DXS304210	M12DXZ304210	30 x 42 x 10	121	A-42P30	27 x 39
M12D304810	M12DXS304810	M12DXZ304810	30 x 48 x 10	136	A-48P30	27 x 45
M12D306010	M12DXS306010	M12DXZ306010	30 x 60 x 10	165	A-60P30	27 x 57
M12D304212	M12DXS304212	M12DXZ304212	30 x 42 x 12	130	A-42P30	27 x 39
M12D364212	M12DXS364212	M12DXZ364212	36 x 42 x 12	150	A-42P36	33 x 39
M12D424212	M12DXS424212	M12DXZ424212	42 x 42 x 12	170	A-42P42	39 x 39
M12D304812	M12DXS304812	M12DXZ304812	30 x 48 x 12	145	A-48P30	27 x 45
M12D364812	M12DXS364812	M12DXZ364812	36 x 48 x 12	167	A-48P36	33 x 45
M12D424812	M12DXS424812	M12DXZ424812	42 x 48 x 12	189	A-42P48	39 x 45
M12D484812	M12DXS484812	M12DXZ484812	48 x 48 x 12	212	A-DD4848	45 x 45
M12D306012	M12DXS306012	M12DXZ306012	30 x 60 x 12	176	A-60P30	27 x 57
M12D366012	M12DXS366012	M12DXZ366012	36 x 60 x 12	203	A-60P36	33 x 57
M12D426012	M12DXS426012	M12DXZ426012	42 x 60 x 12	229	A-42P60	39 x 57
M12D486012	M12DXS486012	M12DXZ486012	48 x 60 x 12	256	A-60P48	45 x 57
M12D606012	M12DXS606012	M12DXZ606012	60 x 60 x 12	308	A-60P60	57 x 57
M12D304216	M12DXS304216	M12DXZ304216	30 x 42 x 16	148	A-42P30	27 x 39
M12D364216	M12DXS364216	M12DXZ364216	36 x 42 x 16	169	A-42P36	33 x 39
M12D424216	M12DXS424216	M12DXZ424216	42 x 42 x 16	190	A-42P42	39 x 39
M12D306016	M12DXS306016	M12DXZ306016	30 x 60 x 16	198	A-60P30	27 x 57
M12D364816	M12DXS364816	M12DXZ364816	36 x 48 x 16	188	A-48P36	33 x 45
M12D366016	M12DXS366016	M12DXZ366016	36 x 60 x 16	226	A-60P36	33 x 57
M12D424816	M12DXS424816	M12DXZ424816	42 x 48 x 16	212	A-42P48	39 x 45
M12D484816	M12DXS484816	M12DXZ484816	48 x 48 x 16	235	A-DD4848	45 x 45
M12D486016	M12DXS486016	M12DXZ486016	48 x 60 x 16	282	A-60P48	45 x 57
M12D426016	M12DXS426016	M12DXZ426016	42 x 60 x 16	254	A-42P60	39 x 57
M12D606016	M12DXS606016	M12DXZ606016	60 x 60 x 16	338	A-60P60	57 x 57

Utility requirements for this equipment may vary. Always consult the serving utility for their requirements prior to ordering or installing this equipment. This product must be installed by a licensed electrician. Installation of this equipment may require local electrical inspector approval.



Floor Mount Enclosures

Type 12 | Two-Door

Applications

Designed to provide protection for electrical controls, instruments, and terminals from dust, dripping liquids, dirt, and oil.

Construction

- Fabricated from 10 and 12 gauge carbon steel, type 304 or 12 gauge type 316 stainless steel with continuous welded seams.
- Overlapping doors secured with continuous hinges with removable hinge pins and key locking handle with three point latching system.
- Adhesive backed, oil resistant gasket applied to the doors.
- 12-inch floor stands.
- Print pocket.
- Heavy-duty lifting eyes.
- Ground studs installed inside cabinet and door.
- Collar studs provided for mounting

optional sub panels.

- Body stiffeners for extra rigidity.

Finish

Standard ANSI-61 gray finish on interior and exterior of enclosures. Recoatable, smooth, white or RAL 7035 texture polyester powder coat available at no charge. Standard RAL and custom match finishes available for an additional charge, please contact Milbank for further assistance. All powder coat finishes applied over cleaned phosphatized surfaces. Carbon steel sub panels have a white polyester powder coat finish. Stainless steel enclosures have a polished #4 finish.

Options

Milbank can modify standard enclosures or custom design enclosures according to your specifications. Holes, cutouts, louvers, sizes, materials, and



many more options are available. Quotations upon request.

Industry Standards

- UL 50 Listed
- CUL 50 Listed
- Type 12

Catalog Number			Enclosure Size H x W x D (inches)	Ship. Weight (lbs)	Sub Panel Part Number	Sub Panel Size H x W (inches)
Carbon Steel #	304 Stainless Steel #	316 Stainless Steel #				
M12D544208-FT	M12DXS544208-FT	M12DXZ54428-FT	54 x 42 x 8	285	A-DD5442	50 x 38
M12D60488-FT	M12DXS60488-FT	M12DXZ60488-FT	60 x 48 x 8	342	A-DD6048	56 x 44
M12D604810-FT	M12DXS604810-FT	M12DXZ604810-FT	60 x 48 x 10	357	A-DD6048	56 x 44
M12D606010-FT	M12DXS606010-FT	M12DXZ606010-FT	60 x 60 x 10	415	A-DD6060	56 x 56
M12D726010-FT	M12DXS726010-FT	M12DXZ726010-FT	72 x 60 x 10	525	A-DD7260	68 x 56
M12D727210-FT	M12DXS727210-FT	M12DXZ727210-FT	72 x 72 x 10	590	A-DD7272	68 x 68
M12D604812-FT	M12DXS604812-FT	M12DXZ604812-FT	60 x 48 x 12	375	A-DD6048	56 x 44
M12D606012-FT	M12DXS606012-FT	M12DXZ606012-FT	60 x 60 x 12	430	A-DD6060	56 x 56
M12D726012-FT	M12DXS726012-FT	M12DXZ726012-FT	72 x 60 x 12	550	A-DD7260	68 x 56
M12D727212-FT	M12DXS727212-FT	M12DXZ727212-FT	72 x 72 x 12	626	A-DD7272	68 x 68
M12D604816-FT	M12DXS604816-FT	M12DXZ604816-FT	60 x 48 x 16	405	A-DD6048	56 x 44
M12D604820-FT	M12DXS604820-FT	M12DXZ604820-FT	60 x 48 x 20	435	A-DD6048	56 x 44
M12D604824-FT	M12DXS604824-FT	M12DXZ604824-FT	60 x 48 x 24	465	A-DD6048	56 x 44
M12D606024-FT	M12DXS606024-FT	M12DXZ606024-FT	60 x 60 x 24	520	A-DD6060	56 x 56
M12D726024-FT	M12DXS726024-FT	M12DXZ726024-FT	72 x 60 x 24	700	A-DD7260	68 x 56
M12D727224-FT	M12DXS727224-FT	M12DXZ727224-FT	72 x 72 x 24	805	A-DD7272	68 x 68

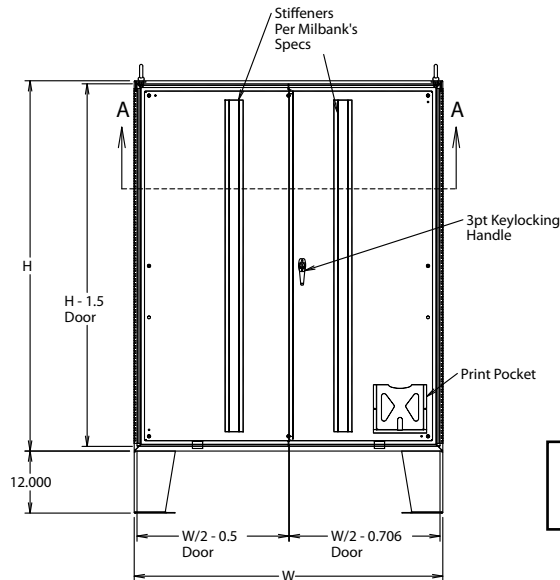
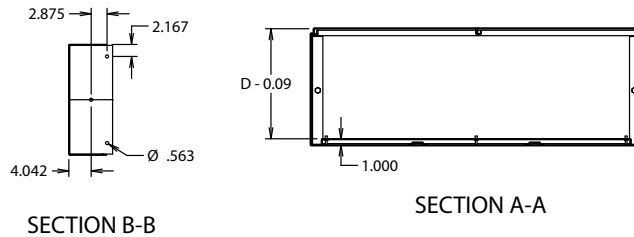
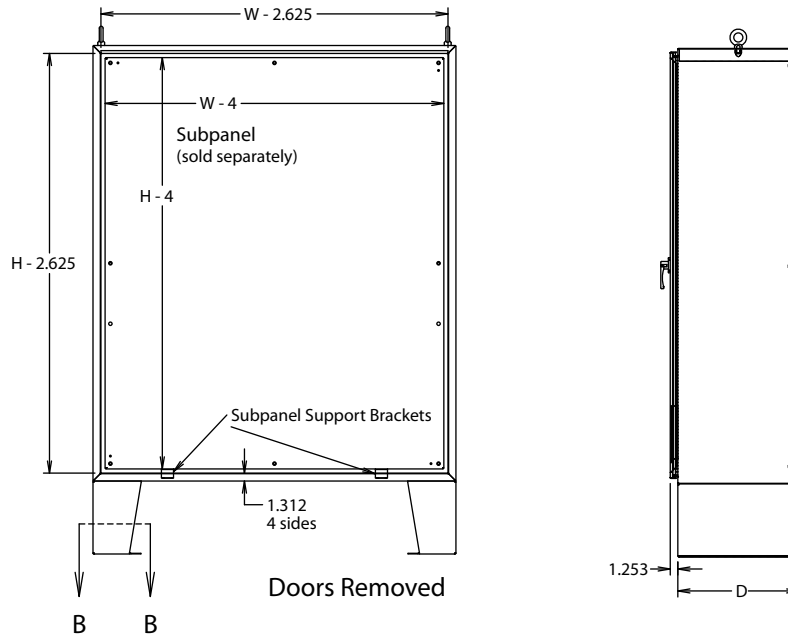


Utility requirements for this equipment may vary. Always consult the serving utility for their requirements prior to ordering or installing this equipment. This product must be installed by a licensed electrician. Installation of this equipment may require local electrical inspector approval.

Floor Mount Enclosures

Type 12 | Two-Door

75
TYPE 12
FLOOR MOUNT
ENCLOSURES



- Notes:**
1. 9" x 9" print pocket shipped inside enclosure.
 2. 24" deep enclosures will receive 4 lifting eyebolts.

Utility requirements for this equipment may vary. Always consult the serving utility for their requirements prior to ordering or installing this equipment. This product must be installed by a licensed electrician. Installation of this equipment may require local electrical inspector approval.



Freestanding Enclosures

Type 12 | Single Door & Dual Access

Applications

Designed to provide protection for electrical terminals, controls, and instruments from dirt, dust, dripping liquids, and oil. Freestanding enclosures are designed to accept Unistrut® mounted sub-panels, rack angles or other adjustable mount equipment.

Construction

- Fabricated from 10 and 12 gauge carbon steel, type 304 or type 316 stainless steel with continuous welded seams.
- Doors secured with heavy-duty continuous hinges with removable hinge pins and key locking handle with three point latching system.
- Adhesive backed, oil resistant gasket applied to the doors.
- Unistrut® channel.
- Print pocket.
- Heavy-duty lifting eyes.
- Ground studs inside cabinet and door.
- Collar studs provided for mounting optional sub panel in back.

Accessories

- Sub panels include full size, half-size, side mount, and swing-out panels which can be mounted and adjusted for depth on the horizontal Unistrut® channel. Order sub panels separately.
- Clamping nuts for installing other equipment.

Finish

Standard ANSI-61 gray finish on interior and exterior of enclosures. Recoatable, smooth, white or RAL 7035 texture polyester powder coat available at no charge. Standard RAL and custom match finishes available for an additional charge, please contact Milbank for further assistance. All powder coat finishes applied over cleaned phosphatized surfaces. Carbon steel sub panels have a white polyester powder coat finish. Stainless steel enclosures have a polished #4 finish.

Options

Milbank can modify standard enclosures or custom design enclosures



according to your specifications. Holes, cutouts, sizes, materials, and many more options are available. Quotations upon request.

INDUSTRY STANDARDS

- UL 50 Listed
- CUL 50 Listed
- Type 12

Single Door Free-Standing Enclosures												
Catalog Number			Unit Size	Ship.	Full	Sub	Half	Sub Panel	Side	Side	# of	
Carbon Steel #	304 Stainless Steel #	316 Stainless Steel #	H x W x D (inches)	Wt. (lbs)	Sub Panel Part #	Panel Size H x W	Sub Panel Part #	Size H x W	Mounted Panel Part #	Panel H x W	Lift. Eyes	
M12FS602418	M12FSXS602418	M12FSXZ602418	60 x 24 x 18	240	A-60P24F1	48 x 20	A-60P24F2	24.88 x 20	A-60SMP14	48 x 14	2	
M12FS722418	M12FSXS722418	M12FSXZ722418	72 x 24 x 18	272	A-72P24F1	60 x 20	A-72P24F2	30.88 x 20	A-72SMP14	60 x 14	2	
M12FS723018	M12FSXS723018	M12FSXZ723018	72 x 30 x 18	285	A-72P30F1	60 x 26	A-72P30F2	30.88 x 26	A-72SMP14	60 x 14	2	
M12FS723618	M12FSXS723618	M12FSXZ723618	72 x 36 x 18	338	A-72P36F1	60 x 32	A-72P36F2	30.88 x 32	A-72SMP14	60 x 14	2	
M12FS902420	M12FSXS902420	M12FSXZ902420	90 x 24 x 20	315	A-90P24F1	78 x 20	A-90P24F2	39.88 x 20	A-90SMP16	78 x 16	2	
M12FS903620	M12FSXS903620	M12FSXZ903620	90 x 36 x 20	430	A-90P36F1	78 x 32	A-90P36F2	39.88 x 32	A-90SMP16	78 x 16	2	
M12FS603624	M12FSXS603624	M12FSXZ603624	60 x 36 x 24	325	A-60P36F1	48 x 32	A-60P36F2	24.88 x 32	A-60SMP20	48 x 20	4	
M12FS722424	M12FSXS722424	M12FSXZ722424	72 x 24 x 24	300	A-72P24F1	60 x 20	A-72P24F2	30.88 x 20	A-72SMP20	60 x 20	4	
M12FS723024	M12FSXS723024	M12FSXZ723024	72 x 30 x 24	335	A-72P30F1	60 x 26	A-72P30F2	30.88 x 26	A-72SMP20	60 x 20	4	
M12FS723624	M12FSXS723624	M12FSXZ723624	72 x 36 x 24	370	A-72P36F1	60 x 32	A-72P36F2	30.88 x 32	A-72SMP20	60 x 20	4	
M12FS903624	M12FSXS903624	M12FSXZ903624	90 x 36 x 24	460	A-90P36F1	78 x 32	A-90P36F2	39.88 x 32	A-90SMP20	78 x 20	4	
M12FS722430	M12FSXS722430	M12FSXZ722430	72 x 24 x 30	348	A-72P24F1	60 x 20	A-72P24F2	30.88 x 20	A-72SMP20	60 x 20	4	
M12FS723630	M12FSXS723630	M12FSXZ723630	72 x 36 x 30	428	A-72P36F1	60 x 32	A-72P36F2	30.88 x 32	A-72SMP26	60 x 26	4	
M12FS723636	M12FSXS723636	M12FSXZ723636	72 x 36 x 36	465	A-72P36F1	60 x 32	A-72P36F2	30.88 x 32	A-72SMP32	60 x 32	4	
M12FS903636	M12FSXS903636	M12FSXZ903636	90 x 36 x 36	560	A-90P36F1	78 x 32	A-90P36F2	39.88 x 32	A-90SMP32	78 x 32	4	

Note: Full, half, and side sub panels must be ordered separately.



Utility requirements for this equipment may vary. Always consult the serving utility for their requirements prior to ordering or installing this equipment. This product must be installed by a licensed electrician. Installation of this equipment may require local electrical inspector approval.

Freestanding Enclosures

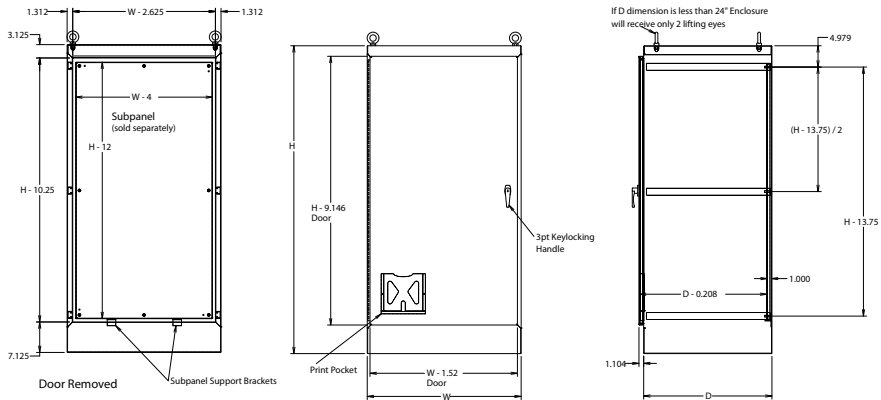
Type 12 | Single Door & Dual Access

77
TYPE 12
FREESTANDING
ENCLOSURES

Single Door Dual Access Enclosures							
Catalog Number			Enclosure Size H x W x D (inches)	Ship. Wt. (lbs)	Full Sub Panel Part #	Sub Panel Size H x W (inches)	Lifting Eyes
Carbon Steel #	304 Stainless Steel #	316 Stainless Steel #					
M12FSDA722424	M12FSDAXS722424	M12FSDAXZ722424	72 x 24 x 24	335	A-72P24F1	60 x 20	4
M12FSDA723024	M12FSDAXS723024	M12FSDAXZ723024	72 x 30 x 24	385	A-72P30F1	60 x 26	4
M12FSDA723624	M12FSDAXS723624	M12FSDAXZ723624	72 x 36 x 24	424	A-72P36F1	60 x 32	4
M12FSDA903624	M12FSDAXS903624	M12FSDAXZ903624	90 x 36 x 24	536	A-90P36F1	78 x 32	4
M12FSDA722430	M12FSDAXS722430	M12FSDAXZ722430	72 x 24 x 30	385	A-72P24F1	60 x 20	4
M12FSDA722436	M12FSDAXS722436	M12FSDAXZ722436	72 x 24 x 36	425	A-72P24F1	60 x 20	4
M12FSDA723636	M12FSDAXS723636	M12FSDAXZ723636	72 x 36 x 36	495	A-72P36F1	60 x 32	4
M12FSDA903636	M12FSDAXS903636	M12FSDAXZ903636	90 x 36 x 36	555	A-90P36F1	78 x 32	4

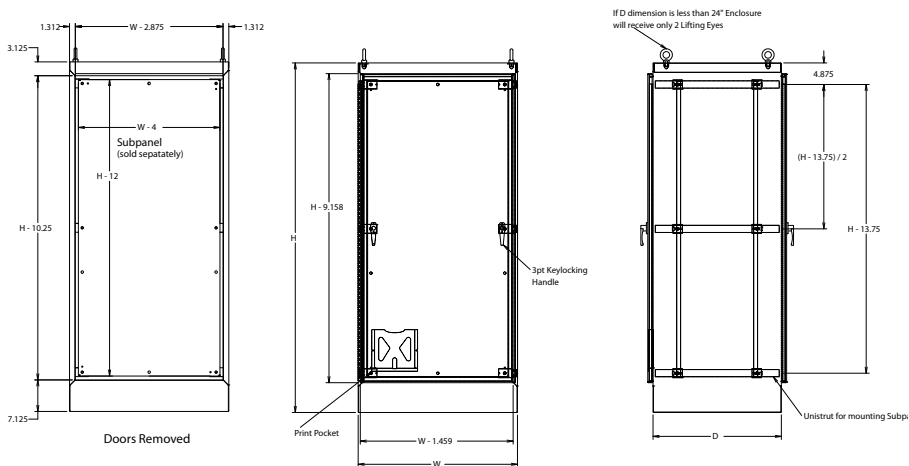


M12FS Single Door



Note: 9" x 9" Print pocket shipped inside enclosure.

M12FSDA Single Door Dual Access



Note: 9" x 9" Print pocket shipped inside enclosure.

Utility requirements for this equipment may vary. Always consult the serving utility for their requirements prior to ordering or installing this equipment. This product must be installed by a licensed electrician. Installation of this equipment may require local electrical inspector approval.



Freestanding Enclosures

Type 12 | Two Door & Two Door Dual Access

Applications

Provide protection for electrical terminals, controls, and instruments from dirt, dust, dripping liquids, and oil. Freestanding enclosures are designed to accept Unistrut® mounted sub panels, rack angles or other adjustable mount equipment.

Construction

- Fabricated from 10 and 12 gauge carbon steel, type 304 or 12 gauge type 316 stainless steel with continuously welded seams.
- Doors secured with heavy-duty continuous hinges with removable hinge pins and key locking handle with three point latching system.
- Adhesive backed, oil resistant gasket applied to the doors.
- Unistrut® channel.
- Print pocket.
- Heavy-duty lifting bolts.
- Ground studs inside cabinet and door.
- Body stiffeners for extra rigidity where needed (not applicable for dual access).
- Collar studs provided for mounting

optional sub panel in back.

Accessories

- Sub panels include full size, half-size, side mount, and swing-out panels. Sub-panels can be mounted and adjusted for depth on the horizontal Unistrut® channel. Order sub panels separately.
- Clamping nuts for installing other equipment.
- Center panel supports.

Finish

Standard ANSI-61 gray finish on interior and exterior of enclosures. Recoatable, smooth, white or RAL 7035 texture polyester powder coat available at no charge. Standard RAL and custom match finishes available for an additional charge, please contact Milbank for further assistance. All powder coat finishes applied over cleaned phosphatized surfaces. Carbon steel sub panels have a white polyester powder coat finish. Stainless steel enclosures have a polished #4 finish.



Options

Milbank can modify standard enclosures or custom design enclosures according to your specifications. Holes, cutouts, sizes, materials, and many more options are available. Quotations upon request.

Industry Standards

- UL 50 Listed
- CUL 50 Listed
- Type 12

Two Door Free-Standing Enclosures											
Catalog Number			Unit Size H x W x D (inches)	Ship. Wt. (lbs)	Full Sub Panel Part #	Sub Panel Size H x W	Half Sub Panel Part #	Sub Panel Size H x W	Side Mounted Panel Part #	Side Panel H x W	# of Lift. Eyes
Carbon Steel #	304 Stainless Steel #	316 Stainless Steel #									
M12FSD604818	M12FSDXS604818	M12FSDXZ604818	60 x 48 x 18	430	A-60P48F1	48 x 44	A-60P48F2	24.88 x 44	A-60SMP14	48 x 14	2
M12FSD724818	M12FSDXS724818	M12FSDXZ724818	72 x 48 x 18	492	A-72P48F1	60 x 44	A-72P48F2	30.88 x 44	A-72SMP14	60 x 14	2
M12FSD726018	M12FSDXS726018	M12FSDXZ726018	72 x 60 x 18	568	A-72P60F1	60 x 56	A-72P60F2	30.88 x 56	A-72SMP14	60 x 14	2
M12FSD727218	M12FSDXS727218	M12FSDXZ727218	72 x 72 x 18	645	A-72P72F1	60 x 68	A-72P72F2	30.88 x 32	A-72SMP14	60 x 14	2
M12FSD904820	M12FSDXS904820	M12FSDXZ904820	90 x 48 x 20	590	A-90P48F1	78 x 44	A-90P48F2	39.88 x 44	A-90SMP16	78 x 16	2
M12FSD907220	M12FSDXS907220	M12FSDXZ907220	90 x 72 x 20	783	A-90P72F1	78 x 68	A-90P72F2	39.88 x 68	A-90SMP16	78 x 16	2
M12FSD724824	M12FSDXS724824	M12FSDXZ724824	72 x 48 x 24	530	A-72P48F1	60 x 44	A-72P48F2	30.88 x 44	A-72SMP20	68 x 20	4
M12FSD726024	M12FSDXS726024	M12FSDXZ726024	72 x 60 x 24	645	A-72P60F1	60 x 20	A-72P60F2	30.88 x 20	A-72SMP20	60 x 20	4
M12FSD727224	M12FSDXS727224	M12FSDXZ727224	72 x 72 x 24	694	A-72P72F1	60 x 68	A-72P72F2	30.88 x 68	A-72SMP20	60 x 20	4
M12FSD907224	M12FSDXS907224	M12FSDXZ907224	90 x 72 x 24	825	A-90P72F1	78 x 68	A-90P72F2	39.88 x 68	A-90SMP20	78 x 20	4
M12FSD726036	M12FSDXS726036	M12FSDXZ726036	72 x 60 x 36	750	A-72P60F1	60 x 56	A-72P60F2	30.88 x 56	A-72SMP32	60 x 32	4
M12FSD907236	M12FSDXS907236	M12FSDXZ907236	90 x 72 x 36	1000	A-90P72F1	78 x 68	A-90P72F2	39.88 x 68	A-90SMP32	78 x 32	4



Utility requirements for this equipment may vary. Always consult the serving utility for their requirements prior to ordering or installing this equipment. This product must be installed by a licensed electrician. Installation of this equipment may require local electrical inspector approval.

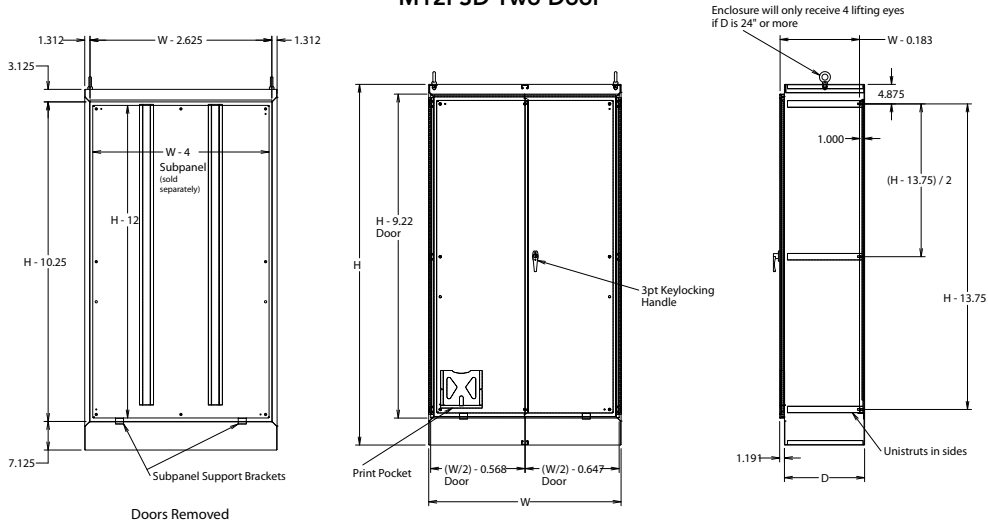
Freestanding Enclosures

Type 12 | Two Door & Two Door Dual Access

79
TYPE 12
FREESTANDING
ENCLOSURES

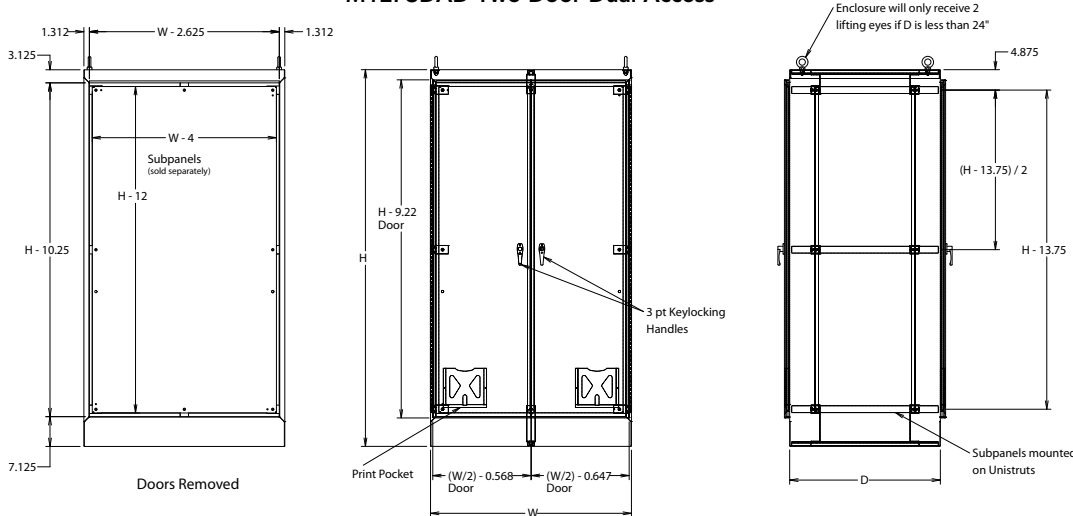
Two Door Dual Access Enclosures							
Catalog Number			Enclosure Size H x W x D (inches)	Ship. Weight (lbs)	Full Sub Panel Part #	Sub Panel Size H x W (inches)	Lift. Eyes
Carbon Steel #	304 Stainless Steel #	316 Stainless Steel #					
M12FSDAD724824	M12FSDADXS724824	M12FSDADXZ724824	72 x 48 x 24	595	A-72P48F1	60 x 44	4
M12FSDAD726024	M12FSDADXS726024	M12FSDADXZ726024	72 x 60 x 24	615	A-72P60F1	60 x 56	4
M12FSDAD727224	M12FSDADXS727224	M12FSDADXZ727224	72 x 72 x 24	695	A-72P72F1	60 x 68	4
M12FSDAD907224	M12FSDADXS907224	M12FSDADXZ907224	90 x 72 x 24	825	A-90P72F1	78 x 68	4
M12FSDAD726036	M12FSDADXS726036	M12FSDADXZ726036	72 x 60 x 36	750	A-72P60F1	60 x 56	4

M12FSD Two Door



Note: 9" x 9" print pocket shipped inside enclosure.

M12FSDAD Two Door Dual Access



Note: 9" x 9" print pocket shipped inside enclosure.

Utility requirements for this equipment may vary. Always consult the serving utility for their requirements prior to ordering or installing this equipment. This product must be installed by a licensed electrician. Installation of this equipment may require local electrical inspector approval.



80

TYPE 12
MULTI-DOOR
ENCLOSURES
WITH SUB
PANELS

Multi-Door Enclosures with Sub Panels

Type 12



Applications

Designed to house electrical controls, terminals and instruments; providing protection from dust, dirt, oil and water.

Construction

- Fabricated from 10 and 12 gauge carbon steel with continuously welded seams.
- Adhesive backed, oil resistant gasket applied to the doors. Overlapping doors which eliminate the need for a center post.
- Each enclosure is equipped with heavy duty lifting eyes, body stiffeners, 3-point padlocking handles, removable print pockets,

provision for fluorescent lighting and mechanical interlock with right hand door serving as master door.

- 5-door will be split into 3-door and 2-door sections to be shipped assembled or separate.
- Sub panels must be listed separately when ordering enclosures.

Finish

Standard ANSI-61 gray finish on interior and exterior of enclosures. Recoatable, smooth, white or RAL 7035 texture polyester powder coat available at no charge. Standard RAL and custom match finishes available for an additional charge, please contact

Milbank for further assistance. All powder coat finishes applied over cleaned phosphatized surfaces. Carbon steel sub panels have a white polyester powder coat finish.

Options

Milbank can modify standard enclosures or custom design enclosures according to your specifications. Holes, cutouts, sizes, materials, and many more options are available. Quotations upon request.

Industry Standards

- UL 50 Listed
- CUL 50 Listed
- Type 12

Catalog Number	# of Doors	Enclosure Size H x W x D (inches)	Ship. Wt. (lbs)	Sub Panel Part #	Sub Panel 1 Size H x W (inches)	Sub Panel Part #	Sub Panel 2 Size H x W (inches)	# of Lifting Eyes
M123D8611214	3	86.12 x 112 x 14.12	1690	A-78X70	(1) 78 x 70	A-78P34	(1) 78 x 34	4
M124D8614914	4	86.12 x 149.19 x 14.12	1850	A-78X70	(2) 78 x 70	—	—	8
M125D8618714	5	86.12 x 187 x 14.12	2200	A-78X70	(2) 78 x 70	A-78P34	(1) 78 x 34	8
M123D8611220	3	86.12 x 112 x 20.12	1850	A-78X70	(1) 78 x 70	A-78P34	(1) 78 x 34	4
M124D8614920	4	86.12 x 149.19 x 20.12	2000	A-78X70	(2) 78 x 70	—	—	8
M125D8618720	5	86.12 x 187 x 20.12	2900	A-78X70	(2) 78 x 70	A-78P34	(1) 78 x 34	8



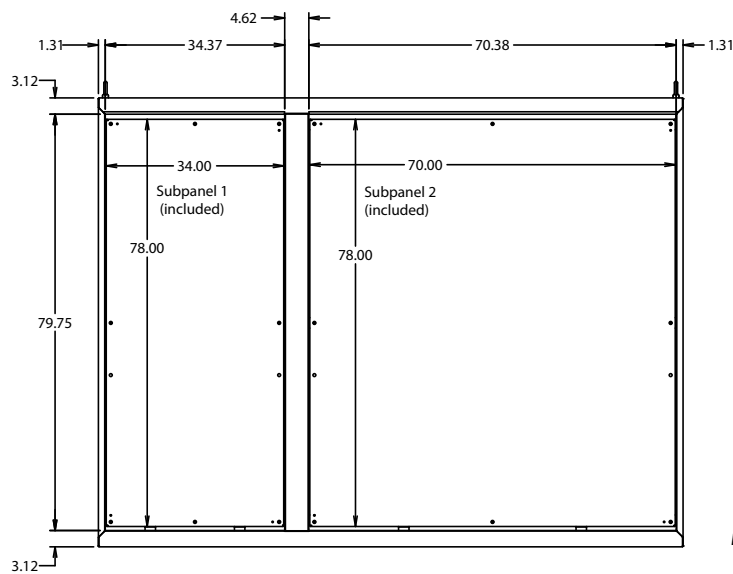
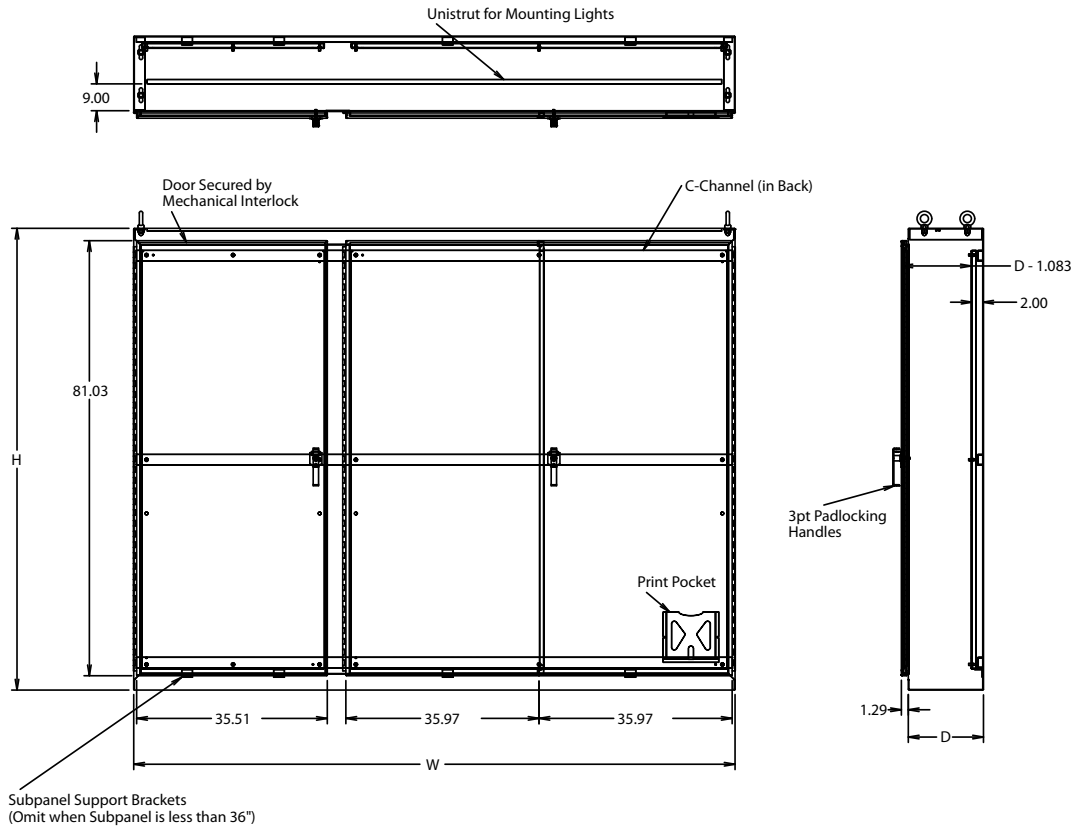
Utility requirements for this equipment may vary. Always consult the serving utility for their requirements prior to ordering or installing this equipment. This product must be installed by a licensed electrician. Installation of this equipment may require local electrical inspector approval.

Multi-Door Enclosures with Sub Panels

Type 12

81
TYPE 12
MULTI-DOOR
ENCLOSURES
WITH SUB
PANELS

M123D



Note: 9" x 9" print pocket shipped inside enclosure.

Doors Removed

Utility requirements for this equipment may vary. Always consult the serving utility for their requirements prior to ordering or installing this equipment. This product must be installed by a licensed electrician. Installation of this equipment may require local electrical inspector approval.



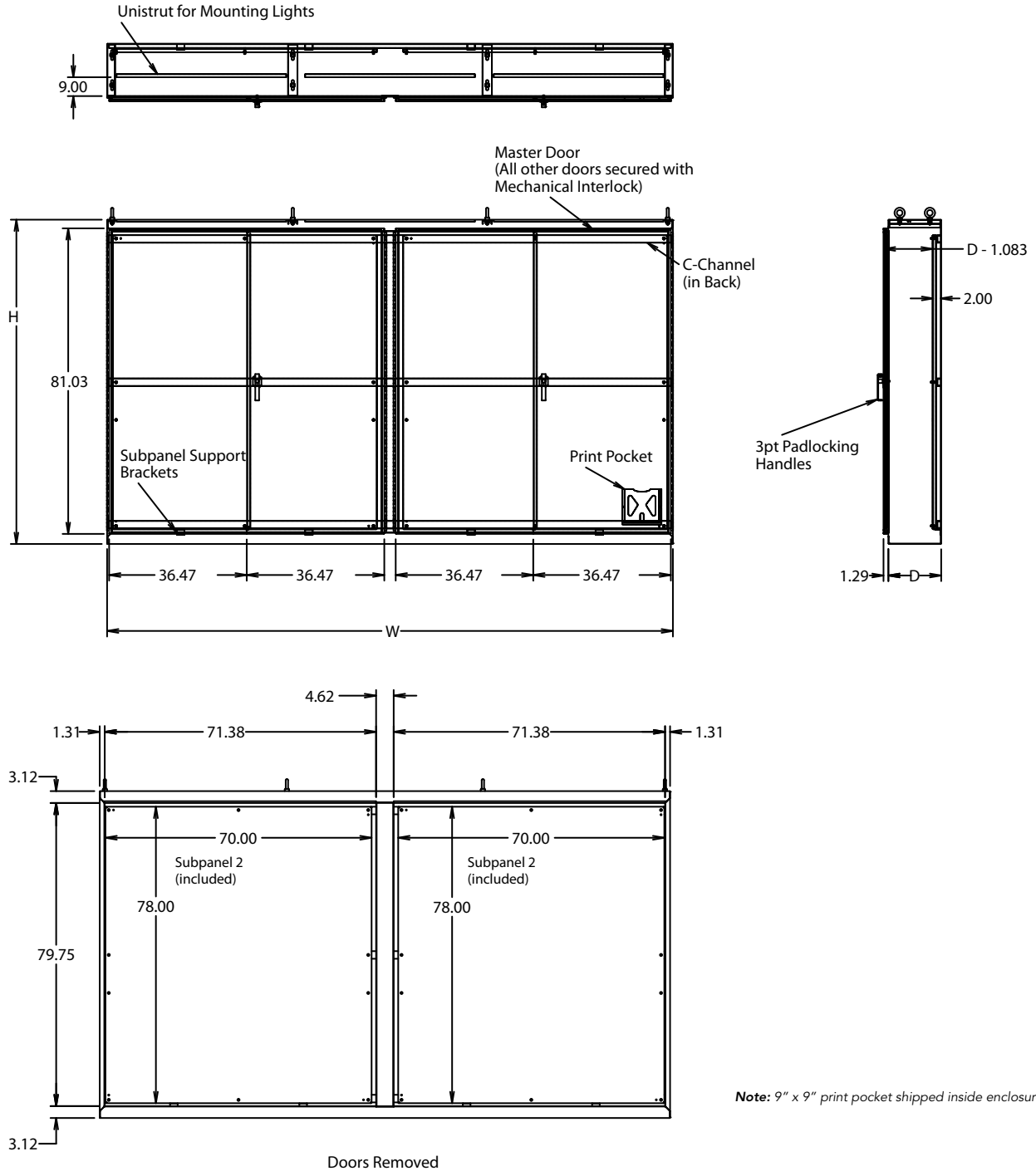
82

TYPE 12
MULTI-DOOR
ENCLOSURES
WITH SUB
PANELS

Multi-Door Enclosures with Sub Panels

Type 12

M124D



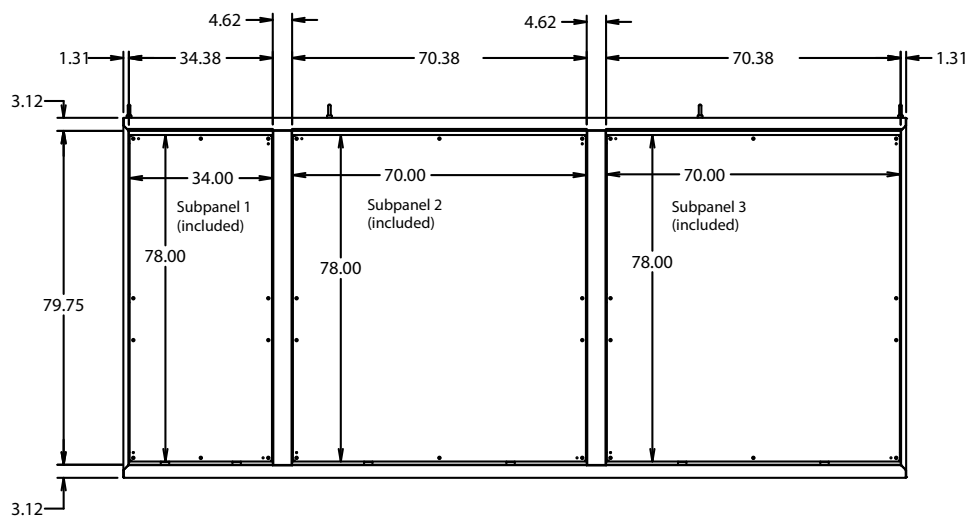
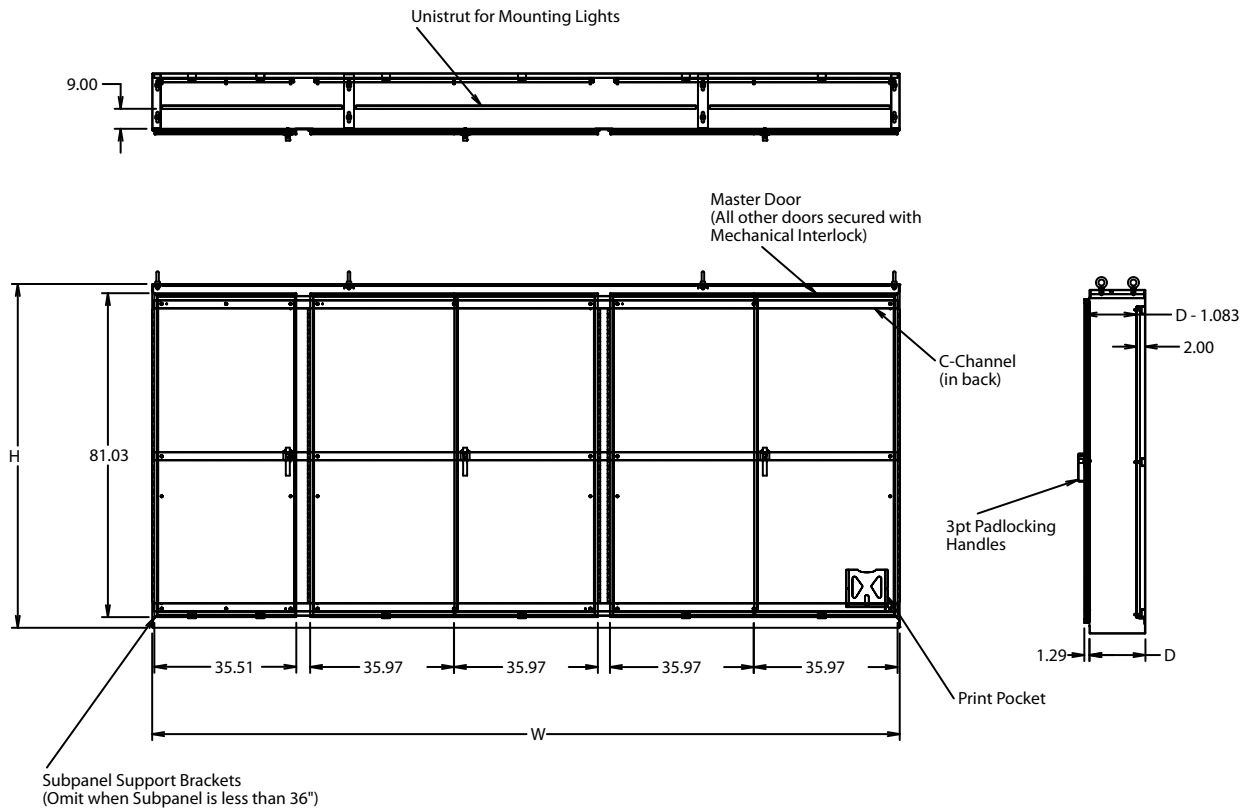
Utility requirements for this equipment may vary. Always consult the serving utility for their requirements prior to ordering or installing this equipment. This product must be installed by a licensed electrician. Installation of this equipment may require local electrical inspector approval.

Multi-Door Enclosures with Sub Panels

Type 12

83
TYPE 12
MULTI-DOOR
ENCLOSURES
WITH SUB
PANELS

M125D



Doors Removed

Note: 9" x 9" print pocket shipped inside enclosure.

Utility requirements for this equipment may vary. Always consult the serving utility for their requirements prior to ordering or installing this equipment. This product must be installed by a licensed electrician. Installation of this equipment may require local electrical inspector approval.



Applications

Designed to accommodate Allen-Bradley, Cutler-Hammer, General Electric, Square D, Westinghouse, and Siemens/ITE flange mount disconnect switches and circuit breakers and protect them from dust, dripping liquids, dirt and oil. For disconnect order information see page 90.

Construction

- Fabricated from 14 gauge carbon steel, type 304 or type 316 stainless steel.
- Door is secured with heavy-duty continuous hinge with removable hinge pin.
- Provided with black anodized padlocking handle with defeater mechanism and two or three point latching system.
- Adhesive backed, oil resistant gasket applied to the doors.
- Print pocket.
- External mounting feet for wall or

machinery mounting.

- Ground studs installed inside cabinet and door.
- Collar studs provided for mounting optional sub panels.

Finish

Standard ANSI-61 gray finish on interior and exterior of enclosures. Recoatable, smooth, white or RAL 7035 texture polyester powder coat available at no charge. Standard RAL and custom match finishes available for an additional charge, please contact Milbank for further assistance. All powder coat finishes applied over cleaned phosphatized surfaces. Carbon steel sub panels have a white polyester powder coat finish. Stainless steel enclosures have a polished #4 finish.

Options

Milbank can modify standard enclosures or custom design enclosures according to your specifications. Holes,



cutouts, sizes, materials, and many more options are available. Quotations upon request.

Industry Standards

- UL 50 Listed
- CUL 50 Listed
- Type 12

NOTE

These enclosures will not accept Allen-Bradley 1494F and 1494D circuit breaker operators (see page 90).

Carbon Steel #	Catalog Number		Enclosure Size H x W x D (inches)	Ship. Weight (lbs)	Sub Panel Part Number	Sub Panel Size H x W (inches)
	304 Stainless Steel #	316 Stainless Steel #				
M12S202108-FD-H	M12XS202108-FD-H	M12XZ202108-FD-H	20 x 21.38 x 8	44	A-20P20	17 x 17
M12S242108-FD-H	M12XS242108-FD-H	M12XZ242108-FD-H	24 x 21.38 x 8	51	A-24P20	21 x 17
M12S242508-FD-H	M12XS242508-FD-H	M12XZ242508-FD-H	24 x 25.38 x 8	58	A-24P24	21 x 21
M12S302108-FD-H	M12XS302108-FD-H	M12XZ302108-FD-H	30 x 21.38 x 8	59	A-30P20	27 x 17
M12S302508-FD-H	M12XS302508-FD-H	M12XZ302508-FD-H	30 x 25.38 x 8	63	A-30P24	27 x 21
M12S362508-FD-H	M12XS362508-FD-H	M12XZ362508-FD-H	36 x 25.38 x 8	77	A-36P24	33 x 21
M12S363108-FD-H	M12XS363108-FD-H	M12XZ363108-FD-H	36 x 31.38 x 8	94	A-36P30	33 x 27
M12S423108-FD-H	M12XS423108-FD-H	M12XZ423108-FD-H	42 x 31.38 x 8	109	A-42P30	39 x 27
M12S423708-FD-H	M12XS423708-FD-H	M12XZ423708-FD-H	42 x 37.38 x 8	128	A-42P36	39 x 33
M12S483708-FD-H	M12XS483708-FD-H	M12XZ483708-FD-H	48 x 37.38 x 8	137	A-48P36	45 x 33
M12S603708-FD-H	M12XS603708-FD-H	M12XZ603708-FD-H	60 x 37.38 x 8	153	A-60P36	57 x 33
M12S202110-FD-H	M12XS202110-FD-H	M12XZ202110-FD-H	20 x 21.38 x 10	45	A-20P20	17 x 17
M12S242110-FD-H	M12XS242110-FD-H	M12XZ242110-FD-H	24 x 21.38 x 10	55	A-24P20	21 x 17
M12S242510-FD-H	M12XS242510-FD-H	M12XZ242510-FD-H	24 x 25.38 x 10	60	A-24P24	21 x 21



Utility requirements for this equipment may vary. Always consult the serving utility for their requirements prior to ordering or installing this equipment. This product must be installed by a licensed electrician. Installation of this equipment may require local electrical inspector approval.

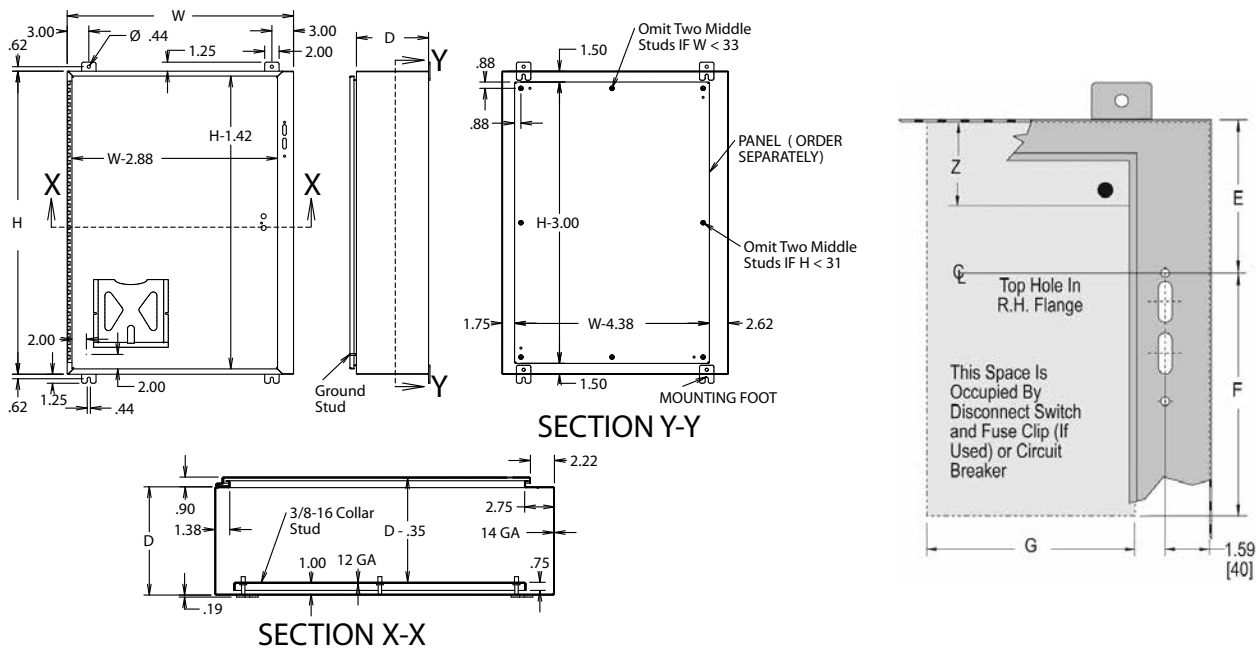
Disconnect Enclosures

Type 12 | Wall Mount | Single Door with Handles

85
TYPE 12
WALL MOUNT
DISCONNECT
ENCLOSURES

Catalog Number			Enclosure Size H x W x D (inches)	Ship. Weight (lbs)	Sub Panel Part Number	Sub Panel Size H x W (inches)
Carbon Steel #	304 Stainless Steel #	316 Stainless Steel #				
M12S302110-FD-H	M12XS302110-FD-H	M12XZ302110-FD-H	30 x 21.38 x 10	59	A-30P20	27 x 17
M12S302510-FD-H	M12XS302510-FD-H	M12XZ302510-FD-H	30 x 25.38 x 10	71	A-30P24	27 x 21
M12S362510-FD-H	M12XS362510-FD-H	M12XZ362510-FD-H	36 x 25.38 x 10	82	A-36P24	33 x 21
M12S363110-FD-H	M12XS363110-FD-H	M12XZ363110-FD-H	36 x 31.38 x 10	105	A-36P30	33 x 27
M12S423110-FD-H	M12XS423110-FD-H	M12XZ423110-FD-H	42 x 31.38 x 10	119	A-42P30	39 x 27
M12S423710-FD-H	M12XS423710-FD-H	M12XZ423710-FD-H	42 x 37.38 x 10	139	A-42P36	39 x 33
M12S483710-FD-H	M12XS483710-FD-H	M12XZ483710-FD-H	48 x 37.38 x 10	148	A-48P36	45 x 33
M12S603710-FD-H	M12XS603710-FD-H	M12XZ603710-FD-H	60 x 37.38 x 10	178	A-60P36	57 x 33
M12S302510-FD-H	M12XS302510-FD-H	M12XZ302510-FD-H	30 x 25.38 x 12	76	A-30P24	27 x 21
M12S363112-FD-H	M12XS363112-FD-H	M12XZ363112-FD-H	36 x 31.38 x 12	103	A-36P30	33 x 27
M12S423112-FD-H	M12XS423112-FD-H	M12XZ423112-FD-H	42 x 31.38 x 12	123	A-42P30	39 x 27
M12S423712-FD-H	M12XS423712-FD-H	M12XZ423712-FD-H	42 x 37.38 x 12	138	A-42P36	39 x 33
M12S483712-FD-H	M12XS483712-FD-H	M12XZ483712-FD-H	48 x 37.38 x 12	153	A-48P36	45 x 33
*M12S603712-FD-H	*M12XS603712-FD-H	*M12XZ603712-FD-H	60 x 37.38 x 12	183	A-60P36	57 x 33
M12S363116-FD-H	M12XS363116-FD-H	M12XZ363116-FD-H	36 x 31.38 x 16	117	A-36P30	33 x 27
M12S483716-FD-H	M12XS483716-FD-H	M12XZ483716-FD-H	48 x 37.38 x 16	175	A-48P36	45 x 33
M12S603716-FD-H	M12XS603716-FD-H	M12XZ603716-FD-H	60 x 37.38 x 16	200	A-60P36	57 x 33

*M12S603712-FD-H, M12XS603712-FD-H, and M12XZ603712-FD-H accept ABV 1494V 400 and 600 amp and ITE 800/1200 amp only.
Note: Sub panels must be listed separately when ordering enclosures.



Notes:

- Print pocket = 6" x 6" when H and W are 24" or less.
Print pocket = 9" x 9" when H and W are greater than 24".
- Panels will have formed flanges when either height or width is greater than 18".
- When H=40" or greater, the handle is centered in the height and includes a three point latch system. When H is less than 40" the handle is at the bottom and includes a two point latch system.

Space Occupied By Disconnects

E = 4.75 when D = 8.00
E = 7.09 when D = 10.00
E = 11.62 when D = 12.00
E = 11.62 when D = 16.00
E = 18.38 for M12S603712-FD-H
Z = Wire Bend Spacing

See charts on pages 109-115 for "E", "G", and "Z" dimensions which cover space occupied by disconnect and wire bend spacing. Disconnects occupy the space indicated by "E", "F", and "G".

Utility requirements for this equipment may vary. Always consult the serving utility for their requirements prior to ordering or installing this equipment. This product must be installed by a licensed electrician. Installation of this equipment may require local electrical inspector approval.



Disconnect Enclosures

Type 12 | Wall Mount | Single Door without Handles

Applications

Designed to accommodate Allen-Bradley, Cutler-Hammer, General Electric, Square D, Westinghouse, and Siemens/ITE flange mount disconnect switches and circuit breakers and protect them from dust, dripping liquids, dirt and oil. For Disconnect order information see page 90.

Construction

- Fabricated from 14 gauge carbon steel, type 304 or type 316 stainless steel.
- Door is secured with heavy-duty continuous hinge with removable hinge pin.
- Punching available for manufacturers door hardware.
- Adhesive backed, oil resistant gasket applied to the doors.
- Print pocket.
- External mounting feet for wall or machinery mounting.

- Ground studs installed inside cabinet and door.
- Collar studs provided for mounting optional sub panels.

Finish

Standard ANSI-61 gray finish on interior and exterior of enclosures. Recoatable, smooth, white or RAL 7035 texture polyester powder coat available at no charge. Standard RAL and custom match finishes available for an additional charge, please contact Milbank for further assistance. All powder coat finishes applied over cleaned phosphatized surfaces. Carbon steel sub panels have a white polyester powder coat finish. Stainless steel enclosures have a polished #4 finish.

Options

Milbank can modify standard enclosures or custom design enclosures according to your specifications. Holes,



cutouts, sizes, materials, and many more options are available.

Industry Standards

- UL 50 Listed
- CUL 50 Listed
- Type 12

NOTE

These enclosures will not accept Allen-Bradley 1494F and 1494D circuit breaker operators (see page 90).

Catalog Number			Enclosure Size H x W x D (inches)	Ship. Weight (lbs)	Sub Panel Part Number	Sub Panel Size H x W (inches)
Carbon Steel #	304 Stainless Steel #	316 Stainless Steel #				
M12S202108-FD	M12XS202108-FD	M12XZ202108-FD	20 x 21.38 x 8	44	A-20P20	17 x 17
M12S242108-FD	M12XS242108-FD	M12XZ242108-FD	24 x 21.38 x 8	51	A-24P20	21 x 17
M12S242508-FD	M12XS242508-FD	M12XS242508-FD	24 x 25.38 x 8	58	A-24P24	21 x 21
M12S302108-FD	M12XS302108-FD	M12XS302108-FD	30 x 21.38 x 8	59	A-30P20	27 x 17
M12S302508-FD	M12XS302508-FD	M12XS302508-FD	30 x 25.38 x 8	63	A-30P24	27 x 21
M12S362508-FD	M12XS362508-FD	M12XS362508-FD	36 x 25.38 x 8	77	A-36P24	33 x 21
M12S363108-FD	M12XS363108-FD	M12XS363108-FD	36 x 31.38 x 8	94	A-36P30	33 x 27
M12S423108-FD	M12XS423108-FD	M12XS423108-FD	42 x 31.38 x 8	109	A-42P30	39 x 27
M12S423708-FD	M12XS423708-FD	M12XS423708-FD	42 x 37.38 x 8	128	A-42P36	39 x 33
M12S483708-FD	M12XS483708-FD	M12XS483708-FD	48 x 37.38 x 8	137	A-48P36	45 x 33
M12S603708-FD	M12XS603708-FD	M12XS603708-FD	60 x 37.38 x 8	153	A-60P36	57 x 33
M12S202110-FD	M12XS202110-FD	M12XZ202110-FD	20 x 21.38 x 10	45	A-20P20	17 x 17
M12S242110-FD	M12XS242110-FD	M12XZ242110-FD	24 x 21.38 x 10	55	A-24P20	21 x 17
M12S242510-FD	M12XS242510-FD	M12XZ242510-FD	24 x 25.38 x 10	60	A-24P24	21 x 21
M12S302110-FD	M12XS302110-FD	M12XZ302110-FD	30 x 21.38 x 10	59	A-30P20	27 x 17
M12S302510-FD	M12XS302510-FD	M12XZ302510-FD	30 x 25.38 x 10	71	A-30P24	27 x 21



Utility requirements for this equipment may vary. Always consult the serving utility for their requirements prior to ordering or installing this equipment. This product must be installed by a licensed electrician. Installation of this equipment may require local electrical inspector approval.

Disconnect Enclosures

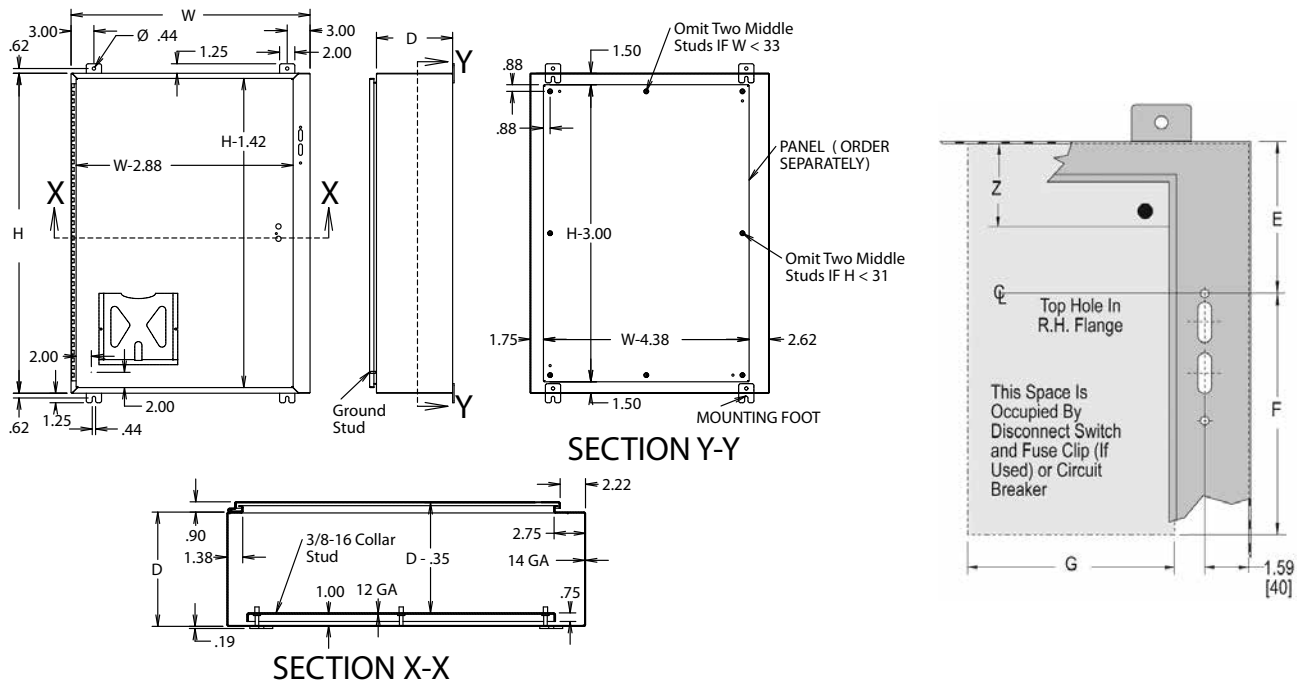
Type 12 | Wall Mount | Single Door without Handles

87
TYPE 12
WALL MOUNT
DISCONNECT
ENCLOSURES

Catalog Number			Enclosure Size H x W x D (inches)	Ship. Weight (lbs)	Sub Panel Part Number	Sub Panel Size H x W (inches)
Carbon Steel #	304 Stainless Steel #	316 Stainless Steel #				
M12S362510-FD	M12XS362510-FD	M12XZ362510-FD	36 x 25.38 x 10	82	A-36P24	33 x 21
M12S363110-FD	M12XS363110-FD	M12XZ363110-FD	36 x 31.38 x 10	105	A-36P30	33 x 27
M12S423110-FD	M12XS423110-FD	M12XZ423110-FD	42 x 31.38 x 10	119	A-42P30	39 x 27
M12S423710-FD	M12XS423710-FD	M12XZ423710-FD	42 x 37.38 x 10	139	A-42P36	39 x 33
M12S483710-FD	M12XS483710-FD	M12XZ483710-FD	48 x 37.38 x 10	148	A-48P36	45 x 33
M12S603710-FD	M12XS603710-FD	M12XZ603710-FD	60 x 37.38 x 10	178	A-60P36	57 x 33
M12S302512-FD	M12XS302512-FD	M12XZ302512-FD	30 x 25.38 x 12	76	A-30P24	27 x 21
M12S363112-FD	M12XS363112-FD	M12XZ363112-FD	36 x 31.38 x 12	103	A-36P30	33 x 27
M12S423112-FD	M12XS423112-FD	M12XZ423112-FD	42 x 31.38 x 12	123	A-42P30	39 x 27
M12S423712-FD	M12XS423712-FD	M12XZ423712-FD	42 x 37.38 x 12	138	A-42P36	39 x 33
M12S483712-FD	M12XS483712-FD	M12XZ483712-FD	48 x 37.38 x 12	153	A-48P36	45 x 33
*M12S603712-FD	*M12XS603712-FD	*M12XZ603712-FD	60 x 37.38 x 12	183	A-60P36	57 x 33
M12S363116-FD	M12XS363116-FD	M12XZ363116-FD	36 x 31.38 x 16	117	A-36P30	33 x 27
M12S483716-FD	M12XS483716-FD	M12XZ483716-FD	48 x 37.38 x 16	175	A-48P36	45 x 33
M12S603716-FD	M12XS603716-FD	M12XZ603716-FD	60 x 37.38 x 16	200	A-60P36	57 x 33

*M12S603712-FD-H, M12XS603712-FD-H, and M12XZ603712-FD-H accept ABV 1494V 400 and 600 amp and ITE 800/1200 amp only.

Note: Sub panels must be listed separately when ordering enclosures.



Notes:

1. Print pocket = 6" x 6" when H and W are 24" or less.
Print pocket = 9" x 9" when H and W are greater than 24".
2. Panels will have formed flanges when either height or width is greater than 18".
3. When H=40" or greater, the handle is centered in the height and includes a three point latch system. When H is less than 40" the handle is at the bottom and includes a two point latch system.

Space Occupied By Disconnects

- E = 4.75 when D = 8.00
- E = 7.09 when D = 10.25
- E = 11.62 when D = 12.00
- E = 11.62 when D = 16.00
- E = 18.38 for M12S603712-FD
- Z = Wire Bend Spacing

See charts on pages 106-115 for "E", "G", and "Z" dimensions which cover space occupied by disconnect and wire bend spacing. Disconnects occupy the space indicated by "E", "F", and "G".

Utility requirements for this equipment may vary. Always consult the serving utility for their requirements prior to ordering or installing this equipment. This product must be installed by a licensed electrician. Installation of this equipment may require local electrical inspector approval.



Disconnect Ordering Information

When ordering flange-mounted disconnects from the various manufacturers, be sure to order the necessary items. Each company has a different system, read through the following list of items required and refer to the charts on pages 109-115.

Use a Type 4 disconnect operating handle on the enclosure flange to provide corrosion resistance and maintain the enclosure rating. Items with an (*) preceding them are available from disconnect manufacturer as complete kits.

Allen-Bradley

When using a 1494V disconnect switch, order:

- *1. A disconnect switch with flange mounted operator. (Bulletin 1494V)
- *2. An operating handle (Bulletin 1494V-H1) Note: use (Bulletin 1494V-H2) operating handle when ordering 12WMRH-060-037-012-SDAV enclosure.
- *3. A connecting rod - Use (Bulletin 1494V-RA1) when D = 8.00 [203] or 10.25 [260] - Use (Bulletin 1494V-RA2) when D = 12.00 [305] or 16.00 [406] - Use (Bulletin 1494V-RB2) for 400A or 600A switch on 12WMRH-060-037-012-SDAV enclosure.
- *4. A trailer fuse block kit, if required (Bulletin 1494V)
- *5. A fuse clip kit, if required
- 6. Line and load connectors, if required

When using a Bulletin 1494V circuit breaker operating mechanism, order:

- 1. A circuit breaker (C-H/Westinghouse)
- 2. A circuit breaker operating mechanism (Bulletin 1494V)
- 3. An operating handle (Bulletin 1494V-H11)
- 4. A connecting rod - Use (Bulletin 1494V-RA1) when D = 8.00 [203] or 10.25 [260] - Use (Bulletin 1494V-RA2) when D = 12.00 [305] or 16.00 [406]

ABB Controls

When using a disconnect switch, order:

- 1. A flange-operated switch (fusible or non-fusible)
- 2. A shaft - Use (DSFHN-12) when D = 8.00 [203], 10.25 [260] or 12.00 [305] -

- when D = 16.00 [406] use (DSFHS-17)
- 3. A handle (DSFGN-HS12)

When using a circuit breaker, order:

- 1. A circuit breaker (ABB)
- *2. An operating mechanism
- *3. A shaft - Use (FHS-12) when D = 8.00 [203], 10.25 [260] or 12.00 [305] - when D = 16.00 [406] use (FHS-17)
- *4. A handle mechanism (FHN-HS12)

Cutler-Hammer/Westinghouse

When using a Type C361 disconnect switch, order:

- *1. A disconnect switch with an operating mechanism
- *2. An operating handle (C361H1 or C361H3)

When using a Type C371 circuit breaker operating mechanism with a C-H/Westinghouse circuit breaker, order:

- 1. A circuit breaker
- *2. An operating mechanism
- *3. An operating handle (C361H1 or C361H3)

When using a C-H/Westinghouse circuit breaker with a Type 4/4X Flex Shaft™ handle mechanism, order:

- 1. A circuit breaker
- 2. A complete Flex Shaft™ handle mechanism

General Electric

When using a disconnect switch, order:

- 1. A disconnect switch (Type QMR or QMW)
- 2. A fuse clip kit or no-fuse kit
- 3. A flange handle (STDA1 or STDA2)
- 4. A variable depth operating mechanism

When using a circuit breaker, order:

- 1. A circuit breaker
- 2. A flange handle (STDA1 or STDA2)
- 3. A variable depth operating mechanism

When using a circuit breaker with a Spectra Flex™ cable operator, order:

- 1. A circuit breaker
- 2. A flange-mounted handle mechanism
- 3. A breaker-mounted mechanism
- 4. An operating cable

I-T-E Siemens

When using a disconnect switch, order:

- 1. A basic switch (right hand)
- 2. A fuse or non-fuse kit
- 3. A flange-mounted handle (FHOHS)
- 4. Switch operator
- 5. Cable 36.00 inch

When using a circuit breaker, order:

- 1. A circuit breaker
- 2. Pressure wire connectors
- 3. A flange-mounted handle (FHOH) Note: use (FHOHN) for 12WMRH-060-037-012-SDAV enclosure
- 4. A circuit breaker operator mechanism
- 5. An operating cable - standard 36.00 inch for 125A to 600A circuit breakers - 48.00 inch for 800A to 1200A circuit breakers

Square D

When using a Class 9422 disconnect switch, order:

- *1. A disconnect switch with operating mechanism (Class 9422)
- *2. A handle mechanism (Class 9422 Type A-1)

When using a circuit breaker, order:

- 1. A circuit breaker (Square D)
- 2. An operating mechanism (Class 9422)
- 3. A handle mechanism (Class 9422 Type A-1)

When using a Class 9422 Type "T" disconnect switch with a cable mechanism, order:

- 1. A disconnect switch with operating mechanism (Class 9422, Type T)
- 2. A handle mechanism (Class 9422 Type A-1)
- 3. A cable mechanism (Class 9422 CFT_O) 3, 5, or 10 foot

When using a circuit breaker with a cable mechanism, order:

- 1. A circuit breaker (Square D)
- 2. A handle mechanism (Class 9422 Type A-1)
- 3. A cable mechanism (Class 9422 CFT_O) 3, 5, or 10 foot



Utility requirements for this equipment may vary. Always consult the serving utility for their requirements prior to ordering or installing this equipment. This product must be installed by a licensed electrician. Installation of this equipment may require local electrical inspector approval.

Disconnect Enclosures

Type 12 | Wall Mount Single Door | A-B 1494F & D

89
TYPE 12
WALL MOUNT
DISCONNECT
ENCLOSURES

Applications

Designed to accommodate Allen-Bradley 1494F and 1494D flange mount disconnect switches and circuit breakers and protect them from dust, dripping liquids, dirt and oil.

- Ground studs installed inside cabinet and door.
- Collar studs provided for mounting optional sub panels.

Construction

- Fabricated from 14 gauge carbon steel, type 304 or type 316 stainless steel with continuously welded seams.
- Door secured with heavy-duty continuous hinge with removable hinge pin.
- Provided with black zinc anodized padlocking handle with defeater mechanism and two or three point latching system.
- Adhesive backed, oil resistant gasket applied to the doors.
- Print pocket.
- External mounting feet for wall or machinery mounting.

Finish

Standard ANSI-61 gray finish on interior and exterior of enclosures. Recoatable, smooth, white or RAL 7035 texture polyester powder coat available at no charge. Standard RAL and custom match finishes available for an additional charge, please contact Milbank for further assistance. All powder coat finishes applied over cleaned phosphatized surfaces. Carbon steel sub panels have a white polyester powder coat finish. Stainless steel enclosures have a polished #4 finish.

Options

Milbank can modify standard enclosures or custom design enclosures according to your specifications. Holes,



cutouts, sizes, materials, and many more options are available.

Industry Standards

- UL 50 Listed
- CUL 50 Listed
- NEMA Type 12

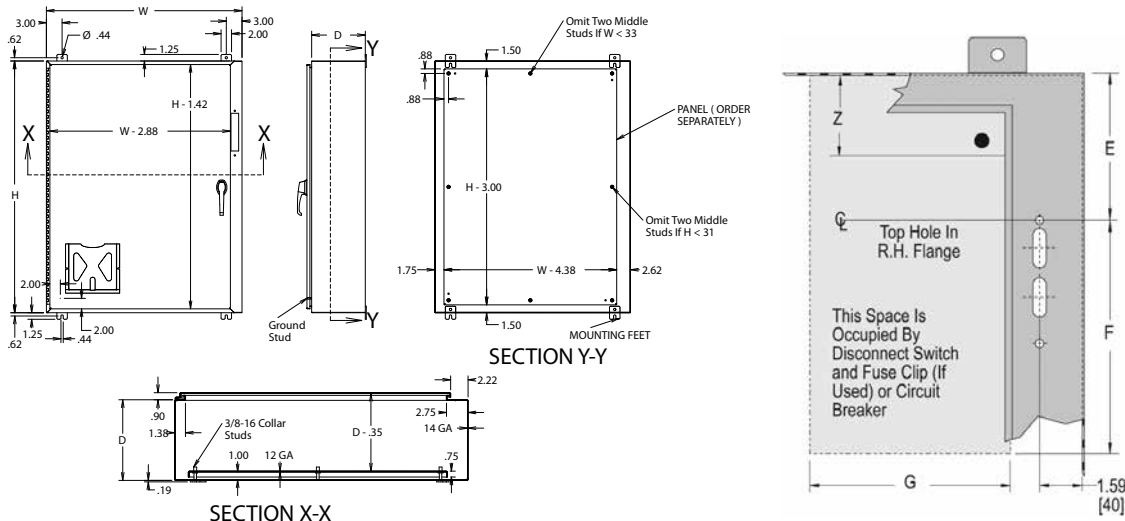
Catalog Number			Enclosure Size H x W x D (inches)	Ship Weight (lbs)	Sub Panel Part Number	Sub Panel Size H x W (inches)
Carbon Steel #	304 Stainless Steel #	316 Stainless Steel #				
M12SAB202108-FD-H	M12XSAB202108-FD-H	M12XZAB202108-FD-H	20 x 21.38 x 8	44	A-20P20	17 x 17
M12SAB242108-FD-H	M12XSAB242108-FD-H	M12XZAB242108-FD-H	24 x 21.38 x 8	51	A-24P20	21 x 17
M12SAB242508-FD-H	M12XSAB242508-FD-H	M12XZAB242508-FD-H	24 x 25.38 x 8	58	A-24P24	21 x 21
M12SAB302108-FD-H	M12XSAB302108-FD-H	M12XZAB302108-FD-H	30 x 21.38 x 8	59	A-30P20	27 x 17
M12SAB302508-FD-H	M12XSAB302508-FD-H	M12XZAB302508-FD-H	30 x 25.38 x 8	63	A-30P24	27 x 21
M12SAB362508-FD-H	M12XSAB362508-FD-H	M12XZAB362508-FD-H	36 x 25.38 x 8	77	A-36P24	33 x 21
M12SAB363108-FD-H	M12XSAB363108-FD-H	M12XZAB363108-FD-H	36 x 31.38 x 8	94	A-36P30	33 x 27
M12SAB423108-FD-H	M12XSAB423108-FD-H	M12XZAB423108-FD-H	42 x 31.38 x 8	109	A-42P30	39 x 27
M12SAB423708-FD-H	M12XSAB423708-FD-H	M12XZAB423708-FD-H	42 x 37.38 x 8	128	A-42P36	39 x 33
M12SAB483708-FD-H	M12XSAB483708-FD-H	M12XZAB483708-FD-H	48 x 37.38 x 8	137	A-48P36	45 x 33
M12SAB603708-FD-H	M12XSAB603708-FD-H	M12XZAB603708-FD-H	60 x 37.38 x 8	153	A-60P36	57 x 33
M12SAB202110-FD-H	M12XSAB202110-FD-H	M12XZAB202110-FD-H	20 x 21.38 x 10	45	A-20P20	17 x 17
M12SAB242110-FD-H	M12XSAB242110-FD-H	M12XZAB242110-FD-H	24 x 21.38 x 10	55	A-24P20	21 x 17
M12SAB242510-FD-H	M12XSAB242510-FD-H	M12XZAB242510-FD-H	24 x 25.38 x 10	60	A-24P24	21 x 21
M12SAB302110-FD-H	M12XSAB302110-FD-H	M12XZAB302110-FD-H	30 x 21.38 x 10	59	A-30P20	27 x 17
M12SAB302510-FD-H	M12XSAB302510-FD-H	M12XZAB302510-FD-H	30 x 25.38 x 10	71	A-30P24	27 x 21
M12SAB362510-FD-H	M12XSAB362510-FD-H	M12XZAB362510-FD-H	36 x 25.38 x 10	82	A-36P24	33 x 21
M12SAB363110-FD-H	M12XSAB363110-FD-H	M12XZAB363110-FD-H	36 x 31.38 x 10	105	A-36P30	33 x 27
M12SAB423110-FD-H	M12XSAB423110-FD-H	M12XZAB423110-FD-H	42 x 31.38 x 10	119	A-42P30	39 x 27

Utility requirements for this equipment may vary. Always consult the serving utility for their requirements prior to ordering or installing this equipment. This product must be installed by a licensed electrician. Installation of this equipment may require local electrical inspector approval.



Catalog Number			Enclosure Size H x W x D (inches)	Ship Weight (lbs)	Sub Panel Part Number	Sub Panel Size H x W (inches)
Carbon Steel #	304 Stainless Steel #	316 Stainless Steel #				
M12SAB423710-FD-H	M12XSAB423710-FD-H	M12XZAB423710-FD-H	42 x 37.38 x 10	139	A-42P36	39 x 33
M12SAB483710-FD	M12XSAB483710-FD	M12XZAB483710-FD	48 x 37.38 x 10	148	A-48P36	45 x 33
M12SAB603710-FD	M12XSAB603710-FD	M12XZAB603710-FD	60 x 37.38 x 10	178	A-60P36	57 x 33
M12SAB302512-FD	M12XSAB302512-FD	M12XZAB302512-FD	30 x 25.38 x 12	76	A-30P24	27 x 21
M12SAB363112-FD	M12XSAB363112-FD	M12XZAB363112-FD	36 x 31.38 x 12	103	A-36P30	33 x 27
M12SAB423112-FD	M12XSAB423112-FD	M12XZAB423112-FD	42 x 31.38 x 12	123	A-42P30	39 x 27
M12SAB423712-FD	M12XSAB423712-FD	M12XZAB423712-FD	42 x 37.37 x 12	138	A-42P36	39 x 33
M12SAB483712-FD	M12XSAB483712-FD	M12XZAB483712-FD	48 x 37.38 x 12	153	A-48P36	45 x 33
M12SAB603712-FD	M12XSAB603712-FD	M12XZAB603712-FD	60 x 37.38 x 12	183	A-60P36	57 x 33
M12SAB363116-FD	M12XSAB363116-FD	M12XZAB363116-FD	36 x 31.38 x 16	117	A-36P30	33 x 27
M12SAB483716-FD	M12XSAB483716-FD	M12XZAB483716-FD	48 x 37.38 x 16	175	A-48P36	45 x 33
M12SAB603716-FD	M12XSAB603716-FD	M12XZAB603716-FD	60 x 37.38 x 16	200	A-60P36	57 x 33
M12SAB483716-FD-A	M12XSAB483716-FD-A	M12SXZAB483716-FD-A	48 x 37.38 x 16	175	A-48P36	45 x 33
M12SAB603716-FD-A	M12XSAB603716-FD-A	M12SXZAB603716-FD-A	60 x 37.38 x 16	200	A-60P36	57 x 33

*Suitable for 200 amp disconnect switches and 1494F-L only. Note: Sub panels must be listed separately when ordering enclosures.



Space Occupied By Disconnects

E = 3.84 when D = 8.00
 E = 6.75 when D = 10.25
 E = 9.50 when D = 12.00 except for 200A switches
 E = 9.50 when D = 16.00
 E = 10.50 when D = 12.00 for enclosures with 200A switches
 Z = Wire Bend Spacing

See charts on pages 106-115 for "F", "G", and "Z" dimensions which cover space occupied by disconnect and wire bend spacing. Disconnects occupy the space indicated by "E", "F", and "G".

Notes:

- Print pocket = 6" x 6" when H and W are 24" or less.
Print pocket = 9" x 9" when H and W are greater than 24".
- Panels will have formed flanges when either height or width is greater than 18".
- When H=40" or greater, the handle is centered in the height and includes a three point latch system. When H is less than 40" the handle is at the bottom and includes a two point latch system.

Disconnect Ordering Information

When using a 1494F disconnect switch, order:

- A disconnect switch (30A, 60A, or 100A)
 - A fuse block adapter, if required
 - Line and load connectors, if required
- [Exception: M12SAB603712-FD enclosure requires one set (1494F-L4) 3-point latching hardware M12SAB603712-FD enclosure will only accept 200A (1494F) disconnect switch. This switch will not fit in any other size.]

When using a Bulletin 1494D circuit breaker operating mechanism, order:

- A circuit breaker (C-H/Westinghouse)
- A circuit breaker operating mechanism
- A slide mechanism



Utility requirements for this equipment may vary. Always consult the serving utility for their requirements prior to ordering or installing this equipment. This product must be installed by a licensed electrician. Installation of this equipment may require local electrical inspector approval.

Disconnect Enclosures

Type 12 | Floor Mount | Double Door Right Flange

91
TYPE 12
FLOOR MOUNT
DISCONNECT
ENCLOSURES

Applications

Designed to accommodate Allen-Bradley, Cutler-Hammer, General Electric, Square D, Westinghouse, and Telemechanique/ITE flange mount disconnect switches and circuit breakers and protect them from dust, dripping liquids, dirt and oil. For ordering information see page 95.

Construction

- Fabricated from 10 gauge carbon steel with continuously welded seams.
- Doors secured with continuous hinges with removable hinge pins.
- Black zinc anodized padlocking handle with built-in defeater mechanism (on the master door only) and three point latching system.
- Adhesive backed, oil resistant gasket applied to the doors.
- Removable center post for easy installation of the sub panel.
- 15-inch floor stands.
- Print pocket.
- Heavy-duty lifting eyes.

- Universal cutout provides mounting for most disconnect operators by using Adapter Kits.
- Ground studs installed inside cabinet and door.
- Collar studs provided for mounting optional sub panels.
- Body stiffeners for extra rigidity where needed.

Finish

Standard ANSI-61 gray finish on interior and exterior of enclosures. Recoatable, smooth, white or RAL 7035 texture polyester powder coat available at no charge. Standard RAL and custom match finishes available for an additional charge, please contact Milbank for further assistance. All powder coat finishes applied over cleaned phosphatized surfaces. Carbon steel sub panels have a white polyester powder coat finish.

Options

Milbank can modify standard



enclosures or custom design enclosures according to your specifications. Holes, cutouts, sizes, materials, and many more options are available. Quotations upon request.

Industry Standards

- UL 50 Listed
- CUL 50 Listed
- Type 12

Catalog Number	Enclosure Size H x W x D (inches)	Shipping Wt. (lbs)	Sub Panel Part Number	Sub Panel Size H x W (inches)
FD604912-FT	60 x 49.75 x 12	485	A-DD6048	56 x 44
FD606112-FT	60 x 61.75 x 12	535	A-DD6060	56 x 56
FD726112-FT	72 x 61.75 x 12	635	A-DD7260	68 x 56
FD727312-FT	72 x 73.75 x 12	710	A-DD7272	68 x 68
FD604918-FT	60 x 49.75 x 18	535	A-DD6048	56 x 44
FD606118-FT	60 x 61.75 x 18	630	A-DD6060	56 x 56
FD726118-FT	72 x 61.75 x 18	797	A-DD7260	68 x 56
FD727318-FT	72 x 73.75 x 18	845	A-DD7272	68 x 68
FD604924-FT	60 x 49.75 x 24	639	A-DD6048	56 x 44
FD606124-FT	60 x 61.75 x 24	727	A-DD6060	56 x 56
FD727324-FT	72 x 73.75 x 24	970	A-DD7272	68 x 68

Note: Adapter plates must be ordered separately. See page 157 for ordering information. Sub panels are also ordered separately.

Utility requirements for this equipment may vary. Always consult the serving utility for their requirements prior to ordering or installing this equipment. This product must be installed by a licensed electrician. Installation of this equipment may require local electrical inspector approval.

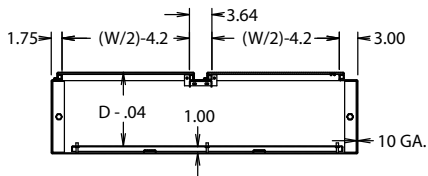
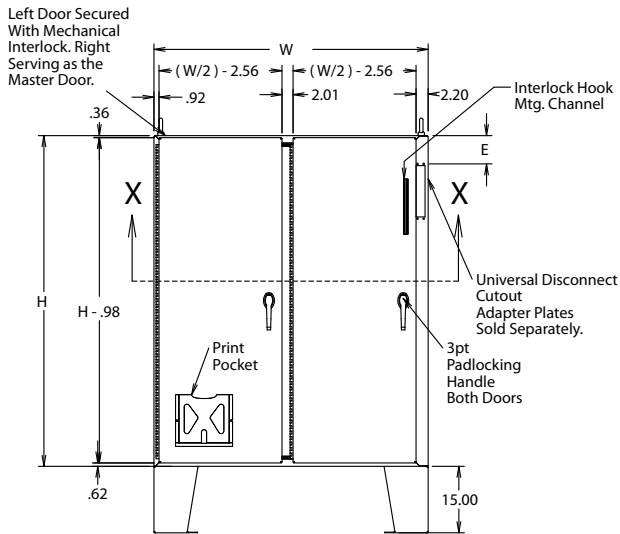


92

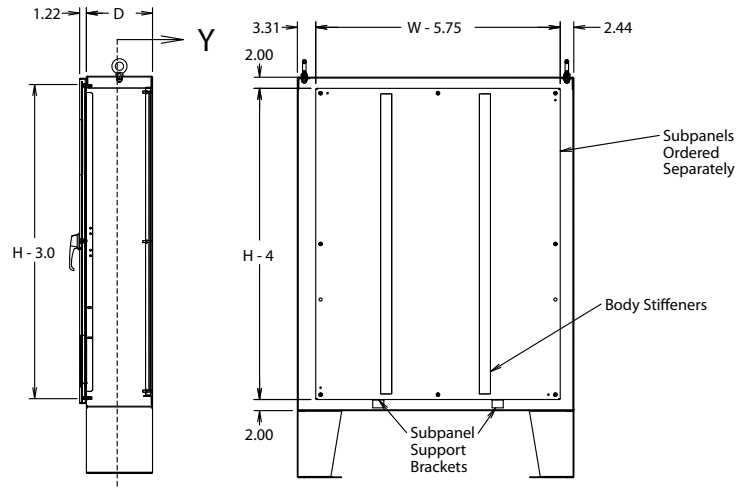
TYPE 12
FLOOR MOUNT
DISCONNECT
ENCLOSURES

Disconnect Enclosures

Type 12 | Floor Mount | Double Door Right Flange



SECTION X-X



SECTION Y-Y

Space Occupied By Disconnects

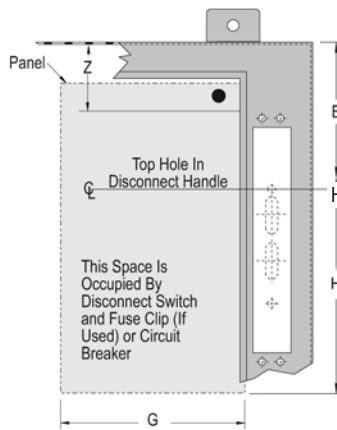
E = 7.88 [204] when H = 60.12 [1527]
E = 13.88 [343] when H = 72.12 [1832]

Allen-Bradley 1494F and 1494D

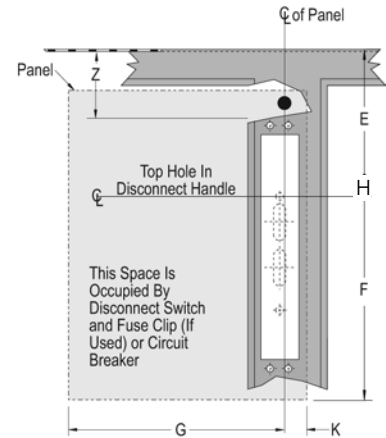
E = 5.88 [149] when H = 60.12 [1527]
E = 11.88 [288] when H = 72.12 [1832] except for 200 Amp
E = 10.56 [255] when H = 72.12 [1832] for 200 Amp only
Z = Wire Bend Spacing

See charts on pages 106-115 for "F", "G", and "Z" dimensions which cover space occupied by disconnect and wire bend spacing. Disconnects occupy the space indicated by "E", "F", and "G".

Right Hand Flange Disconnects



Center Post Disconnects



Utility requirements for this equipment may vary. Always consult the serving utility for their requirements prior to ordering or installing this equipment. This product must be installed by a licensed electrician. Installation of this equipment may require local electrical inspector approval.

Disconnect Enclosures

Type 12 | Floor Mount | Double Door Right Flange

93
TYPE 12
FLOOR MOUNT
DISCONNECT
ENCLOSURES

Space Occupied By Disconnects

See charts on pages 106-115 for "F", "G", and "Z" dimensions which cover space occupied by disconnect and wire bend spacing. Disconnects occupy the space indicated by "E", "F" and "G" on disconnect diagrams on the previous page.

All 24.13 [610] deep enclosures include an adjustable size platform which is 6.00 [152] high. The platform is required for mounting the following disconnect devices:

- ABB Controls flange-operated devices
- Cutler Hammer C361 devices
- Cutler Hammer C371 mechanisms which use C371E, F, G, K operating mechanism
- General Electric Type TDA devices
- Square D Class 9422 devices

The platform can be omitted if long connecting rods are ordered.

- For Cutler-Hammer operating mechanisms C371E and C371F, order catalog number C371CS1 connecting rod. For C371G and C371K order catalog number C371CS2 connecting rod.
- For General Electric devices, order catalog number TDSR extended length drive rod
- For Square D devices, order catalog number 9422-R2 extra long operating rod(s). Some devices require two rods.

Disconnect Ordering Information

When ordering flange-mounted disconnects from the various manufacturers, be sure to order the necessary items. Each company has a different system, read through the following list of items required and refer to the charts on pages 109-115. Items with an (*) preceding them are available from disconnect manufacturer as complete kits.

Allen-Bradley

When using a 1494F flange mounted disconnect switch, order:

1. A disconnect switch
2. A fuse block adapter
3. Line and load connectors, if required

When using a 1494D flange-mounted operator for a circuit breaker, order:

1. A circuit breaker (C-H/Westinghouse)
2. A flange mounted operator mechanism

3. A slide mechanism

When using 1494V disconnect switch, order:

- *1. A disconnect switch
- *2. An operating handle
- *3. A connecting rod (long)
- *4. A trailer fuse block kit, if required
- *5. A fuse clip kit, if required
6. Line and load connectors, if required

When using a 1494V circuit breaker operating mechanism, order:

1. A circuit breaker (C-H/Westinghouse)
2. A circuit breaker operating mechanism
3. An operating handle
4. A connecting rod (long)

An optional Allen-Bradley channel support kit is recommended when Allen-Bradley 1494V devices are installed in 72.13 [1829] high enclosures with center post mounted operating handle

ABB Controls

When using a disconnect switch, order:

1. A flange-operated switch (fusible or non fusible)
2. A shaft (DSFHS-12) for 12.13 [305] deep or (DSFHS-17) for 18.13 [457] deep enclosures in 24.13 [610] deep enclosure a platform must be used with shaft
3. A handle (DSFHN-HS12)

When using a circuit breaker, order:

1. A circuit breaker (ABB)
2. An operating mechanism
3. A shaft (FSH-12) for 12.13 [305] deep or (FSH-17) for 18.13 [457] deep enclosures in 24.13 [610] deep enclosure a platform must be used with shaft
4. A handle (FHN-HS12)

Cutler-Hammer/Westinghouse

When using a Type C361 disconnect switch, order:

- *1. A disconnect switch with an operating mechanism
- *2. An operating handle (C361H1 or C361H3)

When using a Type C371 circuit breaker operating mechanism with a C-H/Westinghouse circuit breaker, order:

1. A circuit breaker
- *2. An operating mechanism

- *3. An operating handle

When using a Type SM handle mechanism, order:

1. A circuit breaker
2. A Type SM handle mechanism

When using a C-H/Westinghouse circuit breaker with a Type 4/4X Flex Shaft™ handle mechanism, order:

1. A circuit breaker
2. A complete Flex Shaft™ handle mechanism

General Electric

When using a disconnect switch, order:

1. A disconnect switch (Type QMR or QMW)
2. A fuse clip kit or no-fuse kit
3. A flange handle (STDA1 or STDA2)
4. A variable depth operating mechanism
5. An extended length drive rod, if required

When using a circuit breaker, order:

1. A circuit breaker
2. A flange handle (STDA1 or STDA2)
3. A variable depth operating mechanism
4. An extended length drive rod, if required

An optional General Electric Flange Stiffener Kit (catalog # TDSR) is recommended when General Electric Type TDA devices are installed in 72.13 [1829] high enclosures with operating handle mounted on center post. Use with TDOM1, TDOM2, TDOM3, S100M1A, and S100M3 operating mechanisms.

When using a circuit breaker with a Spectra Flex™ cable operator, order:

1. A circuit breaker
2. A flange-mounted handle mechanism
3. A breaker-mounted mechanism
4. An operating cable

I-T-E Siemens

When using a disconnect switch, order:

- *5. A basic switch (right hand)
- *6. A fuse or non-fuse kit
- *7. A flange-mounted handle (FHOHS)
- *8. Switch operator
- *9. FHOECO36 36.00 inch cable for 12.13 [305] deep enclosures or FHOECO48

Utility requirements for this equipment may vary. Always consult the serving utility for their requirements prior to ordering or installing this equipment. This product must be installed by a licensed electrician. Installation of this equipment may require local electrical inspector approval.



Disconnect Enclosures

Type 12 | Floor Mount | Double Door Right Flange

for 18.13 [457] and 24.13 [610] deep enclosures

When using a circuit breaker, order:

1. A circuit breaker
2. Pressure wire connectors
- *3. A flange-mounted handle
- *4. A circuit breaker operator mechanism
- *5. An operating cable - 36.00 [914] or 48.00 [1219] long cable for 12.13 [305] and 18.13 [457] deep enclosures and 48.00 [1219] cable 24.13 [610] deep enclosures

* These items are available from ITE as a complete mechanism with a 36.00 [914] long cable only. Order items separately when using a 48.00 [1219] operating cable.

Square D

When using a disconnect switch, order:

1. A disconnect switch with operating mechanism
2. A universal handle mechanism
3. A long operating rod, if required

When using a circuit breaker, order:

1. A circuit breaker
2. An operating mechanism
3. A universal handle mechanism

When using a Class 9422 Type "T" disconnect switch with a cable mechanism, order:

1. A disconnect switch with operating mechanism (Class 9422, Type T)
2. A handle mechanism (Class 9422 Type

A-1)

3. A cable mechanism (Class 9422 CFT_O) 3, 5, or 10 foot

When using a circuit breaker with a cable mechanism, order:

1. A circuit breaker (Square D)
2. A handle mechanism (Class 9422 Type A-1)
3. A cable mechanism (Class 9422 CFT_O) 3-, 5-, or 10-foot

An optional Square D Channel Flange Support Kit (catalog # 9422-C1) is recommended when some Square D devices are installed in 72.13 [1829] high enclosures with operating handle mounted on center post.



Utility requirements for this equipment may vary. Always consult the serving utility for their requirements prior to ordering or installing this equipment. This product must be installed by a licensed electrician. Installation of this equipment may require local electrical inspector approval.

Heavy-Duty Enclosures

Type 12 | Freestanding Disconnect with Sub Panel

95
TYPE 12
HEAVY-DUTY
ENCLOSURES



Applications

Designed to provide protection for electrical instruments, terminals, and controls from dust, oil, dirt and dripping liquids.

Construction

- Fabricated from 10 gauge carbon steel with continuously welded seams.
- Single or multiple doors secured with continuous hinges and removable hinge pins.
- Black zinc anodized padlocking defeater handle, three point latching system, and overhead mechanical interlock.
- Adhesive backed, oil resistant gasket applied to the doors.
- Print pocket.

- Heavy-duty lifting eyes.
- Ground studs inside cabinet and door.
- Collar studs provided for mounting sub panels. Sub panels are included.
- Body stiffeners for extra rigidity.
- 5-door will be split into 3-door and 2-door sections to be shipped assembled or separate.
- Universal cutout provides mounting for most disconnect operators by using adapter kits.

Finish

Standard ANSI-61 gray finish on interior and exterior of enclosures. Recoatable, smooth, white or RAL 7035 texture polyester powder coat available at no charge. Standard RAL and custom match finishes available for

an additional charge, please contact Milbank for further assistance. All powder coat finishes applied over cleaned phosphatized surfaces. Carbon steel sub panels have a white polyester powder coat finish.

Options

Milbank can modify standard enclosures or custom design enclosures according to your specifications. Holes, cutouts, sizes, materials, and many more options are available. Quotations upon request.

Industry Standards

- UL 50 Listed
- CUL 50 Listed
- Type 12

NOTE

Adapter plates must be ordered separately. See page 157 for ordering information.

These units include subpanels.

Utility requirements for this equipment may vary. Always consult the serving utility for their requirements prior to ordering or installing this equipment. This product must be installed by a licensed electrician. Installation of this equipment may require local electrical inspector approval.



Catalog Number	Doors	Enclosure Size H x W x D (inches)	Ship. Weight (lbs)	Sub Panel Part Number A	Sub Panel Size H x W (inches)	Sub Panel Part Number B	Sub Panel Size H x W (inches)
M12FS722818AF-FD	1	72 x 28.25 x 18	368	A-60P21.75	60 x 21.75	—	—
M12FS723418AF-FD	1	72 x 34.25 x 18	430	A-60P27.75	60 x 27.75	—	—
M12FS724018AF-FD	1	72 x 40.25 x 18	559	A-60P33.75	60 x 33.75	—	—
M12FS844018AF-FD	1	84 x 40.25 x 18	630	A-72P33.75	72 x 33.75	—	—
M12FS904018AF-FD	1	90 x 40.25 x 18	750	A-78P33.75	78 x 33.75	—	—
M12FS904020AF-FD	1	90 x 40.25 x 20	865	A-78P33.75	78 x 33.75	—	—
M12FS844024AF-FD	1	84 x 40.25 x 24	750	A-72P33.75	72 x 33.75	—	—
M12FS904024AF-FD	1	90 x 40.25 x 24	910	A-78P33.75	78 x 33.75	—	—
M12FSD725418AF-FD	2	72 x 54.5 x 18	695	A-60P48	60 x 48	—	—
M12FSD726618AF-FD	2	72 x 66.5 x 18	815	A-60P60	60 x 60	—	—
M12FSD727818AF-FD	2	72 x 78.5 x 18	895	A-60P72	60 x 72	—	—
M12FSD847818AF-FD	2	84 x 78.5 x 18	1200	A-72P72	72 x 72	—	—
M12FSD907818AF-FD	2	90 x 78.5 x 18	1250	A-78P72	78 x 72	—	—
M12FSD907820AF-FD	2	90 x 78.5 x 20	1330	A-78P72	78 x 72	—	—
M12FSD727824SF-FD	2	72 x 78.5 x 24	965	A-60P72	60 x 72	—	—
M12FSD847824AF-FD	2	84 x 78.5 x 24	1200	A-72P72	72 x 72	—	—
M12FSD907824AF-FD	2	90 x 78.5 x 24	1392	A-78P72	78 x 72	—	—
M12FS3D7210018AF-FD	3	72 x 100.75 x 18	1330	A-60P60	60 x 60	A-60P27.75	60 x 27.75
M12FS3D7211818AF-FD	3	72 x 118.75 x 18	1540	A-60P72	60 x 72	A-60P33.75	60 x 33.75
M12FS3D8411818AF-FD	3	84 x 118.75 x 18	1750	A-72P72	72 x 72	A-72P33.75	72 x 33.75
M12FS3D8411824AF-FD	3	84 x 118.75 x 24	1836	A-72P72	72 x 72	A-72P33.75	72 x 33.75
M12FS3D9011824AF-FD	3	90 x 118.75 x 24	1950	A-78P72	78 x 72	A-78P33.75	78 x 33.75
M12FS4D8415818AF-FD	4	84 x 158 x 18	2300	(2) A-72P72	72 x 72	—	—
M12FS4D9015818AF-FD	4	90 x 158 x 18	2400	(2) A-78P72	78 x 72	—	—
M12FS4D8415824AF-FD	4	84 x 158 x 24	2536	(2) A-72P72	72 x 72	—	—
M12FS4D9015824AF-FD	4	90 x 158 x 24	2600	(2) A-78P72	78 x 72	—	—
M12FS5D8419718AF-FD	5	84 x 197.75 x 18	2580	(2) A-72P72	72 x 72	A-72P33.75	72 x 33.75
M12FS5D9019718AF-FD	5	90 x 197.75 x 18	2800	(2) A-78P72	78 x 72	A-78P33.75	78 x 33.75
M12FS5D8419724AF-FD	5	84 x 197.75 x 24	2830	(2) A-72P72	72 x 72	A-72P33.75	72 x 33.75
M12FS5D9019724AF-FD	5	90 x 197.75 x 24	2900	(2) A-78P72	78 x 72	A-78P33.75	78 x 33.75

Space Occupied By Disconnects

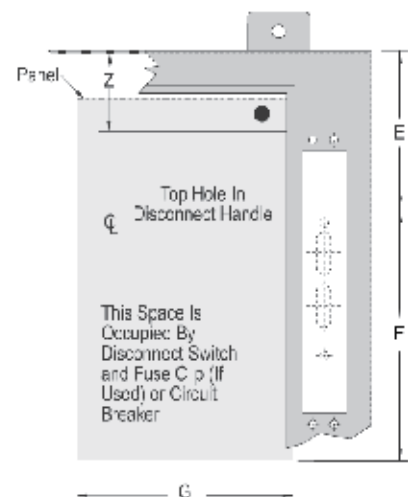
Note:

E = 11.88 [302] when H = 72 [1778]
 E = 17.88 [454] when H = 84 [2134], except 400 Amp or 600 Amp switches
 E = 20.88 [530] when H = 90 [2286], except 400 Amp or 600 Amp switches
 E = 16.43 [417] when H = 84 [2134], 400 Amp and 600 Amp switches only
 E = 19.43 [494] when H = 90 [2286], 400 Amp and 600 Amp switches only

Allen Bradley 1494F only:

E = 9.88 [251] when H = 72 [1778], except 200 Amp switch
 E = 15.88 [403] when H = 84 [2134], except 200 Amp switch
 E = 18.80 [478] when H = 90 [2286], except 200 Amp switch
 E = 8.56 [217] when H = 72 [1778], 200 Amp switch only
 E = 14.56 [370] when H = 84 [2134], 200 Amp switch only
 E = 17.56 [446] when H = 90 [2286], 200 Amp switch only
 Z = Wire Bend Spacing

See charts on pages 106-115 for "F", "G", and "Z" dimensions which cover space occupied by disconnect and wire bend spacing. Disconnects occupy the space indicated by "E", "F", and "G".



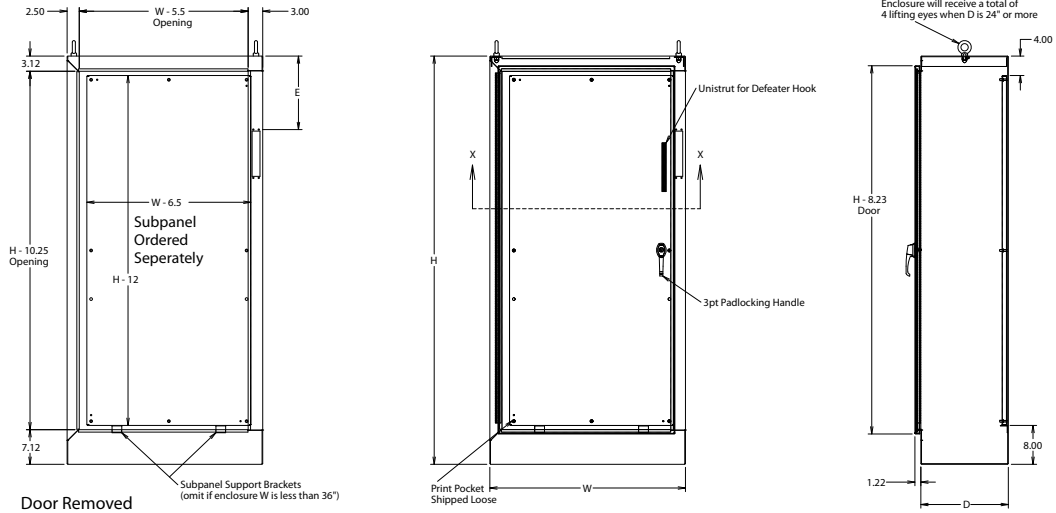
Utility requirements for this equipment may vary. Always consult the serving utility for their requirements prior to ordering or installing this equipment. This product must be installed by a licensed electrician. Installation of this equipment may require local electrical inspector approval.

Heavy-Duty Enclosures

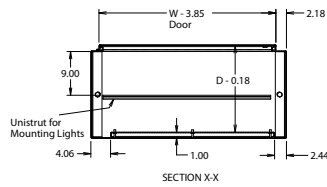
Type 12 | Freestanding Disconnect with Sub Panel

97
TYPE 12
HEAVY-DUTY
ENCLOSURES

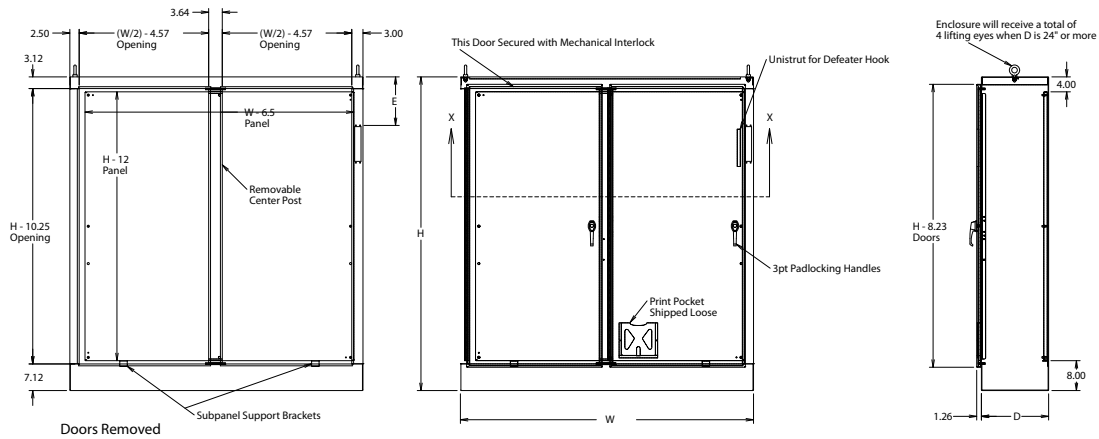
M12FS-FD Single Door



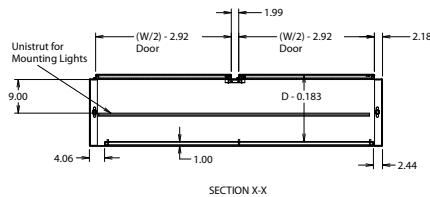
Note: 9" x 9" print pocket shipped inside enclosure.



M12FSD-FD Double Door



Note: 9" x 9" print pocket shipped inside enclosure.



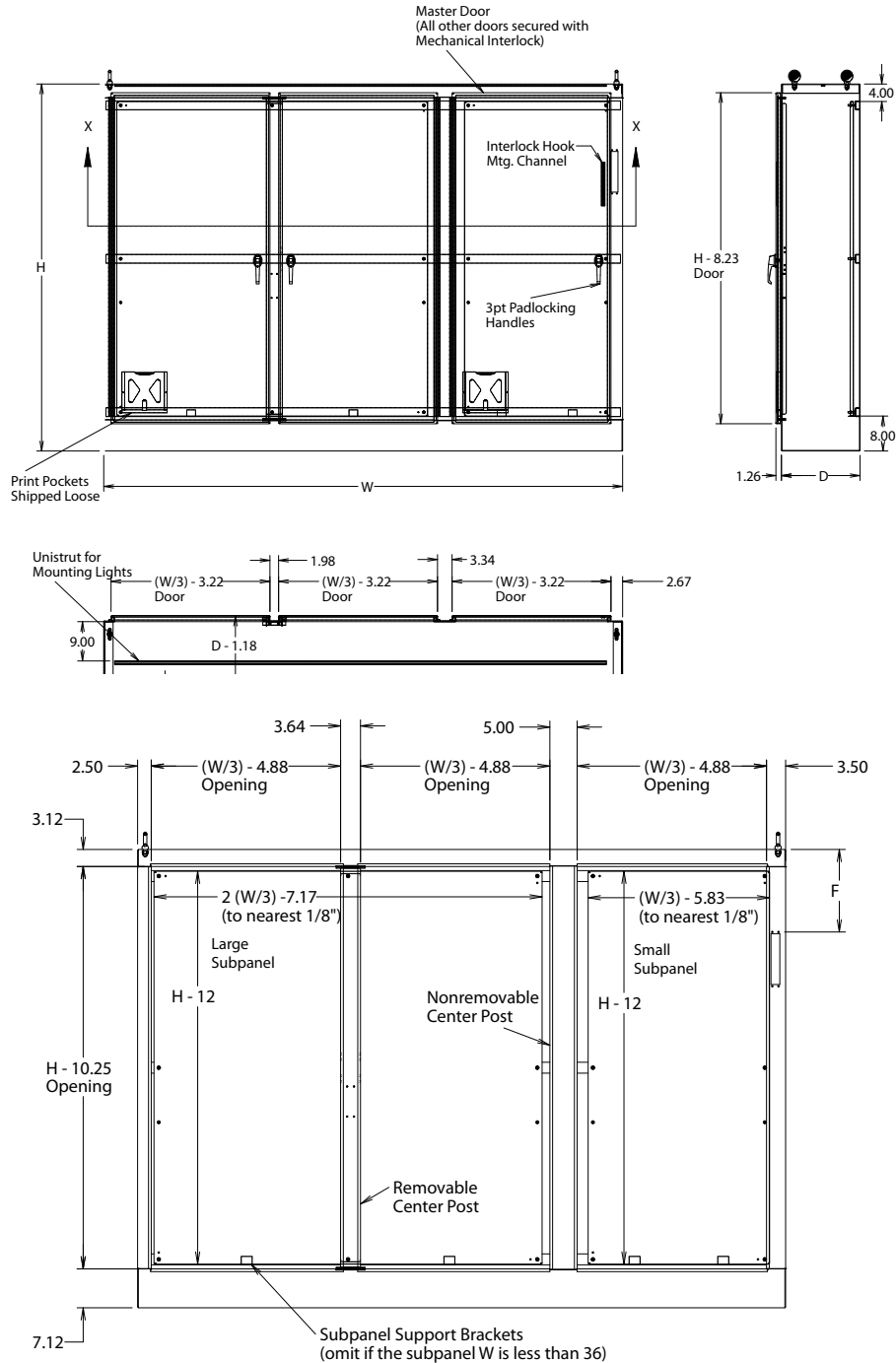
Utility requirements for this equipment may vary. Always consult the serving utility for their requirements prior to ordering or installing this equipment. This product must be installed by a licensed electrician. Installation of this equipment may require local electrical inspector approval.



Heavy-Duty Enclosures

Type 12 | Freestanding Disconnect with Sub Panel

M12FS3D-FD Three Door



Note: 9" x 9" print pocket shipped inside enclosure.



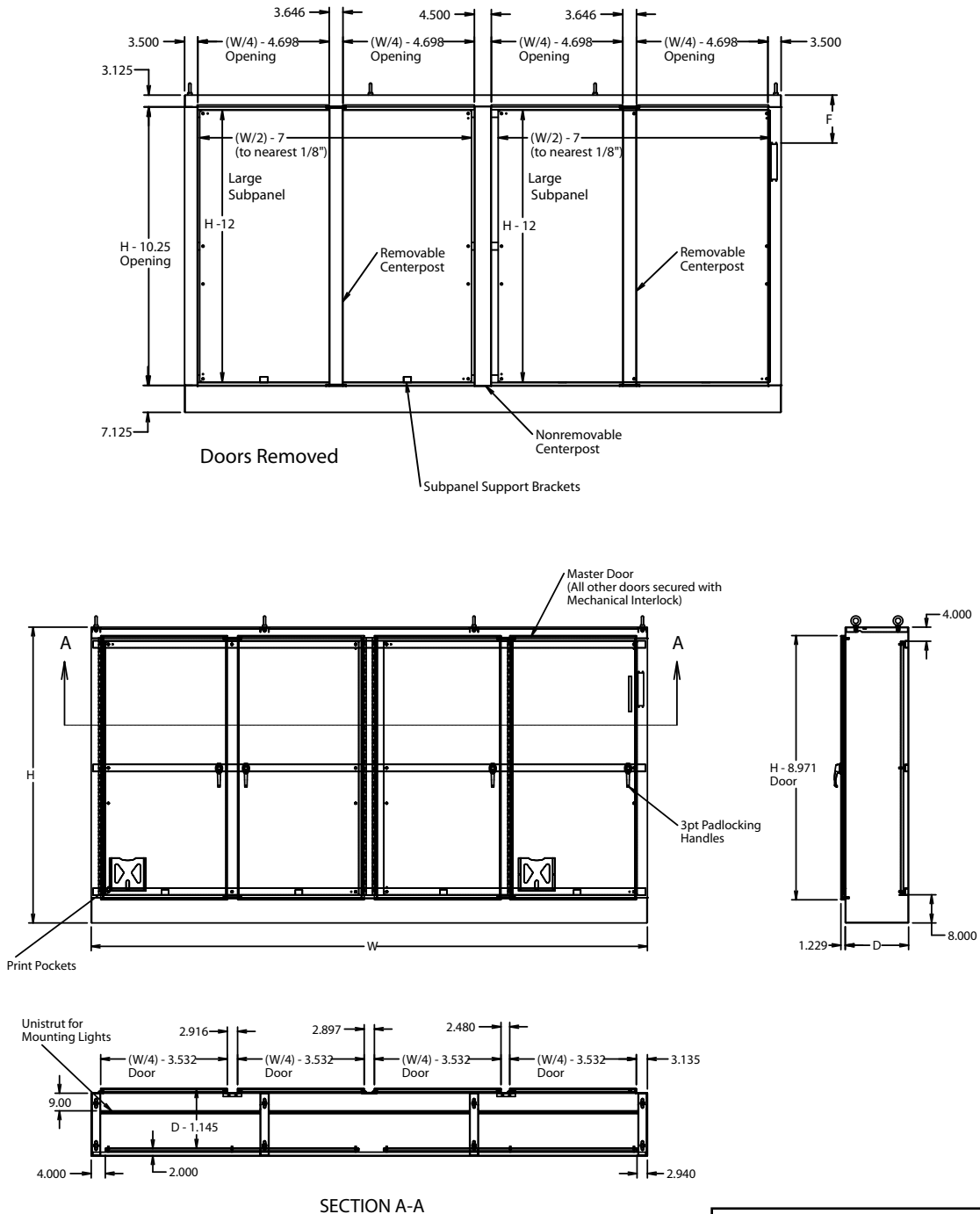
Utility requirements for this equipment may vary. Always consult the serving utility for their requirements prior to ordering or installing this equipment. This product must be installed by a licensed electrician. Installation of this equipment may require local electrical inspector approval.

Heavy-Duty Enclosures

Type 12 | Freestanding Disconnect with Sub Panel

99
TYPE 12
HEAVY-DUTY
ENCLOSURES

M12FS4D-FD Four Door

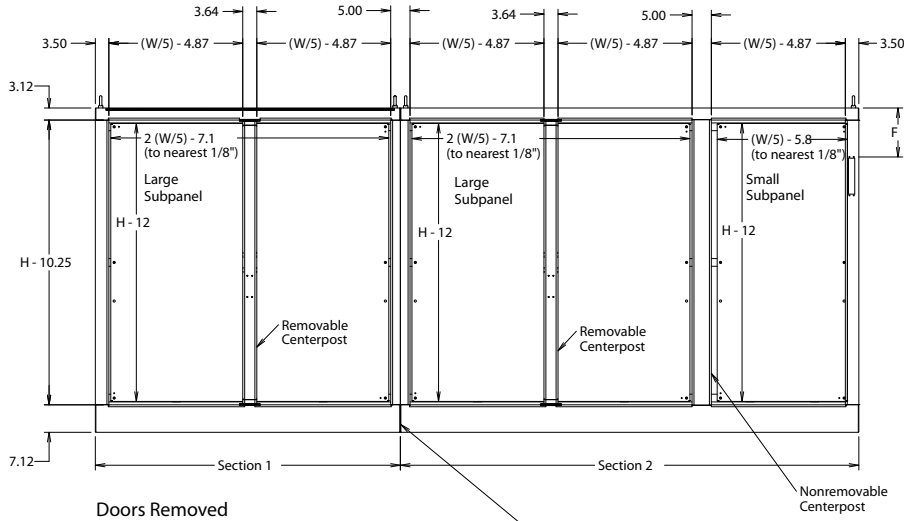


Note: 9" x 9" print pocket shipped inside enclosure.

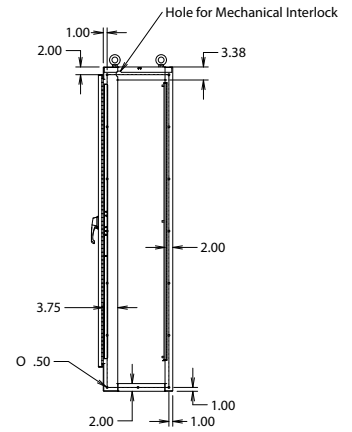
Utility requirements for this equipment may vary. Always consult the serving utility for their requirements prior to ordering or installing this equipment. This product must be installed by a licensed electrician. Installation of this equipment may require local electrical inspector approval.



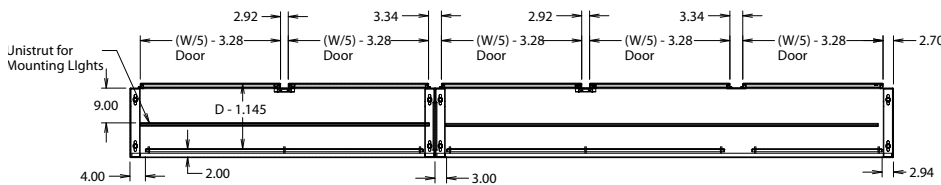
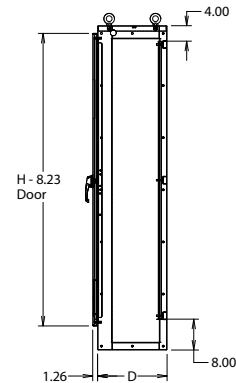
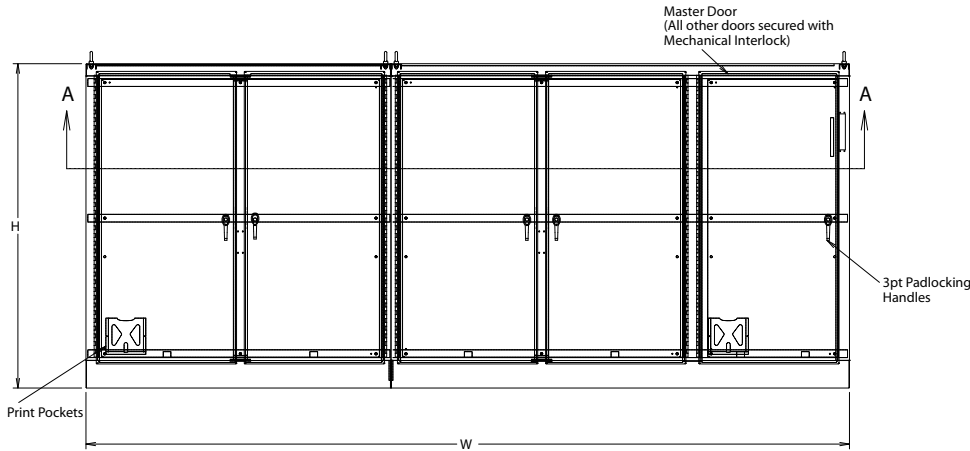
M12FS5D-FD Five Door



Enclosure to have two sections bolted together. Sections to be sealed with gasket and secured with 3/8" bolts.



Open end of Section 1



SECTION A-A

- Notes:**
- 9" x 9" print pocket shipped inside enclosure.
 - 5-door units will be split into 3-door and 2-door sections to be shipped assembled or separate.



Utility requirements for this equipment may vary. Always consult the serving utility for their requirements prior to ordering or installing this equipment. This product must be installed by a licensed electrician. Installation of this equipment may require local electrical inspector approval.

Modular Enclosures

Type 12

101
TYPE 12
MODULAR
ENCLOSURES

Applications

Modular enclosures can be bolted together in any desired arrangement. This design provides maximum versatility; enclosures can be added or removed as required. Modular disconnect enclosures have provisions for flange mount disconnects on right-hand side.

Construction

- Fabricated from 10 gauge carbon steel with continuously welded seams.
- Doors secured with heavy gauge lift off hinges.
- Black zinc anodized padlocking handle with built-in defeater mechanism (on the master door only) and three point latching system.
- Each enclosure has a mechanical interlock so all doors can be interlocked with the master door.
- Adhesive backed, oil resistant gasket applied to the doors.
- Removable center post for easy installation of the sub panel (two door only).
- Print pocket.
- Heavy-duty lifting eyes.
- Ground studs installed inside cabinet and door.
- Collar studs provided for mounting sub panel.
- Panel supports are provided to support panels and aid in panel installation.
- Body stiffeners for extra rigidity where needed.

Accessories (Sold Separately)

- End Plate: not included with enclosures. See page 157 in accessories section for ordering

information. Gasket material and bolts are included with each end plate.

- Flat End Plates: Can be used as barriers between enclosures. See page 153 in accessories section for ordering information.
- Adaptor kits.
- Gasket kit: Required at each joint between modular enclosures. Includes parts needed to connect the interlock system between adjacent enclosures.

Single & Two Door Disconnect

The cutouts for the disconnect operation are located on the right flange and the right side is closed (left side open) so the disconnect operator cannot be obscured by a door. The heavy-duty overhead mechanical interlocking system is factory tested and provides quick, effective assembly of up to 5 doors in a row, controlled by a single master door. When the master door is opened, the interlock is automatically released, permitting all doors to be opened in any order. All doors can be closed in any order.

Finish

Standard ANSI-61 gray finish on interior and exterior of enclosures. Recoatable, smooth, white or RAL 7035 texture polyester powder coat available at no charge. Standard RAL and custom match finishes available for an additional charge, please contact Milbank for further assistance. All powder coat finishes applied over cleaned phosphatized surfaces. Carbon steel sub panels have a white polyester powder coat finish.



Options

Milbank can modify standard enclosures or custom design enclosures according to your specifications. Holes, cutouts, sizes, materials, and many more options are available. Quotations upon request.

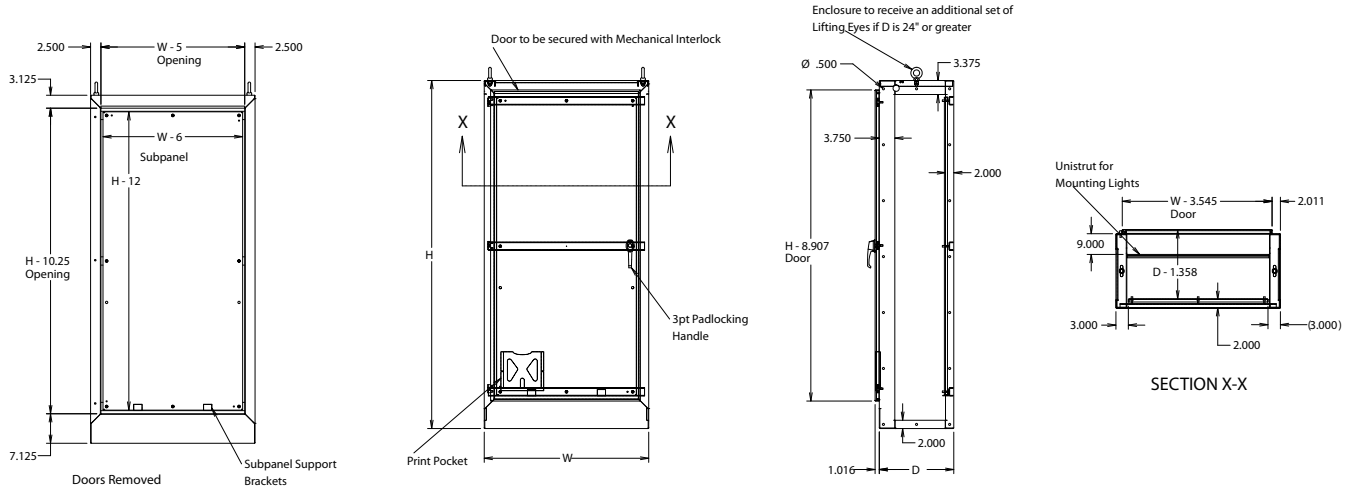
Industry Standards

- UL 50 Listed
- CUL 50 Listed
- Type 12

Utility requirements for this equipment may vary. Always consult the serving utility for their requirements prior to ordering or installing this equipment. This product must be installed by a licensed electrician. Installation of this equipment may require local electrical inspector approval.

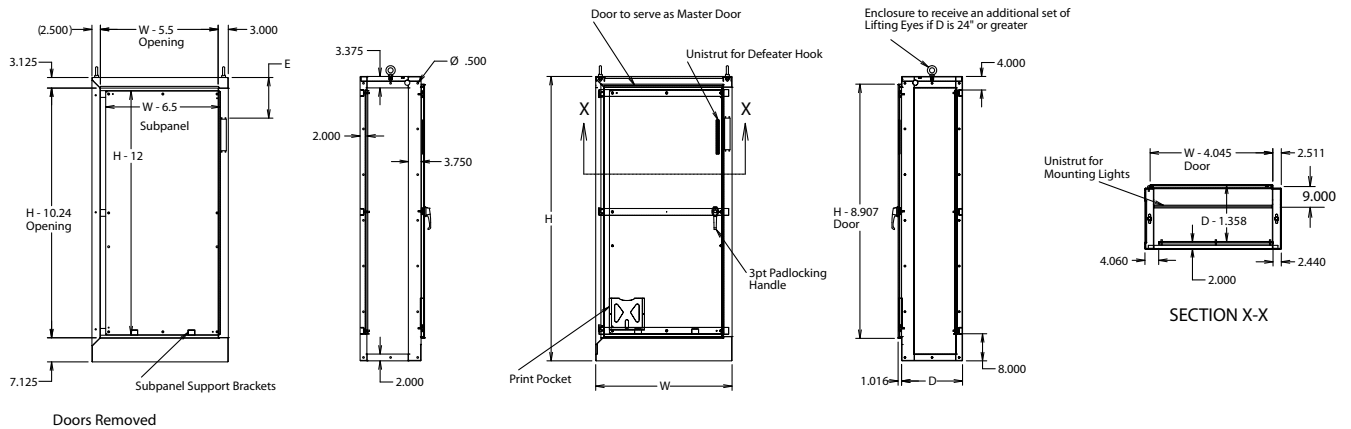


Catalog Number	Enclosure Size H x W x D	Sub Panel Part Number	Panel Dimensions		Door Opening		Door Size	
			A	B	J	K	L	M
M12MOD843818	84 x 39.75 x 18	A-72P33.75	72.00	33.75	73.75	34.75	75.77	36.75
M12MOD843824	84 x 39.75 x 24	A-72P33.75	72.00	33.75	73.75	34.75	75.77	36.75



Notes:
Reference page 104 for sub panel layout.
Adapter kits must be ordered separately.
9" x 9" print pocket shipped inside enclosure.

Catalog Number	Enclosure Size H x W x D	Sub Panel Part Number	Panel Dimensions		Door Opening		Door Size	
			A	B	J	K	L	M
M12MOD843918-FD	84 x 40.25 x 18	A-72P33.75	72.00	33.75	73.75	34.75	75.77	36.75
M12MOD843924-FD	84 x 40.25 x 24	A-72P33.75	72.00	33.75	73.75	34.75	75.77	36.75



NOTES:
Reference page 156 for sub panel layout.
Adapter kits must be ordered separately.
9" x 9" print pocket shipped inside enclosure.



Utility requirements for this equipment may vary. Always consult the serving utility for their requirements prior to ordering or installing this equipment. This product must be installed by a licensed electrician. Installation of this equipment may require local electrical inspector approval.

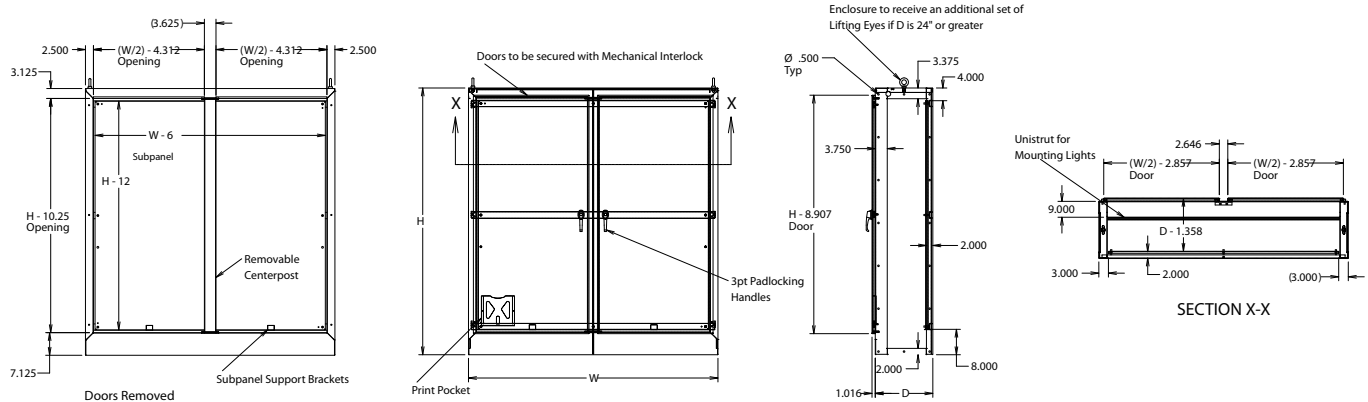
Modular Enclosures

Type 12

103

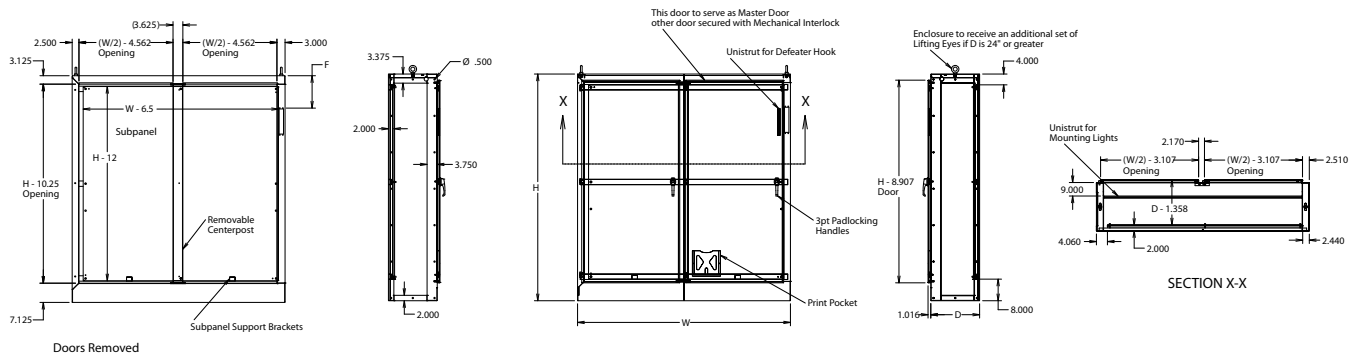
TYPE 12
MODULAR
ENCLOSURES

Catalog Number	Enclosure Size H x W x D	Sub Panel Part Number	Panel Dimensions		Door Opening		Door Size	
			A	B	J	K	L	M
M12MOD847718	84.00 x 78.00 x 18.00	A-72P72	72.00	72.00	73.75	34.75	75.77	36.7
M12MOD847724	84.00 x 78.00 x 24.00	A-72P72	72.00	72.00	73.75	34.75	75.77	36.7



Notes:
Reference 156 for sub panel layout.
Adapter kits must be ordered separately.
9" x 9" print pocket shipped inside enclosure.

Catalog Number	Enclosure Size H x W x D	Sub Panel Part Number	Panel Dimensions		Door Opening		Door Size	
			A	B	J	K	L	M
M12MOD847818-FD	84 x 78.50 x 18	A-72P72	72.00	72.00	73.75	34.75	75.77	36.7
M12MOD847824-FD	84 x 78.50 x 24	A-72P72	72.00	72.00	73.75	34.75	75.77	36.7



Notes:
Reference page 156 for sub panel layout.
Adapter kits must be ordered separately.
9" x 9" print pocket shipped inside enclosure.

Utility requirements for this equipment may vary. Always consult the serving utility for their requirements prior to ordering or installing this equipment. This product must be installed by a licensed electrician. Installation of this equipment may require local electrical inspector approval.



Space Occupied By Disconnects

See charts on pages 106-115 for "F", "G", and "W" dimensions which cover space occupied by disconnect and wire bend spacing. Disconnects occupy the space indicated by "E", "F" and "G" on disconnect diagrams on the previous page.

All 24.13 [610] deep enclosures include an adjustable size platform which is 6.00 [152] high. The platform is required for mounting the following disconnect devices:

- ABB Controls flange-operated devices.
- Cutler Hammer C361 devices.
- Cutler Hammer C371 mechanisms, which use C371E, F, G, K operating mechanism.
- General Electric Type TDA devices.
- Square D Class 9422 devices.

The platform can be omitted if long connecting rods are ordered.

- For Cutler-Hammer operating mechanisms C371E and C371F order catalog number C371CS1 connecting rod. For C371G and C371K order catalog number C371CS2 connecting rod.
- For General Electric devices, order catalog number TDSR extended length drive rod.
- For Square D devices, order catalog number 9422-R2 extra long operating rod(s). Some devices require two rods.

Disconnect Ordering Information

When ordering flange-mounted disconnects from the various manufacturers, be sure to order the necessary items. Each company has a different system, so care is required. Order the following items from the disconnect manufacturer.

Key to Symbols

Items available from disconnect manufacturer as complete kits. Please note:

1. The "Space Occupied/Available Wiring Space" tables on following pages are based upon information supplied by disconnect manufacturers. Milbank does not assume responsibility for the accuracy of these dimensions.
2. This information is subject to change without notice. Please contact Milbank for the disconnect manufacturer if there are questions.

Allen-Bradley

When using a 1494F flange mounted disconnect switch, order:

1. A disconnect switch.
2. A fuse block adapter.
3. Line and load connectors, if required

When using a 1494D flange-mounted operator for a circuit breaker, order:

1. A circuit breaker (C-H/Westinghouse)
2. A flange mounted operator mechanism
3. A slide mechanism

When using 1494V disconnect switch, order:

- *1. A disconnect switch
- *2. An operating handle
- *3. A connecting rod (long)
- *4. A trailer fuse block kit, if required
- *5. A fuse clip kit, if required
6. Line and load connectors, if required

When using a 1494V circuit breaker operating mechanism, order:

1. A circuit breaker (C-H/Westinghouse)
2. A circuit breaker operating mechanism
3. An operating handle
4. A connecting rod (long)

ABB Controls

When using a disconnect switch, order:

1. A flange-operated switch (fusible or non-fusible)
2. A shaft (DSFHS-17) for 18.13 [457] deep enclosures (DSFHS-22) for 20.13 [511] deep enclosures in 24.13 [613] deep enclosure a platform must be used with shaft
3. A handle (DSFHN-HS12)

When using a circuit breaker, order:

1. A circuit breaker (ABB)
2. An operating mechanism
3. A shaft (FSH-17) for 18.13 [457] deep or (FSH-22) for 20.13 [511] deep enclosures in 24.13 [613] deep enclosure a platform must be used with shaft
4. A handle (FHN-HS12)

Cutler-Hammer/Westinghouse

When using a Type C361 disconnect switch, order:

- *1. A disconnect switch with an operating mechanism
- *2. An operating handle (C361H1 or C361H3)

When using a Type C371 circuit breaker operating mechanism with a C-H/Westinghouse circuit breaker, order:

1. A circuit breaker
- *2. An operating mechanism
- *3. An operating handle

When using a Type SM handle mechanism, order:

1. A circuit breaker
2. A Type SM handle mechanism

When using a C-H/Westinghouse circuit breaker with a Type 4/4X Flex Shaft™ handle mechanism, order:

1. A circuit breaker
2. A complete Flex Shaft™ handle mechanism

General Electric

When using a disconnect switch, order:

1. A disconnect switch (Type QMR or QMW)
2. A fuse clip kit or no-fuse kit
3. A flange handle (STDA1 or STDA2)
4. A variable depth operating mechanism
5. An extended length drive rod, if required

When using a circuit breaker, order:

1. A circuit breaker
2. A flange handle (STDA1 or STDA2)
3. A variable depth operating mechanism
4. An extended length drive rod, if required

When using a circuit breaker with a Spectra Flex™ cable operator, order:

1. A circuit breaker
2. A flange-mounted handle mechanism
3. A breaker-mounted mechanism
4. An operating cable

I-T-E Siemens

When using a disconnect switch, order:

1. A basic switch (right hand)
2. A fuse or non-fuse kit
- *3. A flange-mounted handle (FHOHS)
- *4. Switch operator
- *5. FHOECO48 cable

When using a circuit breaker, order:

1. A circuit breaker
2. Pressure wire connectors



Utility requirements for this equipment may vary. Always consult the serving utility for their requirements prior to ordering or installing this equipment. This product must be installed by a licensed electrician. Installation of this equipment may require local electrical inspector approval.

Disconnect Information

Multi-Door and Modular Enclosures

- *3. A flange-mounted handle
- *4. A circuit breaker operator mechanism
- *5. An operating cable - 36.00 [914] or 48.00 [1219] long cable for 18.13 [460] and 20.13 [511] deep enclosures and 48.00 [1219] cable 24.13 [610] deep enclosures

*These items are available from ITE as a complete mechanism with a 36.00 [914] long cable only. Order items separately when using a 48.00 [1219] operating cable.

Square D

When using a disconnect switch, order:

1. A disconnect switch with operating mechanism
2. A universal handle mechanism
3. A long operating rod, if required

When using a circuit breaker, order:

1. A circuit breaker
2. An operating mechanism
3. A universal handle mechanism
4. A long operating rod, if required

When using a Class 9422 Type "T" disconnect switch with a cable mechanism, order:

1. A disconnect switch with operating

- mechanism (Class 9422, Type T)
2. A handle mechanism (Class 9422 Type A-1)
3. A cable mechanism (Class 9422 CFT_O) 3, 5, or 10 feet

When using a circuit breaker with a cable mechanism, order:

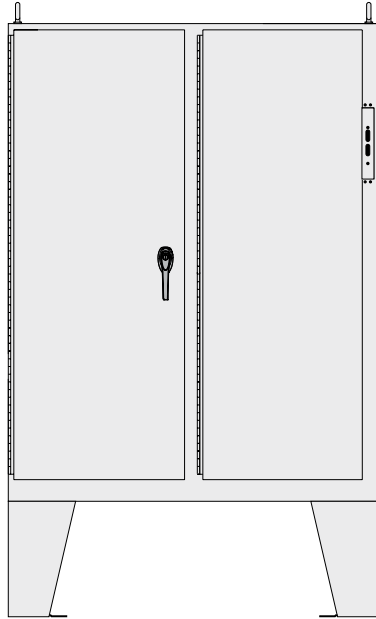
1. A circuit breaker (Square D)
2. A handle mechanism (Class 9422 Type A-1)
3. A cable mechanism (Class 9422 CFT_O) 3-, 5-, or 10-foot

Utility requirements for this equipment may vary. Always consult the serving utility for their requirements prior to ordering or installing this equipment. This product must be installed by a licensed electrician. Installation of this equipment may require local electrical inspector approval.

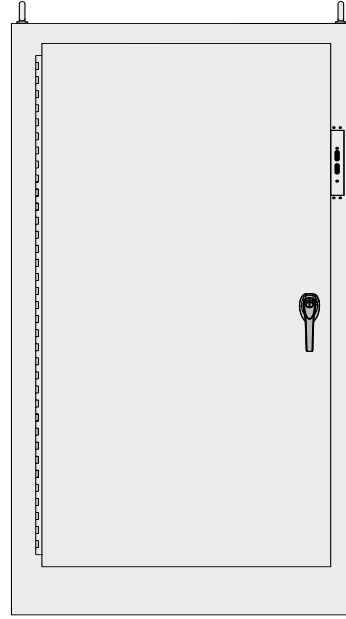


Disconnect Enclosure Information

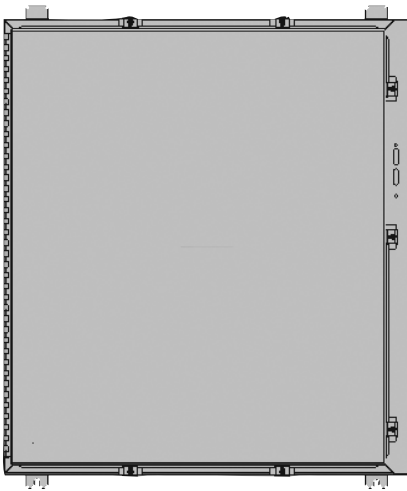
Type 12



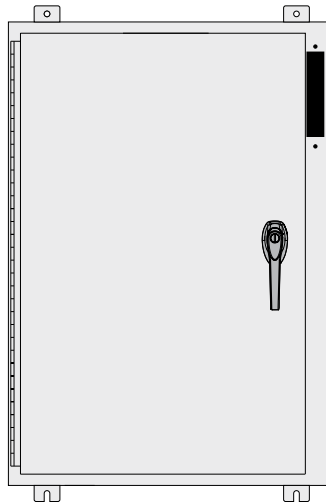
TYPE 1



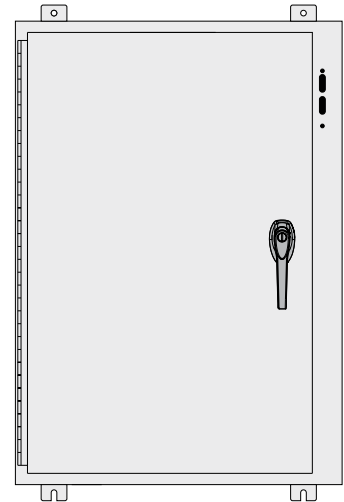
TYPE 2



TYPE 3



TYPE 4



TYPE 5



Utility requirements for this equipment may vary. Always consult the serving utility for their requirements prior to ordering or installing this equipment. This product must be installed by a licensed electrician. Installation of this equipment may require local electrical inspector approval.

Disconnect Enclosure Information

Type 12

Allen-Bradley 1494V Disconnects

Type Number	Amp Rating	Fuse Clip Rating		Fuse Class	Space Occupied		Wire Bend Space Z	Disconnects Fit The Enclosure Type Indicated Below (Page 108)				
		Amps	Volts		F	G		1	2	3	4	5
DS30	30A	No Fuse		—	3.88	6.75	E - 1.88	0	0	0	-	0
DS30	30A	30	250	H, K, R	5.25	6.75	E - 1.88	0	0	0	-	0
DS30	30A	30	600	H, K, R	8.00	6.75	E - 1.88	0	0	0	-	0
DS30	30A	30	600	J	5.25	6.75	E - 1.88	0	0	0	-	0
DS30	30A	60	250	H, K	6.00	6.75	E - 1.88	0	0	0	-	0
DS30	30A	60	600	H, K	8.50	6.75	E - 1.88	0	0	0	-	0
DS30	30A	60	600	J	5.38	6.75	E - 1.88	0	0	0	-	0
DS60	60A	No Fuse		—	3.88	6.75	E - 2.00	0	0	0	-	0
DS60	60A	60	250	H, K, R	6.00	6.75	E - 2.00	0	0	0	-	0
DS60	60A	60	600	H, K, R	8.50	6.75	E - 2.00	0	0	0	-	0
DS60	60A	60	600	J	5.38	6.75	E - 2.00	0	0	0	-	0
DS60	60A	30	600	H, K, R	8.00	6.75	E - 2.00	0	0	0	-	0
DS60	60A	100	250	H, K	8.50	6.75	E - 2.00	0	0	0	-	0
DS60	60A	100	600	H, K	10.50	6.75	E - 2.00	0	0	0	-	0
DS60	60A	100	600	J	7.25	6.75	E - 2.00	0	0	0	-	0
DS100	100A	No Fuse		—	3.88	6.75	E - 2.18	0	0	0	-	1
DS100	100A	100	250	H, K, R	8.12	6.75	E - 2.18	0	0	0	-	1
DS100	100A	100	600	H, K, R	10.12	6.75	E - 2.18	0	0	0	-	1
DS100	100A	100	600	J	6.88	6.75	E - 2.18	0	0	0	-	1
DS100	100A	60	600	H, K, R	10.12	6.75	E - 2.18	0	0	0	-	1
DS100	100A	60	600	J	8.88	6.75	E - 2.18	0	0	0	-	1
DS200	200A	No Fuse		—	4.75	7.88	E - 3.50	0	0	1	-	2
DS200	200A	200	250	H, K, R	10.88	7.88	E - 3.50	0	0	0	-	2
DS200	200A	200	600	H, K, R	13.38	7.88	E - 3.50	0	0	0	-	2
DS200	200A	200	600	J	9.50	7.88	E - 3.50	0	0	0	-	2
DS200	200A	100	600	H, K, R	12.00	7.88	E - 3.50	0	0	0	-	2
DS200	200A	100	600	J	8.75	7.88	E - 3.50	0	0	0	-	2
DS400	400A	No Fuse		—	10.75	10.88	E - 6.29	-	4	-	5	3
DS400	400A	400	250	H, K, R	16.12	10.88	E - 6.29	-	4	-	5	3
DS400	400A	400	600	H, K, R	19.12	10.88	E - 6.29	-	4	-	5	3
DS400	400A	400	600	J	14.62	10.88	E - 6.29	-	4	-	5	3
DS600	600A	No Fuse		—	10.75	10.88	E - 6.29	-	4	-	5	3
DS600	600A	600	250	H, R	16.12	10.88	E - 6.29	-	4	-	5	3
DS600	600A	600	600	H, R	19.12	10.88	E - 6.29	-	4	-	5	3
DS600	600A	600	600	J	14.62	10.88	E - 6.29	-	4	-	5	3
M40	15A-150A	GE Circuit Breaker TED, THED, TEC		—	5.62	4.62	E - 0.50	0	0	0	-	0
M40	15A-150A	Westinghouse Circuit Breaker F Frame / Series C		—	5.00	4.62	E - 0.50	0	0	0	-	0
M50	70A-250A	Westinghouse Circuit Breaker J Frame / Series C		—	9.75	4.88	E - 1.00	0	0	1	-	2
M60	100A-400A	Westinghouse Circuit Breaker K Frame / Series C		—	9.69	6.25	E - 1.125	6	0	0	-	2

0: Will fit enclosure. No special restrictions.

1: Do not use in 8.00 inch deep enclosures.

2: Do not use in 8.00 or 10.00 inch deep enclosures.

3: Only fits Type 5 Enclosure with a Designator after Depth.

4: Only fits enclosures 84.00 and 90.00 inch high with the AB designator at the end of the part number

5: Only fit enclosures 12.00 inches deep.

6: Do not use in 60" high enclosures.

Utility requirements for this equipment may vary. Always consult the serving utility for their requirements prior to ordering or installing this equipment. This product must be installed by a licensed electrician. Installation of this equipment may require local electrical inspector approval.



Allen-Bradley 1494F Disconnects

Type Number	Amp Rating	Fuse Clip Rating		Fuse Class	Space Occupied		Wire Bend Space Z	Disconnects Fit The Enclosure Type Indicated Below (Page 108)				
		Amp	Volt		F	G		1	2	3	4	5
N30	30A	No Fuse		—	4.62	6.38	E - 0.59	0	0	—	0	—
NF30	30A	30	250	H, K, R	6.25	6.38	E - 0.59	0	0	—	0	—
NF30	30A	60	250	H, K, R	7.25	6.38	F - 0.59	0	0	—	0	—
NF30	30A	30	600	H, K, R	9.25	6.38	E - 0.59	0	0	—	0	—
NF30	30A	60	600	H, K, R	9.75	6.38	E - 0.59	0	0	—	0	—
NF30	30A	30	600	J	6.50	6.38	E - 0.59	0	0	—	0	—
NF30	30A	60	600	J	6.62	6.38	E - 0.59	0	0	—	0	—
N60	60A	No Fuse		—	4.62	6.38	E - 1.34	0	0	—	0	—
NF60	60A	30	600	H, K, R	10.38	6.38	E - 1.34	0	0	—	0	—
NF60	60A	60	250	H, K, R	8.38	6.38	E - 1.34	0	0	—	0	—
NF60	60A	100	250	H, K, R	10.88	6.38	E - 1.34	0	0	—	0	—
NF60	60A	60	600	H, K, R	10.88	6.38	E - 1.34	0	0	—	0	—
NF60	60A	100	600	H, K, R	12.88	6.38	E - 1.34	0	0	—	0	—
NF60	60A	60	600	J	7.75	6.38	E - 1.34	0	0	—	0	—
NF60	60A	100	600	J	9.75	6.38	E - 1.34	0	0	—	0	—
N100	100A	No Fuse		—	4.62	7.13	E - 3.12	8	0	—	1	—
NF100	100A	100	250	H, K, R	11.38	7.13	E - 3.12	8	0	—	1	—
NF100	100A	200	250	H, K, R	12.25	7.38	E - 3.12	8	0	—	1	—
NF100	100A	100	600	H, K, R	13.38	7.12	E - 3.12	8	0	—	1	—
NF100	100A	200	600	H, K, R	14.75	7.50	E - 3.12	8	0	—	1	—
NF100	100A	100	600	J	10.12	7.13	E - 3.12	8	0	—	1	—
NF100	100A	200	600	J	10.88	7.38	E - 3.12	8	0	—	1	—
N200	200A	No Fuse		—	7.12	10.13	E - 3.38	8	0	—	7	—
NF200	200A	200	250	H, K, R	15.00	10.13	E - 3.38	8	0	—	7	—
NF200	200A	400	250	H, K, R	18.56	10.50	E - 3.38	8	0	—	7	—
NF200	200A	200	600	H, K, R	17.56	10.13	E - 3.38	8	0	—	7	—
NF200	200A	400	600	H, K, R	19.56	10.75	E - 3.38	8	0	—	7	—
NF200	200A	200	600	J	13.69	10.13	E - 3.38	8	0	—	7	—
NF200	200A	400	600	J	15.00	10.38	E - 3.38	8	0	—	7	—

0: Will fit enclosure. No special restrictions.

1: Do not use in 8" deep enclosures.

6: Only fit enclosures with the AB designator at the end of the part number.

7: Only fit enclosures 12.00 inches deep.

8: Do not use in 60" high enclosures.

Allen-Bradley 1494D Circuit Breaker Operators

Type Number	Frame Rating	Breaker Type	Frame Size	Space Occupied		Wire Bend Space Z	Disconnects Fit The Enclosure Type Indicated Below (Page 106)				
				F	G		1	2	3	4	5
N4/N40	150A	Westinghouse	F Frame / Series C	5.81	4.44	E - 0.59	0	0	—	0	—
N4/N40	150A	General Electric	TEC, TED, THED	5.81	4.44	E - 0.59	0	0	—	0	—
N5/N50	225A	General Electric	TFC, TFK, THFK	8.81	4.63	E - 1.41	0	0	—	1	—
N5/N50	250A	Westinghouse	J Frame / Series C	8.81	4.63	E - 1.45	0	0	—	1	—
N5/N60	400A	Westinghouse	K Frame / Series C	8.81	5.75	E - 1.31	8	0	—	1	—

0: Will fit enclosure. No special restrictions.

1: Do not use in 8" deep enclosures.

6: Only fit enclosures with the AB designator at the end of the part number.

8: Do not use in 60" high enclosures.



Utility requirements for this equipment may vary. Always consult the serving utility for their requirements prior to ordering or installing this equipment. This product must be installed by a licensed electrician. Installation of this equipment may require local electrical inspector approval.

Disconnect Enclosure Information

Type 12

Square D Class 9422 Disconnects

Type Number	Amp Rating	Fuse Clip Rating		Fuse Class	Space Occupied		Wire Bend Space Z	Disconnects Fit The Enclosure Type Indicated Below (Page 108)				
		Amp	Volt		F	G		1	2	3	4	5
TCN-30	30A	No Fuse		—	3.80	6.97	E - 1.06	0	0	0	-	0
TCF-30	30A	30	250	H, K, R	5.53	6.97	E - 1.06	0	0	0	-	0
TCF-33	30A	30	600	H, K, R	8.15	6.97	E - 1.06	0	0	0	-	0
TCF-33	30A	60	250	H, K, R	6.15	6.97	E - 1.06	0	0	0	-	0
TCF-33	30A	30	600	J	3.80	6.97	E - 1.06	0	0	0	-	0
TDN-60	60A	No Fuse		—	3.80	6.97	E - 1.06	0	0	0	-	0
TDN-60	60A	30	600	H, K, R	8.15	6.97	E - 1.06	0	0	0	-	0
TDN-60	60A	60	250	H, K, R	6.15	6.97	E - 1.06	0	0	0	-	0
TDN-63	60A	60	600	H, K, R	8.65	6.97	E - 1.06	0	0	0	-	0
TDN-63	60A	60	600	J	5.53	6.97	E - 1.06	0	0	0	-	0
TEN-10	100A	No Fuse		—	3.80	6.97	E - 1.19	0	0	0	-	1
TEF-10	100A	100	250	H, K, R	8.25	6.97	E - 1.19	0	0	0	-	1
TEF-10	100A	100	600	H, K, R	10.25	6.97	E - 1.19	0	0	0	-	1
TEF-13	100A	100	600	J	7.05	6.97	E - 1.19	0	0	0	-	1
TEF-13	100A	200	600	J			E - 1.19	0	0	0	-	1
TC-1	30A	No Fuse		—	5.75	6.13	E - 2	0	0	0	-	0
TC-2	30A	30	250	H, K, R	5.75	6.13	E - 2	0	0	0	-	0
TC-3	30A	30	600	H, K, R	7.75	6.13	E - 2	0	0	0	-	0
TC-3	30A	60	250	H, K, R	5.88	6.13	E - 2	0	0	0	-	0
TC-3	30A	30	600	J	5.75	6.13	E - 2	0	0	0	-	0
TD-1	60A	No Fuse		—	6.38	6.75	E - 1.13	0	0	0	-	0
TD-2	60A	30	600	H, K, R	8.50	6.75	E - 1.13	0	0	0	-	0
TD-2	60A	60	250	H, K, R	6.50	6.75	E - 1.13	0	0	0	-	0
TD-3	60A	60	600	H, K, R	9.00	6.75	E - 1.13	0	0	0	-	0
TD-3	60A	60	600	J	6.38	6.75	E - 1.13	0	0	0	-	0
TE-1	100A	No Fuse		—	4.75	8.50	E - 1.38	0	0	1	-	1
TE-2	100A	100	250	H, K, R	7.50	8.50	E - 1.38	0	0	1	-	1
TE-2	100A	100	600	H, K, R	9.50	8.50	E - 1.38	0	0	1	-	1
TE-2	100A	100	600	J	6.25	8.50	E - 1.38	0	0	1	-	1
TE-3	100A	200	600	J	13.75	8.50	E - 1.38	0	0	1	-	1
TF-1	200A	No Fuse		—	5.50	11.75	E - 2.75	0	0	1	-	2
TF-2	200A	200	250	H, K, R	11.50	11.75	E - 2.75	0	0	1	-	2
TF-2	200A	200	600	H, K, R	14.00	11.75	E - 2.75	0	0	1	-	2
TF-2	200A	200	600	J	10.12	11.75	E - 2.75	0	0	1	-	2
TF-3	200A	400	600	J	14.50	11.75	E - 2.75	0	0	0	-	2
RG-1	75A	GJL		Circuit Breaker	3.53	3.88	E - 1.16	0	0	0	-	0
RG-1	100A	GJL		Circuit Breaker	3.53	3.88	E - 1.16	0	0	0	-	0
RN-1	100A	FAL,FHL		Circuit Breaker	5.12	5.38	E - 1.00	0	0	0	-	0
RP-1	250A	KAL,KHL		Circuit Breaker	7.12	5.75	E - 0.50	0	0	0	-	0
RR-1	400A	LAL,LHL,Q4L		Circuit Breaker	7.62	8.88	E - 4.62	-	0	1	-	2

- 0: Will fit enclosure. No special restrictions.
- 1: Do not use in 8.00 inch deep enclosures.
- 2: Do not use in 8.00 or 10.00 inch deep enclosures.

Utility requirements for this equipment may vary. Always consult the serving utility for their requirements prior to ordering or installing this equipment. This product must be installed by a licensed electrician. Installation of this equipment may require local electrical inspector approval.



General Electric Type STDA Operators for Disconnects

Mechanism	Amp Rating	Fuse Clip Rating		Fuse Class	Space Occupied		Wire Bend Space Z	Disconnects Fit The Enclosure Type Indicated Below (Page 108)				
		Amp	Volt		F	G		1	2	3	4	5
TDOM1A	30A	No Fuse		—	7.75	5.25	E + .5	0	0	0	—	0
TDOM1A	30A	30	250	H,R	7.75	5.25	E + .5	0	0	0	—	0
TDOM1B	30A	30	600	H,R	12.38	5.25	E + .5	0	0	0	—	0
TDOM1B	30A	60	250	H,R	12.38	5.25	E + .5	0	0	0	—	0
TDOM1B	30A	60	600	H,R	12.38	5.25	E + .5	0	0	0	—	0
TDOM1A	60A	No Fuse		—	7.75	5.25	E + .5	0	0	0	—	0
TDOM1B	60A	60	250	H,R	12.38	5.25	E + .5	0	0	0	—	0
TDOM1B	60A	60	600	H,R	12.38	5.25	E + .5	0	0	0	—	0
TDOM1B	60A	100	250	H,R	12.38	5.25	E + .5	0	0	0	—	0
TDOM1B	60A	100	600	H,R	12.38	5.25	E + .5	0	0	0	—	0
TDOM1A	100A	No Fuse		—	7.75	5.25	E + .5	0	0	0	—	0
TDOM1B	100A	100	250	H,R	12.38	5.25	E + .5	0	0	0	—	0
TDOM1B	100A	100	600	H,R	12.38	5.25	E + .5	0	0	0	—	0
TDOM1B	100A	200	250	H,R	12.38	5.25	E + .5	0	0	0	—	0
TDOM1B	100A	200	600	H,R	12.38	5.25	E + .5	0	0	0	—	0
TDOM2	200A	No Fuse		—	7.00	9.12	E - 2.12	0	0	0	—	2
TDOM2	200A	200	250	H,R	15.38	9.12	E - 2.12	0	0	0	—	2
TDOM2	200A	200	600	H,R	15.38	9.12	E - 2.12	0	0	0	—	2

General Electric Type STDA Operators for Circuit Breakers

Mechanism	Amp Rating	Frame Type	Space Occupied		Wire Bend Space Z	Disconnects Fit The Enclosure Type Indicated Below (Page 108)				
			F	G		1	2	3	4	5
SDOM1A	150A	TEB, TED, THED	7.75	5.38	E - .64	0	0	0	—	0
SDOM1A	150A	TEC	7.75	5.38	E - .64	0	0	0	—	0
TDOM1B	150A	TB1	12.38	5.38	E - .64	0	0	0	—	0
TDOM1B	150A	TEC, TECL	12.38	5.38	E - .64	0	0	0	—	0
TDOM1C	150A	TEL	7.75	5.38	E - .64	0	0	0	—	0
TDOM1D	150A	THLC1	7.75	5.38	E - .64	0	0	0	—	1
TDOM3	225A	TFJ	10.38	5.88	E - 2.00	0	0	0	—	1
TDOM3	225A	TFK, THFK, TFL	10.38	5.88	E - 2.00	0	0	0	—	1
TDOM4	400A	TJJ, TJK4, THJK4, TJL4V	8.25	9.50	E - 2.00	8	0	0	—	1
TDOM4	600A	TJK6, THJK6, TJ4V, TJL4V	8.25	9.50	E - 2.00	8	0	1	—	1
TDOM5	400A	TB4, TJH6S	14.25	9.50	E - 2.00	8	0	0	—	1
TDOM6	225A	TLB2, THLC2	11.75	9.50	E - 2.50	8	9	9	—	2
TDOM6	400A	TLB4, THLC4	11.75	9.50	E - 2.50	8	9	9	—	2
TDOM6	225A	TLB2, THLC2	11.75	9.50	E - 2.50	9	10	—	—	—
TDOM7	600A	TB6	18.12	9.50	E - 2.50	9	9	—	—	—
TDOM7	800A	TB8	18.12	9.50	E - 2.50	9	9	—	—	—
TDOM7	1200A	TKL12S	18.12	9.50	E - 2.50	9	10	—	—	—

- 0: Will fit enclosure. No special restrictions.
- 1: Do not use in 8.00 inch deep enclosures.
- 2: Do not use in 8.00 or 10.00 inch deep enclosures.
- 8: Do not use in 60.00 inch high enclosures.
- 9: Do not use in 60.00 or 72.00 inch high enclosures.
- 10: Do not use in 60.00, 72.00, or 84.00 inch high enclosures.



Utility requirements for this equipment may vary. Always consult the serving utility for their requirements prior to ordering or installing this equipment. This product must be installed by a licensed electrician. Installation of this equipment may require local electrical inspector approval.

Disconnect Enclosure Information

Type 12

I-T-E Disconnect Switches for Max-Flex™ Operators

Switch	Amp Rating	Fuse Clip Rating		Fuse Class	Space Occupied		Disconnects Fit The Enclosure Type Indicated Below (Page 108)				
		Amp	Volt		F	G	1	2	3	4	5
MCS603R	30A	No Fuse		—	5.52	6.13	0	0	0	—	0
MCS603R	30A	30	250	H, K, R	8.11	6.13	0	0	0	—	0
MCS603R	30A	30	600	H, K, R	10.11	6.13	0	0	0	—	0
MCS603R	30A	30	600	J	8.48	6.13	0	0	0	—	0
MCS606R	60A	No Fuse		—	5.52	6.13	0	0	0	—	0
MCS606R	60A	60	250	H, K, R	7.86	6.13	0	0	0	—	0
MCS606R	60A	60	600	H, K, R	10.38	6.13	0	0	0	—	0
MCS606R	60A	60	600	J	8.36	6.13	0	0	0	—	0
MCS610R	100A	No Fuse		—	7.59	7.38	0	0	0	—	0
MCS610R	100A	100	250	H, K, R	11.85	7.38	0	0	0	—	0
MCS610R	100A	100	600	H, K, R	13.85	7.38	0	0	0	—	0
MCS610R	100A	100	600	J	10.60	7.38	0	0	0	—	0
MCS620R	200A	No Fuse		—	9.02	9.17	0	0	0	—	0
MCS620R	200A	200	250	H, K, R	14.70	9.17	0	0	0	—	0
MCS620R	200A	200	600	H, K, R	17.20	9.17	0	0	0	—	0
MCS620R	200A	200	600	J	13.32	9.17	0	0	0	—	0

0: Will fit enclosure. No special restrictions.

I-T-E Circuit Breakers with Max-Flex™ Operators

Complete Operator	Circuit Breaker	Max Amp	Circuit Breaker		Circuit Breaker Type	Disconnects Fit The Enclosure Type Indicated Below (Page 108)				
			Mechanism	Frame		Rating	Height	Width	1	2
FHOE036	ED	125A	6.34	3.00	ED2, ED4, ED6, HED4, HED6	0	0	0	—	0
FHOE36	CED	125A	9.58	3.00	CED6	0	0	0	—	0
FHOF036	FD	250A	9.50	4.50	FXD6-A, FD6-A, HFD6, FXD6-ETJ, HHFD6, HHFXD6	0	0	0	—	0
FHOJ036	CFD	250A	14.25	4.50	CFD6, CFD6-ETI	0	0	0	—	0
FHOJ036	JD	400A	11.00	7.50	JXD2, JXD6, JD6, HJD6, HHJD6, HHJXD6, JXD6-ETI	0	0	0	—	0
FHOJ036	CJD	400A	17.86	7.50	CJD6, CJD6-ETI	0	0	0	—	0
FHOJ036	LD	600A	11.00	7.50	LXD6, LD6, HLD6, HHLXD6, HHLXD6, LXD6-ETI	0	0	0	—	0
FHOJ036	CLD	600A	17.86	7.50	CLD6, CLD6-ETI	0	0	0	—	0
FHOLM036	LMD	800A	16.00	9.00	LMD6, LMXD6, HLMD6, HLMXD6, LMXD6-ETI	0	0	0	—	0
FHON048	MD	800A	24.00	9.00	MD6, MXD6, HMD6, HMXD6, CMD6, MXD6-ETI, CMD6-ETI	—	4	—	5	3
FHON048	ND	1200A	24.00	9.00	ND6, NXD6, HND6, HNXD6, CND6	—	4	—	5	3

0: Will fit enclosure. No special restrictions.

3: Only fits Type 5 enclosures with a designator after depth.

4: Only fit enclosures 84.00 and 90.00 inch high with the AB designator at the end of the part number.

5: Only fit enclosures 12.00 inches deep.

Utility requirements for this equipment may vary. Always consult the serving utility for their requirements prior to ordering or installing this equipment. This product must be installed by a licensed electrician. Installation of this equipment may require local electrical inspector approval.



ABB Controls Disconnect Switches with Flange Mounted Operators

Switch Number	Amp Rating	Fuse Clip Rating		Fuse Class	Space Occupied		Wire Bend Space Z	Disconnects Fit The Enclosure Type Indicated Below (Page 108)				
		Amp	Volt		F	G		1	2	3	4	5
OETL-NF30-F	40A	No Fuse		—	4.45	3.91	E + 1.68	0	0	0	—	0
OETL-NF60-F	80A	No Fuse		—	4.86	3.91	E + 1.47	0	0	0	—	0
OETL-NF100-F	100A	No Fuse		—	4.86	4.91	E + 0.91	0	0	0	—	0
OETL-NF175-F	175A	No Fuse		—	7.30	6.62	E - 1.34	0	0	0	—	1
OETL-NF200-F	200A	No Fuse		—	7.36	7.41	E + 1.34	0	0	0	—	1
OESA-F30J6-F	30A	30	600	J	4.28	6.71	E = Z	0	0	0	—	0
OESA-F60J6-F	50A	60	600	J	4.28	6.38	E = Z	0	0	0	—	0
OESA-F100J6-F	100A	100	600	J	6.54	7.78	E - 0.45	0	0	0	—	0

0: Will fit enclosure. No special restrictions.
1: Do not use in 8.00 inch deep enclosures.

ABB Controls Circuit Breakers with Flange Mounted Operators

Mechanism	Amp Rating	Frame Type	Space Occupied		Wire Bend Space Z	Disconnects Fit The Enclosure Type Indicated Below (Page 108)				
			F	G		1	2	3	4	5
FHD-M	150A	D	6.92	3.94	E + 0.54	0	0	0	-	0
FHF-M	150A-225A	E/Q	5.98	4.23	E - 0.91	8	0	1	-	2
FHH-M	225A	F	7.44	4.23	E - 0.91	0	0	0	-	0
FHJ-M	400A	J	9.71	5.62	E - 2.85	8	0	1	-	2
FHM-M	600A	L	8.28	11.26	E - 2.85	-	0	0	-	2
FHM-M	800A	M	10.11	11.26	E - 3.75	-	9	-	-	-

0: Will fit enclosure. No special restrictions.
2: Do not use with 8.00 or 10.00 inch deep enclosures.
8: Do not use in 60.00 inch high enclosures.
9: Do not use in 60.00 or 72.00 inch high enclosures.



Utility requirements for this equipment may vary. Always consult the serving utility for their requirements prior to ordering or installing this equipment. This product must be installed by a licensed electrician. Installation of this equipment may require local electrical inspector approval.

Disconnect Enclosure Information

Type 12

Cutler-Hammer C361 Disconnect Switches

Switch Number	Type Number	Amp Rating	Fuse Clip Rating		Fuse Class	Space Occupied		Wire Bend Space	Disconnects Fit The Enclosure Type Indicated Below (Page 108)				
			Amp	Volt		F	G		Z	1	2	3	4
C361	NC	30A	No Fuse		—	5.75	7.64	E - 1.31	0	0	0	—	0
C361	SC21	30A	30	250	H, K, R	8.38	7.64	E - 1.31	0	0	0	—	0
C361	SC61	30A	60	250	H, K, R	8.38	7.64	E - 1.31	0	0	0	—	0
C361	SC61	30A	30	600	H, J, K, R	8.38	7.64	E - 1.31	0	0	0	—	0
C361	ND	60A	No Fuse		—	5.75	7.64	E - 1.31	0	0	0	—	0
C361	SD22	60A	60	250	H, K, R	8.38	7.64	E - 1.31	0	0	0	—	0
C361	SD22	60A	30	600	J	8.38	7.64	E - 1.31	0	0	0	—	0
C361	SD62	60A	60	600	H, K, R	8.38	7.64	E - 1.31	0	0	0	—	0
C361	SD62	60A	60	600	J	8.38	7.64	E - 1.31	0	0	0	—	0
C361	NE	100A	No Fuse		—	5.56	9.13	E - 1.75	0	0	0	—	0
C361	SE263	100A	100	250	H, K, R	10.31	9.13	E - 1.75	0	0	0	—	0
C361	SE263	100A	100	600	H, K, R	10.31	9.13	E - 1.75	0	0	0	—	0
C361	SE263	100A	100	600	J	10.31	9.13	E - 1.75	0	0	0	—	0
C361	NF	200A	No Fuse		—	13.06	10.13	E - 3.68	0	0	0	—	2
C361	SF264	200A	200	250	H, K, R	13.06	10.13	E - 3.68	0	0	0	—	2
C361	SF264	200A	200	600	H,J,K,R	13.06	10.13	E - 3.68	0	0	0	-	2

Cutler-Hammer C371 Circuit Breaker Operators for C-H / Westinghouse Circuit Breakers

Mechanism	Max Amp Rating	Frame Type	Space Occupied		Wire Bend Space	Disconnects Fit The Enclosure Type Indicated Below (Page 108)				
			F	G		Z	1	2	3	4
C371E	225A	F Frame: EHD, FDB, FD, HFD, FDC	6.00	5.63	E - 0.31	0	0	0	—	0
C371E	150A	F-Frame: HMCP	6.00	5.63	E - 0.31	0	0	0	—	0
C371F	250A	J Frame: JDB, JD, HJD, JDC	10.94	8.13	E - 0.37	0	0	1	—	1
C371F	250A	J Frame: HMCP	8.94	8.13	E - 0.37	0	0	1	—	1
C371F	400A	K Frame: DK, KDB, KD, HKD	9.75	8.13	E - 0.87	8	0	1	—	2
C371F	400A	K Frame: HMCP	9.75	8.13	E - 0.87	8	0	1	—	2
C371G	600A	L Frame: LD, HLD, LDC	8.44	12.00	E - 2.44	9	0	1	—	2
C371G	600A	L Frame: HMCP	8.44	12.00	E - 2.44	9	0	1	—	2

Cutler-Hammer Flex Shaft™ Operator Mechanisms for C-H / Westinghouse Circuit Breakers

Complete Operator Mechanism	Amp Rating	Frame Type	Breaker Height	Breaker Width	Disconnects Fit The Enclosure Type Indicated Below (Page 108)				
					1	2	3	4	5
F1S03	225A	F-Frame: EHD, FDB, FD, HFD, FDC	6.00	4.12	0	0	-	-	-
F1S03	150A	F-Frame: HMCP	6.00	4.12	0	0	-	-	-
F2S03	250A	J-Frame: JDB, JD, HJD, JDC	10.00	4.12	8	0	-	-	-
F2S03	250A	J-Frame: HMCP	10.00	4.12	8	0	-	-	-
F3S03	400A	K-Frame: DK, KDB, KD, HKD	10.12	5.50	8	0	-	-	-
F3S03	400A	K-Frame: HMCP	12.45	5.50	8	0	-	-	-
F4S04	600A	L-Frame: LD, HLD, LDC	10.75	8.25	-	9	-	-	-
F4S04	600A	L-Frame: HMCP	12.50	8.25	-	9	-	-	-
F7S04	800A	M Frame/MD,MDS	16.00	8.25	-	9	-	-	-

- 0: Will fit enclosure. No special restrictions.
- 1: Do not use in 8.00 inch deep enclosures.
- 2: Do not use with 8.00 or 10.00 inch deep enclosures.
- 8: Do not use in 60.00 inch high enclosures.
- 9: Do not use in 60.00 or 72.00 inch high enclosures.

Utility requirements for this equipment may vary. Always consult the serving utility for their requirements prior to ordering or installing this equipment. This product must be installed by a licensed electrician. Installation of this equipment may require local electrical inspector approval.

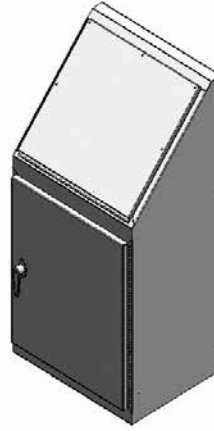




M12SP1 Single Door



M12SP1 Double Door



M12SP-924 Single Door

Applications

Designed to house electrical controls, instruments, and components. Pushbuttons, pilot lights, meters, switches, etc. can be mounted on the sloping control panel or on the instrument panel.

Construction

- Fabricated from 14 gauge carbon steel with continuously welded seams.
- Doors and exterior panels have oil resistant gaskets and are secured by three point latches with key locking handles.
- The 24" and 36" consoles have a single door on the front. The door surfaces are flush with the front to the body.

- Each console has a large sloping control panel hinged along the bottom edge and secured with captivated panel screws thread into sealed wells for a good secure fit.
- Stops are provided to hold the control panel open.
- Collar studs provided for mounting optional sub panels.

Finish

Standard ANSI-61 gray finish on interior and exterior of enclosures. Recoatable, smooth, white or RAL 7035 texture polyester powder coat available at no charge. Standard RAL and custom match finishes available for an additional charge, please contact Milbank for further assistance. All powder coat finishes applied over

cleaned phosphatized surfaces. Carbon steel sub panels have a white polyester powder coat finish.

Options

Milbank can modify standard enclosures or custom design enclosures according to your specifications. Holes, cutouts, sizes, materials, and many more options are available. Quotations upon request.

Industry Standards

- UL 50 Listed
- CUL 50 Listed
- Type 12

Catalog Number	Description	Enclosure Size H x W x D (inches)	Shpg. Wt.
M12SP1-C18	Console Body	40 x 18 x 20	100
A-30X15	Interior Subpanel	30 x 15	12
M12SP1-C24	Console Body	40 x 24 x 20	115
A-30X21	Interior Subpanel	30 x 21	17
M12SP1-C30	Console Body	40 x 30 x 20	140
A-30X27	Interior Subpanel	30 x 27	21
M12SP1-C36	Console Body	40 x 36 x 20	165
A-30X33	Interior Subpanel	30 x 33	26
M12SP1-C42	Console Body	40 x 42 x 20	210

Catalog Number	Description	Enclosure Size H x W x D (inches)	Shpg. Wt.
A-30X39	Interior Subpanel	30 x 39	31
M12SP1-C48	Console Body	40 x 48 x 20	235
A-30X45	Interior Subpanel	30 x 45	36
M12SP-924B	Console Body	48 x 24 x 18	150
A-30P20	Interior Subpanel	27 x 17	16
M12SP-936B	Console Body	48 x 36 x 18	186
A-30P30	Interior Subpanel	27 x 27	24
A-30P20	Interior Side Subpanel	27 x 17	16



Utility requirements for this equipment may vary. Always consult the serving utility for their requirements prior to ordering or installing this equipment. This product must be installed by a licensed electrician. Installation of this equipment may require local electrical inspector approval.

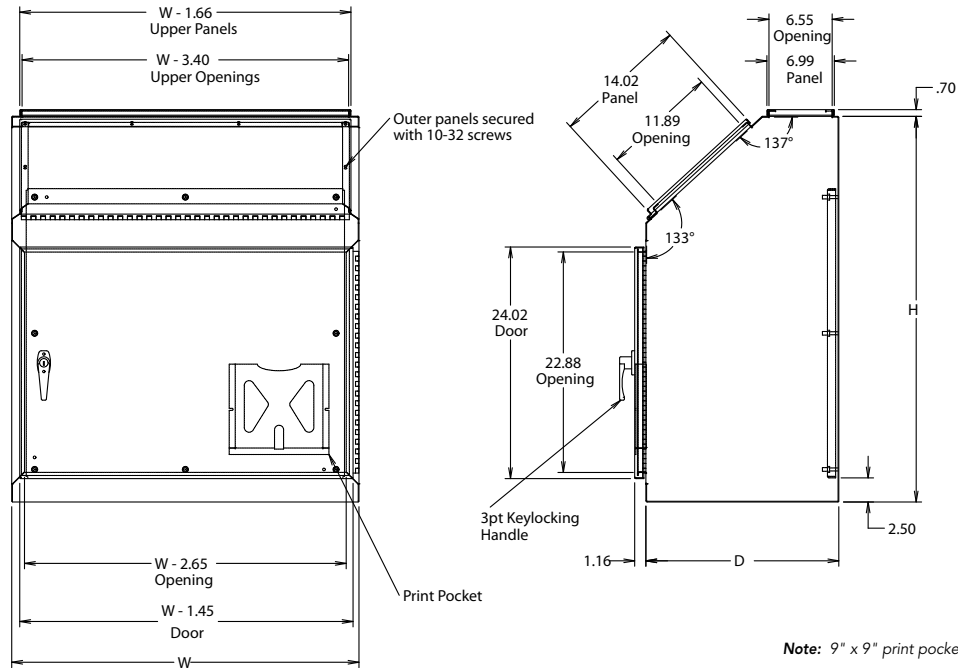
Series 1 and Series 9 Consoles

Type 12

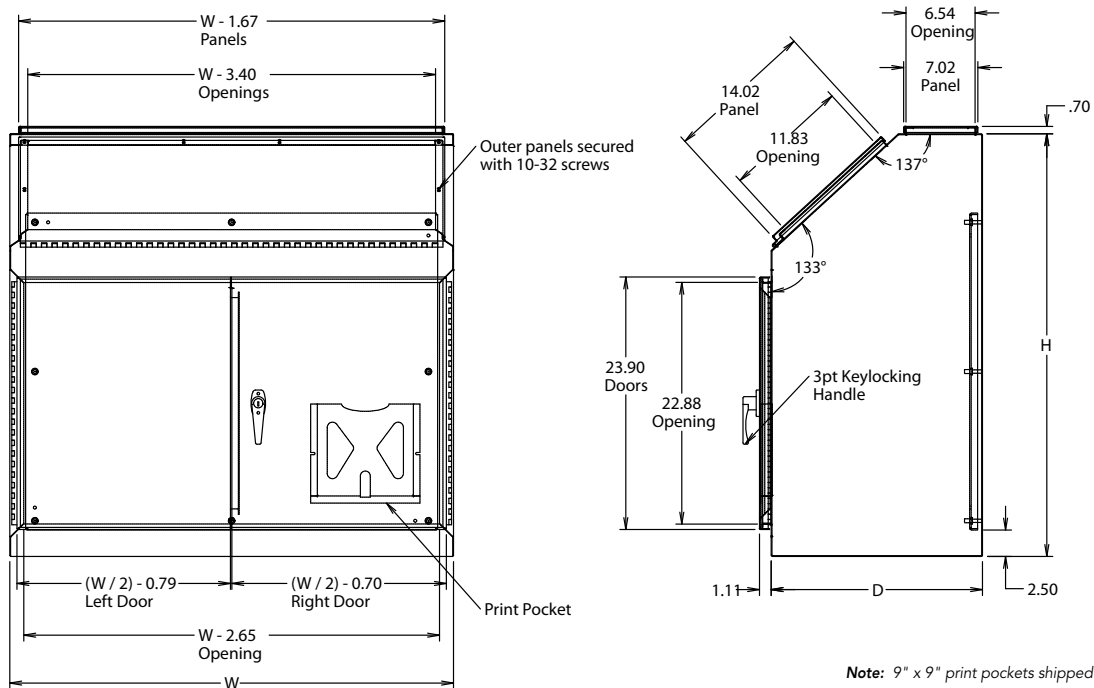
115

SERIES 1 &
SERIES 9
CONSOLES

M1SP1 Single Door



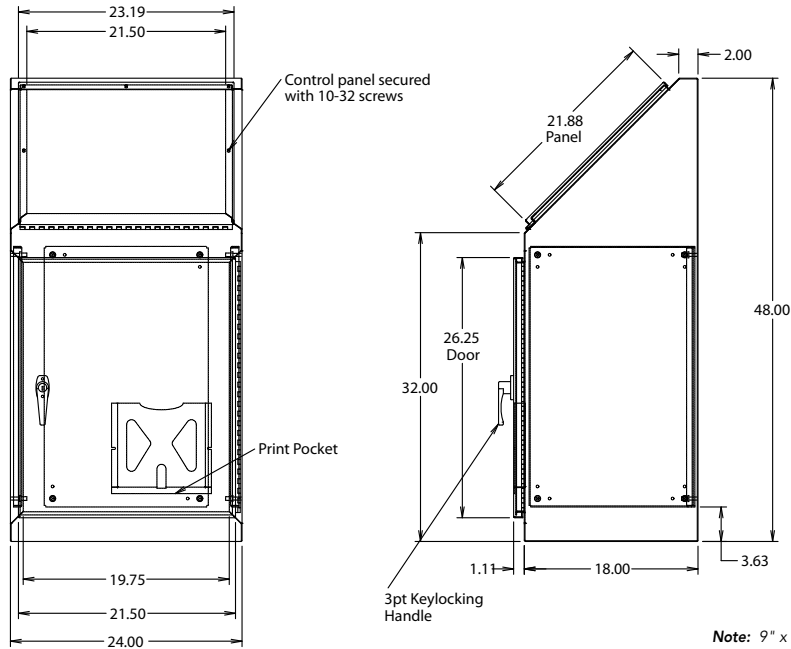
M12SP1 Double Door



Utility requirements for this equipment may vary. Always consult the serving utility for their requirements prior to ordering or installing this equipment. This product must be installed by a licensed electrician. Installation of this equipment may require local electrical inspector approval.

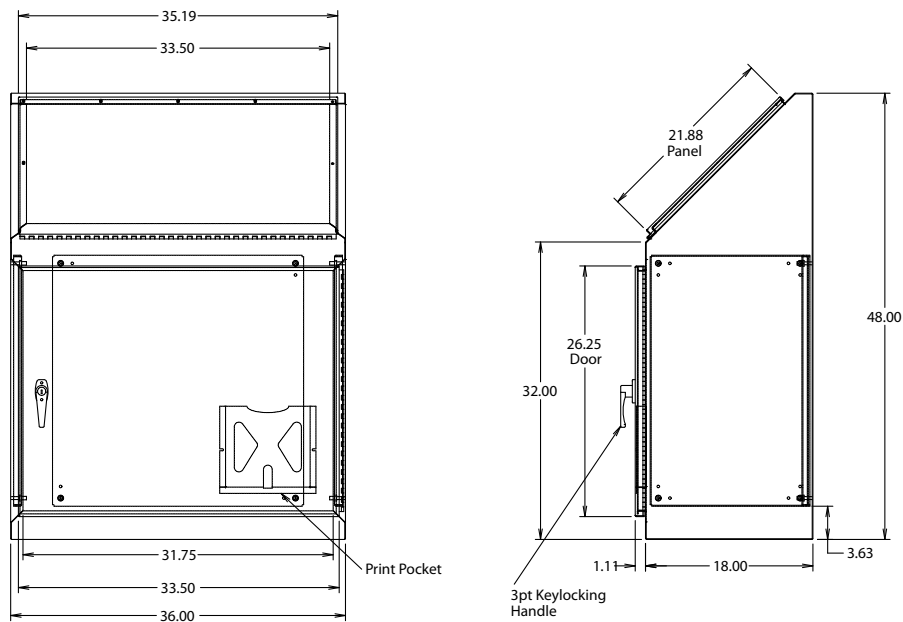


M12SP-924B



Note: 9" x 9" print pockets shipped inside enclosure.

M12SP-936B



Note: 9" x 9" print pockets shipped inside enclosure.

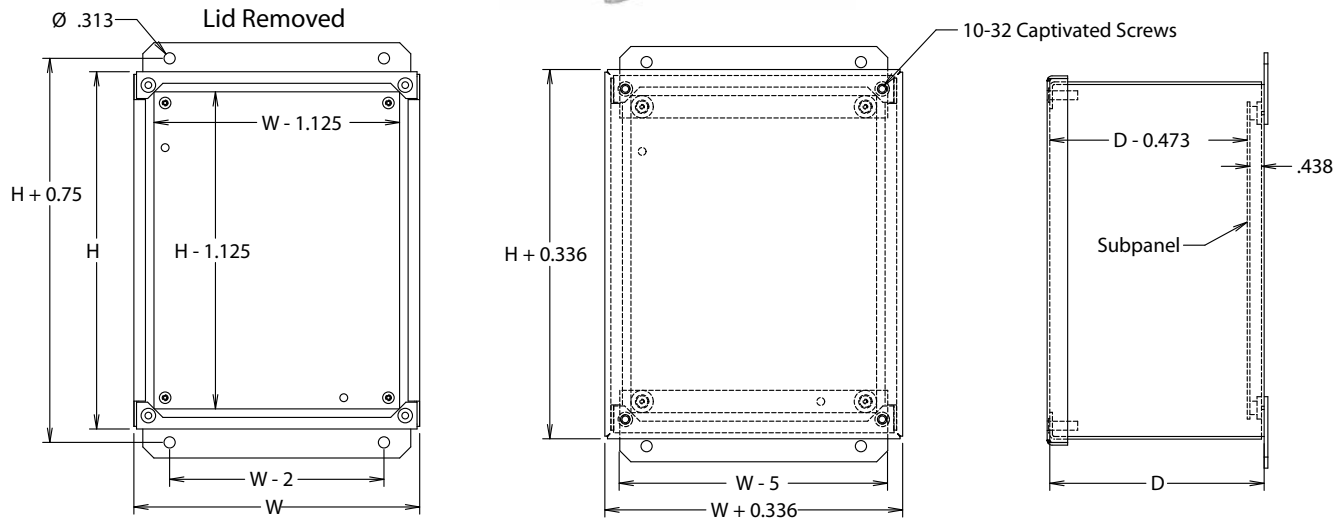


Utility requirements for this equipment may vary. Always consult the serving utility for their requirements prior to ordering or installing this equipment. This product must be installed by a licensed electrician. Installation of this equipment may require local electrical inspector approval.

Screw Cover Junction Enclosures

Type 4 & 4X | JIC

117
TYPE 4 & 4X
SCREW COVER
JUNCTION
ENCLOSURES



Applications

For housing electrical controls, terminals, and instruments and to provide protection from dust, dirt, oil and water

Construction

- Fabricated from 16 or 14 gauge carbon steel, type 304 stainless steel and type 316 stainless steel.
- Lids secured with captivated cover screws threaded into sealed wells.
- Oil resistant gasket applied to the doors.
- External mounting feet for wall or machinery mounting.
- Weld nuts for mounting optional sub panel.
- Chain not included, order as extra.

Finish

Standard ANSI-61 gray finish on interior and exterior of enclosures. Recoatable, smooth, white or RAL 7035 texture

polyester powder coat available at no charge. Standard RAL and custom match finishes available for an additional charge, please contact Milbank for further assistance. All powder coat finishes applied over cleaned phosphatized surfaces. Carbon steel sub panels have a white polyester powder coat finish. Stainless Steel enclosures have a polished #4 finish.

Options

Milbank can modify standard enclosures or custom design enclosures according to your specifications. Holes, cutouts, sizes, materials, and many more options are available. Quotations upon request.

Industry Standards

- UL 50 Listed
- CUL 50 Listed
- Type 4 & 4X

Utility requirements for this equipment may vary. Always consult the serving utility for their requirements prior to ordering or installing this equipment. This product must be installed by a licensed electrician. Installation of this equipment may require local electrical inspector approval.



Carbon Steel #	Catalog Number		Product Size H x W x D (inches)	Ship. Wt.	Sub Panel Part #	Sub Panel Size H x W (inches)
	304 Stainless Steel #	316 Stainless Steel #				
SC443JIC4	SC443JIC4XS	SC443JIC4XZ	4 x 4 x 3	2	—	—
SC643JIC4	SC643JIC4XS	SC643JIC4XZ	6 x 4 x 3	3	A-64SBP	4.88 x 2.88
SC863JIC4	SC863JIC4XS	SC863JIC4XZ	8 x 6 x 3.5	5	A-86SBP	6.88 x 4.88
SC444JIC4	SC444JIC4XS	SC444JIC4XZ	4 x 4 x 4	2	—	—
SC644JIC4	SC644JIC4XS	SC644JIC4XZ	6 x 4 x 4	3	A-64SBP	4.88 x 2.88
SC884JIC4	SC884JIC4XS	SC884JIC4XZ	8 x 8 x 4	6	A-88SBP	6.88 x 6.88
SC664JIC4	SC664JIC4XS	SC664JIC4XZ	6 x 6 x 4	4	A-66SBP	4.88 x 4.88
SC666JIC4	SC666JIC4XS	SC666JIC4XZ	6 x 6 x 6	5	A-66SBP	4.88 x 4.88
SC866JIC4	SC866JIC4XS	SC866JIC4XZ	8 x 6 x 6	7	A-86SBP	6.88 x 4.88
SC1084JIC4	SC1084JIC4XS	SC1084JIC4XZ	10 x 8 x 4	8	A-108SBP	8.88 x 6.88
SC1264JIC4	SC1264JIC4XS	SC1264JIC4XZ	12 x 6 x 4	7	A-126SBP	10.88 x 4.88
SC12105JIC4	SC12105JIC4XS	SC12105JIC4XZ	12 x 10 x 5	12	A-1210SBP	10.88 x 8.88
SC1086JIC4	SC1086JIC4XS	SC1086JIC4XZ	10 x 8 x 6	9	A-108SBP	8.88 x 6.88
SC10106JIC4	SC10106JIC4XS	SC10106JIC4XZ	10 x 10 x 6	11	A-1010SBP	8.88 x 8.88
SC12126JIC4	SC12126JIC4XS	SC12126JIC4XZ	12 x 12 x 6	14	A-1212SBP	10.88 x 10.88
SC1486JIC4	SC1486JIC4XS	SC1486JIC4XZ	14 x 8 x 6	12	A-148SBP	12.88 x 6.88
SC14126JIC4	SC14126JIC4XS	SC14126JIC4XZ	14 x 12 x 6	16	A-1412SBP	12.88 x 10.88
SC16106JIC4	SC16106JIC4XS	SC16106JIC4XZ	16 x 10 x 6	16	A-1610SBP	14.88 x 8.88
SC16146JIC4	SC16146JIC4XS	SC16146JIC4XZ	16 x 14 x 6	20	A-1614SBP	14.88 x 12.88
SC12108JIC4	SC12108JIC4XS	SC12108JIC4XZ	12 x 10 x 8	15	A-1210SBP	10.88 x 8.88
SC14128JIC4	SC14128JIC4XS	SC14128JIC4XZ	14 x 12 x 8	19	A-1412SBP	12.88 x 10.88
SC16148JIC4	SC16148JIC4XS	SC16148JIC4XZ	16 x 14 x 8	23	A-1614SBP	14.88 x 12.88
SC161410JIC4	SC161410JIC4XS	SC161410JIC4XZ	16 x 14 x 10	26	A-1614SBP	14.88 x 12.88



Utility requirements for this equipment may vary. Always consult the serving utility for their requirements prior to ordering or installing this equipment. This product must be installed by a licensed electrician. Installation of this equipment may require local electrical inspector approval.

Clamp Cover Junction Enclosures

Type 4 & 4X

119

TYPE 4 & 4X
CLAMP COVER
JUNCTION
ENCLOSURES

Applications

Type 4 JIC enclosures are designed for use in areas which may be regularly hosed down or otherwise very wet.

CONSTRUCTION

- Fabricated from 16 or 14 gauge carbon steel, type 304 or type 316 stainless steel with continuously welded seams.
- Door secured with zinc clamps on four sides.
- Stainless steel doors are secured with type 316 stainless steel clamps.
- Oil resistant gasket applied to the doors.
- External mounting feet for wall or machinery mounting.
- Weld nuts for mounting optional sub panel.

FINISH

Standard ANSI-61 gray on interior and exterior of enclosures. Recoatable, smooth, white or RAL 7035 texture polyester powder coat finish available at no charge. Standard RAL and custom match finishes available for an additional charge, please contact Milbank for further assistance. All powder coat finishes applied over cleaned phosphatized surfaces. Carbon steel sub panels have a white polyester powder coat finish. Stainless steel enclosures have a polished #4 finish.

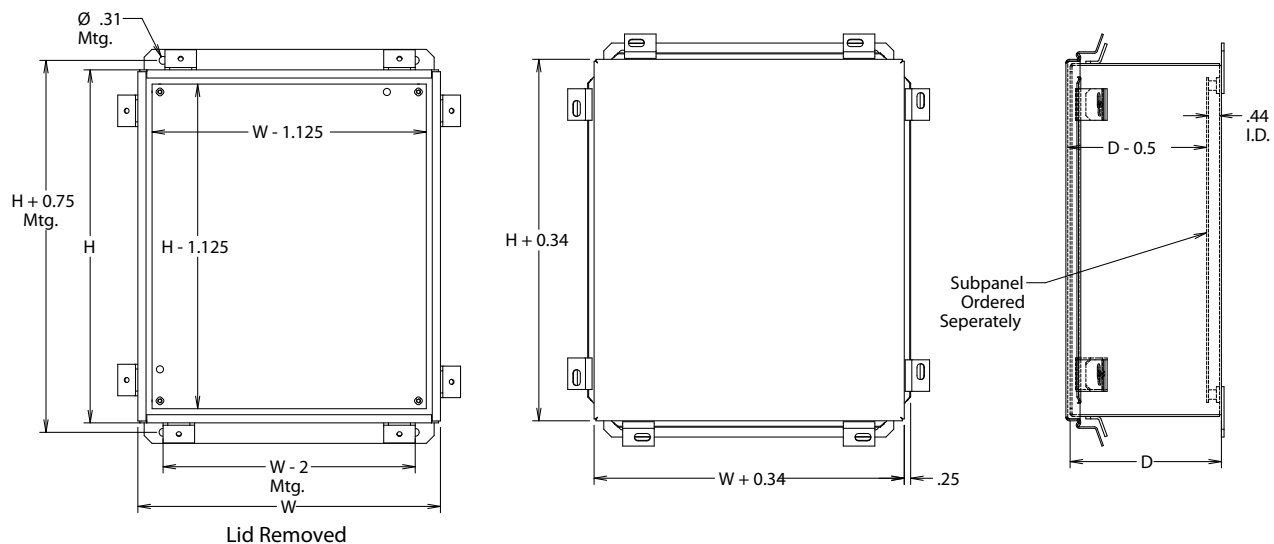
OPTIONS

Milbank can modify standard enclosures or custom design enclosures according to your specifications. Holes, cutouts, sizes, materials, and many more options are available. Quotations upon request.



INDUSTRY STANDARDS

- UL 50 Listed
- CUL 50 Listed
- Type 4 & 4X



Utility requirements for this equipment may vary. Always consult the serving utility for their requirements prior to ordering or installing this equipment. This product must be installed by a licensed electrician. Installation of this equipment may require local electrical inspector approval.



Clamp Cover Junction Enclosures

Type 4 & 4X

Catalog Number			Product Size H x W x D (inches)	Ship. Weight (lbs)	Sub Panel Part #	Sub Panel Size H x W (inches)
Carbon Steel #	304 Stainless Steel #	316 Stainless Steel #				
CC443JIC4	CC443JIC4XS	CC443JIC4XZ	4 x 4 x 3	3	—	—
CC643JIC4	CC643JIC4XS	CC643JIC4XZ	6 x 4 x 3	4	A-64SBP	4.88 x 2.88
CC863JIC4	CC863JIC4XS	CC863JIC4XZ	8 x 6 x 3.5	7	A-86SBP	6.88 x 4.88
CC444JIC4	CC444JIC4XS	CC444JIC4XZ	4 x 4 x 4	4	—	—
CC644JIC4	CC644JIC4XS	CC644JIC4XZ	6 x 4 x 4	5	A-64SBP	4.88 x 2.88
CC664JIC4	CC664JIC4XS	CC664JIC4XZ	6 x 6 x 4	6	A-66SBP	4.88 x 4.88
CC884JIC4	CC884JIC4XS	CC884JIC4XZ	8 x 8 x 4	9	A-88SBP	6.88 x 6.88
CC1084JIC4	CC1084JIC4XS	CC1084JIC4XZ	10 x 8 x 4	11	A-108SBP	8.88 x 6.88
CC1264JIC4	CC1264JIC4XS	CC1264JIC4XZ	12 x 6 x 4	10	A-126SBP	10.88 x 4.88
CC12105JIC4	CC12105JIC4XS	CC12105JIC4XZ	12 x 10 x 5	17	A-1210SBP	10.88 x 8.88
CC666JIC4	CC666JIC4XS	CC666JIC4XZ	6 x 6 x 6	8	A-66SBP	4.88 x 4.88
CC866JIC4	CC866JIC4XS	CC866JIC4XZ	8 x 6 x 6	10	A-86SBP	6.88 x 4.88
CC1086JIC4	CC1086JIC4XS	CC1086JIC4XZ	10 x 8 x 6	14	A-108SBP	8.88 x 6.88
CC10106JIC4	CC10106JIC4XS	CC10106JIC4XZ	10 x 10 x 6	16	A-1010SBP	8.88 x 8.88
CC12126JIC4	CC12126JIC4XS	CC12126JIC4XZ	12 x 12 x 6	21	A-1212SBP	10.88 x 10.88
CC1486JIC4	CC1486JIC4XS	CC1486JIC4XZ	14 x 8 x 6	18	A-148SBP	12.88 x 6.88
CC14126JIC4	CC14126JIC4XS	CC14126JIC4XZ	14 x 12 x 6	24	A-1412SBP	12.88 x 10.88
CC16106JIC4	CC16106JIC4XS	CC16106JIC4XZ	16 x 10 x 6	23	A-1610SBP	14.88 x 8.88
CC16146JIC4	CC16146JIC4XS	CC16146JIC4XZ	16 x 14 x 6	30	A-1614SBP	14.88 x 12.88
CC12108JIC4	CC12108JIC4XS	CC12108JIC4XZ	12 x 10 x 8	22	A-1210SBP	10.88 x 8.88
CC14128JIC4	CC14128JIC4XS	CC14128JIC4XZ	14 x 12 x 8	28	A-1412SBP	12.88 x 10.88
CC16148JIC4	CC16148JIC4XS	CC16148JIC4XZ	16 x 14 x 8	34	A-1614SBP	14.88 x 12.88
CC161410JIC4	CC161410JIC4XS	CC161410JIC4XZ	16 x 14 x 10	39	A-1614SBP	14.88 x 12.88

Note: When height is equal to or less than 8" there will be one set of clamps on that side.



Utility requirements for this equipment may vary. Always consult the serving utility for their requirements prior to ordering or installing this equipment. This product must be installed by a licensed electrician. Installation of this equipment may require local electrical inspector approval.

Continuous Hinge Cover Enclosures

Type 4 & 4X

1 2 1
TYPE 4 & 4X
CONTINUOUS
HINGE COVER
ENCLOSURES

Applications

Type 4 JIC enclosures are designed for use in areas which may be regularly hosed down or otherwise very wet.

Construction

- Fabricated from 16 or 14 gauge carbon steel, 14 gauge type 304 or type 316 stainless steel with continuously welded seams.
- Continuous hinge with removable pin.
- Door secured with zinc clamps on three sides.
- Stainless steel doors are secured with type 316 stainless steel clamps.
- Oil resistant gasket applied to the doors.
- External mounting feet for wall or machinery mounting.
- Weld nuts for mounting sub panel.

Finish

Standard ANSI-61 gray on interior and exterior of enclosures. Recoatable, smooth, white or RAL 7035 texture polyester powder coat finish available at no charge. Standard RAL and custom match finishes available for an additional charge, please contact Milbank for further assistance. All powder coat finishes applied over cleaned phosphatized surfaces. Carbon steel sub panels have a white polyester powder coat finish. Stainless steel enclosures have a polished #4 finish.

Options

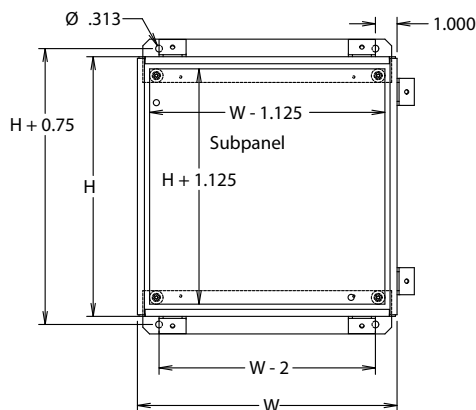
Milbank can modify standard enclosures or custom design enclosures according to your specifications. Holes, cutouts, sizes, materials and many more



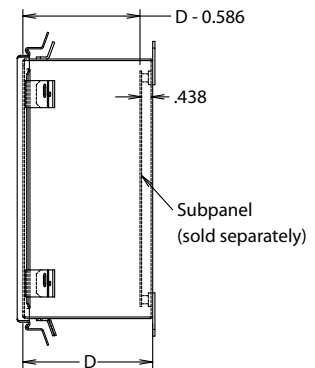
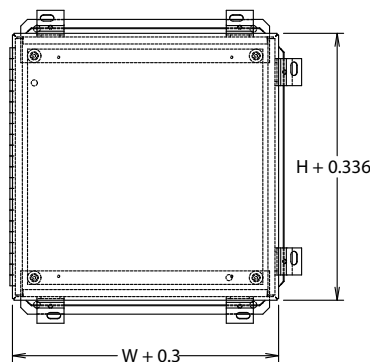
options are available. Quotations upon request.

Industry Standards

- UL 50 Listed
- CUL 50 Listed
- Type 4 & 4X



Lid Removed



Notes: When height or width is equal to or less than 8" there will be one set of clamps on that side.

Utility requirements for this equipment may vary. Always consult the serving utility for their requirements prior to ordering or installing this equipment. This product must be installed by a licensed electrician. Installation of this equipment may require local electrical inspector approval.



Continuous Hinge Cover Enclosures

Type 4 & 4X

Carbon Steel #	Catalog Number		Product Size H x W x D (inches)	Ship. Weight (lbs)	Sub Panel Part #	Sub Panel Size H x W (inches)
	304 Stainless Steel #	316 Stainless Steel #				
HC443JIC4	HC443JIC4XS	HC443JIC4XZ	4 x 4 x 3	2	—	—
HC643JIC4	HC643 JIC4XS	HC643JIC4XZ	6 x 4 x 3	3	A-64SBP	4.88 x 2.88
HC863JIC4	HC863JIC4XS	HC863JIC4XZ	8 x 6 x 3.5	5	A-86SBP	6.88 x 4.88
HC444JIC4	HC444JIC4XS	HC444JIC4XZ	4 x 4 x 4	2	—	—
HC644JIC4	HC644JIC4XS	HC644JIC4XZ	6 x 4 x 4	3	A-64SBP	4.88 x 2.88
HC664JIC4	HC664JIC4XS	HC664JIC4XZ	6 x 6 x 4	4	A-66SBP	4.88 x 4.88
HC884JIC4	HC884JIC4XS	HC884JIC4XZ	8 x 8 x 4	6	A-88SBP	6.88 x 6.88
HC1084JIC4	HC1084JIC4XS	HC1084JIC4XZ	10 x 8 x 4	8	A-108SBP	8.88 x 6.88
HC1264JIC4	HC1264JIC4XS	HC1264JIC4XZ	12 x 6 x 4	7	A-126SBP	10.88 x 4.88
HC12105JIC4	HC12105JIC4XS	HC12105JIC4XZ	12 x 10 x 5	12	A-1210SBP	10.88 x 8.88
HC666JIC4	HC666JIC4XS	HC666JIC4XZ	6 x 6 x 6	5	A-66SBP	4.88 x 4.88
HC866JIC4	HC866JIC4XS	HC866JIC4XZ	8 x 6 x 6	7	A-86SBP	6.88 x 4.88
HC1086JIC4	HC1086JIC4XS	HC1086JIC4XZ	10 x 8 x 6	9	A-108SBP	8.88 x 6.88
HC10106JIC4	HC10106JIC4XS	HC10106JIC4XZ	10 x 10 x 6	11	A-1010SBP	8.88 x 8.88
HC12126JIC4	HC12126JIC4XS	HC12126JIC4XZ	12 x 12 x 6	14	A-1212SBP	10.88 x 10.88
HC1486JIC4	HC1486JIC4XS	HC1486JIC4XZ	14 x 8 x 6	12	A-148SBP	12.88 x 6.88
HC14126JIC4	HC14126JIC4XS	HC14126JIC4XZ	14 x 12 x 6	16	A-1412SBP	12.88 x 10.88
HC16146JIC4	HC16146JIC4XS	HC16146JIC4XZ	16 x 14 x 6	20	A-1614SBP	14.88 x 12.88
HC16106JIC4	HC16106JIC4XS	HC16106JIC4XZ	16 x 10 x 6	16	A-1610SBP	14.88 x 8.88
HC12108JIC4	HC12108JIC4XS	HC12108JIC4XZ	12 x 10 x 8	15	A-1210SBP	10.88 x 8.88
HC14128JIC4	HC14128JIC4XS	HC14128JIC4XZ	14 x 12 x 8	19	A-1412SBP	12.88 x 10.88
HC16148JIC4	HC16148JIC4XS	HC16148JIC4XZ	16 x 14 x 8	23	A-1614SBP	14.88 x 12.88

Note: When height is equal to or less than 8" there will be one set of clamps on that side.



Utility requirements for this equipment may vary. Always consult the serving utility for their requirements prior to ordering or installing this equipment. This product must be installed by a licensed electrician. Installation of this equipment may require local electrical inspector approval.

Wall Mount Enclosures

Type 4 | Single Door

1 2 3

TYPE 4
WALL MOUNT
ENCLOSURES

Applications

Designed to protect electrical controls, instruments, and/or terminals in certain outdoor applications or wet areas, where regular hosing down with water is standard procedure.

Construction

- Fabricated from 14 gauge carbon steel, type 304, type 316 stainless steel or .125" 5052 H32 aluminum with continuously welded seams.
- Door is secured with heavy-duty continuous hinge with removable hinge pin and stainless steel clamps.
- Padlocking hasp and staple.
- Adhesive backed, oil resistant gasket applied to the doors.
- Print pocket.
- External mounting feet for wall or machinery mounting.
- Ground studs installed inside cabinet and door.
- Collar studs provided for mounting

optional sub panels.

Finish

Standard ANSI-61 gray finish on interior and exterior of enclosures. Recoatable, smooth, white or RAL 7035 texture polyester powder coat finish available at no charge. Standard RAL and custom match finishes available for an additional charge, please contact Milbank for further assistance. All powder coat finishes applied over cleaned phosphatized surfaces. Carbon steel sub panels have a white polyester powder coat finish. Stainless steel and aluminum enclosures have a polished #4 finish.

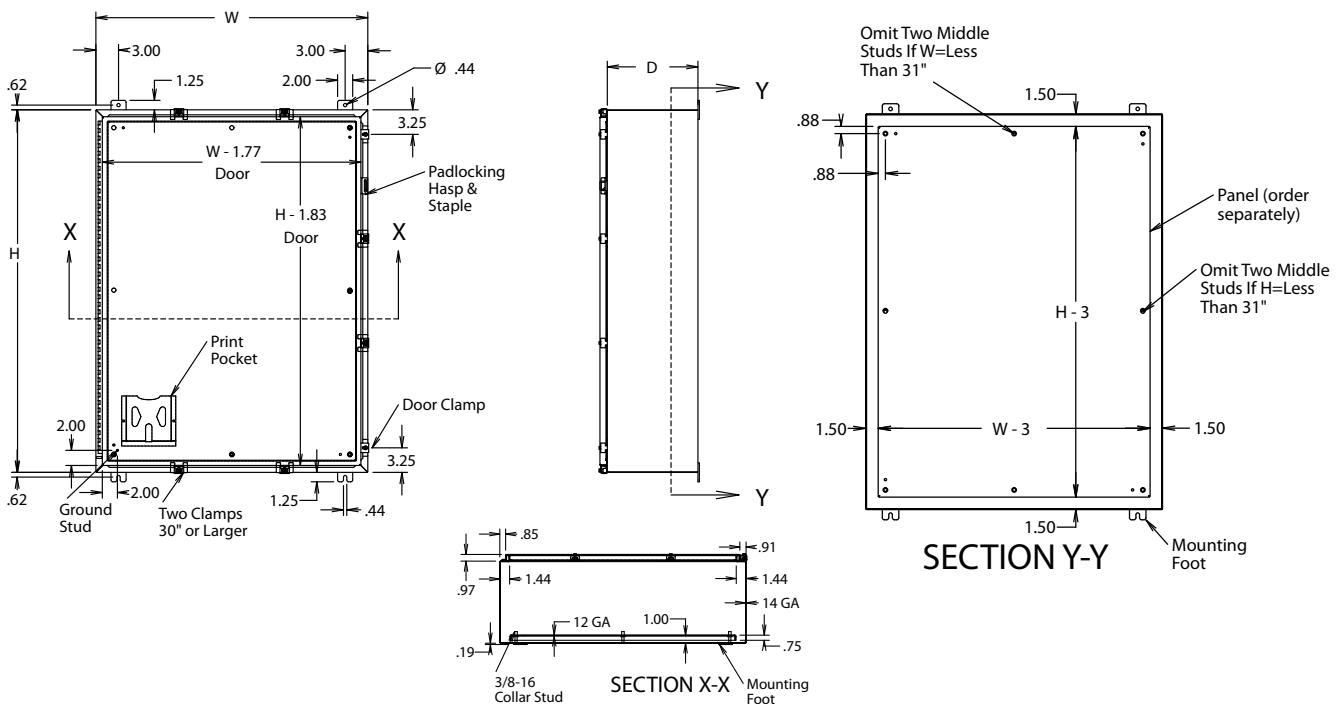
Options

Milbank can modify standard enclosures or custom design enclosures according to your specifications. Holes, cutouts, sizes, materials, and many more options are available. Quotations upon request.



Industry Standards

- UL 50 Listed
- CUL 50 Listed
- Type 4 & 4X



Utility requirements for this equipment may vary. Always consult the serving utility for their requirements prior to ordering or installing this equipment. This product must be installed by a licensed electrician. Installation of this equipment may require local electrical inspector approval.



Carbon Steel #	Catalog Number			Enclosure Size H x W x D (inches)	Ship. Weight (lbs)	Sub Panel Part Number	Sub Panel Size H x L (inches)
	304 Stainless Steel #	316 Stainless Steel #	Aluminum #				
M4S161206	M4XS161206	M4XZ161206	M4XA161206	16 x 12 x 6	24	A-16P12	13 x 9
M4S161606	M4XS161606	M4XZ161606	M4XA161606	16 x 16 x 6	29	A-16P16	13 x 13
M4S162006	M4XS162006	M4XZ162006	M4XA162006	16 x 20 x 6	33	A-20P16	17 x 13
M4S201606	M4XS201606	M4XZ201606	M4XA201606	20 x 16 x 6	33	A-20P16	17 x 13
M4S202006	M4XS202006	M4XZ202006	M4XA202006	20 x 20 x 6	38	A-20P20	17 x 17
M4S241206	M4XS241206	M4XZ241206	M4XA241206	24 x 12 x 6	32	A-24P12	21 x 9
M4S241606	M4XS241606	M4XZ241606	M4XA241606	24 x 16 x 6	39	A-24P16	21 x 13
M4S242006	M4XS242006	M4XZ242006	M4XA242006	24 x 20 x 6	45	A-24P20	21 x 17
M4S242406	M4XS242406	M4XZ242406	M4XA242406	24 x 24 x 6	51	A-24P24	21 x 21
M4S302006	M4XS302006	M4XZ302006	M4XA302006	30 x 20 x 6	53	A-30P20	27 x 17
M4S302406	M4XS302406	M4XZ302406	M4XA302406	30 x 24 x 6	61	A-30P24	27 x 21
M4S362406	M4XS362406	M4XZ362406	M4XA362406	36 x 24 x 6	69	A-36P24	33 x 21
M4S201206	M4XS201206	M4XZ201206	M4XA201206	20 x 12 x 6	29	A-20P12	17 x 9
M4S122406	M4XS122406	M4XZ122406	M4XA122406	12 x 24 x 6	32	A-12P24	9 x 21
M4S202406	M4XS202406	M4XZ202406	M4XA202406	20 x 24 x 6	46	A-20P24	17 x 21
M4S301606	M4XS301606	M4XZ301606	M4XA301606	30 x 16 x 6	46	A-30P16	27 x 13
M4S363006	M4XS363006	M4XZ363006	M4XA363006	36 x 30 x 6	86	A-36P30	33 x 27
M4S122408	M4XS122408	M4XZ122408	M4XA122408	12 x 24 x 8	35	A-12P24	9 x 21
M4S161208	M4XS161208	M4XZ161208	M4XA161208	16 x 12 x 8	27	A-16P12	13 x 9
M4S161608	M4XS161608	M4XZ161608	M4XA161608	16 x 16 x 8	31	A-16P16	13 x 13
M4S162008	M4XS162008	M4XZ162008	M4XA162008	16 x 20 x 8	29	A-20P16	17 x 13
M4S201208	M4XS201208	M4XZ201208	M4XA201208	20 x 12 x 8	30	A-20P12	17 x 9
M4S201608	M4XS201608	M4XZ201608	M4XA201608	20 x 16 x 8	36	A-20P16	17 x 13
M4S202008	M4XS202008	M4XZ202008	M4XA202008	20 x 20 x 8	43	A-20P20	17 x 17
M4S202408	M4XS202408	M4XZ202408	M4XA202408	20 x 24 x 8	50	A-24P20	21 x 17
M4S241608	M4XS241608	M4XZ241608	M4XA241608	24 x 16 x 8	41	A-24P16	21 x 13
M4S242008	M4XS242008	M4XZ242008	M4XA242008	24 x 20 x 8	50	A-24P20	21 x 17
M4S242408	M4XS242408	M4XZ242408	M4XA242408	24 x 24 x 8	57	A-24P24	21 x 21
M4S243008	M4XS243008	M4XZ243008	M4XA243008	24 x 30 x 8	66	A-30P24	27 x 21
M4S302008	M4XS302008	M4XZ302008	M4XA302008	30 x 20 x 8	56	A-30P20	27 x 17
M4S302408	M4XS302408	M4XZ302408	M4XA302408	30 x 24 x 8	67	A-30P24	27 x 21
M4S303008	M4XS303008	M4XZ303008	M4XA303008	30 x 30 x 8	79	A-30P30	27 x 27
M4S303608	M4XS303608	M4XZ303608	M4XA303608	30 x 36 x 8	90	A-30P36	33 x 27
M4S362408	M4XS362408	M4XZ362408	M4XA362408	36 x 24 x 8	75	A-36P24	33 x 21
M4S363008	M4XS363008	M4XZ363008	M4XA363008	36 x 30 x 8	95	A-36P30	33 x 27
M4S363608	M4XS363608	M4XZ363608	M4XA363608	36 x 36 x 8	104	A-36P36	33 x 33
M4S422408	M4XS422408	M4XZ422408	M4XA422408	42 x 24 x 8	85	A-42P24	39 x 21
M4S423008	M4XS423008	M4XZ423008	M4XA423008	42 x 30 x 8	105	A-42P30	39 x 27
M4S423608	M4XS423608	M4XZ423608	M4XA423608	42 x 36 x 8	120	A-42P36	39 x 33
M4S482408	M4XS482408	M4XZ482408	M4XA482408	48 x 24 x 8	97	A-48P24	45 x 21
M4S483008	M4XS483008	M4XZ483008	M4XA483008	48 x 30 x 8	119	A-48P30	45 x 27
M4S483608	M4XS483608	M4XZ483608	M4XA483608	48 x 36 x 8	137	A-48P36	45 x 33
M4S603608	M4XS603608	M4XZ603608	M4XA603608	60 x 36 x 8	164	A-60P36	57 x 33

Notes:

1. Print pocket = 6" x 6" when H and W are 24" or less.
Print pocket = 9" x 9" when H and W are greater than 24".
2. Panels have formed flanges on all four sides when Height or Width is equal to or greater than 18".
3. On 12" wide enclosures, center of mounting foot to edge of enclosure is 1.25".
4. Units must be mounted vertically to maintain a NEMA 4 rating.



Utility requirements for this equipment may vary. Always consult the serving utility for their requirements prior to ordering or installing this equipment. This product must be installed by a licensed electrician. Installation of this equipment may require local electrical inspector approval.

Wall Mount Enclosures

Type 4 | Single Door

125

TYPE 4
WALL MOUNT
ENCLOSURES

Carbon Steel #	Catalog Number			Enclosure Size H x W x D (inches)	Ship. Weight (lbs)	Sub Panel Part Number	Sub Panel Size H x L (inches)
	304 Stainless Steel #	316 Stainless Steel #	Aluminum #				
M4S161210	M4XS161210	M4XZ161210	M4XA161210	16 x 12 x 10	29	A-16P12	13 x 9
M4S201610	M4XS201610	M4XZ201610	M4XA201610	20 x 16 x 10	39	A-20P16	17 x 13
M4S241210	M4XS241210	M4XZ241210	M4XA241210	24 x 12 x 10	39	A-24P12	21 x 9
M4S242010	M4XS242010	M4XZ242010	M4XA242010	24 x 20 x 10	53	A-24P20	21 x 17
M4S302010	M4XS302010	M4XZ302010	M4XA302010	30 x 20 x 10	60	A-30P20	27 x 17
M4S242410	M4XS242410	M4XZ242410	M4XA242410	24 x 24 x 10	63	A-24P24	21 x 21
M4S302410	M4XS302410	M4XZ302410	M4XA302410	30 x 24 x 10	73	A-30P24	27 x 21
M4S362410	M4XS362410	M4XZ362410	M4XA362410	36 x 24 x 10	82	A-36P24	33 x 21
M4S363010	M4XS363010	M4XZ363010	M4XA363010	36 x 30 x 10	100	A-36P30	33 x 27
M4S423010	M4XS423010	M4XZ423010	M4XA423010	42 x 30 x 10	116	A-42P30	39 x 27
M4S423610	M4XS423610	M4XZ423610	M4XA423610	42 x 36 x 10	124	A-42P36	39 x 33
M4S483010	M4XS483010	M4XZ483010	M4XA483010	48 x 30 x 10	124	A-48P30	45 x 27
M4S483610	M4XS483610	M4XZ483610	M4XA483610	48 x 36 x 10	148	A-48P36	45 x 33
M4S603610	M4XS603610	M4XZ603610	M4XA603610	60 x 36 x 10	166	A-60P36	57 x 33
M4S201612	M4XS201612	M4XZ201612	M4XA201612	20 x 16 x 12	42	A-20P16	17 x 13
M4S242012	M4XS242012	M4XZ242012	M4XA242012	24 x 20 x 12	57	A-24P20	21 x 17
M4S242412	M4XS242412	M4XZ242412	M4XA242412	24 x 24 x 12	64	A-24P24	21 x 21
M4S302412	M4XS302412	M4XZ302412	M4XA302412	30 x 24 x 12	77	A-30P24	27 x 21
M4S303012	M4XS303012	M4XZ303012	M4XA303012	30 x 30 x 12	94	A-30P30	27 x 27
M4S362412	M4XS362412	M4XZ362412	M4XA362412	36 x 24 x 12	89	A-36P24	33 x 21
M4S363012	M4XS363012	M4XZ363012	M4XA363012	36 x 30 x 12	103	A-36P30	33 x 27
M4S423012	M4XS423012	M4XZ423012	M4XA423012	42 x 30 x 12	122	A-42P30	39 x 27
M4S723012	M4XS723012	M4XZ723012	M4XA723012	72 x 30 x 12	181	A-72P30	69 x 27
M4S363612	M4XS363612	M4XZ363612	M4XA363612	36 x 36 x 12	127	A-36P36	33 x 33
M4S423612	M4XS423612	M4XZ423612	M4XA423612	42 x 36 x 12	135	A-42P36	39 x 33
M4S483612	M4XS483612	M4XZ483612	M4XA483612	48 x 36 x 12	152	A-48P36	45 x 33
M4S603612	M4XS603612	M4XZ603612	M4XA603612	60 x 36 x 12	190	A-60P36	57 x 33
M4S723612	M4XS723612	M4XZ723612	M4XA723612	72 x 36 x 12	215	A-72P36	69 x 33
M4S242016	M4XS242016	M4XZ242016	M4XA242016	24 x 20 x 16	67	A-24P20	21 x 17
M4S242416	M4XS242416	M4XZ242416	M4XA242416	24 x 24 x 16	75	A-24P24	21 x 21
M4S302416	M4XS302416	M4XZ302416	M4XA302416	30 x 24 x 16	88	A-30P24	27 x 21
M4S363016	M4XS363016	M4XZ363016	M4XA363016	36 x 30 x 16	121	A-36P30	33 x 27
M4S723016	M4XS723016	M4XZ723016	M4XA723016	72 x 30 x 16	206	A-72P30	69 x 27
M4S423616	M4XS423616	M4XZ423616	M4XA423616	42 x 36 x 16	155	A-42P36	39 x 33
M4S483616	M4XS483616	M4XZ483616	M4XA483616	48 x 36 x 16	170	A-48P36	45 x 33
M4S603616	M4XS603616	M4XZ603616	M4XA603616	60 x 36 x 16	199	A-60P36	57 x 33
M4S302420	M4XS302420	M4XZ302420	M4XA302420	30 x 24 x 20	96	A-30P24	27 x 21
M4S363020	M4XS363020	M4XZ363020	M4XA363020	36 x 30 x 20	127	A-36P30	33 x 27
M4S723020	M4XS723020	M4XZ723020	M4XA723020	72 x 30 x 20	227	A-72P30	69 x 27
M4S483620	M4XS483620	M4XZ483620	M4XA483620	48 x 36 x 20	190	A-48P36	45 x 33
M4S603620	M4XS603620	M4XZ603620	M4XA603620	60 x 36 x 20	240	A-60P36	57 x 33
M4S302424	M4XS302424	M4XZ302424	M4XA302424	30 x 24 x 24	109	A-30P24	27 x 21
M4S723024	M4XS723024	M4XZ723024	M4XA723024	72 x 30 x 24	243	A-72P30	69 x 27

Notes:

1. Print pocket = 6" x 6" when H and W are 24" or less.
Print pocket = 9" x 9" when H and W are greater than 24".
2. Panels have formed flanges on all four sides when Height or Width is equal to or greater than 18".
3. On 12" wide enclosures, center of mounting foot to edge of enclosure is 1.25".
4. Units must be mounted vertically to maintain a NEMA 4 rating.

Utility requirements for this equipment may vary. Always consult the serving utility for their requirements prior to ordering or installing this equipment. This product must be installed by a licensed electrician. Installation of this equipment may require local electrical inspector approval.



Floor Mount Enclosures

Type 4 & 4X | Double Door

Application

Designed to house electrical controls and instruments in a variety of environments, including wet environments.

Construction

- Fabricated from 10 and 12 gauge carbon steel, type 304 or 12 gauge type 316 stainless steel with continuously welded seams.
- Doors are secured with continuous hinges with removable hinge pins, and clamps and screws.
- Padlocking hasp and staple.
- Adhesive backed, oil resistant gasket applied to the doors.
- 12-inch floor stands.
- Print pocket.
- Heavy-duty eyes.
- Ground studs inside cabinet and door.
- Collar studs provided for mounting optional sub panels.
- Removable center post for easy

installation of the sub panel.

- Body stiffeners for extra rigidity.

Finish

Standard ANSI-61 gray finish on interior and exterior of enclosures. Recoatable, smooth, white or RAL 7035 texture polyester powder coat available at no charge. Standard RAL and custom match finishes available for an additional charge, please contact Milbank for further assistance. All powder coat finishes applied over cleaned phosphatized surfaces. Carbon steel sub panels have a white polyester powder coat finish. Stainless steel enclosures have a polished #4 finish.

Options

Milbank can modify standard enclosures or custom design enclosures according to your specifications. Holes, cutouts, sizes, materials, and many more options are available. Quotations



upon request.

INDUSTRY STANDARDS

- UL 50 Listed
- CUL 50 Listed
- Type 4 & 4X

Catalog Number			Enclosure Size H x W x D (inches)	Ship. Weight (inches)	Sub Panel Part Number	Sub Panel Size (H x L)
Carbon Steel #	304 Stainless Steel #	316 Stainless Steel #				
M4D62488-FT	M4DXS62488-FT	M4DXZ62488-FT	62 x 48 x 8	340	A-DD6048	56 x 44
M4D624810-FT	M4DXS624810-FT	M4DXZ624810-FT	62 x 48 x 10	357	A-DD6048	56 x 44
M4D626010-FT	M4DXS626010-FT	M4DXZ626010-FT	62 x 60 x 10	433	A-DD6060	56 x 56
M4D746010-FT	M4DXS746010-FT	M4DXZ746010-FT	74 x 60 x 10	518	A-DD7260	68 x 56
M4D747210-FT	M4DXS747210-FT	M4DXZ747210-FT	74 x 72 x 10	626	A-DD7272	68 x 68
M4D624812-FT	M4DXS624812-FT	M4DXZ624812-FT	62 x 48 x 12	385	A-DD6048	56 x 44
M4D626012-FT	M4DXS626012-FT	M4DXZ626012-FT	62 x 60 x 12	507	A-DD6060	56 x 56
M4D746012-FT	M4DXS746012-FT	M4DXZ746012-FT	74 x 60 x 12	542	A-DD7260	68 x 56
M4D747212-FT	M4DXS747212-FT	M4DXZ747212-FT	74 x 72 x 12	626	A-DD7272	68 x 68
M4D624816-FT	M4DXS624816-FT	M4DXZ624816-FT	62 x 48 x 16	424	A-DD6048	56 x 44
M4D626016-FT	M4DXS626016-FT	M4DXZ626016-FT	62 x 60 x 16	508	A-DD6060	56 x 56
M4D746016-FT	M4DXS746016-FT	M4DXZ746016-FT	74 x 60 x 16	560	A-DD7260	68 x 56
M4D747216-FT	M4DXS747216-FT	M4DXZ747216-FT	74 x 72 x 16	687	A-DD7272	68 x 68
M4D624820-FT	M4DXS624820-FT	M4DXZ624820-FT	62 x 48 x 20	464	A-DD6048	56 x 44
M4D626020-FT	M4DXS626020-FT	M4DXZ626020-FT	62 x 60 x 20	552	A-DD6060	56 x 56
M4D746020-FT	M4DXS746020-FT	M4DXZ746020-FT	74 x 60 x 20	638	A-DD7260	68 x 56
M4D747220-FT	M4DXS747220-FT	M4DXZ747220-FT	74 x 72 x 20	739	A-DD7272	68 x 68
M4D624824-FT	M4DXS624824-FT	M4DXZ624824-FT	62 x 48 x 24	503	A-DD6048	56 x 44
M4D626024-FT	M4DXS626024-FT	M4DXZ626024-FT	62 x 60 x 24	596	A-DD6060	56 x 56
M4D746024-FT	M4DXS746024-FT	M4DXZ746024-FT	74 x 60 x 24	686	A-DD7260	68 x 56
M4D747224-FT	M4DXS747224-FT	M4DXZ747224-FT	74 x 72 x 24	805	A-DD7272	68 x 68

Note: Sub panels must be ordered separately.

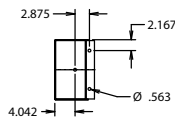
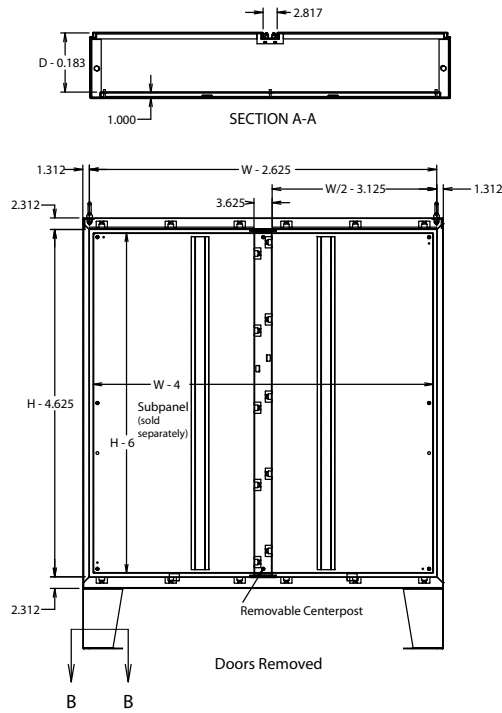
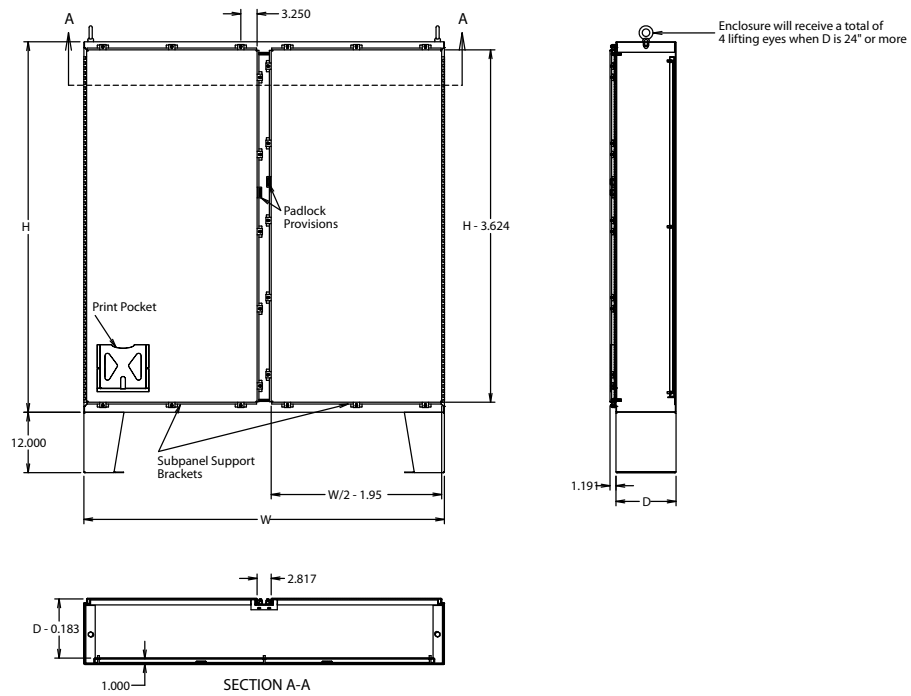


Utility requirements for this equipment may vary. Always consult the serving utility for their requirements prior to ordering or installing this equipment. This product must be installed by a licensed electrician. Installation of this equipment may require local electrical inspector approval.

Floor Mount Enclosures

Type 4 & 4X | Double Door

127
TYPE 4 & 4X
FLOOR MOUNT
ENCLOSURES



Note: Maximum between door clamps is 16.84" (center to center).

Utility requirements for this equipment may vary. Always consult the serving utility for their requirements prior to ordering or installing this equipment. This product must be installed by a licensed electrician. Installation of this equipment may require local electrical inspector approval.



Applications

Designed to house electrical and electronic controls, instruments and components in areas which may be hosed down. Hold-down clamps on top, bottom and open side of door for maximum dust and moisture-proof protection.

Construction

- Fabricated from 12 gauge carbon steel, type 304 or type 316 stainless steel with continuously welded seams.
- Doors are secured with heavy-duty continuous hinges with removable hinge pins and clamps and screws on three sides.
- Adhesive backed, oil resistant gasket applied to doors.
- Unistrut® channel.
- Print pocket.
- Heavy-duty lifting eyes.
- Ground studs inside enclosure and door.
- Collar studs provided for mounting optional sub panel in back.

Accessories (ordered separately)

- Sub panels include full size, half size, side mount and swing out panels can be mounted and adjusted for depth on the horizontal Unistrut® channel.
- Clamping nuts for installing other equipment.

Finish

Standard ANSI-61 gray finish on interior and exterior of enclosures. Recoatable, smooth, white or RAL 7035 texture polyester powder coat available at no charge. Standard RAL and custom match finishes available for an additional charge, please contact Milbank for further assistance. All powder coat finishes applied over cleaned phosphatized surfaces. Carbon steel sub panels have a white polyester powder coat finish. Stainless steel enclosures have a polished #4 finish.

Options

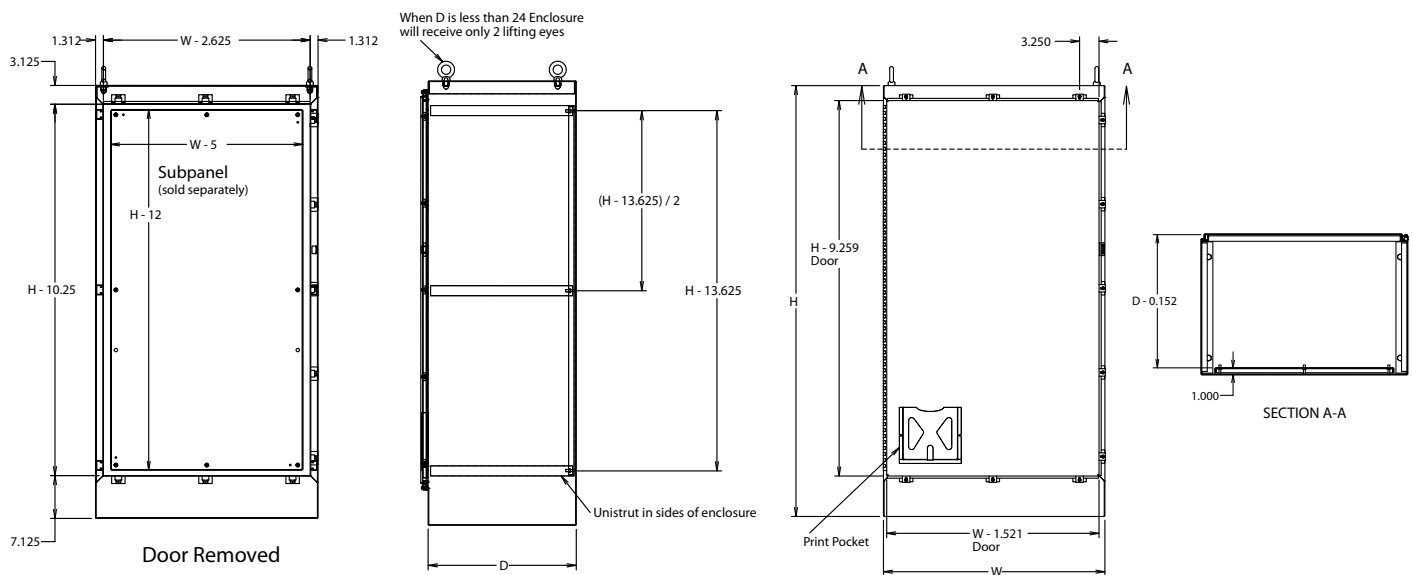
Milbank can modify standard enclosures or custom design enclosures according to your specifications. Holes,



cutouts, sizes, materials, and many more options are available. Quotations upon request.

Industry Standards

- UL 50 Listed
- CUL 50 Listed
- Type 4 & 4X



Utility requirements for this equipment may vary. Always consult the serving utility for their requirements prior to ordering or installing this equipment. This product must be installed by a licensed electrician. Installation of this equipment may require local electrical inspector approval.

Freestanding Enclosures

Type 4 & 4X | Single Door

129

TYPE 4 & 4X
FREESTANDING
ENCLOSURES

Catalog Number			Enclosure Size H x W x D (inches)	Ship. Wt. (in.)	Sub Panel Part #	Sub Panel Size (H x L)	Half Panel Part #	Half Panel Size (H x L)	Side Mounted Panel	Side Panel Size (H x L)
Carbon Steel #	304 Stainless Steel #	316 Stainless Steel #								
M4FS602518	M4FSXS602518	M4FSXZ602518	60 x 25 x 18	240	A-60P24F1	48 x 20	A-60P24F2	24.5 x 20	A-60SMP14	48 x 14
M4FS722518	M4FSXS722518	M4FSXZ722518	72 x 25 x 18	272	A-72P24F1	60 x 20	A-72P24F2	30.88 x 20	A-72SMP14	60 x 14
M4FS723118	M4FSXS723118	M4FSXZ723118	72 x 31 x 18	285	A-72P30F1	60 x 26	A-72P30F2	30.88 x 26	A-72SMP14	60 x 14
M4FS723718	M4FSXS723718	M4FSXZ723718	72 x 37 x 18	338	A-72P36F1	60 x 32	A-72P36F2	30.88 x 32	A-72SMP14	60 x 14
M4FS902520	M4FSXS902520	M4FSXZ902520	90 x 25 x 20	315	A-90P24F1	78 x 20	A-90P24F2	24.88 x 20	A-90SMP16	78 x 16
M4FS903120	M4FSXS903120	M4FSXZ903120	90 x 31 x 20	361	A-90P30F1	78 x 26	A-90P30F2	24.88 x 26	A-90SMP16	78 x 16
M4FS903720	M4FSXS903720	M4FSXZ903720	90 x 37 x 20	430	A-90P36F1	78 x 32	A-90P36F2	24.88 x 32	A-90SMP16	78 x 16
M4FS603724	M4FSXS603724	M4FSXZ603724	60 x 37 x 24	325	A-60P36F1	48 x 32	A-60P36F2	24.5 x 32	A-60SMP20	48 x 20
M4FS722524	M4FSXS722524	M4FSXZ722524	72 x 25 x 24	300	A-72P24F1	60 x 20	A-72P24F2	30.88 x 20	A-72SMP20	60 x 20
M4FS723124	M4FSXS723124	M4FSXZ723124	72 x 31 x 24	335	A-72P30F1	60 x 26	A-72P30F2	30.88 x 26	A-72SMP20	60 x 20
M4FS723724	M4FSXS723724	M4FSXZ723724	72 x 37 x 24	370	A-72P36F1	60 x 32	A-72P36F2	30.88 x 32	A-72SMP20	60 x 20
M4FS902524	M4FSXS902524	M4FSXZ902524	90 x 25 x 24	346	A-90P24F1	78 x 20	A-90P24F2	24.88 x 20	A-90SMP20	78 x 20
M4FS903124	M4FSXS903124	M4FSXZ903124	90 x 31 x 24	395	A-90P30F1	78 x 26	A-90P30F2	24.88 x 26	A-90SMP20	78 x 20
M4FS903724	M4FSXS903724	M4FSXZ903724	90 x 37 x 24	460	A-90P36F1	78 x 32	A-90P36F2	24.88 x 32	A-90SMP20	78 x 20
M4FS722530	M4FSXS722530	M4FSXZ722530	72 x 25 x 30	348	A-72P24F1	60 x 20	A-72P24F2	30.88 x 20	A-72SMP26	60 x 26
M4FS902530	M4FSXS902530	M4FSXZ902530	90 x 25 x 30	395	A-90P24F1	78 x 20	A-90P24F2	24.88 x 20	A-90SMP26	78 x 26
M4FS723130	M4FSXS723130	M4FSXZ723130	72 x 31 x 30	378	A-72P30F1	60 x 26	A-72P30F2	30.88 x 26	A-72SMP26	60 x 26
M4FS903130	M4FSXS903130	M4FSXZ903130	90 x 31 x 30	445	A-90P30F1	78 x 26	A-90P30F2	24.88 x 26	A-90SMP26	78 x 26
M4FS723730	M4FSXS723730	M4FSXZ723730	72 x 37 x 30	428	A-72P36F1	60 x 32	A-72P36F2	30.88 x 32	A-72SMP26	60 x 26
M4FS903730	M4FSXS903730	M4FSXZ903730	90 x 37 x 30	515	A-90P36F1	78 x 32	A-90P36F2	24.88 x 32	A-90SMP26	78 x 26
M4FS723136	M4FSXS723136	M4FSXZ723136	72 x 31 x 36	422	A-72P30F1	60 x 26	A-72P30F2	30.88 x 26	A-72SMP32	60 x 32
M4FS723736	M4FSXS723736	M4FSXZ723736	72 x 37 x 36	465	A-72P36F1	60 x 32	A-72P36F2	30.88 x 32	A-72SMP32	60 x 32
M4FS903736	M4FSXS903736	M4FSXZ903736	90 x 37 x 36	560	A-90P36F1	78 x 32	A-90P36F2	24.88 x 32	A-90SMP32	78 x 32

Notes:

1. Maximum between door clamps is 16.84" (center to center).
2. Sub panels must be ordered separately

Utility requirements for this equipment may vary. Always consult the serving utility for their requirements prior to ordering or installing this equipment. This product must be installed by a licensed electrician. Installation of this equipment may require local electrical inspector approval.



Application

For use in the same locations as Milbank's standard NEMA 4 enclosures. For Disconnect order information see page 90.

Construction

- Fabricated from 14 gauge carbon steel, type 304 or type 316 stainless steel.
- Door is secured with heavy duty continuous hinge with removable hinge pin.
- Stainless steel clamps and screws on remaining three sides.
- Adhesive backed oil resistant gasket applied to doors.
- Print pocket.
- External mounting feet for wall or machinery mounting.
- Ground studs installed inside door and cabinet
- Collar studs provided for mounting optional sub panels.
- Furnished with holes in right flange for mounting of operating handle or

mechanism.

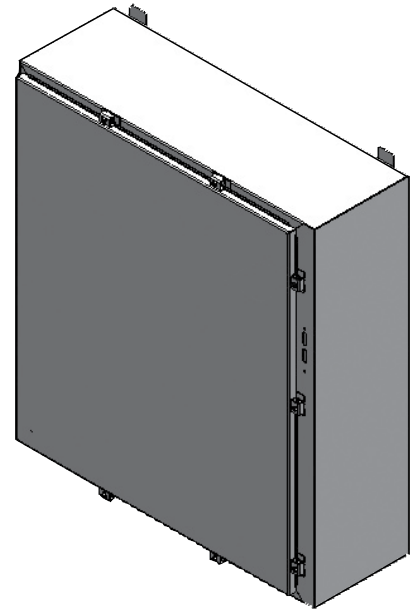
- Padlock provision

Finish

Standard ANSI-61 gray finish on interior and exterior of enclosures. Recoatable, smooth, white or RAL 7035 texture polyester powder coat available at no charge. Standard RAL and custom match finishes available for an additional charge, please contact Milbank for further assistance. All powder coat finishes applied over cleaned phosphatized surfaces. Carbon steel sub panels have a white polyester powder coat finish. Stainless steel enclosures have a polished #4 finish.

Options

Milbank can modify standard enclosures or custom design enclosures according to your specifications. Holes, cutouts, sizes, materials, and many more options are available. Quotations upon request.



Industry Standard

- UL 50 Listed
- CUL 50 Listed
- Type 4 & 4X

Carbon Steel #	Catalog Number		Enclosure Size H x W x D (inches)	Ship. Weight	Sub Panel Part Number	Sub Panel Size
	304 Stainless Steel #	316 Stainless Steel #				
M4S24218-FD	M4XS24218-FD	M4XZ24218-FD	24 x 21.37 x 8	51	A-24P20	21 x 17
M4S242508-FD	M4XS242508-FD	M4XZ242508-FD	24 x 25.37 x 8	55	A-24P24	21 x 21
M4S302508-FD	M4XS302508-FD	M4XZ302508-FD	30 x 25.37 x 8	67	A-30P24	27 x 21
M4S363108-FD	M4XS363108-FD	M4XZ363108-FD	36 x 31.37 x 8	94	A-36P30	33 x 27
M4S423112-FD	M4XS423112-FD	M4XZ423112-FD	42 x 31.37 x 12	128	A-42P30	39 x 27
M4S423712-FD	M4XS423712-FD	M4XZ423712-FD	42 x 37.37 x 12	141	A-42P36	39 x 33
M4S483712-FD	M4XS483712-FD	M4XZ483712-FD	48 x 37.37 x 12	157	A-48P36	45 x 33
M4S603712-FD	M4XS603712-FD	M4XZ603712-FD	60 x 37.37 x 12	188	A-60P36	57 x 33

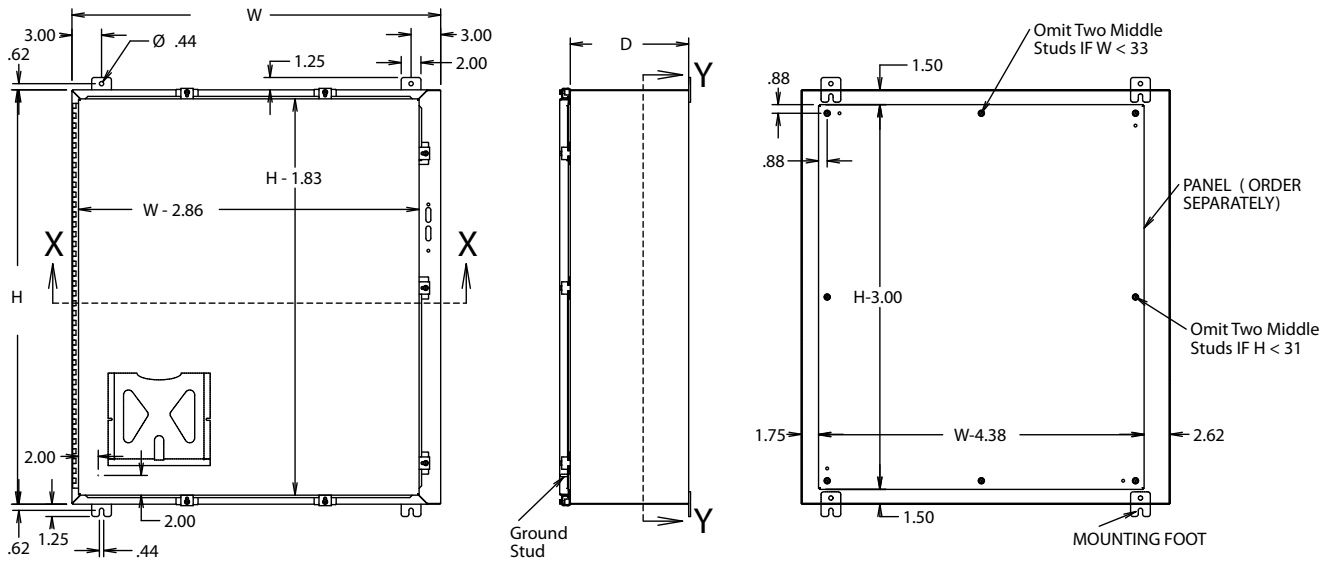


Utility requirements for this equipment may vary. Always consult the serving utility for their requirements prior to ordering or installing this equipment. This product must be installed by a licensed electrician. Installation of this equipment may require local electrical inspector approval.

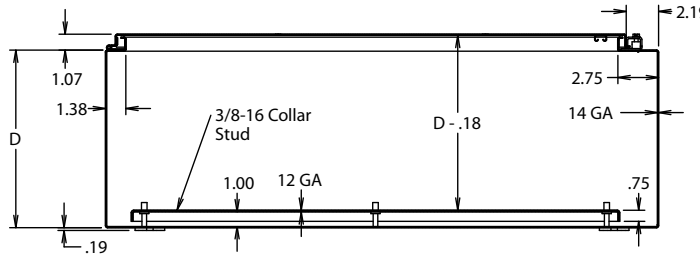
Disconnect Enclosure

Type 4 & 4X | Wall Mounted | Single Door

131
TYPE 4 & 4X
WALL MOUNTED
DISCONNECT
ENCLOSURE



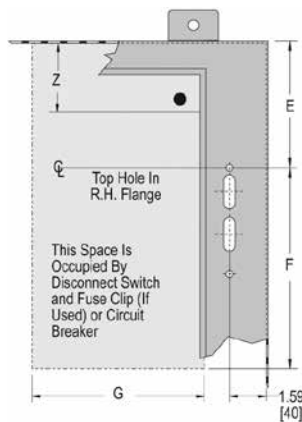
SECTION Y-Y



SECTION X-X

Notes:

1. Print pocket = $6" \times 6"$ when H and W are $24"$ or less. Print pocket = $9" \times 9"$ when H and W are greater than $24"$.
2. Panels will have formed flanges when either Height or Width is greater than $18"$.
3. Maximum spacing between door clamps is $16.84"$ (center to center).



Space Occupied by Disconnects

- E : 8.62 when $D = 8.00$
- E : 11.62 when $D = 12.00$
- Z : Wire Bend Spacing

See charts on pages 106-115 for "F", "G", and "Z" dimensions which cover space occupied by disconnect and wire bend spacing. Disconnects occupy the space indicated by "E", "F", and "G".

Utility requirements for this equipment may vary. Always consult the serving utility for their requirements prior to ordering or installing this equipment. This product must be installed by a licensed electrician. Installation of this equipment may require local electrical inspector approval.



Applications

Designed to house electrical controls, terminals and instruments; providing protection from dust, dirt, oil and water.

Construction

- Fabricated from 14 gauge carbon steel, type 304 or 316 stainless steel.
- Strong and rigid construction.
- All seams continuously welded.
- No holes or knockouts provided.
- Rolled lip around all sides of enclosure opening to increase strength and help keep dirt and liquids out when the door is open.
- A 14 gauge carbon steel, 14 gauge type 304 stainless steel, or 12 gauge type 316 stainless steel frame with mounting holes extends completely around enclosure.
- Collar studs provided for mounting optional sub panels.
- Door is secured with concealed lift-off hinges and slotted ¼ turn latches.

Finish

Standard ANSI-61 gray finish on interior and exterior of enclosures. Recoatable, smooth, white or RAL 7035 texture polyester powder coat available at no charge. Standard RAL and custom match finishes available for an additional charge, please contact Milbank for further assistance. All powder coat finishes applied over cleaned phosphatized surfaces. Carbon steel sub panels have a white polyester powder coat finish. Stainless steel enclosures have a polished #4 finish.

Options

Milbank can modify standard enclosures or custom design enclosures according to your specifications. Holes, cutouts, sizes, materials, and many more options are available. Quotations upon request.



Industry Standards

- UL 50 Listed
- CUL 50 Listed
- Type 4

Carbon Steel #	Catalog Number		Enclosure Size H x W x D (inches)	Ship. Wt. (lbs)	Sub Panel Part Number	Sub Panel Size H x W (inches)
	304 Stainless Steel #	316 Stainless Steel #				
MSDFM16126	MSDFMXS16126	MSDFMXZ16126	16.00 x 12.00 x 6.00	27	A-M16P12	14.2 x 10.2
MSDFM20166	MSDFMXS20166	MSDFMXZ20166	20.00 x 16.00 x 6.00	38	A-M20P16	18.2 x 14.2
MSDFM20206	MSDFMXS20206	MSDFMXZ20206	20.00 x 20.00 x 6.00	44	A-M20P20	18.2 x 18.2
MSDFM24206	MSDFMXS24206	MSDFMXZ24206	24.00 x 20.00 x 6.00	50	A-M24P20	22.2 x 18.2
MSDFM24248	MSDFMXS24248	MSDFMXZ24248	24.00 x 24.00 x 8.00	61	A-M24P24	22.2 x 22.2
MSDFM30248	MSDFMXS30248	MSDFMXZ30248	30.00 x 24.00 x 8.00	73	A-M30P24	28.2 x 22.2

Notes:

1. Print pocket = 6" x 6" when H and W are 24" or less.
Print pocket = 9" x 9" when H and W are greater than 24".
2. Panels have formed flanges on all four sides when either height or width is equal to or greater than 22.2".
3. When height and width are less than 23" enclosure will have one slotted quarter-turn latch.
4. When height and width are greater than 23" enclosure will have two slotted quarter-turn latches.
5. When height is equal to or greater than 42" enclosure will have one 3 point slotted quarter-turn latch.



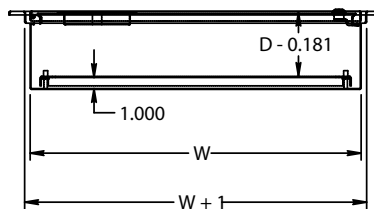
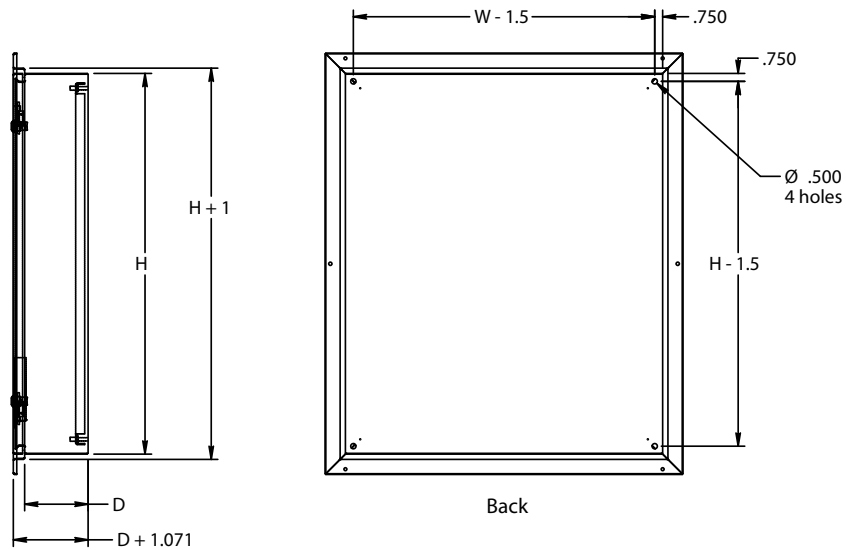
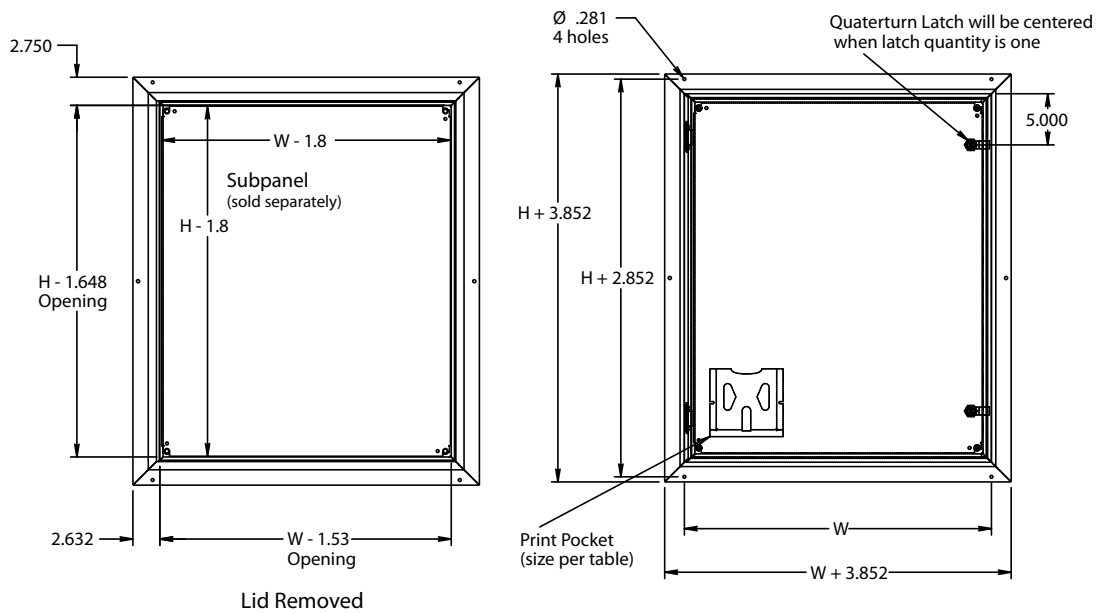
Utility requirements for this equipment may vary. Always consult the serving utility for their requirements prior to ordering or installing this equipment. This product must be installed by a licensed electrician. Installation of this equipment may require local electrical inspector approval.

Flush Mounted Enclosures

Type 4

133

TYPE 4
FLUSH MOUNTED
ENCLOSURES



Utility requirements for this equipment may vary. Always consult the serving utility for their requirements prior to ordering or installing this equipment. This product must be installed by a licensed electrician. Installation of this equipment may require local electrical inspector approval.



134

TYPE 4, 4X, 12 &
13 SINGLE DOOR
MILLENNIUM
SERIES
ENCLOSURES

Millennium Series Enclosures

Type 4, 4X, 12 & 13 | Single Door

Application

Designed to house electrical controls, instruments, and terminals in a variety of environments, including wet environments.

Construction

- Fabricated from 14 gauge carbon steel, type 304 or type 316 stainless steel with continuously welded seams.
- Minimum width trough shaped body flange and hidden hinge design providing full 180 degree door opening while excluding liquids and contaminants.
- Door is secured with concealed lift-off hinges and slotted quarter-turn latch. Standard quarter turn latches can be replaced with a variety of optional latches.
- Adhesive backed, oil resistant gasket applied to the doors.
- Print pocket.
- Holes are provided for wall or machinery mounting, options include

bolt-on or weld-on mounting feet.

- Ground studs installed inside cabinet and door.
- Collar studs provided for mounting optional sub panel.

Finish

Standard ANSI-61 gray finish on interior and exterior of enclosures. Recoatable, smooth, white or RAL 7035 texture polyester powder coat available at no charge. Standard RAL and custom match finishes available for an additional charge, please contact Milbank for further assistance. All powder coat finishes applied over cleaned phosphatized surfaces. Carbon steel sub-panels are finished with a white polyester powder coating. Stainless steel enclosures have a polished #4 finish.

Options

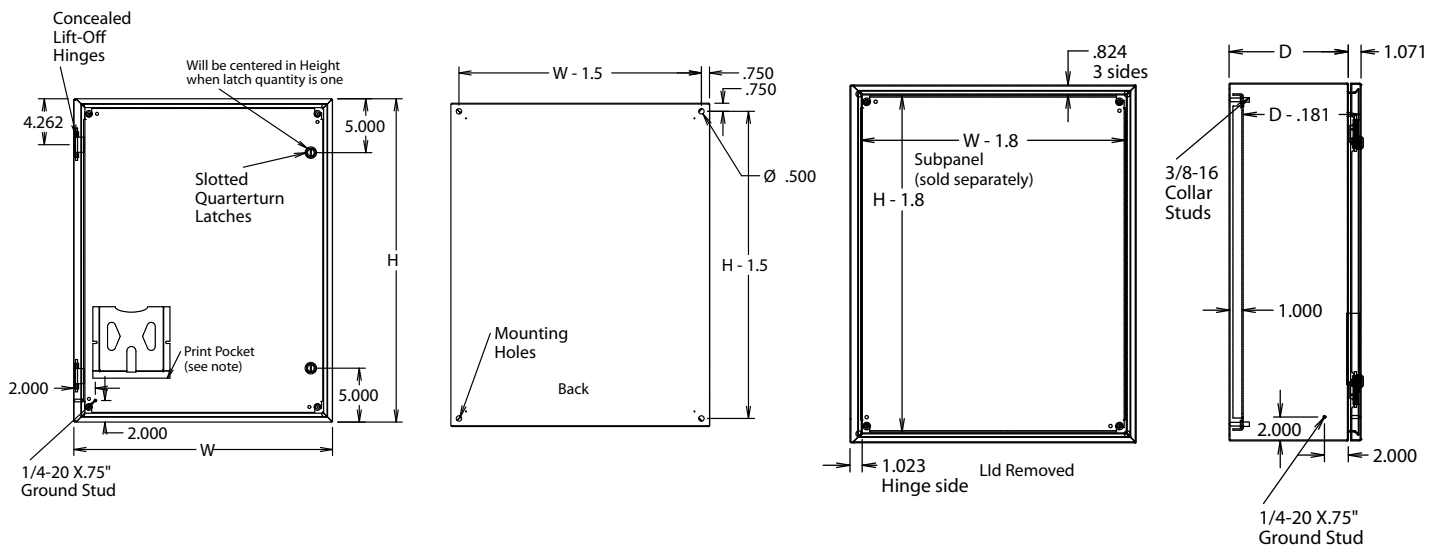
Milbank can modify standard enclosures or custom design enclosures according to your specifications. Holes,



cutouts, sizes, materials, and many more options are available. Quotations upon request.

Industry Standards

- UL 50 Listed
- CUL 50 Listed
- Type 4, 12, 13
- Stainless enclosures: Type 4, 4X, 12, 13



Utility requirements for this equipment may vary. Always consult the serving utility for their requirements prior to ordering or installing this equipment. This product must be installed by a licensed electrician. Installation of this equipment may require local electrical inspector approval.

Millennium Series Enclosures

Type 4, 4X, 12 & 13 | Single Door

135

TYPE 4, 4X, 12 &
13 SINGLE DOOR
MILLENNIUM
SERIES
ENCLOSURES

For optional mounting feet order part number A-MSDMFKXS (set of four)

Catalog Number			Enclosure Size H x W x D (inches)	Ship. Weight (lbs)	Sub Panel Part Number	Sub Panel Size H x W (inches)
Carbon Steel #	304 Stainless Steel #	316 Stainless Steel #				
MSD12126	MSDXS12126	MSDXZ12126	12 x 12 x 6	9	A-M12P12	10.2 x 10.2
MSD12246	MSDXS12246	MSDXZ12246	12 x 24 x 6	15	A-M12P24	10.2 x 22.2
MSD16126	MSDXS16126	MSDXZ16126	16 x 12 x 6	29	A-M16P12	14.2 x 10.2
MSD16166	MSDXS16166	MSDXZ16166	16 x 16 x 6	27	A-M16P16	14.2 x 14.2
MSD16206	MSDXS16206	MSDXZ16206	16 x 20 x 6	31	A-M16P20	14.2 x 18.2
MSD20126	MSDXS20126	MSDXZ20126	20 x 12 x 6	40	A-M20P12	18.2 x 10.2
MSD20166	MSDXS20166	MSDXZ20166	20 x 16 x 6	29	A-M20P16	18.2 x 14.2
MSD20206	MSDXS20206	MSDXZ20206	20 x 20 x 6	35	A-M20P20	18.2 x 18.2
MSD20246	MSDXS20246	MSDXZ20246	20 x 24 x 6	44	A-M20P24	18.2 x 22.2
MSD24126	MSDXS24126	MSDXZ24126	24 x 12 x 6	15	A-M24P12	22.2 x 10.2
MSD24166	MSDXS24166	MSDXZ24166	24 x 16 x 6	35	A-M24P16	22.2 x 14.2
MSD24206	MSDXS24206	MSDXZ24206	24 x 20 x 6	39	A-M24P20	22.2 x 18.2
MSD24246	MSDXS24246	MSDXZ24246	24 x 24 x 6	81	A-M24P24	22.2 x 22.2
MSD30166	MSDXS30166	MSDXZ30166	30 x 16 x 6	69	A-M30P16	28.2 x 14.2
MSD30206	MSDXS30206	MSDXZ30206	30 x 20 x 6	43	A-M30P20	28.2 x 18.2
MSD30246	MSDXS30246	MSDXZ30246	30 x 24 x 6	50	A-M30P24	28.2 x 22.2
MSD36246	MSDXS36246	MSDXZ36246	36 x 24 x 6	89	A-M36P24	34.2 x 22.2
MSD36306	MSDXS36306	MSDXZ36306	36 x 30 x 6	127	A-M36P30	34.2 x 28.2
MSD12248	MSDXS12248	MSDXZ12248	12 x 24 x 8	17	A-M12P24	10.2 x 22.2
MSD16128	MSDXS16128	MSDXZ16128	16 x 12 x 8	23	A-M16P12	14.2 x 10.2
MSD16168	MSDXS16168	MSDXZ16168	16 x 16 x 8	27	A-M16P16	14.2 x 14.2
MSD16208	MSDXS16208	MSDXZ16208	16 x 20 x 8	33	A-M16P20	14.2 x 18.2
MSD20128	MSDXS20128	MSDXZ20128	20 x 12 x 8	42	A-M20P12	18.2 x 10.2
MSD20168	MSDXS20168	MSDXZ20168	20 x 16 x 8	33	A-M20P16	18.2 x 14.2
MSD20208	MSDXS20208	MSDXZ20208	20 x 20 x 8	38	A-M20P20	18.2 x 18.2
MSD20248	MSDXS20248	MSDXZ20248	20 x 24 x 8	49	A-M20P24	18.2 x 22.2
MSD24168	MSDXS24168	MSDXZ24168	24 x 16 x 8	39	A-M24P16	22.2 x 14.2
MSD24208	MSDXS24208	MSDXZ24208	24 x 20 x 8	44	A-M24P20	22.2 x 18.2
MSD24248	MSDXS24248	MSDXZ24248	24 x 24 x 8	52	A-M24P24	22.2 x 22.2
MSD24308	MSDXS24308	MSDXZ24308	24 x 30 x 8	55	A-M24P30	22.2 x 28.2
MSD30208	MSDXS30208	MSDXZ30208	30 x 20 x 8	48	A-M30P20	28.2 x 18.2
MSD30248	MSDXS30248	MSDXZ30248	30 x 24 x 8	55	A-M30P24	28.2 x 22.2
MSD30308	MSDXS30308	MSDXZ30308	30 x 30 x 8	94	A-M30P30	28.2 x 28.2
MSD30368	MSDXS30368	MSDXZ30368	30 x 36 x 8	79	A-M30P36	28.2 x 34.2
MSD36248	MSDXS36248	MSDXZ36248	36 x 24 x 8	98	A-M36P24	34.2 x 22.2
MSD36308	MSDXS36308	MSDXZ36308	36 x 30 x 8	138	A-M36P30	34.2 x 28.2
MSD36368	MSDXS36368	MSDXZ36368	36 x 36 x 8	125	A-M36P36	34.2 x 34.2
MSD42248	MSDXS42248	MSDXZ42248	42 x 24 x 8	104	A-M42P24	40.2 x 22.2
MSD42308	MSDXS42308	MSDXZ42308	42 x 30 x 8	88	A-M42P30	40.2 x 28.2
MSD42368	MSDXS42368	MSDXZ42368	42 x 36 x 8	108	A-M42P36	40.2 x 34.2
MSD48248	MSDXS48248	MSDXZ48248	48 x 24 x 8	87	A-M48P24	46.2 x 22.2
MSD48308	MSDXS48308	MSDXZ48308	48 x 30 x 8	95	A-M48P30	46.2 x 28.2
MSD48368	MSDXS48368	MSDXZ48368	48 x 36 x 8	97	A-M48P36	46.2 x 34.2
MSD60368	MSDXS60368	MSDXZ60368	60 x 36 x 8	151	A-M60P36	58.2 x 34.2
MSD161210	MSDXS161210	MSDXZ161210	16 x 12 x 10	38	A-M16P12	14.2 x 10.2
MSD161610	MSDXS161610	MSDXZ161610	16 x 16 x 10	29	A-M16P16	14.2 x 14.2

Notes:

1. Print pocket = 6" x 6" when H and W are 24" or less. Print pocket = 9" x 9" when H and W are greater than 24".
2. Panel have formed flanges on all four sides when either height or width is equal to or greater than 22.2".
3. When height and width are less than 23" enclosure will have one slotted quarter-turn latch.
4. When height and width are greater than 23" enclosure will have two slotted quarter-turn latches.
5. When height is equal to or greater than 42" enclosure will have one 3 point slotted quarter-turn latch.

Utility requirements for this equipment may vary. Always consult the serving utility for their requirements prior to ordering or installing this equipment. This product must be installed by a licensed electrician. Installation of this equipment may require local electrical inspector approval.



Millennium Series Enclosures

Type 4, 4X, 12 & 13 | Single Door

Carbon Steel #	Catalog Number		Enclosure Size H x W x D (inches)	Ship. Weight (lbs)	Sub Panel Part Number	Sub Panel Size H x W (inches)
	304 Stainless Steel #	316 Stainless Steel #				
MSD162010	MSDXS162010	MSDXZ162010	16 x 20 x 10	31	A-M16P20	14.2 x 18.2
MSD201610	MSDXS201610	MSDXZ201610	20 x 16 x 10	38	A-M20P16	18.2 x 14.2
MSD202010	MSDXS202010	MSDXZ202010	20 x 20 x 10	45	A-M20P20	18.2 x 18.2
MSD202410	MSDXS202410	MSDXZ202410	20 x 24 x 10	48	A-M20P24	18.2 x 22.2
MSD241210	MSDXS241210	MSDXZ241210	24 x 12 x 10	51	A-M24P12	22.2 x 10.2
MSD242010	MSDXS242010	MSDXZ242010	24 x 20 x 10	41	A-M24P20	22.2 x 18.2
MSD242410	MSDXS242410	MSDXZ242410	24 x 24 x 10	49	A-M24P24	22.2 x 22.2
MSD243010	MSDXS243010	MSDXZ243010	24 x 30 x 10	64	A-M24P30	22.2 x 28.2
MSD302010	MSDXS302010	MSDXZ302010	30 x 20 x 10	53	A-M30P20	28.2 x 18.2
MSD302410	MSDXS302410	MSDXZ302410	30 x 24 x 10	63	A-M30P24	28.2 x 22.2
MSD303010	MSDXS303010	MSDXZ303010	30 x 30 x 10	77	A-M30P30	28.2 x 28.2
MSD362410	MSDXS362410	MSDXZ362410	36 x 24 x 10	78	A-M36P24	34.2 x 22.2
MSD363010	MSDXS363010	MSDXZ363010	36 x 30 x 10	77	A-M36P30	34.2 x 28.2
MSD363610	MSDXS363610	MSDXZ363610	36 x 36 x 10	97	A-M36P36	34.2 x 34.2
MSD423010	MSDXS423010	MSDXZ423010	42 x 30 x 10	95	A-M42P30	40.2 x 28.2
MSD423610	MSDXS423610	MSDXZ423610	42 x 36 x 10	116	A-M42P36	40.2 x 34.2
MSD482410	MSDXS482410	MSDXZ482410	48 x 24 x 10	94	A-M48P24	46.2 x 22.2
MSD483010	MSDXS483010	MSDXZ483010	48 x 30 x 10	102	A-M48P30	46.2 x 28.2
MSD483610	MSDXS483610	MSDXZ483610	48 x 36 x 10	130	A-M48P36	46.2 x 34.2
MSD603610	MSDXS603610	MSDXZ603610	60 x 36 x 10	161	A-M60P36	58.2 x 34.2
MSD201612	MSDXS201612	MSDXZ201612	20 x 16 x 12	40	A-M20P16	18.2 x 14.2
MSD202012	MSDXS202012	MSDXZ202012	20 x 20 x 12	46	A-M20P20	18.2 x 18.2
MSD242012	MSDXS242012	MSDXZ242012	24 x 20 x 12	51	A-M24P20	22.2 x 18.2
MSD242412	MSDXS242412	MSDXZ242412	24 x 24 x 12	63	A-M24P24	22.2 x 22.2
MSD302412	MSDXS302412	MSDXZ302412	30 x 24 x 12	69	A-M30P24	28.2 x 22.2
MSD303012	MSDXS303012	MSDXZ303012	30 x 30 x 12	83	A-M30P30	28.2 x 28.2
MSD362412	MSDXS362412	MSDXZ362412	36 x 24 x 12	84	A-M36P24	34.2 x 22.2
MSD363012	MSDXS363012	MSDXZ363012	36 x 30 x 12	95	A-M36P30	34.2 x 28.2
MSD363612	MSDXS363612	MSDXZ363612	36 x 36 x 12	108	A-M36P36	34.2 x 34.2
MSD423012	MSDXS423012	MSDXZ423012	42 x 30 x 12	102	A-M42P30	40.2 x 28.2
MSD423612	MSDXS423612	MSDXZ423612	42 x 36 x 12	124	A-M42P36	40.2 x 34.2
MSD482412	MSDXS482412	MSDXZ482412	48 x 24 x 12	101	A-M48P24	46.2 x 22.2
MSD483612	MSDXS483612	MSDXZ483612	48 x 36 x 12	138	A-M48P36	46.2 x 34.2
MSD603612	MSDXS603612	MSDXZ603612	60 x 36 x 12	171	A-M60P36	58.2 x 34.2
MSD242016	MSDXS242016	MSDXZ242016	24 x 20 x 16	57	A-M24P20	22.2 x 18.2
MSD242416	MSDXS242416	MSDXZ242416	24 x 24 x 16	65	A-M24P24	22.2 x 22.2
MSD302416	MSDXS302416	MSDXZ302416	30 x 24 x 16	79	A-M30P24	28.2 x 22.2
MSD363016	MSDXS363016	MSDXZ363016	36 x 30 x 16	101	A-M36P30	34.2 x 28.2
MSD423616	MSDXS423616	MSDXZ423616	42 x 36 x 16	135	A-M42P36	40.2 x 34.2
MSD483616	MSDXS483616	MSDXZ483616	48 x 36 x 16	151	A-M48P36	46.2 x 34.2
MSD603616	MSDXS603616	MSDXZ603616	60 x 36 x 16	176	A-M60P36	58.2 x 34.2
MSD242420	MSDXS242420	MSDXZ242420	24 x 24 x 20	75	A-M24P24	22.2 x 22.2
MSD302420	MSDXS302420	MSDXZ302420	30 x 24 x 20	90	A-M30P24	28.2 x 22.2
MSD363020	MSDXS363020	MSDXZ363020	36 x 30 x 20	102	A-M36P30	34.2 x 28.2
MSD483620	MSDXS483620	MSDXZ483620	48 x 36 x 20	176	A-M48P36	46.2 x 34.2
MSD603620	MSDXS603620	MSDXZ603620	60 x 36 x 20	194	A-M60P36	58.2 x 34.2
MSD302424	MSDXS302424	MSDXZ302424	30 x 24 x 24	96	A-M30P24	28.2 x 22.2

Notes:

1. Print pocket = 6" x 6" when H and W are 24" or less. Print pocket = 9" x 9" when H and W are greater than 24".
2. Panel have formed flanges on all four sides when either height or width is equal to or greater than 22.2".
3. When height and width are less than 23" enclosure will have one slotted quarter-turn latch.
4. When height and width are greater than 23" enclosure will have two slotted quarter-turn latches.
5. When height is equal to or greater than 42" enclosure will have one 3 point slotted quarter-turn latch.



Utility requirements for this equipment may vary. Always consult the serving utility for their requirements prior to ordering or installing this equipment. This product must be installed by a licensed electrician. Installation of this equipment may require local electrical inspector approval.

Millennium Series Enclosures

Type 4, 4X, 12 & 13 | Stainless Steel | Slope Top

137
TYPE 4, 4X, 12 &
13 SLOPE TOP
MILLENNIUM
SERIES
ENCLOSURES

Application

Designed to house electrical controls, instruments, and terminals in a variety of environments, including wet environments.

Construction

- Fabricated from 14 gauge type 304 or type 316 stainless steel.
- Minimum width trough shaped body flange and hidden hinge design providing full 180 degree door opening while excluding liquids and contaminants.
- Door is secured with concealed lift-off hinges and slotted quarter-turn latches. Standard quarter-turn latches can be replaced with a variety of optional latches.
- Adhesive backed, oil resistant gasket applied to the doors.

- Print pocket.
- Holes are provided for optional wall or machinery mounting.
- Ground studs installed inside cabinet and door.
- Collar studs provided for mounting optional sub panels.

Finish

Stainless steel enclosures have a polished #4 finish. Carbon steel sub panels have white polyester powder coat finish.

Options

Milbank can modify standard enclosures or custom design enclosures according to your specifications. Holes, cutouts, sizes, materials, and many more options are available. Quotations upon request.



Industry Standards

- UL 50 Listed
- CUL 50 Listed
- Type 4, 4X, 12, 13

Catalog Number		Enclosure Size H x W x D (inches)	Ship. Weight (lbs)	J
304 Stainless Steel #	316 Stainless Steel #			
MSDSTXS14126	MSDSTXZ14126	14.26 x 12 x 6	18	16.45
MSDSTXS16146	MSDSTXZ16146	16.26 x 14 x 6	23	18.45
MSDSTXS16128	MSDSTXZ16128	16.26 x 12 x 8	23	19.18
MSDSTXS16168	MSDSTXZ16168	16.26 x 16 x 8	28	19.18
MSDSTXS20168	MSDSTXZ20168	20.26 x 16 x 8	33	23.18
MSDSTXS20208	MSDSTXZ20208	20.26 x 20 x 8	39	23.18
MSDSTXS24208	MSDSTXZ24208	24.26 x 20 x 8	45	27.18
MSDSTXS24248	MSDSTXZ24248	24.26 x 24 x 8	52	27.18
MSDSTXS30248	MSDSTXZ30248	30.26 x 24 x 8	62	33.18
MSDSTXS36308	MSDSTXZ36308	36.26 x 30 x 8	83	39.18
MSDSTXS30308	MSDSTXZ30308	30.26 x 30 x 8	74	33.18
MSDSTXS201612	MSDSTXZ201612	20.26 x 16 x 12	39	24.65
MSDSTXS202012	MSDSTXZ202012	20.26 x 20 x 12	46	24.65
MSDSTXS242412	MSDSTXZ242412	24.26 x 24 x 12	60	28.65
MSDSTXS302412	MSDSTXZ302412	30.26 x 24 x 12	71	34.65
MSDSTXS363012	MSDSTXZ363012	36.26 x 30 x 12	97	40.65
MSDSTXS363612	MSDSTXZ363612	36.26 x 36 x 12	112	40.65
MSDSTXS423612	MSDSTXZ423612	42.26 x 36 x 12	127	36.65
MSDSTXS483612	MSDSTXZ483612	48.26 x 36 x 12	142	52.65
MSDSTXS363016	MSDSTXZ363016	36.26 x 30 x 16	111	42.11
MSDSTXS483616	MSDSTXZ483616	48.26 x 36 x 16	143	54.11
MSDSTXS603616	MSDSTXZ603616	60.26 x 36 x 16	172	66.11

For optional mounting feet, order part number
A-MSDMFKXS (set of four)

Utility requirements for this equipment may vary. Always consult the serving utility for their requirements prior to ordering or installing this equipment. This product must be installed by a licensed electrician. Installation of this equipment may require local electrical inspector approval.

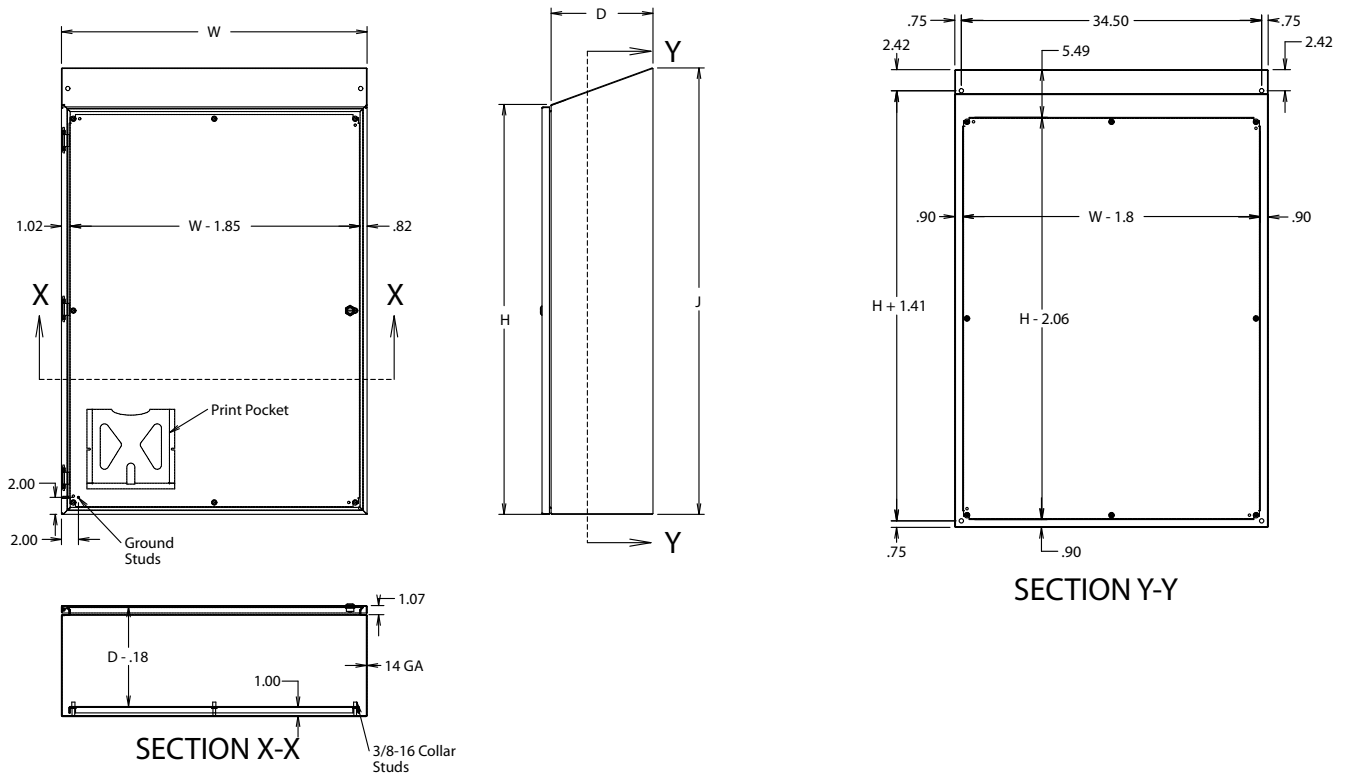


138

TYPE 4, 4X, 12 &
13 SLOPE TOP
MILLENNIUM
SERIES
ENCLOSURES

Millennium Series Enclosures

Type 4, 4X, 12 & 13 | Stainless Steel | Slope Top



Notes:

1. Print pocket = 6" x 6" when H and W are 24" or less. Print pocket = 9" x 9" when H and W are greater than 24".
2. Panel have formed flanges on all four sides when either Height or Width is equal to or greater than 22.2".
3. When height and width are less than 23" enclosure will have one slotted quarter-turn latch.
4. When height and width are greater than 23" enclosure will have two slotted quarter-turn latches.
5. When height is equal to or greater than 42" enclosure will have one 3 point slotted quarter-turn latch.

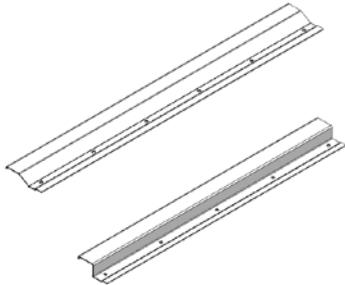


Utility requirements for this equipment may vary. Always consult the serving utility for their requirements prior to ordering or installing this equipment. This product must be installed by a licensed electrician. Installation of this equipment may require local electrical inspector approval.

Industrial Enclosure Accessories

Drip Shield Kits

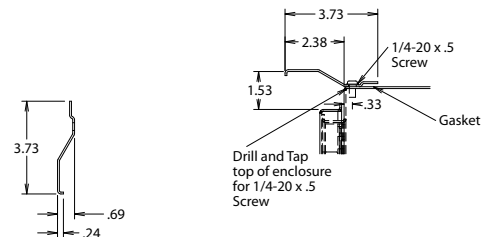
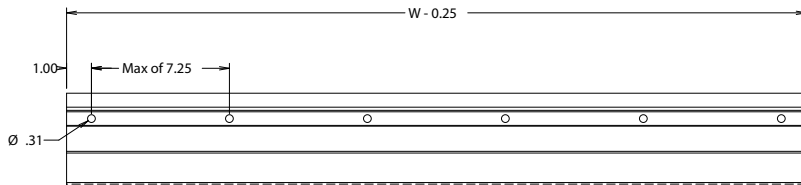
Drip Shield Kits



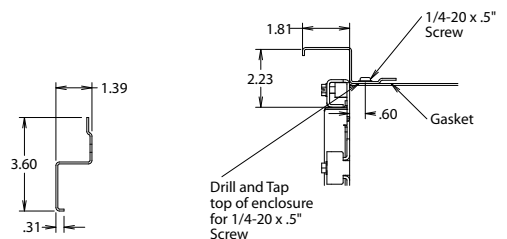
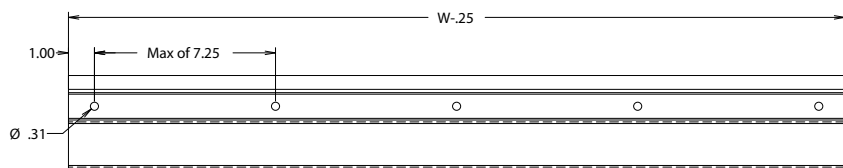
Drip shield kits are designed to protect enclosures from dust and dripping water. They are fabricated from 14 gauge carbon steel with standard ANSI-61 gray finish on interior and exterior of enclosures. Recoatable, smooth, white or RAL 7035 texture polyester powder coat available at no charge. Standard RAL and custom match finishes available for an additional charge, please contact Milbank for further assistance. All powder coat finishes applied over cleaned phosphatized surfaces. They are also available in type 304 and type 316 stainless steel. Stainless steel drip shield kits have a polished #4 finish. They are attached with stainless steel screws and neoprene washers.

Note: Standard drip shield kits are packaged for field installation using common hand tools. Drip shield kits can also be welded on at the factory. Standard enclosures can be converted to UL 3R when drip shield kits and drain holes are installed at the factory.

Type 12 Drip Shield Kit



Type 4 Drip Shield Kit



Type 12 Drip Shield Kits

Catalog Number			Width (inches)	Ship. Weight (lbs.)
Carbon Steel #	304 Stainless Steel #	316 Stainless Steel #		
A-DS12	A-DSXS12	A-DSXZ12	12	2
A-DS16	A-DSXS16	A-DSXZ16	16	2
A-DS20	A-DSXS20	A-DSXZ20	20	2
A-DS24	A-DSXS24	A-DSXZ24	24	4
A-DS30	A-DSXS30	A-DSXZ30	30	4
A-DS36	A-DSXS36	A-DSXZ36	36	5
A-DS42	A-DSXS42	A-DSXZ42	42	6
A-DS48	A-DSXS48	A-DSXZ48	48	6
A-DS60	A-DSXS60	A-DSXZ60	60	7
A-DS72	A-DSXS72	A-DSXZ72	72	9

Type 4 Drip Shield Kits

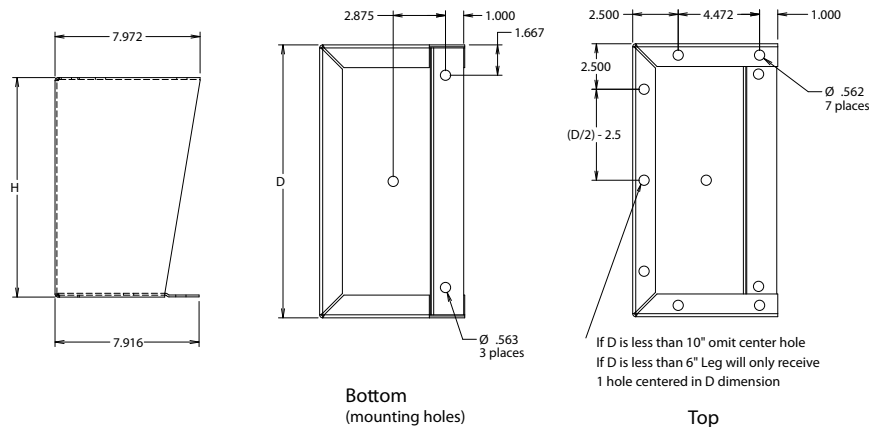
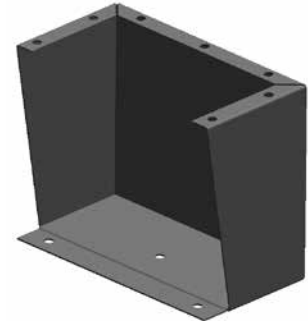
Catalog Number			Width (inches)	Ship. Weight (lbs.)
Carbon Steel #	304 Stainless Steel #	316 Stainless Steel #		
A-DS12-N4	A-DSXS12-N4	A-DSXZ12-N4	12	2
A-DS16-N4	A-DSXS16-N4	A-DSXZ16-N4	16	2
A-DS20-N4	A-DSXS20-N4	A-DSXZ20-N4	20	2
A-DS24-N4	A-DSXS24-N4	A-DSXZ24-N4	24	4
A-DS30-N4	A-DSXS30-N4	A-DSXZ30-N4	30	4
A-DS36-N4	A-DSXS36-N4	A-DSXZ36-N4	36	5
A-DS42-N4	A-DSXS42-N4	A-DSXZ42-N4	42	6
A-DS48-N4	A-DSXS48-N4	A-DSXZ48-N4	48	6
A-DS60-N4	A-DSXS60-N4	A-DSXZ60-N4	60	7
A-DS72-N4	A-DSXS72-N4	A-DSXZ72-N4	72	9

Utility requirements for this equipment may vary. Always consult the serving utility for their requirements prior to ordering or installing this equipment. This product must be installed by a licensed electrician. Installation of this equipment may require local electrical inspector approval.



Floor Stand Kits

Floor stand kits for Type 4 & 12 enclosures are designed to convert wall mounted enclosures to floor standing enclosures. These kits consist of two stands which may be bolted onto the bottom of the enclosure in the field or welded on at the factory. These kits are fabricated from a heavy gauge carbon steel with a standard ANSI-61 gray finish on interior and exterior of enclosures. Recoatable, smooth, white or RAL 7035 texture polyester powder coat available at no charge. Standard RAL and custom match finishes available for an additional charge, please contact Milbank for further assistance. All powder coat finishes applied over cleaned phosphatized surfaces. Type 304 and type 316 stainless steel is available. Stainless steel floor stand kits have a polished #4 finish. Special heights, depths, and many other options can also be provided. Quotations are available upon request.



Catalog Number					Catalog Number				
Carbon Steel #	304 Stainless Steel #	316 Stainless Steel #	Size H x D (Inches)	Ship. Weight	Carbon Steel #	304 Stainless Steel #	316 Stainless Steel #	Size H x D (Inches)	Ship. Weight
A-FSK68	A-FSKXS68	A-FSKXZ68	6 x 8	19	A-FSK1224	A-FSKXS1224	A-FSKXZ1224	12 x 24	60
A-FSK610	A-FSKXS610	A-FSKXZ610	6 x 10	21	A-FSK1230	A-FSKXS1230	A-FSKXZ1230	12 x 30	74
A-FSK612	A-FSKXS612	A-FSKXZ612	6 x 12	23	A-FSK1236	A-FSKXS1236	A-FSKXZ1236	12 x 36	88
A-FSK616	A-FSKXS616	A-FSKXZ616	6 x 16	30	A-FSK188	A-FSKXS188	A-FSKXZ188	18 x 8	40
A-FSK618	A-FSKXS618	A-FSKXZ618	6 x 18	31	A-FSK1810	A-FSKXS1810	A-FSKXZ1810	18 x 10	44
A-FSK620	A-FSKXS620	A-FSKXZ620	6 x 20	34	A-FSK1812	A-FSKXS1812	A-FSKXZ1812	18 x 12	47
A-FSK624	A-FSKXS624	A-FSKXZ624	6 x 24	41	A-FSK1816	A-FSKXS1816	A-FSKXZ1816	18 x 16	58
A-FSK630	A-FSKXS630	A-FSKXZ630	6 x 30	51	A-FSK1820	A-FSKXS1820	A-FSKXZ1820	18 x 20	72
A-FSK636	A-FSKXS636	A-FSKXZ636	6 x 36	61	A-FSK1824	A-FSKXS1824	A-FSKXZ1824	18 x 24	85
A-FSK128	A-FSKXS128	A-FSKXZ128	12 x 8	29	A-FSK1830	A-FSKXS1830	A-FSKXZ1830	18 x 30	106
A-FSK1210	A-FSKXS1210	A-FSKXZ1210	12 x 10	32	A-FSK248	A-FSKXS248	A-FSKXZ248	24 x 8	52
A-FSK1212	A-FSKXS1212	A-FSKXZ1212	12 x 12	35	A-FSK2410	A-FSKXS2410	A-FSKXZ2410	24 x 10	56
A-FSK1216	A-FSKXS1216	A-FSKXZ1216	12 x 16	42	A-FSK2412	A-FSKXS2412	A-FSKXZ2412	24 x 12	60
A-FSK1218	A-FSKXS1218	A-FSKXZ1218	12 x 18	47	A-FSK2416	A-FSKXS2416	A-FSKXZ2416	24 x 16	70
A-FSK1220	A-FSKXS1220	A-FSKXZ1220	12 x 20	50	A-FSK2424	A-FSKXS2424	A-FSKXZ2424	24 x 24	103



Utility requirements for this equipment may vary. Always consult the serving utility for their requirements prior to ordering or installing this equipment. This product must be installed by a licensed electrician. Installation of this equipment may require local electrical inspector approval.

Industrial Enclosure Accessories

Door Stop Kits, Rack Mounting Angle Kits, Paint

Door Stop Kits

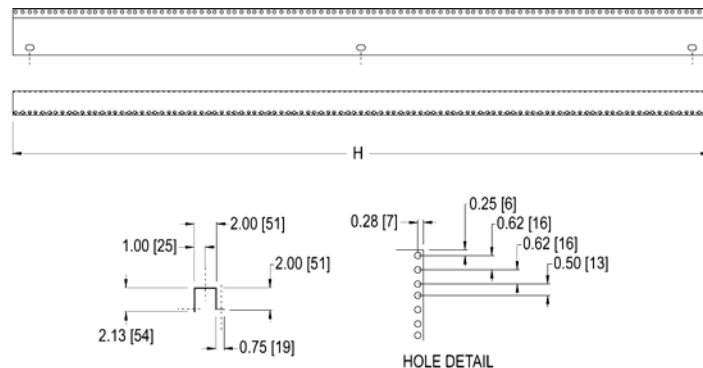
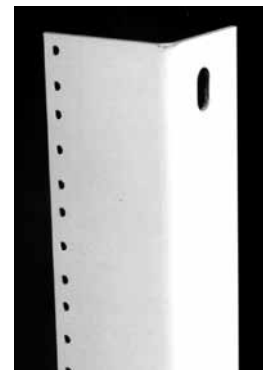
Door stop kits are for use on standard Type 4 and 12 enclosures to hold the doors open. These door stop kits are designed for use on the top or bottom of a horizontally swinging door of 16 inches wide or wider. Fixed door stop kits provide a 90 degree door swing. Adjustable door stop kits provide door swing adjustment up to 120 degrees by means of a wing nut. The stop arm on both fixed and adjustable kits swings out of the way when the door is closed. Kits are available in carbon or stainless steel. Carbon steel kits are zinc plated.



Catalog Number	Description
A-DSK	Heavy Duty Adjustable - Carbon Steel
A-DSKXS	Heavy Duty Adjustable - 304 Stainless Steel
A-DSKXZ	Heavy Duty Adjustable - 316 Stainless Steel

Rack Mounting Angle Kits

Available in pairs and include all required hardware. Used to mount 19" rack mounted equipment in freestanding enclosures. Use clip nut package (20 pc included) to provide tapped holes at desired locations. Rack angles are available as shown, or in L-angle style upon request. Additional clip nuts can be provided upon request. These items are custom-made; please specify height and material.



Touch-Up Paint

Used to repair the finish of enclosures and panels. Furnished in 12 oz. spray cans.

Catalog Number	Description	Ship. Weight (lbs.)
A-WP	White	1
A-GP	ANSI-61 Grey	1
A-GP7035	RAL-7035	1



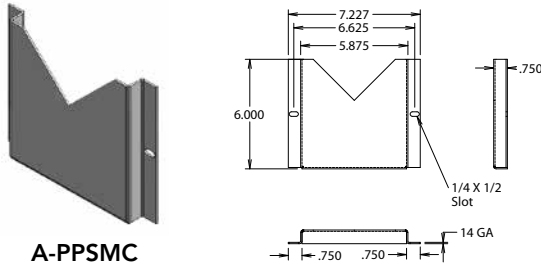
Utility requirements for this equipment may vary. Always consult the serving utility for their requirements prior to ordering or installing this equipment. This product must be installed by a licensed electrician. Installation of this equipment may require local electrical inspector approval.



Replacement Print Pocket

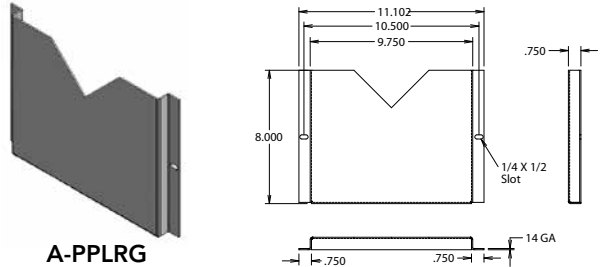
Designed for print storage on the interior of an enclosure. Intended for use as a replacement or as an additional print pocket. Standard Print pockets are made of gray Polystyrene with self-adhesive provided for mounting on enclosure. Print Pockets fabricated from 14 gauge carbon steel with white polyester finish.

PPSMC • PPSMCXS • PPSMCXZ



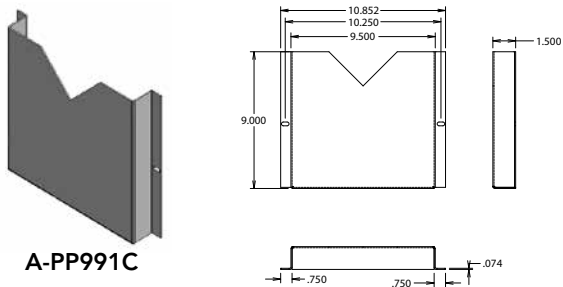
A-PPSMC

PPLRGC • PPLRGXS • PPLRGXZ



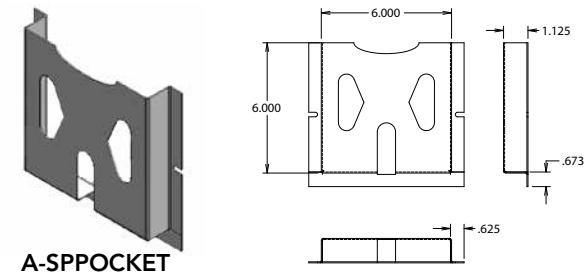
A-PPLRG

PP991C • PP991CXS • PP991CXZ



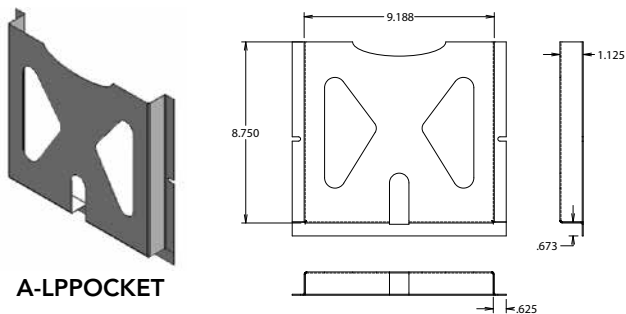
A-PP991C

A-SPPOCKET



A-SPPOCKET

PP991C • PP991CXS • PP991CXZ



A-LPPOCKET

Catalog Number	Material	Ship. Wt. (lbs.)	Description
A-PPSMC	Carbon steel	2	Small print pocket
A-PPSMCXS	304 stainless steel	2	Small print pocket
A-PPSMCXZ	316 stainless steel	2	Small print pocket
A-PPLRGC	Carbon steel	3	Large print pocket
A-PPLRGXS	304 stainless steel	3	Large print pocket
A-PPLRGXZ	316 stainless steel	3	Large print pocket
A-PP991C	Carbon steel	4	X-Large print pocket
A-PP991CXS	304 stainless steel	4	X-Large print pocket
A-PP991CXZ	316 stainless steel	4	X-Large print pocket
A-SPPOCKET	Polycarbonate	1	Small 6 x 6 print pocket
A-LPPOCKET	Polycarbonate	1	Large 9 x 9 print pocket



Utility requirements for this equipment may vary. Always consult the serving utility for their requirements prior to ordering or installing this equipment. This product must be installed by a licensed electrician. Installation of this equipment may require local electrical inspector approval.

Industrial Enclosure Accessories

Folding Shelves

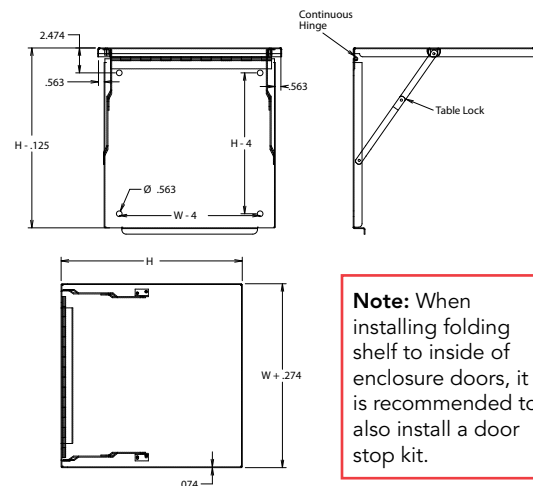
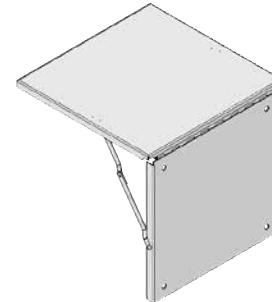
Folding Shelf

Support instruments and test equipment that are used to install and maintain electrical components in an enclosure. Also ideally suited for supporting programmers, monitoring units and other equipment used with programmable controllers. Shelf locks in lower and upper positions.

The shelf can be installed on the inside or outside surface of larger enclosures. All parts are made of heavy gauge carbon steel with a standard ANSI-61 gray finish on interior and exterior of enclosures.

Recoatable, smooth, white or RAL 7035 texture polyester powder coat available at no charge. Standard RAL and custom match finishes available for an additional charge, please contact Milbank for further assistance. All powder coat finishes applied over cleaned phosphatized surfaces. Stainless steel construction is available upon request.

Maintains UL Type 4 and Type 12 if properly installed in a Milbank enclosure.



Note: When installing folding shelf to inside of enclosure doors, it is recommended to also install a door stop kit.

Catalog Number	Description	Size (inch)	
		W	D
A-SHELF18	18" Folding Shelf	18"	19"
A-SHELF24	24" Folding Shelf	24"	19"

Utility requirements for this equipment may vary. Always consult the serving utility for their requirements prior to ordering or installing this equipment. This product must be installed by a licensed electrician. Installation of this equipment may require local electrical inspector approval.



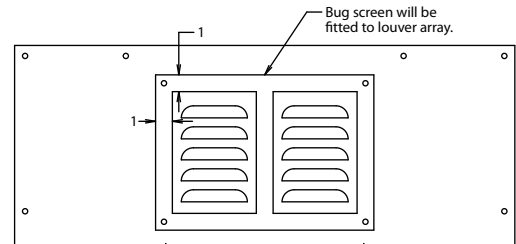
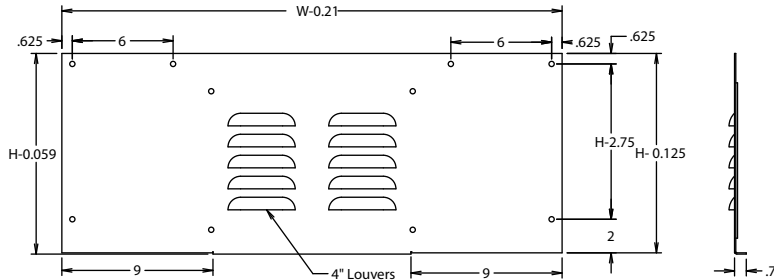
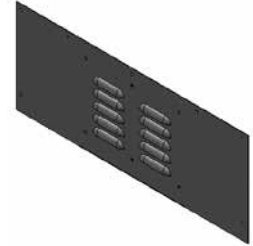
Louver Skirt Kits

Louver skirt kits are fabricated from 14 gauge carbon steel with a standard ANSI-61 gray finish on interior and exterior of enclosures. Recoatable, smooth, white or RAL 7035 texture polyester powder coat available at no charge. Standard RAL and custom match finishes available for an additional charge, please contact Milbank for further assistance. All powder coat finishes applied over cleaned phosphatized surfaces. 14 gauge type 304 and type 316 stainless steel are available with a polished #4 finish. They are designed to restrict access to any connections but still provide ventilation of any waste gases.

These kits can be easily installed in the field by drilling holes in the floor stand kits and bolting louver skirt to floor stand kit. Hardware is furnished for mounting.

Kit includes:

2 skirts, hardware to install to enclosure. See A-SPSKTB for skirt kits with bug screen. Vandal proof design, custom sizes, and features provided upon request.



Catalog Number			Size H x W (inches)	Ship. Wt. (lbs.)	# of Louvers
Carbon Steel #	304 Stainless Steel #	316 Stainless Steel #			
A-SKT636	A-SKTXS636	A-SKTXZ6636	6 x 36	12	6
A-SKT642	A-SKTXS642	A-SKTXZ6642	6 x 42	14	8
A-SKT648	A-SKTXS648	A-SKTXZ6648	6 x 48	16	10
A-SKT660	A-SKTXS660	A-SKTXZ6660	6 x 60	20	14
A-SKT672	A-SKTXS672	A-SKTXZ6672	6 x 72	24	18
A-SKT1236	A-SKTXS1236	A-SKTXZ61236	12 x 36	20	15
A-SKT1242	A-SKTXS1242	A-SKTXZ61242	12 x 42	23	20
A-SKT1248	A-SKTXS1248	A-SKTXZ61248	12 x 48	26	25
A-SKT1260	A-SKTXS1260	A-SKTXZ61260	12 x 60	33	35
A-SKT1272	A-SKTXS1272	A-SKTXZ61272	12 x 72	40	45
A-SKT1836	A-SKTXS1836	A-SKTXZ61836	18 x 36	30	33
A-SKT1842	A-SKTXS1842	A-SKTXZ61842	18 x 42	35	44
A-SKT1848	A-SKTXS1848	A-SKTXZ61848	18 x 48	40	55
A-SKT1860	A-SKTXS1860	A-SKTXZ61860	18 x 60	50	77
A-SKT1872	A-SKTXS1872	A-SKTXZ61872	18 x 72	60	99
A-SKT2436	A-SKTXS2436	A-SKTXZ62436	24 x 36	40	45
A-SKT2442	A-SKTXS2442	A-SKTXZ62442	24 x 42	47	60
A-SKT2448	A-SKTXS2448	A-SKTXZ62448	24 x 42	53	75
A-SKT2460	A-SKTXS2460	A-SKTXZ62460	24 x 60	67	90
A-SKT2472	A-SKTXS2472	A-SKTXZ62472	24 x 72	80	105

Note: Add the letter "B" after the letter "T" in the part number when ordering louver skirt kits with a bug screen (Ex: **A-SPSKTB636**)

Bug screen frame will be wrapped with wire mesh and bolted to the louver skirt.



Utility requirements for this equipment may vary. Always consult the serving utility for their requirements prior to ordering or installing this equipment. This product must be installed by a licensed electrician. Installation of this equipment may require local electrical inspector approval.

Industrial Enclosure Accessories

Louver Plate Kits

Louver Plate Kits

Designed to provide ventilation in enclosures where excessive internal heat or moisture is a problem.

These kits can be easily installed in the field by making a cutout of the proper size and attaching the louver plate in place. Louver plates are made from heavy gauge carbon steel, type 304 or type 316 stainless steel. Carbon louver plates have a standard ANSI-61 gray finish on interior and exterior of enclosures. Recoatable, smooth, white or RAL 7035 texture polyester powder coat available at no charge. Standard RAL and custom match finishes available for an additional charge, please contact Milbank for further assistance. All powder coat finishes applied over cleaned phosphatized surfaces. Stainless steel plates have a polished #4 finish. Hardware is furnished for mounting.



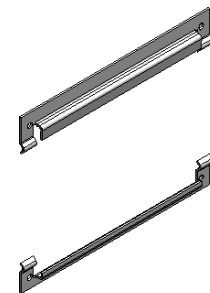
Custom sizes, etc., can be provided on special order. Louvers can also be punched in enclosure at the factory. Louvers used in UL Type 1 or 3R enclosures will maintain UL rating. Additional sizes available upon request. Louver can also be factory installed (pressed in).

Carbon Steel #	Catalog Number		Product Size H x W (inches)	# of Louvers	Cutout Size (inches)			Ship. Wt. (lbs.)
	304 Stainless Steel #	316 Stainless Steel #			Louver Length	H	W	
A-LVK23	A-LVKXS23	A-LVKXZ23	3.25 x 3.25	2	2.5	2	1.75	1
A-LVK33	A-LVKXS33	A-LVKXZ33	3.87 x 4.5	3	2.5	2.62	3	1
A-LVK34	A-LVKXS34	A-LVKXZ34	4.75 x 4.5	4	2.5	3.5	3	1
A-LVK43	A-LVKXS43	A-LVKXZ43	4.5 x 5.5	3	4	3.5	4	1
A-LVK44	A-LVKXS44	A-LVKXZ44	5.62 x 5.5	4	4	4.37	4	1
A-LVK64	A-LVKXS64	A-LVKXZ64	5.62 x 7.5	8	2.5	4.37	6	1
A-LVK66	A-LVKXS66	A-LVKXZ66	7.87 x 7.5	12	2.5	6.62	6	1
A-LVK84	A-LVKXS84	A-LVKXZ84	5.81 x 9.5	8	4	4.56	8	1
A-LVK86	A-LVKXS86	A-LVKXZ86	8.18 x 9.5	12	4	6.93	8	2
A-LVK88	A-LVKXS88	A-LVKXZ88	10.56 x 9.5	16	4	9.31	8	2
A-LVK812	A-LVKXS812	A-LVKXZ812	15.31 x 9.5	24	4	14.06	8	3

Filters for Louver Kits

Designed for use with louver plate kit. Mounting holes on filter bracket align with louver mounting holes. Hardware supplied with louvers also secure filter brackets in place. Brackets are fabricated from .080 aluminum. Custom sizes, etc., can be provided on special order.

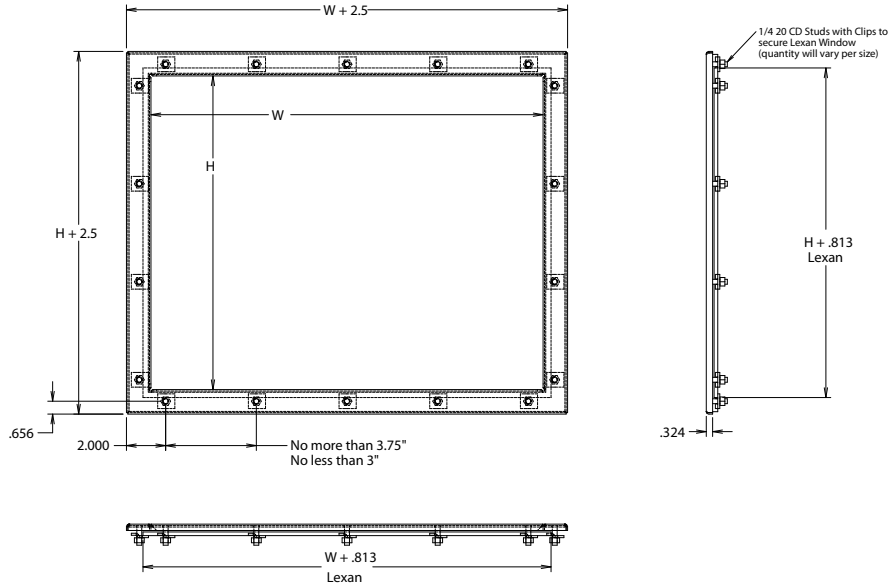
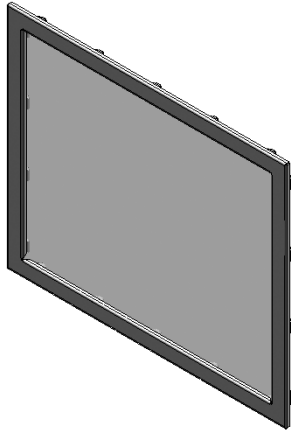
Catalog Number	Use with Louver Kit
A-FLT33	A-LVK33
A-FLT34	A-LVK34
A-FLT43	A-LVK43
A-FLT44	A-LVK44
A-FLT64	A-LVK64
A-FLT66	A-LVK66
A-FLT84	A-LVK84
A-FLT86	A-LVK86
A-FLT88	A-LVK88
A-FLT812	A-LVK812



Utility requirements for this equipment may vary. Always consult the serving utility for their requirements prior to ordering or installing this equipment. This product must be installed by a licensed electrician. Installation of this equipment may require local electrical inspector approval.



Window Kits



These kits are easily installed by making a cutout in the enclosure and attaching the window and frame in place (hardware furnished). Frames are made from heavy gauge carbon steel and have a standard ANSI-61 gray finish on interior and exterior of enclosures. Recoatable, smooth, white or RAL 7035 texture polyester powder coat available at no charge. Standard RAL and custom match finishes available for an additional charge, please contact Milbank for further assistance. All powder coat finishes applied over cleaned phosphatized surfaces. Type 304 and type 316 stainless steel are available with a polished #4 finish.

The window is scratch-resistant 1/4" Thermoplastic. Oil-resistant gasket ensures a tight seal around the perimeter of the window and frame. All mounting hardware is furnished. Custom sizes and materials can be provided on special order. Consult factory for information. Tinted glass and safety glass are available upon request.

Note: Required cutout size for enclosure is $H + 1.6875" \times W + 1.6875"$

Carbon Steel #	Catalog Number		Frame Size		Viewing Area		Ship. Wt. (lbs.)
	304 Stainless Steel #	316 Stainless Steel #	H	W	H	W	
A-WK53	A-WKXS53	A-WKXZ53	7.5	5.5	5	3	1
A-WK95	A-WKXS95	A-WKXZ95	11.5	8	9	5.5	3
A-WK1010	A-WKXS1010	A-WKXZ1010	12.5	12.5	10	10	4
A-WK1212	A-WKXS1212	A-WKXZ1212	14.5	14.5	12	12	5
A-WK133	A-WKXS133	A-WKXZ133	15.5	5.5	13	3	3
A-WK138	A-WKXS138	A-WKXZ138	15.5	10.5	13	8	4
A-WK1711	A-WKXS1711	A-WKXZ1711	19.5	13.5	17	11	6
A-WK175	A-WKXS175	A-WKXZ175	19.5	7.5	17	5	4
A-WK2016	A-WKXS2016	A-WKXZ2016	22.5	18.5	20	16	8
A-WK2017	A-WKXS2017	A-WKXZ2017	22.5	19.5	20	17	8
A-WK2020	A-WKXS2020	A-WKXZ2020	22.5	22.5	20	20	10
A-WK2315	A-WKXS2315	A-WKXZ2315	25.5	17.5	23	15	8
A-WK2420	A-WKXS2420	A-WKXZ2420	26.5	22.5	24	20	9
A-WK2424	A-WKXS2424	A-WKXZ2424	26.5	26.5	24	24	12
A-WK2919	A-WKXS2919	A-WKXZ2919	31.5	21.5	29	19	12
A-WK3523	A-WKXS3523	A-WKXZ352	37.5	25.5	35	23	16
A-WK3624	A-WKXS3624	A-WKXZ3624	38.5	26.5	36	24	17
A-WK3636	A-WKXS3636	A-WKXZ3636	38.5	38.5	36	36	25

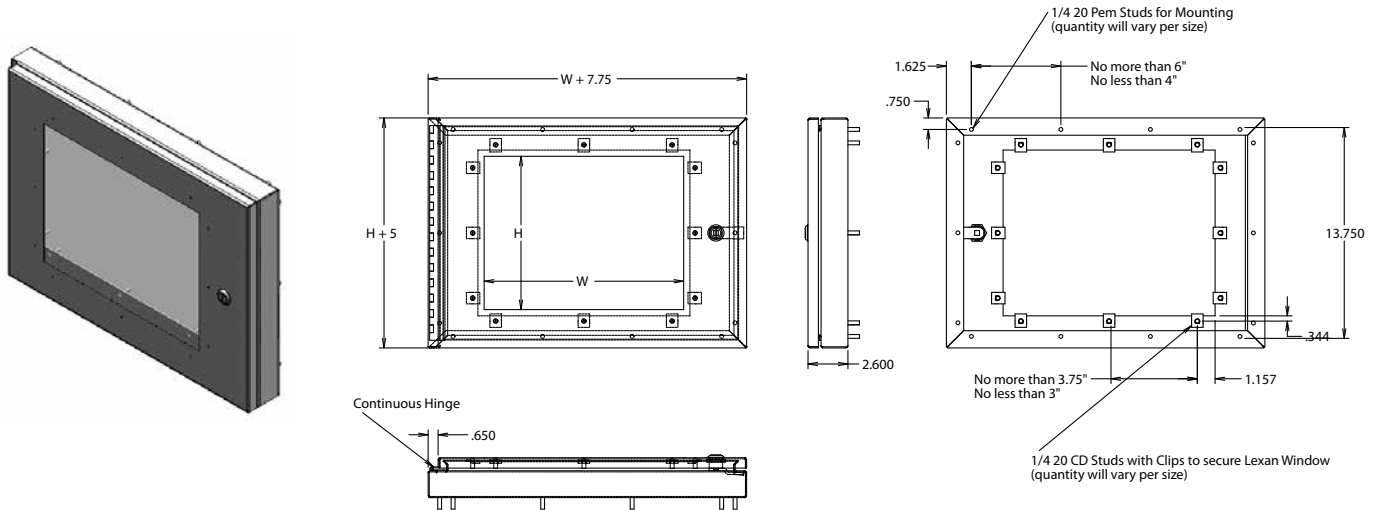


Utility requirements for this equipment may vary. Always consult the serving utility for their requirements prior to ordering or installing this equipment. This product must be installed by a licensed electrician. Installation of this equipment may require local electrical inspector approval.

Industrial Enclosure Accessories

Hinged Window Kits

Hinged Window Kits



For use as a viewing window where access to components mounted behind the window is required. The window is 1/4" thick with scratch-resistant Thermoplastic. Easily mounted. All mounting hardware is provided. Tinted glass and safety glass available upon request.

Carbon Steel #	Catalog Number		Frame Size			Viewing Area		Shpg. Wt.
	304 Stainless Steel #	316 Stainless Steel #	H	W	D	H	W	
A-HWK1010	A-HWKXS1010	A-HWKXZ1010	15	17.75	2.6	10	10	12
A-HWK124	A-HWKXS124	A-HWKXZ124	17	11.75	2.6	12	4	6
A-HWK1212	A-HWKXS1212	A-HWKXZ1212	17	19.75	2.6	12	12	16
A-HWK1520	A-HWKXS1520	A-HWKXZ1520	20	27.75	2.6	15	20	33
A-HWK168	A-HWKXS168	A-HWKXZ168	21	15.75	2.6	16	8	15
A-HWK1711	A-HWKXS1711	A-HWKXZ1711	22	18.75	2.6	17	11	21
A-HWK208	A-HWKXS208	A-HWKXZ208	25	15.75	2.6	20	8	20
A-HWK2010	A-HWKXS2010	A-HWKXZ2010	25	17.75	2.6	20	10	23
A-HWK2012	A-HWKXS2012	A-HWKXZ2012	25	19.75	2.6	20	12	27
A-HWK2017	A-HWKXS2017	A-HWKXZ2017	25	24.75	2.6	20	17	35
A-HWK2020	A-HWKXS2020	A-HWKXZ2020	25	27.75	2.6	20	20	40
A-HWK2021	A-HWKXS2021	A-HWKXZ2021	25	28.75	2.6	20	21	42
A-HWK2424	A-HWKXS2424	A-HWKXZ2424	29	31.75	2.6	24	24	45
A-HWK2615	A-HWKXS2615	A-HWKXZ2615	31	22.75	2.6	26	15	38
A-HWK3215	A-HWKXS3215	A-HWKXZ3215	37	22.75	2.6	32	15	45
A-HWK3636	A-HWKXS3636	A-HWKXZ3636	41	43.75	2.6	36	36	54

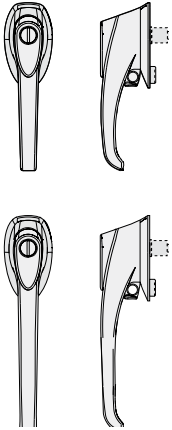
Utility requirements for this equipment may vary. Always consult the serving utility for their requirements prior to ordering or installing this equipment. This product must be installed by a licensed electrician. Installation of this equipment may require local electrical inspector approval.



Replacement Handles

The replacement handles shown on this page are standard features on Milbank Enclosures and can be ordered separately.

Euro-Design Padlocking Handle



- Made of black zinc die cast.
- Available in compact and heavy-duty style.
- Available with or without defeater mechanism.
- Used for UL Type 12.
- Suitable for three point latching systems.
- Custom inserts are available.
- Compact is the replacement for A-ABN12 enclosures.
- Heavy duty is the replacement for Type 12 floor mount, Type 12 modular and Type 12 freestanding enclosures families.

Catalog Number	Description
A-HNDLCOMP	Compact with defeater
A-HNDLHD	Heavy duty
A-HNDLHDD	Heavy duty with defeater

Note: Cams are ordered separately.

Heavy Duty Keylocking Handle



- Made of black zinc die cast with key included.
- Standard replacement handle for Freestanding enclosures.
- Used for three point latching systems.
- Maintains UL Type 12 enclosure ratings.
- Includes handle only.

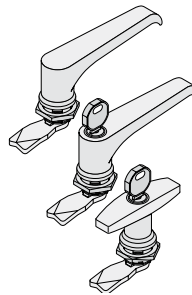
Catalog Number	Description
A-HNDLHDK	Heavy duty keylocking handle

Note: Cams are ordered separately.

Custom Handles

These handles can be used in three point latching systems and will maintain the enclosures UL rating. Factory installation is recommended. These handles can be used on special enclosures as an option. Call for availability.

Light Duty Quarter-Turn Handles

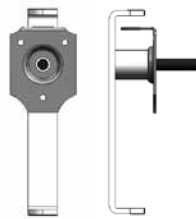


- Available in black polymide, black zinc die cast, or chrome.
- Suitable for three point UL Type 12 latching systems.
- Specify material when ordering.

Catalog Number	Description
A-HNDLLNLSS	Non-locking stainless steel
A-HNDLKLBLK	Keylocking black zinc die
A-HNDLKLCHR	Keylocking chrome
A-THNDLKLCHR	T-Type keylocking chrome

Note: Cams are ordered separately.

Type 304 Stainless Steel Heavy Duty Padlocking Handle



- Made of stainless steel.
- Suitable for three point latching systems where enhanced corrosion resistance is required.
- Suitable for UL Type 12 applications.

Catalog Number	Description
A-HNDL-HDSSPAD	Stainless steel padlock handle

Note: Cams are ordered separately.



Utility requirements for this equipment may vary. Always consult the serving utility for their requirements prior to ordering or installing this equipment. This product must be installed by a licensed electrician. Installation of this equipment may require local electrical inspector approval.

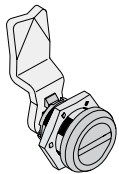
Industrial Enclosure Accessories

Replacement and Custom Latches & Clamps,
Replacement Handle Kits

Replacement Latches & Clamps

The replacement latches and clamps shown on this page are standard features on Milbank Enclosures and can be ordered separately.

Quarter Turn Slotted Latch



Standard Millennium UL Type 4, 4X, 12 and 13 enclosures only. Made of black polyamide. Allows for a maximum of 26 inch spacing between latches.

Catalog Number	Description
A-R002-100BLK	Black Polyamide
A-R090-100SS	Stainless Steel

Note: Cams are ordered separately

Type 4 Clamp



Made of stainless steel. Standard on wall mount UL Type 4 and 4X enclosures. Assembly includes clamp, spring and 1/4-20-304 or 1/4-28-316 threaded screw. Allows for a maximum of 24 inch spacing between clamps.

Catalog Number	Description
A-NH41041	NEMA 4 Clamp 304
A-NH41050	NEMA 4 Clamp 316

Type 12 Clamp



Made of stainless steel. Standard on wall mount UL Type 4 and 4X enclosures. Assembly includes clamp, spring and 1/4-20-304 or 1/4-28-316 threaded screw. Allows for a maximum of 24 inch spacing between clamps.

Catalog Number	Description
A-NH20030	NEMA 12 Clamp

Replacement Handle Kits

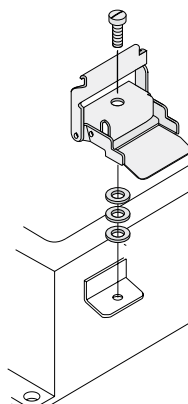
Kit includes handle, cam, retainers, hardware, latch rods, and latch rod guides. All kits are packaged for field installation.

Catalog Number	Enclosure Family	Description
A-HNDLSPWF	M12D	Keylocking assembly
A-261612-10-KIT	M12-FD-H	Padlocking 2-point assembly
A-HNDLSPN12D	M12D-FT	Keylocking assembly
A-HNDLSPX	FD-FT	Padlock with defeater assembly
A-HNDLSPXMN	FD-FT	Padlock non-defeater assembly
A-HNDLSPXM	M12FSD-FD	Padlock defeater assembly
A-HNDLSPXN	M12FSD-FD	Padlock non-defeater assembly
A-HNDLSPFS	M12FS	Keylocking assembly
A-3PTCONS	MSD	Console 3-point assembly

Custom Latches & Clamps

Custom latches and clamps can be used on standard or custom enclosures and will maintain the enclosure's UL rating. Spacing and quantity limitations apply to maintain an enclosure's UL rating. Call for application information. Specify type of latch, material and insert when ordering.

Quick Release J-Series Enclosure Clamps



- Available in zinc plated mild steel and stainless steel.
- Clamps have 1/4-20 thread.
- Suitable for UL type 4, 4X, 12 and 13 enclosures.

Catalog Number	Description
A-FOCJIC-S	Plated Mild Steel
A-FOCJIC-SS	Stainless Steel

Continued on next page →

Utility requirements for this equipment may vary. Always consult the serving utility for their requirements prior to ordering or installing this equipment. This product must be installed by a licensed electrician. Installation of this equipment may require local electrical inspector approval.



Custom Latches & Clamps *continued*

Quick Release Toggle Clamp

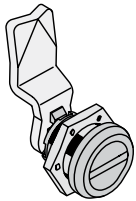


- Available in stainless steel.
- Clamps have 1/4-20 304 or 1/4-28 316 threads and can be used in place of screwdriver operated clamps on Milbank enclosures.
- Suitable for UL Type 4, 4X & 12 enclosures.

Catalog Number	Description
A-FOCX5	Type 304 stainless steel clamp
A-FOCXZ	Type 316 stainless steel clamp

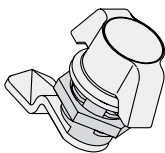
Note: Stainless steel clamp required for 4/4X enclosure.

Mini 1/4-Turn Latch



Catalog Number	Description
A-LTHMINI	Mini 1/4-turn slotted latch

Wing 1/4-Turn Latch

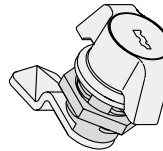


- Available in black polymide.
- Suitable for any Milbank enclosure.
- Latch will maintain the UL rating.

Catalog Number	Description
A-1000-U78	Wing 1/4-turn latch

Note: Cams are ordered separately.

Keylocking Wing 1/4-Turn Latch

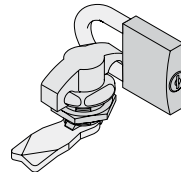


- Available in black polymide.
- Suitable for UL Type 12 enclosures.

Catalog Number	Description
A-1000-U237	Keylocking wing 1/4-turn latch

Note: Cams are ordered separately.

Padlocking Wing 1/4-Turn Latch

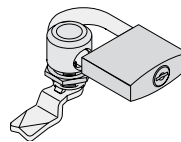


- Available in black polymide.
- Suitable for any Milbank enclosure.
- Latch will maintain the UL rating.
- Knockout size is .814 x .814

Catalog Number	Description
A-1000-U429-01	Padlocking wing 1/4-turn latch

Note: Cams are ordered separately.

Padlocking 1/4-Turn Latch



- Available in zinc die cast only and comes with chrome insert.
- Suitable for any Milbank enclosure.
- Latch will maintain the UL rating.
- Knockout size is .814 x .814

Catalog Number	Description
A-C0035745	Padlocking 1/4-turn latch

Note: Cams are ordered separately.



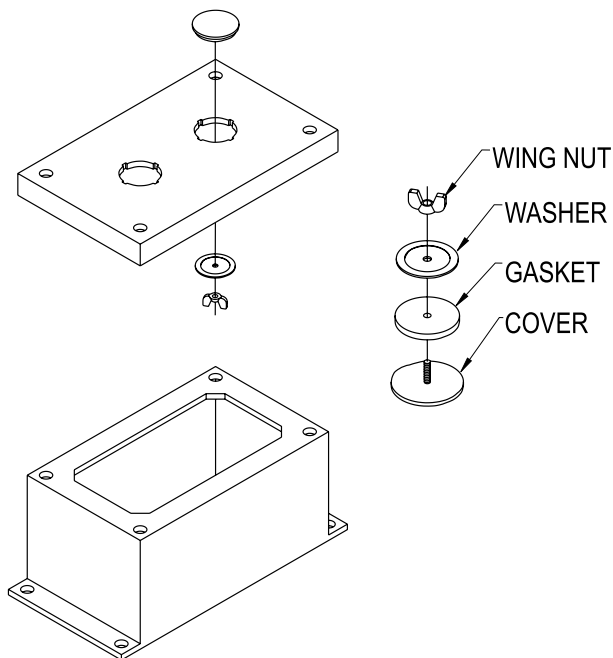
Utility requirements for this equipment may vary. Always consult the serving utility for their requirements prior to ordering or installing this equipment. This product must be installed by a licensed electrician. Installation of this equipment may require local electrical inspector approval.

Industrial Enclosure Accessories

Hole Seals and Grounding Kits

Oil Tight Hole Seals

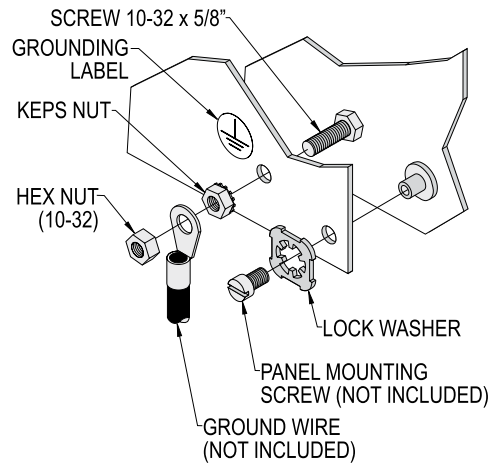
Hole seals are used to seal unused pushbutton holes, conduit and knockout holes and other openings of irregular shapes and sizes against dust, dirt, water and oil. They will cover holes ranging in size from 0.19 inches through 4.00 inches, and can be used on enclosures having a wall thickness up to 0.31 inches. The hole seals have a cover with 1/16" flange. See page 44 for application, construction, ordering and installation information.



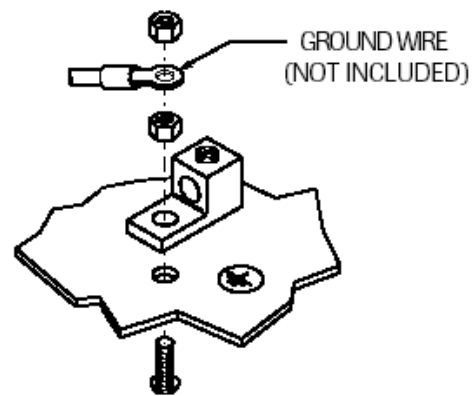
Grounding Kits

Ground kits include screws, nuts, washers and grounding label. Can be ordered separately. Ground strap not included.

J-Series Grounding Kit



Wall Mount Grounding Kit



Catalog Number	Description
A-JH45015	Grounding kit for J-Series enclosures
A-NH45015	Grounding kit for M4, M12 and Millennium enclosures

Notes:

1. Ground strap not included.
2. The wall mount version can be used on larger enclosures—order one kit per door.

Utility requirements for this equipment may vary. Always consult the serving utility for their requirements prior to ordering or installing this equipment. This product must be installed by a licensed electrician. Installation of this equipment may require local electrical inspector approval.



Floor Mount Sub Panels

Applications

For use in Type 4 Double Door Floor Mount, Type 12 Double Door Floor Mount, and Type 12 Double Door Extra Volume enclosures.

Construction

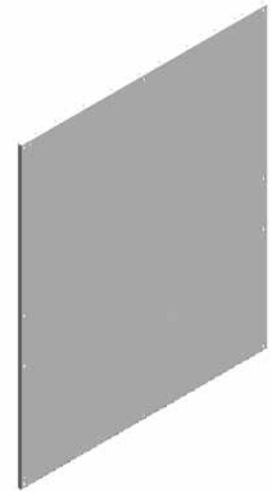
Fabricated from 10 gauge carbon steel.

Finish

White polyester powder coat finish over cleaned phosphatized surfaces.

Options

Milbank can modify standard sub panels according to your specifications. Sizes and many more options are available. Quotations upon request.



Catalog Number	Sub Panel Size H x W x D (inches)	Shipping Weight (lbs.)
A-DD54P42	50 x 38	79
A-DD60P48	56 x 44	103
A-DD60P60	56 x 56	128
A-DD72P60	68 x 56	151
A-DD72P72	68 x 68	184



Utility requirements for this equipment may vary. Always consult the serving utility for their requirements prior to ordering or installing this equipment. This product must be installed by a licensed electrician. Installation of this equipment may require local electrical inspector approval.

Industrial Enclosure Accessories

Floor Mount Sub Panels

Freestanding Sub Panels

Applications

For use in Type 12 and Type 4 freestanding single door and Type 12 double door freestanding enclosures.

Construction

Fabricated from 12 or 10 gauge carbon steel.

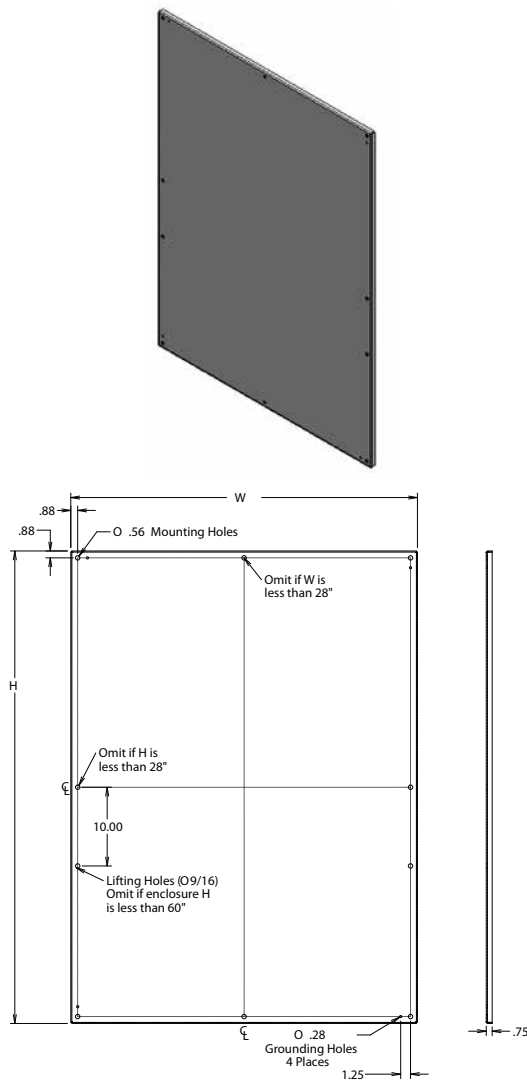
Finish

White polyester powder coat finish over cleaned phosphatized surfaces.

Options

Milbank can modify standard sub panels according to your specifications. Sizes and many more options are available. Quotations upon request.

Note: Panels mount using panel mounting brackets.

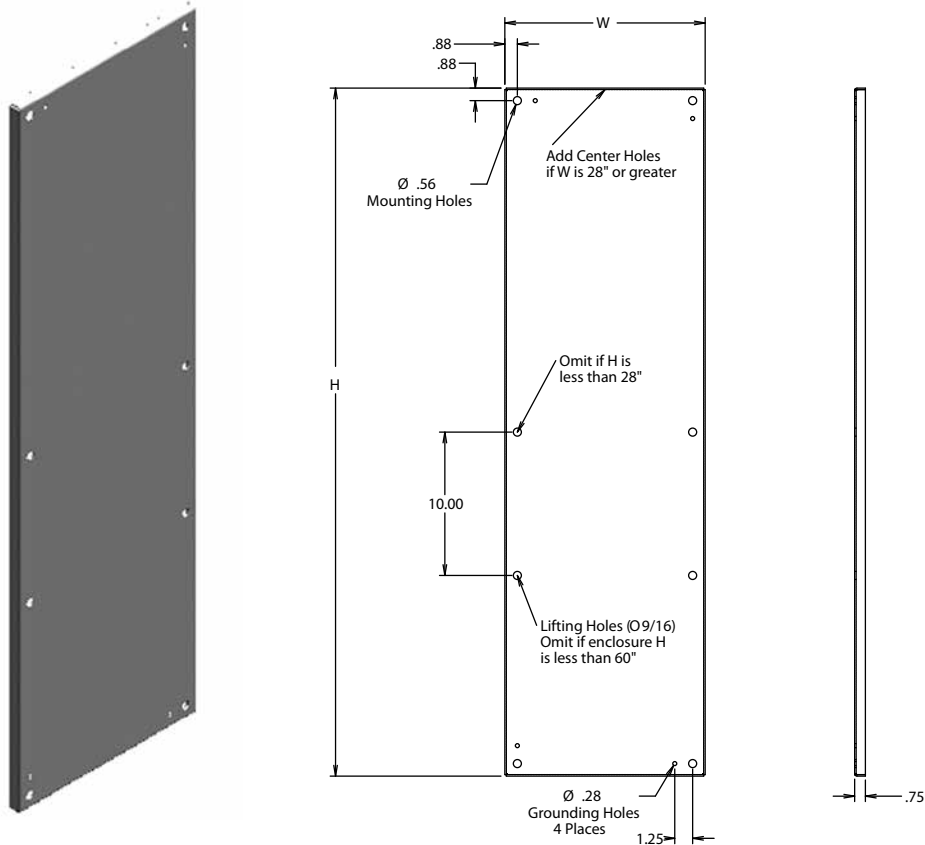


Catalog Number	Sub Panel Size H x W x D (inches)	Shipping Weight
Single Door - Full Panels		
A-60P24F1	48 x 20	52
A-72P24F1	60 x 20	65
A-90P24F1	78 x 20	80
A-72P30F1	60 x 26	74
A-90P30F1	78 x 26	92
A-60P36F1	48 x 32	78
A-72P36F1	60 x 32	80
A-90P36F1	78 x 32	108
Single Door - Half Panels		
A-60P24F2	24.87 x 20	26
A-72P24F2	30.87 x 20	32
A-90P24F2	39.87 x 20	41
A-72P30F2	30.87 x 26	41
A-90P30F2	39.87 x 26	53
A-60P36F2	24.87 x 32	41
A-72P36F2	30.87 x 32	50
A-90P36F2	39.87 x 32	65
Double Door - Full Panels		
A-60P48F1	48 x 44	108
A-72P48F1	60 x 44	131
A-72P60F1	60 x 56	145
A-72P72F1	60 x 68	187
A-90P48F1	78 x 44	165
A-90P60F1	78 x 56	210
A-90P72F1	78 x 68	238
Double Door - Half Panels		
A-60P48F2	24.87 x 44	60
A-72P48F2	30.87 x 44	74
A-72P60F2	30.87 x 56	94
A-72P72F2	30.87 x 68	113
A-90P48F2	39.87 x 44	94
A-90P60F2	39.87 x 56	120
A-90P72F2	39.87 x 68	145

Utility requirements for this equipment may vary. Always consult the serving utility for their requirements prior to ordering or installing this equipment. This product must be installed by a licensed electrician. Installation of this equipment may require local electrical inspector approval.



Freestanding Side Sub Panels



Applications

For use in Type 12 and Type 4 freestanding single door and Type 12 double door freestanding enclosures.

Construction

Fabricated from 12 gauge carbon steel.

Finish

White polyester powder coat finish over cleaned phosphatized surfaces.

Options

Milbank can modify standard sub panels according to your specifications. Sizes and many more options are available. Quotations upon request.

Note: Panels mount using panel mounting brackets.

Catalog Number	Sub Panel Size H x W x D (inches)	Shipping Weight
A-60SMP14	48 x 14	24
A-60SMP20	48 x 20	34
A-72SMP14	60 x 14	28
A-72SMP20	60 x 20	42
A-72SMP26	60 x 26	54
A-72SMP32	60 x 32	66
A-90SMP14	78 x 14	40
A-90SMP16	78 x 16	45
A-90SMP20	78 x 20	55
A-90SMP26	78 x 26	71
A-90SMP32	78 x 32	86



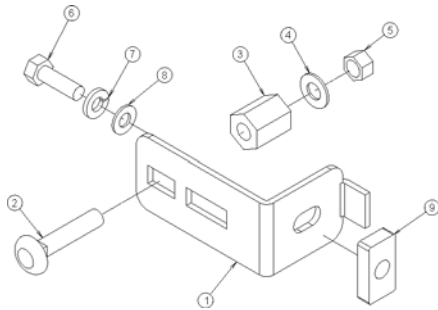
Utility requirements for this equipment may vary. Always consult the serving utility for their requirements prior to ordering or installing this equipment. This product must be installed by a licensed electrician. Installation of this equipment may require local electrical inspector approval.

Industrial Enclosure Accessories

Clamping Nuts, Mounting Bracket Kits, End Plates and Heavy Duty Adapter Kits

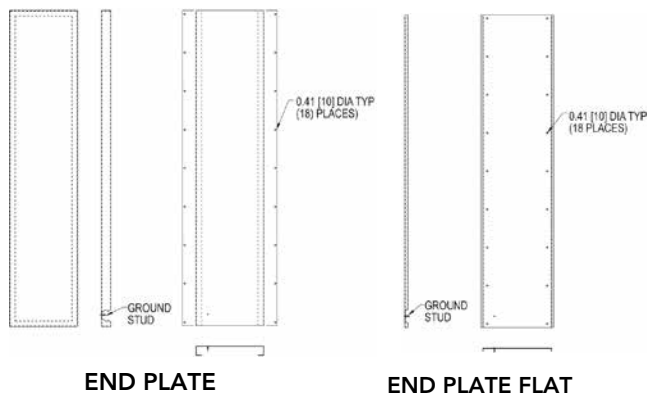
Freestanding Enclosure Clamping Nuts

These nuts are used to attach sub panels and rack angles to the horizontal mounting channels and are ordered separately if mounting other equipment to the mounting channels.



Catalog Number	Description
A-G1034	Clamping Nut

Modular Enclosure End Plates



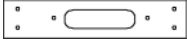


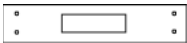
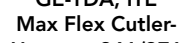
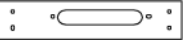
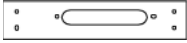

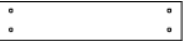
Catalog Number	Size H x D (inches)	Description
A-MOD8418EP	84 x 18	Formed with gasket & bolts
A-MOD8424EP	84 x 24	Formed with gasket & bolts
A-MOD8418FEP	84 x 18	Flat with gasket & bolts
A-MOD8424FEP	84 x 24	Flat with gasket & bolts
A-MOD8418GK	84 x 18	Gasket kit with bolts
A-MOD8424GK	84 x 24	Gasket kit with bolts

Sub Panel Mounting Bracket Kit for Freestanding Enclosures

- Designed to allow customer to install sub panels on existing Unistrut® in freestanding enclosures.
- Fabricated from 10 gauge carbon steel with a white polyester powder finish.
- Includes all installation hardware.
- Custom enclosures may require custom brackets.

Catalog Number	Description
A-SUBBRKTB	Sub panel mounting bracket freestanding

Heavy Duty Adapter Kits for Heavy Duty Disconnects

		
Cutler-Hammer C360/370	Square D Class 9422, GE-TED, GE-TDA, ITE Max Flex Cutler-Hammer 361/371	Allen-Bradley 1494V
		
Westinghouse	Allen-Bradley 1494F or 1494D	Allen-Bradley 140U Flex Shaft
		
General Electric TDF	Blank Adapter	Blank Adapter

Catalog Number	Description
A-ADPHD-SQ	Square D, GE -TDA, ITE Max Flex, ABB, Siemens FHOH, Westinghouse Flex Shaft
A-ADPHD-WH	Westinghouse
A-ADPHD-CH	Cutler Hammer C360/C370
A-ADPHD-GE	General Electric GE-TDF
A-ADPHD-ABV	Allen Bradley 1494V, 30/200 Amp
A-ADPHD-AMT	Westinghouse AMT
A-ADPHD-BLK	Blank
A-ADPHD-ABV400	Allen Bradley 1494V/400
A-ADPHD-ITE	ITE
A-ADPHD-CHF	Cutler Hammer Flex Shaft
A-ADPHD-ABFLEX	Allen-Bradley 140U Flex Shaft
A-ADPHD-AB*	Allen Bradley 1494F or D

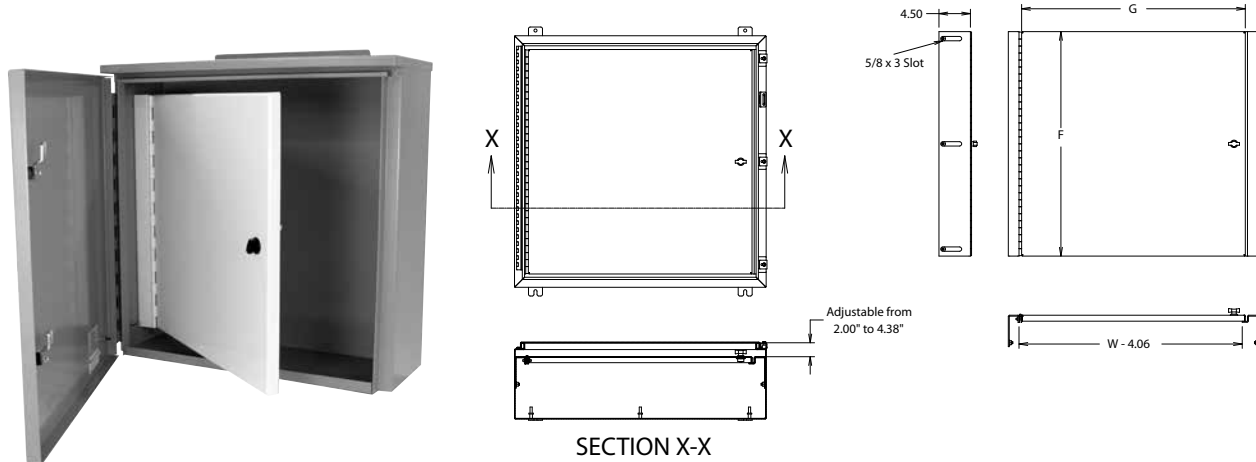
*Note: Adapter plate not required for 200 amp 1494F. Reference instruction sheet provided with the kit.

Utility requirements for this equipment may vary. Always consult the serving utility for their requirements prior to ordering or installing this equipment. This product must be installed by a licensed electrician. Installation of this equipment may require local electrical inspector approval.



Industrial Enclosure Accessories

Semi-Adjustable Swing Panel Kit



Applications

Allows for additional component mounting on a 90 degree swing panel.

Kit Includes

- Brackets with 3" slots for semi-adjustability (fabricated from 12 gauge carbon steel).
- Panel (fabricated from 12 gauge carbon steel).
- Quarter-turn wing latch(es).
- Bolt on continuous hinge.

Finish

White polyester powder coat over cleaned phosphatized surfaces. Aluminum kits have a polished #4 finish.

Options

Milbank can modify standard enclosures to your specifications. Holes, cutouts, sizes, materials, and many more options are available. Quotations upon request.

Note: A-SPK2's are for installation in N4, N12, MSD, and 3R only. Enclosure must be studded or have holes drilled. Customer can order these and use them in existing enclosures. The customer will have to drill holes in the sides of the enclosure to mount. Installation by Milbank will require an extra installation fee. Some assembly required.

Catalog Number			Fits Enclosures Size H x W	Panel Size F x G ++ (inches)	Ship. Weight
Millennium	M4, M12	3R			
A-SPK2M-1224	A-SPK2N-1224	A-SPK2R-1224	12 X 24	8.13 x 19.13	12
A-SPK2M-1612	A-SPK2N-1612	A-SPK2R-1612	16 X 12	12.13 x 7.13	8
A-SPK2M-1616	A-SPK2N-1616	A-SPK2R-1616	16 X 16	12.13 x 11.13	11
A-SPK2M-1620	A-SPK2N-1620	A-SPK2R-1620	16 X 20	12.13 x 15.13	14
A-SPK2M-2012	A-SPK2N-2012	A-SPK2R-2012	20 X 12	16.13 x 7.13	10
A-SPK2M-2016	A-SPK2N-2016	A-SPK2R-2016	20 X 16	16.13 x 11.13	14
A-SPK2M-2020	A-SPK2N-2020	A-SPK2R-2020	20 X 20	16.13 x 15.13	18
A-SPK2M-2024	A-SPK2N-2024	A-SPK2R-2024	20 X 24	16.13 x 19.13	22
A-SPK2M-2412	A-SPK2N-2412	A-SPK2R-2412	24 X 12	20.13 x 7.13	12
A-SPK2M-2416	A-SPK2N-2416	A-SPK2R-2416	24 X 16	20.13 x 11.13	17
A-SPK2M-2420	A-SPK2N-2420	A-SPK2R-2420	24 X 20	20.13 x 15.13	22
A-SPK2M-2424	A-SPK2N-2424	A-SPK2R-2424	24 X 24	20.13 x 19.13	26
A-SPK2M-2430	A-SPK2N-2430	A-SPK2R-2430	24 X 30	20.13 x 25.13	33
A-SPK2M-3016	A-SPK2N-3016	A-SPK2R-3016	30 X 16	26.13 x 11.13	22
A-SPK2M-3020	A-SPK2N-3020	A-SPK2R-3020	30 X 20	26.13 x 15.13	28
A-SPK2M-3024	A-SPK2N-3024	A-SPK2R-3024	30 X 24	26.13 x 19.13	33
A-SPK2M-3030	A-SPK2N-3030	A-SPK2R-3030	30 X 30	26.13 x 25.13	41
A-SPK2M-3036	A-SPK2N-3036	A-SPK2R-3036	30 X 36	26.13 x 31.13	49
A-SPK2M-3624	A-SPK2N-3624	A-SPK2R-3624	36 X 24	32.13 x 19.13	40
A-SPK2M-3630	A-SPK2N-3630	A-SPK2R-3630	36 X 30	32.13 x 25.13	49
A-SPK2M-3636	A-SPK2N-3636	A-SPK2R-3636	36 X 36	32.13 x 31.13	59
A-SPK2M-4224	A-SPK2N-4224	A-SPK2R-4224	42 X 24	38.13 x 19.13	46
A-SPK2M-4230	A-SPK2N-4230	A-SPK2R-4230	42 X 30	38.13 x 25.13	58
A-SPK2M-4236	A-SPK2N-4236	A-SPK2R-4236	42 X 36	38.13 x 31.13	70
A-SPK2M-4824	A-SPK2N-4824	A-SPK2R-4824	48 X 24	44.13 x 19.13	53
A-SPK2M-4830	A-SPK2N-4830	A-SPK2R-4830	48 X 30	44.13 x 25.13	66
A-SPK2M-4836	A-SPK2N-4836	A-SPK2R-4836	48 X 36	44.13 x 31.13	79
A-SPK2M-6036	A-SPK2N-6036	A-SPK2R-6036	60 X 36	56.13 x 31.13	99
A-SPK2M-7230	A-SPK2N-7230	A-SPK2R-7230	72 X 30	68.13 x 25.13	99

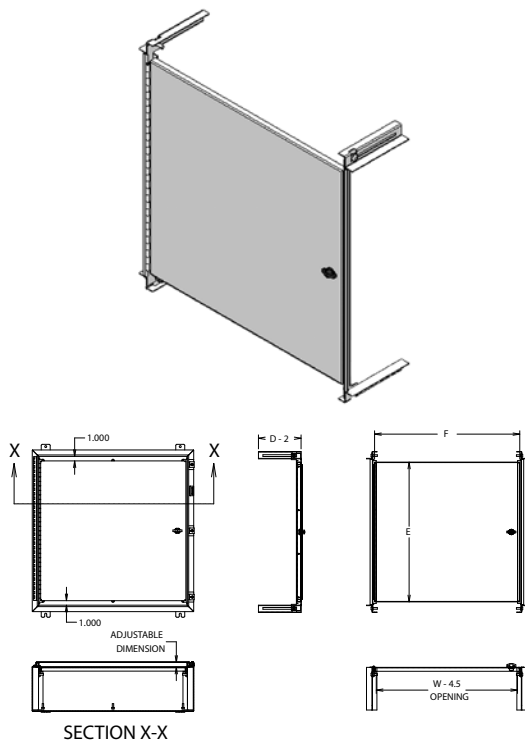
Note: Weights for aluminum swing panels are not listed. Please contact Milbank for weight.
++ Panel sizes for A-SPK2M and A-SPK2R versions will be slightly larger.



Utility requirements for this equipment may vary. Always consult the serving utility for their requirements prior to ordering or installing this equipment. This product must be installed by a licensed electrician. Installation of this equipment may require local electrical inspector approval.

Industrial Enclosure Accessories

Fully Adjustable Swing Panel Kit



Applications

Allows for additional component mounting on a 90 degree swing panel.

Kit Includes

- Brackets (fabricated from 12 gauge carbon steel).
- Panel (fabricated from 12 gauge carbon steel).
- Quarter-turn wing latch(es).
- Bolt on continuous hinge.

Finish

White polyester powder coat over cleaned phosphatized surfaces. Aluminum kits have a polished #4 finish.

Options

Milbank can modify standard enclosures to your specifications. Holes, cutouts, sizes, materials, and many more options are available. Quotations upon request.

Catalog Number		Fits Enclosure Size H x W	Panel Size F x G (inches)	Ship. Weight (lbs.)
Carbon Steel # ++	Aluminum # ++			
A-SPK3-1224	A-SPK3AL-1224	12 x 24	7.13 x 20.38	14
A-SPK3-1612	A-SPK3AL-1612	16 x 12	11.13 x 8.38	9
A-SPK3-1616	A-SPK3AL-1616	16 x 16	11.13 x 12.38	12
A-SPK3-1620	A-SPK3AL-1620	16 x 20	11.13 x 16.38	15
A-SPK3-2012	A-SPK3AL-2012	20 x 12	15.13 x 8.38	11
A-SPK3-2016	A-SPK3AL-2016	20 x 16	15.13 x 12.38	15
A-SPK3-2020	A-SPK3AL-2020	20 x 20	15.13 x 16.38	19
A-SPK3-2024	A-SPK3AL-2024	20 x 24	15.13 x 20.38	23
A-SPK3-2412	A-SPK3AL-2412	24 x 12	19.13 x 8.38	14
A-SPK3-2416	A-SPK3AL-2416	24 x 16	19.13 x 12.38	19
A-SPK3-2420	A-SPK3AL-2420	24 x 20	19.13 x 16.38	23
A-SPK3-2424	A-SPK3AL-2424	24 x 24	19.13 x 20.38	27
A-SPK3-2430	A-SPK3AL-2430	24 x 30	19.13 x 26.38	34
A-SPK3-3016	A-SPK3AL-3016	30 x 16	25.13 x 12.38	23
A-SPK3-3020	A-SPK3AL-3020	30 x 20	25.13 x 16.38	28
A-SPK3-3024	A-SPK3AL-3024	30 x 24	25.13 x 20.38	34
A-SPK3-3030	A-SPK3AL-3030	30 x 30	25.13 x 26.38	43
A-SPK3-3036	A-SPK3AL-3036	30 x 36	25.13 x 32.38	52
A-SPK3-3624	A-SPK3AL-3624	36 x 24	31.13 x 20.38	42
A-SPK3-3630	A-SPK3AL-3630	36 x 30	31.13 x 26.38	52
A-SPK3-3636	A-SPK3AL-3636	36 x 36	31.13 x 32.38	62
A-SPK3-4224	A-SPK3AL-4224	42 x 24	37.13 x 20.38	48
A-SPK3-4230	A-SPK3AL-4230	42 x 30	37.13 x 26.38	60
A-SPK3-4236	A-SPK3AL-4236	42 x 36	37.13 x 32.38	72
A-SPK3-4824	A-SPK3AL-4824	48 x 24	43.13 x 20.38	55
A-SPK3-4830	A-SPK3AL-4830	48 x 30	43.13 x 26.38	69
A-SPK3-4836	A-SPK3AL-4836	48 x 36	43.13 x 32.38	83
A-SPK3-6036	A-SPK3AL-6036	60 x 36	55.13 x 32.38	104
A-SPK3-7230	A-SPK3AL-7230	72 x 30	67.13 x 26.38	104

Catalog Number	Enclosure Depth	Bracket Length	Ship. Weight
Brackets for the Swing Panel Kits			
A-SPKB3-8	8	6	5
A-SPKB3-10	10	8	6
A-SPKB3-12	12	10	7
A-SPKB3-16	16	14	8
A-SPKB3-18	18	16	9
A-SPKB3-20	20	18	10
A-SPKB3-24	24	22	12

Notes:

Must order the appropriate A-SPK3 (according to the depth of enclosure) for full adjustability. These brackets will be welded in each corner of enclosure and the Swing panel kit will be attached to them. If installing with a door stop kit, holes must be drilled in Swing panel flange. A-SPK3's are for installation in N4, N12, MSD, and 3R only. Installation by Milbank will require an extra installation fee. Some assembly required.

Weights for aluminum swing panels are not listed. Please contact Milbank for weight. Brackets for the swing panel kits must be ordered separate based on depth of enclosure.

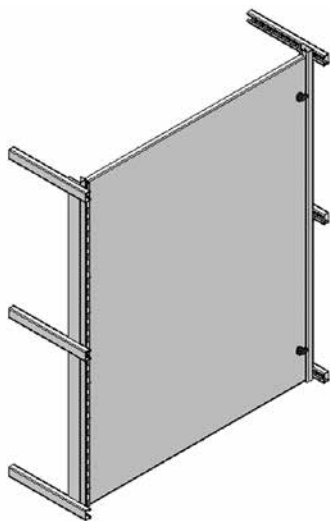
++ For MSD Enclosures modify the part number to have an E. (example: A-SPK3). Panel sizes will vary depending on enclosure.

Utility requirements for this equipment may vary. Always consult the serving utility for their requirements prior to ordering or installing this equipment. This product must be installed by a licensed electrician. Installation of this equipment may require local electrical inspector approval.



Industrial Enclosure Accessories

Heavy Duty Swing Panel Kit



Freestanding Swing Panel Kit



Double Door Floor Mount Swing Panel Kit

Applications

Allows for additional component mounting on a 90 degree swing panel.

Kit Includes

- Brackets (fabricated from 12 gauge carbon steel).
- Panel (fabricated from 12 gauge carbon steel).
- Quarter-turn wing latch(es).
- Bolt on continuous hinge.
- Not applicable for Millennium series.
- Must designate if for a stainless steel enclosure. Please designate part number with **SS** if for stainless steel.
- Wall-mount N4, N12 order A-SPK4: HHWW.

Finish

White polyester powder coat over cleaned phosphatized surfaces. Aluminum kits have a polished #4 finish.

Options

Milbank can modify standard swing panels to your specifications. Holes, cutouts, sizes, materials, and many more options are available. Quotations upon request. Installation by Milbank will require an extra installation fee. Some assembly required.

Note: Weights for aluminum swing panels are not listed. Please contact Milbank for weight. Unistrut® must be ordered separately based on depth of enclosure.

Catalog Number		Fits Enclosure Size H x W	Panel Size F x G (inches)	Ship. Weight
Carbon Steel #	Aluminum #			
Freestanding Swing Panel Kits				
A-SPK4-60P24	A-SPK4AL-60P24	60 X 24	47.75 x 18.75	48
A-SPK4-60P36	A-SPK4AL-60P36	60 X 36	47.75 x 30.75	72
A-SPK4-60P48	A-SPK4AL-60P48	60 X 48	47.75 x 42.75	96
A-SPK4-72P24	A-SPK4AL-72P24	72 X 24	59.75 x 18.75	58
A-SPK4-72P30	A-SPK4AL-72P30	72 X 30	59.75 x 24.75	72
A-SPK4-72P36	A-SPK4AL-72P36	72 X 36	59.75 x 30.75	86
A-SPK4-72P48	A-SPK4AL-72P48	72 X 48	59.75 x 42.75	128
A-SPK4-72P60	A-SPK4AL-72P60	72 X 60	59.75 x 54.75	160
A-SPK4-72P72	A-SPK4AL-72P72	72 X 72	59.75 x 66.75	192
A-SPK4-90P24	A-SPK4AL-90P24	90 X 24	77.75 x 18.75	72
A-SPK4-90P36	A-SPK4AL-90P36	90 X 36	77.75 x 30.75	120
A-SPK4-90P48	A-SPK4AL-90P48	90 X 48	77.75 x 42.75	160
A-SPK4-90P72	A-SPK4AL-90P72	90 X 72	77.75 x 66.75	240

Catalog Number		Fits Enclosure Depth	Panel Size H x W (inches)	Ship. Weight
Carbon Steel #	Aluminum #			
N12 Double Door Floor Mount Swing Panel Kits				
A-SPK4-5442	A-SPK4AL-5442	54 X 42	49.38 X 36.75	80
A-SPK4-6048	A-SPK4AL-6048	60 X 48	55.38 X 42.75	100
A-SPK4-6060	A-SPK4AL-6060	60 X 60	55.38 X 54.75	125
A-SPK4-7260	A-SPK4AL-7260	72 X 60	67.38 X 54.75	150
A-SPK4-7272	A-SPK4AL-7272	72 X 72	67.38 X 66.75	180



Utility requirements for this equipment may vary. Always consult the serving utility for their requirements prior to ordering or installing this equipment. This product must be installed by a licensed electrician. Installation of this equipment may require local electrical inspector approval.

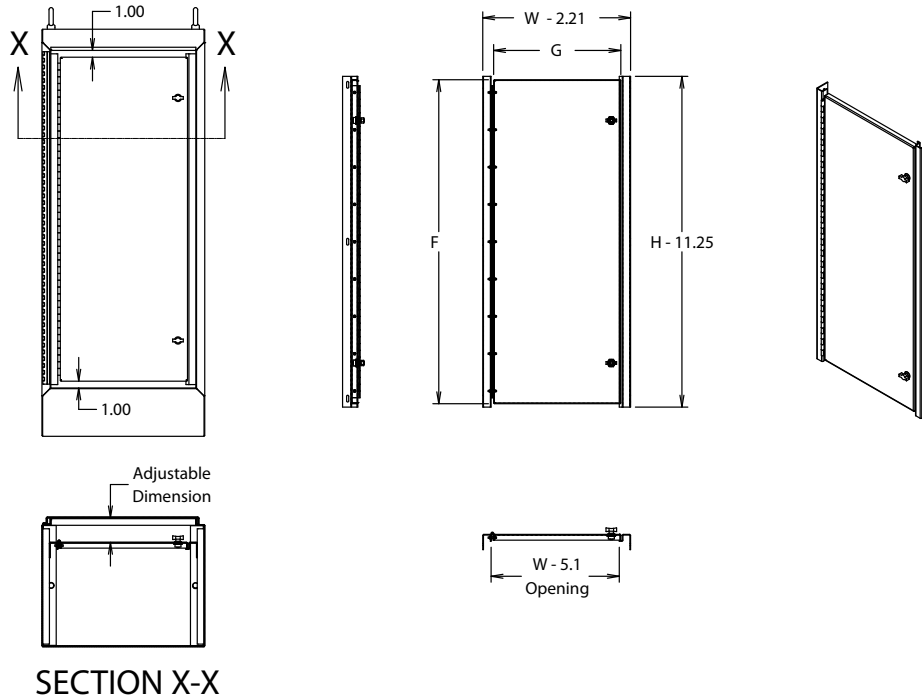
Industrial Enclosure Accessories

Swing Panels

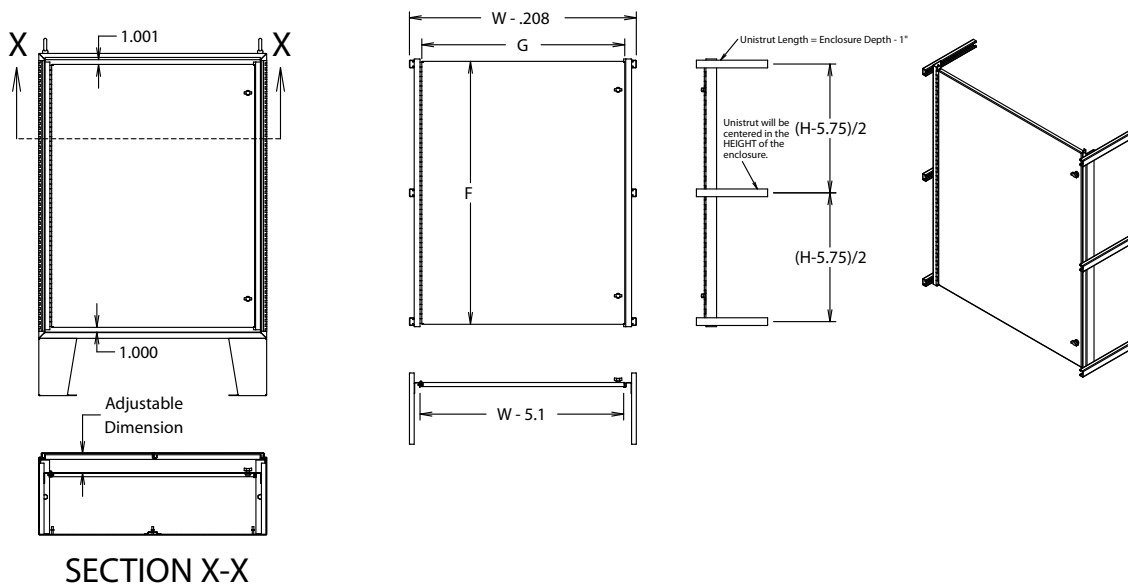
159

INDUSTRIAL
ENCLOSURE
ACCESSORIES

A-SPK4 | Freestanding Swing Panel Kit



A-SPK4 | Double Door Floor Mount Swing Panel Kit



Utility requirements for this equipment may vary. Always consult the serving utility for their requirements prior to ordering or installing this equipment. This product must be installed by a licensed electrician. Installation of this equipment may require local electrical inspector approval.



Applications

Designed for floor mounting of consolets and pushbutton enclosures.

Construction

Columns are fabricated from 14 gauge carbon steel with the flanges fabricated from 10 gauge carbon steel. Bases fabricated from 12 gauge.

- Two column and base sizes are available.
- Columns are flanged at each end and contain a gasketed access plate.
- Wiring connections can be made through the pedestal base.
- Gasket and screws are standard with each column.

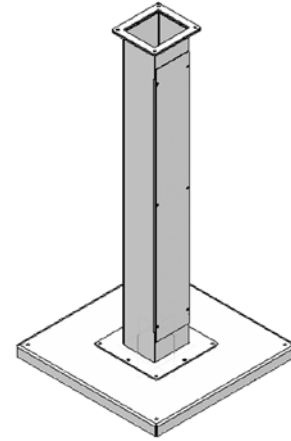
Finish

Standard ANSI-61 gray finish on interior and exterior of enclosures.

Recoatable, smooth, white or RAL 7035 texture polyester powder coat available at no charge. Standard RAL and custom match finishes available for an additional charge, please contact Milbank for further assistance. All powder coat finishes applied over cleaned phosphatized surfaces. Columns and bases are ordered separately. A 60 degree adaptor is available to convert standard pushbutton enclosures to an operator station.

Options

Milbank can modify standard enclosures or custom design enclosures according to your specifications. Holes, cutouts, sizes, materials, and many more options are available. Quotations made upon request.



Industry Standards

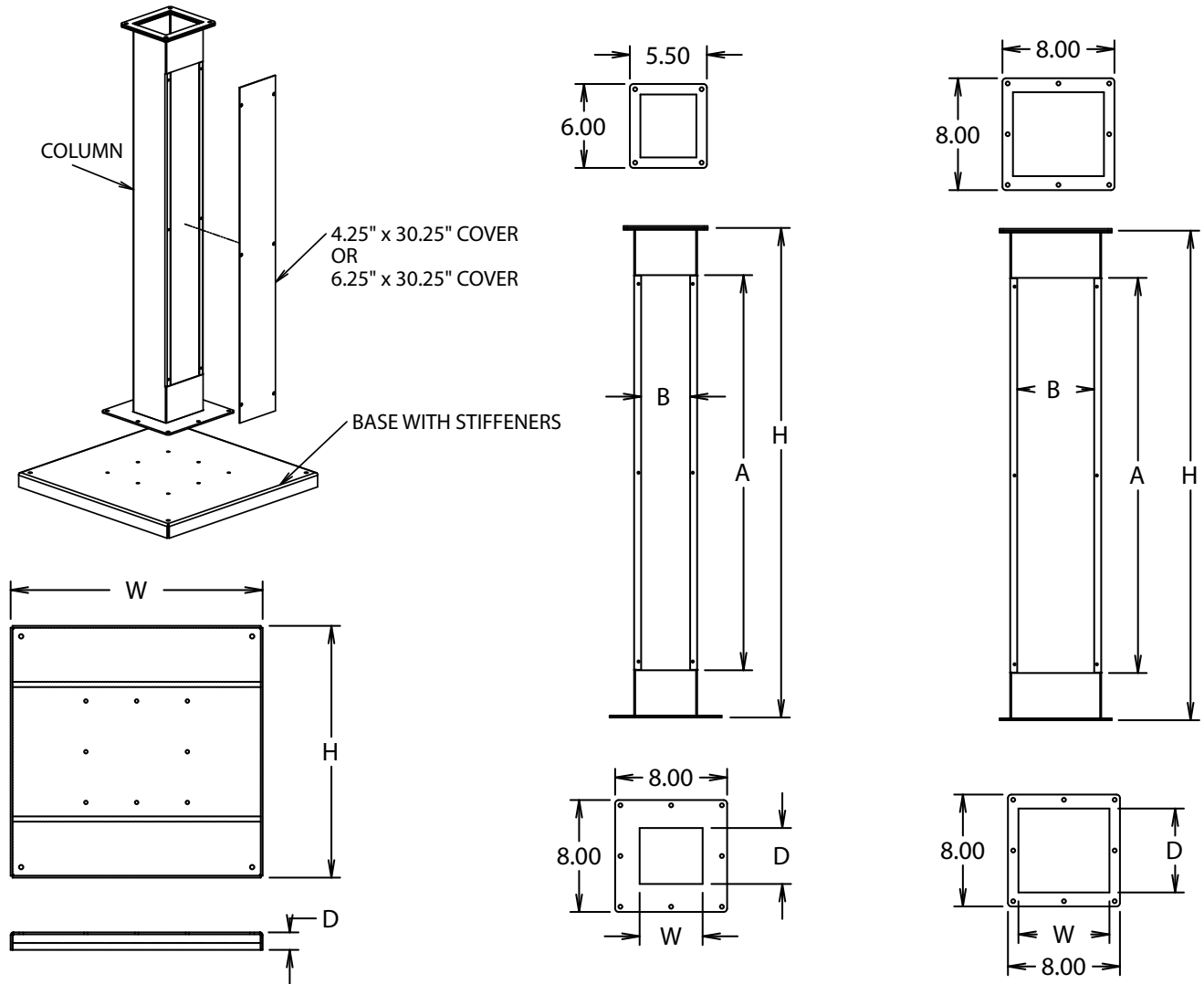
- UL 50 Listed
- UL Type 12
- CUL Type 12

Carbon Steel #	Catalog Number		Surface Size H x W x D (inches)	A	B	Ship. Weight
	304 Stainless Steel #	316 Stainless Steel #				
A-COL44	A-COL44XS	A-COL44XZ	35 x 4.5 x 4	28.25	3.5	17
A-COL66	A-COL66XS	A-COL66XZ	35 x 6.5 x 6	28.25	5.25	23
A-BASE18	A-BASE18XS	A-BASE18XZ	18 x 18 x 1.25	—	—	18
A-BASE24	A-BASE24XS	A-BASE24XZ	24 x 24 x 1.25	—	—	39

Industrial Enclosure Accessories

Pedestals

Column & Base



Utility requirements for this equipment may vary. Always consult the serving utility for their requirements prior to ordering or installing this equipment. This product must be installed by a licensed electrician. Installation of this equipment may require local electrical inspector approval.



 1000	 1018	 2003	 3005	 3022	 4010	 5015
 1001	 1019	 2004	 3007	 3027	 5000	 5017
 1002	 1020	 2008	 3009	 3031	 5001	 5018
 1003	 1021	 2009	 3011	 4001	 5002	 5019
 1004	 1023	 2010	 3012	 4002	 5003	 5020
 1005	 1024	<p style="text-align: center;">Available Colors</p> <p>The color chips represented on these pages have been prepared as replications of actual powder coatings. Chips may vary slightly in color and gloss from actual coating due to the effects of heat, light and manufacturing process. Please contact your sales representative for more information.</p>			 5004	 5021
 1006	 1027				 5005	 5022
 1007	 1028				 5007	 5023
 1011	 1032				 5008	 5024
 1012	 1033				 5009	 6000
 1013	 1034				 5010	 6001
 1014	 1037				 5011	 6002
 1015	 2000	 3002	 3017	 4007	 5012	 6003
 1016	 2001	 3003	 3018	 4008	 5013	 6004
 1017	 2002	 3004	 3020	 4009	 5014	 6005







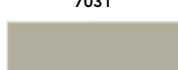
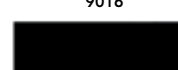


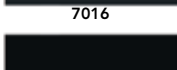
Utility requirements for this equipment may vary. Always consult the serving utility for their requirements prior to ordering or installing this equipment. This product must be installed by a licensed electrician. Installation of this equipment may require local electrical inspector approval.

Industrial Enclosures

Exterior Color Chart

163

INDUSTRIAL
ENCLOSURE
EXTERIOR
COLOR CHART

 6006	 6021	 7004	 7022	 7038	 8003	 8028	
 6007	 6022	 7005	 7023	 7039	 8004	 9001	
 6008	 6024	 7006	 7024	 7040	 8007	 9002	
 6009	 6025	 7008	 7026	 7042	 8008	 9003	
 6010	 6026	 7009	 7030	 7043	 8011	 9004	
 6011	 6027	<h3>Available Colors</h3> <p>The color chips represented on these pages have been prepared as replications of actual powder coatings. Chips may vary slightly in color and gloss from actual coating due to the effects of heat, light and manufacturing process. Please contact your sales representative for more information.</p>				 8012	 9005
 6012	 6028					 8014	 9010
 6013	 6029					 8015	 9011
 6014	 6032					 7010	 7031
 6015	 6033	 7011	 7032	 7045	 8017	 9017	
 6016	 6034	 7012	 7033	 7046	 8019	 9018	
 6017	 7000	 7015	 7035	 8000	 8023		
 6019	 7002	 7016	 7036	 8001	 8024		
 6019	 7002	 7016	 7036	 8001	 8024		
 6020	 7003	 7021	 7037	 8002	 8025		

Utility requirements for this equipment may vary. Always consult the serving utility for their requirements prior to ordering or installing this equipment. This product must be installed by a licensed electrician. Installation of this equipment may require local electrical inspector approval.





Double Door Enclosure

- Special powder coat
- Special flush latch
- Special open right side



Double Door Cabinet

- Special light green powder coat
- Swing panels installed
- Ventilation filter installed
- 1/4" aluminum sunshield on standoffs
- Computer shelf on the left swing panel door



Utility requirements for this equipment may vary. Always consult the serving utility for their requirements prior to ordering or installing this equipment. This product must be installed by a licensed electrician. Installation of this equipment may require local electrical inspector approval.



Large Switchgear Unit

- Completely custom designed switchgear enclosure
- Multiple compartments and dividers
- Louvered plates
- Breaker cutouts and supporting "top hat" brackets

Control Panel

- Special two-color powder coat with customer exterior
- Special punching per customer in bottom
- Special window kit



Utility requirements for this equipment may vary. Always consult the serving utility for their requirements prior to ordering or installing this equipment. This product must be installed by a licensed electrician. Installation of this equipment may require local electrical inspector approval.

Stainless Steel Large Enclosure

- Special 11 gauge 316 stainless steel with $\frac{3}{16}$ " thick face
- Special keyboard compartment
- Special NEMA Type 4 window kits
- Recessed doors



Stainless Steel Large Enclosure

- Special 11 gauge 316 stainless steel with $\frac{3}{16}$ " thick face
- Special keyboard compartment
- Special NEMA Type 4 window kits
- Stainless steel painted beige



Utility requirements for this equipment may vary. Always consult the serving utility for their requirements prior to ordering or installing this equipment. This product must be installed by a licensed electrician. Installation of this equipment may require local electrical inspector approval.

Industrial Enclosures

Specials

167

INDUSTRIAL
ENCLOSURE
SPECIALS

Drive Cabinet

- Special gauge cutouts in top of doors
- Special ventilation cutouts in bottom of enclosure and doors
- Custom size



Skid Enclosure

- Highly custom design
- Special safety yellow powder coat

Utility requirements for this equipment may vary. Always consult the serving utility for their requirements prior to ordering or installing this equipment. This product must be installed by a licensed electrician. Installation of this equipment may require local electrical inspector approval.





Custom Console—Two-Tone

- Special two-tone powder coating
- Special computer compartments with ventilation provisions
- Special storage compartments behind lockable tinted plexiglass
- Custom machined phenolic swivel mechanism that allows for positioning with a tight, smooth motion
- Special studding, punching and door access
- Stainless grab handles to help with positioning of control monitors



Utility requirements for this equipment may vary. Always consult the serving utility for their requirements prior to ordering or installing this equipment. This product must be installed by a licensed electrician. Installation of this equipment may require local electrical inspector approval.

Utility requirements for this equipment may vary. Always consult the serving utility for their requirements prior to ordering or installing this equipment. This product must be installed by a licensed electrician. Installation of this equipment may require local electrical inspector approval.



.....	10106-HC1-NK.....	10	10124-LC1.....	12	121236-GHC12XZ.....	61	12126-SC3R-NK-NP.....	14
1010120-GHC1-NK.....	10106-LC1.....	12	10124-SC1.....	6	121236-GHC1-NK.....	33	12126-SC3R-NP.....	14
1010120-GSC1.....	10106-SC1.....	5	10124-SC1-NK.....	6	121236-GHC1-NK-NP.....	33	12126-TC3R.....	19
1010120-GSC1-NK.....	10106-SC1-NK.....	5	10124-SC1-NK-NP.....	6	121236-GSC1.....	30	12126-WSC2.....	21
1010120-GSC1-NK-NP.....	10106-SC1-NK-NP.....	6	10124-SC1-NP.....	6	121236-GSC1-NK.....	30	121272-GSC1.....	30
1010120-GSC3R.....	10106-SC1-NP.....	6	10124-SC3R.....	14	121236-GSC1-NK-NP.....	30	121272-GSC1-NK.....	30
1010120-GSC3R-NK.....	10106-SC3R.....	14	10126-LC1.....	12	121236-GSC3R.....	37	121272-GSC1-NK-NP.....	30
1010120-GSC3R-NK-NP.....	10106-SC3R-NK.....	14	10126-SC1.....	6	121236-GSC3R-NK.....	37	121272-GSC3R.....	37
1010120-GSC3R-NK-NP... 37	10106-SC3R-NK-NP.....	14	10126-SC1-NK.....	6	121236-GSC3R-NK-NP.....	37	121272-GSC3R-NK.....	37
10101212GR.....	10106-WSC2.....	21	10126-SC1-NP.....	6	121248-GHC12.....	61	121272-GSC3R-NK-NP.....	37
101012-GHC1-NK.....	101072-GHC1.....	33	10126-SC3R.....	14	121248-GHC12XS.....	61	12128-SC1.....	6
101012-GSC1.....	101072-GSC1.....	29	10126-SC3R-NK.....	14	121248-GHC12XZ.....	61	12128-SC1-NK.....	6
101012-GSC1-NK.....	101072-GSC1-NK.....	29	10126-SC3R-NK-NP.....	14	121248-GHC1-NK.....	33	12128-SC1-NK-NP.....	6
101012-GSC1-NK-NP.....	101072-GSC1-NK-NP.....	29	10126-TC3R.....	19	121248-GSC1.....	30	12128-SC1-NP.....	6
101024-GHC1-NK.....	101072-GSC3R.....	36	1012FCL.....	24	121248-GSC1-NK.....	30	12128-SC3R.....	14
101024-GSC1.....	101072-GSC3R-NK.....	36	1012TFLC.....	22	121248-GSC1-NK-NP.....	30	12128-SC3R-NK.....	14
101024-GSC1-NK.....	101072-GSC3R-NK-NP.....	36	1012TSC.....	23	121248-GSC3R.....	37	12128-SC3R-NK-NP.....	14
101024-GSC1-NK-NP.....	101096-GHC1-NK.....	33	1012WB.....	26	121248-GSC3R-NK.....	37	12128-WSC2.....	21
101024-GSC3R.....	101096-GSC1.....	29	1012XSC1.....	8	121248-GSC3R-NK-NP.....	37	121296-GHC1.....	33
101024-GSC3R-NK.....	101096-GSC1-NK.....	29	1012XSC3R.....	16	12124-HC1.....	10	121296-GHC1-NK.....	33
101024-GSC3R-NK-NP... 36	101096-GSC1-NK-NP.....	29	10X12GSC1.....	30	12124-HC1-NK.....	10	121296-GSC1.....	30
101036-GHC1-NK.....	101096-GSC3R.....	36	10X24GSC1.....	30	12124-HC1-NK-NP.....	10	121296-GSC1-NK.....	30
101036-GSC1.....	101096-GSC3R-NK.....	37	10X36GSC1.....	30	12124-HC3R.....	17	121296-GSC1-NK-NP.....	30
101036-GSC1-NK.....	101096-GSC3R-NK-NP.....	37	10X48GSC1.....	30	12124-LC1.....	12	121296-GSC3R.....	37
101036-GSC1-NK-NP.....	1010FLC.....	24	10X60GSC1.....	30	12124-SC1.....	6	121296-GSC3R-NK.....	37
101036-GSC3R.....	1010GC.....	40	12106-WSC2.....	21	12124-SC1-NK.....	6	121296-GSC3R-NK-NP.....	37
101036-GSC3R-NK.....	1010GCU.....	40	1212120-GHC1.....	33	12124-SC1-NK-NP.....	6	1212FLC.....	24
101036-GSC3R-NK-NP... 36	1010GE.....	39	1212120-GHC1-NK.....	33	12124-SC1-NP.....	6	1212GC.....	40
101048-GHC1-NK.....	1010GE-NK.....	39	1212120-GSC1.....	30	12124-SC3R.....	14	1212GCU.....	40
101048-GSC1.....	1010GE-NK-NP.....	39	1212120-GSC1-NK.....	30	12124-SC3R-NK.....	14	1212GE.....	39
101048-GSC1-NK.....	1010GEU.....	39	1212120-GSC1-NK-NP.....	30	12124-SC3R-NK-NP.....	14	1212GE-NK.....	39
101048-GSC1-NK-NP.....	1010GEU-NK.....	39	1212120-GSC1-NP.....	30	12124-SC3R-NP.....	14	1212GE-NK-NP.....	39
101048-GSC3R.....	1010GEU-NK-NP.....	39	1212120-GSC3R.....	37	12124-WSC2.....	21	1212GE-NP.....	39
101048-GSC3R-NK.....	1010GF.....	41	1212120-GSC3R-NK.....	37	121260-GHC1.....	33	1212GEU.....	39
101048-GSC3R-NK-NP... 36	1010GFL90IS.....	42	1212120-GSC3R-NK-NP... 37	37	121260-GHC12.....	61	1212GEU-NK.....	39
10104-HC1.....	1010GFL90OS.....	42	121212-GSC1.....	30	121260-GHC12XS.....	61	1212GEU-NK-NP.....	39
10104-HC1-NK.....	1010GFL90S.....	42	121212-GSC1-NK.....	30	121260-GHC12XZ.....	61	1212GF.....	41
10104-HC3R.....	1010GF-NP.....	41	121212-GSC1-NK-NP.....	30	121260-GHC1-NK.....	33	1212GFL90IS.....	42
10104-LC1.....	1010GH.....	40	121212-SC1-NK.....	6	121260-GHC1-NK-NP.....	33	1212GFL90S.....	42
10104-SC1.....	1010GT.....	41	121212-SC3R-NK.....	14	121260-GSC1.....	30	1212GF-NP.....	41
10104-SC1-NK.....	1010GTF.....	41	121212-SC3R-NK-NP.....	15	121260-GSC1-NK.....	30	1212GFT.....	41
10104-SC1-NK-NP.....	1010GT-NP.....	41	1212144-GSC3R.....	37	121260-GSC1-NK-NP.....	30	1212GH.....	40
10104-SC1-NP.....	1010GX.....	38	1212144-GSC3R-NK.....	37	121260-GSC3R.....	37	1212GT.....	41
10104-SC3R.....	1010L45C.....	43	1212144-GSC3R-NK-NP... 37	37	121260-GSC3R-NK.....	37	1212GTF.....	41
10104-SC3R-NK.....	1010L45C-NP.....	43	121224-GHC1.....	33	121260-GSC3R-NK-NP.....	37	1212GT-NP.....	41
10104-SC3R-NK-NP.....	1010L45S.....	43	121224-GHC12.....	61	12126-HC1.....	10	1212GX.....	38
10104-SC3R-NP.....	1010L45S-NP.....	43	121224-GHC12XS.....	61	12126-HC1-NK.....	10	1212L45C.....	43
10104-WSC2.....	1010L90C.....	43	121224-GHC12XZ.....	61	12126-HC1-NK-NP.....	10	1212L45C-NP.....	43
101060-GHC1.....	1010L90C-NP.....	43	121224-GHC1-NK.....	33	12126-HC3R.....	17	1212L45S.....	43
101060-GHC1-NK.....	1010L90S.....	43	121224-GSC1.....	30	12126-HC3R-NK.....	17	1212L45S-NP.....	43
101060-GSC1.....	1010L90S-NP.....	43	121224-GSC1-NK.....	30	12126-LC1.....	12	1212L90C.....	43
101060-GSC1-NK.....	1010TFLC.....	22	121224-GSC1-NK-NP.....	30	12126-SC1.....	6	1212L90C-NP.....	43
101060-GSC1-NK-NP.....	1010TSC.....	23	121224-GSC3R.....	37	12126-SC1-NK.....	6	1212L90S.....	43
101060-GSC3R.....	1010WB.....	26	121224-GSC3R-NK.....	37	12126-SC1-NK-NP.....	6	1212L90S-NP.....	43
101060-GSC3R-NK.....	1010XSC1.....	8	121224-GSC3R-NK-NP... 37	37	12126-SC1-NP.....	6	1212TFLC.....	22
101060-GSC3R-NK-NP... 36	1010XSC3R.....	16	121236-GHC12.....	61	12126-SC3R.....	14	1212TSC.....	23
10106-HC1.....	10124-HC1.....	10	121236-GHC12XS.....	61	12126-SC3R-NK.....	14	1212WB.....	26



Utility requirements for this equipment may vary. Always consult the serving utility for their requirements prior to ordering or installing this equipment. This product must be installed by a licensed electrician. Installation of this equipment may require local electrical inspector approval.

1212XSC1..... 8	1284-HC1..... 10	18188-HC3R..... 17	22120-GSC1-NK-NP..... 28	2260-GHC12XZ..... 61
1212XSC3R..... 16	12X24GSC1..... 30	18188-SC1..... 7	2212-GCC12..... 56	2260-GHC1-NK..... 32
12164-SC1..... 6	12X36GSC1..... 30	18188-SC1-NK..... 7	2212-GCC12XS..... 56	2260-GSC1..... 28
12164-SC1-NK..... 6	12X48GSC1..... 30	18188-SC1-NK-NP..... 7	2212-GCC12XZ..... 56	2260-GSC1-NK..... 28
12164-SC1-NK-NP..... 6	12X60GSC1..... 30	18188-SC1-NP..... 7	2212-GHC1..... 31	2272-GHC1..... 32
12164-SC1-NP..... 6	12X72GSC1..... 30	18188-SC3R..... 15	2212-GHC12..... 61	2272-GHC12..... 61
12164-SC3R..... 15	15186-SC1..... 6	18188-SC3R-NK..... 15	2212-GHC12XS..... 61	2272-GHC12XS..... 61
12164-SC3R-NK..... 15	15186-SC1-NK..... 6	18188-SC3R-NK-NP..... 15	2212-GHC12XZ..... 61	2272-GHC12XZ..... 61
12166-LC1..... 12	15186-SC1-NK-NP..... 6	18188-SC3R-NP..... 15	2212-GHC1-NK..... 31	2272-GHC1-NK..... 32
12166-SC1..... 6	1518XSC1..... 8	1818FLC..... 24	2212-GHC1-NK-NP..... 31	2272-GSC1..... 28
12166-SC1-NK..... 6	16164-SC1..... 6	1818TFLC..... 22	2212-GSC1..... 27	2272-GSC1-NK..... 28
12166-SC1-NK-NP..... 6	16164-SC1-NK..... 6	1818TSC..... 23	2212-GSC1-NK..... 27	2272-GSC1-NK-NP..... 28
12166-SC1-NP..... 6	16164-SC1-NK-NP..... 6	1818WB..... 26	2212-GSC1-NK-NP..... 27	2296-GHC1-NK..... 32
12166-SC3R..... 15	16164-SC3R..... 15	1818XSC1..... 8	2218-GCC12..... 56	2296-GSC1-NK..... 28
12166-SC3R-NK..... 15	16166-LC1..... 12	1818XSC3R..... 16	2218-GCC12XS..... 56	22GC..... 40
12166-TC3R..... 19	16166-SC1..... 6	182410-SC1..... 7	2218-GCC12XZ..... 56	22GCU..... 40
1216FLC..... 24	16166-SC1-NK..... 6	182410-SC1-NK..... 7	2218-GHC1..... 31	22GE..... 39
1216XSC1..... 8	16166-SC1-NK-NP..... 6	182410-SC1-NK-NP..... 7	2218-GHC12..... 61	22GE-NK..... 39
121810-SC1..... 6	16166-SC1-NP..... 6	182410-SC3R..... 15	2218-GHC12XS..... 61	22GE-NK-NP..... 39
121810-SC3R..... 15	16166-SC3R..... 15	182412-SC1..... 7	2218-GHC12XZ..... 61	22GE-NP..... 39
121812-SC3R-NK..... 15	16166-SC3R-NK..... 15	182412-SC1-NK..... 7	2218-GHC1-NK-NP..... 31	22GEU..... 39
12184-HC1..... 10	16166-TC3R..... 19	182412-SC1-NK-NP..... 7	2218-GSC1..... 27	22GF..... 41
12184-SC1..... 6	16166-WSC2..... 21	18244-SC1..... 7	2218-GSC1-NK..... 27	22GFE..... 39
12184-SC1-NK..... 6	1616FLC..... 24	18244-SC1-NK..... 7	2218-GSC1-NK-NP..... 27	22GFE-NK..... 39
12184-SC1-NK-NP..... 6	1616XSC1..... 8	18244-SC1-NK-NP..... 7	2218-GSC1-NP..... 27	22GFL90IS..... 42
12184-SC3R..... 15	16206-LC1..... 12	18246-HC1..... 10	2224-GCC12..... 56	22GFL90OS..... 42
12184-SC3R-NK..... 15	16206-TC3R..... 19	18246-HC1-NK..... 10	2224-GCC12XS..... 56	22GFL90OS-NP..... 42
12186-HC3R..... 17	181810-SC1..... 7	18246-SC1..... 7	2224-GCC12XZ..... 56	22GFL90S..... 42
12186-SC1..... 6	181810-SC1-NK..... 7	18246-SC1-NK..... 7	2224-GHC1..... 31	22GFT..... 41
12186-SC1-NK..... 6	181810-SC1-NK-NP..... 7	18246-SC1-NK-NP..... 7	2224-GHC12..... 61	22GFT-NP..... 41
12186-SC1-NK-NP..... 6	181810-SC3R..... 15	18246-SC1-NP..... 7	2224-GHC12XS..... 61	22GH..... 40
12186-SC3R..... 15	181810-SC3R-NK..... 15	18246-SC3R..... 15	2224-GHC12XZ..... 61	22GT..... 41
12186-SC3R-NK..... 15	181812-SC1..... 7	18246-SC3R-NK..... 15	2224-GHC1-NK..... 31	22GTF..... 41
12186-SC3R-NK-NP..... 15	181812-SC1-NK..... 7	18246-SC3R-NK-NP..... 15	2224-GSC1..... 27	22GT-NP..... 41
12186-TC3R..... 19	181812-SC1-NK-NP..... 7	18246-TC3R..... 19	2224-GSC1-NK..... 28	22GX..... 38
12188-SC1..... 6	181812-SC3R..... 15	18248-SC1..... 7	2224-GSC1-NK-NP..... 28	22GX-NP..... 38
12188-SC1-NK..... 6	181812-SC3R-NK..... 15	18248-SC1-NK..... 7	2230-GHC12..... 61	22L45C..... 43
12188-SC1-NK-NP..... 6	18184-SC1..... 6	18248-SC1-NK-NP..... 7	2230-GHC12XS..... 61	22L45C-NP..... 43
12188-SC3R..... 15	18184-SC1-NK..... 6	18248-SC3R..... 15	2230-GHC12XZ..... 61	22L45S..... 43
12188-SC3R-NK..... 15	18184-SC1-NK-NP..... 6	18248-SC3R-NK..... 15	2236-GHC1..... 31	22L45S-NP..... 43
12188-SC3R-NK-NP..... 15	18184-SC1-NP..... 6	18248-SC3R-NK-NP..... 15	2236-GHC12..... 61	22L90C..... 43
1218FLC..... 24	18184-SC3R..... 15	1824FLC..... 24	2236-GHC12XS..... 61	22L90C-NP..... 43
1218TFLC..... 22	18184-SC3R-NK..... 15	1824TFLC..... 22	2236-GHC12XZ..... 61	22L90S..... 43
1218TSC..... 23	18184-SC3R-NK-NP..... 15	1824TSC..... 23	2236-GHC1-NK..... 31	22L90S-NP..... 43
1218WB..... 26	18184-WSC2..... 21	1824WB..... 26	2236-GHC1-NK-NP..... 32	242410-HC3R..... 17
1218XSC1..... 8	18186-HC1..... 10	1824XSC1..... 8	2236-GSC1..... 28	242410-SC1..... 7
12206-LC1..... 12	18186-HC1-NK..... 10	1824XSC3R..... 16	2236-GSC1-NK..... 28	242410-SC1-NK..... 7
12244-SC1..... 6	18186-HC1-NK-NP..... 10	1830XSC1..... 8	2244GR..... 40	242410-SC1-NK-NP..... 7
12244-SC1-NK..... 6	18186-LC1..... 12	20206-LC1..... 12	2248-GHC1..... 32	242410-SC3R..... 15
12246-SC1..... 6	18186-SC1..... 6	20208-TC3R..... 19	2248-GHC12..... 61	242410-SC3R-NK..... 15
12246-SC1-NK..... 6	18186-SC1-NK..... 6	20208-WSC2..... 21	2248-GHC12XS..... 61	242410-SC3R-NK-NP..... 15
12246-SC1-NK-NP..... 6	18186-SC1-NK-NP..... 7	20246-LC1..... 12	2248-GHC12XZ..... 61	242410-TC3R..... 19
12246-SC3R..... 15	18186-SC1-NP..... 7	20248-LC1..... 12	2248-GHC1-NK..... 32	242412-LC1..... 12
1224FLC..... 24	18186-SC3R..... 15	20248-TC3R..... 19	2248-GSC1..... 28	242412-SC1..... 7
1224TFLC..... 22	18186-SC3R-NK..... 15	22120-GHC1..... 32	2248-GSC1-NK..... 28	242412-SC1-NK..... 7
1224TSC..... 23	18186-SC3R-NK-NP..... 15	22120-GHC1-NK..... 32	2260-GHC1..... 32	242412-SC1-NK-NP..... 7
1224WB..... 26	18186-TC3R..... 19	22120-GSC1..... 28	2260-GHC12..... 61	242412-SC3R..... 15
1224XSC1..... 8	18186-WSC2..... 21	22120-GSC1-NK..... 28	2260-GHC12XS..... 61	242412-SC3R-NK..... 15

Utility requirements for this equipment may vary. Always consult the serving utility for their requirements prior to ordering or installing this equipment. This product must be installed by a licensed electrician. Installation of this equipment may require local electrical inspector approval.



242412-SC3R-NK-NP 15	24366-LC1 12	363010-CT3R..... 20	4412-GSC3R 34	4448-GSC3R-NK..... 35
242412-WSC2 21	24366-SC1 7	363010-TC3R..... 19	4412-GSC3R-NK..... 34	4448-GSC3R-NK-NP..... 35
24244-SC1 7	24366-SC1-NK..... 7	363016-CT3R..... 20	4412-GSC3R-NK-NP..... 34	444-SC1 5
24244-SC1-NK..... 7	24366-SC1-NK-NP 7	363610-CT3R..... 20	4418-GCC12 56	444-SC1-NK..... 5
24244-SC1-NK-NP 7	24366-SC1-NP..... 7	363610-SC1-NK..... 8	4418-GCC12XS 56	444-SC1-NK-NP 5
24244-SC1-NP..... 7	24366-TC3R..... 19	363610-SC1-NK-NP 8	4418-GCC12XZ 56	444-SC3R..... 14
24244-SC3R..... 15	24368-LC1 12	363612-CT3R..... 20	4418-GHC12 61	444-SC3R-NK 14
24244-SC3R-NP..... 15	24368-SC1 7	363612-SC1-NK..... 8	4418-GHC12XS 61	444-SC3R-NK-NP 14
24246-LC1 12	24368-SC1-NK..... 7	363612-SC1-NK-NP 8	4418-GHC12XZ 61	4460-GHC1 32
24246-SC1 7	24368-SC1-NK-NP 7	363612-SC3R..... 16	4418-GSC1 28	4460-GHC12 61
24246-SC1-NK..... 7	2436FLC 22	363612-SC3R-NK 16	4418-GSC1-NK..... 28	4460-GHC12XS 61
24246-SC1-NK-NP 7	2436TFLC 24	363612-SC3R-NK-NP 16	4418-GSC1-NK-NP..... 28	4460-GHC12XZ 61
24246-SC1-NP..... 7	2436TSC 23	363612-TC3R..... 19	4418-GSC3R..... 34	4460-GHC1-NK 32
24246-SC3R..... 15	2436WB..... 26	363612-WSC2 21	4418-GSC3R-NK..... 34	4460-GSC1 28
24246-SC3R-NK 15	2436XSC1..... 8	363616-CT3R..... 20	4424-GCC12 56	4460-GSC1-NK..... 28
24246-SC3R-NK-NP 15	2448TFLC 22	363616-TC3R..... 19	4424-GCC12XS 56	4460-GSC1-NK-NP..... 28
24246-WSC2 21	2448TSC 23	363618-SC1-NK..... 8	4424-GCC12XZ 56	4460-GSC3R..... 35
24248-LC1 12	2448WB..... 26	363618-SC3R-NK 16	4424-GHC1 32	4460-GSC3R-NK..... 35
24248-SC1 7	303010-SC1-NK..... 8	36364-SC1-NK..... 8	4424-GHC12 61	4460-GSC3R-NK-NP..... 35
24248-SC1-NK..... 7	303010-SC1-NK-NP 8	36366-SC1-NK..... 8	4424-GHC12XS 61	4466GR..... 40
24248-SC1-NK-NP 7	303010-SC3R..... 16	36366-SC1-NK-NP 8	4424-GHC12XZ 61	4472-GHC12 61
24248-SC3R..... 15	303010-SC3R-NK 16	36366-TC3R..... 19	4424-GHC1-NK..... 32	4472-GHC12XS 61
24248-SC3R-NK 15	303010-SC3R-NK-NP 16	36368-SC1..... 8	4424-GSC1 28	4472-GHC12XZ 61
24248-SC3R-NK-NP 15	303012-SC1-NK..... 8	36368-SC1-NK..... 8	4424-GSC1-NK..... 28	4472-GHC1-NK 32
24248-TC3R..... 19	303012-SC1-NK-NP 8	36368-SC1-NK-NP 8	4424-GSC1-NK-NP..... 28	4472-GSC1 28
24248-WSC2 21	303012-SC3R..... 16	36368-SC3R..... 16	4424-GSC3R..... 34	4472-GSC1-NK..... 28
2424FLC 24	303012-SC3R-NK-NP 16	3636FLC 24	4424-GSC3R-NK..... 34	4472-GSC1-NK-NP..... 28
2424TFLC 22	303012-TC3R..... 19	3636TFLC 22	4424-GSC3R-NK-NP..... 35	4472-GSC3R..... 35
2424TSC 23	303012-WSC2 21	3636TSC 23	4430-GHC12 61	4472-GSC3R-NK..... 35
2424WB..... 26	30306-SC1-NK..... 8	3636WB 26	4430-GHC12XS 61	4472-GSC3R-NK-NP..... 35
2424XSC1..... 8	30306-SC1-NK-NP 8	3636XSC1..... 8	4430-GHC12XZ 61	4496-GHC1-NK 32
2424XSC3R..... 16	30306-SC3R..... 15	364812-TC3R..... 19	4436-GCC12 56	4496-GSC1 28
243010-SC1 7	30306-SC3R-NK 16	364816-SC3R-NK 16	4436-GCC12XS 56	4496-GSC1-NK..... 28
243010-SC1-NK..... 7	30308-LC1 12	364816-TC3R..... 19	4436-GCC12XZ 56	4496-GSC3R..... 35
243010-SC1-NK-NP 7	30308-SC1-NK..... 8	36486-SC1-NK..... 8	4436-GHC1 32	44FLC 24
243010-SC3R..... 15	30308-SC1-NK-NP 8	3648FLC 24	4436-GHC12 61	44GC 40
243010-SC3R-NK 15	30308-SC3R..... 16	3648TFLC 22	4436-GHC12XS 61	44GCU 40
243012-SC1 7	30308-SC3R-NK 16	3648TSC 23	4436-GHC12XZ 61	44GE..... 39
243012-SC1-NK-NP 7	3030FLC 24	3648WB..... 26	4436-GHC1-NK..... 32	44GE-NK 39
243012-SC3R..... 15	3030TFLC 22	3648XSC1..... 8	4436-GSC1 28	44GE-NK-NP 39
24306-LC1 12	3030TSC 23	44120-GHC1 32	4436-GSC1-NK..... 28	44GE-NP..... 39
24306-TC3R..... 19	3030XSC1..... 8	44120-GHC1-NK 32	4436-GSC1-NK-NP..... 28	44GEU 39
24308-SC1 7	303610-SC1-NK-NP 8	44120-GSC1 28	4436-GSC3R..... 35	44GEU-NK-NP..... 39
24308-SC1-NK..... 7	303612-SC1-NK..... 8	44120-GSC1-NK..... 28	4436-GSC3R-NK..... 35	44GF..... 41
24308-SC1-NK-NP 7	303612-SC1-NK-NP 8	44120-GSC1-NK-NP..... 28	4436-GSC3R-NK-NP..... 35	44GFE..... 39
2430FLC 24	303612-SC3R-NK 16	44120-GSC3R..... 35	4448-GCC12 56	44GFE-NK 39
2430TFLC 22	303612-TC3R..... 19	4412-GCC12 56	4448-GCC12XS 56	44GFL90IS..... 42
2430TSC 23	30366-LC1 12	4412-GCC12XS 56	4448-GCC12XZ 56	44GFL90OS..... 42
2430WB..... 26	30366-SC1-NK..... 8	4412-GCC12XZ 56	4448-GHC1 32	44GFL90S..... 42
2430XSC1..... 8	30366-SC1-NK-NP 8	4412-GHC1 32	4448-GHC12 61	44GF-NP..... 41
243610-SC1 7	30368-SC1-NK..... 8	4412-GHC12 61	4448-GHC12XS 61	44GFT..... 41
243610-SC1-NK..... 8	30368-SC1-NK-NP 8	4412-GHC12XS 61	4448-GHC12XZ 61	44GH 40
243612-SC1 8	3036FLC 24	4412-GHC12XZ 61	4448-GHC1-NK 32	44GH-NP..... 40
243612-SC1-NK..... 8	3036TFLC 22	4412-GHC1-NK..... 32	4448-GSC1 28	44GT..... 41
243612-SC1-NK-NP 8	3036TSC 23	4412-GSC1 28	4448-GSC1-NK..... 28	44GTF..... 41
243612-SC3R..... 15	3036WB..... 26	4412-GSC1-NK..... 28	4448-GSC1-NK-NP..... 28	44GT-NP..... 41
243612-SC3R-NK 15	3036XSC1..... 8	4412-GSC1-NK-NP..... 28	4448-GSC3R..... 35	44GX 38



Utility requirements for this equipment may vary. Always consult the serving utility for their requirements prior to ordering or installing this equipment. This product must be installed by a licensed electrician. Installation of this equipment may require local electrical inspector approval.

44L45C.....	43	6612-GHC1-NP.....	32	6648-GHC12.....	61	6672-GSC3R-NK.....	35	686-SC1.....	5
44L45S.....	43	6612-GSC1.....	28	6648-GHC12XS.....	61	6672-GSC3R-NK-NP.....	35	686-SC1-NK.....	5
44L90C.....	43	6612-GSC1-NK.....	28	6648-GHC12XZ.....	61	6688GR.....	40	686-SC1-NK-NP.....	5
44L90C-NP.....	43	6612-GSC1-NK-NP.....	28	6648-GHC1-NK.....	32	6696-GSC1.....	29	686-SC1-NP.....	5
44L90S.....	43	6612-GSC3R.....	35	6648-GHC1-NP.....	32	6696-GSC1-NK.....	29	686-SC3R.....	14
44L90S-NP.....	43	6612-GSC3R-NK.....	35	6648-GSC1.....	28	6696-GSC1-NK-NP.....	29	686-SC3R-NK.....	14
44XSC1.....	8	6612-GSC3R-NK-NP.....	35	6648-GSC1-NK.....	28	6696-GSC1-NP.....	29	68XSC1.....	8
44XSC3R.....	16	6618-GCC12.....	56	6648-GSC1-NK-NP.....	28	6696-GSC3R.....	35	68XSC3R.....	16
464-SC1.....	5	6618-GCC12XS.....	56	6648-GSC3R.....	35	6696-GSC3R-NK.....	35	6X12GSC1.....	30
464-SC1-NK.....	5	6618-GCC12XZ.....	56	6648-GSC3R-NK.....	35	6696-GSC3R-NK-NP.....	35	6X18GSC1.....	30
464-SC1-NK-NP.....	5	6618-GHC12.....	61	6648-GSC3R-NK-NP.....	35	66FLC.....	24	6X24GSC1.....	30
464-SC1-NP.....	5	6618-GHC12XS.....	61	664-HC1.....	10	66GFC.....	40	6X36GSC1.....	30
464-SC3R.....	14	6618-GHC12XZ.....	61	664-HC1-NK.....	10	66GCU.....	40	6X48GSC1.....	30
464-SC3R-NK.....	14	6618-GSC1.....	28	664-HC1-NK-NP.....	10	66GE.....	39	6X60GSC1.....	30
46XSC1.....	8	6618-GSC1-NK.....	28	664-HC3R.....	17	66GE-NK.....	39	6X72GSC1.....	30
46XSC3R.....	16	6618-GSC1-NK-NP.....	28	664-LC1.....	12	66GE-NK-NP.....	39	8104-LC1.....	12
483616-CT3R.....	20	6618-GSC3R.....	35	664-SC1.....	5	66GE-NP.....	39	8104-SC1.....	5
484812-CT3R.....	20	6618-GSC3R-NK.....	35	664-SC1-NK.....	5	66GEU.....	39	8104-SC1-NK.....	5
484812-SC1-NK.....	8	6618-GSC3R-NK-NP.....	35	664-SC1-NK-NP.....	5	66GEU-NK.....	39	8104-SC1-NK-NP.....	5
48486-SC1-NK.....	8	6624-GCC12.....	56	664-SC1-NP.....	5	66GEU-NK-NP.....	39	8104-SC1-NP.....	5
4848TFLC.....	22	6624-GCC12XS.....	56	664-SC3R.....	14	66GF.....	41	8104-SC3R.....	14
4848TSC.....	23	6624-GCC12XZ.....	56	664-SC3R-NK.....	14	66GFE.....	39	8104-SC3R-NK.....	14
4848WB.....	26	6624-GHC1.....	32	664-SC3R-NK-NP.....	14	66GFL90IS.....	42	8104-WSC2.....	21
4848XSC1.....	8	6624-GHC12.....	61	664-SC3R-NP.....	14	66GFL90OS.....	42	8106-LC1.....	12
4X12GSC1.....	30	6624-GHC12XS.....	61	664-TC3R.....	19	66GFL90OS-NP.....	42	8106-SC1.....	5
4X18GSC1.....	30	6624-GHC12XZ.....	61	664-WSC2.....	21	66GFL90S.....	42	8106-SC1-NK.....	5
4X24GSC1.....	30	6624-GHC1-NK.....	32	6660-GHC1.....	32	66GF-NP.....	41	8106-SC1-NK-NP.....	5
4X36GSC1.....	30	6624-GSC1.....	28	6660-GHC12.....	61	66GFT.....	41	8106-SC1-NP.....	5
4X48GSC1.....	30	6624-GSC1-NK.....	28	6660-GHC12XS.....	61	66GFT-NP.....	41	8106-SC3R.....	14
4X60GSC1.....	30	6624-GSC1-NK-NP.....	28	6660-GHC12XZ.....	61	66GH.....	40	8106-SC3R-NK.....	14
4X72GSC1.....	30	6624-GSC3R.....	35	6660-GHC1-NK.....	32	66GH-NP.....	40	8106-SC3R-NK-NP.....	14
606013-CT3R.....	20	6624-GSC3R-NK.....	35	6660-GHC1-NP.....	32	66GT.....	41	8106-TC3R.....	19
6124-SC1.....	5	6624-GSC3R-NK-NP.....	35	6660-GSC1.....	28	66GTF.....	41	810FLC.....	24
6124-SC1-NK.....	5	6630-GHC12.....	61	6660-GSC1-NK.....	28	66GT-NP.....	41	810XSC1.....	8
6124-SC3R.....	14	6630-GHC12XS.....	61	6660-GSC1-NK-NP.....	28	66GX.....	38	810XSC3R.....	16
6126-SC1.....	5	6630-GHC12XZ.....	61	6660-GSC3R.....	35	66L45C.....	43	8124-HC1-NK.....	10
6126-SC1-NK.....	5	6636-GCC12.....	56	6660-GSC3R-NK.....	35	66L45C-NP.....	43	8124-SC1.....	5
612FLC.....	24	6636-GCC12XS.....	56	6660-GSC3R-NK-NP.....	35	66L45S.....	43	8124-SC1-NK.....	5
612XSC1.....	8	6636-GCC12XZ.....	56	666-HC1.....	10	66L45S-NP.....	43	8124-SC1-NK-NP.....	5
66120-GHC1.....	32	6636-GHC1.....	32	666-HC1-NK.....	10	66L90C.....	43	8124-SC3R.....	14
66120-GHC1-NK.....	32	6636-GHC12.....	61	666-SC1.....	5	66L90C-NP.....	43	8124-SC3R-NK.....	14
66120-GHC1-NK-NP.....	32	6636-GHC12XS.....	61	666-SC1-NK.....	5	66L90S.....	43	8126-SC1.....	5
66120-GHC1-NP.....	32	6636-GHC12XZ.....	61	666-SC1-NK-NP.....	5	66L90S-NP.....	43	8126-SC1-NK.....	5
66120-GSC1.....	29	6636-GHC1-NK.....	32	666-SC1-NP.....	5	66XSC1.....	8	8126-SC1-NK-NP.....	5
66120-GSC1-NK.....	29	6636-GSC1.....	28	666-SC3R.....	14	66XSC3R.....	16	8126-SC3R.....	14
66120-GSC1-NK-NP.....	29	6636-GSC1-NK.....	28	666-SC3R-NK.....	14	684-HC1.....	10	8126-SC3R-NK.....	14
66120-GSC1-NP.....	29	6636-GSC1-NK-NP.....	28	666-SC3R-NK-NP.....	14	684-HC1-NK.....	10	812TFLC.....	22
66120-GSC3R.....	35	6636-GSC3R.....	35	666-WSC2.....	21	684-LC1.....	12	812TSC.....	23
66120-GSC3R-NK.....	35	6636-GSC3R-NK.....	35	6672-GHC1.....	32	684-SC1.....	5	812WB.....	26
6612-GCC12.....	56	6636-GSC3R-NK-NP.....	35	6672-GHC12.....	61	684-SC1-NK.....	5	812XSC1.....	8
6612-GCC12XS.....	56	663-SC1.....	5	6672-GHC12XS.....	61	684-SC1-NK-NP.....	5	881010GR.....	40
6612-GCC12XZ.....	56	663-SC1-NK.....	5	6672-GHC12XZ.....	61	684-SC1-NP.....	5	88120-GHC1.....	33
6612-GHC1.....	32	663-SC1-NK-NP.....	5	6672-GHC1-NK.....	32	684-SC3R.....	14	88120-GHC1-NK.....	33
6612-GHC12.....	61	6648-GCC12.....	56	6672-GSC1.....	29	684-SC3R-NK.....	14	88120-GSC1.....	29
6612-GHC12XS.....	61	6648-GCC12XS.....	56	6672-GSC1-NK.....	29	684-SC3R-NK-NP.....	14	88120-GSC1-NK.....	29
6612-GHC12XZ.....	61	6648-GCC12XZ.....	56	6672-GSC1-NK-NP.....	29	684-TC3R.....	19	88120-GSC1-NK-NP.....	29
6612-GHC1-NK.....	32	6648-GHC1.....	32	6672-GSC3R.....	35	684-WSC2.....	21	88120-GSC3R.....	36

Utility requirements for this equipment may vary. Always consult the serving utility for their requirements prior to ordering or installing this equipment. This product must be installed by a licensed electrician. Installation of this equipment may require local electrical inspector approval.



88120-GSC3R-NK.....	36	884-LC1.....	12	88GE.....	39	A-18P12.....	25	A-72P24F1.....	155
88120-GSC3R-NK-NP.....	36	884-SC1.....	5	88GE-NK.....	39	A-18P18.....	25	A-72P24F2.....	155
881212GR.....	40	884-SC1-NK.....	5	88GE-NK-NP.....	39	A-18P18W.....	25	A-72P30F1.....	155
8812-GHC1.....	32	884-SC1-NK-NP.....	5	88GE-NP.....	39	A-18P24W.....	25	A-72P30F2.....	155
8812-GHC12.....	61	884-SC3R.....	14	88GEU.....	39	A-2012SBP.....	26	A-72P36F1.....	155
8812-GHC12XS.....	61	884-SC3R-NK.....	14	88GEU-NK-NP.....	39	A-2016SBP.....	26	A-72P36F2.....	155
8812-GHC12XZ.....	61	884-SC3R-NK-NP.....	14	88GF.....	41	A-2020SBP.....	26	A-72P48F1.....	155
8812-GHC1-NK.....	32	884-SC3R-NP.....	14	88GFE.....	39	A-20P16.....	25	A-72P48F2.....	155
8812-GSC1.....	29	884-WSC2.....	21	88GFE-NK.....	39	A-20P20.....	25	A-72P60F1.....	155
8812-GSC1-NK.....	29	8860-GHC1.....	33	88GFL90IS.....	42	A-20P20W.....	25	A-72P60F2.....	155
8812-GSC1-NK-NP.....	29	8860-GHC12.....	61	88GFL90OS.....	42	A-20P24W.....	25	A-72P72F1.....	155
8812-GSC3R.....	35	8860-GHC12XS.....	61	88GFL90S.....	42	A-2420SBP.....	26	A-72P72F2.....	155
8812-GSC3R-NK.....	36	8860-GHC12XZ.....	61	88GFL90S-NP.....	42	A-2424SBP.....	26	A-72SMP14.....	156
8812-GSC3R-NK-NP.....	36	8860-GHC1-NK.....	33	88GF-NP.....	41	A-24P18.....	25	A-72SMP20.....	156
8818-GHC1-NK.....	32	8860-GSC1.....	29	88GFT.....	41	A-24P20.....	25	A-72SMP26.....	156
8818-GSC1.....	29	8860-GSC1-NK.....	29	88GH.....	40	A-24P24.....	25	A-72SMP32.....	156
8818-GSC1-NK.....	29	8860-GSC1-NK-NP.....	29	88GT.....	41	A-24P24W.....	25	A-86SBP.....	26
8818-GSC3R.....	36	8860-GSC3R.....	36	88GTF.....	41	A-261612-10-KIT.....	151	A-88SBP.....	26
8818-GSC3R-NK.....	36	8860-GSC3R-NK.....	36	88GT-NP.....	41	A-3024SBP.....	26	A-8P6R.....	25
8818-GSC3R-NK-NP.....	36	8860-GSC3R-NK-NP.....	36	88GX.....	38	A-3030SBP.....	26	A-8P8R.....	25
8824-GHC1.....	32	886-HC1.....	10	88L45C.....	43	A-30P20.....	116	A-90P24F1.....	155
8824-GHC12.....	61	886-HC1-NK.....	10	88L45C-NP.....	43	A-30P20.....	116	A-90P24F2.....	155
8824-GHC12XS.....	61	886-HC1-NP.....	10	88L45S.....	43	A-30P24.....	25	A-90P30F1.....	155
8824-GHC12XZ.....	61	886-SC1.....	5	88L90C.....	43	A-30P24W.....	25	A-90P30F2.....	155
8824-GHC1-NK.....	32	886-SC1-NK.....	5	88L90C-NP.....	43	A-30P30.....	25	A-90P36F1.....	155
8824-GSC1.....	29	886-SC1-NK-NP.....	5	88L90S.....	43	A-30P30.....	116	A-90P36F2.....	155
8824-GSC1-NK.....	29	886-SC1-NP.....	5	88L90S-NP.....	43	A-30P30W.....	25	A-90P48F1.....	155
8824-GSC1-NK-NP.....	29	886-SC3R.....	14	88TSC.....	23	A-30X15.....	116	A-90P48F2.....	155
8824-GSC3R.....	36	886-SC3R-NK.....	14	88WB.....	26	A-30X21.....	116	A-90P60F1.....	155
8824-GSC3R-NK.....	36	886-SC3R-NK-NP.....	14	88XSC1.....	8	A-30X27.....	116	A-90P60F2.....	155
8824-GSC3R-NK-NP.....	36	886-SC3R-NP.....	14	88XSC3R.....	16	A-30X33.....	116	A-90P72F1.....	155
8836-GHC1.....	32	886-TC3R.....	19	8X12GSC1.....	30	A-30X39.....	116	A-90P72F2.....	155
8836-GHC12.....	61	886-WSC2.....	21	8X18GSC1.....	30	A-30X45.....	116	A-90SMP14.....	156
8836-GHC12XS.....	61	8872-GHC1.....	33	8X24GSC1.....	30	A-3624SBP.....	26	A-90SMP16.....	156
8836-GHC12XZ.....	61	8872-GHC1-NK.....	33	8X36GSC1.....	30	A-3630SBP.....	26	A-90SMP20.....	156
8836-GHC1-NK.....	33	8872-GSC1.....	29	8X48GSC1.....	30	A-36P24.....	25	A-90SMP26.....	156
8836-GSC1.....	29	8872-GSC1-NK.....	29	8X60GSC1.....	30	A-36P24W.....	25	A-90SMP32.....	156
8836-GSC1-NK.....	29	8872-GSC1-NK-NP.....	29	8X72GSC1.....	30	A-36P30.....	25	A-ADPHD-AB*.....	157
8836-GSC1-NK-NP.....	29	8872-GSC3R.....	36	90° Elbows.....	43	A-36P30W.....	25	A-ADPHD-ABFLEX.....	157
8836-GSC3R.....	36	8872-GSC3R-NK.....	36	A-1000-U237.....	152	A-36P36.....	25	A-ADPHD-ABV.....	157
8836-GSC3R-NK.....	36	8872-GSC3R-NK-NP.....	36	A-1000-U429-01.....	152	A-36P36W.....	25	A-ADPHD-ABV400.....	157
8836-GSC3R-NK-NP.....	36	888-SC1.....	5	A-1000-U78.....	152	A-3PTCONS.....	151	A-ADPHD-AMT.....	157
8848-GHC1.....	33	888-SC1-NK.....	5	A-1010SBP.....	26	A-48P36W.....	25	A-ADPHD-BLK.....	157
8848-GHC12.....	61	888-SC1-NK-NP.....	5	A-108SBP.....	26	A-48P48.....	25	A-ADPHD-CH.....	157
8848-GHC12XS.....	61	888-SC1-NP.....	5	A-10P8R.....	25	A-48P48W.....	25	A-ADPHD-CHF.....	157
8848-GHC12XZ.....	61	888-SC3R.....	14	A-1210SBP.....	26	A-60P24F1.....	155	A-ADPHD-GE.....	157
8848-GHC1-NK.....	33	888-SC3R-NK.....	14	A-1212SBP.....	26	A-60P24F2.....	155	A-ADPHD-ITE.....	157
8848-GSC1.....	29	888-WSC2.....	21	A-12P10R.....	25	A-60P36F1.....	155	A-ADPHD-SQ.....	157
8848-GSC1-NK.....	29	8896-GSC1.....	29	A-12P12R.....	25	A-60P36F2.....	155	A-ADPHD-WH.....	157
8848-GSC1-NK-NP.....	29	8896-GSC1-NK.....	29	A-12P12W.....	25	A-60P48F1.....	155	A-BASE18.....	162
8848-GSC3R.....	36	8896-GSC1-NK-NP.....	29	A-1612SBP.....	26	A-60P48F2.....	155	A-BASE18XS.....	162
8848-GSC3R-NK.....	36	8896-GSC3R.....	36	A-1616SBP.....	26	A-60P60.....	25	A-BASE18XZ.....	162
8848-GSC3R-NK-NP.....	36	8896-GSC3R-NK.....	36	A-16P12.....	25	A-60P60W.....	25	A-BASE24.....	162
884-HC1.....	10	8896-GSC3R-NK-NP.....	36	A-16P12W.....	25	A-60SMP14.....	156	A-BASE24XS.....	162
884-HC1-NK.....	10	88FLC.....	24	A-16P16.....	25	A-60SMP20.....	156	A-BASE24XZ.....	162
884-HC1-NP.....	10	88GC.....	40	A-16P16W.....	25	A-66SBP.....	26	A-BK1060.....	46
884-HC3R.....	17	88GCU.....	40	A-1818SBP.....	26	A-6P6R.....	25	A-BK1260.....	46



Utility requirements for this equipment may vary. Always consult the serving utility for their requirements prior to ordering or installing this equipment. This product must be installed by a licensed electrician. Installation of this equipment may require local electrical inspector approval.

A-BK460.....	46	A-DSXS72-N4.....	141	A-FSK248.....	142	A-FSKXZ2412.....	142	A-HWK1711.....	149
A-BK660.....	46	A-DSXZ12.....	141	A-FSK610.....	142	A-FSKXZ2416.....	142	A-HWK2010.....	149
A-BK860.....	46	A-DSXZ12-N4.....	141	A-FSK612.....	142	A-FSKXZ2424.....	142	A-HWK2012.....	149
A-C0035745.....	152	A-DSXZ16.....	141	A-FSK616.....	142	A-FSKXZ248.....	142	A-HWK2017.....	149
A-COL44.....	162	A-DSXZ16-N4.....	141	A-FSK618.....	142	A-FSKXZ610.....	142	A-HWK2020.....	149
A-COL44XS.....	162	A-DSXZ20.....	141	A-FSK620.....	142	A-FSKXZ612.....	142	A-HWK2021.....	149
A-COL44XZ.....	162	A-DSXZ20-N4.....	141	A-FSK624.....	142	A-FSKXZ616.....	142	A-HWK208.....	149
A-COL66.....	162	A-DSXZ24.....	141	A-FSK630.....	142	A-FSKXZ618.....	142	A-HWK2424.....	149
A-COL66XS.....	162	A-DSXZ24-N4.....	141	A-FSK636.....	142	A-FSKXZ620.....	142	A-HWK2615.....	149
A-COL66XZ.....	162	A-DSXZ30.....	141	A-FSK68.....	142	A-FSKXZ624.....	142	A-HWK3215.....	149
A-DD54P42.....	154	A-DSXZ30-N4.....	141	A-FSKX1210.....	142	A-FSKXZ630.....	142	A-HWK3636.....	149
A-DD60P48.....	154	A-DSXZ36.....	141	A-FSKX1212.....	142	A-FSKXZ636.....	142	A-HWKXS1010.....	149
A-DD60P60.....	154	A-DSXZ36-N4.....	141	A-FSKX1216.....	142	A-FSKXZ68.....	142	A-HWKXS1212.....	149
A-DD72P60.....	154	A-DSXZ42.....	141	A-FSKX1218.....	142	A-GP.....	46	A-HWKXS124.....	149
A-DD72P72.....	154	A-DSXZ42-N4.....	141	A-FSKX1220.....	142	A-GP.....	143	A-HWKXS1520.....	149
A-DS12.....	141	A-DSXZ48.....	141	A-FSKX1224.....	142	A-GP7035.....	143	A-HWKXS168.....	149
A-DS12-N4.....	141	A-DSXZ48-N4.....	141	A-FSKX1230.....	142	A-GSC.....	46	A-HWKXS1711.....	149
A-DS16.....	141	A-DSXZ60.....	141	A-FSKX1236.....	142	A-HNDLCOMP.....	150	A-HWKXS2010.....	149
A-DS16-N4.....	141	A-DSXZ60-N4.....	141	A-FSKX128.....	142	A-HNDLHD.....	150	A-HWKXS2012.....	149
A-DS20.....	141	A-DSXZ72.....	141	A-FSKX1810.....	142	A-HNDLHDD.....	150	A-HWKXS2017.....	149
A-DS20-N4.....	141	A-DSXZ72-N4.....	141	A-FSKX1812.....	142	A-HNDLHDK.....	150	A-HWKXS2020.....	149
A-DS24.....	141	A-FLT33.....	147	A-FSKX1816.....	142	A-HNDLHDSSPAD.....	150	A-HWKXS2021.....	149
A-DS24-N4.....	141	A-FLT34.....	147	A-FSKX1820.....	142	A-HNDLKLBLK.....	150	A-HWKXS208.....	149
A-DS30.....	141	A-FLT43.....	147	A-FSKX1824.....	142	A-HNDLKLCHR.....	150	A-HWKXS2424.....	149
A-DS30-N4.....	141	A-FLT44.....	147	A-FSKX1830.....	142	A-HNDLLNLSS.....	150	A-HWKXS2615.....	149
A-DS36.....	141	A-FLT64.....	147	A-FSKX188.....	142	A-HNDLSPFS.....	151	A-HWKXS3215.....	149
A-DS36-N4.....	141	A-FLT66.....	147	A-FSKX2410.....	142	A-HNDLSPN12D.....	151	A-HWKXS3636.....	149
A-DS42.....	141	A-FLT812.....	147	A-FSKX2412.....	142	A-HNDLSPWF.....	151	A-HWKXZ1010.....	149
A-DS42-N4.....	141	A-FLT84.....	147	A-FSKX2416.....	142	A-HNDLSPX.....	151	A-HWKXZ1212.....	149
A-DS48.....	141	A-FLT86.....	147	A-FSKX2424.....	142	A-HNDLSPXM.....	151	A-HWKXZ124.....	149
A-DS48-N4.....	141	A-FLT88.....	147	A-FSKX248.....	142	A-HNDLSPXMN.....	151	A-HWKXZ1520.....	149
A-DS60.....	141	A-FOCJIC.....	46	A-FSKX5610.....	142	A-HNDLSPXN.....	151	A-HWKXZ168.....	149
A-DS60-N4.....	141	A-FOCJICS.....	46	A-FSKX5612.....	142	A-HS050.....	44	A-HWKXZ1711.....	149
A-DS72.....	141	A-FOCJIC-S.....	151	A-FSKX5616.....	142	A-HS050XS.....	44	A-HWKXZ2010.....	149
A-DS72-N4.....	141	A-FOCJIC-SS.....	151	A-FSKX5618.....	142	A-HS075.....	44	A-HWKXZ2012.....	149
A-DSK.....	143	A-FOCX.....	152	A-FSKX5620.....	142	A-HS075XS.....	44	A-HWKXZ2017.....	149
A-DSKXS.....	143	A-FOCXZ.....	152	A-FSKX5624.....	142	A-HS100.....	44	A-HWKXZ2020.....	149
A-DSKXZ.....	143	A-FSK1210.....	142	A-FSKX5630.....	142	A-HS100XS.....	44	A-HWKXZ2021.....	149
A-DSXS12.....	141	A-FSK1212.....	142	A-FSKX5636.....	142	A-HS125.....	44	A-HWKXZ208.....	149
A-DSXS12-N4.....	141	A-FSK1216.....	142	A-FSKX568.....	142	A-HS125XS.....	44	A-HWKXZ2424.....	149
A-DSXS16.....	141	A-FSK1218.....	142	A-FSKXZ1210.....	142	A-HS150.....	44	A-HWKXZ2615.....	149
A-DSXS16-N4.....	141	A-FSK1220.....	142	A-FSKXZ1212.....	142	A-HS150XS.....	44	A-HWKXZ3215.....	149
A-DSXS20.....	141	A-FSK1224.....	142	A-FSKXZ1216.....	142	A-HS200.....	44	A-HWKXZ3636.....	149
A-DSXS20-N4.....	141	A-FSK1230.....	142	A-FSKXZ1218.....	142	A-HS200XS.....	44	A-JH45015.....	153
A-DSXS24.....	141	A-FSK1236.....	142	A-FSKXZ1220.....	142	A-HS250.....	44	A-LK10.....	45
A-DSXS24-N4.....	141	A-FSK128.....	142	A-FSKXZ1224.....	142	A-HS300.....	44	A-LK3.....	45
A-DSXS30.....	141	A-FSK1810.....	142	A-FSKXZ1230.....	142	A-HS350.....	44	A-LK3R.....	45
A-DSXS30-N4.....	141	A-FSK1812.....	142	A-FSKXZ1236.....	142	A-HS400.....	44	A-LKFM3R1.....	45
A-DSXS36.....	141	A-FSK1816.....	142	A-FSKXZ128.....	142	A-HSPB.....	44	A-LKFM3R2.....	45
A-DSXS36-N4.....	141	A-FSK1820.....	142	A-FSKXZ1810.....	142	A-HSPBM.....	44	A-LKFMKEY3R1.....	45
A-DSXS42.....	141	A-FSK1824.....	142	A-FSKXZ1812.....	142	A-HSPBMXS.....	44	A-LKFMKEY3R2.....	45
A-DSXS42-N4.....	141	A-FSK1830.....	142	A-FSKXZ1816.....	142	A-HSPBXS.....	44	A-LKFMKEYM-K.....	45
A-DSXS48.....	141	A-FSK188.....	142	A-FSKXZ1820.....	142	A-HWK1010.....	149	A-LKLKEY3R1.....	45
A-DSXS48-N4.....	141	A-FSK2410.....	142	A-FSKXZ1824.....	142	A-HWK1212.....	149	A-LKLKEY3R2.....	45
A-DSXS60.....	141	A-FSK2412.....	142	A-FSKXZ1830.....	142	A-HWK124.....	149	A-LKLPAD3R1.....	45
A-DSXS60-N4.....	141	A-FSK2416.....	142	A-FSKXZ188.....	142	A-HWK1520.....	149	A-LKLPAD3R2.....	45
A-DSXS72.....	141	A-FSK2424.....	142	A-FSKXZ2410.....	142	A-HWK168.....	149	A-LKPH.....	45

Utility requirements for this equipment may vary. Always consult the serving utility for their requirements prior to ordering or installing this equipment. This product must be installed by a licensed electrician. Installation of this equipment may require local electrical inspector approval.



A-LKSFMKEYL.....	45	A-PPLRGCSX.....	144	A-SKTXZ61860.....	146	A-SPK2N-3030.....	158	A-SPK3-3024.....	159
A-LKT3R1.....	45	A-PPLRGCSZ.....	144	A-SKTXZ61872.....	146	A-SPK2N-3036.....	158	A-SPK3-3030.....	159
A-LKT3R1-K.....	45	A-PPSMC.....	144	A-SKTXZ62436.....	146	A-SPK2N-3624.....	158	A-SPK3-3036.....	159
A-LKT3R2.....	45	A-PPSMCSX.....	144	A-SKTXZ62442.....	146	A-SPK2N-3630.....	158	A-SPK3-3624.....	159
A-LKWHK3R1.....	45	A-PPSMCSZ.....	144	A-SKTXZ62448.....	146	A-SPK2N-3636.....	158	A-SPK3-3630.....	159
A-LKWHK3R2.....	45	A-R002-100BLK.....	151	A-SKTXZ62460.....	146	A-SPK2N-4224.....	158	A-SPK3-3636.....	159
A-LKWHP3R1.....	45	A-R090-100SS.....	151	A-SKTXZ62472.....	146	A-SPK2N-4230.....	158	A-SPK3-4224.....	159
A-LKWHP3R2.....	45	A-Shelf18.....	145	A-SKTXZ6636.....	146	A-SPK2N-4236.....	158	A-SPK3-4230.....	159
A-LPPOCKET.....	144	A-Shelf24.....	145	A-SKTXZ6642.....	146	A-SPK2N-4824.....	158	A-SPK3-4236.....	159
A-LTHMINI.....	152	A-SKT1236.....	146	A-SKTXZ6648.....	146	A-SPK2N-4830.....	158	A-SPK3-4824.....	159
A-LVK23.....	147	A-SKT1242.....	146	A-SKTXZ6660.....	146	A-SPK2N-4836.....	158	A-SPK3-4830.....	159
A-LVK33.....	147	A-SKT1248.....	146	A-SKTXZ6672.....	146	A-SPK2N-6036.....	158	A-SPK3-4836.....	159
A-LVK34.....	147	A-SKT1260.....	146	A-SPK2M-1224.....	158	A-SPK2N-7230.....	158	A-SPK3-6036.....	159
A-LVK43.....	147	A-SKT1272.....	146	A-SPK2M-1612.....	158	A-SPK2R-1224.....	158	A-SPK3-7230.....	159
A-LVK44.....	147	A-SKT1836.....	146	A-SPK2M-1616.....	158	A-SPK2R-1612.....	158	A-SPK3AL-1224.....	159
A-LVK64.....	147	A-SKT1842.....	146	A-SPK2M-1620.....	158	A-SPK2R-1616.....	158	A-SPK3AL-1612.....	159
A-LVK66.....	147	A-SKT1848.....	146	A-SPK2M-2012.....	158	A-SPK2R-1620.....	158	A-SPK3AL-1616.....	159
A-LVK812.....	147	A-SKT1860.....	146	A-SPK2M-2016.....	158	A-SPK2R-2012.....	158	A-SPK3AL-1620.....	159
A-LVK84.....	147	A-SKT1872.....	146	A-SPK2M-2020.....	158	A-SPK2R-2016.....	158	A-SPK3AL-2012.....	159
A-LVK86.....	147	A-SKT2436.....	146	A-SPK2M-2024.....	158	A-SPK2R-2020.....	158	A-SPK3AL-2016.....	159
A-LVK88.....	147	A-SKT2442.....	146	A-SPK2M-2412.....	158	A-SPK2R-2024.....	158	A-SPK3AL-2020.....	159
A-LVKXS23.....	147	A-SKT2448.....	146	A-SPK2M-2416.....	158	A-SPK2R-2412.....	158	A-SPK3AL-2024.....	159
A-LVKXS33.....	147	A-SKT2460.....	146	A-SPK2M-2420.....	158	A-SPK2R-2416.....	158	A-SPK3AL-2412.....	159
A-LVKXS34.....	147	A-SKT2472.....	146	A-SPK2M-2424.....	158	A-SPK2R-2420.....	158	A-SPK3AL-2416.....	159
A-LVKXS43.....	147	A-SKT636.....	146	A-SPK2M-2430.....	158	A-SPK2R-2424.....	158	A-SPK3AL-2420.....	159
A-LVKXS44.....	147	A-SKT642.....	146	A-SPK2M-3016.....	158	A-SPK2R-2430.....	158	A-SPK3AL-2424.....	159
A-LVKXS64.....	147	A-SKT648.....	146	A-SPK2M-3020.....	158	A-SPK2R-3016.....	158	A-SPK3AL-2430.....	159
A-LVKXS66.....	147	A-SKT660.....	146	A-SPK2M-3024.....	158	A-SPK2R-3020.....	158	A-SPK3AL-3016.....	159
A-LVKXS812.....	147	A-SKT672.....	146	A-SPK2M-3030.....	158	A-SPK2R-3024.....	158	A-SPK3AL-3020.....	159
A-LVKXS84.....	147	A-SKTXS1236.....	146	A-SPK2M-3036.....	158	A-SPK2R-3030.....	158	A-SPK3AL-3024.....	159
A-LVKXS86.....	147	A-SKTXS1242.....	146	A-SPK2M-3624.....	158	A-SPK2R-3036.....	158	A-SPK3AL-3030.....	159
A-LVKXS88.....	147	A-SKTXS1248.....	146	A-SPK2M-3630.....	158	A-SPK2R-3624.....	158	A-SPK3AL-3036.....	159
A-LVKXZ23.....	147	A-SKTXS1260.....	146	A-SPK2M-3636.....	158	A-SPK2R-3630.....	158	A-SPK3AL-3624.....	159
A-LVKXZ33.....	147	A-SKTXS1272.....	146	A-SPK2M-4224.....	158	A-SPK2R-3636.....	158	A-SPK3AL-3630.....	159
A-LVKXZ34.....	147	A-SKTXS1836.....	146	A-SPK2M-4230.....	158	A-SPK2R-4224.....	158	A-SPK3AL-3636.....	159
A-LVKXZ43.....	147	A-SKTXS1842.....	146	A-SPK2M-4236.....	158	A-SPK2R-4230.....	158	A-SPK3AL-4224.....	159
A-LVKXZ44.....	147	A-SKTXS1848.....	146	A-SPK2M-4824.....	158	A-SPK2R-4236.....	158	A-SPK3AL-4230.....	159
A-LVKXZ64.....	147	A-SKTXS1860.....	146	A-SPK2M-4830.....	158	A-SPK2R-4824.....	158	A-SPK3AL-4236.....	159
A-LVKXZ66.....	147	A-SKTXS1872.....	146	A-SPK2M-4836.....	158	A-SPK2R-4830.....	158	A-SPK3AL-4824.....	159
A-LVKXZ812.....	147	A-SKTXS2436.....	146	A-SPK2M-6036.....	158	A-SPK2R-4836.....	158	A-SPK3AL-4830.....	159
A-LVKXZ84.....	147	A-SKTXS2442.....	146	A-SPK2M-7230.....	158	A-SPK2R-6036.....	158	A-SPK3AL-4836.....	159
A-LVKXZ86.....	147	A-SKTXS2448.....	146	A-SPK2N-1224.....	158	A-SPK2R-7230.....	158	A-SPK3AL-6036.....	159
A-LVKXZ88.....	147	A-SKTXS2460.....	146	A-SPK2N-1612.....	158	A-SPK3-1224.....	159	A-SPK3AL-7230.....	159
A-MOD8418EP.....	157	A-SKTXS2472.....	146	A-SPK2N-1616.....	158	A-SPK3-1612.....	159	A-SPK4-5442.....	160
A-MOD8418FEP.....	157	A-SKTXS636.....	146	A-SPK2N-1620.....	158	A-SPK3-1616.....	159	A-SPK4-6048.....	160
A-MOD8418GK.....	157	A-SKTXS642.....	146	A-SPK2N-2012.....	158	A-SPK3-1620.....	159	A-SPK4-6060.....	160
A-MOD8424EP.....	157	A-SKTXS648.....	146	A-SPK2N-2016.....	158	A-SPK3-2012.....	159	A-SPK4-60P24.....	160
A-MOD8424FEP.....	157	A-SKTXS660.....	146	A-SPK2N-2020.....	158	A-SPK3-2016.....	159	A-SPK4-60P36.....	160
A-MOD8424GK.....	157	A-SKTXS672.....	146	A-SPK2N-2024.....	158	A-SPK3-2020.....	159	A-SPK4-60P48.....	160
A-NH20030.....	151	A-SKTXZ61236.....	146	A-SPK2N-2412.....	158	A-SPK3-2024.....	159	A-SPK4-7260.....	160
A-NH41041.....	151	A-SKTXZ61242.....	146	A-SPK2N-2416.....	158	A-SPK3-2412.....	159	A-SPK4-7272.....	160
A-NH41050.....	151	A-SKTXZ61248.....	146	A-SPK2N-2420.....	158	A-SPK3-2416.....	159	A-SPK4-72P24.....	160
A-NH45015.....	153	A-SKTXZ61260.....	146	A-SPK2N-2424.....	158	A-SPK3-2420.....	159	A-SPK4-72P30.....	160
A-PP991C.....	144	A-SKTXZ61272.....	146	A-SPK2N-2430.....	158	A-SPK3-2424.....	159	A-SPK4-72P36.....	160
A-PP991CXS.....	144	A-SKTXZ61836.....	146	A-SPK2N-2430.....	158	A-SPK3-2430.....	159	A-SPK4-72P48.....	160
A-PP991CXZ.....	144	A-SKTXZ61842.....	146	A-SPK2N-3020.....	158	A-SPK3-3016.....	159	A-SPK4-72P60.....	160
A-PPLRGC.....	144	A-SKTXZ61848.....	146	A-SPK2N-3024.....	158	A-SPK3-3020.....	159	A-SPK4-72P72.....	160



Utility requirements for this equipment may vary. Always consult the serving utility for their requirements prior to ordering or installing this equipment. This product must be installed by a licensed electrician. Installation of this equipment may require local electrical inspector approval.

A-SPK4-90P24 160	A-WKXS1010 148	CC1264JIC12 55	FD726112-FT 93	HC14128JIC4XS 124
A-SPK4-90P36 160	A-WKXS1212 148	CC1264JIC12XS 55	FD726118-FT 93	HC14128JIC4XZ 124
A-SPK4-90P48 160	A-WKXS133 148	CC1264JIC12XZ 55	FD727312-FT 93	HC1486JIC12 58
A-SPK4-90P72 160	A-WKXS138 148	CC14126JIC12 55	FD727318-FT 93	HC1486JIC12XS 58
A-SPK4AL-5442 160	A-WKXS1711 148	CC14126JIC12XS 55	FD727324-FT 93	HC1486JIC12XZ 58
A-SPK4AL-6048 160	A-WKXS175 148	CC14126JIC12XZ 55	HC10106JIC12 58	HC1486JIC4 124
A-SPK4AL-6060 160	A-WKXS2016 148	CC14128JIC12 55	HC10106JIC12XS 58	HC1486JIC4XS 124
A-SPK4AL-60P24 160	A-WKXS2017 148	CC14128JIC12XS 55	HC10106JIC12XZ 58	HC1486JIC4XZ 124
A-SPK4AL-60P36 160	A-WKXS2020 148	CC14128JIC12XZ 55	HC10106JIC4 124	HC16106JIC12 58
A-SPK4AL-60P48 160	A-WKXS2315 148	CC1486JIC12 55	HC10106JIC4XS 124	HC16106JIC12XS 58
A-SPK4AL-7260 160	A-WKXS2420 148	CC1486JIC12XS 55	HC10106JIC4XZ 124	HC16106JIC12XZ 58
A-SPK4AL-7272 160	A-WKXS2424 148	CC1486JIC12XZ 55	HC1084JIC12 58	HC16106JIC4 124
A-SPK4AL-72P24 160	A-WKXS2919 148	CC16106JIC12 55	HC1084JIC12XS 58	HC16106JIC4XS 124
A-SPK4AL-72P30 160	A-WKXS3523 148	CC16106JIC12XS 55	HC1084JIC12XZ 58	HC16106JIC4XZ 124
A-SPK4AL-72P36 160	A-WKXS3624 148	CC16106JIC12XZ 55	HC1084JIC4 124	HC161410JIC12 58
A-SPK4AL-72P48 160	A-WKXS3636 148	CC161410JIC12 55	HC1084JIC4XS 124	HC161410JIC12XS 58
A-SPK4AL-72P60 160	A-WKXS53 148	CC161410JIC12XS 55	HC1084JIC4XZ 124	HC161410JIC12XZ 58
A-SPK4AL-72P72 160	A-WKXS95 148	CC161410JIC12XZ 55	HC1086JIC12 58	HC16146JIC12 58
A-SPK4AL-90P24 160	A-WKXZ1010 148	CC16146JIC12 55	HC1086JIC12XS 58	HC16146JIC12XS 58
A-SPK4AL-90P36 160	A-WKXZ1212 148	CC16146JIC12XS 55	HC1086JIC12XZ 58	HC16146JIC12XZ 58
A-SPK4AL-90P48 160	A-WKXZ133 148	CC16146JIC12XZ 55	HC1086JIC4 124	HC16146JIC4 124
A-SPK4AL-90P72 160	A-WKXZ138 148	CC16148JIC12 55	HC1086JIC4XS 124	HC16146JIC4XS 124
A-SPKB3-10 159	A-WKXZ1711 148	CC16148JIC12XS 55	HC1086JIC4XZ 124	HC16146JIC4XZ 124
A-SPKB3-12 159	A-WKXZ175 148	CC16148JIC12XZ 55	HC12105JIC12 58	HC16148JIC12 58
A-SPKB3-16 159	A-WKXZ2016 148	CC443JIC12 55	HC12105JIC12XS 58	HC16148JIC12XS 58
A-SPKB3-18 159	A-WKXZ2017 148	CC443JIC12XS 55	HC12105JIC12XZ 58	HC16148JIC12XZ 58
A-SPKB3-20 159	A-WKXZ2020 148	CC443JIC12XZ 55	HC12105JIC4 124	HC16148JIC4 124
A-SPKB3-24 159	A-WKXZ2315 148	CC444JIC12 55	HC12105JIC4XS 124	HC16148JIC4XS 124
A-SPKB3-8 159	A-WKXZ2420 148	CC444JIC12XS 55	HC12105JIC4XZ 124	HC16148JIC4XZ 124
A-SPPOCKET 144	A-WKXZ2424 148	CC444JIC12XZ 55	HC12108JIC12 58	HC20167JIC12 59
A-TC3RMFK10 46	A-WKXZ2919 148	CC643JIC12 55	HC12108JIC12XS 58	HC20169JIC12 59
A-TC3RMFK12 46	A-WKXZ352 148	CC643JIC12XS 55	HC12108JIC12XZ 58	HC20207JIC12 59
A-TC3RMFK16 46	A-WKXZ3624 148	CC643JIC12XZ 55	HC12108JIC4 124	HC20209JIC12 59
A-TC3RMFK18 46	A-WKXZ3636 148	CC644JIC12 55	HC12108JIC4XS 124	HC24207JIC12 59
A-TC3RMFK24 46	A-WKXZ53 148	CC644JIC12XS 55	HC12108JIC4XZ 124	HC24209JIC12 59
A-TC3RMFK6 46	A-WKXZ95 148	CC644JIC12XZ 55	HC12126JIC12 58	HC242411JIC12 59
A-TC3RMFK8 46	A-WP 143	CC664JIC12 55	HC12126JIC12XS 58	HC24247JIC12 59
A-TC3RMFKLG 46	A-WP 143	CC664JIC12XS 55	HC12126JIC12XZ 58	HC24249JIC12 59
A-THNDLKLCHR 150	C. T-Handle Lock 45	CC664JIC12XZ 55	HC12126JIC4 124	HC30207JIC12 59
A-WK1010 148	CC10106JIC12 55	CC666JIC12 55	HC12126JIC4XS 124	HC30209JIC12 59
A-WK1212 148	CC10106JIC12XS 55	CC666JIC12XS 55	HC12126JIC4XZ 124	HC302413JIC12 59
A-WK133 148	CC10106JIC12XZ 55	CC666JIC12XZ 55	HC1264JIC12 58	HC30247JIC12 59
A-WK138 148	CC1084JIC12 55	CC863JIC12 55	HC1264JIC12XS 58	HC30249JIC12 59
A-WK1711 148	CC1084JIC12XS 55	CC863JIC12XS 55	HC1264JIC12XZ 58	HC362411JIC12 59
A-WK175 148	CC1084JIC12XZ 55	CC863JIC12XZ 55	HC1264JIC4 124	HC36247JIC12 59
A-WK2016 148	CC1086JIC12 55	CC866JIC12 55	HC1264JIC4XS 124	HC36249JIC12 59
A-WK2017 148	CC1086JIC12XS 55	CC866JIC12XS 55	HC1264JIC4XZ 124	HC363013JIC12 59
A-WK2020 148	CC1086JIC12XZ 55	CC866JIC12XZ 55	HC14126JIC12 58	HC36309JIC12 59
A-WK2315 148	CC12105JIC12 55	CC884JIC12 55	HC14126JIC12XS 58	HC42309JIC12 59
A-WK2420 148	CC12105JIC12XS 55	CC884JIC12XS 55	HC14126JIC12XZ 58	HC42369JIC12 59
A-WK2424 148	CC12105JIC12XZ 55	CC884JIC12XZ 55	HC14126JIC4 124	HC443JIC12 58
A-WK2919 148	CC12108JIC12 55	FD604912-FT 93	HC14126JIC4XS 124	HC443JIC12XS 58
A-WK3523 148	CC12108JIC12XS 55	FD604918-FT 93	HC14126JIC4XZ 124	HC443JIC12XZ 58
A-WK3624 148	CC12108JIC12XZ 55	FD604924-FT 93	HC14128JIC12 58	HC443JIC4 124
A-WK3636 148	CC12126JIC12 55	FD606112-FT 93	HC14128JIC12XS 58	HC443JIC4XS 124
A-WK53 148	CC12126JIC12XS 55	FD606118-FT 93	HC14128JIC12XZ 58	HC443JIC4XZ 124
A-WK95 148	CC12126JIC12XZ 55	FD606124-FT 93	HC14128JIC4 124	HC444JIC12 58

Utility requirements for this equipment may vary. Always consult the serving utility for their requirements prior to ordering or installing this equipment. This product must be installed by a licensed electrician. Installation of this equipment may require local electrical inspector approval.



HC444JIC12XS 58	M12D304212..... 75	M12DXS424212 75	M12DXZ604816-FT 76	M12FSD726036..... 80
HC444JIC12XZ 58	M12D304216 75	M12DXS424216 75	M12DXZ604820-FT 76	M12FSD726618AF-FD 98
HC444JIC4 124	M12D304810..... 75	M12DXS424812 75	M12DXZ604824-FT 76	M12FSD727218..... 80
HC444JIC4XS 124	M12D304812 75	M12DXS424816 75	M12DXZ60488-FT 76	M12FSD727224..... 80
HC444JIC4XZ 124	M12D306010..... 75	M12DXS426012 75	M12DXZ606010-FT 76	M12FSD727818AF-FD 98
HC483611JIC12 59	M12D306012..... 75	M12DXS426016 75	M12DXZ606012 75	M12FSD727824SF-FD 98
HC643 JIC4XS 124	M12D306016..... 75	M12DXS484812 75	M12DXZ606012-FT 76	M12FSD847818AF-FD 98
HC643JIC12 58	M12D364212 75	M12DXS484816 75	M12DXZ606016 75	M12FSD847824AF-FD 98
HC643JIC12XS 58	M12D364216 75	M12DXS486012 75	M12DXZ606024-FT 76	M12FSD904820..... 80
HC643JIC12XZ 58	M12D364812 75	M12DXS486016 75	M12DXZ726010-FT 76	M12FSD907220..... 80
HC643JIC4 124	M12D364816 75	M12DXS544208-FT 76	M12DXZ726012-FT 76	M12FSD907224..... 80
HC643JIC4XZ 124	M12D366012 75	M12DXS604810-FT 76	M12DXZ726024-FT 76	M12FSD907236..... 80
HC644JIC12 58	M12D366016 75	M12DXS604812-FT 76	M12DXZ727210-FT 76	M12FSD907818AF-FD 98
HC644JIC12XS 58	M12D424212 75	M12DXS604816-FT 76	M12DXZ727212-FT 76	M12FSD907820AF-FD 98
HC644JIC12XZ 58	M12D424216..... 75	M12DXS604820-FT 76	M12DXZ727224-FT 76	M12FSD907824AF-FD 98
HC644JIC4 124	M12D424812 75	M12DXS604824-FT 76	M12FS3D7210018AF-FD 98	M12FSDA724824 79
HC644JIC4XS 124	M12D424816 75	M12DXS60488-FT 76	M12FS3D7211818AF-FD 98	M12FSDA726024 79
HC644JIC4XZ 124	M12D426012 75	M12DXS606010-FT 76	M12FS3D8411818AF-FD 98	M12FSDA726036 79
HC664JIC12 58	M12D426016 75	M12DXS606012 75	M12FS3D8411824AF-FD 98	M12FSDA727224 79
HC664JIC12XS 58	M12D484812 75	M12DXS606012-FT 76	M12FS3D9011824AF-FD 98	M12FSDA907224 79
HC664JIC12XZ 58	M12D484816 75	M12DXS606016 75	M12FS4D8415818AF-FD 98	M12FSDAD724824..... 81
HC664JIC4 124	M12D486012 75	M12DXS606024-FT 76	M12FS4D8415824AF-FD 98	M12FSDAD726024 81
HC664JIC4XS 124	M12D486016 75	M12DXS726010-FT 76	M12FS4D9015818AF-FD 98	M12FSDAD726036..... 81
HC664JIC4XZ 124	M12D544208-FT 76	M12DXS726012-FT 76	M12FS4D9015824AF-FD 98	M12FSDAD727224..... 81
HC666JIC12 58	M12D604810-FT 76	M12DXS726024-FT 76	M12FS5D8419718AF-FD 98	M12FSDAD907224..... 81
HC666JIC12XS 58	M12D604812-FT 76	M12DXS727210-FT 76	M12FS5D8419724AF-FD 98	M12FSDADXS724824 81
HC666JIC12XZ 58	M12D604816-FT 76	M12DXS727212-FT 76	M12FS5D9019718AF-FD 98	M12FSDADXS726024 81
HC666JIC4 124	M12D604820-FT 76	M12DXS727224-FT 76	M12FS5D9019724AF-FD 98	M12FSDADXS726036 81
HC666JIC4XS 124	M12D604824-FT 76	M12DXZ244208 75	M12FS602418 78	M12FSDADXS727224 81
HC666JIC4XZ 124	M12D60488-FT 76	M12DXZ244808 75	M12FS603624 78	M12FSDADXS907224 81
HC863JIC12 58	M12D606010-FT 76	M12DXZ304210 75	M12FS722418 78	M12FSDADXS724824 81
HC863JIC12XS 58	M12D606012..... 75	M12DXZ304212 75	M12FS722424 78	M12FSDADXS726024 81
HC863JIC12XZ 58	M12D606012-FT 76	M12DXZ304216 75	M12FS722430 78	M12FSDADXS726036 81
HC863JIC4 124	M12D606016 75	M12DXZ304810 75	M12FS722818AF-FD 98	M12FSDADXS727224 81
HC863JIC4XS 124	M12D606024-FT 76	M12DXZ304812 75	M12FS723018 78	M12FSDADXS907224 81
HC863JIC4XZ 124	M12D726010-FT 76	M12DXZ306010 75	M12FS723024 78	M12FSDASS724824 79
HC866JIC12 58	M12D726012-FT 76	M12DXZ306012 75	M12FS723418AF-FD 98	M12FSDASS726024 79
HC866JIC12XS 58	M12D726024-FT 76	M12DXZ306016 75	M12FS723618 78	M12FSDASS726036 79
HC866JIC12XZ 58	M12D727210-FT 76	M12DXZ364212 75	M12FS723624 78	M12FSDASS727224 79
HC866JIC4 124	M12D727212-FT 76	M12DXZ364216 75	M12FS723630 78	M12FSDASS907224 79
HC866JIC4XS 124	M12D727224-FT 76	M12DXZ364812 75	M12FS723636 78	M12FSDAXZ724824 79
HC866JIC4XZ 124	M12DXS244208 75	M12DXZ364816 75	M12FS724018AF-FD 98	M12FSDAXZ726024 79
HC884JIC12 58	M12DXS244808 75	M12DXZ366012 75	M12FS844018AF-FD 98	M12FSDAXZ726036 79
HC884JIC12XS 58	M12DXS304210 75	M12DXZ366016 75	M12FS844024AF-FD 98	M12FSDAXZ727224 79
HC884JIC12XZ 58	M12DXS304212 75	M12DXZ424212 75	M12FS902420 78	M12FSDAXZ907224 79
HC884JIC4 124	M12DXS304216 75	M12DXZ424216 75	M12FS903620 78	M12FSDXS604818 80
HC884JIC4XS 124	M12DXS304810 75	M12DXZ424812 75	M12FS903624 78	M12FSDXS724818 80
HC884JIC4XZ 124	M12DXS304812 75	M12DXZ424816 75	M12FS903636 78	M12FSDXS724824 80
M123D8611214 82	M12DXS306010 75	M12DXZ426012 75	M12FS904018AF-FD 98	M12FSDXS726018 80
M123D8611220 82	M12DXS306012 75	M12DXZ426016 75	M12FS904020AF-FD 98	M12FSDXS726024 80
M124D8614914 82	M12DXS306016 75	M12DXZ484812 75	M12FS904024AF-FD 98	M12FSDXS726036 80
M124D8614920 82	M12DXS364212 75	M12DXZ484816 75	M12FS604818..... 80	M12FSDXS727218 80
M125D8618714 82	M12DXS364216 75	M12DXZ486012 75	M12FSD724818..... 80	M12FSDXS727224 80
M125D8618720..... 82	M12DXS364812 75	M12DXZ486016 75	M12FSD724824..... 80	M12FSDXS904820 80
M12D244208..... 75	M12DXS364816 75	M12DXZ54428-FT 76	M12FSD725418AF-FD 98	M12FSDXS907220 80
M12D244808..... 75	M12DXS366012 75	M12DXZ604810-FT 76	M12FSD726018..... 80	M12FSDXS907224 80
M12D304210..... 75	M12DXS366016 75	M12DXZ604812-FT 76	M12FSD726024..... 80	M12FSDXS907236 80



Utility requirements for this equipment may vary. Always consult the serving utility for their requirements prior to ordering or installing this equipment. This product must be installed by a licensed electrician. Installation of this equipment may require local electrical inspector approval.

M12FSDXZ604818 80	M12S202006 72	M12S362410 73	M12S483716-FD-H 87	M12SP1-C24..... 116
M12FSDXZ724818 80	M12S202008 72	M12S362412 73	M12S603608 72	M12SP1-C30..... 116
M12FSDXZ724824 80	M12S202108-FD 88	M12S362508-FD 88	M12S603610 73	M12SP1-C36..... 116
M12FSDXZ726018 80	M12S202108-FD-H 86	M12S362508-FD-H 86	M12S603612 73	M12SP1-C42..... 116
M12FSDXZ726024 80	M12S202110-FD 88	M12S362510-FD 89	M12S603616 73	M12SP1-C48..... 116
M12FSDXZ726036 80	M12S202110-FD-H 86	M12S362510-FD-H 87	M12S603620 73	M12SP-924B..... 116
M12FSDXZ727218 80	M12S202406 72	M12S363006 72	M12S603708-FD 88	M12SP-936B..... 116
M12FSDXZ727224 80	M12S202408 72	M12S363008 72	M12S603708-FD-H 86	M12XA122406..... 72
M12FSDXZ904820 80	M12S241206 72	M12S363010 73	M12S603710-FD 89	M12XA122408..... 72
M12FSDXZ907220 80	M12S241210 72	M12S363012 73	M12S603710-FD-H 87	M12XA161206..... 72
M12FSDXZ907224 80	M12S241606 72	M12S363016 73	M12S603712-FD 89	M12XA161208..... 72
M12FSDXZ907236 80	M12S241608 72	M12S363020 73	M12S603712-FD-H 87	M12XA161210..... 72
M12FSXS602418 78	M12S242006 72	M12S363108-FD 88	M12S603716-FD 89	M12XA161606..... 72
M12FSXS603624 78	M12S242008 72	M12S363108-FD-H 86	M12S603716-FD-H 87	M12XA161608..... 72
M12FSXS722418 78	M12S242010 73	M12S363110-FD 89	M12S723012 73	M12XA162006..... 72
M12FSXS722424 78	M12S242012 73	M12S363110-FD-H 87	M12S723016 73	M12XA162008..... 72
M12FSXS722430 78	M12S242016 73	M12S363112-FD 89	M12S723020 73	M12XA201206..... 72
M12FSXS723018 78	M12S242108-FD 88	M12S363112-FD-H 87	M12S723024 73	M12XA201208..... 72
M12FSXS723024 78	M12S242108-FD-H 86	M12S363116-FD 89	M12S723612 73	M12XA201606..... 72
M12FSXS723618 78	M12S242110-FD 88	M12S363116-FD-H 87	M12SAB202108-FD-H 91	M12XA201608..... 72
M12FSXS723624 78	M12S242110-FD-H 86	M12S363608 72	M12SAB202110-FD-H 91	M12XA201610..... 73
M12FSXS723630 78	M12S242406 72	M12S363612 73	M12SAB242108-FD-H 91	M12XA201612..... 73
M12FSXS723636 78	M12S242408 72	M12S422408 72	M12SAB242110-FD-H 91	M12XA202006..... 72
M12FSXS902420 78	M12S242410 73	M12S423008 72	M12SAB242508-FD-H 91	M12XA202008..... 72
M12FSXS903620 78	M12S242412 73	M12S423010 73	M12SAB242510-FD-H 91	M12XA202406..... 72
M12FSXS903624 78	M12S242416 73	M12S423012 73	M12SAB302108-FD-H 91	M12XA202408..... 72
M12FSXS903636 78	M12S242508-FD 88	M12S423108-FD 88	M12SAB302110-FD-H 91	M12XA241206..... 72
M12FSXS903642 78	M12S242508-FD-H 86	M12S423108-FD-H 86	M12SAB302508-FD-H 91	M12XA241210..... 72
M12FSXZ603624 78	M12S242510-FD 88	M12S423110-FD 89	M12SAB302510-FD-H 91	M12XA241606..... 72
M12FSXZ722418 78	M12S242510-FD-H 86	M12S423110-FD-H 87	M12SAB302512-FD 92	M12XA241608..... 72
M12FSXZ722424 78	M12S243008 72	M12S423112-FD 89	M12SAB362508-FD-H 91	M12XA242006..... 72
M12FSXZ722430 78	M12S301606 72	M12S423112-FD-H 87	M12SAB362510-FD-H 91	M12XA242008..... 72
M12FSXZ723018 78	M12S302006 72	M12S423608 72	M12SAB363108-FD-H 91	M12XA242010..... 73
M12FSXZ723024 78	M12S302008 72	M12S423610 73	M12SAB363110-FD-H 91	M12XA242012..... 73
M12FSXZ723618 78	M12S302010 73	M12S423612 73	M12SAB363112-FD 92	M12XA242016..... 73
M12FSXZ723624 78	M12S302108-FD 88	M12S423616 73	M12SAB363116-FD 92	M12XA242406..... 72
M12FSXZ723630 78	M12S302108-FD-H 86	M12S423708-FD 88	M12SAB423108-FD-H 91	M12XA242408..... 72
M12FSXZ723636 78	M12S302110-FD 88	M12S423708-FD-H 86	M12SAB423110-FD-H 91	M12XA242410..... 73
M12FSXZ902420 78	M12S302110-FD-H 87	M12S423710-FD 89	M12SAB423112-FD 92	M12XA242412..... 73
M12FSXZ903620 78	M12S302406 72	M12S423710-FD-H 87	M12SAB423708-FD-H 91	M12XA242416..... 73
M12FSXZ903624 78	M12S302408 72	M12S423712-FD 89	M12SAB423710-FD-H 92	M12XA243008..... 72
M12FSXZ903636 78	M12S302410 73	M12S423712-FD-H 87	M12SAB423712-FD 92	M12XA242410..... 73
M12S122406 72	M12S302412 73	M12S482408 72	M12SAB483708-FD-H 91	M12XA242416..... 73
M12S122408 72	M12S302416 73	M12S483008 72	M12SAB483710-FD 92	M12XA302008..... 72
M12S161206 72	M12S302420 73	M12S483010 73	M12SAB483712-FD 92	M12XA302010..... 73
M12S161208 72	M12S302424 73	M12S483608 72	M12SAB483716-FD 92	M12XA302406..... 72
M12S161210 72	M12S302508-FD 88	M12S483610 73	M12SAB483716-FD-A 92	M12XA302408..... 72
M12S161606 72	M12S302508-FD-H 86	M12S483612 73	M12SAB483716-FD-A 92	M12XA302410..... 73
M12S161608 72	M12S302510-FD 88	M12S483616 73	M12SAB483716-FD-A 92	M12XA302412..... 73
M12S162006 72	M12S302510-FD-H 87	M12S483620 73	M12SAB603708-FD-H 91	M12XA302416..... 73
M12S162008 72	M12S302510-FD-H 87	M12S483708-FD 88	M12SAB603710-FD 92	M12XA302420..... 73
M12S201206 72	M12S302512-FD 89	M12S483708-FD-H 86	M12SAB603712-FD 92	M12XA302424..... 73
M12S201208 72	M12S303008 72	M12S483710-FD 89	M12SAB603716-FD 92	M12XA303008..... 72
M12S201606 72	M12S303012 73	M12S483710-FD-H 87	M12SAB603716-FD-A 92	M12XA303012..... 73
M12S201608 72	M12S303608 72	M12S483712-FD 89	M12SAB603716-FD-A 92	M12XA303608..... 72
M12S201610 73	M12S362406 72	M12S483712-FD-H 87	M12SAB603716-FD-A 92	M12XA362406..... 72
M12S201612 73	M12S362408 72	M12S483716-FD 89	M12SP1-C18..... 116	M12XA362408..... 72

Utility requirements for this equipment may vary. Always consult the serving utility for their requirements prior to ordering or installing this equipment. This product must be installed by a licensed electrician. Installation of this equipment may require local electrical inspector approval.



M12XA362410.....	73	M12XS202406.....	72	M12XS362508-FD.....	88	M12XS483712-FD-H.....	87	M12XZ161210.....	72
M12XA362412.....	73	M12XS202408.....	72	M12XS362508-FD-H.....	86	M12XS483716-FD.....	89	M12XZ161606.....	72
M12XA363006.....	72	M12XS241206.....	72	M12XS362510-FD.....	89	M12XS483716-FD-H.....	87	M12XZ161608.....	72
M12XA363008.....	72	M12XS241210.....	72	M12XS362510-FD-H.....	87	M12XS603608.....	72	M12XZ162006.....	72
M12XA363010.....	73	M12XS241606.....	72	M12XS363006.....	72	M12XS603610.....	73	M12XZ162008.....	72
M12XA363012.....	73	M12XS241608.....	72	M12XS363008.....	72	M12XS603612.....	73	M12XZ201206.....	72
M12XA363016.....	73	M12XS242006.....	72	M12XS363010.....	73	M12XS603616.....	73	M12XZ201208.....	72
M12XA363020.....	73	M12XS242008.....	72	M12XS363012.....	73	M12XS603620.....	73	M12XZ201606.....	72
M12XA363608.....	72	M12XS242010.....	73	M12XS363016.....	73	M12XS603708-FD.....	88	M12XZ201608.....	72
M12XA363612.....	73	M12XS242012.....	73	M12XS363020.....	73	M12XS603708-FD.....	88	M12XZ201610.....	73
M12XA422408.....	72	M12XS242016.....	73	M12XS363108-FD.....	88	M12XS603708-FD-H.....	86	M12XZ201612.....	73
M12XA423008.....	72	M12XS242108-FD.....	88	M12XS363108-FD.....	88	M12XS603710-FD.....	89	M12XZ202006.....	72
M12XA423010.....	73	M12XS242108-FD-H.....	86	M12XS363108-FD-H.....	86	M12XS603710-FD-H.....	87	M12XZ202008.....	72
M12XA423012.....	73	M12XS242110-FD.....	88	M12XS363110-FD.....	89	M12XS603712-FD.....	89	M12XZ202108-FD.....	88
M12XA423608.....	72	M12XS242110-FD-H.....	86	M12XS363110-FD-H.....	87	M12XS603712-FD-H.....	87	M12XZ202108-FD-H.....	86
M12XA423610.....	73	M12XS242406.....	72	M12XS363112-FD.....	89	M12XS603716-FD.....	89	M12XZ202110-FD.....	88
M12XA423612.....	73	M12XS242408.....	72	M12XS363112-FD-H.....	87	M12XS603716-FD-H.....	87	M12XZ202110-FD-H.....	86
M12XA423616.....	73	M12XS242410.....	73	M12XS363116-FD.....	89	M12XS723012.....	73	M12XZ202106.....	72
M12XA482408.....	72	M12XS242412.....	73	M12XS363116-FD-H.....	87	M12XS723016.....	73	M12XZ202408.....	72
M12XA483008.....	72	M12XS242416.....	73	M12XS363608.....	72	M12XS723020.....	73	M12XZ241206.....	72
M12XA483010.....	73	M12XS242508-FD.....	88	M12XS363612.....	73	M12XS723024.....	73	M12XZ241210.....	72
M12XA483608.....	72	M12XS242508-FD.....	88	M12XS422408.....	72	M12XS723612.....	73	M12XZ241606.....	72
M12XA483610.....	73	M12XS242508-FD-H.....	86	M12XS423008.....	72	M12XSAB202108-FD-H.....	91	M12XZ241608.....	72
M12XA483612.....	73	M12XS242510-FD.....	88	M12XS423010.....	73	M12XSAB202110-FD-H.....	91	M12XZ242006.....	72
M12XA483616.....	73	M12XS242510-FD-H.....	86	M12XS423012.....	73	M12XSAB242108-FD-H.....	91	M12XZ242008.....	72
M12XA483620.....	73	M12XS243008.....	72	M12XS423108-FD.....	88	M12XSAB242110-FD-H.....	91	M12XZ242010.....	73
M12XA603608.....	72	M12XS301606.....	72	M12XS423108-FD.....	88	M12XSAB242508-FD-H.....	91	M12XZ242012.....	73
M12XA603610.....	73	M12XS302006.....	72	M12XS423108-FD-H.....	86	M12XSAB242510-FD-H.....	91	M12XZ242016.....	73
M12XA603612.....	73	M12XS302008.....	72	M12XS423110-FD.....	89	M12XSAB302108-FD-H.....	91	M12XZ242108-FD.....	88
M12XA603616.....	73	M12XS302010.....	73	M12XS423110-FD-H.....	87	M12XSAB302110-FD-H.....	91	M12XZ242108-FD-H.....	86
M12XA603620.....	73	M12XS302108-FD.....	88	M12XS423112-FD.....	89	M12XSAB302508-FD-H.....	91	M12XZ242110-FD.....	88
M12XA723012.....	73	M12XS302108-FD.....	88	M12XS423112-FD-H.....	87	M12XSAB302510-FD-H.....	91	M12XZ242110-FD-H.....	86
M12XA723016.....	73	M12XS302108-FD-H.....	86	M12XS423608.....	72	M12XSAB302512-FD.....	92	M12XZ242406.....	72
M12XA723020.....	73	M12XS302110-FD.....	88	M12XS423610.....	73	M12XSAB362508-FD-H.....	91	M12XZ242408.....	72
M12XA723024.....	73	M12XS302110-FD-H.....	87	M12XS423612.....	73	M12XSAB362510-FD-H.....	91	M12XZ242410.....	73
M12XA723612.....	73	M12XS302406.....	72	M12XS423616.....	73	M12XSAB363108-FD-H.....	91	M12XZ242412.....	73
M12XS122406.....	72	M12XS302408.....	72	M12XS423708-FD.....	88	M12XSAB363110-FD-H.....	91	M12XZ242416.....	73
M12XS122408.....	72	M12XS302410.....	73	M12XS423708-FD.....	88	M12XSAB363112-FD.....	92	M12XZ242508-FD-H.....	86
M12XS161206.....	72	M12XS302412.....	73	M12XS423708-FD-H.....	86	M12XSAB363116-FD.....	92	M12XZ242510-FD.....	88
M12XS161208.....	72	M12XS302416.....	73	M12XS423710-FD.....	89	M12XSAB423108-FD-H.....	91	M12XZ242510-FD-H.....	86
M12XS161210.....	72	M12XS302420.....	73	M12XS423710-FD-H.....	87	M12XSAB423110-FD-H.....	91	M12XZ243008.....	72
M12XS161606.....	72	M12XS302424.....	73	M12XS423712-FD.....	89	M12XSAB423112-FD.....	92	M12XZ301606.....	72
M12XS161608.....	72	M12XS302508-FD.....	88	M12XS423712-FD-H.....	87	M12XSAB423708-FD-H.....	91	M12XZ302006.....	72
M12XS162006.....	72	M12XS302508-FD.....	88	M12XS482408.....	72	M12XSAB423710-FD-H.....	92	M12XZ302008.....	72
M12XS162008.....	72	M12XS302508-FD-H.....	86	M12XS483008.....	72	M12XSAB423712-FD.....	92	M12XZ302010.....	73
M12XS201206.....	72	M12XS302510-FD.....	88	M12XS483010.....	73	M12XSAB483708-FD-H.....	91	M12XZ302108-FD-H.....	86
M12XS201208.....	72	M12XS302510-FD-H.....	87	M12XS483608.....	72	M12XSAB483710-FD.....	92	M12XZ302110-FD.....	88
M12XS201606.....	72	M12XS302510-FD-H.....	87	M12XS483610.....	73	M12XSAB483712-FD.....	92	M12XZ302110-FD-H.....	87
M12XS201608.....	72	M12XS302512-FD.....	89	M12XS483612.....	73	M12XSAB483716-FD.....	92	M12XZ302406.....	72
M12XS201610.....	73	M12XS303008.....	72	M12XS483616.....	73	M12XSAB603708-FD-H.....	91	M12XZ302408.....	72
M12XS201612.....	73	M12XS303012.....	73	M12XS483620.....	73	M12XSAB603710-FD.....	92	M12XZ302410.....	73
M12XS202006.....	72	M12XS303608.....	72	M12XS483708-FD.....	88	M12XSAB603712-FD.....	92	M12XZ302412.....	73
M12XS202008.....	72	M12XS362406.....	72	M12XS483708-FD.....	88	M12XSAB603716-FD.....	92	M12XZ302416.....	73
M12XS202108-FD.....	88	M12XS362408.....	72	M12XS483708-FD-H.....	86	M12XZ122406.....	72	M12XZ302420.....	73
M12XS202108-FD-H.....	86	M12XS362410.....	73	M12XS483710-FD.....	89	M12XZ122408.....	72	M12XZ302424.....	73
M12XS202110-FD.....	88	M12XS362412.....	73	M12XS483710-FD-H.....	87	M12XZ161206.....	72	M12XZ302508-FD-H.....	86
M12XS202110-FD-H.....	86	M12XS362508-FD.....	88	M12XS483712-FD.....	89	M12XZ161208.....	72	M12XZ302510-FD.....	88



Utility requirements for this equipment may vary. Always consult the serving utility for their requirements prior to ordering or installing this equipment. This product must be installed by a licensed electrician. Installation of this equipment may require local electrical inspector approval.

M12XZ302510-FD-H 87	M12XZ483712-FD 89	M4D62488-FT 128	M4DXZ747224 -FT 128	M4FSXZ723724 131
M12XZ302510-FD-H 87	M12XZ483712-FD-H 87	M4D626010-FT 128	M4FS602518 131	M4FSXZ723730 131
M12XZ302512-FD 89	M12XZ483716-FD 89	M4D626012-FT 128	M4FS603724 131	M4FSXZ723736 131
M12XZ303008 72	M12XZ483716-FD-H 87	M4D626016-FT 128	M4FS722518 131	M4FSXZ902520 131
M12XZ303012 73	M12XZ603608 72	M4D626020-FT 128	M4FS722524 131	M4FSXZ902524 131
M12XZ303608 72	M12XZ603610 73	M4D626024-FT 128	M4FS722530 131	M4FSXZ902530 131
M12XZ362406 72	M12XZ603612 73	M4D746010-FT 128	M4FS723118 131	M4FSXZ903120 131
M12XZ362408 72	M12XZ603616 73	M4D746012-FT 128	M4FS723124 131	M4FSXZ903124 131
M12XZ362410 73	M12XZ603620 73	M4D746016-FT 128	M4FS723130 131	M4FSXZ903130 131
M12XZ362412 73	M12XZ603708-FD-H 86	M4D746020-FT 128	M4FS723136 131	M4FSXZ903720 131
M12XZ362508-FD-H 86	M12XZ603710-FD 89	M4D746024-FT 128	M4FS723718 131	M4FSXZ903724 131
M12XZ362510-FD 89	M12XZ603710-FD-H 87	M4D747210-FT 128	M4FS723724 131	M4FSXZ903730 131
M12XZ362510-FD-H 87	M12XZ603712-FD 89	M4D747212-FT 128	M4FS723730 131	M4FSXZ903736 131
M12XZ363006 72	M12XZ603712-FD-H 87	M4D747216-FT 128	M4FS723736 131	M4S122406 126
M12XZ363008 72	M12XZ603716-FD 89	M4D747220-FT 128	M4FS902520 131	M4S122408 126
M12XZ363010 73	M12XZ603716-FD-H 87	M4D747224-FT 128	M4FS902524 131	M4S161206 126
M12XZ363012 73	M12XZ723012 73	M4DXS624810-FT 128	M4FS902530 131	M4S161208 126
M12XZ363016 73	M12XZ723016 73	M4DXS624812-FT 128	M4FS903120 131	M4S161210 127
M12XZ363020 73	M12XZ723020 73	M4DXS624816-FT 128	M4FS903124 131	M4S161606 126
M12XZ363108-FD-H 86	M12XZ723024 73	M4DXS624820-FT 128	M4FS903130 131	M4S161608 126
M12XZ363110-FD 89	M12XZ723612 73	M4DXS624824-FT 128	M4FS903720 131	M4S162006 126
M12XZ363110-FD-H 87	M12XZAB202108-FD-H.... 91	M4DXS62488-FT 128	M4FS903724 131	M4S162008 126
M12XZ363112-FD 89	M12XZAB202110-FD-H.... 91	M4DXS626010-FT 128	M4FS903730 131	M4S201206 126
M12XZ363112-FD-H 87	M12XZAB242108-FD-H.... 91	M4DXS626012-FT 128	M4FS903736 131	M4S201208 126
M12XZ363116-FD 89	M12XZAB242110-FD-H.... 91	M4DXS626016-FT 128	M4FSXS602518 131	M4S201606 126
M12XZ363116-FD-H 87	M12XZAB242508-FD-H.... 91	M4DXS626020-FT 128	M4FSXS603724 131	M4S201608 126
M12XZ363608 72	M12XZAB242510-FD-H.... 91	M4DXS626024-FT 128	M4FSXS722518 131	M4S201610 127
M12XZ363612 73	M12XZAB302108-FD-H.... 91	M4DXS746010-FT 128	M4FSXS722524 131	M4S201612 127
M12XZ422408 72	M12XZAB302110-FD-H.... 91	M4DXS746012-FT 128	M4FSXS722530 131	M4S202006 126
M12XZ423008 72	M12XZAB302508-FD-H.... 91	M4DXS746016-FT 128	M4FSXS723118 131	M4S202008 126
M12XZ423010 73	M12XZAB302510-FD-H.... 91	M4DXS746020-FT 128	M4FSXS723124 131	M4S202406 126
M12XZ423012 73	M12XZAB302512-FD 92	M4DXS746024-FT 128	M4FSXS723130 131	M4S202408 126
M12XZ423108-FD-H 86	M12XZAB362508-FD-H.... 91	M4DXS747210-FT 128	M4FSXS723136 131	M4S241206 126
M12XZ423110-FD 89	M12XZAB362510-FD-H.... 91	M4DXS747212-FT 128	M4FSXS723718 131	M4S241210 127
M12XZ423110-FD-H 87	M12XZAB363108-FD-H.... 91	M4DXS747216-FT 128	M4FSXS723724 131	M4S241606 126
M12XZ423112-FD 89	M12XZAB363110-FD-H.... 91	M4DXS747220-FT 128	M4FSXS723730 131	M4S241608 126
M12XZ423112-FD-H 87	M12XZAB363112-FD 92	M4DXS747224-FT 128	M4FSXS723736 131	M4S242006 126
M12XZ423608 72	M12XZAB363116-FD 92	M4DXZ624810-FT 128	M4FSXS902520 131	M4S242008 126
M12XZ423610 73	M12XZAB423108-FD-H.... 91	M4DXZ624812-FT 128	M4FSXS902524 131	M4S242010 127
M12XZ423612 73	M12XZAB423110-FD-H.... 91	M4DXZ624816-FT 128	M4FSXS902530 131	M4S242012 127
M12XZ423616 73	M12XZAB423112-FD 92	M4DXZ624820-FT 128	M4FSXS903120 131	M4S242016 127
M12XZ423708-FD-H 86	M12XZAB423708-FD-H.... 91	M4DXZ624824-FT 128	M4FSXS903124 131	M4S24218-FD 132
M12XZ423710-FD 89	M12XZAB423710-FD-H.... 92	M4DXZ62488-FT 128	M4FSXS903130 131	M4S242406 126
M12XZ423710-FD-H 87	M12XZAB423712-FD 92	M4DXZ626010-FT 128	M4FSXS903720 131	M4S242408 126
M12XZ423712-FD 89	M12XZAB483708-FD-H.... 91	M4DXZ626012-FT 128	M4FSXS903724 131	M4S242410 127
M12XZ423712-FD-H 87	M12XZAB483710-FD 92	M4DXZ626016-FT 128	M4FSXS903730 131	M4S242412 127
M12XZ482408 72	M12XZAB483712-FD 92	M4DXZ626020-FT 128	M4FSXS903736 131	M4S242416 127
M12XZ483008 72	M12XZAB483716-FD 92	M4DXZ626024-FT 128	M4FSXS602518 131	M4S242508-FD 132
M12XZ483010 73	M12XZAB603708-FD-H.... 91	M4DXZ746010-FT 128	M4FSXZ603724 131	M4S243008 126
M12XZ483608 72	M12XZAB603710-FD 92	M4DXZ746012-FT 128	M4FSXZ722518 131	M4S301606 126
M12XZ483610 73	M12XZAB603712-FD 92	M4DXZ746016-FT 128	M4FSXZ722524 131	M4S302006 126
M12XZ483612 73	M12XZAB603716-FD 92	M4DXZ746020-FT 128	M4FSXZ722530 131	M4S302008 126
M12XZ483616 73	M4D624810-FT 128	M4DXZ746024-FT 128	M4FSXZ723118 131	M4S302010 127
M12XZ483620 73	M4D624812-FT 128	M4DXZ747210-FT 128	M4FSXZ723124 131	M4S302406 126
M12XZ483708-FD-H 86	M4D624816-FT 128	M4DXZ747212-FT 128	M4FSXZ723130 131	M4S302408 126
M12XZ483710-FD 89	M4D624820-FT 128	M4DXZ747216-FT 128	M4FSXZ723136 131	M4S302410 127
M12XZ483710-FD-H 87	M4D624824-FT 128	M4DXZ747220-FT 128	M4FSXZ723718 131	M4S302412 127

Utility requirements for this equipment may vary. Always consult the serving utility for their requirements prior to ordering or installing this equipment. This product must be installed by a licensed electrician. Installation of this equipment may require local electrical inspector approval.



M4S302416	127	M4XA162006	126	M4XA423608	126	M4XS243008	126	M4XS723024	127
M4S302420	127	M4XA162008	126	M4XA423610	127	M4XS301606	126	M4XS723612	127
M4S302424	127	M4XA201206	126	M4XA423612	127	M4XS302006	126	M4XZ122406	126
M4S302508-FD	132	M4XA201208	126	M4XA423616	127	M4XS302008	126	M4XZ122408	126
M4S303008	126	M4XA201606	126	M4XA482408	126	M4XS302010	127	M4XZ161206	126
M4S303012	127	M4XA201608	126	M4XA483008	126	M4XS302406	126	M4XZ161208	126
M4S303608	126	M4XA201610	127	M4XA483010	127	M4XS302408	126	M4XZ161210	127
M4S362406	126	M4XA201612	127	M4XA483608	126	M4XS302410	127	M4XZ161606	126
M4S362408	126	M4XA202006	126	M4XA483610	127	M4XS302412	127	M4XZ161608	126
M4S362410	127	M4XA202008	126	M4XA483612	127	M4XS302416	127	M4XZ162006	126
M4S362412	127	M4XA202406	126	M4XA483616	127	M4XS302420	127	M4XZ162008	126
M4S363006	126	M4XA202408	126	M4XA483620	127	M4XS302424	127	M4XZ201206	126
M4S363008	126	M4XA241206	126	M4XA603608	126	M4XS302508-FD	132	M4XZ201208	126
M4S363010	127	M4XA241210	127	M4XA603610	127	M4XS303008	126	M4XZ201606	126
M4S363012	127	M4XA241606	126	M4XA603612	127	M4XS303012	127	M4XZ201608	126
M4S363016	127	M4XA241608	126	M4XA603616	127	M4XS303608	126	M4XZ201610	127
M4S363020	127	M4XA242006	126	M4XA603620	127	M4XS362406	126	M4XZ201612	127
M4S363108-FD	132	M4XA242008	126	M4XA723012	127	M4XS362408	126	M4XZ202006	126
M4S363608	126	M4XA242010	127	M4XA723016	127	M4XS362410	127	M4XZ202008	126
M4S363612	127	M4XA242012	127	M4XA723020	127	M4XS362412	127	M4XZ202406	126
M4S422408	126	M4XA242016	127	M4XA723024	127	M4XS363006	126	M4XZ202408	126
M4S423008	126	M4XA242406	126	M4XA723612	127	M4XS363008	126	M4XZ241206	126
M4S423010	127	M4XA242408	126	M4XA723616	127	M4XS363010	127	M4XZ241210	127
M4S423012	127	M4XA242410	127	M4XS122406	126	M4XS363012	127	M4XZ241606	126
M4S423112-FD	132	M4XA242412	127	M4XS122408	126	M4XS363016	127	M4XZ241608	126
M4S423608	126	M4XA242416	127	M4XS161206	126	M4XS363020	127	M4XZ242006	126
M4S423610	127	M4XA243008	126	M4XS161208	126	M4XS363108-FD	132	M4XZ242008	126
M4S423612	127	M4XA301606	126	M4XS161606	126	M4XS363608	126	M4XZ242010	127
M4S423616	127	M4XA302006	126	M4XS161608	126	M4XS363612	127	M4XZ242012	127
M4S423712-FD	132	M4XA302008	126	M4XS162006	126	M4XS422408	126	M4XZ242016	127
M4S482408	126	M4XA302010	127	M4XS162008	126	M4XS423008	126	M4XZ24218-FD	132
M4S483008	126	M4XA302406	126	M4XS201206	126	M4XS423010	127	M4XZ242406	126
M4S483010	127	M4XA302408	126	M4XS201208	126	M4XS423012	127	M4XZ242408	126
M4S483608	126	M4XA302410	127	M4XS201606	126	M4XS423112-FD	132	M4XZ242410	127
M4S483610	127	M4XA302412	127	M4XS201608	126	M4XS423608	126	M4XZ242412	127
M4S483612	127	M4XA302416	127	M4XS201610	127	M4XS423610	127	M4XZ242416	127
M4S483616	127	M4XA302420	127	M4XS201612	127	M4XS423612	127	M4XZ242508-FD	132
M4S483620	127	M4XA302424	127	M4XS202006	126	M4XS423616	127	M4XZ243008	126
M4S483712-FD	132	M4XA303008	126	M4XS202008	126	M4XS423712-FD	132	M4XZ301606	126
M4S603608	126	M4XA303012	127	M4XS202406	126	M4XS482408	126	M4XZ302006	126
M4S603610	127	M4XA303608	126	M4XS202408	126	M4XS483008	126	M4XZ302008	126
M4S603612	127	M4XA362406	126	M4XS241206	126	M4XS483010	127	M4XZ302010	127
M4S603616	127	M4XA362408	126	M4XS241210	127	M4XS483608	126	M4XZ302406	126
M4S603620	127	M4XA362410	127	M4XS241606	126	M4XS483610	127	M4XZ302408	126
M4S603712-FD	132	M4XA362412	127	M4XS241608	126	M4XS483612	127	M4XZ302410	127
M4S723012	127	M4XA363006	126	M4XS242006	126	M4XS483616	127	M4XZ302412	127
M4S723016	127	M4XA363008	126	M4XS242008	126	M4XS483620	127	M4XZ302416	127
M4S723020	127	M4XA363010	127	M4XS242010	127	M4XS483712-FD	132	M4XZ302420	127
M4S723024	127	M4XA363012	127	M4XS242012	127	M4XS603608	126	M4XZ302424	127
M4S723612	127	M4XA363016	127	M4XS242016	127	M4XS603610	127	M4XZ302508-FD	132
M4XA122406	126	M4XA363020	127	M4XS24218-FD	132	M4XS603612	127	M4XZ303008	126
M4XA122408	126	M4XA363608	126	M4XS242406	126	M4XS603616	127	M4XZ303012	127
M4XA161206	126	M4XA363612	127	M4XS242408	126	M4XS603620	127	M4XZ303608	126
M4XA161208	126	M4XA422408	126	M4XS242410	127	M4XS603712-FD	132	M4XZ362406	126
M4XA161210	127	M4XA423008	126	M4XS242412	127	M4XS723012	127	M4XZ362408	126
M4XA161606	126	M4XA423010	127	M4XS242416	127	M4XS723016	127	M4XZ362410	127
M4XA161608	126	M4XA423012	127	M4XS242508-FD	132	M4XS723020	127	M4XZ362412	127



Utility requirements for this equipment may vary. Always consult the serving utility for their requirements prior to ordering or installing this equipment. This product must be installed by a licensed electrician. Installation of this equipment may require local electrical inspector approval.

M4XZ363006	126	MCXS12C20	70	MSD302010	138	MSDFMXS20166	134	MSDXS12248	137
M4XZ363008	126	MCXS12C24	70	MSD30206	137	MSDFMXS20206	134	MSDXS161210	137
M4XZ363010	127	MCXS16C16	70	MSD30208	137	MSDFMXS24206	134	MSDXS16126	137
M4XZ363012	127	MCXS16C20	70	MSD302410	138	MSDFMXS24248	134	MSDXS16128	137
M4XZ363016	127	MCXS16C24	70	MSD302412	138	MSDFMXS30248	134	MSDXS161610	137
M4XZ363020	127	MCXS16C30	70	MSD302416	138	MSDFMXZ16126	134	MSDXS16166	137
M4XZ363108-FD	132	MCXS16C36	70	MSD302420	138	MSDFMXZ20166	134	MSDXS16168	137
M4XZ363608	126	MCXS20C20	70	MSD302424	138	MSDFMXZ20206	134	MSDXS162010	138
M4XZ363612	127	MCXS20C24	70	MSD30246	137	MSDFMXZ24206	134	MSDXS16206	137
M4XZ422408	126	MCXS20C30	70	MSD30248	137	MSDFMXZ24248	134	MSDXS16208	137
M4XZ423008	126	MCXS8C12	70	MSD303010	138	MSDFMXZ30248	134	MSDXS20126	137
M4XZ423010	127	MCXS8C16	70	MSD303012	138	MSDSTXS14126	139	MSDXS20128	137
M4XZ423012	127	MCXS8C20	70	MSD30308	137	MSDSTXS16128	139	MSDXS201610	138
M4XZ423112-FD	132	MCXS8C8	70	MSD30368	137	MSDSTXS16146	139	MSDXS201612	138
M4XZ423608	126	MSD12126	137	MSD362410	138	MSDSTXS16168	139	MSDXS20166	137
M4XZ423610	127	MSD12246	137	MSD362412	138	MSDSTXS201612	139	MSDXS20168	137
M4XZ423612	127	MSD12248	137	MSD36246	137	MSDSTXS20168	139	MSDXS202010	138
M4XZ423616	127	MSD161210	137	MSD36248	137	MSDSTXS202012	139	MSDXS202012	138
M4XZ423712-FD	132	MSD16126	137	MSD363010	138	MSDSTXS20208	139	MSDXS20206	137
M4XZ482408	126	MSD16128	137	MSD363012	138	MSDSTXS24208	139	MSDXS20208	137
M4XZ483008	126	MSD161610	137	MSD363016	138	MSDSTXS242412	139	MSDXS202410	138
M4XZ483010	127	MSD16166	137	MSD363020	138	MSDSTXS24248	139	MSDXS20246	137
M4XZ483608	126	MSD16168	137	MSD36306	137	MSDSTXS302412	139	MSDXS20248	137
M4XZ483610	127	MSD162010	138	MSD36308	137	MSDSTXS30248	139	MSDXS241210	138
M4XZ483612	127	MSD16206	137	MSD363610	138	MSDSTXS30308	139	MSDXS24126	137
M4XZ483616	127	MSD16208	137	MSD363612	138	MSDSTXS363012	139	MSDXS24166	137
M4XZ483620	127	MSD20126	137	MSD36368	137	MSDSTXS363016	139	MSDXS24168	137
M4XZ483712-FD	132	MSD20128	137	MSD42248	137	MSDSTXS36308	139	MSDXS242010	138
M4XZ603608	126	MSD201610	138	MSD423010	138	MSDSTXS363612	139	MSDXS242012	138
M4XZ603610	127	MSD201612	138	MSD423012	138	MSDSTXS423612	139	MSDXS242016	138
M4XZ603612	127	MSD20166	137	MSD42308	137	MSDSTXS483612	139	MSDXS24206	137
M4XZ603616	127	MSD20168	137	MSD423610	138	MSDSTXS483616	139	MSDXS24208	137
M4XZ603620	127	MSD202010	138	MSD423612	138	MSDSTXS603616	139	MSDXS242410	138
M4XZ603712-FD	132	MSD202012	138	MSD423616	138	MSDSTXZ14126	139	MSDXS242412	138
M4XZ723012	127	MSD20206	137	MSD42368	137	MSDSTXZ16128	139	MSDXS242416	138
M4XZ723016	127	MSD20208	137	MSD482410	138	MSDSTXZ16146	139	MSDXS242420	138
M4XZ723020	127	MSD202410	138	MSD482412	138	MSDSTXZ16168	139	MSDXS24246	137
M4XZ723024	127	MSD20246	137	MSD48248	137	MSDSTXZ201612	139	MSDXS24248	137
M4XZ723612	127	MSD20248	137	MSD483010	138	MSDSTXZ20168	139	MSDXS243010	138
MC12C12	70	MSD241210	138	MSD48308	137	MSDSTXZ202012	139	MSDXS24308	137
MC12C16	70	MSD24126	137	MSD483610	138	MSDSTXZ20208	139	MSDXS30166	137
MC12C20	70	MSD24166	137	MSD483612	138	MSDSTXZ24208	139	MSDXS302010	138
MC12C24	70	MSD24168	137	MSD483616	138	MSDSTXZ242412	139	MSDXS30206	137
MC16C16	70	MSD242010	138	MSD483620	138	MSDSTXZ24248	139	MSDXS30208	137
MC16C20	70	MSD242012	138	MSD48368	137	MSDSTXZ302412	139	MSDXS302410	138
MC16C24	70	MSD242016	138	MSD603610	138	MSDSTXZ30248	139	MSDXS302412	138
MC16C30	70	MSD24206	137	MSD603612	138	MSDSTXZ30308	139	MSDXS302416	138
MC16C36	70	MSD24208	137	MSD603616	138	MSDSTXZ363012	139	MSDXS302420	138
MC20C20	70	MSD242410	138	MSD603620	138	MSDSTXZ363016	139	MSDXS302424	138
MC20C24	70	MSD242412	138	MSD60368	137	MSDSTXZ36308	139	MSDXS30246	137
MC20C30	70	MSD242416	138	MSDFM16126	134	MSDSTXZ363612	139	MSDXS30248	137
MC8C12	70	MSD242420	138	MSDFM20166	134	MSDSTXZ423612	139	MSDXS303010	138
MC8C16	70	MSD24246	137	MSDFM20206	134	MSDSTXZ483612	139	MSDXS303012	138
MC8C20	70	MSD24248	137	MSDFM24206	134	MSDSTXZ483616	139	MSDXS30308	137
MC8C8	70	MSD243010	138	MSDFM24248	134	MSDSTXZ603616	139	MSDXS30368	137
MCXS12C12	70	MSD24308	137	MSDFM30248	134	MSDXS12126	137	MSDXS362410	138
MCXS12C16	70	MSD30166	137	MSDFMXS16126	134	MSDXS12246	137	MSDXS362412	138

Utility requirements for this equipment may vary. Always consult the serving utility for their requirements prior to ordering or installing this equipment. This product must be installed by a licensed electrician. Installation of this equipment may require local electrical inspector approval.



MSDXS36246 137	MSDXZ20246 137	MSDXZ48248 137	PBD12S44 64	PBHC12S65 68
MSDXS36248 137	MSDXZ20248 137	MSDXZ483010 138	PBD12S54 64	PBHC12S66 68
MSDXS363010 138	MSDXZ241210 138	MSDXZ48308 137	PBD12S55 64	PBHC12S76 68
MSDXS363012 138	MSDXZ24126 137	MSDXZ483610 138	PBD12S56 64	PBHC12XS22 68
MSDXS363016 138	MSDXZ24166 137	MSDXZ483612 138	PBD12S66 64	PBHC12XS32 68
MSDXS363020 138	MSDXZ24168 137	MSDXZ483616 138	PBD12XS11 64	PBHC12XS33 68
MSDXS36306 137	MSDXZ242010 138	MSDXZ483620 138	PBD12XS110 64	PBHC12XS43 68
MSDXS36308 137	MSDXZ242012 138	MSDXZ48368 137	PBD12XS116 64	PBHC12XS44 68
MSDXS363610 138	MSDXZ242016 138	MSDXZ603610 138	PBD12XS12 64	PBHC12XS54 68
MSDXS363612 138	MSDXZ24206 137	MSDXZ603612 138	PBD12XS13 64	PBHC12XS55 68
MSDXS36368 137	MSDXZ24208 137	MSDXZ603616 138	PBD12XS14 64	PBHC12XS65 68
MSDXS42248 137	MSDXZ242410 138	MSDXZ603620 138	PBD12XS16 64	PBHC12XS66 68
MSDXS423010 138	MSDXZ242412 138	MSDXZ60368 137	PBD12XS22 64	PBHC12XS76 68
MSDXS423012 138	MSDXZ242416 138	PB12S11 62	PBD12XS33 64	PBHCM12S22 68
MSDXS42308 137	MSDXZ242420 138	PB12S110 62	PBD12XS43 64	PBHCM12S32 68
MSDXS423610 138	MSDXZ24246 137	PB12S12 62	PBD12XS44 64	PBHCM12S33 68
MSDXS423612 138	MSDXZ24248 137	PB12S13 62	PBD12XS54 64	PBHCM12S43 68
MSDXS42368 137	MSDXZ243010 138	PB12S14 62	PBD12XS55 64	PBHCM12S44 68
MSDXS482410 138	MSDXZ24308 137	PB12S15 62	PBD12XS56 64	PBHCM12S54 68
MSDXS482412 138	MSDXZ30166 137	PB12S16 62	PBD12XS66 64	PBHCM12S55 68
MSDXS48248 137	MSDXZ302010 138	PB12S17 62	PBDM12S11 64	PBHCM12S65 68
MSDXS483010 138	MSDXZ30206 137	PB12S18 62	PBDM12S110 64	PBHCM12S66 68
MSDXS48308 137	MSDXZ30208 137	PB12S19 62	PBDM12S116 64	PBHCM12S76 68
MSDXS483610 138	MSDXZ302410 138	PB12S22 62	PBDM12S12 64	PBHCM12XS22 68
MSDXS483612 138	MSDXZ302412 138	PB12S32 62	PBDM12S13 64	PBHCM12XS32 68
MSDXS483616 138	MSDXZ302416 138	PB12S33 62	PBDM12S14 64	PBHCM12XS33 68
MSDXS483618 138	MSDXZ302420 138	PB12S43 62	PBDM12S16 64	PBHCM12XS43 68
MSDXS483620 138	MSDXZ302424 138	PB12S44 62	PBDM12S22 64	PBHCM12XS44 68
MSDXS48368 137	MSDXZ30246 137	PB12S54 62	PBDM12S33 64	PBHCM12XS54 68
MSDXS603610 138	MSDXZ30248 137	PB12S55 62	PBDM12S43 64	PBHCM12XS55 68
MSDXS603612 138	MSDXZ303010 138	PB12XS11 62	PBDM12S44 64	PBHCM12XS65 68
MSDXS603616 138	MSDXZ303012 138	PB12XS110 62	PBDM12S54 64	PBHCM12XS66 68
MSDXS603620 138	MSDXZ30308 137	PB12XS12 62	PBDM12S55 64	PBHCM12XS76 68
MSDXS60368 137	MSDXZ30368 137	PB12XS13 62	PBDM12S56 64	PBM12S11 62
MSDXZ12126 137	MSDXZ362410 138	PB12XS14 62	PBDM12S66 64	PBM12S110 62
MSDXZ12246 137	MSDXZ362412 138	PB12XS15 62	PBDM12XS11 64	PBM12S12 62
MSDXZ12248 137	MSDXZ36246 137	PB12XS16 62	PBDM12XS110 64	PBM12S13 62
MSDXZ161210 137	MSDXZ36248 137	PB12XS17 62	PBDM12XS116 64	PBM12S14 62
MSDXZ16126 137	MSDXZ363010 138	PB12XS18 62	PBDM12XS12 64	PBM12S15 62
MSDXZ16128 137	MSDXZ363012 138	PB12XS19 62	PBDM12XS13 64	PBM12S16 62
MSDXZ161610 137	MSDXZ363016 138	PB12XS22 62	PBDM12XS14 64	PBM12S17 62
MSDXZ16166 137	MSDXZ363018 138	PB12XS32 62	PBDM12XS16 64	PBM12S18 62
MSDXZ16168 137	MSDXZ363020 138	PB12XS53 62	PBDM12XS22 64	PBM12S19 62
MSDXZ162010 138	MSDXZ36306 137	PB12XS52 62	PBDM12XS33 64	PBM12S22 62
MSDXZ16206 137	MSDXZ36308 137	PB12XS43 62	PBDM12XS43 64	PBM12S32 62
MSDXZ16208 137	MSDXZ363610 138	PB12XS44 62	PBDM12XS44 64	PBM12S33 62
MSDXZ20126 137	MSDXZ363612 138	PB12XS54 62	PBDM12XS54 64	PBM12S43 62
MSDXZ20128 137	MSDXZ36368 137	PB12XS55 62	PBDM12XS55 64	PBM12S44 62
MSDXZ201610 138	MSDXZ42248 137	PBD12S11 64	PBDM12XS56 64	PBM12S54 62
MSDXZ201612 138	MSDXZ423010 138	PBD12S110 64	PBDM12XS66 64	PBM12S55 62
MSDXZ20166 137	MSDXZ423012 138	PBD12S116 64	PBHC12S22 68	PBM12XS11 62
MSDXZ20168 137	MSDXZ423016 138	PBD12S12 64	PBHC12S32 68	PBM12XS110 62
MSDXZ202010 138	MSDXZ423018 138	PBD12S13 64	PBHC12S33 68	PBM12XS12 62
MSDXZ202012 138	MSDXZ423610 138	PBD12S14 64	PBHC12S43 68	PBM12XS13 62
MSDXZ20206 137	MSDXZ423612 138	PBD12S16 64	PBHC12S54 68	PBM12XS14 62
MSDXZ20208 137	MSDXZ42368 137	PBD12S22 64	PBHC12S55 68	PBM12XS15 62
MSDXZ20208 137	MSDXZ482410 138	PBD12S33 64	PBHC12S56 68	PBM12XS16 62
MSDXZ202410 138	MSDXZ482412 138	PBD12S43 64		

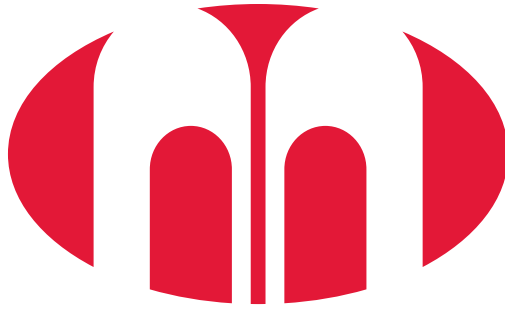


Utility requirements for this equipment may vary. Always consult the serving utility for their requirements prior to ordering or installing this equipment. This product must be installed by a licensed electrician. Installation of this equipment may require local electrical inspector approval.

PBM12XS17..... 62	PBSFM12XS56..... 67	PPB12S11..... 66	SC1264JIC4XZ..... 120	SC643JIC12XZ..... 53
PBM12XS18..... 62	PBSFM12XS11..... 67	PPB12S12..... 66	SC14126JIC12..... 53	SC643JIC4..... 120
PBM12XS19..... 62	PBSFM12XS12..... 67	PPB12S13..... 66	SC14126JIC12XS..... 53	SC643JIC4XS..... 120
PBM12XS22..... 62	PBSFM12XS13..... 67	PPB12S14..... 66	SC14126JIC12XZ..... 53	SC643JIC4XZ..... 120
PBM12XS32..... 62	PBSFM12XS14..... 67	PPB12S15..... 66	SC14126JIC4..... 120	SC644JIC12..... 53
PBM12XS33..... 62	PBSFM12XS22..... 67	PPB12S16..... 66	SC14126JIC4XS..... 120	SC644JIC12XS..... 53
PBM12XS43..... 62	PBSFM12XS23..... 67	PPB12S17..... 66	SC14126JIC4XZ..... 120	SC644JIC12XZ..... 53
PBM12XS44..... 62	PBSFM12XS24..... 67	PPB12S18..... 66	SC14128JIC12..... 53	SC644JIC4..... 120
PBM12XS54..... 62	PBSFM12XS25..... 67	PPB12XS11..... 66	SC14128JIC12XS..... 53	SC644JIC4XS..... 120
PBM12XS55..... 62	PBSFM12XS26..... 67	PPB12XS12..... 66	SC14128JIC12XZ..... 53	SC644JIC4XZ..... 120
PBSF12S11..... 67	PBSFM12XS28..... 67	PPB12XS13..... 66	SC14128JIC4..... 120	SC664JIC12..... 53
PBSF12S12..... 67	PBSFM12XS33..... 67	PPB12XS14..... 66	SC14128JIC4XS..... 120	SC664JIC12XS..... 53
PBSF12S13..... 67	PBSFM12XS43..... 67	PPB12XS15..... 66	SC14128JIC4XZ..... 120	SC664JIC12XZ..... 53
PBSF12S14..... 67	PBSFM12XS44..... 67	PPB12XS16..... 66	SC1486JIC12..... 53	SC664JIC4..... 120
PBSF12S22..... 67	PBSFM12XS45..... 67	PPB12XS17..... 66	SC1486JIC12XS..... 53	SC664JIC4XS..... 120
PBSF12S23..... 67	PBSFM12XS55..... 67	PPB12XS18..... 66	SC1486JIC12XZ..... 53	SC664JIC4XZ..... 120
PBSF12S24..... 67	PBSFM12XS56..... 67	SC10106JIC12..... 53	SC1486JIC4..... 120	SC666JIC12..... 53
PBSF12S25..... 67	PBSL12S11..... 69	SC10106JIC12XS..... 53	SC1486JIC4XS..... 120	SC666JIC12XS..... 53
PBSF12S26..... 67	PBSL12S110..... 69	SC10106JIC12XZ..... 53	SC1486JIC4XZ..... 120	SC666JIC12XZ..... 53
PBSF12S28..... 67	PBSL12S12..... 69	SC10106JIC4..... 120	SC16106JIC12..... 53	SC666JIC4..... 120
PBSF12S33..... 67	PBSL12S13..... 69	SC10106JIC4XS..... 120	SC16106JIC12XS..... 53	SC666JIC4XS..... 120
PBSF12S43..... 67	PBSL12S14..... 69	SC10106JIC4XZ..... 120	SC16106JIC12XZ..... 53	SC666JIC4XZ..... 120
PBSF12S44..... 67	PBSL12S15..... 69	SC1084JIC12..... 53	SC16106JIC4..... 120	SC863JIC12..... 53
PBSF12S45..... 67	PBSL12S16..... 69	SC1084JIC12XS..... 53	SC16106JIC4XS..... 120	SC863JIC12XS..... 53
PBSF12S55..... 67	PBSL12S17..... 69	SC1084JIC12XZ..... 53	SC16106JIC4XZ..... 120	SC863JIC12XZ..... 53
PBSF12S56..... 67	PBSL12S18..... 69	SC1084JIC4..... 120	SC161410JIC12..... 53	SC863JIC4..... 120
PBSF12XS11..... 67	PBSL12S19..... 69	SC1084JIC4XS..... 120	SC161410JIC12XS..... 53	SC863JIC4XS..... 120
PBSF12XS12..... 67	PBSL12XS11..... 69	SC1084JIC4XZ..... 120	SC161410JIC12XZ..... 53	SC863JIC4XZ..... 120
PBSF12XS13..... 67	PBSL12XS110..... 69	SC1086JIC12..... 53	SC161410JIC4..... 120	SC866JIC12..... 53
PBSF12XS14..... 67	PBSL12XS12..... 69	SC1086JIC12XS..... 53	SC161410JIC4XS..... 120	SC866JIC12XS..... 53
PBSF12XS22..... 67	PBSL12XS13..... 69	SC1086JIC12XZ..... 53	SC161410JIC4XZ..... 120	SC866JIC12XZ..... 53
PBSF12XS23..... 67	PBSL12XS14..... 69	SC1086JIC4..... 120	SC16146JIC12..... 53	SC866JIC4..... 120
PBSF12XS24..... 67	PBSL12XS15..... 69	SC1086JIC4XS..... 120	SC16146JIC12XS..... 53	SC866JIC4XS..... 120
PBSF12XS25..... 67	PBSL12XS16..... 69	SC1086JIC4XZ..... 120	SC16146JIC12XZ..... 53	SC866JIC4XZ..... 120
PBSF12XS26..... 67	PBSL12XS17..... 69	SC12105JIC12..... 53	SC16146JIC4..... 120	SC884JIC12..... 53
PBSF12XS28..... 67	PBSL12XS18..... 69	SC12105JIC12XS..... 53	SC16146JIC4XS..... 120	SC884JIC12XS..... 53
PBSF12XS33..... 67	PBSL12XS19..... 69	SC12105JIC12XZ..... 53	SC16146JIC4XZ..... 120	SC884JIC12XZ..... 53
PBSF12XS43..... 67	PBSLM12S11..... 69	SC12105JIC4..... 120	SC16148JIC12..... 53	SC884JIC4..... 120
PBSF12XS44..... 67	PBSLM12S110..... 69	SC12105JIC4XS..... 120	SC16148JIC12XS..... 53	SC884JIC4XS..... 120
PBSF12XS45..... 67	PBSLM12S12..... 69	SC12105JIC4XZ..... 120	SC16148JIC12XZ..... 53	SC884JIC4XZ..... 120
PBSF12XS55..... 67	PBSLM12S13..... 69	SC12108JIC12..... 53	SC16148JIC4..... 120	
PBSF12XS56..... 67	PBSLM12S14..... 69	SC12108JIC12XS..... 53	SC16148JIC4XS..... 120	
PBSFM12S11..... 67	PBSLM12S15..... 69	SC12108JIC12XZ..... 53	SC16148JIC4XZ..... 120	
PBSFM12S12..... 67	PBSLM12S16..... 69	SC12108JIC4..... 120	SC443JIC12..... 53	
PBSFM12S13..... 67	PBSLM12S17..... 69	SC12108JIC4XS..... 120	SC443JIC12XS..... 53	
PBSFM12S14..... 67	PBSLM12S18..... 69	SC12108JIC4XZ..... 120	SC443JIC12XZ..... 53	
PBSFM12S22..... 67	PBSLM12S19..... 69	SC12126JIC12..... 53	SC443JIC4..... 120	
PBSFM12S23..... 67	PBSLM12XS11..... 69	SC12126JIC12XS..... 53	SC443JIC4XS..... 120	
PBSFM12S24..... 67	PBSLM12XS110..... 69	SC12126JIC12XZ..... 53	SC443JIC4XZ..... 120	
PBSFM12S25..... 67	PBSLM12XS12..... 69	SC12126JIC4..... 120	SC444JIC12..... 53	
PBSFM12S26..... 67	PBSLM12XS13..... 69	SC12126JIC4XS..... 120	SC444JIC12XS..... 53	
PBSFM12S28..... 67	PBSLM12XS14..... 69	SC12126JIC4XZ..... 120	SC444JIC12XZ..... 53	
PBSFM12S33..... 67	PBSLM12XS15..... 69	SC1264JIC12..... 53	SC444JIC4..... 120	
PBSFM12S43..... 67	PBSLM12XS16..... 69	SC1264JIC12XS..... 53	SC444JIC4XS..... 120	
PBSFM12S44..... 67	PBSLM12XS17..... 69	SC1264JIC12XZ..... 53	SC444JIC4XZ..... 120	
PBSFM12S45..... 67	PBSLM12XS18..... 69	SC1264JIC4..... 120	SC643JIC12..... 53	
PBSFM12S55..... 67	PBSLM12XS19..... 69	SC1264JIC4XS..... 120	SC643JIC12XS..... 53	

Utility requirements for this equipment may vary. Always consult the serving utility for their requirements prior to ordering or installing this equipment. This product must be installed by a licensed electrician. Installation of this equipment may require local electrical inspector approval.





MILBANK[®]

ENERGY AT WORK

