

MILBANK[®]
ENERGY AT WORK



Enclosures

Product Catalog



Milbank Overview

Energy At Work since 1927

Milbank designs and manufactures electrical solutions that move and manage power for the residential, commercial, industrial, utility and transportation sectors. With 90 years of expertise in electrical engineering design and manufacturing, Milbank's portfolio includes metering equipment, enclosures and enclosed controls. Founded in 1927, Milbank is a family-owned, American manufacturer headquartered in Kansas City, Mo. For more information, please visit milbankworks.com.



METERING

As a market leader in electrical metering equipment, Milbank has set the standard for quality since 1927. Hundreds of configurations are available, including many sizes, knockout configurations, terminal configurations, bypass options, hubs, locks and connectors. Milbank has the socket you need with thousands of active products to meet your utility's requirements.



ENCLOSURES

Milbank's line of enclosures include commercial junction boxes, panel mount enclosures, transformer cabinets, wireway, trough and industrial panel mount and push-button enclosures. Built with high-quality craftsmanship and materials which meet or exceed industry standards, Milbank enclosures are made to protect controls and equipment from dust, dirt and other harmful elements found in a wide variety of environments.



ENCLOSED CONTROLS

Milbank doesn't just build empty enclosures. We can deliver the entire package, complete with custom control equipment built to your exact specifications by our engineers. Milbank commercial pedestals are an attractive, secure, easy to install and cost-effective solution when underground remote site power distribution and control equipment is required, replacing unsightly and inefficient strut and backboard structures.



Please consult serving utility for their requirements prior to ordering or installing, as specifications and approvals vary by utility, and may require local electrical inspector approval. All installations must be installed by a licensed electrician and must comply with all national and local codes, laws and regulations. Milbank reserves the right to make changes in specifications and features shown without notice or obligation.

Table of Contents

Commercial Enclosures

| | |
|--|-------|
| Environmental ratings & protection grades..... | 4-7 |
| Type 1 junction boxes..... | 8-14 |
| Type 1 panel enclosures | 15-16 |
| Type 3R junction boxes..... | 17-21 |
| Type 3R telephone cabinets | 22-23 |
| Type 3R current transformer cabinets | 24 |
| Type 1, 3 & 12 gasketed screw cover junction boxes.... | 25 |
| Type 1 telephone cabinet covers..... | 26-27 |
| FLC blank covers..... | 28 |
| Back panels..... | 29-30 |
| Type 1 wireway..... | 32-38 |
| Type 3R wiring trough | 39-42 |
| Wireway fittings..... | 43-48 |
| Hole Seals | 49 |
| Accessories | 50-51 |

Industrial Enclosures

| | |
|---|---------|
| Type 12 junction enclosures..... | 53-60 |
| Type 12 pushbutton enclosures..... | 61-68 |
| Type 12 oil-tight consolets | 69 |
| Type 12 wall mount enclosures..... | 70-74 |
| Type 12 floor mount enclosures | 76-77 |
| Type 12 freestanding enclosures | 78-81 |
| Type 12 multi-door enclosures with sub panels | 82-85 |
| Type 12 disconnect enclosures | 86-96 |
| Type 12 heavy-duty enclosures..... | 97-102 |
| Type 12 modular enclosures | 103-105 |
| Disconnect enclosure information..... | 107-116 |
| Series 1 and Series 9 consoles | 117-119 |
| Type 4 & 4X junction enclosures..... | 120-125 |
| Type 4 wall mount enclosures | 126-128 |
| Type 4 & 4X floor mount enclosures..... | 128-130 |
| Type 4 & 4X freestanding enclosures | 131-132 |
| Type 4 & 4X disconnect enclosures | 133-134 |
| Type 4 flush mounted enclosures | 135-136 |
| Millennium Series enclosures | 137-141 |
| Industrial enclosure accessories | 142-164 |
| Exterior color chart..... | 165-166 |
| Index..... | 167-182 |

Please consult serving utility for their requirements prior to ordering or installing, as specifications and approvals vary by utility, and may require local electrical inspector approval. All installations must be installed by a licensed electrician and must comply with all national and local codes, laws and regulations. Milbank reserves the right to make changes in specifications and features shown without notice or obligation.



Environmental Ratings

UL and CSA Cross Reference

Note: The specifications on this page are for comparative reference only and are not intended to provide the complete requirements or test qualifications published by various associations and agencies. Complete information may be obtained by contacting the appropriate organization.

| Type | National Electrical Manufacturers' Association (NEMA Standard 250) | Underwriters' Laboratories (UL 50) | Canadian Standards Association (C22.2, #14, 40, and 94) |
|------|--|---|--|
| 1 | Enclosures constructed for indoor use to provide a degree of protection to personnel against incidental contact with the enclosed equipment and to provide a degree of protection against falling dirt. | Indoor use primarily to provide a degree of protection against limited amount of falling dirt. | General purpose enclosure in ordinary locations. |
| 2 | Enclosures constructed for indoor use to provide a degree of protection to personnel against incidental contact with the enclosed equipment, to provide a degree of protection against falling dirt, and to provide a degree of protection against dripping and light splashing of liquids. | Indoor use primarily to provide a degree of protection against limited amounts of falling water and dirt. | Enclosure for indoor use, constructed to provide a degree of protection against dripping and light splashing of noncorrosive liquids and falling dirt. |
| 3 | Enclosures constructed for either indoor or outdoor use to provide a degree of protection to personnel against incidental contact with enclosed equipment, to provide a degree of protection against falling dirt, rain, sleet, snow and windblown dust and that will be undamaged by the external formation of ice on the enclosure. | Outdoor use primarily to provide a degree of protection against rain, sleet, windblown dust, and damage from external ice formation. | Enclosure for either indoor or outdoor use, constructed so as to provide a degree of protection against rain, snow, and windblown dust; undamaged by the external formation of ice on the enclosure. |
| 3R | Enclosures constructed for either indoor or outdoor use to provide a degree of protection to personnel against incidental contact with enclosed equipment, to provide a degree of protection against falling dirt, rain, sleet, snow and that will be undamaged by the external formation of ice on the enclosure. | Outdoor use primarily to provide a degree of protection against rain, sleet; and damage from external ice formation. | Enclosure for either indoor or outdoor use, constructed so as to provide a degree of protection against rain, snow, undamaged by the external formation of ice on the enclosure. |
| 4 | Enclosures constructed for either indoor or outdoor use to provide a degree of protection to personnel against incidental contact with the enclosed equipment, to provide a degree of protection against falling dirt, rain, sleet, snow, windblown dust, splashing water, and that will be undamaged by the external formation of ice on the enclosure. | Indoor or outdoor use primarily to provide a degree of protection against windblown dust, and rain, splashing water, hose-directed water; and damage from external ice formation. | Enclosure for indoor or outdoor use, constructed to provide a degree of protection against rain, snow, windblown dust, splashing and hose-directed water; undamaged by the external formation of ice on the enclosure. |
| 4X | Enclosures constructed for either indoor or outdoor use to provide a degree of protection to personnel against incidental contact with the enclosed equipment; to provide a degree of protection against falling dirt, rain, sleet, snow, windblown dust, splashing water, hose-directed water, and corrosion; and that will be undamaged by the external formation of ice on the enclosure. | Indoor or outdoor use primarily to provide a degree of protection against corrosion, windblown dust and rain, splashing water, hose-directed water; and damage from external ice formation. | Enclosure for either indoor or outdoor use, constructed so as to provide a degree of protection against rain, snow, windblown dust, splashing and hose-directed water; undamaged by the external formation of ice on the enclosure; resists corrosion. |
| 12 | Enclosures constructed (without knockouts) for indoor use to provide a degree of protection to personnel against incidental contact with the enclosed equipment; to provide a degree of protection against falling dirt; against circulating dust, lint, fibers and flyings; and against dripping and light splashing of liquids. | Indoor use primarily to provide a degree of protection against circulating dust, falling dirt, and dripping noncorrosive liquids. | Enclosure for indoor use, constructed so as to provide a degree of protection against circulating and settling dust, lint, fibres, and flyings; dripping and light splashing of non-corrosive liquids; no knockouts provided. |
| 13 | Enclosures constructed for indoor use to provide a degree of protection to personnel against incidental contact with the enclosed equipment; to provide a degree of protection against falling dirt; against circulating dust, lint, fibers, and flyings; and against the spraying, splashing, and seepage of water, oil, and noncorrosive coolants. | Indoor use primarily to provide a degree of protection against dust, spraying of water, oil, and noncorrosive coolant. | Enclosure for indoor use, constructed so as to provide a degree of protection against circulating and settling dust, lint, fibres, and flyings; seepage and spraying of noncorrosive liquids including oils and coolants. |



Please consult serving utility for their requirements prior to ordering or installing, as specifications and approvals vary by utility, and may require local electrical inspector approval. All installations must be installed by a licensed electrician and must comply with all national and local codes, laws and regulations. Milbank reserves the right to make changes in specifications and features shown without notice or obligation.

Definitions of Protection Grades

IEC 529

IEC publication 529, Classification of Degrees of Protection Provided by Enclosures, provides a system for specifying electrical equipment for enclosures on the basis of degree of protection provided by the enclosure. IEC 529 does not specify degrees of protection against mechanical damage of equipment, risk of explosions, or conditions such as moisture (produced for example by condensation), corrosive vapors, fungus or vermin. NEMA Standards Publication 250 does test for environmental conditions such as corrosion, rust, icing, oil and coolants. For this reason, and because the tests and evaluations for other characteristics are not identical, the IEC Enclosure Classification Designations cannot be exactly equated with NEMA Enclosure type Numbers.

The IEC designation consists of the letters IP followed by two numerals. The first characteristic numeral indicates the degree of protection provided by the enclosure with respect to persons and solid foreign objects entering the enclosure. The second characteristic numeral indicates the degree of protection provided by the enclosure with respect to the harmful ingress of water.

The IEC has established an enclosure grading system that produces an IP rating. (For example, IP 54 - 5 is the first character - refer to tables I & II. 4 is the second character - refer to table III - following page).

The following is provided for information only.

Table I: Degrees of Protection against Hazardous Parts

Degree of protection is indicated by the first characteristic numeral

| First Characteristic Numeral | Protection of Persons | Protection of Equipment |
|------------------------------|---|---|
| 0 | Non Protected | Non-Protected |
| 1 | Protected against access to hazardous parts with the back of a hand. | Protected against objects of 50mm diameter and greater. |
| 2 | Protected against access to hazardous parts with a finger. | Protected against objects of 12.5mm diameter and greater. |
| 3 | Protected against access to hazardous parts with a tool of 2.5mm in diameter and greater. | Protected against objects of 2.5mm diameter and greater. |
| 4 | Protected against access to hazardous parts with a wire of 1.0mm in diameter and greater. | Protected against objects of 1.0mm diameter and greater. |
| 5 | Protected against access to hazardous parts with a wire of 1.0mm in diameter and greater. | Protected against dust. Ingress of dust is not totally prevented, but dust shall not penetrate in a quantity to interfere with satisfactory operation of the apparatus or to impair safety. |
| 6 | Protected against access to hazardous parts with a wire of 1.0mm in diameter and greater. | Protected against dust. No ingress of dust. |

Note: In the case of the first characteristic numerals 3, 4, 5 and 6, protection against access to hazardous part is satisfied if adequate clearance is kept. The full diameter of the object probe shall not pass through an opening of the enclosure.

Please consult serving utility for their requirements prior to ordering or installing, as specifications and approvals vary by utility, and may require local electrical inspector approval. All installations must be installed by a licensed electrician and must comply with all national and local codes, laws and regulations. Milbank reserves the right to make changes in specifications and features shown without notice or obligation.



Table II: Degrees of Protection against Water

Degree of protection is indicated by the second characteristic numeral

| Second Characteristic Numeral | Description | Definition |
|-------------------------------|---|--|
| 0 | Non-protected | |
| 1 | Protected against vertically falling water drops | Vertically falling drops shall have no harmful effects. |
| 2 | Protected against vertically falling water drops when enclosure tilted up to 15 degrees | Vertically falling drops shall have no harmful effects when the enclosure is tilted at any angle up to 15° on either side of the vertical. |
| 3 | Protected against spraying water. | Water sprayed at any angle up to 60° on either side of the vertical shall have no harmful effects. |
| 4 | Protected against splashing water | Water splashed against the enclosure from any direction shall have no harmful effects. |
| 5 | Protected against water jets | Water projected in jets against the enclosure from any direction shall have no harmful effects. |
| 6 | Protected against powerful water jets | Water projected in powerful jets against the enclosure from any direction shall have no harmful effects. |
| 7 | Protected against the effects of temporary immersion in water. | Ingress of water in quantities causing harmful effects shall not be possible when the enclosure is temporarily immersed in water under standardized conditions of pressure and time. |
| 8 | Protected against the effects of continuous immersion in water. | Ingress of water in quantities causing harmful effects shall not be possible when the enclosure is continuously immersed in water under conditions which shall be agreed between manufacturer and user but which are more severe than for numeral 7. |

NEMA TO IEC Enclosure Rating Cross-Reference¹

| NEMA Type | IP23 | IP30 | IP32 | IP55 | IP64 | IP65 | IP66 | IP67 |
|-----------|------|------|------|------|------|------|------|------|
| 1 | x | | | | | | | |
| 2 | | x | | | | | | |
| 3 | | | | | x | | | |
| 3R | | | x | | | | | |
| 4 | | | | | | | x | |
| 4X | | | | | | | x | |
| 6 | | | | | | | | x |
| 12 | | | | x | | | | |
| 13 | | | | | | x | | |

¹This cross reference is an approximation of NEMA and IEC classifications for reference only. Please consult the appropriate JIC agencies for requirements and test qualifications for complete information.

Purge/Pressurization Systems

Purge/pressurization systems allow the use of general-purpose enclosures in hazardous locations as an alternative to NEMA Type 7 or 9 enclosures or those rated for zone classification. Purge/pressurization accessories are attached to an enclosure to prevent explosions in hazardous locations by purging combustible gases or dust and then maintaining a positive pressure with clean dry air, or other inert gas.

Purged and Pressurized Enclosures

1. Purged/pressurized Enclosures for Class I Hazardous Locations Purging is defined as the process of supplying an enclosure with clean air or an inert gas, at sufficient flow and positive pressure to reduce to an acceptable safe level the concentrations of any flammable gases or vapors initially present, and to maintain this safe level by positive pressure with or without continuous flow.
2. Pressurized Enclosures for Class II Hazardous Locations Pressurizing is similar to purging except that pressurizing is used to prevent the entrance of hazardous dusts and cannot be used to clean out dust that already exists inside an enclosure.

Purged or pressurized enclosures are acceptable alternatives for use in hazardous location as permitted by Article 500 of the National Electrical Code and the inspection authority having jurisdiction provided that the requirements and safeguards specified by NFPA 496, "Purged and Pressurized Enclosures for Electrical Equipment in Hazardous Locations" are strictly followed.

Milbank does not supply purged/pressurized enclosures. The above descriptions are provided for information only.



Please consult serving utility for their requirements prior to ordering or installing, as specifications and approvals vary by utility, and may require local electrical inspector approval. All installations must be installed by a licensed electrician and must comply with all national and local codes, laws and regulations. Milbank reserves the right to make changes in specifications and features shown without notice or obligation.

Modification Services

Milbank offers a series of standard options to complement our wide range of catalog products. These options meet common industry and application requirements and are designed to offer a wide range of flexibility to meet many different needs. By utilizing standard catalog enclosure types and standard accessories or options, you can keep your price and delivery times to a minimum.

Wall-Mount Enclosures

- Finish options
- Dimension changes
- Hole and cutout options
- Hinge options
- Studs, nuts and tapped holes
- Sub-panel options
- Ventilation options

- Window options
- Floor mounting options
- Assembled accessories
- Disconnect options
- Special latching

Large Mild Steel Enclosures

- Finish options
- Dimensional changes
- Hole and cutout options
- Component mounting options
- Sub-panel options
- Ventilation options
- Window options
- Floor mounting options
- Hinge options
- Wire management choices
- Structural changes
- Assembled accessories
- Disconnect options
- Special latching

Stainless Steel Enclosures

- Type 304 or 316 stainless
- Hole and cutout options

- Studs, nuts and tapped holes
- Sub-panel options
- Ventilation options
- Window options
- Mounting options
- Drip shields
- Assembled accessories
- Disconnect options
- Hinge options
- Special latching

CAD Drawing Requirements

- Drawings to be AutoCad .DXF or .DWG.
- Provide CAD drawing scaled 1:1 (1" = 1 Drawing Unit / 1mm = 1 Drawing Unit) [Please specify on drawing 'Inch' or 'Metric' accordingly].
- Provide only pertinent information required to modify the enclosure. Electronic/component

layout drawings not required.

Layer Control

- Erase/omit all unnecessary drawing information.
- Turn on/thaw layers in which modifications are necessary (should be only information on drawing).
- Purge all unnecessary blocks/layers/line types/text styles/dimension styles.
- Clearly identify on the drawing, your company name and drawing number.
- Clearly identify revisions

Email Drawings

- Clearly state "Quote request" or "Engineering Drawings" in subject line. Provide brief explanation of revision or change if appropriate.

Minimum Requirements for Engineering/Estimating

1. Clearly specify what you are sending (i.e. Order, RFQ, Information Request, Credit Information or Change).
2. Specify complete customer name, address, city, state, zip.
3. Specify phone and fax number of customer.
4. Specify customer contact.
5. Specify exactly who is to receive a copy of the quote (i.e. Customer/Rep/Both).
6. Specify shipping information.
7. Specify requested ship date. Do not specify ASAP, Rush, or impossible dates.
8. Indicate on repeat orders when a change is taking place. Follow up with Engineering and Estimating to verify change.
9. Specify quantities required and indicate if a blanket order will be placed.
10. Specify part number if item is a repeat.
11. When referencing competitor's part numbers, cross-reference them before submitting RFQ.
12. Clearly describe product including environment (Nema), type, height, width, depth, number of doors, special construction (i.e. shelves, brackets, etc.), description of application is helpful.
13. Clearly specify if UL Environmental rating Labels Are Required. If so, specify type or indicate "none."
14. Clearly specify paint, paint type, paint color, paint part number, paint manufacture, and any special requirements if other than standard.
15. Specify type of finish for stainless enclosures (i.e. brushed, Scotch Brite). Indicate special requirements if other than standard.
16. Specify material requirements (i.e. stainless, mild steel).
17. Indicate if sub-panel is required.
18. When sending drawings, specify clear and complete information.
 - Engineering: specify customer name, job number, and revision if applicable.
 - Estimating: specify customer name and reference RFQ or quote number if applicable.
19. Specify any special requirements (i.e. penalty clauses, accessories, mil specs).

Please consult serving utility for their requirements prior to ordering or installing, as specifications and approvals vary by utility, and may require local electrical inspector approval. All installations must be installed by a licensed electrician and must comply with all national and local codes, laws and regulations. Milbank reserves the right to make changes in specifications and features shown without notice or obligation.



8

TYPE 1
SCREW COVER
JUNCTION BOXES

Screw Cover Junction Boxes

Type 1

Application

- Designed for use as a junction box or pull box.
- For indoor use to provide protection against contact with enclosed equipment where moisture and dust are not a problem.

Construction

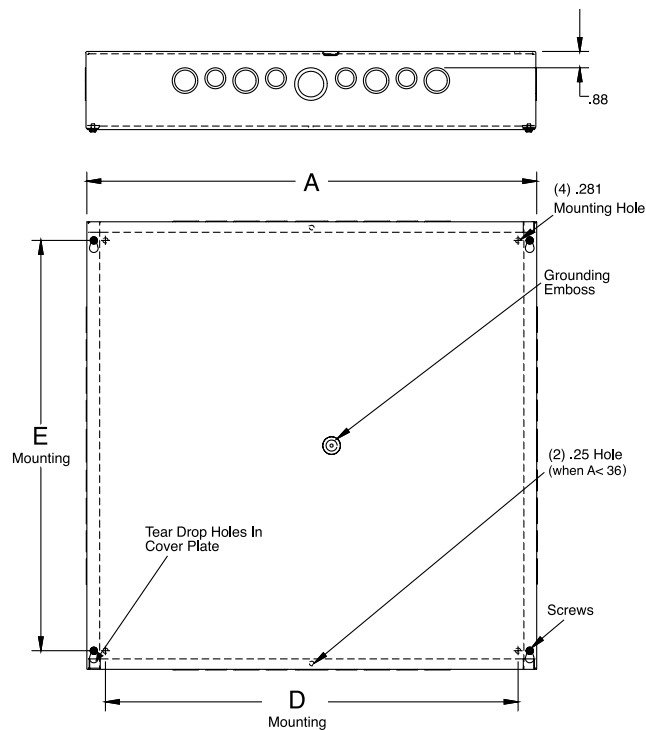
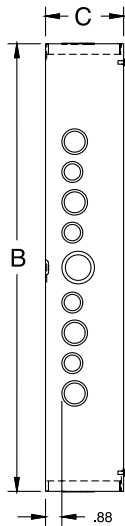
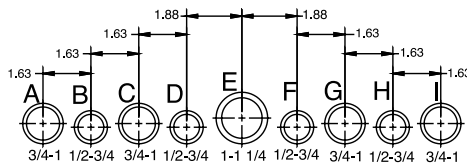
- Enclosure and cover are manufactured from 16, 14, or 12 gauge steel.
- Available with or without knockouts. Rectangular units have knockouts on all four sides; square units have knockouts on just two sides. For no knockouts, refer to suffix **-NK** in catalog number.
- Available with or without paint. For no paint, refer to suffix **-NP** in catalog number. Unpainted enclosures are made from galvanized steel.
- Covers have teardrop slots for easy installation and are attached to body with plated screws.
- Grounding emboss provided with green plated grounding screw.
- Holes are incorporated into the back of enclosure for mounting.

Finish

- ANSI 61 gray polyester powder coating inside and out unless otherwise specified.

Accessories

- Replacement covers: see Covers, pg. 12.
- Touch-up paint: see Accessories, pg. 51.
- Wood back panels: see Panels, pg. 30.
- Replacement screws: see Accessories, pg. 51.



Please consult serving utility for their requirements prior to ordering or installing, as specifications and approvals vary by utility, and may require local electrical inspector approval. All installations must be installed by a licensed electrician and must comply with all national and local codes, laws and regulations. Milbank reserves the right to make changes in specifications and features shown without notice or obligation.

Screw Cover Junction Boxes

Type 1

9
TYPE 1
SCREW COVER
JUNCTION BOXES

| Catalog Number | Product Family | UPC Number 7-84572- | Weight (lbs) | Carton Quantity | W x H x D | Knockouts | |
|-----------------|----------------|------------------------|-----------------|--------------------|-------------|-----------|-----------|
| | | | | | | A Side | B Side |
| 444-SC1 | SC1C | 10650 | 2.2 | 6 | 4 x 4 x 4 | B-C | None |
| 444-SC1-NK | SC1C | 10652 | 2.2 | 6 | 4 x 4 x 4 | None | None |
| 444-SC1-NK-NP | SC1C | 15483 | 2.2 | 6 | 4 x 4 x 4 | None | None |
| 464-SC1 | SC1C | 10704 | 2.8 | 4 | 4 x 6 x 4 | B-C | B-C-D |
| 464-SC1-NK | SC1C | 10705 | 4.5 | 4 | 4 x 6 x 4 | None | None |
| 464-SC1-NK-NP | SC1C | 19632 | 2.8 | 4 | 4 x 6 x 4 | None | None |
| 464-SC1-NP | SC1C | 31193 | 2.8 | 4 | 4 x 6 x 4 | B-C | B-C-D |
| 663-SC1 | SC1C | 10790 | 2.9 | 12 | 6 x 6 x 3 | B-C-D | B-C-D |
| 663-SC1-NK | SC1C | 10791 | 2.9 | 12 | 6 x 6 x 3 | None | None |
| 663-SC1-NK-NP | SC1C | 21830 | 2.9 | 12 | 6 x 6 x 3 | None | None |
| 664-SC1 | SC1C | 10801 | 3.4 | 9 | 6 x 6 x 4 | B-C-D | None |
| 664-SC1-NK | SC1C | 10803 | 3.4 | 9 | 6 x 6 x 4 | None | None |
| 664-SC1-NK-NP | SC1C | 10804 | 3.4 | 9 | 6 x 6 x 4 | None | None |
| 664-SC1-NP | SC1C | 16191 | 3.4 | 9 | 6 x 6 x 4 | B-C-D | None |
| 666-SC1 | SC1C | 10818 | 4.5 | 6 | 6 x 6 x 6 | B-C-D | None |
| 666-SC1-NK | SC1C | 10819 | 4.5 | 6 | 6 x 6 x 6 | None | None |
| 666-SC1-NK-NP | SC1C | 15355 | 4.5 | 6 | 6 x 6 x 6 | None | None |
| 666-SC1-NP | SC1C | 30985 | 4.5 | 6 | 6 x 6 x 6 | B-C-D | None |
| 684-SC1 | SC1C | 10859 | 4 | 9 | 6 x 8 x 4 | B-C-D | F-G-H-I |
| 684-SC1-NK | SC1C | 10860 | 4 | 9 | 6 x 8 x 4 | None | None |
| 684-SC1-NK-NP | SC1C | 20886 | 4 | 9 | 6 x 8 x 4 | None | None |
| 684-SC1-NP | SC1C | 18007 | 4 | 9 | 6 x 8 x 4 | B-C-D | F-G-H-I |
| 686-SC1 | SC1C | 10863 | 5.2 | 6 | 6 x 8 x 6 | B-C-D | F-G-H-I |
| 686-SC1-NK | SC1C | 10864 | 5.2 | 6 | 6 x 8 x 6 | None | None |
| 686-SC1-NK-NP | SC1C | 21059 | 5.2 | 6 | 6 x 8 x 6 | None | None |
| 686-SC1-NP | SC1C | 30159 | 5.2 | 6 | 6 x 8 x 6 | B-C-D | F-G-H-I |
| 6124-SC1 | SC1C | 10764 | 5.5 | 6 | 6 x 12 x 4 | B-C-D | C-D-E-F-G |
| 6124-SC1-NK | SC1C | 15543 | 5.5 | 6 | 6 x 12 x 4 | None | None |
| 6126-SC1 | SC1C | 10765 | 7 | 2 | 6 x 12 x 6 | B-C-D | C-D-E-F-G |
| 6126-SC1-NK | SC1C | 17754 | 7 | 2 | 6 x 12 x 6 | None | None |
| 884-SC1 | SC1C | 10938 | 5 | 6 | 8 x 8 x 4 | F-G-H-I | None |
| 884-SC1-NK | SC1C | 10940 | 5 | 6 | 8 x 8 x 4 | None | None |
| 884-SC1-NK-NP | SC1C | 15357 | 5 | 6 | 8 x 8 x 4 | None | None |
| 886-SC1 | SC1C | 10955 | 6.5 | 4 | 8 x 8 x 6 | F-G-H-I | None |
| 886-SC1-NK | SC1C | 10956 | 6.5 | 4 | 8 x 8 x 6 | None | None |
| 886-SC1-NK-NP | SC1C | 15358 | 6.5 | 4 | 8 x 8 x 6 | None | None |
| 886-SC1-NP | SC1C | 19650 | 6.5 | 4 | 8 x 8 x 6 | F-G-H-I | None |
| 888-SC1 | SC1C | 10971 | 7.5 | 2 | 8 x 8 x 8 | F-G-H-I | None |
| 888-SC1-NK | SC1C | 10972 | 7.5 | 2 | 8 x 8 x 8 | None | None |
| 888-SC1-NK-NP | SC1C | 15509 | 7.5 | 2 | 8 x 8 x 8 | None | None |
| 888-SC1-NP | SC1C | 32326 | 7.5 | 2 | 8 x 8 x 8 | F-G-H-I | None |
| 8104-SC1 | SC1C | 10879 | 7 | 5 | 8 x 10 x 4 | F-G-H-I | F-G-H-I |
| 8104-SC1-NK | SC1C | 10880 | 7 | 5 | 8 x 10 x 4 | None | None |
| 8104-SC1-NK-NP | SC1C | 21057 | 7 | 5 | 8 x 10 x 4 | None | None |
| 8104-SC1-NP | SC1C | 30485 | 7 | 5 | 8 x 10 x 4 | F-G-H-I | F-G-H-I |
| 8106-SC1 | SC1C | 10885 | 7.5 | 4 | 8 x 10 x 6 | F-G-H-I | F-G-H-I |
| 8106-SC1-NK | SC1C | 10886 | 7.5 | 4 | 8 x 10 x 6 | None | None |
| 8106-SC1-NK-NP | SC1C | 24737 | 7.5 | 4 | 8 x 10 x 6 | None | None |
| 8106-SC1-NP | SC1C | 31005 | 7.5 | 4 | 8 x 10 x 6 | F-G-H-I | F-G-H-I |
| 8124-SC1 | SC1C | 10892 | 6.7 | 3 | 8 x 12 x 4 | F-G-H-I | C-D-E-F-G |
| 8124-SC1-NK | SC1C | 10893 | 6.7 | 3 | 8 x 12 x 4 | None | None |
| 8124-SC1-NK-NP | SC1C | 23645 | 6.7 | 3 | 8 x 12 x 4 | None | None |
| 8126-SC1 | SC1C | 10898 | 8.5 | 2 | 8 x 12 x 6 | F-G-H-I | C-D-E-F-G |
| 8126-SC1-NK | SC1C | 10899 | 8.5 | 2 | 8 x 12 x 6 | None | None |
| 8126-SC1-NK-NP | SC1C | 21060 | 8.5 | 2 | 8 x 12 x 6 | None | None |
| 10104-SC1 | SC1C | 10017 | 7 | 3 | 10 x 10 x 4 | F-G-H-I | None |
| 10104-SC1-NK | SC1C | 10018 | 7 | 3 | 10 x 10 x 4 | None | None |
| 10104-SC1-NK-NP | SC1C | 15344 | 7 | 3 | 10 x 10 x 4 | None | None |
| 10104-SC1-NP | SC1C | 16190 | 7 | 3 | 10 x 10 x 4 | F-G-H-I | None |
| 10106-SC1 | SC1C | 10030 | 8.5 | 2 | 10 x 10 x 6 | C-D-E-F-G | None |
| 10106-SC1-NK | SC1C | 10031 | 8.5 | 2 | 10 x 10 x 6 | None | None |

Please consult serving utility for their requirements prior to ordering or installing, as specifications and approvals vary by utility, and may require local electrical inspector approval. All installations must be installed by a licensed electrician and must comply with all national and local codes, laws and regulations. Milbank reserves the right to make changes in specifications and features shown without notice or obligation.





TYPE 1
SCREW COVER
JUNCTION BOXES

Screw Cover Junction Boxes

Type 1

| Catalog Number | Product Family | UPC Number 7-84572- | Weight (lbs) | Carton Quantity | W x H x D | Knockouts | |
|-----------------|----------------|------------------------|-----------------|--------------------|--------------|-------------------|-------------------|
| | | | | | | A Side | B Side |
| 10106-SC1-NK-NP | SC1C | 15456 | 8.5 | 2 | 10 x 10 x 6 | None | None |
| 10106-SC1-NP | SC1C | 20888 | 8.5 | 2 | 10 x 10 x 6 | C-D-E-F-G | None |
| 10124-SC1 | SC1C | 10065 | 8 | 3 | 10 x 12 x 4 | C-D-E-F-G | C-D-E-F-G |
| 10124-SC1-NK | SC1C | 10066 | 8 | 3 | 10 x 12 x 4 | None | None |
| 10124-SC1-NK-NP | SC1C | 15345 | 8 | 3 | 10 x 12 x 4 | None | None |
| 10124-SC1-NP | SC1C | 31006 | 8 | 3 | 10 x 12 x 4 | C-D-E-F-G | C-D-E-F-G |
| 10126-SC1 | SC1C | 10071 | 9.5 | 2 | 10 x 12 x 6 | C-D-E-F-G | C-D-E-F-G |
| 10126-SC1-NK | SC1C | 10072 | 9.5 | 2 | 10 x 12 x 6 | None | None |
| 10126-SC1-NP | SC1C | 32327 | 9.5 | 2 | 10 x 12 x 6 | C-D-E-F-G | C-D-E-F-G |
| 12124-SC1 | SC1C | 10113 | 9.2 | 4 | 12 x 12 x 4 | C-D-E-F-G | None |
| 12124-SC1-NK | SC1C | 10115 | 9.2 | 4 | 12 x 12 x 4 | None | None |
| 12124-SC1-NK-NP | SC1C | 10116 | 9.2 | 4 | 12 x 12 x 4 | None | None |
| 12124-SC1-NP | SC1C | 17591 | 9.2 | 4 | 12 x 12 x 4 | C-D-E-F-G | None |
| 12126-SC1 | SC1C | 10133 | 11 | 3 | 12 x 12 x 6 | C-D-E-F-G | None |
| 12126-SC1-NK | SC1C | 10135 | 11 | 3 | 12 x 12 x 6 | None | None |
| 12126-SC1-NK-NP | SC1C | 10136 | 11 | 3 | 12 x 12 x 6 | None | None |
| 12126-SC1-NP | SC1C | 16189 | 11 | 3 | 12 x 12 x 6 | C-D-E-F-G | None |
| 12128-SC1 | SC1C | 10153 | 13 | 2 | 12 x 12 x 8 | C-D-E-F-G | None |
| 12128-SC1-NK | SC1C | 10154 | 13 | 2 | 12 x 12 x 8 | None | None |
| 12128-SC1-NK-NP | SC1C | 15469 | 13 | 2 | 12 x 12 x 8 | None | None |
| 12128-SC1-NP | SC1C | 20537 | 13 | 2 | 12 x 12 x 8 | C-D-E-F-G | None |
| 121212-SC1-NK | SC1C | 24378 | 15.4 | 1 | 12 x 12 x 12 | None | None |
| 12164-SC1 | SC1C | 10177 | 11.3 | 3 | 12 x 16 x 4 | C-D-E-F-G | B-C-D-E-F-G-H |
| 12164-SC1-NK | SC1C | 10178 | 11.3 | 3 | 12 x 16 x 4 | None | None |
| 12164-SC1-NK-NP | SC1C | 15346 | 11.3 | 3 | 12 x 16 x 4 | None | None |
| 12164-SC1-NP | SC1C | 32328 | 11.3 | 3 | 12 x 16 x 4 | C-D-E-F-G | B-C-D-E-F-G-H |
| 12166-SC1 | SC1C | 10183 | 13.5 | 2 | 12 x 16 x 6 | C-D-E-F-G | B-C-D-E-F-G-H |
| 12166-SC1-NK | SC1C | 10184 | 13.5 | 2 | 12 x 16 x 6 | None | None |
| 12166-SC1-NK-NP | SC1C | 15347 | 13.5 | 2 | 12 x 16 x 6 | None | None |
| 12166-SC1-NP | SC1C | 30984 | 13.5 | 2 | 12 x 16 x 6 | C-D-E-F-G | B-C-D-E-F-G-H |
| 12184-SC1 | SC1C | 10202 | 12.7 | 3 | 12 x 18 x 4 | C-D-E-F-G | A-B-C-D-E-F-G-H-I |
| 12184-SC1-NK | SC1C | 10203 | 12.7 | 3 | 12 x 18 x 4 | None | None |
| 12184-SC1-NK-NP | SC1C | 21058 | 12.7 | 3 | 12 x 18 x 4 | None | None |
| 12186-SC1 | SC1C | 10209 | 14.5 | 2 | 12 x 18 x 6 | C-D-E-F-G | A-B-C-D-E-F-G-H-I |
| 12186-SC1-NK | SC1C | 10210 | 14.5 | 2 | 12 x 18 x 6 | None | None |
| 12186-SC1-NK-NP | SC1C | 16421 | 14.5 | 2 | 12 x 18 x 6 | None | None |
| 12188-SC1 | SC1C | 10216 | 17 | 1 | 12 x 18 x 8 | C-D-E-F-G | A-B-C-D-E-F-G-H-I |
| 12188-SC1-NK | SC1C | 10217 | 17 | 1 | 12 x 18 x 8 | None | None |
| 12188-SC1-NK-NP | SC1C | 31727 | 17 | 1 | 12 x 18 x 8 | None | None |
| 121810-SC1 | SC1C | 10198 | 19 | 1 | 12 x 18 x 10 | C-D-E-F-G | A-B-C-D-E-F-G-H-I |
| 12244-SC1 | SC1C | 10229 | 15.8 | 3 | 12 x 24 x 4 | C-D-E-F-G | A-B-C-D-E-F-G-H-I |
| 12244-SC1-NK | SC1C | 15584 | 15.8 | 3 | 12 x 24 x 4 | None | None |
| 12246-SC1 | SC1C | 10232 | 18.8 | 2 | 12 x 24 x 6 | C-D-E-F-G | A-B-C-D-E-F-G-H-I |
| 12246-SC1-NK | SC1C | 10233 | 18.8 | 2 | 12 x 24 x 6 | None | None |
| 12246-SC1-NK-NP | SC1C | 23762 | 18.8 | 2 | 12 x 24 x 6 | None | None |
| 15186-SC1 | SC1C | 10265 | 17.5 | 2 | 15 x 18 x 6 | B-C-D-E-F-G-H | A-B-C-D-E-F-G-H-I |
| 15186-SC1-NK | SC1C | 10266 | 17.5 | 2 | 15 x 18 x 6 | None | None |
| 15186-SC1-NK-NP | SC1C | 28142 | 17.5 | 2 | 15 x 18 x 6 | None | None |
| 16164-SC1 | SC1C | 10283 | 14 | 3 | 16 x 16 x 4 | B-C-D-E-F-G-H | None |
| 16164-SC1-NK | SC1C | 10284 | 14 | 3 | 16 x 16 x 4 | None | None |
| 16164-SC1-NK-NP | SC1C | 25802 | 14 | 3 | 16 x 16 x 4 | None | None |
| 16166-SC1 | SC1C | 10285 | 16.5 | 2 | 16 x 16 x 6 | B-C-D-E-F-G-H | None |
| 16166-SC1-NK | SC1C | 10286 | 16.5 | 2 | 16 x 16 x 6 | None | None |
| 16166-SC1-NK-NP | SC1C | 15348 | 16.5 | 2 | 16 x 16 x 6 | None | None |
| 16166-SC1-NP | SC1C | 30484 | 16.5 | 2 | 16 x 16 x 6 | B-C-D-E-F-G-H | None |
| 18184-SC1 | SC1C | 10300 | 17 | 3 | 18 x 18 x 4 | A-B-C-D-E-F-G-H-I | None |
| 18184-SC1-NK | SC1C | 10301 | 17 | 3 | 18 x 18 x 4 | None | None |
| 18184-SC1-NK-NP | SC1C | 10302 | 17 | 3 | 18 x 18 x 4 | None | None |
| 18184-SC1-NP | SC1C | 20538 | 17 | 3 | 18 x 18 x 4 | A-B-C-D-E-F-G-H-I | None |
| 18186-SC1 | SC1C | 10309 | 20.5 | 2 | 18 x 18 x 6 | A-B-C-D-E-F-G-H-I | None |
| 18186-SC1-NK | SC1C | 10310 | 20.5 | 2 | 18 x 18 x 6 | None | None |



Please consult serving utility for their requirements prior to ordering or installing, as specifications and approvals vary by utility, and may require local electrical inspector approval. All installations must be installed by a licensed electrician and must comply with all national and local codes, laws and regulations. Milbank reserves the right to make changes in specifications and features shown without notice or obligation.

Screw Cover Junction Boxes

Type 1

1 1
TYPE 1
SCREW COVER
JUNCTION BOXES

| Catalog Number | Product Family | UPC Number 7-84572- | Weight (lbs) | Carton Quantity | W x H x D | Knockouts | |
|------------------|----------------|------------------------|-----------------|--------------------|--------------|-------------------|-------------------|
| | | | | | | A Side | B Side |
| 18186-SC1-NK-NP | SC1C | 10311 | 20.5 | 2 | 18 x 18 x 6 | None | None |
| 18186-SC1-NP | SC1C | 15955 | 20.5 | 2 | 18 x 18 x 6 | A-B-C-D-E-F-G-H-I | None |
| 18188-SC1 | SC1C | 10319 | 24 | 1 | 18 x 18 x 8 | A-B-C-D-E-F-G-H-I | None |
| 18188-SC1-NK | SC1C | 10320 | 24 | 1 | 18 x 18 x 8 | None | None |
| 18188-SC1-NK-NP | SC1C | 15349 | 24 | 1 | 18 x 18 x 8 | None | None |
| 18188-SC1-NP | SC1C | 20536 | 24 | 1 | 18 x 18 x 8 | A-B-C-D-E-F-G-H-I | None |
| 181810-SC1 | SC1C | 10294 | 25 | 1 | 18 x 18 x 10 | A-B-C-D-E-F-G-H-I | None |
| 181810-SC1-NK | SC1C | 10295 | 25 | 1 | 18 x 18 x 10 | None | None |
| 181810-SC1-NK-NP | SC1C | 21064 | 25 | 1 | 18 x 18 x 10 | None | None |
| 181812-SC1 | SC1C | 10298 | 28 | 1 | 18 x 18 x 12 | A-B-C-D-E-F-G-H-I | None |
| 181812-SC1-NK | SC1C | 10299 | 28 | 1 | 18 x 18 x 12 | None | None |
| 181812-SC1-NK-NP | SC1C | 24736 | 28 | 1 | 18 x 18 x 12 | None | None |
| 18244-SC1 | SC1C | 10333 | 23.5 | 2 | 18 x 24 x 4 | A-B-C-D-E-F-G-H-I | A-B-C-D-E-F-G-H-I |
| 18244-SC1-NK | SC1C | 10334 | 23.5 | 2 | 18 x 24 x 4 | None | None |
| 18244-SC1-NK-NP | SC1C | 32330 | 23.5 | 2 | 18 x 24 x 4 | None | None |
| 18246-SC1 | SC1C | 10338 | 27 | 1 | 18 x 24 x 6 | A-B-C-D-E-F-G-H-I | A-B-C-D-E-F-G-H-I |
| 18246-SC1-NK | SC1C | 10339 | 27 | 1 | 18 x 24 x 6 | None | None |
| 18246-SC1-NK-NP | SC1C | 15350 | 27 | 1 | 18 x 24 x 6 | None | None |
| 18246-SC1-NP | SC1C | 32331 | 27 | 1 | 18 x 24 x 6 | A-B-C-D-E-F-G-H-I | A-B-C-D-E-F-G-H-I |
| 18248-SC1 | SC1C | 10346 | 30 | 1 | 18 x 24 x 8 | A-B-C-D-E-F-G-H-I | A-B-C-D-E-F-G-H-I |
| 18248-SC1-NK | SC1C | 10347 | 30 | 1 | 18 x 24 x 8 | None | None |
| 18248-SC1-NK-NP | SC1C | 21063 | 30 | 1 | 18 x 24 x 8 | None | None |
| 182410-SC1 | SC1C | 10330 | 34 | 1 | 18 x 24 x 10 | A-B-C-D-E-F-G-H-I | A-B-C-D-E-F-G-H-I |
| 182410-SC1-NK | SC1C | 24593 | 34 | 1 | 18 x 24 x 10 | None | None |
| 182410-SC1-NK-NP | SC1C | 32332 | 34 | 1 | 18 x 24 x 10 | None | None |
| 182412-SC1 | SC1C | 10332 | 36 | 1 | 18 x 24 x 12 | A-B-C-D-E-F-G-H-I | A-B-C-D-E-F-G-H-I |
| 182412-SC1-NK | SC1C | 20294 | 36 | 1 | 18 x 24 x 12 | None | None |
| 182412-SC1-NK-NP | SC1C | 24797 | 36 | 1 | 18 x 24 x 12 | None | None |
| 24244-SC1 | SC1C | 10417 | 30.5 | 2 | 24 x 24 x 4 | A-B-C-D-E-F-G-H-I | None |
| 24244-SC1-NK | SC1C | 10418 | 30.5 | 2 | 24 x 24 x 4 | None | None |
| 24244-SC1-NK-NP | SC1C | 15473 | 30.5 | 2 | 24 x 24 x 4 | None | None |
| 24244-SC1-NP | SC1C | 32333 | 30.5 | 2 | 24 x 24 x 4 | A-B-C-D-E-F-G-H-I | None |
| 24246-SC1 | SC1C | 10423 | 33.5 | 1 | 24 x 24 x 6 | A-B-C-D-E-F-G-H-I | None |
| 24246-SC1-NK | SC1C | 10424 | 33.5 | 1 | 24 x 24 x 6 | None | None |
| 24246-SC1-NK-NP | SC1C | 15352 | 33.5 | 1 | 24 x 24 x 6 | None | None |
| 24246-SC1-NP | SC1C | 20539 | 33.5 | 1 | 24 x 24 x 6 | A-B-C-D-E-F-G-H-I | None |
| 24248-SC1 | SC1C | 10434 | 38 | 1 | 24 x 24 x 8 | A-B-C-D-E-F-G-H-I | None |
| 24248-SC1-NK | SC1C | 10435 | 38 | 1 | 24 x 24 x 8 | None | None |
| 24248-SC1-NK-NP | SC1C | 10436 | 38 | 1 | 24 x 24 x 8 | None | None |
| 242410-SC1 | SC1C | 10408 | 41 | 1 | 24 x 24 x 10 | A-B-C-D-E-F-G-H-I | None |
| 242410-SC1-NK | SC1C | 10409 | 41 | 1 | 24 x 24 x 10 | None | None |
| 242410-SC1-NK-NP | SC1C | 20887 | 41 | 1 | 24 x 24 x 10 | None | None |
| 242412-SC1 | SC1C | 10413 | 44 | 1 | 24 x 24 x 12 | A-B-C-D-E-F-G-H-I | None |
| 242412-SC1-NK | SC1C | 10414 | 44 | 1 | 24 x 24 x 12 | None | None |
| 242412-SC1-NK-NP | SC1C | 20648 | 44 | 1 | 24 x 24 x 12 | None | None |
| 24308-SC1 | SC1C | 10460 | 45 | 1 | 24 x 30 x 8 | A-B-C-D-E-F-G-H-I | A-B-C-D-E-F-G-H-I |
| 24308-SC1-NK | SC1C | 10461 | 45 | 1 | 24 x 30 x 8 | None | None |
| 24308-SC1-NK-NP | SC1C | 32334 | 45 | 1 | 24 x 30 x 8 | None | None |
| 243010-SC1 | SC1C | 10447 | 50 | 1 | 24 x 30 x 10 | A-B-C-D-E-F-G-H-I | A-B-C-D-E-F-G-H-I |
| 243010-SC1-NK | SC1C | 10448 | 50 | 1 | 24 x 30 x 10 | None | None |
| 243010-SC1-NK-NP | SC1C | 21065 | 50 | 1 | 24 x 30 x 10 | None | None |
| 243012-SC1 | SC1C | 10450 | 54 | 1 | 24 x 30 x 12 | A-B-C-D-E-F-G-H-I | A-B-C-D-E-F-G-H-I |
| 243012-SC1-NK-NP | SC1C | 21067 | 54 | 1 | 24 x 30 x 12 | None | None |
| 24366-SC1 | SC1C | 10479 | 54 | 1 | 24 x 36 x 6 | A-B-C-D-E-F-G-H-I | A-B-C-D-E-F-G-H-I |
| 24366-SC1-NK | SC1C | 10480 | 54 | 1 | 24 x 36 x 6 | None | None |
| 24366-SC1-NK-NP | SC1C | 32335 | 54 | 1 | 24 x 36 x 6 | None | None |
| 24366-SC1-NP | SC1C | 32336 | 54 | 1 | 24 x 36 x 6 | A-B-C-D-E-F-G-H-I | A-B-C-D-E-F-G-H-I |
| 24368-SC1 | SC1C | 10485 | 59 | 1 | 24 x 36 x 8 | A-B-C-D-E-F-G-H-I | A-B-C-D-E-F-G-H-I |
| 24368-SC1-NK | SC1C | 10486 | 59 | 1 | 24 x 36 x 8 | None | None |
| 24368-SC1-NK-NP | SC1C | 10487 | 59 | 1 | 24 x 36 x 8 | None | None |
| 243610-SC1 | SC1C | 10470 | 77 | 1 | 24 x 36 x 10 | A-B-C-D-E-F-G-H-I | A-B-C-D-E-F-G-H-I |

Please consult serving utility for their requirements prior to ordering or installing, as specifications and approvals vary by utility, and may require local electrical inspector approval. All installations must be installed by a licensed electrician and must comply with all national and local codes, laws and regulations. Milbank reserves the right to make changes in specifications and features shown without notice or obligation.



| Catalog Number | Product Family | UPC Number 7-84572- | Weight (lbs) | Carton Quantity | W x H x D | Knockouts | |
|------------------|----------------|------------------------|-----------------|--------------------|--------------|-------------------|-------------------|
| | | | | | | A Side | B Side |
| 243610-SC1-NK | SC1C | 24105 | 77 | 1 | 24 x 36 x 10 | None | None |
| 243612-SC1 | SC1C | 10471 | 83 | 1 | 24 x 36 x 12 | A-B-C-D-E-F-G-H-I | A-B-C-D-E-F-G-H-I |
| 243612-SC1-NK | SC1C | 19903 | 83 | 1 | 24 x 36 x 12 | None | None |
| 243612-SC1-NK-NP | SC1C | 10472 | 83 | 1 | 24 x 36 x 12 | None | None |
| 30306-SC1-NK | SC1C | 10521 | 66 | 1 | 30 x 30 x 6 | None | None |
| 30306-SC1-NK-NP | SC1C | 15475 | 66 | 1 | 30 x 30 x 6 | None | None |
| 30308-SC1-NK | SC1C | 10528 | 76 | 1 | 30 x 30 x 8 | None | None |
| 30308-SC1-NK-NP | SC1C | 24913 | 76 | 1 | 30 x 30 x 8 | None | None |
| 303010-SC1-NK | SC1C | 10508 | 81 | 1 | 30 x 30 x 10 | None | None |
| 303010-SC1-NK-NP | SC1C | 21066 | 81 | 1 | 30 x 30 x 10 | None | None |
| 303012-SC1-NK | SC1C | 10511 | 95 | 1 | 30 x 30 x 12 | None | None |
| 303012-SC1-NK-NP | SC1C | 21068 | 95 | 1 | 30 x 30 x 12 | None | None |
| 30366-SC1-NK | SC1C | 10543 | 87 | 1 | 30 x 36 x 6 | None | None |
| 30366-SC1-NK-NP | SC1C | 32337 | 87 | 1 | 30 x 36 x 6 | None | None |
| 30368-SC1-NK | SC1C | 23846 | 95 | 1 | 30 x 36 x 8 | None | None |
| 30368-SC1-NK-NP | SC1C | 16466 | 95 | 1 | 30 x 36 x 8 | None | None |
| 303610-SC1-NK-NP | SC1C | 32338 | 103 | 1 | 30 x 36 x 10 | None | None |
| 303612-SC1-NK | SC1C | 17923 | 111 | 1 | 30 x 36 x 12 | None | None |
| 303612-SC1-NK-NP | SC1C | 32339 | 111 | 1 | 30 x 36 x 12 | None | None |
| 36364-SC1-NK | SC1C | 10591 | 105 | 1 | 36 x 36 x 4 | None | None |
| 36366-SC1-NK | SC1C | 10596 | 115 | 1 | 36 x 36 x 6 | None | None |
| 36366-SC1-NK-NP | SC1C | 15477 | 115 | 1 | 36 x 36 x 6 | None | None |
| 36368-SC1 | SC1C | 24886 | 124 | 1 | 36 x 36 x 8 | None | None |
| 36368-SC1-NK | SC1C | 10601 | 124 | 1 | 36 x 36 x 8 | None | None |
| 36368-SC1-NK-NP | SC1C | 15353 | 124 | 1 | 36 x 36 x 8 | None | None |
| 363610-SC1-NK | SC1C | 10584 | 134 | 1 | 36 x 36 x 10 | None | None |
| 363610-SC1-NK-NP | SC1C | 24032 | 134 | 1 | 36 x 36 x 10 | None | None |
| 363612-SC1-NK | SC1C | 10586 | 144 | 1 | 36 x 36 x 12 | None | None |
| 363612-SC1-NK-NP | SC1C | 17418 | 144 | 1 | 36 x 36 x 12 | None | None |
| 363618-SC1-NK | SC1C | 10590 | 173 | 1 | 36 x 36 x 18 | None | None |
| 36486-SC1-NK | SC1C | 10612 | 150 | 1 | 36 x 48 x 6 | None | None |
| 48486-SC1-NK | SC1C | 10731 | 192 | 1 | 48 x 48 x 6 | None | None |
| 484812-SC1-NK | SC1C | 10724 | 220 | 1 | 48 x 48 x 12 | None | None |
| Covers | | | | | | | |
| 44XSC1 | CNAC | 10694 | 0.3 | 1 | 4 x 4 | | |
| 46XSC1 | CNAC | 10719 | 0.4 | 1 | 4 x 6 | | |
| 66XSC1 | CNAC | 10857 | 0.8 | 1 | 6 x 6 | | |
| 68XSC1 | CNAC | 10867 | 1 | 1 | 6 x 8 | | |
| 612XSC1 | CNAC | 10767 | 1.5 | 1 | 6 x 12 | | |
| 88XSC1 | CNAC | 10999 | 1 | 1 | 8 x 8 | | |
| 810XSC1 | CNAC | 10890 | 1.2 | 1 | 8 x 10 | | |
| 812XSC1 | CNAC | 10908 | 1.4 | 1 | 8 x 12 | | |
| 1010XSC1 | CNAC | 10062 | 2 | 1 | 10 x 10 | | |
| 1012XSC1 | CNAC | 10081 | 2.2 | 1 | 10 x 12 | | |
| 1212XSC1 | CNAC | 10175 | 2.5 | 1 | 12 x 12 | | |
| 1216XSC1 | CNAC | 10197 | 2.9 | 1 | 12 x 16 | | |
| 1218XSC1 | CNAC | 10225 | 3.2 | 1 | 12 x 18 | | |
| 1224XSC1 | CNAC | 10244 | 4.3 | 1 | 12 x 24 | | |
| 1518XSC1 | CNAC | 10274 | 4 | 1 | 15 x 18 | | |
| 1616XSC1 | CNAC | 10288 | 3.8 | 1 | 16 x 16 | | |
| 1818XSC1 | CNAC | 10328 | 4.8 | 1 | 18 x 18 | | |
| 1824XSC1 | CNAC | 10354 | 6.4 | 1 | 18 x 24 | | |
| 1830XSC1 | CNAC | 10366 | 8 | 1 | 18 x 30 | | |
| 2424XSC1 | CNAC | 10446 | 10.9 | 1 | 24 x 24 | | |
| 2430XSC1 | CNAC | 10468 | 12.3 | 1 | 24 x 30 | | |
| 2436XSC1 | CNAC | 10492 | 16.4 | 1 | 24 x 36 | | |
| 3030XSC1 | CNAC | 10535 | 12.3 | 1 | 30 x 30 | | |
| 3036XSC1 | CNAC | 10553 | 19 | 1 | 30 x 36 | | |
| 3636XSC1 | CNAC | 10606 | 23 | 1 | 36 x 36 | | |
| 3648XSC1 | CNAC | 10621 | 26 | 1 | 36 x 48 | | |
| 4848XSC1 | CNAC | 10740 | 42 | 1 | 48 x 48 | | |



Please consult serving utility for their requirements prior to ordering or installing, as specifications and approvals vary by utility, and may require local electrical inspector approval. All installations must be installed by a licensed electrician and must comply with all national and local codes, laws and regulations. Milbank reserves the right to make changes in specifications and features shown without notice or obligation.

Hinge Cover Junction Boxes

Type 1

13
TYPE 1
HINGE COVER
JUNCTION BOXES

Industry Standards

- NEMA Type 1
- UL 50 Type 1
- CUL Type 1 (Equivalent to CSA)

Application

- Designed for use as a junction or pull box
- For indoor use to provide protection against contact with enclosed equipment where dust and moisture are not a problem.

Construction

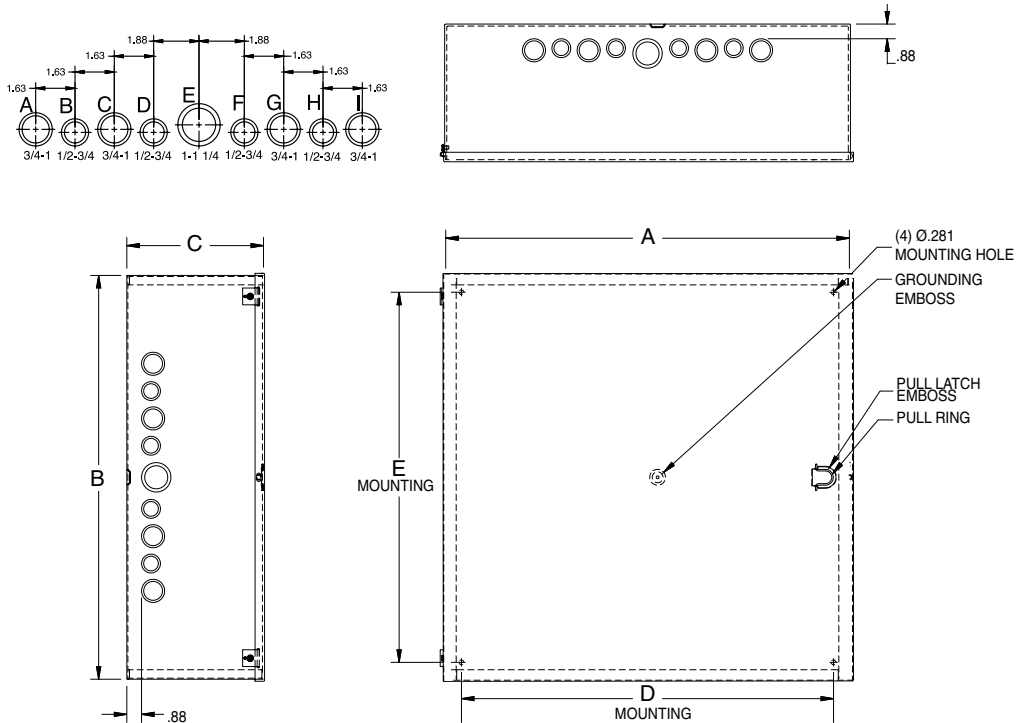
- Enclosure made from 16 or 14 gauge steel.
- Available with or without knockouts. For no knockouts, refer to suffix **-NK** in catalog number.
- Available with or without paint. For no paint, refer to suffix **-NP** in catalog number. Unpainted enclosures are made from galvanized steel.
- Formed stainless hinges.
- Mounting holes on back.
- Provision for grounding, with green grounding screw.
- Flush pull ring for easy opening of door.

Finish

- Finish: ANSI 61 gray polyester finish inside and out unless otherwise specified.

Accessories

- Note: Use wood panels only for HC1 enclosures (WB series, pg. 30).
- Touch-up paint: see Accessories, pg. 51.



Please consult serving utility for their requirements prior to ordering or installing, as specifications and approvals vary by utility, and may require local electrical inspector approval. All installations must be installed by a licensed electrician and must comply with all national and local codes, laws and regulations. Milbank reserves the right to make changes in specifications and features shown without notice or obligation.



14

TYPE 1
HINGE COVER
JUNCTION BOXES

Hinge Cover Junction Boxes

Type 1

| Catalog Number | Product Family | UPC Number 7-84572- | Weight (lbs) | Carton Quantity | W x H x D | Knockouts | |
|-----------------|----------------|------------------------|-----------------|--------------------|-------------|-------------------|-------------------|
| | | | | | | A Side | B Side |
| 664-HC1 | HC1C | 10798 | 3.4 | 9 | 6 x 6 x 4 | B-C-D | None |
| 664-HC1-NK | HC1C | 19930 | 3.4 | 9 | 6 x 6 x 4 | None | None |
| 664-HC1-NK-NP | HC1C | 21398 | 3.4 | 9 | 6 x 6 x 4 | None | None |
| 666-HC1 | HC1C | 10817 | 4.3 | 6 | 6 x 6 x 6 | B-C-D | None |
| 666-HC1-NK | HC1C | 15354 | 4.3 | 6 | 6 x 6 x 6 | None | None |
| 684-HC1 | HC1C | 31817 | 4 | 9 | 6 x 8 x 4 | B-C-D | F-G-H-I |
| 684-HC1-NK | HC1C | 21532 | 4 | 9 | 6 x 8 x 4 | None | None |
| 884-HC1 | HC1C | 10935 | 5.2 | 6 | 8 x 8 x 4 | F-G-H-I | None |
| 884-HC1-NK | HC1C | 10936 | 5.2 | 6 | 8 x 8 x 4 | None | None |
| 884-HC1-NP | HC1C | 30189 | 5.2 | 6 | 8 x 8 x 4 | F-G-H-I | None |
| 886-HC1 | HC1C | 10953 | 6.5 | 4 | 8 x 8 x 6 | F-G-H-I | None |
| 886-HC1-NK | HC1C | 10954 | 6.5 | 4 | 8 x 8 x 6 | None | None |
| 886-HC1-NP | HC1C | 30190 | 6.5 | 4 | 8 x 8 x 6 | F-G-H-I | None |
| 8124-HC1-NK | HC1C | 32340 | 7 | 3 | 8 x 12 x 4 | None | None |
| 10104-HC1 | HC1C | 10013 | 7.3 | 3 | 10 x 10 x 4 | C-D-E-F-G | None |
| 10104-HC1-NK | HC1C | 10014 | 7.3 | 3 | 10 x 10 x 4 | None | None |
| 10106-HC1 | HC1C | 10028 | 8 | 2 | 10 x 10 x 6 | C-D-E-F-G | None |
| 10106-HC1-NK | HC1C | 10029 | 8 | 2 | 10 x 10 x 6 | None | None |
| 10124-HC1 | HC1C | 10064 | 7.9 | 3 | 10 x 12 x 4 | C-D-E-F-G | C-D-E-F-G |
| 1284-HC1 | HC1C | 10252 | 6.7 | 3 | 12 x 8 x 4 | C-D-E-F-G | F-G-H-I |
| 12124-HC1 | HC1C | 10110 | 9.3 | 4 | 12 x 12 x 4 | C-D-E-F-G | None |
| 12124-HC1-NK | HC1C | 10111 | 9.3 | 4 | 12 x 12 x 4 | None | None |
| 12124-HC1-NK-NP | HC1C | 21399 | 9.3 | 4 | 12 x 12 x 4 | None | None |
| 12126-HC1 | HC1C | 10129 | 11 | 3 | 12 x 12 x 6 | C-D-E-F-G | None |
| 12126-HC1-NK | HC1C | 10130 | 11 | 3 | 12 x 12 x 6 | None | None |
| 12126-HC1-NK-NP | HC1C | 30187 | 11 | 3 | 12 x 12 x 6 | None | None |
| 12184-HC1 | HC1C | 10201 | 12.5 | | 12 x 18 x 4 | C-D-E-F-G | A-B-C-D-E-F-G-H-I |
| 18186-HC1 | HC1C | 10308 | 19.5 | 2 | 18 x 18 x 6 | A-B-C-D-E-F-G-H-I | None |
| 18186-HC1-NK | HC1C | 32006 | 19.5 | 2 | 18 x 18 x 6 | None | None |
| 18186-HC1-NK-NP | HC1C | 30188 | 19.5 | 2 | 18 x 18 x 6 | None | None |
| 18246-HC1 | HC1C | 10337 | 26 | 1 | 18 x 24 x 6 | A-B-C-D-E-F-G-H-I | A-B-C-D-E-F-G-H-I |
| 18246-HC1-NK | HC1C | 32005 | 26 | 1 | 18 x 24 x 6 | None | None |



Please consult serving utility for their requirements prior to ordering or installing, as specifications and approvals vary by utility, and may require local electrical inspector approval. All installations must be installed by a licensed electrician and must comply with all national and local codes, laws and regulations. Milbank reserves the right to make changes in specifications and features shown without notice or obligation.

Hinged Cover Panel Enclosure

Type 1

15
TYPE 1
HINGED COVER
PANEL
ENCLOSURES

Industry Standards

- NEMA Type 1
- UL 50 Type 1
- CUL Type1 (Equivalent to CSA)

Application

- Designed for use in control and instrumentation applications.
- For indoor use in applications where moisture and dust are not a problem.

Construction

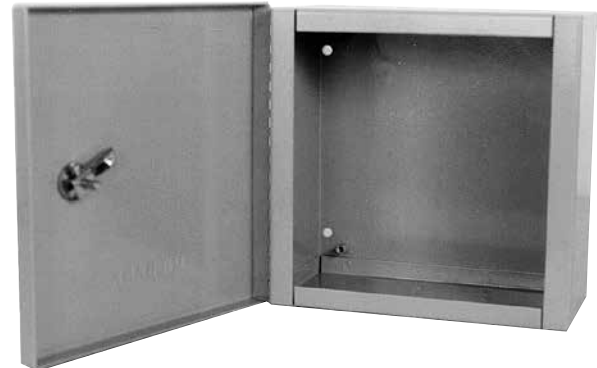
- Enclosure and cover manufactured from 16 gauge steel.
- The door is attached to the enclosure with a continuous hinge.
- The door is secured closed by a quarter-turn, screwdriver operated flush catch.
- Panel mounting studs are provided for optional back panel.
- Provisions for mounting optional cylinder lock.
- Mounting holes are provided on the back of enclosure.

Finish

- ANSI 61 gray polyester powder coating over phosphatized steel.

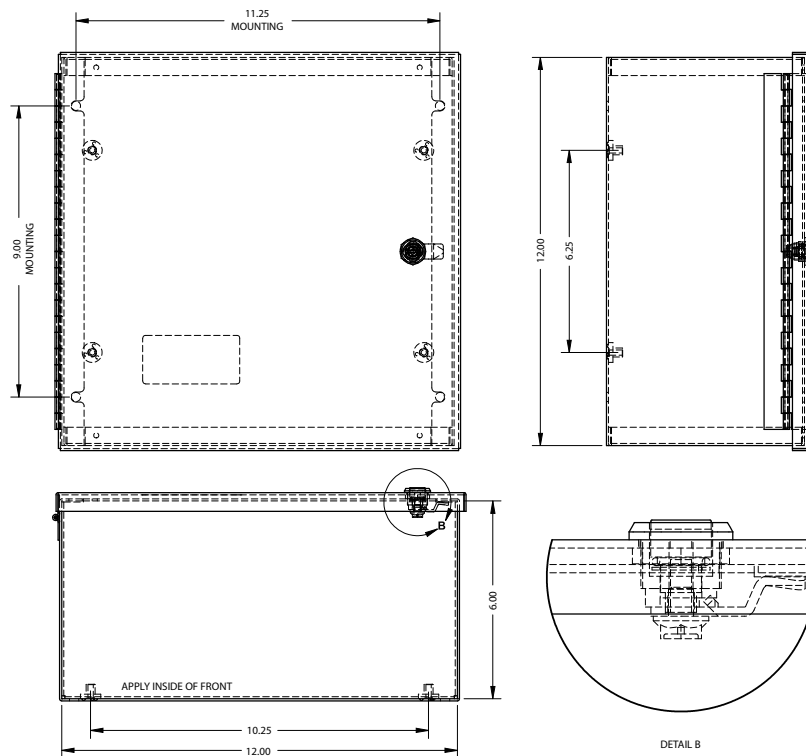
Accessories

- Panel nos. listed below: see optional SBP Series pg. 30 for specification information.
- Touch-up paint: see Accessories pg. 51.
- Locks: see Accessories pg. 50.



NOTE

Wood panels are not compatible with these units.



Please consult serving utility for their requirements prior to ordering or installing, as specifications and approvals vary by utility, and may require local electrical inspector approval. All installations must be installed by a licensed electrician and must comply with all national and local codes, laws and regulations. Milbank reserves the right to make changes in specifications and features shown without notice or obligation.



16

TYPE 1
HINGED COVER
PANEL
ENCLOSURES

Hinged Cover Panel Enclosure

Type 1

| Catalog Number | Product Family | UPC Number 7-84572- | Weight (lbs) | Carton Quantity | W x H x D | Panel |
|----------------|----------------|------------------------|--------------|--------------------|--------------|-----------|
| 664-LC1 | CAB1 | 18731 | 3.3 | 9 | 6 x 6 x 4 | A-66SBP |
| 684-LC1 | CAB1 | 18734 | 4.1 | 9 | 6 x 8 x 4 | A-86SBP |
| 884-LC1 | CAB1 | 18955 | 5.1 | 6 | 8 x 8 x 4 | A-88SBP |
| 8104-LC1 | CAB1 | 18733 | 6 | 5 | 8 x 10 x 4 | A-108SBP |
| 8106-LC1 | CAB1 | 18113 | 7.4 | 4 | 8 x 10 x 6 | A-108SBP |
| 10104-LC1 | CAB1 | 18732 | 7.1 | 3 | 10 x 10 x 4 | A-1010SBP |
| 10106-LC1 | CAB1 | 18098 | 8.6 | 2 | 10 x 10 x 6 | A-1010SBP |
| 10124-LC1 | CAB1 | 18099 | 8.1 | 3 | 10 x 12 x 4 | A-1210SBP |
| 10126-LC1 | CAB1 | 18100 | 9.8 | 2 | 10 x 12 x 6 | A-1210SBP |
| 12124-LC1 | CAB1 | 16261 | 9.3 | 4 | 12 x 12 x 4 | A-1212SBP |
| 12126-LC1 | CAB1 | 18101 | 11.5 | 3 | 12 x 12 x 6 | A-1212SBP |
| 12166-LC1 | CAB1 | 18106 | 15 | 2 | 12 x 16 x 6 | A-1612SBP |
| 12206-LC1 | CAB1 | 18107 | 17 | 2 | 12 x 20 x 6 | A-2012SBP |
| 16166-LC1 | CAB1 | 27625 | 22.5 | 2 | 16 x 16 x 6 | A-1616SBP |
| 16206-LC1 | CAB1 | 27623 | 24 | 2 | 16 x 20 x 6 | A-2016SBP |
| 18186-LC1 | CAB1 | 26910 | 25 | 2 | 18 x 18 x 6 | A-1818SBP |
| 20206-LC1 | CAB1 | 27635 | 26 | 1 | 20 x 20 x 6 | A-2020SBP |
| 20246-LC1 | CAB1 | 27633 | 30 | 1 | 20 x 24 x 6 | A-2420SBP |
| 20248-LC1 | CAB1 | 27632 | 32 | 1 | 20 x 24 x 8 | A-2420SBP |
| 24246-LC1 | CAB1 | 26313 | 40 | 1 | 24 x 24 x 6 | A-2424SBP |
| 24248-LC1 | CAB1 | 27631 | 42 | 1 | 24 x 24 x 8 | A-2424SBP |
| 242412-LC1 | CAB1 | 18956 | 46 | 1 | 24 x 24 x 12 | A-2424SBP |
| 24306-LC1 | CAB1 | 32296 | 47 | 1 | 24 x 30 x 6 | A-3024SBP |
| 24366-LC1 | CAB1 | 26564 | 57.4 | 1 | 24 x 36 x 6 | A-3624SBP |
| 24368-LC1 | CAB1 | 27629 | 62 | 1 | 24 x 36 x 8 | A-3624SBP |
| 30308-LC1 | CAB1 | 27628 | 63.6 | 1 | 30 x 30 x 8 | A-3030SBP |
| 30366-LC1 | CAB1 | 27627 | 69 | 1 | 30 x 36 x 6 | A-3630SBP |



Please consult serving utility for their requirements prior to ordering or installing, as specifications and approvals vary by utility, and may require local electrical inspector approval. All installations must be installed by a licensed electrician and must comply with all national and local codes, laws and regulations. Milbank reserves the right to make changes in specifications and features shown without notice or obligation.

Screw Cover Junction Boxes

Type 3R

17
TYPE 3R
SCREW COVER
JUNCTION BOXES

Industry Standards

- NEMA Type 3R
- UL 50 Type 3R
- CUL Type 3R (Equivalent to CSA)

Application

- Designed for use as a junction box or pull box.
- For outdoor use to provide protection against rain, sleet or snow, or indoors where dripping water is a problem.

Construction

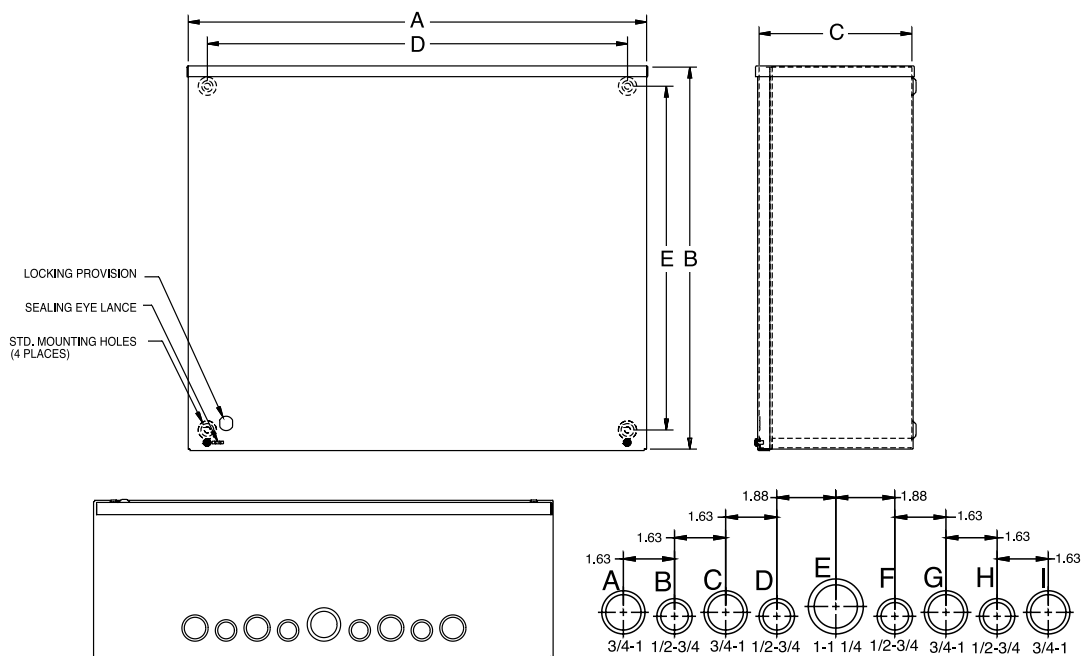
- Enclosure and cover are manufactured from 16, 14, or 12 gauge **G90** galvanized steel.
- The cover is designed to fit under the drip shield top, held in place with a plated steel screw.
- Available with or without paint—for no paint refer to suffix **-NP** in the catalog number.
- Boxes are available with or without concentric knockouts on the bottom—for no knockouts refer to suffix **-NK** in the catalog number.
- Mounting embosses are provided on the back of each enclosure.
- Sealing provisions on the front cover.

Finish

- ANSI 61 gray polyester powder coating over phosphatized **G90** galvanized steel.

Accessories

- Replacement cover: see pg. 20.
- Touch-up paint: see Accessories pg. 51.
- Cylinder Lock: see Accessories pg. 50.



Please consult serving utility for their requirements prior to ordering or installing, as specifications and approvals vary by utility, and may require local electrical inspector approval. All installations must be installed by a licensed electrician and must comply with all national and local codes, laws and regulations. Milbank reserves the right to make changes in specifications and features shown without notice or obligation.



| Catalog Number | Product Family | UPC Number 7-84572- | Weight (lbs) | Carton Quantity | W x H x D | KO Pattern |
|------------------|----------------|------------------------|-----------------|-----------------|--------------|------------|
| 444-SC3R | SC3R | 10653 | 2.2 | 6 | 4 x 4 x 4 | B-C |
| 444-SC3R-NK | SC3R | 10654 | 2.2 | 6 | 4 x 4 x 4 | None |
| 444-SC3R-NK-NP | SC3R | 15484 | 2.2 | 6 | 4 x 4 x 4 | None |
| 464-SC3R | SC3R | 10706 | 2.8 | 4 | 4 x 6 x 4 | B-C |
| 464-SC3R-NK | SC3R | 22258 | 2.8 | 4 | 4 x 6 x 4 | None |
| 664-SC3R | SC3R | 10805 | 3.4 | 9 | 6 x 6 x 4 | B-C-D |
| 664-SC3R-NK | SC3R | 10806 | 3.4 | 9 | 6 x 6 x 4 | None |
| 664-SC3R-NK-NP | SC3R | 15495 | 3.4 | 9 | 6 x 6 x 4 | None |
| 664-SC3R-NP | SC3R | 23225 | 3.4 | 9 | 6 x 6 x 4 | B-C-D |
| 666-SC3R | SC3R | 10820 | 4.5 | 6 | 6 x 6 x 6 | B-C |
| 666-SC3R-NK | SC3R | 10821 | 4.5 | 6 | 6 x 6 x 6 | None |
| 666-SC3R-NK-NP | SC3R | 16179 | 4.5 | 6 | 6 x 6 x 6 | None |
| 684-SC3R | SC3R | 10861 | 4.2 | 9 | 6 x 8 x 4 | B-C-D |
| 684-SC3R-NK | SC3R | 15781 | 4.2 | 9 | 6 x 8 x 4 | None |
| 684-SC3R-NK-NP | SC3R | 21089 | 4.2 | 9 | 6 x 8 x 4 | None |
| 686-SC3R | SC3R | 10865 | 5.3 | 6 | 6 x 8 x 6 | B-C-D |
| 686-SC3R-NK | SC3R | 15632 | 5.3 | 6 | 6 x 8 x 6 | None |
| 6124-SC3R | SC3R | 21446 | 5.5 | 6 | 6 x 12 x 4 | B-C-D |
| 884-SC3R | SC3R | 10941 | 5.2 | 6 | 8 x 8 x 4 | F-G-H-I |
| 884-SC3R-NK | SC3R | 10942 | 5.2 | 6 | 8 x 8 x 4 | None |
| 884-SC3R-NK-NP | SC3R | 15505 | 5.2 | 6 | 8 x 8 x 4 | None |
| 884-SC3R-NP | SC3R | 23226 | 5.2 | 6 | 8 x 8 x 4 | F-G-H-I |
| 886-SC3R | SC3R | 10957 | 6.5 | 4 | 8 x 8 x 6 | F-G-H-I |
| 886-SC3R-NK | SC3R | 10958 | 6.5 | 4 | 8 x 8 x 6 | None |
| 886-SC3R-NK-NP | SC3R | 16178 | 6.5 | 4 | 8 x 8 x 6 | None |
| 886-SC3R-NP | SC3R | 23227 | 6.5 | 4 | 8 x 8 x 6 | F-G-H-I |
| 888-SC3R | SC3R | 19529 | 7.5 | 2 | 8 x 8 x 8 | F-G-H-I |
| 888-SC3R-NK | SC3R | 28467 | 7.5 | 2 | 8 x 8 x 8 | None |
| 8104-SC3R | SC3R | 10882 | 6 | 6 | 8 x 10 x 4 | F-G-H-I |
| 8104-SC3R-NK | SC3R | 10883 | 6 | 6 | 8 x 10 x 4 | None |
| 8106-SC3R | SC3R | 10887 | 7.5 | 4 | 8 x 10 x 6 | F-G-H-I |
| 8106-SC3R-NK | SC3R | 10888 | 7.5 | 4 | 8 x 10 x 6 | None |
| 8106-SC3R-NK-NP | SC3R | 32341 | 7.5 | 4 | 8 x 10 x 6 | None |
| 8124-SC3R | SC3R | 10895 | 7 | 3 | 8 x 12 x 4 | F-G-H-I |
| 8124-SC3R-NK | SC3R | 15911 | 7 | 3 | 8 x 12 x 4 | None |
| 8126-SC3R | SC3R | 10900 | 8.5 | 2 | 8 x 12 x 6 | F-G-H-I |
| 8126-SC3R-NK | SC3R | 26004 | 8.5 | 2 | 8 x 12 x 6 | None |
| 10104-SC3R | SC3R | 10019 | 7.3 | 3 | 10 x 10 x 4 | C-D-E-F-G |
| 10104-SC3R-NK | SC3R | 10020 | 7.3 | 3 | 10 x 10 x 4 | None |
| 10104-SC3R-NK-NP | SC3R | 18371 | 7.3 | 3 | 10 x 10 x 4 | None |
| 10104-SC3R-NP | SC3R | 23228 | 7.3 | 3 | 10 x 10 x 4 | C-D-E-F-G |
| 10106-SC3R | SC3R | 10032 | 9 | 2 | 10 x 10 x 6 | C-D-E-F-G |
| 10106-SC3R-NK | SC3R | 10033 | 9 | 2 | 10 x 10 x 6 | None |
| 10106-SC3R-NK-NP | SC3R | 15457 | 9 | 2 | 10 x 10 x 6 | None |
| 10124-SC3R | SC3R | 10067 | 8.3 | 3 | 10 x 12 x 4 | C-D-E-F-G |
| 10126-SC3R | SC3R | 10073 | 10 | 2 | 10 x 12 x 6 | C-D-E-F-G |
| 10126-SC3R-NK | SC3R | 10074 | 10 | 2 | 10 x 12 x 6 | None |
| 10126-SC3R-NK-NP | SC3R | 32342 | 10 | 2 | 10 x 12 x 6 | None |
| 12124-SC3R | SC3R | 10117 | 9.5 | 4 | 12 x 12 x 4 | C-D-E-F-G |
| 12124-SC3R-NK | SC3R | 10118 | 9.5 | 4 | 12 x 12 x 4 | None |
| 12124-SC3R-NK-NP | SC3R | 15465 | 9.5 | 4 | 12 x 12 x 4 | None |
| 12124-SC3R-NP | SC3R | 17679 | 9.5 | 4 | 12 x 12 x 4 | C-D-E-F-G |
| 12126-SC3R | SC3R | 10137 | 11.5 | 3 | 12 x 12 x 6 | C-D-E-F-G |
| 12126-SC3R-NK | SC3R | 10138 | 11.5 | 3 | 12 x 12 x 6 | None |
| 12126-SC3R-NK-NP | SC3R | 15467 | 11.5 | 3 | 12 x 12 x 6 | None |
| 12126-SC3R-NP | SC3R | 23229 | 11.5 | 3 | 12 x 12 x 6 | C-D-E-F-G |
| 12128-SC3R | SC3R | 10156 | 13.7 | 2 | 12 x 12 x 8 | C-D-E-F-G |
| 12128-SC3R-NK | SC3R | 10157 | 13.7 | 2 | 12 x 12 x 8 | None |
| 12128-SC3R-NK-NP | SC3R | 19306 | 13.7 | 2 | 12 x 12 x 8 | None |
| 121212-SC3R-NK | SC3R | 19257 | 17.2 | 1 | 12 x 12 x 12 | None |



Please consult serving utility for their requirements prior to ordering or installing, as specifications and approvals vary by utility, and may require local electrical inspector approval. All installations must be installed by a licensed electrician and must comply with all national and local codes, laws and regulations. Milbank reserves the right to make changes in specifications and features shown without notice or obligation.

Screw Cover Junction Boxes

Type 3R

19

TYPE 3R
SCREW COVER
JUNCTION BOXES

| Catalog Number | Product Family | UPC Number 7-84572- | Weight (lbs) | Carton Quantity | W x H x D | KO Pattern |
|-------------------|----------------|------------------------|-----------------|-----------------|--------------|-------------------|
| 121212-SC3R-NK-NP | SC3R | 19429 | 17.2 | 1 | 12 x 12 x 12 | None |
| 12164-SC3R | SC3R | 10179 | 11.7 | 3 | 12 x 16 x 4 | C-D-E-F-G |
| 12164-SC3R-NK | SC3R | 22231 | 11.7 | 3 | 12 x 16 x 4 | None |
| 12166-SC3R | SC3R | 10185 | 14.5 | 2 | 12 x 16 x 6 | C-D-E-F-G |
| 12166-SC3R-NK | SC3R | 10186 | 14.5 | 2 | 12 x 16 x 6 | None |
| 12184-SC3R | SC3R | 10204 | 12.7 | 3 | 12 x 18 x 4 | C-D-E-F-G |
| 12184-SC3R-NK | SC3R | 21547 | 12.7 | 3 | 12 x 18 x 4 | None |
| 12186-SC3R | SC3R | 10211 | 15.5 | 2 | 12 x 18 x 6 | C-D-E-F-G |
| 12186-SC3R-NK | SC3R | 10212 | 15.5 | 2 | 12 x 18 x 6 | None |
| 12186-SC3R-NK-NP | SC3R | 21091 | 15.5 | 2 | 12 x 18 x 6 | None |
| 12188-SC3R | SC3R | 10219 | 18 | 1 | 12 x 18 x 8 | C-D-E-F-G |
| 12188-SC3R-NK | SC3R | 10220 | 18 | 1 | 12 x 18 x 8 | None |
| 12188-SC3R-NK-NP | SC3R | 21093 | 18 | 1 | 12 x 18 x 8 | None |
| 121810-SC3R | SC3R | 10200 | 20 | 1 | 12 x 18 x 10 | C-D-E-F-G |
| 121812-SC3R-NK | SC3R | 22432 | 22.3 | 1 | 12 x 18 x 12 | None |
| 12246-SC3R | SC3R | 10235 | 18.8 | 2 | 12 x 24 x 6 | C-D-E-F-G |
| 16164-SC3R | SC3R | 19380 | 14 | 3 | 16 x 16 x 4 | B-C-D-E-F-G-H |
| 16166-SC3R | SC3R | 24648 | 16.5 | 2 | 16 x 16 x 6 | B-C-D-E-F-G-H |
| 16166-SC3R-NK | SC3R | 26704 | 16.5 | 2 | 16 x 16 x 6 | None |
| 18184-SC3R | SC3R | 10303 | 18.7 | 3 | 18 x 18 x 4 | A-B-C-D-E-F-G-H-I |
| 18184-SC3R-NK | SC3R | 18648 | 18.7 | 3 | 18 x 18 x 4 | None |
| 18184-SC3R-NK-NP | SC3R | 19308 | 18.7 | 3 | 18 x 18 x 4 | None |
| 18186-SC3R | SC3R | 10312 | 21 | 2 | 18 x 18 x 6 | A-B-C-D-E-F-G-H-I |
| 18186-SC3R-NK | SC3R | 10313 | 21 | 2 | 18 x 18 x 6 | None |
| 18186-SC3R-NK-NP | SC3R | 19307 | 21 | 2 | 18 x 18 x 6 | None |
| 18188-SC3R | SC3R | 10321 | 24 | 1 | 18 x 18 x 8 | A-B-C-D-E-F-G-H-I |
| 18188-SC3R-NK | SC3R | 10322 | 24 | 1 | 18 x 18 x 8 | None |
| 18188-SC3R-NK-NP | SC3R | 19417 | 24 | 1 | 18 x 18 x 8 | None |
| 18188-SC3R-NP | SC3R | 23230 | 24 | 1 | 18 x 18 x 8 | A-B-C-D-E-F-G-H-I |
| 181810-SC3R | SC3R | 10296 | 26 | 1 | 18 x 18 x 10 | A-B-C-D-E-F-G-H-I |
| 181810-SC3R-NK | SC3R | 10297 | 26 | 1 | 18 x 18 x 10 | None |
| 181812-SC3R | SC3R | 17317 | 28 | 1 | 18 x 18 x 12 | A-B-C-D-E-F-G-H-I |
| 181812-SC3R-NK | SC3R | 32283 | 28 | 1 | 18 x 18 x 12 | None |
| 18246-SC3R | SC3R | 10340 | 30 | 1 | 18 x 24 x 6 | A-B-C-D-E-F-G-H-I |
| 18246-SC3R-NK | SC3R | 21148 | 30 | 1 | 18 x 24 x 6 | None |
| 18246-SC3R-NK-NP | SC3R | 21092 | 30 | 1 | 18 x 24 x 6 | None |
| 18248-SC3R | SC3R | 10348 | 33 | 1 | 18 x 24 x 8 | A-B-C-D-E-F-G-H-I |
| 18248-SC3R-NK | SC3R | 21168 | 33 | 1 | 18 x 24 x 8 | None |
| 18248-SC3R-NK-NP | SC3R | 21094 | 33 | 1 | 18 x 24 x 8 | None |
| 182410-SC3R | SC3R | 10331 | 34 | 1 | 18 x 24 x 10 | A-B-C-D-E-F-G-H-I |
| 24244-SC3R | SC3R | 23803 | 32 | 2 | 24 x 24 x 4 | A-B-C-D-E-F-G-H-I |
| 24244-SC3R-NP | SC3R | 32343 | 32 | 2 | 24 x 24 x 4 | A-B-C-D-E-F-G-H-I |
| 24246-SC3R | SC3R | 10427 | 34.5 | 1 | 24 x 24 x 6 | A-B-C-D-E-F-G-H-I |
| 24246-SC3R-NK | SC3R | 10428 | 34.5 | 1 | 24 x 24 x 6 | None |
| 24246-SC3R-NK-NP | SC3R | 15474 | 34.5 | 1 | 24 x 24 x 6 | None |
| 24248-SC3R | SC3R | 10437 | 39 | 1 | 24 x 24 x 8 | A-B-C-D-E-F-G-H-I |
| 24248-SC3R-NK | SC3R | 10438 | 39 | 1 | 24 x 24 x 8 | None |
| 24248-SC3R-NK-NP | SC3R | 19305 | 39 | 1 | 24 x 24 x 8 | None |
| 242410-SC3R | SC3R | 10410 | 43 | 1 | 24 x 24 x 10 | A-B-C-D-E-F-G-H-I |
| 242410-SC3R-NK | SC3R | 10411 | 43 | 1 | 24 x 24 x 10 | None |
| 242410-SC3R-NK-NP | SC3R | 21095 | 43 | 1 | 24 x 24 x 10 | None |
| 242412-SC3R | SC3R | 10415 | 44 | 1 | 24 x 24 x 12 | A-B-C-D-E-F-G-H-I |
| 242412-SC3R-NK | SC3R | 10416 | 44 | 1 | 24 x 24 x 12 | None |
| 242412-SC3R-NK-NP | SC3R | 15472 | 44 | 1 | 24 x 24 x 12 | None |
| 243010-SC3R | SC3R | 10449 | 50 | 1 | 24 x 30 x 10 | A-B-C-D-E-F-G-H-I |
| 243010-SC3R-NK | SC3R | 26705 | 50 | 1 | 24 x 30 x 10 | None |
| 243012-SC3R | SC3R | 21511 | 51 | 1 | 24 x 30 x 12 | A-B-C-D-E-F-G-H-I |
| 243612-SC3R | SC3R | 10473 | 70 | 1 | 24 x 36 x 12 | A-B-C-D-E-F-G-H-I |
| 243612-SC3R-NK | SC3R | 22433 | 70 | 1 | 24 x 36 x 12 | None |
| 30306-SC3R | SC3R | 10522 | 66 | 1 | 30 x 30 x 6 | A-B-C-D-E-F-G-H-I |

Please consult serving utility for their requirements prior to ordering or installing, as specifications and approvals vary by utility, and may require local electrical inspector approval. All installations must be installed by a licensed electrician and must comply with all national and local codes, laws and regulations. Milbank reserves the right to make changes in specifications and features shown without notice or obligation.



| Catalog Number | Product Family | UPC Number 7-84572- | Weight (lbs) | Carton Quantity | W x H x D | KO Pattern |
|-------------------|----------------|------------------------|-----------------|-----------------|--------------|------------|
| 30306-SC3R-NK | SC3R | 20249 | 66 | 1 | 30 x 30 x 6 | None |
| 30308-SC3R | SC3R | 23298 | 71 | 1 | 30 x 30 x 8 | None |
| 30308-SC3R-NK | SC3R | 30025 | 71 | 1 | 30 x 30 x 8 | None |
| 303010-SC3R | SC3R | 10509 | 62 | 1 | 30 x 30 x 10 | None |
| 303010-SC3R-NK | SC3R | 19153 | 62 | 1 | 30 x 30 x 10 | None |
| 303010-SC3R-NK-NP | SC3R | 21098 | 62 | 1 | 30 x 30 x 10 | None |
| 303012-SC3R | SC3R | 23270 | 67 | 1 | 30 x 30 x 12 | None |
| 303012-SC3R-NK-NP | SC3R | 32344 | 67 | 1 | 30 x 30 x 12 | None |
| 303612-SC3R-NK | SC3R | 20927 | 77 | 1 | 30 x 36 x 12 | None |
| 36368-SC3R | SC3R | 21637 | 77 | 1 | 36 x 36 x 8 | None |
| 363612-SC3R | SC3R | 10587 | 88.8 | 1 | 36 x 36 x 12 | None |
| 363612-SC3R-NK | SC3R | 10588 | 88.8 | 1 | 36 x 36 x 12 | None |
| 363612-SC3R-NK-NP | SC3R | 15476 | 88.8 | 1 | 36 x 36 x 12 | None |
| 363618-SC3R-NK | SC3R | 19959 | 107 | 1 | 36 x 36 x 18 | None |
| 364816-SC3R-NK | SC3R | 23807 | 126.5 | 1 | 36 x 48 x 16 | None |
| Covers | | | | | | |
| 44XSC3R | CNAC | 10695 | 0.3 | 1 | 4 x 4 | |
| 46XSC3R | CNAC | 19155 | 0.4 | 1 | 4 x 6 | |
| 66XSC3R | CNAC | 10858 | 0.8 | 1 | 6 x 6 | |
| 68XSC3R | CNAC | 10868 | 1 | 1 | 6 x 8 | |
| 88XSC3R | CNAC | 11000 | 1.1 | 1 | 8 x 8 | |
| 810XSC3R | CNAC | 15932 | 1.2 | 1 | 8 x 10 | |
| 1010XSC3R | CNAC | 10063 | 2 | 1 | 10 x 10 | |
| 1012XSC3R | CNAC | 15547 | 2.4 | 1 | 10 x 12 | |
| 1212XSC3R | CNAC | 10176 | 2.8 | 1 | 12 x 12 | |
| 1818XSC3R | CNAC | 10329 | 4.8 | 1 | 18 x 18 | |
| 1824XSC3R | CNAC | 15548 | 8.2 | 1 | 18 x 24 | |
| 2424XSC3R | CNAC | 20563 | 10.9 | 1 | 24 x 24 | |



Please consult serving utility for their requirements prior to ordering or installing, as specifications and approvals vary by utility, and may require local electrical inspector approval. All installations must be installed by a licensed electrician and must comply with all national and local codes, laws and regulations. Milbank reserves the right to make changes in specifications and features shown without notice or obligation.

Hinged Cover Junction Boxes

Type 3R

21
TYPE 3R
HINGED COVER
JUNCTION BOXES

Industry Standards

- NEMA Type 3R
- UL 50 Type 3R
- CUL Type 3R (Equivalent to CSA)

Application

- Designed for use as a junction box or pull box.
- For outdoor use to provide protection against rain, sleet, or snow, or indoors where dripping water is a problem.

Construction

- Enclosure and cover are manufactured from 16, 14, and 12 gauge G90 steel.
- Formed steel hinge with padlockable flip latch.

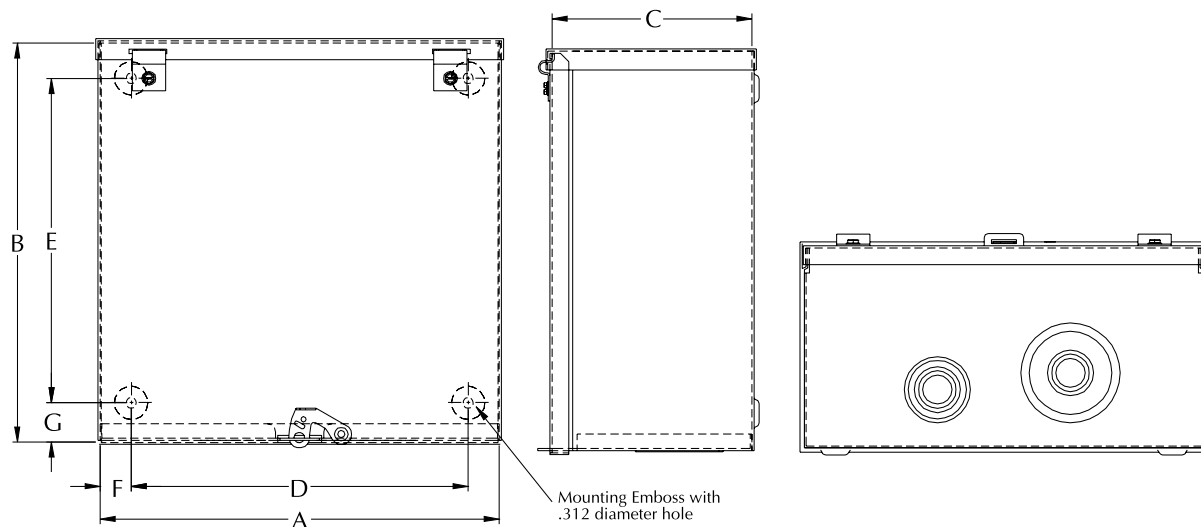
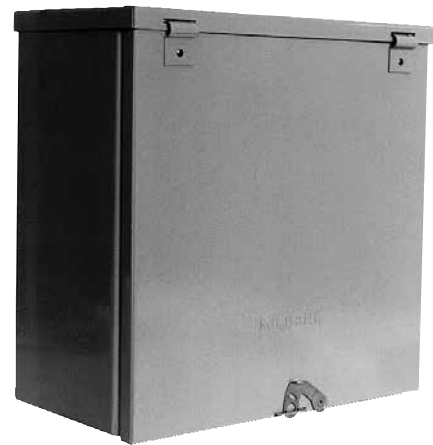
- Available with or without concentric knockouts on the bottom—for no knockouts refer to suffix **-NK** in the catalog number.
- Four mounting holes are supplied on back of box.
- Features a drip shield top and seam-free sides, front and back.

Finish

- ANSI 61 gray polyester powder coating over phosphatized G90 galvanized steel.

Accessories

- Touch-up paint: see Accessories pg. 51.



| Catalog Number | Product Family | UPC Number 7-84572- | Weight (lbs) | Carton Quantity | W x H x D | KO Pattern |
|----------------|----------------|------------------------|-----------------|-----------------|--------------|------------|
| 664-HC3R | HC3R | 10800 | 3.5 | 9 | 6 x 6 x 4 | D-D |
| 884-HC3R | HC3R | 10937 | 5.2 | 6 | 8 x 8 x 4 | C-C |
| 10104-HC3R | HC3R | 10016 | 7 | 3 | 10 x 10 x 4 | C-C |
| 12124-HC3R | HC3R | 10112 | 9.2 | 4 | 12 x 12 x 4 | C-C-C |
| 12126-HC3R | HC3R | 10132 | 11 | 3 | 12 x 12 x 6 | C-A |
| 12126-HC3R-NK | HC3R | 15839 | 11 | 3 | 12 x 12 x 6 | NONE |
| 12186-HC3R | HC3R | 10208 | 15.7 | 2 | 12 x 18 x 6 | C-A |
| 18188-HC3R | HC3R | 10318 | 24 | 1 | 18 x 18 x 8 | C-A-C |
| 242410-HC3R | HC3R | 10407 | 42 | 1 | 24 x 24 x 10 | C-C-A-C-C |

Please consult serving utility for their requirements prior to ordering or installing, as specifications and approvals vary by utility, and may require local electrical inspector approval. All installations must be installed by a licensed electrician and must comply with all national and local codes, laws and regulations. Milbank reserves the right to make changes in specifications and features shown without notice or obligation.



Hinged Cover Telephone Cabinet

Type 3R

Industry Standards

- NEMA Type 3R
- UL 50 Type 3R
- CUL Type 3R (Equivalent to CSA)

Application

- Designed for use as a telephone cabinet, panel enclosure, or junction box.
- For outdoor use to provide protection against rain, sleet, or snow, or indoors where dripping water is a problem.

Construction

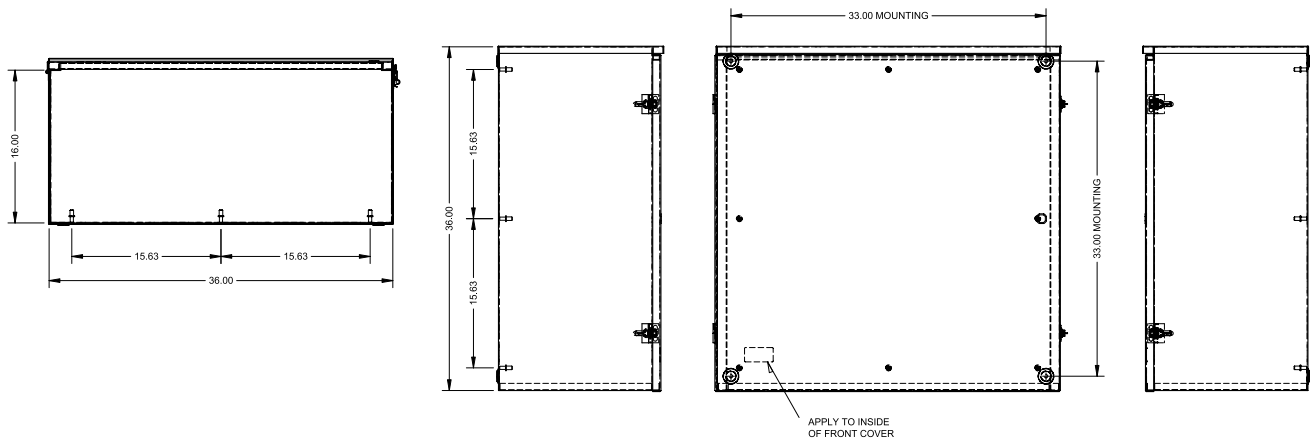
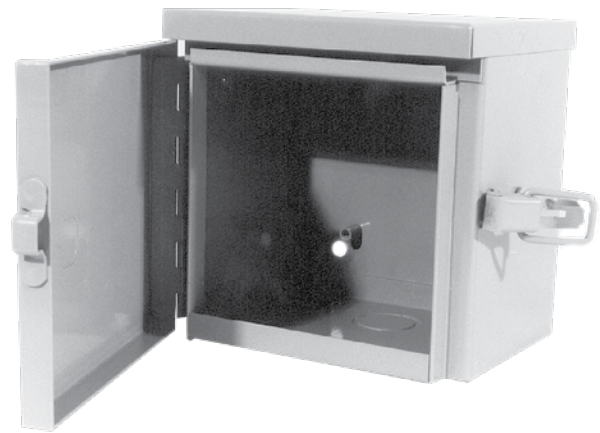
- Enclosure and cover are manufactured from 16, 14, 12, or 11 gauge G90 galvanized steel.
- The cover is mounted on galvanized lift-off hinges with stainless steel hinge pins. Cover is fastened with a padlockable draw latch.
- Panel mounting studs provided for optional back panel.
- Embossed mounting holes on back.
- Knockouts provided on the bottom of the **12126-TC3R** and smaller sizes.
- Drip shield top and seam-free sides, front and back.

Finish

- ANSI 61 gray polyester powder coating over phosphatized **G90** galvanized steel.

Accessories

- Panel: see optional P Series pg. 29.
- Touch-up paint: see Accessories pg. 51.
- T-Handle lock: see Accessories pg. 50.
- External mounting-foot kit: see Accessories pg. 51.



Please consult serving utility for their requirements prior to ordering or installing, as specifications and approvals vary by utility, and may require local electrical inspector approval. All installations must be installed by a licensed electrician and must comply with all national and local codes, laws and regulations. Milbank reserves the right to make changes in specifications and features shown without notice or obligation.

Hinged Cover Telephone Cabinet

Type 3R

23
TYPE 3R
HINGED COVER
TELEPHONE
CABINET

| Catalog Number | Product Family | UPC Number 7-84572- | Weight (lbs) | Carton Quantity | W x H x D | Knockout Pattern | Panel Catalog Number |
|----------------|----------------|------------------------|-----------------|--------------------|--------------|---------------------|-------------------------|
| 664-TC3R | TC3R | 18756 | 3.3 | 9 | 6 x 6 x 4 | B-A-B | A-6P6R |
| 684-TC3R | TC3R | 18757 | 5.8 | 9 | 6 x 8 x 4 | B-A-B | A-8P6R |
| 886-TC3R | TC3R | 18758 | 7.5 | 4 | 8 x 8 x 6 | B-A-B-A | A-8P8R |
| 8106-TC3R | TC3R | 18759 | 8.8 | 4 | 8 x 10 x 6 | B-A-B-A | A-10P8R |
| 10126-TC3R | TC3R | 18761 | 12.3 | 3 | 10 x 12 x 6 | B-A-B-A-B | A-12P10R |
| 12126-TC3R | TC3R | 10143 | 14 | 3 | 12 x 12 x 6 | B-A-B-A-B | A-12P12R |
| 12166-TC3R | TC3R | 15549 | 16 | 2 | 12 x 16 x 6 | None | A-16P12 |
| 12186-TC3R | TC3R | 10215 | 17 | 2 | 12 x 18 x 6 | None | A-18P12 |
| 16166-TC3R | TC3R | 22600 | 18 | 2 | 16 x 16 x 6 | None | A-16P16 |
| 16206-TC3R | TC3R | 22601 | 25 | 1 | 16 x 20 x 6 | None | A-20P16 |
| 18186-TC3R | TC3R | 10316 | 23 | 2 | 18 x 18 x 6 | None | A-18P18 |
| 18246-TC3R | TC3R | 10344 | 28 | 2 | 18 x 24 x 6 | None | A-24P18 |
| 20208-TC3R | TC3R | 22602 | 29.5 | 1 | 20 x 20 x 8 | None | A-20P20 |
| 20248-TC3R | TC3R | 22603 | 34 | 1 | 20 x 24 x 8 | None | A-24P20 |
| 24248-TC3R | TC3R | 22604 | 39.2 | 1 | 24 x 24 x 8 | None | A-24P24 |
| 242410-TC3R | TC3R | 22508 | 43.1 | 1 | 24 x 24 x 10 | None | A-24P24 |
| 24306-TC3R | TC3R | 10459 | 42.6 | 1 | 24 x 30 x 6 | None | A-30P24 |
| 24366-TC3R | TC3R | 10484 | 53 | 1 | 24 x 36 x 6 | None | A-36P24 |
| 303012-TC3R | TC3R | 22606 | 84 | 1 | 30 x 30 x 12 | None | A-30P30 |
| 303612-TC3R | TC3R | 23124 | 118 | 1 | 30 x 36 x 12 | None | A-36P30 |
| 363010-TC3R | TC3R | 27606 | 110 | 1 | 36 x 30 x 10 | None | A-36P30 |
| 36366-TC3R | TC3R | 15478 | 90 | 1 | 36 x 36 x 6 | None | A-36P36 |
| 363612-TC3R | TC3R | 22608 | 112 | 1 | 36 x 36 x 12 | None | A-36P36 |
| 363616-TC3R | TC3R | 27605 | 127 | 1 | 36 x 36 x 16 | None | A-36P36 |
| 364812-TC3R | TC3R | 24504 | 156 | 1 | 36 x 48 x 12 | None | A-48P36 |
| 364816-TC3R | TC3R | 22611 | 170 | 1 | 36 x 48 x 16 | None | A-48P36 |

NOTE

664-TC3R has a continuous hinge. All other models have lift-off hinges.

Please consult serving utility for their requirements prior to ordering or installing, as specifications and approvals vary by utility, and may require local electrical inspector approval. All installations must be installed by a licensed electrician and must comply with all national and local codes, laws and regulations. Milbank reserves the right to make changes in specifications and features shown without notice or obligation.

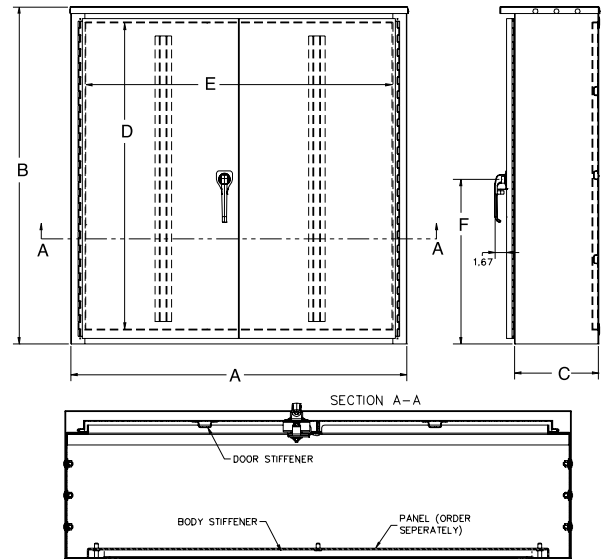


24

TYPE 3R
CURRENT
TRANSFORMER
CABINET

Current Transformer Cabinet

Type 3R



Industry Standards

- NEMA Type 3R
- UL 50 Type 3R
- CUL Type 3R (Equivalent to CSA)

Application

- Designed for use as a current transformer cabinet or panel enclosure.
- For outdoor use to provide protection against rain, sleet, and snow, or indoor use to protect against dripping water.

Construction

- Enclosure and cover manufactured from 16 or 14 gauge G90 galvanized steel.
- The doors are overlapping with no center post.

- The cover is mounted on galvanized lift-off hinges with stainless steel hinge pins. Cover is fastened with a padlockable draw latch.
- Three point pad-lockable handle.
- Panel mounting studs provided for optional back panels.
- Drip shield top and seam-free sides, front and back.

Finish

- ANSI 61 gray polyester powder coating over phosphatized G90 galvanized steel.

Accessories

- Panel—see optional P Series pg. 29.
- Touch-up paint—see Accessories pg. 51.

| Catalog Number | Product Family | UPC Number 7-84572- | Weight (lbs) | Hinge Type | Carton Quantity | W x H x D | Panel Catalog Number |
|----------------|----------------|------------------------|-----------------|---------------|--------------------|--------------|-------------------------|
| 363010-CT3R | CN3R | 18823 | 99 | Lift-off | 1 | 36 x 30 x 10 | A-36P30 |
| 363016-CT3R | CN3R | 16181 | 121.5 | Continuous | 1 | 36 x 30 x 16 | A-36P30 |
| 363610-CT3R | CN3R | 17368 | 113 | Lift-off | 1 | 36 x 36 x 10 | A-36P36 |
| 363612-CT3R | CN3R | 16185 | 118 | Lift-off | 1 | 36 x 36 x 12 | A-36P36 |
| 363616-CT3R | CN3R | 18819 | 139 | Lift-off | 1 | 36 x 36 x 16 | A-36P36 |
| 483616-CT3R | CN3R | 25707 | 163 | Lift-off | 1 | 48 x 36 x 16 | A-48P36 |
| 484812-CT3R | CN3R | 16184 | 210 | Lift-off | 1 | 48 x 48 x 12 | A-48P48 |
| 606013-CT3R | CN3R | 18252 | 274 | Continuous | 1 | 60 x 60 x 13 | A-60P60 |



Please consult serving utility for their requirements prior to ordering or installing, as specifications and approvals vary by utility, and may require local electrical inspector approval. All installations must be installed by a licensed electrician and must comply with all national and local codes, laws and regulations. Milbank reserves the right to make changes in specifications and features shown without notice or obligation.

Gasketed Screw Cover Junction Boxes

Type 1, 3, & 12

25

TYPE 1, 3 & 12
GASKETED
SCREW COVER
JUNCTION BOXES

Industry Standards

- NEMA Type 1, Type 3, Type 12
- UL 508 Type 1, Type 3, Type 12
- CUL Type 1, Type 3, Type 12 (Equivalent to CSA)

Application

- Designed for use as a junction box or pull box.
- For indoor or outdoor use to provide protection against dust and moisture.

Construction

- Bodies are made from 14 gauge G90 galvanized steel.
- Covers are made from 16 gauge G90 galvanized steel.
- Body is a single piece of metal with continuous seam welds.
- Captivated stainless steel screws thread into sealed wells.
- Seamless gasket assures water-tight and dust-tight seal.
- Grounding stud on inside back of box.

Finish

- Body: ANSI 61 gray polyester powder coating over phosphatized G90 galvanized steel.
- Cover: painted G90 galvanized steel.

Accessories

- Touch-up paint: see Accessories, pg. 51.



| Catalog Number | Product Family | UPC Number 7-84572- | Weight (lbs) | Carton Quantity | W x H x D |
|----------------|----------------|------------------------|-----------------|-----------------|--------------|
| 664-WSC2 | CNSP | 61722 | 2.9 | 9 | 6 x 6 x 4 |
| 666-WSC2 | CNSP | 61723 | 2.6 | 6 | 6 x 6 x 6 |
| 684-WSC2 | CNSP | 61724 | 3.95 | 6 | 6 x 8 x 4 |
| 8104-WSC2 | CNSP | 61725 | 3.71 | 4 | 8 x 10 x 4 |
| 884-WSC2 | CNSP | 61726 | 4.5 | 6 | 8 x 8 x 4 |
| 886-WSC2 | CNSP | 61727 | 5.55 | 4 | 8 x 8 x 6 |
| 888-WSC2 | CNSP | 61728 | 5.94 | 3 | 8 x 8 x 8 |
| 10104-WSC2 | CNSP | 61729 | 6.3 | 4 | 10 x 10 x 4 |
| 10106-WSC2 | CNSP | 61730 | 7.65 | 3 | 10 x 10 x 6 |
| 12106-WSC2 | CNSP | 61746 | 8.35 | 3 | 12 x 10 x 6 |
| 12124-WSC2 | CNSP | 61732 | 8.4 | 4 | 12 x 12 x 4 |
| 12126-WSC2 | CNSP | 61733 | 10.05 | 3 | 12 x 12 x 6 |
| 12128-WSC2 | CNSP | 61734 | 11.7 | 2 | 12 x 12 x 8 |
| 16166-WSC2 | CNSP | 61735 | 15.4 | 1 | 16 x 16 x 6 |
| 18184-WSC2 | CNSP | 61736 | 15.03 | 1 | 18 x 18 x 4 |
| 18186-WSC2 | CNSP | 61737 | 19.7 | 1 | 18 x 18 x 6 |
| 20208-WSC2 | CNSP | 61738 | 37.11 | 1 | 20 x 20 x 8 |
| 24246-WSC2 | CNSP | 61739 | 41.6 | 1 | 24 x 24 x 6 |
| 24248-WSC2 | CNSP | 61740 | 46 | 1 | 24 x 24 x 8 |
| 242412-WSC2 | CNSP | 61741 | 54.6 | 1 | 24 x 24 x 12 |
| 303012-WSC2 | CNSP | 61742 | 125.25 | 1 | 30 x 30 x 12 |
| 363612-WSC2 | CNSP | 61743 | 180.36 | 1 | 36 x 36 x 12 |

Please consult serving utility for their requirements prior to ordering or installing, as specifications and approvals vary by utility, and may require local electrical inspector approval. All installations must be installed by a licensed electrician and must comply with all national and local codes, laws and regulations. Milbank reserves the right to make changes in specifications and features shown without notice or obligation.



26

TYPE 1
FLUSH MOUNT
TELEPHONE
CABINET COVERS

Flush Mount Telephone Cabinet Covers

Type 1

Industry Standards

- NEMA Type 1
- UL 50 Type 1
- CUL Type 1 (Equivalent to CSA)

Application

- Designed for use with the SC1 series enclosures for flush mount telephone cabinet applications.
- For indoor use to provide protection against contact with enclosed equipment where moisture and dust are not a problem.

Construction

- Covers are manufactured from 16, 14, and 12 gauge steel.
- The continuous hinge is made of stainless steel with a stainless steel hinge pin.
- Tumbler lock features slam-latching action on single door (24 wide or less.) Key is removable in unlocked position. Case is zinc-plated steel; lift lever is steel with a dull chrome finish.
- Double door (30 and wider) uses overlapping doors with 3 point latching mechanism.

Ordering Information

- To order a complete telephone cabinet, pick the SC1 enclosure of the appropriate size and match it with the corresponding cover (height and width must match).

Finish

- ANSI 61 gray polyester powder coating over phosphatized steel.

Accessories

- Plywood panel: furnished by contractor.
- Touch-up paint: see Accessories, pg. 51.



(Photo shows SC1 box with TFLC attached)

| Catalog Number | Product Family | UPC Number 7-84572- | Weight (lbs) | Enclosure Size |
|----------------|----------------|------------------------|-----------------|----------------|
| 812TFLC | CNAC | 10905 | 3.7 | 8 x 12 |
| 1010TFLC | CNAC | 10059 | 3.8 | 10 x 10 |
| 1012TFLC | CNAC | 10078 | 4 | 10 x 12 |
| 1212TFLC | CNAC | 10172 | 4.9 | 12 x 12 |
| 1218TFLC | CNAC | 10222 | 6.9 | 12 x 18 |
| 1224TFLC | CNAC | 10241 | 9 | 12 x 24 |
| 1818TFLC | CNAC | 10325 | 10.5 | 18 x 18 |
| 1824TFLC | CNAC | 10350 | 13.7 | 18 x 24 |
| 2424TFLC | CNAC | 10442 | 17.8 | 24 x 24 |
| 2430TFLC | CNAC | 10464 | 21.9 | 24 x 30 |
| 2436TFLC | CNAC | 10489 | 26 | 24 x 36 |
| 2448TFLC | CNAC | 10501 | 34 | 24 x 48 |
| 3030TFLC | CNAC | 10531 | 27 | 30 x 30 |
| 3036TFLC | CNAC | 10549 | 32 | 30 x 36 |
| 3636TFLC | CNAC | 10603 | 38 | 36 x 36 |
| 3648TFLC | CNAC | 10618 | 51 | 36 x 48 |
| 4848TFLC | CNAC | 10737 | 95 | 48 x 48 |



Please consult serving utility for their requirements prior to ordering or installing, as specifications and approvals vary by utility, and may require local electrical inspector approval. All installations must be installed by a licensed electrician and must comply with all national and local codes, laws and regulations. Milbank reserves the right to make changes in specifications and features shown without notice or obligation.

Surface Mount Telephone Cabinet Covers

27

TYPE 1
SURFACE MOUNT
TELEPHONE
CABINET COVERS

Type 1

Industry Standards

- NEMA Type 1
- UL 50 Type 1
- CUL Type 1 (Equivalent to CSA)

Application

- Designed for use with the SC1 series enclosures for surface mount telephone cabinet applications.
- For indoor use to provide protection against contact with enclosed equipment where moisture and dust are not a problem.

Construction

- Covers are manufactured from 16, 14, and 12 gauge steel.
- The continuous hinge is made of stainless steel with a stainless steel hinge pin.
- Tumbler lock with self-latching bolt on single door (24 wide or less). Key is removable in unlocked position.
- Overlapping double door (30 and wider) uses 3 point latching mechanism.

Ordering Information

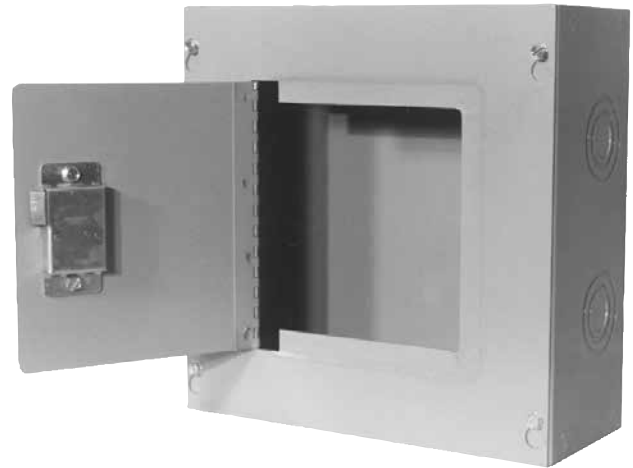
- To order a complete telephone cabinet, pick the SC1 enclosure of the appropriate size and match it with the corresponding cover (height and width must match).

Finish

- ANSI 61 gray polyester powder coating over phosphatized steel.

Accessories

- Plywood panel: furnished by contractor.
- Touch-up paint: see Accessories, pg. 51.



(Photo shows SC1 box with TSC attached)

| Catalog Number | Product Family | UPC Number 7-84572- | Weight (lbs) | Enclosure Size |
|----------------|----------------|------------------------|-----------------|----------------|
| 88TSC | CNAC | 10997 | 1.7 | 8 x 8 |
| 812TSC | CNAC | 10906 | 2.5 | 8 x 12 |
| 1010TSC | CNAC | 10060 | 2.6 | 10 x 10 |
| 1012TSC | CNAC | 10079 | 3.5 | 10 x 12 |
| 1212TSC | CNAC | 10173 | 3.8 | 12 x 12 |
| 1218TSC | CNAC | 10223 | 5.6 | 12 x 18 |
| 1224TSC | CNAC | 10242 | 7.6 | 12 x 24 |
| 1818TSC | CNAC | 10326 | 8.5 | 18 x 18 |
| 1824TSC | CNAC | 10351 | 11.4 | 18 x 24 |
| 2424TSC | CNAC | 10443 | 15.2 | 24 x 24 |
| 2430TSC | CNAC | 10465 | 19 | 24 x 30 |
| 2436TSC | CNAC | 10490 | 23 | 24 x 36 |
| 2448TSC | CNAC | 10502 | 33 | 24 x 48 |
| 3030TSC | CNAC | 10532 | 24 | 30 x 30 |
| 3036TSC | CNAC | 10550 | 28 | 30 x 36 |
| 3636TSC | CNAC | 10604 | 38 | 36 x 36 |
| 3648TSC | CNAC | 10619 | 50 | 36 x 48 |
| 4848TSC | CNAC | 10738 | 88 | 48 x 48 |

Please consult serving utility for their requirements prior to ordering or installing, as specifications and approvals vary by utility, and may require local electrical inspector approval. All installations must be installed by a licensed electrician and must comply with all national and local codes, laws and regulations. Milbank reserves the right to make changes in specifications and features shown without notice or obligation.



Industry Standards

- NEMA Type 1
- UL 50 Type 1
- CUL Type 1 (Equivalent to CSA)

Application

- Designed for use on a screw cover Type 1 (SC1) enclosures to add a flush edge.
- For Indoor use to provide protection against contact with enclosed equipment where moisture and dust are not a problem.
- Cover provides a 3/4 flange on each side of enclosure.

Construction

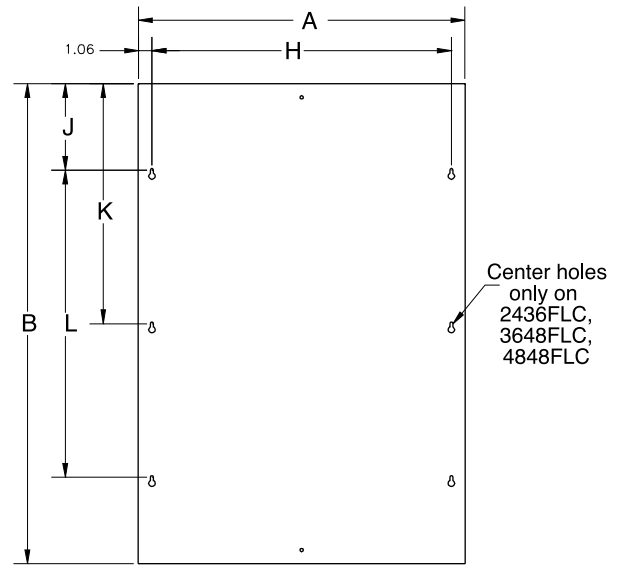
- Covers are manufactured from 16, 14, or 12 gauge steel.
- Covers have teardrop slots for easy installation and are attached to the body with plated steel screws.

Finish

- ANSI 61 gray polyester powder coating over phosphatized steel.

Accessories

- Touch-up paint: see Accessories, pg. 51.



FLC Cover

| Catalog Number | Product Family | UPC Number 7-84572- | Weight (lbs) | Enclosure Size |
|----------------|----------------|------------------------|--------------|----------------|
| 44FLC | CNAC | 10673 | 0.3 | 4 x 4 |
| 66FLC | CNAC | 10836 | 0.6 | 6 x 6 |
| 88FLC | CNAC | 10976 | 1.3 | 8 x 8 |
| 612FLC | CNAC | 10766 | 1.2 | 6 x 12 |
| 810FLC | CNAC | 10889 | 1.8 | 8 x 10 |
| 1010FLC | CNAC | 10046 | 2 | 10 x 10 |
| 1012FLC | CNAC | 10077 | 2.5 | 10 x 12 |
| 1212FLC | CNAC | 10159 | 2.7 | 12 x 12 |
| 1216FLC | CNAC | 10192 | 3.5 | 12 x 16 |
| 1218FLC | CNAC | 10221 | 3.9 | 12 x 18 |
| 1224FLC | CNAC | 10240 | 5.1 | 12 x 24 |
| 1616FLC | CNAC | 10287 | 4.6 | 16 x 16 |
| 1818FLC | CNAC | 10324 | 5.7 | 18 x 18 |
| 1824FLC | CNAC | 10349 | 9.4 | 18 x 24 |
| 2424FLC | CNAC | 10441 | 14.4 | 24 x 24 |
| 2430FLC | CNAC | 10463 | 16.2 | 24 x 30 |
| 2436FLC | CNAC | 10488 | 19.4 | 24 x 36 |
| 3030FLC | CNAC | 10530 | 20.2 | 30 x 30 |
| 3036FLC | CNAC | 10548 | 22 | 30 x 36 |
| 3636FLC | CNAC | 10602 | 23 | 36 x 36 |
| 3648FLC | CNAC | 10617 | 26 | 36 x 48 |



Please consult serving utility for their requirements prior to ordering or installing, as specifications and approvals vary by utility, and may require local electrical inspector approval. All installations must be installed by a licensed electrician and must comply with all national and local codes, laws and regulations. Milbank reserves the right to make changes in specifications and features shown without notice or obligation.

P Series Back Panels

Steel and Wood Options

Application

- For use in electrical enclosures for mounting electronic controls and equipment.

Construction

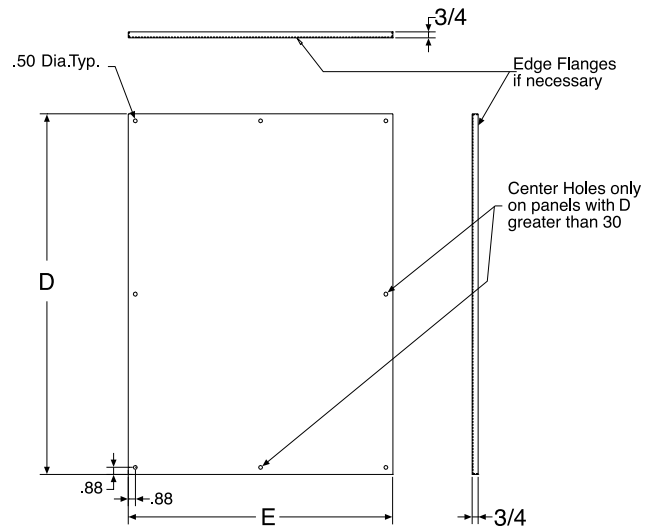
- Steel panels are 10 or 12 gauge steel.
- Wood panels are made from 3/4-inch 7-ply plywood.
- Panel mounting hardware is furnished with all enclosures that accept these panels.

Finish

- Painted White (Steel)
- Unpainted (Wood)

Accessories

- Touch-up paint: see Accessories, pg. 51.



| Catalog Number | Product Family | UPC # 7-84572- | Weight (lbs) | Carton Qty. | H x W |
|---|----------------|----------------|--------------|-------------|---------|
| Steel (used with M4, M12, TC3R and CT3R) | | | | | |
| A-6P6R | IIAC | 23988 | 0.3 | 1 | 6 x 6 |
| A-8P6R | IIAC | 23989 | 0.4 | 1 | 8 x 6 |
| A-8P8R | IIAC | 23990 | 0.53 | 1 | 8 x 8 |
| A-10P8R | IIAC | 23712 | 0.66 | 1 | 10 x 8 |
| A-12P10R | IIAC | 23391 | 2 | 1 | 12 x 10 |
| A-12P12R | IIAC | 23922 | 2.5 | 1 | 12 x 12 |
| A-16P12 | IIAC | 17583 | 2.9 | 1 | 16 x 12 |
| A-16P16 | IIAC | 17215 | 3.7 | 1 | 16 x 16 |
| A-18P12 | IIAC | 22543 | 3.6 | 1 | 18 x 12 |
| A-18P18 | IIAC | 18980 | 4.9 | 1 | 18 x 18 |
| A-20P16 | IIAC | 22547 | 7 | 1 | 20 x 16 |
| A-20P20 | IIAC | 18284 | 8.75 | 1 | 20 x 20 |
| A-24P18 | IIAC | 18988 | 10 | 1 | 24 x 18 |
| A-24P20 | IIAC | 22550 | 11.3 | 1 | 24 x 20 |
| A-24P24 | IIAC | 17946 | 13.9 | 1 | 24 x 24 |
| A-30P24 | IIAC | 16474 | 16 | 1 | 30 x 24 |
| A-30P30 | IIAC | 18312 | 24 | 1 | 30 x 30 |
| A-36P24 | IIAC | 18280 | 22 | 1 | 36 x 24 |
| A-36P30 | IIAC | 18297 | 30 | 1 | 36 x 30 |
| A-36P36 | IIAC | 18299 | 34 | 1 | 36 x 36 |
| A-48P48 | IIAC | 17746 | 58 | 1 | 48 x 48 |
| A-60P60 | IIAC | 18115 | 134 | 1 | 60 x 60 |

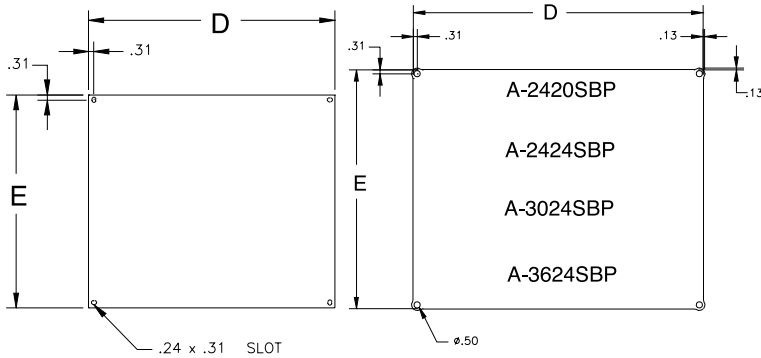
| Catalog Number | Product Family | UPC # 7-84572- | Weight (lbs) | Carton Qty. | H x W |
|---------------------------------------|----------------|----------------|--------------|-------------|---------|
| Wood (used with TC3R and CT3R) | | | | | |
| A-12P12W | CNAI | 18873 | 2.1 | 1 | 12 x 12 |
| A-16P12W | CNAI | 18707 | 2.5 | 1 | 16 x 12 |
| A-16P16W | CNAI | 18717 | 3.4 | 1 | 16 x 16 |
| A-18P18W | CNAI | 18878 | 4.5 | 1 | 18 x 18 |
| A-18P24W | CNAI | 18877 | 5.1 | 1 | 18 x 24 |
| A-20P20W | CNAI | 18710 | 8.6 | 1 | 20 x 20 |
| A-20P24W | CNAI | 18711 | 10.5 | 1 | 20 x 24 |
| A-24P24W | CNAI | 18713 | 12.5 | 1 | 24 x 24 |
| A-30P24W | CNAI | 18716 | 15 | 1 | 30 x 24 |
| A-30P30W | CNAI | 18718 | 21 | 1 | 30 x 30 |
| A-36P24W | CNAI | 18289 | 20 | 1 | 36 x 24 |
| A-36P30W | CNAI | 18290 | 24 | 1 | 36 x 30 |
| A-36P36W | CNAI | 18721 | 29 | 1 | 36 x 36 |
| A-48P36W | CNAI | 18719 | 44 | 1 | 48 x 36 |
| A-48P48W | CNAI | 18720 | 56 | 1 | 48 x 48 |
| A-60P60W | CNAI | 21952 | 88 | 1 | 60 x 60 |

Please consult serving utility for their requirements prior to ordering or installing, as specifications and approvals vary by utility, and may require local electrical inspector approval. All installations must be installed by a licensed electrician and must comply with all national and local codes, laws and regulations. Milbank reserves the right to make changes in specifications and features shown without notice or obligation.



SBP Series Back Panels

Steel and Wood Options



Application

- For use in electrical enclosures for mounting electronic controls and equipment.

Construction

- Steel panels are 16 or 12 gauge steel and have a white finish.
- Wood back panels are made from ¾-inch 7-ply plywood.
- Panel mounting hardware is furnished with all enclosures that accept these panels.
- No mounting holes in boards

Finish

- Painted white (steel)
- Unpainted (wood)

Accessories

- Touch-up paint: see pg. 51.

| Catalog Number | Product Family | UPC # 7-84572- | Weight (lbs) | Carton Qty. | H x W |
|--------------------------------------|----------------|----------------|--------------|-------------|---------|
| Steel (used with LC1 and JIC) | | | | | |
| A-66SBP | IIAC | 17412 | 0.25 | 1 | 6 x 6 |
| A-86SBP | IIAC | 17411 | 0.44 | 1 | 8 x 6 |
| A-88SBP | IIAC | 17410 | 0.58 | 1 | 8 x 8 |
| A-108SBP | IIAC | 17223 | 1.3 | 1 | 10 x 8 |
| A-1010SBP | IIAC | 17409 | 1.6 | 1 | 10 x 10 |
| A-1210SBP | IIAC | 17408 | 2 | 1 | 12 x 10 |
| A-1212SBP | IIAC | 17107 | 2.5 | 1 | 12 x 12 |
| A-1612SBP | IIAC | 18959 | 2.9 | 1 | 16 x 12 |
| A-1616SBP | IIAC | 18961 | 3.7 | 1 | 16 x 16 |
| A-1818SBP | IIAC | 17210 | 4.9 | 1 | 18 x 18 |
| A-2012SBP | IIAC | 18960 | 3.5 | 1 | 20 x 12 |
| A-2016SBP | IIAC | 19381 | 4.1 | 1 | 20 x 16 |
| A-2020SBP | IIAC | 29002 | 9.8 | 1 | 20 x 20 |
| A-2420SBP | IIAC | 17405 | 16.1 | 1 | 24 x 20 |
| A-2424SBP | IIAC | 18912 | 16.5 | 1 | 24 x 24 |
| A-3024SBP | IIAC | 18914 | 18 | 1 | 30 x 24 |
| A-3030SBP | IIAC | 32002 | 20 | 1 | 30 x 30 |
| A-3624SBP | IIAC | 18913 | 22 | 1 | 36 x 24 |
| A-3630SBP | IIAC | 28868 | 24 | 1 | 36 x 30 |

| Catalog Number | Product Family | UPC # 7-84572- | Weight (lbs) | Carton Qty. | H x W |
|--|----------------|----------------|--------------|-------------|---------|
| Wood (used with HC1, SC1, SC3R, HC3R) | | | | | |
| 88WB | CNAC | 10998 | 0.5 | 1 | 8 x 8 |
| 812WB | CNAC | 10907 | 0.75 | 1 | 8 x 12 |
| 1010WB | CNAC | 10061 | 0.8 | 1 | 10 x 10 |
| 1012WB | CNAC | 10080 | 1 | 1 | 10 x 12 |
| 1212WB | CNAC | 10174 | 1.5 | 1 | 12 x 12 |
| 1218WB | CNAC | 10224 | 2 | 1 | 12 x 18 |
| 1224WB | CNAC | 10243 | 2.8 | 1 | 12 x 24 |
| 1818WB | CNAC | 10327 | 3.5 | 1 | 18 x 18 |
| 1824WB | CNAC | 10352 | 4 | 1 | 18 x 24 |
| 2424WB | CNAC | 10444 | 6.8 | 1 | 24 x 24 |
| 2430WB | CNAC | 10466 | 8.5 | 1 | 24 x 30 |
| 2436WB | CNAC | 10491 | 10.3 | 1 | 24 x 36 |
| 2448WB | CNAC | 10503 | 14 | 1 | 24 x 48 |
| 3036WB | CNAC | 10551 | 13.3 | 1 | 30 x 36 |
| 3636WB | CNAC | 10605 | 16 | 1 | 36 x 36 |
| 3648WB | CNAC | 10620 | 21.5 | 1 | 36 x 48 |
| 4848WB | CNAC | 10739 | 29.3 | 1 | 48 x 48 |

NOTE

Do not use wood panels with LC1 enclosures.



Please consult serving utility for their requirements prior to ordering or installing, as specifications and approvals vary by utility, and may require local electrical inspector approval. All installations must be installed by a licensed electrician and must comply with all national and local codes, laws and regulations. Milbank reserves the right to make changes in specifications and features shown without notice or obligation.

Please consult serving utility for their requirements prior to ordering or installing, as specifications and approvals vary by utility, and may require local electrical inspector approval. All installations must be installed by a licensed electrician and must comply with all national and local codes, laws and regulations. Milbank reserves the right to make changes in specifications and features shown without notice or obligation.



Industry Standards

- NEMA Type 1
- UL 870 Type 1
- CUL Type 1 (Equivalent to CSA)

Application

- Designed to allow long interrupted runs of electrical wiring in applications where moisture and dust are not a problem.
- All straight sections and fittings are completely open on one side so wires can be laid-in to the wireway.

Construction

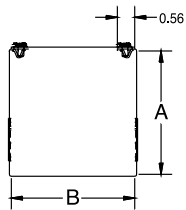
- Wireway and cover are manufactured from code gauge steel.
- Available with or without knockouts. For no knockouts, refer to suffix **-NK** in catalog number.
- Available with or without paint. For no paint, refer to suffix **-NP** in catalog number.
- Covers incorporate teardrop slots for easy installation and are attached with plated steel screws.
- Available in six standard sizes: 2.5 x 2.5, 4 x 4, 6 x 6, 8 x 8, 10 x 10 and 12 x 12.
- Wide range of fittings allows for change of direction, junctions, terminations as well as transition from competitors products.

Finish

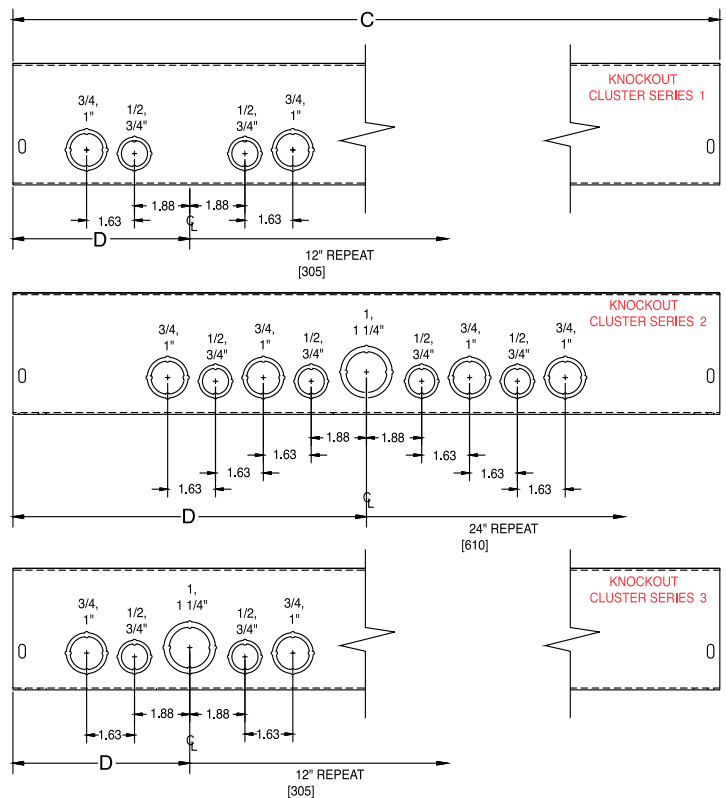
- ANSI 61 gray polyester powder paint coating.

Accessories

- Replacement covers: see pg. 35.
- Touch-up paint: see Accessories, pg. 51.
- Barrier Kit: see Accessories, pg. 51.



SCREW COVER — GSC1



| Catalog Number | Product Family | UPC Number 7-84572- | Weight (lbs) | Carton Quantity | H x D x L | KO Clusters per Side | Number of Clusters |
|-----------------|----------------|---------------------|--------------|-----------------|----------------|----------------------|--------------------|
| 2212-GSC1 | GSC1 | 26598 | 2.5 | 4 | 2.5 x 2.5 x 12 | Series 1 | 1 |
| 2212-GSC1-NK | GSC1 | 26573 | 2.5 | 4 | 2.5 x 2.5 x 12 | None | None |
| 2212-GSC1-NK-NP | GSC1 | 26599 | 2.5 | 4 | 2.5 x 2.5 x 12 | None | None |
| 2218-GSC1 | GSC1 | 26600 | 3.6 | 4 | 2.5 x 2.5 x 18 | Series 1 | 1 |
| 2218-GSC1-NK | GSC1 | 26601 | 3.6 | 4 | 2.5 x 2.5 x 18 | None | None |
| 2218-GSC1-NK-NP | GSC1 | 26602 | 3.6 | 4 | 2.5 x 2.5 x 18 | None | None |
| 2218-GSC1-NP | GSC1 | 26621 | 3.6 | 4 | 2.5 x 2.5 x 18 | Series 1 | 1 |
| 2224-GSC1 | GSC1 | 26574 | 5 | 4 | 2.5 x 2.5 x 24 | Series 1 | 2 |



Please consult serving utility for their requirements prior to ordering or installing, as specifications and approvals vary by utility, and may require local electrical inspector approval. All installations must be installed by a licensed electrician and must comply with all national and local codes, laws and regulations. Milbank reserves the right to make changes in specifications and features shown without notice or obligation.

GSC1 Lay-In Wireway

Type 1

33

TYPE 1
LAY-IN
WIREWAY

| Catalog Number | Product Family | UPC Number 7-84572- | Weight (lbs) | Carton Quantity | H x D x L | KO Clusters per Side | Number of Clusters |
|------------------|----------------|---------------------|--------------|-----------------|-----------------|----------------------|--------------------|
| 2224-GSC1-NK | GSC1 | 26603 | 5 | 4 | 2.5 x 2.5 x 24 | None | None |
| 2224-GSC1-NK-NP | GSC1 | 26604 | 5 | 4 | 2.5 x 2.5 x 24 | None | None |
| 2236-GSC1 | GSC1 | 26605 | 7 | 4 | 2.5 x 2.5 x 36 | Series 1 | 3 |
| 2236-GSC1-NK | GSC1 | 26606 | 7 | 4 | 2.5 x 2.5 x 36 | None | None |
| 2248-GSC1 | GSC1 | 26608 | 10 | 4 | 2.5 x 2.5 x 48 | Series 1 | 4 |
| 2248-GSC1-NK | GSC1 | 26609 | 10 | 4 | 2.5 x 2.5 x 48 | None | None |
| 2260-GSC1 | GSC1 | 26611 | 12 | 4 | 2.5 x 2.5 x 60 | Series 1 | 5 |
| 2260-GSC1-NK | GSC1 | 26612 | 12 | 4 | 2.5 x 2.5 x 60 | None | None |
| 2272-GSC1 | GSC1 | 26614 | 14 | 4 | 2.5 x 2.5 x 72 | Series 1 | 6 |
| 2272-GSC1-NK | GSC1 | 26615 | 14 | 4 | 2.5 x 2.5 x 72 | None | None |
| 2272-GSC1-NK-NP | GSC1 | 26616 | 14 | 4 | 2.5 x 2.5 x 72 | None | None |
| 2296-GSC1-NK | GSC1 | 26782 | 19 | 4 | 2.5 x 2.5 x 96 | None | None |
| 22120-GSC1 | GSC1 | 26617 | 25 | 4 | 2.5 x 2.5 x 120 | Series 1 | 10 |
| 22120-GSC1-NK | GSC1 | 26618 | 25 | 4 | 2.5 x 2.5 x 120 | None | None |
| 22120-GSC1-NK-NP | GSC1 | 26619 | 25 | 4 | 2.5 x 2.5 x 120 | None | None |
| 4412-GSC1 | GSC1 | 10627 | 3.8 | 4 | 4 x 4 x 12 | Series 3 | 1 |
| 4412-GSC1-NK | GSC1 | 10628 | 3.8 | 4 | 4 x 4 x 12 | None | None |
| 4412-GSC1-NK-NP | GSC1 | 15479 | 3.8 | 4 | 4 x 4 x 12 | None | None |
| 4418-GSC1 | GSC1 | 10635 | 5.5 | 4 | 4 x 4 x 18 | Series 2 | 1 |
| 4418-GSC1-NK | GSC1 | 10636 | 5.5 | 4 | 4 x 4 x 18 | None | None |
| 4418-GSC1-NK-NP | GSC1 | 21069 | 5.5 | 4 | 4 x 4 x 18 | None | None |
| 4424-GSC1 | GSC1 | 10640 | 7 | 4 | 4 x 4 x 24 | Series 2 | 1 |
| 4424-GSC1-NK | GSC1 | 10641 | 7 | 4 | 4 x 4 x 24 | None | None |
| 4424-GSC1-NK-NP | GSC1 | 15481 | 7 | 4 | 4 x 4 x 24 | None | None |
| 4436-GSC1 | GSC1 | 10646 | 7.8 | 4 | 4 x 4 x 36 | Series 3 | 3 |
| 4436-GSC1-NK | GSC1 | 10647 | 7.8 | 4 | 4 x 4 x 36 | None | None |
| 4436-GSC1-NK-NP | GSC1 | 15482 | 7.8 | 4 | 4 x 4 x 36 | None | None |
| 4448-GSC1 | GSC1 | 10658 | 14 | 4 | 4 x 4 x 48 | Series 2 | 2 |
| 4448-GSC1-NK | GSC1 | 10659 | 14 | 4 | 4 x 4 x 48 | None | None |
| 4448-GSC1-NK-NP | GSC1 | 15485 | 14 | 4 | 4 x 4 x 48 | None | None |
| 4460-GSC1 | GSC1 | 10664 | 17.5 | 4 | 4 x 4 x 60 | Series 3 | 5 |
| 4460-GSC1-NK | GSC1 | 10665 | 17.5 | 4 | 4 x 4 x 60 | None | None |
| 4460-GSC1-NK-NP | GSC1 | 15486 | 17.5 | 4 | 4 x 4 x 60 | None | None |
| 4472-GSC1 | GSC1 | 10669 | 20.8 | 4 | 4 x 4 x 72 | Series 2 | 3 |
| 4472-GSC1-NK | GSC1 | 10670 | 20.8 | 4 | 4 x 4 x 72 | None | None |
| 4472-GSC1-NK-NP | GSC1 | 15487 | 20.8 | 4 | 4 x 4 x 72 | None | None |
| 4496-GSC1 | GSC1 | 26542 | 27.5 | 2 | 4 x 4 x 96 | Series 2 | 4 |
| 4496-GSC1-NK | GSC1 | 28677 | 27.5 | 2 | 4 x 4 x 96 | None | None |
| 44120-GSC1 | GSC1 | 10633 | 35 | 2 | 4 x 4 x 120 | Series 2 | 6 |
| 44120-GSC1-NK | GSC1 | 10634 | 35 | 2 | 4 x 4 x 120 | None | None |
| 44120-GSC1-NK-NP | GSC1 | 15480 | 35 | 2 | 4 x 4 x 120 | None | None |
| 6612-GSC1 | GSC1 | 10772 | 5 | 2 | 6 x 6 x 12 | Series 3 | 1 |
| 6612-GSC1-NK | GSC1 | 10773 | 5 | 2 | 6 x 6 x 12 | None | None |
| 6612-GSC1-NK-NP | GSC1 | 15491 | 5 | 2 | 6 x 6 x 12 | None | None |
| 6618-GSC1 | GSC1 | 10780 | 8 | 2 | 6 x 6 x 18 | Series 2 | 1 |
| 6618-GSC1-NK | GSC1 | 10781 | 8 | 2 | 6 x 6 x 18 | None | None |
| 6618-GSC1-NK-NP | GSC1 | 21070 | 8 | 2 | 6 x 6 x 18 | None | None |
| 6624-GSC1 | GSC1 | 10786 | 10.5 | 2 | 6 x 6 x 24 | Series 2 | 1 |
| 6624-GSC1-NK | GSC1 | 10787 | 10.5 | 2 | 6 x 6 x 24 | None | None |
| 6624-GSC1-NK-NP | GSC1 | 15493 | 10.5 | 2 | 6 x 6 x 24 | None | None |
| 6636-GSC1 | GSC1 | 10794 | 16.5 | 2 | 6 x 6 x 36 | Series 3 | 3 |
| 6636-GSC1-NK | GSC1 | 10795 | 16.5 | 2 | 6 x 6 x 36 | None | None |
| 6636-GSC1-NK-NP | GSC1 | 15494 | 16.5 | 2 | 6 x 6 x 36 | None | None |
| 6648-GSC1 | GSC1 | 10813 | 21 | 2 | 6 x 6 x 48 | Series 2 | 2 |
| 6648-GSC1-NK | GSC1 | 10814 | 21 | 2 | 6 x 6 x 48 | None | None |
| 6648-GSC1-NK-NP | GSC1 | 15496 | 21 | 2 | 6 x 6 x 48 | None | None |
| 6660-GSC1 | GSC1 | 10824 | 25.5 | 2 | 6 x 6 x 60 | Series 3 | 5 |
| 6660-GSC1-NK | GSC1 | 10825 | 25.5 | 2 | 6 x 6 x 60 | None | None |
| 6660-GSC1-NK-NP | GSC1 | 15497 | 25.5 | 2 | 6 x 6 x 60 | None | None |

Please consult serving utility for their requirements prior to ordering or installing, as specifications and approvals vary by utility, and may require local electrical inspector approval. All installations must be installed by a licensed electrician and must comply with all national and local codes, laws and regulations. Milbank reserves the right to make changes in specifications and features shown without notice or obligation.



| Catalog Number | Product Family | UPC Number 7-84572- | Weight (lbs) | Carton Quantity | H x D x L | KO Clusters per Side | Number of Clusters |
|-------------------|----------------|---------------------|--------------|-----------------|---------------|----------------------|--------------------|
| 6672-GSC1 | GSC1 | 10828 | 30.5 | 2 | 6 x 6 x 72 | Series 2 | 3 |
| 6672-GSC1-NK | GSC1 | 10829 | 30.5 | 2 | 6 x 6 x 72 | None | None |
| 6672-GSC1-NK-NP | GSC1 | 15498 | 30.5 | 2 | 6 x 6 x 72 | None | None |
| 6696-GSC1 | GSC1 | 27610 | 40.2 | 1 | 6 x 6 x 96 | Series 2 | 4 |
| 6696-GSC1-NK | GSC1 | 31180 | 40.2 | 1 | 6 x 6 x 96 | None | None |
| 6696-GSC1-NK-NP | GSC1 | 31181 | 40.2 | 1 | 6 x 6 x 96 | None | None |
| 6696-GSC1-NP | GSC1 | 32345 | 40.2 | 1 | 6 x 6 x 96 | Series 2 | 4 |
| 66120-GSC1 | GSC1 | 10778 | 55 | 1 | 6 x 6 x 120 | Series 2 | 6 |
| 66120-GSC1-NK | GSC1 | 10779 | 55 | 1 | 6 x 6 x 120 | None | None |
| 66120-GSC1-NK-NP | GSC1 | 15492 | 55 | 1 | 6 x 6 x 120 | None | None |
| 66120-GSC1-NP | GSC1 | 32346 | 55 | 1 | 6 x 6 x 120 | Series 2 | 6 |
| 8812-GSC1 | GSC1 | 10916 | 8 | 1 | 8 x 8 x 12 | Series 3 | 1 |
| 8812-GSC1-NK | GSC1 | 10917 | 8 | 1 | 8 x 8 x 12 | None | None |
| 8812-GSC1-NK-NP | GSC1 | 15501 | 8 | 1 | 8 x 8 x 12 | None | None |
| 8818-GSC1 | GSC1 | 10922 | 18 | 1 | 8 x 8 x 18 | Series 2 | 1 |
| 8818-GSC1-NK | GSC1 | 19154 | 18 | 1 | 8 x 8 x 18 | None | None |
| 8824-GSC1 | GSC1 | 10925 | 13 | 1 | 8 x 8 x 24 | Series 2 | 1 |
| 8824-GSC1-NK | GSC1 | 10926 | 13 | 1 | 8 x 8 x 24 | None | None |
| 8824-GSC1-NK-NP | GSC1 | 15503 | 13 | 1 | 8 x 8 x 24 | None | None |
| 8836-GSC1 | GSC1 | 10931 | 20 | 1 | 8 x 8 x 36 | Series 3 | 3 |
| 8836-GSC1-NK | GSC1 | 10932 | 20 | 1 | 8 x 8 x 36 | None | None |
| 8836-GSC1-NK-NP | GSC1 | 15504 | 20 | 1 | 8 x 8 x 36 | None | None |
| 8848-GSC1 | GSC1 | 10949 | 33 | 1 | 8 x 8 x 48 | Series 2 | 2 |
| 8848-GSC1-NK | GSC1 | 10950 | 33 | 1 | 8 x 8 x 48 | None | None |
| 8848-GSC1-NK-NP | GSC1 | 15506 | 33 | 1 | 8 x 8 x 48 | None | None |
| 8860-GSC1 | GSC1 | 10963 | 35 | 1 | 8 x 8 x 60 | Series 3 | 5 |
| 8860-GSC1-NK | GSC1 | 10964 | 35 | 1 | 8 x 8 x 60 | None | None |
| 8860-GSC1-NK-NP | GSC1 | 15507 | 35 | 1 | 8 x 8 x 60 | None | None |
| 8872-GSC1 | GSC1 | 10967 | 40 | 1 | 8 x 8 x 72 | Series 2 | 3 |
| 8872-GSC1-NK | GSC1 | 10968 | 40 | 1 | 8 x 8 x 72 | None | None |
| 8872-GSC1-NK-NP | GSC1 | 15508 | 40 | 1 | 8 x 8 x 72 | None | None |
| 8896-GSC1 | GSC1 | 21348 | 53.3 | 1 | 8 x 8 x 96 | Series 2 | 4 |
| 8896-GSC1-NK | GSC1 | 21347 | 53.3 | 1 | 8 x 8 x 96 | None | None |
| 8896-GSC1-NK-NP | GSC1 | 21346 | 53.3 | 1 | 8 x 8 x 96 | None | None |
| 88120-GSC1 | GSC1 | 10920 | 83.6 | 1 | 8 x 8 x 120 | Series 2 | 6 |
| 88120-GSC1-NK | GSC1 | 10921 | 83.6 | 1 | 8 x 8 x 120 | None | None |
| 88120-GSC1-NK-NP | GSC1 | 15502 | 83.6 | 1 | 8 x 8 x 120 | None | None |
| 101012-GSC1 | GSC1 | 10004 | 9 | 1 | 10 x 10 x 12 | Series 3 | 1 |
| 101012-GSC1-NK | GSC1 | 15704 | 9 | 1 | 10 x 10 x 12 | None | None |
| 101012-GSC1-NK-NP | GSC1 | 19317 | 9 | 1 | 10 x 10 x 12 | None | None |
| 101024-GSC1 | GSC1 | 10006 | 17 | 1 | 10 x 10 x 24 | Series 2 | 1 |
| 101024-GSC1-NK | GSC1 | 10007 | 17 | 1 | 10 x 10 x 24 | None | None |
| 101024-GSC1-NK-NP | GSC1 | 19316 | 17 | 1 | 10 x 10 x 24 | None | None |
| 101036-GSC1 | GSC1 | 10009 | 25 | 1 | 10 x 10 x 36 | Series 3 | 3 |
| 101036-GSC1-NK | GSC1 | 10010 | 25 | 1 | 10 x 10 x 36 | None | None |
| 101036-GSC1-NK-NP | GSC1 | 15454 | 25 | 1 | 10 x 10 x 36 | None | None |
| 101048-GSC1 | GSC1 | 10024 | 34 | 1 | 10 x 10 x 48 | Series 2 | 2 |
| 101048-GSC1-NK | GSC1 | 10025 | 34 | 1 | 10 x 10 x 48 | None | None |
| 101048-GSC1-NK-NP | GSC1 | 15455 | 34 | 1 | 10 x 10 x 48 | None | None |
| 101060-GSC1 | GSC1 | 10037 | 42 | 1 | 10 x 10 x 60 | Series 3 | 5 |
| 101060-GSC1-NK | GSC1 | 10038 | 42 | 1 | 10 x 10 x 60 | None | None |
| 101060-GSC1-NK-NP | GSC1 | 15458 | 42 | 1 | 10 x 10 x 60 | None | None |
| 101072-GSC1 | GSC1 | 10041 | 50 | 1 | 10 x 10 x 72 | Series 2 | 3 |
| 101072-GSC1-NK | GSC1 | 10042 | 50 | 1 | 10 x 10 x 72 | None | None |
| 101072-GSC1-NK-NP | GSC1 | 15459 | 50 | 1 | 10 x 10 x 72 | None | None |
| 101096-GSC1 | GSC1 | 24664 | 71 | 1 | 10 x 10 x 96 | Series 2 | 4 |
| 101096-GSC1-NK | GSC1 | 26911 | 71 | 1 | 10 x 10 x 96 | None | None |
| 101096-GSC1-NK-NP | GSC1 | 24600 | 71 | 1 | 10 x 10 x 96 | None | None |
| 1010120-GSC1 | GSC1 | 19100 | 80 | 1 | 10 x 10 x 120 | Series 2 | 6 |



Please consult serving utility for their requirements prior to ordering or installing, as specifications and approvals vary by utility, and may require local electrical inspector approval. All installations must be installed by a licensed electrician and must comply with all national and local codes, laws and regulations. Milbank reserves the right to make changes in specifications and features shown without notice or obligation.

GSC1 Lay-In Wireway

Type 1

35

TYPE 1
LAY-IN
WIREWAY

| Catalog Number | Product Family | UPC Number 7-84572- | Weight (lbs) | Carton Quantity | H x D x L | KO Clusters per Side | Number of Clusters |
|--------------------|----------------|---------------------|--------------|-----------------|---------------|----------------------|--------------------|
| 1010120-GSC1-NK | GSC1 | 24933 | 80 | 1 | 10 x 10 x 120 | None | None |
| 1010120-GSC1-NK-NP | GSC1 | 32347 | 80 | 1 | 10 x 10 x 120 | None | None |
| 121212-GSC1 | GSC1 | 10100 | 10 | 1 | 12 x 12 x 12 | Series 3 | 1 |
| 121212-GSC1-NK | GSC1 | 10101 | 10 | 1 | 12 x 12 x 12 | None | None |
| 121212-GSC1-NK-NP | GSC1 | 15462 | 10 | 1 | 12 x 12 x 12 | None | None |
| 121224-GSC1 | GSC1 | 10102 | 25 | 1 | 12 x 12 x 24 | Series 2 | 1 |
| 121224-GSC1-NK | GSC1 | 10103 | 25 | 1 | 12 x 12 x 24 | None | None |
| 121224-GSC1-NK-NP | GSC1 | 15463 | 25 | 1 | 12 x 12 x 24 | None | None |
| 121236-GSC1 | GSC1 | 10106 | 37 | 1 | 12 x 12 x 36 | Series 3 | 3 |
| 121236-GSC1-NK | GSC1 | 10107 | 37 | 1 | 12 x 12 x 36 | None | None |
| 121236-GSC1-NK-NP | GSC1 | 15464 | 37 | 1 | 12 x 12 x 36 | None | None |
| 121248-GSC1 | GSC1 | 10125 | 48 | 1 | 12 x 12 x 48 | Series 2 | 2 |
| 121248-GSC1-NK | GSC1 | 10126 | 48 | 1 | 12 x 12 x 48 | None | None |
| 121248-GSC1-NK-NP | GSC1 | 15466 | 48 | 1 | 12 x 12 x 48 | None | None |
| 121260-GSC1 | GSC1 | 10145 | 50 | 1 | 12 x 12 x 60 | Series 3 | 5 |
| 121260-GSC1-NK | GSC1 | 10146 | 50 | 1 | 12 x 12 x 60 | None | None |
| 121260-GSC1-NK-NP | GSC1 | 15468 | 50 | 1 | 12 x 12 x 60 | None | None |
| 121272-GSC1 | GSC1 | 10149 | 71 | 1 | 12 x 12 x 72 | Series 2 | 3 |
| 121272-GSC1-NK | GSC1 | 10150 | 71 | 1 | 12 x 12 x 72 | None | None |
| 121272-GSC1-NK-NP | GSC1 | 20932 | 71 | 1 | 12 x 12 x 72 | None | None |
| 121296-GSC1 | GSC1 | 24665 | 99 | 1 | 12 x 12 x 96 | Series 2 | 4 |
| 121296-GSC1-NK | GSC1 | 27284 | 99 | 1 | 12 x 12 x 96 | None | None |
| 121296-GSC1-NK-NP | GSC1 | 24658 | 99 | 1 | 12 x 12 x 96 | None | None |
| 1212120-GSC1 | GSC1 | 24705 | 120 | 1 | 12 x 12 x 120 | Series 2 | 6 |
| 1212120-GSC1-NK | GSC1 | 24706 | 120 | 1 | 12 x 12 x 120 | None | None |
| 1212120-GSC1-NK-NP | GSC1 | 24707 | 120 | 1 | 12 x 12 x 120 | None | None |
| 1212120-GSC1-NP | GSC1 | 24708 | 120 | 1 | 12 x 12 x 120 | Series 2 | 6 |
| Covers | | | | | | | |
| 4X12GSC1 | CNAC | 10742 | 0.75 | 1 | 4 x 12 | | |
| 4X18GSC1 | CNAC | 10743 | 1.1 | 1 | 4 x 18 | | |
| 4X24GSC1 | CNAC | 10744 | 1.4 | 1 | 4 x 24 | | |
| 4X36GSC1 | CNAC | 10745 | 2 | 1 | 4 x 36 | | |
| 4X48GSC1 | CNAC | 10746 | 2.6 | 1 | 4 x 48 | | |
| 4X60GSC1 | CNAC | 10747 | 3.2 | 1 | 4 x 60 | | |
| 4X72GSC1 | CNAC | 10748 | 3.8 | 1 | 4 x 72 | | |
| 6X12GSC1 | CNAC | 10869 | 1 | 1 | 6 x 12 | | |
| 6X18GSC1 | CNAC | 15356 | 1.5 | 1 | 6 x 18 | | |
| 6X24GSC1 | CNAC | 10870 | 2 | 1 | 6 x 24 | | |
| 6X36GSC1 | CNAC | 10871 | 3 | 1 | 6 x 36 | | |
| 6X48GSC1 | CNAC | 10873 | 4 | 1 | 6 x 48 | | |
| 6X60GSC1 | CNAC | 10874 | 5 | 1 | 6 x 60 | | |
| 6X72GSC1 | CNAC | 10875 | 6 | 1 | 6 x 72 | | |
| 8X12GSC1 | CNAC | 11002 | 1.3 | 1 | 8 x 12 | | |
| 8X18GSC1 | CNAC | 17266 | 1.9 | 1 | 8 x 18 | | |
| 8X24GSC1 | CNAC | 11003 | 2.5 | 1 | 8 x 24 | | |
| 8X36GSC1 | CNAC | 11004 | 3.7 | 1 | 8 x 36 | | |
| 8X48GSC1 | CNAC | 11005 | 5 | 1 | 8 x 48 | | |
| 8X60GSC1 | CNAC | 11006 | 6.2 | 1 | 8 x 60 | | |
| 8X72GSC1 | CNAC | 20901 | 7.4 | 1 | 8 x 72 | | |
| 10X12GSC1 | CNAC | 19597 | 1.5 | 1 | 10 x 12 | | |
| 10X24GSC1 | CNAC | 10087 | 3 | 1 | 10 x 24 | | |
| 10X36GSC1 | CNAC | 10088 | 4.5 | 1 | 10 x 36 | | |
| 10X48GSC1 | CNAC | 10089 | 6 | 1 | 10 x 48 | | |
| 10X60GSC1 | CNAC | 10090 | 7.5 | 1 | 10 x 60 | | |
| 12X24GSC1 | CNAC | 10253 | 3.6 | 1 | 12 x 24 | | |
| 12X36GSC1 | CNAC | 10254 | 5.4 | 1 | 12 x 36 | | |
| 12X48GSC1 | CNAC | 10255 | 7.2 | 1 | 12 x 48 | | |
| 12X60GSC1 | CNAC | 10256 | 9 | 1 | 12 x 60 | | |
| 12X72GSC1 | CNAC | 10257 | 10.8 | 1 | 12 x 72 | | |

Please consult serving utility for their requirements prior to ordering or installing, as specifications and approvals vary by utility, and may require local electrical inspector approval. All installations must be installed by a licensed electrician and must comply with all national and local codes, laws and regulations. Milbank reserves the right to make changes in specifications and features shown without notice or obligation.



Industry Standards

- NEMA Type 1
- UL 870 Type 1
- CUL Type 1 (Equivalent to CSA)

Application

- Designed to allow long interrupted runs of electrical wiring in applications where moisture and dust are not a problem.
- All straight sections and fittings are completely open on one side so wires can be laid-in to the wireway.

Construction

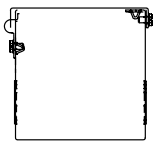
- Wireway and cover are manufactured from code gauge steel.
- Available with or without knockouts. For no knockouts, refer to suffix **-NK** in catalog number.
- Available with or without paint. For no paint, refer to suffix **-NP** in catalog number.
- Covers incorporate teardrop slots for easy installation and are attached with plated steel screws.
- Available in seven standard sizes, 2.5 x 2.5, 4 x 4, 4 x 6, 6 x 6, 8 x 8, 10 x 10 and 12 x 12.
- Wide range of fittings allows for change of direction, junctions, terminations as well as transition from competitors products.

Finish

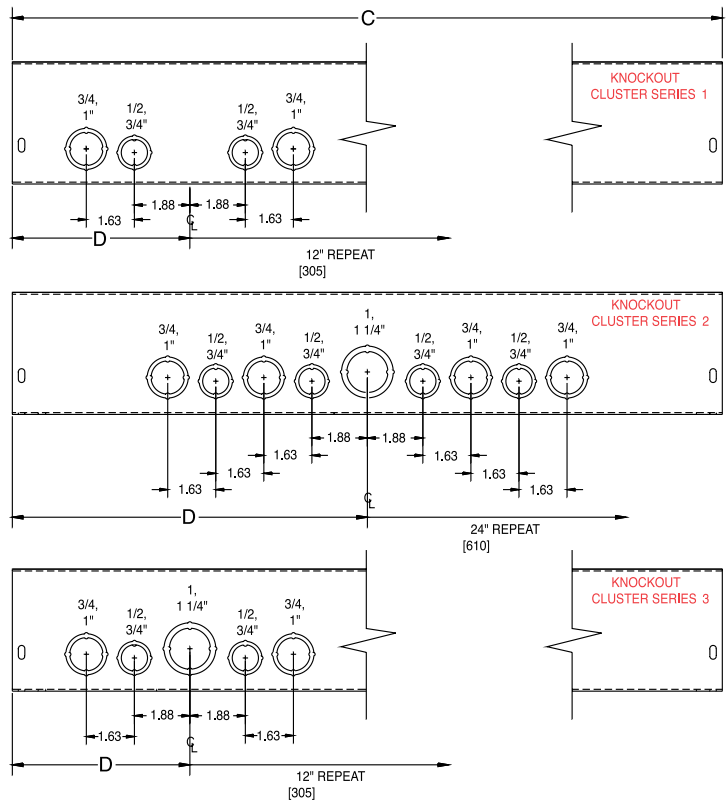
- ANSI 61 gray polyester powder paint coating.

Accessories

- Touch-up paint: see Accessories, pg. 51.
- Barrier kit: see Accessories, pg. 51.



HINGE COVER – GHC1



| Catalog Number | Product Family | UPC Number 7-84572- | Weight (lbs) | Carton Quantity | H x D x L | KO Clusters per Side | Number of Clusters |
|-----------------|----------------|------------------------|-----------------|--------------------|----------------|-------------------------|-----------------------|
| 2212-GHC1 | GHC1 | 26572 | 2.5 | 4 | 2.5 x 2.5 x 12 | Series 1 | 1 |
| 2212-GHC1-NK | GHC1 | 26576 | 2.5 | 4 | 2.5 x 2.5 x 12 | None | None |
| 2212-GHC1-NK-NP | GHC1 | 26587 | 2.5 | 4 | 2.5 x 2.5 x 12 | None | None |
| 2218-GHC1 | GHC1 | 26801 | 3.6 | 4 | 2.5 x 2.5 x 18 | Series 1 | 1 |
| 2218-GHC1-NK-NP | GHC1 | 26810 | 3.6 | 4 | 2.5 x 2.5 x 18 | None | None |
| 2224-GHC1 | GHC1 | 26577 | 5 | 4 | 2.5 x 2.5 x 24 | Series 1 | 2 |
| 2224-GHC1-NK | GHC1 | 26575 | 5 | 4 | 2.5 x 2.5 x 24 | None | None |
| 2236-GHC1 | GHC1 | 26578 | 7 | 4 | 2.5 x 2.5 x 36 | Series 1 | 3 |
| 2236-GHC1-NK | GHC1 | 32349 | 7 | 4 | 2.5 x 2.5 x 36 | None | None |



Please consult serving utility for their requirements prior to ordering or installing, as specifications and approvals vary by utility, and may require local electrical inspector approval. All installations must be installed by a licensed electrician and must comply with all national and local codes, laws and regulations. Milbank reserves the right to make changes in specifications and features shown without notice or obligation.

GHC1 Lay-In Wireway

Type 1

37
TYPE 1
LAY-IN
WIREWAY

| Catalog Number | Product Family | UPC Number 7-84572- | Weight (lbs) | Carton Quantity | H x D x L | KO Clusters per Side | Number of Clusters |
|------------------|----------------|---------------------|--------------|-----------------|-----------------|----------------------|--------------------|
| 2236-GHC1-NK-NP | GHC1 | 26591 | 7 | 4 | 2.5 x 2.5 x 36 | None | None |
| 2248-GHC1 | GHC1 | 26580 | 10 | 4 | 2.5 x 2.5 x 48 | Series 1 | 4 |
| 2248-GHC1-NK | GHC1 | 26581 | 10 | 4 | 2.5 x 2.5 x 48 | None | None |
| 2260-GHC1 | GHC1 | 26582 | 12 | 4 | 2.5 x 2.5 x 60 | Series 1 | 5 |
| 2260-GHC1-NK | GHC1 | 26583 | 12 | 4 | 2.5 x 2.5 x 60 | None | None |
| 2272-GHC1 | GHC1 | 26802 | 14 | 4 | 2.5 x 2.5 x 72 | Series 1 | 6 |
| 2272-GHC1-NK | GHC1 | 26805 | 14 | 4 | 2.5 x 2.5 x 72 | None | None |
| 2296-GHC1-NK | GHC1 | 26806 | 19 | 4 | 2.5 x 2.5 x 96 | None | None |
| 22120-GHC1 | GHC1 | 26584 | 25 | 4 | 2.5 x 2.5 x 120 | Series 1 | 10 |
| 22120-GHC1-NK | GHC1 | 26585 | 25 | 4 | 2.5 x 2.5 x 120 | None | None |
| 4412-GHC1 | GHC1 | 10625 | 3.5 | 4 | 4 x 4 x 12 | Series 3 | 1 |
| 4412-GHC1-NK | GHC1 | 10626 | 3.5 | 4 | 4 x 4 x 12 | None | None |
| 4424-GHC1 | GHC1 | 10638 | 7.3 | 4 | 4 x 4 x 24 | Series 2 | 1 |
| 4424-GHC1-NK | GHC1 | 10639 | 7.3 | 4 | 4 x 4 x 24 | None | None |
| 4436-GHC1 | GHC1 | 10644 | 10.8 | 4 | 4 x 4 x 36 | Series 3 | 3 |
| 4436-GHC1-NK | GHC1 | 10645 | 10.8 | 4 | 4 x 4 x 36 | None | None |
| 4448-GHC1 | GHC1 | 10656 | 14 | 4 | 4 x 4 x 48 | Series 2 | 2 |
| 4448-GHC1-NK | GHC1 | 10657 | 14 | 4 | 4 x 4 x 48 | None | None |
| 4460-GHC1 | GHC1 | 10662 | 17.5 | 4 | 4 x 4 x 60 | Series 3 | 5 |
| 4460-GHC1-NK | GHC1 | 10663 | 17.5 | 4 | 4 x 4 x 60 | None | None |
| 4472-GHC1-NK | GHC1 | 27373 | 20.8 | 4 | 4 x 4 x 72 | None | None |
| 4496-GHC1-NK | GHC1 | 28961 | 27.5 | 4 | 4 x 4 x 96 | None | None |
| 44120-GHC1 | GHC1 | 10631 | 35.5 | 2 | 4 x 4 x 120 | Series 2 | 6 |
| 44120-GHC1-NK | GHC1 | 10632 | 35.5 | 2 | 4 x 4 x 120 | None | None |
| 6612-GHC1 | GHC1 | 10770 | 6 | 2 | 6 x 6 x 12 | Series 3 | 1 |
| 6612-GHC1-NK | GHC1 | 10771 | 6 | 2 | 6 x 6 x 12 | None | None |
| 6612-GHC1-NP | GHC1 | 32350 | 6 | 2 | 6 x 6 x 12 | Series 3 | 1 |
| 6624-GHC1 | GHC1 | 10784 | 10.5 | 2 | 6 x 6 x 24 | Series 2 | 1 |
| 6624-GHC1-NK | GHC1 | 10785 | 10.5 | 2 | 6 x 6 x 24 | None | None |
| 6636-GHC1 | GHC1 | 10792 | 16.5 | 2 | 6 x 6 x 36 | Series 3 | 3 |
| 6636-GHC1-NK | GHC1 | 10793 | 16.5 | 2 | 6 x 6 x 36 | None | None |
| 6648-GHC1 | GHC1 | 10811 | 21.5 | 2 | 6 x 6 x 48 | Series 2 | 2 |
| 6648-GHC1-NK | GHC1 | 10812 | 21.5 | 2 | 6 x 6 x 48 | None | None |
| 6648-GHC1-NP | GHC1 | 32351 | 21.5 | 2 | 6 x 6 x 48 | Series 2 | 2 |
| 6660-GHC1 | GHC1 | 10823 | 27 | 2 | 6 x 6 x 60 | Series 3 | 5 |
| 6660-GHC1-NK | GHC1 | 18647 | 27 | 2 | 6 x 6 x 60 | None | None |
| 6660-GHC1-NP | GHC1 | 32352 | 27 | 2 | 6 x 6 x 60 | Series 3 | 5 |
| 6672-GHC1 | GHC1 | 28944 | 32 | 2 | 6 x 6 x 72 | Series 2 | 3 |
| 6672-GHC1-NK | GHC1 | 28954 | 32 | 2 | 6 x 6 x 72 | None | None |
| 66120-GHC1 | GHC1 | 10776 | 57 | 1 | 6 x 6 x 120 | Series 2 | 6 |
| 66120-GHC1-NK | GHC1 | 10777 | 57 | 1 | 6 x 6 x 120 | None | None |
| 66120-GHC1-NK-NP | GHC1 | 23372 | 57 | 1 | 6 x 6 x 120 | None | None |
| 66120-GHC1-NP | GHC1 | 32353 | 57 | 1 | 6 x 6 x 120 | Series 2 | 6 |
| 8812-GHC1 | GHC1 | 10914 | 8.5 | 1 | 8 x 8 x 12 | Series 3 | 1 |
| 8812-GHC1-NK | GHC1 | 10915 | 8.5 | 1 | 8 x 8 x 12 | None | None |
| 8818-GHC1-NK | GHC1 | 28965 | 11.6 | 1 | 8 x 8 x 18 | None | None |
| 8824-GHC1 | GHC1 | 10924 | 14 | 1 | 8 x 8 x 24 | Series 2 | 1 |
| 8824-GHC1-NK | GHC1 | 17655 | 14 | 1 | 8 x 8 x 24 | None | None |
| 8836-GHC1 | GHC1 | 10929 | 21 | 1 | 8 x 8 x 36 | Series 3 | 3 |

Please consult serving utility for their requirements prior to ordering or installing, as specifications and approvals vary by utility, and may require local electrical inspector approval. All installations must be installed by a licensed electrician and must comply with all national and local codes, laws and regulations. Milbank reserves the right to make changes in specifications and features shown without notice or obligation.



| Catalog Number | Product Family | UPC Number 7-84572- | Weight (lbs) | Carton Quantity | H x D x L | KO Clusters per Side | Number of Clusters |
|-------------------|----------------|---------------------|--------------|-----------------|---------------|----------------------|--------------------|
| 8836-GHC1-NK | GHC1 | 10930 | 21 | 1 | 8 x 8 x 36 | None | None |
| 8848-GHC1 | GHC1 | 10947 | 28 | 1 | 8 x 8 x 48 | Series 2 | 2 |
| 8848-GHC1-NK | GHC1 | 10948 | 28 | 1 | 8 x 8 x 48 | None | None |
| 8860-GHC1 | GHC1 | 10960 | 35 | 1 | 8 x 8 x 60 | Series 3 | 5 |
| 8860-GHC1-NK | GHC1 | 10961 | 35 | 1 | 8 x 8 x 60 | None | None |
| 8872-GHC1 | GHC1 | 28946 | 40 | 1 | 8 x 8 x 72 | Series 2 | 3 |
| 8872-GHC1-NK | GHC1 | 28947 | 40 | 1 | 8 x 8 x 72 | None | None |
| 88120-GHC1 | GHC1 | 10919 | 69 | 1 | 8 x 8 x 120 | Series 2 | 6 |
| 88120-GHC1-NK | GHC1 | 15705 | 69 | 1 | 8 x 8 x 120 | None | None |
| 101012-GHC1-NK | GHC1 | 28166 | 12 | 1 | 10 x 10 x 12 | None | None |
| 101024-GHC1-NK | GHC1 | 27094 | 20.4 | 1 | 10 x 10 x 24 | None | None |
| 101036-GHC1-NK | GHC1 | 27093 | 25 | 1 | 10 x 10 x 36 | None | None |
| 101048-GHC1-NK | GHC1 | 27092 | 43.4 | 1 | 10 x 10 x 48 | None | None |
| 101060-GHC1 | GHC1 | 15880 | 49 | 1 | 10 x 10 x 60 | Series 3 | 5 |
| 101060-GHC1-NK | GHC1 | 27091 | 49 | 1 | 10 x 10 x 60 | None | None |
| 101072-GHC1 | GHC1 | 27962 | 58 | 1 | 10 x 10 x 72 | Series 2 | 3 |
| 101096-GHC1-NK | GHC1 | 32012 | 76 | 1 | 10 x 10 x 96 | None | None |
| 1010120-GHC1-NK | GHC1 | 17625 | 90 | 1 | 10 x 10 x 120 | None | None |
| 121224-GHC1 | GHC1 | 32354 | 25.2 | 1 | 12 x 12 x 24 | Series 2 | 1 |
| 121224-GHC1-NK | GHC1 | 27090 | 25.2 | 1 | 12 x 12 x 24 | None | None |
| 121236-GHC1-NK | GHC1 | 27089 | 37.4 | 1 | 12 x 12 x 36 | None | None |
| 121236-GHC1-NK-NP | GHC1 | 32355 | 37.4 | 1 | 12 x 12 x 36 | None | None |
| 121248-GHC1-NK | GHC1 | 27088 | 49 | 1 | 12 x 12 x 48 | None | None |
| 121260-GHC1 | GHC1 | 15881 | 58 | 1 | 12 x 12 x 60 | Series 3 | 5 |
| 121260-GHC1-NK | GHC1 | 27087 | 58 | 1 | 12 x 12 x 60 | None | None |
| 121260-GHC1-NK-NP | GHC1 | 32356 | 58 | 1 | 12 x 12 x 60 | None | None |
| 121296-GHC1 | GHC1 | 28118 | 90 | 1 | 12 x 12 x 96 | Series 2 | 4 |
| 121296-GHC1-NK | GHC1 | 28119 | 90 | 1 | 12 x 12 x 96 | None | None |
| 1212120-GHC1 | GHC1 | 18006 | 120 | 1 | 12 x 12 x 120 | Series 2 | 6 |
| 1212120-GHC1-NK | GHC1 | 24050 | 120 | 1 | 12 x 12 x 120 | None | None |



Please consult serving utility for their requirements prior to ordering or installing, as specifications and approvals vary by utility, and may require local electrical inspector approval. All installations must be installed by a licensed electrician and must comply with all national and local codes, laws and regulations. Milbank reserves the right to make changes in specifications and features shown without notice or obligation.

GSC3R Screw Cover Wiring Trough

Type 3R

39
TYPE 3R
SCREW COVER
WIRING TROUGH

Industry Standards

- NEMA Type 3R
- UL 870 Type 3R
- CUL Type 3R (Equivalent to CSA)

Application

- Designed to protect wiring in outdoor installations against rain, sleet, or snow, or indoors against dripping water.

Construction

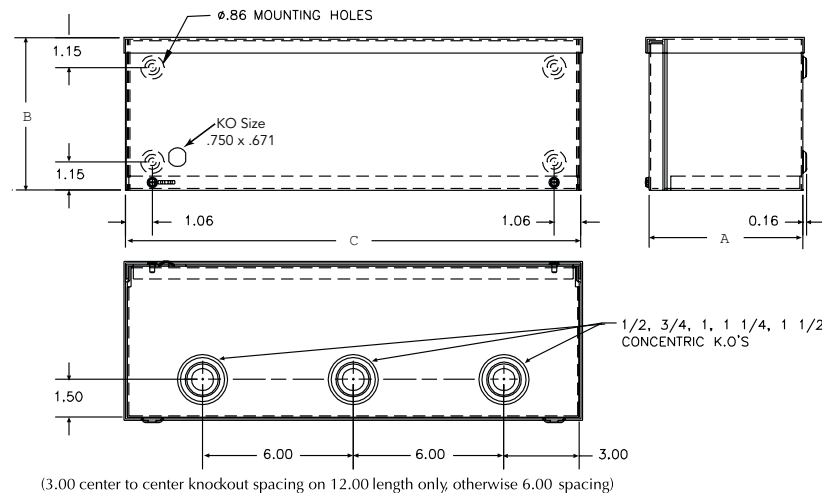
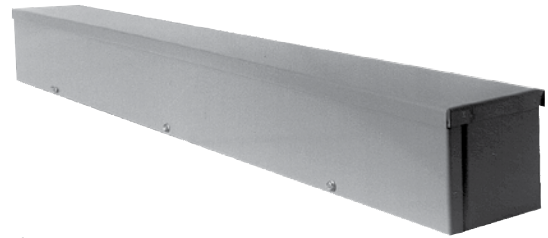
- Trough and cover are manufactured from 16 gauge G90 galvanized steel.
- Available with or without paint. For no paint, refer to suffix **-NP** in the catalog number.
- Cover is designed to fit under the drip shield top, and is held in place with plated steel screws.
- Wireway is available with or without concentric knockouts on the bottom—for no knockouts refer to suffix **-NK** in the catalog number.
- Embossed mounting holes are provided on the backs of the units.
- Sealing eye lance.
- Knockout for key locking cylinder latch.

Finish

- ANSI 61 gray polyester powder coating over phosphatized **G90** galvanized steel.

Accessories

- Touch-up paint: see Accessories, pg. 51.
- Locks: see Accessories, pg. 50.



NOTE
These units are UL Listed for horizontal runs only.

| Catalog Number | Product Family | UPC Number 7-84572- | Weight (lbs) | Carton Quantity | H x D x L | Number of Knockouts |
|------------------|----------------|---------------------|--------------|-----------------|------------|---------------------|
| 4412-GSC3R | GS3R | 10629 | 4.5 | 4 | 4 x 4 x 12 | 3 |
| 4412-GSC3R-NK | GS3R | 10630 | 4.5 | 4 | 4 x 4 x 12 | None |
| 4412-GSC3R-NK-NP | GS3R | 16177 | 4.5 | 4 | 4 x 4 x 12 | None |
| 4418-GSC3R | GS3R | 10637 | 6.5 | 4 | 4 x 4 x 18 | 3 |
| 4418-GSC3R-NK | GS3R | 21813 | 6.5 | 4 | 4 x 4 x 18 | None |
| 4424-GSC3R | GS3R | 10642 | 8.5 | 4 | 4 x 4 x 24 | 3 |
| 4424-GSC3R-NK | GS3R | 10643 | 8.5 | 4 | 4 x 4 x 24 | None |

Please consult serving utility for their requirements prior to ordering or installing, as specifications and approvals vary by utility, and may require local electrical inspector approval. All installations must be installed by a licensed electrician and must comply with all national and local codes, laws and regulations. Milbank reserves the right to make changes in specifications and features shown without notice or obligation.



40

TYPE 3R
SCREW COVER
WIRING TROUGH

GSC3R Screw Cover Wiring Trough

Type 3R

| Catalog Number | Product Family | UPC Number 7-84572- | Weight (lbs) | Carton Quantity | H x D x L | Number of Knockouts |
|------------------|----------------|---------------------|--------------|-----------------|-------------|---------------------|
| 4424-GSC3R-NK-NP | GS3R | 16176 | 8.5 | 4 | 4 x 4 x 24 | None |
| 4436-GSC3R | GS3R | 10648 | 12 | 4 | 4 x 4 x 36 | 5 |
| 4436-GSC3R-NK | GS3R | 10649 | 12 | 4 | 4 x 4 x 36 | None |
| 4436-GSC3R-NK-NP | GS3R | 16175 | 12 | 4 | 4 x 4 x 36 | None |
| 4448-GSC3R | GS3R | 10660 | 15.8 | 4 | 4 x 4 x 48 | 7 |
| 4448-GSC3R-NK | GS3R | 10661 | 15.8 | 4 | 4 x 4 x 48 | None |
| 4448-GSC3R-NK-NP | GS3R | 16174 | 15.8 | 4 | 4 x 4 x 48 | None |
| 4460-GSC3R | GS3R | 10666 | 19.5 | 4 | 4 x 4 x 60 | 9 |
| 4460-GSC3R-NK | GS3R | 10667 | 19.5 | 4 | 4 x 4 x 60 | None |
| 4460-GSC3R-NK-NP | GS3R | 16173 | 19.5 | 4 | 4 x 4 x 60 | None |
| 4472-GSC3R | GS3R | 10671 | 23.5 | 4 | 4 x 4 x 72 | 11 |
| 4472-GSC3R-NK | GS3R | 10672 | 23.5 | 4 | 4 x 4 x 72 | None |
| 4472-GSC3R-NK-NP | GS3R | 19304 | 23.5 | 4 | 4 x 4 x 72 | None |
| 4496-GSC3R | GS3R | 21984 | 31.1 | 2 | 4 x 4 x 96 | 15 |
| 44120-GSC3R | GS3R | 21985 | 38.7 | 2 | 4 x 4 x 120 | 19 |
| 6612-GSC3R | GS3R | 10774 | 7 | 2 | 6 x 6 x 12 | 3 |
| 6612-GSC3R-NK | GS3R | 10775 | 7 | 2 | 6 x 6 x 12 | None |
| 6612-GSC3R-NK-NP | GS3R | 17550 | 7 | 2 | 6 x 6 x 12 | None |
| 6618-GSC3R | GS3R | 10782 | 10 | 2 | 6 x 6 x 18 | 3 |
| 6618-GSC3R-NK | GS3R | 10783 | 10 | 2 | 6 x 6 x 18 | None |
| 6618-GSC3R-NK-NP | GS3R | 21096 | 10 | 2 | 6 x 6 x 18 | None |
| 6624-GSC3R | GS3R | 10788 | 12.5 | 2 | 6 x 6 x 24 | 3 |
| 6624-GSC3R-NK | GS3R | 10789 | 12.5 | 2 | 6 x 6 x 24 | None |
| 6624-GSC3R-NK-NP | GS3R | 16172 | 12.5 | 2 | 6 x 6 x 24 | None |
| 6636-GSC3R | GS3R | 10796 | 18 | 2 | 6 x 6 x 36 | 5 |
| 6636-GSC3R-NK | GS3R | 10797 | 18 | 2 | 6 x 6 x 36 | None |
| 6636-GSC3R-NK-NP | GS3R | 16171 | 18 | 2 | 6 x 6 x 36 | None |
| 6648-GSC3R | GS3R | 10815 | 24 | 2 | 6 x 6 x 48 | 7 |
| 6648-GSC3R-NK | GS3R | 10816 | 24 | 2 | 6 x 6 x 48 | None |
| 6648-GSC3R-NK-NP | GS3R | 16170 | 24 | 2 | 6 x 6 x 48 | None |
| 6660-GSC3R | GS3R | 10826 | 28.5 | 2 | 6 x 6 x 60 | 9 |
| 6660-GSC3R-NK | GS3R | 10827 | 28.5 | 2 | 6 x 6 x 60 | None |
| 6660-GSC3R-NK-NP | GS3R | 19303 | 28.5 | 2 | 6 x 6 x 60 | None |
| 6672-GSC3R | GS3R | 10830 | 34 | 2 | 6 x 6 x 72 | 11 |
| 6672-GSC3R-NK | GS3R | 10831 | 34 | 2 | 6 x 6 x 72 | None |
| 6672-GSC3R-NK-NP | GS3R | 19004 | 34 | 2 | 6 x 6 x 72 | None |
| 6696-GSC3R | GS3R | 10834 | 45 | 1 | 6 x 6 x 96 | 15 |
| 6696-GSC3R-NK | GS3R | 10835 | 45 | 1 | 6 x 6 x 96 | None |
| 6696-GSC3R-NK-NP | GS3R | 23847 | 45 | 1 | 6 x 6 x 96 | None |
| 66120-GSC3R | GS3R | 20971 | 55 | 1 | 6 x 6 x 120 | 19 |
| 66120-GSC3R-NK | GS3R | 26496 | 55 | 1 | 6 x 6 x 120 | None |
| 8812-GSC3R | GS3R | 10918 | 9 | 1 | 8 x 8 x 12 | 3 |



Please consult serving utility for their requirements prior to ordering or installing, as specifications and approvals vary by utility, and may require local electrical inspector approval. All installations must be installed by a licensed electrician and must comply with all national and local codes, laws and regulations. Milbank reserves the right to make changes in specifications and features shown without notice or obligation.

GSC3R Screw Cover Wiring Trough

Type 3R

41
TYPE 3R
SCREW COVER
WIRING TROUGH

| Catalog Number | Product Family | UPC Number 7-84572- | Weight (lbs) | Carton Quantity | H x D x L | Number of Knockouts |
|--------------------|----------------|---------------------|--------------|-----------------|--------------|---------------------|
| 8812-GSC3R-NK | GS3R | 26487 | 9 | 1 | 8 x 8 x 12 | None |
| 8812-GSC3R-NK-NP | GS3R | 16169 | 9 | 1 | 8 x 8 x 12 | None |
| 8818-GSC3R | GS3R | 10923 | 14 | 1 | 8 x 8 x 18 | 3 |
| 8818-GSC3R-NK | GS3R | 25662 | 14 | 1 | 8 x 8 x 18 | None |
| 8818-GSC3R-NK-NP | GS3R | 21097 | 14 | 1 | 8 x 8 x 18 | None |
| 8824-GSC3R | GS3R | 10927 | 17 | 1 | 8 x 8 x 24 | 3 |
| 8824-GSC3R-NK | GS3R | 10928 | 17 | 1 | 8 x 8 x 24 | None |
| 8824-GSC3R-NK-NP | GS3R | 16168 | 17 | 1 | 8 x 8 x 24 | None |
| 8836-GSC3R | GS3R | 10933 | 24 | 1 | 8 x 8 x 36 | 5 |
| 8836-GSC3R-NK | GS3R | 10934 | 24 | 1 | 8 x 8 x 36 | None |
| 8836-GSC3R-NK-NP | GS3R | 16167 | 24 | 1 | 8 x 8 x 36 | None |
| 8848-GSC3R | GS3R | 10951 | 32 | 1 | 8 x 8 x 48 | 7 |
| 8848-GSC3R-NK | GS3R | 10952 | 32 | 1 | 8 x 8 x 48 | None |
| 8848-GSC3R-NK-NP | GS3R | 16166 | 32 | 1 | 8 x 8 x 48 | None |
| 8860-GSC3R | GS3R | 10965 | 38 | 1 | 8 x 8 x 60 | 9 |
| 8860-GSC3R-NK | GS3R | 10966 | 38 | 1 | 8 x 8 x 60 | None |
| 8860-GSC3R-NK-NP | GS3R | 19302 | 38 | 1 | 8 x 8 x 60 | None |
| 8872-GSC3R | GS3R | 10969 | 45 | 1 | 8 x 8 x 72 | 11 |
| 8872-GSC3R-NK | GS3R | 10970 | 45 | 1 | 8 x 8 x 72 | None |
| 8872-GSC3R-NK-NP | GS3R | 16165 | 45 | 1 | 8 x 8 x 72 | None |
| 8896-GSC3R | GS3R | 10974 | 59 | 1 | 8 x 8 x 96 | 15 |
| 8896-GSC3R-NK | GS3R | 10975 | 59 | 1 | 8 x 8 x 96 | None |
| 8896-GSC3R-NK-NP | GS3R | 21099 | 59 | 1 | 8 x 8 x 96 | None |
| 88120-GSC3R | GS3R | 20882 | 67 | 1 | 8 x 8 x 120 | 19 |
| 88120-GSC3R-NK | GS3R | 21811 | 67 | 1 | 8 x 8 x 120 | None |
| 88120-GSC3R-NK-NP | GS3R | 26498 | 67 | 1 | 8 x 8 x 120 | None |
| 101024-GSC3R | GS3R | 21550 | 17 | 1 | 10 x 10 x 24 | 3 |
| 101024-GSC3R-NK | GS3R | 10008 | 17 | 1 | 10 x 10 x 24 | None |
| 101024-GSC3R-NK-NP | GS3R | 19301 | 17 | 1 | 10 x 10 x 24 | None |
| 101036-GSC3R | GS3R | 10011 | 30 | 1 | 10 x 10 x 36 | 5 |
| 101036-GSC3R-NK | GS3R | 10012 | 30 | 1 | 10 x 10 x 36 | None |
| 101036-GSC3R-NK-NP | GS3R | 18370 | 30 | 1 | 10 x 10 x 36 | None |
| 101048-GSC3R | GS3R | 10026 | 39 | 1 | 10 x 10 x 48 | 7 |
| 101048-GSC3R-NK | GS3R | 10027 | 39 | 1 | 10 x 10 x 48 | None |
| 101048-GSC3R-NK-NP | GS3R | 18368 | 39 | 1 | 10 x 10 x 48 | None |
| 101060-GSC3R | GS3R | 10039 | 48 | 1 | 10 x 10 x 60 | 9 |
| 101060-GSC3R-NK | GS3R | 10040 | 48 | 1 | 10 x 10 x 60 | None |
| 101060-GSC3R-NK-NP | GS3R | 19320 | 48 | 1 | 10 x 10 x 60 | None |
| 101072-GSC3R | GS3R | 10043 | 55 | 1 | 10 x 10 x 72 | 11 |
| 101072-GSC3R-NK | GS3R | 10044 | 55 | 1 | 10 x 10 x 72 | None |
| 101072-GSC3R-NK-NP | GS3R | 17816 | 55 | 1 | 10 x 10 x 72 | None |
| 101096-GSC3R | GS3R | 20455 | 78 | 1 | 10 x 10 x 96 | 15 |

Please consult serving utility for their requirements prior to ordering or installing, as specifications and approvals vary by utility, and may require local electrical inspector approval. All installations must be installed by a licensed electrician and must comply with all national and local codes, laws and regulations. Milbank reserves the right to make changes in specifications and features shown without notice or obligation.



| Catalog Number | Product Family | UPC Number 7-84572- | Weight (lbs) | Carton Quantity | H x D x L | Number of Knockouts |
|---------------------|----------------|------------------------|-----------------|--------------------|---------------|------------------------|
| 101096-GSC3R-NK | GS3R | 19985 | 78 | 1 | 10 x 10 x 96 | None |
| 101096-GSC3R-NK-NP | GS3R | 24662 | 78 | 1 | 10 x 10 x 96 | None |
| 1010120-GSC3R | GS3R | 21986 | 97 | 1 | 10 x 10 x 120 | 19 |
| 1010120-GSC3R-NK | GS3R | 22991 | 97 | 1 | 10 x 10 x 120 | None |
| 1010120-GSC3R-NK-NP | GS3R | 26499 | 97 | 1 | 10 x 10 x 120 | None |
| 1010120-GSC3R-NK-NP | GS3R | 26499 | 97 | 1 | 10 x 10 x 120 | None |
| 121224-GSC3R | GS3R | 10104 | 26 | 1 | 12 x 12 x 24 | 3 |
| 121224-GSC3R-NK | GS3R | 10105 | 26 | 1 | 12 x 12 x 24 | None |
| 121224-GSC3R-NK-NP | GS3R | 19430 | 26 | 1 | 12 x 12 x 24 | None |
| 121236-GSC3R | GS3R | 10108 | 43 | 1 | 12 x 12 x 36 | 5 |
| 121236-GSC3R-NK | GS3R | 10109 | 43 | 1 | 12 x 12 x 36 | None |
| 121236-GSC3R-NK-NP | GS3R | 17773 | 43 | 1 | 12 x 12 x 36 | None |
| 121248-GSC3R | GS3R | 10127 | 47 | 1 | 12 x 12 x 48 | 7 |
| 121248-GSC3R-NK | GS3R | 10128 | 47 | 1 | 12 x 12 x 48 | None |
| 121248-GSC3R-NK-NP | GS3R | 19431 | 47 | 1 | 12 x 12 x 48 | None |
| 121260-GSC3R | GS3R | 10147 | 57 | 1 | 12 x 12 x 60 | 9 |
| 121260-GSC3R-NK | GS3R | 10148 | 57 | 1 | 12 x 12 x 60 | None |
| 121260-GSC3R-NK-NP | GS3R | 18369 | 57 | 1 | 12 x 12 x 60 | None |
| 121272-GSC3R | GS3R | 10151 | 67 | 1 | 12 x 12 x 72 | 11 |
| 121272-GSC3R-NK | GS3R | 10152 | 67 | 1 | 12 x 12 x 72 | None |
| 121272-GSC3R-NK-NP | GS3R | 19432 | 67 | 1 | 12 x 12 x 72 | None |
| 121296-GSC3R | GS3R | 16420 | 88 | 1 | 12 x 12 x 96 | 15 |
| 121296-GSC3R-NK | GS3R | 16123 | 88 | 1 | 12 x 12 x 96 | None |
| 121296-GSC3R-NK-NP | GS3R | 24018 | 88 | 1 | 12 x 12 x 96 | None |
| 1212120-GSC3R | GS3R | 19101 | 125 | 1 | 12 x 12 x 120 | 19 |
| 1212120-GSC3R-NK | GS3R | 16122 | 125 | 1 | 12 x 12 x 120 | None |
| 1212120-GSC3R-NK-NP | GS3R | 26400 | 125 | 1 | 12 x 12 x 120 | None |
| 1212144-GSC3R | GS3R | 27168 | 164 | 1 | 12 x 12 x 144 | None |
| 1212144-GSC3R-NK | GS3R | 32357 | 164 | 1 | 12 x 12 x 144 | None |
| 1212144-GSC3R-NK-NP | GS3R | 31063 | 164 | 1 | 12 x 12 x 144 | None |



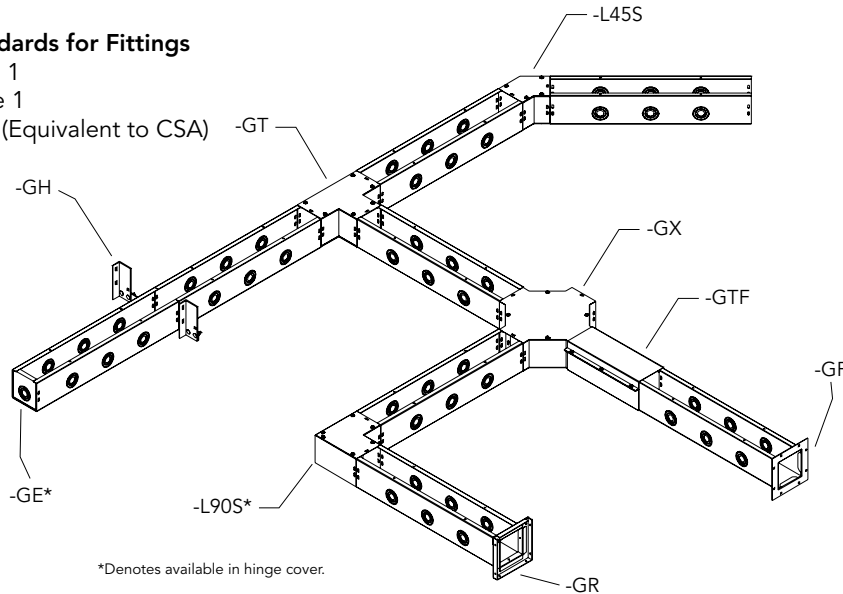
Please consult serving utility for their requirements prior to ordering or installing, as specifications and approvals vary by utility, and may require local electrical inspector approval. All installations must be installed by a licensed electrician and must comply with all national and local codes, laws and regulations. Milbank reserves the right to make changes in specifications and features shown without notice or obligation.

Wireway Fittings

For use with GSC1 and GHC1 wireway

Industry Standards for Fittings

- NEMA Type 1
- UL 870 Type 1
- CUL Type 1 (Equivalent to CSA)



*Denotes available in hinge cover.

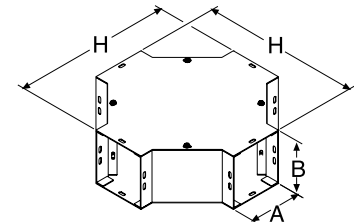
Dimensions for product drawings on pages 43-48

| A x B Inches (mm) | E | F | G | H | J | K | N | P | V | U |
|------------------------------|----------------|----------------|----------------|----------------|---------------|---------------|----------------|----------------|----------------|----------------|
| 3.00 x 3.00 (76 x 76) | 5.06 (129) | 5.06 (129) | 6.06 (154) | 11.25 (286) | 2.58 (66) | 3.20 (81) | 11.00 (279) | 4.63 (118) | 9.00 (229) | 4.62 (117) |
| 4.00 x 4.00 (102 x 102) | 6.06 (154) | 6.06 (154) | 7.06 (179) | 12.25 (311) | 2.80 (71) | 3.63 (92) | 13.25 (337) | 13.25 (337) | 10.00 (254) | 5.13 (130) |
| 4.00 x 6.00 (102 x 152) | 6.06 (154) | 8.06 (205) | 8.00 (203) | — | — | — | — | — | 12.00 (305) | 5.06 (129) |
| 6.00 x 6.00 (152 x 152) | 8.06 (205) | 8.06 (205) | 10.00 (254) | 14.25 (362) | 3.21 (82) | 4.45 (113) | 17.75 (451) | 7.63 (194) | 14.00 (356) | 7.06 (179) |
| 8.00 x 8.00 (203 x 203) | 10.06 (306) | 10.06 (306) | 12.00 (305) | 16.25 (413) | 3.62 (92) | 5.28 (134) | 22.25 (565) | 9.63 (245) | 16.00 (406) | 8.06 (205) |
| 10.00 x 10.00 (254 x 254) | 12.06 (306) | 12.06 (306) | 14.00 (356) | 18.25 (464) | 4.04 (103) | 6.11 (155) | 25.63 (651) | 11.63 (295) | 18.00 (457) | 9.06 (230) |
| 12.00 x 12.00 (305 x 305) | 14.06 (357) | 14.06 (357) | 16.00 (406) | 20.25 (514) | 4.42 (112) | 6.91 (176) | 30.13 (765) | 13.63 (346) | 20.00 (508) | 10.06 (256) |

GX | Crosses*

The cross fitting is for connecting 4 merging wireway runs from 2 different directions.

| Catalog Number | Product Family | UPC # (7-84572) | Weight (lbs) | Std. Pkg. | Size |
|----------------|----------------|-----------------|--------------|-----------|-----------|
| 22GX | GFIT | 26469 | 4.3 | 1 | 2.5 x 2.5 |
| 22GX-NP | GFIT | 26470 | 4.3 | 1 | 2.5 x 2.5 |
| 44GX | GFIT | 10688 | 6.3 | 1 | 4 x 4 |
| 66GX | GFIT | 10851 | 8.3 | 1 | 6 x 6 |
| 88GX | GFIT | 10990 | 13.3 | 1 | 8 x 8 |
| 1010GX | GFIT | 17214 | 14 | 1 | 10 x 10 |
| 1212GX | GFIT | 17128 | 15 | 1 | 12 x 12 |

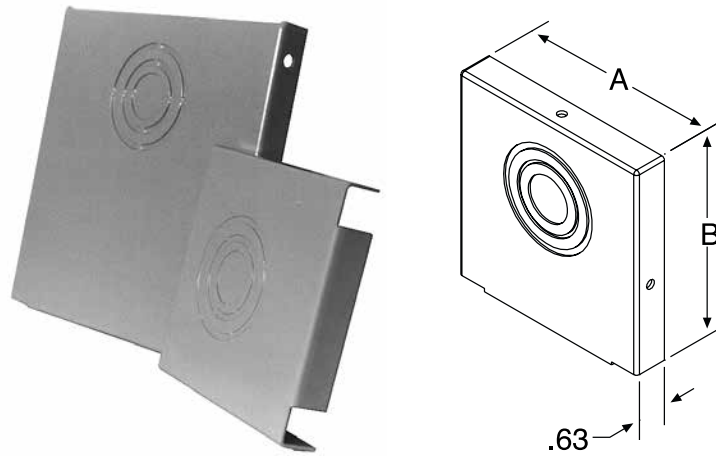


Please consult serving utility for their requirements prior to ordering or installing, as specifications and approvals vary by utility, and may require local electrical inspector approval. All installations must be installed by a licensed electrician and must comply with all national and local codes, laws and regulations. Milbank reserves the right to make changes in specifications and features shown without notice or obligation.



Wireway Fittings

For use with GSC1 and GHC1 wireway



GE | Ends*

Closes the end of a wireway section or run. All knockouts are concentric ½", ¾", 1", 1¼", 1½".

| Catalog Number | Product Family | UPC # (7-84572) | Weight (lbs) | Std. Pkg. | Size |
|----------------|----------------|-----------------|--------------|-----------|-----------|
| 22GE | GFIT | 26413 | 0.3 | 20 | 2.5 x 2.5 |
| 22GE-NK | GFIT | 26414 | 0.3 | 20 | 2.5 x 2.5 |
| 22GE-NK-NP | GFIT | 26415 | 0.3 | 20 | 2.5 x 2.5 |
| 22GE-NP | GFIT | 26416 | 0.3 | 20 | 2.5 x 2.5 |
| 22GEU | GFIT | 26426 | 0.3 | 20 | 2.5 x 2.5 |
| 22GFE | GFIT | 26429 | 0.3 | 10 | 2.5 x 2.5 |
| 22GFE-NK | GFIT | 26430 | 0.3 | 10 | 2.5 x 2.5 |
| 44GE | GFIT | 10676 | 0.4 | 20 | 4 x 4 |
| 44GE-NK | GFIT | 10677 | 0.4 | 20 | 4 x 4 |
| 44GE-NK-NP | GFIT | 15538 | 0.4 | 20 | 4 x 4 |
| 44GE-NP | GFIT | 20889 | 0.4 | 20 | 4 x 4 |
| 44GEU | GFIT | 10678 | 0.4 | 20 | 4 x 4 |
| 44GEU-NK-NP | GFIT | 21085 | 0.4 | 20 | 4 x 4 |
| 44GFE | GFIT | 10680 | 0.4 | 10 | 4 x 4 |
| 44GFE-NK | GFIT | 18771 | 0.4 | 10 | 4 x 4 |
| 66GE | GFIT | 10839 | 0.8 | 20 | 6 x 6 |
| 66GE-NK | GFIT | 10840 | 0.8 | 20 | 6 x 6 |
| 66GE-NK-NP | GFIT | 15537 | 0.8 | 20 | 6 x 6 |
| 66GE-NP | GFIT | 17355 | 0.8 | 20 | 6 x 6 |
| 66GEU | GFIT | 10841 | 0.8 | 20 | 6 x 6 |
| 66GEU-NK | GFIT | 24628 | 0.8 | 20 | 6 x 6 |
| 66GEU-NK-NP | GFIT | 21084 | 0.8 | 20 | 6 x 6 |

| Catalog Number | Product Family | UPC # (7-84572) | Weight (lbs) | Std. Pkg. | Size |
|----------------|----------------|-----------------|--------------|-----------|---------|
| 66GFE | GFIT | 10843 | 0.8 | 10 | 6 x 6 |
| 88GE | GFIT | 10978 | 1.4 | 20 | 8 x 8 |
| 88GE-NK | GFIT | 10979 | 1.4 | 20 | 8 x 8 |
| 88GE-NK-NP | GFIT | 15535 | 1.4 | 20 | 8 x 8 |
| 88GE-NP | GFIT | 20890 | 1.4 | 20 | 8 x 8 |
| 88GEU | GFIT | 10980 | 1.4 | 20 | 8 x 8 |
| 88GEU-NK-NP | GFIT | 21086 | 1.4 | 20 | 8 x 8 |
| 88GFE | GFIT | 10982 | 2 | 10 | 8 x 8 |
| 88GFE-NK | GFIT | 17686 | 2 | 10 | 8 x 8 |
| 1010GE | GFIT | 10048 | 2.6 | 20 | 10 x 10 |
| 1010GE-NK | GFIT | 10049 | 2.6 | 20 | 10 x 10 |
| 1010GE-NK-NP | GFIT | 15536 | 2.6 | 20 | 10 x 10 |
| 1010GEU | GFIT | 10050 | 2.6 | 20 | 10 x 10 |
| 1010GEU-NK | GFIT | 31179 | 2.6 | 20 | 10 x 10 |
| 1010GEU-NK-NP | GFIT | 21087 | 2.6 | 20 | 10 x 10 |
| 1212GE | GFIT | 10161 | 2.8 | 20 | 12 x 12 |
| 1212GE-NK | GFIT | 10162 | 2.8 | 20 | 12 x 12 |
| 1212GE-NK-NP | GFIT | 15534 | 2.8 | 20 | 12 x 12 |
| 1212GE-NP | GFIT | 20891 | 2.8 | 20 | 12 x 12 |
| 1212GEU | GFIT | 10163 | 2.8 | 20 | 12 x 12 |
| 1212GEU-NK | GFIT | 32358 | 2.8 | 20 | 12 x 12 |
| 1212GEU-NK-NP | GFIT | 21088 | 2.8 | 20 | 12 x 12 |

NOTE

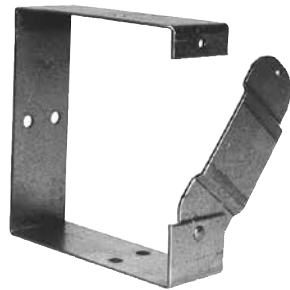
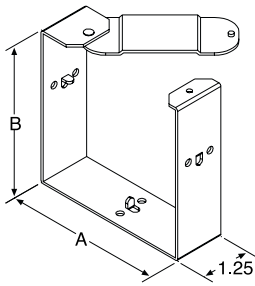
GFE is for GHC1 wireway (hinge cover)
GE is for GSC1 wireway (screw cover)



Please consult serving utility for their requirements prior to ordering or installing, as specifications and approvals vary by utility, and may require local electrical inspector approval. All installations must be installed by a licensed electrician and must comply with all national and local codes, laws and regulations. Milbank reserves the right to make changes in specifications and features shown without notice or obligation.

Wireway Fittings

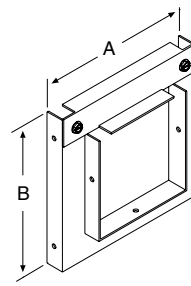
For use with GSC1 and GHC1 wireway



GC | Connectors*

A connector is required at each wireway joint (except at telescopic fittings, ends or reducers). The swing portion allows for easy lay-in wiring.

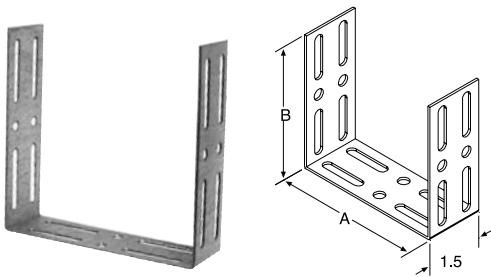
| Catalog Number | Product Family | UPC # (7-84572) | Weight (lbs) | Std. Pkg. | Size |
|----------------|----------------|-----------------|--------------|-----------|-----------|
| 22GC | GFIT | 26412 | 0.3 | 12 | 2.5 x 2.5 |
| 44GC | GFIT | 10674 | 0.5 | 12 | 4 x 4 |
| 66GC | GFIT | 10837 | 0.6 | 12 | 6 x 6 |
| 88GC | GFIT | 10977 | 0.8 | 12 | 8 x 8 |
| 1010GC | GFIT | 10047 | 1 | 12 | 10 x 10 |
| 1212GC | GFIT | 10160 | 1.44 | 12 | 12 x 12 |



GR | Reducers*

Reduces one size wireway to a smaller size wireway. The inner opening is centered to keep the two wireway sizes relative to each other.

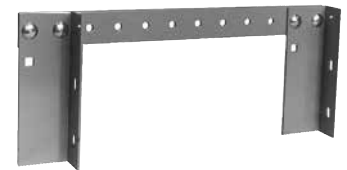
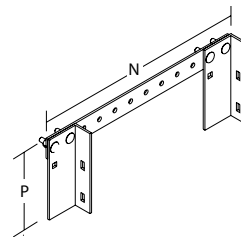
| Catalog Number | Product Family | UPC # (7-84572) | Weight (lbs) | Std. Pkg. | Size |
|----------------|----------------|-----------------|--------------|-----------|-----------------|
| 2244GR | GFIT | 26410 | 3 | 4 | 2.5 x 2.5-4 x 4 |
| 4466GR | GFIT | 10668 | 4 | 4 | 4 x 4-6 x 6 |
| 6688GR | GFIT | 10833 | 6 | 4 | 6 x 6-8 x 8 |
| 881010GR | GFIT | 15669 | 10 | 4 | 8 x 8-10 x 10 |
| 881212GR | GFIT | 32359 | 11 | 4 | 8 x 8-12 x 12 |
| 10101212GR | GFIT | 15648 | 12 | 4 | 10 x 10-12 x 12 |



GCU | Universal Connectors*

Universal Connectors can be used to connect a Milbank wireway to another brand of wireway.

| Catalog Number | Product Family | UPC # (7-84572) | Weight (lbs) | Std. Pkg. | Size |
|----------------|----------------|-----------------|--------------|-----------|-----------|
| 22GCU | GFIT | 26425 | 0.3 | 12 | 2.5 x 2.5 |
| 44GCU | GFIT | 10675 | 0.5 | 12 | 4 x 4 |
| 66GCU | GFIT | 10838 | 0.6 | 12 | 6 x 6 |
| 88GCU | GFIT | 16255 | 0.8 | 12 | 8 x 8 |
| 1010GCU | GFIT | 18917 | 1.2 | 12 | 10 x 10 |
| 1212GCU | GFIT | 18996 | 1.7 | 12 | 12 x 12 |



GH | Hangers*

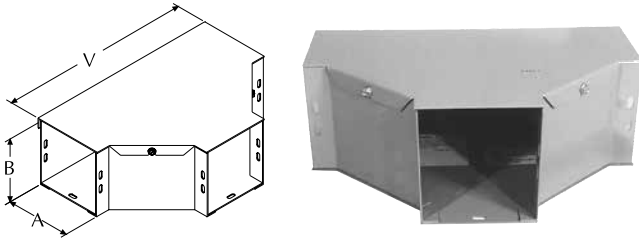
This adjustable hanger is used to support a wireway run and is placed at 5 foot intervals.

| Catalog Number | Product Family | UPC # (7-84572) | Weight (lbs) | Std. Pkg. | Size |
|----------------|----------------|-----------------|--------------|-----------|-----------|
| 22GH | GFIT | 26936 | 1 | 6 | 2.5 x 2.5 |
| 44GH | GFIT | 10685 | 1.5 | 6 | 4 x 4 |
| 44GH-NP | GFIT | 21072 | 1.5 | 6 | 4 x 4 |
| 66GH | GFIT | 10848 | 2 | 6 | 6 x 6 |
| 66GH-NP | GFIT | 21073 | 2 | 6 | 6 x 6 |
| 88GH | GFIT | 10987 | 3 | 6 | 8 x 8 |
| 1010GH | GFIT | 10052 | 7 | 6 | 10 x 10 |
| 1212GH | GFIT | 10165 | 7 | 6 | 12 x 12 |

Please consult serving utility for their requirements prior to ordering or installing, as specifications and approvals vary by utility, and may require local electrical inspector approval. All installations must be installed by a licensed electrician and must comply with all national and local codes, laws and regulations. Milbank reserves the right to make changes in specifications and features shown without notice or obligation.



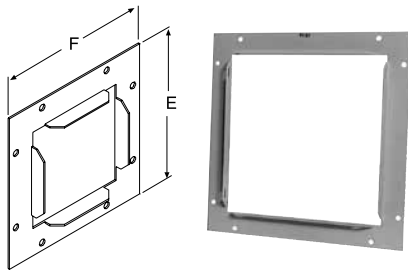
For use with GSC1 wireway



GFT | Tees (for Hinge Covers)*

The GFT for hinged covers is used when all three branches of the wireway run are open along the same side.

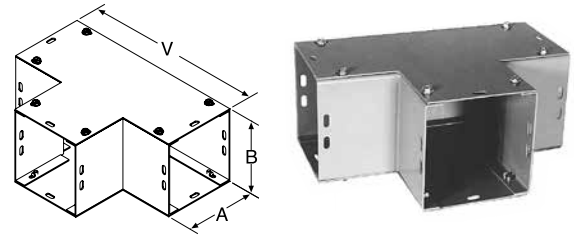
| Catalog Number | Product Family | UPC # (7-84572) | Weight (lbs) | Std. Pkg. | Size |
|----------------|----------------|-----------------|--------------|-----------|-----------|
| 22GFT | GFIT | 26463 | 2.5 | 1 | 2.5 x 2.5 |
| 22GFT-NP | GFIT | 26464 | 2.5 | 10 | 2.5 x 2.5 |
| 44GFT | GFIT | 10684 | 3 | 1 | 4 x 4 |
| 66GFT | GFIT | 10847 | 7.3 | 1 | 6 x 6 |
| 66GFT-NP | GFIT | 21079 | 7.3 | 10 | 6 x 6 |
| 88GFT | GFIT | 10986 | 13 | 1 | 8 x 8 |
| 1212GFT | GFIT | 15879 | 29 | 1 | 12 x 12 |



GF | End Flanges*

When access from a junction enclosure to a wireway is required, this piece mounts onto the opening of the enclosure and then secures to the wireway.

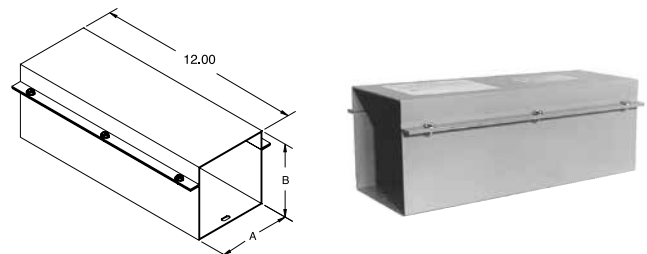
| Catalog Number | Product Family | UPC # (7-84572) | Weight (lbs) | Std. Pkg. | Size |
|----------------|----------------|-----------------|--------------|-----------|-----------|
| 22GF | GFIT | 26428 | 0.4 | 10 | 2.5 x 2.5 |
| 44GF | GFIT | 10679 | 0.6 | 10 | 4 x 4 |
| 44GF-NP | GFIT | 15520 | 0.6 | 10 | 4 x 4 |
| 66GF | GFIT | 10842 | 0.8 | 10 | 6 x 6 |
| 66GF-NP | GFIT | 15523 | 0.8 | 10 | 6 x 6 |
| 88GF | GFIT | 10981 | 1 | 10 | 8 x 8 |
| 88GF-NP | GFIT | 15526 | 1 | 10 | 8 x 8 |
| 1010GF | GFIT | 10051 | 1.3 | 10 | 10 x 10 |
| 1010GF-NP | GFIT | 15514 | 1.3 | 10 | 10 x 10 |
| 1212GF | GFIT | 10164 | 1.5 | 10 | 12 x 12 |
| 1212GF-NP | GFIT | 15517 | 1.5 | 10 | 12 x 12 |



GT | Tees*

This fitting can be used to branch from a GSC1 wireway (screw cover) run to a perpendicular run.

| Catalog Number | Product Family | UPC # (7-84572) | Weight (lbs) | Std. Pkg. | Size |
|----------------|----------------|-----------------|--------------|-----------|-----------|
| 22GT | GFIT | 26417 | 2.5 | 1 | 2.5 x 2.5 |
| 22GT-NP | GFIT | 26418 | 2.5 | 1 | 2.5 x 2.5 |
| 44GT | GFIT | 10686 | 3.5 | 1 | 4 x 4 |
| 44GT-NP | GFIT | 19315 | 3.5 | 1 | 4 x 4 |
| 66GT | GFIT | 10849 | 7.3 | 1 | 6 x 6 |
| 66GT-NP | GFIT | 16422 | 7.3 | 1 | 6 x 6 |
| 88GT | GFIT | 10988 | 13 | 1 | 8 x 8 |
| 88GT-NP | GFIT | 19314 | 13 | 1 | 8 x 8 |
| 1010GT | GFIT | 10053 | 17 | 1 | 10 x 10 |
| 1010GT-NP | GFIT | 19313 | 17 | 1 | 10 x 10 |
| 1212GT | GFIT | 10166 | 23 | 1 | 12 x 12 |
| 1212GT-NP | GFIT | 19312 | 23 | 1 | 12 x 12 |



GTF | Telescopic Fittings*

This fitting will accommodate a wireway run where the remaining section is not a standard length. Attach fitting to the end of the short piece to fill in the required distance.

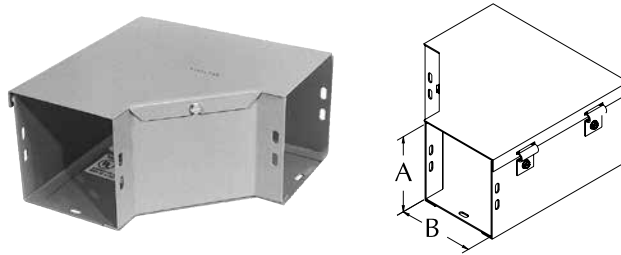
| Catalog Number | Product Family | UPC # (7-84572) | Weight (lbs) | Std. Pkg. | Size |
|----------------|----------------|-----------------|--------------|-----------|-----------|
| 22GTF | GFIT | 26431 | 2.5 | 1 | 2.5 x 2.5 |
| 44GTF | GFIT | 10687 | 3.5 | 1 | 4 x 4 |
| 66GTF | GFIT | 10850 | 7.2 | 1 | 6 x 6 |
| 88GTF | GFIT | 10989 | 13 | 1 | 8 x 8 |
| 1010GTF | GFIT | 18918 | 20.3 | 1 | 10 x 10 |
| 1212GTF | GFIT | 18995 | 29.2 | 1 | 12 x 12 |



Please consult serving utility for their requirements prior to ordering or installing, as specifications and approvals vary by utility, and may require local electrical inspector approval. All installations must be installed by a licensed electrician and must comply with all national and local codes, laws and regulations. Milbank reserves the right to make changes in specifications and features shown without notice or obligation.

Wireway Fittings

For use with *GHC1* wireway (hinge cover)

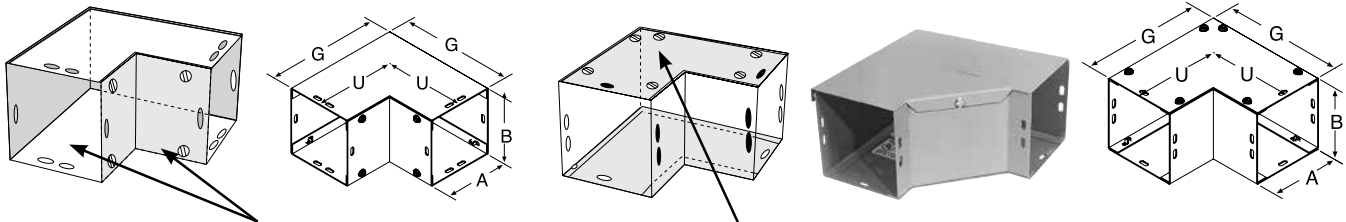


GFL | 90° Elbows (for Hinge Covers)*

These elbows are designed to turn a 90° corner in a wireway run.

| Catalog Number | Product Family | UPC # (7-84572) | Weight (lbs) | Std. Pkg. | Size | Catalog Number | Product Family | UPC # (7-84572) | Weight (lbs) | Std. Pkg. | Size |
|----------------|----------------|-----------------|--------------|-----------|-----------|----------------|----------------|-----------------|--------------|-----------|---------|
| 22GFL90IS | GFIT | 26472 | 1.2 | 10 | 2.5 x 2.5 | 66GFL90S | GFIT | 10846 | 5 | 10 | 6 x 6 |
| 22GFL90OS | GFIT | 26938 | 1.2 | 10 | 2.5 x 2.5 | 88GFL90IS | GFIT | 10983 | 11.5 | 10 | 8 x 8 |
| 22GFL90OS-NP | GFIT | 26939 | 1.2 | 10 | 2.5 x 2.5 | 88GFL90OS | GFIT | 10984 | 11.5 | 10 | 8 x 8 |
| 22GFL90S | GFIT | 26471 | 1.2 | 10 | 2.5 x 2.5 | 88GFL90S | GFIT | 10985 | 11.5 | 10 | 8 x 8 |
| 44GFL90IS | GFIT | 10681 | 3 | 10 | 4 x 4 | 88GFL90S-NP | GFIT | 32369 | 11.5 | 10 | 8 x 8 |
| 44GFL90OS | GFIT | 10682 | 3 | 10 | 4 x 4 | 1010GFL90IS | GFIT | 28354 | 18.2 | 10 | 10 x 10 |
| 44GFL90S | GFIT | 10683 | 3 | 10 | 4 x 4 | 1010GFL90OS | GFIT | 28353 | 18.2 | 10 | 10 x 10 |
| 66GFL90IS | GFIT | 10844 | 5 | 10 | 6 x 6 | 1010GFL90S | GFIT | 17626 | 18.2 | 10 | 10 x 10 |
| 66GFL90OS | GFIT | 10845 | 5 | 10 | 6 x 6 | 1212GFL90IS | GFIT | 25494 | 19 | 10 | 12 x 12 |
| 66GFL90OS-NP | GFIT | 32360 | 5 | 10 | 6 x 6 | 1212GFL90S | GFIT | 32362 | 19 | 10 | 12 x 12 |

Suffix Designations

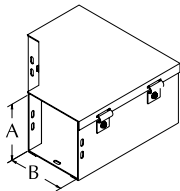


C | Corner

C Configuration on 90° screw cover elbow
Both inside and outside corners are removable for lay-in wiring.

S | Side

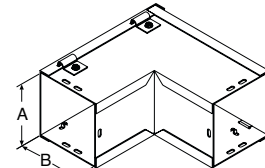
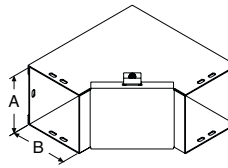
S Configuration on 90° screw cover elbow
Top and bottom are removable for lay-in wiring.



Side Opening | S Configuration
on Hinge Cover Elbow



Inside Opening | IS Configuration
on Hinge Cover Elbow



Outside Opening | OS Configuration
on Hinge Cover Elbow

Interchangeable Fittings

The following fittings are interchangeable between the screw cover and hinge cover wireways:
Connectors, Hangers, End Flanges, 45° Elbows, Crosses, Reducers, Telescopic Fittings.

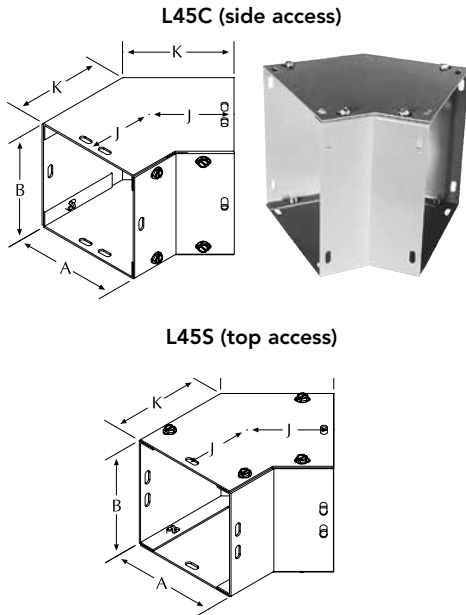
Please consult serving utility for their requirements prior to ordering or installing, as specifications and approvals vary by utility, and may require local electrical inspector approval. All installations must be installed by a licensed electrician and must comply with all national and local codes, laws and regulations. Milbank reserves the right to make changes in specifications and features shown without notice or obligation.



For use with GSC1 wireway (screw cover)

L45C & L45S | 45° Elbows (screw covers)

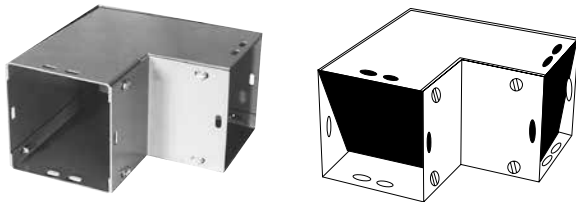
Similar to the 90° elbow in design and function, only used in 45° angle applications.



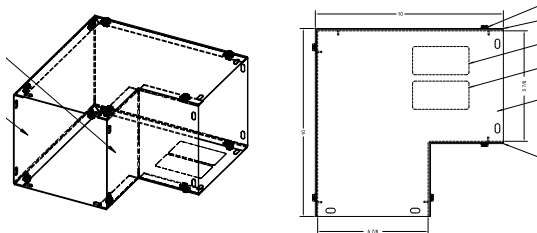
90° Elbows

These elbows are designed to turn a 90° corner in a wireway run.

90° Elbows (for Screw Covers)* (C - Side Access)



90° Elbows (for Screw Covers)* (S - Top Access)



***NOTE**

Screws not included with fittings. Fitting attachment screws are included with straight sections of wireway.

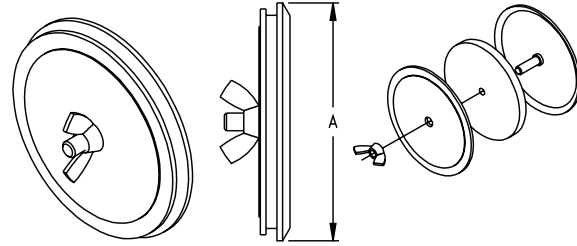
| Catalog Number | Product Family | UPC # (7-84572) | Weight (lbs) | Std. Pkg. | Size |
|-------------------|----------------|-----------------|--------------|-----------|-----------|
| 45° Elbows | | | | | |
| 22L45C | GFIT | 26419 | 3.6 | 2 | 2.5 x 2.5 |
| 22L45C-NP | GFIT | 26420 | 3.6 | 2 | 2.5 x 2.5 |
| 22L45S | GFIT | 26432 | 3.6 | 2 | 2.5 x 2.5 |
| 22L45S-NP | GFIT | 26433 | 3.6 | 2 | 2.5 x 2.5 |
| 44L45C | GFIT | 10689 | 7.1 | 2 | 4 x 4 |
| 44L45S | GFIT | 10690 | 7.1 | 2 | 4 x 4 |
| 66L45C | GFIT | 10852 | 10.8 | 2 | 6 x 6 |
| 66L45C-NP | GFIT | 15499 | 10.8 | 2 | 6 x 6 |
| 66L45S | GFIT | 10853 | 10.8 | 2 | 6 x 6 |
| 66L45S-NP | GFIT | 15500 | 10.8 | 2 | 6 x 6 |
| 88L45C | GFIT | 10991 | 14.4 | 2 | 8 x 8 |
| 88L45C-NP | GFIT | 15510 | 14.4 | 2 | 8 x 8 |
| 88L45S | GFIT | 10992 | 14.4 | 2 | 8 x 8 |
| 1010L45C | GFIT | 10054 | 16 | 2 | 10 x 10 |
| 1010L45C-NP | GFIT | 15460 | 16 | 2 | 10 x 10 |
| 1010L45S | GFIT | 10055 | 16 | 2 | 10 x 10 |
| 1010L45S-NP | GFIT | 15461 | 16 | 2 | 10 x 10 |
| 1212L45C | GFIT | 10167 | 23 | 2 | 12 x 12 |
| 1212L45C-NP | GFIT | 15470 | 23 | 2 | 12 x 12 |
| 1212L45S | GFIT | 10168 | 23 | 2 | 12 x 12 |
| 1212L45S-NP | GFIT | 15471 | 23 | 2 | 12 x 12 |
| 90° Elbows | | | | | |
| 22L90C | GFIT | 26465 | 3.6 | 2 | 2.5 x 2.5 |
| 22L90C-NP | GFIT | 26466 | 3.6 | 2 | 2.5 x 2.5 |
| 22L90S | GFIT | 26467 | 3.6 | 2 | 2.5 x 2.5 |
| 22L90S-NP | GFIT | 26468 | 3.6 | 2 | 2.5 x 2.5 |
| 44L90C | GFIT | 10691 | 7 | 2 | 4 x 4 |
| 44L90C-NP | GFIT | 15521 | 7 | 2 | 4 x 4 |
| 44L90S | GFIT | 10692 | 7 | 2 | 4 x 4 |
| 44L90S-NP | GFIT | 15522 | 7 | 2 | 4 x 4 |
| 66L90C | GFIT | 10854 | 9 | 2 | 6 x 6 |
| 66L90C-NP | GFIT | 15524 | 9 | 2 | 6 x 6 |
| 66L90S | GFIT | 10855 | 9 | 2 | 6 x 6 |
| 66L90S-NP | GFIT | 15525 | 9 | 2 | 6 x 6 |
| 88L90C | GFIT | 10993 | 13 | 2 | 8 x 8 |
| 88L90C-NP | GFIT | 15527 | 13 | 2 | 8 x 8 |
| 88L90S | GFIT | 10994 | 13 | 2 | 8 x 8 |
| 88L90S-NP | GFIT | 15528 | 13 | 2 | 8 x 8 |
| 1010L90C | GFIT | 10056 | 15 | 2 | 10 x 10 |
| 1010L90C-NP | GFIT | 15515 | 15 | 2 | 10 x 10 |
| 1010L90S | GFIT | 10057 | 15 | 2 | 10 x 10 |
| 1010L90S-NP | GFIT | 15516 | 15 | 2 | 10 x 10 |
| 1212L90C | GFIT | 10169 | 22 | 2 | 12 x 12 |
| 1212L90C-NP | GFIT | 15518 | 22 | 2 | 12 x 12 |
| 1212L90S | GFIT | 10170 | 22 | 2 | 12 x 12 |
| 1212L90S-NP | GFIT | 15519 | 22 | 2 | 12 x 12 |



Please consult serving utility for their requirements prior to ordering or installing, as specifications and approvals vary by utility, and may require local electrical inspector approval. All installations must be installed by a licensed electrician and must comply with all national and local codes, laws and regulations. Milbank reserves the right to make changes in specifications and features shown without notice or obligation.

Hole Seals

Steel and Stainless Steel options



Application

- Designed to seal extra push-button holes, knockout openings and conduit openings from dust, dirt, water and oil.
- A hole seal has a cover with a stud welded in the center and a gasket placed over the stud.

Construction

- **Steel:** Cover is painted ANSI 61 gray. Oil-resistant gasket. Back plate is unpainted galvanized steel.
- **Stainless Steel (-XS):** Cover is stainless steel with a #3 finish. Oil-resistant gasket. Back plate is stainless steel.

Installation

- The cover and gasket are typically placed on the outside of the enclosure, with the backplate and wing nut fastened to the seal from the inside of the enclosure.
- As the wing nut is tight-ened, the cover compresses the gasket and seals the hole. Can be used on holes ranging in size from .19 through 4.00 with a wall thickness of up to .31.

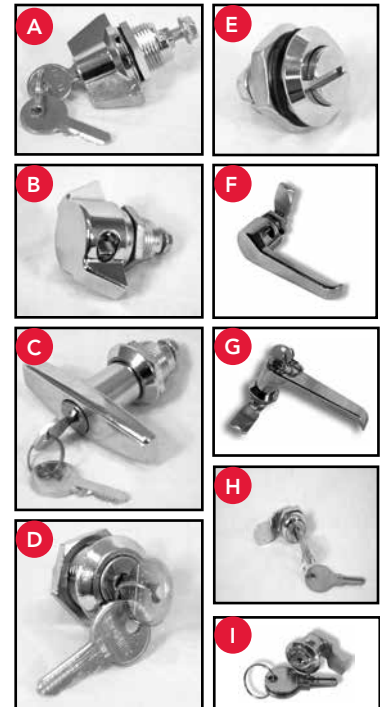
| Catalog Number | Product Family | UPC # (7-84572) | Weight (lbs) | Max Hole Dia. | Seal Dia. |
|----------------|----------------|-----------------|--------------|---------------|-----------|
| A-HSPBM | IIAC | 18781 | 0.1 | 0.88 | 1.22 |
| A-HSPBMXS | IIAC | 20435 | 0.1 | 0.88 | 1.22 |
| A-HSPB | IIAC | 18782 | 0.1 | 1.25 | 1.75 |
| A-HSPBXS | IIAC | 20436 | 0.1 | 1.25 | 1.75 |
| A-HS050 | IIAC | 18783 | 0.1 | 0.88 | 1.38 |
| A-HS050XS | IIAC | 20439 | 0.1 | 0.88 | 1.38 |
| A-HS075 | IIAC | 18784 | 0.1 | 1.06 | 1.56 |
| A-HS075XS | IIAC | 20438 | 0.1 | 1.06 | 1.56 |
| A-HS100 | IIAC | 18785 | 0.1 | 1.38 | 1.88 |
| A-HS100XS | IIAC | 19738 | 0.1 | 1.38 | 1.88 |

| Catalog Number | Product Family | UPC # (7-84572) | Weight (lbs) | Max Hole Dia. | Seal Dia. |
|----------------|----------------|-----------------|--------------|---------------|-----------|
| A-HS125 | IIAC | 19858 | 0.1 | 1.69 | 2.19 |
| A-HS125XS | IIAC | 20437 | 0.1 | 1.69 | 2.19 |
| A-HS150 | IIAC | 18786 | 0.2 | 2 | 2.5 |
| A-HS150XS | IIAC | 19737 | 0.2 | 2 | 2.5 |
| A-HS200 | IIAC | 18787 | 0.2 | 2.5 | 3 |
| A-HS200XS | IIAC | 19736 | 0.2 | 2.5 | 3 |
| A-HS250 | IIAC | 21753 | 0.3 | 3 | 3.5 |
| A-HS300 | IIAC | 21387 | 0.6 | 3.62 | 4.12 |
| A-HS350 | IIAC | 21754 | 0.7 | 4.12 | 4.62 |
| A-HS400 | IIAC | 21755 | 0.9 | 4.62 | 5.12 |

Please consult serving utility for their requirements prior to ordering or installing, as specifications and approvals vary by utility, and may require local electrical inspector approval. All installations must be installed by a licensed electrician and must comply with all national and local codes, laws and regulations. Milbank reserves the right to make changes in specifications and features shown without notice or obligation.



| Catalog Number | Description | Product Family | UPC # (7-84572) |
|---|--|----------------|-----------------|
| A. Wing Handle Key Locking | | | |
| A-LKWHK3R1 | For TC3R enclosures 30x30 & under | IIAC | 27210 |
| A-LKWHK3R2 | For TC3R enclosures 30x30 & over | IIAC | 27211 |
| B. Wing Handle Pad Locking | | | |
| A-LKWHP3R1 | For TC3R enclosures 30x30 & under | IIAC | 27214 |
| A-LKWHP3R2 | For TC3R enclosures 30x30 & over | IIAC | 27215 |
| C. T-Handle Lock | | | |
| A-LKT3R1 | For TC3R enclosures 30x30 & under | IIAC | 27218 |
| A-LKT3R2 | For TC3R enclosures 30x30 & over | IIAC | 27219 |
| A-LKT3R1-K | Keys only for T-handle lock | IIAC | 28209 |
| D. Flush Mount Quarter Turn Key Locking | | | |
| A-LKFMKEY3R1 | For TC3R enclosures 30x30 & under | IIAC | 27222 |
| A-LKFMKEY3R2 | For TC3R enclosures 30x30 & over | IIAC | 27223 |
| A-LKFMKEYM-K | Keys only for flush mount quarter turn lock | IIAC | 28271 |
| E. Flush Mount Quarter-Turn Screwdriver Operated | | | |
| A-LKFM3R1 | For TC3R enclosures 30x30 & under | IIAC | 27225 |
| A-LKFM3R2 | For TC3R enclosures 30x30 & over | IIAC | 27226 |
| F. Padlocking L-Handle | | | |
| A-LKLPAD3R1 | For TC3R enclosures 30x30 & under | IIAC | 27229 |
| A-LKLPAD3R2 | For TC3R enclosures 30x30 & over | IIAC | 27230 |
| G. Keylocking L-Handle | | | |
| A-LKLKEY3R1 | For TC3R enclosures 30x30 & under | IIAC | 27233 |
| A-LKLKEY3R2 | For TC3R enclosures 30x30 & over | IIAC | 27234 |
| H. Keylocking Cylinder Lock (knockout is .75" x .671") | | | |
| A-LK3R | For SC3R and GSC3R enclosures | IIAC | 27237 |
| I. Small Flush Mount Key Locking | | | |
| A-LKSFMKEYL | For LC1 enclosures | IIAC | 27236 |
| Replacement Locks | | | |
| 1. Slam Latch Lock | | | |
| A-LK3 | Replacement lock for TSC and TFLC cabinet covers | IIAC | 18800 |
| 2. Padlocking L-Handle for CT3R | | | |
| A-LKPH | Replacement padlock handle for CT3R enclosures | IIAC | 25061 |
| 3. Small Flush Mount Screwdriver Operated | | | |
| A-LK10 | Replacement lock for LC1 enclosures | IIAC | 28068 |



Please consult serving utility for their requirements prior to ordering or installing, as specifications and approvals vary by utility, and may require local electrical inspector approval. All installations must be installed by a licensed electrician and must comply with all national and local codes, laws and regulations. Milbank reserves the right to make changes in specifications and features shown without notice or obligation.

Accessories

Mounting Kits, Paint, Barrier Kits, Screws



External Mounting Foot Kits (TC3R Enclosures)

Application

- For use with TC3R enclosures.

Features

- Easy installation, no drilling.
- Manufactured from G90 galvanized steel.
- Painted to match enclosure.

| Catalog Number | Enclosure Width (B) | Product Family | UPC # (7-84572) |
|----------------|---------------------|----------------|-----------------|
| A-TC3RMFK6 | 6 | CNAC | 26714 |
| A-TC3RMFK8 | 8 | CNAC | 26715 |
| A-TC3RMFK10 | 10 | CNAC | 26716 |
| A-TC3RMFK12 | 12 | CNAC | 26717 |
| A-TC3RMFK16 | 16 | CNAC | 26718 |
| A-TC3RMFK18 | 18 | CNAC | 26719 |
| A-TC3RMFK24 | 24 | CNAC | 26720 |
| A-TC3RMFKLG | 30 & over | CNAC | 26721 |

Touch-Up Paint

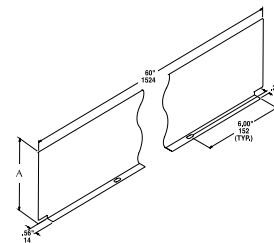
| Catalog Number | Color | vDescription | Product Family | UPC # (7-84572) |
|----------------|------------|--------------|----------------|-----------------|
| A-GP | Light Gray | 16 oz. spray | IIAC | 18795 |
| A-WP | White | 16 oz. spray | IIAC | 18796 |



Barrier Kits

For dividing wireway into two compartments. Barriers are easily secured to wireway with the use of screws (screws included).

| Catalog Number | Wireway Size | Dim. A | Product Family | UPC # (7-84572) |
|----------------|--------------|--------|----------------|-----------------|
| A-BK460 | 4 x 4 | 3.53 | CNAC | 18503 |
| A-BK660 | 6 x 6 | 5.53 | CNAC | 18409 |
| A-BK860 | 8 x 8 | 7.53 | CNAC | 18511 |
| A-BK1060 | 10 x 10 | 9.53 | CNAC | 18517 |
| A-BK1260 | 12 x 12 | 11.53 | CNAC | 18523 |



Self-Tapping Screws

| Catalog Number | Description | Product Family | UPC # (7-84572) |
|----------------|-------------------------------|----------------|-----------------|
| A-GSC | Self tapping screw, 4 per bag | CNAC | 18798 |

Please consult serving utility for their requirements prior to ordering or installing, as specifications and approvals vary by utility, and may require local electrical inspector approval. All installations must be installed by a licensed electrician and must comply with all national and local codes, laws and regulations. Milbank reserves the right to make changes in specifications and features shown without notice or obligation.



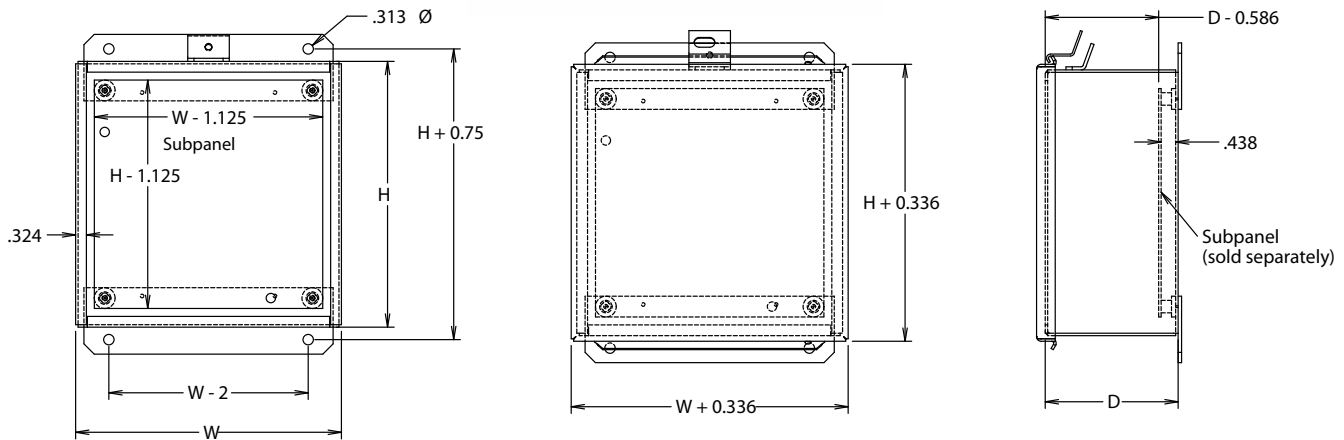
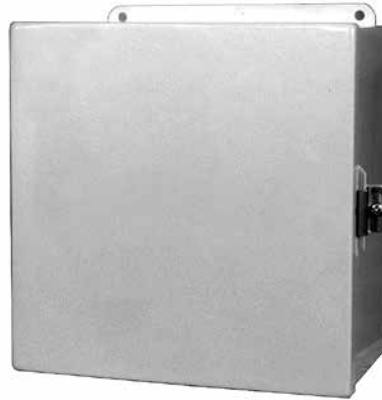


Please consult serving utility for their requirements prior to ordering or installing, as specifications and approvals vary by utility, and may require local electrical inspector approval. All installations must be installed by a licensed electrician and must comply with all national and local codes, laws and regulations. Milbank reserves the right to make changes in specifications and features shown without notice or obligation.

Clamp Cover Junction Enclosures

Type 12 | JIC

53
TYPE 12
CLAMP COVER
JUNCTION
ENCLOSURES



Applications

Designed to provide protection for electrical controls, instruments, and terminals from oil, dirt, dust and water entry.

Construction

- Fabricated from 16 or 14 gauge carbon steel, 14 gauge type 304 or type 316 stainless steel with continuously welded seams.
- Door secured with zinc coated clamps.
- Stainless steel doors are secured with type 316 stainless steel clamps.
- Oil resistant gasket applied to the doors.
- External mounting feet for wall or machinery mounting.
- Weld nuts for mounting optional sub-panel.
- Chain included.

Finish

Standard ANSI-61 gray finish on interior and exterior of

enclosures. Recoatable, smooth, white or RAL 7035 texture polyester powder coat available at no charge. Standard RAL and custom match finishes available for an additional charge, please contact Milbank for further assistance. All powder coat finishes applied over cleaned phosphatized surfaces. Carbon steel sub panels have a white polyester powder coat finish. Stainlesssteel enclosures have a polished #4 finish.

Options

Milbank can modify standard enclosures or custom design enclosures according to your specifications. Holes, cutouts, sizes, materials, and many more options are available. Quotations upon request.

Industry Standards

- UL 50 Listed
- CUL 50 Listed
- Type 12

Please consult serving utility for their requirements prior to ordering or installing, as specifications and approvals vary by utility, and may require local electrical inspector approval. All installations must be installed by a licensed electrician and must comply with all national and local codes, laws and regulations. Milbank reserves the right to make changes in specifications and features shown without notice or obligation.



54

TYPE 12
CLAMP COVER
JUNCTION
ENCLOSURES

Clamp Cover Junction Enclosures

Type 12 | JIC

| Carbon Steel # | Catalog Number | | Enclosure Size H x W x D | Ship. Wt. | Sub Panel Part # | Sub Panel Size H x W (inches) |
|----------------|-----------------------|-----------------------|-----------------------------|--------------|---------------------|----------------------------------|
| | 304 Stainless Steel # | 316 Stainless Steel # | | | | |
| CC443JIC12 | CC443JIC12XS | CC443JIC12XZ | 4 x 4 x 3 | 2 | — | — |
| CC643JIC12 | CC643JIC12XS | CC643JIC12XZ | 6 x 4 x 3 | 3 | A-64SBP | 4.88 x 2.88 |
| CC863JIC12 | CC863JIC12XS | CC863JIC12XZ | 8 x 6 x 3.5 | 5 | A-86SBP | 6.88 x 4.88 |
| CC444JIC12 | CC444JIC12XS | CC444JIC12XZ | 4 x 4 x 4 | 3 | — | — |
| CC644JIC12 | CC644JIC12XS | CC644JIC12XZ | 6 x 4 x 4 | 4 | A-64SBP | 4.88 x 2.88 |
| CC664JIC12 | CC664JIC12XS | CC664JIC12XZ | 6 x 6 x 4 | 5 | A-66SBP | 4.88 x 4.88 |
| CC884JIC12 | CC884JIC12XS | CC884JIC12XZ | 8 x 8 x 4 | 8 | A-88SBP | 6.88 x 6.88 |
| CC1084JIC12 | CC1084JIC12XS | CC1084JIC12XZ | 10 x 8 x 4 | 9 | A-108SBP | 8.88 x 6.88 |
| CC1264JIC12 | CC1264JIC12XS | CC1264JIC12XZ | 12 x 6 x 4 | 9 | A-126SBP | 10.88 x 4.88 |
| CC12105JIC12 | CC12105JIC12XS | CC12105JIC12XZ | 12 x 10 x 5 | 14 | A-1210SBP | 10.88 x 8.88 |
| CC666JIC12 | CC666JIC12XS | CC666JIC12XZ | 6 x 6 x 6 | 6 | A-66SBP | 4.88 x 4.88 |
| CC866JIC12 | CC866JIC12XS | CC866JIC12XZ | 8 x 6 x 6 | 8 | A-86SBP | 6.88 x 4.88 |
| CC1086JIC12 | CC1086JIC12XS | CC1086JIC12XZ | 10 x 8 x 6 | 11 | A-108SBP | 8.88 x 6.88 |
| CC10106JIC12 | CC10106JIC12XS | CC10106JIC12XZ | 10 x 10 x 6 | 13 | A-1010SBP | 8.88 x 8.88 |
| CC12126JIC12 | CC12126JIC12XS | CC12126JIC12XZ | 12 x 12 x 6 | 17 | A-1212SBP | 10.88 x 10.88 |
| CC1486JIC12 | CC1486JIC12XS | CC1486JIC12XZ | 14 x 8 x 6 | 15 | A-148SBP | 12.88 x 6.88 |
| CC14126JIC12 | CC14126JIC12XS | CC14126JIC12XZ | 14 x 12 x 6 | 19 | A-1412SBP | 12.88 x 10.88 |
| CC16106JIC12 | CC16106JIC12XS | CC16106JIC12XZ | 16 x 10 x 6 | 19 | A-1610SBP | 14.88 x 8.88 |
| CC12108JIC12 | CC12108JIC12XS | CC12108JIC12XZ | 12 x 10 x 8 | 18 | A-1210SBP | 10.88 x 8.88 |
| CC14128JIC12 | CC14128JIC12XS | CC14128JIC12XZ | 14 x 12 x 8 | 22 | A-1412SBP | 12.88 x 10.88 |
| CC16146JIC12 | CC16146JIC12XS | CC16146JIC12XZ | 16 x 14 x 6 | 24 | A-1614SBP | 14.88 x 12.88 |
| CC16148JIC12 | CC16148JIC12XS | CC16148JIC12XZ | 16 x 14 x 8 | 28 | A-1614SBP | 14.88 x 12.88 |
| CC161410JIC12 | CC161410JIC12XS | CC161410JIC12XZ | 16 x 14 x 10 | 31 | A-1614SBP | 14.88 x 12.88 |

NOTE

When width is equal to or less than 8 inches, there will be one set of clamps on that side.

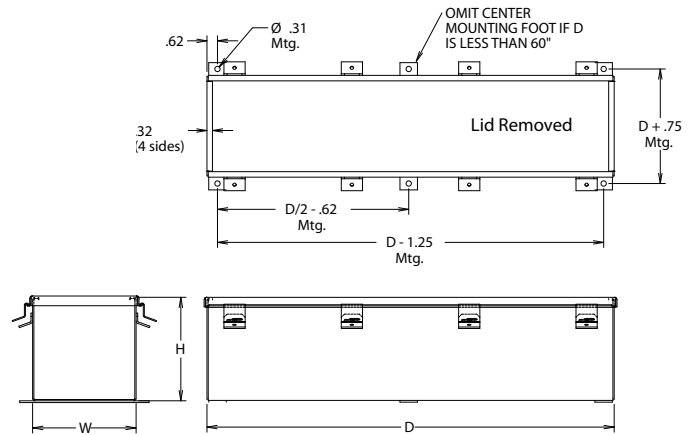


Please consult serving utility for their requirements prior to ordering or installing, as specifications and approvals vary by utility, and may require local electrical inspector approval. All installations must be installed by a licensed electrician and must comply with all national and local codes, laws and regulations. Milbank reserves the right to make changes in specifications and features shown without notice or obligation.

Wiring Troughs with Lift-Off Covers

Type 12

55
TYPE 12
WIRING
TROUGH
WITH LIFT-OFF
COVERS



Applications

Designed to house electrical wiring where dust, dirt, oil and water are not serious problems.

Construction

- Fabricated from 16 or 14 gauge carbon steel, 14 gauge type 304 or type 316 stainless steel with continuously welded seams.
- No holes or knockouts.
- Troughs with lift-off lids and external screw clamps to ensure a complete seal between cover and body.
- Mounting feet provided.

Finish

Standard ANSI-61 gray finish on interior and exterior of enclosures. Recoatable, smooth, white or RAL 7035 texture

polyester powder coat available at no charge. Standard RAL and custom match finishes available for an additional charge, please contact Milbank for further assistance. All powder coat finishes applied over cleaned phosphatized surfaces. Stainless Steel enclosures have a polished #4 finish.

Options

Milbank can modify standard flangeless lay-in wireways according to your specifications. Sizes and many more options are available. Quotations upon request.

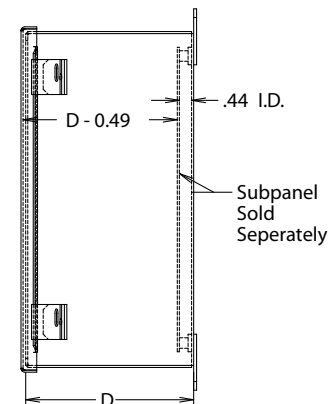
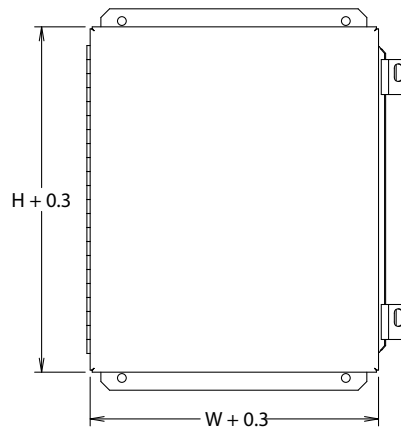
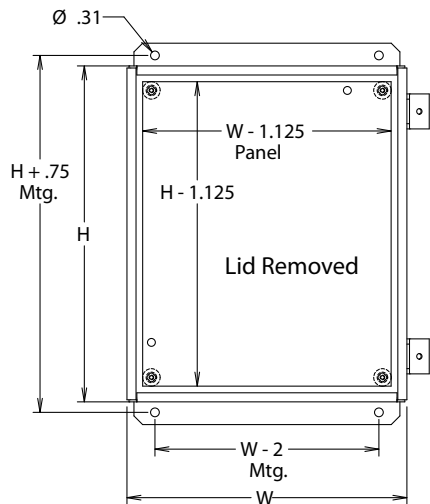
Industry Standards

- UL 50 Listed
- CUL 50 Listed
- Type 12

| Carbon Steel # | Catalog Number | | Product Size H x W x D (in.) | Shipping Weight | Gauge | # of Mounting Feet | Qty. Clamps & Screws |
|----------------|-----------------------|-----------------------|---------------------------------|--------------------|-------|--------------------------|-------------------------|
| | 304 Stainless Steel # | 316 Stainless Steel # | | | | | |
| 2212-GCC12 | 2212-GCC12XS | 2212-GCC12XZ | 2.5 x 2.5 x 12 | 5 | 16 | 2 | 2 |
| 2218-GCC12 | 2218-GCC12XS | 2218-GCC12XZ | 2.5 x 2.5 x 18 | 7 | 16 | 2 | 3 |
| 2224-GCC12 | 2224-GCC12XS | 2224-GCC12XZ | 2.5 x 2.5 x 24 | 8 | 16 | 2 | 3 |
| 4412-GCC12 | 4412-GCC12XS | 4412-GCC12XZ | 4 x 4 x 12 | 7 | 16 | 2 | 2 |
| 4418-GCC12 | 4418-GCC12XS | 4418-GCC12XZ | 4 x 4 x 18 | 9 | 16 | 2 | 3 |
| 4424-GCC12 | 4424-GCC12XS | 4424-GCC12XZ | 4 x 4 x 24 | 11 | 14 | 2 | 3 |
| 4436-GCC12 | 4436-GCC12XS | 4436-GCC12XZ | 4 x 4 x 36 | 17 | 14 | 2 | 4 |
| 4448-GCC12 | 4448-GCC12XS | 4448-GCC12XZ | 4 x 4 x 48 | 22 | 14 | 2 | 5 |
| 6612-GCC12 | 6612-GCC12XS | 6612-GCC12XZ | 6 x 6 x 12 | 10 | 14 | 2 | 2 |
| 6618-GCC12 | 6618-GCC12XS | 6618-GCC12XZ | 6 x 6 x 18 | 13 | 14 | 2 | 3 |
| 6624-GCC12 | 6624-GCC12XS | 6624-GCC12XZ | 6 x 6 x 24 | 17 | 14 | 2 | 3 |
| 6636-GCC12 | 6636-GCC12XS | 6636-GCC12XZ | 6 x 6 x 36 | 26 | 14 | 2 | 4 |
| 6648-GCC12 | 6648-GCC12XS | 6648-GCC12XZ | 6 x 6 x 48 | 31 | 14 | 2 | 5 |

Please consult serving utility for their requirements prior to ordering or installing, as specifications and approvals vary by utility, and may require local electrical inspector approval. All installations must be installed by a licensed electrician and must comply with all national and local codes, laws and regulations. Milbank reserves the right to make changes in specifications and features shown without notice or obligation.





Applications

Designed to provide protection for electrical controls, instruments, and terminals from oil, dirt, and dust

Construction

- Fabricated from 16 or 14 gauge carbon steel, 14 gauge type 304 or type 316 stainless steel with continuously welded seams.
- Door secured with a continuous hinge with removable pin and clamps.
- Oil resistant gasket applied to the doors.
- External mounting feet for wall or machinery mounting.
- Weld nuts for mounting optional sub panel.

Finish

Standard ANSI-61 gray finish on interior and exterior of enclosures. Recoatable, smooth, white or RAL 7035 texture

polyester powder coat available at no charge. Standard RAL and custom match finishes available for an additional charge, please contact Milbank for further assistance. All powder coat finishes applied over cleaned phosphatized surfaces. Carbon steel sub panels have a white polyester powder coat finish. Stainless steel enclosures have a polished #4 finish

Options

Milbank can modify standard enclosures or custom design enclosures according to your specifications. Holes, cutouts, sizes, materials, and many more options are available. Quotations upon request.

Industry Standards

- UL 50 Listed
- CUL 50 Listed
- Type 12



Please consult serving utility for their requirements prior to ordering or installing, as specifications and approvals vary by utility, and may require local electrical inspector approval. All installations must be installed by a licensed electrician and must comply with all national and local codes, laws and regulations. Milbank reserves the right to make changes in specifications and features shown without notice or obligation.

Junction Enclosures

Type 12 | Continuous Hinge Cover

57
TYPE 12
JUNCTION
ENCLOSURES

| Catalog Number | | | Product Size H x W x D (in.) | Ship. Weight | Sub Panel Part # | Sub Panel Size H x W (in.) |
|----------------|-----------------------|-----------------------|---------------------------------|-----------------|---------------------|-------------------------------|
| Carbon Steel # | 304 Stainless Steel # | 316 Stainless Steel # | | | | |
| HC443JIC12 | HC443JIC12XS | HC443JIC12XZ | 4 x 4 x 3 | 2 | — | — |
| HC643JIC12 | HC643JIC12XS | HC643JIC12XZ | 6 x 4 x 3 | 3 | A-64SBP | 4.88 x 2.88 |
| HC863JIC12 | HC863JIC12XS | HC863JIC12XZ | 8 x 6 x 3.5 | 5 | A-86SBP | 6.88 x 4.88 |
| HC444JIC12 | HC444JIC12XS | HC444JIC12XZ | 4 x 4 x 4 | 2 | — | — |
| HC644JIC12 | HC644JIC12XS | HC644JIC12XZ | 6 x 4 x 4 | 3 | A-64SBP | 4.88 x 2.88 |
| HC664JIC12 | HC664JIC12XS | HC664JIC12XZ | 6 x 6 x 4 | 4 | A-66SBP | 4.88 x 4.88 |
| HC884JIC12 | HC884JIC12XS | HC884JIC12XZ | 8 x 8 x 4 | 6 | A-88SBP | 6.88 x 6.88 |
| HC1084JIC12 | HC1084JIC12XS | HC1084JIC12XZ | 10 x 8 x 4 | 8 | A-108SBP | 8.88 x 6.88 |
| HC1264JIC12 | HC1264JIC12XS | HC1264JIC12XZ | 12 x 6 x 4 | 7 | A-126SBP | 10.88 x 4.88 |
| HC12105JIC12 | HC12105JIC12XS | HC12105JIC12XZ | 12 x 10 x 5 | 12 | A-1210SBP | 10.88 x 8.88 |
| HC666JIC12 | HC666JIC12XS | HC666JIC12XZ | 6 x 6 x 6 | 5 | A-66SBP | 4.88 x 4.88 |
| HC866JIC12 | HC866JIC12XS | HC866JIC12XZ | 8 x 6 x 6 | 7 | A-86SBP | 6.88 x 4.88 |
| HC1086JIC12 | HC1086JIC12XS | HC1086JIC12XZ | 10 x 8 x 6 | 9 | A-108SBP | 8.88 x 6.88 |
| HC10106JIC12 | HC10106JIC12XS | HC10106JIC12XZ | 10 x 10 x 6 | 11 | A-1010SBP | 8.88 x 8.88 |
| HC12126JIC12 | HC12126JIC12XS | HC12126JIC12XZ | 12 x 12 x 6 | 14 | A-1212SBP | 10.88 x 10.88 |
| HC1486JIC12 | HC1486JIC12XS | HC1486JIC12XZ | 14 x 8 x 6 | 12 | A-148SBP | 12.88 x 6.88 |
| HC14126JIC12 | HC14126JIC12XS | HC14126JIC12XZ | 14 x 12 x 6 | 16 | A-1412SBP | 12.88 x 10.88 |
| HC16106JIC12 | HC16106JIC12XS | HC16106JIC12XZ | 16 x 10 x 6 | 16 | A-1610SBP | 14.88 x 8.88 |
| HC16146JIC12 | HC16146JIC12XS | HC16146JIC12XZ | 16 x 14 x 6 | 20 | A-1614SBP | 14.88 x 12.88 |
| HC12108JIC12 | HC12108JIC12XS | HC12108JIC12XZ | 12 x 10 x 8 | 15 | A-1210SBP | 10.88 x 8.88 |
| HC14128JIC12 | HC14128JIC12XS | HC14128JIC12XZ | 14 x 12 x 8 | 19 | A-1412SBP | 12.88 x 10.88 |
| HC16148JIC12 | HC16148JIC12XS | HC16148JIC12XZ | 16 x 14 x 8 | 23 | A-1614SBP | 14.88 x 12.88 |
| HC161410JIC12 | HC161410JIC12XS | HC161410JIC12XZ | 16 x 14 x 10 | 26 | A-1614SBP | 14.88 x 12.88 |

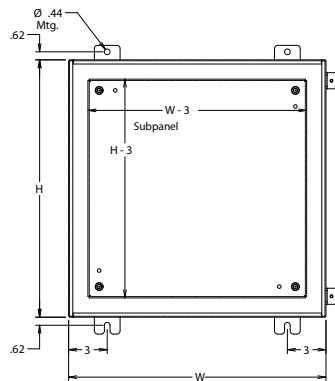
NOTE

When width is equal to or less than 8 inches, there will be one set of clamps on that side.

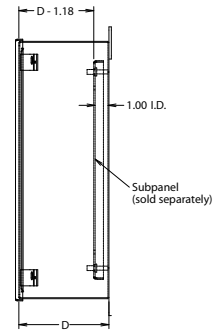
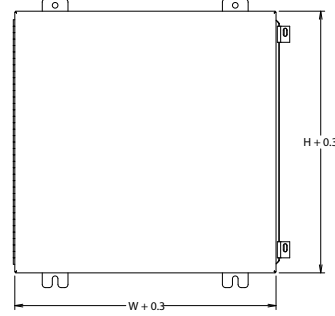
Sub panels must be ordered separately.

Please consult serving utility for their requirements prior to ordering or installing, as specifications and approvals vary by utility, and may require local electrical inspector approval. All installations must be installed by a licensed electrician and must comply with all national and local codes, laws and regulations. Milbank reserves the right to make changes in specifications and features shown without notice or obligation.





Lid Removed



Applications

For housing electrical controls, terminals, and instruments and to provide protection from dust, dirt, oil and water.

Construction

- Fabricated from 14 gauge carbon steel.
- Door secured with continuous hinge and clamps.
- Oil resistant gasket applied to doors.
- External mounting feet for wall or machinery mounting.

- Collar studs for mounting optional sub panel.

Finish

Standard ANSI-61 gray finish on interior and exterior of enclosures. Recoatable, smooth, white or RAL 7035 texture polyester powder coat available at no charge. Standard RAL and custom match finishes available for an additional charge, please contact Milbank for further assistance. All powder coat finishes applied over cleaned phosphatized surfaces. Carbon

steel sub panels have a white polyester powder coat finish.

Options

Milbank can modify standard enclosures or custom design enclosures according to your specifications. Holes, cutouts, sizes, materials, and many more options are available. Quotations upon request.

Industry Standards

- UL 50 Listed
- CUL 50 Listed
- Type 12

| Catalog Number | Enclosure Size H x W x D (in.) | Shipping Wt. | Sub Panel Catalog Number | Sub Panel Size H x W (inches) |
|----------------|-----------------------------------|--------------|-----------------------------|----------------------------------|
| HC20167JIC12 | 20 x 16 x 7 | 31 | A-20P16 | 17 x 13 |
| HC20207JIC12 | 20 x 20 x 7 | 37 | A-20P20 | 17 x 17 |
| HC24207JIC12 | 24 x 20 x 7 | 43 | A-24P20 | 21 x 17 |
| HC24247JIC12 | 24 x 24 x 7 | 48 | A-24P24 | 21 x 21 |
| HC30207JIC12 | 30 x 20 x 7 | 50 | A-30P20 | 27 x 17 |
| HC30247JIC12 | 30 x 24 x 7 | 58 | A-30P24 | 27 x 21 |
| HC36247JIC12 | 36 x 24 x 7 | 69 | A-36P24 | 33 x 21 |
| HC20169JIC12 | 20 x 16 x 9 | 36 | A-20P16 | 17 x 13 |
| HC20209JIC12 | 20 x 20 x 9 | 41 | A-20P20 | 17 x 17 |
| HC24209JIC12 | 24 x 20 x 9 | 47 | A-24P20 | 21 x 17 |
| HC24249JIC12 | 24 x 24 x 9 | 54 | A-24P24 | 21 x 21 |
| HC30209JIC12 | 30 x 20 x 9 | 55 | A-30P20 | 27 x 17 |
| HC30249JIC12 | 30 x 24 x 9 | 62 | A-30P24 | 27 x 21 |
| HC36249JIC12 | 36 x 24 x 9 | 76 | A-36P24 | 33 x 21 |
| HC36309JIC12 | 36 x 30 x 9 | 90 | A-36P30 | 33 x 27 |
| HC42309JIC12 | 42 x 30 x 9 | 103 | A-42P30 | 39 x 27 |
| HC42369JIC12 | 42 x 36 x 9 | 115 | A-42P36 | 39 x 33 |
| HC242411JIC12 | 24 x 24 x 11 | 58 | A-24P24 | 21 x 21 |
| HC362411JIC12 | 36 x 24 x 11 | 77 | A-36P24 | 33 x 21 |
| HC483611JIC12 | 48 x 36 x 11 | 139 | A-48P36 | 45 x 33 |
| HC302413JIC12 | 30 x 24 x 13 | 70 | A-30P24 | 27 x 21 |
| HC363013JIC12 | 36 x 30 x 13 | 100 | A-36P30 | 33 x 27 |

NOTE

1. Print pocket: 6" x 6" when H and W are 24" or less. Print pocket = 9" x 9" when H and W are greater than 24".
2. Panels will have formed flanges when either Height or Width is greater than or equal to 18".
3. Sub panels must be ordered separately.



Please consult serving utility for their requirements prior to ordering or installing, as specifications and approvals vary by utility, and may require local electrical inspector approval. All installations must be installed by a licensed electrician and must comply with all national and local codes, laws and regulations. Milbank reserves the right to make changes in specifications and features shown without notice or obligation.

Junction Enclosures

Type 12 | Wiring Troughs | Continuous Hinged Cover

59
TYPE 12
JUNCTION
ENCLOSURES

Applications

To protect wiring from dust, dirt, oil and water.

Construction

- Fabricated from 14 gauge carbon steel, type 304 or type 316 stainless steel with continuously welded seams.
- No holes or knockouts.
- Troughs have continuous hinges and external screw clamps to ensure a complete seal between cover and body.
- Mounting feet provided.

Finish

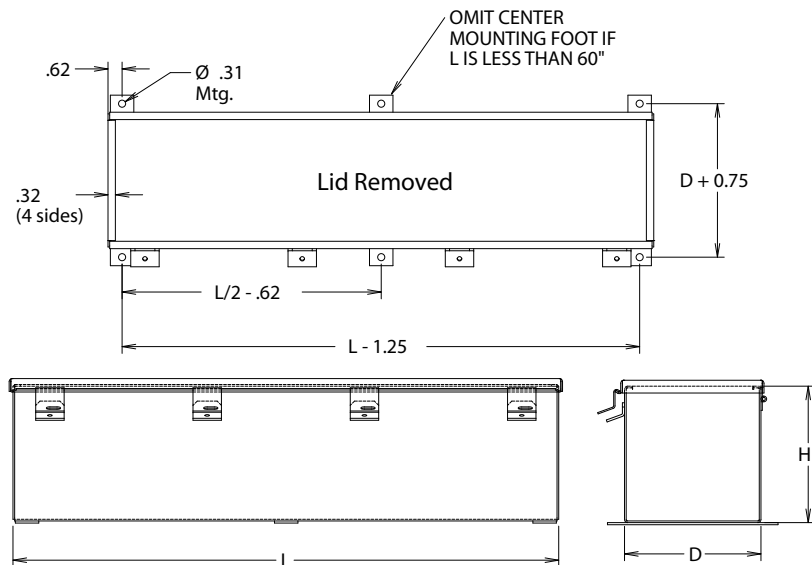
Standard ANSI-61 gray finish on interior and exterior of enclosures. Recoatable, smooth, white or RAL 7035 texture polyester powder coat available at no charge. Standard RAL and custom match finishes available for an additional charge, please contact Milbank for further assistance. All powder coat finishes applied over cleaned phosphatized surfaces. Stainless Steel enclosures have a polished #4 finish.

Options

Milbank can modify standard Flangeless Lay-in Wireways according to your specifications. Sizes and many more options are available. Quotations upon request.

Industry Standards

- UL 50 Listed
- CUL 50 Listed
- Type 12



Please consult serving utility for their requirements prior to ordering or installing, as specifications and approvals vary by utility, and may require local electrical inspector approval. All installations must be installed by a licensed electrician and must comply with all national and local codes, laws and regulations. Milbank reserves the right to make changes in specifications and features shown without notice or obligation.



| Carbon Steel # | Catalog Number | | Product Size H x D x L (inches) | Ship. Weight (lbs) | # of Mounting Feet | Qty. Clamps & Screws |
|----------------|-----------------------|-----------------------|---------------------------------------|--------------------------|--------------------------|----------------------------|
| | 304 Stainless Steel # | 316 Stainless Steel # | | | | |
| 2212-GHC12 | 2212-GHC12XS | 2212-GHC12XZ | 2.5 x 2.5 x 12 | 3 | 2 | 2 |
| 2218-GHC12 | 2218-GHC12XS | 2218-GHC12XZ | 2.5 x 2.5 x 18 | 5 | 2 | 3 |
| 2224-GHC12 | 2224-GHC12XS | 2224-GHC12XZ | 2.5 x 2.5 x 24 | 6 | 2 | 3 |
| 2230-GHC12 | 2230-GHC12XS | 2230-GHC12XZ | 2.5 x 2.5 x 30 | 9 | 2 | 3 |
| 2236-GHC12 | 2236-GHC12XS | 2236-GHC12XZ | 2.5 x 2.5 x 36 | 10 | 2 | 4 |
| 2248-GHC12 | 2248-GHC12XS | 2248-GHC12XZ | 2.5 x 2.5 x 48 | 13 | 2 | 5 |
| 2260-GHC12 | 2260-GHC12XS | 2260-GHC12XZ | 2.5 x 2.5 x 60 | 16 | 3 | 6 |
| 2272-GHC12 | 2272-GHC12XS | 2272-GHC12XZ | 2.5 x 2.5 x 72 | 19 | 3 | 6 |
| 4412-GHC12 | 4412-GHC12XS | 4412-GHC12XZ | 4 x 4 x 12 | 6 | 2 | 2 |
| 4418-GHC12 | 4418-GHC12XS | 4418-GHC12XZ | 4 x 4 x 18 | 10 | 2 | 3 |
| 4424-GHC12 | 4424-GHC12XS | 4424-GHC12XZ | 4 x 4 x 24 | 11 | 2 | 3 |
| 4430-GHC12 | 4430-GHC12XS | 4430-GHC12XZ | 4 x 4 x 30 | 15 | 2 | 3 |
| 4436-GHC12 | 4436-GHC12XS | 4436-GHC12XZ | 4 x 4 x 36 | 18 | 2 | 4 |
| 4448-GHC12 | 4448-GHC12XS | 4448-GHC12XZ | 4 x 4 x 48 | 22 | 2 | 5 |
| 4460-GHC12 | 4460-GHC12XS | 4460-GHC12XZ | 4 x 4 x 60 | 25 | 3 | 6 |
| 4472-GHC12 | 4472-GHC12XS | 4472-GHC12XZ | 4 x 4 x 72 | 30 | 3 | 6 |
| 6612-GHC12 | 6612-GHC12XS | 6612-GHC12XZ | 6 x 6 x 12 | 10 | 2 | 2 |
| 6618-GHC12 | 6618-GHC12XS | 6618-GHC12XZ | 6 x 6 x 18 | 12 | 2 | 3 |
| 6624-GHC12 | 6624-GHC12XS | 6624-GHC12XZ | 6 x 6 x 24 | 16 | 2 | 3 |
| 6630-GHC12 | 6630-GHC12XS | 6630-GHC12XZ | 6 x 6 x 30 | 19 | 2 | 3 |
| 6636-GHC12 | 6636-GHC12XS | 6636-GHC12XZ | 6 x 6 x 36 | 24 | 2 | 4 |
| 6648-GHC12 | 6648-GHC12XS | 6648-GHC12XZ | 6 x 6 x 48 | 30 | 2 | 5 |
| 6660-GHC12 | 6660-GHC12XS | 6660-GHC12XZ | 6 x 6 x 60 | 32 | 3 | 6 |
| 6672-GHC12 | 6672-GHC12XS | 6672-GHC12XZ | 6 x 6 x 72 | 44 | 3 | 6 |
| 8812-GHC12 | 8812-GHC12XS | 8812-GHC12XZ | 8 x 8 x 12 | 13 | 2 | 2 |
| 8824-GHC12 | 8824-GHC12XS | 8824-GHC12XZ | 8 x 8 x 24 | 23 | 2 | 3 |
| 8836-GHC12 | 8836-GHC12XS | 8836-GHC12XZ | 8 x 8 x 36 | 32 | 2 | 4 |
| 8848-GHC12 | 8848-GHC12XS | 8848-GHC12XZ | 8 x 8 x 48 | 40 | 2 | 5 |
| 8860-GHC12 | 8860-GHC12XS | 8860-GHC12XZ | 8 x 8 x 60 | 49 | 3 | 6 |
| 121224-GHC12 | 121224-GHC12XS | 121224-GHC12XZ | 12 x 12 x 24 | 34 | 2 | 3 |
| 121236-GHC12 | 121236-GHC12XS | 121236-GHC12XZ | 12 x 12 x 36 | 49 | 2 | 4 |
| 121248-GHC12 | 121248-GHC12XS | 121248-GHC12XZ | 12 x 12 x 48 | 60 | 2 | 5 |
| 121260-GHC12 | 121260-GHC12XS | 121260-GHC12XZ | 12 x 12 x 60 | 73 | 3 | 6 |



Please consult serving utility for their requirements prior to ordering or installing, as specifications and approvals vary by utility, and may require local electrical inspector approval. All installations must be installed by a licensed electrician and must comply with all national and local codes, laws and regulations. Milbank reserves the right to make changes in specifications and features shown without notice or obligation.

Pushbutton Enclosures

Type 12 | Standard Oil-Tight

61
TYPE 12
PUSHBUTTON
ENCLOSURES

Applications

Designed to provide protection from oil, dirt, and dust. Universal holes accommodate many types of pilot lights, switches and pushbuttons

Construction

- Fabricated from 14 gauge carbon steel or type 304 stainless steel with continuously welded seams.
- Cover secured with captivated screws.
- Oil resistant gasket applied to the cover.
- External mounting feet for wall or machinery mounting.
- Universal pushbutton holes (30.5mm).
- 22mm available with "M" addition to part number.



Finish

Standard ANSI-61 gray finish on interior and exterior of enclosures. Recoatable, smooth, white or RAL 7035 texture polyester powder coat available at no charge. Standard RAL and custom match finishes available for an additional charge, please contact Milbank for further assistance. All powder coat finishes applied over cleaned phosphatized surfaces. Stainless steel enclosures have a polished #4 finish.

Options

Milbank can modify standard enclosures or custom design enclosures according to your specifications. Custom sizes, materials, and many more options are available. Quotations upon request.

Industry Standards

- UL 50 Listed
- CUL 50 Listed
- Type 12

| Catalog Number | | | | # of Holes | Enclosure Size H x W x D (inches) | Ship. Weight (lbs) | Hole Location | |
|-----------------------------|------------------------------------|-----------------------------|------------------------------------|------------|---|--------------------------|---------------|-------|
| Carbon Steel 30.5mm Hole | 304 Stainless Steel 30.5mm Hole | Carbon Steel 22.5mm Hole | 304 Stainless Steel 22.5mm Hole | | | | J | K |
| PB12S11 | PB12XS11 | PBM12S11 | PBM12XS11 | 1 | 3.5 x 3.25 x 2.75 | 2 | 1.918 | 1.793 |
| PB12S12 | PB12XS12 | PBM12S12 | PBM12XS12 | 2 | 5.75 x 3.25 x 2.75 | 3 | 1.918 | 1.793 |
| PB12S13 | PB12XS13 | PBM12S13 | PBM12XS13 | 3 | 8 x 3.25 x 2.75 | 3 | 1.918 | 1.793 |
| PB12S14 | PB12XS14 | PBM12S14 | PBM12XS14 | 4 | 10.25 x 3.25 x 2.75 | 4 | 1.918 | 1.793 |
| PB12S22 | PB12XS22 | PBM12S22 | PBM12XS22 | 4 | 7.25 x 6.25 x 3 | 5 | 2.668 | 2.168 |
| PB12S15 | PB12XS15 | PBM12S15 | PBM12XS15 | 5 | 12.5 x 3.25 x 2.75 | 5 | 1.918 | 1.793 |
| PB12S32 | PB12XS32 | PBM12S32 | PBM12XS32 | 6 | 9.5 x 6.25 x 3 | 6 | 2.668 | 2.168 |
| PB12S16 | PB12XS16 | PBM12S16 | PBM12XS16 | 6 | 14.75 x 3.25 x 2.75 | 6 | 1.918 | 1.793 |
| PB12S17 | PB12XS17 | PBM12S17 | PBM12XS17 | 7 | 18 x 3.25 x 2.75 | 6 | 2.418 | 1.793 |
| PB12S18 | PB12XS18 | PBM12S18 | PBM12XS18 | 8 | 20.25 x 3.25 x 2.75 | 8 | 2.418 | 1.793 |
| PB12S33 | PB12XS33 | PBM12S33 | PBM12XS33 | 9 | 9.5 x 8.5 x 3 | 8 | 2.668 | 2.168 |
| PB12S19 | PB12XS19 | PBM12S19 | PBM12XS19 | 9 | 22.5 x 3.25 x 2.75 | 8 | 2.418 | 1.793 |
| PB12S110 | PB12XS110 | PBM12S110 | PBM12XS110 | 10 | 24.75 x 3.25 x 2.75 | 8 | 2.418 | 1.793 |
| PB12S43 | PB12XS43 | PBM12S43 | PBM12XS43 | 12 | 11.75 x 8.5 x 3 | 9 | 2.668 | 2.168 |
| PB12S44 | PB12XS44 | PBM12S44 | PBM12XS44 | 16 | 11.75 x 10.75 x 3 | 11 | 2.668 | 2.168 |
| PB12S54 | PB12XS54 | PBM12S54 | PBM12XS54 | 20 | 14 x 10.75 x 3 | 12 | 2.668 | 2.168 |
| PB12S55 | PB12XS55 | PBM12S55 | PBM12XS55 | 25 | 14 x 13 x 3 | 14 | 2.668 | 2.168 |

Please consult serving utility for their requirements prior to ordering or installing, as specifications and approvals vary by utility, and may require local electrical inspector approval. All installations must be installed by a licensed electrician and must comply with all national and local codes, laws and regulations. Milbank reserves the right to make changes in specifications and features shown without notice or obligation.

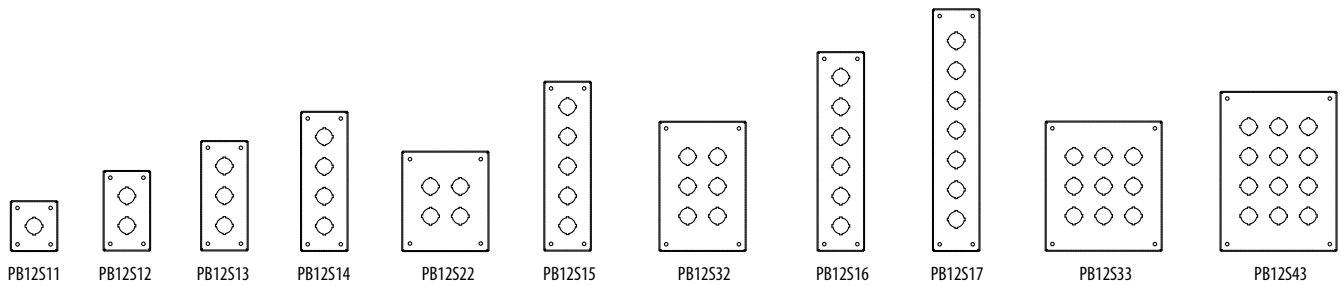
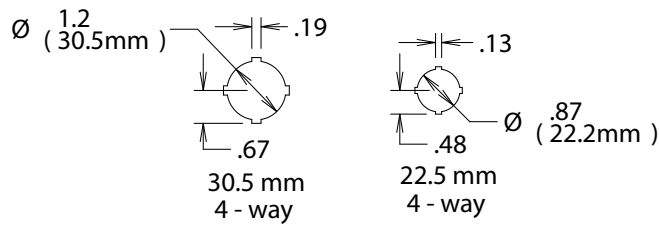
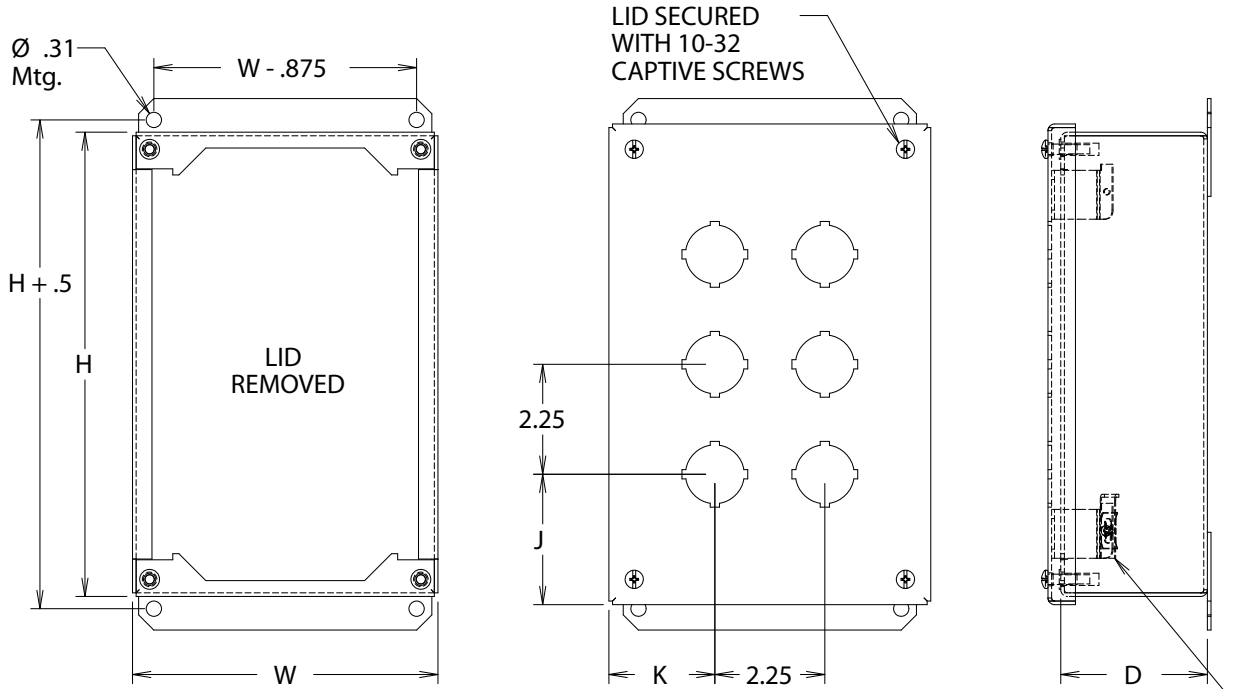


62

TYPE 12
PUSHBUTTON
ENCLOSURES

Pushbutton Enclosures

Type 12 | Standard Oil-Tight



Please consult serving utility for their requirements prior to ordering or installing, as specifications and approvals vary by utility, and may require local electrical inspector approval. All installations must be installed by a licensed electrician and must comply with all national and local codes, laws and regulations. Milbank reserves the right to make changes in specifications and features shown without notice or obligation.

Pushbutton Enclosures

Type 12 | Extra Deep Oil-Tight

63
TYPE 12
PUSHBUTTON
ENCLOSURES

Applications

Designed to provide protection from oil, dirt, and dust. Universal holes accommodate many types of pilot lights, switches and pushbuttons

Construction

- Fabricated from 14 gauge carbon steel or type 304 stainless steel with continuously welded seams.
- Additional inch of depth.
- Cover secured with captivated screws.
- Oil resistant gasket applied to the cover.
- External mounting feet for wall or machinery mounting.
- Universal pushbutton holes (30.5mm).
- 22mm available with "M" addition to part number.



Finish

Standard ANSI-61 gray finish on interior and exterior of enclosures. Recoatable, smooth, white or RAL 7035 texture polyester powder coat available at no charge. Standard RAL and custom match finishes available for an additional charge, please contact Milbank for further assistance. All powder coat finishes applied over cleaned phosphatized surfaces. Stainless steel enclosures have a polished #4 finish.

Options

Milbank can modify standard enclosures or custom design enclosures according to your specifications. Custom sizes, materials, and many more options are available. Quotations upon request.

Industry Standards

- UL 50 Listed
- CUL 50 Listed
- Type 12

| Catalog Number | | | | # of Holes | Enclosure Size H x W x D (inches) | Ship. Weight (lbs) | Hole Location | |
|-----------------------------|------------------------------------|-----------------------------|------------------------------------|------------|---|--------------------------|---------------|-------|
| Carbon Steel 30.5mm Hole | 304 Stainless Steel 30.5mm Hole | Carbon Steel 22.5mm Hole | 304 Stainless Steel 22.5mm Hole | | | | J | K |
| PBD12S11 | PBD12XS11 | PBDM12S11 | PBDM12XS11 | 1 | 4 x 4 x 4.75 | 3 | 2.168 | 2.168 |
| PBD12S12 | PBD12XS12 | PBDM12S12 | PBDM12XS12 | 2 | 6 x 4 x 4.75 | 4 | 2.043 | 2.168 |
| PBD12S13 | PBD12XS13 | PBDM12S13 | PBDM12XS13 | 3 | 8 x 4 x 4.75 | 5 | 1.918 | 2.168 |
| PBD12S14 | PBD12XS14 | PBDM12S14 | PBDM12XS14 | 4 | 10 x 4 x 4.75 | 6 | 1.793 | 2.168 |
| PBD12S22 | PBD12XS22 | PBDM12S22 | PBDM12XS22 | 4 | 7.25 x 6.25 x 4.75 | 6 | 2.668 | 2.168 |
| PBD12S16 | PBD12XS16 | PBDM12S16 | PBDM12XS16 | 6 | 9.5 x 6.25 x 4.75 | 8 | 2.668 | 2.168 |
| PBD12S33 | PBD12XS33 | PBDM12S33 | PBDM12XS33 | 9 | 9.5 x 8.5 x 4.75 | 9 | 2.668 | 2.168 |
| PBD12S110 | PBD12XS110 | PBDM12S110 | PBDM12XS110 | 10 | 14 x 6.25 x 4.75 | 10 | 2.668 | 2.168 |
| PBD12S43 | PBD12XS43 | PBDM12S43 | PBDM12XS43 | 12 | 11.75 x 8.5 x 4.75 | 9 | 2.668 | 2.168 |
| PBD12S44 | PBD12XS44 | PBDM12S44 | PBDM12XS44 | 16 | 11.75 x 10.75 x 4.75 | 12 | 2.668 | 2.168 |
| PBD12S116 | PBD12XS116 | PBDM12S116 | PBDM12XS116 | 16 | 20.75 x 6.25 x 4.75 | 13 | 2.668 | 2.168 |
| PBD12S54 | PBD12XS54 | PBDM12S54 | PBDM12XS54 | 20 | 14 x 10.75 x 4.75 | 15 | 2.668 | 2.168 |
| PBD12S55 | PBD12XS55 | PBDM12S55 | PBDM12XS55 | 25 | 14 x 13 x 4.75 | 16 | 2.668 | 2.168 |
| PBD12S56 | PBD12XS56 | PBDM12S56 | PBDM12XS56 | 30 | 16.25 x 13 x 4.75 | 18 | 2.668 | 2.168 |
| PBD12S66 | PBD12XS66 | PBDM12S66 | PBDM12XS66 | 36 | 16.25 x 15.25 x 4.75 | 20 | 2.668 | 2.168 |

Please consult serving utility for their requirements prior to ordering or installing, as specifications and approvals vary by utility, and may require local electrical inspector approval. All installations must be installed by a licensed electrician and must comply with all national and local codes, laws and regulations. Milbank reserves the right to make changes in specifications and features shown without notice or obligation.

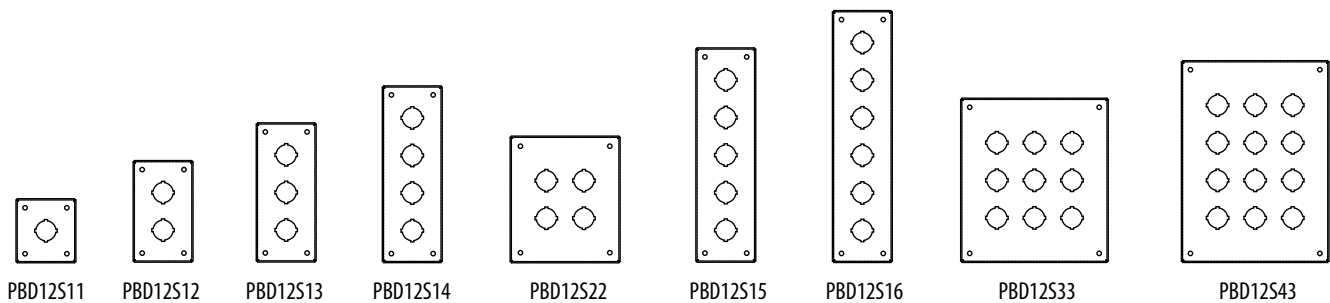
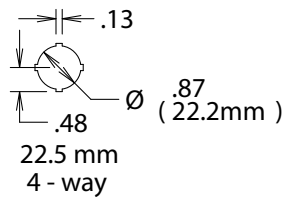
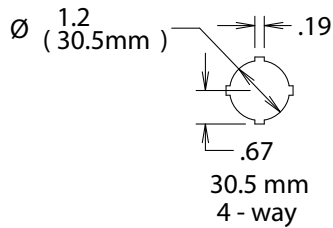
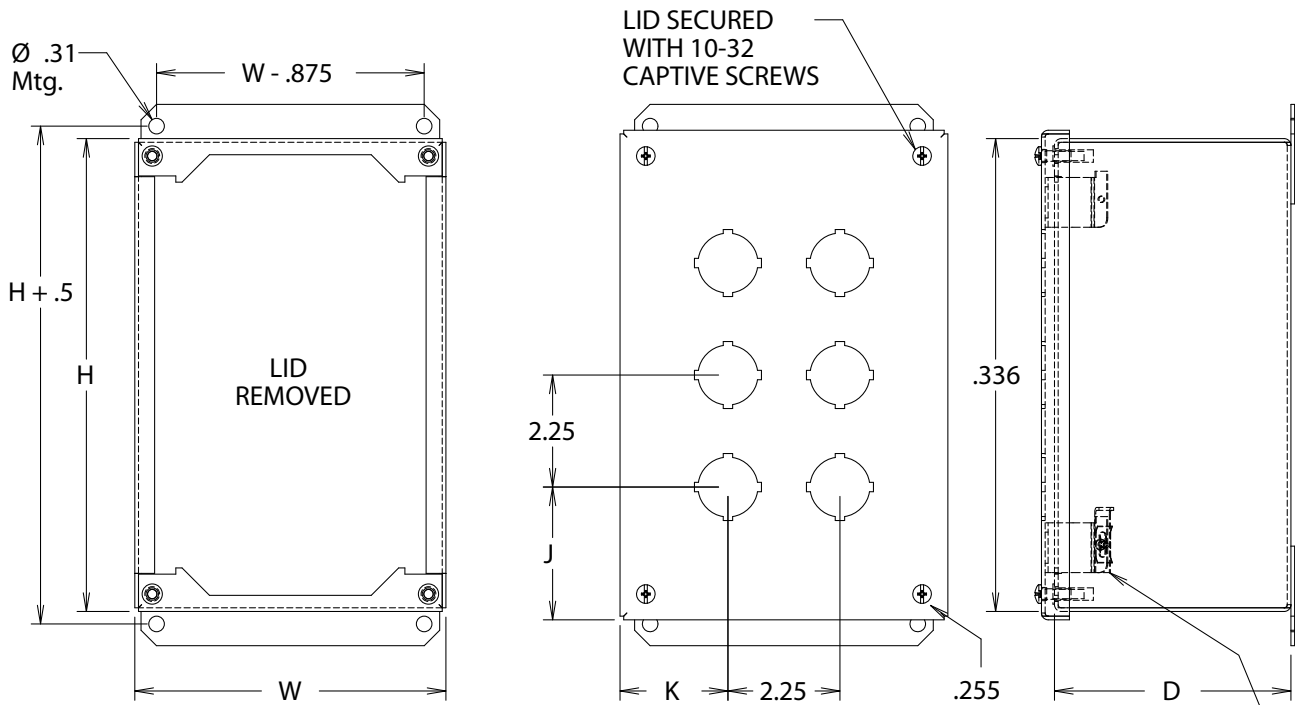


64

TYPE 12
PUSHBUTTON
ENCLOSURES

Pushbutton Enclosures

Type 12 | Extra Deep Oil-Tight



Please consult serving utility for their requirements prior to ordering or installing, as specifications and approvals vary by utility, and may require local electrical inspector approval. All installations must be installed by a licensed electrician and must comply with all national and local codes, laws and regulations. Milbank reserves the right to make changes in specifications and features shown without notice or obligation.

Pushbutton Enclosures

Type 12 | Pendant Type Oil-Tight

65
TYPE 12
PUSHBUTTON
ENCLOSURES

Applications

Designed to provide protection from oil, dirt, and dust. Universal holes accommodate many types of pilot lights, switches and pushbuttons.

Construction

Fabricated from 14 gauge carbon steel or type 304 stainless steel with continuously welded seams. Enclosures feature:

- Cover secured with captivated screws.
- Oil resistant gasket applied to the cover.
- External mounting feet for wall or machinery mounting.
- Universal pushbutton holes (30.5mm).

Finish

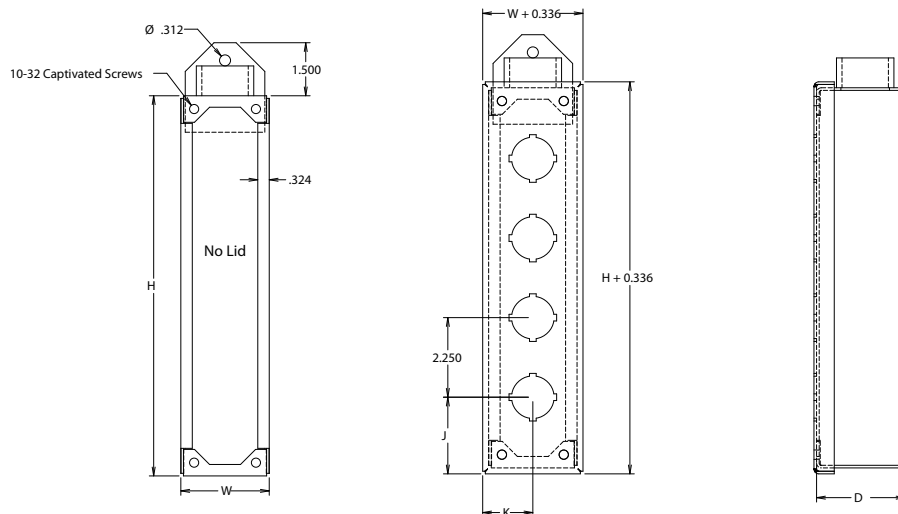
Standard ANSI-61 gray finish on interior and exterior of enclosures. Recoatable, smooth, white or RAL 7035 texture polyester powder coat available at no charge. Standard RAL and custom match finishes available for an additional charge, please contact Milbank for further assistance. All powder coat finishes applied over cleaned phosphatized surfaces. Stainless steel enclosures have a polished #4 finish.

Options

Milbank can modify standard enclosures or custom design enclosures according to your specifications. 0.88" [22mm] pushbutton holes, sizes, materials, and many more options are available. Quotations upon request.

Industry Standards

- UL 50 Listed
- CUL 50 Listed
- Type 12



| Catalog Number | | # of Holes | Enclosure Size H x W x D | Ship. Weight (lbs) | Hole Location | |
|-----------------------------|------------------------------------|------------|-----------------------------|--------------------------|---------------|-------|
| Carbon Steel 30.5mm Hole | 304 Stainless Steel 30.5mm Hole | | | | J | K |
| PPB12S11 | PPB12XS11 | 1 | 4 x 2.5 x 2.5 | 2 | 1.418 | 1.418 |
| PPB12S12 | PPB12XS12 | 2 | 6.25 x 2.5 x 2.5 | 3 | 2.168 | 1.418 |
| PPB12S13 | PPB12XS13 | 3 | 8.5 x 2.5 x 2.5 | 3 | 2.168 | 1.418 |
| PPB12S14 | PPB12XS14 | 4 | 10.75 x 2.5 x 2.5 | 4 | 2.168 | 1.418 |
| PPB12S15 | PPB12XS15 | 5 | 13 x 2.5 x 2.5 | 4 | 2.168 | 1.418 |
| PPB12S16 | PPB12XS16 | 6 | 16.25 x 2.5 x 2.5 | 5 | 2.668 | 1.418 |
| PPB12S17 | PPB12XS17 | 7 | 18.5 x 2.5 x 2.5 | 6 | 2.668 | 1.418 |
| PPB12S18 | PPB12XS18 | 8 | 20.75 x 2.5 x 2.5 | 6 | 2.668 | 1.418 |

Please consult serving utility for their requirements prior to ordering or installing, as specifications and approvals vary by utility, and may require local electrical inspector approval. All installations must be installed by a licensed electrician and must comply with all national and local codes, laws and regulations. Milbank reserves the right to make changes in specifications and features shown without notice or obligation.



Pushbutton Enclosures

Type 12 | Sloping Front Oil-Tight

Applications

Designed to provide protection from oil, dirt, and dust. Universal holes accommodate many types of pilot lights, switches and pushbuttons.

Construction

- Fabricated from 14 gauge carbon steel or type 304 stainless steel with continuously welded seams.
- Cover secured with captivated screws.
- Oil resistant gasket applied to the cover.
- External mounting feet for wall or machinery mounting.
- Universal pushbutton holes (30.5mm)
- 22mm available with: M addition to part number.

Finish

Standard ANSI-61 gray finish on interior and exterior of enclosures. Recoatable,

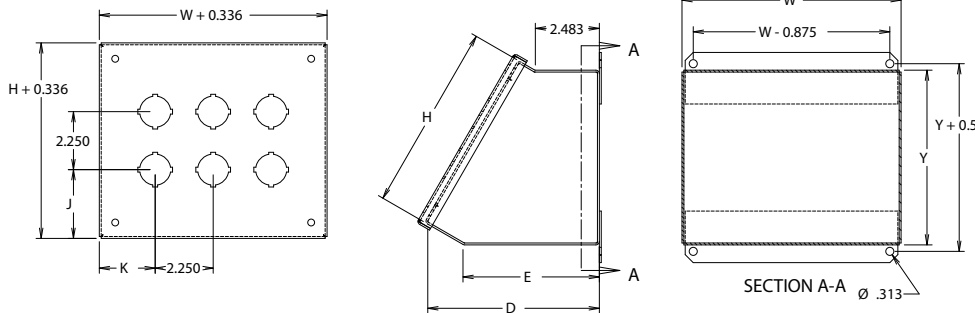
smooth, white or RAL 7035 texture polyester powder coat available at no charge. Standard RAL and custom match finishes available for an additional charge, please contact Milbank for further assistance. All powder coat finishes applied over cleaned phosphatized surfaces. Stainless steel enclosures have a polished #4 finish.

Options

Milbank can modify standard enclosures or custom design enclosures according to your specifications. Custom sizes, materials, and many more options are available. Quotations upon request.

Industry Standards

- UL 50 Listed
- CUL 50 Listed
- Type 12



| Catalog Number | | | | # of Holes | Enclosure Size H x W x D (inches) | Ship. Wt. (lbs) | Hole Location | | | |
|-----------------------------|---------------------------------------|-----------------------------|---------------------------------------|------------|---|-----------------------|---------------|------|------|-------|
| Carbon Steel 30.5mm Hole | 304 Stainless Steel 30.5mm Hole | Carbon Steel 22.5mm Hole | 304 Stainless Steel 22.5mm Hole | | | | J | K | E | Y |
| PBSF12S11 | PBSF12XS11 | PBSFM12S11 | PBSFM12XS11 | 1 | 3.5 x 3.25 x 4.87 | 7 | 1.86 | 1.73 | 3.34 | 3.53 |
| PBSF12S12 | PBSF12XS12 | PBSFM12S12 | PBSFM12XS12 | 2 | 3.5 x 5.5 x 4.87 | 4 | 1.86 | 1.73 | 3.34 | 3.53 |
| PBSF12S13 | PBSF12XS13 | PBSFM12S13 | PBSFM12XS13 | 3 | 3.5 x 7.75 x 4.87 | 4 | 1.86 | 1.73 | 3.34 | 3.53 |
| PBSF12S14 | PBSF12XS14 | PBSFM12S14 | PBSFM12XS14 | 4 | 3.5 x 10 x 4.87 | 5 | 1.86 | 1.73 | 3.34 | 3.53 |
| PBSF12S22 | PBSF12XS22 | PBSFM12S22 | PBSFM12XS22 | 4 | 7.25 x 6.25 x 6.75 | 6 | 2.61 | 2.11 | 5.22 | 6.78 |
| PBSF12S23 | PBSF12XS23 | PBSFM12S23 | PBSFM12XS23 | 6 | 7.25 x 8.5 x 6.75 | 7 | 2.61 | 2.11 | 5.22 | 6.78 |
| PBSF12S24 | PBSF12XS24 | PBSFM12S24 | PBSFM12XS24 | 8 | 7.25 x 10.75 x 6.75 | 9 | 2.61 | 2.11 | 5.22 | 6.78 |
| PBSF12S33 | PBSF12XS33 | PBSFM12S33 | PBSFM12XS33 | 9 | 9.5 x 8.50 x 7.87 | 10 | 2.61 | 2.11 | 6.34 | 8.73 |
| PBSF12S25 | PBSF12XS25 | PBSFM12S25 | PBSFM12XS25 | 10 | 7.25 x 13 x 6.75 | 13 | 2.61 | 2.11 | 5.22 | 6.78 |
| PBSF12S26 | PBSF12XS26 | PBSFM12S26 | PBSFM12XS26 | 12 | 7.25 x 15.25 x 6.75 | 13 | 2.61 | 2.11 | 5.22 | 6.78 |
| PBSF12S43 | PBSF12XS43 | PBSFM12S43 | PBSFM12XS43 | 12 | 11.75 x 8.50 x 9 | 11 | 2.61 | 2.11 | 7.47 | 10.69 |
| PBSF12S28 | PBSF12XS28 | PBSFM12S28 | PBSFM12XS28 | 16 | 7.25 x 19.75 x 6.75 | 16 | 2.61 | 2.11 | 5.22 | 6.78 |
| PBSF12S44 | PBSF12XS44 | PBSFM12S44 | PBSFM12XS44 | 16 | 11.75 x 10.75 x 9 | 13 | 2.61 | 2.11 | 7.47 | 10.69 |
| PBSF12S45 | PBSF12XS45 | PBSFM12S45 | PBSFM12XS45 | 20 | 11.75 x 13 x 9 | 16 | 2.61 | 2.11 | 7.49 | 10.69 |
| PBSF12S55 | PBSF12XS55 | PBSFM12S55 | PBSFM12XS55 | 25 | 14 x 13 x 10.12 | 20 | 2.61 | 2.11 | 8.59 | 12.62 |
| PBSF12S56 | PBSF12XS56 | PBSFM12S56 | PBSFM12XS56 | 30 | 14 x 15.25 x 10.12 | 20 | 2.61 | 2.11 | 8.59 | 12.62 |



Please consult serving utility for their requirements prior to ordering or installing, as specifications and approvals vary by utility, and may require local electrical inspector approval. All installations must be installed by a licensed electrician and must comply with all national and local codes, laws and regulations. Milbank reserves the right to make changes in specifications and features shown without notice or obligation.

Pushbutton Enclosures

Type 12 | Large Continuous Hinge Cover

67
TYPE 12
PUSHBUTTON
ENCLOSURES

Applications

Designed to provide protection from oil, dirt, and dust. Universal holes accommodate many types of pilot lights, switches and pushbuttons.

Construction

- Fabricated from 14 gauge carbon steel or type 304 stainless steel with continuously welded seams.
- Cover secured with captivated screws.
- Oil resistant gasket applied to the cover.
- External mounting feet for wall or machinery mounting.
- Universal pushbutton holes (30.5mm).
- 22mm available with "M" addition to part number.
- Studs for optional panel included.

Finish

Standard ANSI-61 gray finish on interior and exterior of enclosures. Recoatable,

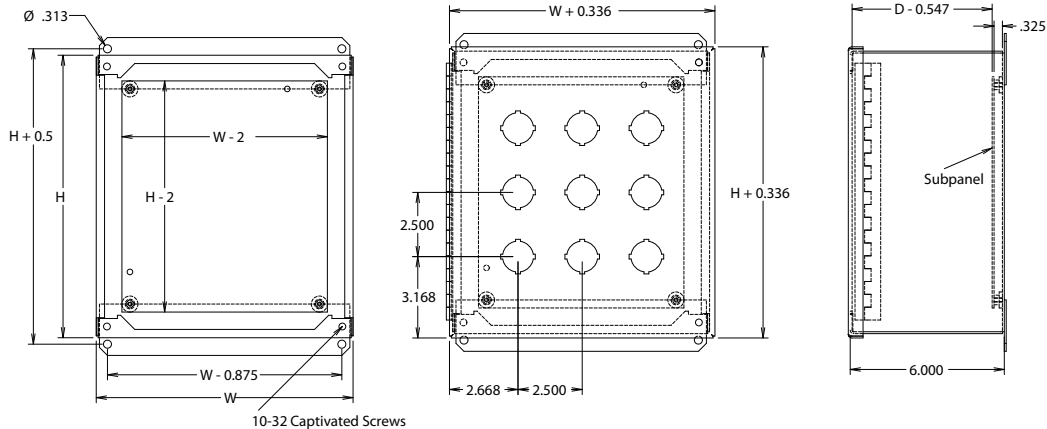
smooth, white or RAL 7035 texture polyester powder coat available at no charge. Standard RAL and custom match finishes available for an additional charge, please contact Milbank for further assistance. All powder coat finishes applied over cleaned phosphatized surfaces. Carbon steel sub panels have a white polyester powder coat finish. Stainless Steel enclosures have a polished #4 finish.

Options

Milbank can modify standard enclosures or custom design enclosures according to your specifications. Custom sizes, materials, and many more options are available. Quotations upon request.

Industry Standards

- UL 50 Listed
- CUL 50 Listed
- Type 12



| Catalog Number | | | | # of Holes | Enclosure Size H x W x D | Sub Panel Part # | Sub Panel H x W (inches) | Ship. Wt. (lbs) |
|-----------------------------|---------------------------------------|-----------------------------|---------------------------------------|------------|-----------------------------|---------------------|--------------------------------|-----------------------|
| Carbon Steel 30.5mm Hole | 304 Stainless Steel 30.5mm Hole | Carbon Steel 22.5mm Hole | 304 Stainless Steel 22.5mm Hole | | | | | |
| PBHC12S22 | PBHC12XS22 | PBHCM12S22 | PBHCM12XS22 | 4 | 8.5 x 7.5 x 6 | A-PB7P6 | 6.5 x 5.5 | 10 |
| PBHC12S32 | PBHC12XS32 | PBHCM12S32 | PBHCM12XS32 | 6 | 11 x 7 x 6 | A-PB10P6 | 9 x 5 | 12 |
| PBHC12S33 | PBHC12XS33 | PBHCM12S33 | PBHCM12XS33 | 9 | 11 x 10 x 6 | A-PB9P8 | 9 x 8 | 15 |
| PBHC12S43 | PBHC12XS43 | PBHCM12S43 | PBHCM12XS43 | 12 | 13.5 x 10 x 6 | A-PB12P11 | 11.5 x 8 | 17 |
| PBHC12S44 | PBHC12XS44 | PBHCM12S44 | PBHCM12XS44 | 16 | 13.5 x 12.5 x 6 | A-PB12P11 | 11.5 x 10.5 | 19 |
| PBHC12S54 | PBHC12XS54 | PBHCM12S54 | PBHCM12XS54 | 20 | 16 x 12.5 x 6 | A-PB14P11 | 14 x 10.5 | 25 |
| PBHC12S55 | PBHC12XS55 | PBHCM12S55 | PBHCM12XS55 | 25 | 16 x 15 x 6 | A-PB14P13 | 14 x 13 | 27 |
| PBHC12S65 | PBHC12XS65 | PBHCM12S65 | PBHCM12XS65 | 30 | 18.5 x 15 x 6 | A-PB17P13 | 16.5 x 13 | 29 |
| PBHC12S66 | PBHC12XS66 | PBHCM12S66 | PBHCM12XS66 | 36 | 18.5 x 17.5 x 6 | A-PB17P16 | 16.5 x 15.5 | 34 |
| PBHC12S76 | PBHC12XS76 | PBHCM12S76 | PBHCM12XS76 | 42 | 21 x 17.5 x 6 | A-PB19P16 | 19 x 15.5 | 38 |

Please consult serving utility for their requirements prior to ordering or installing, as specifications and approvals vary by utility, and may require local electrical inspector approval. All installations must be installed by a licensed electrician and must comply with all national and local codes, laws and regulations. Milbank reserves the right to make changes in specifications and features shown without notice or obligation.



Applications

Designed to provide protection from oil, dirt, and dust. Universal holes accommodate many types of pilot lights, switches and pushbuttons.

Construction

- Fabricated from 14 gauge carbon steel or type 304 stainless steel with continuously welded seams.
- Cover secured with captivated screws.
- Oil resistant gasket applied to the cover.
- External mounting feet for wall or machinery mounting.
- Universal pushbutton holes (30mm).
- 22mm available with "M" addition to part number.

Finish

Standard ANSI-61 gray finish on interior and

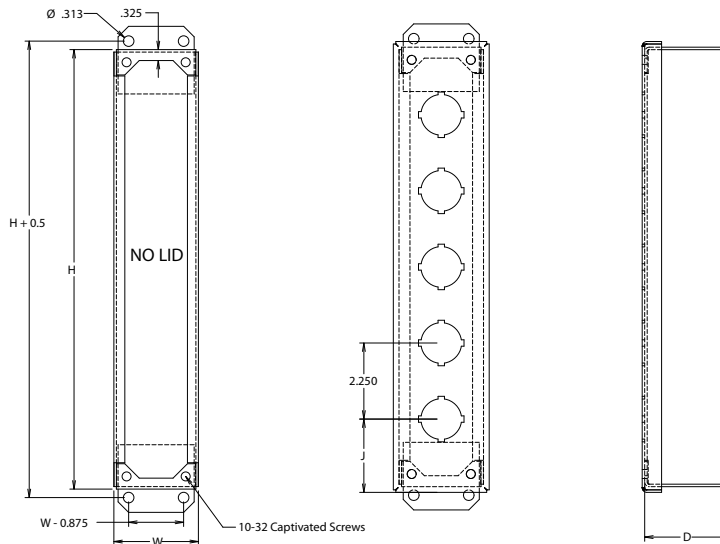
exterior of enclosures. Recoatable, smooth, white or RAL 7035 texture polyester powder coat available at no charge. Standard RAL and custom match finishes available for an additional charge, please contact Milbank for further assistance. All powder coat finishes applied over cleaned phosphatized surfaces. Stainless steel enclosures have a polished #4 finish.

Options

Milbank can modify standard enclosures or custom design enclosures according to your specifications. Custom sizes, materials, and many more options are available. Quotations upon request.

Industry Standards

- UL 50 Listed
- CUL 50 Listed
- Type 12



| Catalog Number | | | | # of Holes | Enclosure Size H x W x D | Ship. Wt. (lbs) | J (in.) |
|---------------------------|----------------------------------|-----------------------------|------------------------------------|------------|-----------------------------|-----------------------|------------|
| Carbon Steel 30mm Hole | 304 Stainless Steel 30mm Hole | Carbon Steel 22.5mm Hole | 304 Stainless Steel 22.5mm Hole | | | | |
| PBSL12S11 | PBSL12XS11 | PBSLM12S11 | PBSLM12XS11 | 1 | 4 x 2.5 x 2.5 | 2 | 2.168 |
| PBSL12S12 | PBSL12XS12 | PBSLM12S12 | PBSLM12XS12 | 2 | 6.25 x 2.5 x 2.5 | 3 | 2.168 |
| PBSL12S13 | PBSL12XS13 | PBSLM12S13 | PBSLM12XS13 | 3 | 8.5 x 2.5 x 2.5 | 3 | 2.168 |
| PBSL12S14 | PBSL12XS14 | PBSLM12S14 | PBSLM12XS14 | 4 | 10.75 x 2.5 x 2.5 | 4 | 2.168 |
| PBSL12S15 | PBSL12XS15 | PBSLM12S15 | PBSLM12XS15 | 5 | 13 x 2.5 x 2.5 | 4 | 2.168 |
| PBSL12S16 | PBSL12XS16 | PBSLM12S16 | PBSLM12XS16 | 6 | 16.25 x 2.5 x 2.5 | 6 | 2.668 |
| PBSL12S17 | PBSL12XS17 | PBSLM12S17 | PBSLM12XS17 | 7 | 18.5 x 2.5 x 2.5 | 7 | 2.668 |
| PBSL12S18 | PBSL12XS18 | PBSLM12S18 | PBSLM12XS18 | 8 | 20.75 x 2.5 x 2.5 | 8 | 2.668 |
| PBSL12S19 | PBSL12XS19 | PBSLM12S19 | PBSLM12XS19 | 9 | 23 x 2.5 x 2.5 | 8 | 2.668 |
| PBSL12S110 | PBSL12XS110 | PBSLM12S110 | PBSLM12XS110 | 10 | 25.25 x 2.5 x 2.5 | 8 | 2.668 |



Please consult serving utility for their requirements prior to ordering or installing, as specifications and approvals vary by utility, and may require local electrical inspector approval. All installations must be installed by a licensed electrician and must comply with all national and local codes, laws and regulations. Milbank reserves the right to make changes in specifications and features shown without notice or obligation.

Oil-Tight Consolets

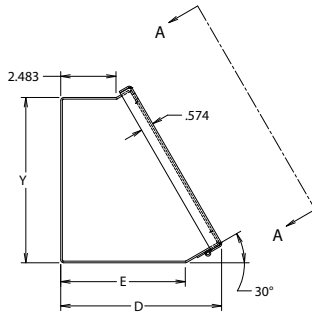
Type 12

Applications

Consolets provide protection from oil, dirt, and dust. They can be mounted on either of two sides, providing a 30 degree or 60 degree inclined control surface. These enclosures can be mounted on machines, pedestals, or desk tops, etc.

Construction

- Fabricated from 14 gauge carbon steel or type 304 stainless steel with continuously welded seams.
- Oil resistant adhesive gasket applied to the cover secured by captivated screws.
- A continuous hinge with a removable hinge pin on the long side.



Finish

Standard ANSI-61 gray finish on interior and exterior of enclosures. Recoatable, smooth, white or RAL 7035 texture polyester powder coat available at no charge. Standard RAL and custom match finishes available for an additional charge, please contact Milbank for further assistance. All powder coat finishes applied over cleaned phosphatized surfaces. Stainless steel consolets are polished with a #4 finish on six sides.

Options

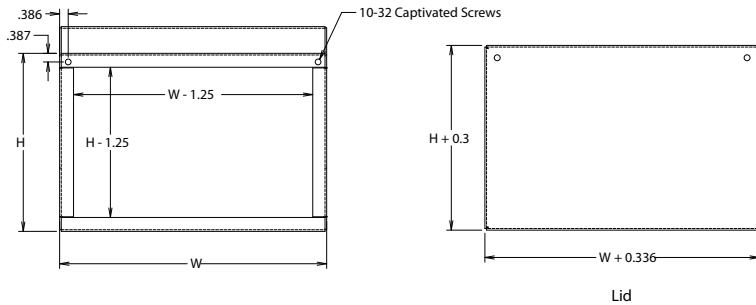
Milbank can modify standard enclosures or custom design enclosures according to your specifications.



Holes, hubs, cutouts, sizes, materials, and many more options are available. Quotations upon request.

Industry Standards

- UL 50 Listed
- CUL 50 Listed
- Type 12



| Catalog Number | | Surface Size H x W x D (inches) | Ship. Weight (lbs) | E (inches) | Y (inches) |
|----------------|-----------------------|---------------------------------------|--------------------------|---------------|---------------|
| Carbon Steel # | 304 Stainless Steel # | | | | |
| MC8C8 | MCXS8C8 | 8 x 8 x 7.09 | 9 | 5.59 | 7.44 |
| MC8C12 | MCXS8C12 | 8 x 12 x 7.09 | 11 | 5.59 | 7.44 |
| MC8C16 | MCXS8C16 | 8 x 16 x 7.09 | 14 | 5.59 | 7.44 |
| MC8C20 | MCXS8C20 | 8 x 20 x 7.09 | 17 | 5.59 | 7.44 |
| MC12C12 | MCXS12C12 | 12 x 12 x 9.09 | 15 | 7.59 | 10.91 |
| MC12C16 | MCXS12C16 | 12 x 16 x 9.09 | 20 | 7.59 | 10.91 |
| MC12C20 | MCXS12C20 | 12 x 20 x 9.09 | 24 | 7.59 | 10.91 |
| MC12C24 | MCXS12C24 | 12 x 24 x 9.09 | 28 | 7.59 | 10.91 |
| MC16C16 | MCXS16C16 | 16 x 16 x 11.09 | 25 | 9.59 | 14.38 |
| MC16C20 | MCXS16C20 | 16 x 20 x 11.09 | 29 | 9.59 | 14.38 |
| MC16C24 | MCXS16C24 | 16 x 24 x 11.09 | 35 | 9.59 | 14.38 |
| MC16C30 | MCXS16C30 | 16 x 30 x 11.09 | 42 | 9.59 | 14.38 |
| MC16C36 | MCXS16C36 | 16 x 36 x 11.09 | 47 | 9.59 | 14.38 |
| MC20C20 | MCXS20C20 | 20 x 20 x 13.09 | 36 | 11.59 | 17.84 |
| MC20C24 | MCXS20C24 | 20 x 24 x 13.09 | 42 | 11.59 | 17.84 |
| MC20C30 | MCXS20C30 | 20 x 30 x 13.09 | 50 | 11.59 | 17.84 |

Please consult serving utility for their requirements prior to ordering or installing, as specifications and approvals vary by utility, and may require local electrical inspector approval. All installations must be installed by a licensed electrician and must comply with all national and local codes, laws and regulations. Milbank reserves the right to make changes in specifications and features shown without notice or obligation.



Wall Mount Enclosures

Type 12 | Single Door

Applications

Designed to offer protection for electrical controls, instruments, and terminals from dust, dripping liquids, oil, and dirt.

Construction

- Fabricated from 14 gauge carbon steel, type 304, type 316 stainless steel, or .125" 5052 H32 aluminum with continuous welded seams.
- Door secured with heavy-duty continuous hinge with removable hinge pin and clamps.
- Padlocking hasp and staple.
- Adhesive backed, oil resistant gasket applied to the doors.
- Print pocket.
- External mounting feet for wall or machinery mounting.
- Ground studs installed inside cabinet and door.

- Collar studs provided for mounting optional sub panels.

Finish

Standard ANSI-61 gray finish on interior and exterior of enclosures. Recoatable, smooth, white or RAL 7035 texture polyester powder coat available at no charge. Standard RAL and custom match finishes available for an additional charge, please contact Milbank for further assistance. All powder coat finishes applied over cleaned phosphatized surfaces. Carbon steel sub panel have a white polyester powder coat finish. Stainless steel and aluminum enclosures have a polished #4 finish.

Options

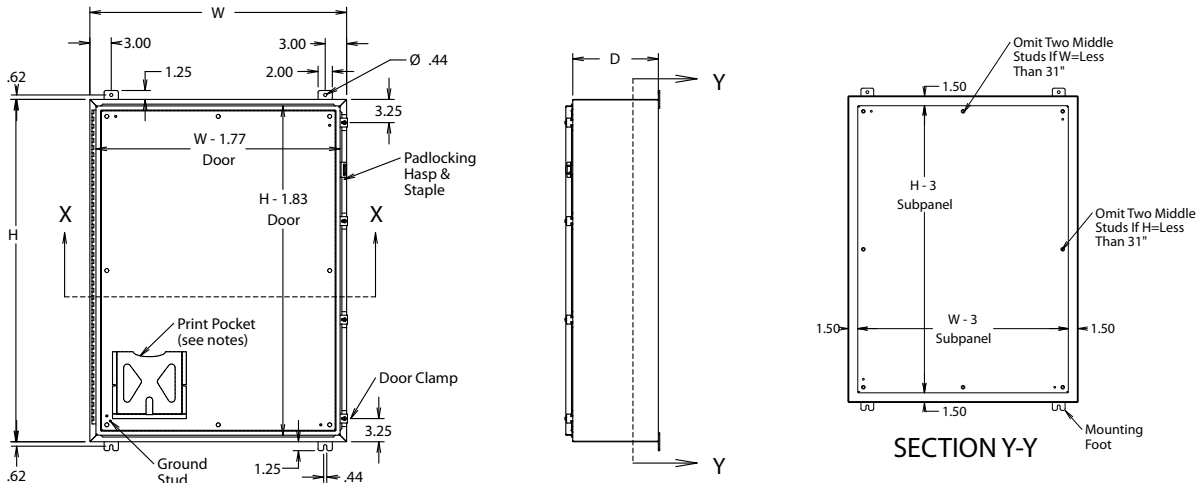
Milbank can modify standard enclosures or custom design enclosures according



to your specifications. Holes, cutouts, louvers, sizes, materials, and many more options are available. Quotations upon request.

Industry Standards

- UL 50 Listed
- CUL 50 Listed
- Type 12



NOTE

1. Print pocket = 6" x 6" when H and W are 24" or less. Print pocket = 9" x 9" when H and W are greater than 24".
2. Panels will have formed flanges when either height or width is greater than or equal to 18".
3. On 12" wide enclosures, center of mounting foot to edge of enclosure is 1.25".
4. Sub panels must be ordered separately. Weights for aluminum enclosures are not listed. Please contact Milbank for weight.



Please consult serving utility for their requirements prior to ordering or installing, as specifications and approvals vary by utility, and may require local electrical inspector approval. All installations must be installed by a licensed electrician and must comply with all national and local codes, laws and regulations. Milbank reserves the right to make changes in specifications and features shown without notice or obligation.

Wall Mount Enclosures

Type 12 | Single Door

71
TYPE 12
WALL MOUNT
ENCLOSURES

| Carbon Steel # | Catalog Number | | | Enclosure Size H x W x D (inches) | Ship. Wt. (lbs) | Sub Panel Catalog Number | Sub Panel Size (H x L) |
|----------------|--------------------------|--------------------------|-------------|---|-----------------------|--------------------------------|------------------------------|
| | 304 Stainless Steel # | 316 Stainless Steel # | Aluminum # | | | | |
| M12S161206 | M12XS161206 | M12XZ161206 | M12XA161206 | 16 x 12 x 6 | 24 | A-16P12 | 13 x 9 |
| M12S201206 | M12XS201206 | M12XZ201206 | M12XA201206 | 20 x 12 x 6 | 29 | A-20P12 | 17 x 9 |
| M12S241206 | M12XS241206 | M12XZ241206 | M12XA241206 | 24 x 12 x 6 | 32 | A-24P12 | 21 x 9 |
| M12S161606 | M12XS161606 | M12XZ161606 | M12XA161606 | 16 x 16 x 6 | 29 | A-16P16 | 13 x 13 |
| M12S201606 | M12XS201606 | M12XZ201606 | M12XA201606 | 20 x 16 x 6 | 33 | A-20P16 | 17 x 13 |
| M12S241606 | M12XS241606 | M12XZ241606 | M12XA241606 | 24 x 16 x 6 | 39 | A-24P16 | 21 x 13 |
| M12S301606 | M12XS301606 | M12XZ301606 | M12XA301606 | 30 x 16 x 6 | 46 | A-30P16 | 27 x 13 |
| M12S162006 | M12XS162006 | M12XZ162006 | M12XA162006 | 16 x 20 x 6 | 33 | A-20P16 | 17 x 13 |
| M12S202006 | M12XS202006 | M12XZ202006 | M12XA202006 | 20 x 20 x 6 | 38 | A-20P20 | 17 x 17 |
| M12S242006 | M12XS242006 | M12XZ242006 | M12XA242006 | 24 x 20 x 6 | 45 | A-24P20 | 21 x 17 |
| M12S302006 | M12XS302006 | M12XZ302006 | M12XA302006 | 30 x 20 x 6 | 53 | A-30P20 | 27 x 17 |
| M12S122406 | M12XS122406 | M12XZ122406 | M12XA122406 | 12 x 24 x 6 | 32 | A-24P12 | 21 x 9 |
| M12S202406 | M12XS202406 | M12XZ202406 | M12XA202406 | 20 x 24 x 6 | 46 | A-24P20 | 17 x 21 |
| M12S242406 | M12XS242406 | M12XZ242406 | M12XA242406 | 24 x 24 x 6 | 51 | A-24P24 | 21 x 21 |
| M12S302406 | M12XS302406 | M12XZ302406 | M12XA302406 | 30 x 24 x 6 | 61 | A-30P24 | 21 x 21 |
| M12S362406 | M12XS362406 | M12XZ362406 | M12XA362406 | 36 x 24 x 6 | 69 | A-36P24 | 33 x 21 |
| M12S363006 | M12XS363006 | M12XZ363006 | M12XA363006 | 36 x 30 x 6 | 86 | A-36P30 | 33 x 27 |
| M12S122408 | M12XS122408 | M12XZ122408 | M12XA122408 | 12 x 24 x 8 | 35 | A-24P12 | 9 x 21 |
| M12S161208 | M12XS161208 | M12XZ161208 | M12XA161208 | 16 x 12 x 8 | 27 | A-16P12 | 13 x 9 |
| M12S161608 | M12XS161608 | M12XZ161608 | M12XA161608 | 16 x 16 x 8 | 31 | A-16P16 | 13 x 13 |
| M12S162008 | M12XS162008 | M12XZ162008 | M12XA162008 | 16 x 20 x 8 | 29 | A-20P16 | 13 x 17 |
| M12S201208 | M12XS201208 | M12XZ201208 | M12XA201208 | 20 x 12 x 8 | 30 | A-20P12 | 17 x 9 |
| M12S201608 | M12XS201608 | M12XZ201608 | M12XA201608 | 20 x 16 x 8 | 36 | A-20P16 | 17 x 13 |
| M12S202008 | M12XS202008 | M12XZ202008 | M12XA202008 | 20 x 20 x 8 | 43 | A-20P20 | 17 x 17 |
| M12S202408 | M12XS202408 | M12XZ202408 | M12XA202408 | 20 x 24 x 8 | 50 | A-24P20 | 17 x 21 |
| M12S241608 | M12XS241608 | M12XZ241608 | M12XA241608 | 24 x 16 x 8 | 41 | A-24P16 | 21 x 13 |
| M12S242008 | M12XS242008 | M12XZ242008 | M12XA242008 | 24 x 20 x 8 | 50 | A-24P20 | 21 x 17 |
| M12S242408 | M12XS242408 | M12XZ242408 | M12XA242408 | 24 x 24 x 8 | 57 | A-24P24 | 21 x 21 |
| M12S243008 | M12XS243008 | M12XZ243008 | M12XA243008 | 24 x 30 x 8 | 66 | A-30P24 | 21 x 27 |
| M12S302008 | M12XS302008 | M12XZ302008 | M12XA302008 | 30 x 20 x 8 | 56 | A-30P20 | 27 x 17 |
| M12S302408 | M12XS302408 | M12XZ302408 | M12XA302408 | 30 x 24 x 8 | 67 | A-30P24 | 27 x 21 |
| M12S362408 | M12XS362408 | M12XZ362408 | M12XA362408 | 36 x 24 x 8 | 75 | A-36P24 | 33 x 21 |
| M12S422408 | M12XS422408 | M12XZ422408 | M12XA422408 | 42 x 24 x 8 | 85 | A-42P24 | 39 x 21 |
| M12S482408 | M12XS482408 | M12XZ482408 | M12XA482408 | 48 x 24 x 8 | 97 | A-48P24 | 45 x 21 |
| M12S303008 | M12XS303008 | M12XZ303008 | M12XA303008 | 30 x 30 x 8 | 79 | A-30P30 | 27 x 27 |
| M12S363008 | M12XS363008 | M12XZ363008 | M12XA363008 | 36 x 30 x 8 | 95 | A-36P30 | 33 x 27 |
| M12S423008 | M12XS423008 | M12XZ423008 | M12XA423008 | 42 x 30 x 8 | 105 | A-42P30 | 39 x 27 |
| M12S483008 | M12XS483008 | M12XZ483008 | M12XA483008 | 48 x 30 x 8 | 119 | A-48P30 | 45 x 27 |
| M12S303608 | M12XS303608 | M12XZ303608 | M12XA303608 | 30 x 36 x 8 | 90 | A-36P30 | 27 x 33 |
| M12S363608 | M12XS363608 | M12XZ363608 | M12XA363608 | 36 x 36 x 8 | 104 | A-36P36 | 33 x 33 |
| M12S423608 | M12XS423608 | M12XZ423608 | M12XA423608 | 42 x 36 x 8 | 120 | A-42P36 | 39 x 33 |
| M12S483608 | M12XS483608 | M12XZ483608 | M12XA483608 | 48 x 36 x 8 | 137 | A-48P36 | 45 x 33 |
| M12S603608 | M12XS603608 | M12XZ603608 | M12XA603608 | 60 x 36 x 8 | 164 | A-60P36 | 57 x 33 |
| M12S161210 | M12XS161210 | M12XZ161210 | M12XA161210 | 16 x 12 x 10 | 29 | A-16P12 | 13 x 9 |
| M12S241210 | M12XS241210 | M12XZ241210 | M12XA241210 | 24 x 12 x 10 | 39 | A-24P12 | 21 x 9 |

NOTE
Sub panels must be ordered separately. Weights for aluminum enclosures are not listed. Please contact Milbank for weight.

Please consult serving utility for their requirements prior to ordering or installing, as specifications and approvals vary by utility, and may require local electrical inspector approval. All installations must be installed by a licensed electrician and must comply with all national and local codes, laws and regulations. Milbank reserves the right to make changes in specifications and features shown without notice or obligation.



72

TYPE 12
WALL MOUNT
ENCLOSURES

Wall Mount Enclosures

Type 12 | Single Door

| Carbon Steel # | Catalog Number | | | Enclosure Size H x W x D (inches) | Ship. Wt. (lbs) | Sub Panel Catalog Number | Sub Panel Size (H x L) |
|----------------|--------------------------|--------------------------|-------------|---|-----------------------|--------------------------------|------------------------------|
| | 304 Stainless Steel # | 316 Stainless Steel # | Aluminum # | | | | |
| M12S201610 | M12XS201610 | M12XZ201610 | M12XA201610 | 20 x 16 x 10 | 39 | A-20P16 | 17 x 13 |
| M12S242010 | M12XS242010 | M12XZ242010 | M12XA242010 | 24 x 20 x 10 | 53 | A-24P20 | 21 x 17 |
| M12S302010 | M12XS302010 | M12XZ302010 | M12XA302010 | 30 x 20 x 10 | 60 | A-30P20 | 27 x 17 |
| M12S242410 | M12XS242410 | M12XZ242410 | M12XA242410 | 24 x 24 x 10 | 63 | A-24P24 | 21 x 21 |
| M12S302410 | M12XS302410 | M12XZ302410 | M12XA302410 | 30 x 24 x 10 | 73 | A-30P24 | 27 x 21 |
| M12S362410 | M12XS362410 | M12XZ362410 | M12XA362410 | 36 x 24 x 10 | 82 | A-36P24 | 33 x 21 |
| M12S363010 | M12XS363010 | M12XZ363010 | M12XA363010 | 36 x 30 x 10 | 100 | A-36P30 | 33 x 27 |
| M12S423010 | M12XS423010 | M12XZ423010 | M12XA423010 | 42 x 30 x 10 | 116 | A-42P30 | 39 x 27 |
| M12S483010 | M12XS483010 | M12XZ483010 | M12XA483010 | 48 x 30 x 10 | 124 | A-48P30 | 45 x 27 |
| M12S423610 | M12XS423610 | M12XZ423610 | M12XA423610 | 42 x 36 x 10 | 124 | A-42P36 | 39 x 33 |
| M12S483610 | M12XS483610 | M12XZ483610 | M12XA483610 | 48 x 36 x 10 | 148 | A-48P36 | 45 x 33 |
| M12S603610 | M12XS603610 | M12XZ603610 | M12XA603610 | 60 x 36 x 10 | 166 | A-60P36 | 57 x 33 |
| M12S201612 | M12XS201612 | M12XZ201612 | M12XA201612 | 20 x 16 x 12 | 42 | A-20P16 | 17 x 13 |
| M12S242012 | M12XS242012 | M12XZ242012 | M12XA242012 | 24 x 20 x 12 | 57 | A-24P20 | 21 x 17 |
| M12S242412 | M12XS242412 | M12XZ242412 | M12XA242412 | 24 x 24 x 12 | 64 | A-24P24 | 21 x 21 |
| M12S302412 | M12XS302412 | M12XZ302412 | M12XA302412 | 30 x 24 x 12 | 77 | A-30P24 | 27 x 21 |
| M12S362412 | M12XS362412 | M12XZ362412 | M12XA362412 | 36 x 24 x 12 | 89 | A-36P24 | 33 x 21 |
| M12S303012 | M12XS303012 | M12XZ303012 | M12XA303012 | 30 x 30 x 12 | 94 | A-30P30 | 27 x 27 |
| M12S363012 | M12XS363012 | M12XZ363012 | M12XA363012 | 36 x 30 x 12 | 103 | A-36P30 | 33 x 27 |
| M12S423012 | M12XS423012 | M12XZ423012 | M12XA423012 | 42 x 30 x 12 | 122 | A-42P30 | 39 x 27 |
| M12S723012 | M12XS723012 | M12XZ723012 | M12XA723012 | 72 x 30 x 12 | 181 | A-72P30 | 69 x 27 |
| M12S363612 | M12XS363612 | M12XZ363612 | M12XA363612 | 36 x 36 x 12 | 127 | A-36P36 | 33 x 33 |
| M12S423612 | M12XS423612 | M12XZ423612 | M12XA423612 | 42 x 36 x 12 | 135 | A-42P36 | 39 x 33 |
| M12S483612 | M12XS483612 | M12XZ483612 | M12XA483612 | 48 x 36 x 12 | 152 | A-48P36 | 45 x 33 |
| M12S603612 | M12XS603612 | M12XZ603612 | M12XA603612 | 60 x 36 x 12 | 176 | A-60P36 | 57 x 33 |
| M12S723612 | M12XS723612 | M12XZ723612 | M12XA723612 | 72 x 36 x 12 | 215 | A-72P36 | 69 x 33 |
| M12S242016 | M12XS242016 | M12XZ242016 | M12XA242016 | 24 x 20 x 16 | 67 | A-24P20 | 21 x 17 |
| M12S242416 | M12XS242416 | M12XZ242416 | M12XA242416 | 24 x 24 x 16 | 75 | A-24P24 | 21 x 21 |
| M12S302416 | M12XS302416 | M12XZ302416 | M12XA302416 | 30 x 24 x 16 | 88 | A-30P24 | 27 x 21 |
| M12S363016 | M12XS363016 | M12XZ363016 | M12XA363016 | 36 x 30 x 16 | 121 | A-36P30 | 33 x 27 |
| M12S723016 | M12XS723016 | M12XZ723016 | M12XA723016 | 72 x 30 x 16 | 206 | A-72P30 | 69 x 27 |
| M12S423616 | M12XS423616 | M12XZ423616 | M12XA423616 | 42 x 36 x 16 | 155 | A-42P36 | 39 x 33 |
| M12S483616 | M12XS483616 | M12XZ483616 | M12XA483616 | 48 x 36 x 16 | 170 | A-48P36 | 45 x 33 |
| M12S603616 | M12XS603616 | M12XZ603616 | M12XA603616 | 60 x 36 x 16 | 199 | A-60P36 | 57 x 33 |
| M12S302420 | M12XS302420 | M12XZ302420 | M12XA302420 | 30 x 24 x 20 | 96 | A-30P24 | 27 x 21 |
| M12S363020 | M12XS363020 | M12XZ363020 | M12XA363020 | 36 x 30 x 20 | 127 | A-36P30 | 33 x 27 |
| M12S483620 | M12XS483620 | M12XZ483620 | M12XA483620 | 48 x 36 x 20 | 170 | A-48P36 | 45 x 33 |
| M12S603620 | M12XS603620 | M12XZ603620 | M12XA603620 | 60 x 36 x 20 | 219 | A-60P36 | 57 x 33 |
| M12S723020 | M12XS723020 | M12XZ723020 | M12XA723020 | 72 x 30 x 20 | 227 | A-72P30 | 69 x 27 |
| M12S302424 | M12XS302424 | M12XZ302424 | M12XA302424 | 30 x 24 x 24 | 109 | A-30P24 | 27 x 21 |
| M12S723024 | M12XS723024 | M12XZ723024 | M12XA723024 | 72 x 30 x 24 | 243 | A-72P30 | 69 x 27 |

NOTE

Sub panels must be ordered separately. Weights for aluminum enclosures are not listed. Please contact Milbank for weight.



Please consult serving utility for their requirements prior to ordering or installing, as specifications and approvals vary by utility, and may require local electrical inspector approval. All installations must be installed by a licensed electrician and must comply with all national and local codes, laws and regulations. Milbank reserves the right to make changes in specifications and features shown without notice or obligation.

Wall Mount Enclosures

Type 12 | Double Door

73
TYPE 12
WALL MOUNT
ENCLOSURES

Applications

Designed to provide protection for electrical controls, instruments, and terminals from dust, dripping liquids, dirt, and oil.

Construction

- Fabricated from 14 gauge carbon steel, type 304 or type 316 stainless steel with continuous welded seams.
- Overlapping doors secured with continuous hinges with removable hinge pins and key locking handle with three point latching system.
- Adhesive backed, oil resistant gasket applied to the doors.
- Print pocket.
- External mounting feet for wall or machinery mounting.
- Ground studs installed inside cabinet and door.
- Collar studs provided for mounting optional sub panels.

Finish

Standard ANSI-61 gray finish on interior and exterior of enclosures.



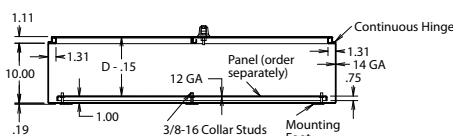
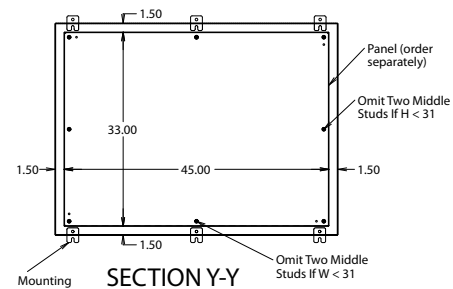
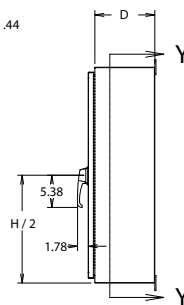
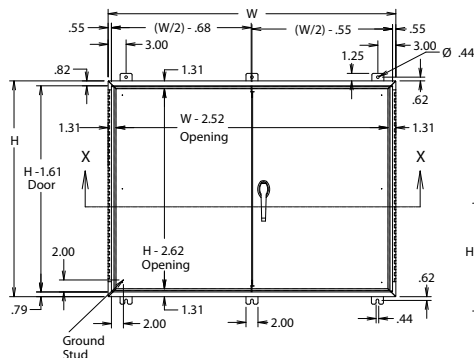
Recoatable, smooth, white or RAL 7035 texture polyester powder coat available at no charge. Standard RAL and custom match finishes available for an additional charge, please contact Milbank for further assistance. All powder coat finishes applied over cleaned phosphatized surfaces. Carbon steel sub panels have a white polyester powder coat finish. Stainless Steel enclosures have a polished #4 finish.

Options

Milbank can modify standard enclosures or custom design enclosures according to your specifications. Holes, hubs, cutouts, louvers, sizes, materials, and many more options are available. Quotations upon request.

Industry Standards

- UL 50 Listed
- CUL 50 Listed
- Type 12



SECTION X-X

NOTE

9" x 9" Print pocket shipped inside enclosure.

Please consult serving utility for their requirements prior to ordering or installing, as specifications and approvals vary by utility, and may require local electrical inspector approval. All installations must be installed by a licensed electrician and must comply with all national and local codes, laws and regulations. Milbank reserves the right to make changes in specifications and features shown without notice or obligation.



Wall Mount Enclosures

Type 12 | Double Door

| Catalog Number | | | Enclosure Size H x W x D (inches) | Ship. Wt. (lbs) | Sub Panel Part Number | Sub Panel Size H x W (inches) |
|----------------|-----------------------|-----------------------|---|-----------------------|-----------------------------|-------------------------------------|
| Carbon Steel # | 304 Stainless Steel # | 316 Stainless Steel # | | | | |
| M12D244208 | M12DXS244208 | M12DXZ244208 | 24 x 42 x 8 | 94 | A-42P24 | 21 x 39 |
| M12D244808 | M12DXS244808 | M12DXZ244808 | 24 x 48 x 8 | 106 | A-48P24 | 21 x 45 |
| M12D304210 | M12DXS304210 | M12DXZ304210 | 30 x 42 x 10 | 121 | A-42P30 | 27 x 39 |
| M12D304810 | M12DXS304810 | M12DXZ304810 | 30 x 48 x 10 | 136 | A-48P30 | 27 x 45 |
| M12D306010 | M12DXS306010 | M12DXZ306010 | 30 x 60 x 10 | 165 | A-60P30 | 27 x 57 |
| M12D304212 | M12DXS304212 | M12DXZ304212 | 30 x 42 x 12 | 130 | A-42P30 | 27 x 39 |
| M12D364212 | M12DXS364212 | M12DXZ364212 | 36 x 42 x 12 | 150 | A-42P36 | 33 x 39 |
| M12D424212 | M12DXS424212 | M12DXZ424212 | 42 x 42 x 12 | 170 | A-42P42 | 39 x 39 |
| M12D304812 | M12DXS304812 | M12DXZ304812 | 30 x 48 x 12 | 145 | A-48P30 | 27 x 45 |
| M12D364812 | M12DXS364812 | M12DXZ364812 | 36 x 48 x 12 | 167 | A-48P36 | 33 x 45 |
| M12D424812 | M12DXS424812 | M12DXZ424812 | 42 x 48 x 12 | 189 | A-42P48 | 39 x 45 |
| M12D484812 | M12DXS484812 | M12DXZ484812 | 48 x 48 x 12 | 212 | A-DD4848 | 45 x 45 |
| M12D306012 | M12DXS306012 | M12DXZ306012 | 30 x 60 x 12 | 176 | A-60P30 | 27 x 57 |
| M12D366012 | M12DXS366012 | M12DXZ366012 | 36 x 60 x 12 | 203 | A-60P36 | 33 x 57 |
| M12D426012 | M12DXS426012 | M12DXZ426012 | 42 x 60 x 12 | 229 | A-42P60 | 39 x 57 |
| M12D486012 | M12DXS486012 | M12DXZ486012 | 48 x 60 x 12 | 256 | A-60P48 | 45 x 57 |
| M12D606012 | M12DXS606012 | M12DXZ606012 | 60 x 60 x 12 | 308 | A-60P60 | 57 x 57 |
| M12D304216 | M12DXS304216 | M12DXZ304216 | 30 x 42 x 16 | 148 | A-42P30 | 27 x 39 |
| M12D364216 | M12DXS364216 | M12DXZ364216 | 36 x 42 x 16 | 169 | A-42P36 | 33 x 39 |
| M12D424216 | M12DXS424216 | M12DXZ424216 | 42 x 42 x 16 | 190 | A-42P42 | 39 x 39 |
| M12D306016 | M12DXS306016 | M12DXZ306016 | 30 x 60 x 16 | 198 | A-60P30 | 27 x 57 |
| M12D364816 | M12DXS364816 | M12DXZ364816 | 36 x 48 x 16 | 188 | A-48P36 | 33 x 45 |
| M12D366016 | M12DXS366016 | M12DXZ366016 | 36 x 60 x 16 | 226 | A-60P36 | 33 x 57 |
| M12D424816 | M12DXS424816 | M12DXZ424816 | 42 x 48 x 16 | 212 | A-42P48 | 39 x 45 |
| M12D484816 | M12DXS484816 | M12DXZ484816 | 48 x 48 x 16 | 235 | A-DD4848 | 45 x 45 |
| M12D486016 | M12DXS486016 | M12DXZ486016 | 48 x 60 x 16 | 282 | A-60P48 | 45 x 57 |
| M12D426016 | M12DXS426016 | M12DXZ426016 | 42 x 60 x 16 | 254 | A-42P60 | 39 x 57 |
| M12D606016 | M12DXS606016 | M12DXZ606016 | 60 x 60 x 16 | 338 | A-60P60 | 57 x 57 |



Please consult serving utility for their requirements prior to ordering or installing, as specifications and approvals vary by utility, and may require local electrical inspector approval. All installations must be installed by a licensed electrician and must comply with all national and local codes, laws and regulations. Milbank reserves the right to make changes in specifications and features shown without notice or obligation.

Please consult serving utility for their requirements prior to ordering or installing, as specifications and approvals vary by utility, and may require local electrical inspector approval. All installations must be installed by a licensed electrician and must comply with all national and local codes, laws and regulations. Milbank reserves the right to make changes in specifications and features shown without notice or obligation.



Applications

Designed to provide protection for electrical controls, instruments, and terminals from dust, dripping liquids, dirt, and oil.

Construction

- Fabricated from 10 and 12 gauge carbon steel, type 304 or 12 gauge type 316 stainless steel with continuous welded seams.
- Overlapping doors secured with continuous hinges with removable hinge pins and key locking handle with three point latching system.
- Adhesive backed, oil resistant gasket applied to the doors.
- 12-inch floor stands.
- Print pocket.
- Heavy-duty lifting eyes.
- Ground studs installed inside cabinet and door.
- Collar studs provided for mounting

optional sub panels.

- Body stiffeners for extra rigidity.

Finish

Standard ANSI-61 gray finish on interior and exterior of enclosures. Recoatable, smooth, white or RAL 7035 texture polyester powder coat available at no charge. Standard RAL and custom match finishes available for an additional charge, please contact Milbank for further assistance. All powder coat finishes applied over cleaned phosphatized surfaces. Carbon steel sub panels have a white polyester powder coat finish. Stainless steel enclosures have a polished #4 finish.

Options

Milbank can modify standard enclosures or custom design enclosures according to your specifications. Holes, cutouts, louvers, sizes, materials, and



many more options are available. Quotations upon request.

Industry Standards

- UL 50 Listed
- CUL 50 Listed
- Type 12

| Catalog Number | | | Enclosure Size H x W x D (inches) | Ship. Weight (lbs) | Sub Panel Part Number | Sub Panel Size H x W (inches) |
|----------------|-----------------------|-----------------------|---|--------------------------|--------------------------|-------------------------------------|
| Carbon Steel # | 304 Stainless Steel # | 316 Stainless Steel # | | | | |
| M12D544208-FT | M12DXS544208-FT | M12DXZ54428-FT | 54 x 42 x 8 | 285 | A-DD5442 | 50 x 38 |
| M12D60488-FT | M12DXS60488-FT | M12DXZ60488-FT | 60 x 48 x 8 | 342 | A-DD6048 | 56 x 44 |
| M12D604810-FT | M12DXS604810-FT | M12DXZ604810-FT | 60 x 48 x 10 | 357 | A-DD6048 | 56 x 44 |
| M12D606010-FT | M12DXS606010-FT | M12DXZ606010-FT | 60 x 60 x 10 | 415 | A-DD6060 | 56 x 56 |
| M12D726010-FT | M12DXS726010-FT | M12DXZ726010-FT | 72 x 60 x 10 | 525 | A-DD7260 | 68 x 56 |
| M12D727210-FT | M12DXS727210-FT | M12DXZ727210-FT | 72 x 72 x 10 | 590 | A-DD7272 | 68 x 68 |
| M12D604812-FT | M12DXS604812-FT | M12DXZ604812-FT | 60 x 48 x 12 | 375 | A-DD6048 | 56 x 44 |
| M12D606012-FT | M12DXS606012-FT | M12DXZ606012-FT | 60 x 60 x 12 | 430 | A-DD6060 | 56 x 56 |
| M12D726012-FT | M12DXS726012-FT | M12DXZ726012-FT | 72 x 60 x 12 | 550 | A-DD7260 | 68 x 56 |
| M12D727212-FT | M12DXS727212-FT | M12DXZ727212-FT | 72 x 72 x 12 | 626 | A-DD7272 | 68 x 68 |
| M12D604816-FT | M12DXS604816-FT | M12DXZ604816-FT | 60 x 48 x 16 | 405 | A-DD6048 | 56 x 44 |
| M12D604820-FT | M12DXS604820-FT | M12DXZ604820-FT | 60 x 48 x 20 | 435 | A-DD6048 | 56 x 44 |
| M12D604824-FT | M12DXS604824-FT | M12DXZ604824-FT | 60 x 48 x 24 | 465 | A-DD6048 | 56 x 44 |
| M12D606024-FT | M12DXS606024-FT | M12DXZ606024-FT | 60 x 60 x 24 | 520 | A-DD6060 | 56 x 56 |
| M12D726024-FT | M12DXS726024-FT | M12DXZ726024-FT | 72 x 60 x 24 | 700 | A-DD7260 | 68 x 56 |
| M12D727224-FT | M12DXS727224-FT | M12DXZ727224-FT | 72 x 72 x 24 | 805 | A-DD7272 | 68 x 68 |

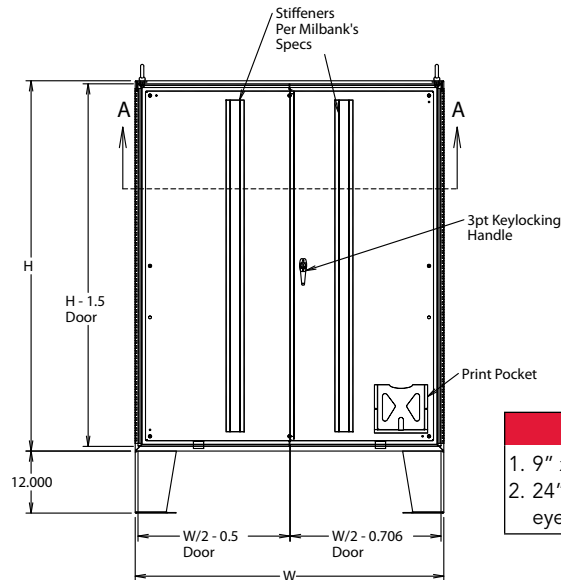
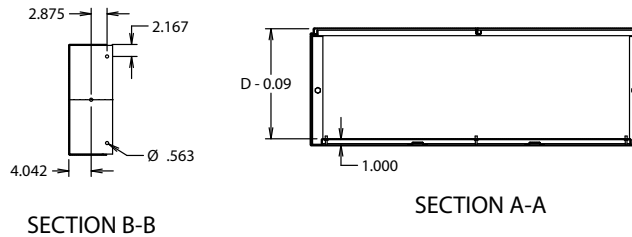
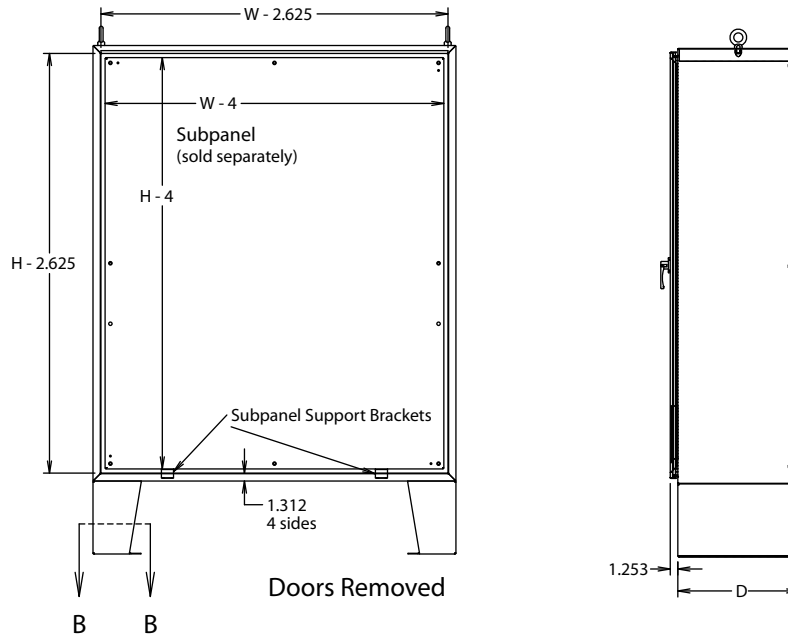


Please consult serving utility for their requirements prior to ordering or installing, as specifications and approvals vary by utility, and may require local electrical inspector approval. All installations must be installed by a licensed electrician and must comply with all national and local codes, laws and regulations. Milbank reserves the right to make changes in specifications and features shown without notice or obligation.

Floor Mount Enclosures

Type 12 | Two-Door

77
TYPE 12
FLOOR MOUNT
ENCLOSURES



NOTE

1. 9" x 9" print pocket shipped inside enclosure.
2. 24" deep enclosures will receive 4 lifting eyebolts.

Please consult serving utility for their requirements prior to ordering or installing, as specifications and approvals vary by utility, and may require local electrical inspector approval. All installations must be installed by a licensed electrician and must comply with all national and local codes, laws and regulations. Milbank reserves the right to make changes in specifications and features shown without notice or obligation.



Freestanding Enclosures

Type 12 | Single Door & Dual Access

Applications

Designed to provide protection for electrical terminals, controls, and instruments from dirt, dust, dripping liquids, and oil. Freestanding enclosures are designed to accept Unistrut® mounted sub-panels, rack angles or other adjustable mount equipment.

Construction

- Fabricated from 10 and 12 gauge carbon steel, type 304 or type 316 stainless steel with continuous welded seams.
- Doors secured with heavy-duty continuous hinges with removable hinge pins and key locking handle with three point latching system.
- Adhesive backed, oil resistant gasket applied to the doors.
- Unistrut® channel.
- Print pocket.
- Heavy-duty lifting eyes.
- Ground studs inside cabinet and door.
- Collar studs provided for mounting optional sub panel in back.

Accessories

- Sub panels include full size, half-size, side mount, and swing-out panels which can be mounted and adjusted for depth on the horizontal Unistrut® channel. Order sub panels separately.
- Clamping nuts for installing other equipment.

Finish

Standard ANSI-61 gray finish on interior and exterior of enclosures. Recoatable, smooth, white or RAL 7035 texture polyester powder coat available at no charge. Standard RAL and custom match finishes available for an additional charge, please contact Milbank for further assistance. All powder coat finishes applied over cleaned phosphatized surfaces. Carbon steel sub panels have a white polyester powder coat finish. Stainless steel enclosures have a polished #4 finish.

Options

Milbank can modify standard enclosures or custom design enclosures



according to your specifications. Holes, cutouts, sizes, materials, and many more options are available. Quotations upon request.

Industry Standards

- UL 50 Listed
- CUL 50 Listed
- Type 12

| Single Door Free-Standing Enclosures | | | | | | | | | | | | |
|--------------------------------------|-----------------------|-----------------------|------------------------------|-----------------|-----------------------|----------------------|-----------------------|----------------------|---------------------------|------------------|-----------------|--|
| Carbon Steel # | Catalog Number | | Unit Size H x W x D (inches) | Ship. Wt. (lbs) | Full Sub Panel Part # | Sub Panel Size H x W | Half Sub Panel Part # | Sub Panel Size H x W | Side Mounted Panel Part # | Side Panel H x W | # of Lift. Eyes | |
| | 304 Stainless Steel # | 316 Stainless Steel # | | | | | | | | | | |
| M12FS602418 | M12FSXS602418 | M12FSXZ602418 | 60 x 24 x 18 | 240 | A-60P24F1 | 48 x 20 | A-60P24F2 | 24.88 x 20 | A-60SMP14 | 48 x 14 | 2 | |
| M12FS722418 | M12FSXS722418 | M12FSXZ722418 | 72 x 24 x 18 | 272 | A-72P24F1 | 60 x 20 | A-72P24F2 | 30.88 x 20 | A-72SMP14 | 60 x 14 | 2 | |
| M12FS723018 | M12FSXS723018 | M12FSXZ723018 | 72 x 30 x 18 | 285 | A-72P30F1 | 60 x 26 | A-72P30F2 | 30.88 x 26 | A-72SMP14 | 60 x 14 | 2 | |
| M12FS723618 | M12FSXS723618 | M12FSXZ723618 | 72 x 36 x 18 | 338 | A-72P36F1 | 60 x 32 | A-72P36F2 | 30.88 x 32 | A-72SMP14 | 60 x 14 | 2 | |
| M12FS902420 | M12FSXS902420 | M12FSXZ902420 | 90 x 24 x 20 | 315 | A-90P24F1 | 78 x 20 | A-90P24F2 | 39.88 x 20 | A-90SMP16 | 78 x 16 | 2 | |
| M12FS903620 | M12FSXS903620 | M12FSXZ903620 | 90 x 36 x 20 | 430 | A-90P36F1 | 78 x 32 | A-90P36F2 | 39.88 x 32 | A-90SMP16 | 78 x 16 | 2 | |
| M12FS603624 | M12FSXS603624 | M12FSXZ603624 | 60 x 36 x 24 | 325 | A-60P36F1 | 48 x 32 | A-60P36F2 | 24.88 x 32 | A-60SMP20 | 48 x 20 | 4 | |
| M12FS722424 | M12FSXS722424 | M12FSXZ722424 | 72 x 24 x 24 | 300 | A-72P24F1 | 60 x 20 | A-72P24F2 | 30.88 x 20 | A-72SMP20 | 60 x 20 | 4 | |
| M12FS723024 | M12FSXS723024 | M12FSXZ723024 | 72 x 30 x 24 | 335 | A-72P30F1 | 60 x 26 | A-72P30F2 | 30.88 x 26 | A-72SMP20 | 60 x 20 | 4 | |
| M12FS723624 | M12FSXS723624 | M12FSXZ723624 | 72 x 36 x 24 | 370 | A-72P36F1 | 60 x 32 | A-72P36F2 | 30.88 x 32 | A-72SMP20 | 60 x 20 | 4 | |
| M12FS903624 | M12FSXS903624 | M12FSXZ903624 | 90 x 36 x 24 | 460 | A-90P36F1 | 78 x 32 | A-90P36F2 | 39.88 x 32 | A-90SMP20 | 78 x 20 | 4 | |
| M12FS722430 | M12FSXS722430 | M12FSXZ722430 | 72 x 24 x 30 | 348 | A-72P24F1 | 60 x 20 | A-72P24F2 | 30.88 x 20 | A-72SMP20 | 60 x 20 | 4 | |
| M12FS723630 | M12FSXS723630 | M12FSXZ723630 | 72 x 36 x 30 | 428 | A-72P36F1 | 60 x 32 | A-72P36F2 | 30.88 x 32 | A-72SMP26 | 60 x 26 | 4 | |
| M12FS723636 | M12FSXS723636 | M12FSXZ723636 | 72 x 36 x 36 | 465 | A-72P36F1 | 60 x 32 | A-72P36F2 | 30.88 x 32 | A-72SMP32 | 60 x 32 | 4 | |
| M12FS903636 | M12FSXS903636 | M12FSXZ903636 | 90 x 36 x 36 | 560 | A-90P36F1 | 78 x 32 | A-90P36F2 | 39.88 x 32 | A-90SMP32 | 78 x 32 | 4 | |

NOTE

Full, half, and side sub panels must be ordered separately.



Please consult serving utility for their requirements prior to ordering or installing, as specifications and approvals vary by utility, and may require local electrical inspector approval. All installations must be installed by a licensed electrician and must comply with all national and local codes, laws and regulations. Milbank reserves the right to make changes in specifications and features shown without notice or obligation.

Freestanding Enclosures

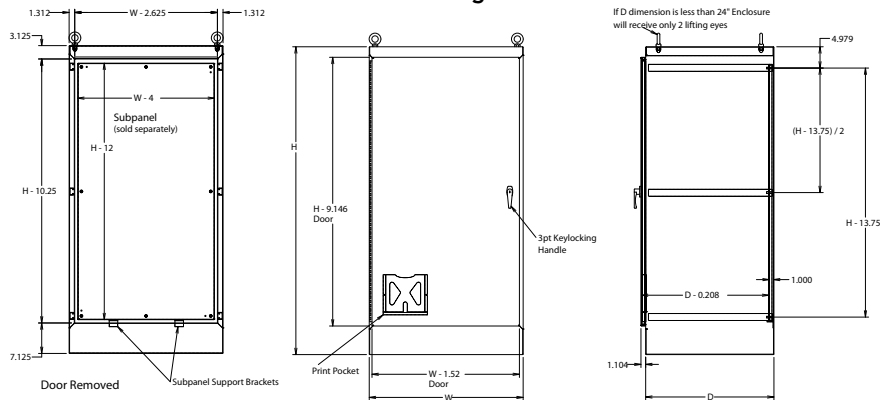
Type 12 | Single Door & Dual Access

79
TYPE 12
FREESTANDING
ENCLOSURES

| Single Door Dual Access Enclosures | | | | | | | |
|------------------------------------|-----------------------|-----------------------|---|-----------------|-----------------------|-------------------------------------|--------------|
| Carbon Steel # | Catalog Number | | Enclosure Size H x W x D (inches) | Ship. Wt. (lbs) | Full Sub Panel Part # | Sub Panel Size H x W (inches) | Lifting Eyes |
| | 304 Stainless Steel # | 316 Stainless Steel # | | | | | |
| M12FSDA722424 | M12FSDAXS722424 | M12FSDAXZ722424 | 72 x 24 x 24 | 335 | A-72P24F1 | 60 x 20 | 4 |
| M12FSDA723024 | M12FSDAXS723024 | M12FSDAXZ723024 | 72 x 30 x 24 | 385 | A-72P30F1 | 60 x 26 | 4 |
| M12FSDA723624 | M12FSDAXS723624 | M12FSDAXZ723624 | 72 x 36 x 24 | 424 | A-72P36F1 | 60 x 32 | 4 |
| M12FSDA903624 | M12FSDAXS903624 | M12FSDAXZ903624 | 90 x 36 x 24 | 536 | A-90P36F1 | 78 x 32 | 4 |
| M12FSDA722430 | M12FSDAXS722430 | M12FSDAXZ722430 | 72 x 24 x 30 | 385 | A-72P24F1 | 60 x 20 | 4 |
| M12FSDA722436 | M12FSDAXS722436 | M12FSDAXZ722436 | 72 x 24 x 36 | 425 | A-72P24F1 | 60 x 20 | 4 |
| M12FSDA723636 | M12FSDAXS723636 | M12FSDAXZ723636 | 72 x 36 x 36 | 495 | A-72P36F1 | 60 x 32 | 4 |
| M12FSDA903636 | M12FSDAXS903636 | M12FSDAXZ903636 | 90 x 36 x 36 | 555 | A-90P36F1 | 78 x 32 | 4 |

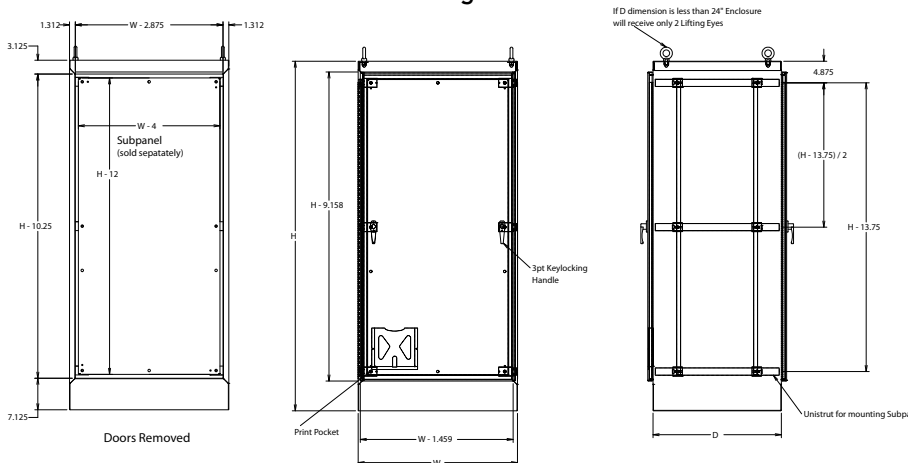


M12FS Single Door



NOTE
9" x 9" Print pocket shipped inside enclosure.

M12FSDA Single Door Dual Access



NOTE
9" x 9" Print pocket shipped inside enclosure.

Please consult serving utility for their requirements prior to ordering or installing, as specifications and approvals vary by utility, and may require local electrical inspector approval. All installations must be installed by a licensed electrician and must comply with all national and local codes, laws and regulations. Milbank reserves the right to make changes in specifications and features shown without notice or obligation.



Freestanding Enclosures

Type 12 | Two Door & Two Door Dual Access

Applications

Provide protection for electrical terminals, controls, and instruments from dirt, dust, dripping liquids, and oil. Freestanding enclosures are designed to accept Unistrut® mounted sub panels, rack angles or other adjustable mount equipment.

Construction

- Fabricated from 10 and 12 gauge carbon steel, type 304 or 12 gauge type 316 stainless steel with continuously welded seams.
- Doors secured with heavy-duty continuous hinges with removable hinge pins and key locking handle with three point latching system.
- Adhesive backed, oil resistant gasket applied to the doors.
- Unistrut® channel.
- Print pocket.
- Heavy-duty lifting bolts.
- Ground studs inside cabinet and door.
- Body stiffeners for extra rigidity where needed (not applicable for dual access).
- Collar studs provided for mounting

optional sub panel in back.

Accessories

- Sub panels include full size, half-size, side mount, and swing-out panels. Sub-panels can be mounted and adjusted for depth on the horizontal Unistrut® channel. Order sub panels separately.
- Clamping nuts for installing other equipment.
- Center panel supports.

Finish

Standard ANSI-61 gray finish on interior and exterior of enclosures. Recoatable, smooth, white or RAL 7035 texture polyester powder coat available at no charge. Standard RAL and custom match finishes available for an additional charge, please contact Milbank for further assistance. All powder coat finishes applied over cleaned phosphatized surfaces. Carbon steel sub panels have a white polyester powder coat finish. Stainless steel enclosures have a polished #4 finish.



Options

Milbank can modify standard enclosures or custom design enclosures according to your specifications. Holes, cutouts, sizes, materials, and many more options are available. Quotations upon request.

Industry Standards

- UL 50 Listed
- CUL 50 Listed
- Type 12

| Two Door Free-Standing Enclosures | | | | | | | | | | | |
|-----------------------------------|--------------------------|--------------------------|------------------------------------|-----------------------|-----------------------------|-------------------------------|-----------------------------|-------------------------------|------------------------------------|------------------------|-----------------------|
| Catalog Number | | | Unit Size H x W x D (inches) | Ship. Wt. (lbs) | Full Sub Panel Part # | Sub Panel Size H x W | Half Sub Panel Part # | Sub Panel Size H x W | Side Mounted Panel Part # | Side Panel H x W | # of Lift. Eyes |
| Carbon Steel # | 304 Stainless Steel # | 316 Stainless Steel # | | | | | | | | | |
| M12FSD604818 | M12FSDXS604818 | M12FSDXZ604818 | 60 x 48 x 18 | 430 | A-60P48F1 | 48 x 44 | A-60P48F2 | 24.88 x 44 | A-60SMP14 | 48 x 14 | 2 |
| M12FSD724818 | M12FSDXS724818 | M12FSDXZ724818 | 72 x 48 x 18 | 492 | A-72P48F1 | 60 x 44 | A-72P48F2 | 30.88 x 44 | A-72SMP14 | 60 x 14 | 2 |
| M12FSD726018 | M12FSDXS726018 | M12FSDXZ726018 | 72 x 60 x 18 | 568 | A-72P60F1 | 60 x 56 | A-72P60F2 | 30.88 x 56 | A-72SMP14 | 60 x 14 | 2 |
| M12FSD727218 | M12FSDXS727218 | M12FSDXZ727218 | 72 x 72 x 18 | 645 | A-72P72F1 | 60 x 68 | A-72P72F2 | 30.88 x 32 | A-72SMP14 | 60 x 14 | 2 |
| M12FSD904820 | M12FSDXS904820 | M12FSDXZ904820 | 90 x 48 x 20 | 590 | A-90P48F1 | 78 x 44 | A-90P48F2 | 39.88 x 44 | A-90SMP16 | 78 x 16 | 2 |
| M12FSD907220 | M12FSDXS907220 | M12FSDXZ907220 | 90 x 72 x 20 | 783 | A-90P72F1 | 78 x 68 | A-90P72F2 | 39.88 x 68 | A-90SMP16 | 78 x 16 | 2 |
| M12FSD724824 | M12FSDXS724824 | M12FSDXZ724824 | 72 x 48 x 24 | 530 | A-72P48F1 | 60 x 44 | A-72P48F2 | 30.88 x 44 | A-72SMP20 | 68 x 20 | 4 |
| M12FSD726024 | M12FSDXS726024 | M12FSDXZ726024 | 72 x 60 x 24 | 645 | A-72P60F1 | 60 x 20 | A-72P60F2 | 30.88 x 20 | A-72SMP20 | 60 x 20 | 4 |
| M12FSD727224 | M12FSDXS727224 | M12FSDXZ727224 | 72 x 72 x 24 | 694 | A-72P72F1 | 60 x 68 | A-72P72F2 | 30.88 x 68 | A-72SMP20 | 60 x 20 | 4 |
| M12FSD907224 | M12FSDXS907224 | M12FSDXZ907224 | 90 x 72 x 24 | 825 | A-90P72F1 | 78 x 68 | A-90P72F2 | 39.88 x 68 | A-90SMP20 | 78 x 20 | 4 |
| M12FSD726036 | M12FSDXS726036 | M12FSDXZ726036 | 72 x 60 x 36 | 750 | A-72P60F1 | 60 x 56 | A-72P60F2 | 30.88 x 56 | A-72SMP32 | 60 x 32 | 4 |
| M12FSD907236 | M12FSDXS907236 | M12FSDXZ907236 | 90 x 72 x 36 | 1000 | A-90P72F1 | 78 x 68 | A-90P72F2 | 39.88 x 68 | A-90SMP32 | 78 x 32 | 4 |



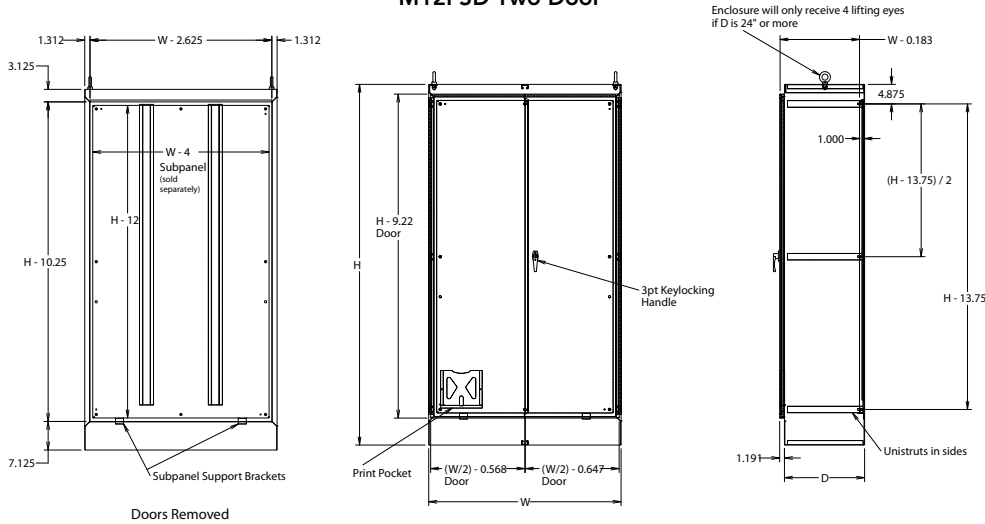
Please consult serving utility for their requirements prior to ordering or installing, as specifications and approvals vary by utility, and may require local electrical inspector approval. All installations must be installed by a licensed electrician and must comply with all national and local codes, laws and regulations. Milbank reserves the right to make changes in specifications and features shown without notice or obligation.

Freestanding Enclosures

Type 12 | Two Door & Two Door Dual Access

| Two Door Dual Access Enclosures | | | | | | | |
|---------------------------------|-----------------------|-----------------------|---|-----------------------|--------------------------|-------------------------------------|------------|
| Catalog Number | | | Enclosure Size H x W x D (inches) | Ship. Weight (lbs) | Full Sub Panel Part # | Sub Panel Size H x W (inches) | Lift. Eyes |
| Carbon Steel # | 304 Stainless Steel # | 316 Stainless Steel # | | | | | |
| M12FSDAD724824 | M12FSDADX724824 | M12FSDADXZ724824 | 72 x 48 x 24 | 595 | A-72P48F1 | 60 x 44 | 4 |
| M12FSDAD726024 | M12FSDADX726024 | M12FSDADXZ726024 | 72 x 60 x 24 | 615 | A-72P60F1 | 60 x 56 | 4 |
| M12FSDAD727224 | M12FSDADX727224 | M12FSDADXZ727224 | 72 x 72 x 24 | 695 | A-72P72F1 | 60 x 68 | 4 |
| M12FSDAD907224 | M12FSDADX907224 | M12FSDADXZ907224 | 90 x 72 x 24 | 825 | A-90P72F1 | 78 x 68 | 4 |
| M12FSDAD726036 | M12FSDADX726036 | M12FSDADXZ726036 | 72 x 60 x 36 | 750 | A-72P60F1 | 60 x 56 | 4 |

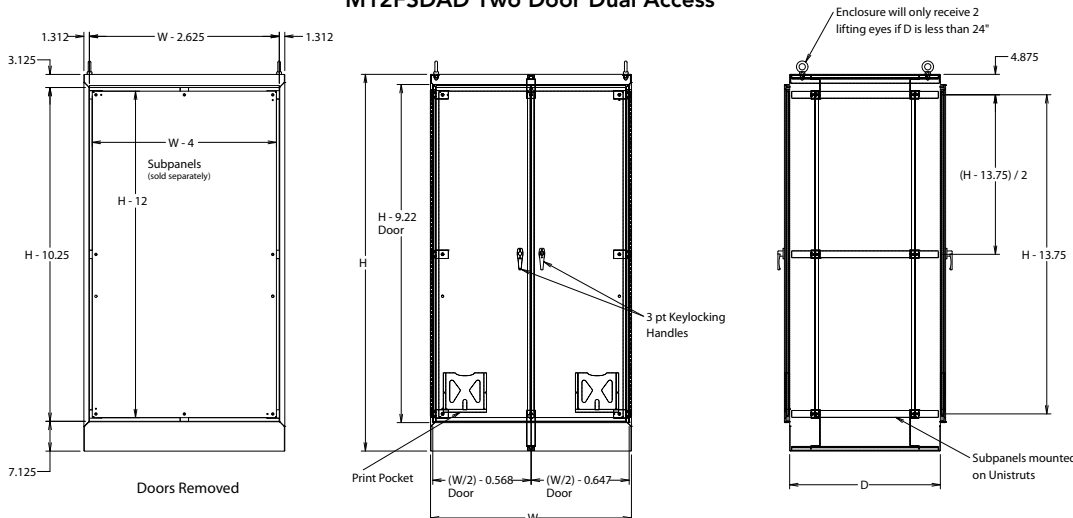
M12FSD Two Door



NOTE

9" x 9" Print pocket shipped inside enclosure.

M12FSDAD Two Door Dual Access



NOTE

9" x 9" Print pocket shipped inside enclosure.

Please consult serving utility for their requirements prior to ordering or installing, as specifications and approvals vary by utility, and may require local electrical inspector approval. All installations must be installed by a licensed electrician and must comply with all national and local codes, laws and regulations. Milbank reserves the right to make changes in specifications and features shown without notice or obligation.



82

TYPE 12
MULTI-DOOR
ENCLOSURES
WITH SUB
PANELS

Multi-Door Enclosures with Sub Panels

Type 12



Applications

Designed to house electrical controls, terminals and instruments; providing protection from dust, dirt, oil and water.

Construction

- Fabricated from 10 and 12 gauge carbon steel with continuously welded seams.
- Adhesive backed, oil resistant gasket applied to the doors. Overlapping doors which eliminate the need for a center post.
- Each enclosure is equipped with heavy duty lifting eyes, body stiffeners, 3-point padlocking handles, removable print pockets,

provision for fluorescent lighting and mechanical interlock with right hand door serving as master door.

- 5-door will be split into 3-door and 2-door sections to be shipped assembled or separate.
- Sub panels must be listed separately when ordering enclosures.

Finish

Standard ANSI-61 gray finish on interior and exterior of enclosures. Recoatable, smooth, white or RAL 7035 texture polyester powder coat available at no charge. Standard RAL and custom match finishes available for an additional charge, please contact

Milbank for further assistance. All powder coat finishes applied over cleaned phosphatized surfaces. Carbon steel sub panels have a white polyester powder coat finish.

Options

Milbank can modify standard enclosures or custom design enclosures according to your specifications. Holes, cutouts, sizes, materials, and many more options are available. Quotations upon request.

Industry Standards

- UL 50 Listed
- CUL 50 Listed
- Type 12

| Catalog Number | # of Doors | Enclosure Size H x W x D (inches) | Ship. Wt. (lbs) | Sub Panel Part # | Sub Panel 1 Size H x W (inches) | Sub Panel Part # | Sub Panel 2 Size H x W (inches) | # of Lifting Eyes |
|----------------|------------|-----------------------------------|-----------------|------------------|---------------------------------|------------------|---------------------------------|-------------------|
| M123D8611214 | 3 | 86.12 x 112 x 14.12 | 1690 | A-78X70 | (1) 78 x 70 | A-78P34 | (1) 78 x 34 | 4 |
| M124D8614914 | 4 | 86.12 x 149.19 x 14.12 | 1850 | A-78X70 | (2) 78 x 70 | — | — | 8 |
| M125D8618714 | 5 | 86.12 x 187 x 14.12 | 2200 | A-78X70 | (2) 78 x 70 | A-78P34 | (1) 78 x 34 | 8 |
| M123D8611220 | 3 | 86.12 x 112 x 20.12 | 1850 | A-78X70 | (1) 78 x 70 | A-78P34 | (1) 78 x 34 | 4 |
| M124D8614920 | 4 | 86.12 x 149.19 x 20.12 | 2000 | A-78X70 | (2) 78 x 70 | — | — | 8 |
| M125D8618720 | 5 | 86.12 x 187 x 20.12 | 2900 | A-78X70 | (2) 78 x 70 | A-78P34 | (1) 78 x 34 | 8 |



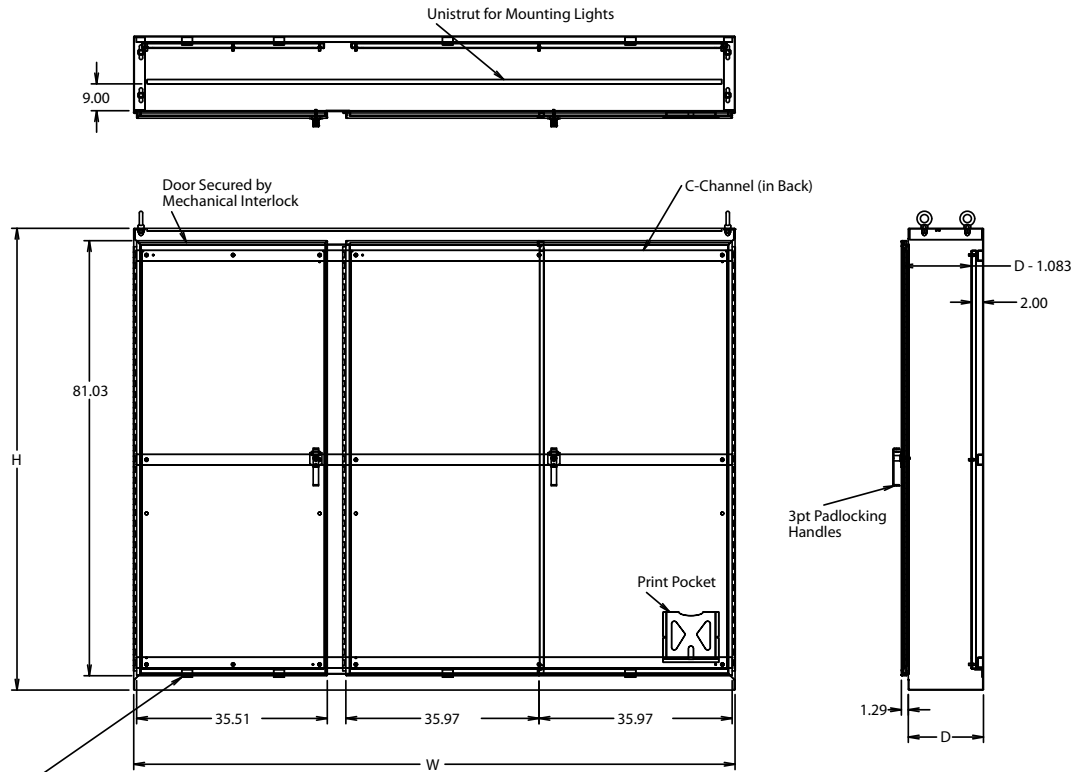
Please consult serving utility for their requirements prior to ordering or installing, as specifications and approvals vary by utility, and may require local electrical inspector approval. All installations must be installed by a licensed electrician and must comply with all national and local codes, laws and regulations. Milbank reserves the right to make changes in specifications and features shown without notice or obligation.

Multi-Door Enclosures with Sub Panels

Type 12

83
TYPE 12
MULTI-DOOR
ENCLOSURES
WITH SUB
PANELS

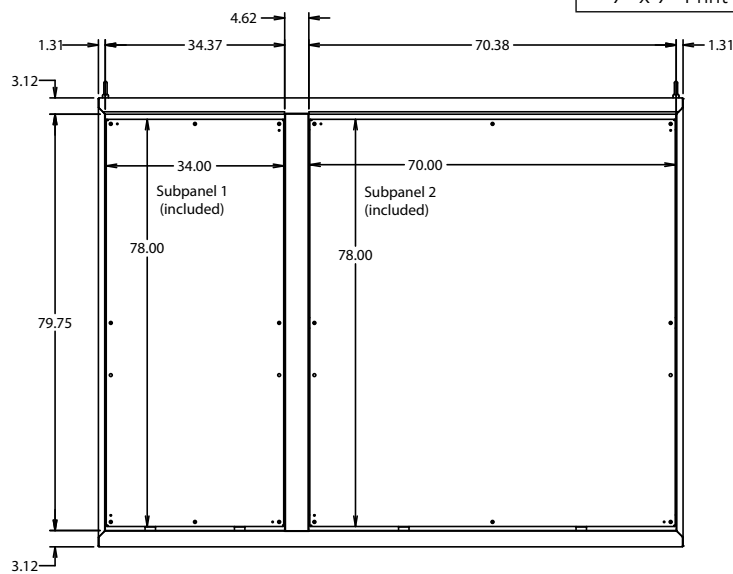
M123D



Subpanel Support Brackets
(Omit when Subpanel is less than 36")

NOTE

9" x 9" Print pocket shipped inside enclosure.



Doors Removed

Please consult serving utility for their requirements prior to ordering or installing, as specifications and approvals vary by utility, and may require local electrical inspector approval. All installations must be installed by a licensed electrician and must comply with all national and local codes, laws and regulations. Milbank reserves the right to make changes in specifications and features shown without notice or obligation.



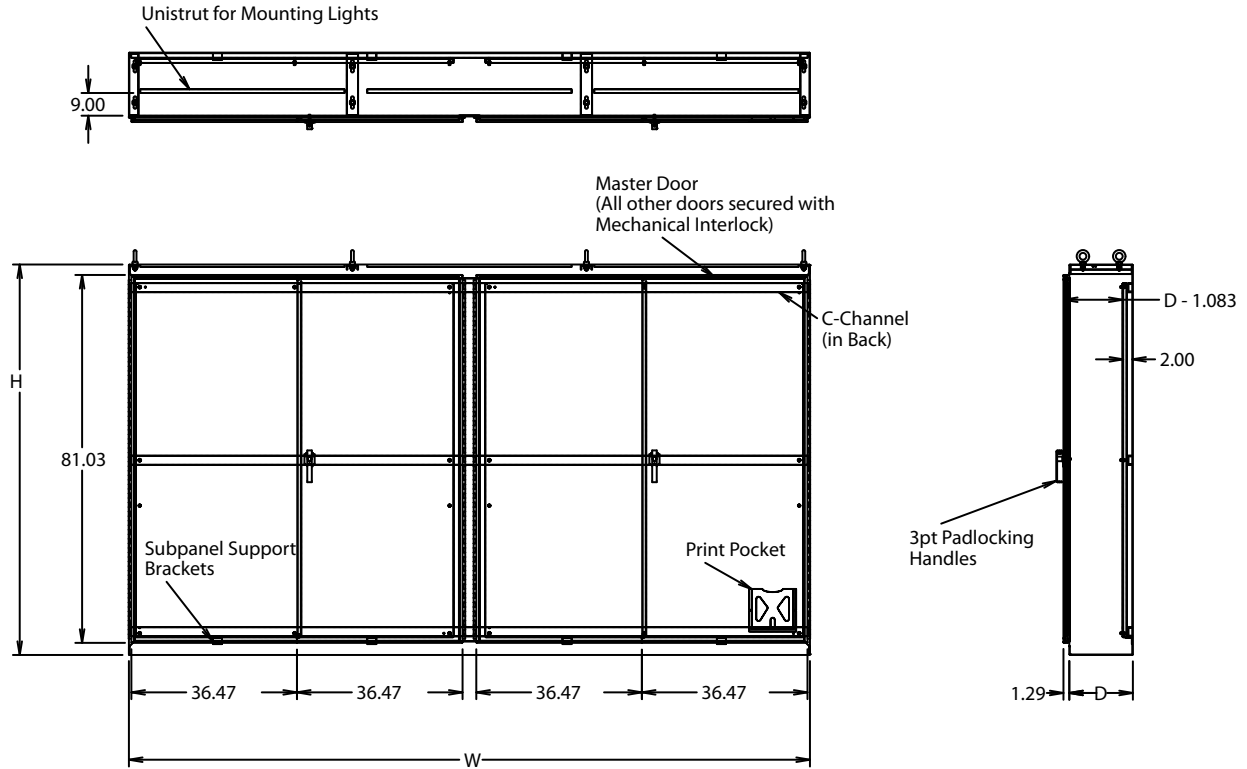
84

TYPE 12
MULTI-DOOR
ENCLOSURES
WITH SUB
PANELS

Multi-Door Enclosures with Sub Panels

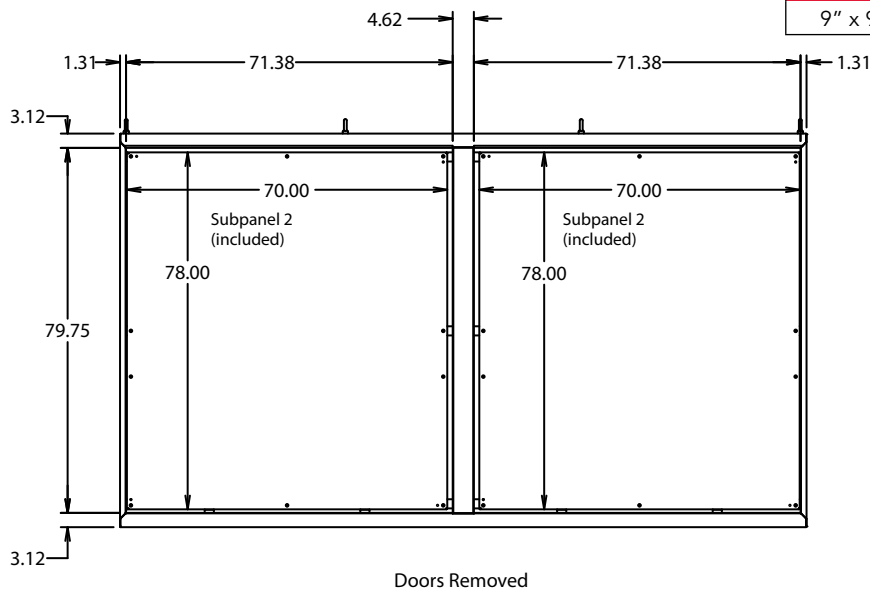
Type 12

M124D



NOTE

9" x 9" Print pocket shipped inside enclosure.



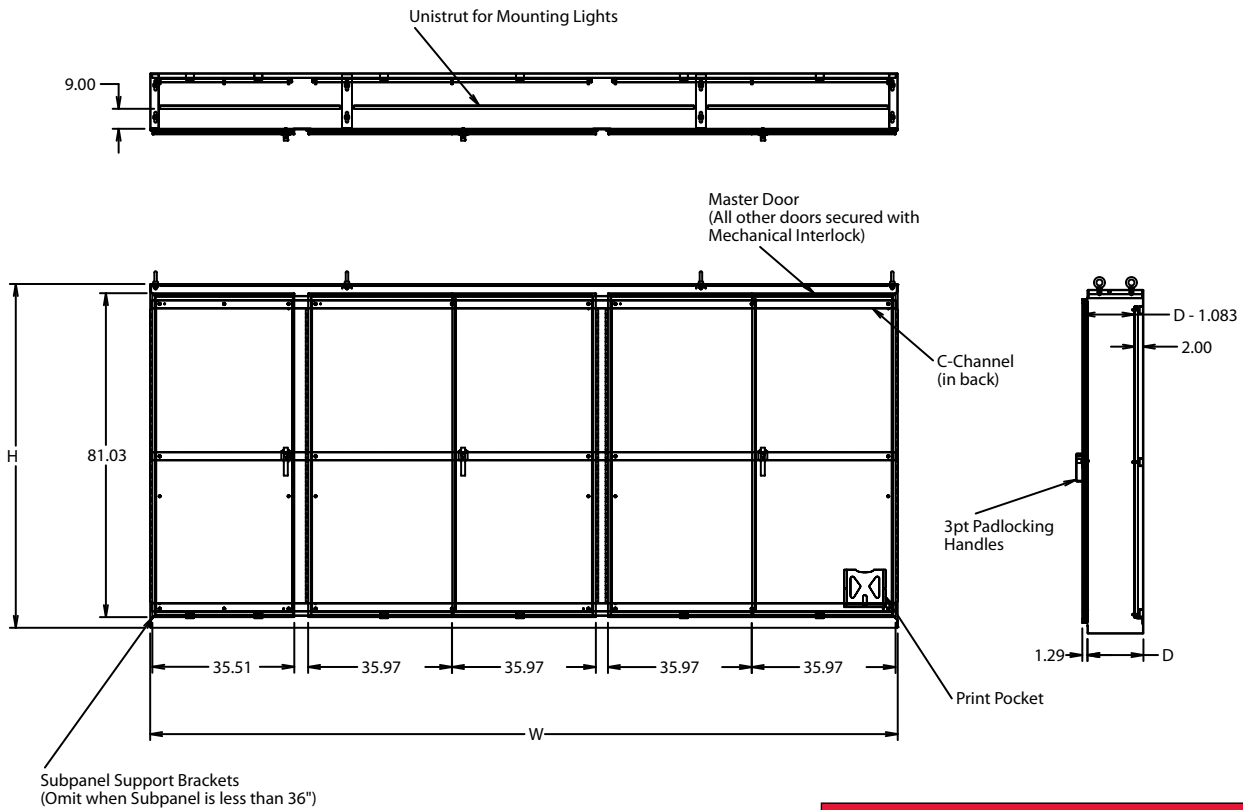
Please consult serving utility for their requirements prior to ordering or installing, as specifications and approvals vary by utility, and may require local electrical inspector approval. All installations must be installed by a licensed electrician and must comply with all national and local codes, laws and regulations. Milbank reserves the right to make changes in specifications and features shown without notice or obligation.

Multi-Door Enclosures with Sub Panels

Type 12

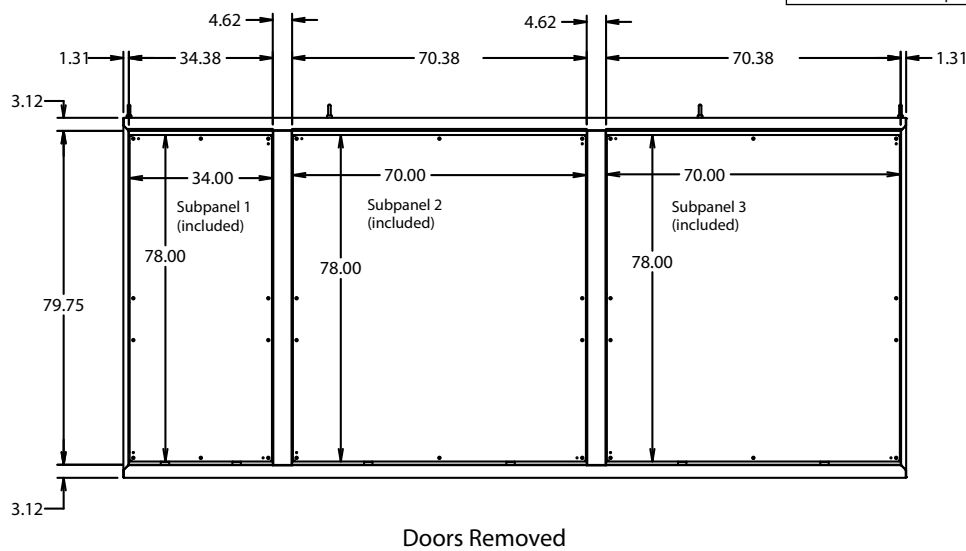
85
TYPE 12
MULTI-DOOR
ENCLOSURES
WITH SUB
PANELS

M125D



NOTE

9" x 9" Print pocket shipped inside enclosure.



Please consult serving utility for their requirements prior to ordering or installing, as specifications and approvals vary by utility, and may require local electrical inspector approval. All installations must be installed by a licensed electrician and must comply with all national and local codes, laws and regulations. Milbank reserves the right to make changes in specifications and features shown without notice or obligation.



Applications

Designed to accommodate Allen-Bradley, Cutler-Hammer, General Electric, Square D, Westinghouse, and Siemens/ITE flange mount disconnect switches and circuit breakers and protect them from dust, dripping liquids, dirt and oil. For disconnect order information see page 90.

Construction

- Fabricated from 14 gauge carbon steel, type 304 or type 316 stainless steel.
- Door is secured with heavy-duty continuous hinge with removable hinge pin.
- Provided with black anodized padlocking handle with defeater mechanism and two or three point latching system.
- Adhesive backed, oil resistant gasket applied to the doors.
- Print pocket.
- External mounting feet for wall or

machinery mounting.

- Ground studs installed inside cabinet and door.
- Collar studs provided for mounting optional sub panels.

Finish

Standard ANSI-61 gray finish on interior and exterior of enclosures. Recoatable, smooth, white or RAL 7035 texture polyester powder coat available at no charge. Standard RAL and custom match finishes available for an additional charge, please contact Milbank for further assistance. All powder coat finishes applied over cleaned phosphatized surfaces. Carbon steel sub panels have a white polyester powder coat finish. Stainless steel enclosures have a polished #4 finish.

Options

Milbank can modify standard enclosures or custom design enclosures according to your specifications. Holes,



cutouts, sizes, materials, and many more options are available. Quotations upon request.

Industry Standards

- UL 50 Listed
- CUL 50 Listed
- Type 12

NOTE

These enclosures will not accept Allen-Bradley 1494F and 1494D circuit breaker operators (see page 95).

| Carbon Steel # | Catalog Number | | Enclosure Size H x W x D (inches) | Ship. Weight (lbs) | Sub Panel Part Number | Sub Panel Size H x W (inches) |
|-----------------|-----------------------|-----------------------|---|--------------------------|--------------------------|-------------------------------------|
| | 304 Stainless Steel # | 316 Stainless Steel # | | | | |
| M12S202108-FD-H | M12XS202108-FD-H | M12XZ202108-FD-H | 20 x 21.38 x 8 | 44 | A-20P20 | 17 x 17 |
| M12S242108-FD-H | M12XS242108-FD-H | M12XZ242108-FD-H | 24 x 21.38 x 8 | 51 | A-24P20 | 21 x 17 |
| M12S242508-FD-H | M12XS242508-FD-H | M12XZ242508-FD-H | 24 x 25.38 x 8 | 58 | A-24P24 | 21 x 21 |
| M12S302108-FD-H | M12XS302108-FD-H | M12XZ302108-FD-H | 30 x 21.38 x 8 | 59 | A-30P20 | 27 x 17 |
| M12S302508-FD-H | M12XS302508-FD-H | M12XZ302508-FD-H | 30 x 25.38 x 8 | 63 | A-30P24 | 27 x 21 |
| M12S362508-FD-H | M12XS362508-FD-H | M12XZ362508-FD-H | 36 x 25.38 x 8 | 77 | A-36P24 | 33 x 21 |
| M12S363108-FD-H | M12XS363108-FD-H | M12XZ363108-FD-H | 36 x 31.38 x 8 | 94 | A-36P30 | 33 x 27 |
| M12S423108-FD-H | M12XS423108-FD-H | M12XZ423108-FD-H | 42 x 31.38 x 8 | 109 | A-42P30 | 39 x 27 |
| M12S423708-FD-H | M12XS423708-FD-H | M12XZ423708-FD-H | 42 x 37.38 x 8 | 128 | A-42P36 | 39 x 33 |
| M12S483708-FD-H | M12XS483708-FD-H | M12XZ483708-FD-H | 48 x 37.38 x 8 | 137 | A-48P36 | 45 x 33 |
| M12S603708-FD-H | M12XS603708-FD-H | M12XZ603708-FD-H | 60 x 37.38 x 8 | 153 | A-60P36 | 57 x 33 |
| M12S202110-FD-H | M12XS202110-FD-H | M12XZ202110-FD-H | 20 x 21.38 x 10 | 45 | A-20P20 | 17 x 17 |
| M12S242110-FD-H | M12XS242110-FD-H | M12XZ242110-FD-H | 24 x 21.38 x 10 | 55 | A-24P20 | 21 x 17 |
| M12S242510-FD-H | M12XS242510-FD-H | M12XZ242510-FD-H | 24 x 25.38 x 10 | 60 | A-24P24 | 21 x 21 |



Please consult serving utility for their requirements prior to ordering or installing, as specifications and approvals vary by utility, and may require local electrical inspector approval. All installations must be installed by a licensed electrician and must comply with all national and local codes, laws and regulations. Milbank reserves the right to make changes in specifications and features shown without notice or obligation.

Disconnect Enclosures

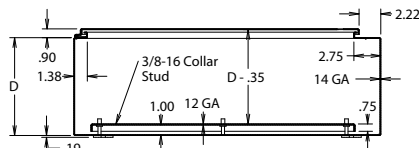
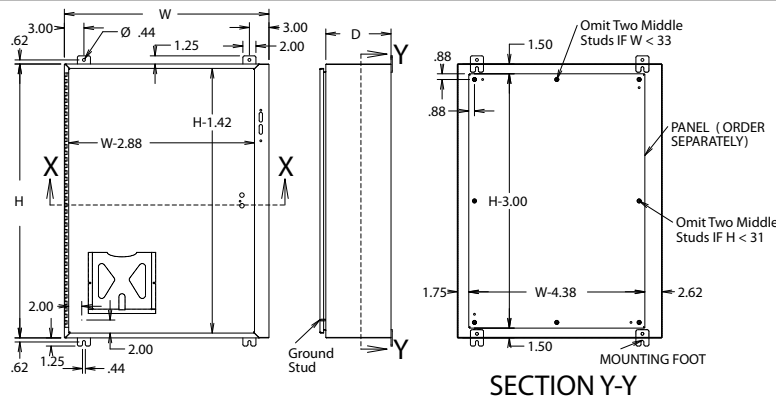
Type 12 | Wall Mount | Single Door with Handles

87
TYPE 12
WALL MOUNT
DISCONNECT
ENCLOSURES

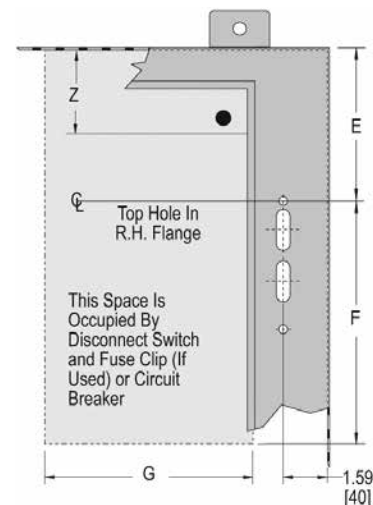
| Catalog Number | | | Enclosure Size H x W x D (inches) | Ship. Weight (lbs) | Sub Panel Part Number | Sub Panel Size H x W (inches) |
|------------------|-----------------------|-----------------------|---|--------------------------|--------------------------|-------------------------------------|
| Carbon Steel # | 304 Stainless Steel # | 316 Stainless Steel # | | | | |
| M12S302110-FD-H | M12XS302110-FD-H | M12XZ302110-FD-H | 30 x 21.38 x 10 | 59 | A-30P20 | 27 x 17 |
| M12S302510-FD-H | M12XS302510-FD-H | M12XZ302510-FD-H | 30 x 25.38 x 10 | 71 | A-30P24 | 27 x 21 |
| M12S362510-FD-H | M12XS362510-FD-H | M12XZ362510-FD-H | 36 x 25.38 x 10 | 82 | A-36P24 | 33 x 21 |
| M12S363110-FD-H | M12XS363110-FD-H | M12XZ363110-FD-H | 36 x 31.38 x 10 | 105 | A-36P30 | 33 x 27 |
| M12S423110-FD-H | M12XS423110-FD-H | M12XZ423110-FD-H | 42 x 31.38 x 10 | 119 | A-42P30 | 39 x 27 |
| M12S423710-FD-H | M12XS423710-FD-H | M12XZ423710-FD-H | 42 x 37.38 x 10 | 139 | A-42P36 | 39 x 33 |
| M12S483710-FD-H | M12XS483710-FD-H | M12XZ483710-FD-H | 48 x 37.38 x 10 | 148 | A-48P36 | 45 x 33 |
| M12S603710-FD-H | M12XS603710-FD-H | M12XZ603710-FD-H | 60 x 37.38 x 10 | 178 | A-60P36 | 57 x 33 |
| M12S302510-FD-H | M12XS302510-FD-H | M12XZ302510-FD-H | 30 x 25.38 x 12 | 76 | A-30P24 | 27 x 21 |
| M12S363112-FD-H | M12XS363112-FD-H | M12XZ363112-FD-H | 36 x 31.38 x 12 | 103 | A-36P30 | 33 x 27 |
| M12S423112-FD-H | M12XS423112-FD-H | M12XZ423112-FD-H | 42 x 31.38 x 12 | 123 | A-42P30 | 39 x 27 |
| M12S423712-FD-H | M12XS423712-FD-H | M12XZ423712-FD-H | 42 x 37.38 x 12 | 138 | A-42P36 | 39 x 33 |
| M12S483712-FD-H | M12XS483712-FD-H | M12XZ483712-FD-H | 48 x 37.38 x 12 | 153 | A-48P36 | 45 x 33 |
| *M12S603712-FD-H | *M12XS603712-FD-H | *M12XZ603712-FD-H | 60 x 37.38 x 12 | 183 | A-60P36 | 57 x 33 |
| M12S363116-FD-H | M12XS363116-FD-H | M12XZ363116-FD-H | 36 x 31.38 x 16 | 117 | A-36P30 | 33 x 27 |
| M12S483716-FD-H | M12XS483716-FD-H | M12XZ483716-FD-H | 48 x 37.38 x 16 | 175 | A-48P36 | 45 x 33 |
| M12S603716-FD-H | M12XS603716-FD-H | M12XZ603716-FD-H | 60 x 37.38 x 16 | 200 | A-60P36 | 57 x 33 |

NOTE

*M12S603712-FD-H, M12XS603712-FD-H, and M12XZ603712-FD-H accept ABV 1494V 400 and 600 amp and ITE 800/1200 amp only.
Sub panels must be listed separately when ordering enclosures.



SECTION X-X



NOTE

- Print pocket = 6" x 6" when H and W are 24" or less.
Print pocket = 9" x 9" when H and W are greater than 24".
- Panels will have formed flanges when either height or width is greater than 18".
- When H=40" or greater, the handle is centered in the height and includes a three point latch system. When H is less than 40" the handle is at the bottom and includes a two point latch system.

Space Occupied By Disconnects

E = 4.75 when D = 8.00
E = 7.09 when D = 10.00
E = 11.62 when D = 12.00
E = 11.62 when D = 16.00
E = 18.38 for M12S603712-FD-H
Z = Wire Bend Spacing

See charts on pages 110-116 for "F", "G", and "Z" dimensions which cover space occupied by disconnect and wire bend spacing. Disconnects occupy the space indicated by "E", "F", and "G".

Please consult serving utility for their requirements prior to ordering or installing, as specifications and approvals vary by utility, and may require local electrical inspector approval. All installations must be installed by a licensed electrician and must comply with all national and local codes, laws and regulations. Milbank reserves the right to make changes in specifications and features shown without notice or obligation.



Applications

Designed to accommodate Allen-Bradley, Cutler-Hammer, General Electric, Square D, Westinghouse, and Siemens/ITE flange mount disconnect switches and circuit breakers and protect them from dust, dripping liquids, dirt and oil. For Disconnect order information see page 90.

Construction

- Fabricated from 14 gauge carbon steel, type 304 or type 316 stainless steel.
- Door is secured with heavy-duty continuous hinge with removable hinge pin.
- Punching available for manufacturers door hardware.
- Adhesive backed, oil resistant gasket applied to the doors.
- Print pocket.
- External mounting feet for wall or machinery mounting.

- Ground studs installed inside cabinet and door.
- Collar studs provided for mounting optional sub panels.

Finish

Standard ANSI-61 gray finish on interior and exterior of enclosures. Recoatable, smooth, white or RAL 7035 texture polyester powder coat available at no charge. Standard RAL and custom match finishes available for an additional charge, please contact Milbank for further assistance. All powder coat finishes applied over cleaned phosphatized surfaces. Carbon steel sub panels have a white polyester powder coat finish. Stainless steel enclosures have a polished #4 finish.

Options

Milbank can modify standard enclosures or custom design enclosures according to your specifications. Holes,



cutouts, sizes, materials, and many more options are available.

Industry Standards

- UL 50 Listed
- CUL 50 Listed
- Type 12

NOTE

These enclosures will not accept Allen-Bradley 1494F and 1494D circuit breaker operators (see page 95).

| Catalog Number | | | Enclosure Size H x W x D (inches) | Ship. Weight (lbs) | Sub Panel Part Number | Sub Panel Size H x W (inches) |
|----------------|-----------------------|-----------------------|---|--------------------------|--------------------------|-------------------------------------|
| Carbon Steel # | 304 Stainless Steel # | 316 Stainless Steel # | | | | |
| M12S202108-FD | M12XS202108-FD | M12XZ202108-FD | 20 x 21.38 x 8 | 44 | A-20P20 | 17 x 17 |
| M12S242108-FD | M12XS242108-FD | M12XZ242108-FD | 24 x 21.38 x 8 | 51 | A-24P20 | 21 x 17 |
| M12S242508-FD | M12XS242508-FD | M12XS242508-FD | 24 x 25.38 x 8 | 58 | A-24P24 | 21 x 21 |
| M12S302108-FD | M12XS302108-FD | M12XS302108-FD | 30 x 21.38 x 8 | 59 | A-30P20 | 27 x 17 |
| M12S302508-FD | M12XS302508-FD | M12XS302508-FD | 30 x 25.38 x 8 | 63 | A-30P24 | 27 x 21 |
| M12S362508-FD | M12XS362508-FD | M12XS362508-FD | 36 x 25.38 x 8 | 77 | A-36P24 | 33 x 21 |
| M12S363108-FD | M12XS363108-FD | M12XS363108-FD | 36 x 31.38 x 8 | 94 | A-36P30 | 33 x 27 |
| M12S423108-FD | M12XS423108-FD | M12XS423108-FD | 42 x 31.38 x 8 | 109 | A-42P30 | 39 x 27 |
| M12S423708-FD | M12XS423708-FD | M12XS423708-FD | 42 x 37.38 x 8 | 128 | A-42P36 | 39 x 33 |
| M12S483708-FD | M12XS483708-FD | M12XS483708-FD | 48 x 37.38 x 8 | 137 | A-48P36 | 45 x 33 |
| M12S603708-FD | M12XS603708-FD | M12XS603708-FD | 60 x 37.38 x 8 | 153 | A-60P36 | 57 x 33 |
| M12S202110-FD | M12XS202110-FD | M12XZ202110-FD | 20 x 21.38 x 10 | 45 | A-20P20 | 17 x 17 |
| M12S242110-FD | M12XS242110-FD | M12XZ242110-FD | 24 x 21.38 x 10 | 55 | A-24P20 | 21 x 17 |
| M12S242510-FD | M12XS242510-FD | M12XZ242510-FD | 24 x 25.38 x 10 | 60 | A-24P24 | 21 x 21 |
| M12S302110-FD | M12XS302110-FD | M12XZ302110-FD | 30 x 21.38 x 10 | 59 | A-30P20 | 27 x 17 |
| M12S302510-FD | M12XS302510-FD | M12XZ302510-FD | 30 x 25.38 x 10 | 71 | A-30P24 | 27 x 21 |



Please consult serving utility for their requirements prior to ordering or installing, as specifications and approvals vary by utility, and may require local electrical inspector approval. All installations must be installed by a licensed electrician and must comply with all national and local codes, laws and regulations. Milbank reserves the right to make changes in specifications and features shown without notice or obligation.

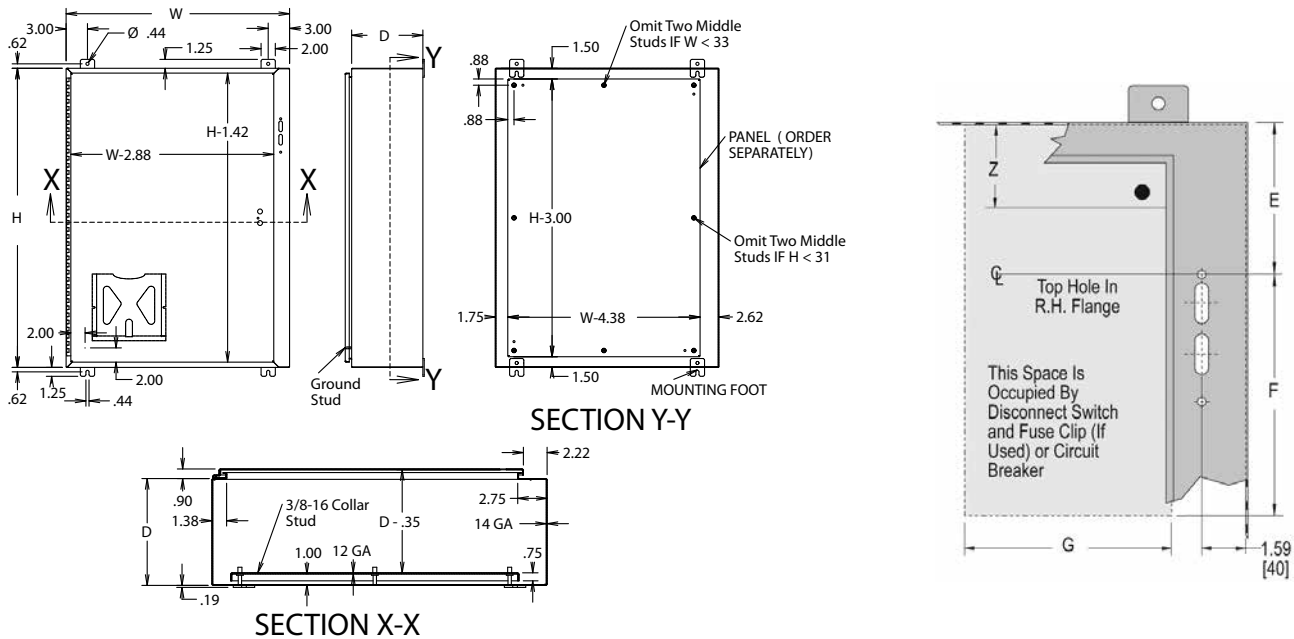
Disconnect Enclosures

Type 12 | Wall Mount | Single Door without Handles

| Catalog Number | | | Enclosure Size H x W x D (inches) | Ship. Weight (lbs) | Sub Panel Part Number | Sub Panel Size H x W (inches) |
|----------------|-----------------------|-----------------------|---|--------------------------|--------------------------|-------------------------------------|
| Carbon Steel # | 304 Stainless Steel # | 316 Stainless Steel # | | | | |
| M12S362510-FD | M12XS362510-FD | M12XZ362510-FD | 36 x 25.38 x 10 | 82 | A-36P24 | 33 x 21 |
| M12S363110-FD | M12XS363110-FD | M12XZ363110-FD | 36 x 31.38 x 10 | 105 | A-36P30 | 33 x 27 |
| M12S423110-FD | M12XS423110-FD | M12XZ423110-FD | 42 x 31.38 x 10 | 119 | A-42P30 | 39 x 27 |
| M12S423710-FD | M12XS423710-FD | M12XZ423710-FD | 42 x 37.38 x 10 | 139 | A-42P36 | 39 x 33 |
| M12S483710-FD | M12XS483710-FD | M12XZ483710-FD | 48 x 37.38 x 10 | 148 | A-48P36 | 45 x 33 |
| M12S603710-FD | M12XS603710-FD | M12XZ603710-FD | 60 x 37.38 x 10 | 178 | A-60P36 | 57 x 33 |
| M12S302512-FD | M12XS302512-FD | M12XZ302512-FD | 30 x 25.38 x 12 | 76 | A-30P24 | 27 x 21 |
| M12S363112-FD | M12XS363112-FD | M12XZ363112-FD | 36 x 31.38 x 12 | 103 | A-36P30 | 33 x 27 |
| M12S423112-FD | M12XS423112-FD | M12XZ423112-FD | 42 x 31.38 x 12 | 123 | A-42P30 | 39 x 27 |
| M12S423712-FD | M12XS423712-FD | M12XZ423712-FD | 42 x 37.38 x 12 | 138 | A-42P36 | 39 x 33 |
| M12S483712-FD | M12XS483712-FD | M12XZ483712-FD | 48 x 37.38 x 12 | 153 | A-48P36 | 45 x 33 |
| *M12S603712-FD | *M12XS603712-FD | *M12XZ603712-FD | 60 x 37.38 x 12 | 183 | A-60P36 | 57 x 33 |
| M12S363116-FD | M12XS363116-FD | M12XZ363116-FD | 36 x 31.38 x 16 | 117 | A-36P30 | 33 x 27 |
| M12S483716-FD | M12XS483716-FD | M12XZ483716-FD | 48 x 37.38 x 16 | 175 | A-48P36 | 45 x 33 |
| M12S603716-FD | M12XS603716-FD | M12XZ603716-FD | 60 x 37.38 x 16 | 200 | A-60P36 | 57 x 33 |

NOTE

*M12S603712-FD-H, M12XS603712-FD-H, and M12XZ603712-FD-H accept ABV 1494V 400 and 600 amp and ITE 800/1200 amp only. Sub panels must be listed separately when ordering enclosures.



NOTE

- Print pocket = 6" x 6" when H and W are 24" or less.
Print pocket = 9" x 9" when H and W are greater than 24".
- Panels will have formed flanges when either height or width is greater than 18".
- When H=40" or greater, the handle is centered in the height and includes a three point latch system. When H is less than 40" the handle is at the bottom and includes a two point latch system.

Space Occupied By Disconnects

- E = 4.75 when D = 8.00
- E = 7.09 when D = 10.25
- E = 11.62 when D = 12.00
- E = 11.62 when D = 16.00
- E = 18.38 for M12S603712-FD
- Z = Wire Bend Spacing

See charts on pages 110-116 for "F", "G", and "Z" dimensions which cover space occupied by disconnect and wire bend spacing. Disconnects occupy the space indicated by "E", "F", and "G".

Please consult serving utility for their requirements prior to ordering or installing, as specifications and approvals vary by utility, and may require local electrical inspector approval. All installations must be installed by a licensed electrician and must comply with all national and local codes, laws and regulations. Milbank reserves the right to make changes in specifications and features shown without notice or obligation.



Disconnect Ordering Information

When ordering flange-mounted disconnects from the various manufacturers, be sure to order the necessary items. Each company has a different system, read through the following list of items required and refer to the charts on pages 110-116.

Use a Type 4 disconnect operating handle on the enclosure flange to provide corrosion resistance and maintain the enclosure rating. Items with an (*) preceding them are available from disconnect manufacturer as complete kits.

Allen-Bradley

When using a 1494V disconnect switch, order:

- *1. A disconnect switch with flange mounted operator. (Bulletin 1494V)
- *2. An operating handle (Bulletin 1494V-H1) Note: use (Bulletin 1494V-H2) operating handle when ordering 12WMRH-060-037-012-SDAV enclosure.
- *3. A connecting rod - Use (Bulletin 1494V-RA1) when D = 8.00 [203] or 10.25 [260] - Use (Bulletin 1494V-RA2) when D = 12.00 [305] or 16.00 [406] - Use (Bulletin 1494V-RB2) for 400A or 600A switch on 12WMRH-060-037-012-SDAV enclosure.
- *4. A trailer fuse block kit, if required (Bulletin 1494V)
- *5. A fuse clip kit, if required
6. Line and load connectors, if required

When using a Bulletin 1494V circuit breaker operating mechanism, order:

1. A circuit breaker (C-H/Westinghouse)
2. A circuit breaker operating mechanism (Bulletin 1494V)
3. An operating handle (Bulletin 1494V-H11)
4. A connecting rod - Use (Bulletin 1494V-RA1) when D = 8.00 [203] or 10.25 [260] - Use (Bulletin 1494V-RA2) when D = 12.00 [305] or 16.00 [406]

ABB Controls

When using a disconnect switch, order:

1. A flange-operated switch (fusible or non-fusible)
2. A shaft - Use (DSFHN-12) when D = 8.00 [203], 10.25 [260] or 12.00 [305] - when D = 16.00 [406] use (DSFHS-17)

3. A handle (DSFGN-HS12)
When using a circuit breaker, order:

1. A circuit breaker (ABB)
- *2. An operating mechanism
- *3. A shaft - Use (FHS-12) when D = 8.00 [203], 10.25 [260] or 12.00 [305] - when D = 16.00 [406] use (FHS-17)
- *4. A handle mechanism (FHN-HS12)

Cutler-Hammer/Westinghouse

When using a Type C361 disconnect switch, order:

- *1. A disconnect switch with an operating mechanism
- *2. An operating handle (C361H1 or C361H3)

When using a Type C371 circuit breaker operating mechanism with a C-H/Westinghouse circuit breaker, order:

1. A circuit breaker
- *2. An operating mechanism
- *3. An operating handle (C361H1 or C361H3)

When using a C-H/Westinghouse circuit breaker with a Type 4/4X Flex Shaft™ handle mechanism, order:

1. A circuit breaker
2. A complete Flex Shaft™ handle mechanism

General Electric

When using a disconnect switch, order:

1. A disconnect switch (Type QMR or QMW)
2. A fuse clip kit or no-fuse kit
3. A flange handle (STDA1 or STDA2)
4. A variable depth operating mechanism

When using a circuit breaker, order:

1. A circuit breaker
2. A flange handle (STDA1 or STDA2)
3. A variable depth operating mechanism

When using a circuit breaker with a Spectra Flex™ cable operator, order:

1. A circuit breaker
2. A flange-mounted handle mechanism
3. A breaker-mounted mechanism
4. An operating cable

I-T-E Siemens

When using a disconnect switch, order:

1. A basic switch (right hand)

2. A fuse or non-fuse kit
3. A flange-mounted handle (FHOHS)
4. Switch operator
5. Cable 36.00 inch

When using a circuit breaker, order:

1. A circuit breaker
2. Pressure wire connectors
3. A flange-mounted handle (FHOH)
Note: use (FHOHN) for 12WMRH-060-037-012-SDAV enclosure
4. A circuit breaker operator mechanism
5. An operating cable - standard 36.00 inch for 125A to 600A circuit breakers - 48.00 inch for 800A to 1200A circuit breakers

Square D

When using a Class 9422 disconnect switch, order:

- *1. A disconnect switch with operating mechanism (Class 9422)
- *2. A handle mechanism (Class 9422 Type A-1)

When using a circuit breaker, order:

1. A circuit breaker (Square D)
2. An operating mechanism (Class 9422)
3. A handle mechanism (Class 9422 Type A-1)

When using a Class 9422 Type "T" disconnect switch with a cable mechanism, order:

1. A disconnect switch with operating mechanism (Class 9422, Type T)
2. A handle mechanism (Class 9422 Type A-1)
3. A cable mechanism (Class 9422 CFT_O) 3, 5, or 10 foot

When using a circuit breaker with a cable mechanism, order:

1. A circuit breaker (Square D)
2. A handle mechanism (Class 9422 Type A-1)
3. A cable mechanism (Class 9422 CFT_O) 3, 5, or 10 foot



Please consult serving utility for their requirements prior to ordering or installing, as specifications and approvals vary by utility, and may require local electrical inspector approval. All installations must be installed by a licensed electrician and must comply with all national and local codes, laws and regulations. Milbank reserves the right to make changes in specifications and features shown without notice or obligation.

Disconnect Enclosures

Type 12 | Wall Mount Single Door | A-B 1494F & D

91
TYPE 12
WALL MOUNT
DISCONNECT
ENCLOSURES

Applications

Designed to accommodate Allen-Bradley 1494F and 1494D flange mount disconnect switches and circuit breakers and protect them from dust, dripping liquids, dirt and oil.

- Ground studs installed inside cabinet and door.
- Collar studs provided for mounting optional sub panels.

Construction

- Fabricated from 14 gauge carbon steel, type 304 or type 316 stainless steel with continuously welded seams.
- Door secured with heavy-duty continuous hinge with removable hinge pin.
- Provided with black zinc anodized padlocking handle with defeater mechanism and two or three point latching system.
- Adhesive backed, oil resistant gasket applied to the doors.
- Print pocket.
- External mounting feet for wall or machinery mounting.

Finish

Standard ANSI-61 gray finish on interior and exterior of enclosures. Recoatable, smooth, white or RAL 7035 texture polyester powder coat available at no charge. Standard RAL and custom match finishes available for an additional charge, please contact Milbank for further assistance. All powder coat finishes applied over cleaned phosphatized surfaces. Carbon steel sub panels have a white polyester powder coat finish. Stainless steel enclosures have a polished #4 finish.

Options

Milbank can modify standard enclosures or custom design enclosures according to your specifications. Holes,



cutouts, sizes, materials, and many more options are available.

Industry Standards

- UL 50 Listed
- CUL 50 Listed
- NEMA Type 12

| Catalog Number | | | Enclosure Size H x W x D (inches) | Ship Weight (lbs) | Sub Panel Part Number | Sub Panel Size H x W (inches) |
|-------------------|-----------------------|-----------------------|---|-------------------------|--------------------------|-------------------------------------|
| Carbon Steel # | 304 Stainless Steel # | 316 Stainless Steel # | | | | |
| M12SAB202108-FD-H | M12XSAB202108-FD-H | M12XZAB202108-FD-H | 20 x 21.38 x 8 | 44 | A-20P20 | 17 x 17 |
| M12SAB242108-FD-H | M12XSAB242108-FD-H | M12XZAB242108-FD-H | 24 x 21.38 x 8 | 51 | A-24P20 | 21 x 17 |
| M12SAB242508-FD-H | M12XSAB242508-FD-H | M12XZAB242508-FD-H | 24 x 25.38 x 8 | 58 | A-24P24 | 21 x 21 |
| M12SAB302108-FD-H | M12XSAB302108-FD-H | M12XZAB302108-FD-H | 30 x 21.38 x 8 | 59 | A-30P20 | 27 x 17 |
| M12SAB302508-FD-H | M12XSAB302508-FD-H | M12XZAB302508-FD-H | 30 x 25.38 x 8 | 63 | A-30P24 | 27 x 21 |
| M12SAB362508-FD-H | M12XSAB362508-FD-H | M12XZAB362508-FD-H | 36 x 25.38 x 8 | 77 | A-36P24 | 33 x 21 |
| M12SAB363108-FD-H | M12XSAB363108-FD-H | M12XZAB363108-FD-H | 36 x 31.38 x 8 | 94 | A-36P30 | 33 x 27 |
| M12SAB423108-FD-H | M12XSAB423108-FD-H | M12XZAB423108-FD-H | 42 x 31.38 x 8 | 109 | A-42P30 | 39 x 27 |
| M12SAB423708-FD-H | M12XSAB423708-FD-H | M12XZAB423708-FD-H | 42 x 37.38 x 8 | 128 | A-42P36 | 39 x 33 |
| M12SAB483708-FD-H | M12XSAB483708-FD-H | M12XZAB483708-FD-H | 48 x 37.38 x 8 | 137 | A-48P36 | 45 x 33 |
| M12SAB603708-FD-H | M12XSAB603708-FD-H | M12XZAB603708-FD-H | 60 x 37.38 x 8 | 153 | A-60P36 | 57 x 33 |
| M12SAB202110-FD-H | M12XSAB202110-FD-H | M12XZAB202110-FD-H | 20 x 21.38 x 10 | 45 | A-20P20 | 17 x 17 |
| M12SAB242110-FD-H | M12XSAB242110-FD-H | M12XZAB242110-FD-H | 24 x 21.38 x 10 | 55 | A-24P20 | 21 x 17 |
| M12SAB242510-FD-H | M12XSAB242510-FD-H | M12XZAB242510-FD-H | 24 x 25.38 x 10 | 60 | A-24P24 | 21 x 21 |
| M12SAB302110-FD-H | M12XSAB302110-FD-H | M12XZAB302110-FD-H | 30 x 21.38 x 10 | 59 | A-30P20 | 27 x 17 |
| M12SAB302510-FD-H | M12XSAB302510-FD-H | M12XZAB302510-FD-H | 30 x 25.38 x 10 | 71 | A-30P24 | 27 x 21 |
| M12SAB362510-FD-H | M12XSAB362510-FD-H | M12XZAB362510-FD-H | 36 x 25.38 x 10 | 82 | A-36P24 | 33 x 21 |
| M12SAB363110-FD-H | M12XSAB363110-FD-H | M12XZAB363110-FD-H | 36 x 31.38 x 10 | 105 | A-36P30 | 33 x 27 |
| M12SAB423110-FD-H | M12XSAB423110-FD-H | M12XZAB423110-FD-H | 42 x 31.38 x 10 | 119 | A-42P30 | 39 x 27 |

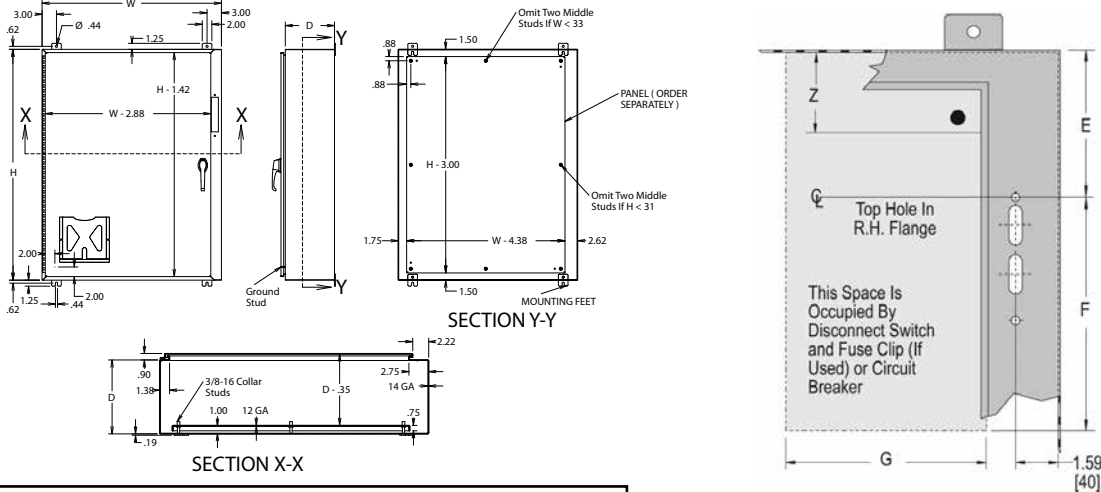
Please consult serving utility for their requirements prior to ordering or installing, as specifications and approvals vary by utility, and may require local electrical inspector approval. All installations must be installed by a licensed electrician and must comply with all national and local codes, laws and regulations. Milbank reserves the right to make changes in specifications and features shown without notice or obligation.



| Catalog Number | | | Enclosure Size H x W x D (inches) | Ship Weight (lbs) | Sub Panel Part Number | Sub Panel Size H x W (inches) |
|-------------------|-----------------------|-----------------------|---|-------------------------|--------------------------|-------------------------------------|
| Carbon Steel # | 304 Stainless Steel # | 316 Stainless Steel # | | | | |
| M12SAB423710-FD-H | M12XSAB423710-FD-H | M12XZAB423710-FD-H | 42 x 37.38 x 10 | 139 | A-42P36 | 39 x 33 |
| M12SAB483710-FD | M12XSAB483710-FD | M12XZAB483710-FD | 48 x 37.38 x 10 | 148 | A-48P36 | 45 x 33 |
| M12SAB603710-FD | M12XSAB603710-FD | M12XZAB603710-FD | 60 x 37.38 x 10 | 178 | A-60P36 | 57 x 33 |
| M12SAB302512-FD | M12XSAB302512-FD | M12XZAB302512-FD | 30 x 25.38 x 12 | 76 | A-30P24 | 27 x 21 |
| M12SAB363112-FD | M12XSAB363112-FD | M12XZAB363112-FD | 36 x 31.38 x 12 | 103 | A-36P30 | 33 x 27 |
| M12SAB423112-FD | M12XSAB423112-FD | M12XZAB423112-FD | 42 x 31.38 x 12 | 123 | A-42P30 | 39 x 27 |
| M12SAB423712-FD | M12XSAB423712-FD | M12XZAB423712-FD | 42 x 37.37 x 12 | 138 | A-42P36 | 39 x 33 |
| M12SAB483712-FD | M12XSAB483712-FD | M12XZAB483712-FD | 48 x 37.38 x 12 | 153 | A-48P36 | 45 x 33 |
| M12SAB603712-FD | M12XSAB603712-FD | M12XZAB603712-FD | 60 x 37.38 x 12 | 183 | A-60P36 | 57 x 33 |
| M12SAB363116-FD | M12XSAB363116-FD | M12XZAB363116-FD | 36 x 31.38 x 16 | 117 | A-36P30 | 33 x 27 |
| M12SAB483716-FD | M12XSAB483716-FD | M12XZAB483716-FD | 48 x 37.38 x 16 | 175 | A-48P36 | 45 x 33 |
| M12SAB603716-FD | M12XSAB603716-FD | M12XZAB603716-FD | 60 x 37.38 x 16 | 200 | A-60P36 | 57 x 33 |
| M12SAB483716-FD-A | M12XSAB483716-FD-A | M12SXZAB483716-FD-A | 48 x 37.38 x 16 | 175 | A-48P36 | 45 x 33 |
| M12SAB603716-FD-A | M12XSAB603716-FD-A | M12SXZAB603716-FD-A | 60 x 37.38 x 16 | 200 | A-60P36 | 57 x 33 |

NOTE

*Suitable for 200 amp disconnect switches and 1494F-L only.
Sub panels must be listed separately when ordering enclosures.



Space Occupied By Disconnects

E = 3.84 when D = 8.00
E = 6.75 when D = 10.25
E = 9.50 when D = 12.00 except for 200A switches
E = 9.50 when D = 16.00
E = 10.50 when D = 12.00 for enclosures with 200A switches
Z = Wire Bend Spacing
See charts on pages 110-116 for "F", "G", and "Z" dimensions which cover space occupied by disconnect and wire bend spacing. Disconnects occupy the space indicated by "E", "F", and "G".

Disconnect Ordering Information

When using a 1494F disconnect switch, order:

1. A disconnect switch (30A, 60A, or 100A)
2. A fuse block adapter, if required
3. Line and load connectors, if required

[Exception: M12SAB603712-FD enclosure requires one set (1494F-L4) 3-point latching hardware M12SAB603712-FD enclosure will only accept 200A (1494F) disconnect switch. This switch will not fit in any other size.]

When using a Bulletin 1494D circuit breaker operating mechanism, order:

1. A circuit breaker (C-H/Westinghouse)
2. A circuit breaker operating mechanism
3. A slide mechanism

NOTE

1. Print pocket = 6" x 6" when H and W are 24" or less.
Print pocket = 9" x 9" when H and W are greater than 24".
2. Panels will have formed flanges when either height or width is greater than 18".
3. When H=40" or greater, the handle is centered in the height and includes a three point latch system. When H is less than 40" the handle is at the bottom and includes a two point latch system.



Please consult serving utility for their requirements prior to ordering or installing, as specifications and approvals vary by utility, and may require local electrical inspector approval. All installations must be installed by a licensed electrician and must comply with all national and local codes, laws and regulations. Milbank reserves the right to make changes in specifications and features shown without notice or obligation.

Disconnect Enclosures

Type 12 | Floor Mount | Double Door Right Flange

93
TYPE 12
FLOOR MOUNT
DISCONNECT
ENCLOSURES

Applications

Designed to accommodate Allen-Bradley, Cutler-Hammer, General Electric, Square D, Westinghouse, and Telemechanique/ITE flange mount disconnect switches and circuit breakers and protect them from dust, dripping liquids, dirt and oil. For ordering information see page 95.

Construction

- Fabricated from 10 gauge carbon steel with continuously welded seams.
- Doors secured with continuous hinges with removable hinge pins.
- Black zinc anodized padlocking handle with built-in defeater mechanism (on the master door only) and three point latching system.
- Adhesive backed, oil resistant gasket applied to the doors.
- Removable center post for easy installation of the sub panel.
- 15-inch floor stands.
- Print pocket.
- Heavy-duty lifting eyes.

- Universal cutout provides mounting for most disconnect operators by using Adapter Kits.
- Ground studs installed inside cabinet and door.
- Collar studs provided for mounting optional sub panels.
- Body stiffeners for extra rigidity where needed.

Finish

Standard ANSI-61 gray finish on interior and exterior of enclosures. Recoatable, smooth, white or RAL 7035 texture polyester powder coat available at no charge. Standard RAL and custom match finishes available for an additional charge, please contact Milbank for further assistance. All powder coat finishes applied over cleaned phosphatized surfaces. Carbon steel sub panels have a white polyester powder coat finish.

Options

Milbank can modify standard



enclosures or custom design enclosures according to your specifications. Holes, cutouts, sizes, materials, and many more options are available. Quotations upon request.

Industry Standards

- UL 50 Listed
- CUL 50 Listed
- Type 12

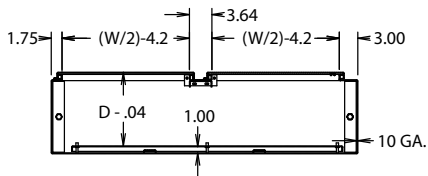
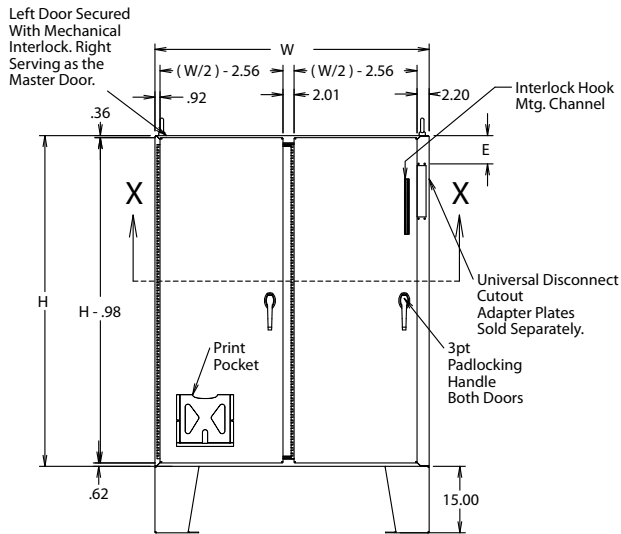
| Catalog Number | Enclosure Size H x W x D (inches) | Shipping Wt. (lbs) | Sub Panel Part Number | Sub Panel Size H x W (inches) |
|----------------|-----------------------------------|--------------------|-----------------------|-------------------------------|
| FD604912-FT | 60 x 49.75 x 12 | 485 | A-DD6048 | 56 x 44 |
| FD606112-FT | 60 x 61.75 x 12 | 535 | A-DD6060 | 56 x 56 |
| FD726112-FT | 72 x 61.75 x 12 | 635 | A-DD7260 | 68 x 56 |
| FD727312-FT | 72 x 73.75 x 12 | 710 | A-DD7272 | 68 x 68 |
| FD604918-FT | 60 x 49.75 x 18 | 535 | A-DD6048 | 56 x 44 |
| FD606118-FT | 60 x 61.75 x 18 | 630 | A-DD6060 | 56 x 56 |
| FD726118-FT | 72 x 61.75 x 18 | 797 | A-DD7260 | 68 x 56 |
| FD727318-FT | 72 x 73.75 x 18 | 845 | A-DD7272 | 68 x 68 |
| FD604924-FT | 60 x 49.75 x 24 | 639 | A-DD6048 | 56 x 44 |
| FD606124-FT | 60 x 61.75 x 24 | 727 | A-DD6060 | 56 x 56 |
| FD727324-FT | 72 x 73.75 x 24 | 970 | A-DD7272 | 68 x 68 |

NOTE

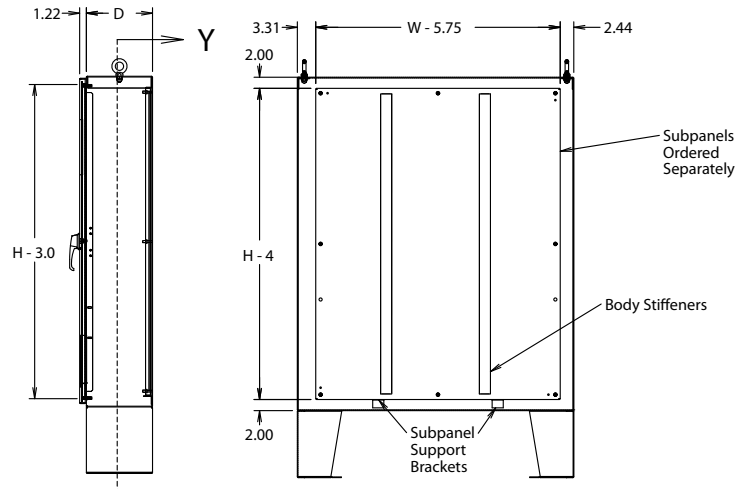
Adapter plates must be ordered separately. See page 158 for ordering information. Sub panels are also ordered separately.

Please consult serving utility for their requirements prior to ordering or installing, as specifications and approvals vary by utility, and may require local electrical inspector approval. All installations must be installed by a licensed electrician and must comply with all national and local codes, laws and regulations. Milbank reserves the right to make changes in specifications and features shown without notice or obligation.





SECTION X-X



SECTION Y-Y

Space Occupied By Disconnects

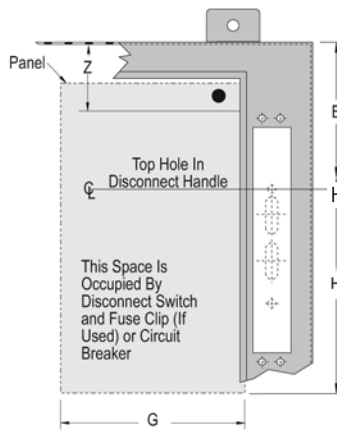
E = 7.88 [204] when H = 60.12 [1527]
E = 13.88 [343] when H = 72.12 [1832]

Allen-Bradley 1494F and 1494D

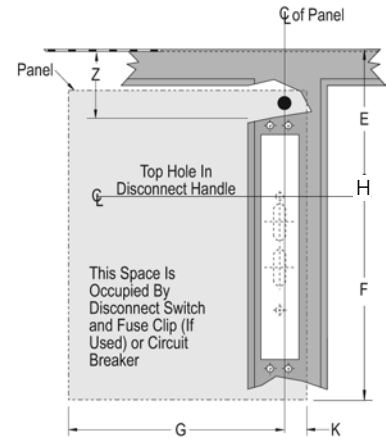
E = 5.88 [149] when H = 60.12 [1527]
E = 11.88 [288] when H = 72.12 [1832] except for 200 Amp
E = 10.56 [255] when H = 72.12 [1832] for 200 Amp only
Z = Wire Bend Spacing

See charts on pages 110-116 for "F", "G", and "Z" dimensions which cover space occupied by disconnect and wire bend spacing. Disconnects occupy the space indicated by "E", "F", and "G".

Right Hand Flange Disconnects



Center Post Disconnects



Please consult serving utility for their requirements prior to ordering or installing, as specifications and approvals vary by utility, and may require local electrical inspector approval. All installations must be installed by a licensed electrician and must comply with all national and local codes, laws and regulations. Milbank reserves the right to make changes in specifications and features shown without notice or obligation.

Disconnect Enclosures

Type 12 | Floor Mount | Double Door Right Flange

95
TYPE 12
FLOOR MOUNT
DISCONNECT
ENCLOSURES

Space Occupied By Disconnects

See charts on pages 106-115 for "F", "G", and "Z" dimensions which cover space occupied by disconnect and wire bend spacing. Disconnects occupy the space indicated by "E", "F" and "G" on disconnect diagrams on the previous page.

All 24.13 [610] deep enclosures include an adjustable size platform which is 6.00 [152] high. The platform is required for mounting the following disconnect devices:

- ABB Controls flange-operated devices
- Cutler Hammer C361 devices
- Cutler Hammer C371 mechanisms which use C371E, F, G, K operating mechanism
- General Electric Type TDA devices
- Square D Class 9422 devices

The platform can be omitted if long connecting rods are ordered.

- For Cutler-Hammer operating mechanisms C371E and C371F, order catalog number C371CS1 connecting rod. For C371G and C371K order catalog number C371CS2 connecting rod.
- For General Electric devices, order catalog number TDSR extended length drive rod
- For Square D devices, order catalog number 9422-R2 extra long operating rod(s). Some devices require two rods.

Disconnect Ordering Information

When ordering flange-mounted disconnects from the various manufacturers, be sure to order the necessary items. Each company has a different system, read through the following list of items required and refer to the charts on pages 109-115. Items with an (*) preceding them are available from disconnect manufacturer as complete kits.

Allen-Bradley

When using a 1494F flange mounted disconnect switch, order:

1. A disconnect switch
2. A fuse block adapter
3. Line and load connectors, if required

When using a 1494D flange-mounted operator for a circuit breaker, order:

1. A circuit breaker (C-H/Westinghouse)
2. A flange mounted operator

- mechanism
3. A slide mechanism

When using 1494V disconnect switch, order:

- *1. A disconnect switch
- *2. An operating handle
- *3. A connecting rod (long)
- *4. A trailer fuse block kit, if required
- *5. A fuse clip kit, if required
6. Line and load connectors, if required

When using a 1494V circuit breaker operating mechanism, order:

1. A circuit breaker (C-H/Westinghouse)
2. A circuit breaker operating mechanism
3. An operating handle
4. A connecting rod (long)

An optional Allen-Bradley channel support kit is recommended when Allen-Bradley 1494V devices are installed in 72.13 [1829] high enclosures with center post mounted operating handle

ABB Controls

When using a disconnect switch, order:

1. A flange-operated switch (fusible or non fusible)
 2. A shaft (DSFHS-12) for 12.13 [305] deep or (DSFHS-17) for 18.13 [457] deep enclosures in 24.13 [610] deep enclosure a platform must be used with shaft
 3. A handle (DSFHN-HS12)
- When using a circuit breaker, order:
1. A circuit breaker (ABB)
 2. An operating mechanism
 3. A shaft (FSH-12) for 12.13 [305] deep or (FSH-17) for 18.13 [457] deep enclosures in 24.13 [610] deep enclosure a platform must be used with shaft
 4. A handle (FHN-HS12)

Cutler-Hammer/Westinghouse

When using a Type C361 disconnect switch, order:

- *1. A disconnect switch with an operating mechanismx
- *2. An operating handle (C361H1 or C361H3)

When using a Type C371 circuit breaker operating mechanism with a C-H/

Westinghouse circuit breaker, order:

1. A circuit breaker

- *2. An operating mechanism
- *3. An operating handle

When using a Type SM handle mechanism, order:

1. A circuit breaker
2. A Type SM handle mechanism

When using a C-H/Westinghouse circuit breaker with a Type 4/4X Flex Shaft™ handle mechanism, order:

1. A circuit breaker
2. A complete Flex Shaft™ handle mechanism

General Electric

When using a disconnect switch, order:

1. A disconnect switch (Type QMR or QMW)
2. A fuse clip kit or no-fuse kit
3. A flange handle (STDA1 or STDA2)
4. A variable depth operating mechanism
5. An extended length drive rod, if required

When using a circuit breaker, order:

1. A circuit breaker
2. A flange handle (STDA1 or STDA2)
3. A variable depth operating mechanism
4. An extended length drive rod, if required

An optional General Electric Flange Stiffener Kit (catalog # TDSR) is recommended when General Electric Type TDA devices are installed in 72.13 [1829] high enclosures with operating handle mounted on center post. Use with TDOM1, TDOM2, TDOM3, S100M1A, and S100M3 operating mechanisms.

When using a circuit breaker with a Spectra Flex™ cable operator, order:

1. A circuit breaker
2. A flange-mounted handle mechanism
3. A breaker-mounted mechanism
4. An operating cable

I-T-E Siemens

When using a disconnect switch, order:

- *1. A basic switch (right hand)

Please consult serving utility for their requirements prior to ordering or installing, as specifications and approvals vary by utility, and may require local electrical inspector approval. All installations must be installed by a licensed electrician and must comply with all national and local codes, laws and regulations. Milbank reserves the right to make changes in specifications and features shown without notice or obligation.



- *2. A fuse or non-fuse kit
- *3. A flange-mounted handle (FHOHS)
- *4. Switch operator
- *5. FHOECO36 36.00 inch cable for 12.13 [305] deep enclosures or FHOECO48 for 18.13 [457] and 24.13 [610] deep enclosures

When using a circuit breaker, order:

1. A circuit breaker
2. Pressure wire connectors
- *3. A flange-mounted handle
- *4. A circuit breaker operator mechanism
- *5. An operating cable - 36.00 [914] or 48.00 [1219] long cable for 12.13 [305] and 18.13 [457] deep enclosures and 48.00 [1219] cable 24.13 [610] deep enclosures

* These items are available from ITE as a complete mechanism with a 36.00 [914] long cable only. Order items separately when using a 48.00 [1219] operating cable.

Square D

When using a disconnect switch, order:

1. A disconnect switch with operating mechanism
2. A universal handle mechanism
3. A long operating rod, if required

When using a circuit breaker, order:

1. A circuit breaker
2. An operating mechanism
3. A universal handle mechanism

When using a Class 9422 Type "T" disconnect switch with a cable mechanism, order:

1. A disconnect switch with operating mechanism (Class 9422, Type T)
2. A handle mechanism (Class 9422 Type A-1)
3. A cable mechanism (Class 9422 CFT_O) 3, 5, or 10 foot

When using a circuit breaker with a cable mechanism, order:

1. A circuit breaker (Square D)
2. A handle mechanism (Class 9422 Type A-1)
3. A cable mechanism (Class 9422 CFT_O) 3-, 5-, or 10-foot

An optional Square D Channel Flange Support Kit (catalog # 9422-C1) is recommended when some Square D devices are installed in 72.13 [1829] high enclosures with operating handle mounted on center post.

Heavy-Duty Enclosures

Type 12 | Freestanding Disconnect with Sub Panel

97
TYPE 12
HEAVY-DUTY
ENCLOSURES



Applications

Designed to provide protection for electrical instruments, terminals, and controls from dust, oil, dirt and dripping liquids.

Construction

- Fabricated from 10 gauge carbon steel with continuously welded seams.
- Single or multiple doors secured with continuous hinges and removable hinge pins.
- Black zinc anodized padlocking defeater handle, three point latching system, and overhead mechanical interlock.
- Adhesive backed, oil resistant gasket applied to the doors.
- Print pocket.

- Heavy-duty lifting eyes.
- Ground studs inside cabinet and door.
- Collar studs provided for mounting sub panels. Sub panels are included.
- Body stiffeners for extra rigidity.
- 5-door will be split into 3-door and 2-door sections to be shipped assembled or separate.
- Universal cutout provides mounting for most disconnect operators by using adapter kits.

Finish

Standard ANSI-61 gray finish on interior and exterior of enclosures. Recoatable, smooth, white or RAL 7035 texture polyester powder coat available at no charge. Standard RAL and custom match finishes available for

an additional charge, please contact Milbank for further assistance. All powder coat finishes applied over cleaned phosphatized surfaces. Carbon steel sub panels have a white polyester powder coat finish.

Options

Milbank can modify standard enclosures or custom design enclosures according to your specifications. Holes, cutouts, sizes, materials, and many more options are available. Quotations upon request.

Industry Standards

- UL 50 Listed
- CUL 50 Listed
- Type 12

NOTE

Adapter plates must be ordered separately. See page 158 for ordering information.
These units include subpanels.

Please consult serving utility for their requirements prior to ordering or installing, as specifications and approvals vary by utility, and may require local electrical inspector approval. All installations must be installed by a licensed electrician and must comply with all national and local codes, laws and regulations. Milbank reserves the right to make changes in specifications and features shown without notice or obligation.



| Catalog Number | Doors | Enclosure Size H x W x D (inches) | Ship. Weight (lbs) | Sub Panel Part Number A | Sub Panel Size H x W (inches) | Sub Panel Part Number B | Sub Panel Size H x W (inches) |
|---------------------|-------|---|--------------------------|----------------------------|-------------------------------------|----------------------------|-------------------------------------|
| M12FS722818AF-FD | 1 | 72 x 28.25 x 18 | 368 | A-60P21.75 | 60 x 21.75 | — | — |
| M12FS723418AF-FD | 1 | 72 x 34.25 x 18 | 430 | A-60P27.75 | 60 x 27.75 | — | — |
| M12FS724018AF-FD | 1 | 72 x 40.25 x 18 | 559 | A-60P33.75 | 60 x 33.75 | — | — |
| M12FS844018AF-FD | 1 | 84 x 40.25 x 18 | 630 | A-72P33.75 | 72 x 33.75 | — | — |
| M12FS904018AF-FD | 1 | 90 x 40.25 x 18 | 750 | A-78P33.75 | 78 x 33.75 | — | — |
| M12FS904020AF-FD | 1 | 90 x 40.25 x 20 | 865 | A-78P33.75 | 78 x 33.75 | — | — |
| M12FS844024AF-FD | 1 | 84 x 40.25 x 24 | 750 | A-72P33.75 | 72 x 33.75 | — | — |
| M12FS904024AF-FD | 1 | 90 x 40.25 x 24 | 910 | A-78P33.75 | 78 x 33.75 | — | — |
| M12FSD725418AF-FD | 2 | 72 x 54.5 x 18 | 695 | A-60P48 | 60 x 48 | — | — |
| M12FSD726618AF-FD | 2 | 72 x 66.5 x 18 | 815 | A-60P60 | 60 x 60 | — | — |
| M12FSD727818AF-FD | 2 | 72 x 78.5 x 18 | 895 | A-60P72 | 60 x 72 | — | — |
| M12FSD847818AF-FD | 2 | 84 x 78.5 x 18 | 1200 | A-72P72 | 72 x 72 | — | — |
| M12FSD907818AF-FD | 2 | 90 x 78.5 x 18 | 1250 | A-78P72 | 78 x 72 | — | — |
| M12FSD907820AF-FD | 2 | 90 x 78.5 x 20 | 1330 | A-78P72 | 78 x 72 | — | — |
| M12FSD727824SF-FD | 2 | 72 x 78.5 x 24 | 965 | A-60P72 | 60 x 72 | — | — |
| M12FSD847824AF-FD | 2 | 84 x 78.5 x 24 | 1200 | A-72P72 | 72 x 72 | — | — |
| M12FSD907824AF-FD | 2 | 90 x 78.5 x 24 | 1392 | A-78P72 | 78 x 72 | — | — |
| M12FS3D7210018AF-FD | 3 | 72 x 100.75 x 18 | 1330 | A-60P60 | 60 x 60 | A-60P27.75 | 60 x 27.75 |
| M12FS3D7211818AF-FD | 3 | 72 x 118.75 x 18 | 1540 | A-60P72 | 60 x 72 | A-60P33.75 | 60 x 33.75 |
| M12FS3D8411818AF-FD | 3 | 84 x 118.75 x 18 | 1750 | A-72P72 | 72 x 72 | A-72P33.75 | 72 x 33.75 |
| M12FS3D8411824AF-FD | 3 | 84 x 118.75 x 24 | 1836 | A-72P72 | 72 x 72 | A-72P33.75 | 72 x 33.75 |
| M12FS3D9011824AF-FD | 3 | 90 x 118.75 x 24 | 1950 | A-78P72 | 78 x 72 | A-78P33.75 | 78 x 33.75 |
| M12FS4D8415818AF-FD | 4 | 84 x 158 x 18 | 2300 | (2) A-72P72 | 72 x 72 | — | — |
| M12FS4D9015818AF-FD | 4 | 90 x 158 x 18 | 2400 | (2) A-78P72 | 78 x 72 | — | — |
| M12FS4D8415824AF-FD | 4 | 84 x 158 x 24 | 2536 | (2) A-72P72 | 72 x 72 | — | — |
| M12FS4D9015824AF-FD | 4 | 90 x 158 x 24 | 2600 | (2) A-78P72 | 78 x 72 | — | — |
| M12FS5D8419718AF-FD | 5 | 84 x 197.75 x 18 | 2580 | (2) A-72P72 | 72 x 72 | A-72P33.75 | 72 x 33.75 |
| M12FS5D9019718AF-FD | 5 | 90 x 197.75 x 18 | 2800 | (2) A-78P72 | 78 x 72 | A-78P33.75 | 78 x 33.75 |
| M12FS5D8419724AF-FD | 5 | 84 x 197.75 x 24 | 2830 | (2) A-72P72 | 72 x 72 | A-72P33.75 | 72 x 33.75 |
| M12FS5D9019724AF-FD | 5 | 90 x 197.75 x 24 | 2900 | (2) A-78P72 | 78 x 72 | A-78P33.75 | 78 x 33.75 |

Space Occupied By Disconnects

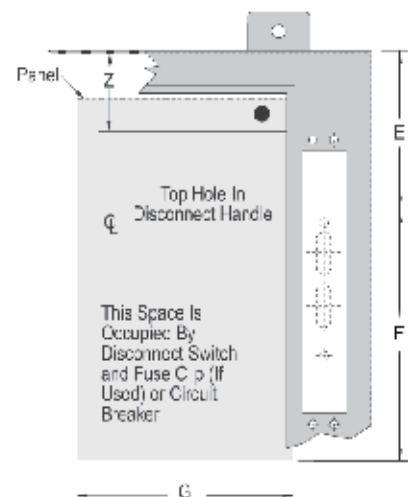
Note:

E = 11.88 [302] when H = 72 [1778]
 E = 17.88 [454] when H = 84 [2134], except 400 Amp or 600 Amp switches
 E = 20.88 [530] when H = 90 [2286], except 400 Amp or 600 Amp switches
 E = 16.43 [417] when H = 84 [2134], 400 Amp and 600 Amp switches only
 E = 19.43 [494] when H = 90 [2286], 400 Amp and 600 Amp switches only

Allen Bradley 1494F only:

E = 9.88 [251] when H = 72 [1778], except 200 Amp switch
 E = 15.88 [403] when H = 84 [2134], except 200 Amp switch
 E = 18.80 [478] when H = 90 [2286], except 200 Amp switch
 E = 8.56 [217] when H = 72 [1778], 200 Amp switch only
 E = 14.56 [370] when H = 84 [2134], 200 Amp switch only
 E = 17.56 [446] when H = 90 [2286], 200 Amp switch only
 Z = Wire Bend Spacing

See charts on pages 110-116 for "F", "G", and "Z" dimensions which cover space occupied by disconnect and wire bend spacing. Disconnects occupy the space indicated by "E", "F", and "G".



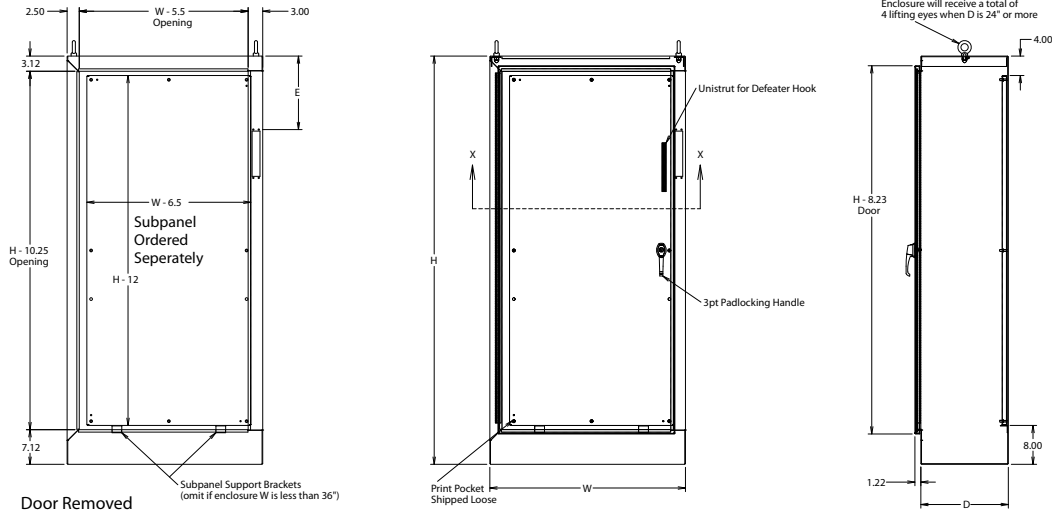
Please consult serving utility for their requirements prior to ordering or installing, as specifications and approvals vary by utility, and may require local electrical inspector approval. All installations must be installed by a licensed electrician and must comply with all national and local codes, laws and regulations. Milbank reserves the right to make changes in specifications and features shown without notice or obligation.

Heavy-Duty Enclosures

Type 12 | Freestanding Disconnect with Sub Panel

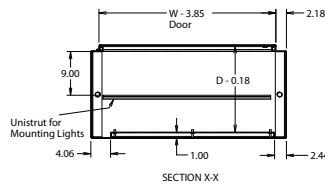
99
TYPE 12
HEAVY-DUTY
ENCLOSURES

M12FS-FD Single Door

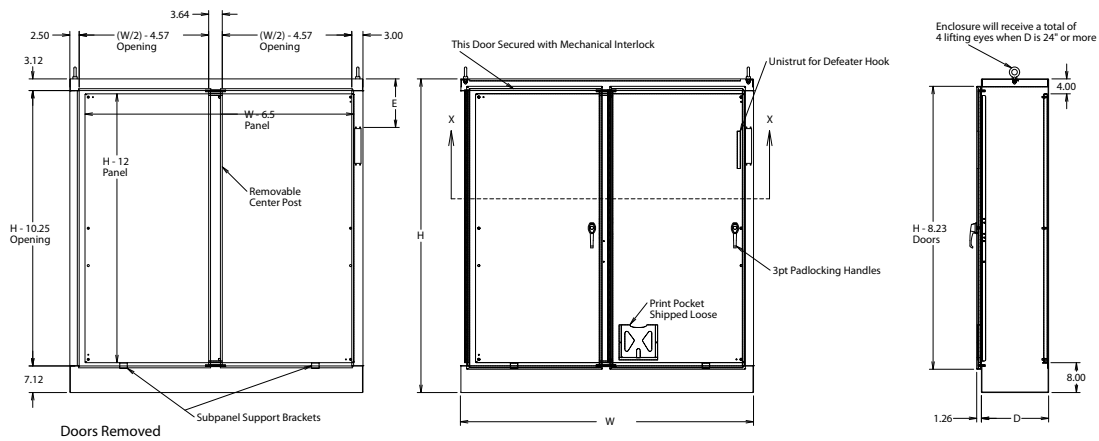


NOTE

9" x 9" print pocket shipped inside enclosure.

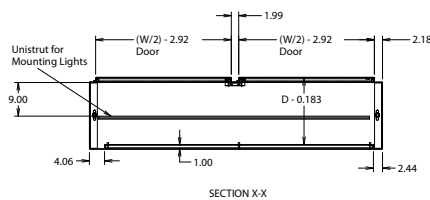


M12FSD-FD Double Door



NOTE

9" x 9" print pocket shipped inside enclosure.



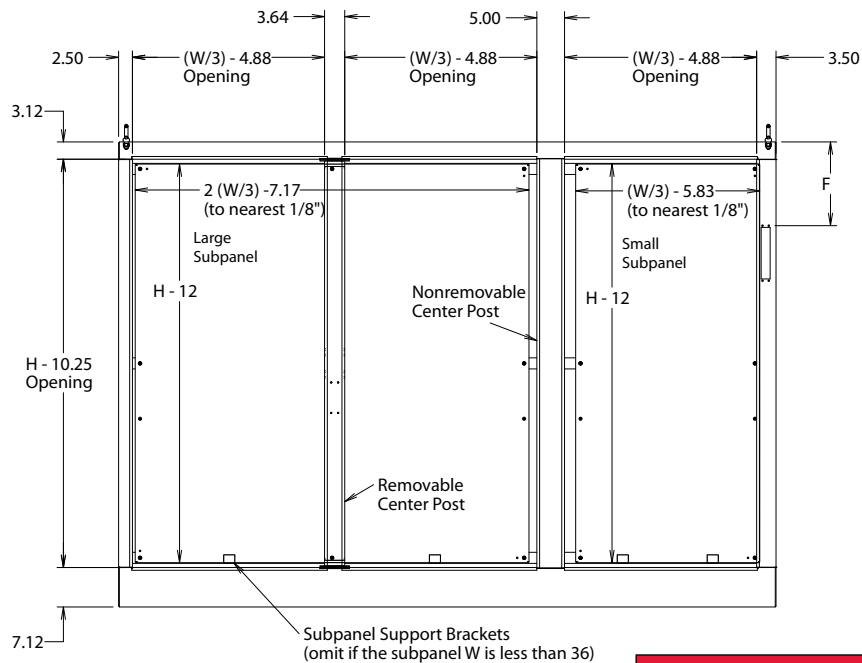
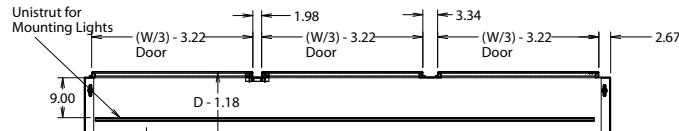
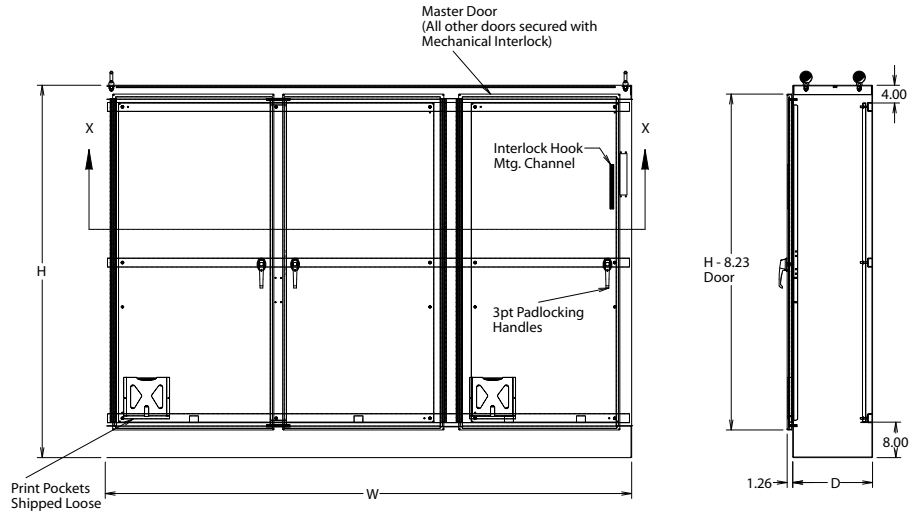
Please consult serving utility for their requirements prior to ordering or installing, as specifications and approvals vary by utility, and may require local electrical inspector approval. All installations must be installed by a licensed electrician and must comply with all national and local codes, laws and regulations. Milbank reserves the right to make changes in specifications and features shown without notice or obligation.



Heavy-Duty Enclosures

Type 12 | Freestanding Disconnect with Sub Panel

M12FS3D-FD Three Door



NOTE

9" x 9" print pocket shipped inside enclosure.



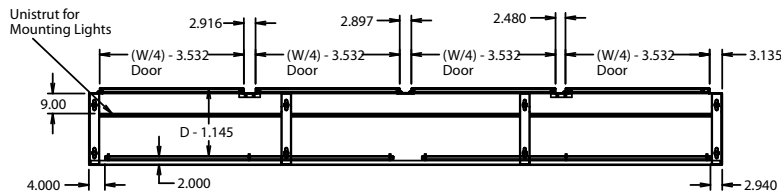
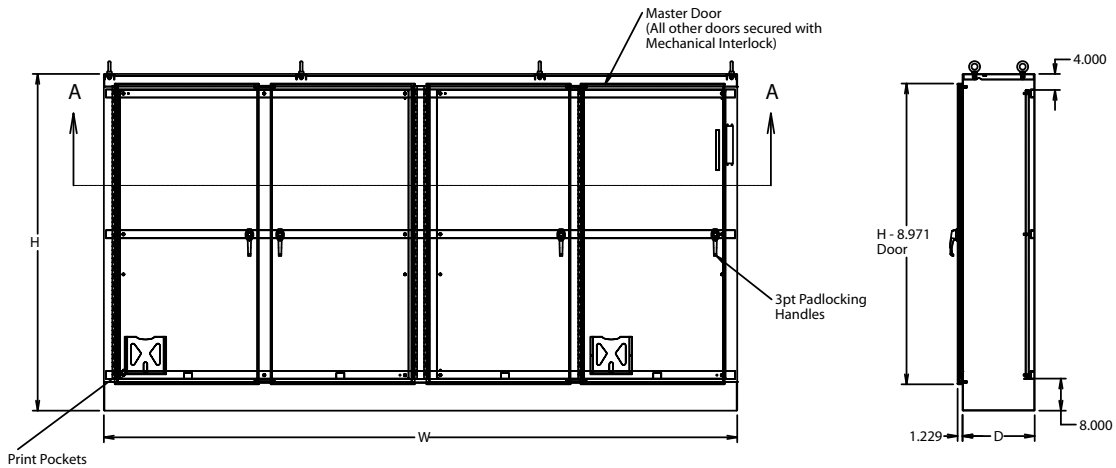
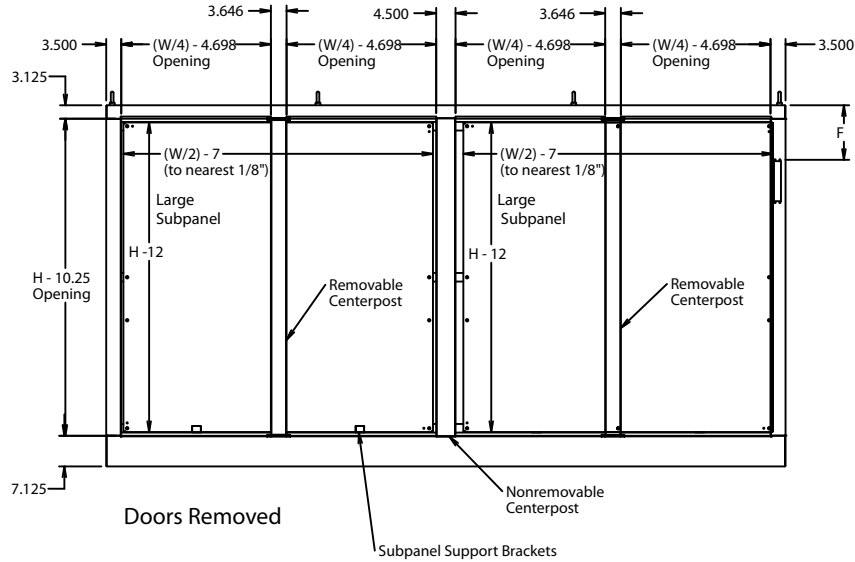
Please consult serving utility for their requirements prior to ordering or installing, as specifications and approvals vary by utility, and may require local electrical inspector approval. All installations must be installed by a licensed electrician and must comply with all national and local codes, laws and regulations. Milbank reserves the right to make changes in specifications and features shown without notice or obligation.

Heavy-Duty Enclosures

Type 12 | Freestanding Disconnect with Sub Panel

101
TYPE 12
HEAVY-DUTY
ENCLOSURES

M12FS4D-FD Four Door



SECTION A-A

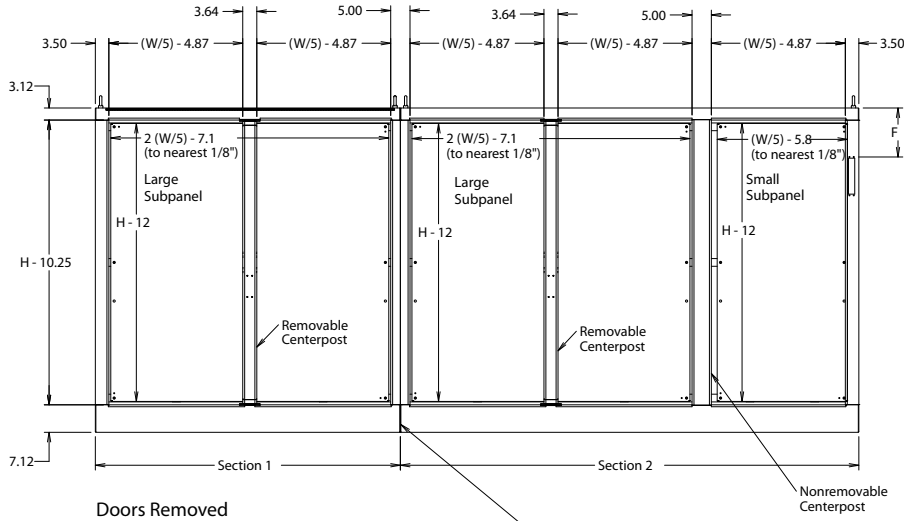
NOTE

9" x 9" print pocket shipped inside enclosure.

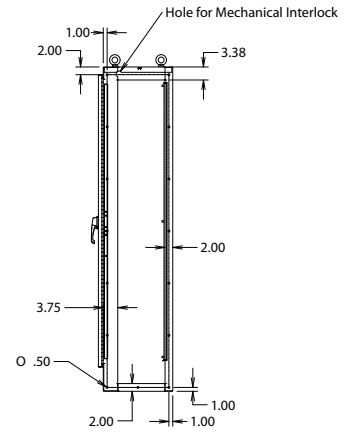
Please consult serving utility for their requirements prior to ordering or installing, as specifications and approvals vary by utility, and may require local electrical inspector approval. All installations must be installed by a licensed electrician and must comply with all national and local codes, laws and regulations. Milbank reserves the right to make changes in specifications and features shown without notice or obligation.



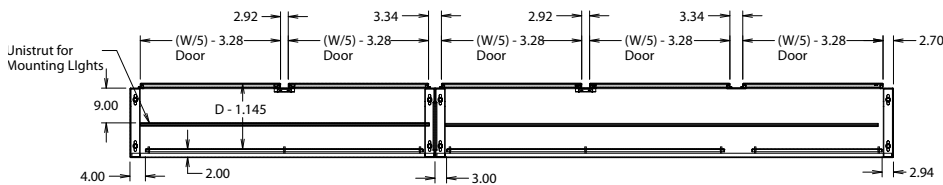
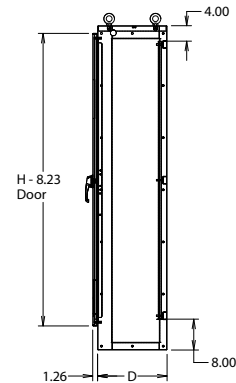
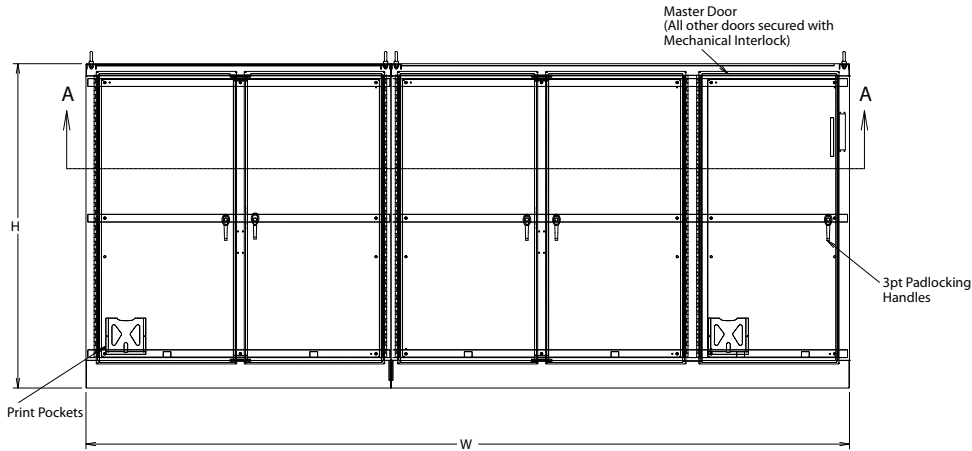
M12FS5D-FD Five Door



Enclosure to have two sections bolted together. Sections to be sealed with gasket and secured with 3/8" bolts.



Open end of Section 1



SECTION A-A

NOTE

1. 9" x 9" print pocket shipped inside enclosure.
2. 5-door units will be split into 3-door and 2-door sections to be shipped assembled or separate.



Please consult serving utility for their requirements prior to ordering or installing, as specifications and approvals vary by utility, and may require local electrical inspector approval. All installations must be installed by a licensed electrician and must comply with all national and local codes, laws and regulations. Milbank reserves the right to make changes in specifications and features shown without notice or obligation.

Modular Enclosures

Type 12

103
TYPE 12
MODULAR
ENCLOSURES

Applications

Modular enclosures can be bolted together in any desired arrangement. This design provides maximum versatility; enclosures can be added or removed as required. Modular disconnect enclosures have provisions for flange mount disconnects on right-hand side.

Construction

- Fabricated from 10 gauge carbon steel with continuously welded seams.
- Doors secured with heavy gauge lift off hinges.
- Black zinc anodized padlocking handle with built-in defeater mechanism (on the master door only) and three point latching system.
- Each enclosure has a mechanical interlock so all doors can be interlocked with the master door.
- Adhesive backed, oil resistant gasket applied to the doors.
- Removable center post for easy installation of the sub panel (two door only).
- Print pocket.
- Heavy-duty lifting eyes.
- Ground studs installed inside cabinet and door.
- Collar studs provided for mounting sub panel.
- Panel supports are provided to support panels and aid in panel installation.
- Body stiffeners for extra rigidity where needed.

Accessories (Sold Separately)

- End Plate: not included with enclosures. See page 158 in accessories section for ordering

information. Gasket material and bolts are included with each end plate.

- Flat End Plates: Can be used as barriers between enclosures. See page 154 in accessories section for ordering information.
- Adaptor kits.
- Gasket kit: Required at each joint between modular enclosures. Includes parts needed to connect the interlock system between adjacent enclosures.

Single & Two Door Disconnect

The cutouts for the disconnect operation are located on the right flange and the right side is closed (left side open) so the disconnect operator cannot be obscured by a door. The heavy-duty overhead mechanical interlocking system is factory tested and provides quick, effective assembly of up to 5 doors in a row, controlled by a single master door. When the master door is opened, the interlock is automatically released, permitting all doors to be opened in any order. All doors can be closed in any order.

Finish

Standard ANSI-61 gray finish on interior and exterior of enclosures. Recoatable, smooth, white or RAL 7035 texture polyester powder coat available at no charge. Standard RAL and custom match finishes available for an additional charge, please contact Milbank for further assistance. All powder coat finishes applied over cleaned phosphatized surfaces. Carbon steel sub panels have a white polyester powder coat finish.



Options

Milbank can modify standard enclosures or custom design enclosures according to your specifications. Holes, cutouts, sizes, materials, and many more options are available. Quotations upon request.

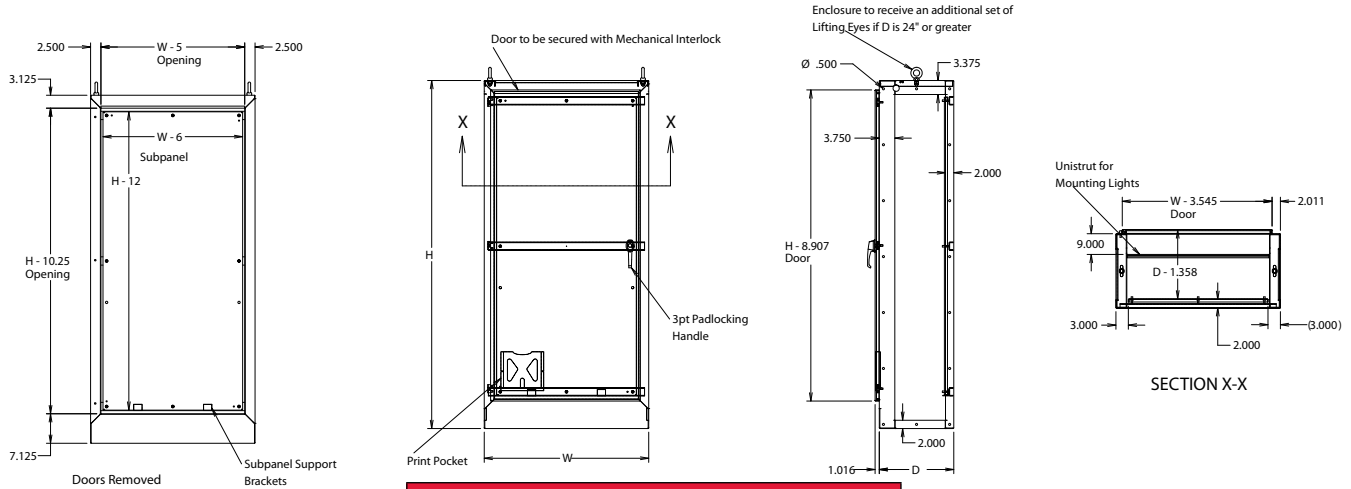
Industry Standards

- UL 50 Listed
- CUL 50 Listed
- Type 12

Please consult serving utility for their requirements prior to ordering or installing, as specifications and approvals vary by utility, and may require local electrical inspector approval. All installations must be installed by a licensed electrician and must comply with all national and local codes, laws and regulations. Milbank reserves the right to make changes in specifications and features shown without notice or obligation.

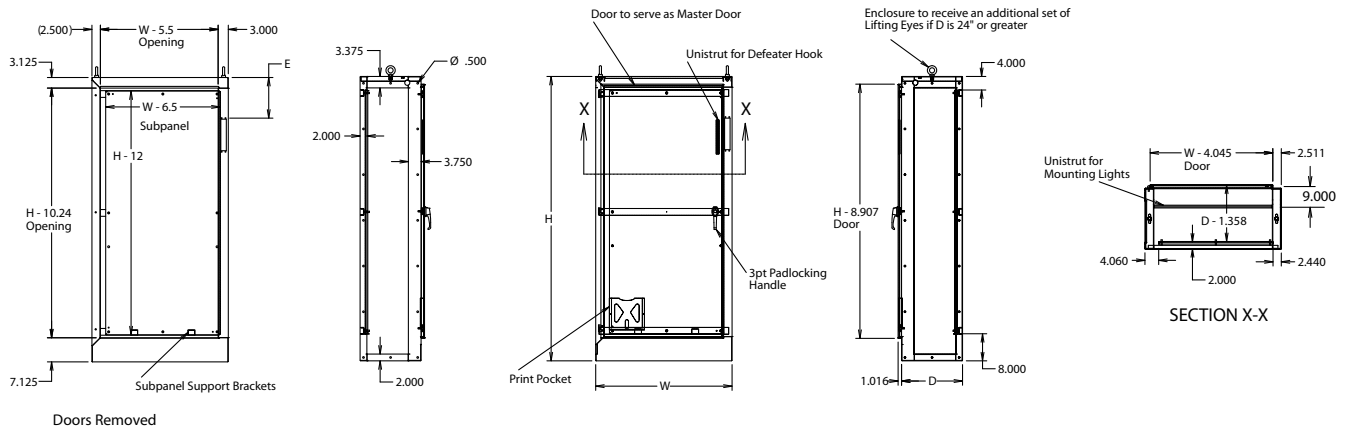


| Catalog Number | Enclosure Size H x W x D | Sub Panel Part Number | Panel Dimensions | | Door Opening | | Door Size | |
|---------------------|-----------------------------|--------------------------|------------------|-------|--------------|-------|-----------|-------|
| | | | A | B | J | K | L | M |
| M12MOD843818 | 84 x 39.75 x 18 | A-72P33.75 | 72.00 | 33.75 | 73.75 | 34.75 | 75.77 | 36.75 |
| M12MOD843824 | 84 x 39.75 x 24 | A-72P33.75 | 72.00 | 33.75 | 73.75 | 34.75 | 75.77 | 36.75 |



NOTE
Reference page 156-158 for sub panel layout.
Adapter kits must be ordered separately.
9" x 9" print pocket shipped inside enclosure.

| Catalog Number | Enclosure Size H x W x D | Sub Panel Part Number | Panel Dimensions | | Door Opening | | Door Size | |
|------------------------|-----------------------------|--------------------------|------------------|-------|--------------|-------|-----------|-------|
| | | | A | B | J | K | L | M |
| M12MOD843918-FD | 84 x 40.25 x 18 | A-72P33.75 | 72.00 | 33.75 | 73.75 | 34.75 | 75.77 | 36.75 |
| M12MOD843924-FD | 84 x 40.25 x 24 | A-72P33.75 | 72.00 | 33.75 | 73.75 | 34.75 | 75.77 | 36.75 |



NOTE
Reference page 156-158 for sub panel layout.
Adapter kits must be ordered separately.
9" x 9" print pocket shipped inside enclosure.



Please consult serving utility for their requirements prior to ordering or installing, as specifications and approvals vary by utility, and may require local electrical inspector approval. All installations must be installed by a licensed electrician and must comply with all national and local codes, laws and regulations. Milbank reserves the right to make changes in specifications and features shown without notice or obligation.

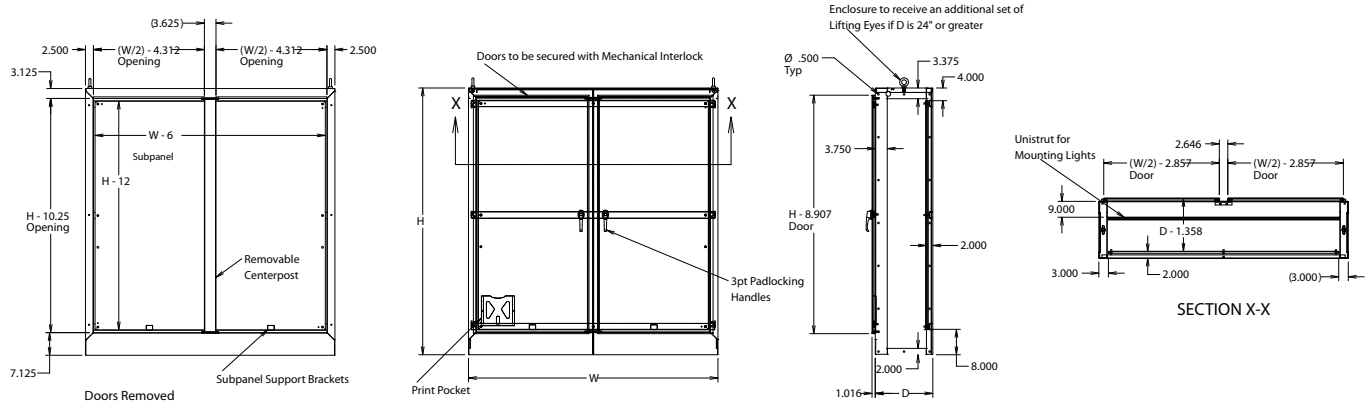
Modular Enclosures

Type 12

105

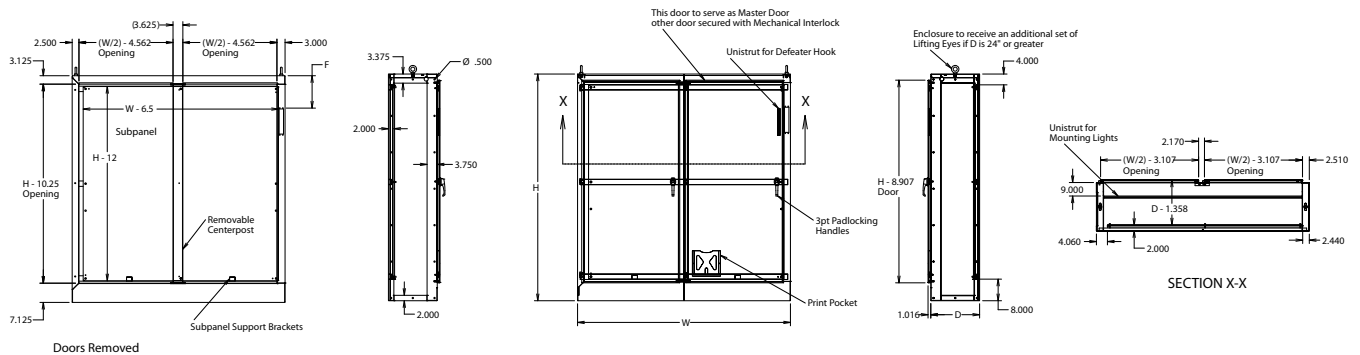
TYPE 12
MODULAR
ENCLOSURES

| Catalog Number | Enclosure Size H x W x D | Sub Panel Part Number | Panel Dimensions | | Door Opening | | Door Size | |
|----------------|-----------------------------|--------------------------|------------------|-------|--------------|-------|-----------|------|
| | | | A | B | J | K | L | M |
| M12MOD847718 | 84.00 x 78.00 x 18.00 | A-72P72 | 72.00 | 72.00 | 73.75 | 34.75 | 75.77 | 36.7 |
| M12MOD847724 | 84.00 x 78.00 x 24.00 | A-72P72 | 72.00 | 72.00 | 73.75 | 34.75 | 75.77 | 36.7 |



NOTE
Reference page 156-158 for sub panel layout.
Adapter kits must be ordered separately.
9" x 9" print pocket shipped inside enclosure.

| Catalog Number | Enclosure Size H x W x D | Sub Panel Part Number | Panel Dimensions | | Door Opening | | Door Size | |
|-----------------|-----------------------------|--------------------------|------------------|-------|--------------|-------|-----------|------|
| | | | A | B | J | K | L | M |
| M12MOD847818-FD | 84 x 78.50 x 18 | A-72P72 | 72.00 | 72.00 | 73.75 | 34.75 | 75.77 | 36.7 |
| M12MOD847824-FD | 84 x 78.50 x 24 | A-72P72 | 72.00 | 72.00 | 73.75 | 34.75 | 75.77 | 36.7 |



NOTE
Reference page 156-158 for sub panel layout.
Adapter kits must be ordered separately.
9" x 9" print pocket shipped inside enclosure.

Please consult serving utility for their requirements prior to ordering or installing, as specifications and approvals vary by utility, and may require local electrical inspector approval. All installations must be installed by a licensed electrician and must comply with all national and local codes, laws and regulations. Milbank reserves the right to make changes in specifications and features shown without notice or obligation.





Please consult serving utility for their requirements prior to ordering or installing, as specifications and approvals vary by utility, and may require local electrical inspector approval. All installations must be installed by a licensed electrician and must comply with all national and local codes, laws and regulations. Milbank reserves the right to make changes in specifications and features shown without notice or obligation.

Disconnect Information

Multi-Door and Modular Enclosures

Space Occupied By Disconnects

See charts on pages 106-115 for "F", "G", and "W" dimensions which cover space occupied by disconnect and wire bend spacing. Disconnects occupy the space indicated by "E", "F" and "G" on disconnect diagrams on the previous page.

All 24.13 [610] deep enclosures include an adjustable size platform which is 6.00 [152] high. The platform is required for mounting the following disconnect devices:

- ABB Controls flange-operated devices.
- Cutler Hammer C361 devices.
- Cutler Hammer C371 mechanisms, which use C371E, F, G, K operating mechanism.
- General Electric Type TDA devices.
- Square D Class 9422 devices.

The platform can be omitted if long connecting rods are ordered.

- For Cutler-Hammer operating mechanisms C371E and C371F order catalog number C371CS1 connecting rod. For C371G and C371K order catalog number C371CS2 connecting rod.
- For General Electric devices, order catalog number TDSR extended length drive rod.
- For Square D devices, order catalog number 9422-R2 extra long operating rod(s). Some devices require two rods.

Disconnect Ordering Information

When ordering flange-mounted disconnects from the various manufacturers, be sure to order the necessary items. Each company has a different system, so care is required. Order the following items from the disconnect manufacturer.

Key to Symbols

Items available from disconnect manufacturer as complete kits. Please note:

1. The "Space Occupied/Available Wiring Space" tables on following pages are based upon information supplied by disconnect manufacturers. Milbank does not assume responsibility for the accuracy of these dimensions.
2. This information is subject to change without notice. Please contact Milbank for the disconnect manufacturer if there are questions.

Allen-Bradley

When using a 1494F flange mounted disconnect switch, order:

1. A disconnect switch.
2. A fuse block adapter.
3. Line and load connectors, if required

When using a 1494D flange-mounted operator for a circuit breaker, order:

1. A circuit breaker (C-H/Westinghouse)
2. A flange mounted operator mechanism
3. A slide mechanism

When using 1494V disconnect switch, order:

- *1. A disconnect switch
- *2. An operating handle
- *3. A connecting rod (long)
- *4. A trailer fuse block kit, if required
- *5. A fuse clip kit, if required
6. Line and load connectors, if required

When using a 1494V circuit breaker operating mechanism, order:

1. A circuit breaker (C-H/Westinghouse)
2. A circuit breaker operating mechanism
3. An operating handle
4. A connecting rod (long)

ABB Controls

When using a disconnect switch, order:

1. A flange-operated switch (fusible or non-fusible)
2. A shaft (DSFHS-17) for 18.13 [457] deep enclosures (DSFHS-22) for 20.13 [511] deep enclosures in 24.13 [613] deep enclosure a platform must be used with shaft
3. A handle (DSFHN-HS12)

When using a circuit breaker, order:

1. A circuit breaker (ABB)
2. An operating mechanism
3. A shaft (FSH-17) for 18.13 [457] deep or (FSH-22) for 20.13 [511] deep enclosures in 24.13 [613] deep enclosure a platform must be used with shaft
4. A handle (FHN-HS12)

Cutler-Hammer/Westinghouse

When using a Type C361 disconnect switch, order:

- *1. A disconnect switch with an operating mechanism
- *2. An operating handle (C361H1 or C361H3)

When using a Type C371 circuit breaker operating mechanism with a C-H/Westinghouse circuit breaker, order:

1. A circuit breaker
- *2. An operating mechanism
- *3. An operating handle

When using a Type SM handle mechanism, order:

1. A circuit breaker
2. A Type SM handle mechanism

When using a C-H/Westinghouse circuit breaker with a Type 4/4X Flex Shaft™ handle mechanism, order:

1. A circuit breaker
2. A complete Flex Shaft™ handle mechanism

General Electric

When using a disconnect switch, order:

1. A disconnect switch (Type QMR or QMW)
2. A fuse clip kit or no-fuse kit
3. A flange handle (STDA1 or STDA2)
4. A variable depth operating mechanism
5. An extended length drive rod, if required

When using a circuit breaker, order:

1. A circuit breaker
2. A flange handle (STDA1 or STDA2)
3. A variable depth operating mechanism
4. An extended length drive rod, if required

When using a circuit breaker with a Spectra Flex™ cable operator, order:

1. A circuit breaker
2. A flange-mounted handle mechanism
3. A breaker-mounted mechanism
4. An operating cable

I-T-E Siemens

When using a disconnect switch, order:

1. A basic switch (right hand)
2. A fuse or non-fuse kit
- *3. A flange-mounted handle (FHOHS)
- *4. Switch operator
- *5. FHOECO48 cable

When using a circuit breaker, order:

1. A circuit breaker
2. Pressure wire connectors

Please consult serving utility for their requirements prior to ordering or installing, as specifications and approvals vary by utility, and may require local electrical inspector approval. All installations must be installed by a licensed electrician and must comply with all national and local codes, laws and regulations. Milbank reserves the right to make changes in specifications and features shown without notice or obligation.



Disconnect Information

Multi-Door and Modular Enclosures

- *3. A flange-mounted handle
- *4. A circuit breaker operator mechanism
- *5. An operating cable - 36.00 [914] or 48.00 [1219] long cable for 18.13 [460] and 20.13 [511] deep enclosures and 48.00 [1219] cable 24.13 [610] deep enclosures

*These items are available from ITE as a complete mechanism with a 36.00 [914] long cable only. Order items separately when using a 48.00 [1219] operating cable.

Square D

When using a disconnect switch, order:

1. A disconnect switch with operating mechanism
2. A universal handle mechanism
3. A long operating rod, if required

When using a circuit breaker, order:

1. A circuit breaker
2. An operating mechanism
3. A universal handle mechanism
4. A long operating rod, if required

When using a Class 9422 Type "T" disconnect switch with a cable mechanism, order:

1. A disconnect switch with operating mechanism (Class 9422, Type T)
2. A handle mechanism (Class 9422 Type A-1)
3. A cable mechanism (Class 9422 CFT_O) 3, 5, or 10 feet

When using a circuit breaker with a cable mechanism, order:

1. A circuit breaker (Square D)
2. A handle mechanism (Class 9422 Type A-1)
3. A cable mechanism (Class 9422 CFT_O) 3-, 5-, or 10-feet

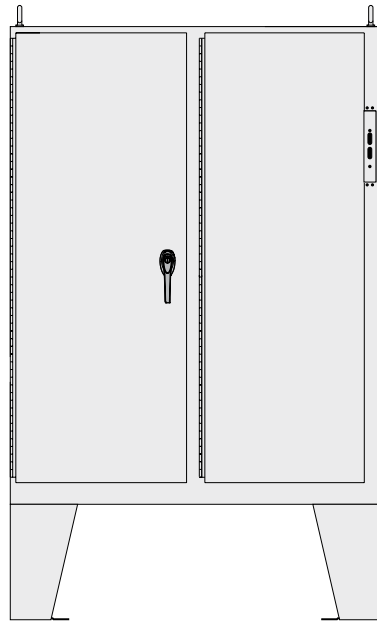


Please consult serving utility for their requirements prior to ordering or installing, as specifications and approvals vary by utility, and may require local electrical inspector approval. All installations must be installed by a licensed electrician and must comply with all national and local codes, laws and regulations. Milbank reserves the right to make changes in specifications and features shown without notice or obligation.

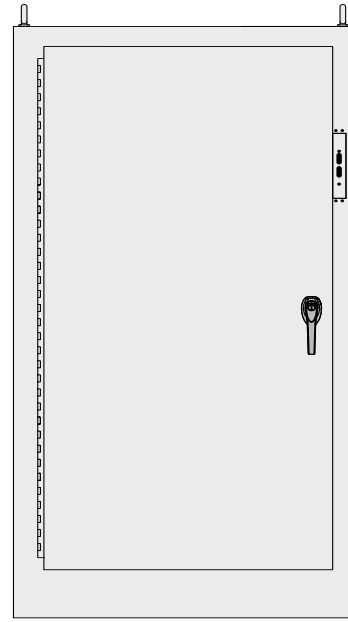
Disconnect Enclosure Information

Type 12

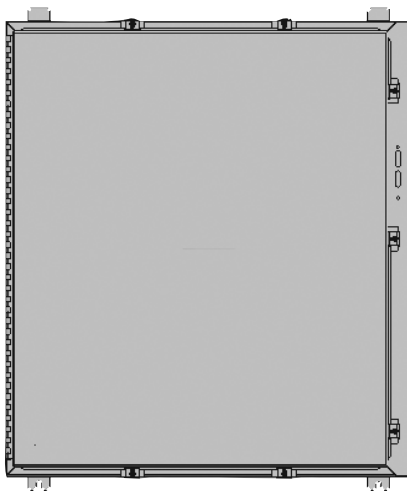
109
DISCONNECT
ENCLOSURE
INFORMATION



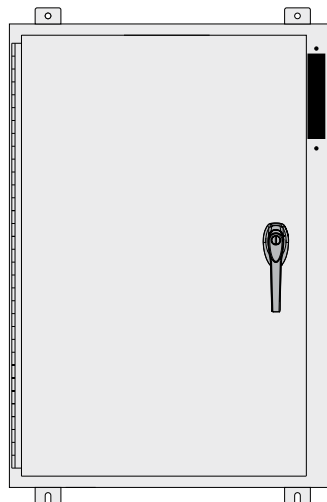
TYPE 1



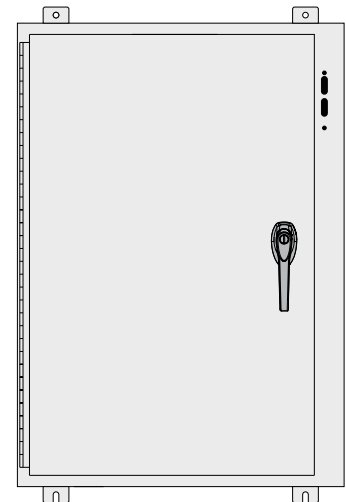
TYPE 2



TYPE 3



TYPE 4



TYPE 5

Please consult serving utility for their requirements prior to ordering or installing, as specifications and approvals vary by utility, and may require local electrical inspector approval. All installations must be installed by a licensed electrician and must comply with all national and local codes, laws and regulations. Milbank reserves the right to make changes in specifications and features shown without notice or obligation.



Allen-Bradley 1494V Disconnects

| Type Number | Amp Rating | Fuse Clip Rating | | Fuse Class | Space Occupied | | Wire Bend Space Z | Disconnects Fit The Enclosure Type Indicated Below (Page 108) | | | | |
|-------------|------------|---|-------|------------|----------------|-------|----------------------|---|---|---|---|---|
| | | Amps | Volts | | F | G | | 1 | 2 | 3 | 4 | 5 |
| DS30 | 30A | No Fuse | | — | 3.88 | 6.75 | E - 1.88 | 0 | 0 | 0 | - | 0 |
| DS30 | 30A | 30 | 250 | H, K, R | 5.25 | 6.75 | E - 1.88 | 0 | 0 | 0 | - | 0 |
| DS30 | 30A | 30 | 600 | H, K, R | 8.00 | 6.75 | E - 1.88 | 0 | 0 | 0 | - | 0 |
| DS30 | 30A | 30 | 600 | J | 5.25 | 6.75 | E - 1.88 | 0 | 0 | 0 | - | 0 |
| DS30 | 30A | 60 | 250 | H, K | 6.00 | 6.75 | E - 1.88 | 0 | 0 | 0 | - | 0 |
| DS30 | 30A | 60 | 600 | H, K | 8.50 | 6.75 | E - 1.88 | 0 | 0 | 0 | - | 0 |
| DS30 | 30A | 60 | 600 | J | 5.38 | 6.75 | E - 1.88 | 0 | 0 | 0 | - | 0 |
| DS60 | 60A | No Fuse | | — | 3.88 | 6.75 | E - 2.00 | 0 | 0 | 0 | - | 0 |
| DS60 | 60A | 60 | 250 | H, K, R | 6.00 | 6.75 | E - 2.00 | 0 | 0 | 0 | - | 0 |
| DS60 | 60A | 60 | 600 | H, K, R | 8.50 | 6.75 | E - 2.00 | 0 | 0 | 0 | - | 0 |
| DS60 | 60A | 60 | 600 | J | 5.38 | 6.75 | E - 2.00 | 0 | 0 | 0 | - | 0 |
| DS60 | 60A | 30 | 600 | H, K, R | 8.00 | 6.75 | E - 2.00 | 0 | 0 | 0 | - | 0 |
| DS60 | 60A | 100 | 250 | H, K | 8.50 | 6.75 | E - 2.00 | 0 | 0 | 0 | - | 0 |
| DS60 | 60A | 100 | 600 | H, K | 10.50 | 6.75 | E - 2.00 | 0 | 0 | 0 | - | 0 |
| DS60 | 60A | 100 | 600 | J | 7.25 | 6.75 | E - 2.00 | 0 | 0 | 0 | - | 0 |
| DS100 | 100A | No Fuse | | — | 3.88 | 6.75 | E - 2.18 | 0 | 0 | 0 | - | 1 |
| DS100 | 100A | 100 | 250 | H, K, R | 8.12 | 6.75 | E - 2.18 | 0 | 0 | 0 | - | 1 |
| DS100 | 100A | 100 | 600 | H, K, R | 10.12 | 6.75 | E - 2.18 | 0 | 0 | 0 | - | 1 |
| DS100 | 100A | 100 | 600 | J | 6.88 | 6.75 | E - 2.18 | 0 | 0 | 0 | - | 1 |
| DS100 | 100A | 60 | 600 | H, K, R | 10.12 | 6.75 | E - 2.18 | 0 | 0 | 0 | - | 1 |
| DS100 | 100A | 60 | 600 | J | 8.88 | 6.75 | E - 2.18 | 0 | 0 | 0 | - | 1 |
| DS200 | 200A | No Fuse | | — | 4.75 | 7.88 | E - 3.50 | 0 | 0 | 1 | - | 2 |
| DS200 | 200A | 200 | 250 | H, K, R | 10.88 | 7.88 | E - 3.50 | 0 | 0 | 0 | - | 2 |
| DS200 | 200A | 200 | 600 | H, K, R | 13.38 | 7.88 | E - 3.50 | 0 | 0 | 0 | - | 2 |
| DS200 | 200A | 200 | 600 | J | 9.50 | 7.88 | E - 3.50 | 0 | 0 | 0 | - | 2 |
| DS200 | 200A | 100 | 600 | H, K, R | 12.00 | 7.88 | E - 3.50 | 0 | 0 | 0 | - | 2 |
| DS200 | 200A | 100 | 600 | J | 8.75 | 7.88 | E - 3.50 | 0 | 0 | 0 | - | 2 |
| DS400 | 400A | No Fuse | | — | 10.75 | 10.88 | E - 6.29 | - | 4 | - | 5 | 3 |
| DS400 | 400A | 400 | 250 | H, K, R | 16.12 | 10.88 | E - 6.29 | - | 4 | - | 5 | 3 |
| DS400 | 400A | 400 | 600 | H, K, R | 19.12 | 10.88 | E - 6.29 | - | 4 | - | 5 | 3 |
| DS400 | 400A | 400 | 600 | J | 14.62 | 10.88 | E - 6.29 | - | 4 | - | 5 | 3 |
| DS600 | 600A | No Fuse | | — | 10.75 | 10.88 | E - 6.29 | - | 4 | - | 5 | 3 |
| DS600 | 600A | 600 | 250 | H, R | 16.12 | 10.88 | E - 6.29 | - | 4 | - | 5 | 3 |
| DS600 | 600A | 600 | 600 | H, R | 19.12 | 10.88 | E - 6.29 | - | 4 | - | 5 | 3 |
| DS600 | 600A | 600 | 600 | J | 14.62 | 10.88 | E - 6.29 | - | 4 | - | 5 | 3 |
| M40 | 15A-150A | GE Circuit Breaker TED, THED, TEC | | — | 5.62 | 4.62 | E - 0.50 | 0 | 0 | 0 | - | 0 |
| M40 | 15A-150A | Westinghouse Circuit Breaker F Frame / Series C | | — | 5.00 | 4.62 | E - 0.50 | 0 | 0 | 0 | - | 0 |
| M50 | 70A-250A | Westinghouse Circuit Breaker J Frame / Series C | | — | 9.75 | 4.88 | E - 1.00 | 0 | 0 | 1 | - | 2 |
| M60 | 100A-400A | Westinghouse Circuit Breaker K Frame / Series C | | — | 9.69 | 6.25 | E - 1.125 | 6 | 0 | 0 | - | 2 |

- 0: Will fit enclosure. No special restrictions.
- 1: Do not use in 8.00 inch deep enclosures.
- 2: Do not use in 8.00 or 10.00 inch deep enclosures.
- 3: Only fits Type 5 Enclosure with a Designator after Depth.

- 4: Only fits enclosures 84.00 and 90.00 inch high with the AB designator at the end of the part number
- 5: Only fit enclosures 12.00 inches deep.
- 6: Do not use in 60" high enclosures.



Please consult serving utility for their requirements prior to ordering or installing, as specifications and approvals vary by utility, and may require local electrical inspector approval. All installations must be installed by a licensed electrician and must comply with all national and local codes, laws and regulations. Milbank reserves the right to make changes in specifications and features shown without notice or obligation.

Disconnect Enclosure Information

Type 12

Allen-Bradley 1494F Disconnects

| Type Number | Amp Rating | Fuse Clip Rating | | Fuse Class | Space Occupied | | Wire Bend Space Z | Disconnects Fit The Enclosure Type Indicated Below (Page 108) | | | | |
|-------------|------------|------------------|------|------------|----------------|-------|----------------------|---|---|---|---|---|
| | | Amp | Volt | | F | G | | 1 | 2 | 3 | 4 | 5 |
| N30 | 30A | No Fuse | | — | 4.62 | 6.38 | E - 0.59 | 0 | 0 | — | 0 | — |
| NF30 | 30A | 30 | 250 | H, K, R | 6.25 | 6.38 | E - 0.59 | 0 | 0 | — | 0 | — |
| NF30 | 30A | 60 | 250 | H, K, R | 7.25 | 6.38 | F - 0.59 | 0 | 0 | — | 0 | — |
| NF30 | 30A | 30 | 600 | H, K, R | 9.25 | 6.38 | E - 0.59 | 0 | 0 | — | 0 | — |
| NF30 | 30A | 60 | 600 | H, K, R | 9.75 | 6.38 | E - 0.59 | 0 | 0 | — | 0 | — |
| NF30 | 30A | 30 | 600 | J | 6.50 | 6.38 | E - 0.59 | 0 | 0 | — | 0 | — |
| NF30 | 30A | 60 | 600 | J | 6.62 | 6.38 | E - 0.59 | 0 | 0 | — | 0 | — |
| N60 | 60A | No Fuse | | — | 4.62 | 6.38 | E - 1.34 | 0 | 0 | — | 0 | — |
| NF60 | 60A | 30 | 600 | H, K, R | 10.38 | 6.38 | E - 1.34 | 0 | 0 | — | 0 | — |
| NF60 | 60A | 60 | 250 | H, K, R | 8.38 | 6.38 | E - 1.34 | 0 | 0 | — | 0 | — |
| NF60 | 60A | 100 | 250 | H, K, R | 10.88 | 6.38 | E - 1.34 | 0 | 0 | — | 0 | — |
| NF60 | 60A | 60 | 600 | H, K, R | 10.88 | 6.38 | E - 1.34 | 0 | 0 | — | 0 | — |
| NF60 | 60A | 100 | 600 | H, K, R | 12.88 | 6.38 | E - 1.34 | 0 | 0 | — | 0 | — |
| NF60 | 60A | 60 | 600 | J | 7.75 | 6.38 | E - 1.34 | 0 | 0 | — | 0 | — |
| NF60 | 60A | 100 | 600 | J | 9.75 | 6.38 | E - 1.34 | 0 | 0 | — | 0 | — |
| N100 | 100A | No Fuse | | — | 4.62 | 7.13 | E - 3.12 | 8 | 0 | — | 1 | — |
| NF100 | 100A | 100 | 250 | H, K, R | 11.38 | 7.13 | E - 3.12 | 8 | 0 | — | 1 | — |
| NF100 | 100A | 200 | 250 | H, K, R | 12.25 | 7.38 | E - 3.12 | 8 | 0 | — | 1 | — |
| NF100 | 100A | 100 | 600 | H, K, R | 13.38 | 7.12 | E - 3.12 | 8 | 0 | — | 1 | — |
| NF100 | 100A | 200 | 600 | H, K, R | 14.75 | 7.50 | E - 3.12 | 8 | 0 | — | 1 | — |
| NF100 | 100A | 100 | 600 | J | 10.12 | 7.13 | E - 3.12 | 8 | 0 | — | 1 | — |
| NF100 | 100A | 200 | 600 | J | 10.88 | 7.38 | E - 3.12 | 8 | 0 | — | 1 | — |
| N200 | 200A | No Fuse | | — | 7.12 | 10.13 | E - 3.38 | 8 | 0 | — | 7 | — |
| NF200 | 200A | 200 | 250 | H, K, R | 15.00 | 10.13 | E - 3.38 | 8 | 0 | — | 7 | — |
| NF200 | 200A | 400 | 250 | H, K, R | 18.56 | 10.50 | E - 3.38 | 8 | 0 | — | 7 | — |
| NF200 | 200A | 200 | 600 | H, K, R | 17.56 | 10.13 | E - 3.38 | 8 | 0 | — | 7 | — |
| NF200 | 200A | 400 | 600 | H, K, R | 19.56 | 10.75 | E - 3.38 | 8 | 0 | — | 7 | — |
| NF200 | 200A | 200 | 600 | J | 13.69 | 10.13 | E - 3.38 | 8 | 0 | — | 7 | — |
| NF200 | 200A | 400 | 600 | J | 15.00 | 10.38 | E - 3.38 | 8 | 0 | — | 7 | — |

0: Will fit enclosure. No special restrictions.

1: Do not use in 8" deep enclosures.

6: Only fit enclosures with the AB designator at the end of the part number.

7: Only fit enclosures 12.00 inches deep.

8: Do not use in 60" high enclosures.

Allen-Bradley 1494D Circuit Breaker Operators

| Type Number | Frame Rating | Breaker Type | Frame Size | Space Occupied | | Wire Bend Space Z | Disconnects Fit The Enclosure Type Indicated Below (Page 106) | | | | |
|-------------|--------------|------------------|--------------------|----------------|------|----------------------|---|---|---|---|---|
| | | | | F | G | | 1 | 2 | 3 | 4 | 5 |
| N4/N40 | 150A | Westinghouse | F Frame / Series C | 5.81 | 4.44 | E - 0.59 | 0 | 0 | — | 0 | — |
| N4/N40 | 150A | General Electric | TEC, TED, THED | 5.81 | 4.44 | E - 0.59 | 0 | 0 | — | 0 | — |
| N5/N50 | 225A | General Electric | TFC, TFK, THFK | 8.81 | 4.63 | E - 1.41 | 0 | 0 | — | 1 | — |
| N5/N50 | 250A | Westinghouse | J Frame / Series C | 8.81 | 4.63 | E - 1.45 | 0 | 0 | — | 1 | — |
| N5/N60 | 400A | Westinghouse | K Frame / Series C | 8.81 | 5.75 | E - 1.31 | 8 | 0 | — | 1 | — |

0: Will fit enclosure. No special restrictions.

1: Do not use in 8" deep enclosures.

6: Only fit enclosures with the AB designator at the end of the part number.

8: Do not use in 60" high enclosures.

Please consult serving utility for their requirements prior to ordering or installing, as specifications and approvals vary by utility, and may require local electrical inspector approval. All installations must be installed by a licensed electrician and must comply with all national and local codes, laws and regulations. Milbank reserves the right to make changes in specifications and features shown without notice or obligation.



Square D Class 9422 Disconnects

| Type Number | Amp Rating | Fuse Clip Rating | | Fuse Class | Space Occupied | | Wire Bend Space Z | Disconnects Fit The Enclosure Type Indicated Below (Page 108) | | | | |
|-------------|------------|------------------|------|-----------------|----------------|-------|----------------------|---|---|---|---|---|
| | | Amp | Volt | | F | G | | 1 | 2 | 3 | 4 | 5 |
| TCN-30 | 30A | No Fuse | | — | 3.80 | 6.97 | E - 1.06 | 0 | 0 | 0 | - | 0 |
| TCF-30 | 30A | 30 | 250 | H, K, R | 5.53 | 6.97 | E - 1.06 | 0 | 0 | 0 | - | 0 |
| TCF-33 | 30A | 30 | 600 | H, K, R | 8.15 | 6.97 | E - 1.06 | 0 | 0 | 0 | - | 0 |
| TCF-33 | 30A | 60 | 250 | H, K, R | 6.15 | 6.97 | E - 1.06 | 0 | 0 | 0 | - | 0 |
| TCF-33 | 30A | 30 | 600 | J | 3.80 | 6.97 | E - 1.06 | 0 | 0 | 0 | - | 0 |
| TDN-60 | 60A | No Fuse | | — | 3.80 | 6.97 | E - 1.06 | 0 | 0 | 0 | - | 0 |
| TDN-60 | 60A | 30 | 600 | H, K, R | 8.15 | 6.97 | E - 1.06 | 0 | 0 | 0 | - | 0 |
| TDN-60 | 60A | 60 | 250 | H, K, R | 6.15 | 6.97 | E - 1.06 | 0 | 0 | 0 | - | 0 |
| TDN-63 | 60A | 60 | 600 | H, K, R | 8.65 | 6.97 | E - 1.06 | 0 | 0 | 0 | - | 0 |
| TDN-63 | 60A | 60 | 600 | J | 5.53 | 6.97 | E - 1.06 | 0 | 0 | 0 | - | 0 |
| TEN-10 | 100A | No Fuse | | — | 3.80 | 6.97 | E - 1.19 | 0 | 0 | 0 | - | 1 |
| TEF-10 | 100A | 100 | 250 | H, K, R | 8.25 | 6.97 | E - 1.19 | 0 | 0 | 0 | - | 1 |
| TEF-10 | 100A | 100 | 600 | H, K, R | 10.25 | 6.97 | E - 1.19 | 0 | 0 | 0 | - | 1 |
| TEF-13 | 100A | 100 | 600 | J | 7.05 | 6.97 | E - 1.19 | 0 | 0 | 0 | - | 1 |
| TEF-13 | 100A | 200 | 600 | J | | | E - 1.19 | 0 | 0 | 0 | - | 1 |
| TC-1 | 30A | No Fuse | | — | 5.75 | 6.13 | E - 2 | 0 | 0 | 0 | - | 0 |
| TC-2 | 30A | 30 | 250 | H, K, R | 5.75 | 6.13 | E - 2 | 0 | 0 | 0 | - | 0 |
| TC-3 | 30A | 30 | 600 | H, K, R | 7.75 | 6.13 | E - 2 | 0 | 0 | 0 | - | 0 |
| TC-3 | 30A | 60 | 250 | H, K, R | 5.88 | 6.13 | E - 2 | 0 | 0 | 0 | - | 0 |
| TC-3 | 30A | 30 | 600 | J | 5.75 | 6.13 | E - 2 | 0 | 0 | 0 | - | 0 |
| TD-1 | 60A | No Fuse | | — | 6.38 | 6.75 | E - 1.13 | 0 | 0 | 0 | - | 0 |
| TD-2 | 60A | 30 | 600 | H, K, R | 8.50 | 6.75 | E - 1.13 | 0 | 0 | 0 | - | 0 |
| TD-2 | 60A | 60 | 250 | H, K, R | 6.50 | 6.75 | E - 1.13 | 0 | 0 | 0 | - | 0 |
| TD-3 | 60A | 60 | 600 | H, K, R | 9.00 | 6.75 | E - 1.13 | 0 | 0 | 0 | - | 0 |
| TD-3 | 60A | 60 | 600 | J | 6.38 | 6.75 | E - 1.13 | 0 | 0 | 0 | - | 0 |
| TE-1 | 100A | No Fuse | | — | 4.75 | 8.50 | E - 1.38 | 0 | 0 | 1 | - | 1 |
| TE-2 | 100A | 100 | 250 | H, K, R | 7.50 | 8.50 | E - 1.38 | 0 | 0 | 1 | - | 1 |
| TE-2 | 100A | 100 | 600 | H, K, R | 9.50 | 8.50 | E - 1.38 | 0 | 0 | 1 | - | 1 |
| TE-2 | 100A | 100 | 600 | J | 6.25 | 8.50 | E - 1.38 | 0 | 0 | 1 | - | 1 |
| TE-3 | 100A | 200 | 600 | J | 13.75 | 8.50 | E - 1.38 | 0 | 0 | 1 | - | 1 |
| TF-1 | 200A | No Fuse | | — | 5.50 | 11.75 | E - 2.75 | 0 | 0 | 1 | - | 2 |
| TF-2 | 200A | 200 | 250 | H, K, R | 11.50 | 11.75 | E - 2.75 | 0 | 0 | 1 | - | 2 |
| TF-2 | 200A | 200 | 600 | H, K, R | 14.00 | 11.75 | E - 2.75 | 0 | 0 | 1 | - | 2 |
| TF-2 | 200A | 200 | 600 | J | 10.12 | 11.75 | E - 2.75 | 0 | 0 | 1 | - | 2 |
| TF-3 | 200A | 400 | 600 | J | 14.50 | 11.75 | E - 2.75 | 0 | 0 | 0 | - | 2 |
| RG-1 | 75A | GJL | | Circuit Breaker | 3.53 | 3.88 | E - 1.16 | 0 | 0 | 0 | - | 0 |
| RG-1 | 100A | GJL | | Circuit Breaker | 3.53 | 3.88 | E - 1.16 | 0 | 0 | 0 | - | 0 |
| RN-1 | 100A | FAL,FHL | | Circuit Breaker | 5.12 | 5.38 | E - 1.00 | 0 | 0 | 0 | - | 0 |
| RP-1 | 250A | KAL,KHL | | Circuit Breaker | 7.12 | 5.75 | E - 0.50 | 0 | 0 | 0 | - | 0 |
| RR-1 | 400A | LAL,LHL,Q4L | | Circuit Breaker | 7.62 | 8.88 | E - 4.62 | - | 0 | 1 | - | 2 |

- 0: Will fit enclosure. No special restrictions.
- 1: Do not use in 8.00 inch deep enclosures.
- 2: Do not use in 8.00 or 10.00 inch deep enclosures.



Please consult serving utility for their requirements prior to ordering or installing, as specifications and approvals vary by utility, and may require local electrical inspector approval. All installations must be installed by a licensed electrician and must comply with all national and local codes, laws and regulations. Milbank reserves the right to make changes in specifications and features shown without notice or obligation.

Disconnect Enclosure Information

Type 12

General Electric Type STDA Operators for Disconnects

| Mechanism | Amp Rating | Fuse Clip Rating | | Fuse Class | Space Occupied | | Wire Bend Space Z | Disconnects Fit The Enclosure Type Indicated Below (Page 108) | | | | |
|-----------|------------|------------------|------|------------|----------------|------|----------------------|---|---|---|---|---|
| | | Amp | Volt | | F | G | | 1 | 2 | 3 | 4 | 5 |
| TDOM1A | 30A | No Fuse | | — | 7.75 | 5.25 | E + .5 | 0 | 0 | 0 | — | 0 |
| TDOM1A | 30A | 30 | 250 | H,R | 7.75 | 5.25 | E + .5 | 0 | 0 | 0 | — | 0 |
| TDOM1B | 30A | 30 | 600 | H,R | 12.38 | 5.25 | E + .5 | 0 | 0 | 0 | — | 0 |
| TDOM1B | 30A | 60 | 250 | H,R | 12.38 | 5.25 | E + .5 | 0 | 0 | 0 | — | 0 |
| TDOM1B | 30A | 60 | 600 | H,R | 12.38 | 5.25 | E + .5 | 0 | 0 | 0 | — | 0 |
| TDOM1A | 60A | No Fuse | | — | 7.75 | 5.25 | E + .5 | 0 | 0 | 0 | — | 0 |
| TDOM1B | 60A | 60 | 250 | H,R | 12.38 | 5.25 | E + .5 | 0 | 0 | 0 | — | 0 |
| TDOM1B | 60A | 60 | 600 | H,R | 12.38 | 5.25 | E + .5 | 0 | 0 | 0 | — | 0 |
| TDOM1B | 60A | 100 | 250 | H,R | 12.38 | 5.25 | E + .5 | 0 | 0 | 0 | — | 0 |
| TDOM1B | 60A | 100 | 600 | H,R | 12.38 | 5.25 | E + .5 | 0 | 0 | 0 | — | 0 |
| TDOM1A | 100A | No Fuse | | — | 7.75 | 5.25 | E + .5 | 0 | 0 | 0 | — | 0 |
| TDOM1B | 100A | 100 | 250 | H,R | 12.38 | 5.25 | E + .5 | 0 | 0 | 0 | — | 0 |
| TDOM1B | 100A | 100 | 600 | H,R | 12.38 | 5.25 | E + .5 | 0 | 0 | 0 | — | 0 |
| TDOM1B | 100A | 200 | 250 | H,R | 12.38 | 5.25 | E + .5 | 0 | 0 | 0 | — | 0 |
| TDOM1B | 100A | 200 | 600 | H,R | 12.38 | 5.25 | E + .5 | 0 | 0 | 0 | — | 0 |
| TDOM2 | 200A | No Fuse | | — | 7.00 | 9.12 | E - 2.12 | 0 | 0 | 0 | — | 2 |
| TDOM2 | 200A | 200 | 250 | H,R | 15.38 | 9.12 | E - 2.12 | 0 | 0 | 0 | — | 2 |
| TDOM2 | 200A | 200 | 600 | H,R | 15.38 | 9.12 | E - 2.12 | 0 | 0 | 0 | — | 2 |

General Electric Type STDA Operators for Circuit Breakers

| Mechanism | Amp Rating | Frame Type | Space Occupied | | Wire Bend Space Z | Disconnects Fit The Enclosure Type Indicated Below (Page 108) | | | | |
|-----------|------------|--------------------------|----------------|------|----------------------|---|----|---|---|---|
| | | | F | G | | 1 | 2 | 3 | 4 | 5 |
| SDOM1A | 150A | TEB, TED, THED | 7.75 | 5.38 | E - .64 | 0 | 0 | 0 | — | 0 |
| SDOM1A | 150A | TEC | 7.75 | 5.38 | E - .64 | 0 | 0 | 0 | — | 0 |
| TDOM1B | 150A | TB1 | 12.38 | 5.38 | E - .64 | 0 | 0 | 0 | — | 0 |
| TDOM1B | 150A | TEC, TECL | 12.38 | 5.38 | E - .64 | 0 | 0 | 0 | — | 0 |
| TDOM1C | 150A | TEL | 7.75 | 5.38 | E - .64 | 0 | 0 | 0 | — | 0 |
| TDOM1D | 150A | THLC1 | 7.75 | 5.38 | E - .64 | 0 | 0 | 0 | — | 1 |
| TDOM3 | 225A | TFJ | 10.38 | 5.88 | E - 2.00 | 0 | 0 | 0 | — | 1 |
| TDOM3 | 225A | TFK, THFK, TFL | 10.38 | 5.88 | E - 2.00 | 0 | 0 | 0 | — | 1 |
| TDOM4 | 400A | TJJ, TJK4, THJK4, TJL4V | 8.25 | 9.50 | E - 2.00 | 8 | 0 | 0 | — | 1 |
| TDOM4 | 600A | TJK6, THJK6, TJ4V, TJL4V | 8.25 | 9.50 | E - 2.00 | 8 | 0 | 1 | — | 1 |
| TDOM5 | 400A | TB4, TJH6S | 14.25 | 9.50 | E - 2.00 | 8 | 0 | 0 | — | 1 |
| TDOM6 | 225A | TLB2, THLC2 | 11.75 | 9.50 | E - 2.50 | 8 | 9 | 9 | — | 2 |
| TDOM6 | 400A | TLB4, THLC4 | 11.75 | 9.50 | E - 2.50 | 8 | 9 | 9 | — | 2 |
| TDOM6 | 225A | TLB2, THLC2 | 11.75 | 9.50 | E - 2.50 | 9 | 10 | — | — | — |
| TDOM7 | 600A | TB6 | 18.12 | 9.50 | E - 2.50 | 9 | 9 | — | — | — |
| TDOM7 | 800A | TB8 | 18.12 | 9.50 | E - 2.50 | 9 | 9 | — | — | — |
| TDOM7 | 1200A | TKL12S | 18.12 | 9.50 | E - 2.50 | 9 | 10 | — | — | — |

- 0:** Will fit enclosure. No special restrictions.
- 1:** Do not use in 8.00 inch deep enclosures.
- 2:** Do not use in 8.00 or 10.00 inch deep enclosures.
- 8:** Do not use in 60.00 inch high enclosures.
- 9:** Do not use in 60.00 or 72.00 inch high enclosures.
- 10:** Do not use in 60.00, 72.00, or 84.00 inch high enclosures.

Please consult serving utility for their requirements prior to ordering or installing, as specifications and approvals vary by utility, and may require local electrical inspector approval. All installations must be installed by a licensed electrician and must comply with all national and local codes, laws and regulations. Milbank reserves the right to make changes in specifications and features shown without notice or obligation.



I-T-E Disconnect Switches for Max-Flex™ Operators

| Switch | Amp Rating | Fuse Clip Rating | | Fuse Class | Space Occupied | | Disconnects Fit The Enclosure Type Indicated Below (Page 108) | | | | |
|---------|------------|------------------|------|------------|----------------|------|---|---|---|---|---|
| | | Amp | Volt | | F | G | 1 | 2 | 3 | 4 | 5 |
| MCS603R | 30A | No Fuse | | — | 5.52 | 6.13 | 0 | 0 | 0 | — | 0 |
| MCS603R | 30A | 30 | 250 | H, K, R | 8.11 | 6.13 | 0 | 0 | 0 | — | 0 |
| MCS603R | 30A | 30 | 600 | H, K, R | 10.11 | 6.13 | 0 | 0 | 0 | — | 0 |
| MCS603R | 30A | 30 | 600 | J | 8.48 | 6.13 | 0 | 0 | 0 | — | 0 |
| MCS606R | 60A | No Fuse | | — | 5.52 | 6.13 | 0 | 0 | 0 | — | 0 |
| MCS606R | 60A | 60 | 250 | H, K, R | 7.86 | 6.13 | 0 | 0 | 0 | — | 0 |
| MCS606R | 60A | 60 | 600 | H, K, R | 10.38 | 6.13 | 0 | 0 | 0 | — | 0 |
| MCS606R | 60A | 60 | 600 | J | 8.36 | 6.13 | 0 | 0 | 0 | — | 0 |
| MCS610R | 100A | No Fuse | | — | 7.59 | 7.38 | 0 | 0 | 0 | — | 0 |
| MCS610R | 100A | 100 | 250 | H, K, R | 11.85 | 7.38 | 0 | 0 | 0 | — | 0 |
| MCS610R | 100A | 100 | 600 | H, K, R | 13.85 | 7.38 | 0 | 0 | 0 | — | 0 |
| MCS610R | 100A | 100 | 600 | J | 10.60 | 7.38 | 0 | 0 | 0 | — | 0 |
| MCS620R | 200A | No Fuse | | — | 9.02 | 9.17 | 0 | 0 | 0 | — | 0 |
| MCS620R | 200A | 200 | 250 | H, K, R | 14.70 | 9.17 | 0 | 0 | 0 | — | 0 |
| MCS620R | 200A | 200 | 600 | H, K, R | 17.20 | 9.17 | 0 | 0 | 0 | — | 0 |
| MCS620R | 200A | 200 | 600 | J | 13.32 | 9.17 | 0 | 0 | 0 | — | 0 |

0: Will fit enclosure. No special restrictions.

I-T-E Circuit Breakers with Max-Flex™ Operators

| Complete Operator | Circuit Breaker | Max Amp | Circuit Breaker | | Circuit Breaker Type | Disconnects Fit The Enclosure Type Indicated Below (Page 108) | | | | |
|-------------------|-----------------|---------|-----------------|-------|--|---|--------|-------|---|---|
| | | | Mechanism | Frame | | Rating | Height | Width | 1 | 2 |
| FHOE036 | ED | 125A | 6.34 | 3.00 | ED2, ED4, ED6, HED4, HED6 | 0 | 0 | 0 | — | 0 |
| FHOE36 | CED | 125A | 9.58 | 3.00 | CED6 | 0 | 0 | 0 | — | 0 |
| FHOF036 | FD | 250A | 9.50 | 4.50 | FXD6-A, FD6-A, HFD6, FXD6-ETJ, HHFD6, HHFXD6 | 0 | 0 | 0 | — | 0 |
| FHOJ036 | CFD | 250A | 14.25 | 4.50 | CFD6, CFD6-ETI | 0 | 0 | 0 | — | 0 |
| FHOJ036 | JD | 400A | 11.00 | 7.50 | JXD2, JXD6, JD6, HJD6, HHJD6, HHJXD6, JXD6-ETI | 0 | 0 | 0 | — | 0 |
| FHOJ036 | CJD | 400A | 17.86 | 7.50 | CJD6, CJD6-ETI | 0 | 0 | 0 | — | 0 |
| FHOJ036 | LD | 600A | 11.00 | 7.50 | LXD6, LD6, HLD6, HHLXD6, HHLDX6, LXD6-ETI | 0 | 0 | 0 | — | 0 |
| FHOJ036 | CLD | 600A | 17.86 | 7.50 | CLD6, CLD6-ETI | 0 | 0 | 0 | — | 0 |
| FHOLM036 | LMD | 800A | 16.00 | 9.00 | LMD6, LMXD6, HLMD6, HLMXD6, LMXD6-ETI | 0 | 0 | 0 | — | 0 |
| FHON048 | MD | 800A | 24.00 | 9.00 | MD6, MXD6, HMD6, HMXD6, CMD6, MXD6-ETI, CMD6-ETI | — | 4 | — | 5 | 3 |
| FHON048 | ND | 1200A | 24.00 | 9.00 | ND6, NXD6, HND6, HNXD6, CND6 | — | 4 | — | 5 | 3 |

0: Will fit enclosure. No special restrictions.

3: Only fits Type 5 enclosures with a designator after depth.

4: Only fit enclosures 84.00 and 90.00 inch high with the AB designator at the end of the part number.

5: Only fit enclosures 12.00 inches deep.



Please consult serving utility for their requirements prior to ordering or installing, as specifications and approvals vary by utility, and may require local electrical inspector approval. All installations must be installed by a licensed electrician and must comply with all national and local codes, laws and regulations. Milbank reserves the right to make changes in specifications and features shown without notice or obligation.

Disconnect Enclosure Information

Type 12

ABB Controls Disconnect Switches with Flange Mounted Operators

| Switch Number | Amp Rating | Fuse Clip Rating | | Fuse Class | Space Occupied | | Wire Bend Space Z | Disconnects Fit The Enclosure Type Indicated Below (Page 108) | | | | |
|---------------|------------|------------------|------|------------|----------------|------|----------------------|---|---|---|---|---|
| | | Amp | Volt | | F | G | | 1 | 2 | 3 | 4 | 5 |
| OETL-NF30-F | 40A | No Fuse | | — | 4.45 | 3.91 | E + 1.68 | 0 | 0 | 0 | — | 0 |
| OETL-NF60-F | 80A | No Fuse | | — | 4.86 | 3.91 | E + 1.47 | 0 | 0 | 0 | — | 0 |
| OETL-NF100-F | 100A | No Fuse | | — | 4.86 | 4.91 | E + 0.91 | 0 | 0 | 0 | — | 0 |
| OETL-NF175-F | 175A | No Fuse | | — | 7.30 | 6.62 | E - 1.34 | 0 | 0 | 0 | — | 1 |
| OETL-NF200-F | 200A | No Fuse | | — | 7.36 | 7.41 | E + 1.34 | 0 | 0 | 0 | — | 1 |
| OESA-F30J6-F | 30A | 30 | 600 | J | 4.28 | 6.71 | E = Z | 0 | 0 | 0 | — | 0 |
| OESA-F60J6-F | 50A | 60 | 600 | J | 4.28 | 6.38 | E = Z | 0 | 0 | 0 | — | 0 |
| OESA-F100J6-F | 100A | 100 | 600 | J | 6.54 | 7.78 | E - 0.45 | 0 | 0 | 0 | — | 0 |

- 0: Will fit enclosure. No special restrictions.
1: Do not use in 8.00 inch deep enclosures.

ABB Controls Circuit Breakers with Flange Mounted Operators

| Mechanism | Amp Rating | Frame Type | Space Occupied | | Wire Bend Space Z | Disconnects Fit The Enclosure Type Indicated Below (Page 108) | | | | |
|-----------|------------|------------|----------------|-------|----------------------|---|---|---|---|---|
| | | | F | G | | 1 | 2 | 3 | 4 | 5 |
| FHD-M | 150A | D | 6.92 | 3.94 | E + 0.54 | 0 | 0 | 0 | - | 0 |
| FHF-M | 150A-225A | E/Q | 5.98 | 4.23 | E - 0.91 | 8 | 0 | 1 | - | 2 |
| FHH-M | 225A | F | 7.44 | 4.23 | E - 0.91 | 0 | 0 | 0 | - | 0 |
| FHJ-M | 400A | J | 9.71 | 5.62 | E - 2.85 | 8 | 0 | 1 | - | 2 |
| FHM-M | 600A | L | 8.28 | 11.26 | E - 2.85 | - | 0 | 0 | - | 2 |
| FHM-M | 800A | M | 10.11 | 11.26 | E - 3.75 | - | 9 | - | - | - |

- 0: Will fit enclosure. No special restrictions.
2: Do not use with 8.00 or 10.00 inch deep enclosures.
8: Do not use in 60.00 inch high enclosures.
9: Do not use in 60.00 or 72.00 inch high enclosures.

Please consult serving utility for their requirements prior to ordering or installing, as specifications and approvals vary by utility, and may require local electrical inspector approval. All installations must be installed by a licensed electrician and must comply with all national and local codes, laws and regulations. Milbank reserves the right to make changes in specifications and features shown without notice or obligation.



Cutler-Hammer C361 Disconnect Switches

| Switch Number | Type Number | Amp Rating | Fuse Clip Rating | | Fuse Class | Space Occupied | | Wire Bend Space | Disconnects Fit The Enclosure Type Indicated Below (Page 108) | | | | |
|---------------|-------------|------------|------------------|------|------------|----------------|-------|-----------------|---|---|---|---|---|
| | | | Amp | Volt | | F | G | | Z | 1 | 2 | 3 | 4 |
| C361 | NC | 30A | No Fuse | | — | 5.75 | 7.64 | E - 1.31 | 0 | 0 | 0 | — | 0 |
| C361 | SC21 | 30A | 30 | 250 | H, K, R | 8.38 | 7.64 | E - 1.31 | 0 | 0 | 0 | — | 0 |
| C361 | SC61 | 30A | 60 | 250 | H, K, R | 8.38 | 7.64 | E - 1.31 | 0 | 0 | 0 | — | 0 |
| C361 | SC61 | 30A | 30 | 600 | H, J, K, R | 8.38 | 7.64 | E - 1.31 | 0 | 0 | 0 | — | 0 |
| C361 | ND | 60A | No Fuse | | — | 5.75 | 7.64 | E - 1.31 | 0 | 0 | 0 | — | 0 |
| C361 | SD22 | 60A | 60 | 250 | H, K, R | 8.38 | 7.64 | E - 1.31 | 0 | 0 | 0 | — | 0 |
| C361 | SD22 | 60A | 30 | 600 | J | 8.38 | 7.64 | E - 1.31 | 0 | 0 | 0 | — | 0 |
| C361 | SD62 | 60A | 60 | 600 | H, K, R | 8.38 | 7.64 | E - 1.31 | 0 | 0 | 0 | — | 0 |
| C361 | SD62 | 60A | 60 | 600 | J | 8.38 | 7.64 | E - 1.31 | 0 | 0 | 0 | — | 0 |
| C361 | NE | 100A | No Fuse | | — | 5.56 | 9.13 | E - 1.75 | 0 | 0 | 0 | — | 0 |
| C361 | SE263 | 100A | 100 | 250 | H, K, R | 10.31 | 9.13 | E - 1.75 | 0 | 0 | 0 | — | 0 |
| C361 | SE263 | 100A | 100 | 600 | H, K, R | 10.31 | 9.13 | E - 1.75 | 0 | 0 | 0 | — | 0 |
| C361 | SE263 | 100A | 100 | 600 | J | 10.31 | 9.13 | E - 1.75 | 0 | 0 | 0 | — | 0 |
| C361 | NF | 200A | No Fuse | | — | 13.06 | 10.13 | E - 3.68 | 0 | 0 | 0 | — | 2 |
| C361 | SF264 | 200A | 200 | 250 | H, K, R | 13.06 | 10.13 | E - 3.68 | 0 | 0 | 0 | — | 2 |
| C361 | SF264 | 200A | 200 | 600 | H,J,K,R | 13.06 | 10.13 | E - 3.68 | 0 | 0 | 0 | - | 2 |

Cutler-Hammer C371 Circuit Breaker Operators for C-H / Westinghouse Circuit Breakers

| Mechanism | Max Amp Rating | Frame Type | Space Occupied | | Wire Bend Space | Disconnects Fit The Enclosure Type Indicated Below (Page 108) | | | | |
|-----------|----------------|---------------------------------|----------------|-------|-----------------|---|---|---|---|---|
| | | | F | G | | Z | 1 | 2 | 3 | 4 |
| C371E | 225A | F Frame: EHD, FDB, FD, HFD, FDC | 6.00 | 5.63 | E - 0.31 | 0 | 0 | 0 | — | 0 |
| C371E | 150A | F-Frame: HMCP | 6.00 | 5.63 | E - 0.31 | 0 | 0 | 0 | — | 0 |
| C371F | 250A | J Frame: JDB, JD, HJD, JDC | 10.94 | 8.13 | E - 0.37 | 0 | 0 | 1 | — | 1 |
| C371F | 250A | J Frame: HMCP | 8.94 | 8.13 | E - 0.37 | 0 | 0 | 1 | — | 1 |
| C371F | 400A | K Frame: DK, KDB, KD, HKD | 9.75 | 8.13 | E - 0.87 | 8 | 0 | 1 | — | 2 |
| C371F | 400A | K Frame: HMCP | 9.75 | 8.13 | E - 0.87 | 8 | 0 | 1 | — | 2 |
| C371G | 600A | L Frame: LD, HLD, LDC | 8.44 | 12.00 | E - 2.44 | 9 | 0 | 1 | — | 2 |
| C371G | 600A | L Frame: HMCP | 8.44 | 12.00 | E - 2.44 | 9 | 0 | 1 | — | 2 |

Cutler-Hammer Flex Shaft™ Operator Mechanisms for C-H / Westinghouse Circuit Breakers

| Complete Operator Mechanism | Amp Rating | Frame Type | Breaker Height | Breaker Width | Disconnects Fit The Enclosure Type Indicated Below (Page 108) | | | | |
|-----------------------------|------------|---------------------------------|----------------|---------------|---|---|---|---|---|
| | | | | | 1 | 2 | 3 | 4 | 5 |
| F1S03 | 225A | F-Frame: EHD, FDB, FD, HFD, FDC | 6.00 | 4.12 | 0 | 0 | - | - | - |
| F1S03 | 150A | F-Frame: HMCP | 6.00 | 4.12 | 0 | 0 | - | - | - |
| F2S03 | 250A | J-Frame: JDB, JD, HJD, JDC | 10.00 | 4.12 | 8 | 0 | - | - | - |
| F2S03 | 250A | J-Frame: HMCP | 10.00 | 4.12 | 8 | 0 | - | - | - |
| F3S03 | 400A | K-Frame: DK, KDB, KD, HKD | 10.12 | 5.50 | 8 | 0 | - | - | - |
| F3S03 | 400A | K-Frame: HMCP | 12.45 | 5.50 | 8 | 0 | - | - | - |
| F4S04 | 600A | L-Frame: LD, HLD, LDC | 10.75 | 8.25 | - | 9 | - | - | - |
| F4S04 | 600A | L-Frame: HMCP | 12.50 | 8.25 | - | 9 | - | - | - |
| F7S04 | 800A | M Frame/MD,MDS | 16.00 | 8.25 | - | 9 | - | - | - |

- 0: Will fit enclosure. No special restrictions.
- 1: Do not use in 8.00 inch deep enclosures.
- 2: Do not use with 8.00 or 10.00 inch deep enclosures.
- 8: Do not use in 60.00 inch high enclosures.
- 9: Do not use in 60.00 or 72.00 inch high enclosures.



Please consult serving utility for their requirements prior to ordering or installing, as specifications and approvals vary by utility, and may require local electrical inspector approval. All installations must be installed by a licensed electrician and must comply with all national and local codes, laws and regulations. Milbank reserves the right to make changes in specifications and features shown without notice or obligation.

Series 1 and Series 9 Consoles

Type 12

117

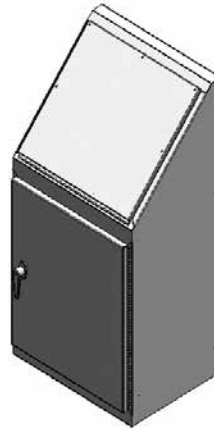
SERIES 1 &
SERIES 9
CONSOLES



M12SP1 Single Door



M12SP1 Double Door



M12SP-924 Single Door

Applications

Designed to house electrical controls, instruments, and components. Pushbuttons, pilot lights, meters, switches, etc. can be mounted on the sloping control panel or on the instrument panel.

Construction

- Fabricated from 14 gauge carbon steel with continuously welded seams.
- Doors and exterior panels have oil resistant gaskets and are secured by three point latches with key locking handles.
- The 24" and 36" consoles have a single door on the front. The door surfaces are flush with the front to the body.

- Each console has a large sloping control panel hinged along the bottom edge and secured with captivated panel screws thread into sealed wells for a good secure fit.
- Stops are provided to hold the control panel open.
- Collar studs provided for mounting optional sub panels.

Finish

Standard ANSI-61 gray finish on interior and exterior of enclosures. Recoatable, smooth, white or RAL 7035 texture polyester powder coat available at no charge. Standard RAL and custom match finishes available for an additional charge, please contact Milbank for further assistance. All powder coat finishes applied over

cleaned phosphatized surfaces. Carbon steel sub panels have a white polyester powder coat finish.

Options

Milbank can modify standard enclosures or custom design enclosures according to your specifications. Holes, cutouts, sizes, materials, and many more options are available. Quotations upon request.

Industry Standards

- UL 50 Listed
- CUL 50 Listed
- Type 12

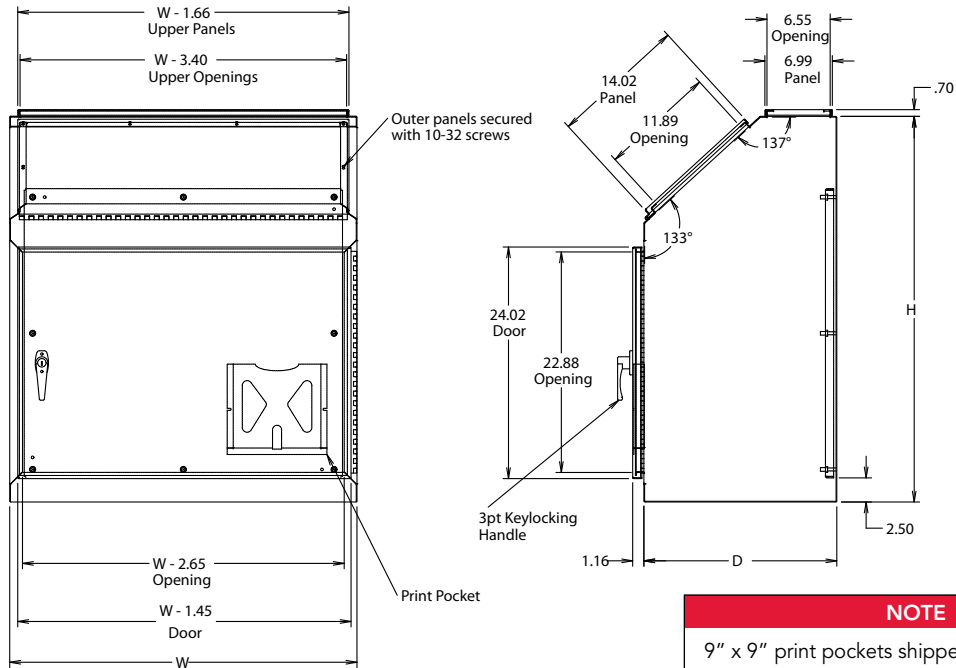
| Catalog Number | Description | Enclosure Size H x W x D (inches) | Shpg. Wt. |
|----------------|-------------------|---|--------------|
| M12SP1-C18 | Console Body | 40 x 18 x 20 | 100 |
| A-30X15 | Interior Subpanel | 30 x 15 | 12 |
| M12SP1-C24 | Console Body | 40 x 24 x 20 | 115 |
| A-30X21 | Interior Subpanel | 30 x 21 | 17 |
| M12SP1-C30 | Console Body | 40 x 30 x 20 | 140 |
| A-30X27 | Interior Subpanel | 30 x 27 | 21 |
| M12SP1-C36 | Console Body | 40 x 36 x 20 | 165 |
| A-30X33 | Interior Subpanel | 30 x 33 | 26 |
| M12SP1-C42 | Console Body | 40 x 42 x 20 | 210 |

| Catalog Number | Description | Enclosure Size H x W x D (inches) | Shpg. Wt. |
|----------------|------------------------|---|--------------|
| A-30X39 | Interior Subpanel | 30 x 39 | 31 |
| M12SP1-C48 | Console Body | 40 x 48 x 20 | 235 |
| A-30X45 | Interior Subpanel | 30 x 45 | 36 |
| M12SP-924B | Console Body | 48 x 24 x 18 | 150 |
| A-30P20 | Interior Subpanel | 27 x 17 | 16 |
| M12SP-936B | Console Body | 48 x 36 x 18 | 186 |
| A-30P30 | Interior Subpanel | 27 x 27 | 24 |
| A-30P20 | Interior Side Subpanel | 27 x 17 | 16 |

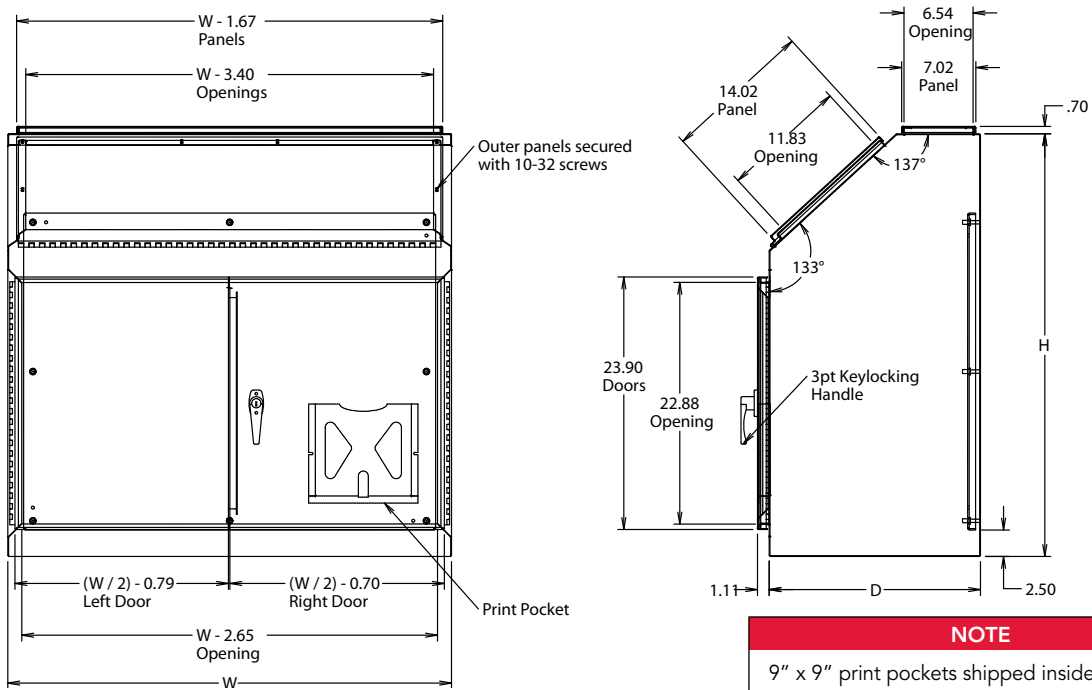
Please consult serving utility for their requirements prior to ordering or installing, as specifications and approvals vary by utility, and may require local electrical inspector approval. All installations must be installed by a licensed electrician and must comply with all national and local codes, laws and regulations. Milbank reserves the right to make changes in specifications and features shown without notice or obligation.



M1SP1 Single Door



M12SP1 Double Door



Please consult serving utility for their requirements prior to ordering or installing, as specifications and approvals vary by utility, and may require local electrical inspector approval. All installations must be installed by a licensed electrician and must comply with all national and local codes, laws and regulations. Milbank reserves the right to make changes in specifications and features shown without notice or obligation.

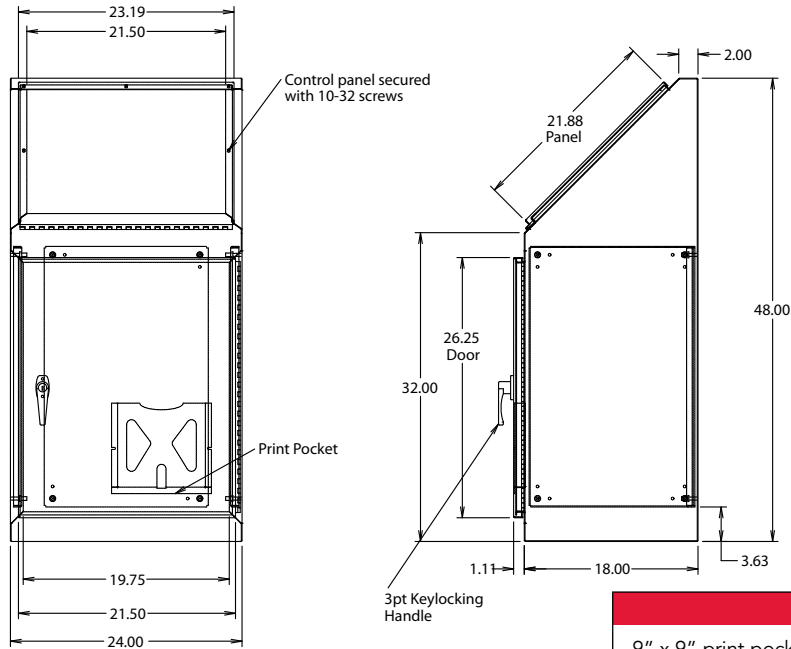
Series 1 and Series 9 Consoles

Type 12

119

SERIES 1 &
SERIES 9
CONSOLES

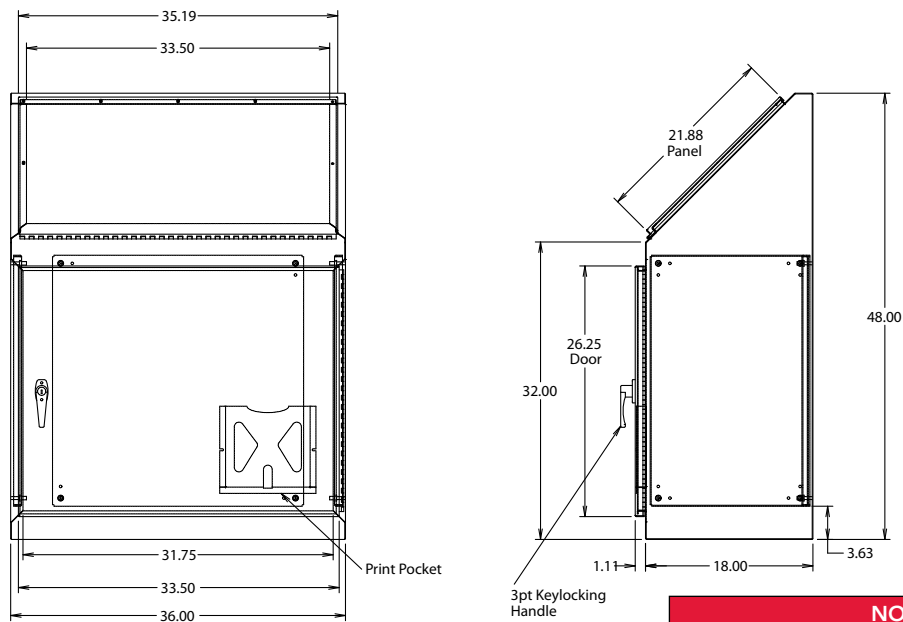
M12SP-924B



NOTE

9" x 9" print pockets shipped inside enclosure.

M12SP-936B



NOTE

9" x 9" print pockets shipped inside enclosure.

Please consult serving utility for their requirements prior to ordering or installing, as specifications and approvals vary by utility, and may require local electrical inspector approval. All installations must be installed by a licensed electrician and must comply with all national and local codes, laws and regulations. Milbank reserves the right to make changes in specifications and features shown without notice or obligation.

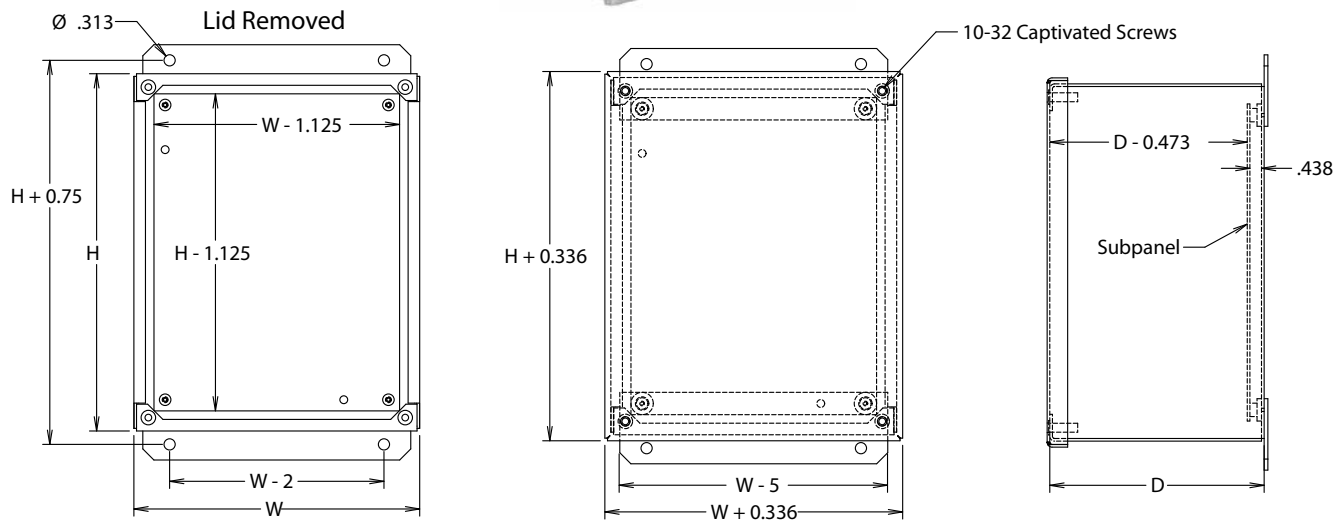


120

TYPE 4 & 4X
SCREW COVER
JUNCTION
ENCLOSURES

Screw Cover Junction Enclosures

Type 4 & 4X | JIC



Applications

For housing electrical controls, terminals, and instruments and to provide protection from dust, dirt, oil and water

Construction

- Fabricated from 16 or 14 gauge carbon steel, type 304 stainless steel and type 316 stainless steel.
- Lids secured with captivated cover screws threaded into sealed wells.
- Oil resistant gasket applied to the doors.
- External mounting feet for wall or machinery mounting.
- Weld nuts for mounting optional sub panel.
- Chain not included, order as extra.

Finish

Standard ANSI-61 gray finish on interior and exterior of enclosures. Recoatable, smooth, white or RAL 7035 texture

polyester powder coat available at no charge. Standard RAL and custom powder match finishes available for an additional charge, please contact Milbank for further assistance. All powder coat finishes applied over cleaned phosphatized surfaces. Carbon steel sub panels have a white polyester powder coat finish. Stainless Steel enclosures have a polished #4 finish.

Options

Milbank can modify standard enclosures or custom design enclosures according to your specifications. Holes, cutouts, sizes, materials, and many more options are available. Quotations upon request.

Industry Standards

- UL 50 Listed
- CUL 50 Listed
- Type 4 & 4X



Please consult serving utility for their requirements prior to ordering or installing, as specifications and approvals vary by utility, and may require local electrical inspector approval. All installations must be installed by a licensed electrician and must comply with all national and local codes, laws and regulations. Milbank reserves the right to make changes in specifications and features shown without notice or obligation.

Screw Cover Junction Enclosures

Type 4 | JIC

1 2 1
TYPE 4
SCREW COVER
JUNCTION
ENCLOSURES

| Carbon Steel # | Catalog Number | | Product Size H x W x D (inches) | Ship. Wt. | Sub Panel Part # | Sub Panel Size H x W (inches) |
|----------------|-----------------------|-----------------------|------------------------------------|--------------|---------------------|----------------------------------|
| | 304 Stainless Steel # | 316 Stainless Steel # | | | | |
| SC443JIC4 | SC443JIC4XS | SC443JIC4XZ | 4 x 4 x 3 | 2 | — | — |
| SC643JIC4 | SC643JIC4XS | SC643JIC4XZ | 6 x 4 x 3 | 3 | A-64SBP | 4.88 x 2.88 |
| SC863JIC4 | SC863JIC4XS | SC863JIC4XZ | 8 x 6 x 3.5 | 5 | A-86SBP | 6.88 x 4.88 |
| SC444JIC4 | SC444JIC4XS | SC444JIC4XZ | 4 x 4 x 4 | 2 | — | — |
| SC644JIC4 | SC644JIC4XS | SC644JIC4XZ | 6 x 4 x 4 | 3 | A-64SBP | 4.88 x 2.88 |
| SC884JIC4 | SC884JIC4XS | SC884JIC4XZ | 8 x 8 x 4 | 6 | A-88SBP | 6.88 x 6.88 |
| SC664JIC4 | SC664JIC4XS | SC664JIC4XZ | 6 x 6 x 4 | 4 | A-66SBP | 4.88 x 4.88 |
| SC666JIC4 | SC666JIC4XS | SC666JIC4XZ | 6 x 6 x 6 | 5 | A-66SBP | 4.88 x 4.88 |
| SC866JIC4 | SC866JIC4XS | SC866JIC4XZ | 8 x 6 x 6 | 7 | A-86SBP | 6.88 x 4.88 |
| SC1084JIC4 | SC1084JIC4XS | SC1084JIC4XZ | 10 x 8 x 4 | 8 | A-108SBP | 8.88 x 6.88 |
| SC1264JIC4 | SC1264JIC4XS | SC1264JIC4XZ | 12 x 6 x 4 | 7 | A-126SBP | 10.88 x 4.88 |
| SC12105JIC4 | SC12105JIC4XS | SC12105JIC4XZ | 12 x 10 x 5 | 12 | A-1210SBP | 10.88 x 8.88 |
| SC1086JIC4 | SC1086JIC4XS | SC1086JIC4XZ | 10 x 8 x 6 | 9 | A-108SBP | 8.88 x 6.88 |
| SC10106JIC4 | SC10106JIC4XS | SC10106JIC4XZ | 10 x 10 x 6 | 11 | A-1010SBP | 8.88 x 8.88 |
| SC12126JIC4 | SC12126JIC4XS | SC12126JIC4XZ | 12 x 12 x 6 | 14 | A-1212SBP | 10.88 x 10.88 |
| SC1486JIC4 | SC1486JIC4XS | SC1486JIC4XZ | 14 x 8 x 6 | 12 | A-148SBP | 12.88 x 6.88 |
| SC14126JIC4 | SC14126JIC4XS | SC14126JIC4XZ | 14 x 12 x 6 | 16 | A-1412SBP | 12.88 x 10.88 |
| SC16106JIC4 | SC16106JIC4XS | SC16106JIC4XZ | 16 x 10 x 6 | 16 | A-1610SBP | 14.88 x 8.88 |
| SC16146JIC4 | SC16146JIC4XS | SC16146JIC4XZ | 16 x 14 x 6 | 20 | A-1614SBP | 14.88 x 12.88 |
| SC12108JIC4 | SC12108JIC4XS | SC12108JIC4XZ | 12 x 10 x 8 | 15 | A-1210SBP | 10.88 x 8.88 |
| SC14128JIC4 | SC14128JIC4XS | SC14128JIC4XZ | 14 x 12 x 8 | 19 | A-1412SBP | 12.88 x 10.88 |
| SC16148JIC4 | SC16148JIC4XS | SC16148JIC4XZ | 16 x 14 x 8 | 23 | A-1614SBP | 14.88 x 12.88 |
| SC161410JIC4 | SC161410JIC4XS | SC161410JIC4XZ | 16 x 14 x 10 | 26 | A-1614SBP | 14.88 x 12.88 |

Please consult serving utility for their requirements prior to ordering or installing, as specifications and approvals vary by utility, and may require local electrical inspector approval. All installations must be installed by a licensed electrician and must comply with all national and local codes, laws and regulations. Milbank reserves the right to make changes in specifications and features shown without notice or obligation.



Applications

Type 4 JIC enclosures are designed for use in areas which may be regularly hosed down or otherwise very wet.

Construction

- Fabricated from 16 or 14 gauge carbon steel, type 304 or type 316 stainless steel with continuously welded seams.
- Door secured with zinc clamps on four sides.
- Stainless steel doors are secured with type 316 stainless steel clamps.
- Oil resistant gasket applied to the doors.
- External mounting feet for wall or machinery mounting.
- Weld nuts for mounting optional sub panel.

Finish

Standard ANSI-61 gray on interior and exterior of enclosures. Recoatable, smooth, white or RAL 7035 texture polyester powder coat finish available at no charge. Standard RAL and custom match finishes available for an additional charge, please contact Milbank for further assistance. All powder coat finishes applied over cleaned phosphatized surfaces. Carbon steel sub panels have a white polyester powder coat finish. Stainless steel enclosures have a polished #4 finish.

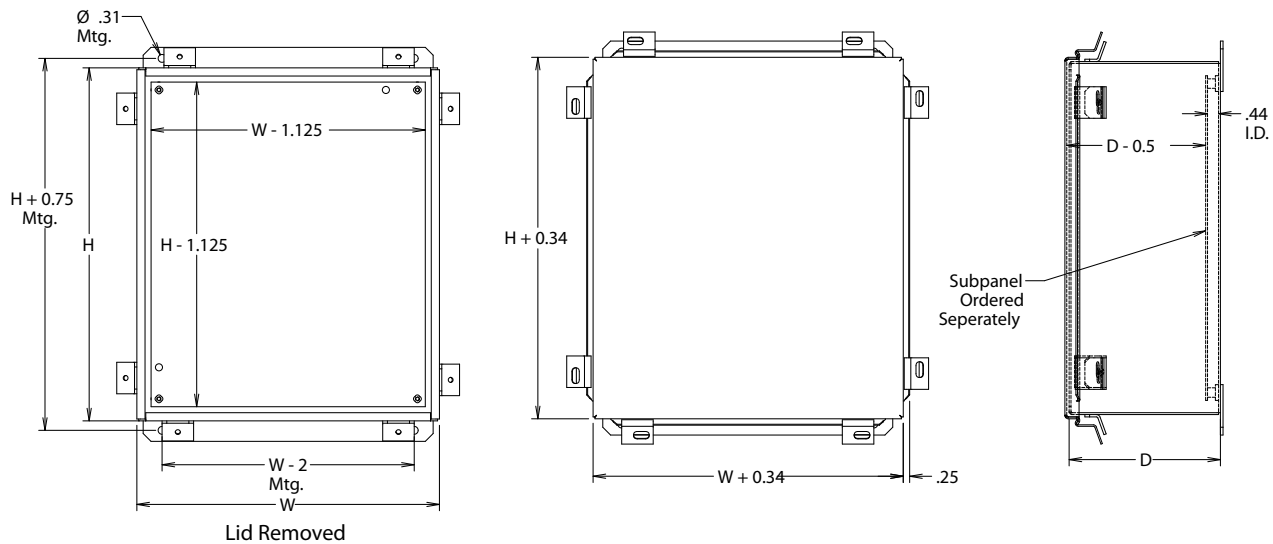
Options

Milbank can modify standard enclosures or custom design enclosures according to your specifications. Holes, cutouts, sizes, materials, and many more options are available. Quotations upon request.



Industry Standards

- UL 50 Listed
- CUL 50 Listed
- Type 4 & 4X



Please consult serving utility for their requirements prior to ordering or installing, as specifications and approvals vary by utility, and may require local electrical inspector approval. All installations must be installed by a licensed electrician and must comply with all national and local codes, laws and regulations. Milbank reserves the right to make changes in specifications and features shown without notice or obligation.

Clamp Cover Junction Enclosures

Type 4 & 4X

1 2 3

TYPE 4 & 4X
CLAMP COVER
JUNCTION
ENCLOSURES

| Carbon Steel # | Catalog Number | | Product Size H x W x D (inches) | Ship. Weight (lbs) | Sub Panel Part # | Sub Panel Size H x W (inches) |
|----------------|-----------------------|-----------------------|---------------------------------------|--------------------------|---------------------|-------------------------------------|
| | 304 Stainless Steel # | 316 Stainless Steel # | | | | |
| CC443JIC4 | CC443JIC4XS | CC443JIC4XZ | 4 x 4 x 3 | 3 | — | — |
| CC643JIC4 | CC643JIC4XS | CC643JIC4XZ | 6 x 4 x 3 | 4 | A-64SBP | 4.88 x 2.88 |
| CC863JIC4 | CC863JIC4XS | CC863JIC4XZ | 8 x 6 x 3.5 | 7 | A-86SBP | 6.88 x 4.88 |
| CC444JIC4 | CC444JIC4XS | CC444JIC4XZ | 4 x 4 x 4 | 4 | — | — |
| CC644JIC4 | CC644JIC4XS | CC644JIC4XZ | 6 x 4 x 4 | 5 | A-64SBP | 4.88 x 2.88 |
| CC664JIC4 | CC664JIC4XS | CC664JIC4XZ | 6 x 6 x 4 | 6 | A-66SBP | 4.88 x 4.88 |
| CC884JIC4 | CC884JIC4XS | CC884JIC4XZ | 8 x 8 x 4 | 9 | A-88SBP | 6.88 x 6.88 |
| CC1084JIC4 | CC1084JIC4XS | CC1084JIC4XZ | 10 x 8 x 4 | 11 | A-108SBP | 8.88 x 6.88 |
| CC1264JIC4 | CC1264JIC4XS | CC1264JIC4XZ | 12 x 6 x 4 | 10 | A-126SBP | 10.88 x 4.88 |
| CC12105JIC4 | CC12105JIC4XS | CC12105JIC4XZ | 12 x 10 x 5 | 17 | A-1210SBP | 10.88 x 8.88 |
| CC666JIC4 | CC666JIC4XS | CC666JIC4XZ | 6 x 6 x 6 | 8 | A-66SBP | 4.88 x 4.88 |
| CC866JIC4 | CC866JIC4XS | CC866JIC4XZ | 8 x 6 x 6 | 10 | A-86SBP | 6.88 x 4.88 |
| CC1086JIC4 | CC1086JIC4XS | CC1086JIC4XZ | 10 x 8 x 6 | 14 | A-108SBP | 8.88 x 6.88 |
| CC10106JIC4 | CC10106JIC4XS | CC10106JIC4XZ | 10 x 10 x 6 | 16 | A-1010SBP | 8.88 x 8.88 |
| CC12126JIC4 | CC12126JIC4XS | CC12126JIC4XZ | 12 x 12 x 6 | 21 | A-1212SBP | 10.88 x 10.88 |
| CC1486JIC4 | CC1486JIC4XS | CC1486JIC4XZ | 14 x 8 x 6 | 18 | A-148SBP | 12.88 x 6.88 |
| CC14126JIC4 | CC14126JIC4XS | CC14126JIC4XZ | 14 x 12 x 6 | 24 | A-1412SBP | 12.88 x 10.88 |
| CC16106JIC4 | CC16106JIC4XS | CC16106JIC4XZ | 16 x 10 x 6 | 23 | A-1610SBP | 14.88 x 8.88 |
| CC16146JIC4 | CC16146JIC4XS | CC16146JIC4XZ | 16 x 14 x 6 | 30 | A-1614SBP | 14.88 x 12.88 |
| CC12108JIC4 | CC12108JIC4XS | CC12108JIC4XZ | 12 x 10 x 8 | 22 | A-1210SBP | 10.88 x 8.88 |
| CC14128JIC4 | CC14128JIC4XS | CC14128JIC4XZ | 14 x 12 x 8 | 28 | A-1412SBP | 12.88 x 10.88 |
| CC16148JIC4 | CC16148JIC4XS | CC16148JIC4XZ | 16 x 14 x 8 | 34 | A-1614SBP | 14.88 x 12.88 |
| CC161410JIC4 | CC161410JIC4XS | CC161410JIC4XZ | 16 x 14 x 10 | 39 | A-1614SBP | 14.88 x 12.88 |

NOTE

When height is equal to or less than 8" there will be one set of clamps on that side.

Please consult serving utility for their requirements prior to ordering or installing, as specifications and approvals vary by utility, and may require local electrical inspector approval. All installations must be installed by a licensed electrician and must comply with all national and local codes, laws and regulations. Milbank reserves the right to make changes in specifications and features shown without notice or obligation.



124

TYPE 4 & 4X
CONTINUOUS
HINGE COVER
ENCLOSURES

Continuous Hinge Cover Enclosures

Type 4 & 4X

Applications

Type 4 JIC enclosures are designed for use in areas which may be regularly hosed down or otherwise very wet.

Construction

- Fabricated from 16 or 14 gauge carbon steel, 14 gauge type 304 or type 316 stainless steel with continuously welded seams.
- Continuous hinge with removable pin.
- Door secured with zinc clamps on three sides.
- Stainless steel doors are secured with type 316 stainless steel clamps.
- Oil resistant gasket applied to the doors.
- External mounting feet for wall or machinery mounting.
- Weld nuts for mounting sub panel.

Finish

Standard ANSI-61 gray on interior and exterior of enclosures. Recoatable, smooth, white or RAL 7035 texture polyester powder coat finish available at no charge. Standard RAL and custom match finishes available for an additional charge, please contact Milbank for further assistance. All powder coat finishes applied over cleaned phosphatized surfaces. Carbon steel sub panels have a white polyester powder coat finish. Stainless steel enclosures have a polished #4 finish.

Options

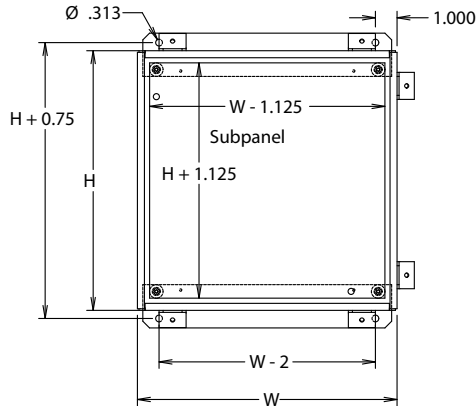
Milbank can modify standard enclosures or custom design enclosures according to your specifications. Holes, cutouts, sizes, materials and many more



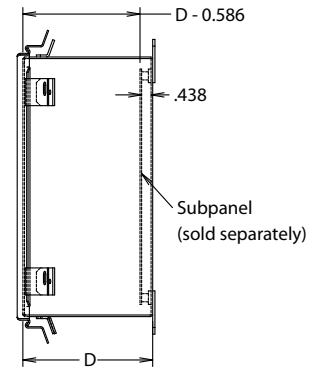
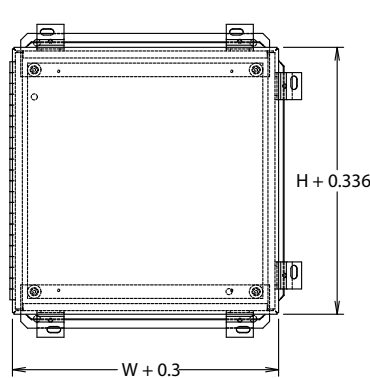
options are available. Quotations upon request.

Industry Standards

- UL 50 Listed
- CUL 50 Listed
- Type 4 & 4X



Lid Removed



NOTE

When height or width is equal to or less than 8" there will be one set of clamps on that side.



Please consult serving utility for their requirements prior to ordering or installing, as specifications and approvals vary by utility, and may require local electrical inspector approval. All installations must be installed by a licensed electrician and must comply with all national and local codes, laws and regulations. Milbank reserves the right to make changes in specifications and features shown without notice or obligation.

Continuous Hinge Cover Enclosures

Type 4 & 4X

125

TYPE 4 & 4X
CONTINUOUS
HINGE COVER
ENCLOSURES

| Carbon Steel # | Catalog Number | | Product Size H x W x D (inches) | Ship. Weight (lbs) | Sub Panel Part # | Sub Panel Size H x W (inches) |
|----------------|-----------------------|-----------------------|---------------------------------------|--------------------------|---------------------|-------------------------------------|
| | 304 Stainless Steel # | 316 Stainless Steel # | | | | |
| HC443JIC4 | HC443JIC4XS | HC443JIC4XZ | 4 x 4 x 3 | 2 | — | — |
| HC643JIC4 | HC643 JIC4XS | HC643JIC4XZ | 6 x 4 x 3 | 3 | A-64SBP | 4.88 x 2.88 |
| HC863JIC4 | HC863JIC4XS | HC863JIC4XZ | 8 x 6 x 3.5 | 5 | A-86SBP | 6.88 x 4.88 |
| HC444JIC4 | HC444JIC4XS | HC444JIC4XZ | 4 x 4 x 4 | 2 | — | — |
| HC644JIC4 | HC644JIC4XS | HC644JIC4XZ | 6 x 4 x 4 | 3 | A-64SBP | 4.88 x 2.88 |
| HC664JIC4 | HC664JIC4XS | HC664JIC4XZ | 6 x 6 x 4 | 4 | A-66SBP | 4.88 x 4.88 |
| HC884JIC4 | HC884JIC4XS | HC884JIC4XZ | 8 x 8 x 4 | 6 | A-88SBP | 6.88 x 6.88 |
| HC1084JIC4 | HC1084JIC4XS | HC1084JIC4XZ | 10 x 8 x 4 | 8 | A-108SBP | 8.88 x 6.88 |
| HC1264JIC4 | HC1264JIC4XS | HC1264JIC4XZ | 12 x 6 x 4 | 7 | A-126SBP | 10.88 x 4.88 |
| HC12105JIC4 | HC12105JIC4XS | HC12105JIC4XZ | 12 x 10 x 5 | 12 | A-1210SBP | 10.88 x 8.88 |
| HC666JIC4 | HC666JIC4XS | HC666JIC4XZ | 6 x 6 x 6 | 5 | A-66SBP | 4.88 x 4.88 |
| HC866JIC4 | HC866JIC4XS | HC866JIC4XZ | 8 x 6 x 6 | 7 | A-86SBP | 6.88 x 4.88 |
| HC1086JIC4 | HC1086JIC4XS | HC1086JIC4XZ | 10 x 8 x 6 | 9 | A-108SBP | 8.88 x 6.88 |
| HC10106JIC4 | HC10106JIC4XS | HC10106JIC4XZ | 10 x 10 x 6 | 11 | A-1010SBP | 8.88 x 8.88 |
| HC12126JIC4 | HC12126JIC4XS | HC12126JIC4XZ | 12 x 12 x 6 | 14 | A-1212SBP | 10.88 x 10.88 |
| HC1486JIC4 | HC1486JIC4XS | HC1486JIC4XZ | 14 x 8 x 6 | 12 | A-148SBP | 12.88 x 6.88 |
| HC14126JIC4 | HC14126JIC4XS | HC14126JIC4XZ | 14 x 12 x 6 | 16 | A-1412SBP | 12.88 x 10.88 |
| HC16146JIC4 | HC16146JIC4XS | HC16146JIC4XZ | 16 x 14 x 6 | 20 | A-1614SBP | 14.88 x 12.88 |
| HC16106JIC4 | HC16106JIC4XS | HC16106JIC4XZ | 16 x 10 x 6 | 16 | A-1610SBP | 14.88 x 8.88 |
| HC12108JIC4 | HC12108JIC4XS | HC12108JIC4XZ | 12 x 10 x 8 | 15 | A-1210SBP | 10.88 x 8.88 |
| HC14128JIC4 | HC14128JIC4XS | HC14128JIC4XZ | 14 x 12 x 8 | 19 | A-1412SBP | 12.88 x 10.88 |
| HC16148JIC4 | HC16148JIC4XS | HC16148JIC4XZ | 16 x 14 x 8 | 23 | A-1614SBP | 14.88 x 12.88 |

NOTE

When height is equal to or less than 8" there will be one set of clamps on that side.

Please consult serving utility for their requirements prior to ordering or installing, as specifications and approvals vary by utility, and may require local electrical inspector approval. All installations must be installed by a licensed electrician and must comply with all national and local codes, laws and regulations. Milbank reserves the right to make changes in specifications and features shown without notice or obligation.



Wall Mount Enclosures

Type 4 | Single Door

Applications

Designed to protect electrical controls, instruments, and/or terminals in certain outdoor applications or wet areas, where regular hosing down with water is standard procedure.

Construction

- Fabricated from 14 gauge carbon steel, type 304, type 316 stainless steel or .125" 5052 H32 aluminum with continuously welded seams.
- Door is secured with heavy-duty continuous hinge with removable hinge pin and stainless steel clamps.
- Padlocking hasp and staple.
- Adhesive backed, oil resistant gasket applied to the doors.
- Print pocket.
- External mounting feet for wall or machinery mounting.
- Ground studs installed inside cabinet and door.
- Collar studs provided for mounting

optional sub panels.

Finish

Standard ANSI-61 gray finish on interior and exterior of enclosures. Recoatable, smooth, white or RAL 7035 texture polyester powder coat finish available at no charge. Standard RAL and custom match finishes available for an additional charge, please contact Milbank for further assistance. All powder coat finishes applied over cleaned phosphatized surfaces. Carbon steel sub panels have a white polyester powder coat finish. Stainless steel and aluminum enclosures have a polished #4 finish.

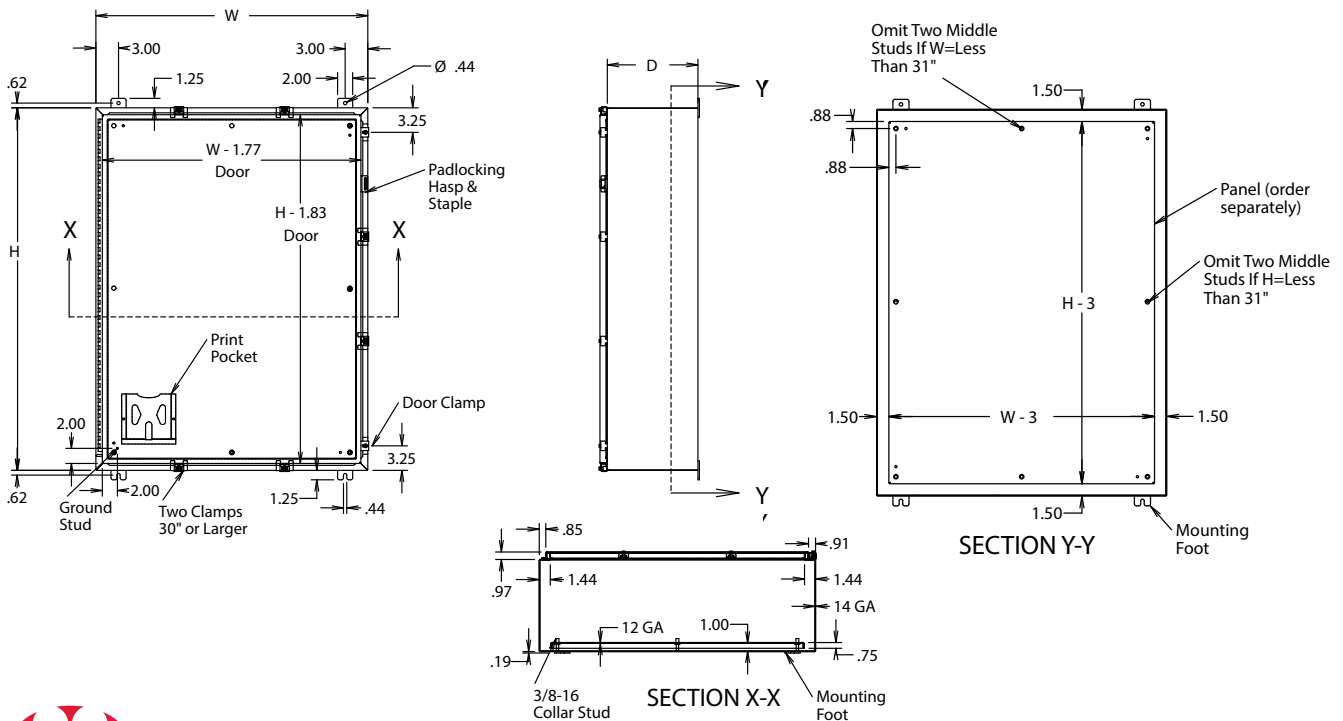
Options

Milbank can modify standard enclosures or custom design enclosures according to your specifications. Holes, cutouts, sizes, materials, and many more options are available. Quotations upon request.



Industry Standards

- UL 50 Listed
- CUL 50 Listed
- Type 4 & 4X



Please consult serving utility for their requirements prior to ordering or installing, as specifications and approvals vary by utility, and may require local electrical inspector approval. All installations must be installed by a licensed electrician and must comply with all national and local codes, laws and regulations. Milbank reserves the right to make changes in specifications and features shown without notice or obligation.



Wall Mount Enclosures

Type 4 | Single Door

127

TYPE 4
WALL MOUNT
ENCLOSURES

| Carbon Steel # | Catalog Number | | | Enclosure Size H x W x D (inches) | Ship. Weight (lbs) | Sub Panel Part Number | Sub Panel Size H x L (inches) |
|----------------|--------------------------|--------------------------|------------|---|--------------------------|-----------------------------|-------------------------------------|
| | 304 Stainless Steel # | 316 Stainless Steel # | Aluminum # | | | | |
| M4S161206 | M4XS161206 | M4XZ161206 | M4XA161206 | 16 x 12 x 6 | 24 | A-16P12 | 13 x 9 |
| M4S161606 | M4XS161606 | M4XZ161606 | M4XA161606 | 16 x 16 x 6 | 29 | A-16P16 | 13 x 13 |
| M4S162006 | M4XS162006 | M4XZ162006 | M4XA162006 | 16 x 20 x 6 | 33 | A-20P16 | 17 x 13 |
| M4S201606 | M4XS201606 | M4XZ201606 | M4XA201606 | 20 x 16 x 6 | 33 | A-20P16 | 17 x 13 |
| M4S202006 | M4XS202006 | M4XZ202006 | M4XA202006 | 20 x 20 x 6 | 38 | A-20P20 | 17 x 17 |
| M4S241206 | M4XS241206 | M4XZ241206 | M4XA241206 | 24 x 12 x 6 | 32 | A-24P12 | 21 x 9 |
| M4S241606 | M4XS241606 | M4XZ241606 | M4XA241606 | 24 x 16 x 6 | 39 | A-24P16 | 21 x 13 |
| M4S242006 | M4XS242006 | M4XZ242006 | M4XA242006 | 24 x 20 x 6 | 45 | A-24P20 | 21 x 17 |
| M4S242406 | M4XS242406 | M4XZ242406 | M4XA242406 | 24 x 24 x 6 | 51 | A-24P24 | 21 x 21 |
| M4S302006 | M4XS302006 | M4XZ302006 | M4XA302006 | 30 x 20 x 6 | 53 | A-30P20 | 27 x 17 |
| M4S302406 | M4XS302406 | M4XZ302406 | M4XA302406 | 30 x 24 x 6 | 61 | A-30P24 | 27 x 21 |
| M4S362406 | M4XS362406 | M4XZ362406 | M4XA362406 | 36 x 24 x 6 | 69 | A-36P24 | 33 x 21 |
| M4S201206 | M4XS201206 | M4XZ201206 | M4XA201206 | 20 x 12 x 6 | 29 | A-20P12 | 17 x 9 |
| M4S122406 | M4XS122406 | M4XZ122406 | M4XA122406 | 12 x 24 x 6 | 32 | A-12P24 | 9 x 21 |
| M4S202406 | M4XS202406 | M4XZ202406 | M4XA202406 | 20 x 24 x 6 | 46 | A-20P24 | 17 x 21 |
| M4S301606 | M4XS301606 | M4XZ301606 | M4XA301606 | 30 x 16 x 6 | 46 | A-30P16 | 27 x 13 |
| M4S363006 | M4XS363006 | M4XZ363006 | M4XA363006 | 36 x 30 x 6 | 86 | A-36P30 | 33 x 27 |
| M4S122408 | M4XS122408 | M4XZ122408 | M4XA122408 | 12 x 24 x 8 | 35 | A-12P24 | 9 x 21 |
| M4S161208 | M4XS161208 | M4XZ161208 | M4XA161208 | 16 x 12 x 8 | 27 | A-16P12 | 13 x 9 |
| M4S161608 | M4XS161608 | M4XZ161608 | M4XA161608 | 16 x 16 x 8 | 31 | A-16P16 | 13 x 13 |
| M4S162008 | M4XS162008 | M4XZ162008 | M4XA162008 | 16 x 20 x 8 | 29 | A-20P16 | 17 x 13 |
| M4S201208 | M4XS201208 | M4XZ201208 | M4XA201208 | 20 x 12 x 8 | 30 | A-20P12 | 17 x 9 |
| M4S201608 | M4XS201608 | M4XZ201608 | M4XA201608 | 20 x 16 x 8 | 36 | A-20P16 | 17 x 13 |
| M4S202008 | M4XS202008 | M4XZ202008 | M4XA202008 | 20 x 20 x 8 | 43 | A-20P20 | 17 x 17 |
| M4S202408 | M4XS202408 | M4XZ202408 | M4XA202408 | 20 x 24 x 8 | 50 | A-24P20 | 21 x 17 |
| M4S241608 | M4XS241608 | M4XZ241608 | M4XA241608 | 24 x 16 x 8 | 41 | A-24P16 | 21 x 13 |
| M4S242008 | M4XS242008 | M4XZ242008 | M4XA242008 | 24 x 20 x 8 | 50 | A-24P20 | 21 x 17 |
| M4S242408 | M4XS242408 | M4XZ242408 | M4XA242408 | 24 x 24 x 8 | 57 | A-24P24 | 21 x 21 |
| M4S243008 | M4XS243008 | M4XZ243008 | M4XA243008 | 24 x 30 x 8 | 66 | A-30P24 | 27 x 21 |
| M4S302008 | M4XS302008 | M4XZ302008 | M4XA302008 | 30 x 20 x 8 | 56 | A-30P20 | 27 x 17 |
| M4S302408 | M4XS302408 | M4XZ302408 | M4XA302408 | 30 x 24 x 8 | 67 | A-30P24 | 27 x 21 |
| M4S303008 | M4XS303008 | M4XZ303008 | M4XA303008 | 30 x 30 x 8 | 79 | A-30P30 | 27 x 27 |
| M4S303608 | M4XS303608 | M4XZ303608 | M4XA303608 | 30 x 36 x 8 | 90 | A-30P36 | 33 x 27 |
| M4S362408 | M4XS362408 | M4XZ362408 | M4XA362408 | 36 x 24 x 8 | 75 | A-36P24 | 33 x 21 |
| M4S363008 | M4XS363008 | M4XZ363008 | M4XA363008 | 36 x 30 x 8 | 95 | A-36P30 | 33 x 27 |
| M4S363608 | M4XS363608 | M4XZ363608 | M4XA363608 | 36 x 36 x 8 | 104 | A-36P36 | 33 x 33 |
| M4S422408 | M4XS422408 | M4XZ422408 | M4XA422408 | 42 x 24 x 8 | 85 | A-42P24 | 39 x 21 |
| M4S423008 | M4XS423008 | M4XZ423008 | M4XA423008 | 42 x 30 x 8 | 105 | A-42P30 | 39 x 27 |
| M4S423608 | M4XS423608 | M4XZ423608 | M4XA423608 | 42 x 36 x 8 | 120 | A-42P36 | 39 x 33 |
| M4S482408 | M4XS482408 | M4XZ482408 | M4XA482408 | 48 x 24 x 8 | 97 | A-48P24 | 45 x 21 |
| M4S483008 | M4XS483008 | M4XZ483008 | M4XA483008 | 48 x 30 x 8 | 119 | A-48P30 | 45 x 27 |
| M4S483608 | M4XS483608 | M4XZ483608 | M4XA483608 | 48 x 36 x 8 | 137 | A-48P36 | 45 x 33 |
| M4S603608 | M4XS603608 | M4XZ603608 | M4XA603608 | 60 x 36 x 8 | 164 | A-60P36 | 57 x 33 |

NOTE

1. Print pocket = 6" x 6" when H and W are 24" or less.
Print pocket = 9" x 9" when H and W are greater than 24".
2. Panels have formed flanges on all four sides when Height or Width is equal to or greater than 18".
3. On 12" wide enclosures, center of mounting foot to edge of enclosure is 1.25".
4. Units must be mounted vertically to maintain a NEMA 4 rating.

Please consult serving utility for their requirements prior to ordering or installing, as specifications and approvals vary by utility, and may require local electrical inspector approval. All installations must be installed by a licensed electrician and must comply with all national and local codes, laws and regulations. Milbank reserves the right to make changes in specifications and features shown without notice or obligation.



Wall Mount Enclosures

Type 4 | Single Door

| Carbon Steel # | Catalog Number | | | Enclosure Size H x W x D (inches) | Ship. Weight (lbs) | Sub Panel Part Number | Sub Panel Size H x L (inches) |
|----------------|--------------------------|--------------------------|------------|---|--------------------------|-----------------------------|-------------------------------------|
| | 304 Stainless Steel # | 316 Stainless Steel # | Aluminum # | | | | |
| M4S161210 | M4XS161210 | M4XZ161210 | M4XA161210 | 16 x 12 x 10 | 29 | A-16P12 | 13 x 9 |
| M4S201610 | M4XS201610 | M4XZ201610 | M4XA201610 | 20 x 16 x 10 | 39 | A-20P16 | 17 x 13 |
| M4S241210 | M4XS241210 | M4XZ241210 | M4XA241210 | 24 x 12 x 10 | 39 | A-24P12 | 21 x 9 |
| M4S242010 | M4XS242010 | M4XZ242010 | M4XA242010 | 24 x 20 x 10 | 53 | A-24P20 | 21 x 17 |
| M4S302010 | M4XS302010 | M4XZ302010 | M4XA302010 | 30 x 20 x 10 | 60 | A-30P20 | 27 x 17 |
| M4S242410 | M4XS242410 | M4XZ242410 | M4XA242410 | 24 x 24 x 10 | 63 | A-24P24 | 21 x 21 |
| M4S302410 | M4XS302410 | M4XZ302410 | M4XA302410 | 30 x 24 x 10 | 73 | A-30P24 | 27 x 21 |
| M4S362410 | M4XS362410 | M4XZ362410 | M4XA362410 | 36 x 24 x 10 | 82 | A-36P24 | 33 x 21 |
| M4S363010 | M4XS363010 | M4XZ363010 | M4XA363010 | 36 x 30 x 10 | 100 | A-36P30 | 33 x 27 |
| M4S423010 | M4XS423010 | M4XZ423010 | M4XA423010 | 42 x 30 x 10 | 116 | A-42P30 | 39 x 27 |
| M4S423610 | M4XS423610 | M4XZ423610 | M4XA423610 | 42 x 36 x 10 | 124 | A-42P36 | 39 x 33 |
| M4S483010 | M4XS483010 | M4XZ483010 | M4XA483010 | 48 x 30 x 10 | 124 | A-48P30 | 45 x 27 |
| M4S483610 | M4XS483610 | M4XZ483610 | M4XA483610 | 48 x 36 x 10 | 148 | A-48P36 | 45 x 33 |
| M4S603610 | M4XS603610 | M4XZ603610 | M4XA603610 | 60 x 36 x 10 | 166 | A-60P36 | 57 x 33 |
| M4S201612 | M4XS201612 | M4XZ201612 | M4XA201612 | 20 x 16 x 12 | 42 | A-20P16 | 17 x 13 |
| M4S242012 | M4XS242012 | M4XZ242012 | M4XA242012 | 24 x 20 x 12 | 57 | A-24P20 | 21 x 17 |
| M4S242412 | M4XS242412 | M4XZ242412 | M4XA242412 | 24 x 24 x 12 | 64 | A-24P24 | 21 x 21 |
| M4S302412 | M4XS302412 | M4XZ302412 | M4XA302412 | 30 x 24 x 12 | 77 | A-30P24 | 27 x 21 |
| M4S303012 | M4XS303012 | M4XZ303012 | M4XA303012 | 30 x 30 x 12 | 94 | A-30P30 | 27 x 27 |
| M4S362412 | M4XS362412 | M4XZ362412 | M4XA362412 | 36 x 24 x 12 | 89 | A-36P24 | 33 x 21 |
| M4S363012 | M4XS363012 | M4XZ363012 | M4XA363012 | 36 x 30 x 12 | 103 | A-36P30 | 33 x 27 |
| M4S423012 | M4XS423012 | M4XZ423012 | M4XA423012 | 42 x 30 x 12 | 122 | A-42P30 | 39 x 27 |
| M4S723012 | M4XS723012 | M4XZ723012 | M4XA723012 | 72 x 30 x 12 | 181 | A-72P30 | 69 x 27 |
| M4S363612 | M4XS363612 | M4XZ363612 | M4XA363612 | 36 x 36 x 12 | 127 | A-36P36 | 33 x 33 |
| M4S423612 | M4XS423612 | M4XZ423612 | M4XA423612 | 42 x 36 x 12 | 135 | A-42P36 | 39 x 33 |
| M4S483612 | M4XS483612 | M4XZ483612 | M4XA483612 | 48 x 36 x 12 | 152 | A-48P36 | 45 x 33 |
| M4S603612 | M4XS603612 | M4XZ603612 | M4XA603612 | 60 x 36 x 12 | 190 | A-60P36 | 57 x 33 |
| M4S723612 | M4XS723612 | M4XZ723612 | M4XA723612 | 72 x 36 x 12 | 215 | A-72P36 | 69 x 33 |
| M4S242016 | M4XS242016 | M4XZ242016 | M4XA242016 | 24 x 20 x 16 | 67 | A-24P20 | 21 x 17 |
| M4S242416 | M4XS242416 | M4XZ242416 | M4XA242416 | 24 x 24 x 16 | 75 | A-24P24 | 21 x 21 |
| M4S302416 | M4XS302416 | M4XZ302416 | M4XA302416 | 30 x 24 x 16 | 88 | A-30P24 | 27 x 21 |
| M4S363016 | M4XS363016 | M4XZ363016 | M4XA363016 | 36 x 30 x 16 | 121 | A-36P30 | 33 x 27 |
| M4S723016 | M4XS723016 | M4XZ723016 | M4XA723016 | 72 x 30 x 16 | 206 | A-72P30 | 69 x 27 |
| M4S423616 | M4XS423616 | M4XZ423616 | M4XA423616 | 42 x 36 x 16 | 155 | A-42P36 | 39 x 33 |
| M4S483616 | M4XS483616 | M4XZ483616 | M4XA483616 | 48 x 36 x 16 | 170 | A-48P36 | 45 x 33 |
| M4S603616 | M4XS603616 | M4XZ603616 | M4XA603616 | 60 x 36 x 16 | 199 | A-60P36 | 57 x 33 |
| M4S302420 | M4XS302420 | M4XZ302420 | M4XA302420 | 30 x 24 x 20 | 96 | A-30P24 | 27 x 21 |
| M4S363020 | M4XS363020 | M4XZ363020 | M4XA363020 | 36 x 30 x 20 | 127 | A-36P30 | 33 x 27 |
| M4S723020 | M4XS723020 | M4XZ723020 | M4XA723020 | 72 x 30 x 20 | 227 | A-72P30 | 69 x 27 |
| M4S483620 | M4XS483620 | M4XZ483620 | M4XA483620 | 48 x 36 x 20 | 190 | A-48P36 | 45 x 33 |
| M4S603620 | M4XS603620 | M4XZ603620 | M4XA603620 | 60 x 36 x 20 | 240 | A-60P36 | 57 x 33 |
| M4S302424 | M4XS302424 | M4XZ302424 | M4XA302424 | 30 x 24 x 24 | 109 | A-30P24 | 27 x 21 |
| M4S723024 | M4XS723024 | M4XZ723024 | M4XA723024 | 72 x 30 x 24 | 243 | A-72P30 | 69 x 27 |

NOTE

- Print pocket = 6" x 6" when H and W are 24" or less.
Print pocket = 9" x 9" when H and W are greater than 24".
- Panels have formed flanges on all four sides when Height or Width is equal to or greater than 18".
- On 12" wide enclosures, center of mounting foot to edge of enclosure is 1.25".
- Units must be mounted vertically to maintain a NEMA 4 rating.



Please consult serving utility for their requirements prior to ordering or installing, as specifications and approvals vary by utility, and may require local electrical inspector approval. All installations must be installed by a licensed electrician and must comply with all national and local codes, laws and regulations. Milbank reserves the right to make changes in specifications and features shown without notice or obligation.

Floor Mount Enclosures

Type 4 & 4X | Double Door

Application

Designed to house electrical controls and instruments in a variety of environments, including wet environments.

Construction

- Fabricated from 10 and 12 gauge carbon steel, type 304 or 12 gauge type 316 stainless steel with continuously welded seams.
- Doors are secured with continuous hinges with removable hinge pins, and clamps and screws.
- Padlocking hasp and staple.
- Adhesive backed, oil resistant gasket applied to the doors.
- 12-inch floor stands.
- Print pocket.
- Heavy-duty eyes.
- Ground studs inside cabinet and door.
- Collar studs provided for mounting optional sub panels.
- Removable center post for easy

installation of the sub panel.

- Body stiffeners for extra rigidity.

Finish

Standard ANSI-61 gray finish on interior and exterior of enclosures. Recoatable, smooth, white or RAL 7035 texture polyester powder coat available at no charge. Standard RAL and custom match finishes available for an additional charge, please contact Milbank for further assistance. All powder coat finishes applied over cleaned phosphatized surfaces. Carbon steel sub panels have a white polyester powder coat finish. Stainless steel enclosures have a polished #4 finish.

Options

Milbank can modify standard enclosures or custom design enclosures according to your specifications. Holes, cutouts, sizes, materials, and many more options are available. Quotations



upon request.

INDUSTRY STANDARDS

- UL 50 Listed
- CUL 50 Listed
- Type 4 & 4X

| Carbon Steel # | Catalog Number | | Enclosure Size H x W x D (inches) | Ship. Weight (inches) | Sub Panel Part Number | Sub Panel Size (H x L) |
|----------------|-----------------------|-----------------------|---|-----------------------------|--------------------------|---------------------------|
| | 304 Stainless Steel # | 316 Stainless Steel # | | | | |
| M4D62488-FT | M4DXS62488-FT | M4DXZ62488-FT | 62 x 48 x 8 | 340 | A-DD6048 | 56 x 44 |
| M4D624810-FT | M4DXS624810-FT | M4DXZ624810-FT | 62 x 48 x 10 | 357 | A-DD6048 | 56 x 44 |
| M4D626010-FT | M4DXS626010-FT | M4DXZ626010-FT | 62 x 60 x 10 | 433 | A-DD6060 | 56 x 56 |
| M4D746010-FT | M4DXS746010-FT | M4DXZ746010-FT | 74 x 60 x 10 | 518 | A-DD7260 | 68 x 56 |
| M4D747210-FT | M4DXS747210-FT | M4DXZ747210-FT | 74 x 72 x 10 | 626 | A-DD7272 | 68 x 68 |
| M4D624812-FT | M4DXS624812-FT | M4DXZ624812-FT | 62 x 48 x 12 | 385 | A-DD6048 | 56 x 44 |
| M4D626012-FT | M4DXS626012-FT | M4DXZ626012-FT | 62 x 60 x 12 | 507 | A-DD6060 | 56 x 56 |
| M4D746012-FT | M4DXS746012-FT | M4DXZ746012-FT | 74 x 60 x 12 | 542 | A-DD7260 | 68 x 56 |
| M4D747212-FT | M4DXS747212-FT | M4DXZ747212-FT | 74 x 72 x 12 | 626 | A-DD7272 | 68 x 68 |
| M4D624816-FT | M4DXS624816-FT | M4DXZ624816-FT | 62 x 48 x 16 | 424 | A-DD6048 | 56 x 44 |
| M4D626016-FT | M4DXS626016-FT | M4DXZ626016-FT | 62 x 60 x 16 | 508 | A-DD6060 | 56 x 56 |
| M4D746016-FT | M4DXS746016-FT | M4DXZ746016-FT | 74 x 60 x 16 | 560 | A-DD7260 | 68 x 56 |
| M4D747216-FT | M4DXS747216-FT | M4DXZ747216-FT | 74 x 72 x 16 | 687 | A-DD7272 | 68 x 68 |
| M4D624820-FT | M4DXS624820-FT | M4DXZ624820-FT | 62 x 48 x 20 | 464 | A-DD6048 | 56 x 44 |
| M4D626020-FT | M4DXS626020-FT | M4DXZ626020-FT | 62 x 60 x 20 | 552 | A-DD6060 | 56 x 56 |
| M4D746020-FT | M4DXS746020-FT | M4DXZ746020-FT | 74 x 60 x 20 | 638 | A-DD7260 | 68 x 56 |
| M4D747220-FT | M4DXS747220-FT | M4DXZ747220-FT | 74 x 72 x 20 | 739 | A-DD7272 | 68 x 68 |
| M4D624824-FT | M4DXS624824-FT | M4DXZ624824-FT | 62 x 48 x 24 | 503 | A-DD6048 | 56 x 44 |
| M4D626024-FT | M4DXS626024-FT | M4DXZ626024-FT | 62 x 60 x 24 | 596 | A-DD6060 | 56 x 56 |
| M4D746024-FT | M4DXS746024-FT | M4DXZ746024-FT | 74 x 60 x 24 | 686 | A-DD7260 | 68 x 56 |
| M4D747224-FT | M4DXS747224-FT | M4DXZ747224-FT | 74 x 72 x 24 | 805 | A-DD7272 | 68 x 68 |

NOTE

Sub panels must be ordered separately.

Please consult serving utility for their requirements prior to ordering or installing, as specifications and approvals vary by utility, and may require local electrical inspector approval. All installations must be installed by a licensed electrician and must comply with all national and local codes, laws and regulations. Milbank reserves the right to make changes in specifications and features shown without notice or obligation.

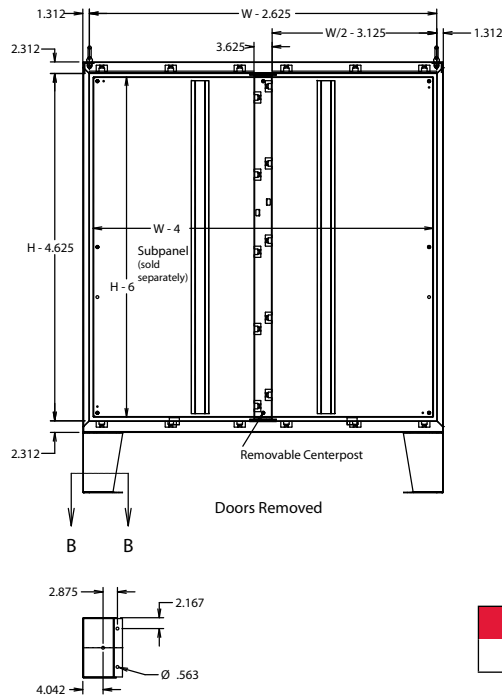
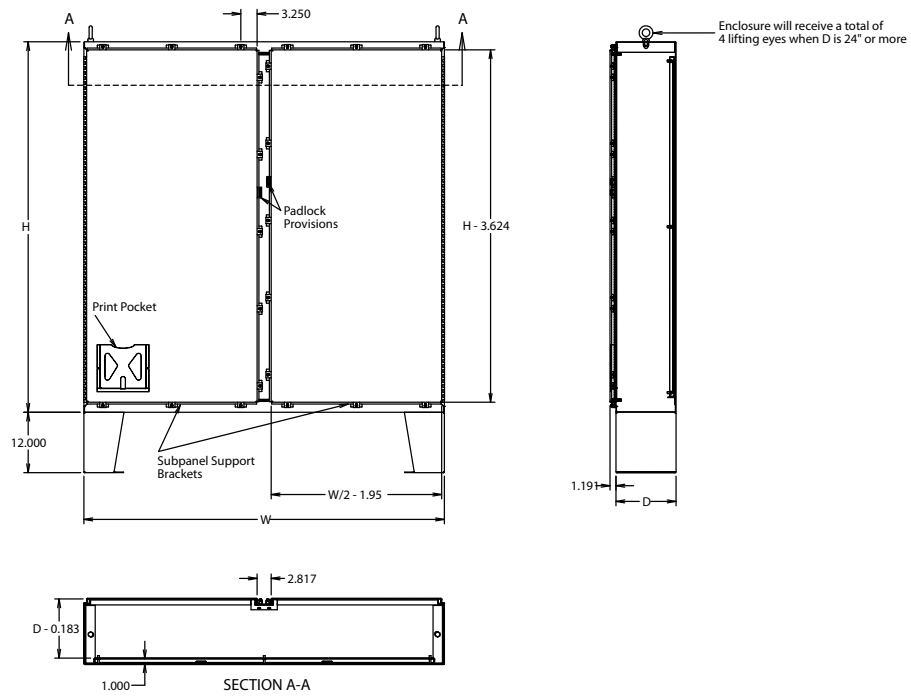


130

TYPE 4 & 4X
FLOOR MOUNT
ENCLOSURES

Floor Mount Enclosures

Type 4 & 4X | Double Door



NOTE
Maximum between door clamps is 16.84" (center to center).



Please consult serving utility for their requirements prior to ordering or installing, as specifications and approvals vary by utility, and may require local electrical inspector approval. All installations must be installed by a licensed electrician and must comply with all national and local codes, laws and regulations. Milbank reserves the right to make changes in specifications and features shown without notice or obligation.

Freestanding Enclosures

Type 4 & 4X | Single Door

131
TYPE 4 & 4X
FREESTANDING
ENCLOSURES

Applications

Designed to house electrical and electronic controls, instruments and components in areas which may be hosed down. Hold-down clamps on top, bottom and open side of door for maximum dust and moisture-proof protection.

Construction

- Fabricated from 12 gauge carbon steel, type 304 or type 316 stainless steel with continuously welded seams.
- Doors are secured with heavy-duty continuous hinges with removable hinge pins and clamps and screws on three sides.
- Adhesive backed, oil resistant gasket applied to doors.
- Unistrut® channel.
- Print pocket.
- Heavy-duty lifting eyes.
- Ground studs inside enclosure and door.
- Collar studs provided for mounting optional sub panel in back.

Accessories (ordered separately)

- Sub panels include full size, half size, side mount and swing out panels can be mounted and adjusted for depth on the horizontal Unistrut® channel.
- Clamping nuts for installing other equipment.

Finish

Standard ANSI-61 gray finish on interior and exterior of enclosures. Recoatable, smooth, white or RAL 7035 texture polyester powder coat available at no charge. Standard RAL and custom match finishes available for an additional charge, please contact Milbank for further assistance. All powder coat finishes applied over cleaned phosphatized surfaces. Carbon steel sub panels have a white polyester powder coat finish. Stainless steel enclosures have a polished #4 finish.

Options

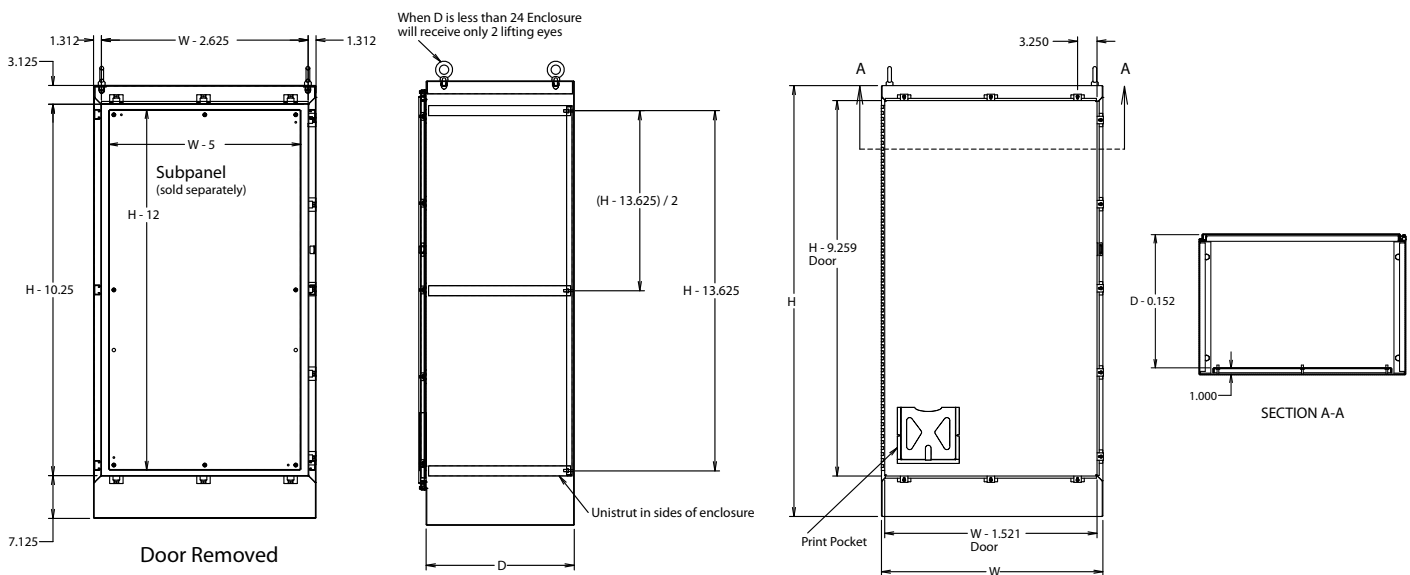
Milbank can modify standard enclosures or custom design enclosures according to your specifications. Holes,



cutouts, sizes, materials, and many more options are available. Quotations upon request.

Industry Standards

- UL 50 Listed
- CUL 50 Listed
- Type 4 & 4X



Please consult serving utility for their requirements prior to ordering or installing, as specifications and approvals vary by utility, and may require local electrical inspector approval. All installations must be installed by a licensed electrician and must comply with all national and local codes, laws and regulations. Milbank reserves the right to make changes in specifications and features shown without notice or obligation.



Freestanding Enclosures

Type 4 & 4X | Single Door

| Catalog Number | | | Enclosure Size H x W x D (inches) | Ship. Wt. (in.) | Sub Panel Part # | Sub Panel Size (H x L) | Half Panel Part # | Half Panel Size (H x L) | Side Mounted Panel | Side Panel Size (H x L) |
|-------------------|--------------------------|--------------------------|---|-----------------------|---------------------|------------------------------|----------------------|-------------------------------|--------------------------|----------------------------------|
| Carbon Steel # | 304 Stainless Steel # | 316 Stainless Steel # | | | | | | | | |
| M4FS602518 | M4FSXS602518 | M4FSXZ602518 | 60 x 25 x 18 | 240 | A-60P24F1 | 48 x 20 | A-60P24F2 | 24.5 x 20 | A-60SMP14 | 48 x 14 |
| M4FS722518 | M4FSXS722518 | M4FSXZ722518 | 72 x 25 x 18 | 272 | A-72P24F1 | 60 x 20 | A-72P24F2 | 30.88 x 20 | A-72SMP14 | 60 x 14 |
| M4FS723118 | M4FSXS723118 | M4FSXZ723118 | 72 x 31 x 18 | 285 | A-72P30F1 | 60 x 26 | A-72P30F2 | 30.88 x 26 | A-72SMP14 | 60 x 14 |
| M4FS723718 | M4FSXS723718 | M4FSXZ723718 | 72 x 37 x 18 | 338 | A-72P36F1 | 60 x 32 | A-72P36F2 | 30.88 x 32 | A-72SMP14 | 60 x 14 |
| M4FS902520 | M4FSXS902520 | M4FSXZ902520 | 90 x 25 x 20 | 315 | A-90P24F1 | 78 x 20 | A-90P24F2 | 24.88 x 20 | A-90SMP16 | 78 x 16 |
| M4FS903120 | M4FSXS903120 | M4FSXZ903120 | 90 x 31 x 20 | 361 | A-90P30F1 | 78 x 26 | A-90P30F2 | 24.88 x 26 | A-90SMP16 | 78 x 16 |
| M4FS903720 | M4FSXS903720 | M4FSXZ903720 | 90 x 37 x 20 | 430 | A-90P36F1 | 78 x 32 | A-90P36F2 | 24.88 x 32 | A-90SMP16 | 78 x 16 |
| M4FS603724 | M4FSXS603724 | M4FSXZ603724 | 60 x 37 x 24 | 325 | A-60P36F1 | 48 x 32 | A-60P36F2 | 24.5 x 32 | A-60SMP20 | 48 x 20 |
| M4FS722524 | M4FSXS722524 | M4FSXZ722524 | 72 x 25 x 24 | 300 | A-72P24F1 | 60 x 20 | A-72P24F2 | 30.88 x 20 | A-72SMP20 | 60 x 20 |
| M4FS723124 | M4FSXS723124 | M4FSXZ723124 | 72 x 31 x 24 | 335 | A-72P30F1 | 60 x 26 | A-72P30F2 | 30.88 x 26 | A-72SMP20 | 60 x 20 |
| M4FS723724 | M4FSXS723724 | M4FSXZ723724 | 72 x 37 x 24 | 370 | A-72P36F1 | 60 x 32 | A-72P36F2 | 30.88 x 32 | A-72SMP20 | 60 x 20 |
| M4FS902524 | M4FSXS902524 | M4FSXZ902524 | 90 x 25 x 24 | 346 | A-90P24F1 | 78 x 20 | A-90P24F2 | 24.88 x 20 | A-90SMP20 | 78 x 20 |
| M4FS903124 | M4FSXS903124 | M4FSXZ903124 | 90 x 31 x 24 | 395 | A-90P30F1 | 78 x 26 | A-90P30F2 | 24.88 x 26 | A-90SMP20 | 78 x 20 |
| M4FS903724 | M4FSXS903724 | M4FSXZ903724 | 90 x 37 x 24 | 460 | A-90P36F1 | 78 x 32 | A-90P36F2 | 24.88 x 32 | A-90SMP20 | 78 x 20 |
| M4FS722530 | M4FSXS722530 | M4FSXZ722530 | 72 x 25 x 30 | 348 | A-72P24F1 | 60 x 20 | A-72P24F2 | 30.88 x 20 | A-72SMP26 | 60 x 26 |
| M4FS902530 | M4FSXS902530 | M4FSXZ902530 | 90 x 25 x 30 | 395 | A-90P24F1 | 78 x 20 | A-90P24F2 | 24.88 x 20 | A-90SMP26 | 78 x 26 |
| M4FS723130 | M4FSXS723130 | M4FSXZ723130 | 72 x 31 x 30 | 378 | A-72P30F1 | 60 x 26 | A-72P30F2 | 30.88 x 26 | A-72SMP26 | 60 x 26 |
| M4FS903130 | M4FSXS903130 | M4FSXZ903130 | 90 x 31 x 30 | 445 | A-90P30F1 | 78 x 26 | A-90P30F2 | 24.88 x 26 | A-90SMP26 | 78 x 26 |
| M4FS723730 | M4FSXS723730 | M4FSXZ723730 | 72 x 37 x 30 | 428 | A-72P36F1 | 60 x 32 | A-72P36F2 | 30.88 x 32 | A-72SMP26 | 60 x 26 |
| M4FS903730 | M4FSXS903730 | M4FSXZ903730 | 90 x 37 x 30 | 515 | A-90P36F1 | 78 x 32 | A-90P36F2 | 24.88 x 32 | A-90SMP26 | 78 x 26 |
| M4FS723136 | M4FSXS723136 | M4FSXZ723136 | 72 x 31 x 36 | 422 | A-72P30F1 | 60 x 26 | A-72P30F2 | 30.88 x 26 | A-72SMP32 | 60 x 32 |
| M4FS723736 | M4FSXS723736 | M4FSXZ723736 | 72 x 37 x 36 | 465 | A-72P36F1 | 60 x 32 | A-72P36F2 | 30.88 x 32 | A-72SMP32 | 60 x 32 |
| M4FS903736 | M4FSXS903736 | M4FSXZ903736 | 90 x 37 x 36 | 560 | A-90P36F1 | 78 x 32 | A-90P36F2 | 24.88 x 32 | A-90SMP32 | 78 x 32 |

NOTE

1. Maximum between door clamps is 16.84" (center to center).
2. Sub panels must be ordered separately



Please consult serving utility for their requirements prior to ordering or installing, as specifications and approvals vary by utility, and may require local electrical inspector approval. All installations must be installed by a licensed electrician and must comply with all national and local codes, laws and regulations. Milbank reserves the right to make changes in specifications and features shown without notice or obligation.

Disconnect Enclosure

Type 4 & 4X | Wall Mounted | Single Door

133
TYPE 4 & 4X
WALL MOUNTED
DISCONNECT
ENCLOSURE

Application

For use in the same locations as Milbank's standard NEMA 4 enclosures. For Disconnect order information see page 90.

Construction

- Fabricated from 14 gauge carbon steel, type 304 or type 316 stainless steel.
- Door is secured with heavy duty continuous hinge with removable hinge pin.
- Stainless steel clamps and screws on remaining three sides.
- Adhesive backed oil resistant gasket applied to doors.
- Print pocket.
- External mounting feet for wall or machinery mounting.
- Ground studs installed inside door and cabinet
- Collar studs provided for mounting optional sub panels.
- Furnished with holes in right flange for mounting of operating handle or mechanism.
- Padlock provision

Finish

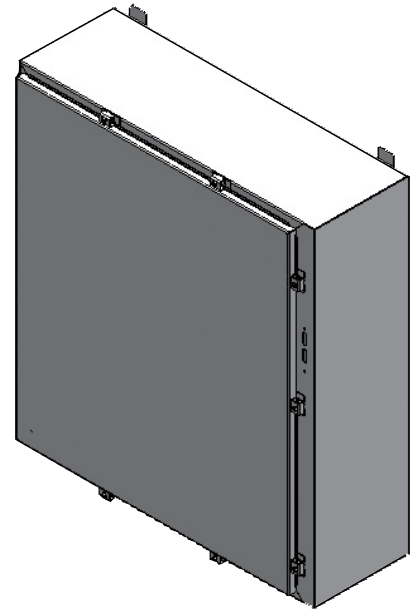
Standard ANSI-61 gray finish on interior and exterior of enclosures. Recoatable, smooth, white or RAL 7035 texture polyester powder coat available at no charge. Standard RAL and custom match finishes available for an additional charge, please contact Milbank for further assistance. All powder coat finishes applied over cleaned phosphatized surfaces. Carbon steel sub panels have a white polyester powder coat finish. Stainless steel enclosures have a polished #4 finish.

Options

Milbank can modify standard enclosures or custom design enclosures according to your specifications. Holes, cutouts, sizes, materials, and many more options are available. Quotations upon request.

Industry Standard

- UL 50 Listed
- CUL 50 Listed
- Type 4 & 4X



| Catalog Number | | | Enclosure Size H x W x D (inches) | Ship. Weight | Sub Panel Part Number | Sub Panel Size |
|----------------|-----------------------|-----------------------|---|-----------------|--------------------------|-------------------|
| Carbon Steel # | 304 Stainless Steel # | 316 Stainless Steel # | | | | |
| M4S24218-FD | M4XS24218-FD | M4XZ24218-FD | 24 x 21.37 x 8 | 51 | A-24P20 | 21 x 17 |
| M4S242508-FD | M4XS242508-FD | M4XZ242508-FD | 24 x 25.37 x 8 | 55 | A-24P24 | 21 x 21 |
| M4S302508-FD | M4XS302508-FD | M4XZ302508-FD | 30 x 25.37 x 8 | 67 | A-30P24 | 27 x 21 |
| M4S363108-FD | M4XS363108-FD | M4XZ363108-FD | 36 x 31.37 x 8 | 94 | A-36P30 | 33 x 27 |
| M4S423112-FD | M4XS423112-FD | M4XZ423112-FD | 42 x 31.37 x 12 | 128 | A-42P30 | 39 x 27 |
| M4S423712-FD | M4XS423712-FD | M4XZ423712-FD | 42 x 37.37 x 12 | 141 | A-42P36 | 39 x 33 |
| M4S483712-FD | M4XS483712-FD | M4XZ483712-FD | 48 x 37.37 x 12 | 157 | A-48P36 | 45 x 33 |
| M4S603712-FD | M4XS603712-FD | M4XZ603712-FD | 60 x 37.37 x 12 | 188 | A-60P36 | 57 x 33 |

Please consult serving utility for their requirements prior to ordering or installing, as specifications and approvals vary by utility, and may require local electrical inspector approval. All installations must be installed by a licensed electrician and must comply with all national and local codes, laws and regulations. Milbank reserves the right to make changes in specifications and features shown without notice or obligation.

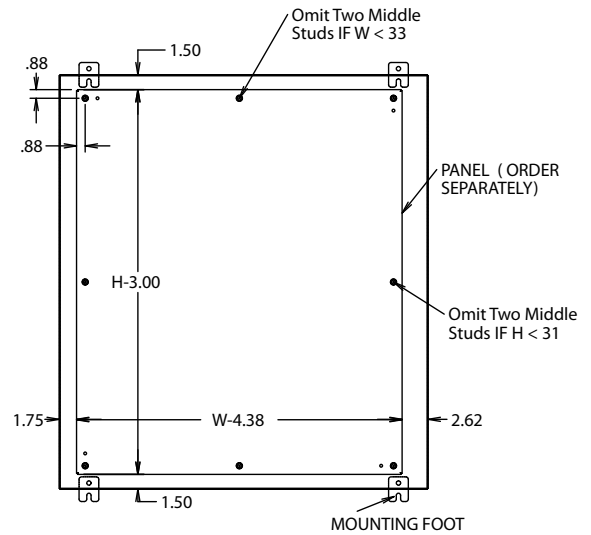
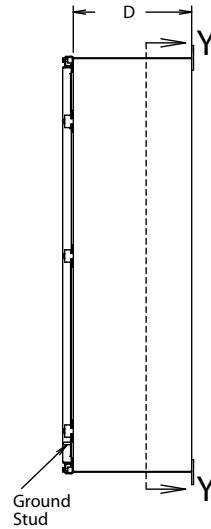
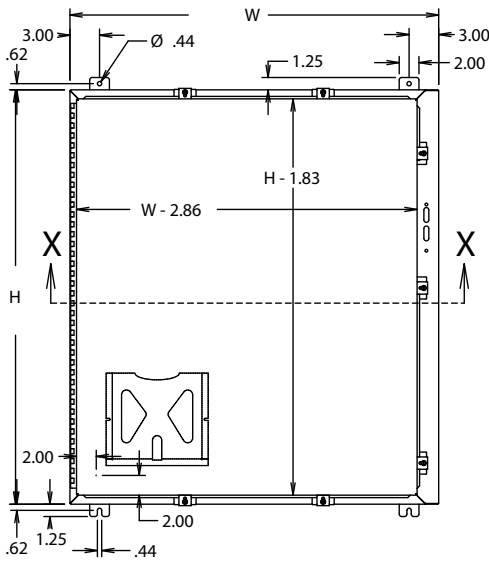


134

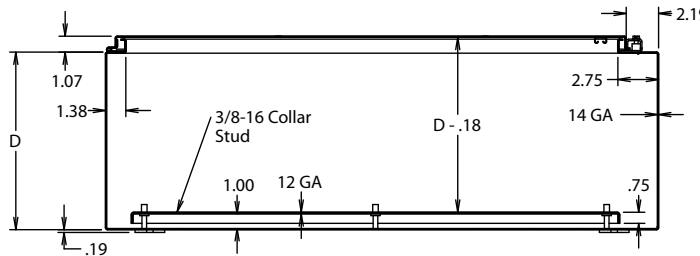
TYPE 4 & 4X
WALL MOUNTED
DISCONNECT
ENCLOSURE

Disconnect Enclosure

Type 4 & 4X | Wall Mounted | Single Door



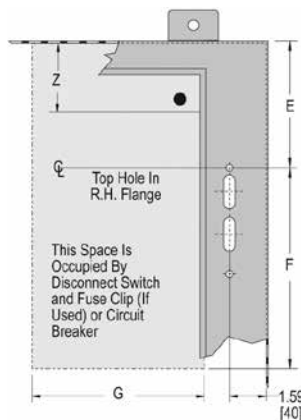
SECTION Y-Y



SECTION X-X

NOTE

1. Print pocket = 6" x 6" when H and W are 24" or less. Print pocket = 9" x 9" when H and W are greater than 24".
2. Panels will have formed flanges when either Height or Width is greater than 18".
3. Maximum spacing between door clamps is 16.84" (center to center).



Space Occupied by Disconnects

- E: 8.62 when D = 8.00
- E: 11.62 when D = 12.00
- Z: Wire Bend Spacing

See charts on pages 110-116 for "F", "G", and "Z" dimensions which cover space occupied by disconnect and wire bend spacing. Disconnects occupy the space indicated by "E", "F", and "G".



Please consult serving utility for their requirements prior to ordering or installing, as specifications and approvals vary by utility, and may require local electrical inspector approval. All installations must be installed by a licensed electrician and must comply with all national and local codes, laws and regulations. Milbank reserves the right to make changes in specifications and features shown without notice or obligation.

Flush Mounted Enclosures

Type 4

135
TYPE 4
FLUSH MOUNTED
ENCLOSURES

Applications

Designed to house electrical controls, terminals and instruments; providing protection from dust, dirt, oil and water.

Construction

- Fabricated from 14 gauge carbon steel, type 304 or 316 stainless steel.
- Strong and rigid construction.
- All seams continuously welded.
- No holes or knockouts provided.
- Rolled lip around all sides of enclosure opening to increase strength and help keep dirt and liquids out when the door is open.
- A 14 gauge carbon steel, 14 gauge type 304 stainless steel, or 12 gauge type 316 stainless steel frame with mounting holes extends completely around enclosure.
- Collar studs provided for mounting optional sub panels.
- Door is secured with concealed lift-off hinges and slotted ¼ turn latches.

Finish

Standard ANSI-61 gray finish on interior and exterior of enclosures. Recoatable, smooth, white or RAL 7035 texture polyester powder coat available at no charge. Standard RAL and custom match finishes available for an additional charge, please contact Milbank for further assistance. All powder coat finishes applied over cleaned phosphatized surfaces. Carbon steel sub panels have a white polyester powder coat finish. Stainless steel enclosures have a polished #4 finish.

Options

Milbank can modify standard enclosures or custom design enclosures according to your specifications. Holes, cutouts, sizes, materials, and many more options are available. Quotations upon request.



Industry Standards

- UL 50 Listed
- CUL 50 Listed
- Type 4

| Carbon Steel # | Catalog Number | | Enclosure Size H x W x D (inches) | Ship. Wt. (lbs) | Sub Panel Part Number | Sub Panel Size H x W (inches) |
|----------------|--------------------------|--------------------------|---|-----------------------|--------------------------|-------------------------------------|
| | 304 Stainless Steel # | 316 Stainless Steel # | | | | |
| MSDFM16126 | MSDFMXS16126 | MSDFMXZ16126 | 16.00 x 12.00 x 6.00 | 27 | A-M16P12 | 14.2 x 10.2 |
| MSDFM20166 | MSDFMXS20166 | MSDFMXZ20166 | 20.00 x 16.00 x 6.00 | 38 | A-M20P16 | 18.2 x 14.2 |
| MSDFM20206 | MSDFMXS20206 | MSDFMXZ20206 | 20.00 x 20.00 x 6.00 | 44 | A-M20P20 | 18.2 x 18.2 |
| MSDFM24206 | MSDFMXS24206 | MSDFMXZ24206 | 24.00 x 20.00 x 6.00 | 50 | A-M24P20 | 22.2 x 18.2 |
| MSDFM24248 | MSDFMXS24248 | MSDFMXZ24248 | 24.00 x 24.00 x 8.00 | 61 | A-M24P24 | 22.2 x 22.2 |
| MSDFM30248 | MSDFMXS30248 | MSDFMXZ30248 | 30.00 x 24.00 x 8.00 | 73 | A-M30P24 | 28.2 x 22.2 |

NOTE

1. Print pocket = 6" x 6" when H and W are 24" or less.
Print pocket = 9" x 9" when H and W are greater than 24".
2. Panels have formed flanges on all four sides when either height or width is equal to or greater than 22.2".
3. When height and width are less than 23" enclosure will have one slotted quarter-turn latch.
4. When height and width are greater than 23" enclosure will have two slotted quarter-turn latches.
5. When height is equal to or greater than 42" enclosure will have one 3 point slotted quarter-turn latch.

Please consult serving utility for their requirements prior to ordering or installing, as specifications and approvals vary by utility, and may require local electrical inspector approval. All installations must be installed by a licensed electrician and must comply with all national and local codes, laws and regulations. Milbank reserves the right to make changes in specifications and features shown without notice or obligation.

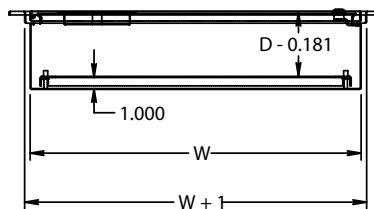
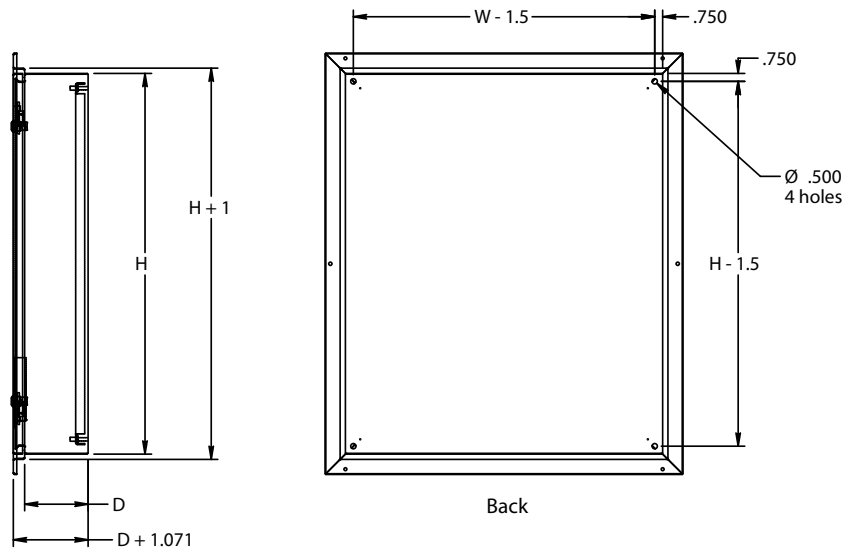
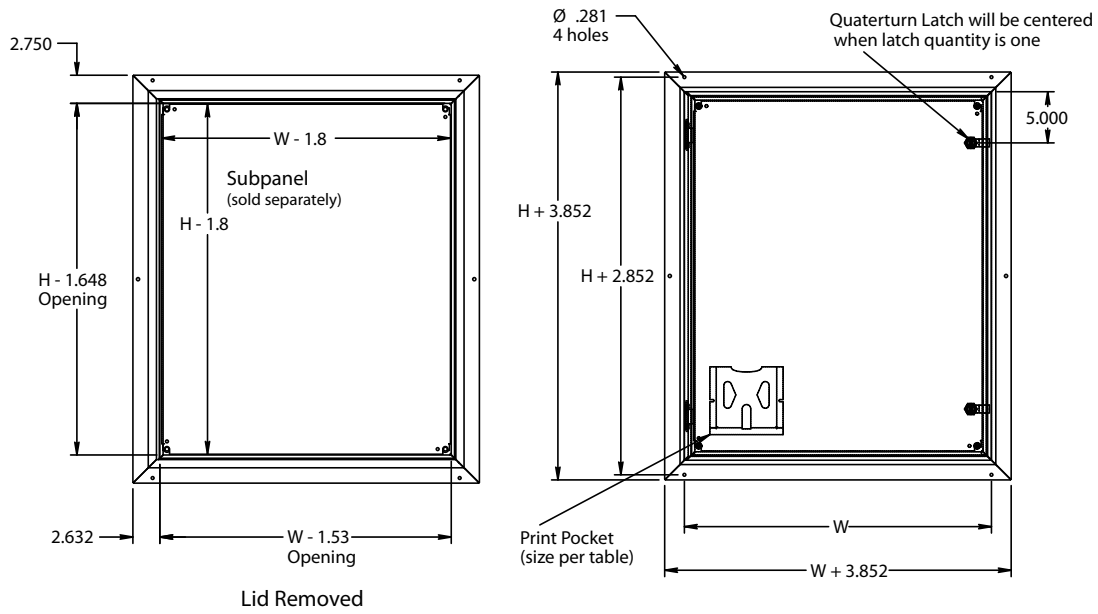


136

TYPE 4
FLUSH MOUNTED
ENCLOSURES

Flush Mounted Enclosures

Type 4



Please consult serving utility for their requirements prior to ordering or installing, as specifications and approvals vary by utility, and may require local electrical inspector approval. All installations must be installed by a licensed electrician and must comply with all national and local codes, laws and regulations. Milbank reserves the right to make changes in specifications and features shown without notice or obligation.

Millennium Series Enclosures

Type 4, 4X, 12 & 13 | Single Door

137

TYPE 4, 4X, 12 &
13 SINGLE DOOR
MILLENNIUM
SERIES
ENCLOSURES

Application

Designed to house electrical controls, instruments, and terminals in a variety of environments, including wet environments.

Construction

- Fabricated from 14 gauge carbon steel, type 304 or type 316 stainless steel with continuously welded seams.
- Minimum width trough shaped body flange and hidden hinge design providing full 180 degree door opening while excluding liquids and contaminants.
- Door is secured with concealed lift-off hinges and slotted quarter-turn latch. Standard quarter turn latches can be replaced with a variety of optional latches.
- Adhesive backed, oil resistant gasket applied to the doors.
- Print pocket.
- Holes are provided for wall or machinery mounting, options include

bolt-on or weld-on mounting feet.

- Ground studs installed inside cabinet and door.
- Collar studs provided for mounting optional sub panel.

Finish

Standard ANSI-61 gray finish on interior and exterior of enclosures. Recoatable, smooth, white or RAL 7035 texture polyester powder coat available at no charge. Standard RAL and custom match finishes available for an additional charge, please contact Milbank for further assistance. All powder coat finishes applied over cleaned phosphatized surfaces. Carbon steel sub-panels are finished with a white polyester powder coating. Stainless steel enclosures have a polished #4 finish.

Options

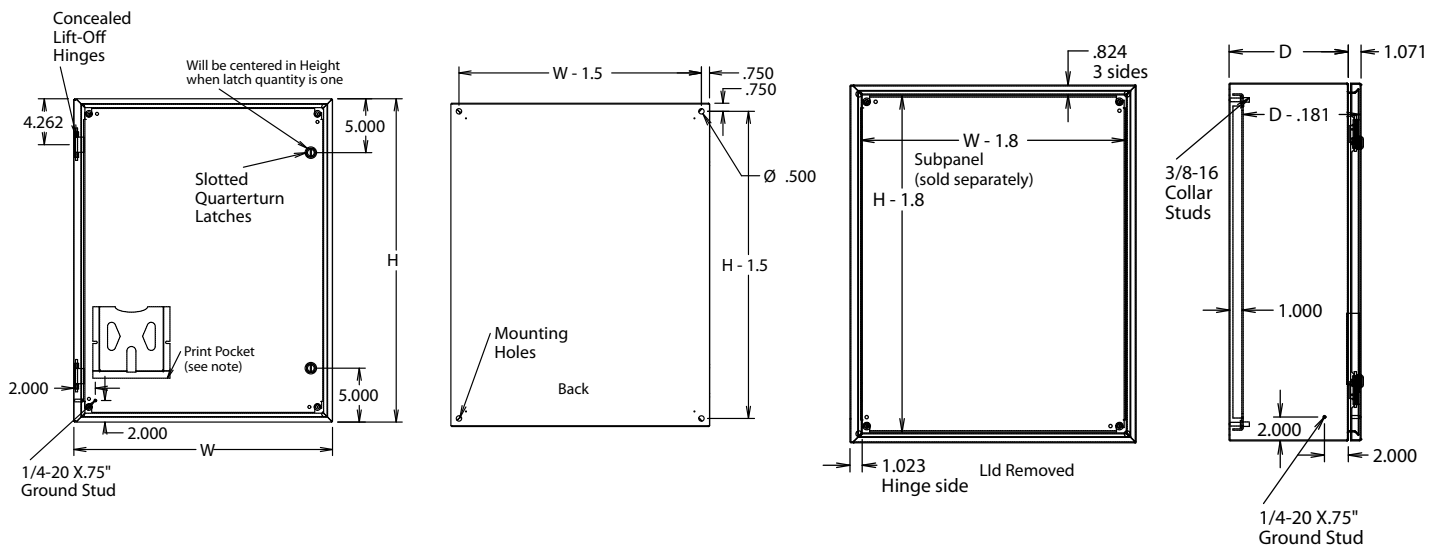
Milbank can modify standard enclosures or custom design enclosures according to your specifications. Holes,



cutouts, sizes, materials, and many more options are available. Quotations upon request.

Industry Standards

- UL 50 Listed
- CUL 50 Listed
- Type 4, 12, 13
- Stainless enclosures: Type 4, 4X, 12, 13



Please consult serving utility for their requirements prior to ordering or installing, as specifications and approvals vary by utility, and may require local electrical inspector approval. All installations must be installed by a licensed electrician and must comply with all national and local codes, laws and regulations. Milbank reserves the right to make changes in specifications and features shown without notice or obligation.



Millennium Series Enclosures

Type 4, 4X, 12 & 13 | Single Door

For optional mounting feet order part number A-MSDMFKXS (set of four)

| Catalog Number | | | Enclosure Size H x W x D (inches) | Ship. Weight (lbs) | Sub Panel Part Number | Sub Panel Size H x W (inches) |
|----------------|-----------------------|-----------------------|---|--------------------------|--------------------------|-------------------------------------|
| Carbon Steel # | 304 Stainless Steel # | 316 Stainless Steel # | | | | |
| MSD12126 | MSDXS12126 | MSDXZ12126 | 12 x 12 x 6 | 9 | A-M12P12 | 10.2 x 10.2 |
| MSD12246 | MSDXS12246 | MSDXZ12246 | 12 x 24 x 6 | 15 | A-M12P24 | 10.2 x 22.2 |
| MSD16126 | MSDXS16126 | MSDXZ16126 | 16 x 12 x 6 | 29 | A-M16P12 | 14.2 x 10.2 |
| MSD16166 | MSDXS16166 | MSDXZ16166 | 16 x 16 x 6 | 27 | A-M16P16 | 14.2 x 14.2 |
| MSD16206 | MSDXS16206 | MSDXZ16206 | 16 x 20 x 6 | 31 | A-M16P20 | 14.2 x 18.2 |
| MSD20126 | MSDXS20126 | MSDXZ20126 | 20 x 12 x 6 | 40 | A-M20P12 | 18.2 x 10.2 |
| MSD20166 | MSDXS20166 | MSDXZ20166 | 20 x 16 x 6 | 29 | A-M20P16 | 18.2 x 14.2 |
| MSD20206 | MSDXS20206 | MSDXZ20206 | 20 x 20 x 6 | 35 | A-M20P20 | 18.2 x 18.2 |
| MSD20246 | MSDXS20246 | MSDXZ20246 | 20 x 24 x 6 | 44 | A-M20P24 | 18.2 x 22.2 |
| MSD24126 | MSDXS24126 | MSDXZ24126 | 24 x 12 x 6 | 15 | A-M24P12 | 22.2 x 10.2 |
| MSD24166 | MSDXS24166 | MSDXZ24166 | 24 x 16 x 6 | 35 | A-M24P16 | 22.2 x 14.2 |
| MSD24206 | MSDXS24206 | MSDXZ24206 | 24 x 20 x 6 | 39 | A-M24P20 | 22.2 x 18.2 |
| MSD24246 | MSDXS24246 | MSDXZ24246 | 24 x 24 x 6 | 81 | A-M24P24 | 22.2 x 22.2 |
| MSD30166 | MSDXS30166 | MSDXZ30166 | 30 x 16 x 6 | 69 | A-M30P16 | 28.2 x 14.2 |
| MSD30206 | MSDXS30206 | MSDXZ30206 | 30 x 20 x 6 | 43 | A-M30P20 | 28.2 x 18.2 |
| MSD30246 | MSDXS30246 | MSDXZ30246 | 30 x 24 x 6 | 50 | A-M30P24 | 28.2 x 22.2 |
| MSD36246 | MSDXS36246 | MSDXZ36246 | 36 x 24 x 6 | 89 | A-M36P24 | 34.2 x 22.2 |
| MSD36306 | MSDXS36306 | MSDXZ36306 | 36 x 30 x 6 | 127 | A-M36P30 | 34.2 x 28.2 |
| MSD12248 | MSDXS12248 | MSDXZ12248 | 12 x 24 x 8 | 17 | A-M12P24 | 10.2 x 22.2 |
| MSD16128 | MSDXS16128 | MSDXZ16128 | 16 x 12 x 8 | 23 | A-M16P12 | 14.2 x 10.2 |
| MSD16168 | MSDXS16168 | MSDXZ16168 | 16 x 16 x 8 | 27 | A-M16P16 | 14.2 x 14.2 |
| MSD16208 | MSDXS16208 | MSDXZ16208 | 16 x 20 x 8 | 33 | A-M16P20 | 14.2 x 18.2 |
| MSD20128 | MSDXS20128 | MSDXZ20128 | 20 x 12 x 8 | 42 | A-M20P12 | 18.2 x 10.2 |
| MSD20168 | MSDXS20168 | MSDXZ20168 | 20 x 16 x 8 | 33 | A-M20P16 | 18.2 x 14.2 |
| MSD20208 | MSDXS20208 | MSDXZ20208 | 20 x 20 x 8 | 38 | A-M20P20 | 18.2 x 18.2 |
| MSD20248 | MSDXS20248 | MSDXZ20248 | 20 x 24 x 8 | 49 | A-M20P24 | 18.2 x 22.2 |
| MSD24168 | MSDXS24168 | MSDXZ24168 | 24 x 16 x 8 | 39 | A-M24P16 | 22.2 x 14.2 |
| MSD24208 | MSDXS24208 | MSDXZ24208 | 24 x 20 x 8 | 44 | A-M24P20 | 22.2 x 18.2 |
| MSD24248 | MSDXS24248 | MSDXZ24248 | 24 x 24 x 8 | 52 | A-M24P24 | 22.2 x 22.2 |
| MSD24308 | MSDXS24308 | MSDXZ24308 | 24 x 30 x 8 | 55 | A-M24P30 | 22.2 x 28.2 |
| MSD30208 | MSDXS30208 | MSDXZ30208 | 30 x 20 x 8 | 48 | A-M30P20 | 28.2 x 18.2 |
| MSD30248 | MSDXS30248 | MSDXZ30248 | 30 x 24 x 8 | 55 | A-M30P24 | 28.2 x 22.2 |
| MSD30308 | MSDXS30308 | MSDXZ30308 | 30 x 30 x 8 | 94 | A-M30P30 | 28.2 x 28.2 |
| MSD30368 | MSDXS30368 | MSDXZ30368 | 30 x 36 x 8 | 79 | A-M30P36 | 28.2 x 34.2 |
| MSD36248 | MSDXS36248 | MSDXZ36248 | 36 x 24 x 8 | 98 | A-M36P24 | 34.2 x 22.2 |
| MSD36308 | MSDXS36308 | MSDXZ36308 | 36 x 30 x 8 | 138 | A-M36P30 | 34.2 x 28.2 |
| MSD36368 | MSDXS36368 | MSDXZ36368 | 36 x 36 x 8 | 125 | A-M36P36 | 34.2 x 34.2 |
| MSD42248 | MSDXS42248 | MSDXZ42248 | 42 x 24 x 8 | 104 | A-M42P24 | 40.2 x 22.2 |
| MSD42308 | MSDXS42308 | MSDXZ42308 | 42 x 30 x 8 | 88 | A-M42P30 | 40.2 x 28.2 |
| MSD42368 | MSDXS42368 | MSDXZ42368 | 42 x 36 x 8 | 108 | A-M42P36 | 40.2 x 34.2 |
| MSD48248 | MSDXS48248 | MSDXZ48248 | 48 x 24 x 8 | 87 | A-M48P24 | 46.2 x 22.2 |
| MSD48308 | MSDXS48308 | MSDXZ48308 | 48 x 30 x 8 | 95 | A-M48P30 | 46.2 x 28.2 |
| MSD48368 | MSDXS48368 | MSDXZ48368 | 48 x 36 x 8 | 97 | A-M48P36 | 46.2 x 34.2 |
| MSD60368 | MSDXS60368 | MSDXZ60368 | 60 x 36 x 8 | 151 | A-M60P36 | 58.2 x 34.2 |
| MSD161210 | MSDXS161210 | MSDXZ161210 | 16 x 12 x 10 | 38 | A-M16P12 | 14.2 x 10.2 |
| MSD161610 | MSDXS161610 | MSDXZ161610 | 16 x 16 x 10 | 29 | A-M16P16 | 14.2 x 14.2 |

NOTE

1. Print pocket = 6" x 6" when H and W are 24" or less. Print pocket = 9" x 9" when H and W are greater than 24".
2. Panels have formed flanges on all four sides when either height or width is equal to or greater than 22.2".
3. When height and width are less than 23" enclosure will have one slotted quarter-turn latch.
4. When height and width are greater than 23" enclosure will have two slotted quarter-turn latches.
5. When height is equal to or greater than 42" enclosure will have one 3 point slotted quarter-turn latch.



Please consult serving utility for their requirements prior to ordering or installing, as specifications and approvals vary by utility, and may require local electrical inspector approval. All installations must be installed by a licensed electrician and must comply with all national and local codes, laws and regulations. Milbank reserves the right to make changes in specifications and features shown without notice or obligation.

Millennium Series Enclosures

Type 4, 4X, 12 & 13 | Single Door

139

TYPE 4, 4X, 12 &
13 SINGLE DOOR
MILLENNIUM
SERIES
ENCLOSURES

| Catalog Number | | | Enclosure Size H x W x D (inches) | Ship. Weight (lbs) | Sub Panel Part Number | Sub Panel Size H x W (inches) |
|----------------|-----------------------|-----------------------|---|--------------------------|--------------------------|-------------------------------------|
| Carbon Steel # | 304 Stainless Steel # | 316 Stainless Steel # | | | | |
| MSD162010 | MSDXS162010 | MSDXZ162010 | 16 x 20 x 10 | 31 | A-M16P20 | 14.2 x 18.2 |
| MSD201610 | MSDXS201610 | MSDXZ201610 | 20 x 16 x 10 | 38 | A-M20P16 | 18.2 x 14.2 |
| MSD202010 | MSDXS202010 | MSDXZ202010 | 20 x 20 x 10 | 45 | A-M20P20 | 18.2 x 18.2 |
| MSD202410 | MSDXS202410 | MSDXZ202410 | 20 x 24 x 10 | 48 | A-M20P24 | 18.2 x 22.2 |
| MSD241210 | MSDXS241210 | MSDXZ241210 | 24 x 12 x 10 | 51 | A-M24P12 | 22.2 x 10.2 |
| MSD242010 | MSDXS242010 | MSDXZ242010 | 24 x 20 x 10 | 41 | A-M24P20 | 22.2 x 18.2 |
| MSD242410 | MSDXS242410 | MSDXZ242410 | 24 x 24 x 10 | 49 | A-M24P24 | 22.2 x 22.2 |
| MSD243010 | MSDXS243010 | MSDXZ243010 | 24 x 30 x 10 | 64 | A-M24P30 | 22.2 x 28.2 |
| MSD302010 | MSDXS302010 | MSDXZ302010 | 30 x 20 x 10 | 53 | A-M30P20 | 28.2 x 18.2 |
| MSD302410 | MSDXS302410 | MSDXZ302410 | 30 x 24 x 10 | 63 | A-M30P24 | 28.2 x 22.2 |
| MSD303010 | MSDXS303010 | MSDXZ303010 | 30 x 30 x 10 | 77 | A-M30P30 | 28.2 x 28.2 |
| MSD362410 | MSDXS362410 | MSDXZ362410 | 36 x 24 x 10 | 78 | A-M36P24 | 34.2 x 22.2 |
| MSD363010 | MSDXS363010 | MSDXZ363010 | 36 x 30 x 10 | 77 | A-M36P30 | 34.2 x 28.2 |
| MSD363610 | MSDXS363610 | MSDXZ363610 | 36 x 36 x 10 | 97 | A-M36P36 | 34.2 x 34.2 |
| MSD423010 | MSDXS423010 | MSDXZ423010 | 42 x 30 x 10 | 95 | A-M42P30 | 40.2 x 28.2 |
| MSD423610 | MSDXS423610 | MSDXZ423610 | 42 x 36 x 10 | 116 | A-M42P36 | 40.2 x 34.2 |
| MSD482410 | MSDXS482410 | MSDXZ482410 | 48 x 24 x 10 | 94 | A-M48P24 | 46.2 x 22.2 |
| MSD483010 | MSDXS483010 | MSDXZ483010 | 48 x 30 x 10 | 102 | A-M48P30 | 46.2 x 28.2 |
| MSD483610 | MSDXS483610 | MSDXZ483610 | 48 x 36 x 10 | 130 | A-M48P36 | 46.2 x 34.2 |
| MSD603610 | MSDXS603610 | MSDXZ603610 | 60 x 36 x 10 | 161 | A-M60P36 | 58.2 x 34.2 |
| MSD201612 | MSDXS201612 | MSDXZ201612 | 20 x 16 x 12 | 40 | A-M20P16 | 18.2 x 14.2 |
| MSD202012 | MSDXS202012 | MSDXZ202012 | 20 x 20 x 12 | 46 | A-M20P20 | 18.2 x 18.2 |
| MSD242012 | MSDXS242012 | MSDXZ242012 | 24 x 20 x 12 | 51 | A-M24P20 | 22.2 x 18.2 |
| MSD242412 | MSDXS242412 | MSDXZ242412 | 24 x 24 x 12 | 63 | A-M24P24 | 22.2 x 22.2 |
| MSD302412 | MSDXS302412 | MSDXZ302412 | 30 x 24 x 12 | 69 | A-M30P24 | 28.2 x 22.2 |
| MSD303012 | MSDXS303012 | MSDXZ303012 | 30 x 30 x 12 | 83 | A-M30P30 | 28.2 x 28.2 |
| MSD362412 | MSDXS362412 | MSDXZ362412 | 36 x 24 x 12 | 84 | A-M36P24 | 34.2 x 22.2 |
| MSD363012 | MSDXS363012 | MSDXZ363012 | 36 x 30 x 12 | 95 | A-M36P30 | 34.2 x 28.2 |
| MSD363612 | MSDXS363612 | MSDXZ363612 | 36 x 36 x 12 | 108 | A-M36P36 | 34.2 x 34.2 |
| MSD423012 | MSDXS423012 | MSDXZ423012 | 42 x 30 x 12 | 102 | A-M42P30 | 40.2 x 28.2 |
| MSD423612 | MSDXS423612 | MSDXZ423612 | 42 x 36 x 12 | 124 | A-M42P36 | 40.2 x 34.2 |
| MSD482412 | MSDXS482412 | MSDXZ482412 | 48 x 24 x 12 | 101 | A-M48P24 | 46.2 x 22.2 |
| MSD483612 | MSDXS483612 | MSDXZ483612 | 48 x 36 x 12 | 138 | A-M48P36 | 46.2 x 34.2 |
| MSD603612 | MSDXS603612 | MSDXZ603612 | 60 x 36 x 12 | 171 | A-M60P36 | 58.2 x 34.2 |
| MSD242016 | MSDXS242016 | MSDXZ242016 | 24 x 20 x 16 | 57 | A-M24P20 | 22.2 x 18.2 |
| MSD242416 | MSDXS242416 | MSDXZ242416 | 24 x 24 x 16 | 65 | A-M24P24 | 22.2 x 22.2 |
| MSD302416 | MSDXS302416 | MSDXZ302416 | 30 x 24 x 16 | 79 | A-M30P24 | 28.2 x 22.2 |
| MSD363016 | MSDXS363016 | MSDXZ363016 | 36 x 30 x 16 | 101 | A-M36P30 | 34.2 x 28.2 |
| MSD423616 | MSDXS423616 | MSDXZ423616 | 42 x 36 x 16 | 135 | A-M42P36 | 40.2 x 34.2 |
| MSD483616 | MSDXS483616 | MSDXZ483616 | 48 x 36 x 16 | 151 | A-M48P36 | 46.2 x 34.2 |
| MSD603616 | MSDXS603616 | MSDXZ603616 | 60 x 36 x 16 | 176 | A-M60P36 | 58.2 x 34.2 |
| MSD242420 | MSDXS242420 | MSDXZ242420 | 24 x 24 x 20 | 75 | A-M24P24 | 22.2 x 22.2 |
| MSD302420 | MSDXS302420 | MSDXZ302420 | 30 x 24 x 20 | 90 | A-M30P24 | 28.2 x 22.2 |
| MSD363020 | MSDXS363020 | MSDXZ363020 | 36 x 30 x 20 | 102 | A-M36P30 | 34.2 x 28.2 |
| MSD483620 | MSDXS483620 | MSDXZ483620 | 48 x 36 x 20 | 176 | A-M48P36 | 46.2 x 34.2 |
| MSD603620 | MSDXS603620 | MSDXZ603620 | 60 x 36 x 20 | 194 | A-M60P36 | 58.2 x 34.2 |
| MSD302424 | MSDXS302424 | MSDXZ302424 | 30 x 24 x 24 | 96 | A-M30P24 | 28.2 x 22.2 |

NOTE

1. Print pocket = 6" x 6" when H and W are 24" or less. Print pocket = 9" x 9" when H and W are greater than 24".
2. Panels have formed flanges on all four sides when either height or width is equal to or greater than 22.2".
3. When height and width are less than 23" enclosure will have one slotted quarter-turn latch.
4. When height and width are greater than 23" enclosure will have two slotted quarter-turn latches.
5. When height is equal to or greater than 42" enclosure will have one 3 point slotted quarter-turn latch.

Please consult serving utility for their requirements prior to ordering or installing, as specifications and approvals vary by utility, and may require local electrical inspector approval. All installations must be installed by a licensed electrician and must comply with all national and local codes, laws and regulations. Milbank reserves the right to make changes in specifications and features shown without notice or obligation.



140

TYPE 4, 4X, 12 &
13 SLOPE TOP
MILLENNIUM
SERIES
ENCLOSURES

Millennium Series Enclosures

Type 4, 4X, 12 & 13 | Stainless Steel | Slope Top

Application

Designed to house electrical controls, instruments, and terminals in a variety of environments, including wet environments.

Construction

- Fabricated from 14 gauge type 304 or type 316 stainless steel.
- Minimum width trough shaped body flange and hidden hinge design providing full 180 degree door opening while excluding liquids and contaminants.
- Door is secured with concealed lift-off hinges and slotted quarter-turn latches. Standard quarter-turn latches can be replaced with a variety of optional latches.
- Adhesive backed, oil resistant gasket applied to the doors.

- Print pocket.
- Holes are provided for optional wall or machinery mounting.
- Ground studs installed inside cabinet and door.
- Collar studs provided for mounting optional sub panels.

Finish

Stainless steel enclosures have a polished #4 finish. Carbon steel sub panels have white polyester powder coat finish.

Options

Milbank can modify standard enclosures or custom design enclosures according to your specifications. Holes, cutouts, sizes, materials, and many more options are available. Quotations upon request.



Industry Standards

- UL 50 Listed
- CUL 50 Listed
- Type 4, 4X, 12, 13

| Catalog Number | | Enclosure Size H x W x D (inches) | Ship. Weight (lbs) | J |
|-----------------------|-----------------------|---|--------------------------|-------|
| 304 Stainless Steel # | 316 Stainless Steel # | | | |
| MSDSTXS14126 | MSDSTXZ14126 | 14.26 x 12 x 6 | 18 | 16.45 |
| MSDSTXS16146 | MSDSTXZ16146 | 16.26 x 14 x 6 | 23 | 18.45 |
| MSDSTXS16128 | MSDSTXZ16128 | 16.26 x 12 x 8 | 23 | 19.18 |
| MSDSTXS16168 | MSDSTXZ16168 | 16.26 x 16 x 8 | 28 | 19.18 |
| MSDSTXS20168 | MSDSTXZ20168 | 20.26 x 16 x 8 | 33 | 23.18 |
| MSDSTXS20208 | MSDSTXZ20208 | 20.26 x 20 x 8 | 39 | 23.18 |
| MSDSTXS24208 | MSDSTXZ24208 | 24.26 x 20 x 8 | 45 | 27.18 |
| MSDSTXS24248 | MSDSTXZ24248 | 24.26 x 24 x 8 | 52 | 27.18 |
| MSDSTXS30248 | MSDSTXZ30248 | 30.26 x 24 x 8 | 62 | 33.18 |
| MSDSTXS36308 | MSDSTXZ36308 | 36.26 x 30 x 8 | 83 | 39.18 |
| MSDSTXS30308 | MSDSTXZ30308 | 30.26 x 30 x 8 | 74 | 33.18 |
| MSDSTXS201612 | MSDSTXZ201612 | 20.26 x 16 x 12 | 39 | 24.65 |
| MSDSTXS202012 | MSDSTXZ202012 | 20.26 x 20 x 12 | 46 | 24.65 |
| MSDSTXS242412 | MSDSTXZ242412 | 24.26 x 24 x 12 | 60 | 28.65 |
| MSDSTXS302412 | MSDSTXZ302412 | 30.26 x 24 x 12 | 71 | 34.65 |
| MSDSTXS363012 | MSDSTXZ363012 | 36.26 x 30 x 12 | 97 | 40.65 |
| MSDSTXS363612 | MSDSTXZ363612 | 36.26 x 36 x 12 | 112 | 40.65 |
| MSDSTXS423612 | MSDSTXZ423612 | 42.26 x 36 x 12 | 127 | 36.65 |
| MSDSTXS483612 | MSDSTXZ483612 | 48.26 x 36 x 12 | 142 | 52.65 |
| MSDSTXS363016 | MSDSTXZ363016 | 36.26 x 30 x 16 | 111 | 42.11 |
| MSDSTXS483616 | MSDSTXZ483616 | 48.26 x 36 x 16 | 143 | 54.11 |
| MSDSTXS603616 | MSDSTXZ603616 | 60.26 x 36 x 16 | 172 | 66.11 |

For optional mounting feet, order part number
A-MSDMFKXS (set of four)

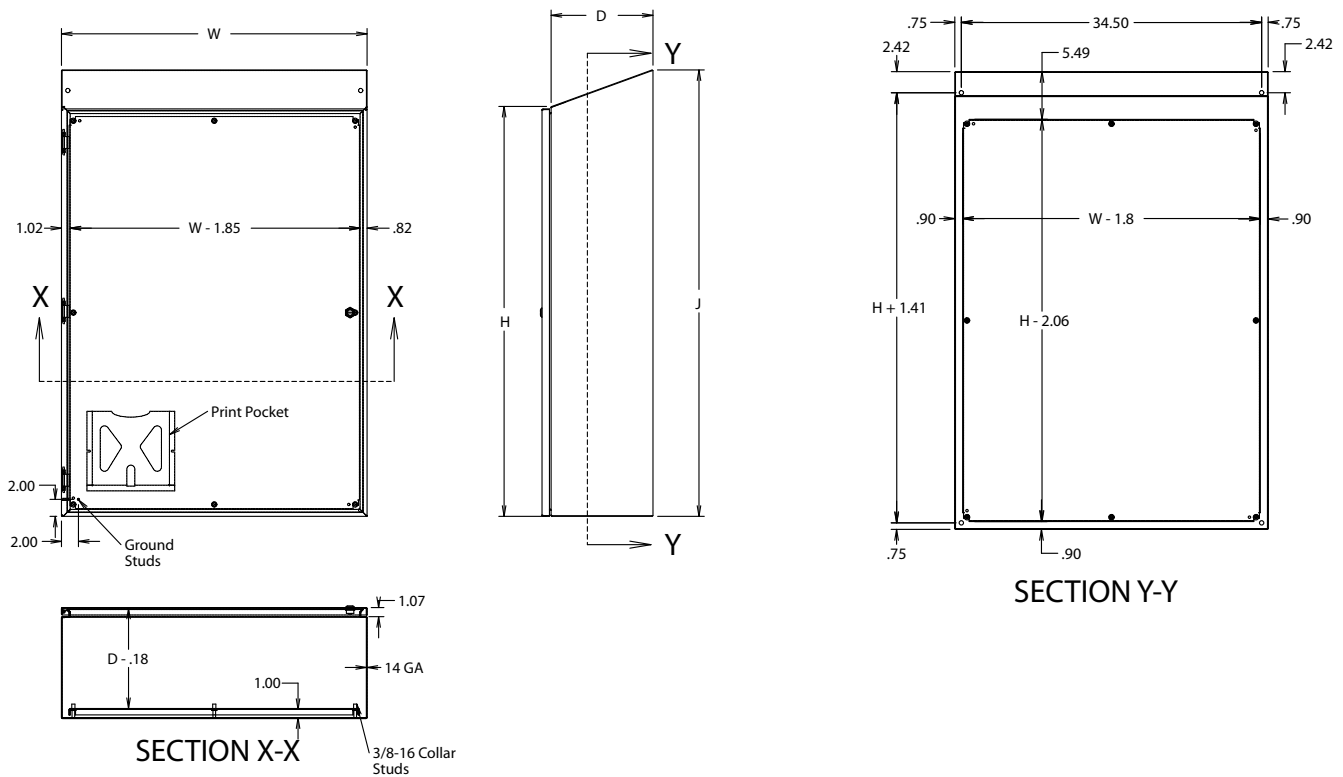


Please consult serving utility for their requirements prior to ordering or installing, as specifications and approvals vary by utility, and may require local electrical inspector approval. All installations must be installed by a licensed electrician and must comply with all national and local codes, laws and regulations. Milbank reserves the right to make changes in specifications and features shown without notice or obligation.

Millennium Series Enclosures

Type 4, 4X, 12 & 13 | Stainless Steel | Slope Top

141
TYPE 4, 4X, 12 &
13 SLOPE TOP
MILLENNIUM
SERIES
ENCLOSURES



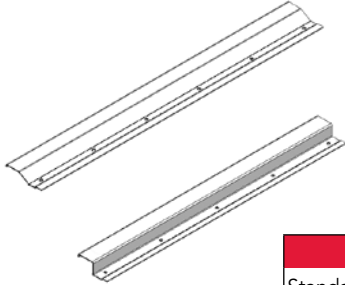
NOTE

1. Print pocket = 6" x 6" when H and W are 24" or less. Print pocket = 9" x 9" when H and W are greater than 24".
2. Panels have formed flanges on all four sides when either height or width is equal to or greater than 22.2".
3. When height and width are less than 23" enclosure will have one slotted quarter-turn latch.
4. When height and width are greater than 23" enclosure will have two slotted quarter-turn latches.
5. When height is equal to or greater than 42" enclosure will have one 3 point slotted quarter-turn latch.

Please consult serving utility for their requirements prior to ordering or installing, as specifications and approvals vary by utility, and may require local electrical inspector approval. All installations must be installed by a licensed electrician and must comply with all national and local codes, laws and regulations. Milbank reserves the right to make changes in specifications and features shown without notice or obligation.



Drip Shield Kits

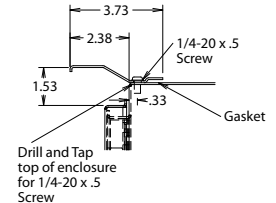
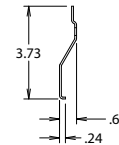
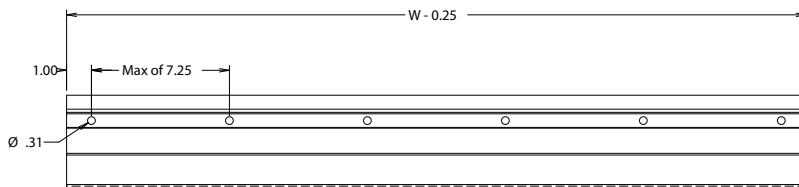


Drip shield kits are designed to protect enclosures from dust and dripping water. They are fabricated from 14 gauge carbon steel with standard ANSI-61 gray finish on interior and exterior of enclosures. Recoatable, smooth, white or RAL 7035 texture polyester powder coat available at no charge. Standard RAL and custom match finishes available for an additional charge, please contact Milbank for further assistance. All powder coat finishes applied over cleaned phosphatized surfaces. They are also available in type 304 and type 316 stainless steel. Stainless steel drip shield kits have a polished #4 finish. They are attached with stainless steel screws and neoprene washers.

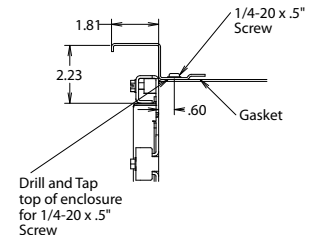
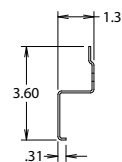
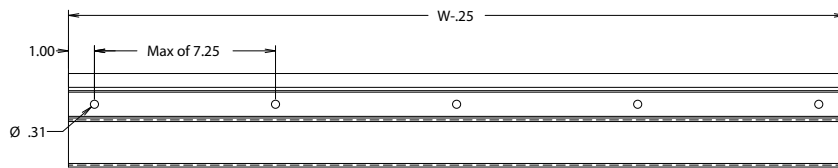
NOTE

Standard drip shield kits are packaged for field installation using common hand tools. Drip shield kits can also be welded on at the factory. Standard enclosures can be converted to UL 3R when drip shield kits and drain holes are installed at the factory.

Type 12 Drip Shield Kit



Type 4 Drip Shield Kit



Type 12 Drip Shield Kits

| Catalog Number | | | Width (inches) | Ship. Weight (lbs.) |
|----------------|-----------------------|-----------------------|----------------|---------------------|
| Carbon Steel # | 304 Stainless Steel # | 316 Stainless Steel # | | |
| A-DS12 | A-DSXS12 | A-DSXZ12 | 12 | 2 |
| A-DS16 | A-DSXS16 | A-DSXZ16 | 16 | 2 |
| A-DS20 | A-DSXS20 | A-DSXZ20 | 20 | 2 |
| A-DS24 | A-DSXS24 | A-DSXZ24 | 24 | 4 |
| A-DS30 | A-DSXS30 | A-DSXZ30 | 30 | 4 |
| A-DS36 | A-DSXS36 | A-DSXZ36 | 36 | 5 |
| A-DS42 | A-DSXS42 | A-DSXZ42 | 42 | 6 |
| A-DS48 | A-DSXS48 | A-DSXZ48 | 48 | 6 |
| A-DS60 | A-DSXS60 | A-DSXZ60 | 60 | 7 |
| A-DS72 | A-DSXS72 | A-DSXZ72 | 72 | 9 |

Type 4 Drip Shield Kits

| Catalog Number | | | Width (inches) | Ship. Weight (lbs.) |
|----------------|-----------------------|-----------------------|----------------|---------------------|
| Carbon Steel # | 304 Stainless Steel # | 316 Stainless Steel # | | |
| A-DS12-N4 | A-DSXS12-N4 | A-DSXZ12-N4 | 12 | 2 |
| A-DS16-N4 | A-DSXS16-N4 | A-DSXZ16-N4 | 16 | 2 |
| A-DS20-N4 | A-DSXS20-N4 | A-DSXZ20-N4 | 20 | 2 |
| A-DS24-N4 | A-DSXS24-N4 | A-DSXZ24-N4 | 24 | 4 |
| A-DS30-N4 | A-DSXS30-N4 | A-DSXZ30-N4 | 30 | 4 |
| A-DS36-N4 | A-DSXS36-N4 | A-DSXZ36-N4 | 36 | 5 |
| A-DS42-N4 | A-DSXS42-N4 | A-DSXZ42-N4 | 42 | 6 |
| A-DS48-N4 | A-DSXS48-N4 | A-DSXZ48-N4 | 48 | 6 |
| A-DS60-N4 | A-DSXS60-N4 | A-DSXZ60-N4 | 60 | 7 |
| A-DS72-N4 | A-DSXS72-N4 | A-DSXZ72-N4 | 72 | 9 |



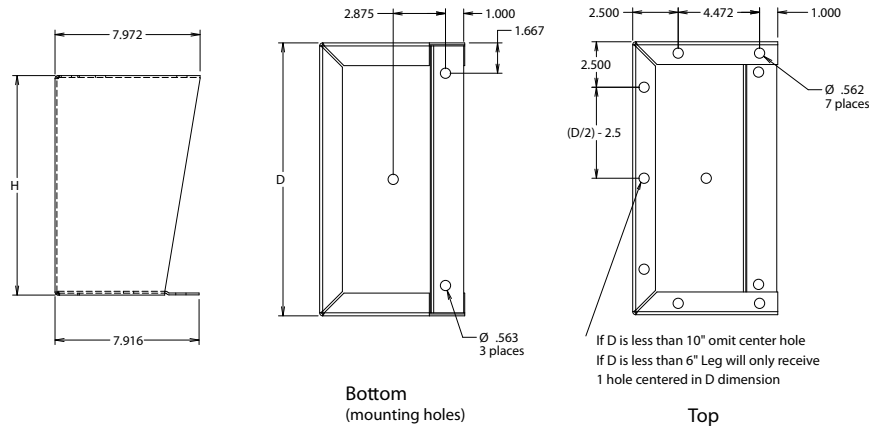
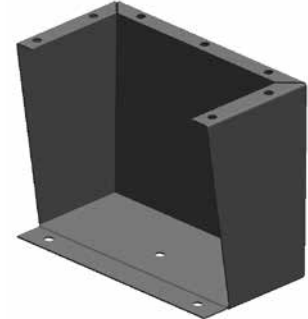
Please consult serving utility for their requirements prior to ordering or installing, as specifications and approvals vary by utility, and may require local electrical inspector approval. All installations must be installed by a licensed electrician and must comply with all national and local codes, laws and regulations. Milbank reserves the right to make changes in specifications and features shown without notice or obligation.

Industrial Enclosure Accessories

Floor Stand Kits

Floor Stand Kits

Floor stand kits for Type 4 & 12 enclosures are designed to convert wall mounted enclosures to floor standing enclosures. These kits consist of two stands which may be bolted onto the bottom of the enclosure in the field or welded on at the factory. These kits are fabricated from a heavy gauge carbon steel with a standard ANSI-61 gray finish on interior and exterior of enclosures. Recoatable, smooth, white or RAL 7035 texture polyester powder coat available at no charge. Standard RAL and custom match finishes available for an additional charge, please contact Milbank for further assistance. All powder coat finishes applied over cleaned phosphatized surfaces. Type 304 and type 316 stainless steel is available. Stainless steel floor stand kits have a polished #4 finish. Special heights, depths, and many other options can also be provided. Quotations are available upon request.



| Catalog Number | | | Size H x D (Inches) | Ship. Weight | Catalog Number | | | Size H x D (Inches) | Ship. Weight |
|-------------------|--------------------------|--------------------------|---------------------------|-----------------|-------------------|--------------------------|--------------------------|---------------------------|-----------------|
| Carbon Steel # | 304 Stainless Steel # | 316 Stainless Steel # | | | Carbon Steel # | 304 Stainless Steel # | 316 Stainless Steel # | | |
| A-FSK68 | A-FSKXS68 | A-FSKXZ68 | 6 x 8 | 19 | A-FSK1224 | A-FSKXS1224 | A-FSKXZ1224 | 12 x 24 | 60 |
| A-FSK610 | A-FSKXS610 | A-FSKXZ610 | 6 x 10 | 21 | A-FSK1230 | A-FSKXS1230 | A-FSKXZ1230 | 12 x 30 | 74 |
| A-FSK612 | A-FSKXS612 | A-FSKXZ612 | 6 x 12 | 23 | A-FSK1236 | A-FSKXS1236 | A-FSKXZ1236 | 12 x 36 | 88 |
| A-FSK616 | A-FSKXS616 | A-FSKXZ616 | 6 x 16 | 30 | A-FSK188 | A-FSKXS188 | A-FSKXZ188 | 18 x 8 | 40 |
| A-FSK618 | A-FSKXS618 | A-FSKXZ618 | 6 x 18 | 31 | A-FSK1810 | A-FSKXS1810 | A-FSKXZ1810 | 18 x 10 | 44 |
| A-FSK620 | A-FSKXS620 | A-FSKXZ620 | 6 x 20 | 34 | A-FSK1812 | A-FSKXS1812 | A-FSKXZ1812 | 18 x 12 | 47 |
| A-FSK624 | A-FSKXS624 | A-FSKXZ624 | 6 x 24 | 41 | A-FSK1816 | A-FSKXS1816 | A-FSKXZ1816 | 18 x 16 | 58 |
| A-FSK630 | A-FSKXS630 | A-FSKXZ630 | 6 x 30 | 51 | A-FSK1820 | A-FSKXS1820 | A-FSKXZ1820 | 18 x 20 | 72 |
| A-FSK636 | A-FSKXS636 | A-FSKXZ636 | 6 x 36 | 61 | A-FSK1824 | A-FSKXS1824 | A-FSKXZ1824 | 18 x 24 | 85 |
| A-FSK128 | A-FSKXS128 | A-FSKXZ128 | 12 x 8 | 29 | A-FSK1830 | A-FSKXS1830 | A-FSKXZ1830 | 18 x 30 | 106 |
| A-FSK1210 | A-FSKXS1210 | A-FSKXZ1210 | 12 x 10 | 32 | A-FSK248 | A-FSKXS248 | A-FSKXZ248 | 24 x 8 | 52 |
| A-FSK1212 | A-FSKXS1212 | A-FSKXZ1212 | 12 x 12 | 35 | A-FSK2410 | A-FSKXS2410 | A-FSKXZ2410 | 24 x 10 | 56 |
| A-FSK1216 | A-FSKXS1216 | A-FSKXZ1216 | 12 x 16 | 42 | A-FSK2412 | A-FSKXS2412 | A-FSKXZ2412 | 24 x 12 | 60 |
| A-FSK1218 | A-FSKXS1218 | A-FSKXZ1218 | 12 x 18 | 47 | A-FSK2416 | A-FSKXS2416 | A-FSKXZ2416 | 24 x 16 | 70 |
| A-FSK1220 | A-FSKXS1220 | A-FSKXZ1220 | 12 x 20 | 50 | A-FSK2424 | A-FSKXS2424 | A-FSKXZ2424 | 24 x 24 | 103 |

Please consult serving utility for their requirements prior to ordering or installing, as specifications and approvals vary by utility, and may require local electrical inspector approval. All installations must be installed by a licensed electrician and must comply with all national and local codes, laws and regulations. Milbank reserves the right to make changes in specifications and features shown without notice or obligation.



Door Stop Kits

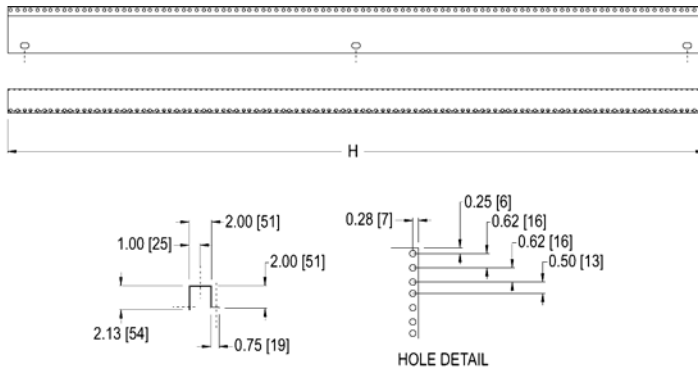
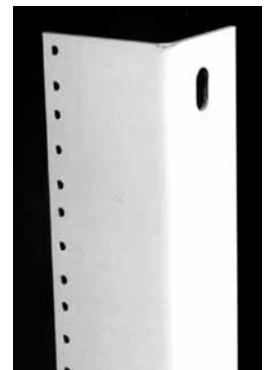
Door stop kits are for use on standard Type 4 and 12 enclosures to hold the doors open. These door stop kits are designed for use on the top or bottom of a horizontally swinging door of 16 inches wide or wider. Fixed door stop kits provide a 90 degree door swing. Adjustable door stop kits provide door swing adjustment up to 120 degrees by means of a wing nut. The stop arm on both fixed and adjustable kits swings out of the way when the door is closed. Kits are available in carbon or stainless steel. Carbon steel kits are zinc plated.



| Catalog Number | Description |
|----------------|---|
| A-DSK | Heavy Duty Adjustable - Carbon Steel |
| A-DSKXS | Heavy Duty Adjustable - 304 Stainless Steel |
| A-DSKXZ | Heavy Duty Adjustable - 316 Stainless Steel |

Rack Mounting Angle Kits

Available in pairs and include all required hardware. Used to mount 19" rack mounted equipment in freestanding enclosures. Use clip nut package (20 pc included) to provide tapped holes at desired locations. Rack angles are available as shown, or in L-angle style upon request. Additional clip nuts can be provided upon request. These items are custom-made; please specify height and material.



Touch-Up Paint

Used to repair the finish of enclosures and panels. Furnished in 12 oz. spray cans.

| Catalog Number | Description | Ship. Weight (lbs.) |
|----------------|--------------|---------------------|
| A-WP | White | 1 |
| A-GP | ANSI-61 Grey | 1 |
| A-GP7035 | RAL-7035 | 1 |

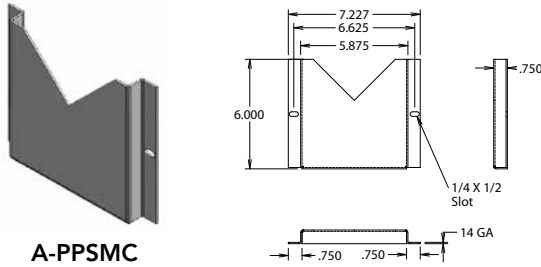


Please consult serving utility for their requirements prior to ordering or installing, as specifications and approvals vary by utility, and may require local electrical inspector approval. All installations must be installed by a licensed electrician and must comply with all national and local codes, laws and regulations. Milbank reserves the right to make changes in specifications and features shown without notice or obligation.

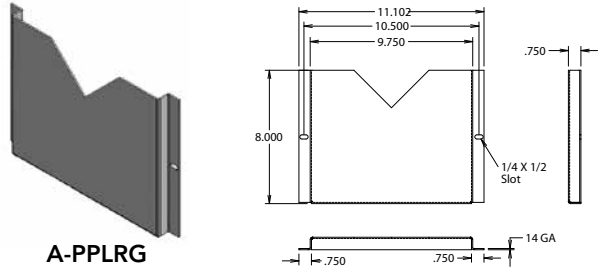
Replacement Print Pocket

Designed for print storage on the interior of an enclosure. Intended for use as a replacement or as an additional print pocket. Standard Print pockets are made of gray Polystyrene with self-adhesive provided for mounting on enclosure. Print Pockets fabricated from 14 gauge carbon steel with white polyester finish.

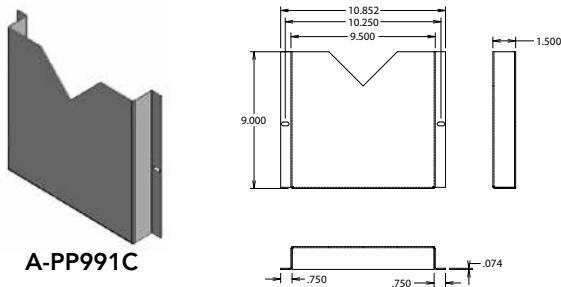
PPSMC • PPSMCXS • PPSMCXZ



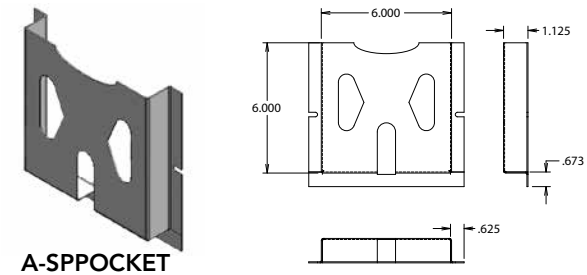
PPLRGC • PPLRGXS • PPLRGXZ



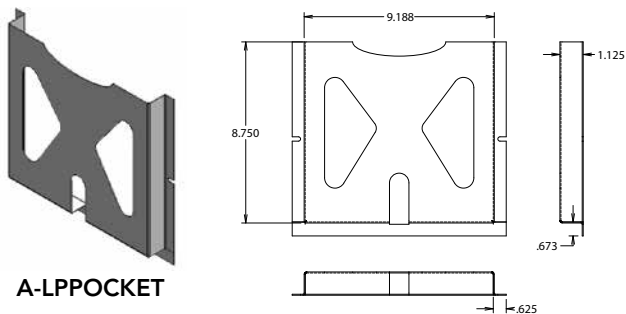
PP991C • PP991CXS • PP991CXZ



A-SPPOCKET



PP991C • PP991CXS • PP991CXZ



| Catalog Number | Material | Ship. Wt. (lbs.) | Description |
|----------------|---------------------|------------------|--------------------------|
| A-PPSMC | Carbon steel | 2 | Small print pocket |
| A-PPSMCXS | 304 stainless steel | 2 | Small print pocket |
| A-PPSMCXZ | 316 stainless steel | 2 | Small print pocket |
| A-PPLRGC | Carbon steel | 3 | Large print pocket |
| A-PPLRGXS | 304 stainless steel | 3 | Large print pocket |
| A-PPLRGXZ | 316 stainless steel | 3 | Large print pocket |
| A-PP991C | Carbon steel | 4 | X-Large print pocket |
| A-PP991CXS | 304 stainless steel | 4 | X-Large print pocket |
| A-PP991CXZ | 316 stainless steel | 4 | X-Large print pocket |
| A-SPPOCKET | Polycarbonate | 1 | Small 6 x 6 print pocket |
| A-LPPOCKET | Polycarbonate | 1 | Large 9 x 9 print pocket |

Please consult serving utility for their requirements prior to ordering or installing, as specifications and approvals vary by utility, and may require local electrical inspector approval. All installations must be installed by a licensed electrician and must comply with all national and local codes, laws and regulations. Milbank reserves the right to make changes in specifications and features shown without notice or obligation.



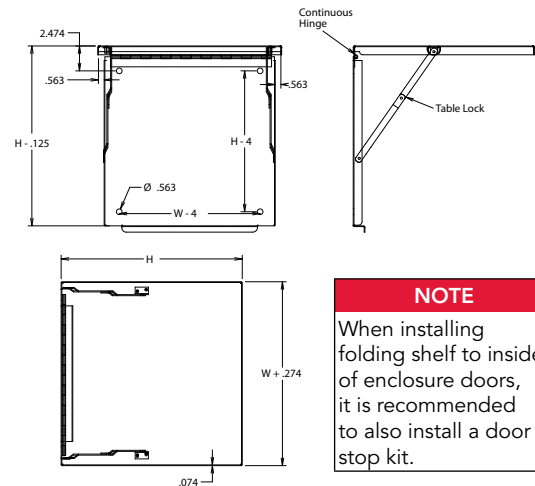
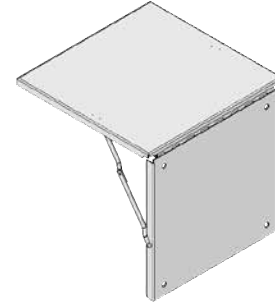
Folding Shelf

Support instruments and test equipment that are used to install and maintain electrical components in an enclosure. Also ideally suited for supporting programmers, monitoring units and other equipment used with programmable controllers. Shelf locks in lower and upper positions.

The shelf can be installed on the inside or outside surface of larger enclosures. All parts are made of heavy gauge carbon steel with a standard ANSI-61 gray finish on interior and exterior of enclosures.

Recoatable, smooth, white or RAL 7035 texture polyester powder coat available at no charge. Standard RAL and custom match finishes available for an additional charge, please contact Milbank for further assistance. All powder coat finishes applied over cleaned phosphatized surfaces. Stainless steel construction is available upon request.

Maintains UL Type 4 and Type 12 if properly installed in a Milbank enclosure.



NOTE
When installing folding shelf to inside of enclosure doors, it is recommended to also install a door stop kit.

| Catalog Number | Description | Size (inch) | |
|----------------|-------------------|-------------|-----|
| | | W | D |
| A-SHELF18 | 18" Folding Shelf | 18" | 19" |
| A-SHELF24 | 24" Folding Shelf | 24" | 19" |



Please consult serving utility for their requirements prior to ordering or installing, as specifications and approvals vary by utility, and may require local electrical inspector approval. All installations must be installed by a licensed electrician and must comply with all national and local codes, laws and regulations. Milbank reserves the right to make changes in specifications and features shown without notice or obligation.

Industrial Enclosure Accessories

Louver Skirt Kits

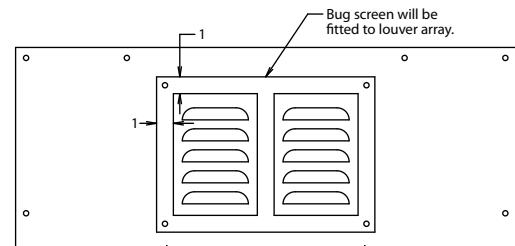
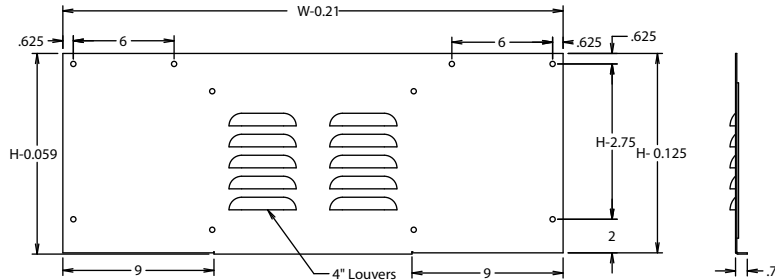
Louver Skirt Kits

Louver skirt kits are fabricated from 14 gauge carbon steel with a standard ANSI-61 gray finish on interior and exterior of enclosures. Recoatable, smooth, white or RAL 7035 texture polyester powder coat available at no charge. Standard RAL and custom match finishes available for an additional charge, please contact Milbank for further assistance. All powder coat finishes applied over cleaned phosphatized surfaces. 14 gauge type 304 and type 316 stainless steel are available with a polished #4 finish. They are designed to restrict access to any connections but still provide ventilation of any waste gases.

These kits can be easily installed in the field by drilling holes in the floor stand kits and bolting louver skirt to floor stand kit. Hardware is furnished for mounting.

Kit includes:

2 skirts, hardware to install to enclosure. See A-SPSKTB for skirt kits with bug screen. Vandal proof design, custom sizes, and features provided upon request.



| Carbon Steel # | Catalog Number | | Size H x W (inches) | Ship. Wt. (lbs.) | # of Louvers |
|----------------|--------------------------|--------------------------|---------------------------|------------------------|-----------------|
| | 304 Stainless Steel # | 316 Stainless Steel # | | | |
| A-SKT636 | A-SKTXS636 | A-SKTXZ6636 | 6 x 36 | 12 | 6 |
| A-SKT642 | A-SKTXS642 | A-SKTXZ6642 | 6 x 42 | 14 | 8 |
| A-SKT648 | A-SKTXS648 | A-SKTXZ6648 | 6 x 48 | 16 | 10 |
| A-SKT660 | A-SKTXS660 | A-SKTXZ6660 | 6 x 60 | 20 | 14 |
| A-SKT672 | A-SKTXS672 | A-SKTXZ6672 | 6 x 72 | 24 | 18 |
| A-SKT1236 | A-SKTXS1236 | A-SKTXZ61236 | 12 x 36 | 20 | 15 |
| A-SKT1242 | A-SKTXS1242 | A-SKTXZ61242 | 12 x 42 | 23 | 20 |
| A-SKT1248 | A-SKTXS1248 | A-SKTXZ61248 | 12 x 48 | 26 | 25 |
| A-SKT1260 | A-SKTXS1260 | A-SKTXZ61260 | 12 x 60 | 33 | 35 |
| A-SKT1272 | A-SKTXS1272 | A-SKTXZ61272 | 12 x 72 | 40 | 45 |
| A-SKT1836 | A-SKTXS1836 | A-SKTXZ61836 | 18 x 36 | 30 | 33 |
| A-SKT1842 | A-SKTXS1842 | A-SKTXZ61842 | 18 x 42 | 35 | 44 |
| A-SKT1848 | A-SKTXS1848 | A-SKTXZ61848 | 18 x 48 | 40 | 55 |
| A-SKT1860 | A-SKTXS1860 | A-SKTXZ61860 | 18 x 60 | 50 | 77 |
| A-SKT1872 | A-SKTXS1872 | A-SKTXZ61872 | 18 x 72 | 60 | 99 |
| A-SKT2436 | A-SKTXS2436 | A-SKTXZ62436 | 24 x 36 | 40 | 45 |
| A-SKT2442 | A-SKTXS2442 | A-SKTXZ62442 | 24 x 42 | 47 | 60 |
| A-SKT2448 | A-SKTXS2448 | A-SKTXZ62448 | 24 x 42 | 53 | 75 |
| A-SKT2460 | A-SKTXS2460 | A-SKTXZ62460 | 24 x 60 | 67 | 90 |
| A-SKT2472 | A-SKTXS2472 | A-SKTXZ62472 | 24 x 72 | 80 | 105 |

NOTE

Add the letter "B" after the letter "T" in the part number when ordering louver skirt kits with a bug screen (Ex: **A-SPSKTB636**)

Bug screen frame will be wrapped with wire mesh and bolted to the louver skirt.

Please consult serving utility for their requirements prior to ordering or installing, as specifications and approvals vary by utility, and may require local electrical inspector approval. All installations must be installed by a licensed electrician and must comply with all national and local codes, laws and regulations. Milbank reserves the right to make changes in specifications and features shown without notice or obligation.



Louver Plate Kits

Designed to provide ventilation in enclosures where excessive internal heat or moisture is a problem.

These kits can be easily installed in the field by making a cutout of the proper size and attaching the louver plate in place. Louver plates are made from heavy gauge carbon steel, type 304 or type 316 stainless steel. Carbon louver plates have a standard ANSI-61 gray finish on interior and exterior of enclosures. Recoatable, smooth, white or RAL 7035 texture polyester powder coat available at no charge. Standard RAL and custom match finishes available for an additional charge, please contact Milbank for further assistance. All powder coat finishes applied over cleaned phosphatized surfaces. Stainless steel plates have a polished #4 finish. Hardware is furnished for mounting.



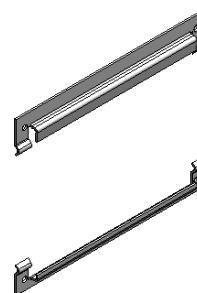
Custom sizes, etc., can be provided on special order. Louvers can also be punched in enclosure at the factory. Louvers used in UL Type 1 or 3R enclosures will maintain UL rating. Additional sizes available upon request. Louver can also be factory installed (pressed in).

| Carbon Steel # | Catalog Number | | Product Size H x W (inches) | # of Louvers | Cutout Size (inches) | | | Ship. Wt. (lbs.) |
|----------------|-----------------------|-----------------------|-----------------------------|--------------|----------------------|-------|------|------------------|
| | 304 Stainless Steel # | 316 Stainless Steel # | | | Louver Length | H | W | |
| A-LVK23 | A-LVKXS23 | A-LVKXZ23 | 3.25 x 3.25 | 2 | 2.5 | 2 | 1.75 | 1 |
| A-LVK33 | A-LVKXS33 | A-LVKXZ33 | 3.87 x 4.5 | 3 | 2.5 | 2.62 | 3 | 1 |
| A-LVK34 | A-LVKXS34 | A-LVKXZ34 | 4.75 x 4.5 | 4 | 2.5 | 3.5 | 3 | 1 |
| A-LVK43 | A-LVKXS43 | A-LVKXZ43 | 4.5 x 5.5 | 3 | 4 | 3.5 | 4 | 1 |
| A-LVK44 | A-LVKXS44 | A-LVKXZ44 | 5.62 x 5.5 | 4 | 4 | 4.37 | 4 | 1 |
| A-LVK64 | A-LVKXS64 | A-LVKXZ64 | 5.62 x 7.5 | 8 | 2.5 | 4.37 | 6 | 1 |
| A-LVK66 | A-LVKXS66 | A-LVKXZ66 | 7.87 x 7.5 | 12 | 2.5 | 6.62 | 6 | 1 |
| A-LVK84 | A-LVKXS84 | A-LVKXZ84 | 5.81 x 9.5 | 8 | 4 | 4.56 | 8 | 1 |
| A-LVK86 | A-LVKXS86 | A-LVKXZ86 | 8.18 x 9.5 | 12 | 4 | 6.93 | 8 | 2 |
| A-LVK88 | A-LVKXS88 | A-LVKXZ88 | 10.56 x 9.5 | 16 | 4 | 9.31 | 8 | 2 |
| A-LVK812 | A-LVKXS812 | A-LVKXZ812 | 15.31 x 9.5 | 24 | 4 | 14.06 | 8 | 3 |

Filters for Louver Kits

Designed for use with louver plate kit. Mounting holes on filter bracket align with louver mounting holes. Hardware supplied with louvers also secure filter brackets in place. Brackets are fabricated from .080 aluminum. Custom sizes, etc., can be provided on special order.

| Catalog Number | Use with Louver Kit |
|----------------|---------------------|
| A-FLT33 | A-LVK33 |
| A-FLT34 | A-LVK34 |
| A-FLT43 | A-LVK43 |
| A-FLT44 | A-LVK44 |
| A-FLT64 | A-LVK64 |
| A-FLT66 | A-LVK66 |
| A-FLT84 | A-LVK84 |
| A-FLT86 | A-LVK86 |
| A-FLT88 | A-LVK88 |
| A-FLT812 | A-LVK812 |

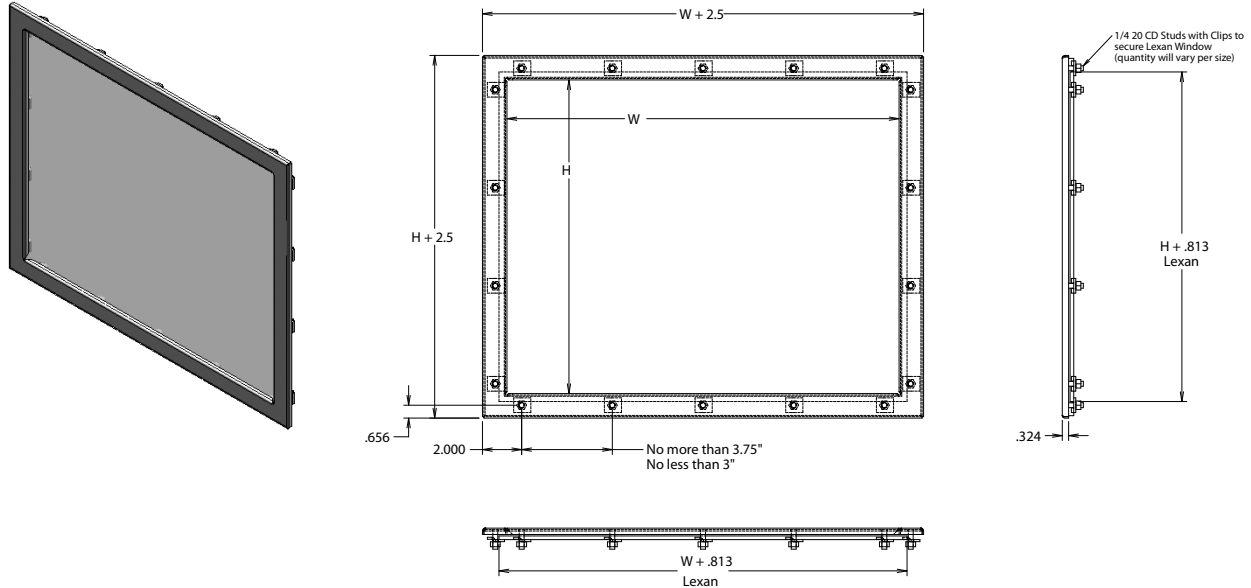


Please consult serving utility for their requirements prior to ordering or installing, as specifications and approvals vary by utility, and may require local electrical inspector approval. All installations must be installed by a licensed electrician and must comply with all national and local codes, laws and regulations. Milbank reserves the right to make changes in specifications and features shown without notice or obligation.

Industrial Enclosure Accessories

Window Kits

Window Kits



These kits are easily installed by making a cutout in the enclosure and attaching the window and frame in place (hardware furnished). Frames are made from heavy gauge carbon steel and have a standard ANSI-61 gray finish on interior and exterior of enclosures. Recoatable, smooth, white or RAL 7035 texture polyester powder coat available at no charge. Standard RAL and custom match finishes available for an additional charge, please contact Milbank for further assistance. All powder coat finishes applied over cleaned phosphatized surfaces. Type 304 and type 316 stainless steel are available with a polished #4 finish.

The window is scratch-resistant 1/4" Thermoplastic. Oil-resistant gasket ensures a tight seal around the perimeter of the window and frame. All mounting hardware is furnished. Custom sizes and materials can be provided on special order. Consult factory for information. Tinted glass and safety glass are available upon request.

NOTE

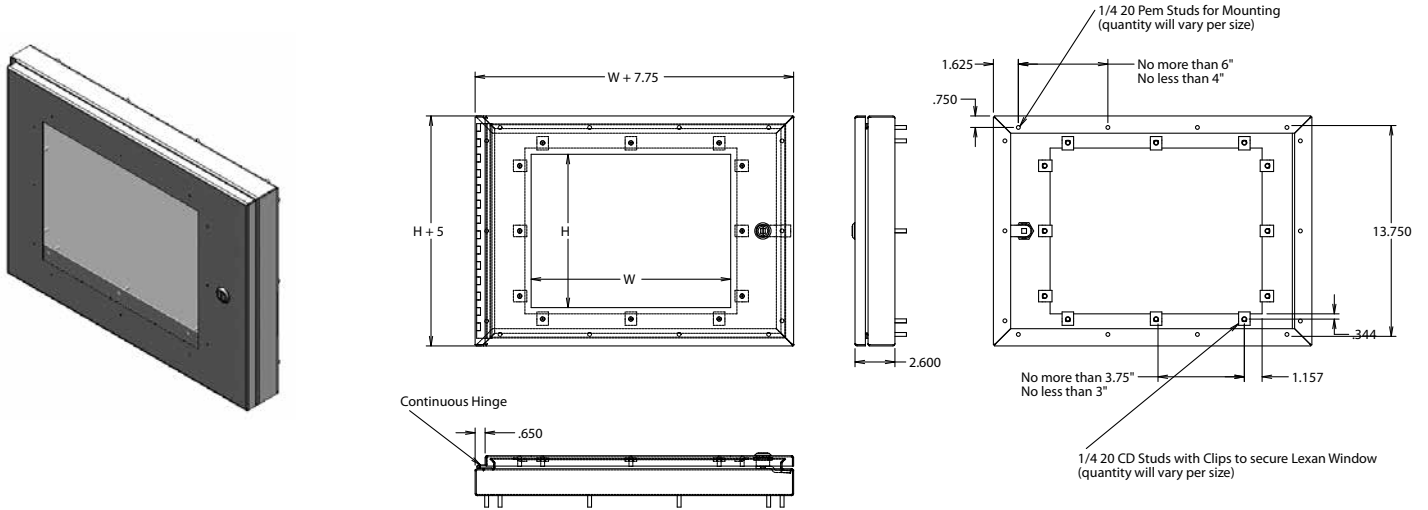
Required cutout size for enclosure is $H + 1.6875" \times W + 1.6875"$

| Carbon Steel # | Catalog Number | | Frame Size | | Viewing Area | | Ship. Wt. (lbs.) |
|----------------|-----------------------|-----------------------|------------|------|--------------|-----|------------------|
| | 304 Stainless Steel # | 316 Stainless Steel # | H | W | H | W | |
| A-WK53 | A-WKXS53 | A-WKXZ53 | 7.5 | 5.5 | 5 | 3 | 1 |
| A-WK95 | A-WKXS95 | A-WKXZ95 | 11.5 | 8 | 9 | 5.5 | 3 |
| A-WK1010 | A-WKXS1010 | A-WKXZ1010 | 12.5 | 12.5 | 10 | 10 | 4 |
| A-WK1212 | A-WKXS1212 | A-WKXZ1212 | 14.5 | 14.5 | 12 | 12 | 5 |
| A-WK133 | A-WKXS133 | A-WKXZ133 | 15.5 | 5.5 | 13 | 3 | 3 |
| A-WK138 | A-WKXS138 | A-WKXZ138 | 15.5 | 10.5 | 13 | 8 | 4 |
| A-WK1711 | A-WKXS1711 | A-WKXZ1711 | 19.5 | 13.5 | 17 | 11 | 6 |
| A-WK175 | A-WKXS175 | A-WKXZ175 | 19.5 | 7.5 | 17 | 5 | 4 |
| A-WK2016 | A-WKXS2016 | A-WKXZ2016 | 22.5 | 18.5 | 20 | 16 | 8 |
| A-WK2017 | A-WKXS2017 | A-WKXZ2017 | 22.5 | 19.5 | 20 | 17 | 8 |
| A-WK2020 | A-WKXS2020 | A-WKXZ2020 | 22.5 | 22.5 | 20 | 20 | 10 |
| A-WK2315 | A-WKXS2315 | A-WKXZ2315 | 25.5 | 17.5 | 23 | 15 | 8 |
| A-WK2420 | A-WKXS2420 | A-WKXZ2420 | 26.5 | 22.5 | 24 | 20 | 9 |
| A-WK2424 | A-WKXS2424 | A-WKXZ2424 | 26.5 | 26.5 | 24 | 24 | 12 |
| A-WK2919 | A-WKXS2919 | A-WKXZ2919 | 31.5 | 21.5 | 29 | 19 | 12 |
| A-WK3523 | A-WKXS3523 | A-WKXZ352 | 37.5 | 25.5 | 35 | 23 | 16 |
| A-WK3624 | A-WKXS3624 | A-WKXZ3624 | 38.5 | 26.5 | 36 | 24 | 17 |
| A-WK3636 | A-WKXS3636 | A-WKXZ3636 | 38.5 | 38.5 | 36 | 36 | 25 |

Please consult serving utility for their requirements prior to ordering or installing, as specifications and approvals vary by utility, and may require local electrical inspector approval. All installations must be installed by a licensed electrician and must comply with all national and local codes, laws and regulations. Milbank reserves the right to make changes in specifications and features shown without notice or obligation.



Hinged Window Kits



For use as a viewing window where access to components mounted behind the window is required. The window is 1/4" thick with scratch-resistant Thermoplastic. Easily mounted. All mounting hardware is provided. Tinted glass and safety glass available upon request.

| Carbon Steel # | Catalog Number | | Frame Size | | | Viewing Area | | Shpg. Wt. |
|----------------|-----------------------|-----------------------|------------|-------|-----|--------------|----|-----------|
| | 304 Stainless Steel # | 316 Stainless Steel # | H | W | D | H | W | |
| A-HWK1010 | A-HWKXS1010 | A-HWKXZ1010 | 15 | 17.75 | 2.6 | 10 | 10 | 12 |
| A-HWK124 | A-HWKXS124 | A-HWKXZ124 | 17 | 11.75 | 2.6 | 12 | 4 | 6 |
| A-HWK1212 | A-HWKXS1212 | A-HWKXZ1212 | 17 | 19.75 | 2.6 | 12 | 12 | 16 |
| A-HWK1520 | A-HWKXS1520 | A-HWKXZ1520 | 20 | 27.75 | 2.6 | 15 | 20 | 33 |
| A-HWK168 | A-HWKXS168 | A-HWKXZ168 | 21 | 15.75 | 2.6 | 16 | 8 | 15 |
| A-HWK1711 | A-HWKXS1711 | A-HWKXZ1711 | 22 | 18.75 | 2.6 | 17 | 11 | 21 |
| A-HWK208 | A-HWKXS208 | A-HWKXZ208 | 25 | 15.75 | 2.6 | 20 | 8 | 20 |
| A-HWK2010 | A-HWKXS2010 | A-HWKXZ2010 | 25 | 17.75 | 2.6 | 20 | 10 | 23 |
| A-HWK2012 | A-HWKXS2012 | A-HWKXZ2012 | 25 | 19.75 | 2.6 | 20 | 12 | 27 |
| A-HWK2017 | A-HWKXS2017 | A-HWKXZ2017 | 25 | 24.75 | 2.6 | 20 | 17 | 35 |
| A-HWK2020 | A-HWKXS2020 | A-HWKXZ2020 | 25 | 27.75 | 2.6 | 20 | 20 | 40 |
| A-HWK2021 | A-HWKXS2021 | A-HWKXZ2021 | 25 | 28.75 | 2.6 | 20 | 21 | 42 |
| A-HWK2424 | A-HWKXS2424 | A-HWKXZ2424 | 29 | 31.75 | 2.6 | 24 | 24 | 45 |
| A-HWK2615 | A-HWKXS2615 | A-HWKXZ2615 | 31 | 22.75 | 2.6 | 26 | 15 | 38 |
| A-HWK3215 | A-HWKXS3215 | A-HWKXZ3215 | 37 | 22.75 | 2.6 | 32 | 15 | 45 |
| A-HWK3636 | A-HWKXS3636 | A-HWKXZ3636 | 41 | 43.75 | 2.6 | 36 | 36 | 54 |



Please consult serving utility for their requirements prior to ordering or installing, as specifications and approvals vary by utility, and may require local electrical inspector approval. All installations must be installed by a licensed electrician and must comply with all national and local codes, laws and regulations. Milbank reserves the right to make changes in specifications and features shown without notice or obligation.

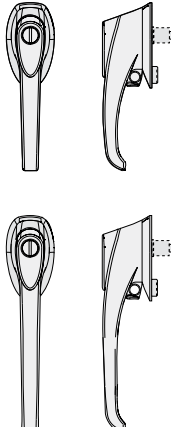
Industrial Enclosure Accessories

Replacement and Custom Handles

Replacement Handles

The replacement handles shown on this page are standard features on Milbank Enclosures and can be ordered separately.

Euro-Design Padlocking Handle



- Made of black zinc die cast.
- Available in compact and heavy-duty style.
- Available with or without defeater mechanism.
- Used for UL Type 12.
- Suitable for three point latching systems.
- Custom inserts are available.
- Compact is the replacement for A-ABN12 enclosures.
- Heavy duty is the replacement for Type 12 floor mount, Type 12 modular and Type 12 freestanding enclosures families.

| Catalog Number | Description |
|----------------|--------------------------|
| A-HNDLCOMP | Compact with defeater |
| A-HNDLHD | Heavy duty |
| A-HNDLHDD | Heavy duty with defeater |

NOTE

Cams are ordered separately.

Heavy Duty Keylocking Handle



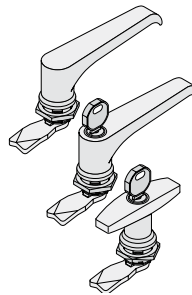
- Made of black zinc die cast with key included.
- Standard replacement handle for Freestanding enclosures.
- Used for three point latching systems.
- Maintains UL Type 12 enclosure ratings.
- Includes handle only.

| Catalog Number | Description |
|----------------|------------------------------|
| A-HNDLHDK | Heavy duty keylocking handle |

Custom Handles

These handles can be used in three point latching systems and will maintain the enclosures UL rating. Factory installation is recommended. These handles can be used on special enclosures as an option. Call for availability.

Light Duty Quarter-Turn Handles



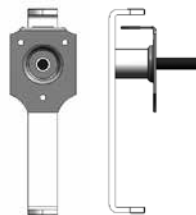
- Available in black polymide, black zinc die cast, or chrome.
- Suitable for three point UL Type 12 latching systems.
- Specify material when ordering.

| Catalog Number | Description |
|----------------|-----------------------------|
| A-HNDLLNLSS | Non-locking stainless steel |
| A-HNDLKLBLK | Keylocking black zinc die |
| A-HNDLKLCHR | Keylocking chrome |
| A-THNDLKLCHR | T-Type keylocking chrome |

NOTE

Cams are ordered separately.

Type 304 Stainless Steel Heavy Duty Padlocking Handle



- Made of stainless steel.
- Suitable for three point latching systems where enhanced corrosion resistance is required.
- Suitable for UL Type 12 applications.

| Catalog Number | Description |
|----------------|--------------------------------|
| A-HNDL-HDSSPAD | Stainless steel padlock handle |

NOTE

Cams are ordered separately.

Please consult serving utility for their requirements prior to ordering or installing, as specifications and approvals vary by utility, and may require local electrical inspector approval. All installations must be installed by a licensed electrician and must comply with all national and local codes, laws and regulations. Milbank reserves the right to make changes in specifications and features shown without notice or obligation.

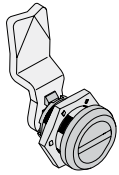
Industrial Enclosure Accessories

Replacement and Custom Latches & Clamps, Replacement Handle Kits

Replacement Latches & Clamps

The replacement latches and clamps shown on this page are standard features on Milbank Enclosures and can be ordered separately.

Quarter Turn Slotted Latch



Standard Millennium UL Type 4, 4X, 12 and 13 enclosures only. Made of black polyamide. Allows for a maximum of 26 inch spacing between latches.

| Catalog Number | Description |
|----------------|-----------------|
| A-R002-100BLK | Black Polyamide |
| A-R090-100SS | Stainless Steel |

NOTE

Cams are ordered separately.

Type 4 Clamp



Made of stainless steel. Standard on wall mount UL Type 4 and 4X enclosures. Assembly includes clamp, spring and 1/4-20-304 or 1/4-28-316 threaded screw. Allows for a maximum of 24 inch spacing between clamps.

| Catalog Number | Description |
|----------------|------------------|
| A-NH41041 | NEMA 4 Clamp 304 |
| A-NH41050 | NEMA 4 Clamp 316 |

Type 12 Clamp



Made of stainless steel. Standard on wall mount UL Type 4 and 4X enclosures. Assembly includes clamp, spring and 1/4-20-304 or 1/4-28-316 threaded screw. Allows for a maximum of 24 inch spacing between clamps.

| Catalog Number | Description |
|----------------|---------------|
| A-NH20030 | NEMA 12 Clamp |

Replacement Handle Kits

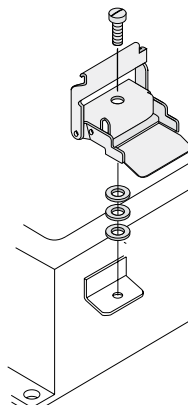
Kit includes handle, cam, retainers, hardware, latch rods, and latch rod guides. All kits are packaged for field installation.

| Catalog Number | Enclosure Family | Description |
|-----------------|------------------|--------------------------------|
| A-HNDLSPWF | M12D | Keylocking assembly |
| A-261612-10-KIT | M12-FD-H | Padlocking 2-point assembly |
| A-HNDLSPN12D | M12D-FT | Keylocking assembly |
| A-HNDLSPX | FD-FT | Padlock with defeater assembly |
| A-HNDLSPXMN | FD-FT | Padlock non-defeater assembly |
| A-HNDLSPXM | M12FSD-FD | Padlock defeater assembly |
| A-HNDLSPXN | M12FSD-FD | Padlock non-defeater assembly |
| A-HNDLSPFS | M12FS | Keylocking assembly |
| A-3PTCONS | MSD | Console 3-point assembly |

Custom Latches & Clamps

Custom latches and clamps can be used on standard or custom enclosures and will maintain the enclosure's UL rating. Spacing and quantity limitations apply to maintain an enclosure's UL rating. Call for application information. Specify type of latch, material and insert when ordering.

Quick Release J-Series Enclosure Clamps



- Available in zinc plated mild steel and stainless steel.
- Clamps have 1/4-20 thread.
- Suitable for UL type 4, 4X, 12 and 13 enclosures.

| Catalog Number | Description |
|----------------|-------------------|
| A-FOCJIC-S | Plated Mild Steel |
| A-FOCJIC-SS | Stainless Steel |

Continued on next page →

Custom Latches & Clamps *continued*

Quick Release Toggle Clamp



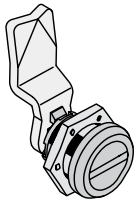
- Available in stainless steel.
- Clamps have 1/4-20 304 or 1/4-28 316 threads and can be used in place of screwdriver operated clamps on Milbank enclosures.
- Suitable for UL Type 4, 4X & 12 enclosures.

| Catalog Number | Description |
|----------------|--------------------------------|
| A-FOCX5 | Type 304 stainless steel clamp |
| A-FOCXZ | Type 316 stainless steel clamp |

NOTE

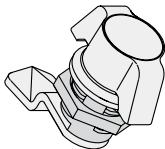
Stainless steel clamp required for 4/4X enclosure.

Mini 1/4-Turn Latch



| Catalog Number | Description |
|----------------|-----------------------------|
| A-LTHMINI | Mini 1/4-turn slotted latch |

Wing 1/4-Turn Latch



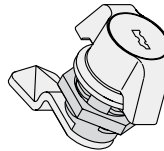
- Available in black polyimide.
- Suitable for any Milbank enclosure.
- Latch will maintain the UL rating.

| Catalog Number | Description |
|----------------|---------------------|
| A-1000-U78 | Wing 1/4-turn latch |

NOTE

Cams are ordered separately.

Keylocking Wing 1/4-Turn Latch



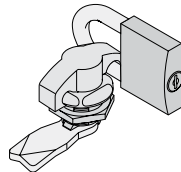
- Available in black polyimide.
- Suitable for UL Type 12 enclosures.

| Catalog Number | Description |
|----------------|--------------------------------|
| A-1000-U237 | Keylocking wing 1/4-turn latch |

NOTE

Cams are ordered separately.

Padlocking Wing 1/4-Turn Latch



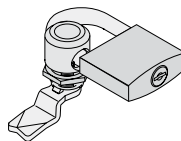
- Available in black polyimide.
- Suitable for any Milbank enclosure.
- Latch will maintain the UL rating.
- Knockout size is .814 x .814

| Catalog Number | Description |
|----------------|--------------------------------|
| A-1000-U429-01 | Padlocking wing 1/4-turn latch |

NOTE

Cams are ordered separately.

Padlocking 1/4-Turn Latch



- Available in zinc die cast only and comes with chrome insert.
- Suitable for any Milbank enclosure.
- Latch will maintain the UL rating.
- Knockout size is .814 x .814

| Catalog Number | Description |
|----------------|---------------------------|
| A-C0035745 | Padlocking 1/4-turn latch |

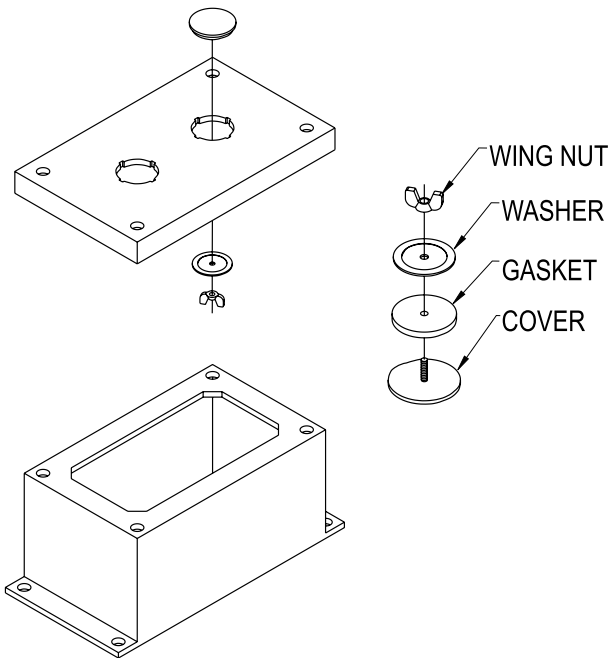
NOTE

Cams are ordered separately.

Please consult serving utility for their requirements prior to ordering or installing, as specifications and approvals vary by utility, and may require local electrical inspector approval. All installations must be installed by a licensed electrician and must comply with all national and local codes, laws and regulations. Milbank reserves the right to make changes in specifications and features shown without notice or obligation.

Oil Tight Hole Seals

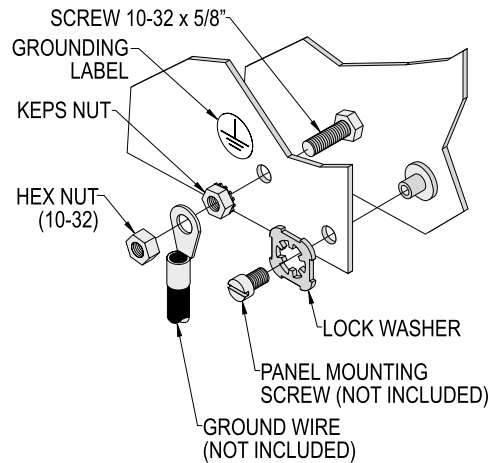
Hole seals are used to seal unused pushbutton holes, conduit and knockout holes and other openings of irregular shapes and sizes against dust, dirt, water and oil. They will cover holes ranging in size from 0.19 inches through 4.00 inches, and can be used on enclosures having a wall thickness up to 0.31 inches. The hole seals have a cover with 1/16" flange. See page 49 for application, construction, ordering and installation information.



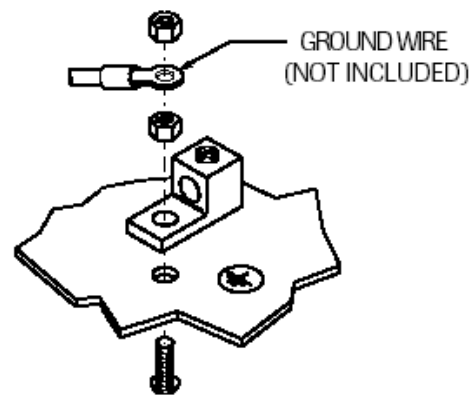
Grounding Kits

Ground kits include screws, nuts, washers and grounding label. Can be ordered separately. Ground strap not included.

J-Series Grounding Kit



Wall Mount Grounding Kit



| Catalog Number | Description |
|----------------|---|
| A-JH45015 | Grounding kit for J-Series enclosures |
| A-NH45015 | Grounding kit for M4, M12 and Millennium enclosures |

NOTE

1. Ground strap not included.
2. The wall mount version can be used on larger enclosures—order one kit per door.



Please consult serving utility for their requirements prior to ordering or installing, as specifications and approvals vary by utility, and may require local electrical inspector approval. All installations must be installed by a licensed electrician and must comply with all national and local codes, laws and regulations. Milbank reserves the right to make changes in specifications and features shown without notice or obligation.

Industrial Enclosure Accessories

Floor Mount Sub Panels

Floor Mount Sub Panels

Applications

For use in Type 4 Double Door Floor Mount, Type 12 Double Door Floor Mount, and Type 12 Double Door Extra Volume enclosures.

Construction

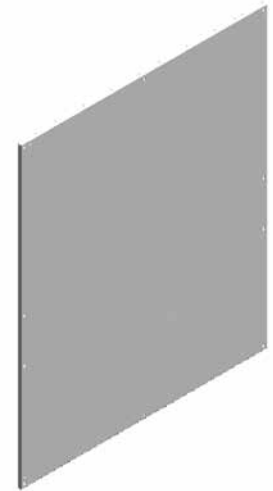
Fabricated from 10 gauge carbon steel.

Finish

White polyester powder coat finish over cleaned phosphatized surfaces.

Options

Milbank can modify standard sub panels according to your specifications. Sizes and many more options are available. Quotations upon request.



| Catalog Number | Sub Panel Size H x W x D (inches) | Shipping Weight (lbs.) |
|----------------|--------------------------------------|---------------------------|
| A-DD54P42 | 50 x 38 | 79 |
| A-DD60P48 | 56 x 44 | 103 |
| A-DD60P60 | 56 x 56 | 128 |
| A-DD72P60 | 68 x 56 | 151 |
| A-DD72P72 | 68 x 68 | 184 |

Please consult serving utility for their requirements prior to ordering or installing, as specifications and approvals vary by utility, and may require local electrical inspector approval. All installations must be installed by a licensed electrician and must comply with all national and local codes, laws and regulations. Milbank reserves the right to make changes in specifications and features shown without notice or obligation.



Freestanding Sub Panels

Applications

For use in Type 12 and Type 4 freestanding single door and Type 12 double door freestanding enclosures.

Construction

Fabricated from 12 or 10 gauge carbon steel.

Finish

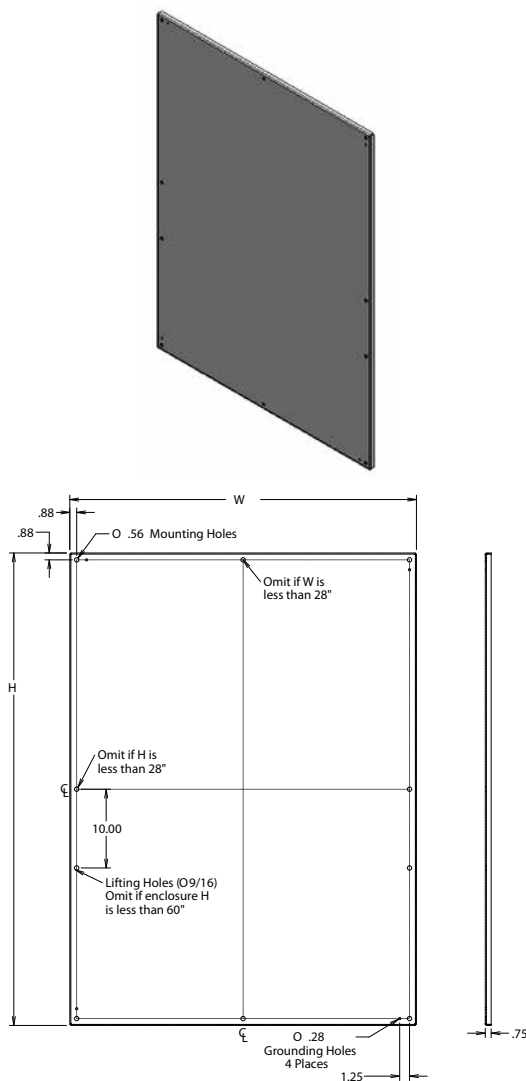
White polyester powder coat finish over cleaned phosphatized surfaces.

Options

Milbank can modify standard sub panels according to your specifications. Sizes and many more options are available. Quotations upon request.

NOTE

Panels mount using panel mounting brackets.

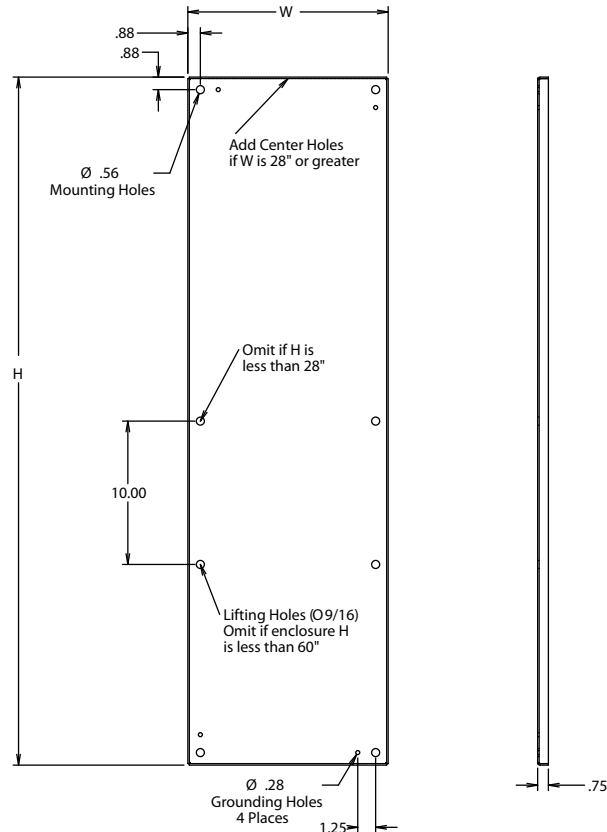


| Catalog Number | Sub Panel Size H x W x D (inches) | Shipping Weight |
|----------------------------------|--------------------------------------|-----------------|
| Single Door - Full Panels | | |
| A-60P24F1 | 48 x 20 | 52 |
| A-72P24F1 | 60 x 20 | 65 |
| A-90P24F1 | 78 x 20 | 80 |
| A-72P30F1 | 60 x 26 | 74 |
| A-90P30F1 | 78 x 26 | 92 |
| A-60P36F1 | 48 x 32 | 78 |
| A-72P36F1 | 60 x 32 | 80 |
| A-90P36F1 | 78 x 32 | 108 |
| Single Door - Half Panels | | |
| A-60P24F2 | 24.87 x 20 | 26 |
| A-72P24F2 | 30.87 x 20 | 32 |
| A-90P24F2 | 39.87 x 20 | 41 |
| A-72P30F2 | 30.87 x 26 | 41 |
| A-90P30F2 | 39.87 x 26 | 53 |
| A-60P36F2 | 24.87 x 32 | 41 |
| A-72P36F2 | 30.87 x 32 | 50 |
| A-90P36F2 | 39.87 x 32 | 65 |
| Double Door - Full Panels | | |
| A-60P48F1 | 48 x 44 | 108 |
| A-72P48F1 | 60 x 44 | 131 |
| A-72P60F1 | 60 x 56 | 145 |
| A-72P72F1 | 60 x 68 | 187 |
| A-90P48F1 | 78 x 44 | 165 |
| A-90P60F1 | 78 x 56 | 210 |
| A-90P72F1 | 78 x 68 | 238 |
| Double Door - Half Panels | | |
| A-60P48F2 | 24.87 x 44 | 60 |
| A-72P48F2 | 30.87 x 44 | 74 |
| A-72P60F2 | 30.87 x 56 | 94 |
| A-72P72F2 | 30.87 x 68 | 113 |
| A-90P48F2 | 39.87 x 44 | 94 |
| A-90P60F2 | 39.87 x 56 | 120 |
| A-90P72F2 | 39.87 x 68 | 145 |

Industrial Enclosure Accessories

Freestanding Side Sub Panels

Freestanding Side Sub Panels



Applications

For use in Type 12 and Type 4 freestanding single door and Type 12 double door freestanding enclosures.

Construction

Fabricated from 12 gauge carbon steel.

Finish

White polyester powder coat finish over cleaned phosphatized surfaces.

Options

Milbank can modify standard sub panels according to your specifications. Sizes and many more options are available. Quotations upon request.

NOTE

Panels mount using panel mounting brackets.

| Catalog Number | Sub Panel Size H x W x D (inches) | Shipping Weight |
|----------------|--------------------------------------|--------------------|
| A-60SMP14 | 48 x 14 | 24 |
| A-60SMP20 | 48 x 20 | 34 |
| A-72SMP14 | 60 x 14 | 28 |
| A-72SMP20 | 60 x 20 | 42 |
| A-72SMP26 | 60 x 26 | 54 |
| A-72SMP32 | 60 x 32 | 66 |
| A-90SMP14 | 78 x 14 | 40 |
| A-90SMP16 | 78 x 16 | 45 |
| A-90SMP20 | 78 x 20 | 55 |
| A-90SMP26 | 78 x 26 | 71 |
| A-90SMP32 | 78 x 32 | 86 |

Please consult serving utility for their requirements prior to ordering or installing, as specifications and approvals vary by utility, and may require local electrical inspector approval. All installations must be installed by a licensed electrician and must comply with all national and local codes, laws and regulations. Milbank reserves the right to make changes in specifications and features shown without notice or obligation.

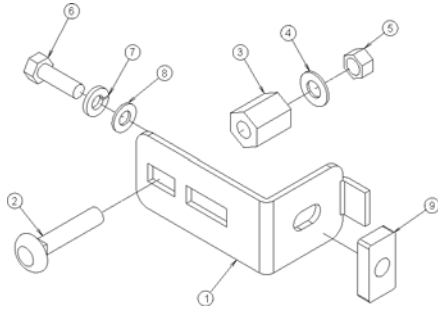


Industrial Enclosure Accessories

Clamping Nuts, Mounting Bracket Kits, End Plates and Heavy Duty Adapter Kits

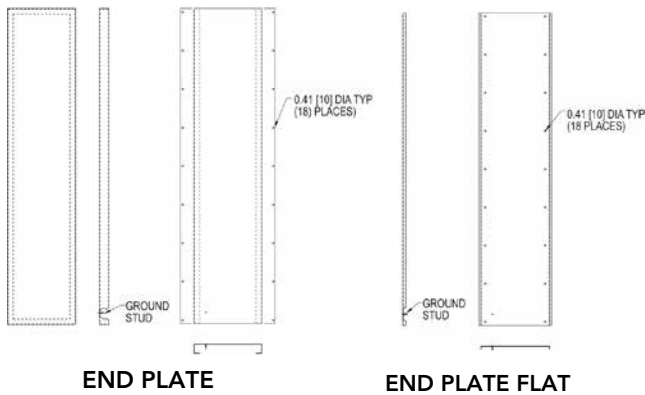
Freestanding Enclosure Clamping Nuts

These nuts are used to attach sub panels and rack angles to the horizontal mounting channels and are ordered separately if mounting other equipment to the mounting channels.



| Catalog Number | Description |
|----------------|--------------|
| A-G1034 | Clamping Nut |

Modular Enclosure End Plates



| Catalog Number | Size H x D (inches) | Description |
|----------------|---------------------|----------------------------|
| A-MOD8418EP | 84 x 18 | Formed with gasket & bolts |
| A-MOD8424EP | 84 x 24 | Formed with gasket & bolts |
| A-MOD8418FEP | 84 x 18 | Flat with gasket & bolts |
| A-MOD8424FEP | 84 x 24 | Flat with gasket & bolts |
| A-MOD8418GK | 84 x 18 | Gasket kit with bolts |
| A-MOD8424GK | 84 x 24 | Gasket kit with bolts |

Sub Panel Mounting Bracket Kit for Freestanding Enclosures

- Designed to allow customer to install sub panels on existing Unistrut® in freestanding enclosures.
- Fabricated from 10 gauge carbon steel with a white polyester powder finish.
- Includes all installation hardware.
- Custom enclosures may require custom brackets.

| Catalog Number | Description |
|----------------|---|
| A-SUBBRKT | Sub panel mounting bracket freestanding |

Heavy Duty Adapter Kits for Heavy Duty Disconnects

| | | |
|------------------------|---|---------------------|
| | | |
| Cutler-Hammer C360/370 | Square D Class 9422, GE-TED, GE-TDA, ITE Max Flex Cutler-Hammer 361/371 | Allen-Bradley 1494V |
| | | |
| Westinghouse | Allen-Bradley 1494F or 1494D | Blank Adapter |
| | | |
| General Electric TDF | Allen-Bradley 1494F or 1494D | Blank Adapter |

| Catalog Number | Description |
|----------------|---|
| A-ADPHD-SQ | Square D, GE -TDA,ITE Max Flex , ABB, Siemens FHOH, Westinghouse Flex Shaft |
| A-ADPHD-WH | Westinghouse |
| A-ADPHD-CH | Cutler Hammer C360/C370 |
| A-ADPHD-GE | General Electric GE-TDF |
| A-ADPHD-ABV | Allen Bradley 1494V, 30/200 Amp |
| A-ADPHD-AMT | Westinghouse AMT |
| A-ADPHD-BLK | Blank |
| A-ADPHD-ABV400 | Allen Bradley 1494V/400 |
| A-ADPHD-ITE | ITE |
| A-ADPHD-CHF | Cutler Hammer Flex Shaft |
| A-ADPHD-ABFLEX | Allen-Bradley 140U Flex Shaft |
| A-ADPHD-AB* | Allen Bradley 1494F or D |

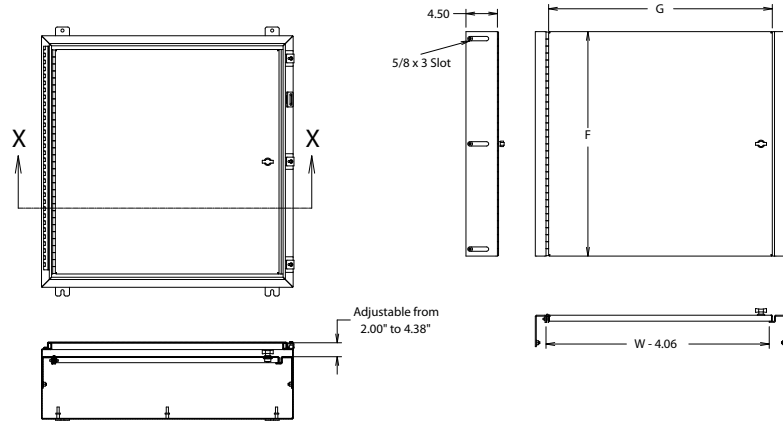
***NOTE**
Adapter plate not required for 200 amp 1494F. Reference instruction sheet provided with the kit.



Please consult serving utility for their requirements prior to ordering or installing, as specifications and approvals vary by utility, and may require local electrical inspector approval. All installations must be installed by a licensed electrician and must comply with all national and local codes, laws and regulations. Milbank reserves the right to make changes in specifications and features shown without notice or obligation.

Industrial Enclosure Accessories

Semi-Adjustable Swing Panel Kit



SECTION X-X

Applications

Allows for additional component mounting on a 90 degree swing panel.

Kit Includes

- Brackets with 3" slots for semi-adjustability (fabricated from 12 gauge carbon steel).
- Panel (fabricated from 12 gauge carbon steel).
- Quarter-turn wing latch(es).
- Bolt on continuous hinge.

Finish

White polyester powder coat over cleaned phosphatized surfaces. Aluminum kits have a polished #4 finish.

Options

Milbank can modify standard enclosures to your specifications. Holes, cutouts, sizes, materials, and many more options are available. Quotations upon request.

NOTE

A-SPK2's are for installation in N4, N12, MSD, and 3R only. Enclosure must be studded or have holes drilled. Customer can order these and use them in existing enclosures. The customer will have to drill holes in the sides of the enclosure to mount. Installation by Milbank will require an extra installation fee. Some assembly required.

| Catalog Number | | | Fits Enclosures Size H x W | Panel Size F x G ++ (inches) | Ship. Weight |
|----------------|--------------|--------------|----------------------------|------------------------------|--------------|
| Millennium | M4, M12 | 3R | | | |
| A-SPK2M-1224 | A-SPK2N-1224 | A-SPK2R-1224 | 12 X 24 | 8.13 x 19.13 | 12 |
| A-SPK2M-1612 | A-SPK2N-1612 | A-SPK2R-1612 | 16 X 12 | 12.13 x 7.13 | 8 |
| A-SPK2M-1616 | A-SPK2N-1616 | A-SPK2R-1616 | 16 X 16 | 12.13 x 11.13 | 11 |
| A-SPK2M-1620 | A-SPK2N-1620 | A-SPK2R-1620 | 16 X 20 | 12.13 x 15.13 | 14 |
| A-SPK2M-2012 | A-SPK2N-2012 | A-SPK2R-2012 | 20 X 12 | 16.13 x 7.13 | 10 |
| A-SPK2M-2016 | A-SPK2N-2016 | A-SPK2R-2016 | 20 X 16 | 16.13 x 11.13 | 14 |
| A-SPK2M-2020 | A-SPK2N-2020 | A-SPK2R-2020 | 20 X 20 | 16.13 x 15.13 | 18 |
| A-SPK2M-2024 | A-SPK2N-2024 | A-SPK2R-2024 | 20 X 24 | 16.13 x 19.13 | 22 |
| A-SPK2M-2412 | A-SPK2N-2412 | A-SPK2R-2412 | 24 X 12 | 20.13 x 7.13 | 12 |
| A-SPK2M-2416 | A-SPK2N-2416 | A-SPK2R-2416 | 24 X 16 | 20.13 x 11.13 | 17 |
| A-SPK2M-2420 | A-SPK2N-2420 | A-SPK2R-2420 | 24 X 20 | 20.13 x 15.13 | 22 |
| A-SPK2M-2424 | A-SPK2N-2424 | A-SPK2R-2424 | 24 X 24 | 20.13 x 19.13 | 26 |
| A-SPK2M-2430 | A-SPK2N-2430 | A-SPK2R-2430 | 24 X 30 | 20.13 x 25.13 | 33 |
| A-SPK2M-3016 | A-SPK2N-3016 | A-SPK2R-3016 | 30 X 16 | 26.13 x 11.13 | 22 |
| A-SPK2M-3020 | A-SPK2N-3020 | A-SPK2R-3020 | 30 X 20 | 26.13 x 15.13 | 28 |
| A-SPK2M-3024 | A-SPK2N-3024 | A-SPK2R-3024 | 30 X 24 | 26.13 x 19.13 | 33 |
| A-SPK2M-3030 | A-SPK2N-3030 | A-SPK2R-3030 | 30 X 30 | 26.13 x 25.13 | 41 |
| A-SPK2M-3036 | A-SPK2N-3036 | A-SPK2R-3036 | 30 X 36 | 26.13 x 31.13 | 49 |
| A-SPK2M-3624 | A-SPK2N-3624 | A-SPK2R-3624 | 36 X 24 | 32.13 x 19.13 | 40 |
| A-SPK2M-3630 | A-SPK2N-3630 | A-SPK2R-3630 | 36 X 30 | 32.13 x 25.13 | 49 |
| A-SPK2M-3636 | A-SPK2N-3636 | A-SPK2R-3636 | 36 X 36 | 32.13 x 31.13 | 59 |
| A-SPK2M-4224 | A-SPK2N-4224 | A-SPK2R-4224 | 42 X 24 | 38.13 x 19.13 | 46 |
| A-SPK2M-4230 | A-SPK2N-4230 | A-SPK2R-4230 | 42 X 30 | 38.13 x 25.13 | 58 |
| A-SPK2M-4236 | A-SPK2N-4236 | A-SPK2R-4236 | 42 X 36 | 38.13 x 31.13 | 70 |
| A-SPK2M-4824 | A-SPK2N-4824 | A-SPK2R-4824 | 48 X 24 | 44.13 x 19.13 | 53 |
| A-SPK2M-4830 | A-SPK2N-4830 | A-SPK2R-4830 | 48 X 30 | 44.13 x 25.13 | 66 |
| A-SPK2M-4836 | A-SPK2N-4836 | A-SPK2R-4836 | 48 X 36 | 44.13 x 31.13 | 79 |
| A-SPK2M-6036 | A-SPK2N-6036 | A-SPK2R-6036 | 60 X 36 | 56.13 x 31.13 | 99 |
| A-SPK2M-7230 | A-SPK2N-7230 | A-SPK2R-7230 | 72 X 30 | 68.13 x 25.13 | 99 |

NOTE

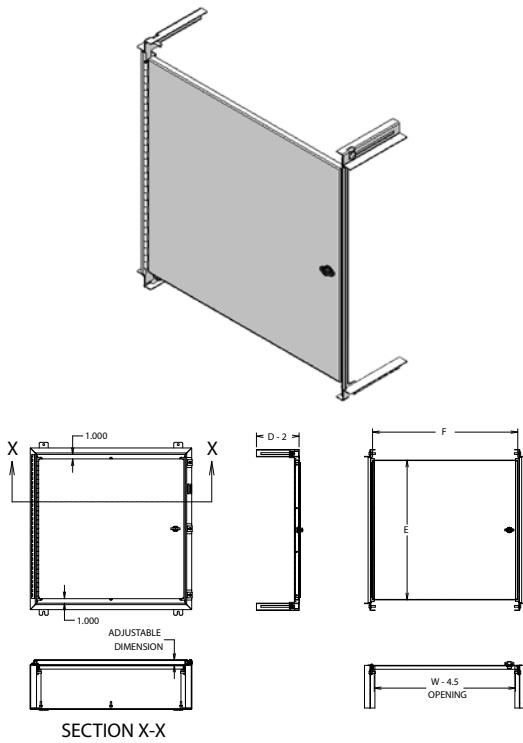
Weights for aluminum swing panels are not listed. Please contact Milbank for weight. ++ Panel sizes for A-SPK2M and A-SPK2R versions will be slightly larger.

Please consult serving utility for their requirements prior to ordering or installing, as specifications and approvals vary by utility, and may require local electrical inspector approval. All installations must be installed by a licensed electrician and must comply with all national and local codes, laws and regulations. Milbank reserves the right to make changes in specifications and features shown without notice or obligation.



Industrial Enclosure Accessories

Fully Adjustable Swing Panel Kit



Applications

Allows for additional component mounting on a 90 degree swing panel.

Kit Includes

- Brackets (fabricated from 12 gauge carbon steel).
- Panel (fabricated from 12 gauge carbon steel).
- Quarter-turn wing latch(es).
- Bolt on continuous hinge.

Finish

White polyester powder coat over cleaned phosphatized surfaces. Aluminum kits have a polished #4 finish.

Options

Milbank can modify standard enclosures to your specifications. Holes, cutouts, sizes, materials, and many more options are available. Quotations upon request.

| Catalog Number | | Fits Enclosure Size H x W | Panel Size F x G (inches) | Ship. Weight (lbs.) |
|-------------------|---------------|---------------------------|---------------------------|---------------------|
| Carbon Steel # ++ | Aluminum # ++ | | | |
| A-SPK3-1224 | A-SPK3AL-1224 | 12 x 24 | 7.13 x 20.38 | 14 |
| A-SPK3-1612 | A-SPK3AL-1612 | 16 x 12 | 11.13 x 8.38 | 9 |
| A-SPK3-1616 | A-SPK3AL-1616 | 16 x 16 | 11.13 x 12.38 | 12 |
| A-SPK3-1620 | A-SPK3AL-1620 | 16 x 20 | 11.13 x 16.38 | 15 |
| A-SPK3-2012 | A-SPK3AL-2012 | 20 x 12 | 15.13 x 8.38 | 11 |
| A-SPK3-2016 | A-SPK3AL-2016 | 20 x 16 | 15.13 x 12.38 | 15 |
| A-SPK3-2020 | A-SPK3AL-2020 | 20 x 20 | 15.13 x 16.38 | 19 |
| A-SPK3-2024 | A-SPK3AL-2024 | 20 x 24 | 15.13 x 20.38 | 23 |
| A-SPK3-2412 | A-SPK3AL-2412 | 24 x 12 | 19.13 x 8.38 | 14 |
| A-SPK3-2416 | A-SPK3AL-2416 | 24 x 16 | 19.13 x 12.38 | 19 |
| A-SPK3-2420 | A-SPK3AL-2420 | 24 x 20 | 19.13 x 16.38 | 23 |
| A-SPK3-2424 | A-SPK3AL-2424 | 24 x 24 | 19.13 x 20.38 | 27 |
| A-SPK3-2430 | A-SPK3AL-2430 | 24 x 30 | 19.13 x 26.38 | 34 |
| A-SPK3-3016 | A-SPK3AL-3016 | 30 x 16 | 25.13 x 12.38 | 23 |
| A-SPK3-3020 | A-SPK3AL-3020 | 30 x 20 | 25.13 x 16.38 | 28 |
| A-SPK3-3024 | A-SPK3AL-3024 | 30 x 24 | 25.13 x 20.38 | 34 |
| A-SPK3-3030 | A-SPK3AL-3030 | 30 x 30 | 25.13 x 26.38 | 43 |
| A-SPK3-3036 | A-SPK3AL-3036 | 30 x 36 | 25.13 x 32.38 | 52 |
| A-SPK3-3624 | A-SPK3AL-3624 | 36 x 24 | 31.13 x 20.38 | 42 |
| A-SPK3-3630 | A-SPK3AL-3630 | 36 x 30 | 31.13 x 26.38 | 52 |
| A-SPK3-3636 | A-SPK3AL-3636 | 36 x 36 | 31.13 x 32.38 | 62 |
| A-SPK3-4224 | A-SPK3AL-4224 | 42 x 24 | 37.13 x 20.38 | 48 |
| A-SPK3-4230 | A-SPK3AL-4230 | 42 x 30 | 37.13 x 26.38 | 60 |
| A-SPK3-4236 | A-SPK3AL-4236 | 42 x 36 | 37.13 x 32.38 | 72 |
| A-SPK3-4824 | A-SPK3AL-4824 | 48 x 24 | 43.13 x 20.38 | 55 |
| A-SPK3-4830 | A-SPK3AL-4830 | 48 x 30 | 43.13 x 26.38 | 69 |
| A-SPK3-4836 | A-SPK3AL-4836 | 48 x 36 | 43.13 x 32.38 | 83 |
| A-SPK3-6036 | A-SPK3AL-6036 | 60 x 36 | 55.13 x 32.38 | 104 |
| A-SPK3-7230 | A-SPK3AL-7230 | 72 x 30 | 67.13 x 26.38 | 104 |

| Catalog Number | Enclosure Depth | Bracket Length | Ship. Weight |
|-----------------------------------|-----------------|----------------|--------------|
| Brackets for the Swing Panel Kits | | | |
| A-SPKB3-8 | 8 | 6 | 5 |
| A-SPKB3-10 | 10 | 8 | 6 |
| A-SPKB3-12 | 12 | 10 | 7 |
| A-SPKB3-16 | 16 | 14 | 8 |
| A-SPKB3-18 | 18 | 16 | 9 |
| A-SPKB3-20 | 20 | 18 | 10 |
| A-SPKB3-24 | 24 | 22 | 12 |

NOTE

Must order the appropriate A-SPK3 (according to the depth of enclosure) for full adjustability. These brackets will be welded in each corner of enclosure and the Swing panel kit will be attached to them. If installing with a door stop kit, holes must be drilled in Swing panel flange. A-SPK3's are for installation in N4, N12, MSD, and 3R only. Installation by Milbank will require an extra installation fee. Some assembly required.

Weights for aluminum swing panels are not listed. Please contact Milbank for weight. Brackets for the swing panel kits must be ordered separate based on depth of enclosure.

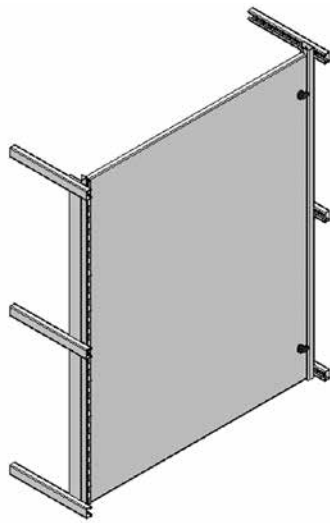
++ For MSD Enclosures modify the part number to have an E. (example: A-SPK3). Panel sizes will vary depending on enclosure.



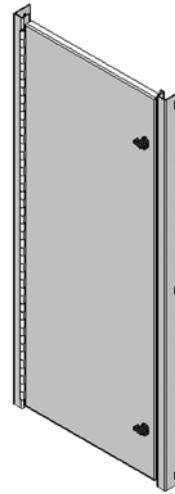
Please consult serving utility for their requirements prior to ordering or installing, as specifications and approvals vary by utility, and may require local electrical inspector approval. All installations must be installed by a licensed electrician and must comply with all national and local codes, laws and regulations. Milbank reserves the right to make changes in specifications and features shown without notice or obligation.

Industrial Enclosure Accessories

Heavy Duty Swing Panel Kit



Freestanding Swing Panel Kit



Double Door Floor Mount
Swing Panel Kit

Applications

Allows for additional component mounting on a 90 degree swing panel.

Kit Includes

- Brackets (fabricated from 12 gauge carbon steel).
- Panel (fabricated from 12 gauge carbon steel).
- Quarter-turn wing latch(es).
- Bolt on continuous hinge.
- Not applicable for Millennium series.
- Must designate if for a stainless steel enclosure. Please designate part number with **SS** if for stainless steel.
- Wall-mount N4, N12 order A-SPK4: HHWW.

Finish

White polyester powder coat over cleaned phosphatized surfaces. Aluminum kits have a polished #4 finish.

Options

Milbank can modify standard swing panels to your specifications. Holes, cutouts, sizes, materials, and many more options are available. Quotations upon request. Installation by Milbank will require an extra installation fee. Some assembly required.

NOTE

Note: Weights for aluminum swing panels are not listed. Please contact Milbank for weight. Unistrut® must be ordered separately based on depth of enclosure.

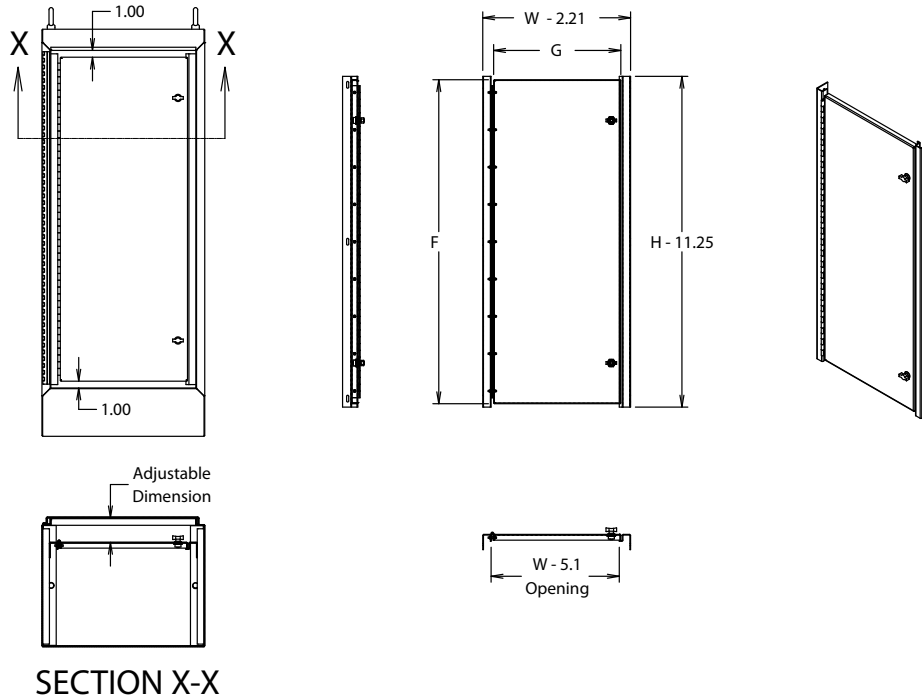
| Catalog Number | | Fits Enclosure Size H x W | Panel Size F x G (inches) | Ship. Weight |
|-------------------------------|----------------|------------------------------|------------------------------|-----------------|
| Carbon Steel # | Aluminum # | | | |
| Freestanding Swing Panel Kits | | | | |
| A-SPK4-60P24 | A-SPK4AL-60P24 | 60 X 24 | 47.75 x 18.75 | 48 |
| A-SPK4-60P36 | A-SPK4AL-60P36 | 60 X 36 | 47.75 x 30.75 | 72 |
| A-SPK4-60P48 | A-SPK4AL-60P48 | 60 X 48 | 47.75 x 42.75 | 96 |
| A-SPK4-72P24 | A-SPK4AL-72P24 | 72 X 24 | 59.75 x 18.75 | 58 |
| A-SPK4-72P30 | A-SPK4AL-72P30 | 72 X 30 | 59.75 x 24.75 | 72 |
| A-SPK4-72P36 | A-SPK4AL-72P36 | 72 X 36 | 59.75 x 30.75 | 86 |
| A-SPK4-72P48 | A-SPK4AL-72P48 | 72 X 48 | 59.75 x 42.75 | 128 |
| A-SPK4-72P60 | A-SPK4AL-72P60 | 72 X 60 | 59.75 x 54.75 | 160 |
| A-SPK4-72P72 | A-SPK4AL-72P72 | 72 X 72 | 59.75 x 66.75 | 192 |
| A-SPK4-90P24 | A-SPK4AL-90P24 | 90 X 24 | 77.75 x 18.75 | 72 |
| A-SPK4-90P36 | A-SPK4AL-90P36 | 90 X 36 | 77.75 x 30.75 | 120 |
| A-SPK4-90P48 | A-SPK4AL-90P48 | 90 X 48 | 77.75 x 42.75 | 160 |
| A-SPK4-90P72 | A-SPK4AL-90P72 | 90 X 72 | 77.75 x 66.75 | 240 |

| Catalog Number | | Fits Enclosure Depth | Panel Size H x W (inches) | Ship. Weight |
|--|---------------|-------------------------|------------------------------|-----------------|
| Carbon Steel # | Aluminum # | | | |
| N12 Double Door Floor Mount Swing Panel Kits | | | | |
| A-SPK4-5442 | A-SPK4AL-5442 | 54 X 42 | 49.38 X 36.75 | 80 |
| A-SPK4-6048 | A-SPK4AL-6048 | 60 X 48 | 55.38 X 42.75 | 100 |
| A-SPK4-6060 | A-SPK4AL-6060 | 60 X 60 | 55.38 X 54.75 | 125 |
| A-SPK4-7260 | A-SPK4AL-7260 | 72 X 60 | 67.38 X 54.75 | 150 |
| A-SPK4-7272 | A-SPK4AL-7272 | 72 X 72 | 67.38 X 66.75 | 180 |

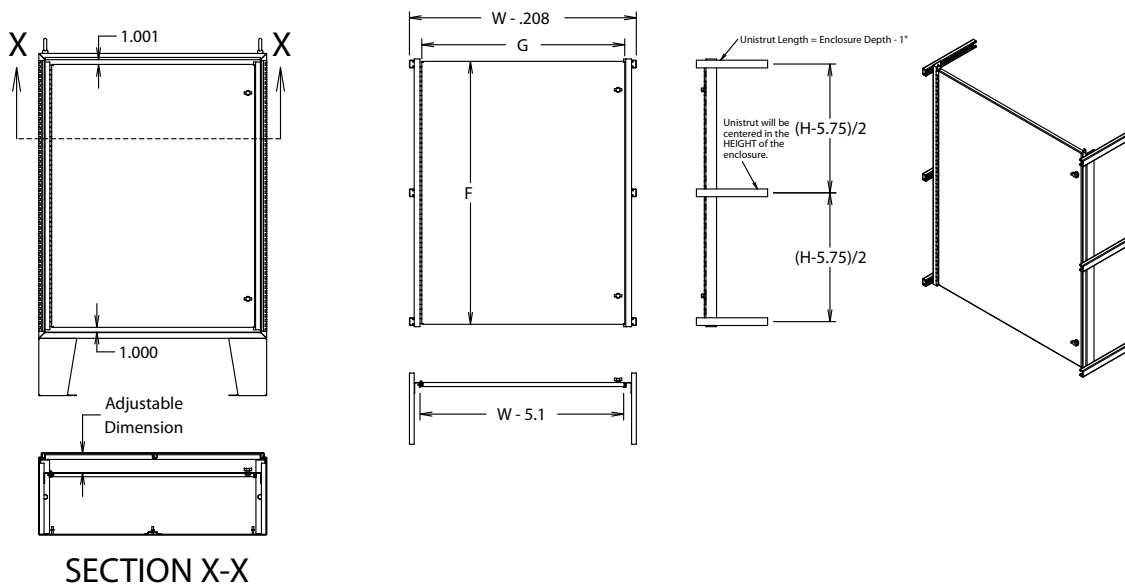
Please consult serving utility for their requirements prior to ordering or installing, as specifications and approvals vary by utility, and may require local electrical inspector approval. All installations must be installed by a licensed electrician and must comply with all national and local codes, laws and regulations. Milbank reserves the right to make changes in specifications and features shown without notice or obligation.



A-SPK4 | Freestanding Swing Panel Kit



A-SPK4 | Double Door Floor Mount Swing Panel Kit



Please consult serving utility for their requirements prior to ordering or installing, as specifications and approvals vary by utility, and may require local electrical inspector approval. All installations must be installed by a licensed electrician and must comply with all national and local codes, laws and regulations. Milbank reserves the right to make changes in specifications and features shown without notice or obligation.

Industrial Enclosure Accessories

Pedestals

Applications

Designed for floor mounting of consolets and pushbutton enclosures.

Construction

Columns are fabricated from 14 gauge carbon steel with the flanges fabricated from 10 gauge carbon steel. Bases fabricated from 12 gauge.

- Two column and base sizes are available.
- Columns are flanged at each end and contain a gasketed access plate.
- Wiring connections can be made through the pedestal base.
- Gasket and screws are standard with each column.

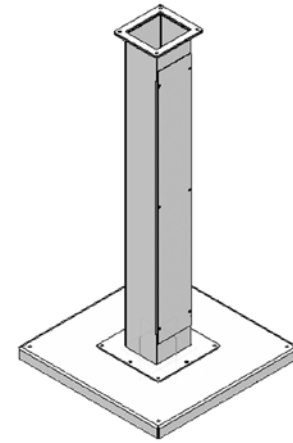
Finish

Standard ANSI-61 gray finish on interior and exterior of enclosures.

Recoatable, smooth, white or RAL 7035 texture polyester powder coat available at no charge. Standard RAL and custom match finishes available for an additional charge, please contact Milbank for further assistance. All powder coat finishes applied over cleaned phosphatized surfaces. Columns and bases are ordered separately. A 60 degree adaptor is available to convert standard pushbutton enclosures to an operator station.

Options

Milbank can modify standard enclosures or custom design enclosures according to your specifications. Holes, cutouts, sizes, materials, and many more options are available. Quotations made upon request.



Industry Standards

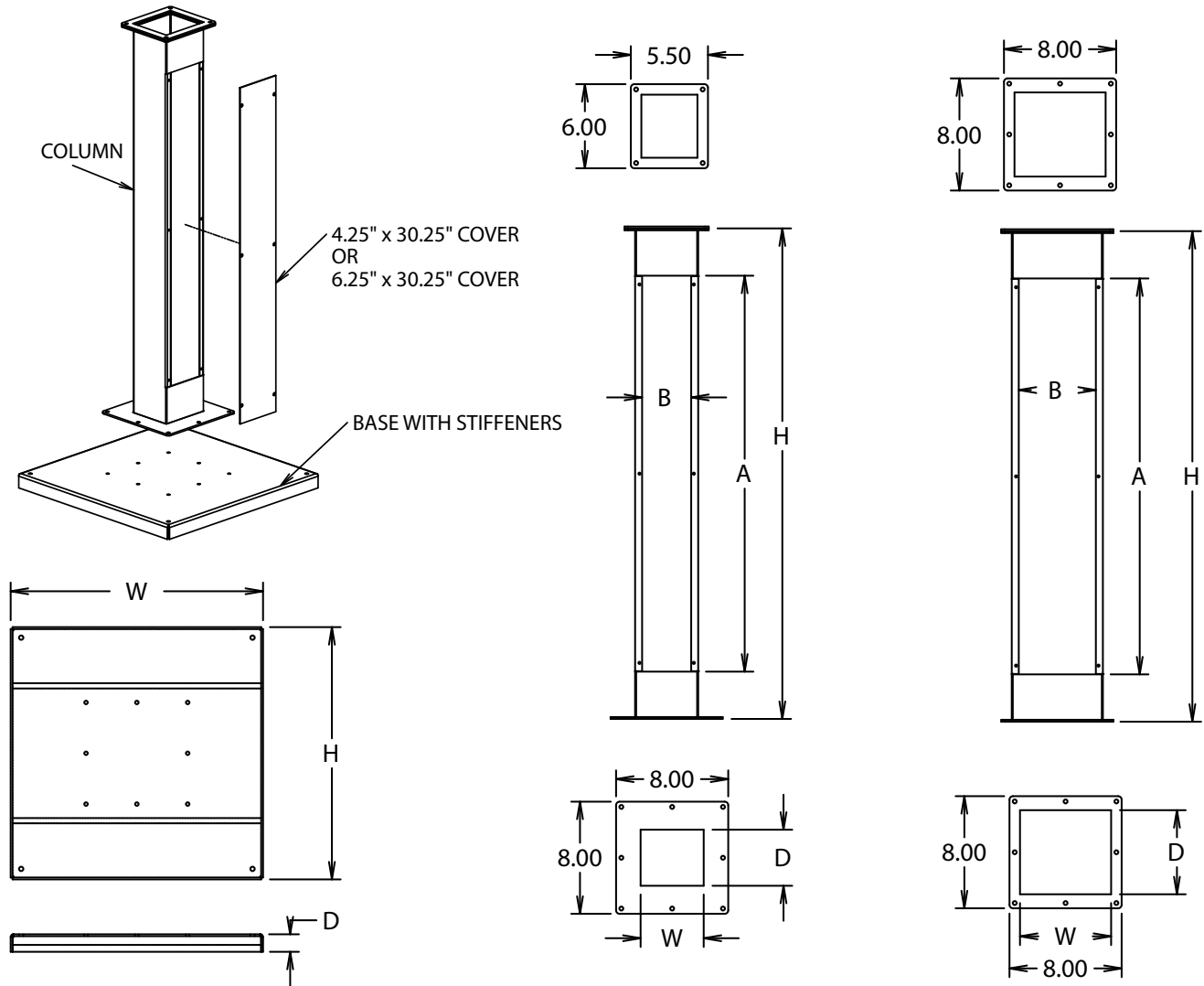
- UL 50 Listed
- UL Type 12
- CUL Type 12

| Carbon Steel # | Catalog Number | | Surface Size H x W x D (inches) | A | B | Ship. Weight |
|----------------|-----------------------|-----------------------|------------------------------------|-------|------|-----------------|
| | 304 Stainless Steel # | 316 Stainless Steel # | | | | |
| A-COL44 | A-COL44XS | A-COL44XZ | 35 x 4.5 x 4 | 28.25 | 3.5 | 17 |
| A-COL66 | A-COL66XS | A-COL66XZ | 35 x 6.5 x 6 | 28.25 | 5.25 | 23 |
| A-BASE18 | A-BASE18XS | A-BASE18XZ | 18 x 18 x 1.25 | — | — | 18 |
| A-BASE24 | A-BASE24XS | A-BASE24XZ | 24 x 24 x 1.25 | — | — | 39 |

Please consult serving utility for their requirements prior to ordering or installing, as specifications and approvals vary by utility, and may require local electrical inspector approval. All installations must be installed by a licensed electrician and must comply with all national and local codes, laws and regulations. Milbank reserves the right to make changes in specifications and features shown without notice or obligation.



Column & Base



Please consult serving utility for their requirements prior to ordering or installing, as specifications and approvals vary by utility, and may require local electrical inspector approval. All installations must be installed by a licensed electrician and must comply with all national and local codes, laws and regulations. Milbank reserves the right to make changes in specifications and features shown without notice or obligation.

Industrial Enclosures

Exterior Color Chart

165

INDUSTRIAL
ENCLOSURE
EXTERIOR
COLOR CHART

| | | | | | | |
|---|---|--|---|--|---|---|
|  1000 |  1018 |  2003 |  3005 |  3022 |  4010 |  5015 |
|  1001 |  1019 |  2004 |  3007 |  3027 |  5000 |  5017 |
|  1002 |  1020 |  2008 |  3009 |  3031 |  5001 |  5018 |
|  1003 |  1021 |  2009 |  3011 |  4001 |  5002 |  5019 |
|  1004 |  1023 |  2010 |  3012 |  4002 |  5003 |  5020 |
|  1005 |  1024 | <h3>Available Colors</h3> <p>The color chips represented on these pages have been prepared as replications of actual powder coatings. Chips may vary slightly in color and gloss from actual coating due to the effects of heat, light and manufacturing process. Please contact your sales representative for more information.</p> | | |  5004 |  5021 |
|  1006 |  1027 | | | |  5005 |  5022 |
|  1007 |  1028 | | | |  5007 |  5023 |
|  1011 |  1032 | | | |  5008 |  5024 |
|  1012 |  1033 |  2011 |  3013 |  4003 |  5008 |  5024 |
|  1012 |  1033 |  2012 |  3014 |  4004 |  5009 |  6000 |
|  1013 |  1034 |  3000 |  3015 |  4005 |  5010 |  6001 |
|  1014 |  1037 |  3001 |  3016 |  4006 |  5011 |  6002 |
|  1015 |  2000 |  3002 |  3017 |  4007 |  5012 |  6003 |
|  1016 |  2001 |  3003 |  3018 |  4008 |  5013 |  6004 |
|  1017 |  2002 |  3004 |  3020 |  4009 |  5014 |  6005 |

Please consult serving utility for their requirements prior to ordering or installing, as specifications and approvals vary by utility, and may require local electrical inspector approval. All installations must be installed by a licensed electrician and must comply with all national and local codes, laws and regulations. Milbank reserves the right to make changes in specifications and features shown without notice or obligation.



| | | | | | | | | | | |
|------|------|--|------|------|------|------|------|------|------|------|
| 6006 | 6021 | 7004 | 7022 | 7038 | 8003 | 8028 | | | | |
| 6007 | 6022 | 7005 | 7023 | 7039 | 8004 | 9001 | | | | |
| 6008 | 6024 | 7006 | 7024 | 7040 | 8007 | 9002 | | | | |
| 6009 | 6025 | 7008 | 7026 | 7042 | 8008 | 9003 | | | | |
| 6010 | 6026 | 7009 | 7030 | 7043 | 8011 | 9004 | | | | |
| 6011 | 6027 | <h3>Available Colors</h3> <p>The color chips represented on these pages have been prepared as replications of actual powder coatings. Chips may vary slightly in color and gloss from actual coating due to the effects of heat, light and manufacturing process. Please contact your sales representative for more information.</p> | | | | 8012 | 9005 | | | |
| 6012 | 6028 | | | | | 8014 | 9010 | | | |
| 6013 | 6029 | | | | | 8015 | 9011 | | | |
| 6014 | 6032 | | | | | 7010 | 7031 | 7044 | 8016 | 9016 |
| 6015 | 6033 | | | | | 7011 | 7032 | 7045 | 8017 | 9017 |
| 6016 | 6034 | | | | | 7012 | 7033 | 7046 | 8019 | 9018 |
| 6017 | 7000 | | | | | 7015 | 7035 | 8000 | 8023 | |
| 6019 | 7002 | | | | | 7016 | 7036 | 8001 | 8024 | |
| 6019 | 7002 | | | | | 7016 | 7036 | 8001 | 8024 | |
| 6020 | 7003 | | | | | 7021 | 7037 | 8002 | 8025 | |



Please consult serving utility for their requirements prior to ordering or installing, as specifications and approvals vary by utility, and may require local electrical inspector approval. All installations must be installed by a licensed electrician and must comply with all national and local codes, laws and regulations. Milbank reserves the right to make changes in specifications and features shown without notice or obligation.

| | | | | |
|-----------------------------|----------------------------|-----------------------------|----------------------------|----------------------------|
| 1010120-GHC1-NK..... 38 | 10106-LC1..... 16 | 10124-SC1..... 10 | 121236-GHC1-NK..... 38 | 12126-SC3R-NP..... 18 |
| 1010120-GSC1..... 34 | 10106-SC1..... 9 | 10124-SC1-NK..... 10 | 121236-GHC1-NK-NP..... 38 | 12126-TC3R..... 23 |
| 1010120-GSC1-NK..... 35 | 10106-SC1-NK..... 9 | 10124-SC1-NK-NP..... 10 | 121236-GSC1..... 35 | 12126-WSC2..... 25 |
| 1010120-GSC1-NK-NP..... 35 | 10106-SC1-NK-NP..... 10 | 10124-SC1-NP..... 10 | 121236-GSC1-NK..... 35 | 121272-GSC1..... 35 |
| 1010120-GSC3R..... 42 | 10106-SC1-NP..... 10 | 10124-SC3R..... 18 | 121236-GSC1-NK-NP..... 35 | 121272-GSC1-NK..... 35 |
| 1010120-GSC3R-NK..... 42 | 10106-SC3R..... 18 | 10126-LC1..... 16 | 121236-GSC3R..... 42 | 121272-GSC1-NK-NP..... 35 |
| 1010120-GSC3R-NK-NP..... 42 | 10106-SC3R-NK..... 18 | 10126-SC1..... 10 | 121236-GSC3R-NK..... 42 | 121272-GSC3R..... 42 |
| 1010120-GSC3R-NK-NP..... 42 | 10106-SC3R-NK-NP..... 18 | 10126-SC1-NK..... 10 | 121236-GSC3R-NK-NP..... 42 | 121272-GSC3R-NK..... 42 |
| 10101212GR..... 45 | 10106-WSC2..... 25 | 10126-SC1-NP..... 10 | 121248-GHC12..... 60 | 121272-GSC3R-NK-NP..... 42 |
| 101012-GHC1-NK..... 38 | 101072-GHC1..... 38 | 10126-SC3R..... 18 | 121248-GHC12XS..... 60 | 12128-SC1..... 10 |
| 101012-GSC1..... 34 | 101072-GSC1..... 34 | 10126-SC3R-NK..... 18 | 121248-GHC12XZ..... 60 | 12128-SC1-NK..... 10 |
| 101012-GSC1-NK..... 34 | 101072-GSC1-NK..... 34 | 10126-SC3R-NK-NP..... 18 | 121248-GHC1-NK..... 38 | 12128-SC1-NK-NP..... 10 |
| 101012-GSC1-NK-NP..... 34 | 101072-GSC1-NK-NP..... 34 | 10126-TC3R..... 23 | 121248-GSC1..... 35 | 12128-SC1-NP..... 10 |
| 101024-GHC1-NK..... 38 | 101072-GSC3R..... 41 | 1012FLC..... 28 | 121248-GSC1-NK..... 35 | 12128-SC3R..... 18 |
| 101024-GSC1..... 34 | 101072-GSC3R-NK..... 41 | 1012TFLC..... 26 | 121248-GSC1-NK-NP..... 35 | 12128-SC3R-NK..... 18 |
| 101024-GSC1-NK..... 34 | 101072-GSC3R-NK-NP..... 41 | 1012TSC..... 27 | 121248-GSC3R..... 42 | 12128-SC3R-NK-NP..... 18 |
| 101024-GSC1-NK-NP..... 34 | 101096-GHC1-NK..... 38 | 1012WB..... 30 | 121248-GSC3R-NK..... 42 | 12128-WSC2..... 25 |
| 101024-GSC3R..... 41 | 101096-GSC1..... 34 | 1012XSC1..... 12 | 121248-GSC3R-NK-NP..... 42 | 121296-GHC1..... 38 |
| 101024-GSC3R-NK..... 41 | 101096-GSC1-NK..... 34 | 1012XSC3R..... 20 | 12124-HC1..... 14 | 121296-GHC1-NK..... 38 |
| 101024-GSC3R-NK-NP..... 41 | 101096-GSC1-NK-NP..... 34 | 10X12GSC1..... 35 | 12124-HC1-NK..... 14 | 121296-GSC1..... 35 |
| 101036-GHC1-NK..... 38 | 101096-GSC3R..... 41 | 10X24GSC1..... 35 | 12124-HC1-NK-NP..... 14 | 121296-GSC1-NK..... 35 |
| 101036-GSC1..... 34 | 101096-GSC3R-NK..... 42 | 10X36GSC1..... 35 | 12124-HC3R..... 21 | 121296-GSC1-NK-NP..... 35 |
| 101036-GSC1-NK..... 34 | 101096-GSC3R-NK-NP..... 42 | 10X48GSC1..... 35 | 12124-LC1..... 16 | 121296-GSC3R..... 42 |
| 101036-GSC1-NK-NP..... 34 | 1010FLC..... 28 | 10X60GSC1..... 35 | 12124-SC1..... 10 | 121296-GSC3R-NK..... 42 |
| 101036-GSC3R..... 41 | 1010GC..... 45 | 12106-WSC2..... 25 | 12124-SC1-NK..... 10 | 121296-GSC3R-NK-NP..... 42 |
| 101036-GSC3R-NK..... 41 | 1010GCU..... 45 | 1212120-GHC1..... 38 | 12124-SC1-NK-NP..... 10 | 1212FLC..... 28 |
| 101036-GSC3R-NK-NP..... 41 | 1010GE..... 44 | 1212120-GHC1-NK..... 38 | 12124-SC1-NP..... 10 | 1212GC..... 45 |
| 101048-GHC1-NK..... 38 | 1010GE-NK..... 44 | 1212120-GSC1..... 35 | 12124-SC3R..... 18 | 1212GCU..... 45 |
| 101048-GSC1..... 34 | 1010GE-NK-NP..... 44 | 1212120-GSC1-NK..... 35 | 12124-SC3R-NK..... 18 | 1212GE..... 44 |
| 101048-GSC1-NK..... 34 | 1010GEU..... 44 | 1212120-GSC1-NK-NP..... 35 | 12124-SC3R-NK-NP..... 18 | 1212GE-NK..... 44 |
| 101048-GSC1-NK-NP..... 34 | 1010GEU-NK..... 44 | 1212120-GSC1-NP..... 35 | 12124-SC3R-NP..... 18 | 1212GE-NK-NP..... 44 |
| 101048-GSC3R..... 41 | 1010GEU-NK-NP..... 44 | 1212120-GSC3R..... 42 | 12124-WSC2..... 25 | 1212GE-NP..... 44 |
| 101048-GSC3R-NK..... 41 | 1010GF..... 46 | 1212120-GSC3R-NK..... 42 | 121260-GHC1..... 38 | 1212GEU..... 44 |
| 101048-GSC3R-NK-NP..... 41 | 1010GFL90IS..... 47 | 1212120-GSC3R-NK-NP..... 42 | 121260-GHC12..... 60 | 1212GEU-NK..... 44 |
| 10104-HC1..... 14 | 1010GFL90OS..... 47 | 121212-GSC1..... 35 | 121260-GHC12XS..... 60 | 1212GEU-NK-NP..... 44 |
| 10104-HC1-NK..... 14 | 1010GFL90S..... 47 | 121212-GSC1-NK..... 35 | 121260-GHC12XZ..... 60 | 1212GF..... 46 |
| 10104-HC3R..... 21 | 1010GF-NP..... 46 | 121212-GSC1-NK-NP..... 35 | 121260-GHC1-NK..... 38 | 1212GFL90IS..... 47 |
| 10104-LC1..... 16 | 1010GH..... 45 | 121212-SC1-NK..... 10 | 121260-GHC1-NK-NP..... 38 | 1212GFL90S..... 47 |
| 10104-SC1..... 9 | 1010GT..... 46 | 121212-SC3R-NK..... 18 | 121260-GSC1..... 35 | 1212GF-NP..... 46 |
| 10104-SC1-NK..... 9 | 1010GTF..... 46 | 121212-SC3R-NK-NP..... 19 | 121260-GSC1-NK..... 35 | 1212GFT..... 46 |
| 10104-SC1-NK-NP..... 9 | 1010GT-NP..... 46 | 1212144-GSC3R..... 42 | 121260-GSC1-NK-NP..... 35 | 1212GH..... 45 |
| 10104-SC1-NP..... 9 | 1010GX..... 43 | 1212144-GSC3R-NK..... 42 | 121260-GSC3R..... 42 | 1212GT..... 46 |
| 10104-SC3R..... 18 | 1010L45C..... 48 | 1212144-GSC3R-NK-NP..... 42 | 121260-GSC3R-NK..... 42 | 1212GTF..... 46 |
| 10104-SC3R-NK..... 18 | 1010L45C-NP..... 48 | 121224-GHC1..... 38 | 121260-GSC3R-NK-NP..... 42 | 1212GT-NP..... 46 |
| 10104-SC3R-NK-NP..... 18 | 1010L45S..... 48 | 121224-GHC12..... 60 | 12126-HC1..... 14 | 1212GX..... 43 |
| 10104-SC3R-NP..... 18 | 1010L45S-NP..... 48 | 121224-GHC12XS..... 60 | 12126-HC1-NK..... 14 | 1212L45C..... 48 |
| 10104-WSC2..... 25 | 1010L90C..... 48 | 121224-GHC12XZ..... 60 | 12126-HC1-NK-NP..... 14 | 1212L45C-NP..... 48 |
| 101060-GHC1..... 38 | 1010L90C-NP..... 48 | 121224-GHC1-NK..... 38 | 12126-HC3R..... 21 | 1212L45S..... 48 |
| 101060-GHC1-NK..... 38 | 1010L90S..... 48 | 121224-GSC1..... 35 | 12126-HC3R-NK..... 21 | 1212L45S-NP..... 48 |
| 101060-GSC1..... 34 | 1010L90S-NP..... 48 | 121224-GSC1-NK..... 35 | 12126-LC1..... 16 | 1212L90C..... 48 |
| 101060-GSC1-NK..... 34 | 1010TFLC..... 26 | 121224-GSC1-NK-NP..... 35 | 12126-SC1..... 10 | 1212L90C-NP..... 48 |
| 101060-GSC1-NK-NP..... 34 | 1010TSC..... 27 | 121224-GSC3R..... 42 | 12126-SC1-NK..... 10 | 1212L90S..... 48 |
| 101060-GSC3R..... 41 | 1010WB..... 30 | 121224-GSC3R-NK..... 42 | 12126-SC1-NK-NP..... 10 | 1212L90S-NP..... 48 |
| 101060-GSC3R-NK..... 41 | 1010XSC1..... 12 | 121224-GSC3R-NK-NP..... 42 | 12126-SC1-NP..... 10 | 1212TFLC..... 26 |
| 101060-GSC3R-NK-NP..... 41 | 1010XSC3R..... 20 | 121236-GHC12..... 60 | 12126-SC3R..... 18 | 1212TSC..... 27 |
| 10106-HC1..... 14 | 10124-HC1..... 14 | 121236-GHC12XS..... 60 | 12126-SC3R-NK..... 18 | 1212WB..... 30 |
| 10106-HC1-NK..... 14 | 10124-LC1..... 16 | 121236-GHC12XZ..... 60 | 12126-SC3R-NK-NP..... 18 | 1212XSC1..... 12 |

Please consult serving utility for their requirements prior to ordering or installing, as specifications and approvals vary by utility, and may require local electrical inspector approval. All installations must be installed by a licensed electrician and must comply with all national and local codes, laws and regulations. Milbank reserves the right to make changes in specifications and features shown without notice or obligation.



| | | | | | | | | | |
|-----------------------|----|-----------------------|----|-----------------------|----|----------------------|----|------------------------|----|
| 1212XSC3R..... | 20 | 12X24GSC1..... | 35 | 18188-SC1..... | 11 | 2212-GCC12..... | 55 | 2260-GHC1-NK..... | 37 |
| 12164-SC1..... | 10 | 12X36GSC1..... | 35 | 18188-SC1-NK..... | 11 | 2212-GCC12XS..... | 55 | 2260-GSC1..... | 33 |
| 12164-SC1-NK..... | 10 | 12X48GSC1..... | 35 | 18188-SC1-NK-NP..... | 11 | 2212-GCC12XZ..... | 55 | 2260-GSC1-NK..... | 33 |
| 12164-SC1-NK-NP..... | 10 | 12X60GSC1..... | 35 | 18188-SC1-NP..... | 11 | 2212-GHC1..... | 36 | 2272-GHC1..... | 37 |
| 12164-SC1-NP..... | 10 | 12X72GSC1..... | 35 | 18188-SC3R..... | 19 | 2212-GHC12..... | 60 | 2272-GHC12..... | 60 |
| 12164-SC3R..... | 19 | 15186-SC1..... | 10 | 18188-SC3R-NK..... | 19 | 2212-GHC12XS..... | 60 | 2272-GHC12XS..... | 60 |
| 12164-SC3R-NK..... | 19 | 15186-SC1-NK..... | 10 | 18188-SC3R-NK-NP..... | 19 | 2212-GHC12XZ..... | 60 | 2272-GHC12XZ..... | 60 |
| 12166-LC1..... | 16 | 15186-SC1-NK-NP..... | 10 | 18188-SC3R-NP..... | 19 | 2212-GHC1-NK..... | 36 | 2272-GHC1-NK..... | 37 |
| 12166-SC1..... | 10 | 1518XSC1..... | 12 | 1818FLC..... | 28 | 2212-GHC1-NK-NP..... | 36 | 2272-GSC1..... | 33 |
| 12166-SC1-NK..... | 10 | 16164-SC1..... | 10 | 1818TFLC..... | 26 | 2212-GSC1..... | 32 | 2272-GSC1-NK..... | 33 |
| 12166-SC1-NK-NP..... | 10 | 16164-SC1-NK..... | 10 | 1818TSC..... | 27 | 2212-GSC1-NK..... | 32 | 2272-GSC1-NK-NP..... | 33 |
| 12166-SC1-NP..... | 10 | 16164-SC1-NK-NP..... | 10 | 1818WB..... | 30 | 2212-GSC1-NK-NP..... | 32 | 2296-GHC1-NK..... | 37 |
| 12166-SC3R..... | 19 | 16164-SC3R..... | 19 | 1818XSC1..... | 12 | 2218-GCC12..... | 55 | 2296-GSC1-NK..... | 33 |
| 12166-SC3R-NK..... | 19 | 16166-LC1..... | 16 | 1818XSC3R..... | 20 | 2218-GCC12XS..... | 55 | 22GC..... | 45 |
| 12166-TC3R..... | 23 | 16166-SC1..... | 10 | 182410-SC1..... | 11 | 2218-GCC12XZ..... | 55 | 22GCU..... | 45 |
| 1216FLC..... | 28 | 16166-SC1-NK..... | 10 | 182410-SC1-NK..... | 11 | 2218-GHC1..... | 36 | 22GE..... | 44 |
| 1216XSC1..... | 12 | 16166-SC1-NK-NP..... | 10 | 182410-SC1-NK-NP..... | 11 | 2218-GHC12..... | 60 | 22GE-NK..... | 44 |
| 121810-SC1..... | 10 | 16166-SC1-NP..... | 10 | 182410-SC3R..... | 19 | 2218-GHC12XS..... | 60 | 22GE-NK-NP..... | 44 |
| 121810-SC3R..... | 19 | 16166-SC3R..... | 19 | 182412-SC1..... | 11 | 2218-GHC12XZ..... | 60 | 22GE-NP..... | 44 |
| 121812-SC3R-NK..... | 19 | 16166-SC3R-NK..... | 19 | 182412-SC1-NK..... | 11 | 2218-GHC1-NK-NP..... | 36 | 22GEU..... | 44 |
| 12184-HC1..... | 14 | 16166-TC3R..... | 23 | 182412-SC1-NK-NP..... | 11 | 2218-GSC1..... | 32 | 22GF..... | 46 |
| 12184-SC1..... | 10 | 16166-WSC2..... | 25 | 18244-SC1..... | 11 | 2218-GSC1-NK..... | 32 | 22GFE..... | 44 |
| 12184-SC1-NK..... | 10 | 1616FLC..... | 28 | 18244-SC1-NK..... | 11 | 2218-GSC1-NK-NP..... | 32 | 22GFE-NK..... | 44 |
| 12184-SC1-NK-NP..... | 10 | 1616XSC1..... | 12 | 18244-SC1-NK-NP..... | 11 | 2218-GSC1-NP..... | 32 | 22GFL90IS..... | 47 |
| 12184-SC3R..... | 19 | 16206-LC1..... | 16 | 18246-HC1..... | 14 | 2224-GCC12..... | 55 | 22GFL90OS..... | 47 |
| 12184-SC3R-NK..... | 19 | 16206-TC3R..... | 23 | 18246-HC1-NK..... | 14 | 2224-GCC12XS..... | 55 | 22GFL90OS-NP..... | 47 |
| 12186-HC3R..... | 21 | 181810-SC1..... | 11 | 18246-SC1..... | 11 | 2224-GCC12XZ..... | 55 | 22GFL90S..... | 47 |
| 12186-SC1..... | 10 | 181810-SC1-NK..... | 11 | 18246-SC1-NK..... | 11 | 2224-GHC1..... | 36 | 22GFT..... | 46 |
| 12186-SC1-NK..... | 10 | 181810-SC1-NK-NP..... | 11 | 18246-SC1-NK-NP..... | 11 | 2224-GHC12..... | 60 | 22GFT-NP..... | 46 |
| 12186-SC1-NK-NP..... | 10 | 181810-SC3R..... | 19 | 18246-SC1-NP..... | 11 | 2224-GHC12XS..... | 60 | 22GH..... | 45 |
| 12186-SC3R..... | 19 | 181810-SC3R-NK..... | 19 | 18246-SC3R..... | 19 | 2224-GHC12XZ..... | 60 | 22GT..... | 46 |
| 12186-SC3R-NK..... | 19 | 181812-SC1..... | 11 | 18246-SC3R-NK..... | 19 | 2224-GHC1-NK..... | 36 | 22GTF..... | 46 |
| 12186-SC3R-NK-NP..... | 19 | 181812-SC1-NK..... | 11 | 18246-SC3R-NK-NP..... | 19 | 2224-GSC1..... | 32 | 22GT-NP..... | 46 |
| 12186-TC3R..... | 23 | 181812-SC1-NK-NP..... | 11 | 18246-TC3R..... | 23 | 2224-GSC1-NK..... | 33 | 22GX..... | 43 |
| 12188-SC1..... | 10 | 181812-SC3R..... | 19 | 18248-SC1..... | 11 | 2224-GSC1-NK-NP..... | 33 | 22GX-NP..... | 43 |
| 12188-SC1-NK..... | 10 | 181812-SC3R-NK..... | 19 | 18248-SC1-NK..... | 11 | 2230-GHC12..... | 60 | 22L45C..... | 48 |
| 12188-SC1-NK-NP..... | 10 | 18184-SC1..... | 10 | 18248-SC1-NK-NP..... | 11 | 2230-GHC12XS..... | 60 | 22L45C-NP..... | 48 |
| 12188-SC3R..... | 19 | 18184-SC1-NK..... | 10 | 18248-SC3R..... | 19 | 2230-GHC12XZ..... | 60 | 22L45S..... | 48 |
| 12188-SC3R-NK..... | 19 | 18184-SC1-NK-NP..... | 10 | 18248-SC3R-NK..... | 19 | 2236-GHC1..... | 36 | 22L45S-NP..... | 48 |
| 12188-SC3R-NK-NP..... | 19 | 18184-SC1-NP..... | 10 | 18248-SC3R-NK-NP..... | 19 | 2236-GHC12..... | 60 | 22L90C..... | 48 |
| 1218FLC..... | 28 | 18184-SC3R..... | 19 | 1824FLC..... | 28 | 2236-GHC12XS..... | 60 | 22L90C-NP..... | 48 |
| 1218TFLC..... | 26 | 18184-SC3R-NK..... | 19 | 1824TFLC..... | 26 | 2236-GHC12XZ..... | 60 | 22L90S..... | 48 |
| 1218TSC..... | 27 | 18184-SC3R-NK-NP..... | 19 | 1824TSC..... | 27 | 2236-GHC1-NK..... | 36 | 22L90S-NP..... | 48 |
| 1218WB..... | 30 | 18184-WSC2..... | 25 | 1824WB..... | 30 | 2236-GHC1-NK-NP..... | 37 | 242410-HC3R..... | 21 |
| 1218XSC1..... | 12 | 18186-HC1..... | 14 | 1824XSC1..... | 12 | 2236-GSC1..... | 33 | 242410-SC1..... | 11 |
| 12206-LC1..... | 16 | 18186-HC1-NK..... | 14 | 1824XSC3R..... | 20 | 2236-GSC1-NK..... | 33 | 242410-SC1-NK..... | 11 |
| 12244-SC1..... | 10 | 18186-HC1-NK-NP..... | 14 | 1830XSC1..... | 12 | 2244GR..... | 45 | 242410-SC1-NK-NP..... | 11 |
| 12244-SC1-NK..... | 10 | 18186-LC1..... | 16 | 20206-LC1..... | 16 | 2248-GHC1..... | 37 | 242410-SC3R..... | 19 |
| 12246-SC1..... | 10 | 18186-SC1..... | 10 | 20208-TC3R..... | 23 | 2248-GHC12..... | 60 | 242410-SC3R-NK..... | 19 |
| 12246-SC1-NK..... | 10 | 18186-SC1-NK..... | 10 | 20208-WSC2..... | 25 | 2248-GHC12XS..... | 60 | 242410-SC3R-NK-NP..... | 19 |
| 12246-SC1-NK-NP..... | 10 | 18186-SC1-NK-NP..... | 11 | 20246-LC1..... | 16 | 2248-GHC12XZ..... | 60 | 242410-TC3R..... | 23 |
| 12246-SC3R..... | 19 | 18186-SC1-NP..... | 11 | 20248-LC1..... | 16 | 2248-GHC1-NK..... | 37 | 242412-LC1..... | 16 |
| 1224FLC..... | 28 | 18186-SC3R..... | 19 | 20248-TC3R..... | 23 | 2248-GSC1..... | 33 | 242412-SC1..... | 11 |
| 1224TFLC..... | 26 | 18186-SC3R-NK..... | 19 | 22120-GHC1..... | 37 | 2248-GSC1-NK..... | 33 | 242412-SC1-NK..... | 11 |
| 1224TSC..... | 27 | 18186-SC3R-NK-NP..... | 19 | 22120-GHC1-NK..... | 37 | 2260-GHC1..... | 37 | 242412-SC1-NK-NP..... | 11 |
| 1224WB..... | 30 | 18186-TC3R..... | 23 | 22120-GSC1..... | 33 | 2260-GHC12..... | 60 | 242412-SC3R..... | 19 |
| 1224XSC1..... | 12 | 18186-WSC2..... | 25 | 22120-GSC1-NK..... | 33 | 2260-GHC12XS..... | 60 | 242412-SC3R-NK..... | 19 |
| 1284-HC1..... | 14 | 18188-HC3R..... | 21 | 22120-GSC1-NK-NP..... | 33 | 2260-GHC12XZ..... | 60 | 242412-SC3R-NK-NP..... | 19 |



Please consult serving utility for their requirements prior to ordering or installing, as specifications and approvals vary by utility, and may require local electrical inspector approval. All installations must be installed by a licensed electrician and must comply with all national and local codes, laws and regulations. Milbank reserves the right to make changes in specifications and features shown without notice or obligation.

| | | | | | | | | | |
|------------------|----|-------------------|----|-------------------|----|------------------|----|------------------|----|
| 242412-WSC2 | 25 | 24366-SC1 | 11 | 363010-TC3R | 23 | 4412-GSC3R-NK | 39 | 4448-GSC3R-NK-NP | 40 |
| 24244-SC1 | 11 | 24366-SC1-NK | 11 | 363016-CT3R | 24 | 4412-GSC3R-NK-NP | 39 | 444-SC1 | 9 |
| 24244-SC1-NK | 11 | 24366-SC1-NK-NP | 11 | 363610-CT3R | 24 | 4418-GCC12 | 55 | 444-SC1-NK | 9 |
| 24244-SC1-NK-NP | 11 | 24366-SC1-NP | 11 | 363610-SC1-NK | 12 | 4418-GCC12XS | 55 | 444-SC1-NK-NP | 9 |
| 24244-SC1-NP | 11 | 24366-TC3R | 23 | 363610-SC1-NK-NP | 12 | 4418-GCC12XZ | 55 | 444-SC3R | 18 |
| 24244-SC3R | 19 | 24368-LC1 | 16 | 363612-CT3R | 24 | 4418-GHC12 | 60 | 444-SC3R-NK | 18 |
| 24244-SC3R-NP | 19 | 24368-SC1 | 11 | 363612-SC1-NK | 12 | 4418-GHC12XS | 60 | 444-SC3R-NK-NP | 18 |
| 24246-LC1 | 16 | 24368-SC1-NK | 11 | 363612-SC1-NK-NP | 12 | 4418-GHC12XZ | 60 | 4460-GHC1 | 37 |
| 24246-SC1 | 11 | 24368-SC1-NK-NP | 11 | 363612-SC3R | 20 | 4418-GSC1 | 33 | 4460-GHC12 | 60 |
| 24246-SC1-NK | 11 | 2436FLC | 28 | 363612-SC3R-NK | 20 | 4418-GSC1-NK | 33 | 4460-GHC12XS | 60 |
| 24246-SC1-NK-NP | 11 | 2436TFLC | 26 | 363612-SC3R-NK-NP | 20 | 4418-GSC1-NK-NP | 33 | 4460-GHC12XZ | 60 |
| 24246-SC1-NP | 11 | 2436TSC | 27 | 363612-SC3R-NK-NP | 20 | 4418-GSC3R | 39 | 4460-GHC1-NK | 37 |
| 24246-SC3R | 19 | 2436WB | 30 | 363612-WSC2 | 25 | 4418-GSC3R-NK | 39 | 4460-GSC1 | 33 |
| 24246-SC3R-NK | 19 | 2436XSC1 | 12 | 363616-CT3R | 24 | 4424-GCC12 | 55 | 4460-GSC1-NK | 33 |
| 24246-SC3R-NK-NP | 19 | 2448TFLC | 26 | 363616-TC3R | 23 | 4424-GCC12XS | 55 | 4460-GSC1-NK-NP | 33 |
| 24246-WSC2 | 25 | 2448TSC | 27 | 363618-SC1-NK | 12 | 4424-GCC12XZ | 55 | 4460-GSC3R | 40 |
| 24248-LC1 | 16 | 2448WB | 30 | 363618-SC3R-NK | 20 | 4424-GHC1 | 37 | 4460-GSC3R-NK | 40 |
| 24248-SC1 | 11 | 303010-SC1-NK | 12 | 363612-TC3R | 12 | 4424-GHC12 | 60 | 4460-GSC3R-NK-NP | 40 |
| 24248-SC1-NK | 11 | 303010-SC1-NK-NP | 12 | 36366-SC1-NK | 12 | 4424-GHC12XS | 60 | 4466GR | 45 |
| 24248-SC1-NK-NP | 11 | 303010-SC3R | 20 | 36366-SC1-NK-NP | 12 | 4424-GHC12XZ | 60 | 4472-GHC12 | 60 |
| 24248-SC3R | 19 | 303010-SC3R-NK | 20 | 36366-TC3R | 23 | 4424-GHC1-NK | 37 | 4472-GHC12XS | 60 |
| 24248-SC3R-NK | 19 | 303010-SC3R-NK-NP | 20 | 36368-SC1 | 12 | 4424-GSC1 | 33 | 4472-GHC12XZ | 60 |
| 24248-SC3R-NK-NP | 19 | 303012-SC1-NK | 12 | 36368-SC1-NK | 12 | 4424-GSC1-NK | 33 | 4472-GHC1-NK | 37 |
| 24248-TC3R | 23 | 303012-SC1-NK-NP | 12 | 36368-SC1-NK-NP | 12 | 4424-GSC1-NK-NP | 33 | 4472-GSC1 | 33 |
| 24248-WSC2 | 25 | 303012-SC3R | 20 | 36368-SC3R | 20 | 4424-GSC3R | 39 | 4472-GSC1-NK | 33 |
| 2424FLC | 28 | 303012-SC3R-NK-NP | 20 | 3636FLC | 28 | 4424-GSC3R-NK | 39 | 4472-GSC1-NK-NP | 33 |
| 2424TFLC | 26 | 303012-TC3R | 23 | 3636TFLC | 26 | 4424-GSC3R-NK-NP | 40 | 4472-GSC3R | 40 |
| 2424TSC | 27 | 303012-WSC2 | 25 | 3636TSC | 27 | 4430-GHC12 | 60 | 4472-GSC3R-NK | 40 |
| 2424WB | 30 | 30306-SC1-NK | 12 | 3636WB | 30 | 4430-GHC12XS | 60 | 4472-GSC3R-NK-NP | 40 |
| 2424XSC1 | 12 | 30306-SC1-NK-NP | 12 | 3636XSC1 | 12 | 4430-GHC12XZ | 60 | 4496-GHC1-NK | 37 |
| 2424XSC3R | 20 | 30306-SC3R | 19 | 364812-TC3R | 23 | 4436-GCC12 | 55 | 4496-GSC1 | 33 |
| 243010-SC1 | 11 | 30306-SC3R-NK | 20 | 364816-SC3R-NK | 20 | 4436-GCC12XS | 55 | 4496-GSC1-NK | 33 |
| 243010-SC1-NK | 11 | 30308-LC1 | 16 | 364816-TC3R | 23 | 4436-GCC12XZ | 55 | 4496-GSC3R | 40 |
| 243010-SC1-NK-NP | 11 | 30308-SC1-NK | 12 | 36486-SC1-NK | 12 | 4436-GHC1 | 37 | 44FLC | 28 |
| 243010-SC3R | 19 | 30308-SC1-NK-NP | 12 | 3648FLC | 28 | 4436-GHC12 | 60 | 44GC | 45 |
| 243010-SC3R-NK | 19 | 30308-SC3R | 20 | 3648TFLC | 26 | 4436-GHC12XS | 60 | 44GCU | 45 |
| 243012-SC1 | 11 | 30308-SC3R-NK | 20 | 3648TSC | 27 | 4436-GHC12XZ | 60 | 44GE | 44 |
| 243012-SC1-NK-NP | 11 | 3030FLC | 28 | 3648WB | 30 | 4436-GHC1-NK | 37 | 44GE-NK | 44 |
| 243012-SC3R | 19 | 3030TFLC | 26 | 3648XSC1 | 12 | 4436-GSC1 | 33 | 44GE-NK-NP | 44 |
| 24306-LC1 | 16 | 3030TSC | 27 | 44120-GHC1 | 37 | 4436-GSC1-NK | 33 | 44GE-NP | 44 |
| 24306-TC3R | 23 | 3030XSC1 | 12 | 44120-GHC1-NK | 37 | 4436-GSC1-NK-NP | 33 | 44GEU | 44 |
| 24308-SC1 | 11 | 303610-SC1-NK-NP | 12 | 44120-GSC1 | 33 | 4436-GSC3R | 40 | 44GEU-NK-NP | 44 |
| 24308-SC1-NK | 11 | 303612-SC1-NK | 12 | 44120-GSC1-NK | 33 | 4436-GSC3R-NK | 40 | 44GF | 46 |
| 24308-SC1-NK-NP | 11 | 303612-SC1-NK-NP | 12 | 44120-GSC1-NK-NP | 33 | 4436-GSC3R-NK-NP | 40 | 44GFE | 44 |
| 2430FLC | 28 | 303612-SC3R-NK | 20 | 44120-GSC3R | 40 | 4448-GCC12 | 55 | 44GFE-NK | 44 |
| 2430TFLC | 26 | 303612-TC3R | 23 | 4412-GCC12 | 55 | 4448-GCC12XS | 55 | 44GFL90IS | 47 |
| 2430TSC | 27 | 30366-LC1 | 16 | 4412-GCC12XS | 55 | 4448-GCC12XZ | 55 | 44GFL90OS | 47 |
| 2430WB | 30 | 30366-SC1-NK | 12 | 4412-GCC12XZ | 55 | 4448-GHC1 | 37 | 44GFL90S | 47 |
| 2430XSC1 | 12 | 30366-SC1-NK-NP | 12 | 4412-GHC1 | 37 | 4448-GHC12 | 60 | 44GF-NP | 46 |
| 243610-SC1 | 11 | 30368-SC1-NK | 12 | 4412-GHC12 | 60 | 4448-GHC12XS | 60 | 44GFT | 46 |
| 243610-SC1-NK | 12 | 30368-SC1-NK-NP | 12 | 4412-GHC12XS | 60 | 4448-GHC12XZ | 60 | 44GH | 45 |
| 243612-SC1 | 12 | 3036FLC | 28 | 4412-GHC12XZ | 60 | 4448-GHC1-NK | 37 | 44GH-NP | 45 |
| 243612-SC1-NK | 12 | 3036TFLC | 26 | 4412-GHC1-NK | 37 | 4448-GSC1 | 33 | 44GT | 46 |
| 243612-SC1-NK-NP | 12 | 3036TSC | 27 | 4412-GSC1 | 33 | 4448-GSC1-NK | 33 | 44GTF | 46 |
| 243612-SC3R | 19 | 3036WB | 30 | 4412-GSC1-NK | 33 | 4448-GSC1-NK-NP | 33 | 44GT-NP | 46 |
| 243612-SC3R-NK | 19 | 3036XSC1 | 12 | 4412-GSC1-NK-NP | 33 | 4448-GSC3R | 40 | 44GX | 43 |
| 24366-LC1 | 16 | 363010-CT3R | 24 | 4412-GSC3R | 39 | 4448-GSC3R-NK | 40 | 44L45C | 48 |

Please consult serving utility for their requirements prior to ordering or installing, as specifications and approvals vary by utility, and may require local electrical inspector approval. All installations must be installed by a licensed electrician and must comply with all national and local codes, laws and regulations. Milbank reserves the right to make changes in specifications and features shown without notice or obligation.



| | | | | |
|--------------------------|--------------------------|--------------------------|--------------------------|--------------------------|
| 44L45S..... 48 | 6612-GSC1..... 33 | 6648-GHC12XS..... 60 | 6672-GSC3R-NK-NP..... 40 | 686-SC1-NK..... 9 |
| 44L90C..... 48 | 6612-GSC1-NK..... 33 | 6648-GHC12XZ..... 60 | 6688GR..... 45 | 686-SC1-NK-NP..... 9 |
| 44L90C-NP..... 48 | 6612-GSC1-NK-NP..... 33 | 6648-GHC1-NK..... 37 | 6696-GSC1..... 34 | 686-SC1-NP..... 9 |
| 44L90S..... 48 | 6612-GSC3R..... 40 | 6648-GHC1-NP..... 37 | 6696-GSC1-NK..... 34 | 686-SC3R..... 18 |
| 44L90S-NP..... 48 | 6612-GSC3R-NK..... 40 | 6648-GSC1..... 33 | 6696-GSC1-NK-NP..... 34 | 686-SC3R-NK..... 18 |
| 44XSC1..... 12 | 6612-GSC3R-NK-NP..... 40 | 6648-GSC1-NK..... 33 | 6696-GSC1-NP..... 34 | 68XSC1..... 12 |
| 44XSC3R..... 20 | 6618-GCC12..... 55 | 6648-GSC1-NK-NP..... 33 | 6696-GSC3R..... 40 | 68XSC3R..... 20 |
| 464-SC1..... 9 | 6618-GCC12XS..... 55 | 6648-GSC3R..... 40 | 6696-GSC3R-NK..... 40 | 6X12GSC1..... 35 |
| 464-SC1-NK..... 9 | 6618-GCC12XZ..... 55 | 6648-GSC3R-NK..... 40 | 6696-GSC3R-NK-NP..... 40 | 6X18GSC1..... 35 |
| 464-SC1-NK-NP..... 9 | 6618-GHC12..... 60 | 6648-GSC3R-NK-NP..... 40 | 66FLC..... 28 | 6X24GSC1..... 35 |
| 464-SC1-NP..... 9 | 6618-GHC12XS..... 60 | 664-HC1..... 14 | 66GC..... 45 | 6X36GSC1..... 35 |
| 464-SC3R..... 18 | 6618-GHC12XZ..... 60 | 664-HC1-NK..... 14 | 66GCU..... 45 | 6X48GSC1..... 35 |
| 464-SC3R-NK..... 18 | 6618-GSC1..... 33 | 664-HC1-NK-NP..... 14 | 66GE..... 44 | 6X60GSC1..... 35 |
| 46XSC1..... 12 | 6618-GSC1-NK..... 33 | 664-HC3R..... 21 | 66GE-NK..... 44 | 6X72GSC1..... 35 |
| 46XSC3R..... 20 | 6618-GSC1-NK-NP..... 33 | 664-LC1..... 16 | 66GE-NK-NP..... 44 | 8104-LC1..... 16 |
| 483616-CT3R..... 24 | 6618-GSC3R..... 40 | 664-SC1..... 9 | 66GE-NP..... 44 | 8104-SC1..... 9 |
| 484812-CT3R..... 24 | 6618-GSC3R-NK..... 40 | 664-SC1-NK..... 9 | 66GEU..... 44 | 8104-SC1-NK..... 9 |
| 484812-SC1-NK..... 12 | 6618-GSC3R-NK-NP..... 40 | 664-SC1-NK-NP..... 9 | 66GEU-NK..... 44 | 8104-SC1-NK-NP..... 9 |
| 48486-SC1-NK..... 12 | 6624-GCC12..... 55 | 664-SC1-NP..... 9 | 66GEU-NK-NP..... 44 | 8104-SC1-NP..... 9 |
| 4848TFLC..... 26 | 6624-GCC12XS..... 55 | 664-SC3R..... 18 | 66GF..... 46 | 8104-SC3R..... 18 |
| 4848TSC..... 27 | 6624-GCC12XZ..... 55 | 664-SC3R-NK..... 18 | 66GFE..... 44 | 8104-SC3R-NK..... 18 |
| 4848WB..... 30 | 6624-GHC1..... 37 | 664-SC3R-NK-NP..... 18 | 66GFL90IS..... 47 | 8104-WSC2..... 25 |
| 4848XSC1..... 12 | 6624-GHC12..... 60 | 664-SC3R-NP..... 18 | 66GFL90OS..... 47 | 8106-LC1..... 16 |
| 4X12GSC1..... 35 | 6624-GHC12XS..... 60 | 664-TC3R..... 23 | 66GFL90OS-NP..... 47 | 8106-SC1..... 9 |
| 4X18GSC1..... 35 | 6624-GHC12XZ..... 60 | 664-WSC2..... 25 | 66GFL90S..... 47 | 8106-SC1-NK..... 9 |
| 4X24GSC1..... 35 | 6624-GHC1-NK..... 37 | 6660-GHC1..... 37 | 66GF-NP..... 46 | 8106-SC1-NK-NP..... 9 |
| 4X36GSC1..... 35 | 6624-GSC1..... 33 | 6660-GHC12..... 60 | 66GFT..... 46 | 8106-SC1-NP..... 9 |
| 4X48GSC1..... 35 | 6624-GSC1-NK..... 33 | 6660-GHC12XS..... 60 | 66GFT-NP..... 46 | 8106-SC3R..... 18 |
| 4X60GSC1..... 35 | 6624-GSC1-NK-NP..... 33 | 6660-GHC12XZ..... 60 | 66GH..... 45 | 8106-SC3R-NK..... 18 |
| 4X72GSC1..... 35 | 6624-GSC3R..... 40 | 6660-GHC1-NK..... 37 | 66GH-NP..... 45 | 8106-SC3R-NK-NP..... 18 |
| 606013-CT3R..... 24 | 6624-GSC3R-NK..... 40 | 6660-GHC1-NP..... 37 | 66GT..... 46 | 8106-TC3R..... 23 |
| 6124-SC1..... 9 | 6624-GSC3R-NK-NP..... 40 | 6660-GSC1..... 33 | 66GTF..... 46 | 810FLC..... 28 |
| 6124-SC1-NK..... 9 | 6630-GHC12..... 60 | 6660-GSC1-NK..... 33 | 66GT-NP..... 46 | 810XSC1..... 12 |
| 6124-SC3R..... 18 | 6630-GHC12XS..... 60 | 6660-GSC1-NK-NP..... 33 | 66GX..... 43 | 810XSC3R..... 20 |
| 6126-SC1..... 9 | 6630-GHC12XZ..... 60 | 6660-GSC3R..... 40 | 66L45C..... 48 | 8124-HC1-NK..... 14 |
| 6126-SC1-NK..... 9 | 6636-GCC12..... 55 | 6660-GSC3R-NK..... 40 | 66L45C-NP..... 48 | 8124-SC1..... 9 |
| 612FLC..... 28 | 6636-GCC12XS..... 55 | 666-GSC3R-NK-NP..... 40 | 66L45S..... 48 | 8124-SC1-NK..... 9 |
| 612XSC1..... 12 | 6636-GCC12XZ..... 55 | 666-HC1..... 14 | 66L45S-NP..... 48 | 8124-SC1-NK-NP..... 9 |
| 66120-GHC1..... 37 | 6636-GHC1..... 37 | 666-HC1-NK..... 14 | 66L90C..... 48 | 8124-SC3R..... 18 |
| 66120-GHC1-NK..... 37 | 6636-GHC12..... 60 | 666-SC1..... 9 | 66L90C-NP..... 48 | 8124-SC3R-NK..... 18 |
| 66120-GHC1-NK-NP..... 37 | 6636-GHC12XS..... 60 | 666-SC1-NK..... 9 | 66L90S..... 48 | 8126-SC1..... 9 |
| 66120-GHC1-NP..... 37 | 6636-GHC12XZ..... 60 | 666-SC1-NK-NP..... 9 | 66L90S-NP..... 48 | 8126-SC1-NK..... 9 |
| 66120-GSC1..... 34 | 6636-GHC1-NK..... 37 | 666-SC1-NP..... 9 | 66XSC1..... 12 | 8126-SC1-NK-NP..... 9 |
| 66120-GSC1-NK..... 34 | 6636-GSC1..... 33 | 666-SC3R..... 18 | 66XSC3R..... 20 | 8126-SC3R..... 18 |
| 66120-GSC1-NK-NP..... 34 | 6636-GSC1-NK..... 33 | 666-SC3R-NK..... 18 | 684-HC1..... 14 | 8126-SC3R-NK..... 18 |
| 66120-GSC1-NP..... 34 | 6636-GSC1-NK-NP..... 33 | 666-SC3R-NK-NP..... 18 | 684-HC1-NK..... 14 | 812TFLC..... 26 |
| 66120-GSC3R..... 40 | 6636-GSC3R..... 40 | 666-WSC2..... 25 | 684-LC1..... 16 | 812TSC..... 27 |
| 66120-GSC3R-NK..... 40 | 6636-GSC3R-NK..... 40 | 6672-GHC1..... 37 | 684-SC1..... 9 | 812WB..... 30 |
| 6612-GCC12..... 55 | 6636-GSC3R-NK-NP..... 40 | 6672-GHC12..... 60 | 684-SC1-NK..... 9 | 812XSC1..... 12 |
| 6612-GCC12XS..... 55 | 663-GSC1..... 9 | 6672-GHC12XS..... 60 | 684-SC1-NK-NP..... 9 | 881010GR..... 45 |
| 6612-GCC12XZ..... 55 | 663-SC1-NK..... 9 | 6672-GHC12XZ..... 60 | 684-SC1-NP..... 9 | 88120-GHC1..... 38 |
| 6612-GHC1..... 37 | 663-SC1-NK-NP..... 9 | 6672-GHC1-NK..... 37 | 684-SC3R..... 18 | 88120-GHC1-NK..... 38 |
| 6612-GHC12..... 60 | 6648-GCC12..... 55 | 6672-GSC1..... 34 | 684-SC3R-NK..... 18 | 88120-GSC1..... 34 |
| 6612-GHC12XS..... 60 | 6648-GCC12XS..... 55 | 6672-GSC1-NK..... 34 | 684-SC3R-NK-NP..... 18 | 88120-GSC1-NK..... 34 |
| 6612-GHC12XZ..... 60 | 6648-GCC12XZ..... 55 | 6672-GSC1-NK-NP..... 34 | 684-TC3R..... 23 | 88120-GSC1-NK-NP..... 34 |
| 6612-GHC1-NK..... 37 | 6648-GHC1..... 37 | 6672-GSC3R..... 40 | 684-WSC2..... 25 | 88120-GSC3R..... 41 |
| 6612-GHC1-NP..... 37 | 6648-GHC12..... 60 | 6672-GSC3R-NK..... 40 | 686-SC1..... 9 | 88120-GSC3R-NK..... 41 |



Please consult serving utility for their requirements prior to ordering or installing, as specifications and approvals vary by utility, and may require local electrical inspector approval. All installations must be installed by a licensed electrician and must comply with all national and local codes, laws and regulations. Milbank reserves the right to make changes in specifications and features shown without notice or obligation.

| | | | | |
|---------------------------|--------------------------|-------------------------|--------------------------|-------------------------|
| 88120-GSC3R-NK-NP..... 41 | 884-SC1..... 9 | 88GE-NK..... 44 | A-18P18..... 29 | A-72P24F2..... 156 |
| 881212GR..... 45 | 884-SC1-NK..... 9 | 88GE-NK-NP..... 44 | A-18P18W..... 29 | A-72P30F1..... 156 |
| 8812-GHC1..... 37 | 884-SC1-NK-NP..... 9 | 88GE-NP..... 44 | A-18P24W..... 29 | A-72P30F2..... 156 |
| 8812-GHC12..... 60 | 884-SC3R..... 18 | 88GEU..... 44 | A-2012SBP..... 30 | A-72P36F1..... 156 |
| 8812-GHC12XS..... 60 | 884-SC3R-NK..... 18 | 88GEU-NK-NP..... 44 | A-2016SBP..... 30 | A-72P36F2..... 156 |
| 8812-GHC12XZ..... 60 | 884-SC3R-NK-NP..... 18 | 88GF..... 46 | A-2020SBP..... 30 | A-72P48F1..... 156 |
| 8812-GHC1-NK..... 37 | 884-SC3R-NP..... 18 | 88GFE..... 44 | A-20P16..... 29 | A-72P48F2..... 156 |
| 8812-GSC1..... 34 | 884-WSC2..... 25 | 88GFE-NK..... 44 | A-20P20..... 29 | A-72P60F1..... 156 |
| 8812-GSC1-NK..... 34 | 8860-GHC1..... 38 | 88GFL90IS..... 47 | A-20P20W..... 29 | A-72P60F2..... 156 |
| 8812-GSC1-NK-NP..... 34 | 8860-GHC12..... 60 | 88GFL90OS..... 47 | A-20P24W..... 29 | A-72P72F1..... 156 |
| 8812-GSC3R..... 40 | 8860-GHC12XS..... 60 | 88GFL90S..... 47 | A-2420SBP..... 30 | A-72P72F2..... 156 |
| 8812-GSC3R-NK..... 41 | 8860-GHC12XZ..... 60 | 88GFL90S-NP..... 47 | A-2424SBP..... 30 | A-72SMP14..... 157 |
| 8812-GSC3R-NK-NP..... 41 | 8860-GHC1-NK..... 38 | 88GF-NP..... 46 | A-24P18..... 29 | A-72SMP20..... 157 |
| 8818-GHC1-NK..... 37 | 8860-GSC1..... 34 | 88GFT..... 46 | A-24P20..... 29 | A-72SMP26..... 157 |
| 8818-GSC1..... 34 | 8860-GSC1-NK..... 34 | 88GH..... 45 | A-24P24..... 29 | A-72SMP32..... 157 |
| 8818-GSC1-NK..... 34 | 8860-GSC1-NK-NP..... 34 | 88GT..... 46 | A-24P24W..... 29 | A-86SBP..... 30 |
| 8818-GSC3R..... 41 | 8860-GSC3R..... 41 | 88GTF..... 46 | A-261612-10-KIT..... 152 | A-88SBP..... 30 |
| 8818-GSC3R-NK..... 41 | 8860-GSC3R-NK..... 41 | 88GT-NP..... 46 | A-3024SBP..... 30 | A-8P6R..... 29 |
| 8818-GSC3R-NK-NP..... 41 | 8860-GSC3R-NK-NP..... 41 | 88GX..... 43 | A-3030SBP..... 30 | A-8P8R..... 29 |
| 8824-GHC1..... 37 | 886-HC1..... 14 | 88L45C..... 48 | A-30P20..... 117 | A-90P24F1..... 156 |
| 8824-GHC12..... 60 | 886-HC1-NK..... 14 | 88L45C-NP..... 48 | A-30P20..... 117 | A-90P24F2..... 156 |
| 8824-GHC12XS..... 60 | 886-HC1-NP..... 14 | 88L45S..... 48 | A-30P24..... 29 | A-90P30F1..... 156 |
| 8824-GHC12XZ..... 60 | 886-SC1..... 9 | 88L90C..... 48 | A-30P24W..... 29 | A-90P30F2..... 156 |
| 8824-GHC1-NK..... 37 | 886-SC1-NK..... 9 | 88L90C-NP..... 48 | A-30P30..... 29 | A-90P36F1..... 156 |
| 8824-GSC1..... 34 | 886-SC1-NK-NP..... 9 | 88L90S..... 48 | A-30P30..... 117 | A-90P36F2..... 156 |
| 8824-GSC1-NK..... 34 | 886-SC1-NP..... 9 | 88L90S-NP..... 48 | A-30P30W..... 29 | A-90P48F1..... 156 |
| 8824-GSC1-NK-NP..... 34 | 886-SC3R..... 18 | 88TSC..... 27 | A-30X15..... 117 | A-90P48F2..... 156 |
| 8824-GSC3R..... 41 | 886-SC3R-NK..... 18 | 88WB..... 30 | A-30X21..... 117 | A-90P60F1..... 156 |
| 8824-GSC3R-NK..... 41 | 886-SC3R-NK-NP..... 18 | 88XSC1..... 12 | A-30X27..... 117 | A-90P60F2..... 156 |
| 8824-GSC3R-NK-NP..... 41 | 886-SC3R-NP..... 18 | 88XSC3R..... 20 | A-30X33..... 117 | A-90P72F1..... 156 |
| 8836-GHC1..... 37 | 886-TC3R..... 23 | 8X12GSC1..... 35 | A-30X39..... 117 | A-90P72F2..... 156 |
| 8836-GHC12..... 60 | 886-WSC2..... 25 | 8X18GSC1..... 35 | A-30X45..... 117 | A-90SMP14..... 157 |
| 8836-GHC12XS..... 60 | 8872-GHC1..... 38 | 8X24GSC1..... 35 | A-3624SBP..... 30 | A-90SMP16..... 157 |
| 8836-GHC12XZ..... 60 | 8872-GHC1-NK..... 38 | 8X36GSC1..... 35 | A-3630SBP..... 30 | A-90SMP20..... 157 |
| 8836-GHC1-NK..... 38 | 8872-GSC1..... 34 | 8X48GSC1..... 35 | A-36P24..... 29 | A-90SMP26..... 157 |
| 8836-GSC1..... 34 | 8872-GSC1-NK..... 34 | 8X60GSC1..... 35 | A-36P24W..... 29 | A-90SMP32..... 157 |
| 8836-GSC1-NK..... 34 | 8872-GSC1-NK-NP..... 34 | 8X72GSC1..... 35 | A-36P30..... 29 | A-ADPHD-AB*..... 158 |
| 8836-GSC1-NK-NP..... 34 | 8872-GSC3R..... 41 | 90° Elbows..... 48 | A-36P30W..... 29 | A-ADPHD-ABFLEX..... 158 |
| 8836-GSC3R..... 41 | 8872-GSC3R-NK..... 41 | A-1000-U237..... 153 | A-36P36..... 29 | A-ADPHD-ABV..... 158 |
| 8836-GSC3R-NK..... 41 | 8872-GSC3R-NK-NP..... 41 | A-1000-U429-01..... 153 | A-36P36W..... 29 | A-ADPHD-ABV400..... 158 |
| 8836-GSC3R-NK-NP..... 41 | 888-SC1..... 9 | A-1000-U78..... 153 | A-3PTCONS..... 152 | A-ADPHD-AMT..... 158 |
| 8848-GHC1..... 38 | 888-SC1-NK..... 9 | A-1010SBP..... 30 | A-48P36W..... 29 | A-ADPHD-BLK..... 158 |
| 8848-GHC12..... 60 | 888-SC1-NK-NP..... 9 | A-108SBP..... 30 | A-48P48..... 29 | A-ADPHD-CH..... 158 |
| 8848-GHC12XS..... 60 | 888-SC1-NP..... 9 | A-10P8R..... 29 | A-48P48W..... 29 | A-ADPHD-CHF..... 158 |
| 8848-GHC12XZ..... 60 | 888-SC3R..... 18 | A-1210SBP..... 30 | A-60P24F1..... 156 | A-ADPHD-GE..... 158 |
| 8848-GHC1-NK..... 38 | 888-SC3R-NK..... 18 | A-1212SBP..... 30 | A-60P24F2..... 156 | A-ADPHD-ITE..... 158 |
| 8848-GSC1..... 34 | 888-WSC2..... 25 | A-12P10R..... 29 | A-60P36F1..... 156 | A-ADPHD-SQ..... 158 |
| 8848-GSC1-NK..... 34 | 8896-GSC1..... 34 | A-12P12R..... 29 | A-60P36F2..... 156 | A-ADPHD-WH..... 158 |
| 8848-GSC1-NK-NP..... 34 | 8896-GSC1-NK..... 34 | A-12P12W..... 29 | A-60P48F1..... 156 | A-BASE18..... 163 |
| 8848-GSC3R..... 41 | 8896-GSC1-NK-NP..... 34 | A-1612SBP..... 30 | A-60P48F2..... 156 | A-BASE18XS..... 163 |
| 8848-GSC3R-NK..... 41 | 8896-GSC3R..... 41 | A-1616SBP..... 30 | A-60P60..... 29 | A-BASE18XZ..... 163 |
| 8848-GSC3R-NK-NP..... 41 | 8896-GSC3R-NK..... 41 | A-16P12..... 29 | A-60P60W..... 29 | A-BASE24..... 163 |
| 884-HC1..... 14 | 8896-GSC3R-NK-NP..... 41 | A-16P12W..... 29 | A-60SMP14..... 157 | A-BASE24XS..... 163 |
| 884-HC1-NK..... 14 | 88FLC..... 28 | A-16P16..... 29 | A-60SMP20..... 157 | A-BASE24XZ..... 163 |
| 884-HC1-NP..... 14 | 88GC..... 45 | A-16P16W..... 29 | A-66SBP..... 30 | A-BK1060..... 51 |
| 884-HC3R..... 21 | 88GCU..... 45 | A-1818SBP..... 30 | A-6P6R..... 29 | A-BK1260..... 51 |
| 884-LC1..... 16 | 88GE..... 44 | A-18P12..... 29 | A-72P24F1..... 156 | A-BK460..... 51 |

Please consult serving utility for their requirements prior to ordering or installing, as specifications and approvals vary by utility, and may require local electrical inspector approval. All installations must be installed by a licensed electrician and must comply with all national and local codes, laws and regulations. Milbank reserves the right to make changes in specifications and features shown without notice or obligation.



| | | | | | | | | | |
|------------------|-----|------------------|-----|---------------|-----|------------------|-----|-------------------|-----|
| A-BK660..... | 51 | A-DSXZ12..... | 142 | A-FSK610..... | 143 | A-FSKXZ2416..... | 143 | A-HWK2010..... | 150 |
| A-BK860..... | 51 | A-DSXZ12-N4..... | 142 | A-FSK612..... | 143 | A-FSKXZ2424..... | 143 | A-HWK2012..... | 150 |
| A-C0035745..... | 153 | A-DSXZ16..... | 142 | A-FSK616..... | 143 | A-FSKXZ248..... | 143 | A-HWK2017..... | 150 |
| A-COL44..... | 163 | A-DSXZ16-N4..... | 142 | A-FSK618..... | 143 | A-FSKXZ610..... | 143 | A-HWK2020..... | 150 |
| A-COL44XS..... | 163 | A-DSXZ20..... | 142 | A-FSK620..... | 143 | A-FSKXZ612..... | 143 | A-HWK2021..... | 150 |
| A-COL44XZ..... | 163 | A-DSXZ20-N4..... | 142 | A-FSK624..... | 143 | A-FSKXZ616..... | 143 | A-HWK208..... | 150 |
| A-COL66..... | 163 | A-DSXZ24..... | 142 | A-FSK630..... | 143 | A-FSKXZ618..... | 143 | A-HWK2424..... | 150 |
| A-COL66XS..... | 163 | A-DSXZ24-N4..... | 142 | A-FSK636..... | 143 | A-FSKXZ620..... | 143 | A-HWK2615..... | 150 |
| A-COL66XZ..... | 163 | A-DSXZ30..... | 142 | A-FSK68..... | 143 | A-FSKXZ624..... | 143 | A-HWK3215..... | 150 |
| A-DD54P42..... | 155 | A-DSXZ30-N4..... | 142 | A-FSK68..... | 143 | A-FSKXZ630..... | 143 | A-HWK3636..... | 150 |
| A-DD60P48..... | 155 | A-DSXZ36..... | 142 | A-FSK68..... | 143 | A-FSKXZ636..... | 143 | A-HWKXS1010..... | 150 |
| A-DD60P60..... | 155 | A-DSXZ36-N4..... | 142 | A-FSK68..... | 143 | A-FSKXZ68..... | 143 | A-HWKXS1212..... | 150 |
| A-DD72P60..... | 155 | A-DSXZ42..... | 142 | A-FSK68..... | 143 | A-GP..... | 51 | A-HWKXS124..... | 150 |
| A-DD72P72..... | 155 | A-DSXZ42-N4..... | 142 | A-FSK68..... | 143 | A-GP..... | 144 | A-HWKXS1520..... | 150 |
| A-DS12..... | 142 | A-DSXZ48..... | 142 | A-FSK68..... | 143 | A-GP7035..... | 144 | A-HWKXS168..... | 150 |
| A-DS12-N4..... | 142 | A-DSXZ48-N4..... | 142 | A-FSK68..... | 143 | A-GSC..... | 51 | A-HWKXS1711..... | 150 |
| A-DS16..... | 142 | A-DSXZ60..... | 142 | A-FSK68..... | 143 | A-HNDLCOMP..... | 151 | A-HWKXS2010..... | 150 |
| A-DS16-N4..... | 142 | A-DSXZ60-N4..... | 142 | A-FSK68..... | 143 | A-HNDLHDD..... | 151 | A-HWKXS2012..... | 150 |
| A-DS20..... | 142 | A-DSXZ72..... | 142 | A-FSK68..... | 143 | A-HNDLHDK..... | 151 | A-HWKXS2017..... | 150 |
| A-DS20-N4..... | 142 | A-DSXZ72-N4..... | 142 | A-FSK68..... | 143 | A-HNDLHDK..... | 151 | A-HWKXS2020..... | 150 |
| A-DS24..... | 142 | A-FLT33..... | 148 | A-FSK68..... | 143 | A-HNDLHD..... | 151 | A-HWKXS2021..... | 150 |
| A-DS24-N4..... | 142 | A-FLT34..... | 148 | A-FSK68..... | 143 | A-HNDLHDD..... | 151 | A-HWKXS208..... | 150 |
| A-DS30..... | 142 | A-FLT43..... | 148 | A-FSK68..... | 143 | A-HNDLHDK..... | 151 | A-HWKXS2424..... | 150 |
| A-DS30-N4..... | 142 | A-FLT44..... | 148 | A-FSK68..... | 143 | A-HNDLHDK..... | 151 | A-HWKXS2615..... | 150 |
| A-DS36..... | 142 | A-FLT64..... | 148 | A-FSK68..... | 143 | A-HNDLHDK..... | 151 | A-HWKXS3215..... | 150 |
| A-DS36-N4..... | 142 | A-FLT66..... | 148 | A-FSK68..... | 143 | A-HNDLHDK..... | 151 | A-HWKXS3636..... | 150 |
| A-DS42..... | 142 | A-FLT812..... | 148 | A-FSK68..... | 143 | A-HNDLHDK..... | 151 | A-HWKXZ1010..... | 150 |
| A-DS42-N4..... | 142 | A-FLT84..... | 148 | A-FSK68..... | 143 | A-HNDLHDK..... | 151 | A-HWKXZ1212..... | 150 |
| A-DS48..... | 142 | A-FLT86..... | 148 | A-FSK68..... | 143 | A-HNDLHDK..... | 151 | A-HWKXZ124..... | 150 |
| A-DS48-N4..... | 142 | A-FLT88..... | 148 | A-FSK68..... | 143 | A-HNDLHDK..... | 151 | A-HWKXZ1520..... | 150 |
| A-DS60..... | 142 | A-FOCJIC..... | 51 | A-FSK68..... | 143 | A-HNDLHDK..... | 151 | A-HWKXZ168..... | 150 |
| A-DS60-N4..... | 142 | A-FOCJICS..... | 51 | A-FSK68..... | 143 | A-HNDLHDK..... | 151 | A-HWKXZ1711..... | 150 |
| A-DS72..... | 142 | A-FOCJIC-S..... | 152 | A-FSK68..... | 143 | A-HNDLHDK..... | 151 | A-HWKXZ2010..... | 150 |
| A-DS72-N4..... | 142 | A-FOCJIC-SS..... | 152 | A-FSK68..... | 143 | A-HNDLHDK..... | 151 | A-HWKXZ2012..... | 150 |
| A-DSK..... | 144 | A-FOCX..... | 153 | A-FSK68..... | 143 | A-HNDLHDK..... | 151 | A-HWKXZ2017..... | 150 |
| A-DSKXS..... | 144 | A-FOCXZ..... | 153 | A-FSK68..... | 143 | A-HNDLHDK..... | 151 | A-HWKXZ2020..... | 150 |
| A-DSKXZ..... | 144 | A-FSK1210..... | 143 | A-FSK68..... | 143 | A-HNDLHDK..... | 151 | A-HWKXZ2021..... | 150 |
| A-DSXS12..... | 142 | A-FSK1212..... | 143 | A-FSK68..... | 143 | A-HNDLHDK..... | 151 | A-HWKXZ208..... | 150 |
| A-DSXS12-N4..... | 142 | A-FSK1216..... | 143 | A-FSK68..... | 143 | A-HNDLHDK..... | 151 | A-HWKXZ2424..... | 150 |
| A-DSXS16..... | 142 | A-FSK1218..... | 143 | A-FSK68..... | 143 | A-HNDLHDK..... | 151 | A-HWKXZ2615..... | 150 |
| A-DSXS16-N4..... | 142 | A-FSK1220..... | 143 | A-FSK68..... | 143 | A-HNDLHDK..... | 151 | A-HWKXZ3215..... | 150 |
| A-DSXS20..... | 142 | A-FSK1224..... | 143 | A-FSK68..... | 143 | A-HNDLHDK..... | 151 | A-HWKXZ3636..... | 150 |
| A-DSXS20-N4..... | 142 | A-FSK1230..... | 143 | A-FSK68..... | 143 | A-HNDLHDK..... | 151 | A-JH45015..... | 154 |
| A-DSXS24..... | 142 | A-FSK1236..... | 143 | A-FSK68..... | 143 | A-HNDLHDK..... | 151 | A-LK10..... | 50 |
| A-DSXS24-N4..... | 142 | A-FSK128..... | 143 | A-FSK68..... | 143 | A-HNDLHDK..... | 151 | A-LK3..... | 50 |
| A-DSXS30..... | 142 | A-FSK1810..... | 143 | A-FSK68..... | 143 | A-HNDLHDK..... | 151 | A-LK3R..... | 50 |
| A-DSXS30-N4..... | 142 | A-FSK1812..... | 143 | A-FSK68..... | 143 | A-HNDLHDK..... | 151 | A-LKFM3R1..... | 50 |
| A-DSXS36..... | 142 | A-FSK1816..... | 143 | A-FSK68..... | 143 | A-HNDLHDK..... | 151 | A-LKFM3R2..... | 50 |
| A-DSXS36-N4..... | 142 | A-FSK1820..... | 143 | A-FSK68..... | 143 | A-HNDLHDK..... | 151 | A-LKFMKEY3R1..... | 50 |
| A-DSXS42..... | 142 | A-FSK1824..... | 143 | A-FSK68..... | 143 | A-HNDLHDK..... | 151 | A-LKFMKEY3R2..... | 50 |
| A-DSXS42-N4..... | 142 | A-FSK1830..... | 143 | A-FSK68..... | 143 | A-HNDLHDK..... | 151 | A-LKFMKEYM-K..... | 50 |
| A-DSXS48..... | 142 | A-FSK188..... | 143 | A-FSK68..... | 143 | A-HNDLHDK..... | 151 | A-LKKEY3R1..... | 50 |
| A-DSXS48-N4..... | 142 | A-FSK2410..... | 143 | A-FSK68..... | 143 | A-HNDLHDK..... | 151 | A-LKKEY3R2..... | 50 |
| A-DSXS60..... | 142 | A-FSK2412..... | 143 | A-FSK68..... | 143 | A-HNDLHDK..... | 151 | A-LKLPAD3R1..... | 50 |
| A-DSXS60-N4..... | 142 | A-FSK2416..... | 143 | A-FSK68..... | 143 | A-HNDLHDK..... | 151 | A-LKLPAD3R2..... | 50 |
| A-DSXS72..... | 142 | A-FSK2424..... | 143 | A-FSK68..... | 143 | A-HNDLHDK..... | 151 | A-LKPH..... | 50 |
| A-DSXS72-N4..... | 142 | A-FSK248..... | 143 | A-FSK68..... | 143 | A-HNDLHDK..... | 151 | A-LKSFKEYL..... | 50 |



Please consult serving utility for their requirements prior to ordering or installing, as specifications and approvals vary by utility, and may require local electrical inspector approval. All installations must be installed by a licensed electrician and must comply with all national and local codes, laws and regulations. Milbank reserves the right to make changes in specifications and features shown without notice or obligation.

| | | | | | | | | | |
|-------------------|-----|--------------------|-----|-------------------|-----|-------------------|-----|--------------------|-----|
| A-LKT3R1..... | 50 | A-PPLRGCXZ..... | 145 | A-SKTXZ61872..... | 147 | A-SPK2N-3036..... | 159 | A-SPK3-3030..... | 160 |
| A-LKT3R1-K..... | 50 | A-PPSMC..... | 145 | A-SKTXZ62436..... | 147 | A-SPK2N-3624..... | 159 | A-SPK3-3036..... | 160 |
| A-LKT3R2..... | 50 | A-PPSMCXS..... | 145 | A-SKTXZ62442..... | 147 | A-SPK2N-3630..... | 159 | A-SPK3-3624..... | 160 |
| A-LKWHK3R1..... | 50 | A-PPSMCXZ..... | 145 | A-SKTXZ62448..... | 147 | A-SPK2N-3636..... | 159 | A-SPK3-3630..... | 160 |
| A-LKWHK3R2..... | 50 | A-R002-100BLK..... | 152 | A-SKTXZ62460..... | 147 | A-SPK2N-4224..... | 159 | A-SPK3-3636..... | 160 |
| A-LKWHP3R1..... | 50 | A-R090-100SS..... | 152 | A-SKTXZ62472..... | 147 | A-SPK2N-4230..... | 159 | A-SPK3-4224..... | 160 |
| A-LKWHP3R2..... | 50 | A-Shelf18..... | 146 | A-SKTXZ6636..... | 147 | A-SPK2N-4236..... | 159 | A-SPK3-4230..... | 160 |
| A-LPPOCKET..... | 145 | A-Shelf24..... | 146 | A-SKTXZ6642..... | 147 | A-SPK2N-4824..... | 159 | A-SPK3-4236..... | 160 |
| A-LTHMINI..... | 153 | A-SKT1236..... | 147 | A-SKTXZ6648..... | 147 | A-SPK2N-4830..... | 159 | A-SPK3-4824..... | 160 |
| A-LVK23..... | 148 | A-SKT1242..... | 147 | A-SKTXZ6660..... | 147 | A-SPK2N-4836..... | 159 | A-SPK3-4830..... | 160 |
| A-LVK33..... | 148 | A-SKT1248..... | 147 | A-SKTXZ6672..... | 147 | A-SPK2N-6036..... | 159 | A-SPK3-4836..... | 160 |
| A-LVK34..... | 148 | A-SKT1260..... | 147 | A-SPK2M-1224..... | 159 | A-SPK2N-7230..... | 159 | A-SPK3-6036..... | 160 |
| A-LVK43..... | 148 | A-SKT1272..... | 147 | A-SPK2M-1612..... | 159 | A-SPK2R-1224..... | 159 | A-SPK3-7230..... | 160 |
| A-LVK44..... | 148 | A-SKT1836..... | 147 | A-SPK2M-1616..... | 159 | A-SPK2R-1612..... | 159 | A-SPK3AL-1224..... | 160 |
| A-LVK64..... | 148 | A-SKT1842..... | 147 | A-SPK2M-1620..... | 159 | A-SPK2R-1616..... | 159 | A-SPK3AL-1612..... | 160 |
| A-LVK66..... | 148 | A-SKT1848..... | 147 | A-SPK2M-2012..... | 159 | A-SPK2R-1620..... | 159 | A-SPK3AL-1616..... | 160 |
| A-LVK812..... | 148 | A-SKT1860..... | 147 | A-SPK2M-2016..... | 159 | A-SPK2R-2012..... | 159 | A-SPK3AL-1620..... | 160 |
| A-LVK84..... | 148 | A-SKT1872..... | 147 | A-SPK2M-2020..... | 159 | A-SPK2R-2016..... | 159 | A-SPK3AL-2012..... | 160 |
| A-LVK86..... | 148 | A-SKT2436..... | 147 | A-SPK2M-2024..... | 159 | A-SPK2R-2020..... | 159 | A-SPK3AL-2016..... | 160 |
| A-LVK88..... | 148 | A-SKT2442..... | 147 | A-SPK2M-2412..... | 159 | A-SPK2R-2024..... | 159 | A-SPK3AL-2020..... | 160 |
| A-LVKXS23..... | 148 | A-SKT2448..... | 147 | A-SPK2M-2416..... | 159 | A-SPK2R-2412..... | 159 | A-SPK3AL-2024..... | 160 |
| A-LVKXS33..... | 148 | A-SKT2460..... | 147 | A-SPK2M-2420..... | 159 | A-SPK2R-2416..... | 159 | A-SPK3AL-2412..... | 160 |
| A-LVKXS34..... | 148 | A-SKT2472..... | 147 | A-SPK2M-2424..... | 159 | A-SPK2R-2420..... | 159 | A-SPK3AL-2416..... | 160 |
| A-LVKXS43..... | 148 | A-SKT636..... | 147 | A-SPK2M-2430..... | 159 | A-SPK2R-2424..... | 159 | A-SPK3AL-2420..... | 160 |
| A-LVKXS44..... | 148 | A-SKT642..... | 147 | A-SPK2M-3016..... | 159 | A-SPK2R-2430..... | 159 | A-SPK3AL-2424..... | 160 |
| A-LVKXS64..... | 148 | A-SKT648..... | 147 | A-SPK2M-3020..... | 159 | A-SPK2R-3016..... | 159 | A-SPK3AL-2430..... | 160 |
| A-LVKXS66..... | 148 | A-SKT660..... | 147 | A-SPK2M-3024..... | 159 | A-SPK2R-3020..... | 159 | A-SPK3AL-3016..... | 160 |
| A-LVKXS812..... | 148 | A-SKT672..... | 147 | A-SPK2M-3030..... | 159 | A-SPK2R-3024..... | 159 | A-SPK3AL-3020..... | 160 |
| A-LVKXS84..... | 148 | A-SKTXS1236..... | 147 | A-SPK2M-3036..... | 159 | A-SPK2R-3030..... | 159 | A-SPK3AL-3024..... | 160 |
| A-LVKXS86..... | 148 | A-SKTXS1242..... | 147 | A-SPK2M-3624..... | 159 | A-SPK2R-3036..... | 159 | A-SPK3AL-3030..... | 160 |
| A-LVKXS88..... | 148 | A-SKTXS1248..... | 147 | A-SPK2M-3630..... | 159 | A-SPK2R-3624..... | 159 | A-SPK3AL-3036..... | 160 |
| A-LVKXZ23..... | 148 | A-SKTXS1260..... | 147 | A-SPK2M-3636..... | 159 | A-SPK2R-3630..... | 159 | A-SPK3AL-3624..... | 160 |
| A-LVKXZ33..... | 148 | A-SKTXS1272..... | 147 | A-SPK2M-4224..... | 159 | A-SPK2R-3636..... | 159 | A-SPK3AL-3630..... | 160 |
| A-LVKXZ34..... | 148 | A-SKTXS1836..... | 147 | A-SPK2M-4230..... | 159 | A-SPK2R-4224..... | 159 | A-SPK3AL-3636..... | 160 |
| A-LVKXZ43..... | 148 | A-SKTXS1842..... | 147 | A-SPK2M-4236..... | 159 | A-SPK2R-4230..... | 159 | A-SPK3AL-4224..... | 160 |
| A-LVKXZ44..... | 148 | A-SKTXS1848..... | 147 | A-SPK2M-4824..... | 159 | A-SPK2R-4236..... | 159 | A-SPK3AL-4230..... | 160 |
| A-LVKXZ64..... | 148 | A-SKTXS1860..... | 147 | A-SPK2M-4830..... | 159 | A-SPK2R-4824..... | 159 | A-SPK3AL-4236..... | 160 |
| A-LVKXZ66..... | 148 | A-SKTXS1872..... | 147 | A-SPK2M-4836..... | 159 | A-SPK2R-4830..... | 159 | A-SPK3AL-4824..... | 160 |
| A-LVKXZ812..... | 148 | A-SKTXS2436..... | 147 | A-SPK2M-6036..... | 159 | A-SPK2R-4836..... | 159 | A-SPK3AL-4830..... | 160 |
| A-LVKXZ84..... | 148 | A-SKTXS2442..... | 147 | A-SPK2M-7230..... | 159 | A-SPK2R-6036..... | 159 | A-SPK3AL-4836..... | 160 |
| A-LVKXZ86..... | 148 | A-SKTXS2448..... | 147 | A-SPK2N-1224..... | 159 | A-SPK2R-7230..... | 159 | A-SPK3AL-6036..... | 160 |
| A-LVKXZ88..... | 148 | A-SKTXS2460..... | 147 | A-SPK2N-1612..... | 159 | A-SPK3-1224..... | 160 | A-SPK3AL-7230..... | 160 |
| A-MOD8418EP..... | 158 | A-SKTXS2472..... | 147 | A-SPK2N-1616..... | 159 | A-SPK3-1612..... | 160 | A-SPK4-5442..... | 161 |
| A-MOD8418FEP..... | 158 | A-SKTXS636..... | 147 | A-SPK2N-1620..... | 159 | A-SPK3-1616..... | 160 | A-SPK4-6048..... | 161 |
| A-MOD8418GK..... | 158 | A-SKTXS642..... | 147 | A-SPK2N-2012..... | 159 | A-SPK3-1620..... | 160 | A-SPK4-6060..... | 161 |
| A-MOD8424EP..... | 158 | A-SKTXS648..... | 147 | A-SPK2N-2016..... | 159 | A-SPK3-2012..... | 160 | A-SPK4-60P24..... | 161 |
| A-MOD8424FEP..... | 158 | A-SKTXS660..... | 147 | A-SPK2N-2020..... | 159 | A-SPK3-2016..... | 160 | A-SPK4-60P36..... | 161 |
| A-MOD8424GK..... | 158 | A-SKTXS672..... | 147 | A-SPK2N-2024..... | 159 | A-SPK3-2020..... | 160 | A-SPK4-60P48..... | 161 |
| A-NH20030..... | 152 | A-SKTXZ61236..... | 147 | A-SPK2N-2412..... | 159 | A-SPK3-2024..... | 160 | A-SPK4-7260..... | 161 |
| A-NH41041..... | 152 | A-SKTXZ61242..... | 147 | A-SPK2N-2416..... | 159 | A-SPK3-2412..... | 160 | A-SPK4-7272..... | 161 |
| A-NH41050..... | 152 | A-SKTXZ61248..... | 147 | A-SPK2N-2420..... | 159 | A-SPK3-2416..... | 160 | A-SPK4-72P24..... | 161 |
| A-NH45015..... | 154 | A-SKTXZ61260..... | 147 | A-SPK2N-2424..... | 159 | A-SPK3-2420..... | 160 | A-SPK4-72P30..... | 161 |
| A-PP991C..... | 145 | A-SKTXZ61272..... | 147 | A-SPK2N-2430..... | 159 | A-SPK3-2424..... | 160 | A-SPK4-72P36..... | 161 |
| A-PP991CXS..... | 145 | A-SKTXZ61836..... | 147 | A-SPK2N-3016..... | 159 | A-SPK3-2430..... | 160 | A-SPK4-72P48..... | 161 |
| A-PP991CXZ..... | 145 | A-SKTXZ61842..... | 147 | A-SPK2N-3020..... | 159 | A-SPK3-3016..... | 160 | A-SPK4-72P60..... | 161 |
| A-PPLRGC..... | 145 | A-SKTXZ61848..... | 147 | A-SPK2N-3024..... | 159 | A-SPK3-3020..... | 160 | A-SPK4-72P72..... | 161 |
| A-PPLRGCXS..... | 145 | A-SKTXZ61860..... | 147 | A-SPK2N-3030..... | 159 | A-SPK3-3024..... | 160 | A-SPK4-90P24..... | 161 |

Please consult serving utility for their requirements prior to ordering or installing, as specifications and approvals vary by utility, and may require local electrical inspector approval. All installations must be installed by a licensed electrician and must comply with all national and local codes, laws and regulations. Milbank reserves the right to make changes in specifications and features shown without notice or obligation.



| | | | | | | | | | |
|----------------------|-----|------------------------|-----|-----------------------|----|----------------------|-----|-----------------------|-----|
| A-SPK4-90P36 | 161 | A-WKXS1212 | 149 | CC1264JIC12XS | 54 | FD726118-FT | 93 | HC14128JIC4XZ | 125 |
| A-SPK4-90P48 | 161 | A-WKXS133 | 149 | CC1264JIC12XZ | 54 | FD727312-FT | 93 | HC1486JIC12 | 57 |
| A-SPK4-90P72 | 161 | A-WKXS138 | 149 | CC14126JIC12 | 54 | FD727318-FT | 93 | HC1486JIC12XS | 57 |
| A-SPK4AL-5442 | 161 | A-WKXS1711 | 149 | CC14126JIC12XS | 54 | FD727324-FT | 93 | HC1486JIC12XZ | 57 |
| A-SPK4AL-6048 | 161 | A-WKXS175 | 149 | CC14126JIC12XZ | 54 | HC10106JIC12 | 57 | HC1486JIC4 | 125 |
| A-SPK4AL-6060 | 161 | A-WKXS2016 | 149 | CC14128JIC12 | 54 | HC10106JIC12XS | 57 | HC1486JIC4XS | 125 |
| A-SPK4AL-60P24 | 161 | A-WKXS2017 | 149 | CC14128JIC12XS | 54 | HC10106JIC12XZ | 57 | HC1486JIC4XZ | 125 |
| A-SPK4AL-60P36 | 161 | A-WKXS2020 | 149 | CC14128JIC12XZ | 54 | HC10106JIC4 | 125 | HC16106JIC12 | 57 |
| A-SPK4AL-60P48 | 161 | A-WKXS2315 | 149 | CC1486JIC12 | 54 | HC10106JIC4XS | 125 | HC16106JIC12XS | 57 |
| A-SPK4AL-7260 | 161 | A-WKXS2420 | 149 | CC1486JIC12XS | 54 | HC10106JIC4XZ | 125 | HC16106JIC12XZ | 57 |
| A-SPK4AL-7272 | 161 | A-WKXS2424 | 149 | CC1486JIC12XZ | 54 | HC1084JIC12 | 57 | HC16106JIC4 | 125 |
| A-SPK4AL-72P24 | 161 | A-WKXS2919 | 149 | CC16106JIC12 | 54 | HC1084JIC12XS | 57 | HC16106JIC4XS | 125 |
| A-SPK4AL-72P30 | 161 | A-WKXS3523 | 149 | CC16106JIC12XS | 54 | HC1084JIC12XZ | 57 | HC16106JIC4XZ | 125 |
| A-SPK4AL-72P36 | 161 | A-WKXS3624 | 149 | CC16106JIC12XZ | 54 | HC1084JIC4 | 125 | HC161410JIC12 | 57 |
| A-SPK4AL-72P48 | 161 | A-WKXS3636 | 149 | CC161410JIC12 | 54 | HC1084JIC4XS | 125 | HC161410JIC12XS | 57 |
| A-SPK4AL-72P60 | 161 | A-WKXS53 | 149 | CC161410JIC12XS | 54 | HC1084JIC4XZ | 125 | HC161410JIC12XZ | 57 |
| A-SPK4AL-72P72 | 161 | A-WKXS95 | 149 | CC161410JIC12XZ | 54 | HC1086JIC12 | 57 | HC16146JIC12 | 57 |
| A-SPK4AL-90P24 | 161 | A-WKXS1010 | 149 | CC16146JIC12 | 54 | HC1086JIC12XS | 57 | HC16146JIC12XS | 57 |
| A-SPK4AL-90P36 | 161 | A-WKXZ1212 | 149 | CC16146JIC12XS | 54 | HC1086JIC12XZ | 57 | HC16146JIC12XZ | 57 |
| A-SPK4AL-90P48 | 161 | A-WKXZ133 | 149 | CC16146JIC12XZ | 54 | HC1086JIC4 | 125 | HC16146JIC4 | 125 |
| A-SPK4AL-90P72 | 161 | A-WKXZ138 | 149 | CC16148JIC12 | 54 | HC1086JIC4XS | 125 | HC16146JIC4XS | 125 |
| A-SPKB3-10 | 160 | A-WKXZ1711 | 149 | CC16148JIC12XS | 54 | HC1086JIC4XZ | 125 | HC16146JIC4XZ | 125 |
| A-SPKB3-12 | 160 | A-WKXZ175 | 149 | CC16148JIC12XZ | 54 | HC12105JIC12 | 57 | HC16148JIC12 | 57 |
| A-SPKB3-16 | 160 | A-WKXZ2016 | 149 | CC443JIC12 | 54 | HC12105JIC12XS | 57 | HC16148JIC12XS | 57 |
| A-SPKB3-18 | 160 | A-WKXZ2017 | 149 | CC443JIC12XS | 54 | HC12105JIC12XZ | 57 | HC16148JIC12XZ | 57 |
| A-SPKB3-20 | 160 | A-WKXZ2020 | 149 | CC443JIC12XZ | 54 | HC12105JIC4 | 125 | HC16148JIC4 | 125 |
| A-SPKB3-24 | 160 | A-WKXZ2315 | 149 | CC444JIC12 | 54 | HC12105JIC4XS | 125 | HC16148JIC4XS | 125 |
| A-SPKB3-8 | 160 | A-WKXZ2420 | 149 | CC444JIC12XS | 54 | HC12105JIC4XZ | 125 | HC16148JIC4XZ | 125 |
| A-SPPOCKET | 145 | A-WKXZ2424 | 149 | CC444JIC12XZ | 54 | HC12108JIC12 | 57 | HC20167JIC12 | 58 |
| A-TC3RMFK10 | 51 | A-WKXZ2919 | 149 | CC643JIC12 | 54 | HC12108JIC12XS | 57 | HC20169JIC12 | 58 |
| A-TC3RMFK12 | 51 | A-WKXZ352 | 149 | CC643JIC12XS | 54 | HC12108JIC12XZ | 57 | HC20207JIC12 | 58 |
| A-TC3RMFK16 | 51 | A-WKXZ3624 | 149 | CC643JIC12XZ | 54 | HC12108JIC4 | 125 | HC20209JIC12 | 58 |
| A-TC3RMFK18 | 51 | A-WKXZ3636 | 149 | CC644JIC12 | 54 | HC12108JIC4XS | 125 | HC24207JIC12 | 58 |
| A-TC3RMFK24 | 51 | A-WKXZ53 | 149 | CC644JIC12XS | 54 | HC12108JIC4XZ | 125 | HC24209JIC12 | 58 |
| A-TC3RMFK6 | 51 | A-WKXZ95 | 149 | CC644JIC12XZ | 54 | HC12126JIC12 | 57 | HC242411JIC12 | 58 |
| A-TC3RMFK8 | 51 | A-WP | 51 | CC664JIC12 | 54 | HC12126JIC12XS | 57 | HC24247JIC12 | 58 |
| A-TC3RMFKLG | 51 | A-WP | 144 | CC664JIC12XS | 54 | HC12126JIC12XZ | 57 | HC24249JIC12 | 58 |
| A-THNDLKLCHR | 151 | C. T-Handle Lock | 50 | CC664JIC12XZ | 54 | HC12126JIC4 | 125 | HC30207JIC12 | 58 |
| A-WK1010 | 149 | CC10106JIC12 | 54 | CC666JIC12 | 54 | HC12126JIC4XS | 125 | HC30209JIC12 | 58 |
| A-WK1212 | 149 | CC10106JIC12XS | 54 | CC666JIC12XS | 54 | HC12126JIC4XZ | 125 | HC302413JIC12 | 58 |
| A-WK133 | 149 | CC10106JIC12XZ | 54 | CC666JIC12XZ | 54 | HC1264JIC12 | 57 | HC30247JIC12 | 58 |
| A-WK138 | 149 | CC1084JIC12 | 54 | CC863JIC12 | 54 | HC1264JIC12XS | 57 | HC30249JIC12 | 58 |
| A-WK1711 | 149 | CC1084JIC12XS | 54 | CC863JIC12XS | 54 | HC1264JIC12XZ | 57 | HC362411JIC12 | 58 |
| A-WK175 | 149 | CC1084JIC12XZ | 54 | CC863JIC12XZ | 54 | HC1264JIC4 | 125 | HC36247JIC12 | 58 |
| A-WK2016 | 149 | CC1086JIC12 | 54 | CC866JIC12 | 54 | HC1264JIC4XS | 125 | HC36249JIC12 | 58 |
| A-WK2017 | 149 | CC1086JIC12XS | 54 | CC866JIC12XS | 54 | HC1264JIC4XZ | 125 | HC363013JIC12 | 58 |
| A-WK2020 | 149 | CC1086JIC12XZ | 54 | CC866JIC12XZ | 54 | HC14126JIC12 | 57 | HC36309JIC12 | 58 |
| A-WK2315 | 149 | CC12105JIC12 | 54 | CC884JIC12 | 54 | HC14126JIC12XS | 57 | HC42309JIC12 | 58 |
| A-WK2420 | 149 | CC12105JIC12XS | 54 | CC884JIC12XS | 54 | HC14126JIC12XZ | 57 | HC42369JIC12 | 58 |
| A-WK2424 | 149 | CC12105JIC12XZ | 54 | CC884JIC12XZ | 54 | HC14126JIC4 | 125 | HC443JIC12 | 57 |
| A-WK2919 | 149 | CC12108JIC12 | 54 | FD604912-FT | 93 | HC14126JIC4XS | 125 | HC443JIC12XS | 57 |
| A-WK3523 | 149 | CC12108JIC12XS | 54 | FD604918-FT | 93 | HC14126JIC4XZ | 125 | HC443JIC12XZ | 57 |
| A-WK3624 | 149 | CC12108JIC12XZ | 54 | FD604924-FT | 93 | HC14128JIC12 | 57 | HC443JIC4 | 125 |
| A-WK3636 | 149 | CC12126JIC12 | 54 | FD606112-FT | 93 | HC14128JIC12XS | 57 | HC443JIC4XS | 125 |
| A-WK53 | 149 | CC12126JIC12XS | 54 | FD606118-FT | 93 | HC14128JIC12XZ | 57 | HC443JIC4XZ | 125 |
| A-WK95 | 149 | CC12126JIC12XZ | 54 | FD606124-FT | 93 | HC14128JIC4 | 125 | HC444JIC12 | 57 |
| A-WKXS1010 | 149 | CC1264JIC12 | 54 | FD726112-FT | 93 | HC14128JIC4XS | 125 | HC444JIC12XS | 57 |



Please consult serving utility for their requirements prior to ordering or installing, as specifications and approvals vary by utility, and may require local electrical inspector approval. All installations must be installed by a licensed electrician and must comply with all national and local codes, laws and regulations. Milbank reserves the right to make changes in specifications and features shown without notice or obligation.

| | | | | |
|------------------------|------------------------|--------------------------|---------------------------|---------------------------|
| HC444JIC12XZ 57 | M12D304216 74 | M12DXS424216 74 | M12DXZ604820-FT 76 | M12FSD726618AF-FD 98 |
| HC444JIC4 125 | M12D304810 74 | M12DXS424812 74 | M12DXZ604824-FT 76 | M12FSD727218 80 |
| HC444JIC4XS 125 | M12D304812 74 | M12DXS424816 74 | M12DXZ60488-FT 76 | M12FSD727224 80 |
| HC444JIC4XZ 125 | M12D306010 74 | M12DXS426012 74 | M12DXZ606010-FT 76 | M12FSD727818AF-FD 98 |
| HC483611JIC12 58 | M12D306012 74 | M12DXS426016 74 | M12DXZ606012 74 | M12FSD727824SF-FD 98 |
| HC643 JIC4XS 125 | M12D306016 74 | M12DXS484812 74 | M12DXZ606012-FT 76 | M12FSD847818AF-FD 98 |
| HC643JIC12 57 | M12D364212 74 | M12DXS484816 74 | M12DXZ606016 74 | M12FSD847824AF-FD 98 |
| HC643JIC12XS 57 | M12D364216 74 | M12DXS486012 74 | M12DXZ606024-FT 76 | M12FSD904820 80 |
| HC643JIC12XZ 57 | M12D364812 74 | M12DXS486016 74 | M12DXZ726010-FT 76 | M12FSD907220 80 |
| HC643JIC4 125 | M12D364816 74 | M12DXS544208-FT 76 | M12DXZ726012-FT 76 | M12FSD907224 80 |
| HC643JIC4XZ 125 | M12D366012 74 | M12DXS604810-FT 76 | M12DXZ726024-FT 76 | M12FSD907236 80 |
| HC644JIC12 57 | M12D366016 74 | M12DXS604812-FT 76 | M12DXZ727210-FT 76 | M12FSD907818AF-FD 98 |
| HC644JIC12XS 57 | M12D424212 74 | M12DXS604816-FT 76 | M12DXZ727212-FT 76 | M12FSD907820AF-FD 98 |
| HC644JIC12XZ 57 | M12D424216 74 | M12DXS604820-FT 76 | M12DXZ727224-FT 76 | M12FSD907824AF-FD 98 |
| HC644JIC4 125 | M12D424812 74 | M12DXS604824-FT 76 | M12FS3D7210018AF-FD 98 | M12FSDA724824 79 |
| HC644JIC4XS 125 | M12D424816 74 | M12DXS60488-FT 76 | M12FS3D7211818AF-FD 98 | M12FSDA726024 79 |
| HC644JIC4XZ 125 | M12D426012 74 | M12DXS606010-FT 76 | M12FS3D8411818AF-FD 98 | M12FSDA726036 79 |
| HC664JIC12 57 | M12D426016 74 | M12DXS606012 74 | M12FS3D8411824AF-FD 98 | M12FSDA727224 79 |
| HC664JIC12XS 57 | M12D484812 74 | M12DXS606012-FT 76 | M12FS3D9011824AF-FD 98 | M12FSDA907224 79 |
| HC664JIC12XZ 57 | M12D484816 74 | M12DXS606016 74 | M12FS4D8415818AF-FD 98 | M12FSDAD724824 81 |
| HC664JIC4 125 | M12D486012 74 | M12DXS606024-FT 76 | M12FS4D8415824AF-FD 98 | M12FSDAD726024 81 |
| HC664JIC4XS 125 | M12D486016 74 | M12DXS726010-FT 76 | M12FS4D9015818AF-FD 98 | M12FSDAD726036 81 |
| HC664JIC4XZ 125 | M12D544208-FT 76 | M12DXS726012-FT 76 | M12FS4D9015824AF-FD 98 | M12FSDAD727224 81 |
| HC666JIC12 57 | M12D604810-FT 76 | M12DXS726024-FT 76 | M12FS5D8419718AF-FD 98 | M12FSDAD907224 81 |
| HC666JIC12XS 57 | M12D604812-FT 76 | M12DXS727210-FT 76 | M12FS5D8419724AF-FD 98 | M12FSDADXS724824 81 |
| HC666JIC12XZ 57 | M12D604816-FT 76 | M12DXS727212-FT 76 | M12FS5D9019718AF-FD 98 | M12FSDADXS726024 81 |
| HC666JIC4 125 | M12D604820-FT 76 | M12DXS727224-FT 76 | M12FS5D9019724AF-FD 98 | M12FSDADXS726036 81 |
| HC666JIC4XS 125 | M12D604824-FT 76 | M12DXZ244208 74 | M12FS602418 78 | M12FSDADXS727224 81 |
| HC666JIC4XZ 125 | M12D60488-FT 76 | M12DXZ244808 74 | M12FS603624 78 | M12FSDADXS907224 81 |
| HC863JIC12 57 | M12D606010-FT 76 | M12DXZ304210 74 | M12FS722418 78 | M12FSDADXZ724824 81 |
| HC863JIC12XS 57 | M12D606012 74 | M12DXZ304212 74 | M12FS722424 78 | M12FSDADXZ726024 81 |
| HC863JIC12XZ 57 | M12D606012-FT 76 | M12DXZ304216 74 | M12FS722430 78 | M12FSDADXZ726036 81 |
| HC863JIC4 125 | M12D606016 74 | M12DXZ304810 74 | M12FS722818AF-FD 98 | M12FSDADXZ727224 81 |
| HC863JIC4XS 125 | M12D606024-FT 76 | M12DXZ304812 74 | M12FS723018 78 | M12FSDADXZ907224 81 |
| HC863JIC4XZ 125 | M12D726010-FT 76 | M12DXZ306010 74 | M12FS723024 78 | M12FSDASS724824 79 |
| HC866JIC12 57 | M12D726012-FT 76 | M12DXZ306012 74 | M12FS723418AF-FD 98 | M12FSDASS726024 79 |
| HC866JIC12XS 57 | M12D726024-FT 76 | M12DXZ306016 74 | M12FS723618 78 | M12FSDASS726036 79 |
| HC866JIC12XZ 57 | M12D727210-FT 76 | M12DXZ364212 74 | M12FS723624 78 | M12FSDASS727224 79 |
| HC866JIC4 125 | M12D727212-FT 76 | M12DXZ364216 74 | M12FS723630 78 | M12FSDASS907224 79 |
| HC866JIC4XS 125 | M12D727224-FT 76 | M12DXZ364812 74 | M12FS723636 78 | M12FSDAXZ724824 79 |
| HC866JIC4XZ 125 | M12DXS244208 74 | M12DXZ364816 74 | M12FS724018AF-FD 98 | M12FSDAXZ726024 79 |
| HC884JIC12 57 | M12DXS244808 74 | M12DXZ366012 74 | M12FS844018AF-FD 98 | M12FSDAXZ726036 79 |
| HC884JIC12XS 57 | M12DXS304210 74 | M12DXZ366016 74 | M12FS844024AF-FD 98 | M12FSDAXZ727224 79 |
| HC884JIC12XZ 57 | M12DXS304212 74 | M12DXZ424212 74 | M12FS902420 78 | M12FSDAXZ907224 79 |
| HC884JIC4 125 | M12DXS304216 74 | M12DXZ424216 74 | M12FS903620 78 | M12FSDXS604818 80 |
| HC884JIC4XS 125 | M12DXS304810 74 | M12DXZ424812 74 | M12FS903624 78 | M12FSDXS724818 80 |
| HC884JIC4XZ 125 | M12DXS304812 74 | M12DXZ424816 74 | M12FS903636 78 | M12FSDXS724824 80 |
| M123D8611214 82 | M12DXS306010 74 | M12DXZ426012 74 | M12FS904018AF-FD 98 | M12FSDXS726018 80 |
| M123D8611220 82 | M12DXS306012 74 | M12DXZ426016 74 | M12FS904020AF-FD 98 | M12FSDXS726024 80 |
| M124D8614914 82 | M12DXS306016 74 | M12DXZ484812 74 | M12FS904024AF-FD 98 | M12FSDXS726036 80 |
| M124D8614920 82 | M12DXS364212 74 | M12DXZ484816 74 | M12FSD604818 80 | M12FSDXS727218 80 |
| M125D8618714 82 | M12DXS364216 74 | M12DXZ486012 74 | M12FSD724818 80 | M12FSDXS727224 80 |
| M125D8618720 82 | M12DXS364812 74 | M12DXZ486016 74 | M12FSD724824 80 | M12FSDXS904820 80 |
| M12D244208 74 | M12DXS364816 74 | M12DXZ54428-FT 76 | M12FSD725418AF-FD 98 | M12FSDXS907220 80 |
| M12D244808 74 | M12DXS366012 74 | M12DXZ604810-FT 76 | M12FSD726018 80 | M12FSDXS907224 80 |
| M12D304210 74 | M12DXS366016 74 | M12DXZ604812-FT 76 | M12FSD726024 80 | M12FSDXS907236 80 |
| M12D304212 74 | M12DXS424212 74 | M12DXZ604816-FT 76 | M12FSD726036 80 | M12FSDXZ604818 80 |

Please consult serving utility for their requirements prior to ordering or installing, as specifications and approvals vary by utility, and may require local electrical inspector approval. All installations must be installed by a licensed electrician and must comply with all national and local codes, laws and regulations. Milbank reserves the right to make changes in specifications and features shown without notice or obligation.



| | | | | | | | | | |
|----------------------|----|-----------------------|----|-----------------------|----|-------------------------|-----|------------------|-----|
| M12FSDXZ724818 | 80 | M12S202008 | 71 | M12S362412 | 72 | M12S603608 | 71 | M12SP1-C30..... | 117 |
| M12FSDXZ724824 | 80 | M12S202108-FD | 88 | M12S362508-FD | 88 | M12S603610 | 72 | M12SP1-C36..... | 117 |
| M12FSDXZ726018 | 80 | M12S202108-FD-H | 86 | M12S362508-FD-H | 86 | M12S603612 | 72 | M12SP1-C42..... | 117 |
| M12FSDXZ726024 | 80 | M12S202110-FD | 88 | M12S362510-FD | 89 | M12S603616 | 72 | M12SP1-C48..... | 117 |
| M12FSDXZ726036 | 80 | M12S202110-FD-H | 86 | M12S362510-FD-H | 87 | M12S603620 | 72 | M12SP-924B..... | 117 |
| M12FSDXZ727218 | 80 | M12S202406 | 71 | M12S363006 | 71 | M12S603708-FD | 88 | M12SP-936B..... | 117 |
| M12FSDXZ727224 | 80 | M12S202408 | 71 | M12S363008 | 71 | M12S603708-FD-H | 86 | M12XA122406..... | 71 |
| M12FSDXZ904820 | 80 | M12S241206 | 71 | M12S363010 | 72 | M12S603710-FD | 89 | M12XA122408..... | 71 |
| M12FSDXZ907220 | 80 | M12S241210 | 71 | M12S363012 | 72 | M12S603710-FD-H | 87 | M12XA161206..... | 71 |
| M12FSDXZ907224 | 80 | M12S241606 | 71 | M12S363016 | 72 | M12S603712-FD | 89 | M12XA161208..... | 71 |
| M12FSDXZ907236 | 80 | M12S241608 | 71 | M12S363020 | 72 | M12S603712-FD-H | 87 | M12XA161210..... | 71 |
| M12FSXS602418 | 78 | M12S242006 | 71 | M12S363108-FD | 88 | M12S603716-FD | 89 | M12XA161606..... | 71 |
| M12FSXS603624 | 78 | M12S242008 | 71 | M12S363108-FD-H | 86 | M12S603716-FD-H | 87 | M12XA161608..... | 71 |
| M12FSXS722418 | 78 | M12S242010 | 72 | M12S363110-FD | 89 | M12S723012 | 72 | M12XA162006..... | 71 |
| M12FSXS722424 | 78 | M12S242012 | 72 | M12S363110-FD-H | 87 | M12S723016 | 72 | M12XA162008..... | 71 |
| M12FSXS722430 | 78 | M12S242016 | 72 | M12S363112-FD | 89 | M12S723020 | 72 | M12XA201206..... | 71 |
| M12FSXS723018 | 78 | M12S242108-FD | 88 | M12S363112-FD-H | 87 | M12S723024 | 72 | M12XA201208..... | 71 |
| M12FSXS723024 | 78 | M12S242108-FD-H | 86 | M12S363116-FD | 89 | M12S723612 | 72 | M12XA201606..... | 71 |
| M12FSXS723618 | 78 | M12S242110-FD | 88 | M12S363116-FD-H | 87 | M12SAB202108-FD-H..... | 91 | M12XA201608..... | 71 |
| M12FSXS723624 | 78 | M12S242110-FD-H | 86 | M12S363608 | 71 | M12SAB202110-FD-H..... | 91 | M12XA201610..... | 72 |
| M12FSXS723630 | 78 | M12S242406 | 71 | M12S363612 | 72 | M12SAB242108-FD-H..... | 91 | M12XA201612..... | 72 |
| M12FSXS723636 | 78 | M12S242408 | 71 | M12S422408 | 71 | M12SAB242110-FD-H..... | 91 | M12XA202006..... | 71 |
| M12FSXS902420 | 78 | M12S242410 | 72 | M12S423008 | 71 | M12SAB242508-FD-H..... | 91 | M12XA202008..... | 71 |
| M12FSXS903620 | 78 | M12S242412 | 72 | M12S423010 | 72 | M12SAB242510-FD-H..... | 91 | M12XA202406..... | 71 |
| M12FSXS903624 | 78 | M12S242416 | 72 | M12S423012 | 72 | M12SAB302108-FD-H..... | 91 | M12XA202408..... | 71 |
| M12FSXS903636 | 78 | M12S242508-FD | 88 | M12S423108-FD | 88 | M12SAB302110-FD-H..... | 91 | M12XA241206..... | 71 |
| M12FSXZ602418 | 78 | M12S242508-FD-H | 86 | M12S423108-FD-H | 86 | M12SAB302508-FD-H..... | 91 | M12XA241210..... | 71 |
| M12FSXZ603624 | 78 | M12S242510-FD | 88 | M12S423110-FD | 89 | M12SAB302510-FD-H..... | 91 | M12XA241606..... | 71 |
| M12FSXZ722418 | 78 | M12S242510-FD-H | 86 | M12S423110-FD-H | 87 | M12SAB302512-FD | 92 | M12XA241608..... | 71 |
| M12FSXZ722424 | 78 | M12S243008 | 71 | M12S423112-FD | 89 | M12SAB362508-FD-H..... | 91 | M12XA242006..... | 71 |
| M12FSXZ722430 | 78 | M12S301606 | 71 | M12S423112-FD-H | 87 | M12SAB362510-FD-H..... | 91 | M12XA242008..... | 71 |
| M12FSXZ723018 | 78 | M12S302006 | 71 | M12S423608 | 71 | M12SAB363108-FD-H..... | 91 | M12XA242010..... | 72 |
| M12FSXZ723024 | 78 | M12S302008 | 71 | M12S423610 | 72 | M12SAB363110-FD-H..... | 91 | M12XA242012..... | 72 |
| M12FSXZ723618 | 78 | M12S302010 | 72 | M12S423612 | 72 | M12SAB363112-FD | 92 | M12XA242016..... | 72 |
| M12FSXZ723624 | 78 | M12S302108-FD | 88 | M12S423616 | 72 | M12SAB363116-FD | 92 | M12XA242406..... | 71 |
| M12FSXZ723630 | 78 | M12S302108-FD-H | 86 | M12S423708-FD | 88 | M12SAB423108-FD-H..... | 91 | M12XA242408..... | 71 |
| M12FSXZ723636 | 78 | M12S302110-FD | 88 | M12S423708-FD-H | 86 | M12SAB423110-FD-H..... | 91 | M12XA242410..... | 72 |
| M12FSXZ902420 | 78 | M12S302110-FD-H | 87 | M12S423710-FD | 89 | M12SAB423112-FD | 92 | M12XA242412..... | 72 |
| M12FSXZ903620 | 78 | M12S302406 | 81 | M12S423710-FD-H | 87 | M12SAB423708-FD-H..... | 91 | M12XA242416..... | 72 |
| M12FSXZ903624 | 78 | M12S302408 | 71 | M12S423712-FD | 89 | M12SAB423710-FD-H..... | 92 | M12XA243008..... | 71 |
| M12FSXZ903636 | 78 | M12S302410 | 72 | M12S423712-FD-H | 87 | M12SAB423712-FD | 92 | M12XA301606..... | 71 |
| M12S122406 | 71 | M12S302412 | 72 | M12S482408 | 71 | M12SAB483708-FD-H..... | 91 | M12XA302006..... | 71 |
| M12S122408 | 71 | M12S302416 | 72 | M12S483008 | 71 | M12SAB483710-FD | 92 | M12XA302008..... | 71 |
| M12S161206 | 71 | M12S302420 | 72 | M12S483010 | 72 | M12SAB483712-FD | 92 | M12XA302010..... | 72 |
| M12S161208 | 71 | M12S302424 | 72 | M12S483608 | 71 | M12SAB483716-FD | 92 | M12XA302406..... | 71 |
| M12S161210 | 71 | M12S302508-FD | 88 | M12S483610 | 72 | M12SAB483716-FD-A | 92 | M12XA302408..... | 71 |
| M12S161606 | 71 | M12S302508-FD-H | 86 | M12S483612 | 72 | M12SAB483716-FD-A | 92 | M12XA302410..... | 72 |
| M12S161608 | 71 | M12S302510-FD | 88 | M12S483616 | 72 | M12SAB483716-FD-A | 92 | M12XA302412..... | 72 |
| M12S162006 | 71 | M12S302510-FD-H | 87 | M12S483620 | 72 | M12SAB603708-FD-H..... | 91 | M12XA302416..... | 72 |
| M12S162008 | 71 | M12S302510-FD-H | 87 | M12S483708-FD | 88 | M12SAB603710-FD | 92 | M12XA302420..... | 72 |
| M12S201206 | 71 | M12S302512-FD | 89 | M12S483708-FD-H | 86 | M12SAB603712-FD | 92 | M12XA302424..... | 72 |
| M12S201208 | 71 | M12S303008 | 71 | M12S483710-FD | 89 | M12SAB603716-FD | 92 | M12XA303008..... | 71 |
| M12S201606 | 71 | M12S303012 | 72 | M12S483710-FD-H | 87 | M12SAB603716-FD-A | 92 | M12XA303012..... | 72 |
| M12S201608 | 71 | M12S303608 | 71 | M12S483712-FD | 89 | M12SAB603716-FD-A | 92 | M12XA303608..... | 71 |
| M12S201610 | 72 | M12S362406 | 71 | M12S483712-FD-H | 87 | M12SAB603716-FD-A | 92 | M12XA362406..... | 71 |
| M12S201612 | 72 | M12S362408 | 71 | M12S483716-FD | 89 | M12SP1-C18..... | 117 | M12XA362408..... | 71 |
| M12S202006 | 71 | M12S362410 | 72 | M12S483716-FD-H | 87 | M12SP1-C24..... | 117 | M12XA362410..... | 72 |



Please consult serving utility for their requirements prior to ordering or installing, as specifications and approvals vary by utility, and may require local electrical inspector approval. All installations must be installed by a licensed electrician and must comply with all national and local codes, laws and regulations. Milbank reserves the right to make changes in specifications and features shown without notice or obligation.

| | | | | | | | | | |
|-----------------------|----|-----------------------|----|-----------------------|----|-------------------------|----|-----------------------|----|
| M12XA362412..... | 72 | M12XS202408..... | 71 | M12XS362508-FD-H..... | 86 | M12XS483716-FD..... | 89 | M12XZ161606..... | 71 |
| M12XA363006..... | 71 | M12XS241206..... | 71 | M12XS362510-FD..... | 89 | M12XS483716-FD-H..... | 87 | M12XZ161608..... | 71 |
| M12XA363008..... | 71 | M12XS241210..... | 71 | M12XS362510-FD-H..... | 87 | M12XS603608..... | 71 | M12XZ162006..... | 71 |
| M12XA363010..... | 72 | M12XS241606..... | 71 | M12XS363006..... | 71 | M12XS603610..... | 72 | M12XZ162008..... | 71 |
| M12XA363012..... | 72 | M12XS241608..... | 71 | M12XS363008..... | 71 | M12XS603612..... | 72 | M12XZ201206..... | 71 |
| M12XA363016..... | 72 | M12XS242006..... | 71 | M12XS363010..... | 72 | M12XS603616..... | 72 | M12XZ201208..... | 71 |
| M12XA363020..... | 72 | M12XS242008..... | 71 | M12XS363012..... | 72 | M12XS603620..... | 72 | M12XZ201606..... | 71 |
| M12XA363608..... | 71 | M12XS242010..... | 72 | M12XS363016..... | 72 | M12XS603708-FD..... | 88 | M12XZ201608..... | 71 |
| M12XA363612..... | 72 | M12XS242012..... | 72 | M12XS363020..... | 72 | M12XS603708-FD..... | 88 | M12XZ201610..... | 72 |
| M12XA422408..... | 71 | M12XS242016..... | 72 | M12XS363108-FD..... | 88 | M12XS603708-FD-H..... | 86 | M12XZ201612..... | 72 |
| M12XA423008..... | 71 | M12XS242108-FD..... | 88 | M12XS363108-FD..... | 88 | M12XS603710-FD..... | 89 | M12XZ202006..... | 71 |
| M12XA423010..... | 72 | M12XS242108-FD-H..... | 86 | M12XS363108-FD-H..... | 86 | M12XS603710-FD-H..... | 87 | M12XZ202008..... | 71 |
| M12XA423012..... | 72 | M12XS242110-FD..... | 88 | M12XS363110-FD..... | 89 | M12XS603712-FD..... | 89 | M12XZ202108-FD..... | 88 |
| M12XA423608..... | 71 | M12XS242110-FD-H..... | 86 | M12XS363110-FD-H..... | 87 | M12XS603712-FD-H..... | 87 | M12XZ202108-FD-H..... | 86 |
| M12XA423610..... | 72 | M12XS242406..... | 71 | M12XS363112-FD..... | 89 | M12XS603716-FD..... | 89 | M12XZ202110-FD..... | 88 |
| M12XA423612..... | 72 | M12XS242408..... | 71 | M12XS363112-FD-H..... | 87 | M12XS603716-FD-H..... | 87 | M12XZ202110-FD-H..... | 86 |
| M12XA423616..... | 72 | M12XS242410..... | 72 | M12XS363116-FD..... | 89 | M12XS723012..... | 72 | M12XZ202406..... | 71 |
| M12XA482408..... | 71 | M12XS242412..... | 72 | M12XS363116-FD-H..... | 87 | M12XS723016..... | 72 | M12XZ202408..... | 71 |
| M12XA483008..... | 71 | M12XS242416..... | 72 | M12XS363608..... | 71 | M12XS723020..... | 72 | M12XZ241206..... | 71 |
| M12XA483010..... | 72 | M12XS242508-FD..... | 88 | M12XS363612..... | 72 | M12XS723024..... | 72 | M12XZ241210..... | 71 |
| M12XA483608..... | 71 | M12XS242508-FD..... | 88 | M12XS422408..... | 71 | M12XS723612..... | 72 | M12XZ241606..... | 71 |
| M12XA483610..... | 72 | M12XS242508-FD-H..... | 86 | M12XS423008..... | 71 | M12XSAB202108-FD-H..... | 91 | M12XZ241608..... | 71 |
| M12XA483612..... | 72 | M12XS242510-FD..... | 88 | M12XS423010..... | 72 | M12XSAB202110-FD-H..... | 91 | M12XZ242006..... | 71 |
| M12XA483616..... | 72 | M12XS242510-FD-H..... | 86 | M12XS423012..... | 72 | M12XSAB242108-FD-H..... | 91 | M12XZ242008..... | 71 |
| M12XA483620..... | 72 | M12XS243008..... | 71 | M12XS423108-FD..... | 88 | M12XSAB242110-FD-H..... | 91 | M12XZ242010..... | 72 |
| M12XA603608..... | 71 | M12XS301606..... | 71 | M12XS423108-FD..... | 88 | M12XSAB242508-FD-H..... | 91 | M12XZ242012..... | 72 |
| M12XA603610..... | 72 | M12XS302006..... | 71 | M12XS423108-FD-H..... | 86 | M12XSAB242510-FD-H..... | 91 | M12XZ242016..... | 72 |
| M12XA603612..... | 72 | M12XS302008..... | 71 | M12XS423110-FD..... | 89 | M12XSAB302108-FD-H..... | 91 | M12XZ242108-FD..... | 88 |
| M12XA603616..... | 72 | M12XS302010..... | 72 | M12XS423110-FD-H..... | 87 | M12XSAB302110-FD-H..... | 91 | M12XZ242108-FD-H..... | 86 |
| M12XA603620..... | 72 | M12XS302108-FD..... | 88 | M12XS423112-FD..... | 89 | M12XSAB302508-FD-H..... | 91 | M12XZ242110-FD..... | 88 |
| M12XA723012..... | 72 | M12XS302108-FD..... | 88 | M12XS423112-FD-H..... | 87 | M12XSAB302510-FD-H..... | 91 | M12XZ242110-FD-H..... | 86 |
| M12XA723016..... | 72 | M12XS302108-FD-H..... | 86 | M12XS423608..... | 71 | M12XSAB302512-FD..... | 92 | M12XZ242406..... | 71 |
| M12XA723020..... | 72 | M12XS302110-FD..... | 88 | M12XS423610..... | 72 | M12XSAB362508-FD-H..... | 91 | M12XZ242408..... | 71 |
| M12XA723024..... | 72 | M12XS302110-FD-H..... | 87 | M12XS423612..... | 72 | M12XSAB362510-FD-H..... | 91 | M12XZ242410..... | 72 |
| M12XA723612..... | 72 | M12XS302406..... | 71 | M12XS423616..... | 72 | M12XSAB363108-FD-H..... | 91 | M12XZ242412..... | 72 |
| M12XS122406..... | 71 | M12XS302408..... | 71 | M12XS423708-FD..... | 88 | M12XSAB363110-FD-H..... | 91 | M12XZ242416..... | 72 |
| M12XS122408..... | 71 | M12XS302410..... | 72 | M12XS423708-FD..... | 88 | M12XSAB363112-FD..... | 92 | M12XZ242508-FD-H..... | 86 |
| M12XS161206..... | 71 | M12XS302412..... | 72 | M12XS423708-FD-H..... | 86 | M12XSAB363116-FD..... | 92 | M12XZ242510-FD..... | 88 |
| M12XS161208..... | 71 | M12XS302416..... | 72 | M12XS423710-FD..... | 89 | M12XSAB423108-FD-H..... | 91 | M12XZ242510-FD-H..... | 86 |
| M12XS161210..... | 71 | M12XS302420..... | 72 | M12XS423710-FD-H..... | 87 | M12XSAB423110-FD-H..... | 91 | M12XZ243008..... | 71 |
| M12XS161606..... | 71 | M12XS302424..... | 72 | M12XS423712-FD..... | 89 | M12XSAB423112-FD..... | 92 | M12XZ301606..... | 71 |
| M12XS161608..... | 71 | M12XS302508-FD..... | 88 | M12XS423712-FD-H..... | 87 | M12XSAB423708-FD-H..... | 91 | M12XZ302006..... | 71 |
| M12XS162006..... | 71 | M12XS302508-FD..... | 88 | M12XS482408..... | 71 | M12XSAB423710-FD-H..... | 92 | M12XZ302008..... | 71 |
| M12XS162008..... | 71 | M12XS302508-FD-H..... | 86 | M12XS483008..... | 71 | M12XSAB423712-FD..... | 92 | M12XZ302010..... | 72 |
| M12XS201206..... | 71 | M12XS302510-FD..... | 88 | M12XS483010..... | 72 | M12XSAB483708-FD-H..... | 91 | M12XZ302108-FD-H..... | 86 |
| M12XS201208..... | 71 | M12XS302510-FD-H..... | 87 | M12XS483608..... | 71 | M12XSAB483710-FD..... | 92 | M12XZ302110-FD..... | 88 |
| M12XS201606..... | 71 | M12XS302510-FD-H..... | 87 | M12XS483610..... | 72 | M12XSAB483712-FD..... | 92 | M12XZ302110-FD-H..... | 87 |
| M12XS201608..... | 71 | M12XS302512-FD..... | 89 | M12XS483612..... | 72 | M12XSAB483716-FD..... | 92 | M12XZ302406..... | 71 |
| M12XS201610..... | 72 | M12XS303008..... | 71 | M12XS483616..... | 72 | M12XSAB603708-FD-H..... | 91 | M12XZ302408..... | 71 |
| M12XS201612..... | 72 | M12XS303012..... | 72 | M12XS483620..... | 72 | M12XSAB603710-FD..... | 92 | M12XZ302410..... | 72 |
| M12XS202006..... | 71 | M12XS303608..... | 71 | M12XS483708-FD..... | 88 | M12XSAB603712-FD..... | 92 | M12XZ302412..... | 72 |
| M12XS202008..... | 71 | M12XS362406..... | 71 | M12XS483708-FD..... | 88 | M12XSAB603716-FD..... | 92 | M12XZ302416..... | 72 |
| M12XS202108-FD..... | 88 | M12XS362408..... | 71 | M12XS483708-FD-H..... | 86 | M12XZ122406..... | 71 | M12XZ302420..... | 72 |
| M12XS202108-FD-H..... | 86 | M12XS362410..... | 72 | M12XS483710-FD..... | 89 | M12XZ122408..... | 71 | M12XZ302424..... | 72 |
| M12XS202110-FD..... | 88 | M12XS362412..... | 72 | M12XS483710-FD-H..... | 87 | M12XZ161206..... | 71 | M12XZ302508-FD-H..... | 86 |
| M12XS202110-FD-H..... | 86 | M12XS362508-FD..... | 88 | M12XS483712-FD..... | 89 | M12XZ161208..... | 71 | M12XZ302510-FD..... | 88 |
| M12XS202406..... | 71 | M12XS362508-FD..... | 88 | M12XS483712-FD-H..... | 87 | M12XZ161210..... | 71 | M12XZ302510-FD-H..... | 87 |

Please consult serving utility for their requirements prior to ordering or installing, as specifications and approvals vary by utility, and may require local electrical inspector approval. All installations must be installed by a licensed electrician and must comply with all national and local codes, laws and regulations. Milbank reserves the right to make changes in specifications and features shown without notice or obligation.



| | | | | |
|---------------------------|---------------------------|---------------------------|------------------------|------------------------|
| M12XZ302510-FD-H 87 | M12XZ483712-FD-H 87 | M4D626010-FT 129 | M4FS602518 132 | M4FSXZ723730 132 |
| M12XZ302512-FD 89 | M12XZ483716-FD 89 | M4D626012-FT 129 | M4FS603724 132 | M4FSXZ723736 132 |
| M12XZ303008 71 | M12XZ483716-FD-H 87 | M4D626016-FT 129 | M4FS722518 132 | M4FSXZ902520 132 |
| M12XZ303012 72 | M12XZ603608 71 | M4D626020-FT 129 | M4FS722524 132 | M4FSXZ902524 132 |
| M12XZ303608 71 | M12XZ603610 72 | M4D626024-FT 129 | M4FS722530 132 | M4FSXZ902530 132 |
| M12XZ362406 71 | M12XZ603612 72 | M4D746010-FT 129 | M4FS723118 132 | M4FSXZ903120 132 |
| M12XZ362408 71 | M12XZ603616 72 | M4D746012-FT 129 | M4FS723124 132 | M4FSXZ903124 132 |
| M12XZ362410 72 | M12XZ603620 72 | M4D746016-FT 129 | M4FS723130 132 | M4FSXZ903130 132 |
| M12XZ362412 72 | M12XZ603708-FD-H 86 | M4D746020-FT 129 | M4FS723136 132 | M4FSXZ903720 132 |
| M12XZ362508-FD-H 86 | M12XZ603710-FD 89 | M4D746024-FT 129 | M4FS723718 132 | M4FSXZ903724 132 |
| M12XZ362510-FD 89 | M12XZ603710-FD-H 87 | M4D747210-FT 129 | M4FS723724 132 | M4FSXZ903730 132 |
| M12XZ362510-FD-H 87 | M12XZ603712-FD 89 | M4D747212-FT 129 | M4FS723730 132 | M4FSXZ903736 132 |
| M12XZ363006 71 | M12XZ603712-FD-H 87 | M4D747216-FT 129 | M4FS723736 132 | M4S122406 127 |
| M12XZ363008 71 | M12XZ603716-FD 89 | M4D747220-FT 129 | M4FS902520 132 | M4S122408 127 |
| M12XZ363010 72 | M12XZ603716-FD-H 87 | M4D747224-FT 129 | M4FS902524 132 | M4S161206 127 |
| M12XZ363012 72 | M12XZ723012 72 | M4DXS624810-FT 129 | M4FS902530 132 | M4S161208 127 |
| M12XZ363016 72 | M12XZ723016 72 | M4DXS624812-FT 129 | M4FS903120 132 | M4S161210 128 |
| M12XZ363020 72 | M12XZ723020 72 | M4DXS624816-FT 129 | M4FS903124 132 | M4S161606 127 |
| M12XZ363108-FD-H 86 | M12XZ723024 72 | M4DXS624820-FT 129 | M4FS903130 132 | M4S161608 127 |
| M12XZ363110-FD 89 | M12XZ723612 72 | M4DXS624824-FT 129 | M4FS903720 132 | M4S162006 127 |
| M12XZ363110-FD-H 87 | M12XZAB202108-FD-H.... 91 | M4DXS62488-FT 129 | M4FS903724 132 | M4S162008 127 |
| M12XZ363112-FD 89 | M12XZAB202110-FD-H.... 91 | M4DXS626010-FT 129 | M4FS903730 132 | M4S201206 127 |
| M12XZ363112-FD-H 87 | M12XZAB242108-FD-H.... 91 | M4DXS626012-FT 129 | M4FS903736 132 | M4S201208 127 |
| M12XZ363116-FD 89 | M12XZAB242110-FD-H.... 91 | M4DXS626016-FT 129 | M4FSXS602518 132 | M4S201606 127 |
| M12XZ363116-FD-H 87 | M12XZAB242508-FD-H.... 91 | M4DXS626020-FT 129 | M4FSXS603724 132 | M4S201608 127 |
| M12XZ363608 71 | M12XZAB242510-FD-H.... 91 | M4DXS626024-FT 129 | M4FSXS722518 132 | M4S201610 128 |
| M12XZ363612 72 | M12XZAB302108-FD-H.... 91 | M4DXS746010-FT 129 | M4FSXS722524 132 | M4S201612 128 |
| M12XZ422408 71 | M12XZAB302110-FD-H.... 91 | M4DXS746012-FT 129 | M4FSXS722530 132 | M4S202006 127 |
| M12XZ423008 71 | M12XZAB302508-FD-H.... 91 | M4DXS746016-FT 129 | M4FSXS723118 132 | M4S202008 127 |
| M12XZ423010 72 | M12XZAB302510-FD-H.... 91 | M4DXS746020-FT 129 | M4FSXS723124 132 | M4S202406 127 |
| M12XZ423012 72 | M12XZAB302512-FD 92 | M4DXS746024-FT 129 | M4FSXS723130 132 | M4S202408 127 |
| M12XZ423108-FD-H 86 | M12XZAB362508-FD-H.... 91 | M4DXS747210-FT 129 | M4FSXS723136 132 | M4S241206 127 |
| M12XZ423110-FD 89 | M12XZAB362510-FD-H.... 91 | M4DXS747212-FT 129 | M4FSXS723718 132 | M4S241210 128 |
| M12XZ423110-FD-H 87 | M12XZAB363108-FD-H.... 91 | M4DXS747216-FT 129 | M4FSXS723724 132 | M4S241606 127 |
| M12XZ423112-FD 89 | M12XZAB363110-FD-H.... 91 | M4DXS747220-FT 129 | M4FSXS723730 132 | M4S241608 127 |
| M12XZ423112-FD-H 87 | M12XZAB363112-FD 92 | M4DXS747224-FT 129 | M4FSXS723736 132 | M4S242006 127 |
| M12XZ423608 71 | M12XZAB363116-FD 92 | M4DXZ624810-FT 129 | M4FSXS902520 132 | M4S242008 127 |
| M12XZ423610 72 | M12XZAB423108-FD-H.... 91 | M4DXZ624812-FT 129 | M4FSXS902524 132 | M4S242010 128 |
| M12XZ423612 72 | M12XZAB423110-FD-H.... 91 | M4DXZ624816-FT 129 | M4FSXS902530 132 | M4S242012 128 |
| M12XZ423616 72 | M12XZAB423112-FD 92 | M4DXZ624820-FT 129 | M4FSXS903120 132 | M4S242016 128 |
| M12XZ423708-FD-H 86 | M12XZAB423708-FD-H.... 91 | M4DXZ624824-FT 129 | M4FSXS903124 132 | M4S24218-FD 133 |
| M12XZ423710-FD 89 | M12XZAB423710-FD-H.... 92 | M4DXZ62488-FT 129 | M4FSXS903130 132 | M4S242406 127 |
| M12XZ423710-FD-H 87 | M12XZAB423712-FD 92 | M4DXZ626010-FT 129 | M4FSXS903720 132 | M4S242408 127 |
| M12XZ423712-FD 89 | M12XZAB483708-FD-H.... 91 | M4DXZ626012-FT 129 | M4FSXS903724 132 | M4S242410 128 |
| M12XZ423712-FD-H 87 | M12XZAB483710-FD 92 | M4DXZ626016-FT 129 | M4FSXS903730 132 | M4S242412 128 |
| M12XZ482408 71 | M12XZAB483712-FD 92 | M4DXZ626020-FT 129 | M4FSXS903736 132 | M4S242416 128 |
| M12XZ483008 71 | M12XZAB483716-FD 92 | M4DXZ626024-FT 129 | M4FSXS602518 132 | M4S242508-FD 133 |
| M12XZ483010 72 | M12XZAB603708-FD-H.... 91 | M4DXZ746010-FT 129 | M4FSXZ603724 132 | M4S243008 127 |
| M12XZ483608 71 | M12XZAB603710-FD 92 | M4DXZ746012-FT 129 | M4FSXZ722518 132 | M4S301606 127 |
| M12XZ483610 72 | M12XZAB603712-FD 92 | M4DXZ746016-FT 129 | M4FSXZ722524 132 | M4S302006 127 |
| M12XZ483612 72 | M12XZAB603716-FD 92 | M4DXZ746020-FT 129 | M4FSXZ722530 132 | M4S302008 127 |
| M12XZ483616 72 | M4D624810-FT 129 | M4DXZ746024-FT 129 | M4FSXZ723118 132 | M4S302010 128 |
| M12XZ483620 72 | M4D624812-FT 129 | M4DXZ747210-FT 129 | M4FSXZ723124 132 | M4S302406 127 |
| M12XZ483708-FD-H 86 | M4D624816-FT 129 | M4DXZ747212-FT 129 | M4FSXZ723130 132 | M4S302408 127 |
| M12XZ483710-FD 89 | M4D624820-FT 129 | M4DXZ747216-FT 129 | M4FSXZ723136 132 | M4S302410 128 |
| M12XZ483710-FD-H 87 | M4D624824-FT 129 | M4DXZ747220-FT 129 | M4FSXZ723718 132 | M4S302412 128 |
| M12XZ483712-FD 89 | M4D62488-FT 129 | M4DXZ747224 -FT 129 | M4FSXZ723724 132 | M4S302416 128 |



Please consult serving utility for their requirements prior to ordering or installing, as specifications and approvals vary by utility, and may require local electrical inspector approval. All installations must be installed by a licensed electrician and must comply with all national and local codes, laws and regulations. Milbank reserves the right to make changes in specifications and features shown without notice or obligation.

| | | | | |
|------------------------|----------------------|-------------------------|-------------------------|-------------------------|
| M4S302420 128 | M4XA162008..... 127 | M4XA423610 128 | M4XS301606 127 | M4XS723612 128 |
| M4S302424 128 | M4XA201206..... 127 | M4XA423612 128 | M4XS302006 127 | M4XZ122406 127 |
| M4S302508-FD 133 | M4XA201208..... 127 | M4XA423616 128 | M4XS302008 127 | M4XZ122408 127 |
| M4S303008 127 | M4XA201606..... 127 | M4XA482408..... 127 | M4XS302010 128 | M4XZ161206 127 |
| M4S303012 128 | M4XA201608..... 127 | M4XA483008..... 127 | M4XS302406 127 | M4XZ161208 127 |
| M4S303608 127 | M4XA201610 128 | M4XA483010 128 | M4XS302408 127 | M4XZ161210 128 |
| M4S362406 127 | M4XA201612 128 | M4XA483608..... 127 | M4XS302410 128 | M4XZ161606 127 |
| M4S362408 127 | M4XA202006..... 127 | M4XA483610 128 | M4XS302412 128 | M4XZ161608 127 |
| M4S362410 128 | M4XA202008..... 127 | M4XA483612 128 | M4XS302416 128 | M4XZ162006 127 |
| M4S362412 128 | M4XA202406..... 127 | M4XA483616 128 | M4XS302420 128 | M4XZ162008 127 |
| M4S363006 127 | M4XA202408..... 127 | M4XA483620..... 128 | M4XS302424 128 | M4XZ201206 127 |
| M4S363008 127 | M4XA241206..... 127 | M4XA603608..... 127 | M4XS302508-FD 133 | M4XZ201208 127 |
| M4S363010 128 | M4XA241210 128 | M4XA603610 128 | M4XS303008 127 | M4XZ201606 127 |
| M4S363012 128 | M4XA241606..... 127 | M4XA603612 128 | M4XS303012 128 | M4XZ201608 127 |
| M4S363016 128 | M4XA241608..... 127 | M4XA603616 128 | M4XS303608 127 | M4XZ201610 128 |
| M4S363020 128 | M4XA242006..... 127 | M4XA603620..... 128 | M4XS362406 127 | M4XZ201612 128 |
| M4S363108-FD 133 | M4XA242008..... 127 | M4XA723012 128 | M4XS362408 127 | M4XZ202006 127 |
| M4S363608 127 | M4XA242010 128 | M4XA723016 128 | M4XS362410 128 | M4XZ202008 127 |
| M4S363612 128 | M4XA242012 128 | M4XA723020 128 | M4XS362412 128 | M4XZ202406 127 |
| M4S422408 127 | M4XA242016 128 | M4XA723024 128 | M4XS363006 127 | M4XZ202408 127 |
| M4S423008 127 | M4XA242406..... 127 | M4XA723612 128 | M4XS363008 127 | M4XZ241206 127 |
| M4S423010 128 | M4XA242408..... 127 | M4XS122406 127 | M4XS363010 128 | M4XZ241210 128 |
| M4S423012 128 | M4XA242410 128 | M4XS122408 127 | M4XS363012 128 | M4XZ241606 127 |
| M4S423112-FD 133 | M4XA242412..... 128 | M4XS161206 127 | M4XS363016 128 | M4XZ241608 127 |
| M4S423608 127 | M4XA242416 128 | M4XS161208 127 | M4XS363020 128 | M4XZ242006 127 |
| M4S423610 128 | M4XA243008..... 127 | M4XS161210 128 | M4XS363108-FD 133 | M4XZ242008 127 |
| M4S423612 128 | M4XA301606..... 127 | M4XS161606 127 | M4XS363608 127 | M4XZ242010 128 |
| M4S423616 128 | M4XA302006..... 127 | M4XS161608 127 | M4XS363612 128 | M4XZ242012 128 |
| M4S423712-FD 133 | M4XA302008..... 127 | M4XS162006 127 | M4XS422408 127 | M4XZ242016 128 |
| M4S482408 127 | M4XA302010 128 | M4XS162008 127 | M4XS423008 127 | M4XZ24218-FD 133 |
| M4S483008 127 | M4XA302406..... 127 | M4XS201206 127 | M4XS423010 128 | M4XZ242406 127 |
| M4S483010 128 | M4XA302408..... 127 | M4XS201208 127 | M4XS423012 128 | M4XZ242408 127 |
| M4S483608 127 | M4XA302410 128 | M4XS201606 127 | M4XS423112-FD 133 | M4XZ242410 128 |
| M4S483610 128 | M4XA302412 128 | M4XS201608 127 | M4XS423608 127 | M4XZ242412 128 |
| M4S483612 128 | M4XA302416..... 128 | M4XS201610 128 | M4XS423610 128 | M4XZ242416 128 |
| M4S483616 128 | M4XA302420 128 | M4XS201612 128 | M4XS423612 128 | M4XZ242508-FD 133 |
| M4S483620 128 | M4XA302424 128 | M4XS202006 127 | M4XS423616 128 | M4XZ243008 127 |
| M4S483712-FD 133 | M4XA303008..... 127 | M4XS202008 127 | M4XS423712-FD 133 | M4XZ301606 127 |
| M4S603608 127 | M4XA303012 128 | M4XS202406 127 | M4XS482408 127 | M4XZ302006 127 |
| M4S603610 128 | M4XA303608..... 127 | M4XS202408 127 | M4XS483008 127 | M4XZ302008 127 |
| M4S603612 128 | M4XA362406..... 127 | M4XS241206 127 | M4XS483010 128 | M4XZ302010 128 |
| M4S603616 128 | M4XA362408..... 127 | M4XS241210 128 | M4XS483608 127 | M4XZ302406 127 |
| M4S603620 128 | M4XA362410 128 | M4XS241606 127 | M4XS483610 128 | M4XZ302408 127 |
| M4S603712-FD 133 | M4XA362412 128 | M4XS241608 127 | M4XS483612 128 | M4XZ302410 128 |
| M4S723012 128 | M4XA363006..... 127 | M4XS242006 127 | M4XS483616 128 | M4XZ302412 128 |
| M4S723016 128 | M4XA363008..... 127 | M4XS242008 127 | M4XS483620 128 | M4XZ302416 128 |
| M4S723020 128 | M4XA363010 128 | M4XS242010 128 | M4XS483712-FD 133 | M4XZ302420 128 |
| M4S723024 128 | M4XA363012 128 | M4XS242012 128 | M4XS603608 127 | M4XZ302424 128 |
| M4S723612 128 | M4XA363016 128 | M4XS242016 128 | M4XS603610 128 | M4XZ302508-FD 133 |
| M4XA122406..... 127 | M4XA363020 128 | M4XS24218-FD 133 | M4XS603612 128 | M4XZ303008 127 |
| M4XA122408..... 127 | M4XA363608..... 127 | M4XS242406 127 | M4XS603616 128 | M4XZ303012 128 |
| M4XA161206 127 | M4XA363612..... 128 | M4XS242408 127 | M4XS603620 128 | M4XZ303608 127 |
| M4XA161208..... 127 | M4XA422408..... 127 | M4XS242410 128 | M4XS603712-FD 133 | M4XZ362406 127 |
| M4XA161210 128 | M4XA423008..... 127 | M4XS242412 128 | M4XS723012 128 | M4XZ362408 127 |
| M4XA161606..... 127 | M4XA423010..... 128 | M4XS242416 128 | M4XS723016 128 | M4XZ362410 128 |
| M4XA161608..... 127 | M4XA423012 128 | M4XS242508-FD 133 | M4XS723020 128 | M4XZ362412 128 |
| M4XA162006..... 127 | M4XA423608..... 127 | M4XS243008 127 | M4XS723024 128 | M4XZ363006 127 |

Please consult serving utility for their requirements prior to ordering or installing, as specifications and approvals vary by utility, and may require local electrical inspector approval. All installations must be installed by a licensed electrician and must comply with all national and local codes, laws and regulations. Milbank reserves the right to make changes in specifications and features shown without notice or obligation.



| | | | | | | | | | |
|--------------------|-----|----------------|-----|-------------------|-----|--------------------|-----|------------------|-----|
| M4XZ363008..... | 127 | MCXS12C24..... | 69 | MSD30206..... | 138 | MSDFMXS20206..... | 135 | MSDXS161210..... | 138 |
| M4XZ363010..... | 128 | MCXS16C16..... | 69 | MSD30208..... | 138 | MSDFMXS24206..... | 135 | MSDXS16126..... | 138 |
| M4XZ363012..... | 128 | MCXS16C20..... | 69 | MSD302410..... | 139 | MSDFMXS24248..... | 135 | MSDXS16128..... | 138 |
| M4XZ363016..... | 128 | MCXS16C24..... | 69 | MSD302412..... | 139 | MSDFMXS30248..... | 135 | MSDXS161610..... | 138 |
| M4XZ363020..... | 128 | MCXS16C30..... | 69 | MSD302416..... | 139 | MSDFMXZ16126..... | 135 | MSDXS16166..... | 138 |
| M4XZ363108-FD..... | 133 | MCXS16C36..... | 69 | MSD302420..... | 139 | MSDFMXZ20166..... | 135 | MSDXS16168..... | 138 |
| M4XZ363608..... | 127 | MCXS20C20..... | 69 | MSD302424..... | 139 | MSDFMXZ20206..... | 135 | MSDXS162010..... | 139 |
| M4XZ363612..... | 128 | MCXS20C24..... | 69 | MSD30246..... | 138 | MSDFMXZ24206..... | 135 | MSDXS16206..... | 138 |
| M4XZ422408..... | 127 | MCXS20C30..... | 69 | MSD30248..... | 138 | MSDFMXZ24248..... | 135 | MSDXS16208..... | 138 |
| M4XZ423008..... | 127 | MCXS8C12..... | 69 | MSD303010..... | 139 | MSDFMXZ30248..... | 135 | MSDXS20126..... | 138 |
| M4XZ423010..... | 128 | MCXS8C16..... | 69 | MSD303012..... | 139 | MSDSTXS14126..... | 140 | MSDXS20128..... | 138 |
| M4XZ423012..... | 128 | MCXS8C20..... | 69 | MSD30308..... | 138 | MSDSTXS16128..... | 140 | MSDXS201610..... | 139 |
| M4XZ423112-FD..... | 133 | MCXS8C8..... | 69 | MSD30368..... | 138 | MSDSTXS16146..... | 140 | MSDXS201612..... | 139 |
| M4XZ423608..... | 127 | MSD12126..... | 138 | MSD362410..... | 139 | MSDSTXS16168..... | 140 | MSDXS20166..... | 138 |
| M4XZ423610..... | 128 | MSD12246..... | 138 | MSD362412..... | 139 | MSDSTXS201612..... | 140 | MSDXS20168..... | 138 |
| M4XZ423612..... | 128 | MSD12248..... | 138 | MSD36246..... | 138 | MSDSTXS20168..... | 140 | MSDXS202010..... | 139 |
| M4XZ423616..... | 128 | MSD161210..... | 138 | MSD36248..... | 138 | MSDSTXS202012..... | 140 | MSDXS202012..... | 139 |
| M4XZ423712-FD..... | 133 | MSD16126..... | 138 | MSD363010..... | 139 | MSDSTXS20208..... | 140 | MSDXS20206..... | 138 |
| M4XZ482408..... | 127 | MSD16128..... | 138 | MSD363012..... | 139 | MSDSTXS24208..... | 140 | MSDXS20208..... | 138 |
| M4XZ483008..... | 127 | MSD161610..... | 138 | MSD363016..... | 139 | MSDSTXS242412..... | 140 | MSDXS202410..... | 139 |
| M4XZ483010..... | 128 | MSD16166..... | 138 | MSD363020..... | 139 | MSDSTXS24248..... | 140 | MSDXS20246..... | 138 |
| M4XZ483608..... | 127 | MSD16168..... | 138 | MSD36306..... | 138 | MSDSTXS302412..... | 140 | MSDXS20248..... | 138 |
| M4XZ483610..... | 128 | MSD162010..... | 139 | MSD36308..... | 138 | MSDSTXS30248..... | 140 | MSDXS241210..... | 139 |
| M4XZ483612..... | 128 | MSD16206..... | 138 | MSD363610..... | 139 | MSDSTXS30308..... | 140 | MSDXS24126..... | 138 |
| M4XZ483616..... | 128 | MSD16208..... | 138 | MSD363612..... | 139 | MSDSTXS363012..... | 140 | MSDXS24166..... | 138 |
| M4XZ483620..... | 128 | MSD20126..... | 138 | MSD36368..... | 138 | MSDSTXS363016..... | 140 | MSDXS24168..... | 138 |
| M4XZ483712-FD..... | 133 | MSD20128..... | 138 | MSD42248..... | 138 | MSDSTXS36308..... | 140 | MSDXS242010..... | 139 |
| M4XZ603608..... | 127 | MSD201610..... | 139 | MSD423010..... | 139 | MSDSTXS363612..... | 140 | MSDXS242012..... | 139 |
| M4XZ603610..... | 128 | MSD201612..... | 139 | MSD423012..... | 139 | MSDSTXS423612..... | 140 | MSDXS242016..... | 139 |
| M4XZ603612..... | 128 | MSD20166..... | 138 | MSD42308..... | 138 | MSDSTXS483612..... | 140 | MSDXS24206..... | 138 |
| M4XZ603616..... | 128 | MSD20168..... | 138 | MSD423610..... | 139 | MSDSTXS483616..... | 140 | MSDXS24208..... | 138 |
| M4XZ603620..... | 128 | MSD202010..... | 139 | MSD423612..... | 139 | MSDSTXS603616..... | 140 | MSDXS242410..... | 139 |
| M4XZ603712-FD..... | 133 | MSD202012..... | 139 | MSD423616..... | 139 | MSDSTXZ14126..... | 140 | MSDXS242412..... | 139 |
| M4XZ723012..... | 128 | MSD20206..... | 138 | MSD42368..... | 138 | MSDSTXZ16128..... | 140 | MSDXS242416..... | 139 |
| M4XZ723016..... | 128 | MSD20208..... | 138 | MSD482410..... | 139 | MSDSTXZ16146..... | 140 | MSDXS242420..... | 139 |
| M4XZ723020..... | 128 | MSD202410..... | 139 | MSD482412..... | 139 | MSDSTXZ16168..... | 140 | MSDXS24246..... | 138 |
| M4XZ723024..... | 128 | MSD20246..... | 138 | MSD48248..... | 138 | MSDSTXZ201612..... | 140 | MSDXS24248..... | 138 |
| M4XZ723612..... | 128 | MSD20248..... | 138 | MSD483010..... | 139 | MSDSTXZ20168..... | 140 | MSDXS243010..... | 139 |
| MC12C12..... | 69 | MSD241210..... | 139 | MSD48308..... | 138 | MSDSTXZ202012..... | 140 | MSDXS24308..... | 138 |
| MC12C16..... | 69 | MSD24126..... | 138 | MSD483610..... | 139 | MSDSTXZ20208..... | 140 | MSDXS30166..... | 138 |
| MC12C20..... | 69 | MSD24166..... | 138 | MSD483612..... | 139 | MSDSTXZ24208..... | 140 | MSDXS302010..... | 139 |
| MC12C24..... | 69 | MSD24168..... | 138 | MSD483616..... | 139 | MSDSTXZ242412..... | 140 | MSDXS30206..... | 138 |
| MC16C16..... | 69 | MSD242010..... | 139 | MSD483620..... | 139 | MSDSTXZ24248..... | 140 | MSDXS30208..... | 138 |
| MC16C20..... | 69 | MSD242012..... | 139 | MSD48368..... | 138 | MSDSTXZ302412..... | 140 | MSDXS302410..... | 139 |
| MC16C24..... | 69 | MSD242016..... | 139 | MSD603610..... | 139 | MSDSTXZ30248..... | 140 | MSDXS302412..... | 139 |
| MC16C30..... | 69 | MSD24206..... | 138 | MSD603612..... | 139 | MSDSTXZ30308..... | 140 | MSDXS302416..... | 139 |
| MC16C36..... | 69 | MSD24208..... | 138 | MSD603616..... | 139 | MSDSTXZ363012..... | 140 | MSDXS302420..... | 139 |
| MC20C20..... | 69 | MSD242410..... | 139 | MSD603620..... | 139 | MSDSTXZ363016..... | 140 | MSDXS302424..... | 139 |
| MC20C24..... | 69 | MSD242412..... | 139 | MSD60368..... | 138 | MSDSTXZ36308..... | 140 | MSDXS30246..... | 138 |
| MC20C30..... | 69 | MSD242416..... | 139 | MSDFM16126..... | 135 | MSDSTXZ363612..... | 140 | MSDXS30248..... | 138 |
| MC8C12..... | 69 | MSD242420..... | 139 | MSDFM20166..... | 135 | MSDSTXZ423612..... | 140 | MSDXS303010..... | 139 |
| MC8C16..... | 69 | MSD24246..... | 138 | MSDFM20206..... | 135 | MSDSTXZ483612..... | 140 | MSDXS303012..... | 139 |
| MC8C20..... | 69 | MSD24248..... | 138 | MSDFM24206..... | 135 | MSDSTXZ483616..... | 140 | MSDXS30308..... | 138 |
| MC8C8..... | 69 | MSD243010..... | 139 | MSDFM24248..... | 135 | MSDSTXZ603616..... | 140 | MSDXS30368..... | 138 |
| MCXS12C12..... | 69 | MSD24308..... | 138 | MSDFM30248..... | 135 | MSDXS12126..... | 138 | MSDXS362410..... | 139 |
| MCXS12C16..... | 69 | MSD30166..... | 138 | MSDFMXS16126..... | 135 | MSDXS12246..... | 138 | MSDXS362412..... | 139 |
| MCXS12C20..... | 69 | MSD302010..... | 139 | MSDFMXS20166..... | 135 | MSDXS12248..... | 138 | MSDXS36246..... | 138 |



Please consult serving utility for their requirements prior to ordering or installing, as specifications and approvals vary by utility, and may require local electrical inspector approval. All installations must be installed by a licensed electrician and must comply with all national and local codes, laws and regulations. Milbank reserves the right to make changes in specifications and features shown without notice or obligation.

| | | | | | | | | | |
|-------------------|-----|-------------------|-----|-------------------|-----|-------------------|----|-------------------|----|
| MSDXS36248 | 138 | MSDXZ20248 | 138 | MSDXZ483010 | 139 | PBD12S54 | 63 | PBHC12S66 | 67 |
| MSDXS363010 | 139 | MSDXZ241210 | 139 | MSDXZ48308 | 138 | PBD12S55 | 63 | PBHC12S76 | 67 |
| MSDXS363012 | 139 | MSDXZ24126 | 138 | MSDXZ483610 | 139 | PBD12S56 | 63 | PBHC12XS22 | 67 |
| MSDXS363016 | 139 | MSDXZ24166 | 138 | MSDXZ483612 | 139 | PBD12S66 | 63 | PBHC12XS32 | 67 |
| MSDXS363020 | 139 | MSDXZ24168 | 138 | MSDXZ483616 | 139 | PBD12XS11 | 63 | PBHC12XS33 | 67 |
| MSDXS36306 | 138 | MSDXZ242010 | 139 | MSDXZ483620 | 139 | PBD12XS110 | 63 | PBHC12XS43 | 67 |
| MSDXS36308 | 138 | MSDXZ242012 | 139 | MSDXZ48368 | 138 | PBD12XS116 | 63 | PBHC12XS44 | 67 |
| MSDXS363610 | 139 | MSDXZ242016 | 139 | MSDXZ603610 | 139 | PBD12XS12 | 63 | PBHC12XS54 | 67 |
| MSDXS363612 | 139 | MSDXZ24206 | 138 | MSDXZ603612 | 139 | PBD12XS13 | 63 | PBHC12XS55 | 67 |
| MSDXS36368 | 138 | MSDXZ24208 | 138 | MSDXZ603616 | 139 | PBD12XS14 | 63 | PBHC12XS65 | 67 |
| MSDXS42248 | 138 | MSDXZ242410 | 139 | MSDXZ603620 | 139 | PBD12XS16 | 63 | PBHC12XS66 | 67 |
| MSDXS423010 | 139 | MSDXZ242412 | 139 | MSDXZ60368 | 138 | PBD12XS22 | 63 | PBHC12XS76 | 67 |
| MSDXS423012 | 139 | MSDXZ242416 | 139 | PB12S11 | 61 | PBD12XS33 | 63 | PBHCM12S22 | 67 |
| MSDXS42308 | 138 | MSDXZ242420 | 139 | PB12S110 | 61 | PBD12XS43 | 63 | PBHCM12S32 | 67 |
| MSDXS423610 | 139 | MSDXZ24246 | 138 | PB12S12 | 61 | PBD12XS44 | 63 | PBHCM12S33 | 67 |
| MSDXS423612 | 139 | MSDXZ24248 | 138 | PB12S13 | 61 | PBD12XS54 | 63 | PBHCM12S43 | 67 |
| MSDXS423616 | 139 | MSDXZ243010 | 139 | PB12S14 | 61 | PBD12XS55 | 63 | PBHCM12S44 | 67 |
| MSDXS42368 | 138 | MSDXZ24308 | 138 | PB12S15 | 61 | PBD12XS56 | 63 | PBHCM12S54 | 67 |
| MSDXS482410 | 139 | MSDXZ30166 | 138 | PB12S16 | 61 | PBD12XS66 | 63 | PBHCM12S55 | 67 |
| MSDXS482412 | 139 | MSDXZ302010 | 139 | PB12S17 | 61 | PBDM12S11 | 63 | PBHCM12S65 | 67 |
| MSDXS48248 | 138 | MSDXZ30206 | 138 | PB12S18 | 61 | PBDM12S110 | 63 | PBHCM12S66 | 67 |
| MSDXS483010 | 139 | MSDXZ30208 | 138 | PB12S19 | 61 | PBDM12S116 | 63 | PBHCM12S76 | 67 |
| MSDXS48308 | 138 | MSDXZ302410 | 139 | PB12S22 | 61 | PBDM12S12 | 63 | PBHCM12XS22 | 67 |
| MSDXS483610 | 139 | MSDXZ302412 | 139 | PB12S32 | 61 | PBDM12S13 | 63 | PBHCM12XS32 | 67 |
| MSDXS483612 | 139 | MSDXZ302416 | 139 | PB12S33 | 61 | PBDM12S14 | 63 | PBHCM12XS33 | 67 |
| MSDXS483616 | 139 | MSDXZ302420 | 139 | PB12S43 | 61 | PBDM12S16 | 63 | PBHCM12XS43 | 67 |
| MSDXS483620 | 139 | MSDXZ302424 | 139 | PB12S44 | 61 | PBDM12S22 | 63 | PBHCM12XS44 | 67 |
| MSDXS48368 | 138 | MSDXZ30246 | 138 | PB12S54 | 61 | PBDM12S33 | 63 | PBHCM12XS54 | 67 |
| MSDXS603610 | 139 | MSDXZ30248 | 138 | PB12S55 | 61 | PBDM12S43 | 63 | PBHCM12XS55 | 67 |
| MSDXS603612 | 139 | MSDXZ303010 | 139 | PB12XS11 | 61 | PBDM12S44 | 63 | PBHCM12XS65 | 67 |
| MSDXS603616 | 139 | MSDXZ303012 | 139 | PB12XS110 | 61 | PBDM12S54 | 63 | PBHCM12XS66 | 67 |
| MSDXS603620 | 139 | MSDXZ30308 | 138 | PB12XS12 | 61 | PBDM12S55 | 63 | PBHCM12XS76 | 67 |
| MSDXS60368 | 138 | MSDXZ30368 | 138 | PB12XS13 | 61 | PBDM12S56 | 63 | PBM12S11 | 61 |
| MSDXZ12126 | 138 | MSDXZ362410 | 139 | PB12XS14 | 61 | PBDM12S66 | 63 | PBM12S110 | 61 |
| MSDXZ12246 | 138 | MSDXZ362412 | 139 | PB12XS15 | 61 | PBDM12XS11 | 63 | PBM12S12 | 61 |
| MSDXZ12248 | 138 | MSDXZ36246 | 138 | PB12XS16 | 61 | PBDM12XS110 | 63 | PBM12S13 | 61 |
| MSDXZ161210 | 138 | MSDXZ36248 | 138 | PB12XS17 | 61 | PBDM12XS116 | 63 | PBM12S14 | 61 |
| MSDXZ16126 | 138 | MSDXZ363010 | 139 | PB12XS18 | 61 | PBDM12XS12 | 63 | PBM12S15 | 61 |
| MSDXZ16128 | 138 | MSDXZ363012 | 139 | PB12XS19 | 61 | PBDM12XS13 | 63 | PBM12S16 | 61 |
| MSDXZ161610 | 138 | MSDXZ363016 | 139 | PB12XS22 | 61 | PBDM12XS14 | 63 | PBM12S17 | 61 |
| MSDXZ16166 | 138 | MSDXZ363020 | 139 | PB12XS32 | 61 | PBDM12XS16 | 63 | PBM12S18 | 61 |
| MSDXZ16168 | 138 | MSDXZ36306 | 138 | PB12XS53 | 61 | PBDM12XS22 | 63 | PBM12S19 | 61 |
| MSDXZ162010 | 139 | MSDXZ36308 | 138 | PB12XS43 | 61 | PBDM12XS33 | 63 | PBM12S22 | 61 |
| MSDXZ16206 | 138 | MSDXZ363610 | 139 | PB12XS44 | 61 | PBDM12XS43 | 63 | PBM12S32 | 61 |
| MSDXZ16208 | 138 | MSDXZ363612 | 139 | PB12XS54 | 61 | PBDM12XS44 | 63 | PBM12S33 | 61 |
| MSDXZ20126 | 138 | MSDXZ36368 | 138 | PB12XS55 | 61 | PBDM12XS54 | 63 | PBM12S43 | 61 |
| MSDXZ20128 | 138 | MSDXZ42248 | 138 | PBD12S11 | 63 | PBDM12XS55 | 63 | PBM12S44 | 61 |
| MSDXZ201610 | 139 | MSDXZ423010 | 139 | PBD12S110 | 63 | PBDM12XS56 | 63 | PBM12S54 | 61 |
| MSDXZ201612 | 139 | MSDXZ423012 | 139 | PBD12S116 | 63 | PBDM12XS66 | 63 | PBM12S55 | 61 |
| MSDXZ20166 | 138 | MSDXZ42308 | 138 | PBD12S12 | 63 | PBHC12S22 | 67 | PBM12XS11 | 61 |
| MSDXZ20168 | 138 | MSDXZ423610 | 139 | PBD12S13 | 63 | PBHC12S32 | 67 | PBM12XS110 | 61 |
| MSDXZ202010 | 139 | MSDXZ423612 | 139 | PBD12S14 | 63 | PBHC12S33 | 67 | PBM12XS12 | 61 |
| MSDXZ202012 | 139 | MSDXZ423616 | 139 | PBD12S16 | 63 | PBHC12S43 | 67 | PBM12XS13 | 61 |
| MSDXZ20206 | 138 | MSDXZ42368 | 138 | PBD12S22 | 63 | PBHC12S44 | 67 | PBM12XS14 | 61 |
| MSDXZ20208 | 138 | MSDXZ482410 | 139 | PBD12S33 | 63 | PBHC12S54 | 67 | PBM12XS15 | 61 |
| MSDXZ202410 | 139 | MSDXZ482412 | 139 | PBD12S43 | 63 | PBHC12S55 | 67 | PBM12XS16 | 61 |
| MSDXZ20246 | 138 | MSDXZ48248 | 138 | PBD12S44 | 63 | PBHC12S65 | 67 | PBM12XS17 | 61 |

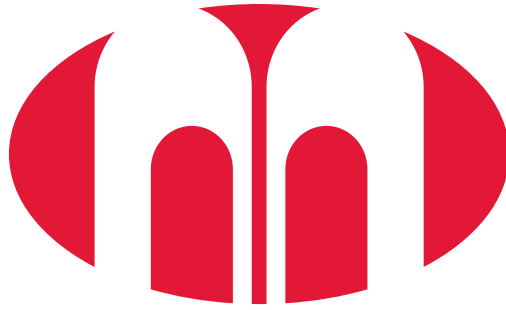
Please consult serving utility for their requirements prior to ordering or installing, as specifications and approvals vary by utility, and may require local electrical inspector approval. All installations must be installed by a licensed electrician and must comply with all national and local codes, laws and regulations. Milbank reserves the right to make changes in specifications and features shown without notice or obligation.



| | | | |
|--------------------|----------------------|-------------------------|----------------------|
| PBM12XS18..... 61 | PBSFM12XS11..... 66 | PPB12S12..... 65 | SC443JIC4..... 121 |
| PBM12XS19..... 61 | PBSFM12XS12..... 66 | PPB12S13..... 65 | SC443JIC4XS..... 121 |
| PBM12XS22..... 61 | PBSFM12XS13..... 66 | PPB12S14..... 65 | SC443JIC4XZ..... 121 |
| PBM12XS32..... 61 | PBSFM12XS14..... 66 | PPB12S15..... 65 | SC444JIC4..... 121 |
| PBM12XS33..... 61 | PBSFM12XS22..... 66 | PPB12S16..... 65 | SC444JIC4XS..... 121 |
| PBM12XS43..... 61 | PBSFM12XS23..... 66 | PPB12S17..... 65 | SC444JIC4XZ..... 121 |
| PBM12XS44..... 61 | PBSFM12XS24..... 66 | PPB12S18..... 65 | SC643JIC4..... 121 |
| PBM12XS54..... 61 | PBSFM12XS25..... 66 | PPB12XS11..... 65 | SC643JIC4XS..... 121 |
| PBM12XS55..... 61 | PBSFM12XS26..... 66 | PPB12XS12..... 65 | SC643JIC4XZ..... 121 |
| PBSF12S11..... 66 | PBSFM12XS28..... 66 | PPB12XS13..... 65 | SC644JIC4..... 121 |
| PBSF12S12..... 66 | PBSFM12XS33..... 66 | PPB12XS14..... 65 | SC644JIC4XS..... 121 |
| PBSF12S13..... 66 | PBSFM12XS43..... 66 | PPB12XS15..... 65 | SC644JIC4XZ..... 121 |
| PBSF12S14..... 66 | PBSFM12XS44..... 66 | PPB12XS16..... 65 | SC664JIC4..... 121 |
| PBSF12S22..... 66 | PBSFM12XS45..... 66 | PPB12XS17..... 65 | SC664JIC4XS..... 121 |
| PBSF12S23..... 66 | PBSFM12XS55..... 66 | PPB12XS18..... 65 | SC664JIC4XZ..... 121 |
| PBSF12S24..... 66 | PBSFM12XS56..... 66 | SC10106JIC4..... 121 | SC666JIC4..... 121 |
| PBSF12S25..... 66 | PBSL12S11..... 68 | SC10106JIC4XS..... 121 | SC666JIC4XS..... 121 |
| PBSF12S26..... 66 | PBSL12S110..... 68 | SC10106JIC4XZ..... 121 | SC666JIC4XZ..... 121 |
| PBSF12S28..... 66 | PBSL12S12..... 68 | SC1084JIC4..... 121 | SC863JIC4..... 121 |
| PBSF12S33..... 66 | PBSL12S13..... 68 | SC1084JIC4XS..... 121 | SC863JIC4XS..... 121 |
| PBSF12S43..... 66 | PBSL12S14..... 68 | SC1084JIC4XZ..... 121 | SC863JIC4XZ..... 121 |
| PBSF12S44..... 66 | PBSL12S15..... 68 | SC1086JIC4..... 121 | SC866JIC4..... 121 |
| PBSF12S45..... 66 | PBSL12S16..... 68 | SC1086JIC4XS..... 121 | SC866JIC4XS..... 121 |
| PBSF12S55..... 66 | PBSL12S17..... 68 | SC1086JIC4XZ..... 121 | SC866JIC4XZ..... 121 |
| PBSF12S56..... 66 | PBSL12S18..... 68 | SC12105JIC4..... 121 | SC884JIC4..... 121 |
| PBSF12XS11..... 66 | PBSL12S19..... 68 | SC12105JIC4XS..... 121 | SC884JIC4XS..... 121 |
| PBSF12XS12..... 66 | PBSL12XS11..... 68 | SC12105JIC4XZ..... 121 | SC884JIC4XZ..... 121 |
| PBSF12XS13..... 66 | PBSL12XS110..... 68 | SC12108JIC4..... 121 | |
| PBSF12XS14..... 66 | PBSL12XS12..... 68 | SC12108JIC4XS..... 121 | |
| PBSF12XS22..... 66 | PBSL12XS13..... 68 | SC12108JIC4XZ..... 121 | |
| PBSF12XS23..... 66 | PBSL12XS14..... 68 | SC12126JIC4..... 121 | |
| PBSF12XS24..... 66 | PBSL12XS15..... 68 | SC12126JIC4XS..... 121 | |
| PBSF12XS25..... 66 | PBSL12XS16..... 68 | SC12126JIC4XZ..... 121 | |
| PBSF12XS26..... 66 | PBSL12XS17..... 68 | SC1264JIC4..... 121 | |
| PBSF12XS28..... 66 | PBSL12XS18..... 68 | SC1264JIC4XS..... 121 | |
| PBSF12XS33..... 66 | PBSL12XS19..... 68 | SC1264JIC4XZ..... 121 | |
| PBSF12XS43..... 66 | PBSLM12S11..... 68 | SC14126JIC4..... 121 | |
| PBSF12XS44..... 66 | PBSLM12S110..... 68 | SC14126JIC4XS..... 121 | |
| PBSF12XS45..... 66 | PBSLM12S12..... 68 | SC14126JIC4XZ..... 121 | |
| PBSF12XS55..... 66 | PBSLM12S13..... 68 | SC14128JIC4..... 121 | |
| PBSF12XS56..... 66 | PBSLM12S14..... 68 | SC14128JIC4XS..... 121 | |
| PBSFM12S11..... 66 | PBSLM12S15..... 68 | SC14128JIC4XZ..... 121 | |
| PBSFM12S12..... 66 | PBSLM12S16..... 68 | SC1486JIC4..... 121 | |
| PBSFM12S13..... 66 | PBSLM12S17..... 68 | SC1486JIC4XS..... 121 | |
| PBSFM12S14..... 66 | PBSLM12S18..... 68 | SC1486JIC4XZ..... 121 | |
| PBSFM12S22..... 66 | PBSLM12S19..... 68 | SC16106JIC4..... 121 | |
| PBSFM12S23..... 66 | PBSLM12XS11..... 68 | SC16106JIC4XS..... 121 | |
| PBSFM12S24..... 66 | PBSLM12XS110..... 68 | SC16106JIC4XZ..... 121 | |
| PBSFM12S25..... 66 | PBSLM12XS12..... 68 | SC161410JIC4..... 121 | |
| PBSFM12S26..... 66 | PBSLM12XS13..... 68 | SC161410JIC4XS..... 121 | |
| PBSFM12S28..... 66 | PBSLM12XS14..... 68 | SC161410JIC4XZ..... 121 | |
| PBSFM12S33..... 66 | PBSLM12XS15..... 68 | SC16146JIC4..... 121 | |
| PBSFM12S43..... 66 | PBSLM12XS16..... 68 | SC16146JIC4XS..... 121 | |
| PBSFM12S44..... 66 | PBSLM12XS17..... 68 | SC16146JIC4XZ..... 121 | |
| PBSFM12S45..... 66 | PBSLM12XS18..... 68 | SC16148JIC4..... 121 | |
| PBSFM12S55..... 66 | PBSLM12XS19..... 68 | SC16148JIC4XS..... 121 | |
| PBSFM12S56..... 66 | PPB12S11..... 65 | SC16148JIC4XZ..... 121 | |



Please consult serving utility for their requirements prior to ordering or installing, as specifications and approvals vary by utility, and may require local electrical inspector approval. All installations must be installed by a licensed electrician and must comply with all national and local codes, laws and regulations. Milbank reserves the right to make changes in specifications and features shown without notice or obligation.



MILBANK®

ENERGY AT WORK

