

T&B® Liquidtight Fittings

In this section...



T&B® Liquidtight Fittings

Overview	E-2-E-4
52®/53® Series Liquidtight Fittings and Flexible Metallic Conduits.....	E-5-E-15
Type A Liquidtight Fittings and Flexible Non-Metallic Conduits.....	E-16-E-18
Type B Liquidtight Fittings and Flexible Non-Metallic Conduits.....	E-19-E-27
Kopr-Shield® Compound	E-28
Technical Information	E-29-E-30

Overview

Our Liquidtight Line Is the End-All for Liquidtight Dust-Tight Connections.

All our high-performance products are designed to deliver excellent reliability as well as ease of installation in virtually any application. And you benefit from our expertise through our liquidtight and dust-tight connections available for a variety of conduits as well as portable cord.

Thomas & Betts offers the largest and most technologically advanced line of liquidtight fittings in the industry, including connectors for highly specialized

applications such as power and petrochemical plants, paper mills, robot manufacturers, packaging equipment, machine tool building, and other OEM and MRO applications. At Thomas & Betts, we integrate the latest manufacturing technologies with the highest quality materials available. So you can be assured of reliable, liquidtight products that offer improved on-the-job performance and reduced installation time and costs.



Overview

T&B makes liquidtight fittings for demanding situations.



Liquidtight Flexible Metal Conduit Fittings

Gland deflects water away from connector and prevents "pooling" of moisture. Look for the distinctive "Pumpkin" appearance of the gland nut.

Self-Cleaning Threads inside gland nut keep dirt and grime out of the threads as you tighten.

Double Beveled Sealing Ring is designed with five unique sealing mechanisms and cannot be installed backwards. Manufactured of high-temperature rated thermoplastic to demanding specifications. Look for the unique T&B blue color ensuring the highest quality fitting.

Safe Edge® Ground Cone provides superior bonding, stronger pullout, easy threading and conductor protection. Look for the distinctive "ski slope" appearance within the "pumpkin" gland nut.

Heat-Curled Insulator provides excellent wire protection and easier glide of conductors through and into the fitting. In addition, the heat-curved finish gives the insulator more strength than glue-in insulators. Look for the unique T&B blue color ensuring the highest quality fitting.

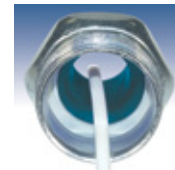
Precision Machined Rolled Threads provide smooth, easy installations.

Tempered Cast Locknut with Teeth provides superior strength and electrical bonding and can be installed without a wrench in the enclosure.



Revolver® Grounding Fitting

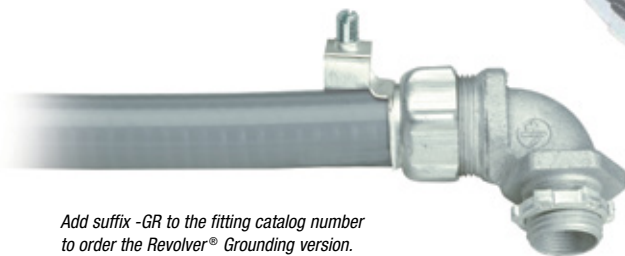
Saves time and money using our infinitely adjustable rotating ground lug. Simply align the lug in your preferred position and tighten the gland. You'll never need to worry about tightening it into an inconvenient position again.



T&B's Heat-Curled Insulator



Competitor's Glue-In Insulator



Add suffix -GR to the fitting catalog number to order the Revolver® Grounding version.



Conduit & Fittings — T&B® Liquidtight Fittings

Overview

Liquidtight Flexible Metal Conduit Fittings

Thomas & Betts Liquidtight fittings for flexible metal conduits are suitable for a wide range of installations, including heavy industrial applications. Our Liquidtight fittings are designed to stand up to demanding, wet or corrosive environments, including power and petrochemical plants, paper mills, and anywhere high performance is a requirement.

Features of Thomas & Betts Liquidtight Fittings include:

- Safe Edge® ground cone design that accepts variations in raceway convolutions and provides a positive bond
- Continuous sealing ring that completely surrounds the conduit to ensure a liquidtight seal
- Zinc chromatic plating for longer life and exceptional appearance
- The broadest liquidtight line in the industry, including PVC coated, externally grounded, aluminum series, CHASE® style, nonmetallic Bullet series, wire mesh grips and more



Liquidtight Fittings for Special Applications

The Revolver® Externally Grounded Fitting

The Revolver liquidtight grounding fitting is our latest breakthrough in convenience to save time and money on the job while delivering a quality connection.

The grounding lug of the new Revolver connector can be rotated in a full circle for convenient positioning that doesn't change when you tighten it. Plus, it's available for the first time in aluminum. It's the newest innovation in Thomas & Betts' versatile line of Liquidtight Connectors — fittings you can count on for liquidtight and dust-tight connections, because all our products revolve around your needs.

CHASE® Style Fittings

Where space is tight, our CHASE fittings enable for compact connections within an enclosure.

Sealing Gaskets

Thomas & Betts sealing gaskets are resistant to oil, coolants and hydraulic fluids as well as water, with a stainless steel retaining clip that ensures a quality seal. They're the ideal match to our Liquidtight connectors for a safe and secure seal.



Liquidtight Flexible Non-Metallic Conduit Fittings

When non-metallic, Type A or EFC conduits are called for, Thomas & Betts' XTRA FLEX® System has our outstanding Bullet® fittings and conduits for liquid- and dust-tight connections.

Bullet® Fittings

- Feature one-piece construction and a captive O-ring for ease of installation
- Provide a positive seal between the conduit and the connector
- Has tapered thread hub and sealing O-ring for a tight seal to the box or other enclosure

- Are constructed of nonburning, nondripping thermoplastic for high-strength chemical resistance
- Feature a smooth insulated body for maximum dielectric strength
- Have a serrated finger design that provides high mechanical pullout strength
- Include a complete range of flexible, non-metallic conduits — including both smooth and corrugated varieties — to complete our XTRA FLEX® System



52®/53® Series Liquidtight Fittings and Flexible Metallic Conduits

Liquidtight Flexible Metal Conduit Fittings

Application

- Used where flexible metal raceway is installed in outdoor or indoor locations where exposed to continuous or intermittent moisture
- To positively bond conduit to box or enclosure

Features

- Ability to install quickly with low torque effort
- Ground cone design offers the following advantages:
 - (1) Compresses metallic convolutions; provides high-quality ground contact with low impedance and high raceway holding power (A)
 - (2) Single helical thread on ground cone is easy to install without cross thread; accepts variations in raceway diameters and convolution pitch (B)
 - (3) Rolled-over edge protects conductors (C)

Sealing Ring Design Features

- (1) Grips and seals at leading and trailing edge — will not abrade raceway jacket (D)
 - (2) Provided with grooves on inside diameter for anti-sleeving (E)
 - (3) Shoulders on both ends for extra sealing (F)
 - (4) Symmetrical shape assures foolproof assembly
- Can be disconnected and reused
 - Watertight/oil-tight installation at box or enclosure termination is ensured by:
 - (1) External taper thread hub on 5331 series and use of sealing gasket 5262 series (G)
 - (2) Captivated sealing O-Ring on 5361 series (H)
 - (3) Taper tapped hole on 5271 series
 - Suitable for use in Class I Division 2, Class II Division 1 and 2 and Class III Division 1 and 2 Hazardous Locations per NEC® Section 500
 - Suitable as a grounding means per NEC Section 351-9 (up to 1¼" trade size on)
 - ½" & 1¼" sizes laboratory tested to carry ground fault current of up to 1,000 amps RMS with duration of fault current three cycles
 - Conforms with JIC requirements
 - Available with imperial, ISO and PG threaded hub

Standard Material

5331-5361-5271 Series

Body, Gland, Locknut & Ground Cones: Steel (¼"–1¼") or malleable iron (1½"–6")

Sealing Ring and Insulator: All thermoplastic

Sealing Gasket: Stainless Steel and Santoprene®

5331SST-5331SSTHT Series

304 Stainless Steel insulated

Sealing Ring and Insulator: All thermoplastic

Sealing Gasket: Stainless Steel and Santoprene®

5231 AL Series

All Copper-free Aluminum (non-insulated)

Standard Finish

5331-5361-5271 Series

Electro Zinc Plated with Chromate Coating

5331ST-5331STH Series

Electro Zinc Plated with Chromate Coating

5231 AL Series

Copper-free Aluminum

Range

5331 Series	¾" through 6" conduit
5341 Series	¾" through 4" conduit
5351 Series	¾" through 4" conduit
5361 Series	¾" through 4" conduit
5271 Series	¾" through 1¼" conduit
5331SST Series.....	¾" through 2" conduit
5331SSTHT Series	¾" through 2" conduit
5231 AL Series	¾" through 4" conduit

*All hubs provided with taper pipe threads (NPT)

Listings/Compliances

UL UL File No. E-23018
 CSA LR-2884, LR-4484, LR-9555
 UL 514B
 CSA C22.2 No. 18
 NEMA FB-1
 NFPA 70-1999 (ANSI)
 JIC EGP1
 JIC EMP1
 Federal Specification A-A-50552
 Federal Standard H-28 (Threads)



5331 Series*
5231 AL Series

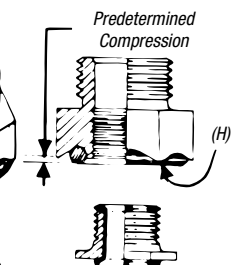
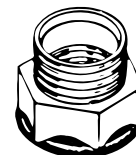
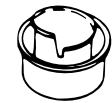
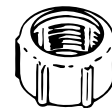


5361 Series



5271 Series

* 5341 Series...
 same as 5331, except 45° Connectors
 5351 Series...
 same as 5331, except 90° Connectors



5361 Series
CHASE® Style

NEC and National Electrical Code are registered trademarks of the National Fire Protection Association, Inc.

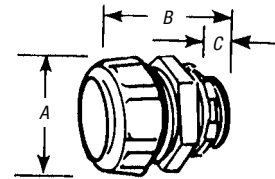
Santoprene is a registered trademark of Advanced Elastomer Systems.

52®/53® Series Liquidtight Fittings and Flexible Metallic Conduits

52® and 53® Series Liquidtight Straight Connectors*



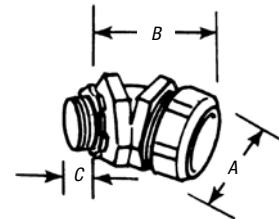
CAT. NO.		CONDUIT SIZE	DIMENSIONS (IN.)		
INSULATED STEEL	NON-INSULATED STEEL		A	B	C
5229†	—	¼"	27/32	1½	1½/2
5330†	—	⅝"	63/64	1½	1½/2
5331†**	5231†	¾"	1½/32	1½	9/16
5332†	5232†	½"	13/8	19/16	9/16
5333†	5233†	¾"	121/32	1½	9/16
5334†	5234†	1"	17/8	21/16	¾
5335†	5235†	1¼"	23/32	2½	13/16
5336	5236	1½"	223/32	211/16	13/16
5337	5237	2"	3¼	31/16	7/8
5338	5238	2½"	3¾	4½	1
5339	5239	3"	4½	4¼	1
5340	5240	4"	5½	4½	1½
5385†	5285	5"	8¾	7	1½
5386†	—	6"	8¾	8½	2



Steel/malleable iron or aluminum tapered hub threads. With safe-edge ground through 4" cone and double bevel seating ring (through 2").

52® and 53® Series Liquidtight 45° Angle Connectors*

CAT. NO.		CONDUIT SIZE	DIMENSIONS (IN.)		
INSULATED	NON-INSULATED		A	B	C
5341†**	5241†	¾"	1½/32	19/16	9/16
5342†	5242†	½"	13/8	17/8	9/16
5343†	5243†	¾"	121/32	21/8	9/16
5344†	5244†	1"	17/8	2¼	¾
5345†	5245†	1¼"	23/32	2¼	13/16
5346	5246	1½"	223/32	33/8	13/16
5347	5247	2"	3¼	33/8	7/8
5348	5248	2½"	3¾	4¼	1
5349	5249	3"	4½	4¼	1
5350	5250	4"	5½	4¾	1½

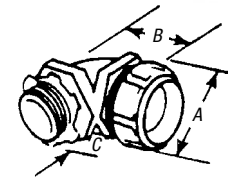


Malleable iron, tapered hub threads. With safe-edge ground cone and double bevel sealing ring (through 2").

52® and 53® Series Liquidtight 90° Angle Connectors



CAT. NO.		HUB SIZE	CONDUIT SIZE	DIMENSIONS (IN.)		
INSULATED	NON-INSULATED			A	B	C
5351	5251	¾"	¾"	1½/32	1¾	9/16
5352	5252	½"	½"	1¾	19/16	9/16
5353	5253	¾"	¾"	121/32	1¾	9/16
5354	5254	1"	1"	17/8	21/16	¾
5355	5255	1¼"	1¼"	23/32	2¾	13/16
5356	5256	1½"	1½"	223/32	215/16	13/16
5357	5257	2"	2"	3¼	31/16	7/8
5358	5258	2½"	2½"	3¾	87/8	1
5359	5259	3"	3"	4½	10¼	1
5360	5260	4"	4"	5½	12¾	1½



* Suitable for hazardous locations use in Class I, Div. 2; Class II, Div. 1 and 2; Class III, Div. 1 and 2, where general-purpose equipment is specifically permitted per NEC®.
** ¾" Conduit Fitting has ½" hub.

† UL Listed as grounding means under NEC 350.60.
‡ Not UL Listed.

Note: UL Listed liquidtight; and CSA Certified watertight. Available with DURA-PLATE® Finish. UL File No. E-23018 CSA File No. 2884

For wire mesh grips, refer to page E-11.

Blue is a trademark color of Thomas & Betts.

52®/53® Series Liquidtight Fittings and Flexible Metallic Conduits

53® Series High-Temperature Flexible Metal Liquidtight Fittings

Where liquidtight flexible metal fittings are required in high-temperature environments up to 150° C:



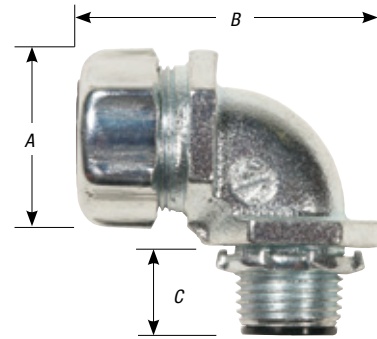
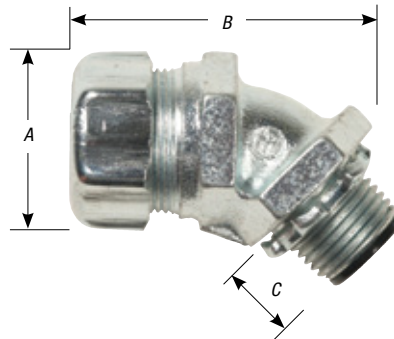
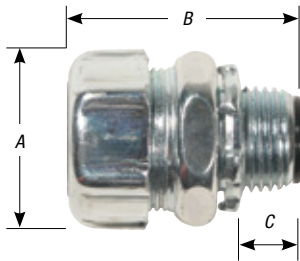
T&B HT-Series Liquidtight Fittings are available straight, 45° and 90°.

- The fitting shall have a steel ground cone to:
 - provide high-quality ground contact
 - single helical thread for easy installation into conduit
 - rolled over edge to protect conductors
 - The fitting shall have a plastic sealing ring to:
 - grip and seal at leading and trailing edge (double bevel up to 2") of conduit jacket
 - provide a watertight/oiltight seal
 - The fittings shall be capable to terminate the conduit in either a threaded or threadless opening
 - For applications where termination into a threaded opening is required, the fitting shall have external tapered NPT threads
 - Fittings shall conform to UL 514B*
 - Accepted Manufacturers: Thomas & Betts — 5331-HT straight series, 5341-HT 45° series, 5351-HT 90° series; 5262 sealing ring series
- * These fittings are not UL Listed.
- Fitting's body, gland, locknut and ground cone shall be constructed from steel or malleable iron, electro-zinc plated and chromate coated for corrosion protection
 - Fitting's sealing ring and throat insulator will be molded from high-temperature nylon, suitable for temperatures up to 150° C and a minimum UL flammability rating of UL94-V2
 - The fitting shall be constructed to accept high-temperature flexible metal liquidtight conduit rated to 150° C
 - The fitting shall have a plastic throat insulator to protect conductors



ATX Flexible Liquidtight Conduit

CAT. NO.	CONDUIT SIZE	LENGTH (FT.)	INSIDE BEND RADIUS (IN.)
ATX038-TB	3/8"	100	1.5
ATX050-TB	1/2"	100	2.0
ATX075-TB	3/4"	100	2.5
ATX100-TB	1"	100	3.0
ATX125-TB	1 1/4"	50	3.5
ATX150-TB	1 1/2"	50	4.5
ATX200-TB	2"	50	5.5
ATX250-TB	2 1/2"	25	8.0
ATX300-TB	3"	25	10.0
ATX400-TB	4"	25	12.0



Straight Liquidtight Fittings — HT

CAT. NO.	CONDUIT SIZE	DIMENSIONS		
		A	B	C
5331-HT	3/8"	1 1/2"	1 1/2"	3/16"
5332-HT	1/2"	1 3/8"	1 1/16"	3/16"
5333-HT	3/4"	1 21/32"	1 5/8"	3/16"
5334-HT	1"	1 7/8"	2 1/16"	3/4"
5335-HT	1 1/4"	2 3/2"	2 1/2"	13/16"
5336-HT	1 1/2"	2 22/32"	2 11/16"	13/16"
5337-HT	2"	3 1/4"	3 1/16"	7/8"
5338-HT	2 1/2"	3 3/4"	4 1/8"	1"
5339-HT	3"	4 1/2"	4 1/4"	1"
5340-HT	4"	5 1/2"	4 1/2"	1 1/8"

45° Liquidtight Fittings — HT

CAT. NO.	CONDUIT SIZE	DIMENSIONS		
		A	B	C
5341-HT	3/8"	1 1/2"	1 1/16"	3/16"
5342-HT	1/2"	1 3/8"	7/8"	3/16"
5343-HT	3/4"	1 21/32"	2 1/8"	3/16"
5344-HT	1"	1 7/8"	2 1/4"	3/4"
5345-HT	1 1/4"	2 3/2"	2 3/4"	13/16"
5346-HT	1 1/2"	2 22/32"	2 3/4"	13/16"
5347-HT	2"	3 1/4"	3 3/8"	7/8"

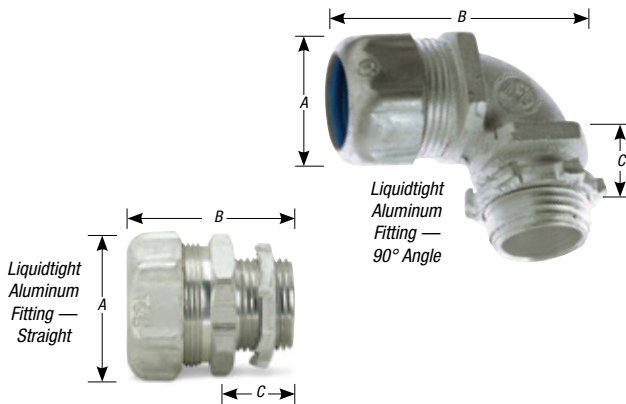
90° Liquidtight Fittings — HT

CAT. NO.	CONDUIT SIZE	DIMENSIONS		
		A	B	C
5351-HT	3/8"	1 1/2"	1 1/8"	3/16"
5352-HT	1/2"	1 3/8"	1 1/16"	3/16"
5353-HT	3/4"	1 21/32"	1 3/4"	3/16"
5354-HT	1"	1 7/8"	2 3/16"	3/4"
5355-HT	1 1/4"	2 3/2"	2 3/4"	13/16"
5356-HT	1 1/2"	2 22/32"	2 3/8"	13/16"
5357-HT	2"	3 1/4"	3 1/16"	7/8"

52®/53® Series Liquidtight Fittings and Flexible Metallic Conduits

High-quality, corrosion-resistant, liquidtight termination for LTA flexible aluminum conduit.

52® Series Liquidtight Aluminum Connectors — Straight and 90°



Specifications

- Standard Material**
- Body, Gland, Locknut.....6061 Aluminum
 - Sealing Ring.....Thermoplastic
 - Ground Cone.....Steel
- Standard Finish**
- Body, Gland, Locknut.....Zinc Plating with Clear Chromate Ground Cones
 - Ground Cone.....Electro-Zinc Plating



CAT. NO.	CONDUIT SIZE (IN.)	DIMENSIONS (IN.)		
		A	B	C
Straight				
5231AL	3/8	1 1/32	1 1/2	9/16
5232AL	1/2	1 3/8	1 1/16	9/16
5233AL	3/4	1 23/32	1 3/8	9/16
5234AL	1	1 1/8	2 1/16	3/4
5235AL	1 1/4	2 3/32	2 1/2	13/16
5236AL	1 1/2	2 23/32	2 11/16	13/16
5237AL	2	3 1/4	3 1/16	7/8
5238AL	2 1/2	3 3/4	4 1/8	1
5239AL	3	4 1/2	4 1/4	1
5240AL	4	5 1/2	4 1/2	1 1/8
90° Angle				
5251AL	3/8	1 1/32	1 3/8	9/16
5252AL	1/2	1 3/8	1 1/16	9/16
5253AL	3/4	1 23/32	1 3/4	9/16
5254AL	1	1 1/8	2 1/16	3/4
5255AL	1 1/4	2 3/32	2 3/4	13/16
5256AL	1 1/2	2 23/32	2 15/16	13/16
5257AL	2	3 1/4	3 1/16	7/8



Designed to resist corrosion.

LTA Flexible Aluminum Conduit

Use T&B® LTA Flexible Aluminum Conduit with T&B Aluminum Liquidtight Fittings in corrosive environments or where weight is a major consideration — such as oil platforms, saltwater applications, pulp and paper, refineries, wastewater and food processing.

Specifications

- Construction: Utilizes the flexibility of a lightweight aluminum core, coupled with the advantage of a PVC jacket that is virtually unaffected by sunlight, acid and oil. WEEE and RoHS compliant
- Application: Used in situations where concerns of excessive weight and corrosion exist
- Standard Color: Machine tool gray
- Working Temperature: -20° C to +80° C
- Standard Materials/Finish: Conduit Core — Aluminum; Outer Jacket — PVC
- UL Listed



CAT. NO.	CONDUIT SIZE (IN.)	LENGTH (FT.)	INSIDE BEND RADIUS (IN.)	WT. (LBS.)/100 FT.	WT. (LBS.)/50 FT.
LTA50-100	1/2	100	2.5	15	—
LTA75-100	3/4	100	3.0	20	—
LTA100-100	1	100	4.0	29	—
LTA125-50	1 1/4	50	4.5	—	20
LTA150-50	1 1/2	50	5.5	—	28
LTA200-50	2	50	7.0	—	36.5
LTA250-25	2 1/2	25	9.5	188	—
LTA300-25	3	25	11.5	244	—
LTA400-25	4	25	14	332	—

52®/53® Series Liquidtight Fittings and Flexible Metallic Conduits

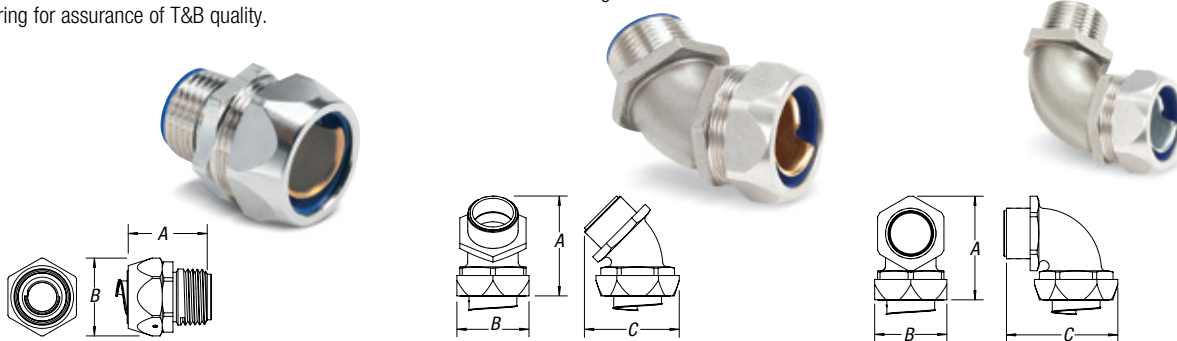
The strength of steel — with superior corrosion resistance!

Stainless Steel Liquidtight Conduit Connectors

Until now, there's been no ideal conduit fitting solution for use in heavily corrosive environments. Traditional metallic fittings corrode and require frequent replacement. Non-metallic fittings offer less strength, lower UV resistance and don't stand up well in extreme temperatures. T&B® Stainless Steel Liquidtight Conduit Connectors are constructed of 304 stainless steel to resist corrosion while offering high strength, high UV resistance and high endurance. Choose among a full range of fittings in straight, 45°, and 90° angled configurations for 3/8" to 2" conduit sizes. Look for the distinctive blue insulator and sealing ring for assurance of T&B quality.

- Ideal for industrial MRO and OEM applications in food and beverage, pharmaceutical, petrochemical, wastewater, salt water and other corrosive environments
- Connects metallic-cored liquidtight conduit to a box or enclosure
- Type 304 stainless steel body and gland nut resist corrosion far better than other metallic fittings
- Stronger and more UV resistant than non-metallic fittings
- Ground cones are available in 1¼", 1½" and 2" sizes and are brass/nickel plated
- Available in straight, 45° and 90° angled configurations to fit conduit from 3/8" to 2"
- UL Listed Ratings: 3, 3R, 4, 4X
- Standard version (SST Series) rated for temperatures up to 105° C (221° F)
- Now available in a new high-temperature version (SSTHT Series) for applications up to 150° C (302° F)

Conduit & Fittings — T&B® Liquidtight Fittings



Stainless Steel Liquidtight Conduit Connectors — 105° C Max.



CAT. NO.	CONDUIT SIZE (IN.)	DIMENSIONS (IN.)			STD. PKG. QTY.
		A	B	C	
Straight					
5331SST	3/8	1.36	1.02	—	25
5332SST	1/2	1.36	1.18	—	25
5333SST	3/4	1.39	1.37	—	25
5334SST	1	1.56	1.77	—	5
5335SST	1¼	1.72	2.12	—	20
5336SST	1½	2.02	2.48	—	5
5337SST	2	2.34	3.04	—	2

CAT. NO.	CONDUIT SIZE (IN.)	DIMENSIONS (IN.)			STD. PKG. QTY.
		A	B	C	
45° Angled					
5341SST	3/8	1.84	1.02	1.43	25
5342SST	1/2	1.62	1.18	2.04	25
5343SST	3/4	2.32	1.37	1.93	10
5344SST	1	2.86	1.77	2.37	5
5345SST	1¼	3.33	2.12	2.80	5
5346SST	1½	3.94	2.48	3.39	2
5347SST	2	4.73	3.04	4.23	1

CAT. NO.	CONDUIT SIZE (IN.)	DIMENSIONS (IN.)			STD. PKG. QTY.
		A	B	C	
90° Angled					
5351SST	3/8	1.95	1.02	1.84	25
5352SST	1/2	2.12	1.18	2.07	25
5353SST	3/4	2.47	1.37	2.44	10
5354SST	1	2.98	1.77	2.90	5
5355SST	1¼	3.53	2.12	3.36	5
5356SST	1½	4.16	2.48	3.88	2
5357SST	2	8.60	3.04	4.69	1

Blue is a trademark color of Thomas & Betts.

Stainless Steel High-Temperature Liquidtight Conduit Connectors — 150° C Max.



CAT. NO.	CONDUIT SIZE (IN.)	DIMENSIONS (IN.)			STD. PKG. QTY.
		A	B	C	
Straight					
5331SSTHT	3/8	1.36	1.02	—	25
5332SSTHT	1/2	1.36	1.18	—	25
5333SSTHT	3/4	1.39	1.37	—	25
5334SSTHT	1	1.56	1.77	—	5
5335SSTHT	1¼	1.72	2.12	—	20
5336SSTHT	1½	2.02	2.48	—	5
5337SSTHT	2	2.34	3.04	—	2

CAT. NO.	CONDUIT SIZE (IN.)	DIMENSIONS (IN.)			STD. PKG. QTY.
		A	B	C	
45° Angled					
5341SSTHT	3/8	1.84	1.02	1.43	25
5342SSTHT	1/2	1.62	1.18	2.04	25
5343SSTHT	3/4	2.32	1.37	1.93	10
5344SSTHT	1	2.86	1.77	2.37	5
5345SSTHT	1¼	3.33	2.12	2.80	5
5346SSTHT	1½	3.94	2.48	3.39	2
5347SSTHT	2	4.73	3.04	4.23	1

CAT. NO.	CONDUIT SIZE (IN.)	DIMENSIONS (IN.)			STD. PKG. QTY.
		A	B	C	
90° Angled					
5351SSTHT	3/8	1.95	1.02	1.84	25
5352SSTHT	1/2	2.12	1.18	2.07	25
5353SSTHT	3/4	2.47	1.37	2.44	10
5354SSTHT	1	2.98	1.77	2.90	5
5355SSTHT	1¼	3.53	2.12	3.36	5
5356SSTHT	1½	4.16	2.48	3.88	2
5357SSTHT	2	8.60	3.04	4.69	1

Note: High-temperature fittings feature a black insulator and black sealing gasket.

www.tnb.com

United States
Tel: 901.252.8000
800.816.7809
Fax: 901.252.1354

Technical Services
Tel: 888.862.3289

Thomas & Betts

52®/53® Series Liquidtight Fittings and Flexible Metallic Conduits

Sealing material resists oil, coolants and hydraulic fluids as well as water!

Liquidtight Sealing Gasket

The 5262 Series Sealing Gasket includes a stainless steel retaining ring to prevent elongation of the Santoprene® gasket, ensuring a superior seal.

Application

- When used with an externally threaded connector, provides a tight seal against oil, fumes or moisture at the knockout opening

Features

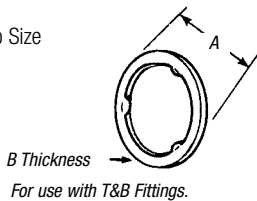
- Design locks resilient sealing material in steel
- Steel retainer protects seal from extruding out under torque and limits compression to an optimum predetermined value; provides high-quality seal
- Resilient material flows and seals rough surfaces
- NEMA 3R, 4, 6 and 13

Standard Material

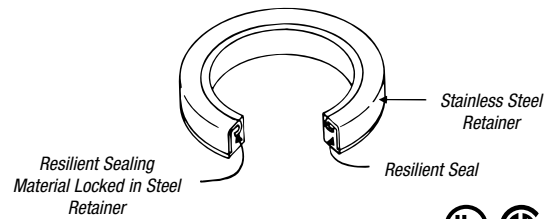
Retainer316 Stainless Steel
Sealing Material.....Santoprene®
Thermoplastic Rubber

Range

¼" thru 4" Hub Size



5262 Series Sealing Gasket



CAT. NO.	CONDUIT SIZE	DIMENSIONS (IN.)		STD. PKG. QTY.
		A	B	
5299**	¼"	.80	.11	50
5261**	¾"	.95	.11	50
5262	½"	1.16	.18	50
5263	¾"	1.49	.19	25
5264	1"	1.75	.19	25
5265	1¼"	2.15	.22	5
5266	1½"	2.42	.23	5
5267	2"	2.92	.23	5
5268	2½"	3.44	.23	5
5269	3"	4.08	.23	5
5270	4"	5.29	.31	5

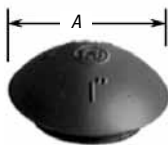
** UL not applicable.

UL File No. E 13938 CSA File No. 2884

Santoprene is a registered trademark of Advanced Elastomer Systems.

Provides a re-usable rain-, dust- and oil-tight seal for unused knockouts!

Liquidtight K.O. Plug



- No need to replace a NEMA 3R, 4, 6 or 13 box when a knockout is no longer used
- No tools needed to install — just push into knockout hole, and plug snaps in
- Made of flame-retardant Neoprene
- Meets UL 514 flammability test and NEMA 3R, 4, 6 and 13 requirements
- Temperature range – 30° C to 105° C



CAT. NO.	SIZE	A
5710	½"	1½"
5711	¾"	1½"
5712	1"	1¾"
5713	1¼"	2½"
5714	1½"	2½"
5715	2"	3¾"
5716	2½"	3¾"
5717	3"	4¾"
5718	4"	5¾"

UL Listed raintight.

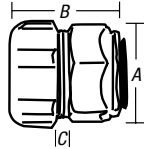
Meets Coast Guard Regulation CG293.

UL File No. E 13938

CSA File No. 2884

52® /53® Series Liquidtight Fittings and Flexible Metallic Conduits

Nylon-Insulated CHASE® Connectors



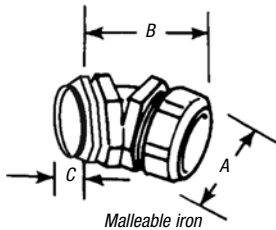
Steel or malleable iron with O-Ring Seal

CAT. NO.	CONDUIT SIZE	DIMENSIONS (IN.)		
		A	B	C
5361†	3/8"	1 1/32	1 3/8	1/8
5362†	1/2"	1 1/8	1 3/8	3/16
5363†	3/4"	1 11/16	1 3/8	1/4
5364†	1"	2 1/32	2 1/16	1/4
5365†	1 1/4"	2 3/8	2 3/8	5/16
5366†	1 1/2"	2 15/16	2 3/4	3/8
5367†	2"	3 9/16	3	3/8
5368†	2 1/2"	4 3/8	3 15/16	7/16
5369†	3"	5 1/8	4 3/8	1/2
5370†	4"	5 1/8	4 3/8	1/2

With SAFE-EDGE® ground cone and double bevel sealing ring (through 2").

† UL listed as grounding means under NEC 351-7.

Nylon-Insulated 90° Angle CHASE® Connectors



Malleable iron

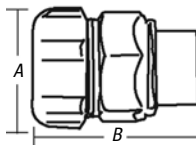
CAT. NO.	CONDUIT SIZE	DIMENSIONS (IN.)		
		A	B	C
5371†	3/8"	1 1/32	1 1/2	3/16
5372†	1/2"	1 13/64	1 15/32	3/16
5373†	3/4"	1 31/64	1 1/8	9/32
5374†	1"	1 23/32	2 1/4	1 1/32

With SAFE-EDGE® ground cone and double bevel sealing ring.

Note: UL Listed Liquidtight; & CSA certified watertight. Suitable for hazardous locations use in Class I, Div. 2; Class II, Div. 1 and 2; Class III, Div. 1 and 2, where general purpose equipment is specifically permitted per NEC® Section 500-2(a).

† UL listed as grounding means under NEC 351-7.

Standard Liquidtight Female Hub Adapter



CAT. NO.	CONDUIT SIZE	DIMENSIONS (IN.)	
		A	B
5271†	3/8"	1 1/32	1 1/16
5272†	1/2"	1 3/8	1 11/16
5273†	3/4"	1 21/32	1 3/4
5274†	1"	1 7/8	2 1/8
5275†	1 1/4"	2 27/32	2 1/2
5276†	1 1/2"	2 3/4	2 11/16
5277†	2"	3 15/32	3 1/16

† UL Listed as grounding means under NEC 351-7.

Prevents severe conduit bends and pullout!

Wiremesh Grips for Liquidtight Fittings



CAT. NO.	CONDUIT SIZE	LIQUIDTIGHT CONNECTORS					
		STRAIGHT	45°	90°	CHASE	90° CHASE	ADAPTER
WMG-LT1	3/8"	5331	5341	5351	5361	5371	5271
WMG-LT2	1/2"	5332	5342	5352	5362	5372	5272
WMG-LT3	3/4"	5333	5343	5353	5363	5373	5273
WMG-LT4	1"	5334	5344	5354	5364	5374	5274
WMG-LT5	1 1/4"	5335	5345	5355	5365	—	5275
WMG-LT6	1 1/2"	5336	5346	5356	5366	—	5276
WMG-LT7	2"	5337	5347	5357	5367	—	5277
WMG-LT8	2 1/2"	5338	5348	5358	5368	—	5278
WMG-LT9	3"	5339	5349	5359	5369	—	5279
WMG-LT10	4"	5340	5350	5360	5370	—	5282

Order wiremesh grip separately: no need to duplicate inventory.

UL File No. E23018

CSA File No. 2884 & 4484

52®/53® Series Liquidtight Fittings and Flexible Metallic Conduits

External Bonding Liquidtight Flexible Metal Conduit Connectors

Application

- Used where external bonding jumper is required around liquidtight flexible metal conduit
- To positively bond conduit to box or enclosure
- Used where flexible raceway is installed in outdoor or indoors location where exposed to continuous or intermittent moisture

Features

- Designed with provision to install bonding jumper in several positions
- Designed to accept mechanical or compression lug
- Ability to install quickly with low torque effort
 - (1) Compressed metallic convolutions; ensures ground contact with low impedance and high raceway holding power (A)
 - (2) Single helical thread on ground cone is easy to install without cross thread; accepts variations in raceway diameters and convolution pitch (B)
 - (3) Rolled over edge protects conductors (C)
- Sealing ring design has following exclusive features:
 - (1) Grips and seals at leading and trailing edge — will not abrade raceway jacket (D)
 - (2) Provided with grooves on inside diameter for anti-sleeving (E)
 - (3) Shoulders on both ends for extra sealing (F)
 - (4) Symmetrical shape ensures foolproof assembly
- Can be disconnected and reused
- Watertight/oil-tight installation at box or enclosure termination is ensured by:
 - (1) External taper thread hub on 5331GR series and use of sealing gasket 5262 series (G)
 - (2) Taper tapped hole on 5271 series
- Suitable for use in Class I Division 2, Class II Division 1 & 2 and Class III Division 1 & 2 Hazardous Locations per NEC® Article 500

- Suitable as a bonding means per UL 467 and NEC Article 350.60
- Conforms with JIC requirements

Standard Material

52/53GR Series

Lugs: High-conductivity copper (for copper conductor only)
 Body, Gland, Locknut & Ground Cones: All steel or malleable iron
 Sealing Ring and Insulator: All thermoplastic
 Sealing Gasket: Stainless Steel and Santoprene®
 Strap: Steel

52ALGR Series

Copper-free aluminum

Standard Finish

52/53GR Series

All Electro Zinc Plated and Chromate Coated except lugs
 Lugs: Bright Dipped

52ALGR Series

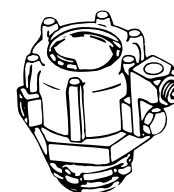
Zinc plating with clear chromate ground cones

Range

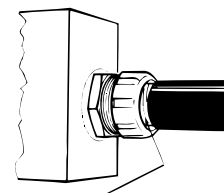
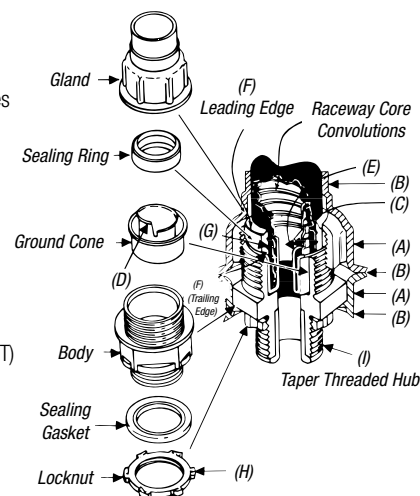
5331GR Series (straight connectors with male hub): 3/8" thru 6" conduit
 5341GR Series (45°): 3/8" thru 4" conduit
 5351GR Series (90°): 3/8" thru 4" conduit
 5232ALGR Series: 3/8" thru 1" conduit
 All hubs provided with taper pipe threads (NPT)

Listings/Compliances

UL File #E-23018
 CSA
 UL 467
 UL 514B
 CSA C22.2 No. 18
 CSA22.2 No. 41
 NEMA FB-1
 NFPA 70
 JIC EGP1
 JIC EMP1
 Federal Specification A-A-50552
 Federal Standard H-28 (threads)
 1 per C.E. Code, this method is not permissible.



Series 5331GR



Sleeving

Raceway Jacket pulls off — exposing core and affecting liquidtight termination. Feature (E) on sealing ring helps overcome this problem.

52®/53® Series Liquidtight Fittings and Flexible Metallic Conduits

Straight Grounding Fittings



CAT. NO.			CONDUIT SIZE	DIMENSIONS (IN.)			GROUND WIRE (AWG)
STEEL INSULATED	STEEL NON-INSULATED	ALUMINUM NON-INSULATED		A	B	C	
5331GR**	5231GR*	5231ALGR*	3/8"	1 1/32	1 1/2	9/16	#14-#8
5332GR*	5232GR*	5232ALGR*	1/2"	1 1/8	1 1/16	9/16	#14-#8
5333GR*	5233GR*	5233ALGR*	3/4"	1 21/32	1 5/8	9/16	#14-#4
5334GR*	5234GR*	5234ALGR*	1"	1 1/8	2 1/16	3/4	#14-#4
5335GR	5235GR	—	1 1/4"	2 1/4	2 1/2	13/16	#8-1/0
5336GR	5236GR	—	1 1/2"	3 1/4	2 11/16	13/16	#4-2/0
5337GR	5237GR	—	2"	3 13/16	3 3/16	7/8	#4-2/0
5338GR	5238GR	—	2 1/2"	4 7/16	4 1/8	1	#2-4/0
5339GR	5239GR	—	3"	5 5/16	4 3/4	1	#2-4/0
5340GR	5240GR	—	4"	6 1/8	4 1/2	1 1/8	#2-4/0
5385GR	5285GR	—	5"	8 3/16	7	1 1/8	#2-4/0
5386GR	—	—	6"	8 17/32	8 1/2	2	#2-4/0



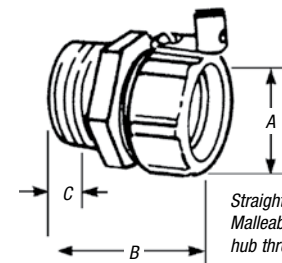
Revolver® Grounding Ring

Note: Revolver® Grounding Device available on sizes 3/8"-1" only. To order Revolver® Grounding Device separately, use Catalog Nos. 38GR-TB for 3/8", 12GR-TB for 1/2", 34GR-TB for 3/4" and 1GR-TB for 1".

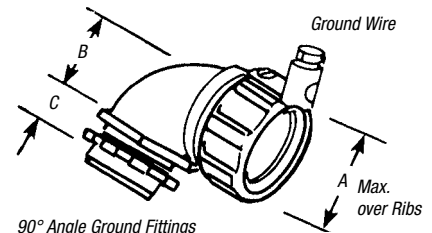
90° Angle Grounding Fittings



CAT. NO.			CONDUIT SIZE	DIMENSIONS (IN.)			GROUND WIRE (AWG)
STEEL INSULATED	STEEL NON-INSULATED	ALUMINUM NON-INSULATED		A	B	C	
5351GR**	5251GR**	5251ALGR*	3/8"	1 1/32	1 1/4	9/16	#14-#8
5352GR*	5252GR*	5252ALGR*	1/2"	1 1/8	1 1/16	9/16	#14-#8
5353GR*	5253GR*	5253ALGR*	3/4"	1 21/32	1 13/16	9/16	#14-#4
5354GR*	5254GR*	5254ALGR*	1"	1 1/8	2 1/16	3/4	#14-#4
5355GR*	5255GR	—	1 1/4"	2 1/4	2 1/2	13/16	#8-1/0
5356GR	5256GR	—	1 1/2"	3 1/4	2 5/16	13/16	#4-2/0
5357GR	5257GR	—	2"	3 3/16	3 3/16	7/8	#4-2/0
5358GR	5258GR	—	2 1/2"	4 1/16	4 1/8	1	#2-4/0
5359GR	5259GR	—	3"	5 5/16	5 1/4	1	#2-4/0
5360GR	5260GR	—	4"	6 1/8	6 1/2	1 1/8	#2-4/0



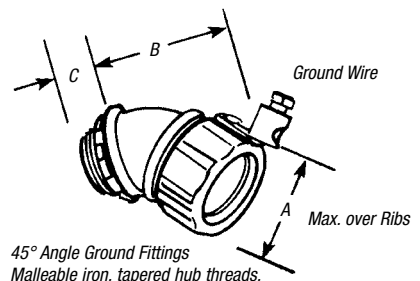
Straight Ground Fittings
Malleable iron, tapered hub threads.



90° Angle Ground Fittings
Malleable iron tapered hub threads.

45° Angle Grounding Fittings

CAT. NO.		CONDUIT SIZE	DIMENSIONS (IN.)			GROUND WIRE (AWG)
INSULATED	NON-INSULATED		A	B	C	
5341GR**	5241GR**	3/8"	1 1/32	1 1/16	9/16	#14-#8
5342GR*	5242GR*	1/2"	1 1/8	1 1/8	9/16	#14-#8
5343GR*	5243GR*	3/4"	1 21/32	2 1/8	9/16	#14-#4
5344GR*	5244GR*	1"	1 1/8	2 1/4	3/4	#14-#4
5345GR	5245GR	1 1/4"	2 1/4	2 3/4	13/16	#8-1/0
5346GR	5246GR	1 1/2"	3 1/4	3 3/8	13/16	#4-2/0
5347GR	5247GR	2"	3 13/16	3 3/8	7/8	#4-2/0
5348GR	5248GR	2 1/2"	4 1/16	4 1/4	1	#2-4/0
5349GR	5249GR	3"	5 5/16	4 3/4	1	#2-4/0
5350GR	5250GR	4"	6 1/8	4 3/8	1 1/8	#2-4/0



45° Angle Ground Fittings
Malleable iron, tapered hub threads.

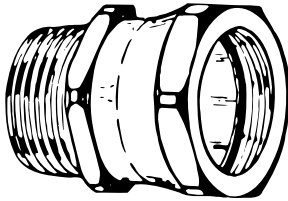
*3/8"-1" fittings include Revolver® grounding device. For sizes 1 1/4" and up, fittings are supplied with a copper mechanical lug.

**3/8" conduit fittings have 1/2" trade size hub. With safe-edge ground cone (through 4") and double bevel sealing ring (through 2").

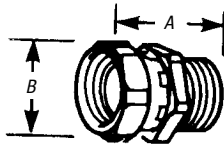
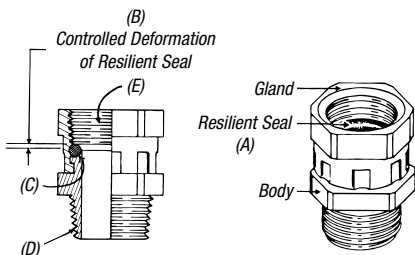
UL Listed liquidtight; and CSA Certified watertight. Suitable for hazardous locations use in Class I, Div. 2; Class II, Div. 1 and 2; Class III, Div. 1 and 2, where general purpose equipment is specifically permitted per NEC®. Available with DURA-PLATE® Finish. UL File No. E 3060 CSA File No. 638

52®/53® Series Liquidtight Fittings and Flexible Metallic Conduits

Liquidtight Union for Threaded Hub



41 Series



Steel, zinc plated and chromated. Ideal for angle fittings where swing clearance is not available.

Application

- To couple threaded end of a fitting or a pipe to a tapped opening in a box or enclosure where rotation of fitting or pipe is limited or restricted

Features

- Design provides high-quality bond between fitting or pipe to the union
- Provided with resilient seal (A)
- Resilient seal subjected to controlled deformation; positive seal and reusability are ensured (B)
- Unique design centralizes throat openings of threaded hub and union (C)
- Provided with taper threaded hub for liquidtight assembly (D)
- Straight pipe threads on gland accept a straight or taper threaded hub on fitting or pipe to be coupled (E)
- Suitable for hazardous location use per NEC® Article 501 Class I, Division 2, Article 502 Class II, Division 1 & 2 and Article III Division 1 & 2

Standard Material/Finish

Gland..... Steel/Electro Zinc Chromate Coated
 Body..... Steel/Electro Zinc Chromate Coated
 O-Ring..... Buna N/As Molded

Range

Hub (External Thread)..... ½" & ¾" NPT
 Gland (Internal Threads)..... ½" & ¾" NPS

Listings/Compliances

UL UL File No. E-23018
 CSA LR-2884, LR-4484
 UL 514B
 CSA C22.2 No. 18
 NEMA FB1
 NFPA 70
 Federal Standard A-A-50553
 Federal Standard A-A-50552
 Federal Standard H-28 (Threads)

Note: For additional product information, refer to Thomas & Betts publication 600.1



CAT. NO.	CONDUIT SIZE	A	B
41-TB	½"	1 ²⁹ / ₆₄ "	1"
42-TB	¾"	1 ¹⁹ / ₆₄ "	1 ¹ / ₄ "

Fittings for liquidtight flexible metal conduit with metric threads of ISO form (BS-4568-SA BS 162).

ISO Metric Thread Liquidtight Fittings*



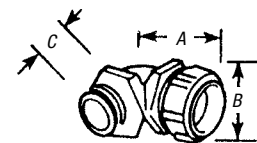
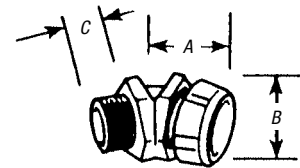
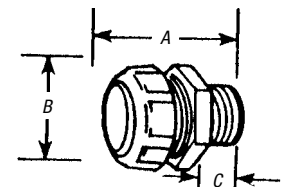
CAT. NO.	FLEXIBLE CONDUIT SIZE	METRIC ISO THREAD	A MM	B MM	C MM
Nylon-insulated straight connectors					
9330	¼"	16	36	21	12
9331	¼"	20	36	21	12
9306	5/ ₁₆ "	16	36	26	12
9360	3/ ₈ "	16	40	29	16
9361	3/ ₈ "	20	40	29	16
9362	½"	20	42	35	16
9363	¾"	25	45	42	16
9364	1"	32	54	47	23
Nylon-insulated 45° angle connectors					
9340	3/ ₈ "	16	27	29	16
9341	3/ ₈ "	20	27	29	16
9342	½"	20	27	35	16
9343TB	¾"	25	31	42	16
9344	1"	32	34	47	23

CAT. NO.	FLEXIBLE CONDUIT SIZE	METRIC ISO THREAD	A MM	B MM	C MM
Nylon-insulated 90° angle connectors					
9350	3/ ₈ "	16	35	29	16
9351	3/ ₈ "	20	35	29	16
9352TB	½"	20	39	35	16
9353TB	¾"	25	43	42	16
9354TB	1"	32	48	47	23

UL Listed Liquidtight. CSA certified watertight.

* All items shown on this page are suitable for use in hazardous location where general-purpose equipment is specifically permitted by the NEC; Class I Div. 2, Class II, Div. 1 & 2; Class III, Div. 1 & 2.

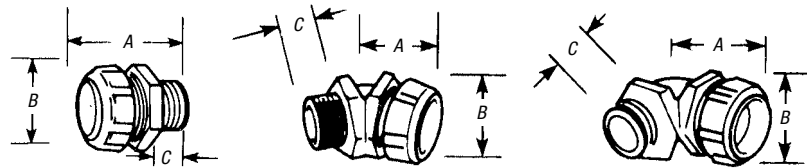
UL File No. E 23018. CSA File No. 2884



52®/53® Series Liquidtight Fittings and Flexible Metallic Conduits

Fittings for liquidtight flexible metal conduit with metric threads of PG form (DIN 40430).

PG Metric Thread Liquidtight Fittings*



CAT. NO.	FLEXIBLE CONDUIT SIZE	METRIC PG THREAD	A MM	B MM	C MM
Nylon-insulated straight connectors					
7330	¼"	9	36	21	12
7360	⅝"	9	36	26	12
7361	¾"	11	40	29	14
7362	⅞"	13.5	40	29	14
7363	1½"	16	41	35	14
7364	¾"	21	43	42	14
7365	1"	29	56	47	19
7366	1¼"	36	67	58	21
7367	1½"	42	72	69	21
7368	2"	48	81	83	21

*All items shown on this page are suitable for use in hazardous location where general-purpose equipment is specifically permitted by the NEC®, Class I Div. 2, Class II, Div. 1 & 2; Class III, Div. 1 & 2.

†UL Listed as grounding means under NEC 351-7.

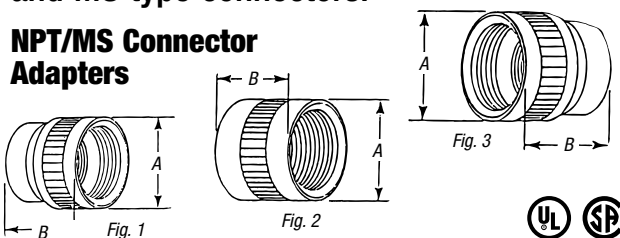
UL Listed liquidtight. CSA Certified watertight.

UL File No. E-23018

CSA File No. 2884

Aluminum mechanical adapter with internal threads to mate with NPT threaded fittings and MS type connectors.

NPT/MS Connector Adapters



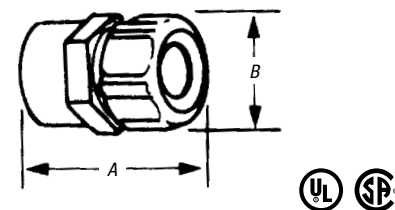
CAT. NO.	N.P.T. THREAD	AN-MS CONNECTOR SHELL SIZE	THREAD SIZE	STD. PKG.	DIMENSIONS (IN.)		
					A	FIG.	B
MSA05014	½"	14, 14S	¾"-20 UNEF-2B	10	1.000	1	1.175
MSA05016	½"	16, 16S	⅞"-20 UNEF-2B	10	1.000	2	1.175
MSA05018	½"	18	1"-20 UNEF-2B	10	1.125	3	1.175
MSA07516	¾"	16, 16S	⅞"-20 UNEF-2B	10	1.250	1	1.356
MSA07518	¾"	18	1"-20 UNEF-2B	10	1.250	1	1.300
MSA07520	¾"	20, 22	1⅜"-18 UNEF-2B	10	1.375	3	1.300
MSA10020	1"	20, 22	1⅜"-18 UNEF-2B	10	1.500	1	1.431
MSA10024	1"	24, 28	1⅞"-18 UNEF-2B	10	1.625	3	1.313
MSA10032	1"	32	1¾"-18 UNS-2B	10	2.000	3	1.576
MSA10036	1"	36	2"-18 UNS-2B	10	2.250	3	1.738

All items shown on this page are suitable for use in hazardous location where general-purpose equipment is specifically permitted by the NEC, Class I Div. 2; Class II, Div. 1 & 2; Class III, Div. 1 & 2.

CAT. NO.	FLEXIBLE CONDUIT SIZE	METRIC PG THREAD	A MM	B MM	C MM
Nylon-insulated 45° angle connectors					
7341	⅜"	11	27	29	14
7342	⅜"	13.5	27	29	14
7343	½"	16	30	35	14
7344-TB	¾"	21	34	42	14
7345	1"	29	44	47	19
7346	1¼"	36	51	58	19
7347	1½"	42	60	69	21
7348-TB	2"	48	73	76	24
Nylon-insulated 90° angle connectors					
7351	⅜"	11	37	29	14
7352	⅜"	13.5	37	29	14
7353	½"	16	40	35	14
7354	¾"	21	44	42	14
7355	1"	29	56	47	21
7356	1¼"	36	70	58	21
7357	1½"	42	75	69	21
7358	2"	48	87	83	24

Steel T&B® Liquidtight flexible metal and non-metallic fittings with internal threads to accept AN-MS connector shells.

Liquidtight Flexible Metal/MS Connectors



CAT. NO.	TRADE SIZE	AN-MS CONN. SHELL SIZE	THREAD SIZE	DIMENSIONS (IN.)	
				A	B
LTA03810	⅜"	10SL, 12, 12S	⅝"-24 UNEF-2B	1½/32	1
LTA05014	½"	14, 14S	¾"-20 UNEF-2B	1⅞/16	1¼
LTA05016	½"	16, 16S	⅞"-20 UNEF-2B	1⅞/16	1¼
LTA05018	½"	18	1"-20 UNEF-2B	1⅞/16	1¼
LTA07520	¾"	20, 22	1⅜"-18 UNEF-2B	1⅞/16	1½
LTA10020	1"	20, 22	1⅜"-18 UNEF-2B	1¾	1⅞/32
LTA10024	1"	25, 28	1⅞"-18 UNEF-2B	1¾	1⅞/32

UL File No. E 23018

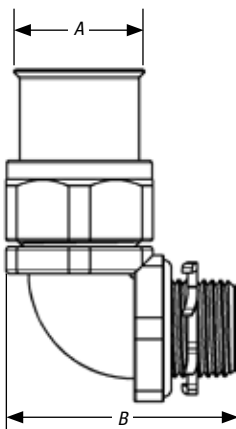
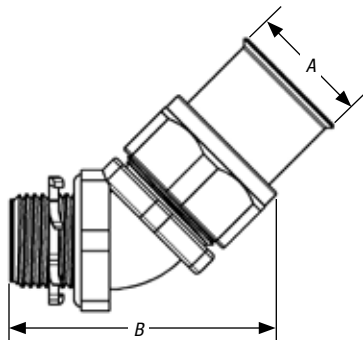
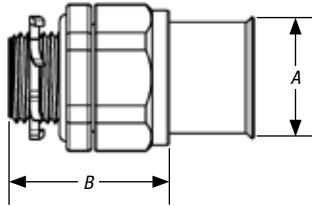
CSA File No. 2884

Type A Liquidtight Fittings and Flexible Non-Metallic Conduits

Provides a positive seal against water, oil and dust!

Steel Liquidtight Connectors for Type A Non-Metallic Flexible Conduit

- Steel or malleable iron construction with nylon-insulated throat
- Santoprene® sealing gasket with Type 316 stainless steel retaining ring
- NPT hub threads seal in female threads
- Offers high mechanical pull-out strength
- Supplied with sealing ring and steel locknut
- Available in straight, 45° and 90° in hub sizes from 3/8" to 2"



Straight Steel Liquidtight Connectors for Type A Conduit



CAT. NO.	CONDUIT SIZE	HUB THREAD	DIMENSIONS (IN.)	
			A	B
3720-TB*	3/8"	1/2 - 14 NPT	1 1/32	2
3721-TB	1/2"	1/2 - 14 NPT	1 3/8	2 1/8
3722-TB	3/4"	3/4 - 14 NPT	1 5/8	2 1/4
3723	1"	1 - 11 1/2 NPT	1 7/8	2 1/2
3724-TB	1 1/4"	1 1/4 - 11 1/2 NPT	2 3/8	2
3725	1 1/2"	1 1/2 - 11 1/2 NPT	2 3/4	3 3/8
3726	2"	2 - 11 1/2 NPT	3 17/32	3 5/8

* Not UL Listed
UL File No. E 23018

45° Angled Steel Liquidtight Connectors for Type A Conduit



CAT. NO.	CONDUIT SIZE	HUB THREAD	DIMENSIONS (IN.)	
			A	B
3730-TB*	3/8"	1/2 - 14 NPT	1 1/32	2 13/32
3731-TB	1/2"	1/2 - 14 NPT	1 3/8	2 9/16
3732	3/4"	3/4 - 14 NPT	1 5/8	3
3733-TB	1"	1 - 11 1/2 NPT	1 7/8	3 1/2
3734-TB	1 1/4"	1 1/4 - 11 1/2 NPT	2 3/8	4 1/8
3735-TB	1 1/2"	1 1/2 - 11 1/2 NPT	2 3/4	4 1/8
3736	2"	2 - 11 1/2 NPT	3 17/32	5 1/2

* Not UL Listed
UL File No. E 23018

90° Angled Steel Liquidtight Connectors for Type A Conduit



CAT. NO.	CONDUIT SIZE	HUB THREAD	DIMENSIONS (IN.)	
			A	B
3740*	3/8"	1/2 - 14 NPT	1 1/32	1 3/8
3741	1/2"	1/2 - 14 NPT	1 3/8	1 3/4
3742	3/4"	3/4 - 14 NPT	1 5/8	2 1/4
3743-TB	1"	1 - 11 1/2 NPT	1 7/8	2 9/16
3744-TB	1 1/4"	1 1/4 - 11 1/2 NPT	2 3/8	3 1/4
3745	1 1/2"	1 1/2 - 11 1/2 NPT	2 3/4	3 3/8
3746-TB	2"	2 - 11 1/2 NPT	2 17/32	4 1/8

* Not UL Listed
UL File No. E 23018
Santoprene is a registered trademark of Advanced Elastomer Systems.

Type A Liquidtight Fittings and Flexible Non-Metallic Conduits

Fittings for Liquidtight Flexible Non-Metallic Conduit Type A

Series 6302

Connectors for
Liquidtight Flexible
Non-Metallic
Conduit —
Straight Thermoplastic



Series 6322

Connectors for
Liquidtight Flexible
Non-Metallic
Conduit —
90° Thermoplastic



Series 6302SST

Connectors for
Liquidtight Flexible
Non-Metallic
Conduit —
Straight Stainless Steel



Application

- To provide a liquidtight, dust-tight connection between flexible, non-metallic conduit and a box or an enclosure

Features

- Serrated design provides high mechanical pull-out strength
- Unique component parts (body/gland) design ensures positive seal between conduit and connector
- Tapered thread hub and furnished Neoprene sealing O-ring provide a liquidtight, dust-tight seal to a box or enclosure
- Smooth insulated body throughout for maximum dielectric strength
- Captive O-ring and reduced number of parts save installation time

Standard Material

Body	Thermoplastic or 304 Stainless Steel
Gland	Thermoplastic or 304 Stainless Steel
O-Ring	Neoprene (6302/6322)
Sealing Gasket.....	316 Stainless Steel and Santoprene® Thermoplastic Rubber (6302SST)
Locknut.....	Case-Hardened Steel (6302/6322) or 304 Stainless Steel (6302SST)

Standard Finish

Body, Gland & O-Ring	As Molded
Locknut.....	Electro Zinc (6302/6322)

Range

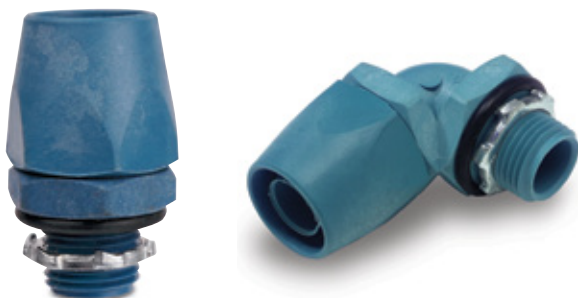
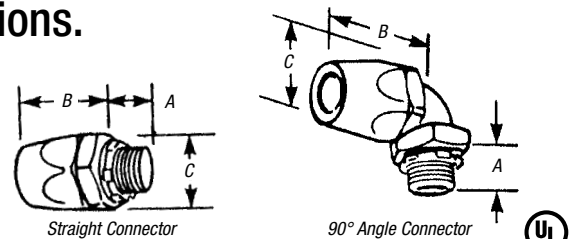
Conduit Size	½" thru 1¼"
Hub Size.....	½" thru 1¼" NPT

Santoprene is a registered trademark of Advanced Elastomer Systems.

Designed for Type A all-plastic raceways used in dynamic machine tool applications.

Thermoplastic Fittings for Liquidtight Flexible Non-Metallic Conduit Type A

- High-strength thermoplastic construction — even tougher than the raceway itself!
- Chemical resistant — ideal for corrosive environments
- Non-burning, non-dripping thermoplastic material



CAT. NO.	CONDUIT SIZE	DIMENSIONS (IN.)		
		A	B	C
Straight Connector				
6302	½"	.60	1.68	1.48
6303	¾"	.61	1.85	1.76
6304	1"	.77	1.89	2.10
6305	1¼"	.79	2.30	2.67
90° Angle Connector				
6322	½"	.60	1.56	1.48
6323	¾"	.61	1.74	1.76
6324	1"	.77	1.78	2.10
6325	1¼"	.79	2.13	2.67

Meets Coast Guard CG293

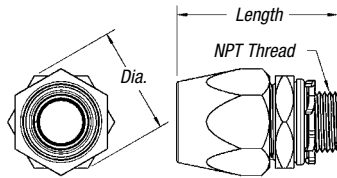
UL File No. E 23018

Type A Liquidtight Fittings and Flexible Non-Metallic Conduits

Stainless steel construction for unbeatable strength and corrosion resistance!

Stainless Steel Fittings for Liquidtight Flexible Non-Metallic Conduit Type A

- Type 304 stainless steel body, gland and locknut
- Supplied with Series 5262 Sealing Gasket (see p. E-10)
- UL Listed and CSA Certified for use with Type A conduit only



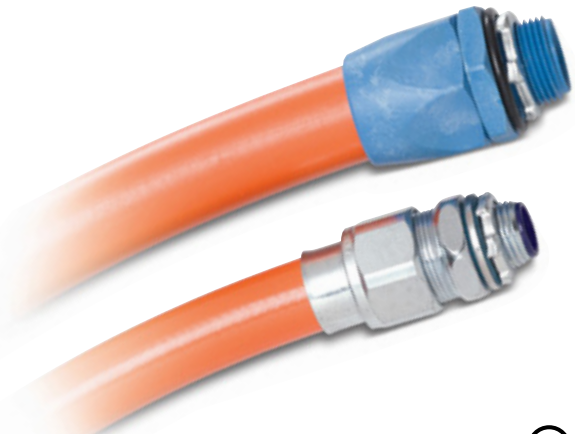
CAT. NO.	CONDUIT SIZE	DIA. (IN.)	LENGTH (IN.)
Straight Connector			
6302SST	1/2"	1.43	2.10
6303SST	3/4"	1.72	2.55
6304SST	1"	2.00	2.60
6305SST	1 1/4"	2.88	3.10

UL File No. E 23018

Ideally suited for continuous flexing applications or vibration.

Type A Non-Metallic Flexible Conduit

- No metal core to fatigue from flexing or vibration
- Smooth, seamless inner core of flexible PVC that is bonded to a covering of flexible PVC. Between these layers is a woven nylon mesh molded for reinforcement
- Available in sizes from 3/8" to 2"
- Working Temperatures: -20° C to 60° C
- Sunlight resistant
- UL Listed (conforms to UL Standard ANSI/UL 1660 Type A) UL file: E95745
- CSA Certified (conforms to CSA 22.2 No. 227.2 Type A)
- Meets NEC® Article 356 (ANSI/NFPA-70) for flexible, liquidtight non-metallic conduit

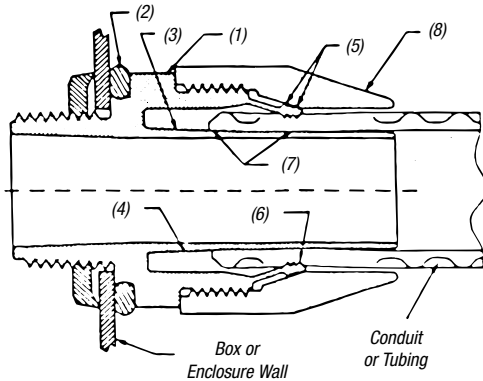


CAT. NO.	SIZE	STD. PKG. QTY.
Type A Flexible, Non-Metallic Conduit		
TYPEA38-250	3/8"	250 ft.
TYPEA50-200	1/2"	200 ft.
TYPEA75-175	3/4"	175 ft.
TYPEA100-100	1"	100 ft.
TYPEA125-100	1 1/4"	100 ft.
TYPEA150-50	1 1/2"	50 ft.
TYPEA200-50	2"	50 ft.

NEC and National Electrical Code are registered trademarks of the National Fire Protection Association, Inc.

Type B Liquidtight Fittings and Flexible Non-Metallic Conduits

Specifications — Bullet® Liquidtight Fittings for Liquidtight Flexible Non-Metallic Conduit and Tubing



Suggested Specification:

Where liquidtight flexible non-metallic conduit (UL Type B) or liquidtight flexible non-metallic tubing is terminated to a box or enclosure, the non-metallic connectors used shall be able to be installed without disassembly and provide a positive installation criteria. In the installed condition, the connector must provide a seal meeting watertight requirements of NEMA Type 4 and Type 6 enclosures. The performance of connectors shall be unaffected by exposure to detergents, sanitizers, cutting fluids, wire pulling compounds and oil-base industrial paints. The connector must also be capable of withstanding Marine environment and cold impact simulating a hammer blow. Installed connectors shall be of the elongated gland type as manufactured by Thomas & Betts LT38P series.

Application

A series of nonmetallic connectors designed to provide a liquidtight seal when terminating liquidtight nonmetallic conduit (UL Type B) or liquidtight nonmetallic tubing to a box or enclosure with knockout opening or a threaded hub.

Plastic Bullet® Liquidtight Fittings Features

- Connector assembles to conduit without disassembly and is designed to be installed with a positive installation criteria gland bottoms on body shoulder
- Rugged low-profile non-metallic body and gland construction (1); the connector is equipped with a steel locknut to firmly secure connector to box or an enclosure and a sealing O-Ring
- Captivated sealing O-Ring (2) with predetermined compression for a reliable seal at enclosure
- Connector ferrule designed to accept variations in conduit inside diameter and is tolerant of field conduit cuts (3)
- The profile of ferrule is designed to reduce friction between conduit I.D. and ferrule, (4) enabling conduit to seat properly for an effective seal
- Outer surface of the clamping fingers provided with friction reducing ridges (5) for ease of installation; the inner surface is designed with conduit biting teeth to enhance clamping and sealing action (6)
- Performance of connectors tested to simulate adverse installation conditions
- Provides a double sealing action (7)
- Elongated gland nut profile (8) designed to provide additional strain relief for 90° pull and an easy hand grip
- Performance of connector unaffected by exposure to detergents, cleaners and sanitizers commonly encountered in food processing plants and typical industrial environment; also unaffected by cutting fluids, wiring pulling compounds and marine environment. The connector meets industry standards for cold impact and simulated hammer blow

Standard Material/Finish

Body Gland — Weather-stabilized thermoplastic (black)

O-Ring — Neoprene (black)

Locknut — Steel/electro-zinc plated

Material Temperature Rating — Thermoplastic -40° C to 105° C

Material Flammability Rating — UL 94-V2

Listings/Compliances

UL (File# E23018)

CSA (File# LR52391)

CSA 22.2 #227.2 & CSA 22.2 #227.3

ANSI/UL 514B-1988

Watertight requirements of NEMA Type 4 and NEMA Type 6 enclosures

Federal Standard H28 (NPT threads)

Suitable for hazardous locations —

Class I Div. 2; Class II Div. 1 & 2;

Groups E, F & G; Class III per NEC®

NEMA 6P

½", ¾" and 1" sizes are approved for direct-burial applications

Type B Liquidtight Fittings and Flexible Non-Metallic Conduits

The BULLET® non-metallic liquidtight fitting — easy to use, built to take it!

Plastic Bullet® Liquidtight Fittings for T&B® LTC Non-Metallic Liquidtight Conduit Type B and T&B® EFC Flexible Tubing

This engineering breakthrough meets the demand for a tough, reusable, non-metallic liquidtight fitting for use with XTRA FLEX® Type B conduit or flexible tubing. The BULLET® non-metallic fitting provides a reliable liquidtight seal that combines high pullout resistance and ease of installation.

Engineered to meet your needs.

The BULLET® non-metallic fitting meets your performance requirements when terminating Type B liquidtight non-metallic conduit or flexible non-metallic tubing to a box or enclosure with knockout opening or threaded hub. Fittings meet the watertight requirements for NEMA Type 4 and Type 6 enclosures and conform to UL514B and CSA No. 22.2 #227.2 specifications.

Ease of installation.

Installations can be performed quickly and easily because BULLET® liquidtight fittings can

- Outside surface has friction-reducing ridges
- Inner surface teeth bite into conduit or tubing to enhance clamping and sealing action
- Fitting ferrule designed to accept variations in conduit sizes and field conduit cuts
- Smooth ferrule profile reduces friction to ensure a tight conduit-to-fitting seal
- Friction-reducing ridges and teeth provide a true double seal and high pullout resistance
- Elongated gland nut offers additional strain relief for 90° pull and easy hand grip
- Rugged low-profile nonmetallic body and gland construction provides space savings
- Captivated sealing O-ring features predetermined compression to provide a reliable seal at enclosure
- Steel locknut firmly secures fitting to box or enclosure

be installed without disassembly. BULLET® non-metallic fittings are resistant to numerous caustics and solvents.

The BULLET® fitting is economical because it can be used over and over again without sacrificing the quality of the original seal. When used with the XTRA FLEX® raceway system, you can meet most machine or industrial requirements where liquidtight protection is needed.

Corrosion resistant. Built to take it.

The BULLET® liquidtight fitting is manufactured from weather-resistant thermoplastic materials and is suitable for indoor or outdoor corrosive environments. The BULLET® fitting is resistant to detergents, cleaners, oils, sanitizers, paints, cutting fluids and wire pulling compounds — just about any liquid usually found in industrial, plant or marine environments. It also surpasses industry standards for cold impact and simulated hammer blows.

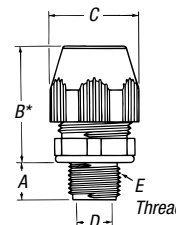


Figure 1 (Straight)

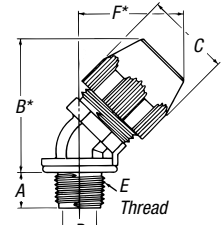


Figure 2 (45 Degree)

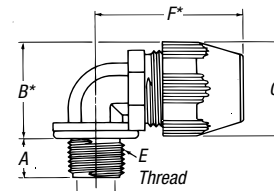


Figure 3 (90 Degree)



CAT. NO.	FIG.	TRADE SIZE (IN.)	A ±.015 (.040) (IN.) (MM)	*B ±.035 (0.90) (IN.) (MM)	C ±.015 (0.40) ACROSS CORNERS (IN.) (MM)	MIN. THROAT DIA. D (IN.) (MM)	E THREAD NPT (IN.)	F* (IN.) (MM) APPROX.
LT38P	1		.570	1.595 (40.51)	1.354	.417		—
LT438P	2	¾	(14.48)	2.012 (51.10)	(34.39)	(10.59)	½-14	1.534 (38.95)
LT938P	3			1.380 (35.05)				1.880 (47.75)
LT50P	1		.570	1.636 (41.55)	1.448	.550		—
LT450P	2	½	(14.48)	2.092 (53.14)	(36.78)	(13.97)	½-14	1.590 (40.39)
LT950P	3			1.489 (37.82)				1.986 (50.44)
LT75P	1		.582	1.757 (44.63)	1.740	.740		—
LT475P	2	¾	(14.78)	2.452 (62.28)	(44.20)	(18.80)	¾-14	1.821 (46.25)
LT975P	3			1.790 (45.47)				2.212 (56.18)
LT100P	1		.726	1.923 (48.84)	2.068	.940		—
LT4100P	2	1	(18.44)	2.684 (68.17)	(52.53)	(23.88)	1-11½	2.034 (51.66)
LT9100P	3			2.104 (53.44)				2.508 (63.70)
LT125P	1		.750	2.164 (54.97)	2.494	1.257		—
LT4125P	2	1¼	(19.05)	3.264 (82.91)	(63.35)	(31.93)	1¼-11½	2.385 (60.58)
LT9125P	3			2.564 (65.13)				2.856 (72.54)
LT150P	1		.767	2.353 (59.77)	2.784	1.453		—
LT4150P	2	1½	(19.48)	3.605 (91.57)	(70.71)	(36.91)	1½-11½	2.604 (66.14)
LT9150P	3			2.854 (72.49)				3.144 (79.86)
LT200P	1		.794	2.605 (66.17)	3.362	1.883		—
LT4200P	2	2	(20.17)	4.210 (106.93)	(85.39)	(47.83)	2-11½	3.050 (77.47)
LT9200P	3			3.432 (87.17)				3.675 (93.34)

* After Assembly

UL File No. E-23018

CSA File No. 52391

Type B Liquidtight Fittings and Flexible Non-Metallic Conduits

Table 1 — Behavior of EMS20-1B.1 IN: Aqueous Solutions of Inorganic Salts at Room Temperature

SALT SOLUTIONS	VISUAL CHANGE	RATINGS*
10% Ammonium Chloride	Unchanged	F
10% Aluminum Chloride	Unchanged	F
10% Sodium Hypochlorite (0.1% Cl ₂)	White Coating after 18 Days	G
10% Calcium Chloride	Unchanged	F
10% Chrome Alum	Unchanged	G
10% Ferric Chloride	Unchanged Yellowing	P
5% Potassium Dichromate	Unchanged Yellowing	P
10% Potassium Nitrate	Unchanged	G
1% Potassium Permanganate	Decomposed	NR

Table 2 — Behavior of EMS20-1B.1 IN: Acids, Bases, Halogens, etc.

REAGENT	TEMP °F	VISUAL CHANGE	RATINGS*
Sulfuric Acid (Conc)	75	Dissolves	S, NR
Sulfuric Acid (Dilute)	75	Partially Dissolves	P, NR
Hydrochloric Acid (Conc)	75	Dissolves	S, NR
Hydrochloric Acid (Dilute)	75	Partially Dissolves	P, NR
Hydrochloric Acid (20–40%)	73	Etched after 1 sec.	P
Phosphoric Acid (Conc)	75	Dissolves	S, NR
Nitric Acid (Conc)	75	Dissolves	S, NR
Acetic Acid (Conc)	75	Partially Dissolves	P, NR
Acetic Acid (Conc)	200	Dissolves	S, NR
Acetic Acid (Dilute)	75	Etched	F, NR
Formic Acid (Conc)	75	Dissolves	S, NR
Formic Acid (Dilute)	75	Partially Dissolves	P, NR
Chlorine	—	Strong Attack	NR
Bromine	—	Strong Attack	NR
Phenol	75	Dissolves	S, NR
O-Chlorophenol	75	Dissolves	S, NR
m-Chlorophenol	75	Dissolves	S, NR
p-Chlorophenol	75	Dissolves	S, NR
Cresol	75	Dissolves	S, NR
Dimethylformamide	75	Strong Attack	NR
gamma-Butyrolactone	75	Strong Attack	NR
Xylenols	75	Dissolves	S, NR
Sodium Hydroxide (1%)	73	Unchanged	E
Sodium Hydroxide (5%)	73	Minimal Effect	E
Sodium Hydroxide (5%)	158	Minimal Effect	E
Sodium Hydroxide (10%)	73	Minimal Effect	E
Sodium Hydroxide (10%)	158	Some "Crazing" after 30 Days	P
Potassium Hydroxide (5%)	73	Minimal Effect	E
Potassium Hydroxide (5%)	158	Minimal Effect	E
Potassium Hydroxide (10%)	73	Minimal Effect	E
Potassium Hydroxide (10%)	158	Some "Crazing" after 30 Days	P
Hydrogen Peroxide (0.5%)	73	Unchanged	G
Hydrogen Peroxide (1%)	73	Brittle after 54 Days	NR
Hydrogen Peroxide (3%)	73	Brittle after 54 Days	NR
Hydrogen Peroxide (10%)	73	Degrades	NR
Hydrogen Peroxide (30%)	73	Degrades	NR

* These abbreviations are used for the ratings:

E – Excellent G – Good F – Fair P – Poor
NR – Not Recommended S – Solvent

SALT SOLUTIONS	VISUAL CHANGE	RATINGS*
10% Copper Sulfate	Unchanged	G
10% Magnesium Chloride	Unchanged	G
10% Magnaneose Sulfate	Unchanged	G
10% Sodium Sulfate	Unchanged	G
10% Sodium Bisulfite	Unchanged	G
5% Mercuric Chloride	Swelled	P
10% Zinc Chloride	Unchanged	F

* These abbreviations are used for the ratings:

E – Excellent G – Good F – Fair P – Poor
NR – Not Recommended S – Solvent

Table 3 — Behavior of EMS20-1B.1 IN: Organic Solvents at Room Temperature

REAGENT	VISUAL CHANGE	RATINGS*
Benzyl Alcohol	Coarse Surface after 2 Days	NR
Butyl Alcohol	Temporary Loss of Stiffness	G
Ethyl Alcohol	Temporary Loss of Stiffness	G
Isopropyl Alcohol	Temporary Loss of Stiffness	G
Methyl Alcohol	Temporary Loss of Stiffness	G
Butyl Acetate	Temporary Loss of Stiffness	G
Ethyl Acetate	Unchanged	E
Methyl Acetate	Unchanged	E
Amyl Acetate	Unchanged	E
Ether (Diethyl)	Unchanged	E
Tetrahydrofuran	Unchanged	E
Acetone	Unchanged	E
Benzaldehyde	Unchanged	E
Cyclohexanone	Unchanged	E
Dichlorethylene	Unchanged	E
Trichlorethylene	Temporary Loss of Stiffness	G
Perchlorethylene	Temporary Loss of Stiffness	G
Dichlormethane	Unchanged	E
Chloroform	Temporary Loss of Stiffness	G
Carbon Tetrachloride	Temporary Loss of Stiffness	G
Carbon Disulfide	Unchanged	E
Pyridine	Unchanged	E
Benzene	Unchanged	E
Monochlorobenzene	Unchanged	E
Toluene	Unchanged	E
Xylene	Unchanged	E
Kerosene	Unchanged	E
Turpentine	Unchanged	E
Tetralin	Unchanged	E
Decalin	Unchanged	E
Gasoline	Unchanged	E
Petroleum	Unchanged	E
Mineral Oil	Unchanged	E
Resorcinol	Dissolves	NR

* These abbreviations are used for the ratings:

E – Excellent G – Good F – Fair P – Poor
NR – Not Recommended S – Solvent

Type B Liquidtight Fittings and Flexible Non-Metallic Conduits

Metallic Bullet® Liquidtight Connectors for T&B LTC Non-Metallic Liquidtight Conduit Type B and T&B EFC Flexible Tubing



CAT. NO.	FIG.	TRADE SIZE (IN.)	A ±.030 (.80) (IN.) (MM)	*B ±.060 (1.50) (IN.) (MM)	C ±.045 (1.15) (IN.) (MM)	D (IN.) (MM)	THREAD NPT (IN.)
LT38M	1	—	1.156	1.500 (38.1)	.562 (14.3)	—	—
LT438M	2	¾	(29.4)	1.962 (49.8)	.562 (14.3)	—	½-14
LT938M	3	—	—	1.312 (33.3)	.625 (15.9)	1.375 (34.9)	—
LT50M	1	—	1.375	1.562 (39.7)	.562 (14.3)	—	—
LT450M	2	½	(34.9)	1.875 (47.6)	.562 (14.3)	—	½-14
LT950M	3	—	—	1.437 (36.5)	.625 (15.9)	1.562 (39.7)	—
LT75M	1	—	1.656	1.625 (41.2)	.625 (15.9)	—	—
LT475M	2	¾	(42.1)	2.125 (54.0)	.562 (14.3)	—	¾-14
LT975M	3	—	—	1.750 (44.4)	.625 (15.9)	1.750 (44.4)	—
LT100M	1	—	1.875	2.062 (52.4)	.750 (19.0)	—	—
LT4100M	2	1	(47.6)	2.250 (57.1)	.812 (20.6)	—	1-11½
LT9100M	3	—	—	1.937 (49.2)	.812 (20.6)	2.187 (55.5)	—
LT125M	1	—	2.375	2.500 (63.5)	.812 (20.6)	—	—
LT4125M	2	1¼	(60.3)	2.750 (69.8)	.812 (20.6)	—	1¼-11½
LT9125M	3	—	—	2.500 (63.5)	.812 (20.6)	2.750 (69.8)	—
LT150M	1	—	2.750	2.687 (68.2)	.812 (20.6)	—	—
LT4150M	2	1½	(69.8)	2.750 (69.8)	.812 (20.6)	—	1½-11½
LT9150M	3	—	—	2.812 (71.4)	.812 (20.6)	2.937 (74.6)	—
LT200M	1	—	3.468	3.062 (77.8)	.812 (20.6)	—	—
LT4200M	2	2	(88.1)	3.875 (98.4)	.875 (22.2)	—	2-11½
LT9200M	3	—	—	3.500 (88.9)	.875 (22.2)	3.437 (87.3)	—

* After Assembly

UL File No. E-23018

CSA File No. 52391

Suggested Specification:

Where liquidtight flexible non-metallic conduit (UL Type B) or liquidtight flexible non-metallic tubing is terminated to a box or enclosure, the metallic connectors used shall be able to be installed without disassembly and provide a positive installation criteria. In the installed condition, the connector must provide a seal, meeting watertight requirements of NEMA Type 4 and Type 6 enclosures with conduit and NEMA Type 4 enclosures with tubing. Installed connectors shall be as manufactured by Thomas & Betts LT38M series.

Material: Body/Gland — Steel/MI
Insert — Nylon

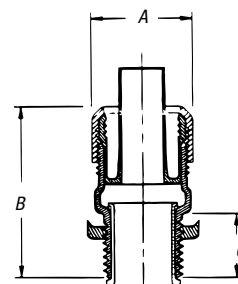


Figure 1

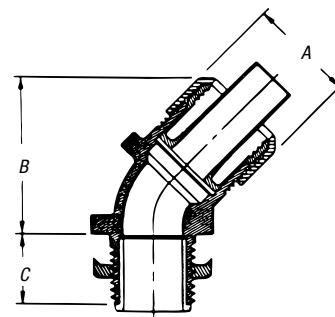


Figure 2

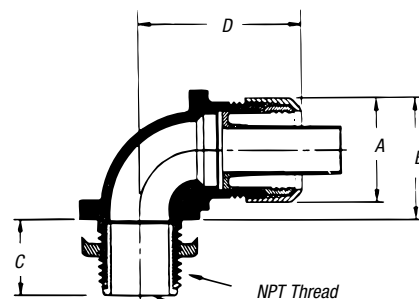


Figure 3

Type B Liquidtight Fittings and Flexible Non-Metallic Conduits

When you have a conduit application in a liquidtight environment, it's time to load up the T&B Bullet®.

ISO Metric Bullet® Liquidtight Fitting Non-Metallic

Thomas & Betts introduces the ISO Metric Bullet® liquidtight fittings for use with the 3/8", 1/2" and 3/4" XTRA FLEX® EFC and LTC non-metallic liquidtight conduit series.

The T&B Bullet® liquidtight fitting and EFC non-metallic conduit are suited for OEM applications as in the machine tool industry where environments include continuous motion, vibration and exposure to moisture, oil, dirt and dust.

The T&B Bullet® liquidtight fitting and LTC non-metallic conduit are also suitable for construction applications where ISO metric threading and liquidtight systems are installed.

The XTRA FLEX® system offers a lightweight, liquidtight flexible conduit solution for industrial applications. The XTRA FLEX® system enables fast, easy installation and high performance in demanding industrial applications.



CAT. NO.	ANGLE OF FITTING	CONDUIT SIZE	KNOCKOUT SIZE	UNIT PACKAGE	STANDARD PACKAGE	UPC NUMBER
LT38P-ISO20	Straight	3/8"	1/2"	25	100	786210-66444
LT50P-ISO20	Straight	1/2"	1/2"	25	100	786210-66613
LT75P-ISO25	Straight	3/4"	3/4"	25	50	786210-66443
LT938P-ISO20	90°	3/8"	1/2"	25	50	786210-66612
LT950P-ISO20	90°	1/2"	1/2"	25	50	786210-66640
LT975M-ISO25	90°	3/4"	3/4"	10	50	786210-66611

*Testing: UL and CSA listed; NEMA 4, 6, 6P; IP 67 when used with LTC conduit or EFC tubing with installed T&B Bullet liquidtight fitting.

Type B Liquidtight Fittings and Flexible Non-Metallic Conduits

Maximum flexibility for tight applications!

Corrugated Flexible Non-Metallic Tubing



- OEM grade — UL® Recognized
- PVC material
- Black color standard
- Extremely fast installation
- Liquidtight with specified fittings
- Good tensile strength provides excellent pullout protection
- Smooth inner diameter allows easy wire pulling
- Broad operating temperature range: 18° C to +60° C (-2° F to +140° F).
- Flammability Rating VW-1 (Vertical Wire) UL224



CAT. NO.	CONDUIT SIZE	I.D. (IN.)		O.D. (IN.)	
		MIN.	MAX.	MIN.	MAX.
EFC025*	1/4"	.390	.405	.560	.575
EFC038	3/8"	.484	.504	.690	.710
EFC050	1/2"	.622	.642	.820	.840
EFC075	3/4"	.820	.840	1.030	1.050
EFC100	1"	1.041	1.066	1.290	1.315
EFC125	1 1/4"	1.380	1.410	1.630	1.660
EFC150	1 1/2"	1.575	1.600	1.865	1.900
EFC200	2"	2.020	2.045	2.340	2.375

* Not CSA certified. All other tubing complies with CSA File No. 067241. Underwriters Recognized (UL File No. 96548). Use with Bullet® Liquidtight Fittings. See technical data next page.

Recommended industrial applications

- Protection of fiber optic cable
- Installation of instrumentation and control cable
- Indoor/outdoor lighting
- Packaging equipment
- Marine and shipboard wiring

CAT. NO.	AVAILABLE COLORS
LTC -	COLOR OF CONDUIT
W/O SUFFIX	Black
-1	Orange
-2	Blue

Type B Liquidtight Fittings and Flexible Non-Metallic Conduits

Now available in reels.

XTRA FLEX® Conduit

The XTRA FLEX® system offers a lightweight, liquidtight flexible conduit solution for demanding applications. The XTRA FLEX® system ensures fast, easy installations and long-lasting, high performance in a variety of environments.

Now, XTRA FLEX® Conduit is available on reels. Large users can save space and reduce waste, while taking advantage of the convenience of stocking bulk in lengths. Utilizing our new coupling design to connect 100-ft. lengths, Thomas & Betts now offers reel lengths up to 1,000 feet.

- Fast installation — even in tight, cramped spaces
- Smooth inner diameter enables easy wire pulling
- Smooth outer jacket — approved for outdoor use, sunlight resistant and oil resistant
- Tested to CSA and UL requirements
- Lightweight and liquidtight
- Marked at 1-foot intervals for fast, easy measuring
- Approved for direct-burial applications

Specifications

- Material: PVC
- Colors Available: Black, Gray
- Temp. Range: -18° C to +105° C (-2° F to +221° F) Black
- -18° C to +80° C (-2° F to +176° F) Gray
- Flammability Rating: UL 1660
- Listings: UL Listed, CSA Certified

Please contact your Thomas & Betts sales representative regarding custom colors and combinations.



Conduit & Fittings — T&B® Liquidtight Fittings

XTRA FLEX® Liquidtight Conduit/Reel Lengths



CAT. NO.	SIZE	DESCRIPTION	MIN. I.D.	MAX. I.D.	MIN. O.D.	MAX. O.D.	REEL LENGTH	MIN. ORDER
LTC038GY-500	3/8"	Gray Type B LT Conduit	.484"	.504"	.690"	.710"	500 ft.	1,500
LTC050GY-500	1/2"	Gray Type B LT Conduit	.622"	.642"	.820"	.840"	500 ft.	1,500
LTC050-500	1/2"	Black Type B LT Conduit	.622"	.642"	.820"	.840"	500 ft.	Stock
LTC050GY-1000	1/2"	Gray Type B LT Conduit	.622"	.642"	.820"	.840"	1,000 ft.	2,000
LTC100GY-500	1"	Gray Type B LT Conduit	1.041"	1.066"	1.290"	1.315"	500 ft.	1,500
LTC100-500	1"	Black Type B LT Conduit	1.041"	1.066"	1.290"	1.315"	500 ft.	1,500

UL Listed, UL File No. 95745

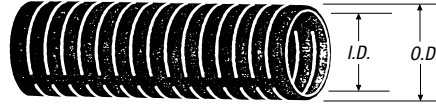
CSA Certified, CSA File No. LL 80349

Note: 500-ft. lengths consist of five 100-ft. sections with a coupling between each 100-ft. length.

Type B Liquidtight Fittings and Flexible Non-Metallic Conduits

Smooth, sunlight- and oil-resistant outer jacket, approved for outdoor use!

Smooth Liquidtight Non-Metallic Conduit Type B



- Industrial grade — UL® Listed/CSA Certified
- PVC material
- Liquidtight non-metallic conduit Type B
- Black color standard
- Fast installation — even in tight, cramped spaces
- Smooth inner diameter enables easy wire pulling
- Tested to CSA and UL® requirements
- Lightweight and liquidtight
- Temperature range of -18° C to +105° C (-2° F to +221° F)
- UL1660 flammability rating
- Marked at 1-ft. intervals for fast, easy measuring and cutting
- Approved for direct-burial applications

Recommended industrial applications

- Machine tools
- Motor hookups
- Food processing equipment
- Extensions from wireways
- Sensor and microswitch wiring in control consoles

Available Colors

LTC – CAT. NO.	COLOR OF CONDUIT	COLOR OF MARKING
W/O SUFFIX	Black	Orange
-1	Orange	Black
-2	Blue	Black

XTRA FLEX® Conduit and Tubing Technical Data*

LTFNMC = Liquidtight flexible non-metallic conduit

LTFNMT = Liquidtight flexible non-metallic tubing

XTRA FLEX® CONDUIT & TUBING	STYLE	COLOR	SIZE RANGE	UL TEMP RATING	CSA TEMP RATING	VOLTAGE RATING	UL OIL RESISTANT	UL OUTDOOR	UL DIRECT BURIAL
LTC038 Series	UL Type B	Black	¾"–2"	105° C Dry	75° C–18° C	600V	Yes	Yes	Yes
	LTFNMC	Black		60° C Wet 70° C Oil					
LTC038-1, -2 Series	UL Type B	Orange,	½"–1"	105° C Dry	—	600V	Yes	No	Yes
	LTFNMC	Blue		60° C Wet 70° C Oil					
LTC038GY Series	UL Type B	Gray	¾"–2"	80° C Dry	—	600V	Yes	Yes	Yes
	LTFNMC			60° C Wet 70° C Oil					
EFC025 Series**	LTFNMT	Black	¼"–2"	105° C	75° C–18° C	300V	Yes	Yes	No
EFC025-1, -2** Series	LTFNMT	Orange, Blue	½"–1"	105° C	—	300V	Yes	No	No

* For a complete test report, contact Customer Service.

** UL Component Recognized

Industrial Grade



CAT. NO.	CONDUIT SIZE	I.D. (IN.)		O.D. (IN.)	
		MIN.	MAX.	MIN.	MAX.
LTC038	¾"	.484	.504	.690	.710
LTC050	½"	.622	.642	.820	.840
LTC075	¾"	.820	.840	1.030	1.050
LTC100-TB	1"	1.041	1.066	1.290	1.315
LTC125-TB	1¼"	1.380	1.410	1.630	1.660
LTC150-TB	1½"	1.575	1.600	1.865	1.900
LTC200	2"	2.020	2.045	2.340	2.375

Commercial Grade



CAT. NO.	CONDUIT SIZE	I.D. (IN.)		O.D. (IN.)	
		MIN.	MAX.	MIN.	MAX.
LTC038GY	¾"	.484	.504	.690	.710
LTC050GY	½"	.622	.642	.820	.840
LTC075GY	¾"	.820	.840	1.030	1.050
LTC100GY	1"	1.041	1.066	1.290	1.315
LTC125GY	1¼"	1.380	1.410	1.630	1.660
LTC150GY	1½"	1.575	1.600	1.865	1.900
LTC200GY	2"	2.020	2.045	2.340	2.375

Rated at 600V

XTRA FLEX® Type B suitable for use in hazardous location (for LTC Series only) where general-purpose equipment is specifically permitted by the NEC®; Class I Div. 2; Class II, Div. 1 & 2; Class III, Div. 1 & 2.

UL Listed, UL File No. E95745

CSA Certified, CSA File No. LL80349

See technical data below.

Use with Bullet® Liquidtight Fittings.

Type B Liquidtight Fittings and Flexible Non-Metallic Conduits

XTRA FLEX® Non-Metallic Conduit Type B and Flexible Tubing Chemical Resistance

A = SATISFACTORY CHEMICAL	B = BE EXPECTED TO CHANGE CHEMICAL	C = NOT RECOMMENDED CHEMICAL
Acetate Solvents	Cottonseed Oil	Lubricating Oils
Acetic Acid (10%)	Creosote	Magnesium Chloride
Acetic Acid (Glacial)	Cresol	Magnesium Hydroxide
Acetone	Cresylic Acid	Magnesium Sulphate
Acrylonitrile	Cyclohexane	Malic Acid
Adipic Acid	Cyclohexanone	Methyl Acetate
Alcohol Butyl	DDT Weed Killer	Methyl Bromide
Alcohol Ethyl	Detergent Synthetic	Methyl Ethyl Ketone
Alcohol Isopropyl	Developers Photographic	Methylene Chloride
Alcohol Methyl	Dextrin	Mineral Oils
Aluminum Acetate	Dextrose	Monochlorobenzene
Aluminum Chloride	Dibutyle Phthalate	Naphtha
Aluminum Hydroxide	Dichlorobenzene	Naphthalene
Aluminum Sulfate	Diesel Oil	Nitric Acid (10%)
Aliyl Chloride	Diethylene Glycol	Nitric Acid (40%)
Ammonia (0.88S.G.Aqueous)	Diethyl Ether	Nitric Acid (70%)
Ammonia (Dry Gas)	Di-isodecyl Phthalate	Nitrobenzene
Ammonia (Liquid)	Dioclyle Phthalate	Nitrogen Fertilizers
Ammonium Chloride	Emulsifiers	Oleic Acid
Ammonium Hydroxide	Emulsions Photographic	Oxalic Acid
Animal Oils	Ethyl Acetate	Palmitic Acid
Amyl Acetate	Ethylene Dichloride	Paraffin
Aniline Oils	Ethylene Glycol	Pentane
Aromatic Hydrocarbons	Fatty Acid	Perchloroethylene
Asphalt	Ferric Chloride	Phenol
ASTM Fuel A	Ferric Sulphate	Phosphoric Acid
ASTM Fuel B	Ferrous Chloride	Pitch
ASTM #1 Oil	Ferrous Sulphate	Potassium Hydroxide
ASTM #3 Oil	Fixing Solution, Photographic	Propane
Barium Chloride	Fluorine	Sea Water
Barium Hydroxide	Formaldehyde (40%)	Sodium Hydroxide (10%)
Barium Sulfide	Formic Acid (40%)	Sodium Hydroxide (50%)
Benzene	Formic Acid (50%)	Sodium Cyanide
Benzine	Formic Acid (100%)	Soybean Oil
Bordeaux Mixture	Fuel Oil	Stearic Acid
Borax	Glacial Acetic Acid	Styrene
Boric Acid	Glucose	Sulphur Dioxide (Dry)
Brine	Glycerine	Sulphur Dioxide (Moist)
Bromine Traces	Grape Sugar	Sulphur Dioxide (Liquid)
Butyl Acetate	Grease	Sulphuric Acid (45%)
Calcium Hydroxide	Heptane	Sulphuric Acid (60%)
Calcium Hypochlorite	Hexane	Sulphuric Acid (98%)
Carbonic Acid	Hydrobromic Acid	Sulphurous Acid (30%)
Carbon Dioxide	Hydrochloric Acid (10%)	Tannic Acid
Carbon Disulphite	Hydrochloric Acid (40%)	Tartaric Acid
Carbon Monoxide	Hydrofluoric Acid (10%)	Tetrahydrofuran
Carbon Tetrachloride	Hydrofluoric Acid (40%)	Toluene
Casein	Hydrofluoboric Acid	Trichlorethylene
Chlorine (Dry)	Hydrofluosilicic Acid	Triethanolamine
Chlorine (Wet Gas)	Hydrogen Peroxide	Tricresyl Phosphate
Chlorine (Water)	Hydrogen Sulphide	Turpentine
Chlorobenzene	Iso-octan	Urea
Chlorinated Hydrocarbons	Isopropyl Acetate	Vinegar
Chloroform	Kerosene	Vinyl Acetate
Chromic Acid	Ketones	Vinyl Chloride
Citric Acid	Lactic Acid (10%)	Water
Coal Tar	Lactic Acid (100%)	Xylene
Copper Chloride	Lacquer Solvents	Zinc Chloride
Copper Nitrate	Linseed Oil	Zinc Sulphate
Copper Sulphate		

Note: These chemical resistance ratings are based upon information supplied by the raw material manufacturers. It is intended as a general guideline only. To determine specific suitability, samples should be tested by user under actual conditions. Operating Condition: 70° F.

Kopr-Shield® Compound

The copper colloidal surface treatment that protects, lubricates and enhances conductivity between all electrical connections.

Kopr-Shield® Compound

Good connections are one of the most important aspects of electrical work. Mechanics know how much downtime is caused when fluids or oils leak into the raceway system or when looking for a weak link in a ground system caused by a high resistance connection. Mechanics also know how much time is spent keeping contacts, switches, lugs and other connectors clean or replacing parts because of "green scourage" buildup. Thomas & Betts has the solution to improve connections made in thousands of electrical and raceway installations made each day by electricians everywhere.

Kopr-Shield® compound is a unique homogenized blend of pure, polished colloidal copper, rust and corrosion inhibitors that simultaneously protects, lubricates and enhances the conductivity of the mating surfaces to which it is applied. Extremely adhesive, Kopr-Shield® compound flows smoothly into uneven contours and voids, making application easy, protection and lubrication complete and positive. A stable compound, it will not settle-out, thin, thicken, harden, or dry out under the most severe environmental conditions.

Kopr-Shield® Compound has excellent temperature characteristics — brushed on at -50° F to 250° F (other compounds either turn solid or run like water at these extremes). Even at 1800° F, Kopr-Shield® remains intact for short terms.

Kopr-Shield® Compound may be used to advantage in all electrical installations. When the environment is hostile to good electrical and mechanical connections, Kopr-Shield® Compound is a must!



Kopr-Shield® by Thomas & Betts meets the requirements of Section 300.6(A) in the 2002 NEC® Code for Protection Against Corrosion: "Where corrosion protection is necessary and the conduit is threaded in the field, the threads shall be coated with an approved electrically conductive, corrosion-resistant compound."

Use Kopr-Shield® Compound for Battery Lugs and Cables

- Prevention of "Green Scourage" corrosion
- Reduction of resistance
- Ease of terminal installation and removal

Use Kopr-Shield® Compound for Raceways

- Lubrication — ease of assembly and disassembly
- Grounding continuity improved — exceeds code requirements

Use Kopr-Shield® Compound for Fuse Clips

- Even heat distribution — elimination of hot spots
- Oxidation prevention — prevents carbon path formation
- Lubrication — easy installation and removal of fuses

Use Kopr-Shield® Compound for Wiping Contacts, Drum Switches and Slip Rings

- Prevention of galling, burning, pitting and discoloration
- Suppression of arcing and dissipation of coronas
- Lubrication for ease of operation

CAT. NO.	DESCRIPTION	STD. PKG.	WT. LBS./C
CP8-TB	8-oz. Container with Brush	12	64.58
CP16	16-oz. Container with Brush	12	120.83
CP128	1-Gal. Can	4	952.00

Kopr-Shield is a trademark of Jet Lube, Inc.

NEC and National Electrical Code are registered trademarks of the National Fire Protection Association, Inc.

Technical Information

UL Recommended Dimensions and Weights of Rigid Metal Conduit

TRADE SIZE (IN.)	THDS. PER IN.	I.D. (IN.)	O.D. (IN.)	WALL THICKNESS (IN.)	A MIN. WT. AT 100' LENGTHS WITH ONE COUPLING ATTACHED (LBS.)
¼	18	.364	.540	.088	38.5
⅜	18	.493	.675	.091	51.5
½	14	.622	.840	.109	79.0
¾	14	.824	1.050	.113	105.0
1	11½	1.049	1.315	.133	153.0
1¼	11½	1.380	1.660	.140	201.0
1½	11½	1.610	1.900	.145	249.0
2	11½	2.067	2.375	.154	332.0
2½	8	2.469	2.875	.203	527.0
3	8	3.068	3.500	.216	682.6
3½	8	3.548	4.000	.226	831.0
4	8	4.026	4.500	.237	972.3
4½	8	4.506	5.000	.247	1,150.0
5	8	5.047	5.563	.258	1,313.6
6	8	6.065	6.625	.280	1,745.3

UL Dimensions for Intermediate Metallic Conduit† — Type I (10-ft. lengths)

TRADE SIZE (IN.)	O.D. (IN.)		WALL THICKNESS (IN.)
	MIN.	MAX.	
½	.810	.820	.070*
¾	1.024	1.034	.075*
1	1.285	1.295	.085*
1¼	1.630	1.645	.085*
1½	1.875	1.890	.090*
2	2.352	2.367	.095*
2½	2.847	2.867	.130**
3	3.466	3.486	.130**
3½	3.961	3.981	.130**
4	4.456	4.476	.130**

* (+.015. -.000)

** (+.020. -.000)

† IMC Threads are the same as Rigid Metal Conduit Threads.

UL Dimensions for Intermediate Metallic Conduit — Type II (10-ft. lengths)

TRADE SIZE (IN.)	O.D. (IN.)		WALL THICKNESS (IN.)
	MIN.	MAX.	
½	.825	.840	.085*
¾	1.035	1.050	.085*
1	1.300	1.315	.108*
1¼	1.645	1.660	.108*
1½	1.885	1.900	.108*
2	2.360	2.375	.108*
2½	2.850	2.875	.155**
3	3.475	3.500	.155**
3½	3.975	4.000	.160**
4	4.475	4.500	.160**

* (+.020. -.000)

** (+.025. -.000)

UL Recommended Dimensions and Weight of Electrical Metallic Tubing (EMT)

TRADE SIZE (IN.)	O.D. (IN.)	I.D.* (IN.)	WALL THICKNESS (IN.)	MIN. ACCEPT WT. FT. (LBS.)
⅜	.577 ± .005	.493	.042	.230
½	.706 ± .005	.622	.042	.285
¾	.922 ± .005	.824	.049	.435
1	1.163 ± .005	1.049	.057	.640
1¼	1.510 ± .005	1.380	.065	.950
1½	1.740 ± .005	1.610	.065	1.100
2	2.197 ± .005	2.067	.065	1.400
2½	2.875 ± .010	2.731	.072	2.050
3	3.500 ± .015	3.356	.072	2.500
3½	4.000 ± .020	3.834	.083	3.250
4	4.500 ± .020	4.334	.083	3.700

* Not a requirement — included for information only.

Technical Information

Knockout (Sliphole) Sizes for Electrical Conduits and Connectors

TRADE SIZE (IN.)	KNOCKOUT DIAMETER		
	NOM.	MIN.	MAX.
¼	.575	.559	.605
⅜	.718	.703	.734
½	.875	.859	.906
¾	1.109	1.094	1.141
1	1.375	1.359	1.406
1¼	1.734	1.719	1.766
1½	1.984	1.958	2.000
2	2.469	2.433	2.500
2½	2.969	2.938	3.000
3	3.594	3.563	3.625
3½	4.125	4.063	4.156
4	4.641	4.563	4.672
4½	5.109	5.063	5.166
5	5.719	5.625	5.750
6	6.813	6.700	6.844

Sizes ¼" thru 1¼" are per UL 514.

Sizes ½" thru 6" per proposed revision to NEMA Engineering Bulletin No. 71, Aug. 1976.

UL Recommended Diameters for Liquidtight Flexible Metal Conduit

TRADE SIZE (IN.)	I.D. (IN.)		O.D. (IN.)	
	MIN.	MAX.	MIN.	MAX.
⅜	.484	.504	.690	.710
½	.622	.642	.820	.840
¾	.820	.840	1.030	1.050
1	1.041	1.066	1.290	1.315
1¼	1.380	1.410	1.630	1.660
1½	1.575	1.600	1.865	1.900
2	2.020	2.045	2.340	2.375
2½	2.480	2.505	2.840	2.875
3	3.070	3.100	3.460	3.500
3½	3.500	3.540	3.960	4.000
4	4.000	4.040	4.460	4.500

UL Recommended Diameters for Flexible Metal Conduit (Greenfield)

TRADE SIZE (IN.)	MAX. O.D. (IN.)	O.D. (IN.)	
		MIN.	MAX.
⅜	.510	.312	.393
⅜	.610	.375	.645
½	.920	.625	.835
¾	1.105	.812	—
1	1.380	1.000	—
1¼	1.630	1.250	—
1½	1.950	1.500	—
2	2.450	2.000	—
2½	3.060	3.500	—
3	3.560	3.000	—
3½	4.060	3.500	—
4	4.560	4.000	—

Diameter of Liquidtight Non-Metallic Flexible Conduit

TRADE SIZE (IN.)	I.D. (IN.)		O.D. (IN.)	
	MIN.	MAX.	MIN.	MAX.
⅜	.485	.505	.755	.775
½	.620	.640	.910	.930
¾	.815	.835	1.150	1.170
1	1.030	1.055	1.415	1.440
1¼	1.370	1.395	1.800	1.825
1½	1.585	1.620	2.045	2.080
2	2.045	2.080	2.605	2.640

**T&B® Rigid
Fittings**

In this section...



T&B® Rigid Fittings

Overview	E-32-E-33
Bushings, Nipples, Locknuts and Plugs	E-34-E-44
Hubs and Bulkhead Fittings	E-45-E-52
Couplings and Accessories	E-53-E-64
Conduit Bodies and Covers	E-65-E-81
Device Boxes and Covers	E-82-E-95
Hazardous Location Fittings	E-96-E-118
Technical Information	E-119-E-120

Overview

The Complete Product Line

Since the turn of the century, Thomas & Betts has been a recognized leader in electrical fittings. Industry standards such as Chase® Nipples and Erickson® Couplings were introduced by Thomas & Betts and are still registered trademarks. This leadership continues. Here's why...



Innovative Designs

The real test of product design of electrical fittings lies in two areas: Job-suited installation and life of the job reliability. Thomas & Betts Fittings provide both because we listen. We listen to problems and suggestions from the field. Most of the products in this section result from the good suggestions of knowledgeable electrical people. Many were customer specials to solve particular installation and performance problems. You can benefit from their experience.

Approvals and Listings

Electrical raceways require accessory fittings that provide the mechanical strength, ground continuity and environmental integrity of the system. As new raceways have been introduced, Thomas & Betts engineers have designed fittings that meet the requirements of the National Electrical Code® as well as the listing requirements of the Underwriter's Laboratories and the Canadian Standards Association. You can use Thomas & Betts Fittings with confidence.



Note: In the United States, boxes and fittings are not listed or marked for use in Class 1 Division 2 locations. See NEC® 501.10(B) for the wiring methods allowed in these areas.

High-Performance Products

Quality and performance result when engineering design skills are combined with the manufacturing technologies required to produce them. The Thomas & Betts Fittings in this section are produced from many materials and by many manufacturing methods, each carefully selected for its end use suitability. This combination gives you the reliable performance you expect from Thomas & Betts Raceway Fittings.



Lower Installed Cost

It is a function of purchase cost, availability, installation advantage and performance. Lower installed cost comes in every carton of Thomas & Betts Raceway Fittings.

NEC and National Electrical Code are registered trademarks of the National Fire Protection Association, Inc.

Overview

DURA-PLATE® Finish — Corrosion-Resistant Finish Protects Fittings in Harsh Environments

DURA-PLATE® Corrosion-Resistant Fittings have a T&B plating process that provides excellent corrosion resistance on threaded steel and malleable iron fittings for use in harsh environments.

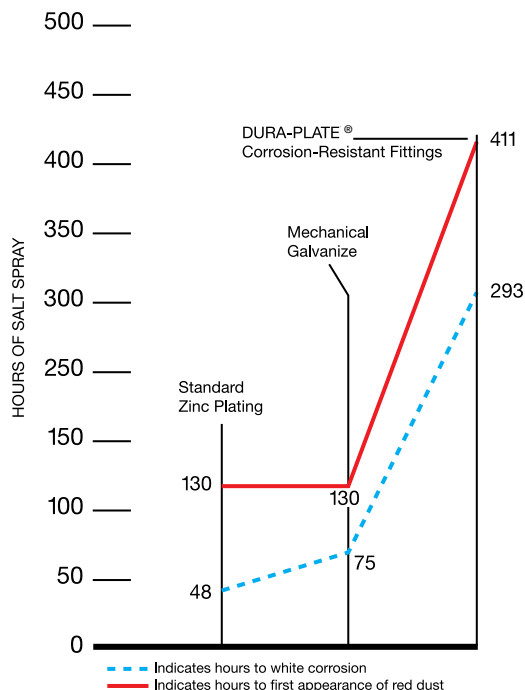
DURA-PLATE® Corrosion-Resistant Fittings utilize an electro-plating process that ensures a uniform thickness of protective material over the entire part. Conventional hot dip coatings deposit an uncontrolled buildup of material on the part, especially in threaded areas. This excess buildup must be removed to enable mating parts to function.

The process of removing this buildup in the threads in turn damages the coating and compromises the effectiveness of the protection.

An additional drawback of hot dip coating is that the lower ductility of the alloyed interface layer that is formed during the hot dip process can cause spalling if the item is deformed after coating.

In addition to the uniformity of the coating, the distinctive gold color of the plating enables immediate recognition that the part has been prepared for exposure to harsh environments and confirms the extra protection by visual inspection.

DURA-PLATE® Corrosion-Resistant Fittings have been subjected to salt spray tests conducted according to ASTM Specification B-117. The results of Corrosion-Resistant Fittings tests, along with galvanized parts, appears below:



Conduit & Fittings — T&B® Rigid Fittings



Ordering Information

- Add the prefix "040-" to the standard catalog number — for example: a 5332 with DURA-PLATE® Corrosion-Resistant Fittings protection would be ordered as "040-5332"
- Check for catalog numbers in stock
- Allow 6–8 weeks for delivery on nonstock items
- Add 30% to price of standard item
- Minimum order is standard package quantity

Bushings, Nipples, Locknuts and Plugs

Locknuts



140 Series
141AL Series



106 Series

Application

- To connect externally threaded conduit or connector to a threadless opening in a box or enclosure
- To effectively bond conduit or connector to box or enclosure

Features

- Hardened steel/malleable iron/copper-free aluminum construction
- Tightens without deformation
- Locknuts specially designed to:
 - Provide extended reach for clamping on thin boxes and enclosures
 - Cut through protective coating on box and enclosure, thereby ensuring ground continuity
 - Permit tightening from outside
 - Prevent loosening under vibration
- 106 Series provided with a hardened cone-point screw

Standard Material

140 Series & 106 Series

3/8" thru 2" steel (hardened) 2 1/2" thru 6"
Malleable Iron
All screws steel

141AL Series

All copper-free aluminum

Standard Finish

All steel and malleable iron locknuts, including electro zinc-plated bonding screws and chromate coated all-aluminum locknut, degreased

Range

3/8" through 6" conduit (All threads straight pipe [NPS]) (140 Series)
1/2" through 4" conduit (106 Series & 141AL Series)

Listings/Compliances

UL (UL File No. E-23018)
CSA [catalog numbers 108, 109, 110 and 111. All 140 Series except catalog number 140.] (LR-2884, LR-4484)
UL 514B
CSA C22.2 No. 18
NEMA FB1
NFPA 70
Federal Specification replaced by A-A-50553
Federal Standard H-28 (Threads)

Case Hardened Locknuts

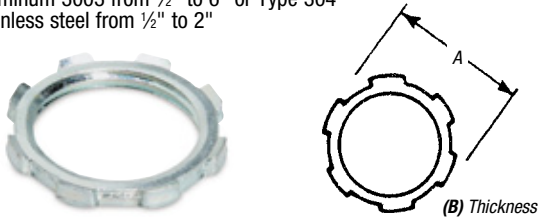
Case hardened locknuts make fittings faster and easier to install. Case hardened locknuts do not slip or turn, thereby protecting the biting edge. Case hardened locknuts bite through paint into the enclosure, providing excellent continuity of ground (typical T&B/Thomas & Betts fitting with case hardened locknuts successfully passed minimum fault current of 10,000 amps RMS). Case hardened locknuts, when assembled in the intended manner, will not vibrate loose, thereby ensuring excellent ground continuity.

Bushings, Nipples, Locknuts and Plugs

Available in your choice of steel/malleable iron, aluminum or stainless steel.

Locknuts

- Steel from ¼" to 2", malleable iron from 2½" to 6"
- Aluminum 3003 from ½" to 6" or Type 304 stainless steel from ½" to 2"



CAT. NO.			DIMENSIONS (IN.)		
STL./M.I.	ALUM.	ST. STL.	SIZE (IN.)	A	B
139*	—	—	¼	¾	9/64
140*	—	—	⅜	15/16	9/64
141**	141AL	141-SST	½	1 1/64	5/32
142**	142AL	142-SST	¾	1 3/8	3/16
143	143AL	143-SST	1	1 11/16	13/64
144	144AL	144-SST	1 ¼	2 5/32	13/64
145	145AL	145-SST	1 ½	2 ½	13/64
146	146AL	146-SST	2	3	7/32
147	147AL	—	2 ½	3 9/16	13/32
148	148AL	—	3	4 3/16	13/32
149	149AL	—	3 ½	4 13/16	15/32
150	150AL	—	4	5 1/16	15/32
151	151AL	—	4 ½	5 15/16	17/32
152	152AL	—	5	6 ½	17/32
153	153AL	—	6	7 ¾	19/32

*Hex shape

**Case hardened locknuts

Aluminum locknuts comply with federal standard of copper-free aluminum; less than .5% copper.

Available with DURA-PLATE® Finish.

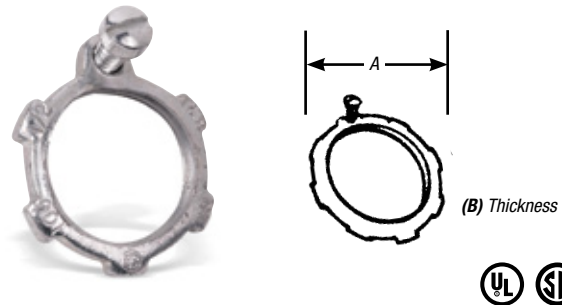
UL File E-23018

CSA File No. 2884

Ensures positive bonding of conduit to box and prevents loosening due to vibration!

Bonding Locknuts

- Steel or malleable iron (steel through 2")
- Can be used anywhere an ordinary locknut is installed
- Also can be used for Service Entrance applications in conformance with code
- T&B rigid conduit and EMT (thinwall) fittings comply with Federal Specification A-A-50553



CAT. NO.	SIZE (IN.)	DIMENSIONS (IN.)	
		A	B
106†	½	1 1/8	.125
107†	¾	1 5/8	.140
108	1	1 15/16	.170
109	1 ¼	2 3/32	.170
110	1 ½	2 ½	.170
111	2	3	.187
112†	2 ½	3 3/32	.375
113†	3	4 3/16	.375
114†	3 ½	4 29/32	.438
115†	4	5 5/32	.438

† Not CSA certified.

Available with DURA-PLATE® Finish.

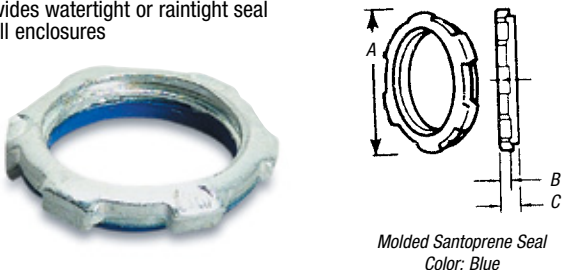
UL File No. E-3060

CSA File No. 638

Provides positive seal against water and oil.

Sealing Locknuts

- For use with rigid and intermediate metal conduits or fittings
- Provides watertight or raintight seal at all enclosures



Molded Santoprene Seal
Color: Blue

CAT. NO.	SIZE (IN.)	DIMENSIONS (IN.)		
		A	B	C
141SL	½	1.140	1/8	1/4
142SL	¾	1.420	5/32	5/32
143SL	1	1.770	11/64	9/32
144SL	1 ¼	2.281	11/64	5/16
145SL	1 ½	2.598	11/64	9/32
146SL	2	3.175	3/16	7/64

UL File No. E-23018

CSA File No. 2884

Bushings, Nipples, Locknuts and Plugs

Perfect for grounding old work or new!

Bonding & Grounding Wedges

- Provides grounding without a jumper except in concentric knockouts
- When jumper is required, it fits under set screw in grounding wedge
- Update existing installations to meet code requirements for bonding (NEC® Article 250, Part V) without disconnecting wiring
- For use on new wiring, just loosen bushing, position wedge and tighten bushing and bonding screw

Application

- To effectively bond terminating fitting or conduit to a box or enclosure

Features

- Sizes 3/4" thru 6" equipped with an additional bonding screw to install bonding jumper where required
- Can be added to an existing installation without disconnecting conductors

Standard Material/Finish

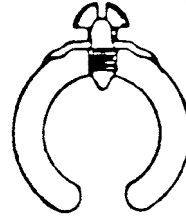
1/2" size Steel/Electro Zinc Plated
3/4" thru 6" size Bronze/Tin Plated

Listings/Compliances

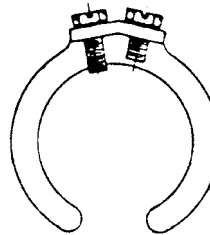
UL File #E3060
CSA File #638
UL 467
CSA C22.2 No. 41
NFPA-70
Federal Specification A-A-50552

Range

1/2" thru 6" conduit



Series 3650



Series 3651

Grounding Wedges



CAT. NO.	SIZE
3650	1/2"
3651	3/4"
3652	1"
3653	1 1/4"
3654	1 1/2"
3655	2"
3656	2 1/2"
3657	3"
3658	3 1/2"
3659	4"
3661	5"
3662	6"

UL File No. E-3060

Sealing material resists oil, coolants and hydraulic fluids as well as water!

Liquidtight Sealing Gasket

The 5262 Series Sealing Gasket includes a stainless steel retaining ring to prevent elongation of the Santoprene® gasket, ensuring a superior seal.

Application

- When used with an externally threaded connector, provides a tight seal against oil, fumes or moisture at the knockout opening

Features

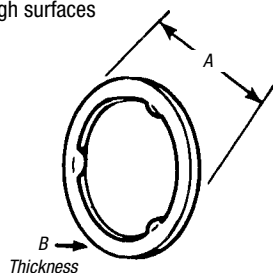
- Design locks resilient sealing material in steel
- Steel retainer protects seal from extruding out under torque and limits compression to an optimum predetermined value; provides high quality seal
- Resilient material flows and seals rough surfaces
- NEMA 3R, 4, 6 and 13

Standard Material

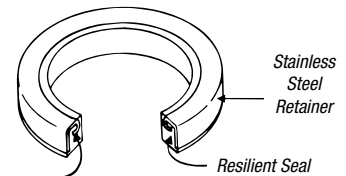
Retainer: 316 Stainless Steel
Sealing Material: Santoprene® Thermoplastic Rubber

Range

1/4" thru 4" Hub Size



5262 Series Sealing Gasket



Resilient Sealing Material Locked in Steel Retainer



CAT. NO.	CONDUIT SIZE	DIMENSIONS (IN.)		STD. PKG. QTY.
		A	B	
5262	1/2"	1.16	.18	50
5263	3/4"	1.49	.19	25
5264	1"	1.75	.19	25
5265	1 1/4"	2.15	.22	5
5266	1 1/2"	2.42	.23	5
5267	2"	2.92	.23	5
5268	2 1/2"	3.44	.23	5
5269	3"	4.08	.23	5
5270	4"	5.29	.31	5

UL File No. E 13938 CSA File No. 2884

Santoprene is a registered trademark of Advanced Elastomer Systems.

Bushings, Nipples, Locknuts and Plugs

Threaded Insulated Grounding Bushing

Application

- For quick installation of bonding jumper to multiple metal conduits (Rigid and IMC)
- Designed to bush conductors and prevent insulation damage

Features

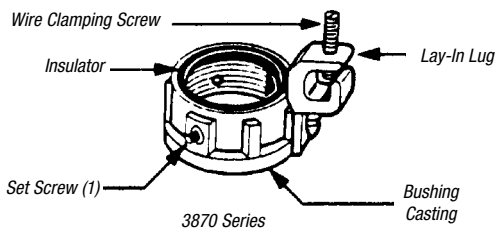
- Ease of installation, lay in lug design
- Cast malleable iron body designed to lock insulator in place within body, reducing common assembly problem resulting in dislodging of insulator
- Insulator rated for 150° C/302° F application
- Look for the unique T&B blue color, ensuring the highest quality fitting

Standard Material/Finish

Body: Electro zinc plated

Lay-In Lug: Aluminum/tin plated

Insulator: Thermoplastic 150° C/302° F
Application with 94V-0 flammability



CAT. NO.	CONDUIT SIZE	BUSHING DIA.	THROAT DIA.	LUG LENGTH	SWING RADIUS	BUSHING HEIGHT	WIRE RANGE AWG CU/AL
3870-TB	½"	1.125	.560	1.310	1.212	.657	#14-#4
3861	½"	1.125	.560	1.675	1.402	.657	#8-2/0
3871-TB	¾"	1.420	.742	1.310	1.360	.660	#14-#4
3862	¾"	1.420	.742	1.675	1.550	.660	#8-2/0
3872	1"	1.770	.944	1.310	1.535	.735	#14-#4
3882	1"	1.770	.944	1.675	1.725	.735	#8-2/0
3873	1¼"	2.190	1.242	1.310	1.745	.735	#14-#4
3883	1¼"	2.190	1.242	1.675	1.935	.735	#8-2/0
3874	1½"	2.468	1.449	1.310	1.884	.770	#14-#4
3884	1½"	2.468	1.449	1.675	2.074	.770	#8-2/0
3875	2"	3.031	1.860	1.310	2.165	.770	#14-#4
3889	2"	3.031	1.860	1.675	2.355	.770	#8-2/0
3876	2½"	3.516	2.222	1.310	2.408	.940	#14-#4
3886	2½"	3.516	2.222	1.675	2.598	.940	#8-2/0
3993	2½"	3.516	2.222	2.230	2.928	.940	#6-4/0
3877	3"	4.234	2.761	1.310	2.767	.975	#14-#4
3887	3"	4.234	2.761	1.675	2.957	.975	#8-2/0
3994	3"	4.234	2.761	2.230	3.287	.975	#6-4/0
3878	3½"	4.781	3.193	1.310	3.040	.975	#14-#4
3863	3½"	4.781	3.193	1.675	3.230	.975	#8-2/0
3995	3½"	4.781	3.193	2.230	3.560	.975	#6-4/0
3879	4"	5.328	3.623	1.310	3.314	.980	#14-#4
3864	4"	5.328	3.623	1.675	3.504	.980	#8-2/0
3996	4"	5.328	3.623	2.230	3.834	.980	#6-4/0
3880	5"	6.328	4.542	1.310	3.814	.985	#14-#4
3865	5"	6.328	4.542	1.675	4.000	.985	#8-2/0
3998	5"	6.328	4.542	2.230	4.334	.985	#6-4/0
3881	6"	7.406	5.458	1.310	4.353	1.200	#14-#4
3866	6"	7.406	5.458	1.675	4.543	1.200	#8-2/0
3999	6"	7.406	5.458	2.230	4.875	1.200	#6-4/0

Temperature rating 150° C
Meets Coast Guard Regulation CG293
Available with DURA-PLATE® Finish.

Bushings, Nipples, Locknuts and Plugs

Innovative design makes installation quicker, easier.

Blackjack® Grounding Bushing

The Blackjack® Grounding Bushing never has to be threaded onto a conduit. It is simply placed in position on either a threaded or non-threaded rigid or IMC conduit, with the grounding lug in perfect position to accept the grounding wire — even in tight installations.

It's as simple as one, two, three!

Compare the installation with conventional bushings that must be threaded onto the conduit. In tight areas, you may have to remove the grounding lug, keep up with the loose parts and then reattach the lug. Then you still have to twist and turn the bushing to get the lug in position to accept the grounding wire.

The Blackjack bushing does away with these needless delays for good, making it the ideal grounding bushing — and the only logical choice for small spaces, corners and multiple conduit runs. And, because the grounding lug is an integral part of the bushing, it's designed not to fall off or get lost.

Innovative design improves performance.

The Blackjack® bushing provides superior ground continuity.

The design of the Blackjack bushing has an integral, cast-on grounding lug for better ground continuity. This means that the Blackjack bushing stands up to intense loads.

Secure grip forms lasting bond.

The Blackjack bushing's cone-point mounting screw bites securely into both threaded and non-threaded rigid conduits. And the Blackjack bushing's nylon locking patch is designed to prevent the screw from loosening due to vibration.

Reduce inventory.

Because the Blackjack Grounding Bushing is designed for threaded and non-threaded conduits, and the ground lugs are designed to handle an extended range, the number of parts in inventory is reduced by up to two-thirds without losing any application coverage.

Lug Screw:

- #14–#4: Slotted
- #14–2/0: Slotted
- #6–4/0: Internal Hex Drive

Standard Material/Finish

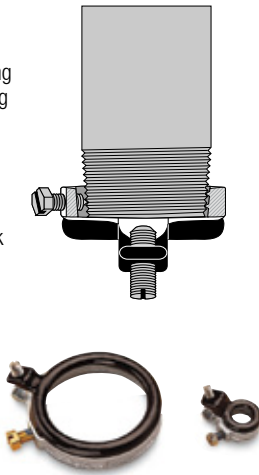
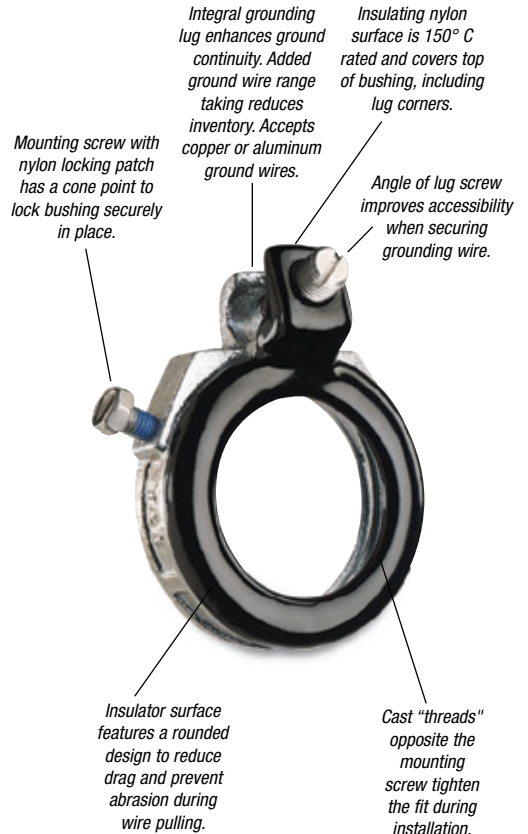
- Body: Malleable Iron or Aluminum
- Mounting Screw: (1/2"–2") Stainless Steel, (2 1/2"–6") Brass
- Lug Screw: Stainless Steel
- Finish: Zinc Plated

Range

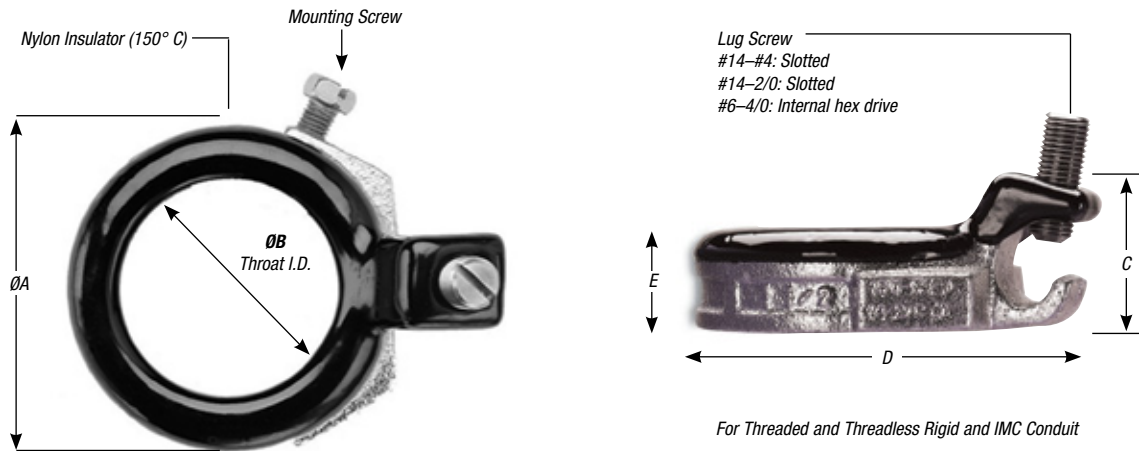
- Conduit: 1/2" thru 6" threaded or threadless rigid/IMC
- Wire Range: #14 AWG to 4/0 AWG Cu/Al

Listings/Compliances

- UL File #E3060
- CSA File #LR2884
- UL 514B & UL 467
- CSA C22.2 No. 18 & CSA C22.2 No. 41



Bushings, Nipples, Locknuts and Plugs



Blackjack® Grounding Bushings



CAT. NO.		CONDUIT SIZE	ØA MAX.	ØB MIN. THROAT I.D.	C MAX.	D MAX.	E MAX.	WIRE RANGE
ZINC PLATED MALLEABLE IRON	ALUMINUM							
BG050-14-20	BGA050-14-20	½"	1.251	.569	1.181	2.134	.696	#14-2/0
BG050-14-4	BGA050-14-4	½"	1.251	.569	1.027	1.940	.696	#14-#4
BG075-14-20	BGA075-14-20	¾"	1.533	.772	1.221	2.414	.696	#14-2/0
BG075-14-4	BGA075-14-4	¾"	1.533	.772	1.030	2.168	.696	#14-#4
BG100-14-20	BGA100-14-20	1"	1.783	.993	1.181	2.581	.696	#14-2/0
BG100-14-4	BGA100-14-4	1"	1.783	.993	1.027	2.368	.696	#14-#4
BG125-14-20	BGA125-14-20	1¼"	2.220	1.319	1.181	2.987	.759	#14-2/0
BG150-14-20	BGA150-14-20	1½"	2.470	1.553	1.181	3.236	.696	#14-2/0
BG200-14-20	BGA200-14-20	2"	2.830	2.010	1.181	3.766	.696	#14-2/0
BG250-14-20	BGA250-14-20	2½"	3.418	2.412	1.181	4.341	.978	#14-2/0
BG250-6-40	BGA250-6-40	2½"	3.418	2.412	1.524	4.526	.978	#6-4/0
BG300-14-20	BGA300-14-20	3"	4.042	3.022	1.181	4.966	.978	#14-2/0
BG300-6-40	BGA300-6-40	3"	4.042	3.022	1.524	5.139	.978	#6-4/0
BG350-14-20	BGA350-14-20	3½"	4.542	3.491	1.181	5.467	.978	#14-2/0
BG350-6-40	BGA350-6-40	3½"	4.542	3.491	1.524	5.639	.978	#6-4/0
BG400-14-20	BGA400-14-20	4"	5.042	3.975	1.181	5.966	.978	#14-2/0
BG400-6-40	BGA400-6-40	4"	5.042	3.975	1.524	6.139	.978	#6-4/0
BG500-14-20	BGA500-14-20	5"	6.136	4.991	1.181	7.045	.978	#14-2/0
BG500-6-40	BGA500-6-40	5"	6.136	4.991	1.524	7.207	.978	#6-4/0
BG600-14-20	BGA600-14-20	6"	7.199	6.009	1.181	8.087	.978	#14-2/0
BG600-6-40	BGA600-6-40	6"	7.199	6.009	1.524	8.409	.978	#6-4/0

Suggested Specifications: Insulated grounding and bonding bushing (Series BG050-BG600)

Where code requires bonding and grounding of single or multiple metal conduits, or positive bonding and grounding of metal conduit to the box, enclosure or auxiliary gutter, the end of the conduit shall be equipped with an insulated metallic grounding and bonding bushing series BG050-14-20 as manufactured by Thomas & Betts.

Grounding and bonding bushings used shall be approved for the purpose and
(i) Shall be of malleable iron/steel/aluminum construction adequately protected against corrosion.

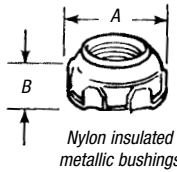
(ii) Bushing insulator shall be listed or certified for 150° C/302° F application with a flammability rating of 94V-0. Insulator must be positively locked in place.

Bushings, Nipples, Locknuts and Plugs

Meets and surpasses NEC® requirements!

Insulated Throat Fittings

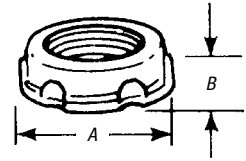
- Steel or malleable iron (steel through 1½")
- Exceeds NEC 373-6C requirements for protection of ungrounded connectors at entrance to raceways, pull boxes and junctions
- Recognizable by distinctive trademarked blue insulating liner in throat
- Reduces wire pulling effort by as much as 50%
- Temperature rating of 105° C
- Look for the unique T&B blue color, ensuring the highest quality fitting



Locknut-type base improves bonding and resists loosening under vibration.

Metallic Bushings

- Aluminum, steel or malleable iron (steel through 1½")
- Smoothly rounded shoulder covers end of conduit
- Broad flange covers knockout hole
- High ribs for easy tightening with fingers or with wrench
- ½" to 1½" sizes, formed in steel, feature extra-smooth shoulders



CAT. NO.		DIMENSIONS (IN.)		
STL. OR M.I.	ALUM.	SIZE	A	B
1222	1222AL	½"	1½/32	29/64
1223	1223AL	¾"	1½/32	31/64
1224	1224AL	1"	1¹⁹/₃₂	11/32
1225	1225AL	1¼"	1¹⁵/₁₆	21/32
1226	1226AL	1½"	2³/₁₆	2³/₃₂
1227	1227AL	2"	2¹¹/₁₆	7/8
1228	1228AL	2½"	3³/₁₆	1/2
1229	1229AL	3"	3²⁷/₃₂	⁹/₁₆
1230	1230AL	3½"	4⁷/₁₆	1¹/₁₆
1231	1231AL	4"	4⁷/₈	1³/₃₂
1232†	1232AL†	4½"	—	—
586	586AL	5"	5³¹/₃₂	1⁹/₃₂
587	587AL	6"	7⁷/₁₆	1¹¹/₃₂

† Not CSA Certified

Catalog series 1222 thru 1232, 586 and 587 are available in aluminum. Add suffix AL to Cat. No. The aluminum series fittings are not CSA certified.

CAT. NO.		DIMENSIONS (IN.)		
STL. OR M.I.	ALUM.	SIZE	A	B
122	122AL	½"	1½/32	1³/32
123	123AL*	¾"	1¼	7/16
124	124AL**	1"	1¹/₁₆	1/2
125-TB	125AL	1¼"	1²³/₃₂	⁹/₁₆
126	126AL	1½"	2⁵/₃₂	1⁹/₃₂
127	127AL	2"	2²¹/₃₂	⁹/8
128	128AL	2½"	3³/₁₆	¾
129	129AL	3"	3²⁷/₃₂	1³/₁₆
130-TB	130AL	3½"	4³/8	1⁵/₁₆
131-TB	131AL	4"	4¹⁵/₁₆	1
132-TB	—	4½"	5⁷/₁₆	1⁵/₆₄
133-TB	133AL	5"	6	1³/₁₆
134-TB	134AL	6"	7¼	1¼

* Not UL Listed or CSA Certified

UL File No. E-23018

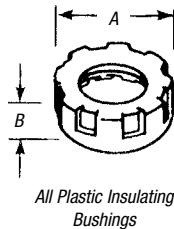
** Not CSA Certified

CSA File No. 2884

Available with DURA-PLATE® Finish.

Perfect threads for easy thread-on!

Plastic Insulating Bushings



- Impact-resistant plastic insulation
- Ribbed for easy, secure gripping
- UL Listed 105° C



CAT. NO.	SIZE	DIMENSIONS (IN.)	
		A	B
222-TB	½"	1¼/16	³/8
223-TB	¾"	1⁹/₃₂	1³/₃₂
224	1"	1¹/₁₆	⁹/₁₆
225-TB	1¼"	1²³/₃₂	⁹/₁₆
226	1½"	21/32	⁹/₁₆
227	2"	2²⁵/₃₂	⁹/8
228-TB	2½"	3³/8	¾
229-TB	3"	4¼/16	¾
230-TB	3½"	4⁹/8	7/8
231	4"	5⁷/8	7/8
232	4½"	5¹¹/₁₆	1
233	5"	6⁵/₁₆	1
234	6"	7¼/16	1

UL Rated flame retardant 94V-1

Bushings, Nipples, Locknuts and Plugs

For threadless rigid conduit and intermediate metal conduit.

Insulating Bushing

Application

- When assembled to the end of a threadless conduit, provides a well-rounded insulating surface over which conductors may be pulled or on which conductors may bear while in service

Features

- Designed to be popped onto conduit end
- Fast, easy installation without screws
- High-impact thermoplastic construction

Standard Material

High-impact thermoplastic listed for 105° C (221° F) application
Flammability Classification 94 V-1

Listings/Compliances

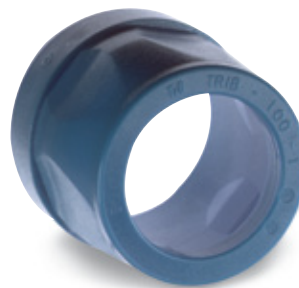
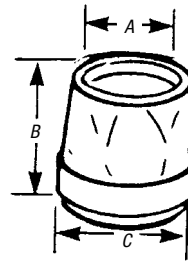
UL (UL File No. E-13938)
CSA (LR-2884, LR-4484)
UL 514B
NFPA 70

Standard Finish

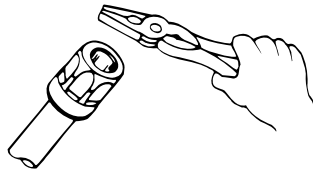
As molded

Range

½" through 4" conduit



1. Cut conduit end squarely. Remove sharp edges and burrs on inside and outside diameters by reaming or filing.
2. Slip the pop-on bushing over the end of the conduit.
3. Using the flat surface of any standard utility tool such as an electrician's pliers (or a hammer with a block of wood for the larger sizes), strike the bushing on its top surface using a series of light blows until the end of the conduit rests against the bushing throat and conduit stop.



CAT. NO.	SIZE	DIMENSIONS (IN.)		
		A	B	C
TRIB-50	½"	19/32	1 1/32	1 1/16
TRIB-75	¾"	25/32	1 25/64	1 ¼
TRIB-100	1"	1	1 ½	1 9/16
TRIB-125	1 ¼"	1 1/16	1 5/8	1 59/64
TRIB-150	1 ½"	1 17/32	1 21/32	2 1/64
TRIB-200	2"	1 31/32	1 13/16	2 1/16
TRIB-250	2 ½"	2 23/64	2	3 ¼
TRIB-300	3"	2 59/64	2 1/32	3 29/32
TRIB-350	3 ½"	3 3/8	2 5/16	4 29/64
TRIB-400	4"	3 27/32	2 13/32	5

I.M.C. sizes ½" thru 4"

UL Rated flame retardant 94V-1

UL File No. E-13938

CSA File No. 2884

Bushings, Nipples, Locknuts and Plugs

Provides smooth, rounded insulation surface for easy wire pulling!

Knockout Bushings

- Quickly snaps into outlet box, switch box or other enclosure left vacant by wiring modifications or maintenance changes
- High-impact polycarbonate, one-piece construction
- Easily installed by hand
- UL Listed 105° C

Application

- To provide smooth, rounded knockout openings in metal boxes or enclosures

Features

- One-piece construction designed to snap in place
- High-impact strength, self extinguishing, non-dripping (per UL 94) polycarbonate construction

Standard Material

Polycarbonate rated for 105° C (221° F) application

Standard Finish

As molded

Range

.875" through 2.469" nominal diameter knockout opening (½" through 2" trade size knockouts)

Wall thickness of box or enclosure

.095" max. up to 1" trade size

.140" max. 1¼" through 2" trade size

Listings/Compliances

UL (UL File No. E-3803)

CSA (LR-589,LR-4484)

UL 514B

CSA C22.2 No. 18

NFPA 70-1999 (ANSI)



3210 Series



CAT. NO.	FOR USE IN KO SIZE*	DIMENSION (IN.)	
		B	
3210	.875	.360	
3211	1.109	.360	
3212	1.375	.360	
3213	1.734	.400	
3214	1.984	.520	
3215	2.469	.520	

* Per UL and NEMA standards. Refer to Knockout Plugs table on next page.

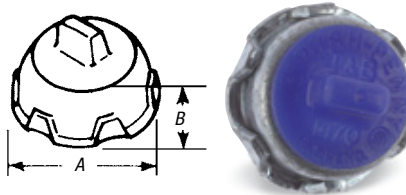
Oxygen index >28° UL 94V-1

UL File No. E-3803 CSA File No. 589

Makes a workman-like seal against grit, plaster and mischief!

Capped Bushings

- Removable with pliers
- ½" through 1¼" sizes in steel
- 1½" and 2" sizes in malleable iron



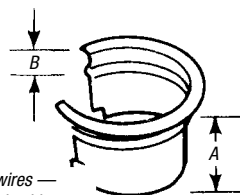
CAT. NO.	SIZE	DIMENSIONS (IN.)	
		A	B
1460	½"	1⅜"	13/32"
1461	¾"	1¼"	7/16"
1462	1"	1⅞"	½"
1463	1¼"	1⅞"	9/16"
1464	1½"	2⅞"	19/32"
1465	2"	2⅞"	¾"

UL File No. E-23018 CSA File No. 2884

Snaps into a regular bushing to make a UL Listed insulated bushing!

INSULINER® Sleeves

- Converts ordinary bushing to code-approved insulated bushing without disturbing wiring
- For use with standard rigid conduit, EMT (thinwall conduit) or any standard bushed outlet
- Especially suited for use with flexible metallic conduit
- High-dielectric nylon material, rated 105° C



Slip over wires —
insert into bushing —
snaps into place



CAT. NO.	SIZE	DIMENSIONS (IN.)	
		A	B
422	½"	5/8"	.025
423	¾"	1⅞"	.025
424	1"	7/8"	.025
425	1¼"	1"	.030
426	1½"	1"	.030
427	2"	1⅞"	.030
428	2½"	1¼"	.040
429	3"	1½"	.040
430	3½"	1⅞"	.055
431	4"	2⅞"	.055
433	5"	2½"	.070
434	6"	2½"	.070

Oxygen index >28° UL File No. E-23018 CSA File No. 589

Bushings, Nipples, Locknuts and Plugs

Made from flame-retardant, non-dripping thermoplastic, UL rated 105° C!

Knockout Plugs



1451 Series

Application

- To plug unused knockout openings in a box or enclosure

Features

- One-piece construction designed to snap in place
- High impact strength self-extinguishing non-dripping (per UL 94) thermoplastic construction

Standard Material

Thermoplastic rated for 105° C (221° F) application

Standard Finish

As molded

Range

.875" through 2.469"
Nominal Diameter

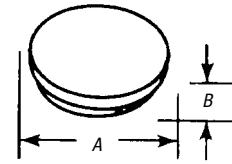
Knockout opening (1/2" through 2" trade size knockouts)

Wall thickness of box or enclosure

- .095" max. up to 1" trade size
- .140" max. through 2" trade size

Listings/Compliances

UL (UL File No. E13938)
CSA (LR589)
UL 514B
NFPA 70



105° C rated by UL. Made from flame retardant, non-dripping thermoplastic.



CAT. NO.	SIZE	DIMENSION (IN.)	
		A	B
1451	1/2"	1.060	.400
1452	3/4"	1.300	.400
1453	1"	1.590	.400
1454	1 1/4"	1.860	.450
1455	1 1/2"	2.240	.570
1456	2"	2.740	.570

Wall thickness of electrical box .095 max.
Meets Coast Guard Regulation CB293.
UL File No. E-13938 CSA File No. 4484

Eliminates need for separate capped bushing or steel penny and bushing!

Push-Penny® Plugs

Application

- To plug open end of conduit or connector in order to prevent ingress of trash, dirt or moisture during construction and remodeling

Features

- Wide range of applications; can be used with rigid metal conduit, intermediate metal conduit, electrical metallic tubing, all connectors and all bushings
- Designed to stand up to normal handling and is functionally unaffected by moisture
- Economically seal out grout and plaster from any fitting or raceway conforming to CSA dimensional tolerances
- Just push into place
- Pressure holds plug fast against internal surface of fitting or raceway
- Made of flexible plastic

Standard Material

Polyethylene

Standard Finish

As molded

Listings/Compliances

CSA (LR2884, LR4484)
UL 514B
CSA C22.2 No. 18
NFPA 70
NEMA FB1



CAT. NO.	SIZE
1470	1/2"
1471	3/4"
1472	1"
1473	1 1/4"
1474	1 1/2"
1475	2"
1476*	2 1/2"
1477*	3"
1478*	3 1/2"
1479*	4"

*Not CSA Certified.
CSA File No. 2884
UL not applicable.

Made to fit any bushing!

Steel Pennies

- Used under a bushing to seal end of conduit during construction
- Completely salvageable



CAT. NO.	SIZE
815-TB	1/2"
816	3/4"
817	1"
818	1 1/4"
819	1 1/2"
820	2"

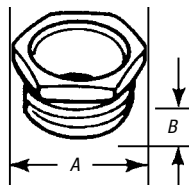
CAT. NO.	SIZE
821	2 1/2"
822	3"
824	3 1/2"
823	4"

UL not applicable.
CSA File No. 2884

Bushings, Nipples, Locknuts and Plugs

Bush holes in metal boxes or enclosures!

CHASE® Nipples



- 3/8" and 1/2" sizes in steel
- 3/4" to 6" sizes in malleable iron
- 1/2" to 4" sizes in copper-free aluminum

CAT. NO.		SIZE	DIMENSIONS (IN.)	
STL. OR M.I.	ALUM.		A	B
841TB	—	3/8"	15/16	7/16
842TB	842ALTB†	1/2"	1 1/16	43/64
843TB	843ALTB	3/4"	1 3/8	19/32
844	844AL†	1"	1 11/16	3/4
845	845AL†	1 1/4"	2 1/32	25/32
846	846AL	1 1/2"	2 3/8	13/16
847	847AL	2"	2 15/16	31/32
848	848AL	2 1/2"	3 3/16	1 1/16
849	849AL	3"	4 3/8	1 1/4
850	850AL	3 1/2"	5 1/8	1 1/8
851	851AL	4"	5 1/8	1 1/8
853	—	5"	6 1/2	1 1/8
854	—	6"	7 5/8	1 3/8

† Not UL Listed

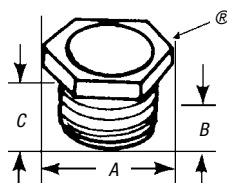
Available with DURA-PLATE® Finish.

UL File No. E-23018

CSA File No. 2884

Nylon insulator offers extra protection!

CHASE® Nipples — Nylon-Insulated



- 3/8" and 1/2" sizes in steel
- 3/4" to 6" sizes in malleable iron
- 1/2" to 6" sizes in copper-free aluminum
- Look for the unique T&B blue color ensuring the highest quality fitting available

CAT. NO.	SIZE	DIMENSIONS (IN.)		
		A	B	C
1942	1/2"	1 1/64	7/16	19/32
1943	3/4"	1 3/8	17/32	23/32
1944	1"	1 11/16	21/32	7/8
1945	1 1/4"	2 1/32	25/32	1 1/32
1946	1 1/2"	2 3/8	13/16	1 3/32
1947	2"	2 15/16	31/32	1 11/32
1948	2 1/2"	3 3/16	1 1/16	1 7/16
1949	3"	4 3/8	1 3/16	1 19/32
1950	3 1/2"	5 1/8	1 1/8	1 25/32
1951	4"	5 1/8	1 1/8	1 13/16
1953	5"	6 3/8	1 1/8	1 13/16
1954	6"	7 5/8	1 3/8	1 7/8

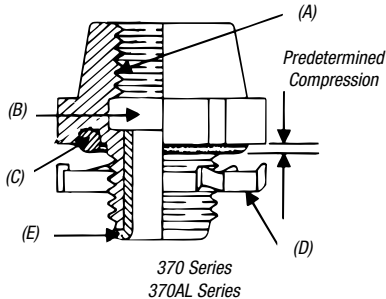
UL File No. E-23018

CSA File No. 2884

Hubs and Bulkhead Fittings

For threaded rigid metal conduit/IMC/PVC-coated rigid metal conduit.

Threaded Hubs (Bullet® Hubs)



Application

- To connect threaded metal conduit (ferrous rigid/non-ferrous rigid/PVC coated/or intermediate metal) to a threadless opening in a box or enclosure in outdoors or indoor location exposed to continuous or intermittent moisture
- To positively bond conduit to box or enclosure

Features

- Rugged steel/malleable iron/copper-free aluminum construction
- Tapered internal threads for water-tight/dust-tight union (A)
- Threads relieved to prevent bottoming of conduit, ensuring sound assembly (B)
- Recessed sealing ring at box end; sealing ring captivated (C)
- Hardened steel/malleable iron/copper-free aluminum locknuts designed to provide high-quality ground continuity; extended reach of locknut permits clamping on thin boxes and enclosures (D)
- Insulated throat, insulates conductors, prevents abrasion and thinning of conductor insulation, reduces wire pull effort (E)
- Suitable for hazardous location use per following:
 - Class I Division 2, Class II Division 1 & 2, Class III Division 1 & 2 per NEC® 501.10(B), 502.40(A) and (B) and 503.16(A) and (B)
 - Class II locations & Class III locations per CEC 18-202; 18-252; 18-302; 18-352

National Electrical Code® states that, "Where practical, dissimilar metals in contact anywhere in the system shall be avoided to eliminate the possibility of galvanic action." The only exceptions, aluminum fittings and enclosures, are permitted to be used with steel conduit.

Joint Industrial Council (JIC) Electrical Standards also forbid dissimilar metals in contact for the same reason and require that the fittings for metal conduit be of malleable iron or ductile iron and have impact strength comparable to that of the conduit.

Copper-Free Aluminum

Copper free aluminum castings for fittings have a maximum of .4% copper. The most detrimental effect of higher percentage of copper on aluminum base alloy is its decrease in corrosion resistance.

Standard Material

	370-401 Series	370AL
Body:	½" thru 1" Steel 1¼" thru 6" Malleable Iron	All Copper-Free Aluminum
Locknut:	½" thru 2" Steel (hardened) 2½" thru 6" Malleable Iron Aluminum	½" thru 2" Steel (hardened) 2½" thru 4" Copper-Free
Screws:	Steel (hardened)	
O-Ring:	Buna N	
Insulator:	Nylon	
Coating:	PVC	

Standard Finish

	370-401 Series	370AL
Hub:	Electro Zinc Plated Chromate Coated	As Cast
Locknuts:	All Ferrous Locknuts Electro Zinc Plated and Chromate Coated	
Screws:	All Electro Zinc Plated and Chromate Coated	

Range

- 370 Series: ½" thru 6" Conduit
 370AL & 401 Series:
 ½" thru 4" Conduit
 All hub threads — straight pipe
 All female threads — taper pipe (NPT)

Listing/Compliances

- UL (UL File No: E-23018)
- CSA (LR-637, LR-23086)
- UL 514B
- CSA C22.2 No. 18
- NFPA 70
- NEMA FB-1
- JIC EGP1; JIC EMP 1
- Federal Specification A-A-50553
- Federal Standard H-28 (Threads)

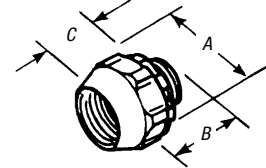
NEC and National Electrical Code are registered trademarks of the National Fire Protection Association, Inc.

Hubs and Bulkhead Fittings

UL Listed rain tight and CSA Certified watertight and dust tight.

Steel/Malleable Iron and Aluminum Bullet® Hub Connectors*†

- Available in steel/malleable iron (steel through 1") with nylon-insulated throat — with or without Series 106 bonding locknut
- Also available in aluminum without insulated throat
- When used with neoprene O-ring, provides watertight threaded hub on enclosures
- UL Listed 105° C
- Look for the unique T&B blue color ensuring the highest quality fitting



CAT. NO.			HUB SIZE (IN.)	DIMENSIONS (IN.)			MAX. WALL THICKNESS (IN.)
STEEL/M.I.	ALUM.**	STEEL/M.I. W/LOCKNUT		A	B	C	
370	370AL	401	1/2"	1 3/8	1 1/4	3/4	5/16
371	371AL	402	3/4	1 3/8	1 1/4	3/4	5/16
372	372AL	403	1"	2 3/32	1 3/8	7/8	5/16
373	373AL	404-TB	1 1/8"	2 9/16	1 3/8	1	5/16
374	374AL	405	1 1/2"	3 3/32	1 5/8	1	5/16
375	375AL	406-TB	2"	3 5/8	1 5/8	1	5/16
376	—	407	2 1/2"	4 1/8	1 7/8	1 1/8	3/8
377	—	408	3"	5	2 1/2	1 1/2	1/2
378	—	409	3 1/2"	5 9/16	2 1/2	1 1/2	1/2
379	—	410-TB	4"	6 3/16	2 1/2	1 1/2	1/2
381	—	—	5"	8	3 3/8	—	1/2
382	—	—	6"	9 3/16	3 3/8	—	1/2

* Suitable for hazardous locations use in Class I, Div. 2; Class II, Div. 2; Class III, Div. 1 and 2 where general purpose equipment is specifically permitted per NEC Section 500-2(a).

Available with DURA-PLATE® finish.

UL File No. E-23018

** Aluminum not available with insulated throat.

For Stl.: CSA File No. 2284

† UL Listed rain tight and CSA Certified watertight and dust tight

For AL.: CSA File No. 0637

Spacing Chart for Bullet® Hubs

	CENTER-TO-CENTER SPACING CONDUIT SIZES												MIN. SPACE FROM CENTER OF BULLET® HUB TO WALL OF BOX	KO DIAMETERS (MIN.)
	1/2	3/4	1	1 1/4	1 1/2	2	2 1/2	3	3 1/2	4	5	6		
1/2	1 1/16	1 1/8	1 1/4	2 1/8	2 3/8	2 5/8	2 7/8	3 3/16	3 1/2	3 3/8	4 1/8	5 1/16	3/4	7/8
3/4	—	1 1/4	1 7/8	2 1/4	2 1/2	2 3/4	3	3 1/2	3 3/4	4 1/8	4 13/16	5 1/2	7/8	1 1/8
1	—	—	2	2 3/8	2 5/8	2 7/8	3 1/8	3 3/8	3 3/4	4 1/4	4 15/16	5 11/16	1 1/8	1 3/8
1 1/4	—	—	—	2 11/16	2 15/16	3 1/4	3 1/2	4	4 1/4	4 1/2	5 1/8	5 3/4	1 3/8	1 3/4
1 1/2	—	—	—	—	3 1/8	3 1/2	3 3/4	4 1/8	4 3/8	4 3/4	5 1/8	6 1/8	1 3/8	2
2	—	—	—	—	—	3 3/4	4	4 1/2	4 3/4	5	5 3/4	6 1/2	1 3/8	2 1/2
2 1/2	—	—	—	—	—	—	4 1/4	4 3/4	5	5 3/8	6	6 3/4	2 1/8	3
3	—	—	—	—	—	—	—	5 1/8	5 3/8	5 3/4	6 3/8	7 1/8	2 3/8	3 3/8
3 1/2	—	—	—	—	—	—	—	—	5 3/8	6	6 3/4	7 1/2	2 3/8	4 1/8
4	—	—	—	—	—	—	—	—	—	6 1/4	7 1/8	7 3/8	3 1/4	4 3/8
5	—	—	—	—	—	—	—	—	—	—	8	8 3/4	4	5 1/2
6	—	—	—	—	—	—	—	—	—	—	—	8 3/4	9 1/2	6 1/2

Hubs and Bulkhead Fittings

T&B® Hub



Never before has a single hub fit like this one. Designed for unequalled performance. The innovative engineering of the T&B® Hub will, quite simply, raise your performance expectations for threaded hubs. Look for the distinctive blue color to ensure the quality of a Thomas & Betts fitting.

- 1 Sealing Ring and Groove with innovative profile outperforms standard O-ring design. Sealing ring is captivated in place before installation and resists buckling or slipping during installation. The seal groove is designed for optimum compression of the sealing ring. The sealing ring is designed to provide a complete 360° seal, even when the conduit is not perpendicular with the enclosure. (See Figure 1)
- 2 Locknut Design with peripheral slots and a hexagonal/angled spline spaced every 30° enables easy application of torque with wrench or hammer and screwdriver. (See Figures 2 & 3)
- 3 Sharper and Deeper Teeth on locknut and body designed for a more penetrating bite for improved bonding to the enclosure.
- 4 Hexagonal/Splined Body Design for fast, easy installation with wrench or hammer and screwdriver.
- 5 Precision Machined Tapered Threads designed to create watertight union.
- 6 Insulated Throat molded from 105° C rated thermoplastic with a flammability rating of 94 V-0.

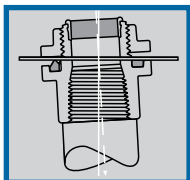


Fig. 1

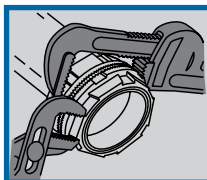


Fig. 2

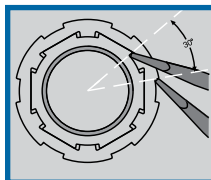


Fig. 3



CAT. NO.	A		B	C	D	E
	TRADE SIZE	DIA.			MAX. PANEL THICKNESS	THROAT DIA.
H050-TB	1/2	1 1/16	1 1/16	7/8	3/16	1 9/32
H075-TB	3/4	1 1/16	1 19/32	29/32	3/16	2 5/32
H100-TB	1	2	1 13/16	1 1/16	1/4	1
H125-TB	1 1/4	2 3/8	1 7/8	1 1/16	1/4	1 1/16
H150-TB	1 1/2	2 3/4	1 7/8	1 1/16	1/4	1 1/16
H200-TB	2	3 1/4	1 19/16	1 1/32	1/4	1 3/16
H250-TB	2 1/2	3 3/4	2 1/16	1 1/16	1/4	2 1/32
H300-TB	3	4 3/8	2 1/16	1 19/32	1/4	2 3/16
H350-TB	3 1/2	5	2 23/32	1 1/8	1/4	3 1/32
H400-TB	4	5 1/2	2 23/32	1 1/8	1/4	3 1/8
H500-TB	5	6 1/8	3 1/2	1 15/16	1/4	4 1/16
H600-TB	6	7 1/16	3 3/32	2	3/16	6

Material – Hub and Locknut: Zinc or copper-free aluminum

Insulating Throat: Thermoplastic temp. rating – 105° C
Flammability Rating – 94V-0

Sealing Ring: Nitrile (BUNA "N")

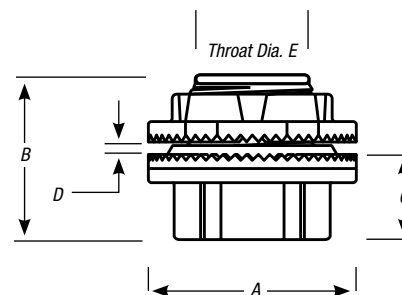
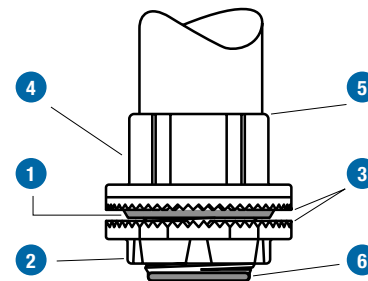
For Aluminum Hubs, add suffix A (i.e., H050A). For Chrome-Plated Hubs, add suffix CP (i.e., H050CP). For 316 Stainless Steel Hubs, add suffix GRSS (i.e., H050GRSS). (1/2" through 2" only.) Meets NEMA sealing requirements for NEMA 3R, 4 & 13 enclosures. CP and SST hubs are also rated NEMA 4X and 12.

UL Listed per NEC® 501.10(B). CSA Certified for hazardous locations Class II Groups E, F, G, Class III

UL File No. E-23018

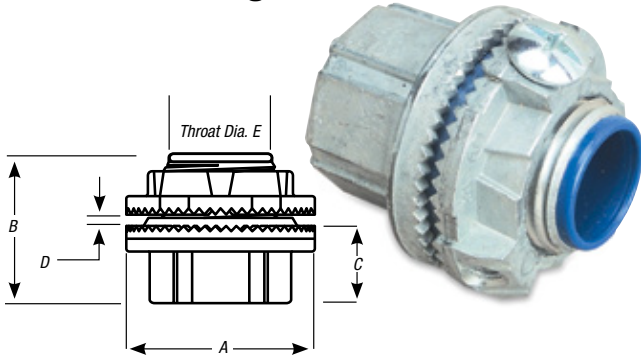
CSA File No. 4484

Chrome-Plated Hubs (suffix-"CP"s) are rated NEMA 4X.



Hubs and Bulkhead Fittings

T&B® Grounding Hub



T&B Hub Centerline Spacing Chart

CONDUIT TRADE SIZE	1/2"	3/4"	1"	1 1/4"	1 1/2"	2"	2 1/2"	3"	3 1/2"	4"	5"	6"
1/2"	1 1/16"											
3/4"	1 43/64"	1 25/32"										
1"	1 27/32"	1 5/16"	2 1/8"									
1 1/4"	2 1/32"	2 5/16"	2 3/8"	2 1/2"								
1 1/2"	2 1/32"	2 5/16"	2 1/2"	2 11/16"	2 3/8"							
2"	2 15/32"	2 37/64"	2 3/4"	2 11/16"	3 1/8"	3 3/8"						
2 1/2"	2 23/32"	2 53/64"	3"	3 1/16"	3 3/8"	3 3/8"	3 3/8"					
3"	3 1/32"	3 3/64"	3 3/16"	3 1/2"	3 11/16"	3 15/16"	4 1/16"	4 1/2"				
3 1/2"	3 11/32"	3 31/64"	3 3/8"	3 13/16"	4"	4 1/4"	4 1/2"	4 13/16"	5 1/8"			
4"	3 9/32"	3 45/64"	3 3/8"	4 1/16"	4 1/4"	4 1/2"	4 3/4"	5 1/16"	5 3/8"	5 3/8"		
5"	4 3/32"	3 25/64"	4 1/16"	4 3/4"	4 15/16"	5 1/16"	5 1/8"	5 3/4"	6 1/16"	6 3/16"	7"	
6"	4 11/16"	4 5/64"	4 31/32"	5 5/32"	5 11/32"	5 13/32"	5 27/32"	6 5/32"	6 15/32"	6 23/32"	7 13/32"	7 13/16"
Nearest Obstruction to Center of Hub	2 7/32"	6 1/64"	1 1/8"	1 3/16"	1 1/2"	1 3/4"	2"	2 3/16"	2 5/8"	2 7/8"	2 15/16"	3 1/32"

CAT. NO.	TRADE SIZE	MAX. PANEL THICKNESS					THROAT DIA.
		A	B	C	D	E	
H050GR-TB	1/2	1 1/16"	1 1/16"	7/8"	3/16"	1 19/32"	
H075GR-TB	3/4	1 1/16"	1 19/32"	2 9/32"	3/16"	2 25/32"	
H100GR-TB	1	2"	1 13/16"	1 1/16"	1/4"	1"	
H125GR-TB	1 1/4	2 3/4"	1 1/8"	1 1/16"	1/4"	1 1/16"	
H150GR-TB	1 1/2	2 3/4"	1 1/8"	1 1/16"	1/4"	1 11/32"	
H200GR-TB	2	3 1/4"	1 15/16"	1 1/32"	1/4"	1 31/32"	
H250GR-TB	2 1/2	3 3/4"	2 1/16"	1 1/16"	1/4"	2 13/32"	
H300GR-TB	3	4 3/8"	2 1/16"	1 19/32"	1/4"	2 21/32"	
H350GR-TB	3 1/2	5"	2 23/32"	1 1/8"	1/4"	3 13/32"	
H400GR-TB	4	5 1/2"	2 23/32"	1 1/8"	1/4"	3 3/8"	
H500GR-TB	5	6 7/8"	3 3/32"	1 15/16"	1/4"	4 15/16"	
H600GR-TB	6	7 11/16"	3 5/32"	2"	5/16"	6"	

Material – Hub and Locknut: Zinc or copper-free aluminum
 Insulating Throat: Thermoplastic temp. rating – 105° C
 Flammability Rating – 94V-0
 Sealing Ring: Nitrile (BUNA "N")

For Aluminum Hubs, add suffix A (i.e., H050A). For Chrome-Plated Hubs, add suffix CP (i.e., H050CP). For 316 Stainless Steel Hubs, add suffix GRSST (i.e., H050GRSST). (1/2" through 2" only.) Meets NEMA sealing requirements for NEMA 3R, 4 & 13 enclosures.

UL Listed and CSA Certified. CSA Certified for hazardous locations Class II and Class III locations.

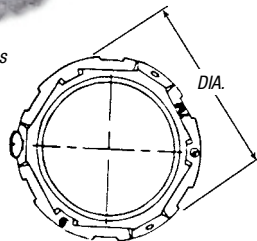
UL File No. E-23018
 CSA File No. 4484

Chrome-Plated Hubs (suffix-"CP") are rated NEMA 4X.

T&B® Grounding and Bonding Locknut



Grounding Locknut for Hubs



CAT. NO.	TRADE SIZE	DIA.	HEIGHT	GROUND SCREW	MAX. CONDUCTOR SIZE
L050GR-TB	1/2	1 1/2"	1 3/32"	#10-32 x 1/4"	#10
L075GR-TB	3/4	1 11/16"	1 3/32"	#10-32 x 1/4"	#10
L100GR-TB	1	2"	1 3/32"	#10-32 x 1/4"	#10
L125GR-TB	1 1/4	2 3/8"	1 5/32"	1/4-20 x 1/4"	#10
L150GR-TB	1 1/2	2 3/4"	1 5/32"	1/4-20 x 3/16"	#8
L200GR-TB	2	3 1/4"	1 5/32"	1/4-20 x 3/16"	#8
L250GR-TB	2 1/2	3 3/4"	1 11/16"	1/4-20 x 5/16"	#6
L300GR-TB	3	4 3/8"	2 3/32"	1/4-20 x 5/16"	#6
L350GR-TB	3 1/2	5"	2 3/32"	1/4-20 x 5/16"	#6
L400GR-TB	4	5 1/2"	2 3/32"	1/4-20 x 5/16"	#4
L500GR-TB	5	6 3/8"	2 3/32"	3/8-16 x 3/8"	#2
L600GR-TB	6	7 11/16"	2 3/32"	3/8-16 x 3/8"	#1

Material – Locknut: Zinc or copper-free aluminum UL File No. E-3060

For Aluminum Locknuts, add suffix A. (i.e., L050GRA). CSA File No. 4484

For Chrome-Plated Locknuts, add suffix CP. (i.e., L050CP). For 316 Stainless Steel Locknuts, add suffix SST (1/2" through 2" only.) For Locknut with Lay In Lug, add suffix GRL.

Hubs and Bulkhead Fittings

Raintight for Rigid or Intermediate Metal Conduit (IMC)

Chase® Threaded Conduit Hubs

Applications

- A fitting for connecting junction box to junction box, or junction box to the conduit system. The resulting connection maintaining ground continuity is raintight.
- Suitable for use where the system is normally hosed down (NEMA 4) for cleaning.

Features

- Plastic insulated throat, precision cast and machined surfaces permit safer wire pulling.
- Chase® design provides maximum space for wiring in the box. Locking nipple sits flush in the enclosure.
- Captive O-ring fits snugly in groove preventing loss and fumbling with parts.
- Knurled inner face of locking nipple provides 360 degrees of locking and bites through box wall to ensure grounding.
- Locking nipple has tightening lugs on two planes for easier assembly in hard to reach field conditions.
- Grounding hubs have a ground screw located within the enclosure providing a tamper-proof ground for device.
- Locking nipple design permits replacement of the box without disassembling the installation.

Standard Materials

HTZ Series: Certified die cast zinc alloy
ZAMAK 3

HT Series: Die cast aluminum alloy A360
with less than .004 copper content
(copper-free)

O-ring: Buna N

Insulating Sleeves: Plastic

Standard Finish

Aluminum lacquer finish

Listings/Compliances

UL Listed

CSA Certified

Suitable for use in Wet Locations

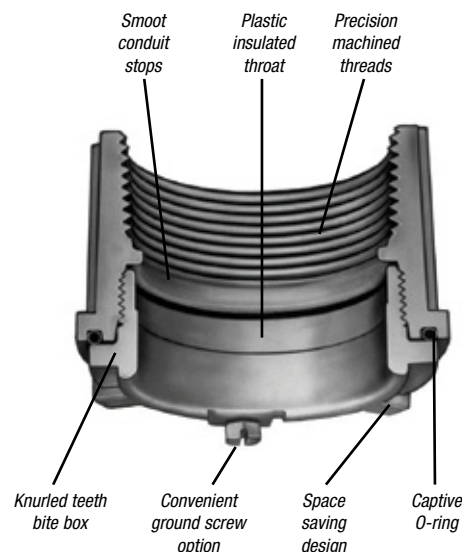
NEMA 4



HT, HTZ



HTGZ



Hubs and Bulkhead Fittings

CHASE® Hub with Insulated Throat



HTZ

CHASE® Hub with Insulated Throat and Ground Screw

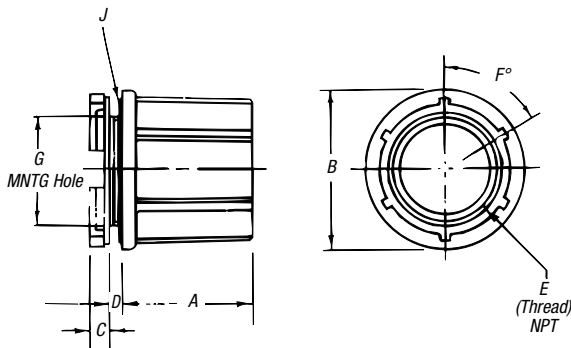


HTGZ

CHASE® Aluminum Hub with Insulated Throat



HT



CAT. NO.	HUB SIZE	STD. PKG.	WT. LBS. APP. PER 100
HTZ1	1/2"	25	26
HTZ2	3/4"	25	32
HTZ3	1"	25	45
HTZ4	1 1/4"	10	58
HTZ5	1 1/2"	10	74
HTZ6	2"	10	93
HTZ7	2 1/2"	5	202
HTZ8	3"	2	250
HTZ9*	3 1/2"	2	300
HTZ10*	4"	2	360

*Made to order item. Consult factory for lead time and minimum quantities.

CAT. NO.	HUB SIZE	STD. PKG.	WT. LBS. APP. PER 100
HTGZ1	1/2"	25	22
HTGZ2	3/4"	25	34
HTGZ3	1"	25	44
HTGZ4	1 1/4"	10	61
HTGZ5	1 1/2"	10	75
HTGZ6	2"	10	95
HTGZ7	2 1/2"	5	204
HTGZ8	3"	2	265
HTGZ9	3 1/2"	2	270
HTGZ10	4"	2	360

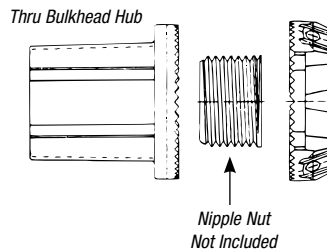
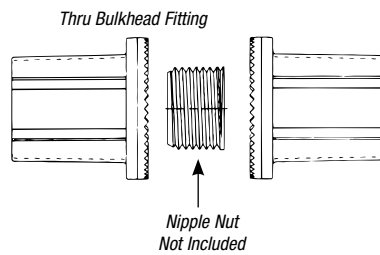
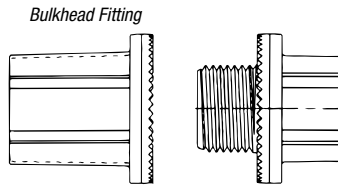
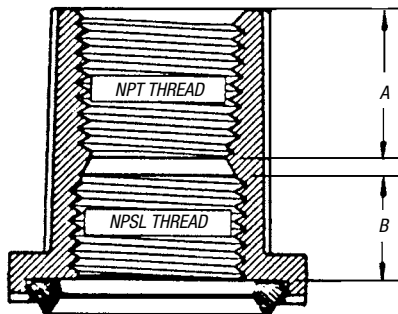
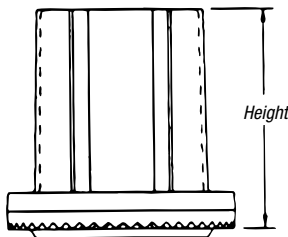
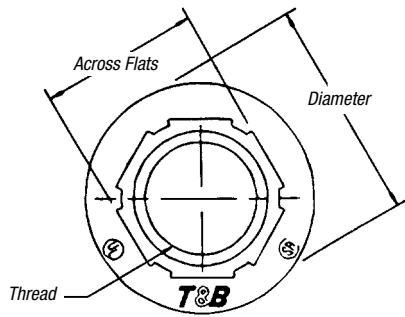
CAT. NO.	HUB SIZE	STD. PKG.	WT. LBS. APP. PER 100
HT1	1/2"	25	12
HT2	3/4"	25	14
HT3	1"	25	20
HT4	1 1/4"	10	27
HT5	1 1/2"	10	32
HT6	2"	10	44
HT7	2 1/2"	5	85
HT8	3"	2	120
HT9	3 1/2"	2	138
HT10	4"	2	155

HTZ, HTGZ and HT Dimensions

HUB SIZE	PANEL WIDTH						MIN. G		MAX. H		O-RING SIZE J
	A	B	C	D	E	F	G	H	J		
1/2"	1 3/8	1 13/32	1/4	3/16	1/2-14	60	2 1/2	59/64	214		
3/4"	1 3/8	1 21/32	1/4	3/16	3/4-14	60	1 3/2	1 11/64	218		
1"	1 19/32	1 7/8	1/4	3/16	1-11 1/2	60	1 5/16	1 29/32	222		
1 1/4"	1 23/32	2 5/16	1/4	1/4	1 1/4-11 1/2	60	1 43/64	1 51/64	225		
1 1/2"	1 3/4	2 3/8	1/4	1/4	1 1/2-11 1/2	60	1 29/32	2 13/64	227		
2"	1 25/32	3 3/32	1/4	1/4	2-11 1/2	60	2 3/8	2 21/32	231		
2 1/2"	2 1/4	2 45/64	3/8	1/4	2 1/2-8	45	2 1/8	3 3/32	236		
3"	2 21/64	4 9/16	3/8	1/4	3-8	45	3 1/2	3 9/64	241		
3 1/2"	2 23/64	4 13/16	3/8	1/4	3 1/2-8	45	4	4 7/16	245		
4"	2 3/8	5 5/16	3/8	1/4	4-8	45	4 1/2	4 63/64	248		

Hubs and Bulkhead Fittings

T&B® Bulkhead Fittings



CAT. NO.	TRADE SIZE (IN.)
Bulkhead Fitting	
H050BHD	1/2
H075BHD	3/4
H100BHD	1
H125BHD	1 1/4
H150BHD	1 1/2
H200BHD	2
H250BHD	2 1/2
H300BHD	3
H350BHD	3 1/2
H400BHD	4
H500BHD	5
H600BHD	6
Thru Bulkhead Fitting	
H050TBF	1/2
H075TBF	3/4
H100TBF	1
H125TBF	1 1/4
H150TBF	1 1/2
H200TBF	2
Thru Bulkhead Hub	
H050TBH	1/2
H075TBH	3/4
H100TBH	1
H125TBH	1 1/4
H150TBH	1 1/2
H200TBH	2

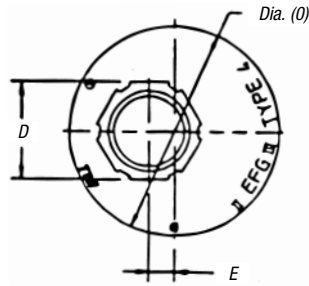
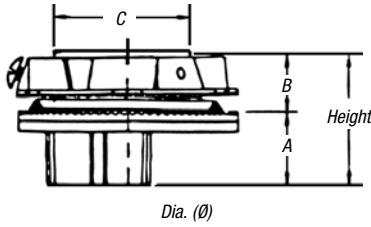
TRADE SIZE	THREAD	HEIGHT	DIAMETER	ACROSS FLATS	A (IN.)	B (IN.)
1/2"	1/2"-14"	1 13/32"	1 1/16"	1"	3/4	1/2
3/4"	3/4"-14"	1 15/32"	1 11/16"	1 1/4"	25/32	17/32
1"	1"-11 1/2"	1 11/16"	2"	1 17/32"	29/32	19/32
1 1/4"	1 1/4"-11 1/2"	1 25/32"	2 3/8"	1 27/32"	29/32	21/32
1 1/2"	1 1/2"-11 1/2"	1 13/16"	2 3/4"	1 7/8"	29/32	21/32
2"	2"-11 1/2"	1 27/32"	3 1/4"	2 5/8"	1 5/16	21/32
2 1/2"	2 1/2"-8"	2 3/32"	3 3/4"	3 1/8"	1 1/32	7/8
3"	3"-8"	2 9/16"	4 3/8"	3 25/32"	1 3/16	29/32
3 1/2"	3 1/2"-8"	2 9/16"	5"	4 9/32"	1 3/8	7/8
4"	4"-8"	2 9/16"	5 1/2"	4 27/32"	1 3/8	7/8
5"	5"-8"	2 23/32"	6 3/8"	5 29/32"	1 15/32	7/8
6"	6"-8"	3"	7 1/16"	7 1/32"	1 1/2	31/32

Material — Hub, Body and Locknut: Zinc or copper-free aluminum
 Insulating Throat: Thermoplastic temp. rating – 105° C
 Flammability Rating – 94V-0
 Sealing Ring: Nitrile (BUNA "N")
 For Aluminum Bulkheads, add suffix A. UL File No. E-3060
 For Chrome-Plated Bulkheads, add suffix CP. CSA File No. 4484
 Meets NEMA sealing requirements for NEMA 3R, 4 & 13 enclosures.

Conduit & Fittings — T&B® Rigid Fittings

Hubs and Bulkhead Fittings

Offset Reducers

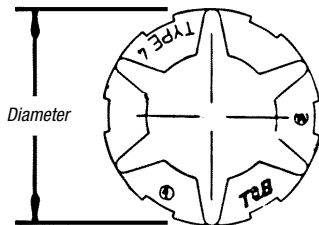
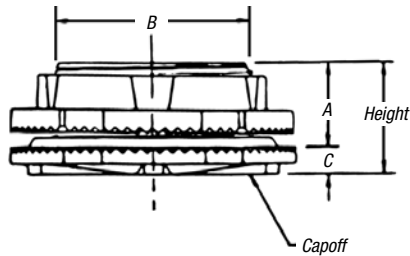


CAT. NO.	TRADE SIZE	HEIGHT	DIA. (Ø)	(IN.)				
				A DIA.	B	C	D	E
H150-TB075ORGR	1½"–¾"	1 ²¹ / ₃₂ "	2 ³ / ₄	1 ⁵ / ₁₆	2 ³ / ₃₂	1 ²⁹ / ₃₂	1 ⁹ / ₃₂	1 ¹ / ₃₂
H150-TB100ORGR	1 ⁹ / ₃₂ "–1"	1 ²⁵ / ₃₂ "	2 ³ / ₄	1 ¹ / ₁₆	2 ³ / ₃₂	1 ²⁹ / ₃₂	1 ⁹ / ₁₆	7 ¹ / ₃₂
H150-TB125ORGR	1 ⁹ / ₃₂ "–1¼"	1 ²⁵ / ₃₂ "	2 ³ / ₄	1 ¹ / ₁₆	2 ³ / ₃₂	1 ²⁹ / ₃₂	1 ⁷ / ₁₆	1 ¹ / ₃₂
H250-TB200ORGR	2½"–2"	2½"	3¾	1 ¹ / ₁₆	1 ⁵ / ₁₆	2 ²⁹ / ₃₂	2 ²¹ / ₃₂	¾

Material — Offset Reducer and Locknut: Zinc or copper-free aluminum
 Insulating Throat: Thermoplastic Temp. Rating – 105° C
 Flammability Rating – 94V-0
 Sealing Ring: Nitrile (BUNA "N")

For Aluminum Offset Reducer, add suffix A.
 For Chrome-Plated Offset Reducer, add suffix CP.
 Meets NEMA sealing requirements for NEMA 3R, 4 & 13 enclosures.
 CSA Certified for hazardous locations Class II Groups E.F.G. Class III.
 UL File No. E-3060
 CSA File No. 4484

Capoffs



CAT. NO.	TRADE SIZE	HEIGHT	DIAMETER	(IN.)		
				A	B	C
H050CAP	½"	1 ¹³ / ₃₂ "	1 ¹ / ₁₆	1 ⁹ / ₃₂	2 ⁷ / ₃₂	¾
H075CAP	¾"	1 ⁵ / ₃₂ "	1 ¹¹ / ₁₆	1 ⁹ / ₃₂	1 ¹ / ₁₆	¾
H100CAP	1"	1 ¹¹ / ₁₆ "	2	1 ¹¹ / ₁₆	1 ³ / ₁₆	¼
H125CAP	1¼"	1 ²⁵ / ₃₂ "	2 ⁵ / ₈	2 ³ / ₃₂	1 ²¹ / ₃₂	¼
H150CAP	1½"	1 ¹³ / ₁₆ "	2¾	2 ³ / ₃₂	1 ²⁹ / ₃₂	¼
H200CAP	2"	1 ²⁷ / ₃₂ "	3¼	2 ³ / ₃₂	2 ⁵ / ₈	¼
H250CAP	2½"	2 ⁹ / ₃₂ "	3¾	7 ⁷ / ₈	2 ²⁹ / ₃₂	¼
H300CAP	3"	2 ⁹ / ₁₆ "	4 ⁵ / ₈	7 ⁷ / ₈	3 ¹ / ₃₂	1 ¹ / ₃₂
H350CAP	3½"	2 ⁹ / ₁₆ "	5	2 ⁹ / ₃₂	4 ¹ / ₃₂	1 ¹ / ₃₂
H400CAP	4"	2 ⁹ / ₁₆ "	5½	2 ⁹ / ₃₂	4½	1 ¹ / ₃₂
H500CAP	5"	2 ²³ / ₃₂ "	6 ⁵ / ₈	2 ⁹ / ₃₂	5 ⁹ / ₁₆	1 ¹ / ₃₂
H600CAP	6"	3"	7 ⁵ / ₈	3 ¹ / ₃₂	6 ⁵ / ₈	1 ¹ / ₃₂

Material — Capoff and Locknut: Zinc or copper-free aluminum
 Insulating Throat: Thermoplastic temp. rating – 105° C
 Flammability Rating – 94V-0
 Sealing Ring: Nitrile (BUNA "N")

For Aluminum Capoff, add suffix A.
 For Chrome-Plated Capoff, add suffix CP.
 Meets NEMA sealing requirements for NEMA 3R, 4 & 13 enclosures.
 CSA Certified for hazardous locations Class II Groups E.F.G. Class III.
 UL File No. E-3060
 CSA File No. 4484

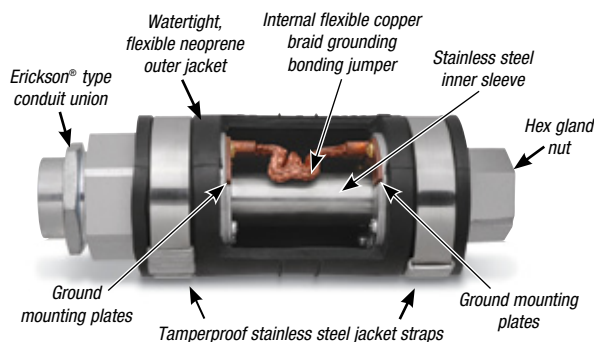
Couplings and Accessories

Watertight, flexible connections support movement and thermal expansion!

XD Expansion/Deflection Coupling

Use the T&B XD Expansion/Deflection Coupling to join two conduit runs in applications where movement in any direction is required. The coupling provides a flexible, watertight connection, accommodating axial or parallel movement of up to 3/4" and angular movement of up to 30° from normal.

- Ideal for use in bridges, tunnels, interbuilding walkways, docks and piers, wastewater and water treatment facilities and other applications in which conduit runs are subject to movement due to external forces or temperature changes
- Suitable for use indoors, outdoors, direct buried or embedded in concrete
- Watertight, flexible neoprene outer jacket, zinc-plated and acrylic-painted hubs and stainless steel tamperproof straps ensure superior corrosion resistance — ideal for use in harsh environments
- Copper ground mounting plates and grounding bonding jumper both entirely enclosed to safeguard against theft
- Includes an Erickson® type conduit union for faster, easier installation to reduce labor costs
- Durable stainless steel inner sleeve provides a constant, smooth inner diameter in any position to ease wire pulling and protect wire insulation from damage
- NPT threaded hubs fit standard threaded rigid metal conduit
- Can also be used with rigid PVC conduit with the use of standard adapters (not supplied)

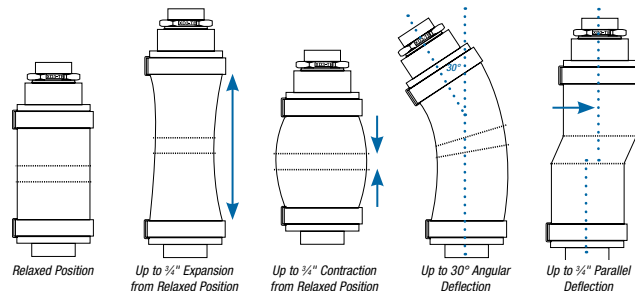


Listings/Compliances

UL® Listed to UL 514B and CSA Certified to C22.2 No. 18.3
Suitable for Wet Locations (hub sizes 1"–6")

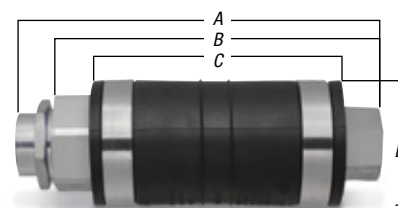
Watertight — NEMA 4

NEC® Article 250.98 and 300.4(A) compliant



Standard Materials/Finish

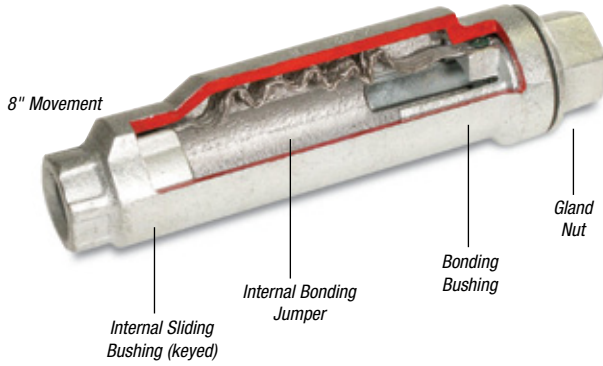
Hub.....	Ductile cast iron, zinc-plated and aluminum acrylic painted
Inner Sleeve	Stainless steel
Internal Grounding Bonding Jumper	Flexible copper braid
Ground Mounting Plates.....	Copper
Hub Rings	Zinc-plated steel
Outer Jacket.....	Molded neoprene (natural black)
Jacket Straps	Stainless steel



CAT. NO.	HUB SIZE (IN.)	DIMENSIONS (IN.)			
		A	B	C	D
XD3-TB	1	9 ¹ / ₁₆	8 ⁵ / ₃₂	6 ⁷ / ₁₆	3 ¹ / ₃₂
XD4-TB	1 ¹ / ₄	9 ⁹ / ₁₆	8 ³ / ₈	6 ⁷ / ₈	3 ³ / ₈
XD5-TB	1 ¹ / ₂	9 ³ / ₄	8 ⁷ / ₃₂	6 ³ / ₄	4 ⁵ / ₃₂
XD6-TB	2	9 ³ / ₄	8 ¹ / ₂	7 ¹ / ₄	4 ¹¹ / ₁₆
XD7-TB	2 ¹ / ₂	11 ¹ / ₄	11 ³ / ₈	9 ¹ / ₂	4 ⁷ / ₈
XD8-TB	3	10 ¹ / ₂	9 ⁹ / ₃₂	7 ²⁷ / ₃₂	5 ¹⁵ / ₁₆
XD9-TB	3 ¹ / ₂	10 ⁹ / ₁₆	9 ³ / ₄	7 ³ / ₄	6 ³ / ₈
XD10-TB	4	13 ³ / ₁₆	11 ²⁷ / ₃₂	8 ⁷ / ₈	7 ⁷ / ₃₂
XD12-TB	5	14	12 ¹⁵ / ₁₆	11	8 ³ / ₃₂
XD14-TB	6	14 ⁵ / ₁₆	13 ³ / ₈	11 ¹ / ₂	9 ¹⁹ / ₃₂

Couplings and Accessories

No disassembly required! XJG Conduit Expansion Coupling



Slide the fitting onto the conduit until it stops at the internal sliding bushing. Tighten and you're ready. No parts to reassemble!



With a wrench, tighten the gland nut to compress the Teflon packing, creating a raintight seal around the conduit.

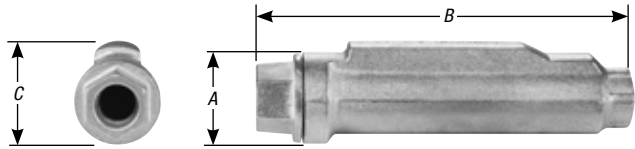


Thread the next length of conduit into the other end of the fitting and tighten. You're done!

Suggested Specifications for Expansion Fittings for Rigid Steel or Intermediate Metal Conduit

Where raceways require expansion fittings to compensate for thermal expansion and contraction and where expansion fittings and telescoping sections of metal raceway shall be made electrically continuous by bonding jumpers or other means:

- The fitting will be constructed from malleable or ductile iron with exterior and interior zinc plating for corrosion protection.
- The fitting shall be constructed so that disassembly is not required during installation.
- The fitting shall be raintight after installation.
- The fitting shall have an internal bonding jumper constructed of a tinned copper braid, sized to meet UL fault current test requirements and comply with bonding requirements — NEC® Article 250.98
- External bonding jumper shall not be required to comply with NEC® requirements
- Accepted Manufacturers: Thomas & Betts XJG-TB Series



XJG-TB Conduit Expansion Coupling for Rigid and Intermediate Metal Conduit

CAT NO.	SIZE	MOVEMENT	A DIAMETER IN.	B LENGTH IN.	C HEIGHT IN.
XJG24-TB	¾"	4"	2.43	10.00	2.75
XJG28-TB	¾"	8"	2.43	14.00	2.75
XJG34-TB	1"	4"	2.67	10.00	2.99
XJG38-TB	1"	8"	2.67	14.00	2.99
XJG44-TB	1¼"	4"	3.36	10.56	3.68
XJG48-TB	1¼"	8"	3.36	14.56	3.68
XJG54-TB	1½"	4"	3.36	10.56	3.68
XJG58-TB	1½"	8"	3.36	14.56	3.68
XJG64-TB	2"	4"	3.86	11.25	4.18
XJG68-TB	2"	8"	3.86	15.25	4.18
XJG74-TB	2½"	4"	4.96	12.12	5.25
XJG78-TB	2½"	8"	4.96	16.12	5.25
XJG84-TB	3"	4"	4.96	12.12	5.25
XJG88-TB	3"	8"	4.96	16.12	5.25
XJG94-TB	3½"	4"	6.37	12.87	6.75
XJG98-TB	3½"	8"	6.37	16.87	6.75
XJG104-TB	4"	4"	6.37	12.87	6.75
XJG108-TB	4"	8"	6.37	16.87	6.75
XJG1208-TB	5"	8"	7.99	18.87	8.56

Please consult Technical Services for special orders and availability of products not shown in this list.

Couplings and Accessories



XJG24-EMT

Features

- Fast and easy installation — no disassembly required
- No external grounding strap needed — internal bonding jumper is protected from tampering and the environment
- Exceeds code requirements for long conduit runs to permit linear movement

Standard Materials/Finish

Body Ductile Iron, available PVC Coated
 Internal Bonding Jumper Tinned Copper Braid
 Exterior and Interior Finish Zinc Plating, Aluminum Acrylic Paint
 Packing PTFE/Synthetic Fiber Material

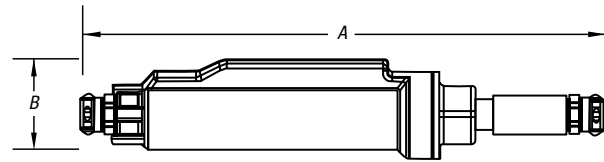
Listings/Compliances

UL File E23018, Std. 514B, Suitable for Wet Locations
 CSA File LR2884, Std. C22.2 No. 18
 NEC® 250.98



XJG24-EMT

Note: XJG-EMT Couplings are not raintight and are for use in dry locations only. They are UL Listed for use with aluminum EMT.



XJG-EMT Conduit Expansion Coupling for EMT

CAT NO.	SIZE	MOVEMENT	A LENGTH (IN.)	B HEIGHT (IN.)
XJG24-EMT	¾"	4"	17.39	2.75
XJG28-EMT	¾"	8"	21.39	2.75
XJG34-EMT	1"	4"	17.42	2.99
XJG38-EMT	1"	8"	21.42	2.99
XJG44-EMT	1¼"	4"	18.27	3.46
XJG48-EMT	1¼"	8"	22.27	3.46
XJG54-EMT	1½"	4"	18.69	3.68
XJG58-EMT	1½"	8"	22.69	3.68
XJG64-EMT	2"	4"	19.04	4.18
XJG68-EMT	2"	8"	23.04	4.18
XJG74-EMT	2½"	4"	23.23	4.52
XJG78-EMT	2½"	8"	27.23	4.52
XJG84-EMT	3"	4"	24.09	5.25
XJG88-EMT	3"	8"	28.09	5.25
XJG94-EMT	3½"	4"	28.70	6.00
XJG98-EMT	3½"	8"	28.70	6.00
XJG104-EMT	4"	4"	29.30	6.75
XJG108-EMT	4"	8"	29.30	6.75



8123 Series



8130 Series



8120 Series

Threadless Connector/Coupling

(For Threadless Rigid Metal Conduit and Intermediate Metal Conduit)

Application

- To connect and effectively bond threadless rigid metal conduit/intermediate metal conduit to a box or enclosure, or to couple ends of threadless conduit

Features

- Steel/Malleable Iron construction
- Case-hardened ring bites into conduit for high-quality continuity and grip
- Nylon insulator firmly secured in place protects conductors and reduces wire pulling effort by as much as 50%; prevents thread damage in handling
- Case-hardened steel locknut or malleable iron locknut designed to provide a positive bond
- Suitable for concrete-tight application
- Capable of carrying ground fault currents up to 10,000 amps RMS (½" through 1½" size) and 20,000 amps RMS (2" and above sizes) for a duration of current three cycles

Standard Material

Nut, Gland ½" to 1" Steel – ¼" to 4" Malleable Iron
 Body All Malleable Iron
 Ring Steel (case hardened)
 Insulator Nylon
 Locknut ½" thru 2" Steel (hardened) 2" thru 4" Malleable Iron

Standard Finish

Electro Zinc Plated & Chromate Coated

Range

8123 & 8120 Series ½" through 4" Size Conduit
 8130 Series ½" through 2" Size Conduit
 All hub threads Straight Pipe (NPS)

Listings/Compliances

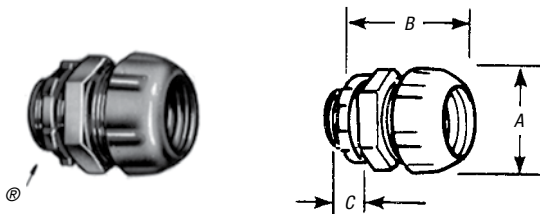
UL 514B	Federal Specification A-A-50553
CSA C22.2 No. 18	Federal Standard H-28 (Threads)
NFPA 70	UL (UL File No: E-23018)
NEMA FB1	CSA (LR-2884, LR-4484)

Couplings and Accessories

Split steel ring with diagonal serrations grips conduit and bites in for positive ground!

Threadless Connectors — Nylon Insulated

- Makes a permanent connection
- Eliminates need for cutting a thread on conduit
- Insulation helps ensure continuity of service by protecting the conductor at the critical point — the connector bushing
- Malleable iron construction
- Look for the unique T&B blue color, ensuring the highest quality fitting



CAT. NO.		CONDUIT SIZE	DIMENSIONS (IN.)		
NYLON INSUL.	NON-INSUL.		A	B	C
8123	8121	1/2"	1 1/32	1 1/16	1/2
8223	8221	3/4"	1 1/32	1 3/4	1/2
8323	8321	1"	1 29/32	2	9/16
8423	8421	1 1/4"	2 3/8	2 7/16	1 1/16
8523	8521	1 1/2"	2 11/16	2 5/8	3/4
8623	8621	2"	3 1/4	2 13/16	27/32
8723-TB	8721	2 1/2"	4 1/8	3 13/16	1 1/8
8823	8821	3"	4 7/8	4	1 1/32
8853	8851	3 1/2"	5 1/2	4 7/8	1 1/8
8973	8971	4"	6 1/32	4 7/8	1 1/8

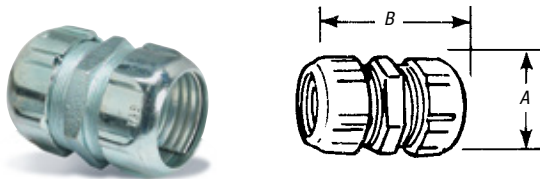
Available with DURA-PLATE® Finish. UL File No. E-23018 CSA File No. 2884

Just tighten with a wrench to make a UL Listed and CSA Certified concrete-tight connection!



Threadless Couplings

- Eliminates need for conduit threading
- Malleable iron construction



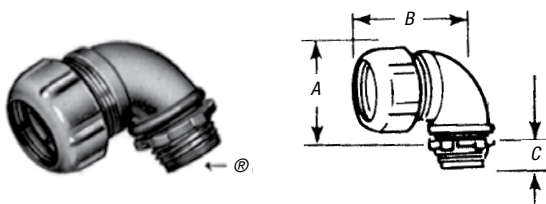
CAT. NO.	SIZE	DIMENSIONS (IN.)	
		A	B
8120	1/2"	1 9/32	2
8220	3/4"	1 19/32	2 5/16
8320	1"	1 7/8	2 11/16
8420	1 1/4"	2 5/8	2 13/16
8520	1 1/2"	2 5/8	3 5/8
8620	2"	3 3/4	3 13/16
8720	2 1/2"	3 15/16	5 3/8
8820	3"	4 11/16	5 1/2
8850	3 1/2"	5 3/16	5 1/2
8970	4"	5 11/16	5 1/2

Available with DURA-PLATE® Finish. UL File No. E-23018 CSA File No. 2884

Ideal for entering enclosure or conduit body at right angles!

Threadless Short Elbows — Nylon Insulated

- Eliminates need to thread conduit
- As with straight couplings, makes a concrete-tight connection
- Malleable iron construction



CAT. NO.	SIZE	DIMENSIONS (IN.)		
		A	B	C
8130	1/2"	1 11/32	1 1/2	1/2
8131	3/4"	1 5/8	1 3/4	9/16
8132	1"	1 7/8	1 15/16	1 1/16

Available with DURA-PLATE® Finish. UL File No. E-23018 CSA File No. 2884

Couplings and Accessories

Set-Screw Connector/Coupling

(For Threadless Rigid Metal Conduit and Intermediate Metal Conduit)

Application

- To connect and effectively bond threadless rigid metal conduit or intermediate metal conduit to a box or enclosure or to couple ends of threadless conduit

Features

- Thickwall steel or malleable iron body
- Hardened hex head cup point screw to provide high-quality bond
- Screw captivated, will not vibrate loose
- Nylon insulated throat meets and exceeds all code requirements for bushing:
 - Prevents thinning of insulation
 - Reduces installation effort
 - Prevents first thread damage



- Coupling provided with positive center stop
- Suitable for concrete-tight application
- Capable of carrying ground fault currents up to 10,000 amps RMS (½" through 1½" size) and 20,000 amps RMS (2" and above sizes)

Standard Finish

Electro Zinc Plated & Chromate Coated

Listings/Compliances

UL (UL File No: E-23018)
 CSA (LR-2884, LR-4484)
 UL 514B
 CSA C22.2 No. 18
 NFPA 70
 NEMA FB1
 Federal Specification A-A-50553
 Federal Standard H-28 (Threads)

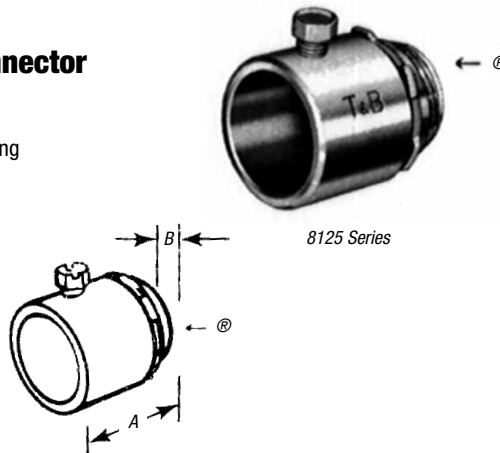
Standard Material

Body ½" thru 2" Steel
 2½" thru 4" Malleable Iron
 Locknut ½" thru 2" Steel (hardened)
 2½" thru 4" Malleable Iron
 Screw Steel (hardened)
 Insulator Nylon

Eliminates the need for conduit threading!

Insulated Set-Screw Connector

- Captive hex head screws tighten down onto conduit for positive holding strength and ground
- Furnished with insulated throats to reduce wire-pulling effort by as much as 50%
- Approved concrete-tight



CAT. NO.	CONDUIT SIZE	DIMENSIONS (IN.)	
		A	B
8125	½"	1⅜	1⅝
8225	¾"	1½	7/16
8325	1"	1⅞	3/64
8425	1¼"	2	5/8
8525	1½"	2⅞	5/8
8625-TB	2"	2⅞	1⅞
8725-TB	2½"	3⅞	1
8825	3"	3⅞	1
8855	3½"	3⅞	1⅞
8975	4"	4⅞	1⅞

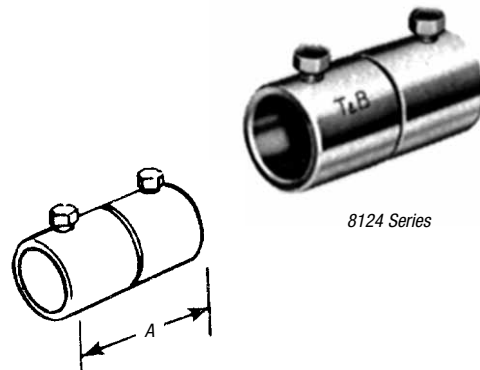
Sizes ½"–2" made of steel. Sizes 2½"–4" are malleable iron. Available with DURA-PLATE® Finish.

UL File No. E-23018 CSA File No. 2884

No need to thread conduit ends when joining rigid conduit!

Set-Screw Coupling

- Captive hex head screws provide positive holding strength and ground continuity
- Approved concrete-tight



CAT. NO.	CONDUIT SIZE	DIMENSION (IN.)
		A
8124	½"	2½
8224	¾"	2⅞
8324-TB	1"	2⅞
8424	1¼"	3
8524	1½"	3⅞
8624	2"	3⅞
8724	2½"	3⅞
8824-TB	3"	4¼
8854	3½"	4⅞
8974	4"	5⅞

Sizes ½"–2" made of steel; sizes 2½"–4" are malleable iron. Available with DURA-PLATE® Finish.

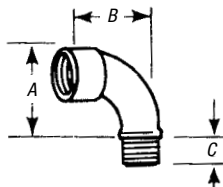
UL File No. E-23018 CSA File No. 2884

Couplings and Accessories

Smoothly rounded shoulders protect conductor insulation!

Bushed Elbows

- Non-insulated
- Malleable iron construction



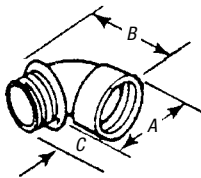
CAT. NO.	SIZE	DIMENSIONS (IN.)		
		A	B	C
460-TB	1/2"	1 1/8	1 13/16	5/8
461TB	3/4"	1 1/2	2 1/4	5/8
462	1"	1 13/16	2 11/16	3/4
463	1 1/4"	2 1/4	3 3/8	3/4

Available with DURA-PLATE® Finish. UL File No. E 23018. CSA File No. 2884

Integral insulation ensures a smooth bushing in every fitting!

Short Elbows — Nylon Insulated

- Malleable iron construction



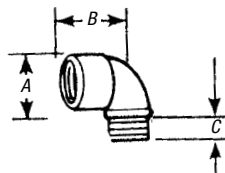
CAT. NO.	SIZE	DIMENSIONS (IN.)		
		A	B	C
4290	1/2"	1 1/32	1 1/4	1/2
4291	3/4"	1 1/16	1 5/16	9/16
4292	1"	1 23/32	1 9/16	1 1/16
4293	1 1/4"	2 1/32	2 1/16	1 3/16
4294	1 1/2"	2 15/32	2 3/16	1 3/16
4295	2"	3	2 5/16	1 3/16

Available with DURA-PLATE® Finish. Not UL or CSA.

For non-insulated applications.

Short Elbows

- Malleable iron construction

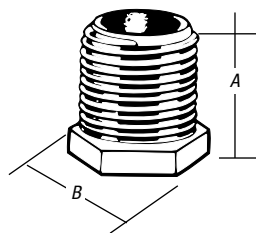


CAT. NO.	SIZE	DIMENSIONS (IN.)		
		A	B	C
4250	1/2"	1 5/16	1 1/4	7/16
4251	3/4"	1 17/32	1 9/16	1/2
4252	1"	1 13/16	1 9/16	5/8
4253	1 1/4"	2 5/32	2 1/16	1 1/16
4254	1 1/2"	2 9/16	2 3/16	1 1/16
4255	2"	3 3/32	2 5/16	1 1/16

Available with DURA-PLATE® Finish. U.L. File #E-23018 CSA File No. 589

Conduit Nipples

- Die-cast zinc
- 1" long

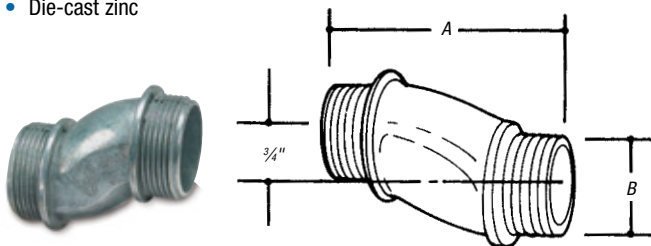


CAT. NO.	SIZE	DIMENSIONS (IN.)	
		A	B
HA-211	1/2"	1"	15/16"
HA-212	3/4"	1"	1 3/16"
HA-213	1"	1"	1 7/16"

UL File No. E-1275 1/2" & 3/4" only

Offset Nipples

- Die-cast zinc



CAT. NO.	SIZE	DIMENSIONS (IN.)	
		A	B
HO-221	1/2"	2.60"	1.00"
HO-222	3/4"	2.62"	1.32"
HO-223	1"	2.68"	1.51"
HO-224	1 1/4"	2.85"	1.85"
HO-225	1 1/2"	2.88"	2.08"
HO-226	2"	3.19"	2.71"

*3/4" offset
UL File No. E-1275*

Couplings and Accessories

Threaded Erickson® Three-Piece Coupling

(For Threaded Rigid Metal Conduit and Intermediate Metal Conduit)



674 Series
675AL Series

Application

- To couple and effectively bond threaded ends of rigid metal conduit/intermediate metal conduit where neither length of conduit can be rotated

Features

- Malleable iron/steel/copper-free aluminum construction
- Free fitting threads ensure easy assembly
- Permits conduit coupling without rotating either conduit
- Provides rigid in-line coupling with high-quality grounding; will not loosen under vibration
- Suitable for concrete-tight application
- Capable of carrying ground fault currents up to 10,000 amps RMS (1/2" through 1 1/2" size) and up to 20,000 amps RMS (2" and above) (duration of fault current three cycles) (674 series tested)

Standard Material

674 Series

Bushing & Case..... Malleable Iron
Ring..... Steel & Malleable Iron

675AL Series

Bushing & Case..... Aluminum
Ring..... Aluminum

Standard Finish

674 Series: Electro Zinc Plated & Chromate Coated

675AL Series: Degreased

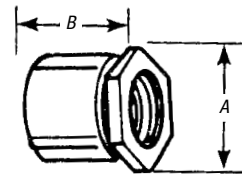
Range

3/8" thru 6" Conduit (malleable iron)
1/2" thru 6" Conduit (aluminum)
All straight pipe threads (NPS)

Listings/Compliances

UL 514B
CSA C22.2 No. 18
NEMA FB1
NFPA 70-1999 (ANSI)
Federal Specification A-A-50553
Federal Standard H-28 (Threads)
Raintight

With an ERICKSON® coupling, a conduit run may be completed when neither conduit can be turned. A conduit run may also be broken without taking down the whole run. Conduit joined with ERICKSON® Couplings is rigid and in line and vibration will not loosen the connections. Malleable iron.



CAT. NO.	ALUM.* CAT. NO.	SIZE	DIMENSIONS (IN.)	
			A	B
674	—	3/8"	1 1/8	1 1/8
675	675AL	1/2"	1 1/32	1 1/4
676	676AL	3/4"	1 1/16	1 13/32
677	677AL	1"	1 29/32	1 1/8
678	678AL	1 1/4"	2 3/8	1 13/16
679	679AL	1 1/2"	2 3/8	1 3/32
680TB	680AL	2"	3 3/32	2 3/32
681	681AL	2 1/2"	3 31/32	2 1/16
682	682AL	3"	4 1/16	2 29/32
683	683AL	3 1/2"	5	3
684	684AL	4"	5 1/2	3 1/16
685	685AL	4 1/2"	6 1/4	3 15/32
686	686AL	5"	6 25/32	3 3/4
687	687AL	6"	8	4 1/32

*Copper-Free Aluminum

UL Listed and CSA Certified concrete-tight.

UL File No. E-23018

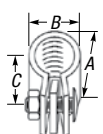
CSA File No. 2884

Split Couplings

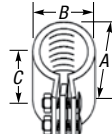
- Ideal for retrofit installations or in tight areas
- Fast installation
- Neoprene gasket provides a concrete-tight seal
- Joins threaded conduit even when the conduit can't rotate
- Approved for direct burial



T&B's Split Coupling is a simple method to join threaded conduits in retrofits or in snug areas. Available in 1/2" to 6".



1/2" and 3/4" furnished with one screw



1" and 6" furnished with two screws

Specifications

- Material: Malleable Iron
- Plating: Zinc Plated
- Gasket: Neoprene
- Standards: UL Standard 514B, NEMA FB-1

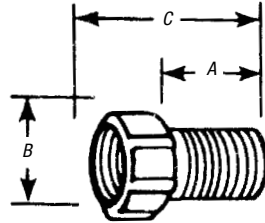
CAT. NO.	TRADE SIZE	DIMENSIONS (IN.)			WEIGHT PER 100
		A	B	C	
SPCP50	1/2"	2	1 1/4	1 1/4	34.4
SPCP75	3/4"	2 5/16	1 1/2	1 1/4	39.4
SPCP100	1"	2 5/8	1 13/16	1 1/8	60.0
SPCP125	1 1/4"	3 1/16	2 3/16	1 1/8	75.0
SPCP150	1 1/2"	3 5/8	2 7/16	1 15/16	112.5
SPCP200	2"	3 13/16	2 7/8	2	112.5
SPCP250	2 1/2"	4 5/8	3 3/16	3 1/16	275.0
SPCP300	3"	5 5/16	4 1/8	3 3/8	300.0
SPCP350	3 1/2"	6 1/16	4 13/16	3 3/4	425.0
SPCP400	4"	6 5/8	5 3/8	3 1/16	500.0
SPCP500	5"	8 1/16	6 7/16	3 3/8	900.0
SPCP600	6"	9 1/4	7 3/8	4 1/16	1,300.0

Couplings and Accessories

The ideal solution for applications requiring longer thread length!

Panel Connector Extensions

- Will combine with any fitting with a male thread
- Male thread of panel connector extension is 1" long
- Malleable iron construction



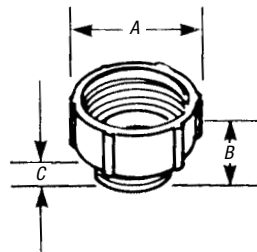
CAT. NO.	SIZE	DIMENSIONS (IN.)		
		A	B	C
1440	1/2"	1 1/4	1 3/32	1 1/8
1441	3/4"	1 3/8	1 11/32	2
1442	1"	1 1/4	1 19/32	1 15/16
1443	1 1/4"	1 1/4	1 15/16	1 15/16

UL File No. E-23018

CSA File No. 2884

Adapt an outlet hole to the next larger size of conduit!

Male Enlargers*



- Built-in bushing covers rough ends of conduit
- Malleable iron construction



CAT. NO.	SIZE	DIMENSIONS (IN.)		
		A	B	C
1245	1/2" to 3/4"	1 13/32	1 1/16	1/2
1246	3/4" to 1"	1 11/16	1 1/4	19/32
1244	1" to 1 1/4"	2 1/16	1 11/32	1/2
1247	1 1/4" to 1 1/2"	2 5/16	1 3/8	9/16

* All items shown in this chart are suitable for use in hazardous locations where general purpose equipment is specifically permitted by the NEC; Class I, Div. 2; Class II, Div. 1 & 2; Class III, Div. 1 & 2, NEC 501-4(b); 502-4(a)(b); 503-3(a)(b). Available with DURA-PLATE® Finish.

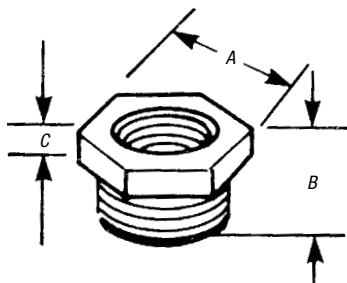
UL File No. E-23018

CSA File No. 2884

Adapt any outlet to the next smaller size of conduit!

Female Reducers*

- Hex shoulder for easy wrench tightening
- Malleable iron construction



CAT. NO.	SIZE	DIMENSIONS (IN.)		
		A	B	C
1250-TB	3/4" to 1/2"	1 1/8	5/8	3/16
1261	1" to 1/2"	1 1/16	2 1/32	3/16
1251	1" to 3/4"	1 3/8	1 1/16	3/16
1262	1 1/4" to 1/2"	1 13/16	2 3/32	3/16
1263	1 1/4" to 3/4"	1 13/16	2 3/32	3/16
1252	1 1/4" to 1"	1 3/4	2 5/32	7/32
1253	1 1/2" to 1 1/4"	2	1 19/16	1/4
1254	2" to 1 1/2"	2 3/8	1 3/16	9/32
1255	2 1/2" to 2"	3	1 1/4	3/8
1256	3" to 2 1/2"	3 5/8	1 1/2	1/2
1257	3 1/2" to 3"	4 1/8	1 9/16	1/2
1258	4" to 3 1/2"	4 5/8	1 9/16	1/2

* All items shown in this chart are suitable for use in hazardous locations where general purpose equipment is specifically permitted by the NEC; Class I, Div. 2; Class II, Div. 1 & 2; Class III, Div. 1 & 2, NEC 501-4(b); 502-4(a)(b); 503-3(a)(b).

Available with DURA-PLATE® Finish. UL File No. E-23018 CSA File No. 2884

Couplings and Accessories

Stainless Steel Pipe Straps



Thomas & Betts offers stainless steel pipe straps to support and securely fasten rigid, IMC and EMT conduit. One- and two-hole stainless steel straps are ideal for industrial applications such as petro-chemical plants, manufacturing plants, pulp and paper mills, food processing, power plants, refineries and mining operations. Stainless steel pipe straps are also useful in commercial applications in schools, hospitals, office buildings, airports, casinos and stadiums.

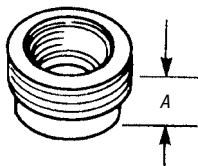
- Higher degree of corrosion resistance than traditional zinc-plated or hot-dipped galvanized straps
- One and two-hole straps for EMT sizes ½" through 2"
- One and two-hole straps for Rigid and IMC size ½" through 4"
- 303 stainless steel

CAT. NO.	TRADE SIZE	WT. PER 100	HOLE DIA.	STD. PKG.	CAT. NO.	TRADE SIZE	WT. PER 100	HOLE DIA.	STD. PKG.
One-Hole EMT Straps					Two-Hole EMT Straps				
TS101-SS	½"	2.21	¼"	25	TS901-SS	½"	2.21	¼"	25
TS102-SS	¾"	2.49	¼"	25	TS902-SS	¾"	3.31	¼"	25
TS103-SS	1"	3.31	¼"	25	TS903-SS	1"	3.87	¼"	25
TS104-SS	1¼"	3.64	1/16"	10	TS904-SS	1"	7.54	1/16"	10
TS105-SS	1½"	3.87	1/16"	5	TS905-SS	1½"	12.21	1/16"	5
TS106-SS	2"	4.03	1/16"	5	TS906-SS	2"	18.23	1/16"	5
One-Hole Rigid/IMC Straps					Two-Hole Rigid/IMC Straps				
HS100-SS	¾"	2.00	9/32"	20	HS901-SS	½"	2.49	9/32"	20
HS101-SS	½"	2.21	9/32"	20	HS902-SS	¾"	3.64	9/32"	20
HS102-SS	¾"	2.49	9/32"	20	HS903-SS	1"	4.15	9/32"	20
HS103-SS	1"	3.48	9/32"	20	HS904-SS	1¼"	8.17	1/16"	10
HS104-SS	1¼"	3.76	1/32"	10	HS905-SS	1½"	17.50	1/32"	10
HS105-SS	1½"	18.22	1/32"	10	HS906-SS	2"	21.37	1/32"	5
HS106-SS	2"	19.69	1/32"	5	HS907-SS	2½"	21.54	1/32"	5
HS107-SS	2½"	67.21	1/32"	5	HS908-SS	3"	25.72	1/32"	5
HS108-SS	3"	76.45	1/32"	5	HS909-SS	3½"	27.27	1/32"	5
HS110-SS	4"	80.18	1/32"	5	HS910-SS	4"	31.70	1/32"	5

Conduit & Fittings — T&B® Rigid Fittings

Reduces threaded opening in conduit bodies or any female threaded fitting!

Threaded Reducers



- Smooth, built-in bushing completely covers rough ends of conduit
- Malleable iron or steel construction (steel through 606, also 614 and 615)

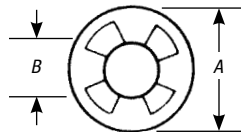
CAT. NO.		DIMENSION (IN.)	
STL. OR MI	ALUM.	SIZE	A
600TB	600ALTB	½" to ¾"	9/16"
601TB	601ALTB	¾" to 1"	9/16"
602TB	602ALTB	1" to 1½"	5/8"
603TB	603ALTB	1" to ¾"	5/8"
604TB	604ALTB	1¼" to 1½"	13/16"
605TB	605AL	1¼" to ¾"	5/8"
606TB	606AL	1¼" to 1"	15/16"
607	607AL	1½" to 1"	13/16"
608	608AL	1½" to ¾"	13/16"
609	609AL	1½" to 1"	15/16"
610	610AL	1½" to 1¼"	¾"
611TB	611AL	2" to 1½"	15/16"
612	612AL	2" to ¾"	15/16"
613	613AL	2" to 1"	15/16"
614TB	614AL	2" to 1¼"	15/16"
615TB	615AL	2" to 1½"	7/8"

UL File No. E-23018

CSA File No. 2884

Reduce knockout hole in outlet box!

Reducing Washers



- Used in pairs
- Interlock to form a rib that centers washers and conduit in knockout
- Galvanized steel construction

CAT. NO.	SIZE	DIMENSIONS (IN.)	
		A	B
3700	¾" to ¾"	1½"	45/64"
3701	¾" to 1"	1½"	7/8"
3702	1" to 1½"	1½"	45/64"
3703	1" to 1½"	1½"	7/8"
3704	1" to ¾"	1½"	13/32"
3705-TB	1¼" to ¾"	2"	45/64"
3706	1¼" to 1½"	2"	7/8"
3707	1¼" to ¾"	2"	13/32"
3708	1¼" to 1"	2"	123/64"
3709	1½" to ¾"	2¼"	45/64"
3710	1½" to 1½"	2¼"	7/8"
3711	1½" to ¾"	2¼"	13/32"
3712	1½" to 1"	2¼"	123/64"
3713	1½" to 1¼"	2¼"	123/32"
3714	2" to 1½"	2¾"	7/8"
3715-TB	2" to ¾"	2¾"	13/32"
3716	2" to 1"	2¾"	123/64"
3717	2" to 1¼"	2¾"	123/32"
3718	2" to 1½"	2¾"	133/32"

UL File No. E-13938

CSA File No. 2884

Couplings and Accessories

For rigid metal conduit and intermediate metal conduit

Conduit Straps

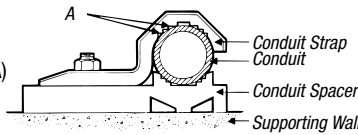
Application

- To support and securely fasten rigid metal conduit and intermediate metal to the supporting surface

Features

- Rugged malleable iron/copper-free aluminum construction — snugly fits on the conduit
- Designed to prevent accumulation of moisture and start of corrosion on vertical run of conduit (A)
- Galvanized finish 1275 Series
- Copper-free aluminum 1276AL Series

1275 Series
1276AL Series



Standard Material

1275 Series.....Malleable Iron
1276AL Series.....All copper-free aluminum

Standard Finish

1275 Series.....Hot Dipped
1276AL SeriesAs Cast Galvanized

Range

1275 Series..... $\frac{3}{8}$ " through 6" conduit
1276AL Series..... $\frac{3}{8}$ " through 4" conduit

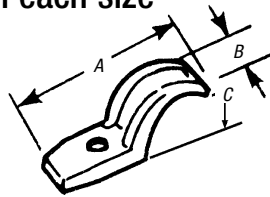
Listings/Compliances

CSA (LR-2884, LR-4484)
CSA C22.2 No. 18
NFPA 70

Designed for snug fit on each size of conduit!

Pipe Straps — Malleable Iron or Aluminum

- High reinforcing ribs on each side increase strength and reduce weight
- Available in malleable iron with hot-dipped galvanized finish or in copper-free aluminum



CAT. NO.		SIZE	A	B	C	SCREW SIZE
MAL. IRON	ALUM.					
1275†	1275AL	$\frac{3}{8}$ "	$1\frac{1}{8}$ "	$1\frac{1}{16}$ "	$\frac{3}{4}$ "	#12
1276†	1276AL†	$\frac{1}{2}$ "	$2\frac{5}{32}$ "	$2\frac{1}{32}$ "	$1\frac{1}{32}$ "	$\frac{1}{4}$ "
1277†	1277AL†	$\frac{3}{4}$ "	$2\frac{9}{16}$ "	$1\frac{1}{16}$ "	$1\frac{1}{32}$ "	$\frac{1}{4}$ "
1278†	1278AL†	1"	3"	$\frac{3}{4}$ "	$1\frac{17}{32}$ "	$\frac{1}{4}$ "
1279†	1279AL†	$1\frac{1}{4}$ "	$3\frac{3}{4}$ "	$1\frac{3}{16}$ "	$1\frac{7}{8}$ "	$\frac{5}{16}$ "
1280†	1280AL	$1\frac{1}{2}$ "	$4\frac{9}{16}$ "	$1\frac{5}{16}$ "	$2\frac{1}{8}$ "	$\frac{3}{8}$ "
1281	1281AL	2"	$5\frac{5}{16}$ "	$1\frac{1}{8}$ "	$2\frac{17}{64}$ "	$\frac{7}{16}$ "
1282*	1282AL	$2\frac{1}{2}$ "	$5\frac{15}{16}$ "	$1\frac{1}{2}$ "	$2\frac{3}{4}$ "	$\frac{1}{2}$ "
1283*	1283AL	3"	$6\frac{11}{16}$ "	$1\frac{5}{8}$ "	$3\frac{11}{32}$ "	$\frac{1}{2}$ "
1284	1284AL	$3\frac{1}{2}$ "	$7\frac{19}{32}$ "	$1\frac{3}{4}$ "	$3\frac{29}{32}$ "	$\frac{5}{8}$ "
1285*	1285AL	4"	$8\frac{9}{16}$ "	$1\frac{7}{8}$ "	$4\frac{1}{32}$ "	$\frac{5}{8}$ "
1286	—	$4\frac{1}{2}$ "	$9\frac{9}{16}$ "	$1\frac{15}{16}$ "	$4\frac{15}{16}$ "	$\frac{5}{8}$ "
1287	—	5"	$9\frac{15}{16}$ "	2"	$5\frac{15}{32}$ "	$\frac{5}{8}$ "
1288	—	6"	$11\frac{1}{2}$ "	$2\frac{7}{16}$ "	$6\frac{17}{32}$ "	$\frac{5}{8}$ "

*May be used with EMT of same size.

UL not applicable.

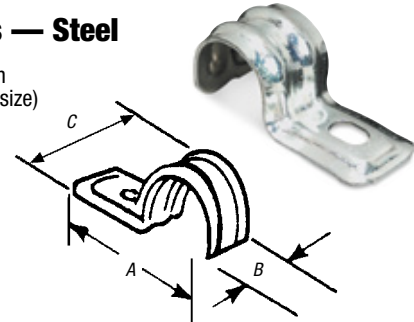
† Not snap-on type.

CSA File No. 2884

Elongated bolt hole makes alignment easy, even when mounting-surface holes are off center!

Pipe Straps — Steel

- Snap-on design (except for $\frac{3}{8}$ " size)
- Rugged steel construction



CAT. NO.	CONDUIT SIZE	A	B	C	SCREW SIZE
1210TB†	$\frac{3}{8}$ "	$1\frac{15}{32}$ "	$\frac{3}{4}$ "	$1\frac{1}{16}$ "	$\frac{1}{4}$ "
1211TB	$\frac{1}{2}$ "	2"	$\frac{3}{4}$ "	$1\frac{5}{16}$ "	$\frac{1}{4}$ "
1212TB	$\frac{3}{4}$ "	$2\frac{5}{16}$ "	$3\frac{3}{4}$ "	1"	$\frac{1}{4}$ "
1213TB	1"	$3\frac{13}{16}$ "	$\frac{3}{4}$ "	$1\frac{17}{64}$ "	$\frac{1}{4}$ "
1214TB	$1\frac{1}{4}$ "	$2\frac{31}{32}$ "	$1\frac{9}{16}$ "	$1\frac{9}{16}$ "	$\frac{3}{8}$ "
1215TB	$1\frac{1}{2}$ "	$3\frac{3}{32}$ "	$1\frac{1}{16}$ "	$1\frac{13}{16}$ "	$\frac{3}{8}$ "
1216TB	2"	$4\frac{7}{16}$ "	$2\frac{5}{16}$ "	$2\frac{5}{16}$ "	$\frac{3}{8}$ "

† Not snap-on type.

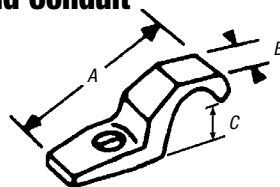
UL not applicable.

CSA File No. 2884

PVC coating offers high corrosion resistance!

PVC-Coated Straps for Rigid Conduit

- Designed to fit each size of conduit snugly
- High reinforcing ribs on each side increase strength and reduce weight
- Malleable iron construction



CAT. NO.	SIZE	BOLT SIZE	DIMENSIONS (IN.)		
			A	B	C
1275CR	$\frac{3}{8}$ "	$\frac{1}{4}$ "	$1\frac{7}{8}$ "	$1\frac{1}{16}$ "	$\frac{3}{4}$ "
1276CR	$\frac{1}{2}$ "	$\frac{1}{4}$ "	$2\frac{5}{32}$ "	$2\frac{1}{32}$ "	$1\frac{1}{32}$ "
1277CR	$\frac{3}{4}$ "	$\frac{1}{4}$ "	$2\frac{9}{16}$ "	$1\frac{1}{16}$ "	$1\frac{1}{32}$ "
1278CR	1"	$\frac{1}{4}$ "	3"	$\frac{3}{4}$ "	$1\frac{17}{32}$ "
1279CR	$1\frac{1}{4}$ "	$\frac{3}{8}$ "	$3\frac{3}{4}$ "	$1\frac{3}{16}$ "	$1\frac{1}{8}$ "
1280CR	$1\frac{1}{2}$ "	$\frac{3}{8}$ "	$4\frac{9}{16}$ "	$1\frac{5}{16}$ "	$2\frac{1}{8}$ "
1281CR	2"	$\frac{1}{2}$ "	$5\frac{1}{16}$ "	$1\frac{1}{8}$ "	$2\frac{17}{64}$ "

UL not applicable.

Couplings and Accessories

Conduit Spacers

(For Rigid Metal Conduit, Intermediate Metal Conduit and Electrical Metallic Tubing)



1350



1351-1354

Application

- Provides mounting surface for conduit where installation requires air space between conduit and supporting surface

Features

- Prevents conduit rusting from wall condensation
- Spacers can be stacked one atop the other, facilitating installation and eliminating expensive conduit offsetting (A)
- Designed to cover wide range; marked with accurate size marking for proper positioning (B)
- Electro-zinc plated finish on 1350 Series
- Copper-free aluminum alloy, 1350AL Series

Standard Material

1350 Series.....Malleable Iron
1350AL Series.....Copper-free aluminum

Standard Finish

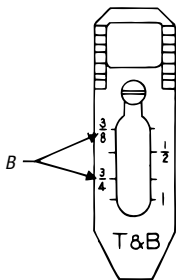
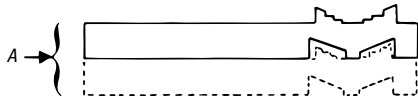
1350 Series.....Electro-zinc plated
1350AL SeriesAs Cast

Range

½" through 6" conduit

Listings/Compliances

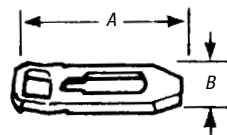
CSA (LR-2884, LR-4484, LR-4484)
CSA C22.2 No. 18
NFPA 70



Eliminates the need for costly offset-bending conduit and the possibility of corrosive moisture traps when conduit is mounted directly to a surface!

Pipe Spacers

- Used with T&B conduit straps to provide space between conduit and mounting surface
- Premountable and stackable to eliminate offsetting
- Malleable iron construction with hot-dipped galvanized finish

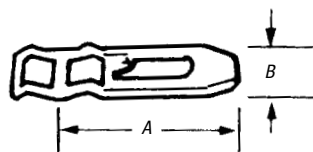


CAT. NO.		SIZE	SCREW SIZE	DIMENSIONS (IN.)	
MAL. IRON	ALUM.			A	B
1350	1350AL	½", ¾", 1"	#7	3	7/8
1351	1351AL	1¼"-1½"-2"	#12	5	1½
1352	1352AL	2½"-3"	#12	9/16	1¼
1353	1353AL	3½"-4"	#14	7/16	2
1354	—	4½"-5"-6"	#16	10/16	2½

Conforms to NEC® Sect. 300-5-c. UL not applicable. CSA File Nos. 2884 and 4484.

Prevents conduit rusting from wall condensation!

Pipe Spacers — PVC Coated



- Eliminates the need for offset-bending of conduit
- Can be stacked for offsets on wall or into outlet box
- Corrosion-resistant, PVC-coated malleable iron construction

CAT. NO.	CONDUIT SIZE	SCREW SIZE	DIMENSIONS (IN.)	
			A	B
1350CR	½"-¾"-1"	#7	3	7/8
1351CR	1¼"-1½"-2"	#12	5	¾

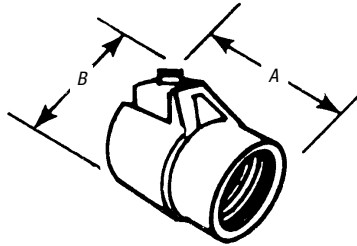
UL not applicable. Conforms to NEC Sect. 300-5-c.

Couplings and Accessories

One-piece fitting couples armored cable or flexible conduit to threaded rigid conduit!

TITE-BITE® Combination Couplings — Armored Cable for Threaded Rigid

- Tite-Bite® wedge holds conduit securely with a double grip
- When used with a Chase® nipple, this fitting will connect flexible conduit to outlet boxes, enabling more wiring space in the box than the usual connector
- UL® Listed as a grounding means under NEC® 350-5
- Malleable iron construction



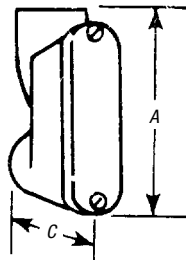
CAT. NO.	SIZE	DIMENSIONS (IN.)	
		A	B
440	1/2"	1 1/8	1 7/32
441	3/4"	1 3/4	2 1/8
442	1"	2	2 17/32

UL File No. E-23018
CSA File No. 2884

Mount flat against wall, eliminating the need to offset conduit!

Entrance Ells

- Designed for a straight pull in either direction
- Smooth surface
- Make it easy to pull heavy wires without damage to insulation
- Made of copper-free aluminum



CAT. NO.	CONDUIT SIZE	DIMENSIONS (IN.)	
		A	C
1490	1/2"	3	1 19/32
1491	3/4"	3 9/16	1 1/8
1492	1"	4 1/4	2 23/64
1493	1 1/4"	5 3/64	2 9/16
1494	1 1/2"	6 1/4	2 1/8
1495	2"	6 3/4	3 9/16

UL File No. E-23018. CSA File Nos. 2884 and 589

Adjustable design fits a wide range of flange sizes!

Adjustable Beam Clamps

- Includes bolts
- Steel construction



CAT. NO.	DESCRIPTION
700TB	Fits Flange 2 3/4"–7 3/8"
701	Fits Flange 7"–12"
703	Special Bolt and (3) Nuts

CSA File No. 2884.

Fits any flange, tapered or straight, up to 5/8" thick!

Conduit Supports

- For use with standard rigid conduit, EMT or IMC
- Broad hook holds conduit at any desired angle
- Malleable iron construction



CAT. NO.	SIZE
690TB	1/2"
691TB	3/4"
692TB	1"
693TB	1 1/4"

CSA File No. 2884

Conduit Bodies and Covers

T&B® Conduit Fittings for Ordinary and Hazardous Locations

Thomas & Betts offers a broad range of conduit bodies, conduit boxes, conduit fittings, unions, sealing fittings, drains and cable fittings for both ordinary and hazardous locations. Complete information on applications, features, materials, finishes, size range and certifications is provided in the following pages.

Conduit Bodies (for ordinary locations)

For raceway systems to provide pull outlets, 90° bends, splices, taps, mounting outlets, etc.

FORM 7	For neat, compact installation of rigid threaded conduit.
FORM 8	For heavier conductors using rigid threaded conduit.
Series 35	For economy installations of rigid threaded conduit.
Stainless Steel	For superior corrosion protection.
Red•Dot® Aluminum Die-Cast	For rigid threaded conduit installation — copper-free aluminum.
Red•Dot® Thinwall (EMT)	For set-screw installation using thinwall conduit (EMT) — copper-free aluminum.
Mogul Conduit Fittings	For larger conduits, spacious, accessible wiring chambers.

Cast Device Boxes (for ordinary locations)

For raceway systems to accommodate wiring devices, serve as pull boxes and provide entrances for taps and splices.

FS/FD Single- and Double-Gang Cast Device Boxes

Cast Conduit Outlet Boxes (for hazardous locations)

Round cast outlet boxes used with rigid conduit to serve as pull and splice boxes, easy access to wiring, act as a housing for instruments, apparatus, etc.

GUA Conduit Outlet Bodies

Reducers, Plugs, Unions (for ordinary and hazardous locations)

Includes reducers for connecting conduit of dissimilar dimensions, plugs for unused conduit openings and hubs and unions for threaded conduit systems.

RE, PLG REC Reducers, Plugs and Adapters, UNY/UNF Unions

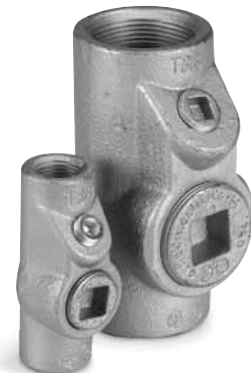
Sealing Fittings and Drains (for ordinary and hazardous locations)

Cast fittings used with rigid conduit to seal sections from passage of vapors, flame or gases or explosions. Drains provide ventilation as a breather and as a drain in moist locations.

EYS/EYD Sealing Fittings & ECD Drains

Cable Fittings (for ordinary and hazardous locations)

For armored, metal clad, jacketed or unjacketed and unarmored cables through a bulkhead or enclosure in ordinary or hazardous areas.



Conduit Bodies and Covers

Conduit Outlet Bodies

Application

Conduit Bodies are installed in conduit systems to:

- Connect conduit sections
- Act as pull outlets when conductors are being installed
- Provide easy access for splices in branch conductors
- Make 90° bends in conduit runs
- Act as mounting outlets for wiring devices and lighting fixtures
- Provide access to conductors for maintenance and future system changes

Features

- Standard features include tapered (NPT) threads and integral bushings to protect wire insulation
- T&B Form 7 bodies and covers are interchangeable with other manufacturers' Form 7 bodies and covers
- T&B Form 8 bodies and covers are interchangeable with other manufacturers' Form 8 bodies and covers
- T&B Form 7 and Form 8 bodies feature BlueKote® internal coating for easier wire pulling
- T&B Series 35 bodies and covers are interchangeable with other manufacturers' 35/5 Series iron and steel bodies and covers

Materials

Form 7, Form 8 and Series 35 Conduit Bodies Sand-cast class 30 gray iron alloy
Stainless Steel Conduit Bodies Type 316 stainless steel
Red•Dot® Conduit Bodies Die-cast aluminum, copper-free
Covers Sand-cast gray iron alloy and stamped sheet steel with steel-stainless steel screws
Stainless Steel Covers Cast and stamped Type 316 stainless steel with stainless steel screws
Gaskets Neoprene

Finish

Form 7, Form 8 and Series 35 Conduit Bodies Zinc-plating with aluminum acrylic coating
Form 7 and Form 8 Bodies Internal PTFE-based BlueKote® coating
Red•Dot® Conduit Bodies Aluminum laquer
Covers Gray iron zinc-plating with aluminum acrylic coating, and stamped steel zinc-plating with clear chromate coating; Form 7 and Form 8 covers include neoprene gasket
Stainless Steel Bodies and Covers Polished

Listings/Compliances

UL Standard: 514A, 514B
Fed. Spec: W-C-586D
CSA Standard: C22.2 No. 18



Conduit Bodies and Covers





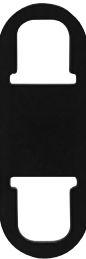
Conduit Bodies Quick Reference

SHAPE	TYPE	HUB SIZE (IN.)										SEE PAGE
		½	¾	1	1¼	1½	2	2½	3	3½	4	
	BlueKote® Form 7	LB17	LB27	LB37	LB47	LB57	LB67	LB77	LB87	LB97	LB107	E-71
	BlueKote® Form 8**	LB18	LB28	LB38	LB448	LB58	LB68	LB78	LB888	LB98	LB108	
	Series 35	LB50M	LB75M-TB	LB100M	LB125M	LB150M	LB200M	LB250M	LB300M	LB350M	LB400M	
	Threaded Aluminum*	ALB1	ALB2	ALB3	ALB4	ALB5	ALB6	ALB7	ALB8	ALB9	ALB10	
	EMT Aluminum*	BLB1	BLB2	BLB3	BLB4	BLB5	BLB6	BLB7	BLB8	BLB9	BLB10	
	Stainless Steel Form 8	LB18SST	LB28SST	LB38SST	LB48SST	LB58SST	LB68SST	(with covers, gaskets and screws)			E-69	
	BlueKote® Form 7	LU17	LU27	LU37	LU47	LU57	LU67	—	—	—	—	E-72
	Stainless Steel Form 8	LU18SST	LU28SST	LU38SST	LU48SST	LU58SST	LU68SST	(with covers, gaskets and screws)				E-69
	BlueKote® Form 7	T17	T27	T37	T47	T57	T67	T77	T87	T97	T107	E-72
	BlueKote® Form 8**	T18	T28	T38-TB	T448	T58	T68	T78	T88-TB	—	—	
	Series 35	T50M	T75M	T100M	T125M	T150M	T200M	T250M	T300M	T350M	T400M	
	Threaded Aluminum*	AT1	AT2	AT3	AT4	AT5	AT6	AT7	AT8	AT9	AT10	
	EMT Aluminum*	BT1	BT2	BT3	BT4	BT5	BT6	—	—	—	—	
	Stainless Steel Form 8	T18SST	T28SST	T38SST	T48SST	T58SST	T68SST	(with covers, gaskets and screws)			E-69	
	BlueKote® Form 7	C17	C27	C37	C47	C57	C67	C77-TB	C87	—	—	E-73
	BlueKote® Form 8**	C18	C28	C38	C448	C58-TB	C68	C78	C88	—	—	
	Series 35	C50M	C75M-TB	C100M	C125M	C150M	C200M	C250M-TB	C300M	C350M	C400M	
	Threaded Aluminum*	AC1	AC2	AC3	AC4	AC5	AC6	AC7	AC8	AC9	AC10	
	EMT Aluminum*	BC1	BC2	BC3	BC4	BC5	BC6	—	—	—	—	
	BlueKote® Form 7	LL17	LL27	LL37	LL47	LL57	LL67	LL77	LL87	LL97	LL107	E-74
	BlueKote® Form 8**	LL18	LL28	LL38	LL448	LL58	LL68	LL78	LL888	—	—	
	Series 35	LL50M	LL75M	LL100M	LL125M	LL150M	LL200M	LL250M	LL300M	LL350M	LL400M	
	Threaded Aluminum*	ALL1	ALL2	ALL3	ALL4	ALL5	ALL6	ALL7	ALL8	ALL9	ALL10	
	EMT Aluminum*	BLL1	BLL2	BLL3	BLL4	—	—	—	—	—	—	
	BlueKote® Form 7	LR17	LR27	LR37	LR47	LR57	LR67	LR77	LR87	LR97	LR107	E-75
	BlueKote® Form 8**	LR18	LR28	LR38	LR448	LR58	LR68	LR78	LR888	—	—	
	Series 35	LR50M	LR75M	LR100M	LR125M	LR150M	LR200M	LR250M	LR300M	LR350M-TB	LR400M	
	Threaded Aluminum*	ALR1	ALR2	ALR3	ALR4	ALR5	ALR6	ALR7	ALR8	ALR9	ALR10	
	EMT Aluminum*	BLR1	BLR2	BLR3	BLR4	—	—	—	—	—	—	
	BlueKote® Form 7	L17-TB	L27-TB	L37-TB	L47-TB	L57-TB	L67-TB	—	—	—	—	E-76
	Threaded Aluminum*	ALRL1	ALRL2	ALRL3	ALRL4	ALRL5	ALRL6	—	—	—	—	
	EMT Aluminum*	BLRL1	BLRL2	BLRL3	BLRL4	BLRL5	BLRL6	—	—	—	—	
	BlueKote® Form 7	TB17-TB	TB27	TB37	TB47	TB57	TB67	—	—	—	—	E-76
	BlueKote® Form 8**	TB18	TB28	TB38	TB448	TB58	TB68	—	—	—	—	
	Series 35	TB50M	TB75M	TB100M	TB125M	TB150M	TB200M	—	—	—	—	
	Stainless Steel Form 8	TB18SST	TB28SST	TB38SST	TB48SST	TB58SST	TB68SST	(with covers, gaskets and screws)				
	BlueKote® Form 7	X17	X27	X37	X47	X57	X67	—	—	—	—	E-77
	BlueKote® Form 8**	X18	X28	X38	X448	X58	X68	—	—	—	—	
	Series 35	X50M	X75M	X100M	X125M	X150M	X200M	—	—	—	—	
	BlueKote® Form 7	E17	E27	E27	—	—	—	—	—	—	—	E-77
	Threaded Aluminum	AE1	AE2	AE3	—	—	—	—	—	—	—	
	BlueKote® Form 7	TA17	TA27	TA37	TA47	TA57	TA67	—	—	—	—	—

*Aluminum conduit bodies (A and B series 2½" through 4") furnished with one stamped steel cover **½" through 1¼" have (2) mounting holes; 1½" through 4" have (4) mounting holes

Conduit Bodies and Covers

Replacement Covers and Gaskets

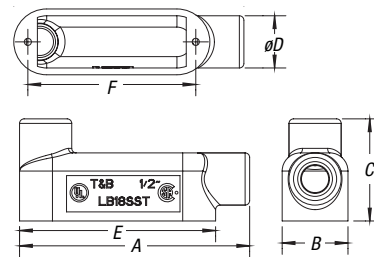
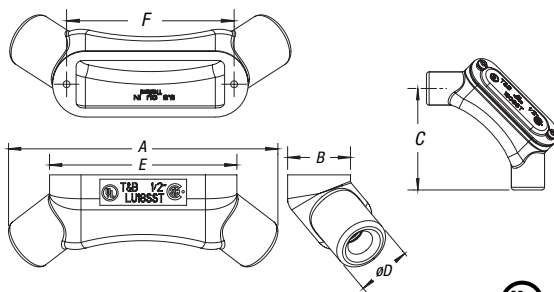
SHAPE	HUB SIZE (IN.)									
	½	¾	1	1¼	1½	2	2½	3	3½	4
 <p>Form 7* Form 8* Red•Dot® Series 35</p>	170S	270S	370S	470S	570S	670S	870S	870S	970S	970S
	180	280	380	480	580	680STB	880	880	980	980
	SCV1	SCV2	SCV3	SCV4	SCV4	SCV5	CV6	CV6	CV7	CV7
	K50S	K75S	K100S	K125S	K125S	K200S	K250S	K250S	K350S	K350S
Stamped Steel	* Form 7 and Form 8 covers include gasket.									
 <p>Form 7* Form 8* Series 35</p>	170F	270F	370F	470F	570F	670F	870F	870F	970F	970F
	180F	280F	380F	480F	580F	680F	880F	880F	980F	980F
	K50M	K75M	K100M	K125M	K125M	K200M	K250M	K250M	K350M	K350M
Gray Iron	* Form 7 and Form 8 covers include gasket.									
 <p>Form 7* Form 8* Red•Dot® Series 35</p>	GASK 571	GASK 572	GASK 573	GASK 574	GASK 575	GASK 576	GASK 578	GASK 578	GASK 579	GASK 579
	GASK 581N	GASK 582N	GASK 583N	GASK 584N	GASK 585N	GASK 586N	GASK 588N	GASK 588N	GASK 589N	GASK 589N
	GKN1	GKN2	GKN3	GKN4	GKN4	GKN5	GKN6	GKN6	GKN7	GKN7
	GK50N	GK75N	GK100N	GK125-150N	GK125-150N	GK200N	GK250-300N	GK250-300N	GK350-400N	GK350-400N
Gasket	* For ordering purposes, please use GASK in the catalog number (Example: GASK 571).									

Conduit Bodies and Covers

Each conduit outlet body ships complete with gasket, cover and screws.

Type 316 Stainless Steel Form 8 Conduit Outlet Bodies

NEW!



LU® Form 8 Conduit Bodies with Covers

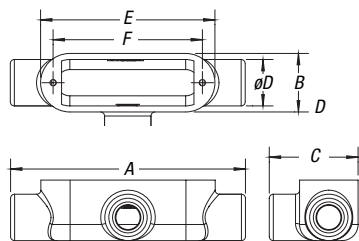


CAT. NO.	HUB SIZE	DIMENSIONS (IN.)						
		A	B	C	D	E	F	CU. IN.
LU18SST	1/2"	6.210	1.450	3.825	1.125	4.320	3.700	5.5
LU28SST	3/4"	6.981	1.645	4.245	1.500	4.921	4.300	8.5
LU38SST	1"	8.261	1.850	5.050	1.700	5.625	5.000	14.5
LU48SST	1 1/4"	9.923	2.200	5.975	2.200	6.730	5.810	26.5
LU58SST	1 1/2"	11.549	2.813	7.000	2.450	7.938	7.125	45.0
LU68SST	2"	13.989	3.820	8.500	2.900	9.797	9.125	116.5

LB Form 8 Conduit Bodies with Covers



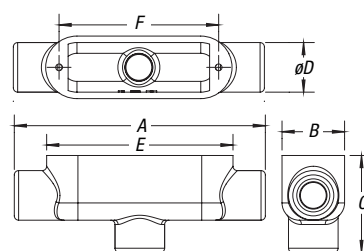
CAT. NO.	HUB SIZE	DIMENSIONS (IN.)						
		A	B	C	D	E	F	CU. IN.
LB18SST	1/2"	5.070	1.450	2.250	1.150	4.320	3.700	5.8
LB28SST	3/4"	5.671	1.645	2.530	1.400	4.921	4.300	8.0
LB38SST	1"	6.563	1.850	2.913	1.750	5.625	5.000	13.0
LB48SST	1 1/4"	7.734	2.200	3.315	2.200	6.730	5.810	23.0
LB58SST	1 1/2"	8.992	2.813	3.800	2.450	7.938	7.125	44.0
LB68SST	2"	11.000	3.820	4.810	2.900	9.797	9.125	88.0



T Form 8 Conduit Bodies with Covers



CAT. NO.	HUB SIZE	DIMENSIONS (IN.)						
		A	B	C	D	E	F	CU. IN.
T18SST	1/2"	5.820	1.450	2.200	1.150	4.320	3.700	5.5
T28SST	3/4"	6.420	1.645	2.395	1.400	4.921	4.300	9.0
T38SST	1"	7.500	1.850	2.850	1.750	5.625	5.000	13.5
T48SST	1 1/4"	8.738	2.200	2.950	2.200	6.730	5.810	24.0
T58SST	1 1/2"	10.046	2.813	3.867	2.450	7.938	7.125	45.0
T68SST	2"	12.204	3.820	5.070	2.900	9.797	9.125	88.0



TB Form 8 Conduit Bodies with Covers



CAT. NO.	HUB SIZE	DIMENSIONS (IN.)						
		A	B	C	D	E	F	CU. IN.
TB18SST	1/2"	5.820	1.450	2.250	1.150	4.320	3.700	5.5
TB28SST	3/4"	6.420	1.645	2.530	1.400	4.921	4.300	9.0
TB38SST	1"	7.500	1.850	2.975	1.750	5.625	5.000	13.5
TB48SST	1 1/4"	8.484	2.200	3.319	2.200	6.730	5.810	24.0
TB58SST	1 1/2"	10.046	2.813	3.854	2.450	7.938	7.125	45.0
TB68SST	2"	12.129	3.820	4.810	2.900	9.797	9.125	88.0

Conduit Bodies and Covers

Form 7 body, gasket and cover — one number!



Pre-Assembled Form 7 BlueKote® Conduit Bodies, Gaskets and Covers



Now you can order a conduit body, gasket and cover, pre-assembled, using one catalog number. T&B's pre-assembled cast conduit bodies help reduce transactions, eliminate the need for additional stocking bins and provide an easy inventory reduction. You'll also have less hassle with managing small parts in the truck or crib. Best of all, you can be absolutely confident that the right parts are in your hands when you need them.

T&B® Conduit Bodies and Covers Feature:

- BlueKote internal finish for faster, easier wire pulling
- Epoxy external finish for superior corrosion resistance
- Tapered NPT threads and integral bushings to protect wire insulation
- Bodies are designed with a flat back for more cubic inch capacity. The flat back also keeps the body more stable during installation, requiring fewer conduit straps
- T&B Form 7 bodies and covers are interchangeable with Crouse-Hinds and Appleton's Form 7 bodies and covers

Specifications

- Bodies: Class 30 gray iron alloy
- Covers: Stamped steel with stainless steel screws
- Gaskets: Neoprene
- Finish: Conduit Bodies: Zinc-plating with acrylic epoxy coating and internal PTFE-based BlueKote coating
- Covers: Stamped steel zinc-plating with a clear chromate coating
- Compliances: UL Standard: 514A, 514B Fed. Spec: W-C-586D
- CSA Standard: C22.2 No. 18

Crouse-Hinds is a trademark of Cooper Industries, Inc. Appleton is a trademark of the EGS Electrical Group, a joint venture of Emerson and SPX Corp.

Note: BlueKote is registered for conduit bodies but is not registered for a finish or a coating.

T&B® Pre-Assembled Bodies, Gaskets and Covers



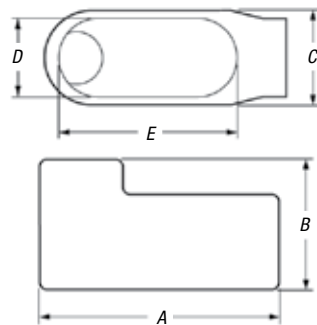
CAT. NO.	TRADE SIZE	PRE-ASSEMBLED PRODUCTS
C17CG-TB	1/2"	C17 Body, Cover & Gasket
C27CG-TB	3/4"	C27 Body, Cover & Gasket
C37CG-TB	1"	C37 Body, Cover & Gasket
C47CG-TB	1 1/4"	C47 Body, Cover & Gasket
C57CG-TB	1 1/2"	C57 Body, Cover & Gasket
C67CG-TB	2"	C67 Body, Cover & Gasket
LB17CG-TB	1/2"	LB17 Body, Cover & Gasket
LB27CG-TB	3/4"	LB27 Body, Cover & Gasket
LB37CG-TB	1"	LB37 Body, Cover & Gasket
LB47CG-TB	1 1/4"	LB47 Body, Cover & Gasket
LB57CG-TB	1 1/2"	LB57 Body, Cover & Gasket
LB67CG-TB	2"	LB67 Body, Cover & Gasket
LL17CG-TB	1/2"	LL17 Body, Cover & Gasket
LL27CG-TB	3/4"	LL27 Body, Cover & Gasket
LL37CG-TB	1"	LL37 Body, Cover & Gasket
LL47CG-TB	1 1/4"	LL47 Body, Cover & Gasket
LL57CG-TB	1 1/2"	LL57 Body, Cover & Gasket
LL67CG-TB	2"	LL67 Body, Cover & Gasket
LR17CG-TB	1/2"	LR17 Body, Cover & Gasket
LR27CG-TB	3/4"	LR27 Body, Cover & Gasket
LR37CG-TB	1"	LR37 Body, Cover & Gasket
LR47CG-TB	1 1/4"	LR47 Body, Cover & Gasket
LR57CG-TB	1 1/2"	LR57 Body, Cover & Gasket
LR67CG-TB	2"	LR67 Body, Cover & Gasket
T17CG-TB	1/2"	T17 Body, Cover & Gasket
T27CG-TB	3/4"	T27 Body, Cover & Gasket
T37CG-TB	1"	T37 Body, Cover & Gasket
T47CG-TB	1 1/4"	T47 Body, Cover & Gasket
T57CG-TB	1 1/2"	T57 Body, Cover & Gasket
T67CG-TB	2"	T67 Body, Cover & Gasket
TB17CG-TB	1/2"	TB17 Body, Cover & Gasket
TB27CG-TB	3/4"	TB27 Body, Cover & Gasket
TB37CG-TB	1"	TB37 Body, Cover & Gasket
TB47CG-TB	1 1/4"	TB47 Body, Cover & Gasket
TB57CG-TB	1 1/2"	TB57 Body, Cover & Gasket
TB67CG-TB	2"	TB67 Body, Cover & Gasket
X17CG-TB	1/2"	X17 Body, Cover & Gasket
X27CG-TB	3/4"	X27 Body, Cover & Gasket
X37CG-TB	1"	X37 Body, Cover & Gasket
X47CG-TB	1 1/4"	X47 Body, Cover & Gasket
X57CG-TB	1 1/2"	X57 Body, Cover & Gasket
X67CG-TB	2"	X67 Body, Cover & Gasket

For aluminum conduit bodies pre-assembled with covers and gaskets, request Red•Dot® D-PAK® Series Conduit Bodies for rigid and IMC conduit.

Conduit Bodies and Covers



BlueKote internal finish reduces the amount of force necessary to pull wires through T&B Form 7 and Form 8 conduit bodies.



LB Form 7 and Form 8

LB Form 7 BlueKote® Conduit Bodies

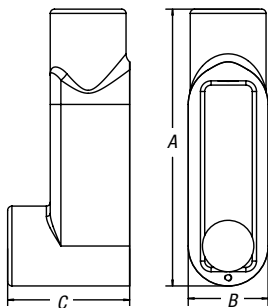
CAT. NO.	HUB SIZE	DIMENSIONS (IN.)					CU. IN.
		A	B	C	D	E	
LB17	½"	4.60	2.20	1.35	.95	3.20	4.0
LB27	¾"	5.25	2.40	1.65	1.15	3.80	6.6
LB37	1"	6.00	2.65	1.80	1.35	4.55	10.6
LB47	1¼"	6.45	3.20	2.20	1.80	5.00	18.8
LB57	1½"	7.25	3.90	2.45	2.05	5.45	26.4
LB67	2"	8.30	4.45	3.10	2.45	6.40	51.0
LB77	2½"	10.55	5.20	4.25	3.60	8.40	102.0
LB87	3"	10.55	5.95	4.25	3.60	8.40	132.0
LB97	3½"	12.85	6.70	5.25	4.55	10.25	210.0
LB107	4"	12.85	7.20	5.25	4.55	10.25	243.0

LB Series 35 Conduit Bodies

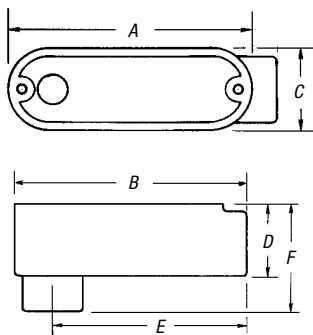
CAT. NO.	HUB SIZE	DIMENSIONS (IN.)			
		A	B	C	CU. IN.
LB50M	½"	4.68	1.34	2.05	4.5
LB75M-TB	¾"	5.37	1.50	2.25	7.5
LB100M	1"	6.20	1.80	2.65	12.5
LB125M	1¼"	8.12	2.60	2.75	32
LB150M	1½"	8.12	2.60	2.83	35.3
LB200M	2"	10.50	3.12	4.42	73
LB250M	2½"	13.60	4.31	5.40	142
LB300M	3"	13.87	4.31	5.90	173
LB350M	3½"	16.25	5.62	6.90	292
LB400M	4"	16.60	5.62	7.21	324

LB Form 8 BlueKote® Conduit Bodies

CAT. NO.	HUB SIZE	DIMENSIONS (IN.)					CU. IN.
		A	B	C	D	E	
LB18	½"	4.94	2.22	1.38	1.00	3.31	4.9
LB28	¾"	5.56	2.44	1.56	1.19	3.31	8.0
LB38	1"	6.50	2.81	1.75	1.38	4.56	13.0
LB448	1¼"	7.53	3.34	2.19	1.75	5.31	23.5
LB58	1½"	9.13	4.03	2.75	2.13	6.50	45.0
LB68	2"	11.00	4.41	3.75	3.00	8.56	88.0
LB78	2½"	13.94	6.13	5.00	4.25	10.88	110.0
LB888	3"	13.94	6.50	5.00	4.25	10.88	110.0
LB98	3½"	16.88	7.56	6.25	5.44	13.44	250.0
LB108	4"	16.88	7.81	6.25	5.44	13.44	250.0



LB Series 35



LB Threaded Aluminum and EMT Aluminum

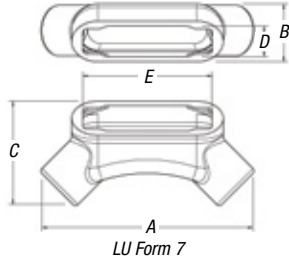
LB Threaded Aluminum Conduit Bodies

CAT. NO.	HUB SIZE	DIMENSIONS (IN.)						CU. IN.
		A	B	C	D	E	F	
ALB1	½"	3.88	4.28	1.31	1.44	3.50	2.06	4.3
ALB2	¾"	4.63	5.13	1.53	1.63	4.25	2.44	7.3
ALB3	1"	5.38	5.15/16	1.75	1.88	4.94	2.75	11.8
ALB4	1¼"	7.25	7.88	2.50	2.50	6.50	3.56	32.0
ALB5	1½"	7.25	7.88	2.50	2.75	6.31	3.81	32.0
ALB6	2"	9.50	9.81	3.13	3.44	8.00	4.50	69.5
ALB7	2½"	12.25	13.00	4.50	3.88	10.84	5.25	190.0
ALB8	3"	12.25	13.00	4.50	4.50	10.50	5.88	190.0
ALB9	3½"	15.00	16.31	5.50	5.56	13.50	6.94	366.0
ALB10	4"	15.00	16.31	5.50	5.56	13.50	6.94	366.0

LB EMT Aluminum Conduit Bodies

CAT. NO.	HUB SIZE	DIMENSIONS (IN.)						CU. IN.
		A	B	C	D	E	F	
BLB1	½"	3.88	4.28	1.31	1.44	3.50	2.06	4.3
BLB2	¾"	4.63	5.13	1.53	1.63	4.25	2.44	7.3
BLB3	1"	5.38	5.94	1.75	1.88	4.94	2.75	11.8
BLB4	1¼"	7.25	7.88	2.50	2.50	6.50	3.56	32.0
BLB5	1½"	7.25	7.88	2.50	2.75	6.31	3.81	32.0
BLB6	2"	9.50	9.81	3.13	3.44	8.00	4.50	69.5
BLB7	2½"	12.25	13.00	4.50	3.88	10.84	5.25	190.0
BLB8	3"	12.25	13.00	4.50	4.50	10.50	5.88	190.0
BLB9	3½"	15.00	16.31	5.50	5.56	13.50	6.94	366.0
BLB10	4"	15.00	16.31	5.50	5.56	13.50	6.94	366.0

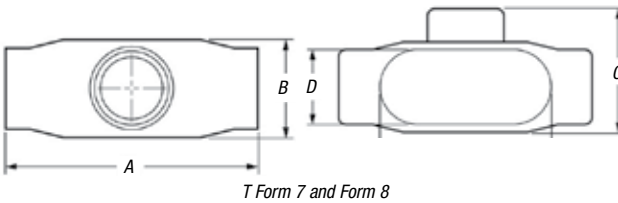
Conduit Bodies and Covers



LU® Form 7 BlueKote® Conduit Bodies



CAT. NO.	HUB SIZE	DIMENSIONS (IN.)					CU. IN.
		A	B	C	D	E	
LU17	½"	5.54	1.45	2.72	.95	3.20	4.8
LU27	¾"	6.22	1.70	3.07	1.15	3.80	7.6
LU37	1"	7.34	1.97	3.52	1.35	4.55	13.4
LU47	1¼"	8.40	2.47	4.21	1.80	5.00	23.0
LU57	1½"	8.95	2.72	4.44	2.05	5.45	28.3
LU67	2"	10.61	3.43	5.43	2.45	6.40	56.0



T Form 7 BlueKote® Conduit Bodies

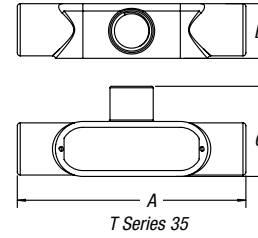


CAT. NO.	HUB SIZE	DIMENSIONS (IN.)					CU. IN.
		A	B	C	D	E	
T17	½"	5.60	1.80	2.35	.95	3.20	6.0
T27	¾"	6.20	2.00	2.60	1.15	3.80	9.1
T37	1"	7.35	2.30	3.10	1.35	4.55	16.9
T47	1¼"	7.30	2.30	3.05	1.80	5.00	19.3
T57	1½"	8.60	2.60	3.80	2.05	5.45	27.5
T67	2"	9.50	3.20	4.25	2.45	6.40	50.0
T77	2½"	12.10	3.65	5.80	3.60	8.40	102.0
T87	3"	12.10	4.40	5.80	3.60	8.40	132.0
T97	3½"	14.65	4.90	7.05	4.55	10.25	210.0
T107	4"	14.65	5.40	7.05	4.55	10.25	243.0

T Form 8 BlueKote® Conduit Bodies



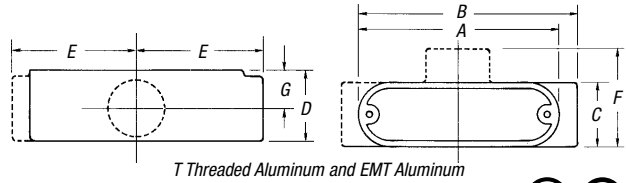
CAT. NO.	HUB SIZE	DIMENSIONS (IN.)					CU. IN.
		A	B	C	D	E	
T18	½"	5.69	7.75	2.16	1.00	3.31	6.0
T28	¾"	6.28	2.00	2.31	1.19	3.94	9.0
T38-TB	1"	7.31	2.25	2.63	1.38	4.56	15.0
T448	1¼"	8.50	2.63	3.16	1.75	5.31	24.0
T58	1½"	10.38	2.78	4.00	2.13	6.50	46.5
T68	2"	12.25	3.56	5.00	3.00	8.56	88.0
T78	2½"	15.63	4.44	6.69	4.25	10.88	110.0
T88-TB	3"	15.63	4.81	6.69	4.25	10.88	110.0



T Series 35 Conduit Bodies



CAT. NO.	HUB SIZE	DIMENSIONS (IN.)			CU. IN.
		A	B	C	
T50M	½"	5.38	2.05	1.34	6.0
T75M	¾"	6.00	2.25	1.50	9.5
T100M	1"	7.05	2.65	1.80	15
T125M	1¼"	9.00	2.75	2.60	33
T150M	1½"	9.00	3.50	2.60	36
T200M	2"	11.50	4.12	3.12	76
T250M	2½"	15.00	5.71	4.31	142
T300M	3"	15.12	5.87	4.31	173
T350M	3½"	18.13	6.81	5.19	292
T400M	4"	18.13	7.15	5.56	324



T Threaded Aluminum Conduit Bodies



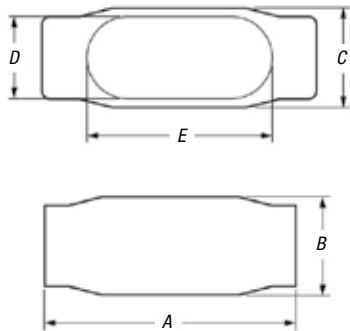
CAT. NO.	HUB SIZE	DIMENSIONS (IN.)							
		A	B	C	D	E	F	G	CU. IN.
AT1	½"	3.88	4.38	1.33	1.38	2.41	2.06	.81	4.3
AT2	¾"	3.63	5.13	1.53	1.63	2.78	2.59	.94	7.3
AT3	1"	5.38	5.94	1.75	1.88	3.25	2.63	1.00	11.8
AT4	1¼"	7.25	7.88	2.50	2.50	4.19	3.53	1.38	32.0
AT5	1½"	7.25	7.88	2.50	2.75	4.19	3.53	1.50	32.0
AT6	2"	9.50	10.19	3.13	3.56	5.41	4.00	1.97	69.5
AT7	2½"	12.25	13.00	4.50	4.50	6.88	5.78	2.44	190.0
AT8	3"	12.25	13.00	4.50	4.50	6.88	5.78	2.44	190.0
AT9	3½"	15.00	16.31	5.50	5.56	8.81	6.81	3.00	366.0
AT10	4"	15.00	16.31	5.50	5.56	8.81	6.81	3.00	366.0

T EMT Aluminum Conduit Bodies

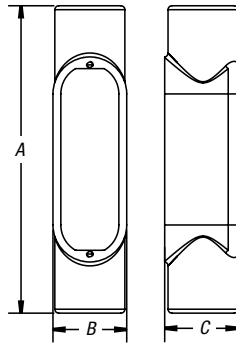


CAT. NO.	HUB SIZE	DIMENSIONS (IN.)							
		A	B	C	D	E	F	G	CU. IN.
BT1	½"	3.88	4.38	1.33	1.38	2.41	2.06	.81	4.3
BT2	¾"	4.63	5.13	1.53	1.63	2.78	2.59	.94	7.3
BT3	1"	5.38	5.94	1.75	1.88	3.25	2.63	1.00	11.8
BT4	1¼"	7.25	7.88	2.50	2.50	4.19	3.53	1.38	32.0
BT5	1½"	7.25	7.88	2.50	2.75	4.19	3.53	1.50	32.0
BT6	2"	9.50	10.19	3.13	3.56	5.41	4.00	1.97	69.5

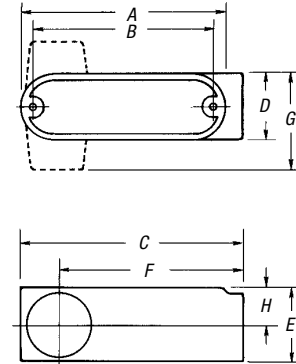
Conduit Bodies and Covers



C Form 7 and Form 8



C Series 35



C Threaded Aluminum and EMT Aluminum

C Form 7 BlueKote® Conduit Bodies



CAT. NO.	HUB SIZE	DIMENSIONS (IN.)					CU. IN.
		A	B	C	D	E	
C17	½"	5.45	1.40	1.45	.95	3.20	4.0
C27	¾"	6.05	1.60	1.65	1.15	3.80	6.6
C37	1"	6.75	1.90	1.80	1.35	4.55	10.6
C47	1¼"	7.30	2.30	2.20	1.80	5.00	18.8
C57	1½"	8.60	2.60	2.45	2.05	5.45	26.4
C67	2"	9.50	3.20	3.05	2.45	6.40	51.0
C77-TB	2½"	12.10	3.65	4.25	3.60	8.40	102.0
C87	3"	12.10	4.40	4.25	3.60	8.40	132.0

C Form 8 BlueKote® Conduit Bodies



CAT. NO.	HUB SIZE	DIMENSIONS (IN.)					CU. IN.
		A	B	C	D	E	
C18	½"	5.53	1.44	1.38	1.00	3.31	4.9
C28	¾"	6.28	1.53	1.19	1.19	3.94	8.0
C38	1"	7.31	1.94	1.75	1.38	4.56	13.0
C448	1¼"	8.50	2.38	2.19	1.75	5.31	23.5
C58-TB	1½"	10.38	2.78	2.75	2.13	6.50	45.0
C68	2"	12.25	3.56	3.75	3.00	8.56	88.0
C78	2½"	15.63	4.44	5.00	4.25	10.88	110.0
C88	3"	15.63	4.81	5.00	4.25	10.88	110.0

C Series 35 Conduit Bodies



CAT. NO.	HUB SIZE	DIMENSIONS (IN.)			CU. IN.
		A	B	C	
C50M	½"	5.38	1.34	1.37	4.5
C75M-TB	¾"	6.00	1.50	1.70	7.5
C100M	1"	7.05	1.80	1.90	12.5
C125M	1¼"	9.00	2.60	2.75	35
C150M	1½"	9.00	2.60	2.83	35.3
C200M	2"	11.50	3.12	3.31	75
C250M-TB	2½"	15.00	4.31	3.90	153
C300M	3"	15.12	4.31	4.75	181
C350M	3½"	18.13	4.88	5.19	290
C400M	4"	18.13	4.88	5.56	320

C Threaded Aluminum Conduit Bodies



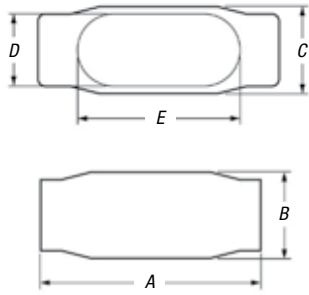
CAT. NO.	HUB SIZE	DIMENSIONS (IN.)							CU. IN.
		A	B	C	D	E	F	G	
AC1	½"	3.88	4.38	1.33	1.38	2.41	2.06	.81	4.3
AC2	¾"	4.63	5.13	1.53	1.63	2.78	2.59	.94	7.3
AC3	1"	5.38	5.94	1.75	1.88	3.25	5.63	1.00	11.8
AC4	1¼"	7.25	7.88	2.50	2.50	4.19	3.53	1.38	32.0
AC5	1½"	7.25	7.88	2.50	2.75	4.19	3.53	1.50	32.0
AC6	2"	9.50	10.19	3.13	3.56	5.41	4.00	1.97	69.5
AC7	2½"	12.25	13.00	4.50	4.50	6.88	5.78	2.44	190.0
AC8	3"	12.25	13.00	4.50	4.50	6.88	5.78	2.44	190.0
AC9	3½"	15.00	16.31	5.50	5.56	8.81	6.81	3.00	366.0
AC10	4"	15.00	16.31	5.50	5.56	8.81	6.81	3.00	366.0

C EMT Aluminum Conduit Bodies

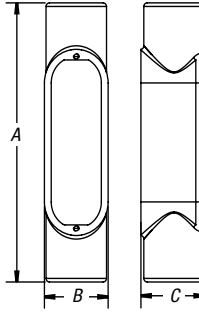


CAT. NO.	HUB SIZE	DIMENSIONS (IN.)							CU. IN.
		A	B	C	D	E	F	G	
BC1	½"	3.88	4.38	1.33	1.38	2.41	2.06	.81	4.3
BC2	¾"	4.63	5.13	1.53	1.63	2.78	2.59	.94	7.3
BC3	1"	5.38	5.94	1.75	1.88	3.25	5.63	1.00	11.8
BC4	1¼"	7.25	7.88	2.50	2.50	4.19	3.53	1.38	32.0
BC5	1½"	7.25	7.88	2.50	2.75	4.19	3.53	1.50	32.0
BC6	2"	9.50	10.19	3.13	3.56	5.41	4.00	1.97	69.5

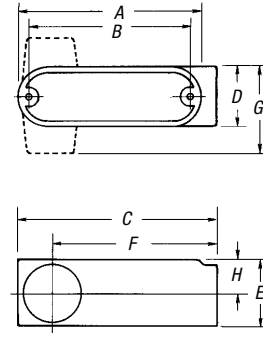
Conduit Bodies and Covers



LL Form 7 and Form 8



LL Series 35



LL Threaded Aluminum and EMT Aluminum

LL Form 7 BlueKote® Conduit Bodies



CAT. NO.	HUB SIZE	DIMENSIONS (IN.)					CU. IN.
		A	B	C	D	E	
LL17	½"	4.60	1.40	1.45	.95	3.20	4.0
LL27	¾"	5.25	1.60	1.65	1.15	3.80	6.6
LL37	1"	6.00	1.90	2.60	1.35	4.55	10.6
LL47	1¼"	6.45	2.30	3.05	1.80	5.00	18.6
LL57	1½"	7.90	2.60	3.80	2.05	5.45	26.4
LL67	2"	8.30	3.20	4.25	2.45	6.40	51.0
LL77	2½"	10.55	3.65	5.80	3.60	8.40	102.0
LL87	3"	10.55	4.40	5.80	3.60	8.40	132.0
LL97	3½"	12.85	4.90	7.03	4.55	10.25	210.0
LL107	4"	12.85	5.40	7.03	4.55	10.25	243.0

LL Form 8 BlueKote® Conduit Bodies



CAT. NO.	HUB SIZE	DIMENSIONS (IN.)					CU. IN.
		A	B	C	D	E	
LL18	½"	4.94	1.44	2.13	1.00	3.31	4.9
LL28	¾"	5.56	1.69	2.31	1.19	3.94	8.0
LL38	1"	6.47	1.94	2.63	1.38	4.56	13.0
LL448	1¼"	7.53	2.38	3.16	1.75	5.31	23.5
LL58	1½"	9.13	2.78	4.00	2.13	6.50	45.0
LL68	2"	11.00	3.56	5.00	3.00	8.56	88.0
LL78	2½"	13.94	4.44	6.69	4.25	10.88	110.0
LL888	3"	13.94	4.81	6.69	4.25	10.88	110.0

LL Series 35 Conduit Bodies



CAT. NO.	HUB SIZE	DIMENSIONS (IN.)			CU. IN.
		A	B	C	
LL50M	½"	4.68	2.05	1.37	4.5
LL75M	¾"	5.37	2.25	1.70	7.5
LL100M	1"	6.20	2.65	1.90	12.5
LL125M	1¼"	8.12	2.75	2.75	32
LL150M	1½"	8.12	3.50	2.83	33
LL200M	2"	10.50	4.12	3.31	68
LL250M	2½"	13.60	5.71	3.90	142
LL300M	3"	13.87	5.87	4.75	173
LL350M	3½"	16.50	7.13	6.81	292
LL400M	4"	16.50	7.13	7.19	324

LL Threaded Aluminum Conduit Bodies



CAT. NO.	HUB SIZE	DIMENSIONS (IN.)								CU. IN.	CU. IN.*
		A	B	C	D	E	F	G	H		
ALL1	½"	3.88	3.50	4.31	1.31	1.38	3.56	2.00	.78	4.3	4.8
ALL2	¾"	4.63	4.13	5.13	1.53	1.63	4.13	2.31	.88	7.3	7.5
ALL3	1"	5.38	4.88	5.31	1.75	1.88	4.88	2.50	1.00	11.8	12.5
ALL4	1¼"	7.25	6.50	7.88	2.50	2.75	6.31	3.38	1.50	32.0	36.5
ALL5	1½"	7.25	6.50	7.88	2.50	2.75	6.31	3.38	1.50	32.0	36.5
ALL6	2"	9.50	8.56	10.19	3.13	3.44	8.19	3.94	1.94	69.5	73.8
ALL7	2½"	12.25	11.25	13.00	4.50	4.50	10.25	5.50	2.88	190.0	—
ALL8	3"	12.25	11.25	13.00	4.50	4.50	10.25	5.50	2.88	190.0	—
ALL9	3½"	15.00	14.44	16.25	5.50	5.50	12.75	6.50	3.00	366.0	—
ALL10	4"	15.00	14.44	16.25	5.50	5.50	12.75	6.50	3.00	366.0	—

*LRL Style Only

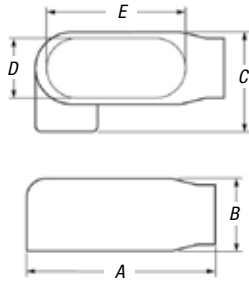
LL EMT Aluminum Conduit Bodies



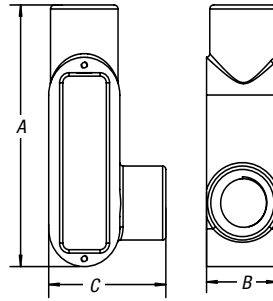
CAT. NO.	HUB SIZE	DIMENSIONS (IN.)								CU. IN.	CU. IN.*
		A	B	C	D	E	F	G	H		
BLL1	½"	3.88	3.50	4.31	1.31	1.38	3.56	2.00	.78	4.3	4.8
BLL2	¾"	4.63	4.13	5.13	1.53	1.63	4.13	2.31	.88	7.3	7.5
BLL3	1"	5.38	4.88	5.31	1.75	1.88	4.88	2.50	1.00	11.8	12.5
BLL4	1¼"	7.25	6.50	7.88	2.50	2.75	6.31	3.38	1.50	32.0	36.5

*LRL Style Only

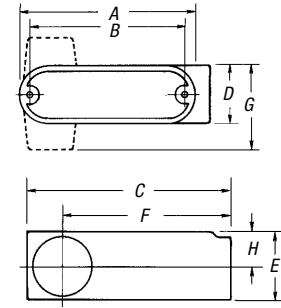
Conduit Bodies and Covers



LR Form 7 and Form 8



LR Series 35



LR Threaded Aluminum and EMT Aluminum

LR Form 7 BlueKote® Conduit Bodies



CAT. NO.	HUB SIZE	DIMENSIONS (IN.)					CU. IN.
		A	B	C	D	E	
LR17	½"	4.60	1.40	1.45	.95	3.20	4.0
LR27	¾"	5.25	1.60	1.65	1.15	3.80	6.6
LR37	1"	6.00	1.90	2.60	1.35	4.55	10.6
LR47	1¼"	6.45	2.30	3.05	1.80	5.00	18.8
LR57	1½"	7.90	2.60	3.80	2.05	5.45	26.4
LR67	2"	8.30	3.20	4.25	2.45	6.40	51.0
LR77	2½"	10.55	3.65	5.80	3.60	8.40	102.0
LR87	3"	10.55	4.40	5.80	3.60	8.40	132.0
LR97	3½"	12.85	4.90	7.03	4.55	10.25	210.0
LR107	4"	12.85	5.40	7.03	4.55	10.25	243.0

LR Form 8 BlueKote® Conduit Bodies



CAT. NO.	HUB SIZE	DIMENSIONS (IN.)					CU. IN.
		A	B	C	D	E	
LR18	½"	4.94	1.44	2.16	1.00	3.31	4.4
LR28	¾"	5.56	1.69	2.31	1.19	3.94	8.0
LR38	1"	6.47	1.94	2.63	1.38	4.56	13.0
LR448	1¼"	7.53	2.38	3.16	1.75	5.31	23.6
LR58	1½"	9.13	2.78	4.00	2.13	6.50	45.0
LR68	2"	11.00	3.56	5.00	3.00	8.56	88.0
LR78	2½"	13.94	4.44	6.69	4.25	10.88	110.0
LR888	3"	13.94	4.81	6.69	4.25	10.88	110.0

LR Series 35 Conduit Bodies



CAT. NO.	HUB SIZE	DIMENSIONS (IN.)			CU. IN.
		A	B	C	
LR50M	½"	4.68	2.05	1.37	4.5
LR75M	¾"	5.37	2.25	1.70	7.5
LR100M	1"	6.20	2.65	1.90	12.5
LR125M	1¼"	8.12	2.75	2.75	32
LR150M	1½"	8.12	3.50	2.83	35.3
LR200M	2"	10.50	4.12	3.31	68
LR250M	2½"	13.60	5.71	3.90	142
LR300M	3"	13.87	5.87	4.75	173
LR350M-TB	3½"	16.25	6.10	5.62	292
LR400M	4"	16.25	6.95	5.62	324

LR Threaded Aluminum Conduit Bodies



CAT. NO.	HUB SIZE	DIMENSIONS (IN.)								CU. IN.	CU. IN.*
		A	B	C	D	E	F	G	H		
ALR1	½"	3.88	3.50	4.31	1.31	1.38	3.56	2.00	.78	4.3	4.8
ALR2	¾"	4.63	4.13	5.13	1.53	1.63	4.13	2.31	.88	7.3	7.5
ALR3	1"	5.38	4.88	5.31	1.75	1.88	4.88	2.50	1.00	11.8	12.5
ALR4	1¼"	7.25	6.50	7.88	2.50	2.75	6.31	3.38	1.50	32.0	36.5
ALR5	1½"	7.25	6.50	7.88	2.50	2.75	6.31	3.38	1.50	32.0	36.5
ALR6	2"	9.50	8.56	10.19	3.13	3.44	8.19	3.94	1.94	69.5	73.8
ALR7	2½"	12.25	11.25	13.00	4.50	4.50	10.25	5.50	2.88	190.0	—
ALR8	3"	12.25	11.25	13.00	4.50	4.50	10.25	5.50	2.88	190.0	—
ALR9	3½"	15.00	14.44	16.25	5.50	5.50	12.75	6.50	3.00	366.0	—
ALR10	4"	15.00	14.44	16.25	5.50	5.50	12.75	6.50	3.00	366.0	—

*LRL Style Only

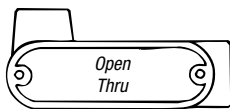
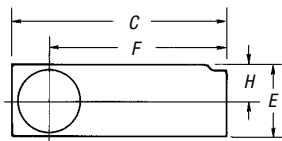
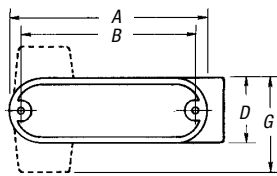
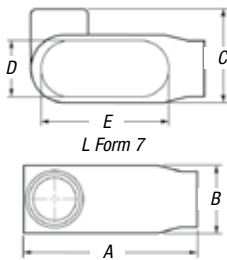
LR EMT Aluminum Conduit Bodies



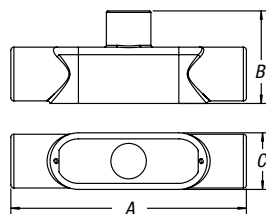
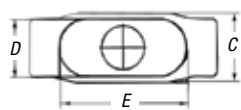
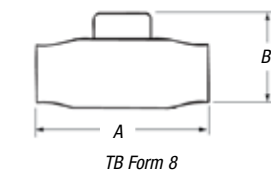
CAT. NO.	HUB SIZE	DIMENSIONS (IN.)								CU. IN.	CU. IN.*
		A	B	C	D	E	F	G	H		
BLR1	½"	3.88	3.50	4.31	1.31	1.38	3.56	2.00	.78	4.3	4.8
BLR2	¾"	4.63	4.13	5.13	1.53	1.63	4.13	2.31	.88	7.3	7.5
BLR3	1"	5.38	4.88	5.31	1.75	1.88	4.88	2.50	1.00	11.8	12.5
BLR4	1¼"	7.25	6.50	7.88	2.50	2.75	6.31	3.38	1.50	32.0	36.5

*LRL Style Only

Conduit Bodies and Covers



LRL Threaded Aluminum and EMT Aluminum



TB Series 35

L Form 7 BlueKote® Conduit Bodies



CAT. NO.	HUB SIZE	DIMENSIONS (IN.)				
		A	B	C	D	E
L17-TB	½"	4.60	1.40	1.45	.95	3.20
L27-TB	¾"	5.25	1.60	1.65	1.15	3.80
L37-TB	1"	6.00	1.90	2.60	1.35	4.55
L47-TB	1¼"	6.45	2.30	3.05	1.80	5.00
L57-TB	1½"	7.90	2.60	3.80	2.05	5.45
L67-TB	2"	8.30	3.20	4.25	2.45	6.40

L Threaded Aluminum Conduit Bodies



CAT. NO.	HUB SIZE	DIMENSIONS (IN.)									
		A	B	C	D	E	F	G	H	CU. IN.	CU. IN.
ALRL1	½"	3.88	3.50	4.31	1.31	1.38	3.56	2.00	.78	4.3	4.8
ALRL2	¾"	4.63	4.13	5.13	1.53	1.63	4.13	2.31	.88	7.3	7.5
ALRL3	1"	5.38	4.88	5.31	1.75	1.88	4.88	2.50	1.00	11.8	12.5
ALRL4	1¼"	7.25	6.50	7.88	2.50	2.75	6.31	3.38	1.50	32.0	36.5
ALRL5	1½"	7.25	6.50	7.88	2.50	2.75	6.31	3.38	1.50	32.0	36.5
ALRL6	2"	9.50	8.56	10.19	3.13	3.44	8.19	3.94	1.94	69.5	73.8

L EMT Aluminum Conduit Bodies



CAT. NO.	HUB SIZE	DIMENSIONS (IN.)									
		A	B	C	D	E	F	G	H	CU. IN.	CU. IN.
BLRL1	½"	3.88	3.50	4.31	1.31	1.38	3.56	2.00	.78	4.3	4.8
BLRL2	¾"	4.63	4.13	5.13	1.53	1.63	4.13	2.31	.88	7.3	7.5
BLRL3	1"	5.38	4.88	5.31	1.75	1.88	4.88	2.50	1.00	11.8	12.5
BLRL4	1¼"	7.25	6.50	7.88	2.50	2.75	6.31	3.38	1.50	32.0	36.5
BLRL5	1½"	7.25	6.50	7.88	2.50	2.75	6.31	3.38	1.50	32.0	36.5
BLRL6	2"	9.50	8.56	10.19	3.13	3.44	8.19	3.94	1.94	69.5	73.8

TB Form 8 BlueKote® Conduit Bodies



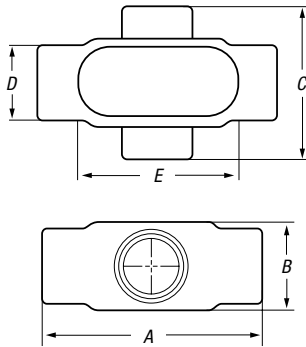
CAT. NO.	HUB SIZE	DIMENSIONS (IN.)					CU. IN.
		A	B	C	D	E	
TB18	½"	5.69	2.63	1.38	1.00	3.31	6.0
TB28	¾"	6.28	2.88	1.19	1.19	3.94	9.0
TB38	1"	7.31	3.25	1.75	1.38	4.56	15.0
TB448	1¼"	8.50	3.31	2.19	1.75	5.31	24.0
TB58	1½"	10.38	3.69	2.75	2.13	6.50	46.5
TB68	2"	12.25	4.25	3.75	3.00	8.56	88.0

TB Series 35 Conduit Bodies



CAT. NO.	HUB SIZE	DIMENSIONS (IN.)			CU. IN.
		A	B	C	
TB50M	½"	5.38	1.34	2.05	6
TB75M	¾"	6.00	1.50	2.25	9.5
TB100M	1"	7.05	1.80	2.65	15
TB125M	1¼"	9.00	2.60	2.75	33
TB150M	1½"	9.00	2.60	2.83	36
TB200M	2"	11.50	3.12	4.42	76

Conduit Bodies and Covers



X Form 7 and Form 8

X Form 7 BlueKote® Conduit Bodies

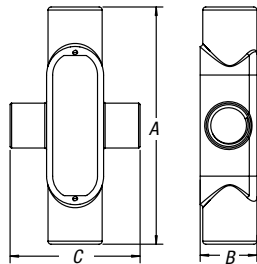


CAT. NO.	HUB SIZE	DIMENSIONS (IN.)					CU. IN.
		A	B	C	D	E	
X17	½"	5.60	1.80	3.05	.95	3.20	6.0
X27	¾"	6.20	2.00	3.30	1.15	3.80	9.1
X37	1"	7.35	2.30	3.80	1.35	4.55	16.9
X47	1¼"	7.30	2.30	3.85	1.80	5.00	19.3
X57	1½"	8.60	2.60	5.05	2.05	5.45	27.5
X67	2"	9.50	3.20	5.45	2.45	6.40	52.8

X Form 8 BlueKote® Conduit Bodies



CAT. NO.	HUB SIZE	DIMENSIONS (IN.)					CU. IN.
		A	B	C	D	E	
X18	½"	5.69	1.75	2.91	1.00	3.31	6.0
X28	¾"	6.28	2.00	3.06	1.38	3.94	9.0
X38	1"	7.31	2.25	3.50	1.38	4.56	15.0
X448	1¼"	8.50	2.63	4.13	1.75	5.31	24.0
X58	1½"	10.38	2.47	5.25	2.13	6.50	46.5
X68	2"	12.25	3.56	6.25	3.00	8.56	88.0

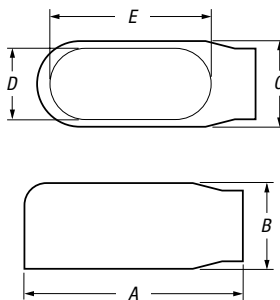


X Series 35

X Series 35 Conduit Bodies



CAT. NO.	HUB SIZE	DIMENSIONS (IN.)			CU. IN.
		A	B	C	
X50M	½"	5.41	2.79	1.75	36.0
X75M	¾"	6.08	2.93	1.97	76.0
X100M	1"	7.1	3.56	2.25	6.0
X125M	1¼"	9.1	4.43	2.55	9.5
X150M	1½"	9.1	4.43	2.75	15.0
X200M	2"	11.75	5.4	3.45	33.0



E Form 7

E Form 7 BlueKote® Conduit Bodies



CAT. NO.	HUB SIZE	DIMENSIONS (IN.)					CU. IN.
		A	B	C	D	E	
E17	½"	4.60	1.40	1.45	.95	3.20	6.0
E27	¾"	5.25	1.60	1.65	1.15	3.80	9.1
E37	1"	6.00	1.90	1.80	1.35	4.55	16.9

E Threaded Aluminum Conduit Bodies



CAT. NO.	HUB SIZE	DIMENSIONS (IN.)							CU. IN.
		A	B	C	D	E	F	G	
AE-1	½"	3.88	4.38	1.33	1.38	2.41	2.06	.81	4.3
AE-2	¾"	4.63	5.13	1.53	1.63	2.78	2.34	.94	7.3
AE-3	1"	5.38	5.94	1.75	1.88	3.25	2.63	1.00	11.8

Conduit Bodies and Covers

Mogul Conduit Outlet Bodies

Application

- Act as pull outlets for conductors that are stiff, due to large size or type of insulation
- Provide the longer openings needed when pulling large conductors
- Prevent sharp bends and kinks in large conductors (protects insulation during installation)
- Provide ample openings for splices and taps
- Provide access to wiring for maintenance and future system changes

Features

- Long openings
- Provision for easy bends
- Tapered tapped hubs with integral bushings
- Stainless Steel cover screws
- Covers and gaskets included

Standard Materials

Class 30 Gray iron alloy

Standard Finishes

Electrogalvanized and aluminum acrylic paint

Listings/Compliances

UL Standard: 514B

Fed. Spec.: W-C-586D

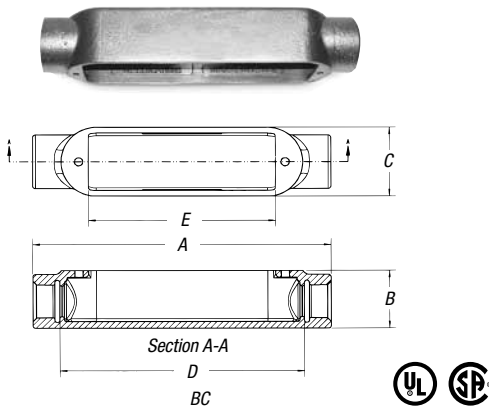
CSA Standard: C22.2 No.18

UL listed for wet locations

Note: See NEC® 370-28 (a) (1) and (2) for pull length and bending space requirements applicable to BC, BLB and BUB Series Moguls.

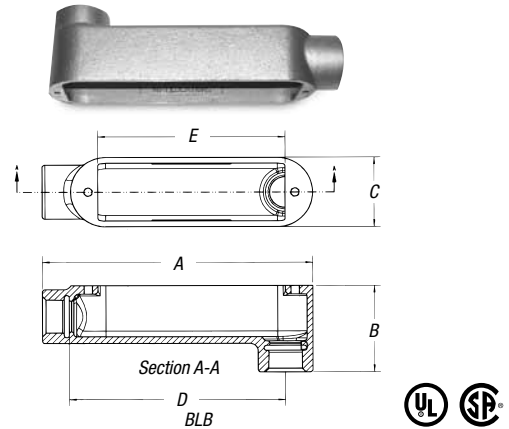


BC Mogul Series (Cover and Gasket Included)



CAT. NO.	HUB SIZE	DIMENSIONS (IN.)					CU. IN.
		A	B	C	D	E	
BC3-TB	1"	9.56	1.88	2.25	7.84	6	20.0
BC4-TB	1½"	9.56	2.31	2.25	7.84	6	25.0
BC5-TB	1½"	13.75	2.56	3	11.45	10	60.0
BC6-TB	2"	13.75	3.31	3	11.45	10	78.0
BC7-TB	2½"	18.38	3.63	4.25	15.61	15	180.0
BC8-TB	3"	18.38	4.38	4.25	15.82	15	225.0
BC10-TB	4"	23.75	5.38	5.25	20.50	20	460.0

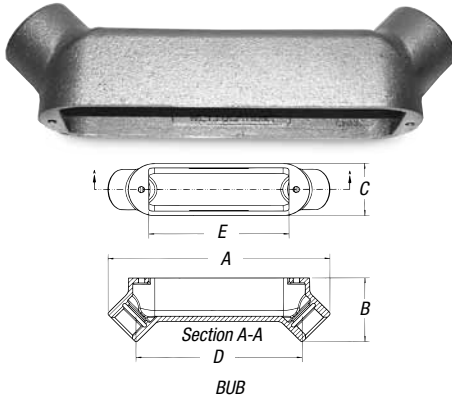
BLB Mogul Series (Cover and Gasket Included)



CAT. NO.	HUB SIZE	DIMENSIONS (IN.)					CU. IN.
		A	B	C	D	E	
BLB3-TB	1"	8.66	2.80	2.25	6.92	6	20.0
BLB4-TB	1½"	8.66	2.70	2.25	6.70	6	25.0
BLB5-TB	1½"	12.58	2.56	3	10.36	10	62.0
BLB6-TB	2"	12.58	4.16	3	10.13	10	78.0
BLB7-TB	2½"	16.94	5.10	4.25	13.89	15	170.0
BLB8-TB	3"	16.94	5.81	4.25	13.59	15	210.0
BLB9-TB	3½"	22.16	6.50	5.25	18.32	20	410.0
BLB10-TB	4"	22.16	7.00	5.25	18.06	20	460.0

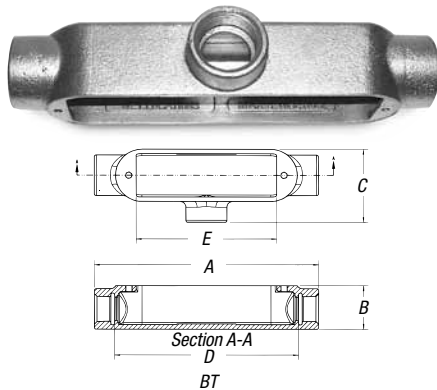
Conduit Bodies and Covers

BUB Mogul Series (Cover and Gasket Included)



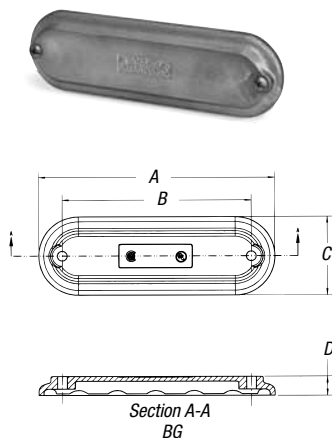
CAT. NO.	HUB SIZE	DIMENSIONS (IN.)					CU. IN.
		A	B	C	D	E	
BUB3-TB	1"	9.49	2.75	2.25	7.01	6	20.0
BUB4-TB	1½"	9.55	3.21	2.25	6.71	6	25.0
BUB5-TB	1½"	16.68	6.67	3	10.47	10	62.0
BUB6-TB	2"	13.68	4.28	3	10.20	10	78.0
BUB7-TB	2½"	18.30	5.03	4.25	13.97	15	170.0
BUB8-TB	3"	18.30	5.67	4.25	13.50	15	210.0
BUB9-TB	3½"	23.74	6.72	5.25	18.07	20	385.0
BUB10-TB	4"	23.74	7.22	5.25	17.73	20	430.0

BT Mogul Series (Cover and Gasket Included)



CAT. NO.	HUB SIZE	DIMENSIONS (IN.)					CU. IN.
		A	B	C	D	E	
BT3-TB	1"	9.56	1.88	3.16	7.84	6	20.0
BT5-TB	1½"	13.75	2.56	4.06	11.45	10	62.0
BT6-TB	2"	13.75	3.31	4.06	11.45	10	78.0
BT7-TB	2½"	18.38	3.63	5.59	15.61	15	180.0
BT8-TB	3"	18.38	4.38	5.72	15.82	15	225.0
BT9-TB	3½"	23.75	4.88	6.88	20.50	20	410.0
BT10-TB	4"	23.75	5.38	6.88	20.50	20	460.0

BG Mogul Series Replacement Covers



CAT. NO.	HUB SIZE	DIMENSIONS (IN.)				
		A	B	C	D	E
BG48-TB	1"-1¼"	8.27	6.62	2.77	.67	—
BG68-TB	1½"-2"	12	10.62	3.60	.82	—
BG88-TB	2½"-3"	16.22	12.44	4.97	.85	2.75
BG98-TB	3½"-4"	21.21	16.63	5.96	.87	3.75

Conduit Bodies and Covers

Aluminum Mogul Conduit Outlet Bodies

Application

- Raintight junction for bringing electrical service into a location
- Spacious, accessible wiring chamber provides a convenient location to pull conductors and make splices

Features

- Copper-free* aluminum provides increased corrosion resistance
- Precision cast and machined surfaces permit safer wire pulling
- Clean cover edges provide good gasket sealing
- Precision NPT threaded hubs enable trouble-free field installation for rigid and IMC conduit
- Deep slotted stainless steel cover screws for faster installation
- Clear UL, CSA and cubic content markings speed approval by inspectors
- Dome-style cover permits easy wire pulling
- Meets NEC® Article 314.28, 6-1 ratio
- Meets NEMA 3R standards

Standard Materials

- Mogul Pulling Elbows: Die cast aluminum alloy A360 with less than .004 copper content (copper-free). Stainless steel screws
- Gaskets: Composition

Standard Finish

- Aluminum lacquer finish

Listings/Compliances

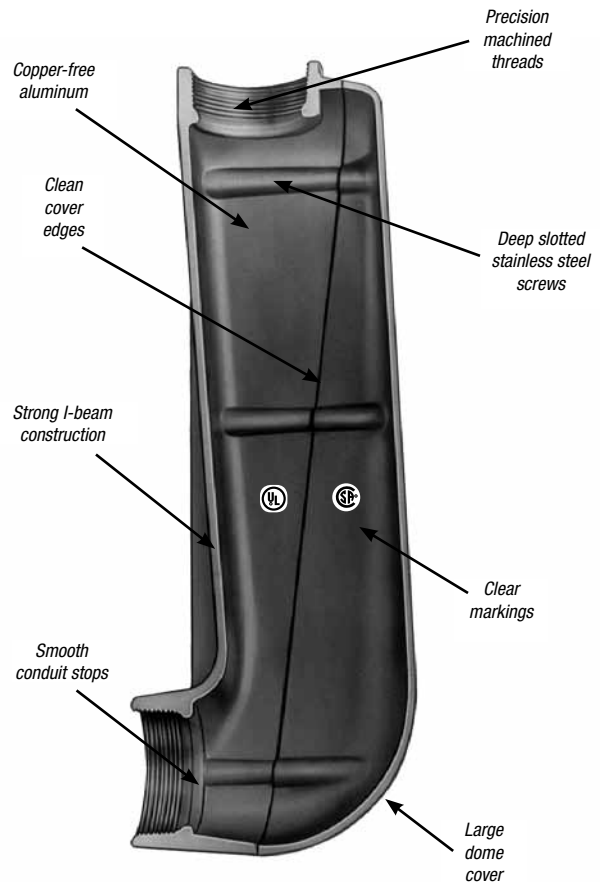
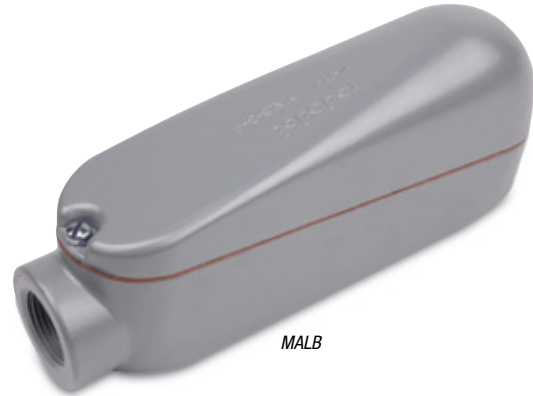
- UL Listed
- CSA Certified
- Federal Spec. W-C-586
- NEC® Article 314.28

Sample Specifications

- Mogul Pulling Elbows shall be die cast copper-free* aluminum alloy A360. All conduit stops shall be coined and free of rough edges. Mogul Pulling Elbows shall be finished with aluminum lacquer

Mogul Pulling Elbows shall be Red•Dot® Catalog No. _____

*Less than .004 copper content



Conduit Bodies and Covers



MALB-3 through -6



MALB-7 through -10



Aluminum Mogul Conduit Outlet Bodies with Covers and Gaskets

CAT. NO.	HUB SIZE	UNIT QTY.	STD. PKG.	WT. LBS. PER 100
MALB-3	1"	1	10	174
MALB-4	1¼"	2	10	160
MALB-5	1½"	1	1	400
MALB-6	2"	1	1	375
MALB-7	2½"	1	1	1100
MALB-8	3"	1	1	1060
MALB-9	3½"	1	1	1900
MALB-10	4"	1	1	1800

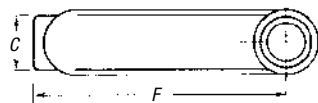
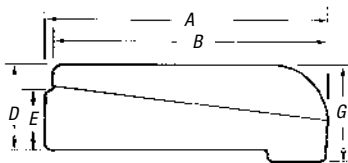


MGKV-4 through -7



Replacement Covers and Gaskets

COVER CAT. NO.	GASKET CAT. NO.	HUB SIZE	UNIT QTY.	STD. PKG.	WT. LBS. PER 100
—	MGKV-5	1¼"	1	5	4
MALB-56CV	MGKV-5	1½" to 2"	1	5	4
MALB-78CV	MGKV-6	2½" to 3"	1	5	5
MALB-90CV	MGKV-7	3½" to 4"	1	5	5



MALB

MALB Dimensions

SIZE	DIMENSIONS (IN.)							CU. IN.
	A	B	C	D	E	F	G	
1"	9.63	9.06	2.50	2.75	2.06	8.50	3.63	40.0
1¼"	9.63	9.06	2.50	2.75	2.06	8.50	3.63	40.0
1½"	14.53	14.25	2.75	4.00	2.81	13.00	5.22	128.0
2"	14.53	14.25	2.75	4.00	2.81	13.00	5.22	128.0
2½"	21.69	21.41	4.50	5.63	4.38	18.00	7.72	398.0
3"	21.69	21.41	4.50	5.63	4.38	18.00	7.72	398.0
3½"	28.63	28.69	5.50	6.50	5.38	24.00	9.72	766.7
4"	28.63	28.69	5.50	6.50	5.38	24.00	9.72	766.7

Device Boxes and Covers

Cast Device Boxes

Application

- Accommodate wiring devices
- Act as pull boxes for conductors in a threaded rigid conduit system, including an internal ground screw
- Provide openings to make splices and taps in conductors
- Provide access to conductors for maintenance and future system changes
- Connect conduit sections

Features

- All hubs have NPT Threads with a minimum of five full threads and integral bushing. Internal grounding screw standard on boxes
- Suitable for wet locations when used with gasketed covers
- Available in shallow (FS) or deep (FD) boxes. Use FD if device to be enclosed exceeds 1 5/8" in depth
- Use blank bodies where special arrangements of conduit hubs or entrances are required
- All cover holes are #6-32
- Mounting lugs are standard on all FS and FD boxes

Size Range

Hubs: 1/2" to 1" NPT

Materials

Boxes: Class 30 gray iron alloy

Covers: Sand cast aluminum alloy and sheet steel

Gaskets: Neoprene

Finish

Zinc-plated with aluminum acrylic paint

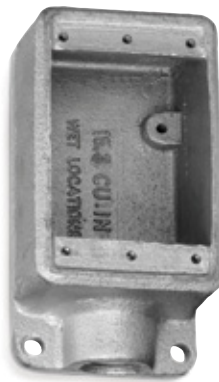
Listings/Compliances

UL 514A (wet locations when used with gasketed covers)

CSA C22.2 No.18



Dead-End



Dead-End



Thru-Feed

Device Boxes and Covers

Single-Gang Cast Device Boxes

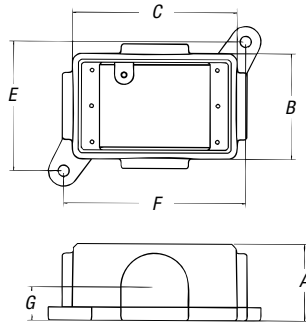


Fig. A Dead-End

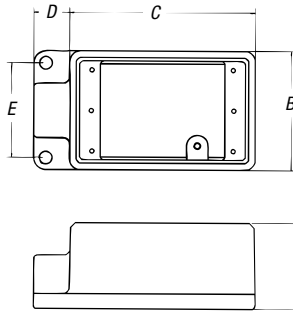


Fig. B Dead-End

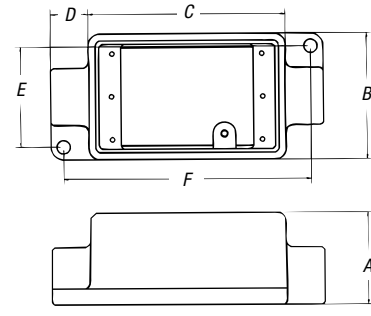


Fig. C Thru-Feed

Shallow Single-Gang Cast Device Boxes



CAT. NO.	FIG.	HUB SIZE	DIMENSIONS (IN.)							THROAT DIA.	
			A	B	C	D	E	F	G	MIN.	MAX.
<i>Dead-End</i>											
FS019-TB	A	Blank	2.00	2.75	4.28	—	3.38	4.72	.88	N/A	N/A
FS1-TB	B	½"	2.00	2.75	4.28	.88	2.19	—	—	.570	.610
FS2-TB	B	¾"	2.00	2.75	4.28	.88	2.19	—	—	.755	.810
FS3-TB	B	1"	2.00	2.75	4.28	.88	2.19	—	—	.935	1.035
<i>Thru-Feed</i>											
FSC1-TB	C	½"	2.00	2.75	4.28	.88	2.19	5.38	—	.570	.610
FSC2-TB	C	¾"	2.00	2.75	4.28	.88	2.19	5.38	—	.755	.810
FSC3-TB	C	1"	2.00	2.75	4.28	.88	2.19	5.38	—	.935	1.035

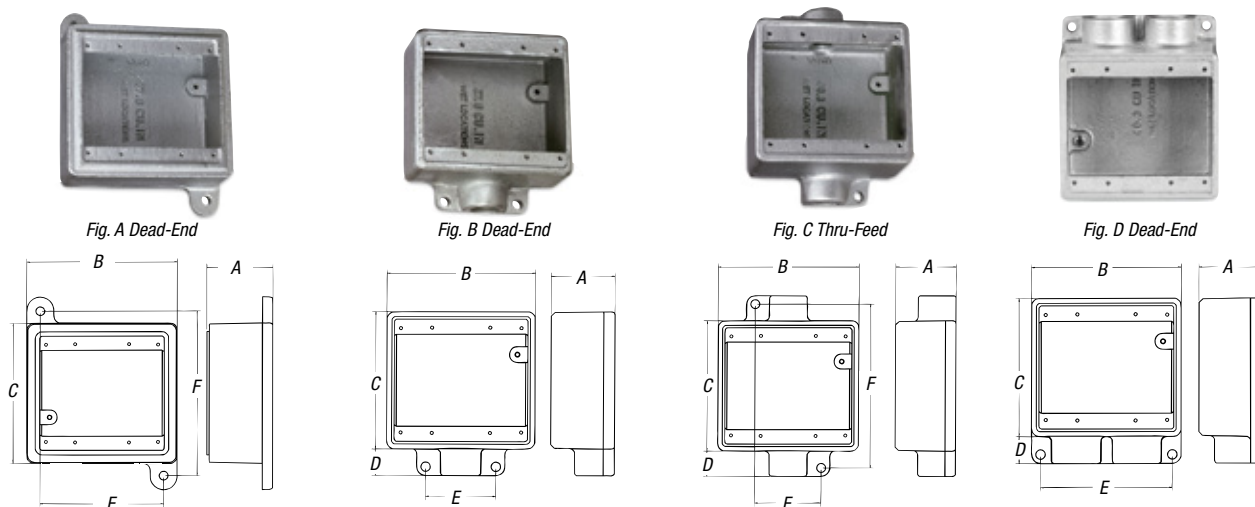
Deep Single-Gang Cast Device Boxes



CAT. NO.	FIG.	HUB SIZE	DIMENSIONS (IN.)							THROAT DIA.	
			A	B	C	D	E	F	G	MIN.	MAX.
<i>Dead-End</i>											
FD019-TB	A	Blank	2.81	2.75	4.28	—	3.38	4.72	1.38	N/A	N/A
FD1-TB	B	½"	2.81	2.75	4.28	.88	2.19	—	—	.570	.610
FD2-TB	B	¾"	2.81	2.75	4.28	.88	2.19	—	—	.755	.810
FD3-TB	B	1"	2.81	2.75	4.28	.88	2.19	—	—	.935	1.035
<i>Thru-Feed</i>											
FDC1-TB	C	½"	2.81	2.75	4.28	.88	2.19	5.38	—	.570	.610
FDC2-TB	C	¾"	2.81	2.75	4.28	.88	2.19	5.38	—	.755	.810
FDC3-TB	C	1"	2.81	2.75	4.28	.88	2.19	5.38	—	.935	1.035

Device Boxes and Covers

Double-Gang Cast Device Boxes



Shallow Double-Gang Cast Device Boxes

CAT. NO.	HUB FIG.	SIZE	DIMENSIONS (IN.)						THROAT DIA.	
			A	B	C	D	E	F	MIN.	MAX.
<i>Dead-End</i>										
FS062-TB	A	Blank	2.00	4.63	4.28	—	4.13	5.50	N/A	N/A
FS12-TB	B	1/2"	2.00	4.63	4.28	.88	2.19	—	.570	.610
FS22-TB	B	3/4"	2.00	4.63	4.28	.88	2.19	—	.755	.810
FS32-TB	B	1"	2.00	4.63	4.28	.88	2.19	—	.935	1.035
<i>Thru-Feed</i>										
FSC12-TB	C	1/2"	2.00	4.63	4.28	.88	2.19	5.38	.570	.610
FSC222-TB	C	3/4"	2.00	4.63	4.28	.88	2.19	5.38	.755	.810
FSC32-TB	C	1"	2.00	4.63	4.28	.88	2.19	5.38	.935	1.035

Deep Double-Gang Cast Device Boxes

CAT. NO.	FIG.	HUB SIZE	DIMENSIONS (IN.)						THROAT DIA.	
			A	B	C	D	E	F	MIN.	MAX.
<i>Dead-End</i>										
FD062-TB	A	Blank	2.81	4.63	4.28	—	4.13	5.50	N/A	N/A
FD12-TB	B	1/2"	2.81	4.63	4.28	.88	2.19	—	.570	.610
FD22-TB	B	3/4"	2.81	4.63	4.28	.88	2.19	—	.755	.810
FD32-TB	B	1"	2.81	4.63	4.28	.88	2.19	—	.935	1.035
<i>Thru-Feed</i>										
FDC12-TB	C	1/2"	2.81	4.63	4.28	.88	2.19	5.38	.570	.610
FDC222-TB	C	3/4"	2.81	4.63	4.28	.88	2.19	5.38	.755	.810
FDC32-TB	C	1"	2.81	4.63	4.28	.88	2.19	5.38	.935	1.035

Double-Gang Cast Device Boxes, Double Hub

CAT. NO.	FIG.	HUB SIZE	DIMENSIONS (IN.)						THROAT DIA.	
			A	B	C	D	E	MIN.	MAX.	
FSS222-TB	D	3/4"	2.00	4.63	4.28	.88	4.06	—	.755	.810
FDS222-TB	D	3/4"	2.81	4.63	4.28	.88	4.06	—	.755	.810

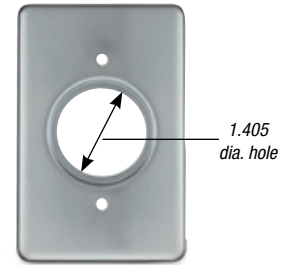
Device Boxes and Covers

Single-Gang Covers

CAT. NO.	DESCRIPTION
DSS100-TB	Blank, Sheet Steel
DS21-TB	Round Receptacle, Sheet Steel
DS23-TB	Duplex Receptacle, Sheet Steel
DS32-TB	Single Switch, Sheet Steel
DS100G-TB	Blank, Cast Aluminum



DSS100-TB



DS21-TB

Double-Gang Covers

CAT. NO.	DESCRIPTION
S1002-TB	Blank, Sheet Steel
S32232-TB	2 Receptacle/Switch, Sheet Steel
S32212-TB	Single Receptacle/Switch, Sheet Steel
S232-TB	2 Dual Receptacle, Sheet Steel
S322-TB	2 Switch, Sheet Steel
S1002GSA-TB	Blank, Cast Aluminum with Gasket



DS23-TB



DS32-TB



DS100G-TB



S1002-TB



S32232-TB



S32212-TB



S232-TB



S322



S1002GSA-TB

Device Boxes and Covers

Aluminum Device Boxes

Application

- Industrial-grade FS/FD device boxes and raintight covers protect wiring devices, switches, electronic components, and terminal blocks in dry, damp and wet locations.
- Spacious, accessible wiring chamber provides a convenient location to maintain or change a system, pull conductors and make splices
- Junction for branch conduits
- Aluminum boxes can be used with steel rigid conduit



AFS



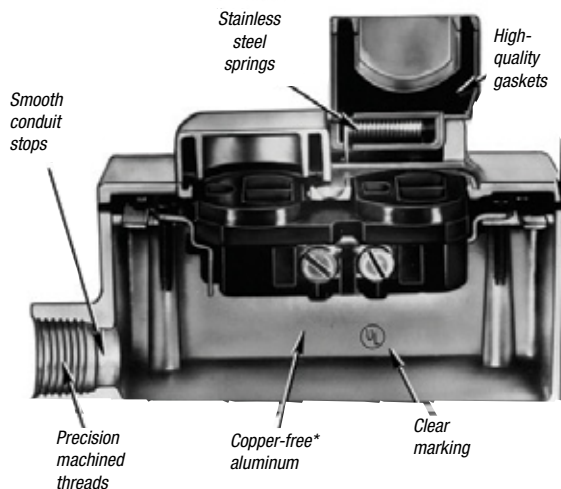
2AFSC



CWP-G



CDR



Features

- Copper-free* aluminum, stainless steel cover springs and hinge pins provide increased corrosion resistance
- Die-cast construction, boxes with securely fastened mounting plates and industrial designed covers combine to produce a rugged protective enclosure for devices on industrial and OEM applications
- Clean cover edges provide good gasket sealing
- Precision NPT threaded hubs allow trouble-free field installation for rigid or IMC conduit
- Clear UL, CSA and cubic content markings speed approval by inspectors
- Boxes — external hub design provides increased wiring room
- Covers ship complete with gaskets and screws

Standard Materials

Die-cast aluminum alloy A360 with less than .004% copper content (copper-free)

Cover hinge pins and springs: Stainless steel

Standard Finish

Aluminum lacquer finish

Listings/Compliances

UL Listed

Boxes CSA Certified with factory-installed ground screw **

Covers CSA Certified

Federal Spec. W-C-586

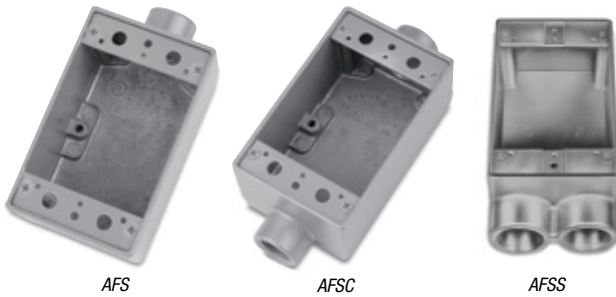
Sample Specifications

Industrial-grade FS/FD device boxes and covers shall be die-cast copper-free* aluminum alloy A360. All conduit stops shall be coined and free of rough edges. Raintight covers shall have stainless steel springs and hinge pins and are suitable for use in wet locations with cover closed (CFSB, CFST and CFSTF suitable for wet locations). Industrial-grade FS/FD device boxes and covers shall be finished with aluminum lacquer. Industrial-grade FS/FD device boxes and covers shall be Thomas & Betts Catalog No. _____

* Less than .004% copper content

** Consult factory for lead time and minimum quantity

Device Boxes and Covers



AFS

AFSC

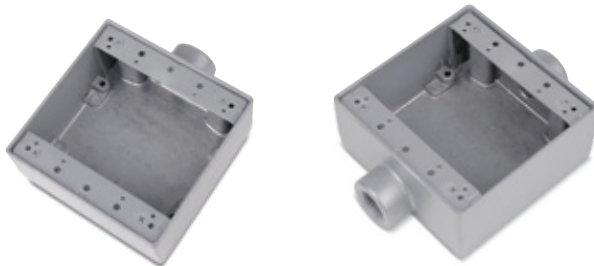
AFSS



AFSCC

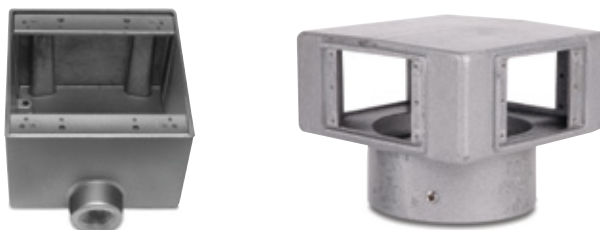
ADFS

ADFSC



2AFS

2AFSC



2ADFS

FSMG-TB

Single-Gang Boxes Raintight*

CAT. NO.	HUB SIZE	UNIT QTY.	STD. PKG.	WT. LBS. PER 100
Standard, 1-Hole Box, Dead End				
AFS-1*	1/2"	5	25	68
AFS-2*	3/4"	5	25	74
AFS-3*	1"	5	25	72
Standard, 2-Hole Box, Through Feed				
AFSC-1*	1/2"	5	25	72
AFSC-2*	3/4"	5	25	88
AFSC-3*	1"	5	25	79
Standard, 2-Hole Box, Dead End				
AFSS-1*	1/2"	5	25	80
AFSS-2*	3/4"	5	25	76
Standard, 3-Hole Box, Through Feed				
AFSCC-1*	1/2"	5	25	88
AFSCC-2*	3/4"	5	25	80
Deep, 1-Hole Box, Dead End				
ADFS-1*	1/2"	—	5	74
ADFS-2*	3/4"	—	5	78
ADFS-3*	1"	—	5	80
Deep, 2-Hole Box, Through Feed				
ADFS-1*	1/2"	—	5	76
ADFS-2*	3/4"	—	5	90
ADFS-3*	1"	—	5	90

* Rain-tight when used with appropriate T&B covers.

Double-Gang Boxes Raintight*

CAT. NO.	HUB SIZE	UNIT QTY.	STD. PKG.	WT. LBS. PER 100
Standard, 1-Hole Box, Dead End				
2AFS-1*	1/2"	2	10	115
2AFS-2*	3/4"	2	10	95
2AFS-3*	1"	2	10	90
Standard, 2-Hole Box, Through Feed				
2AFSC-1*	1/2"	2	10	104
2AFSC-2*	3/4"	2	10	102
Deep, 1-Hole Box, Dead End				
2ADFS-1*	1/2"	—	3	128
2ADFS-2*	3/4"	—	3	143

* Rain-tight when used with appropriate T&B covers.

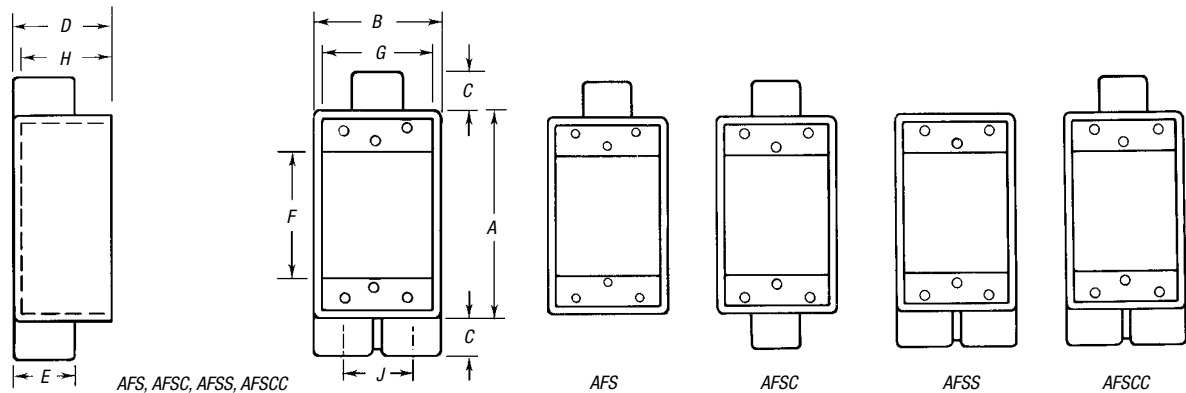
Multi-Gang Boxes Raintight*

CAT. NO.	HUB SIZE	UNIT QTY.	STD. PKG.	WT. LBS. PER 100
FSMG-TB	4" Threadless Conduit	—	1	242

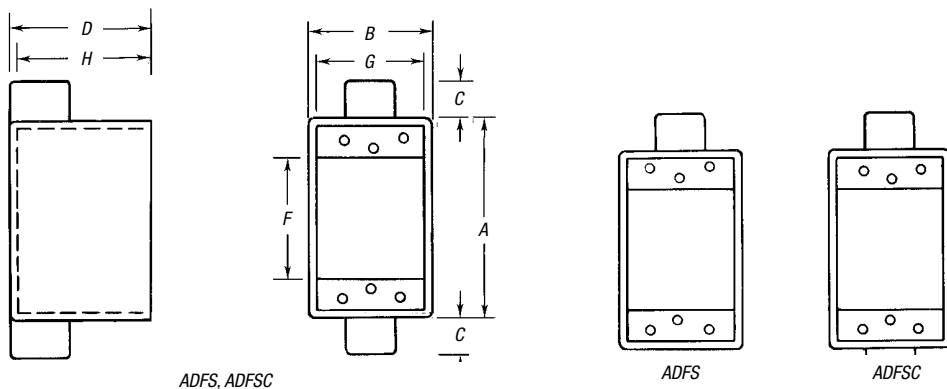
* Rain-tight when used with appropriate T&B covers and gaskets.

Device Boxes and Covers

Dimensions and Cubic Inches (CI) for Single-Gang Boxes



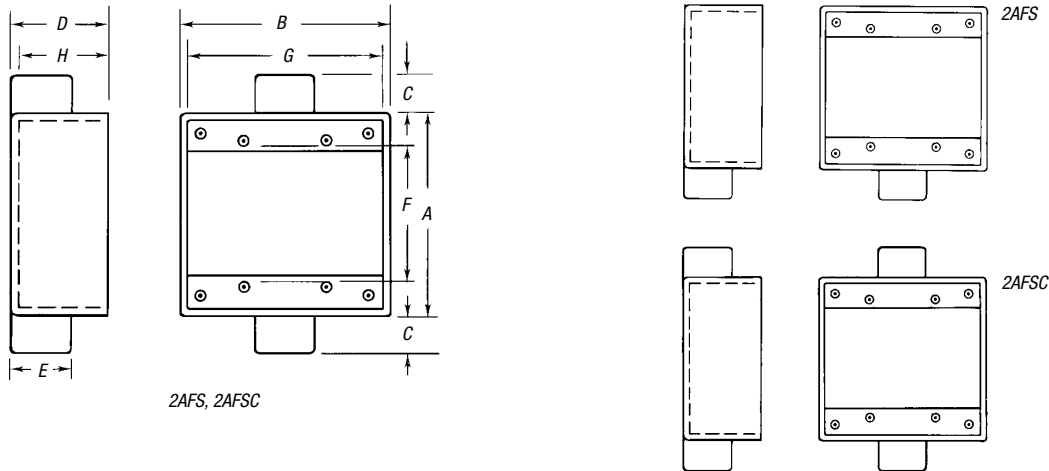
CAT. NO.	HUB SIZE	DIMENSIONS (IN.)										CU. IN.
		A	B	C	D	E	F	G	H	J		
AFS-1	1/2"	4 9/16	2 13/16	1 3/16	2 1/16	1 1/8	2 7/8	2 9/16	1 15/16	—	21.6	
AFS-2	3/4"	4 9/16	2 13/16	1 3/16	2 1/16	1 11/16	2 7/8	2 9/16	1 15/16	—	21.6	
AFS-3	1"	4 9/16	2 13/16	1 3/16	2 1/16	1 11/16	2 7/8	2 9/16	1 15/16	—	21.6	
AFSC-1	1/2"	4 9/16	2 13/16	1 3/16	2 1/16	1 1/8	2 7/8	2 9/16	1 15/16	—	21.6	
AFSC-2	3/4"	4 9/16	2 13/16	1 3/16	2 1/16	1 11/16	2 7/8	2 9/16	1 15/16	—	21.6	
AFSC-3	1"	4 9/16	2 13/16	1 3/16	2 1/16	1 11/16	2 7/8	2 9/16	1 15/16	—	21.6	
AFSS-1	1 1/2"	4 9/16	2 13/16	1 3/16	2 1/16	1 3/8	2 7/8	2 9/16	1 15/16	1 1/2	21.6	
AFSS-2	3/4"	4 9/16	2 13/16	1 3/16	2 1/16	1 3/8	2 7/8	2 9/16	1 15/16	1 1/2	21.6	
AFSCC-1	1/2"	4 9/16	2 13/16	1 3/16	2 1/16	1 3/8	2 7/8	2 9/16	1 15/16	1 1/2	21.6	
AFSCC-2	3/4"	4 9/16	2 13/16	1 3/16	2 1/16	1 3/8	2 7/8	2 9/16	1 15/16	1 1/2	21.6	



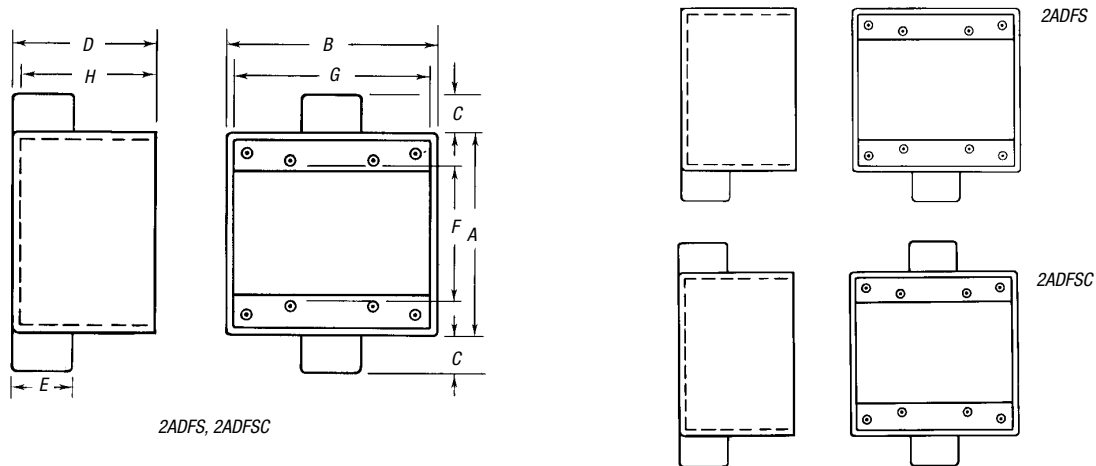
CAT. NO.	HUB SIZE	DIMENSIONS (IN.)										CU. IN.
		A	B	C	D	E	F	G	H			
ADFS-1	1/2"	4 9/16	2 13/16	7/8	3 1/16	1 1/8	2 7/8	2 9/16	2 15/16	31.3		
ADFS-2	3/4"	4 9/16	2 13/16	7/8	3 1/16	1 11/16	2 7/8	2 9/16	2 15/16	31.3		
ADFS-3	1"	4 9/16	2 13/16	7/8	3 1/16	1 11/16	2 7/8	2 9/16	2 15/16	31.3		
ADFSC-1	1 1/2"	4 9/16	2 13/16	7/8	3 1/16	1 1/8	2 7/8	2 9/16	2 15/16	31.3		
ADFSC-2	3/4"	4 9/16	2 13/16	7/8	3 1/16	1 11/16	2 7/8	2 9/16	2 15/16	31.3		
ADFSC-3	1"	4 9/16	2 13/16	7/8	3 1/16	1 11/16	2 7/8	2 9/16	2 15/16	31.3		

Device Boxes and Covers

Dimensions and Cubic Inches (CI) for Double-Gang Boxes



CAT. NO.	HUB SIZE	DIMENSIONS (IN.)									CU. IN.
		A	B	C	D	E	F	G	H		
2AFS-1	1/2"	4 9/16	4 5/8	1 3/16	2 1/16	1 3/8	2 7/8	4 3/8	1 15/16	36.0	
2AFS-2	3/4"	4 9/16	4 5/8	1 3/16	2 1/16	1 3/8	2 7/8	4 3/8	1 15/16	36.0	
2AFS-3	1"	4 9/16	4 5/8	7/8	2 1/16	1 11/16	2 7/8	4 3/8	1 15/16	36.0	
2AFSC-1	1/2"	4 9/16	4 5/8	1 3/16	2 1/16	1 3/8	2 7/8	4 3/8	1 15/16	36.0	
2AFSC-2	3/4"	4 9/16	4 5/8	1 3/16	2 1/16	1 3/8	2 7/8	4 3/8	1 15/16	36.0	



CAT. NO.	HUB SIZE	DIMENSIONS (IN.)									CU. IN.
		A	B	C	D	E	F	G	H		
2ADFS-1	1/2"	4 9/16	4 5/8	1 3/16	3 3/32	1 3/8	2 7/8	4 3/8	20	54.0	
2ADFS-2	3/4"	4 9/16	4 5/8	1 3/16	3 3/32	1 3/8	2 7/8	4 3/8	20	54.0	
2ADFS-3	1"	4 9/16	4 5/8	7/8	3 3/32	1 11/16	2 7/8	4 3/8	20	54.0	
2ADFSC-2	3/4"	4 9/16	4 5/8	1 3/16	3 3/32	1 3/8	2 7/8	4 3/8	20	54.0	
2ADFSC-3	1"	4 9/16	4 5/8	7/8	3 3/32	1 11/16	2 7/8	4 3/8	20	54.0	

Device Boxes and Covers

Special new aluminum alloy offers the ultimate in corrosion resistance!

T&B® FS/FD CorroStall® Aluminum Boxes

- Special aluminum alloy provides corrosion resistance as cast
- No protective coating required to prevent corrosion
- Ideal for use in food and beverage or pharmaceutical washdown areas, chemical processing and other corrosive environments
- Available in single- and double-gang sizes
- Use with standard T&B FS/FD Aluminum Covers

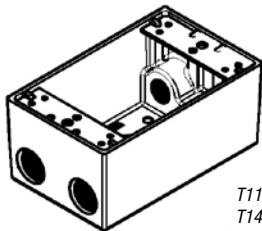
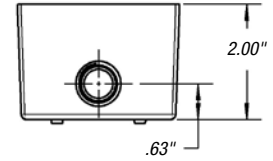
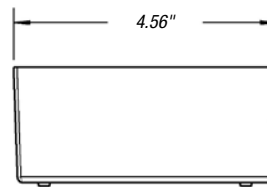
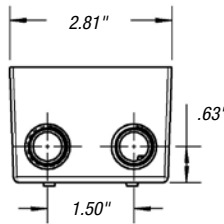


Material

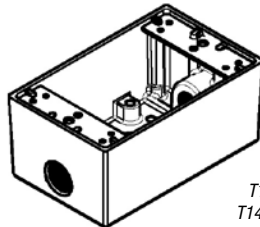
Aluminum alloy

Finish

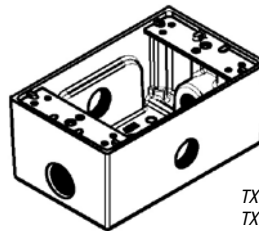
As cast



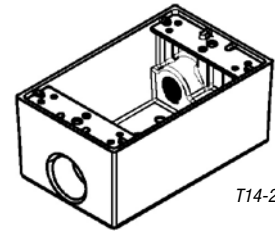
T11-22-FP
T14-22-FP



T11-FP
T14-PL-FP



TX11-5-FP
TX14-5-FP



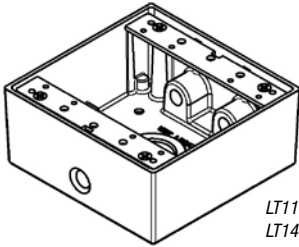
T14-2-FP

Single-Gang CorroStall® Boxes

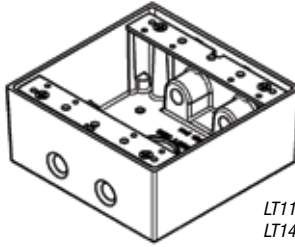


CAT. NO.	NO. OF OUTLET HOLES	HUB SIZE (IN.)	STD. PKG.
T11-22-FP	5	1/2	25
T14-22-FP	5	3/4	25
T11-FP	3	1/2	25
T14-PL-FP	3	3/4	25
TX11-5-FP	5	1/2	25
TX14-5-FP	5	3/4	25
T14-2-FP	4	3/4	25

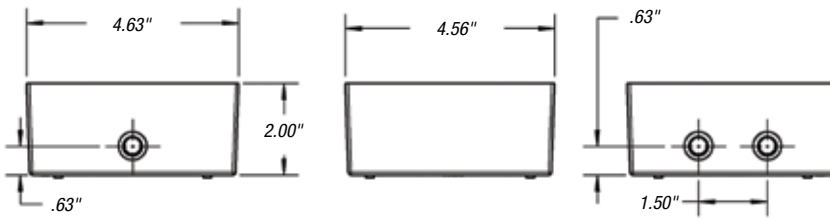
Device Boxes and Covers



LT11-2-FP
LT14-2-FP



LT11-3-FP
LT14-3-FP



Double-Gang CorroStall® Boxes



CAT. NO.	NO. OF OUTLET HOLES	HUB SIZE (IN.)	STD. PKG.
LT11-3-FP	5	1/2	10
LT14-3-FP	5	3/4	10
LT11-2-FP	4	1/2	10
LT14-2-FP	4	3/4	10

Device Boxes and Covers

Aluminum Single- and Double-Gang Covers



CWPDR

CWPDR-FS



CFSDR



CWP-G



CFSH-G



CWPV-G



CFSR-G



CFSR Series



CFST



CFSTF



CFSB

Single-Gang Covers — Raintight*

CAT. NO.	DESCRIPTION	UNIT QTY.	STD. PKG.	WT. LBS. PER 100
For Duplex Receptacles, Horizontal				
CWPDR*	Duplex Receptacle Cover with (2) Spring Doors, Device Mount	1	25	40
CWPDR-FS*	Box Mount	1	25	40

For Duplex Receptacles, Vertical

CFSDR*	Box Mount	1	25	38
--------	-----------	---	----	----

For GFCI Receptacles, Horizontal

CFSH-G*	Box Mount	1	25	40
---------	-----------	---	----	----

For GFCI Receptacles, Vertical

CWPV-G*	GFCI Receptacle Cover, 2 ¹ / ₃₂ " x 1 ¹ / ₃₂ " Rectangular Opening Device Mount	1	25	40
CFSR-G*	Box Mount	1	25	40

*Raintight when used with appropriate Thomas & Betts boxes and gaskets. Suitable for use in wet locations with cover closed — NEMA 3R.

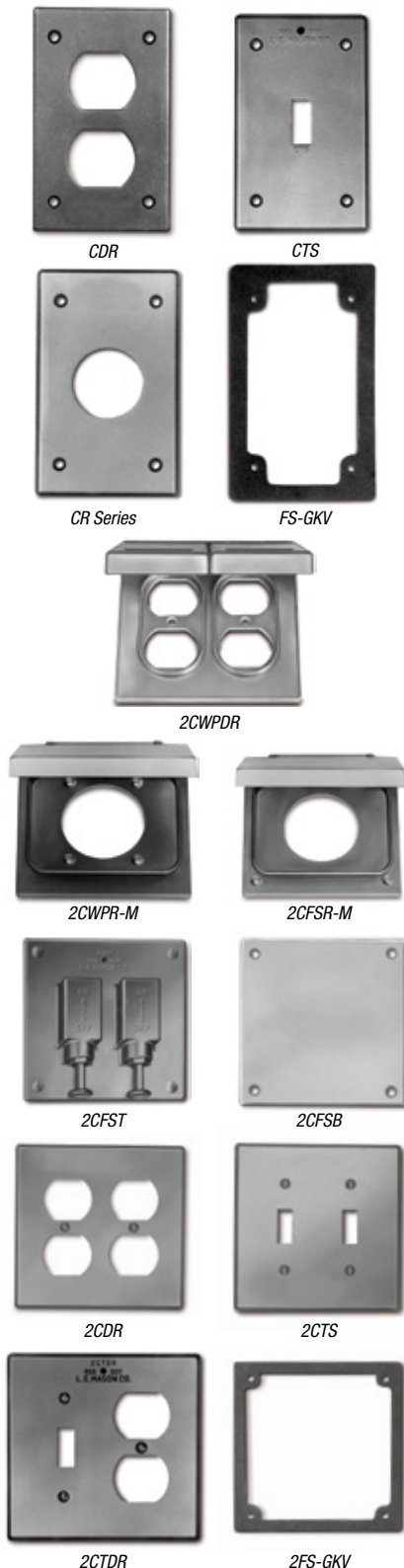
CAT. NO.	NOMINAL SIZE	MAX. DEVICE FACE DIA.	UNIT QTY.	STD. PKG.	WT. LBS. PER 100
For Single Receptacles, Vertical (Box Mount Only)					
CFSR-L*	1 ¹ / ₁₆ "	1.600"	1	25	40
CFSR-S*	1 ³ / ₈ "	1.395"	1	25	40
CFSR-X*	1 ²⁷ / ₃₂ "	1.865"	1	25	40
CFSR-XL*	2 ¹ / ₈ "	2.145"	1	25	40
CFSR-Y*	1 ³ / ₄ "	1.750"	1	25	40

*Raintight when used with appropriate Thomas & Betts boxes and gaskets. Suitable for use in wet locations with cover closed — NEMA 3R.

CAT. NO.	DESCRIPTION	UNIT QTY.	STD. PKG.	WT. LBS. PER 100
Switch Cover				
CFST*	Plunger Style, Switch Cover, Box Mount NEMA 3R	1	25	40
Switch Cover				
CFSTF*	Front Lever, Switch Cover, Box Mount NEMA 4	1	25	40
Blank Cover				
CFSB*	Blank Cover, Box Mount, NEMA 3R	1	25	14

*Raintight when used with appropriate Thomas & Betts boxes and gaskets. Suitable for use in wet locations with cover closed — NEMA 3R.

Device Boxes and Covers



Single-Gang Covers

CAT. NO.	DESCRIPTION	UNIT QTY.	STD. PKG.	WT. LBS. PER 100
For Duplex Receptacles				
CDR	Duplex Receptacle Cover, Box Mount	20	100	11
For Switches				
CTS	Switch Cover, Box Mount	20	100	14

CAT. NO.	NOMINAL SIZE	MAX. DEVICE FACE DIA.	UNIT QTY.	STD. PKG.	WT. LBS. PER 100
For Single Receptacles (Box Mount Only)					
CRL	1 $\frac{1}{16}$ "	1.600"	20	100	12
CRS	1 $\frac{1}{8}$ "	1.395"	20	100	12

CAT. NO.	DESCRIPTION	STD. PKG.	WT. LBS. PER 100
Gasket			
FS-GKV	Composition Gasket	100	2

Double-Gang Covers — Raintight*

CAT. NO.	DESCRIPTION	UNIT QTY.	STD. PKG.	WT. LBS. PER 100
For Two Duplex Receptacles				
2CWPR*	Two Duplex Receptacle Cover with (2) Spring Doors, Device Mount	1	10	48
For Single Receptacle				
2CWPR-M*	Single Receptacle Cover, Hole Dia. 2 $\frac{1}{4}$ ", Device Mount	1	10	48
2CFSR-M*	Single Receptacle Cover, Hole Dia. 2 $\frac{1}{4}$ ", Box Mount	1	10	48
For Two Switches				
2CFST*	Plunger Style Switch Cover, Box Mount	1	10	26

Blank

2CFSB*	Blank Cover, Box Mount	10	50	25
--------	------------------------	----	----	----

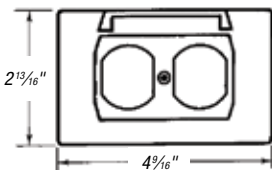
*Raintight when used with appropriate Thomas & Betts boxes, covers and gaskets. Suitable for use in wet locations with cover closed — NEMA 3R.

Double-Gang Covers

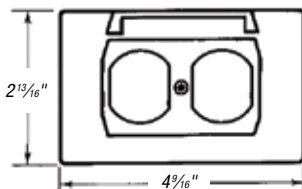
CAT. NO.	DESCRIPTION	UNIT QTY.	STD. PKG.	WT. LBS. PER 100
For Two Duplex Receptacles				
2CDR	Two Duplex Receptacle Cover, Device Mount	10	50	24
For Two Switches				
2CTS	Switch Cover, Device Mount	10	50	24
For Switch and Duplex Receptacles				
2CTDR	Switch and Duplex Receptacle Cover, Device Mount	10	50	24
Gasket				
2FS-GKV	Composition Gasket	—	50	3

Device Boxes and Covers

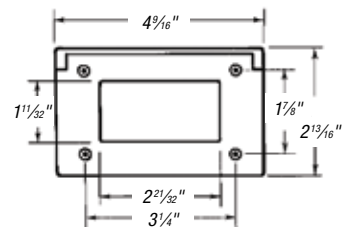
Dimensions for Single-Gang Covers



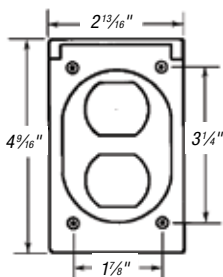
CWPDR



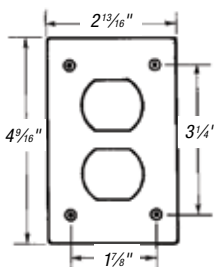
CWPDR-FS



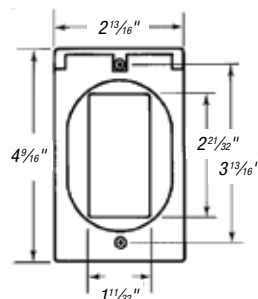
CFSH-G



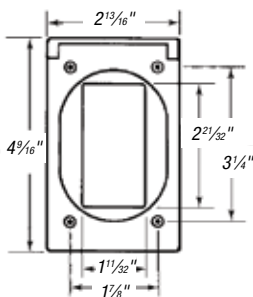
CFSDR



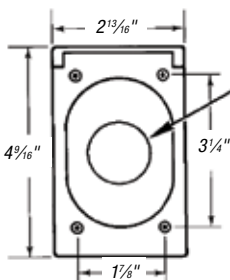
CDR



CWPV-G

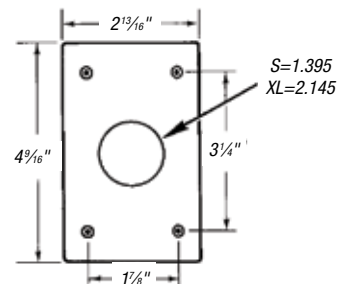


CFSR-G



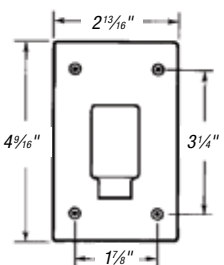
CFSR Series

L=1.60 Dia.
S=1.395
X=1.865
XL=2.145
Y=1.750

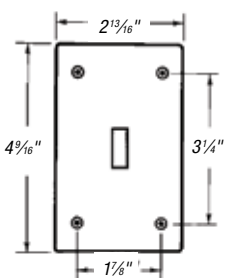


CR Series

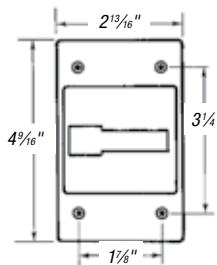
S=1.395
XL=2.145



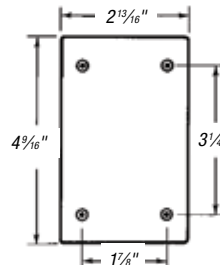
CFST



CTS



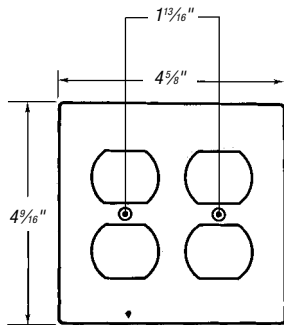
CFSTF



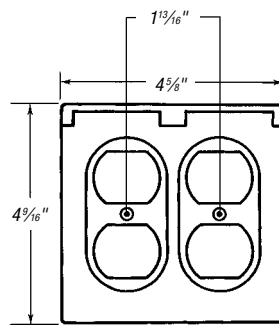
CFSB

Device Boxes and Covers

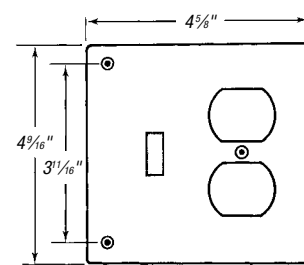
Dimensions for Double-Gang Covers



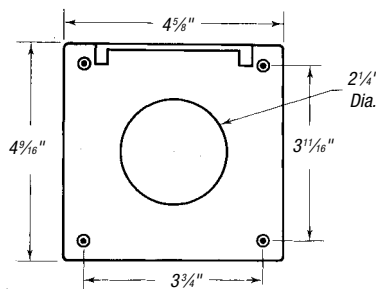
2CDR



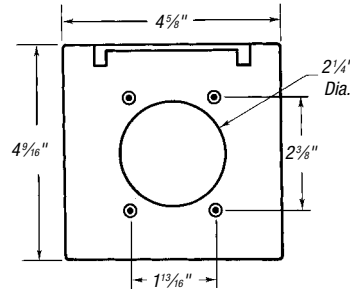
2CWPR



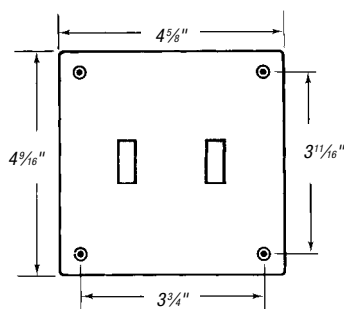
2CTDR



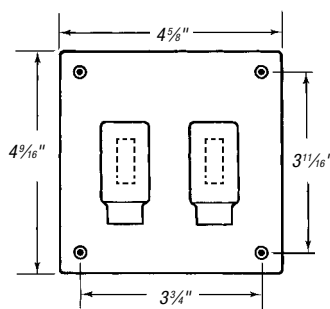
2CFSR-M



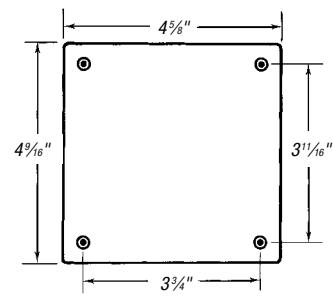
2CWPR-M



2CTS



2CFST



2CFSB

Hazardous Location Fittings

GUA Conduit Outlet Boxes

Application

GUA boxes can be used for hazardous location conduit runs for the following:

- Allows for mounting of fixture outlets (when used with appropriate covers)
- Provides easy access to wiring
- Provides junction in conduit for wire pulling and splices
- Changes direction in rigid conduit systems
- Attaches two or more pieces of conduit in long runs
- Guards against damage to wires in rigid conduit

Features

- All hubs have a minimum of five full threads and integral bushing
- All boxes are furnished with internal grounding screw
- Cover supplied with O-ring gasket

Size Range

½" NPT to 2" NPT
Access opening 2" to 5" diameter

Materials

Bodies.... Grade 60-45-10 Ductile Iron (Complies with ASTM standard A536)
Covers..... Die-cast aluminum

Finish

Boxes.....Zinc-plated with aluminum acrylic paint
Covers.....Natural

Listings/Compliances

UL514A (wet locations when used with gasketed covers)

UL886

CSA: C22.2 No. 30

Cl. I, Div. 1 & 2, Groups C, D

Cl. II, Div. 1, Groups E, F, G

Cl. III, Div. 1 & 2

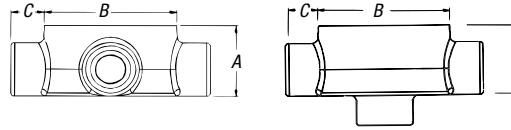
NEMA 3, 4, 7 CD, 9 EFG

Explosion-Proof

Dust-Ignition-Proof

Raintight

Wet Locations



GUA



GUAB



GUAC



GUAD

GUA



CAT. NO.	HUB SIZE	DIMENSIONS (IN.)			THROAT DIA.		CU. IN. CAPACITY
		A	B	C	MIN.	MAX.	
GUA14-TB	½"	1.81	2.50	.88	.570	.610	5.5
GUA16-TB	½"	2.00	3.50	.88	.570	.610	13.5
GUA24-TB	¾"	2.00	2.50	.88	.755	.810	5.3
GUA26-TB	¾"	2.00	3.50	.88	.755	.810	13.3
GUA36-TB	1"	2.31	3.50	.88	.935	1.035	16.2
GUA47-TB	1¼"	2.69	4.38	1.00	1.260	1.360	29
GUA59-TB	1½"	3.81	5.75	1.06	1.470	1.590	70

GUAB



CAT. NO.	HUB SIZE	DIMENSIONS (IN.)			THROAT DIA.		CU. IN. CAPACITY
		A	B	C	MIN.	MAX.	
GUAB14-TB	½"	2.25	2.50	.88	.570	.610	6.9
GUAB16-TB	½"	2.00	3.50	.88	.570	.610	13.5
GUAB24-TB	¾"	2.50	2.50	.88	.755	.810	7.9
GUAB26-TB	¾"	2.00	3.50	.88	.755	.810	13.5
GUAB36-TB	1"	2.31	3.50	1.00	.935	1.035	15.4
GUAB47-TB	1¼"	2.69	4.38	1.00	1.260	1.360	27.5
GUAB59-TB	1½"	3.81	5.75	1.06	1.470	1.590	73.6
GUAB69-TB	2"	4.06	5.75	1.06	1.880	2.047	80
GUAB79-TB	2½"	4.06	5.75	1.13	2.320	2.380	98

GUAC



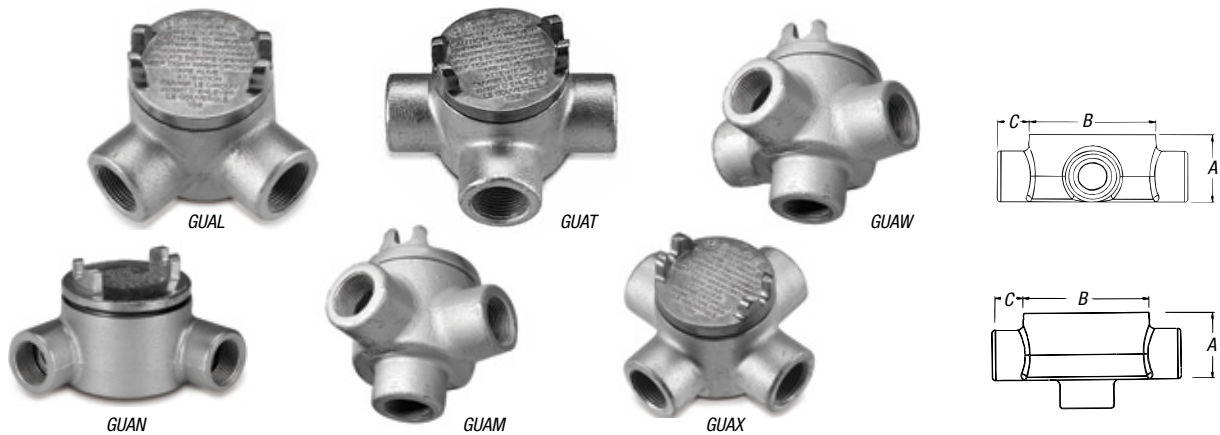
CAT. NO.	HUB SIZE	DIMENSIONS (IN.)			THROAT DIA.		CU. IN. CAPACITY
		A	B	C	MIN.	MAX.	
GUAC14-TB	½"	2.25	2.50	.88	.570	.610	6.8
GUAC16-TB	½"	2.00	3.50	.88	.570	.610	13.1
GUAC24-TB	¾"	2.00	2.50	.88	.755	.810	5.3
GUAC26-TB	¾"	2.00	3.50	.88	.755	.810	13.3
GUAC36-TB	1"	2.31	3.50	.88	.935	1.035	16.2
GUAC47-TB	1¼"	2.69	4.38	1.00	1.260	1.360	29.3
GUAC49-TB	1¼"	3.81	5.75	1.00	1.260	1.360	73.6
GUAC59-TB	1½"	3.81	5.75	1.06	1.470	1.590	74
GUAC69-TB	2"	4.06	5.75	1.06	1.880	2.047	77.8

GUAD



CAT. NO.	HUB SIZE	DIMENSIONS (IN.)			THROAT DIA.		CU. IN. CAPACITY
		A	B	C	MIN.	MAX.	
GUAD14-TB	½"	1.81	2.50	.88	.570	.610	5.6
GUAD16-TB	½"	2.00	3.50	.88	.570	.610	12.5
GUAD24-TB	¾"	2.00	2.50	.88	.755	.810	5.2
GUAD26-TB	¾"	2.00	3.50	.88	.755	.810	13.1
GUAD36-TB	1"	2.31	3.50	.88	.935	1.035	16
GUAD49-TB	1¼"	3.81	5.75	1.00	1.260	1.360	76

Hazardous Location Fittings



GUAL



CAT. NO.	HUB SIZE	DIMENSIONS (IN.)			THROAT DIA.		CU. IN. CAPACITY
		A	B	C	MIN.	MAX.	
GUAL14-TB	1/2"	2.25	2.50	.88	.570	.610	7.1
GUAL16-TB	1/2"	2.00	3.50	.88	.570	.610	13.4
GUAL24-TB	3/4"	2.00	2.50	.88	.755	.810	5.3
GUAL26-TB	3/4"	2.00	3.50	.88	.755	.810	13.3
GUAL36-TB	1"	2.31	3.50	.88	.935	1.035	16.2
GUAL47-TB	1 1/4"	2.69	4.38	1.00	1.260	1.360	30
GUAL49-TB	1 1/4"	3.81	5.75	1.00	1.260	1.360	74.5
GUAL59-TB	1 1/2"	3.81	5.75	1.06	1.470	1.590	74
GUAL69-TB	2"	4.06	5.75	1.06	1.880	2.047	77.8

GUAT



CAT. NO.	HUB SIZE	DIMENSIONS (IN.)			THROAT DIA.		CU. IN. CAPACITY
		A	B	C	MIN.	MAX.	
GUAT14-TB	1/2"	2.25	2.50	.88	.570	.610	7
GUAT16-TB	1/2"	2.00	3.50	.88	.570	.610	13.5
GUAT24-TB	3/4"	2.00	2.50	.88	.755	.810	5.3
GUAT26-TB	3/4"	2.00	3.50	.88	.755	.810	13.3
GUAT36-TB	1"	2.31	3.50	1.00	.935	1.035	15.9
GUAT37-TB	1"	2.31	3.50	.88	.935	1.035	23.3
GUAT47-TB	1 1/4"	2.69	4.38	1.00	1.260	1.360	29.3
GUAT49-TB	1 1/4"	3.81	5.75	1.00	1.260	1.360	77.2
GUAT59-TB	1 1/2"	3.81	5.75	1.06	1.470	1.590	77.7
GUAT69-TB	2"	4.06	5.75	1.06	1.880	2.047	77.8
GUAT79-TB	2 1/2"	4.06	5.75	1.06	2.320	2.380	95

GUAM



CAT. NO.	HUB SIZE	DIMENSIONS (IN.)			THROAT DIA.		CU. IN. CAPACITY
		A	B	C	MIN.	MAX.	
GUAM14-TB	1/2"	1.81	2.50	.88	.570	.610	5.6
GUAM16-TB	1/2"	2.00	3.50	.88	.570	.610	12.5
GUAM24-TB	3/4"	2.00	2.50	.88	.755	.810	6.2
GUAM26-TB	3/4"	2.00	3.50	.88	.755	.810	12.5
GUAM36-TB	1"	2.31	3.50	.88	.935	1.035	14
GUAM47-TB	1 1/4"	2.69	4.38	1.00	1.260	1.360	29.2
GUAM69-TB	2"	4.06	5.75	1.06	1.880	2.047	80

GUAW



CAT. NO.	HUB SIZE	DIMENSIONS (IN.)			THROAT DIA.		CU. IN. CAPACITY
		A	B	C	MIN.	MAX.	
GUAW14-TB	1/2"	1.81	2.50	.88	.570	.610	5.2
GUAW16-TB	1/2"	2.00	3.50	.88	.570	.610	13
GUAW24-TB	3/4"	2.00	2.50	.88	.755	.810	6.5
GUAW26-TB	3/4"	2.00	3.50	.88	.755	.810	13

GUAX



CAT. NO.	HUB SIZE	DIMENSIONS (IN.)			THROAT DIA.		CU. IN. CAPACITY
		A	B	C	MIN.	MAX.	
GUAX14-TB	1/2"	1.81	2.50	.88	.570	.610	5.2
GUAX16-TB	1/2"	2.00	3.50	.88	.570	.610	13.5
GUAX24-TB	3/4"	2.00	2.50	.88	.755	.810	5.3
GUAX26-TB	3/4"	2.00	3.50	.88	.755	.810	13.3
GUAX36-TB	1"	2.31	3.50	1.00	.935	1.035	16
GUAX37-TB	1"	2.31	3.50	.88	.935	1.035	23.3
GUAX47-TB	1 1/4"	2.69	4.38	1.00	1.260	1.360	30
GUAX49-TB	1 1/4"	3.81	5.75	1.00	1.260	1.360	72
GUAX59-TB	1 1/2"	3.81	5.75	1.06	1.470	1.590	71
GUAX69-TB	2"	4.06	5.75	1.06	1.880	2.047	77.8

GUAN



CAT. NO.	HUB SIZE	DIMENSIONS (IN.)			THROAT DIA.		CU. IN. CAPACITY
		A	B	C	MIN.	MAX.	
GUAN14-TB	1/2"	2.13	2.50	.88	.570	.610	6.8
GUAN16-TB	1/2"	2.00	3.50	.88	.570	.610	13.5
GUAN24-TB	3/4"	2.31	2.50	.88	.755	.810	7.7
GUAN26-TB	3/4"	2.00	3.50	.88	.755	.810	14
GUAN36-TB	1"	2.31	3.50	.88	.935	1.035	16.9
GUAN47-TB	1 1/4"	2.69	4.38	1.00	1.260	1.360	31.5
GUAN59-TB	1 1/2"	4.06	5.75	1.06	1.470	1.590	84
GUAN69-TB	2"	4.06	5.75	1.06	1.880	2.047	84

Hazardous Location Fittings

Aluminum External Hubs

Application

- Junction for branch conduits in hazardous locations
- Accessible wiring chamber provides a convenient location to maintain or change a system, pull conductors and make splices
- Unique mounting pads and external hub design ideal for installations of OEM devices or instruments

Features

- Copper-free* aluminum provides increased corrosion resistance
- Precision cast and machined surfaces permit safer wire pulling
- Precision NPT threaded hubs enable trouble-free field installation for rigid or IMC conduit
- Die-cast construction and industrial design combine to produce a rugged protective enclosure for devices on industrial and OEM applications
- Clear UL, CSA and cubic content markings speed approval by inspectors

Standard Materials

Die-cast aluminum alloy A360 with less than .004 copper content (copper-free)

Standard Finish

Aluminum lacquer finish

Listings/Compliances

UL Listed
 CSA Certified
 Suitable for hazardous locations
 NEMA 4 rated when ordered with O-ring installed
 Federal Spec W-C-586
 Cl.I, Div. 1 & 2, Groups C, D
 Cl.II, Div. 1, Groups E, F, G
 Cl.III, Div. 1 & 2
 Explosion-Proof
 Dust-Ignition-Proof
 Raintight
 Wet Locations

Sample Specifications

Outlet boxes for hazardous locations shall be die-cast copper-free* aluminum alloy A360 and suitable for use in Class I, Groups C, D, Class II, Groups E, F, G and Class III areas. All conduit stops shall be coined and free of rough edges. Outlet boxes for hazardous locations shall be finished with aluminum lacquer. Outlet boxes shall be Red•Dot® Catalog No. _____

*Less than .004 copper content.



GAX



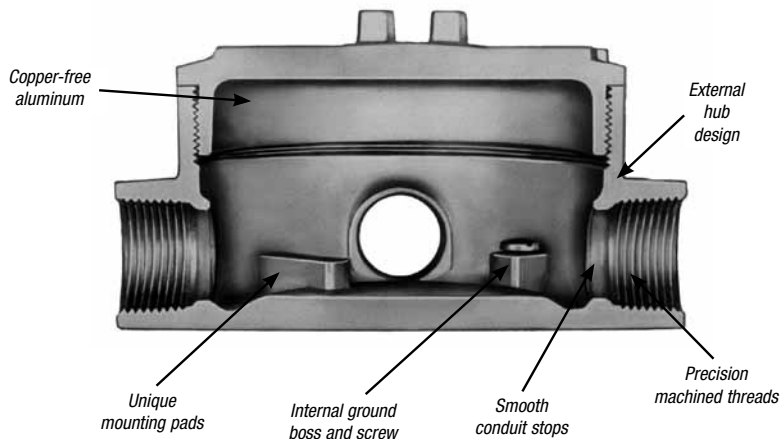
GAFX



GAJU



GASS



Hazardous Location Fittings

Aluminum External Hubs with Installed Green Ground Screw

Through Feed with Surface Cover

CAT. NO.	HUB SIZE	UNIT QTY.	STD. PKG.	WT. LBS. PER 100
GAC-1•	½"	1	5	115
GAC-2•	¾"	1	5	115
GAC-3•	1"	1	5	115



GAC

Dead End with Surface Cover

CAT. NO.	HUB SIZE	UNIT QTY.	STD. PKG.	WT. LBS. PER 100
GAE-2•	¾"	1	5	110



GAE

L Style with Surface Cover

CAT. NO.	HUB SIZE	UNIT QTY.	STD. PKG.	WT. LBS. PER 100
GAL-1	½"	1	5	115
GAL-2•	¾"	1	5	115
GAL-3•	1"	1	5	115
GAL-4•	1¼"	1	5	175
GAL-5•	1½"	1	4	247
GAL-6•	2"	1	4	253



GAL

LB Style with Surface Cover

CAT. NO.	HUB SIZE	UNIT QTY.	STD. PKG.	WT. LBS. PER 100
GALB-1•	½"	1	5	115
GALB-2	¾"	1	5	115
GALB-3•	1"	1	5	115
GALB-4•	1¼"	1	2	175
GALB-6•	2"	1	4	253



GALB

T Style with Surface Cover

CAT. NO.	HUB SIZE	UNIT QTY.	STD. PKG.	WT. LBS. PER 100
GAT-1•	½"	1	5	120
GAT-2	¾"	1	5	120
GAT-3•	1"	1	5	120
GAT-4	1¼"	1	5	180
GAT-6•	2"	1	1	406



GAT

• Made-to-order items. Consult factory for lead time and minimum quantities.

Conduit & Fittings — T&B® Rigid Fittings

Hazardous Location Fittings

Aluminum External Hubs with Installed Green Ground Screw

X Style with Surface Cover

CAT. NO.	HUB SIZE	UNIT QTY.	STD. PKG.	WT. LBS. PER 100
GAX-1 [†]	½"	1	5	125
GAX-2 [†]	¾"	1	5	125
GAX-3 [†]	1"	1	5	125
GAX-5 [†]	1½"	1	1	257

X Style with Flange and Surface Cover

CAT. NO.	HUB SIZE	UNIT QTY.	STD. PKG.	WT. LBS. PER 100
GAFX-1 [†]	½"	1	4	135
GAFX-2 [†]	¾"	1	4	135

Surface-Style Cover

CAT. NO.	COVER OPENING	FIT BOXES	STD. PKG.	WT. LBS. PER 100
GAS-123•	3⅛"	½", ¾", 1"	1	36
GAS-4•	3 ²⁹ / ₃₂ "	1¼"	1	52
GAS-56•	5⅛"	1½", 2"	1	69

Dome-Style Cover (Class I, Group D only)

CAT. NO.	COVER OPENING	FITS BOXES	INSIDE HEIGHT	CU. IN. CAPACITY	STD. PKG.	WT. LBS PER 100
GAD-123•	3⅛"	½", ¾", 1"	2 ⁵ / ₈ "	23	1	71

• Made-to-order items. Consult factory for lead time and minimum quantities.

[†] Suffix-OR: O-ring available for NEMA 4 rating. Consult factory for lead time and price.

Aluminum External Hubs with Installed Green Ground Screw, Covers and Plugs

U Style with Canopy Cover

CAT. NO.	HUB SIZE	UNIT QTY.	STD. PKG.	WT. LBS. PER 100
GAJU-2	¾"	1	5	130
GAJU-3	1"	1	5	130
GAJU-6•	2"	1	1	273

Canopy-Style Cover

CAT. NO.	COVER OPENING	FITS BOXES	UNIT QTY.	STD. PKG.	WT. LBS PER 100
GAJ-123•	3⅛"	½", ¾", 1"	1	10	44
GAJ-4•	3 ²⁹ / ₃₂ "	1¼"	1	5	61
GAJ-56•	5⅛"	1½", 2"	1	5	78

• Made-to-order items. Consult factory for lead time and minimum quantities.



GAX



GAFX



GAS



GAD



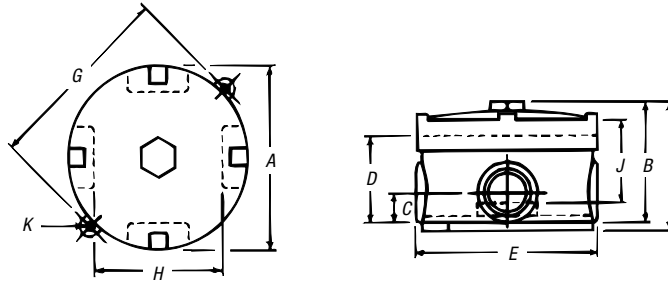
GAJU



GAJ

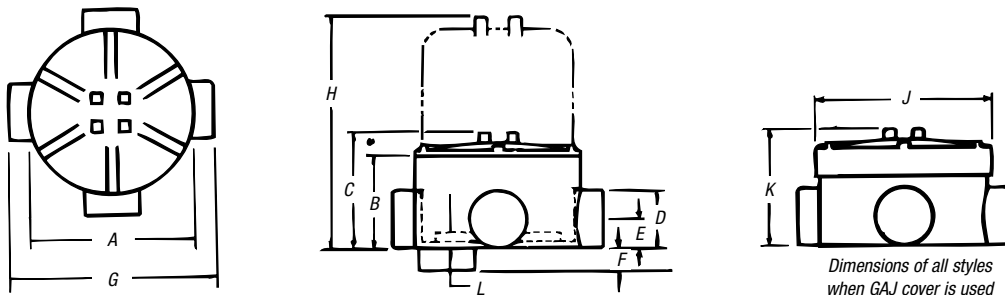
Hazardous Location Fittings

Dimensions and Cubic Inches (CI) for External Hubs



EXUN and EXUNL

HUB SIZE	DIMENSIONS (IN.)										CI
	A	B	C	D	E	F	G	H	J	K	
1/2"	3 ³¹ / ₃₂ "	3 ¹ / ₈ "	2 ²¹ / ₃₂ "	2 ¹ / ₁₆ "	4	3 ³ / ₈ "	4 ¹ / ₄ "	1 ¹ / ₄ "	1 ¹ / ₁₆ "	1 ⁷ / ₆₄ "	20.3
3/4"	3 ³¹ / ₃₂ "	3 ¹ / ₈ "	2 ²¹ / ₃₂ "	2 ¹ / ₁₆ "	4	3 ³ / ₈ "	4 ¹ / ₄ "	1 ¹ / ₄ "	1 ¹ / ₁₆ "	1 ⁷ / ₆₄ "	20.3
1"	3 ³¹ / ₃₂ "	3 ³ / ₁₆ "	3 ¹ / ₄ "	2 ¹ / ₄ "	4	3 ³ / ₁₆ "	4 ¹ / ₄ "	1 ¹ / ₁₆ "	1 ¹ / ₁₆ "	1 ⁷ / ₆₄ "	20.0

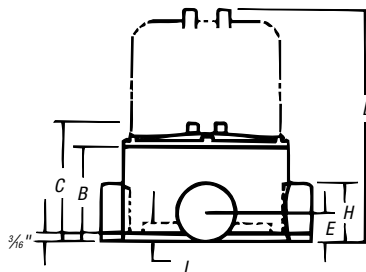
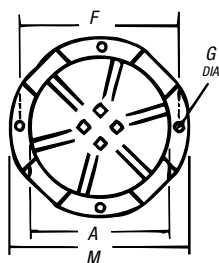


GAC, GAE, GAL, GALB, GAT and GAX

COVER OPENING	HUB SIZE	DIMENSIONS (IN.)										CI	
		A	B	C	D	E	F	G	H	J	K		L
3 ¹¹ / ₁₆ "	1/2"	4"	2 ¹ / ₄ "	2 ¹⁵ / ₁₆ "	1 ³ / ₈ "	1 ¹ / ₁₆ "	1 ¹ / ₁₆ "	5 ³ / ₁₆ "	5 ⁹ / ₁₆ "	4 ³ / ₁₆ "	3 ³ / ₁₆ "	9 ¹ / ₁₆ "	18.8
3 ¹¹ / ₁₆ "	3/4"	4"	2 ¹ / ₄ "	2 ¹⁵ / ₁₆ "	1 ³ / ₈ "	1 ¹ / ₁₆ "	1 ¹ / ₁₆ "	5 ³ / ₁₆ "	5 ⁹ / ₁₆ "	4 ³ / ₁₆ "	3 ³ / ₁₆ "	9 ¹ / ₁₆ "	18.8
3 ¹¹ / ₁₆ "	1"	4"	2 ¹ / ₄ "	2 ¹⁵ / ₁₆ "	1 ⁵ / ₈ "	1 ³ / ₁₆ "	2 ⁷ / ₃₂ "	5 ¹ / ₂ "	5 ⁹ / ₁₆ "	4 ³ / ₁₆ "	3 ³ / ₁₆ "	9 ¹ / ₁₆ "	18.8
3 ²⁹ / ₃₂ "	1 ¹ / ₄ "	4 ⁵ / ₁₆ "	3"	3 ¹¹ / ₁₆ "	2 ¹ / ₁₆ "	1 ¹ / ₃₂ "	7 ⁸ / ₈ "	5 ¹¹ / ₁₆ "	—	4 ⁹ / ₁₆ "	3 ¹⁵ / ₁₆ "	5 ⁸ / ₈ "	28.0
5 ³ / ₁₆ "	1 ¹ / ₂ "	5 ³ / ₄ "	4 ¹ / ₄ "	5 ¹ / ₁₆ "	2 ⁷ / ₈ "	1 ⁷ / ₁₆ "	7 ⁸ / ₈ "	6 ⁵ / ₈ "	—	6 ⁷ / ₁₆ "	5 ¹⁹ / ₃₂ "	1 ³ / ₁₆ "	69.3
5 ³ / ₁₆ "	2"	5 ³ / ₄ "	4 ¹ / ₄ "	5 ¹ / ₁₆ "	2 ⁷ / ₈ "	1 ⁷ / ₁₆ "	7 ⁸ / ₈ "	6 ⁵ / ₈ "	—	6 ⁷ / ₁₆ "	5 ¹⁹ / ₃₂ "	1 ³ / ₁₆ "	69.3

Hazardous Location Fittings

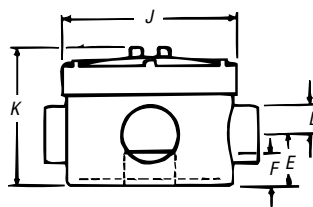
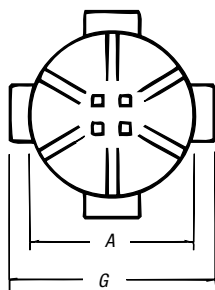
Dimensions and Cubic Inches (CI) for External Hubs (continued)



GAFX

COVER OPENING	HUB SIZE	DIMENSIONS (IN.)										
		A	B	C	D	E	F	G	H	L	M	CI
3 ¹ / ₁₆ "	1/2"	4"	2 ¹ / ₄ "	2 ¹⁵ / ₁₆ "	5 ⁹ / ₁₆ "	1 ¹ / ₁₆ "	4 ¹ / ₂ "	1/4"	1 ³ / ₈ "	9/16"	5 ⁹ / ₁₆ "	20.0
3 ¹ / ₁₆ "	3/4"	4"	2 ¹ / ₄ "	2 ¹⁵ / ₁₆ "	5 ⁹ / ₁₆ "	1 ¹ / ₁₆ "	4 ¹ / ₂ "	1/4"	1 ³ / ₈ "	9/16"	5 ⁹ / ₁₆ "	20.0
3 ¹ / ₁₆ "	1"	4"	2 ¹ / ₄ "	2 ¹⁵ / ₁₆ "	5 ⁹ / ₁₆ "	1 ¹ / ₁₆ "	4 ³ / ₄ "	5/16"	1 ⁵ / ₈ "	9/16"	5 ¹ / ₂ "	19.0

Note: All GAF units supplied as X configuration with proper number of explosion-proof close-up plugs to make C, T or L.



GAJU

COVER OPENING	HUB SIZE	DIMENSIONS (IN.)								
		A	D	E	F	G	J	K	CI	
3 ¹ / ₁₆ "	1/2"	4"	1 ³ / ₁₆ "	1 ¹ / ₂ "	3 ¹ / ₃₂ "	5 ³ / ₁₆ "	4 ³ / ₁₆ "	4"	23.8	
3 ¹ / ₁₆ "	3/4"	4"	1 ³ / ₁₆ "	1 ¹ / ₂ "	3 ¹ / ₃₂ "	5 ³ / ₁₆ "	4 ³ / ₁₆ "	4"	23.8	
3 ¹ / ₁₆ "	1"	4"	1 ³ / ₁₆ "	1 ¹ / ₂ "	3 ¹ / ₃₂ "	5 ³ / ₁₆ "	4 ³ / ₁₆ "	4"	23.8	
3 ²⁹ / ₃₂ "	1 ¹ / ₄ "	4 ⁵ / ₁₆ "	2 ¹ / ₁₆ "	1 ¹ / ₃₂ "	7/8"	5 ¹ / ₁₆ "	4 ³ / ₄ "	3 ¹⁵ / ₁₆ "	33.3	
5 ⁹ / ₁₆ "	1 ¹ / ₂ "	5 ³ / ₄ "	1 ⁷ / ₁₆ "	2 ¹ / ₁₆ "	1 ¹ / ₂ "	6 ⁷ / ₁₆ "	6 ⁷ / ₁₆ "	6 ⁷ / ₁₆ "	82.8	
5 ⁹ / ₁₆ "	2"	5 ³ / ₄ "	1 ⁷ / ₁₆ "	2 ¹ / ₁₆ "	1 ¹ / ₂ "	6 ⁷ / ₁₆ "	6 ⁷ / ₁₆ "	6 ⁷ / ₁₆ "	82.8	

Note: All GA & GAF series boxes are supplied with GAS or GAJ style covers.

To order these boxes with GAD dome cover, consult factory.

Hazardous Location Fittings

EXUN Series Aluminum Internal Hubs

Application

- Junction for branch conduits in hazardous locations
- Accessible wiring chamber provides a convenient location to maintain or change a system, pull conductors and make splices
- Internal hub design ideal for installation where space is limited

Features

- Copper-free* aluminum provides increased corrosion resistance
- Precision cast and machined surfaces permit safer wire pulling
- Precision NPT threaded hubs enable trouble-free field installation for rigid or IMC conduit
- Die-cast construction and industrial design combine to produce a rugged protective enclosure for devices on industrial and OEM applications
- Clear UL, CSA and cubic content markings speed approval by inspectors



EXUN



EXUNL

Conduit & Fittings — T&B® Rigid Fittings

Standard Materials

Die-cast aluminum alloy A360 with less than .004 copper content (copper-free)

Standard Finish

Aluminum lacquer finish

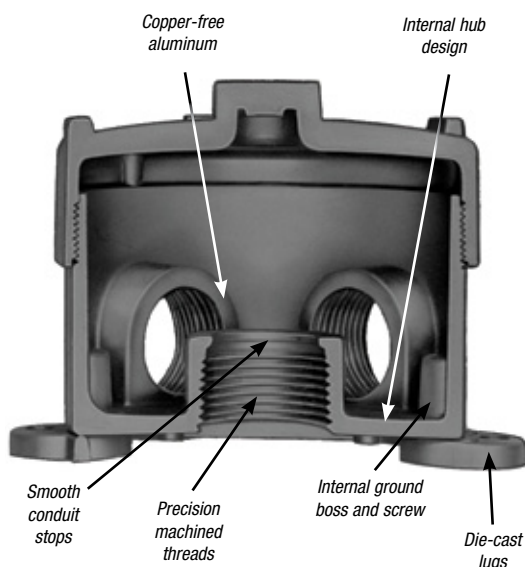
Listings/Compliances

UL Listed
 CSA Certified
 Suitable for hazardous locations
 Federal Spec W-C-586
 Cl.I, Div. 1 & 2, Groups C, D
 Cl.II, Div. 1, Groups E, F, G
 Cl.III, Div. 1 & 2
 NEMA 3, 4, 7 CD, 9 EFG
 Explosion-Proof
 Dust-Ignition-Proof
 Raintight
 Wet Locations

Sample Specifications

Outlet boxes for hazardous locations shall be die-cast copper-free* aluminum alloy A360 and suitable for use in Class I, Groups C, D, Class II, Groups E, F, G and Class III areas. All conduit stops shall be coined and free of rough edges. Outlet boxes for hazardous locations shall be finished with aluminum lacquer. Outlet boxes shall be Thomas & Betts Catalog No. _____

*Less than .004 copper content.



Hazardous Location Fittings

5-Hole Aluminum Box



CAT. NO.	HUB SIZE	DESCRIPTION	UNIT QTY.	STD. PKG.	WT. LBS. PER 100
EXUN-1	1/2"	(5) Outlets	1	5	140
EXUN-2	3/4"	with (3) Close-Up Plugs	1	5	140
EXUN-3	1"	with (3) Close-Up Plugs	1	5	140



EXUN-1

4-Hole Aluminum Box



CAT. NO.	HUB SIZE	DESCRIPTION	UNIT QTY.	STD. PKG.	WT. LBS. PER 100
EXUN-11	1/2"	(4) Outlets	1	5	140
EXUN-22	3/4"	with (2) Close-Up Plugs	1	5	—



EXUN-11

Hazardous Location Fittings

GASS Series Aluminum Internal Hubs

Application

- Junction for branch conduits in hazardous locations
- Accessible wiring chamber provides a convenient location to maintain or change a system, pull conductors and make splices

Features

- Copper-free* aluminum alloy provides increased corrosion resistance
- Extra-wide 3¾" opening provides more hand space for easy access to the wiring chamber
- Precision cast and machined surfaces permit safer wire pulling
- Large capacity 31-cu.-in. chamber provides more wiring space
- Precision NPT threaded hubs enable trouble-free field installation for rigid or IMC conduit
- Sand-cast construction and industrial design combine to produce a rugged protective enclosure for devices on industrial and OEM applications
- Clear UL, CSA and cubic content markings speed approval by inspectors
- Hub spacing enables use of EXFU and EXMU unions

Standard Materials

Box — Sand-Cast aluminum alloy A356. 2-T6
 Cover — Die-Cast aluminum alloy A360 with less than .004 copper content (copper-free)

Standard Finish

Aluminum lacquer finish

Listings/Compliances

UL Listed
 CSA Certified
 NEC
 Cl.I, Div. 1 & 2, Groups C, D
 Cl.II, Div. 1, Groups E, F, G
 Cl.III, Div. 1 & 2
 NEMA 3, 4, 7 CD, 9 EFG
 Explosion-Proof
 Dust-Ignition-Proof
 Raintight
 Wet Locations

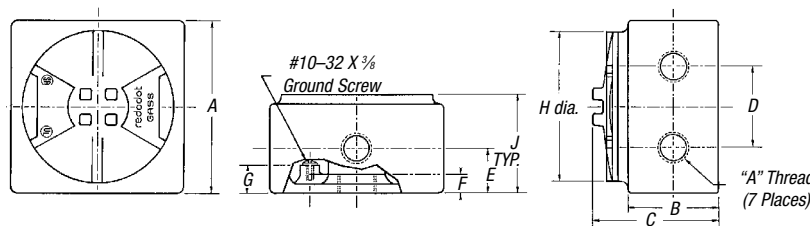
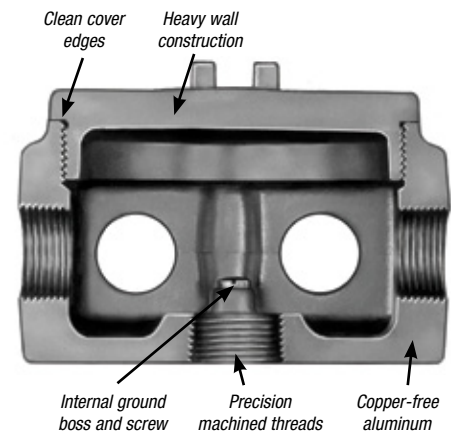
Sample Specifications

Enclosure for hazardous locations. The box shall be cast copper-free* aluminum alloy A356.2-T6. Suitable for use in hazardous locations: Suitable for use in Class I, Groups C, D; Class II, Groups E, F, G; and Class III areas. Enclosures shall be finished with aluminum lacquer. Outlet boxes shall be Thomas & Betts Catalog No. _____

*Less than .004% copper content.



GASS



Dimensions of all styles when GASS cover is used

GASS Internal Hubs with Installed Green Ground Screw, Cover and Plugs



COVER OPENING	HUB SIZE	A	B	C	D	E	F	G	H	J	CI
4"	½"	4%	2%	3%	2½	1½	½	¾	4	2%	31
4"	¾"	4%	2%	3%	2½	1½	½	¾	4	2%	31
4"	1"	4%	2%	3%	2½	1½	½	¾	4	2%	31

CAT. NO.	HUB SIZE	UNIT QTY.	STD. PKG.	WT. LBS. PER 100
GASS-1	½"	1	5	282
GASS-2	¾"	1	5	278
GASS-3	1"	1	5	274

Hazardous Location Fittings

Perfect for the petrochemical industry!

GUP Explosion-Proof Enclosure

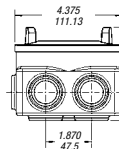
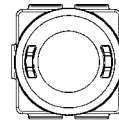


CAT. NO.	DESCRIPTION	STD. PKG. QTY.
GUP214-TB	Junction Box — 10 Hubs (3/4" NPT): (2) in Top, (2) in Bottom, (1) in Each Side, (4) in the Back	1
GUP215-TB	Junction Box — (6) Hubs (3/4" NPT): (2) in Top, (2) in Bottom, (1) in Each Side	1

T&B has developed an innovative new solution ideally suited for gas station contractors and the petrochemical market — the GUP Explosion-Proof Enclosure. The compact design makes gas station pumps an ideal application due to space constraints. Two different configurations are available and the body is constructed of ductile iron for superior strength. Rely on T&B to deliver the best products when safety is a concern.

Features

- Compact design
- O-ring gasket standard for raintight applications
- Supplied with conduit plugs
 - three plugs for GUP215-TB
 - seven plugs for GUP214-TB



Materials

Ductile iron for superior strength (Body)
Copper-free cast aluminum (A6) (Cover)
Neoprene gasket (O-Ring)

Standard Finish

Ductile iron — Electroplated and aluminum acrylic paint
Copper-free aluminum cover — Natural

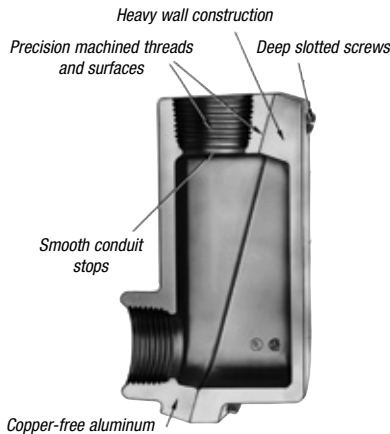
Listings/Compliances

UL886 Listed
CSA Standard C22.2
Cl. I, Div. 1 & 2, Groups C, D
Cl. II, Div. 1, Groups E, F, G
Cl. III, Div. 1 & 2
NEMA 3, 4, 7 CD, 9 EFG
Explosion-Proof
Dust-Ignition-Proof
Raintight
Wet Locations

LB Style Conduit Body — Aluminum



CAT. NO.	HUB SIZE	UNIT QTY.	STD. PKG.	WT. LBS. PER 100
EXLB-1	1/2"	5	76	92
EXLB-2	3/4"	5	94	115
EXLB-3	1"	5	132	172



Application

- Junction for branch conduits
- Accessible wiring chamber provides a convenient location to pull conductors and make splices

Features

- 31 cu. in. capacity
- Copper-free* aluminum provides increased corrosion resistance
- Precision cast and machined surfaces permit safer wire pulling
- Precision NPT threaded hubs enable trouble-free field installation for rigid or IMC conduit
- Deep slotted cover screws for faster installation
- Clear UL, CSA and cubic content markings speed approval by inspectors

Standard Materials

Die-cast aluminum alloy A360 with less than .004% copper content (copper-free)

Standard Finish

Aluminum lacquer finish

Listings/Compliances

UL Listed
CSA Certified
Suitable for hazardous locations
Cl. I, Div. 1 & 2, Groups C, D
Cl. II, Div. 1, Groups E, F, G
Cl. III, Div. 1 & 2
NEMA 3, 4, 7 CD, 9 EFG
Explosion-Proof
Dust-Ignition-Proof
Raintight
Wet Locations

Sample Specifications

Conduit fittings for hazardous locations shall be die-cast copper-free* aluminum alloy A360. Suitable for use in hazardous locations: Class I, Groups C, D; Class II, Groups E, F, G and Class III. All conduit stops shall be coined and free of rough edges. Conduit fittings shall be finished with aluminum lacquer. Conduit fittings shall be Thomas & Betts® Catalog No.

*Less than .004 copper content.

T Style Conduit Body — Aluminum



EXT



CAT. NO.	HUB SIZE	UNIT QTY.	STD. PKG.	WT. LBS. PER 100
EXT-1	1/2"	5	25	92
EXT-2	3/4"	5	25	115
EXT-3	1"	5	5	172

Hazardous Location Fittings

OE Series Iron Conduit Outlet Bodies

Application

OE series are installed in conduit systems within hazardous areas to:

- Protect conductors in threaded rigid conduit
- Act as pulling and splice fittings
- Interconnect lengths of conduit
- Change direction of conduit
- Provide access for maintenance and future system changes

Features

OE conduit bodies have:

- Tapered threaded hubs for ground continuity
- Smooth integral hub bushings to protect conductor insulation when pulling
- Five different hub arrangements
- Accurately machined body with blind tapped screw holes
- Most compact design of all hazardous area outlet bodies
- Sizes up to 1"

Standard Materials

Bodies: Grade 60-45-10 Ductile Iron (Complies with ASTM standard A536)

Standard Finish

Electrogalvanized and aluminum acrylic paint

Size Ranges

Hub — ½" and ¾"

Listings/Compliances

Cl. I, Div. 1 & 2, Groups C, D
Cl. II, Div. 1, Groups E, F, G
Cl. III, Div. 1 & 2

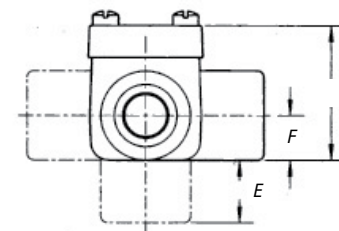
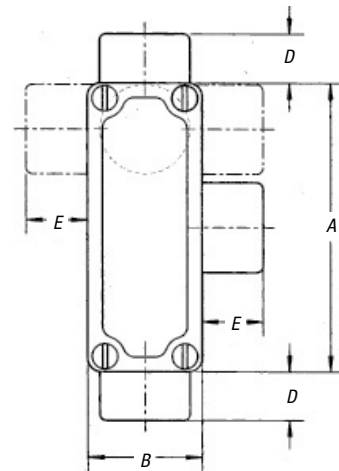
NEMA 3, 4, 7 CD, 9 EFG

Explosion-Proof

Dust-Ignition-Proof

Raintight

Wet Locations



CAT. NO.	HUB SIZE	DIMENSIONS (IN.)					
		A	B	C	D	E	F
OEC1-TB	½"	4.06	1.62	1.90	.69	.88	.63
OEC2-TB	¾"	4.35	1.88	2.19	.69	.88	.76
OET1-TB	½"	4.06	1.62	1.90	.69	.88	.63
OET2-TB	¾"	4.35	1.88	2.19	.69	.88	.76
OELL1-TB	½"	4.06	1.62	1.90	.69	.88	.63
OELL2-TB	¾"	4.35	1.88	2.19	.69	.88	.76
OELR1-TB	½"	4.06	1.62	1.90	.69	.88	.63
OELR2-TB	¾"	4.35	1.88	2.19	.69	.88	.76
OELB1-TB	½"	4.06	1.62	1.90	.69	.88	.63
OELB2-TB	¾"	4.35	1.88	2.19	.69	.88	.76

Hazardous Location Fittings

Provides maximum volume for bends within a compact overall size!

Capped Iron Elbow — Female to Female

Application

LBY/GYF elbows are installed in conduit systems within hazardous areas to:

- Make 90° bends in conduit systems where space is limited
- Act as pull outlets
- Provide access to conductors for maintenance and future system changes

Features

- Maximum volume for bends within a compact overall size
- Screw on cover for ease of installation and removal
- Cover opening on an angle, permitting conductors to be pulled straight through either hub
- Tapered threaded hubs and integral bushing for rigid threaded conduit



Standard Materials

LBY Ductile Iron

GYF Copper Free Aluminum

Listings/Compliances (LBY)

Cl. I, Div. 1 & 2, Groups C, D

Cl. II, Div. 1, Groups E, F, G

Cl. III, Div. 1 & 2

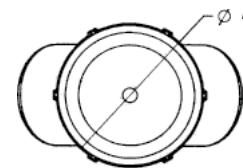
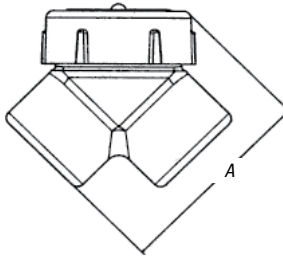
NEMA 3, 4, 7 CD, 9 EFG

Explosion-Proof

Dust-Ignition-Proof

Raintight

Wet Locations



CAT. NO.	HUB SIZE	A	B	THROAT DIM.	
				MIN.	MAX.
LBY15-TB	1/2"	2 ⁹ / ₁₆	2	.570	.610
LBY25-TB	3/4"	2 ⁹ / ₁₆	2 ¹ / ₄	.755	.810
LBY35-TB	1"	3 ³ / ₃₂	2 ¹ / ₂	.955	1.035
LBY45-TB	1 ¹ / ₄ "	3 ³ / ₄	2 ¹⁵ / ₁₆	1.260	1.360
LBY55-TB	1 ¹ / ₂ "	4 ¹ / ₄	3 ³ / ₈	1.470	1.590
LBY65-TB	2"	5 ¹ / ₂	4	1.880	2.047

Capped Aluminum Elbow — Female to Female



CAT. NO.	HUB SIZE	UNIT QTY.	STD. PKG.	WT. LBS. PER 100
GYF-1	1/2"	10	50	23
GYF-2	3/4"	5	25	40
GYF-3	1"	5	25	60
GYF-4•	1 ¹ / ₄ "	2	10	80
GYF-5	1 ¹ / ₂ "	2	10	95

• Made-to-order items. Consult factory for lead time and minimum quantities.

Hazardous Location Fittings

Reducers, Plugs and Adapters

Application

- RE and REC reducers are used in threaded heavy wall conduit systems
- RE reduces conduit hubs to a smaller size
- REC connects two different sizes of conduit together or is used to replace a coupling and reducer in an installation
- PLG plugs are used for closing threaded conduit hubs



Features

- All Hubs have NPT threads with a minimum of five full threads and integral bushing for preventing damage to wires

Materials

Machined Reducers: Steel
 Cast Reducers: Gray Iron
 Funnel Reducers: Iron
 Recessed Plugs: Gray Iron
 Red•Dot® Recessed Plugs:
 Copper-free aluminum

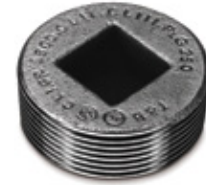
Listings/Compliances

UL: 886
 CSA: C22.2 No.30
 Cl. I, Div. 1 & 2, Groups A, B, C, D
 Cl. II, Div. 1, Groups E, F, G
 Cl. III, Div. 1 & 2
 Explosion-Proof
 Dust-Ignition-Proof
 For hazardous and non-hazardous locations

Standard Finishes

Cast zinc plated with aluminum acrylic paint
 Machine zinc plated with clear chromate finish

Recessed Plugs



CAT. NO.	THREADS (NPT)
<i>With Flush Head for Hazardous and Non-Hazardous Locations</i>	
PLG1-TB	1/2
PLG2-TB	3/4
PLG3-TB	1
PLG4-TB	1 1/4
PLG5-TB	1 1/2
PLG6-TB	2
PLG7-TB	2 1/2
PLG8-TB	3
PLG9-TB	3 1/2
PLG10-TB	4

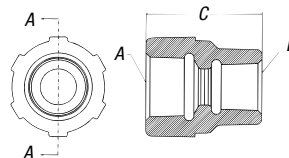
Reducing Bushings



CAT. NO.	A MALE (NPT)	B FEMALE (NPT)
RE21-TB	3/4	1/2
RE31-TB	1	1/2
RE32-TB	1	3/4
RE41-TB	1 1/4	1/2
RE42-TB	1 1/4	3/4
RE43-TB	1 1/4	1
RE51-TB	1 1/2	1/2
RE52-TB	1 1/2	3/4
RE53-TB	1 1/2	1
RE54-TB	1 1/2	1 1/4
RE61-TB	2	1/2
RE62-TB	2	3/4
RE63-TB	2	1
RE64-TB	2	1 1/4
RE65-TB	2	1 1/2

CAT. NO.	A MALE (NPT)	B FEMALE (NPT)
RE73-TB	2 1/2	1
RE74-TB	2 1/2	1 1/4
RE75-TB	2 1/2	1 1/2
RE76-TB	2 1/2	2
RE83-TB	3	1
RE84-TB	3	1 1/4
RE85-TB	3	1 1/2
RE86-TB	3	2
RE87-TB	3	2 1/2
RE96-TB	3 1/2	2
RE97-TB	3 1/2	2 1/2
RE98-TB	3 1/2	3
RE106-TB	4	2
RE107-TB	4	2 1/2
RE108-TB	4	3

REC Series Reducers



CAT. NO.	A (NPT)	B (NPT)	C
<i>Funnel-Shaped Reducers for Hazardous and Non-Hazardous Locations</i>			
REC21-TB	3/4	1/2 - 14	1 1/8
REC31-TB	1	1/2 - 14	2
REC32-TB	1	3/4 - 14	2

Aluminum Recessed Plugs



CAT. NO.	HUB SIZE
<i>With Flush Head for Hazardous and Non-Hazardous Locations</i>	
XPLG-1†	1/2"
XPLG-2†	3/4"
XPLG-3†	1"
XPLG-4*	1 1/4"
XPLG-5*	1 1/2"
XPLG-6*	2"

Made-to-order items. Consult factory for lead time and minimum quantities.

† Not UL Listed and not approved for use in hazardous locations.

* UL Listed E 34438

Hazardous Location Fittings

UN Series Three-Piece Unions

Application

UNY and UNF unions are installed in threaded thickwall conduit systems:

- UNY — to connect conduit to a conduit fitting, junction box or device enclosure
- UNF — to connect conduit to conduit, or to provide a means for future modification of the conduit system

Standard Finishes

Steel — electrogalvanized with chromate treatment

Iron alloy, malleable iron — electrogalvanized and aluminum acrylic paint

Listings/Compliances

NEC®/CEC

Class I, Division 1 & 2, Groups A, B, C, D

Class II, Division 1, Groups E, F, G

Class III

UNF, UNY ½" – 1"

UL – Conduit unions for use in Cat. Nos. UNF/UNY followed by 105, 205, or 305; for use in:

Class I, Division 1 & 2, Groups A, B, C, D

Class II, Division 1, Groups E, F, G

Class III

UNF, UNY ½", ¾", 1"

CSA — Conduit unions for use in Cat. Nos. UNF/UNY followed by 105, 205, 305, 405 or 505; for use in:

Class I, Division 1 & 2, Groups B, C, D

Class II, Division 1, Groups E, F, G

Class III

UNF, UNY ½", ¾", 1", 1¼", 1½"

UL — Conduit unions for use in Cat. Nos. UNF/UNY followed by 405 or 505; for use in:

Class I, Division 1 & 2, Groups B, C, D

Class II, Division 1, Groups E, F, G

Class III

UNF, UNY 1¼", 1½"

UL & CSA — Conduit unions for use in Cat. Nos. UNF/UNY, EL Series followed by 605, 905, or 1005; for use in:

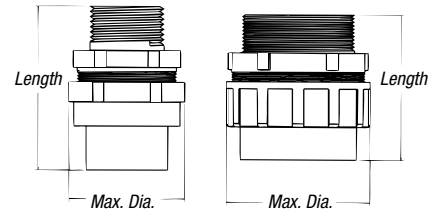
Class I, Division 1 & 2, Groups C, D

Class II, Division 1, Groups E, F, G

Class III

UNF, UNY 2", 2½", 3", 3½", 4"

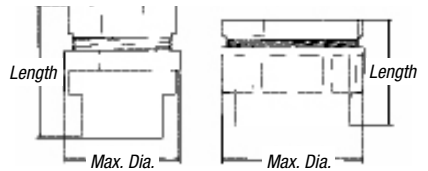
NEC and National Electrical Code are registered trademarks of the National Fire Protection Association, Inc.



UNY Male Unions



CAT. NO.	TRADE SIZE	OVERALL LENGTH/INCHES	OVERALL DIA./INCHES
For Hazardous and Non-Hazardous Locations			
UNY105-TB	½	2 ²⁵ / ₆₄	1½
UNY205-TB	¾	2 ¹ / ₁₆	1 ¹³ / ₁₆
UNY305-TB	1	2 ³ / ₄	2
UNY405-TB	1¼	3 ¹ / ₁₆	2¼
UNY505-TB	1½	3 ⁵ / ₈	3 ¹ / ₁₆
UNY605-TB	2	3½	3 ³ / ₁₆
UNY705-TB	2½	4 ¹³ / ₁₆	4 ¹ / ₁₆
UNY805-TB	3	5 ¹¹ / ₃₂	5 ¹ / ₁₆
UNY905-TB	3½	5½	5 ¹ / ₁₆
UNY1005-TB	4	5 ⁵ / ₈	6 ¹ / ₁₆



UNF Female Unions



CAT. NO.	TRADE SIZE	OVERALL LENGTH/INCHES	OVERALL DIA./INCHES
For Hazardous and Non-Hazardous Locations			
UNF105-TB†	½	1 ¹ / ₈	1½
UNF205-TB†	¾	2 ¹ / ₈	1 ¹³ / ₁₆
UNF305-TB†	1	2 ⁵ / ₃₂	2
UNF405-TB††	1¼	2¼	2¼
UNF505-TB††	1½	2¾	3 ¹ / ₁₆
UNF605-TB†††	2	2½	3 ³ / ₁₆
UNF705-TB†††	2½	3½	4 ¹ / ₁₆
UNF805-TB†††	3	4	5 ¹ / ₁₆
UNF905-TB†††	3½	4 ⁵ / ₃₂	5 ¹ / ₁₆
UNF1005-TB†††	4	4¾	6 ¹ / ₁₆

† Steel

†† Forged steel

††† Malleable iron

Hazardous Location Fittings

EX Series Aluminum Three-Piece Unions



Application

- Unions are used as connecting elements between enclosures, fittings or boxes that permit future changes to the system in both hazardous and non-hazardous areas

Features

- Copper-free* aluminum provides increased corrosion resistance
- Precision cast and machined surfaces permit safer wire pulling
- Precision NPT threaded hubs allow trouble-free field installation for rigid or IMC conduit
- Clear UL, CSA and cubic content markings speed approval by inspectors
- Unique concentric ring design ensures critical flame path control

Standard Materials

Die-cast aluminum alloy A360 with less than .004 copper content (copper-free)

EXMU nipples are galvanized steel

Standard Finish

Aluminum lacquer finish

Listings/Compliances

UL Listed

CSA Certified

Suitable for hazardous locations

Federal Spec W-C-586

Cl. I, Div. 1 & 2, Groups C, D

Cl. II, Div. 1, Groups E, F, G

Cl. III, Div. 1 & 2

NEMA 3, 4, 7 CD, 9 EFG

Explosion-Proof

Dust-Ignition-Proof

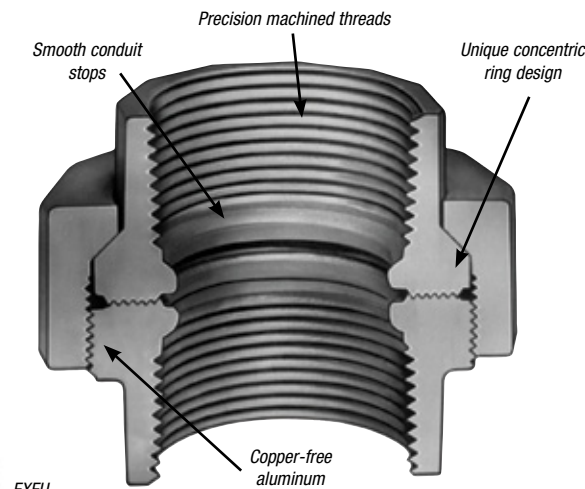
Raintight

Wet Locations

Sample Specifications

Conduit unions for hazardous locations shall be die-cast copper-free* aluminum alloy A360. Suitable for use in hazardous locations: Class I, Groups C, D; Class II, Groups E, F, G and Class III. All conduit stops shall be coined and free of rough edges. Conduit unions shall be finished with aluminum lacquer. Conduit unions shall be Thomas & Betts® Catalog No. _____

*Less than .004 copper content.



EXFU



EXMU

EXFU Female-to-Female Unions



CAT. NO.	HUB SIZE	UNIT QTY.	STD. PKG.	WT. LBS. PER 100
EXFU-1	1/2"	5	25	24
EXFU-2	3/4"	5	25	33
EXFU-3	1"	5	25	42
EXFU-4	1 1/4"	5	25	53
EXFU-5	1 1/2"	5	25	68
EXFU-6•	2"	2	10	130
EXFU-8•	3"	1	5	310
EXFU-9•	3 1/2"	1	5	340
EXFU-10•	4"	1	1	374

• Made-to-order items. Consult factory for lead time and minimum quantities.

EXMU Male-to-Female Unions



CAT. NO.	HUB SIZE	UNIT QTY.	STD. PKG.	WT. LBS. PER 100
EXMU-1	1/2"	5	25	24
EXMU-2	3/4"	5	25	35
EXMU-3	1"	5	25	45

Hazardous Location Fittings

EYD Drain Seals

Cl. I, Div. 1 & 2, Groups A, B, C, D

Cl. II, Div. 1, Groups E, F, G

Cl. III, Div. 1 & 2

Application

EYD drain and inspection sealing fittings:

- Restrict the passage of gases, vapors or flames from one portion of the electrical installation to another at atmospheric pressure and normal ambient temperatures
- Limit explosions to the sealed-off enclosure
- Prevent precompression or “pressure piling” in conduit systems. Drain sealing fittings are installed in vertical conduit runs and at low points in conduit systems to prevent accumulation of condensate above seal

Features

EYD drain sealing fittings include:

- Drain to provide continuous, automatic drainage of condensate
- Large openings with threaded closures to provide easy access to conduit hubs for making dams
- Integral bushings to protect conductor insulation from damage
- Tapered-tapped hubs to ensure ground continuity

Standard Materials

Bodies and drain covers — Gray iron alloy and/or ductile iron

Closure for drain — copper-free aluminum or ductile iron

Small closure plug — Gray iron alloy and/or steel

Drain — stainless steel

Removable nipples — steel

Standard Finish

Gray iron alloy and ductile iron — electrogalvanized and aluminum acrylic paint

Copper-free aluminum — natural

Stainless steel — natural

Steel — electrogalvanized

Options

Copper-free aluminum bodies, nipples and enclosures — see listings



Size Ranges

EYD — ½"–4"

Listings/Compliances

EYD11 — 31-TB

Class I, Division 1 & 2, Groups A, B, C, D; Class II, Division 1, Groups E, F, G; Class III

EYD41 — 101-TB

Class I, Division 1 & 2, Groups C, D; Class II, Division 1, Groups E, F, G
Class II, Division 2, Groups F, G

Class III

UL Standard: 886

CSA Standard: C22.2

NEMA 3, 4, 7 CD, 9 EFG

Explosion-Proof

Dust-Ignition-Proof

Raintight

Wet Locations

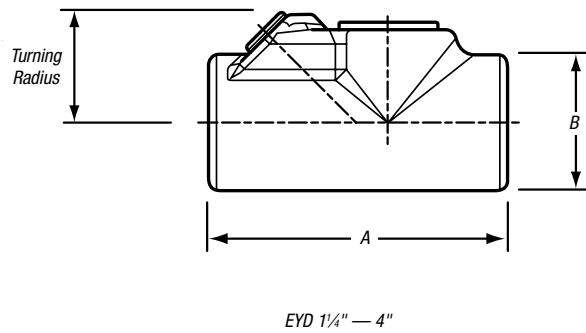
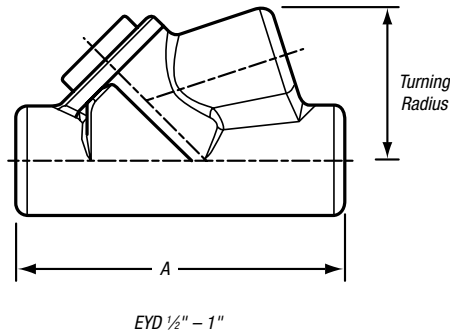
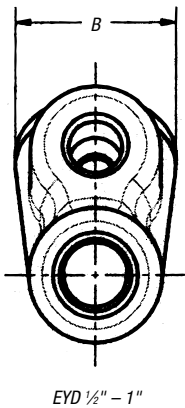
Sealing Compound and Fibers

Seal A3 (1-lb. can of sealing compound)

Fiber X6 (8-oz. fiber packing)

Seal Kit (1-lb. can of sealing compound and 1-oz. fiber packing)

Hazardous Location Fittings



EYD Drain Seals

CAT. NO.	HUB SIZE	DIMENSIONS (IN.)		TURNING RADIUS
		A	B	
EYD11-TB	1/2"	3.81	1.50	1.75
EYD21-TB	3/4"	4.08	1.75	1.98
EYD31-TB	1"	4.85	2.19	2.19
EYD41-TB	1 1/4"	5.00	2.25	1.80
EYD51-TB	1 1/2"	5.44	2.44	2.00
EYD61-TB	2"	6.25	3.00	2.32
EYD71-TB	2 1/2"	7.50	3.50	2.69
EYD81-TB	3"	8.50	4.25	3.15
EYD91-TB	3 1/2"	9.19	4.75	3.38
EYD101-TB	4"	9.75	5.25	3.64

Drains/Breathers for Hazardous Locations

Application

The Thomas & Betts Universal drain/breather fittings can be used as drains or breathers depending on the installation.

- To use as a drain, the product must be installed in the bottom of the enclosure or the lowest point where an NPT threaded opening exists. It can also be used in a seal fitting or a "T" conduit body. These must be in a lower section of the conduit system. This will enable moisture inside the conduit system to drain out
- To use as a breather, installation should be done at the top of an enclosure or in upper sections of conduit systems. This will permit air exchange and keep moisture accumulation inside the conduit system to a minimum. Thomas & Betts recommends the use of at least two devices (one drain and one breather) for maximum efficiency

CAT. NO.	HUB SIZE	DIMENSIONS (IN.)
		B
ECD15	1/2"	.975
ECD384	3/8"	.407
ECD284	1/4"	.327



Hazardous Location Fittings

EYS Sealing Fittings

Application

EYS sealing fittings can be installed in either vertical or horizontal applications.

- Seals sections of conduit runs from passage of vapors, flame, or gases
- Seals off sections of conduit system during explosion
- Limits precompression or pressure piling in conduit system

Features

- All hubs have a minimum of five full threads, integral bushings to protect conductor insulation from damage and large access openings for easier packing of sealing medium
- Seals are approved to be used with Crouse-Hinds® Sealing Compound and Fiber

Size Range

½" NPT to 4" NPT

Materials

Bodies: Ductile Iron
Plugs: Gray Iron
Nipples: Steel, supplied with EYS fittings

Finish

Bodies: Zinc-plated with aluminum acrylic paint
Plugs: Zinc-plated with aluminum acrylic paint
Nipples: Zinc-plated

Sealing Compound and Fibers

Seal A3 (1-lb. can of sealing compound)

Fiber X6 (8-oz. fiber packing)

Sealkit (1-lb. can of sealing compound and 1-oz. fiber packing)

Listings/Compliances

UL886

CSA: C22.2 No. 30

EYS seals are approved to be used with Crouse-Hinds® Chico® A compound and Chico® X fiber

EYS1-3TB:

Cl. I, Div. 1 & 2, Groups A, B, C, D

EYS4-5TB:

Cl. I, Div. 1 & 2, Groups C, D

EYS11-31TB:

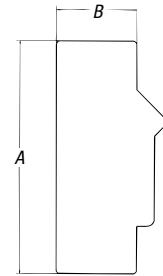
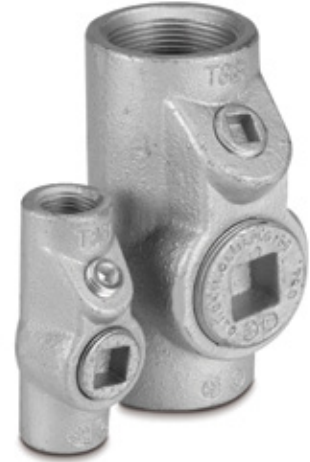
Cl. I, Div. 1 & 2, Groups A, B, C, D
Cl. II, Div. 1, Groups E, F, G
Cl. III

EYS41-101TB:

Cl. I, Div. 1 & 2, Groups C, D
Cl. II, Div. 1, Groups E, F, G
Cl. III

Explosion-Proof

Dust-Ignition-Proof

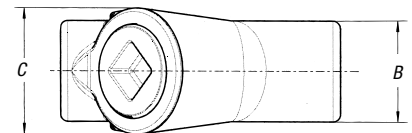
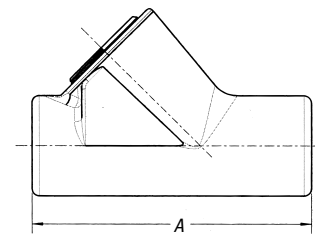


EYS11-TB – EYS101-TB



CAT. NO.	HUB SIZE	DIMENSIONS (IN.)			TURNING RADIUS
		A	B	C	
Vertical Only					
EYS1-TB	½"	3.31	1.25	1.50	1.66"
EYS2-TB	¾"	3.65	1.50	1.75	1.96"
EYS3-TB	1"	4.25	1.75	2.19	2.40"
EYS4-TB	1¼"	5.00	2.25	2.45	3.11"
EYS5-TB	1½"	5.69	2.45	3.00	3.62"
Horizontal/Vertical					
EYS11-TB	½"	3⅞	1¼	—	1⅝"
EYS21-TB	¾"	3⅞	1½	—	1¼"
EYS31-TB	1"	4¼	1¼	—	1⅝"
EYS41-TB	1¼"	5	2¼	—	1⅞"
EYS51-TB	1½"	5⅞	2⅞	—	2"
EYS61-TB	2"	6¼	3	—	2⅞"
EYS71-TB	2½"	7½	3½	—	2⅞"
EYS81-TB	3"	8½	4¼	—	3⅞"
EYS91-TB	3½"	9⅞	4¼	—	3⅞"
EYS101-TB	4"	9¾	5¼	—	3⅞"

Crouse-Hinds® and Chico® are trademarks of Cooper Industries, Inc.



EYS1-TB – EYS5-TB

Hazardous Location Fittings

EYVF and EVHF Sealing Fittings

Application

- Limits flames and/or explosions to area within electrical system where they originate
- Limits pressure piling
- Required by NEC® for conduit systems in hazardous locations 18" from an enclosure housing a heat producing or arcing device; on 2" and larger system that enters an enclosure containing splices; wherever conduit leaves a Class I, Division I area and enters a non-hazardous area

Features

- Copper-free* aluminum provides increased corrosion resistance
- Precision cast and machined surfaces permit safer wire pulling
- Precision NPT threaded hubs enable trouble-free field installation for rigid or IMC conduit
- Large opening provides maximum working room for creating dam and seal pouring to speed up installation
- Compact design permits close construction of parallel conduit runs

Standard Materials

Sealing Fittings: Die-cast aluminum alloy A360 with less than .004 copper content (copper-free)
 Sealing Cement
 Fiber: Flame-retardant Kaowool Type A fiber

Standard Finish

Aluminum lacquer finish

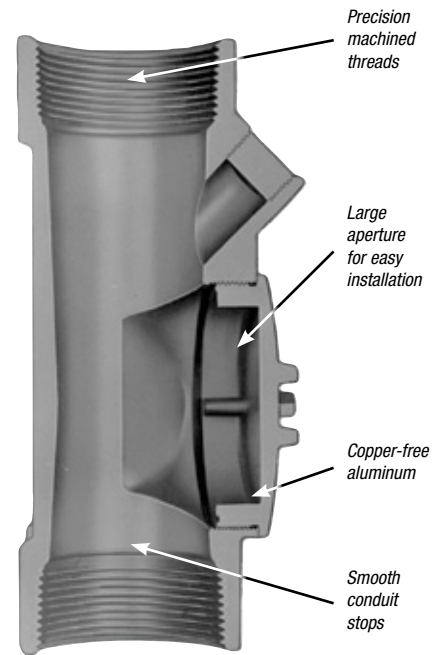
Listings/Compliances

UL Listed
 CSA Certified
 Suitable for hazardous locations
 Federal Spec W-C-586
 Cl. I, Div. 1 & 2, Groups C, D
 Cl. II, Div. 1, Groups E, F, G
 Cl. III, Div. 1 & 2
 NEMA 3, 4, 7 CD, 9 EFG
 Explosion-Proof
 Dust-Ignition-Proof
 Raintight
 Wet Locations

Sample Specifications

Sealing fittings for hazardous locations shall be die-cast copper-free* aluminum alloy A360. Suitable for use in hazardous locations: Class I, Groups C, D; Class II, Groups E, F, G and Class III. All conduit stops shall be coined and free of rough edges. Sealing fittings for hazardous locations shall be finished with aluminum lacquer. Sealing fittings shall be Thomas & Betts Catalog No. _____

*Less than .004% copper content.



Conduit & Fittings — T&B® Rigid Fittings



EYVF



EVHF-1 through -3



EVHF-4 through -9

Vertical Sealing Fittings



CAT. NO.	HUB SIZE	UNIT QTY.	STD. PKG.	WT. LBS. PER 100
EYVF-1 [†]	½"	5	25	50
EYVF-2 [†]	¾"	5	25	54
EYVF-3 [†]	1"	5	25	100
EYVF-11	½"	10	50	35
EYVF-22	¾"	10	50	40
EYVF-33	1"	4	20	60

Vertical/Horizontal Sealing Fittings



CAT. NO.	HUB SIZE	UNIT QTY.	STD. PKG.	WT. LBS. PER 100
EVHF-1	½"	10	50	41
EVHF-2	¾"	5	25	50
EVHF-3	1"	5	25	60
EVHF-4	1¼"	4	20	70
EVHF-5	1½"	1	5	60
EVHF-6	2"	1	1	125
EVHF-7 •	2½"	1	1	150
EVHF-9 •	3½"	1	1	300

• Made-to-order items. Consult factory for lead time and minimum quantities.

[†] Packaged with an adequate amount of sealing compound and plugs installed.

Hazardous Location Fittings

Preparation of Sealing Fittings

Applications

T&B Red•Dot® sealing cement is used for making seals in sealing fittings. The insulation in the conductors sealed in the cement may be approved thermoplastic or rubber, with or without lead covering. The sealing cement should not be used for insulating.

Characteristics

T&B Red•Dot® sealing cement is not affected by gasoline, alcohol, acetone, ether, naphtha, petroleum, benzol or lacquer solvent.

Preparation

- (1) Use a clean mixing vessel for each batch.
- (2) Thoroughly mix powder before adding water.
- (3) Do not use if temperature is below 40° F.
- (4) Mix one part water to two parts cement.
- (5) Allow cement to set for 72 hours before use.

Standard Dams

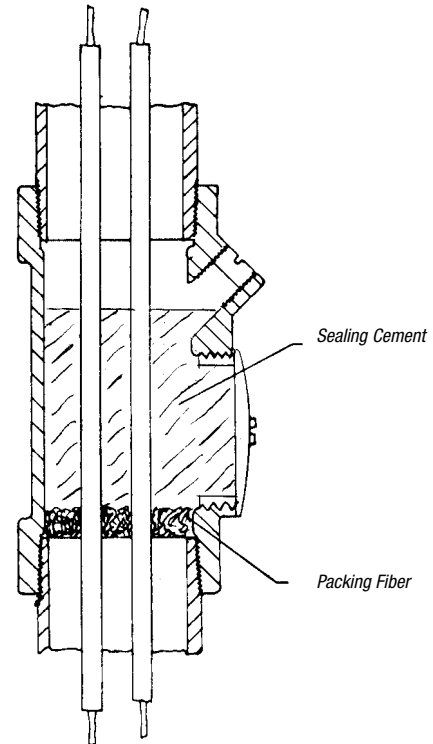
- (1) Push the conductors away from the filling opening and force them apart so that they do not touch each other or the walls of the fitting or conduit along their length. If the conductors do touch, the sealing cement will not form a closed path between them.
- (2) Force the packing fiber between each conductor and the inside walls. Be sure that the dam is strong enough and tight enough to prevent the considerable weight of the fluid sealing cement from seeping out.

Pouring

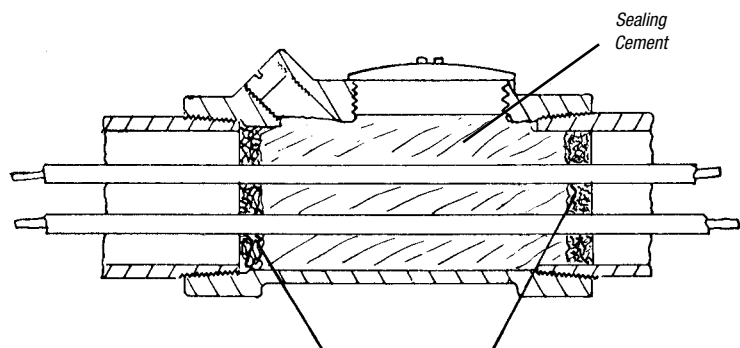
- (1) Pour the mixed cement into the fitting slowly so as not to trap air in the seal.
- (2) Replace the close-up plugs to ensure that they engage not less than five full threads.

Cl. I, Div. 1 & 2, Groups C, D
Cl. II, Div. 1, Groups E, F, G
Cl. III, Div. 1 & 2
NEMA 3, 4, 7 CD, 9 EFG

Explosion-Proof
Dust-Ignition-Proof
Raintight
Wet Locations



Vertical Installation
for EYVF or EVHF Fittings



Packing Fiber
Horizontal EVF Installation

Hazardous Location Fittings

Sealing Cement and Fiber for T&B® Sealing Fittings

Cl. I, Div. 1 & 2, Groups C, D
Cl. II, Div. 1, Groups E, F, G
Cl. III, Div. 1 & 2

Explosion-Proof
Dust-Ignition-Proof
Raintight
Wet Locations

- Can be used on T&B EYV, EVH series fittings only

Sealing Cement

CAT. NO.	QUANTITY	VOLUME CUBIC INCHES	STD. PKG.	WT. LBS PER 100
EXSC-2	3.2 oz.	2.75	25	20
EXSC-8	13 oz.	11.50	15	81
EXSC-16	1 lb., 10 oz.	23.00	10	163

Packing Fiber

CAT. NO.	QUANTITY	STD. PKG.	WT. LBS PER 100
EXPF-16	1 lb.	1	112

Approximate Amount of Cement and Fiber Required per Hub

CAT. NO.	HUB SIZE	CEMENT QUANTITY	FIBER QUANTITY
EYVF-11	½"	2 oz.	½ oz.
EYVF-22	¾"	3 oz.	⅙ oz.
EYVF-33	1"	4 oz.	⅙ oz.
EVHF-1	½"	2 oz.	⅓ oz.
EVHF-2	¾"	2 oz.	⅓ oz.
EVHF-3	1"	4 oz.	¼ oz.
EVHF-4	1¼"	4 oz.	¼ oz.
EVHF-5	1½"	6 oz.	½ oz.
EVHF-6	2"	12 oz.	1 oz.
EVHF-7	2½"	15 oz.	1½ oz.
EVHF-8	3"	40 oz.	2 oz.
EVHF-9	3½"	45 oz.	3 oz.
EVHF-10	4"	50 oz.	4 oz.



EXSC



EXPF

Hazardous Location Fittings

Make flexible connections in hazardous locations!

XP Flex Explosion-Proof Flexible Couplings

With their flexible design, T&B® XP Flex Couplings make it easy to achieve tight bends in conduit systems in confined spaces — or to connect stationary equipment to equipment that moves or vibrates. Their explosion-proof and corrosion-resistant construction mean you can use them with confidence in hazardous and wet locations.

Application

- Achieve tight bends in conduit systems in confined spaces
- Connect stationary equipment to equipment that moves or vibrates

Features

- Corrosion resistant — ideal for washdown areas
- Flexible bronze construction with arc-resistant inner sleeve and brass fittings
- Terminated with two threaded female end fittings and male close nipples
- No bonding jumper required

Standard Materials

Flexible bronze construction with arc-resistant inner sleeve

Brass fittings

Listings/Compliances

UL Listed

CSA Certified

Suitable for hazardous locations

½" and ¾" Hub Sizes:

Class I, Div. 1 & 2, Groups A, B, C, D Class II,

Div. 1, Groups E, F, G

Class III

1" Hub Size:

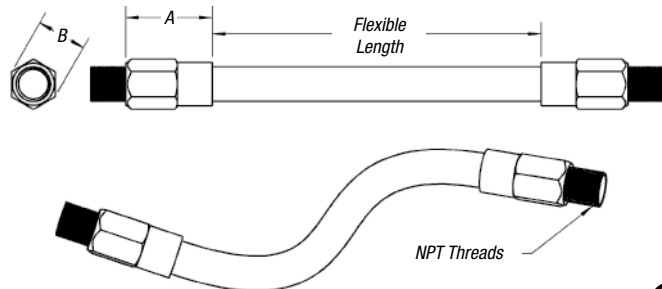
Class I, Div. 1 & 2, Groups C, D

Class II, Div. 1, Groups E, F, G

Class III

Wet Locations

UL886



CAT. NO.	HUB SIZE	FLEXIBLE LENGTH (IN.)	DIMENSIONS (IN.)	
			A	B
XPLFL16	½"	6	1.54	1.44
XPLFL18	½"	8	1.54	1.44
XPLFL110	½"	10	1.54	1.44
XPLFL112	½"	12	1.54	1.44
XPLFL115	½"	15	1.54	1.44
XPLFL118	½"	18	1.54	1.44
XPLFL124	½"	24	1.54	1.44
XPLFL212	¾"	12	1.60	1.87
XPLFL215	¾"	15	1.60	1.87
XPLFL218	¾"	18	1.60	1.87
XPLFL224	¾"	24	1.60	1.87
XPLFL236	¾"	36	1.60	1.87
XPLFL318	1"	18	2.00	2.31

Technical Information

UL Recommended Dimensions and Weights of Rigid Metal Conduit

TRADE SIZE (IN.)	THDS. PER IN.	I.D. (IN.)	O.D. (IN.)	WALL THICKNESS (IN.)	A MIN. WT. AT 100' LENGTHS WITH ONE COUPLING ATTACHED (LBS.)
¼	18	.364	.540	.088	38.5
⅜	18	.493	.675	.091	51.5
½	14	.622	.840	.109	79.0
¾	14	.824	1.050	.113	105.0
1	11½	1.049	1.315	.133	153.0
1¼	11½	1.380	1.660	.140	201.0
1½	11½	1.610	1.900	.145	249.0
2	11½	2.067	2.375	.154	332.0
2½	8	2.469	2.875	.203	527.0
3	8	3.068	3.500	.216	682.6
3½	8	3.548	4.000	.226	831.0
4	8	4.026	4.500	.237	972.3
4½	8	4.506	5.000	.247	1,150.0
5	8	5.047	5.563	.258	1,313.6
6	8	6.065	6.625	.280	1,745.3

UL Dimensions for Intermediate Metallic Conduit† — Type I (10-ft. lengths)

TRADE SIZE (IN.)	O.D. (IN.)		WALL THICKNESS (IN.)
	MIN.	MAX.	
½	.810	.820	.070*
¾	1.024	1.034	.075*
1	1.285	1.295	.085*
1¼	1.630	1.645	.085*
1½	1.875	1.890	.090*
2	2.352	2.367	.095*
2½	2.847	2.867	.130**
3	3.466	3.486	.130**
3½	3.961	3.981	.130**
4	4.456	4.476	.130**

* (+.015, -.000)

** (+.020, -.000)

† IMC Threads are the same as Rigid Metal Conduit Threads.

UL Dimensions for Intermediate Metallic Conduit — Type II (10-ft. lengths)

TRADE SIZE (IN.)	O.D. (IN.)		WALL THICKNESS (IN.)
	MIN.	MAX.	
½	.825	.840	.085*
¾	1.035	1.050	.085*
1	1.300	1.315	.108*
1¼	1.645	1.660	.108*
1½	1.885	1.900	.108*
2	2.360	2.375	.108*
2½	2.850	2.875	.155**
3	3.475	3.500	.155**
3½	3.975	4.000	.160**
4	4.475	4.500	.160**

* (+.020, -.000)

** (+.025, -.000)

UL Recommended Dimensions and Weight of Electrical Metallic Tubing (EMT)

TRADE SIZE (IN.)	O.D. (IN.)	I.D.* (IN.)	WALL THICKNESS (IN.)	MIN. ACCEPT WT. FT. (LBS.)
¾	.577 ± .005	.493	.042	.230
½	.706 ± .005	.622	.042	.285
¾	.922 ± .005	.824	.049	.435
1	1.163 ± .005	1.049	.057	.640
1¼	1.510 ± .005	1.380	.065	.950
1½	1.740 ± .005	1.610	.065	1.100
2	2.197 ± .005	2.067	.065	1.400
2½	2.875 ± .010	2.731	.072	2.050
3	3.500 ± .015	3.356	.072	2.500
3½	4.000 ± .020	3.834	.083	3.250
4	4.500 ± .020	4.334	.083	3.700

* Not a requirement — included for information only.

Technical Information

Knockout (Sliphole) Sizes for Electrical Conduits and Connectors

TRADE SIZE (IN.)	KNOCKOUT DIAMETER		
	NOM.	MIN.	MAX.
¼	.575	.559	.605
⅜	.718	.703	.734
½	.875	.859	.906
¾	1.109	1.094	1.141
1	1.375	1.359	1.406
1¼	1.734	1.719	1.766
1½	1.984	1.958	2.000
2	2.469	2.433	2.500
2½	2.969	2.938	3.000
3	3.594	3.563	3.625
3½	4.125	4.063	4.156
4	4.641	4.563	4.672
4½	5.109	5.063	5.166
5	5.719	5.625	5.750
6	6.813	6.700	6.844

Sizes ¼" thru 1¼" are per UL 514.

Sizes ½" thru 6" per proposed revision to NEMA Engineering Bulletin No. 71, Aug. 1976.

UL Recommended Diameters for Liquidtight Flexible Metal Conduit

TRADE SIZE (IN.)	I.D. (IN.)		O.D. (IN.)	
	MIN.	MAX.	MIN.	MAX.
⅜	.484	.504	.690	.710
½	.622	.642	.820	.840
¾	.820	.840	1.030	1.050
1	1.041	1.066	1.290	1.315
1¼	1.380	1.410	1.630	1.660
1½	1.575	1.600	1.865	1.900
2	2.020	2.045	2.340	2.375
2½	2.480	2.505	2.840	2.875
3	3.070	3.100	3.460	3.500
3½	3.500	3.540	3.960	4.000
4	4.000	4.040	4.460	4.500

UL Recommended Diameters for Flexible Metal Conduit (Greenfield)

TRADE SIZE (IN.)	MAX. O.D. (IN.)	O.D. (IN.)	
		MIN.	MAX.
⅜	.510	.312	.393
⅝	.610	.375	.645
½	.920	.625	.835
¾	1.105	.812	—
1	1.380	1.000	—
1¼	1.630	1.250	—
1½	1.950	1.500	—
2	2.450	2.000	—
2½	3.060	3.500	—
3	3.560	3.000	—
3½	4.060	3.500	—
4	4.560	4.000	—

Diameter of Liquidtight Non-Metallic Flexible Conduit

TRADE SIZE (IN.)	I.D. (IN.)		O.D. (IN.)	
	MIN.	MAX.	MIN.	MAX.
⅜	.485	.505	.755	.775
½	.620	.640	.910	.930
¾	.815	.835	1.150	1.170
1	1.030	1.055	1.415	1.440
1¼	1.370	1.395	1.800	1.825
1½	1.585	1.620	2.045	2.080
2	2.045	2.080	2.605	2.640