

CATALOG



AFC

CABLE SYSTEMS®

FITTINGS CATALOG

AC/MC Cable • Flex • EMT • Liquidtight

A PART OF



Since 1994 AFC Fittings has emerged as a leading supplier of high quality EMT, Flex and Liquidtight Fittings to the electrical distribution industry.

Today, in addition to our existing items, we are proud to announce the arrival of a robust, well rounded line of Flexible Metal Conduit Fittings, and Liquidtight Connectors and Couplings.

In today's market, quality product must be backed by excellent customer service. A fast courteous response is what you can expect no matter what your needs, from special job quotes, to product inquiries, to shipping information.

Past, Present and into the Future – AFC Fittings is your best connection!

Call 800-757-6996
www.afcweb.com

TABLE OF CONTENTS

EMT

Steel Setscrew Connectors	3
Steel Setscrew Couplings	4
Steel Compression Connectors	5
Steel Compression Couplings	6
Raintight Compression Connectors.....	7
Raintight Compression Couplings.....	8

RIGID

Compression Rigid Connectors for Threadless Rigid Conduit & IMC Malleable Iron	9
Compression Rigid Couplings for Threadless Rigid Conduit & IMC Malleable Iron	10
Three Piece Couplings for Rigid Conduit & IMC Malleable Iron	11

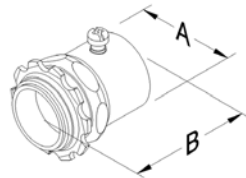
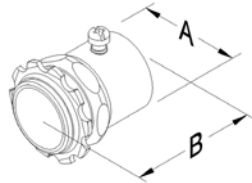
AC/MC CABLE, FLEX

Armored Cable & Flexible Metal Conduit Connectors.....	12	
Parking Deck & Parking Lot	13	
Snap-Lok Flexible Metal Conduit Connectors	14	
Squeeze Connectors Malleable Iron for Flex	15	
90° Squeeze Connectors Malleable Iron for Flex.....	16	
Squeeze Connectors, Duplex Squeeze Connectors & 90° Duplex Squeeze Connectors	17	
Double Bite Saddle Type Connectors with Insulated Throats.....	18	
45° Double Bite Saddle Type Connectors with Insulated Throats	19	
90° Saddle Type Connectors with Insulated Throats.....	20	NEW
Double Bite Saddle Type Set Screw Couplings	21	NEW
Combo Coupling - Rigid to Flex	22	NEW

LIQUIDTIGHT

Malleable Liquidtight Fittings - Uninsulated	23 - 24	
Malleable Liquidtight Fittings - Uninsulated with Aluminum Grounding Lug	25 - 26	NEW
Malleable Liquidtight Fittings - Insulated	27 - 28	
Malleable Liquidtight Fittings - Insulated with Aluminum Grounding Lugs.....	29 - 30	NEW
Malleable Liquidtight Fittings - Insulated with Copper Grounding Lugs.....	31	NEW
Tubular Steel Liquidtight Fittings - Uninsulated & Insulated	32	NEW
Nonmetallic Liquidtight Connectors.....	33	
Combo Coupling - Flex to Rigid	34	NEW
Other Product Offerings	35	

Steel Setscrew Connectors



Features

- Pre-set & staked tri-head screws 1/2" thru 2"
- Hex head screws 2 1/2" thru 4"
- Male hub threads - NPSM
- Steel locknuts
- Heavy steel walls
- Concrete tight when taped
- UL listed for Steel EMT Conduit
- RoHS compliant

Standard Materials: Steel

Standard Finish: Zinc Plated

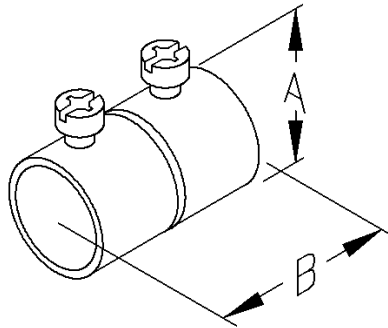
Applicable Third Party Standards

- UL Standard: 514B
- Fed. Spec. A-A-50553
- NEMA: FB-1
- UL Listed File # E172239
- UL & c UL us Listed for EMT, IMC & Rigid conduit, UL Listed File # E164116 sizes 2 1/2" - 4"

* Furnished with two set screws

Product Code	Catalog Number	Weight per/C	Trade Size	Dimensions in Inches		Carton Count	
				A	B	Inner	Master
Steel Setscrew Connectors							
0402-24-00	SC-50	8.6	1/2"	0.880	1.500	50	500
0403-22-00	SC-75	12.8	3/4"	1.130	1.560	25	250
0404-20-00	SC-100	20.2	1"	1.380	1.810	20	200
0405-10-00	SC-125	35.6	*1 1/4"	1.380	2.310	10	100
0406-10-00	SC-150	45.1	*1 1/2"	2.750	2.250	10	100
0407-05-00	SC-200	63.6	*2"	2.000	2.380	5	50
0408-08-00	SC-250	130.0	*2 1/2"	3.440	3.190	-	8
0409-06-00	SC-300	140.0	*3"	3.130	3.810	-	6
0410-04-00	SC-350	180.0	*3 1/2"	4.750	4.310	-	4
0411-04-00	SC-400	225.0	*4"	4.250	4.880	-	4
With Insulated Throat							
0412-24-00	SCI-50	8.7	1/2"	0.880	1.500	50	500
0413-22-00	SCI-75	12.9	3/4"	1.130	1.560	25	250
0414-20-00	SCI-100	20.4	1"	1.380	1.810	20	200
0415-10-00	SCI-125	36.0	*1 1/4"	1.750	2.250	10	100
0416-10-00	SCI-150	45.6	*1 1/2"	2.000	2.310	10	100
0417-05-00	SCI-200	64.2	*2"	2.438	2.375	5	50
0418-08-00	SCI-250	131.3	*2 1/2"	3.125	3.188	-	8
0419-06-00	SCI-300	141.4	*3"	3.750	3.183	-	6
0420-04-00	SCI-350	181.8	*3 1/2"	4.250	3.313	-	4
0421-04-00	SCI-400	227.3	*4"	4.750	4.875	-	4

Steel Setscrew Couplings



Features

- Pre-set & staked tri-head screws 1/2" thru 2"
- Hex head screws 2 1/2" thru 4"
- Heavy steel walls
- Concrete tight when taped
- UL listed for Steel EMT Conduit
- RoHS compliant

Standard Materials: Steel

Standard Finish: Zinc Plated

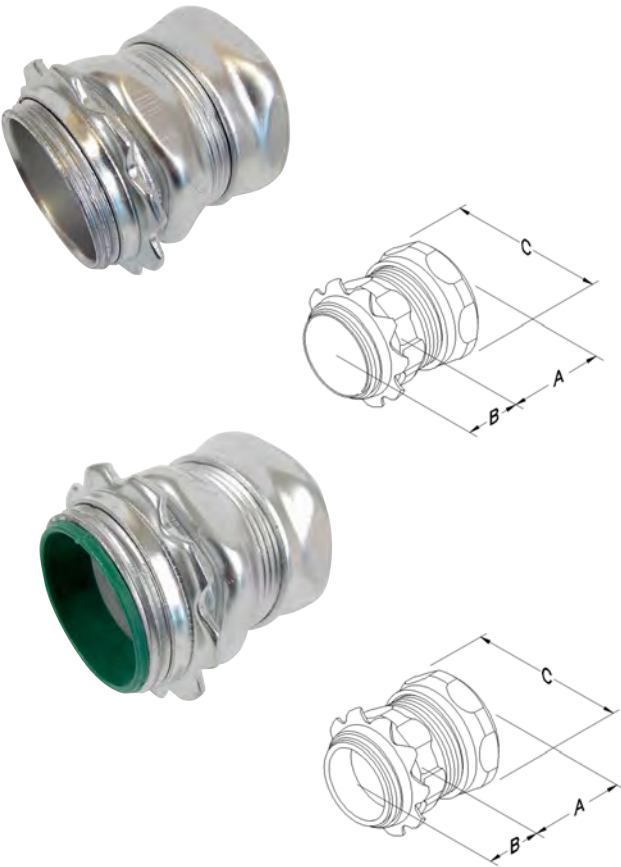
Applicable Third Party Standards

- UL Standard: 514B
- Fed. Spec. A-A-50553
- NEMA: FB-1
- UL Listed File # E172239
- UL & c UL us Listed for EMT, IMC & Rigid conduit, UL Listed File # E164116 sizes 2 1/2" - 4"

* Furnished with two set screws

Product Code	Catalog Number	Weight per/C	Trade Size	Dimensions in Inches		Carton Count	
				A	B	Inner	Master
Steel Setscrew Couplings							
0502-24-00	SK-50	7.8	1/2"	0.875	1.625	50	500
0503-22-00	SK-75	12.7	3/4"	1.130	1.875	25	250
0504-20-00	SK-100	19.6	1"	1.190	2.313	20	200
0505-10-00	SK-125	40.2	* 1 1/4"	1.750	2.064	10	100
0506-10-00	SK-150	57.5	* 1 1/2"	2.000	3.000	10	100
0507-05-00	SK-200	64.6	* 2"	2.440	3.250	5	50
0508-08-00	SK-250	13.0	* 2 1/2"	3.130	4.000	-	8
0509-06-00	SK-300	140.0	* 3"	3.750	4.250	-	6
0510-04-00	SK-350	216.6	* 3 1/2"	4.250	4.500	-	4
0511-04-00	SK-400	250.0	* 4"	4.750	4.750	-	4

Steel Compression Connectors



Features

- Male hub threads - NPSM
- Steel locknuts
- Heavy steel walls
- Concrete tight
- UL listed for Steel & Aluminum EMT Conduit
- RoHS compliant

Standard Materials: Steel

Standard Finish: Zinc Plated

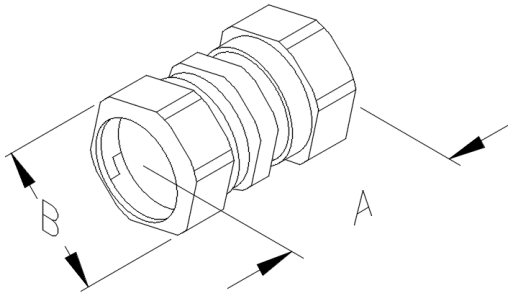
Applicable Third Party Standards

- UL Standard: 514B
- Fed. Spec. A-A-50553
- NEMA: FB-1
- UL Listed File # E172239

AFC FITTINGS • EMT

Product Code	Catalog Number	Weight per/C	Trade Size	Dimensions in Inches			Carton Count	
				A	B	C	Inner	Master
Steel Compression Connectors								
0202-24-00	CC-50	10.6	1/2"	0.625	0.500	1.125	50	500
0203-22-00	CC-75	17.0	3/4"	0.688	0.500	1.375	25	250
0204-20-00	CC-100	22.7	1"	0.688	0.563	1.688	20	200
0205-10-00	CC-125	40.6	1 1/4"	0.938	0.688	2.063	10	100
0206-10-00	CC-150	49.9	1 1/2"	1.063	0.688	2.250	10	100
0207-05-00	CC-200	66.8	2"	1.125	0.750	2.750	5	50
0208-08-00	CC-250	176.8	2 1/2"	1.688	0.813	3.625	-	8
0209-06-00	CC-300	234.3	3"	1.688	0.938	4.250	-	6
0210-04-00	CC-350	287.3	3 1/2"	1.813	1.000	4.688	-	4
0211-04-00	CC-400	342.6	4"	1.813	1.000	5.188	-	4
Insulated Throat								
0212-24-00	CCI-50	10.7	1/2"	0.625	0.500	1.125	50	500
0213-22-00	CCI-75	17.1	3/4"	0.688	0.500	1.375	25	250
0214-20-00	CCI-100	22.9	1"	0.688	0.563	1.688	20	200
0215-10-00	CCI-125	41.0	1 1/4"	0.938	0.688	2.063	10	100
0216-10-00	CCI-150	50.4	1 1/2"	1.063	0.688	2.250	10	100
0217-05-00	CCI-200	67.4	2"	1.125	0.750	2.750	5	50
0218-08-00	CCI-250	178.1	2 1/2"	1.688	0.813	3.625	-	8
0219-06-00	CCI-300	235.7	3"	1.688	0.938	4.250	-	6
0220-04-00	CCI-350	289.1	3 1/2"	1.813	1.000	4.688	-	4
0221-04-00	CCI-400	344.9	4"	1.813	1.000	5.188	-	4

Steel Compression Couplings



Features

- Heavy steel walls
- Concrete tight
- UL Listed for Steel & Aluminum EMT Conduit
- RoHS compliant

Standard Finish: Zinc Plated

Applicable Third Party Standards

- UL Standard: 514B
- Fed. Spec. A-A-50553
- NEMA: FB-1
- UL Listed File # E172239

Product Code	Catalog Number	Weight per/C	Trade Size	Dimensions in Inches		Carton Count	
				A	B	Inner	Master
Steel Compression Couplings							
0302-24-00	CK-50	14.0	½"	1.625	1.125	50	500
0303-22-00	CK-75	21.3	¾"	1.750	1.375	25	250
0304-20-00	CK-100	28.0	1"	1.875	1.688	20	200
0305-10-00	CK-125	48.5	1¼"	2.250	2.063	10	100
0306-10-00	CK-150	59.5	1½"	2.250	2.250	10	100
0307-05-00	CK-200	78.9	2"	2.375	2.750	5	50
0308-08-00	CK-250	205.5	2½"	3.875	3.625	-	8
0309-06-00	CK-300	263.0	3"	4.000	4.250	-	6
0310-04-00	CK-350	309.4	3½"	4.063	4.688	-	4
0311-04-00	CK-400	393.4	4"	4.938	5.188	-	4

Raintight Compression Connectors



Features

- Male hub threads - NPSM
- Steel locknuts
- Heavy steel walls
- Raintight
- Concrete tight
- Blue nut eases identification
- RoHS compliant
- Suitable for use outdoors

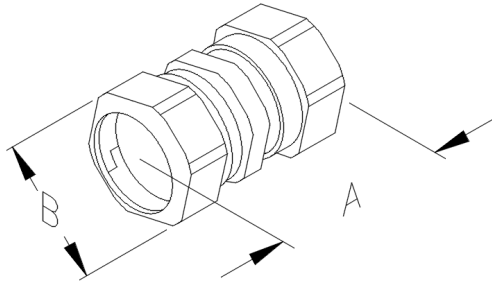
Standard Finish: Zinc Plated

Applicable Third Party Standards

- UL Standard: 514B
- Fed. Spec. A-A-50553
- NEMA: FB-1
- UL Listed File # E172239

Product Code	Catalog Number	Weight per/C	Trade Size	Dimensions in Inches			Carton Count	
				A	B	C	Inner	Master
Raintight Compression Fittings								
0222-24-00	RTC-50	10.6	1/2"	0.625	0.438	1.125	50	500
0223-22-00	RTC-75	17.0	3/4"	0.688	0.438	1.375	25	250
0224-20-00	RTC-100	22.7	1"	0.688	0.500	1.688	20	200
0225-10-00	RTC-125	40.6	1 1/4"	0.938	0.625	2.063	10	100
0226-10-00	RTC-150	49.9	1 1/2"	1.063	0.625	2.250	10	100
0227-05-00	RTC-200	66.8	2"	1.125	0.688	2.750	5	50
0228-08-00	RTC-250	176.8	2 1/2"	1.688	0.750	3.625	-	8
0229-06-00	RTC-300	234.3	3"	1.688	0.875	4.250	-	6
0230-04-00	RTC-350	287.3	3 1/2"	1.813	0.938	4.688	-	4
0231-04-00	RTC-400	342.6	4"	1.813	0.938	5.188	-	4
With Insulated Throat								
0232-24-00	RTCI-50	10.7	1/2"	0.625	0.500	1.125	50	500
0233-22-00	RTCI-75	17.1	3/4"	0.813	0.500	1.375	25	250
0234-20-00	RTCI-100	22.9	1"	0.813	0.563	1.688	20	200
0235-10-00	RTCI-125	41.0	1 1/4"	0.938	0.688	2.063	10	100
0236-10-00	RTCI-150	50.4	1 1/2"	1.688	0.688	2.250	10	100
0237-05-00	RTCI-200	67.4	2"	1.125	0.750	2.750	5	50
0238-08-00	RTCI-250	178.1	2 1/2"	1.688	0.813	3.625	-	8
0239-06-00	RTCI-300	235.7	3"	1.688	0.938	4.250	-	6
0240-04-00	RTCI-350	289.1	3 1/2"	1.813	1.000	4.688	-	4
0241-04-00	RTCI-400	344.9	4"	1.813	1.000	5.188	-	4

Raintight Compression Couplings



Features

- Male hub threads - NPSM
- Steel locknuts
- Heavy steel walls
- Raintight
- Concrete tight
- Blue nut eases identification
- RoHS compliant
- Suitable for use outdoors

Standard Finish: Zinc Plated

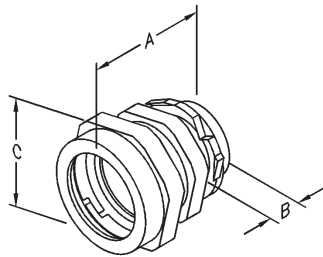
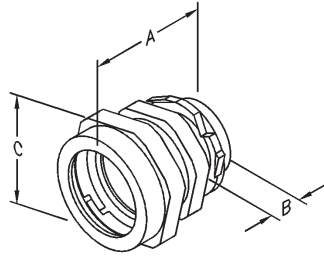
Applicable Third Party Standards

- UL Standard: 514B
- Fed. Spec. A-A-50553
- NEMA: FB-1
- UL Listed File # E172239

Product Code	Catalog Number	Weight per/C	Trade Size	Dimensions in Inches		Carton Count	
				A	B	Inner	Master
Raintight Compression Couplings							
0322-24-00	RTK-050	14.0	½"	1.625	1.125	50	500
0323-22-00	RTK-075	21.3	¾"	1.750	1.375	25	250
0324-20-00	RTK-100	28.0	1"	1.875	1.688	20	200
0325-10-00	RTK-125	48.5	1¼"	2.250	2.063	10	100
0326-10-00	RTK-150	59.5	1½"	2.250	2.250	10	100
0327-05-00	RTK-200	78.9	2"	2.750	2.750	5	50
0328-08-00	RTK-250	205.5	2½"	3.875	3.625	-	8
0329-06-00	RTK-300	263.0	3"	4.000	4.250	-	6
0330-04-00	RTK-350	309.4	3½"	4.688	4.688	-	4
0331-04-00	RTK-400	393.4	4"	1.938	5.188	-	4

Compression Rigid Connectors for Threadless Rigid Conduit & IMC Malleable Iron

AFC FITTINGS • RIGID



Features

- Concrete tight male hub threads
- NPSM thread 1/2" through 2"
- NPT thread above 2"

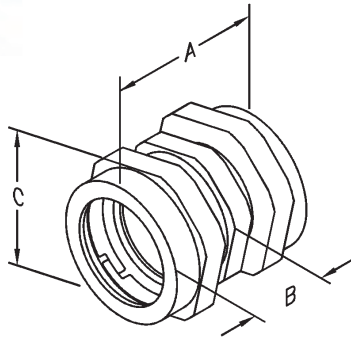
Standard Finish: Malleable Iron, Steel Locknut, Zinc Plated

Applicable Third Party Standards

- UL Standard: 514B
- Fed. Spec. A-A-50552
- NEMA: FB-1
- UL Listed File # E164116

Product Code	Catalog Number	Weight per/C	Trade Size	Dimensions in Inches			Carton Count	
				A	B	C	Inner	Master
Compression Rigid Connectors for Threadless Rigid Conduit & IMC Malleable Iron								
0242-20-00	CCR50	23.9	1/2"	1.500	0.500	1.500	20	100
0243-22-00	CCR75	25.2	3/4"	1.500	0.500	1.625	25	100
0244-05-00	CCR100	38.7	1"	1.690	0.560	2.000	5	25
0245-05-00	CCR125	58.9	1 1/4"	2.000	0.690	2.375	5	25
0246-02-00	CCR150	71.6	1 1/2"	2.060	0.690	2.625	2	10
0247-05-00	CCR200	118.5	2"	2.250	0.880	3.313	-	5
0248-05-00	CCR250	308.5	2 1/2"	2.940	1.250	3.750	-	5
0249-03-00	CCR300	331.2	3"	3.130	1.380	4.250	-	3
0250-02-00	CCR350	342.8	3 1/2"	3.130	1.380	4.750	-	2
0251-02-00	CCR400	469.2	4"	3.130	1.500	5.313	-	2
With Insulated Throat								
0252-20-00	CCRI50	23.8	1/2"	1.560	0.560	1.500	20	100
0253-22-00	CCRI75	26.2	3/4"	1.560	0.380	1.625	25	100
0254-05-00	CCRI100	39.5	1"	1.750	0.630	2.000	5	25
0255-05-00	CCRI125	56.8	1 1/4"	2.000	0.690	2.375	5	25
0256-02-00	CCRI150	73.6	1 1/2"	2.130	0.750	2.625	2	10
0257-05-00	CCRI200	119.7	2"	2.310	0.810	3.313	-	5
0258-05-00	CCRI250	287.5	2 1/2"	3.000	1.310	3.750	-	5
0259-03-00	CCRI300	328.0	3"	3.130	1.440	4.250	-	3
0260-02-00	CCRI350	346.2	3 1/2"	3.190	1.500	4.750	-	2
0261-02-00	CCRI400	484.0	4"	3.440	1.560	5.313	-	2

Compression Rigid Couplings for Threadless Rigid Conduit & IMC Malleable Iron



Features

- Concrete tight

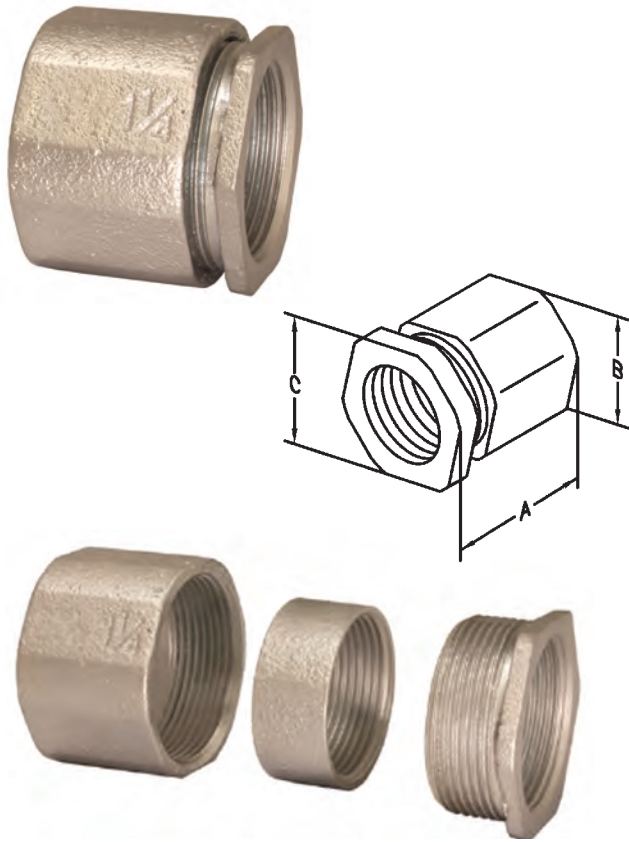
Standard Finish: Malleable Iron, Zinc Plated

Applicable Third Party Standards

- UL Standard: 514B
- Fed. Spec. A-A-50552
- NEMA: FB-1
- UL Listed File # E164116

Product Code	Catalog Number	Weight per/C	Trade Size	Dimensions in Inches			PCS/Units per Box
				A	B	C	
Compression Rigid Connectors for Threadless Rigid Conduit & IMC Malleable Iron							
0342-20-00	CKR50	35.3	1/2"	1.813	0.500	1.500	200
0343-22-00	CKR75	34.2	3/4"	1.875	0.500	1.625	150
0344-05-00	CKR100	51.8	1"	2.188	0.563	2.000	100
0345-05-00	CKR125	85.5	1 1/4"	2.625	0.750	2.375	63
0346-02-00	CKR150	104.1	1 1/2"	2.688	0.688	2.625	45
0347-05-00	CKR200	171.8	2"	3.063	0.938	3.313	24
0348-05-00	CKR250	351.9	2 1/2"	4.500	2.000	3.750	2
0349-03-00	CKR300	421.8	3"	4.938	2.250	4.250	1
0350-02-00	CKR350	462.6	3 1/2"	5.000	2.250	4.750	1
0351-02-00	CKR400	579.0	4"	5.313	2.438	5.313	1

Three Piece Couplings for Rigid Conduit & IMC Malleable Iron



Features

- Heavy duty casting
- Concrete tight
- Couples conduits when conduit cannot be turned
- RoHS compliant

Standard Finish: Malleable Iron, Zinc Plated

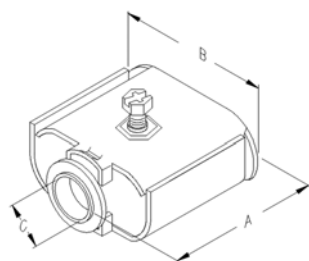
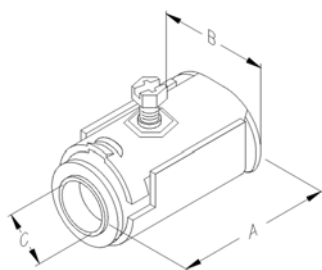
Applicable Third Party Standards

- UL Standard: 514B
- Fed. Spec. A-A-50552
- NEMA: FB-1
- UL Listed File # E164116

Product Code	Catalog Number	Weight per/C	Trade Size	Dimensions in Inches			Carton Count	
				A	B	C	Inner	Master
Three Piece Couplings for Rigid Conduit & IMC Malleable Iron								
0352-10-00	EK50	23.5	1/2"	1.313	1.375	1.375	10	100
0353-05-00	EK75	32.8	3/4"	1.563	1.563	1.563	5	50
0354-05-00	EK100	44.9	1"	1.625	1.875	1.875	5	50
0355-05-00	EK125	77.5	1 1/4"	2.125	2.375	2.375	5	25
0356-05-00	EK150	111.5	1 1/2"	2.375	2.813	2.813	5	25
0357-02-00	EK200	163.5	2"	2.625	3.313	3.313	2	10
0358-02-00	EK250	316.8	2 1/2"	3.125	4.063	4.063	2	10
0359-05-00	EK300	320.7	3"	3.188	4.688	4.688	-	5
0360-01-00	EK350	456.1	3 1/2"	3.563	5.063	5.063	-	1
0361-01-00	EK400	650.8	4"	4.000	5.750	5.750	-	1
0370-01-00	EK500	1079.0	5"	4.000	7.250	7.250	-	1
0371-01-00	EK600	1430.8	6"	3.875	8.313	8.313	-	1

Armored Cable & Flexible Metal Conduit Connectors

AFC FITTINGS • AC/MC CABLE, FLEX



Applications

For connecting Flex, AC, MCI, MCI-A & HCF cable

Features

- No locknut required
- Single-unit or duplex construction with captive clamp
- Easy to install. Just tilt, insert & snap down
- Single unit construction eliminates loose component parts, integral green plastic insulated throat bushing provides maximum protection for wire installation
- RoHS compliant

Standard Materials: Steel

Standard Finish: Zinc Plated

Applicable Third Party Standards

- UL Standard: 514B, Armored Cable Connectors, Type AC, Armored Cable Connectors Type AC - Certified for Canada
- Fed. Spec. A-A-50552
- ANSI/NEMA FB-1
- UL Listed File # E164166

Product Code	Catalog Number	Weight per/C	Trade Size	Dimensions in Inches			Carton Count	
				A	B	C	Inner	Master
Armored Cable & Flexible Metal Conduit Connectors								
0102-24-00	AFC-50	7.5	½" Single	1.440	0.880	0.440	50	500
0122-22-00	AFC-52	10.2	½" Duplex	1.690	1.690	0.380	25	250
0103-22-00	AFC-75	14.4	¾" Single	1.630	1.310	0.560	25	250
0123-22-00	AFC-5075	13.0	½"	1.690	0.880	0.750	25	250

Cable Size

AFC-50 and AFC-52:

⅜" trade size steel and aluminum RW Flexible Metal Conduit 0.450" - 0.535" diameter Type MC cable interlocked armor with or without overall PVC extrusion and for MCI-A Type MC, Type AC and Flexible Metal Conduit

Fits sizes 14/2 - 10/3 steel armored cable

Fits sizes 14/2 - 12/4 aluminum armored cable

AFC-75 and AFC-5075:

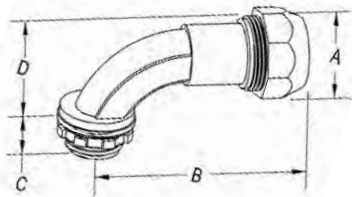
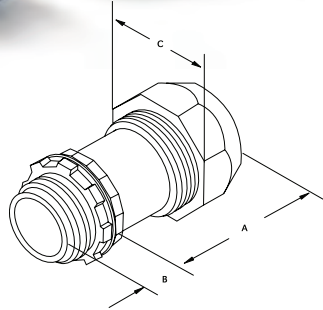
½" trade size steel and aluminum RW FSC

0.570" - 0.795" diameter MC cable

Fits sizes 10/4, 10/5, 8/3, 8/4, 6/3 armored cable

* The U.L. Requirement for "concrete-tight" means "there shall be no entrance of concrete aggregate into the fitting or the outlet box, conduit, or cable," etc. A minimum of two-half-lapped layers of electrical tape, e.g., 3M's #88 or equivalent is recommended.

Parking Deck & Parking Lot



Features

- Designed for use with PVC Jacket MC cable (Parking Deck/Lot Cable™)
- Easy installation starts by stripping back PVC jacket at the end of cable, loosen the nut, slip cable into the connector until cable is fully inserted, then tighten the connector nut
- Tapered Threads
- Zinc die cast with external knockout gasket
- Tapered external NPT threads allow conductors to be installed in threaded boxes
- UL Listed "raintight" & concrete casement ★
- New 90° connector now available

Applicable Third Party Standards

- UL Standard 514B
- Federal Specification A-A-50552
- ANSI/NEMA FB-1
- UL Listed File # E164166

★ Not suitable in direct burial (in the ground) applications

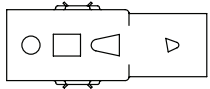
Cable Size

- AFC-595-U, AFC-595-I: .610 Max. Armor & .720 Max. Jacket Fits sizes 12/2 – 10/3
- AFC-596-U, AFC-596-I: .685 Max. Armor & .800 Max. Jacket Fits sizes 10/4 – 8/3
- AFC895-U, AFC895-I: .610 Max. Armor & .720 Max. Jacket Fits sizes 12/2 – 10/3

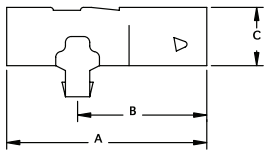
Product Code	Catalog Number	Weight per/C	Trade Size	Dimensions in Inches			Carton Count	
				A	B	C	Inner	Master
Straight Connectors								
0124-15-00	AFC-595-U	19.1	3/8"	1.750	0.530	1.220	15	60
0125-15-00	AFC-595-I	19.1	3/8"	1.750	0.530	1.220	15	60
0126-15-00	AFC-596-U	19.5	1/2"	1.750	0.530	1.220	15	60
0127-15-00	AFC-596-I	19.5	1/2"	1.750	0.530	1.220	15	60

Product Code	Catalog Number	Weight per/C	Trade Size	Dimensions in Inches				Carton Count	
				A	B	C	D	Inner	Master
90° Connectors									
0128-10-00	AFC-895-U	30.5	3/8"	1.310	2.750	0.530	1.250	10	40
0129-10-00	AFC-895-I	30.5	3/8"	1.310	2.750	0.530	1.250	10	40

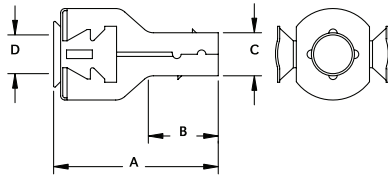
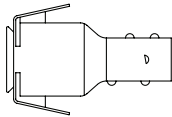
Snap-Lok Flexible Metal Conduit Connectors



8139
8149



8131
8131-US



Features

- Time-saving, snap-in design for quick & easy installation
- No locknut to use or lose
- No installation tools required
- Automated assembly is easy — perfect for fast fixture whips
- An anti-short sleeve comes with the 90° connectors at no additional charge
- Ideal for machine-fed installation
- Quality spring steel construction for maximum reliability & vibration resistance

Applicable Third Party Standards

- UL Standard: 514B
- CSA Certified File # LR-84516
- UL Listed File # E120009

Product Code	Catalog Number	Weight per/C	Trade Size	Dimensions in Inches				Carton Count	
				A	B	C	D	Inner	Master
Snap-Lok Flexible Metal Conduit Connectors									
Straight Connectors									
8131*	8131*	3	3/8"	1.530	0.690	0.440	0.500	500	2000
8131-US*	8131-US*	3	3/8"	1.530	0.690	0.440	0.500	500	1000
90° Connectors									
8139-US**	8139-US**	3	3/8"	2.060	0.810	0.560	N/A	500	1000
8149***	8149***	5	1/2"	2.060	N/A	0.810	N/A	-	450

* UL Listed Only

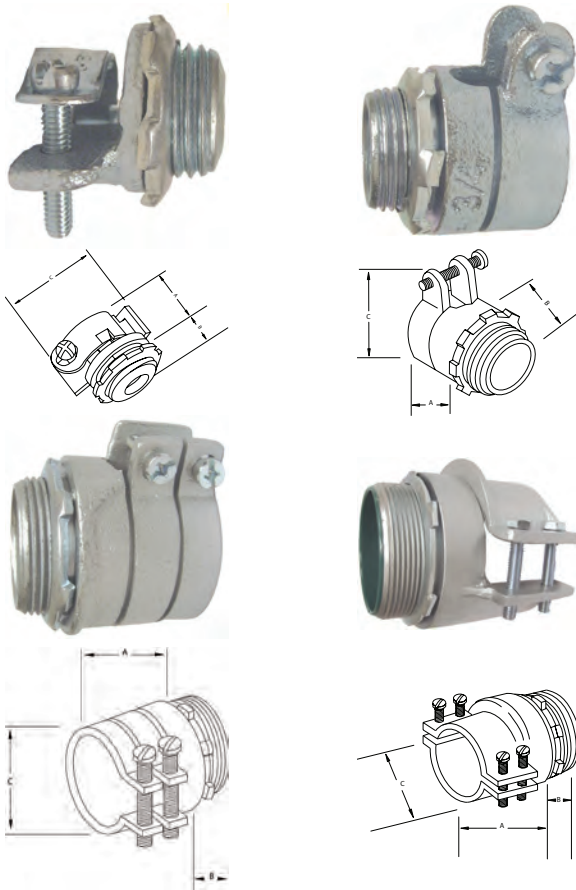
** UL Recognized Component and CSA Certified

*** UL Listed and CSA Certified

Squeeze Connectors Malleable Iron for Flex



AFC FITTINGS • AC/MC CABLE, FLEX



Applications

For armored cable, flexible metal conduit, interlocked metal clad cables, HCF cables

Features

- Male hub threads - NPSM
- RoHS compliant

Standard Materials: Malleable Iron, Steel Locknut

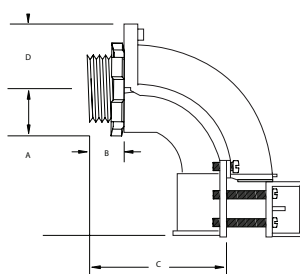
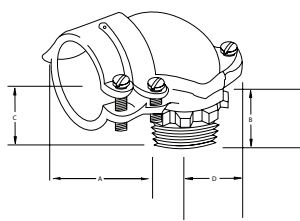
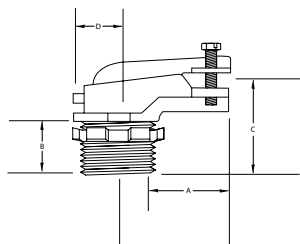
Standard Finish: Zinc Plated
>2½" to 4" zinc plated & painted

Applicable Third Party Standards

- UL Standard: 514B
- Fed. Spec. A-A-50552
- NEMA: FB-1
- UL Listed File # E164166, E164116

Product Code	Catalog Number	Weight per/C	Trade Size	KO Size	Dimensions in Inches			Carton Count	
					A	B	C	Inner	Master
Squeeze Connectors Malleable Iron for Flex									
0121-24-00	AFC380	5.6	¾"	½"	1.000	0.438	1.625	25	125
0132-24-00	AFC500	13.3	½"	½"	1.000	0.438	1.625	25	125
0133-20-00	AFC750	16.7	¾"	¾"	1.125	0.500	1.750	20	100
0134-10-00	AFC100	25.9	1"	1"	1.125	0.563	2.125	10	50
0135-10-00	AFC125	39.8	1¼"	1¼"	1.188	0.563	2.188	10	50
0136-05-00	AFC150	63.0	1½"	1½"	1.875	0.625	2.250	5	25
0137-05-00	AFC200	107.2	2"	2"	2.000	0.750	2.688	-	5
0138-05-00	AFC250	171.9	2½"	2½"	2.063	0.875	3.313	-	5
0139-05-00	AFC300	202.6	3"	3"	2.125	1.063	3.875	-	5
0140-01-00	AFC350	442.0	3½"	3½"	3.750	1.313	6.500	-	1
0141-01-00	AFC400	663.0	4"	4"	4.125	1.500	7.250	-	1
With Insulated Throat									
0131-24-00	AFCI380	5.7	¾"	½"	1.000	0.500	1.625	25	125
0142-24-00	AFCI500	13.4	½"	½"	1.000	0.500	1.625	25	125
0143-20-00	AFCI750	16.9	¾"	¾"	1.125	0.563	1.750	20	100
0144-10-00	AFCI100	26.2	1"	1"	1.125	0.625	2.125	10	50
0145-10-00	AFCI125	40.2	1¼"	1¼"	1.188	0.625	2.188	10	50
0146-05-00	AFCI150	63.6	1½"	1½"	1.875	0.688	2.250	5	25
0147-05-00	AFCI200	108.2	2"	2"	2.000	0.813	2.688	-	5
0148-05-00	AFCI250	173.6	2½"	2½"	2.063	0.938	3.313	-	5
0149-05-00	AFCI300	204.6	3"	3"	2.125	1.125	3.875	-	5
0150-01-00	AFCI350	446.4	3½"	3½"	3.750	1.375	6.500	-	1
0151-01-00	AFCI400	669.6	4"	4"	4.125	1.563	7.250	-	1

90° Squeeze Connectors Malleable Iron for Flex



Applications

For armored cable, flexible metal conduit, interlocked metal clad cables, HCF cables

Features

- Male hub threads - NPSM
- RoHS compliant

Standard Materials: Malleable Iron, Steel Locknut
^Stamped steel covers

Standard Finish: Zinc Plated
>2½" to 4" zinc plated & painted

Applicable Third Party Standards

- UL Standard: 514B
- Fed. Spec. A-A-50552
- NEMA: FB-1
- UL Listed File # E164166, E164116

Product Code	Catalog Number	Weight per/C	Trade Size	KO Size	Dimensions in Inches				Carton Count	
					A	B	C	D	Inner	Master
90° Squeeze Connectors Malleable Iron for Flex										
0161-20-00	AFC9380	8.7	3/8"	1/2"	1.625	0.438	0.875	0.500	20	100
0172-20-00	AFC9500	19.8	1/2"	1/2"	1.625	0.438	0.875	0.500	20	100
0173-10-00	AFC9750	24.5	3/4"	3/4"	1.813	0.500	1.125	0.625	10	50
0174-05-00	AFC9100	62.2	1"	1"	2.125	0.500	1.313	0.813	5	25
0175-05-00	AFC9125	119.7	1 1/4"	1 1/4"	2.750	0.625	1.813	1.125	5	25
0176-02-00	AFC9150	149.2	1 1/2"	1 1/2"	3.375	0.625	1.813	1.500	2	10
0177-05-00	AFC9200	309.4	2"	2"	5.000	0.813	2.750	1.688	-	5
0178-05-00	AFC9250	361.6	2 1/2"	2 1/2"	5.500	1.000	4.125	2.000	-	5
0179-01-00	AFC9300	552.5	3"	3"	6.625	1.000	4.500	2.250	-	1
0180-01-00	AFC9350	1215.5	3 1/2"	3 1/2"	8.250	1.313	5.563	3.125	-	1
0181-01-00	AFC9400	1436.5	4"	4"	9.313	1.500	7.000	3.438	-	1
With Insulated Throat										
0171-22-00	AFCI9380	8.8	3/8"	1/2"	1.625	0.500	0.875	0.500	25	250
0182-20-00	AFCI9500	19.0	1/2"	1/2"	1.625	0.500	0.875	0.500	20	100
0183-10-00	AFCI9750	17.9	3/4"	3/4"	1.813	0.563	1.125	0.625	10	50
0184-05-00	AFCI9100	62.8	1"	1"	2.125	0.563	1.313	0.813	5	25
0185-05-00	AFCI9125	120.8	1 1/4"	1 1/4"	2.750	0.688	1.813	1.125	5	25
0186-02-00	AFCI9150	150.7	1 1/2"	1 1/2"	3.375	0.688	1.813	1.500	2	10
0187-05-00	AFCI9200	312.5	2"	2"	5.000	0.875	2.750	1.688	-	5
0188-05-00	AFCI9250	365.2	2 1/2"	2 1/2"	5.500	1.063	4.125	2.000	-	5
0189-01-00	AFCI9300	558.0	3"	3"	6.625	1.063	4.500	2.250	-	1
0190-01-00	AFCI9350	1127.6	3 1/2"	3 1/2"	8.250	1.375	5.563	3.125	-	1
0191-01-00	AFCI9400	1450.8	4"	4"	9.313	1.563	7.000	3.438	-	1

Squeeze Connectors, Duplex Squeeze Connectors & 90° Duplex Squeeze Connectors

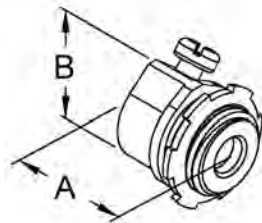
For Flex, AC, MCI and MCI-A



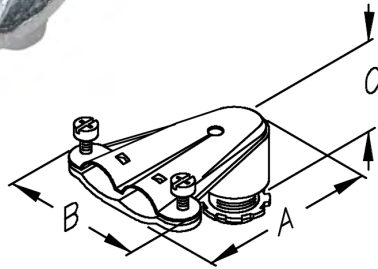
AFC FITTINGS • AC/MC CABLE, FLEX



AFCBX38



AFC938D



Applications

For armored cable, flexible metal conduit, interlocked metal clad cables, HCF cables

Features

- Male hub threads - NPSM
- Provided with steel locknuts
- RoHS Compliant

Standard Materials: Malleable Iron, Steel Locknut

Standard Finish: Zinc plated

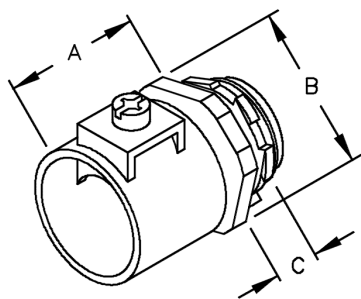
Applicable Third Party Standards

- UL Standard: 514B
- Fed. Spec. A-A-50552
- NEMA: FB-1
- UL Listed File # E164166

Product Code	Catalog Number	Weight per/C	Trade Size	KO Size	Dimensions in Inches			Carton Count	
					A	B	C	Inner	Master
Squeeze Connectors & 90 duplex for Flex, AC, MCI, MCI-A									
HV01-30-00	AFCBX38	7.3	3/8"	1/2"	1.000	0.440	1.130	-	100
HX01-22-00	AFC938D	14.1	3/8"	1/2"	1.190	0.440	0.440	-	25

Double Bite Saddle Type Connectors with Insulated Throats

Tubular Steel for Flex, AC, MCI, MCI-A Cables



Applications

To connect Flex, AC, MCI, MCI-A & HCF cables to outlet

Features

- One piece tubular construction affording extra strength
- Dual gripping saddle clamps
- Saddle clamp rides up & down on screw for ease of installation
- Furnished with insulated throat
- RoHS Compliant

Standard Materials: Tubular Steel, Steel Locknut

Standard Finish: Zinc plated

Applicable Third Party Standards

- UL Standard: 514B
- Fed. Spec. A-A-50552
- NEMA: FB-1
- $\frac{3}{8}$ " thru 1"
- $1\frac{1}{4}$ " thru 4"
- UL Listed File # E164166, E164116

^Suitable for use on steel or aluminum cables

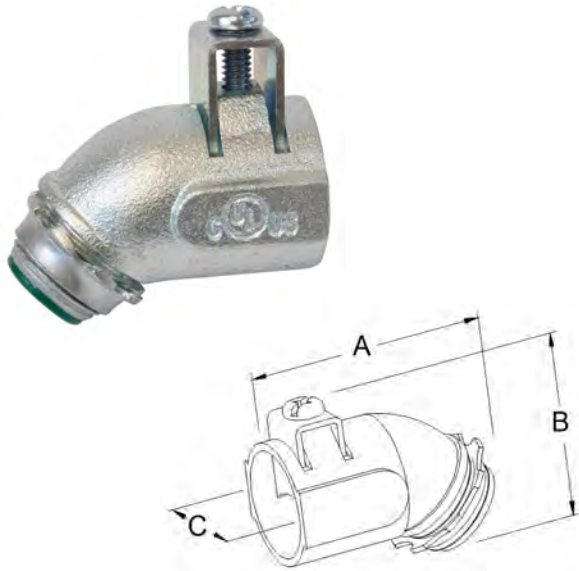
U.S. Patent No. 8.646.813



Product Code	Catalog Number	Weight per/C	Cable Range Max/Min	Trade Size	KO Size	Dimensions in Inches			Carton Count	
						A	B	C	Inner	Master
Double Bite Saddle Type Connectors with Insulated Throats										
HQ01-24-00	DBI38	14.8	0.660" 0.400"	$\frac{3}{8}$ "	$\frac{1}{2}$ "	1.188	1.250	0.500	-	50
HQ02-22-00	DBI50	15.6	0.920" 0.520"	$\frac{1}{2}$ "	$\frac{1}{2}$ "	1.375	1.250	0.438	-	25
HQ03-10-00	DBI75	17.2	1.110" 0.680"	$\frac{3}{4}$ "	$\frac{3}{4}$ "	1.375	1.438	0.438	-	10
HQ04-05-00	DBI100	31.3	1.380" 0.880"	1"	1"	1.563	1.813	0.500	-	5
HQ05-05-00	DBI125	53.1	1.635" 1.150"	$1\frac{1}{4}$ "	$1\frac{1}{4}$ "	2.188	2.125	0.625	-	5
HQ06-05-00	DBI150	62.5	1.950" 1.490"	$1\frac{1}{2}$ "	$1\frac{1}{2}$ "	2.438	2.500	0.625	-	5
HQ07-01-00	DBI200	87.0	2.450" 1.765"	2"	2"	2.563	3.000	0.625	-	1
HQ08-01-00	DBI250	162.5	3.060" 2.270"	$2\frac{1}{2}$ "	$2\frac{1}{2}$ "	2.688	3.625	0.813	-	1
HQ09-01-00	DBI300	191.5	3.560" 3.160"	3"	3"	2.813	4.250	0.938	-	1
HQ10-01-00	DBI350	225.0	4.060" 3.860"	$3\frac{1}{2}$ "	$3\frac{1}{2}$ "	2.938	4.750	1.000	-	1
HQ11-01-00	DBI400	263.3	4.560" 4.360"	4"	4"	3.000	5.188	1.063	-	1

45° Double Bite Saddle Type Connectors with Insulated Throats

For Flex, AC, MCI, MCI-A Cables, Malleable Iron



Applications

To connect Flex, AC, MCI, MCI-A & HCF Cables to outlet boxes

Features

- Male hub threads - NPSM
- One piece malleable construction affording extra strength
- Dual gripping saddle clamps
- Saddle clamp rides up & down on screw for ease of installation
- Furnished with Insulated Throat
- RoHS Compliant

Standard Materials: Malleable Iron, Steel Locknuts, Steel Clamps

Standard Finish: Zinc plated

Applicable Third Party Standards

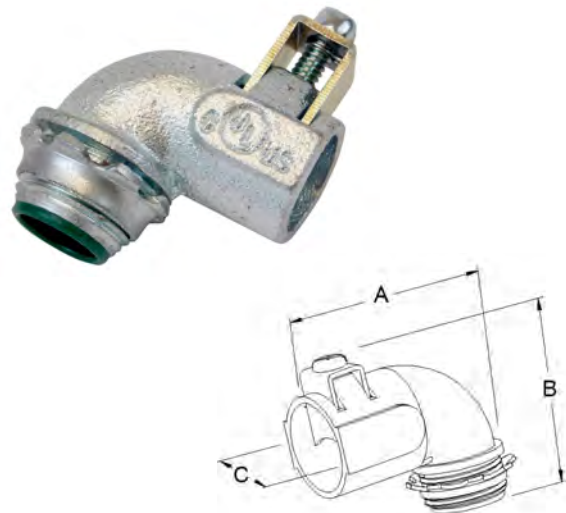
- UL Standard: 514B
- Fed. Spec. A-A-50552
- NEMA: FB-1
- UL Listed File # E164166



Product Code	Catalog Number	Weight per/C	Trade Size	KO Size	Dimensions in Inches			Carton Count	
					A	B	C	Inner	Master
45° Double Bite Saddle Type Connectors with Insulated Throats									
HR01-24-00	DBI438	15.6	3/8"	1/2"	1.810	1.750	0.940	-	50
HR02-22-00	DBI450	25.7	1/2"	1/2"	2.130	2.130	1.250	-	25
HR03-20-00	DBI475	28.8	3/4"	3/4"	2.380	2.310	1.440	-	20

90° Double Bite Saddle Type Connectors with Insulated Throats

For Flex, AC, MCI, MCI-A Cables, Malleable Iron



Applications

To connect Flex, AC, MCI, MCI-A & HCF cables to outlet boxes

Features

- Male hub threads - NPSM
- One piece malleable construction affording extra strength
- Dual gripping saddle clamps
- Saddle clamp rides up & down on screw for ease of installation
- Furnished with Insulated Throat
- RoHS Compliant

Standard Materials: Malleable Iron, Steel Locknuts, Steel Clamps

Standard Finish: Zinc plated

Applicable Third Party Standards

- UL Standard: 514B
- Fed. Spec. A-A-50552
- NEMA: FB-1
- UL Listed File # E164166

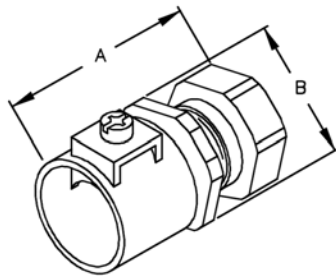
U.S. Patent No. 7.897.871B1



Product Code	Catalog Number	Weight per/C	Cable Range Max/Min	Trade Size	KO Size	Dimensions in Inches			Carton Count	
						A	B	C	Inner	Master
90° Saddle Type Connectors with Insulated Throats										
HS01-24-00	DBI938	18.2	0.660" 0.400"	3/8"	1/2"	1.750	2.060	1.000	-	50
HS02-22-00	DBI950	25.0	0.920" 0.520"	1/2"	1/2"	2.130	2.250	1.250	-	25
HS03-20-00	DBI975	37.5	1.110" 0.680"	3/4"	3/4"	2.500	2.500	1.380	-	20

Double Bite Saddle Type Compression Couplings

Tubular Steel for Flex, AC, MCI Cables to EMT Conduit



Applications

To connect Flex, AC, & MCI cables to EMT conduit

Features

- One piece tubular construction affording extra strength
- Dual gripping saddle clamps
- Saddle clamp rides up & down on screw for ease of installation
- RoHS Compliant

Standard Materials: Tubular Steel, Steel Locknut, Steel Compression Nut, Steel Gland Ring

Standard Finish: Zinc plated

Applicable Third Party Standards

- UL Standard: 514B
- Fed. Spec. A-A-50552
- NEMA: FB-1
- ½" thru 4"
- UL Listed File # E164116

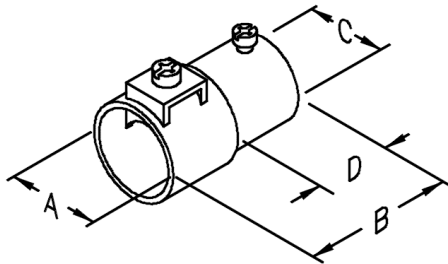
U.S. Patent No. 7.897.871B1

Product Code	Catalog Number	Weight per/C	Cable Range Max/Min	Trade Size	Dimensions in Inches		Carton Count	
					A	B	Inner	Master
Double Bite Saddle Type Compression Couplings								
HT01-22-00*	DBC38*	17.9	0.660 0.400	¾"	1.380	1.250	-	25
HT02-10-00	DBC50	18.9	0.920 0.520	½"	1.560	1.250	-	10
HT03-10-00	DBC75	20.3	1.100 0.680	¾"	1.560	1.440	-	10

* Not Listed or Certified

Double Bite Saddle Type Set Screw Couplings

Tubular Steel for Flex, AC, MCI Cables to EMT Conduit



Applications

To connect Flex, AC, MCI cables to EMT conduit

Features

- One piece tubular construction affording extra strength
- Dual gripping saddle clamps
- Saddle clamp rides up & down on screw for ease of installation
- Pre-set & staked tri-head screws
- RoHS Compliant

Standard Materials: Tubular Steel

Standard Finish: Zinc plated

Applicable Third Party Standards

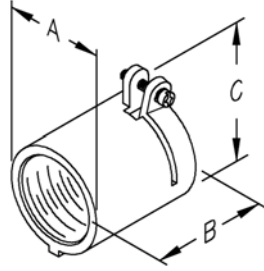
- UL Standard: 514B
- Fed. Spec. A-A-50552
- NEMA: FB-1
- 1/2" thru 4"
- UL Listed File # E164116
- Patented

AFC FITTINGS • AC/MC CABLE, FLEX

Product Code	Catalog Number	Weight per/C	Cable Range Max/Min	Trade Size	Dimensions in Inches				Carton Count	
					A	B	C	D	Inner	Master
Double Bite Saddle Type Set Screw Couplings										
HU01-24-00*	DBS38*	17.9	0.660 0.400	3/8"	0.750	1.560	0.880	0.630	-	50
HU02-22-00	DBS50	18.9	0.920 0.520	1/2"	1.060	2.000	0.880	0.630	-	25
HU03-10-00	DBS75	20.3	1.100 0.680	3/4"	1.250	2.130	1.130	0.810	-	10

* Not Listed or Certified

Combo Coupling - Rigid to Flex



Applications

To connect Flexible metal conduit to Rigid or IMC conduit

Features

- Female hub threads - NPT
- RoHS Compliant

Standard Materials: Malleable Iron

Standard Finish: Zinc plated

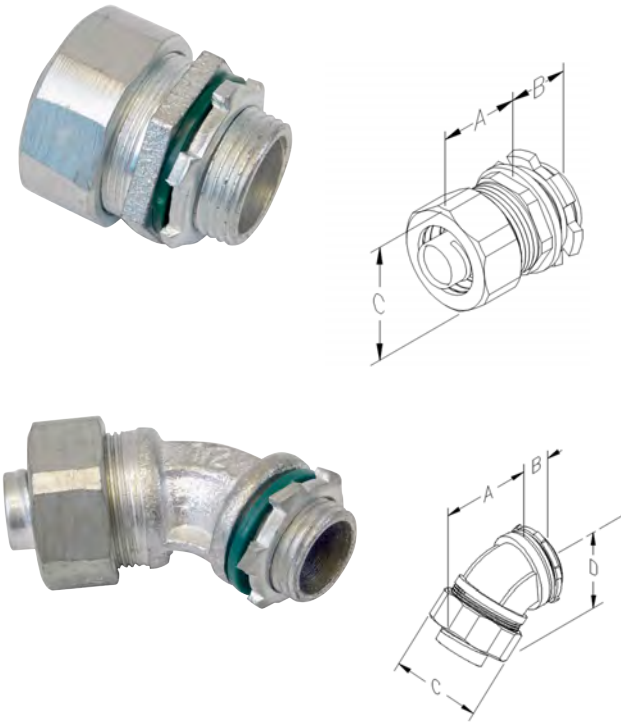
Applicable Third Party Standards

- UL Standard: 514B
- Fed. Spec. A-A-50552
- NEMA: FB-1
- UL Listed File # E164116



Product Code	Catalog Number	Weight per/C	Trade Size	Dimensions			Carton Count	
				A	B	C	Inner	Master
Combo Coupling - Rigid to Flex								
HP02-10-00	FCC50	15.4	1/2"	1.190	1.500	1.690	-	10
HP03-10-00	FCC75	22.1	3/4"	1.380	1.750	1.880	-	10
HP04-05-00	FCC100	33.1	1"	1.630	1.810	2.310	-	5
HP05-05-00	FCC125	33.1	1 1/4"	2.000	2.310	2.630	-	5

Malleable Liquidtight Fittings - Uninsulated



Features

- Tapered threaded male hub - NPT
- Compact, slim diameter
- Steel locknut
- Liquidtight/Raintight/Oiltight/Concrete tight
- Suitable for wet locations
- Long ferrule prevents pullout & tight bend conduit pop out
- RoHS compliant

Standard Materials: Malleable Iron, Steel Ferrule, Steel Locknut

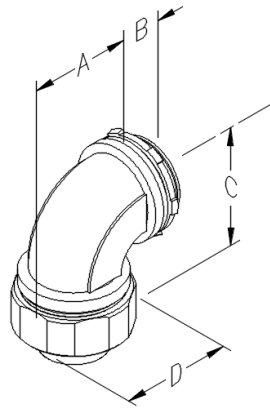
Standard Finish: Zinc Plated

Applicable Third Party Standards

- UL Standard: 514B
- Fed. Spec. A-A-50552
- NEMA: FB-1
- UL Listed File # E164116

Product Code	Catalog Number	Weight per/C	Trade Size	Dimensions in Inches			Carton Count	
				A	B	C	Inner	Master
Malleable Liquidtight Uninsulated Fittings								
0601-22-00	LS-38	15.4	3/8"	0.940	0.560	1.190	25	250
0602-22-00	LS-50	17.6	1/2"	0.940	0.630	1.310	25	250
0603-20-00	LS-75	28.7	3/4"	1.060	0.560	1.560	20	200
0604-10-00	LS-100	39.7	1"	1.130	0.690	1.880	10	100
0605-05-00	LS-125	55.1	1 1/4"	1.250	0.690	2.250	5	50
0606-04-00	LS-150	70.5	1 1/2"	1.380	0.690	2.500	4	40
0607-03-00	LS-200	99.2	2"	1.440	0.750	3.000	3	30
0608-05-00	LS-250	363.8	2 1/2"	2.190	1.060	4.060	-	5
0609-05-00	LS-300	456.4	3"	2.500	1.130	4.880	-	5
0610-05-00	LS-350	668.0	3 1/2"	2.690	1.190	5.440	-	5
0611-05-00	LS-400	789.2	4"	3.000	1.250	6.060	-	5
45° Uninsulated								
0701-15-00	L4-38	27.1	3/8"	2.000	0.560	1.250	15	150
0702-15-00	L4-50	27.1	1/2"	2.000	0.560	1.380	15	150
0703-10-00	L4-75	39.7	3/4"	2.250	0.560	1.630	10	100
0704-05-00	L4-100	63.5	1"	2.500	0.630	1.810	5	50
0705-04-00	L4-125	87.3	1 1/4"	3.000	0.690	2.190	4	40
0706-03-00	L4-150	110.2	1 1/2"	3.060	0.750	2.440	3	30
0707-02-00	L4-200	176.4	2"	3.630	0.750	2.630	2	20
0708-01-00	L4-250	573.2	2 1/2"	7.440	1.060	4.560	-	1
0709-01-00	L4-300	859.8	3"	8.440	1.060	5.380	-	1
0711-01-00	L4-400	1521.2	4"	11.750	1.250	6.880	-	1

Malleable Liquidtight Fittings - Uninsulated (continued)



Features

- Tapered threaded male hub - NPT
- Compact, slim diameter
- Steel locknut
- Liquidtight/Raintight/Oiltight/Concrete tight
- Suitable for wet locations
- Long ferrule prevents pullout & tight bend conduit pop out
- RoHS compliant

Standard Materials: Malleable Iron, Steel Ferrule, Steel Locknut

Standard Finish: Zinc Plated

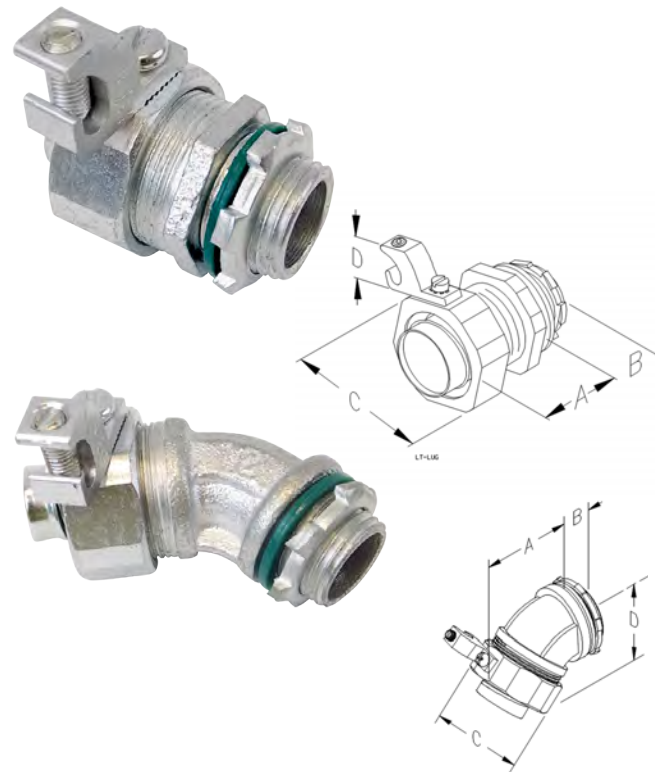
Applicable Third Party Standards

- UL Standard: 514B
- Fed. Spec. A-A-50552
- NEMA: FB-1
- UL Listed File # E164116

Product Code	Catalog Number	Weight per/C	Trade Size	Dimensions in Inches				Carton Count	
				A	B	C	D	Inner	Master
Malleable Liquidtight Uninsulated Fittings									
90° Uninsulated									
0801-15-00	L9-38	25.4	3/8"	1.250	0.500	1.190	1.560	15	150
0802-15-00	L9-50	28.9	1/2"	1.440	0.500	1.310	1.560	15	150
0803-10-00	L9-75	44.1	3/4"	2.000	0.500	1.560	1.810	10	100
0804-05-00	L9-100	74.5	1"	1.130	0.630	1.880	2.190	5	50
0805-04-00	L9-125	96.1	1 1/4"	2.880	0.630	2.250	2.190	4	40
0806-03-00	L9-150	121.6	1 1/2"	2.690	0.750	2.500	2.500	3	30
0807-02-00	L9-200	176.4	2"	3.190	0.750	3.000	2.880	2	20
0808-01-00	L9-250	837.7	2 1/2"	8.300	1.060	1.060	2.880	-	1
0809-01-00	L9-300	1234.6	3"	9.500	1.130	4.880	9.500	-	1
0810-01-00	L9-350	1896.0	3 1/2"	7.440	1.190	5.440	11.880	-	1
0811-01-00	L9-400	2381.0	4"	13.810	1.190	6.060	12.940	-	1

Malleable Liquidtight Fittings - Uninsulated with Aluminum Grounding Lug

For use with Liquidtight Flexible Metallic Conduit, Malleable Iron



Features

- Tapered threaded male hub - NPT
- Compact, slim diameter
- Steel locknut
- Liquidtight/Raintight/Oiltight/Concrete tight
- Suitable for wet locations
- Long ferrule prevents pullout & tight bend conduit pop out
- RoHS Compliant



Standard Materials: Malleable Iron, Steel Ferrule, Steel Locknut

Standard Finish: Zinc plated

Applicable Third Party Standards

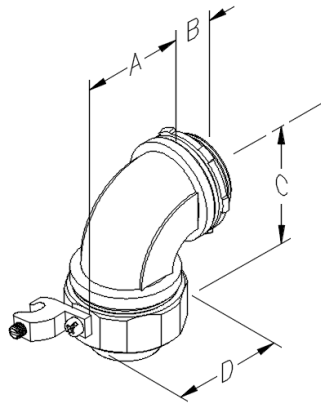
- UL Standard: 514B
- UL Standard: 467
- Fed. Spec. A-A-50552
- NEMA: FB-1
- UL Listed File # E82631

AFC FITTINGS • LIQUIDTIGHT

Product Code	Catalog Number	Weight per/C	Trade Size	Lug Size	Dimensions in Inches				Carton Count	
					A	B	C	D	Inner	Master
Straight Connectors & External Aluminum Grounding Lugs										
HF01-22-00	LS38AL	17.4	3/8"	4-14	0.940	0.560	1.380	0.750	-	25
HF02-22-00	LS50AL	19.5	1/2"	4-14	0.940	0.630	1.310	0.750	-	25
HF03-22-00	LS75AL	30.7	3/4"	4-14	1.060	0.560	1.560	0.750	-	25
HF04-05-00	LS100AL	41.7	1"	4-14	1.130	0.690	1.880	0.750	-	5
HF05-05-00	LS125AL	57.0	1 1/4"	4-14	1.250	0.690	2.250	0.750	-	5
HF06-02-00	LS150AL	72.4	1 1/2"	4-14	1.380	0.690	2.500	0.750	-	2
HF07-01-00	LS200AL	100.9	2"	4-14	1.440	0.750	3.000	0.750	-	1
HF08-01-00	LS250AL	370.9	2 1/2"	1/0-8	2.380	1.060	4.060	1.130	-	1
HF09-01-00	LS300AL	462.9	3"	1/0-8	2.500	1.130	4.880	1.130	-	1
HF10-01-00	LS350AL	682.1	3 1/2"	3/0-6	2.690	1.380	5.440	1.500	-	1
HF11-01-00	LS400AL	802.9	4"	3/0-6	3.000	1.250	6.060	1.500	-	1
45° Liquidtight Connectors with Non Insulated Throat with Aluminum Lugs										
HL01-22-00	L438AL	4-14	3/8"	4-14	2.000	0.560	1.190	1.250	-	25
HL02-22-00	L450AL	4-14	1/2"	4-14	2.000	0.560	1.310	1.380	-	25
HL03-10-00	L475AL	4-14	3/4"	4-14	2.250	0.560	1.560	1.630	-	10
HL04-10-00	L4100AL	4-14	1"	4-14	2.500	0.630	1.880	1.810	-	10
HL05-05-00	L4125AL	4-14	1 1/4"	4-14	3.000	0.690	2.250	2.190	-	5
HL06-02-00	L4150AL	4-14	1 1/2"	4-14	3.190	0.750	2.500	2.440	-	2
HL07-01-00	L4200AL	4-14	2"	4-14	3.630	0.750	3.000	2.630	-	1
HL08-01-00	L4250AL	1/0-8	2 1/2"	1/0-8	7.440	1.060	4.060	4.560	-	1
HL09-01-00	L4300AL	1/0-8	3"	1/0-8	8.560	1.060	4.880	5.380	-	1
HL10-01-00	L4350AL	3/0-6	3 1/2"	3/0-6	10.190	1.190	5.440	6.630	-	1
HL11-01-00	L4400AL	3/0-6	4"	3/0-6	11.750	1.250	6.060	6.880	-	1

Malleable Liquidtight Fittings - Uninsulated with Aluminum Grounding Lug (continued)

For use with Liquidtight Flexible Metallic Conduit, Malleable Iron



Features

- Tapered threaded male hub - NPT
- Compact, slim diameter
- Steel locknut
- Liquidtight/Raintight/Oiltight/Concrete tight
- Suitable for wet locations
- Long ferrule prevents pullout & tight bend conduit pop out
- RoHS Compliant



Standard Materials: Malleable Iron, Steel Ferrule, Steel Locknut

Standard Finish: Zinc plated

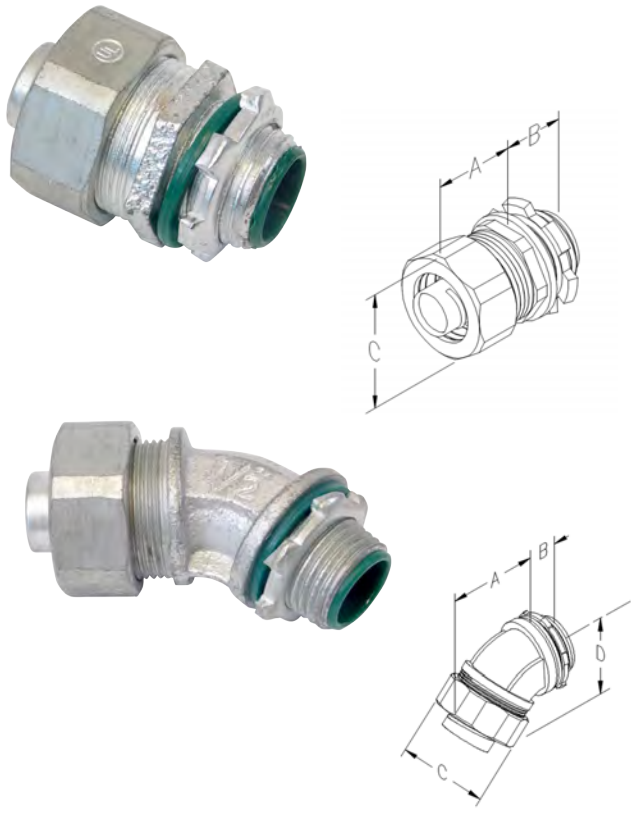
Applicable Third Party Standards

- UL Standard: 514B
- UL Standard: 467
- Fed. Spec. A-A-50552
- NEMA: FB-1
- UL Listed File # E82631

Product Code	Catalog Number	Weight per/C	Trade Size	Lug Size	Dimensions in Inches				Carton Count	
					A	B	C	D	Inner	Master
Straight Connectors & External Aluminum Grounding Lugs										
90° Connectors & External Aluminum Grounding Lugs										
HI01-22-00	L938AL	27.6	3/8"	4-14	1.250	0.500	1.130	1.560	-	25
HI02-22-00	L950AL	31.1	1/2"	4-14	1.440	0.500	1.310	1.560	-	25
HI03-10-00	L975AL	46.3	3/4"	4-14	2.000	0.500	1.560	1.810	-	10
HI04-10-00	L9100AL	76.7	1"	4-14	2.130	0.630	1.880	2.190	-	10
HI05-05-00	L9125AL	98.3	1 1/4"	4-14	2.880	0.630	2.250	2.190	-	5
HI06-02-00	L9150AL	123.5	1 1/2"	4-14	2.690	0.750	2.500	2.500	-	2
HI07-01-00	L9200AL	178.6	2"	4-14	3.190	0.750	3.000	2.800	-	1
HI08-01-00	L9250AL	846.6	2 1/2"	1/0-8	8.310	1.060	4.060	2.880	-	1
HI09-01-00	L9300AL	1243.4	3"	1/0-8	9.500	1.130	4.880	9.500	-	1
HI10-01-00	L9350AL	1913.6	3 1/2"	3/0-6	11.440	1.190	5.440	11.880	-	1
HI11-01-00	L9400AL	2398.6	4"	3/0-6	13.810	1.190	6.060	2.960	-	1

Malleable Liquidtight Fittings - Insulated

AFC FITTINGS • LIQUIDTIGHT



Features

- Tapered threaded male hub - NPT
- Compact, slim diameter
- Steel locknut
- Liquidtight/Raintight/Oiltight/Concrete tight
- Suitable for wet locations
- Long ferrule prevents pullout & tight bend conduit pop out
- RoHS compliant

Standard Materials: Malleable Iron, Steel Ferrule, Steel Locknut

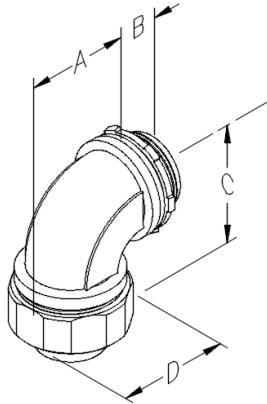
Standard Finish: Zinc Plated

Applicable Third Party Standards

- UL Standard: 514B
- Fed. Spec. A-A-50552
- NEMA: FB-1
- UL Listed File # E164116

Product Code	Catalog Number	Weight per/C	Trade Size	Dimensions in Inches				Carton Count	
				A	B	C	D	Inner	Master
Malleable Liquidtight Insulated Fittings									
Straights									
4201-22-00	LSI-38	15.6	3/8"	0.940	0.630	1.190	-	25	250
4202-22-00	LSI-50	17.8	1/2"	0.940	0.630	1.310	-	25	250
4203-20-00	LSI-75	28.9	3/4"	1.060	0.630	1.560	-	20	200
4204-10-00	LSI-100	40.1	1"	1.130	0.750	1.880	-	10	100
4205-05-00	LSI-125	55.7	1 1/4"	1.250	0.750	2.250	-	5	50
4206-04-00	LSI-150	71.2	1 1/2"	1.380	0.750	2.500	-	4	40
4207-03-00	LSI-200	100.2	2"	1.440	0.810	3.000	-	3	30
4208-05-00	LSI-250	367.4	2 1/2"	2.190	1.060	4.060	-	-	5
4209-05-00	LSI-300	460.9	3"	2.500	1.250	4.880	-	-	5
4210-05-00	LSI-350	674.7	3 1/2"	2.690	1.310	5.440	-	-	5
4211-05-00	LSI-400	797.1	4"	3.000	1.380	6.060	-	-	5
45° Insulated									
4301-15-00	LI-438	27.3	3/8"	2.000	0.630	1.190	1.250	15	150
4302-15-00	LI-450	27.3	1/2"	2.000	0.630	1.310	1.380	15	150
4303-10-00	LI-475	40.1	3/4"	2.250	0.630	1.560	1.630	10	100
4304-05-00	LI-4100	64.2	1"	2.500	0.690	1.880	1.810	5	50
4305-04-00	LI-4125	88.1	1 1/4"	3.000	0.750	2.250	0.190	4	40
4306-03-00	LI-4150	111.3	1 1/2"	3.060	0.750	2.500	2.440	3	30
4307-02-00	LI-4200	178.2	2"	3.630	0.810	3.000	2.630	2	20
4308-01-00	LI-4250	578.9	2 1/2"	7.440	1.130	4.060	4.560	-	1
4309-01-00	LI-4300	868.4	3"	8.440	1.130	4.880	5.380	-	1
4311-01-00	LI-4400	1536.4	4"	11.750	1.310	6.060	6.880	-	1

Malleable Liquidtight Fittings - Insulated (continued)



Features

- Tapered threaded male hub - NPT
- Compact, slim diameter
- Steel locknut
- Liquidtight/Raintight/Oiltight/Concrete tight
- Suitable for wet locations
- Long ferrule prevents pullout & tight bend conduit pop out
- RoHS compliant

Standard Materials: Malleable Iron, Steel Ferrule, Steel Locknut

Standard Finish: Zinc Plated

Applicable Third Party Standards

- UL Standard: 514B
- Fed. Spec. A-A-50552
- NEMA: FB-1
- UL Listed File # E164116

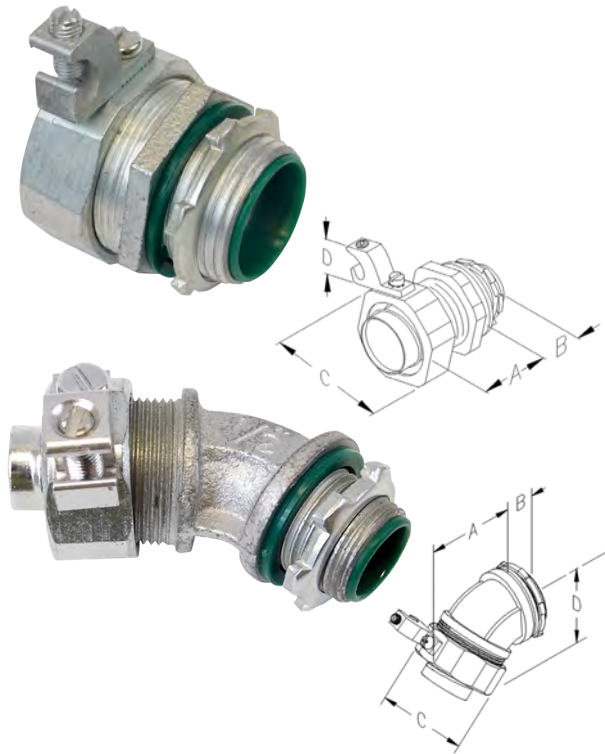
Product Code	Catalog Number	Weight per/C	Trade Size	Dimensions in Inches				Carton Count	
				A	B	C	D	Inner	Master
Malleable Liquidtight Insulated Fittings									
90° Insulated									
4401-15-00	LI-938	25.7	3/8"	1.250	0.500	1.190	1.560	15	150
4402-15-00	LI-950	29.2	1/2"	1.440	0.500	1.310	1.560	15	150
4403-10-00	LI-975	44.6	3/4"	2.000	0.500	1.560	1.810	10	100
4404-05-00	LI-9100	75.3	1"	1.130	0.630	1.880	2.190	5	50
4405-04-00	LI-9125	97.1	1 1/4"	2.880	0.630	2.250	2.190	4	40
4406-03-00	LI-9150	122.5	1 1/2"	2.690	0.750	2.500	2.500	3	30
4407-02-00	LI-9200	178.2	2"	3.190	0.750	3.000	2.880	2	20
4408-01-00	LI-9250	846.1	2 1/2"	8.300	1.060	1.060	2.880	-	1
4409-01-00	LI-9300	1246.9	3"	9.500	1.130	4.880	9.500	-	1
4410-01-00	LI-9350	1914.9	3 1/2"	7.440	1.190	5.440	11.880	-	1
4411-01-00	LI-9400	2404.8	4"	13.810	1.190	6.060	12.940	-	1

Malleable Liquidtight Fittings - Insulated with Aluminum Grounding Lugs

For use with Liquidtight Flexible Metallic Conduit



AFC FITTINGS • LIQUIDTIGHT



Features

- Tapered threaded male hub - NPT
- Compact, slim diameter
- Steel locknut
- Liquidtight/Raintight/Oiltight/Concrete tight
- Suitable for wet locations
- Long ferrule prevents pullout & tight bend conduit pop out
- RoHS Compliant

Standard Materials: Malleable Iron, Steel Ferrule, Steel Locknut

Standard Finish: Zinc plated

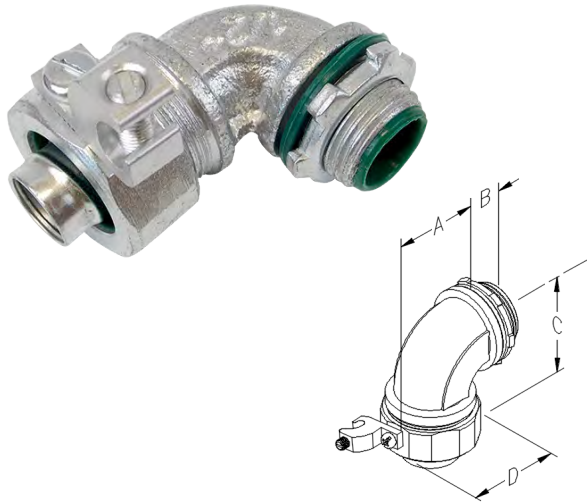
Applicable Third Party Standards

- UL Standard: 514B
- UL Standard: 467
- Fed. Spec. A-A-50552
- NEMA: FB-1
- Suitable for grounding in sizes 3/8" through 1 1/4" under NEC 350.60 & 250.118(6)
- UL Listed File # E82631

Product Code	Catalog Number	Weight per/C	Trade Size	Lug Size	Dimensions in Inches				Carton Count	
					A	B	C	D	Inner	Master
Straight Connectors with Insulated Throats & External Aluminum Grounding Lugs										
HG01-22-00	LSI38AL	17.6	3/8"	4-14	0.940	0.630	1.190	0.750	-	25
HG02-22-00	LSI50AL	19.8	1/2"	4-14	0.940	0.630	1.390	0.750	-	25
HG03-22-00	LSI75AL	30.9	3/4"	4-14	1.060	0.630	1.560	0.750	-	25
HG04-05-00	LSI100AL	41.9	1"	4-14	1.130	0.750	1.880	0.750	-	5
HG05-05-00	LSI125AL	57.3	1 1/4"	4-14	1.250	0.750	2.250	0.750	-	5
HG06-02-00	LSI150AL	72.8	1 1/2"	4-14	1.380	0.750	2.500	0.750	-	2
HG07-01-00	LSI200AL	101.4	2"	4-14	1.440	0.750	3.000	0.750	-	1
HG08-01-00	LSI250AL	372.6	2 1/2"	1/0-8	2.190	1.060	4.060	1.130	-	1
HG09-01-00	LSI300AL	465.2	3"	1/0-8	2.500	1.250	4.880	1.130	-	1
HG10-01-00	LSI350AL	685.6	3 1/2"	3/0-6	2.690	1.310	5.440	1.500	-	1
HG11-01-00	LSI400AL	806.9	4"	3/0-6	3.000	1.380	6.060	1.500	-	1
45° Connectors Insulated Throat with Aluminum Grounding Lugs										
HM01-22-00	LI438AL	29.6	3/8"	4-14	2.000	0.630	1.190	1.250	-	25
HM02-22-00	LI450AL	29.6	1/2"	4-14	2.000	0.630	1.380	1.380	-	25
HM03-10-00	LI475AL	42.3	3/4"	4-14	2.250	0.630	1.560	1.630	-	10
HM04-10-00	LI4100AL	66.4	1"	4-14	2.500	0.690	1.880	1.810	-	10
HM05-05-00	LI4125AL	90.4	1 1/4"	4-14	3.000	0.750	2.250	2.190	-	5
HM06-02-00	LI4150AL	113.5	1 1/2"	4-14	3.190	0.750	2.500	2.440	-	2
HM07-01-00	LI4200AL	180.4	2"	4-14	3.630	0.810	3.000	2.630	-	1
HM08-01-00	LI4250AL	587.8	2 1/2"	1/0-8	7.440	1.130	1.060	4.450	-	1
HM09-01-00	LI4300AL	887.4	3"	1/0-8	8.440	1.130	4.880	5.380	-	1
HM10-01-00	LI4350AL	1309.2	3 1/2"	3/0-6	10.190	1.250	5.440	6.380	-	1
HM11-01-00	LI4400AL	1554.1	4"	3/0-6	11.750	1.310	6.060	6.440	-	1

Malleable Liquidtight Fittings - Insulated with Aluminum Grounding Lugs (continued)

For use with Liquidtight Flexible Metallic Conduit



Features

- Tapered threaded male hub - NPT
- Compact, slim diameter
- Steel locknut
- Liquidtight/Raintight/Oiltight/Concrete tight
- Suitable for wet locations
- Long ferrule prevents pullout & tight bend conduit pop out
- RoHS Compliant



Standard Materials: Malleable Iron, Steel Ferrule, Steel Locknut

Standard Finish: Zinc plated

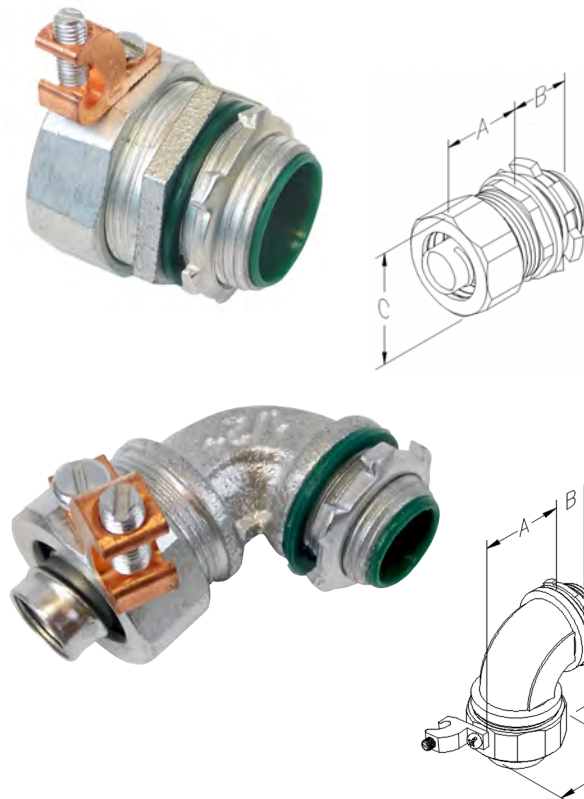
Applicable Third Party Standards

- UL Standard: 514B
- UL Standard: 467
- Fed. Spec. A-A-50552
- NEMA: FB-1
- Suitable for grounding in sizes $\frac{3}{8}$ " through $1\frac{1}{4}$ " under NEC 350.60 and 250.118(6)
- UL Listed File # E82631

Product Code	Catalog Number	Weight per/C	Trade Size	Lug Size	Dimensions in Inches				Carton Count	
					A	B	C	D	Inner	Master
Straight Connectors with Insulated Throats & External Aluminum Grounding Lugs										
90° Connectors with Insulated Throats & External Aluminum Grounding Lugs										
HJ01-22-00	LI938AL	27.8	$\frac{3}{8}$ "	4-14	1.250	0.500	1.130	1.560	-	25
HJ02-22-00	LI950AL	31.4	$\frac{1}{2}$ "	4-14	1.440	0.500	1.310	1.560	-	25
HJ03-10-00	LI975AL	46.7	$\frac{3}{4}$ "	4-14	2.000	0.500	1.560	1.810	-	10
HJ04-10-00	LI9100AL	77.4	1"	4-14	2.130	0.630	1.880	2.190	-	10
HJ05-05-00	LI9125AL	99.2	$1\frac{1}{4}$ "	4-14	2.880	0.630	2.250	2.190	-	5
HJ06-02-00	LI9150AL	124.7	$1\frac{1}{2}$ "	4-14	2.690	0.750	2.500	2.500	-	2
HJ07-01-00	LI9200AL	180.3	2"	4-14	3.190	0.750	3.000	2.800	-	1
HJ08-01-00	LI9250AL	855.0	$2\frac{1}{2}$ "	1/0-8	8.310	1.060	4.060	2.880	-	1
HJ09-01-00	LI9300AL	1255.8	3"	1/0-8	9.500	1.130	4.880	9.500	-	1
HJ10-01-00	LI9350AL	1932.7	$3\frac{1}{2}$ "	3/0-6	11.440	1.190	5.440	11.880	-	1
HJ11-01-00	LI9400AL	2422.5	4"	3/0-6 1	13.810	1.190	6.060	2.960	-	1

Malleable Liquidtight Fittings - Insulated with Copper Grounding Lugs

For use with Liquidtight Flexible Metallic Conduit Malleable Iron



AFC FITTINGS • LIQUIDTIGHT

Features

- Tapered threaded male hub - NPT
- Compact, slim diameter
- Steel locknut
- Liquidtight/Raintight/Oiltight/Concrete tight
- Suitable for wet locations
- Long ferrule prevents pullout & tight bend conduit pop out
- RoHS Compliant

Standard Materials: Malleable Iron, Steel Ferrule, Steel Locknut

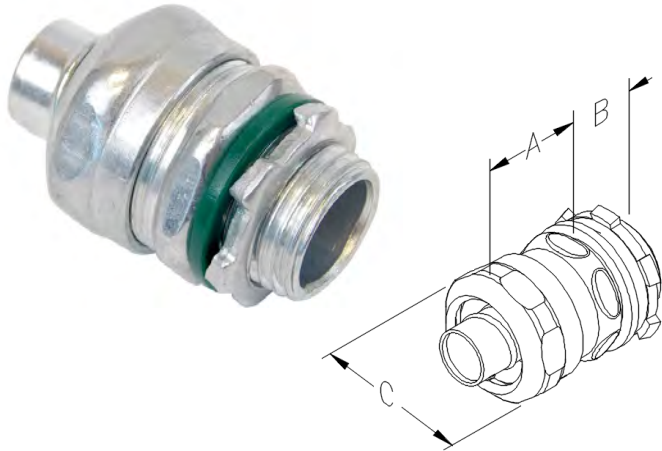
Standard Finish: Zinc plated

Applicable Third Party Standards

- UL Standard: 514B
- UL Standard: 467
- Fed. Spec. A-A-50552
- NEMA: FB-1
- Suitable for grounding in sizes 3/8" through 1 1/4" under NEC 350.60 and 250.118(6)
- UL Listed File # E82631

Product Code	Catalog Number	Weight per/C	Trade Size	Lug Size	Dimensions in Inches				Carton Count	
					A	B	C	D	Inner	Master
Straight Connectors with Insulated Throats & External Copper Grounding Lugs										
HH01-22-00	LSI38CL	17.6	3/8"	4-14	0.940	0.630	1.380	0.750	-	25
HH02-22-00	LSI50CL	19.8	1/2"	4-14	0.940	0.630	1.310	0.750	-	25
HH03-22-00	LSI75CL	30.9	3/4"	4-14	1.060	0.630	1.560	0.750	-	25
HH04-05-00	LSI100CL	41.9	1"	4-14	1.130	0.750	1.880	0.750	-	5
HH05-05-00	LSI125CL	57.3	1 1/4"	4-14	1.250	0.750	2.250	0.750	-	5
HH06-02-00	LSI150CL	72.8	1 1/2"	4-14	1.190	0.750	2.500	0.750	-	2
HH07-01-00	LSI200CL	101.4	2"	4-14	1.440	0.810	3.000	0.750	-	1
HH08-01-00	LSI250CL	372.6	2 1/2"	1/0-8	2.190	1.060	4.060	1.130	-	1
HH09-01-00	LSI300CL	465.2	3"	1/0-8	2.500	1.250	4.880	1.130	-	1
HH10-01-00	LSI350CL	685.6	3 1/2"	3/0-6	2.690	1.310	5.440	1.500	-	1
HH11-01-00	LSI400CL	806.9	4"	3/0-6	3.000	1.380	6.060	1.500	-	1
90° Connectors with Insulated Throats & External Copper Grounding Lugs										
HK01-22-00	LI938CL	27.8	3/8"	4-14	1.250	0.625	1.188	1.563	-	25
HK02-22-00	LI950CL	31.4	1/2"	4-14	1.438	0.625	1.313	1.563	-	25
HK03-10-00	LI975CL	46.7	3/4"	4-14	2.000	0.625	1.563	1.813	-	10
HK04-10-00	LI9100CL	77.4	1"	4-14	2.125	0.688	1.875	2.188	-	10
HK05-05-00	LI9125CL	99.2	1 1/4"	4-14	2.875	0.750	2.250	2.188	-	5
HK06-02-00	LI9150CL	124.7	1 1/2"	4-14	2.688	0.813	2.500	2.500	-	2
HK07-01-00	LI9200CL	180.3	2"	4-14	3.188	0.813	3.000	2.875	-	1
HK08-01-00	LI9250CL	855.0	2 1/2"	1/0-8	8.313	1.125	4.063	7.875	-	1
HK09-01-00	LI9300CL	1255.8	3"	1/0-8	9.500	1.250	4.875	9.500	-	1
HK10-01-00	LI9350CL	1932.7	3 1/2"	3/0-6	11.438	1.250	5.438	11.875	-	1
HK11-01-00	LI9400CL	2422.5	4"	3/0-6	13.813	1.313	6.063	12.938	-	1

Tubular Steel Liquidtight Fittings - Uninsulated & Insulated



Features

- Tapered threaded male hub - NPT
- Compact, slim diameter
- Liquidtight/Raintight/Oiltight
- Suitable for wet locations
- Long ferrule prevents pullout & tight bend conduit pop out
- RoHS Compliant
- Low cost

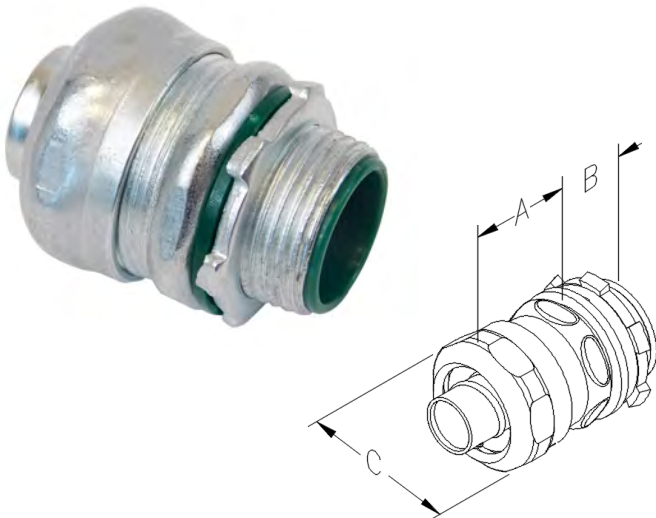
Standard Materials: Steel, Steel ferrule, Steel Locknut

Standard Finish: Zinc plated

Applicable Third Party Standards

- UL Standard: 514B
- Fed. Spec. A-A-50552
- NEMA: FB-1
- UL Listed File # E164116

Product Code	Catalog Number	Weight per/C	Trade Size	KO Size	Dimensions in Inches			Carton Count	
					A	B	C	Inner	Master
Uninsulated Tubular Steel									
HE01-22-00	LS38STL	11.7	3/8"	1/2"	1.000	0.560	1.060	25	100
HE02-22-00	LS50STL	16.6	1/2"	1/2"	1.130	0.560	1.250	25	100
HE03-22-00	LS75STL	22.6	3/4"	3/4"	1.130	0.560	1.560	25	100
HE04-05-00	LS100STL	36.2	1"	1"	1.310	0.690	1.810	5	25
HE05-05-00	LS125STL	42.4	1 1/4"	1 1/4"	1.380	0.690	2.060	5	25
HE06-05-00	LS150STL	51.8	1 1/2"	1 1/2"	1.440	0.750	2.060	5	25
HE07-05-00	LS200STL	66.0	2"	2"	1.500	0.810	2.750	5	25



Features

- Tapered threaded male hub - NPT
- Compact, slim diameter
- Liquidtight/Raintight/Oiltight
- Suitable for wet locations
- Long ferrule prevents pullout & tight bend conduit pop out
- RoHS Compliant
- Low cost

Standard Materials: Steel, Steel ferrule, Steel Locknut

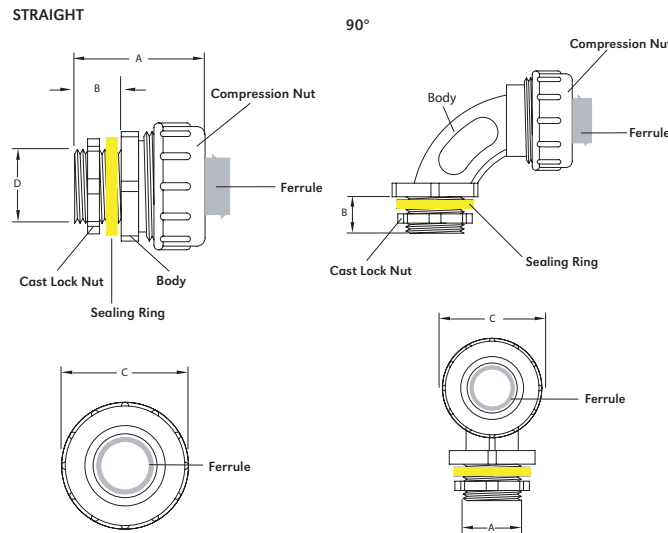
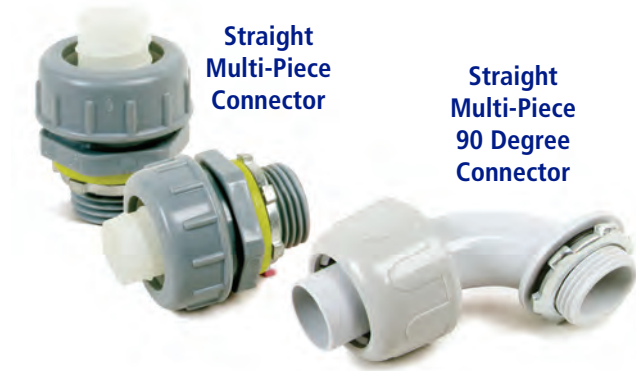
Standard Finish: Zinc plated

Applicable Third Party Standards

- UL Standard: 514B
- Fed. Spec. A-A-50552
- NEMA: FB-1
- UL Listed File # E164116

Product Code	Catalog Number	Weight per/C	Trade Size	KO Size	Dimensions in Inches			Carton Count	
					A	B	C	Inner	Master
Insulated Tubular Steel									
HD01-22-00	LSI38STL	11.4	3/8"	1/2"	1.000	0.500	1.060	25	100
HD02-22-00	LSI50STL	16.3	1/2"	1/2"	1.130	0.500	1.250	25	100
HD03-22-00	LSI75STL	22.1	3/4"	3/4"	1.130	0.500	1.560	25	100
HD04-05-00	LSI100STL	35.4	1"	1"	1.310	0.630	1.810	5	25
HD05-05-00	LSI125STL	41.2	1 1/4"	1 1/4"	1.380	0.630	2.060	5	25
HD06-05-00	LSI150STL	50.4	1 1/2"	1 1/2"	1.440	0.690	2.060	5	25
HD07-05-00	LSI200STL	64.5	2"	2"	1.500	0.750	2.750	5	25

Nonmetallic Liquidtight Connectors



Applications

For use with type B, non-metallic conduit

Features

- Constructed from UV rated plastic for long life
- No spin ferrule allows easy one piece assembly to conduit
- Internal gland provides positive seal when nut is tightened
- Polypropylene sealing ring assures tight seal between fitting & box
- Available in one-piece or traditional multi-piece configurations

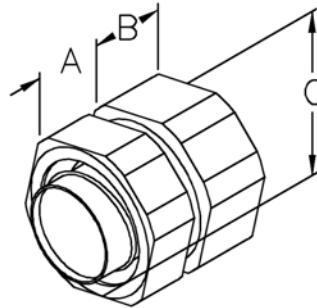
Applicable Third Party Standards

- Multipiece: UL Listed File # E164116, CSA Certified File LR84574 & 157782
- One piece: UL Listed File # E79977, E164116
- CSA Certified File # LR-84574
- c UL us Listed for Canada

Product Code	Catalog Number	Weight per/C	Trade Size	Dimensions in Inches			Carton Count	
				A	B	C	Inner	Master
Nonmetallic Liquidtight Connectors								
0901-22-00	NMLT-38	6	3/8"	1.545	0.535	1.410	25	100
0902-22-00	NMLT-50	6	1/2"	1.545	0.535	1.410	25	100
0903-10-00	NMLT-75	9	3/4"	1.600	0.550	1.590	10	50
0904-05-00	NMLT-100	14	1"	1.975	0.670	1.910	5	25
0905-05-00	NMLT-125	27	1 1/4"	2.293	0.645	2.440	5	25
0906-02-00	NMLT-150	32	1 1/2"	2.175	0.660	2.690	2	10
0907-02-00	NMLT-200	44	2"	2.400	0.670	3.380	2	10
90° Connectors								
0991-10-00	NMLT-9038	8	3/8"	2.242	0.562	2.310	10	50
0992-10-00	NMLT-9050	8	1/2"	2.242	0.562	2.470	10	50
0993-10-00	NMLT-9075	12	3/4"	2.550	0.545	2.840	10	50
0994-05-00	NMLT-90100	21	1"	3.150	0.630	3.690	5	25
0995-05-00	NMLT-90125	40	1 1/4"	3.420	0.645	4.660	5	25
0996-02-00	NMLT-90150	51	1 1/2"	4.510	0.660	4.470	2	10
0997-02-00	NMLT-90200	77	2"	4.850	0.670	5.280	2	10
New One-Piece Configuration Straight Connectors								
830-016P	830-016P	6	1/2"	2.150	0.560	1.420	25	100
830-021P	830-021P	9	3/4"	2.200	0.650	1.700	10	50
New One-Piece Configuration 90° Connectors								
840-016P	840-016P	6	1/2"	2.550	1.420	1.330	10	50
840-021P	840-021P	9	3/4"	2.950	1.700	1.430	10	50

Combo Coupling - Flex to Rigid

For use with Liquidtight Flexible Metallic Conduit to Threaded Rigid/IMC, Malleable Iron



Applications

To connect Liquidtight hose to Rigid Conduit

Features

- Female hub - NPSM
- Liquidtight/Raintight/Oiltight
- Suitable for wet locations
- Suitable for grounding
- Long ferrule prevents pullout & tight bend conduit pop out
- RoHS Compliant

Standard Materials: Malleable Iron, Steel Ferrule

Standard Finish: Zinc plated

Applicable Third Party Standards

- UL Standard: 514B, 467
- Fed. Spec. A-A-50552
- NEMA: FB-1
- Suitable for grounding in sizes $\frac{3}{8}$ " through $1\frac{1}{4}$ " under NEC 350.60
- UL Listed File # E164116



Product Code	Catalog Number	Weight per/C	Trade Size	Dimensions in Inches				Carton Count	
				A	B	C	D	Inner	Master
Combo Coupling - Flex to Rigid									
HN01-22-00	LTCC38	17.6	$\frac{3}{8}$ "	0.880	0.750	1.190	-	25	25
HN02-22-00	LTCC50	24.3	$\frac{1}{2}$ "	0.880	0.750	1.310	-	25	25
HN03-22-00	LTCC75	30.9	$\frac{3}{4}$ "	0.880	0.750	1.630	-	25	25
HN04-05-00	LTCC100	48.5	1"	1.000	0.810	1.880	-	5	5
HN05-05-00	LTCC125	63.9	$1\frac{1}{4}$ "	1.130	0.880	2.250	-	5	5
HN06-02-00	LTCC150	72.8	$1\frac{1}{2}$ "	1.130	0.880	2.500	-	2	2
HN07-01-00	LTCC200	101.4	2"	1.250	0.940	3.000	-	1	1



Conduit Systems	Cable Systems	Cable Tray Systems	Framing Systems
<p>Steel Conduit</p> <ul style="list-style-type: none"> E-Z Pull® & True Color™ EMT EMT Elbows IMC Rigid (GRC) GRC Elbows, Nipples & Couplings <p>Kwik Products</p> <ul style="list-style-type: none"> Kwik-Fit® EMT (built-in set-screw coupling) Kwik-Couple® IMC/GRC (built-in rotating coupling) Kwik-Fit® Compression EMT <p>Aluminum Conduit</p> <ul style="list-style-type: none"> Rigid Aluminum Elbows Aluminum Couplings <p>PVC</p> <ul style="list-style-type: none"> Schedule - 40 & 80 Rigid PVC EB/DB Duct PVC Elbows Fittings, Spacers & Accessories <p>Columbia-MBF™</p>	<p>AC & MC Cable</p> <ul style="list-style-type: none"> MC TUFF® Lightweight Steel (MC) Cable MC TUFF® IG (MC) Cable with Isolated Ground MC Lite® Metal Clad Aluminum (MC) Cable MC-Quik® (MC) Cable MC-Stat® (MC) Cable MC-Plus® (MC) Cable HCF-90® & HCF-Lite™ AC-90® & AC-Lite™ Fire Alarm® Cable Home Run Cable® Parking Deck/Lot Cable® Super Neutral Cable® <p>Flexible Conduit</p> <ul style="list-style-type: none"> LIQUID-TUFF® Liquid-Tight Flexible Conduit Full and Reduced Wall Flexible Metal Conduit <p>AFC Fittings</p> <ul style="list-style-type: none"> EMT Steel Compression & Set-Screw Fittings Liquid-Tight Metallic & Non-Metallic Fittings MC/AC Cable Connectors <p>AFC Accessories</p> <ul style="list-style-type: none"> Light, Power, & Appliance Whips Bare Armored Ground <p>ACS/Uni-Fab™</p>	<p>Aluminum Tray</p> <ul style="list-style-type: none"> Aluminum Ladder Tray Aluminum Trof Tray Aluminum Channel Aluminum Fittings <p>Steel Tray</p> <ul style="list-style-type: none"> Steel Ladder Tray Steel Trof Tray Steel Channel Steel Fittings <p>I-Beam™ Cable Tray</p> <ul style="list-style-type: none"> I-BEAM™ Aluminum Tray I-BEAM™ Accessories <p>Fiberglass Tray</p> <ul style="list-style-type: none"> Cope-glas™ Fiberglass Tray Fiberglass Fittings Fiberglass Support Systems <p>Other Cope Products</p> <ul style="list-style-type: none"> Covers Barrier Strips Grounding Equipment Seismic Hold-Downs Support Systems <p>Wire Basket</p> <ul style="list-style-type: none"> Wire Basket Tray Wire Basket Accessories <p>HeritagePlastics™</p>	<p>Channel</p> <ul style="list-style-type: none"> Steel Channel Aluminum Channel Stainless Steel Channel Fiberglass Channel Junior Channel <p>Fittings & Accessories</p> <ul style="list-style-type: none"> Beam Clamps Channel Fittings Pipe & Conduit Clamps Threaded Rods Fiberglass Fittings Electrical Fittings Concrete Inserts Trolley Systems <p>Finishes</p> <ul style="list-style-type: none"> Pre-Galvanized Channel Green Channel Hot-Dip Galv. Channel Gold Channel Unistrut Defender™ Channel <p>Gratings</p> <p>Roof Walks</p> <p>Solar Products</p> <p>Telestrut® Telescoping Strut System</p> <p>UniPier® Rooftop Supports</p>
<p>Conduit Systems Canada</p>	<p>Modular Wiring Systems</p>	<p>PVC</p>	
<p>All items listed above, plus</p> <ul style="list-style-type: none"> Aluminum Nipples <p>and except for the following:</p> <ul style="list-style-type: none"> IMC Kwik-Couple IMC PVC 	<p>ACS/Uni-Fab</p> <ul style="list-style-type: none"> Modular Lighting Systems Raised Floor Assemblies Pre-Fab Assemblies 	<p>PVC</p> <ul style="list-style-type: none"> Schedule - 40 & 80 Rigid PVC EB/DB Duct PVC Elbows Fittings, Spacers & Accessories 	

www.alliedeg.us
www.columbia-mbf.ca

www.afcweb.com
www.kaf-tech.com

www.copecabletray.com
www.heritageplastics.com

www.unistrut.com
www.power-strut.com

960 Flaherty Drive
New Bedford, MA 02745
TOLL FREE / 800-757-6996
FAX / 508-998-1447

www.afcweb.com



UNISTRUT®



Columbia-MBF™



SprinkFLEX®



KAF-TECH®

