

Section V

homeSELECT™ – Residential Devices

netSELECT™ – Structured Wiring

homeSELECT™ – Residential Devices	Page
Decorator Products	
Advantages	V-2
Single-Pole and Three-Way Quiet Rocker Switches	V-3
Double-Pole and Four-Way Quiet Rocker Switches	V-4
Wiring Termination and Switch Dimensions	V-5
Combination Quiet Rocker Switches/Devices	V-6
Tamper-Resistant Advantages	V-8
Tamper-Resistant and Standard Receptacles	V-9
Wallplate Dimensions	V-10
Snap-On Wallplates	V-11
Decorator Wallplates	V-12
Combination Wallplates	V-13
Modular Snap Fit Jacks	V-14
Decorator Frames	V-15
Molded-In Voice/Data/Video	V-16
Switches and Receptacles	
Single-Pole Toggle Switches	V-18
Three- and Four-Way Toggle Switches	V-19
Combination Switches/Devices	V-20
Duplex Quick Thread Receptacles	V-22
Duplex and Single Receptacles	V-23
GFCI Receptacles	V-24
Self Test GFCI Receptacles	V-25
Range and Dryer Power Receptacles and Plugs	V-26
Special Use Products	V-28
Lighting Controls	
Decorator Dimmers and Fan Speed Controls	V-30
Slide Dimmers and Fan Speed Controls	V-31
Toggle Dimmers and Fan Speed Controls	V-32
Rotary Dimmers and Fan Speed Controls	V-33
Occupancy Sensors	V-34
Vacancy Sensors	V-35
Power Delivery	
Floor Boxes for Wood Floors	V-36
Floor Boxes for Concrete Floors	V-38
Under Cabinet/Counter Power Distribution	V-40
JLOAD™ Multimedia Outlet	V-42
Lampholders and Accessories	
Incandescent Lampholders	V-43
Fluorescent Lampholders	V-44
Lampholder Accessories	V-45
Plugs, Taps and Adapters	V-47
netSELECT™ – Structured Wiring	
Data Communications and Audio Video	
Voice/Data Jacks	V-50
Audio/Video Connectors	V-52
Multimedia Face Plates	V-53
Decorator Frames	V-54
HDMI Products	V-55
Molded-In Voice/Data/Video	V-56
Molded-In Plates	V-58
Telephone Wall Jacks	V-60
Structured Wiring	
Advantages and Wiring Layout	V-62
Network Enclosures	V-64
Network Modules	V-65
Audio/Video Modules	V-66
Accessories	V-67
Universal Consolidation Blocks, Patch Panels and Patch Cords	V-68



homeSELECT™ Advantages

Decorator Products

Smart Style, Good Looks.

homeSELECT™ Decorator Switches and Receptacles provide more than solid, dependable function alone. Indeed, they are fashion statements, masterfully complementing the look and feel of any room in any home.

A PERFECT MATCH

homeSELECT™ decorator devices and wallplates blend in beautifully with all kinds of wall coverings.

EASY-ACTIVATE ROCKERS

Ideal for use in assisted-living environments—or any living environment.



FLUSH AND CONTEMPORARY

Sleek, smart and appealing, homeSELECT™ devices add beautiful, fashionable, highly-styled devices to any home.

MINI-ROCKER SWITCHES

Take up less space and provide full function.

SNAP-ON WALLPLATES

Snap-on wallplates offer a clean, elegant look that can be installed in seconds.



homeSELECT™ Single-Pole and Three-Way Quiet Rocker Switches

Decorator Products



Decorator switches are the perfect finishing touch to complement any interior. Available in a wide variety of colors to match any decor.

- Smooth, quiet rocker.
- Self-grounding feature is standard.

- Ultrasonically welded cover and base provides maximum strength.
- Operating temperature: -20°C to 60°C.
- UL Listed E3896, CSA Certified.

Rocker Switches

Description	Rating	Color	Single-Pole Catalog Numbers	Three-Way Catalog Numbers
Rocker Switch, Self-Grounding, Push, Side and Back Wire Terminations	15A 120-277V AC	Almond	RSD115AL	RSD315AL
		Black	RSD115BK	RSD315BK
		Brown	RSD115	RSD315
		Gray	RSD115GY	RSD315GY
		Ivory	RSD115I	RSD315I
		Light Almond	RSD115LA	RSD315LA
		White	RSD115W	RSD315W



RSD115W

Rocker Switch, Illuminated, Self-Grounding, Push, Side and Back Wire Terminations	15A 120V AC	Almond	RSD115ILAL	RSD315ILAL
		Ivory	RSD115ILI	RSD315ILI
		Light Almond	RSD115ILLA	RSD315ILLA
		White	RSD115ILW	RSD315ILW



RSD115ILW

Light glows through the top portion of the rocker when switch is in the off position. Does not require a neutral wire.

Rocker Switch, Pilot Light, Self-Grounding, Push, Side and Back Wire Terminations	15A 120V AC	Almond	RSD115PLAL	—
		Ivory	RSD115PLI	—
		Light Almond	RSD115PLLA	—
		White	RSD115PLW	—



RSD115PLW

Light glows through the top portion of the rocker when switch is in the off position. Requires a neutral wire.

homeSELECT™

Double-Pole and Four-Way Quiet Rocker Switches

Decorator Products



Decorator switches are the perfect finishing touch to complement any interior. Available in a wide variety of colors to match any decor.

- Smooth, quiet rocker.
- Self-grounding feature is standard.

- Ultrasonically welded cover and base provides maximum strength.
- Operating temperature: -20°C to 60°C.
- UL Listed E3896, CSA Certified.

Rocker Switches**RSD215W**

Description	Rating	Color	Catalog Numbers
Double-Pole Switch, Self-Grounding, Side and Back Wire Terminations	15A 120-277V AC	Almond	RSD215AL
		Black	RSD215BK
		Brown	RSD215
		Gray	RSD215GY
		Ivory	RSD215I
		Light Almond	RSD215LA
		White	RSD215W

**RSD415W**

Four-Way Switch, Self-Grounding, Side and Back Wire Terminations	15A 120-277V AC	Almond	RSD415AL
		Black	RSD415BK
		Brown	RSD415
		Gray	RSD415GY
		Ivory	RSD415I
		Light Almond	RSD415LA
		White	RSD415W

Color Selection

Choice of Wiring Termination

Single-pole and three-way decorator switches offer push, side and back wire terminations for maximum wiring options. Double-pole and four-way switches offer side and back wire terminations.



Push Wire
 When extra speed is required.

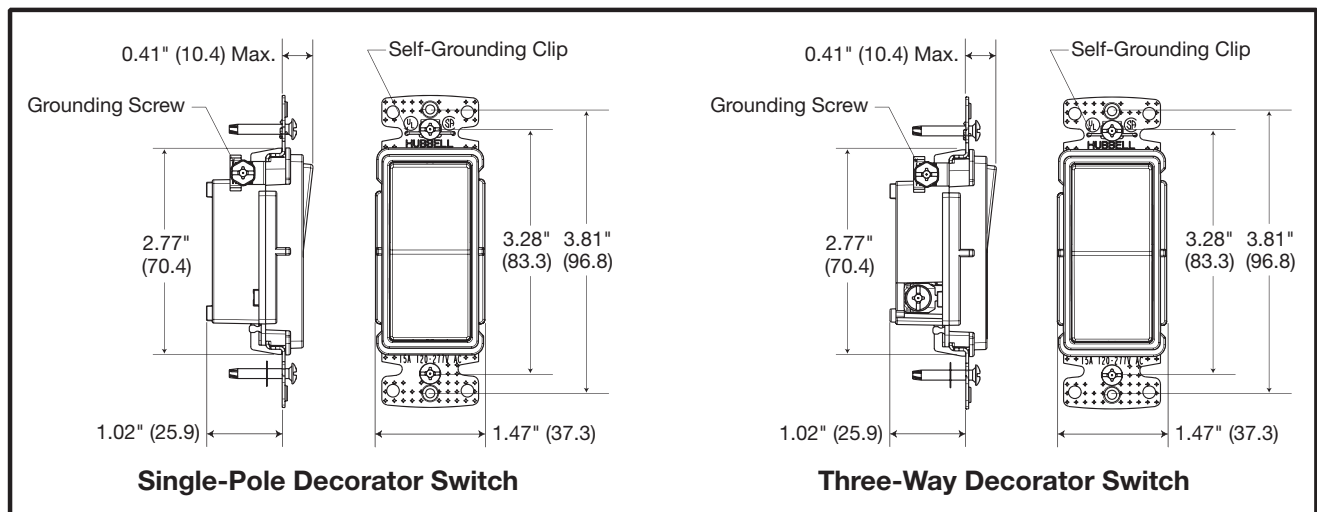


Side Wire Wrap
 Traditional wiring method.



Back Wire
 Excellent when using stranded wire.

Product Dimensions



homeSELECT™

Combination Quiet Rocker Switches/Devices

Decorator Products



Mini-rockers provide multiple switches in a compact single gang. Maximize control while maintaining function and appearance.

- Low profile, less than 1 inch deep.
- Self-grounding feature is standard.

- Smooth rocker action.
- Elegant appearance.
- Operating temperature: -20°C to 60°C.
- UL Listed E3896, CSA Certified.

**RCD111W****RCD101W****RCD103W****RCD108W****RCD109W****Combination Quiet Rocker Switches/Devices**

Description	Rating	Color	Tamper-Resistant	
			Catalog Numbers	Catalog Numbers
Three (3) Single-Pole Switches, Self-Grounding, Side Wire Termination	15A 120-277V AC	Almond	—	RCD111AL
		Black	—	RCD111BK
		Ivory	—	RCD111I
		Light Almond	—	RCD111LA
		White	—	RCD111W
Two (2) Single-Pole Switches, Self-Grounding, Side Wire Termination	15A 120-277V AC	Almond	—	RCD101AL
		Black	—	RCD101BK
		Gray	—	RCD101GY
		Ivory	—	RCD101I
		Light Almond	—	RCD101LA
White	—	RCD101W		
Single-Pole and Three-Way Switch, Self-Grounding, Side Wire Termination	15A 120-277V AC	Almond	—	RCD103AL
		Black	—	RCD103BK
		Gray	—	RCD103GY
		Ivory	—	RCD103I
		Light Almond	—	RCD103LA
White	—	RCD103W		
Single-Pole Switch, 2 Pole, 3 Wire, Receptacle, Self-Grounding, Side Wire Termination	15A 120V 15A 125V NEMA 5-15R	Almond	RCD108ALTR	RCD108AL
		Black	RCD108BKTR	RCD108BK
		Gray	RCD108GYTR	RCD108GY
		Ivory	RCD108ITR	RCD108I
		Light Almond	RCD108LATR	RCD108LA
White	RCD108WTR	RCD108W		
Single-Pole Switch, Pilot Light, Clear Lens, Amber Neon Bulb, Self-Grounding, Side Wire Termination	15A 120V	Almond	—	RCD109AL
		Ivory	—	RCD109I
		Light Almond	—	RCD109LA
		White	—	RCD109W

Neutral required for pilot light,
see page V-7 for wiring diagram.

Note: *Refer to Technical section X, page X-8 for TR description.

homeSELECT™ Combination Quiet Rocker Switches/Devices

Decorator Products



Mini-rockers provide multiple switches in a compact single gang. Maximize control while maintaining function and appearance.

- Low profile, less than 1 inch deep.
- Self-grounding feature is standard.

- Smooth rocker action.
- Elegant appearance.
- Operating temperature: -20°C to 60°C.
- UL Listed E3896, CSA Certified.

Combination Quiet Rocker Switches/Devices

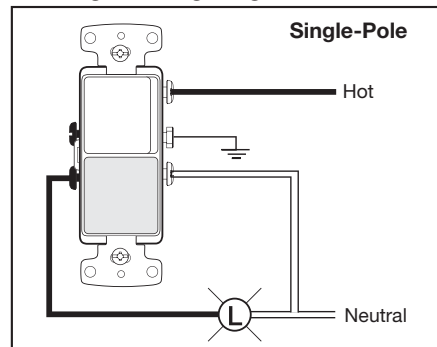


Description	Rating	Color	Tamper-Resistant Catalog Numbers	Standard Catalog Numbers
Two (2) Three-Way Switches, Self-Grounding, Side Wire Termination	15A 120-277V AC	Almond	—	RCD303AL
		Black	—	RCD303BK
		Gray	—	RCD303GY
		Ivory	—	RCD303I
		Light Almond	—	RCD303LA
		White	—	RCD303W
Three-Way Switch, 2 Pole, 3 Wire, Receptacle, Self-Grounding, Side Wire Termination	15A 120V 15A 125V NEMA 5-15R	Almond	RCD308ALTR	RCD308AL
		Black	RCD308BKTR	RCD308BK
		Ivory	RCD308ITR	RCD308I
		Light Almond	RCD308LATR	RCD308LA
		White	RCD308WTR	RCD308W
Three-Way Switch, Pilot Light, Clear Lens, Amber Neon Bulb, Self-Grounding, Side Wire Termination	15A 120V	Almond	—	RCD309AL
		Ivory	—	RCD309I
		Light Almond	—	RCD309LA
		White	—	RCD309W
Single-Pole Switch, GFCI Grounding Receptacle, Back and Side Wire Terminations, Matching Nylon Wallplate Included	8.3A 1000W 15A 125V NEMA 5-15R	Almond	—	GFSP15AL
		Black	—	GFSP15BK
		Brown	—	GFSP15
		Ivory	—	GFSP15I
		Light Almond	—	GFSP15LA
		White	—	GFSP15W

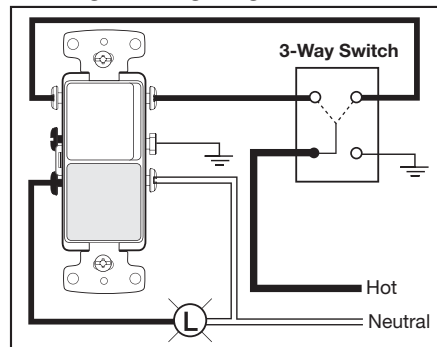
Neutral required for pilot light.



Pilot Light Wiring Diagram



Pilot Light Wiring Diagram



homeSELECT™ Tamper-Resistant Advantages

Decorator Products



Because Safety Always Comes First.

homeSELECT™ Tamper-Resistant Receptacles are designed to keep children safe, because they keep objects like prying fingers, safety pins and keys out.

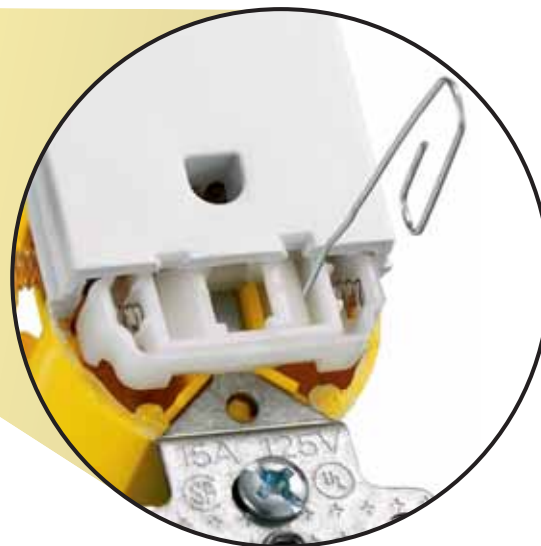
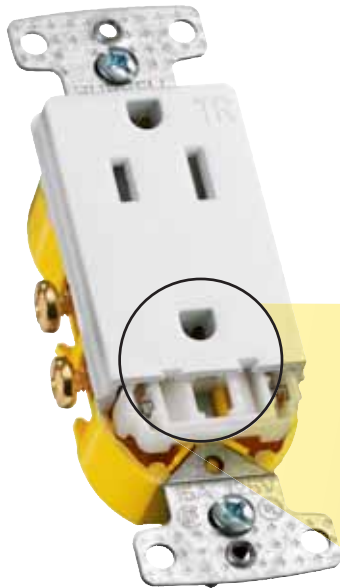
THE ULTIMATE PROOF IS CHILD-RESISTANT

Specially-designed shutters allow entry when a 2- or 3-bladed plug is inserted. The result is a receptacle that is tamper-resistant and always on the job.



SAFETY IN ACTION

Spring-loaded shutters lock out a single object, effectively blocking entry to the contacts.



The NEC

- 406.11 Tamper-Resistant Receptacles in Dwelling Units.
 - In all areas specified in 210.52, all 125 volt, 15 and 20 ampere receptacles shall be listed tamper-resistant receptacles.
- 517.18 General Care Areas.
 - (C) Pediatric locations. Receptacles located within the rooms, bathrooms, playrooms, activity rooms, and patient care areas of pediatric wards shall be listed tamper-resistant or shall employ a listed tamper-resistant cover.

Weather and Tamper-Resistant, Tamper-Resistant and Standard Receptacles



RRD15SW

Description	Color	Weather and Tamper-Resistant Catalog Numbers	Tamper-Resistant Catalog Numbers	Standard Catalog Numbers
Decorator Duplex Receptacle, 2 Pole, 3 Wire, Self-Grounding, Push and Side Wire Terminations 15A 125V NEMA 5-15R	Almond	RRD15SALWRTR	RRD15SALTR	RRD15SAL
	Black	RRD15SBKWRTR	RRD15SBKTR	RRD15SBK
	Brown	RRD15SWRTR	RRD15STR	RRD15S
	Gray	RRD15SGYWRTR	RRD15SGYTR	RRD15SGY
	Ivory	RRD15SIWRTR	RRD15SITR	RRD15SI
	Light Almond	RRD15SLAWRTR	RRD15SLATR	RRD15SLA
White	RRD15SWWRTR	RRD15SWTR	RRD15SW	

Note: *Refer to Technical section X, page X-8 for TR and WR descriptions.



Decorator receptacles offer styling with functionality. Ultrasonically welded cover and base provide maximum strength with contemporary look. Available with standard insert opening or in tamper-resistant versions.

- Elongated strap for better wall box mounting.
- High visibility base for easy wiring in low light areas.
- Low profile, shallow depth.
- Operating temperature: -20°C to 60°C.
- UL Listed E2186, CSA Certified.

Tamper-Resistant and Standard Receptacles



Description	Rating	Color	Tamper-Resistant Catalog Numbers	Standard Catalog Numbers
Decorator Duplex Receptacle, 2 Pole, 3 Wire, Push and Side Wire Terminations	15A 125V NEMA 5-15R	Almond	—	RRD15AL
		Black	—	RRD15BK
		Brown	—	RRD15
		Gray	—	RRD15GY
		Ivory	—	RRD15I
		Light Almond	—	RRD15LA
Decorator Duplex Receptacle, 2 Pole, 3 Wire, Self-Grounding, Eight Push Wire Holes Only #14 AWG	15A 125V NEMA 5-15R	Almond	RRD15EALTR	RRD15EAL
		Black	RRD15EBKTR	RRD15EBK
		Brown	RRD15ETR	RRD15E
		Gray	RRD15EGYTR	RRD15EGY
		Ivory	RRD15EITR	RRD15EI
		Light Almond	RRD15ELATR	RRD15ELA
Decorator Duplex Receptacle, Without Ears, 2 Pole, 3 Wire, Self-Grounding, Push and Side Wire Terminations 100 Per Case, Bulk Packed Mounting Screws Inserted into Strap	15A 125V NEMA 5-15R	Almond	RRD15KALTR	RRD15KAL
		Black	RRD15KBKTR	RRD15KBK
		Brown	RRD15KTR	RRD15K
		Gray	RRD15KGYTR	RRD15KGY
		Ivory	RRD15KITR	RRD15KI
		Light Almond	RRD15KLATR	RRD15KLA
Decorator Single Receptacle, 2 Pole, 3 Wire, Self-Grounding, Side Wire Termination	15A 125V NEMA 5-15R	Almond	RRD151ALTR	RRD151AL
		Black	RRD151BKTR	RRD151BK
		Brown	RRD151TR	RRD151
		Gray	RRD151GYTR	RRD151GY
		Ivory	RRD151ITR	RRD151I
		Light Almond	RRD151LATR	RRD151LA
Decorator Single Receptacle, 2 Pole, 3 Wire, Self-Grounding, Side Wire Termination	15A 250V NEMA 6-15R	Almond	—	RRD155AL
		Black	—	RRD155BK
		Brown	—	RRD155
		Gray	—	RRD155GY
		Ivory	—	RRD155I
		Light Almond	—	RRD155LA
Decorator Single Receptacle, 2 Pole, 3 Wire, Self-Grounding, Side Wire Termination	20A 125V NEMA 5-20R	Almond	RRD201ALTR	RRD201AL
		Black	RRD201BKTR	RRD201BK
		Brown	RRD201TR	RRD201
		Gray	RRD201GYTR	RRD201GY
		Ivory	RRD201ITR	RRD201I
		Light Almond	RRD201LATR	RRD201LA
Decorator Single Receptacle, 2 Pole, 3 Wire, Self-Grounding, Side Wire Termination	20A 250V NEMA 6-20R	Almond	—	RRD205AL
		Black	—	RRD205BK
		Brown	—	RRD205
		Gray	—	RRD205GY
		Ivory	—	RRD205I
		Light Almond	—	RRD205LA
Decorator Single Receptacle, 2 Pole, 3 Wire, Self-Grounding, Side Wire Termination	20A 250V NEMA 6-20R	White	—	RRD205W



RRD15W



RRD15EW



RRD15KW



RRD15W



RRD201W

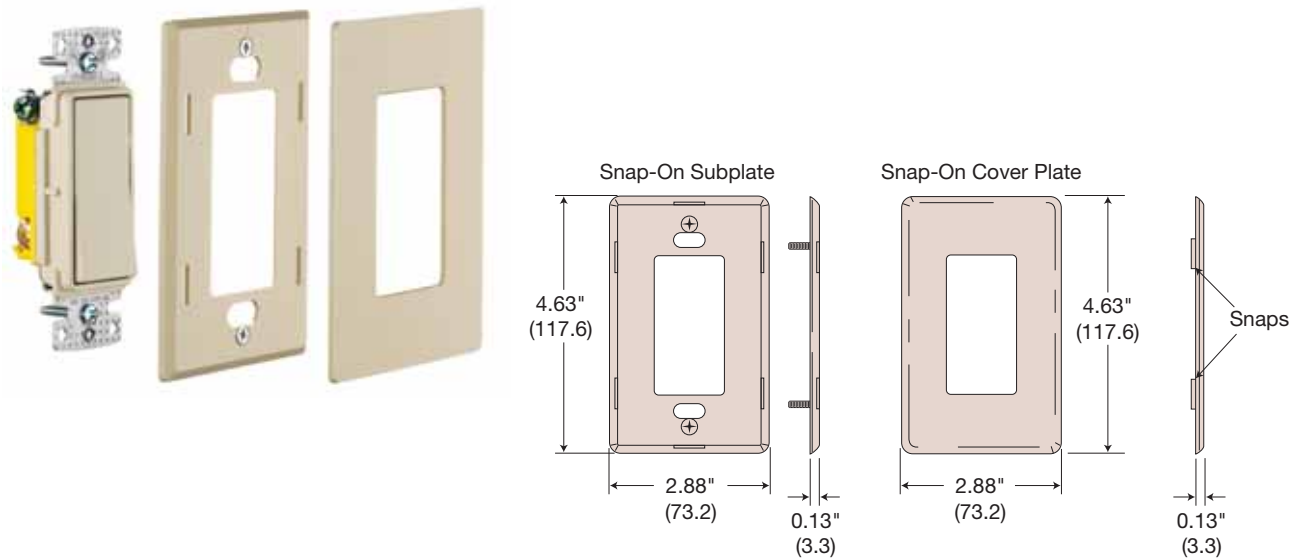
Note: *Refer to Technical section X, page X-8 for TR description.

homeSELECT™ Wallplate Dimensions

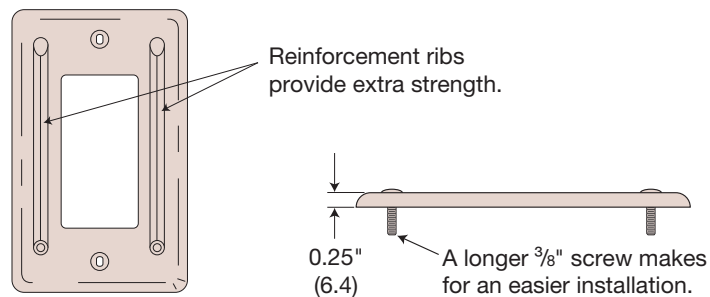
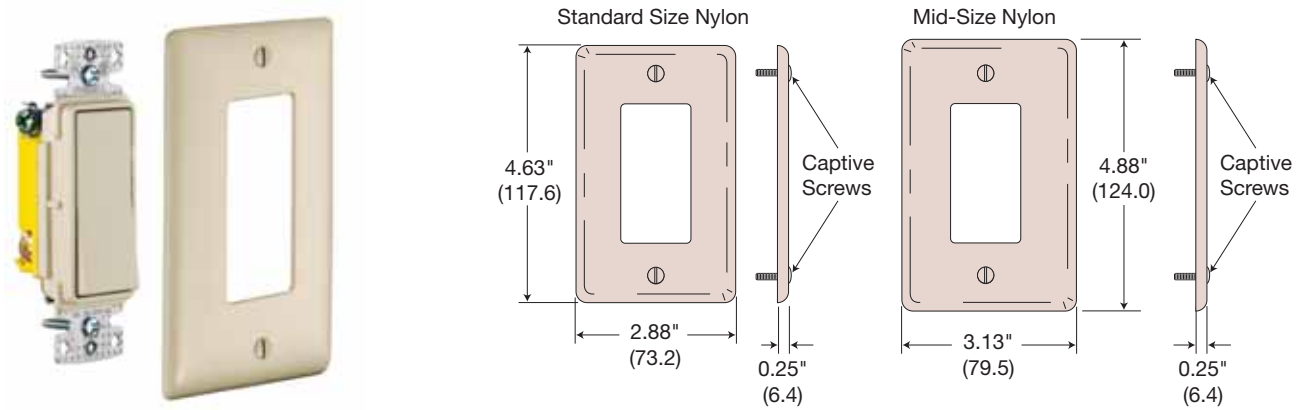
Decorator Products



Snap-on wallplates utilize a two piece design. A subplate is fastened to the device, then a screwless snap-on cover plate is affixed. Four snaps securely hold the cover to the subplate. For multiple gang configurations, the subplate aligns the device so that the cover plate matches perfectly.



Standard nylon decorator plates feature pre-inserted captive screws for faster assembly, up to six-gang. No more dropped or lost screws.



homeSELECT™ Snap-On Wallplates

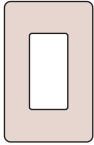
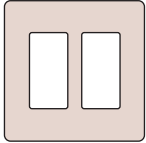
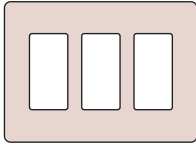
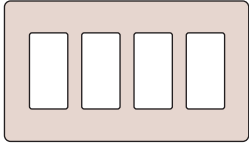
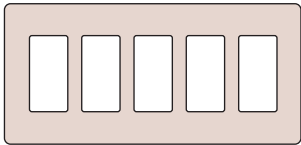
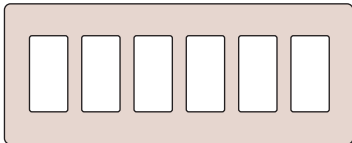
Decorator Products



Snap-on wallplates are a perfect way to provide an elegant appearance. Two piece construction with subplate that attaches to the device and snap-on cover plate.

- Smooth gloss finish.
- Virtually unbreakable thermoplastic.
- Easy to snap-on.
- Multi-gang auto alignment.
- UL Listed E92074, CSA Certified.

Snap-On Wallplates

Description	Color	Catalog Numbers
Snap-On Wallplate, 1-Gang, 1-Decorator 	Almond Black Gray Ivory Light Almond White	RCW1AL RCW1BK RCW1GY RCW1I RCW1LA RCW1W
Snap-On Wallplate, 2-Gang, 2-Decorator 	Almond Black Gray Ivory Light Almond White	RCW2AL RCW2BK RCW2GY RCW2I RCW2LA RCW2W
Snap-On Wallplate, 3-Gang, 3-Decorator 	Almond Black Gray Ivory Light Almond White	RCW3AL RCW3BK RCW3GY RCW3I RCW3LA RCW3W
Snap-On Wallplate, 4-Gang, 4-Decorator 	Almond Black Gray Ivory Light Almond White	RCW4AL RCW4BK RCW4GY RCW4I RCW4LA RCW4W
Snap-On Wallplate, 5-Gang, 5-Decorator 	Almond Black Gray Ivory Light Almond White	RCW5AL RCW5BK RCW5GY RCW5I RCW5LA RCW5W
Snap-On Wallplate, 6-Gang, 6-Decorator 	Almond Black Gray Ivory Light Almond White	RCW6AL RCW6BK RCW6GY RCW6I RCW6LA RCW6W

homeSELECT™ Decorator Wallplates

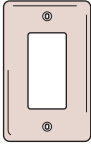
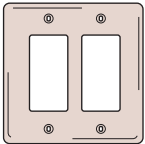
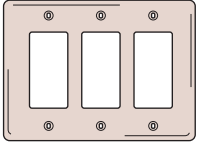
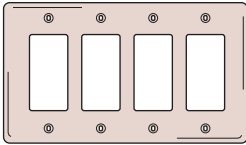
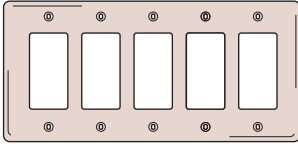
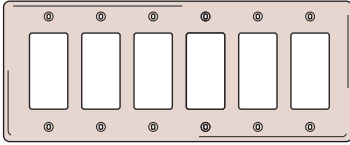
Decorator Products



All nylon decorator plates feature pre-inserted captive screws for faster assembly, up to 6-gang. No more dropped or lost screws.

- Virtually unbreakable nylon construction.
- Curved corners blend into any interior.
- Reinforcement ribs for stiffness.
- Smooth wallplate for easy cleaning.
- UL Listed E92074, CSA Certified.

Decorator Wallplates

Description	Color	Nylon Standard	Nylon Mid-Size	Material	Metal Catalog Numbers
1-Gang, 1-Decorator 	Almond Black Brown Gray Ivory Light Almond White	NP26AL NP26BK NP26 NP26GY NP26I NP26LA NP26W	NPJ26AL NPJ26BK NPJ26 NPJ26GY NPJ26I NPJ26LA NPJ26W	Brass Brass Plated Chrome Stainless Steel	SB26 SBP26 SCH26 SS26
2-Gang, 2-Decorator 	Almond Black Brown Gray Ivory Light Almond White	NP262AL NP262BK NP262 NP262GY NP262I NP262LA NP262W	NPJ262AL NPJ262BK NPJ262 NPJ262GY NPJ262I NPJ262LA NPJ262W	Brass Brass Plated Chrome Stainless Steel	SB262 SBP262 SCH262 SS262
3-Gang, 3-Decorator 	Almond Black Brown Gray Ivory Light Almond White	NP263AL NP263BK NP263 NP263GY NP263I NP263LA NP263W	NPJ263AL NPJ263BK NPJ263 NPJ263GY NPJ263I NPJ263LA NPJ263W	Brass Brass Plated Chrome Stainless Steel	— SBP263 — SS263
4-Gang, 4-Decorator 	Almond Black Brown Gray Ivory Light Almond White	NP264AL NP264BK NP264 NP264GY NP264I NP264LA NP264W	NPJ264AL NPJ264BK NPJ264 NPJ264GY NPJ264I NPJ264LA NPJ264W	Brass Brass Plated Chrome Stainless Steel	— — — SS264
5-Gang, 5-Decorator 	Almond Black Brown Gray Ivory Light Almond White	NP265AL NP265BK NP265 NP265GY NP265I NP265LA NP265W	— — — — — — —	Brass Brass Plated Chrome Stainless Steel	— — — SS265
6-Gang, 6-Decorator 	Almond Black Brown Gray Ivory Light Almond White	NP266AL NP266BK NP266 NP266GY NP266I NP266LA NP266W	— — — — — — —	Brass Brass Plated Chrome Stainless Steel	— — — SS266

homeSELECT™ Combination Wallplates

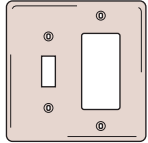
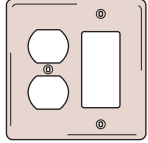
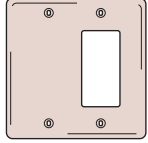
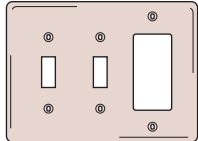
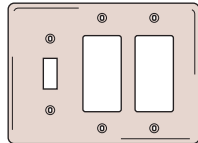
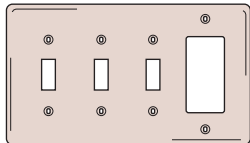
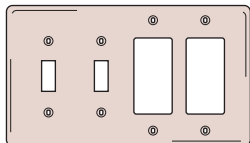
Decorator Products



Combination plates enable decorator devices and GFCIs to be used with standard switches and receptacles.

- Virtually unbreakable nylon construction.
- Curved corners blend into any interior.
- Reinforcement ribs for stiffness.
- Smooth wallplate for easy cleaning.
- UL Listed E92074, CSA Certified.

Combination Wallplates

Description	Color	Nylon Standard	Nylon Mid-Size	Material	Metal Catalog Numbers
2-Gang, 1-Toggle, 1-Decorator 	Almond Black Brown Gray Ivory Light Almond White	NP126AL NP126BK NP126 NP126GY NP126I NP126LA NP126W	NPJ126AL NPJ126BK NPJ126 NPJ126GY NPJ126I NPJ126LA NPJ126W	Brass Brass Plated Chrome Stainless Steel	SB126 SBP126 — SS126
2-Gang, 1-Duplex, 1-Decorator 	Almond Black Brown Gray Ivory Light Almond White	NP826AL NP826BK NP826 NP826GY NP826I NP826LA NP826W	NPJ826AL NPJ826BK NPJ826 NPJ826GY NPJ826I NPJ826LA NPJ826W	Brass Brass Plated Chrome Stainless Steel	SB826 — — SS826
2-Gang, 1-Blank Box Mount, 1-Decorator 	Almond Black Brown Gray Ivory Light Almond White	NP1326AL NP1326BK NP1326 NP1326GY NP1326I NP1326LA NP1326W	NPJ1326AL — NPJ1326 — NPJ1326I NPJ1326LA NPJ1326W	Brass Brass Plated Chrome Stainless Steel, Strap Mount	— — — SS1426
3-Gang, 2-Toggle, 1-Decorator 	Almond Black Brown Gray Ivory Light Almond White	NP226AL NP226BK NP226 NP226GY NP226I NP226LA NP226W	NPJ226AL NPJ226BK NPJ226 NPJ226GY NPJ226I NPJ226LA NPJ226W	Brass Brass Plated Chrome Stainless Steel	— — — SS226
3-Gang, 1-Toggle, 2-Decorator 	Almond Black Brown Gray Ivory Light Almond White	NP1262AL NP1262BK NP1262 NP1262GY NP1262I NP1262LA NP1262W	— — — — — — —	Brass Brass Plated Chrome Stainless Steel	— — — —
4-Gang, 3-Toggle, 1-Decorator 	Almond Black Brown Gray Ivory Light Almond White	NP326AL NP326BK NP326 NP326GY NP326I NP326LA NP326W	— — — — — — —	Brass Brass Plated Chrome Stainless Steel	— — — SS326
4-Gang, 2-Toggle, 2-Decorator 	Almond Black Brown Gray Ivory Light Almond White	NP2262AL NP2262BK NP2262 NP2262GY NP2262I NP2262LA NP2262W	— — — — — — —	Brass Brass Plated Chrome Stainless Steel	— — — —

homeSELECT™ Modular Snap Fit Jacks

Decorator Products



netSELECT™ Voice/Data Jacks and AV Connectors allow custom creation of multimedia outlets and workstations while maintaining a decorative look.

- Quick and secure snap-in design.
- Use with multimedia plates and decorator frames (see page V-15).
- UL Listed and CSA Certified, or cULus Listed 1863 - Communication Circuit Accessory.

Modular Snap Fit Jacks



NSJ6W
NSJ5EW
NSJ6W

Molded-in icon designation for:
Cat. 6, Cat. 5e or telephone jacks



Description	Color	Cat. 6	Cat. 5e	USOC
Modular Snap Fit Jacks	Almond	NSJ6AL	NSJ5EAL	NSJUAL
	Black	NSJ6BK	NSJ5EBK	NSJUBK
	Blue	NSJ6B	NSJ5EB	NSJUB
	Gray	NSJ6GY	NSJ5EGY	NSJUGY
	Green	NSJ6GN	NSJ5EGN	NSJUGN
	Ivory	NSJ6I	NSJ5EI	NSJUI
	Light Almond	NSJ6LA	NSJ5ELA	NSJULA
	Orange	NSJ6OR	NSJ5EOR	NSJUOR
	Red	NSJ6R	NSJ5ER	NSJUR
	White	NSJ6W	NSJ5EW	NSJUW
	Yellow	NSJ6Y	NSJ5EY	NSJUY

Audio/Video Connectors

Description	Color	Standard Bulkhead	Recessed
Gold F-Type Coupler Bulkhead, Female to Female	Almond	SFFGAL	SFGRFAL
	Black	SFFGBK	SFGRFBK
	Gray	SFFGGY	SFGRFGY
	Ivory	SFFGEI	SFGRFEI
	Light Almond	SFFGLA	SFGRFLA
	White	SFFGW	SFGRFW
Nickel F-Type Coupler Bulkhead, Female to Female	Almond	NSF70AL	—
	Black	NSF70BK	—
	Gray	NSF70GY	—
	Ivory	NSF70I	—
	Light Almond	NSF70LA	—
	White	NSF70W	—
RCA Gold Pass Through, Female to Female, Red Interior	Almond	SFRCRFFAL	SFRCRRAL
	Black	SFRCRFFBK	SFRCRRBK
	Gray	SFRCRFFGY	SFRCRRGY
	Ivory	SFRCRFFEI	SFRCRREI
	Light Almond	SFRCRFFLA	SFRCRRLA
	White	SFRCRFFW	SFRCRRW
RCA Gold Pass Through, Female to Female, White Interior	Almond	SFRCWFFAL	SFRCWRAL
	Black	SFRCWFFBK	SFRCWRBK
	Gray	SFRCWFFGY	SFRCWRGY
	Ivory	SFRCWFFEI	SFRCWREI
	Light Almond	SFRCWFFLA	SFRCWRLA
	White	SFRCWFFW	SFRCWRW
RCA Gold Pass Through, Female to Female, Yellow Interior	Almond	SFRCYFFAL	SFRCYRAL
	Black	SFRCYFFBK	SFRCYRBK
	Gray	SFRCYFFGY	SFRCYRGY
	Ivory	SFRCYFFEI	SFRCYREI
	Light Almond	SFRCYFFLA	SFRCYRLA
	White	SFRCYFFW	SFRCYRW
RCA Gold Pass Through, Female to Female, Blue Interior	Almond	SFRCBFFAL	SFRCBRAL
	Black	SFRCBFFBK	SFRCBRBK
	Gray	SFRCBFFGY	SFRCBRGY
	Ivory	SFRCBFFEI	SFRCBREI
	Light Almond	SFRCBFFLA	SFRCBRLA
	White	SFRCBFFW	SFRCBRW
RCA Gold Pass Through, Female to Female, Green Interior	Almond	SFRCGNFFAL	SFRCGNRAL
	Black	SFRCGNFFBK	SFRCGNRBK
	Gray	SFRCGNFFGY	SFRCGNRGY
	Ivory	SFRCGNFFEI	SFRCGNREI
	Light Almond	SFRCGNFFLA	SFRCGNRLA
	White	SFRCGNFFW	SFRCGNRW

homeSELECT™ Decorator Frames

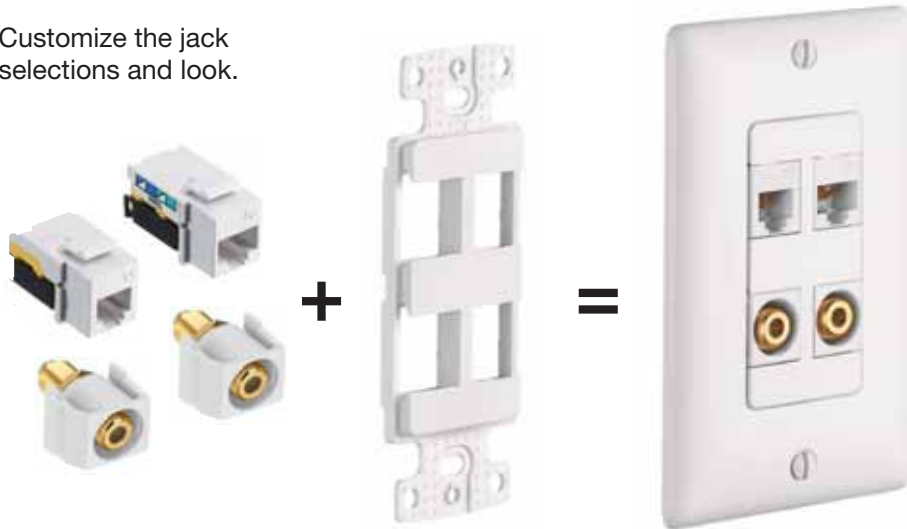
Decorator Products



Decorator frames provide a stylized look for that finishing touch. This allows all devices to match. Multimedia jacks insert into frame for custom configuration.

- Elongated strap for better wall box mounting.
- High impact-resistant thermoplastic frame.
- UL Listed 1863 - Communication Circuit Accessory and CSA Certified.

Customize the jack selections and look.



Decorator Frames

Description	Color	Catalog Numbers
1-Gang, 2-Port, Decorator Frame	Almond	NS612AL
	Black	NS612BK
	Gray	NS612GY
	Ivory	NS612I
	Light Almond	NS612LA
	White	NS612W
1-Gang, 3-Port, Decorator Frame	Almond	NS613AL
	Black	NS613BK
	Gray	NS613GY
	Ivory	NS613I
	Light Almond	NS613LA
	White	NS613W
1-Gang, 4-Port, Decorator Frame	Almond	NS614AL
	Black	NS614BK
	Gray	NS614GY
	Ivory	NS614I
	Light Almond	NS614LA
	White	NS614W
1-Gang, 6-Port, Decorator Frame	Almond	NS616AL
	Black	NS616BK
	Gray	NS616GY
	Ivory	NS616I
	Light Almond	NS616LA
	White	NS616W
1-Gang, Adapter .406" (10.30) Dia. Hole, Decorator Frame For use with rotary dimmers or to pull through AV or telephone cable.	Almond	NS621AL
	Ivory	NS621I
	Light Almond	NS621LA
	White	NS621W
1-Gang, Adapter Blank, Decorator Frame To fill an extra decorator opening or to create customized openings.	Almond	NS620AL
	Ivory	NS620I
	Light Almond	NS620LA
	White	NS620W



homeSELECT™ Molded-In Voice/Data/Video

Decorator Products



Designed to complement decorator styling, these jacks offer voice and Cat. 5e devices to fit within a decorator wallplate. Create a look to match your voice/data, switch, and receptacle devices.

- High impact-resistant thermoplastic frame.
- Meets FCC part 68.
- UL Listed 1863 - Communication Circuit Accessory and CSA Certified.

Molded-In Voice/Low-Speed Data



NS770I

Description

Decorator Frame,
One RJ11 Jack,
6-Position, 4-Conductor,
Screw Terminations

Color

Almond
Black
Brown
Gray
Ivory
Light Almond
White

Catalog Numbers

NS770AL
NS770BK
NS770
NS770GY
NS770I
NS770LA
NS770W



NS771I

Decorator Frame,
One RJ11 Jack,
6-Position, 6-Conductor,
Screw Terminations

Almond
Brown
Ivory
Light Almond
White

NS771AL
NS771
NS771I
NS771LA
NS771W



NS772I

Decorator Frame,
Duplex RJ11 Jacks,
6-Position, 6-Conductor,
Screw Terminations

Almond
Ivory
Light Almond
White

NS772AL
NS772I
NS772LA
NS772W



NS784I

Decorator Frame,
One Cat. 5e 110 Punch-Down,
One RJ11 Jack,
6-Position, 4-Conductor,
Screw Terminations

Almond
Black
Brown
Gray
Ivory
Light Almond
White

NS784AL
NS784BK
NS784
NS784GY
NS784I
NS784LA
NS784W

homeSELECT™
Molded-In Voice/Data/Video

Decorator Products



Coaxial video and combination jacks complement multimedia needs in a 1-gang decorator opening.

- High impact-resistant thermoplastic frame.
- Jacks meet FCC part 68.
- UL Listed 1863 - Communication Circuit Accessory and CSA Certified.

Molded-In Voice/Low-Speed Data

Description	Color	Catalog Numbers
Decorator Frame, Single F-Type Coupler Bulkhead, Female to Female	Almond Ivory Light Almond White	NS780AL NS780I NS780LA NS780W
Decorator Frame, Duplex F-Type Coupler Bulkhead, Female to Female	Almond Ivory Light Almond White	NS782AL NS782I NS782LA NS782W
Decorator Frame, One RJ11 Jack, 6-Position, 4-Conductor, One F-Type Coupler Bulkhead, Female to Female	Almond Ivory Light Almond White	NS783AL NS783I NS783LA NS783W
Decorator Frame, One Cat. 5e 110 Punch-Down, One F-Type Coupler Bulkhead, Female to Female	Almond Black Brown Gray Ivory Light Almond White	NS785AL NS785BK NS785 NS785GY NS785I NS785LA NS785W



NS780I



NS782I



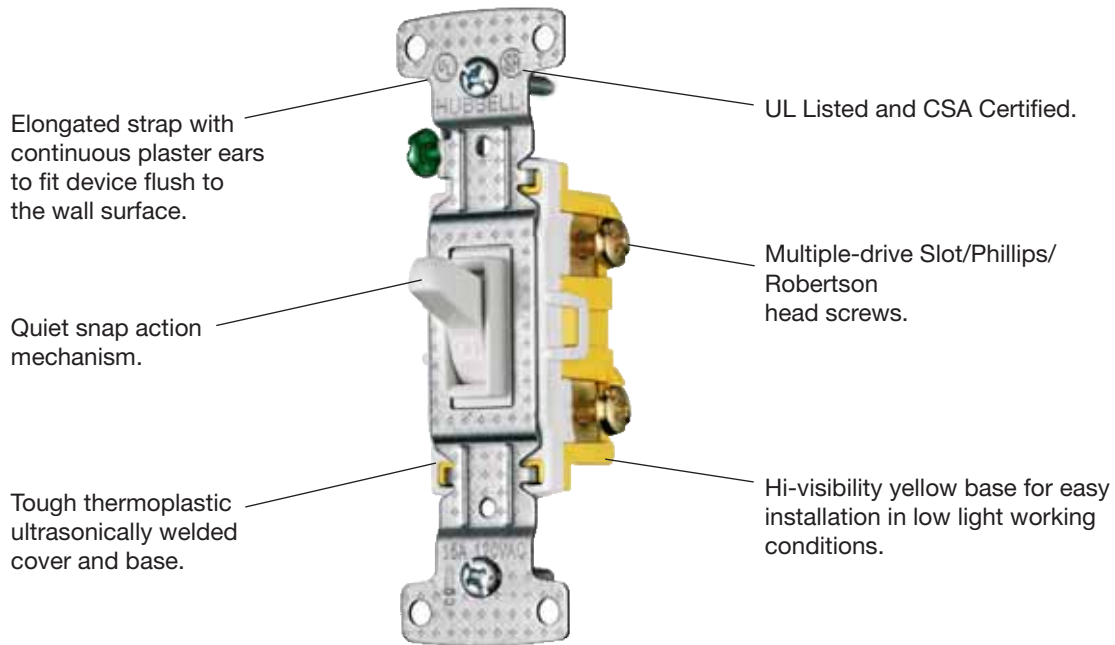
NS783I



NS785I

homeSELECT™ Single-Pole Toggle Switches

Switches and Receptacles



Single-Pole Toggle Switches



RS115W



RS115KW



RS115SW



RS115ILW

Description	Rating	Color	Catalog Numbers
Single-Pole Toggle Switch, Grounding, Push and Side Wire Terminations	15A 120V AC	Almond Black Brown Ivory Light Almond White	RS115AL RS115BK RS115 RS115I RS115LA RS115W
Single-Pole Toggle Switch, Without Ears, Grounding, Push and Side Wire Terminations 100 Per Case, Bulk Packed Mounting Screws Inserted into Strap	15A 120V AC	Almond Ivory Light Almond White	RS115KAL RS115KI RS115KLA RS115KW
Single-Pole Toggle Switch, Self-Grounding, Push and Side Wire Terminations	15A 120V AC	Almond Brown Ivory Light Almond White	RS115SAL RS115S RS115SI RS115SLA RS115SW
Single-Pole Toggle Switch, Illuminated, Self-Grounding, Push and Side Wire Terminations Frame is clear and illuminates, toggle is colored. Does not require a neutral wire.	15A 120V AC	Clear Almond Ivory Light Almond White	RS115ILC RS115ILAL RS115ILI RS115ILLA RS115ILW

homeSELECT™ Three- and Four-Way Toggle Switches

Switches and Receptacles



Standard toggle switches provide the basic on/off control for home lighting and appliances.

- Tough thermoplastic with ultrasonically welded cover and base.

- Elongated strap for easier wall box mounting.
- Hi-visibility yellow base for easy installation.
- Operating temperature: -20°C to 60°C.
- UL Listed E3896, CSA Certified.

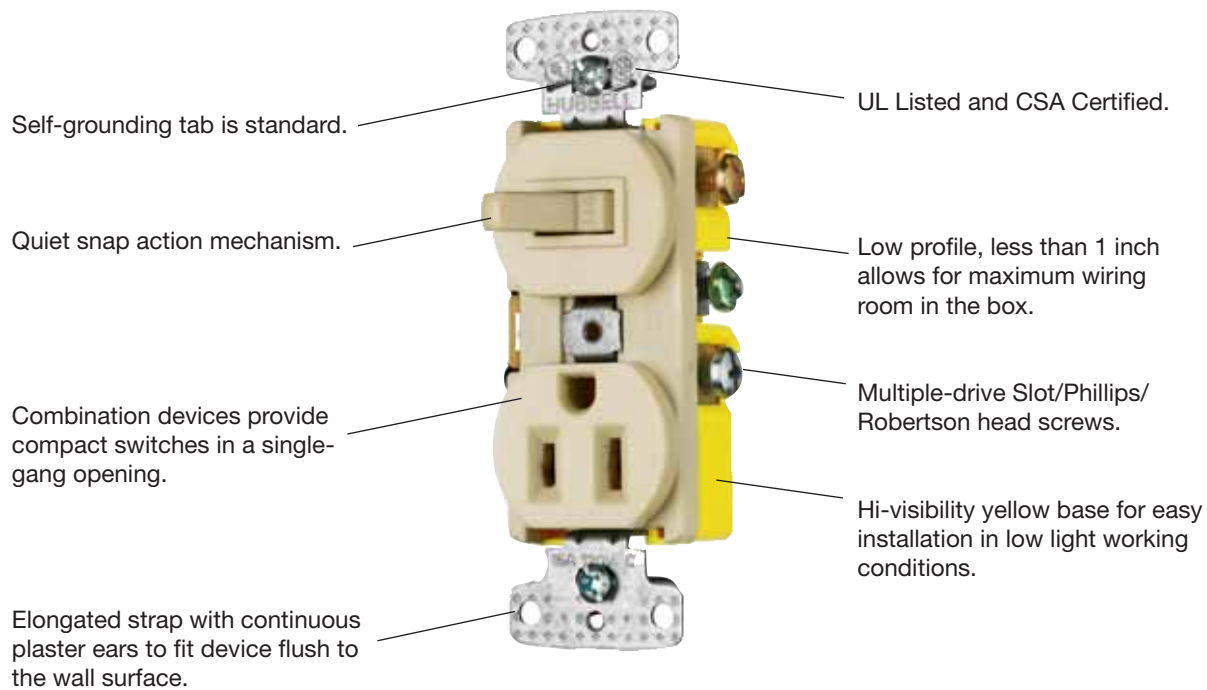
Three- and Four-Way Toggle Switches

Description	Rating	Color	Catalog Number
Three-Way Toggle Switch, Grounding, Push and Side Wire Terminations	15A 120V AC	Almond	RS315AL
		Black	RS315BK
		Brown	RS315
		Ivory	RS315I
		Light Almond	RS315LA
White	RS315W		
Three-Way Toggle Switch, Without Ears, Self-Grounding, Push and Side Wire Terminations 100 Per Case, Bulk Packed Mounting Screws Inserted into Strap	15A 120V AC	Almond	RS315KAL
		Ivory	RS315KI
		Light Almond	RS315KLA
		White	RS315KW
Three-Way Toggle Switch, Self-Grounding, Push and Side Wire Terminations	15A 120V AC	Almond	RS315SAL
		Brown	RS315S
		Ivory	RS315SI
		Light Almond	RS315SLA
		White	RS315SW
Three-Way Toggle Switch, Illuminated, Self-Grounding, Push and Side Wire Terminations	15A 120V AC	Clear	RS315ILC
		Almond	RS315ILAL
		Ivory	RS315ILI
		Light Almond	RS315ILLA
		White	RS315ILW
Frame is clear and illuminates, toggle is colored. Does not require a neutral wire.			
Four-Way Toggle Switch, Self-Grounding, Side Wire Terminations	15A 120V AC	Almond	RS415AL
		Black	RS415BK
		Brown	RS415
		Ivory	RS415I
		Light Almond	RS415LA
		White	RS415W



homeSELECT™ Combination Switches/Devices

Switches and Receptacles



Combination Switches/Devices



Description	Rating	Color	Tamper-Resistant Catalog Numbers	Standard Catalog Numbers
Two (2) Single-Pole Switches, Self-Grounding, Side Wire Termination	15A 120V AC	Almond	—	RC101AL
		Brown	—	RC101
		Ivory	—	RC101I
		Light Almond	—	RC101LA
		White	—	RC101W
Single-Pole Switch, 2 Pole, 3 Wire, Receptacle, Self-Grounding, Side Wire Termination	15A 120V AC 15A 125V NEMA 5-15R	Almond	RC108ALTR	RC108AL
		Brown	RC108TR	RC108
		Ivory	RC108ITR	RC108I
		Light Almond	RC108LATR	RC108LA
		White	RC108WTR	RC108W
Single-Pole Switch, Pilot Light, Clear Lens, Amber Neon Bulb, Self-Grounding, Side Wire Termination	15A 120V AC	Almond	—	RC109AL
		Brown	—	RC109
		Ivory	—	RC109I
		Light Almond	—	RC109LA
		White	—	RC109W

Neutral required for pilot light, see page V-7 for wiring diagram.

Note: *Refer to Technical section X, page X-8 for TR description.

homeSELECT™ Combination Switches/Devices

Switches and Receptacles



Mini-toggles provide for multiple switches in a compact single gang. Maximize control while maintaining function and appearance.

- Low profile, less than 1 inch.
- Self-grounding feature is standard.

- Smooth toggle action.
- Operating temperature: -20°C to 60°C.
- UL Listed, CSA Certified.

Combination Switches/Devices



Description	Rating	Color	Tamper-Resistant Catalog Numbers	Standard Catalog Numbers
Single-Pole and Three-Way Switch, Self-Grounding, Side Wire Termination	15A 120V AC	Almond	—	RC103AL
		Brown	—	RC103
		Ivory	—	RC103I
		Light Almond	—	RC103LA
		White	—	RC103W
Two (2) Three-Way Switches, Self-Grounding, Side Wire Termination	15A 120V AC	Almond	—	RC303AL
		Brown	—	RC303
		Ivory	—	RC303I
		Light Almond	—	RC303LA
		White	—	RC303W
Three-Way Switch, 2 Pole, 3 Wire, Receptacle, Self-Grounding, Side Wire Termination	15A 120V AC	Almond	RC308ALTR	RC308AL
	15A 125V	Brown	RC308TR	RC308
	NEMA 5-15R	Ivory	RC308ITR	RC308I
		White	RC308WTR	RC308W
Three-Way Switch, Pilot Light, Clear Lens, Amber Neon Bulb, Self-Grounding, Side Wire Termination	15A 120V AC	Almond	—	RC309AL
		Brown	—	RC309
		Ivory	—	RC309I
		White	—	RC309W

Neutral required for pilot light.

Note: *Refer to Technical section X, page X-8 for TR description.



RC103I



RC303I



RC308I



RC309I

homeSELECT™ Duplex Quick Thread Receptacles

Switches and Receptacles

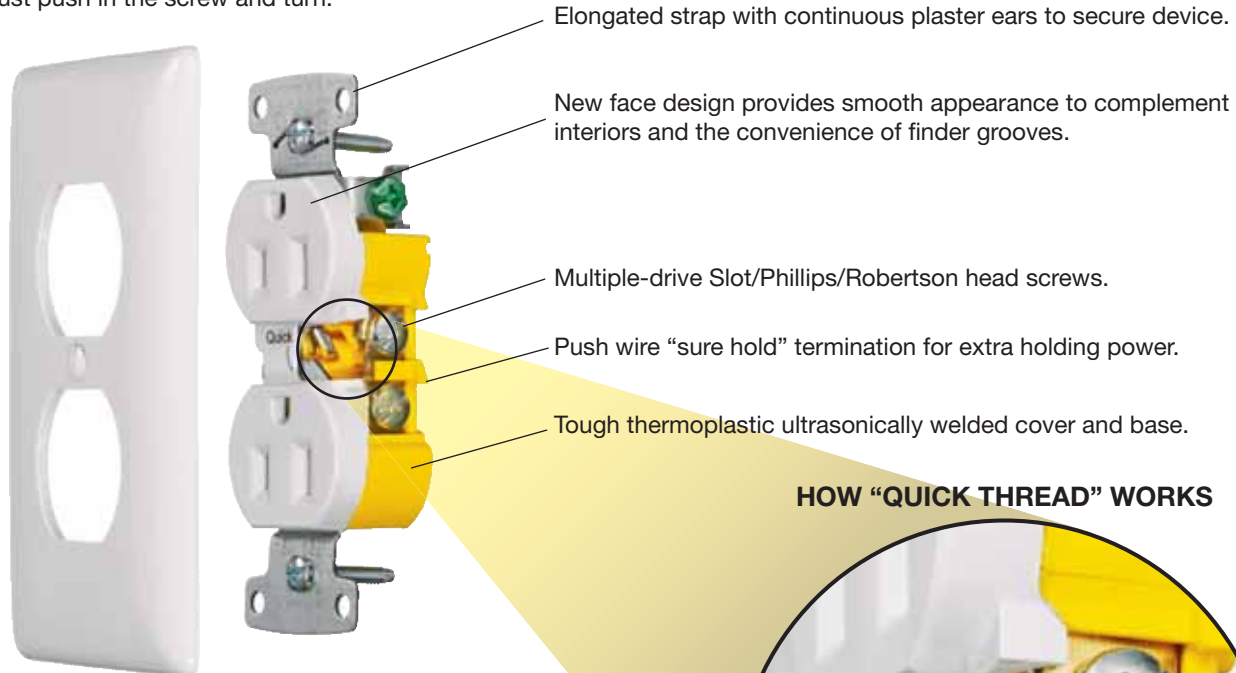


Quick And Easy Does It.

homeSELECT™ exclusive “Quick Thread” makes installation of wallplates and receptacles quicker and easier.

ONE PUSH FOR A SNUG FIT

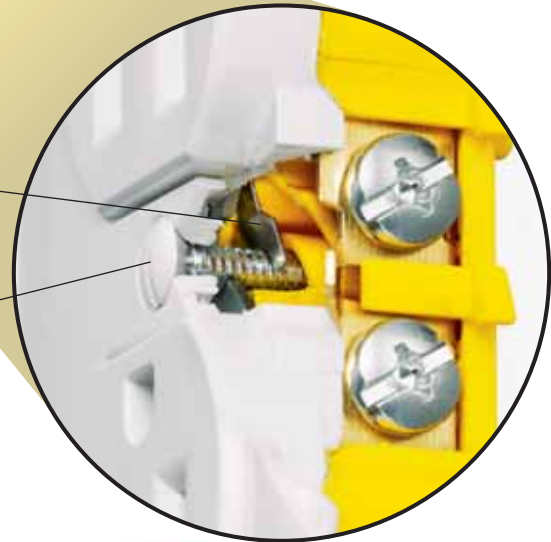
Just push in the screw and turn.



HOW “QUICK THREAD” WORKS

A stainless steel spring grabs the threads and locks the screw in place. “Quick Thread” works with any wallplate screw.

Just push the screw in with a screwdriver.



Duplex Quick Thread Receptacles



Description	Rating	Color	Tamper-Resistant Catalog Numbers	Standard Catalog Numbers
Duplex Receptacle, Quick Thread, 2 Pole, 3 Wire, Self-Grounding, Push and Side Wire Terminations	15A 125V NEMA 5-15R	Almond	RR15QALTR	RR15QAL
		Black	RR15QBKTR	RR15QBK
		Brown	RR15QTR	RR15Q
		Ivory	RR15QITR	RR15QI
		Light Almond	RR15QLATR	RR15QLA
Duplex Receptacle, Quick Thread, 2 Pole, 3 Wire, Eight Push Wire Holes Only #14 AWG	15A 125V NEMA 5-15R	Almond	RR15EQALTR	RR15EQAL
		Black	RR15EQBKTR	RR15EQBK
		Brown	RR15EQTR	RR15EQ
		Ivory	RR15EQITR	RR15EQI
		Light Almond	RR15EQLATR	RR15EQLA
White	RR15EQWTR	RR15EQW		

Note: *Refer to Technical section X, page X-8 for TR description.



RR15QW

homeSELECT™ Duplex and Single Receptacles

Switches and Receptacles



Provides branch circuit convenience power in duplex and single configurations.

- Smooth indented face appearance.
- Terminal screws accepts up to #12 AWG.
- Duplex ultrasonically welded.
- Push wire designed for #14 AWG solid copper wire only.
- Operating temperature: -20°C to 60°C.
- UL Listed E2186, CSA Certified.



Duplex and Single Receptacles

Description	Color	Weather and Tamper-Resistant Catalog Numbers	Tamper-Resistant Catalog Numbers	Standard Catalog Numbers
Duplex Receptacle, 2 Pole, 3 Wire, Grounding, Push and Side Wire Terminations 15A 125V NEMA 5-15R	Almond	—	—	RR15AL
	Black	—	—	RR15BK
	Brown	—	—	RR15
	Ivory	—	—	RR15I
	Light Almond	—	—	RR15LA
	White	—	—	RR15W
Duplex Receptacle, 2 Pole, 3 Wire, Self-Grounding, Push and Side Wire Terminations 15A 125V NEMA 5-15R	Almond	RR15SALWRTR	RR15SALTR	RR15SAL
	Brown	RR15SWRTR	RR15STR	RR15S
	Black	RR15SBKWRTR	RR15SBKTR	RR15SBK
	Ivory	RR15SIWRTR	RR15SITR	RR15SI
	Light Almond	RR15SLAWRTR	RR15SLATR	RR15SLA
	White	RR15SWWRTR	RR15SWTR	RR15SW
Duplex Receptacle, Without Ears, 2 Pole, 3 Wire, Grounding, Eight Push Wire Holes Only #14 AWG 15A 125V NEMA 5-15R	Almond	—	RR15EALTR	RR15EAL
	Black	—	RR15EBKTR	RR15EBK
	Brown	—	RR15ETR	RR15E
	Gray	—	RR15EGYTR	RR15EGY
	Ivory	—	RR15EITR	RR15EI
	Light Almond	—	RR15ELATR	RR15ELA
	White	—	RR15EWTR	RR15EW
Duplex Receptacle, Without Ears, 2 Pole, 3 Wire, Grounding, Push and Side Wire Terminations 100 Per Case, Bulk Packed Mounting Screws Inserted into Strap 15A 125V NEMA 5-15R	Almond	—	RR15KALTR	RR15KAL
	Brown	—	RR15KTR	RR15K
	Ivory	—	RR15KITR	RR15KI
	Light Almond	—	RR15KLATR	RR15KLA
	White	—	RR15KWTR	RR15KW
Single Receptacle, 2 Pole, 3 Wire, Self-Grounding, Side Wire Terminations 15A 125V NEMA 5-15R	Almond	RR151ALWRTR	RR151ALTR	RR151AL
	Black	RR151BKWRTR	RR151BKTR	RR151BK
	Brown	RR151WRTR	RR151TR	RR151
	Gray	RR151GYWRTR	RR151GYTR	RR151GY
	Ivory	RR151IWRTR	RR151ITR	RR151I
	Light Almond	RR151LAWRTR	RR151LATR	RR151LA
	White	RR151WWRTR	RR151WTR	RR151W
Single Receptacle, 2 Pole, 3 Wire, Self-Grounding, Side Wire Terminations 15A 250V NEMA 6-15R	Almond	RR155ALWR	—	RR155AL
	Black	RR155BKWR	—	RR155BK
	Brown	RR155WR	—	RR155
	Gray	RR155GYWR	—	RR155GY
	Ivory	RR155IWR	—	RR155I
	Light Almond	RR155LAWR	—	RR155LA
	White	RR155WWR	—	RR155W
Single Receptacle, 2 Pole, 3 Wire, Self-Grounding, Side Wire Terminations 20A 125V NEMA 5-20R	Almond	RR201ALWRTR	RR201ALTR	RR201AL
	Black	RR201BKWRTR	RR201BKTR	RR201BK
	Brown	RR201WRTR	RR201TR	RR201
	Gray	RR201GYWRTR	RR201GYTR	RR201GY
	Ivory	RR201IWRTR	RR201ITR	RR201I
	Light Almond	RR201LAWRTR	RR201LATR	RR201LA
	White	RR201WWRTR	RR201WTR	RR201W
Single Receptacle, 2 Pole, 3 Wire, Self-Grounding, Side Wire Terminations 20A 250V NEMA 6-20R	Almond	RR205ALWR	—	RR205AL
	Black	RR205BKWR	—	RR205BK
	Brown	RR205WR	—	RR205
	Gray	RR205GYWR	—	RR205GY
	Ivory	RR205IWR	—	RR205I
	Light Almond	RR205LAWR	—	RR205LA
	White	RR205WWR	—	RR205W



RR15W



RR15EW



RR15KW



RR151W



RR201W

Note: *Refer to Technical section X, page X-8 for TR and WR descriptions.

homeSELECT™ GFCI Receptacles

Switches and Receptacles



Safety And Economy.

10ka Short Circuit Current Rating

UL Listed and CSA Certified.
Meets UL943 performance requirements.

Recessed test and reset buttons to prevent accidental tripping from oversized molded plugs.

Reinforced contacts assure maximum plug retention.



Large, combination back and side wiring clamp-type terminals accept up to #10 AWG wire.

LED Indicator
Flashing red LED signals loss of GFCI protection.

Face and base molded of a rugged impact-resistant thermoplastic material.

Characteristics

Trip Level
Trip Time
Frequency
Voltage
Amperage
Maximum Interrupting Capacity
Operating Temperature

Maximum Humidity
Listings & Standards

Codes



GF15IL



GF20IL



GFBF20IL



GFSP15I

GFCI Receptacles



Description	Rating	Color	Tamper-Resistant, Weather Resistant Catalog Numbers	Standard Catalog Numbers
GFCI Duplex Receptacle, Flush, Nylon Face, Back and Side Wire Terminations, Matching Nylon Wallplate Included	15A 125V NEMA 5-15R	Almond	GFTR15AL	GF15ALL ^Δ
		Black	GFTR15BK	GF15BKL ^Δ
		Brown	GFTR15	GF15L ^Δ
		Gray	GFTR15GY	GF15GYL ^Δ
		Ivory	GFTR15I	GF15IL ^Δ
		Light Almond	GFTR15LA	GF15LAL ^Δ
		Red	GFTR15R	GF15RL ^Δ
		White	GFTR15W	GF15WL ^Δ
		GFCI Duplex Receptacle, Flush, Nylon Face, Back and Side Wire Terminations, Matching Nylon Wallplate Included	20A 125V NEMA 5-20R	Almond
Black	GFTR20BK			GF20BKL ^Δ
Brown	GFTR20			GF20L ^Δ
Gray	GFTR20GY			GF20GYL ^Δ
Ivory	GFTR20I			GF20IL ^Δ
Light Almond	GFTR20LA			GF20LAL ^Δ
Red	GFTR20R			GF20RL ^Δ
White	GFTR20W			GF20WL ^Δ
Circuit Guard Faceless GFCI, Faceless, Back and Side Wire Terminations, Matching Nylon Wallplate Included	20A 125V			Almond
		Black	—	GFBF20BKL ^Δ
		Brown	—	GFBF20L ^Δ
		Gray	—	GFBF20GYL ^Δ
		Ivory	—	GFBF20IL ^Δ
		Light Almond	—	GFBF20LAL ^Δ
		Red	—	GFBF20RL ^Δ
		White	—	GFBF20WL ^Δ
Single-Pole Switch, GFCI Grounding Receptacle, Back and Side Wire Terminations, Matching Nylon Wallplate Included	8.3A 1000W 15A 125V NEMA 5-15R	Almond	—	GFSP15AL
		Black	—	GFSP15BK
		Brown	—	GFSP15
		Ivory	—	GFSP15I
		Light Almond	—	GFSP15LA
		White	—	GFSP15W

Notes: ^Δ To be replaced by Auto Grounding version in the 4th quarter 2008. Add a "A" suffix for Auto Grounding catalog numbers. See section H for more information.

* Refer to Technical Section X, page X-8 for TR and WR descriptions.

homeSELECT™ Self Test GFCI Receptacles

Switches and Receptacles



Safety, Plus More.

The only GFCI receptacle that tests itself. Every 60 seconds the device performs a diagnostic test on its circuitry, offering a comprehensive approach to testing. Reverse wire safety feature assures unit cannot be reset under a reversed wiring condition. Meets UL943 performance requirements.

Rating

4 to 6 mA.
.025 sec. nominal
60 Hz.
120V AC +10% - 15%
15A/20A, 20A Feed Thru
10,000A
-35°C to +66°C or
-30°F to +150°F
95%
Meets UL498 for receptacles,
UL943 for GFCIs
UL File E41978, CSA Certified
Meets all NEC® & CEC requirements

10ka Short Circuit Current Rating

UL Listed and CSA Certified.

Power Indicator
Steady ON green LED
indicates power
supplied to device.

No power to face
when reverse wired,
meets UL 943
requirement.

High impact
chemical resistant
nylon housing.



GFCI Indicator
Flashing red LED
signals loss of GFCI
protection.

Steady ON red LED
signals ground fault
condition.

10,000 Amp
short circuit
withstand rating.

Self Test GFCI Receptacles

Description	Rating	Color	Catalog Numbers
Self Test GFCI Duplex Receptacle, Flush, Nylon Face, Back and Side Wire Terminations, Matching Nylon Wallplate Included	15A 125V NEMA 5-15R	Almond	GFST15AL
		Black	GFST15BK
		Brown	GFST15
		Gray	GFST15GY
		Ivory	GFST15I
		Light Almond	GFST15LA
		Red	GFST15R
		White	GFST15W
Self Test GFCI Duplex Receptacle, Flush, Nylon Face, Back and Side Wire Terminations, Matching Nylon Wallplate Included	20A 125V NEMA 5-20R	Almond	GFST20AL
		Black	GFST20BK
		Brown	GFST20
		Gray	GFST20GY
		Ivory	GFST20I
		Light Almond	GFST20LA
		Red	GFST20R
		White	GFST20W
Self Test Circuit Guard Faceless GFCI, Faceless, Back and Side Wire Terminations, Matching Nylon Wallplate Included	20A 125V	Almond	GFSTBF20AL
		Black	GFSTBF20BK
		Brown	GFSTBF20
		Gray	GFSTBF20GY
		Ivory	GFSTBF20I
		Light Almond	GFSTBF20LA
		Red	GFSTBF20R
		White	GFSTBF20W



GFST15I



GFST20I







GFSTBF20I

homeSELECT™

Range and Dryer Power Receptacles and Plugs*Switches and Receptacles***Rock And Lock — As Easy As 1-2-3.**

Speed up installations with rock and lock self alignment.

**1** Line up the cover & base.**2** Rock into place.**3** Lock in with screw.

Description	Color	Flush Mount Power Recept.	Panel Mount With Ground	Flush Mount With Cover	Surface Mount Power Recept.	Angled Plugs
NEMA 14-30 30A 125/250V 	Black White	RR430F RR430FW	RR430PM —	— RR430WIP	RR430 —	RR435P —
NEMA 14-50 50A 125/250V 	Black White	RR450F RR450FW	RR450PM —	— RR450WIP	RR450 —	RR435P —
NEMA 10-30 30A 125/250V 	Black	RR330F*	—	—	RR330*	RR335P
NEMA 10-50 50A 125/250V 	Black	RR350F*	—	—	RR350*	RR335P

Note: * For replacement use only.



Range and dryer devices offer heavy-duty connections in either surface mount or flush mount configurations. Made of rugged thermoplastic. Available in 30 Amp and 50 Amp, 75° C Rated.

- Terminals accept up to #4 AWG conductors.
- Power outlets are suitable for copper or aluminum conductors.
- Flush mount outlets fit 1- and 2-gang boxes.
- UL Listed, CSA Certified.

Range and Dryer Power Receptacles and Plugs

Description	Rating	Color	Catalog Numbers
Flush Mount Power Receptacle, 3 Pole, 4 Wire, with Ground, Mounts on 1- or 2-Gang Box	30A 125/250V	Black	RR430F
	30A 125/250V	White	RR430FW
	50A 125/250V	Black	RR450F
	50A 125/250V	White	RR450FW
Flush Mount Power Receptacle, 3 Pole, 3 Wire, without Ground, Mounts on 1- or 2-Gang Box	30A 125/250V	Black	RR330F*
	50A 125/250V	Black	RR350F*
Panel Mount, 3 Pole, 4 Wire, with Ground	30A 125/250V	Black	RR430PM
	50A 125/250V	Black	RR450PM
Flush Mount Power Receptacle, 3 Pole, 4 Wire, with Ground, Integrated Wallplate Cover, Mounts on 4 ¹¹ / ₁₆ inch Square Box	30A 125/250V	White	RR430WIP
	50A 125/250V	White	RR450WIP
Surface Mount Power Receptacle, 3 Pole, 4 Wire, with Ground	30A 125/250V	Black	RR430
	50A 125/250V	Black	RR450
Surface Mount Power Receptacle, 3 Pole, 3 Wire, without Ground	30A 125/250V	Black	RR330*
	50A 125/250V	Black	RR350*
Angled Plugs, 3 Pole, 4 Wire, with Ground 3 Pole, 3 Wire, without Ground Plugs supplied with interchangeable blades for 30 or 50 Amp configuration.	30/50A 125/250V	Black	RR435P
	30/50A 125/250V	Black	RR335P

Note: * For replacement use only.

Wallplates

Description	Color	Standard Catalog Numbers	Mid-Size Catalog Numbers
Surface Mount Wallplate, 1-Gang, 1-Single Hole 2.15 inch Diameter	Ivory	NP724I	NPJ724I
	White	NP724W	NPJ724W
	Chrome	SCH723	—
	Stainless Steel	SS723	—
Surface Mount Wallplate, 2-Gang, 1-Single Hole 2.15 inch Diameter	Ivory	NP703I	NPJ703I
	White	NP703W	NPJ703W
	Stainless Steel	SS703	—

**RR430FW****RR430PM****RR430WIP****RR430****RR450****NP724W****NP703W**

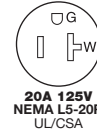
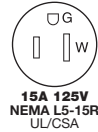
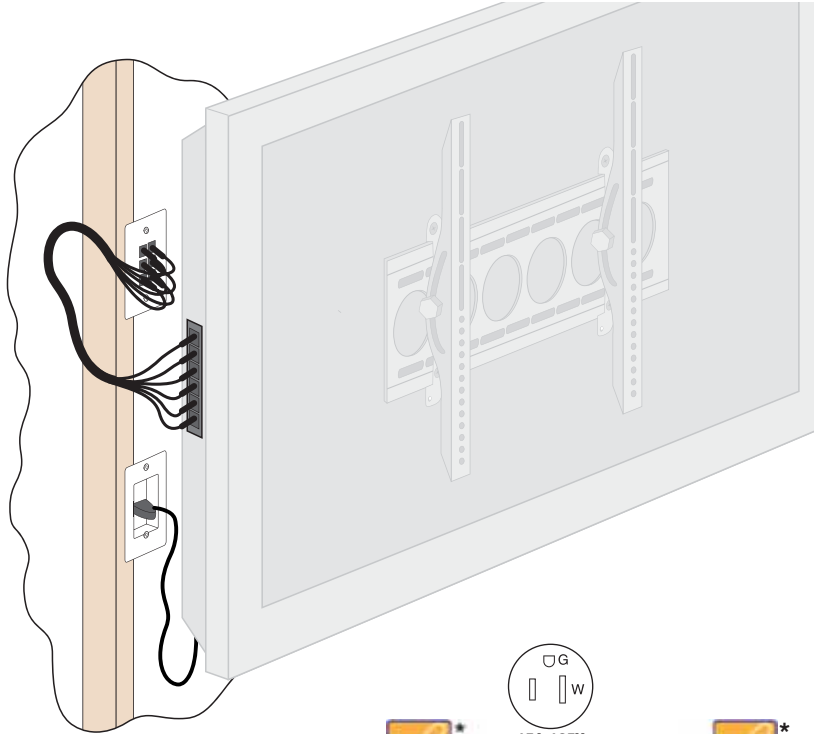
homeSELECT™ Special Use Products

Switches and Receptacles



Ideal for use behind thin profile, wall-mounted televisions. These devices allow the plug to recess into the wall minimizing interference.

- Recessed receptacle in 15 Amp and 20 Amp.
- Nylon configurations have removable hook for recessed use.
- UL Listed, CSA Certified.



Special Use Products



RR151CHW



RJ650BK



RJ600

Description	Color	Tamper Resistant	Standard	Tamper Resistant	Standard
Clock Hanger/Recessed Receptacle, 2 Pole, 3 Wire, Grounding, Side Wire Terminations	Brass	RR151CHBSTR	RR151CHBS	RR201CHBSTR	RR201CHBS
	Stainless Steel	RR151CHSSTR	RR151CHSS	RR201CHSSTR	RR201CHSS
	Ivory (Nylon)	RR151CHITR	RR151CHI	RR201CHITR	RR201CHI
	White (Nylon)	RR151CHWTR	RR151CHW	RR201CHWTR	RR201CHW
JLOAD™ Multimedia Outlet Specifically designed to provide power, Cat. 5e and coaxial in a single gang box. Requires JLOAD™ Multimedia Box RJ600. Perfect for HDTV and computer use where a combination of power and data are needed. Includes decorator frame, one Cat. 5e, one F-connector and one power receptacle 125V with voltage divider.	Almond	RJ650ALTR	RJ650AL	RJ620ALTR	RJ620AL
	Black	RJ650BKTR	RJ650BK	RJ620BKTR	RJ620BK
	Gray	RJ650GYTR	RJ650GY	RJ620GYTR	RJ620GY
	Ivory	RJ650ITR	RJ650I	RJ620ITR	RJ620I
	Light Almond	RJ650LATR	RJ650LA	RJ620LATR	RJ620LA
White	RJ650WTR	RJ650W	RJ620WTR	RJ620W	
JLOAD™ Multimedia Outlet Includes decorator frame with two open ports for custom configuration and one power receptacle 125V with voltage divider.	Almond	RJ65ALTR	RJ65AL	RJ62ALTR	RJ62AL
	Black	RJ65BKTR	RJ65BK	RJ62BKTR	RJ62BK
	Gray	RJ65GYTR	RJ65GY	RJ62GYTR	RJ62GY
	Ivory	RJ65ITR	RJ65I	RJ62ITR	RJ62I
	Light Almond	RJ65LATR	RJ65LA	RJ62LATR	RJ62LA
White	RJ65WTR	RJ65W	RJ62WTR	RJ62W	
JLOAD™ Multimedia Box 3 inches deep with seven ½-inch knockouts, non-metallic sheathed cable clamps on each side. Screw in mounting to stud.	Steel	RJ600	RJ600	RJ600	RJ600

Notes: See pages V-36 to V-42 for floor and under cabinet box options.
* Refer to Technical section X, page X-8 for TR description.





Special Use Products

Description	Rating	Color	Catalog Numbers
Door Switch, "On" When Door is Open, Switch with Cover Plate and Box	3A 125V AC	Zinc Plated Steel	RDS50*
Door Switch, "Off" When Door is Open, Switch with Cover Plate and Box	3A 125V AC	Zinc Plated Steel	RDS30*



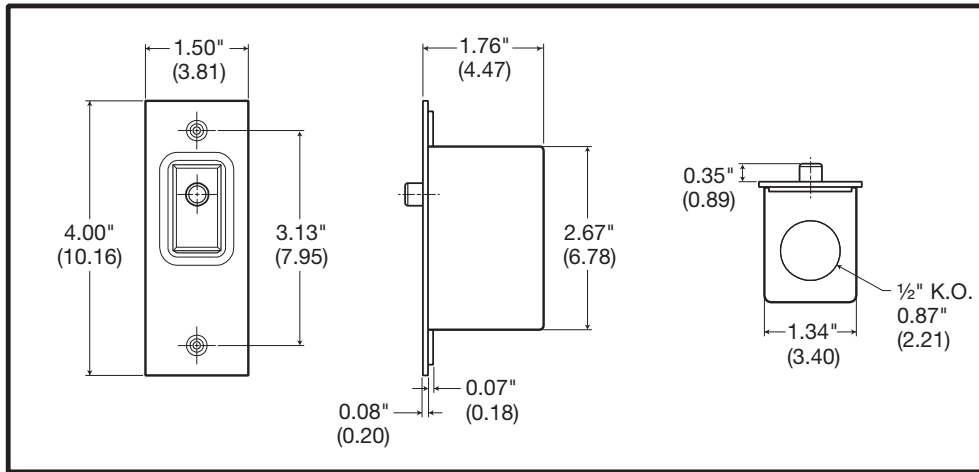
RDS50



RDS30

Note: *Not UL Listed.

Product Dimensions



In-Line Cord Switches

Description	Rating	Color	Catalog Numbers
Mini In-Line Cord Switch, #18 AWG, For Use with Flat Lamp Cord, SPT 1 and SPT 2	6A 125V AC	White	RS100W
Heavy Duty In-Line Cord Switch, 18/2-16/2, SPT 1 and SPT 2	6A 125V AC 1/6 HP	Ivory White	RS101 RS101W



RS100W



RS101W



homeSELECT™

Decorator Dimmers and Fan Speed Controls

Lighting Controls



Rocker lighting controls enable the user to operate the device similar to switches, but with the convenience of dimming. The side slide adjustment is built into the frame and out of the way, but there when you need it.

- Matches decorator devices.
- Easy to activate.
- Large heat sink for longer circuit life.
- Superior RFI suppression circuitry.
- Wire lead terminations.

**RDV600PW****Decorator Dimmers**

Description	Rating	Color	Single-Pole Catalog Numbers	Three-Way Catalog Numbers
Rocker Dimmer, Side Slide Adjustment, Incandescent, Preset with Night Light	1000W 120V AC	Almond Black Gray Ivory Light Almond White	RDV10PAL RDV10PBK RDV10PGY RDV10PI RDV10PLA RDV10PW	RDV103PAL RDV103PBK RDV103PGY RDV103PI RDV103PLA RDV103PW
Rocker Dimmer, Side Slide Adjustment, Incandescent, Preset with Night Light	600W 120V AC	Almond Black Gray Ivory Light Almond White	RDV600PAL RDV600PBK RDV600PGY RDV600PI RDV600PLA RDV600PW	RDV603PAL RDV603PBK RDV603PGY RDV603PI RDV603PLA RDV603PW
Rocker Dimmer, Magnetic Low Voltage, Preset with Night Light	600VA (450W) 120V AC	Almond Black Gray Ivory Light Almond White	RDVLV600PAL RDVLV600PBK RDVLV600PGY RDVLV600PI RDVLV600PLA RDVLV600PW	RDVLV603PAL RDVLV603PBK RDVLV603PGY RDVLV603PI RDVLV603PLA RDVLV603PW
Rocker Dimmer, Electronic Low Voltage, Preset with Night Light	300W 120V AC	Almond Black Gray Ivory Light Almond White	RDVELV300PAL RDVELV300PBK RDVELV300PGY RDVELV300PI RDVELV300PLA RDVELV300PW	RDVELV303PAL RDVELV303PBK RDVELV303PGY RDVELV303PI RDVELV303PLA RDVELV303PW
Requires neutral				

Fan Speed Controls**RDVFSQFW**

Description	Rating	Color	Single-Pole/Three-Way Catalog Numbers
Rocker Fan Control, 3-Speed, Slide Adjustment	1.5A 120V AC	Almond Black Gray Ivory Light Almond White	RDVFSQFAL RDVFSQFBK RDVFSQFGY RDVFSQFI RDVFSQFLA RDVFSQFW

homeSELECT™ Slide Dimmers and Fan Speed Controls

Lighting Controls



Slide lighting controls provide preset on/off action and dimming. The slide bar provides a visual indication of the preset light level.

- Matches decorator devices.
- Easy to activate.
- Large heat sink for longer circuit life.
- Superior RFI suppression circuitry.
- Wire lead terminations.

Slide Dimmers

Description	Rating	Color	Single-Pole Catalog Numbers	Three-Way Catalog Numbers
Slide Dimmer, Incandescent, Preset with On/Off Switch	1000W 120V AC	Almond Ivory Light Almond White	RS10PAL RS10PI RS10PLA RS10PW	RS103PAL RS103PI RS103PLA RS103PW
Slide Dimmer, Incandescent, Preset with On/Off Switch	600W 120V AC	Almond Ivory Light Almond White	RS600PAL RS600PI RS600PLA RS600PW	RS603PAL RS603PI RS603PLA RS603PW
Slide Dimmer, Magnetic Low Voltage, Preset with On/Off Switch	600VA (450W) 120V AC	Almond Ivory Light Almond White	RSLV600PAL RSLV600PI RSLV600PLA RSLV600PW	RSLV603PAL RSLV603PI RSLV603PLA RSLV603PW
Slide Dimmer, Electronic Low Voltage, Preset with On/Off Switch	300W 120V AC	Almond Ivory Light Almond White	RSELV300PAL RSELV300PI RSELV300PLA RSELV300PW	RSELV303PAL RSELV303PI RSELV303PLA RSELV303PW

Requires neutral

Fan Speed Controls

Description	Rating	Color	Single-Pole Catalog Numbers	Three-Way Catalog Numbers
Slide Fan Control, Slide To Off, 3-Speed	1.5A 120V AC	Almond Ivory Light Almond White	RSFSQFAL RSFSQFI RSFSQFLA RSFSQFW	— — — —
Combination Slide Dimmer, Incandescent and 3-Speed Fan Control	300W 1.5A 120V AC	Almond Ivory Light Almond White	RS2LFSQAL RS2LFSQI RS2LFSQLA RS2LFSQW	— — — —
Replacement Slide Knobs		Almond Ivory Light Almond White		RSKAL RSKI RSKLA RSKW



RS600PW



RSFSQFW



RS2LFSQW



RSKW



RSKI

homeSELECT™

Toggle Dimmers and Fan Speed Controls

Lighting Controls



Toggle lighting controls provide the perfect look to match traditional interiors. The side slide adjustment is built into the frame and out of the way, but there when you need it.

- Matches traditional styling.
- Easy to activate.
- Large heat sink for longer circuit life.
- Superior RFI suppression circuitry.
- Wire lead terminations.

**RAY600PW****Toggle Dimmers**

Description	Rating	Color	Single-Pole Catalog Numbers	Three-Way Catalog Numbers
Toggle Dimmer, Incandescent, Preset,	1000W 120V AC	Almond Ivory Light Almond White	RAY10PAL RAY10PI RAY10PLA RAY10PW	RAY103PAL RAY103PI RAY103PLA RAY103PW
Toggle Dimmer, Incandescent, Preset, Terminal Screws on 600 watt version	600W 120V AC	Almond Ivory Light Almond White	RAY600PAL RAY600PI RAY600PLA RAY600PW	RAY603PAL RAY603PI RAY603PLA RAY603PW

**RAYFSQFW****Fan Speed Controls**

Description	Rating	Color	Single-Pole/Three-Way Catalog Numbers
Toggle Fan Control, 3-Speed	1.5A 120V AC	Almond Ivory Light Almond White	RAYFSQFAL RAYFSQFI RAYFSQFLA RAYFSQFW
Combination Toggle Fan/Light Controls, Incandescent and 3-Speed Fan Control	300W 1.5 A 120V AC	Almond Ivory Light Almond White	RAY2LFSQAL RAY2LFSQI RAY2LFSQLA RAY2LFSQW

**RAY2LFSQW**

homeSELECT™ Rotary Dimmers and Fan Speed Controls

Lighting Controls



Rotary lighting controls provide for basic adjustment of light and fans in an economical package.

- Fit with toggle wallplates.
- Easy to activate.
- Large heat sink for longer circuit life.
- Superior RFI suppression circuitry.

Rotary Dimmers

Description	Rating	Color	Single-Pole Catalog Numbers	Three-Way Catalog Numbers
Rotary On/Off Dimmer, Incandescent	600W 120V AC	Ivory White	RD600RI RD600RW	— —
Rotary Push On/Off Dimmer, Incandescent	600W 120V AC	Ivory/White	RD600PDK	RD603PDK
Control knobs included for both Ivory and White.				
Replacement Knobs for Rotary/Push Dimmer Two (2) Piece Kit		Ivory/White	RRKDK	



RD600RW



RRKDK

Fan Speed Controls

Description	Rating	Color	Single-Pole Catalog Numbers	Three-Way Catalog Numbers
Rotary On/Off Fan Control, 3-Speed	1.5A 120V AC	Ivory/White	RFSQ2FDK	—
Control knobs included for both Ivory and White.				
Replacement Knobs for 3-Speed Fan Control		Ivory White	R28032406 R28032401	



RFSQ2FDK



R28032401

R28032406

homeSELECT™ Occupancy Sensors

Lighting Controls



Auto-on occupancy sensors turn on the load when motion is detected in an area. The device turns lights off when motion ceases.

- Passive infrared sensing technology.
- Photocell equipped.
- Delayed off, adjustment from 30 seconds to 30 minutes.
- Durable thermoplastic construction.
- LED motion detector indicator.
- 6 inch wire lead terminations.



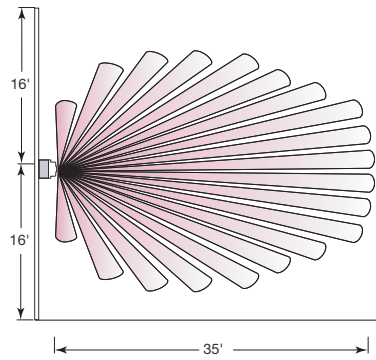
RMS101W



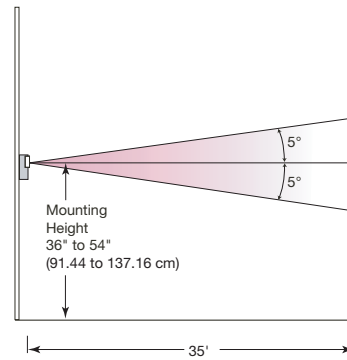
RMS121ILW

Occupancy Sensors

Description	Rating	Color	Standard Catalog Numbers	With Nightlight Catalog Numbers
Occupancy Sensor, Single-Pole Switch for Basic On/Off Control, 150° View	500W 120V AC Incandescent only	Almond Ivory Light Almond White	RMS101AL RMS101I RMS101LA RMS101W	RMS101ILAL RMS101ILI RMS101ILLA RMS101ILW
Occupancy Sensor, Single-Pole Switch with Dimming for Enhanced Control, 150° View	500W 120V AC Incandescent only	Almond Ivory Light Almond White	RMS121AL RMS121I RMS121LA RMS121W	RMS121ILAL RMS121ILI RMS121ILLA RMS121ILW



Horizontal Coverage

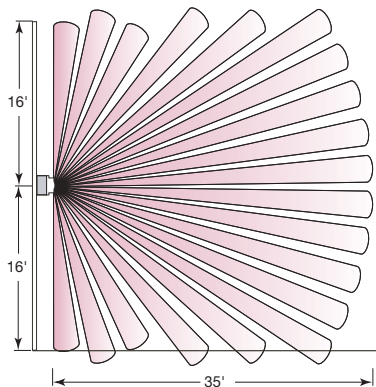


Vertical Coverage

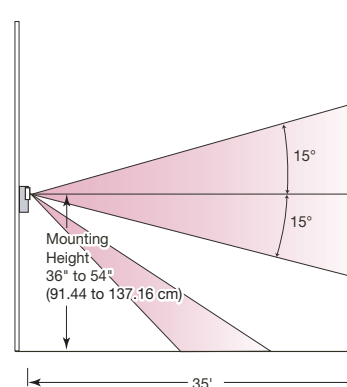


RMS141W

Description	Rating	Color	Catalog Numbers
Occupancy Sensor, Heavy Duty, 180° View	800W Inc., 1000W Fluor., 120V AC 1800W Fluor., 277V AC 1/6 HP 120V AC	Almond Ivory White	RMS141AL RMS141I RMS141W



Horizontal Coverage



Vertical Coverage

homeSELECT™ Vacancy Sensors

Lighting Controls



California Title 24 Compliant Sensors.
Vacancy sensor switches are specifically designed for California Title 24 compliance. When a person enters an area, the manual switch must be pressed to turn on the light. The device turns lights off when motion ceases.

- Passive infrared sensing technology.
- Patent pending “alert to off” feature dims lights prior to off. If motion is sensed within 30 seconds, the RMS 100 & 120 units return to full brightness.
- Sensor remains on with motion.
- LED motion indicator.
- 6 inch wire lead terminations.

Occupancy Sensors

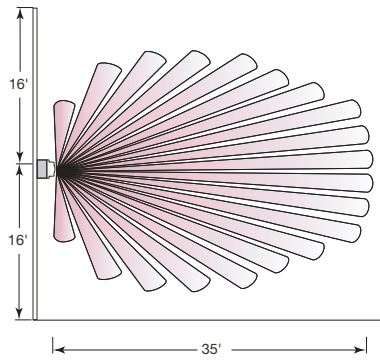
Description	Rating	Color	Standard Catalog Numbers	With Nightlight Catalog Numbers
Vacancy Sensor, Single-Pole Switch for Basic On/Off Control, 150° View	500W 120V AC Incandescent only	Almond Ivory Light Almond White	RMS100AL RMS100I RMS100LA RMS100W	RMS100ILAL RMS100ILI RMS100ILLA RMS100ILW
Vacancy Sensor, Single-Pole Switch with Dimming for Enhanced Control, 150° View	500W 120V AC Incandescent only	Almond Ivory Light Almond White	RMS120AL RMS120I RMS120LA RMS120W	RMS120ILAL RMS120ILI RMS120ILLA RMS120ILW



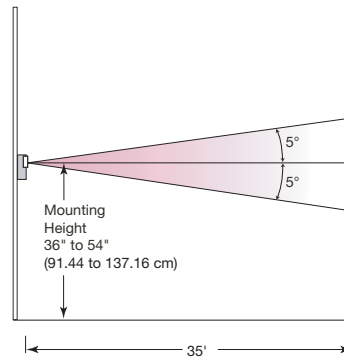
RMS100W



RMS120IW



Horizontal Coverage

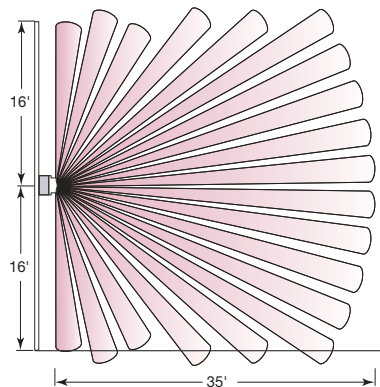


Vertical Coverage

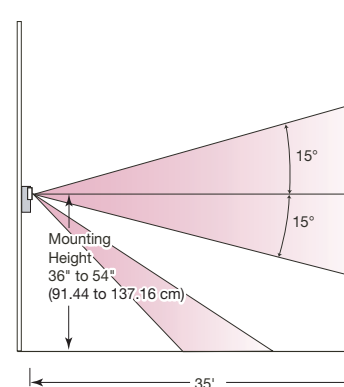
Description	Rating	Color	Catalog Numbers
Vacancy Sensor, Heavy Duty, 180° View	800W Inc., 1000W Fluor., 120V AC 1800W Fluor., 277V AC 1/8 HP 120V AC	Almond Ivory White	RMS140AL RMS140I RMS140W



RMS140W



Horizontal Coverage



Vertical Coverage

homeSELECT™ Floor Boxes For Wood Floors

Power Delivery

homeSELECT™ Wood Floor Boxes allow for the placement of electrical power or a combination of power and voice/data devices. Boxes easily mount into the floor and are height adjustable (up to ¾ inch) for optimal alignment and fit. UL Listed E31999 and CSA Certified.

Removable neoprene gaskets allow for independent use of either side of the receptacle with the cover closed.

Back and side knockouts for proper wiring access.

Low voltage divider optional, provides for power and voice/data in a compact space.

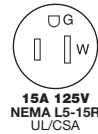
Pre-assembled flange and cover for fast installation.

Top screw fastening and side joist mounting provided.

Recessed receptacle minimizes plug protrusion, allowing furniture to be located over the plug.

Height accessible adjustments after the box is mounted.

Template cutout provided with instructions for proper installation.



RF515BR



RF506BR



RF500



RF507BR

Floor Boxes For Wood Floors

Description	Material/Color	Catalog Numbers
Decorator Duplex Receptacle Floor Box Kit Includes steel box, flange and hinged door cover assembly with duplex receptacle. Available in solid brass or durable powder coat painted finish.	Solid Brass Stainless Finish Almond Black Chestnut Brown	RF515BR RF515SS RF515AL RF515BK RF515BN
Designed for installation in wood floors, mounts to sub floor between joists.		
Flange and Hinged Door Cover Assembly Includes duplex receptacle, neoprene gaskets, for use with steel box RF500.	Solid Brass Stainless Finish Almond Black Chestnut Brown	RF506BR RF506SS RF506AL RF506BK RF506BN
Adjustable Floor Box 3 inches Deep Three ½-inch knockouts: One on bottom, one on each side, non-metallic sheathed cable clamps on each side.	Steel	RF500
Hinged Door Cover Only Replacement door for RF515 and RF506 series.	Solid Brass Stainless Finish Almond Black Chestnut Brown	RF507BR RF507SS RF507AL RF507BK RF507BN

homeSELECT™ Floor Boxes For Wood Floors

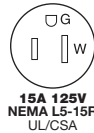
Power Delivery



Duplex floor receptacles provide ample connections to service lighting, entertainment equipment and computers for family rooms and offices. Single receptacle configurations available for minimum requirements.

- Metal covers feature electrostatic powder coating that resists wear and provides a distinctive finish.
- Recessed GFCI/Decorator opening.
- Cut out template provided to assure proper sub-flooring preparation.

Floor Boxes For Wood Floors



Description	Material	15A 125V NEMA L5-15R UL/CSA		20A 125V NEMA L5-20R UL/CSA	
		Tamper Resistant Catalog Numbers	Standard Catalog Numbers	Tamper Resistant Catalog Numbers	Standard Catalog Numbers
Drop In Floor Box Mounts in 2½ inch hole opening. Includes solid brass cover, single tamper-resistant receptacle, optional device mounts for two (2) voice/data video ports. Suitable for feed through circuitry. Impact resistant box.	Solid Brass	—	RF151R	—	RF201R
Single Receptacle Floor Box Rated Includes steel box, single receptacle and cover.	Brass	RF151TR	RF151	—	—
Single Receptacle Display Rated Receptacle and cover only, excludes box.	Brass	—	RF151D	—	—
JLOAD™ Multimedia Outlet Specifically designed to provide power, Cat. 5e and coaxial in a single gang box. Requires JLOAD™ Multimedia Box RF500. Perfect for HDTV and computer use where a combination of power and data are needed. Includes decorator frame, one Cat. 5e, one F-connector and one power receptacle 125V with voltage divider.	Almond Black Gray Ivory Light Almond White	RJ650ALTR RJ650BKTR RJ650GYTR RJ650ITR RJ650LATR RJ650WTR	RJ650AL RJ650BK RJ650GY RJ650I RJ650LA RJ650W	RJ620ALTR RJ620BKTR RJ620GYTR RJ620ITR RJ620LATR RJ620WTR	RJ620AL RJ620BK RJ620GY RJ620I RJ620LA RJ620W
JLOAD™ Multimedia Outlet Includes decorator frame with two open ports for custom configuration and one power receptacle 125V with voltage divider.	Almond Black Gray Ivory Light Almond White	RJ65ALTR RJ65BKTR RJ65GYTR RJ65ITR RJ65LATR RJ65WTR	RJ65AL RJ65BK RJ65GY RJ65I RJ65LA RJ65W	RJ62ALTR RJ62BKTR RJ62GYTR RJ62ITR RJ62LATR RJ62WTR	RJ62AL RJ62BK RJ62GY RJ62I RJ62LA RJ62W



RF151R



RF151



RF151D



RJ650BK



RJ65BK

Note: *Refer to Technical section X, page X-8 for TR description.

homeSELECT™ Floor Boxes For Concrete Floors

Power Delivery

homeSELECT™ Round Non-Metallic Floor Box offers an economical solution for electrical power or a combination of power and voice/data applications. Designed specifically for slab-on-grade installation. Quick and easy installation is assured using a push in place leveling system. UL Listed E92074.



homeSELECT™ Floor Boxes For Concrete Floors

Power Delivery



After the box has been secured in concrete, cut for height, apply PVC glue and push the cover assembly into the box. No fasteners or adjustment screws required.

- 4 inch minimum concrete pour.
- Recessed GFCI/Decorator opening.
- Self height and leveling ring, no adjustments.
- UL Listed E92074 Floor Box.

Floor Boxes For Concrete Floors

Description	Rating	Material/Color	Catalog Numbers
Flange and Hinged Door Cover Assembly Includes duplex receptacle, gasket, floor leveling PVC ring, high impact and chemically resistant nylon. Factory pre-assembled for easy drop-in installation.	15A 125V NEMA 5-15R	Solid Brass	RF406BR
		Almond	RF406AL
		Black	RF406BK
PVC Floor Box with Concrete Protective Cover Accepts ¾ in. and 1.0 in. schedule 40 and schedule 80 PVC conduit. Includes round box (4⅞ in. diameter x 6.0 in. deep), four reducers, closure plugs, and concrete cover with locator flag.		Gray	RF400
Hinged Nylon Replacement Door Cover Includes neoprene gasket to seal plug openings. Replacement cover for RF406 series.		Solid Brass	RF407BR
		Almond	RF407AL
		Black	RF407BK
Low Voltage Divider For use in PVC box RF400, when JLOAD™ Multimedia Outlet is used.		Gray	RF408



RF406BK



RF400

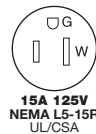


RF407BK



RF408

JLOAD™ Multimedia Outlet



Description	Material	15A 125V NEMA L5-15R UL/CSA		20A 125V NEMA L5-20R UL/CSA	
		Tamper Resistant Catalog Numbers	Standard Catalog Numbers	Tamper Resistant Catalog Numbers	Standard Catalog Numbers
JLOAD™ Multimedia Outlet Specifically designed to provide power, Cat. 5e and coaxial in a single gang box. Requires Low Voltage Divider RF408 when used in PVC Box RF400. Perfect for HDTV and computer use where a combination of power and data are needed. Includes decorator frame, one Cat. 5e, one F-connector and one power receptacle 125V with voltage divider.	Almond	RJ650ALTR	RJ650AL	RJ620ALTR	RJ620AL
	Black	RJ650BKTR	RJ650BK	RJ620BKTR	RJ620BK
	Gray	RJ650GYTR	RJ650GY	RJ620GYTR	RJ620GY
	Ivory	RJ650ITR	RJ650I	RJ620ITR	RJ620I
	Light Almond	RJ650LATR	RJ650LA	RJ620LATR	RJ620LA
JLOAD™ Multimedia Outlet Includes decorator frame with two open ports for custom configuration and one power receptacle 125V with voltage divider.	White	RJ650WTR	RJ650W	RJ620WTR	RJ620W
	Almond	RJ65ALTR	RJ65AL	RJ62ALTR	RJ62AL
	Black	RJ65BKTR	RJ65BK	RJ62BKTR	RJ62BK
	Gray	RJ65GYTR	RJ65GY	RJ62GYTR	RJ62GY
	Ivory	RJ65ITR	RJ65I	RJ62ITR	RJ62I
Light Almond	RJ65LATR	RJ65LA	RJ62LATR	RJ62LA	
	White	RJ65WTR	RJ65W	RJ62WTR	RJ62W



RJ650BK



RJ65BK

Note: *Refer to Technical section X, page X-8 for TR description.

homeSELECT™

Under Cabinet/Counter Power Distribution*Power Delivery****Make The Most Of A Perfect Location.***

Install receptacles and voice/data devices exactly where they are needed.

UNDER CABINET POWER DISTRIBUTION HAS NEVER BEEN SO CONVENIENT

homeSELECT™ Slim Fit and GFCI Fit Surface Boxes enable receptacles and voice/data products to be surface mounted exactly where they are needed. Similar to under cabinet lighting products, these surface boxes provide a precise fit—horizontally or vertically.

**UNDER COUNTER
POWER DISTRIBUTION**

Use the new JLOAD™ Multimedia Outlet, specifically designed to provide power, Category 5e and coaxial. Perfect for under cabinet TV, DVD and security systems. Enables multiple service in a small area.

KEEP KITCHENS BEAUTIFUL

Don't compromise the decorative look of a granite backsplash or designer tiling. Instead of placing receptacles in the wall, hide them beneath cabinets and counters.



homeSELECT™ Under Cabinet/Counter Power Distribution



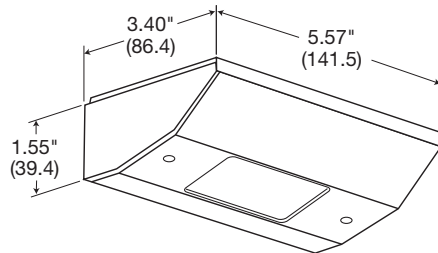
Power Delivery

homeSELECT™ Under Cabinet/Counter Boxes provide a convenient, out-of-sight way to distribute power and voice/data. These boxes comply with the NEC® for kitchen receptacles, with placement not more than 20 inches above the counter surface. They can also be placed under counter islands, not lower than 15 inches from the surface.

- Available with nylon or metal cover.
- Custom configurable, accepts any decorator style device.
- Mounting hardware included.
- UL Listed E31999 and CSA Certified under cabinet boxes.

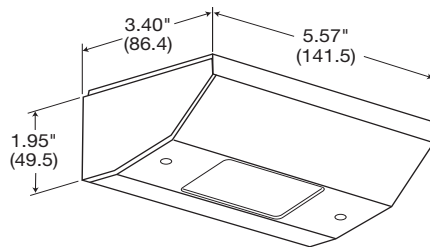
Under Cabinet/Counter Power Distribution

Description	Material/Color	Catalog Numbers
Slim Fit Box Offers the slimmest, sleekest, most stylish option for low profile, out-of-sight mounting. Devices sold separately.	Stainless Steel White Metal White Nylon	RU100SS RU100W RU170W*



RU100W

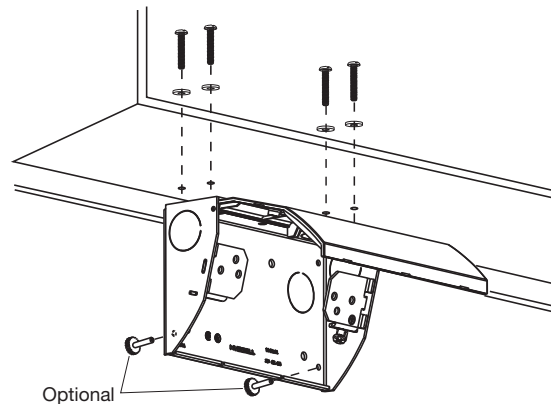
GFCI Fit Box Designed specifically for GFCI or JLOAD™ accommodation where internal wiring space is needed. Devices sold separately.	Stainless Steel White Metal White Nylon	RU200SS RU200W RU270W*
--	---	---



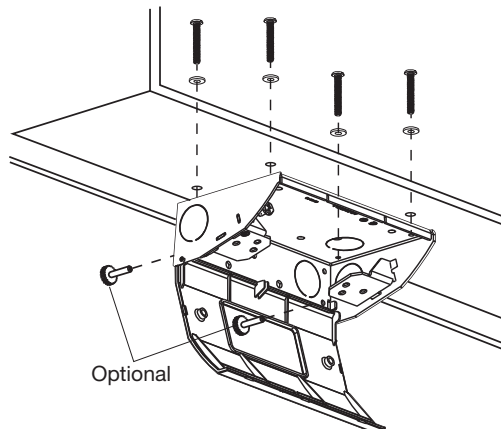
RU200SS

Note: * Steel box with nylon cover.

Vertical Mount



Horizontal Mount



homeSELECT™ JLOAD™ Multimedia Outlet

Power Delivery

Make The Most Of A Perfect Location.

Install receptacles and voice/data devices exactly where they are needed, in the smallest space possible.

Provides for data, telephone and coaxial.

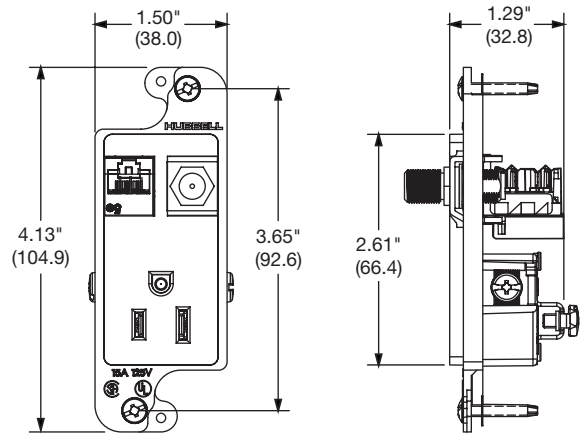


Accepts any snap fit jack configuration (see pages V-51 and V-52).

Isolates low voltage and power in the same box.

Custom mounting.

Available in 15 or 20 amp.



Requires unique box shown below.



RJ620W

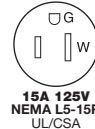


RJ62W



RJ600

JLOAD™ Multimedia Outlet



15A 125V
NEMA L5-15R
UL/CSA



20A 125V
NEMA L5-20R
UL/CSA

Description	Color	15A 125V NEMA L5-15R UL/CSA		20A 125V NEMA L5-20R UL/CSA	
		Tamper Resistant Catalog Numbers	Standard Catalog Numbers	Tamper Resistant Catalog Numbers	Standard Catalog Numbers
JLOAD™ Multimedia Outlet Specifically designed to provide power, Cat. 5e and coaxial in a single gang box. Requires JLOAD™ Multimedia Box RJ600. Perfect for HDTV and computer use where a combination of power and data are needed. Includes decorator frame, one Cat. 5e, one F-connector and one power receptacle 125V with voltage divider.	Almond	RJ650ALTR	RJ650AL	RJ620ALTR	RJ620AL
	Black	RJ650BKTR	RJ650BK	RJ620BKTR	RJ620BK
	Gray	RJ650GYTR	RJ650GY	RJ620GYTR	RJ620GY
	Ivory	RJ650ITR	RJ650I	RJ620ITR	RJ620I
	Light Almond	RJ650LATR	RJ650LA	RJ620LATR	RJ620LA
	White	RJ650WTR	RJ650W	RJ620WTR	RJ620W
JLOAD™ Multimedia Outlet Includes decorator frame with two open ports for custom configuration and one power receptacle 125V with voltage divider.	Almond	RJ65ALTR	RJ65AL	RJ62ALTR	RJ62AL
	Black	RJ65BKTR	RJ65BK	RJ62BKTR	RJ62BK
	Gray	RJ65GYTR	RJ65GY	RJ62GYTR	RJ62GY
	Ivory	RJ65ITR	RJ65I	RJ62ITR	RJ62I
	Light Almond	RJ65LATR	RJ65LA	RJ62LATR	RJ62LA
	White	RJ65WTR	RJ65W	RJ62WTR	RJ62W
JLOAD™ Multimedia Box 3.0 inches deep with seven 1/2-inch knockouts, non-metallic sheathed cable clamps on each side. Screw in mounting to stud.	Steel	RJ600	RJ600	RJ600	RJ600

Note: *Refer to Technical section X, page X-8 for TR description.

homeSELECT™ Incandescent Lampholders

Lampholders and Accessories



Lampholders provide for lighting in unfinished areas such as attics and basements. Porcelain is excellent for high heat environments, while plastic is light weight and virtually unbreakable.

- 4 screw termination allows for quick feed through.
- 6 inch pigtail accommodates twist-on wire connectors.
- UL Listed and cUL.

Porcelain Lampholders

Description	Rating	Color	Catalog Numbers
Porcelain Lampholder, Keyless, 4 Terminal Screws	660W 250V	White	RL8804
Porcelain Lampholder, Keyless, 6" Pigtails	660W 250V	White	RL8806
Porcelain Lampholder, Pull Chain, 2 Terminal Screws	660W 250V	White	RL8812
Porcelain Lampholder, Pull Chain, 6" Pigtails	660W 250V	White	RL8816
Porcelain Lampholder, Pull Chain with Receptacle, 2 Terminal Screws	660W 250V 15A 125V NEMA 5-15R	White	RL8822



RL8804



RL8812



RL8822

Plastic Lampholders

Description	Rating	Color	Catalog Numbers
Plastic Lampholder, Keyless, 4 Terminal Screws	660W 600V	White	RL8504
Plastic Lampholder, Keyless, 6" Pigtails	660W 600V	White	RL8506
Plastic Lampholder, Pull Chain, 2 Terminal Screws	660W 250V	White	RL8512
Plastic Lampholder, Pull Chain, 6" Pigtails	660W 250V	White	RL8516



RL8504



RL8516

homeSELECT™ Fluorescent Lampholders

Lampholders and Accessories



Fluorescent lampholders are factory replacements to repair existing lighting fixtures.

- Thermoplastic construction available for HO (High Output), slimline, or bi-pin types.
- UL Listed and cULus.

Fluorescent Lampholders



RL305

RL306

Description	Rating	Color	Plunger Catalog Numbers	Fixed Catalog Numbers
Fluorescent Lampholder, Pedestal Type for High Output Lamp, Slide-On Base, Push Wire Terminations	660W 600V	White	RL305	RL306



RL310

RL311

Fluorescent Lampholder, Pedestal Type for Slimline Single Pin Lamp, Slide-On Base, Push Wire Terminations	660W 600V	White	RL310	RL311
---	-----------	-------	--------------	--------------



RL320

Fluorescent Lampholder, Medium Bi-Pin, Tall Profile, Slide-On 4-Wire with Captive Nut, Push Wire Terminations	660W 600V	White	—	RL320
---	-----------	-------	---	--------------



RL325

Fluorescent Lampholder, Medium Bi-Pin, Low Profile, Push Wire Terminations, Slide-On 4-Wire with Captive Nut, Slide-On 4-Wire, Slide-On 2-Wire	660W 600V	White	—	RL325
	660W 600V	White	—	RL325A
	660W 600V	White	—	RL325B

homeSELECT™ Lampholders Accessories

Lampholders and Accessories



Standard screw shell lampholders are factory replacements to repair existing lighting fixtures.

- UL Listed and cUL.

Lampholder Accessories

Description	Rating	Color	Catalog Numbers
Incandescent Lampholder, Medium Base, Turn Knob, On/Off	250W 250V	Brass	RL101
Medium Base, Turn Knob, Three-Way, Low, Medium and High		Brass	RL102
Incandescent Lampholder, Medium Base, Push Through, On/Off	660W 250V	Brass	RL105
Incandescent Lampholder, Medium Base, Keyless	660W 250V	Brass	RL100
Incandescent Lampholder, Medium Base, Pull Chain, On/Off	660W 250V	Brass	RL106
HID Lampholder, Prefocus type Medium Base Bayonet, Porcelain Surface or clamp mounting	1200W 250V	White	RL3742
Porcelain Socket Extension, Medium to Medium	600W 250V	White	RL150
Pony Cleat, Medium Base, Porcelain	660W 250V	White	RL152
Medium Base, Plastic		Black	RL153



RL101



RL105



RL100



RL106



RL3742



RL150



RL152

homeSELECT™ Lampholders Accessories

Lampholder and Accessories



- UL Listed and cUL.

Lampholder Accessories

Description	Rating	Color	Catalog Numbers
Pigtail Medium Base Socket with 6 inch Leads, Rubber with #14 Gauge Wire	660W 250V	Black	RL124



RL124

Approved for use at construction sites when used with bulb cages. Acceptable for open wiring without an outlet box when using suitable splices.

Phenolic Medium Base Socket with Hook, Insulation Piercing Termination	660W 250V	Black	RL124H
--	-----------	-------	---------------



RL124H

Outlet Adapter, 2 Prong Plug to Medium Lampholder	15A 125V NEMA 1-15P	Ivory	RL200
---	------------------------	-------	--------------



RL200

Medium Lampholder Adapter, Medium Lampholder to Outlet, without Ground	15A 125V NEMA 1-15R	Ivory	RL201
--	------------------------	-------	--------------



RL201

Medium Lampholder to Lampholder Adapter, Pull Chain with Two 2-Prong Outlets, without Ground	660W 250V 15A 125V NEMA 1-15R	Black	RL202
--	-------------------------------------	-------	--------------



RL202

homeSELECT™ Plugs, Taps and Adapters

Lampholders and Accessories



Taps provide a convenient and safe way to accommodate additional power connections.

- Molded of high impact-resistant plastic for long-term durability.
- Available from single to six outlets.
- UL Listed and cUL.

Plugs, Taps and Adapters

Description	Rating	Color	Catalog Numbers
Duplex Receptacle to Six Outlets, with Ground	15A 125V AC NEMA 5-15	Ivory White	RT600I RT600W
Single Receptacle to Three Outlets, with Ground	15A 125V AC NEMA 5-15	Ivory White	RT300I RT300W
Single Receptacle to Three Outlets, Heavy Duty Rubber, with Ground	15A 125V AC NEMA 5-15	Orange	RT303
Two Wire to U-Ground	15A 125V AC NEMA 1-15P to NEMA 5-15R	Ivory	RT200*
Cube Tap, without Ground	15A 125V AC NEMA 1-15	White	RT100W



RT600W



RT300W



RT303



RT200



RT100W

Note: *UL Listed only.

homeSELECT™ Plugs, Taps and Adapters

Lampholders and Accessories



Polarized and non-polarized plugs and connectors for lamps and appliances.

- Plug replacement and repair.
- Made of high impact-resistant thermoplastic for safety and long-term durability.
- UL 1706 and CSA Certified.

Plugs, Taps and Adapters

	Description	Rating	Color	Catalog Numbers
	Straight Plug, Non-Polarized, Two Blade, SPT 1 and 2 Cord 18/2 & 16/2 AWG	15A 125V NEMA 1-15P	Ivory White	RP123I RP123W
RP123I				
	Straight Plug, Polarized, Two Blade, SPT 1 and 2 Cord 18/2 & 16/2 AWG	15A 125V NEMA 1-15P	Ivory White	RP123PI RP123PW
RP123PI				
	Straight Plug, Polarized, Two Blade, Light Duty, Wire Range: #16,18 AWG, Up to .250 inch Diameter Cord	15A 125V NEMA 1-15P	Black White	RP101BK RP101W
RP101BK				
	Straight Connector, Polarized, Two Blade, Light Duty, Wire Range: #16,18 AWG, Up to .250 inch Diameter Cord	15A 125V NEMA 1-15R	Black White	RP102BK RP102W
RP102BK				
	Straight Plug, Non-Polarized, Two Blade, Heavy Duty, Wire Range: #14-18 AWG, Up to .330 inch Diameter Cord	15A 125V NEMA 1-15P	Black	RP646
RP646				
	Straight Plug, Polarized, Two Blade, Heavy Duty, Wire Range: #14-18 AWG, Up to .330 inch Diameter Cord	15A 125V NEMA 1-15P	Black	RP648
RP648				
	Straight Connector, Polarized, Two Blade, Heavy Duty, Wire Range: #14-18 AWG, Up to .330 inch Diameter Cord	15A 125V NEMA 1-15R	Black	RP649
RP649				

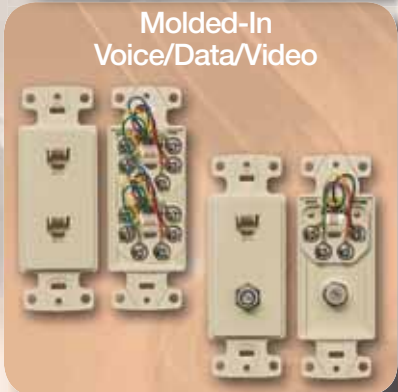
Section V netSELECT™ - Structured Wiring

Index

netSELECT™ - Structured Wiring	Page
Data Communications and Audio Video	
Voice/Data Jacks	V-50
Audio/Video Connectors	V-52
Multimedia Face Plates	V-53
Decorator Frames.	V-54
HDMI Products.	V-55
Molded-In Voice/Data/Video	V-56
Molded-In Plates	V-58
Telephone Wall Jacks.	V-60
 Structured Wiring	
Advantages and Wiring Layout	V-62
Network Enclosures	V-64
Network Modules	V-65
Audio/Video Modules.	V-66
Accessories	V-67
Universal Consolidation Blocks, Patch Panels and Patch Cords.	V-68



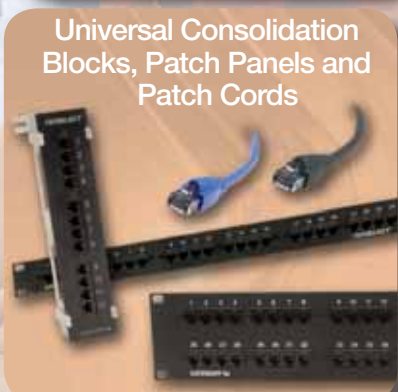
Decorator Products



Molded-In Voice/Data/Video



Structured Wiring



Universal Consolidation Blocks, Patch Panels and Patch Cords

netSELECT™
Voice/Data Jacks

Data Communications and Audio Video

Voice/Data Jacks

Aesthetics with performance.

Recessed gold plated F-connectors for enhanced look.

Voice/Data jacks and AV products allow for custom configuration.



Molded-in icons attractively identify jacks for computer or voice use.



Color Selection

Jack Color Options (Suffix)

AL=Almond BK=Black B=Blue GY=Gray EI=Ivory LA=Light Almond OR=Orange W=White



netSELECT™ Voice/Data Jacks

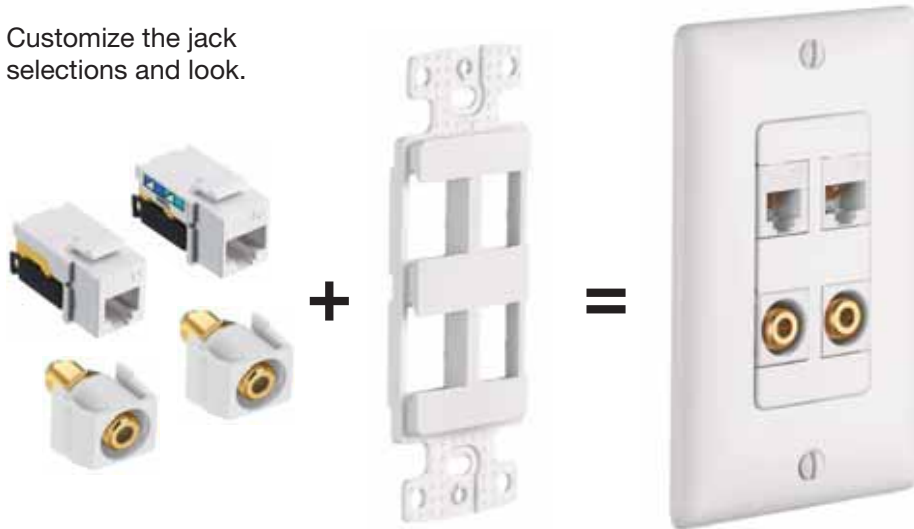
Data Communications and Audio Video



netSELECT™ Voice/Data Jacks provide for a wide range of applications ranging from high performance data demands of Cat. 6 and Cat. 5e, to simple voice grade USOC jacks.

- Easy to terminate angled wiring towers.
- Meets FCC part 68.
- Meets and exceeds ANSI/TIA - Category 6 and Category 5e standards.
- UL Listed and CSA Certified.

Customize the jack selections and look.



Modular Snap Fit Jacks

Description	Color	Catalog Numbers	Bag of 25 Catalog Numbers
Category 6 Jacks	Almond	NSJ6AL	NSJ6AL25
	Black	NSJ6BK	NSJ6BK25
	Blue	NSJ6B	NSJ6B25
	Gray	NSJ6GY	NSJ6GY25
	Green	NSJ6GN	NSJ6GN25
	Ivory	NSJ6I	NSJ6I25
	Light Almond	NSJ6LA	NSJ6LA25
	Orange	NSJ6OR	NSJ6OR25
	Red	NSJ6R	NSJ6R25
	White	NSJ6W	NSJ6W25
	Yellow	NSJ6Y	NSJ6Y25
Category 5e Jacks	Almond	NSJ5EAL	NSJ5EAL25
	Black	NSJ5EBK	NSJ5EBK25
	Blue	NSJ5EB	NSJ5EB25
	Gray	NSJ5EGY	NSJ5EGY25
	Green	NSJ5EGN	NSJ5EGN25
	Ivory	NSJ5EI	NSJ5EI25
	Light Almond	NSJ5ELA	NSJ5ELA25
	Orange	NSJ5EOR	NSJ5EOR25
	Red	NSJ5ER	NSJ5ER25
	White	NSJ5EW	NSJ5EW25
	Yellow	NSJ5EY	NSJ5EY25
Category USOC Jacks	Almond	NSJUAL	—
	Black	NSJUBK	—
	Blue	NSJUB	—
	Gray	NSJUGY	—
	Green	NSJUGN	—
	Ivory	NSJUI	—
	Light Almond	NSJULA	—
	Orange	NSJUOR	—
	Red	NSJUR	—
	White	NSJUW	—
	Yellow	NSJUY	—



NSJ6W



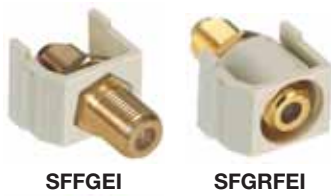
NSJ5EW



NSJUW

Note: For a complete list of A/V and fiber snap fits see section P.

Audio/Video Connectors



Description	Color	Standard Bulkhead Catalog Numbers	Recessed Catalog Numbers
Gold F-Type Coupler Bulkhead, Female to Female	Almond	SFFGAL	SFGRFAL
	Black	SFFGBK	SFGRFBK
	Gray	SFFGGY	SFGRFGY
	Ivory	SFFGEI	SFGRFEI
	Light Almond	SFFGLA	SFGRFLA
	White	SFFGW	SFGRFW



Nickel F-Type Coupler Bulkhead, Female to Female	Almond	NSF70AL	—
	Black	NSF70BK	—
	Gray	NSF70GY	—
	Ivory	NSF70I	—
	Light Almond	NSF70LA	—
	White	NSF70W	—

Nickel 90° F-Type Coupler, Male to Female Bag of 25		NSC9025	—
--	--	----------------	---



RCA Gold Pass Through, Female to Female, Red Interior	Almond	SFRCRFFAL	SFRCRRAL
	Black	SFRCRFFBK	SFRCRRBK
	Gray	SFRCRFFGY	SFRCRRGY
	Ivory	SFRCRFFEI	SFRCRREI
	Light Almond	SFRCRFFLA	SFRCRRLA
	White	SFRCRFFW	SFRCRRW



RCA Gold Pass Through, Female to Female, White Interior	Almond	SFRCWFFAL	SFRCWRAL
	Black	SFRCWFFBK	SFRCWRBK
	Gray	SFRCWFFGY	SFRCWRGY
	Ivory	SFRCWFFEI	SFRCWREI
	Light Almond	SFRCWFFLA	SFRCWRLA
	White	SFRCWFFW	SFRCWRW



RCA Gold Pass Through, Female to Female, Yellow Interior	Almond	SFRCYFFAL	SFRCYRAL
	Black	SFRCYFFBK	SFRCYRBK
	Gray	SFRCYFFGY	SFRCYRGY
	Ivory	SFRCYFFEI	SFRCYREI
	Light Almond	SFRCYFFLA	SFRCYRLA
	White	SFRCYFFW	SFRCYRW



RCA Gold Pass Through, Female to Female, Blue Interior	Almond	SFRCBFFAL	SFRCBRAL
	Black	SFRCBFFBK	SFRCBRBK
	Gray	SFRCBFFGY	SFRCBRGY
	Ivory	SFRCBFFEI	SFRCBREI
	Light Almond	SFRCBFFLA	SFRCBRLA
	White	SFRCBFFW	SFRCBRW



RCA Gold Pass Through, Female to Female, Green Interior	Almond	SFRCGNFFAL	SFRCGNRAL
	Black	SFRCGNFFBK	SFRCGNRBK
	Gray	SFRCGNFFGY	SFRCGNRGY
	Ivory	SFRCGNFFEI	SFRCGNREI
	Light Almond	SFRCGNFFLA	SFRCGNRLA
	White	SFRCGNFFW	SFRCGNRW



Blank Insert (Order 1 to receive a bag of 10 blanks)	Almond	SFSBAL10	—
	Black	SFSBBK10	—
	Gray	SFSBGY10	—
	Ivory	SFSBEI10	—
	Light Almond	SFSBLA10	—
	White	SFSBW10	—

Note: For a complete list of A/V and fiber snap fits see section P.

netSELECT™ Multimedia Face Plates offer a perfect match to electrical wallplates for a consistent smooth finish look.

- Accepts AV and Voice/Data connectors.
- High impact-resistant thermoplastic plate.
- UL Listed 1863 - Communication Circuit Accessory and CSA Certified.

Multimedia Face Plates

Description	Color	Standard Catalog Numbers	Mid-Size Catalog Numbers
1-Gang, 1-Port Plate	Almond	NSP11AL	NSP101AL
	Black	NSP11BK	NSP101BK
	Gray	NSP11GY	NSP101GY
	Ivory	NSP11I	NSP101I
	Light Almond	NSP11LA	NSP101LA
	White	NSP11W	NSP101W
1-Gang, 2-Port Plate	Almond	NSP12AL	NSP102AL
	Black	NSP12BK	NSP102BK
	Gray	NSP12GY	NSP102GY
	Ivory	NSP12I	NSP102I
	Light Almond	NSP12LA	NSP102LA
	White	NSP12W	NSP102W
1-Gang, 3-Port Plate	Almond	NSP13AL	NSP103AL
	Black	NSP13BK	NSP103BK
	Gray	NSP13GY	NSP103GY
	Ivory	NSP13I	NSP103I
	Light Almond	NSP13LA	NSP103LA
	White	NSP13W	NSP103W
1-Gang, 4-Port Plate	Almond	NSP14AL	NSP104AL
	Black	NSP14BK	NSP104BK
	Gray	NSP14GY	NSP104GY
	Ivory	NSP14I	NSP104I
	Light Almond	NSP14LA	NSP104LA
	White	NSP14W	NSP104W
1-Gang, 6-Port Plate	Almond	NSP16AL	NSP106AL
	Black	NSP16BK	NSP106BK
	Gray	NSP16GY	NSP106GY
	Ivory	NSP16I	NSP106I
	Light Almond	NSP16LA	NSP106LA
	White	NSP16W	NSP106W
2-Gang, 4-Port Plate	Almond	NSP24AL	—
	Black	NSP24BK	—
	Gray	NSP24GY	—
	Ivory	NSP24I	—
	Light Almond	NSP24LA	—
	White	NSP24W	—
2-Gang, 6-Port Plate	Almond	NSP26AL	—
	Black	NSP26BK	—
	Gray	NSP26GY	—
	Ivory	NSP26I	—
	Light Almond	NSP26LA	—
	White	NSP26W	—



NSP11I



NSP12I



NSP13I



NSP14I



NSP16I



NSP24I



NSP26I

netSELECT™ Decorator Frames

Data Communications and Audio Video



netSELECT™ Decorator Frames provide a stylized look for that finishing touch. Multimedia jacks insert into frame for custom configuration.

- Elongated strap for better wall box mounting.
- High impact-resistant thermoplastic frame.
- UL Listed 1863 - Communication Circuit Accessory and CSA Certified.

Decorator Frames



Description	Color	Catalog Numbers
1-Gang, 2-Port, Decorator Frame	Almond	NS612AL
	Black	NS612BK
	Gray	NS612GY
	Ivory	NS612I
	Light Almond	NS612LA
	White	NS612W
1-Gang, 3-Port, Decorator Frame	Almond	NS613AL
	Black	NS613BK
	Gray	NS613GY
	Ivory	NS613I
	Light Almond	NS613LA
	White	NS613W
1-Gang, 4-Port, Decorator Frame	Almond	NS614AL
	Black	NS614BK
	Gray	NS614GY
	Ivory	NS614I
	Light Almond	NS614LA
	White	NS614W
1-Gang, 6-Port, Decorator Frame	Almond	NS616AL
	Black	NS616BK
	Gray	NS616GY
	Ivory	NS616I
	Light Almond	NS616LA
	White	NS616W
1-Gang, Adapter .406 inch (10.30) Dia. Hole, Decorator Frame For use with rotary dimmers or to pull through AV or telephone cable.	Almond	NS621AL
	Ivory	NS621I
	Light Almond	NS621LA
	White	NS621W
1-Gang, Adapter Blank, Decorator Frame To fill an extra decorator opening or to create customized openings.	Almond	NS620AL
	Ivory	NS620I
	Light Almond	NS620LA
	White	NS620W



JLOAD™ Multimedia Outlet



Description	Color	15A 125V NEMA L5-15R UL/CSA		20A 125V NEMA L5-20R UL/CSA	
		Tamper Resistant Catalog Numbers	Standard Catalog Numbers	Tamper Resistant Catalog Numbers	Standard Catalog Numbers
JLOAD™ Multimedia Outlet Includes decorator frame with two open ports for custom configuration and one power receptacle 125V with voltage divider.	Almond	RJ65ALTR	RJ65AL	RJ62ALTR	RJ62AL
	Black	RJ65BKTR	RJ65BK	RJ62BKTR	RJ62BK
	Gray	RJ65GYTR	RJ65GY	RJ62GYTR	RJ62GY
	Ivory	RJ65ITR	RJ65I	RJ62ITR	RJ62I
	Light Almond	RJ65LATR	RJ65LA	RJ62LATR	RJ62LA
	White	RJ65WTR	RJ65W	RJ62WTR	RJ62W
JLOAD™ Multimedia Box 3.0 inch deep with seven ½-inch knockouts, non-metallic sheathed cable clamps on each side. Screw in mounting to stud.	Steel	RJ600	RJ600	RJ600	RJ600

Notes: See pages V-36 to V-42 for floor and under cabinet box options.
*Refer to Technical section X, page X-8 for TR description.



netSELECT™ HDMI Products

Data Communications and Audio Video



netSELECT™ HDMI Decorator Frames deliver uncompromising digital audio and video wherever you need it. Unleash the full potential of your high definition display and audio installations.

- Third party tested for 1080p resolutions.
- UL Listed - Communications Circuit Accessory and CSA Certified.

Thumbscrew prevents accidental disconnection only when used with Hubbell's HDMI patch cords.

4.0 inch flexible extension reduces bend radius issues in confined spaces.



Connector sized to fit 1.0 inch conduit.

High impact thermoplastic frame.

HDMI Products

Description	Color	Catalog Numbers
1-Gang, 1-Port HDMI, Decorator Frame, Female to Female	Almond	NS801AL
	Black	NS801BK
	Gray	NS801GY
	Ivory	NS801I
	Light Almond	NS801LA
	White	NS801W
1-Gang, 2-Port HDMI, Decorator Frame, Female to Female	Almond	NS802AL
	Black	NS802BK
	Gray	NS802GY
	Ivory	NS802I
	Light Almond	NS802LA
	White	NS802W



HDMI Cords

HDMI Device Patch Cords		Horizontal Cords (Connector to Connector)		Link Cords (Connector to Device)		Coupler Cords (Coupler to Device)	
HDMI (24 AWG)	Catalog Numbers	HDMI (24 AWG)	Catalog Numbers	HDMI (24 AWG)	Catalog Numbers	HDMI (24 AWG)	Catalog Numbers
3 ft.	HDPC03BK	XX ft.	HDHXXBK	XX ft.	HDLXXBK	XX ft.	HDCXXBK
6 ft.	HDPC06BK						

Note: XX = Length in feet. '10' = 10 ft., '15' = 15 ft., '20' = 20 ft., '25' = 25 ft., '30' = 30 ft., Black and Non-Plenum only.

netSELECT™

Molded-In Voice/Data/Video*Data Communications and Audio Video*

Designed to complement decorator styling, these jacks offer voice and Cat. 5e devices to fit within a decorator wallplate. Create a look to match your voice/data, switch, and receptacle devices.

- High impact-resistant thermoplastic frame.
- Meets FCC part 68.
- UL Listed 1863 - Communication Circuit Accessory and CSA Certified.

Molded-In Voice/Low-Speed Data**NS770I****Description**

Decorator Frame,
One RJ11 Jack,
6-Position, 4-Conductor,
Screw Terminations

Color

Almond
Black
Brown
Gray
Ivory
Light Almond
White

Catalog Numbers

NS770AL
NS770BK
NS770
NS770GY
NS770I
NS770LA
NS770W

**NS771I**

Decorator Frame,
One RJ11 Jack,
6-Position, 6-Conductor,
Screw Terminations

Almond
Brown
Ivory
Light Almond
White

NS771AL
NS771
NS771I
NS771LA
NS771W

**NS772I**

Decorator Frame,
Duplex RJ11 Jacks,
6-Position, 6-Conductor,
Screw Terminations

Almond
Ivory
Light Almond
White

NS772AL
NS772I
NS772LA
NS772W

**NS784I**

Decorator Frame,
One Cat. 5e 110 Punch-Down,
One RJ11 Jack,
6-Position, 4-Conductor,
Screw Terminations

Almond
Black
Brown
Gray
Ivory
Light Almond
White

NS784AL
NS784BK
NS784
NS784GY
NS784I
NS784LA
NS784W

netSELECT™
Molded-In Voice/Data/Video

Data Communications and Audio Video



Coaxial video and combination jacks complement multimedia needs in a 1-gang decorator opening.

- High impact-resistant thermoplastic frame.
- Jacks meet FCC part 68.
- UL Listed 1863 - Communication Circuit Accessory and CSA Certified.

Molded-In Voice/Low-Speed Data

Description	Color	Catalog Numbers
Decorator Frame, Single F-Type Coupler Bulkhead, Female to Female	Almond	NS780AL
	Ivory	NS780I
	Light Almond	NS780LA
	White	NS780W



NS780I

Decorator Frame, Duplex F-Type Coupler Bulkhead, Female to Female	Almond	NS782AL
	Ivory	NS782I
	Light Almond	NS782LA
	White	NS782W



NS782I

Decorator Frame, One RJ11 Jack, 6-Position, 4-Conductor, One F-Type Coupler Bulkhead, Female to Female	Almond	NS783AL
	Ivory	NS783I
	Light Almond	NS783LA
	White	NS783W



NS783I

Decorator Frame, One Cat. 5e 110 Punch-Down, One F-Type Coupler Bulkhead, Female to Female	Almond	NS785AL
	Black	NS785BK
	Brown	NS785
	Gray	NS785GY
	Ivory	NS785I
	Light Almond	NS785LA
White	NS785W	



NS785I

netSELECT™ Molded-In Plates

Data Communications and Audio Video



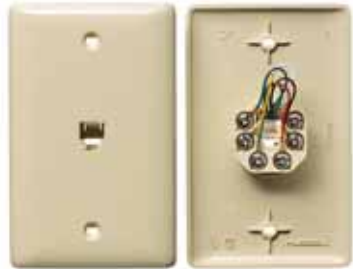
Designed for voice, these devices provide an economical alternative to wall phone outlet placement.

- High impact-resistant thermoplastic plate.
- Convenient screw down terminals.
- Meets FCC part 68.
- UL Listed 1863 - Communication Circuit Accessory and CSA Certified.

Molded-In Plates



NS730I



NS732I



NS742I



NS744I

Description	Color	Standard Catalog Numbers	Mid-Size Catalog Numbers
1-Gang Plate, One RJ11 Jack, 6-Position, 4-Conductor, Screw Terminations	Almond	NS730AL	NS735AL
	Brown	NS730	NS735
	Ivory	NS730I	NS735I
	Light Almond	NS730LA	NS735LA
1-Gang Plate, One RJ11 Jack, 6-Position, 6-Conductor, Screw Terminations	Almond	NS732AL	—
	Brown	NS732	—
	Ivory	NS732I	—
	Light Almond	NS732LA	—
1-Gang Plate, Duplex RJ11 Jacks, 6-Position, 4-Conductor, Screw Terminations	Almond	NS742AL	—
	Ivory	NS742I	NS745I
	Light Almond	NS742LA	—
	White	NS742W	NS745W
1-Gang Plate, Duplex RJ11 Jacks, 6-Position, 6-Conductor, Screw Terminations	Almond	NS744AL	—
	Ivory	NS744I	—
	Light Almond	—	—
	White	NS744W	—

netSELECT™ Molded-In Plates

Data Communications and Audio Video



Designed for voice and CATV/satellite applications, these devices offer an economical alternative to basic performance needs.

- High impact-resistant thermoplastic frame.
- Combination jack and coaxial minimize ganging requirements.
- Meets FCC part 68.
- UL Listed 1863 - Communication Circuit Accessory and CSA Certified.

Molded-In Plates

Description	Color	Standard Catalog Numbers	Mid-Size Catalog Numbers
1-Gang Plate, One F-Type Coupler Bulkhead, Female to Female, One RJ11 Jack, 6-Position, 4-Conductor	Almond	NS747AL	—
	Ivory	NS747I	—
	Light Almond	NS747LA	—
	White	NS747W	—
1-Gang Plate, F-Type Coupler Bulkhead, Female to Female, One RJ11 Jack, 6-Position, 6-Conductor	Almond	NS748AL	NS755AL
	Ivory	NS748I	NS755I
	Light Almond	NS748LA	NS755LA
	White	NS748W	NS755W
1-Gang Plate, Single F-Type Coupler Bulkhead, Female to Female	Almond	NS750AL	NS751AL
	Ivory	NS750I	NS751I
	Light Almond	NS750LA	NS751LA
	White	NS750W	NS751W
1-Gang Plate, Duplex F-Type Coupler Bulkhead, Female to Female	Almond	NS752AL	—
	Ivory	NS752I	—
	Light Almond	NS752LA	—
	White	NS752W	—
1-Gang Plate, One Cat. 5e 110 Punch-Down One RJ11 Jack, 6-Position, 4-Conductor One F-Type Coupler Bulkhead, Female to Female	Almond	NS790AL	—
	Black	NS790BK	—
	Brown	NS790	—
	Gray	NS790GY	—
	Ivory	NS790I	—
	Light Almond	NS790LA	—
White	NS790W	—	



NS747I



NS748I



NS750I



NS752I



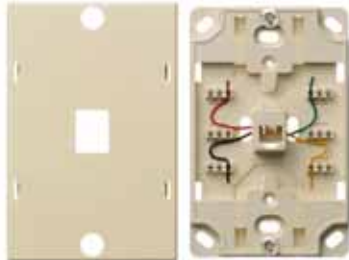
NS790I

netSELECT™

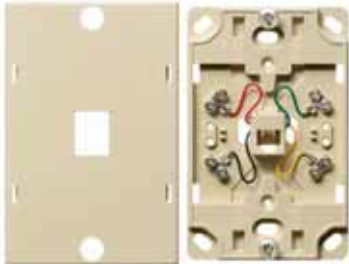
Telephone Wall Jacks*Data Communications and Audio Video*

Designed for voice applications, these jacks provide an economical alternative to basic wall mount and performance needs.

- Available in high impact-resistant thermoplastic or stainless steel.
- Meets FCC part 68.
- UL Listed 1863 - Communication Circuit Accessory and CSA Certified.

**NS721I****Telephone Wall Jacks**

Description	Color	Catalog Numbers
Wall Phone Jack Quick Connect, 6-Position, 4-Conductor, Punch-Down Termination Tool Included	Almond	NS721AL
	Ivory	NS721I
	Light Almond	—
	White	NS721W

**NS722I**

Wall Phone Jack, 6-Position, 4-Conductor, Screw Terminations	Almond	NS722AL
	Ivory	NS722I
	Light Almond	—
	White	NS722W

**NS725I**

Wall Phone Jack, 6-Position, 6-Conductor, Screw Terminations	Almond	NS725AL
	Ivory	NS725I
	Light Almond	NS725LA
	White	NS725W

**NS723SS**

Wall Phone Jack Quick Connect, 6-Position, 4-Conductor, Punch-Down Termination Tool Included	Stainless Steel	NS723SS
--	-----------------	----------------

**NS726SS**

Wall Phone Jack, 6-Position, 4-Conductor, Screw Terminations	Stainless Steel	NS726SS
--	-----------------	----------------

netSELECT™
Telephone Wall Jacks

Data Communications and Audio Video



Telephone surface mount jacks are available in 4- or 6-conductor configurations for voice. Alternatively, multimedia surface mount boxes can be custom loaded for computer and media use.

- High impact-resistant thermoplastic.
- Mounts using screws or double sided tape (both included).
- Meets FCC part 68.
- UL Listed 1863 - Communication Circuit Accessory and CSA Certified.

Telephone Wall Jacks

Description	Color	Catalog Numbers
Telephone Surface Mount Jack, 6-Position, 4-Conductor, Screw Terminations	Ivory White	NS760I NS760W
Telephone Surface Mount Jack, 6-Position, 6-Conductor, Screw Terminations	Ivory White	NS761I NS761W
Multimedia 1-Port Surface Mount Box, Jack Not Included	Ivory White	ISM1EI* ISM1W*
Multimedia 2-Port Surface Mount Box, Jacks Not Included	Ivory White	ISM2EI* ISM2W*



NS760I



NS761I



ISM1EI



ISM2EI

Notes: * cULus Listed 1863 - Communication Circuit Accessory.
 Use multimedia jacks and AV connectors, see section P for complete list.



netSELECT™

Advantages and Wiring Layout

Structured Wiring

- Share single analog, cable or DSL internet connection.
- Local file access.
- Shared peripherals.
- Multiple telephone distribution.
- Call handling (PBX).
- Video distribution.
- Play games that allow multi-users.
- Control home automation systems.

Connect Your Home to Internet, Voice And Video Services.

netSELECT™ is an innovative network solution that's perfect for any home or small office. Specifically positioned as the voice/data segment for the homeSELECT™ brand, the netSELECT™ System satisfies the need for a dependable, flexible system that can accommodate all of today's fast-changing voice, data and video requirements. This cost-effective solution incorporates all the quality you'd expect from Hubbell. Built-in flexibility makes it easy to upgrade and keep pace with evolving technologies.



Easy for Installers

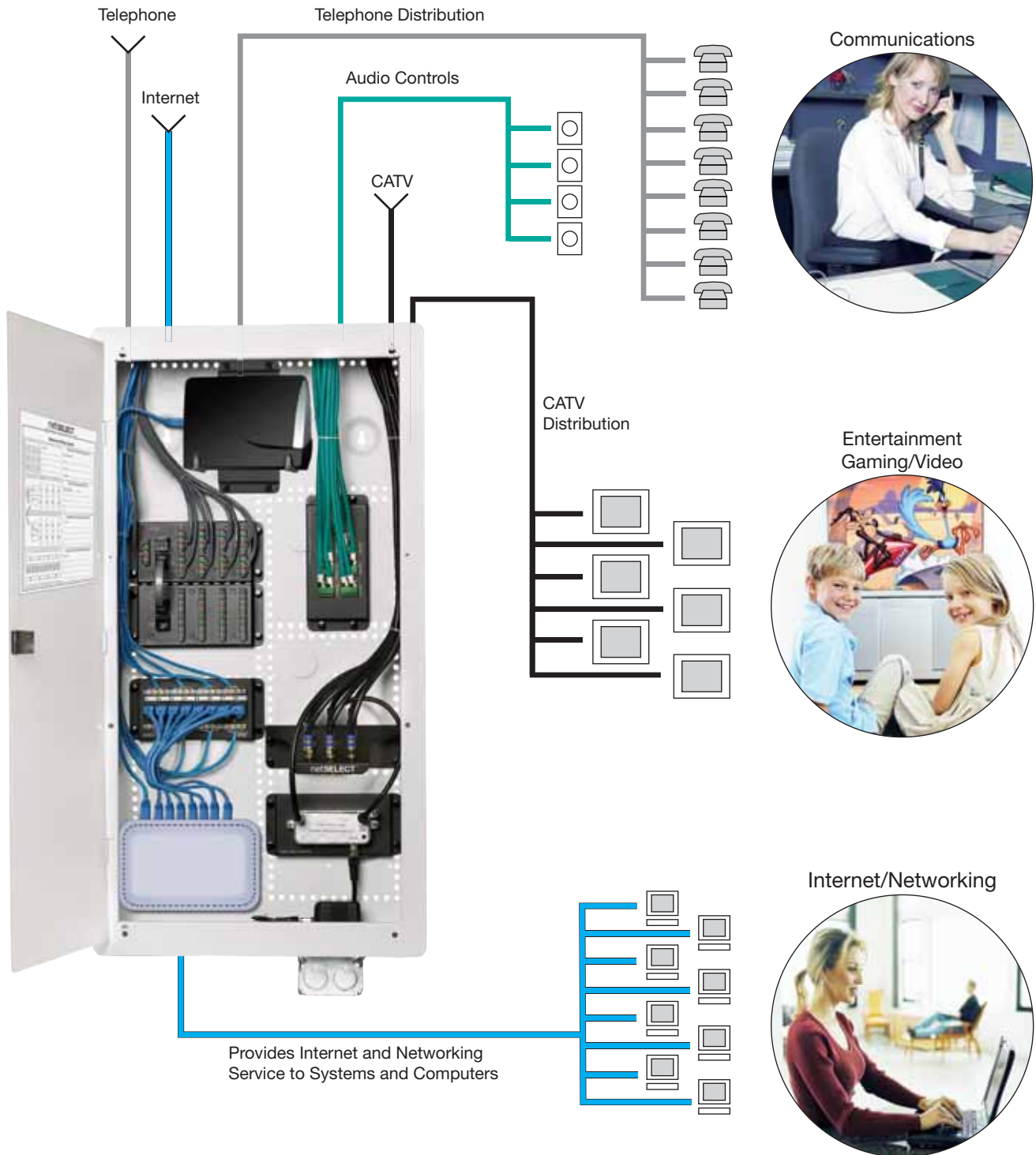
An easy-to-hang cabinet featuring surface or recess mounts between 16-inch studs on center, 2 x 4 inch minimum. netSELECT™ Modular Components snap into the box horizontally or vertically, optimizing space. A blank module provides flexibility for installers to use their own choice of manufacturer's active components. Also included: A reversible and lockable hinged door, ample cable entrance locations and a complete offering of jacks, plates and other work station accessories.

Easy for Users

Built in flexibility to upgrade and keep pace with evolving technologies. An easy-to-read label helps you to keep track of the system's infrastructure. The white powder coat finish provides a clean, durable chassis to house all components.

netSELECT™
Advantages and Wiring Layout
Structured Wiring

*Today's Communications Entail A Lot More Than Just Talking.
 netSELECT™ Keeps You Connected—Internet, Voice, Data and Entertainment*



netSELECT™

Network Enclosures

Structured Wiring



- Flush or surface mount enclosure (hardware provided).
- Hinged cover can be mounted to swing from either side.
- Integral trim ring hides rough-in hole in sheet rock providing a finished appearance.
- Horizontal and vertical module mounting holes for maximum flexibility.
- Unique 89D bracket mounting holes allow easy mounting of 66 blocks and peripherals.
- Provisions to mount optional duplex power and lock kit available.
- Integral cable management slots and tie-wraps provided to help dress cable runs.
- Additional nylon push pins provided to assist module mounting.
- Material: 20-18 gauge steel.
- Finish: white, powder coat.
- UL and cULus Listed 1863.

Network Enclosures

Description	Catalog Numbers
-------------	-----------------

Pre-configured Network System	NSOBNK14
-------------------------------	-----------------

Basic home network kit includes:

- One box with hinged cover NSOBX14,
- One primary 8-port telephone module NSOPTM8,
- One four-way coaxial splitter module NSOVDM4

**NSOBX10**

10.0 Inch Network Enclosure for MDU and Modular Applications	with Hinged Cover with Panel Cover 10"H Box only Hinged Door Panel Cover	NSOBX10 NSOBX10BC NSOBX10B NSOBX10D NSOBX10C
--	--	---

Dimensions:

14.38 in. W x 10.0 in. H x 3.96 in. D

Knock-outs:

- Top: four 1½ in. N.P.T. or completely open combo;
- Bottom: four 1½ in. N.P.T. or completely open combo;
- Back: none

**NSOBX14**

14.0 Inch Network Enclosure	with Hinged Cover with Panel Cover 14"H Box only Hinged Door Panel Cover 2"D Extension Bracket with ventilation and WiFi KOs	NSOBX14 NSOBX14BC NSOBX14B NSOBX14D NSOBX14C NSOBX14X2
-----------------------------	---	---

Dimensions:

14.38 in. W x 14 in. H x 3.96 in. D

Knock-outs:

- Top: two 1 in. Dia. and three 1½ in. N.P.T. combo;
- Bottom: one 1 in. Dia. and one 1½ in. N.P.T. combo;
- Back: two ¾ in. N.P.T.

**NSOBX28**

28.0 Inch Network Enclosure	with Hinged Cover with Panel Cover 28"H Box only Hinged Door Panel Cover 2"D Extension Bracket with ventilation and WiFi KOs	NSOBX28 NSOBX28BC NSOBX28B NSOBX28D NSOBX28C NSOBX28X2
-----------------------------	---	---

Dimensions:

14.38 in. W x 28 in. H x 3.96 in. D

Knock-outs:

- Top: five 1½ in. N.P.T.;
- Bottom: two power kit knockouts;
- Back: four ¾ in. N.P.T.

48.0 Inch Network Enclosure	with Hinged Cover	NSOBX48
-----------------------------	-------------------	----------------

Dimensions:

14.38 in. W x 48 in. H x 3.96 in. D

Knock-outs:

- Top: five 1½ in. N.P.T.;
- Bottom: two power kit knockouts;
- Back: none

Note: For custom installs, REKHS is also available. See section P for ordering information.

netSELECT™
Network Modules

Structured Wiring



netSELECT™ Modular Components enable the designer to select performance requirements specifically for the application. Modules snap horizontally or vertically into the enclosures for maximum flexibility and optimum space usage.

- Dimensions: 6.47 inch W x 2.95 inch H, except NSOMTM24 6.47 inch W x 6.00 inch H.
- Meets FCC Part 68 standard.
- Finish: black, powder coat.
- Material: 18 gauge steel or high impact plastic.
- UL and cULus Listed 1863.

Network Modules

Description **Catalog Numbers**

Combo Module
 Complete Home Network Combo Module 6-Port Telephone Panel and 6-Port Coaxial Splitter with Optional 6-Port Cat. 5e Panel Provides voice, video, and data distribution in a space efficient package. Perfect for use with NSOBOX10 and NS790xx plates to quickly establish a comprehensive home network.



NSOTVM6

6-Port Telephone and Video
 6-Port Telephone, Video and Category 5e
 6-Port Category 5e Data Upgrade Kit

NSOTVM6
NSOTVDM6
NSODK6

Primary Telephone Module, 8-Port
 Supports 8 phone outlets with up to 4 incoming lines for voice, fax or modem applications in a protected PCB module. Pre-mounted push pins snap the module quickly into place. RJ31X interface jack included for security system connection. RJ45 jack interfaces with optional NSOETM8 Telephone Expansion module for additional extensions.



NSOPTM8

Expansion Telephone Module, 8-Port
 Adds an additional 8 phone outlets with up to 4 incoming lines when used with the primary telephone module. Pre-mounted push pins snap the module quickly into place. Includes RJ45 jumper cord to connect with NSOPTM8 Primary Telephone module.

NSOETM8



NSOETM8

Category 5e Data Module, 8-Port
 Supports Gigabit Ethernet for up to 8 Category 5e data lines with front 110 Punch-Down terminations in a protected PCB module. Pre-mounted push pins snap the module quickly into place.

NSODM8



NSODM8

Category 6 Data Module, 8-Port
 Supports enhanced transmission speeds beyond gigabit ethernet. Future proof for tomorrows applications.

NSODM8C6

Multiport Patchable Telecom Module
 Terminates lines via modular plug to accommodate flexibility, by changing plug locations. Reconfigure where phone lines go at the panel level. Allows data lines to be converted to voice, with the move of a patch cord. Includes nine RJ45 jumper cords.

NSOMTM24



NSOMTM24

Combination Module
 6-Port Telephone and 1-Port Data
 Provides basic telephone and data delivery in a small package. Allows data lines to be converted to voice, with the move of a patch cord.

NSO6P1DM



NSO6P1DM

netSELECT™

Audio/Video Modules*Structured Wiring*

netSELECT™ Video Modules support bidirectional signal by splitting to 4, 6, or 8 separate work areas. Pre-mounted push pins snap the module quickly into place.

- Dimensions 4- and 6-way: 6.47 in. W x 2.95 in. H.
- Dimensions 8-way: 6.47 in. W x 2.09 in. H x 3.20 in. D.
- Finish: black, powder coat.
- UL and cULus Listed 1863.

Audio/Video Modules**Description****Catalog Numbers****NSOVDM4**

4-Way Coaxial Splitter Modules,
One Incoming Line, Four Outgoing
1 Ghz, Basic Unit
2.3 Ghz, Enhanced Capability

NSOVDM4
NSOVDM42G

**NSOVDM6**

6-Way Coaxial Splitter Modules,
One Incoming Line, Six Outgoing
1 Ghz, Basic Unit
2.3 Ghz, Enhanced Capability

NSOVDM6
NSOVDM62G

**NSOVDM8**

8-Way Coaxial Splitter Modules,
One Incoming Line, Eight Outgoing
1 Ghz, Basic Unit
2.3 Ghz, Enhanced Capability

NSOVDM8
NSOVDM82G

**NSOVAMP**

Fixed Video Amplifier Module, 10dB
120 volt rated.
240 volt rated.

NSOVAMP
NSOVAMP240

Provides video signal amplification for incoming cable feeds recommended for use when more than four outputs are installed or when signal level is low. Provides 10dB forward path gain and supports current digital cable systems and modems with a passive return. Pre-mounted push pins snap the module quickly into place. Includes RG-59 cable jumper to connect amplifier to passive video splitter.

**NSOAM8**

8 Room Audio Module,
Distributes audio from an amplifier to matching volume controllers. Supports up to eight rooms of audio. Power handling - 200W RMS@20° C. Requires impedance matching volume controls, see page V-67.

NSOAM8**NSOBM**

Blank Module Plate
Allows mounting of active components (i.e. switches, routers) or other devices (66 blocks, audio components) onto a modular platform. Can be custom drilled or used with two self-adhesive VELCRO® strips included to mount components onto module. Pre-mounted push pins snap the module quickly into place.

NSOBM

netSELECT™
Accessories

Structured Wiring



netSELECT™ Accessories enhance system capabilities. Volume controls expand home audio applications. Cabinet mounted receptacle kits provide convenience power to the enclosure.

- Audio controls available in slide or rotary.
- Receptacles available in surge and standard kits.

Accessories

Description	Color	Catalog Numbers
Slide Audio Volume Controller, Decorator Styling, Power handling - 70W RMS@20° C. Impedance matching for up to 8 pairs of speakers. Includes both ivory and white slides and frames.	Ivory/White	NSOSAVC
Rotary Audio Volume Controller Power handling - 70W RMS@20° C. Impedance matching for up to 8 pairs of speakers. Includes both ivory and white knobs and frames.	Ivory/White	NSORAVC
Standard Power Kit, Includes duplex receptacle 15A 125V NEMA 5-15R, electrical steel box and wallplate.		NSOKP
Surge Suppression Power Kit, Includes surge receptacle 15A 125V NEMA 5-15R, 240 Joules/15,000A protection per mode, electrical steel box and wallplate.		NSOKPS
Chromed Steel Lock Kit, Includes two keys. Eliminates unwanted tampering.		FLOCK1
Panel Bracket Adapter, For use with Adapter Panels shown below, and FSP series modules in section P, page 16. Snap mounts into structured cabling enclosures.		NSOFSB
F-Connector Adapter Panel, with Six Populated Coaxial Connectors.		FSPFP6X*
Keystone Adapter Panel, with Six Blank Openings for jacks and snap fits.		FSPHD6X*

Note: * For additional mounting options see section P.



NSOSAVC



NSORAVC



NSOKPS



FLOCK1



NSOFSB



FSPFP6X



FSPHD6X

netSELECT™

Universal Consolidation Blocks, Patch Panels and Patch Cords

Structured Wiring



netSELECT™ Patch Panels are excellent for designing rack systems for telephone, data and AV systems. Consolidation Blocks are ideal for small user count configurations that mount in or on the wall.

- Meets ANSI/TIA - Category 6 and Category 5e standards.
- cULus Listed.

Universal Consolidation Blocks and Patch Panels

Description **Catalog Numbers**

Category 5e 12-Port Universal Consolidation Block, 89D Bracket Mount

NS5E12U



NS5E12U

Category 6 12-Port Universal Consolidation Block, 89D Bracket Mount

NS612U



NS612U

Category 5e Universal Patch Panel
24-port, 1.75 inch H, 1 Rack Unit
48-port, 3.50 inch H, 2 Rack Units

NS5E24U

NS5E48U



NS5E24U



NS5E48U

Category 6 Universal Patch Panel
24-port, 1.75 inch H, 1 Rack Unit
48-port, 3.50 inch H, 2 Rack Units

NS624U

NS648U



NS624U



NS648U

netSELECT™ Patch Cords allow for quick change of voice/data lines with insertion of modular plugs.

- Meets and exceeds ANSI/TIA - Category 6 and Category 5e standards.
- UL and cUL Listed.

Universal Patch Cords, Category 6 and Category 5e

Description	Color	1-Foot	3-Foot	5-Foot	7-Foot	10-Foot	15-Foot	20-Foot	25-Foot
Cat. 5e Patch Cord	Blue	SC5EB01	SC5EB03	SC5EB05	SC5EB07	SC5EB10	SC5EB15	SC5EB20	SC5EB25
	Gray	SC5EGY01	SC5EGY03	SC5EGY05	SC5EGY07	SC5EGY10	SC5EGY15	SC5EGY20	SC5EGY25
	Yellow	SC5EY01	SC5EY03	SC5EY05	SC5EY07	SC5EY10	SC5EY15	SC5EY20	SC5EY25
	Red	SC5ER01	SC5ER03	SC5ER05	SC5ER07	SC5ER10	SC5ER15	SC5ER20	SC5ER25
Cat. 6 Patch Cord	Blue	SC6B01	SC6B03	SC6B05	SC6B07	SC6B10	SC6B15	SC6B20	SC6B25
	Gray	SC6GY01	SC6GY03	SC6GY05	SC6GY07	SC6GY10	SC6GY15	SC6GY20	SC6GY25
	Yellow	SC6Y01	SC6Y03	SC6Y05	SC6Y07	SC6Y10	SC6Y15	SC6Y20	SC6Y25
	Red	SC6R01	SC6R03	SC6R05	SC6R07	SC6R10	SC6R15	SC6R20	SC6R25

